



# Atlas Copco Stationary Air Compressors

ZT45-55  
ZR45-55

## Parts list

From following serial No. onwards:  
AIF-033 576

- Copyright 1999, Atlas Copco Airpower n.v., Antwerp, Belgium.  
Any unauthorized use or copying of the contents or any part thereof is prohibited. This applies in particular to trademarks, model denominations, part numbers and drawings.
- **Use only authorized parts.** Any damage or malfunction caused by the use of unauthorized parts is not covered by Warranty or Product Liability.

No. 2930 1231 01

Registration code: APC Z<90 / 39 / 981

Replaces 2930 1231 00

1999-05

Web-site: <http://www.atlascopco-compressors.com>



\* 2 9 3 0 1 2 3 1 0 1 \*

**Atlas Copco**

Contents  
Inhoud  
Innehåll  
Inhaltsverzeichnis  
Table des matières  
Indice

Indice  
Innehållsförteckning  
Indice  
Indholdsfortegnelse  
Sisällysluettelo

Gear casing and drive gear  
Tandwielkast en aandrijving  
Växelhus och drivning  
Getriebegehäuse und Antriebsrad  
Carter d'engrenages et entraînement  
Cárter de engranajes y accionamiento  
Scatola ingranaggi e ingranaggio conduttore  
Gearkasse og drivhjul  
Carter de engrenagens e accioanamento  
Girkasse og drivhjul  
Vaihteen kotelo ja hihnapyörä ..... 1

Air inlet and frame  
Luchtinlaat en frame  
Luftintag och ram  
Lufteinlaß und Rahmen  
Admission d'air et châssis  
Entrada de aire y bastidor  
Presa d'aria e telaio  
Luftindsug og ramme  
Admissão de ar e base  
Luftinnløp og ramme  
Tuloilma ja runko ..... 2

Air inlet valve  
Luchtinlaatklep  
Luftinloppsventil  
Lufteintrittsventil  
Valve d'entrée d'air  
Válvula de entrada de aire  
Valvola entrata aria  
Ventil til lufttilgang  
Válvula de admissão de ar  
Luftinnløpsventil  
Ilman tuloventtiili ..... 3

Cooling system and air outlet  
Koelsysteem en luchtuitlaat  
Kylsystem och luftutlopp  
Kühlsystem und Luftauslaß  
Circuit de refroidissement et sortie d'air  
Sistema de refrigeración y salida de aire  
Sistema di raffreddamento e uscita aria  
Kølesystem og luftafgang  
Sistema de arrefecimento e saída de ar  
Kjølesystem og luftutløp  
Jäähdytysjärjestelmä ja paineilmaputki  
- ZT ..... 4  
- ZR ..... 5

Regulating system and oil drains  
Regelsysteem en olieaftpleidingen  
Reglersystem och oljeavtappingsrör  
Regelsystem und Ölablaßstutzen  
Système de régulation et drainage d'huile  
Sistema de regulación y purga de aceite  
Sistema di regolazione e scarichi dell'olio  
Reguleringsystem og oliedræn  
Sistema de regulação e purga de óleo  
Reguleringsystem og oljeavtappingsrør  
Säätöjärjestelmä ja öljynpoistot ..... 6

Water system and drain connections  
Watersysteem en aftapaansluitingen  
Vattensystem och avtappningsanslutningar  
Wassersystem und Ablassanschlüsse  
Système d'eau et tuyaux de vidange  
Sistema de agua y conexiones de drenaje  
Sistema dell'acqua e connessioni degli scarichi  
Tilslutninger, vandsystem og dræn  
Sistema de arrefecimento e dreno de condensados  
Vannsystem og tilkoplinger for avtapping  
Vesijärjestelmä ja lauhteenpoistoliitännät ..... 7

Water system  
Watersysteem  
Vattensystem  
Wassersystem  
Système d'eau  
Sistema de agua  
Sistema dell'acqua  
Vandsystem  
Sistema de água  
Vannsystem  
Vesijärjestelmä ZR Energy recovery ..... 8

Bodywork  
Carrosserie  
Karosseri  
Karosserie  
Capotage  
Carrocería  
Cappottatura  
Karosseri  
Carroceria  
Kabinett  
Kotelo  
- ZT ..... 9  
- ZR ..... 10

## Contents

Inhoud

Innehåll

Inhaltsverzeichnis

Table des matières

Indice

Indice

Innholdsfortegnelse

Indice

Indholdsfortegnelse

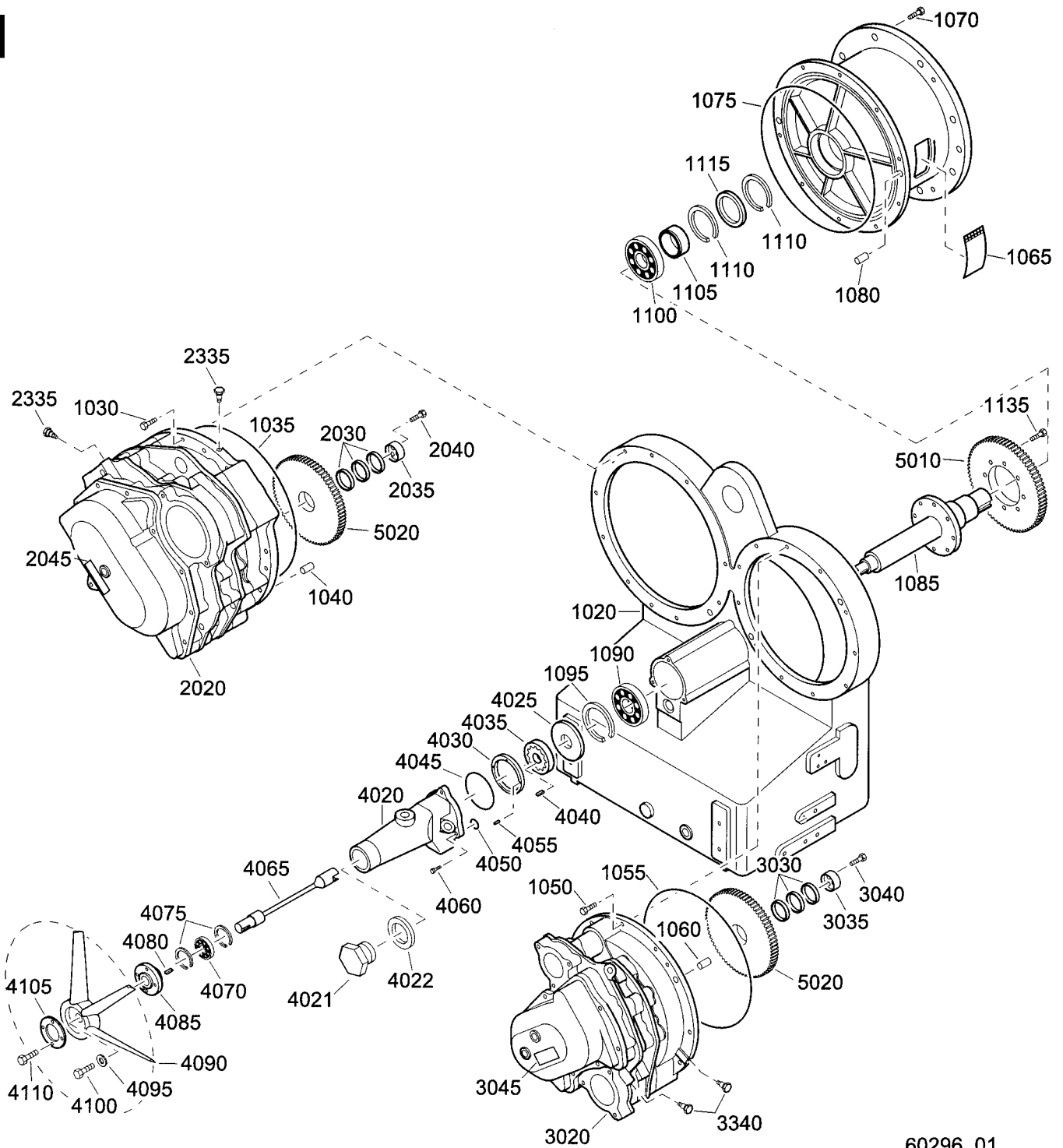
Sisällysluettelo

Motor and coupling	
Motor en koppeling	
Motor och koppling	
Motor und Kupplung	
Moteur et accouplement	
Motor y acoplamiento	
Motore elettrico e giunto	
Motor og kobling	
Motor e acoplamento	
Motor og kopling	
Moottori ja kytkin .....	11

Start cubicle - star/delta	
Startkast - ster/driehoek	
Startskåp - stjärn/triangel	
Anlaßschrank - Stern/Dreieck	
Armoire de démarrage - étoile/triangle	
Cubículo de arranque - estrella/triángulo	
Armadio apparecch. di avviamento - stella/triangolo	
Starterskab - stjerne/trekant	
Cubículo-arranque estrela/triângulo	
Startskap - stjerne-trekant	
Käynnistinkotelo - Y/D	
- IEC Control Voltage 220-24V/50-60Hz .....	12
- CSA/UL Control Voltage 115V-24V/60Hz .....	13

Service kits	
Service kits	
Service kits	
Service Kits	
Service kits	
Service kits	
Kit per la manutenzione	
Service kits	
Conjuntos de reparação	
Servicesett	
Huoltotarvikesarjat .....	14

1



60296\_01

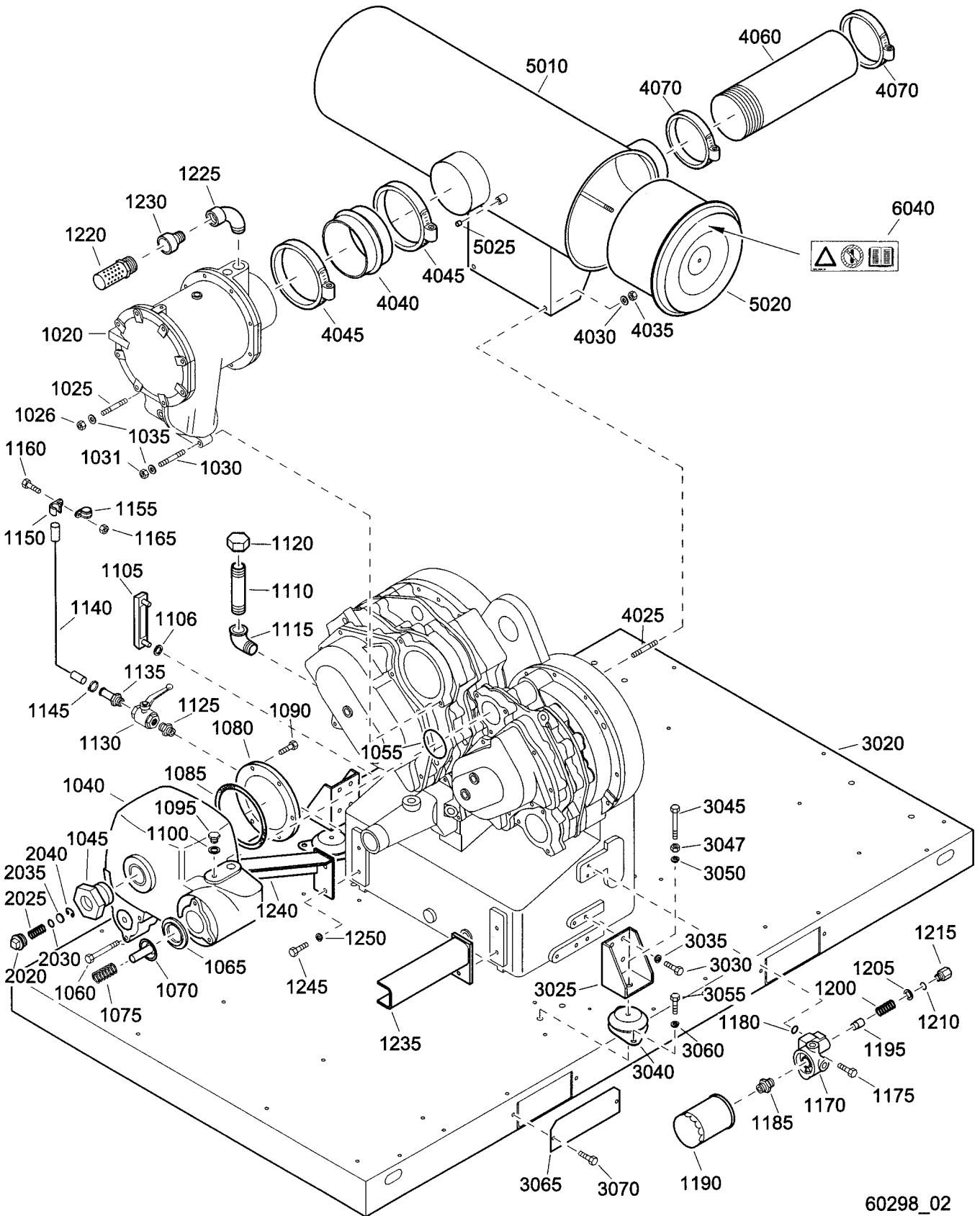
60296\_01

Ref.	Part number	Qty	Name	Remarks	Ref.	Part number	Qty	Name	Remarks
1020	1616 5712 00	1	Gear casing		1085	1616 5573 00	1	Drive shaft	
1030	0147 1365 03	10	Bolt		1090	0502 3109 00	1	Bearing	
1035	0663 7179 00	1	O-ring		1095	0335 2169 00	1	Circlip	
1040	0101 1621 00	2	Parallel pin		1100	0502 2112 00	1	Bearing	
1050	0147 1363 03	11	Bolt		1105	1615 3772 00	1	Bushing	
1055	0663 7177 00	1	O-ring		1110	0335 2165 00	2	Circlip	
1060	0101 1621 00	2	Parallel pin		1115	1202 5245 00	1	Seal ring	
1065	1613 5472 00	2	Guard		1135	0211 1366 00	8	Cap screw	
1070	0147 1363 03	10	Bolt			<b>1616 5501 81</b>	<b>1</b>	<b>Service stage</b>	
1075	0663 6178 00	1	O-ring		2020		• 1	Element	
1080	0101 1621 00	2	Parallel pin		2030	0339 1000 04	• 3	Ring spring	

## Gear casing and drive gear

Ref.	Part number	Qty	Name	Remarks	Ref.	Part number	Qty	Name	Remarks
2035	1615 3715 00	• 1	Clamping washer		1616 5587 00			ZR55-7/50Hz Japan	
2040	0211 1368 00	• 3	Cap screw		1616 5589 00			ZT55-7.5/50Hz, ZR55-8.6/50Hz,	
2045	1202 5089 00	• 1	Label					ZR55-8.6/50Hz Japan, ZR55-8.6/50Hz USA	
2335	1619 6032 00	• 2	Nipple	SPM				ZR55-8.6/60Hz, ZR55-8.6/60Hz Japan, ZR55-8.6/60Hz USA	
	<b>1616 6527 81</b>	<b>1</b>	<b>Service stage</b>						
3020		• 1	Element		1616 5591 00			ZR55-8.6/60Hz, ZT55-7/60Hz Japan, ZR55-8.6/60Hz, ZR55-8.6/60Hz Japan, ZR55-8.6/60Hz USA	
3030	0339 1000 04	• 3	Ring spring						
3035	1615 3715 00	• 1	Clamping washer						
3040	0211 1368 00	• 3	Cap screw						
3045	1202 5089 00	• 1	Label						
3340	1619 6032 00	• 2	Nipple	SPM	1616 5595 00			ZT55-8.6/50Hz, ZT55-8.6/50Hz Japan, ZR55-7.5/60Hz, ZR55-7.5/60Hz USA	
4020		1	Housing						
	1613 4123 00		ZT						
	1615 4697 00		ZR						
4021	0686 3716 10	1	Plug	ZR	5020		2	Gear wheel	
4022	0661 1000 32	1	Flat gasket	ZR	1616 5707 00			ZT45-7/50Hz Japan	
4025	1615 4084 00	1	Ring		1615 4202 00			ZT45-7.5/50Hz, ZT55-7/60Hz 380V60Hz SAA, ZT55-8.6/60Hz, ZT55-8.6/60Hz, ZT55-8.6/60Hz Japan, ZT55-8.6/60Hz USA	
4030	1613 4120 00	1	Eccentric ring						
4035	1613 4121 00	1	Oil pump						
4040	1616 5574 00	1	Key						
4045	0663 6143 00	1	O-ring						
4050	0663 9276 00	1	O-ring						
4055	0102 0242 00	1	Parallel pin		1615 4192 00			ZT45-7/60Hz Japan, ZT45-7.5/60Hz, ZR45-8.6/60Hz, ZT45-7.5/60Hz USA, ZR45-8.6/60Hz Japan, ZR45-8.6/60Hz USA	
4060	0211 1326 00	3	Cap screw						
4065	1613 4125 00	1	Fan shaft	ZT					
4070	0502 2230 00	1	Bearing	ZT					
4075	0335 2146 00	2	Circlip	ZT					
4080	0337 5102 00	1	Parallel key	ZT					
4085	1613 4129 00	1	Adaptor fan	ZT	1615 4367 00			ZR45-8.6/50Hz, ZR45-8.6/50Hz Japan	
4090	1613 1306 02	1	Fan	ZT					
4095	0300 0274 79	1	Washer	ZT	1615 3914 00			ZT45-8.6/50Hz Japan, ZR45-7/60Hz Japan	
4100	0147 1328 03	1	Bolt	ZT					
4105	1202 5122 00	1	Clamp ring	ZT	1616 5709 00			ZT45-8.6/60Hz Japan, ZT45-7/60Hz SAA	
4110	0147 1325 03	4	Bolt	ZT					
5010		1	Gear wheel		1616 5710 00			ZT45-8.6/50Hz, ZR45-7.5/60Hz, ZR45-7.5/60Hz USA, ZT55-7/50Hz Japan, ZR55-7.5/50Hz	
	1616 5593 00		ZT45-7/50Hz Japan						
	1615 4201 00		ZT45-7.5/50Hz, ZT55-7/60Hz 380V60Hz SAA, ZT55-8.6/60Hz, ZT55-8.6/60Hz, ZT55-8.6/60Hz Japan, ZT55-8.6/60Hz USA		1616 6254 01			ZT45-8.6/60Hz, ZT45-8.6/60Hz USA	
	1615 4191 00		ZT45-7/60Hz Japan, ZT45-7.5/60Hz, ZR45-8.6/60Hz, ZT45-7.5/60Hz USA, ZR45-8.6/60Hz Japan, ZR45-8.6/60Hz USA		1615 4083 00			ZR55-7/60Hz Japan	
	1615 4366 00		ZR45-8.6/50Hz, ZR45-8.6/50Hz Japan		1616 5703 00			ZT55-7.5/60Hz, ZT55-7.5/60Hz USA, ZR45-7.5/50Hz, ZR45-7/50Hz Japan	
	1615 3913 00		ZT45-8.6/50Hz Japan, ZR45-7/60Hz Japan		1616 5704 00			ZR55-7/50Hz Japan	
	1616 5597 00		ZT45-8.6/60Hz Japan, ZT45-7/60Hz SAA		1616 5705 00			ZT55-7.5/50Hz, ZR55-8.6/50Hz	
	1616 5601 00		ZT45-8.6/50Hz, ZR45-7.5/60Hz, ZR45-7.5/60Hz USA, ZT55-7/50Hz Japan, ZR55-7.5/50Hz		1616 5706 00			ZR55-8.6/60Hz, ZT55-7/60Hz Japan, ZR55-8.6/60Hz, ZR55-8.6/60Hz Japan, ZR55-8.6/60Hz USA	
	1616 6253 01		ZT45-8.6/60Hz, ZT45-8.6/60Hz USA		1616 5708 00			ZT55-8.6/50Hz, ZR55-7.5/60Hz	
	1615 4082 00		ZR55-7/60Hz Japan						
	1616 5585 00		ZT55-7.5/60Hz, ZT55-7.5/60Hz USA, ZR45-7.5/50Hz, ZR45-7/50Hz Japan		SPM			Vibration monitoring "Shock Pulse Measurement" / Trillingscontrole "SPM" / Vibrationskontroll "Stötpulsmätning" / Schwingungsüberwachung "SPM" / Surveillance des vibrations "SPM" / Monitorización de vibraciones "SPM" / Controllo di vibrazione "SPM" / Vibrationsovervågning "SPM" / Controllo de vibrações "SPM" / Vibrasjonsovervåking "SPM" / SPM- tärinänvalvonta	

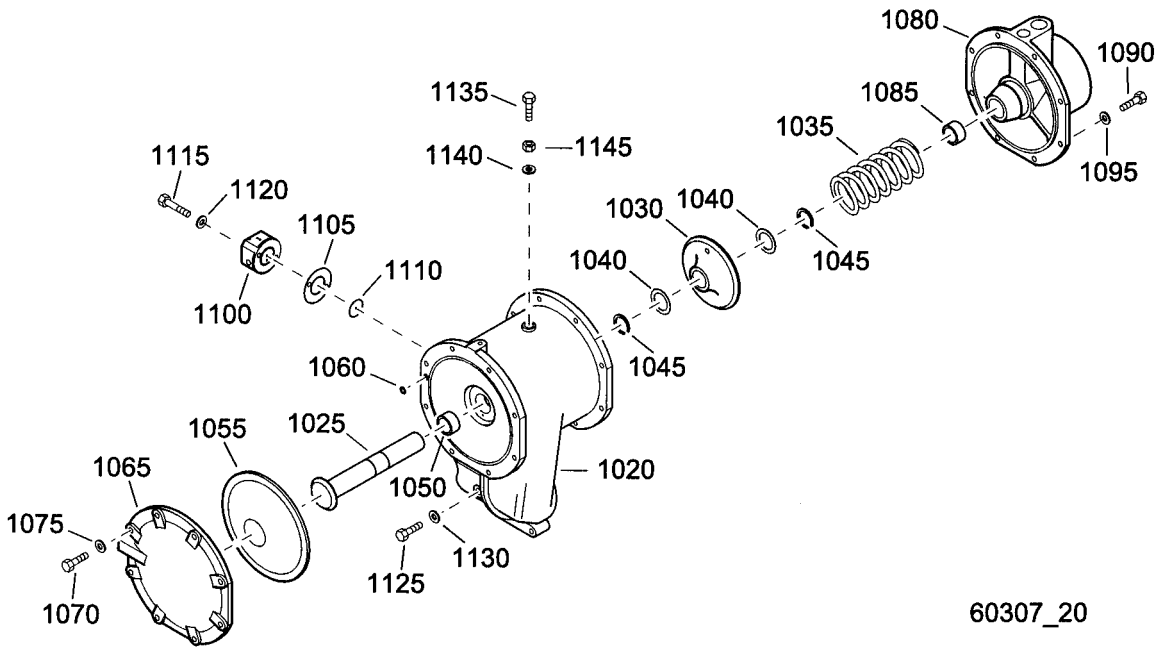
# 2



## Air inlet and frame

Ref.	Part number	Qty	Name	Remarks	Ref.	Part number	Qty	Name	Remarks
<b>1020</b>	<<< >>>	<b>1</b>	<b>Air inlet valve</b>		1215	1202 5181 00	1	Plug	
1025	0246 1956 27	1	Stud		1220	1613 6411 00	1	Muffler	
1026	0266 2111 00	1	Nut		1225	0560 0200 01	1	Elbow	
1030	0246 1956 26	1	Stud		1230	0607 2900 09	1	Reducing socket	
1031	0266 2111 00	1	Nut		1235	1614 8548 00	1	Support	ZR
1035	0301 2344 00	2	Washer		1240	1615 4437 00	1	Support	ZR
1040	1615 3776 00	1	Pulsation damper		1245	0147 1962 29	4	Hexagon bolt	ZR
1045	0605 8300 65	1	Bushing		1250	0333 3232 00	4	Lock washer	ZR
1055	0663 9870 00	1	O-ring			<b>1614 6524 80</b>	<b>1</b>	<b>Bleeder valve</b>	
1060	0147 1375 03	3	Bolt		2020	1614 6524 00	• 1	Valve housing	
1065	1616 5314 00	1	Valve seat		2025	1614 6526 00	• 1	Spring	
1070	1614 7368 00	1	Check valve		2030	0663 3124 00	• 1	O-ring	
1075	1613 5488 00	1	Spring		2035	1614 6525 00	• 1	Valve	
1080	1615 3777 00	1	Cover		2040	1614 6527 00	• 1	Lock spring	
1085	0650 1001 06	1	Gasket		3020	1614 8465 00	1	Frame	
1090	0147 1364 03	6	Bolt		3025	1614 6854 00	2	Foot	
1095	0686 3716 01	1	Plug		3030	0147 1962 29	8	Hexagon bolt	
1100	0653 1062 00	1	Flat gasket		3035	0333 3232 00	8	Lock washer	
1105	1616 5537 00	1	Level indicator		3040	1619 3728 00	2	Rubber buffer	
1106	0661 1005 00	2	Seal washer		3045	0147 1958 78	2	Bolt	
1110	0551 0001 92	1	Threaded pipe		3047	0266 2114 00	2	Nut	
1115	0560 0307 00	1	Elbow		3050	0333 3244 00	2	Lock washer	
1120	0687 3100 19	1	Pipe cap		3055	0147 1962 30	4	Hexagon bolt	
1125	0603 4104 03	1	Hexagon nipple		3060	0333 3237 00	4	Lock washer	
1130	1619 6153 04	1	Ball valve		3065	1613 5701 00	4	Plate	
1135	9000 0243 00	1	Hose nipple		3070	1619 2766 00	8	Bolt	
1140	0075 4005 51	AR	Hose		4025	0246 1238 04	2	Screwed stud	
1145	0347 6105 00	1	Clamp		4030	0301 2344 00	2	Washer	
1150	1613 2685 00	1	Hose support		4035	0266 2111 00	2	Nut	
1155	1613 0801 02	1	Clamp		4040	2250 5266 00	1	Hump hose	
1160	0147 1246 03	1	Bolt		4045	0347 6120 00	2	Hose clip	
1165	0266 2108 00	1	Nut		4060		1	Hose	
1170	1613 4132 00	1	Filter head			1614 8060 04		ZT	
1175	0147 1325 03	2	Bolt			1614 8060 05		ZR	
1180	0663 2107 78	1	O-ring		4070	0347 6118 00	2	Hose clip	
1185	1404 1664 00	1	Nipple			<b>1614 6887 00</b>	<b>1</b>	<b>Silencer</b>	
1190	1619 6227 00	1	Oil filter		5010		1	Silencer	
1195	1202 5424 00	1	Valve		5020	2900 0582 00	• 1	Filter element	
1200	1202 5180 00	1	Spring		5025	1619 3794 00	• 1	Felt disc	
1205	0653 1124 00	1	Flat gasket		6040	1079 9905 49	1	Label	
1210	1302 0343 00	AR	Washer						

# 3

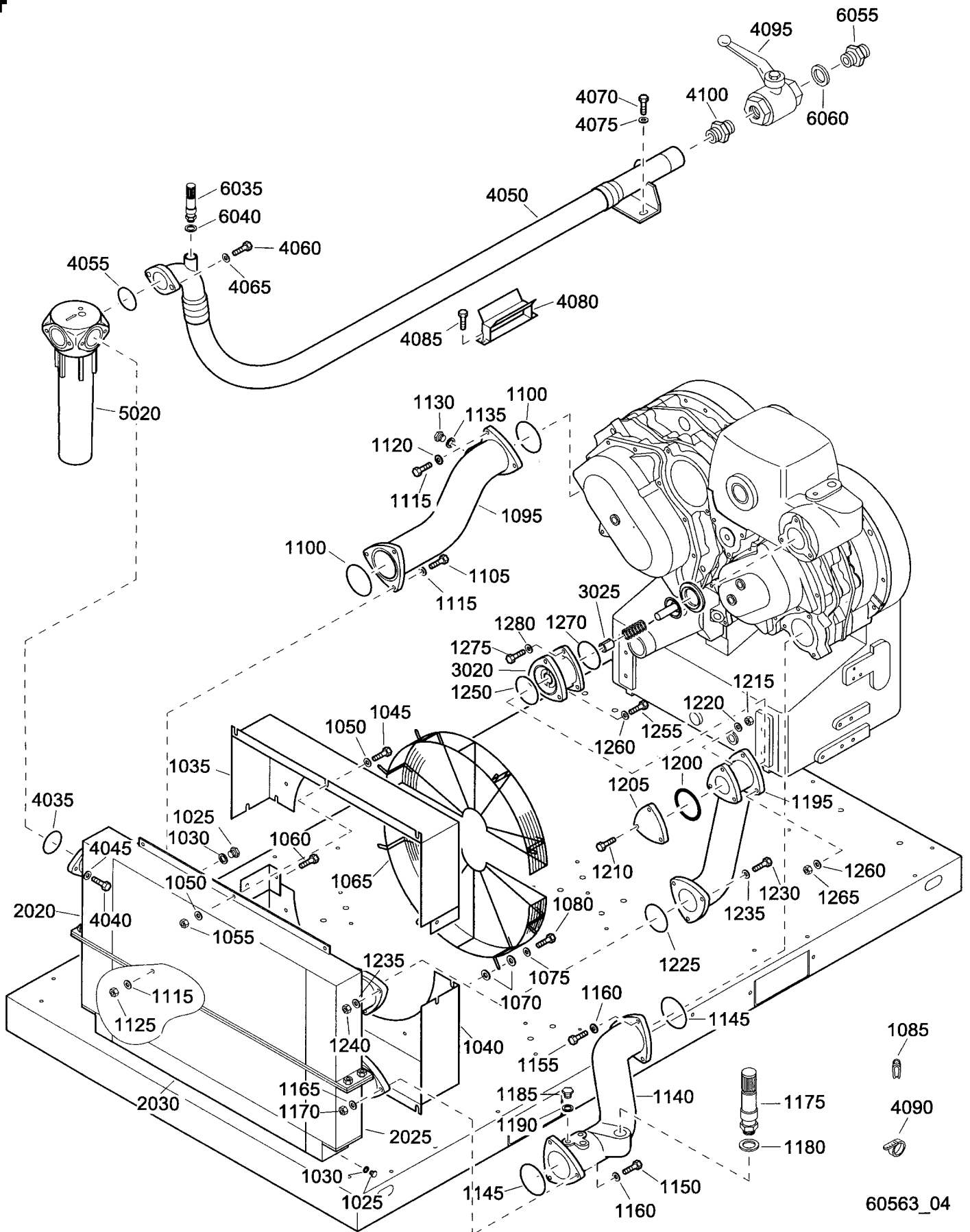


60307\_20

**Air inlet valve**

Ref.	Part number	Qty	Name	Remarks	Ref.	Part number	Qty	Name	Remarks
	<b>1614 6616 80</b>	<b>1</b>	<b>Air inlet valve</b>		1085	2250 5629 00	• 1	Bearing	
1020	1614 6616 00	• 1	Housing		1090	0147 1364 03	• 8	Bolt	
1025	1615 3700 00	• 1	Shaft		1095	0301 2344 00	• 8	Washer	
1030	1614 6535 00	• 1	Valve		1100	1613 4038 00	• 1	Valve plate	
1035	1615 3698 00	• 1	Spring		1105	1613 4033 00	• 1	Gasket	
1040	1615 3697 00	• 2	Spacer		1110	1613 4036 00	• 1	Membrane	
1045	0335 1136 00	• 2	Circlip		1115	0147 1331 03	• 2	Bolt	
1050	2250 5629 00	• 1	Bearing		1120	0301 2335 00	• 2	Washer	
1055	1615 3695 00	• 1	Diaphragm		1125	0686 3716 01	• 1	Plug	
1060	0663 7116 00	• 1	O-ring		1130	0653 1062 00	• 1	Flat gasket	
1065	1615 3694 00	• 1	Cover		1135	0147 1962 35	• 1	Bolt	
1070	0147 1364 03	• 8	Bolt		1140	0653 1100 00	• 1	Flat gasket	
1075	0301 2344 00	• 8	Washer		1145	0266 2114 00	• 1	Nut	
1080	1202 5149 00	• 1	Connection						

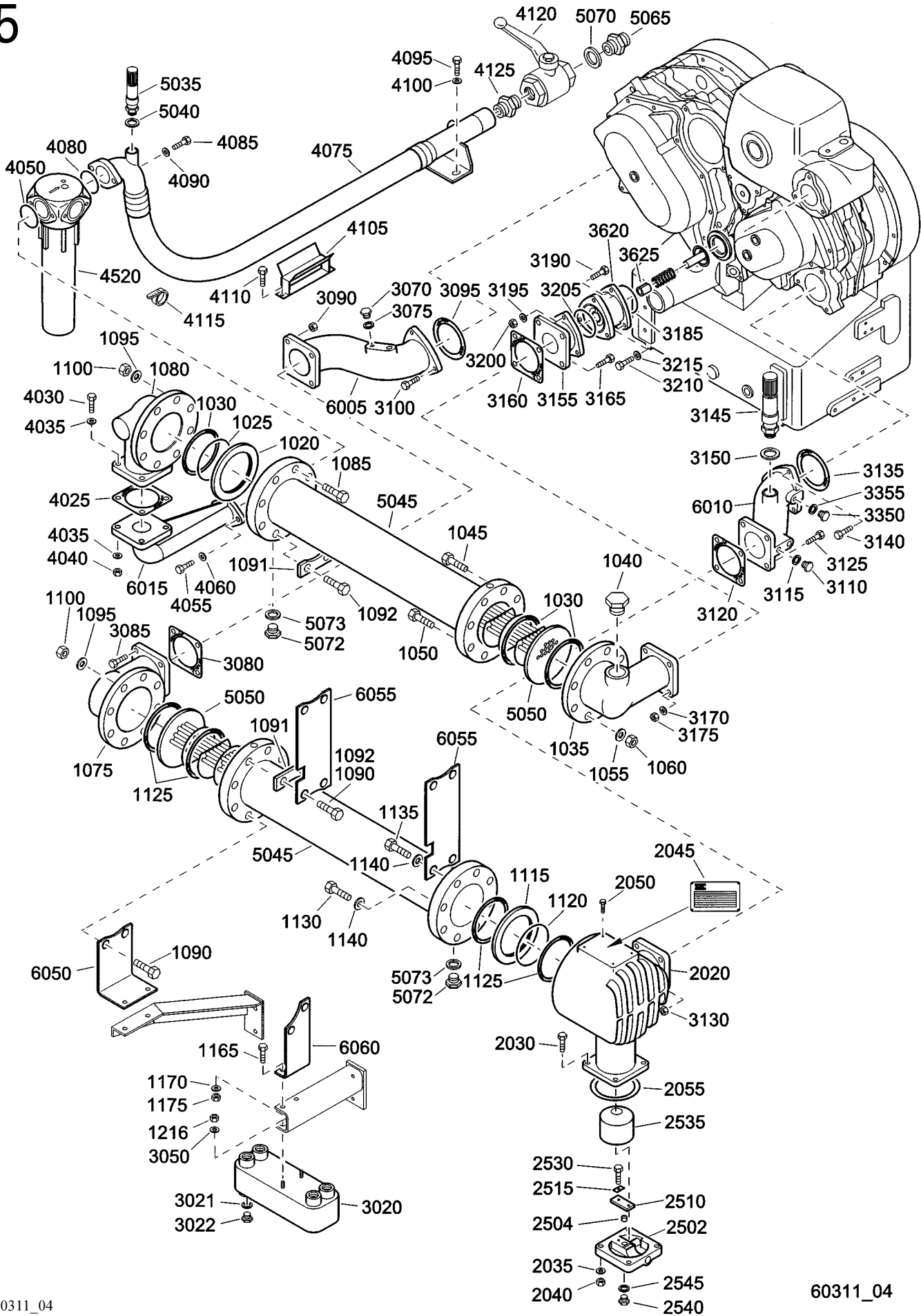
# 4



## Cooling system and air outlet - ZT

Ref.	Part number	Qty	Name	Remarks	Ref.	Part number	Qty	Name	Remarks
1025	0686 3716 01	4	Plug		1230	0147 1367 03	3	Bolt	
1030	0653 1062 00	4	Flat gasket		1235	0301 2344 00	6	Washer	
1035	1615 3973 00	1	Fan cowl		1240	0266 2111 00	3	Nut	
1040	1202 5269 00	1	Fan cowl		1250	0663 9870 00	1	O-ring	
1045	0147 1323 03	6	Bolt		1255	0147 1366 03	3	Bolt	
1050	0301 2335 00	12	Washer		1260	0301 2344 00	6	Washer	
1055	0266 2110 00	6	Nut		1265	0266 2111 00	3	Nut	
1060	1619 2766 00	4	Bolt		1270	0663 9870 00	1	O-ring	
1065	1615 3975 00	2	Fan guard		1275	0147 1363 03	3	Bolt	
1070	1615 4391 00	16	Washer		1280	0301 2344 00	3	Washer	
1075	0301 2335 00	8	Washer			<b>1202 8111 00</b>	<b>1</b>	<b>Combi-cooler</b>	
1080	0147 1323 15	8	Bolt		2020	1202 8111 01 •	1	Aftercooler	
1085	1619 2795 00	AR	Rubber strip		2025	1202 5263 02 •	1	Intercooler	
1095	1614 8364 00	1	Connection		2030	1202 5263 03 •	1	Oil cooler	
1100	0663 2106 15	2	O-ring			<b>1616 5313 80</b>	<b>1</b>	<b>Assembly check valve</b>	
1105	0147 1367 03	3	Bolt		3020	•	1	Valve housing	
1110	0147 1364 03	3	Bolt		3025	0500 4510 11 •	1	Bush	
1115	0301 2344 00	6	Washer		4035	0663 2107 77	1	O-ring	
1120	0301 2344 00	3	Washer		4040	0147 1363 03	2	Bolt	
1125	0266 2111 00	3	Nut		4045	0301 2344 00	2	Washer	
1130	0686 3716 01	1	Plug		4050	1614 8827 00	1	Flexible	
1135	0653 1062 00	1	Flat gasket		4055	0663 2107 77	1	O-ring	
1140	1614 8298 00	1	Connection		4060	0147 1364 03	2	Bolt	
1145	0663 2106 15	2	O-ring		4065	0301 2344 00	2	Washer	
1150	0147 1367 03	3	Bolt		4070	0147 1400 03	2	Bolt	
1155	0147 1364 03	3	Bolt		4075	0301 2358 00	2	Washer	
1160	0301 2344 00	6	Washer		4080	1614 6858 00	1	Support	
1165	0301 2344 00	3	Washer		4085	1619 2766 00	2	Bolt	
1170	0266 2111 00	3	Nut		4090	1088 1301 05	2	Cable strip	
1175	0830 1008 22	1	Safety valve		4095	1619 6153 08	1	Ball valve	
1180	0653 1227 00	1	Flat gasket		4100	0603 4108 03	1	Hexagon nipple	
1185	0686 3716 01	2	Plug		<b>5020</b>	<b>1202 8251 00</b>	<b>1</b>	<b>Water separator</b>	
1190	0653 1062 00	2	Flat gasket			<b>2900 1017 00 •</b>	<b>1</b>	<b>Drain valve kit</b>	
1195	1202 8203 00	1	Connection			0663 2101 71 •	1	O-ring	
1200	0650 1001 33	1	Gasket		6035	0830 1008 06	1	Safety valve	
1205	1615 4061 00	1	Blind flange		6040	0653 1165 00	1	Flat gasket	
1210	0147 1366 03	3	Bolt		6055		1	Joint nipple	
1215	0301 2344 00	3	Washer			3455 0401 07		USA, Canada	
1220	0266 2111 00	3	Nut		6060		1	Sealing washer	
1225	0663 9870 00	1	O-ring			0661 1062 00		USA, Canada	

5



## Cooling system and air outlet - ZR

Ref.	Part number	Qty	Name	Remarks	Ref.	Part number	Qty	Name	Remarks
1020	1202 3884 05	1	Seal ring		3155	1202 8202 00	1	Connection	
1025	0663 7548 00	1	O-ring		3160	1202 5823 00	1	Gasket	
1030	0650 1001 37	4	Gasket		3165	0147 1405 03	4	Bolt	
1035	1202 9171 02	1	Connection		3170	0301 2358 00	8	Washer	
1040	0686 3115 38	1	Plug		3175	0266 2112 00	4	Nut	
1045	0147 1958 66	6	Bolt		3185	0663 9870 00	1	O-ring	
1050	0147 1559 03	2	Bolt		3190	0147 1365 03	3	Bolt	
1055	0301 2394 00	8	Washer		3195	0301 2344 00	6	Washer	
1060	0266 2116 00	8	Nut		3200	0266 2111 00	3	Nut	
1075	1202 9171 00	1	Connection		3205	0663 9870 00	1	O-ring	
1080	1202 9171 01	1	Connection		3210	0147 1365 03	3	Bolt	
1085	0147 1958 66	10	Bolt		3215	0301 2344 00	3	Washer	
1090	0147 1559 03	6	Bolt		3350	0686 3716 01	1	Plug	
1091	1614 8366 00	2	Spacer	Energy recovery	3355	0653 1062 00	1	Flat gasket	
1092	0147 1561 03	4	Bolt	Energy recovery		<b>1616 5313 80</b>	<b>1</b>	<b>Valve housing</b>	
1095	0301 2394 00	16	Washer		3620		• 1	Valve housing	
1100	0266 2116 00	16	Nut		3625	0500 4510 11	• 1	Bush	
1115	1202 3884 05	1	Seal ring		4025	1202 5823 00	1	Gasket	
1120	0663 7548 00	1	O-ring		4030	0147 1405 03	4	Bolt	
1125	0650 1001 37	4	Gasket		4035	0301 2358 00	8	Washer	
1130	0147 1555 03	6	Bolt		4040	0266 2112 00	4	Nut	
1135	0147 1958 65	2	Bolt		4050	0663 2107 77	1	O-ring	
1140	0301 2394 00	8	Washer		4055	0147 1363 03	2	Bolt	
1165	0147 1962 29	4	Bolt		4060	0301 2344 00	2	Washer	
1170	0333 3232 00	4	Lockwasher		4075	1614 8826 00	1	Hose assembly	
1175	0266 2111 00	4	Nut		4080	0663 2107 77	1	O-ring	
1216	0300 8019 00	2	Washer		4085	0147 1364 03	2	Bolt	
	<b>1202 9287 82</b>	<b>1</b>	<b>Water separator</b>		4090	0301 2344 00	2	Washer	
2020	9825 9000 55	• 1	Water separator		4095	0147 1400 03	2	Bolt	
2030	0147 1960 39	• 4	Screw		4100	0301 2358 00	2	Washer	
2035	0301 2344 00	• 4	Washer		4105	1614 6858 00	1	Support	
2040	0266 2111 00	• 4	Nut		4110	1619 2766 00	2	Bolt	
2045	9825 9000 16	• 1	Data plate		4115	1088 1301 05	2	Cable strip	
2050	0244 4184 00	• 4	Drive screw		4120	1619 6153 08	1	Ball valve	
2055	0650 0100 53	• 1	Gasket		4125	0603 4108 03	1	Hexagon nipple	
	<b>1202 4919 80</b>	<b>1</b>	<b>Float valve</b>		<b>4520</b>	<b>1614 7899 00</b>	<b>1</b>	<b>Water separator</b>	
<b>2502</b>	<b>1202 4819 00</b>	<b>• 1</b>	<b>Cover</b>			<b>2900 1017 00</b>	<b>• 1</b>	<b>Drain valve kit</b>	
2504	1202 4818 00	•• 1	Insert			0663 2101 71	•• 1	O-ring	
2510	1202 3739 00	• 1	Membrane		5035	0830 1008 06	1	Safety valve	
2515	1202 3740 00	• 1	Clamp		5040	0653 1165 00	1	Flat gasket	
2530	0160 1244 01	• 1	Screw			<b>1202 4798 83</b>	<b>2</b>	<b>Core &amp; casing</b>	
2535	1202 3825 00	• 1	Float		5045		2	Outer casing	Energy recovery 1)
2540	0686 3716 01	• 1	Plug			1202 4799 03	• 1	TUV (CE)	
2545	0661 1020 00	• 1	Gasket		5050		2	Core	
3020	1614 8595 00	1	Oil cooler			1202 4798 03	• 1	TUV (CE)	
3021	0686 3716 35	2	Plug		5065		1	Joint nipple	
3022	0661 1000 29	2	Seal washer			3455 0401 07		USA, Canada	
3050	0266 2110 00	2	Nut		5070		1	Sealing washer	
3070	0686 3716 01	1	Plug			0661 1000 32		USA, Canada	
3075	0653 1062 00	1	Flat gasket		5072	0686 4204 00	2	Plug	
3080	1202 5823 00	1	Gasket		5073	0653 1124 00	2	Flat gasket	
3085	0147 1405 03	4	Bolt		6005	1614 8300 00	1	Pipe	
3090	0266 2112 00	4	Nut		6010	1614 8297 00	1	Pipe	
3095	0650 1000 95	1	Gasket		6015	1615 4560 00	1	Pipe	
3100	0147 1364 03	3	Bolt		6050	1615 4441 00	1	Support	
3110	0686 3716 01	2	Plug		6055	1614 8444 00	2	Support	
3115	0653 1062 00	2	Flat gasket		6060	1615 4547 00	1	Support	
3120	1202 5823 00	1	Gasket						
3125	0147 1405 03	4	Bolt						
3130	0266 2112 00	4	Nut						
3135	0650 1000 95	1	Gasket						
3140	0147 1364 03	3	Bolt						
3145	0830 1008 21	1	Safety valve						
3150	0653 1189 00	1	Flat gasket						

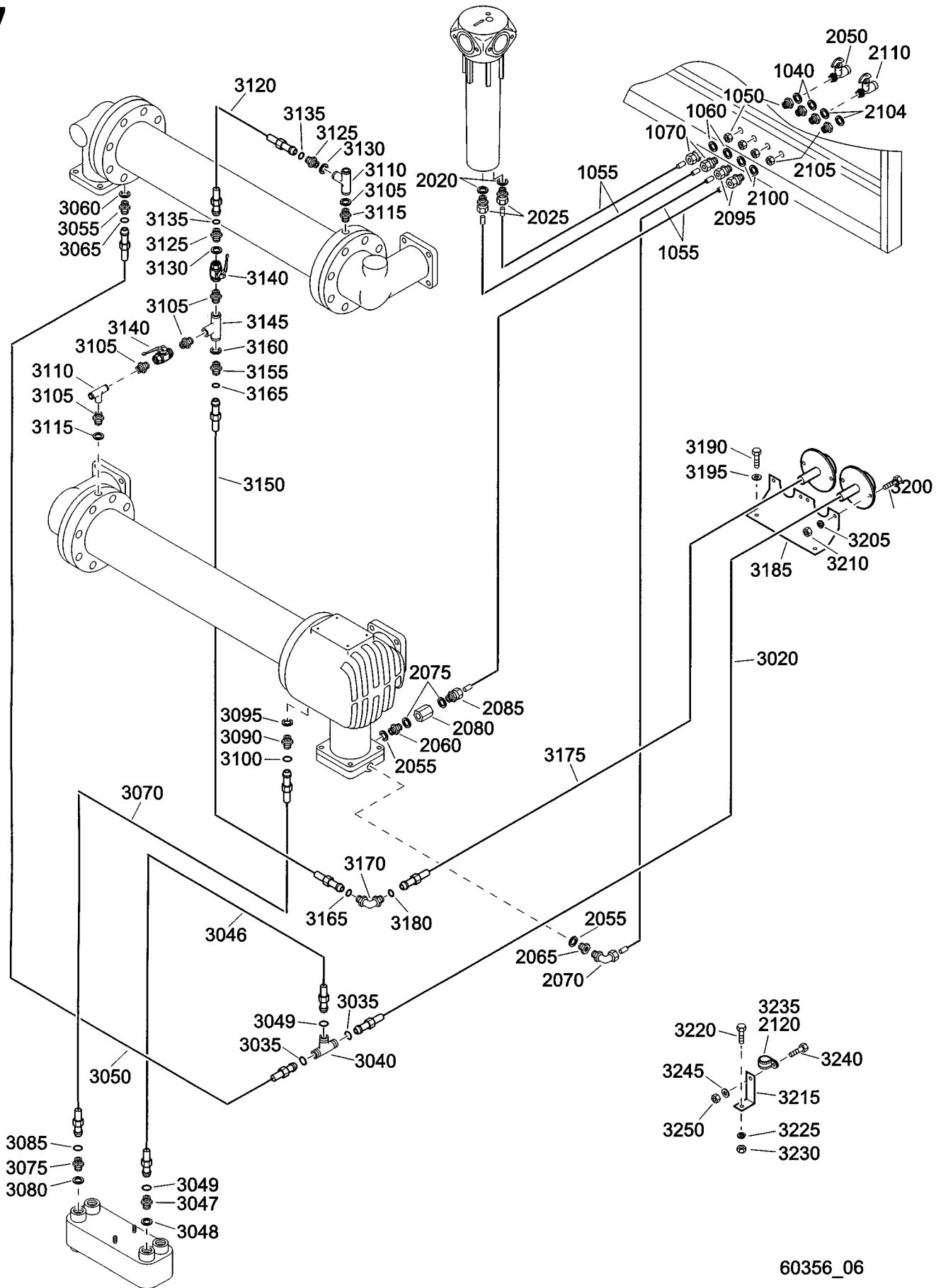
1) To be lined with / Te beklæden met / Skall bekläds med / Auskleiden mit / A garnir avec / Revestir de / Rivestire con / Skal beklædes / Forrar com / Skal föres med / Vuorataan :  
Insulation 1619 6432 00



## Regulating system and oil drains

Ref.	Part number	Qty	Name	Remarks	Ref.	Part number	Qty	Name	Remarks
<b>1010</b>		<b>1</b>	<b>Pipe</b>		2010	1621 0158 00	• 1	Housing	
	0075 5551 39	• AR	Pipe		2015	1202 6255 01	• 1	Filter element	
	1079 5831 10	• 2	Soldering cone		2020	0663 2107 84	• 1	O-ring	
	0584 3013 00	• 2	Nut		2025	1614 8222 00	• 1	Cover	
1020	0582 0000 11	2	Body		2030	0211 1247 03	• 2	Cap screw	
1030	0661 1000 27	2	Seal washer		3020	1089 0575 35	1	Pressure sensor	
1040	0663 2101 87	2	O-ring		3025	1089 0575 34	2	Pressure sensor	
<b>1050</b>		<b>1</b>	<b>Pipe</b>		3027		1	Flexible	
	0075 5551 19	• AR	Pipe			0574 8236 41		ZT	
	0627 0582 00	• 2	Banjo			0574 8236 32		ZR	
1060	0627 4200 06	2	Pressure screw		3031	1614 8594 00	1	Nipple	
1070	0661 1000 25	4	Seal washer		3030	1089 0575 33	1	Pressure sensor	
<b>1080</b>		<b>1</b>	<b>Pipe</b>		3032	0574 8236 20	1	Hose assembly	
	0075 5551 19	• AR	Pipe		3034	0580 0013 22	2	Strain coupling	
	0627 0582 00	• 2	Banjo		3035	1621 0148 00	1	Nipple	
1085	0686 3716 01	1	Plug		3037	1614 8121 00	2	Coupling	
1087	0661 1000 25	1	Seal washer		3039	0261 1099 25	2	Nut	
1090	0627 4200 06	1	Pressure screw		3040	0653 1062 00	4	Flat gasket	
1092	1621 1006 00	1	Nipple		3042	1614 8392 00	1	Bracket	
1100	0661 1000 25	4	Seal washer		3045			Temperature sensor	
<b>1110</b>		<b>1</b>	<b>Pipe</b>			1089 0574 07	4	ZT	
	0072 5551 39	• AR	Pipe			1089 0574 07	7	ZR	
		•	Soldered cone		3050	1900 0701 24	1	Regulator	
	1079 5831 10	2	ZT		3055	1900 0701 45	1	Regulator	ZR
	1079 5831 10	1	ZR		3070	1503 2467 00	AR	Seal cord	
	1079 5831 13	1	ZR		3075	0160 6059 00	4	Screw	
		•	Nut		3080	0301 2318 00	4	Washer	
	0584 3013 00	2	ZT		3085		1	Wire harness	
	0584 3013 00	1	ZR			1614 8809 00		ZT	
	0584 3018 00	1	ZR			1614 8808 00		ZR	
1120	0582 0000 11	2	Body		3125	1089 0428 14	1	Solenoid valve	
1130	0653 1124 00	2	Flat gasket		3127	0663 2104 83	• 2	O-ring	
1140	0663 2101 87	2	O-ring		3130	1614 8151 00	1	Cover	
<b>1150</b>		<b>1</b>	<b>Pipe</b>	ZT	4020	0582 0000 15	2	Body	
	0075 5551 39	• AR	Pipe		4025	0653 1189 00	2	Flat gasket	
		•	Soldered cone		<b>4030</b>		<b>1</b>	<b>Pipe</b>	
	1079 5831 10	2	ZT			0075 5551 94	• 1	Pipe	
	1079 5831 10	1	ZR			1079 5831 02	• 2	Soldered cone	
	1079 5831 13	1	ZR			0584 3022 00	• 2	Nut	
		•	Nut		4035	0663 7128 00	2	O-ring	
	0584 3013 00	2	ZT		4043	0661 1000 25	2	Seal washer	
	0584 3013 00	1	ZR		4048	1619 5205 00	2	Nipple	
	0584 3018 00	1	ZR		4053	0575 0051 37	1	Hose assembly	
1160		2	Body		4080	0574 9881 05	1	Hose assembly	
	0582 0000 11		ZT		4085	0581 0000 46	1	Pipe coupling	
	0582 0000 14		ZR		4090	0653 1003 00	1	Flat gasket	
1170		2	Flat gasket		4095	0581 0000 47	1	Pipe coupling	
	0653 1124 00		ZT		4100	0653 1046 00	1	Flat gasket	
	0653 1165 00		ZR		4250			Cable strip	
1180		2	O-ring			1088 1301 01	2	L=92	
	0663 2101 87		ZT			1088 1301 02	4	L=140	
	0663 7126 00		ZR			1088 1301 03	11	L=186	
1190	1614 8399 00	1	Flange			1088 1301 05	2	L=338	
1200	0560 0200 23	1	Elbow		4251	1088 1305 01		Push mount	
1210	0603 4104 03	1	Hexagon nipple		4270	0346 1000 18	1	Pipe clamp	
1220	0663 2107 81	1	O-ring		4275			Clamp	
1230	0211 1335 03	2	Cap screw			1613 0801 02	2	1 x 13	
1240	0581 1200 23	2	Elbow			1613 0801 03	1	1 x 37	
1250	0605 8700 39	1	Bushing			1619 2861 04	1		
1260	0661 1000 27	1	Seal washer		4280	1613 2685 00	1	Hose support	
1270	0070 6002 06	AR	Plastic tube		4285	0147 1246 03	AR	Bolt	
1281	1614 8671 00	1	Housing		4290		AR	Washer	
1282	1614 8672 00	1	Plug			0301 2321 00		Ø6.4 x 12 x 1.6	
1283	1614 8673 00	1	Filter element			0301 2335 00		Ø8.4 x 16 x 1.6	
1284	0661 1000 30	1	Seal washer		4295		AR	Nut	
1285	0661 1000 25	1	Seal washer			0266 2108 00		M6	
	<b>1621 0158 80</b>	<b>1</b>	<b>Breather</b>			0266 2110 00		M8	

7

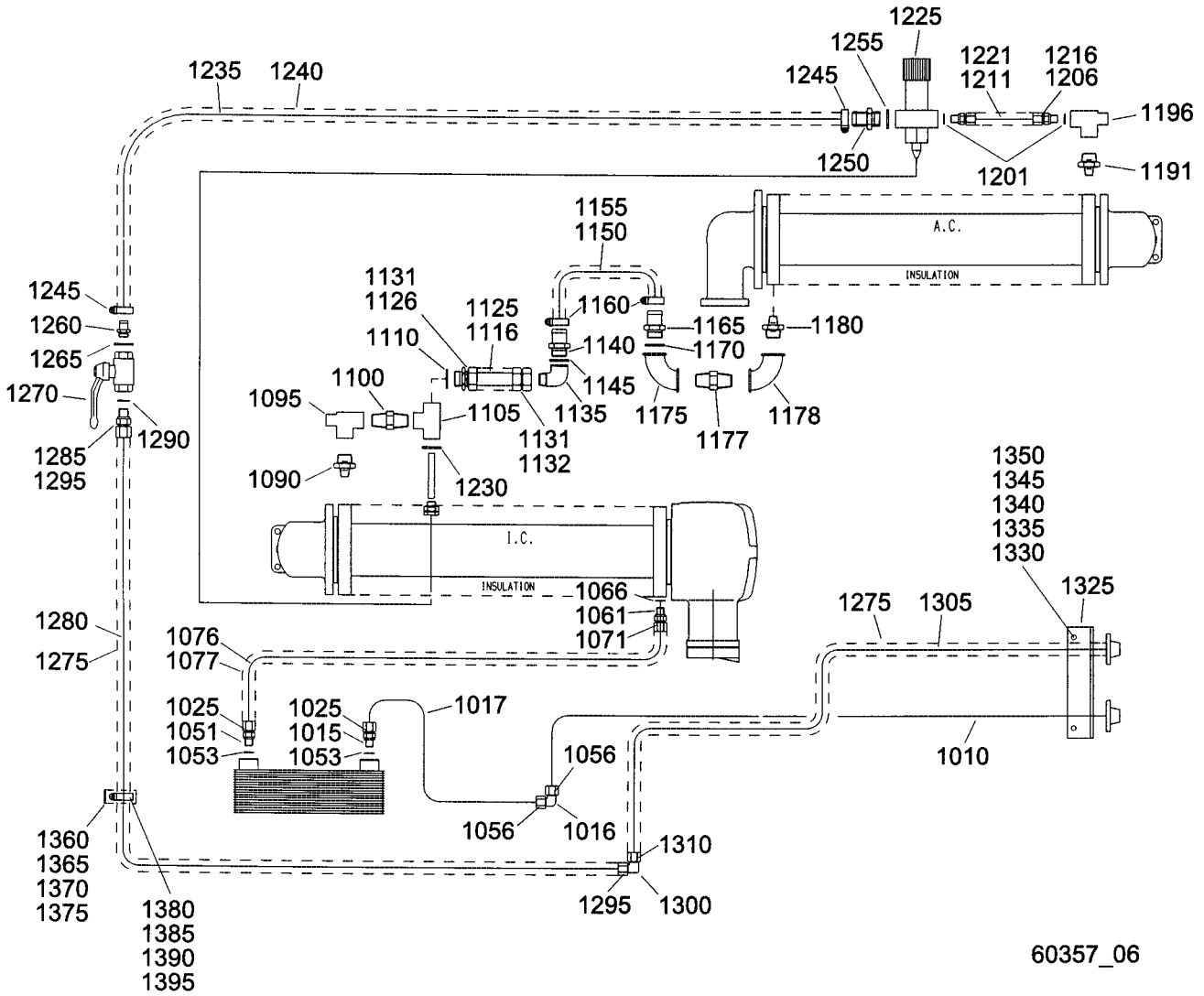


60356\_06

## Water system and drain connections

Ref.	Part number	Qty	Name	Remarks	Ref.	Part number	Qty	Name	Remarks
1040	0661 1000 27	2	Sealing washer		3075	0582 0000 14	1	Body	
1050	0581 0000 87	2	Pipe coupling		3080	0661 1000 29	1	Sealing washer	
1055	0070 6002 06	AR	Plastic tube		3085	0663 7126 00	1	O-ring	
1060	0653 1062 00	2	Flat gasket		3090	0582 0000 11	1	Body	
1070	0581 0000 45	2	Pipe coupling		3095	0661 1000 27	1	Sealing washer	
2020	0661 1000 25	2	Seal washer		3100	0663 2101 87	1	O-ring	
2025	0581 0000 45	2	Pipe coupling		3105	0603 4104 03	5	Nipple	
2050	0852 0010 29	1	Ball valve		3110	0564 0000 31	2	Tee	
2055	0661 1000 27	2	Seal washer		3115	0653 1100 00	2	Flat gasket	
2060	0581 0034 01	1	Pipe coupling		<b>3120</b>		<b>1</b>	<b>Pipe</b>	
2065	0605 8700 39	1	Bushing			0075 5551 39 •	AR	Pipe	
2070	0581 1200 27	1	Elbow			1079 5831 10 •	2	Soldered cone	
2075	0661 1000 25	2	Seal washer			0584 3013 00 •	2	Nut	
2080	8204 0940 18	1	Valve		3125	0582 0000 11	2	Body	
2085	0581 0000 45	1	Pipe coupling		3130	0661 1000 27	2	Sealing washer	
2095	0581 0000 45	2	Pipe coupling		3135	0663 2101 87	2	O-ring	
2100	0653 1062 00	2	Flat gasket		3140	1619 6153 04	2	Ball valve	
2104	0661 1000 27	2	Sealing washer		3145	0564 0000 19	1	Tee	
2105	0581 0000 87	1	Pipe coupling		<b>3150</b>		<b>1</b>	<b>Pipe</b>	
2110	0852 0010 29	1	Ball valve			0075 5551 72 •	AR	Pipe	
2120	0346 1002 10	1	Pipe clamp			1079 5831 01 •	2	Soldered cone	
<b>3020</b>		<b>1</b>	<b>Pipe</b>			0584 3018 00 •	2	Nut	
	0075 5551 72 •	AR	Pipe		3155	0582 0000 14	1	Body	
	1079 5831 01 •	1	Soldered cone		3160	0661 1000 29	1	Sealing washer	
	0584 3018 00 •	1	Nut		3165	0663 7126 00	2	O-ring	
	2252 0813 03 •	1	Coupling		3170	0582 2000 17	1	Elbow	
3035	0663 7126 00	2	O-ring		<b>3175</b>		<b>1</b>	<b>Pipe</b>	
3040	0582 4000 15	1	Body			0075 5551 72 •	AR	Pipe	
<b>3046</b>		<b>1</b>	<b>Pipe</b>			1079 5831 01 •	1	Soldered cone	
	0075 5551 39 •	AR	Pipe			0584 3018 00 •	1	Nut	
	1079 5831 13 •	2	Soldered cone			2252 0813 03 •	1	Coupling	
	0584 3018 00 •	2	Nut		3180	0663 7126 00	1	O-ring	
3047	0582 0000 14	1	Body		3185	1614 6834 00	1	Support	
3048	0661 1000 29	1	Seal washer		3190	0147 1398 03	2	Bolt	
3049	0663 7126 00	2	O-ring		3195	0301 2358 00	2	Washer	
<b>3050</b>		<b>1</b>	<b>Pipe</b>		3200	0147 1323 03	4	Bolt	
	0075 5551 39 •	AR	Pipe		3205	0333 3227 00	4	Lockwasher	
	1079 5831 10 •	1	Soldered cone		3210	0266 2110 00	4	Nut	
	0584 3013 00 •	1	Nut		3215	1614 8605 00	1	Bracket	
3047	0582 0000 14	1	Body		3220	0147 1323 03	1	Bolt	
3048	0661 1000 29	1	Seal washer		3225	0333 3227 00	1	Lockwasher	
3049	0663 7126 00	2	O-ring		3230	0266 2110 00	1	Nut	
<b>3050</b>		<b>1</b>	<b>Pipe</b>		3235	1619 2861 08	1	Clamp	
	0075 5551 39 •	AR	Pipe		3240	0147 1246 03	1	Bolt	
	1079 5831 10 •	1	Soldered cone		3245	0301 2321 00	1	Washer	
	0584 3013 00 •	1	Nut		3250	0266 2108 00	1	Nut	
	1079 5831 13 •	1	Soldered cone						
3055	0582 0000 11	1	Body						
3060	0661 1033 00	1	Sealing washer						
3065	0663 2101 87	1	O-ring						
<b>3070</b>		<b>1</b>	<b>Pipe</b>						
	0075 5551 39 •	AR	Pipe						
	1079 5831 10 •	1	Soldered cone						
	0584 3013 00 •	1	Nut						
	1079 5831 13 •	1	Soldered cone						
	0584 3018 00 •	1	Nut						

8

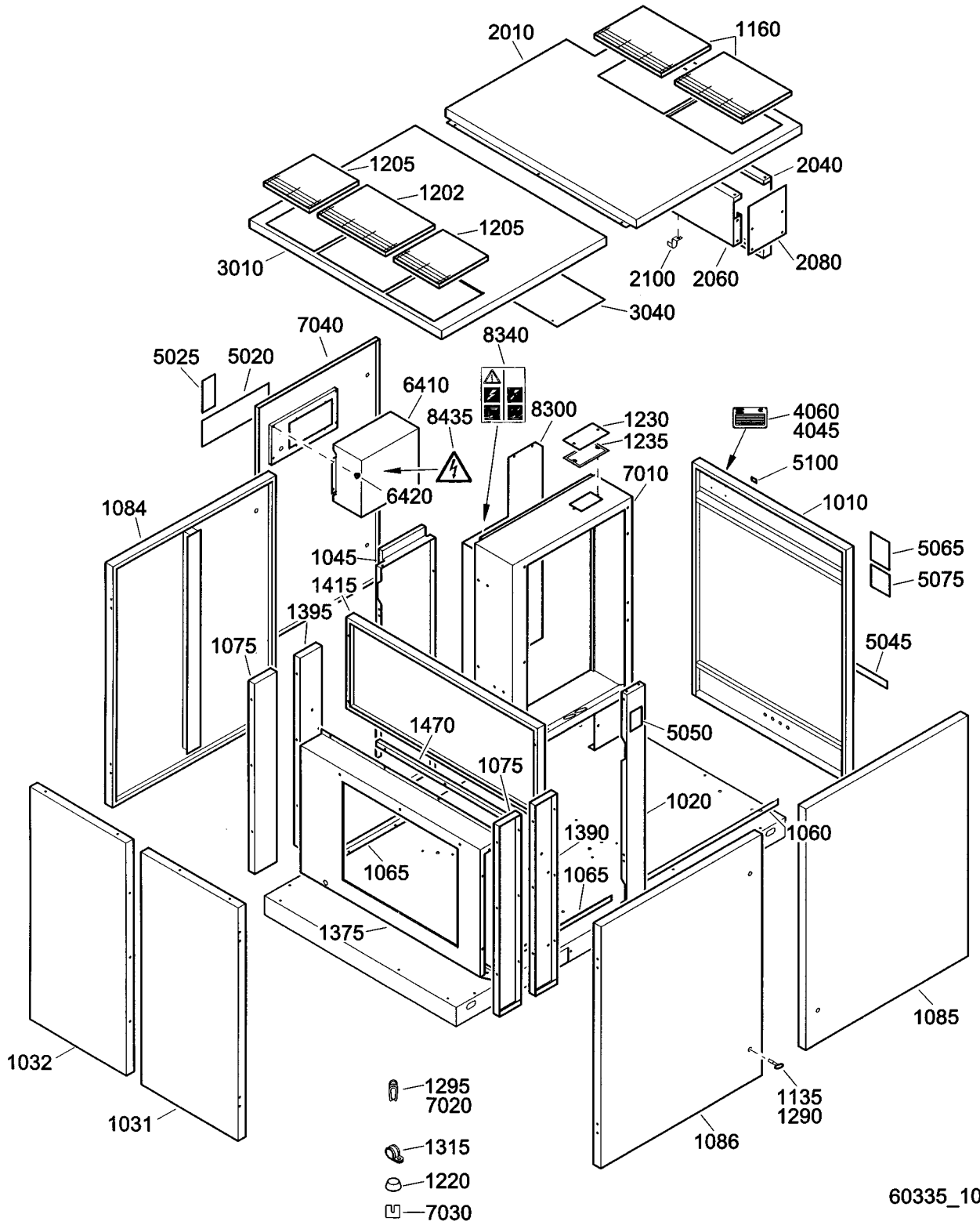


60357\_06

## Water system - ZR Energy recovery

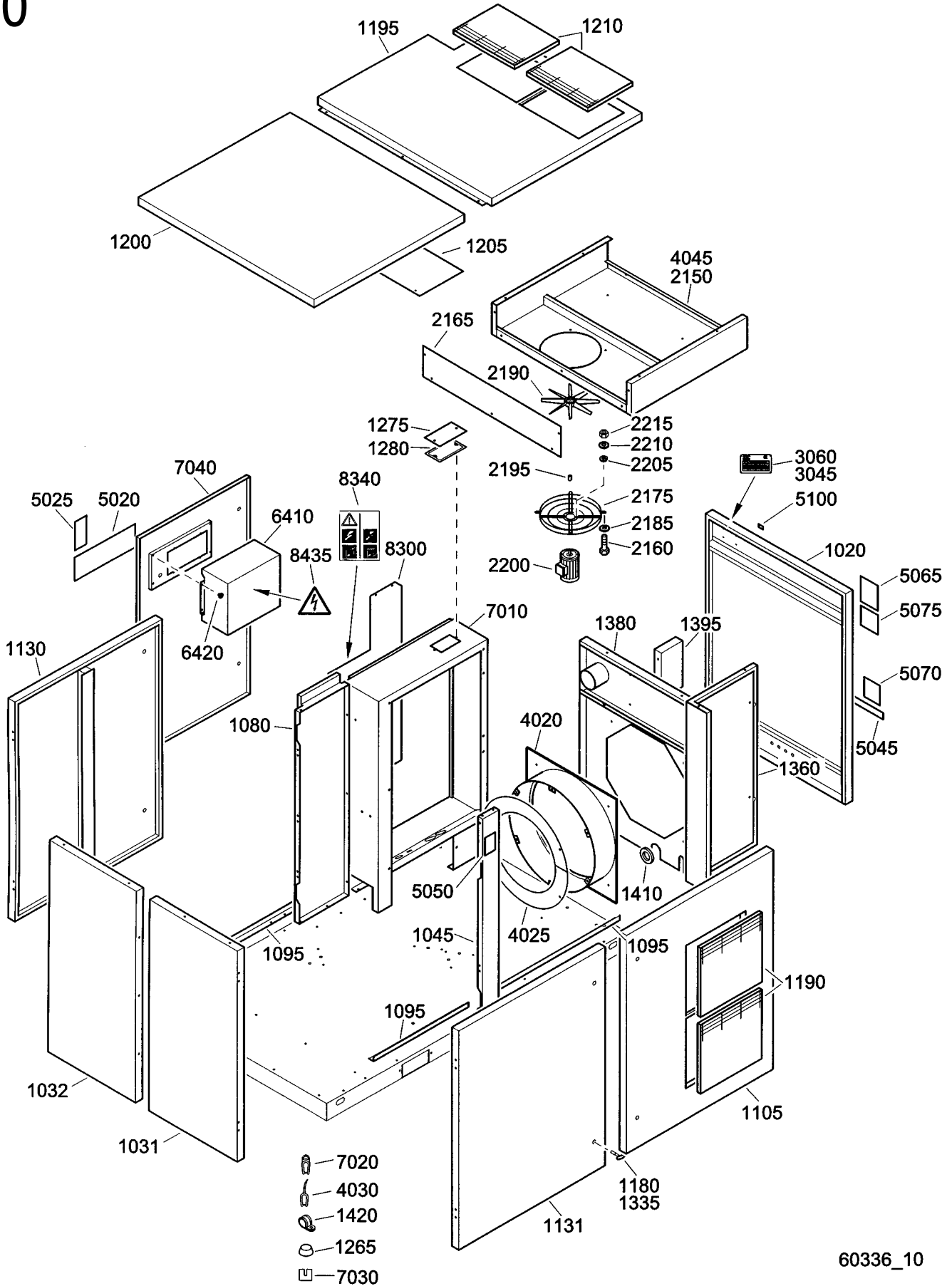
Ref.	Part number	Qty	Name	Remarks	Ref.	Part number	Qty	Name	Remarks
<b>1010</b>		<b>1</b>	<b>Pipe</b>		1191	0603 5110 03	1	Hexagon nipple	
	0075 5551 72	• AR	Pipe		1196	0564 0000 32	1	Tee	
	1079 5831 01	• 1	Soldered cone		1201	0661 1000 29	2	Seal washer	
	0584 3018 00	• 1	Nut		1206	0582 0000 14	2	Body	
	2252 0813 03	• 1	Coupling		<b>1211</b>		<b>1</b>	<b>Pipe</b>	
1015	0582 0000 14	1	Body			0075 5551 72	• AR	Pipe	
1016	0582 2000 17	1	Body			1079 5831 01	• 2	Soldered cone	
<b>1017</b>		<b>1</b>	<b>Pipe</b>			0584 3018 00	• 2	Nut	
	0075 5551 39	• AR	Pipe		1216	0663 7126 00	2	O-ring	
	1079 5831 13	• 2	Soldered cone		1221	1619 6431 08	AR	Pipe insulation	
	0584 3018 00	• 2	Nut		1225	1614 8407 00	1	Thermostatic valve	
1025	0663 7126 00	2	O-ring		1230	0661 1000 29	1	Seal washer	
1051	0582 0000 14	1	Body		1235	0075 4005 59	AR	Hose	
1053	0661 1000 28	2	Seal washer		1240	1619 6431 09	AR	Pipe insulation	
1056	0663 7126 00	2	O-ring		1245	1202 8663 04	2	Hose clip	
1061	0582 0000 11	1	Body		1250	1614 6840 00	1	Nipple	
1066	0661 1000 27	1	Seal washer		1255	0661 1000 29	1	Seal washer	
1071	0663 2101 87	1	O-ring		1260	1614 6840 00	1	Nipple	
<b>1076</b>		<b>1</b>	<b>Pipe</b>		1265	0661 1000 29	1	Seal washer	
	0075 5551 39	• AR	Pipe		1270	1619 6153 05	1	Ball valve	
	1079 5831 10	• 1	Soldered cone		1275	1619 6431 08	AR	Pipe insulation	
	0584 3013 00	• 1	Nut		<b>1280</b>		<b>1</b>	<b>Pipe</b>	
	1079 5831 13	• 1	Soldered cone			0075 5551 72	• AR	Pipe	
	0584 3018 00	• 1	Nut			1079 5831 01	• 2	Soldered cone	
1077	1619 6431 07	AR	Pipe insulation			0584 3018 00	• 2	Nut	
1090	0603 5114 03	1	Hexagon nipple		1285	0582 0000 14	1	Body	
1095	0564 0000 61	1	Tee		1290	0661 1000 29	1	Seal washer	
1100	0603 4106 03	1	Hexagon nipple		1295	0663 7126 00	2	O-ring	
1105	0564 0000 62	1	Tee		1300	0582 2000 17	1	Body	
1110	0661 1000 31	1	Seal washer		<b>1305</b>		<b>1</b>	<b>Pipe</b>	
<b>1116</b>		<b>1</b>	<b>Pipe</b>			0075 5551 72	• AR	Pipe	
	0075 5552 30	• AR	Pipe			1079 5831 01	• 1	Soldered cone	
	1079 5831 03	• 2	Soldered cone			0584 3018 00	• 1	Nut	
	0584 3026 00	• 2	Nut			2252 0813 03	• 1	Coupling	
1125	1619 6431 02	AR	Pipe insulation		1310	0663 7126 00	1	O-ring	
1126	0582 0000 19	1	Body		1325	1614 6834 00	1	Support	
1131	0663 7131 00	2	O-ring		1330	0147 1398 03	2	Bolt	
1132	0582 0000 29	1	Body		1335	0301 2358 00	2	Washer	
1135	0560 0200 26	1	Elbow		1340	0147 1323 03	4	Bolt	
1140	1614 8000 00	1	Nipple		1345	0333 3227 00	4	Lock washer	
1145	0661 1000 31	1	Seal washer		1350	0266 2110 00	4	Nut	
1150	0075 4005 59	AR	Hose		1360	1614 8605 00	2	Bracket	
1155	1619 6431 09	AR	Pipe insulation		1365	0147 1323 03	2	Bolt	
1160	1202 8663 04	2	Hose clip		1370	0333 3227 00	2	Lock washer	
1165	1614 6840 00	1	Nipple		1375	0266 2110 00	2	Nut	
1170	0661 1000 29	1	Seal washer		1380	1619 2861 08	2	Clamp	
1175	0560 0200 57	1	Elbow		1385	0147 1246 03	2	Bolt	
1177	0603 4105 03	1	Hexagon nipple		1390	0301 2321 00	2	Washer	
1178	0560 0200 57	1	Elbow		1395	0266 2108 00	1	Nut	
1180	0603 5110 03	1	Hexagon nipple						

9





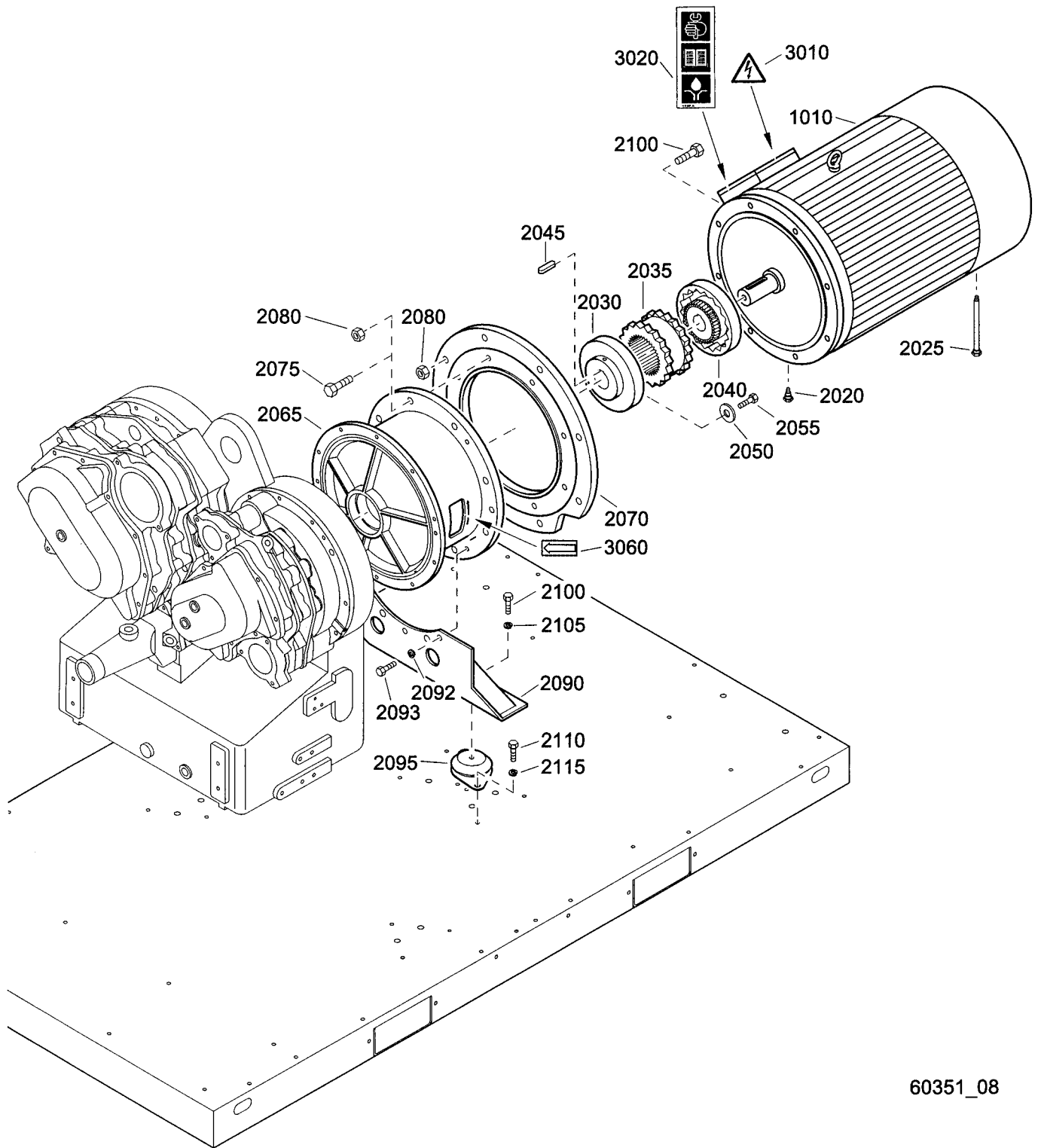
# 10



60336\_10



# 11

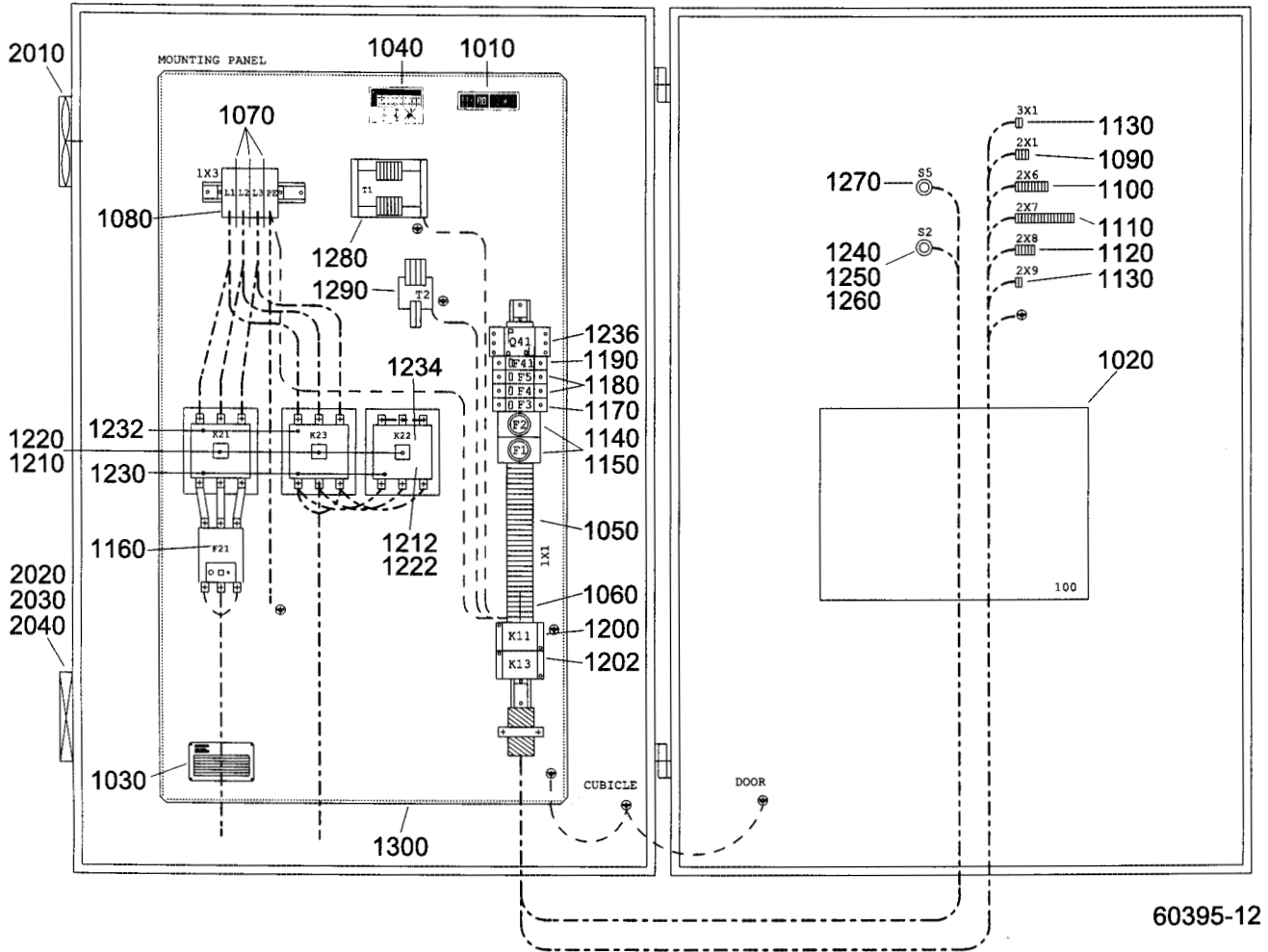


60351\_08

## Motor and coupling

Ref.	Part number	Qty	Name	Remarks	Ref.	Part number	Qty	Name	Remarks
1010			Motor		2020	1619 6032 00	1	Nipple	SPM
	1080 2578 01	1	Siemens 1 LA6 223 - 2.B ZT45 220V/50Hz, ZR45 220V/50Hz		2025	1619 6032 05	1	Nipple	SPM
	1080 2578 02		ZT45 380-415V/50Hz, ZR45 380-415V/50Hz		2030	1621 1094 00	1	Coupling half	
	1080 2578 04		ZT45 500V/50Hz, ZR45 500V/50Hz		2035	1613 8280 00	1	Coupling element	
	1080 2578 09		ZTD450-Japan 440-460V/ 60Hz, ZRD450-Japan 440-460V/60Hz		<b>2040</b>	<b>1615 4183 06</b> <b>1615 4183 05</b>	<b>1</b>	<b>Coupling half</b> USA, 60Hz Japan, 50Hz	
	1080 2578 26		ZTD450-Japan 200V/50Hz, ZRD450-Japan 200V/50Hz		2045	0337 8229 00	1	Parallel key	
		1	Siemens 1 LA6 223 - 2BB 01 - Z 365 TSD		2050	1613 4128 00	1	Washer	
	1080 2632 07		ZT45 220-230V/60Hz, ZR45 220-230V/60Hz		2055	0147 1409 03	1	Bolt	
	1080 2632 08		ZT45 380V/60Hz, ZR45 380V/60Hz, ZT45-7 380V/60Hz SAA		2065	1615 3797 00 1615 4352 00	1	Adaptor USA, 60Hz Japan, 50Hz	
	1080 2632 09		ZT45 440-460V/60Hz, ZR45 440-460V/60Hz		2070	1615 3766 00	1	Spacer ZT55 Japan, ZR55 Japan	
	1080 2632 10		ZT45 575V/60Hz, ZR45 575V/60Hz		2075	0147 1477 03 0147 1962 35 0147 1482 03 0147 1554 03	AR	Bolt M16 x 40 - 8.8 M16 x 50 - 8.8 M16 x 65 - 8.8 M20 x 65 - 8.8	
	1080 2769 01	1	Siemens 1 LA6 228 - 2 ZT55 220V/50Hz, ZR55 220V/50Hz		2080	0266 2114 00 0266 2116 00	AR	Nut M16 M20	
	1080 2769 02		ZT55 380-415V/50Hz, ZR55 380-415V/50Hz		2090	1614 7854 00 1615 3800 00	1	Foot USA, 60Hz Japan, 50Hz	
	1080 2769 04		ZT55 500V/50Hz, ZR55 500V/50Hz		2092	0147 1962 30	3	Hexagon bolt	
	1080 2769 26		ZT55 200V/50Hz, ZR55 200V/50Hz		2093	0333 3237 00	3	Lock washer	
	1080 2769 09		ZTD550-Japan 440-460V/ 60Hz, ZRD550-Japan 440-460V/60Hz		2095	1619 3728 00	2	Rubber buffer	
	1080 2769 26		ZTD550-Japan 200V/50Hz, ZRD550-Japan 200V/50Hz		2100	0147 1958 78	2	Bolt	
		1	Siemens 1 LA6 228 - 2 365 TSD		2105	0333 3244 00	2	Lockwasher	
	1080 2770 07		ZT55 220-230V/60Hz, ZR55 220-230V/60Hz		2110	0147 1402 03 0147 1401 03	4	Bolt M12 x 30 - 8.8 M12 x 30 - 8.8	
	1080 2770 08		ZT55-380V/60Hz, ZR55 380V/60Hz, ZT55-7 380V/60Hz SAA		2115	0333 3237 00	4	Lockwasher	
	1080 2770 09		ZT55 440-460V/60Hz, ZR55 440-460V/60Hz		3010	1088 1001 02	1	Warning mark	
	1080 2770 10		ZT55 575V/60Hz, ZR55 575V/60Hz		3020	1079 9901 29	1	Label	
					3060	1503 0786 00	1	Rotation arrow	
					SPM	Vibration monitoring "Shock Pulse Measurement" / Trillingscontrole "SPM" / Vibrationskontroll "Stötpulsmätning" / Schwingungsüberwachung "SPM" / Surveillance des vibrations "SPM" / Monitorización de vibraciones "SPM" / Controllo di vibrazione "SPM" / Vibrationsovervågning "SPM" / Controllo de vibrações "SPM" / Vibrasjonsovervåking "SPM" / SPM- tärinänvalvonta			

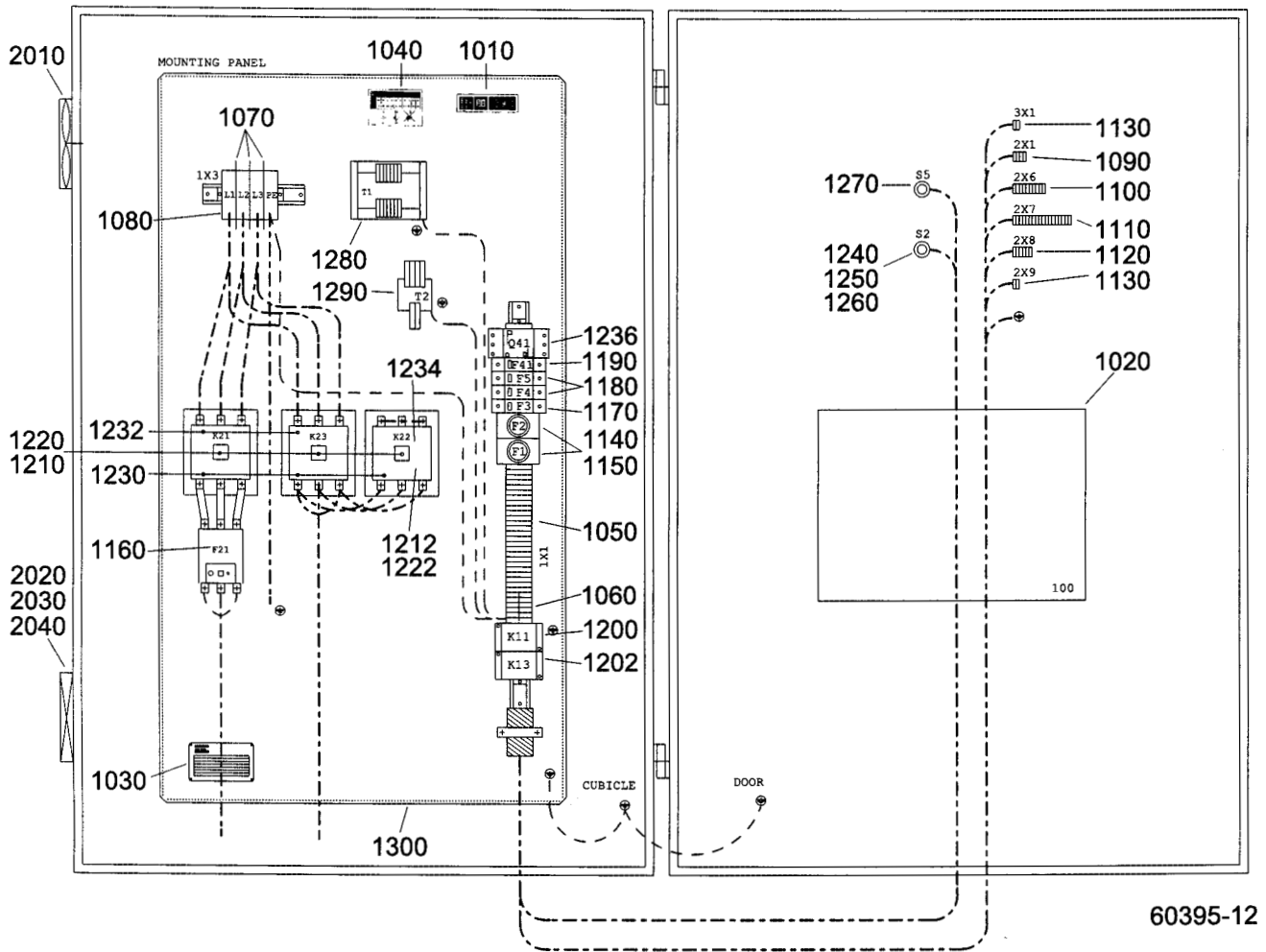
# 12



## Start cubicle - star/delta - IEC Control Voltage 220-24V/50-60Hz

Ref.	Part number	Qty	Name	Remarks	Ref.	Part number	Qty	Name	Remarks
		1	<b>Cubicle</b>					ZR55 220V/50Hz, ZR55 380-415V/50Hz, ZR55 500V/50Hz, ZR55 220-230V/60Hz, ZR55 380V/60Hz	
	1900 0417 64		ZT45 220V/50Hz					ZR55 380-415V/50Hz, ZR55 500V/50Hz, ZR55 220-230V/60Hz, ZR55 380V/60Hz	
	1900 0417 62		ZT45 380-415V/50Hz, ZT55 500V/50Hz					ZR55 220-230V/60Hz, ZR55 380V/60Hz	
	1900 0417 61		ZT45 500V/50Hz					ZR55 380V/60Hz	
	1900 0417 70		ZT45 220-230V/60Hz			1089 0612 23		ZT45 380-415V/50Hz, ZT45 500V/50Hz, ZT45 380V/60Hz, ZT45 SAA 380V/60Hz, ZT55 220V/50Hz	
	1900 0417 69		ZT45 380V/60Hz					ZT45 380V/60Hz, ZT45 SAA 380V/60Hz, ZT55 500V/50Hz, ZT55 380V/60Hz, ZT55 SAA 380V/60Hz	
	1900 0417 72		ZT45 SAA 380V/60Hz					Overload relay	
	1900 0417 65		ZT55 220V/50Hz					ZT45 380-415V/50Hz, ZT55 500V/50Hz, ZT45 SAA 380V/60Hz, ZR45 380-415V/50Hz, ZR55 500V/50Hz	
	1900 0417 63		ZT55 380-415V/50Hz					ZR45 380-415V/50Hz, ZR55 500V/50Hz	
	1900 0417 71		ZT55 220-230V/60Hz					ZR45 380-415V/50Hz, ZR55 500V/50Hz	
	1900 0417 68		ZT55 380V/60Hz					ZT55 380V/60Hz, ZT55 SAA 380V/60Hz	
	1900 0417 73		ZT55 SAA 380V/60Hz		1160		• 1	Overload relay	
	1900 0417 66		ZT Japan without starter			1089 9169 55		ZT45 380-415V/50Hz, ZT55 500V/50Hz, ZT45 SAA 380V/60Hz, ZR45 380-415V/50Hz, ZR55 500V/50Hz	
	1900 0417 09		ZR45 220V/50Hz					ZT55 380-415V/50Hz, ZR45 380V/60Hz	
	1900 0417 06		ZR45 380-415V/50Hz, ZR55 500V/50Hz					ZR45 380-415V/50Hz, ZR55 500V/50Hz	
	1900 0417 05		ZR45 500V/50Hz					ZR45 380-415V/50Hz, ZR55 500V/50Hz	
	1900 0417 33		ZR45 220-230V/60Hz			1089 9169 56		ZT55 380-415V/50Hz, ZT45 380V/60Hz, ZR55 220V/50Hz	
	1900 0417 32		ZR45 380V/60Hz					ZT45 380V/60Hz, ZR55 380-415V/50Hz, ZR45 380V/60Hz	
	1900 0417 10		ZR55 220V/50Hz					ZT55 380V/60Hz, ZT55 SAA 380V/60Hz, ZR55 380V/60Hz	
	1900 0417 07		ZR55 380-415V/50Hz					ZR55 220-230V/60Hz, ZR55 380V/60Hz	
	1900 0417 35		ZR55 220-230V/60Hz			1089 9169 57		ZT55 380V/60Hz, ZT55 SAA 380V/60Hz, ZR55 380V/60Hz	
	1900 0417 31		ZR55 380V/60Hz					ZR45 500V/50Hz, ZR45 220V/50Hz, ZR55 220V/50Hz, ZR45 220-230V/60Hz, ZT55 220V/50Hz, ZT45 220-230V/60Hz	
	1900 0417 16		ZR Japan without starter					ZT55 220-230V/60Hz, ZT55 220V/50Hz, ZT45 220-230V/60Hz, ZT55 220V/50Hz, ZT45 220-230V/60Hz, ZT55 220-230V/60Hz, ZR55 220-230V/60Hz	
1010	1079 9906 09	• 1	Label			1089 9169 61		ZR45 500V/50Hz	
1020		• 1	Service diagram			1089 9205 12		ZT45 220V/50Hz, ZR45 220V/50Hz	
	9823 0734 56		ZR Japan without starter					ZR55 220V/50Hz, ZR45 220-230V/60Hz, ZT55 220V/50Hz, ZT45 220-230V/60Hz	
	9823 0734 46		ZT Japan without starter			1089 9205 13		ZR55 220V/50Hz, ZR45 220-230V/60Hz, ZT55 220V/50Hz, ZT45 220-230V/60Hz	
	9823 0734 41		ZT					ZR55 220V/50Hz, ZR45 220-230V/60Hz, ZT55 220V/50Hz, ZT45 220-230V/60Hz	
	9823 0734 51		ZR					ZR55 220-230V/60Hz, ZT55 220V/50Hz, ZT45 220-230V/60Hz, ZT55 220-230V/60Hz, ZR55 220-230V/60Hz	
1030	1613 6639 00	• 1	Label					ZR55 220-230V/60Hz, ZT55 220-230V/60Hz, ZR55 220-230V/60Hz	
1040	1079 9901 68	• 1	Label			1089 9205 14		ZR55 220-230V/60Hz, ZT55 220-230V/60Hz, ZR55 220-230V/60Hz	
1050		•	Terminal 4-1P					Circuit breaker	
	1089 0506 09	51	ZR Japan without starter		1170		• 1	ZR55 220-230V/60Hz, ZR Japan without starter	
	1089 0506 09	50	ZT Japan without starter			1089 9203 11		ZR45 220V/50Hz, ZR45 380-415V/50Hz, ZR45 500V/50Hz, ZR45 220-230V/60Hz, ZR45 380V/60Hz, ZR55 220V/50Hz, ZR55 380-415V/50Hz, ZR55 500V/50Hz, ZR55 220-230V/60Hz, ZR55 380V/60Hz, ZT Japan without starter	
	1089 0506 09	47	ZR					ZR Japan without starter	
	1089 0506 09	46	ZT			1089 9203 21		ZR45 220V/50Hz, ZR45 380-415V/50Hz, ZR45 500V/50Hz, ZR45 220-230V/60Hz, ZR45 380V/60Hz, ZR55 220V/50Hz, ZR55 380-415V/50Hz, ZR55 500V/50Hz, ZR55 220-230V/60Hz, ZR55 380V/60Hz, ZT Japan without starter	
1060	1089 0506 27	• 4	Terminal 4-PE-2P					ZR45 220V/50Hz, ZR45 380-415V/50Hz, ZR45 500V/50Hz, ZR45 220-230V/60Hz, ZR45 380V/60Hz, ZR55 220V/50Hz, ZR55 380-415V/50Hz, ZR55 500V/50Hz, ZR55 220-230V/60Hz, ZR55 380V/60Hz, ZT Japan without starter	
1070	1089 0426 03	• 3	Barrier					ZR45 220-230V/60Hz, ZR45 380V/60Hz, ZR55 220V/50Hz, ZR55 380-415V/50Hz, ZR55 500V/50Hz, ZR55 220-230V/60Hz, ZR55 380V/60Hz, ZT Japan without starter	
1080		• 4	Terminal					ZR45 220-230V/60Hz, ZR45 380V/60Hz, ZR55 220V/50Hz, ZR55 380-415V/50Hz, ZR55 500V/50Hz, ZR55 220-230V/60Hz, ZR55 380V/60Hz, ZT Japan without starter	
	1089 0506 25		ZR55 220-230V/60Hz, ZT55 220V/50Hz, ZT55 220-230V/60Hz, ZR Japan without starter					Others	
	1089 0506 15		Others						
1090	1088 0024 04	• 1	Connector					ZR55 380V/60Hz, ZT Japan without starter	
1100	1088 0024 10	• 1	Connector					ZT45 220V/50Hz, ZT45 380-415V/50Hz, ZT45 500V/50Hz, ZT45 220-230V/60Hz, ZT45 380V/60Hz, ZT45 SAA 380V/60Hz, ZT55 220V/50Hz, ZT55 380-415V/50Hz, ZT55 500V/50Hz, ZT55 220-230V/60Hz, ZT55 380V/60Hz, ZT55 SAA 380V/60Hz	
1110	1088 0024 18	• 1	Connector			1089 9203 10		Circuit breaker	
1120	1088 0000 06	• 1	Connector					ZT	
1130	1088 0024 02	• 2	Connector					ZR	
1140	1089 0612 01	• 2	Fuse holder					Circuit breaker	
1150		• 2	Fuse					ZR	
	1089 0612 25		ZR55 220-230V/60Hz, ZR Japan without starter						
	1089 0612 24		ZT45 220V/50Hz, ZT45 220-230V/60Hz, ZT55 220V/50Hz, ZT55 220-230V/60Hz, ZT Japan without starter, ZR45 220V/50Hz, ZR45 380-415V/50Hz, ZR45 500V/50Hz, ZR45 220-230V/60Hz, ZR45 380V/60Hz,		1180		• 2	Circuit breaker	
						1089 9203 04		ZT	
						1089 9203 11		ZR	
					1190		• 1	Circuit breaker	
						1089 9203 10		ZR	

# 12

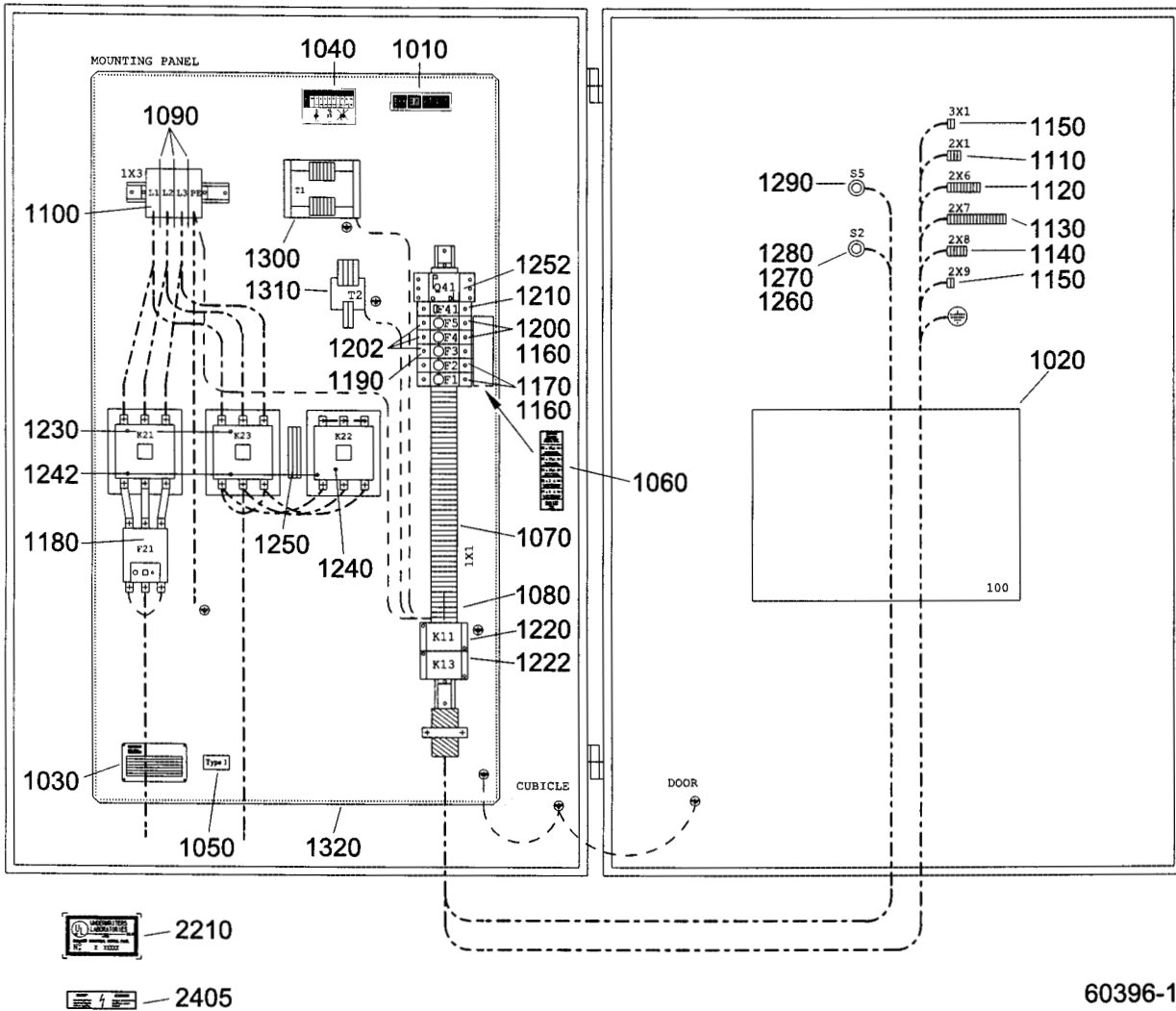


60395-12

## Start cubicle - star/delta - IEC Control Voltage 220-24V/50-60Hz

Ref.	Part number	Qty	Name	Remarks	Ref.	Part number	Qty	Name	Remarks
1200	1089 9415 17	• 1	Contactor		1236			Circuit breaker	
1202		1	Relay		1089 9267 06			ZT45 220V/50Hz, ZT45 380-415V/50Hz, ZT45 500V/50Hz, ZT55 380-415V/50Hz, ZT55 500V/50Hz	
	1089 9300 08		ZT/ZR Japan without starter					ZT55 220V/50Hz	
1210		• 6	Auxiliary contact block					ZT Japan without starter	
	1089 9319 01		ZT45 500V/50Hz, ZR45 500V/50Hz		1089 9267 02			ZT45 380V/60Hz, ZT55 380V/60Hz, ZT45 SAA 380V/60Hz, ZT55 SAA 380V/60Hz	
1212		• 2	Auxiliary contact block		1089 9336 04			ZT45 220-230V/60Hz, ZT55 220-230V/60Hz	
	1089 9319 01		ZT45 380-415V/50Hz, ZT55 500V/50Hz, ZR45 380-415V/50Hz, ZR55 500V/50Hz		1089 9267 07			ZT45 380V/60Hz, ZT55 380V/60Hz, ZT45 SAA 380V/60Hz, ZT55 SAA 380V/60Hz	
1220		• 6	Auxiliary contact block		1089 9267 04			ZT45 220-230V/60Hz, ZT55 220-230V/60Hz	
	1089 9319 02		ZT45 500V/50Hz, ZR45 500V/50Hz		1240 1089 0362 50	• 1		Contact block 1NC	
1222		• 2	Auxiliary contact block		1250 1089 0362 51	• 1		Emergency stop button	
	1089 9319 02		ZT45 380-415V/50Hz, ZT55 500V/50Hz, ZR45 380-415V/50Hz, ZR55 500V/50Hz		1260 1089 0362 58	• 1		Contact block 2NC	
1230		• 3	Contactor		1270 1089 9082 24	• 1		Key switch	
	1089 9221 20		ZT55 380V/60Hz, ZT55 SAA 380V/60Hz, ZR55 380V/60Hz		1280	• 1		Transformer	
	1089 9221 21		ZT45 220-230V/60Hz, ZR45 220-230V/60Hz		1089 9436 07			ZR55 220-230V/60Hz, ZR Japan without starter	
	1089 9319 27		ZT45 500V/50Hz, ZR45 500V/50Hz		1089 9136 97			ZR55 380-415V/50Hz	
1232		• 2	Contactor		1089 9436 05			ZR55 220V/50Hz, ZR45 380-415V/50Hz, ZR45 500V/50Hz, ZR45 220-230V/60Hz, ZR45 380V/60Hz, ZR55 220V/50Hz, ZR55 500V/50Hz, ZR55 220-230V/60Hz, ZR55 380V/60Hz	
	1089 9221 06		ZT45 380-415V/50Hz, ZT55 500V/50Hz, ZR45 380-415V/50Hz, ZR55 500V/50Hz		1089 9436 02			ZT Japan without starter	
	1089 9221 07		ZT55 380-415V/50Hz, ZR55 380-415V/50Hz					ZT45 380-415V/50Hz, ZT45 500V/50Hz, ZT45 380V/60Hz, ZT45 SAA 380V/60Hz, ZT55 500V/50Hz, ZT55 380V/60Hz, ZT55 SAA 380V/60Hz	
	1089 9221 08		ZT45 220V/50Hz, ZR45 220V/50Hz		1089 9136 95			ZT55 380-415V/50Hz	
	1089 9221 09		ZT55 220V/50Hz, ZR55 220V/50Hz		1089 9136 96			ZT45 220V/50Hz	
	1089 9221 20		ZT45 380V/60Hz, ZT45 SAA 380V/60Hz, ZR45 380V/60Hz		1089 9436 03			ZT45 220-230V/60Hz, ZT55 220V/50Hz, ZT55 220-230V/60Hz	
	1089 9221 22		ZT55 220-230V/60Hz, ZR55 220-230V/60Hz		1290	• 1		Transformer	
1234		• 1	Contactor		1089 9136 93			ZR	
	1089 9221 06		ZT55 380-415V/50Hz, ZR55 380-415V/50Hz		1089 9436 11			ZT	
	1089 9221 07		ZT45 220V/50Hz, ZR45 220V/50Hz		1300 1614 8310 00	• 1		Mounting plate	
	1089 9221 08		ZT55 220V/50Hz, ZR55 220V/50Hz		2010	• 1		Fan	
	1089 9221 19		ZR45 380V/60Hz, ZT45 380V/60Hz, ZT45 SAA 380V/60Hz		1089 0388 21			SAA 380V/60Hz	
	1089 9319 27		ZT45 380-415V/50Hz, ZT55 500V/50Hz, ZR45 380-415V/50Hz, ZR55 500V/50Hz		2020	• 1		Filter	
	1089 9221 21		ZT55 220-230V/60Hz, ZR55 220-230V/60Hz		1089 0388 31			SAA 380V/60Hz	
					2030	• 1		Gasket	
					1089 0388 33			SAA 380V/60Hz	
					2040	• 1		Grating	
					1089 0388 34			SAA 380V/60Hz	

# 13



## Start cubicle - star/delta - CSA/UL - Control Voltage 115-24V/60Hz

Ref.	Part number	Qty	Name	Remarks	Ref.	Part number	Qty	Name	Remarks
		1	<b>Cubicle</b>		1190		1	Fuse	
	1900 0418 53		ZT45 440-460V		1089 9168 04			ZR USA without starter	
	1900 0418 51		ZT45 575V		1089 9168 30			ZR45 440-460V, ZR45 575V, ZR55 440-460V, ZR55 575V	
	1900 0418 55		ZT55 440-460V					ZT USA without starter	
	1900 0418 52		ZT55 575V					ZT45 440-460V, ZT45 575V, ZT55 575V	
	1900 0418 15		ZT USA without starter		1089 9168 07				
	1900 0418 03		ZR45 440-460V						
	1900 0418 01		ZR45 575V						
	1900 0418 05		ZR55 440-460V						
	1900 0418 02		ZR55 575V						
	1900 0418 65		ZR USA without starter		1200	1089 9168 02	2	Fuse	
1010	1079 9906 09	1	Label		1202		3	Fuse	
1020		1	Service diagram		1089 9168 02			ZT55 440-460V	
	9823 0734 54		ZR USA without starter		1210	1089 9203 34	2	Circuit breaker	
	9823 0734 44		ZT USA without starter		1220	1089 9415 17	1	Contact	
	9823 0734 53		ZR		1222			Relay	
	9823 0734 43		ZT		1089 9146 32			ZT/ZR USA without starter	
1030	1613 3046 00	1	Data plate		1230		2	Contact	
1040	1079 9901 68	1	Label		1089 9221 46			ZT45 440-460V, ZT55 575V, ZR45 440-460V	
1050	1079 9911 01	1	Label					ZT45 575V, ZR45 575V	
1060		1	Label		1089 9211 45			ZR55 440-460V, ZT45 575V, ZR45 575V	
	1079 9918 90		ZR USA without starter		1089 9221 47			ZT55 440-460V, ZR55 440-460V	
	1079 9918 91		ZR45 440-460V, ZR45 575V, ZR55 440-460V, ZR55 575V, ZT USA without starter		1240		1	Contact	
	1079 9918 87		ZT45 440-460V, ZT45 575V, ZT55 575V		1089 9211 45			ZT45 440-460V, ZT55 575V, ZR45 440-460V	
	1079 9918 88		ZT55 440-460V		1089 9211 87			ZT45 575V, ZR45 575V	
1070			Terminal 4-1P		1089 9221 46			ZT55 440-460V, ZR55 440-460V	
	1089 0506 09	53	ZT/ZR USA without starter		1242		3	Contact	
	1089 0506 09	49	Others		1089 9211 45			ZR55 575V	
1080	1089 0506 27	4	Terminal 4-PE-2P		1250	1089 9216 03	1	Interlock	
1090	1089 0426 03	3	Barrier		1252		1	Circuit breaker	
1100	1089 0506 15	4	Terminal 70		1089 9267 02			ZT45 575V, ZT55 575V	
1110	1088 0014 04	1	Connector 4 poles		1089 9267 03			ZT45 440-460V, ZT55 440-460V	
1120	1088 0014 10	1	Connector 10 poles						
1130	1088 0014 18	1	Connector 18 poles						
1140	1088 0000 06	1	Connector 6 poles						
1150	1088 0014 02	2	Connector 2 poles		1260	1089 0362 50	1	Contact Block	
1160	1089 9049 04	5	Fuse terminal		1270	1089 0362 51	1	Emergency stop button	
1170		2	Fuse		1280	1089 0362 58	1	Contact block	
	1089 9168 26		ZR USA without starter		1290	1089 9082 24	1	Key switch	
	1089 9168 25		ZR45 440-460V, ZR45 575V, ZR55 440-460V, ZR55 575V, ZT USA without starter		1300		1	Transformer	
	1089 9168 24		ZT45 440-460V, ZT45 575V, ZT55 440-460V, ZT55 575V		1089 9436 08			ZR USA without starter	
1180		1	Overload relay		1089 9436 06			ZR45 575V, ZR45 440-460V, ZR55 440-460V, ZR55 575V	
	1089 9169 55		ZT45 440-460V, ZT55 575V, ZR45 440-460V, ZR55 575V		1089 9436 03			ZT USA without starter	
	1089 9169 54		ZT45 575V, ZR45 575V					ZT45 440-460V, ZT45 575V, ZT55 575V	
	1089 9169 57		ZT55 440-460V, ZR55 440-460V		1310		1	Transformer	
					1089 9136 27			ZR	
					1089 9436 11			ZT	
					1320	1614 8310 00		Mounting plate	
					2210	1613 5330 00	1	Listing mark	
					2405	1613 3431 00	1	Label	

## 14

## Service kits

Ref.	Part number	Qty	Name	Remarks	Ref.	Part number	Qty	Name	Remarks
	<b>2906 0006 00</b>	<b>1</b>	<b>Oil pump kit</b>			<b>2906 0195 00</b>	<b>1</b>	<b>B-maintenance kit - every 2 years or 8,000h</b>	
	0102 0242 00	• 1	Pin			0663 9870 00	• 1	O-ring check valve	
	0335 2169 00	• 1	Circlip			1613 5488 00	• 1	Spring check valve	
	0653 1124 00	• 3	Washer			<b>2906 0012 00</b>	• <b>1</b>	<b>Pipe seal kit</b>	
	0653 1128 00	• 1	Gasket			<b>2906 0194 00</b>	• <b>1</b>	<b>A-maintenance kit - every year</b>	
	0653 1162 00	• 1	Washer			<b>2910 3032 00</b>	• <b>1</b>	<b>Inlet valve kit</b>	
	0663 2101 87	• 1	O-ring			<b>2906 0196 00</b>	<b>1</b>	<b>Maintenance kit 16,000h or every 4 years</b>	
	0663 6143 00	• 1	O-ring			<b>2906 0012 00</b>	• <b>1</b>	<b>Pipe seal kit</b>	
	0663 9276 00	• 1	O-ring			<b>2906 0177 00</b>	• <b>1</b>	<b>Check valve kit</b>	
	1613 4119 00	• 1	Ring			<b>2906 0193 00</b>	• <b>1</b>	<b>Inlet valve overhaul kit</b>	
	1613 4120 00	• 1	Eccentric ring			<b>2906 0194 00</b>	• <b>1</b>	<b>A-maintenance kit : every year</b>	
	1613 4121 00	• 1	Oil pump			<b>2910 3032 00</b>	• <b>1</b>	<b>Inlet valve kit</b>	
	1615 4084 00	• 1	Ring			<b>2906 0300 00</b>	<b>1</b>	<b>Hinge replacement kit</b>	
	1616 6294 00	• 1	Key			0162 4322 00	• 16	Screw	
	<b>2906 0012 00</b>	<b>1</b>	<b>Pipe seal kit</b>			1089 9068 01	• 1	Key	
	0663 2101 84	• 10	O-ring			1089 9154 02	• 1	Key	
	0663 2101 85	• 6	O-ring			1202 7125 00	• 1	Lock	
	0663 2101 87	• 7	O-ring			1614 6606 00	• 8	Bracket	
	0663 7126 00	• 2	O-ring			1614 8166 00	• 1	Hinge	
	0663 7128 00	• 2	O-ring			1614 8167 00	• 1	Hinge	
	<b>2906 0177 00</b>	<b>1</b>	<b>Check valve kit</b>			1614 8212 00	• 1	Hinge	
	0500 4510 11	• 1	Bush			1614 8213 00	• 1	Hinge	
	0663 2106 17	• 1	O-ring			1614 8214 00	• 2	Hinge	
	0663 9870 00	• 3	O-ring			1614 8215 00	• 2	Hinge	
	1202 5823 00	• 1	Gasket			1615 2242 00	• 8	Bracket	
	1613 5488 00	• 1	Spring			1619 7704 00	• 1	Lock	
	1614 7368 00	• 1	Check valve			2252 2059 00	• 2	Lock	
	1616 5314 00	• 1	Valve seat			2255 2478 00	• 1	Lock	
	<b>2906 0179 00</b>	<b>1</b>	<b>Intercooler drain valve kit ZR</b>			<b>2906 0543 00</b>	<b>1</b>	<b>Drive shaft bearing kit</b>	
	0650 0100 53	• 1	Gasket			0335 2165 00	• 2	Circlip	
	0661 1000 25	• 3	Gasket			0335 2169 00	• 1	Circlip	
	0661 1000 27	• 2	Gasket			0502 2112 00	• 1	Bearing	
	1202 3739 00	• 1	Membrane			0502 3109 00	• 1	Bearing	
	1202 4818 00	• 1	Insert			0663 6143 00	• 1	O-ring	
	<b>2906 0190 00</b>	<b>1</b>	<b>LP element exchange kit</b>			0663 6178 00	• 1	O-ring	
	0650 1000 95	• 1	Gasket			<b>2910 0187 00</b>	<b>1</b>	<b>Pulsation damper kit</b>	
	0653 1092 00	• 4	Gasket			0650 1001 06	• 1	Gasket	
	0661 1000 27	• 1	Seal washer			0653 1062 00	• 1	Washer	
	0663 2106 15	• 2	O-ring			0653 1189 00	• 1	Gasket	
	0663 7179 00	• 1	O-ring			0653 1254 00	• 1	Gasket	
	1202 5823 00	• 2	Gasket			0661 1000 27	• 1	Washer	
	<b>2906 0191 00</b>	<b>1</b>	<b>HP element exchange kit</b>			0663 9870 00	• 2	O-ring	
	0650 1000 95	• 1	Gasket			1202 5243 00	• 1	Gasket	
	0653 1092 00	• 4	Gasket			<b>2910 3032 00</b>	<b>1</b>	<b>Inlet valve kit</b>	
	0661 1000 27	• 2	Gasket			0301 2344 00	• 2	Washer	
	0663 2106 15	• 2	O-ring			0663 7116 00	• 1	O-ring	
	0663 2107 81	• 1	O-ring			1613 4033 00	• 1	Gasket	
	0663 7177 00	• 1	O-ring			1613 4036 00	• 1	Membrane	
	0663 9870 00	• 3	O-ring			1615 3695 00	• 1	Membrane	
	1202 5823 00	• 1	Gasket			<b>2910 5040 00</b>	<b>1</b>	<b>Cooler kit ZT</b>	
	<b>2906 0192 00</b>	<b>1</b>	<b>Drive shaft seal kit</b>			0653 1062 00	• 2	Washer	
	0663 6178 00	• 1	O-ring			0653 1124 00	• 2	Washer	
	1202 5245 00	• 1	Seal ring			0663 2106 15	• 2	O-ring	
	1615 3772 00	• 1	Bush			0663 2107 77	• 1	O-ring	
	<b>2906 0193 00</b>	<b>1</b>	<b>Inlet valve overhaul kit</b>			0663 3143 00	• 1	O-ring	
	0335 1136 00	• 2	Circlip			0663 9870 00	• 1	O-ring	
	0653 1062 00	• 2	Gasket			<b>2910 5048 00</b>	<b>1</b>	<b>Intercooler kit ZR</b>	
	0653 1100 00	• 1	Gasket			0650 1001 37	• 4	Gasket	
	0653 1189 00	• 1	Gasket			0653 1062 00	• 2	Gasket	
	1614 6535 00	• 1	Valve			0653 1124 00	• 4	Gasket	
	1615 3698 00	• 1	Spring			0653 1165 00	• 1	Gasket	
	2250 5629 00	• 2	Bearing			0663 7148 00	• 1	O-ring	
	<b>2906 0194 00</b>	<b>1</b>	<b>A-maintenance kit - every year</b>			1202 5823 00	• 2	Gasket	
	0663 2107 84	• 1	O-ring						
	1619 6227 99	• 1	Oil filter element						
	<b>2900 0582 00</b>	• <b>1</b>	<b>Air filter element</b>						
	<b>2900 1017 00</b>	• <b>1</b>	<b>AC drain valve kit</b>						
	2901 0195 00	• 1	Breather filter element						