

Atlas Copco Stationary Air Compressors

ZR300-315-355-400-425

Parts list

"Copyright 1998, Atlas Copco Airpower n.v., Antwerp, Belgium.

Any unauthorized use or copying of the contents or any part of this book is prohibited.
This applies in particular to trademarks, model denominations, part numbers and drawings."

No. 2930 1242 04

Registration code: APC ZR300/750 / 39 / 993

Replaces 2930 1242 03

1998-10

Web-site: <http://www.atlascopco-compressors.com>

Atlas Copco

| | |
|--------------------|--|
| Contents | |
| Inhoud | |
| Innehåll | |
| Inhaltsverzeichnis | |
| Table des matières | |
| Indice | |

| | |
|---------------------|--|
| Indice | |
| Innholdsfortegnelse | |
| Indice | |
| Indholdsfortegnelse | |
| Sisällysluettelo | |

| | |
|---|---|
| Gear casing and drive gear | |
| Tandwielkast en aandrijving | |
| Växelhus och drivning | |
| Getriebegehäuse und Antriebsrad | |
| Carter d'engrenages et entraînement | |
| Cárter de engranajes y accionamiento | |
| Scatola ingranaggi e ingranaggio conduttore | |
| Gearkasse og drivhjul | |
| Carter de engrenagens e accionamento | |
| Girkasse og drivhjul | |
| Vaihteen kotelo ja hihnapyörä | 1 |

| | |
|-----------------|---|
| Air inlet | |
| Luchtinlaat | |
| Luftintag | |
| Lufteinlaß | |
| Admission d'air | |
| Entrada de aire | |
| Presa d'aria | |
| Luftindsug | |
| Admissão de ar | |
| Luftinnløp | |
| Tuloilma | 2 |

| | |
|---|---|
| Air flow | |
| Luchtstroming | |
| Luftflöde | |
| Luftstrom | |
| Flux d'air | |
| Flujo de aire | |
| Flusso d'aria | |
| Luftflow | |
| Fluxo de ar | |
| Luftstrøm | |
| Ilman virtaus | |
| - Full load / No load | 3 |
| - Continuous Capacity Control - Part 1 - 1) | 4 |
| - Continuous Capacity Control - Part 2 - 1) | 5 |

| | |
|--|---|
| Water system and drain connections | |
| Watersysteem en aftapaansluitingen | |
| Vattensystem och avtappningsanslutningar | |
| Wassersystem und Ablassanschlüsse | |
| Système d'eau et tuyaux de vidange | |
| Sistema de agua y conexiones de drenaje | |
| Sistema dell'acqua e connessioni degli scarichi | |
| Tilslutninger, vandsystem og dræn | |
| Sistema de arrefecimento e dreno de condensados. | |
| Vannsystem og tilkoplinger for avtapping | |
| Vesijärjestelmä ja lauhteenpoistolitännät | |
| - Without Energy Recovery | 6 |
| - With Energy Recovery | 7 |

| | |
|-----------------|--|
| Coolers | |
| Koelers | |
| Kylare | |
| Kühler | |
| Refrigidisseurs | |
| Refrigeradores | |
| Refrigeratorei | |
| Kølere | |
| Refrigeradores | |
| Kjølere | |
| Jäähdyttimet | |

| | |
|---------------------------------------|---|
| - With aftercooler | 8 |
| - Without aftercooler - Hot air | 9 |

| | |
|-------------------------------|----|
| Drive arrangement E | |
| Aandrijfuitvoering E | |
| Drivarrangemang E | |
| Antriebsanordnung E | |
| Entraînement, disp. E | |
| Accionamiento, disp. E | |
| Azionamento, disposizione (E) | |
| Arrangement E | |
| Accionamento, disposição E | |
| Drivarrangement E | |
| Rakenne E | 10 |

| | |
|-------------------------------|----|
| Drive arrangement I | |
| Aandrijfuitvoering I | |
| Drivarrangemang I | |
| Antriebsanordnung I | |
| Entraînement, disp. I | |
| Accionamiento, disp. I | |
| Azionamento, disposizione (I) | |
| Arrangement I | |
| Accionamento, disposição I | |
| Drivarrangement I | |
| Rakenne I | 11 |

| | |
|--------------------------|----|
| Oil system | |
| Oliesysteem | |
| Oljesystem | |
| Ölsystem | |
| Système d'huile | |
| Sistema de aceite | |
| Sistema dell'olio | |
| Oliesystem | |
| Sistema de óleo | |
| Oljesystem | |
| Voitelujärjestelmä | 12 |

Contents

Inhoud

Innehåll

Inhaltsverzeichnis

Table des matières

Indice

Indice

Innholdsfortegnelse

Indice

Indholdsfortegnelse

Sisällysluettelo

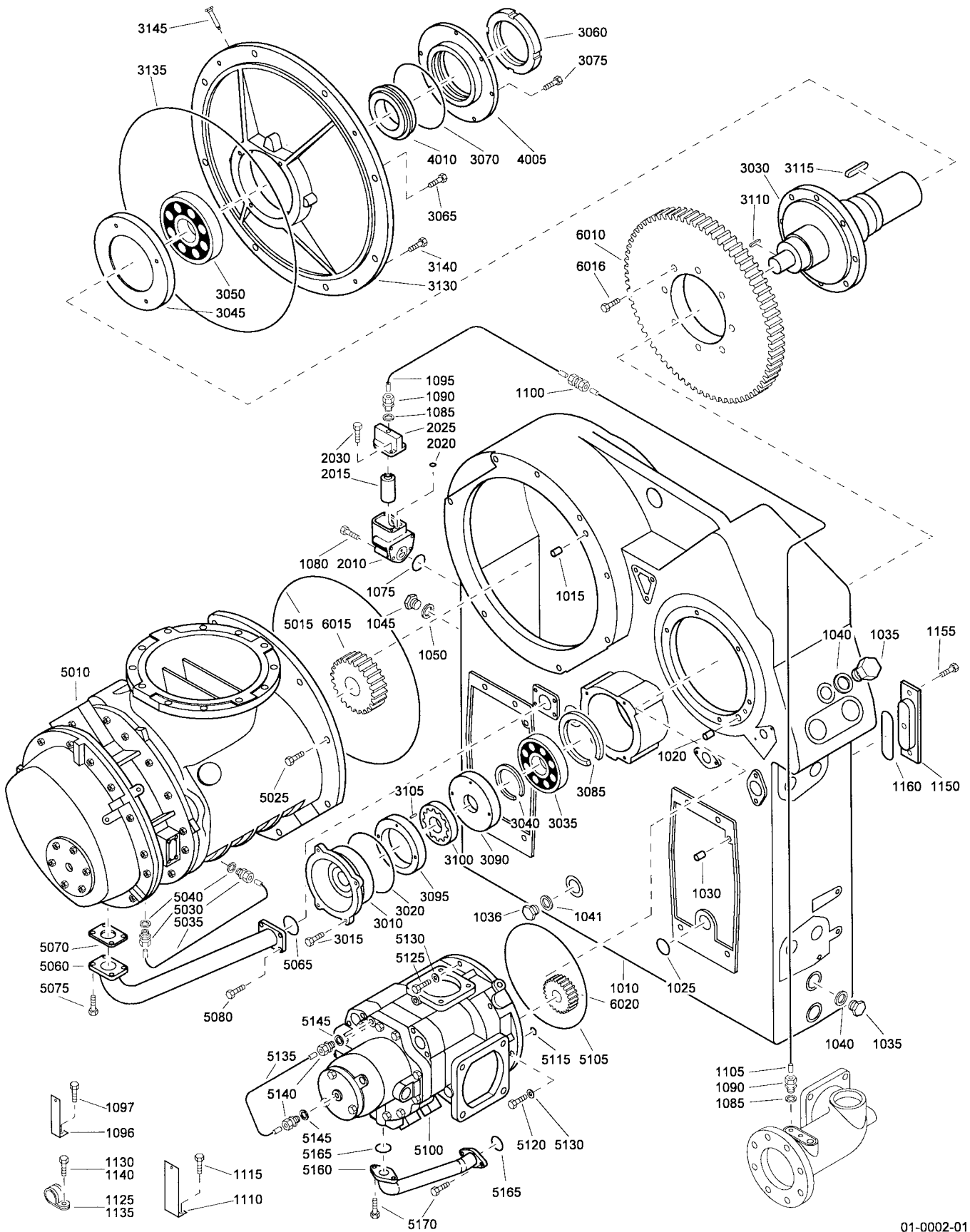
| | | | |
|--|----|----------------------------------|----|
| Control module | | Cubicle | |
| Stuurmodule | | Kast | |
| Kontrollmodul | | Skåp | |
| Steuermodul | | Schaltschrank | |
| Module de commande | | Armoire | |
| Módulo de mando | | Armario | |
| Modulo di controllo | | Armadio elettrico | |
| Kontrollmodul | | Elskab | |
| Kontrolmodul | | Quadro | |
| Módulo de comando | | Skap | |
| Ohjainlaite | | Kotelo | 21 |
| - Elektronikon | 13 | Bodywork | |
| - Electro-pneumatic | 14 | Carrosserie | |
| Start cubicle - star/delta | | Karosseri | |
| Startkast - ster/driehoek | | Karosserie | |
| Startskåp - stjärn/triangel | | Capotage | |
| Anlaßschrank - Stern/Dreieck | | Carroceria | |
| Armoire de démarrage - étoile/triangle | | Cappottatura | |
| Cubículo de arranque - estrella/triángulo | | Karosseri | |
| Armadio apparecch. di avviamento - stella/triangolo | | Carroceria | |
| Starterskab - stjerne/trekant | | Kabinett | |
| Cubículo-arranque estrela/triângulo | | Kotelo | |
| Startskap - stjerne-trekant | | - Arr. E | 22 |
| Käynnistinkotelo - Y/D | | - Arr. I | 23 |
| - Elektronikon - Control Voltage 220V/50Hz | 15 | Mountings on frame | |
| - Electro-pneumatic - Control Voltage 220V/50Hz . | 16 | Montageonderdelen op frame | |
| - Elektronikon - Control Voltage 115V/60Hz | 17 | Fästen på ram | |
| Start cubicle, empty (with regulator) | | Montagekomponenten auf Rahmen | |
| Startkast, leeg (met regelaar) | | Superstructure sur châssis | |
| Startskåp, tomt (med regulator) | | Piezas de montaje sobre bastidor | |
| Anlaßschrank, leer (mit Regler) | | Attacchi sul telaio | |
| Armoire de démarrage, vide (avec régulateur) | | Monteringskomp. på ramme | |
| Cubículo de arranque, vacío (con regulador) | | Peças de montagem sobre a base | |
| Armadio apparecch. di avviamento, vuoto (con regolatore) | | Fester på ramme | |
| Starterskab, tomt (m. regulator) | | Kiinnikkeet rungossa | 24 |
| Cubículo-Arranque, vazío (com regulador) | | Service kits | |
| Startskap - tomt (med regulator) | | Service kits | |
| Käynnistinkotelo - kalustamaton (säätiminen) | | Service kits | |
| - Elektronikon - 50Hz, Japan | 18 | Service Kits | |
| - Elektronikon - 60Hz - CSA/UL | 19 | Service kits | |
| - Electro-pneumatic - Japan - 60Hz | 20 | Service kits | |
| | | Kit per la manutenzione | |
| | | Service kits | |
| | | Conjuntos de reparação | |
| | | Servicesett | |
| | | Huoltotarvikesarjat | 25 |

- 1) Continuous capacity control / Ononderbroken debietsregeling / Kontinuerlig kapacitetsreglering / Stetige Liefermengenregelung / Contrôle continu du débit / Control continuo de la capacidad / Controllo continuo della portata / Kontinuerlig kapacitetsreglering / Controllo continuo de capacidade / Kontinuerlig kapasitetsreglering / Jatkuva kapasiteetin säätö

Gear casing and drive gear

| Ref. | Part number | Qty | Name | Remarks | Ref. | Part number | Qty | Name | Remarks |
|------|--------------|-----|------------------------|---------|-------------|---------------------|----------|----------------------|---------|
| 1010 | | 1 | Gear casing | | 1110 | 1621 6228 00 | 1 | Bracket | |
| | 1616 6452 04 | | ZR300-7.5/50Hz, | | 1115 | 0147 1322 03 | 1 | Bolt | |
| | | | ZR315-10/60Hz, | | 1125 | 1613 0801 05 | 1 | Clamp | |
| | | | ZR355-8.6/60Hz | | 1130 | 0147 1247 03 | 1 | Bolt | |
| | 1616 6452 03 | | ZR300-10/50Hz, | | 1135 | 1613 0801 05 | 1 | Clamp | |
| | | | ZR315/50Hz, | | 1140 | 0147 1247 03 | 1 | Bolt | |
| | | | ZR355-7.5/50Hz, | | 1150 | 1621 6059 00 | 1 | Cover | |
| | | | ZR355-10/60Hz, | | 1155 | 0147 1401 03 | 2 | Bolt | |
| | | | ZR400/60Hz | | 1160 | 0663 2106 18 | 1 | O-ring | |
| | 1616 6452 06 | | ZR300-8.6/60Hz | | | 1621 1865 80 | 1 | Housing | |
| | 1616 6452 05 | | ZR300-10/60Hz, | | 2010 | 1621 1865 00 | • 1 | Housing | |
| | | | ZR315-8.6/60Hz | | 2015 | 1202 6255 01 | • 1 | Filter element | |
| | | | ZR355-10/50Hz, | | 2020 | 0663 2107 84 | • 1 | O-ring | |
| | 1616 6452 02 | | ZR400/50Hz | | 2025 | 1614 8222 00 | • 1 | Cover | |
| | | | ZR425/50Hz | | 2030 | 0211 1247 03 | • 2 | Cap screw | |
| | 1616 6452 01 | | | | 3010 | 1616 6229 00 | 1 | Pump cover | |
| 1015 | 0101 1951 53 | 1 | Pin | | 3015 | 0147 1326 03 | 4 | Bolt | |
| 1020 | 0101 1951 49 | 1 | Pin | | 3020 | 0663 2107 76 | 1 | O-ring | |
| 1025 | 0663 2108 08 | 1 | O-ring | | 3030 | 1616 6224 00 | 1 | Drive shaft | |
| 1030 | 0101 1951 52 | 2 | Pin | | 3035 | 0508 1100 70 | 1 | Roller bearing | |
| 1035 | | | Plug | | 3040 | 0335 1165 00 | 1 | Ext.circlip | |
| | 0686 3716 09 | 2 | ZR300-10/50Hz, | | 3045 | 1616 6291 00 | 1 | Ring | |
| | | | ZR300-10/60Hz, | | 3050 | 0506 0100 13 | 1 | Roller bearing | |
| | | | ZR315-8.6/60Hz, | | 3060 | 0295 3122 00 | 1 | Locknut | |
| | | | ZR315/50Hz, | | 3065 | 0211 1373 00 | 4 | Cap screw | |
| | | | ZR355-7.5/50Hz, | | 3070 | 0663 2107 52 | 1 | O-ring | |
| | | | ZR355-10/60Hz, | | 3075 | 0147 1367 03 | 4 | Bolt | |
| | 0686 3716 09 | 4 | ZR400/60Hz, ZR425/50Hz | | 3085 | 0335 2184 00 | 1 | Int.circlip | |
| | | | ZR300-7.5/50Hz, | | 3090 | 1616 6231 02 | 1 | Distance ring | |
| | | | ZR300-8.6/60Hz, | | 3095 | 1616 6232 03 | 1 | Eccentric ring | |
| | | | ZR315-10/60Hz, | | 3100 | 1616 6233 03 | 1 | Pump element | |
| | | | ZR355-8.6/60Hz | | 3105 | 0102 0335 00 | 1 | Pin | |
| 1036 | 0686 3716 09 | 2 | Plug | | 3110 | 1616 6296 00 | 1 | Key | |
| 1040 | | | Seal washer | | 3115 | 0337 8429 00 | 1 | Parallel key | |
| | 0661 1000 31 | 2 | ZR300-10/50Hz, | | 3130 | 1616 6292 00 | 1 | Bearing shield | |
| | | | ZR300-10/60Hz, | | 3135 | 0663 2106 84 | 1 | O-ring | |
| | | | ZR315-8.6/60Hz, | | 3140 | 0147 1364 03 | 4 | Bolt | |
| | | | ZR315/50Hz, | | 3145 | 1619 6032 05 | 1 | Nipple | |
| | | | ZR355-7.5/50Hz, | | | 1616 6454 00 | 1 | Seal | |
| | | | ZR355-10/60Hz, | | 4010 | 1616 6455 00 | • 1 | Outer seal ring | |
| | 0661 1000 31 | 4 | ZR400/60Hz, ZR425/50Hz | | 4015 | 1616 6456 00 | • 1 | Inner seal ring | |
| | | | ZR300-7.5/50Hz, | | 5010 | | 1 | Service stage | |
| | | | ZR300-8.6/60Hz, | | | 2102 0601 83 | | Epoxy | |
| | | | ZR315-10/60Hz, | | | 2102 0601 80 | | Others | |
| | | | ZR355-8.6/60Hz | | | 2253 7858 00 | • 1 | Diaphragm | |
| 1041 | 0661 1000 31 | 2 | Seal washer | | 5015 | 0663 2103 26 | 1 | O-ring | |
| 1045 | 0686 4230 07 | 1 | Plug | | 5025 | 0147 1478 03 | 8 | Bolt | |
| 1050 | 9125 6303 00 | 1 | Seal washer | | 5030 | 0580 0013 32 | 2 | Coupling | |
| 1075 | 0663 2107 81 | 1 | O-ring | | 5035 | 1612 7981 00 | 1 | Pipe | |
| 1080 | 0211 1335 03 | 4 | Cap screw | | 5040 | 0661 1000 25 | 2 | Seal washer | |
| 1085 | 0661 1000 25 | 2 | Seal washer | | 5060 | 1621 6340 00 | 1 | Pipe | |
| 1090 | 0580 0013 32 | 2 | Coupling | | 5065 | 0663 2108 08 | 1 | O-ring | |
| 1095 | 1621 6229 00 | 1 | Pipe | | 5070 | 1202 6969 00 | 1 | Gasket | |
| 1096 | 1621 6227 00 | 1 | Bracket | | 5075 | 0144 3287 03 | 4 | Bolt | |
| 1097 | 0147 1322 03 | 2 | Bolt | | 5080 | 0147 1362 03 | 4 | Bolt | |
| 1100 | 0580 1404 00 | 1 | Str.coupling | | | | | | |
| 1105 | 1621 6230 00 | 1 | Pipe | | | | | | |

1

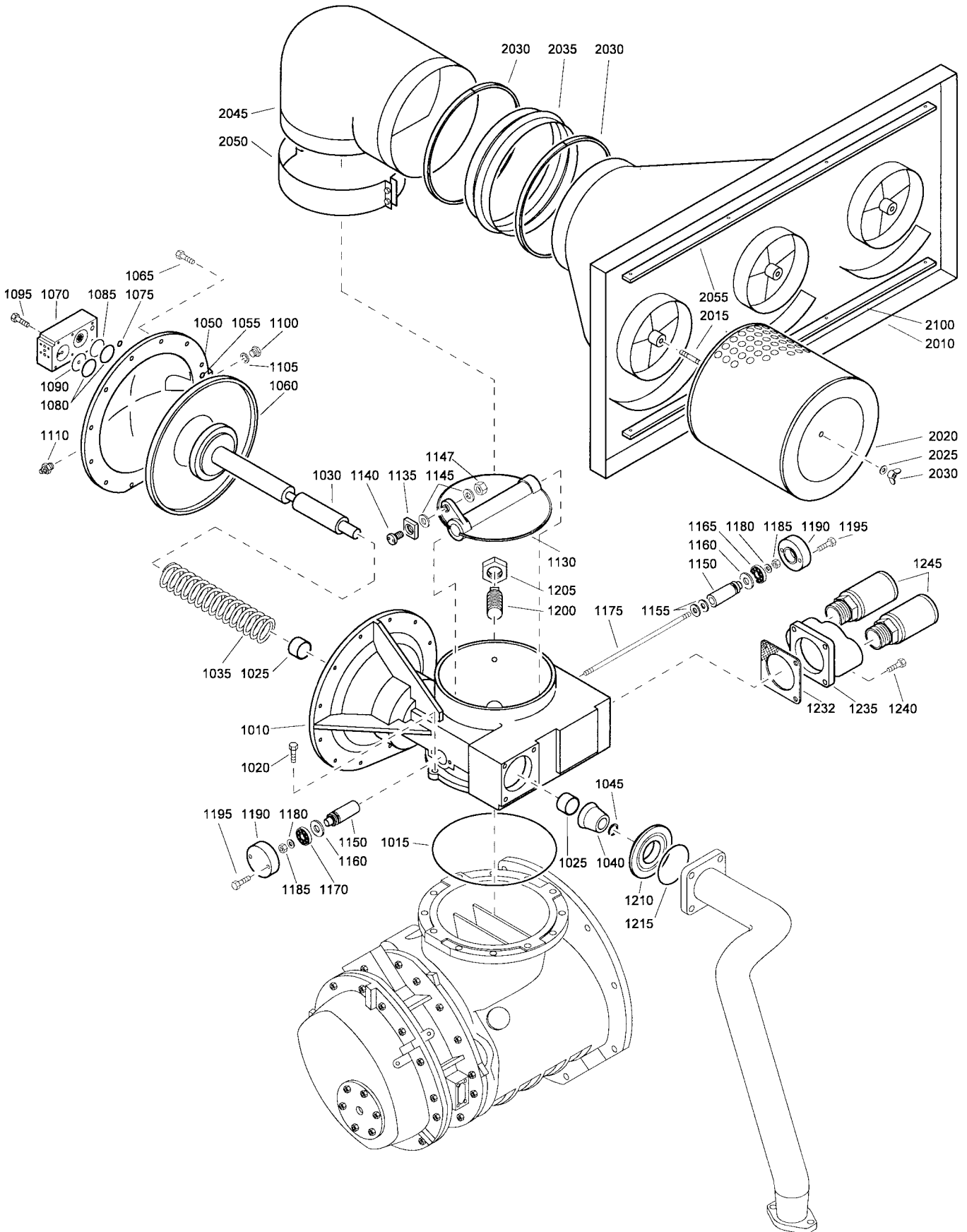


01-0002-01

Gear casing and drive gear

| Ref. | Part number | Qty | Name | Remarks | Ref. | Part number | Qty | Name | Remarks |
|------|--------------|-----|-----------------|---------|------|--------------|-----|-----------------|---------|
| 5100 | | 1 | Service stage | | 6020 | | 1 | Gear wheel | |
| | 1616 5803 82 | | Epoxy | | | 1616 6238 06 | | ZR300-7.5/50Hz, | |
| | 1616 5803 81 | | Others | | | | | ZR355-8.6/60Hz | |
| | 1616 5824 00 | 1 | Diaphragm | | | 1616 6238 10 | | ZR300-8.6/60Hz | |
| 5105 | 0663 2103 22 | 1 | O-ring | | | 1616 6238 11 | | ZR300-10/50Hz, | |
| 5115 | 0663 2107 89 | 1 | O-ring | | | | | ZR355-10/60Hz | |
| 5120 | 0147 1410 03 | 4 | Bolt | | | 1616 6238 13 | | ZR300-10/60Hz | |
| 5125 | 0147 1402 03 | 2 | Bolt | | | 1616 6238 05 | | ZR315-7.5/50Hz, | |
| 5130 | 0301 2358 00 | 6 | Washer | | | | | ZR400-8.6/60Hz | |
| 5135 | 1621 6028 00 | 1 | Pipe | | | 1616 6238 08 | | ZR315-8.6/60Hz | |
| 5140 | 0580 0013 32 | 2 | Coupling | | | 1616 6238 08 | | ZR315-10/50Hz, | |
| 5145 | 0661 1000 25 | 2 | Seal washer | | | | | ZR400-10/60Hz | |
| 5160 | 1621 3360 00 | 1 | Hose assembly | | | 1616 6238 12 | | ZR315-10/60Hz | |
| 5165 | 0663 2107 81 | 2 | O-ring | | | 1616 6238 03 | | ZR355-7.5/50Hz, | |
| 5170 | 0147 1323 03 | 4 | Bolt | | | | | ZR425-8.6/60Hz | |
| 5180 | 0686 3716 07 | 1 | Plug | | | 1616 6238 07 | | ZR355-10/50Hz | |
| 5185 | 0661 1000 30 | 1 | Seal washer | | | 1616 6238 02 | | ZR400-7.5/50Hz | |
| 5190 | 0686 3716 01 | 2 | Plug | | | 1616 6238 04 | | ZR400-10/50Hz | |
| 5195 | 0661 1000 25 | 2 | Seal washer | | | 1616 6238 01 | | ZR425-7.5/50Hz | |
| 6010 | | 1 | Gear wheel | | | | | | |
| | 1616 6234 13 | | ZR300-7.5/50Hz, | | | | | | |
| | | | ZR355-8.6/60Hz | | | | | | |
| | 1616 6234 07 | | ZR300-8.6/60Hz | | | | | | |
| | 1616 6234 09 | | ZR300-10/50Hz, | | | | | | |
| | | | ZR355-10/60Hz | | | | | | |
| | 1616 6234 03 | | ZR300-10/60Hz | | | | | | |
| | 1616 6234 15 | | ZR315-7.5/50Hz, | | | | | | |
| | | | ZR400-8.6/60Hz | | | | | | |
| | 1616 6234 10 | | ZR315-8.6/60Hz | | | | | | |
| | 1616 6234 12 | | ZR315-10/50Hz, | | | | | | |
| | | | ZR400-10/60Hz | | | | | | |
| | 1616 6234 06 | | ZR315-10/60Hz | | | | | | |
| | 1616 6234 18 | | ZR355-7.5/50Hz, | | | | | | |
| | | | ZR425-8.6/60Hz | | | | | | |
| | 1616 6234 14 | | ZR355-10/50Hz | | | | | | |
| | 1616 6234 20 | | ZR400-7.5/50Hz | | | | | | |
| | 1616 6234 17 | | ZR400-10/50Hz | | | | | | |
| | 1616 6234 22 | | ZR425-7.5/50Hz | | | | | | |
| 6015 | | 1 | Gear wheel | | | | | | |
| | 1616 6235 11 | | ZR300-7.5/50Hz, | | | | | | |
| | | | ZR355-8.6/60Hz | | | | | | |
| | 1616 6235 17 | | ZR300-8.6/60Hz | | | | | | |
| | 1616 6235 13 | | ZR300-10/50Hz, | | | | | | |
| | | | ZR355-10/60Hz | | | | | | |
| | 1616 6235 18 | | ZR300-10/60Hz | | | | | | |
| | 1616 6235 09 | | ZR315-7.5/50Hz, | | | | | | |
| | | | ZR400-8.6/60Hz | | | | | | |
| | 1616 6235 14 | | ZR315-8.6/60Hz | | | | | | |
| | 1616 6235 11 | | ZR315-10/50Hz, | | | | | | |
| | | | ZR400-10/60Hz | | | | | | |
| | 1616 6235 16 | | ZR315-10/60Hz | | | | | | |
| | 1616 6235 06 | | ZR355-7.5/50Hz, | | | | | | |
| | | | ZR425-8.6/60Hz | | | | | | |
| | 1616 6235 09 | | ZR355-10/50Hz | | | | | | |
| | 1616 6235 04 | | ZR400-7.5/50Hz | | | | | | |
| | 1616 6235 06 | | ZR400-10/50Hz | | | | | | |
| | 1616 6235 02 | | ZR425-7.5/50Hz | | | | | | |
| 6016 | 0211 1479 00 | 8 | Cap screw | | | | | | |

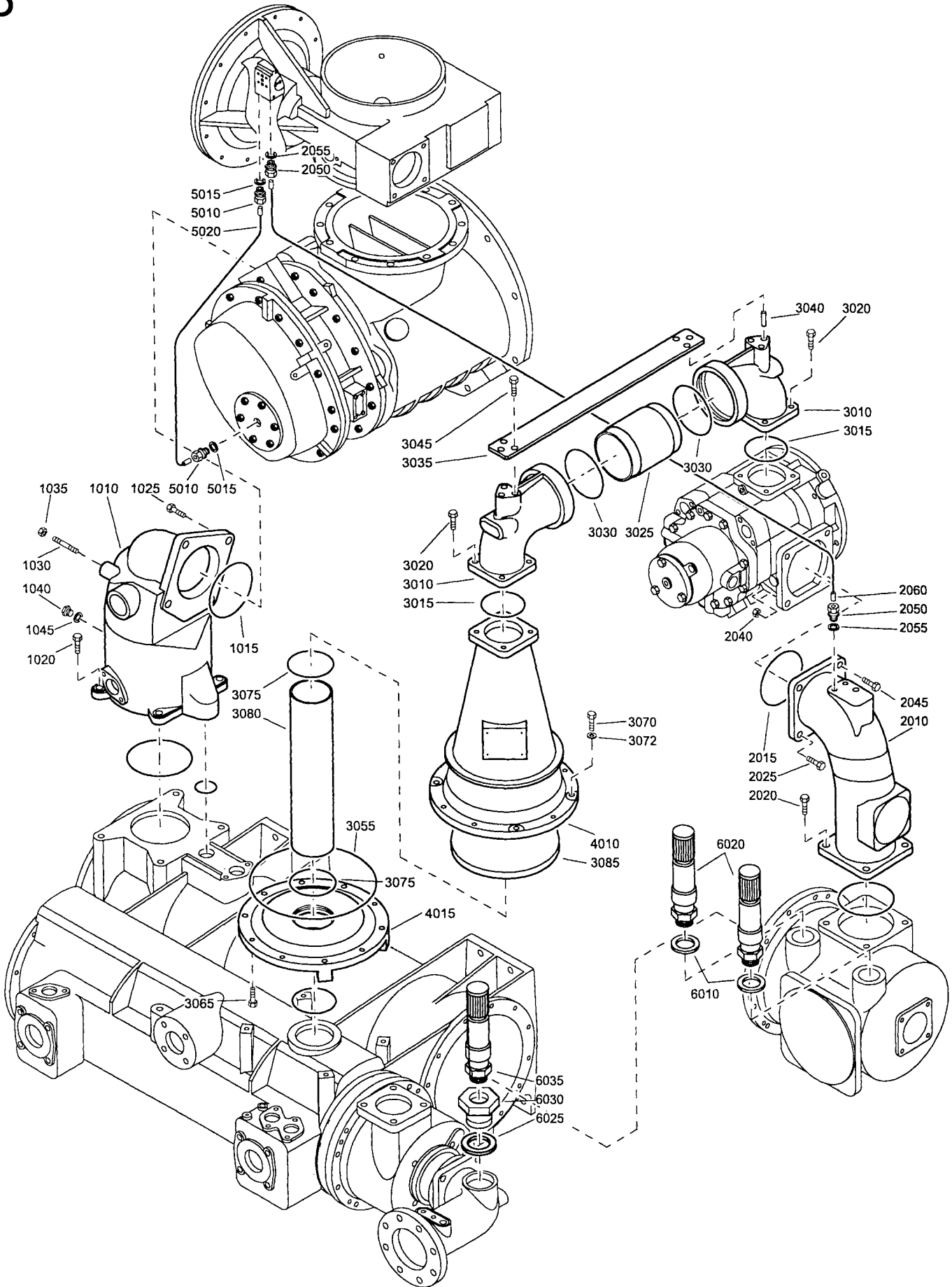
2



Air inlet

| Ref. | Part number | Qty | Name | Remarks | Ref. | Part number | Qty | Name | Remarks |
|------|--------------|-----|-----------------|---------|------|--------------|-----|----------------|---------|
| 1010 | 1621 1501 01 | 1 | Valve housing | | 1160 | 2253 7390 00 | 2 | Seal | |
| 1015 | 0663 2108 58 | 1 | O-ring | | 1165 | 0502 7404 00 | 1 | Bearing | |
| 1020 | 0211 5161 35 | 4 | Screw | | 1170 | 0508 1154 00 | 1 | Roller bearing | |
| 1025 | 1619 6151 00 | 2 | Bearing | | 1175 | 1202 8866 00 | 1 | Stud | |
| 1030 | 1621 1595 00 | 1 | Piston | | 1180 | 2253 7391 00 | 2 | Washer | |
| 1035 | 2102 0836 00 | 1 | Spring | | 1185 | 0266 2112 00 | 2 | Nut | |
| 1040 | 2102 0604 00 | 1 | Valve-hp inload | | 1190 | 2253 7397 00 | 2 | Cover | |
| 1045 | 0335 1104 21 | 1 | Circlip | | 1195 | 0147 1365 03 | 4 | Bolt | |
| 1050 | 1621 1593 00 | 1 | Valve cover | | 1200 | 2255 0021 02 | 1 | Stud | |
| 1055 | 0663 2108 37 | 1 | O-ring | | 1205 | 0623 2107 03 | 1 | Back nut | |
| 1060 | 1621 1663 00 | 1 | Diaphragm | | 1210 | 1621 6026 00 | 1 | Valve seat | |
| 1065 | 0147 1364 03 | 12 | Bolt | | 1215 | 0663 2108 65 | 1 | O-ring | |
| 1070 | 1621 1714 00 | 1 | Valve base | | 1232 | 1621 6332 00 | 1 | Gasket | |
| 1075 | 0663 2108 37 | 1 | O-ring | | 1235 | 1621 1600 00 | 1 | Collector | |
| 1080 | 0663 2108 64 | 2 | O-ring | | 1240 | 0147 1401 03 | 4 | Bolt | |
| 1085 | 1621 1715 00 | 1 | Membrane | | 1245 | 1621 0083 00 | 2 | Muffler | |
| 1090 | 1621 1716 00 | 1 | Membrane | | 2010 | 1621 1592 00 | 1 | Collector | |
| 1095 | 0147 1257 03 | 6 | Bolt | | 2015 | 0248 9979 08 | 3 | Threaded rod | |
| 1100 | 0686 3716 02 | 1 | Plug | | 2020 | 1030 0979 00 | 3 | Air filter | |
| 1105 | 0661 1000 27 | 1 | Seal washer | | 2025 | 0301 2344 00 | 3 | Washer | |
| 1110 | 9090 0508 00 | 1 | Damper | | 2030 | 0296 1111 02 | 3 | Wing nut | |
| 1130 | 2255 0020 00 | 1 | Valve | | 2035 | 2252 0773 00 | 1 | Hump hose | |
| 1135 | 2253 7396 00 | 1 | Bear. block | | 2040 | 1613 1249 11 | 2 | Hose clip | |
| 1140 | 2255 0148 00 | 1 | Shaft | | 2045 | 1621 1594 00 | 1 | Elbow | |
| 1145 | 2255 1182 00 | 2 | Washer | | 2050 | 1621 1668 00 | 1 | Clamp | |
| 1147 | 2255 0038 00 | 1 | Locknut | | 2055 | 1621 6106 00 | 1 | Strip | |
| 1150 | 2253 7389 00 | 2 | Pivot | | 2100 | 1621 6106 00 | 1 | Strip | |
| 1155 | 2253 7393 00 | 2 | Washer | | | | | | |

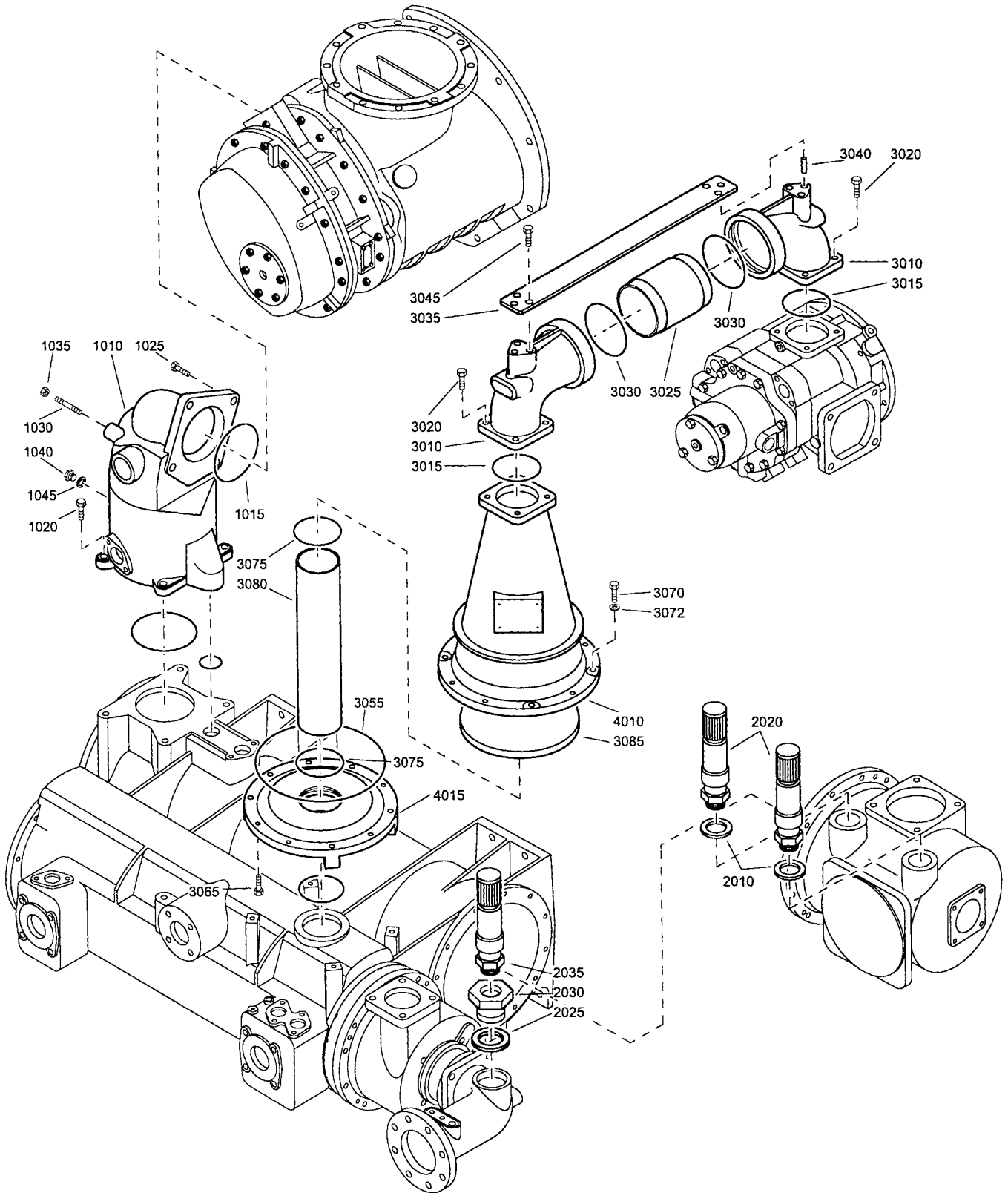
3



Air flow - Full load / No load

| Ref. | Part number | Qty | Name | Remarks | Ref. | Part number | Qty | Name | Remarks |
|------|---------------------|----------|---|---------|------|-------------|-----|---|---------|
| 1010 | 1621 1599 00 | 1 | Connection | | 0605 | 8300 71 | | ZR355-7.5 bar(e) D, | |
| 1015 | 0663 2107 75 | 1 | O-ring | | | | | ZR355-8.6 bar(e) As, | |
| 1020 | 0147 1479 03 | 4 | Bolt | | | | | ZR400-7.5 bar(e) D, | |
| 1025 | 0144 3491 03 | 2 | Bolt | | | | | ZR400-8.6 bar(e) As, | |
| 1030 | 0246 2888 08 | 2 | Stud | | | | | ZR425-7.5 bar(e) D | |
| 1035 | 0268 3211 00 | 2 | Nut | | 0605 | 8300 72 | | ZR300-7.5 bar(e)(CE), | |
| 1040 | 0686 3716 01 | 1 | Plug | | | | | ZR300-10 bar(e)(CE), | |
| 1045 | 0661 1000 25 | 1 | Seal washer | | | | | ZR315-7.5 bar(e)(CE), | |
| 2010 | 1621 6300 01 | 1 | Pipe | | | | | ZR315-10 bar(e)(CE), | |
| 2015 | 0663 2108 60 | 1 | O-ring | | | | | ZR355-7.5 bar(e)(CE), | |
| 2020 | 0147 1479 03 | 4 | Bolt | | | | | ZR355-10 bar(e)(CE), | |
| 2025 | 0147 1481 03 | 2 | Bolt | | | | | ZR400-10 bar(e)(CE) | |
| 2040 | 0266 2114 00 | 2 | Nut | | 0605 | 8350 41 | | ZR300-7.5 bar(e) As-D, | |
| 2045 | 0147 1477 03 | 2 | Bolt | | | | | ZR300-10 bar(e) As-D, | |
| 2050 | 0580 0013 86 | 2 | Str.coupling | | | | | ZR315-7.5 bar(e) As-D, | |
| 2055 | 0661 1000 25 | 2 | Seal washer | | | | | ZR315-10 bar(e) As-D, | |
| 2060 | 1621 6177 00 | 1 | Pipe | | | | | ZR315-8.6 bar(e) As, ZR355- | |
| 3010 | 1621 6030 00 | 2 | Pipe | | | | | 10 bar(e) As-D, | |
| 3015 | 0663 2107 33 | 2 | O-ring | | | | | ZR415-10 bar(e) As-D | |
| 3020 | 0211 1404 03 | 8 | Cap screw | | 6030 | | 1 | Seal washer | |
| 3025 | 1621 6027 00 | 1 | Pipe | | | | | (CE) | |
| 3030 | 0663 2108 49 | 2 | O-ring | | 6035 | | 1 | Safety valve | |
| 3035 | 1621 6022 01 | 1 | Bracket | | | | | ZR400-7.5 bar(e)(CE), | |
| 3040 | 0101 1951 52 | 2 | Pin | | | | | ZR425-7.5 bar(e)(CE) | |
| 3045 | 0147 1476 03 | 4 | Bolt | | 0830 | 1005 43 | | ZR355-7.5 bar(e) D, | |
| 3055 | 0663 2108 50 | 1 | O-ring | | | | | ZR355-8.6 bar(e) As, | |
| 3065 | 0147 1404 03 | 6 | Bolt | | | | | ZR400-7.5 bar(e) D, | |
| 3070 | 0147 1413 03 | 4 | Bolt | | | | | ZR400-8.6 bar(e) As, | |
| 3072 | 0301 2358 00 | 4 | Washer | | | | | ZR425-7.5 bar(e) D | |
| 3075 | 0663 2107 33 | 2 | O-ring | | 0830 | 1005 74 | | ZR300-10 bar(e)(CE), | |
| 3080 | 1621 6034 00 | 1 | Insert | | | | | ZR315-10 bar(e)(CE), | |
| 3085 | 1621 6153 00 | 1 | Glass wool | | | | | ZR355-10 bar(e)(CE), | |
| | 1621 6031 80 | 1 | Silencer | | | | | ZR400-10 bar(e)(CE) | |
| 4010 | 1621 6031 08 | 1 | Silencer | | 0830 | 1005 46 | | ZR300-10 bar(e) As-D, | |
| 4015 | 1621 6032 08 | 1 | Flange | | | | | ZR315-10 bar(e) As-D, | |
| 5010 | 0580 0013 32 | 2 | Coupling | | | | | ZR355-10 bar(e) As-D, | |
| 5015 | 0661 1000 25 | 2 | Seal washer | | | | | ZR415-10 bar(e) As-D | |
| 5020 | 1621 6024 00 | 1 | Pipe | | 0830 | 1005 72 | | ZR300-7.5 bar(e)(CE), | |
| 6010 | 0661 1000 33 | 2 | Seal washer | | | | | ZR315-7.5 bar(e)(CE), | |
| 6020 | 0830 1006 35 | 2 | Safety valve | | | | | ZR355-7.5 bar(e)(CE) | |
| 6025 | | 1 | Bushing | | 0830 | 1005 44 | | ZR300-7.5 bar(e) As-D, | |
| | 0605 8300 70 | | ZR400-7.5 bar(e)(CE), ZR425-7.5 bar(e)(CE) | | | | | ZR315-7.5 bar(e) As-D, ZR315-8.6 bar(e) As | |

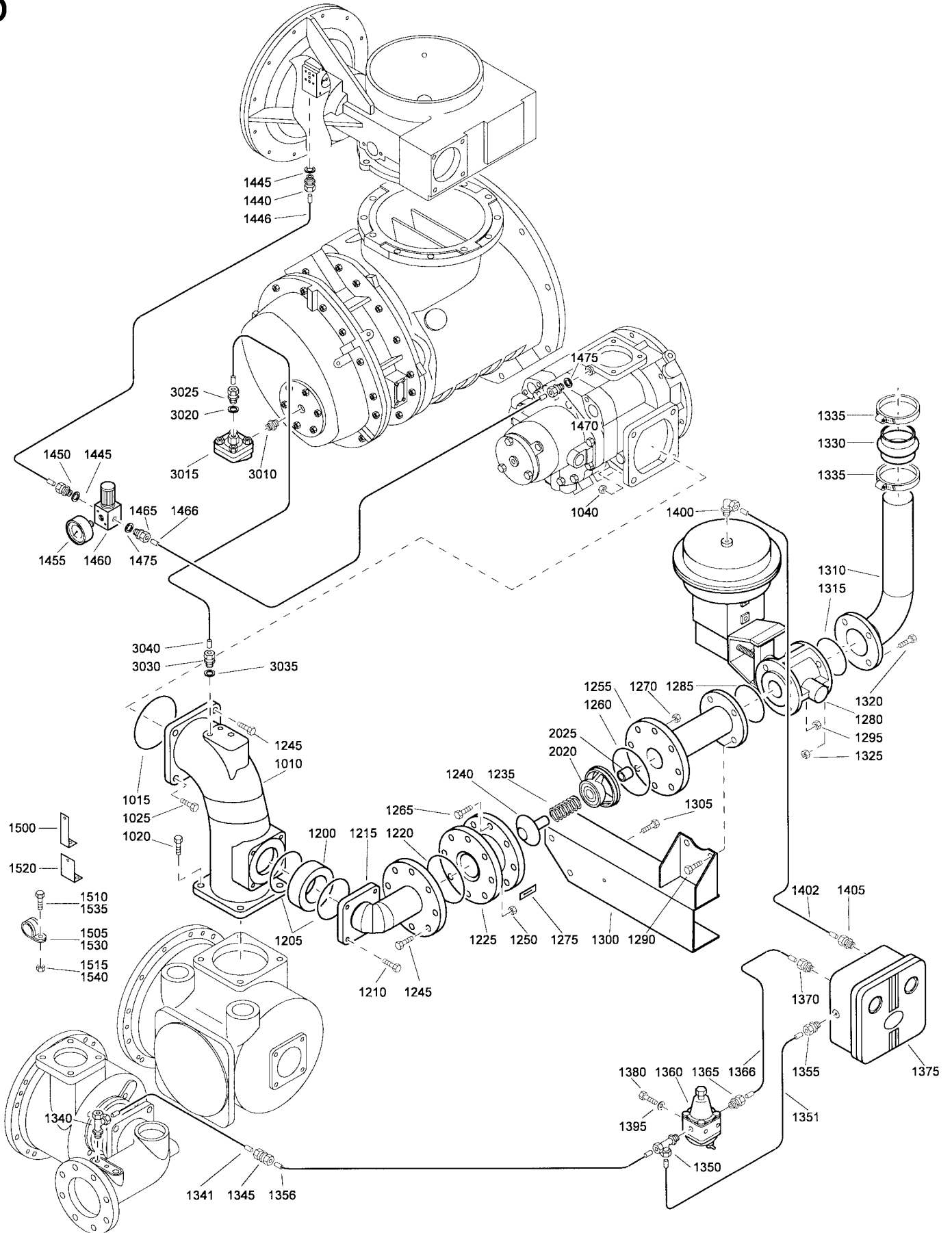
4



Air flow - Continuous Capacity Control - Part 1 - 1)

| Ref. | Part number | Qty | Name | Remarks | Ref. | Part number | Qty | Name | Remarks |
|------|--------------|-----|--|---------|------|---|----------|---|---------|
| 1010 | 1621 1599 00 | 1 | Connection | | 0830 | 1005 74 | | ZR300-10 bar(e)(CE), ZR315-10 bar(e)(CE), ZR355-10 bar(e)(CE), ZR400-10 bar(e)(CE) | |
| 1015 | 0663 2107 75 | 1 | O-ring | | | | | | |
| 1020 | 0147 1479 03 | 4 | Bolt | | | | | | |
| 1025 | 0144 3491 03 | 2 | Bolt | | 0830 | 1005 46 | | ZR300-10 bar(e) As-D, ZR315-10 bar(e) As-D, ZR355-10 bar(e) As-D, ZR415-10 bar(e) As-D | |
| 1030 | 0246 2888 08 | 2 | Stud | | | | | | |
| 1035 | 0268 3211 00 | 2 | Nut | | | | | | |
| 1040 | 0686 3716 01 | 1 | Plug | | 0830 | 1005 72 | | ZR300-7.5 bar(e)(CE), ZR315-7.5 bar(e)(CE), ZR355-7.5 bar(e)(CE) | |
| 1045 | 0661 1000 25 | 1 | Seal washer | | | | | | |
| 2010 | 0661 1000 33 | 2 | Seal washer | | 0830 | 1005 72 | | ZR300-7.5 bar(e)(CE), ZR315-7.5 bar(e)(CE), ZR355-7.5 bar(e)(CE) | |
| 2020 | 0830 1006 35 | 2 | Safety valve | | | | | | |
| 2025 | | 1 | Bushing | | 0830 | 1005 44 | | ZR300-7.5 bar(e) As-D, ZR315-7.5 bar(e) As-D, ZR315-8.6 bar(e) As | |
| | 0605 8300 70 | | ZR400-7.5 bar(e)(CE), ZR425-7.5 bar(e)(CE) | | 3010 | 1621 6030 00 | 2 | Pipe | |
| | 0605 8300 71 | | ZR355-7.5 bar(e) D, ZR355-8.6 bar(e) As, ZR400-7.5 bar(e) D, ZR400-8.6 bar(e) As, ZR425-7.5 bar(e) D | | 3015 | 0663 2107 33 | 2 | O-ring | |
| | 0605 8300 72 | | ZR300-7.5 bar(e)(CE), ZR300-10 bar(e)(CE), ZR315-7.5 bar(e)(CE), ZR315-10 bar(e)(CE), ZR355-7.5 bar(e)(CE), ZR355-10 bar(e)(CE), ZR400-10 bar(e)(CE) | | 3020 | 0211 1404 03 | 8 | Cap screw | |
| | 0605 8350 41 | | ZR300-7.5 bar(e) As-D, ZR300-10 bar(e) As-D, ZR315-7.5 bar(e) As-D, ZR315-10 bar(e) As-D, ZR315-8.6 bar(e) As, ZR355- 10 bar(e) As-D, ZR415-10 bar(e) As-D | | 3025 | 1621 6027 00 | 1 | Pipe | |
| 2030 | | 1 | Seal washer | | 3030 | 0663 2108 49 | 2 | O-ring | |
| | 0661 1000 33 | 1 | (CE) | | 3035 | 1621 6022 01 | 1 | Bracket | |
| 2035 | | 1 | Safety valve | | 3040 | 0101 1951 53 | 2 | Pin | |
| | 0830 1005 81 | | ZR400-7.5 bar(e)(CE), ZR425-7.5 bar(e)(CE) | | 3045 | 0147 1476 03 | 4 | Bolt | |
| | 0830 1005 43 | | ZR355-7.5 bar(e) D, ZR355-8.6 bar(e) As, ZR400-7.5 bar(e) D, ZR400-8.6 bar(e) As, ZR425-7.5 bar(e) D | | 3055 | 0663 2108 50 | 1 | O-ring | |
| | | | | | 3065 | 0147 1404 03 | 6 | Bolt | |
| | | | | | 3070 | 0147 1413 03 | 4 | Bolt | |
| | | | | | 3072 | 0301 2358 00 | 4 | Washer | |
| | | | | | 3075 | 0663 2107 33 | 2 | O-ring | |
| | | | | | 3080 | 1621 6034 00 | 1 | Insert | |
| | | | | | 3085 | 1621 6153 00 | 1 | Glass wool | |
| | | | | | | 1621 6031 80 | 1 | Silencer | |
| | | | | | 4010 | 1621 6031 08 | • 1 | Silencer | |
| | | | | | 4015 | 1621 6032 08 | • 1 | Flange | |
| | | | | | 1) | Continuous capacity control / Ononderbroken debietsregeling / Kontinuerlig kapacitetsreglering / Stetige Liefermengenregelung / Contrôle continu du débit / Control continuo de la capacidad / Controllo continuo della portata / Kontinuerlig kapacitetsregulering / Controllo continuo de capacidade / Kontinuerlig kapasitetsregulering / Jatkuva kapasiteetin säätö | | | |

5

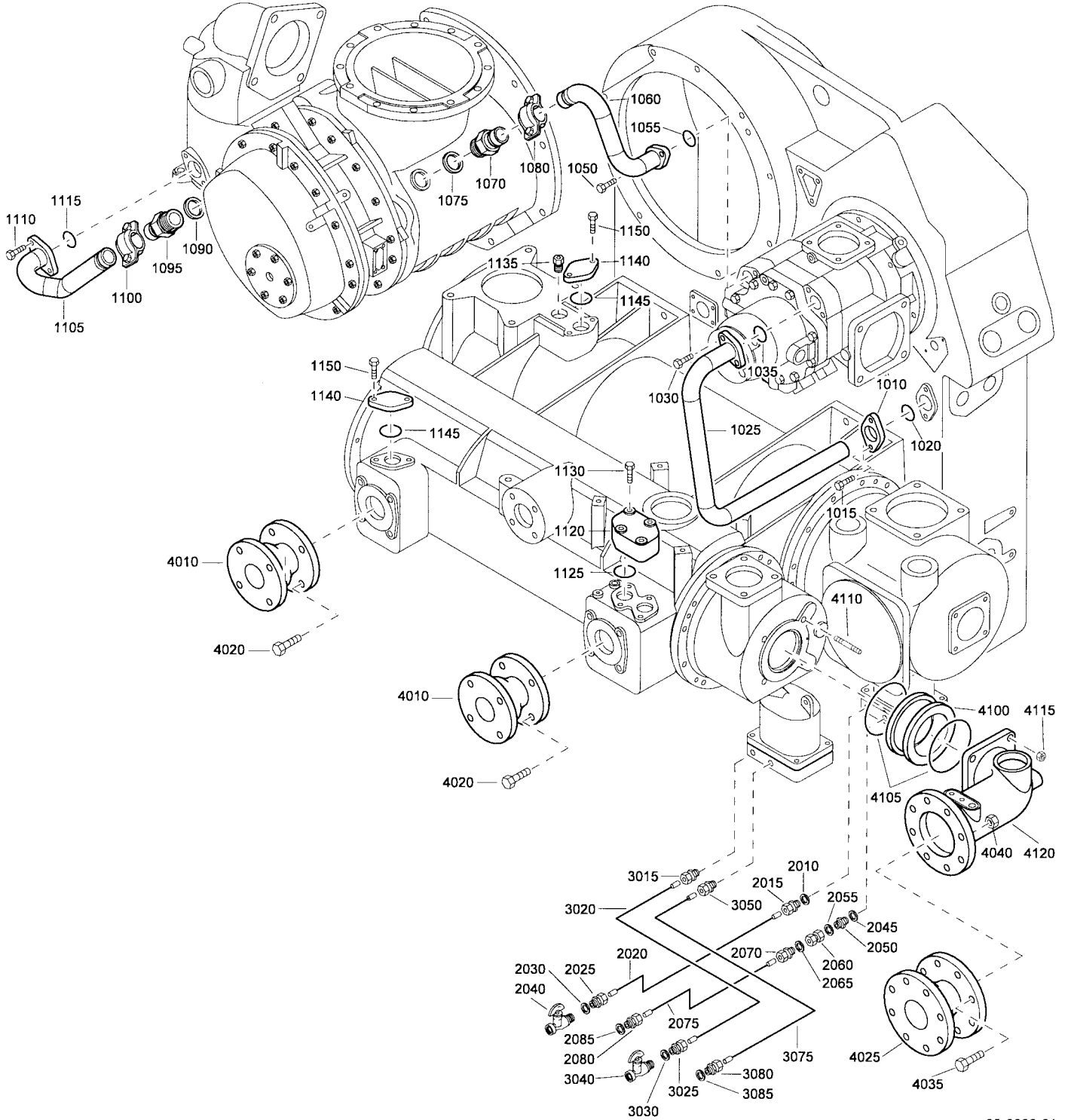


Air flow - Continuous Capacity Control - Part 2 - 1)

| Ref. | Part number | Qty | Name | Remarks | Ref. | Part number | Qty | Name | Remarks |
|------|--------------|-----|---------------|---------|------|---------------------|----------|-----------------|---------|
| 1010 | 1621 6300 02 | 1 | Pipe | | 1370 | 0580 0013 09 | 1 | Str.coupling | |
| 1015 | 0663 2108 60 | 1 | O-ring | | 1375 | 1619 2793 01 | 1 | Press. contr. | |
| 1020 | 0147 1479 03 | 4 | Bolt | | 1380 | 0147 1340 03 | 2 | Bolt | |
| 1025 | 0147 1481 03 | 2 | Bolt | | 1395 | 0301 2335 00 | 2 | Washer | |
| 1040 | 0266 2114 00 | 2 | Nut | | 1400 | 0580 0013 09 | 1 | Str.coupling | |
| 1045 | 0147 1477 03 | 2 | Bolt | | 1402 | 1621 6231 00 | 1 | Pipe | |
| 1200 | 1621 6139 00 | 1 | Ring | | 1405 | 0580 0013 09 | 1 | Str.coupling | |
| 1205 | 0663 2107 33 | 2 | O-ring | | 1440 | 0580 0400 06 | 1 | Str.coupling | |
| 1210 | 0147 1411 03 | 4 | Bolt | | 1445 | 0661 1000 25 | 2 | Seal washer | |
| 1215 | 1621 6140 00 | 1 | Pipe | | 1446 | 1621 6237 00 | 1 | Pipe | |
| 1220 | 0663 2106 20 | 1 | O-ring | | 1450 | 0580 0400 06 | 1 | Str.coupling | |
| 1225 | 2252 6639 00 | 1 | Valve seat | | 1455 | 9090 1172 00 | 1 | Gauge | |
| 1235 | 2250 5579 00 | 1 | Spring | | 1460 | 9092 0033 01 | 1 | Regulator | |
| 1240 | 2001 0217 00 | 1 | Valve | | 1465 | 0580 0400 06 | 1 | Str.coupling | |
| 1245 | 0147 1481 03 | 8 | Bolt | | 1466 | 1621 6236 00 | 1 | Pipe | |
| 1250 | 0266 2114 00 | 8 | Nut | | 1470 | 0580 0400 06 | 1 | Str.coupling | |
| 1255 | 1621 6141 00 | 1 | Pipe | | 1475 | 0661 1000 25 | 2 | Seal washer | |
| 1260 | 0663 2106 20 | 1 | O-ring | | 1500 | 1621 6243 00 | 1 | Bracket | |
| 1265 | 0147 1481 03 | 7 | Bolt | | 1505 | 1613 0801 02 | 1 | Clamp | |
| 1270 | 0266 2114 00 | 7 | Nut | | 1510 | 0147 1246 03 | 1 | Bolt | |
| 1275 | 1079 9919 51 | 1 | Label | | 1515 | 0266 2108 00 | 1 | Nut | |
| 1280 | 1621 6142 02 | 1 | Control valve | | 1520 | 1621 6241 00 | 1 | Bracket | |
| 1285 | 0663 3142 00 | 1 | O-ring | | 1530 | 1613 0801 05 | 1 | Clamp | |
| 1290 | 0147 1481 03 | 4 | Bolt | | 1535 | 0147 1246 03 | 1 | Bolt | |
| 1295 | 0266 2114 00 | 4 | Nut | | 1540 | 0266 2108 00 | 1 | Nut | |
| 1300 | 1621 6145 00 | 1 | Support | | | 2001 0218 80 | 1 | Housing | |
| 1305 | 0147 1476 03 | 2 | Bolt | | 2020 | 2001 0218 00 | • 1 | Guide valve | |
| 1310 | 1621 6143 00 | 1 | Pipe | | 2025 | 2001 0225 00 | • 1 | Bush | |
| 1315 | 0663 3142 00 | 1 | O-ring | | 3010 | 0603 5103 03 | 1 | Hexagon nipple | |
| 1320 | 0147 1481 03 | 4 | Bolt | | 3015 | 8204 1306 83 | 1 | Quick exh.valve | |
| 1325 | 0266 2114 00 | 4 | Nut | | 3020 | 0661 1000 26 | 1 | Seal washer | |
| 1330 | 1202 5796 00 | 1 | Hump hose | | 3025 | 0580 0014 48 | 1 | Str.coupling | |
| 1335 | 0347 6131 00 | 2 | Hose clip | | 3030 | 0580 0400 06 | 1 | Str.coupling | |
| 1340 | 0580 5404 00 | 1 | Tee coupling | | 3035 | 0661 1000 25 | 1 | Seal washer | |
| 1341 | 1621 6235 00 | 1 | Pipe | | 3040 | 1621 6238 00 | 1 | Pipe | |
| 1345 | 0580 1404 00 | 1 | Str.coupling | | | | | | |
| 1350 | 0580 4005 12 | 1 | Pipe coupling | | | | | | |
| 1351 | 1621 6232 00 | 1 | Pipe | | | | | | |
| 1355 | 0580 0013 09 | 1 | Str.coupling | | | | | | |
| 1356 | 1621 6234 00 | 1 | Pipe | | | | | | |
| 1360 | 1619 2794 00 | 1 | Press reg. | | | | | | |
| 1365 | 0580 0013 09 | 1 | Str.coupling | | | | | | |
| 1366 | 1621 6233 00 | 1 | Pipe | | | | | | |

1) Continuous capacity control / Ononderbroken debietsregeling / Kontinuerlig kapacitetsreglering / Stetige Liefermengenregelung / Contrôle continu du débit / Control continuo de la capacidad / Controllo continuo della portata / Kontinuerlig kapacitetsregulering / Controllo continuo de capacidade / Kontinuerlig kapasitetsregulering / Jatkuva kapasiteetin säätö

6



06-0003-01

Water system and drain connections - Without Energy Recovery

| Ref. | Part number | Qty | Name | Remarks | Ref. | Part number | Qty | Name | Remarks |
|-------------|---------------------|----------|----------------------|---------|-------------|---------------------|----------|--------------------|---------|
| 1010 | 1621 6054 00 | 1 | Flange | | 2050 | 0603 4200 19 | 1 | Hexagon nipple | |
| 1015 | 0147 1402 03 | 2 | Bolt | | 2055 | 0661 1000 27 | 1 | Seal washer | |
| 1020 | 0663 2108 62 | 1 | O-ring | | 2060 | 8204 0940 34 | 1 | Valve | |
| 1025 | 1621 6048 00 | 1 | Pipe | | 2065 | 0661 1000 27 | 1 | Seal washer | |
| 1030 | 0211 1413 03 | 2 | Cap screw | | 2070 | 0581 0000 71 | 1 | Pipe coupling | |
| 1035 | 0663 2108 62 | 1 | O-ring | | 2075 | 0070 6002 13 | AR | Plastic tube | |
| 1050 | 0211 1413 03 | 2 | Cap screw | | 2080 | 0581 0000 71 | 1 | Pipe coupling | |
| 1055 | 0663 2108 62 | 1 | O-ring | | 2085 | 0661 1000 27 | 1 | Seal washer | |
| 1060 | 1621 6207 00 | 1 | Pipe | | 3015 | 0581 1200 38 | 1 | Pipe coupling | |
| 1070 | 1621 6045 00 | 1 | Nipple | | 3020 | 0070 6002 13 | AR | Plastic tube | |
| 1075 | 0661 1000 32 | 1 | Seal washer | | 3025 | 0581 0000 71 | 1 | Pipe coupling | |
| 1080 | 0634 1000 20 | 1 | Pipe coupling | | 3030 | 0661 1000 27 | 1 | Seal washer | |
| | 0634 1000 26 | • 1 | Gasket | | 3040 | 0852 0010 14 | 1 | Ball valve | |
| 1090 | 0661 1000 32 | 1 | Seal washer | | 3050 | 0581 1200 38 | 1 | Pipe coupling | |
| 1095 | 1621 6045 00 | 1 | Nipple | | 3075 | 0070 6002 13 | AR | Plastic tube | |
| 1100 | 0634 1000 20 | 1 | Pipe coupling | | 3080 | 0581 0000 71 | 1 | Pipe coupling | |
| | 0634 1000 26 | • 1 | Gasket | | 3085 | 0661 1000 27 | 1 | Seal washer | |
| 1105 | 1621 6053 00 | 1 | Pipe | | 4010 | | 2 | Compensator | |
| 1110 | 0147 1402 03 | 2 | Bolt | | | 1621 6021 00 | | DIN | |
| 1115 | 0663 2108 08 | 1 | O-ring | | | 1621 6058 00 | | ANSI | |
| 1120 | 1621 6295 00 | 1 | Connection | | 4020 | 0147 1478 03 | 8 | Bolt | |
| 1125 | 0663 2108 08 | 2 | O-ring | | 4025 | | 1 | Compensator | |
| 1130 | 0147 1410 03 | 4 | Bolt | | | 1619 3120 01 | | DIN | |
| 1135 | 1621 6020 00 | 1 | Nipple | | | 1619 7555 00 | | ANSI | |
| 1140 | 1621 1609 00 | 2 | Flange | | 4035 | 0147 1482 03 | 8 | Bolt | |
| 1145 | 0663 2108 08 | 2 | O-ring | | 4040 | 0291 1114 00 | 8 | Locknut | |
| 1150 | 0147 1402 03 | 4 | Bolt | | 4045 | 9823 1361 00 | 0 | Torque instr. | |
| 2010 | 0661 1000 27 | 1 | Seal washer | | 4100 | 1621 1712 03 | 1 | Check valve | |
| 2015 | 0581 0000 71 | 1 | Pipe coupling | | | 1621 1735 00 | • 2 | Plates | |
| 2020 | 0070 6002 13 | AR | Plastic tube | | | 2906 0541 00 | • 1 | Overhaul kit | |
| 2025 | 0581 0000 71 | 1 | Pipe coupling | | 4105 | 0663 2106 20 | 2 | O-ring | |
| 2030 | 0661 1000 27 | 1 | Seal washer | | 4110 | 0246 1956 19 | 4 | Stud | |
| 2040 | 0852 0010 14 | 1 | Ball valve | | 4115 | 0266 2114 00 | 4 | Nut | |
| 2045 | 0661 1000 27 | 1 | Seal washer | | 4120 | 1621 6036 00 | 1 | Pipe | |

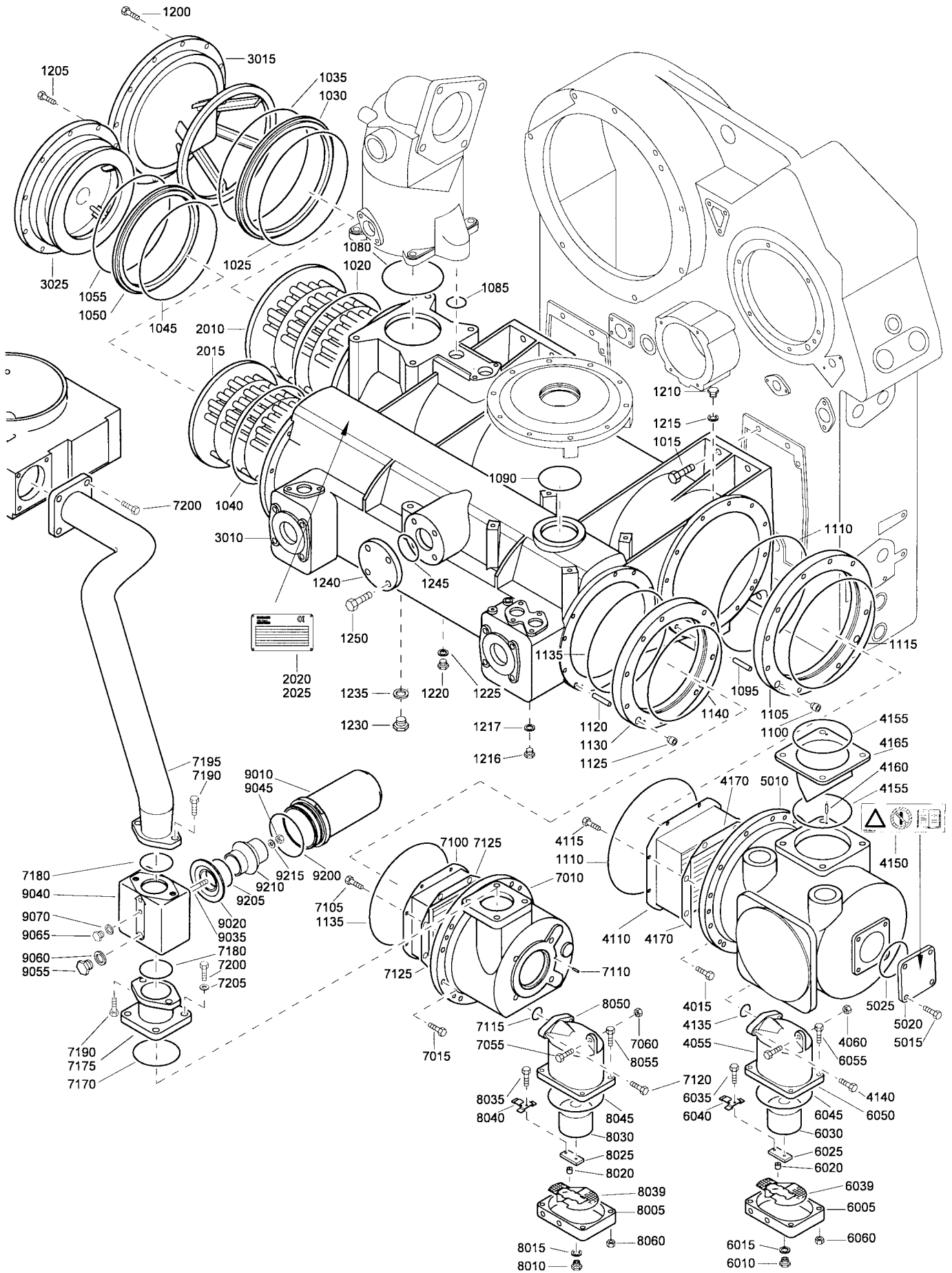
Water system and drain connections - With Energy Recovery

| Ref. | Part number | Qty | Name | Remarks | Ref. | Part number | Qty | Name | Remarks |
|-------------|---------------------|----------|----------------------|---------|-------------|---------------------|----------|--------------------|---------|
| 1010 | 1621 6054 00 | 1 | Flange | | 2015 | 0581 0000 71 | 1 | Pipe coupling | |
| 1015 | 0147 1402 03 | 2 | Bolt | | 2020 | 0070 6002 13 | AR | Plastic tube | |
| 1020 | 0663 2108 62 | 1 | O-ring | | 2025 | 0581 0000 71 | 1 | Pipe coupling | |
| 1025 | 1621 6048 00 | 1 | Pipe | | 2030 | 0661 1000 27 | 1 | Seal washer | |
| 1030 | 0211 1413 03 | 2 | Cap screw | | 2040 | 0852 0010 14 | 1 | Ball valve | |
| 1035 | 0663 2108 62 | 1 | O-ring | | 2045 | 0661 1000 27 | 1 | Seal washer | |
| 1050 | 0211 1413 03 | 2 | Cap screw | | 2050 | 0603 4200 19 | 1 | Hexagon nipple | |
| 1055 | 0663 2108 62 | 1 | O-ring | | 2055 | 0661 1000 27 | 1 | Seal washer | |
| 1060 | 1621 6207 00 | 1 | Pipe | | 2060 | 8204 0940 34 | 1 | Valve | |
| 1070 | 1621 6045 00 | 1 | Nipple | | 2065 | 0661 1000 27 | 1 | Seal washer | |
| 1075 | 0661 1000 32 | 1 | Seal washer | | 2070 | 0581 0000 71 | 1 | Pipe coupling | |
| 1080 | 0634 1000 20 | 1 | Pipe coupling | | 2075 | 0070 6002 13 | AR | Plastic tube | |
| | 0634 1000 26 • | 1 | Gasket | | 2080 | 0581 0000 71 | 1 | Pipe coupling | |
| 1090 | 0661 1000 32 | 1 | Seal washer | | 2085 | 0661 1000 27 | 1 | Seal washer | |
| 1095 | 1621 6045 00 | 1 | Nipple | | 3015 | 0581 1200 38 | 1 | Pipe coupling | |
| 1100 | 0634 1000 20 | 1 | Pipe coupling | | 3020 | 0070 6002 13 | AR | Plastic tube | |
| | 0634 1000 26 • | 1 | Gasket | | 3025 | 0581 0000 71 | 1 | Pipe coupling | |
| 1105 | 1621 6053 00 | 1 | Pipe | | 3030 | 0661 1000 27 | 1 | Seal washer | |
| 1110 | 0147 1402 03 | 2 | Bolt | | 3040 | 0852 0010 14 | 1 | Ball valve | |
| 1115 | 0663 2108 08 | 1 | O-ring | | 3050 | 0581 1200 38 | 1 | Pipe coupling | |
| 1120 | 1621 1609 00 | 1 | Flange | | 3075 | 0070 6002 13 | AR | Plastic tube | |
| 1125 | 0663 2108 08 | 1 | O-ring | | 3080 | 0581 0000 71 | 1 | Pipe coupling | |
| 1130 | 0147 1402 03 | 2 | Bolt | | 3085 | 0661 1000 27 | 1 | Seal washer | |
| 1210 | 1621 6125 00 | 1 | Nipple | | 4010 | | 1 | Compensator | |
| 1215 | 1621 6120 00 | 1 | Pipe | | | 1621 6021 00 | | DIN | |
| 1220 | 0663 2108 08 | 2 | O-ring | | | 1621 6058 00 | | ANSI | |
| 1225 | 0147 1402 03 | 4 | Bolt | | 4020 | 0147 1478 03 | 4 | Bolt | |
| 1230 | 1621 6126 00 | 1 | Flange | | 4025 | | 1 | Compensator | |
| 1235 | 0663 7141 00 | 1 | O ring | | | 1619 3120 01 | | DIN | |
| 1240 | 0147 1477 03 | 4 | Bolt | | | 1619 7555 00 | | ANSI | |
| 1245 | 1621 6123 00 | 1 | Pipe | | 4035 | 0147 1482 03 | 8 | Bolt | |
| 1250 | 0663 2108 08 | 1 | O-ring | | 4040 | 0291 1114 00 | 8 | Locknut | |
| 1255 | 0147 1402 03 | 2 | Bolt | | 4050 | | 1 | Compensator | |
| 1260 | 1202 9231 00 | 1 | Therm.valve | | | 1621 6127 00 | | DIN | |
| | 1202 9231 01 • | 1 | Service kit | | | 1621 6155 00 | | ANSI | |
| | 1202 9231 02 • | 1 | Membrane | | 4055 | 0147 1480 03 | 4 | Bolt | |
| 1265 | 1619 6554 00 | 1 | Capill. seal | | 4060 | 0291 1114 00 | 4 | Locknut | |
| 1270 | 0605 8525 01 | 1 | Bushing | | 4100 | 1621 1712 03 | 1 | Check valve | |
| 1275 | 0661 1000 27 | 1 | Seal washer | | | 1621 1735 00 • | 2 | Plates | |
| 1280 | 0603 4108 03 | 1 | Hexagon nipple | | | 2906 0541 00 • | 1 | Overhaul kit | |
| 1285 | 1619 7166 00 | 1 | Filter | | 4105 | 0663 2106 20 | 2 | O-ring | |
| 1290 | 0603 4108 03 | 1 | Hexagon nipple | | 4110 | 0246 1956 19 | 4 | Stud | |
| 1295 | 1621 6122 00 | 1 | Pipe | | 4115 | 0266 2114 00 | 4 | Nut | |
| 2010 | 0661 1000 27 | 1 | Seal washer | | 4120 | 1621 6036 00 | 1 | Pipe | |

Coolers - With aftercooler

| Ref. | Part number | Qty | Name | Remarks | Ref. | Part number | Qty | Name | Remarks |
|------|---------------------|-----|--------------------------|---------|------|---------------------|-----|--------------------|---------|
| 1015 | 0147 1479 03 | 8 | Bolt | | 3010 | | 1 | Cooler shell | |
| 1020 | 0663 2107 62 | 1 | O-ring | | | 1621 6005 08 | | Sa(CE) | |
| 1025 | 0663 2107 63 | 1 | O-ring | | | 1621 6005 02 | | As | |
| 1030 | 1621 1787 00 | 1 | Ring | | | 1621 6005 05 | | D | |
| 1035 | 0663 2107 63 | 1 | O-ring | | 3015 | | 1 | Cover | |
| 1040 | 0663 2108 47 | 1 | O-ring | | | 1621 1788 08 | | Sa(CE) | |
| 1045 | 0663 2108 48 | 1 | O-ring | | | 1621 1788 02 | | As | |
| 1050 | 1621 6023 00 | 1 | Ring | | | 1621 1788 05 | | D | |
| 1055 | 0663 2108 48 | 1 | O-ring | | 3025 | | 1 | Cover | |
| 1080 | 0663 2107 75 | 1 | O-ring | | | 1621 6014 08 | | Sa(CE) | |
| 1085 | 0663 2108 08 | 1 | O-ring | | | 1621 6014 02 | | As | |
| 1090 | 0663 2107 79 | 1 | O-ring | | | 1621 6014 05 | | D | |
| 1095 | 0101 1951 51 | 2 | Pin | | 4015 | | 12 | Bolt | |
| 1100 | 1621 3063 00 | 2 | Ring | | | 0147 1410 03 | | Sa(CE),D | |
| 1105 | 1621 6017 00 | 1 | Ring | | | 0147 1962 34 | | As | |
| 1110 | 0663 2107 61 | 2 | O-ring | | 4055 | 0147 1364 03 | 1 | Bolt | |
| 1115 | 0663 2108 42 | 1 | O-ring | | 4060 | 0266 2111 00 | 1 | Nut | |
| 1120 | 0101 1951 51 | 2 | Pin | | 4110 | 1621 6276 00 | 1 | Water separator | |
| 1125 | 1621 3063 00 | 2 | Ring | | 4115 | 0147 1960 58 | 8 | Bolt | |
| 1130 | 1621 6175 00 | 1 | Ring | | 4135 | 0663 2107 82 | 1 | O-ring | |
| 1135 | 0663 2108 39 | 2 | O-ring | | 4140 | 0147 1363 03 | 2 | Bolt | |
| 1140 | 0663 2108 38 | 1 | O-ring | | 4150 | 1079 9905 49 | 1 | Label | |
| 1200 | | 12 | Bolt | | 4155 | 0663 2108 60 | 2 | O-ring | |
| | 0147 1404 03 | | Sa(CE),D | | 4160 | 0101 2274 00 | 1 | Pin | |
| | 0147 1962 32 | | As | | 4165 | 1621 6297 00 | 1 | Pipe | |
| 1205 | | 10 | Bolt | | 4170 | 1621 6316 00 | 4 | Seal | |
| | 0147 1404 03 | | Sa(CE),D | | | | 1 | Vessel | |
| | 0147 1962 32 | | As | | | 1621 6169 80 | | Sa(CE) | |
| 1210 | 0686 3716 01 | 2 | Plug | | | 1621 6169 82 | | As | |
| 1215 | 0661 1000 25 | 2 | Seal washer | | | 1621 6169 85 | | D | |
| 1216 | 0686 3716 01 | 2 | Plug | | 5010 | | 1 | Vessel | |
| 1217 | 0661 1000 25 | 2 | Seal washer | | | 1621 6169 08 | | Sa(CE) | |
| 1220 | 0686 3716 02 | 1 | Plug | | | 1621 6169 02 | | As | |
| 1225 | 0661 1000 27 | 1 | Seal washer | | | 1621 6169 05 | | D | |
| 1230 | 0686 3716 10 | 2 | Plug | | 5015 | 0147 1402 03 | 4 | Bolt | |
| 1235 | 0661 1000 32 | 2 | Seal washer | | 5020 | | 1 | Cover | |
| 1240 | 1621 6019 00 | 1 | Flange | | | 1621 3059 00 | | Sa(CE),D | |
| 1245 | 0663 2107 74 | 1 | O-ring | | | 1621 3330 02 | | As | |
| 1250 | 0147 1477 03 | 4 | Bolt | | 5025 | 0663 2107 25 | 1 | O-ring | |
| | | 1 | Core & casing | | | 1621 3177 80 | 1 | Drain valve | |
| | 1621 6005 80 | | Sa(CE) | | 6005 | 1621 3097 00 | 1 | Valve base | |
| | 1621 6005 82 | | As | | 6010 | 0686 3716 01 | 1 | Plug | |
| | 1621 6005 85 | | D | | 6015 | 0661 1000 25 | 1 | Seal washer | |
| 2010 | | 1 | Cooler core | | 6020 | 1202 4818 00 | 1 | Insert | |
| | 1621 6006 08 | | | | 6025 | 1202 3739 00 | 1 | Membrane | |
| | 1621 6006 02 | | | | 6030 | 1202 3825 00 | 1 | Float | |
| | 1621 6006 05 | | | | 6035 | 0160 1244 01 | 1 | Screw | |
| 2015 | | 1 | Cooler core | | 6039 | 1621 3746 00 | 1 | Strainer | |
| | 1621 6009 08 | | | | 6040 | 1621 3747 00 | 1 | Clamp | |
| | 1621 6009 02 | | | | 6045 | 0663 2107 85 | 1 | O-ring | |
| | 1621 6009 05 | | | | 6050 | 1621 3177 00 | 1 | Valve housing | |
| 2020 | | 1 | Data plate | | 6055 | 0147 1371 03 | 4 | Bolt | |
| | 1621 3183 00 | | Sa(CE) | | 6060 | 0266 2111 00 | 4 | Nut | |
| | 1614 8142 00 | | As,D | | 7010 | | 1 | Vessel | |
| 2025 | 0244 4184 00 | 4 | Drive screw | | | 1621 6033 08 | | Sa(CE) | |
| | | 1 | Shell & cover | | | 1621 6033 02 | | As | |
| | 1621 6014 80 | | Sa(CE) | | | 1621 6033 05 | | D | |
| | 1621 6014 82 | | As | | | | | | |
| | 1621 6014 85 | | D | | | | | | |

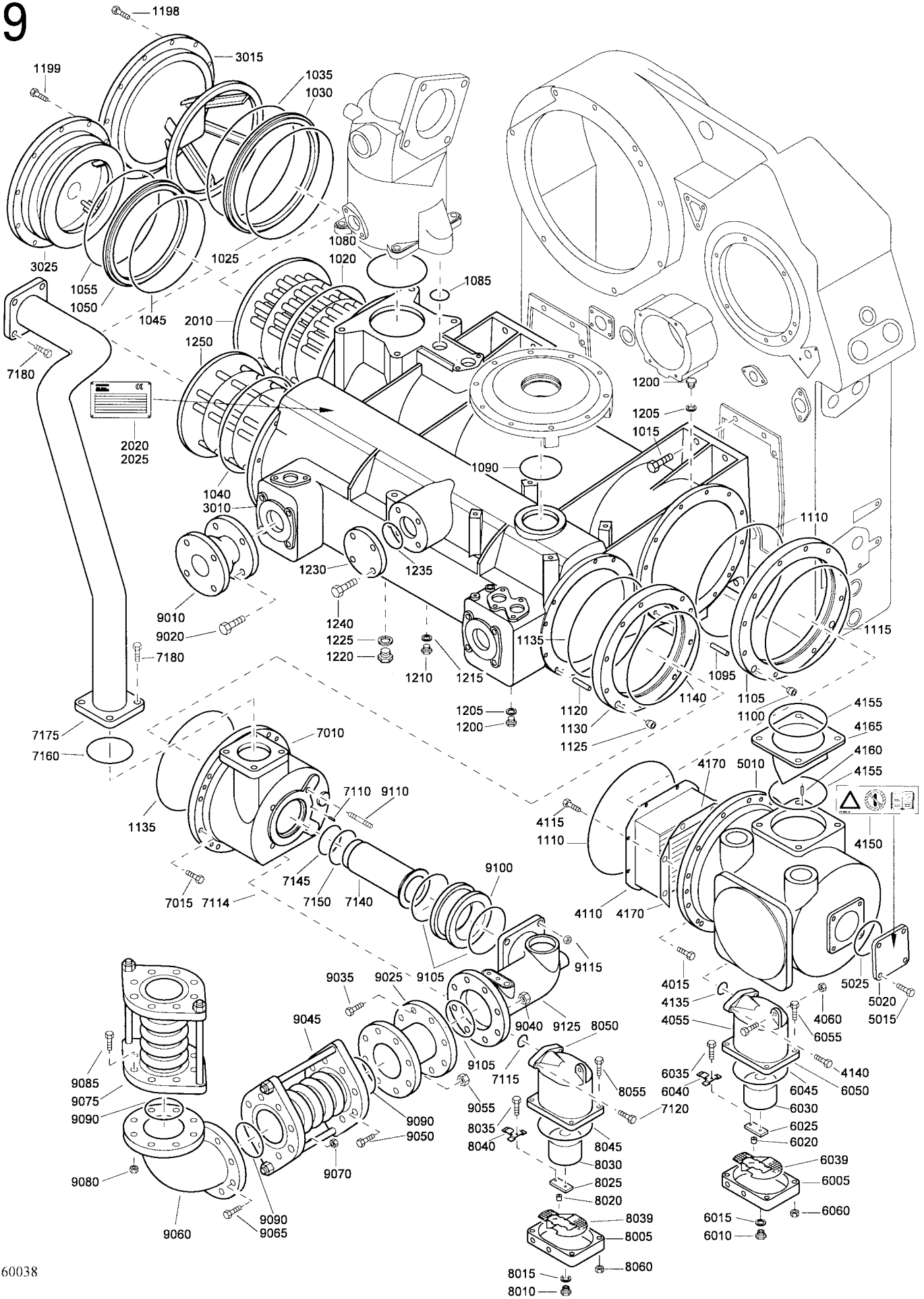
8



Coolers - With aftercooler

| Ref. | Part number | Qty | Name | Remarks |
|------|---------------------|----------|------------------------|---------|
| 7015 | | 10 | Bolt | |
| | 0147 1410 03 | | Sa(CE),D | |
| | 0147 1962 34 | | As | |
| 7100 | 1621 6277 00 | 1 | Water separator | |
| 7105 | 0147 1960 58 | 8 | Bolt | |
| 7110 | 0101 2274 00 | 1 | Pin | |
| 7115 | 0663 2107 82 | 1 | O-ring | |
| 7120 | 0147 1363 03 | 2 | Bolt | |
| 7125 | 1621 6315 00 | 4 | Seal | |
| 7170 | 0663 2108 66 | 1 | O-ring | |
| 7175 | 1621 6400 00 | 1 | Pipe | |
| 7180 | 0663 2107 94 | 2 | O-ring | |
| 7190 | 0147 1476 03 | 4 | Bolt | |
| 7195 | 1621 6331 00 | 1 | Pipe | |
| 7200 | 0147 1478 03 | 8 | Bolt | |
| 7205 | 0301 2378 00 | 4 | Washer | |
| | 1621 3177 81 | 1 | Drain valve | |
| 8005 | 1621 3097 00 | • 1 | Valve base | |
| 8010 | 0686 3716 01 | • 1 | Plug | |
| 8015 | 0661 1000 25 | • 1 | Seal washer | |
| 8020 | 1614 7735 00 | • 1 | Insert | |
| 8025 | 1202 3739 00 | • 1 | Membrane | |
| 8030 | 1202 3825 00 | • 1 | Float | |
| 8035 | 0160 1244 01 | • 1 | Screw | |
| 8039 | 1621 3746 00 | • 1 | Strainer | |
| 8040 | 1621 3747 00 | • 1 | Clamp | |
| 8045 | 0663 2107 85 | • 1 | O-ring | |
| 8050 | 1621 3177 00 | • 1 | Valve housing | |
| 8055 | 0147 1371 03 | • 4 | Bolt | |
| 8060 | 0266 2111 00 | • 4 | Nut | |
| | | 1 | Water separator | |
| 9010 | 1621 6401 00 | • 1 | Bowl | |
| 9020 | 1621 6320 00 | • 1 | Swirler | |
| 9035 | 1621 6325 00 | • 1 | Tie rod | |
| 9040 | 1621 6326 00 | • 1 | Head | |
| 9045 | 0291 1128 04 | • 1 | Lock nut | |
| 9055 | 0686 3716 02 | • 1 | Plug | |
| 9060 | 0661 1000 27 | • 1 | Seal washer | |
| 9065 | 0686 3716 01 | • 2 | Plug | |
| 9070 | 0661 1000 25 | • 2 | Seal washer | |
| 9200 | 0663 6147 00 | • 1 | O-ring | |
| 9205 | | • 1 | O-ring | |
| 9210 | | • 1 | Impringer | |
| 9215 | | • 1 | Washer | |

9

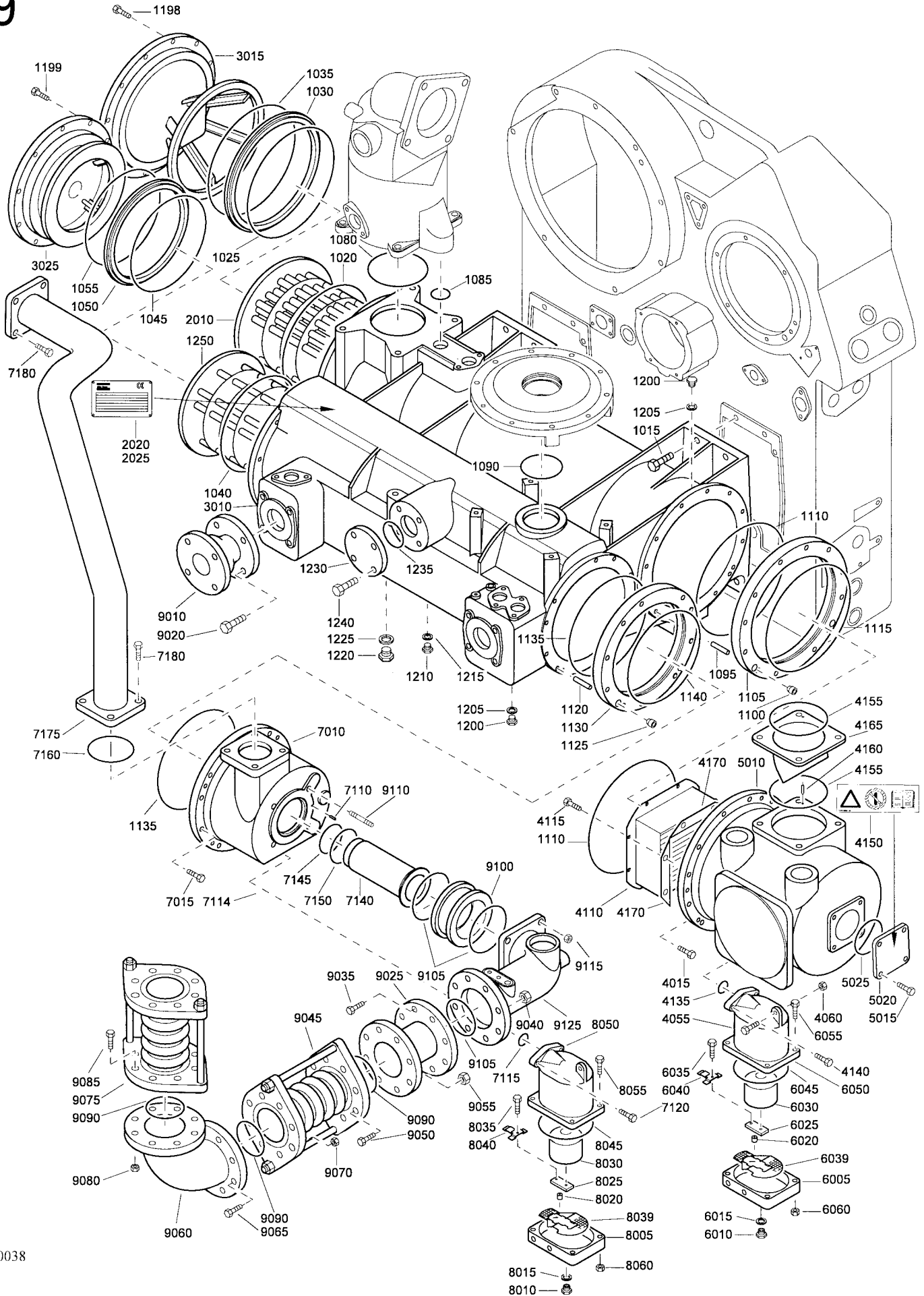


60038

Coolers - Without aftercooler - Hot air

| Ref. | Part number | Qty | Name | Remarks | Ref. | Part number | Qty | Name | Remarks |
|------|---------------------|-----|--------------------------|---------|------|---------------------|-----|--------------------|---------|
| 1015 | 0147 1479 03 | 8 | Bolt | | 3025 | | 1 | Cover | |
| 1020 | 0663 2107 62 | 1 | O-ring | | | 1621 6014 08 | | Sa(CE) | |
| 1025 | 0663 2107 63 | 1 | O-ring | | | 1621 6014 02 | | As | |
| 1030 | 1621 1787 00 | 1 | Ring | | | 1621 6014 05 | | D | |
| 1035 | 0663 2107 63 | 1 | O-ring | | 4015 | 0147 1410 03 | 12 | Bolt | |
| 1040 | 0663 2108 47 | 1 | O-ring | | 4055 | 0147 1364 03 | 1 | Bolt | |
| 1045 | 0663 2108 48 | 1 | O-ring | | 4060 | 0266 2111 00 | 1 | Nut | |
| 1050 | 1621 6023 00 | 1 | Ring | | 4110 | 1621 6276 00 | 1 | Water separator | |
| 1055 | 0663 2108 48 | 1 | O-ring | | 4115 | 0147 1960 58 | 8 | Bolt | |
| 1080 | 0663 2107 75 | 1 | O-ring | | 4135 | 0663 2107 82 | 1 | O-ring | |
| 1085 | 0663 2108 08 | 1 | O-ring | | 4140 | 0147 1363 03 | 2 | Bolt | |
| 1090 | 0663 2107 79 | 1 | O-ring | | 4150 | 1079 9905 49 | 1 | Label | |
| 1095 | 0101 1951 51 | 2 | Pin | | 4155 | 0663 2108 60 | 2 | O-ring | |
| 1100 | 1621 3063 00 | 2 | Ring | | 4160 | 0101 2274 00 | 1 | Pin | |
| 1105 | 1621 6017 00 | 1 | Ring | | 4165 | 1621 6297 00 | 1 | Pipe | |
| 1110 | 0663 2107 61 | 2 | O-ring | | 4170 | 1621 6316 00 | 4 | Seal | |
| 1115 | 0663 2108 42 | 1 | O-ring | | | | 1 | Vessel | |
| 1120 | 0101 1951 51 | 2 | Pin | | | 1621 6169 80 | | Sa(CE) | |
| 1125 | 1621 3063 00 | 2 | Ring | | | 1621 6169 82 | | As | |
| 1130 | 1621 6175 00 | 1 | Ring | | | 1621 6169 85 | | D | |
| 1135 | 0663 2108 39 | 2 | O-ring | | 5010 | | 1 | Vessel | |
| 1140 | 0663 2108 38 | 1 | O-ring | | | 1621 6169 08 | | Sa(CE) | |
| 1198 | | 12 | Bolt | | | 1621 6169 02 | | As | |
| | 0147 1404 03 | | Sa(CE),D | | | 1621 6169 05 | | D | |
| | 0147 1962 32 | | As | | 5015 | 0147 1402 03 | 4 | Bolt | |
| 1199 | | 10 | Bolt | | 5020 | | 1 | Cover | |
| | 0147 1404 03 | | Sa(CE),D | | | 1621 3059 00 | | Sa(CE),D | |
| | 0147 1962 32 | | As | | | 1621 3330 02 | | As | |
| 1200 | 0686 3716 01 | 4 | Plug | | 5025 | 0663 2107 25 | 1 | O-ring | |
| 1205 | 0661 1000 25 | 4 | Seal washer | | | 1621 3177 80 | 1 | Drain valve | |
| 1210 | 0686 3716 02 | 1 | Plug | | 6005 | 1621 3097 00 | 1 | Valve base | |
| 1215 | 0661 1000 27 | 1 | Seal washer | | 6010 | 0686 3716 01 | 1 | Plug | |
| 1220 | 0686 3716 10 | 2 | Plug | | 6015 | 0661 1000 25 | 1 | Seal washer | |
| 1225 | 0661 1000 32 | 2 | Seal washer | | 6020 | 1202 4818 00 | 1 | Insert | |
| 1230 | 1621 6019 00 | 1 | Flange | | 6025 | 1202 3739 00 | 1 | Membrane | |
| 1235 | 0663 2107 74 | 1 | O-ring | | 6030 | 1202 3825 00 | 1 | Float | |
| 1240 | 0147 1477 03 | 4 | Bolt | | 6035 | 0160 1244 01 | 1 | Screw | |
| 1250 | 1621 6247 00 | 1 | Cooler core | | 6039 | 1621 3746 00 | 1 | Strainer | |
| | | 1 | Core & casing | | 6040 | 1621 3747 00 | 1 | Clamp | |
| | 1621 6253 80 | | Sa(CE) | | 6045 | 0663 2107 85 | 1 | O-ring | |
| | 1621 6253 82 | | As | | 6050 | 1621 3177 00 | 1 | Valve housing | |
| | 1621 6253 85 | | D | | 6055 | 0147 1371 03 | 4 | Bolt | |
| 2010 | | 1 | Cooler core | | 6060 | 0266 2111 00 | 4 | Nut | |
| | 1621 6006 08 | | Sa(CE) | | 7010 | | 1 | Vessel | |
| | 1621 6006 02 | | As | | | 1621 6033 08 | | Sa(CE) | |
| | 1621 6006 05 | | D | | | 1621 6033 02 | | As | |
| | | 1 | Shell & cover | | | 1621 6033 05 | | D | |
| | 1621 6014 80 | | Sa(CE) | | 7015 | 0147 1410 03 | 10 | Bolt | |
| | 1621 6014 82 | | As | | 7110 | 0101 2274 00 | 1 | Pin | |
| | 1621 6014 85 | | D | | 7115 | 0663 2107 82 | 1 | O-ring | |
| 3010 | | 1 | Cooler shell | | 7120 | 0147 1363 03 | 2 | Bolt | |
| | 1621 6005 08 | | Sa(CE) | | 7140 | 1621 6245 00 | 1 | Pipe | |
| | 1621 6005 02 | | As | | 7145 | 0663 2106 18 | 1 | O-ring | |
| | 1621 6005 05 | | D | | 7150 | 0663 2107 65 | 1 | O-ring | |
| 3015 | | 1 | Cover | | 7170 | 0663 2108 66 | 1 | O-ring | |
| | 1621 1788 08 | | Sa(CE) | | 7175 | 1621 6056 00 | 1 | Pipe | |
| | 1621 1788 02 | | As | | 7180 | 0147 1478 03 | 8 | Bolt | |
| | 1621 1788 05 | | D | | | | | | |

9

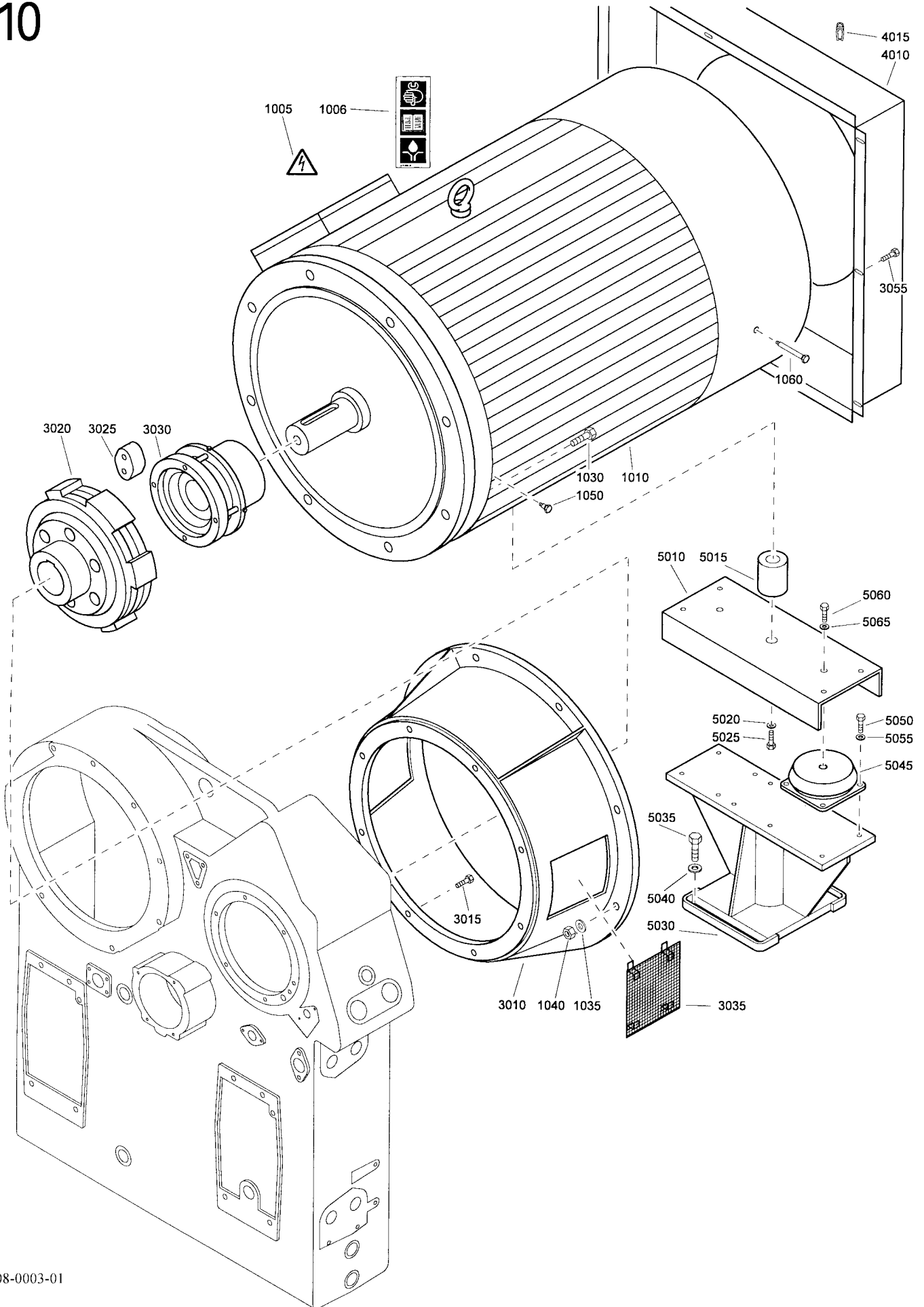


60038

Coolers - Without aftercooler - Hot air

| Ref. | Part number | Qty | Name | Remarks |
|-------------|---------------------|----------|--------------------|---------|
| | 1621 3177 81 | 1 | Drain valve | |
| 8005 | 1621 3097 00 | • 1 | Valve base | |
| 8010 | 0686 3716 01 | • 1 | Plug | |
| 8015 | 0661 1000 25 | • 1 | Seal washer | |
| 8020 | 1614 7735 00 | • 1 | Insert | |
| 8025 | 1202 3739 00 | • 1 | Membrane | |
| 8030 | 1202 3825 00 | • 1 | Float | |
| 8035 | 0160 1244 01 | • 1 | Screw | |
| 8039 | 1621 3746 00 | • 1 | Strainer | |
| 8040 | 1621 3747 00 | • 1 | Clamp | |
| 8045 | 0663 2107 85 | • 1 | O-ring | |
| 8050 | 1621 3177 00 | • 1 | Valve housing | |
| 8055 | 0147 1371 03 | • 4 | Bolt | |
| 8060 | 0266 2111 00 | • 4 | Nut | |
| 9010 | | 2 | Compensator | |
| | 1621 6021 00 | | DIN | |
| | 1621 6058 00 | | ANSI | |
| 9020 | 0147 1478 03 | 8 | Bolt | |
| 9025 | 1621 6244 00 | 1 | Pipe | |
| 9035 | 0147 1482 03 | 8 | Bolt | |
| 9040 | 0291 1114 00 | 8 | Locknut | |
| 9045 | 1621 0177 05 | 1 | Compensator | |
| 9050 | 0147 1482 03 | 8 | Bolt | |
| 9055 | 0291 1114 00 | 8 | Locknut | |
| 9060 | 1621 6270 00 | 1 | Bend | |
| 9065 | 0147 1482 03 | 8 | Bolt | |
| 9070 | 0291 1114 00 | 8 | Locknut | |
| 9075 | | 1 | Compensator | |
| | 1621 0177 05 | | DIN | |
| | 1621 6271 01 | | ANSI | |
| 9080 | 0147 1482 03 | 8 | Bolt | |
| 9085 | 0291 1114 00 | 8 | Locknut | |
| 9090 | 0663 2107 79 | 4 | O-ring | |
| 9100 | 1621 1712 03 | 1 | Check valve | |
| | 1621 1735 00 | • 2 | Plates | |
| | 2906 0541 00 | • 1 | Overhaul kit | |
| 9105 | 0663 2106 20 | 1 | O-ring | |
| 9110 | 0246 1956 19 | 4 | Stud | |
| 9115 | 0266 2114 00 | 4 | Nut | |
| 9125 | 1621 6036 01 | 1 | Pipe | |

10

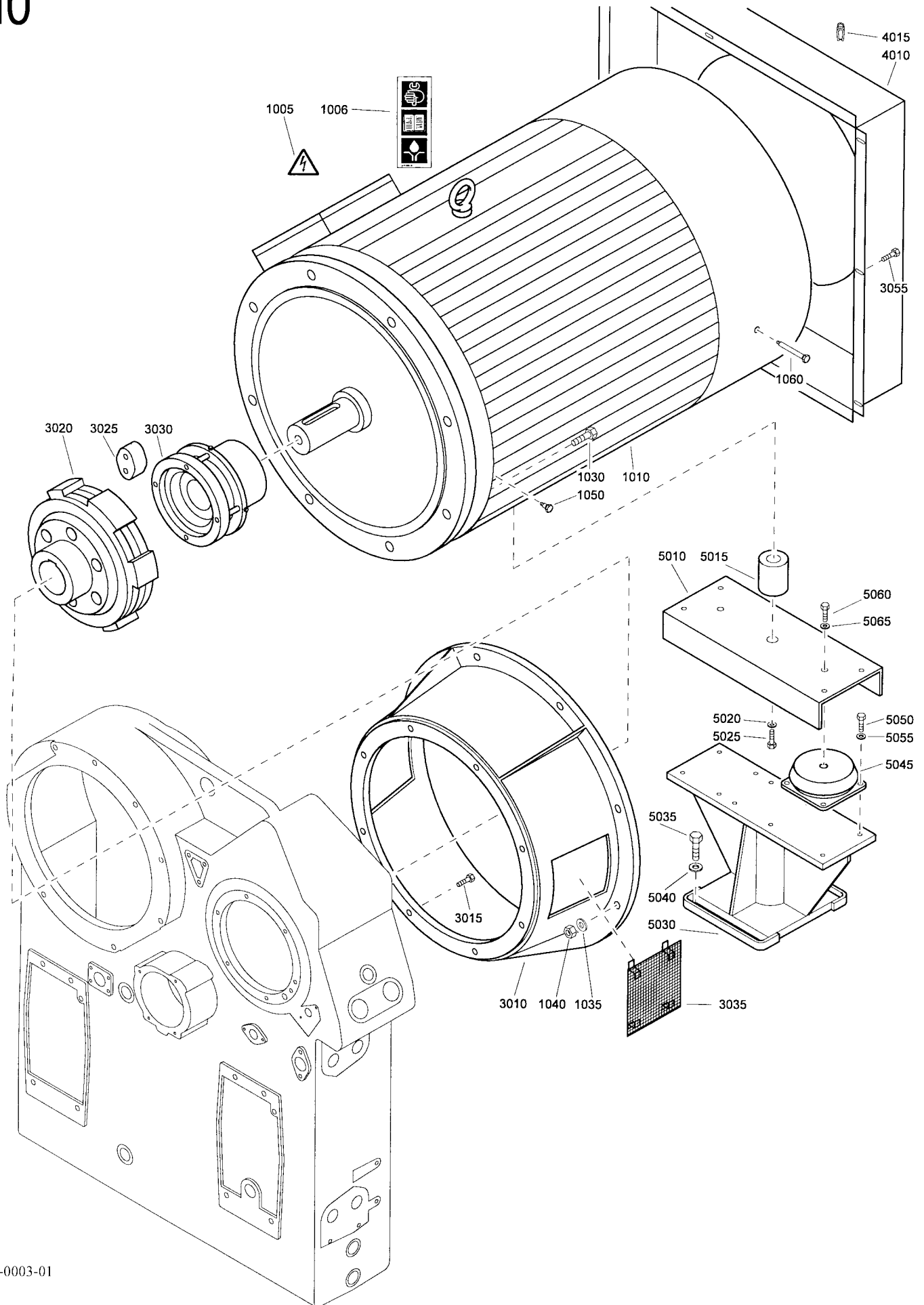


08-0003-01

Drive arrangement E

| Ref. | Part number | Qty | Name | Remarks | Ref. | Part number | Qty | Name | Remarks |
|------|--------------|-----|--|---------|-------------|---------------------|----------|---|---------|
| 1005 | 1088 1001 04 | 1 | Warning mark | | | | | | |
| 1006 | 1079 9901 29 | 1 | Label | | | | | | |
| 1010 | | 1 | Motor | | | | | | |
| | 1080 2847 02 | | Siemens 1LA8 317-4AB ZR300 380-415V/50Hz ZR315 380-415V/50Hz | | | 1080 2945 53 | | Siemens 1LL3 350-4 ZR400 4.16kV/60Hz | |
| | 1080 2847 19 | | Siemens 1LA8 317-4AB ZR300 440-460V/60Hz | | | 1080 2945 35 | | Siemens 1LL3 350-4 ZR400 6kV/50Hz | |
| | 1080 2847 20 | | Siemens 1LA8 317-4AB ZR300 575V/60Hz | | | 1080 2850 12 | | Siemens 1LA8 357-4AB ZR425 380-415V/ 50Hz+Thermistor | |
| | 1080 2944 11 | | Siemens 1LL3 312-4 ZR300 2.3kV/60Hz | | | 1080 2946 01 | | Siemens 1LL3 352-4 ZR425 3kV/50Hz | |
| | 1080 2945 01 | | Siemens 1LL3 350-4 ZR300 3kV/50Hz | | 1030 | 0147 1553 03 | 8 | Siemens 1LL3 352-4 ZR425 3.3kV/50Hz | |
| | 1080 2944 13 | | Siemens 1LL3 312-4 ZR300 4.16kV/60Hz | | | 0147 1557 03 | | Bolt | |
| | 1080 2847 29 | | Siemens 1LA8 317-4AB ZR315 440-460V/60Hz | | | | | Siemens 1LA8 317-4AB | |
| | 1080 2847 30 | | Siemens 1LA8 317-4AB ZR315 575V/60Hz | | | | | Siemens 1LA8 353-4AB, Siemens 1LA8 355-4AB, Siemens 1LA8 357-4AB, Siemens 1LL3 312-4, Siemens 1LL3 350-4, Siemens 1LL3 352-4 | |
| | 1080 2944 21 | | Siemens 1LL3 312-4 ZR315 2.3kV/60Hz | | 1035 | 0301 2394 00 | 8 | Washer | |
| | 1080 2945 11 | | Siemens 1LL3 350-4 ZR315 3kV/50Hz | | 1040 | 0266 2116 00 | 8 | Nut | |
| | 1080 2944 23 | | Siemens 1LL3 312-4 ZR315 4.16kV/60Hz | | | | | Siemens 1LA8 353-4AB Siemens 1LA8 355-4AB, Siemens 1LA8 357-4AB, Siemens 1LL3 312-4, Siemens 1LL3 350-4, Siemens 1LL3 352-4 | |
| | 1080 2848 02 | | Siemens 1LA8 353-4AB ZR355 380-415V/50Hz | | 1050 | 1614 8130 00 | 1 | Nipple | |
| | 1080 2848 39 | | Siemens 1LA8 353-4AB ZR355 440-460V/ 60Hz+PT100 | | 1060 | 1619 6032 05 | 1 | Nipple | |
| | 1080 2848 19 | | Siemens 1LA8 353-4AB ZR355 440-460V/60Hz | | | 1619 6032 01 | | 50Hz 60Hz | |
| | 1080 2848 20 | | Siemens 1LA8 353-4AB ZR355 575V/60Hz | | 3010 | 1621 1692 00 | 1 | Coupl.housing | |
| | 1080 2945 41 | | Siemens 1LL3 350-4 ZR355 2.3kV/60Hz | | | | | ZR300, ZR300 H.V./60Hz, ZR300 Excl.motor, ZR315, ZR315 H.V./60Hz, ZR315 Excl.motor, ZR315- Japan. | |
| | 1080 2945 21 | | Siemens 1LL3 350-4 ZR355 3kV/50Hz | | | | | ZR355-Japan, ZR400-Japan, ZR425-Japan | |
| | 1080 2945 43 | | Siemens 1LL3 350-4 ZR355 4.16kV/60Hz | | | 1621 1500 00 | | ZR300 H.V./50Hz, ZR315 H.V./50Hz, ZR355, ZR400, ZR425 | |
| | 1080 2945 25 | | Siemens 1LL3 350-4 ZR355 6kV/50Hz | | 3015 | 0147 1483 03 | 8 | Bolt | |
| | 1080 2849 02 | | Siemens 1LA8 355-4AB ZR400 380-415V/ 50Hz+Thermistor | | 3020 | 1621 1534 01 | 1 | Coupling half | |
| | 1080 2849 38 | | Siemens 1LA8 355-4AB ZR400 380-415V/ 50Hz+PT100 | | | 1621 1718 01 | | ZR300, ZR315, ZR355/60Hz, ZR355/60Hz Excl.motor, ZR355-Japan ZR355/50Hz, ZR355 H.V., ZR355/50Hz Excl.motor, ZR400, ZR425 | |
| | 1080 2848 29 | | Siemens 1LA8 353-4AB ZR400 440-460V/60Hz | | | | | Fitting bolt | |
| | 1080 2848 30 | | Siemens 1LA8 353-4AB ZR400 575V/60Hz | | | 1619 6469 00 | 4 | ZR300, ZR315, ZR355/60Hz, ZR355/60Hz | |
| | 1080 2945 51 | | Siemens 1LL3 350-4 ZR400 2.3kV/60Hz | | | | | Excl.motor, ZR355-Japan ZR355/50Hz, ZR355 H.V., ZR355/50Hz Excl.motor, ZR400, ZR425 | |
| | 1080 2945 31 | | Siemens 1LL3 350-4 ZR400 3kV/50Hz | | | 1619 6469 00 | 6 | | |

10

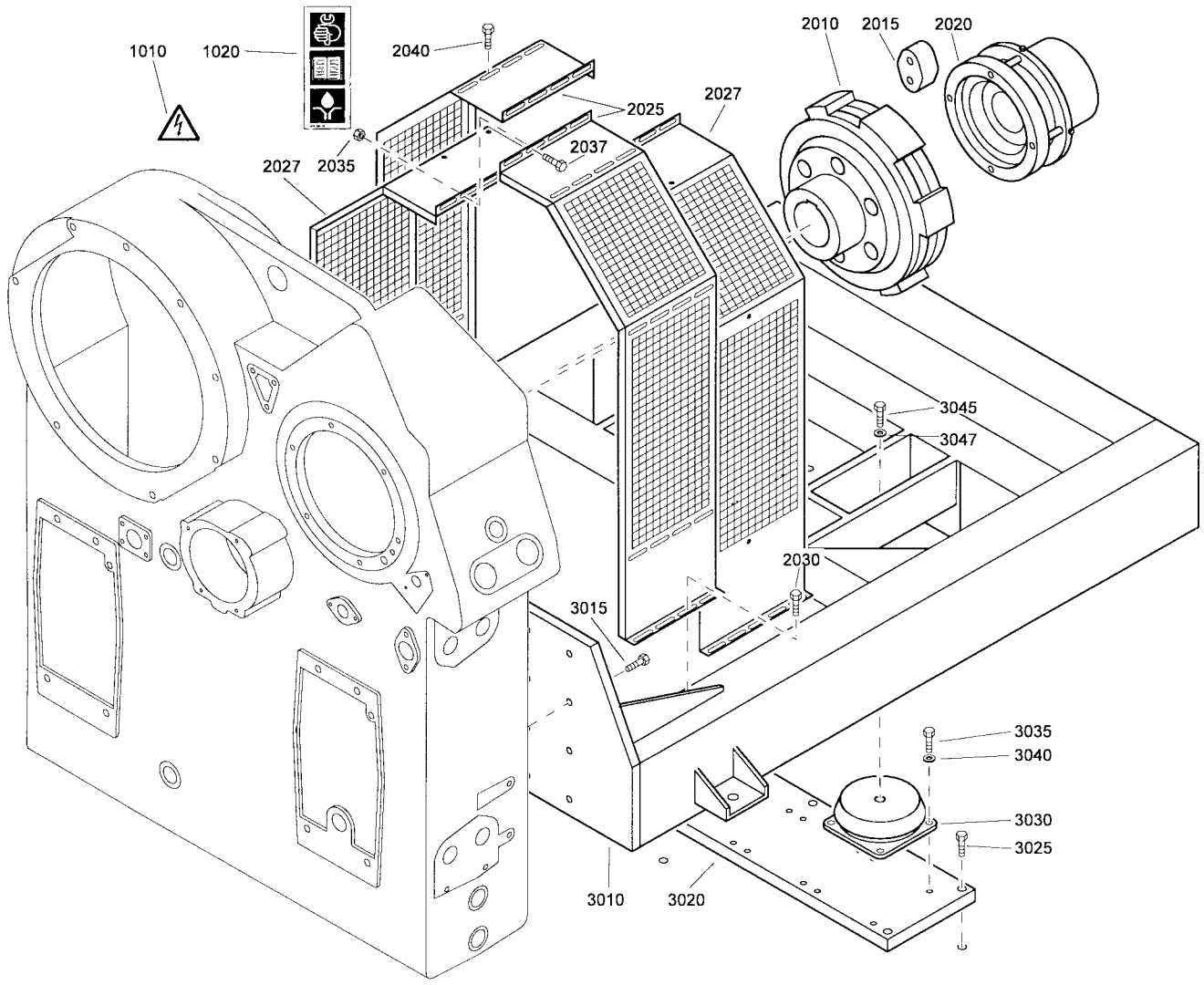


08-0003-01

Drive arrangement E

| Ref. | Part number | Qty | Name | Remarks | Ref. | Part number | Qty | Name | Remarks |
|------|--------------|-----|--|---------|------|------------------------------|-----|---|---------|
| | 1619 6468 00 | 4 | Screw ZR300, ZR315, ZR355/60Hz, ZR355/60Hz Excl.motor, ZR355-Japan | | 5015 | 1621 1691 05 | 1 | Spacer Siemens 1LA8 353-4AB, Siemens 1LA8 355-4AB, Siemens 1LA8 357-4AB, Siemens 1LL3 350-4, ZR355 Excl.motor, ZR400 Excl.motor, ZR425/50Hz Excl.motor | |
| | 1619 6468 00 | 6 | ZR355/50Hz, ZR355 H.V., ZR355/50Hz Excl.motor, ZR400, ZR425 | | | 1621 1691 04 | | Siemens 1LA8 317-4AB, Siemens 1LL3 312-4, ZR300 Excl.motor, ZR315 Excl.motor Toshiba S 315 F | |
| 3025 | 1619 6467 04 | 1 | Set rubbers ZR300, ZR315, ZR355/60Hz, ZR355/60Hz Excl.motor, ZR355-Japan | | 5020 | 0301 2405 00 0301 2434 00 | AR | Washer Japan Others | |
| | 1619 6467 06 | | ZR355/50Hz, ZR355 H.V., ZR355/50Hz Excl.motor, ZR400, ZR425 | | 5025 | 0147 1960 96 | 1 | Bolt Siemens 1LA8 353-4AB, Siemens 1LA8 355-4AB, Siemens 1LA8 357-4AB, Siemens 1LL3 350-4 ZR355 Excl.motor, ZR400 Excl.motor, ZR425/50Hz Excl.motor | |
| 3030 | 1621 1535 04 | 1 | Coupling half ZR300, ZR300 H.V./60Hz, ZR315, ZR315 H.V./60Hz | | | 0147 1960 97 | | Siemens 1LA8 317-4AB, Siemens 1LL3 312-4 ZR300 Excl.motor, ZR315 Excl.motor | |
| | 1621 1535 05 | | ZR300 H.V./50Hz, ZR315 H.V./50Hz, ZR355/60Hz | | | 0147 1960 47 | | Excl.motor-Japan Support | |
| | 1621 1535 01 | | ZR300 Excl.motor, ZR315 Excl.motor, ZR355/60Hz Excl.motor | | 5030 | 1621 1661 03 1621 1504 02 | 1 | Support Japan Others | |
| | 1621 1535 13 | | ZR315-Japan, ZR355-Japan | | 5035 | 0147 1480 03 | 4 | Bolt | |
| | 1621 1713 02 | | ZR355/50Hz, ZR355 H.V., ZR400, ZR400 H.V., ZR425, ZR425 H.V. | | 5040 | 0302 1274 04 | 4 | Washer | |
| | 1621 1713 01 | | ZR355/50Hz Excl.motor, ZR400 Excl.motor, ZR425 Excl.motor | | 5045 | 1612 5584 00 | 2 | Antivib.pad Siemens 1LA8 353-4AB, Siemens 1LA8 355-4AB, Siemens 1LA8 357-4AB, Siemens 1LL3 350-4, Toshiba S 315 F ZR355 Excl.motor, ZR400 Excl.motor, ZR425/50Hz Excl.motor | |
| | 1619 6469 00 | 4 | Fitting bolt ZR300, ZR315, ZR355/60Hz, ZR355/60Hz Excl.motor, ZR355-Japan | | | 1614 6366 02 | 2 | Siemens 1LA8 317-4AB, Siemens 1LL3 312-4 ZR300 Excl.motor, ZR315 Excl.motor | |
| | 1619 6469 00 | 6 | ZR355/50Hz, ZR355 H.V., ZR355/50Hz Excl.motor, ZR400, ZR425 | | | 1612 5584 00 | 3 | ZR425/60Hz Excl. motor- Japan Bolt | |
| | 1619 6470 00 | 4 | Screw ZR300, ZR315, ZR355/60Hz, ZR355/60Hz Excl.motor, ZR355-Japan | | 5050 | 0147 1401 03 0147 1401 03 | 12 | Japan Others | |
| | 1619 6470 00 | 6 | ZR355/50Hz, ZR355 H.V., ZR355/50Hz Excl.motor, ZR400, ZR425 | | 5055 | 0301 2358 00 | 12 | Washer ZR425/60Hz Excl. motor- Japan | |
| 3035 | 1621 1673 00 | 2 | Guard | | | 0301 2358 00 | 8 | Others | |
| 3055 | 1619 2766 00 | 8 | Bolt | | 5060 | 0147 1553 03 | 2 | Bolt | |
| | 1621 6121 80 | 1 | Cover ZR300, ZR300 H.V./60Hz, ZR315, ZR315 H.V./60Hz | | 5065 | 0300 0274 13 | 2 | Washer | |
| | 1621 6094 80 | | ZR300 H.V./50Hz, ZR315 H.V./50Hz, ZR355, ZR400, ZR425 | | | | | | |
| | 1621 6374 80 | | Japan | | | | | | |
| 4010 | 1619 2473 00 | 1 | Cover | | | | | | |
| 4015 | 1619 2473 00 | AR | Seal | | | | | | |
| 5010 | 1621 6375 00 | 1 | Support Excl.motor-Japan | | | | | | |
| | 1621 1661 02 | | Others | | | | | | |

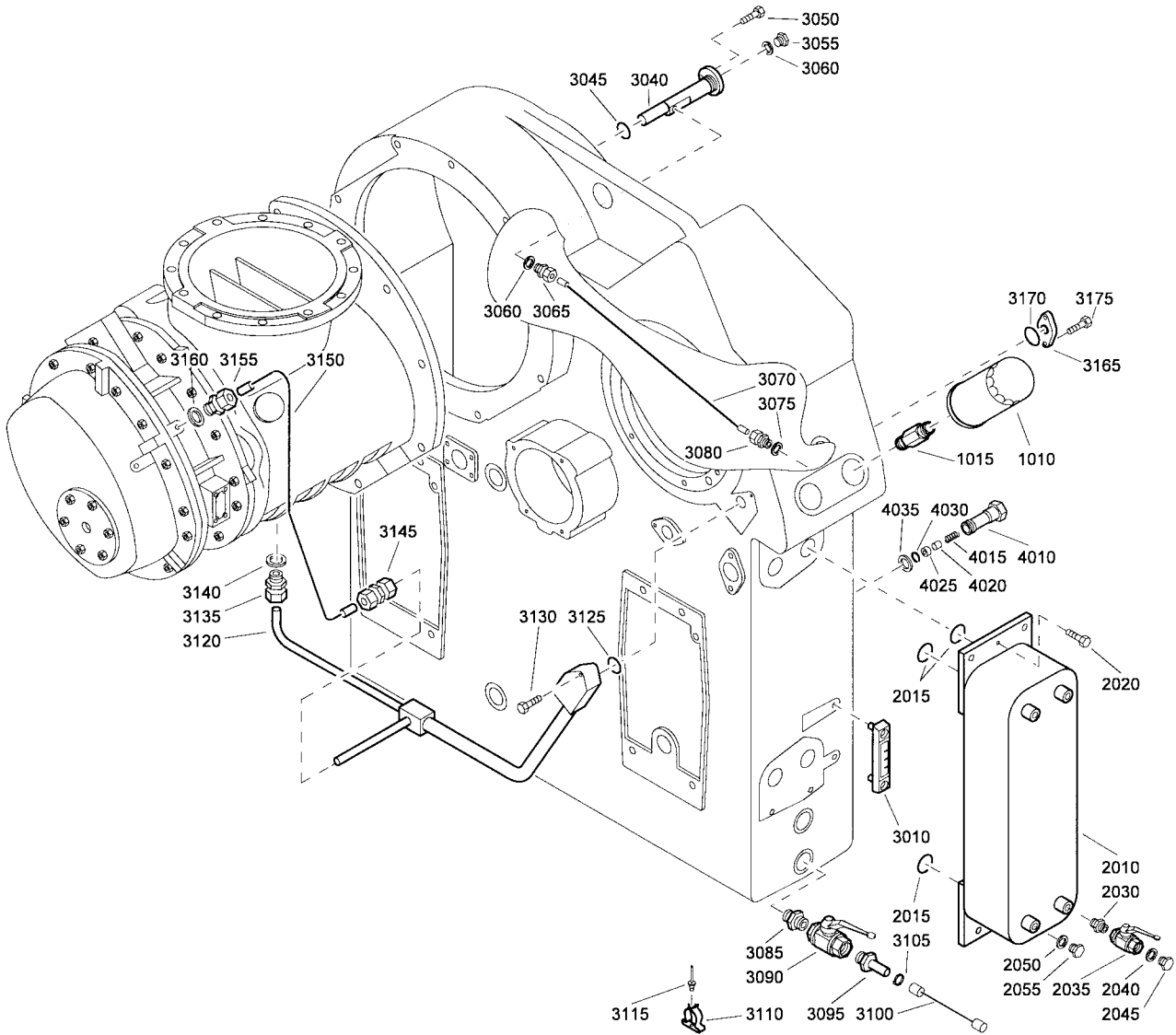
11



Drive arrangement 1

| Ref. | Part number | Qty | Name | Remarks | Ref. | Part number | Qty | Name | Remarks |
|-------------|---------------------|----------|------------------------------|---------|------|-------------|-----|------|---------|
| 1010 | 1088 1001 04 | 1 | Warning mark | | | | | | |
| 1020 | 1079 9901 29 | 1 | Label | | | | | | |
| 2010 | 1621 1534 01 | 1 | Coupling half | | | | | | |
| | 1621 1718 01 | | ZR300, ZR315, ZR355/60Hz | | | | | | |
| | | | ZR355/50Hz, ZR400, ZR425 | | | | | | |
| | 1619 6469 00 | 4 | Fitting bolt | | | | | | |
| | 1619 6469 00 | 6 | ZR300, ZR315, ZR355/60Hz | | | | | | |
| | | | ZR355/50Hz, ZR400, ZR425 | | | | | | |
| | 1619 6468 00 | 4 | Screw | | | | | | |
| | 1619 6468 00 | 6 | ZR300, ZR315, ZR355/60Hz | | | | | | |
| | | | ZR355/50Hz, ZR400, ZR425 | | | | | | |
| 2015 | 1619 6467 04 | 1 | Set rubbers | | | | | | |
| | 1619 6467 06 | | ZR300, ZR315, ZR355/60Hz | | | | | | |
| | | | ZR355/50Hz, ZR400, ZR425 | | | | | | |
| 2020 | 1621 1535 01 | 1 | Coupling half | | | | | | |
| | 1621 1713 01 | | ZR300, ZR315, ZR355/60Hz | | | | | | |
| | | | ZR355/50Hz, ZR400, ZR425 | | | | | | |
| | | | Fitting bolt | | | | | | |
| | 1619 6469 00 | 4 | ZR300, ZR315, ZR355/60Hz, | | | | | | |
| | 1619 6469 00 | 6 | ZR355/50Hz, ZR400, ZR425 | | | | | | |
| | 1619 6470 00 | 4 | Screw | | | | | | |
| | 1619 6470 00 | 6 | ZR300, ZR315, ZR355/60Hz, | | | | | | |
| | | | ZR355/50Hz, ZR400, ZR425 | | | | | | |
| | 2025 1621 6384 00 | 2 | Coupling guard | | | | | | |
| | 2027 1621 6385 00 | 2 | Coupling guard | | | | | | |
| | 2030 1619 2766 00 | 8 | Bolt | | | | | | |
| | 2035 0266 2108 00 | 4 | Nut | | | | | | |
| | 2037 0147 1246 03 | 16 | Bolt | | | | | | |
| | 3010 1621 6296 00 | 1 | Frame | | | | | | |
| | 3015 0147 1482 03 | 16 | Bolt | | | | | | |
| | 3020 1621 6211 00 | 1 | Plate | | | | | | |
| | 3025 0147 1479 03 | 6 | Bolt | | | | | | |
| | 3030 1619 3941 00 | 2 | Rubber damper | | | | | | |
| | 3035 0147 1401 03 | 8 | Bolt | | | | | | |
| | 3040 0301 2358 00 | 8 | Washer | | | | | | |
| | 3045 0147 1553 03 | 2 | Bolt | | | | | | |
| | 3047 0300 0274 13 | 2 | Washer | | | | | | |

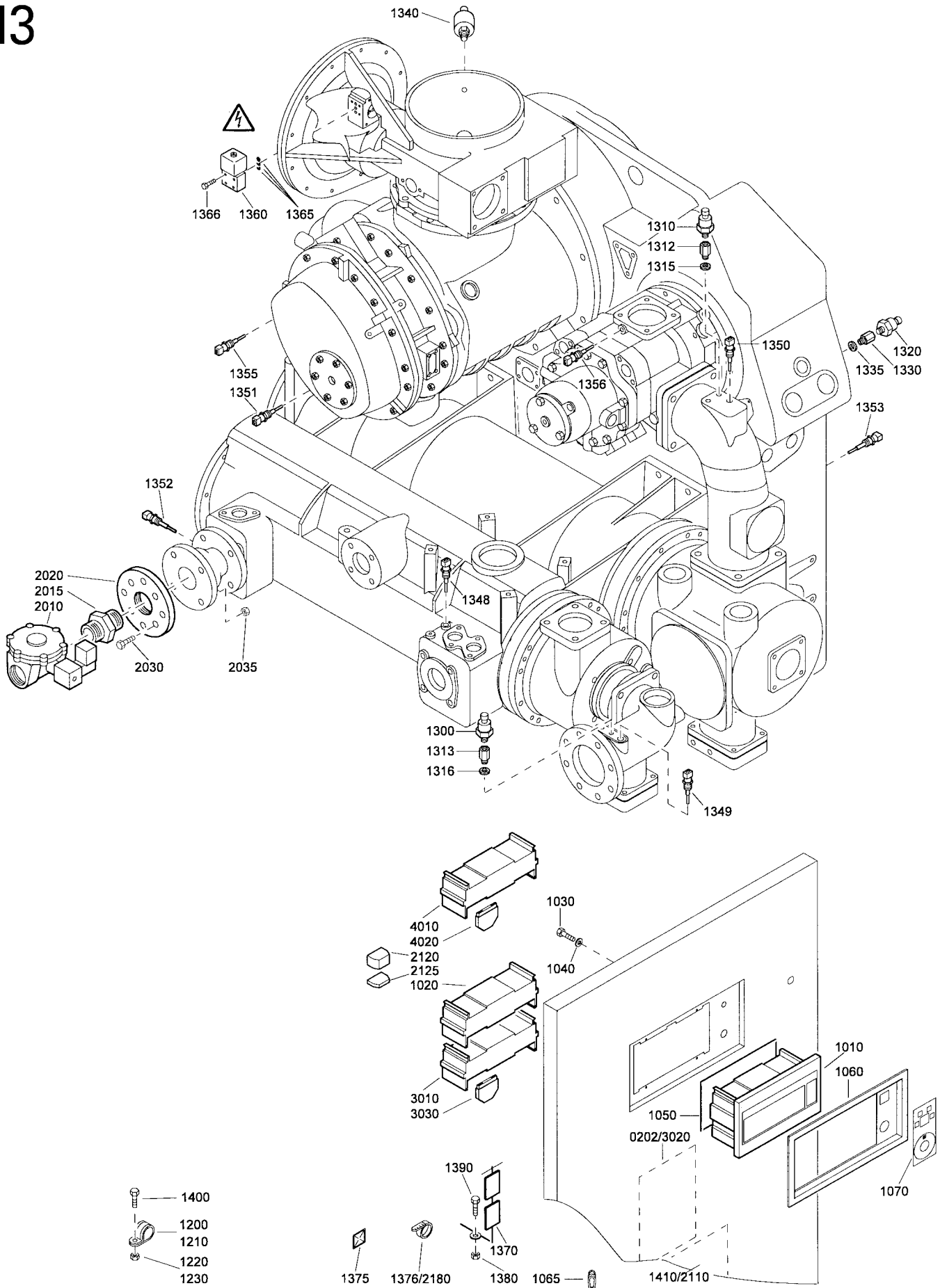
12



Oil system

| Ref. | Part number | Qty | Name | Remarks | Ref. | Part number | Qty | Name | Remarks |
|------|--------------|-----|-----------------|---------|------|--------------|-----|--------------|---------|
| 1010 | 1621 0270 00 | 2 | Oil filter | | 3100 | 0075 4005 52 | AR | Hose | |
| 1015 | 1621 0003 00 | 2 | Nipple | | 3105 | 0347 6109 00 | 1 | Hose clip | |
| 2010 | 1621 6001 01 | 1 | Oil cooler | | 3110 | 1079 3461 01 | 1 | Clamp | |
| 2015 | 0663 2108 08 | 4 | O-ring | | 3115 | 0129 3107 00 | 1 | Blind rivet | |
| 2020 | 0147 1401 03 | 4 | Bolt | | 3120 | 1621 6050 00 | 1 | Pipe | |
| 2030 | 0603 5105 03 | 1 | Hexagon nipple | | 3125 | 0663 2102 64 | 1 | O-ring | |
| 2035 | 8202 0310 04 | 1 | Ball valve | | 3130 | 0147 1332 03 | 2 | Bolt | |
| 2040 | 0661 1000 25 | 1 | Seal washer | | 3135 | 0580 0411 00 | 1 | Str.coupling | |
| 2045 | 0686 3716 01 | 1 | Plug | | 3140 | 0661 1000 27 | 1 | Seal washer | |
| 2050 | 0661 1000 27 | 3 | Seal washer | | 3145 | 0580 1611 00 | 1 | Str.coupling | |
| 2055 | 0686 3716 02 | 3 | Plug | | 3150 | 1621 6052 00 | 1 | Pipe | |
| 3010 | 1621 6002 00 | 1 | Level indicator | | 3155 | 0580 0411 00 | 1 | Str.coupling | |
| 3040 | 1621 6003 00 | 1 | Nozzle | | 3160 | 0661 1000 27 | 1 | Seal washer | |
| 3045 | 0663 2102 64 | 1 | O-ring | | 3165 | 1621 6306 00 | 1 | Flange | |
| 3050 | 0147 1362 03 | 1 | Bolt | | 3170 | 0663 2102 64 | 1 | O-ring | |
| 3055 | 0686 3716 01 | 1 | Plug | | 3175 | 0147 1325 03 | 2 | Bolt | |
| 3060 | 0661 1000 25 | 1 | Seal washer | | 4010 | | 1 | Plug | |
| 3065 | 0580 0014 47 | 1 | Pipe coupling | | | 1621 6138 01 | | 50Hz | |
| 3070 | 1621 6004 00 | 1 | Pipe | | | 1621 6138 02 | | 60Hz | |
| 3075 | 0661 1000 26 | 1 | Seal washer | | 4015 | 1202 5180 00 | 1 | Spring | |
| 3080 | 0580 0013 01 | 1 | Pipe coupling | | 4020 | 1621 6099 00 | 1 | Piston | |
| 3085 | 0603 5120 03 | 1 | Hexagon nipple | | 4025 | 1621 6101 00 | 1 | Orifice | |
| 3090 | 1619 6153 06 | 1 | Ball valve | | 4030 | 0335 2120 00 | 1 | Circlip | |
| 3095 | 9000 0246 00 | 1 | Hose nipple | | 4035 | 0661 1000 29 | 1 | Seal washer | |

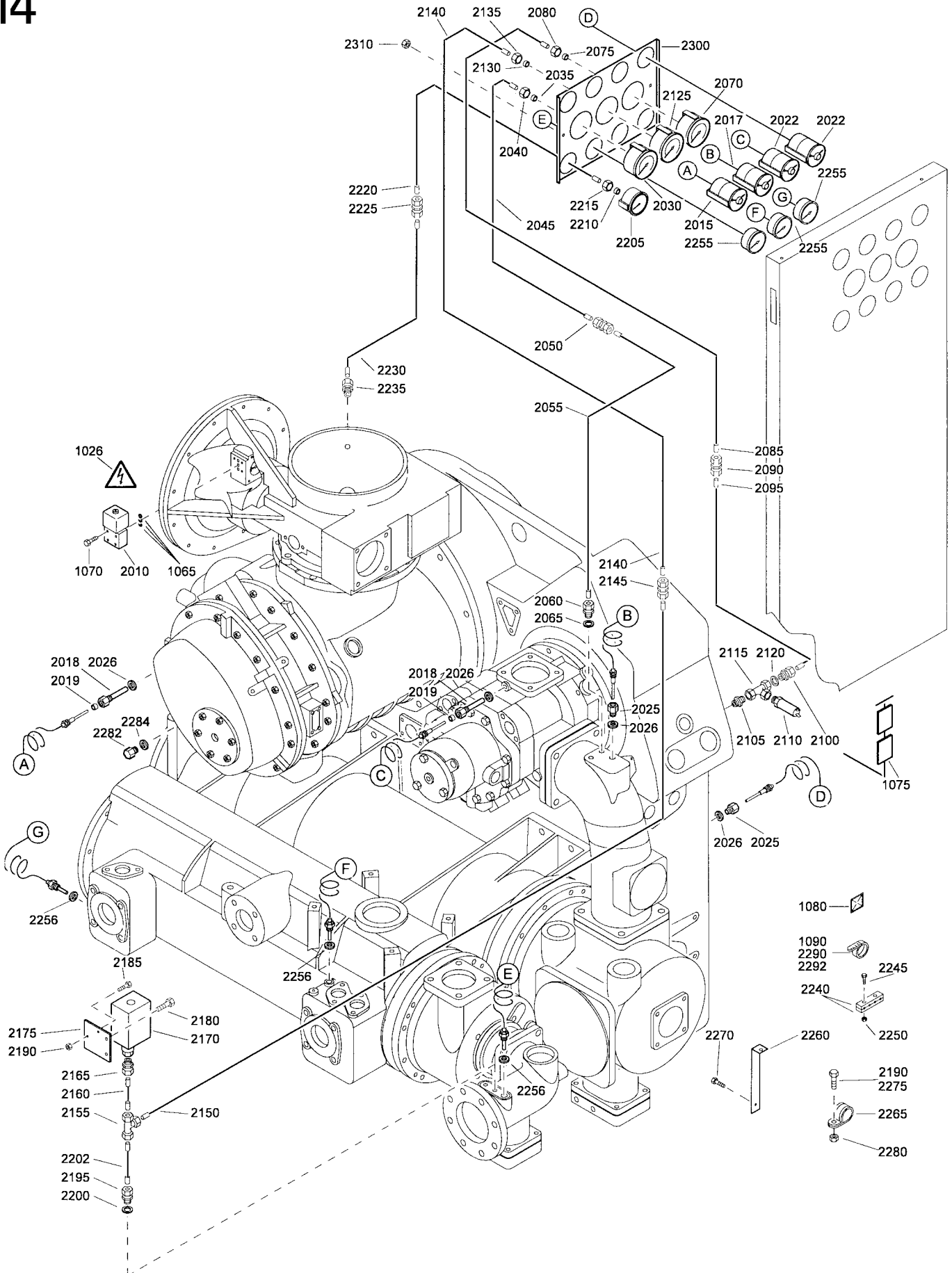
13



Control module - Elektronikon

| Ref. | Part number | Qty | Name | Remarks | Ref. | Part number | Qty | Name | Remarks |
|------|--------------|-----|-------------------|---------|------|--------------|-----|-------------------|--|
| 0202 | | 1 | Label | | 2015 | 0603 4150 12 | 1 | Hexagon nipple 1) | |
| | 1621 6333 00 | | PT100 | | 2020 | 1621 6299 00 | 1 | Flange 1) | |
| 1010 | 1900 0701 23 | 1 | Electr.regulat. | | 2030 | 0147 1477 03 | 4 | Bolt 1) | |
| 1020 | 1900 0701 45 | 1 | Electr.regulat. | | 2035 | 0291 1114 00 | 4 | Locknut 1) | |
| 1030 | 0160 6059 00 | 2 | Screw | | 2110 | 1621 3643 00 | 1 | Label 1) | |
| 1040 | 0301 2318 00 | 2 | Washer | | 2120 | 1089 9277 02 | 1 | Time relay 1) | |
| 1050 | 1503 2467 00 | AR | Seal cord | | 2125 | 1089 0506 09 | 1 | Terminal 1) | |
| 1060 | 1614 8151 00 | 1 | Cover | | 2180 | 1088 1301 02 | 20 | Cable strip 1) | |
| 1065 | 1619 2758 00 | AR | Seal | | 3010 | 1900 0701 63 | 1 | Module 2) | |
| 1070 | 1614 8071 00 | 1 | Label | | 3020 | 1614 8522 00 | 1 | Label 2) | |
| 1200 | 0346 1000 19 | 2 | Pipe clamp | | 3030 | 1088 0024 02 | 1 | Connector 2) | |
| 1210 | 1619 2861 08 | 1 | Clamp | | 4010 | 1900 0701 46 | 1 | Electr.regul. 3) | |
| 1220 | 0266 2108 00 | 1 | Nut | | 4020 | 1088 0024 02 | 1 | Connector 3) | |
| 1230 | 0266 2110 00 | 2 | Nut | | 4050 | 1088 1501 06 | AR | Shrinking hose 3) | |
| 1300 | 1089 0575 11 | 1 | Pressure sensor | | | | | | |
| 1310 | 1089 0575 12 | 1 | Pressure sensor | | | | | | |
| 1312 | 1621 0148 00 | 1 | Nipple | | | | | | 1) For "Automatic water shut-off" / Voor "Automatische waterafsluiting" / För "Automatisk vattenavstängning" / Für "Automatische Wasserabsperrvorrichtung" / Pour "Fermeture d'eau automatique" / Para "Corte automático de agua" / Per "Scarico acqua automatico" / For "Automatisk afspærringsventil" / Para "Corte automático de circulação de água" / For "Automatisk vannavstenging" / Automaattinen veden sulku |
| 1313 | 1621 0148 00 | 1 | Nipple | | | | | | 2) For "Communication module - COM1" / Voor "Communicatiemodule - COM1" / För "Kommunikationsmodul - COM1" / Für "Kommunikationsmodul - COM1" / Pour "Module de communication - COM1" / Para "Módulo de comunicación - COM1" / Per "Modulo di comunicazione - COM1" / For "Kommunikationsmodul - COM1" / Para "Módulo de comunicações - COM1" / For "Kommunikasjonsmodul - COM1" / Malleissa "Tietoliikennemuoduli - COM1" |
| 1315 | 0661 1000 25 | 1 | Seal washer | | | | | | 3) For "Expansion module - PT100" / Voor "Expansiemodule - PT100" / För "Expansionsmodul - PT100" / Für "Erweiterungsmodul - PT100" / Pour "Module d'expansion - PT100" / Para "Módulo de expansión - PT100" / Per "Modulo di espansione - PT100" / For "Ekspansjonsmodul - PT100" / Para "Módulo de expansão - PT100" / For "Ekspansjonsmodul - PT100" / Malleissa "Laajennusmoduulia - PT100" |
| 1316 | 0661 1000 25 | 1 | Seal washer | | | | | | |
| 1320 | 1089 0575 16 | 1 | Press.sensor | | | | | | |
| 1330 | 1621 0148 00 | 1 | Nipple | | | | | | |
| 1335 | 0661 1000 25 | 1 | Seal washer | | | | | | |
| 1340 | 1089 0575 03 | 1 | Press.sensor | | | | | | |
| 1348 | 1089 0574 05 | 1 | Temp. sensor | | | | | | |
| 1349 | 1089 0574 05 | 1 | Temp. sensor | | | | | | |
| 1350 | 1089 0574 05 | 1 | Temp. sensor | | | | | | |
| 1351 | 1089 0574 05 | 1 | Temp. sensor | | | | | | |
| 1352 | 1089 0574 05 | 1 | Temp. sensor | | | | | | |
| 1353 | 1089 0574 05 | 1 | Temp. sensor | | | | | | |
| 1355 | 1089 0574 05 | 1 | Temp. sensor | | | | | | |
| 1356 | 1089 0574 05 | 1 | Temp. sensor | | | | | | |
| 1360 | 1089 0590 01 | 1 | Solenoid valve | | | | | | |
| 1365 | 0663 2108 63 | 3 | O-ring | | | | | | |
| 1366 | 0211 1251 03 | 4 | Bolt | | | | | | |
| 1370 | 1621 6214 00 | 1 | Wire harness | | | | | | |
| 1375 | 1088 1305 02 | 2 | Push mount | | | | | | |
| 1376 | 1088 1301 02 | 20 | Cable strip | | | | | | |
| 1380 | 0697 9807 00 | 2 | Nut | | | | | | |
| 1390 | 1619 2766 00 | 10 | Bolt | | | | | | |
| 1400 | 0147 1322 03 | 2 | Bolt | | | | | | |
| 1410 | 1614 8164 00 | 1 | Label | | | | | | |
| 2010 | 1089 0380 21 | 1 | Solenoid valve 1) | | | | | | |

14

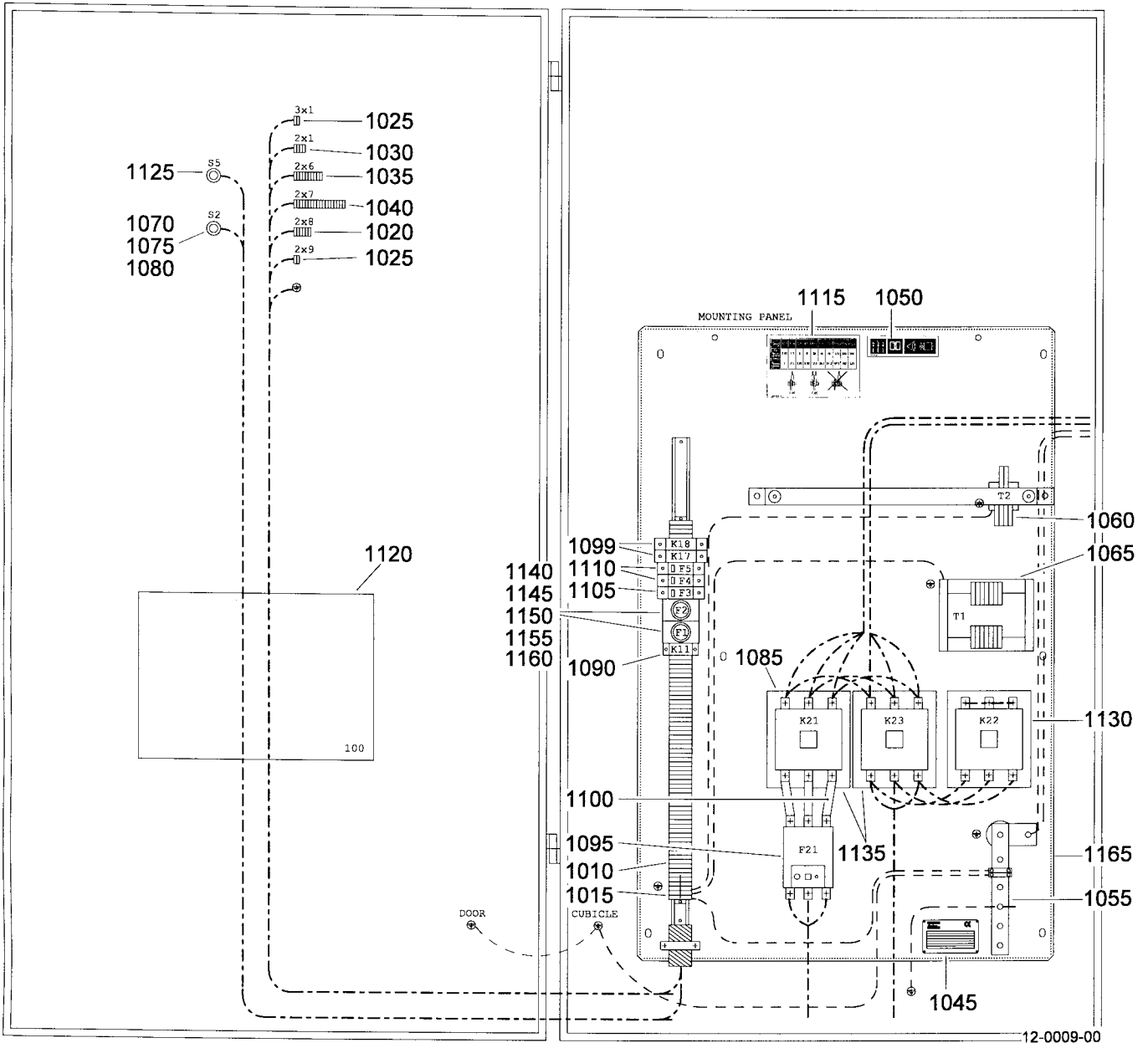


60042

Control module - Electro-pneumatic

| Ref. | Part number | Qty | Name | Remarks | Ref. | Part number | Qty | Name | Remarks |
|------|--------------|-----|----------------|---------|------|--------------|-----|-----------------|---------|
| 1026 | 1088 1001 01 | 1 | Warning mark | | 2145 | 0580 1402 00 | 1 | Str.coupling | |
| 1065 | 0663 2108 63 | 3 | O-ring | | 2150 | 1621 6157 00 | 1 | Pipe | |
| 1070 | 0211 1251 03 | 4 | Bolt | | 2155 | 0580 4802 00 | 1 | Tee coupling | |
| 1075 | 1621 6219 00 | 1 | Wire harness | | 2160 | 1621 6255 00 | 1 | Pipe | |
| 1080 | 1088 1305 02 | 2 | Push mount | | 2165 | 0580 0059 01 | 1 | Coupling | |
| 1090 | 1088 1301 02 | 20 | Cable strip | | 2170 | 1091 0394 01 | 1 | Pressure switch | |
| 2010 | 1089 0590 01 | 1 | Solenoid valve | | 2175 | 1621 3471 00 | 1 | Support | |
| 2015 | 1089 0502 30 | 1 | Temp.switch | | 2180 | 1619 2766 00 | 2 | Bolt | |
| 2017 | 1089 0502 31 | 1 | Temp.switch | | 2185 | 0147 1205 03 | 2 | Bolt | |
| 2018 | 2255 0223 00 | 2 | Sleeve | | 2190 | 0266 2107 00 | 2 | Nut | |
| 2019 | 2255 0564 00 | 2 | Sleeve | | 2195 | 0580 0014 44 | 1 | Str.coupling | |
| 2020 | 1089 0502 05 | 2 | Temp.switch | | 2200 | 0661 1000 25 | 1 | Seal washer | |
| 2025 | 1202 9405 00 | 2 | Bushing | | 2202 | 1621 6158 00 | 1 | Pipe | |
| 2026 | 0661 1000 26 | 4 | Seal washer | | 2205 | 1202 7542 00 | 1 | Vacuum gauge | |
| 2030 | 1621 3465 01 | 1 | Pressure gauge | | 2210 | 0584 0022 00 | 1 | Cutting ring | |
| 2035 | 0584 0022 00 | 1 | Cutting ring | | 2215 | 0584 2022 00 | 1 | Nut | |
| 2040 | 0584 2022 00 | 1 | Nut | | 2220 | 1621 6164 00 | 1 | Pipe | |
| 2045 | 1621 6161 00 | 1 | Pipe | | 2225 | 0580 1402 00 | 1 | Str.coupling | |
| 2050 | 0580 1402 00 | 1 | Str.coupling | | 2230 | 1621 6165 00 | 1 | Pipe | |
| 2055 | 1621 6160 00 | 1 | Pipe | | 2235 | 0580 0059 01 | 1 | Coupling | |
| 2060 | 0580 0014 44 | 1 | Str.coupling | | 2240 | 1621 3474 00 | 6 | Clamp | |
| 2065 | 0661 1000 25 | 1 | Seal washer | | 2245 | 0147 1326 03 | 6 | Bolt | |
| 2070 | 1621 3465 02 | 1 | Pressure gauge | | 2250 | 0266 2110 00 | 6 | Nut | |
| 2075 | 0584 0022 00 | 1 | Cutting ring | | 2255 | 1619 2841 00 | 3 | Thermometer | |
| 2080 | 0584 2022 00 | 1 | Nut | | 2256 | 0661 1000 26 | 3 | Seal washer | |
| 2085 | 1621 6162 00 | 1 | Pipe | | 2260 | 1621 6241 00 | 1 | Bracket | |
| 2090 | 0580 1402 00 | 1 | Str.coupling | | 2265 | 0346 1000 06 | 1 | Pipe clamp | |
| 2095 | 1621 6239 00 | 1 | Pipe | | 2270 | 1619 2766 00 | 1 | Bolt | |
| 2100 | 0580 0014 44 | 1 | Str.coupling | | 2275 | 0147 1246 03 | 1 | Bolt | |
| 2105 | 0603 4102 03 | 1 | Hexagon nipple | | 2280 | 0266 2108 00 | 1 | Nut | |
| 2110 | 1089 0606 01 | 1 | Press.switch | | 2282 | 0686 3716 30 | 1 | Plug | |
| 2115 | 0560 4401 10 | 1 | Tee | | 2284 | 0661 1000 26 | 1 | Seal washer | |
| 2120 | 0661 1000 25 | 1 | Seal washer | | 2290 | 1088 1301 01 | 30 | Cable strip | |
| 2125 | 1621 3465 03 | 1 | Pressure gauge | | 2292 | 1088 1301 04 | 4 | Cable strip | |
| 2130 | 0584 0022 00 | 1 | Cutting ring | | 2300 | 1621 3462 00 | 1 | Instrum.panel | |
| 2135 | 0584 2022 00 | 1 | Nut | | 2310 | 0266 2108 00 | 2 | Nut | |
| 2140 | 1621 6163 00 | 1 | Pipe | | | | | | |

15



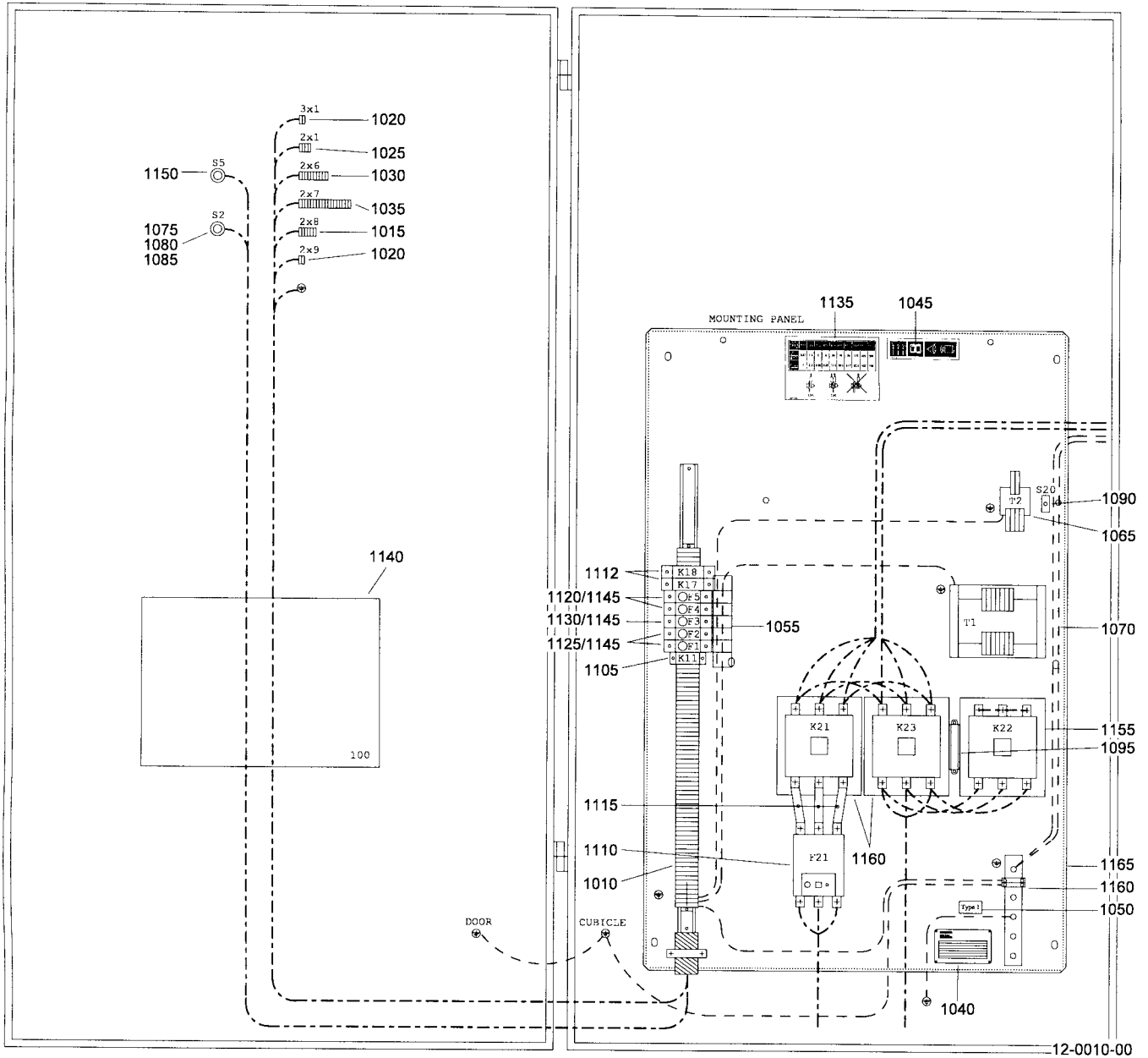
Start cubicle - star/delta - Elektronikon - Control Voltage 220V/50Hz

| Ref. | Part number | Qty | Name | Remarks | Ref. | Part number | Qty | Name | Remarks |
|------|---------------------|------|-------------------------|---------|------|--------------|-----|---------------------|---------|
| | 1900 0322 25 | 1 | Cubicle | | 1100 | | 3 | Jumper | |
| | 1900 0322 28 | | ZR300, ZR315, ZR355 | | | 1089 9215 03 | | ZR300, ZR315, ZR355 | |
| | 1900 0322 78 | | ZR400, ZR425 | | | 1089 9215 05 | | ZR400, ZR425 | |
| | | | ZR400+Thermistors, | | 1105 | 1089 9203 11 | 1 | Circuit breaker | |
| | | | ZR425+Thermistors | | 1110 | 1089 9203 04 | 2 | Circuit breaker | |
| 1010 | 1089 0506 09 | • AR | Terminal | | 1115 | 1079 9906 09 | • 1 | Label | |
| 1015 | 1089 0506 10 | • 4 | Terminal | | 1120 | | • 1 | Service diagram | |
| 1020 | 1088 0000 06 | • 1 | Connector | | | 9823 1085 04 | | ZR400+Thermistors, | |
| 1025 | 1088 0024 02 | • 2 | Connector | | | | | ZR425+Thermistors | |
| 1030 | 1088 0024 04 | • 1 | Connector | | | 9823 1085 02 | | Others | |
| 1035 | 1088 0024 10 | • 1 | Connector | | 1125 | 1089 9082 21 | • 1 | Key switch | |
| 1040 | 1088 0024 18 | • 1 | Connector | | 1130 | | • 1 | Contact | |
| 1045 | 1613 6639 00 | • 1 | Data plate | | | 1089 9221 11 | | ZR300, ZR315, ZR355 | |
| 1050 | 1079 9901 68 | • 1 | Label | | | 1089 9221 12 | | ZR400, ZR425 | |
| 1055 | 1900 0003 02 | • 1 | Earth rail | | 1135 | | • 2 | Contact | |
| 1060 | 1089 9136 15 | • 1 | Transfo | | | 1089 9221 12 | | ZR300, ZR315, ZR355 | |
| 1065 | | • 1 | Transfo | | | 1089 9221 14 | | ZR400, ZR425 | |
| | 1089 9136 14 | | ZR300, ZR315, ZR355 | | 1140 | | • 2 | Fuse | |
| | 1089 9136 73 | | ZR400, ZR425 | | | 1089 9092 07 | | ZR300, ZR315, ZR355 | |
| 1070 | 1089 0362 39 | • 1 | Emerg. stop push button | | | 1619 3332 00 | | ZR400, ZR425 | |
| 1075 | 1089 0362 40 | • 1 | Contact block 2NC | | 1145 | 1089 9325 03 | • 2 | Fuse holder | |
| 1080 | 1089 0362 41 | • 1 | Contact block 1NC | | 1150 | 1089 9325 27 | • 2 | Calibr.screw | |
| 1085 | 1089 9221 95 | • 1 | Auxiliary contactblock | | 1155 | 1089 9325 52 | • 2 | Holder screw | |
| 1090 | 1089 9388 01 | • 1 | Interface relay | | 1160 | 1089 9325 75 | • 2 | Holder protection | |
| 1095 | | • 1 | Overload relay | | 1165 | 1621 3190 00 | • 1 | Mounting plate | |
| | 1089 9174 05 | | ZR300, ZR315, ZR355 | | | | | | |
| | 1089 9175 01 | | ZR400, ZR425 | | | | | | |
| 1099 | | • 2 | Thermistor relay | | | | | | |
| | 1089 9278 03 | | ZR400+Thermistors, | | | | | | |
| | | | ZR425+Thermistors | | | | | | |

Start cubicle - star/delta - Electro-pneumatic - Control Voltage 220V/50Hz**16**

| Ref. | Part number | Qty | Name | Remarks | Ref. | Part number | Qty | Name | Remarks |
|------|---------------------|----------|-------------------------|---------|------|----------------|-----|------------------------|---------|
| | 1900 0324 25 | 1 | Cubicle | | 1105 | 1089 9277 02 • | 1 | Time relay | |
| | | | ZR300 | | 1110 | 1089 9271 06 • | 1 | Y-D Time relay | |
| 1010 | 1089 0506 09 • | 45 | Terminal | | 1115 | 1089 9277 08 • | 1 | Time relay | |
| 1015 | 1089 0506 10 • | 7 | Terminal | | 1120 | 1089 9279 12 • | 1 | Time relay | |
| 1020 | 1079 9901 68 • | 1 | Label | | 1125 | 1089 9203 10 • | 1 | Circuit breaker | |
| 1025 | 1613 6639 00 • | 1 | Data plate | | 1130 | 1089 9203 11 • | 1 | Circuit breaker | |
| 1030 | 1900 0003 02 • | 1 | Earth rail | | 1135 | 1089 9142 11 • | 2 | Hourmeter | |
| 1035 | 1089 9135 01 • | 1 | Transfo | | 1140 | 1089 9051 01 • | 1 | Switch | |
| 1040 | 1089 9136 14 • | 1 | Transfo | | 1150 | 1079 9906 09 • | 1 | Label | |
| 1045 | 1089 0362 42 • | 1 | Push button | | 1155 | 9823 1086 02 • | 1 | Service diagram | |
| 1050 | 1089 0362 43 • | 1 | Push button | | 1160 | 1900 9999 01 • | 1 | Connector | |
| 1055 | 1089 0362 44 • | 1 | Contact block 1NO | | 1165 | 1900 0021 07 • | 1 | Led display | |
| 1060 | 1089 0362 45 • | 1 | Contact block 1NC | | 1170 | 1089 9221 11 • | 1 | Contacto | |
| 1065 | 1089 9146 03 • | 7 | Relay | | 1175 | 1089 9221 12 • | 2 | Contacto | |
| 1070 | 1089 9146 02 • | 1 | Relay | | 1180 | 1089 9092 07 • | 2 | Fuse | |
| 1080 | 1089 9146 08 • | 1 | Relay | | 1185 | 1089 9325 03 • | 2 | Fuse holder | |
| 1085 | 1089 9146 06 • | 1 | Relay | | 1190 | 1089 9325 26 • | 2 | Fuse calibration screw | |
| 1090 | 1089 9221 95 • | 1 | Auxiliary contact block | | 1195 | 1089 9325 52 • | 2 | Fuse holder screw | |
| 1095 | 1089 9174 05 • | 1 | Overload relay | | 1200 | 1089 9325 75 • | 2 | Fuse holder protection | |
| 1100 | 1089 9215 03 • | 3 | Connecting link | | 1205 | 1621 3190 00 • | 1 | Mounting plate | |

17



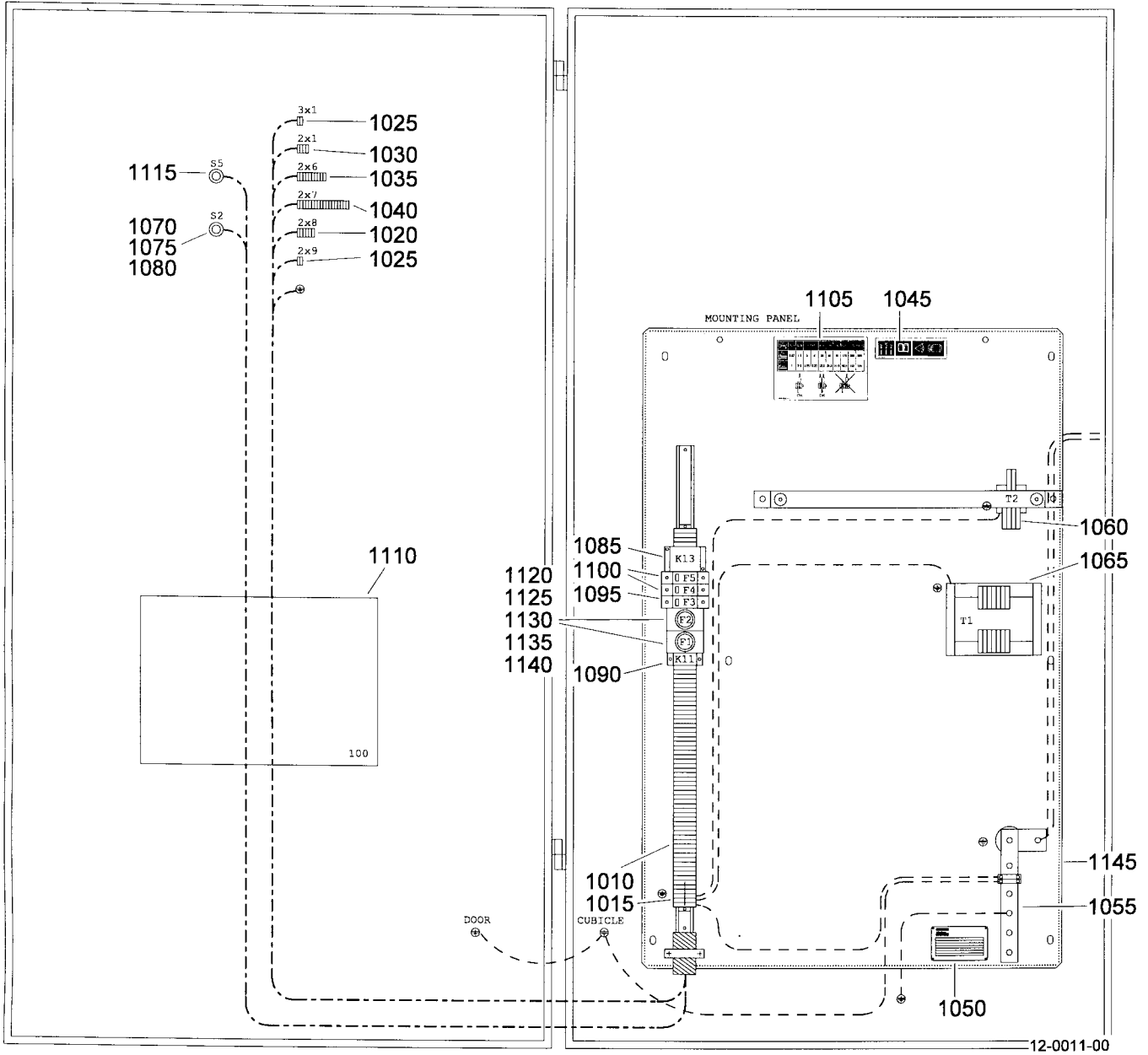
12-0010-00

Start cubicle - star/delta - Elektronikon - Control Voltage 115V/60Hz

17

| Ref. | Part number | Qty | Name | Remarks | Ref. | Part number | Qty | Name | Remarks |
|------|--------------|-----|--------------------------|---------|--------------|--------------|-----|--------------------------|---------|
| | | 1 | Cubicle | | 1110 | | 1 | Overload relay | |
| | 1900 0323 28 | | ZR300, ZR315-575V, | | 1089 9174 04 | | | ZR300-575V | |
| | | | ZR355-575V | | 1089 9174 02 | | | ZR300, ZR315-575V, | |
| | 1900 0323 24 | | ZR300-575V | | | | | ZR355-575V | |
| | 1900 0323 77 | | ZR315+Thermistor | | 1089 9174 05 | | | ZR315, ZR355, ZR400-575V | |
| | 1900 0323 27 | | ZR315, | | 1089 9175 01 | | | ZR400 | |
| | | | ZR355, ZR355+PT100, | | 1112 | | 2 | Thermistor relay | |
| | | | ZR400-575V | | 1089 9278 02 | | | ZR315+Thermistor | |
| | 1900 0323 30 | | ZR400 | | 1115 | | 3 | Jumper | |
| 1010 | | | Terminal | | 1089 9215 03 | | | ZR300, ZR315, ZR355, | |
| | 1089 0506 09 | 53 | ZR315+Thermistor | | | | | ZR400-575V | |
| | 1089 0506 09 | 49 | Others | | 1089 9215 05 | | | ZR400 | |
| 1015 | 1088 0000 06 | 1 | Connector | | 1120 | 1089 9168 02 | 2 | Fuse | |
| 1020 | 1088 0024 02 | 2 | Connector | | 1125 | | 2 | Fuse | |
| 1025 | 1088 0024 04 | 1 | Connector | | | 1089 9168 25 | | ZR300, ZR315-575V, | |
| 1030 | 1088 0024 10 | 1 | Connector | | | | | ZR355-575V | |
| 1035 | 1088 0024 18 | 1 | Connector | | | 1089 9168 26 | | ZR315, ZR355 | |
| 1040 | 1613 3046 00 | 1 | Data plate | | | 1089 9168 27 | | ZR400 | |
| 1045 | 1079 9901 68 | 1 | Label | | 1130 | | 1 | Fuse | |
| 1050 | 1079 9911 01 | 1 | Label | | | 1089 9168 30 | | ZR300, ZR315-575V, | |
| 1055 | | 1 | Label | | | | | ZR355-575V | |
| | 1079 9918 91 | | ZR300, ZR315-575V, | | | 1089 9168 04 | | ZR315, ZR355, ZR400 | |
| | | | ZR355-575V | | 1135 | 1079 9906 09 | 1 | Label | |
| | 1079 9918 90 | | ZR315, ZR355, ZR400-575V | | 1140 | | 1 | Service diagram | |
| | 1079 9918 97 | | ZR400 | | | 9823 1085 24 | | ZR315+Thermistor | |
| 1060 | 1613 4595 00 | 1 | Earth rail | | | 9823 1085 22 | | Others | |
| 1065 | 1089 9136 28 | 1 | Transfo | | 1145 | 1089 9049 04 | 5 | Fuse holder | |
| 1070 | | 1 | Transfo | | 1150 | 1089 9082 21 | 1 | Key switch | |
| | 1089 9136 24 | | ZR300, ZR315-575V, | | 1155 | | 1 | Contacto | |
| | | | ZR355-575V | | | 1089 9221 49 | | ZR300-575V, | |
| | 1089 9136 25 | | ZR315, ZR355, ZR400-575V | | | 1089 9221 43 | | ZR300, ZR315-575V, | |
| | 1089 9136 83 | | ZR400 | | | | | ZR355-575V | |
| 1075 | 1089 0362 39 | 1 | Emerg. stop push button | | | 1089 9221 50 | | ZR315, ZR355 | |
| 1080 | 1089 0362 40 | 1 | Contactblock 2NC | | | 1089 9221 94 | | ZR400 | |
| 1085 | 1089 0362 41 | 1 | Contactblock 1NC | | 1160 | | 2 | Contacto | |
| 1090 | 1089 0304 04 | 1 | Limit switch | | | 1089 9221 50 | | ZR300-575V, | |
| 1095 | | 1 | Interlock | | | 1089 9221 94 | | ZR300, ZR315-575V, | |
| | 1089 9216 03 | | ZR300, ZR315-575V, | | | | | ZR355-575V | |
| | | | ZR355-575V | | | 1089 9221 51 | | ZR315, ZR355, ZR400-575V | |
| | 1089 9216 07 | | ZR315, ZR355, ZR400 | | | 1089 9221 40 | | ZR400 | |
| 1100 | 1089 9221 95 | 1 | Contact block | | 1165 | 1621 3190 00 | 1 | Mounting plate | |
| 1105 | 1089 9388 01 | 1 | Interface relay | | | | | | |

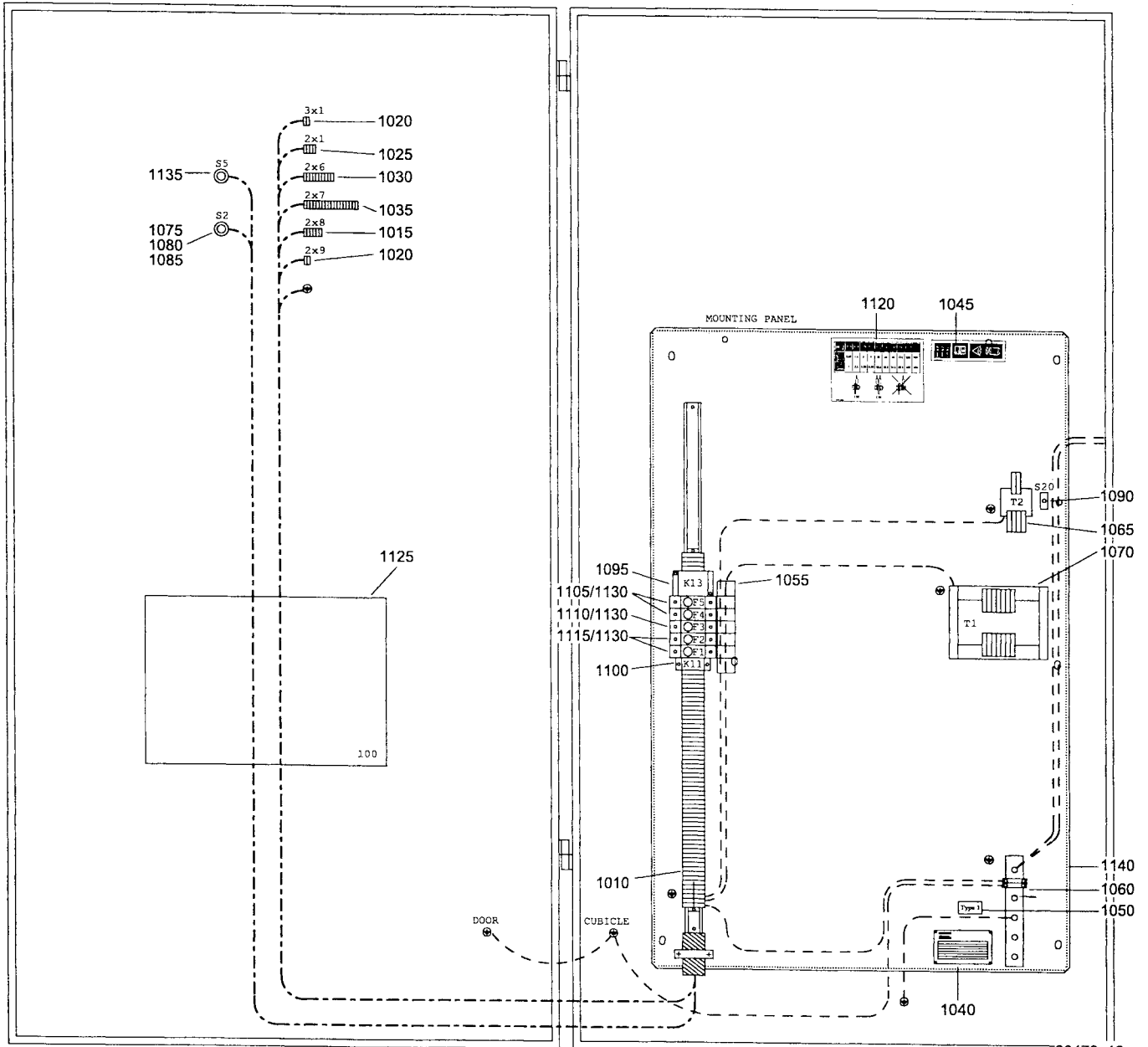
18



Start cubicle, empty (with regulator) - Elektronikon - 50Hz, Japan

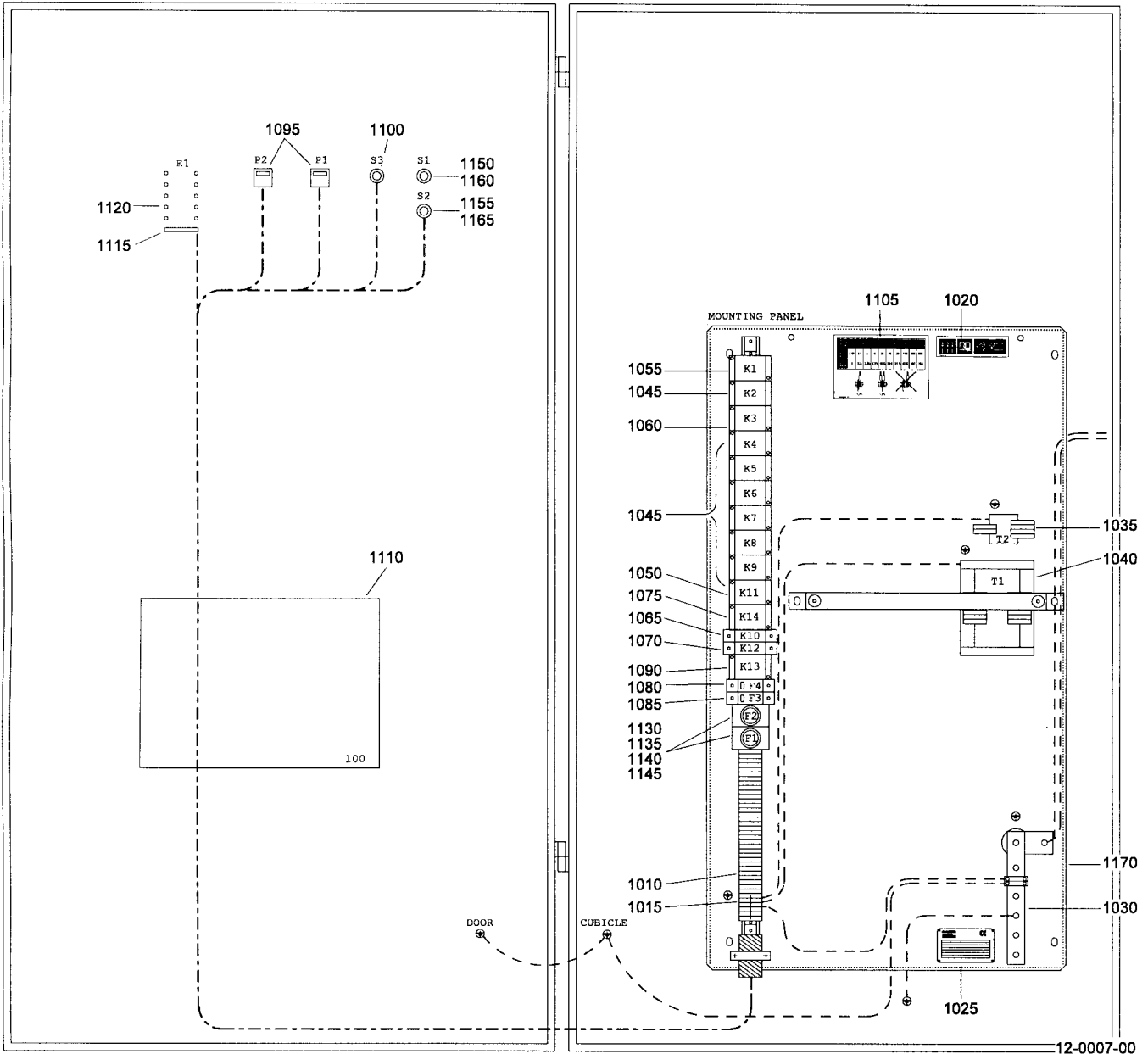
| Ref. | Part number | Qty | Name | Remarks | Ref. | Part number | Qty | Name | Remarks |
|------|---------------------|----------|-------------------------|---------|------|--------------|-----|-------------------|---------|
| | 1900 0322 36 | 1 | Cubicle | | 1080 | 1089 0362 41 | • 1 | Contactblock INC | |
| | 1900 0322 26 | | Japan | | 1085 | | • 1 | Relay | |
| | | | 50Hz | | | 1089 9300 08 | | Japan | |
| 1010 | 1089 0506 09 | • 47 | Terminal | | | 1089 9146 02 | | 50Hz | |
| 1015 | 1089 0506 10 | • 4 | Terminal | | 1090 | 1089 9388 01 | • 1 | Relay | |
| 1020 | 1088 0000 06 | • 1 | Connector | | 1095 | 1089 9203 11 | • 1 | Circuit breaker | |
| 1025 | 1088 0024 02 | • 2 | Connector | | 1100 | 1089 9203 04 | • 2 | Circuit breaker | |
| 1030 | 1088 0024 04 | • 1 | Connector | | 1105 | 1079 9906 09 | • 1 | Label | |
| 1035 | 1088 0024 10 | • 1 | Connector | | 1110 | | • 1 | Service diagram | |
| 1040 | 1088 0024 18 | • 1 | Connector | | | 9823 1085 05 | | Japan | |
| 1045 | 1079 9901 68 | • 1 | Label | | | 9823 1085 01 | | 50Hz | |
| 1050 | 1613 6639 00 | • 1 | Data plate | | 1115 | 1089 9082 21 | • 1 | Key switch | |
| 1055 | 1900 0003 02 | • 1 | Earth rail | | 1120 | 1619 3332 00 | • 2 | Fuse | |
| 1060 | 1089 9136 15 | • 1 | Transfo | | 1125 | 1089 9325 03 | • 2 | Fuse holder | |
| 1065 | | • 1 | Transfo | | 1130 | 1089 9325 27 | • 2 | Calibr.screw | |
| | 1089 9136 80 | | Japan | | 1135 | 1089 9325 52 | • 2 | Holder screw | |
| | 1089 9136 14 | | 50Hz | | 1140 | 1089 9325 75 | • 2 | Holder protection | |
| 1070 | 1089 0362 39 | • 1 | Emerg. stop push button | | 1145 | 1621 3190 00 | • 1 | Mounting plate | |
| 1075 | 1089 0362 40 | • 1 | Contactblock 2NC | | | | | | |

19



Start cubicle, empty (with regulator) - Elektronikon - 60Hz - CSA/UL

| Ref. | Part number | Qty | Name | Remarks | Ref. | Part number | Qty | Name | Remarks |
|------|---------------------|----------|----------------|-------------------------------|------|----------------|-----|-------------------------|---------|
| | 1900 0323 26 | 1 | Cubicle | ZR300, ZR315, ZR355, ZR400 | 1075 | 1089 0362 39 • | 1 | Emerg. stop push button | |
| 1010 | 1089 0506 09 • | 53 | Terminal | | 1080 | 1089 0362 40 • | 1 | Contactblock 2NC | |
| 1015 | 1088 0000 06 • | 1 | Connector | | 1085 | 1089 0362 41 • | 1 | Contactblock INC | |
| 1020 | 1088 0024 02 • | 2 | Connector | | 1090 | 1089 0304 04 • | 1 | Limit switch | |
| 1025 | 1088 0024 04 • | 1 | Connector | | 1095 | 1089 9146 32 • | 1 | Relay | |
| 1030 | 1088 0024 10 • | 1 | Connector | | 1100 | 1089 9388 01 • | 1 | Interface relay | |
| 1035 | 1088 0024 18 • | 1 | Connector | | 1105 | 1089 9168 02 • | 2 | Fuse | |
| 1040 | 1613 3046 00 • | 1 | Data plate | | 1110 | 1089 9168 04 • | 1 | Fuse | |
| 1045 | 1079 9901 68 • | 1 | Label | | 1115 | 1089 9168 26 • | 2 | Fuse | |
| 1050 | 1079 9911 01 • | 1 | Label | | 1120 | 1079 9906 09 • | 1 | Label | |
| 1055 | 1079 9918 90 • | 1 | Label | | 1125 | 9823 1085 21 • | 1 | Service diagram | |
| 1060 | 1613 4595 00 • | 1 | Earth rail | | 1130 | 1089 9049 04 • | 5 | Fuse holder | |
| 1065 | 1089 9136 28 • | 1 | Transfo | | 1135 | 1089 9082 21 • | 1 | Key switch | |
| 1070 | 1089 9136 25 • | 1 | Transfo | | 1140 | 1621 3190 00 • | 1 | Mounting plate | |

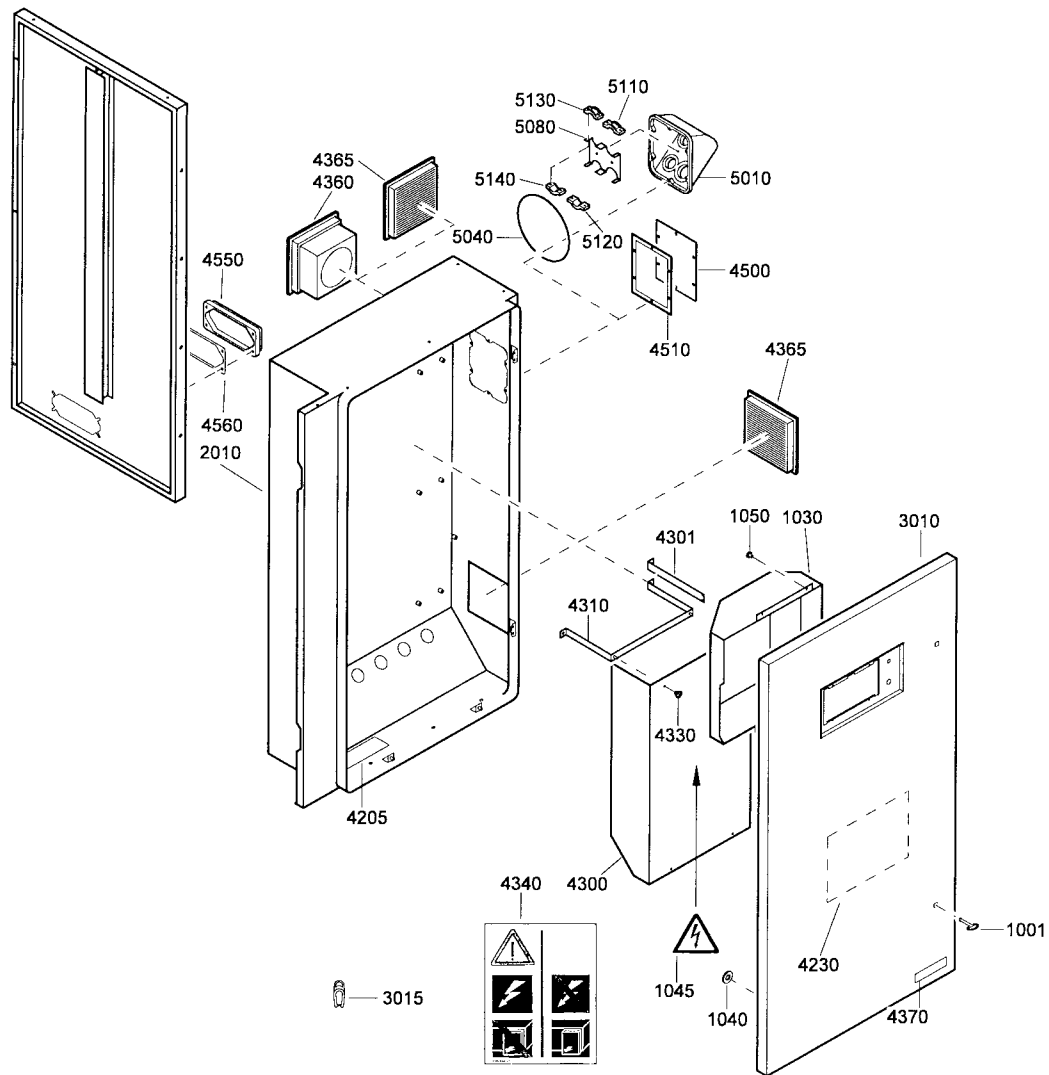


12-0007-00

Start cubicle, empty (with regulator) - Electro-pneumatic - Japan - 60Hz

| Ref. | Part number | Qty | Name | Remarks | Ref. | Part number | Qty | Name | Remarks |
|------|---------------------|----------|-----------------|---------|------|----------------|-----|------------------------|---------|
| | 1900 0324 35 | 1 | Cubicle | | 1090 | 1089 9300 08 • | 1 | Relay | |
| | | | Japan - 60Hz | | 1095 | 1089 9142 12 • | 2 | Hourmeter | |
| 1010 | 1089 0506 09 • | 47 | Terminal | | 1100 | 1089 9051 01 • | 1 | Switch | |
| 1015 | 1089 0506 10 • | 7 | Terminal | | 1105 | 1079 9906 09 • | 1 | Label | |
| 1020 | 1079 9901 68 • | 1 | Label | | 1110 | 9823 1086 05 • | 1 | Service diagram | |
| 1025 | 1613 6639 00 • | 1 | Data plate | | 1115 | 1900 9999 01 • | 1 | Connector | |
| 1030 | 1900 0003 02 • | 1 | Earth rail | | 1120 | 1900 0021 09 • | 1 | Led display | |
| 1035 | 1089 9135 01 • | 1 | Transfo | | 1125 | 1089 9092 07 • | 2 | Fuse | |
| 1040 | 1089 9136 80 • | 1 | Transfo | | 1130 | 1089 9325 03 • | 2 | Fuse holder | |
| 1045 | 1089 9300 07 • | 7 | Relay | | 1135 | 1089 9325 26 • | 2 | Fuse calibration screw | |
| 1050 | 1089 9300 08 • | 1 | Relay | | 1140 | 1089 9325 52 • | 2 | Fuse holder screw | |
| 1055 | 1089 9146 18 • | 1 | Relay | | 1145 | 1089 9325 75 • | 2 | Fuse holder protection | |
| 1060 | 1089 9146 16 • | 1 | Relay | | 1150 | 1089 0362 42 • | 1 | Push button | |
| 1065 | 1089 9277 02 • | 1 | Time relay | | 1155 | 1089 0362 43 • | 1 | Push button | |
| 1070 | 1089 9277 08 • | 1 | Time relay | | 1160 | 1089 0362 44 • | 1 | Contac tblock 1NO | |
| 1075 | 1089 9279 12 • | 1 | Relay | | 1165 | 1089 0362 45 • | 1 | Contac tblock 1NC | |
| 1080 | 1089 9203 10 • | 1 | Circuit breaker | | 1170 | 1621 3190 00 • | 1 | Mounting plate | |
| 1085 | 1089 9203 11 • | 1 | Circuit breaker | | | | | | |

21



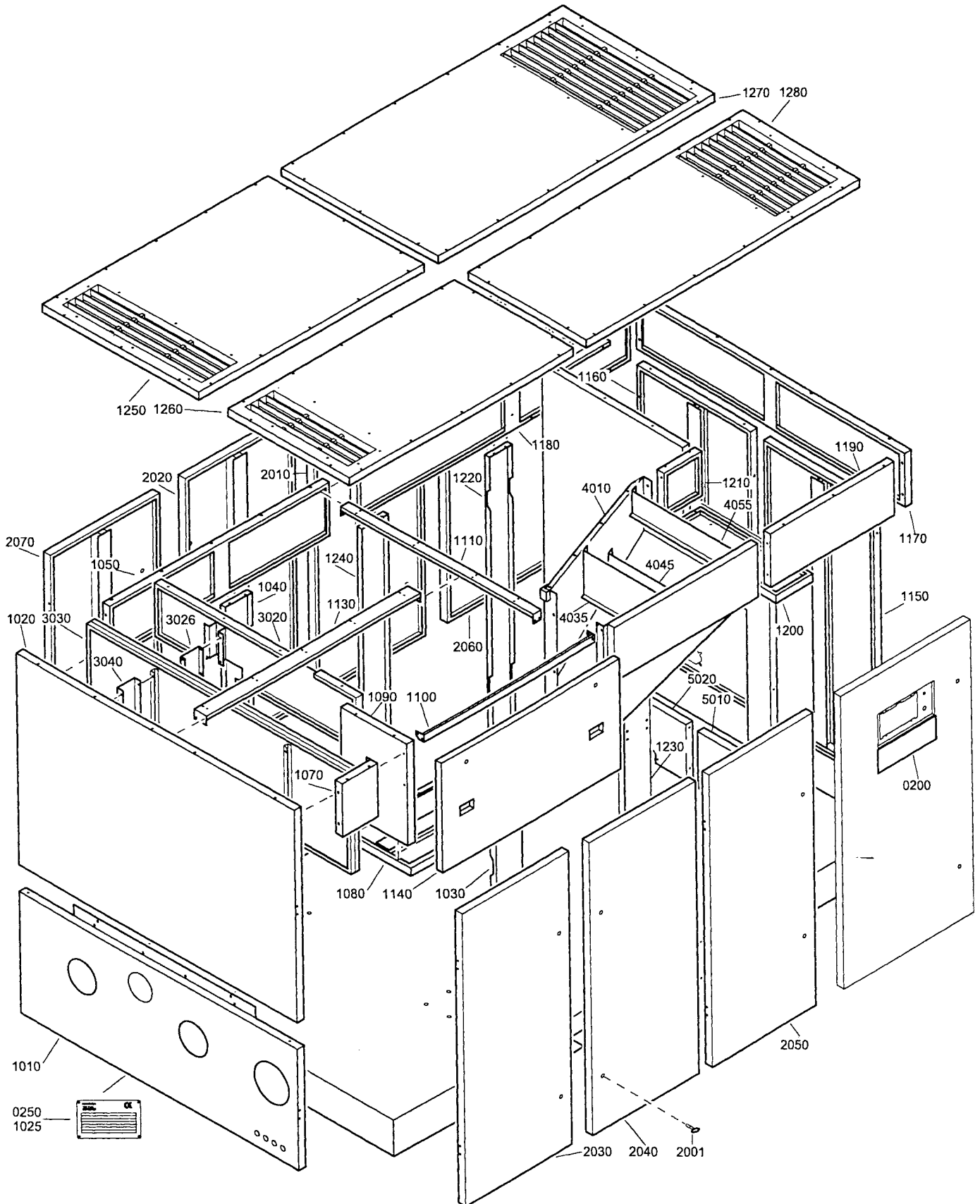
12-0014-00

Cubicle

| Ref. | Part number | Qty | Name | Remarks | Ref. | Part number | Qty | Name | Remarks |
|------|---------------------|-------|-------------------|---------|---------------------|---------------------|------------------------------|---|---------|
| 1001 | | 1 | Key | 1) | 4360 | | 1 | Fan | |
| 1030 | 1621 3348 00 | 1 | Box | | | 1089 0598 01 | | 50Hz | |
| 1040 | 1088 0019 06 | 1 | Washer | | 4365 | | | Filter | |
| 1045 | 1088 1001 04 | 1 | Warning mark | | | 1089 0598 03 | 1 | 50Hz | |
| 1050 | 1614 6596 00 | 3 | Knurled nut | | | 1089 0598 03 | 2 | 60Hz | |
| | | 1 | Cubicle | 1) | 4370 | | 1 | Label | |
| | 1621 1561 80 | | Elektronikon | | | 1613 3431 00 | | 60Hz | |
| | 1621 1561 81 | | Electro-pneumatic | | 4500 | | 1 | Flange | |
| 2010 | | • 1 | Cubicle | | | 1614 7146 00 | | 60Hz | |
| | 1202 6584 00 | • AR | Seal | | 4510 | | 1 | Gasket | |
| | 1079 9905 49 | • 1 | Label | | | 1614 7145 00 | | 60Hz | |
| | | • 1 | Door | 1) | 4550 | 1088 0412 06 | 1 | Flange | |
| | 1621 1660 80 | | Elektronikon | | 4560 | 1088 0497 06 | 1 | Gasket | |
| | 1621 6134 80 | | Electro-pneumatic | | | | 1 | Cable box | |
| 3010 | | •• 1 | Door | | | 2000 0011 99 | | 50Hz | |
| | 1619 2665 00 | •• AR | Seal | | 5010 | 1614 6571 00 | • 1 | Cable box | |
| 4205 | | 1 | Listing mark | | 5040 | 1614 6567 00 | • 1 | Seal | |
| | 1613 5330 00 | | 60Hz | | 5080 | 1614 6566 00 | • 1 | Plate | |
| 4230 | | 1 | Label | | 5110 | 1614 6562 00 | • 2 | Clamp | |
| | 1621 0272 00 | | 60Hz | | 5120 | 1614 6563 00 | • 2 | Clamp | |
| 4300 | | 1 | Screen | | 5130 | 1614 6564 00 | • 2 | Clamp | |
| | 1621 3318 00 | | 50Hz, Japan | | 5140 | 1614 6565 00 | • 2 | Clamp | |
| 4301 | | 1 | Bracket | | | | | | |
| | 1621 3331 00 | | 60Hz | | 1) | | | See "Service kits" / Zie "Service kits" / Se "Service kits" | |
| 4310 | | 1 | Support | | | | | / Siehe "Service kits" / Voir "Service kits" / Véase "Service kits" | |
| | 1621 3192 00 | | 50Hz, Japan | | | | | / Vedere "Kit per la manutenzione" / Se " Service kits" / Ver "Conjuntos de reparação" / Se "Servicesett" / | |
| 4330 | | 4 | Knurled nut | | | | | Katso "Huoltotarvikesarjat" | |
| | 1614 6596 00 | | 50Hz, Japan | | 2906 0300 00 | 1 | Hinge replacement kit | | |
| 4340 | | 1 | Label | | | | | | |
| | 1079 9901 67 | | 50Hz, Japan | | | | | | |

22

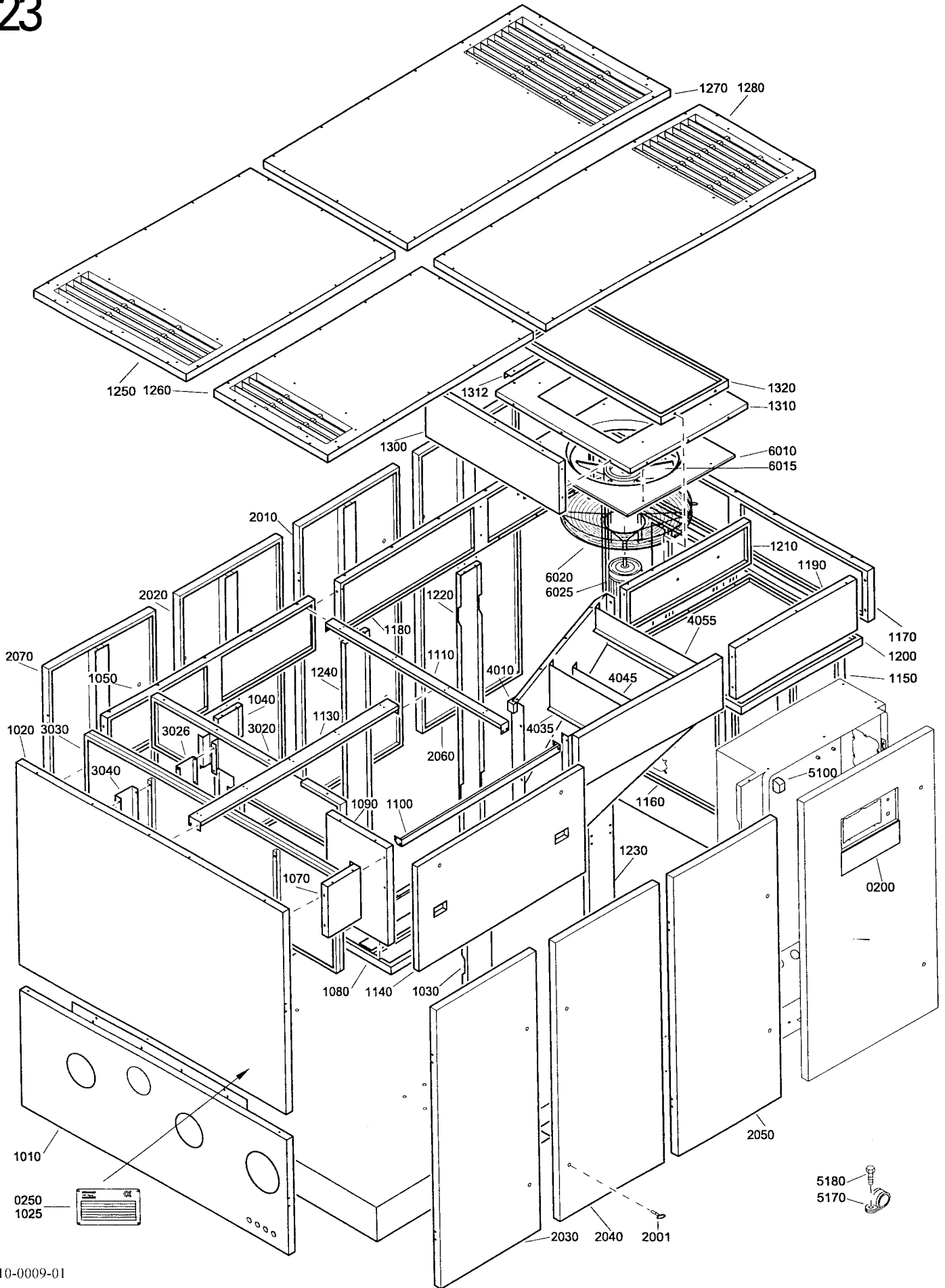
Bodywork - Arr. E



60480_10

| Ref. | Part number | Qty | Name | Remarks | Ref. | Part number | Qty | Name | Remarks |
|-------------|---------------------|----------|-------------------|---------|---|--------------|----------|------------------------------|---------|
| 0200 | | 1 | Label | | | | 1 | Strip | |
| | 1614 8117 50 | | ZR300 | | | 1613 1312 02 | | L = 650 | |
| | 1614 8117 51 | | ZR315 | | | 1613 1312 31 | | L = 855 | |
| | 1614 8117 52 | | ZR355 | | 2001 | | 2 | Key | 1) |
| | 1614 8117 53 | | ZR400 | | 2010 1621 1614 80 | | 1 | Door | 1),2) |
| | 1614 8117 54 | | ZR425 | | *0015 1619 2665 00 | | AR | Seal | |
| 0250 | | 1 | Data plate | | 2020 1621 1614 81 | | 1 | Door | 1),2) |
| | 1614 8057 01 | | 50Hz | | 1619 2665 00 | | AR | Seal | |
| | 1614 8057 05 | | 60Hz | | 2030 1621 1621 80 | | 1 | Door | 1),2) |
| 1010 | 1621 6128 80 | 1 | Panel | 1),3) | 1621 6107 00 | | 1 | Decal | |
| | 1621 6167 80 | | Energy recovery | | 0690 1132 01 | | 1 | House mark | |
| | 0581 0000 86 | 4 | Pipe coupling | | 2040 1621 1622 80 | | 1 | Door | 1),2) |
| | 1079 9913 69 | 1 | Inform.label | | 1619 2665 00 | | AR | Seal | |
| | 1079 9913 79 | 1 | Inform.label | | 2050 | | 1 | Door | 1),2) |
| | 1614 7293 00 | 1 | Decal | | 1621 1614 81 | | | Elektronikon | |
| 1020 | 1621 6129 80 | 1 | Panel | 1),3) | 1619 2665 00 | | AR | Seal | |
| | 1621 6166 80 | | Energy recovery | | 2060 1614 6422 80 | | 1 | Door | 1),2) |
| | 0129 3104 00 | 4 | Blind rivet | | 1619 2665 00 | | AR | Seal | |
| 1030 | 1621 1743 80 | 1 | Stay | | 2070 1621 1614 82 | | 1 | Door | 1),2) |
| | 1079 9901 09 | 1 | Label | | 1619 2665 00 | | AR | Seal | |
| 1040 | 1621 1616 80 | 1 | Stay | | 0690 1132 01 | | 1 | House mark | |
| | 1079 9901 09 | 1 | Label | | 3020 1621 6264 80 | | 1 | Baffle | |
| 1050 | 1621 6263 80 | 1 | Panel | 3) | 3026 1621 6266 00 | | 2 | Bracket | |
| | | 2 | Strip | | 3030 1621 6265 80 | | 1 | Baffle | |
| | 1613 1312 08 | | L = 330 | | 3040 1621 6093 00 | | 2 | Bracket | |
| 1070 | 1621 6066 80 | 1 | Panel | 3) | 1621 6220 80 | | 1 | Inlet duct | 2) |
| 1080 | 1621 1619 80 | 1 | Panel | 3) | 4010 | | 1 | Inlet duct | |
| | 2255 2148 00 | 2 | Stud | | | | 1 | Strip | |
| | 0147 1244 03 | 2 | Bolt | | | | | L = 330 | |
| | 0301 2321 00 | 2 | Washer | | 4035 1621 6256 80 | | 1 | Baffle | 4) |
| 1090 | 1621 1620 80 | 1 | Panel | 3) | 4045 1621 6257 80 | | 1 | Baffle | 4) |
| | 2255 2148 00 | 2 | Stud | | 4055 1621 6258 80 | | 1 | Baffle | 4) |
| | 0147 1244 03 | 2 | Bolt | | 5010 1621 1657 80 | | 1 | Baffle | 3) |
| | 0301 2321 00 | 2 | Washer | | 5020 1621 1756 80 | | 1 | Baffle | 3) |
| 1100 | 1621 1870 00 | 1 | Beam | | 1619 2665 00 | | AR | Seal | |
| 1110 | 1621 1748 00 | 1 | Beam | | 1619 2795 00 | | AR | Rubber strip | |
| 1130 | 1621 6068 00 | 1 | Beam | | 1621 1757 00 | | 1 | Plate | |
| 1140 | 1621 1871 80 | 1 | Door | 1),3) | | | AR | Bolt | |
| | 1619 2665 00 | AR | Seal | | 0147 1250 03 | | | M6 x 30 | |
| 1150 | 1621 1797 80 | 1 | Panel | 3) | 0147 1320 03 | | | M8 x 12 | |
| 1160 | 1621 6278 80 | 1 | Panel | 1),3) | 0147 1322 03 | | | M8 x 16 | |
| 1170 | 1621 1759 80 | 1 | Panel | 3) | 1619 2766 00 | | | M8 x 20 | |
| 1180 | 1621 6073 80 | 1 | Panel | 3) | 1619 2766 02 | | | M8 x 70 | |
| | | 2 | Strip | | | | AR | Srcew | |
| | 1613 1312 08 | | L = 330 | | 0162 4322 00 | | | M4 x 16 | |
| 1190 | 1621 6075 80 | 1 | Panel | 3) | | | AR | Washer | |
| | | 2 | Strip | | 0301 2321 00 | | | Ø6.4 x 12.5 x 1.6 | |
| | 1613 1312 08 | | L = 330 | | 0301 2335 00 | | | Ø8.4 x 16 x 1.6 | |
| 1200 | 1621 6077 80 | 1 | Panel | 3) | | | AR | Nut | |
| 1210 | 1621 6082 80 | 1 | Panel | 3) | 0266 2108 00 | | | M6 | |
| 1220 | 1621 6084 80 | 1 | Stay | | | | | | |
| | 1079 9901 09 | 1 | Label | | 1) See "Service kits" / Zie "Service kits" / Se "Service kits" | | | | |
| 1230 | 1621 6085 80 | 1 | Stay/Panel | 1),3) | / Siehe "Service kits" / Voir "Service kits" / Véase "Service kits" | | | | |
| | 1621 6133 80 | | Elektronikon | | / Vedere "Kit per la manutenzione" / Se " Service kits" / Ver "Conjuntos de reparação" / Se "Servicesett" / | | | | |
| | 1621 6133 80 | | Electro-pneumatic | | Katso "Huoltotarvikesarjat" | | | | |
| 1240 | 1621 6086 80 | 1 | Stay | 3) | 2906 0300 00 | 1 | | Hinge replacement kit | |
| 1250 | 1621 6261 80 | 1 | Roof panel | 2) | 2)...4) Lined with / Bekleed met / Beklädd med / Ausgekleidet | | | | |
| | | 1 | Foamholder | | mit / Garnir de / Rivestido de / Allineato con / Foret | | | | |
| | 1613 1312 26 | | L = 1100 | | med / Revestido com / Kledd med / Vuorattu : | | | | |
| 1260 | 1621 6262 80 | 1 | Roof panel | 2) | 2) Foam: 1079 0003 29 (AR) 50 x 2000 x 1500 | | | | |
| | | 1 | Strip | | 3) Foam: 1079 0003 33 (AR) 50 x 2000 x 1500 self | | | | |
| | 1613 1312 27 | | L = 375 | | adhesive | | | | |
| | 1613 1312 28 | | L = 415 | | 4) Foam: 1079 0003 32 (AR) 30 x 2000 x 1500 self | | | | |
| 1270 | 1621 6275 80 | 1 | Roof panel | 3) | adhesive | | | | |
| | | 1 | Foamholder | | | | | | |
| | 1613 1312 26 | | L = 1100 | | | | | | |
| 1280 | 1621 6079 80 | 1 | Roof panel | 3) | | | | | |

23

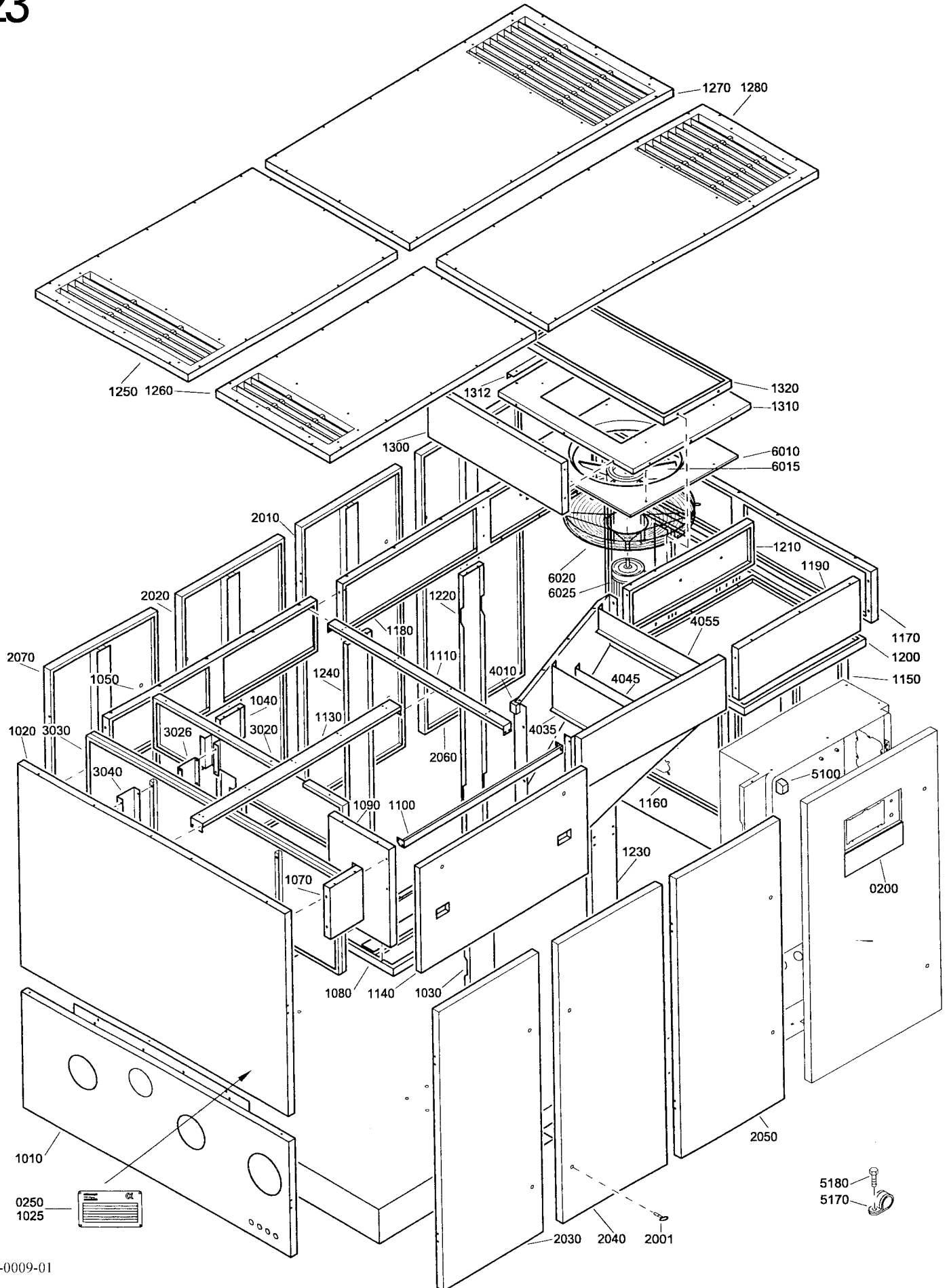


10-0009-01

Bodywork - Elektronikon - Arr. E - excluding motor, Arr. 1

| Ref. | Part number | Qty | Name | Remarks | Ref. | Part number | Qty | Name | Remarks |
|------|--------------|-----|------------------|----------|------|--------------|-----|-----------------|---------|
| 0200 | 1614 8117 50 | 1 | Label | | 1260 | 1621 6262 80 | 1 | Roof panel | 2) |
| | 1614 8117 51 | | ZR300 | | | | 1 | Strip | |
| | 1614 8117 52 | | ZR315 | | | 1613 1312 27 | | L = 375 | |
| | 1614 8117 53 | | ZR355 | | | 1613 1312 28 | | L = 415 | |
| | 1614 8117 54 | | ZR400 | | 1270 | 1621 6275 80 | 1 | Roof panel | 3) |
| 0250 | | 1 | Data plate | | | | 1 | Foamholder | |
| | 1614 8057 01 | | 50Hz | | | 1613 1312 26 | | L = 1100 | |
| | 1614 8057 05 | | 60Hz | | 1280 | 1621 6079 80 | 1 | Roof panel | 3) |
| 1010 | 1621 6167 80 | 1 | Panel | 1),3) | | | 1 | Strip | |
| | 0581 0000 86 | 4 | Pipe coupling | | | 1613 1312 02 | | L = 650 | |
| | 1079 9913 69 | 1 | Inform.label | | | 1613 1312 31 | | L = 855 | |
| | 1079 9913 79 | 1 | Inform.label | | 1300 | 1621 6110 80 | 1 | Panel | 3) |
| | 1614 7293 00 | 1 | Decal | | 1310 | 1621 6112 00 | 1 | Plate | |
| 1020 | 1621 6166 80 | 1 | Panel | 1),2),3) | 1312 | 1621 6119 00 | 1 | Profile | |
| 1025 | 0129 3104 00 | 4 | Blind rivet | | 1320 | 1621 6111 80 | 1 | Baffle | 3) |
| 1030 | 1621 1743 80 | 1 | Stay | | 2001 | | 2 | Key | 1) |
| | 1079 9901 09 | 1 | Label | | 2010 | 1621 1614 80 | 1 | Door | 1),2) |
| 1040 | 1621 1616 80 | 1 | Stay | | | 1619 2665 00 | AR | Seal | |
| | 1079 9901 09 | 1 | Label | | 2020 | 1621 1614 81 | 1 | Door | 1),2) |
| 1050 | 1621 6263 80 | 1 | Panel | 3) | | 1619 2665 00 | AR | Seal | |
| | | 2 | Strip | | 2030 | 1621 1621 80 | 1 | Door | 1),2) |
| | 1613 1312 08 | | L = 330 | | | 1621 6107 00 | 1 | Decal | |
| 1070 | 1621 6066 80 | 1 | Panel | 3) | | 0690 1132 01 | 1 | House mark | |
| 1080 | | 1 | Panel | 3) | 2040 | 1621 1622 80 | 1 | Door | 1),2) |
| | 1621 6144 80 | | CCC-Elektronikon | | | 1619 2665 00 | AR | Seal | |
| | 1621 1619 80 | | Others | | 2050 | 1621 1614 81 | 1 | Door | 1),2) |
| | 2255 2148 00 | 2 | Stud | | | 1619 2665 00 | AR | Seal | |
| | 0147 1244 03 | 2 | Bolt | | 2060 | 1614 6422 80 | 1 | Door | 1),2) |
| | 0301 2321 00 | 2 | Washer | | | 1619 2665 00 | AR | Seal | |
| 1090 | 1621 1620 80 | 1 | Panel | 3) | 2070 | 1621 1614 82 | 1 | Door | 1),2) |
| | 2255 2148 00 | 2 | Stud | | | 1619 2665 00 | AR | Seal | |
| | 0147 1244 03 | 2 | Bolt | | | 0690 1132 01 | 1 | House mark | |
| | 0301 2321 00 | 2 | Washer | | 3020 | 1621 6264 80 | 1 | Baffle | |
| 1100 | 1621 1870 00 | 1 | Beam | | 3026 | 1621 6266 00 | 2 | Bracket | |
| 1110 | 1621 1748 00 | 1 | Beam | | 3030 | 1621 6265 80 | 1 | Baffle | |
| 1130 | 1621 6068 00 | 1 | Beam | | 3040 | 1621 6093 00 | 2 | Bracket | |
| 1140 | 1621 1871 80 | 1 | Door | 1),3) | | 1621 6220 80 | 1 | Inlet duct | 2) |
| | 1619 2665 00 | AR | Seal | | 4010 | 1621 6220 00 | 1 | Inlet duct | |
| 1150 | 1621 1797 80 | 1 | Panel | 3) | | | 1 | Strip | |
| 1160 | 1621 6278 80 | 1 | Panel | 1),3) | | 1613 1312 08 | | L = 330 | |
| 1170 | 1621 1759 80 | 1 | Panel | 3) | 4035 | 1621 6256 80 | 1 | Baffle | 4) |
| 1180 | 1621 6073 80 | 1 | Panel | 3) | 4045 | 1621 6257 80 | 1 | Baffle | 4) |
| | 1613 1312 08 | | L = 330 | | 4055 | 1621 6258 80 | 1 | Baffle | 4) |
| 1190 | 1621 6075 80 | 1 | Panel | 3) | 5100 | 1089 9336 03 | 1 | Circuit breaker | |
| | | 2 | Strip | | 5170 | 1619 2861 08 | 2 | Clamp | |
| | 1613 1312 08 | | L = 330 | | 5180 | 0147 1244 03 | 2 | Bolt | |
| 1200 | 1621 6108 80 | 1 | Panel | 3) | | | 1 | Fan assembly | |
| 1210 | 1621 6109 80 | 1 | Panel | 3) | | 1202 7891 01 | | 50 Hz | |
| 1220 | 1621 6084 80 | 1 | Stay | | | 1202 7891 07 | | 60 Hz | |
| | 1079 9901 09 | 1 | Label | | 6010 | 1202 5109 00 | 1 | Fan cowl | |
| 1230 | | 1 | Stay | 1) | 6015 | 1614 5645 02 | 1 | Fan | |
| | 1621 6086 80 | | CCC-Elektronikon | | 6020 | 1619 7840 00 | 1 | Fan guard | |
| | 1621 6085 80 | | Others | | 6025 | | 1 | Motor | |
| 1240 | | 1 | Stay | 1) | | 1080 2653 27 | | 50 Hz | |
| | 1621 6149 80 | | CCC-Elektronikon | | | 1080 2653 28 | | 60 Hz | |
| | 1621 6086 80 | | Others | | | | AR | Bolt | |
| 1250 | 1621 6261 80 | 1 | Roof panel | 2) | | 0147 1250 03 | | M6 x 30 | |
| | | 1 | Foamholder | | | 0147 1320 03 | | M8 x 12 | |
| | 1613 1312 26 | | L = 1100 | | | 0147 1322 03 | | M8 x 16 | |

23



10-0009-01

Bodywork - Elektronikon - Arr. E - excluding motor, Arr. 1

| Ref. | Part number | Qty | Name | Remarks |
|------|--------------|-----|-------------------|---------|
| | 1619 2766 00 | | M8 x 20 | |
| | 1619 2766 02 | | M8 x 70 | |
| | | AR | Screw | |
| | 0162 4322 00 | | M4 x 16 | |
| | | AR | Washer | |
| | 0301 2321 00 | | Ø6.4 x 12.5 x 1.6 | |
| | 0301 2335 00 | | Ø8.4 x 16 x 1.6 | |
| | | AR | Nut | |
| | 0266 2108 00 | | M6 | |

1) See "Service kits" / Zie "Service kits" / Se "Service kits" / Siehe "Service kits" / Voir "Service kits" / Véase "Service kits" / Vedere "Kit per la manutenzione" / Se " Service kits" / Ver "Conjuntos de reparação" / Se "Servicesett" / Katso "Huoltotarvikesarjat"

2906 0300 00 1 Hinge replacement kit

2)...4) Lined with / Bekleed met / Beklädd med / Ausgekleidet mit / Garnir de / Rivestido de / Allineato con / Foret med / Revestido com / Kledd med / Vuorattu :

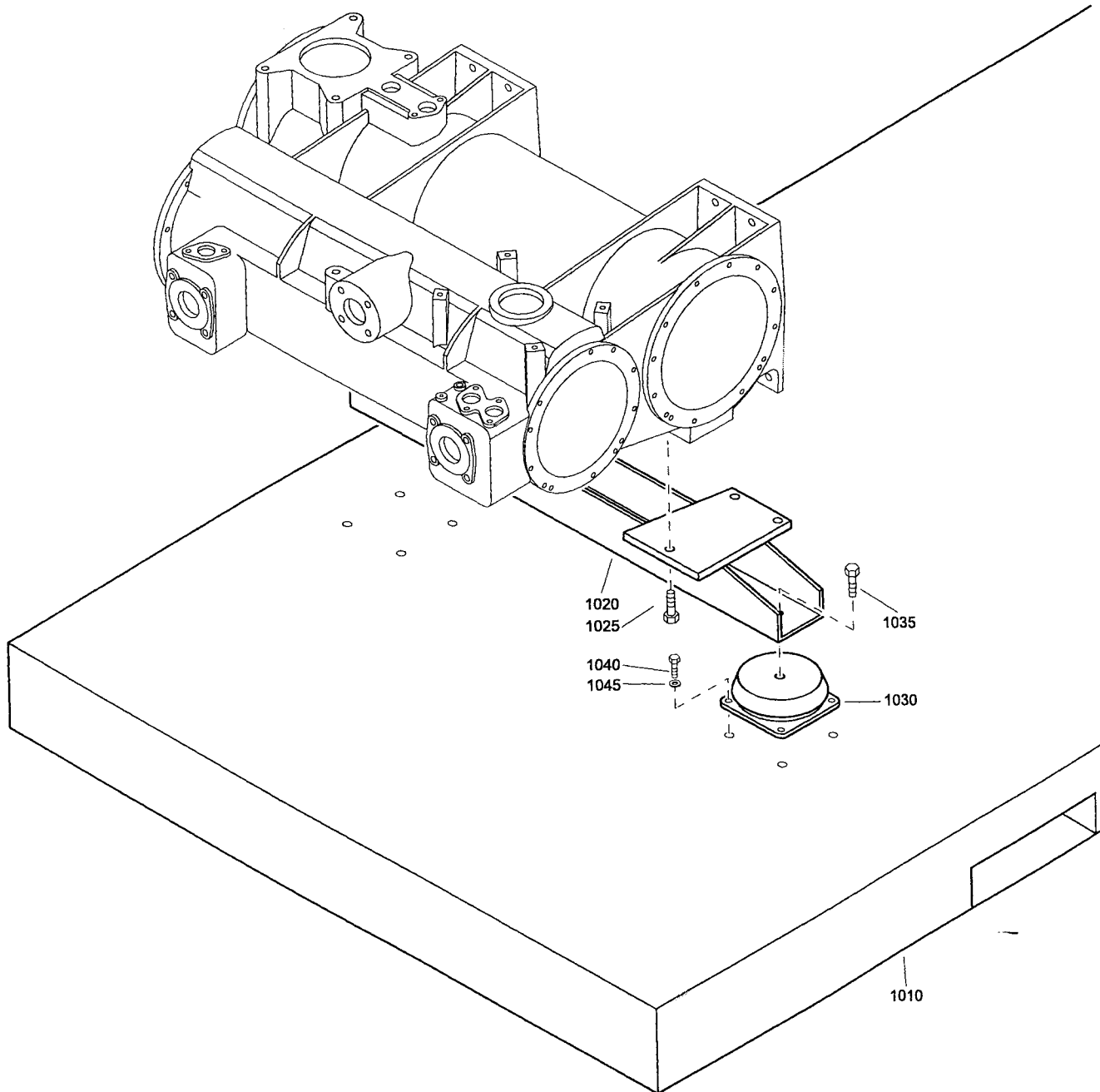
2)Foam: 1079 0003 29 (AR) 50 x 2000 x 1500

3)Foam: 1079 0003 33 (AR) 50 x 2000 x 1500 self adhesive

4)Foam: 1079 0003 32 (AR) 30 x 2000 x 1500 self adhesive

24

Mountings on frame



10-0005-01

| Ref. | Part number | Qty | Name | Remarks | Ref. | Part number | Qty | Name | Remarks |
|------|--------------|-----|---------------|---------|------|--------------|-----|--------|---------|
| 1010 | 1621 6043 00 | 1 | Frame | | 1035 | 0147 1550 03 | 2 | Bolt | |
| 1020 | 1621 6044 00 | 1 | Support | | 1040 | 0147 1400 03 | 8 | Bolt | |
| 1025 | 0147 1478 03 | 6 | Bolt | | 1045 | 0301 2358 00 | 8 | Washer | |
| 1030 | 1619 3941 00 | 2 | Rubber damper | | | | | | |

Service kits

| Ref. | Part number | Qty | Name | Remarks | Ref. | Part number | Qty | Name | Remarks |
|------|---------------------|------------|---|---------|------|---------------------|------------|---|---------|
| | 2906 0300 00 | 1 | Hinge replacement kit | | | 2906 0439 00 | 1 | HP compressor element exchange kit | |
| | 0162 4322 00 | • 16 | Screw | | | 0634 1000 26 | • 1 | Rubber insert pipe coupling | |
| | 1089 9068 01 | • 1 | Key | | | 0661 1000 25 | • 2 | Seal washer | |
| | 1089 9154 02 | • 1 | Key | | | 0663 2103 22 | • 1 | O-ring | |
| | 1202 7125 00 | • 1 | Lock | | | 0663 2107 33 | • 1 | O-ring | |
| | 1614 8166 00 | • 1 | Hinge | | | 0663 2107 81 | • 1 | O-ring | |
| | 1614 8167 00 | • 1 | Hinge | | | 0663 2107 89 | • 1 | O-ring | |
| | 1614 8212 00 | • 1 | Hinge | | | 0663 2108 60 | • 3 | O-ring | |
| | 1614 8213 00 | • 1 | Hinge | | | 0663 2108 62 | • 3 | O-ring | |
| | 1614 8214 00 | • 2 | Hinge | | | 9125 6303 00 | • 1 | Seal washer | |
| | 1614 8215 00 | • 2 | Hinge | | | | | | |
| | 1615 2242 00 | • 8 | Bracket | | | | | | |
| | 1619 7704 00 | • 1 | Lock | | | | | | |
| | 2252 7237 00 | • 16 | Lock | | | | | | |
| | 2255 2478 00 | • 1 | Lock | | | | | | |
| | 1614 6606 00 | • 8 | Bracket | | | | | | |
| | 2906 0314 00 | • 1 | Intercooler drain valve kit | | | 2906 0440 00 | 1 | Gearcasing seal kit | |
| | 0661 1000 25 | • 1 | Seal washer | | | 0661 1000 25 | • 1 | Seal washer | |
| | 0663 2107 82 | • 1 | O-ring | | | 0661 1000 31 | • 4 | Seal washer | |
| | 0663 2107 85 | • 1 | O-ring | | | 0663 2102 64 | • 2 | O-ring | |
| | 1202 3739 00 | • 1 | Membrane | | | 0663 2106 18 | • 1 | O-ring | |
| | 1202 4818 00 | • 1 | Insert | | | 0663 2106 84 | • 1 | O-ring | |
| | | | | | | 0663 2107 81 | • 2 | O-ring | |
| | | | | | | 0663 2108 08 | • 6 | O-ring | |
| | | | | | | 0663 2104 37 | • 4 | O-ring | |
| | 2906 0380 00 | • 1 | Aftercooler drain valve kit | | | 2906 0441 00 | 1 | Oilpump kit | |
| | 0661 1000 25 | • 1 | Seal washer | | | 0102 0335 00 | • 1 | Pin | |
| | 0663 2107 82 | • 1 | O-ring | | | 0663 2107 76 | • 1 | O-ring | |
| | 0663 2107 85 | • 1 | O-ring | | | 1616 6231 02 | • 1 | Distance ring | |
| | 1202 3739 00 | • 1 | Membrane | | | 1616 6232 03 | • 1 | Eccentric ring | |
| | 1614 7735 00 | • 1 | Insert | | | 1616 6233 03 | • 1 | Pump element | |
| | | | | | | 1616 6296 00 | • 1 | Key | |
| | 2906 0420 00 | 1 | Drive shaft sealring kit | | | 2906 0442 00 | 1 | Inlet valve service kit | |
| | 0663 2107 52 | • 1 | O-ring | | | 0663 2108 64 | • 2 | O-ring | |
| | 1616 6454 00 | • 1 | Seal arrangement | | | 0663 2108 37 | • 1 | O-ring | |
| | | | | | | 1621 1715 00 | • 1 | Membrane | |
| | | | | | | 1621 1716 00 | • 1 | Membrane | |
| | | | | | | 1621 1663 00 | • 1 | Diaphragm | |
| | | | | | | 0663 2108 37 | • 1 | O-ring | |
| | 2906 0432 00 | 1 | Seal washer kit | | | 2906 0443 00 | 1 | Inlet valve bearing block kit | |
| | 0653 1041 00 | • 6 | Gasket | | | 2253 7396 00 | • 1 | Bearing block | |
| | 0653 1062 00 | • 8 | Gasket | | | 2255 0038 00 | • 1 | Lock nut | |
| | 0653 1100 00 | • 3 | Gasket | | | 2255 0148 00 | • 1 | Shaft | |
| | 0653 1124 00 | • 6 | Gasket | | | 2255 1182 00 | • 2 | Washer | |
| | 0653 1254 00 | • 4 | Gasket | | | | | | |
| | 0653 1293 00 | • 5 | Gasket | | | 2906 0444 00 | 1 | Inlet valve overhaul kit | |
| | 0661 1000 24 | • 4 | Seal washer | | | 0266 2112 00 | • 2 | Nut | |
| | 0661 1000 25 | • 15 | Seal washer | | | 0335 1104 21 | • 1 | Cireclip | |
| | 0661 1000 26 | • 8 | Seal washer | | | 0502 7404 00 | • 1 | Bearing | |
| | 0661 1000 27 | • 12 | Seal washer | | | 0508 1154 00 | • 1 | Bearing | |
| | 0661 1000 29 | • 4 | Seal washer | | | 0661 1000 25 | • 4 | Washer | |
| | 0661 1000 30 | • 5 | Seal washer | | | 0663 2108 58 | • 1 | O-ring | |
| | 0661 1000 31 | • 5 | Seal washer | | | 0663 2108 65 | • 1 | O-ring | |
| | 0661 1000 32 | • 2 | Seal washer | | | 0663 2108 66 | • 1 | O-ring | |
| | 0661 1000 33 | • 3 | Seal washer | | | 1614 8899 00 | • 1 | Shaft | |
| | | | | | | 1619 6151 00 | • 2 | Bearing | |
| | 2906 0438 00 | 1 | LP compressor element exchange kit | | | 1621 6332 00 | • 1 | Gasket | |
| | 0634 1000 26 | • 2 | Rubber insert pipe coupling | | | 2102 0836 00 | • 1 | Spring | |
| | 0661 1000 25 | • 6 | Seal washer | | | 2253 7390 00 | • 2 | Seal | |
| | 0661 1000 27 | • 2 | Seal washer | | | 2253 7391 00 | • 2 | Washer | |
| | 0661 1000 32 | • 2 | Seal washer | | | 2253 7393 00 | • 2 | Washer | |
| | 0663 2102 64 | • 1 | O-ring | | | 0304 1008 00 | • 2 | Washer | |
| | 0663 2103 26 | • 1 | O-ring | | | 0304 1058 00 | • 2 | Washer | |
| | 0663 2107 75 | • 2 | O-ring | | | 2906 0442 00 | • 1 | Inlet valve service kit | |
| | 0663 2108 08 | • 2 | O-ring | | | 2906 0443 00 | • 1 | Inlet valve bearing block kit | |
| | 0663 2108 58 | • 1 | O-ring | | | | | | |
| | 0663 2108 62 | • 1 | O-ring | | | | | | |
| | 0663 2108 65 | • 1 | O-ring | | | | | | |
| | 0663 2108 66 | • 1 | O-ring | | | | | | |
| | 1202 6969 00 | • 1 | Gasket | | | | | | |
| | 9125 6303 00 | • 1 | Seal washer | | | | | | |
| | 0663 2109 12 | • 1 | O-ring | | | | | | |

25

Service kits

| Ref. | Part number | Qty | Name | Remarks | Ref. | Part number | Qty | Name | Remarks |
|------|---------------------|----------|--------------------------------------|---------|------|---------------------|----------|--------------------------------------|---------|
| | 2906 0445 00 | 1 | Air/oil filter kit | | | 2906 0450 00 | 1 | B-Maintenance kit | |
| | 0661 1000 25 | • 1 | Seal washer | | | | | 8000hrs or every two years | |
| | 0661 1000 31 | • 1 | Seal washer | | | 0663 2106 20 | • 2 | O-ring check valve | |
| | 0663 2107 84 | • 1 | O-ring | | | 2906 0442 00 | • 1 | Inlet valve service kit | |
| | 1030 0979 99 | • 3 | Air filter element | | | 2906 0443 00 | • 1 | Inlet valve bearing block kit | |
| | 1614 8747 99 | • 2 | Oil filter element | | | 2906 0449 00 | • 1 | One-year maintenance kit | |
| | 2906 6255 01 | • 1 | Gearcase breather filter | | | | | | |
| | 9090 0508 00 | • 1 | Damper | | | 2906 0451 00 | 1 | C-maintenance kit | |
| | 0661 1000 30 | • 1 | Seal washer | | | | | 16000hrs or every four years | |
| | 1614 8673 00 | • 1 | Filter element | | | | | ZR300, ZR315, ZR355/60Hz | |
| | 2906 0446 00 | 1 | Intercooler service kit | | | 0663 2106 20 | • 2 | O-ring check valve | |
| | | | Standard version, energy | | | 1616 5824 00 | • 1 | IIP balance piston diaphragm | |
| | | | recovery, hot air | | | 1619 6467 04 | • 1 | Drive coupling rubber set | |
| | 0101 2274 00 | • 1 | Pin | | | 1621 4016 00 | • 2 | Muffler | |
| | 0661 1000 25 | • 2 | Seal washer | | | 2253 7858 00 | • 1 | LP balance piston diaphragm | |
| | 0663 2107 61 | • 2 | O-ring | | | 2906 0541 00 | • 1 | Check valve kit | |
| | 0663 2107 62 | • 1 | O-ring | | | 2906 0444 00 | • 1 | Inlet valve overhaul kit | |
| | 0663 2107 63 | • 2 | O-ring | | | 2906 0449 00 | • 1 | One-year maintenance kit | |
| | 0663 2109 76 | • 1 | O-ring | | | | | | |
| | 0663 2108 60 | • 3 | O-ring | | | 2906 0452 00 | 1 | C-maintenance kit | |
| | 0686 3716 01 | • 2 | Drain plug | | | | | 16000hrs or every four years | |
| | 1621 3063 00 | • 2 | Ring | | | | | ZR400, ZR425, ZR355/50Hz, | |
| | 1621 6428 03 | • 1 | Seal | | | | | ZR355 HV | |
| | 2906 0447 00 | 1 | Aftercooler service kit | | | 0663 2106 20 | • 2 | O-ring check valve | |
| | | | Standard version, energy | | | 1616 5824 00 | • 1 | IIP balance piston diaphragm | |
| | | | recovery, hot air | | | 1619 6467 06 | • 1 | Drive coupling rubber set | |
| | 0661 1000 25 | • 2 | Seal washer | | | 1621 4016 00 | • 2 | Muffler | |
| | 0663 2106 20 | • 2 | O-ring | | | 2253 7858 00 | • 1 | LP balance piston diaphragm | |
| | 0663 2107 94 | • 1 | O-ring | | | 2906 0541 00 | • 1 | Check valve kit | |
| | 0663 2107 56 | • 1 | O-ring | | | 2906 0444 00 | • 1 | Inlet valve overhaul kit | |
| | 0663 2108 39 | • 2 | O-ring | | | 2906 0449 00 | • 1 | One-year maintenance kit | |
| | 0663 2108 47 | • 1 | O-ring | | | | | | |
| | 0663 2108 48 | • 2 | O-ring | | | 2906 0453 00 | 1 | Drive shaft bearing kit | |
| | 0663 2108 66 | • 1 | O-ring | | | 0335 1165 00 | • 1 | Circlip | |
| | 0686 3716 01 | • 2 | Drain plug | | | 0335 2184 00 | • 1 | Circlip | |
| | 1621 3063 00 | • 2 | Ring | | | 0506 0100 13 | • 1 | Roller bearing | |
| | 1621 3128 04 | • 1 | Seal | | | 0508 1100 70 | • 1 | Roller bearing | |
| | | | | | | 0663 2107 52 | • 1 | O-ring | |
| | 2906 0448 00 | | Cooler cleaning kit | | | 2906 0454 00 | 1 | HP discharge silencer kit | |
| | | | Standard version, energy | | | 0663 2107 33 | • 4 | O-ring | |
| | | | recovery, hot air | | | 0663 2107 79 | • 1 | O-ring | |
| | 0661 1000 25 | • 1 | Seal washer | | | 0663 2108 65 | • 1 | O-ring | |
| | 0661 1000 27 | • 4 | Seal washer | | | 0663 2108 50 | • 1 | O-ring | |
| | 0661 1000 32 | • 2 | Seal washer | | | 1621 3926 00 | • 1 | Glass wool | |
| | 0663 2106 18 | • 1 | O-ring (hot air version) | | | 1621 6477 00 | • 1 | Insert | |
| | 0663 2107 25 | • 1 | O-ring | | | 0663 2108 66 | • 1 | O-ring | |
| | 0663 2107 65 | • 1 | O-ring (hot air version) | | | | | | |
| | 0663 2107 74 | • 1 | O-ring | | | 2906 0541 00 | 1 | Check valve kit | |
| | 0663 2108 08 | • 8 | O-ring | | | 1614 8760 00 | • 2 | Pin | |
| | 0663 7141 00 | • 1 | O-ring (F.R) | | | 1619 2909 00 | • 4 | Bearing | |
| | 1621 6315 00 | • 4 | Seal gasket | | | 2900 0925 00 | • 1 | Spring | |
| | 1621 6316 00 | • 4 | Seal gasket | | | 2900 0927 00 | • 2 | Spring bearing | |
| | 2906 0446 00 | • 1 | Intercooler service kit | | | 2900 1092 00 | • 2 | Spring sleeve | |
| | 2906 0447 00 | • 1 | Aftercooler service kit | | | | | | |
| | 2906 0449 00 | 1 | A-maintenance kit | | | | | | |
| | | | One-year | | | | | | |
| | 2906 0445 00 | • 1 | Air/oil filter kit | | | | | | |
| | 2906 0314 00 | • 1 | Intercooler drain valve kit | | | | | | |
| | 2906 0380 00 | • 1 | Aftercooler drain valve kit | | | | | | |
| | 8204 0940 34 | • 1 | Intercooler drain check valve | | | | | | |
| | 0661 1000 27 | • 2 | Gasket | | | | | | |