

Parts list
Onderdelenlijst
Reservdelsförteckning
Teilliste
Liste de pièces
Lista de las partes

Listino parti di ricambio
Reservedelsliste
Lista de peças
Deleliste
Osaluettelo

ZR110-132-145

Registration code

Collection: APC ZR/ZT110-275

Tab: 39

Sequence: 990

Replaces

No. 2930 1224 04

No. 2930 1224 05

1997-08

"Copyright 1997, Atlas Copco Airpower n.v., Antwerp, Belgium.

Any unauthorized use or copying of the contents or any part of this book is prohibited.

This applies in particular to trademarks, model denominations, part numbers and drawings."

Atlas Copco

Oil-free Air Division - B-2610 Wilrijk - Belgium



Contents
Inhoud
Innehåll
Inhaltsverzeichnis
Table des matières
Indice

Indice
Inneholdsfortegnelse
Indice
Indholdsfortegnelse
Sisällysluettelo

Gear casing and drive gear
Tandwielkast en aandrijving
Växelhus och drivning
Getriebegehäuse und Antriebsrad
Carter d'engrenages et entraînement
Cárter de engranajes y accionamiento
Scatola ingranaggi e ingranaggio conduttore
Gearkasse og drivhjul
Carter de engrenagens e accioanamento
Girkasse og drivhjul
Vaihteen kotelo ja hihnapyörä 1

Air inlet
Luchtinlaat
Luftintag
Lufteinlaß
Admission d'air
Entrada de aire
Presa d'aria
Luftindsug
Admissão de ar
Luftinnløp
Tuloilma 2

Air flow
Luchtstroming
Luftflöde
Luftstrom
Flux d'air
Flujo de aire
Flusso d'aria
Luftflow
Fluxo de ar
Luftstrøm
Ilman virtaus
- Full load/no load 3
- Continuous Capacity Control - 1) 4

Water system and drain connections
Watersysteem en aftapaansluitingen
Vattensystem och avtappningsanslutningar
Wassersystem und Abfließanschlüsse
Système d'eau et tuyaux de vidange
Sistema de agua y conexiones de drenaje
Sistema dell'acqua e connessioni degli scarichi
Tilslutninger, vandsystem og dræn
Sistema de arrefecimento e dreno de condensados
Vannsystem og tilkoplinger for avtapping
Vesijärjestelmä ja lauhteenpoistoliitännät
- Without Energy Recovery 5
- With Energy Recovery 6

Coolers
Koelers
Kylare
Kühler
Refroidisseurs
Refrigeradores
Refrigeratorei
Kølere
Refrigeradores
Kjølere
Jäähdyttimet

- With aftercooler 7
- Hot air 8

Drive arrangement E
Aandrijfuitvoering E
Drivarrangemang E
Antriebsanordnung E
Entraînement, disp. E
Accionamiento, disp. E
Azionamento, disposizione (E)
Arrangement E
Accionamento, disposição E
Drivarrangement E
Rakenne E 9

Drive arrangement 1
Aandrijfuitvoering 1
Drivarrangemang 1
Antriebsanordnung 1
Entraînement, disp. 1
Accionamiento, disp. 1
Azionamento, disposizione (1)
Arrangement 1
Accionamento, disposição 1
Drivarrangement 1
Rakenne 1 10

Oil system
Oliesysteem
Oljesystem
Ölsystem
Système d'huile
Sistema de aceite
Sistema dell'olio
Oliesystem
Sistema de óleo
Oljesystem
Voitelujärjestelmä 11

Contents	
Inhoud	
Innehåll	
Inhaltsverzeichnis	
Table des matières	
Indice	

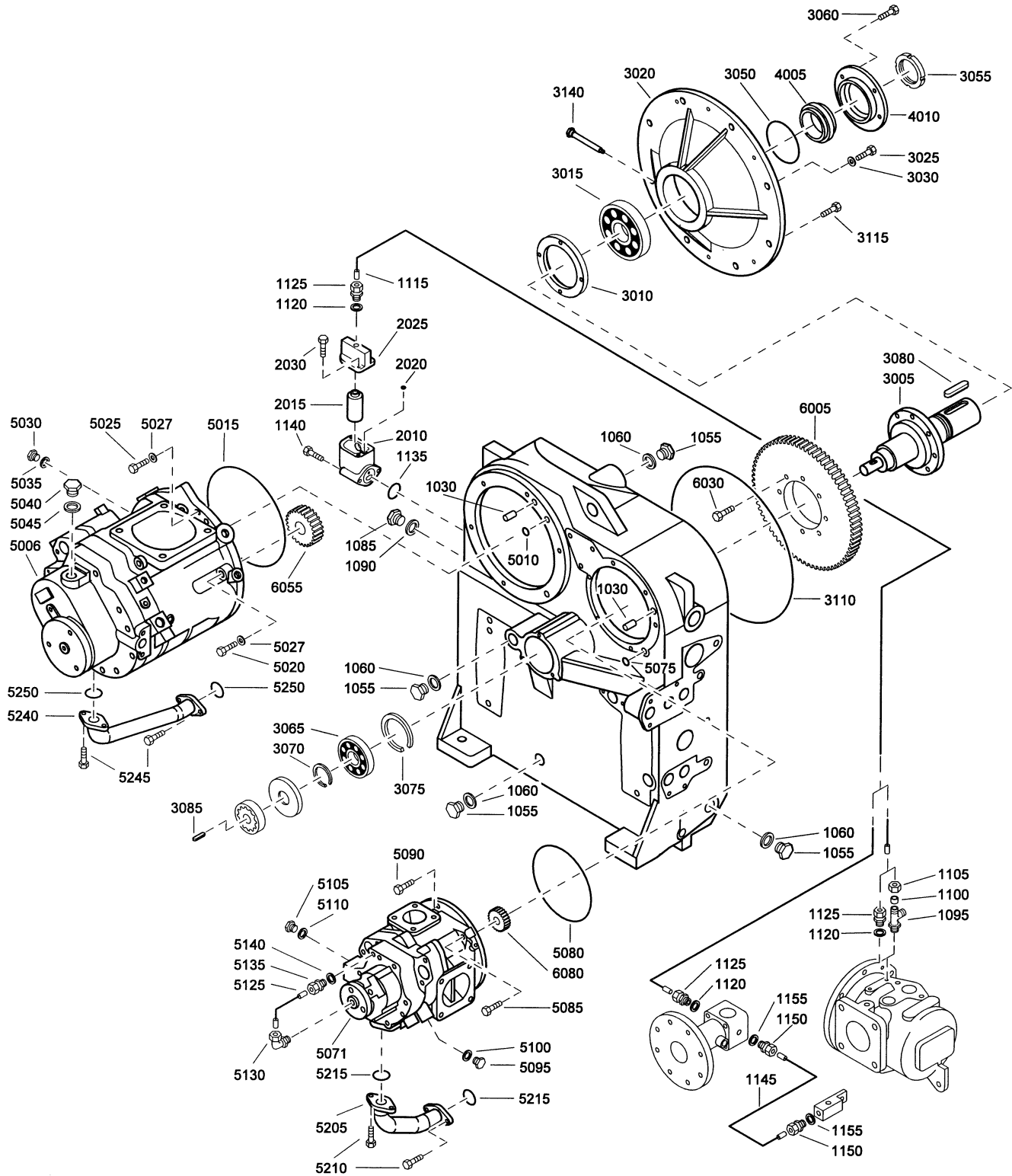
Indice	
Innehaldsfortegnelse	
Indice	
Indholdsfortegnelse	
Sisällysluettelo	

Control module		Start cubicle, empty (with regulator)	
Stuurmodule		Startkast, leeg (met regelaar)	
Kontrollmodul		Startskåp, tomt (med regulator)	
Steuermodul		Anlaßschrank, leer (mit Regler)	
Module de commande		Armoire de démarrage, vide (avec régulateur)	
Módulo de mando		Cubículo de arranque, vacío (con regulador)	
Modulo di controllo		Armadio apparecch. di avviamento, vuoto (con regolatore)	
Kontrollmodul		Starterskab, tomt (m. regulator)	
Kontrolmodul		Cubículo-Arranque, vazio (com regulador)	
Módulo de comando		Startskap - tomt (med regulator)	
Ohjainlaite		Käynnistinkotelo - kalustamaton (säätimineen)	
- Elektronikon	12	- Elektronikon - 50Hz, Japan	19
- Electro-pneumatic	13	- Electro-pneumatic - 50Hz / Japan - 60Hz	20
Specific parts		- Elektronikon - 60Hz - CSA/UL	21
Specifieke onderdelen		- Electro-pneumatic - 60Hz - CSA/UL	22
Specifika delar		Bodywork	
Spezifische Teile		Carrosserie	
Pièces spécifiques		Karosseri	
Piezas específicas		Karosserie	
Parti speciali		Capotage	
Specielle dele		Carrocería	
Peças específicas		Cappottatura	
Spesifikke deler		Karosseri	
Erikoisosat		Carroceria	
- Continuous Capacity Control - 1)	14	Kabinett	
Start cubicle - star/delta		Kotelo	
Startkast - ster/driehoek		- Arr. E	23
Startskåp - stjärn/triangel		- Arr. 1	24
Anlaßschrank - Stern/Dreieck		Service kits	
Armoire de démarrage - étoile/triangle		Service kits	
Cubículo de arranque - estrella/triángulo		Service kits	
Armadio apparecch. di avviamento - stella/triangolo		Service Kits	
Starterskab - stjerne/trekant		Service kits	
Cubículo-arranque estrela/triângulo		Service kits	
Startskap - stjerne-trekant		Kit per la manutenzione	
Käynnistinkotelo - Y/D		Service kits	
- Elektronikon - Control Voltage 220V/50Hz	15	Conjuntos de reparação	
- Electro-pneumatic - Control Voltage 220V/50Hz ..	16	Servicesett	
- Elektronikon - Control Voltage 115V/60Hz	17	Huoltotarvikesarjat	25
- Electro-pneumatic - Control Voltage 115V/60Hz ..	18	1) Continuous capacity control / Ononderbroken debietsregeling / Kontinuerlig kapacitetsreglering / Stetige Liefermengenregelung / Contrôle continu du débit / Control continuo de la capacidad / Controllo continuo della portata / Kontinuerlig kapacitetsregulering / Controllo continuo de capacidade / Kontinuerlig kapasitetsregulering / Jatkuva kapasiteetin säätö	

1

Gear casing and drive gear
 Tandwielkast en aandrijving
 Växelhus och drivning
 Getriebegehäuse und Antriebsrad
 Carter d'engrenages et entraînement
 Cártar de engranajes y accionamiento

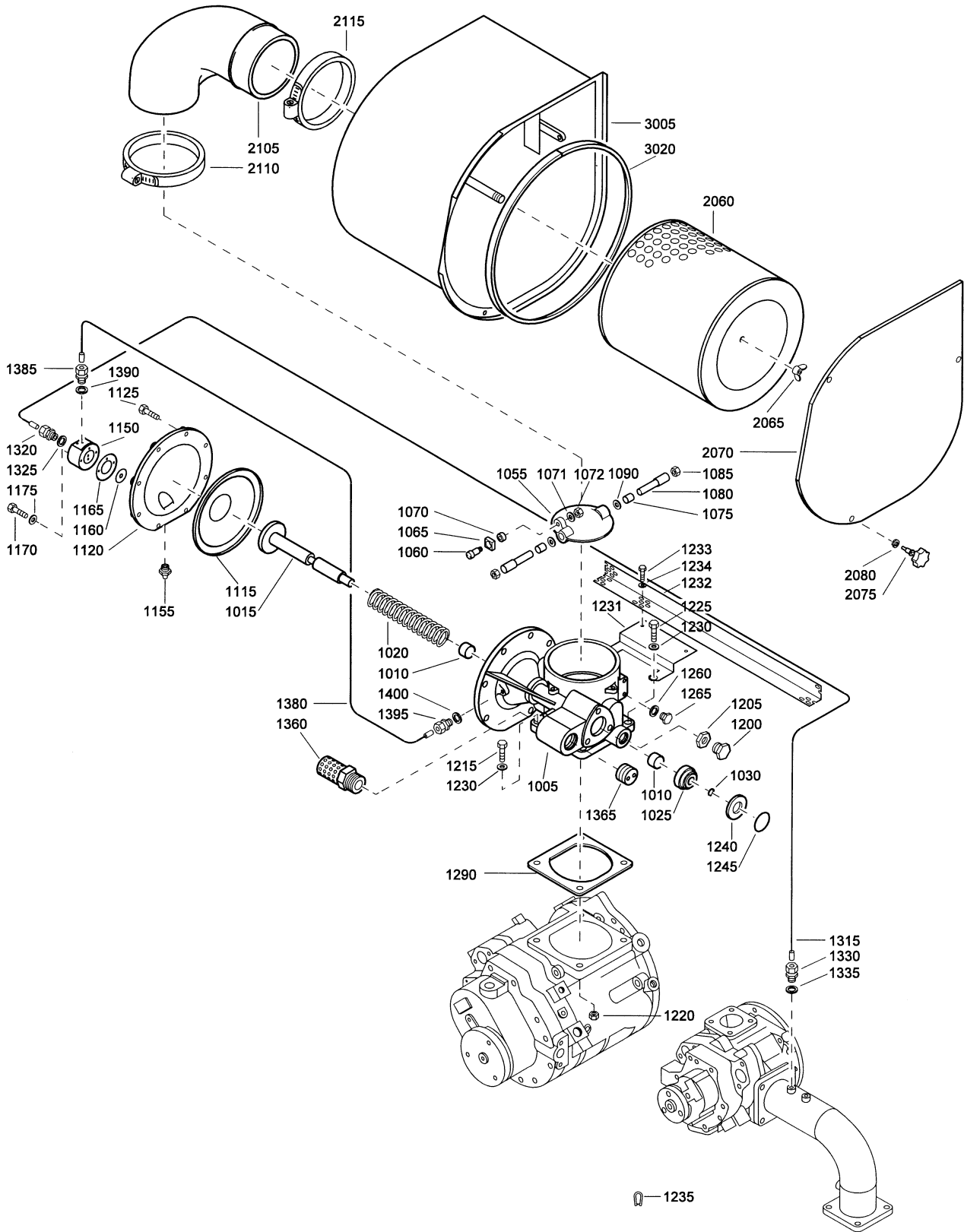
Scatola ingranaggi e ingranaggio conduttore
 Gearkasse og drivhjul
 Carter de engranagens e accioanamento
 Girkasse og drivhjul
 Vaihteen kotelo ja hihnapyörä



Ref.	Part number	Qty	Name	Remarks	Ref.	Part number	Qty	Name	Remarks
1005	1616 6116 03	1	Gear casing ZR110/50Hz, ZR145-10/60Hz		5075	0663 2107 89	1	O-ring	
	1616 6116 01		ZR110/60Hz		5080	0663 2103 19	1	O-ring	
	1616 6116 02		ZR132, ZR145-8.6/60Hz		5085	0147 1368 03	4	Bolt	
	1616 6116 04		ZR145/50Hz		5090	0147 1363 03	2	Bolt	
1006	1621 3297 00	1	Plug		5095	0686 3716 01	2	Plug	
1030	0101 1951 50	2	Pin		5100	0661 1000 25	2	Seal washer	
1055	0686 3716 09	4	Plug		5105	0686 3716 07	1	Plug	
1060	0661 1000 31	4	Seal washer		5110	0661 1000 30	1	Seal washer	
1085	0686 4230 07	1	Plug		5125	1621 3548 00	1	Pipe	
1090	9125 6303 00	1	Seal washer		5130	0580 2404 00	1	Pipe coupling	
1095	0580 4005 09	1	Pipe coupling	2)	5135	0580 0013 32	1	Coupling	
1100	0584 0023 00	1	Cutting ring	2)	5140	0661 1000 25	1	Seal washer	
1105	0584 2024 00	1	Nut	2)	5205	1621 3072 00	1	Hose assembly	
1115		1	Pipe		5210	0147 1323 03	4	Bolt	
	1621 3523 00		Hot air		5215	0663 2107 81	2	O-ring	
	1621 3631 00		CCC	2)	5240	1621 3360 00	1	Hose assembly	
	1621 3090 00		Others		5245	0147 1323 03	4	Bolt	
1120	0661 1000 25	2	Seal washer		5250	0663 2107 81	2	O-ring	
1125	0580 0013 32	2	Coupling		6005		1	Gear wheel	
1135	0663 2107 81	1	O-ring			1616 6124 15		ZR110-7.5/50Hz, ZR145-10/50Hz, ZR145-8.6/60Hz	
1140	0211 1335 03	4	Cap screw			1616 6124 10		ZR110-10/50Hz, ZR110-8.6/60Hz	
1145		1	Pipe			1616 6124 07		ZR110-10/60Hz	
	1621 3745 00		Hot air			1616 6124 18		ZR132-7.5/50Hz	
1150		2	Coupling			1616 6124 14		ZR132-10/50Hz	
	0580 0013 32		Hot air			1616 6124 19		ZR145-7.5/50Hz	
1155		2	Seal washer			1616 6124 11		ZR145-10/60Hz	
	0661 1000 25		Hot air		6030	0211 1363 00	8	Cap screw	
	1621 1865 80	1	Housing		6055		1	Gear wheel	
2010	1621 1865 00	1	Housing			1616 6139 21		ZR110-7.5/50Hz, ZR132-10/50Hz	
2015	1202 6255 01	1	Filter element			1616 6139 25		ZR110-8.6/60Hz	
2020	0663 2107 84	1	O-ring			1616 6139 02		ZR110-10/50Hz	
2025	1614 8222 00	1	Cover			1616 6139 05		ZR110-10/60Hz	
2030	0211 1247 03	2	Cap screw			1616 6139 17		ZR132-7.5/50Hz	
3005	1616 6118 00	1	Drive shaft			1616 6139 15		ZR145-7.5/50Hz	
3010	1616 6119 00	1	Retainer			1616 6139 20		ZR145-8.6/60Hz	
3015	0502 1090 86	1	Bearing			1616 6139 19		ZR145-10/50Hz	
3020	1616 6463 00	1	Bearing housing		6080	1616 6139 01	1	Gear wheel	
3025	0147 1330 03	4	Bolt			1614 6813 01		ZR110-7.5/50Hz	
3030	0661 1012 00	4	Sealing washer			1614 6813 05		ZR110-8.6/60Hz, ZR145-10/60Hz	
3035	1616 6120 00	1	Seal arr.			1614 6813 21		ZR110-10/50Hz	
3050	0663 2107 87	1	O-ring			1614 6813 07		ZR110-10/60Hz	
3055	0295 3114 00	1	Locknut			1614 6813 17		ZR132-7.5/50Hz, ZR145-7.5/50Hz	
3060	0147 1323 03	2	Bolt			1614 6813 03		ZR132-10/50Hz, ZR145-10/50Hz	
3065	0508 1100 50	1	Roller bearing			1614 6813 02		ZR145-8.6/60Hz	
3070	0335 1147 00	1	Ext.circlip						
3075	0335 2169 00	1	Int.circlip						
3080	0337 0009 18	1	Parallel key						
3085	1616 6294 00	1	Key						
3110	0663 2107 88	1	O-ring						
3115	0147 1326 03	4	Bolt						
3140	1619 6032 01	1	Nipple	1)					
	1616 6120 00	1	Seal arr.						
4005	1616 6121 00	1	Outer seal ring						
4010	1616 6122 00	1	Inner seal ring						
5006		1	Service stage						
	1616 5803 82		Epoxy						
	1616 5803 81		Others						
	1616 5824 00	1	Diaphragm						
5010	0663 2107 89	1	O-ring						
5015	0663 2103 22	1	O-ring						
5020	0147 1410 03	4	Bolt						
5025	0147 1402 03	2	Bolt						
5027	0301 2358 00	6	Washer						
5030	0686 3716 01	2	Plug						
5035	0661 1000 25	2	Seal washer						
5040	0686 3716 07	1	Plug						
5045	0661 1000 30	1	Seal washer						
5071		1	Service stage						
	1616 5851 82		Epoxy						
	1616 5851 81		Others						
	1616 5874 00	1	Diaphragm						

- 1) Vibration monitoring "Shock Pulse Measurement" / Trillingskontrolle "SPM" / Vibrationskontroll "Stötpulsmätning" / Schwingungsüberwachung "SPM" / Surveillance des vibrations "SPM" / Monitorización de vibraciones "SPM" / Controllo di vibrazione "SPM" / Vibrationsovervågning "SPM" / Controllo de vibrações "SPM" / Vibrasjonsovervåking "SPM" / SPM-tärinänvalvonta
- 2) Continuous capacity control / Ononderbroken debietsregeling / Kontinuerlig kapacitetsreglering / Stetige Liefermengenregelung / Contrôle continu du débit / Control continuo de la capacidad / Controllo continuo della portata / Kontinuerlig kapacitetsregulering / Controllo continuo de capacidade / Kontinuerlig kapasitetsregulering / Jatkuva kapasiteetin säätö

2



Air inlet
Luchtinlaat
Luftintag
Lufteinlaß
Admission d'air
Entrada de aire

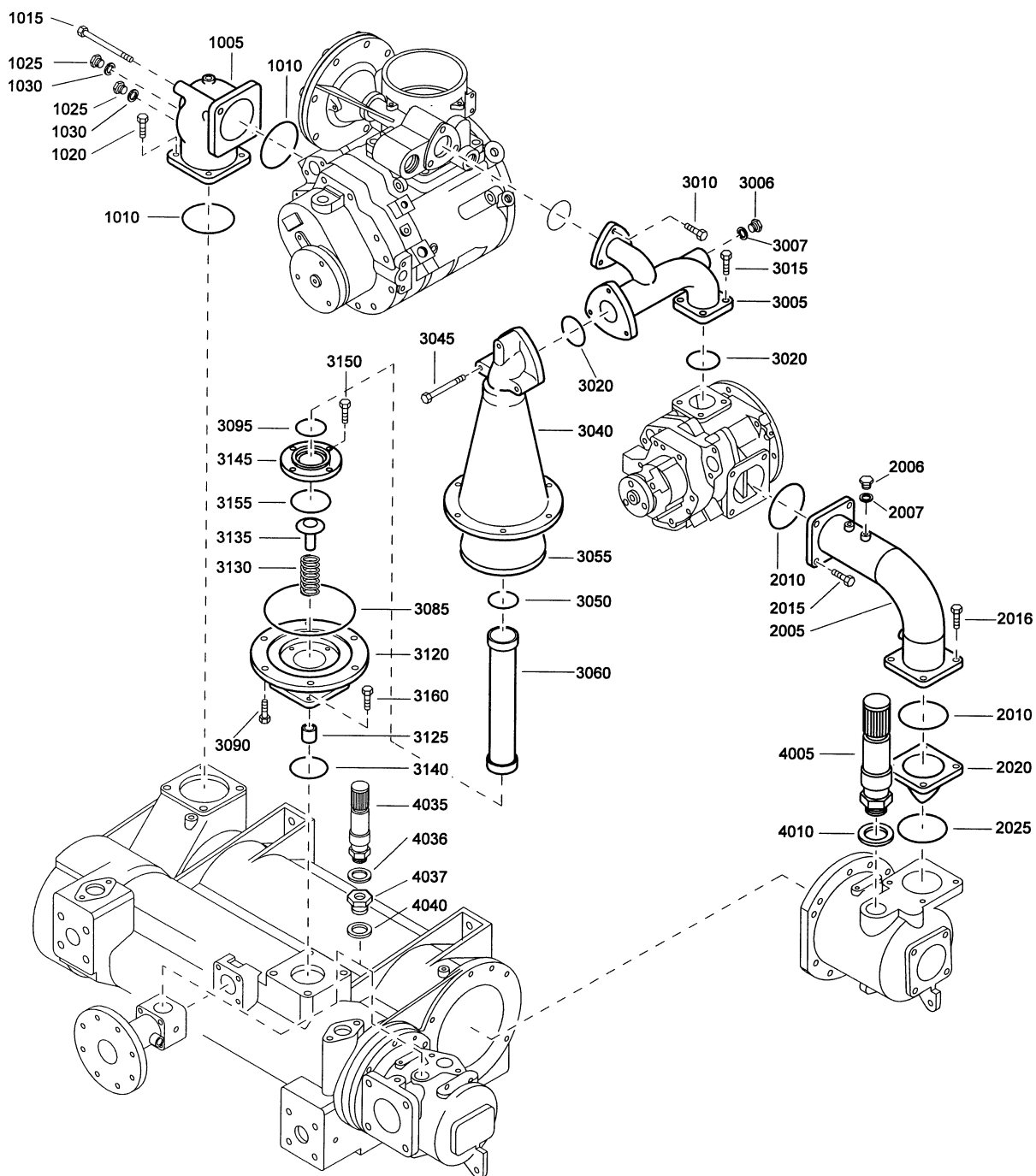
Presa d'aria
Luftindsug
Admissão de ar
Luftinnløp
Tuloilma

2

Ref.	Part number	Qty	Name	Remarks	Ref.	Part number	Qty	Name	Remarks
1005	1621 0071 03	1	Valve housing		1360	1621 0082 00	1	Muffler	
1010	0500 4510 10	2	Bearing		1365	0686 3115 47	1	Plug	
1015	1621 0079 00	1	Piston		1380	1621 3089 00	1	Pipe	
1020	2102 0802 00	1	Spring		1385	0580 0014 35	1	Pipe coupling	
1025	2102 0804 00	1	Valve hp.unload		1390	0661 1000 24	1	Seal washer	
1030	0335 1122 00	1	Ext.circlip		1395	0580 0013 32	1	Coupling	
1055	1621 3757 00	1	Valve		1400	0661 1000 25	1	Seal washer	
1060	1621 3758 00	1	Shaft		2056	1621 3295 00	2	Foamholder	
1065	1621 0074 00	1	Bearing housing		2060	1030 0979 00	1	Air filter	
1070	1621 0075 00	1	Ring		2065	0296 1111 02	1	Wing nut	
1075	0500 4510 22	2	Bearing		2070	1621 3065 00	1	Filter cover	
1080	1621 0076 00	2	Pivot pin		2075	1621 3064 00	3	Grip	
1085	0261 1099 11	2	Nut		2080	1621 3068 00	3	Lock washer	
1090	1621 0081 00	2	Washer		2105	1621 3488 00	1	Bent hose	
1115	1621 0078 00	1	Diaphragm		2110	0347 6122 00	1	Hose clip	
1120	1621 0077 00	1	Valve cover		2115	0347 6123 00	1	Hose clip	
1125	0147 1364 03	8	Bolt			1621 3067 80	1	Filter housing	3)
1150	1613 5722 00	1	Valve base		3005	1621 3067 00•	1	Filter housing	
1155	1619 2689 00	1	Filter plug		3020	1621 3295 00•	2	Foamholder	
1160	1613 4036 00	1	Membrane						
1165	1613 5723 00	1	Gasket						
1170	0147 1331 03	2	Bolt						
1175	0301 2335 00	2	Washer						
1200	1621 0166 00	1	Bolt						
1205	0623 2106 03	1	Back nut						
1215	0147 1478 03	2	Bolt						
1220	0266 2114 00	2	Nut						
1225	0147 1479 03	2	Bolt						
1230	0301 2378 00	4	Washer						
1231	1621 3635 00	1	Support	4)					
1232	1079 9002 01	1	Mounting rail	4)					
1233	0147 1244 03	2	Bolt	4)					
1234	0301 2321 00	2	Washer	4)					
1235	1619 2758 00	AR	Seal	4)					
1240	1621 3079 00	1	Valve seat						
1245	0663 2107 91	1	O-ring						
1260	0661 1000 25	1	Seal washer						
1265	0686 3716 01	1	Plug						
1290	1202 9621 03	1	Gasket						
1315	1621 3080 00	1	Pipe	1)					
1320	0580 0014 34	1	Pipe coupling	1)					
1325	0661 1000 24	1	Seal washer	1)					
1330	0580 0013 32	1	Coupling	2)					
1335	0661 1000 25	1	Seal washer	2)					

- 1) See "Specific parts - CCC" / Zie "Specifieke onderdelen - CCC" / Se "Specifika dela - CCC" / Siehe "Spezifische Teile - CCC" / Voir "Pièces spécifiques - CCC" / Véase "Piezas específicas - CCC" / Vedere "Parti speciali - CCC" / Se "Specielle dele - CCC" / Ver "Peças específicas - CCC" / Se "Spesifikke delert - CCC" / Katso "Erikoisosat - CCC"
- 2) See "Air flow - CCC" / Zie "Luchtstroming - CCC" / Se "Luftflöde - CCC" / Siehe "Luftstrom - CCC" / Voir "Flux d'air - CCC" / Véase "Flujo de aire - CCC" / Vedere "Flusso d'aria - CCC" / Se "Luftflow - CCC" / Ver "Fluxo de ar - CCC" / Se "Luftstrøm - CCC" / Katso "Ilman virtaus - CCC"
- 3) Lined with / Bekleed met / Beklädd med / Ausgekleidet mit / Garni de / Revestido de / Allineato con / Foret med / Revestido com / Kledd med / Vuorattu :
Foam: 1079 0003 32 (AR)
- 4) Continuous capacity control / Ononderbroken debietsregeling / Kontinuerlig kapacitetsreglering / Stetige Liefermengenregelung / Contrôle continu du débit / Control continuo de la capacidad / Controllo continuo della portata / Kontinuerlig kapacitetsregulering / Controllo continuo de capacidade / Kontinuerlig kapasitetsregulering / Jatkuva kapasiteetin säätö

3



Air flow
Luchtstroming
Luftflöde
Luftstrom
Flux d'air
Flujo de aire

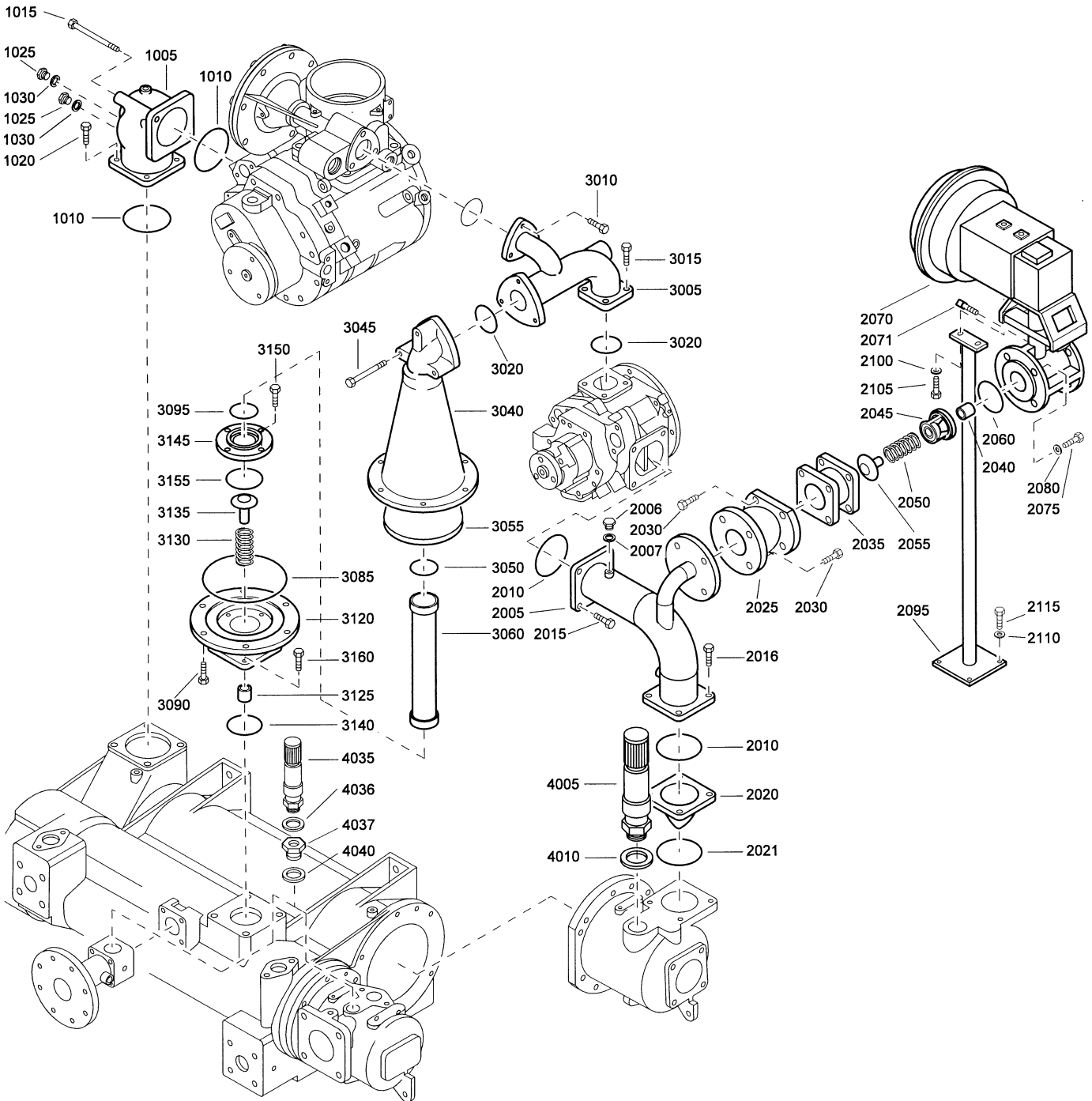
Flusso d'aria
Luftflow
Fluxo de ar
Luftström
Ilman virtaus

3

Full load / No load

Ref.	Part number	Qty	Name	Remarks	Ref.	Part number	Qty	Name	Remarks
1005	1621 3091 00	1	Pipe		3095	0663 2107 15	1	O-ring	
1010	0663 2107 33	2	O-ring		3120	1621 3008 00	1	Valve housing	
1015	1621 3092 00	2	Bolt		3125	0500 4510 11	1	Bearing	
1020	0147 1363 03	4	Bolt		3130	1621 3014 00	1	Spring	
1025	0686 3716 01	2	Plug		3135	1614 7368 00	1	Check valve	
1030	0661 1000 25	2	Seal washer		3140	0663 2107 94	1	O-ring	
2005	1621 3595 00	1	Pipe		3145	1621 3466 00	1	Valve seat	
2006	0686 3716 01	1	Plug		3150	0147 1363 03	4	Bolt	
2007	0661 1000 25	1	Seal washer		3155	0663 2107 16	1	O-ring	
2010	0663 2107 25	2	O-ring		3160	0147 1363 03	4	Bolt	
2015	0147 1402 03	4	Bolt		4005	0830 1007 55	1	Safety valve	
2016	0147 1405 03	4	Bolt		4010	0661 1000 32	1	Seal washer	
2020	1621 3557 00	1	Pipe		4035		1	Safety valve	
2025	0663 2107 25	1	O-ring			0830 1005 47		8.6 bar(e) - As	
3005	1621 3054 00	1	Pipe			1310 2999 01		10 bar(e) - As, 10 bar(e) - As - Hot air	
3006	0686 3716 01	1	Plug			0830 1007 25		7.5 bar(e), 8.6 bar(e)	
3007	0661 1000 25	1	Seal washer			0830 1006 19		10 bar(e)	
3010	0147 1363 03	3	Bolt			0830 1006 05		10 bar(e) - (Sa,CE) - Hot air	
3015	0211 1402 03	4	Cap screw		4036		1	Seal washer	
3020	0663 2107 92	2	O-ring			0661 1000 31		10 bar(e) - Hot air	
3040	1621 3018 00	1	Silencer		4037		1	Bushing	
3045	1621 3013 00	3	Bolt			0603 4100 26		8.6 bar(e) - As - Hot air	
3050	0663 2107 15	1	O-ring			0605 8700 73		8.6 bar(e) - As	
3055	1621 3010 00	1	Glass wool			0605 8700 72		10 bar(e) - As	
3060	1621 3292 01	1	Silencer insert		4040	0661 1000 30	1	Seal washer	
3085	0663 2107 93	1	O-ring						
3090	0147 1401 03	6	Bolt						

4



Air flow
Luchtstroming
Luftflöde
Luftstrom
Flux d'air
Flujo de aire

Flusso d'aria
Luftflow
Fluxo de ar
Luftström
Ilman virtaus

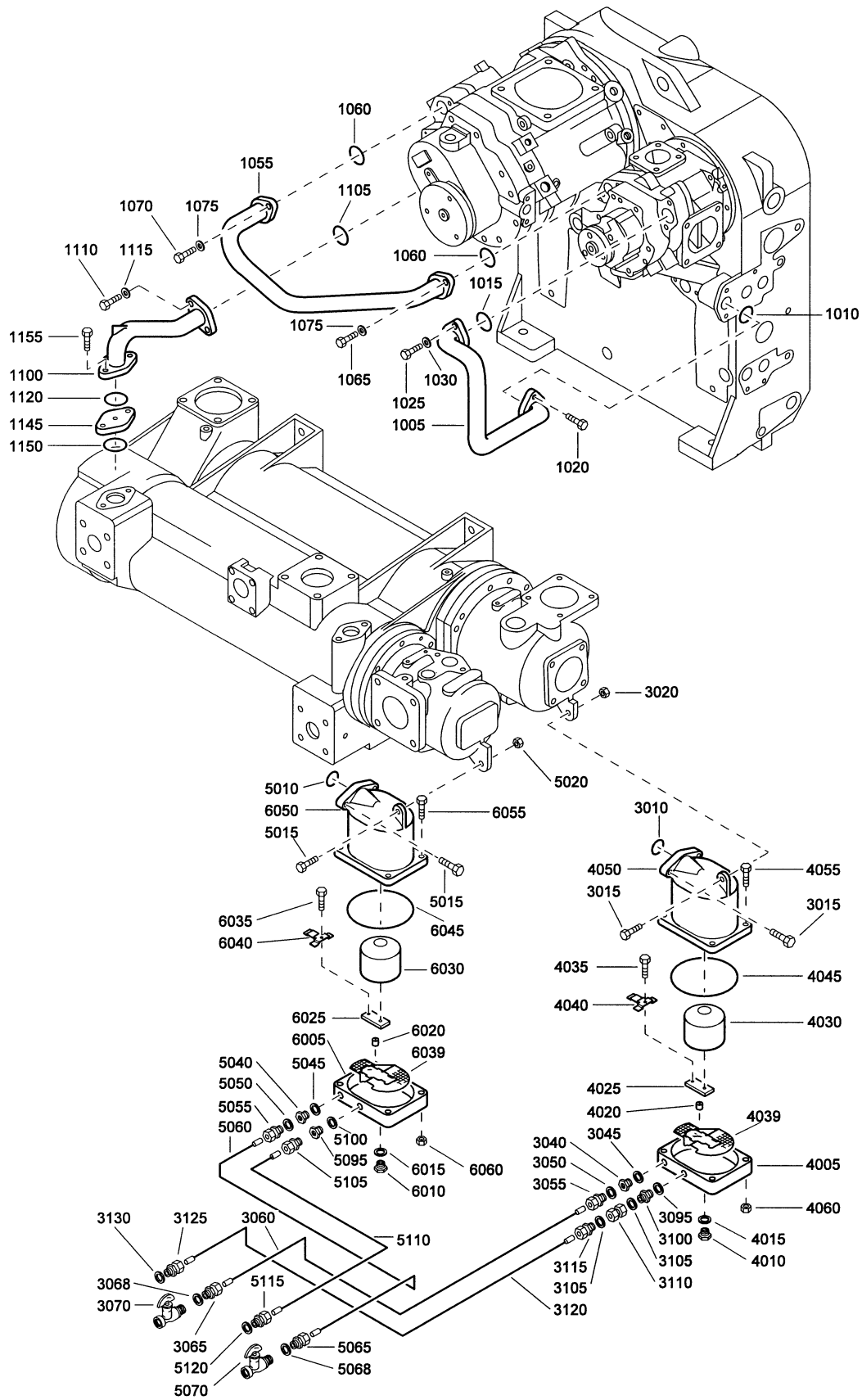
4

Continuous Capacity Control - 1)

Ref.	Part number	Qty	Name	Remarks	Ref.	Part number	Qty	Name	Remarks
1005	1621 3091 00	1	Pipe		3060	1621 3292 01	1	Silencer insert	
1010	0663 2107 33	2	O-ring		3085	0663 2107 93	1	O-ring	
1015	1621 3092 00	2	Bolt		3090	0147 1401 03	6	Bolt	
1020	0147 1363 03	4	Bolt		3095	0663 2107 15	1	O-ring	
1025	0686 3716 01	2	Plug		3120	1621 3008 00	1	Valve housing	
1030	0661 1000 25	2	Seal washer		3125	0500 4510 11	1	Bearing	
2005	1621 3619 00	1	Pipe		3130	1621 3014 00	1	Spring	
2006	0686 3716 01	1	Plug		3135	1614 7368 00	1	Check valve	
2007	0661 1000 25	1	Seal washer		3140	0663 2107 94	1	O-ring	
2010	0663 2107 25	2	O-ring		3145	1621 3466 00	1	Valve seat	
2015	0147 1402 03	4	Bolt		3150	0147 1363 03	4	Bolt	
2016	0147 1402 03	4	Bolt		3155	0663 2107 16	1	O-ring	
2020	1621 3557 00	1	Pipe		3160	0147 1363 03	4	Bolt	
2021	0663 2107 25	1	O-ring		3500	9823 1218 00	0	Torque instruct	
2025	1621 3003 00	1	Compensator		4005	0830 1007 55	1	Safety valve	
2030	0147 1477 03	8	Bolt		4010	0661 1000 32	1	Seal washer	
2035	1621 3620 00	1	Valve housing		4035		1	Safety valve	
2040	2201 7283 00	1	Bush			0830 1005 47		8.6 bar(e) - As	
2045	2102 0828 00	1	Housing			1310 2999 01		10 bar(e) - As,	
2050	2102 0827 00	1	Spring					10 bar(e) - As - Hot air	
2055	2102 0826 00	1	Non ret.valve			0830 1007 25		7.5 bar(e), 8.6 bar(e)	
2060	0663 2104 26	1	O-ring			0830 1006 19		10 bar(e)	
2070	1621 6142 01	1	Control valve			0830 1006 05		10 bar(e) - (Sa,CE) - Hot air	
2071	1621 3769 00	1	Bolt		4036		1	Seal washer	
2075	0211 1480 03	4	Screw			0661 1000 31		10 bar(e) - Hot air	
2080	0300 8019 00	4	Washer		4037		1	Bushing	
2095	1621 3621 00	1	Support			0603 4100 26		8.6 bar(e) - As - Hot air	
2100	0300 0275 01	2	Plain washer			0605 8700 73		8.6 bar(e) - As	
2105	0144 4000 57	2	Screw			0605 8700 72		10 bar(e) - As	
2110	0301 2335 00	4	Washer		4040	0661 1000 30	1	Seal washer	
2115	1619 5337 01	4	Bolt						
3005	1621 3054 00	1	Pipe						
3010	0147 1363 03	3	Bolt						
3015	0211 1402 03	4	Cap screw						
3020	0663 2107 92	2	O-ring						
3040	1621 3018 00	1	Silencer						
3045	1621 3013 00	3	Bolt						
3050	0663 2107 15	1	O-ring						
3055	1621 3010 00	1	Glass wool						

1) Continuous capacity control / Ononderbroken debietsregeling / Kontinuerlig kapacitetsreglering / Stetige Liefermengenregelung / Contrôle continu du débit / Control continuo de la capacidad / Controllo continuo della portata / Kontinuerlig kapacitetsregulering / Controllo continuo de capacidade / Kontinuerlig kapasitetsregulering / Jatkuva kapasiteetin säätö

5



Water system and drain connections
 Watersysteem en aftapaansluitingen
 Vattensystem och avtappningsanslutningar
 Wassersystem und Abfaßanschlüsse
 Système d'eau et tuyaux de vidange
 Sistema de agua y conexiones de drenaje

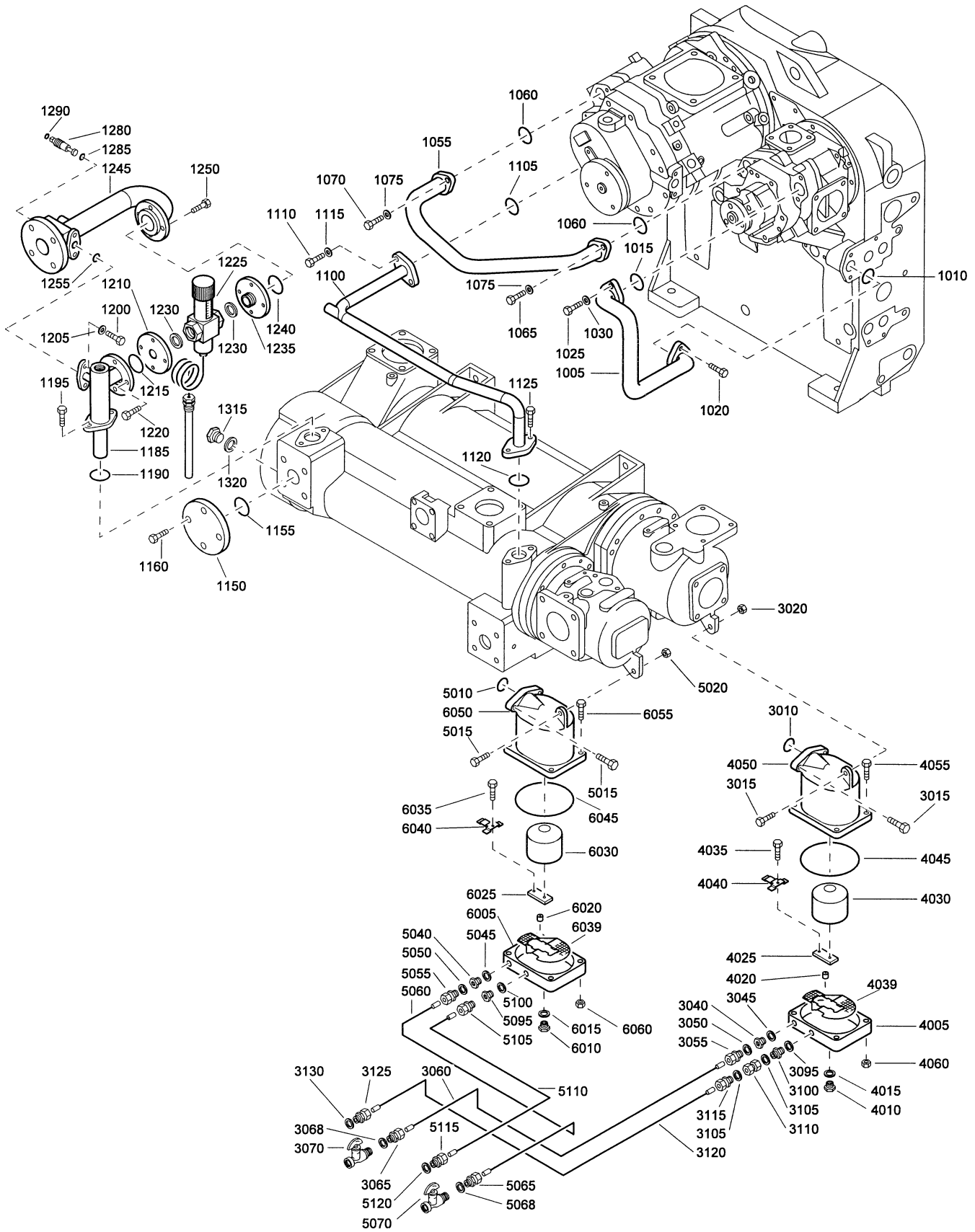
Sistema dell'acqua e connessioni degli scarichi
 Tillslutningar, vandsystem og dræn
 Sistema de arrefecimento e dreno de condensados
 Vannsystem og tilkoplinger for avtapping
 Vesijärjestelmä ja lauhteenpoistoliitännät

5

Without Energy Recovery

Ref.	Part number	Qty	Name	Remarks	Ref.	Part number	Qty	Name	Remarks
1005	1621 3042 00	1	Pipe		4020	1202 4818 00●	1	Insert	
1010	0663 2107 81	1	O-ring		4025	1202 3739 00●	1	Membrane	
1015	0663 2107 90	1	O-ring		4030	1202 3825 00●	1	Float	
1020	0147 1363 03	2	Bolt		4035	0160 1244 01●	1	Screw	
1025	0147 1411 03	2	Bolt		4039	1621 3746 00●	1	Strainer	
1030	0301 2358 00	2	Washer		4040	1621 3747 00●	1	Clamp	
1055	1621 3043 00	1	Pipe		4045	0663 2107 85●	1	O-ring	
1060	0663 2107 90	2	O-ring		4050	1621 3177 00●	1	Valve housing	
1065	0147 1411 03	2	Bolt		4055	0147 1371 03●	4	Bolt	
1070	0147 1413 03	2	Bolt		4060	0266 2111 00●	4	Nut	
1075	0301 2358 00	4	Washer		5010	0663 2107 82	1	O-ring	
1100	1621 3044 00	1	Pipe		5015	0147 1363 03	3	Bolt	
1105	0663 2107 90	1	O-ring		5020	0266 2111 00	1	Nut	
1110	0147 1413 03	2	Bolt		5040	0605 8700 39	1	Bushing	
1115	0301 2358 00	2	Washer		5045	0661 1000 27	1	Seal washer	
1120	0663 2107 86	1	O-ring		5050	0653 1062 00	1	Flat gasket	
1145	1621 3045 00	1	Flange		5055	0581 0000 35	1	Pipe coupling	
1150	0663 2107 86	1	O-ring		5060	0070 6002 05	AR	Plastic tube	
1155	0147 1365 03	2	Bolt		5065	0581 0000 38	1	Pipe coupling	
3010	0663 2107 82	1	O-ring		5068	0653 1041 00	1	Flat gasket	
3015	0147 1363 03	3	Bolt		5070	1619 7336 00	1	Cock	
3020	0266 2111 00	1	Nut		5090	0661 1000 27	1	Seal washer	
3040	0605 8700 39	1	Bushing		5095	0605 8700 39	1	Bushing	
3045	0661 1000 27	1	Seal washer		5100	0653 1062 00	1	Flat gasket	
3050	0653 1062 00	1	Flat gasket		5105	0581 0000 35	1	Pipe coupling	
3055	0581 0000 35	1	Pipe coupling		5110	0070 6002 05	AR	Plastic tube	
3060	0070 6002 05	AR	Plastic tube		5115	0581 0000 38	1	Pipe coupling	
3065	0581 0000 38	1	Pipe coupling		5120	0653 1041 00	1	Flat gasket	
3068	0653 1041 00	1	Flat gasket			1621 3177 81	1	Drain valve	
3070	1619 7336 00	1	Cock		6005	1621 3097 00●	1	Valve base	
3095	0661 1000 27	1	Seal washer		6010	0686 3716 01●	1	Plug	
3100	0581 0034 01	1	Pipe coupling		6015	0661 1000 25●	1	Seal washer	
3105	0653 1062 00	2	Flat gasket		6020	1614 7735 00●	1	Insert	
3110	8204 0940 18	1	Valve		6025	1202 3739 00●	1	Membrane	
3115	0581 0000 35	1	Pipe coupling		6030	1202 3825 00●	1	Float	
3120	0070 6002 05	AR	Plastic tube		6035	0160 1244 01●	1	Screw	
3125	0581 0000 38	1	Pipe coupling		6039	1621 3746 00●	1	Strainer	
3130	0653 1041 00	1	Flat gasket		6040	1621 3747 00●	1	Clamp	
	1621 3177 80	1	Drain valve		6045	0663 2107 85●	1	O-ring	
4005	1621 3097 00●	1	Valve base		6050	1621 3177 00●	1	Valve housing	
4010	0686 3716 01●	1	Plug		6055	0147 1371 03●	4	Bolt	
4015	0661 1000 25●	1	Seal washer		6060	0266 2111 00●	4	Nut	

6



Water system and drain connections
 Watersysteem en aftapaansluitingen
 Vattensystem och avtappningsanslutningar
 Wassersystem und Abflaßanschlüsse
 Système d'eau et tuyaux de vidange
 Sistema de agua y conexiones de drenaje

Sistema dell'acqua e connessioni degli scarichi
 Tilslutninger, vandsystem og dræn
 Sistema de arrefecimento e dreno de condensados
 Vannsystem og tilkoplinger for avtapping
 Vesijärjestelmä ja lauhteenpoistoliitännät

With Energy Recovery

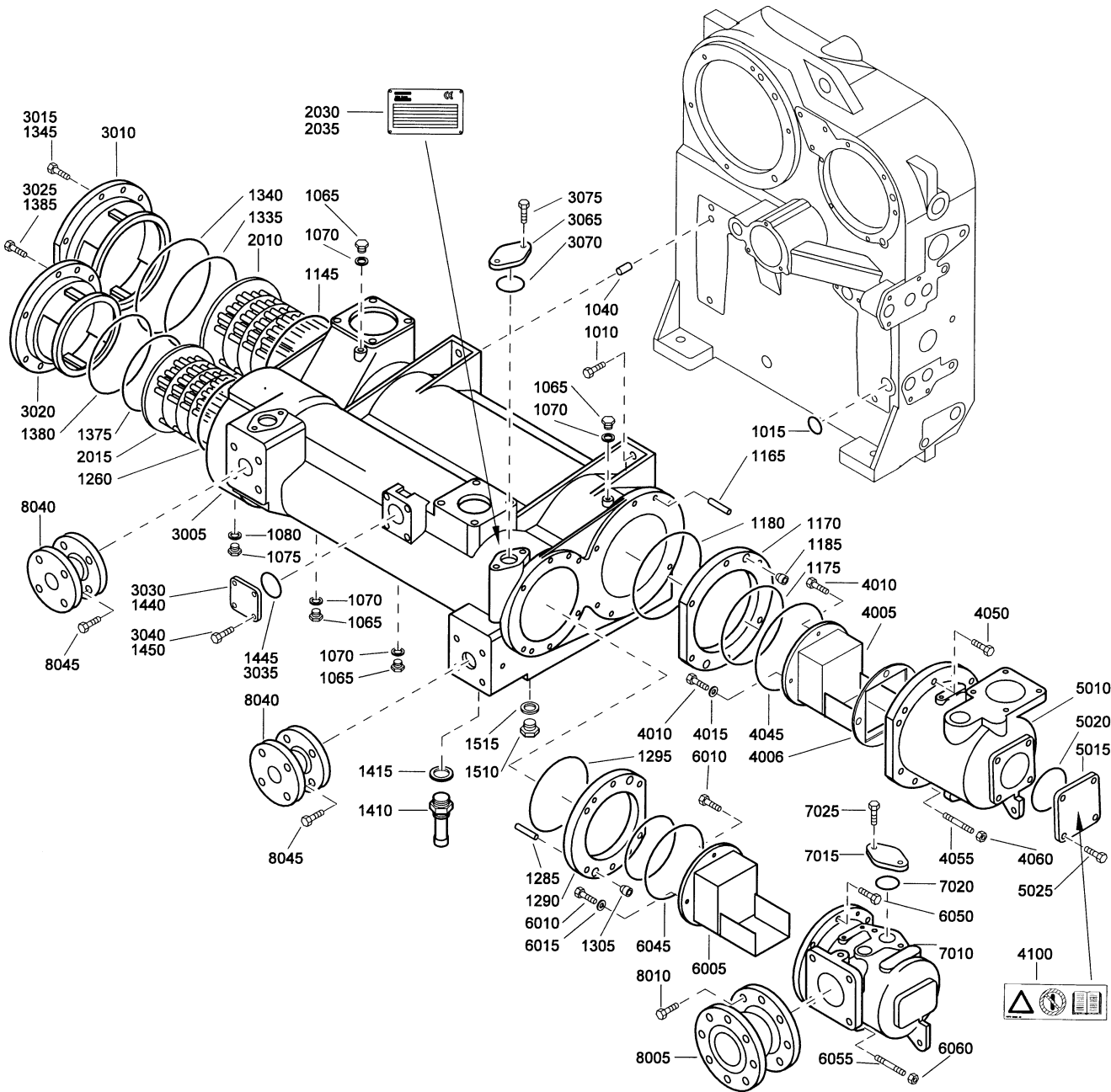
Ref.	Part number	Qty	Name	Remarks	Ref.	Part number	Qty	Name	Remarks
1005	1621 3042 00	1	Pipe		3105	0653 1062 00	2	Flat gasket	
1010	0663 2107 81	1	O-ring		3110	8204 0940 18	1	Valve	
1015	0663 2107 90	1	O-ring		3115	0581 0000 35	1	Pipe coupling	
1020	0147 1363 03	2	Bolt		3120	0070 6002 05	AR	Plastic tube	
1025	0147 1411 03	2	Bolt		3125	0581 0000 38	1	Pipe coupling	
1030	0301 2358 00	2	Washer		3130	0653 1041 00	1	Flat gasket	
1055	1621 3043 00	1	Pipe			1621 3177 80	1	Drain valve	
1060	0663 2107 90	2	O-ring		4005	1621 3097 00●	1	Valve base	
1065	0147 1411 03	2	Bolt		4010	0686 3716 01●	1	Plug	
1070	0147 1413 03	2	Bolt		4015	0661 1000 25●	1	Seal washer	
1075	0301 2358 00	4	Washer		4020	1202 4818 00●	1	Insert	
1100	1621 3576 00	1	Pipe		4025	1202 3739 00●	1	Membrane	
1105	0663 2107 90	1	O-ring		4030	1202 3825 00●	1	Float	
1110	0147 1413 03	2	Bolt		4035	0160 1244 01●	1	Screw	
1115	0301 2358 00	2	Washer		4039	1621 3746 00●	1	Strainer	
1120	0663 2107 86	1	O-ring		4040	1621 3747 00●	1	Clamp	
1125	0147 1400 03	2	Bolt		4045	0663 2107 85●	1	O-ring	
1150	1621 3577 00	1	Cover		4050	1621 3177 00●	1	Valve housing	
1155	0663 2107 97	1	O-ring		4055	0147 1371 03●	4	Bolt	
1160	0147 1476 03	2	Bolt		4060	0266 2111 00●	4	Nut	
1185	1621 3578 00	1	Pipe		5010	0663 2107 82	1	O-ring	
1190	0663 2107 86	1	O-ring		5015	0147 1363 03	3	Bolt	
1195	0147 1363 03	2	Bolt		5020	0266 2111 00	1	Nut	
1200	0147 1361 03	2	Bolt		5040	0605 8700 39	1	Bushing	
1205	0301 2344 00	2	Washer		5045	0661 1000 27	1	Seal washer	
1210	1621 3593 00	1	Flange		5050	0653 1062 00	1	Flat gasket	
1215	0663 2107 86	1	O-ring		5055	0581 0000 35	1	Pipe coupling	
1220	0147 1364 03	2	Bolt		5060	0070 6002 05	AR	Plastic tube	
1225	1619 6405 00	1	Therm. valve		5065	0581 0000 38	1	Pipe coupling	
1230	0661 1000 30	2	Seal washer		5068	0653 1041 00	1	Flat gasket	
1235	1621 3593 00	1	Flange		5070	1619 7336 00	1	Cock	
1240	0663 2107 86	1	O-ring		5090	0661 1000 27	1	Seal washer	
1245	1621 3579 00	1	Pipe		5095	0605 8700 39	1	Bushing	
1250	0147 1364 03	2	Bolt		5100	0653 1062 00	1	Flat gasket	
1255	0663 2102 63	1	O-ring		5105	0581 0000 35	1	Pipe coupling	
1280	1621 3581 00	1	Valve		5110	0070 6002 05	AR	Plastic tube	
1285	0663 3124 00	1	O-ring		5115	0581 0000 38	1	Pipe coupling	
1290	0335 2127 00	2	Circlip		5120	0653 1041 00	1	Flat gasket	
1315	0686 3716 30	1	Plug			1621 3177 81	1	Drain valve	
1320	0661 1000 26	1	Seal washer		6005	1621 3097 00●	1	Valve base	
3010	0663 2107 82	1	O-ring		6010	0686 3716 01●	1	Plug	
3015	0147 1363 03	3	Bolt		6015	0661 1000 25●	1	Seal washer	
3020	0266 2111 00	1	Nut		6020	1614 7735 00●	1	Insert	
3040	0605 8700 39	1	Bushing		6025	1202 3739 00●	1	Membrane	
3045	0661 1000 27	1	Seal washer		6030	1202 3825 00●	1	Float	
3050	0653 1062 00	1	Flat gasket		6035	0160 1244 01●	1	Screw	
3055	0581 0000 35	1	Pipe coupling		6039	1621 3746 00●	1	Strainer	
3060	0070 6002 05	AR	Plastic tube		6040	1621 3747 00●	1	Clamp	
3065	0581 0000 38	1	Pipe coupling		6045	0663 2107 85●	1	O-ring	
3068	0653 1041 00	1	Flat gasket		6050	1621 3177 00●	1	Valve housing	
3070	1619 7336 00	1	Cock		6055	0147 1371 03●	4	Bolt	
3095	0661 1000 27	1	Seal washer		6060	0266 2111 00●	4	Nut	
3100	0581 0034 01	1	Pipe coupling						

7

Coolers
Koelers
Kylare
Kühler
Refrroidisseurs
Refrigeradores

Refrigeratorei
Kølere
Refrigeradores
Kjølere
Jäähdyttimet

With aftercooler

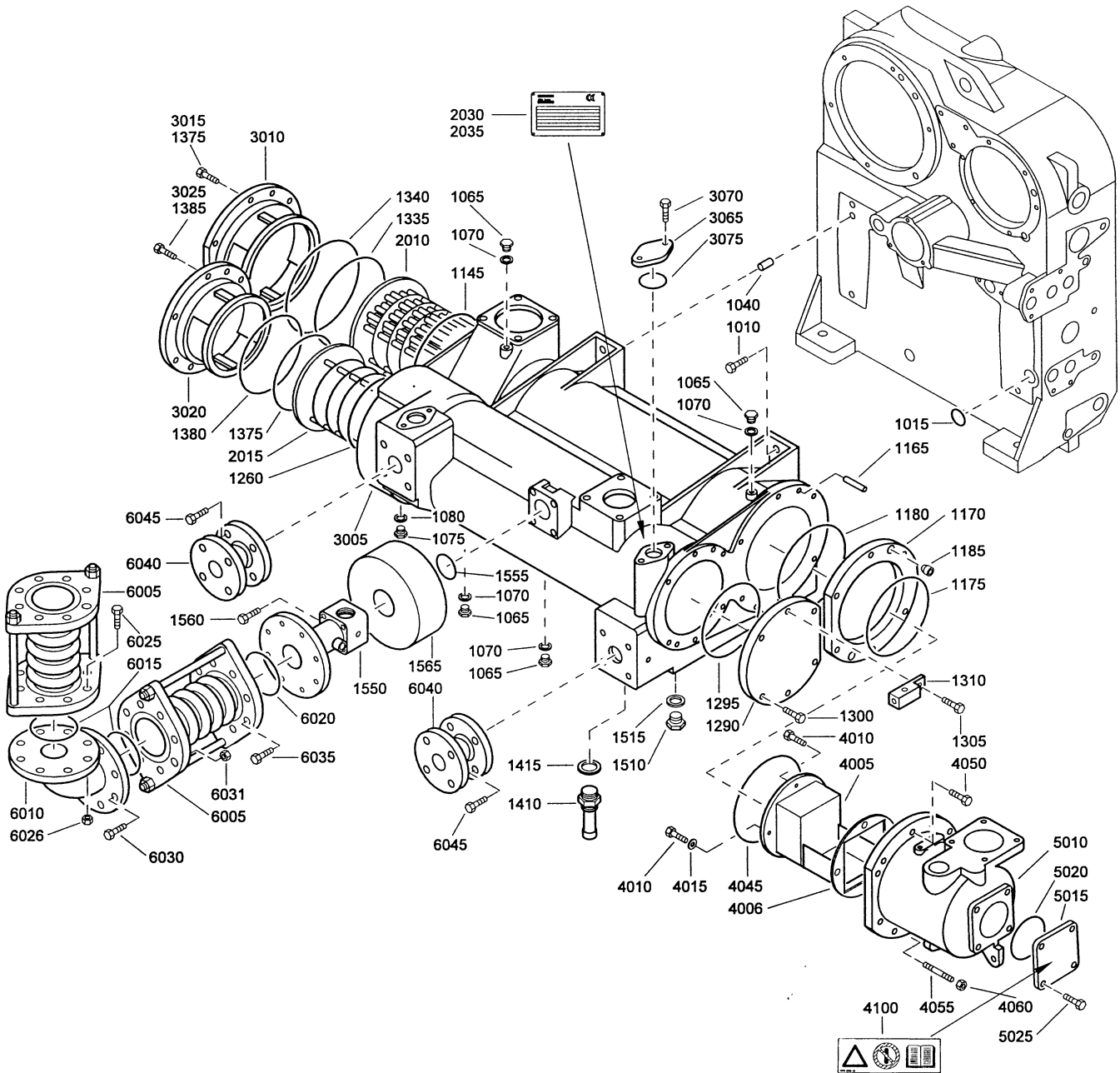


60049

Ref.	Part number	Qty	Name	Remarks	Ref.	Part number	Qty	Name	Remarks
1010	0147 1477 03	4	Bolt		1145	0663 2107 27	1	O-ring	
1015	0663 2107 81	1	O-ring		1165	0102 0473 00	2	Pin	
1040	0101 1951 51	2	Pin		1170	1621 3061 00	1	Seal ring	
1065	0686 3716 01	4	Plug		1175	0663 2107 32	1	O-ring	
1070	0661 1000 25	4	Seal washer		1180	0663 2107 95	1	O-ring	
1075	0686 3716 01	1	Plug		1185	1621 3063 00	2	Ring	
1080	0661 1000 25	1	Seal washer		1260	0663 2107 26	1	O-ring	

Ref.	Part number	Qty	Name	Remarks	Ref.	Part number	Qty	Name	Remarks
1285	0101 1951 51	2	Pin		4005		1	Water separator	
1290	1621 3062 00	1	Seal ring			1621 3556 00		As	
1295	0663 2107 96	1	O-ring			1621 3094 00		Others	
1300	0663 2107 31	1	O-ring		4006	1621 3526 00	1	Gasket	
1305	1621 3063 00	2	Ring		4010	0147 1960 58	4	Bolt	
1335	0663 2107 29	1	O-ring		4015	0301 2135 01	1	Washer	
1340	0663 2107 30	1	O-ring		4045	0663 2107 95	1	O-ring	
1345	0147 1403 03	6	Bolt		4050		5	Bolt	
1375	0663 2107 28	1	O-ring			0147 1407 03		(Sa,CE,D)	
1380	0663 2107 24	1	O-ring			0147 1962 08		As	
1385	0147 1403 03	6	Bolt		4055		1	Stud	
1410	1621 3060 00	1	Plug			0246 1955 39		(Sa,CE,D)	
1415	0661 1000 30	1	Seal washer			0246 1956 25		As	
1440		1	Cover		4060		1	Nut	
	1621 3074 00		Sa,(CE)			0266 2112 00		(Sa,CE,D)	
1445		1	O-ring			0261 1090 65		As	
	0663 2107 97		Sa,(CE)		4100	1079 9905 49	1	Label	
1450		4	Bolt				1	Watersep. IC	
	0147 1362 03		Sa,(CE)			1621 3100 80		Sa(CE)	
1510	0686 3716 02	1	Plug			1621 3100 82		As	
1515	0661 1000 27	1	Seal washer			1621 3100 85		D	
		1	Core & casing		5010		•	1	Water separator
	1621 3002 80		SA,(CE)			1621 3100 08		Sa(CE)	
	1621 3002 82		As			1621 3100 02		As	
	1621 3002 85		D			1621 3100 05		D	
2010		•	1	Cooler core		5015	•	1	Cover
	1621 3001 08		Sa,(CE)			1621 3059 00		Sa(CE),	
	1621 3001 02		As			1621 3330 02		As	
	1621 3001 05		D		5020	0663 2107 25	•	1	O-ring
2015		•	1	Cooler core		5025	•	4	Bolt
	1621 3000 08		Sa,(CE)			0147 1403 03		Sa(CE),D	
	1621 3000 02		As			0147 1962 31		As	
	1621 3000 05		D		6005	1621 3095 00	1	Water separator	
2030		•	1	Data plate		6010	0147 1960 58	4	Bolt
	1621 3183 00		Sa,(CE)		6015	0301 2135 01	1	Washer	
	1614 8142 00		As		6045	0663 2107 96	1	O-ring	
	1613 0910 20		D		6050		5	Bolt	
2035	0244 4184 00	•	4	Drive screw				(Sa,CE,D)	
		•	1	Shell & covers			0147 1407 03		As
	1621 3069 80		SA,(CE)		6055		1	Stud	
	1621 3069 82		As			0246 1955 39		(Sa,CE,D)	
	1621 3069 85		D			0246 1956 25		As	
3005		••	1	Cooler shell		6060		1	Nut
	1621 3002 08		SA(CE)			0266 2112 00		(Sa,CE,D)	
	1621 3002 02		As			0261 1090 65		As	
	1621 3002 05		D				1	Watersep. AC	
3010		••	1	Cover				1621 3195 80	
	1621 3069 08		Sa(CE)			1621 3195 82		Sa(CE)	
	1621 3069 02		As			1621 3195 85		As	
	1621 3069 05		D					D	
3015	0147 1962 31	••	6	Bolt	As	7010	•	1	Water separator
3020		••	1	Cover				Sa(CE)	
	1621 3070 08		Sa(CE)			1621 3195 08		As	
	1621 3070 02		As			1621 3195 02		As	
	1621 3070 05		D			1621 3195 05		D	
3025	0147 1962 31	••	6	Bolt	As	7015	•	1	Flange
3030	1621 3294 02	••	1	Cover				(Sa,CE,D)	
3035	0663 2107 97	••	1	O-ring				As	
3040		••	4	Bolt		7020	•	1	O-ring
	0147 1363 03		D			7025	•	2	Bolt
	0147 1962 29		As					(Sa,CE,D)	
3065		••	2	Cover				As	
	1621 3071 00		Sa(CE)		8005			Compensator	
	1621 3354 02		As, D			1621 3098 00	1	DIN	
3070	0663 2107 86	••	2	O-ring			1	ANSI	
3075		••	4	Bolt		8010	0147 1478 03	4	Bolt
	0147 1362 03		Sa(CE), D		8040		2	Compensator	
	0147 1962 29		As			1621 3005 00		DIN	
						1621 3006 00		ANSI	
					8045	0147 1477 03	8	Bolt	

8



Coolers
Koelers
Kylare
Kühler
Refrroidisseurs
Refrigeradores

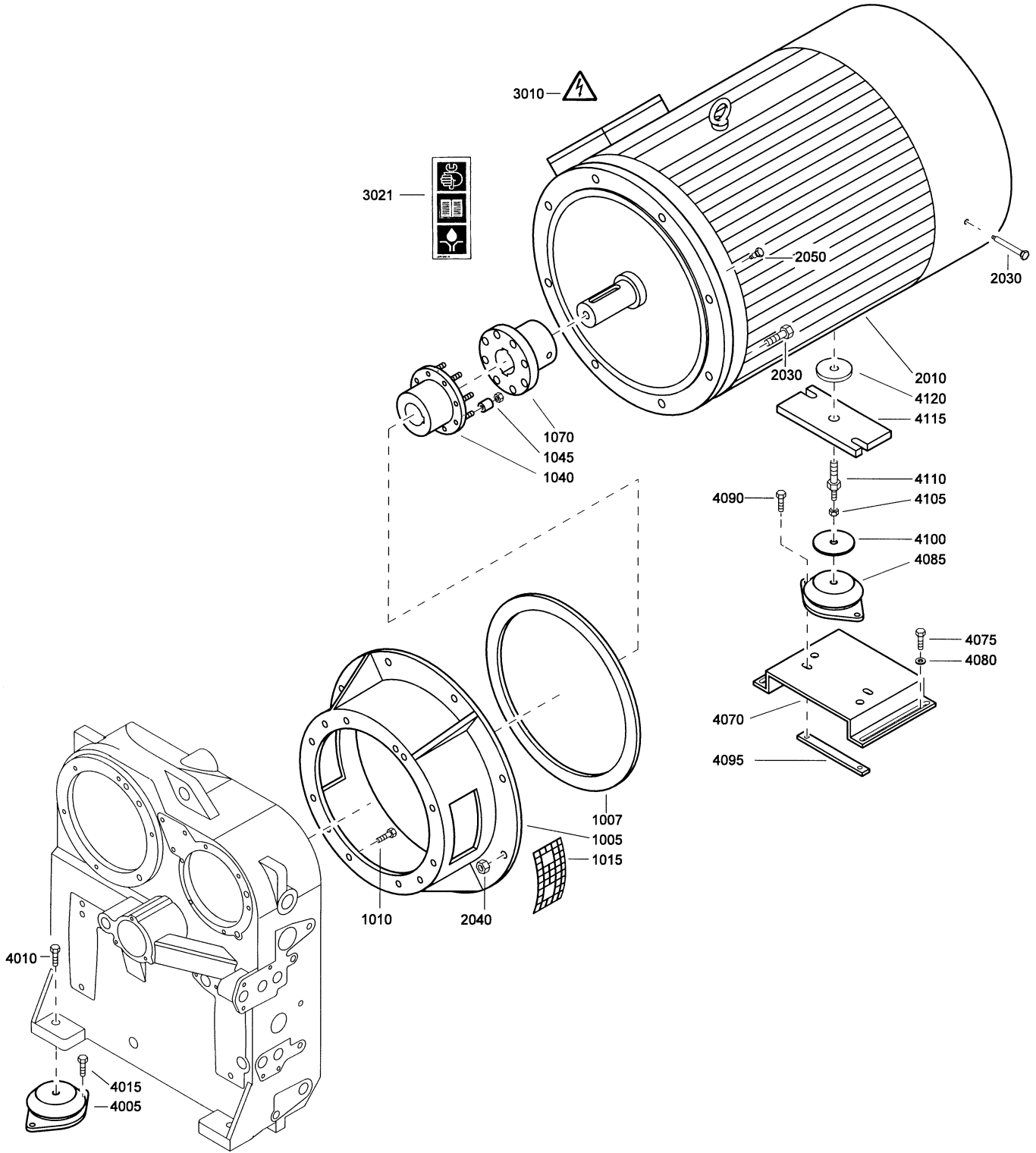
Refrigeratorei
Kølere
Refrigeradores
Kjølere
Jäähdyttimet

8

Hot air

Ref.	Part number	Qty	Name	Remarks	Ref.	Part number	Qty	Name	Remarks
1010	0147 1477 03	4	Bolt		3025	0147 1962 31	6	Bolt	As
1015	0663 2107 81	1	O-ring		3065			Cover/Flange	
1040	0101 1951 51	2	Pin			1621 3071 00	2	(Sa,CE)	
1065	0686 3716 01	4	Plug			1621 3354 02	1	(As)	
1070	0661 1000 25	4	Seal washer		3070			Bolt	
1075	0686 3716 01	1	Plug			0147 1362 03	4	(Sa,CE)	
1080	0661 1000 25	1	Seal washer			0147 1962 29	2	As	
1145	0663 2107 27	1	O-ring		3075			O-ring	
1165	0101 1951 51	2	Pin			0663 2107 86	2	(Sa,CE)	
1170	1621 3061 00	1	Seal ring			0663 2107 86	1	(As)	
1175	0663 2107 32	1	O-ring		4005			Water separator	
1180	0663 2107 95	1	O-ring			1621 3556 00		As	
1185	1621 3063 00	2	Ring			1621 3094 00		Others	
1260	0663 2107 26	1	O-ring		4006	1621 3526 00	1	Gasket	
1290	1621 3513 02	1	Cover	As	4010	0147 1960 58	4	Bolt	
1295	0663 2107 96	1	O-ring		4015	0301 2135 01	1	Washer	
1300	0147 1402 03	5	Bolt		4045	0663 2107 95	1	O-ring	
1305	0147 1404 03	1	Bolt		4050		5	Bolt	
1310	1621 3529 00	1	Connection			0147 1407 03		(Sa,CE,D)	
1335	0663 2107 29	1	O-ring			0147 1962 08		As	
1340	0663 2107 30	1	O-ring		4055		1	Stud	
1345	0147 1403 03	6	Bolt	Sa(CE)		0246 1955 39		(Sa,CE,D)	
1375	0663 2107 28	1	O-ring			0246 1956 25		As	
1380	0663 2107 24	1	O-ring		4060		1	Nut	
1385	0147 1403 03	6	Bolt	Sa(CE)		0266 2112 00		(Sa,CE,D)	
1410	1621 3060 00	1	Plug			0261 1090 65		As	
1415	0661 1000 30	1	Seal washer		4100	1079 9905 49	1	Label	
1510	0686 3716 02	1	Plug				1	Watersep. IC	
1515	0661 1000 27	1	Seal washer			1621 3100 80		Sa(CE)	
1550	1621 3510 00	1	Pipe			1621 3100 82		As	
1555	0663 2107 97	1	O-ring			1621 3100 85		D	
1560	0147 1373 03	4	Bolt		5010			Water separator	
1565	1621 3528 00	1	Insulation			1621 3100 08	1	Sa(CE)	
		1	Core & casing			1621 3100 02		As	
	1621 3001 80		Sa(CE)			1621 3100 05		D	
	1621 3001 82		As		5015			Cover	
2010	1621 3001 02	1	Cooler core			1621 3059 00	1	Sa(CE)	
2015	1621 3512 00	1	Dummy			1621 3330 02		As	
2030		1	Data plate		5020	0663 2107 25	1	O-ring	
	1621 3183 00		Sa(CE)		5025		4	Bolt	
	1614 8142 00		As			0147 1403 03		Sa(CE),D	
2035	0244 4184 00	4	Drive screw			0147 1957 91		As	
		1	Shell & covers		6005	1621 0177 04	2	Compensator	
	1621 3069 80		Sa(CE)		6010	1621 3520 00	1	Bend	
	1621 3070 82		As		6015	0663 2107 25	2	O-ring	
3005		1	Cooler shell		6020	0663 2107 25	1	O-ring	
	1621 3002 08		Sa(CE)		6025	0147 1481 03	8	Bolt	
	1621 3002 02		As		6026	0266 2114 00	8	Nut	
3010		1	Cover		6030	0147 1481 03	8	Bolt	
	1621 3069 08		Sa(CE)		6031	0266 2114 00	8	Nut	
	1621 3069 02		As		6030	0147 1478 03	8	Bolt	
3015	0147 1962 31	6	Bolt	As	6040	1621 3005 00	2	Compensator	
3020		1	Cover		6045	0147 1477 03	8	Bolt	
	1621 3070 08		Sa(CE)						
	1621 3070 02		As						

9



Drive arrangement E
Aandrijfuitvoering E
Drivarrangemang E
Antriebsanordnung E
Entraînement, disp. E
Accionamiento, disp. E

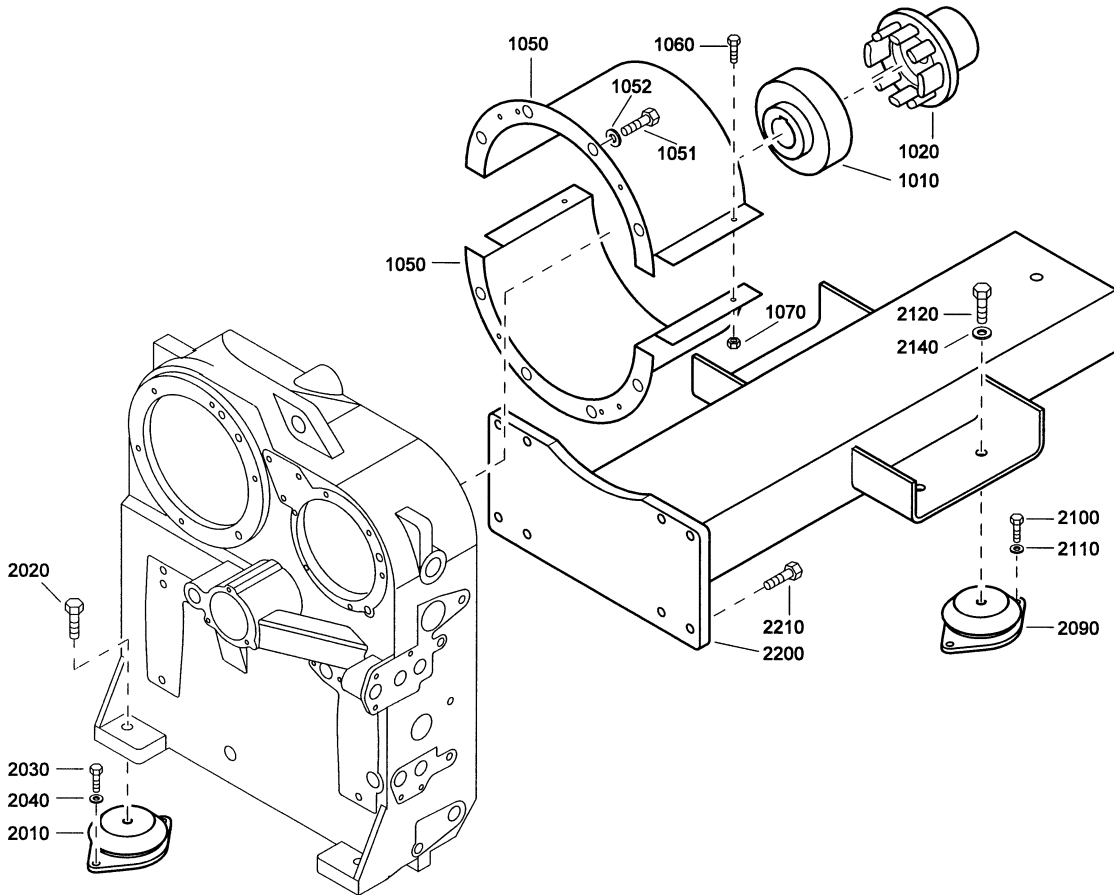
Azionamento, disposizione (E)
Arrangement E
Accionamento, disposição E
Drivarrangement E
Rakenne E

Ref.	Part number	Qty	Name	Remarks	Ref.	Part number	Qty	Name	Remarks
1005		1	Coupl. housing		1080	2584 54		Siemens 1 LA6 316-2AC	
	1621 3728 00		60Hz					ZR145 500V/50Hz	
	1621 3727 00		50Hz, Japan		1080	2901 37		Siemens 1 LA6 316-2 504 TSD	
1007		1	Ring					ZR145 220-230V/60Hz	
	1621 3056 00		60Hz		1080	2901 38		Siemens 1 LA6 316-2 504 TSD	
1010	0147 1405 03	8	Bolt					ZR145 380V/60Hz	
1015	1621 3088 00	2	Coupling guard		1080	2901 39		Siemens 1 LA6 316-2 504 TSD	
1040	1621 3041 02	1	Hub					ZR145 440-460V/60Hz	
		1	Hub		1080	2901 40		Siemens 1 LA6 316-2 504 TSD	
	2900 0573 00	8	Bolt					ZR145 575V/60Hz	
1045	1621 3041 03	1	Coupl. element		1080	2901 50		Siemens 1 LA6 316-2 504 TSD	
	2900 0574 00	8	Element					ZR145 575V/60Hz-	
	2900 0575 00	8	Locknut					Thermistors	
1070		1	Coupling half		2030		8	Bolt	
	1619 6332 00		Without motor 2)			0147 1554 03		50Hz	
	1202 7434 05		Japan			0144 3490 03		60Hz	
	1202 7434 02		50Hz		2040		8	Nut	
	1202 7434 08		60Hz			0266 2116 00		50Hz	
	0196 1471 00	1	Set screw		2050	1619 6032 00	1	Nipple	1)
2010		1	Motor		2060	1619 6032 01	1	Nipple	1)
	1080 2582 01		Siemens 1 LA6 310-2AC		3010	1088 1001 04	1	Warning mark	
			ZR110 230V/50Hz		3021	1079 9901 29	1	Label	
	1080 2582 02		Siemens 1 LA6 310-2AC		4005	1619 5189 01	2	Rubber buffer	
			ZR110 380-415V/50Hz		4010	0147 1480 03	2	Bolt	
	1080 2582 06		Siemens 1 LA6 310-2AC		4015	0147 1400 03	4	Bolt	
			ZR110 380-415V/50Hz-		4020	0301 2358 00	4	Washer	
			Thermistors		4070	1621 3019 00	1	Support	
	1080 2667 77		Siemens 1 LA6 310-2BC01-Z		4075	0147 1401 03	4	Bolt	
			504 TSD		4080	0300 0274 92	4	Washer	
			ZR110 220-230V/60Hz		4085	1619 5318 01	1	Rubber buffer	
	1080 2667 78		Siemens 1 LA6 310-2BC01-Z		4090	0147 1400 03	2	Bolt	
			504 TSD		4092	0301 2358 00	2	Washer	
			ZR110 380V/60Hz		4095	1621 3020 00	1	Strip	
	1080 2667 79		Siemens 1 LA6 310-2BC01-Z		4100	1614 6600 00	1	Disc	
			504 TSD		4105	0266 2114 00	1	Nut	
			ZR110 440-460V/60Hz		4110		1	Stud	
	1080 2667 89		Siemens 1 LA6 310-2BC01-Z			1621 3021 00		Siemens motor	
			504 TSD			1621 3026 00		Without motor 2)	
			ZR110 440-460V/60Hz-		4115	1614 8031 00	1	Plate	
			Thermistors		4120	1621 3022 00	1	Disc	
	1080 2667 80		Siemens 1 LA6 310-2BC01-Z						
			504 TSD						
			ZR110 575V/60Hz						
	1080 2583 52		Siemens 1 LA6 313-2AC						
			ZR132 380-415V/50Hz						
	1080 2583 56		Siemens 1 LA6 313-2AC						
			ZR132 380-415V/50Hz-						
			Thermistors						
	1080 2583 54		Siemens 1 LA6 313-2AC						
			ZR132 500V/50Hz						
	1080 2584 52		Siemens 1 LA6 316-2AC						
			ZR145 380-415V/50Hz						

- 1) Vibration monitoring "Shock Pulse Measurement" / Trillingskontrolle "SPM" / Vibrationskontroll "Stötpulsmätning" / Schwingungsüberwachung "SPM" / Surveillance des vibrations "SPM" / Monitorización de vibraciones "SPM" / Controllo di vibrazione "SPM" / Vibrationsovervågning "SPM" / Controllo de vibrações "SPM" / Vibrasjonsovervåking "SPM" / SPM-tärinänvalvonta
- 2) Without motor / Zonder motor / Utan motor / Ohne Motor / Sans moteur / Sin motor / Senza motore / Uden motor / Sem motor / Uten motor / Ilman moottoria

10 Drive arrangement 1
 Aandrijfuitvoering 1
 Drivarrangemang 1
 Antriebsanordnung 1
 Entraînement, disp. 1
 Accionamiento, disp. 1

Azionamento, disposizione (1)
 Arrangement 1
 Accionamento, disposição 1
 Drivarrangement 1
 Rakenne 1



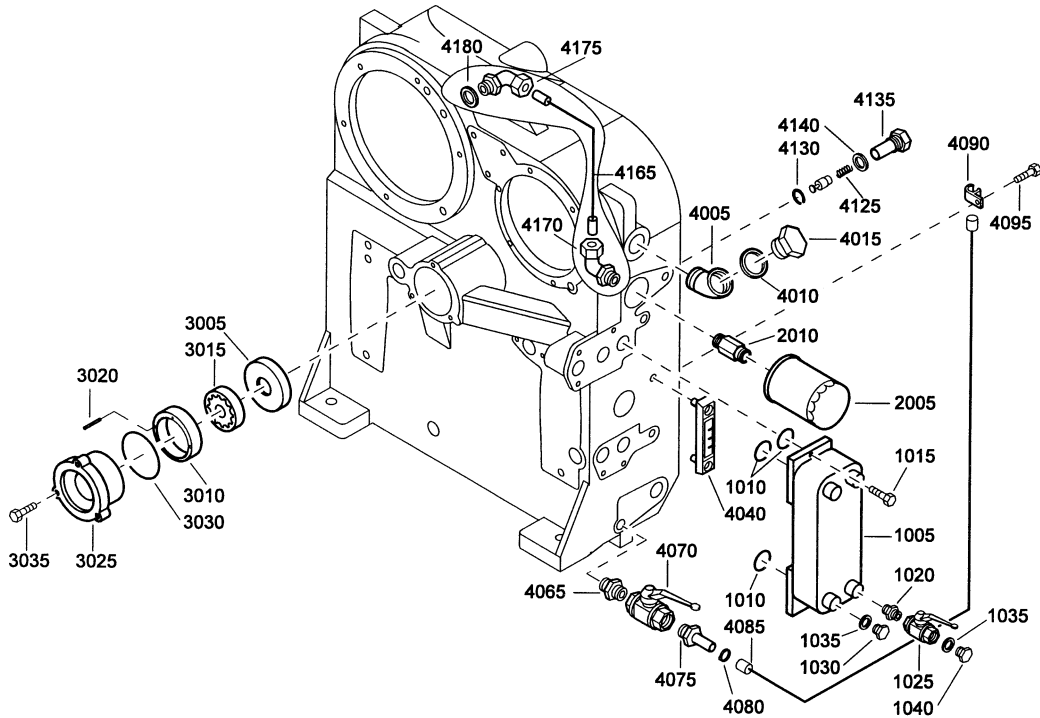
08-0002-01

Ref.	Part number	Qty	Name	Remarks	Ref.	Part number	Qty	Name	Remarks
1010	1621 3446 00	1	Coupling half		1070	0266 2110 00	2	Nut	
	1621 3446 01	1	Coupling half		2010	1619 5189 01	2	Rubber buffer	
	1621 0206 00	8	Coupl. element		2020	0147 1480 03	2	Bolt	
1020	1621 0036 01	1	Coupling half		2030	0147 1400 03	4	Bolt	
	1621 0090 01	1	Hub		2040	0301 2358 00	4	Washer	
	1621 0090 99	1	Ring		2090	1020 5072 00	2	Rubber buffer	
	0211 1326 03	8	Capscrew		2100	0147 1400 03	4	Bolt	
	0196 1360 00	1	Set screw		2110	0301 2358 00	4	Washer	
1050	1621 3449 00	2	Coupling guard		2120	0147 1478 03	2	Bolt	
1051	0147 1402 03	8	Bolt		2140	0301 2378 00	2	Washer	
1052	0301 2358 00	8	Washer		2200	1621 3448 00	1	Frame	
1060	0147 1323 03	2	Bolt		2210	0147 1480 03	8	Bolt	

Oil system
 Oliesystem
 Oljesystem
 Ölsystem
 Système d'huile
 Sistema de aceite

Sistema dell'olio
 Oliesystem
 Sistema de óleo
 Oljesystem
 Voitelujärjestelmä

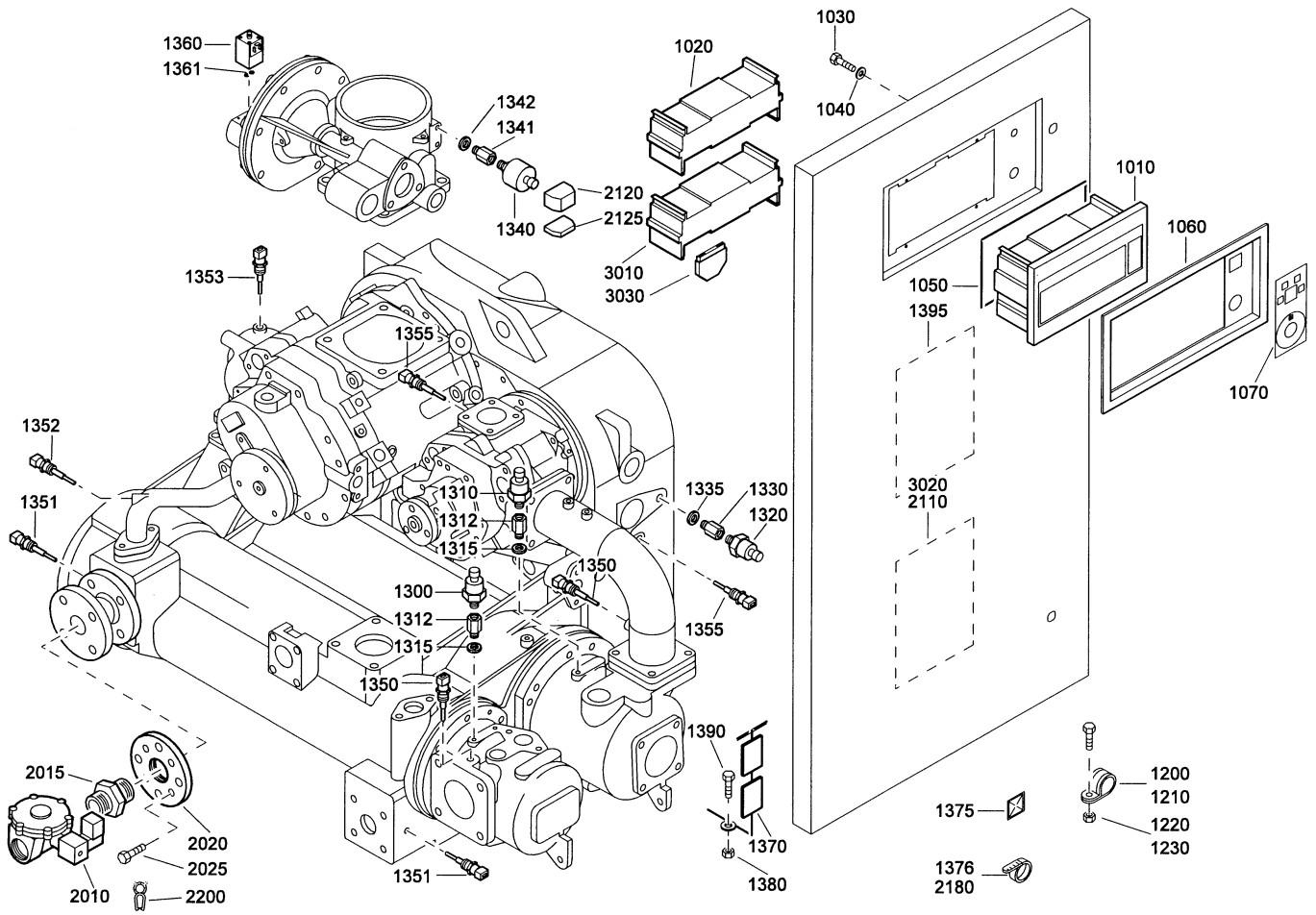
11



05-0001-00

Ref.	Part number	Qty	Name	Remarks	Ref.	Part number	Qty	Name	Remarks
1005	1621 3007 01	1	Oilcooler		3035	0147 1327 03	3	Bolt	
1010	0663 2107 81	4	O-ring		4005	0560 0200 50	1	Elbow	
1015	0147 1323 03	3	Bolt		4010	0661 1000 31	1	Seal washer	
1020	0603 4102 03	1	Hexagon nipple		4015	0686 3716 09	1	Plug	
1025	8202 0310 04	1	Ball valve		4040	1616 5537 00	1	Level indicator	
1030	0686 3716 01	4	Plug		4065	0603 4105 03	1	Hexagon nipple	
1035	0661 1000 25	4	Seal washer		4070	1619 6153 05	1	Ball valve	
2005	1621 0270 00	1	Oil filter		4075	0571 0020 17	1	Hose nipple	
2010	1621 0003 00	1	Nipple		4080	0347 6105 00	1	Hose clip	
3005	1616 5439 00	1	Distance ring 50Hz		4085	0075 4005 51	AR	Hose	
	1616 6125 00		60Hz		4090	1613 2685 00	1	Hose support	
3010	1616 6126 00	1	Eccentric ring 50Hz		4095	0147 1325 03	1	Bolt	
	1616 5533 00		60Hz		4120	1621 0138 00	1	Valve	
3015	1616 6127 00	1	Pump element 50Hz		4125	1202 5180 00	1	Spring	
	1616 5436 00		60Hz		4130	0335 2120 00	1	Circlip	
3020	0101 1951 36	1	Pin		4135	1621 0137 00	1	Plug	
3025	1616 6461 00	1	Pump cover		4140	0661 1000 29	1	Seal washer	
3030	0663 2106 16	1	O-ring		4165	1621 3017 00	1	Pipe	
					4170	0581 2024 34	1	Male coupling	
					4175	0580 2501 42	1	Elbow coupling	
					4180	0661 1000 29	1	Seal washer	

12



Control module
 Stuurmodule
 Kontrollmodul
 Steuermodul
 Module de commande
 Módulo de mando
 Parti del separatore di condensa

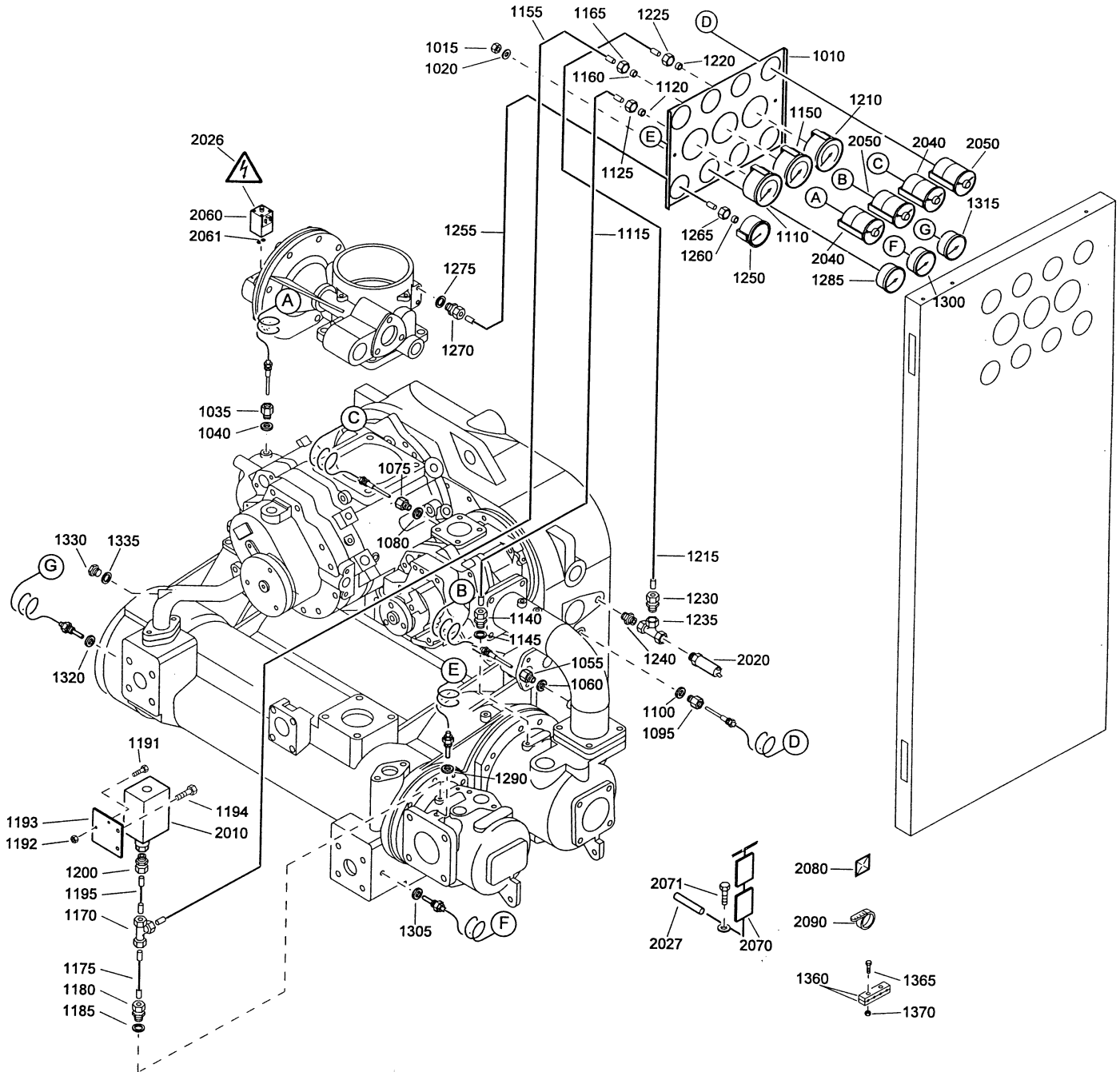
Modulo di controllo
 Kontrollmodul
 Kontrollmodul
 Módulo de comando
 Ohjainlaite

Elektronikon

Ref.	Part number	Qty	Name	Remarks	Ref.	Part number	Qty	Name	Remarks
1010	1900 0701 23	1	Electr.regulat.		1395	1614 8164 00	1	Label	
1020	1900 0701 45	1	Electr.regulat.		2010	1089 0380 19	1	Solenoid valve	1)
1030	0160 6059 00	2	Screw		2015	0603 4108 03	1	Hexagon nipple	1)
1040	0301 2318 00	2	Washer		2020	1621 3640 00	1	Flange	1)
1050	1503 2467 00	AR	Seal cord		2030		4	Bolt	1)
1060	1614 8151 00	1	Cover			0147 1477 03		DIN	
1065	1619 2758 00	AR	Seal			0144 3365 03		ANSI	
1070	1614 8071 00	1	Label		2110	1621 3643 00	1	Label	1)
1200	0346 1000 19	2	Pipe clamp		2120	1089 9277 02	1	Time relay	1)
1210	1619 2861 08	1	Clamp		2125	1089 0506 09	1	Terminal	1)
1220	0266 2108 00	1	Nut		2180	1088 1301 02	20	Cable strip	1)
1230	0266 2110 00	2	Nut		2200	1202 6584 00	AR	Seal	
1300	1089 0575 11	1	Pressure sensor		3010	1900 0701 63	1	Module	2)
1310	1089 0575 12	1	Pressure sensor		3020	1614 8522 00	1	Label	2)
1312	1621 0148 00	2	Nipple		3030	1088 0024 02	1	Connector	2)
1315	0661 1000 25	2	Seal washer						
1320	1089 0575 12	1	Pressure sensor						
1330	1621 0148 00	1	Nipple						
1335	0661 1000 25	1	Seal washer						
1340	1089 0575 03	1	Press.sensor						
1341	1621 0148 00	1	Nipple						
1342	0661 1000 25	1	Seal washer						
1350	1089 0574 05	2	Temp. sensor						
1351	1089 0574 05	3	Temp. sensor						
1352	1089 0574 05	1	Temp. sensor						
1353	1089 0574 05	1	Temp. sensor						
1355	1089 0574 05	1	Temp. sensor						
1360	1089 0428 14	1	Solenoid valve						
1361	0663 2104 83	2	O-ring						
1370	1621 3761 00	1	Wire harness						
1375	1088 1305 02	2	Push mount						
1376	1088 1301 02	20	Cable strip						
1380	0697 9807 00	2	Nut						
1390	1619 2766 00	5	Bolt						

- 1) For "Automatic water shut-off" / Voor "Automatische waterafsluiting" / För "Automatisk vattenavstängning" / Für "Automatische Wasserabsperrvorrichtung" / Pour "Fermeture d'eau automatique" / Para "Corte automático de agua" / Per "Scarico acqua automatico" / For "Automatisk afspærringsventil" / Para "Corte automático de circulação de água" / For "Automatisk vannavstenging" / Automaattinen veden sulku
- 2) For "Communication module - COM1" / Voor "Communicatiemodule - COM1" / För "Kommunikationsmodul - COM1" / Für "Kommunikationsmodul - COM1" / Pour "Module de communication - COM1" / Para "Módulo de comunicación - COM1" / Per "Modulo di comunicazione - COM1" / For "Kommunikationsmodul - COM1" / Para "Módulo de comunicações - COM1" / For "Kommunikasjonsmodul - COM1" / "Tietoliikennemuoduli - COM1"

13



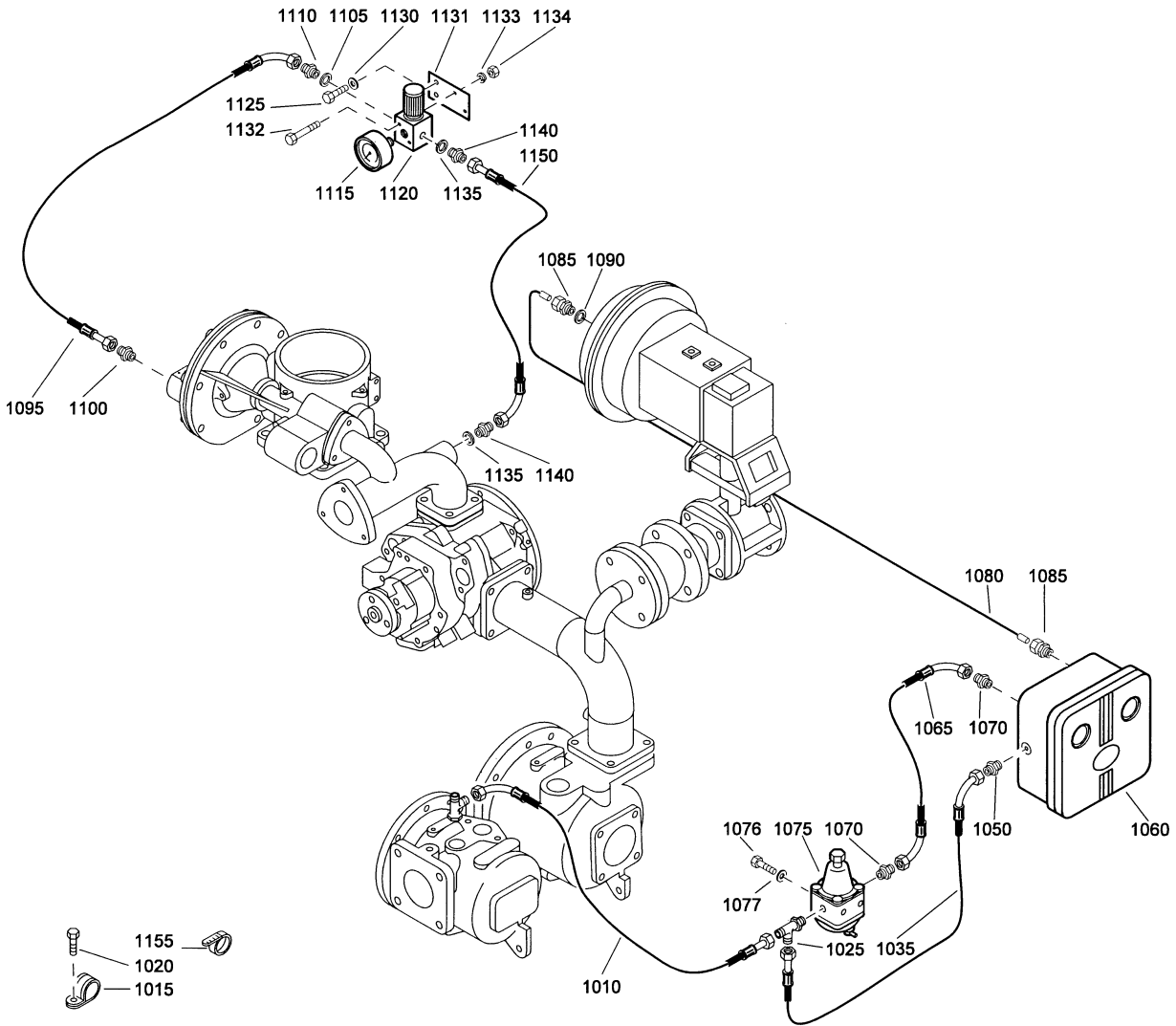
Control module
 Stuurmodule
 Kontrollmodul
 Steuermodul
 Module de commande
 Módulo de mando
 Parti del separatore di condensa

Modulo di controllo
 Kontrollmodul
 Kontrolmodul
 Módulo de comando
 Ohjainlaite

Electro-pneumatic

Ref.	Part number	Qty	Name	Remarks	Ref.	Part number	Qty	Name	Remarks
1010	1621 3462 00	1	Instrum.panel		1225	0584 2022 00	1	Nut	
1015	0301 2321 00	2	Washer		1230	0580 0014 44	1	Straight coupling	
1020	0266 2108 00	2	Nut		1235	0560 4401 10	1	Tee	
1035	1202 9405 00	1	Bushing		1240	0603 4102 03	1	Hexagon nipple	
1040	0661 1000 26	1	Seal washer		1250	1202 7542 00	1	Vacuum gauge	
1055	1202 9405 00	1	Bushing		1255	1621 3742 00	1	Pipe	
1060	0661 1000 26	1	Seal washer		1260	0584 0004 00	1	Cutting ring	
1075	1202 9405 00	1	Bushing		1265	0584 2022 00	1	Nut	
1080	0661 1000 26	1	Seal washer		1270	0580 0014 44	1	Straight coupling	
1095	1202 9405 00	1	Bushing		1275	0661 1000 25	1	Seal washer	
1100	0661 1000 26	1	Seal washer		1285	1619 2841 00	1	Thermometer	
1110	1621 3465 01	1	Pressure gauge		1290	0661 1000 26	1	Seal washer	
1115	1621 3468 00	1	Pipe		1300	1619 2841 00	1	Thermometer	
1120	0584 0004 00	1	Cutting ring		1305	0661 1000 26	1	Seal washer	
1125	0584 2022 00	1	Nut		1315	1619 2841 00	1	Thermometer	
1140	0580 0014 44	1	Straight coupling		1320	0661 1000 26	1	Seal washer	
1145	0661 1000 25	1	Seal washer		1330	0686 3716 38	1	Plug	
1150	1621 3465 03	1	Pressure gauge		1335	0661 1000 26	1	Seal washer	
1155	1621 3469 00	1	Pipe		1360	1621 3474 00	2	Clamp	
1160	0584 0004 00	1	Cutting ring		1365	0147 1326 03	2	Bolt	
1165	0584 2022 00	1	Nut		1370	0266 2110 00	2	Nut	
1170	0580 4802 00	1	Tee coupling		2010	1091 0394 01	1	Pressure switch	
1175	1621 3477 01	1	Pipe		2020	1089 0606 01	1	Press.switch	
1180	0580 0014 44	1	Straight coupling		2026	1088 1001 01	1	Warning mark	
1185	0661 1000 25	1	Seal washer		2027	1088 1501 03	AR	Shrinking hose	
1191	0160 6060 00	2	Screw		2040	1089 0502 31	2	Temp.switch	
1192	0266 2107 00	2	Nut		2050	1089 0502 05	2	Temp.switch	
1193	1621 3471 00	1	Support		2060 1089 0428 14	1	Solenoid valve		
1194	1619 2766 00	2	Bolt		2061	0663 2104 83	2	O-ring	
1195	1621 3470 00	1	Pipe		2070	1621 3644 00	1	Wire harness	
1200	0580 0059 01	1	Coupling		2071	1619 2766 00	1	Bolt	
1210	1621 3465 02	1	Pressure gauge		2080	1088 1305 02	2	Push mount	
1215	1621 3472 00	1	Pipe		2090	1088 1301 02	20	Cable strip	
1220	0584 0004 00	1	Cutting ring						

14



Specific parts
 Specifieke onderdelen
 Specifika delar
 Spezifische Teile
 Pièces spécifiques
 Piezas específicas

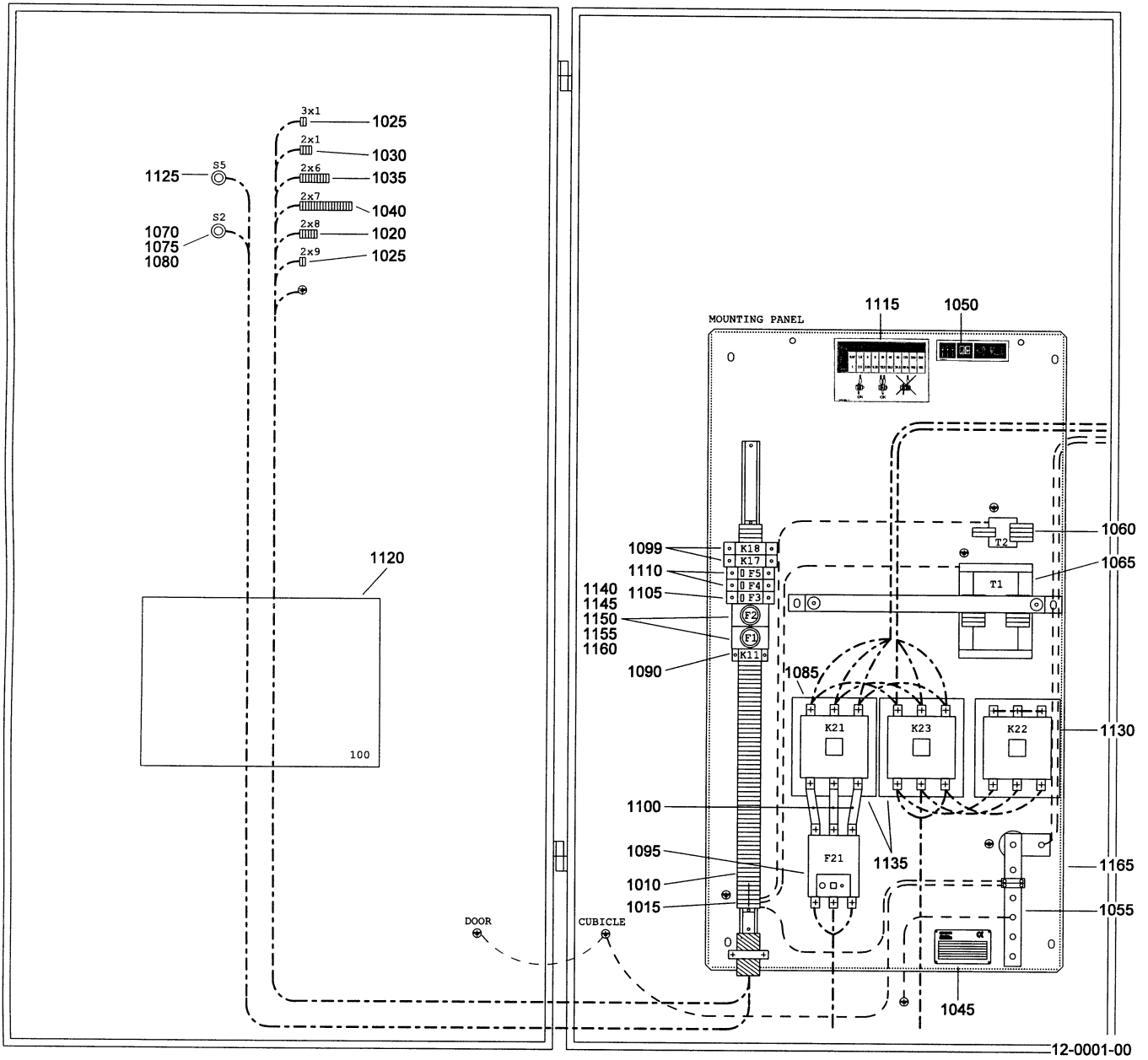
Parti speciali
 Specielle dele
 Peças específicas
 Spesifikke deler
 Erikoisosat

Continuous Capacity Control - 1)

Ref.	Part number	Qty	Name	Remarks	Ref.	Part number	Qty	Name	Remarks
1010	0574 8064 37	1	Hose assembly		1120	9092 0033 01	1	Regulator	
1015	0346 1002 04	1	Pipe clamp		1125	0147 1170 03	2	Bolt	
1020	0147 1244 03	1	Bolt		1130	0333 3214 00	2	Lock washer	
1025	0580 4005 11	1	Pipe coupling		1131	1621 3632 00	1	Support	
1035	0574 8232 06	1	Hose assembly		1132	0147 1323 03	2	Bolt	
1050	0580 0013 16	1	Str.coupling		1133	0333 3227 00	2	Lock washer	
1060	1619 2793 01	1	Press. contr.		1134	0266 2110 00	2	Nut	
1065	0574 8872 11	1	Hose assembly		1135	0661 1000 25	2	Seal washer	
1070	0580 0013 16	2	Str.coupling		1140	0580 0014 45	2	Pipe coupling	
1075	1619 2794 01	1	Press. regul.		1150	0574 8232 24	1	Hose assembly	
1076	0147 1340 03	2	Bolt		1155	1088 1301 02	3	Cable strip	
1077	0301 2335 00	2	Washer						
1080	1621 3636 00	1	Pipe						
1085	0580 0250 00	2	Pipe coupling						
1090	0661 1000 24	1	Seal washer						
1095	0574 8232 15	1	Hose assembly						
1100	0580 0014 46	1	Pipe coupling						
1105	0661 1000 25	1	Seal washer						
1110	0580 0014 45	1	Pipe coupling						
1115	9090 1172 00	1	Gauge						

1) Continuous capacity control / Ononderbroken debietsregeling / Kontinuerlig kapacitetsreglering / Stetige Liefermengenregelung / Contrôle continu du débit / Control continuo de la capacidad / Controllo continuo della portata / Kontinuerlig kapacitetsregulering / Controllo continuo de capacidade / Kontinuerlig kapasitetsregulering / Jatkuva kapasiteetin säätö

15



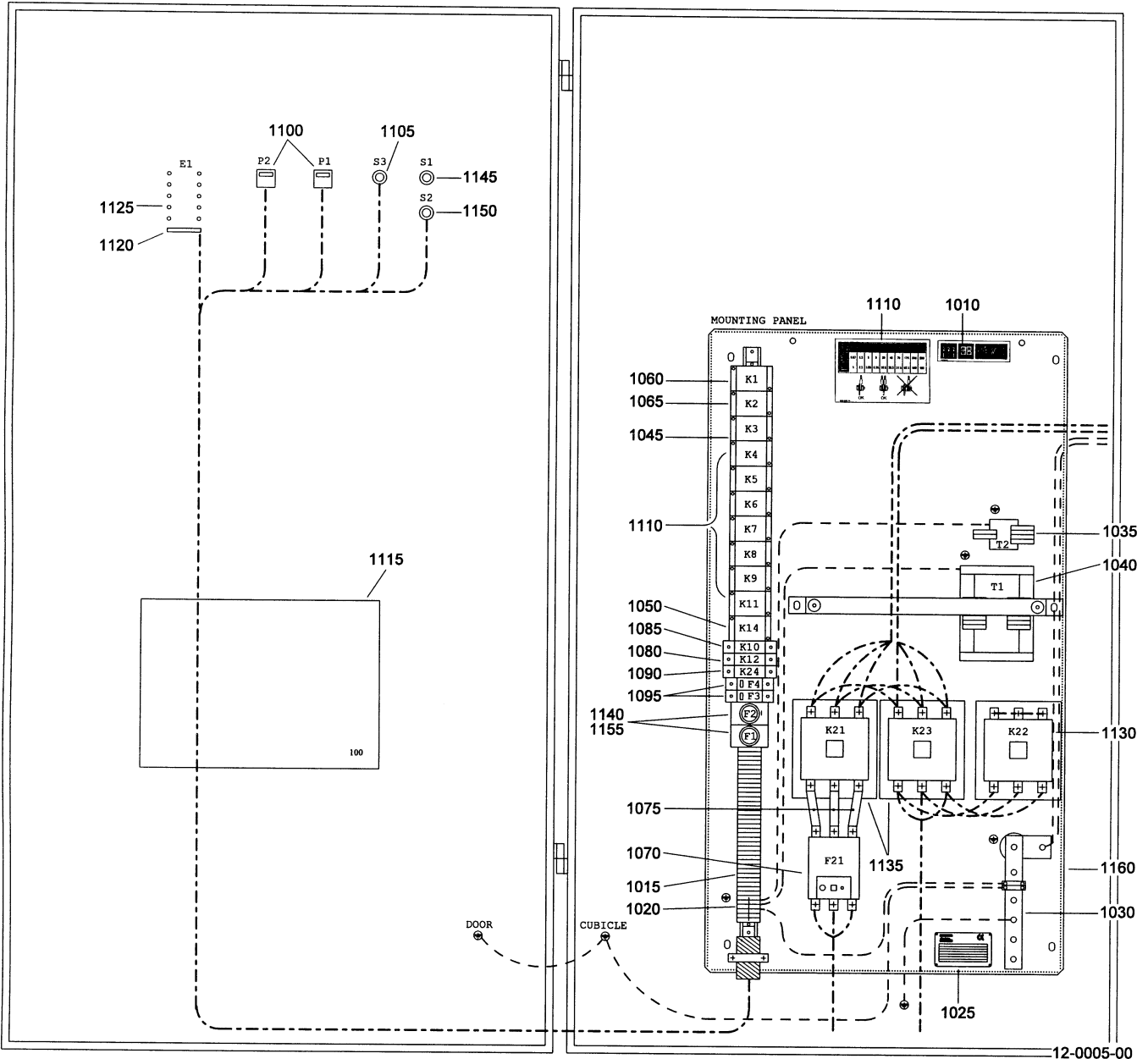
Start cubicle - star/delta
 Startkast - ster/driehoek
 Startskåp - stjärn/triangel
 Anlaßschrank - Stern/Dreieck
 Armoire de démarrage - étoile/triangle
 Cubículo de arranque - estrella/triángulo

Armadio apparecch. di avviamento - stella/triangolo
 Starterskab - stjerne/trekant
 Cubículo-arranque estrela/triángulo
 Startskap - stjerne-trekant
 Käynnistinkotelo -Y/D

Elektronikon - Control Voltage 220V/50Hz

Ref.	Part number	Qty	Name	Remarks	Ref.	Part number	Qty	Name	Remarks
		1	Cubicle		1099		2	Thermistor relay	
	1900 0322 06		ZR110-230V			1089 9278 03		ZR110+Thermistors, ZR132+Thermistors	
	1900 0322 52		ZR110+Thermistors		1100		3	Connecting link	
	1900 0322 02		ZR110			1089 9215 04		ZR110-230V	
	1900 0322 53		ZR132+Thermistors			1089 9215 07		ZR132, ZR145	
	1900 0322 03		ZR132		1105		1	Circuit breaker	
	1900 0322 02		ZR132-500V, ZR145-500V			1089 9203 10		ZR110, ZR132, ZR145	
	1900 0322 05		ZR145			1089 9203 21		ZR110-230V	
1010	1089 0506 09	46	Terminal		1110	1089 9203 04	2	Circuit breaker	
1015	1089 0506 10	6	Terminal		1115	1079 9906 09	1	Label	
1020	1088 0000 06	1	Connector		1120		1	Service diagram	
1025	1088 0024 02	2	Connector			9823 1085 04		ZR132+Thermistors	
1030	1088 0024 04	1	Connector			9823 1085 02		Others	
1035	1088 0024 10	1	Connector		1125	1089 9082 21	1	Key switch	
1040	1088 0024 18	1	Connector		1130		1	Contacto	
1045	1613 6639 00	1	Data plate			1089 9221 10		ZR110-230V	
1050	1079 9901 68	1	Label			1089 9221 08		ZR110, ZR145-500V	
1055	1900 0003 02	1	Earth rail			1089 9221 97		ZR132, ZR145	
1060	1089 9136 15	1	Transfo		1135		2	Contacto	
1065		1	Transfo			1089 9221 09		ZR110, ZR145-500V	
	1089 9136 16		ZR110, ZR132, ZR145-500V			1089 9221 10		ZR110-230V, ZR145	
	1089 9136 22		ZR110-230V, ZR145			1089 9221 97		ZR132	
1070	1089 0362 39	1	Emergency stop		1140	1089 9092 07	2	Fuse	
1075	1089 0362 40	1	Contact block 2NC		1145	1089 9325 03	2	Fuse holder	
1080	1089 0362 41	1	Contact block 1NC		1150	1089 9325 26	2	Fuse calibration screw	
1085	1089 9221 95	1	Auxil. contact block		1155	1089 9325 52	2	Fuse holder screw	
1090	1089 9388 01	1	Interfase relay		1160	1089 9325 75	2	Fuse holder protection	
1095		1	Overload relay		1165	1621 3200 00	1	Mounting plate	
	1089 9174 04		ZR110-230V						
	1089 9205 15		ZR110, ZR145-500V						
	1089 9205 07		ZR132						
	1089 9205 08		ZR145						

16

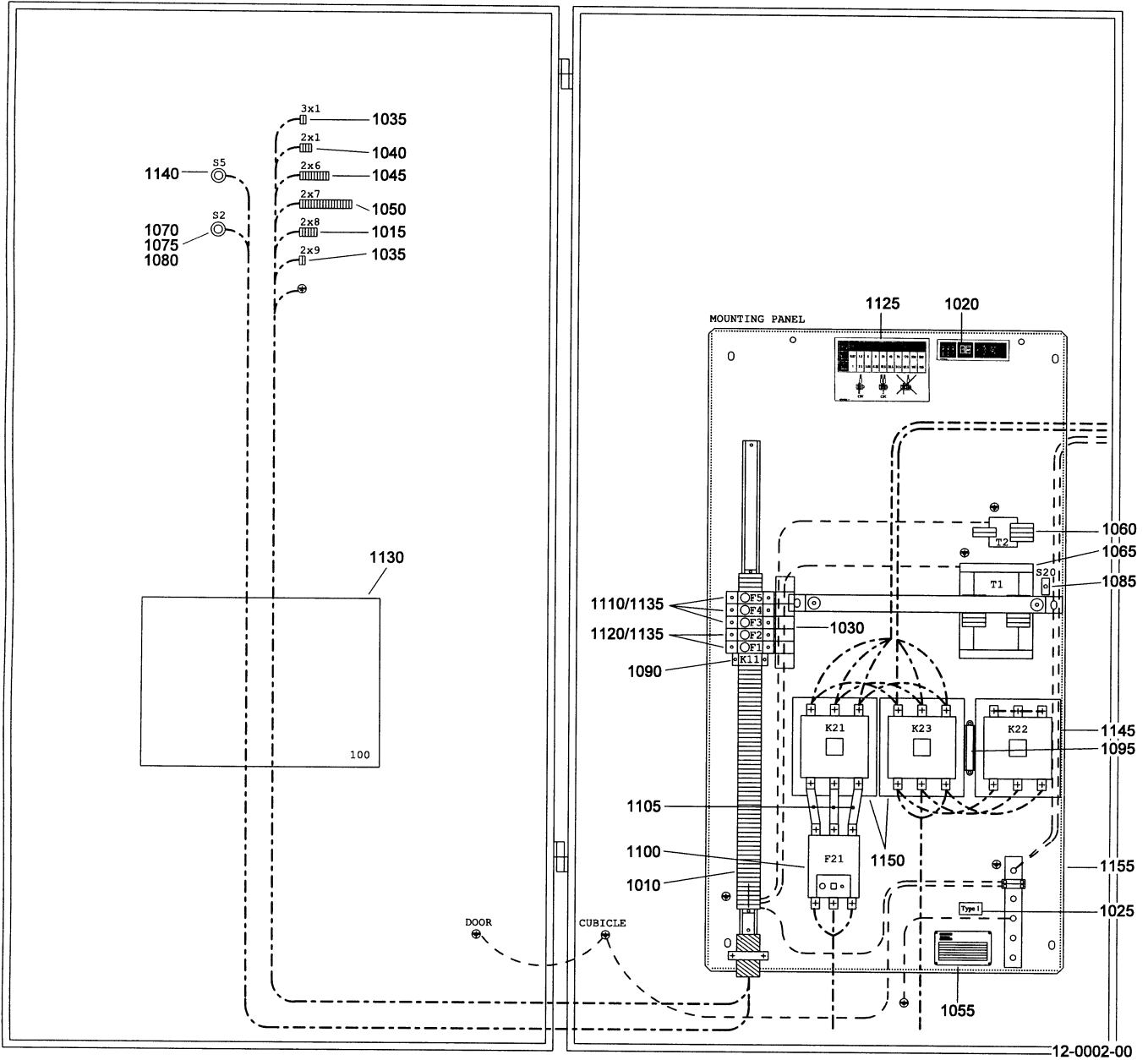


Start cubicle - star/delta	Armadio apparecch. di avviamento - stella/triangolo
Startkast - ster/driehoek	Starterskab - stjerne/trekant
Startskåp - stjärn/triangel	Cúbiculo-arranque estrela/triángulo
Anlaßschrank - Stern/Dreieck	Startskap - stjerne-trekant
Armoire de démarrage - étoile/triangle	Käynnistinkotelo -Y/D
Cubículo de arranque - estrella/triángulo	

Electro-pneumatic - Control Voltage 220V/50Hz

Ref.	Part number	Qty	Name	Remarks	Ref.	Part number	Qty	Name	Remarks
		1	Cubicle		1097		• 1	Circuit breaker	
	1900 0324 06		ZR110-230V			1089 9203 10		ZR110, ZR132, ZR145-500V	
	1900 0324 52		ZR110+Thermistors			1089 9203 03		ZR110-230V, ZR145	
	1900 0324 02		ZR110		1099		• 2	Thermistor relay	
	1900 0324 53		ZR132+Thermistors			1089 9278 03		ZR110+Thermistors, ZR132+Thermistors	
	1900 0324 03		ZR132						
	1900 0324 02		ZR145-500V		1100	1089 9142 11	• 2	Hourmeter	
	1900 0324 05		ZR145		1105	1089 9051 03	• 1	Switch	
1010	1079 9901 68	• 1	Label		1110	1079 9905 11	• 1	Label	
1015	1089 0506 09	• 42	Terminal		1115		• 1	Service diagram	
1020	1089 0506 10	• 7	Terminal			9823 1086 04		Thermistors	
1025	1613 6639 00	• 1	Data plate			9823 1086 02		Others	
1030	1900 0003 02	• 1	Earth rail		1120	1900 9999 01	• 1	Connector	
1035	1089 9135 01	• 1	Transfo		1125	1900 0021 07	• 1	Led display	
1040		• 1	Transfo		1130		• 1	Contactor	
	1089 9136 16		ZR110, ZR132, ZR145-500V			1089 9221 10		ZR110-230V	
	1089 9136 22		ZR110-230V, ZR145			1089 9221 08		ZR110, ZR145-500V	
1045	1089 9146 03	• 7	Relay			1089 9221 97		ZR132, ZR145	
1050	1089 9146 02	• 1	Relay		1135		• 2	Contactor	
1055	1089 9146 10	• 1	Relay			1089 9221 09		ZR110, ZR145-500V	
1060	1089 9146 08	• 1	Relay			1089 9221 10		ZR110-230V, ZR145	
1065	1089 9146 62	• 1	Relay			1089 9221 97		ZR132	
1070		• 1	Overload relay		1140		• 2	Fuse	
	1089 9174 04		ZR110-230V			1089 9092 07		ZR110-230V, ZR145	
	1089 9205 15		ZR110, ZR145-500V			1089 9092 06		ZR110, ZR145-500V	
	1089 9205 07		ZR132		1145	1089 0362 04	• 1	Push button	
	1089 9205 08		ZR145		1150	1089 0362 05	• 1	Push button	
1075		• 3	Connecting link		1155		• 2	Fuse holder	
	1089 9215 04		ZR110-230V			1089 9083 12		ZR110, ZR145-500V	
	1089 9215 07		ZR132, ZR145			1089 9083 11		Others	
1080	1089 9277 05	• 1	Time relay		1160	1614 8109 00	• 1	Mounting plate	
1085	1089 9277 02	• 1	Time relay						
1090	1089 9271 06	• 1	Y-D Time relay						
1095		• 1	Circuit breaker						
	1089 9203 10		ZR110, ZR132, ZR145						
	1089 9203 21		ZR110-230V						

17

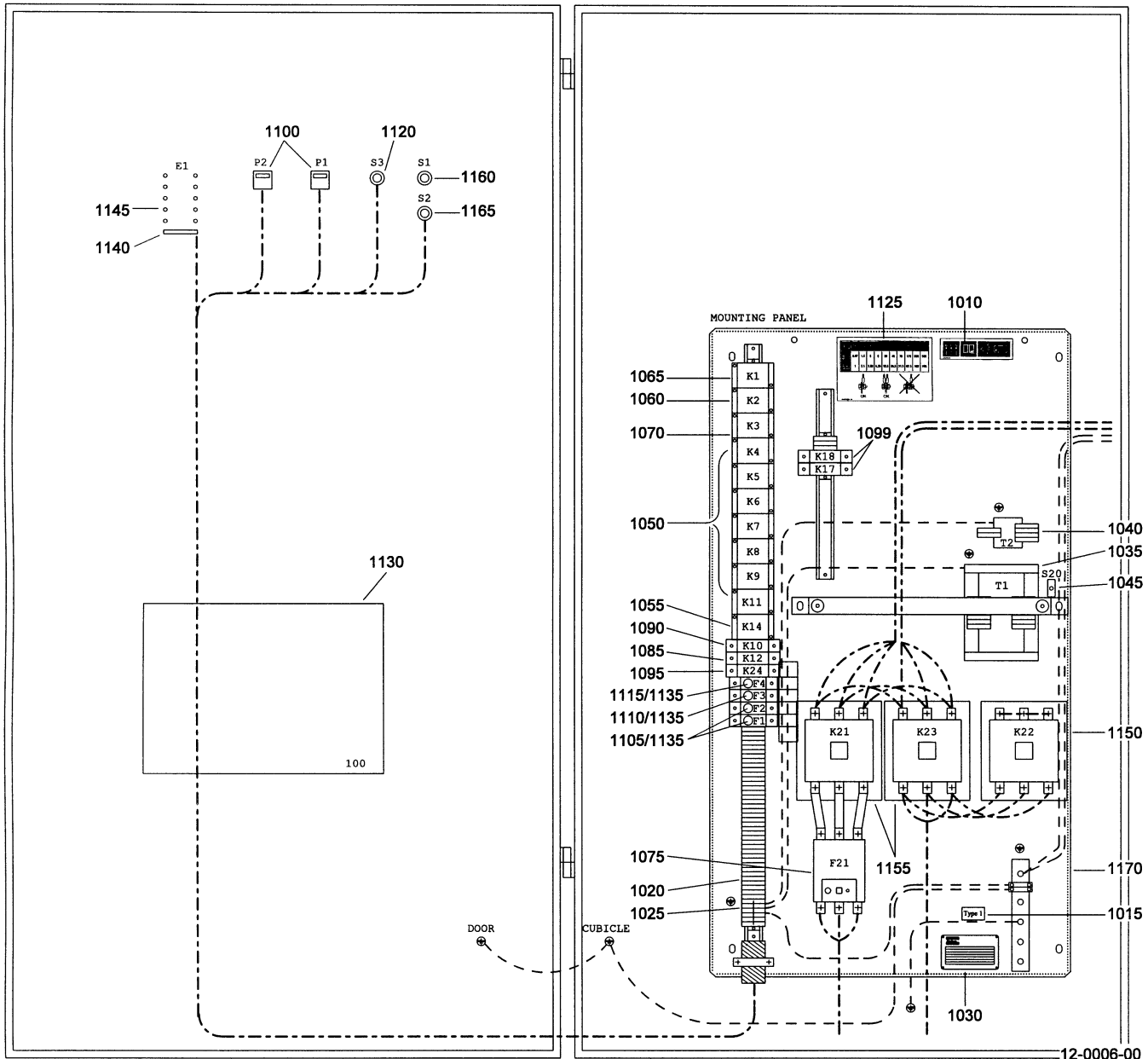


Start cubicle - star/delta
 Startkast - ster/driehoek
 Startskåp - stjärn/triangel
 Anlaßschrank - Stern/Dreieck
 Armoire de démarrage - étoile/triangle
 Cubículo de arranque - estrella/triángulo

Armadio apparecch. di avviamento - stella/triangolo
 Starterskab - stjerne/trekant
 Cubículo-arranque estrela/triángulo
 Startskap - stjerne-trekant
 Käynnistinkotelo -Y/D

Elektronikon - Control Voltage 115V/60Hz

Ref.	Part number	Qty	Name	Remarks	Ref.	Part number	Qty	Name	Remarks
		1	Cubicle		1100		1	Overload relay	
	1900 0323 53		ZR110+Thermistors			1089 9174 02		220-230V	
	1900 0323 08		ZR110-220-230V			1089 9174 01		ZR110-380V	
	1900 0323 06		ZR110-380V			1089 9205 05		ZR110-440-460V	
	1900 0323 03		ZR110-440-460V			1089 9205 14		ZR110-575V	
	1900 0323 01		ZR110-575V			1089 9205 07		ZR145-440-460V	
	1900 0323 54		ZR145+Thermistors			1089 9205 25		ZR145-575V	
	1900 0323 09		ZR145-220-230V		1105		3	Connecting link	
	1900 0323 07		ZR145-380V			1089 9215 03		220-230V	
	1900 0323 04		ZR145-440-460V			1089 9215 02		ZR110-380V,	
	1900 0323 02		ZR145-575V					ZR145-440-460V	
1010	1089 0506 09	54	Terminal			1089 9215 07		ZR110-440-460V,	
1015	1088 0000 06	1	Connector					ZR145-575V	
1020	1079 9901 68	1	Label		1110			Fuse	
1025	1079 9911 01	1	Label			1089 9168 04	1	ZR145-220-230V	
1030		1	Label			1089 9168 02	2	ZR145-220-230V	
	1079 9918 90		ZR145-220-230V			1089 9168 02	3	ZR110, ZR145-440-460V,	
	1079 9918 89		ZR110-220-230V, 380V,					ZR145-575V	
			440-460V		1115		2	Thermistor relay	
	1079 9918 88		575V			1089 9278 02		ZR110+Thermistors,	
1035		2	Connector					ZR145+Thermistors	
	1088 0024 02		440-460V		1120		2	Fuse	
	1088 0014 02		220-230V, 380V, 575V			1089 9168 26		ZR145-220-230V	
1040		1	Connector			1089 9168 25		ZR110-220-230V, 380V,	
	1088 0024 04		440-460V					440-460V	
	1088 0014 04		220-230V, 380V, 575V			1089 9168 24		575V	
1045		1	Connector		1125	1079 9905 11	1	Label	
	1088 0024 10		440-460V		1130		1	Service diagram	
	1088 0014 10		220-230V, 380V, 575V			9823 1085 24		Thermistors	
1050		1	Connector			9823 1085 22		Others	
	1088 0024 18		440-460V		1135	1089 9049 04	5	Fuse holder	
	1088 0014 18		220-230V, 380V, 575V		1140	1089 9082 21	1	Key switch	
1055	1613 3046 00	1	Data plate		1145		1	Contactator	
1060	1089 9136 28	1	Transfo			1089 9221 43		ZR110-220-230V	
1065		1	Transfo			1089 9221 50		ZR145-220-230V	
	1089 9136 25		ZR145-220-230V			1089 9221 49		380V	
	1089 9136 24		ZR110-220-230V, 380V,			1089 9221 48		440-460V	
			440-460V			1089 9221 47		575V	
	1089 9136 23		575V		1150		2	Contactator	
1070	1089 0362 39	1	Emergency stop			1089 9221 94		ZR110-220-230V	
1075	1089 0362 40	1	Contact block 2NC			1089 9221 50		ZR110-380V, ZR145-380V	
1080	1089 0362 41	1	Contact block 1NC			1089 9221 49		ZR110-440-460V	
1085	1089 0304 04	1	Limit switch			1089 9221 48		ZR110-575V	
1090	1089 9146 69	1	Relay			1089 9221 51		ZR145-220-230V	
1095		1	Interlock			1089 9221 43		ZR145-440-460V	
	1089 9216 99		ZR145-220-230V			1089 9221 93		ZR145-575V	
	1089 9216 03		ZR110-220-230V, 380V, 440-		1155	1621 3200 00	1	Mounting plate	
			460V, 575V						



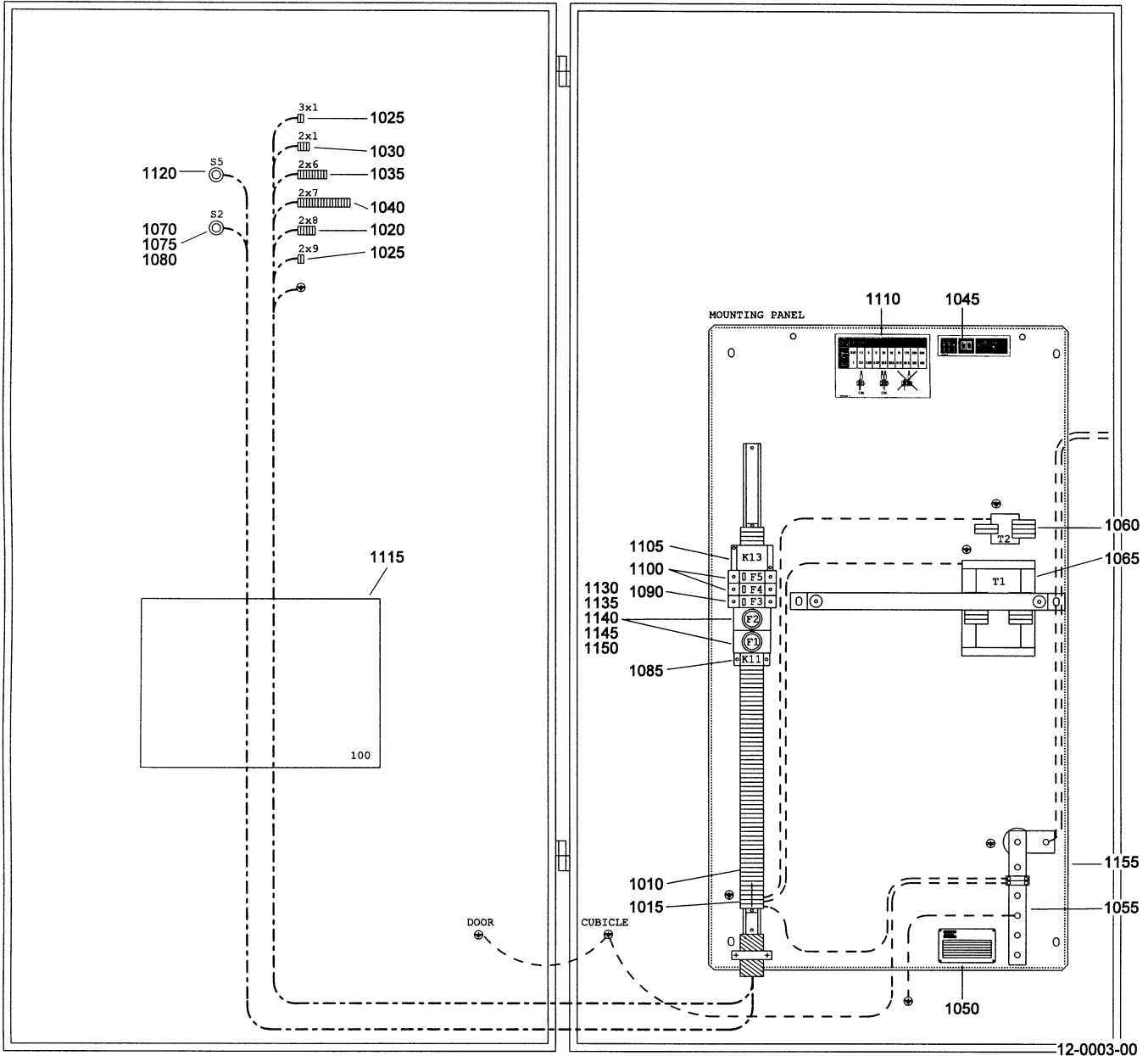
Start cubicle - star/delta
 Startkast - ster/driehoek
 Startskåp - stjärn/triangel
 Anlaßschrank - Stern/Dreieck
 Armoire de démarrage - étoile/triangle
 Cubículo de arranque - estrella/triángulo

Armadio apparecch. di avviamento - stella/triangolo
 Starterskab - stjerne/trekant
 Cubículo-arranque estrela/triángulo
 Startskap - stjerne-trekant
 Käynnistinkotelo -Y/D

Electro-pneumatic - Control Voltage 115V/60Hz

Ref.	Part number	Qty	Name	Remarks	Ref.	Part number	Qty	Name	Remarks
		1	Cubicle		1085	1089 9277 04•	1	Time relay	
	1900 0325 53		ZR110+Thermistors		1090	1089 9277 01•	1	Time relay	
	1900 0325 06		ZR110-380V		1095	1089 9271 04•	1	Y-D Time relay	
	1900 0325 03		ZR110-440-460V		1099	•	2	Thermistor relay	
	1900 0325 01		ZR110-575V			1089 9278 03		ZR110+Thermistors, ZR145+Thermistors	
	1900 0325 54		ZR145+Thermistors		1100	1089 9142 14•	2	Hourmeter	
	1900 0325 07		ZR145-380V		1105	1089 9168 24•	2	Fuse	
	1900 0325 04		ZR145-440-460V		1110	1089 9168 30•	1	Fuse	
	1900 0325 02		ZR145-575V		1115	1089 9168 09•	1	Fuse	
1010	1079 9901 68•	1	Label		1120	1089 9051 11•	1	Switch	
1015	1079 9911 01•	1	Label		1125	1079 9905 11•	1	Label	
1020	1089 0506 09•	44	Terminal		1130	•	1	Service diagram	
1025	1089 0506 10•	7	Terminal			9823 1086 24		Thermistors	
1030	1613 3046 00•	1	Data plate			9823 1086 22		Others	
1035	•	1	Transfo		1135	1089 9049 04•	4	Fuse terminal	
	1089 9136 24		380V, 440-460V		1140	1900 9999 01•	1	Connector	
	1089 9136 23		575V		1145	1900 0021 07•	1	Led display	
1040	1089 9135 03•	1	Transfo		1150	•	1	Contacto	
1045	1089 0304 04•	1	Limit switch			1089 9221 49		380V	
1050	1089 9146 33•	7	Relay			1089 9221 48		440-460V	
1055	1089 9146 32•	1	Relay			1089 9221 47		575V	
1060	1089 9146 40•	1	Relay		1155	•	2	Contacto	
1065	1089 9146 38•	1	Relay			1089 9221 50		380V	
1070	1089 9146 86•	1	Relay			1089 9221 49		ZR110-440-460V	
1075	•	1	Overload relay			1089 9221 48		ZR110-575V	
	1089 9174 01		ZR110-380V			1089 9221 43		ZR145-440-460V	
	1089 9205 05		ZR110-440-460V			* * *		ZR145-575V	
	1089 9205 14		ZR110-575V		1160	1089 0362 04•	1	Push button	
	1089 9174 04		ZR145-380V		1165	1089 0362 05•	1	Push button	
	1089 9205 07		ZR145-440-460V		1170	1614 8109 00•	1	Mounting plate	
	* * *		ZR145-575V						

19

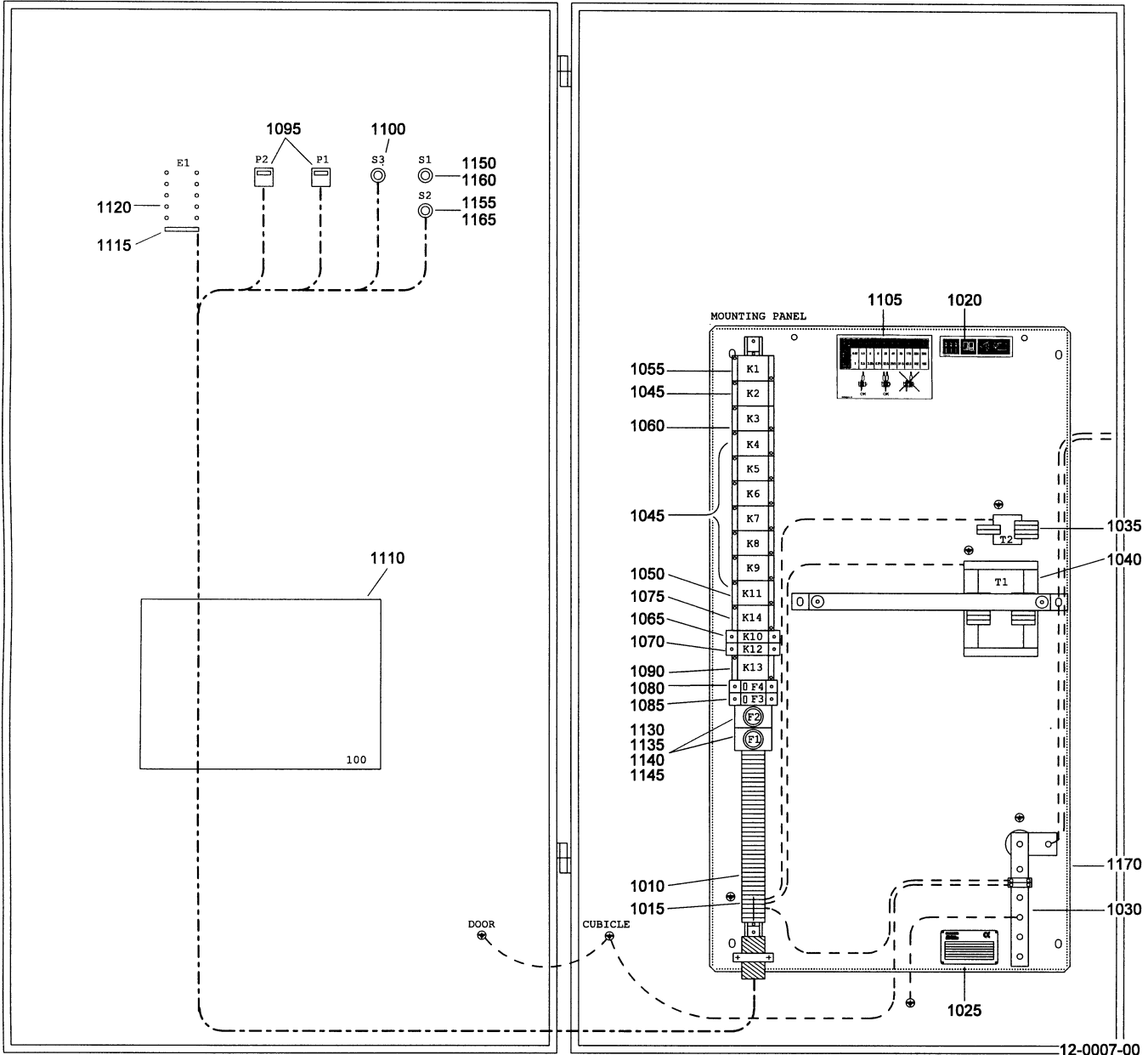


Start cubicle, empty (with regulator)	Armadio apparecch. di avviamento, vuoto (con regolatore)
Startkast, leeg (met regelaar)	Starterskab, tomt (m. regulator)
Startskåp, tomt (med regulator)	Cubículo-Arranque, vacío (con regulador)
Anlaßschrank, leer (mit Regler)	Startskåp - tomt (med regulator)
Armoire de démarrage, vide (avec régulateur)	Käynnistinkotelo - kalustamaton (säätimieeen)
Cubículo de arranque, vacío (con regulador)	

Elektronikon - 50Hz, Japan

Ref.	Part number	Qty	Name	Remarks	Ref.	Part number	Qty	Name	Remarks
	1900 0322 16	1	Cubicle		1075	1089 0362 40•	1	Contact block 2NC	
	1900 0322 15		Japan		1080	1089 0362 41•	1	Contact block INC	
			50Hz		1085	1089 9388 01•	1	Interfase relay	
1010	1089 0506 09•	47	Terminal		1095	1089 9203 11•	1	Circuit breaker	
1015	1089 0506 10•	4	Terminal		1100	1089 9203 04•	2	Circuit breaker	
1020	1088 0000 06•	1	Connector		1105	1089 9300 08•	1	Relay	
1025	1088 0024 02•	2	Connector		1110	1079 9906 09•	1	Label	
1030	1088 0024 04•	1	Connector		1115	•	1	Service diagram	
1035	1088 0024 10•	1	Connector			9823 1085 05		Japan	
1040	1088 0024 18•	1	Connector			9823 1085 01		50Hz	
1045	1079 9901 68•	1	Label		1120	1089 9082 21•	1	Key switch	
1050	1613 6639 00•	1	Data plate		1130	1089 9092 07•	2	Fuse	
1055	1900 0003 02•	1	Earth rail		1135	1089 9325 03•	2	Fuse holder	
1060	1089 9136 15•	1	Transfo		1140	1089 9325 26•	2	Fuse calibration screw	
1065	•	1	Transfo		1145	1089 9325 52•	2	Fuse holder screw	
	1089 9136 80		Japan		1150	1089 9325 75•	2	Fuse holder protection	
	1089 9136 14		50Hz		1155	1621 3200 00•	1	Mounting plate	
1070	1089 0362 39•	1	Emergency stop						

20



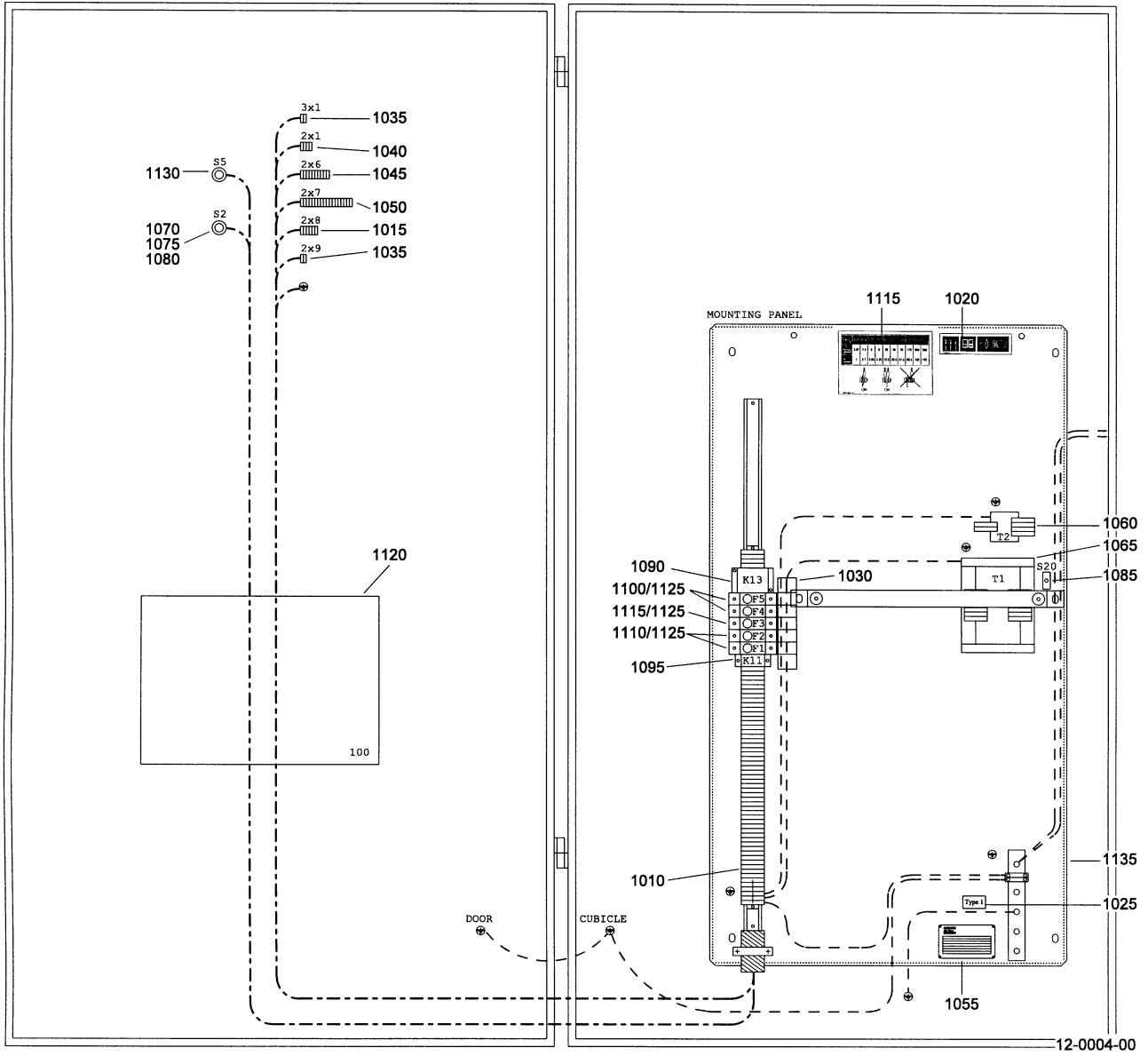
12-0007-00

Start cubicle, empty (with regulator)	Armadio apparecch. di avviamento, vuoto (con regolatore)
Startkast, leeg (met regelaar)	Starterskab, tomt (m. regulator)
Startskåp, tomt (med regulator)	Cubículo-Arranque, vacío (con regulador)
Anlaßschrank, leer (mit Regler)	Startskåp - tomt (med regulator)
Armoire de démarrage, vide (avec régulateur)	Käynnistinkotelo - kalustamaton (säätimieinen)
Cubículo de arranque, vacío (con regulador)	

Electro-pneumatic - 50Hz / Japan - 60 Hz

Ref.	Part number	Qty	Name	Remarks	Ref.	Part number	Qty	Name	Remarks
	1900 0324 15	1	Cubicle		1075	1089 9279 12	1	Relay	
	1900 0324 17		50Hz		1080	1089 9203 10	1	Circuit breaker	
			Japan - 60Hz		1085	1089 9203 11	1	Circuit breaker	
1010	1089 0506 09	47	Terminal		1090	1089 9300 08	1	Relay	
1015	1089 0506 10	7	Terminal		1095		2	Hourmeter	
1020	1079 9901 68	1	Label			1089 9142 11		50Hz	
1025	1613 6639 00	1	Data plate			1089 9142 12		Japan - 60Hz	
1030	1900 0003 02	1	Earth rail		1100	1089 9051 01	1	Switch	
1035	1089 9135 01	1	Transfo		1105	1079 9906 09	1	Label	
1040		1	Transfo		1110		1	Service diagram	
	1089 9136 14		50Hz			9823 1086 01		50Hz	
	1089 9136 80		Japan - 60Hz			9823 1086 05		Japan - 60Hz	
1045		7	Relay		1115	1900 9999 01	1	Connector	
	1089 9146 03		50Hz		1120	1900 0021 09	1	Led display	
	1089 9300 07		Japan - 60Hz		1125	1089 9092 07	2	Fuse	
1050		1	Relay		1130	1089 9325 03	2	Fuse holder	
	1089 9146 02		50Hz		1135	1089 9325 26	2	Fuse calibration screw	
	1089 9300 08		Japan - 60Hz		1140	1089 9325 52	2	Fuse holder screw	
1055		1	Relay		1145	1089 9325 75	2	Fuse holder protection	
	1089 9146 08		50Hz		1150	1089 0362 42	1	Push button	
1060		1	Relay		1155	1089 0362 43	1	Push button	
	1089 9146 06		50Hz		1160	1089 0362 44	1	Contactblock 1NO	
1065	1089 9277 02	1	Time relay		1165	1089 0362 45	1	Contactblock 1NC	
1070	1089 9277 08	1	Time relay		1170	1621 3200 00	1	Mounting plate	

21



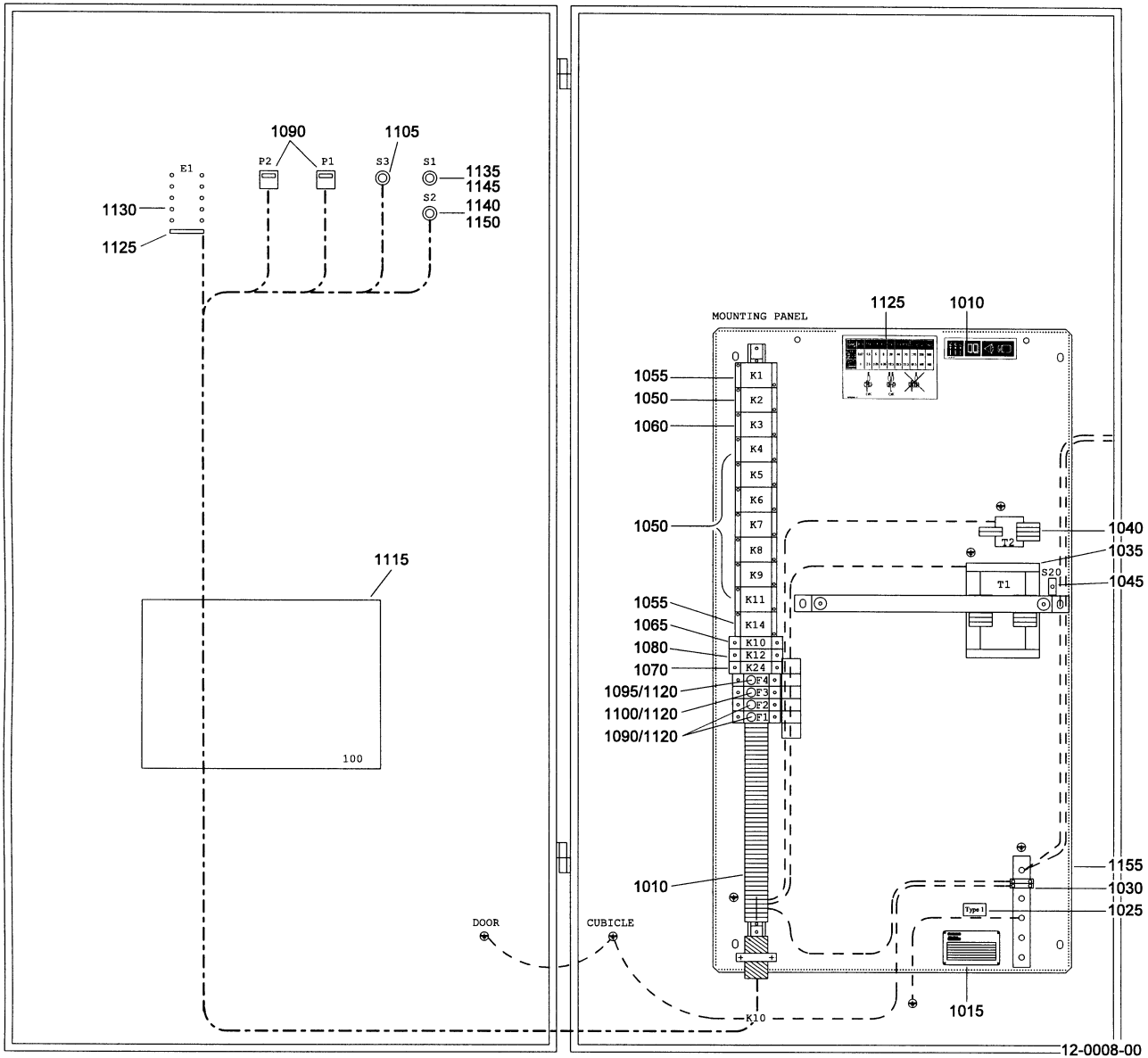
Start cubicle, empty (with regulator)	Armadio apparecch. di avviamento, vuoto (con regolatore)
Startkast, leeg (met regelaar)	Starterskab, tomt (m. regulator)
Startskåp, tomt (med regulator)	Cubículo-Arranque, vacío (con regulador)
Anlaßschrank, leer (mit Regler)	Startskap - tomt (med regulator)
Armoire de démarrage, vide (avec régulateur)	Käynnistinkotelo - kalustamaton (säätimineen)
Cubículo de arranque, vacío (con regulador)	

21

Elektronikon - 60 Hz - CSA/UL

Ref.	Part number	Qty	Name	Remarks	Ref.	Part number	Qty	Name	Remarks
	1900 0323 15	1	Cubicle		1075	1089 0362 40●	1	Contact block 2NC	
1010	1089 0506 09●	55	Terminal		1080	1089 0362 41●	1	Contact block 1NC	
1015	1088 0000 06●	1	Connector		1085	1089 0304 04●	1	Limit switch	
1020	1079 9901 68●	1	Label		1090	1089 9146 33●	1	Relay	
1025	1079 9911 01●	1	Label		1095	1089 9146 69●	1	Relay	
1030	1079 9918 90●	1	Label		1100	1089 9168 02●	2	Fuse	
1035	1088 0024 02●	2	Connector		1105	1089 9168 04●	1	Fuse	
1040	1088 0024 04●	1	Connector		1110	1089 9168 26●	2	Fuse	
1045	1088 0024 10●	1	Connector		1115	1079 9905 11●	1	Label	
1050	1088 0024 18●	1	Connector		1120	9823 1085 21●	1	Service diagram	
1055	1613 3046 00●	1	Data plate		1125	1089 9049 04●	2	Fuse terminal	
1060	1089 9136 28●	1	Transfo		1130	1089 9082 21●	1	Key switch	
1065	1089 9136 25●	1	Transfo		1135	1621 3200 00●	1	Mounting plate	
1070	1089 0362 39●	1	Emergency stop						

22



Start cubicle, empty (with regulator)	Armadio apparecch. di avviamento, vuoto (con regolatore)
Startkast, leeg (met regelaar)	Starterskab, tomt (m. regulator)
Startskåp, tomt (med regulator)	Cubículo-Arranque, vacío (con regulador)
Anlaßschrank, leer (mit Regler)	Startskåp - tomt (med regulator)
Armoire de démarrage, vide (avec régulateur)	Käynnistinkotelo - kalustamaton (säätimineen)
Cubículo de arranque, vacío (con regulador)	

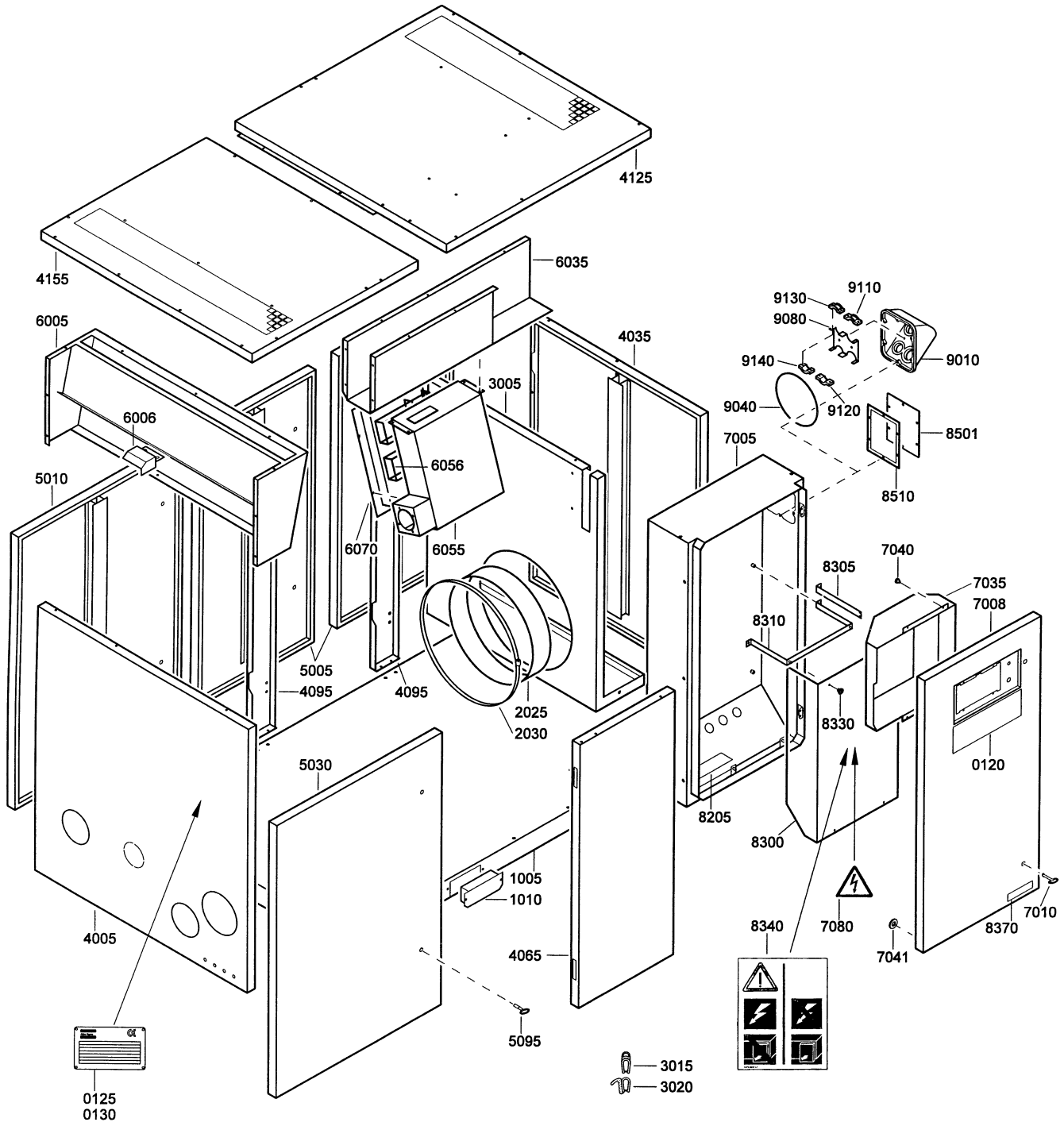
Electro-pneumatic - 60 Hz - CSA/UL

Ref.	Part number	Qty	Name	Remarks	Ref.	Part number	Qty	Name	Remarks
	1900 0325 15	1	Cubicle		1080	1089 9277 07•	1	Time relay	
1010	1089 0506 09•	52	Terminal		1085	1089 9142 14•	2	Hourmeter	
1015	1613 3046 00•	1	Data plate		1090	1089 9168 04•	1	Fuse	
1020	1079 9901 68•	1	Label		1095	1089 9168 26•	2	Fuse	
1025	1079 9911 01•	1	Label		1100	1089 9168 09•	1	Fuse	
1030	1613 4595 00•	1	Earth rail		1105	1089 9051 11•	1	Switch	
1035	1079 9918 80•	1	Label		1110	1079 9906 09•	1	Label	
1040	1089 9136 28•	1	Transfo		1115	9823 1086 22•	1	Service diagram	
1045	1089 9136 25•	1	Transfo		1120	1089 9049 04•	4	Fuse terminal	
1050	1089 9146 33•	7	Relay		1125	1900 9999 01•	1	Connector	
1050	1089 9146 32•	1	Relay		1130	1900 0021 09•	1	Led display	
1055	1089 9146 38•	1	Relay		1135	1089 0362 42•	1	Push button	
1060	1089 9146 36•	1	Relay		1140	1089 0362 43•	1	Push button	
1065	1089 9277 01•	1	Time relay		1145	1089 0362 44•	1	Contactblock 1NO	
1070	1089 9271 04•	1	Time relay		1150	1089 0362 45•	1	Contactblock 1NC	
1075	1089 9279 11•	1	Relay		1155	1621 3200 00•	1	Mounting plate	

23 Bodywork
Carrosserie
Karosseri
Karosserie
Capotage
Carroceria

Cappottatura
Karosseri
Carroceria
Kabinett
Kotelo

Arr. E



10-0001-01

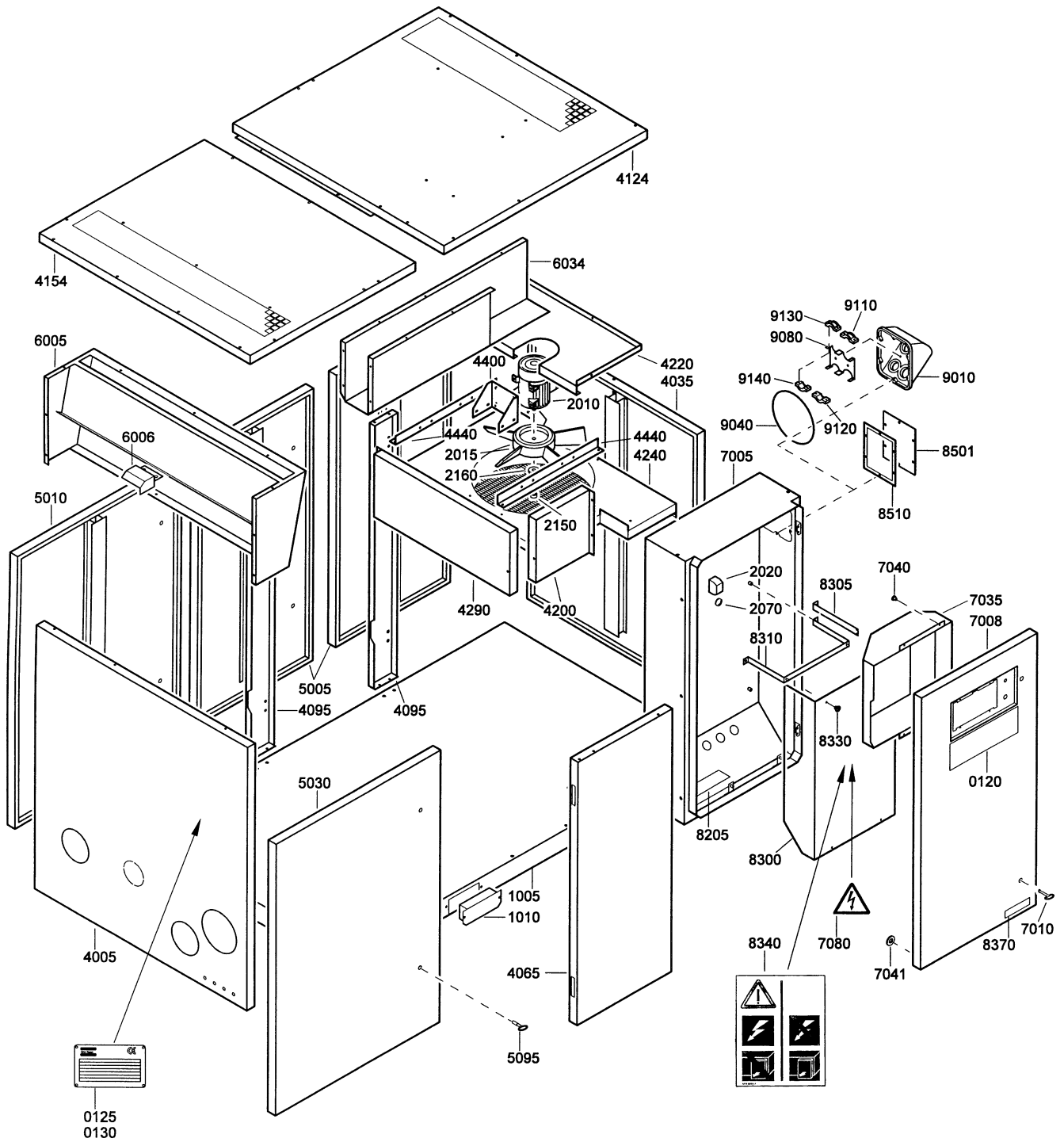
Ref.	Part number	Qty	Name	Remarks	Ref.	Part number	Qty	Name	Remarks
0120	1614 8117 12	1	Label		0130	0129 3104 00	1	Blind rivet	
	1614 8117 13		ZR110		1005	1621 3622 00	1	Frame	
	1614 8117 14		ZR132		1010	1613 5702 00	4	Cover	
			ZR145		2025	1621 3031 00	1	Seal strip	1)
0125	1614 8057 01	1	Data plate		2030	2250 2472 06	1	Hose clip	1)
	1614 8057 05		50Hz						
			60Hz						

Ref.	Part number	Qty	Name	Remarks	Ref.	Part number	Qty	Name	Remarks
	1621 3029 80	1	Baffle Siemens motor 1LA6 310, - 313		7040	1614 6596 00	3	Knurled nut Elektronikon	
	1621 3029 81	---	---	1)	7041	1088 0019 06	1	Washer Elektronikon	
	1621 3029 82	1	Siemens motor 1LA6 316	2)	7080	1088 1001 04	1	Warning mark	
3005	•	1	Baffle		8205	1613 5330 00	1	Listing mark	
3015	1619 2473 00	•	AR Seal		8300		1	Screen	
3020	1619 2665 00	•	AR Seal			1621 3201 00	1	50Hz	
4005	1621 3514 80	1	Panel Hot air	2)5)	8305	1614 6973 00	1	Bracket 60Hz,C	
	1621 3582 80		Energy recovery		8310		1	Bracket 50Hz	
	1621 3196 80	•	Others		8330	1621 3035 00	4	Knurled nut	
		1	Strip		8340	1614 6596 00	1	Label	
	1613 1312 01		L = 780	Hot air		1079 9901 67	1	50Hz	
	1613 1312 07		L = 525	Hot air	8370		1	Label	
	1613 1312 24		L = 590	Others		1613 3431 00	1	60Hz,C	
	1613 1312 25		L = 720	Others	8501		1	Flange 60Hz,C	
	0581 0000 43	•	4 Pipe coupling		8510	1614 7146 00	1	Gasket 60Hz,C	
	0661 1025 00	•	4 Sealing washer			1614 7145 00	1	Cable box 50Hz	
	1614 7293 00	•	1 Decal		9010	1614 6571 00	•	1 Cable box	
	1079 9913 79	•	1 Inform.label		9040	1614 6567 00	•	1 Seal	
	1079 9913 69	•	1 Inform.label		9080	1614 6566 00	•	1 Plate	
4035	1621 3455 80	1	Front panel	2)	9110	1614 6562 00	•	2 Clamp	
4065	1621 3633 80	1	Side panel CCC - Elektronikon	2)6)	9120	1614 6563 00	•	2 Clamp	
	1621 3051 80		Elektronikon		9130	1614 6564 00	•	2 Clamp	
	1621 3461 80		Electro-pneumatic		9140	1614 6565 00	•	2 Clamp	
	1613 1312 24		L = 630				AR	Bolt	
	1079 9901 09	•	1 Label		0147 1250 03			M6 x 30	
4095	1621 3458 80	2	Side panel	2)5)	0147 1320 03			M8 x 12	
	1079 9901 09	•	1 Label		0147 1322 03			M8 x 16	
4125	1621 3016 80	1	Roof	2)3)	1619 2766 00			M8 x 20	
	1613 1312 15	•	2 Strip L = 990		1619 2766 02			M8 x 70	
4155	1621 3012 80	1	Roof	2)			AR	Srcrow	
	1613 1312 09	•	2 Strip L = 750		0162 4322 00			M4 x 16	
5005	1621 3048 80	2	Door	2)5)			AR	Washer	
	1619 2665 00	•	AR Seal		0301 2321 00			Ø6.4 x 12.5 x 1.6	
5010	1621 3048 81	1	Door	2)5)	0301 2335 00			Ø8.4 x 16 x 1.6	
	1619 2665 00	•	AR Seal				AR	Nut	
	0690 1132 01	•	1 House mark		0266 2108 00			M6	
5030	1621 3047 80	1	Door	2)5)					
	1619 2665 00	•	AR Seal						
5095		2	Key	5)	1)				Without motor / Zonder motor / Utan motor / Ohne Motor / Sans moteur / Sin motor / Senza motore / Uden motor / Sem motor / Uten motor / Ilman moottoria
6005	1621 3306 80	1	Silencer	3)4)	2)...				Lined with / Bekleed met / Beklädd med / Ausgekleidet mit / Garni de / Revestido de / Allineato con / Foret med / Revestido com / Kledd med / Vuorattu :
6006	1621 3298 00	1	Shield		2)				Foam: 1079 0003 29 (AR)
6035	1621 3628 80	1	Air duct	3)	3)				Foam: 1079 0003 33 (AR)
	1621 3046 80	•	CCC - Elektronikon		4)				Foam: 1079 0003 32 (AR)
		1	Foamholder		5)				See "Service kits" / Zie "Service kits" / Se "Service kits" / Siehe "Service kits" / Voir "Service kits" / Véase "Service kits" / Vedere "Kit per la manutenzione" / Se "Service kits" / Ver "Conjuntos de reparação" / Se "Servicesett" / Katso "Huoltotarvikesarjat"
	1621 3559 00	•	CCC - Elektronikon		2906 0300 00	1	Hinge replacement kit		Continuous capacity control / Ononderbroken debietsregeling / Kontinuerlig kapacitetsreglering / Stetige Liefermengenregelung / Contrôle continu du débit / Control continuo de la capacidad / Controllo continuo della portata / Kontinuerlig kapacitetsregulering / Controllo continuo de capacidade / Kontinuerlig kapasitetsregulering / Jatkuva kapasiteetin säätö
	1621 3319 00	•	Cage Others		6)				
6055	1621 3623 80	1	Outlet silencer	3)					
	1621 3628 80		CCC - Elektronikon						
6056	1621 3647 00	1	Foamholder						
6070	1621 3624 80	1	Cover	3)					
	1621 3628 80		CCC - Elektronikon						
7005	1621 3039 80	1	Cubicle	5)					
	1619 5898 02	•	4 Bolt						
	1202 6584 00	•	AR Seal						
7008	1621 3040 80	1	Door	5)					
	1621 3040 80		Elektronikon						
	1621 3463 80		Electro-pneumatic						
7010		2	Key	5)					
7035		1	Box						
	1621 3348 00		Elektronikon						

24 Bodywork
 Carrosserie
 Karosseri
 Karosserie
 Capotage
 Carroceria

Cappottatura
 Karosseri
 Carroceria
 Kabinett
 Kotelo

Arr. 1 - Elektronikon



Ref.	Part number	Qty	Name	Remarks	Ref.	Part number	Qty	Name	Remarks
0120		1	Label		7008 1621 3040 80	1	Door	5)	
	1614 8117 12		ZR110		7010		2	Key	5)
	1614 8117 13		ZR132		7035	1621 3348 00	1	Box	
	1614 8117 14		ZR145		7040	1614 6596 00	3	Knurled nut	
0125		1	Data plate		7041	1088 0019 06	1	Washer	
	1614 8057 01		50Hz		7080	1088 1001 04	1	Warning mark	
	1614 8057 05		60Hz		8205	1613 5330 00	1	Listing mark	
0130	0129 3104 00	1	Blind rivet		8300		1	Screen	
1005	1621 3622 00	1	Frame			1621 3201 00		50Hz	
1010	1613 5702 00	4	Cover		8305		1	Bracket	
2010		1	Fan motor			1614 6973 00		60Hz,C	
	1080 2662 01		50Hz		8310		1	Bracket	
	1080 2663 09		60Hz			1621 3035 00		50Hz	
2015		1	Fan		8330	1614 6596 00	4	Knurled nut	
	1619 5294 00		50Hz		8340		1	Label	
	1619 5295 00		60Hz			1079 9901 67		50Hz	
	2900 0565 00•	8	Fan blade		8370		1	Label	
2020	1089 9336 01	1	Circuit breaker			1613 3431 00		60Hz,C	
2070	1088 0801 31	1	Rubber ring		8501		1	Flange	
2100	0147 1247 03	4	Bolt			1614 7146 00		60Hz,C	
2110	0301 2321 00	4	Washer		8510		1	Gasket	
2120	0266 2108 00	4	Nut			1614 7145 00		60Hz,C	
2150	0147 1205 03	1	Bolt				1	Cable box	
2160	0300 0274 95	1	Plain washer			2000 0011 99		50Hz	
4005	1621 3196 80	1	Panel	2)5)	9010	1614 6571 00•	1	Cable box	
		•	Strip		9040	1614 6567 00•	1	Seal	
	1613 1312 24		L = 590		9080	1614 6566 00•	1	Plate	
	1613 1312 25		L = 720		9110	1614 6562 00•	2	Clamp	
	0581 0000 43•	4	Pipe coupling		9120	1614 6563 00•	2	Clamp	
	0661 1025 00•	4	Sealing washer		9130	1614 6564 00•	2	Clamp	
	1614 7293 00•	1	Decal		9140	1614 6565 00•	2	Clamp	
	1079 9913 79•	1	Inform.label				AR	Bolt	
	1079 9913 69•	1	Inform.label		0147 1250 03			M6 x 30	
4035	1621 3455 80	1	Front panel	2)	0147 1320 03			M8 x 12	
4065	1621 3051 80	1	Side panel	2)	0147 1322 03			M8 x 16	
	1079 9901 09•	1	Label		1619 2766 00			M8 x 20	
4095	1621 3458 80	2	Side panel	2)5)	1619 2766 02			M8 x 70	
	1079 9901 09•	1	Label				AR	Srcw	
4125	1621 3016 80	1	Roof	2)3)	0162 4322 00			M4 x 16	
	1613 1312 15•	2	Strip				AR	Washer	
			L = 990		0301 2321 00			Ø6.4 x 12.5 x 1.6	
4155	1621 3012 80	1	Roof	2)	0301 2335 00			Ø8.4 x 16 x 1.6	
	1613 1312 09•	2	Strip				AR	Nut	
			L = 750		0266 2108 00			M6	
4200	1621 3451 80	1	Baffle	2)					
4220	1621 3445 80	1	Baffle		1)	Without motor / Zonder motor / Utan motor / Ohne Motor / Sans moteur / Sin motor / Senza motore / Uden motor / Sem motor / Uten motor / Ilman moottoria			
4240	1621 3457 80	1	Baffle		2)...4)	Lined with / Bekleed met / Beklädd med / Ausgekleidet mit / Garni de / Revestido de / Allineato con / Foret med / Revestido com / Kledd med / Vuorattu :			
4290	1621 3456 80	1	Baffle	2)		2) Foam: 1079 0003 29 (AR)			
4400	1621 3450 00	1	Support			3) Foam: 1079 0003 33 (AR)			
4440	2252 1360 00	2	Bracket			4) Foam: 1079 0003 32 (AR)			
5005	1621 3048 80	2	Door	2)5)	5)	See "Service kits" / Zie "Service kits" / Se "Service kits" / Siehe "Service kits" / Voir "Service kits" / Véase "Service kits" / Vedere "Kit per la manutenzione" / Se "Service kits" / Ver "Conjuntos de reparação" / Se "Servicesett" / Katso "Huoltotarvikesarjat"			
	1619 2665 00•	AR	Seal			2906 0300 00			
5010	1621 3048 81	1	Door	2)5)		1	Hinge replacement kit		
	1619 2665 00•	AR	Seal						
	0690 1132 01•	1	House mark						
5030	1621 3047 80	1	Door	2)5)					
	1619 2665 00•	AR	Seal						
5095		2	Key	5)					
6005	1621 3306 80	1	Silencer	3)4)					
6006	1621 3298 00	1	Shield						
6035	1621 3046 80	1	Air duct	3)					
	1621 3319 00•	1	Cage						
7005	1621 3039 80	1	Cubicle	5)					
	1619 5898 02•	4	Bolt						
	1202 6584 00•	AR	Seal						

25 Service kits
 Service kits
 Service kits
 Service Kits
 Service kits
 Service kits

Kit per la manutenzione
 Service kits
 Conjuntos de reparação
 Servicesett
 Huoltotarvikesarjat

Ref.	Part number	Qty	Name	Remarks	Ref.	Part number	Qty	Name	Remarks
	2906 0178 00	1	Oil pump kit 60Hz			2906 0371 00	1	HP Compressor element exchange kit	
	0101 1951 36•	1	Pin			0661 1020 00•	5	Gasket	
	0102 0248 00•	1	Pin			0661 1049 00•	1	Gasket	
	0661 1038 00•	2	Seal washer			0663 2103 19•	1	O-ring	
	0661 1049 00•	2	Seal washer			0663 2107 25•	3	O-ring	
	0663 2106 16•	1	O-ring			0663 2107 81•	2	O-ring	
	0663 7126 00•	1	O-ring			0663 2107 89•	1	O-ring	
	1616 5436 00•	1	Oil pump			0663 2107 90•	3	O-ring	
	1616 5439 00•	1	Ring			0663 2107 91•	1	O-ring	
	1616 5533 00•	1	Eccentric ring			0663 2107 92•	1	O-ring	
	1616 6125 00•	2	Ring			0663 2107 94•	1	O-ring	
	1616 6294 00•	1	Key			0686 3716 01•	4	Plug	
						0686 3716 07•	1	Plug	
						1621 3526 00•	1	Gasket	
						9125 6303 00•	1	Seal washer	
	2906 0300 00	1	Hinge replacement kit			2906 0372 00	1	Gearcasing seal kit	
	0162 4322 00•	16	Screw			0661 1020 00•	1	Seal washer	
	1089 9068 01•	1	Key			0661 1038 00•	1	Seal washer	
	1089 9154 02•	1	Key			0661 1056 00•	4	Seal washer	
	1202 7125 00•	1	Lock			0663 2107 81•	8	O-ring	
	1614 8166 00•	1	Hinge			0663 2107 88•	1	O-ring	
	1614 8167 00•	1	Hinge			9125 6303 00•	1	Seal washer	
	1614 8212 00•	1	Hinge			2906 0373 00	1	Oil pump kit 50Hz	
	1614 8213 00•	1	Hinge			0101 1951 36•	1	Pin	
	1614 8214 00•	2	Hinge			0102 0244 00•	1	Pin	
	1614 8215 00•	2	Hinge			0337 0009 24•	1	Key	
	1615 2242 00•	8	Bracket			0663 2106 16•	1	O-ring	
	1619 7704 00•	1	Lock			1616 5439 00•	1	Ring	
	2255 2059 00•	2	Lock			1616 6126 00•	1	Eccentric ring	
	2255 2478 00•	1	Lock			1616 6127 00•	1	Oil pump	
						1616 6294 00•	1	Key	
	2906 0314 00	1	Intercooler drain valve kit			2906 0374 00	1	Check valve kit	
	0661 1020 00•	1	Sealing ring			0500 4510 11•	1	Bushing	
	0663 2107 82•	1	O-ring			0663 2107 15•	2	O-ring	
	0663 2107 85•	1	O-ring			0663 2107 16•	1	O-ring	
	1202 3739 00•	1	Diaphragm			0663 2107 92•	1	O-ring	
	1202 4818 00•	1	Insert Ø 5mm			0663 2107 93•	1	O-ring	
						0663 2107 94•	1	O-ring	
	2906 0352 00	1	Inlet valve bearing block kit			1614 7368 00•	1	Valve	
	1621 0073 00•	1	Shaft			1621 3466 00•	1	Valve seat	
	1621 0074 00•	1	Bearing block			1621 3014 00•	1	Spring	
	1621 0075 00•	1	Ring			2906 0375 00	1	Inlet valve service kit	
	2906 0370 00	1	LP Compressor element exchange kit			1613 4036 00•	1	Membrane	
	0661 1020 00•	4	Seal washer			1613 5723 00•	1	Gasket	
	0663 2103 22•	1	O-ring			1621 0078 00•	1	Diaphragm	
	0663 2107 33•	2	O-ring						
	0663 2107 81•	1	O-ring						
	0663 2107 86•	2	O-ring						
	0663 2107 89•	1	O-ring						
	0663 2107 90•	3	O-ring						
	0663 2107 91•	1	O-ring						
	0686 3716 01•	4	Plug						
	1202 9621 03•	1	Gasket						
	9125 6303 00•	1	Seal washer						

Service kits
Service kits
Service kits
Service Kits
Service kits
Service kits

Kit per la manutenzione
Service kits
Conjuntos de reparação
Servicesett
Huoltotarvikesarjat

25

Ref.	Part number	Qty	Name	Remarks	Ref.	Part number	Qty	Name	Remarks
	2906 0376 00	1	Inlet valve overhaul kit			2906 0381 00	1	Cooler cleaning kit	
	0261 1099 11	2	Nut			0661 1020 00	6	Gasket	
	0335 1122 00	1	Circlip			0661 1020 00	1	Gasket	
	0500 4510 10	2	Bushing shaft			0661 1033 00	1	Seal washer	
	0500 4510 22	2	Bushing pivot			0661 1049 00	1	Seal washer	
	0663 2107 91	1	O-ring			0663 2107 25	1	O-ring	
	1621 0076 00	2	Pivot pin			0663 2107 27	1	O-ring	
	1621 0081 00	2	Washer			0663 2107 29	1	O-ring	
	2102 0802 00	1	Spring			0663 2107 30	1	O-ring	
	2906 0352 00	1	Inlet valve bearing block kit			0663 2107 81	4	O-ring	
	2906 0375 00	1	Inlet valve service kit			0663 2107 86	4	O-ring	
						0663 2107 90	1	O-ring	
						0663 2107 97	1	O-ring	
	2906 0377 00	1	Air/oil filter kit			0686 3716 01	2	Drain plug	
	0661 1020 00	1	Washer			1621 3045 00	1	Nozzle	
	0661 1056 00	1	Seal washer			2906 0379 00	1	Aftercooler service kit	
	1030 0979 00	1	Element						
	1619 2689 00	1	Filter plug			2906 0382 00	1	A-maintenance kit - One-year	
	1621 0270 00	1	Element			0653 1041 00	1	Gasket	
	2901 0195 00	1	Gearcase breather filter elem.			0653 1062 00	1	Gasket	
						2906 0314 00	1	Intercooler drain valve kit	
	2906 0378 00	1	Intercooler service kit						
	0661 1020 00	2	Gasket			2906 0377 00	1	Air/oil filter kit	
	0663 2107 25	3	O-ring			2906 0380 00	1	Aftercooler drain valve kit	
	0663 2107 27	1	O-ring						
	0663 2107 29	1	O-ring			8204 0940 18	1	Check valve	
	0663 2107 30	1	O-ring						
	0663 2107 32	1	O-ring			2906 0383 00	1	B-maintenance kit - 8,000h or every 2-years	
	0663 2107 35	2	O-ring			0663 2107 15	2	O-ring	
	0686 3716 01	2	Drain plug			0663 2107 16	1	O-ring	
	1621 3526 00	1	Gasket			0663 2107 92	1	O-ring	
						0663 2107 93	1	O-ring	
	2906 0379 00	1	Aftercooler service kit			0663 2107 94	1	O-ring	
	0661 1020 00	2	Gasket			1621 3014 00	1	Spring	
	0663 2107 24	1	O-ring			2906 0352 00	1	Inlet valve bearing block kit	
	0663 2107 25	3	O-ring						
	0663 2107 26	1	O-ring			2906 0375 00	1	Inlet valve service kit	
	0663 2107 28	1	O-ring			2906 0382 00	1	One-year maintenance kit	
	0663 2107 31	1	O-ring						
	0663 2107 32	1	O-ring			2906 0384 00	1	C-maintenance kit - 16,000h or every 4-years	
	0663 2107 95	2	O-ring			1616 5824 00	1	LP balancing piston diaphragm	
	0663 2107 96	2	O-ring			1616 5874 00	1	HP balancing piston diaphragm	
	0686 3716 01	2	Drain plug			1621 0082 00	1	Muffler	
	1621 3526 00	1	Gasket			2900 0574 00	8	Coupl. sleeve	
						2906 0374 00	1	Check valve kit	
	2906 0380 00	1	Aftercooler drain valve kit			2906 0376 00	1	Inlet valve overhaul kit	
	0661 1020 00	1	Sealing ring			2906 0382 00	1	One-year maintenance kit	
	0663 2107 82	1	O-ring						
	0663 2107 85	1	O-ring						
	1202 3739 00	1	Membrane						
	1614 7735 00	1	Insert Ø 2mm						

