
INDUSTRIAL ROTARY SCREW AIR COMPRESSOR

25S Series

200–350 HP AND 24KT

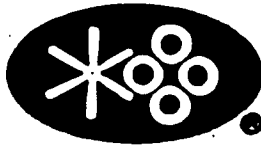
SUPERVISOR I

PARTS MANUAL

Part Number 250042–208
©Sullair Corporation, 1991
Effective 9/91

KEEP YOUR MACHINE IN TOP
OPERATING CONDITION
USE

GENUINE



SULLAIR®

SERVICE PARTS

CONTACT YOUR NEAREST SULLAIR
DISTRIBUTOR OR CALL 1-800-348-2722

TABLE OF CONTENTS

Section 1 ILLUSTRATIONS AND PARTS LIST

PAGE	
1	1.1 PROCEDURE FOR ORDERING PARTS
1	1.2 RECOMMENDED SPARE PARTS LIST
2	1.3 MOTOR, COMPRESSOR, FRAME AND PARTS (200-350HP)
4	1.4 COMPRESSOR AIR INTAKE SYSTEM (200-350HP)
6	1.5 FLUID COOLING PIPING SYSTEM - AIR-COOLED REMOTE COOLER (200-250HP)
10	1.6 FLUID COOLING SYSTEM - AIR-COOLED REMOTE COOLER (200-250HP)
14	1.7 FLUID COOLING SYSTEM - AIR-COOLED REMOTE COOLER (300-350HP)
18	1.8 FLUID COOLING SYSTEM - WATER-COOLED (200-250HP)
22	1.9 FLUID COOLING SYSTEM - WATER-COOLED (300-350HP)
26	1.10 COMPRESSOR DISCHARGE SYSTEM (200-350HP)
30	1.11 SULLICON CONTROL
34	1.12 COMPRESSOR ACTUATOR (200-350HP)
36	1.13 ELECTRO-PNEUMATIC CONTROL SYSTEM
40	1.14 ENCLOSURE
44	1.15 RTD PROBE
46	1.16 DECAL GROUP
48	1.17 WIRING DIAGRAM

Section 1 ILLUSTRATIONS AND PARTS LIST

1.1 PROCEDURE FOR ORDERING PARTS

Parts should be ordered from the nearest Sullair Representative or the Representative from whom the compressor was purchased. If for any reason parts cannot be obtained in this manner, contact the factory directly at the address below.

When ordering parts always indicate the **Serial Number** of the compressor. This can be obtained from the Bill of Lading for the compressor or from the Serial Number Plate located on the compressor.

SULLAIR CORPORATION

Subsidiary of Sundstrand Corporation
3700 East Michigan Boulevard
Michigan City, Indiana 46360

Telephone: (219) 879-5451 or
See Toll-free Numbers
Telex: 4946922
FAX: (219) 874-1273

SULLAIR CORPORATION

Parts Distribution Division and Service Department
1625 E. Second Street
Michigan City, Indiana 46360

Telephone: (219) 879-5451 or
1-800-348-2722 (United States)
1-800-525-5506 (Canada)
Telex: 4320147
FAX: (219) 874-1835 (Parts)
FAX: (219) 874-1805 (Service)

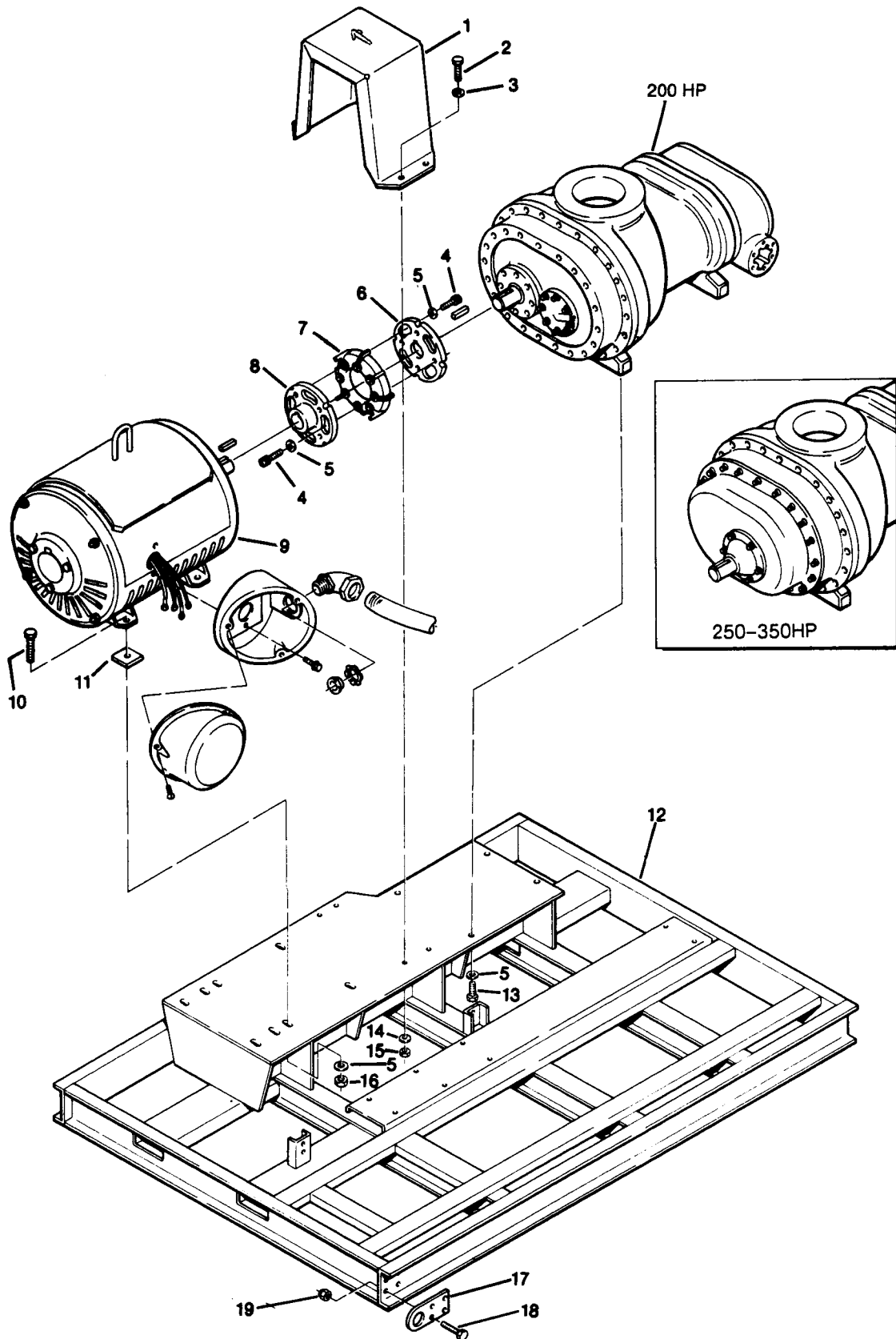
1.2 RECOMMENDED SPARE PARTS LIST

DESCRIPTION	KIT NUMBER	QUANTITY
repair kit for fluid stop valve 016742	001684	1
repair kit for thermal valve 041299 (Std.)	001084	1
repair kit for thermal valve 02250043-433 (24KT)	001149	1
element for separator with gaskets 250034-123 (primary)	250034-124	1
element for separator with gaskets 250034-129 (secondary)	250034-130	1
repair kit for regulator valve 406929	041742	1
repair kit for regulator valve 408275	250028-693	1
repair kit for blowdown valve 409783	001667	1
repair kit for Sullicon Control 011682-003	250020-353	1
repair kit for control line filter 408389	001692	1
repair kit for fluid return strainer 241771	241772	1
element for 18" diameter air filter 250006-718 (primary)	250007-838	1
element for 18" diameter air filter 250006-718 (secondary)	250007-839	1
replacement kit for fluid filter 250007-219	250008-956	1
repair kit for 3" flexible coupling 040327	040523	1
repair kit for 4" Viton flexible coupling 046273 (24KT only)	046291	1
repair kit for 4" Buna flexible coupling 041085	041353	1
repair kit for solenoid valve 250038-668	250038-673 (valve)	1
	250031-738 (coil)	1
repair kit for regulator 408275	250028-693	1
repair kit for minimum pressure/check valve 250033-821	250018-262	1
repair kit for shaft seal	600893-001	1
repair kit for pressure regulator 406929	041742	1
repair kit for spiral valve air cylinder 250016-183	608311-001	1
Sullube 32 fluid (5 gallons)	250022-669	1
Sullube 32 fluid (55 gallons)	250022-670	1
24KT fluid (5 gallons)	046850-001	1
24KT fluid (55 gallons)	046850-002	1

PLEASE NOTE: WHEN ORDERING PARTS, INDICATE SERIAL NUMBER OF COMPRESSOR

Section 1
ILLUSTRATIONS AND PARTS LIST

1.3 MOTOR, COMPRESSOR, FRAME AND PARTS (200-350HP)



Section 1 ILLUSTRATIONS AND PARTS LIST

1.3 MOTOR, COMPRESSOR, FRAME AND PARTS (200-350HP)

<i>key number</i>	<i>description</i>	<i>part number</i>	<i>quantity</i>
1	guard, coupling	250007-304	1
2	capscrew, hex gr5 ½"-13 x 1¼"	828608-125	4
3	washer, regular unfinished ½"	837208-112	4
4	capscrew, ferry ¾"-10 x 4"	828412-400	8
5	washer, springlock ¾" regular	837512-188	16
6	hub, coupling 2¼" x ⅝" id (200HP)	250007-875	1
	• hub, coupling 2¾" x ⅝" id (250HP)	250004-636	1
	• hub, coupling 2¾" x ⅝" id (300HP)	250004-636	1
	• hub, coupling 2¾" x ⅝" id (350HP)	250004-636	1
7	element, drive coupling	046999	1
8	hub, coupling 2⅝" x ⅝"	250004-635	1
9	motor, 200HP	050982	1
	• motor, 250HP	050401	1
	• motor, 300HP	250007-820	1
	• motor, 350HP	250007-903	1
10	capscrew, hex gr5 ¾"-10 x 3"	828612-300	4
11	shim set, motor mounting	020293	4
12	frame, 200HP	250007-796	1
	• frame, 250HP	250006-714	1
	• frame, 300HP	250006-714	1
	• frame, 350HP	250006-714	1
13	capscrew, hex gr5 ¾"-10 x 1½"	828612-150	4
14	washer, springlock regular ½"	837508-125	4
15	nut, hex ½"-13	824208-448	16
16	nut, hex ¾"-10 unfinished	824212-665	8
17	lug, lifting	250008-361	4
18	capscrew, hex gr5 ½"-13 x 2"	828608-200	16
19	nut, hex ½"-13	824208-448	16
20	compressor unit (I)	-	-

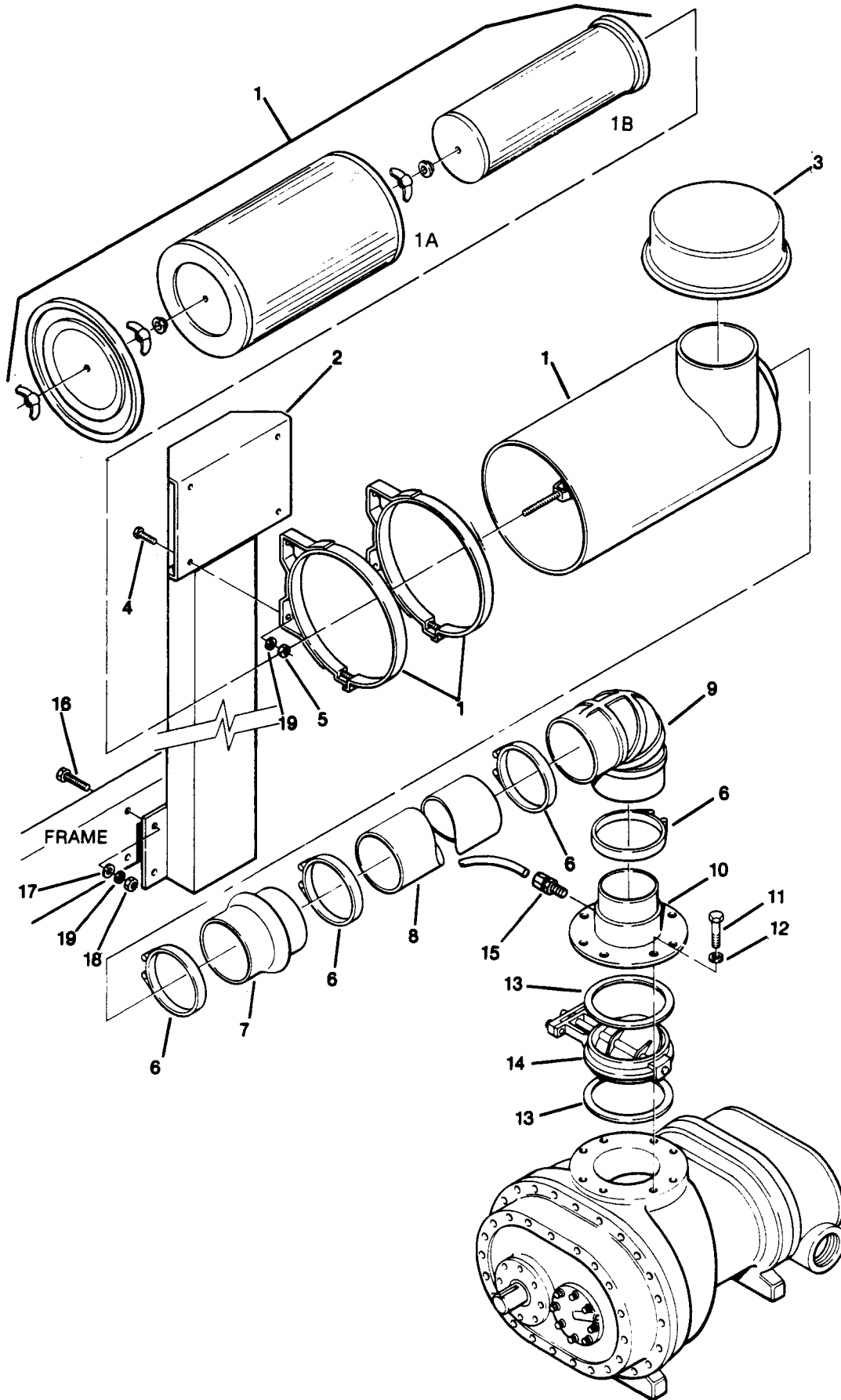
(I) There is an exchange program whereby a remanufactured compressor unit can be obtained from Sullair distributors or the factory. For information regarding the unit exchange program, contact your nearest Sullair representative or the Sullair Corporation.

The shaft seal is not considered part of the compressor unit in regard to the 2 year warranty, but the normal Sullair parts warranty applies. For shaft seal repairs, order shaft seal repair kit no. 600893-001.

PLEASE NOTE: WHEN ORDERING PARTS, INDICATE SERIAL NUMBER OF COMPRESSOR

Section 1
ILLUSTRATIONS AND PARTS LIST

1.4 COMPRESSOR AIR INTAKE SYSTEM (200-350HP)



Section 1 ILLUSTRATIONS AND PARTS LIST

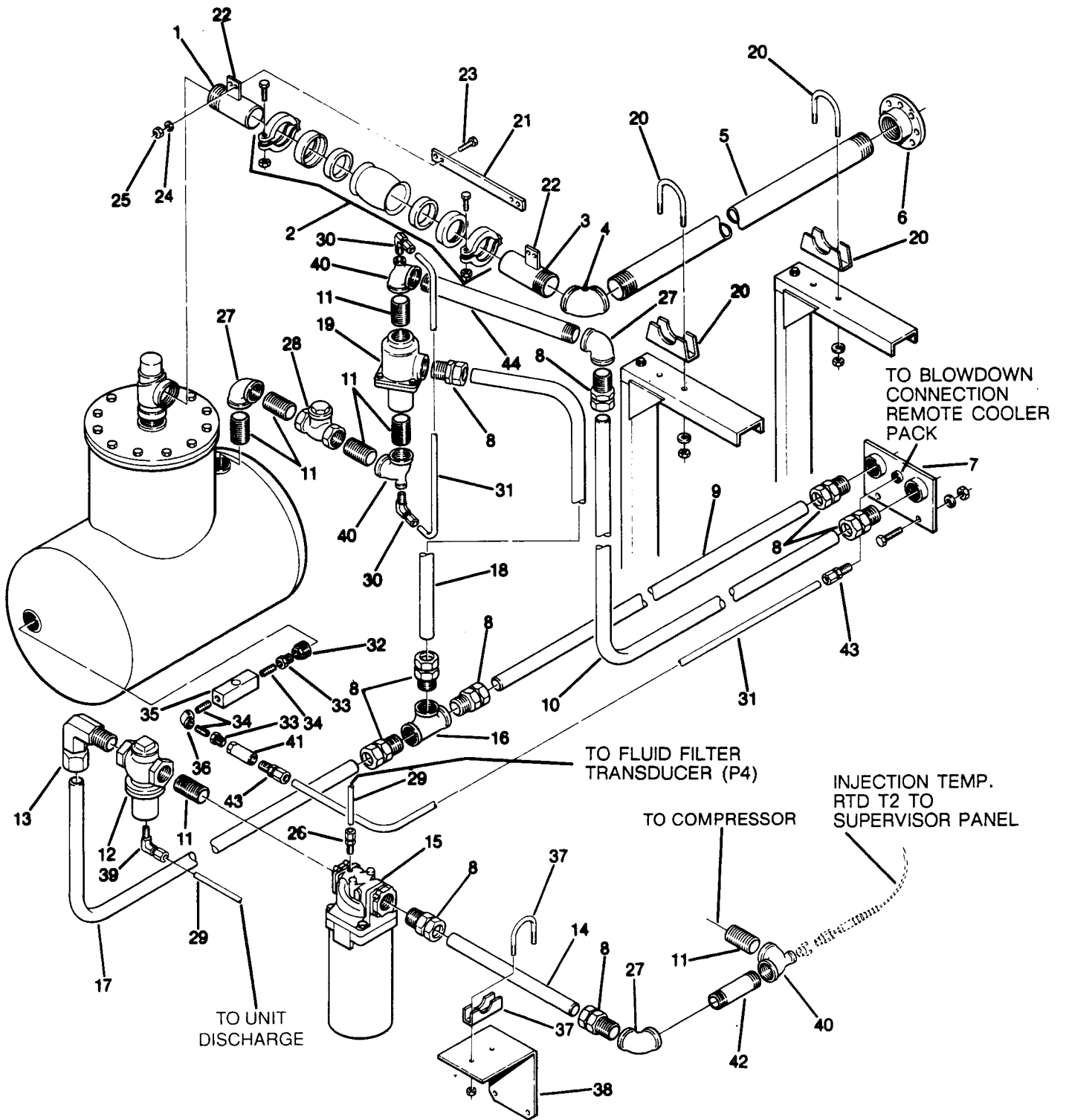
1.4 COMPRESSOR AIR INTAKE SYSTEM (200-350HP)

<i>key number</i>	<i>description</i>	<i>part number</i>	<i>quantity</i>
1	filter, air 18" diameter (300-350HP)	250006-718	1
1A	• element, air filter 18" - primary	250007-838	1
1B	• element, air filter 18" - secondary	250007-839	1
2	support, 18" head air filter	250007-788	1
3	cap, air inlet 10"	250007-712	1
4	capscrew, hex gr5 $\frac{3}{8}$ "-16 x 1"	828606-100	4
5	nut, hex unfinished $\frac{3}{8}$ "-16	824206-337	4
6	clamp, hose 8"	043598	4
7	hose, hump 8" x 8"	044733	1
8	duct, 8" od aluminum 64W x 30"	250007-690	1
9	elbow, rubber 90° 8"	043406	1
10	adpater, compressor inlet 10" to 8"	250003-378	1
11	capscrew, hex gr5 $\frac{7}{8}$ "-9 x 3 $\frac{1}{2}$ "	828614-350	8
12	washer, springlock regular $\frac{7}{8}$ "	837514-219	8
13	gasket, $\frac{1}{16}$ " x 10 $\frac{1}{2}$ "id x 13 $\frac{1}{4}$ " od gasket	041079	2
14	valve, butterfly 10"	041110	1
15	connector, tube $\frac{1}{4}$ " x $\frac{1}{8}$ "	813604-125	1
16	capscrew, hex gr5 $\frac{1}{2}$ "-13 x 1 $\frac{1}{4}$ "	828608-125	4
17	washer, plain regular unfinished $\frac{1}{2}$ "	837208-112	4
18	nut, hex unfinished $\frac{1}{2}$ "	824208-448	4
19	washer, springlock regular $\frac{1}{2}$ "	837508-125	8

PLEASE NOTE: WHEN ORDERING PARTS, INDICATE SERIAL NUMBER OF COMPRESSOR

Section 1 ILLUSTRATIONS AND PARTS LIST

1.5 FLUID COOLING PIPING SYSTEM - AIR-COOLED REMOTE COOLER (200-350HP)



Section 1 ILLUSTRATIONS AND PARTS LIST

1.5 FLUID COOLING PIPING SYSTEM – AIR-COOLED REMOTE COOLER (200–350HP)

<i>key number</i>	<i>description</i>	<i>part number</i>	<i>quantity</i>
1	nipple, half 3" x 8"	822848–080	1
2	coupling, flexible 3" Buna–N (std.) (I) • coupling, flexible 3" Viton (24KT) (II)	040327 241731	1 1
3	nipple, half 3" x 12"	822848–120	1
4	elbow, pipe 90° x 3" 150#	801515–120	1
5	nipple, pipe 3" x 72"	822148–720	1
6	flange, threaded 3" 150#	819315–048	1
7	bracket, fluid connection 2" npt	250007–794	1
8	connector, tube–m 2" x 2"	810232–200	8
9	tube, cooler connection/bypass tee 2"	250008–379	1
10	tube, tv/cooler connector 2"	250008–378	1
11	nipple, pipe 2" x close	822232–000	3
12	valve, fluid stop 2" npt (III)	016742	1
13	elbow, tube–m 2" x 2"	810532–200	2
14	tube, filter fluid injection port 2"	250008–382	1
15	filter, fluid (IV)	250007–219	1
16	tee, pipe 2" 150#	802415–080	1
17	tube, bypass tee filter 2"	250008–381	1
18	tube, tv/bypass tee 2"	250008–380	1
19	valve, thermal 2" (std.) (V) • valve, thermal 2" (24KT) (VI)	041299 02250043–433	1 1
20	clamp, exhaust	040284	2
21	reinforcement, flexible 13"	227154	1
22	reinforcement, flexible 3"	227152	4
23	capscrew, 3/8"–16 x 1 1/2"	828606–150	2
24	washer, springlock 3/8"	837506–094	2
25	nut, hex 3/8"	824206–337	2
26	connector, tube–m 1/4" x 1/4"	810204–025	3
27	elbow, pipe 10° x 2"	801515–080	2

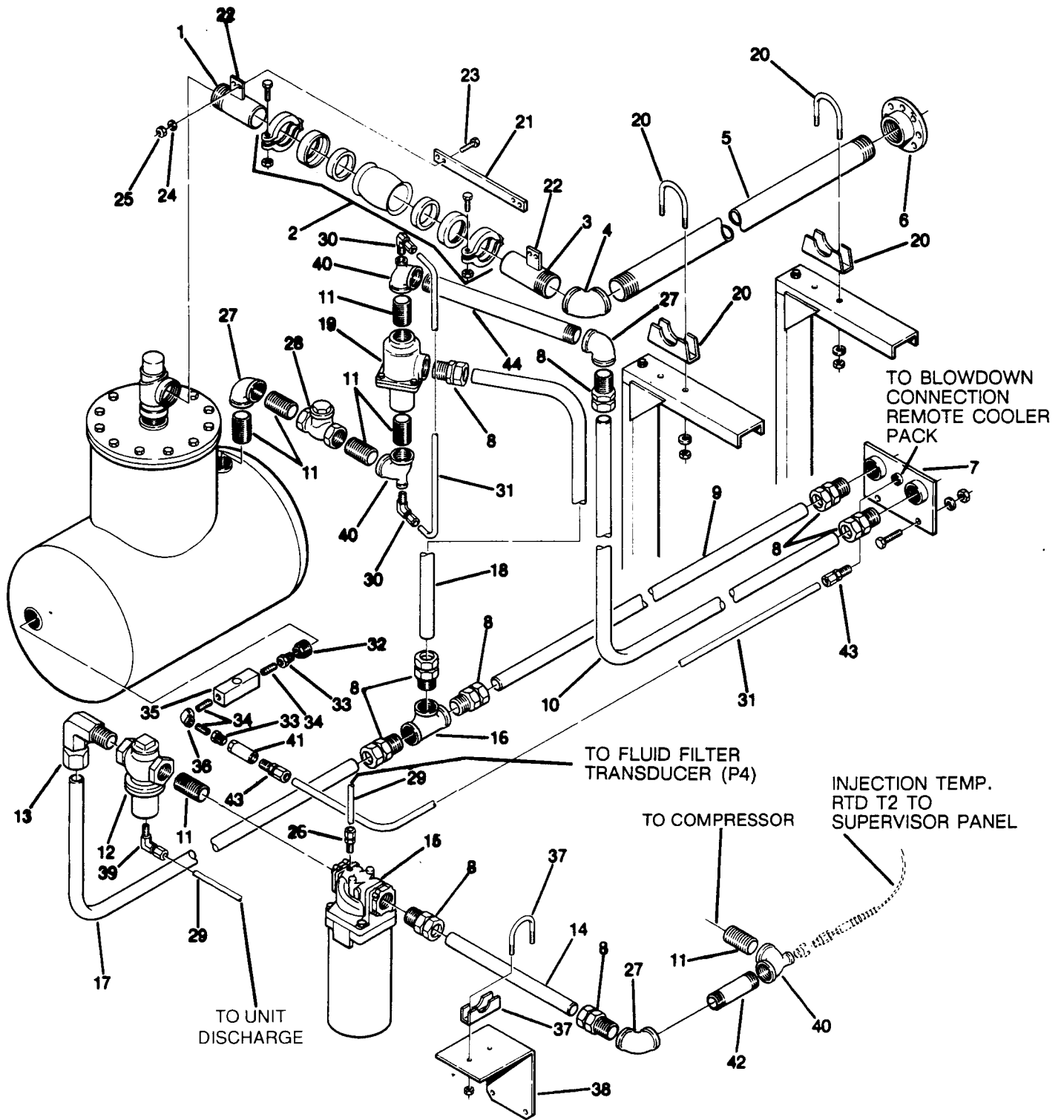
(continued on Page 9)

- (I) For maintenance on flexible coupling (std.) no. 040327, order repair kit no. 040523.
 (II) For maintenance on flexible coupling (24KT) no. 241731, order repair kit no. 241732.
 (III) For maintenance on fluid stop valve no. 016742, order repair kit no. 001684.
 (IV) For maintenance on fluid filter no. 250007–219, order replacement kit no. 250008–956.
 (V) For maintenance on thermal valve no. 041299, order repair kit no: 001084.
 (VI) For maintenance on thermal valve no. 02250043–433, order repair kit no. 001149.

PLEASE NOTE: WHEN ORDERING PARTS, INDICATE SERIAL NUMBER OF COMPRESSOR

Section 1 ILLUSTRATIONS AND PARTS LIST

1.5 FLUID COOLING PIPING SYSTEM - AIR-COOLED REMOTE COOLER (200-350HP)



Section 1

ILLUSTRATIONS AND PARTS LIST

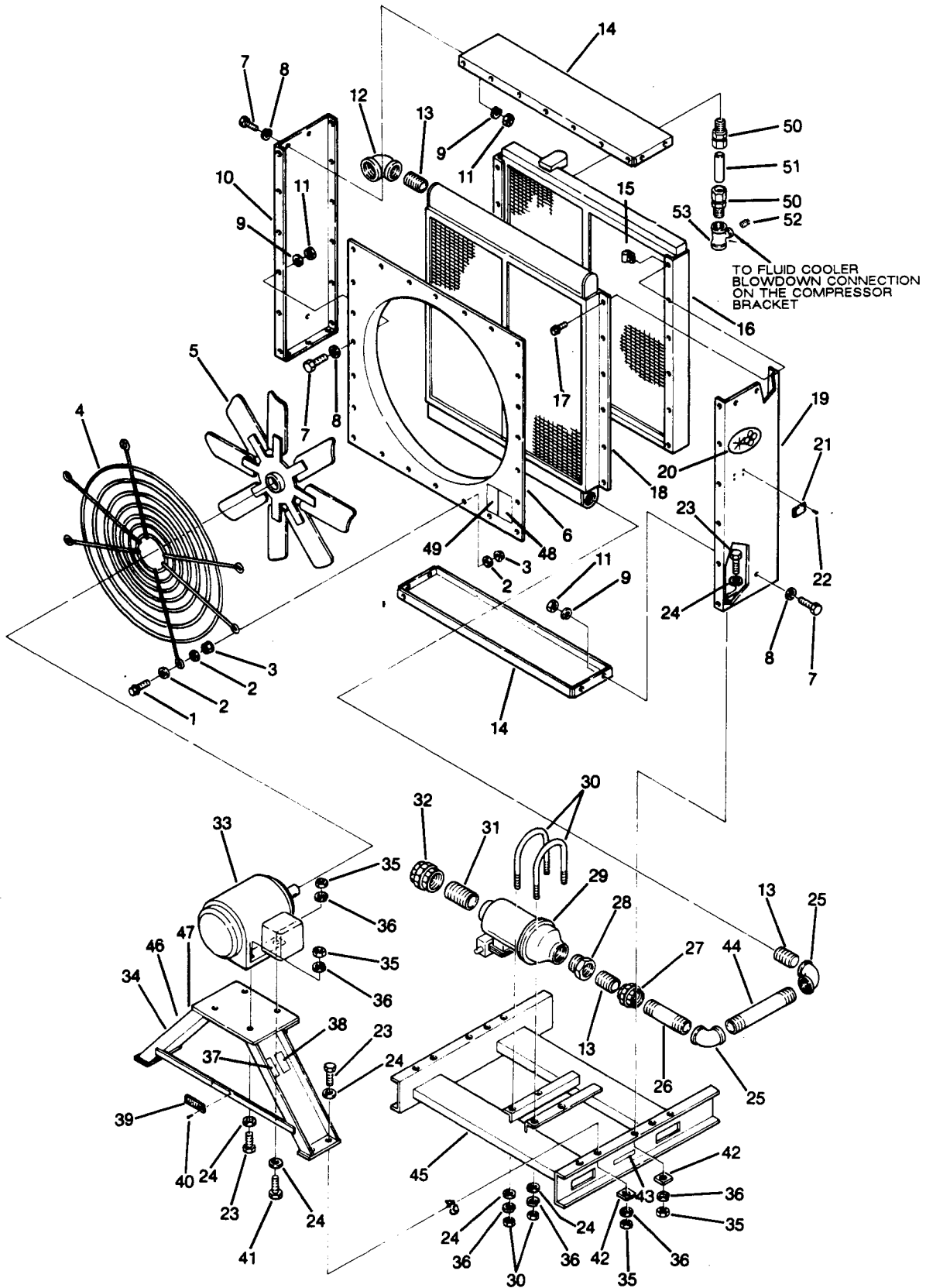
1.5 FLUID COOLING PIPING SYSTEM - AIR-COOLED REMOTE COOLER (200-350HP) (continued)

<i>key number</i>	<i>description</i>	<i>part number</i>	<i>quantity</i>
28	valve, check	040671	1
29	tubing, steel ¼" (ft.)	841115-004	16 feet
30	elbow, tube ½"t x ½"p	810508-050	2
31	tubing, steel ½" (ft.)	841115-008	13.5 feet
32	bushing, reducing hex 1½" x ½"	802106-020	1
33	bushing, reducing hex ½" x ¼"	802102-010	2
34	nipple pipe ¼" x close	822204-000	3
35	glass, sight	046559	1
36	elbow, pipe 90° ¼"	803515-015	1
37	clamp, exhaust	044135	1
38	bracket	250026-878	1
39	elbow, tube-m ¼" x ¼"	810504-025	1
40	tee, reducing 2" x ½" x 2"	802208-028	2
41	valve, check ½"	042694	1
42	nipple, pipe 2" x 7"	822132-070	1
43	connector, tube-m ½" x ½"	810208-050	2
44	nipple, pipe 2" x 24"	822132-240	1

PLEASE NOTE: WHEN ORDERING PARTS, INDICATE SERIAL NUMBER OF COMPRESSOR

Section 1 ILLUSTRATIONS AND PARTS LIST

1.6 FLUID COOLING SYSTEM AIR-COOLED REMOTE COOLER (200-250HP)



Section 1 ILLUSTRATIONS AND PARTS LIST

1.6 FLUID COOLING SYSTEM AIR-COOLED REMOTE COOLER (200-250HP)

<i>key number</i>	<i>description</i>	<i>part number</i>	<i>quantity</i>
1	capscrew, hex serrated washer $\frac{5}{16}$ " x $1\frac{1}{4}$ "	829705-125	6
2	washer, pl-b regular unfinished $\frac{5}{16}$ "	837205-071	18
3	nut, hex flanged plated $\frac{5}{16}$ "-18	825305-283	12
4	guard, fan 42"	241283	1
5	fan, 42" diameter	406966	1
6	panel, Venturi 42"	250001-202	1
7	capscrew, hex gr5 $\frac{3}{8}$ "-16 x 1"	828606-100	26
8	washer, pl-b regular unfinished	837206-071	52
9	washer, springlock regular $\frac{3}{8}$ "	837506-094	26
10	panel, left hand	250001-207	1
11	nut, hex unfinished $\frac{3}{8}$ "-16	824206-337	26
12	elbow, reducing 3" x 2"	801612-080	1
13	nipple, pipe xs 2" x close 150#	822232-000	3
14	panel, top and bottom	250001-209	2
15	nut, retainer $\frac{5}{16}$ "-18	860905-163	12
16	cooler, fluid - mod	040961	1
17	screw, hex serrated washer $\frac{5}{16}$ " x 1"	829705-100	12
18	aftercooler, air to air	041807	1
19	panel, right side	250001-203	1
20	decal, trademark - white	040087A	2
21	nameplate, Sullair w/serial number	040052	1
22	rivet, pop $\frac{1}{8}$ " x $\frac{3}{8}$ "ad	843102-038	4
23	capscrew, hex gr5 $\frac{1}{2}$ "-13 x 2"	828608-200	12
24	washer, flat pl-b regular unfinished $\frac{1}{2}$ "	837208-112	18
25	elbow, pipe 90° 2" 150#	801515-080	2
26	nipple, pipe 2" x 10"	822132-100	1
27	union, pipe brs seat 2" 150#	802515-080	1
28	bushing, reducing hex 3" x 2"	802112-080	1
29	separator, moisture w/trap 3"npt	250004-596	1
30	u-bolt, $\frac{1}{2}$ "-8" pipe	829008-800	2
31	nipple, pipe xs 3" x close	822248-000	1
32	union, pipe brs seat 3" 150#	802515-120	1
33	motor, 7.5HP 230/460-60	050795	1
34	support, motor	250001-197	1
35	nut, hex unfinished $\frac{1}{2}$ "-13	824208-448	14
36	washer, springlock regular $\frac{1}{2}$ "	837508-125	18
37	decal, danger electrocution	049850	1

(continued on Page 13)

PLEASE NOTE: WHEN ORDERING PARTS, INDICATE SERIAL NUMBER OF COMPRESSOR

Section 1 ILLUSTRATIONS AND PARTS LIST

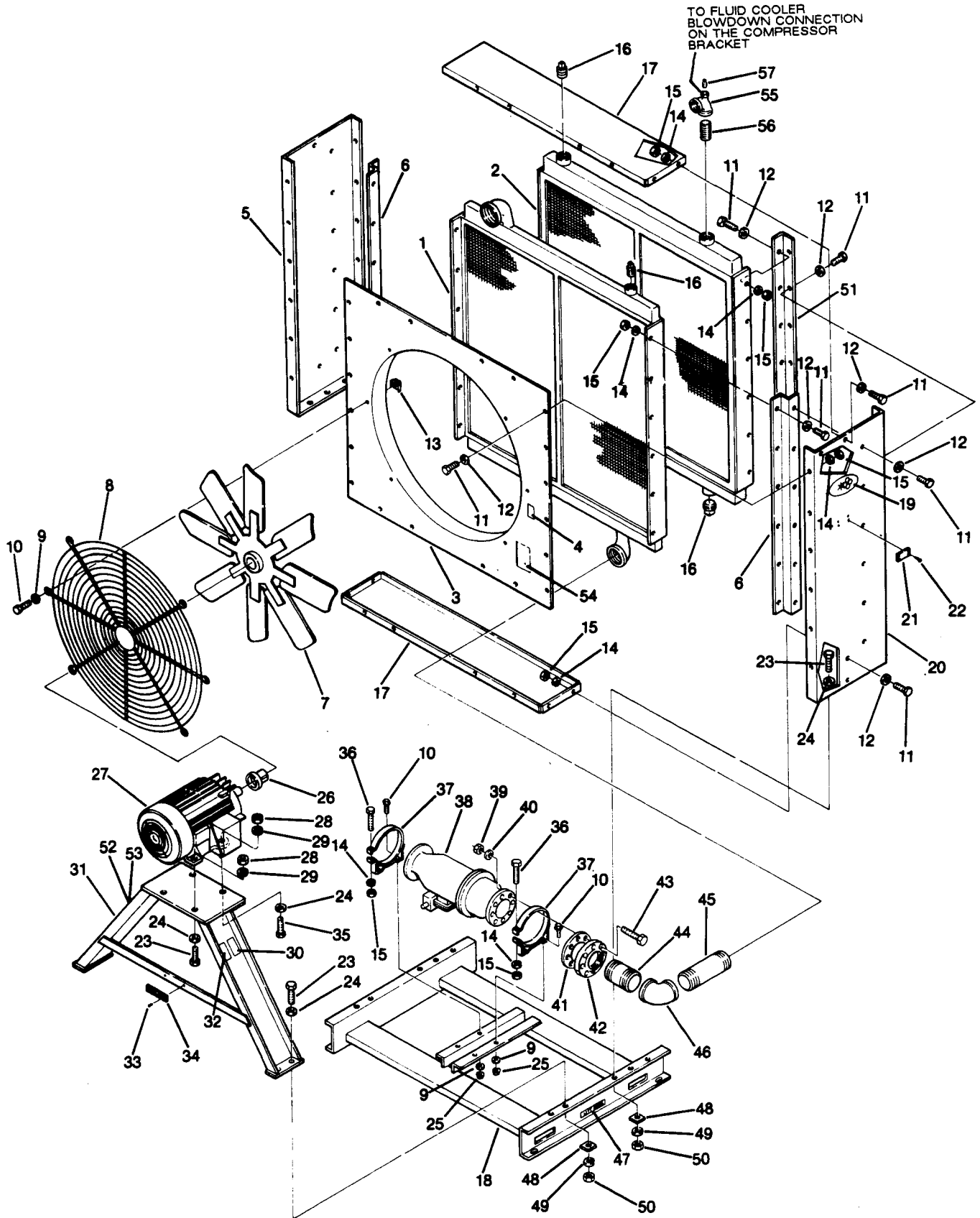
1.6 FLUID COOLING SYSTEM AIR-COOLED REMOTE COOLER (200-250HP) (continued)

<i>key number</i>	<i>description</i>	<i>part number</i>	<i>quantity</i>
35	nut, hex unfinished ½"-13	824208-448	14
36	washer, springlock regular ½"	837508-125	18
37	decal, danger electrocution	049850	1
38	decal, warning "compressor fluid fill cap"	049685	1
39	nameplate, Sullair 1" x 6"	041043	1
40	fastener, suregrip	041516	2
41	capscrew, hex gr5 ½"-13 x 2"	828608-200	12
42	washer, bevel ½"	837008-125	10
43	decal, fork lifting	241814	2
44	nipple, pipe 2" x 16"	822132-160	1
45	frame, base	250001-191	1
46	decal, warning "food grade" lube	250003-144	1
47	decal, danger breath air	250027-935	1
48	decal, warning sever (fan)	049855	1
49	decal, warning sever fan port	049965	1
50	connector, tube 2"	810232-200	2
51	nipple, pipe 2" x close	822232-000	1
52	plug, ½"	807800-020	1
53	tee, reducing 2" x ½" x 2"	802208-028	1

PLEASE NOTE: WHEN ORDERING PARTS, INDICATE SERIAL NUMBER OF COMPRESSOR

Section 1
ILLUSTRATIONS AND PARTS LIST

1.7 FLUID COOLING SYSTEM - AIR-COOLED REMOTE COOLER (300-350HP)



Section 1 ILLUSTRATIONS AND PARTS LIST

1.7 FLUID COOLING SYSTEM - AIR-COOLED REMOTE COOLER (300-350HP)

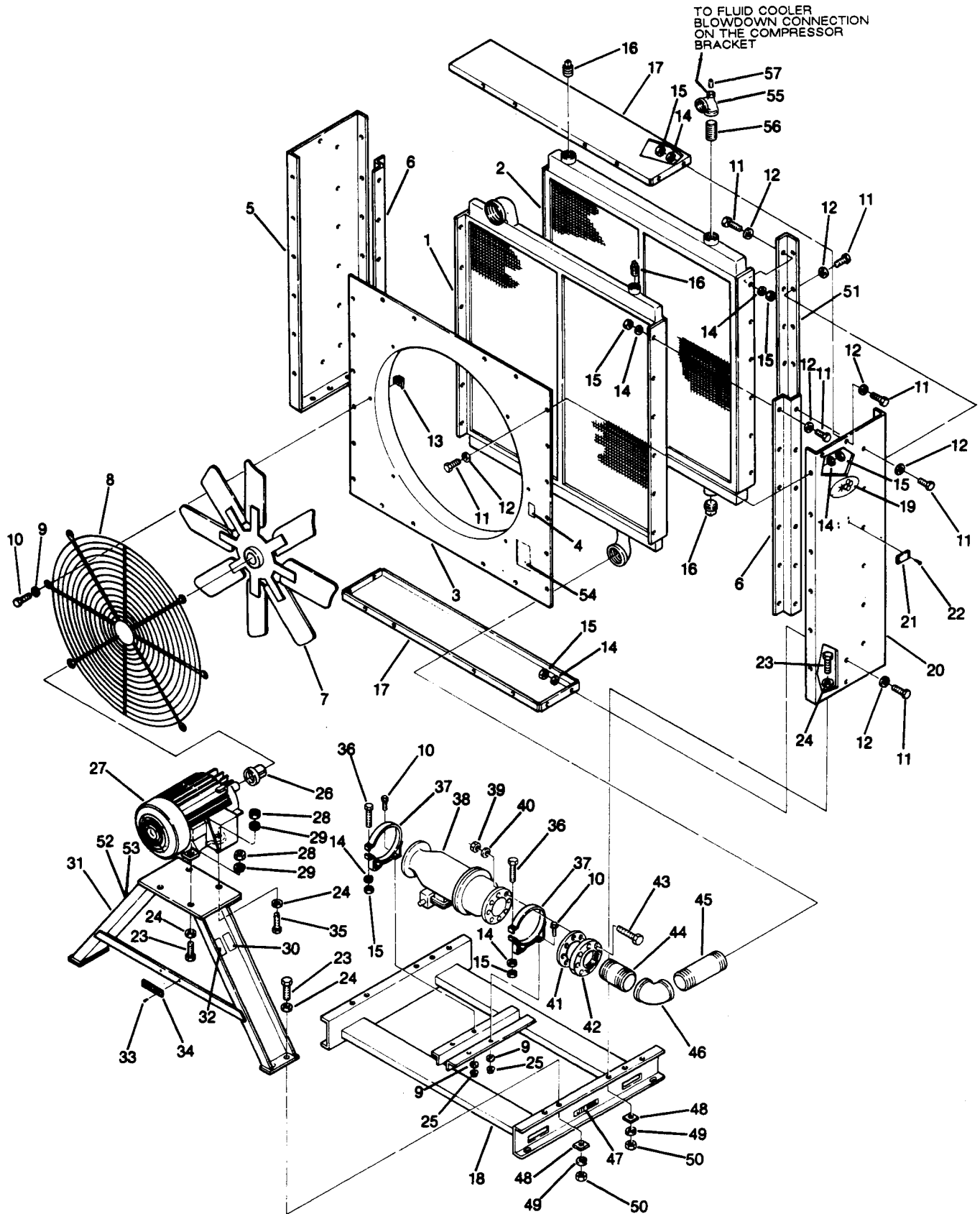
<i>key number</i>	<i>description</i>	<i>part number</i>	<i>quantity</i>
1	core, aftercooler	049984	1
2	core, aftercooler/fluid cooler	250004-201	1
3	panel, venturi 48"	250000-467	1
4	sign, "warning" sever (fan)	049855	1
5	panel, left hand	250000-468	1
6	bracket, aftercooler	250000-475	2
7	fan, 48" 8 blade 35° pitch	049986	1
8	guard, fan	241347	1
9	washer, plain broad regular unfinished $\frac{5}{16}$ "	837205-071	10
10	screw, hex serrated washer $\frac{5}{16}$ " x $\frac{3}{4}$ "	829705-075	10
11	capscrew, hex gr5 $\frac{3}{8}$ "-16 x 1"	828606-100	76
12	washer, plain broad regular unfinished $\frac{3}{8}$ "	837206-071	96
13	nut, retainer $\frac{5}{16}$ "-18 .092	861405-092	6
14	washer, springlock regular $\frac{3}{8}$ "	837506-094	78
15	nut, hex unfinished $\frac{3}{8}$ "-16	824206-337	54
16	plug, pipe 2" 150#	802815-080	4
17	panel, top and bottom	250000-474	2
18	frame, aftercooled base	250000-454	1
19	decals, "trademark" - white	040087A	2
20	panel, right side	250000-472	1
21	nameplate, Sullair with serial number	040052	1
22	rivet, pop $\frac{1}{8}$ " x $\frac{3}{8}$ "	843102-038	4
23	capscrew, hex gr5 $\frac{1}{2}$ "-13 x 2"	828608-200	12
24	washer, plain broad regular unfinished $\frac{1}{2}$ "	837208-112	12
25	nut, hex flanged plated $\frac{5}{16}$ "-18	825305-283	4
26	bushing, taper	042520	1
27	motor, 15HP 230/460	050387	1
28	nut, hex unfinished $\frac{1}{2}$ "-13	824208-448	14
29	washer, springlock regular $\frac{1}{2}$ "	837508-125	14
30	decals, warning compressor fluid fill cap	049685	1
31	support, ac motor	250000-461	1
32	decals, "danger" - electrocution	049850	1
33	fasteners, suregrip	041516	2
34	nameplate, "Sullair" 1" x 6"	041043	1

(continued on Page 17)

PLEASE NOTE: WHEN ORDERING PARTS, INDICATE SERIAL NUMBER OF COMPRESSOR

Section 1 ILLUSTRATIONS AND PARTS LIST

1.7 FLUID COOLING SYSTEM - AIR-COOLED REMOTE COOLER (300-350HP)



Section 1 ILLUSTRATIONS AND PARTS LIST

1.7 FLUID COOLING SYSTEM - AIR-COOLED REMOTE COOLER (300-350HP) (continued)

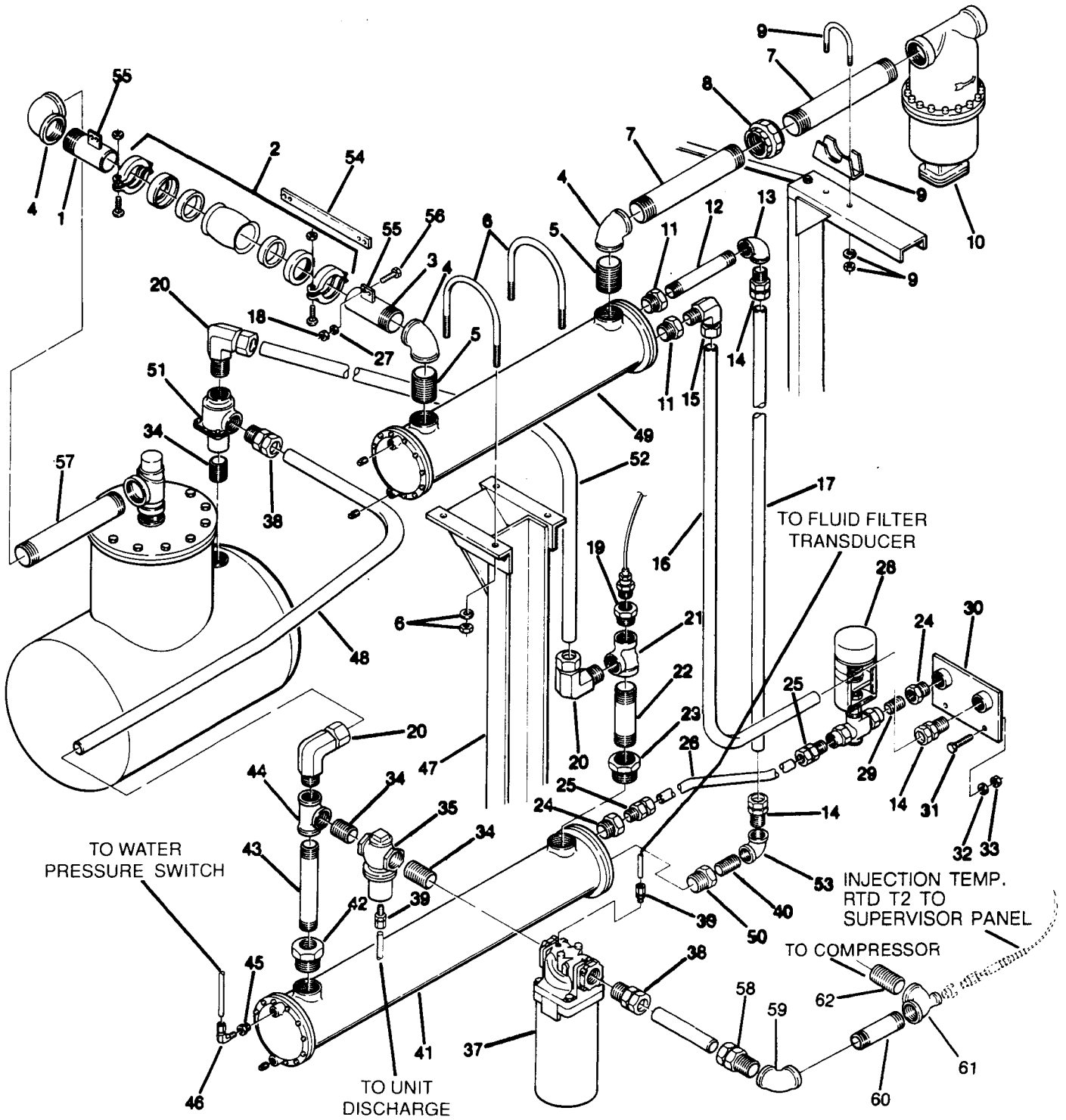
<i>key number</i>	<i>description</i>	<i>part number</i>	<i>quantity</i>
35	capscrew, hex gr5 ½"-13 x 2½"	828608-250	2
36	capscrew, hex gr5 ¾"-16 x 4"	828606-400	2
37	band, air filter 9"	049104	2
38	separator, moisture with trap 4" flange (I)	250000-597	1
39	nut, hex unfinished ⅝"-11	824210-559	8
40	washer, springlock regular ⅝"	837510-156	8
41	gasket, 4" 125# flange full face	242437-010	1
42	flange, threaded 4" 125# full face	818312-064	1
43	capscrew, hex gr5 ⅝"-11 x 3"	828610-300	8
44	nipple, pipe 4" x 8"	822164-080	1
45	nipple, pipe 4" x 14"	822164-140	1
46	elbow, pipe 4" 90° 150#	801515-160	1
47	decal, fork lifting	241814	2
48	washer, bevel ½"	837008-125	10
49	washer, springlock regular ½"	837508-125	14
50	nut, hex unfinished ½"-13	824208-448	14
51	angle, 2" x 1¼" x 58"	250001-565	2
52	decal, warning "food grade lube	250003-144	1
53	decal, danger breath air	250007-935	1
54	decal, warning-sever-fan-port	049965	1
55	tee, reducing 2" x ½" x 2"	802208-028	1
56	nipple, pipe 2" x close	822232-000	1
57	plug, ½"	807800-020	1

(I) For maintenance on combination trap with heater separator no. 250004-597, order repair kit no. 250033-036, and heater element replacement no. 245572.

PLEASE NOTE: WHEN ORDERING PARTS, INDICATE SERIAL NUMBER OF COMPRESSOR

Section 1 ILLUSTRATIONS AND PARTS LIST

1.8 FLUID COOLING SYSTEM - WATER-COOLED (200-250HP)



Section 1 ILLUSTRATIONS AND PARTS LIST

1.8 FLUID COOLING SYSTEM - WATER-COOLED (200-250HP)

<i>key number</i>	<i>description</i>	<i>part number</i>	<i>quantity</i>
1	nipple, half 3" x 8"	822848-080	1
2	coupling, flexible 3" Buna-n (std.) (I) • coupling, flexible 3" Viton (24KT) (II)	040327 241731	1 1
3	nipple, half 3" x 12"	822848-120	1
4	elbow, pipe 90° 3" 150#	801515-120	2
5	nipple, pipe 3" x 3"	822148-030	2
6	u-bolt, ½" x 8" pipe	829008-800	2
7	nipple, pipe 3" x 18"	822148-180	2
8	union, pipe brass seat 3" 150#	802515-120	1
9	clamp, exhaust 3½"	040284	1
10	separator, combination trap 3" (III)	250007-787	1
11	bushing, reducing hex 2" x 1½"	802108-060	2
12	nipple, pipe 1½" x 10½"	822124-105	1
13	elbow, pipe 90° 1½" 150#	801515-060	1
14	connector, tube-m 1½" x 1½"	810224-150	2
15	elbow, tube-m 1½" x 1½"	810524-150	2
16	tube, water connector/aftercooler (200HP) • tube, water connector/aftercooler (250HP)	250009-332 250009-333	1 1
17	tube, aftercooler/fluid cooler water (200HP) • tube, aftercooler/fluid cooler water (250HP)	250009-335 250009-336	1 1
18	nut, hex ⅜"	824206-337	2
19	bushing, reducing hex 2" x 1"	802108-040	1
20	elbow, tube-m 2" x 2"	810532-200	3
21	tee, reducing 2" x 2" x 2½"	802210-088	1
22	nipple, pipe 2½" x 8"	822140-080	1
23	bushing, reducing hex 3" x 2½"	802112-100	1
24	bushing, reducing hex 1½" x 1¼"	802106-050	1
25	connector, tube-m 1¼" x 1¼"	810220-125	2
26	tube, water regulating valve (200HP) • tube, water regulating valve (250HP)	250009-338 250009-330	1 1
27	washer, springlock ⅜" regular	837506-094	2
28	valve, water regulator 1¼"	248743	1

(continued on Page 21)

(I) For maintenance on flexible coupling (std.) no. 040327, order repair kit no. 040523.

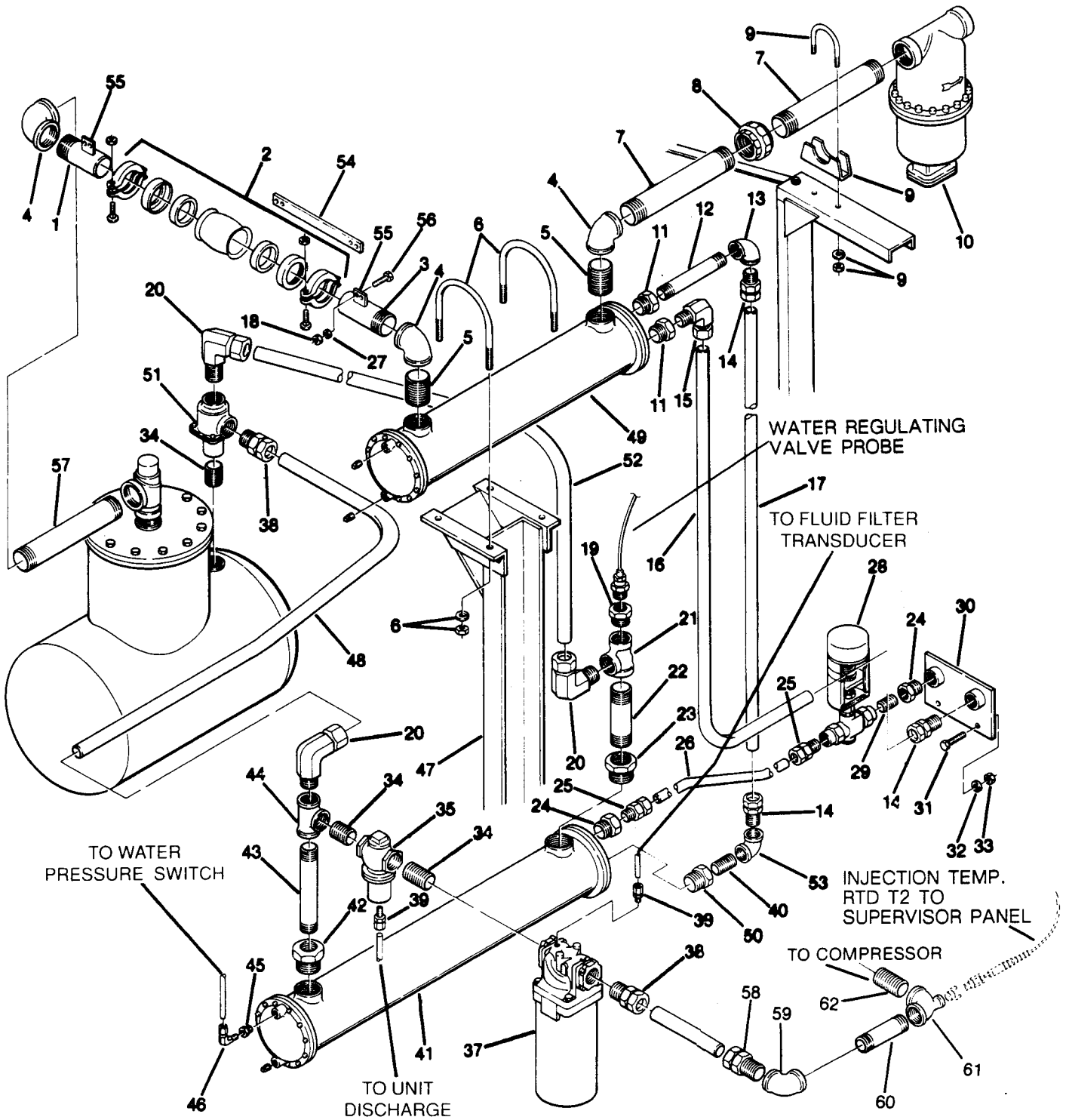
(II) For maintenance on flexible coupling (24KT) no. 241731, order repair kit no. 241732.

(III) For maintenance on combination trap separator no. 250007-787, order repair kit no. 250033-036.

PLEASE NOTE: WHEN ORDERING PARTS, INDICATE SERIAL NUMBER OF COMPRESSOR

Section 1 ILLUSTRATIONS AND PARTS LIST

1.8 FLUID COOLING SYSTEM - WATER-COOLED (200-250HP)



Section 1 ILLUSTRATIONS AND PARTS LIST

1.8 FLUID COOLING SYSTEM – WATER-COOLED (200-250HP) (continued)

<i>key number</i>	<i>description</i>	<i>part number</i>	<i>quantity</i>
29	nipple, pipe 1¼" x close	822220-000	1
30	bracket, water connector 1½" npt	250007-795	1
31	capscrew, ½" x 1½"	828608-150	6
32	washer, springlock ½" regular	837508-125	6
33	nut, hex unfinished ½"-13	824208-448	6
34	nipple, pipe 2" x close	822232-000	4
35	valve, fluid stop 2" npt (IV)	016742	1
36	tube, filter 2" fluid stop valve	250023-480	1
37	filter, fluid (V)	250007-219	1
38	connector, tube-m 2" x 2"	810232-200	3
39	connector, tube-m ¼" x ¼"	810204-025	1
40	nipple, pipe close 1½"	822224-000	1
41	heat exchanger, 8" x 48" (200HP) • heat exchanger, 8" x 48" (250HP)	043031 043864	1 1
42	bushing, reducing hex 3" x 2"	802112-080	1
43	nipple, pipe 2" x 12"	822132-120	1
44	tee, pipe 2" 150#	802415-080	1
45	bushing, hex reducing ½" x ¼"	807602-010	1
46	elbow, tube-m ¼" x ¼"	810504-025	1
47	support, aftercooler (200HP) • support aftercooler (250HP)	250007-792 250007-793	1 1
48	tube, tv/bypass tee water-cooled 2"	250009-328	1
49	aftercooler, 8" x 36" (200HP) • aftercooler, 8" x 60" (250HP)	042541 042950	1 1
50	bushing, reducing hex 1½" x 2"	802108-060	1
51	valve, thermal (VI)	041299	1
52	tube, 2" fluid cooler to t-valve	250023-073	1
53	elbow, pipe 90° 1½"	801515-060	1
54	reinforcement, flexible 13"	227154	1
55	reinforcement, flexible 3"	227152	4
56	capscrew, ⅝"-16 x 1½"	828606-150	2
57	nipple, pipe 3" x 15"	822148-150	1
58	connector, tube-m 2" x 2"	810232-200	8
59	elbow, pipe 10° x 2"	801515-080	2
60	nipple, pipe 2" x 7"	822132-070	1
61	tee, reducing 2" x ½" x 2"	802208-028	2
62	nipple, pipe 2" x close	822232-000	3

(IV) For maintenance on fluid stop valve no. 016742, order repair kit no. 001684.

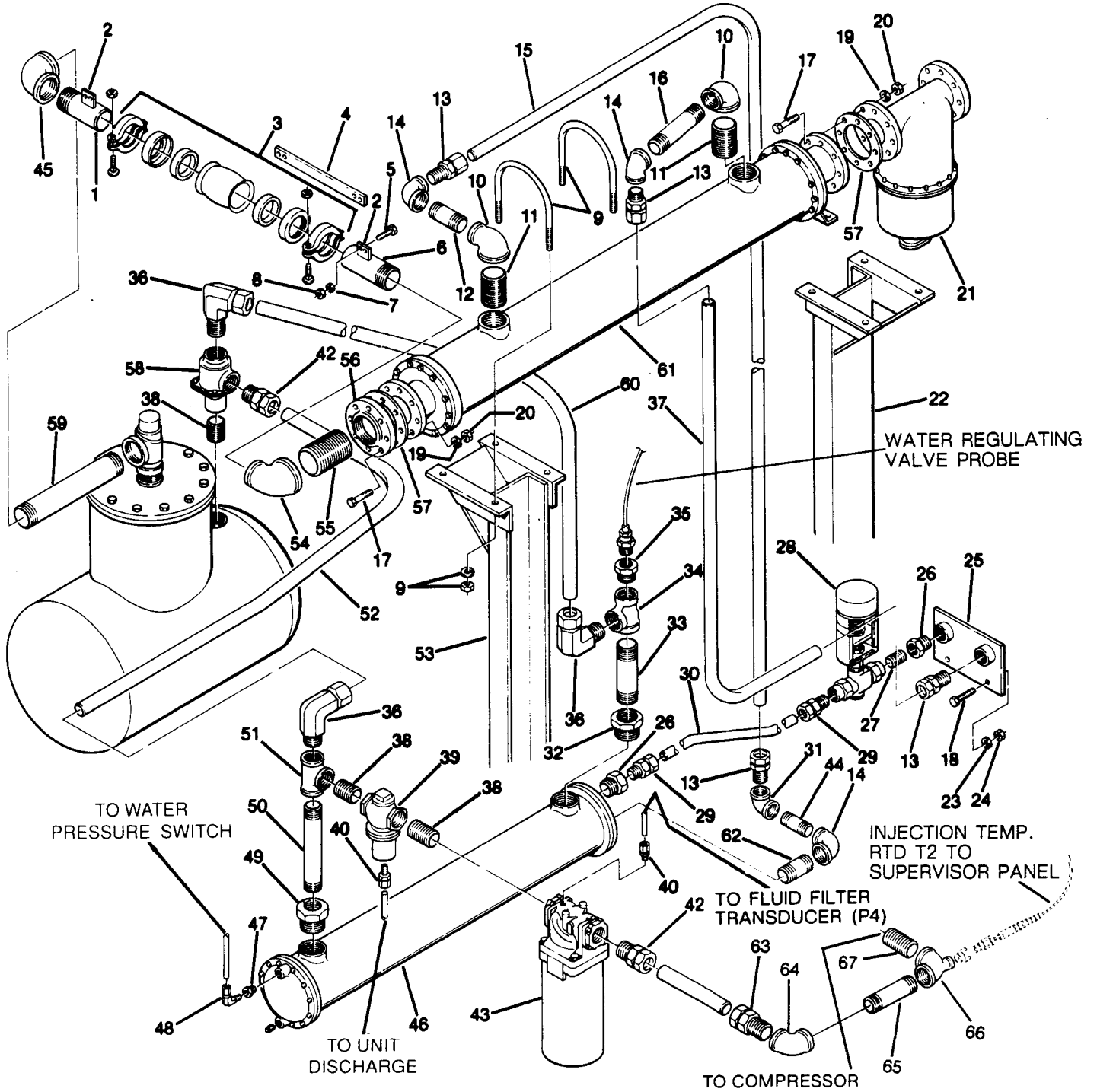
(V) For maintenance on fluid filter no. 250007-219, order replacement kit no. 250008-956.

(VI) For maintenance on thermal valve no. 041299, order repair kit no. 001084.

PLEASE NOTE: WHEN ORDERING PARTS, INDICATE SERIAL NUMBER OF COMPRESSOR

Section 1 ILLUSTRATIONS AND PARTS LIST

1.9 FLUID COOLING SYSTEM - WATER-COOLED (300-350HP)



Section 1 ILLUSTRATIONS AND PARTS LIST

1.9 FLUID COOLING SYSTEM - WATER-COOLED (300-350HP)

<i>key number</i>	<i>description</i>	<i>part number</i>	<i>quantity</i>
1	nipple, half 3" x 8"	822848-080	1
2	reinforcement, flexible 3"	227152	4
3	coupling, flexible 3" Buna-n (std.) (I) • coupling, flexible 3" Viton (24kt) (II)	040327 241731	1 1
4	reinforcement, flexible 13"	227154	1
5	capscrew, hex gr5 3/8"-16 x 1 1/2"	828606-150	2
6	nipple half 3" x 12"	822848-120	1
7	washer, springlock regular 3/8"	837506-094	2
8	nut, hex unfinished 3/8"	824206-337	2
9	u-bolt, pipe 1/2" x 8"	829008-800	2
10	elbow, pipe reducing 90° 3" x 2"	801612-080	2
11	nipple, pipe 3" x close	822248-000	2
12	nipple, pipe 2" x 4"	822132-040	1
13	connector, tube-m 1 1/2" x 1 1/2"	810224-150	3
14	elbow, pipe reducing 90° 2" x 1/2" 150#	801608-060	1
15	tube, aftercooler/fluid cooler	250009-337	1
16	nipple, pipe 2" x 7 1/2"	822132-075	1
17	capscrew, hex head gr5 5/8"-11 x 3"	828610-300	8
18	capscrew, hex head gr5 1/2"-13 x 1 1/2"	828608-150	4
19	washer, springlock regular 5/8"	837510-156	8
20	nut, hex 5/8"-11 unfinished	824210-559	8
21	separator, 4" combination trap (III)	250000-511	1
22	support, aftercooler	250018-015	1
23	washer, springlock regular 1/2"	837508-125	4
24	nut, hex unfinished 1/2"-13	824208-448	4
25	bracket, water connector 1 1/2" npt	250007-795	1
26	bushing, reducing hex 1 1/2" x 1 1/4"	802106-050	2
27	nipple, pipe 1 1/4" x close	822220-000	1
28	valve, water regulating 1 1/4"	248743	1
29	connector, tube-m 1 1/4" x 1 1/4"	810220-125	2
30	tube, water connector/cooler	250009-331	1
31	elbow, pipe 1 1/2"	801515-060	1
32	bushing, reducing hex 3" x 2 1/2"	802112-100	1

(continued on Page 25)

(I) For maintenance on flexible coupling (std.) no. 040327, order repair kit no. 040523.

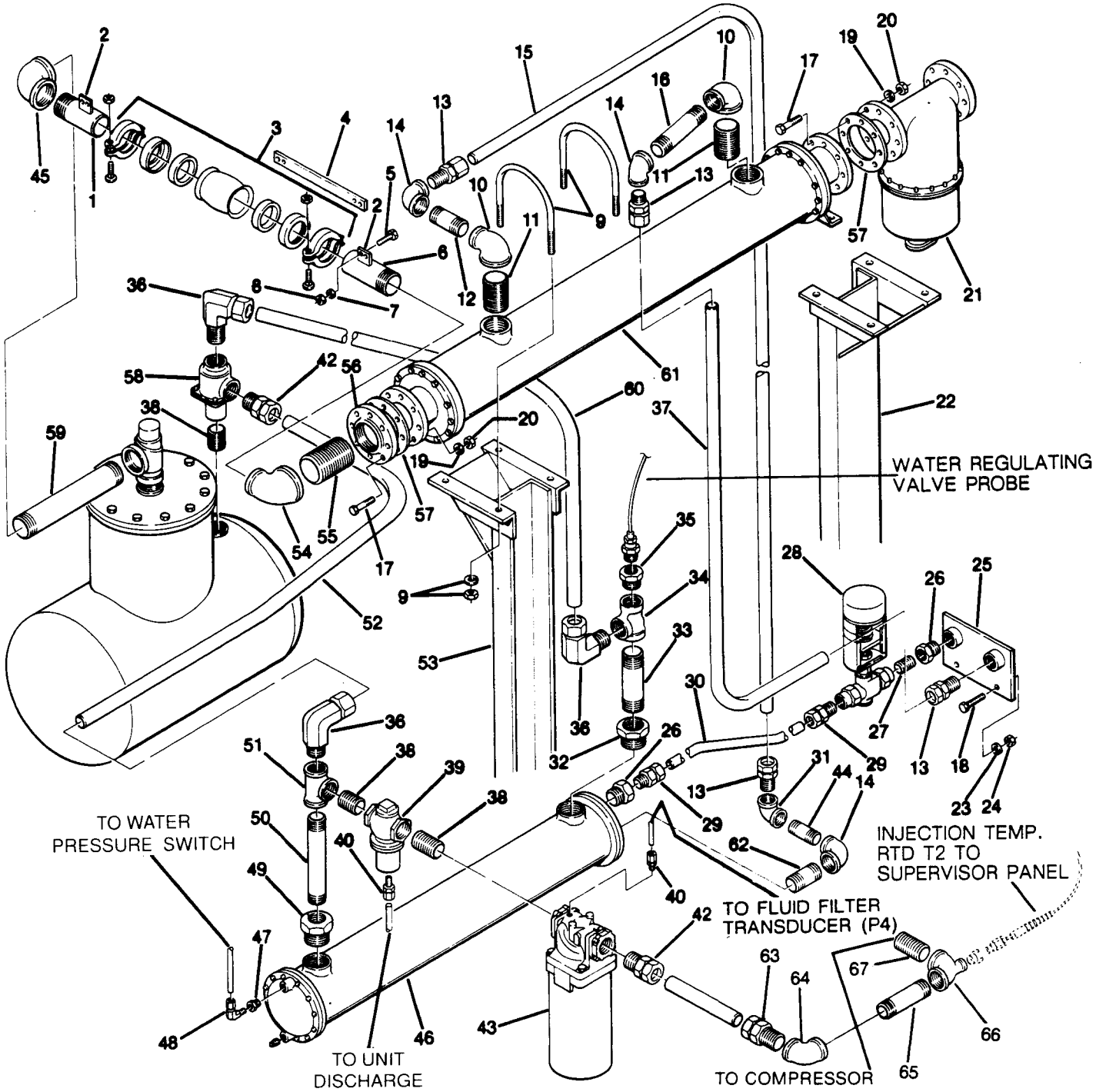
(II) For maintenance on flexible coupling (24KT) no. 241731, order repair kit no. 241732.

(III) For maintenance on combination trap separator no. 250007-787, order repair kit no. 250033-036.

PLEASE NOTE: WHEN ORDERING PARTS, INDICATE SERIAL NUMBER OF COMPRESSOR

Section 1 ILLUSTRATIONS AND PARTS LIST

1.9 FLUID COOLING SYSTEM - WATER-COOLED (300-350HP)



Section 1 ILLUSTRATIONS AND PARTS LIST

1.9 FLUID COOLING SYSTEM - WATER-COOLED (300-350HP) (continued)

<i>key number</i>	<i>description</i>	<i>part number</i>	<i>quantity</i>
33	nipple, pipe 2½" x 8"	822140-080	1
34	tee, reducing 2" x 2" x 2½" 150#	802210-088	1
35	bushing, reducing hex 2" x 1"	802108-040	1
36	elbow, tube-m 2" x 2"	801532-200	2
37	tube, water connector/aftercooler	250009-334	1
38	nipple, pipe 2" x close	822232-000	4
39	valve, fluid stop 2"npt (IV)	016742	1
40	connector, tube-m ¼" x ¼"	810204-025	3
41	tube, filter fluid stop valve 2"	250008-382	1
42	connector, tube-m 2" x 2"	810232-200	3
43	filter, fluid (V)	250007-219	1
44	nipple, pipe 1½" x 4"	822124-040	1
45	elbow, pipe 90° 3"	810515-120	1
46	heat exchanger 8" x 72"	041664	1
47	bushing, reducing hex ½" x ¼"	807602-010	1
48	elbow, tube-m ¼" x ¼"	810504-025	1
49	bushing, reducing hex 3" x 2"	802112-080	1
50	nipple, pipe 2" x 12"	822132-120	1
51	tee, pipe 2" 150#	802415-080	1
52	tube, bypass tee water-cooled 2"	250023-074	1
53	support, aftercooler	250007-793	1
54	elbow, pipe reducing 4" x 3" 90°	801616-120	1
55	nipple, pipe 4" x close	822264-000	1
56	flange, threaded 4" 150#	819315-064	1
57	gasket, flange 4" 150#	240621-010	2
58	valve, thermal 2" (VI)	041299	1
59	nipple, pipe 3" x 15"	822148-150	1
60	tube, fluid cooler to valve	250023-073	1
61	aftercooler, water-cooled	042950	1
62	nipple, pipe 1½" x 2"	822124-020	1
63	connector, tube-m 2" x 2"	810232-200	8
64	elbow, pipe 10° x 2"	810515-080	2
65	nipple, pipe 2" x 7"	822132-070	1
66	tee, reducing 2" x ½" x 2"	802208-028	2
67	nipple, pipe 2" x close	822232-000	3

(IV) For maintenance on fluid stop valve no. 016742, order repair kit no. 001684.

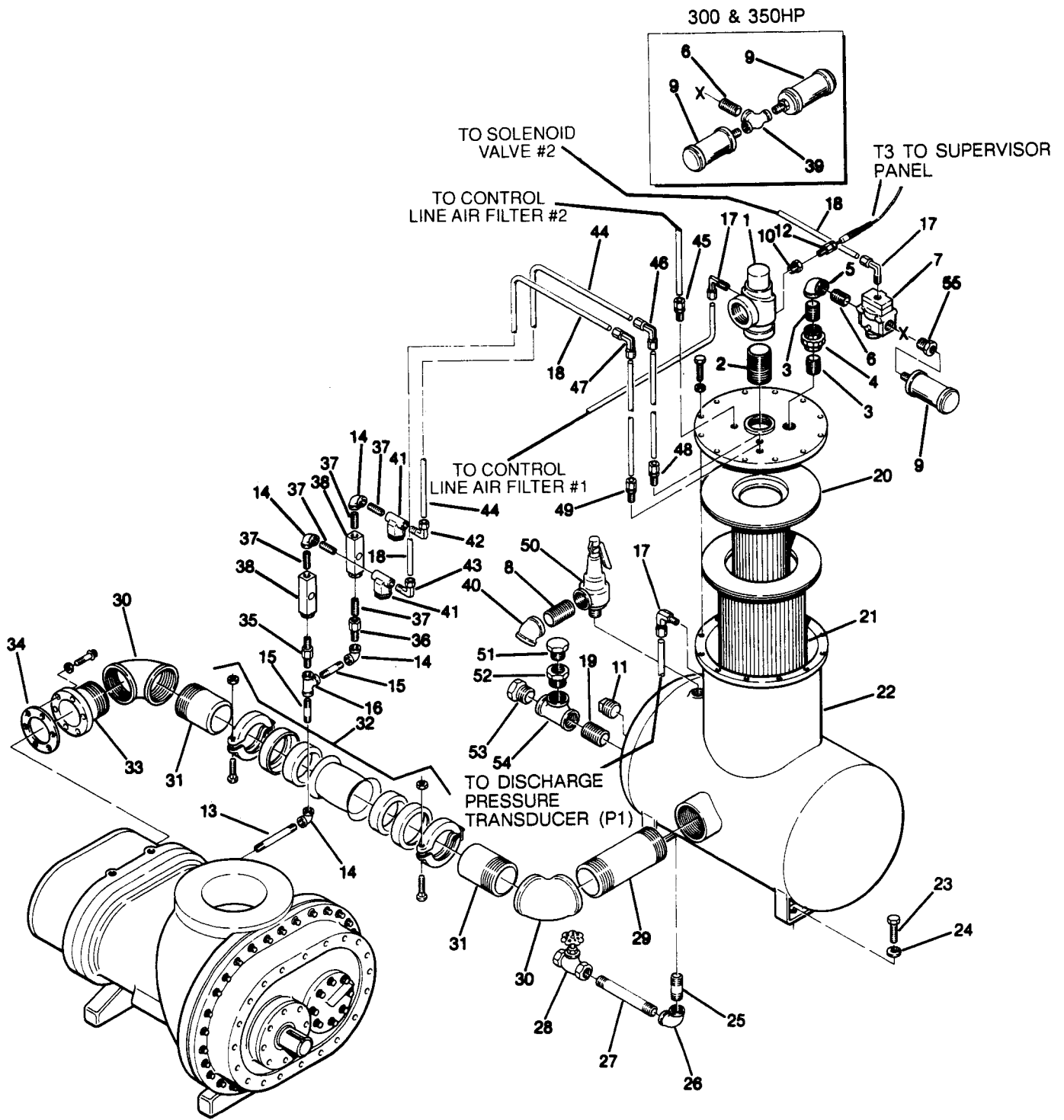
(V) For maintenance on fluid filter no. 250007-219, order replacement kit no. 250008-956.

(VI) For maintenance on thermal valve no. 041299, order repair kit no. 001084.

PLEASE NOTE: WHEN ORDERING PARTS, INDICATE SERIAL NUMBER OF COMPRESSOR

Section 1 ILLUSTRATIONS AND PARTS LIST

1.10 COMPRESSOR DISCHARGE SYSTEM (200-350HP)



Section 1 ILLUSTRATIONS AND PARTS LIST

1.10 COMPRESSOR DISCHARGE SYSTEM (200-350HP)

<i>key number</i>	<i>description</i>	<i>part number</i>	<i>quantity</i>
1	valve, minimum pressure/check 3" (I)	250033-821	1
2	nipple, pipe 3" x close	822248-000	1
3	nipple, pipe 1¼" x close	822220-000	2
4	union, pipe brass seat 1¼"	802515-050	1
5	elbow, reducing 1¼" x 1" 150#	801605-040	1
6	nipple, pipe 1" x close	822216-000	2
7	valve, blowdown 2-way normally closed (II)	409783	1
8	nipple, pipe 2" x close	822232-000	1
9	silencer, air ¾"	040758	1
10	bushing, reducing hex ¾" x ½"	802103-020	1
11	plug, pipe 1½"	802815-060	2
12	probe, thermistor	250039-909	3
13	nipple, pipe ¼" x 4"	823104-040	1
14	elbow, pipe 90° ¼"	803515-015	4
15	nipple, pipe ¼" x 1½"	823104-015	2
16	tee, pipe ¼"	804415-010	1
17	elbow, tube-m ¼" x ¼"	810504-025	1
18	tubing, steel double bronze ¼" (ft.)	841015-004	10 feet
19	nipple, pipe 1½" x close	822224-000	1
20	element, separator (secondary) (III)	250034-129	1
21	element, plated (primary) (IV)	250034-123	1
22	tank, fluid separator 30" diameter	250002-038	1
23	capscrew, hex gr5 ¾"-10 x 2"	828612-200	4
24	washer, springlock regular ¾"	837512-188	4
25	nipple, ¾" x 3"	822212-030	1
26	elbow, pipe ¾" 90° 150#	801515-030	1
27	nipple, ¾" x 9"	822112-090	1
28	valve, globe ¾" 125#	040520	1

(continued on Page 29)

(I) For maintenance on minimum pressure/check valve no. 250033-821, order repair kit no. 250018-262.

(II) For maintenance blowdown valve no. 409783, order repair kit no. 001667.

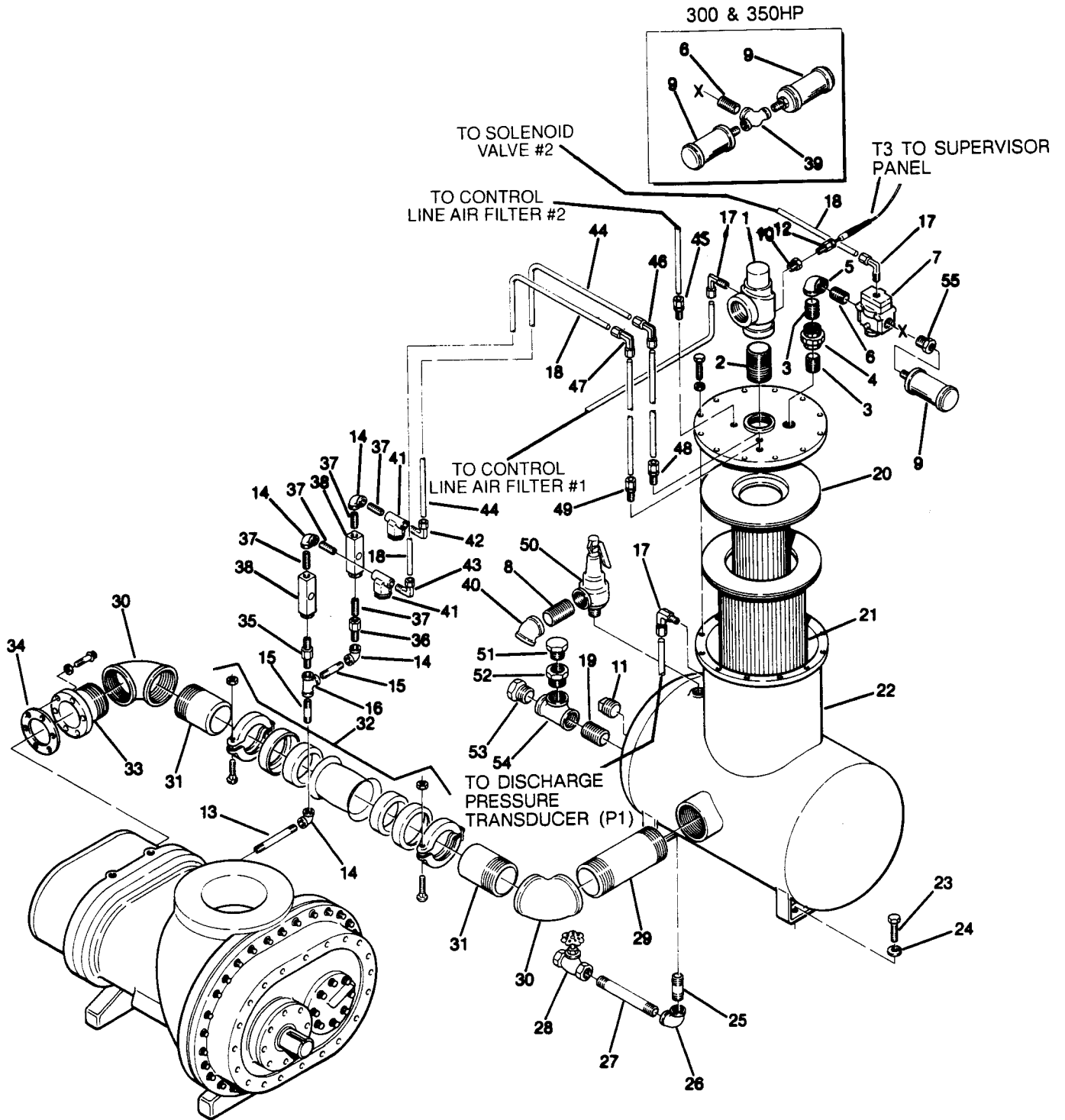
(III) For maintenance on separator element (secondary) no. 250034-129, order repair kit no. 250034-130.

(IV) For maintenance on separator element (primary) no. 250034-123, order repair kit no. 250034-124.

PLEASE NOTE: WHEN ORDERING PARTS, INDICATE SERIAL NUMBER OF COMPRESSOR

Section 1 ILLUSTRATIONS AND PARTS LIST

1.10 COMPRESSOR DISCHARGE SYSTEM (200-350HP)



Section 1 ILLUSTRATIONS AND PARTS LIST

1.10 COMPRESSOR DISCHARGE SYSTEM (200-350HP) (continued)

key number	description	part number	quantity
29	nipple, pipe 4" x 10"	822164-100	1
30	elbow, pipe 4" 90° 150#	801515-160	2
31	nipple, half 4" x 6"	822864-060	1
32	coupling, flexible 4" (std.) (V) • coupling, flexible 4" (24KT) (VI)	041085 046273	1 1
33	flange, threaded 4"	250001-462	1
34	gasket, discharge flange 4"npt	250002-379	1
35	orifice, ¼"m x ¼"m x .062	027443	1
36	orifice, restrictor ½"	040381	1
37	nipple, pipe ¼" x close	823204-000	5
38	glass, sight	046559	2
39	tee, reducing ¾" x ¾" x 1"	802203-034	1
40	elbow, 45° 2"	801515-080	4
41	strainer, v-type 1" x 1¼" 300 PSIG (2068kPa) (VII)	241771	2
42	elbow, tube 90°-m ⅝" x ¼"	810505-025	1
43	elbow, tube 90°-m ¼" x ¼"	810504-025	1
44	tubing, steel double bronze ⅝" (ft.)	841015-005	10
45	connector, tube ¼" x ¼"	810204-025	1
46	elbow, tube union 90° ⅝" x ⅝"	811205-031	1
47	elbow, tube union 90° ¼" x ¼"	811204-025	1
48	connector, flex ¼"t x ¼"p	020169	1
49	connector, flex ⅝" x ¼"npt	020501	1
50	valve, relief 1½" 150#	407003	1
51	plug, o-ring boss ¼"	040029	1
52	adapter, filler	020044	1
53	glass, fluid level sight 1½"	040279	1
54	tee, pipe 1½" 150#	802415-060	1
55	bushing, reducing	802104-030	1

(V) For maintenance on flexible coupling (std.) no. 041085, order repair kit no. 041353.

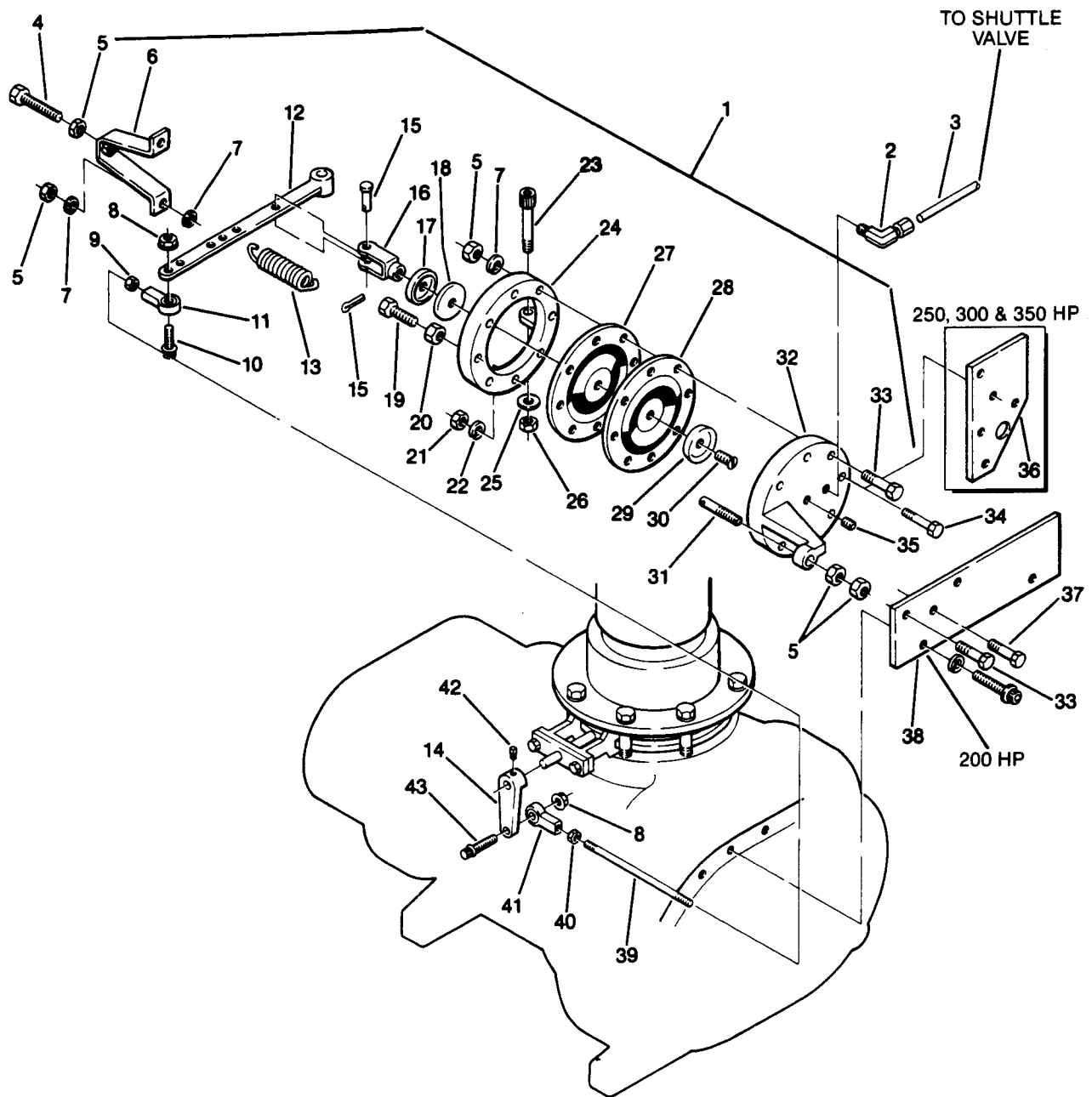
(VI) For maintenance on flexible coupling (24KT) no. 046273, order repair kit no. 046291.

(VII) For maintenance on v-type strainer no. 241771, order repair kit no. 241772.

PLEASE NOTE: WHEN ORDERING PARTS, INDICATE SERIAL NUMBER OF COMPRESSOR

Section 1 ILLUSTRATIONS AND PARTS LIST

1.11 SULLICON CONTROL



Section 1 ILLUSTRATIONS AND PARTS LIST

1.11 SULLICON CONTROL

<i>key number</i>	<i>description</i>	<i>part number</i>	<i>quantity</i>
1	control, Sullicon (I)	011682-003	1
2	elbow, tube-m $\frac{1}{4}$ " x $\frac{1}{4}$ "	810504-025	12
3	tubing, steel double bronze $\frac{1}{4}$ " (ft.)	841015-004	62
4	capscrew, hex head $\frac{3}{8}$ "-16 x $2\frac{1}{4}$ "	828606-225	1
5	nut, hex unfinished $\frac{3}{8}$ "-16	824206-337	7
6	bracket, control stop	020864	1
7	washer, springlock regular $\frac{3}{8}$ "	837506-094	8
8	nut, hex flanged plated $\frac{5}{16}$ "-18	825305-283	2
9	nut, hex jam unfinished $\frac{5}{16}$ "-24 - right hand	824605-195	1
10	capscrew, ferry head $\frac{5}{16}$ "-18 x $1\frac{1}{4}$ "	828405-125	1
11	rod end, spherical $\frac{5}{16}$ " - right hand	040136	1
12	lever, control	011084	1
13	spring, control light $3\frac{7}{8}$ "	250006-526	1
14	arm, control	022234	1
15	pin, yoke $\frac{1}{4}$ " with cotter pin	040065	1
16	yoke, rod end $\frac{1}{4}$ "-28	040138	1
17	plunger	020094	1
18	seal, cup	042538	1
19	screw, hex unmachined $\frac{5}{16}$ "-24 x 2"	831105-200	1
20	nut, hex jam unfinished $\frac{5}{16}$ "-24 -right hand	824605-195	1
21	nut, hex unfinished $\frac{5}{16}$ "-18	824205-273	1
22	washer, springlock regular $\frac{5}{16}$ "	837506-200	1
23	screw, machine shoulder $\frac{3}{8}$ " x 2"	830506-200	1
24	body, control	021635	1
25	washer, regular $\frac{3}{8}$ "	838206-071	1
26	nut, hex locking plated $\frac{5}{16}$ "-18	825505-166	1
27	diaphragm, Sullicon	250020-028	1
28	capscrew, ferry head $\frac{5}{16}$ " x $1\frac{1}{2}$ "	828405-150	1
29	washer, back-up	021172	1
30	screw, sealing $\frac{1}{4}$ "-28 x $\frac{3}{4}$ "	041264	1
31	bolt, adjustable Sullicon spring	250009-134	1
32	cover, control	021654	1
33	capscrew, hex gr5 $\frac{3}{8}$ "-16 x $2\frac{1}{2}$ "	828606-250	4
34	capscrew, hex gr5 $\frac{5}{16}$ "-18 x $2\frac{1}{2}$ "	828605-250	3
35	plug, pipe $\frac{1}{4}$ " 3000#	807800-010	1

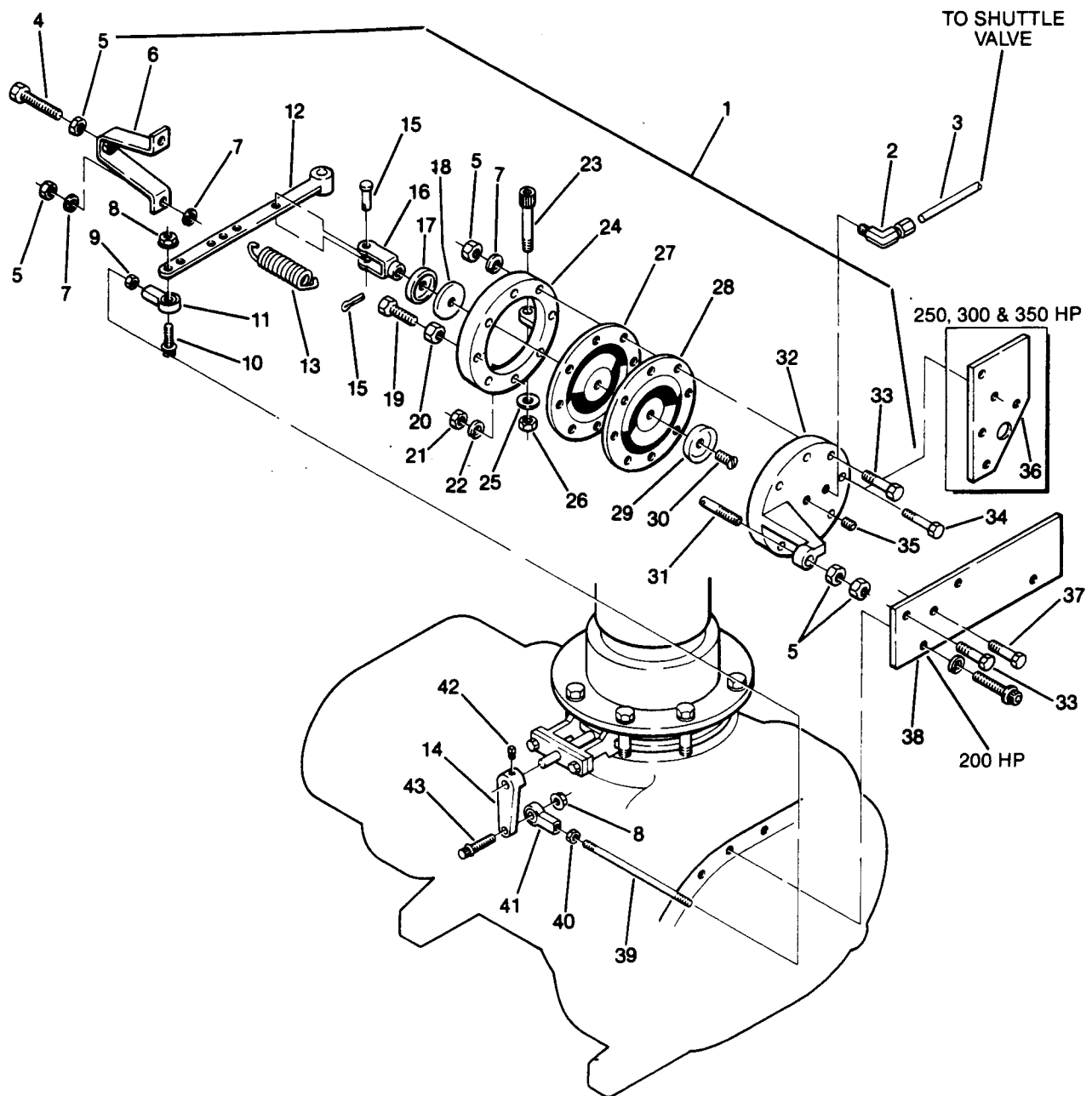
(continued on Page 32)

(I) For maintenance on Sullicon Control no. 011682-003, order repair kit no. 250020-353.

PLEASE NOTE: WHEN ORDERING PARTS, INDICATE SERIAL NUMBER OF COMPRESSOR

Section 1 ILLUSTRATIONS AND PARTS LIST

1.11 SULLICON CONTROL



Section 1 ILLUSTRATIONS AND PARTS LIST

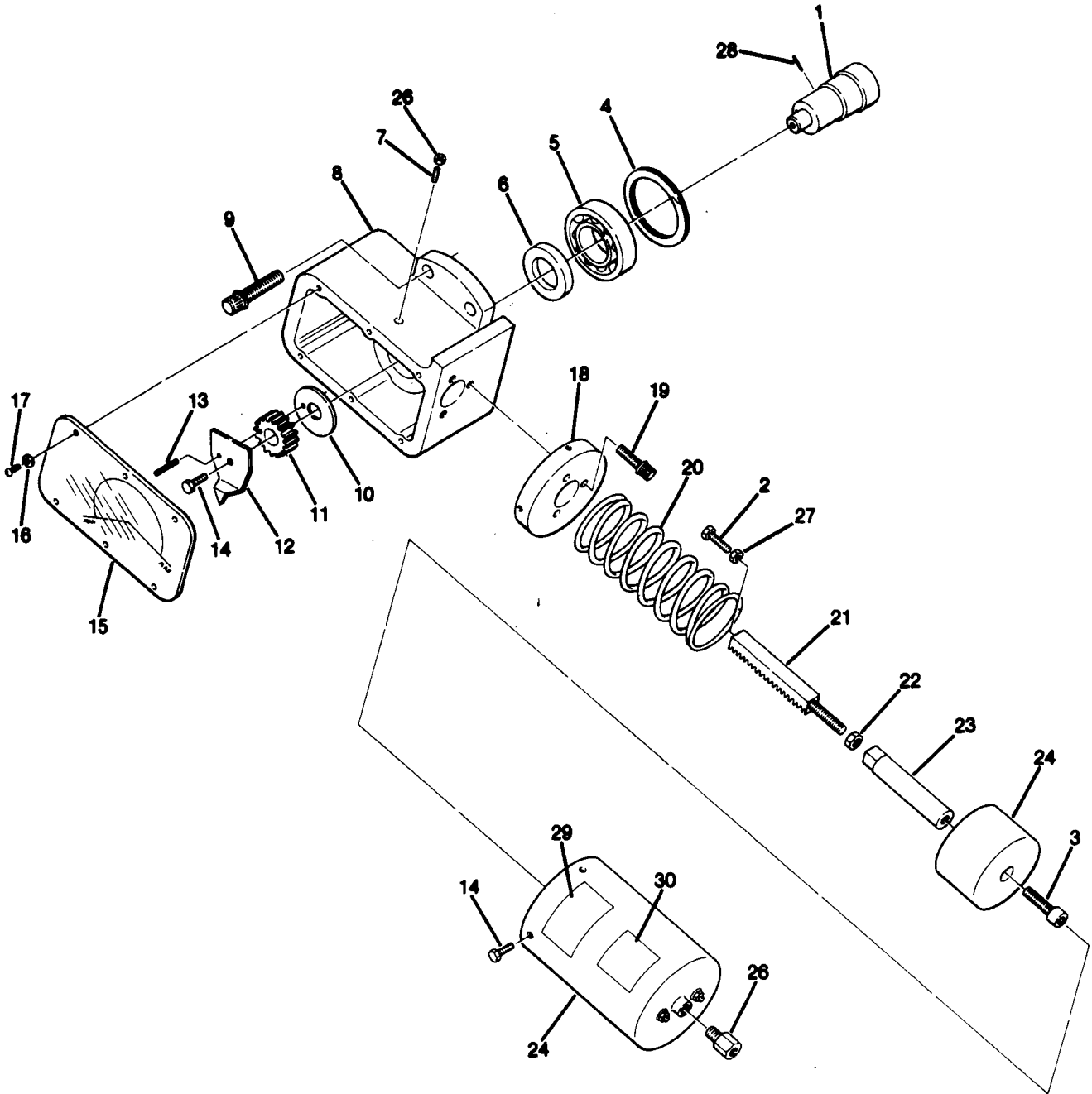
1.11 SULLICON CONTROL

<i>key number</i>	<i>description</i>	<i>part number</i>	<i>quantity</i>
36	bracket, Sullicon (250, 300, 350HP)	250007-789	1
37	capscrew, hex gr5 $\frac{1}{2}$ "-13 x $1\frac{1}{4}$ "	828608-125	2
38	bracket, Sullicon (200HP)	233402	1
39	rod, link $\frac{5}{16}$ "-24 x $8\frac{3}{4}$ " • rod, link $\frac{5}{16}$ "-24 x $9\frac{1}{2}$ "	020863 021287	1 1
40	nut, hex jam unfinished $\frac{5}{16}$ "-24	824705-195	1
41	rod end, spherical $\frac{5}{16}$ " - left hand	042004	1
42	screw, set square head $\frac{5}{16}$ " x $\frac{3}{4}$ "-18	408383	1
43	capscrew, ferry head $\frac{5}{16}$ " x $1\frac{1}{2}$ "	828405-150	1

PLEASE NOTE: WHEN ORDERING PARTS, INDICATE SERIAL NUMBER OF COMPRESSOR

Section 1
ILLUSTRATIONS AND PARTS LIST

1.12 COMPRESSOR ACTUATOR (200-350HP)



Section 1 ILLUSTRATIONS AND PARTS LIST

1.12 COMPRESSOR ACTUATOR (200-350HP)

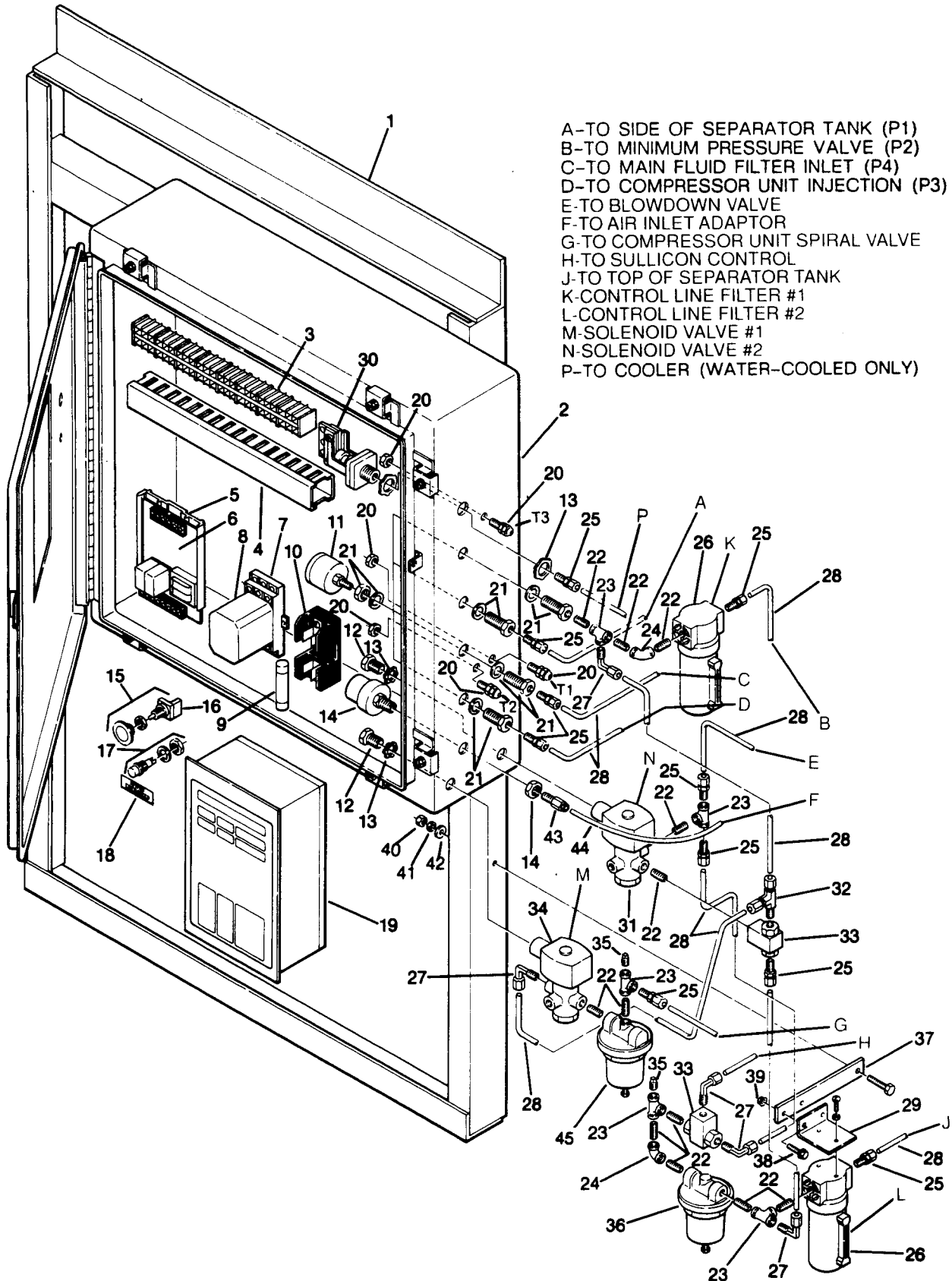
<i>key number</i>	<i>description</i>	<i>part number</i>	<i>quantity</i>
1	shaft, indicator	250030-979	1
2	screw, machine hex ¼"-20 x 1¼"	830104-175	1
3	capscrew, socket ⅜"-16 x 1"	828906-100	1
4	ring, retaining Viton	826502-236	1
5	bearing, ball	499002-207	1
6	seal, lip	250016-200	1
7	set, screw ½"-13 x 1.62	250024-465	1
8	base, air cylinder	250016-725	1
9	capscrew, ferry head ½"-13 x 2¾"	828408-275	3
10	guide, rack	250016-199	1
11	gear, pinion	250016-196	1
12	indicator, actuator	250030-983	1
13	pin, roll	827404-100	1
14	capscrew, hex head gr8 ¼"-20 x ½"	828204-050	4
15	cover, adapter	250021-510	1
16	washer, regular #18	838201-045	6
17	screw, machine rod #8-32 x ½"	831601-050	6
18	mount, air cylinder	250016-188	1
19	capscrew, ferry head ⅝"-18 x 1¼"	828404-125	3
20	spring, seal 2¼"	250016-394	1
21	rack, gear	250016-197	1
22	nut, hex jam ⅜"-16	824906-227	1
23	shaft, air cylinder	250016-194	1
24	cylinder, air (I)	250016-183	1
25	orifice, .062 x .25m x 25f	028831	1
26	nut, hex unfinished ½"-13	824208-448	1
27	nut, hex jam ¼"-20	824904-164	1
28	pin, roll unfinished ⅛" x ½"	827402-050	1
29	decal, warning actuator	250029-836	1
30	decal, actuator valve positioning	250029-784	1

(I) For maintenance on air cylinder no. 250016-183, order diaphragm repair kit no. 608311-001.

PLEASE NOTE: WHEN ORDERING PARTS, INDICATE SERIAL NUMBER OF COMPRESSOR

Section 1 ILLUSTRATIONS AND PARTS LIST

1.13 ELECTRO-PNEUMATIC CONTROL SYSTEM



Section 1 ILLUSTRATIONS AND PARTS LIST

1.13 ELECTRO-PNEUMATIC CONTROL SYSTEM

<i>key number</i>	<i>description</i>	<i>part number</i>	<i>quantity</i>
1	frame, control box support	250042-499	1
2	box, control	250038-777	1
3	block, terminal and track	041493	9
4	panduit	047322	1
5	track, snap mounting	250024-522	1
6	control, temperature dual	250039-911	1
7	pin, socket for 120V plug-in relay	045497	1
8	relay, control 120V 10A 3PDT	045496	1
9	fuse, non 5	241957	1
10	fuseholder	041147	1
11	transducer, pressure	250039-910	4
12	nipple, chase - conduit 1/2"	847815-050	2
13	locknut, conduit 1/2"	847200-050	11
14	switch, vacuum 22" wc	250014-656	1
15	switch, emergency stop	250028-588	1
16	block, control - normally closed	250027-125	1
17	light, power energized	250000-105	1
18	decal, power energized	249544-049	1
19	panel, control	250038-779	1
20	cord, grip	250023-496	3
21	bulkhead pipe 1/8"	841500-002	4
22	nipple, pipe 1/4" x close	822204-000	12
23	tee, pipe 1/4"	804415-010	5
24	elbow, pipe 90° x 1/4"	801515-010	2
25	connector, tube-m 1/4" x 1/4"	810204-025	9
26	filter, control line air 1/4" (I)	408389	2
27	elbow, tube-m 1/4" x 1/4"	810504-025	5
28	tubing, steel 1/4"	841015-004	62 feet
29	angle, pressure switch	230452	1
30	switch, water pressure	043428	1
31	valve, solenoid 1/4" 3-way 115V (II)	250038-668	1
32	tee, tube 1/4"	810904-025	1
33	valve, shuttle	408893	2

(continued on Page 39)

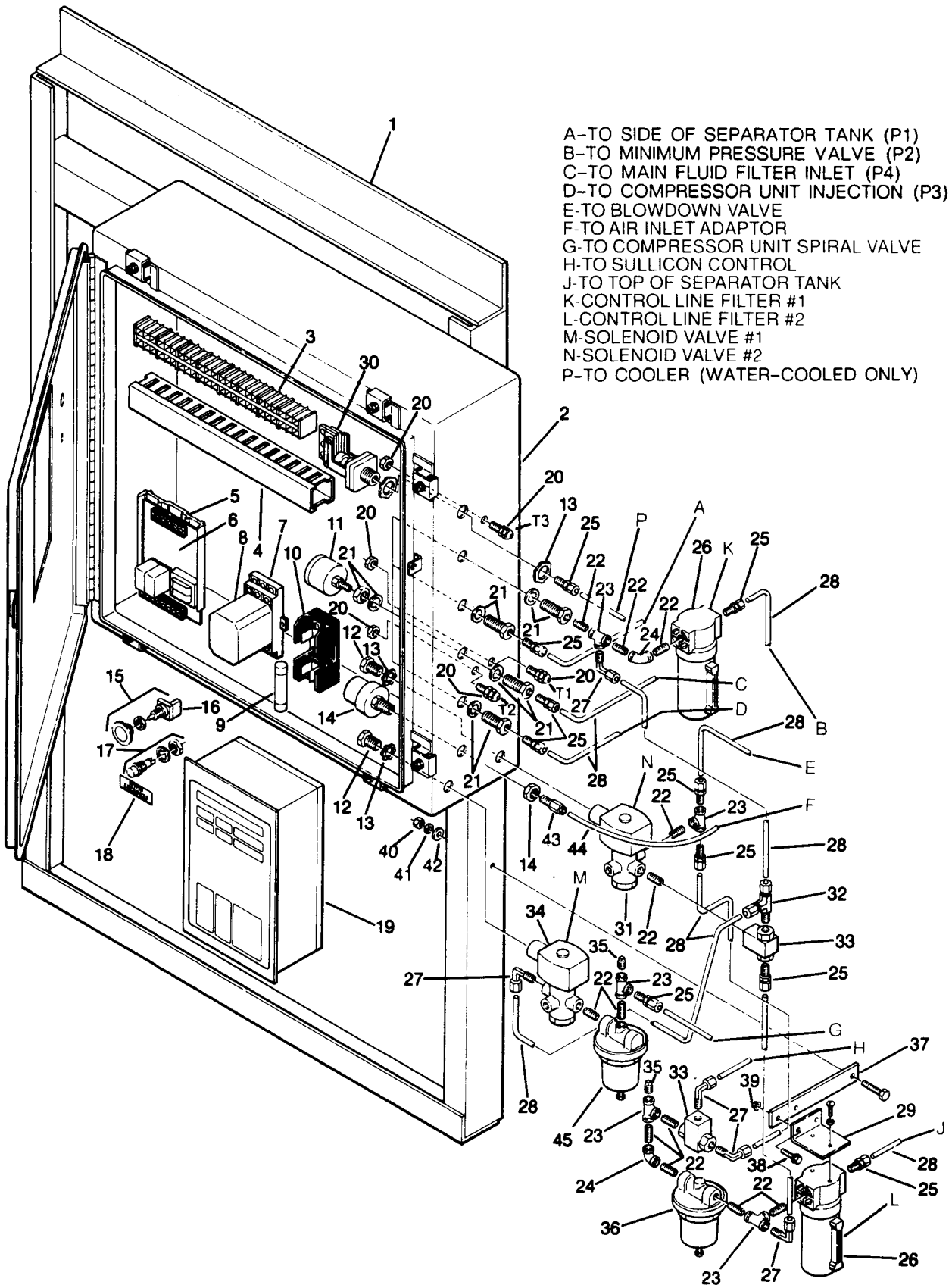
(I) For maintenance on control air filter no. 408389, order repair kit no. 001692.

(II) For maintenance on solenoid valve no. 250038-668, order repair kit no. 250038-673 (valve) and repair kit no. 250031-738 (coil).

PLEASE NOTE: WHEN ORDERING PARTS, INDICATE SERIAL NUMBER OF COMPRESSOR

Section 1 ILLUSTRATIONS AND PARTS LIST

1.13 ELECTRO-PNEUMATIC CONTROL SYSTEM



Section 1 ILLUSTRATIONS AND PARTS LIST

1.13 ELECTRO-PNEUMATIC CONTROL SYSTEM (continued)

<i>key number</i>	<i>description</i>	<i>part number</i>	<i>quantity</i>
34	valve, solenoid ¼" 3-way 115V	409067	1
35	plug, pipe ¼"	807800-010	2
36	valve, differential pressure regulator (III)	406929	1
37	bracket, fluid stop valve	231584	1
38	screw, hex serrated washer ⅝" x ¾"	829705-075	2
39	nut, hex plated ⅝"	824815-005	2
40	nut, hex unfinished ½"-13	824208-448	1
41	washer, springlock regular ½"	837508-125	1
42	washer, pl-b regular unfinished ½"	837308-112	1
43	connector, tube-m ¼" x ⅙"	813604-125	1
44	tubing plastic ¼"	250024-745	16 feet
45	valve, differential pressure regulator (spiral valve) (IV)	408275	1

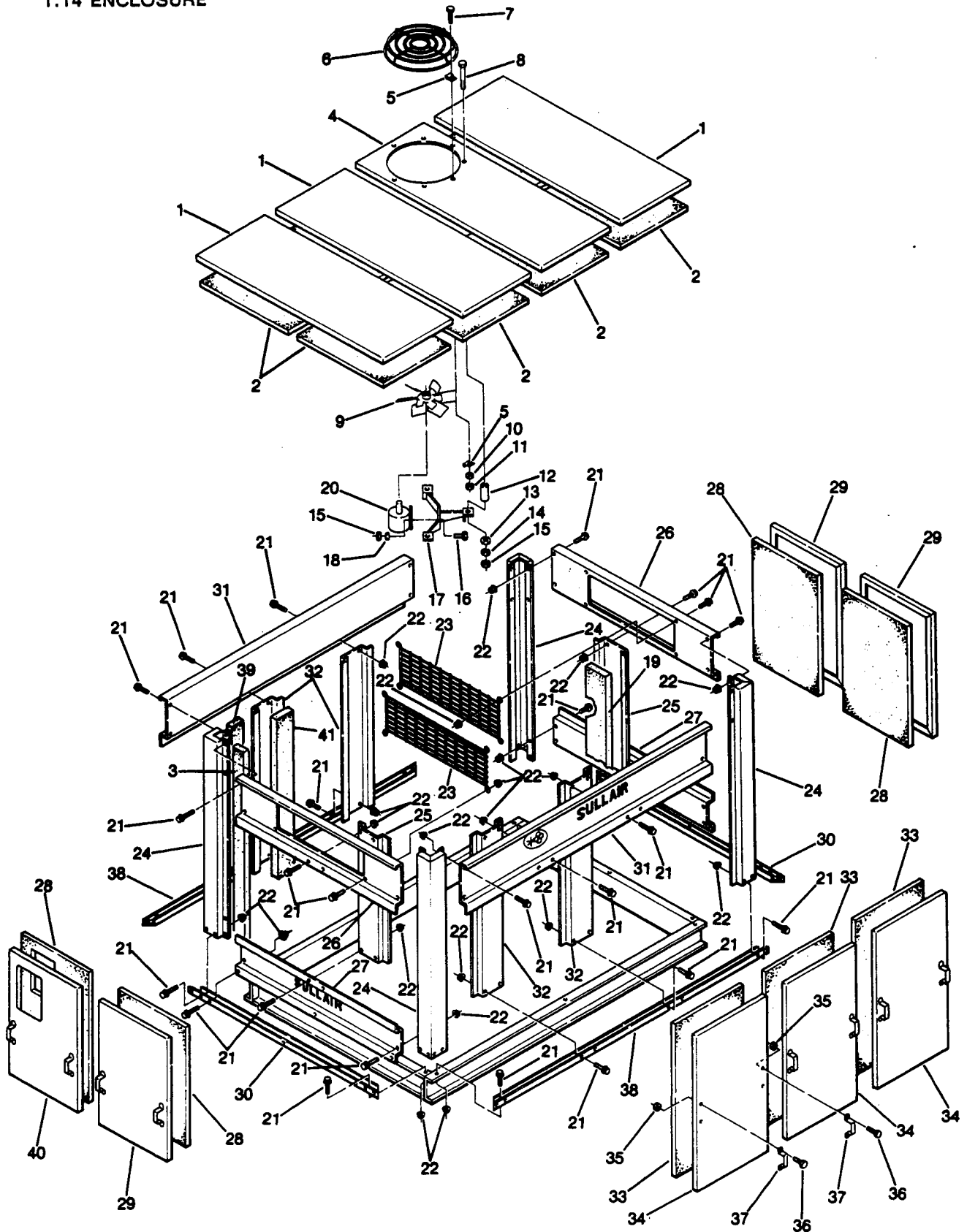
(III) For maintenance on differential pressure regulator valve no. 406929, order repair kit no. 041742.

(IV) For maintenance on differential pressure regulator valve no. 408275, order repair kit no. 250028-693.

PLEASE NOTE: WHEN ORDERING PARTS, INDICATE SERIAL NUMBER OF COMPRESSOR

Section 1 ILLUSTRATIONS AND PARTS LIST

1.14 ENCLOSURE



Section 1 ILLUSTRATIONS AND PARTS LIST

1.14 ENCLOSURE

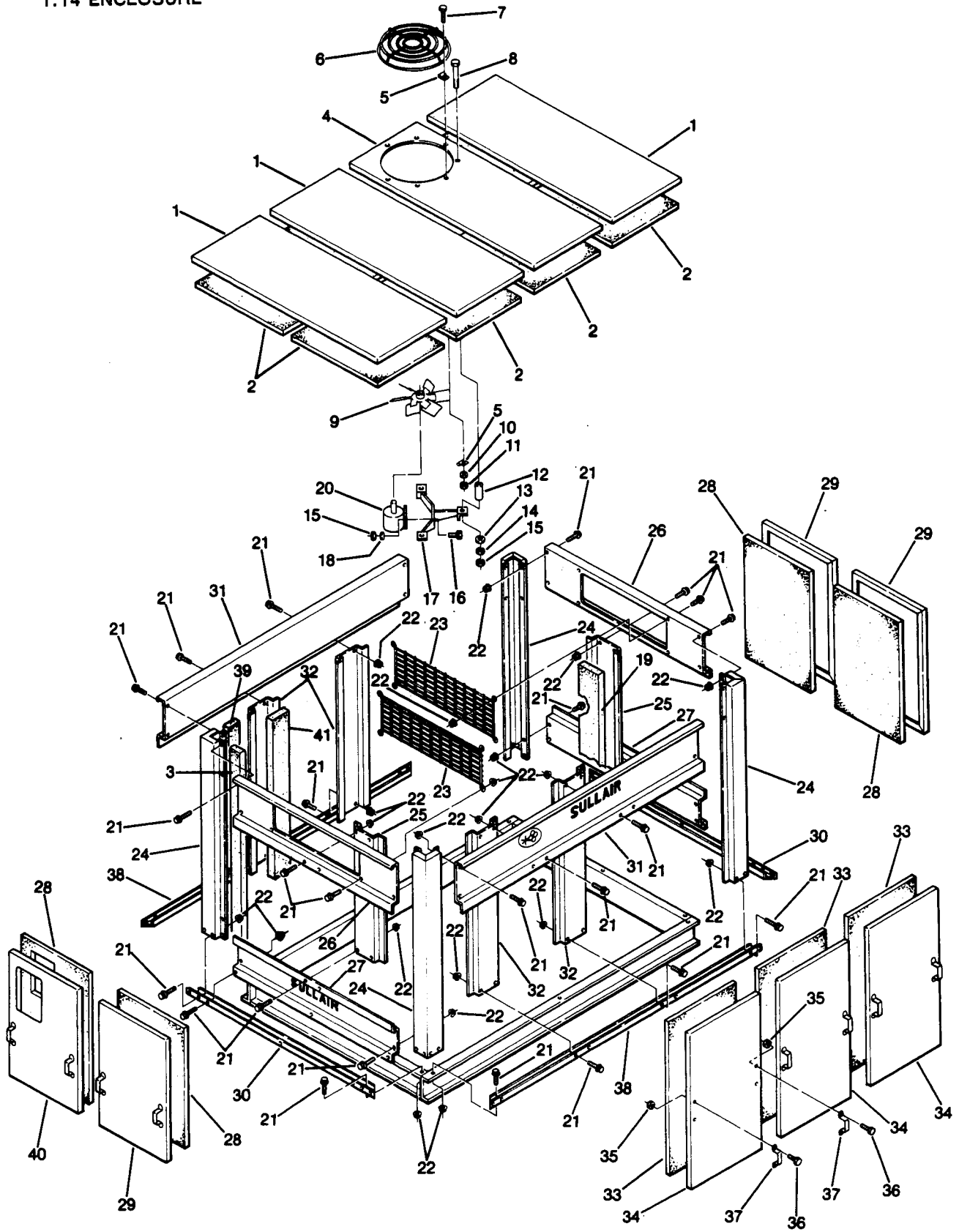
<i>key number</i>	<i>description</i>	<i>part number</i>	<i>quantity</i>
1	panel, roof 30" x 87"	250007-112	3
2	panel, fiberglass 29½" x 41"	047823-157	7
3	panel, fiberglass 4½" x 74"	047823-180	4
4	panel, roof 30" x 87"	250007-113	1
5	clamp, speed tube ¼"	043357	4
6	guard, fan 24"	041765	1
7	capscrew, hex gr5 5/16"-18 x 1"	828605-100	4
8	capscrew, hex gr5 3/8"-16 x 4"	828606-400	3
9	fan, 20"	245748	1
10	washer, springlock 5/16"	837505-078	4
11	nut, hex unfinished 5/16"-18	824205-273	4
12	spacer, fan support	227267	3
13	washer, regular unfinished 3/8"	837206-071	3
14	washer, springlock regular 3/8"	837506-094	3
15	nut, hex unfinished 3/8"-16	824206-337	3
16	capscrew, hex gr5 3/8"-16 x 1¼"	828606-125	4
17	support, fan motor	014613	1
18	washer, unfinished regular 3/8"	837206-071	4
19	panel, fiberglass 8½" x 52"	047823-162	2
20	motor, .75HP	050288	1
21	screw, hex serrated washer 5/16" x 3/4"	829705-075	116
22	nut, hex flange plated 5/16"-18	825305-283	116
23	grille, enclosure end	249651	2
24	post, corner 6"	250007-117	4
25	support, end 85/8"	250007-124	2
26	panel, end header	250007-126	2
27	panel, bottom end	250007-122	2
28	panel, fiberglass 32½" x 49"	047823-158	4
29	panel, access 33" x 50"	250007-123	3
30	channel, end sill	250007-121	2
31	panel, side header	250007-115	2
32	support, side 85/8"	250007-118	4
33	panel, fiberglass 29½" x 60"	047823-154	6
34	panel, access	014661	6
35	nut, hex plated ¼"-20	825204-226	40
36	capscrew, hex gr5 ¼"-20 x 1"	828604-100	40
37	handle, canopy	042262	20
38	channel, side sill	250007-119	2

(continued on Page 49)

PLEASE NOTE: WHEN ORDERING PARTS, INDICATE SERIAL NUMBER OF COMPRESSOR

Section 1 ILLUSTRATIONS AND PARTS LIST

1.14 ENCLOSURE



Section 1
ILLUSTRATIONS AND PARTS LIST

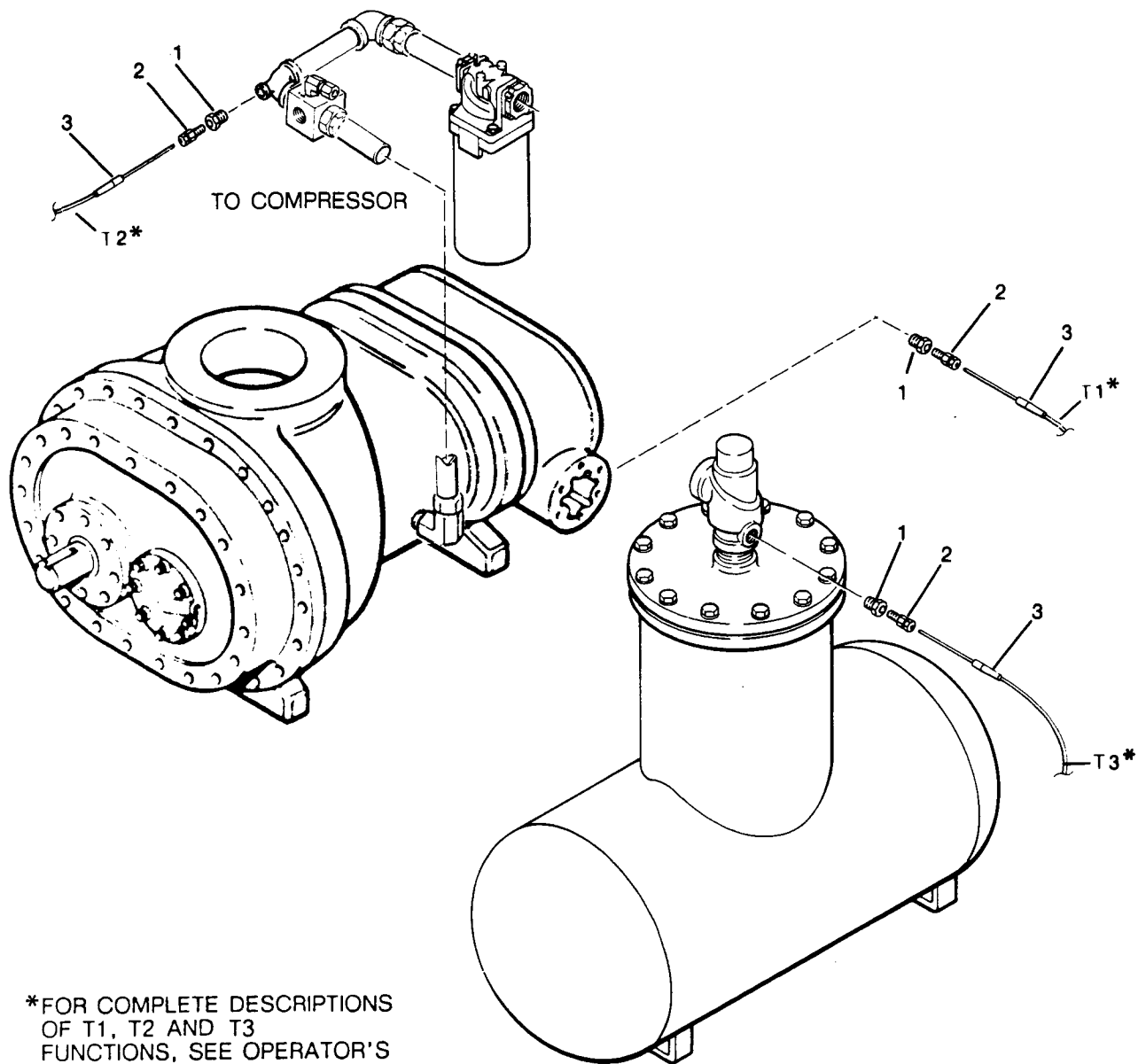
1.14 ENCLOSURE (continued)

<i>key number</i>	<i>description</i>	<i>part number</i>	<i>quantity</i>
39	panel, fiberglass 6" x 74"	047823-179	4
40	panel, access 33" x 50" - Supervisor	250042-830	1
41	panel, fiberglass 8½" x 62"	047823-161	6

PLEASE NOTE: WHEN ORDERING PARTS, INDICATE SERIAL NUMBER OF COMPRESSOR

Section 1
ILLUSTRATIONS AND PARTS LIST

1.15 RTD PROBES - 200HP THROUGH 300HP



*FOR COMPLETE DESCRIPTIONS
OF T1, T2 AND T3
FUNCTIONS, SEE OPERATOR'S
MANUAL

Section 1
ILLUSTRATIONS AND PARTS LIST

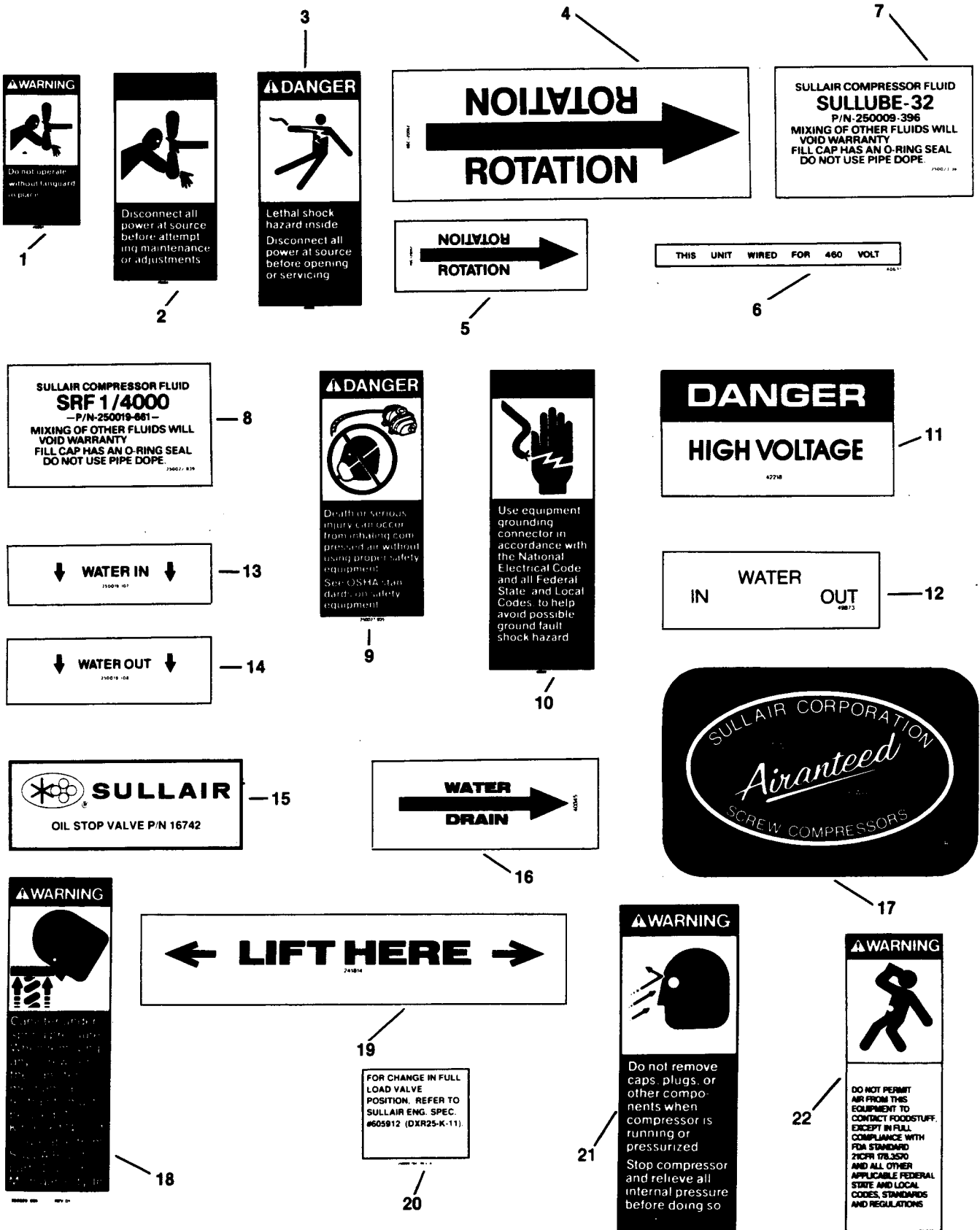
1.15 RTD PROBES - 200HP THROUGH 300HP

<i>key number</i>	<i>description</i>	<i>part number</i>	<i>quantity</i>
1	bushing, reducer $\frac{1}{2}$ " x $\frac{1}{8}$ " npt	802102-005	3
2	fitting, compression	250028-633	3
3	probe, RTD	250039-909	3

PLEASE NOTE: WHEN ORDERING PARTS, INDICATE SERIAL NUMBER OF COMPRESSOR

Section 1 ILLUSTRATIONS AND PARTS LIST

1.16 DECAL GROUP



Section 1 ILLUSTRATIONS AND PARTS LIST

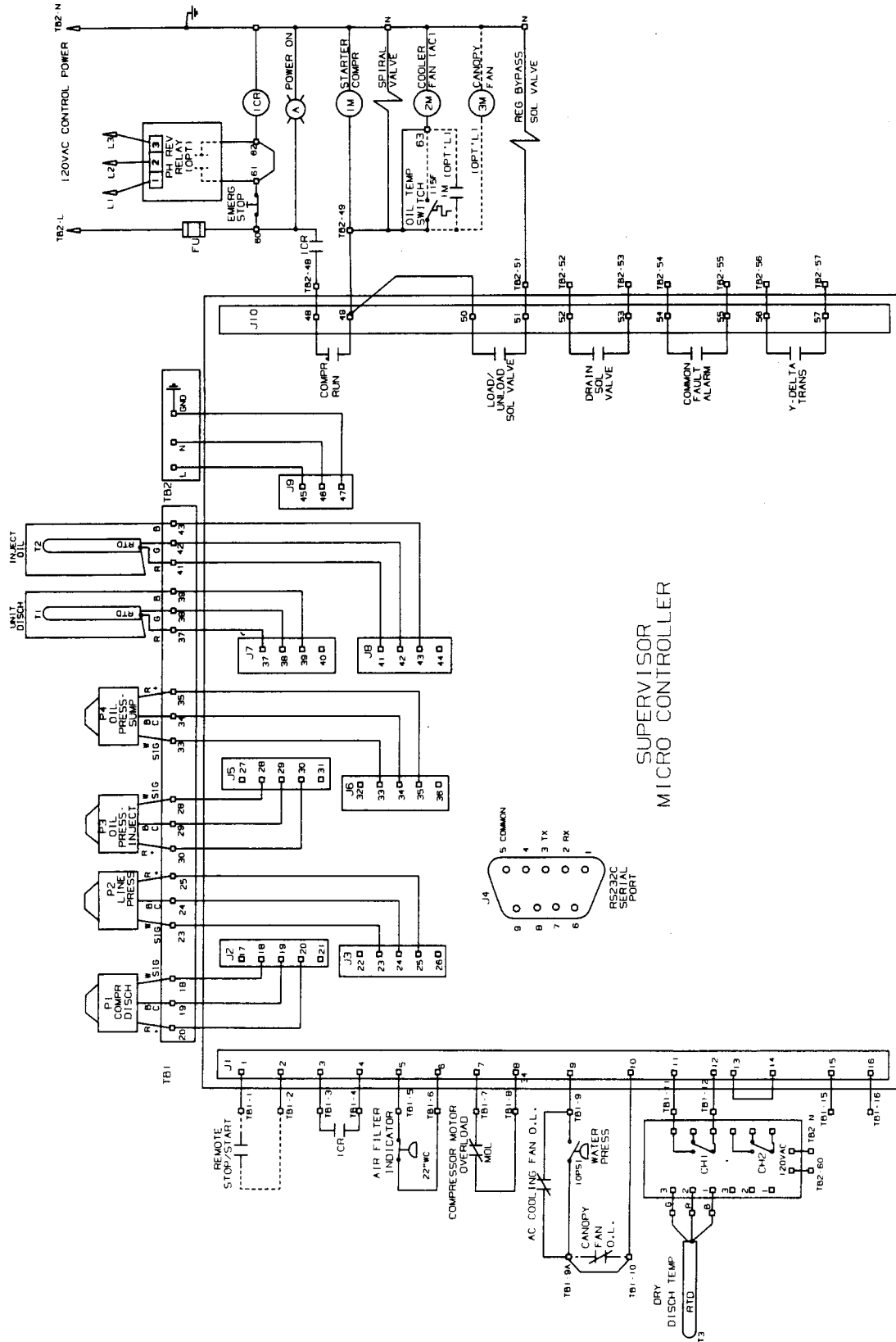
1.16 DECAL GROUP

<i>key number</i>	<i>description</i>	<i>part number</i>	<i>quantity</i>
1	sign, warning sever – fan	049855	2
2	sign, warning sever–fan port	049965	1
3	sign, danger electrocution	049850	1
4	decal, rotation	250021–286	1
5	decal, rotation	250021–564	1
6	decal, 460 volt	040631	1
7	decal, compressor fluid Sullube–32	250023–361	1
8	decal, compressor fluid SRF 1/4000	250022–839	1
9	sign, air breathing (danger)	250027–935	1
10	sign, warning ground fault	049852	1
11	decal, danger hi–voltage	042218	1
12	decal, water inlet–outlet	049873	1
13	decal, water in	250019–107	1
14	decal, water out	250019–108	1
15	decal, fluid stop valve P/N 016742	410239	1
16	decal, water drain	040345	1
17	decal, “Airanteed” 2 year	043067	1
18	decal, warning actuator	250029–836	1
19	decal, fork lifting	241814	4
20	decal, actuator valve positioning	250029–784	1
21	sign, warning “food grade” lube	250003–144	1
22	sign, warning “compressor fluid fill cap”	049685	1

PLEASE NOTE: WHEN ORDERING PARTS, INDICATE SERIAL NUMBER OF COMPRESSOR

Section 1 ILLUSTRATIONS AND PARTS LIST

1.17 WIRING DIAGRAM



NOTES



WORLDWIDE SALES AND SERVICE

SULLAIR CORPORATION

A SUBSIDIARY OF SUNDSTRAND CORPORATION

3700 E. Michigan Blvd. Michigan City, Indiana 46360-9990
Telephone (219) 879-5451 Telex 4946922



250042-208

Printed in U.S.A.

**Specifications Subject To
Change Without Prior Notice**