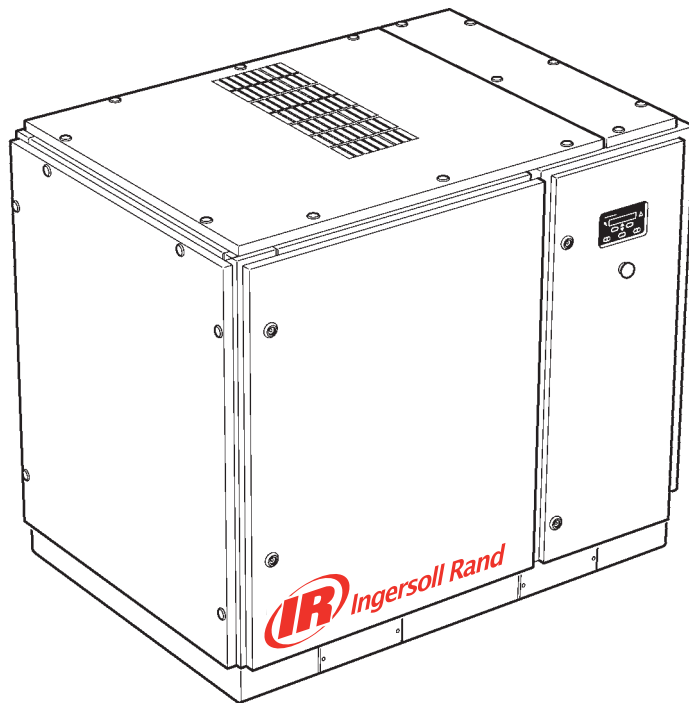




**SSR UP6 40, SSR UP6 50PE, SSR UP6 50PEI  
HF50-PE, EP50-PE, HP50-PE, HXP50-PE  
60Hz**



<b>en</b>	PARTS CATALOGUE
<b>fr</b>	CATALOGUE DE PIÈCES DÉTACHÉES
<b>pt</b>	LISTA DE PEÇAS
<b>es</b>	LISTA DE REPUESTOS
<b>zh</b>	零件目录

**C.C.N : 80445208  
REV. : A  
DATE : OCTOBER 2008**



Page	Description	'T' N°	Page	Description	'T' N°	Page	Description	'T' N°
1	Enclosure	T5780	13	Separation System	T5788	31	Electrical System – Intellisys	T5790
3	Enclosure – Dryer Option	T5795	14	Control Piping – Electro–Pneumatic	T5787	41	PORO Option –	T5791
5	Motor Assembly	T5781	15	Control Piping – with Dryer	T5799	44	Outdoor Module Option	T5793
7	Air Intake System	T5783	16	Electrical System – Electro–Pneumatic	T5797	45	Dryer Option	T5798
8	Airend Assembly	T5782	27	Control Piping – Intellisys	T5786	46	Electrical System – Dryer option	T5772
9	Cooling System	T5804	29	Control Piping – Intellisys w/ modulation	T5868	47	Documentation	
10	Cooling System	T5785				48	Recommended Parts	
11	Cooling System – Dryer Option	T5796				63	CCN Index	
12	Cooling System – Dryer Option with Bypass	T5805						

## ABBREVIATIONS & SYMBOLS

->####	Up to Serial No.	<b>cs</b>	Czech	<b>lt</b>	Lithuanian
####->	From Serial No.	<b>da</b>	Danish	<b>lv</b>	Latvian, Lettish
####	Contact Ingersoll Rand for Serial No.	<b>de</b>	German	<b>mt</b>	Maltese
*	Not illustrated	<b>el</b>	Greek	<b>nl</b>	Dutch
†	Option	<b>en</b>	English	<b>no</b>	Norwegian
<b>NR</b>	Not required	<b>es</b>	Spanish	<b>pl</b>	Polish
<b>AR</b>	As required	<b>et</b>	Estonian	<b>pt</b>	Portuguese
<b>SM</b>	Sitemaster/Sitepack	<b>fi</b>	Finnish	<b>sk</b>	Slovak
<b>HA</b>	High ambient machine	<b>fr</b>	French	<b>sl</b>	Slovenian
<b>WC</b>	Watercooled machine	<b>hu</b>	Hungarian	<b>sv</b>	Swedish
<b>AC</b>	Aircooled machine	<b>it</b>	Italian	<b>zh</b>	Chinese
<b>ERS</b>	Energy recovery system				
<b>T.E.F.C.</b>	Totally enclosed fan cooled motor (IP55)				
<b>O.D.P.</b>	Open drip proof (motor)				

### General

This manual, which contains an illustrated parts breakdown, has been prepared as an aid in identifying and ordering parts for the machine. All of the parts, listed in the parts breakdown, are manufactured with the same precision as the original equipment.

Ingersoll Rand Company service facilities and parts are available worldwide. There are Ingersoll Rand Company Branch Offices and authorised distributors located in the principle cities of the United States. In Canada, our customers are serviced by the Canadian Ingersoll Rand Company, Limited. There are also Ingersoll Rand Company subsidiaries and authorised distributors located in the principle cities throughout the world.

### Description

The illustrated parts breakdown identifies the various assemblies, sub-assemblies and detailed parts which make up this machine.

A series of illustrations show each part clearly and in its correct location relative to the other parts in the illustration. Each part in an illustration is referenced with a number. The number, description and quantity needed per assembly are listed in numerical order on the following pages.

#### How to use this parts manual

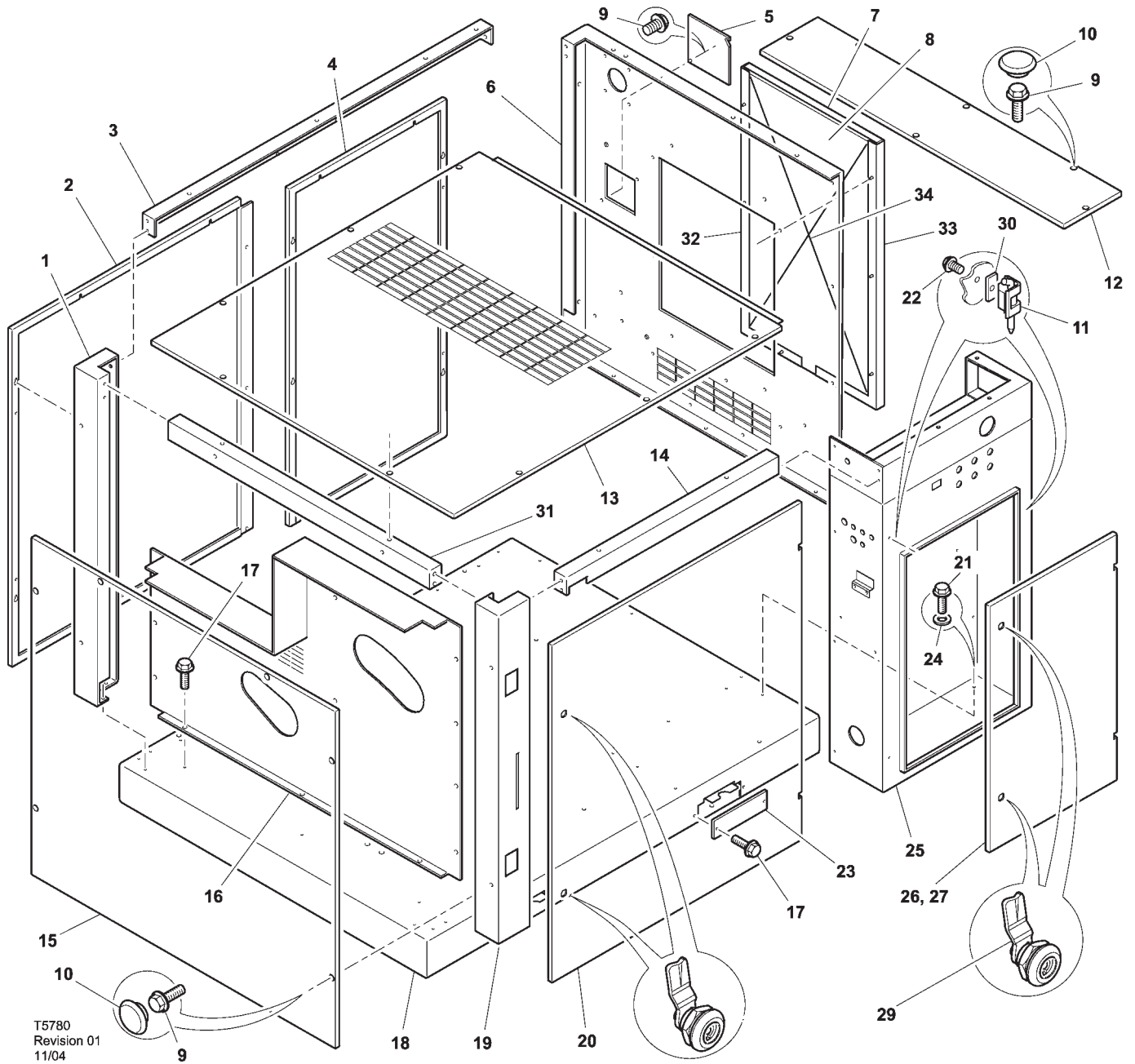
1. Locate the desired illustration.
2. Locate the part on the illustration by visual identification and note the reference number.
3. Find the reference number on the tabulated page, along with the Part Number and Description.

### How to order parts

In order that all avoidable errors be eliminated when ordering parts, please specify the following:

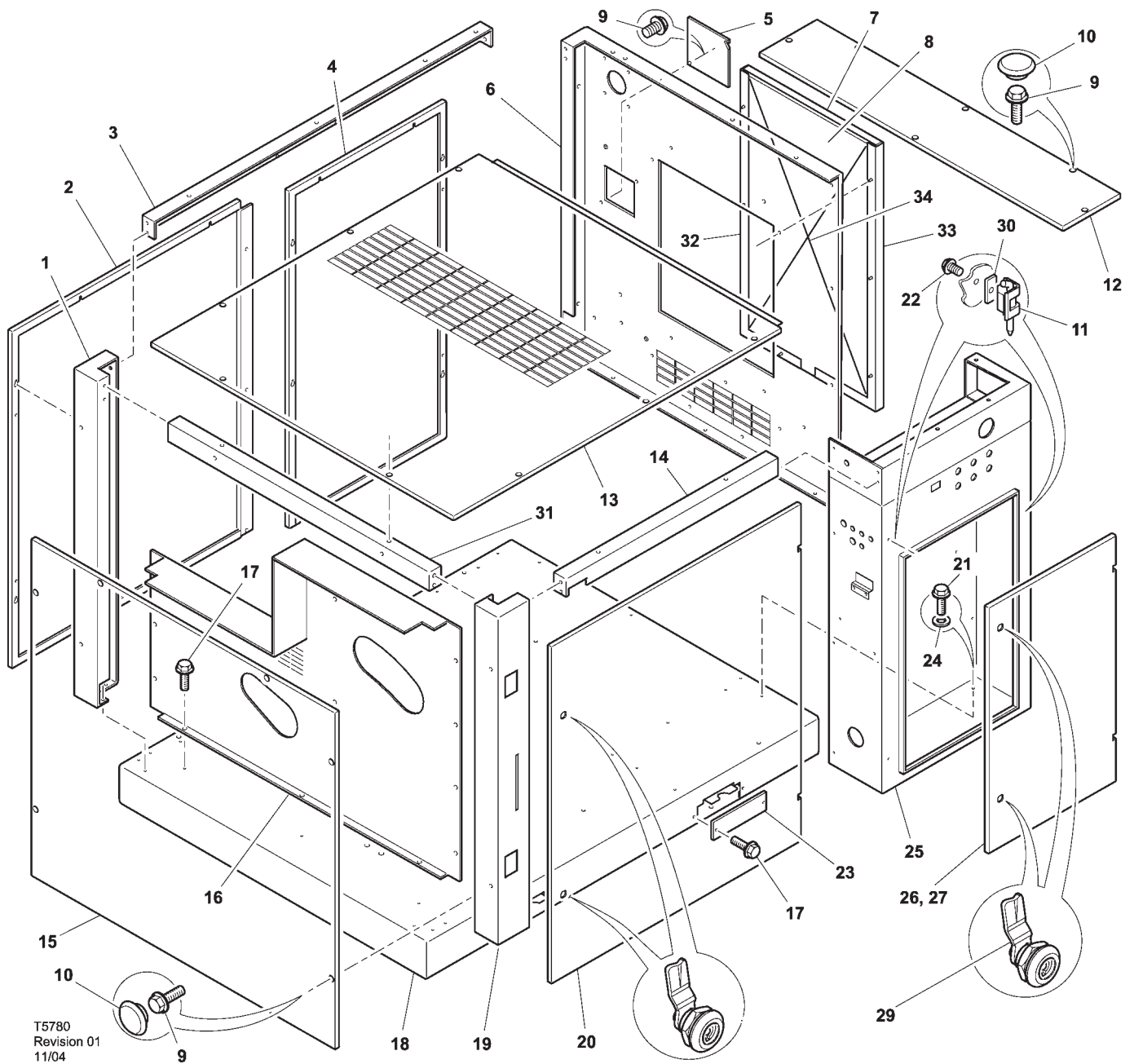
1. The model number of the unit as shown on the Compressor Data Plate.
2. The serial number of the unit as shown on the Compressor Data Plate.
3. The part number of this manual.
4. The part number, description and quantity needed exactly as listed.
5. The motor data code shown on the motor data plate.

# 1 ENCLOSURE



T5780  
Revision 01  
11/04

Item	ccn	Qty.	Description	Item	ccn	Qty.	Description
1	22320113	1	Corner	12	22251060	1	Panel assembly top
2	22242408	1	Panel assembly rear	13	22242424	1	Panel assembly top
3	22329296	1	Channel	14	22193437	1	Channel
4	22242416	1	Panel assembly rear	15	22251052	1	Panel assembly left
5	22232839	1	Plate, cover	16	22390983	1	Guard, sheave assembly
6	22193403	1	Corner 37kW – 50hp / 30kW – 40HP – HA	17	92368687	AR	Screw
	22198493	1	Corner 22/30kW – 40hp / 22kW – HA	18	22384101	1	Base, formed
7	22227706	1	Angle	19	22266779	1	Corner
8	22227714	1	Filter, pad	20	22251045	1	Panel assembly front
9	96742689	AR	Screw	21	39917489	4	Screw
10	22053433	AR	Plug	22	96717525	4	Screw
11	22193783	4	Hinge	23	22058580	4	Plate, cover
				24	33160030	4	Washer

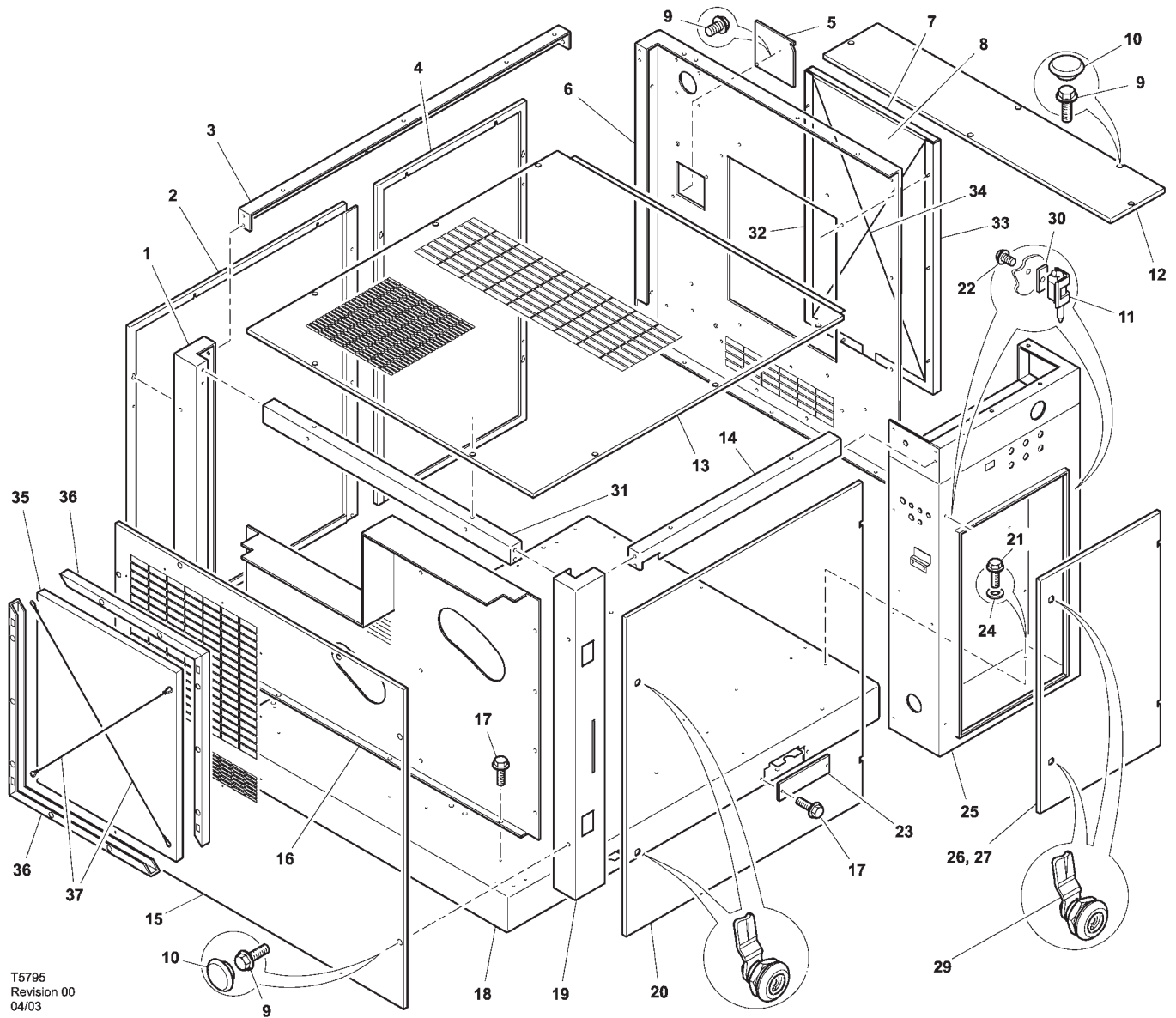


T5780  
Revision 01  
11/04

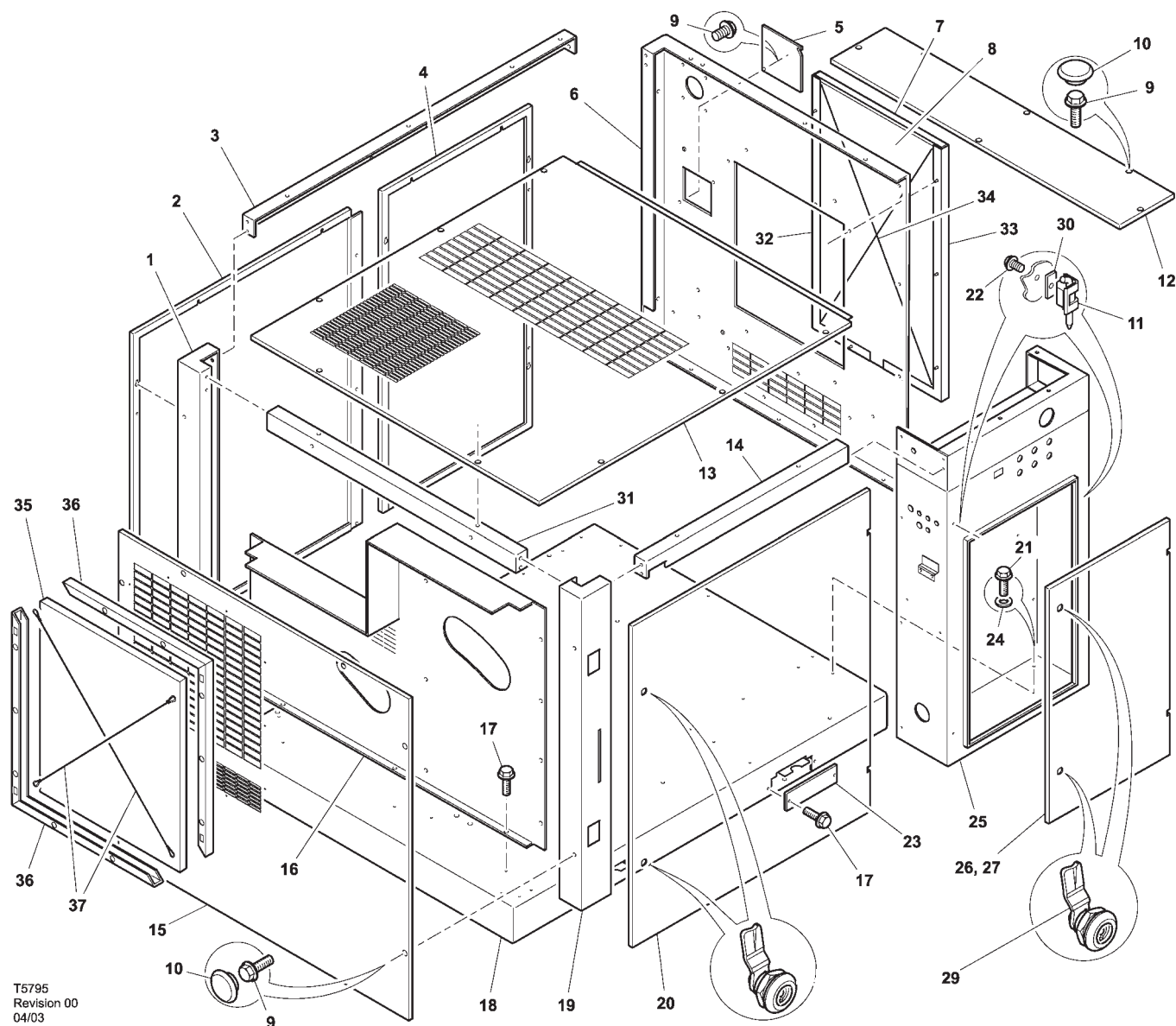
Item	ccn	Qty.	Description	Item	ccn	Qty.	Description
25	22343420	1	Cabinet, starter, non INTELLISYS	29	23180565	4	Latch
	22193528	1	Cabinet, starter Controller, INTELLISYS	*	89295091	1	Key
26	22193502	1	Cabinet door, non INTELLISYS	30	22198337	4	Gasket, hinge
	22193510	1	Cabinet door Controller, INTELLISYS	31	22193684	1	Channel
27	22199269	1	Seal, non INTELLISYS	32	22227631	1	Bracket
	22199277	1	Seal Controller, INTELLISYS	33	22227417	1	Bracket
				34	22235295	2	Cord

\* Not illustrated

# 3 ENCLOSURE – DRYER OPTION



Item	ccn	Qty.	Description	Item	ccn	Qty.	Description
1	22320113	1	Corner	12	22193494	1	Panel assembly top
2	22240212	1	Panel assembly rear	13	22330799	1	Panel assembly top
3	22329296	1	Channel	14	22193437	1	Channel
4	22240220	1	Panel assembly rear	15	22330427	1	Panel assembly left
5	22232839	1	Plate, cover	16	22390983	1	Guard, sheave assembly
6	22193403	1	Corner 37kW – 50hp / 30kW – 40HP – HA	17	92368687	AR	Screw
	22198493	1	Corner 22/30kW – 40hp / 22kW – HA	18	22384101	1	Base, formed
7	22227706	1	Angle	19	22266779	1	Corner
8	22227714	1	Filter, pad	20	22251045	1	Panel assembly front
9	96742689	AR	Screw	21	39917489	4	Screw
10	22053433	AR	Plug	22	96717525	4	Screw
11	22193783	4	Hinge	23	22058580	4	Plate, cover
				24	33160030	4	Washer

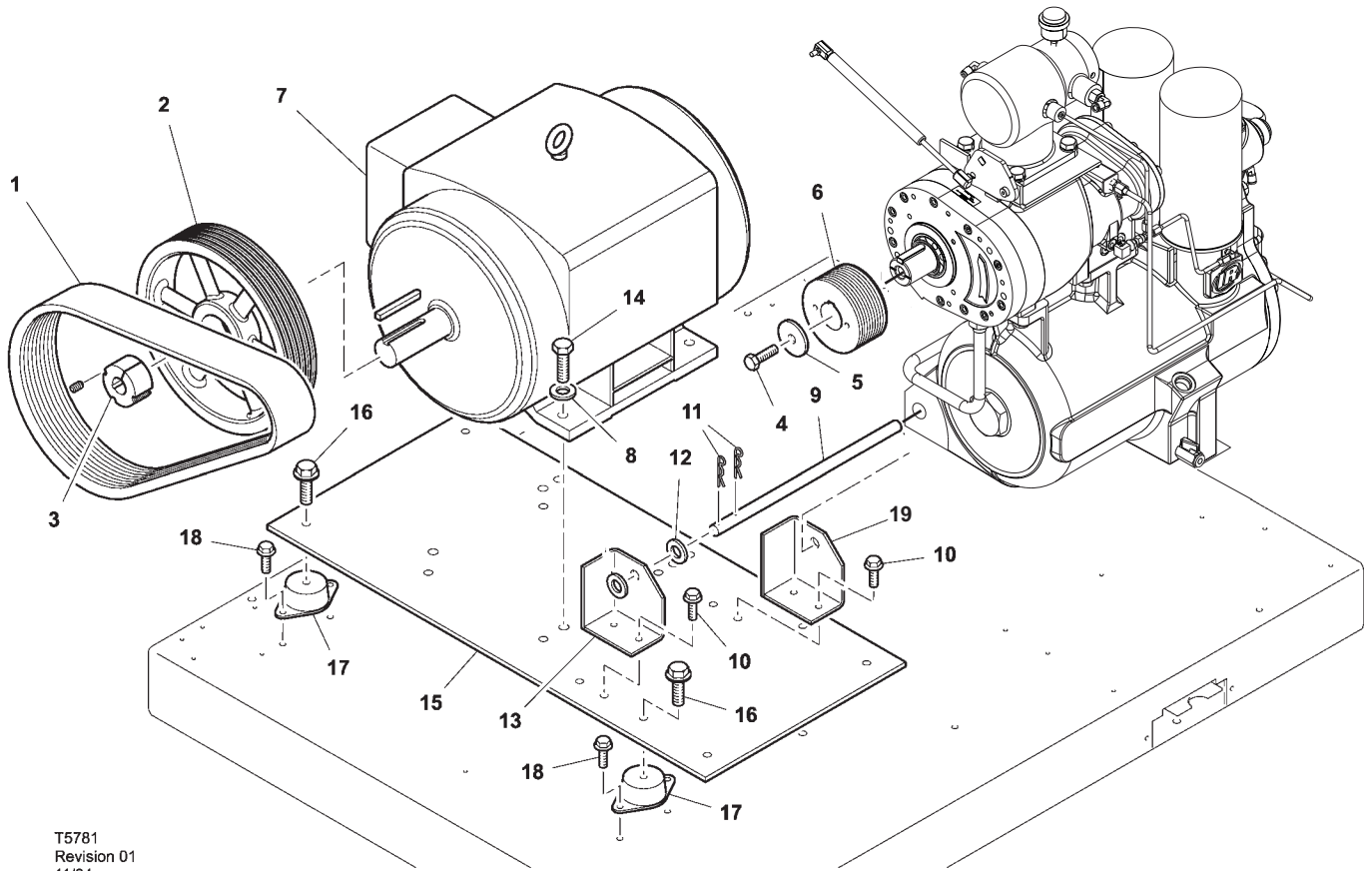


T5795  
Revision 00  
04/03

Item	ccn	Qty.	Description	Item	ccn	Qty.	Description
25	22343420	1	Cabinet, starter, non INTELLISYS	30	22198337	4	Gasket, hinge
	22193528	1	Cabinet, starter Controller, INTELLISYS	31	22193684	1	Channel
26	22193502	1	Cabinet door, non INTELLISYS	32	22227631	1	Bracket
	22193510	1	Cabinet door Controller, INTELLISYS	33	22227417	1	Bracket
27	22199269	1	Seal, non INTELLISYS	34	22235295	2	Cord
	22199277	1	Seal Controller, INTELLISYS	35	22330054	1	Filter, pad
29	23180565	4	Latch	36	22330005	2	Bracket
*	89295091	1	Key	37	22330211	2	Cord

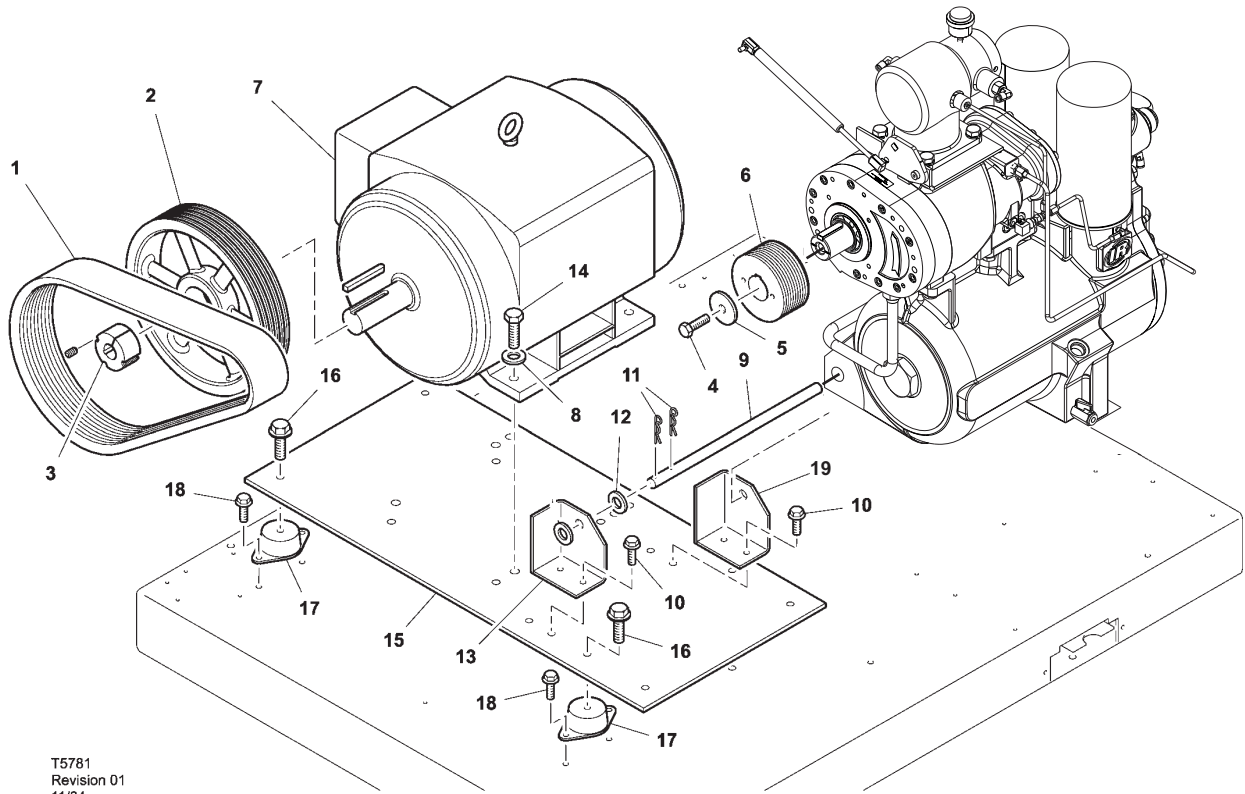
\* Not illustrated

# 5 MOTOR ASSEMBLY 60Hz



T5781  
Revision 01  
11/04

Item	ccn	Qty.	Description	Item	ccn	Qty.	Description
1	22189054	1	Belt, drive UP6 40HP 115 / 125 / 150 / 200psi	4	96703186	1	Screw 40HP/30HP HA
	22189013	1	Belt, drive UP6 50PE – 50PEI / HF / EP 50HP 115 / 125psi		96738513	1	Screw 50HP
	22189005	1	Belt, drive UP6 50PE – 50PEI / HP / HXP 50HP 150 / 200psi	5	92751130	1	Plate, retaining
	22189062	1	Belt UP6 30HP 115 / 125 / 150, 200psi	6	22179824	1	Sheave, driven (Compressor) UP6 40HP 115psi
2	22108369	1	Sheave, drive (Motor) UP6 40HP 115 / 125 / 150psi		22179832	1	Sheave, driven (Compressor) UP6 40HP 125psi
	22108351	1	Sheave, drive (Motor) UP6 40HP 200psi		22179840	1	Sheave, driven (Compressor) UP6 40HP 150psi
	22180053	1	Sheave, drive (Motor) UP6 50PE – 50PEI / HF / EP 50HP 115 / 125psi		22179857	1	Sheave, driven (Compressor) UP6 40HP 200psi
	22180046	1	Sheave, drive (Motor) UP6 50PE – 50PEI / HP 50HP 150psi		22179865	1	Sheave, driven (Compressor) UP6 50PE – 50PEI / HF 50HP 115psi
	22180038	1	Sheave, drive (Motor) UP6 50PE – 50PEI / HXP 50HP 200psi		22179873	1	Sheave, driven (Compressor) UP6 50PE – 50PEI / EP 50HP 125psi
	22108369	1	Sheave, drive (Motor) UP6 30HP-HA-115/125psi		22179881	1	Sheave, driven (Compressor) UP6 50PE – 50PEI / HP 50HP 150psi
3	22187082	1	Bush UP6 40HP UP60 50PE – 50PEI / HF, EP, HP, HXP 50HP		22179899	1	Sheave, driven (Compressor) UP6 50PE – 50PEI / HXP 50HP 200psi
					22179816	1	Sheave, driven (Compressor) UP6 30HP-HA-200psi
					22179782	1	Sheave, driven (Compressor) UP6 30HP-HA-115psi
					22179790	1	Sheave, driven (Compressor) UP6 30HP-HA-125psi
					22179808	1	Sheave, driven (Compressor) UP6 30HP-HA-150psi

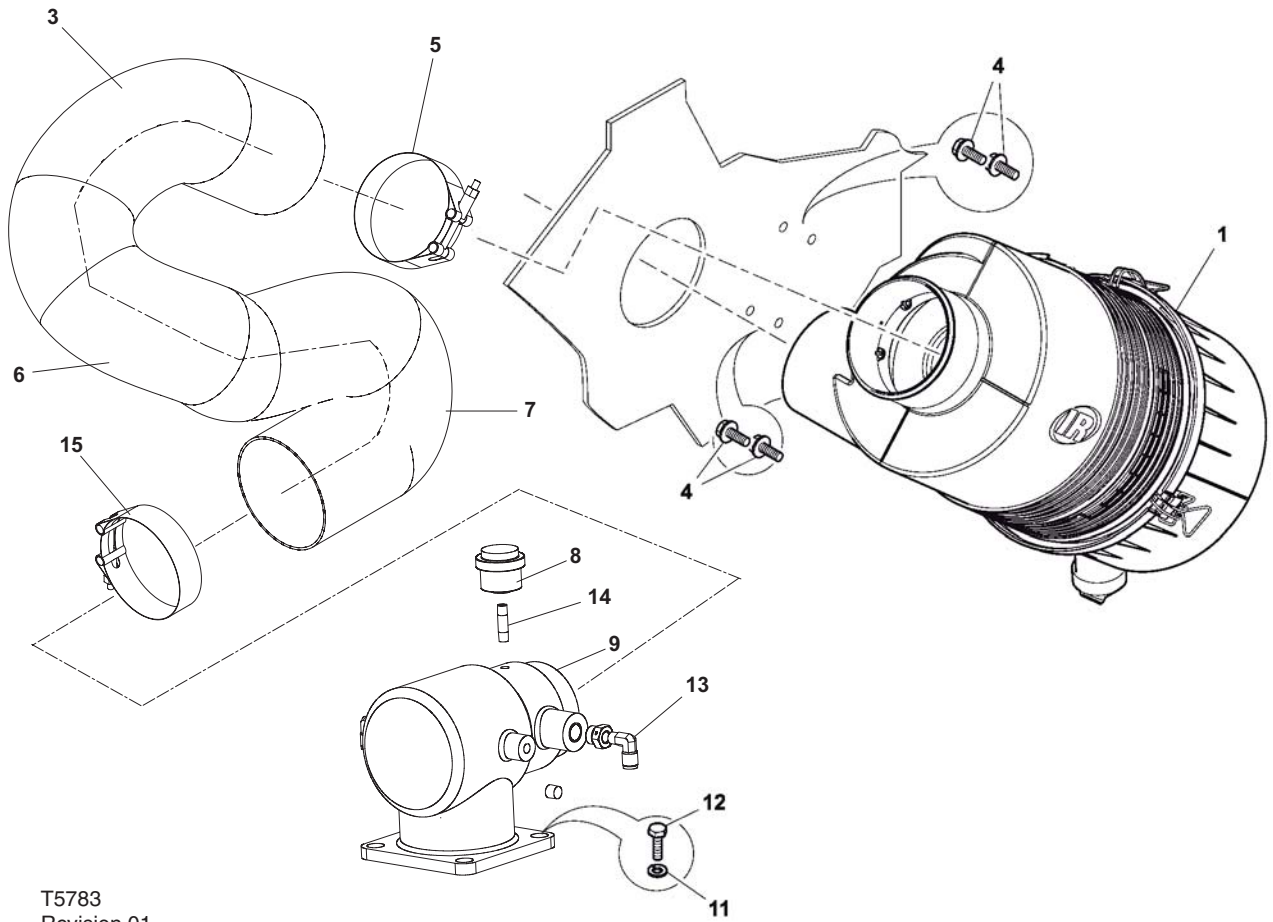


T5781  
Revision 01  
11/04

Item	ccn	Qty.	Description	Item	ccn	Qty.	Description
7	22221501	1	Motor 40HP / 30E-HA 200V 60HZ ODP	22221543	1	Motor 50HP / 40HP-HA 380V 60HZ ODP	
	22221592	1	Motor 40HP / 30E-HA 200V 60HZ TEFC	22221634	1	Motor 50HP / 40HP-HA 380V 60HZ TEFC	
	22178362	1	Motor 40HP / 30E-HA 230/460V 60HZ ODP	22221550	1	Motor 50HP / 40HP-HA 575V 60HZ ODP	
	22178388	1	Motor 40HP / 30E-HA 230/460V 60HZ TEFC	22221642	1	Motor 50HP / 40HP-HA 575V 60HZ TEFC	
	22221519	1	Motor 40HP / 30E-HA 380V 60HZ ODP	8	96745823	4	Washer 40 / 50HP
	22221600	1	Motor 40HP / 30E-HA 380V 60HZ TEFC	9	22676522	1	Rod
	22221527	1	Motor 40HP / 30E-HA 575V 60HZ ODP	10	96737556	4	Screw
	22221618	1	Motor 40HP / 30E-HA 575V 60HZ TEFC	11	95433819	2	Pin
	22221535	1	Motor 50HP / 40HP-HA 200V 60HZ ODP	12	39224209	1	Spacer
	22221626	1	Motor 50HP / 40HP-HA 200V 60HZ TEFC	13	22676480	2	Support - Left
	22178354	1	Motor 50HP / 40HP-HA 230/460V 60HZ ODP	14	96705322	4	Screw 40 / 50HP
	22178370	1	Motor 50HP / 40HP-HA 230/460V 60HZ TEFC	15	22410260	1	Plate
	22474324	1	Motor 50HP / 40HP-HA 220/440V 60HZ TEFC	*	22410302	1	Plate, universal
				16	96727920	4	Screw
				17	22381024	4	Isolator
				18	96704408	8	Screw
				19	22676498	1	Support - Right
				*	96726971	1	Washer, alternate
							* Not illustrated

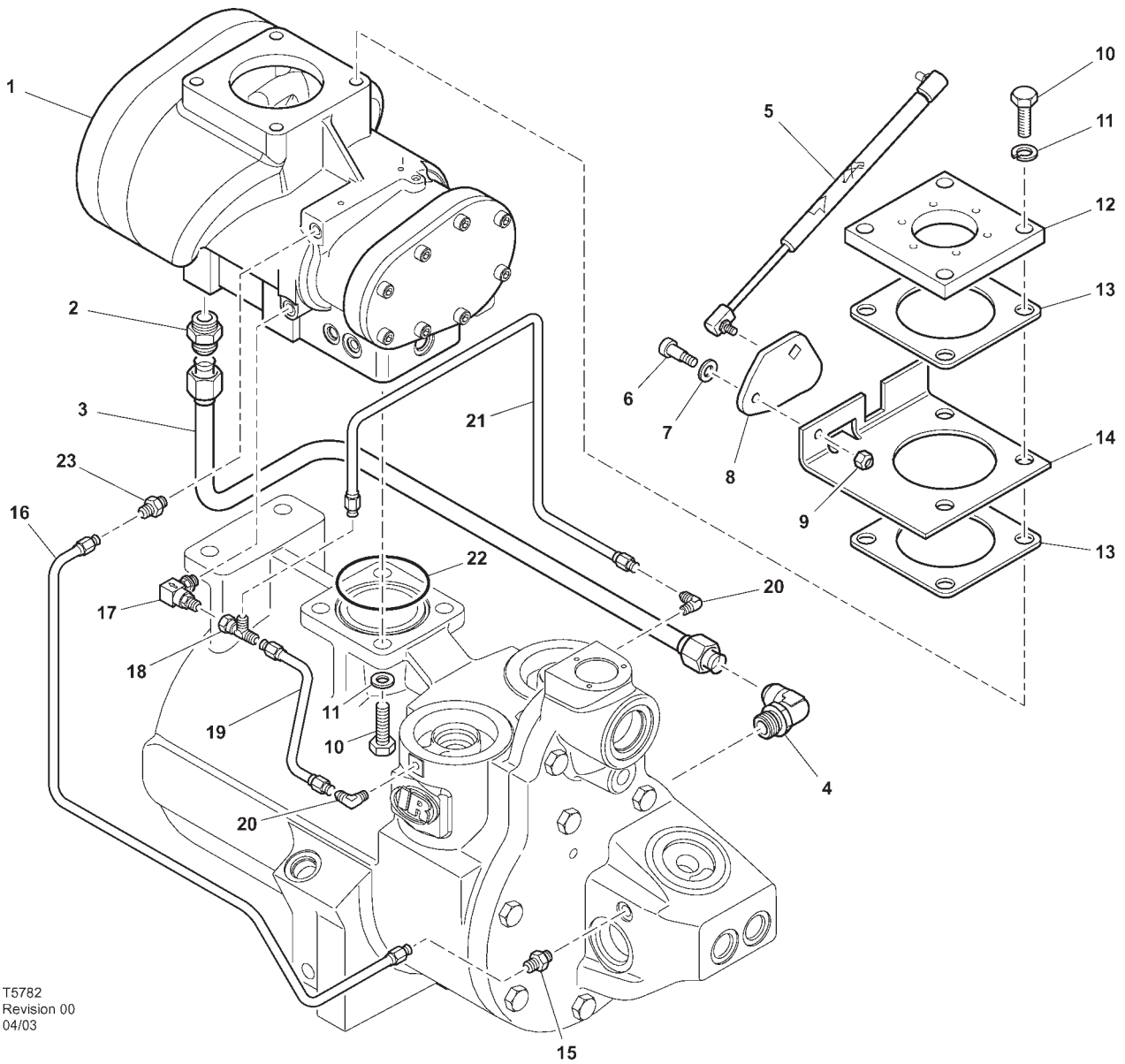
# 7

## AIR INTAKE SYSTEM



T5783  
Revision 01  
11/04

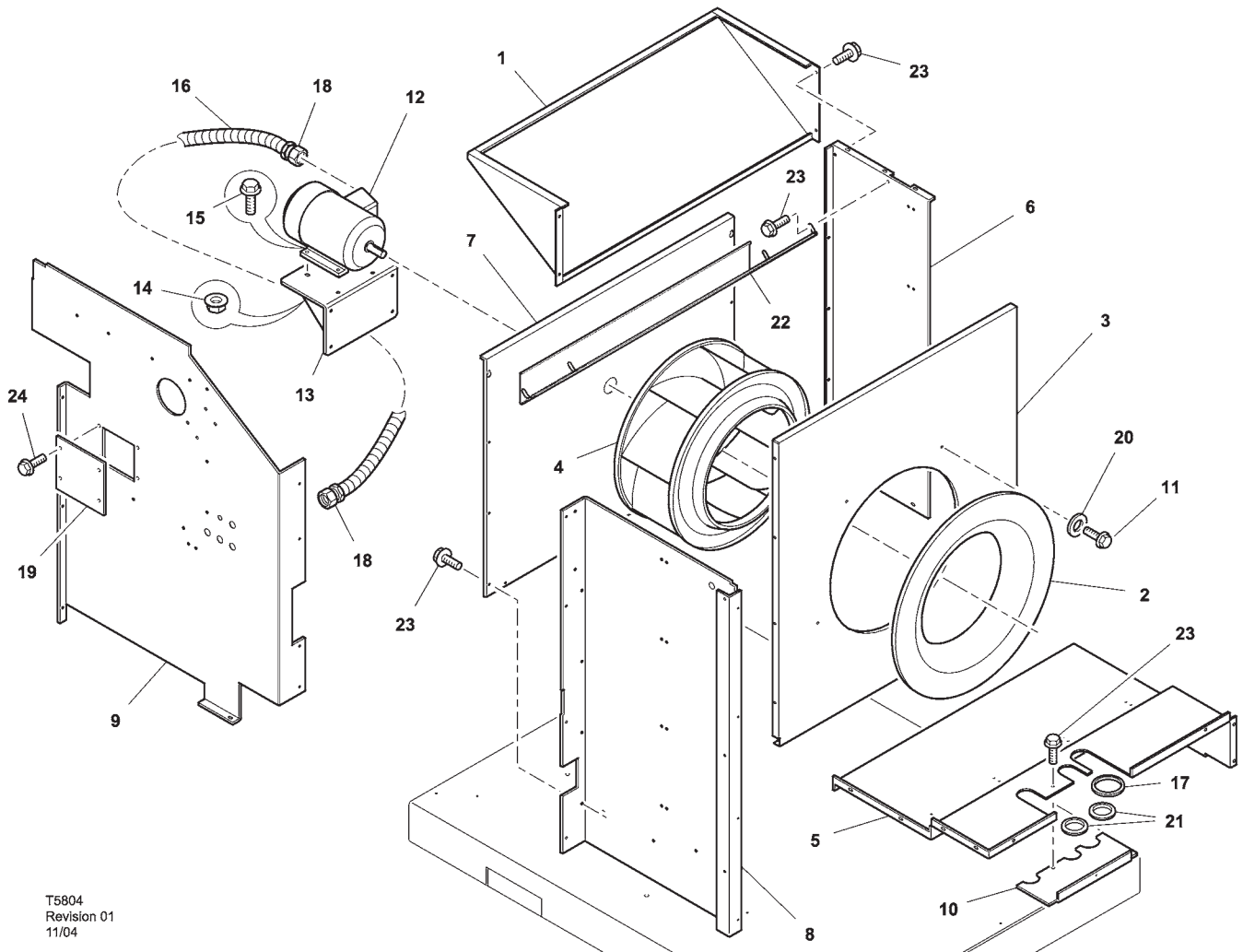
Item	ccn	Qty.	Description	Item	ccn	Qty.	Description
1	22234967	1	Filter assembly	*9a	39216155	1	Kit, unloader valve
*1a	22203095	1	Element, air filter	10	39496591	1	Gasket
2	39110556	1	Clamp (not shown)	11	96741467	6	Washer, Spring
3	22233068	1	Hose / elbow	12	96702659	6	Screw
4	96704408	4	Screw	13	95938023	1	Elbow
5	92117696	1	Clamp	14	95946059	1	Nipple
6	22153647	1	Coupling	15	92184787	2	Clamp
7	22505960	1	Hose				
8	35300615	1	Indicator, air restriction				* Not illustrated
9	39840418	1	Valve, unloader				



T5782  
Revision 00  
04/03

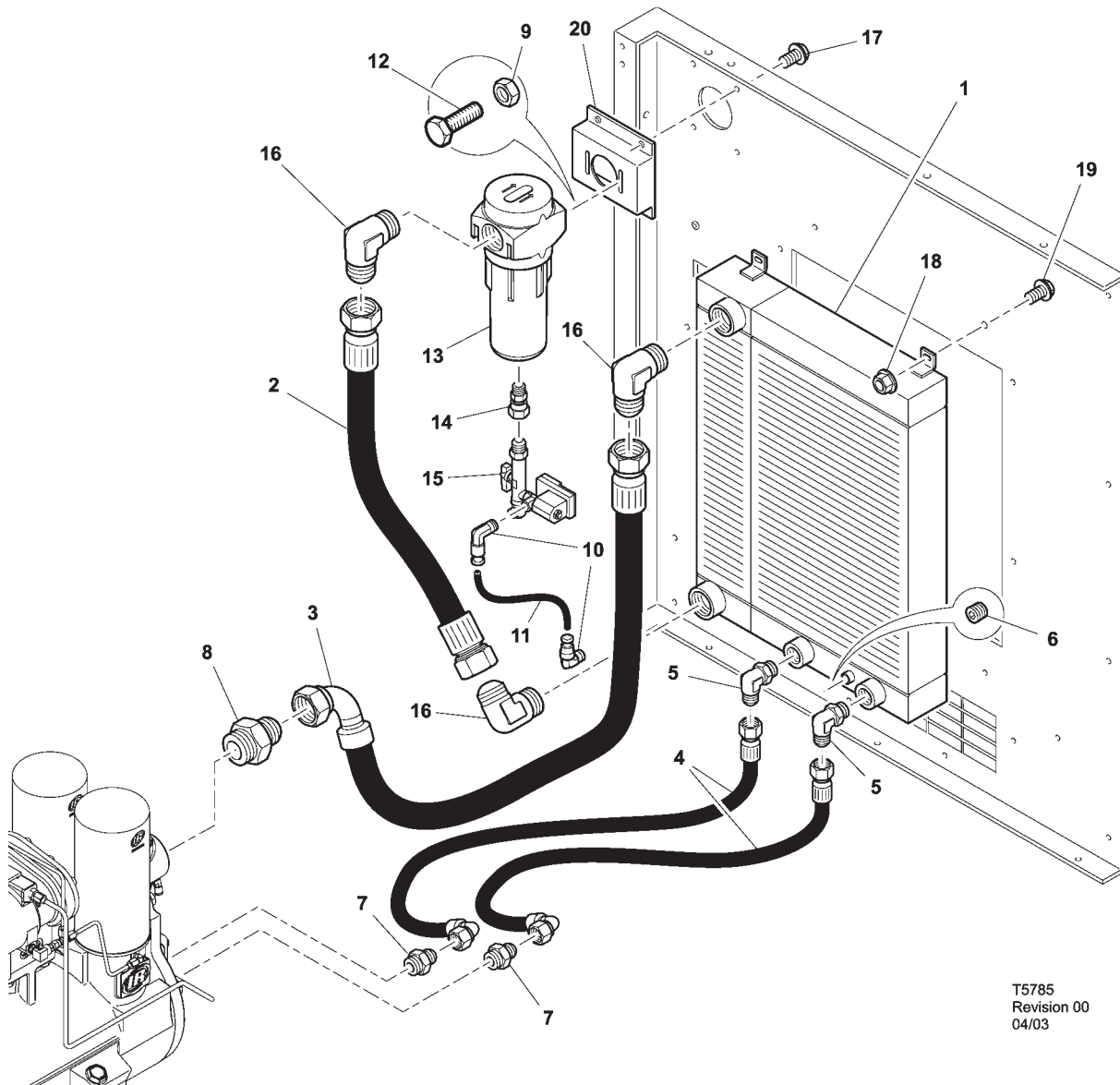
Item	ccn	Qty.	Description	Item	ccn	Qty.	Description
1	23039167	1	Airend	13	22226039	2	Gasket
2	22265540	1	Adaptor	14	22189724	1	Bracket
3	22265532	1	Tube assembly	15	95989695	2	Adaptor
4	95938163	1	Elbow	16	22190557	1	Tube assembly
5	22192728	1	Spring, gas	17	54775556	1	Check valve, orifice
6	96728233	1	Screw	18	95999520	1	Tee
7	96701404	1	Washer	19	22191100	1	Tube assembly
8	54749098	1	Plate	20	95937686	2	Elbow
9	96728431	1	Nut	21	22191118	1	Tube assembly
10	96738513	10	Screw	22	54639752	1	'O' Ring
11	96721097	10	Washer, Spring	23	96739701	1	Adaptor
12	88142583	1	Plate, adaptor				

# 9 COOLING SYSTEM



T5804  
Revision 01  
11/04

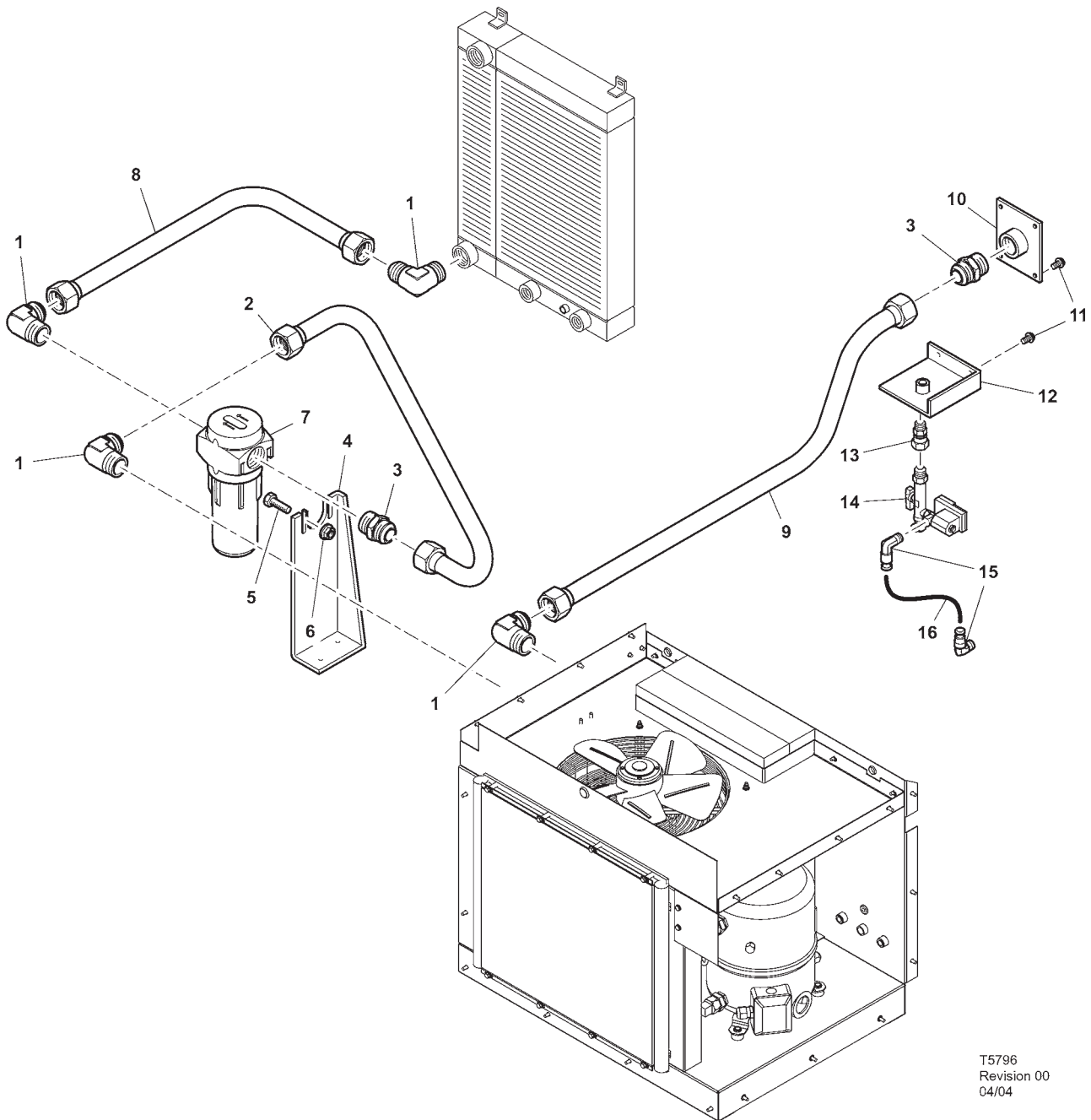
Item	ccn	Qty.	Description	Item	ccn	Qty.	Description
1	22248231	1	Chute assembly	13	22429807	1	Support, motor
2	22230692	1	Cone	13a	96712153	4	Screw
3	22231914	1	Shroud assembly	14	96704416	4	Nut
4	22230700	1	Blower 40hp / 30E-HA	15	96712153	4	Screw
	22242663	1	Blower 50hp / 40hp-HA	16	22233126	1	Cable
5	22251169	1	Baffle assembly	17	22345664	1	Grommet
6	22251128	1	Shroud assembly	18	22224976	2	Gland, cable
7	22195861	1	Cover assembly	19	22380232	1	Cover, dryer access
8	22251336	1	Shroud assembly	20	96745559	8	Washer
9	22390991	1	Baffle assembly	21	22345672	2	Grommet
10	22248124	1	Baffle assembly	22	22476295	1	Guard
11	92368687	AR	Screw	23	96742689	AR	Screw
12	22222129	1	Motor 200V	24	92368687	AR	Screw
	22179261	1	Motor 230/460V				
	22222137	1	Motor 380V				
	22222145	1	Motor 575V				
	22474332	1	Motor 220/440V				



T5785  
Revision 00  
04/03

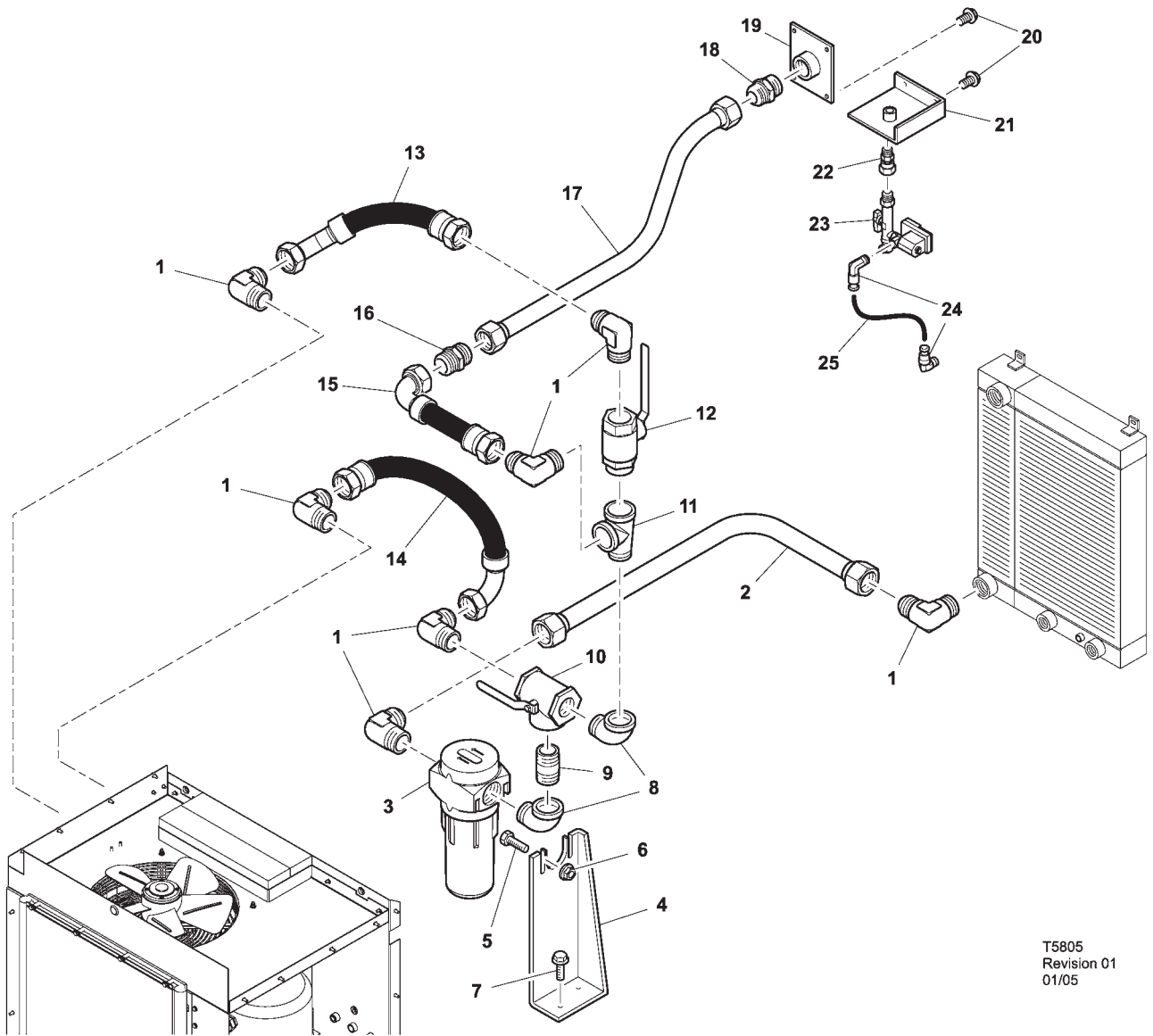
Item	ccn	Qty.	Description	Item	ccn	Qty.	Description
1	22176978	1	Cooler 37kW – 50hp / 30kW–40hp–HA	10	39155478	2	Elbow
	22176986	1	Cooler 22/30kW – 40hp / 22kW–30hp–HA	11	39124813	AR	Tube (Nylon)
2	85562460	1	Hose assembly	12	96702824	2	Screw
3	85562783	1	Hose assembly	13	39906334	1	Separator, water
4	85560407	2	Hose assembly	14	95989638	1	Adaptor
5	95938163	2	Elbow	15	22232763	1	Valve, electric drain
6	95928230	1	Plug	16	95949749	2	Elbow
7	95952867	2	Connector	17	92368687	4	Screw
8	95962312	1	Connector	18	96737564	4	Nut
9	96704416	2	Nut	19	96704531	4	Screw
				20	22227235	1	Bracket

# 11 COOLING SYSTEM – DRYER OPTION



T5796  
Revision 00  
04/04

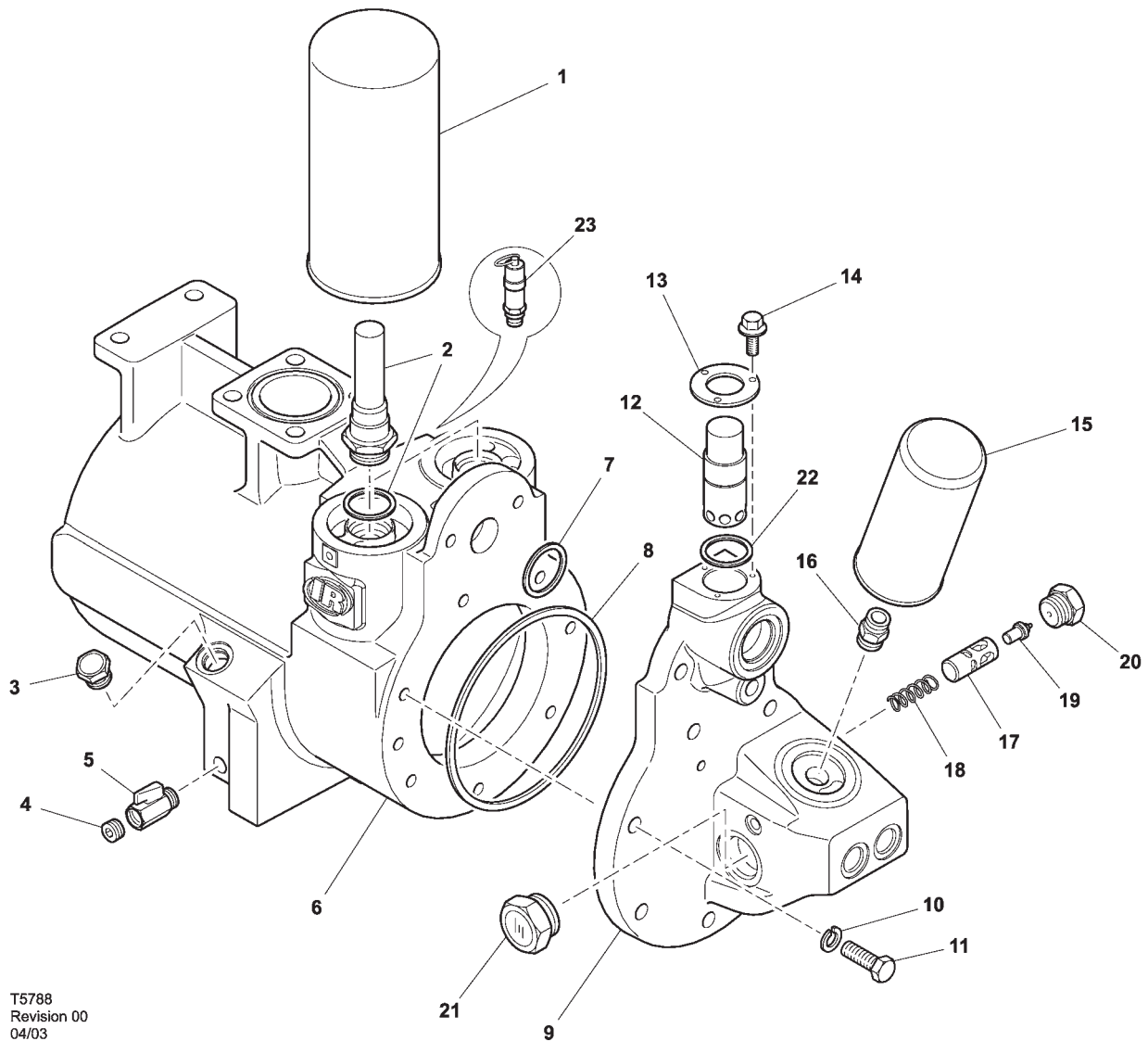
Item	ccn	Qty.	Description	Item	ccn	Qty.	Description
1	95949749	4	Elbow	9	22331904	1	Tube assembly
2	22905897	1	Tube assembly	10	22331813	1	Bracket
3	95937553	2	Connector	11	92368687	6	Screw
4	22331706	1	Bracket	12	22332761	1	Bracket
5	96702824	2	Screw	13	95989638	1	Adaptor
6	96704416	2	Nut	14	22232763	1	Valve, electric drain
7	39906334	1	Separator, water	15	39155478	2	Elbow
8	22905905	1	Tube assembly 30kW/40hp	16	39124813	AR	Tube (Nylon)
	22905806	1	Tube assembly 37kW/50hp				



T5805  
Revision 01  
01/05

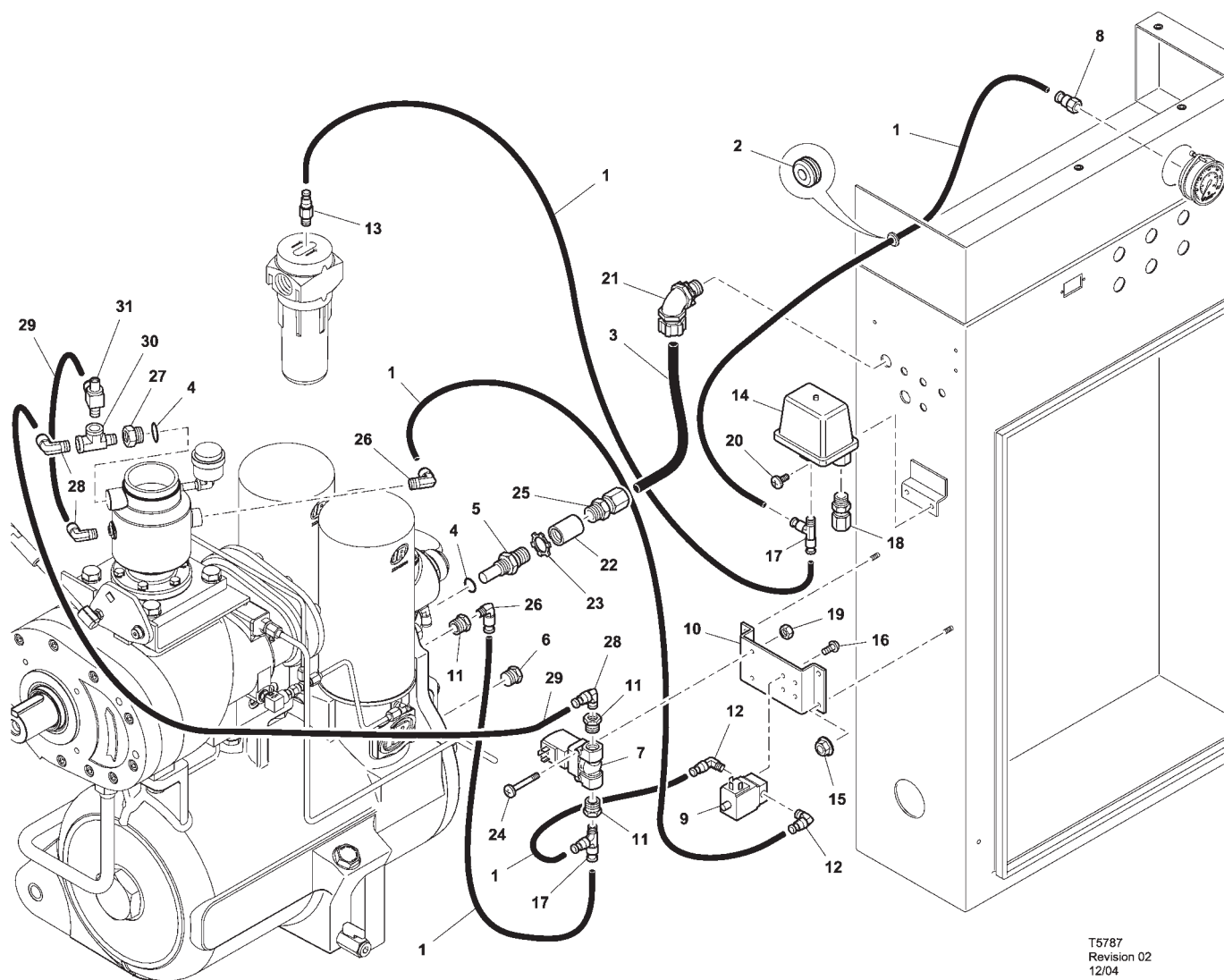
Item	ccn	Qty.	Description	Item	ccn	Qty.	Description
1	95949749	7	Elbow	13	85562387	1	Hose assembly
2	22905905	1	Tube assembly 30kW/40hp	14	85562429	1	Hose assembly
	22905806	1	Tube assembly 37kW/50hp	15	85562346	1	Hose assembly
3	39906334	1	Separator, water	16	92918986	1	Connector
4	22331706	1	Bracket	17	22905814	1	Tube assembly
5	96702824	2	Screw	18	95937553	1	Connector
6	96704416	2	Nut	19	22331813	1	Bracket
7	39917489	2	Screw	20	92368687	6	Screw
8	95953311	2	Elbow	21	22332761	1	Bracket
9	95983391	1	Nipple	22	95989638	1	Adaptor
10	22433718	1	Valve	23	22232763	1	Valve, electric drain
11	95954285	1	Tee	24	39155478	2	Elbow
12	22545248	1	Valve, ball	25	39124813	AR	Tube (Nylon)

# 13 SEPARATION SYSTEM

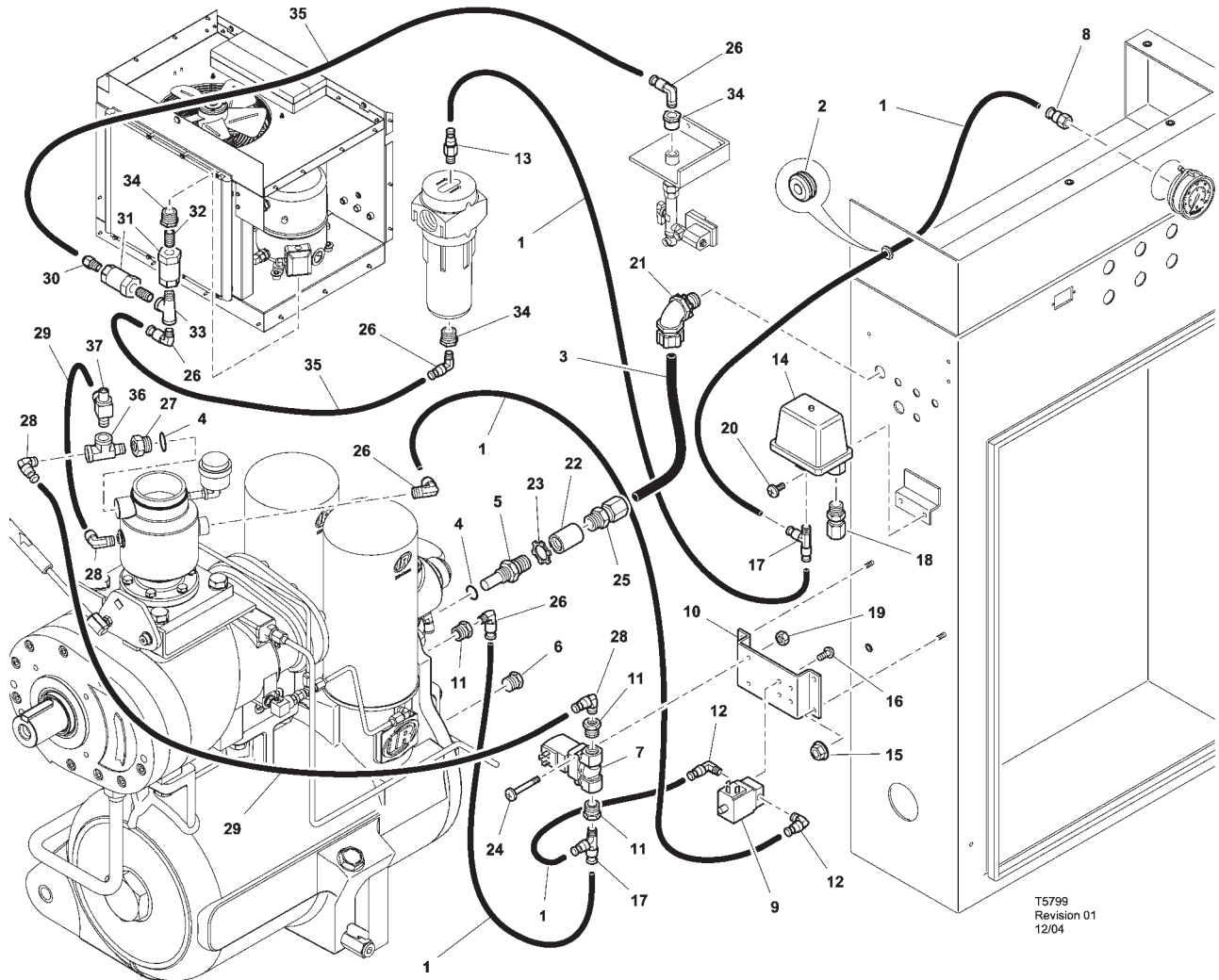


T5788  
Revision 00  
04/03

Item	ccn	Qty.	Description	Item	ccn	Qty.	Description
1	54749247	2	Cartridge, separator	12	39446968	1	Valve, minimum pressure
2	22354989	2	Nipple (‘O’ Ring included)	13	39447537	1	Plate, retaining
3	22182265	1	Plug, Ultra	14	96705058	3	Screw
	23176068	1	Plug, Ultra	15	54672654	1	Filter, coolant
4	95928255	1	Plug	16	54749221	1	Nipple
5	22186670	1	Valve, drain	17	22186712	1	Cage
6	22180921	1	Tank, separator (ASME U / LLOYDS)	18	22186696	1	Spring
	22161400	1	Tank, separator (CE-10/UM/CRN/SQL/UDT)	19	22186720	1	Thermal valve cartridge
7	22187215	1	‘O’ Ring	20	22186688	1	Plug
8	22187223	1	‘O’ Ring	21	39476916	1	Sight-glass
9		1	Plate, cover (Part of Tank, Separator)	22	39151915	1	‘O’ Ring
10	96721097	8	Washer	23	39588017	1	Valve, safety – set 220 psig – 60Hz
11	22188981	8	Screw				

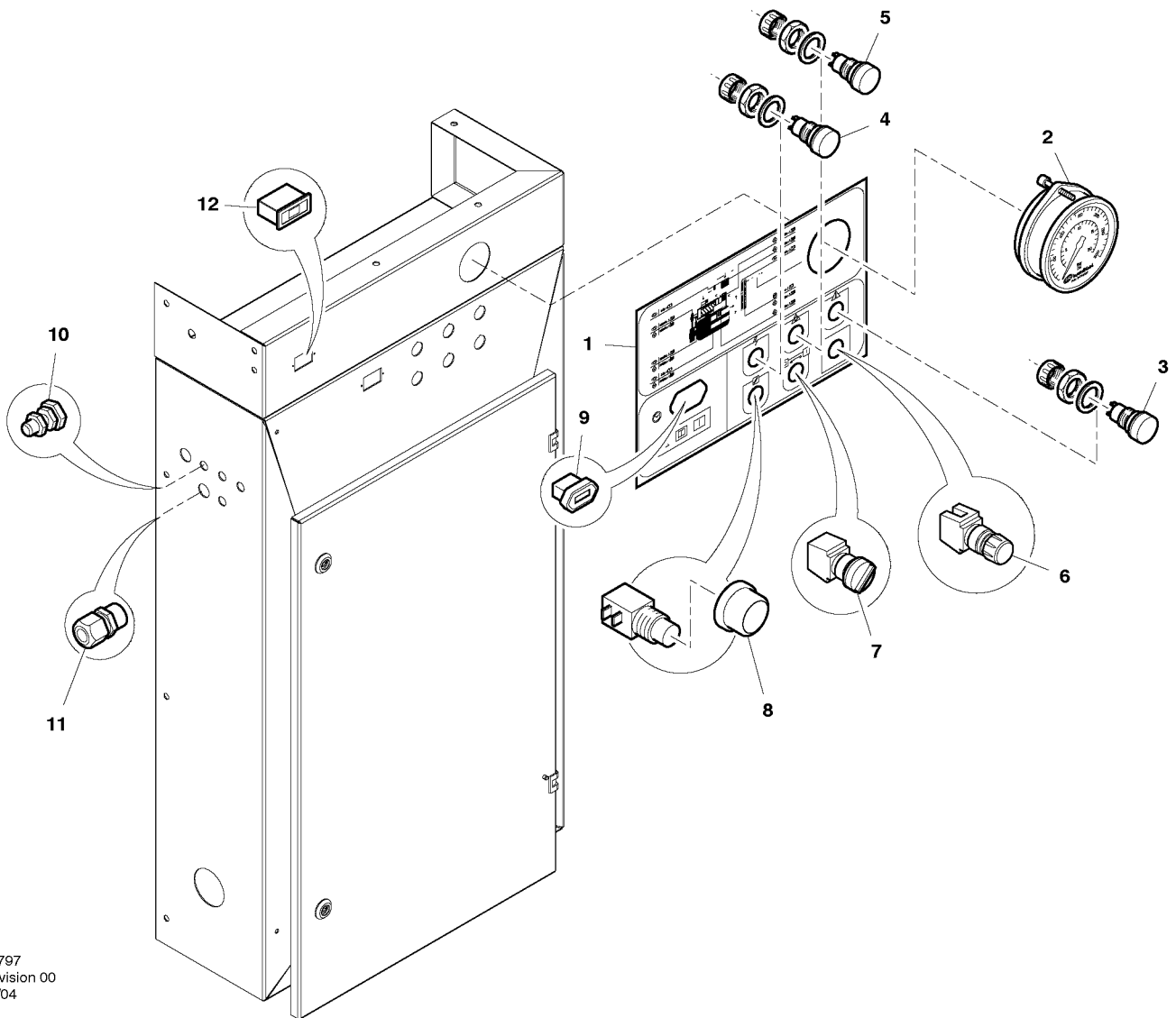


Item	ccn	Qty.	Description	Item	ccn	Qty.	Description
1	39124813	AR	Tube (Nylon)	17	39155346	2	Tee
2	85583367	1	Grommet	18	22224976	1	Adaptor
3	54472162	AR	Conduit	19	96703756	2	Nut
4	39404165	2	'O' Ring	20	96738828	2	Screw
5	39416128	1	Switch, temperature	21	54472485	1	Elbow
6	95928320	1	Plug	22	95952388	1	Coupling
7	54654652	1	Valve, solenoid (Blowdown)	23	39114079	1	Locknut
8	39156443	1	Connector	24	96742754	2	Screw
9	54774302	1	Valve, solenoid (Load)	25	54542667	1	Adaptor
10	54755426	1	Bracket	26	39155478	2	Elbow
11	95944625	3	Bushing	27	22487219	1	Bushing
12	39155577	2	Elbow	28	39155650	3	Elbow
13	39156393	1	Connector	29	39124821	AR	Tube (Nylon)
14	22505309	1	Switch, pressure	30	95951836	1	Tee
15	96737564	2	Nut	31	22489157	1	Valve
16	96743182	4	Screw				



T5799  
Revision 01  
12/04

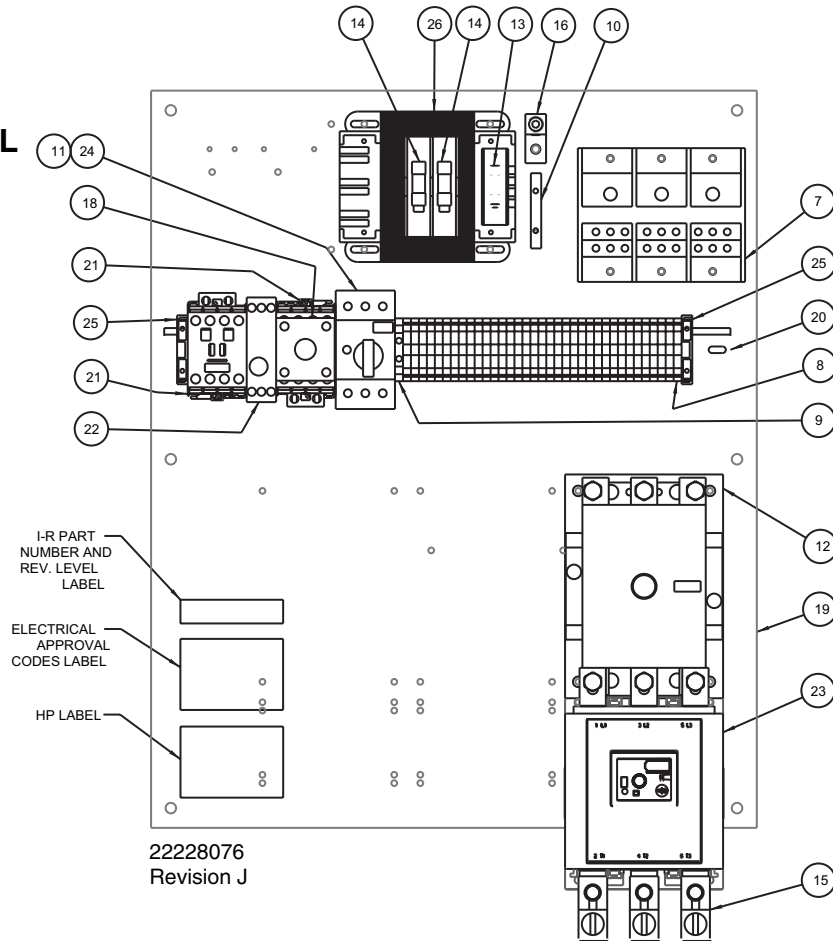
Item	ccn	Qty.	Description	Item	ccn	Qty.	Description
1	39124813	AR	Tube (Nylon)	19	96703756	2	Nut
2	85583367	1	Grommet	20	96738828	2	Screw
3	54472162	AR	Conduit	21	54472485	1	Elbow
4	39404165	2	'O' Ring	22	95952388	1	Coupling
5	39416128	1	Switch, temperature	23	39114079	1	Locknut
6	95928320	1	Plug	24	96742754	2	Screw
7	54654652	1	Valve, solenoid (Blowdown)	25	54542667	1	Adaptor
8	39156443	1	Connector	26	39155478	5	Elbow
9	54774302	1	Valve, solenoid (Load)	27	22487219	1	Bushing
10	54755426	1	Bracket	28	39155650	3	Elbow
11	95944625	3	Bushing	29	39124821	AR	Tube (Nylon)
12	39155577	2	Elbow	30	39256435	1	Connector
13	39156393	1	Connector	31	39182548	2	Valve, check
14	22505309	1	Switch, pressure	32	95323911	2	Nipple
15	96737564	2	Nut	33	95944690	1	Tee
16	96743182	4	Screw	34	95245361	3	Adaptor
17	39155346	2	Tee	35	85587178	AR	Tube (Nylon)
18	22224976	1	Adaptor	36	95951836	1	Tee
				37	22489157	1	Valve



T5797  
Revision 00  
04/04

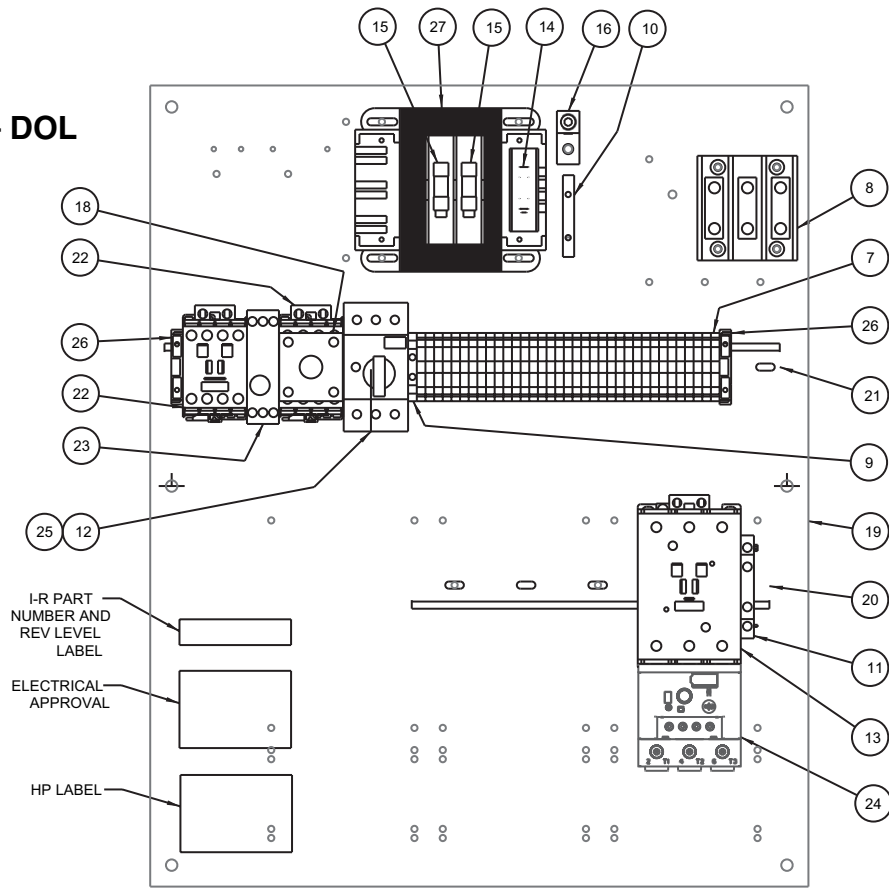
Item	ccn	Qty.	Description	Item	ccn	Qty.	Description
1	81295883	1	Decal	*9b	39127295	2	Screw
2	54772058	1	Gauge	10	92877018	4	Gland, cable
3	32342180	1	Indicator (Red)	11	22224976	1	Connector, bulkhead
4	32342156	1	Indicator (Green)	12	22343347	1	Gauge, temperature (Dryer option)
5	32342164	1	Indicator (White)	*13	22503411	1	Kit, voltage spike
6	22053904	1	Button, emergency stop	*14	22462360	1	Varistor
7	32342149	1	Switch, Off/On				* Not illustrated
8	32342172	1	Pushbutton, reset				
9	32342131	1	Hourmeter				
*9a	39237086	1	Gasket				

60Hz  
D180  
E/M  
FULL VOLTAGE – DOL  
30–50hp – 200/230v  
(30E–40hp–HA)



Item	ccn	Qty.	Description	Item	ccn	Qty.	Description
1	32342149	1	Assembly, 2 Position Selector Switch	15	22630727	1	Kit, Terminal Lug (Set Of 3)
2	32342172	1	Assembly, Blue Push Button Reset	16	32342123	1	Lug, Grounding
3	22053904	1	Assembly, Emergency Stop Push Button	17	32342131	1	Meter, Hour Quartz 50/60 Hz
4	32342156	1	Assembly, Green Light Indicator	18	22218663	1	Module, Pneumatic Timing (A-B P/N 100-Fpta30)
5	32342180	1	Assembly, Red Light Indicator	19	22216519	1	Panel, Starter Back (60 Hertz)
6	32342164	1	Assembly, White Light Indicator	20	AS REQ'D	1	Rail, Din
7	22284129	1	Block, Power Terminal	21	39255559	2	Relay, Control (A-B P/N 700-Cf220D)
8	39252903	35	Block, Terminal	22	22294037	1	Relay, Delay (Restart) (A-B P/N 700-Fsa3gu23)
9	39252911	1	Block, Terminal Gnd. (A-B P/N 1492-WG4)	23	22630974	1	Relay, Overload Eejf (D180)
10	32342115	1	Bus, Aluminium Grounding ( 5 Taps )	24	22395800	1	Starter, Manual Motor Range 4.00-6.30
11	22630925	1	Contact, Auxiliary (For Mms)	25	39252937	2	Stop, Din Rail N37-75
12	22264899	1	Contactor, 180 Amp W/1 No & 1 Nc Aux Contact	26	23090004	1	Transformer, Control 250 VA
13	22950646	1	Fuse, 3 Amp Time Delay	27	22462360	1	Varistor, 130V
14	39178710	2	Fuse, Rejection Type 600v 1.8amps				

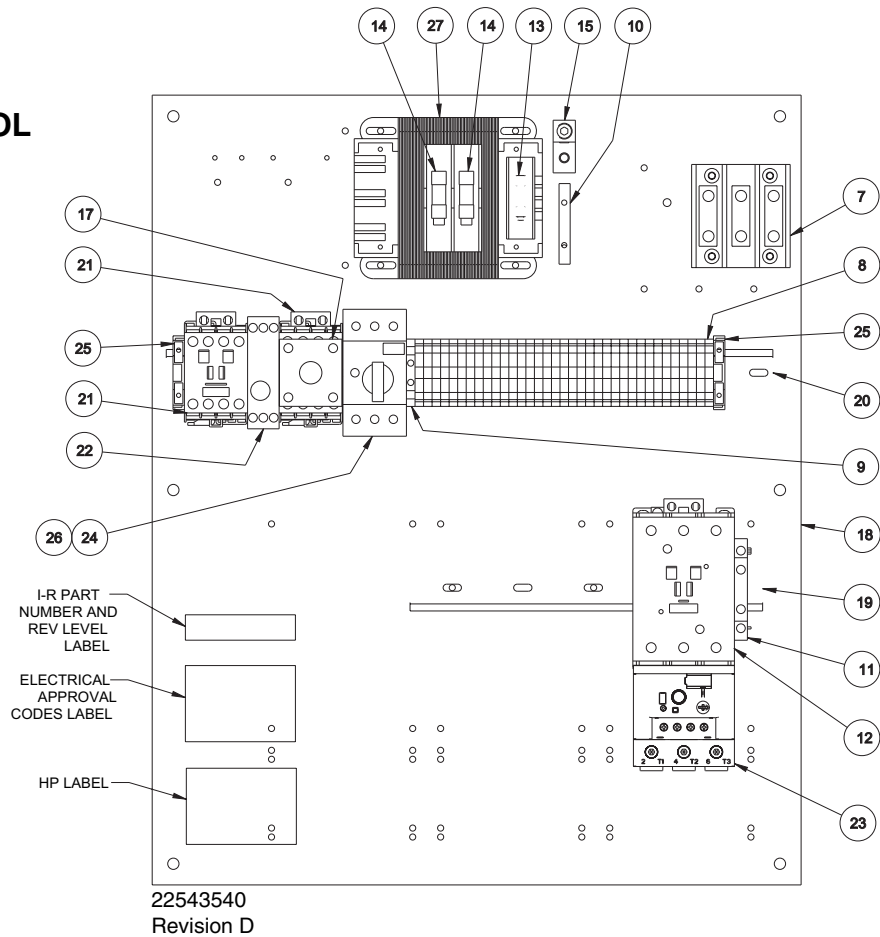
60Hz  
C85  
E/M  
FULL VOLTAGE – DOL  
30–50hp – 575v  
(30E–40hp–HA)



22190599  
Revision H

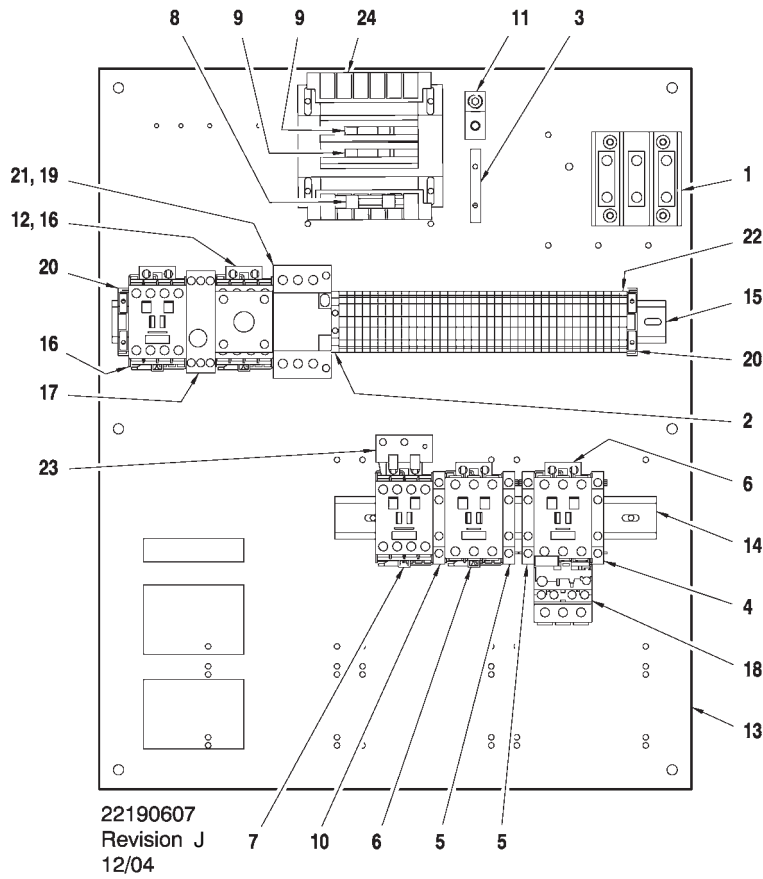
Item	ccn	Qty.	Description	Item	ccn	Qty.	Description
1	32342149	1	Assembly, 2 Position Selector Switch	16	32342123	1	Lug, Grounding
2	32342172	1	Assembly, Blue Push Button Reset	17	32342131	1	Meter, Hour Quartz 50/60 Hz
3	22053904	1	Assembly, Emergency Stop Push Button	18	22218663	1	Module, Pneumatic Timing (A-B P/N 100-FPTA30)
4	32342156	1	Assembly, Green Light Indicator	19	22216519	1	Panel, Starter Back (60 Hertz)
5	32342180	1	Assembly, Red Light Indicator	20	AS REQ'D	1	Rail, Din
6	32342164	1	Assembly, White Light Indicator	21	AS REQ'D	1	Rail, Din
7	39252903	35	Block, Terminal	22	39255559	2	Relay, Control (A-B P/N 700-CF220D)
8	39164520	1	Block, Terminal 150 Amp	23	22294037	1	Relay, Delay (Restart) (A-B P/N 700-FSA3GU23)
9	39252911	1	Block, Terminal Gnd. (A-B P/N 1492-WG4)	24	23053770	1	Relay, Overload Eege 18-90A
10	32342115	1	Bus, Aluminium Grounding (5 Taps)	25	22395784	1	Starter, Manual Motor Range 1.60-2.50
11	22265946	1	Contact, Aux. (W/ 1 No & 1 NC) (A-B P/N 100-SA11)	26	39252937	2	Stop, Din Rail N37-75
12	22630925	1	Contact, Auxiliary (For Mms)	27	23090004	1	Transformer, Control 250 Va
13	39251020	1	Contact, 85A (A-B P/N 100-C85D00)	28	22462360	1	Varistor, 130V
14	22950646	1	Fuse, 3 Amp Time Delay				
15	39178710	2	Fuse, Rejection Type 600v 1.8amps				

60Hz  
C85  
E/M  
FULL VOLTAGE – DOL  
30–50hp – 460v  
(30E–40hp–HA)



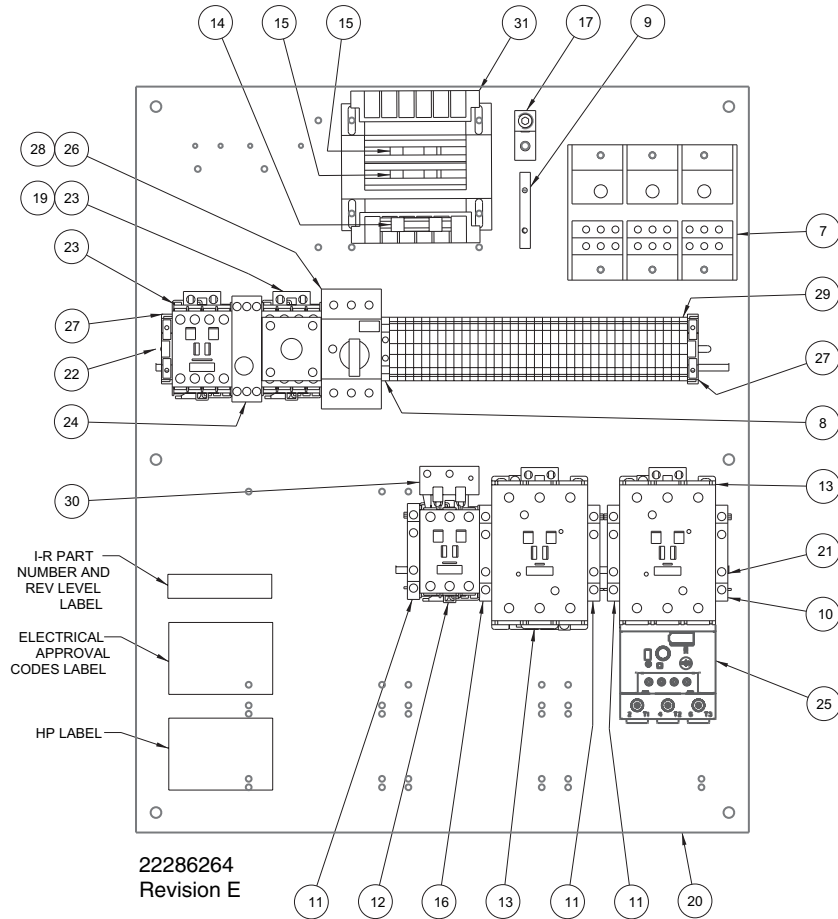
Item	ccn	Qty.	Description	Item	ccn	Qty.	Description
1	32342149	1	Assembly, 2 Position Selector Switch	16	32342131	1	Meter, Hour Quartz 50/60 Hz
2	32342172	1	Assembly, Blue Push Button Reset	17	22218663	1	Module, Pneumatic Timing (A-B P/N 100-FPTA30)
3	22053904	1	Assembly, Emergency Stop Push Button	18	22216519	1	Panel, Starter Back (60 Hertz)
4	32342156	1	Assembly, Green Light Indicator	19	AS REQ'D	1	Rail, Din
5	32342180	1	Assembly, Red Light Indicator	20	AS REQ'D	1	Rail, Din
6	32342164	1	Assembly, White Light Indicator	21	39255559	2	Relay, Control (A-B P/N 700-CF220D)
7	39164520	1	Block, Terminal 150 Amp	22	22294037	1	Relay, Delay (Restart) (A-B P/N 700-FSA3GU23)
8	39252903	35	Block, Terminal	23	23053770	1	Relay, Overload Eege 18-90A
9	39252911	1	Block, Terminal Gnd. (A-B P/N 1492-WG4)	24	22395792	1	Starter, Manual Motor Range 2.50-4.00
10	32342115	1	Bus, Aluminium Grounding ( 5 Taps )	25	39252937	2	Stop, Din Rail N37-75
11	22265946	1	Contact, Aux. (W/ 1 NO & 1 NC) (A-B P/N 100-SA11)	26	22630925	1	Contact, Auxiliary (For Mms)
12	39251020	1	Contact, 85A (A-B P/N 100-C85D00)	27	23090004	1	Transformer, Control 250 VA
13	22950646	1	Fuse, 3 Amp Time Delay	28	22462360	1	Varistor, 130V
14	39178710	2	Fuse, Rejection Type 600V 1.8amps				
15	32342123	1	Lug, Grounding				

60Hz  
 C37/C37/C23  
 E/M  
 STAR DELTA  
 40hp – 460/575v  
 (50HP–575v)



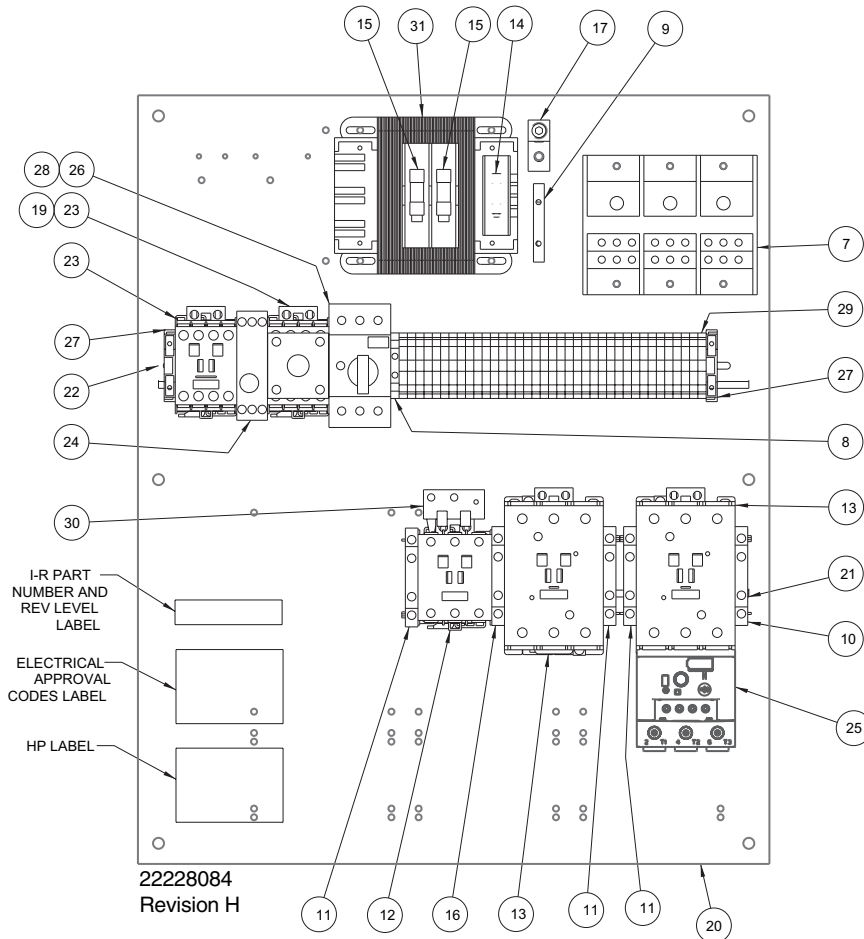
Item	ccn	Qty.	Description	Item	ccn	Qty.	Description
1	39164520	1	Block, terminal	12	22218663	1	Module, pneumatic timing
2	39252911	1	Block, terminal ground	13	22216519	1	Panel, rear
3	32342115	1	Bus, grounding	14	-	1	Rail
4	22265946	1	Contact, auxilliary	15	-	1	Rail
5	22132963	2	Contact, auxilliary	16	39255559	2	Relay, control
6	39251061	2	Contact C37	17	22294037	1	Relay delay (Restart)
7	39252036	1	Contact C23	18	23053754	1	Relay, overload
8	22950646	1	Fuse 125–250V 3.0A	19	22395784	1	Starter, fan
9	39178710	2	Fuse 600V 1.8A	20	39252937	2	Stop
10	39333257	1	Interlock	21	39251285	1	Contact, auxilliary
11	32342123	1	Lug, power grounding	22	39252903	37	Terminal
				23	22218648	1	Timer
				24	23090004	1	Transformer

60Hz  
 C85/C85/C37  
 E/M  
 STAR DELTA  
 50hp – 380/460v  
 (40hp-HA)



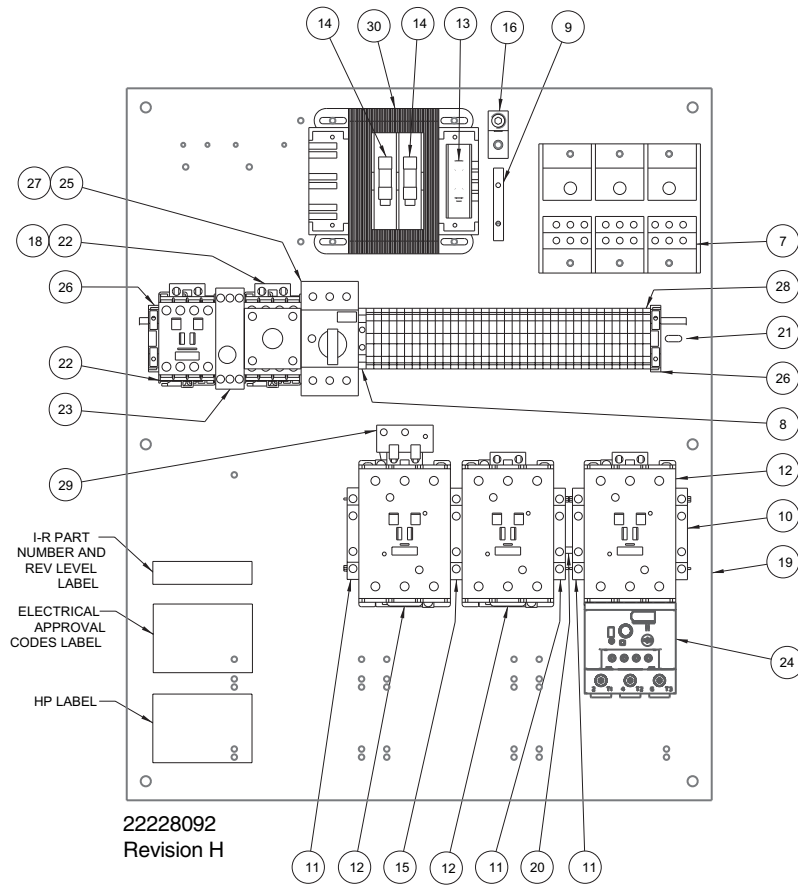
Item	ccn	Qty.	Description	Item	ccn	Qty.	Description
1	32342149	1	Assembly, 2 Position Selector Switch	17	32342123	1	Lug, Grounding
2	32342172	1	Assembly, Blue Push Button Reset	18	32342131	1	Meter, Hour Quartz 50/60 Hz
3	22053904	1	Assembly, Emergency Stop Push Button	19	22218663	1	Module, Pneumatic Timing (A-B P/N 100-FPTA30)
4	32342156	1	Assembly, Green Light Indicator	20	22216519	1	Panel, Starter Back (60 Hertz)
5	32342180	1	Assembly, Red Light Indicator	21	AS REQ'D	1	Rail, Din
6	32342164	1	Assembly, White Light Indicator	22	AS REQ'D	1	Rail, Din
7	22284129	1	Block, Power Terminal	23	39255559	2	Relay, Control (A-B P/N 700-CF220D)
8	39252911	1	Block, Terminal Gnd. (A-B P/N 1492-WG4)	24	22294037	1	Relay, Delay (Restart) (A-B P/N 700-FSA3GU23)
9	32342115	1	Bus, Aluminium Grounding ( 5 Taps )	25	23053770	1	Relay, Overload Eege 18-90A
10	22265946	1	Contact, Aux. (W/ 1 No & 1 NC) (A-B P/N 100-SA11)	26	22395792	1	Starter, Manual Motor Range 2.50-4.00
11	22132963	3	Contact, Auxiliary (W/ 1 N.O.) (A-B P/N 100-Sa10)	27	39252937	2	Stop, Din Rail N37-75
12	39251061	1	Contact, 37a (A-B P/N 100-C37D00)	28	22630925	1	Contact, Auxiliary (For Mms)
13	39251020	2	Contact, 85A (A-B P/N 100-C85D00)	29	39252903	37	Block, Terminal
14	22074033	1	Fuse, 125-250v 2.0A Secondary	30	22218648	1	Timer, Off Delay (A-B P/N 100-Etb30)
15	32342099	2	Fuse, 600v 1.5A Primary	31	81290512	1	Transformer, 200va 208,230,380,460,575/115v
16	39333257	1	Interlock, Mechanical	32	22462360	1	Varistor, 130v

60Hz  
C85/C85/C43  
E/M  
STAR DELTA  
40hp – 230v  
(30E-HA)



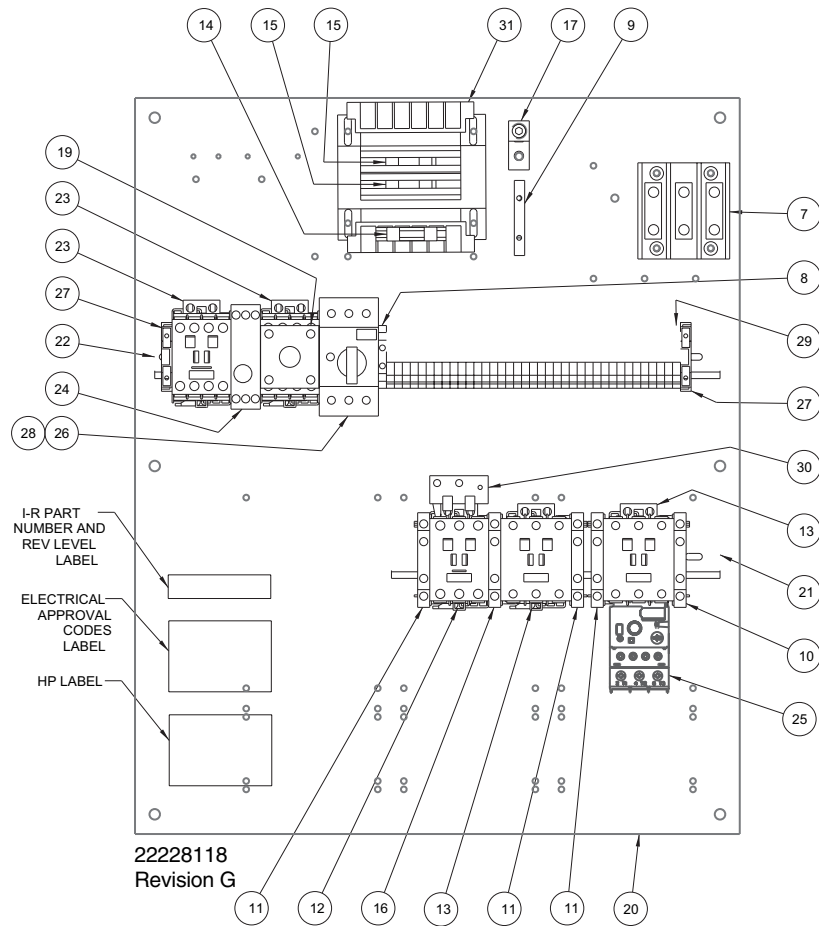
Item	ccn	Qty.	Description	Item	ccn	Qty.	Description
1	32342149	1	Assembly, 2 Position Selector Switch	17	32342123	1	Lug, Grounding
2	32342172	1	Assembly, Blue Push Button Reset	18	32342131	1	Meter, Hour Quartz 50/60 Hz
3	22053904	1	Assembly, Emergency Stop Push Button	19	22218663	1	Module, Pneumatic Timing (A-B P/N 100-Fpta30)
4	32342156	1	Assembly, Green Light Indicator	20	22216519	1	Panel, Starter Back (60 Hertz)
5	32342180	1	Assembly, Red Light Indicator	21	AS REQ'D	1	Rail, Din
6	32342164	1	Assembly, White Light Indicator	22	AS REQ'D	1	Rail, Din
7	22284129	1	Block, Power Terminal	23	39255559	2	Relay, Control (A-B P/N 700-CF220d)
8	39252911	1	Block, Terminal Gnd. (A-B P/N 1492-WG4)	24	22294037	1	Relay, Delay (Restart) (A-B P/N 700-FSA3GU23)
9	32342115	1	Bus, Aluminium Grounding ( 5 Taps )	25	23053770	1	Relay, Overload Eege 18-90A
10	22265946	1	Contact, Aux. (W/ 1 No & 1 NC) (A-B P/N 100-SA11)	26	22395800	1	Starter, Manual Motor Range 4.00-6.30
11	22132963	3	Contact, Auxiliary (W/ 1 N.O.) (A-B P/N 100-SA10)	27	39252937	2	Stop, Din Rail N37-75
12	39250998	1	Contact, 43A (A-B P/N 100-C43D00)	28	22630925	1	Contact, Auxiliary (For Mms)
13	39251020	2	Contact, 85A (A-B P/N 100-C85D00)	29	39252903	37	Block, Terminal
14	22950646	1	Fuse, 3 Amp Time Delay	30	22218648	1	Timer, Off Delay (A-B P/N 100-ETB30)
15	39178710	2	Fuse, Rejection Type 600v 1.8amps	31	23090004	1	Transformer, Control 250 VA
16	39333257	1	Interlock, Mechanical	32	22462360	1	Varistor, 130v

60Hz  
C85/C85/C85  
E/M  
STAR DELTA  
40hp – 200v  
(30E–HA)



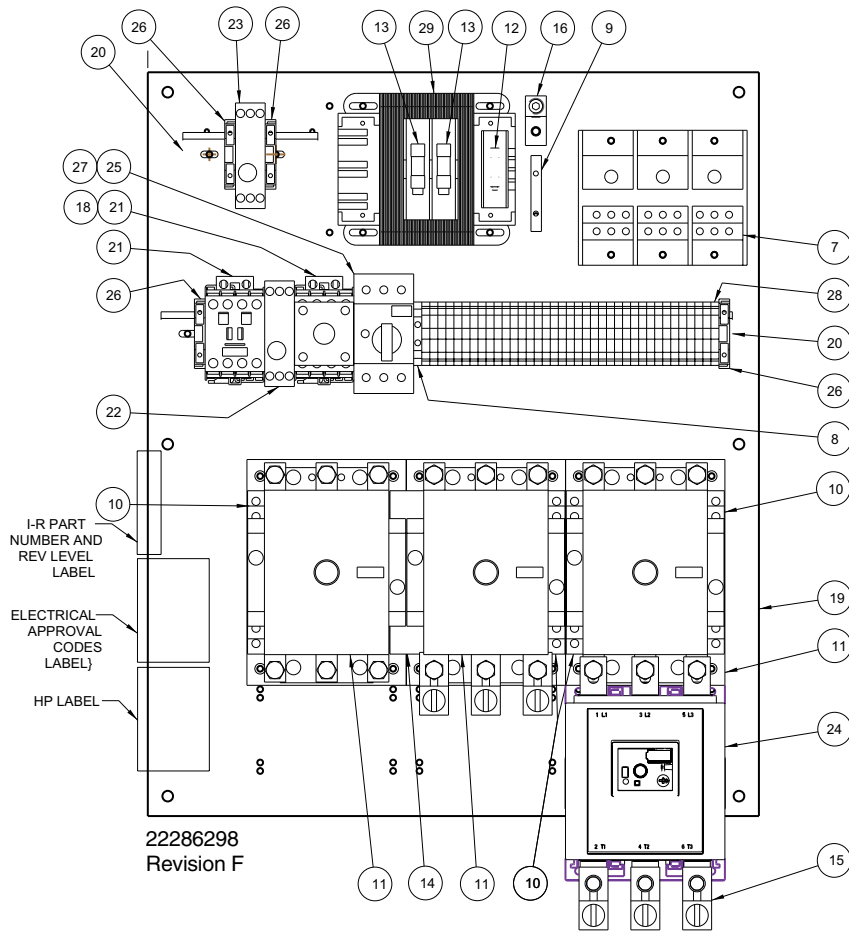
Item	ccn	Qty.	Description	Item	ccn	Qty.	Description
1	32342149	1	Assembly, 2 Position Selector Switch	18	22218663	1	Module, Pneumatic Timing (A-B P/N 100-Fpta30)
2	32342172	1	Assembly, Blue Push Button Reset	19	22216519	1	Panel, Starter Back (60 Hertz)
3	22053904	1	Assembly, Emergency Stop Push Button	20	AS REQ'D	1	Rail, Din
4	32342156	1	Assembly, Green Light Indicator	21	AS REQ'D	1	Rail, Din
5	32342180	1	Assembly, Red Light Indicator	22	39255559	2	Relay, Control (A-B P/N 700-CF220d)
6	32342164	1	Assembly, White Light Indicator	23	22294037	1	Relay, Delay (Restart) (A-B P/N 700-FSA3GU23)
7	22284129	1	Block, Power Terminal	24	23053770	1	Relay, Overload Eege 18-90A
8	39252911	1	Block, Terminal Gnd. (A-B P/N 1492-WG4)	25	22395800	1	Starter, Manual Motor Range 4.00-6.30
9	32342115	1	Bus, Aluminium Grounding ( 5 Taps )	26	39252937	2	Stop, Din Rail N37-75
10	22265946	1	Contact, Aux. (W/ 1 NO & 1 NC) (A-B P/N 100-SA11)	27	22630925	1	Contact, Auxiliary (For Mms)
11	22132963	3	Contact, Auxiliary (W/ 1 N.O.) (A-B P/N 100-Sa10)	28	39252903	37	Block, Terminal
12	39251020	3	Contact, 85a (A-B P/N 100-C85D00)	29	22218648	1	Timer, Off Delay (A-B P/N 100-ETB30)
13	22950646	1	Fuse, 3 Amp Time Delay	30	23090004	1	Transformer, Control 250 Va
14	39178710	2	Fuse, Rejection Type 600v 1.8amps	31	22462360	1	Varistor, 130v
15	39333257	1	Interlock, Mechanical				
16	32342123	1	Lug, Grounding				
17	32342131	1	Meter, Hour Quartz 50/60 Hz				

60Hz  
 C43/C43/C37  
 E/M  
 STAR DELTA  
 40hp – 380v  
 (30E-HA)



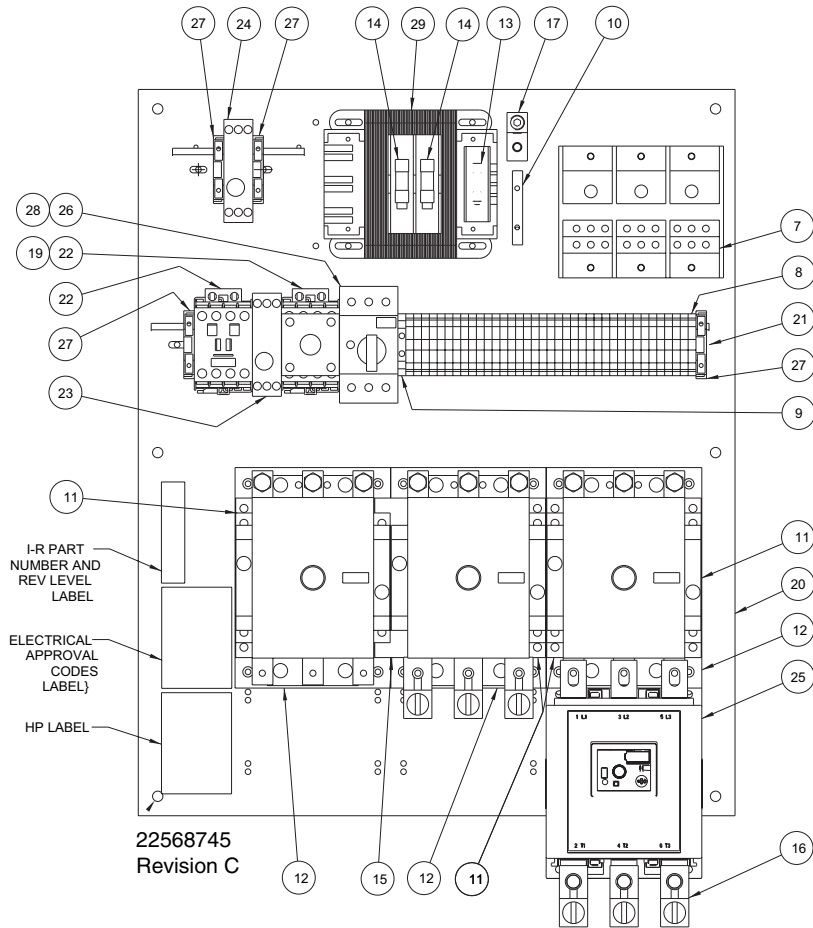
Item	ccn	Qty.	Description	Item	ccn	Qty.	Description
1	32342149	1	Assembly, 2 Position Selector Switch	17	32342123	1	Lug, Grounding
2	32342172	1	Assembly, Blue Push Button Reset	18	32342131	1	Meter, Hour Quartz 50/60 Hz
3	22053904	1	Assembly, Emergency Stop Push Button	19	22218663	1	Module, Pneumatic Timing (A-B P/N 100-FPTA30)
4	32342156	1	Assembly, Green Light Indicator	20	22216519	1	Panel, Starter Back (60 Hertz)
5	32342180	1	Assembly, Red Light Indicator	21	AS REQ'D	1	Rail, Din
6	32342164	1	Assembly, White Light Indicator	22	AS REQ'D	1	Rail, Din
7	39164520	1	Block, Terminal 150 Amp	23	39255559	2	Relay, Control (A-B P/N 700-CF220d)
8	39252911	1	Block, Terminal Gnd. (A-B P/N 1492-WG4)	24	22294037	1	Relay, Delay (Restart) (A-B P/N 700-Fsa3gu23)
9	32342115	1	Bus, Aluminium Grounding ( 5 Taps )	25	23053754	1	Relay, Overload Eefd 9-45a
10	22265946	1	Contact, Aux. (W/ 1 No & 1 Nc) (A-B P/N 100-SA11)	26	22395792	1	Starter, Manual Motor Range 2.50-4.00
11	22132963	3	Contact, Auxiliary (W/ 1 N.O.) (A-B P/N 100-Sa10)	27	39252937	2	Stop, Din Rail N37-75
12	39251061	1	Contact, 37a (A-B P/N 100-C37d00)	28	22630925	1	Contact, Auxiliary (For Mms)
13	39250998	2	Contact, 43a (A-B P/N 100-C43d00)	29	39252903	37	Block, Terminal
14	22074033	1	Fuse, 125-250v 2.0a Secondary	30	22218648	1	Timer, Off Delay (A-B P/N 100-ETB30)
15	32342099	2	Fuse, 600v 1.5a Primary	31	81290512	1	Transformer, 200va 208,230,380, 460,575/115v
16	39333257	1	Interlock, Mechanical	32	22462360	1	Varistor, 130v

60Hz  
D95s  
E/M  
STAR DELTA  
50hp – 230v  
(40hp-HA)

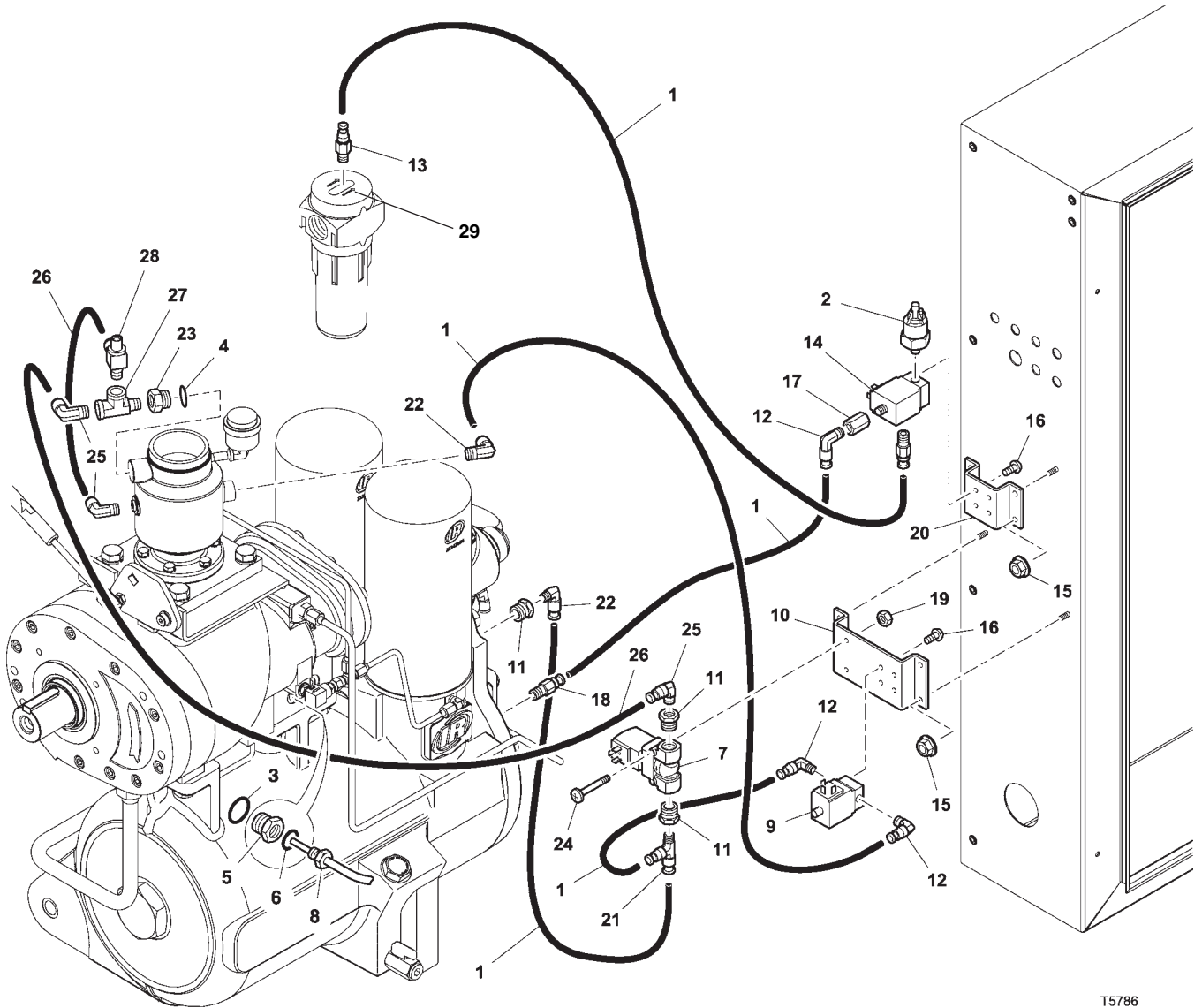


Item	ccn	Qty.	Description	Item	ccn	Qty.	Description
1	32342149	1	Selector Switch	17	32342131	1	Meter, Hour Quartz 50/60 Hz
2	32342172	1	Assembly, Blue Push Button Reset	18	22218663	1	Module, Pneumatic Timing (A-B P/N 100-FPTA30)
3	22053904	1	Assembly, Emergency Stop Push Button	19	22216519	1	Panel, Starter Back (60 Hertz)
4	32342156	1	Assembly, Green Light Indicator	20	AS REQ'D	1	Rail, Din
5	32342180	1	Assembly, Red Light Indicator	21	39255559	2	Relay, Control (A-B P/N 700-CF220d)
6	32342164	1	Assembly, White Light Indicator	22	22294037	1	Relay, Delay (Restart) (A-B P/N 700-FSA3gu23)
7	22284129	1	Block, Power Terminal	23	22308035	1	Relay, Off Delay (1.5-30sec) (A-B P/N 700-FSB3DU23)
8	39252911	1	Block, Terminal Gnd. (A-B P/N 1492-Wg4)	24	22630974	1	Relay, Overload Eejf (D180)
9	32342115	1	Bus, Aluminium Grounding ( 5 Taps )	25	22395800	1	Starter, Manual Motor Range 4.00-6.30
10	22264840	4	Contact, Aux. (1-No & 1-Nc)	26	39252937	4	Stop, Din Rail N37-75
11	22264865	3	CONTACTOR,D95w/1N0&1NC AUX	27	22630925	1	Contact, Aux. 1no For Fan Motor Starter
12	22950646	1	Fuse, 3 Amp Time Delay	28	39252903	37	Block, Terminal
13	39178710	2	Fuse, Rejection Type 600v 1.8amps	29	23090004	1	Transformer, Control 250 Va
14	22264832	1	Interlock, Mechanical (A-B P/N 100-DMA00)	30	22462360	1	Varistor, 130v
15	22630727	2	Kit, Terminal Lug (Set Of 3)				
16	32342123	1	Lug, Grounding				

60Hz  
D110s  
E/M  
STAR DELTA  
50hp – 200v  
(40hp-HA)



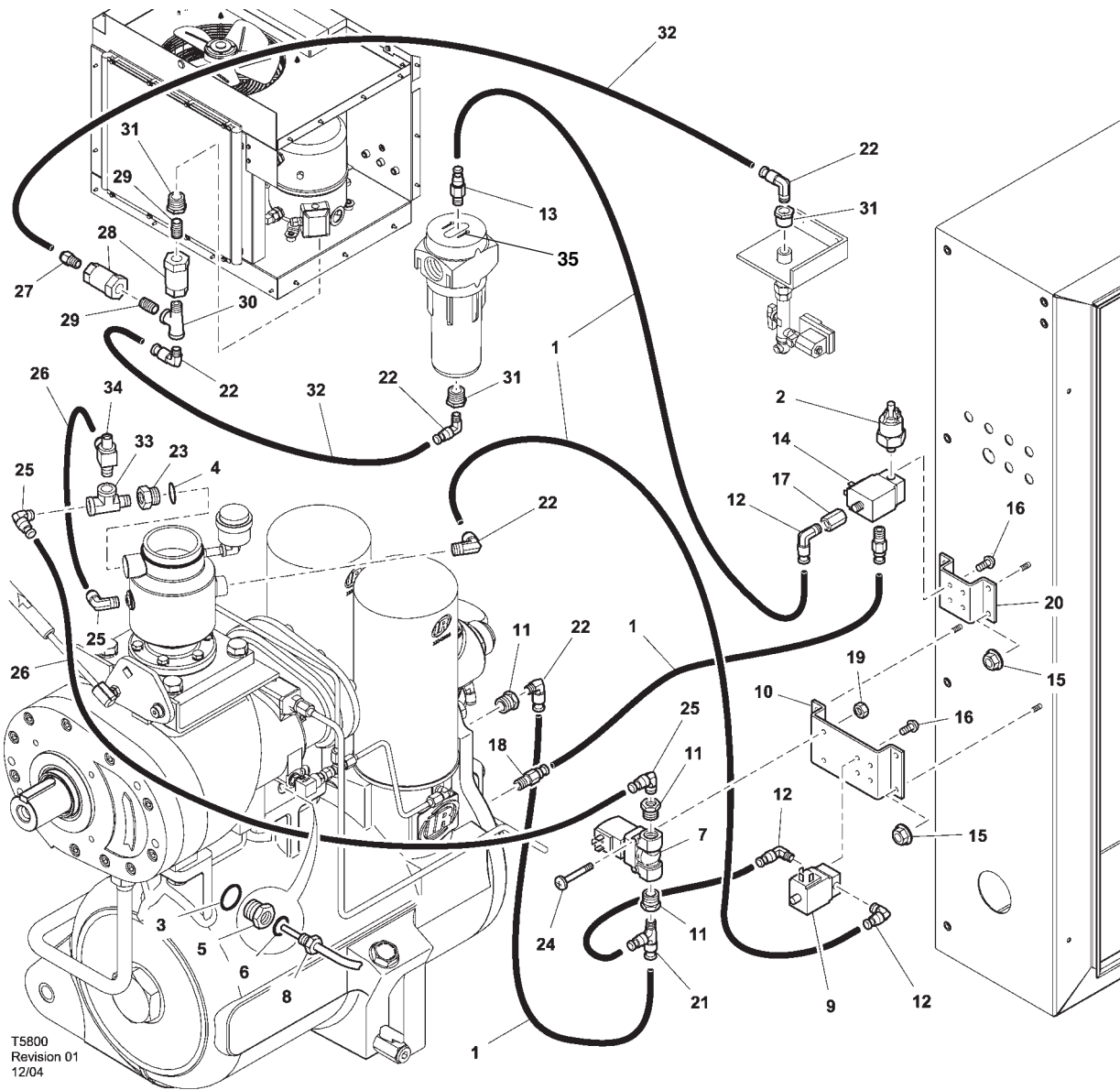
Item	ccn	Qty.	Description	Item	ccn	Qty.	Description
1	32342149	1	Assembly, 2 Position Selector Switch	17	32342123	1	Lug, Grounding
2	32342172	1	Assembly, Blue Push Button Reset	18	32342131	1	Meter, Hour Quartz 50/60 Hz
3	22053904	1	Assembly, Emergency Stop Push Button	19	22218663	1	Module, Pneumatic Timing (A-B P/N 100-FPTA30)
4	32342156	1	Assembly, Green Light Indicator	20	22216519	1	Panel, Starter Back (60 Hertz)
5	32342180	1	Assembly, Red Light Indicator	21	AS REQ'D	1	Rail, Din
6	32342164	1	Assembly, White Light Indicator	22	39255559	2	Relay, Control (A-B P/N 700-CF220D)
7	22284129	1	Block, Power Terminal	23	22294037	1	Relay, Delay (Restart) (A-B P/N 700-FSA3GU23)
8	39252903	37	Block, Terminal	24	22308035	1	Relay, Off Delay (1.5-30sec) (A-B P/N 700-FSB3DU23)
9	39252911	1	Block, Terminal Gnd. (A-B P/N 1492-WG4)	25	22630974	1	Relay, Overload Eejf (D180)
10	32342115	1	Bus, Aluminium Grounding ( 5 Taps )	26	22395800	1	Starter, Manual Motor Range 4.00-6.30
11	22264840	4	Contact, Aux. (1-No & 1-Nc)	27	39252937	4	Stop, Din Rail N37-75
12	22264873	3	Contact, D110 W/1NC&1NO A-B P/N 100-D110D11	28	22630925	1	Contact, Aux. 1no For Fan Motor Starter
13	22950646	1	Fuse, 3 Amp Time Delay	29	23090004	1	Transformer, Control 250 Va
14	39178710	2	Fuse, Rejection Type 600v 1.8amps	30	22462360	1	Varistor, 130v
15	22264832	1	Interlock, Mechanical (A-B P/N 100-Dma00)				
16	22630727	2	Kit, Terminal Lug (Set Of 3)				



T5786  
Revision 02  
12/04

Item	ccn	Qty.	Description	Item	ccn	Qty.	Description
1	39124813	AR	Tube (Nylon)	16	96743182	8	Screw
2	39853809	1	Transducer	17	22163869	1	Adaptor
3	39404132	1	'O' Ring	18	39156435	1	Connector
4	39404165	1	'O' Ring	19	96703756	4	Nut
5	54461066	1	Coupling	20	22107833	1	Bracket
6	39404157	1	'O' Ring	21	39155346	1	Tee
7	54654652	1	Valve, solenoid (Blowdown)	22	39155478	2	Elbow
8	39560628	1	Thermistor	23	22487219	1	Bushing
*8a	37952355	1	Kit, thermistor	24	96742754	2	Screw
9	54774302	1	Valve, solenoid (Load)	25	39155650	3	Elbow
10	54755426	1	Bracket	26	39124821	AR	Tube (Nylon)
11	95944625	3	Bushing	27	95951836	1	Tee
12	39155577	3	Elbow	28	22489157	1	Valve
13	39156393	1	Connector	29	96747530	1	Adapter
14	54774302	1	Valve, solenoid (Line / Sump)				
15	96737564	4	Nut				

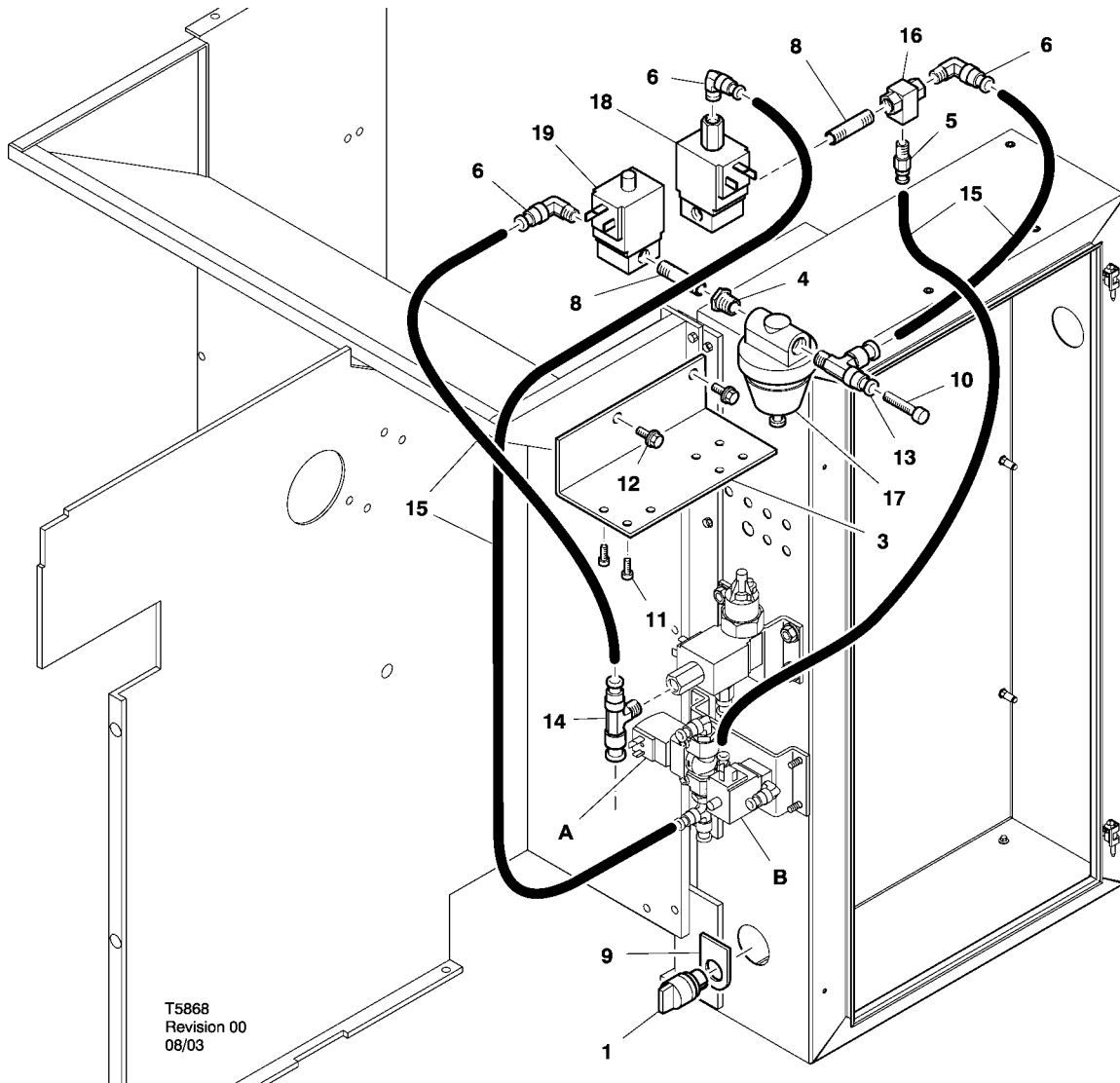
\* Not illustrated



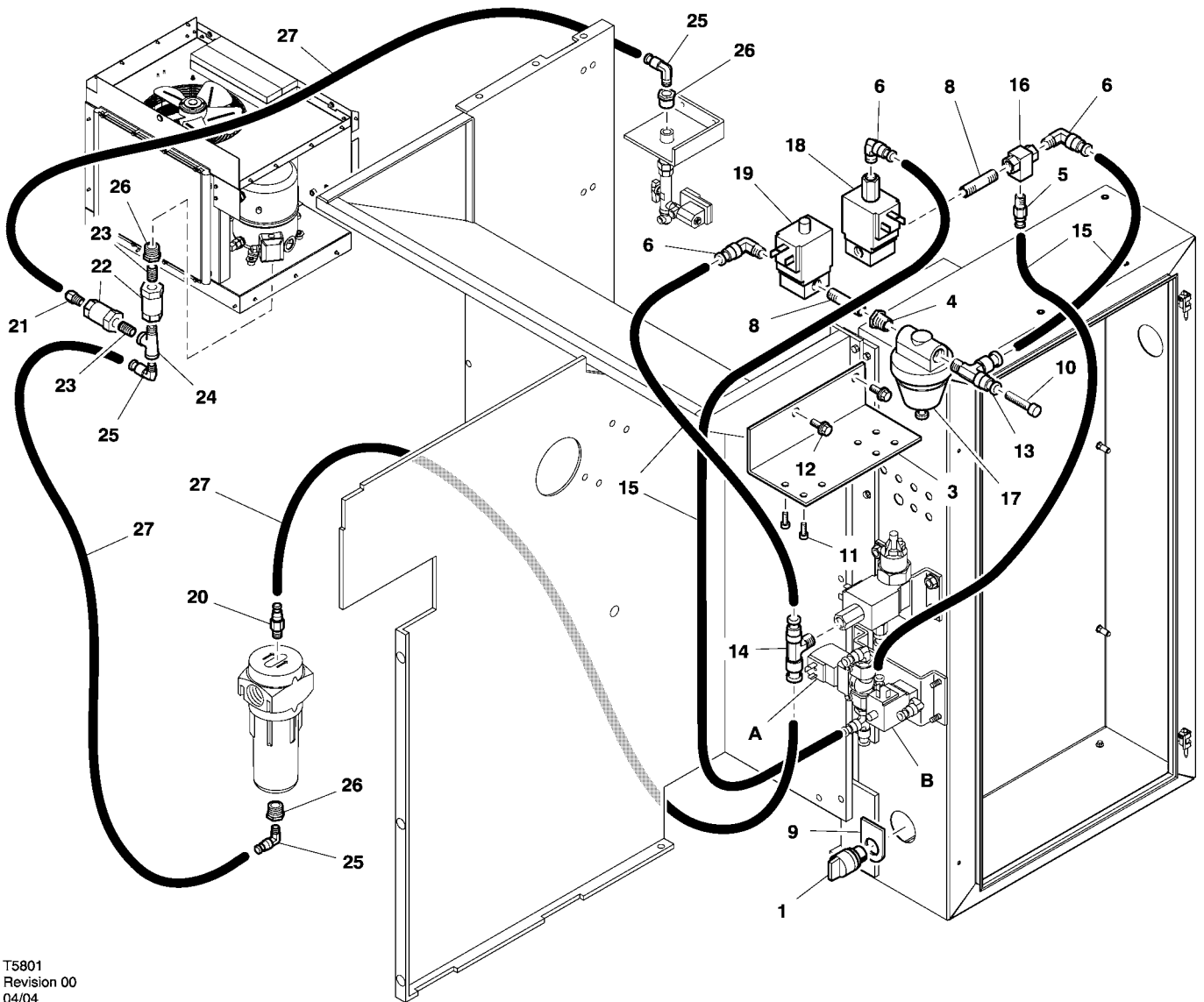
T5800  
Revision 01  
12/04

Item	ccn	Qty.	Description	Item	ccn	Qty.	Description
1	39124813	AR	Tube (Nylon)	18	39156435	1	Connector
2	39853809	1	Transducer	19	96703756	4	Nut
3	39404132	1	'O' Ring	20	22107833	1	Bracket
4	39404165	1	'O' Ring	21	39155346	1	Tee
5	54461066	1	Coupling	22	39155478	5	Elbow
6	39404157	1	'O' Ring	23	22487219	1	Bushing
7	54654652	1	Valve, solenoid (Blowdown)	24	96742754	2	Screw
8	39560628	1	Thermistor	25	39155650	3	Elbow
*8a	37952355	1	Kit, thermistor	26	39124821	AR	Tube (Nylon)
9	54774302	1	Valve, solenoid (Load)	27	39256435	1	Connector
10	54755426	1	Bracket	28	39182548	2	Valve, check
11	95944625	3	Bushing	29	95323911	2	Nipple
12	39155577	3	Elbow	30	95944690	1	Tee
13	39156393	1	Connector	31	95245361	3	Adaptor
14	54774302	1	Valve, solenoid (Line / Sump)	32	85587178	AR	Tube (Nylon)
15	96737564	4	Nut	33	95951836	1	Tee
16	96743182	8	Screw	34	22489157	1	Valve
17	22163869	1	Adaptor	35	96747530	1	Adapter

\* Not illustrated



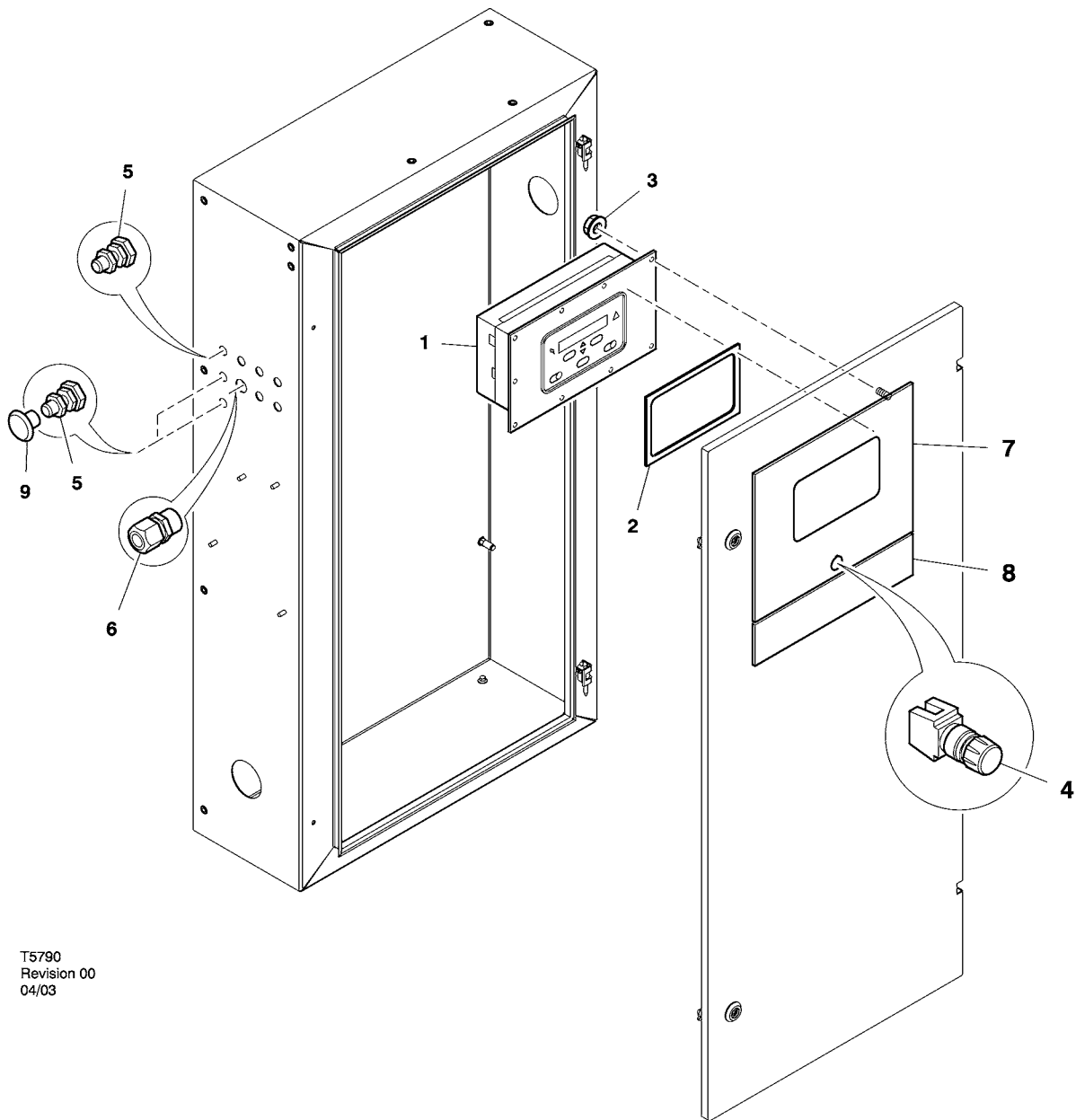
Item	ccn	Qty.	Description	Item	ccn	Qty.	Description
1	32342149	1	Switch (non-Intellisys only)	12	92368687	2	Screw
*2	22163737	2	Cable Valve, solenoid	13	39155346	1	Tee
3	22280093	1	Bracket	14	39156385	1	Tee
4	95930301	1	Bushing	15	39124813	AR	Tube (Nylon)
5	39156393	1	Connector	16	39127261	1	Valve, shuttle
6	39155577	3	Elbow	17	39199476	1	Regulator (115-150psig / 7-10barg)
*7	22249015	1	Manual		39199484	1	Regulator (200psig / 14barg)
8	95946059	2	Nipple	18	22163307	1	Valve, solenoid modulation option
9	54370069	1	Plate, legend (non-Intellisys only)	19	54774302	1	Valve, solenoid modulation option
10	39155353	1	Plug				* Not illustrated
11	96743182	8	Screw				



T5801  
Revision 00  
04/04

Item	ccn	Qty.	Description	Item	ccn	Qty.	Description
1	32342149	1	Switch (non-Intellisys only)	16	39127261	1	Valve, shuttle
*2	22163737	2	Cable Valve, solenoid	17	39199476	1	Regulator (115–150psig / 7–10barg)
3	22280093	1	Bracket		39199484	1	Regulator (200psig / 14barg)
4	95930301	1	Bushing	18	22163307	1	Valve, solenoid modulation option
5	39156393	1	Connector	19	54774302	1	Valve, solenoid modulation option
6	39155577	3	Elbow	20	39156393	1	Connector
*7	22249015	1	Manual	21	39256435	1	Connector
8	95946059	2	Nipple	22	39182548	2	Valve, check
9	54370069	1	Plate, legend (non-Intellisys only)	23	95323911	2	Nipple
10	39155353	1	Plug	24	95944690	1	Tee
11	96743182	8	Screw	25	39155478	3	Elbow
12	92368687	2	Screw	26	95245361	3	Adaptor
13	39155346	1	Tee	27	85587178	AR	Tube (Nylon)
14	39156385	1	Tee				
15	39124813	AR	Tube (Nylon)				

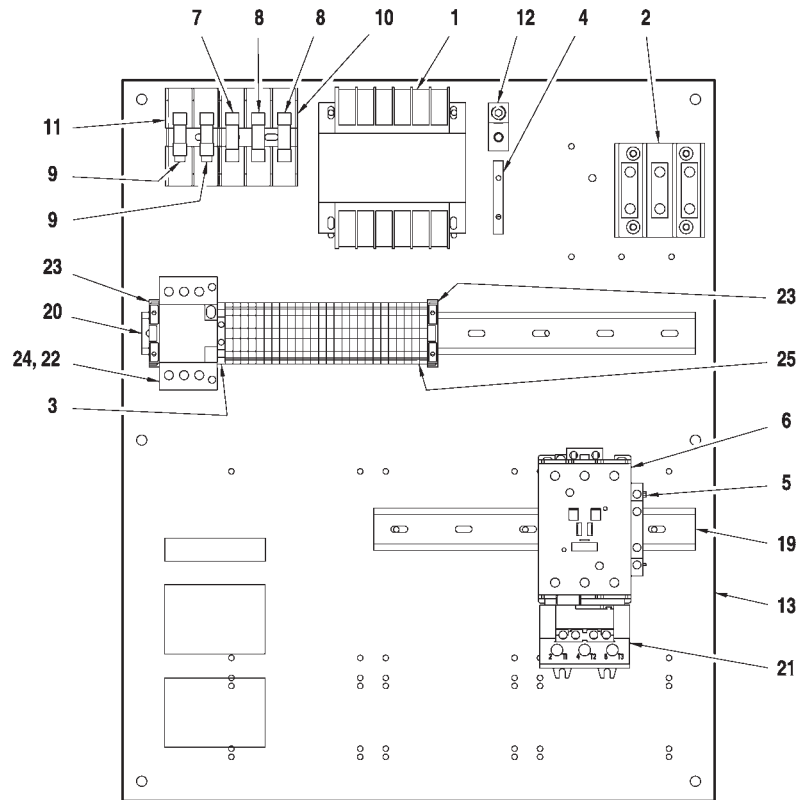
\* Not illustrated



T5790  
Revision 00  
04/03

Item	ccn	Qty.	Description	Item	ccn	Qty.	Description
1	22128763	1	Controller, INTELLISYS	7	81296261	1	Decal, facia – Intellisys 50Hz
2	39495874	1	Seal		81295891	1	Decal, facia – Intellisys 60HZ
3	96737564	10	Nut	8	22131148	1	Decal, translations 60Hz
4	22113344	1	Button, emergency stop	9	39155353	2	Plug
5	92877018	8	Gland, cable				
6	22224976	1	Connector, bulkhead				

60Hz  
 C85  
 INTELLISYS  
 FULL VOLTAGE – DOL  
 30–50hp – 575v  
 (30E–40hp–HA)

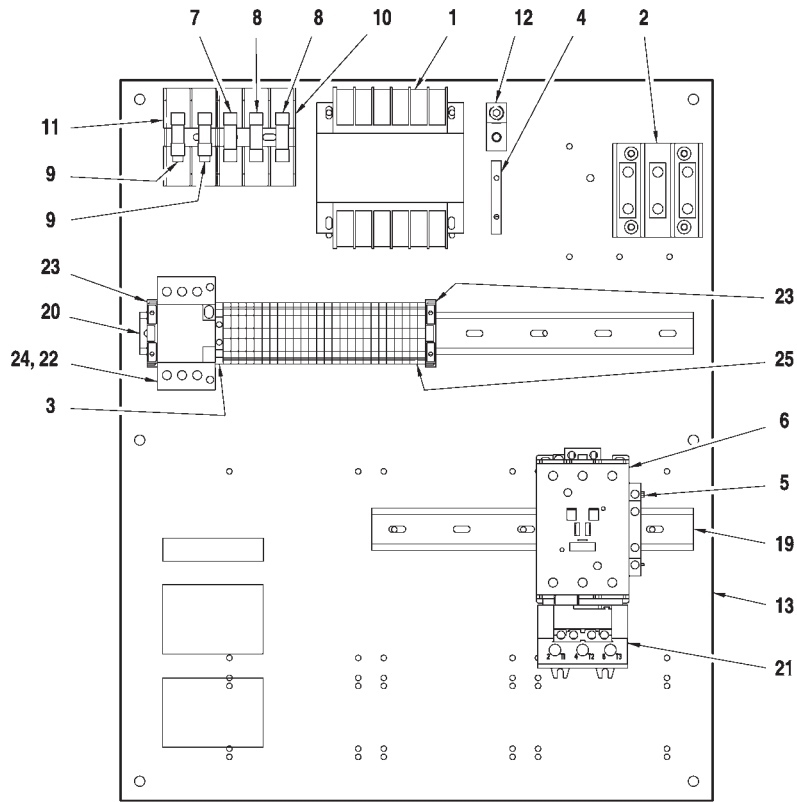


22190615  
 Revision H

Item	ccn	Qty.	Description	Item	ccn	Qty.	Description
1	39491519	1	Transformer	*14	39186101	1	Plug 4 Position
2	39164520	1	Block, terminal	*15	39191630	1	Plug 5 Position
3	39252911	1	Block, terminal ground	*16	39186093	1	Plug 6 Position
4	32342115	1	Bus, grounding	*17	39191648	1	Plug 11 Position
5	22132963	1	Contact, auxilliary	*18	39191655	1	Plug 16 Position
6	39251020	1	Contactor C85	19	–	1	Rail
7	39113527	1	Fuse 250V 3.2A	20	–	1	Rail
8	39113535	2	Fuse 250V 2.0A	21	23053770	1	Relay, overload
9	39178728	2	Fuse 600V 2.5A	22	22395784	1	Starter, fan
10	39479035	1	Holder, fuse	23	39252937	2	Stop
11	39480504	1	Holder, fuse	24	22630925	1	Contact, auxilliary
12	32342123	1	Lug, power grounding	25	39252903	26	Terminal
13	22216519	1	Panel, rear				

\* Not illustrated

60Hz  
C85  
INTELLISYS  
FULL VOLTAGE – DOL  
30–50hp – 460v  
(30E–40hp–HA)

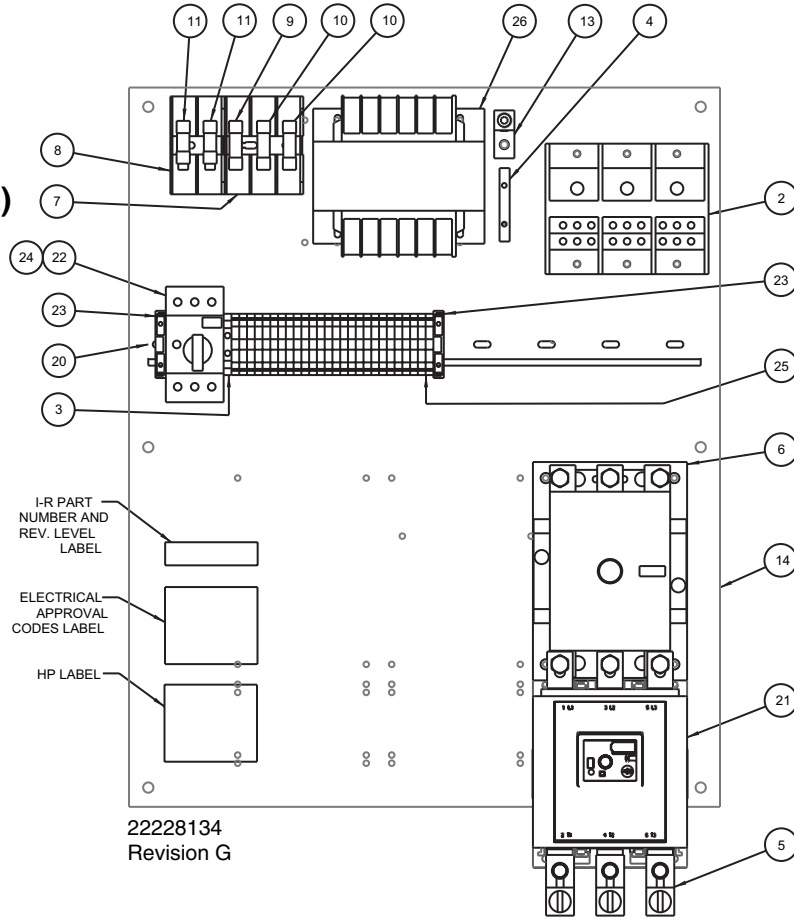


22543565  
Revision B

Item	ccn	Qty.	Description	Item	ccn	Qty.	Description
1	39491519	1	Transformer	*14	39186101	1	Plug 4 Position
2	39164520	1	Block, terminal	*15	39191630	1	Plug 5 Position
3	39252911	1	Block, terminal ground	*16	39186093	1	Plug 6 Position
4	32342115	1	Bus, grounding	*17	39191648	1	Plug 11 Position
5	22132963	1	Contact, auxilliary	*18	39191655	1	Plug 16 Position
6	39251020	1	Contactor C85	19	–	1	Rail
7	39113527	1	Fuse 250V 3.2A	20	–	1	Rail
8	39113535	2	Fuse 250V 2.0A	21	23053770	1	Relay, overload
9	39178728	2	Fuse 600V 2.5A	22	22395792	1	Starter, fan
10	39479035	1	Holder, fuse	23	39252937	2	Stop
11	39480504	1	Holder, fuse	24	22630925	1	Contact, auxilliary
12	32342123	1	Lug, power grounding	25	39252903	26	Terminal
13	22216519	1	Panel, rear				

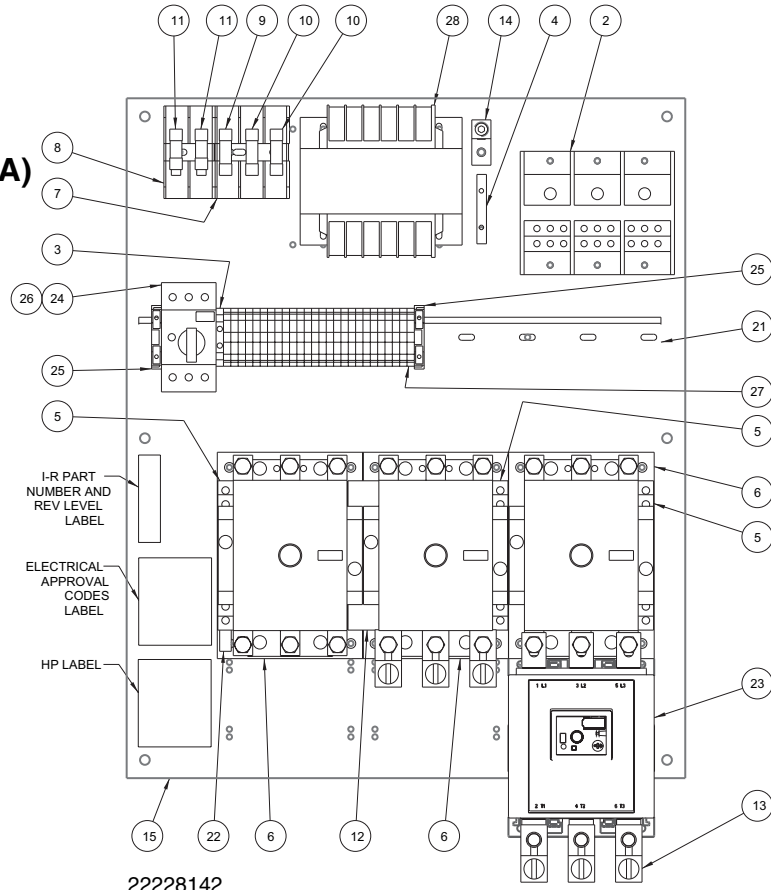
\* Not illustrated

60Hz  
 D180  
 INTELLISYS  
 FULL VOLTAGE – DOL  
 40hp – 200/230v (30E-HA)  
 50hp – 200/230v (40hp-HA)



Item	ccn	Qty.	Description	Item	ccn	Qty.	Description
1	39491519	1	Transformer	*15	39186101	1	Plug 4 Position
2	22284129	1	Block, terminal	*16	39191630	1	Plug 5 Position
3	39252911	1	Block, terminal ground	*17	39186093	1	Plug 6 Position
4	32342115	1	Bus, grounding	*18	39191648	1	Plug 11 Position
5	22264840	1	Contact, auxilliary	*19	39191655	1	Plug 16 Position
6	22264899	1	Contactur D180	20	-	1	Rail
7	39113527	1	Fuse 250V 3.2A	21	22630974	1	Relay, overload
8	39113535	2	Fuse 250V 2.0A	22	22395800	1	Starter, fan
9	39178728	2	Fuse 600V 2.5A	23	39252937	2	Stop
10	39479035	1	Holder, fuse	24	22630925	1	Contact, auxilliary
11	39480504	1	Holder, fuse	25	39252903	26	Terminal
12	22630727	1	Lug (set of 3)				
13	32342123	1	Lug, power grounding				
14	22216519	1	Panel, rear				* Not illustrated

**60Hz  
3-D110  
INTELLISYS  
STAR DELTA  
50hp – 200v (40hp-HA)**

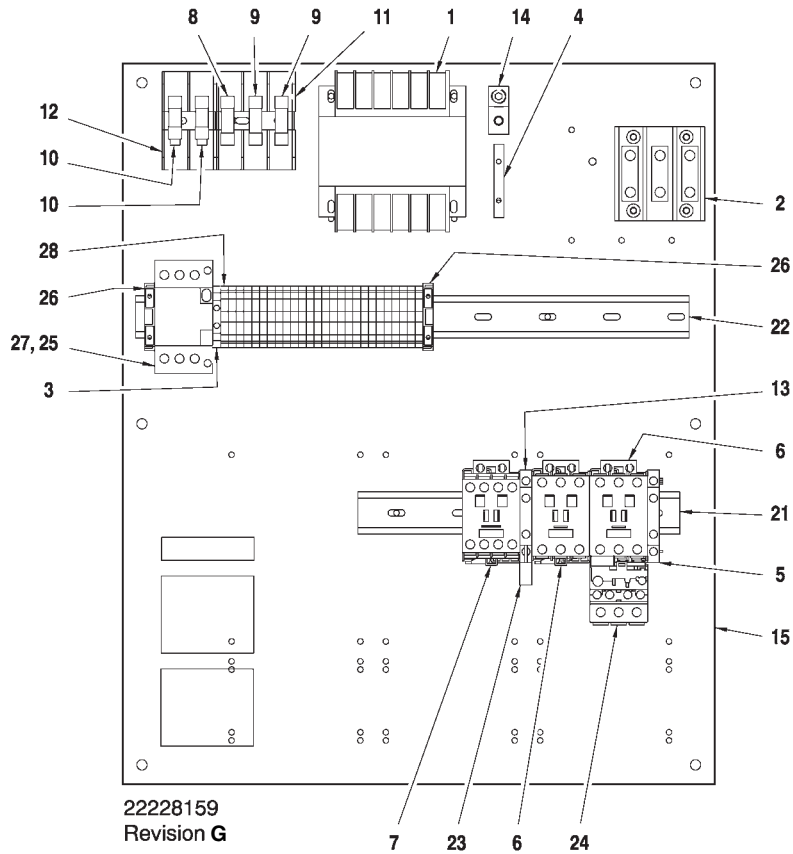


22228142  
Revision G

Item	ccn	Qty.	Description	Item	ccn	Qty.	Description
1	39491519	1	Transformer	*16	39186101	1	Plug 4 Position
2	22284129	1	Block, terminal	*17	39191630	1	Plug 5 Position
3	39252911	1	Block, terminal ground	*18	39186093	1	Plug 6 Position
4	32342115	1	Bus, grounding	*19	39191648	1	Plug 11 Position
5	22264840	3	Contact, auxilliary	*20	39191655	1	Plug 16 Position
6	22264873	3	Contactor D110	21	-	1	Rail
7	39113527	1	Fuse 250V 3.2A	22	39203443	1	Suppressor
8	39113535	2	Fuse 250V 2.0A	23	22630974	1	Relay, overload
9	39178728	2	Fuse 600V 2.5A	24	22395800	1	Starter, fan
10	39479035	1	Holder, fuse	25	39252937	2	Stop
11	39480504	1	Holder, fuse	26	22630925	1	Contact, auxilliary
12	22264832	1	Interlock	27	39252903	26	Terminal
13	22630727	2	Lug (Set of 3)				
14	32342123	1	Lug, power grounding				
15	22216519	1	Panel, rear				

\* Not illustrated

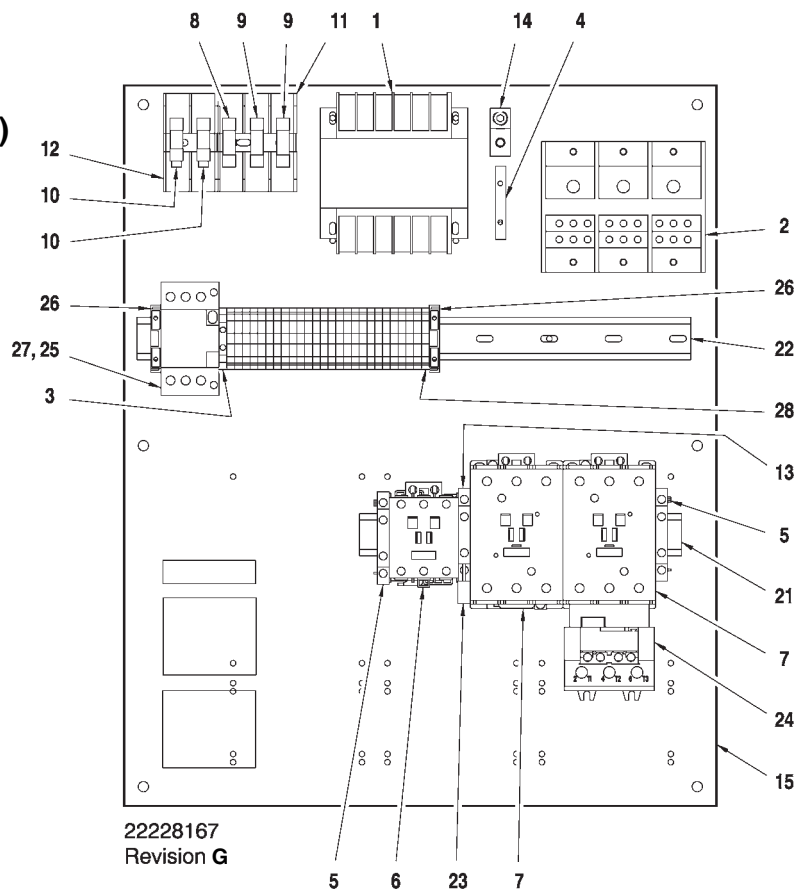
60Hz  
**C37/C37/C23**  
**INTELLISYS**  
**STAR DELTA**  
 40hp – 460/575v (30E-HA)  
 50hp – 575v (40hp-HA)



Item	ccn	Qty.	Description	Item	ccn	Qty.	Description
1	39491519	1	Transformer	*16	39186101	1	Plug 4 Position
2	39164520	1	Block, terminal	*17	39191630	1	Plug 5 Position
3	39252911	1	Block, terminal ground	*18	39186093	1	Plug 6 Position
4	32342115	1	Bus, grounding	*19	39191648	1	Plug 11 Position
5	22132963	1	Contact, auxilliary	*20	39191655	1	Plug 16 Position
6	39251061	2	Contactur C37	21	-	1	Rail
7	39252036	1	Contactur C23	22	-	1	Rail
8	39113527	1	Fuse 250V 3.2A	23	39203443	1	Suppressor
9	39113535	2	Fuse 250V 2.0A	24	23053754	1	Relay, overload
10	39178728	2	Fuse 600V 2.5A	25	22395784	1	Starter, fan
11	39479035	1	Holder, fuse	26	39252937	2	Stop
12	39480504	1	Holder, fuse	27	22630925	1	Contact, auxilliary
13	39333257	1	Interlock	28	39252903	26	Terminal
14	32342123	1	Lug, power grounding				
15	22216519	1	Panel, rear				* Not illustrated

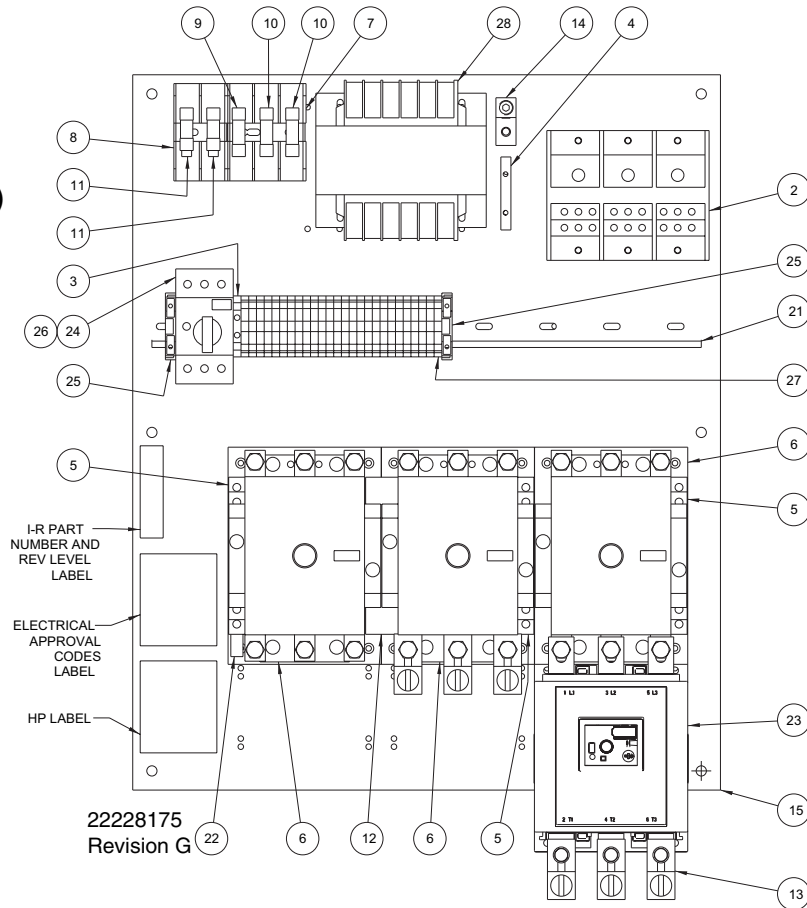
# 37 ELECTRICAL SYSTEM – INTELLISYS

60Hz  
C85/C85/C43  
INTELLISYS  
STAR DELTA  
40hp – 230v (30E–HA)



Item	ccn	Qty.	Description	Item	ccn	Qty.	Description
1	39491519	1	Transformer	*16	39186101	1	Plug 4 Position
2	22284129	1	Block, terminal	*17	39191630	1	Plug 5 Position
3	39252911	1	Block, terminal ground	*18	39186093	1	Plug 6 Position
4	32342115	1	Bus, grounding	*19	39191648	1	Plug 11 Position
5	22132963	2	Contact, auxilliary	*20	39191655	1	Plug 16 Position
6	39250998	1	Contactur C43	21	–	1	Rail
7	39251020	2	Contactur C85	22	–	1	Rail
8	39113527	1	Fuse 250V 3.2A	23	39203443	1	Suppressor
9	39113535	2	Fuse 250V 2.0A	24	23053770	1	Relay, overload
10	39178728	2	Fuse 600V 2.5A	25	22395800	1	Starter, fan
11	39479035	1	Holder, fuse	26	39252937	2	Stop
12	39480504	1	Holder, fuse	27	22630925	1	Contact, auxilliary
13	39333257	1	Interlock	28	39252903	26	Terminal
14	32342123	1	Lug, power grounding				* Not illustrated
15	22216519	1	Panel, rear				

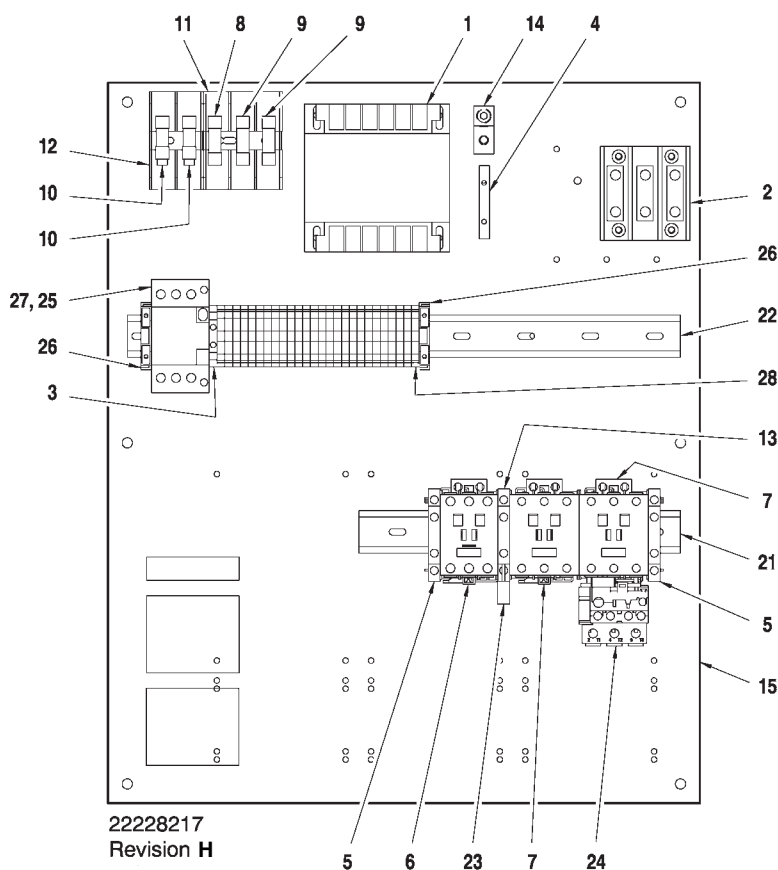
60Hz  
 3-D95s  
 INTELLISYS  
 STAR DELTA  
 40hp – 200v (30E-HA)  
 50hp – 230v (40hp-HA)



Item	ccn	Qty.	Description	Item	ccn	Qty.	Description
1	39491519	1	Transformer	*16	39186101	1	Plug 4 Position
2	22284129	1	Block, terminal	*17	39191630	1	Plug 5 Position
3	39252911	1	Block, terminal ground	*18	39186093	1	Plug 6 Position
4	32342115	1	Bus, grounding	*19	39191648	1	Plug 11 Position
5	22264840	3	Contact, auxilliary	*20	39191655	1	Plug 16 Position
6	22264865	3	Contactur D95	21	-	1	Rail
7	39113527	1	Fuse 250V 3.2A	22	39203443	1	Suppressor
8	39113535	2	Fuse 250V 2.0A	23	22630974	1	Relay, overload
9	39178728	2	Fuse 600V 2.5A	24	22395800	1	Starter, fan
10	39479035	1	Holder, fuse	25	39252937	2	Stop
11	39480504	1	Holder, fuse	26	22630925	1	Contact, auxilliary
12	22264832	1	Interlock	27	39252903	26	Terminal
13	22630727	2	Lug (set of 3)				
14	32342123	1	Lug, power grounding				
15	22216519	1	Panel, rear				* Not illustrated

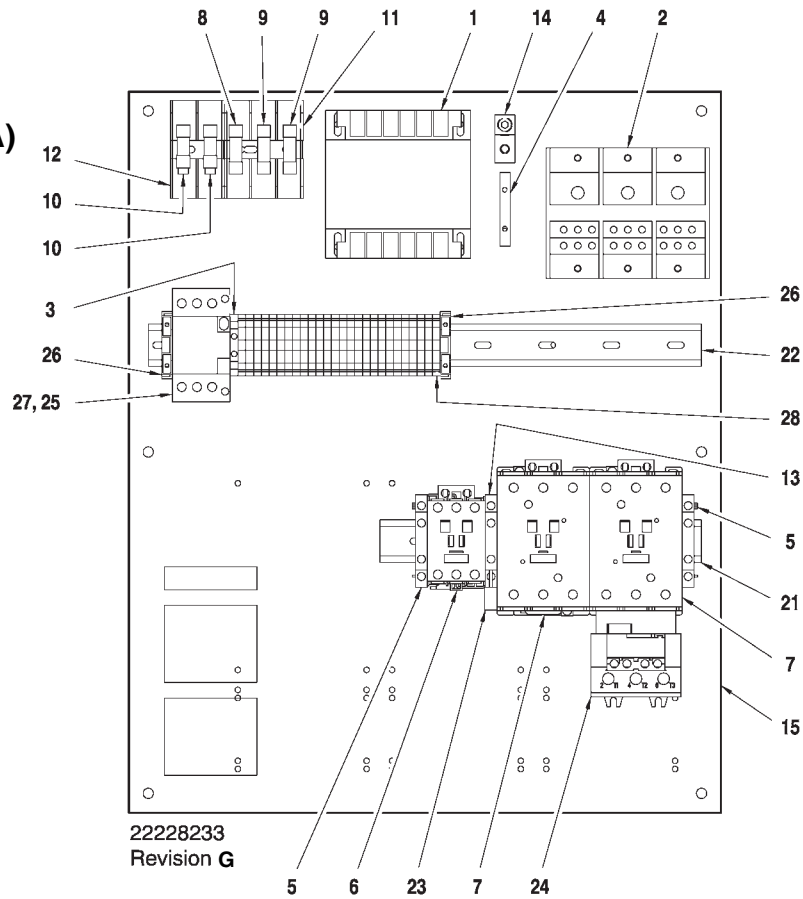
# 39 ELECTRICAL SYSTEM – INTELLISYS

60Hz  
**C43/C43/C37**  
**INTELLISYS**  
**STAR DELTA**  
 40hp – 380v (30E–HA)  
 50hp – 460v (40hp–HA)



Item	ccn	Qty.	Description	Item	ccn	Qty.	Description
1	22316111	1	Transformer	*16	39186101	1	Plug 4 Position
2	39164520	1	Block, terminal	*17	39191630	1	Plug 5 Position
3	39252911	1	Block, terminal ground	*18	39186093	1	Plug 6 Position
4	32342115	1	Bus, grounding	*19	39191648	1	Plug 11 Position
5	22132963	2	Contact, auxilliary	*20	39191655	1	Plug 16 Position
6	39251061	1	Contactur C37	21	–	1	Rail
7	39250998	2	Contactur C43	22	–	1	Rail
8	39113527	1	Fuse 250V 3.2A	23	39203443	1	Suppressor
9	39113535	2	Fuse 250V 2.0A	24	23053754	1	Relay, overload
10	39239355	2	Fuse 600V 2.5A	25	22395792	1	Starter, fan
11	39479035	1	Holder, fuse	26	39252937	2	Stop
12	39480504	1	Holder, fuse	27	22630925	1	Contact, auxilliary
13	39333257	1	Interlock	28	39252903	26	Terminal
14	32342123	1	Lug, power grounding				
15	22216519	1	Panel, rear				* Not illustrated

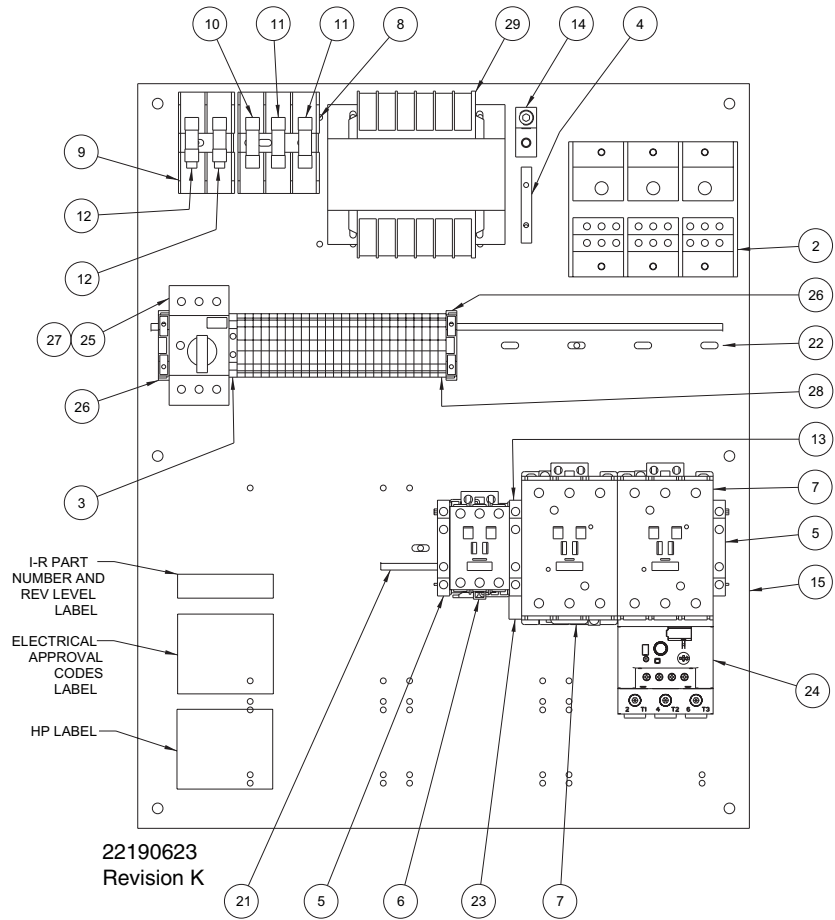
60Hz  
 C85/C85/C37  
 INTELLISYS  
 STAR DELTA  
 50hp – 380v (40hp–HA)



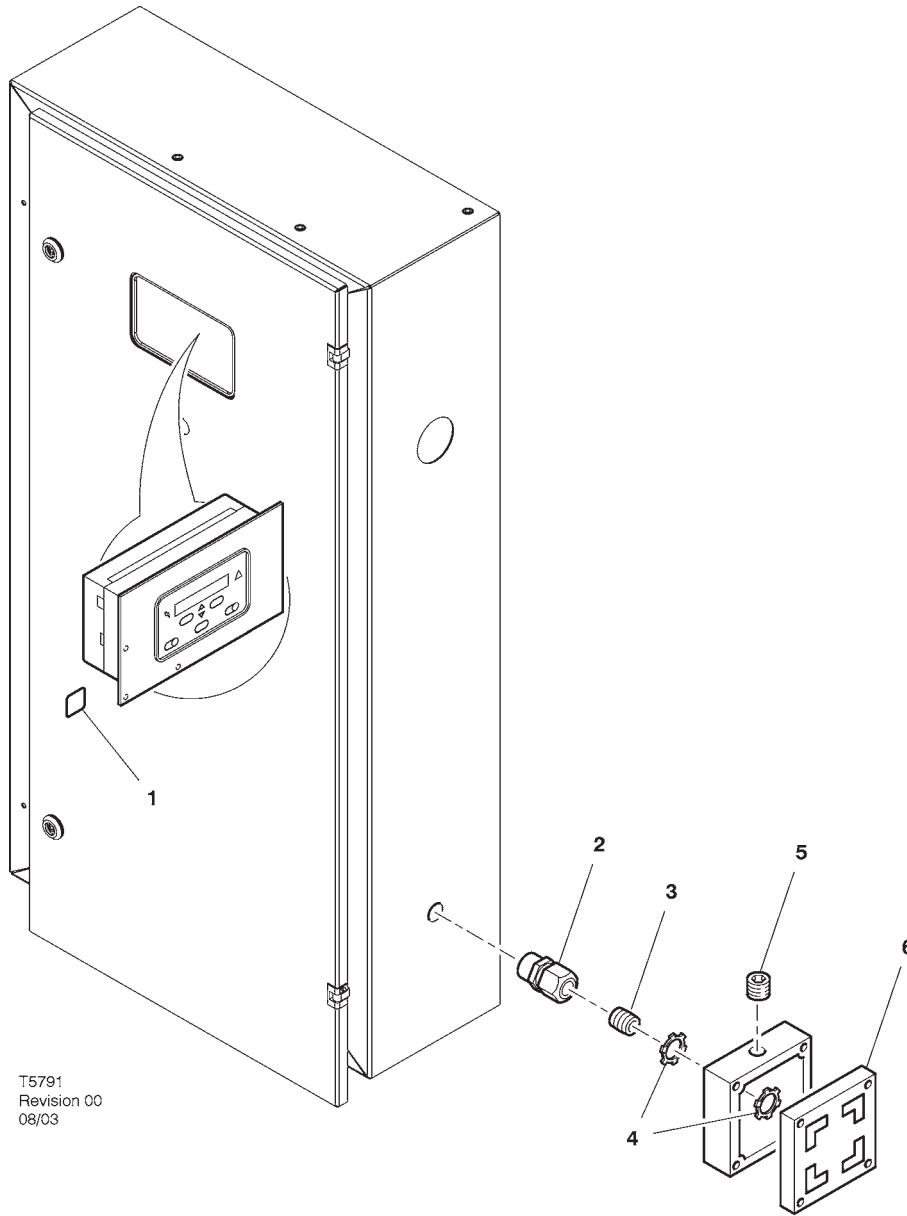
Item	ccn	Qty.	Description	Item	ccn	Qty.	Description
1	22316111	1	Transformer	*16	39186101	1	Plug 4 Position
2	22284129	1	Block, terminal	*17	39191630	1	Plug 5 Position
3	39252911	1	Block, terminal ground	*18	39186093	1	Plug 6 Position
4	32342115	1	Bus, grounding	*19	39191648	1	Plug 11 Position
5	22132963	2	Contact, auxilliary	*20	39191655	1	Plug 16 Position
6	39251061	1	Contactur C37	21	-	1	Rail
7	39251020	2	Contactur C43	22	-	1	Rail
8	39113527	1	Fuse 250V 3.2A	23	39203443	1	Suppressor
9	39113535	2	Fuse 250V 2.0A	24	23053770	1	Relay, overload
10	39239355	2	Fuse 600V 2.5A	25	22395792	1	Starter, fan
11	39479035	1	Holder, fuse	26	39252937	2	Stop
12	39480504	1	Holder, fuse	27	22630925	1	Contact, auxilliary
13	39333257	1	Interlock	28	39252903	26	Terminal
14	32342123	1	Lug, power grounding				
15	22216519	1	Panel, rear				* Not illustrated

# 41 ELECTRICAL SYSTEM – INTELLISYS

60Hz  
C85/C85/C37  
INTELLISYS  
STAR DELTA



Item	ccn	Qty.	Description	Item	ccn	Qty.	Description
1	22113344	1	Assembly, Emergency Stop Push Button	16	39186101	1	Plug, 4 Position
2	22284129	1	Block, Power Terminal	17	39191630	1	Plug, 5 Position
3	39252911	1	Block, Terminal Gnd. (A-B P/N 1492-Wg4)	18	39186093	1	Plug, 6 Position
4	32342115	1	Bus, Aluminium Grounding ( 5 Taps )	19	39191648	1	Plug, 11 Position
5	22132963	2	Contact, Auxiliary (W/ 1 N.O.) (A-B P/N 100-Sa10)	20	39191655	1	Plug, 16 Position
6	39251061	1	Contact, 37a (A-B P/N 100-C37d00)	21	AS REQ'D	1	Rail, Din
7	39251020	2	Contact, 85a (A-B P/N 100-C85d00)	22	AS REQ'D	1	Rail, Din
8	39479035	1	Fuse Holder	23	39203443	1	Suppressor, Arc
9	39480504	1	Fuse Holder	24	23053770	1	Relay, Overload Eege 18-90a
10	39113527	1	Fuse, 250v 3.2 Amps	25	22395800	1	Starter, Manual Motor Range 4.00-6.30
11	39113535	2	Fuse, 250v, 2 Amps	26	39252937	2	Stop, Din Rail N37-75
12	39178728	2	Fuse, Rejection Type 600v, 2.5a	27	22630925	1	Contact, Auxiliary (For Mms)
13	39333257	1	Interlock, Mechanical	28	39252903	26	Block, Terminal
14	32342123	1	Lug, Grounding	29	39491519	1	Transformer, Control Multi-Tap 60 Hz 330 Va
15	22216519	1	Panel, Starter Back (60 Hertz)				

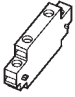
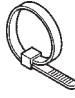
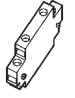


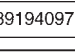
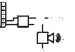
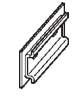

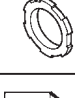



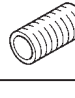

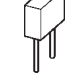








T5791  
Revision 00  
08/03

Item	ccn	Qty.	Description	Item	ccn	Qty.	Description
1	39194097	1	Option, Module	4	39108949	2	Locknut
2	35275494	1	Connector, bulkhead	5	39146733	1	Plug
3	95934279	1	Nipple	6	39100136	1	Horn

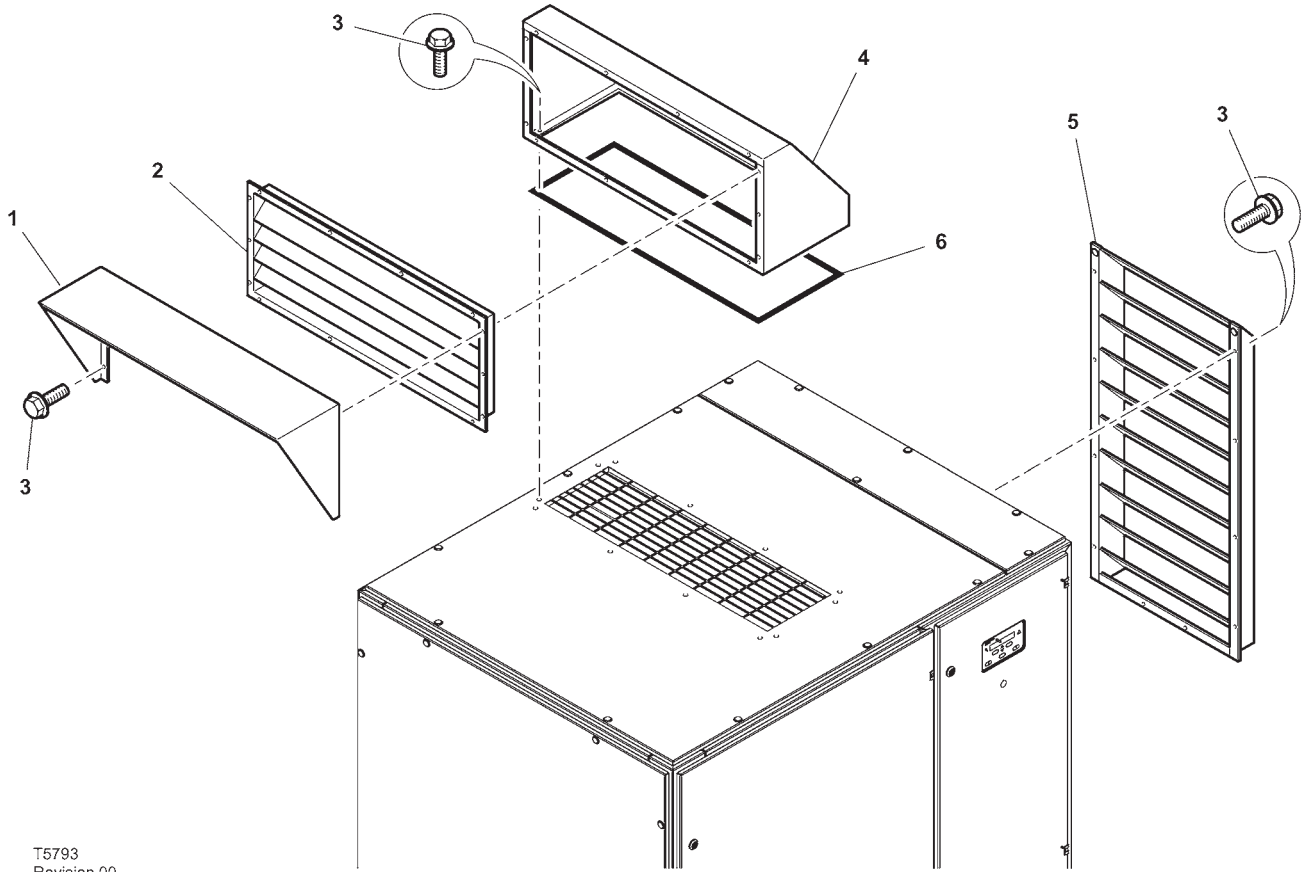
# 43 PORO – ELECTRO–PNEUMATIC

## PARTS LIST FOR POWER OUTAGE RESTART OPTION (P/N 22396600)

	ITEM	PART NUMBER	QUANTITY	DESCRIPTION
	1	39255641	1	Block, contact
	2	35266788	8	Tie, cable
	3	22265946	1	Contact, auxiliary
	4	22396592	1	Controller, LOGIC PORO
	5	22140545	1	Decal: PORO
	6	39194097	1	Decal: Power Out Restart Option
	7	22388037	1	Decal: Schematic
	8	39331954	1	DIN rail
	9	35275494	1	Hub
	10	39108949	2	Locknut
	11	22396618	1	Instructions
	12	39100136	1	Horn, Weather Resistant
	13	39133467	8	Mount
	14	95785192	1	Nipple
	15	39146733	1	Plug
	16	39203443	1	Suppressor

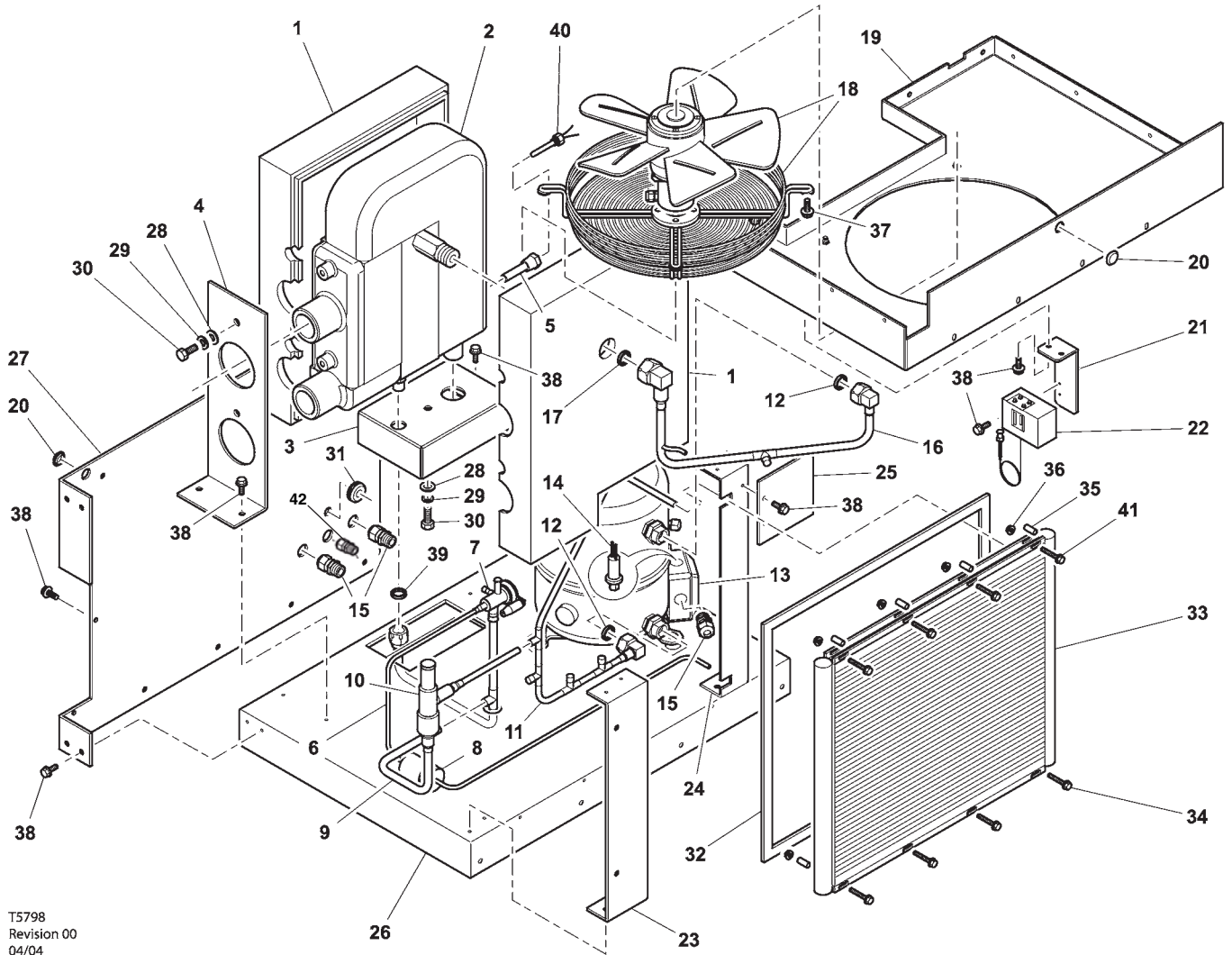
	ITEM	PART NUMBER	QUANTITY	DESCRIPTION
	17	39252937	2	Block, end stop
	18	39309554	1	Tape, adhesive
	19	35246131	1	Terminal
	20	39204763	1.2m (4ft)	Wire, Blue 16 Ga
	21	39129085	1.2m (4ft)	Wire, Red 16 Ga
	22	39146790	1.2m (4ft)	Wire, Green 16 Ga

# 45 OUTDOOR MODULE OPTION



T5793  
Revision 00  
08/03

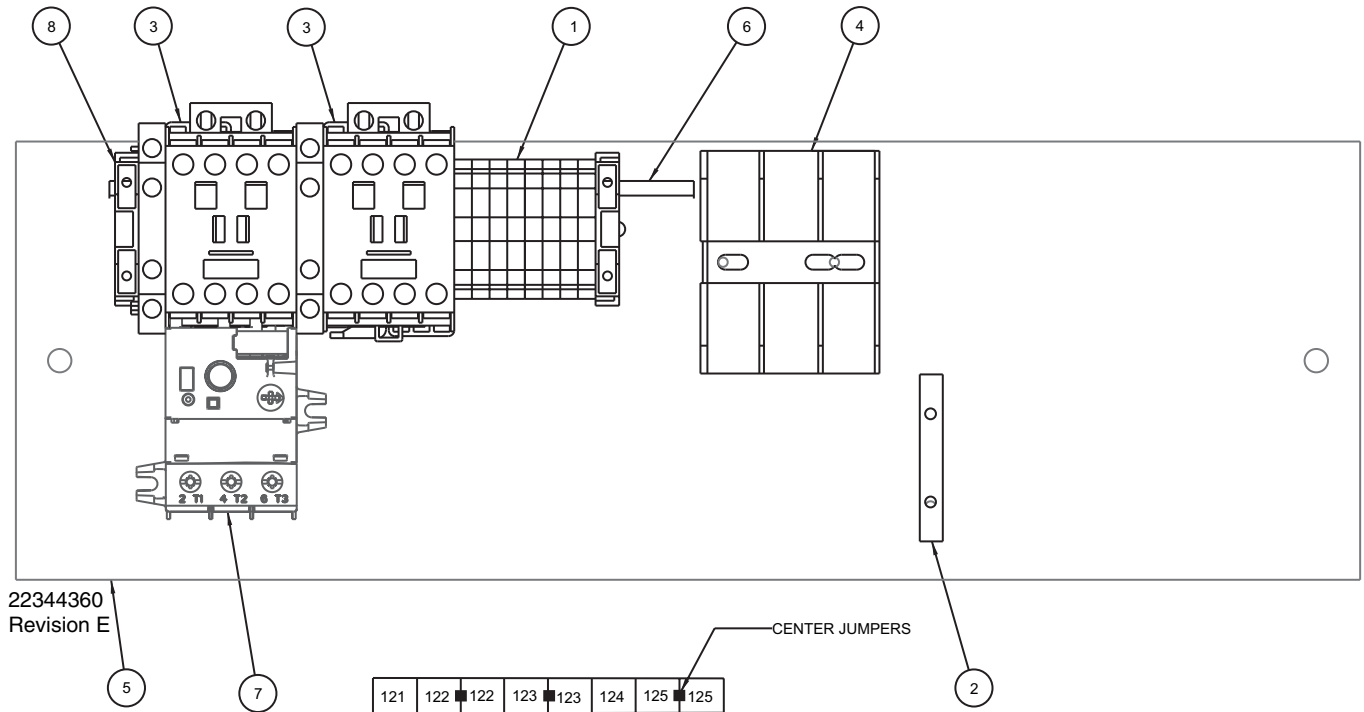
Item	ccn	Qty.	Description	Item	ccn	Qty.	Description
1	22284350	1	Cover	4	22284343	1	Box
2	22284335	1	Louvre	5	22284327	1	Louvre
3	92368687	AR	Screw	6	39117312	AR	Gasket



T5798  
Revision 00  
04/04

Item	ccn	Qty.	Description	Item	ccn	Qty.	Description
1	22129449	1	Insulation, cooler	23	22319842	1	Bracket
2	22145320	1	Cooler, evaporator	24	22319859	1	Bracket
3	22321897	1	Cowl	25	22329726	1	Plate, cover
4	22321889	1	Plate, cover	26	22318281	1	Base
5	22292767	1	Well	27	22319750	1	Panel
6	22338214	1	Piping assy	28	96744396	3	Washer
7	22331425	1	Valve Refrigerant	29	96701404	3	Lockwasher
8	22260046	1	Filter	30	96702279	3	Screw
9	22338537	1	Piping assy	31	85583367	1	Grommet
10	22145502	1	Regulator, capacity	32	35140409	AR	Gasket
11	22338156	1	Piping assy	33	22774749	1	Condenser
12	22315881	2	Seal	*	22446314	1	Kit, cooler repair
13	22238109	1	Compressor, 460V	34	22312110	4	Screw
*	22247605	1	Compressor, 230V	35	22292742	8	Spacer
14	22369912	1	Switch, high pressure	36	96737564	8	Nut
15	39265640	3	Adaptor	37	96728571	4	Screw
16	22338016	1	Piping assy	38	92368687	AR	Screw
17	22315899	1	Seal	39	22315873	3	Seal
18	22334841	1	Fan	40	22343347	1	Thermometer (Non Intellisys)
19	22319545	1	Panel		22299234	1	Thermometer (Intellisys)
20	22053433	3	Cap	41	96728811	4	Screw
21	22389530	1	Bracket				* Not illustrated
22	22357719	1	Switch, fan	42	39256649	1	Connectors

# 47 DRYER OPTION – ELECTRICAL



TERMINAL MARKER AND JUMPER DETAIL

Item	ccn	Qty.	Description	Item	ccn	Qty.	Description
1	39252903	8	Block, Terminal	6	AS REQ'D	1	Rail, Din
2	32342115	1	Bus, Aluminium Grounding ( 5 Taps )	7	23053739	1	Relay, Overload Eedb 3.2-16a
3	39255518	2	Contactora, C16 W/1no	8	39252937	2	Stop, Din Rail N37-75
4	22309041	1	Holder,Fuse Cc Class 600 Volts 30 Amp 3 Pole				
5	22344295	1	Panel, Dryer Option Back				

---

Item	ccn	Qty.	Description
*12	80445190	1	Manual, Operation and Maintenance 60Hz
*13	80445208	1	Manual, Parts catalogue 60Hz

---

# 49 RECOMMENDED PARTS

ccn	Qty.	Description	ccn	Description
<b>Start Up Kit</b>			<b>Suggested Change – Every 8000 Hours / 2 years</b>	
38462743		Kit – Start up	22551972	Kit, inlet valve
	1	Filter, coolant	37952355	Kit, thermistor (Intellisys packages)
	1	Ultra coolant 5 L	39446968	Insert Valve, minimum pressure
			39151915	O' Ring, minimum pressure valve
			22186720	Cartridge, thermal valve
			54774302	Valve, solenoid (Load)
			54654652	Valve, solenoid (Blowdown)
			22192728	Spring, gas
<b>Maintenance Kit –Every 2000 Hours / 1 year</b>			<b>Belts 60Hz</b>	
38462776		Kit – 2000 Hour	22189062	Belt, drive 30hp 115 / 125 / 150 / 200psi
	1	Filter, coolant	22189054	Belt, drive 40hp 115 / 125 / 150 / 200psi
	2	Cartridge, separator	22189013	Belt, drive 50hp 115 / 125psi
	1	Ultra coolant 5 L	22189005	Belt, drive 50hp 150 / 200psi
	1	Element, air filter		

ccn	Qty.	Description	ccn	Qty.	Description
<b>Voltage Specific Spares</b>					
<b>C85</b>	<b>F/V – DOL</b>	<b>460V 40–50hp (30E–HA / 40hp–HA) 575V 40–50hp (30E–HA / 40hp–HA)</b>	<b>D95/D95</b>	<b>Star Delta</b>	<b>200V 40hp (30E–HA) 230V 50hp (40hp–HA)</b>
39251020	1	Contactors C85	22264865	3	Contactors D95
23053770	1	Relay, overload	22267074	1	Relay, overload
39251335	1	Coil C85	22320733	1	Coil D95, 110, 180
			22320741	1	Kit, contacts D95
<b>D180</b>	<b>F/V – DOL</b>	<b>200V 40–50hp (30E–HA / 40hp–HA) 230V 40–50hp (30E–HA / 40hp–HA)</b>	<b>C85/C37</b>	<b>Star Delta</b>	<b>380V 50hp (40hp–HA) 460V 50hp (40hp–HA)</b>
22264899	1	Contactors D180	39251020	2	Contactors C85
22267074	1	Relay, overload	39251061	1	Contactors C37
22320733	1	Coil D95, 110, 180	23053770	1	Relay, overload
22320766	1	Kit, contacts D180	39251335	1	Coil C85
			39251327	1	Coil C37
<b>C85/C43</b>	<b>Star Delta</b>	<b>230V 40hp (30E–HA)</b>	<b>C43/C37</b>	<b>Star Delta</b>	<b>380V 40hp (30E–HA) 460V 50hp (40hp–HA)</b>
39331020	2	Contactors C85	39250988	2	Contactors C43
39250988	1	Contactors C43	39251061	1	Contactors C37
23053770	1	Relay, overload	23053754	1	Relay, overload
39251327	1	Coil C43	39251319	1	Coil C37
39251335	1	Coil C85	39251327	1	Coil C43
<b>C85/C85</b>	<b>Star Delta</b>	<b>200V 40hp (30E–HA)</b>	<b>C37/C23</b>	<b>Star Delta</b>	<b>460V 40hp (30E–HA) 575V 40–50hp (30E–HA / 40hp–HA)</b>
39251020	3	Contactors C85	39251061	2	Contactors C37
23053770	1	Relay, overload	39252036	2	Contactors C23
39251335	1	Coil C85	23053754	1	Relay, overload
			39251319	2	Coil C23 or C37
<b>D110/D110</b>	<b>Star Delta</b>	<b>200V 50hp (40hp–HA)</b>			
22264873	3	Contactors D110			
23053754	1	Relay, overload			
22320733	1	Coil D95, 110, 180			
22320758	1	Kit, contacts D110			

# 51 RECOMMENDED PARTS

ccn	Description	ccn	Description
<b>Service Items</b>			
92837095	Ultra coolant 1 l	85562783	Hose assembly
92692284	Ultra coolant 5 l	39193339	Valve, safety 225psi 60Hz
58336400	Refrigerant R404a	32342149	Switch, Off/On
		32342172	Pushbutton, re-set
		22053904	Button, emergency stop
88176367	KIT – SAMPLE, COOLANT CHECK 1 X SAMPLE	32342156	Indicator (Green)
		32342180	Indicator (Red)
		32342164	Indicator (White)
		54772058	Gauge, pressure
38034914	Grease	39124722	Indicator, air restriction
22203095	Element, air filter	32342131	Hourmeter
54672654	Filter, coolant	39113535	Fuse 2A 250V
54749247	Cartridge, separator	39113527	Fuse 3.2A 250V
22227714	Pre filter	39239355	Fuse 3A 600V
22330054	Pre filter, dryer option	22950646	Fuse 125-250V-3A
22505309	Switch, pressure	39178710	Fuse 600V-1.8A
37952264	Switch, air temperature	38032413	Option, separator pressure drop gauge
39404165	'O' Ring, temperature switch	38032421	Kit, separator gauge service
85560407	Hose assembly	39255567	Relay, time delay
85562460	Hose assembly	39255559	Relay, fault, high air temperature

AP – Asia Pacific Market



