



SULLAIR

DESICCANT AIR DRYER

SM160XB-P - SM800XB-P

PARTS MANUAL

MANUAL DE PIEZAS

MANUEL DE PIECES DE RECHANGE

ERSATZTEIL-HANDBUCH

;

| | | | | | |
|------------|---|--------|----------|----------------------|-------|
| Revision : | 1 | Date : | 2Jan2002 | From Serial number : | 30211 |
|------------|---|--------|----------|----------------------|-------|

NOTES

- 1) All drawings shown are the latest versions only.
- 2) Items not specified by part numbers are not separately available. For items not detailed please contact the address at the bottom of the page.
- 3) For equipment with serial number prior to this manual please refer to supplementary spares listing relevant to this issue.
- 4) **How to use this manual**
 - i) From drawing on page 3 select section of interest (eg item 1 is shown in section A1).
 - ii) Turn to required section A1 (indicated on top of page).
 - iii) From the drawing at the beginning of the section identify the required item.
 - iv) Items are detailed on the pages following the drawing within each section of interest. Contents of spares kits are listed directly below the kit description.

REMARQUES

- 1) Tous les schémas illustrés correspondent aux dernières versions uniquement.
- 2) Les éléments non identifiés par des numéros de référence ne sont pas disponibles séparément. Pour ces éléments, contacter l'adresse au bas de cette page.
- 3) Pour le matériel dont le numéro de série est inférieur à ce manuel, consulter la liste de pièces supplémentaires correspondant à cette version.
- 4) **Comment utiliser ce manuel**
 - i) A partir du schéma à la page 3, sélectionner la partie qui vous intéresse (par exemple l'élément 1 est traité à la section A1).
 - ii) Passer à la section A1 concernée (indiquée en haut de page).
 - iii) A partir du schéma en fin de section, identifier l'élément nécessaire.
 - iv) Les éléments sont détaillés aux pages qui suivent le schéma dans chaque section. Le contenu des kits de pièces de rechange est donné directement au-dessous de la description du kit.

HINWEISE

- 1) Alle enthaltenen Zeichnungen beziehen sich nur auf die neuesten Versionen.
- 2) Posten, bei denen die Angabe der Teilenummer fehlt, sind nicht einzeln zu beziehen. Für nicht aufgeführte Posten wenden Sie sich an die untenstehende Anschrift.
- 3) Angaben zu Maschinen mit Seriennummern vor diesem Handbuch finden Sie in der jeweils geltenden, ergänzenden Ersatzteilliste.
- 4) **Benutzung dieses Handbuchs.**
 - a) Suchen Sie in der Zeichnung auf Seite 3 den Sie interessierenden Abschnitt (z. B. Posten 1 ist im Abschnitt A1 zu finden).
 - b) Blättern Sie zu dem gewünschten Abschnitt A1 (am Seitenanfang angegeben).
 - c) Suchen Sie den gewünschten Posten auf der Zeichnung am Beginn des Abschnitts.
 - d) Detaillierte Beschreibungen der Posten sind auf den Seiten zu finden, die der Zeichnung in dem Sie interessierenden Abschnitt folgen. Der Inhalt der Ersatzteilsätze ist direkt unter der Satzbeschreibung aufgelistet.

NOTAS

- 1) Todos los dibujos que aparecen son sólo las últimas versiones.
- 2) Los elementos no especificados mediante números de referencia, no se encuentran disponibles por separado. Para obtener información sobre los elementos no detallados, póngase en contacto con la dirección incluida en la parte inferior de la página.
- 3) En equipos con número de serie anteriores a este manual, consulte la lista de repuestos suplementaria relativa a este tema.
- 4) **Uso del presente manual.**
 - i) En el dibujo de la página 3, seleccione la sección de interés (p.ej.: el elemento 1 aparece en la sección A1).
 - ii) Vuelva a la sección A1 necesaria (indicada en la parte superior de la página).
 - iii) En el dibujo del comienzo de la sección, identifique el elemento necesario.
 - iv) Los elementos aparecen detallados en las páginas siguientes al dibujo dentro de cada sección de interés. El contenido de los kits de repuestos aparecen listados directamente a continuación de la descripción del kit.

5) **NOTES REMARQUES HINWEISE NOTAS**

MULTI BANK DRYERS

Please note that this manual details single bank dryer parts (ie SM160XB-P to SM800XB-P).

Where multi bank dryers are to be considered it must be noted that the number of dryer banks vary and spares must be ordered for each bank.

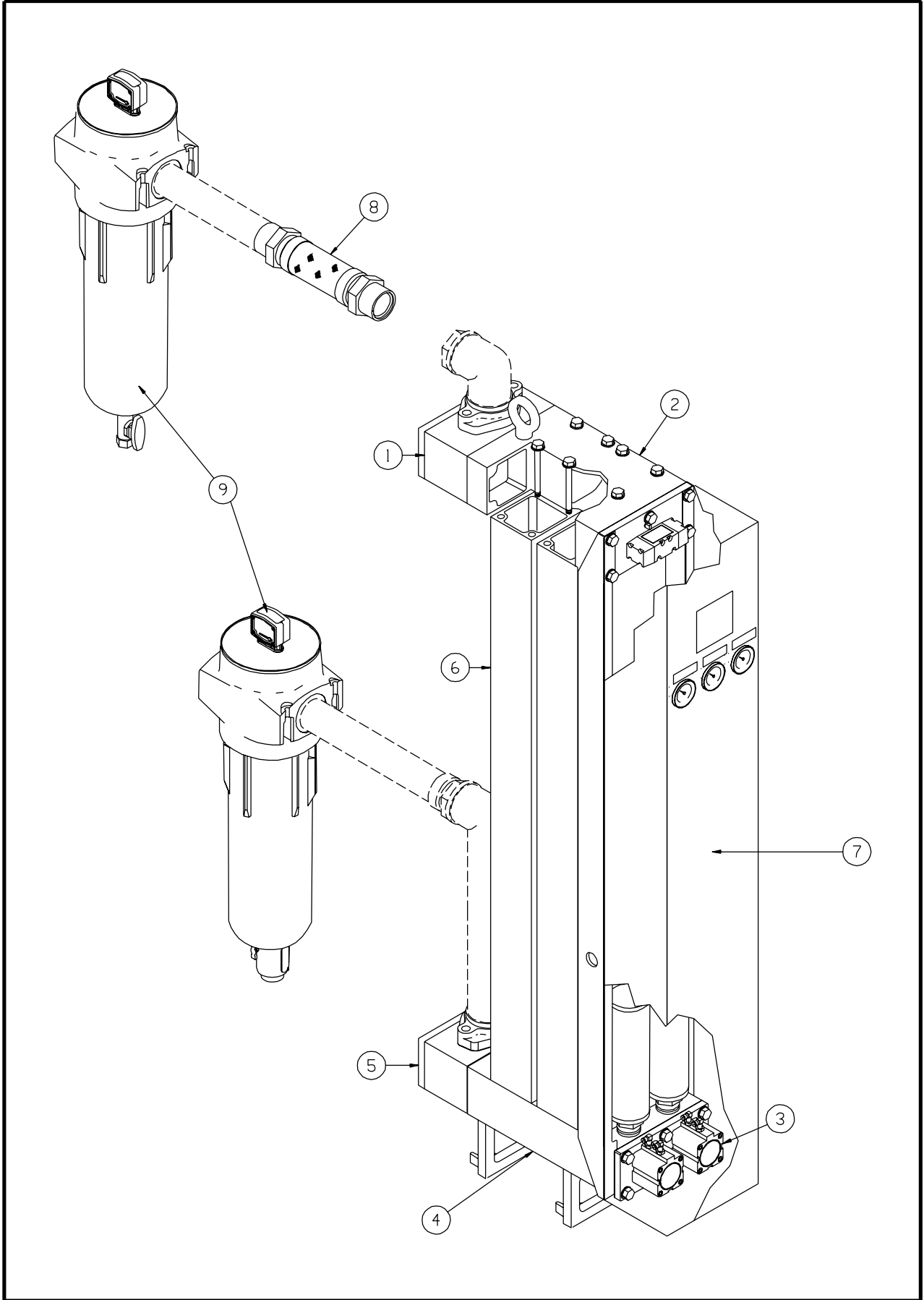
| Dryer model | Number of columns |
|-------------|-------------------|
| SM160XB-P | 2 |
| SM240XB-P | 3 |
| SM320XB-P | 4 |
| SM400XB-P | 5 |
| SM480XB-P | 6 |
| SM560XB-P | 7 |
| SM640XB-P | 8 |
| SM800XB-P | 10 |

A0

SM160XB.P-SM800B.P

2Jan02

Sheet 4 of 40



A0

SM160XB.P-SM800B.P

2Jan02

Sheet 5 of 40

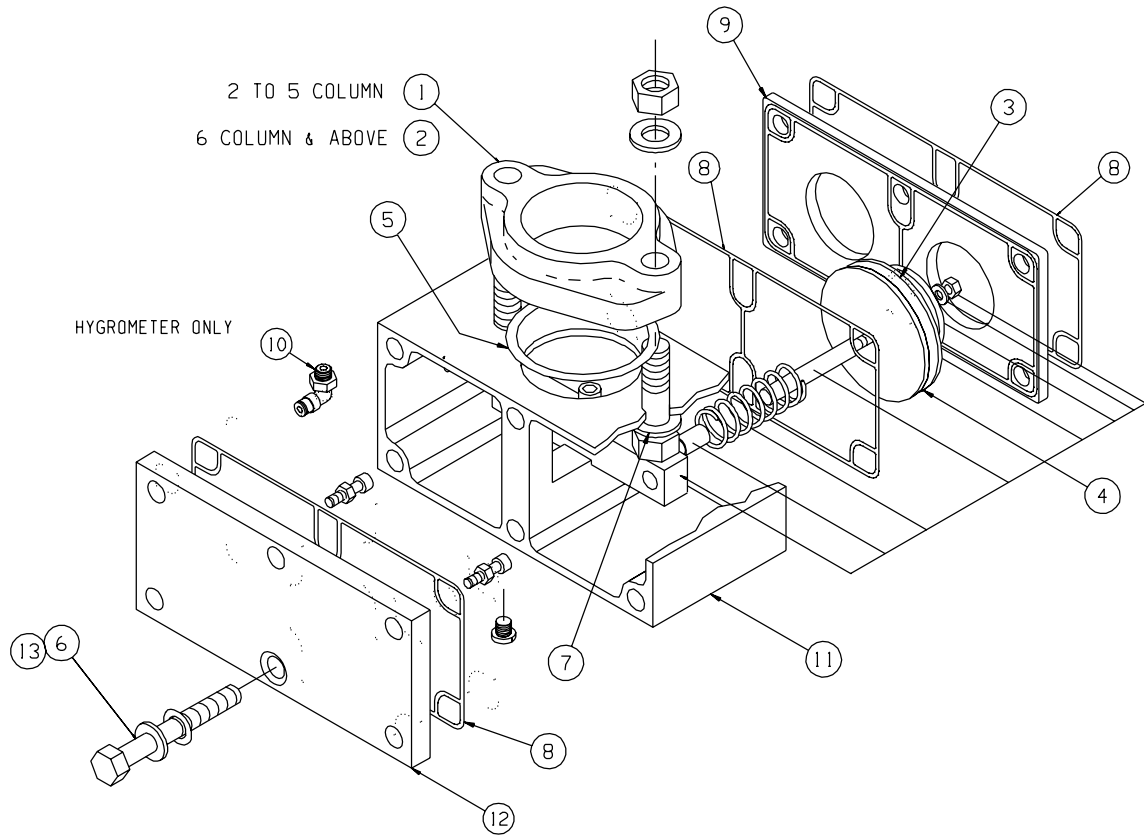
| Ref. | Part No | Description | Qty |
|------|---------|---------------------------|-----|
| 1 | | SM160-800 OUTLET VALVE | 1 |
| 2 | | UPPER MANIFOLD ASSEMBLY | 1 |
| 3 | | EXHAUST VALVE ASSEMBLY | 1 |
| 4 | | LOWER MANIFOLD ASSEMBLY | 1 |
| 5 | | SM160-800 INLET VALVE | 1 |
| 6 | | COLUMN ASSEMBLY | 1 |
| 7 | | CON/INS HL PNEU SULLAIR | 1 |
| 8 | | FLEXI CONNECTORS | 1 |
| 9 | | MPH & MPR FILTER ASSEMBLY | 1 |

A 1

SM160-800 OUTLET VALVE

2Jan02

Sheet 6 of 40



(14) SERVICE KIT SM160-800 OUTLET VALVE

A 1**SM160-800 OUTLET
VALVE**

2Jan02

Sheet 7 of 40

| Ref. | Part No | Description | Qty |
|------|--------------|--|------------------|
| 1 | 02250096-524 | RPR SAR-X 2" DRYER FLNG M/C Consisting of O-RING RM 0793-57 VITON BOX 202 X 135 X 100 NO LOGO FLANGE M/CD 2 BSP | 1 1 1 1 |
| 2 | 02250096-523 | RPR SAR-X 2.5" DRYR FLNG M/C Consisting of O-RING RM 0793-57 VITON BOX 202 X 135 X 100 NO LOGO ALUMINIUM FLANGE 2 1/2IN. | 1 1 1 1 |
| 3 | 02250096-547 | KIT: RPR SAR-X CHECK VLV.DISC Consisting of LABEL MADE IN ENGLAND LBL.SULLAIR GEN.SERVICE PARTS KIT: CHECK VALVE DISC PACK | 1 1 1 1 |
| 4 | 02250096-545 | KIT: RPR SAR-X OUT.CHECK VALVE Consisting of LABEL MADE IN ENGLAND LBL.SULLAIR GEN.SERVICE PARTS OUTLET CHECK VALVE KIT | 1 1 1 1 |
| 5 | 02250096-591 | KIT: RPR SAR-X OUT.FLG O-RING Consisting of LABEL MADE IN ENGLAND LBL.SULLAIR GEN.SERVICE PARTS KIT: O-RING (FLANGE) | 1 1 1 1 |
| 6 | 02250106-676 | M12x100 HEX HD BLT - SDM | 1 |
| 7 | 02250096-592 | KIT: RPR SAR-X 38IN BOND.SEAL Consisting of LABEL MADE IN ENGLAND LBL.SULLAIR GEN.SERVICE PARTS | 1 1 1 |

SM160-800 OUTLET VALVE

2Jan02

Sheet 8 of 40

| Ref. | Part No | Description | Qty |
|------|--------------|--|------------------|
| | | 3/8 BONDED SEAL KIT | 1 |
| 8 | 02250096-539 | RPR SAR-X MOULDED GASKET Consisting of LABEL MADE IN ENGLAND LBL.SULLAIR GEN.SERVICE PARTS MOULDED GASKET KIT | 2 1 1 1 |
| 9 | 02250096-538 | RPR SAR-X HEAD GASKET PLATE Consisting of LABEL MADE IN ENGLAND LBL.SULLAIR GEN.SERVICE PARTS GASKET PLATE KIT | 1 1 1 1 |
| 10 | 02250103-948 | KIT SULLAIR 02250103-948 Consisting of LABEL MADE IN ENGLAND LBL.SULLAIR GEN.SERVICE PARTS 1/8 X 4MM ELBOW KIT | 1 1 1 1 |
| 11 | 02250119-578 | KIT: SAR-X OUTLET HSG Consisting of LABEL MADE IN ENGLAND LBL.SULLAIR GEN.SERVICE PARTS OUTLET HOUSING KIT | 1 1 1 1 |
| 12 | 02250119-579 | KIT: SAR-X OUTLET ENDPLATE Consisting of LABEL MADE IN ENGLAND LBL.SULLAIR GEN.SERVICE PARTS KIT:OUTLET ENDPLATE | 1 1 1 1 |
| 13 | 0250119-577 | KIT: SAR-X GEN BOLTS Consisting of LABEL MADE IN ENGLAND | 1 1 |

SM160-800 OUTLET VALVE

2Jan02

Sheet 9 of 40

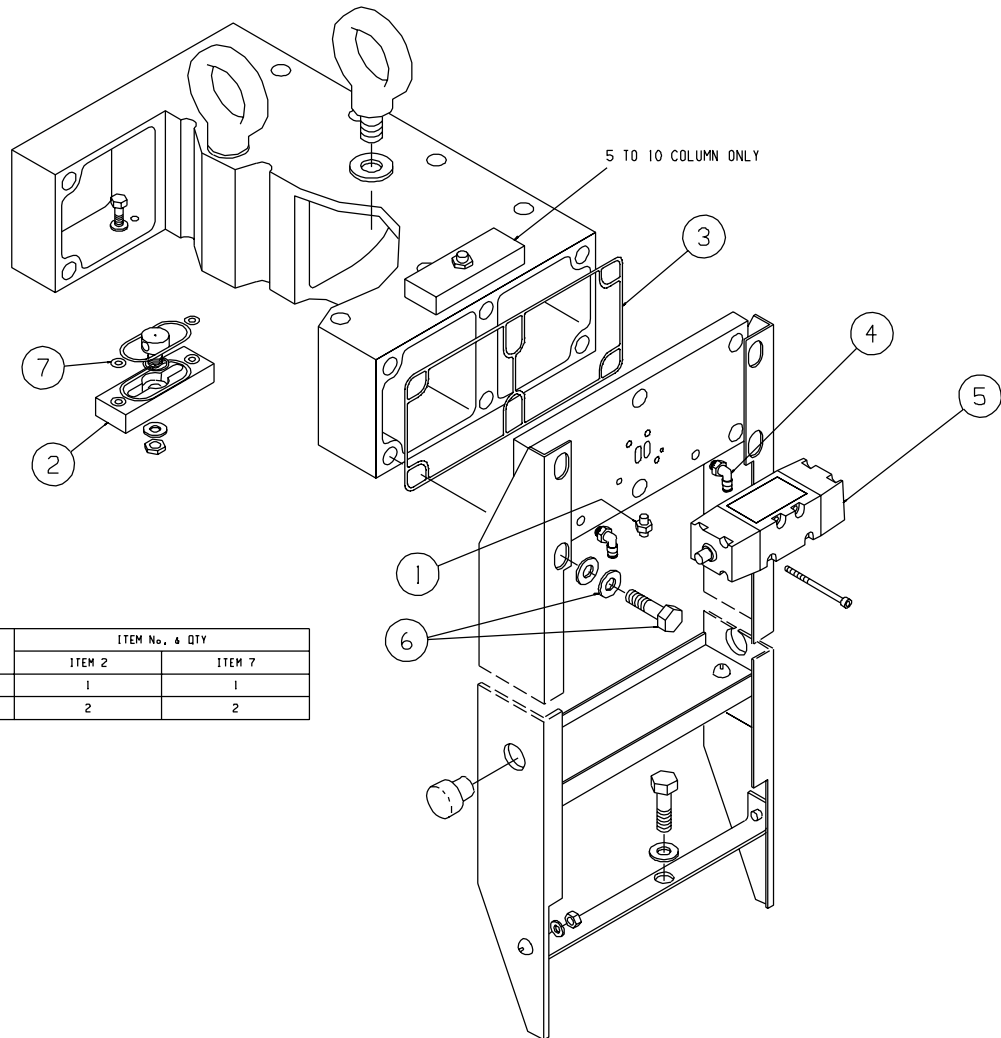
| Ref. | Part No | Description | Qty |
|------|-------------|--------------------------------|-----|
| | | LBL.SULLAIR GEN.SERVICE PARTS | 1 |
| | | OUTLET HEAD BOLT KIT - GENERIC | 1 |
| 14 | 0225033-959 | SK-OUTLET VALVE (160-800) | 1 |
| | | Consisting of | |
| | | LABEL MADE IN ENGLAND | 1 |
| | | LBL.SULLAIR GEN.SERVICE PARTS | 1 |
| | | SK-OUTLET VALVE HOUSING.MAXI | 1 |

A 2

UPPER MANIFOLD ASSEMBLY

2Jan02

Sheet 12 of 40



| | ITEM No. & QTY | |
|----------------|----------------|--------|
| | ITEM 2 | ITEM 7 |
| 2 TO 4 COLUMN | 1 | 1 |
| 5 TO 10 COLUMN | 2 | 2 |

A 2

UPPER MANIFOLD ASSEMBLY

2Jan02

Sheet 13 of 40

| Ref. | Part No | Description | Qty |
|------|--------------|--|------------------|
| 1 | 02250096-599 | KIT: RPR SAR-X 1/8-4 STR.CONN Consisting of LABEL MADE IN ENGLAND LBL.SULLAIR GEN.SERVICE PARTS KIT: 1/8-4mm STR.CONN. | 1 1 1 1 |
| 2 | 02250096-522 | RPR SAR-X PURGE PLATE Consisting of LABEL MADE IN ENGLAND LBL.SULLAIR GEN.SERVICE PARTS PURGE PLATE KIT | 1 1 1 1 |
| 3 | 02250096-539 | RPR SAR-X MOULDED GASKET Consisting of LABEL MADE IN ENGLAND LBL.SULLAIR GEN.SERVICE PARTS MOULDED GASKET KIT | 1 1 1 1 |
| 4 | 02250096-517 | RPR SAR-X 1/8-4MM ELB MALE Consisting of LABEL MADE IN ENGLAND LBL.SULLAIR GEN.SERVICE PARTS EXHAUST VALVE FITTING KIT | 1 1 1 1 |
| 5 | 02250096-572 | KIT: RPR SAR-X CONTROL VALVE Consisting of LABEL MADE IN ENGLAND LBL.SULLAIR GEN.SERVICE PARTS KIT: CONTROL VALVE | 1 1 1 1 |
| 6 | 02250119-580 | KIT: SAR-X ENDPLATE BOLTS GEN Consisting of LABEL MADE IN ENGLAND LBL.SULLAIR GEN.SERVICE PARTS OUTLET HEAD BOLT KIT - GENERIC | 1 1 1 1 |

UPPER MANIFOLD ASSEMBLY

2Jan02

Sheet 14 of 40

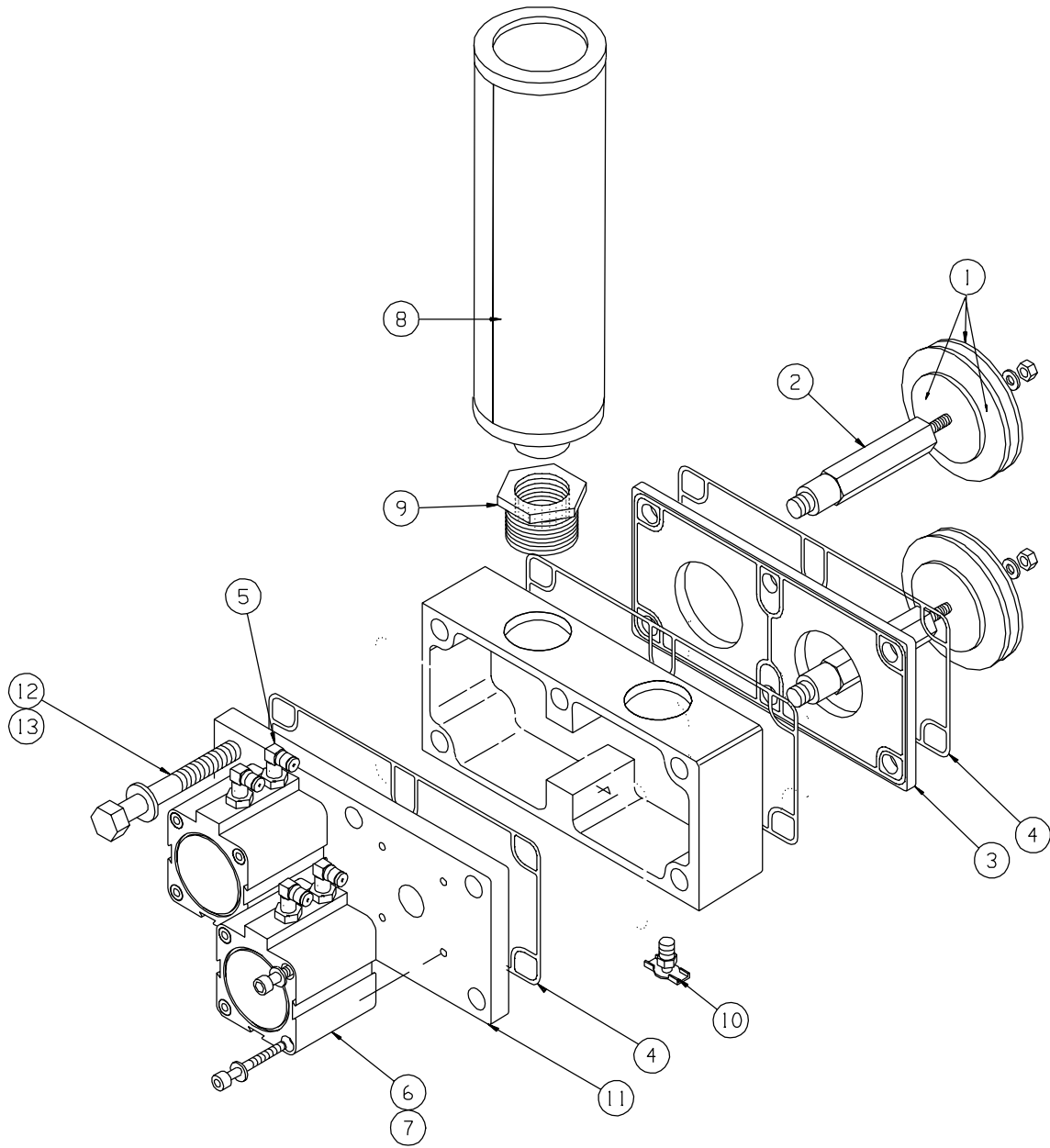
| Ref. | Part No | Description | Qty |
|------|--------------|---|------------------|
| 7 | 02250106-673 | PURGE O RING KIT 02250106 673 Consisting of LABEL MADE IN ENGLAND LBL.SULLAIR GEN.SERVICE PARTS KIT: PURGE O-RING | 1 1 1 1 |

A 3

EXHAUST VALVE ASSEMBLY

2Jan02

Sheet 15 of 40



14 SERVICE KIT SM160-800 EXHAUST VALVE

A 3

EXHAUST VALVE ASSEMBLY

2Jan02

Sheet 16 of 40

| Ref. | Part No | Description | Qty |
|------|--------------|---|------------------|
| 1 | 02250096-548 | KIT: RPR SAR-X EX.VALVE DISC Consisting of LABEL MADE IN ENGLAND LBL.SULLAIR GEN.SERVICE PARTS KIT: EXHAUST VALVE DISC PACK | 1 1 1 1 |
| 2 | 02250106-663 | 02250106-663 VALVE STEMS Consisting of LABEL MADE IN ENGLAND LBL.SULLAIR GEN.SERVICE PARTS VALVE STEM KIT | 1 1 1 1 |
| 3 | 02250096-537 | KIT: EX.STRIKE PLATE Consisting of LABEL MADE IN ENGLAND LBL.SULLAIR GEN.SERVICE PARTS EXHAUST STRIKEPLATE KIT | 1 1 1 1 |
| 4 | 02250096-539 | RPR SAR-X MOULDED GASKET Consisting of LABEL MADE IN ENGLAND LBL.SULLAIR GEN.SERVICE PARTS MOULDED GASKET KIT | 2 1 1 1 |
| 5 | 02250096-517 | RPR SAR-X 1/8-4MM ELB MALE Consisting of LABEL MADE IN ENGLAND LBL.SULLAIR GEN.SERVICE PARTS EXHAUST VALVE FITTING KIT | 1 1 1 1 |
| 6 | 02250096-550 | KIT: RPR SAR-X EX.CYLINDER Consisting of LABEL MADE IN ENGLAND LBL.SULLAIR GEN.SERVICE PARTS EXHAUST CYLINDER KIT | 2 1 1 1 |

EXHAUST VALVE ASSEMBLY

2Jan02

Sheet 17 of 40

| Ref. | Part No | Description | Qty |
|------|--------------|--|----------------------|
| 7 | 02250096-549 | KIT: RPR SAR-X D/A CYL.SEALS Consisting of LABEL MADE IN ENGLAND LBL.SULLAIR GEN.SERVICE PARTS KIT: D/ACTING CYLINDER SEAL | 1 1 1 1 |
| 8 | 02250096-518 | RPR SAR-X EXHAUST SILENCER Consisting of LABEL MADE IN ENGLAND LBL.SULLAIR GEN.SERVICE PARTS EXHAUST SILENCER KIT | 1 1 1 1 |
| 9 | 02250096-576 | KIT: RPR SAR-X EX.VLV.RED.BSP Consisting of LABEL MADE IN ENGLAND LBL.SULLAIR GEN.SERVICE PARTS EXHAUST VALVE BUSH KIT | 1 1 1 1 |
| 10 | 02250096-590 | KIT: RPR SAR-X DRAIN COCK Consisting of LABEL MADE IN ENGLAND LBL.SULLAIR GEN.SERVICE PARTS KIT: KADDIS DRAIN | 1 1 1 1 |
| 11 | 02250119-581 | KIT: SAR-X EX ENDPLATE Consisting of LABEL MADE IN ENGLAND LBL.SULLAIR GEN.SERVICE PARTS KIT:EXHAST ENDPLATE | 1 1 1 1 |
| 12 | 02250119-582 | KIT: SAR-X EX.HSG.BOLTS Consisting of LABEL MADE IN ENGLAND LBL.SULLAIR GEN.SERVICE PARTS | 1 1 1 |

EXHAUST VALVE ASSEMBLY

2Jan02

Sheet 18 of 40

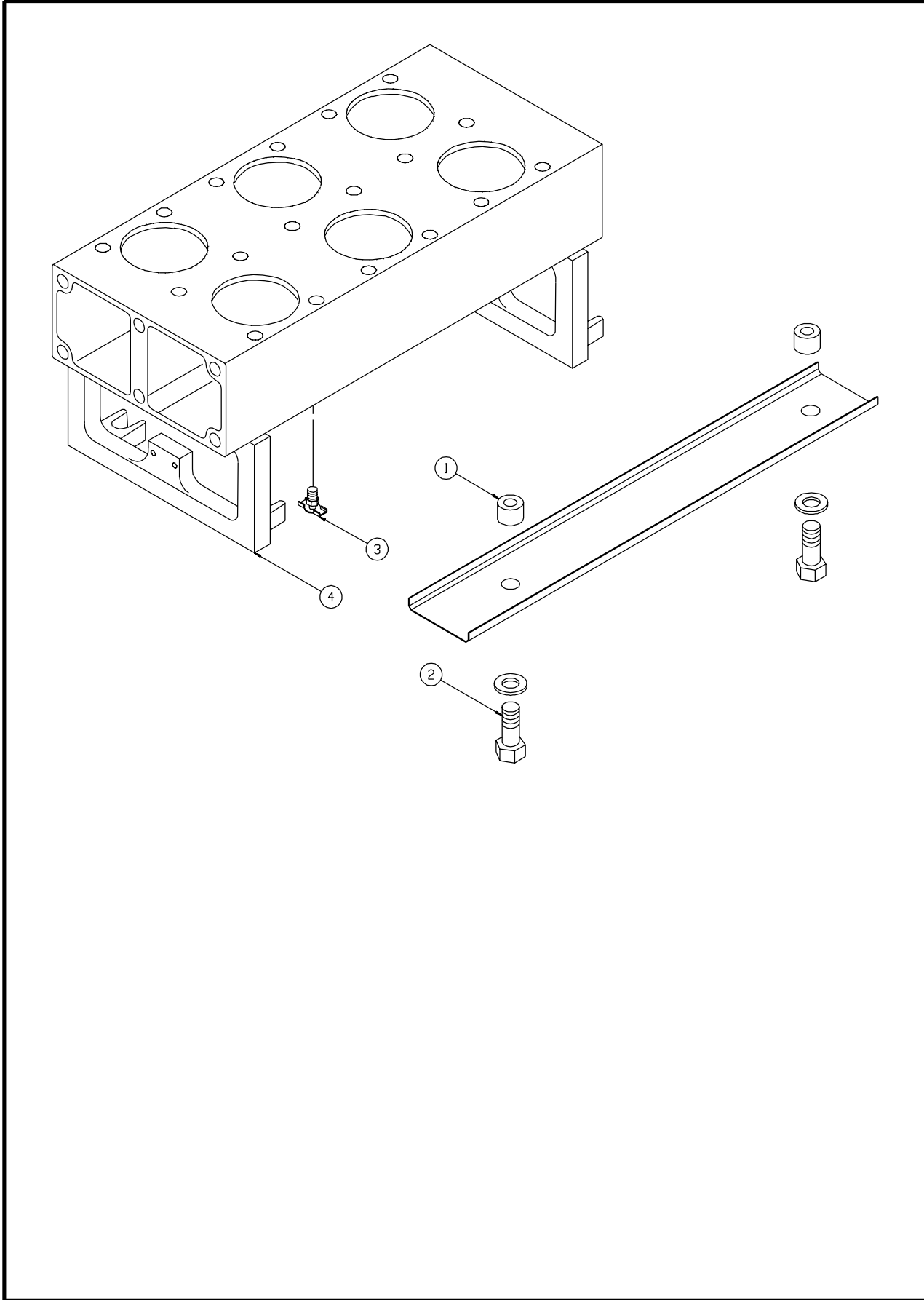
| Ref. | Part No | Description | Qty |
|------|--------------|---|-----|
| | | KIT;EX.HSG.BOLTS GENERIC | 1 |
| 13 | 02250106-676 | M12x100 HEX HD BLT - SDM | 1 |
| 14 | 02250133-913 | SK-EXHAUST VALVE (160-800) Consisting of | 1 |
| | | LABEL MADE IN ENGLAND | 1 |
| | | LBL.SULLAIR GEN.SERVICE PARTS | 1 |
| | | SK-EXHAUST VALVE HOUSING.MAXI | 1 |

A 4

LOWER MANIFOLD ASSEMBLY

2Jan02

Sheet 19 of 40



A 4**LOWER MANIFOLD
ASSEMBLY**

2Jan02

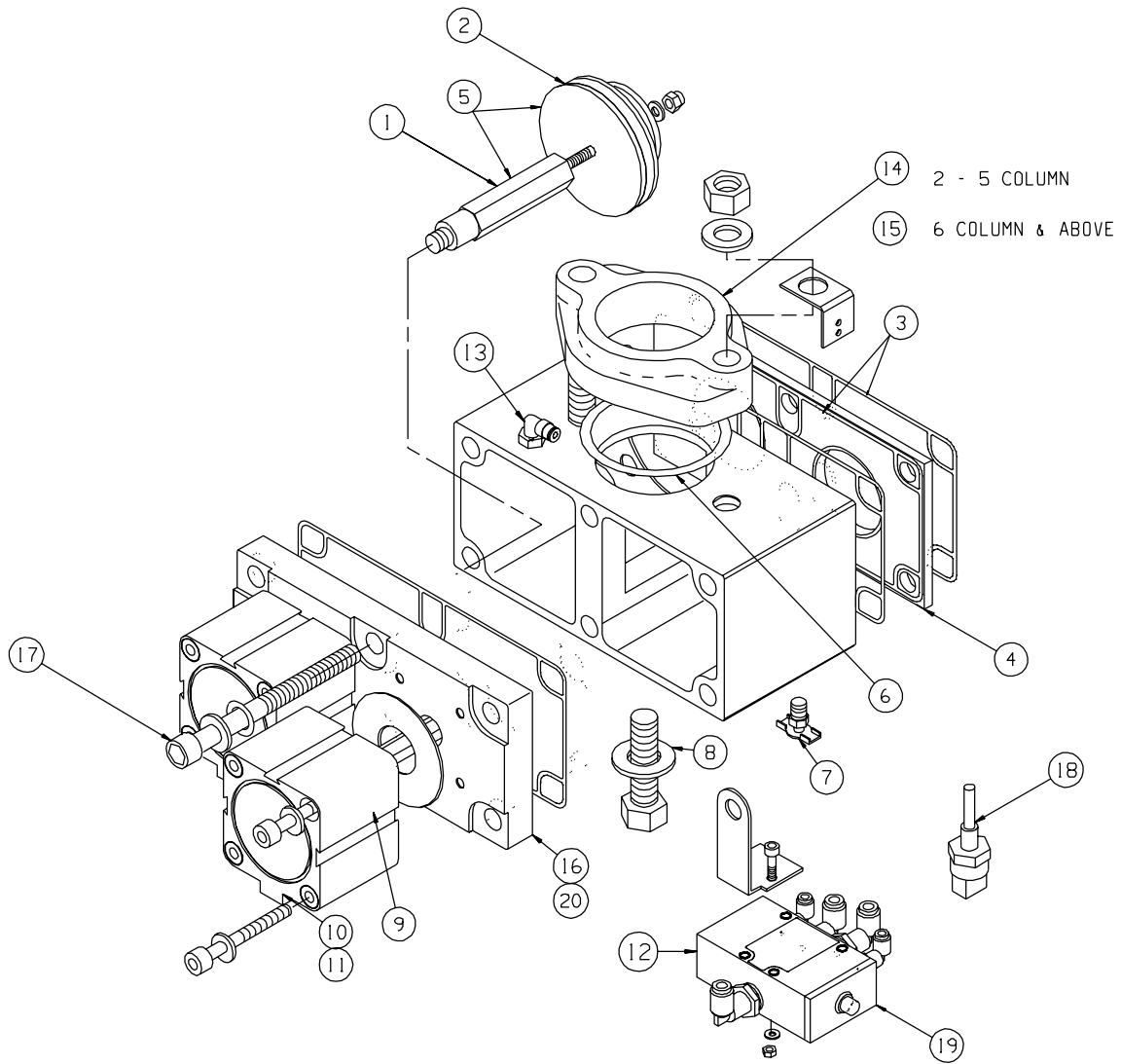
Sheet 20 of 40

| Ref. | Part No | Description | Qty |
|------|--------------|--|------------------|
| 1 | 02250119-583 | KIT: SAR-X DISTANCE PIECE Consisting of LABEL MADE IN ENGLAND LBL.SULLAIR GEN.SERVICE PARTS KIT:DISTANCE PIECE | 1 1 1 1 |
| 2 | 02250119-584 | KIT: SAR-X LOW MAN. BOLTS Consisting of LABEL MADE IN ENGLAND LBL.SULLAIR GEN.SERVICE PARTS KIT:M12X50 BOLTS & WASHERS | 1 1 1 1 |
| 3 | 02250096-590 | KIT: RPR SAR-X DRAIN COCK Consisting of LABEL MADE IN ENGLAND LBL.SULLAIR GEN.SERVICE PARTS KIT: KADDIS DRAIN | 1 1 1 1 |
| 4 | 02250096-531 | RPR SAR-X LWR MAN DRYR FT Consisting of LABEL MADE IN ENGLAND LBL.SULLAIR GEN.SERVICE PARTS DRYER FOOT KIT | 1 1 1 1 |

A 5 SM160-800 INLET VALVE

2Jan02

Sheet 21 of 40



(21) SERVICE KIT SM160-800 INLET VALVE

A 5 SM160-800 INLET VALVE

2Jan02

Sheet 22 of 40

| Ref. | Part No | Description | Qty |
|------|--------------|---|----------------------------|
| 1 | 02250106-664 | 02250106-664 VALVE STEMS Consisting of LABEL MADE IN ENGLAND LBL.SULLAIR GEN.SERVICE PARTS VALVE STEM M8 WASHER Z.PL. M8 BINX NUT Z.PLT | 1 1 1 2 2 2 |
| 2 | 02250096-542 | KIT:RPR SAR-X IN.VALVE DISC Consisting of LABEL MADE IN ENGLAND LBL.SULLAIR GEN.SERVICE PARTS KIT: INLET VALVE DISC PACK | 1 1 1 1 |
| 3 | 02250096-539 | RPR SAR-X MOULDED GASKET Consisting of LABEL MADE IN ENGLAND LBL.SULLAIR GEN.SERVICE PARTS MOULDED GASKET KIT | 1 1 1 1 |
| 4 | 02250096-540 | KIT: RPR SAR-X IN.STRIKE PLATE Consisting of LABEL MADE IN ENGLAND LBL.SULLAIR GEN.SERVICE PARTS INLET STRIKEPLATE KIT | 1 1 1 1 |
| 5 | 02250119-585 | KIT: SAR-X MAXI INLET Consisting of LABEL MADE IN ENGLAND LBL.SULLAIR GEN.SERVICE PARTS MAXI INLET KIT | 1 1 1 1 |
| 6 | 02250096-591 | KIT: RPR SAR-X OUT.FLG O-RING Consisting of LABEL MADE IN ENGLAND | 1 1 |

SM160-800 INLET VALVE

2Jan02

Sheet 23 of 40

| Ref. | Part No | Description | Qty |
|------|--------------|---|-----|
| | | LBL.SULLAIR GEN.SERVICE PARTS | 1 |
| | | KIT: O-RING (FLANGE) | 1 |
| 7 | 02250096-590 | KIT: RPR SAR-X DRAIN COCK Consisting of | 1 |
| | | LABEL MADE IN ENGLAND | 1 |
| | | LBL.SULLAIR GEN.SERVICE PARTS | 1 |
| | | KIT: KADDIS DRAIN | 1 |
| 8 | 02250096-592 | KIT: RPR SAR-X 38IN BOND.SEAL Consisting of | 1 |
| | | LABEL MADE IN ENGLAND | 1 |
| | | LBL.SULLAIR GEN.SERVICE PARTS | 1 |
| | | 3/8 BONDED SEAL KIT | 1 |
| 9 | 02250096-553 | KIT: RPR SAR-X IN.CYL.GASKET Consisting of | 1 |
| | | LABEL MADE IN ENGLAND | 1 |
| | | LBL.SULLAIR GEN.SERVICE PARTS | 1 |
| | | KIT: CYLINDER GASKET | 1 |
| 10 | 02250096-552 | KIT: RPR SAR-X IN.CYLINDER Consisting of | 1 |
| | | LABEL MADE IN ENGLAND | 1 |
| | | LBL.SULLAIR GEN.SERVICE PARTS | 1 |
| | | CO6 CYLINDER KIT | 1 |
| 11 | 02250096-551 | KIT: RPR SAR-X IN.D/A CYL SEAL Consisting of | 1 |
| | | LABEL MADE IN ENGLAND | 1 |
| | | LBL.SULLAIR GEN.SERVICE PARTS | 1 |
| | | KIT: D/ACTING CYLINDER SEAL | 1 |
| 12 | 02250096-585 | KIT RPR SAR-X CNG.OVER VALVE Consisting of | 1 |

SM160-800 INLET VALVE

2Jan02

Sheet 24 of 40

| Ref. | Part No | Description | Qty |
|------|--------------|---|-----|
| | | LABEL MADE IN ENGLAND | 1 |
| | | LBL.SULLAIR GEN.SERVICE PARTS | 1 |
| | | CHANGE OVER VALVE KIT | 1 |
| 13 | 02250096-511 | RPR SAR-X 6-1/8 SWIVEL MAN Consisting of | 1 |
| | | LABEL MADE IN ENGLAND | 1 |
| | | LBL.SULLAIR GEN.SERVICE PARTS | 1 |
| | | 6-1/8 SWIVEL ELBOW KIT | 1 |
| 14 | 02250096-524 | RPR SAR-X 2" DRYER FLNG M/C Consisting of | 1 |
| | | O-RING RM 0793-57 VITON | 1 |
| | | BOX 202 X 135 X 100 NO LOGO | 1 |
| | | FLANGE M/CD 2 BSP | 1 |
| 15 | 02250096-523 | RPR SAR-X 2.5" DRYR FLNG M/C Consisting of | 1 |
| | | O-RING RM 0793-57 VITON | 1 |
| | | BOX 202 X 135 X 100 NO LOGO | 1 |
| | | ALUMINIUM FLANGE 2 1/2IN. | 1 |
| 16 | 02250119-586 | KIT: SAR-X INLET PLATE Consisting of | 1 |
| | | LABEL MADE IN ENGLAND | 1 |
| | | LBL.SULLAIR GEN.SERVICE PARTS | 1 |
| | | KIT:INLET PLATE | 1 |
| 17 | 02250096-533 | RPR SAR-X INL HSH BOLT PACK Consisting of | 1 |
| | | LABEL MADE IN ENGLAND | 1 |
| | | LBL.SULLAIR GEN.SERVICE PARTS | 1 |
| | | HOUSING BOLT KIT | 1 |
| 18 | 02250119-587 | KIT: SAR-X TEMP SENSOR | 1 |

SM160-800 INLET VALVE

2Jan02

Sheet 25 of 40

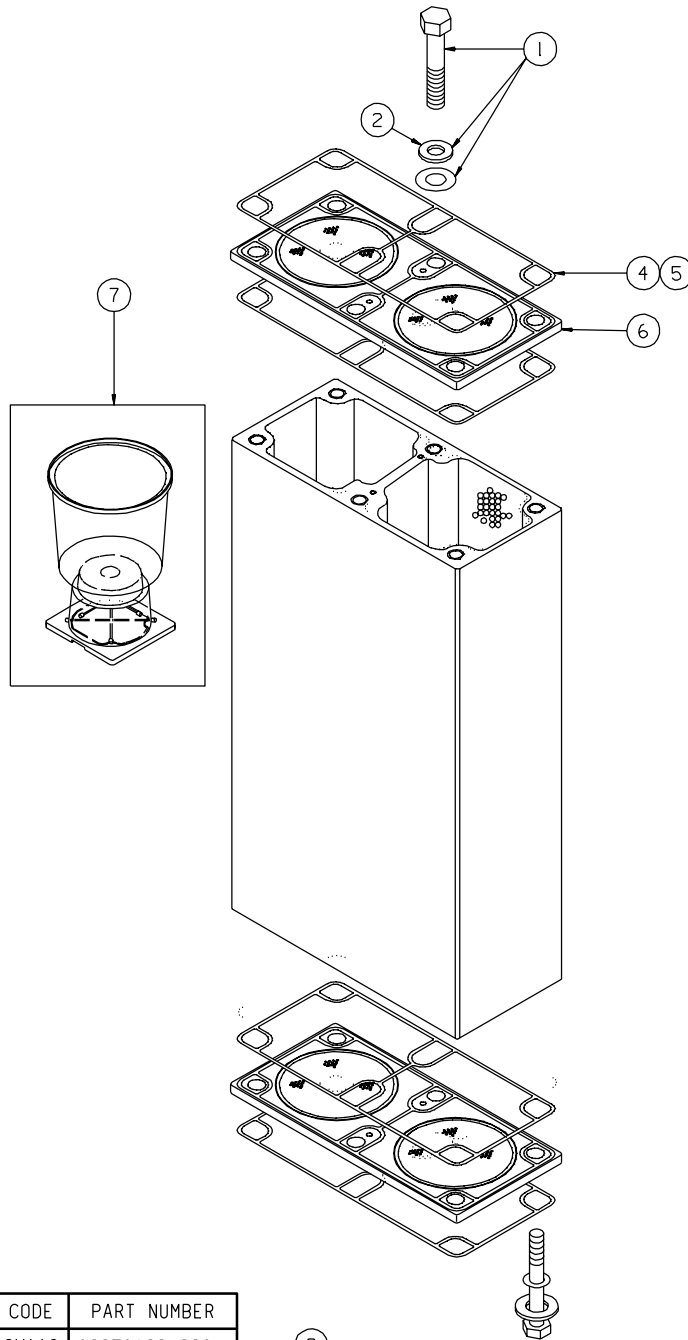
| Ref. | Part No | Description | Qty |
|------|--------------|--------------------------------|-----|
| | | Consisting of | |
| | | LABEL MADE IN ENGLAND | 1 |
| | | LBL.SULLAIR GEN.SERVICE PARTS | 1 |
| | | TEMP SENSOR C/W CABLE KIT | 1 |
| 19 | 02250106-665 | 02250106-665 CHANGE OVER VALVE | 1 |
| | | Consisting of | |
| | | BOX 202 X 135 X 100 NO LOGO | 1 |
| | | LABEL MADE IN ENGLAND | 1 |
| | | LBL.SULLAIR GEN.SERVICE PARTS | 1 |
| | | CHANGEOVER VALVE SUB-ASSY | 1 |
| 20 | 02250106-678 | INLET PLT - FRENCH APPROVAL | 1 |
| 21 | 02250133-957 | SK-INLET VALVE (160-800) | 1 |
| | | Consisting of | |
| | | LABEL MADE IN ENGLAND | 1 |
| | | LBL.SULLAIR GEN.SERVICE PARTS | 1 |
| | | SK-INLET VALVE HOUSING MAXI | 1 |

A 6

COLUMN ASSEMBLY

2Jan02

Sheet 26 of 40



| CODE | PART NUMBER | |
|-------|--------------|----|
| SM160 | 02250133-930 | 8 |
| SM240 | 02250133-931 | 9 |
| SM320 | 02250133-932 | 10 |
| SM400 | 02250133-933 | 11 |
| SM480 | 02250133-934 | 12 |
| SM560 | 02250133-935 | 13 |
| SM640 | 02250133-936 | 14 |
| SM800 | 02250133-937 | 15 |

A 6

COLUMN ASSEMBLY

2Jan02

Sheet 27 of 40

| Ref. | Part No | Description | Qty |
|------|--------------|---|----------------------|
| 1 | 02250098-620 | RPR SAR-X COL BOLT SPARES Consisting of BOX 145 X 87 X 87 NO LOGO DRYER COL BOLT ASSY - GENERIC | 1 1 12 |
| 2 | 02250096-621 | KIT: RPR SAR-X COL.BOLT O-RING Consisting of LABEL MADE IN ENGLAND LBL.SULLAIR GEN.SERVICE PARTS KIT: COLUMN BOLT O-RING PACK | 1 1 1 1 |
| 4 | 02250132-182 | GASKET VITON 02250132-182 Consisting of LABEL MADE IN ENGLAND LBL.SULLAIR GEN.SERVICE PARTS SEAL KIT | 1 1 1 1 |
| 5 | 02250096-539 | RPR SAR-X MOULDED GASKET Consisting of LABEL MADE IN ENGLAND LBL.SULLAIR GEN.SERVICE PARTS MOULDED GASKET KIT | 1 1 1 1 |
| 6 | 02250132-183 | PLT.& GASKET 02250132-183 Consisting of LABEL MADE IN ENGLAND LBL.SULLAIR GEN.SERVICE PARTS KIT.COLUMN GASKETS | 1 1 1 1 |
| 7 | 02250096-554 | KIT: RPR SAR-X DES.FILLER Consisting of LABEL MADE IN ENGLAND LBL.SULLAIR GEN.SERVICE PARTS MAXI/MIDI SNOWSTORM FILLER KIT | 1 1 1 1 |

COLUMN ASSEMBLY

2Jan02

Sheet 28 of 40

| Ref. | Part No | Description | Qty |
|------|--------------|--|------------------|
| 8 | 02250133-930 | KIT-DRYFIL 106 Consisting of LABEL MADE IN ENGLAND LBL.SULLAIR GEN.SERVICE PARTS DRYFIL DX102 AA | 1 1 1 1 |
| 9 | 02250133-931 | KIT-DRYFIL 240 Consisting of LABEL MADE IN ENGLAND LBL.SULLAIR GEN.SERVICE PARTS DRYFIL DX103 AA | 1 1 1 1 |
| 10 | 02250133-932 | KIT-DRYFIL 320 Consisting of LABEL MADE IN ENGLAND LBL.SULLAIR GEN.SERVICE PARTS DRYFIL DX104 AA | 1 1 1 1 |
| 11 | 02250133-933 | KIT-DRYFIL 400 Consisting of LABEL MADE IN ENGLAND LBL.SULLAIR GEN.SERVICE PARTS DRYFIL DX105 AA | 1 1 1 1 |
| 12 | 02250133-934 | KIT-DRYFIL 480 Consisting of LABEL MADE IN ENGLAND LBL.SULLAIR GEN.SERVICE PARTS DRYFIL DX106 AA | 1 1 1 1 |
| 13 | 02250133-935 | SK-DRYFIL 560 Consisting of LABEL MADE IN ENGLAND LBL.SULLAIR GEN.SERVICE PARTS DRYFIL DX107 AA | 1 1 1 1 |

COLUMN ASSEMBLY

2Jan02

Sheet 29 of 40

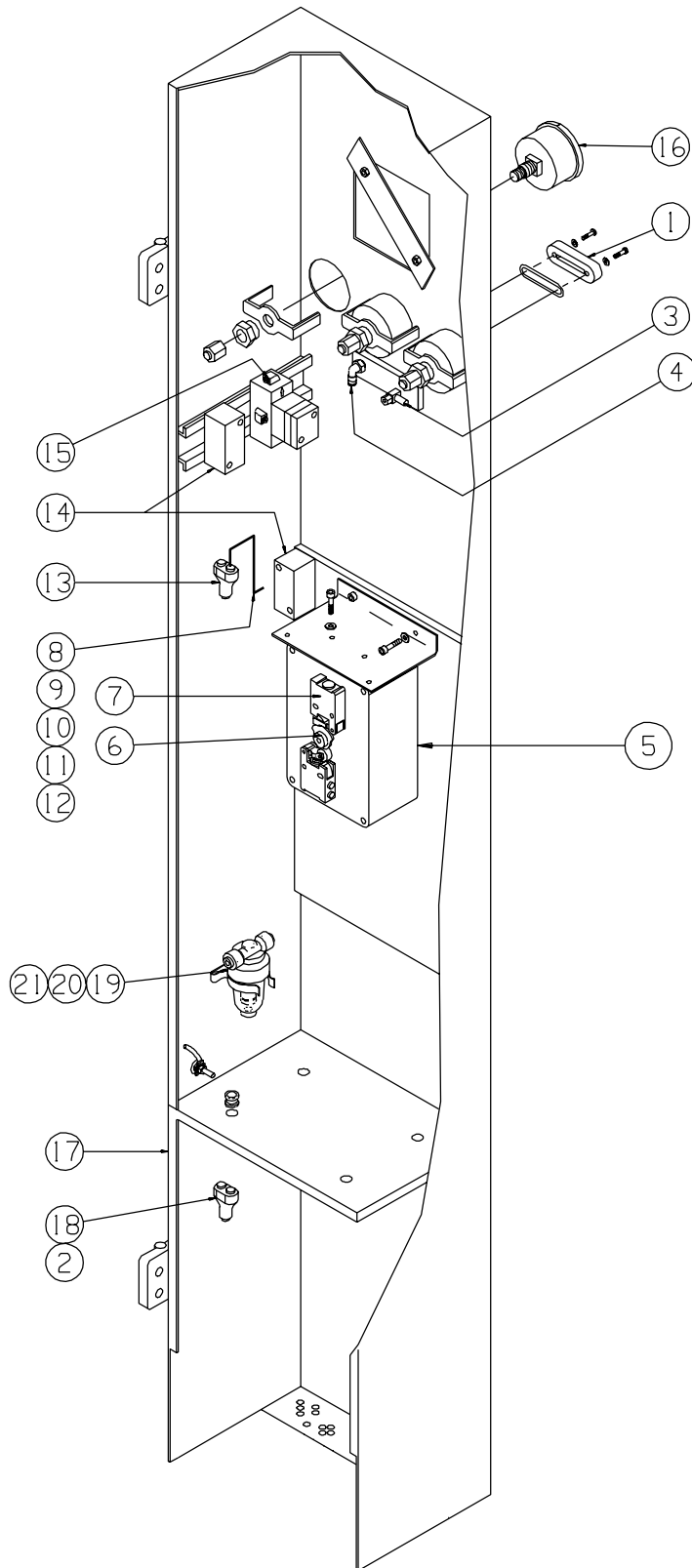
| Ref. | Part No | Description | Qty |
|------|--------------|--|------------------|
| 14 | 02250133-938 | KIT.DRYFIL SM640 Consisting of LABEL MADE IN ENGLAND LBL.SULLAIR GEN.SERVICE PARTS DRYFIL DX108 AA | 1 1 1 1 |
| 15 | 02250133-939 | KIT-DRYFIL 800 Consisting of LABEL MADE IN ENGLAND LBL.SULLAIR GEN.SERVICE PARTS DRYFIL DX110 AA | 1 1 1 1 |

A 7

CON/INS HL PNEU SULLAIR

2Jan02

Sheet 30 of 40



A 7

CON/INS HL PNEU SULLAIR

2Jan02

Sheet 31 of 40

| Ref. | Part No | Description | Qty |
|------|--------------|---|------------------|
| 1 | 02250096-631 | RPR SAR-X MOISTINDICATOR Consisting of | 1 |
| 2 | 02250106-669 | 02250106-669 NYLON TUBE 6MM Consisting of LABEL MADE IN ENGLAND LBL.SULLAIR GEN.SERVICE PARTS TUBING 6MM CLEAR 401002 04 | 1 1 1 1 |
| 3 | 02250096-570 | KIT: RPR SAR-X CHK.VLV.F/REG Consisting of LABEL MADE IN ENGLAND LBL.SULLAIR GEN.SERVICE PARTS CHECK VALVE FLOW REGULATOR KIT | 1 1 1 1 |
| 4 | 02250119-590 | KIT:SAR-X PUSH-IN FITTING Consisting of LABEL MADE IN ENGLAND LBL.SULLAIR GEN.SERVICE PARTS KIT:PUSH-IN FITTING | 1 1 1 1 |
| 5 | 02250069-610 | KIT: RPR SAR-X CAM TIMER Consisting of LABEL MADE IN ENGLAND LBL.SULLAIR GEN.SERVICE PARTS S/P CAM TIMER SPARES PACK ASSY | 1 1 1 1 |
| 6 | 02250096-597 | RPR SAR-X CAM PROFILE Consisting of CAM DETAIL H.L. CAMTIMER | 1 1 |
| 7 | 02250096-624 | RPR SAR-X PILOT VALVE Consisting of LABEL MADE IN ENGLAND | 1 1 |

CON/INS HL PNEU SULLAIR

2Jan02

Sheet 32 of 40

| Ref. | Part No | Description | Qty |
|------|--------------|-------------------------------|-----|
| | | LBL.SULLAIR GEN.SERVICE PARTS | 1 |
| | | PILOT VALVE KIT | 1 |
| 8 | 02250096-642 | RPR SAR-X NYLON TUBE BLUE | 1 |
| | | Consisting of | |
| | | LABEL MADE IN ENGLAND | 1 |
| | | LBL.SULLAIR GEN.SERVICE PARTS | 1 |
| | | NYLON TUBE SPARES PACK | 1 |
| 9 | 02250096-641 | RPR SAR-X NYLONTUBE RED | 1 |
| | | Consisting of | |
| | | LABEL MADE IN ENGLAND | 1 |
| | | LBL.SULLAIR GEN.SERVICE PARTS | 1 |
| | | NYLON TUBE SPARES PACK | 1 |
| 10 | 02250096-640 | RPR SAR-X NYLON TUBE YELLOW | 1 |
| | | Consisting of | |
| | | LABEL MADE IN ENGLAND | 1 |
| | | LBL.SULLAIR GEN.SERVICE PARTS | 1 |
| | | NYLON TUBE SPARES PACK | 1 |
| 11 | 02250096-639 | RPR SAR-X NYLON TUBE GREEN | 1 |
| | | Consisting of | |
| | | LABEL MADE IN ENGLAND | 1 |
| | | LBL.SULLAIR GEN.SERVICE PARTS | 1 |
| | | NYLON TUBE SPARES PACK | 1 |
| 12 | 02250096-638 | RPR SAR-X NYLON TUBE BLACK | 1 |
| | | Consisting of | |
| | | LABEL MADE IN ENGLAND | 1 |
| | | LBL.SULLAIR GEN.SERVICE PARTS | 1 |
| | | NYLON TUBE SPARES PACK | 1 |
| 13 | 02250096-600 | RPR SAR-X Y CONNECTOR | 3 |
| | | Consisting of | |

CON/INS HL PNEU SULLAIR

2Jan02

Sheet 33 of 40

| Ref. | Part No | Description | Qty |
|------|--------------|-------------------------------|-----|
| | | LABEL MADE IN ENGLAND | 1 |
| | | LBL.SULLAIR GEN.SERVICE PARTS | 1 |
| | | 'Y' CONNECTOR KIT | 1 |
| 14 | 02250096-587 | KIT: SAR-X OR LOGIC | 2 |
| | | Consisting of | |
| | | LABEL MADE IN ENGLAND | 1 |
| | | LBL.SULLAIR GEN.SERVICE PARTS | 1 |
| | | KIT: OR LOGIC | 1 |
| 15 | 02250096-588 | KIT: RPR SAR-X NOT LOGIC | 1 |
| | | Consisting of | |
| | | LABEL MADE IN ENGLAND | 1 |
| | | LBL.SULLAIR GEN.SERVICE PARTS | 1 |
| | | KIT: NOT LOGIC | 1 |
| 16 | 02250096-637 | RPR SAR-X PRESSURE GAUGE | 3 |
| | | Consisting of | |
| | | OUTLET PRESSURE GUAGE | 1 |
| 17 | 02250096-541 | KIT: RPR SAR-X RUBBER CHANNEL | 1 |
| | | Consisting of | |
| | | LABEL MADE IN ENGLAND | 1 |
| | | LBL.SULLAIR GEN.SERVICE PARTS | 1 |
| | | RUBBER CHANNEL KIT | 1 |
| 18 | 02250096-510 | RPR SAR-X 6 X 4 Y CONNECTOR | 1 |
| | | Consisting of | |
| | | LABEL MADE IN ENGLAND | 1 |
| | | LBL.SULLAIR GEN.SERVICE PARTS | 1 |
| | | 6X4 'Y' CONNECTOR KIT | 1 |
| 19 | 02250106-666 | RPR SAR-X AO-003G KIT | 1 |
| | | Consisting of | |
| | | LABEL MADE IN ENGLAND | 1 |

**CON/INS HL PNEU
SULLAIR**

2Jan02

Sheet 34 of 40

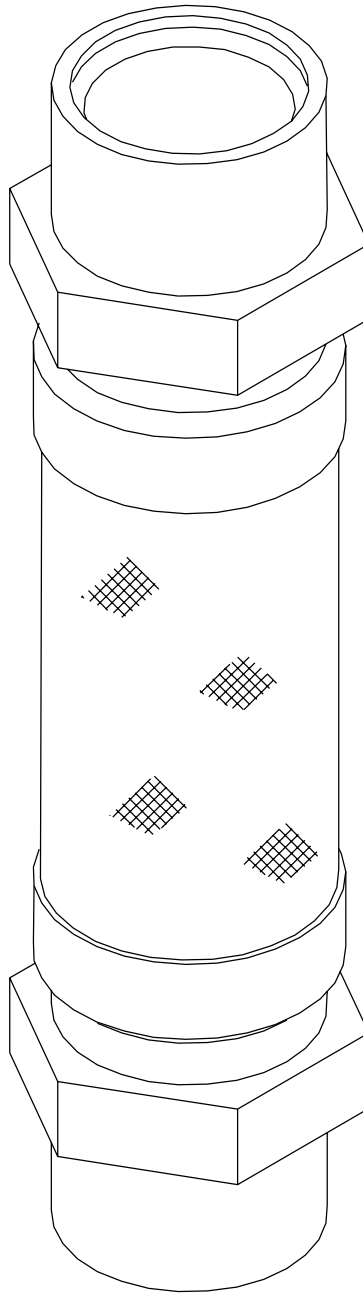
| Ref. | Part No | Description | Qty |
|------|--------------|-------------------------------|-----|
| | | LBL.SULLAIR GEN.SERVICE PARTS | 1 |
| | | AO-0003G | 1 |
| 20 | 02250106-667 | RPR SAR-X 0003AO ELEMENT KIT | 1 |
| | | Consisting of | |
| | | BOX 80 X 45 X 45 NO LOGO | 1 |
| | | LABEL MADE IN ENGLAND | 1 |
| | | LBL.SULLAIR GEN.SERVICE PARTS | 1 |
| | | K003AO | 1 |
| 21 | 02250106-668 | RPR SAR-X 0003AO & BOWL KIT | 1 |
| | | Consisting of | |
| | | LABEL MADE IN ENGLAND | 1 |
| | | LBL.SULLAIR GEN.SERVICE PARTS | 1 |
| | | 0003G ELEMENT & BOWL KIT (AO) | 1 |

A 8

FLEXI CONNECTORS

2Jan02

Sheet 35 of 40



| FLEXIBLE CONNECTORS | | |
|---------------------|---------------|-----------|
| ITEM | COLUMN RATING | SIZE |
| ① | 2 - 5 COLUMN | 2 In. |
| ② | 6 - 10 COLUMN | 2 1/2 In. |

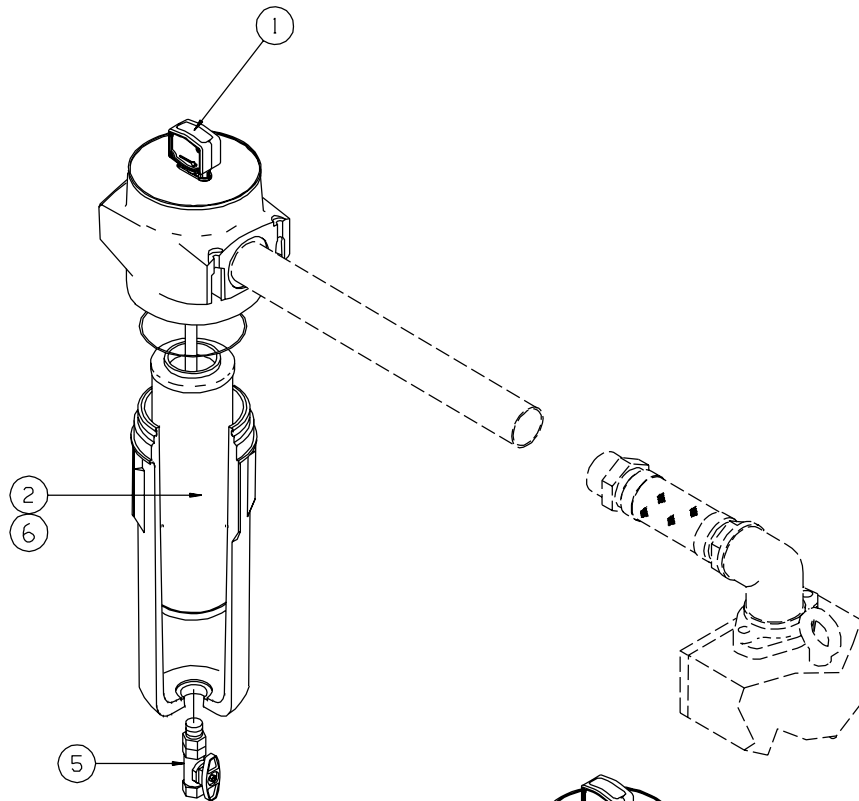
A 8

FLEXI CONNECTORS

2Jan02

Sheet 36 of 40

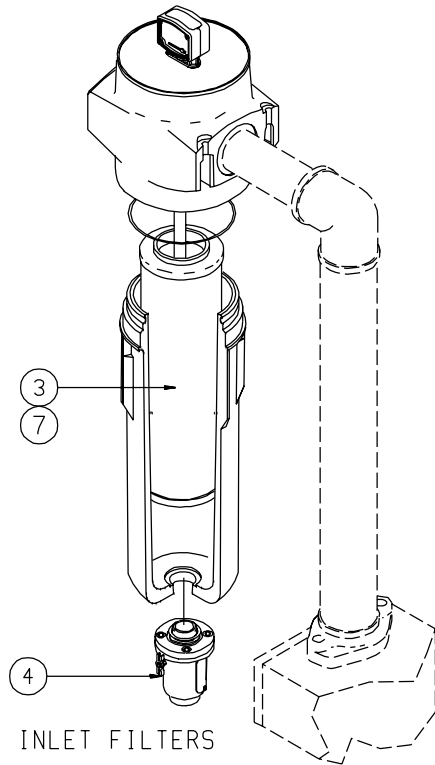
| Ref. | Part No | Description | Qty |
|------|--------------|--|----------------------|
| 1 | 02250096-602 | KIT: RPR SAR-X 2IN FLEX.CONN Consisting of LABEL MADE IN ENGLAND LBL.SULLAIR GEN.SERVICE PARTS FLEXI-CONNECTOR KIT - 2' | 1 1 1 1 |
| 2 | 02250096-578 | KIT: RPR SAR-X 2.5IN FLEX.CON Consisting of LABEL MADE IN ENGLAND LBL.SULLAIR GEN.SERVICE PARTS FLEXI-CONNECTOR KIT - 2 1/2IN. | 1 1 1 1 |



OUTLET FILTERS

MPR-470B

MPR-910B



INLET FILTERS

MPH-470B

MPH-910B

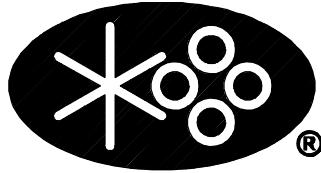
A 9**MPH & MPR FILTER
ASSEMBLY**

2Jan02

Sheet 38 of 40

| Ref. | Part No | Description | Qty |
|------|--------------|--|------------------|
| 1 | 250017-451 | DPG KIT SULLAIR Consisting of DPG KIT | 2 1 |
| 2 | 250024-428 | MPF-470 P/N 250024-428 | 1 |
| 3 | 250024-436 | MPH-470 P/N 250024-436 | 1 |
| 4 | 02250106-672 | RPR SAR-X DRAIN KIT 0170/0500G Consisting of LABEL MADE IN ENGLAND LBL.SULLAIR GEN.SERVICE PARTS DRAIN KIT 0170/500G | 1 1 1 1 |
| 5 | 02250106-675 | BALL VALVE KIT 02250106 675 Consisting of LABEL MADE IN ENGLAND LBL.SULLAIR GEN.SERVICE PARTS 1/2 BSPT PN30 BRASS BALL VALVE | 1 1 1 1 |
| 6 | 250030-644 | MPF-910 P/N 250030-644 | 1 |
| 7 | 250030-645 | MPH-910 P/N 250030-645 | 1 |

WORLDWIDE SALES AND SERVICE



SULLAIR ASIA LTD

Sullair road, No. 1
Chiwan, Shekou
Shenzhen, Guangdong PRV.
P.R.C. Post Code 518068
Telephone: 755-6851686
FAX: 755-6853473

SULLAIR EUROPE, S.A.

Zone des Granges BP82
42602 Montbrison,
Cedex, France
Telephone (33) 477968470
Fax (33) 477968499

SULLAIR CORPORATION

Subsidiary of Sundstrand Corporation
3700 East Michigan Boulevard
Michigan City, Indiana 46360 U.S.A.
Telephone: 1-800-SULLAIR (USA Only)
or 1-219-879-5451
FAX:(219) 874-1273
FAX:(219) 874-1835 (Parts)
FAX:(219) 874-1805 (Service)

Specifications Subject To
Change Without Prior Notice