



SULLAIR

DESICCANT AIR DRYER

SM 024 - SM 088

PARTS MANUAL

MANUAL DE PIEZAS

MANUEL DE PIECES DE RECHANGE

ERSATZTEIL-HANDBUCH

;

Revision :	1	Date :	2Jan2002	From Serial number :	46220
------------	---	--------	----------	----------------------	-------

NOTES

- 1) All drawings shown are the latest versions only.
- 2) Items not specified by part numbers are not separately available. For items not detailed please contact the address at the bottom of the page.
- 3) For equipment with serial number prior to this manual please refer to supplementary spares listing relevant to this issue.
- 4) **How to use this manual**
 - i) From drawing on page 3 select section of interest (eg item 1 is shown in section A1).
 - ii) Turn to required section A1 (indicated on top of page).
 - iii) From the drawing at the beginning of the section identify the required item.
 - iv) Items are detailed on the pages following the drawing within each section of interest. Contents of spares kits are listed directly below the kit description.

REMARQUES

- 1) Tous les schémas illustrés correspondent aux dernières versions uniquement.
- 2) Les éléments non identifiés par des numéros de référence ne sont pas disponibles séparément. Pour ces éléments, contacter l'adresse au bas de cette page.
- 3) Pour le matériel dont le numéro de série est inférieur à ce manuel, consulter la liste de pièces supplémentaires correspondant à cette version.
- 4) **Comment utiliser ce manuel**
 - i) A partir du schéma à la page 3, sélectionner la partie qui vous intéresse (par exemple l'élément 1 est traité à la section A1).
 - ii) Passer à la section A1 concernée (indiquée en haut de page).
 - iii) A partir du schéma en fin de section, identifier l'élément nécessaire.
 - iv) Les éléments sont détaillés aux pages qui suivent le schéma dans chaque section. Le contenu des kits de pièces de rechange est donné directement au-dessous de la description du kit.

HINWEISE

- 1) Alle enthaltenen Zeichnungen beziehen sich nur auf die neuesten Versionen.
- 2) Posten, bei denen die Angabe der Teilenummer fehlt, sind nicht einzeln zu beziehen. Für nicht aufgeführte Posten wenden Sie sich an die untenstehende Anschrift.
- 3) Angaben zu Maschinen mit Seriennummern vor diesem Handbuch finden Sie in der jeweils geltenden, ergänzenden Ersatzteilliste.
- 4) **Benutzung dieses Handbuchs.**
 - a) Suchen Sie in der Zeichnung auf Seite 3 den Sie interessierenden Abschnitt (z. B. Posten 1 ist im Abschnitt A1 zu finden).
 - b) Blättern Sie zu dem gewünschten Abschnitt A1 (am Seitenanfang angegeben).
 - c) Suchen Sie den gewünschten Posten auf der Zeichnung am Beginn des Abschnitts.
 - d) Detaillierte Beschreibungen der Posten sind auf den Seiten zu finden, die der Zeichnung in dem Sie interessierenden Abschnitt folgen. Der Inhalt der Ersatzteilsätze ist direkt unter der Satzbeschreibung aufgelistet.

NOTAS

- 1) Todos los dibujos que aparecen son sólo las últimas versiones.
- 2) Los elementos no especificados mediante números de referencia, no se encuentran disponibles por separado. Para obtener información sobre los elementos no detallados, póngase en contacto con la dirección incluida en la parte inferior de la página.
- 3) En equipos con número de serie anteriores a este manual, consulte la lista de repuestos suplementaria relativa a este tema.
- 4) **Uso del presente manual.**
 - i) En el dibujo de la página 3, seleccione la sección de interés (p.ej.: el elemento 1 aparece en la sección A1).
 - ii) Vuelva a la sección A1 necesaria (indicada en la parte superior de la página).
 - iii) En el dibujo del comienzo de la sección, identifique el elemento necesario.
 - iv) Los elementos aparecen detallados en las páginas siguientes al dibujo dentro de cada sección de interés. El contenido de los kits de repuestos aparecen listados directamente a continuación de la descripción del kit.

5) **NOTES REMARQUES HINWEISE NOTAS**

***** SM DESICCANT DRYERS *****

l/s @ scfm @
7barg 100psig

SM-024N -	12	24
SM-032N -	15	32
SM-042N -	20	42
SM-053N -	25	53
SM-065N -	30	65
SM-088N -	41	88

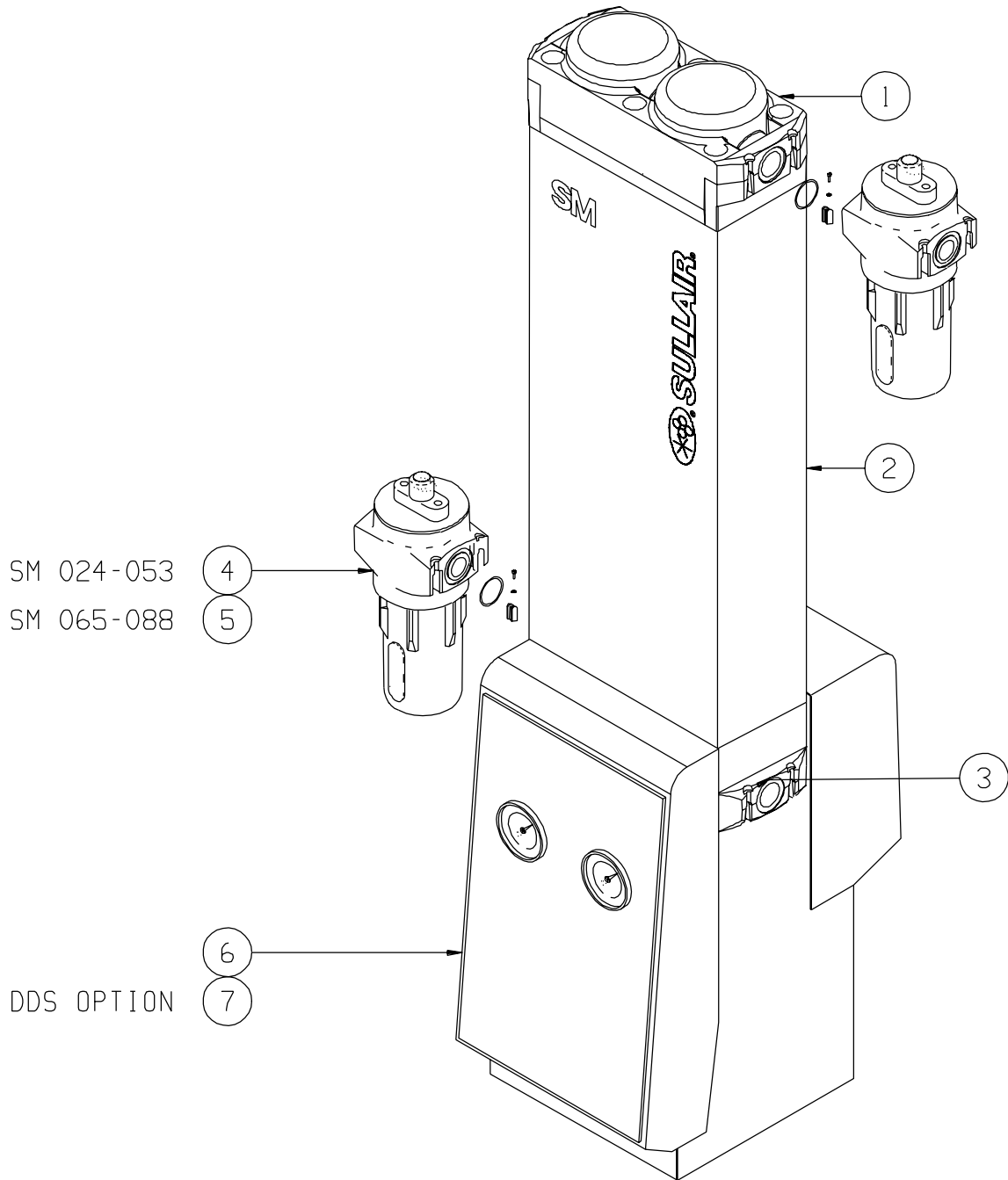
SM-024N -DS-	12	24
SM-032N-DS -	15	32
SM-042N-DS -	20	42
SM-053N-DS -	25	53
SM-065N-DS -	30	65
SM-088N-DS -	41	88

A0

SM 024-88 DESICCANT DRYER

2Jan02

Sheet 4 of 24



A0

SM 024-88 DESICCANT DRYER

2Jan02

Sheet 5 of 24

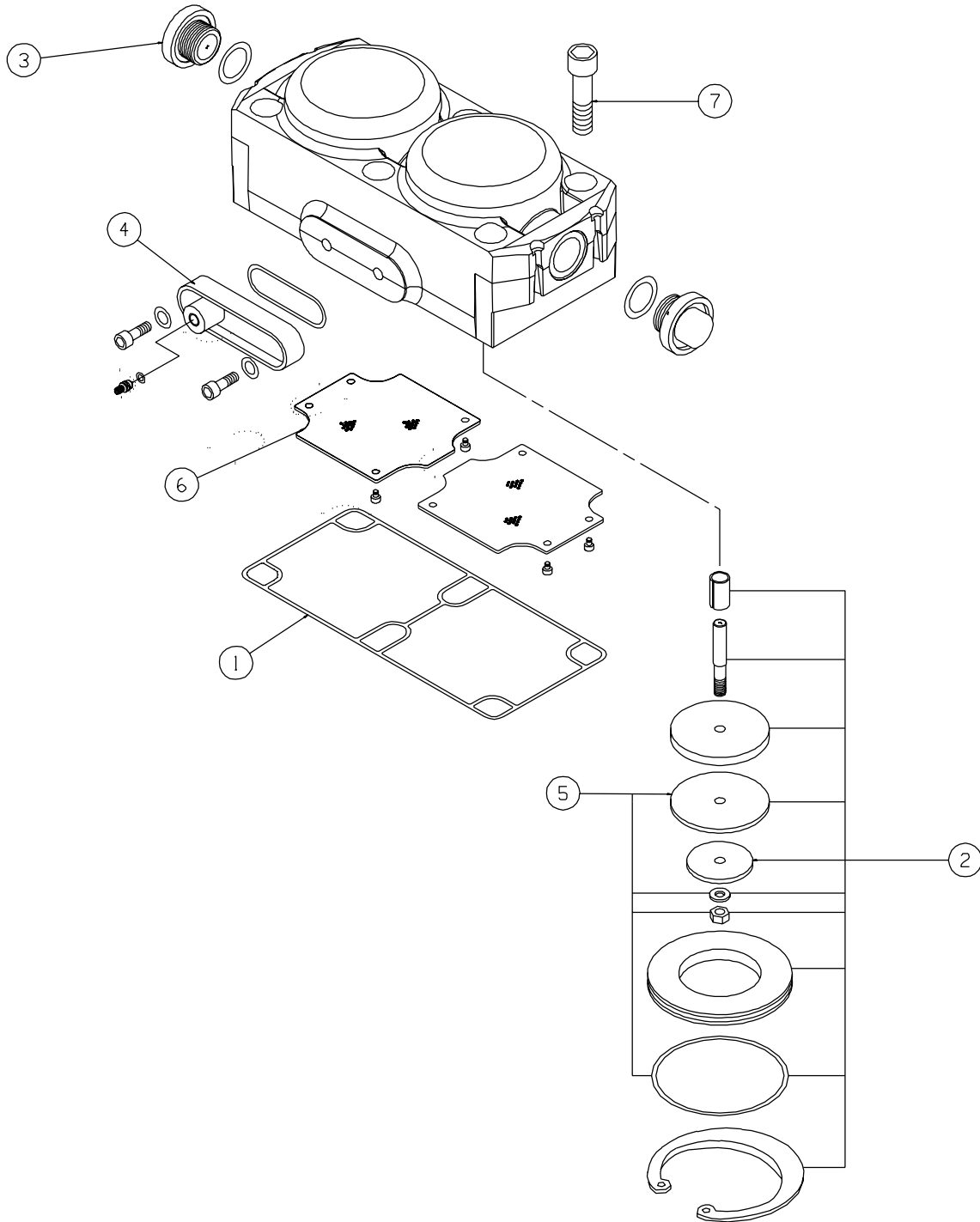
Ref.	Part No	Description	Qty
1		OUTLET HEAD ASSEMBLY	1
2		COLUMN ASSEMBLY	1
3		INLET HEAD ASSEMBLY	1
4		FILTER ASSEMBLY 65 SM 024-053	1
5		FILTER ASSY 125 SM 065-088	1
6		CONTROL ASSY 230/110/24V	1
7		CONTROL ASSY 230/110/24V DDS	1

A 1

OUTLET HEAD ASSEMBLY

2Jan02

Sheet 6 of 24



(8) SERVICE KIT

A 1

OUTLET HEAD ASSEMBLY

2Jan02

Sheet 7 of 24

Ref.	Part No	Description	Qty
1	02250096-539	RPR SAR-X MOULDED GASKET Consisting of LABEL MADE IN ENGLAND LBL.SULLAIR GEN.SERVICE PARTS MOULDED GASKET KIT	1 1 1 1
2	02250103-124	KIT SULLAIR 02250103-124 Consisting of LABEL MADE IN ENGLAND LBL.SULLAIR GEN.SERVICE PARTS CHECK VALVE ASSEMBLY	1 1 1 1
3	02250103-126	KIT SULLAIR 02250103-126 Consisting of LABEL MADE IN ENGLAND LBL.SULLAIR GEN.SERVICE PARTS MIDI SIGHTGLASS KIT	1 1 1 1
4	02250103-129	KIT SULLAIR 02250103-129 Consisting of LABEL MADE IN ENGLAND LBL.SULLAIR GEN.SERVICE PARTS MIDI PURGE ASSEMBLY KIT	1 1 1 1
5	02250103-131	KIT SULLAIR 02250103-131 Consisting of LABEL MADE IN ENGLAND LBL.SULLAIR GEN.SERVICE PARTS CHECK VALVE DISC KIT	2 1 1 1
6	02250103-960	KIT SULLAIR 02250103-960 Consisting of LABEL MADE IN ENGLAND LBL.SULLAIR GEN.SERVICE PARTS CH.HD.SLT.SRW. M3x4	1 1 1 8

OUTLET HEAD ASSEMBLY

2Jan02

Sheet 8 of 24

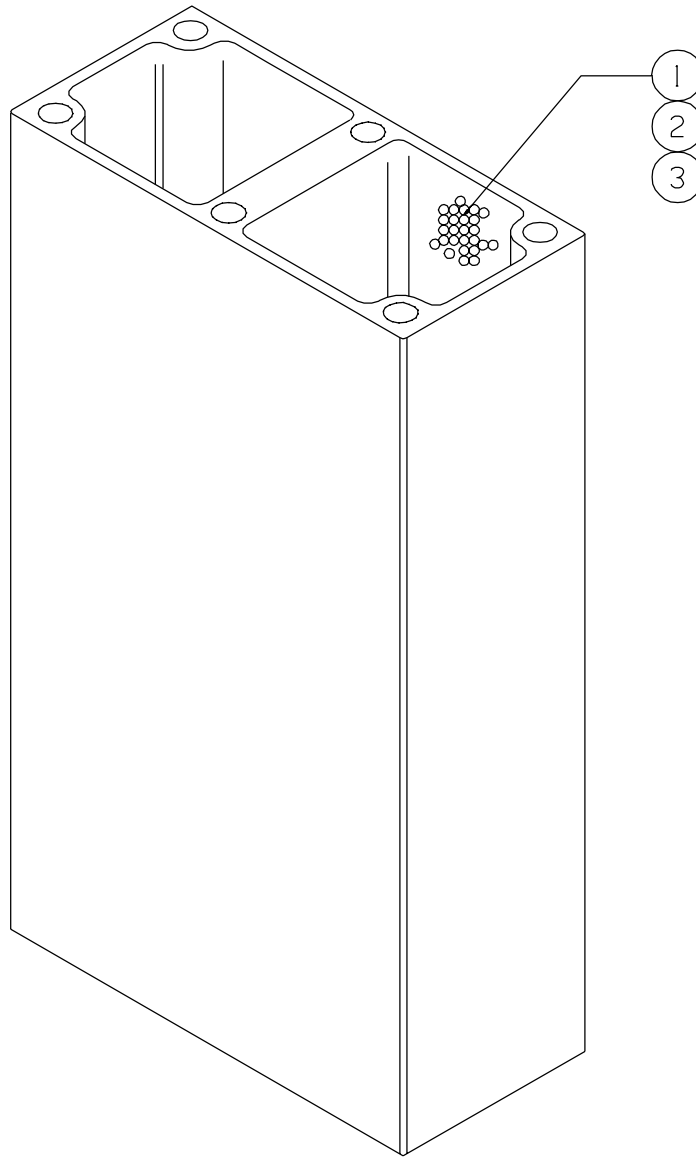
Ref.	Part No	Description	Qty
		MIDI SUPPORT SCREEN KIT	1
7	02250103-133	KIT SULLAIR 02250103-133 Consisting of LABEL MADE IN ENGLAND LBL.SULLAIR GEN.SERVICE PARTS MIDI BOLT KIT	1 1 1 1
8	02250133-961	SK.SM024-088 OUTLET HEAD Consisting of LABEL MADE IN ENGLAND LBL.SULLAIR GEN.SERVICE PARTS SK-OUTLET DME012-040	1 1 1 1

A 2

COLUMN ASSEMBLY

2Jan02

Sheet 9 of 24



DESICCANT KIT DETAILS	
DRYER CODE	SULLAIR PART NO
6 → SM024	02250133-944
5 → SM032	02250133-945
6 → SM042	02250133-946
7 → SM053	02250133-948
8 → SM065	02250133-949
9 → SM088	02250133-950

A 2

COLUMN ASSEMBLY

2Jan02

Sheet 10 of 24

Ref.	Part No	Description	Qty
1	02250096-629	RPR SAR-X DESSICANT 1KG Consisting of LABEL MADE IN ENGLAND LBL.SULLAIR GEN.SERVICE PARTS 1KG DRYFIL A.A. KIT	1 1 1 1
2	02250096-628	RPR SAR-X DESSICANT 5KG Consisting of LABEL MADE IN ENGLAND LBL.SULLAIR GEN.SERVICE PARTS 5KG DRYFIL A.A. KIT	1 1 1 1
3	02250096-627	RPR SAR-X DESSICANT 18KG Consisting of LABEL MADE IN ENGLAND LBL.SULLAIR GEN.SERVICE PARTS 18KG DRYFIL A.A. KIT	1 1 1 1
4	02250133-944	KIT: DRYFIL SM024 Consisting of LABEL MADE IN ENGLAND LBL.SULLAIR GEN.SERVICE PARTS DRYFIL DME012 AA	1 1 1 1
5	02250133-945	KIT: DRYFIL SM032 Consisting of LABEL MADE IN ENGLAND LBL.SULLAIR GEN.SERVICE PARTS DRYFIL DME015 AA	1 1 1 1
6	02250133-946	KIT: DRYFIL SM042 Consisting of LABEL MADE IN ENGLAND LBL.SULLAIR GEN.SERVICE PARTS DRYFIL DME020 AA	1 1 1 1

COLUMN ASSEMBLY

2Jan02

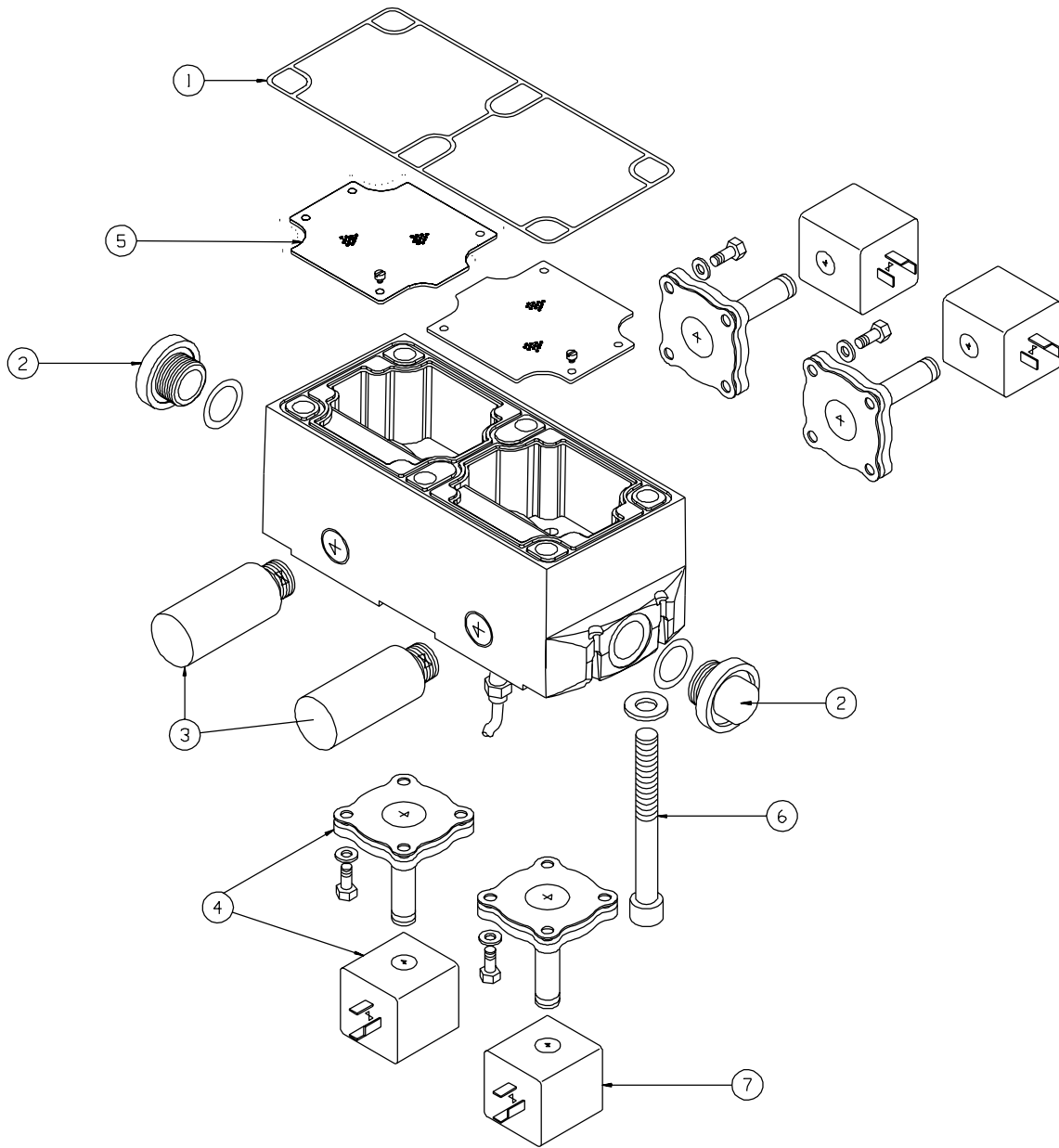
Sheet 11 of 24

Ref.	Part No	Description	Qty
7	02250133-948	KIT: DRYFIL SM053 Consisting of LABEL MADE IN ENGLAND LBL.SULLAIR GEN.SERVICE PARTS DRYFIL DME025 AA	1 1 1 1
8	02250133-949	KIT: DRYFIL SM065 Consisting of LABEL MADE IN ENGLAND LBL.SULLAIR GEN.SERVICE PARTS DRYFIL DME030 AA	1 1 1 1
9	02250133-950	KIT: DRYFIL SM088 Consisting of LABEL MADE IN ENGLAND LBL.SULLAIR GEN.SERVICE PARTS DRYFIL DME040 AA	1 1 1 1

A 3 INLET HEAD ASSEMBLY

2Jan02

Sheet 12 of 24



Ⓑ SERVICE KIT

A 3 INLET HEAD ASSEMBLY

2Jan02

Sheet 13 of 24

Ref.	Part No	Description	Qty
1	02250096-539	RPR SAR-X MOULDED GASKET Consisting of LABEL MADE IN ENGLAND LBL.SULLAIR GEN.SERVICE PARTS MOULDED GASKET KIT	1 1 1 1
2	02250103-126	KIT SULLAIR 02250103-126 Consisting of LABEL MADE IN ENGLAND LBL.SULLAIR GEN.SERVICE PARTS MIDI SIGHTGLASS KIT	2 1 1 1
3	02250096-612	RPR SAR-X EXHAUSTSILENCER Consisting of 1/2 EXHAUST SILENCER	1 2
4	02250103-134	KIT SULLAIR 02250103-134 Consisting of LABEL MADE IN ENGLAND LBL.SULLAIR GEN.SERVICE PARTS N/C 2/2 SOLENOID OPER.VALVE	1 1 1 1
5	02250103-960	KIT SULLAIR 02250103-960 Consisting of LABEL MADE IN ENGLAND LBL.SULLAIR GEN.SERVICE PARTS CH.HD.SLT.SRW. M3x4 MIDI SUPPORT SCREEN KIT	1 1 1 8 1
6	02250103-133	KIT SULLAIR 02250103-133 Consisting of LABEL MADE IN ENGLAND LBL.SULLAIR GEN.SERVICE PARTS MIDI BOLT KIT	1 1 1 1

INLET HEAD ASSEMBLY

2Jan02

Sheet 14 of 24

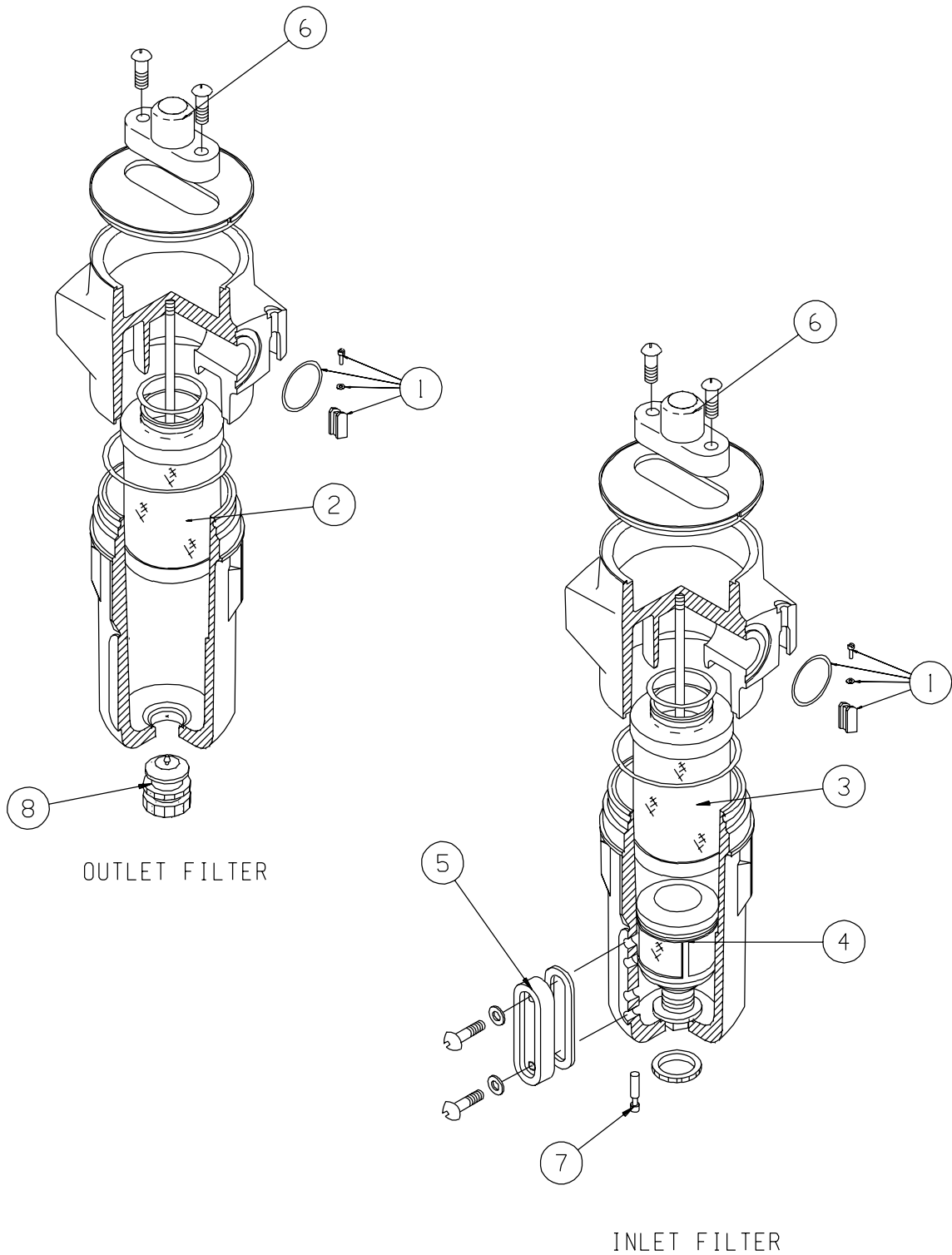
Ref.	Part No	Description	Qty
7	02250103-135	KIT SULLAIR 02250103-135 Consisting of LABEL MADE IN ENGLAND LBL.SULLAIR GEN.SERVICE PARTS 24VDC SOLENOID COIL	4 1 1 1
8	02250133-956	SK.SM024-088 INLET HEAD Consisting of LABEL MADE IN ENGLAND LBL.SULLAIR GEN.SERVICE PARTS SK-INLET DME012-040	1 1 1 1

A 4 FILTER ASSEMBLY 65 SM

024-053

2Jan02

Sheet 15 of 24



A 4 FILTER ASSEMBLY 65 SM

024-053

2Jan02

Sheet 16 of 24

Ref.	Part No	Description	Qty
1	02250096-646	RPR SAR-X WEDGE KIT Consisting of	2
2	250024-425	MPF-65 P/N 250024-425	1
3	250024-433	MPH-65 P/N 250024-433	1
4	250022-965	KIT RPR SAR-X DRAIN Consisting of	1
5	02250096-645	RPR SAR-X SIGHTGLASS Consisting of LABEL MADE IN ENGLAND LBL.SULLAIR GEN.SERVICE PARTS KIT:SIGHTGLASS	1 1 1 1
6	250028-566	DPI 250028-566 Consisting of DPI INSTRUCTIONS SULLAIR D.P. INDICATOR	2 1 1
7	02250103-963	KIT SULLAIR 02250103-963 Consisting of LABEL MADE IN ENGLAND LBL.SULLAIR GEN.SERVICE PARTS KIT: VALVE CORE 8500	1 1 1 1
8	02250103-943	RPR SAR-X MANUAL DRAIN KIT Consisting of LABEL MADE IN ENGLAND LBL.SULLAIR GEN.SERVICE PARTS MANUAL DRAIN KIT - MSA	1 1 1 1

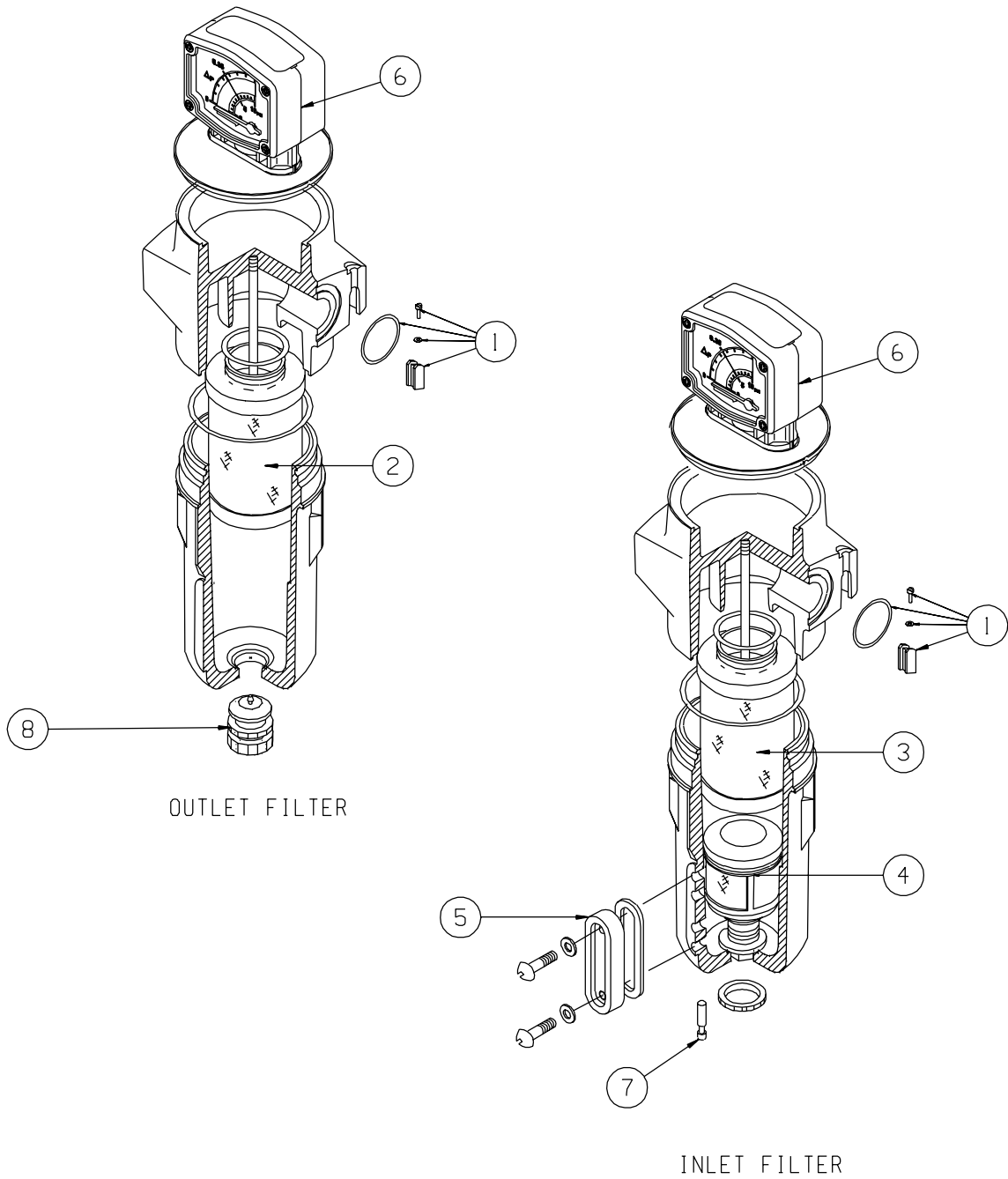
A 5

FILTER ASSY 125 SM

065-088

2Jan02

Sheet 17 of 24



A 5**FILTER ASSY 125 SM
065-088**

2Jan02

Sheet 18 of 24

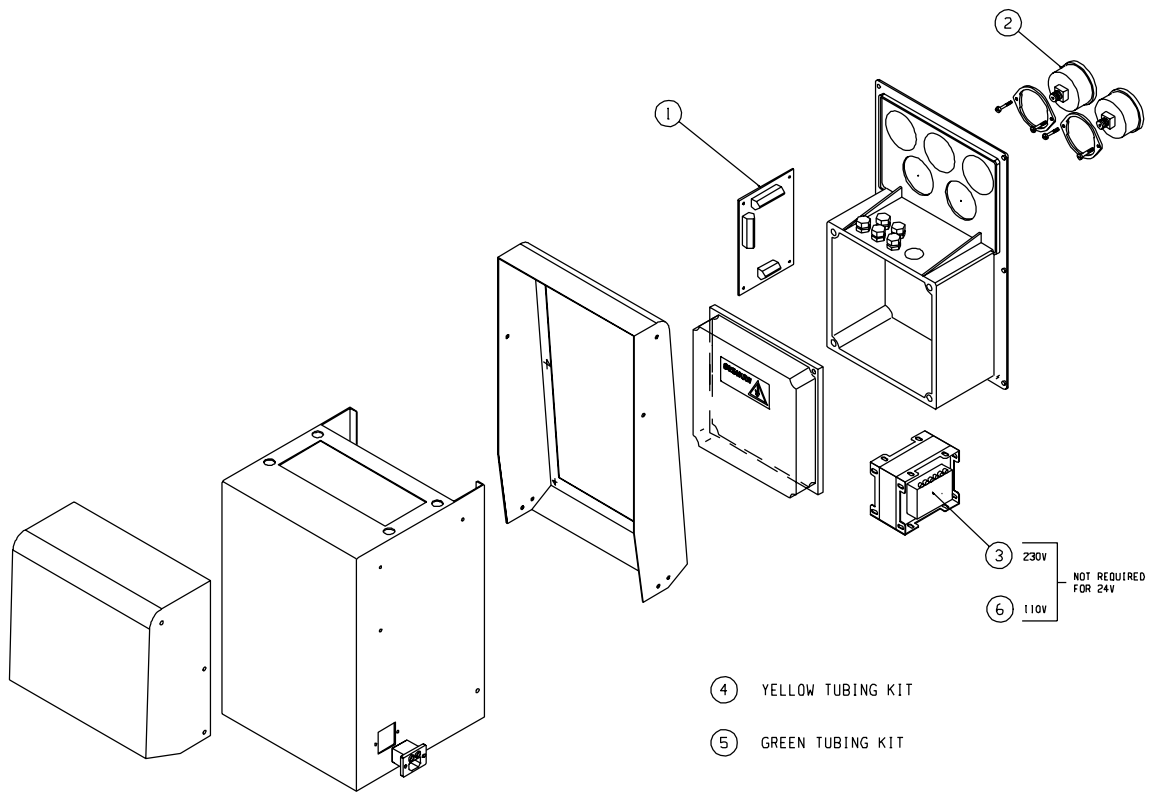
Ref.	Part No	Description	Qty
1	02250096-646	RPR SAR-X WEDGE KIT Consisting of	2
2	250024-426	MPF-125 P/N 250024-426	1
3	250024-434	MPH-125 P/N 250024-434	1
4	250022-965	KIT RPR SAR-X DRAIN Consisting of	1
5	02250043-400	SGK 2 02250043-400 Consisting of	1
		LBL.SULLAIR GEN.SERVICE PARTS	1
		SIGHT GLASS BLANKING KIT	1
6	250017-451	DPG KIT SULLAIR Consisting of	2
		DPG KIT	1
7	02250103-963	KIT SULLAIR 02250103-963 Consisting of	1
		LABEL MADE IN ENGLAND	1
		LBL.SULLAIR GEN.SERVICE PARTS	1
		KIT: VALVE CORE 8500	1
8	02250103-943	RPR SAR-X MANUAL DRAIN KIT Consisting of	1
		LABEL MADE IN ENGLAND	1
		LBL.SULLAIR GEN.SERVICE PARTS	1
		MANUAL DRAIN KIT - MSA	1

A 6

CONTROL ASSY 230/110/24V

2Jan02

Sheet 19 of 24



*** ITEMS 3 AND 6 NOT REQUIRED FOR 24V ***

A 6**CONTROL ASSY
230/110/24V**

2Jan02

Sheet 20 of 24

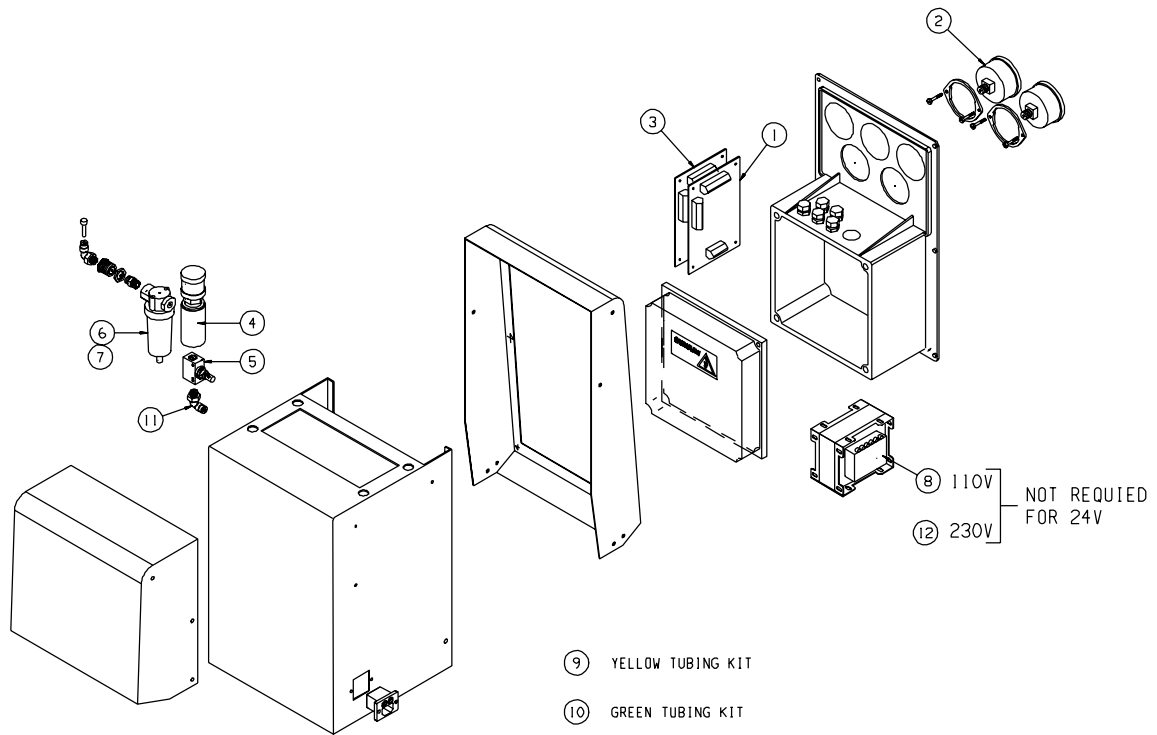
Ref.	Part No	Description	Qty
1	02250103-136	KIT SULLAIR 02250103-136 Consisting of LABEL MADE IN ENGLAND LBL.SULLAIR GEN.SERVICE PARTS ELECTRONIC MIDI CAM TIMER KIT	1 1 1 1
2	02250096-637	RPR SAR-X PRESSURE GAUGE Consisting of OUTLET PRESSURE GUAGE	2 1
3	02250103-945	KIT SULLAIR 02250103-945 Consisting of LABEL MADE IN ENGLAND LBL.SULLAIR GEN.SERVICE PARTS 230V MIDI TRANSFORMER KIT	1 1 1 1
4	02250096-640	RPR SAR-X NYLON TUBE YELLOW Consisting of LABEL MADE IN ENGLAND LBL.SULLAIR GEN.SERVICE PARTS NYLON TUBE SPARES PACK	1 1 1 1
5	02250096-639	RPR SAR-X NYLON TUBE GREEN Consisting of LABEL MADE IN ENGLAND LBL.SULLAIR GEN.SERVICE PARTS NYLON TUBE SPARES PACK	1 1 1 1
6	02250103-137	KIT SULLAIR 02250103-137 Consisting of LABEL MADE IN ENGLAND LBL.SULLAIR GEN.SERVICE PARTS TRANSFORMER KIT 110V	1 1 1 1

A 7

CONTROL ASSY 230/110/24V DDS

2Jan02

Sheet 21 of 24



*** ITEMS 8 AND 12 NOT REQUIRED FOR 24V ***

A 7

CONTROL ASSY 230/110/24V DDS

2Jan02

Sheet 22 of 24

Ref.	Part No	Description	Qty
1	02250103-136	KIT SULLAIR 02250103-136 Consisting of LABEL MADE IN ENGLAND LBL.SULLAIR GEN.SERVICE PARTS ELECTRONIC MIDI CAM TIMER KIT	1 1 1 1
2	02250096-637	RPR SAR-X PRESSURE GAUGE Consisting of OUTLET PRESSURE GUAGE	2 1
3	02250103-946	KIT SULLAIR 02250103-946 Consisting of LABEL MADE IN ENGLAND LBL.SULLAIR GEN.SERVICE PARTS CERMET INTERFACE KIT	1 1 1 1
4	02250096-514	RPR SAR_X 1/8 SENSOR BLOCK Consisting of LABEL MADE IN ENGLAND LBL.SULLAIR GEN.SERVICE PARTS 1/8 NPT SENSOR BLOCK KIT	1 1 1 1
5	02250096-512	RPR SAR-X 1/8 BSPP NEEDLE VLV Consisting of LABEL MADE IN ENGLAND LBL.SULLAIR GEN.SERVICE PARTS 1/8 BSPP NEEDLE VALVE KIT	1 1 1 1
6	02250096-513	RPR SAR-X 1/8 FILTER Consisting of LABEL MADE IN ENGLAND LBL.SULLAIR GEN.SERVICE PARTS 1/8 FILTER KIT	1 1 1 1

CONTROL ASSY

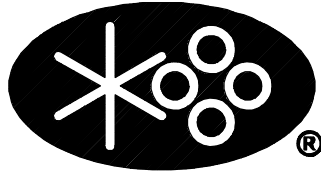
230/110/24V DDS

2Jan02

Sheet 23 of 24

Ref.	Part No	Description	Qty
7	02250103-947	RPR SAR-X FEED ELEMENT KIT Consisting of LABEL MADE IN ENGLAND LBL.SULLAIR GEN.SERVICE PARTS FEED ELEMENT	1 1 1 1
8	02250103-137	KIT SULLAIR 02250103-137 Consisting of LABEL MADE IN ENGLAND LBL.SULLAIR GEN.SERVICE PARTS TRANSFORMER KIT 110V	1 1 1 1
9	02250096-640	RPR SAR-X NYLON TUBE YELLOW Consisting of LABEL MADE IN ENGLAND LBL.SULLAIR GEN.SERVICE PARTS NYLON TUBE SPARES PACK	1 1 1 1
10	02250096-639	RPR SAR-X NYLON TUBE GREEN Consisting of LABEL MADE IN ENGLAND LBL.SULLAIR GEN.SERVICE PARTS NYLON TUBE SPARES PACK	1 1 1 1
11	02250103-948	KIT SULLAIR 02250103-948 Consisting of LABEL MADE IN ENGLAND LBL.SULLAIR GEN.SERVICE PARTS 1/8 X 4MM ELBOW KIT	1 1 1 1
12	02250103-945	KIT SULLAIR 02250103-945 Consisting of LABEL MADE IN ENGLAND LBL.SULLAIR GEN.SERVICE PARTS 230V MIDI TRANSFORMER KIT	1 1 1 1

WORLDWIDE SALES AND SERVICE



SULLAIR ASIA LTD

Sullair road, No. 1
Chiwan, Shekou
Shenzhen, Guangdong PRV.
P.R.C. Post Code 518068
Telephone: 755-6851686
FAX: 755-6853473

SULLAIR EUROPE, S.A.

Zone des Granges BP82
42602 Montbrison,
Cedex, France
Telephone (33) 477968470
Fax (33) 477968499

SULLAIR CORPORATION

Subsidiary of Sundstrand Corporation
3700 East Michigan Boulevard
Michigan City, Indiana 46360 U.S.A.
Telephone: 1-800-SULLAIR (USA Only)
or 1-219-879-5451
FAX:(219) 874-1273
FAX:(219) 874-1835 (Parts)
FAX:(219) 874-1805 (Service)

Specifications Subject To
Change Without Prior Notice