



SULLAIR

DESICCANT AIR DRYER

SM 003 - SM 013

PARTS MANUAL

MANUAL DE PIEZAS

MANUEL DE PIECES DE RECHANGE

ERSATZTEIL-HANDBUCH

;

Revision :	1	Date :	2Jan2002	From Serial number :	70709
------------	---	--------	----------	----------------------	-------

NOTES

- 1) All drawings shown are the latest versions only.
- 2) Items not specified by part numbers are not separately available. For items not detailed please contact the address at the bottom of the page.
- 3) For equipment with serial number prior to this manual please refer to supplementary spares listing relevant to this issue.
- 4) **How to use this manual**
 - i) From drawing on page 3 select section of interest (eg item 1 is shown in section A1).
 - ii) Turn to required section A1 (indicated on top of page).
 - iii) From the drawing at the beginning of the section identify the required item.
 - iv) Items are detailed on the pages following the drawing within each section of interest. Contents of spares kits are listed directly below the kit description.

REMARQUES

- 1) Tous les schémas illustrés correspondent aux dernières versions uniquement.
- 2) Les éléments non identifiés par des numéros de référence ne sont pas disponibles séparément. Pour ces éléments, contacter l'adresse au bas de cette page.
- 3) Pour le matériel dont le numéro de série est inférieur à ce manuel, consulter la liste de pièces supplémentaires correspondant à cette version.
- 4) **Comment utiliser ce manuel**
 - i) A partir du schéma à la page 3, sélectionner la partie qui vous intéresse (par exemple l'élément 1 est traité à la section A1).
 - ii) Passer à la section A1 concernée (indiquée en haut de page).
 - iii) A partir du schéma en fin de section, identifier l'élément nécessaire.
 - iv) Les éléments sont détaillés aux pages qui suivent le schéma dans chaque section. Le contenu des kits de pièces de rechange est donné directement au-dessous de la description du kit.

HINWEISE

- 1) Alle enthaltenen Zeichnungen beziehen sich nur auf die neuesten Versionen.
- 2) Posten, bei denen die Angabe der Teilenummer fehlt, sind nicht einzeln zu beziehen. Für nicht aufgeführte Posten wenden Sie sich an die untenstehende Anschrift.
- 3) Angaben zu Maschinen mit Seriennummern vor diesem Handbuch finden Sie in der jeweils geltenden, ergänzenden Ersatzteilliste.
- 4) **Benutzung dieses Handbuchs.**
 - a) Suchen Sie in der Zeichnung auf Seite 3 den Sie interessierenden Abschnitt (z. B. Posten 1 ist im Abschnitt A1 zu finden).
 - b) Blättern Sie zu dem gewünschten Abschnitt A1 (am Seitenanfang angegeben).
 - c) Suchen Sie den gewünschten Posten auf der Zeichnung am Beginn des Abschnitts.
 - d) Detaillierte Beschreibungen der Posten sind auf den Seiten zu finden, die der Zeichnung in dem Sie interessierenden Abschnitt folgen. Der Inhalt der Ersatzteilsätze ist direkt unter der Satzbeschreibung aufgelistet.

NOTAS

- 1) Todos los dibujos que aparecen son sólo las últimas versiones.
- 2) Los elementos no especificados mediante números de referencia, no se encuentran disponibles por separado. Para obtener información sobre los elementos no detallados, póngase en contacto con la dirección incluida en la parte inferior de la página.
- 3) En equipos con número de serie anteriores a este manual, consulte la lista de repuestos suplementaria relativa a este tema.
- 4) **Uso del presente manual.**
 - i) En el dibujo de la página 3, seleccione la sección de interés (p.ej.: el elemento 1 aparece en la sección A1).
 - ii) Vuelva a la sección A1 necesaria (indicada en la parte superior de la página).
 - iii) En el dibujo del comienzo de la sección, identifique el elemento necesario.
 - iv) Los elementos aparecen detallados en las páginas siguientes al dibujo dentro de cada sección de interés. El contenido de los kits de repuestos aparecen listados directamente a continuación de la descripción del kit.

5) **NOTES REMARQUES HINWEISE NOTAS**

******* SULLAIR DESICCANT DRYERS *******
SM DRYER SYSTEMS

1/s @ scfm @
7barg 100psig

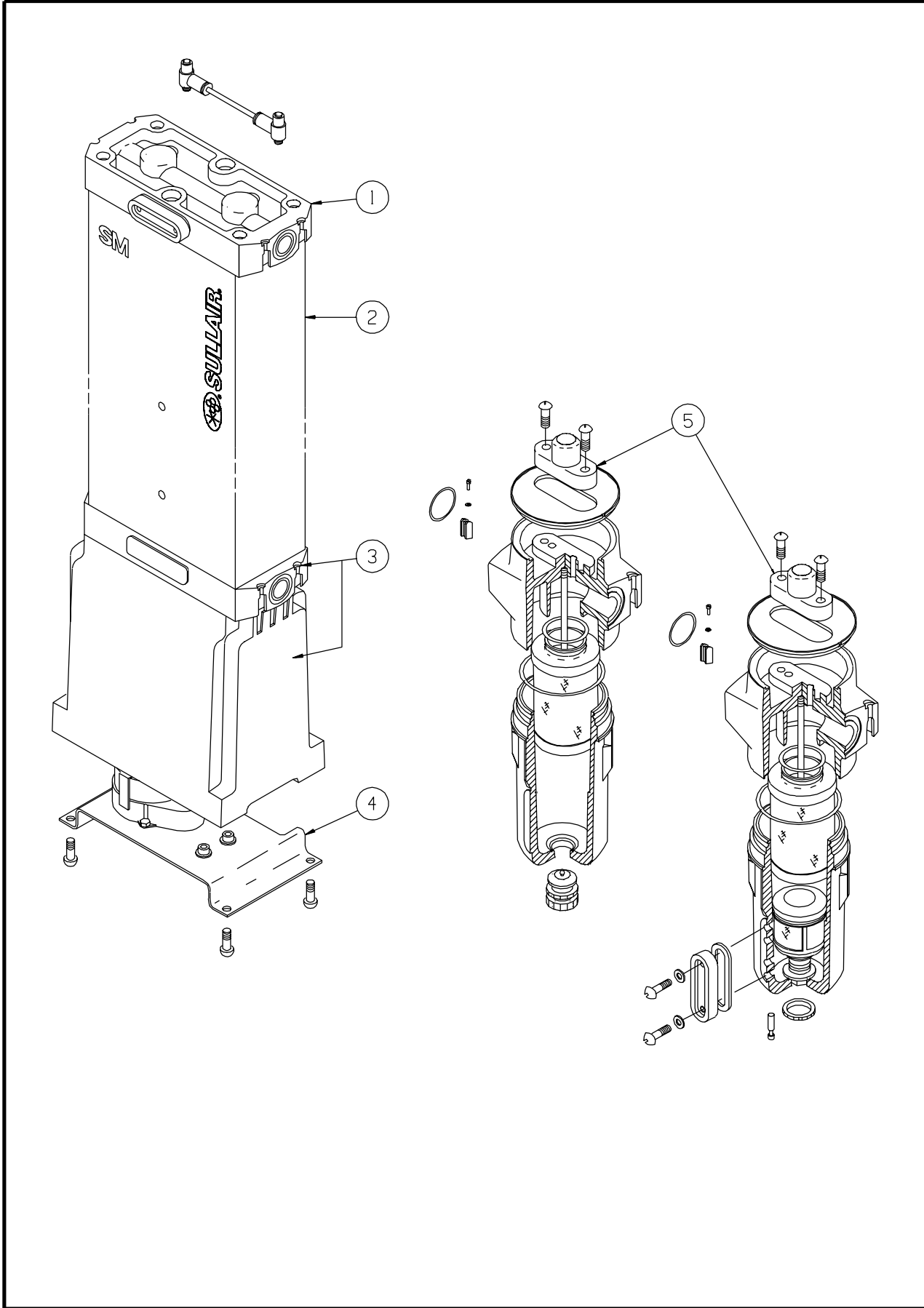
SM 003 - 2	3
SM 006 - 3	6
SM 013 - 6	13

A0

DESICCANT AIR DRYER

2Jan02

Sheet 4 of 20



A0

DESICCANT AIR DRYER

2Jan02

Sheet 5 of 20

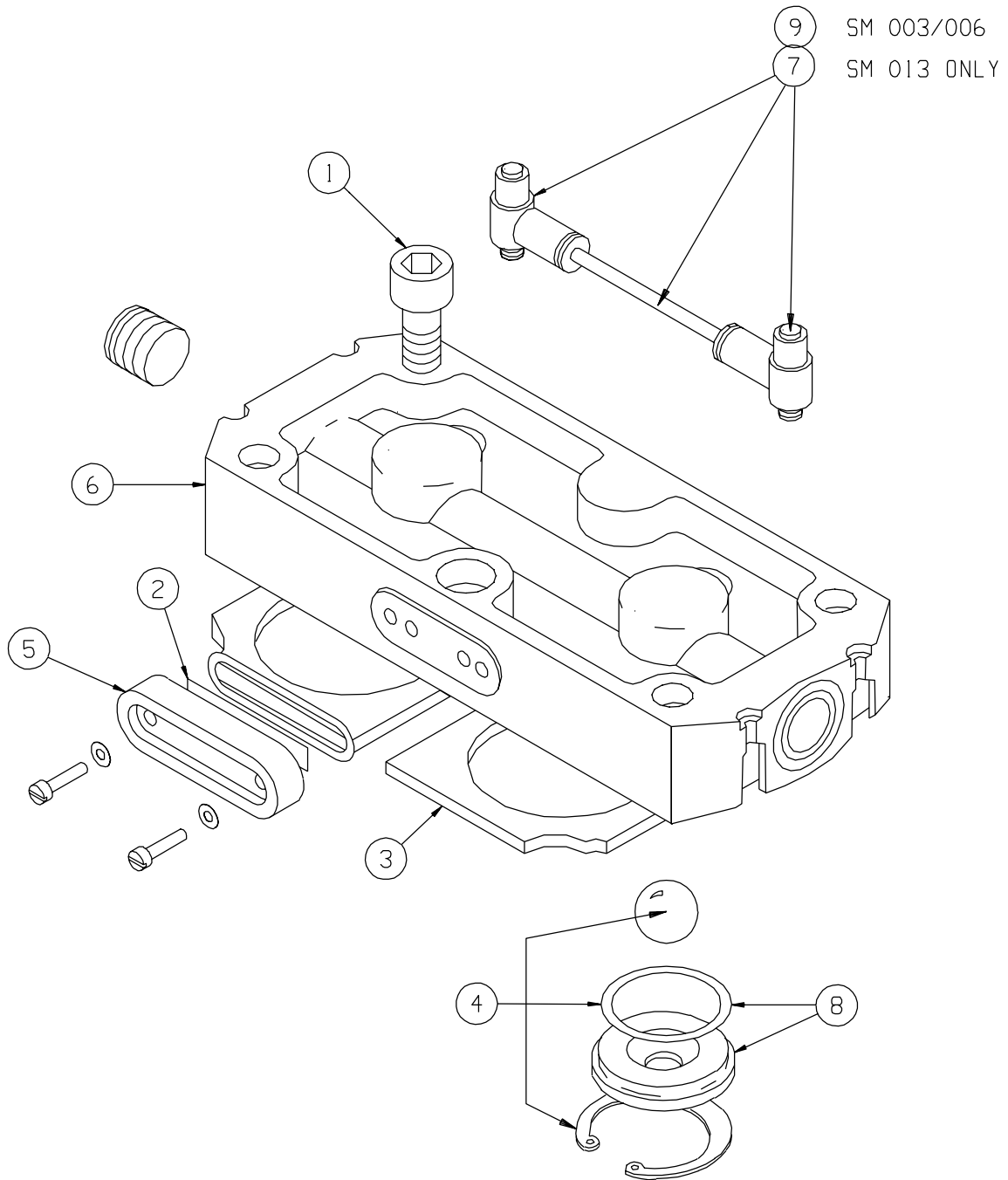
Ref.	Part No	Description	Qty
1		OUTLET HEAD ASSEMBLY	1
2		COLUMN ASSEMBLY	1
3		INLET HEAD ASSEMBLY	1
4		CAM TIMER ASSEMBLY	1
5		FILTER ASSEMBLY	1

A 1

OUTLET HEAD ASSEMBLY

2Jan02

Sheet 6 of 20



A 1

OUTLET HEAD ASSEMBLY

2Jan02

Sheet 7 of 20

Ref.	Part No	Description	Qty
1	02250096-635	RPR SAR-X INL HD BOLT PACK Consisting of SKT.HD.SCW.M8x40 ZN PLT.	1 12
2	02250096-571	RPR SAR-X CHLORIDE PAPER Consisting of LABEL MADE IN ENGLAND LBL.SULLAIR GEN.SERVICE PARTS MOISTURE INDICATOR SERVICE KIT	1 1 1 1
3	02250096-568	KIT: RPR SAR-X OUT.HEAD INSERT Consisting of LABEL MADE IN ENGLAND LBL.SULLAIR GEN.SERVICE PARTS KIT: MINI OUTLET HEAD INSERT	1 1 1 1
4	02250096-634	RPR SAR-X CHECKVALVE BALL Consisting of LABEL MADE IN ENGLAND LBL.SULLAIR GEN.SERVICE PARTS KIT: CHECK VALVE	1 1 1 1
5	02250096-645	RPR SAR-X SIGHTGLASS Consisting of LABEL MADE IN ENGLAND LBL.SULLAIR GEN.SERVICE PARTS KIT:SIGHTGLASS	1 1 1 1
6	02250096-564	KIT: RPR SAR-X OUTLET HEAD Consisting of LABEL MADE IN ENGLAND LBL.SULLAIR GEN.SERVICE PARTS MINI OUTLET HEAD SPARES KIT	1 1 1 1

OUTLET HEAD ASSEMBLY

2Jan02

Sheet 8 of 20

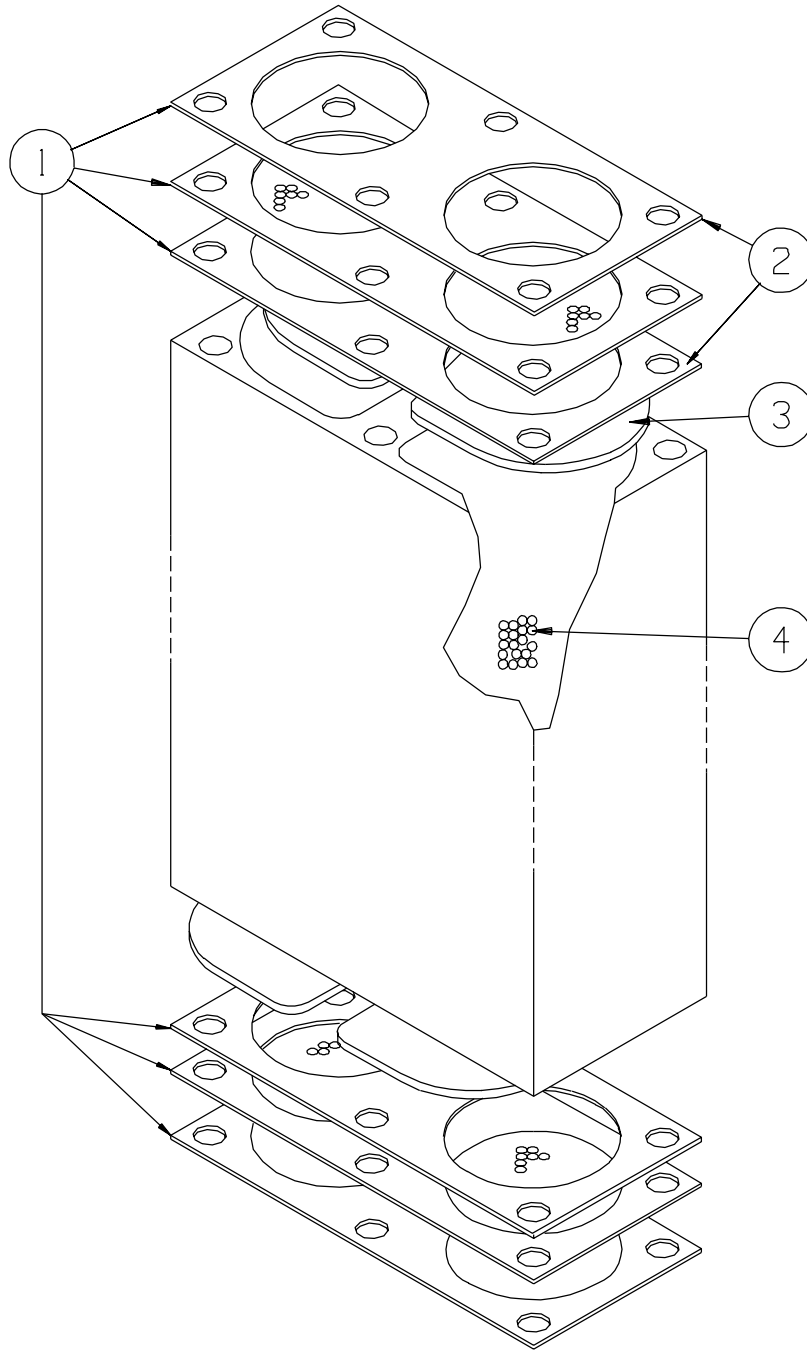
Ref.	Part No	Description	Qty
7	02250104-966	KIT SULLAIR 02250104-966 Consisting of LABEL MADE IN ENGLAND LBL.SULLAIR GEN.SERVICE PARTS SPEED CONTROLLER KIT	1 1 1 1
8	02250096-622	KIT: RPR SAR-X CHECK VLV.SEAT Consisting of LABEL MADE IN ENGLAND LBL.SULLAIR GEN.SERVICE PARTS CHECK VALVE KIT	1 1 1 1
9	02250096-623	KIT: RPR SAR-X PURGE Consisting of LABEL MADE IN ENGLAND LBL.SULLAIR GEN.SERVICE PARTS MINI PURGE KIT	1 1 1 1

A 2

COLUMN ASSEMBLY

2Jan02

Sheet 9 of 20



DRYER DESICCANT CHANGE KIT DETAILS

	DRYER	SULLAIR PART NO.
5	SM 003	0225133-951
6	SM 006	0225133-952
7	SM 013	0225133-953

A 2

COLUMN ASSEMBLY

2Jan02

Sheet 10 of 20

Ref.	Part No	Description	Qty
1	02250096-569	KIT: RPR SAR-X GASKET Consisting of LABEL MADE IN ENGLAND LBL.SULLAIR GEN.SERVICE PARTS MINI GASKET KIT	1 1 1 1
2	02250096-559	KIT: SAR-X MINI GASKET Consisting of LABEL MADE IN ENGLAND LBL.SULLAIR GEN.SERVICE PARTS MINI GASKET KIT	1 1 1 1
3	02250096-580	KIT: RPR SAR-X COLUMN PAD Consisting of LABEL MADE IN ENGLAND LBL.SULLAIR GEN.SERVICE PARTS MINI DRYER COLUMN PAD KIT	1 1 1 1
4	02250096-629	RPR SAR-X DESSICANT 1KG Consisting of LABEL MADE IN ENGLAND LBL.SULLAIR GEN.SERVICE PARTS 1KG DRYFIL A.A. KIT	1 1 1 1
5	02250133-951	KIT-DRYFIL SM003 Consisting of LABEL MADE IN ENGLAND LBL.SULLAIR GEN.SERVICE PARTS DRYFIL DM002 AA	1 1 1 1
6	02250133-952	KIT-DRYFIL SM006 Consisting of LABEL MADE IN ENGLAND LBL.SULLAIR GEN.SERVICE PARTS DRYFIL DM002 AA	1 1 1 1

COLUMN ASSEMBLY

2Jan02

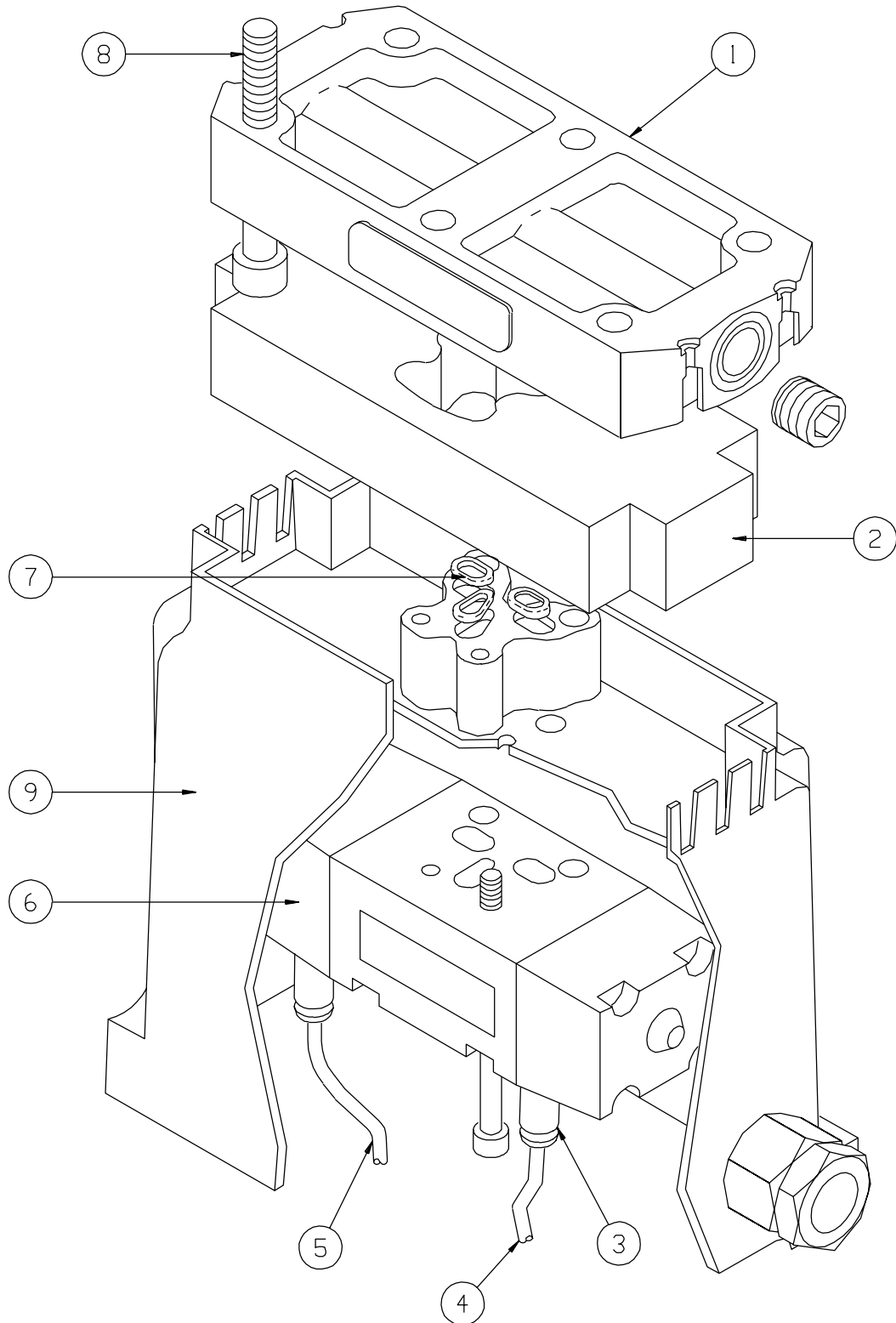
Sheet 11 of 20

Ref.	Part No	Description	Qty
7	02250133-955	KIT-DRYFIL SM013 Consisting of LABEL MADE IN ENGLAND LBL.SULLAIR GEN.SERVICE PARTS DRYFIL DM006 AA	1 1 1 1

A 3 INLET HEAD ASSEMBLY

2Jan02

Sheet 12 of 20



A 3 INLET HEAD ASSEMBLY

2Jan02

Sheet 13 of 20

Ref.	Part No	Description	Qty
1	02250096-565	KIT: RPR SAR-X INLET HEAD Consisting of LABEL MADE IN ENGLAND LBL.SULLAIR GEN.SERVICE PARTS MINI INLET HEAD SPARES KIT	1 1 1 1
2	02250096-632	RPR SAR-X EXHAUST SILCR PAD Consisting of LABEL MADE IN ENGLAND LBL.SULLAIR GEN.SERVICE PARTS KIT: MINI EXHAUST SILENCER PAD	1 1 1 1
3	02250096-617	RPR SAR-X PUSH INPACK Consisting of 6512 - 4 - M5 M5 NYLON WASHER	1 5 5
4	02250096-643	RPR SAR-X NYLONTUBE CLEAR Consisting of LABEL MADE IN ENGLAND LBL.SULLAIR GEN.SERVICE PARTS NYLON TUBE SPARES PACK	1 1 1 1
5	02250096-638	RPR SAR-X NYLON TUBE BLACK Consisting of LABEL MADE IN ENGLAND LBL.SULLAIR GEN.SERVICE PARTS NYLON TUBE SPARES PACK	1 1 1 1
6	02250096-633	RPR SAR-X CONTROLVALVE Consisting of LABEL MADE IN ENGLAND LBL.SULLAIR GEN.SERVICE PARTS MINI CONTROL VALVE KIT	1 1 1 1

INLET HEAD ASSEMBLY

2Jan02

Sheet 14 of 20

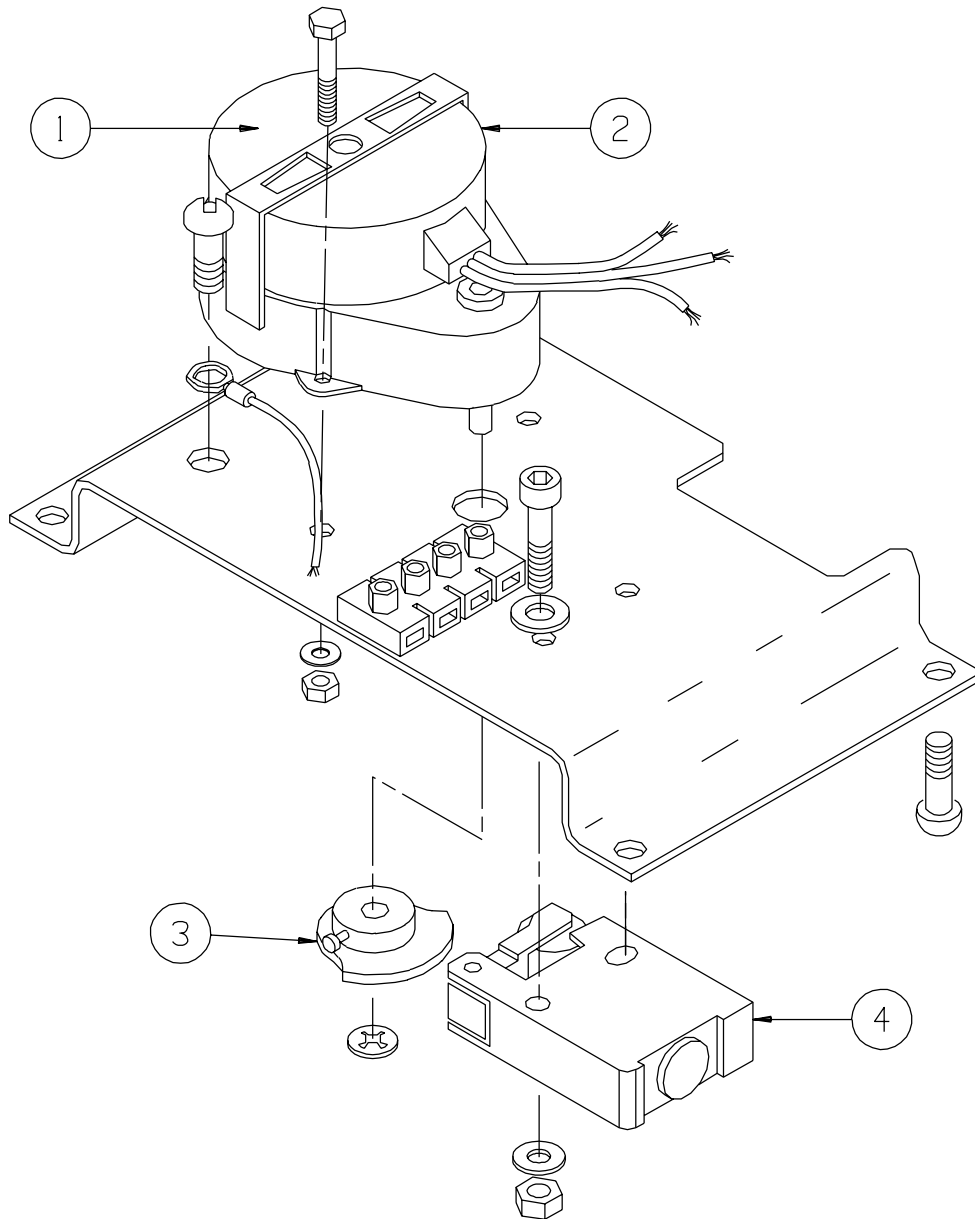
Ref.	Part No	Description	Qty
7	02250096-630	RPR SAR-X SEALS Consisting of LABEL MADE IN ENGLAND LBL.SULLAIR GEN.SERVICE PARTS KIT: MINI SEAL	1 1 1 1
8	02250096-635	RPR SAR-X INL HD BOLT PACK Consisting of SKT.HD.SCW.M8x40 ZN PLT.	1 12
9	02250096-544	KIT:RPR SAR-X ELECT.CONT.BOX Consisting of LABEL MADE IN ENGLAND LBL.SULLAIR GEN.SERVICE PARTS CONTROL BOX ELECTRIC KIT	1 1 1 1

A 4

CAM TIMER ASSEMBLY

2Jan02

Sheet 15 of 20



- ⑤ DRYER CAMTIMER KIT 240V
- ⑥ DRYER CAMTIMER KIT 110V
- ⑦ DRYER CAMTIMER KIT PNEUMATIC
- ⑧ DRYER PNEUMATIC MOTOR/GEARBOX KIT

A 4 CAM TIMER ASSEMBLY

2Jan02

Sheet 16 of 20

Ref.	Part No	Description	Qty
1	02250096-608	KIT: RPR SAR-X C.TIMER 240/50 Consisting of LABEL MADE IN ENGLAND LBL.SULLAIR GEN.SERVICE PARTS KIT: MOTOR/GEARBOX(240v)	1 1 1 1
2	02250096-609	KIT:RPR SAR-X C.TIMER 110/60 Consisting of LABEL MADE IN ENGLAND LBL.SULLAIR GEN.SERVICE PARTS MOTOR/GEARBOX (110v)	1 1 1 1
3	02250096-558	KIT: RPR SAR-X CAM PROFILE Consisting of LABEL MADE IN ENGLAND LBL.SULLAIR GEN.SERVICE PARTS MINI CAM PROFILE KIT	1 1 1 1
4	02250096-624	RPR SAR-X PILOT VALVE Consisting of LABEL MADE IN ENGLAND LBL.SULLAIR GEN.SERVICE PARTS PILOT VALVE KIT	1 1 1 1
5	02250096-575	KIT: RPR SAR-X C.TIMER 240/50 Consisting of LABEL MADE IN ENGLAND LBL.SULLAIR GEN.SERVICE PARTS KIT: MINI CAM TIMER (240v)	1 1 1 1
6	02250096-574	KIT: RPR SAR-X C.TIMER 110/60 Consisting of LABEL MADE IN ENGLAND LBL.SULLAIR GEN.SERVICE PARTS MINI CAM TIMER KIT 110V	1 1 1 1

CAM TIMER ASSEMBLY

2Jan02

Sheet 17 of 20

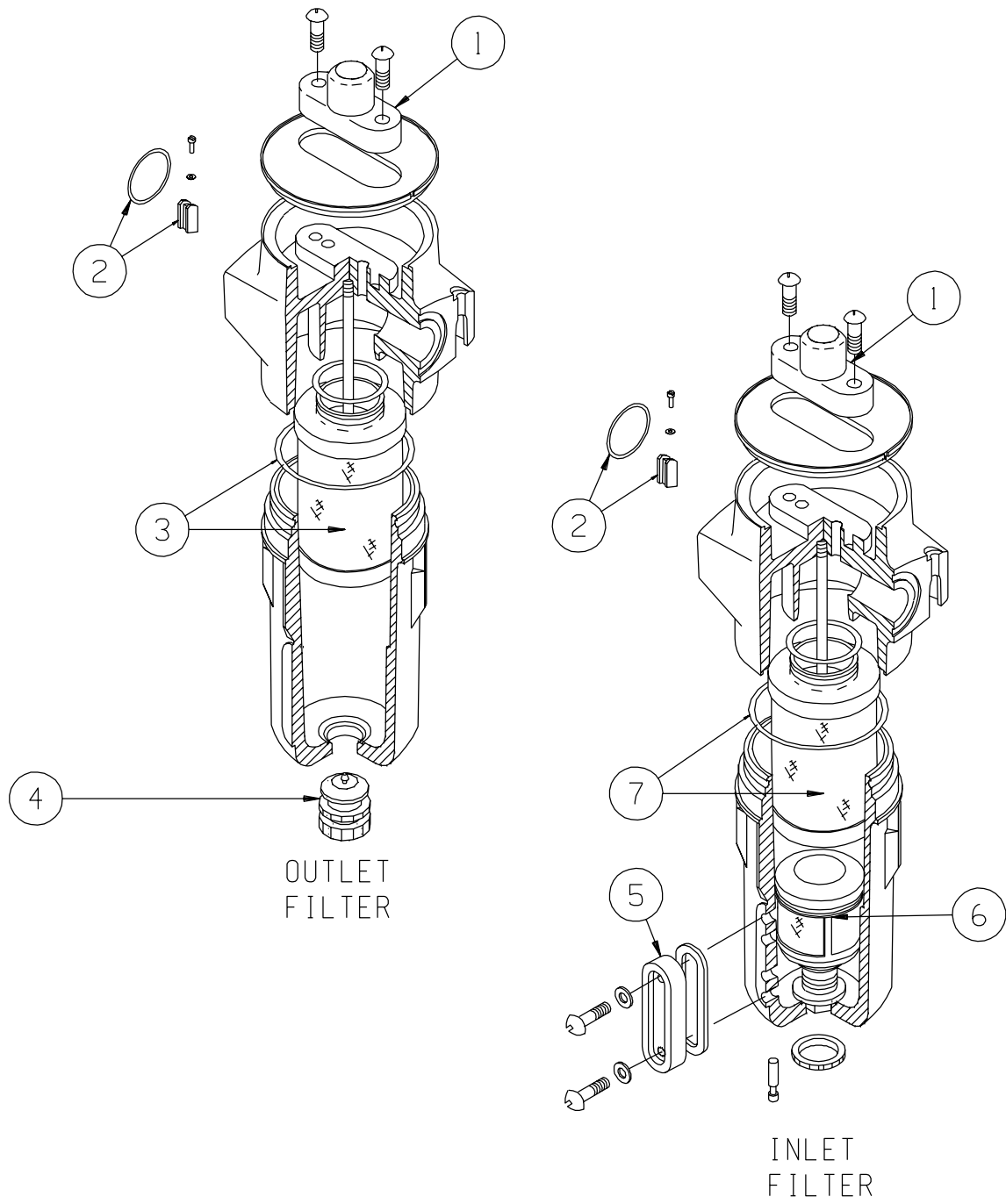
Ref.	Part No	Description	Qty
7	02250096-573	KIT: RPR SAR-X CAM TIMER PNEU Consisting of LABEL MADE IN ENGLAND LBL.SULLAIR GEN.SERVICE PARTS KIT: MINI CAMTIMER (PNEUMATIC)	1 1 1 1
8	02250096-543	KIT: RPR SAR-X MOTOR PNEU. Consisting of LABEL MADE IN ENGLAND LBL.SULLAIR GEN.SERVICE PARTS PNEU. MOTOR/GEARBOX KIT	1 1 1 1

A 5

FILTER ASSEMBLY

2Jan02

Sheet 18 of 20



A 5

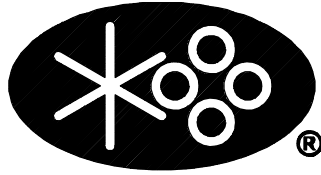
FILTER ASSEMBLY

2Jan02

Sheet 19 of 20

Ref.	Part No	Description	Qty
1	250028-566	DPI 250028-566 Consisting of DPI INSTRUCTIONS SULLAIR D.P. INDICATOR	2 1 1
2	02250103-138	KIT SULLAIR 02250103-138 Consisting of LABEL MADE IN ENGLAND LBL.SULLAIR GEN.SERVICE PARTS FXK 1/2 WEDGE KIT 0006G/0025G	2 1 1 1
3	0250024-423	MPF-20 P/N 250024-423	1
4	250022-967	KIT: SAR MANUAL DRAIN Consisting of	1
5	02250096-645	RPR SAR-X SIGHTGLASS Consisting of LABEL MADE IN ENGLAND LBL.SULLAIR GEN.SERVICE PARTS KIT:SIGHTGLASS	1 1 1 1
6	250022-965	KIT RPR SAR-X DRAIN Consisting of	1
7	0250024-431	MPH-20 P/N 250024-431	1

WORLDWIDE SALES AND SERVICE



SULLAIR ASIA LTD

Sullair road, No. 1
Chiwan, Shekou
Shenzhen, Guangdong PRV.
P.R.C. Post Code 518068
Telephone: 755-6851686
FAX: 755-6853473

SULLAIR EUROPE, S.A.

Zone des Granges BP82
42602 Montbrison,
Cedex, France
Telephone (33) 477968470
Fax (33) 477968499

SULLAIR CORPORATION

Subsidiary of Sundstrand Corporation
3700 East Michigan Boulevard
Michigan City, Indiana 46360 U.S.A.
Telephone: 1-800-SULLAIR (USA Only)
or 1-219-879-5451
FAX:(219) 874-1273
FAX:(219) 874-1835 (Parts)
FAX:(219) 874-1805 (Service)

Specifications Subject To
Change Without Prior Notice