



SULLAIR

DESICCANT AIR DRYER

SAR 106 - SAR 175

PARTS MANUAL

MANUAL DE PIEZAS

MANUEL DE PIECES DE RECHANGE

ERSATZTEIL-HANDBUCH

;

Revision :	1	Date :	20Jan2000	From Serial number :	S41898
------------	---	--------	-----------	----------------------	--------

NOTES

- 1) All drawings shown are the latest versions only.
- 2) Items not specified by part numbers are not separately available. For items not detailed please contact the address on the back page.
- 3) For equipment with serial number prior to this manual please refer to supplementary spares listing relevant to this issue.
- 4) **How to use this manual**
 - i) From drawing on page 3 select section of interest (eg item 1 is shown in section A1).
 - ii) Turn to required section A1 (indicated on top of page).
 - iii) From the drawing at the beginning of the section identify the required item.
 - iv) Items are detailed on the pages following the drawing within each section of interest. Contents of spares kits are listed directly below the kit description.

REMARQUES

- 1) Tous les schémas illustrés correspondent aux dernières versions uniquement.
- 2) Les éléments non identifiés par des numéros de référence ne sont pas disponibles séparément. Pour ces éléments, contacter l'adresse au bas de cette page.
- 3) Pour le matériel dont le numéro de série est inférieur à ce manuel, consulter la liste de pièces supplémentaires correspondant à cette version.
- 4) **Comment utiliser ce manuel**
 - i) A partir du schéma à la page 3, sélectionner la partie qui vous intéresse (par exemple l'élément 1 est traité à la section A1).
 - ii) Passer à la section A1 concernée (indiquée en haut de page).
 - iii) A partir du schéma en fin de section, identifier l'élément nécessaire.
 - iv) Les éléments sont détaillés aux pages qui suivent le schéma dans chaque section. Le contenu des kits de pièces de rechange est donné directement au-dessous de la description du kit.

HINWEISE

- 1) Alle enthaltenen Zeichnungen beziehen sich nur auf die neuesten Versionen.
- 2) Posten, bei denen die Angabe der Teilenummer fehlt, sind nicht einzeln zu beziehen. Für nicht aufgeführte Posten wenden Sie sich an die untenstehende Anschrift.
- 3) Angaben zu Maschinen mit Seriennummern vor diesem Handbuch finden Sie in der jeweils geltenden, ergänzenden Ersatzteilliste.
- 4) **Benutzung dieses Handbuchs.**
 - a) Suchen Sie in der Zeichnung auf Seite 3 den Sie interessierenden Abschnitt (z. B. Posten 1 ist im Abschnitt A1 zu finden).
 - b) Blättern Sie zu dem gewünschten Abschnitt A1 (am Seitenanfang angegeben).
 - c) Suchen Sie den gewünschten Posten auf der Zeichnung am Beginn des Abschnitts.
 - d) Detaillierte Beschreibungen der Posten sind auf den Seiten zu finden, die der Zeichnung in dem Sie interessierenden Abschnitt folgen. Der Inhalt der Ersatzteilsätze ist direkt unter der Satzbeschreibung aufgelistet.

NOTAS

- 1) Todos los dibujos que aparecen son sólo las últimas versiones.
- 2) Los elementos no especificados mediante números de referencia, no se encuentran disponibles por separado. Para obtener información sobre los elementos no detallados, póngase en contacto con la dirección incluida en la parte inferior de la página.
- 3) En equipos con número de serie anteriores a este manual, consulte la lista de repuestos suplementaria relativa a este tema.
- 4) **Uso del presente manual.**
 - i) En el dibujo de la página 3, seleccione la sección de interés (p.ej.: el elemento 1 aparece en la sección A1).
 - ii) Vuelva a la sección A1 necesaria (indicada en la parte superior de la página).
 - iii) En el dibujo del comienzo de la sección, identifique el elemento necesario.
 - iv) Los elementos aparecen detallados en las páginas siguientes al dibujo dentro de cada sección de interés. El contenido de los kits de repuestos aparecen listados directamente a continuación de la descripción del kit.

5) **NOTES REMARQUES HINWEISE NOTAS**

***** SULLAIR DESICCANT DRYERS *****

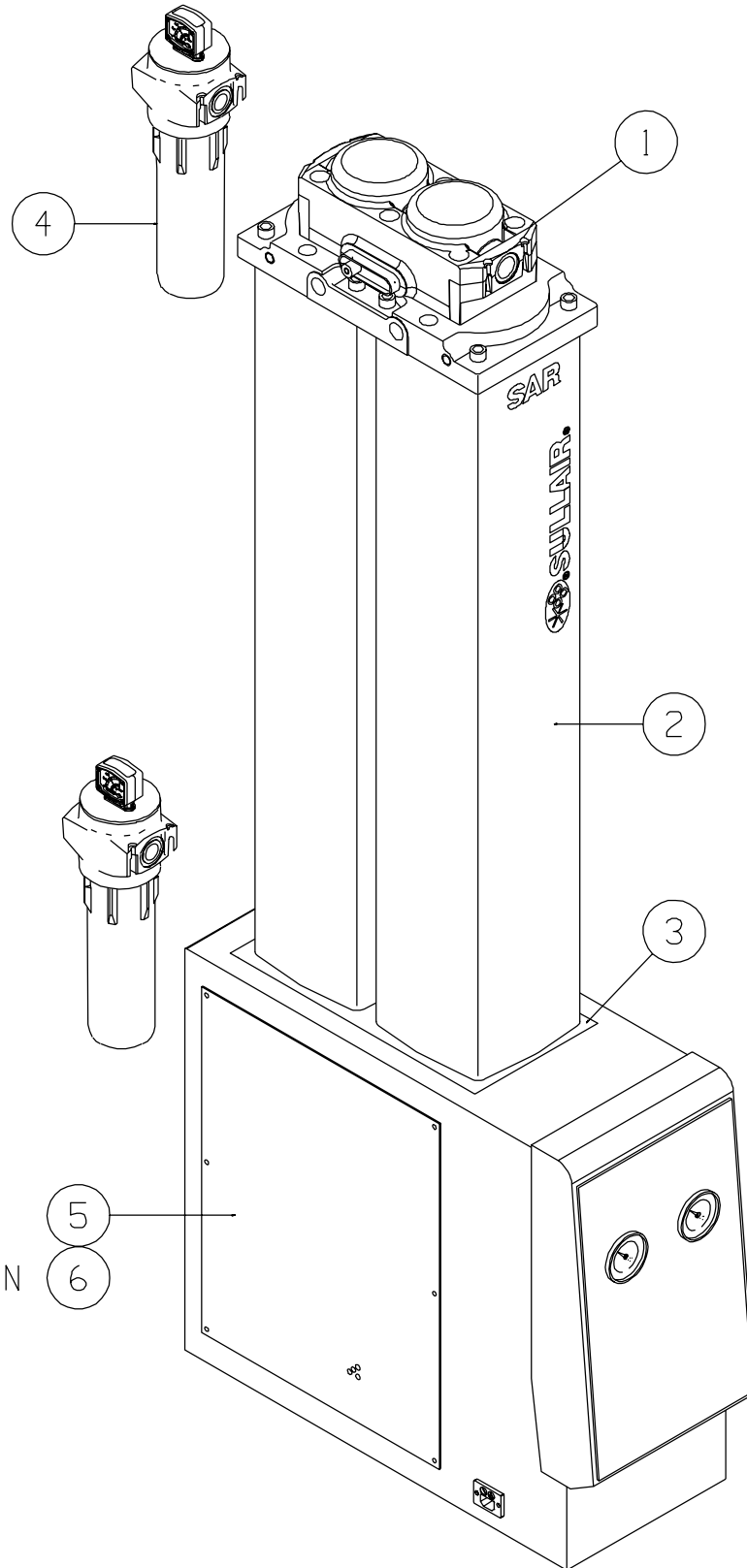
	l/s @ 7barg	scfm @ 100psig
SAR-106	- 53	112
SAR-129	- 64	135
SAR-175	- 84	177

A0

SAR 106-175 DESICCANT DRYER

1Feb00

Sheet 4 of 25



A0

SAR 106-175 DESICCANT DRYER

1Feb00

Sheet 5 of 25

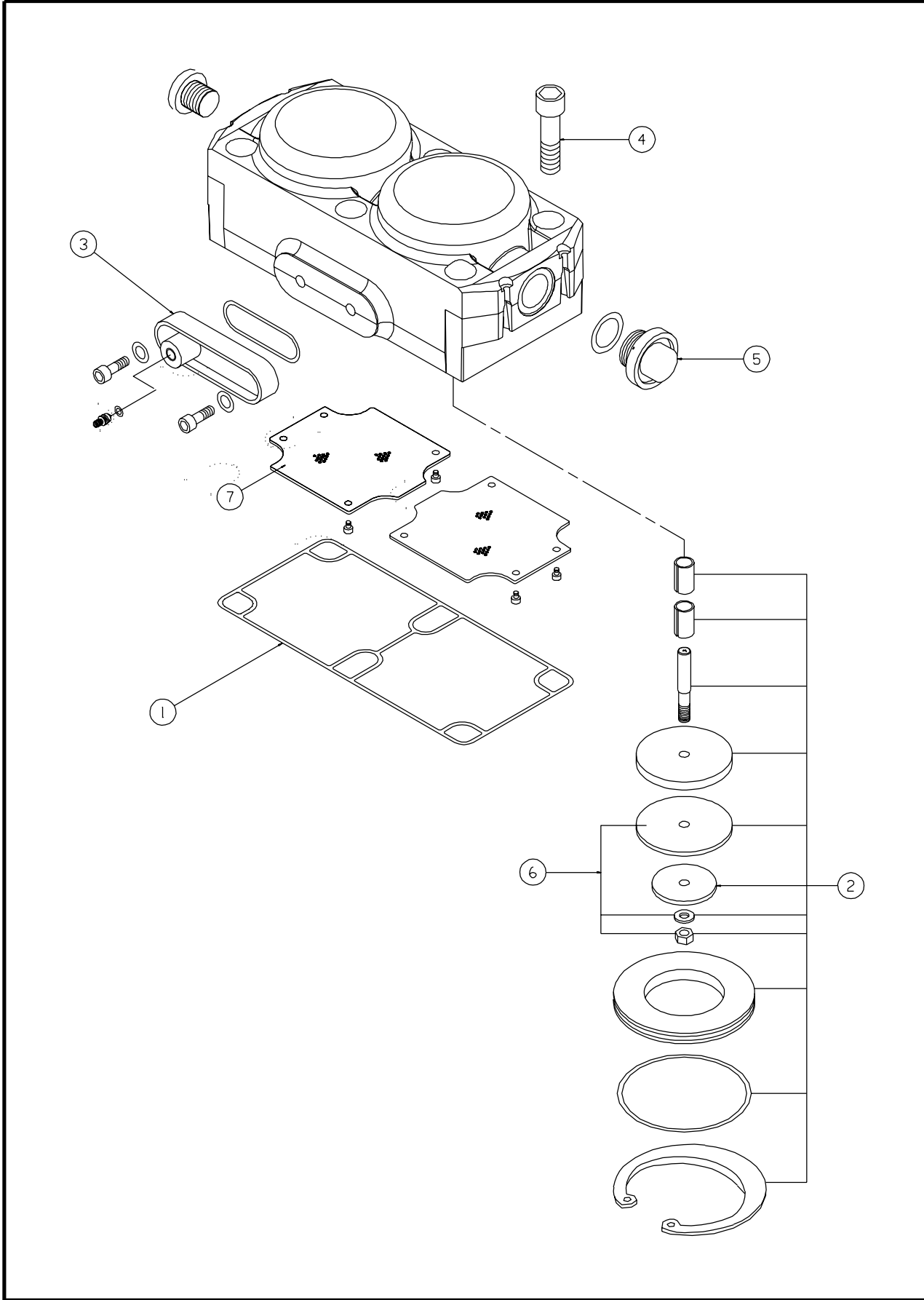
Ref.	Part No	Description	Qty
1		OUTLET HEAD ASSEMBLY	1
2		COLUMN ASSEMBLY	1
3		INLET HEAD ASSEMBLY	1
4		FILTER ASSY 170 SAR 106-175	1
5		FACIA/CONTROL PANEL	1
6		CONTROL ASSEMBLY DDS	1

A 1

OUTLET HEAD ASSEMBLY

1Feb00

Sheet 6 of 25



A 1

OUTLET HEAD ASSEMBLY

1Feb00

Sheet 7 of 25

Ref.	Part No	Description	Qty
1	02250096-539	RPR SAR-X MOULDED GASKET Consisting of LABEL MADE IN ENGLAND LBL.SULLAIR GEN.SERVICE PARTS MOULDED GASKET KIT	1 1 1 1
2	02250103-124	KIT SULLAIR 02250103-124 Consisting of LABEL MADE IN ENGLAND LBL.SULLAIR GEN.SERVICE PARTS CHECK VALVE ASSEMBLY	2 1 1 1
3	02250103-129	KIT SULLAIR 02250103-129 Consisting of LABEL MADE IN ENGLAND LBL.SULLAIR GEN.SERVICE PARTS MIDI PURGE ASSEMBLY KIT	1 1 1 1
4	02250103-133	KIT SULLAIR 02250103-133 Consisting of LABEL MADE IN ENGLAND LBL.SULLAIR GEN.SERVICE PARTS MIDI BOLT KIT	1 1 1 1
5	02250103-126	KIT SULLAIR 02250103-126 Consisting of LABEL MADE IN ENGLAND LBL.SULLAIR GEN.SERVICE PARTS MIDI SIGHTGLASS KIT	1 1 1 1
6	02250103-131	KIT SULLAIR 02250103-131 Consisting of LABEL MADE IN ENGLAND LBL.SULLAIR GEN.SERVICE PARTS CHECK VALVE DISC KIT	1 1 1 1

OUTLET HEAD ASSEMBLY

1Feb00

Sheet 8 of 25

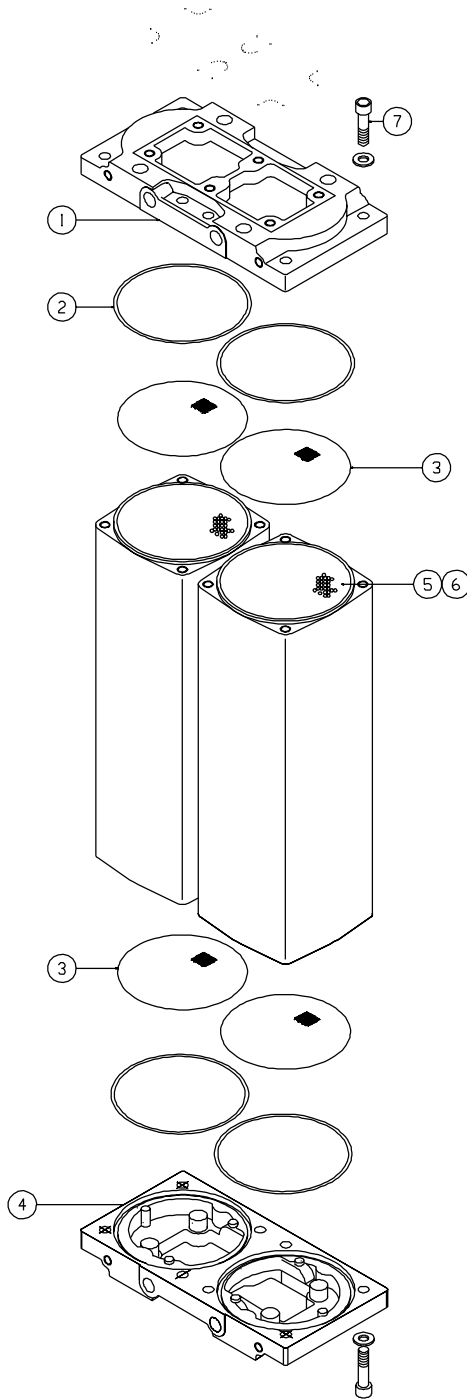
Ref.	Part No	Description	Qty
7	02250103-960	KIT SULLAIR 02250103-960 Consisting of LABEL MADE IN ENGLAND LBL.SULLAIR GEN.SERVICE PARTS CH.HD.SLT.SRW. M3x4 MIDI SUPPORT SCREEN KIT	1 1 1 8 1

A 2

COLUMN ASSEMBLY

1Feb00

Sheet 9 of 25



	ITEM No & QTY REQD	
	ITEM No 5	ITEM No 6
SAR-106	2	1
SAR-129	3	1
SAR-175	1	2

A 2

COLUMN ASSEMBLY

1Feb00

Sheet 10 of 25

Ref.	Part No	Description	Qty
1	02250103-950	KIT SULLAIR 02250103-950 Consisting of LABEL MADE IN ENGLAND LBL.SULLAIR GEN.SERVICE PARTS KIT: OUTLET SUB PLATE	1 1 1 1
2	02250103-951	KIT SULLAIR 02250103-951 Consisting of LABEL MADE IN ENGLAND LBL.SULLAIR GEN.SERVICE PARTS KIT: SEALS	1 1 1 1
3	02250103-952	KIT SULLAIR 02250103-952 Consisting of LABEL MADE IN ENGLAND LBL.SULLAIR GEN.SERVICE PARTS KIT: SCREEN (G EXT)	2 1 1 1
4	02250096-615	RPR SAR-X INL HD SUBPLT PK Consisting of O-RING BS030 O-RING BS035 MIDI SUB-PLATE (60-80) SKT.HD.SCW.M8x40 ZN PLT. KIT: INLET HD.SUBPLT SEAL PK	1 2 2 1 4 1
5	02250096-628	RPR SAR-X DESSICANT 5KG Consisting of LABEL MADE IN ENGLAND LBL.SULLAIR GEN.SERVICE PARTS 5KG DRYFIL A.A. KIT	1 1 1 1
6	02250096-627	RPR SAR-X DESSICANT 18KG Consisting of LABEL MADE IN ENGLAND	1 1

COLUMN ASSEMBLY

1Feb00

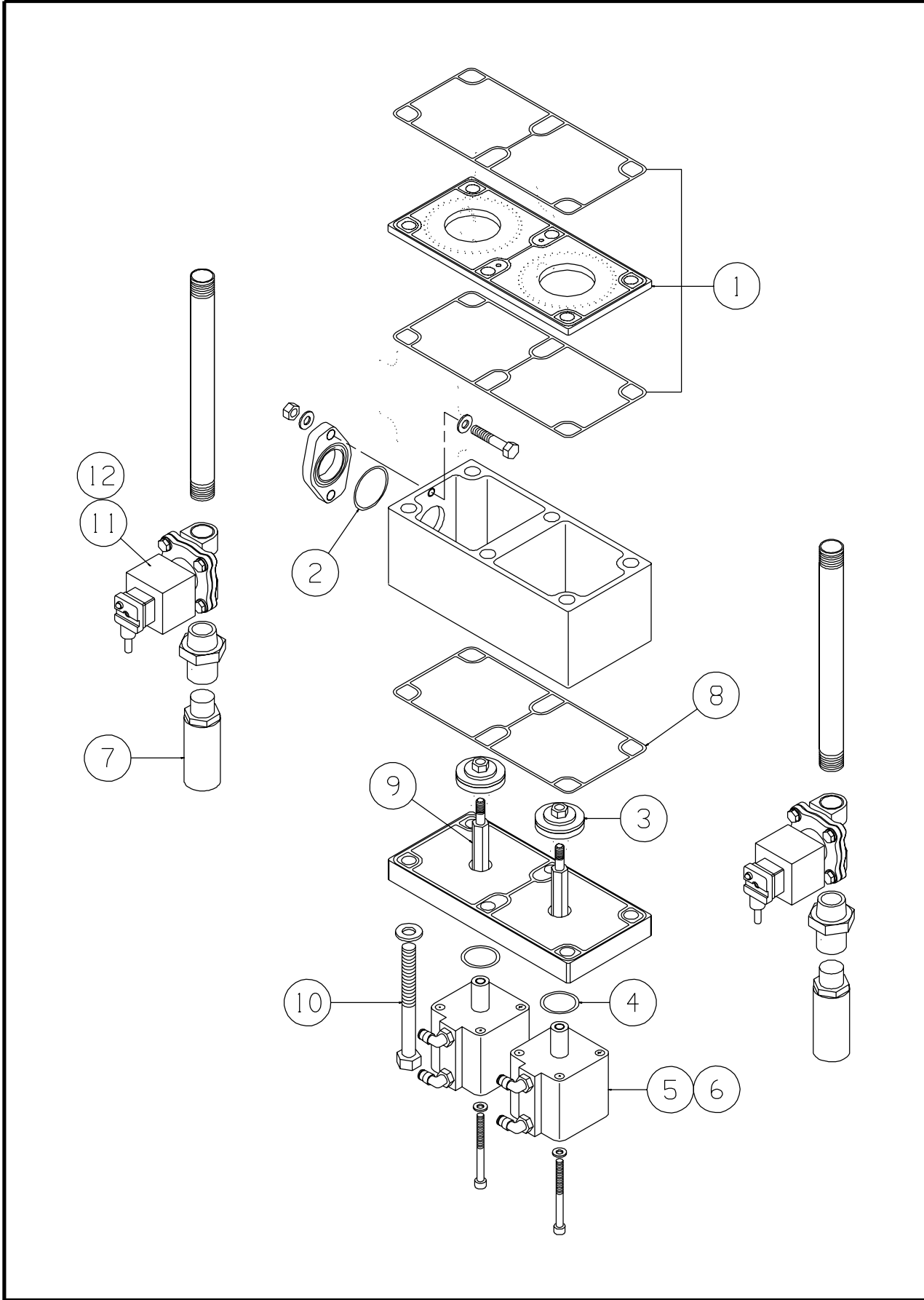
Sheet 11 of 25

Ref.	Part No	Description	Qty
		LBL.SULLAIR GEN.SERVICE PARTS	1
		18KG DRYFIL A.A. KIT	1
7	02250103-956	KIT SULLAIR 02250103-956	1
		Consisting of	
		LABEL MADE IN ENGLAND	1
		LBL.SULLAIR GEN.SERVICE PARTS	1
		MIDIPLUS COLUMN BOLT KIT	1

A 3 INLET HEAD ASSEMBLY

1Feb00

Sheet 12 of 25



A 3 INLET HEAD ASSEMBLY

1Feb00

Sheet 13 of 25

Ref.	Part No	Description	Qty
1	02250103-957	KIT SULLAIR 02250103-957 Consisting of LABEL MADE IN ENGLAND LBL.SULLAIR GEN.SERVICE PARTS EXHAUST STRIKE PLATE KIT	1 1 1 1
2	02250103-958	KIT SULLAIR 02250103-958 Consisting of LABEL MADE IN ENGLAND LBL.SULLAIR GEN.SERVICE PARTS MIDI INLET FLANGE O-RING KIT	1 1 1 1
3	02250104-669	KIT SULLAIR 02250104-669 Consisting of LABEL MADE IN ENGLAND LBL.SULLAIR GEN.SERVICE PARTS MIDIPLUS VALVE DISC KIT	1 1 1 1
4	02250103-959	KIT SULLAIR 02250103-959 Consisting of LABEL MADE IN ENGLAND LBL.SULLAIR GEN.SERVICE PARTS EXHAUST VALVE O-RING KIT	1 1 1 1
5	02250096-550	KIT: RPR SAR-X EX.CYLINDER Consisting of LABEL MADE IN ENGLAND LBL.SULLAIR GEN.SERVICE PARTS EXHAUST CYLINDER KIT	2 1 1 1
6	02250104-668	KIT SULLAIR PN 02250104-668 Consisting of LABEL MADE IN ENGLAND LBL.SULLAIR GEN.SERVICE PARTS KIT: D/ACTING CYLINDER SEAL	1 1 1 1

INLET HEAD ASSEMBLY

1Feb00

Sheet 14 of 25

Ref.	Part No	Description	Qty
7	02250096-612	RPR SAR-X EXHAUSTSILENCER Consisting of 1/2 EXHAUST SILENCER	2 2
8	02250096-539	RPR SAR-X MOULDED GASKET Consisting of LABEL MADE IN ENGLAND LBL.SULLAIR GEN.SERVICE PARTS MOULDED GASKET KIT	2 1 1 1
9	02250119-591	KIT:SAR-X VALVE STEM Consisting of LABEL MADE IN ENGLAND LBL.SULLAIR GEN.SERVICE PARTS VALVE STEM KIT	1 1 1 1
10	02250103-133	KIT SULLAIR 02250103-133 Consisting of LABEL MADE IN ENGLAND LBL.SULLAIR GEN.SERVICE PARTS MIDI BOLT KIT	1 1 1 1
11	02250103-962	KIT SULLAIR 02250103-962 Consisting of LABEL MADE IN ENGLAND LBL.SULLAIR GEN.SERVICE PARTS N/C 2/2 SOL VALVE KIT	2 1 1 1
12	02250103-135	KIT SULLAIR 02250103-135 Consisting of LABEL MADE IN ENGLAND LBL.SULLAIR GEN.SERVICE PARTS 24VDC SOLENOID COIL	2 1 1 1

INLET HEAD ASSEMBLY

1Feb00

Sheet 15 of 25

Ref.	Part No	Description	Qty

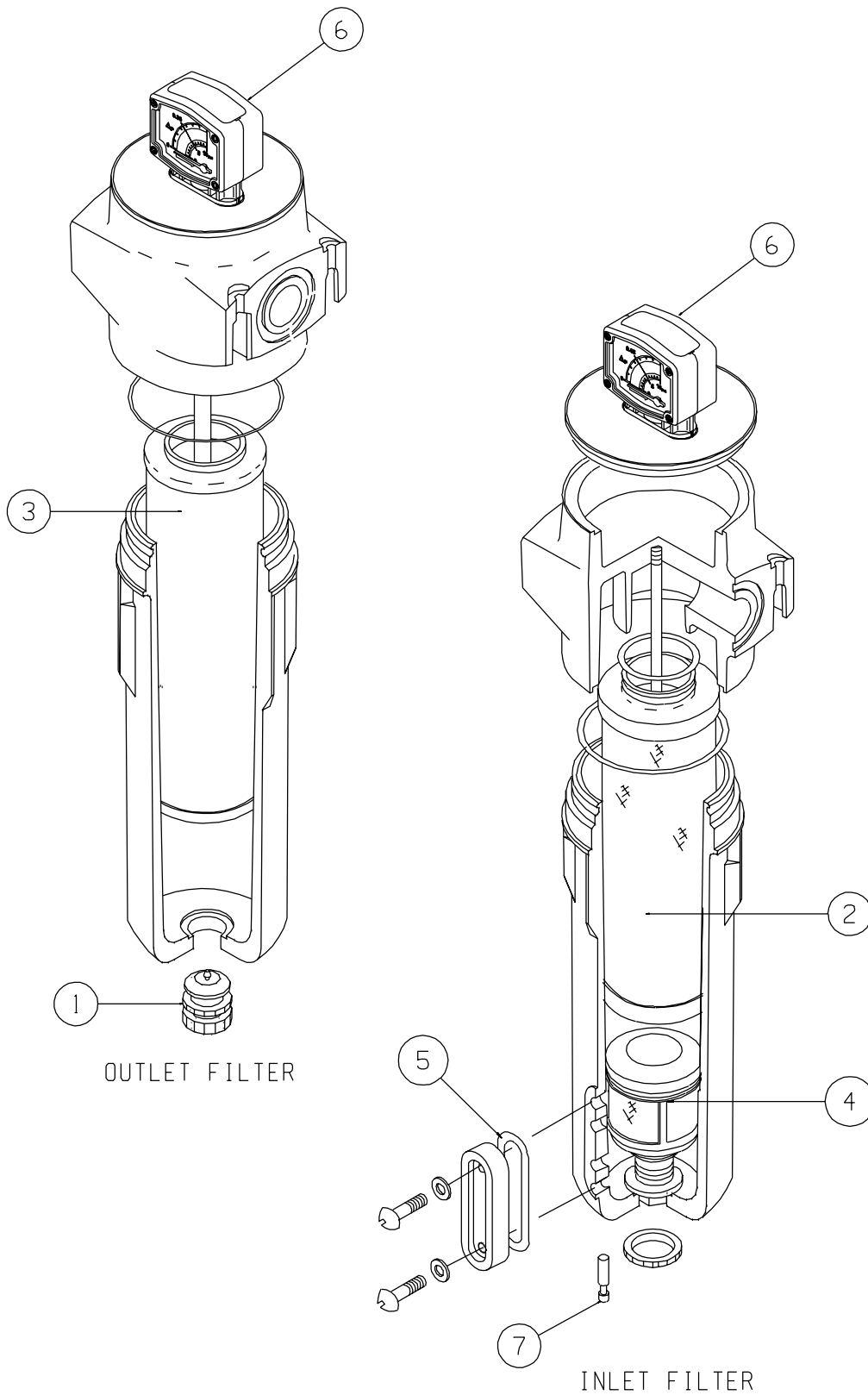
A 4

FILTER ASSY 170 SAR

106-175

1Feb00

Sheet 16 of 25



A 4**FILTER ASSY 170 SAR
106-175**

1Feb00

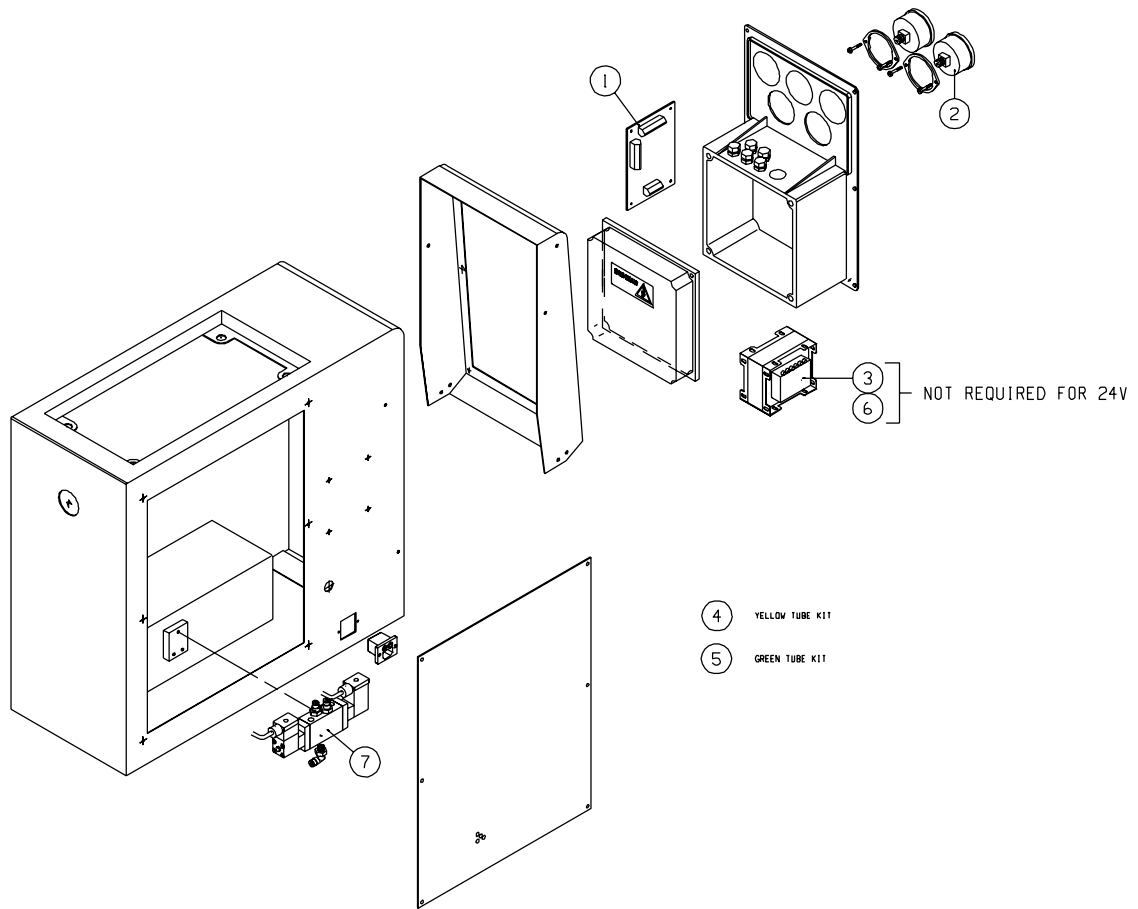
Sheet 17 of 25

Ref.	Part No	Description	Qty
1	250022-967	KIT: SAR MANUAL DRAIN Consisting of	1
2	250024-435	MPH-300 P/N 250024-435	1
3	250024-427	MPF-300 P/N 250024-427	1
4	250022-965	KIT RPR SAR-X DRAIN Consisting of	1
5	250024-295	KIT RPR SAR-X SIGHT GLASS KIT Consisting of	1
6	250017-451	DPG KIT SULLAIR Consisting of DPG KIT	2 1
7	02250103-963	KIT SULLAIR 02250103-963 Consisting of LABEL MADE IN ENGLAND LBL.SULLAIR GEN.SERVICE PARTS KIT: VALVE CORE 8500	1 1 1 1

A 5 FACIA/CONTROL PANEL

1Feb00

Sheet 18 of 25



*** ITEMS 3 AND 6 NOT REQUIRED FOR 24V *****

A 5 FACIA/CONTROL PANEL

1Feb00

Sheet 19 of 25

Ref.	Part No	Description	Qty
1	02250103-136	KIT SULLAIR 02250103-136 Consisting of LABEL MADE IN ENGLAND LBL.SULLAIR GEN.SERVICE PARTS ELECTRONIC MIDI CAM TIMER KIT	1 1 1 1
2	02250096-637	RPR SAR-X PRESSURE GAUGE Consisting of OUTLET PRESSURE GUAGE	2 1
3	02250103-945	KIT SULLAIR 02250103-945 Consisting of LABEL MADE IN ENGLAND LBL.SULLAIR GEN.SERVICE PARTS 230V MIDI TRANSFORMER KIT	1 1 1 1
4	02250096-640	RPR SAR-X NYLON TUBE YELLOW Consisting of LABEL MADE IN ENGLAND LBL.SULLAIR GEN.SERVICE PARTS NYLON TUBE SPARES PACK	1 1 1 1
5	02250096-639	RPR SAR-X NYLON TUBE GREEN Consisting of LABEL MADE IN ENGLAND LBL.SULLAIR GEN.SERVICE PARTS NYLON TUBE SPARES PACK	1 1 1 1
6	02250103-135	KIT SULLAIR 02250103-135 Consisting of LABEL MADE IN ENGLAND LBL.SULLAIR GEN.SERVICE PARTS 24VDC SOLENOID COIL	1 1 1 1

FACIA/CONTROL PANEL

1Feb00

Sheet 20 of 25

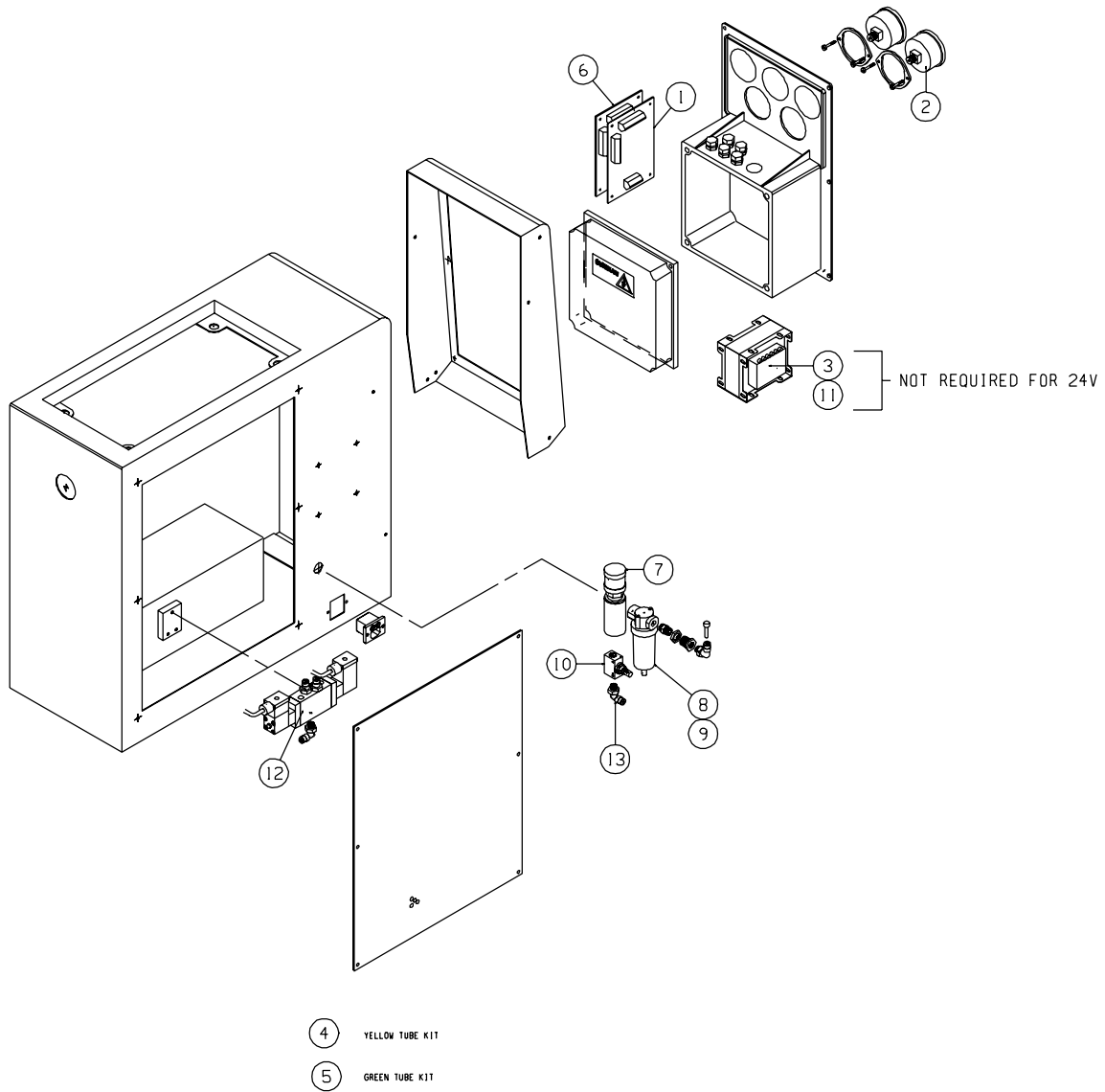
Ref.	Part No	Description	Qty
7	02250103-964	KIT SULLAIR 02250103-964 Consisting of LABEL MADE IN ENGLAND LBL.SULLAIR GEN.SERVICE PARTS VGD15 VALVE KIT	1 1 1 1

A 6

CONTROL ASSEMBLY DDS

1Feb00

Sheet 21 of 25



*** ITEMS 3 AND 11 NOT REQUIRED FOR 24V *****

A 6

CONTROL ASSEMBLY

DDS

1Feb00

Sheet 22 of 25

Ref.	Part No	Description	Qty
1	02250103-136	KIT SULLAIR 02250103-136 Consisting of LABEL MADE IN ENGLAND LBL.SULLAIR GEN.SERVICE PARTS ELECTRONIC MIDI CAM TIMER KIT	1 1 1 1
2	02250096-637	RPR SAR-X PRESSURE GAUGE Consisting of OUTLET PRESSURE GUAGE	2 1
3	02250103-945	KIT SULLAIR 02250103-945 Consisting of LABEL MADE IN ENGLAND LBL.SULLAIR GEN.SERVICE PARTS 230V MIDI TRANSFORMER KIT	1 1 1 1
4	02250096-640	RPR SAR-X NYLON TUBE YELLOW Consisting of LABEL MADE IN ENGLAND LBL.SULLAIR GEN.SERVICE PARTS NYLON TUBE SPARES PACK	1 1 1 1
5	02250096-639	RPR SAR-X NYLON TUBE GREEN Consisting of LABEL MADE IN ENGLAND LBL.SULLAIR GEN.SERVICE PARTS NYLON TUBE SPARES PACK	1 1 1 1
6	02250103-946	KIT SULLAIR 02250103-946 Consisting of LABEL MADE IN ENGLAND LBL.SULLAIR GEN.SERVICE PARTS CERMET INTERFACE KIT	1 1 1 1

CONTROL ASSEMBLY

DDS

1Feb00

Sheet 23 of 25

Ref.	Part No	Description	Qty
7	02250096-514	RPR SAR_X 1/8 SENSOR BLOCK Consisting of LABEL MADE IN ENGLAND LBL.SULLAIR GEN.SERVICE PARTS 1/8 NPT SENSOR BLOCK KIT	1 1 1 1
8	02250103-947	KIT:SAR-X FEED ELEMENT Consisting of BOX 60LG x 30 x 30 PLAIN LABEL MADE IN ENGLAND LBL.SULLAIR GEN.SERVICE PARTS FEED ELEMENT	1 1 1 1 1
9	02250096-513	RPR SAR-X 1/8 FILTER Consisting of LABEL MADE IN ENGLAND LBL.SULLAIR GEN.SERVICE PARTS 1/8 FILTER KIT	1 1 1 1
10	02250096-512	RPR SAR-X 1/8 BSPP NEEDLE VLV Consisting of LABEL MADE IN ENGLAND LBL.SULLAIR GEN.SERVICE PARTS 1/8 BSPP NEEDLE VALVE KIT	1 1 1 1
11	02250103-135	KIT SULLAIR 02250103-135 Consisting of LABEL MADE IN ENGLAND LBL.SULLAIR GEN.SERVICE PARTS 24VDC SOLENOID COIL	1 1 1 1
12	02250103-964	KIT SULLAIR 02250103-964 Consisting of LABEL MADE IN ENGLAND LBL.SULLAIR GEN.SERVICE PARTS VGD15 VALVE KIT	1 1 1 1

CONTROL ASSEMBLY

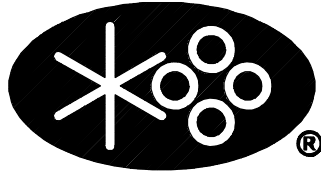
DDS

1Feb00

Sheet 24 of 25

Ref.	Part No	Description	Qty
13	02250103-948	KIT SULLAIR 02250103-948 Consisting of LABEL MADE IN ENGLAND LBL.SULLAIR GEN.SERVICE PARTS 1/8 X 4MM ELBOW KIT	1 1 1 1

WORLDWIDE SALES AND SERVICE



SULLAIR ASIA LTD

Sullair road, No. 1
Chiwan, Shekou
Shenzhen, Guangdong PRV.
P.R.C. Post Code 518068
Telephone: 755-6851686
FAX: 755-6853473

SULLAIR EUROPE, S.A.

Zone des Granges BP82
42602 Montbrison,
Cedex, France
Telephone (33) 477968470
Fax (33) 477968499

SULLAIR CORPORATION

Subsidiary of Sundstrand Corporation
3700 East Michigan Boulevard
Michigan City, Indiana 46360 U.S.A.
Telephone: 1-800-SULLAIR (USA Only)
or 1-219-879-5451
FAX:(219) 874-1273
FAX:(219) 874-1835 (Parts)
FAX:(219) 874-1805 (Service)

Specifications Subject To
Change Without Prior Notice