

Atlas Copco Stationary Air Compressors

GA30, GA37, GA45, GA55C

GA30 W, GA37 W, GA45 W, GA55C W

Elektronikon® I regulator - Pack / Pack Full-feature

Elektronikon® II regulator - WorkPlace / WorkPlace Full-feature

Parts list

From following serial No. onwards:
AII 380 000

- Copyright 2002, Atlas Copco Airpower n.v., Antwerp, Belgium.
Any unauthorized use or copying of the contents or any part thereof is prohibited.
This applies in particular to trademarks, model denominations, part numbers and drawings.
- **Use only authorized parts.** Any damage or malfunction caused by the use of unauthorized parts is not covered by Warranty or Product Liability.

No. 2930 1332 01

Registration code : APC G30-55C/98 / 39 / 993

Replaces No. 2930 1332 00

2002-04

www.atlascopco.com

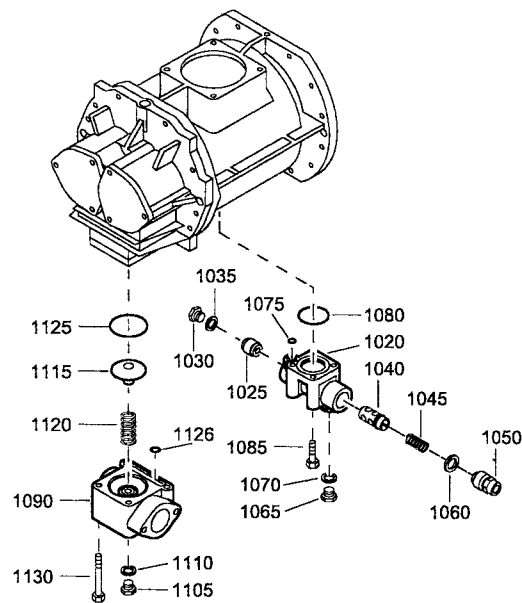
Atlas Copco

Contents Inhoud Innehåll Inhaltsverzeichnis Table des matières Indice	Indice Innehållsfortegnelse Indice Innehållsfortegnelse Sisällysluettelo
Valve parts Kleponderdelen Ventildetaljer Ventilteile Détails des soupapes Detalles de las válvulas Dettagli delle valvole Ventilteile Peças das válvulas Ventildeler Venttiilin osat 1	Depósito de aire Serbatoio dell'aria Luftbehølder Reservatório de ar Luftbehølder Ilmasäiliö 8
Drive arrangement Aandrijfuitvoering Drivarrangemang Antriebsanordnung Dispositif d'entraînement Disposición de accionamiento Disposizione di azionamento Arrangement Disposição de accionamento Drivarrangement Rakenne - GA30(W)-7.5 2	Oil system Oliesysteem Oljesystem Ösystem Système d'huile Sistema de aceite Sistema dell'olio Oliesystem Sistema de óleo Oljesystem Voitelujärjestelmä - GA 9 - GA W 10
- GA30(W)-10, -13, -100, -125, -150, -175, GA37(W), GA45(W), GA55C(W) 3	Cooler(s) Koøler(s) Kylare Køhler Refrøidisseur(s) Refrigerador(es) Refrigeratore(i) Kølere Refrigerador(es) Kjøler(e) Jæhdyttimet - GA 11 - GA W 12
Motor and coupling Motor en koppeling Motor och koppling Motor und Kupplung Moteur et accouplement Motor, y acoplamiento Motore elettrico e giunto Motor og kobling Motor e acoplamento Motor og kopling Moottori ja kytkin 4	Water system Watersysteem Vattensystem Wassersystem Système d'eau Sistema de agua Sistema dell'acqua Vandsystem Sistema de água Vannsystem Vesijärjestelmä - GA W 13
Air flow Luchtstroming Luftfløde Luftstrom Flux d'air Flujo de aire Flusso d'aria Luftflow Fluxo de ar Luftstrøm Ilman virtaus - GA 5	Air outlet Luchtuitlaat Luftutløpp Luftauslaß Sortie d'air Salida de aire Mandata dell'aria Luftafgang Saida de ar Luftutløp Paineilmaputki - Pack - GA 14 - Pack - GA W 15 - WorkPlace - GA 16 - WorkPlace - GA W 17 - Pack FF / WorkPlace FF 18
- GA W 6	
Unloader Ontlader Avlastningsenhet Entlastungsvorrichtung Déchargeur Descargador Gruppo di messa a vuoto Aflaster Sistema de descarga Avlaster Kevennin 7	
Air receiver Luchtketel Luftbehøllare Luftbehølter Réservoir d'air	

Air dryer		
Luchtdroger		
Lufttorkare		
Lufttrockner		
Sécheur d'air		
Secador de aire		
Essiccatore d'aria		
Lufttørrer		
Secador de ar		
Lufttørker		
Kuivain		
- Pack FF / WorkPlace FF - GA30(W), GA37(W), GA45(W)	19	
- Pack FF / WorkPlace FF - GA55C(W)	20	
By-pass		
Omløopleiding		
Förbildningskanal		
Umgehungsleitung		
Tuyaux de by-pass		
Tubería de derivación		
By-pass		
By-pass		
Tubagem de derivação		
Omløpsrør		
Ohitus		
- Pack FF / WorkPlace FF - GA	21	
- Pack FF / WorkPlace FF - GA W	22	
Regulating system		
Regelsysteem		
Reglersystem		
Regelsystem		
Système de régulation		
Sistema de regulación		
Sistema di regolazione		
Reguleringssystem		
Sistema de regulação		
Reguleringssystem		
Säätöjärjestelmä	23	
Bodywork		
Carrosserie		
Karosseri		
Karosserie		
Capotage		
Carroceria		
Cappottatura		
Karosseri		
Carroceria		
Kabinett		
Kotelo	24	
Modulating control		
Modulatiecontrole		
Moduleringskontroll		
Modulationskontrolle		
Contrôle de la modulation		
Control de modulacion		
Controllo continuo		
Modulationsstyring		
Controlo de modulação		
Modulaçõesregulering		
Modulointisäätö	25	
Start cubicle - star/delta		
Startkast - ster/driehoek		
Startskåp - stjärn/triangel		
Anlaßschrank - Stern/Dreieck		
Armoire de démarrage - étoile/triangle		
Cubículo de arranque - estrella/triángulo		
Armadio apparecch. di avviamento - stella/triangolo		
Starterskab - stjerne/trekant		
Cubículo-arranque estrela/triângulo		
Startskap - stjerne-trekant		
Käynnistinkotelo - Y/D		
- Elektronikon I - IEC	26	
- Elektronikon II - IEC	27	
- Elektronikon I - CSA-UI	28	
- Elektronikon II - CSA-UI	29	
Energy recovery system		
Energierückgewinnungssystem		
Energierückgewinnungssystem		
Système de récupération d'énergie		
Sistema de recuperación de energía		
Sistema di recupero energia		
Energigenvinding		
Sistema de recuperação de energia		
Energigjenvinningssystem		
Energian talteenottojärjestelmä	30	
Drain system		
Aftapsysteem		
Avtappingssystem		
Ablaßsystem		
Système de vidange		
Sistema de drenaje		
Sistema di scarico		
Drænsystem		
Sistema de drenagem de condensados		
Avtappingssystem		
Lauhteenpoistojärjestelmä		
- Oil Separator condensate Drain	31	
- Electronic Water Drain	32	
Rain protection		
Regenbescherming		
Regnskydd		
Regenschutz		
Protection contre la pluie		
Protección la lluvia		
Protezione contro la pioggia		
Regnbeskyttelse		
Protecção contra a chura		
Regnbeskyttelse		
Sadesvuoja	33	
DD Filter kit		
DD Filter kit		
DD Filter kit		
DD Filter kit		
Kit, filtre DD		
Equipo de filtros DD		
Kit, filtro DD		
DD Filtersaet		
Kit, filtro DD		
DD Filtersett		
DD-suodatinsarja		
- Pack FF / WorkPlace FF	34	
Lifting device		
Hijstoestel		
Lyftverktyg		
Hebezeug		
Outil de levage		
Aparato de elevación		
Utensile di sollevamento		
Lyftverktyg		
Ferramenta de elevação		
Løfteværktøj		
Nostotyökalu	35	
Service kits		
Service kits		
Service kits		
Service Kits		
Service kits		
Service kits		
Kit per la manutenzione		
Service kits		
Conjuntos de reparação		
Servicesett		
Huoltotarvikesarjat	36	

1

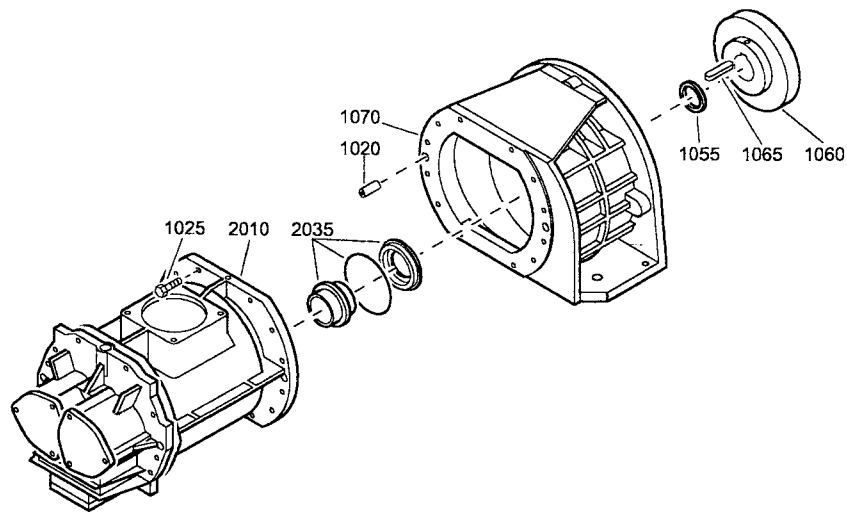
Valve parts



60793_20

Ref.	Part number	Qty	Name	Remarks	Ref.	Part number	Qty	Name	Remarks
1020	1613 2355 00	1	Body		1080	0663 7135 00	1	O-ring	
1025	1613 2359 00	1	Piston		1085	0147 1336 03	4	Hexagon bolt	
1030	0686 3716 07	1	Hexagon plug		1090	1613 7960 00	1	Valve housing	
1035	0661 1000 44	1	Seal washer		1105	0686 3716 38	1	Hexagon plug	
1040	1613 2356 00	1	Valve		1110	0661 1000 40	1	Seal washer	
1045	1613 2357 00	1	Compr.spring		1115	1202 6139 00	1	Valve	
1050	1613 8140 00	1	Nipple		1120	1613 5165 00	1	Spring	
1060	0661 1000 44	1	Seal washer		1125	0663 7138 00	1	O-ring	
1065	0686 3716 47	1	Hexagon plug		1126	0663 2107 77	1	O-ring	
1070	0661 1000 39	1	Seal washer		1130	0147 1374 03	4	Hexagon bolt	
1075	0663 3120 00	1	O-ring						

Drive arrangement - GA30(W)-7.5

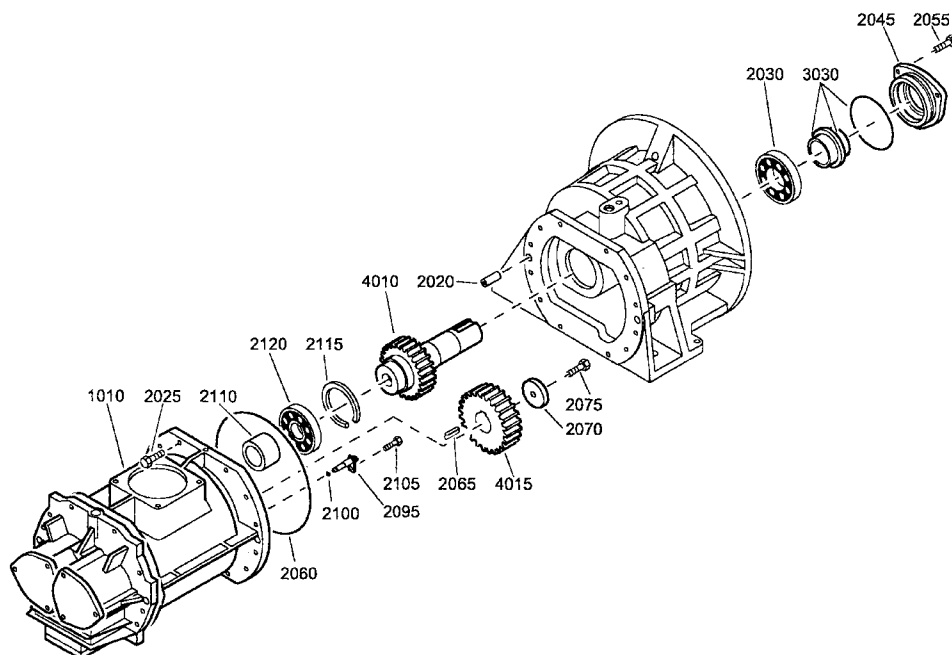


61469_01

Ref.	Part number	Qty	Name	Remarks	Ref.	Part number	Qty	Name	Remarks
1020	0101 1951 40	2	Pin		1070	1613 8639 00	1	Coupling housing	
1025	0147 1365 03	12	Hexagon bolt			2989 0158 00	1	Service stage	
1055	1613 8699 00	1	Bushing		2010		• 1	Compressor element	
1060	1613 9827 00	1	Coupling half		2035	2901 0502 00	• 1	Shaft seal kit	
1065	0337 6068 00	1	Parallel key						

3

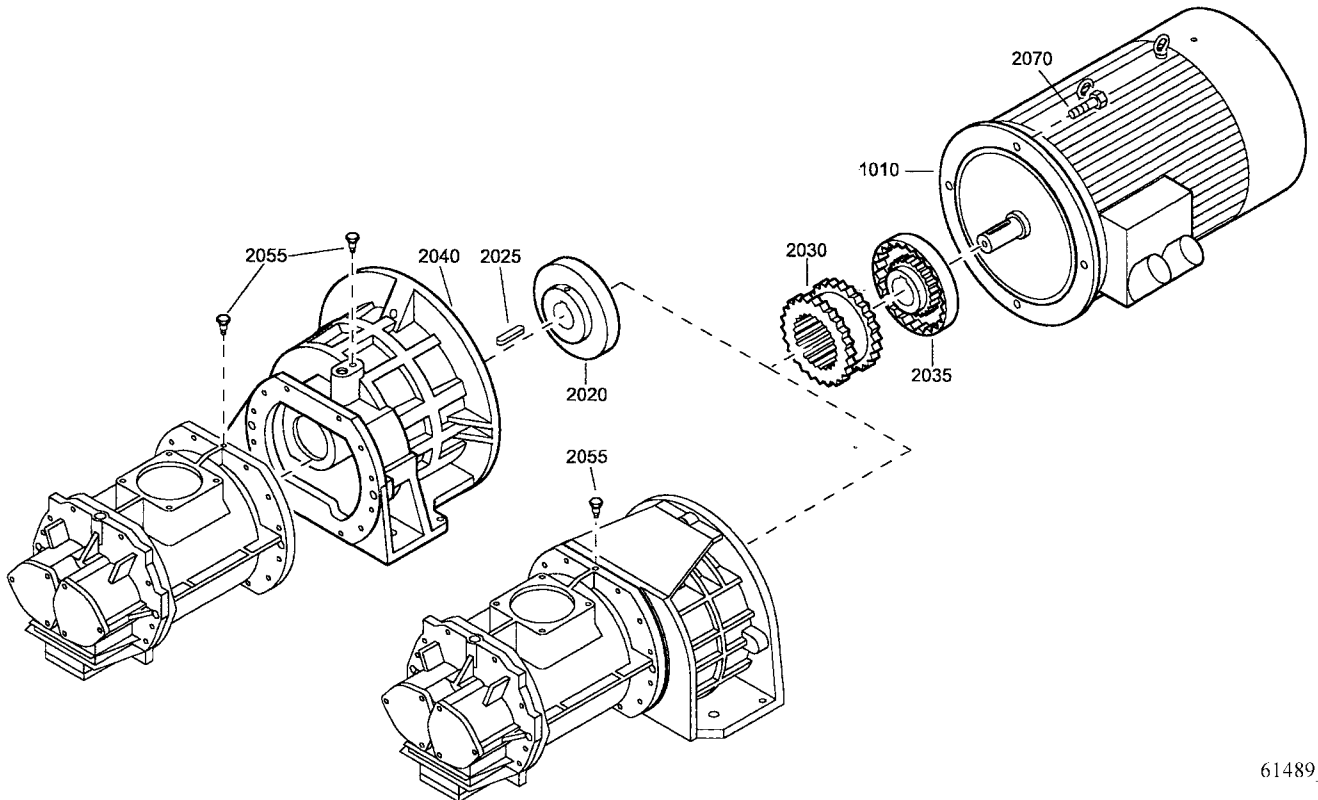
Drive arrangement
GA30(W)-10, -13, -100, -125, -150, -175, GA37(W), GA45(W), GA55C(W)



61470_01

Ref.	Part number	Qty	Name	Remarks	Ref.	Part number	Qty	Name	Remarks
1010	2989 0159 00	1	Service stage		1613 8980 00			GA55C(W)-7.5bar(e)	
2020	0101 1951 40	2	Pin		1613 8982 00			GA55C(W)-10bar(e)	
2025	0147 1365 03	12	Hexagon bolt		1613 8984 00			GA55C(W)-100psi	
2030	0504 0200 13	1	Bearing		1613 8986 00			GA55C(W)-125psi	
2045	1613 8167 00	1	Retainer		1613 8988 00			GA55C(W)-150psi	
2055	0147 1326 03	3	Hexagon bolt		1613 8860 00			GA30(W)-125psi, GA30(W)-175psi	
2060	0663 2103 22	1	O-ring		1613 8864 00			GA45(W)-10bar(e)	
2065	0337 0009 35	1	Parallel key		4015	1		Gear wheel	
2070	1616 4928 00	1	Washer		1613 8448 00			GA30(W)-13bar(e)	
2075	0147 1409 03	1	Hexagon bolt		1613 8539 00			GA37(W)-100psi, GA45(W)-150psi	
2095	1613 8181 00	1	Nozzle		1613 8444 00			GA45(W)-7.5bar(e)	
2100	0663 2109 30	1	O-ring		1613 8537 00			GA37(W)-7.5bar(e), GA45(W)-100psi	
2105	0147 1322 03	1	Hexagon bolt		1613 8542 00			GA30(W)-8bar(e), GA45(W)-175psi	
2110	1613 8166 00	1	Bushing		1613 8544 00			GA30(W)-100psi	
2115	0335 2169 00	1	Int.circlip		1613 8556 00			GA37(W)-8bar(e)	
2120	0508 1100 50	1	Roller bearing		1613 8668 00			GA30(W)-150psi	
3000	2904 0061 00	1	Lipseal kit		1613 8547 00			GA45(W)-13bar(e), GA45(W)-125psi, GA55C(W)-175psi	
4010		1	Drive shaft		1613 8446 00			GA37(W)-13bar(e)	
	1613 8447 00		GA30(W)-13bar(e)		1613 8180 00			GA37(W)-10bar(e)	
	1613 8538 00		GA37(W)-100psi, GA45(W)-150psi		1613 8672 00			GA45(W)-8bar(e), GA55C(W)-13bar(e)	
	1613 8443 00		GA45(W)-7.5bar(e)		1613 8863 00			GA37(W)-125psi	
	1613 8536 00		GA37(W)-7.5bar(e), GA45(W)-100psi		1613 8859 00			GA30(W)-175psi	
	1613 8543 00		GA30(W)-8bar(e), GA45(W)-175psi		1613 8175 00			GA30(W)-10bar(e), GA37(W)-150psi	
	1613 8545 00		GA30(W)-100psi		1613 8981 00			GA55C(W)-7.5bar(e)	
	1613 8557 00		GA37(W)-8bar(e)		1613 8983 00			GA55C(W)-10bar(e)	
	1613 8667 00		GA30(W)-150psi		1613 8985 00			GA55C(W)-100psi	
	1613 8546 00		GA45(W)-13bar(e), GA45(W)-125psi, GA55C(W)-175psi		1613 8987 00			GA55C(W)-125psi	
	1613 8445 00		GA37(W)-13bar(e)		1613 8989 00			GA55C(W)-150psi	
	1613 8174 00		GA37(W)-10bar(e)		1613 8861 00			GA30(W)-125psi, GA30(W)-175psi	
	1613 8671 00		GA45(W)-8bar(e), GA55C(W)-13bar(e)		1613 8865 00			GA30(W)-175psi, GA45(W)-10bar(e)	

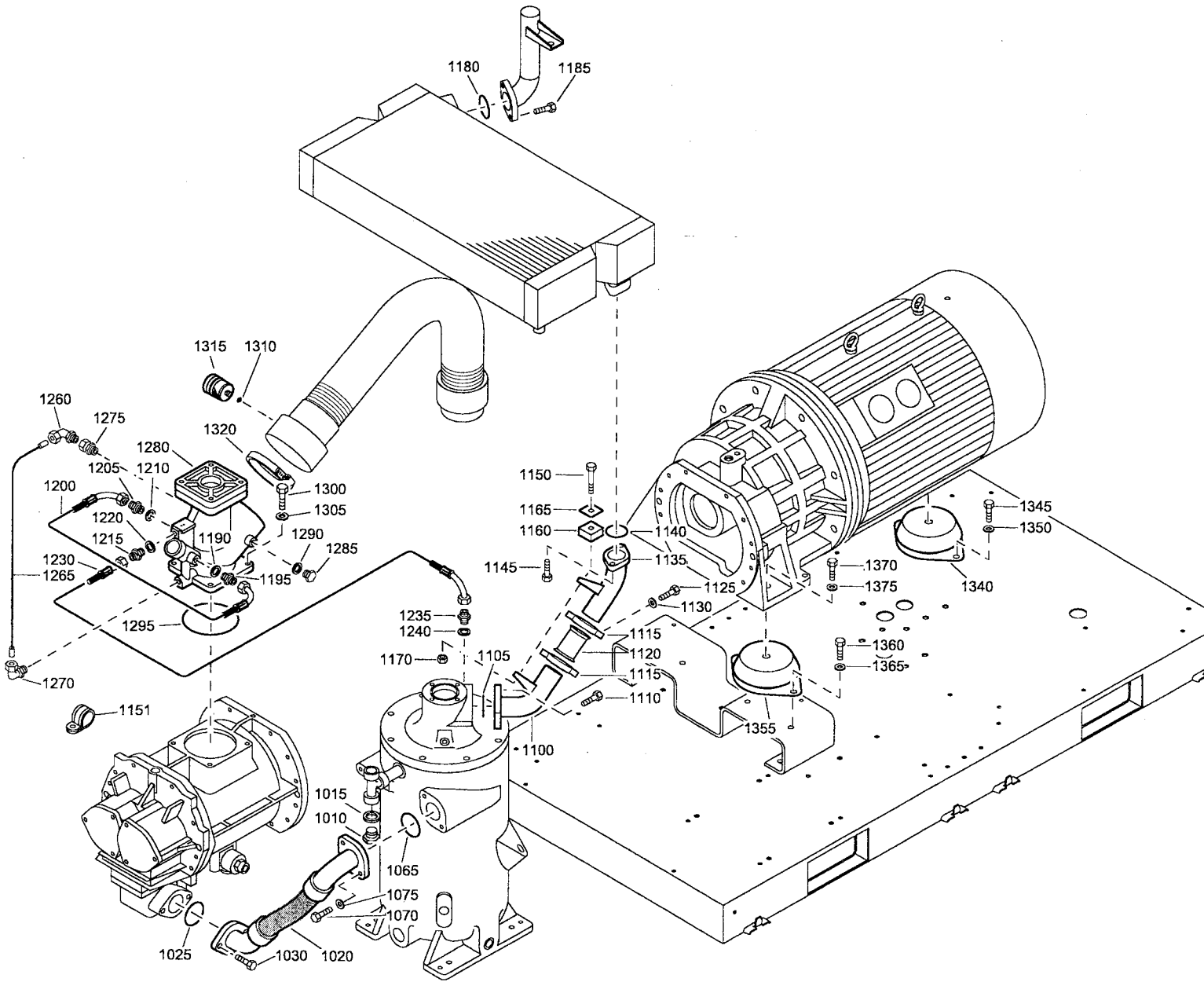
Motor and coupling



61489_08

Ref.	Part number	Qty	Name	Remarks	Ref.	Part number	Qty	Name	Remarks
1010		1	Motor		2030		1	Coupling element	
	1080 4155 08		GA30(W) 200V/60Hz		1613 9823 00			GA30(W), GA37(W),	
	1080 4155 05		GA30(W) 230-460V/60Hz					GA45(W)	
	1080 4155 02		GA30(W) 230V/50Hz		1613 9585 00			GA55C(W)	
	1080 4155 06		GA30(W) 380V/60Hz		2035		1	Coupling half	
	1080 4155 03		GA30(W) 400V/50Hz		1613 9825 01			GA30(W)-bar(e),	
	1080 4156 03		GA30(W) 400V/60Hz					GA37(W)bar(e), GA45(W)-	
	1080 4155 04		GA30(W) 500V/60Hz					bar(e)	
	1080 4155 07		GA30(W) 575V/60Hz		1613 9825 02			GA30(W)-psi, GA37(W)-psi,	
	1080 4156 08		GA37(W) 200V/60Hz					GA45(W)-psi	
	1080 4156 05		GA37(W) 230-460V/60Hz		1613 9680 02			GA55C(W)-bar(e)	
	1080 4156 02		GA37(W) 230V/50Hz		1613 9680 01			GA55C(W)-psi	
	1080 4156 06		GA37(W) 380V/60Hz		2040		1	Gearcasing	
	1080 4156 04		GA37(W) 500V/60Hz		1613 8163 00			GA30(W)-10bar(e),	
	1080 4156 07		GA37(W) 575V/60Hz					GA30(W)-13bar(e),	
	1080 4157 01		GA45(W) 200-230V/50-60Hz					GA30(W)-psi	
	1080 4157 08		GA45(W) 200V/60Hz		1613 8234 00			GA37(W)-psi, GA45(W)-psi	
	1080 4157 05		GA45(W) 230-460V/60Hz		1613 8979 00			GA55C(W)-bar(e)	
	1080 4157 02		GA45(W) 230V/50Hz		1613 9970 00			GA55C(W)-psi	
	1080 4157 06		GA45(W) 380V/60Hz		2055			Nipple SPM	
	1080 4157 03		GA45(W) 400V/50Hz		1619 6032 00		1	GA30(W)-7.5bar(e)	
	1080 4156 03		GA45(W) 400V/60Hz		1619 6032 00		2	GA30(W)-10bar(e),	
	1080 4157 04		GA45(W) 500V/60Hz					GA30(W)-13bar(e),	
	1080 4157 07		GA45(W) 575V/60Hz					GA30(W)-psi	
	1080 4113 25		GA55C(W) 230-460V/60Hz		2060 0686 3716 01		1	Hexagon plug	
	1080 4113 03		GA55C(W) 400V/50Hz		2065 0661 1000 38		1	Seal washer	
2020		1	Coupling half		2070		4	Hexagon bolt	
	1613 9827 00		GA30(W)-10bar(e),		0147 1477 03			GA30(W)bar(e),GA37(W)-	
			GA30(W)-		0147 1549 03			bar(e), GA45(W)-bar(e)	
	1613 9827 00		13bar(e),GA30(W)-psi					GA30(W)-psi, GA37(W)-psi,	
	1613 9845 00		GA37(W), GA45(W)		0147 1477 03			GA45(W)-psi	
			GA55C(W)		0147 1549 03			GA55C(W)-bar(e)	
2025	0337 6068 00	1	Parallel key					GA55C(W)-psi	

5

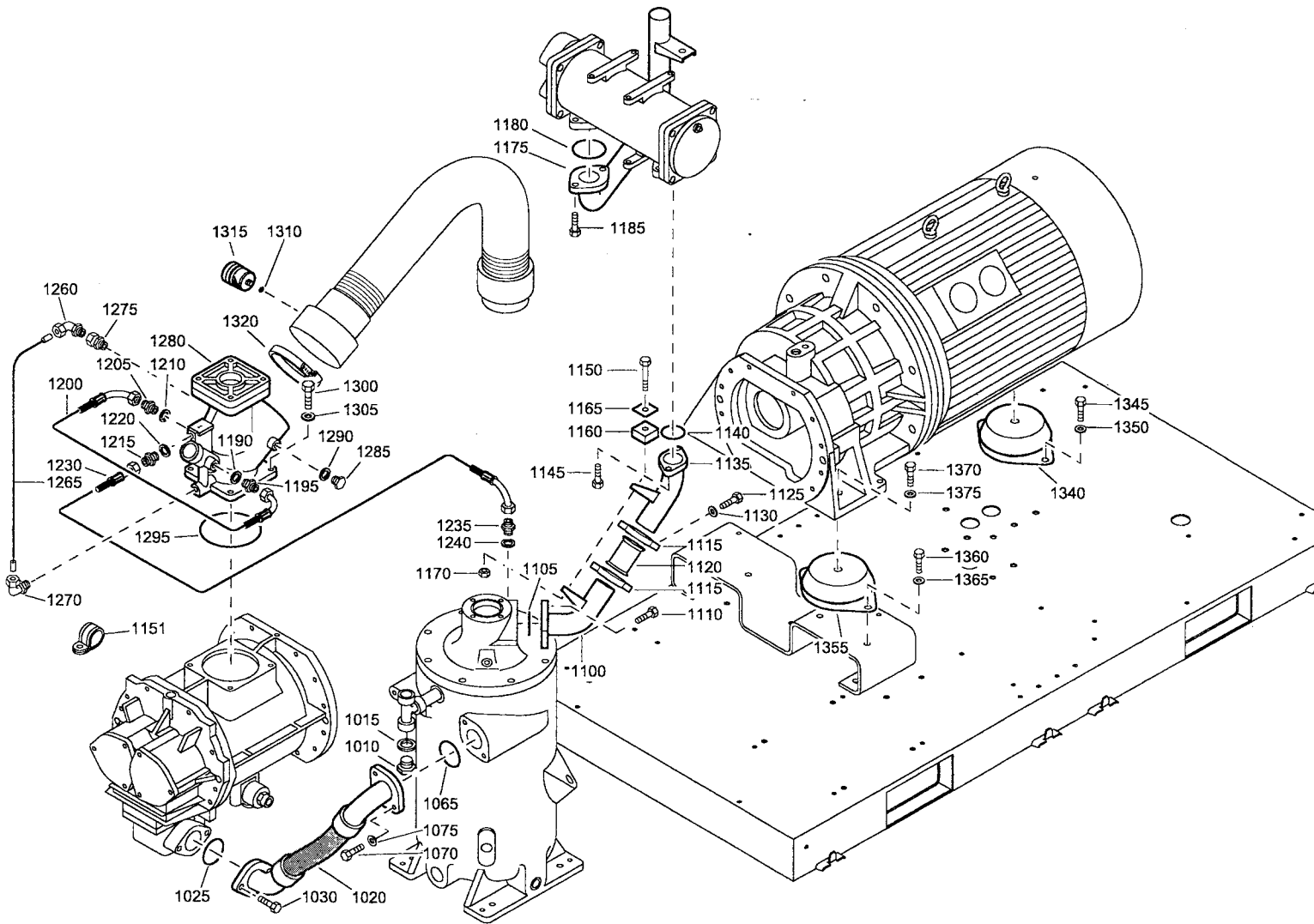


Air flow - GA

5

Ref.	Part number	Qty	Name	Remarks	Ref.	Part number	Qty	Name	Remarks
1010	0686 3716 02	1	Hexagon plug		1205	1079 5840 03	1	Nipple	
1015	0661 1000 39	1	Seal washer		1210	0653 1100 00	1	Flat gasket	
1020	1613 9915 00	1	Hose assembly		1215	1079 5840 20	1	Nipple	
1025	0663 7136 00	1	O-ring		1220	0653 1100 00	1	Flat gasket	
1030	0211 1401 03	2	Cap screw		1230	0574 9911 15	1	Hose assembly	
1065	0663 7136 00	1	O-ring		1235	1079 5840 03	1	Nipple	
1070	0211 1363 03	2	Cap screw		1240	0653 1100 00	1	Flat gasket	
1075	0301 2344 00	2	Washer		1260	0581 1200 23	1	Elbow coupling	
1100	1613 8369 00	1	Pipe		1265	0070 6002 05	AR	Plastic tube	
1105	0663 7138 00	1	O-ring		1270	0581 1200 23	1	Elbow coupling	
1110	0147 1362 03	2	Hexagon bolt		1275	1613 6949 00	1	Adapter	
1115	1613 8377 81	2	Joint set		1280	<<< >>>	1	Unloader	
	1613 8377 00	1	Joint		1285	0686 3716 01	1	Hexagon plug	
1120	1613 8375 00	1	Pipe		1290	0653 1062 00	1	Flat gasket	
1125	0147 1960 44	4	Hexagon bolt		1295	0663 7150 00	1	O-ring	
1130	0301 2335 00	4	Washer		1300	0147 1363 03	4	Hexagon bolt	
1135	1613 8370 00	1	Pipe		1305	0301 2344 00	4	Washer	
1140	0663 7134 00	1	O-ring		1310	1619 5819 00	1	Sintered disk	
1145	0147 1362 03	2	Hexagon bolt		1315	1613 7912 01	1	Indicator	
1150	0147 1962 69	1	Hexagon bolt		1320	0347 6115 00	1	Hose clip	
1151	1613 0807 00	2	Bracket		1340	1613 6752 13	1	Antivibr.pad	
1160	1613 8451 01	1	Antivibration pad		1345	0147 1400 03	2	Hexagon bolt	
1165	1613 8452 00	1	Washer		1350	0301 2358 00	2	Washer	
1170	0291 1111 00	1	Lock nut		1355	1613 6752 12	2	Antivibr.pad	
1180	0663 7134 00	1	O-ring		1360	0147 1400 03	4	Hexagon bolt	
1185	0211 1363 03	2	Cap screw		1365	0301 2358 00	4	Washer	
1190	0653 1100 00	1	Flat gasket		1370	0147 1479 03	2	Hexagon bolt	
1195	1079 5840 03	1	Nipple		1375	0301 2378 00	2	Washer	
1200	0574 9914 01	1	Hose assembly						

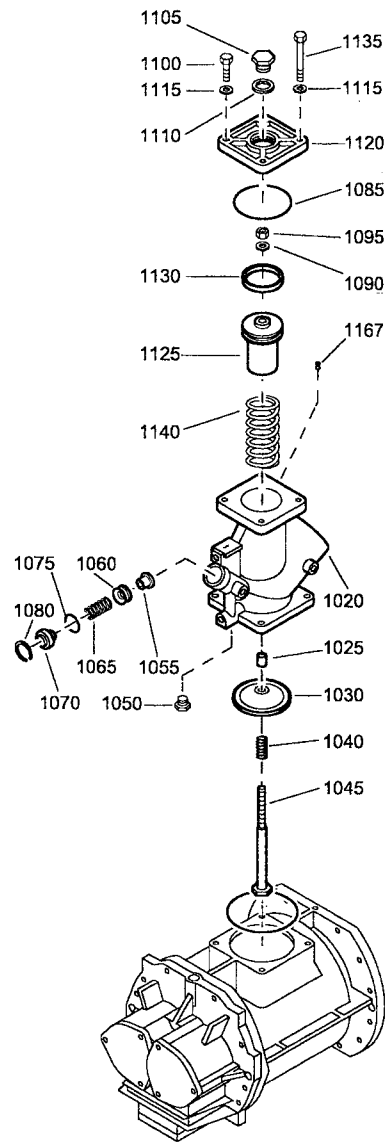
6



Air flow - GA W

Ref.	Part number	Qty	Name	Remarks	Ref.	Part number	Qty	Name	Remarks
1010	0686 3716 02	1	Hexagon plug		1200	0574 9914 01	1	Hose assembly	
1015	0661 1000 39	1	Seal washer		1205	1079 5840 03	1	Nipple	
1020	1613 9915 00	1	Hose assembly		1210	0653 1100 00	1	Flat gasket	
1025	0663 7136 00	1	O-ring		1215	1079 5840 20	1	Nipple	
1030	0211 1401 03	2	Cap screw		1220	0653 1100 00	1	Flat gasket	
1065	0663 7136 00	1	O-ring		1230	0574 9911 15	1	Hose assembly	
1070	0211 1363 03	2	Cap screw		1235	1079 5840 03	1	Nipple	
1075	0301 2344 00	2	Washer		1240	0653 1100 00	1	Flat gasket	
1100	1613 8594 00	1	Pipe		1260	0581 1200 23	1	Elbow coupling	
1105	0663 7138 00	1	O-ring		1265	0070 6002 05	AR	Plastic tube	
1110	0147 1362 03	2	Hexagon bolt		1270	0581 1200 23	1	Elbow coupling	
1115	1613 8377 81	2	Joint set		1275	1613 6949 00	1	Adapter	
	1613 8377 00	1	Joint		1280	<<< >>>	1	Unloader	
1120	1613 8375 00	1	Pipe		1285	0686 3716 01	1	Hexagon plug	
1125	0147 1960 44	4	Hexagon bolt		1290	0653 1062 00	1	Flat gasket	
1130	0301 2335 00	4	Washer		1295	0663 7150 00	1	O-ring	
1135	1613 8595 00	1	Pipe		1300	0147 1363 03	4	Hexagon bolt	
1140	0663 7136 00	1	O-ring		1305	0301 2344 00	4	Washer	
1145	0147 1362 03	2	Hexagon bolt		1310	1619 5819 00	1	Sintered disk	
1150	0147 1962 69	1	Hexagon bolt		1315	1613 7912 01	1	Indicator	
1151	1613 0807 00	2	Bracket		1320	0347 6115 00	1	Hose clip	
1160	1613 8451 01	1	Antivibration pad		1340	1613 6752 13	1	Antivibr.pad	
1165	1613 8452 00	1	Washer		1345	0147 1400 03	2	Hexagon bolt	
1170	0291 1111 00	1	Lock nut		1350	0301 2358 00	2	Washer	
1175	1613 9923 00	1	Pipe		1355	1613 6752 12	2	Antivibr.pad	
1180	0663 7136 00	1	O-ring		1360	0147 1400 03	4	Hexagon bolt	
1185	0211 1363 03	2	Cap screw		1365	0301 2358 00	4	Washer	
1190	0653 1100 00	1	Flat gasket		1370	0147 1479 03	2	Hexagon bolt	
1195	1079 5840 03	1	Nipple		1375	0301 2378 00	2	Washer	

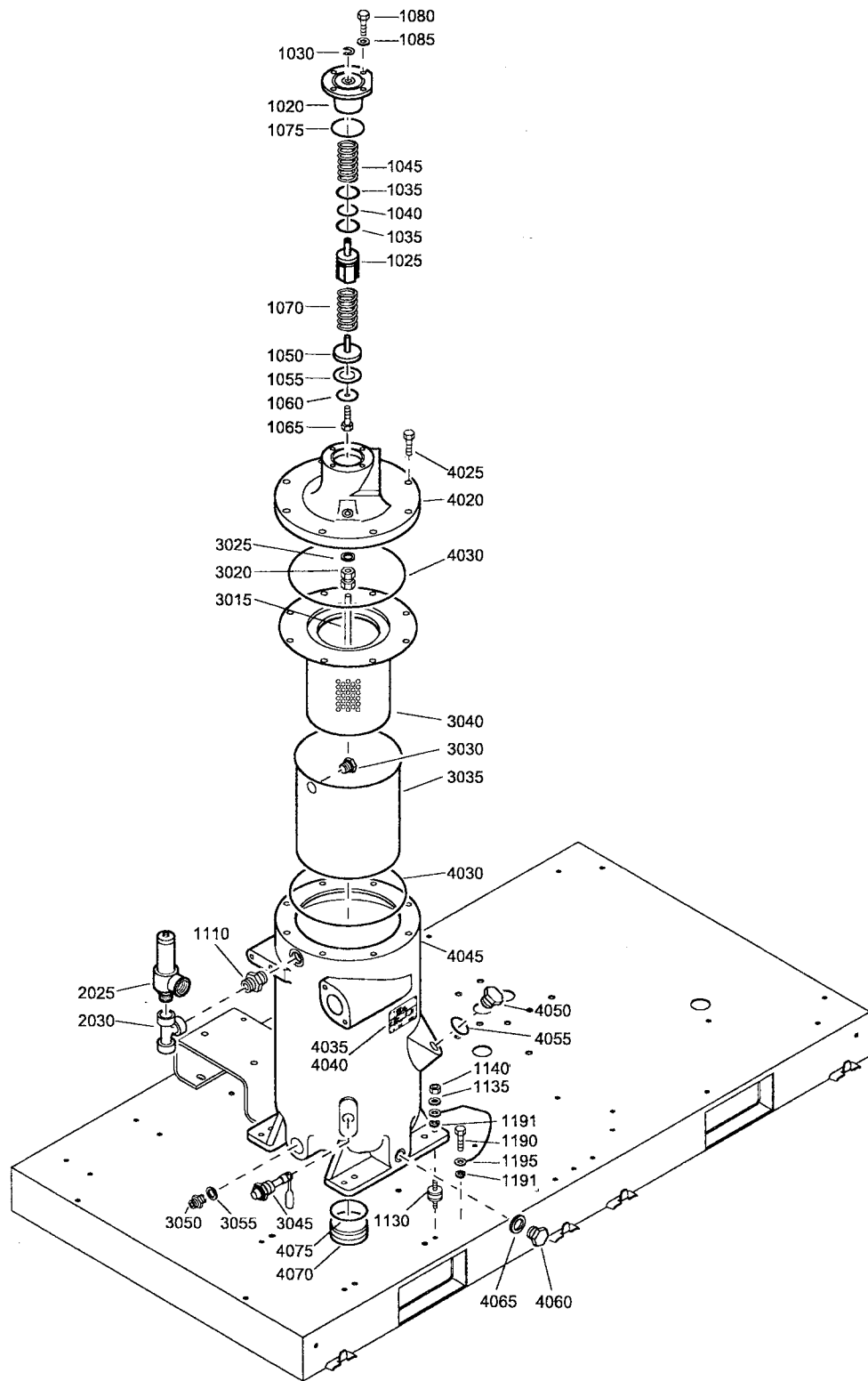
7



Unloader

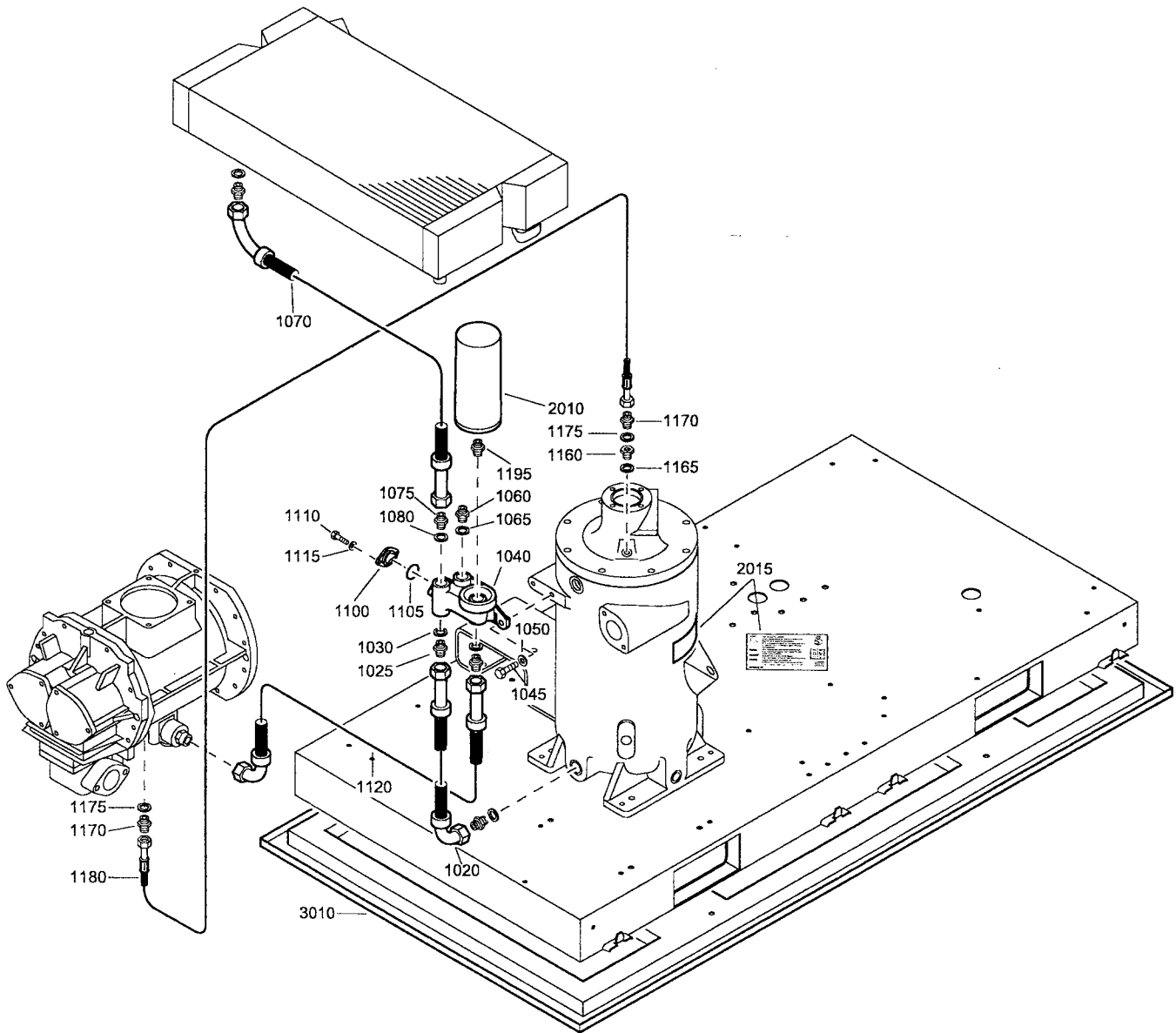
Ref.	Part number	Qty	Name	Remarks	Ref.	Part number	Qty	Name	Remarks
	2901 0465 00	1	Unloader		1080	0335 2136 00	• 1	Circlip	
	2901 0466 00		Load / Unload control		1085	0663 7144 00	• 1	O-ring	
	1079 9903 83	• 1	Warning label		1090	0653 0500 02	• 1	Gasket	
	9820 2604 00	• 1	Instr.disass'y		1095	0261 1090 67	• 1	Nut	
1020		• 1	Valve housing		1100	0211 1328 03	• 2	Cap screw	
1025	0500 4510 33	• 1	Plain bearing		1105		• 1	Hexagon plug	
1030		• 1	Valve			0686 4210 00		Load / Unload control	
	1613 6818 01		Load / Unload control			1613 8148 00		Modulating Control	
	1613 7448 81		Modulating Control		1110	0661 1000 46	• 1	Seal washer	
1040	1613 8068 01	• 1	Spring		1115	0301 2335 00	• 4	Washer	
1045	1613 8146 01	• 1	Piston rod		1120	1613 9660 00	• 1	Cover	
1050	1613 6813 00	• 1	Plug		1125	1613 8145 00	• 1	Piston	
1055	1613 6796 00	• 1	Valve seat		1130	1613 6816 00	• 1	Lipseal	
1060	1613 6783 00	• 1	Piston		1135	0211 1963 92	• 2	Screw	
1065	1513 0011 00	• 1	Spring		1140	1613 6817 01	• 1	Spring	
1070	1613 6794 00	• 1	Cover		1145		• 1	Plug	
1075	0663 7132 00	• 1	O-ring			1613 6964 00		Modulating Control	
						0663 7110 00	•• 1	O-ring	

8



9

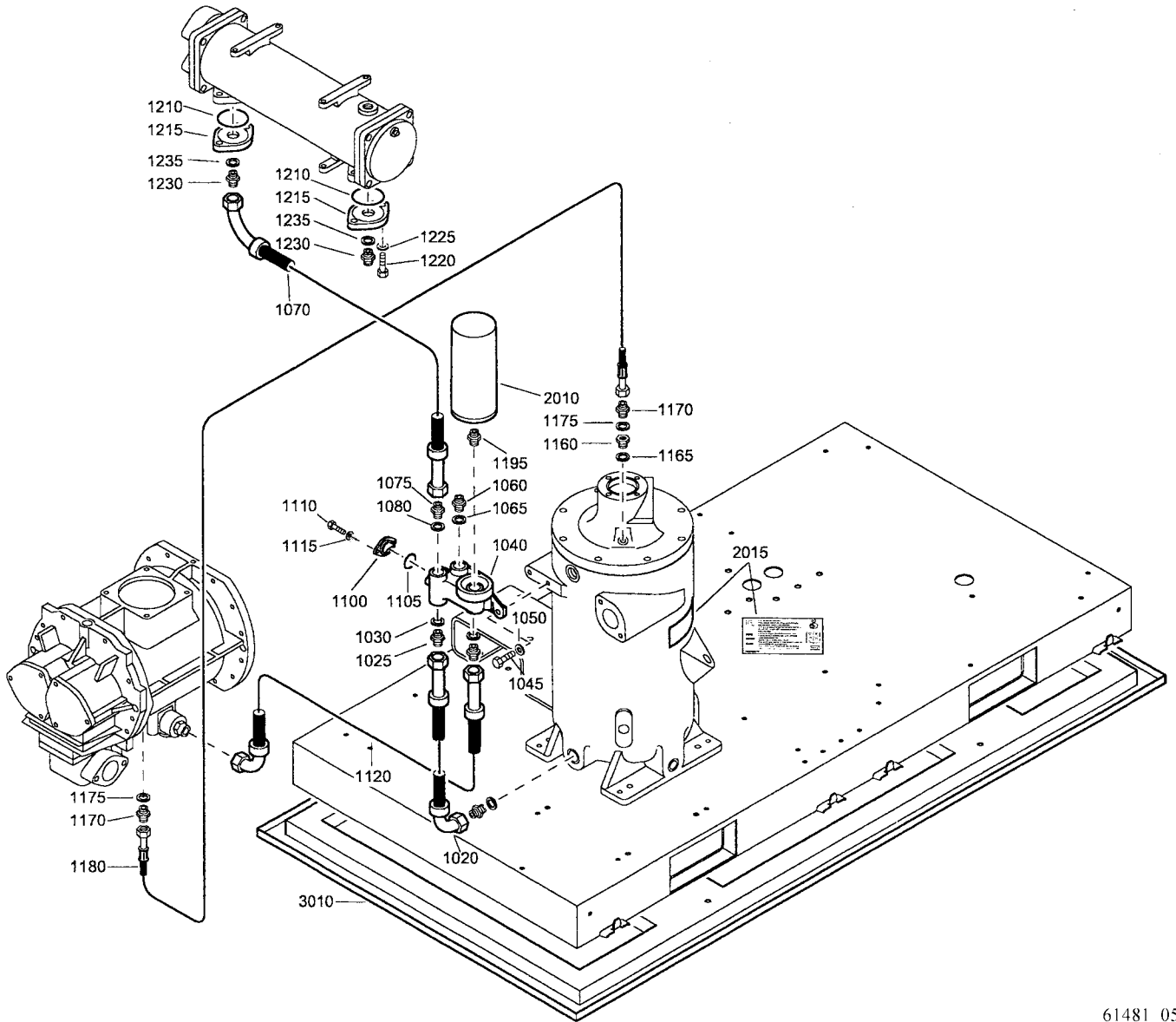
Oil system - GA



61480_05

Ref.	Partnumber	Qty	Name	Remarks	Ref.	Partnumber	Qty	Name	Remarks
1020	0574 9918 02	1	Hose assembly		1110	0147 1246 03	2	Hexagon bolt	
1025	1619 5509 00	2	Nipple		1115	0301 2321 00	2	Washer	
1030	0661 1000 43	2	Seal washer		1120	0574 9911 05	1	Hose assembly	
1040	1613 6883 03	1	Valve housing		1160	1614 4184 01	1	Nozzle	
1045	0147 1360 03	2	Hexagon bolt		1165	0653 1062 00	1	Flat gasket	
1050	0301 2344 00	2	Washer		1170	1619 5205 00	2	Nipple	
1060	1619 5509 00	1	Nipple		1175	0653 1062 00	2	Flat gasket	
1065	0661 1000 43	1	Seal washer		1180	0574 9911 01	1	Hose assembly	
1070	0574 9910 06	1	Hose assembly		1195	1619 3770 00	1	Nipple	
1075	1619 5509 00	1	Nipple		2010	1613 6105 00	1	Oil filter	
1080	0661 1000 43	1	Seal washer		2015	1079 9909 57	1	Label	
1100	1614 6118 00	1	Flange					Standard option	
1105	0663 2101 95	1	O-ring		3010	1613 9955 00	1	Oil containing frame	

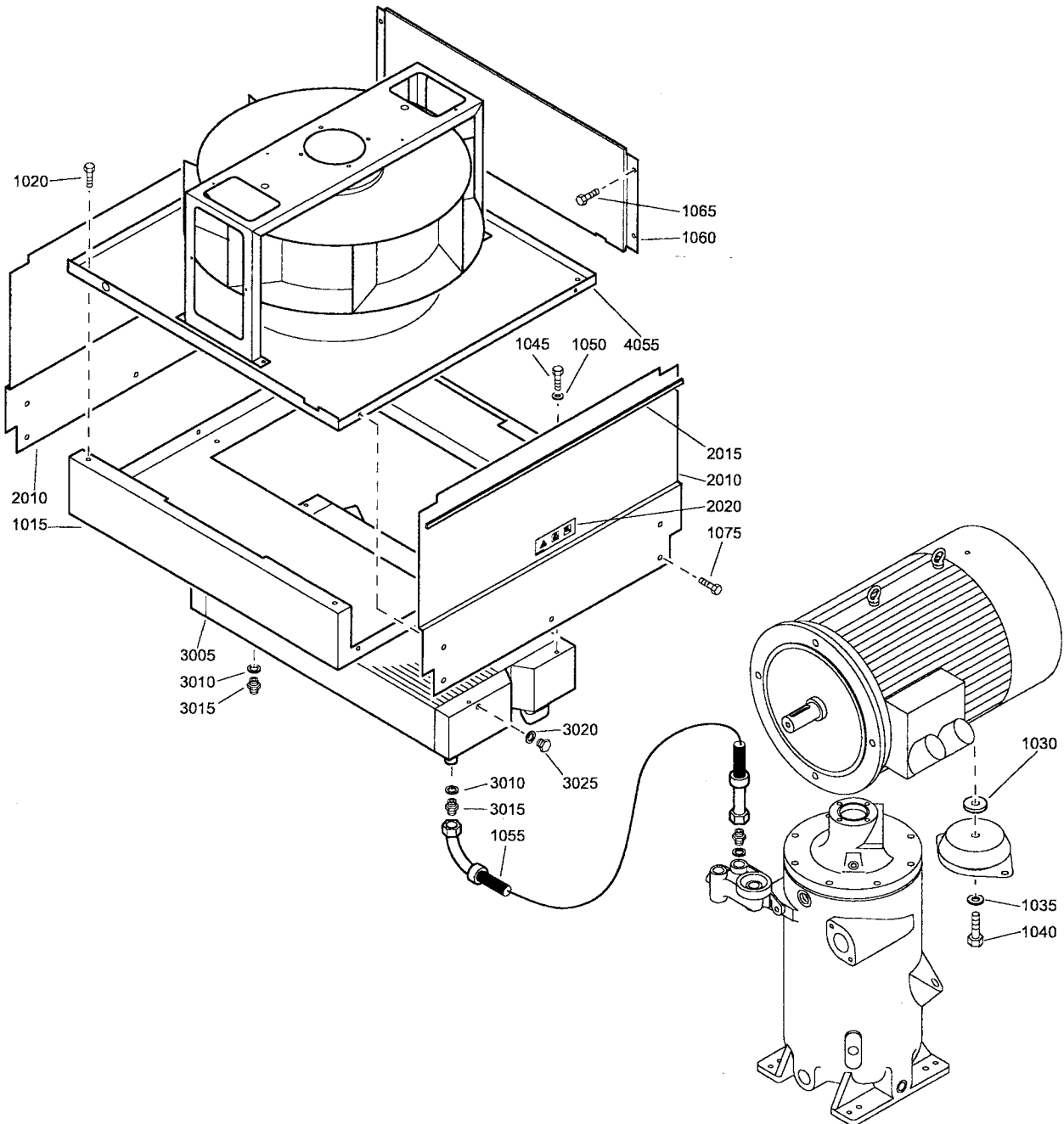
Oil system - GA W



61481_05

Ref.	Partnumber	Qty	Name	Remarks	Ref.	Partnumber	Qty	Name	Remarks
1020	0574 9918 02	1	Hose assembly		1160	1614 4184 01	1	Nozzle	
1025	1619 5509 00	2	Nipple		1165	0653 1062 00	1	Flat gasket	
1030	0661 1000 43	2	Seal washer		1170	1619 5205 00	2	Nipple	
1040	1613 6883 03	1	Valve housing		1175	0653 1062 00	2	Flat gasket	
1045	0147 1360 03	2	Hexagon bolt		1180	0574 9911 01	1	Hose assembly	
1050	0301 2344 00	2	Washer		1195	1619 3770 00	1	Nipple	
1060	1619 5509 00	1	Nipple		1210	0663 7136 00	2	O-ring	
1065	0661 1000 43	1	Seal washer		1215	1613 7000 05	2	Flange	
1070	0574 9911 03	1	Hose assembly		1220	0301 2378 00	4	Washer	
1075	1619 5509 00	1	Nipple		1225	0147 1401 03	4	Hexagon bolt	
1080	0661 1000 43	1	Seal washer		1230	1619 5509 00	2	Nipple	
1100	1614 6118 00	1	Flange		1235	0661 1000 43	2	Seal washer	
1105	0663 2101 95	1	O-ring		2010	1613 6105 00	1	Oil filter	
1110	0147 1246 03	2	Hexagon bolt		2015	1079 9909 57	1	Label	
1115	0301 2321 00	2	Washer					Standard option	
1120	0574 9911 05	1	Hose assembly		3010	1613 9955 00	1	Oil containing frame	

11

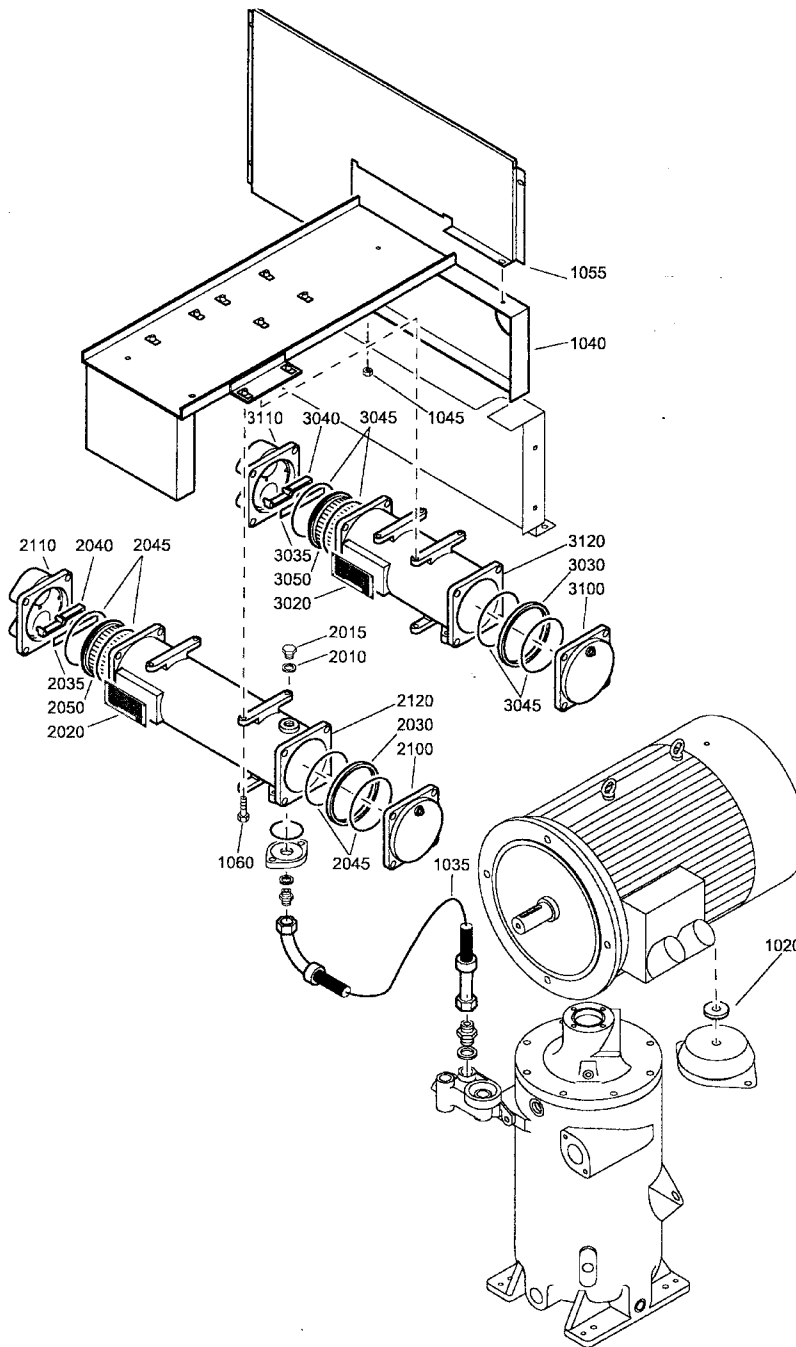


Coolers - GA

Ref.	Part number	Qty	Name	Remarks	Ref.	Part number	Qty	Name	Remarks
1015		1	Support		1055		1	Hose assembly	
	1613 9886 00		GA30			0574 9911 03		GA30	
	1613 9887 00		GA37			0574 9911 03		GA37	
	1613 9885 00		GA45, GA55C			0574 9911 06		GA45, GA55C	
1020			Hexagon bolt		1060	1613 9888 00	1	Baffle	
	0147 1962 72	6	GA30		1065	0147 1962 72	4	Hexagon bolt	
	0147 1962 72	6	GA37		1075	0147 1962 72	10	Hexagon bolt	
	0147 1962 72	4	GA45, GA55C			1613 9891 80	2	Baffle assembly	
1025		1	Cooler		2010	1613 9891 00	• 1	Baffle	
	1613 8366 00		GA30		2015	1619 3843 00	• AR	Seal	
	1613 8365 00		GA37		2020	1079 9901 18	• 1	Warning label	
	1613 8364 00		GA45, GA55C			1613 8366 00	1	Cooler	
1030		1	Spacer			1613 8365 00		GA30	
	1613 9912 02		GA30			1613 8364 00		GA37	
	1613 9912 01		GA37					GA45, GA55C	
	1613 9912 01		GA45, GA55C		3005		• 1	Cooler	
1035		1	Hexagon bolt		3010	0661 1038 00	• 2	Sealing washer	
	0147 1488 03		GA30		3015	1619 5509 00	• 2	Nipple	
	0147 1484 03		GA37		3020	0653 1062 00	• 1	Flat gasket	
	0147 1484 03		GA45, GA55C		3025	0686 3716 01	• 1	Hexagon plug	
1040	0301 2378 00	1	Washer		4055		1	Fan assy	
1045			Hexagon bolt			1613 8532 01		230V/400V-50Hz	
	0147 1322 03	4	GA30			1613 8491 01		230V/380-460V/50-60Hz	
	0147 1322 03	6	GA37			1613 8532 10		220-230/440-460V/60Hz-	
	0147 1322 03	6	GA45, GA55C					CSA/UL	
1050			Washer						
	0301 2335 00	4	GA30						
	0301 2335 00	6	GA37						
	0301 2335 00	6	GA45, GA55C						

12

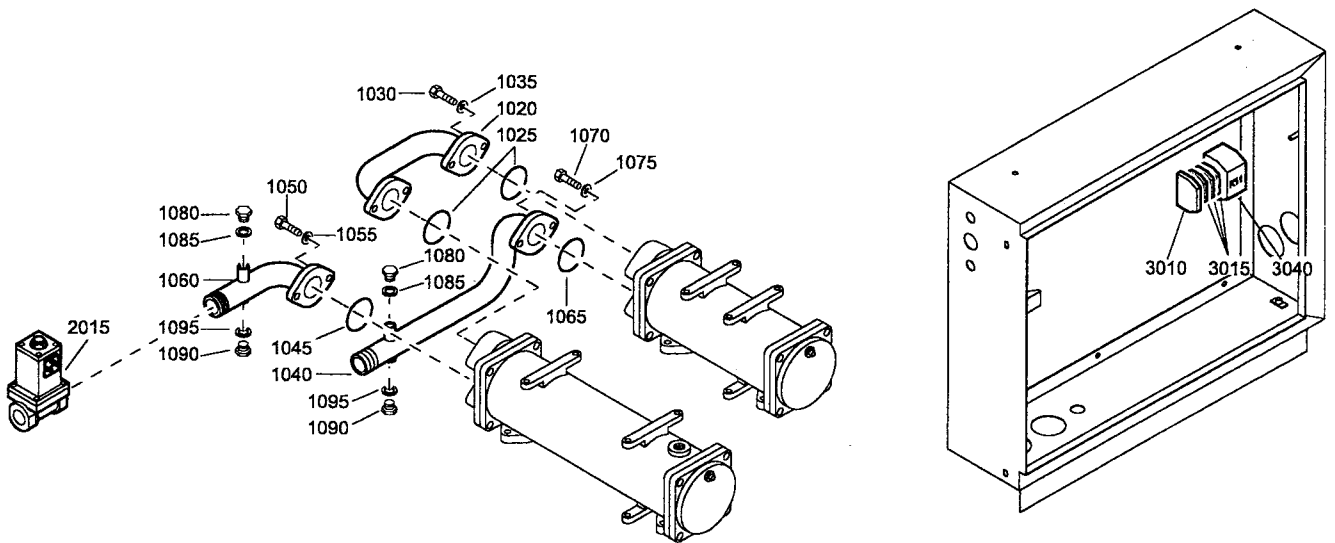
Coolers - GA W



61477_04

Ref.	Partnumber	Qty	Name	Remarks	Ref.	Partnumber	Qty	Name	Remarks
1020	1613 9912 04	1	Spacer		2050	1613 8742 00	• 1	• Tubestack	
1035	0574 9911 03	1	Hose assembly		2100	1614 6250 00	• 1	• Return box	
1040	1613 8496 00	1	Support		2110	1614 6249 00	• 1	• Water box	
1045	0298 1000 25	1	Blind rivet nut		2120	1613 6200 00	• 1	• Cylinder	
1055	1613 9889 00	1	Baffle			1613 7022 88	1	Aftercooler std	
1060	0147 1962 72	4	Hexagon bolt		3020	9820 0857 00	• 1	• Instr.data plate	
	1613 8750 88	1	Oilcooler std		3030	1614 6257 00	• 1	• Ring	
2010	0661 1033 00	• 1	• Sealing washer		3035	1614 6259 00	• 1	• Rib joint	
2015	0686 3716 02	• 1	• Hexagon plug		3040	1614 6258 00	• 1	• Division rib	
2020	9820 0857 00	• 1	• Instr.data plate		3045	1614 6256 00	• 4	• O-ring	
2030	1614 6257 00	• 1	• Ring		3050	1613 7023 00	• 1	• Tubestack	
2035	1614 6259 00	• 1	• Rib joint		3100	1614 6250 00	• 1	• Return box	
2040	1614 6258 00	• 1	• Division rib		3110	1614 6249 00	• 1	• Water box	
2045	1614 6256 00	• 4	• O-ring		3120	1613 7024 00	• 1	• Cylinder	

Water system - GA W

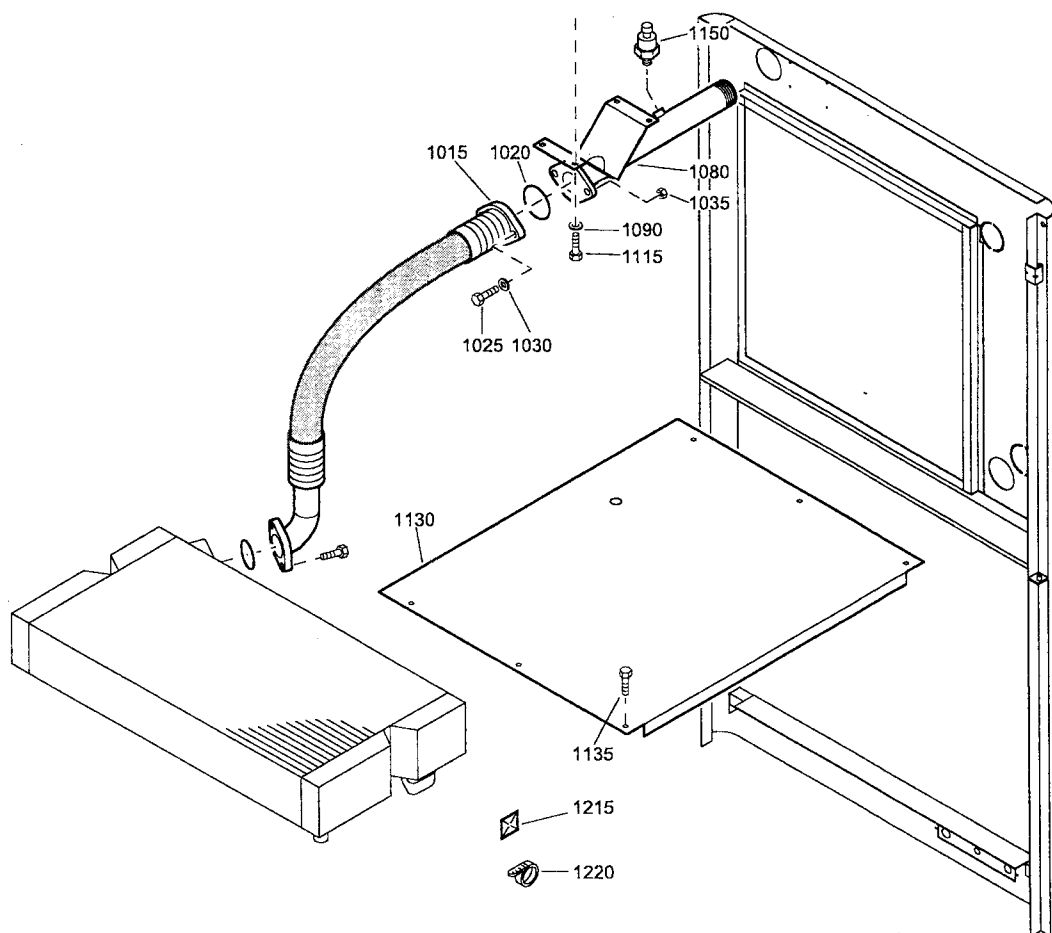


61547_06

Ref.	Partnumber	Qty	Name	Remarks	Ref.	Partnumber	Qty	Name	Remarks
1020	1613 6991 00	1	Pipe		1085		2	Seal washer	
1025	0663 7135 00	2	O-ring			0661 1000 38		Elektronikon I	
1030	0147 1401 03	4	Hexagon bolt		1090	0686 3716 30	2	Hexagon plug	
1035	0301 2358 00	4	Washer		1095	0661 1000 40	2	Seal washer	
1040	1613 8592 00	1	Pipe				1	Standard option	
1045	0663 7135 00	1	O-ring			8092 2428 77		Water shutt off - 50Hz	
1050	0147 1401 03	2	Hexagon bolt			8092 2428 85		Water shutt off - 60Hz	
1055	0301 2358 00	2	Washer		2015		1	Solenoid valve	
1060	1613 8593 00	1	Pipe			1089 0624 01		50Hz	
1065	0663 7135 00	1	O-ring			1089 0624 03		60Hz	
1070	0147 1401 03	2	Hexagon bolt		3010	1089 0506 23	1	Barrier	
1075	0301 2358 00	2	Washer		3015	1089 0506 62	3	Terminal	
1080		2	Hexagon plug						
	0686 3716 01		Elektronikon I						

14

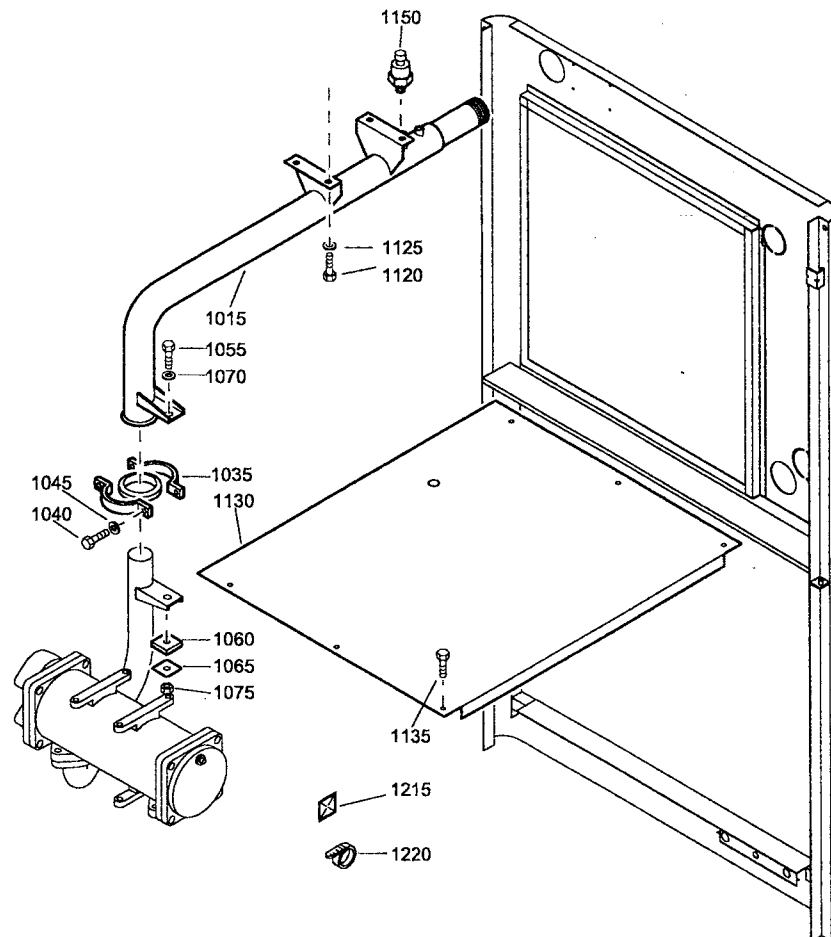
Air outlet - Pack - GA



61544_06

Ref.	Partnumber	Qty	Name	Remarks	Ref.	Partnumber	Qty	Name	Remarks
1015	1613 9916 00	1	Hose assembly		1150	1089 0575 51	1	Press.transducer	
1020	0663 7136 00	1	O-ring		1215	1088 1305 02	6	Push mount	
1025	0147 1367 03	2	Hexagon bolt		1220	1088 1301 01	8	Cable strip	
1030	0301 2344 00	2	Washer						
1035	0291 1128 20	2	Lock nut						
1080	1613 9919 00	1	Pipe						
1090	0301 2344 00	4	Washer						
1115	0147 1962 72	4	Hexagon bolt						
1130	1613 8392 80	1	Baffle assembly	1)					
1135	0147 1962 72	4	Hexagon bolt						
									1) Lined with / Bekleed met / Beklädd med / Ausgekleidet mit / Garnir de / Rivestido de / Allineato con / Foret med / Revestido com / Kledd med / Vuorattu : Foam : 0395 6001 59 (AR) 30 x 2040 x 1650 self-adhesive

Air outlet - Pack - GA W

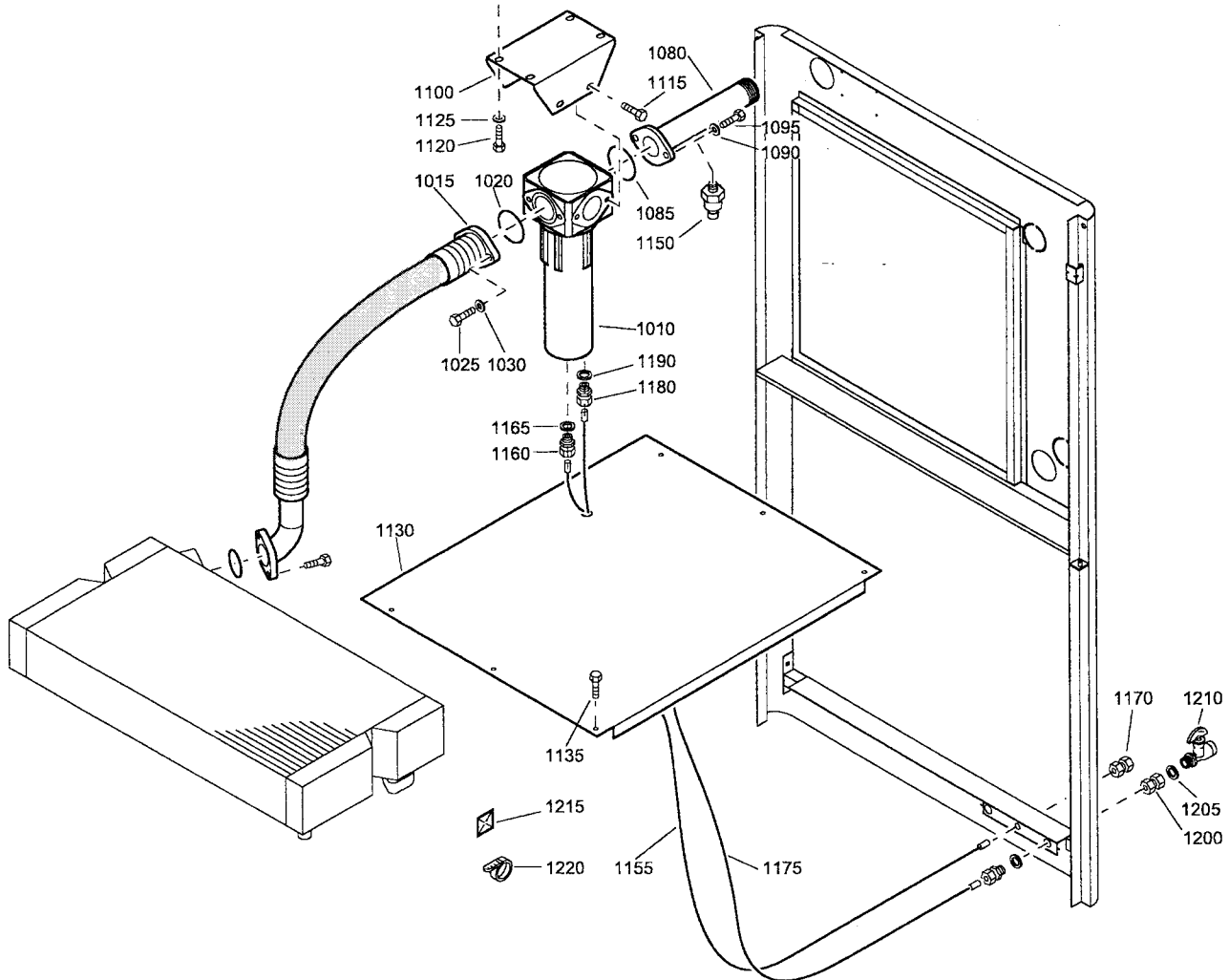


61545_06

Ref.	Partnumber	Qty	Name	Remarks	Ref.	Partnumber	Qty	Name	Remarks
1015	1613 9925 00	1	Pipe		1130	1613 8392 80	1	Baffle assembly	1)
1035	1613 8377 81	1	Joint set		1135	0147 1962 72	4	Hexagon bolt	
	1613 8377 00	1	Joint		1150	1089 0575 51	1	Press.transducer	
1040	0147 1960 44	2	Hexagon bolt		1215	1088 1305 02	6	Push mount	
1045	0301 2335 00	2	Washer		1220	1088 1301 01	8	Cable strip	
1055	0147 1379 03	1	Hexagon bolt						
1060	1613 8451 02	1	Antivibration pad		1)			Lined with / Bekleed met / Beklädd med / Ausgekleidet mit / Garnir de / Rivestido de / Allineato con / Foret med / Revestido com / Kledd med / Vuorattu :	
1065	1613 8452 00	1	Washer					Foam : 0395 6001 59 (AR) 30 x 2040 x 1650 self- adhesive	
1070	0301 2344 00	1	Washer						
1075	0291 1111 00	1	Lock nut						
1120	0147 1360 03	4	Hexagon bolt						
1125	0301 2344 00	4	Washer						

16

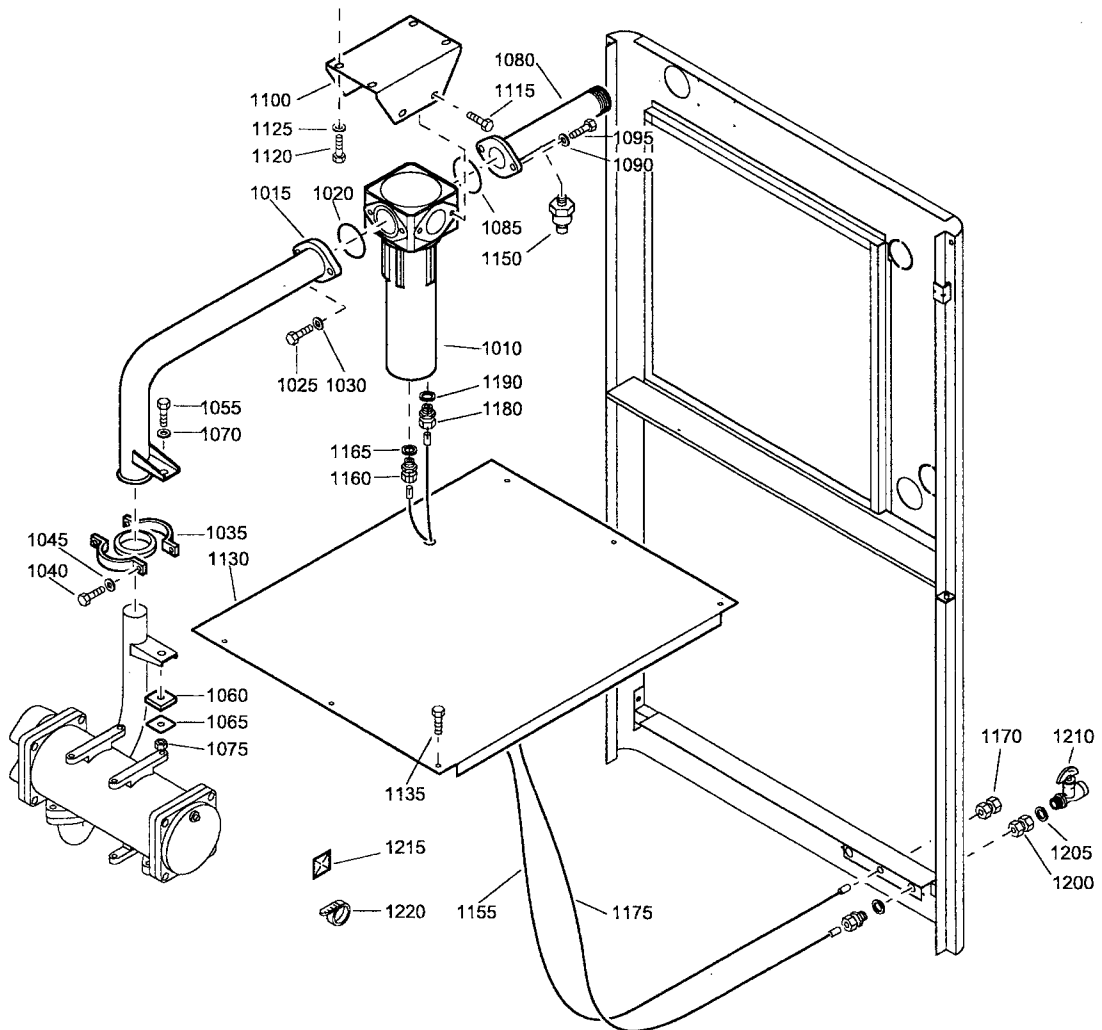
Air outlet - WorkPlace - GA



61494_06

Ref.	Partnumber	Qty	Name	Remarks	Ref.	Partnumber	Qty	Name	Remarks
1010	1613 9356 80	1	WSD80		1165	0661 1000 38	1	Seal washer	
1015	1613 9916 00	1	Hose assembly		1170	0581 0000 55	1	Pipe coupling	
1020	0663 7136 00	1	O-ring		1175	0070 6002 04	AR	Plastic tube	
1025	0147 1363 03	2	Hexagon bolt		1180	0581 0000 34	1	Coupling	
1030	0301 2344 00	2	Washer		1190	0661 1000 38	1	Seal washer	
1080	1613 8374 00	1	Pipe		1200	0581 0000 33	1	Coupling	
1085	0663 7136 00	1	O-ring		1205	0653 1046 00	1	Flat gasket	
1090	0301 2344 00	2	Washer		1210	1613 8892 00	1	Cock	
1095	0147 1363 03	2	Hexagon bolt		1215	1088 1305 02	6	Push mount	
1100	1613 9906 00	1	Bracket		1220	1088 1301 01	8	Cable strip	
1115	0147 1962 72	4	Hexagon bolt		1225	0147 1962 72	2	Hexagon bolt	
1120	0147 1360 03	4	Hexagon bolt						
1125	0301 2344 00	4	Washer						
1130	1613 8392 80	1	Baffle assembly	1)					
1135	0147 1962 72	4	Hexagon bolt						
1150	1089 0575 51	1	Press.transducer						
1155	0070 6002 05	AR	Plastic tube						
1160	0581 0000 35	1	Coupling						
					1)			Lined with / Bekleed met / Beklädd med / Ausgekleidet mit / Garnir de / Rivestido de / Allineato con / Foret med / Revestido com / Kledd med / Vuorattu : Foam : 0395 6001 59 (AR) 30 x 2040 x 1650 self- adhesive	

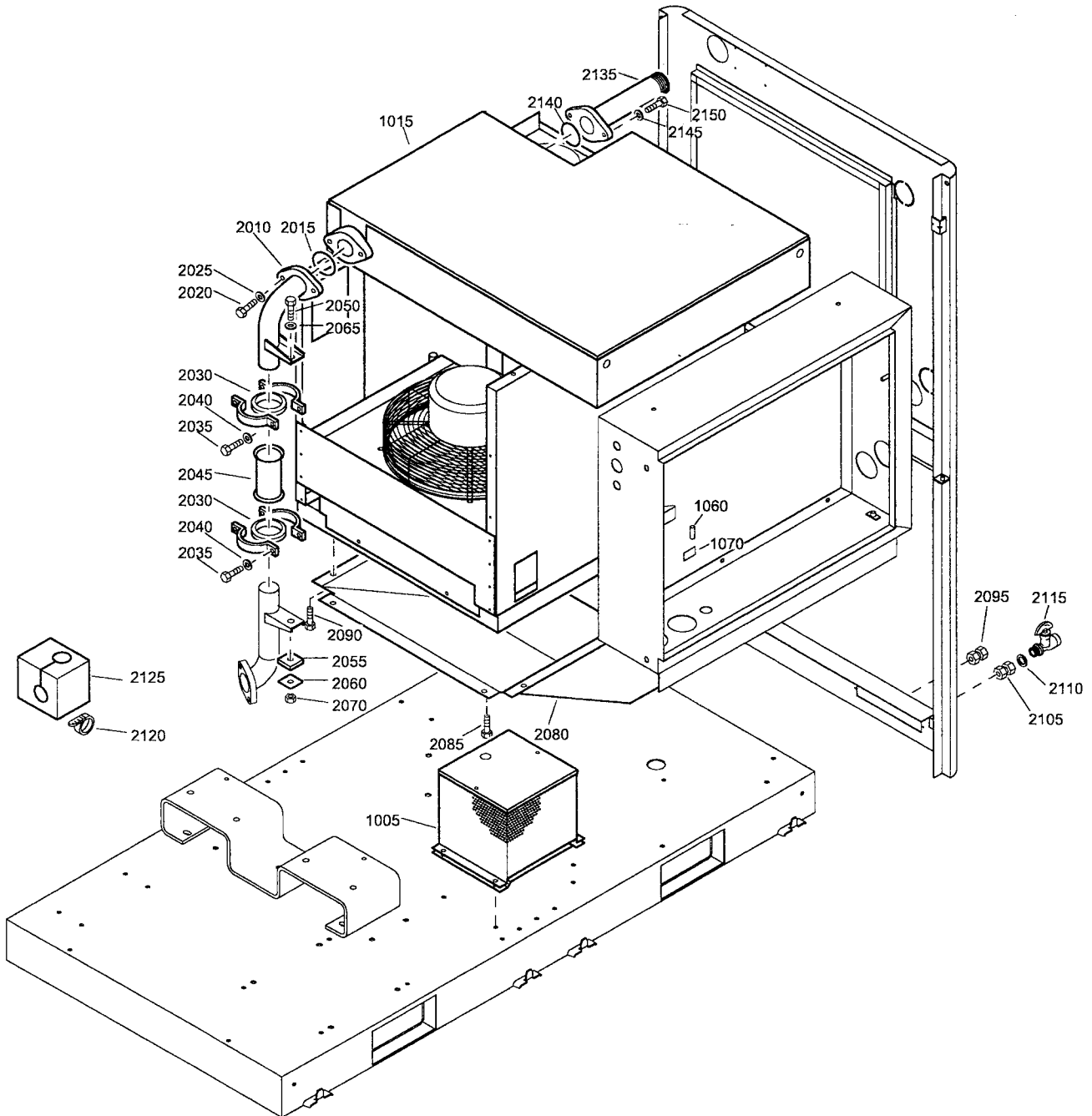
Air outlet - WorkPlace - GA W



61495_06

Ref.	Partnumber	Qty	Name	Remarks	Ref.	Partnumber	Qty	Name	Remarks
1010	1613 9356 80	1	WSD80		1135	0147 1962 72	4	Hexagon bolt	
1015	1613 9924 00	1	Pipe		1150	1089 0575 51	1	Press.transducer	
1020	0663 7136 00	1	O-ring		1155	0070 6002 05	AR	Plastic tube	
1025	0147 1363 03	2	Hexagon bolt		1160	0581 0000 35	1	Coupling	
1030	0301 2344 00	2	Washer		1165	0661 1000 38	1	Seal washer	
1035	1613 8377 81	1	Joint set		1170	0581 0000 55	1	Pipe coupling	
	1613 8377 00	1	Joint		1175	0070 6002 04	AR	Plastic tube	
1040	0147 1960 44	2	Hexagon bolt		1180	0581 0000 34	1	Coupling	
1045	0301 2335 00	2	Washer		1190	0661 1000 38	1	Seal washer	
1055	0147 1379 03	1	Hexagon bolt		1200	0581 0000 33	1	Coupling	
1060	1613 8451 02	1	Antivibration pad		1205	0653 1046 00	1	Flat gasket	
1065	1613 8452 00	1	Washer		1210	1613 8892 00	1	Cock	
1070	0301 2344 00	1	Washer		1215	1088 1305 02	6	Push mount	
1075	0291 1111 00	1	Lock nut		1220	1088 1301 01	8	Cable strip	
1080	1613 8374 00	1	Pipe		1225	0147 1962 72	2	Hexagon bolt	
1085	0663 7136 00	1	O-ring						
1090	0301 2344 00	2	Washer						
1095	0147 1363 03	2	Hexagon bolt						
1100	1613 9906 00	1	Bracket						
1115	0147 1962 72	4	Hexagon bolt						
1120	0147 1360 03	4	Hexagon bolt						
1125	0301 2344 00	4	Washer						
1130	1613 8392 80	1	Baffle assembly	1)					
					1)	Lined with / Bekleed met / Beklädd med / Ausgekleidet mit / Garnir de / Rivestido de / Allineato con / Foret med / Revestido com / Kledd med / Vuorattu ; Foam : 0395 6001 59 (AR) 30 x 2040 x 1650 self-adhesive			

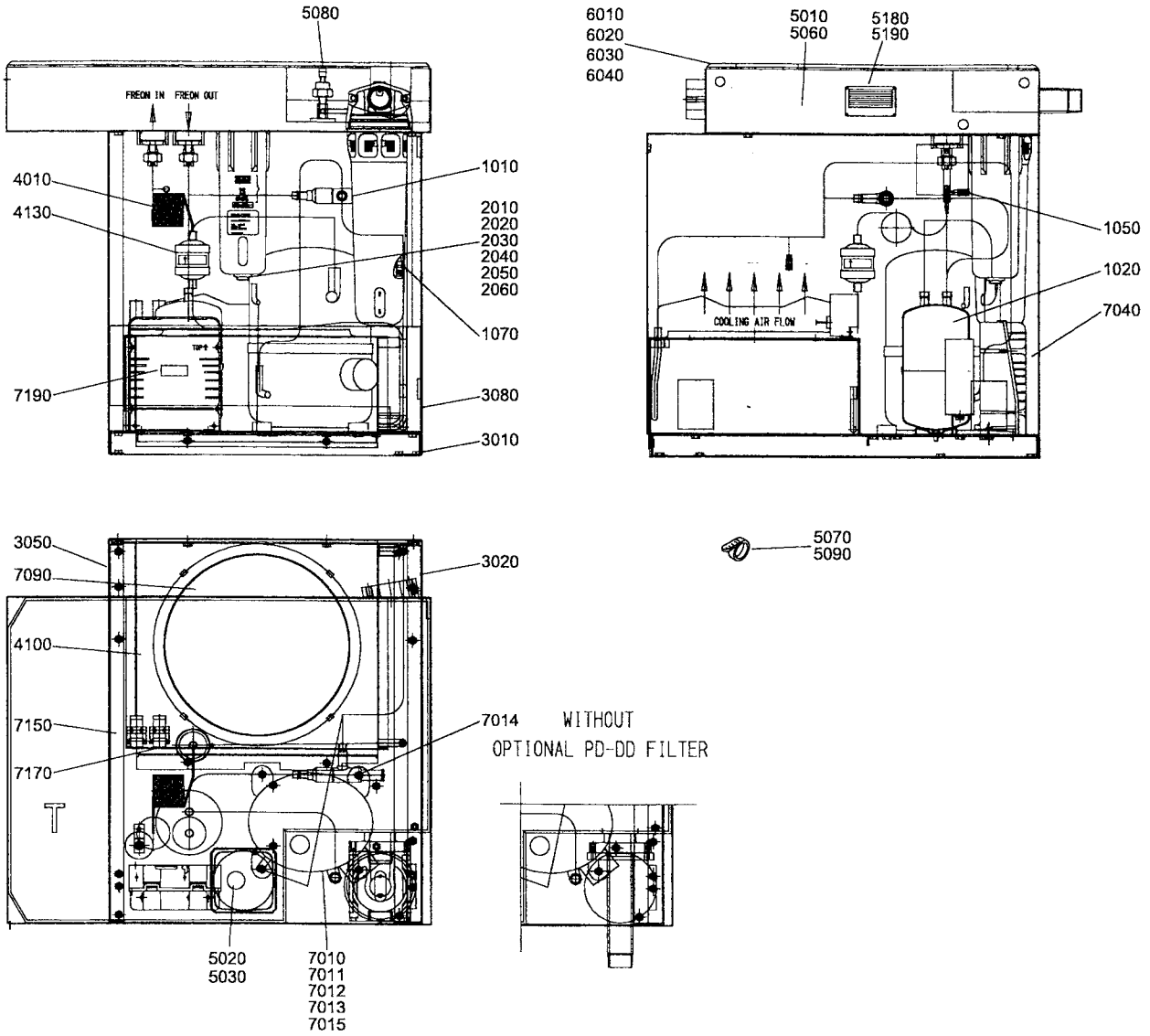
18



Air outlet - Pack FF - WorkPlace FF

Ref.	Partnumber	Qty	Name	Remarks	Ref.	Partnumber	Qty	Name	Remarks
	1617 1998 87	1	Trafo assembly		2040	0301 2335 00	4	Washer	
			ID90-110 460V/60Hz -		2045	1613 8375 00	1	Pipe	
	1617 1998 92		CSA/UL		2050	0147 1962 69	1	Hexagon bolt	
			ID150-155 460V/60Hz -		2055	1613 8451 02	1	Antivibration pad	
			CSA/UL		2060	1613 8452 00	1	Washer	
1005	• 1089 9437 13	1	Auto transformer		2065	0301 2344 00	1	Washer	
			ID150-155 460V/60Hz -		2070	0291 1111 00	1	Lock nut	
			CSA/UL		2080	1613 9893 00	1	Duct	
1015	<<< >>>	1	Dryer		2085	0147 1962 72	4	Hexagon bolt	
1060	1089 9168 61	2	Fuse link		2090	0147 1962 72	4	Hexagon bolt	
			460V/60Hz		2095	0581 0000 55	1	Pipe coupling	
1070	1079 9922 30	1	Fuse label		2105	0581 0000 33	1	Coupling	
			460V/60Hz		2110	0653 1046 00	1	Flat gasket	
2010	1613 9918 00	1	Pipe		2115	1613 8892 00	1	Cock	
2015	0663 7136 00	1	O-ring		2120	1088 1301 01	2	Cable strip	
2020	0147 1364 03	2	Hexagon bolt		2125	1613 8729 00	1	Silencing foam	
2025	0301 2344 00	2	Washer		2135	1617 2120 00	1	Connector	
2030	1613 8377 81	2	Joint set		2140	0663 2104 75	1	O-ring	
	1613 8377 00	• 1	Joint		2145	0301 2335 00	2	Washer	
2035	0147 1960 44	4	Hexagon bolt		2150	0147 1326 03	2	Hexagon bolt	

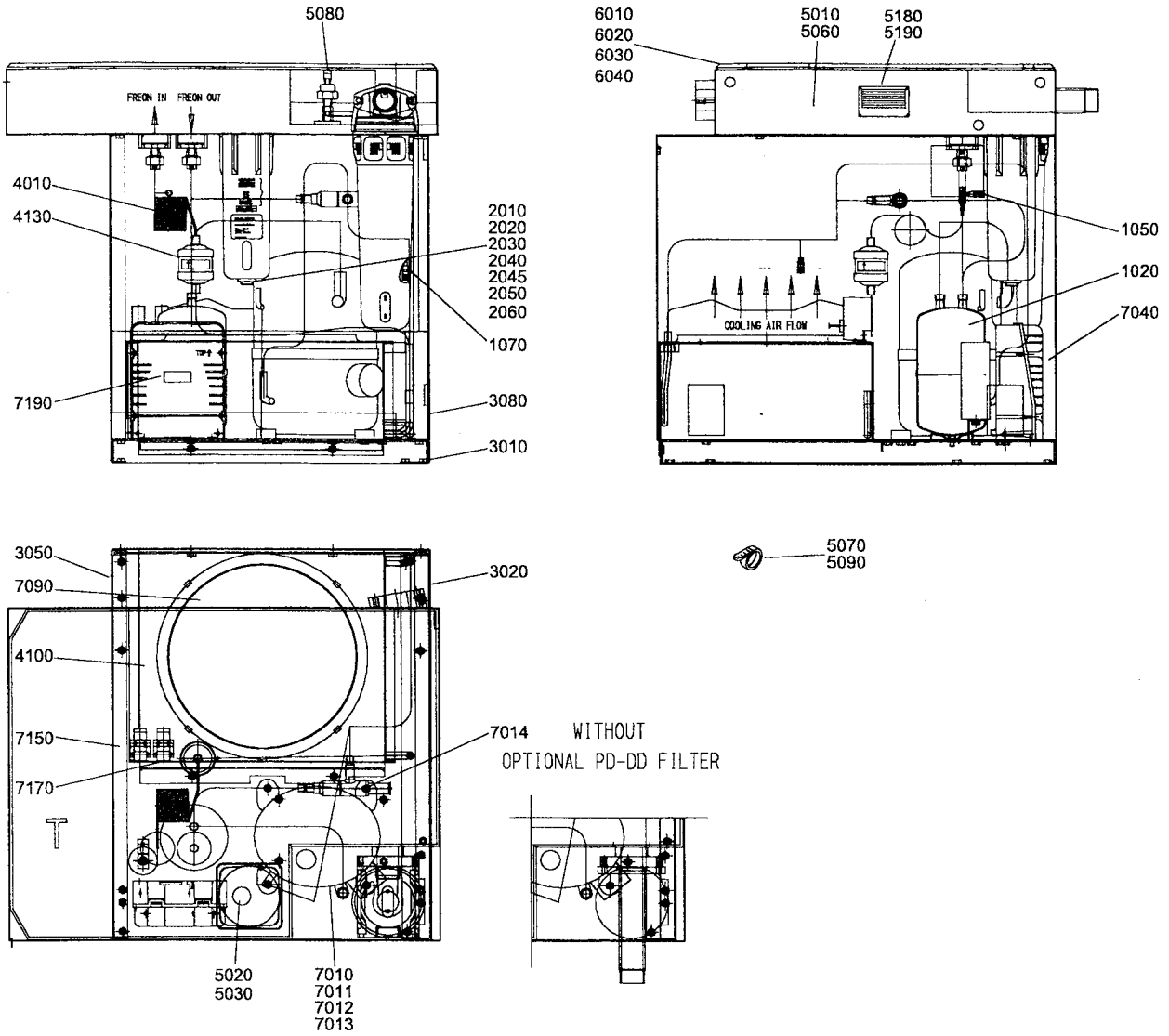
19



Air dryer - Pack FF / WorkPlace FF - GA30(W), GA37(W), GA45(W)

Ref.	Partnumber	Qty	Name	Remarks	Ref.	Partnumber	Qty	Name	Remarks
		1	Dryer kit		6020		1	Insulation bottom	
	8092 2431 07		ID90 230V/50Hz			1617 1873 00		ID90 230V/50Hz	
	8092 2431 15		ID90 200V/50Hz			1617 1710 00		ID110	
	8092 2431 23		ID90 230V/60Hz			1617 1958 00		ID150	
			(- CSA/UL)		6030		1	Insulation top	
	8092 2431 31		ID110 230V/50Hz			1617 1872 00		ID90 230V/50Hz	
	8092 2431 49		ID110 200V/50Hz			1617 1709 00		ID110	
	8092 2431 56		ID110 230V/60Hz			1617 1957 00		ID150	
			(- CSA/UL)		6040	1617 1839 00	1	Filling block	
	8092 2430 72		ID150 230V/50Hz		7010		1	Refrigerant compressor	
	8092 2430 81		ID150 200V/50Hz			1617 1494 08		ID90 230V/50Hz	
	8092 2430 99		ID150 230V/60Hz			1617 1494 10		ID110 230V/50Hz	
			(- CSA/UL)			1617 1494 13		ID110 200V/50Hz	
						1617 1494 11		ID110 230V/60Hz	
						1617 1827 01		ID150 230V/50Hz	
						1617 1827 02		ID150 230V/60Hz	
1010	1617 1524 02	1	Hot gas bypass		7011		• 1	Capacitor	
1020	1617 1765 00	1	Liq. separator			1617 1549 10		ID90 230V/50Hz,	
1050	1619 5563 02	1	Schräderventiel					ID110 230V/60Hz,	
1070	1619 5563 02	1	Schräderventiel					ID150 230V/50Hz	
2010	0653 1062 00	1	Flat gasket			1617 1549 07		ID110 230V/50Hz,	
2020	0661 1020 00	1	Sealing washer					ID110 200V/50Hz	
2030	0581 0000 35	2	Drain connection			1617 1549 12		ID150 230V/60Hz	
2040	0070 6002 05	AR	Hose		7012		• 1	Run capacitor	
2050	0070 6002 05	AR	Hose			1617 1874 02		ID90 230V/50Hz	
2060	1088 0801 40	1	Grommet			1617 1874 03		ID110 230V/50Hz,	
3010	1617 1694 00	1	Frame					ID110 200V/50Hz,	
3020	1617 1703 00	1	Support right			1617 1874 04	• 1	ID150 230V/60Hz	
3050	1617 1704 00	1	Support left					ID150 230V/50Hz	
3080	1617 1705 00	1	Plate		7013		• 1	Start relay	
4010		1	Capillary ass'y			1617 1551 19		ID90 230V/50Hz	
	1617 1828 81		ID90			1617 1551 21		ID110 230V/50Hz	
	1617 1828 82		ID110			1617 1551 22		ID110 200V/50Hz	
	1617 1828 83		ID150			1617 1551 20		ID110 230V/60Hz	
4100		1	Condenser			1617 1551 23		ID150 230V/50Hz	
	1617 1700 00		ID90, ID110			1617 1551 24		ID150 230V/60Hz	
	1617 1838 00		ID150		7014	1617 1530 80	• 1	Anti-vibration set	
4130		1	Filter-dryer		7015		• 1	Overload protector	
	1617 1322 03		ID90, ID110			1617 1550 21		ID90 230V/50Hz	
	1617 1322 04		ID150			1617 1550 23		ID110 230V/50Hz,	
5010		1	Heat exchanger					ID110 200V/50Hz	
	1617 1696 00		ID90 230V/50Hz			1617 1550 22		ID110 230V/60Hz	
	1617 1695 00		ID110		7040		1	Electrical box	
	1617 1945 00		ID150			1617 1248 00		ID90, ID110	
5020		1	Waterseparator			1617 2028 00		ID150	
	1617 2000 00		ID90, ID110		7090		1	Fan ass'y	
	1617 2093 00		ID150			1617 1987 80		ID90 230V/50Hz, ID110	
	0663 6147 00	• 1	O-ring					230V/50Hz, ID110 230V/	
	2900 1017 00	• 1	Drain valve kit			1617 2015 80		60Hz, ID150	
5030	0663 7136 00	2	O-ring				• 1	ID110 200V/50Hz	
5060	1089 0574 03	1	Temp. sensor			1617 1989 00	• 1	Motor	
5070	0348 0101 13	1	Cable tie			1617 1994 00	• 1	Grating	
5080		1	Press. sensor		7150		• 1	Fan	
	1089 0575 11		ID90 230V/50Hz			1619 5703 00	1	High pressure switch	
	1089 0575 41		ID110, ID150			1089 9214 40		ID90	
5090	0348 0101 13	1	Cable tie			1089 9214 35	1	ID110, ID150	
5180	1617 0745 00	1	Data plate		7170	1089 9214 35	1	Fan pressure switch	
5190	0129 3103 00	4	Blind rivet		7190	1088 1001 01	1	Warning mark	
		1	Box ass'y						
	1603 1698 80		ID90 230V/50Hz						
	1603 1698 81		ID110						
	1603 1698 82		ID150						
6010	1617 1698 00	1	Box heat exchanger						

20

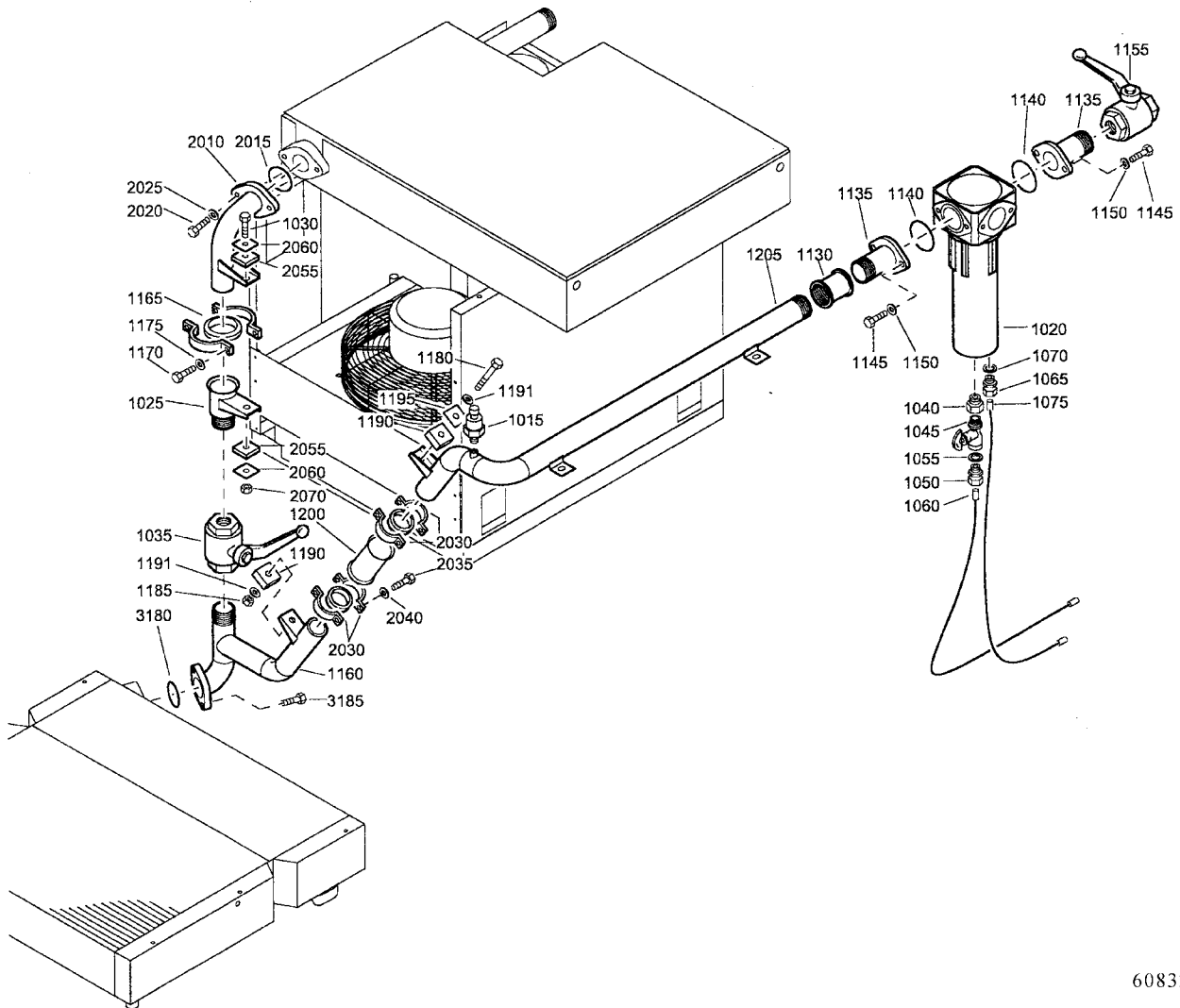


Air dryer - Pack FF / WorkPlace FF - GA55C(W)

Ref.	Partnumber	Qty	Name	Remarks	Ref.	Partnumber	Qty	Name	Remarks
	8092 2445 76	1	Dryer kit		6020	1617 1958 00	•• 1	Insulation bottom	
	8092 2445 84		ID155 230V/50Hz		6030	1617 1957 00	•• 1	Insulation top	
			ID155 230V/60Hz		6040	1617 1839 00	•• 1	Filling block	
1020	1617 1765 00	• 1	Liquid separator		7010		• 1	Refrigerant compressor	
1050	1619 5563 02	• 1	Schräderventiel			1617 1827 01		ID155 230V 50HZ	
1070	1619 5563 02	• 1	Schräderventiel			1617 1827 02		ID155 230V 60HZ	
2010	0653 1062 00	• 1	Flat gasket		7011		•• 1	Capacitor	
2020	0661 1020 00	• 1	Sealing washer			1617 1549 10		ID155 230V 50HZ	
2030	0581 0000 35	• 1	Drain connection			1617 1549 12		ID155 230V 60HZ	
2040	0070 6002 05	• AR	Plastic tube		7012		•• 1	Run capacitor	
2045	0581 0000 34	• 1	Drain connection			1617 1874 04		ID155 230V 50HZ	
2050	0070 6002 04	• AR	Plastic tube			1617 1874 03		ID155 230V 60HZ	
2060	1088 0801 40	• 1	Grommet		7013		•• 1	Start relay	
3010	1617 1694 00	• 1	Frame			1617 1551 23		ID155 230V 50HZ	
3020	1617 1703 00	• 1	Support right			1617 1551 24		ID155 230V 60HZ	
3050	1617 1704 00	• 1	Support left		7014	1617 1530 80	•• 1	Anti-vibration set	
3080	1617 1705 00	• 1	Plate		7040	1617 2028 00	• 1	Electrical box	
4010	1617 1828 83	• 1	Capillary ass'y		7090	1617 2364 80	• 1	Fan assembly	
4100	1617 2363 00	• 1	Condenser				•• 1	Fan + motor	
4130	1617 1322 04	• 1	Filter-dryer			1617 2365 00	•• 1	Grating	
5010	1617 1945 00	• 1	Heat exchanger		7150	1089 9214 40	• 1	High pressure switch	
5020	1617 2093 00	• 1	Waterseparator	1)	7170	1089 9214 35	• 1	Fan pressure switch	
	0663 6147 00	•• 1	O-ring		7190	1088 1001 01	• 1	Warning mark	
5030	0663 7136 00	• 2	O-ring						
5060	1089 0574 08	• 1	Temp. sensor		1)			See "Service kits" / Zie "Service kits" / Se "Service kits"	
5070	0348 0101 13	• 1	Cable tie					/ Siehe "Service kits" / Voir "Service kits" /	
5080	1089 0575 41	• 1	Pressure sensor					Véase "Service kits" / Vedere "Kit per la manutenzione"	
5090	0348 0101 13	• 1	Cable tie					/ Se "Service kits" /	
5180	1617 0745 00	• 1	Data plate					Ver "Conjuntos de reparação" / Se "Servicesett" / Katso	
5190	0129 3103 00	• 4	Blind rivet					"Huoltotarvik"	
	1603 1698 82	• 1	Box ass'y		2900	1017 00	1	Drain valve kit	
6010	1617 1698 00	•• 1	Box heat ex.						

21

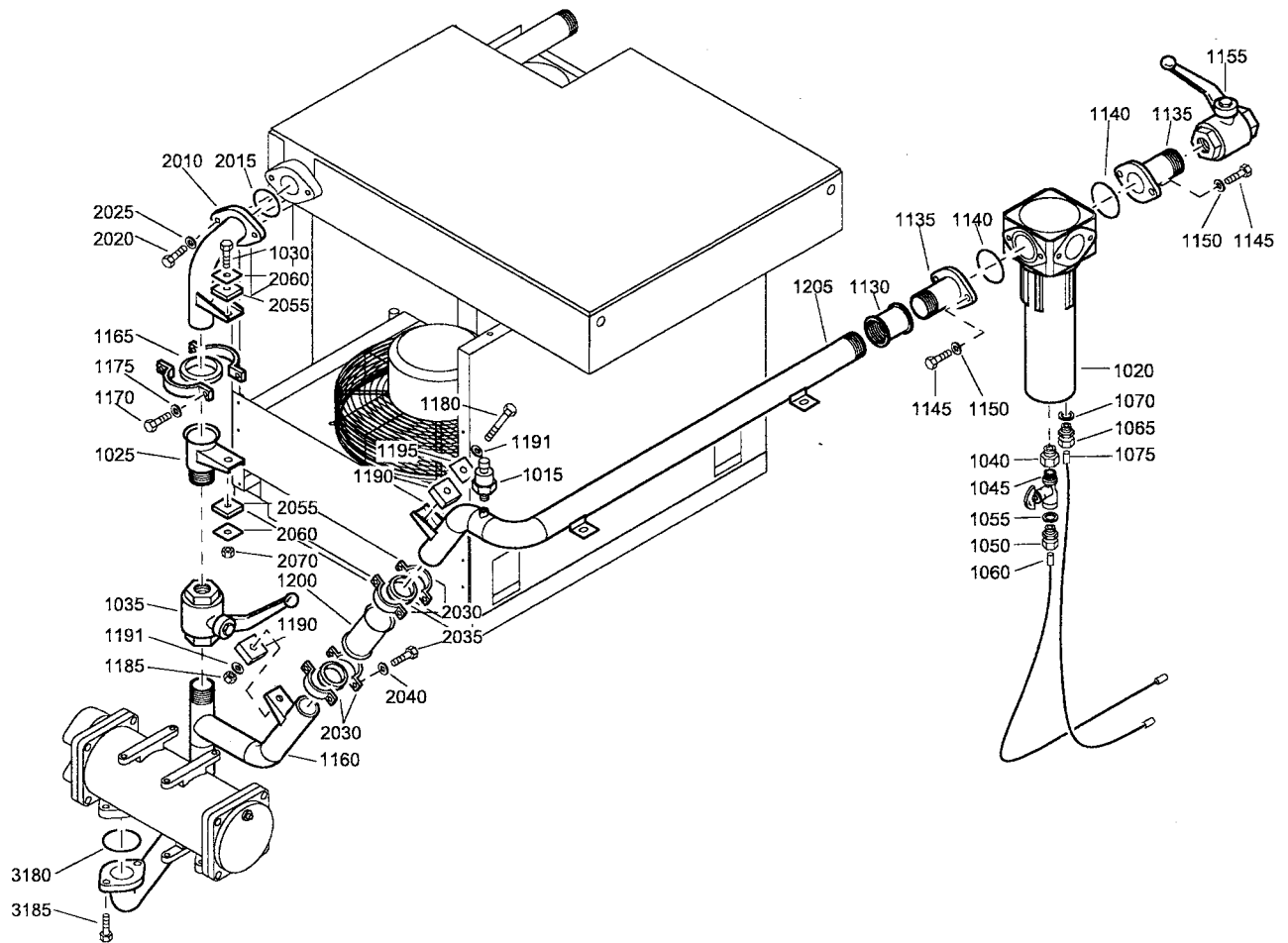
By-pass - Pack FF - WorkPlace FF - GA



60832_03

Ref.	Partnumber	Qty	Name	Remarks	Ref.	Partnumber	Qty	Name	Remarks
1015	1089 0575 51	1	Press.transduce		1180	0147 1962 69	1	Hexagon bolt	
1020	1613 9356 80	1	WSD80		1185	0291 1111 00	1	Lock nut	
1025	1613 8568 00	1	Connection		1175	0301 2335 00	2	Washer	
1030	0147 1375 03	1	Hexagon bolt		1191	0301 2344 00	2	Washer	
1035	0852 0010 32	1	Ball valve		1200	1613 8375 00	1	Pipe	
1040	0605 8300 35	1	Bushing		1190	1613 8451 02	2	Antivibration pad	
1045	1619 7336 00	1	Cock		1195	1613 8452 00	1	Washer	
1050	0581 0000 35	1	Coupling		1205	1613 8688 00	1	Pipe	
1055	0653 1062 00	1	Flat gasket		2010	1613 9918 00	1	Pipe	
1060	0070 6002 05	AR	Plastic tube		2015	0663 7136 00	1	O-ring	
1065	0581 0000 33	1	Coupling		2020	0147 1364 03	2	Hexagon bolt	
1070	0653 1062 00	1	Flat gasket		2025	0301 2344 00	2	Washer	
1075	0070 6002 04	AR	Plastic tube		2030	1613 8377 81	2	Joint set	
1080	1613 8563 00	1	Pipe			1613 8377 00	1	Joint	
1130	0607 2170 03	1	Socket		2035	0147 1960 44	4	Hexagon bolt	
1135	1613 8569 00	2	Pipe		2040	0301 2335 00	4	Washer	
1140	0663 7136 00	2	O-ring		2050	0147 1962 69	1	Hexagon bolt	
1145	0147 1364 03	4	Hexagon bolt		2055	1613 8451 02	1	Antivibration pad	
1150	0301 2344 00	4	Washer		2060	1613 8452 00	1	Washer	
1155	0852 0010 19	1	Ball valve		2065	0301 2344 00	1	Washer	
1160	1613 9940 00	1	Pipe		2070	0291 1111 00	1	Lock nut	
1165	1613 8377 81	1	Joint set		3180	0663 7136 00	1	O-ring	
	1613 8377 00	1	Joint		3185	0211 1363 03	2	Cap screw	
1170	0147 1960 44	2	Hexagon bolt						

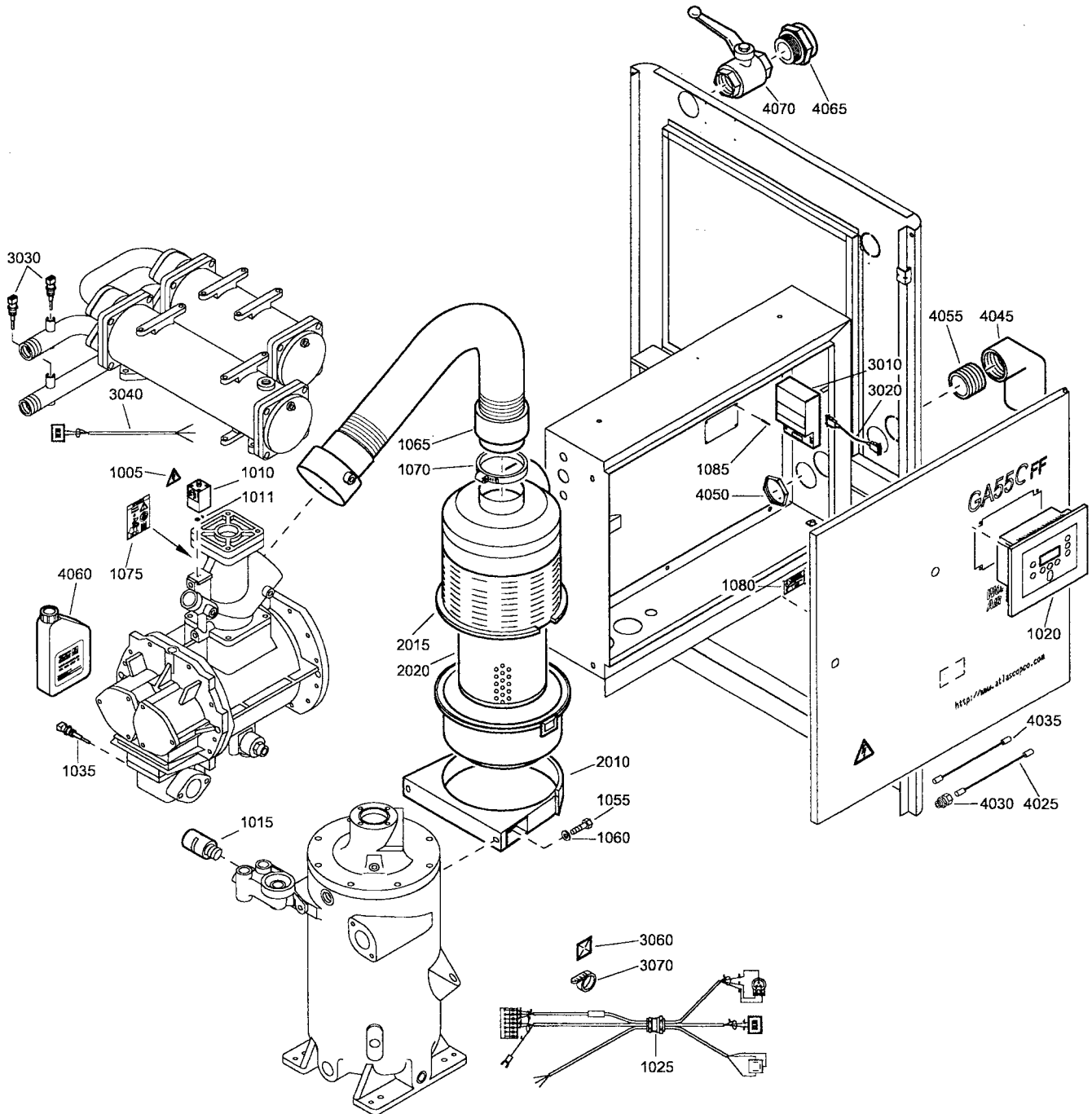
By-pass - Pack FF / WorkPlace FF - GA W



61499_03

Ref.	Partnumber	Qty	Name	Remarks	Ref.	Partnumber	Qty	Name	Remarks
1015	1089 0575 51	1	Press.transduce		1185	0291 1111 00	1	Lock nut	
1020	1613 9356 80	1	WSD80		1175	0301 2335 00	2	Washer	
1025	1613 8568 00	1	Connection		1191	0301 2344 00	2	Washer	
1030	0147 1375 03	1	Hexagon bolt		1200	1613 8375 00	1	Pipe	
1035	0852 0010 32	1	Ball valve		1190	1613 8451 02	2	Antivibration pad	
1040	0605 8300 35	1	Bushing		1195	1613 8452 00	1	Washer	
1045	1619 7336 00	1	Cock		1205	1613 8688 00	1	Pipe	
1050	0581 0000 35	1	Coupling		2010	1613 9918 00	1	Pipe	
1055	0653 1062 00	1	Flat gasket		2015	0663 7136 00	1	O-ring	
1065	0581 0000 33	1	Coupling		2020	0147 1364 03	2	Hexagon bolt	
1070	0653 1062 00	1	Flat gasket		2025	0301 2344 00	2	Washer	
1080	1613 8563 00	1	Pipe		2030	1613 8377 81	2	Joint set	
1130	0607 2170 03	1	Socket			1613 8377 00	1	Joint	
1135	1613 8569 00	2	Pipe		2035	0147 1960 44	4	Hexagon bolt	
1140	0663 7136 00	2	O-ring		2040	0301 2335 00	4	Washer	
1145	0147 1364 03	4	Hexagon bolt		2050	0147 1962 69	1	Hexagon bolt	
1150	0301 2344 00	4	Washer		2055	1613 8451 02	1	Antivibration pad	
1155	0852 0010 19	1	Ball valve		2060	1613 8452 00	1	Washer	
1160	1613 9941 00	1	Pipe		2065	0301 2344 00	1	Washer	
1165	1613 8377 81	1	Joint set		2070	0291 1111 00	1	Lock nut	
	1613 8377 00	1	Joint		3180	0663 7136 00	1	O-ring	
1170	0147 1960 44	2	Hexagon bolt		3185	0211 1363 03	2	Cap screw	
1180	0147 1962 69	1	Hexagon bolt						

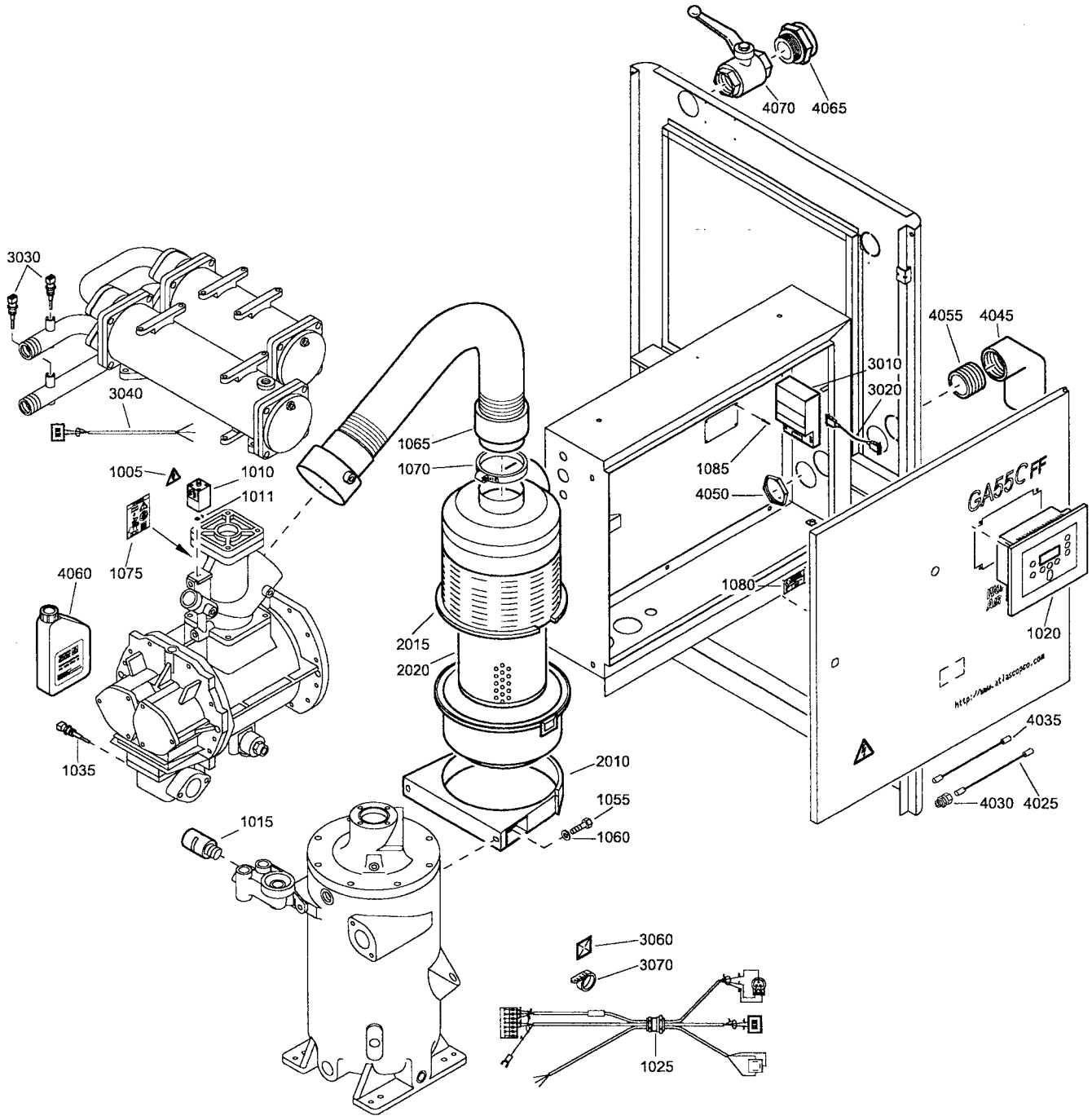
23



Regulating system

Ref.	Partnumber	Qty	Name	Remarks	Ref.	Partnumber	Qty	Name	Remarks
1005	1088 1001 01	1	Warning mark						
1010	1089 0621 19	1	Solenoid valve						
	1089 0621 14		115V/60Hz						
	1089 0621 13		230V/50Hz						
1011	0663 2104 83	• 2	O-ring						
1015		1	Thermostat						
	1619 7333 00		40°C						
	1619 7596 00		65°C						
	1619 7493 00		75°C						
1020		1	Regulator						
	1900 0711 01		Elektronikon I						
	1900 0710 01		Elektronikon II						
1025		1	Wire harness		1075		1	Warning label	
	1613 9979 10		Elektronikon I - IEC			1079 9903 82		IEC	
	1613 9979 10		Elektronikon I - CSA/UL			1079 9903 83		CSA/UL	
	1613 9979 02		Elektronikon II - IEC		1080		1	Listing mark	
	1613 9979 03		Elektronikon II - CSA/UL			1613 5330 00		CSA/UL	
1035	1089 0574 04	1	Temp.sensor		1085		4	Blind rivet	
1055	0147 1327 03	2	Hexagon bolt			0129 3104 00		CSA/UL	
1060	0301 2335 00	2	Washer				1	Airfilter assembly	
1065		1	Hose			1613 7398 80		GA30(W),	
	1613 8579 00		GA37(W)-8bar(e),					GA37(W)-8bar(e),	
			GA37(W)-10bar(e),					GA37(W)-10bar(e),	
			GA37(W)-13bar(e),					GA37(W)-13bar(e),	
			GA37(W)-125psi,					GA37(W)-125psi,	
			GA37(W)-150psi,					GA37(W)-150psi,	
			GA37(W)-175psi,					GA37(W)-175psi,	
			GA45(W)-13bar(e),					GA45(W)-13bar(e),	
			GA45(W)-175psi,					GA45(W)-175psi,	
			GA45(W)-175psi,					GA45(W)-175psi,	
			GA55C(W)-13bar(e),					GA55C(W)-13bar(e),	
			GA55C(W)-175psi			1613 7400 81		GA55C(W)-175psi	
	1613 8580 00		GA37(W)-7.5bar(e)					GA37(W)-7.5bar(e)	
			GA37(W)-100psi,					GA37(W)-100psi,	
			GA45(W)-7.5bar(e),					GA45(W)-7.5bar(e),	
			GA45(W)-8bar(e),					GA45(W)-8bar(e),	
			GA45(W)-10bar(e),					GA45(W)-10bar(e),	
			GA45(W)-100psi,					GA45(W)-100psi,	
			GA45(W)-125psi,					GA45(W)-125psi,	
			GA45(W)-150psi,					GA45(W)-150psi,	
			GA45(W)-150psi,					GA45(W)-150psi,	
			GA55C(W)-7.5bar(e),					GA55C(W)-7.5bar(e),	
			GA55C(W)-10bar(e),					GA55C(W)-10bar(e),	
			GA55C(W)-100psi,					GA55C(W)-100psi,	
			GA55C(W)-125psi,					GA55C(W)-125psi,	
			GA55C(W)-150psi					GA55C(W)-150psi	
1070		1	Hose clip		2010		• 1	Support	
	0347 6115 00		GA30(W),			1613 7399 00		GA30(W),	
			GA37(W)-8bar(e),					GA37(W)-8bar(e),	
			GA37(W)-10bar(e),					GA37(W)-10bar(e),	
			GA37(W)-13bar(e),					GA37(W)-13bar(e),	
			GA37(W)-125psi,					GA37(W)-125psi,	
			GA37(W)-150psi,					GA37(W)-150psi,	
			GA37(W)-175psi,					GA37(W)-175psi,	
			GA45(W)-13bar(e),					GA45(W)-13bar(e),	
			GA45(W)-175psi,					GA45(W)-175psi,	
			GA45(W)-175psi,					GA45(W)-175psi,	
			GA55C(W)-13bar(e),					GA55C(W)-13bar(e),	
			GA55C(W)-175psi					GA55C(W)-175psi	

23

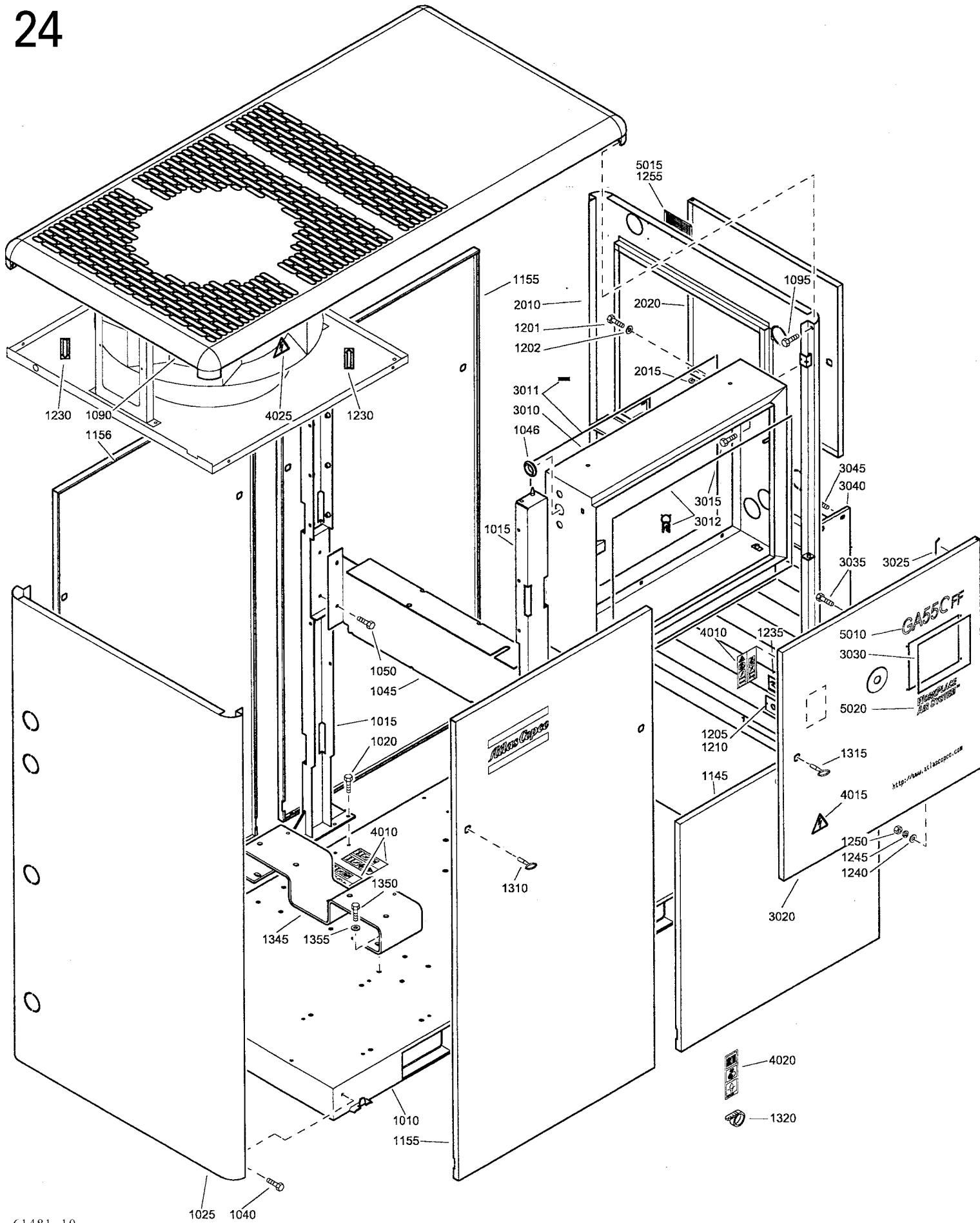


Regulating system

23

Ref.	Partnumber	Qty	Name	Remarks	Ref.	Partnumber	Qty	Name	Remarks
	1613 7401 00		GA37(W)-7.5bar(e) GA37(W)-100psi, GA45(W)-7.5bar(e), GA45(W)-8bar(e), GA45(W)-10bar(e), GA45(W)-100psi, GA45(W)- 125psi, GA45(W)-150psi, GA55C(W)-7.5bar(e), GA55C(W)-10bar(e), GA55C(W)-100psi, GA55C(W)-125psi, GA55C(W)-150psi		3010	1900 0710 41	1	AIE1 module	GA W - Elektronikon II
					3020	1622 0661 01	1	Cable MKIV	GA W - Elektronikon II
					3030	1089 0574 07	2	Temp.sensor	GA W - Elektronikon II
					3040	1622 0662 00	2	Cable temp.sens	GA W - Elektronikon II
					3060	1088 1305 01	3	Push mount	GA W - Elektronikon II
					3070	1088 1301 01	3	Cable strip	GA W - Elektronikon II
2015	1613 7398 00	• 1	Airfilter GA30(W), GA37(W)-8bar(e), GA37(W)-10bar(e), GA37(W)-13bar(e), GA37(W)-125psi, GA37(W)- 150psi, GA37(W)-175psi, GA45(W)-13bar(e), GA45(W)-175psi, GA55C(W)-13bar(e), GA55C(W)-175psi		4025	0070 6002 04	AR	Plastic tube	
					4030	0581 0000 33	1	Coupling	
					4035	0070 6002 05	AR	Plastic tube	
					4045		1	Elbow	
						0697 9750 18		IEC	
						1088 0257 30		CSA/UL	
					4050		1	Lock nut	
						0697 9809 19		IEC	
						1088 0301 10		CSA/UL	
					4055		1	Nipple threaded	
						1613 9799 00		IEC	
						0697 9910 01		CSA/UL	
	1613 7400 00		GA37(W)-7.5bar(e) GA37(W)-100psi, GA45(W)-7.5bar(e), GA45(W)-8bar(e), GA45(W)-10bar(e), GA45(W)-100psi, GA45(W)- 125psi, GA45(W)-150psi, GA55C(W)-7.5bar(e), GA55C(W)-10bar(e), GA55C(W)-100psi, GA55C(W)-125psi, GA55C(W)-150psi		4060	1613 6532 01	1	Oil can	
					4065		1	Bushing	
						0605 8350 26		NPT	
					4070	0852 0010 19	1	Ball valve	
2020	1613 7407 00	• 1	Element GA30(W), GA37(W)-8bar(e), GA37(W)-10bar(e), GA37(W)-13bar(e), GA37(W)-125psi, GA37(W)- 150psi, GA37(W)-175psi, GA45(W)-13bar(e), GA45(W)-175psi, GA55C(W)-13bar(e), GA55C(W)-175psi						
	1613 7408 00		GA37(W)-7.5bar(e) GA37(W)-100psi, GA45(W)-7.5bar(e), GA45(W)-8bar(e), GA45(W)-10bar(e), GA45(W)-100psi, GA45(W)- 125psi, GA45(W)-150psi, GA55C(W)-7.5bar(e), GA55C(W)-10bar(e), GA55C(W)-100psi, GA55C(W)-125psi, GA55C(W)-150psi						

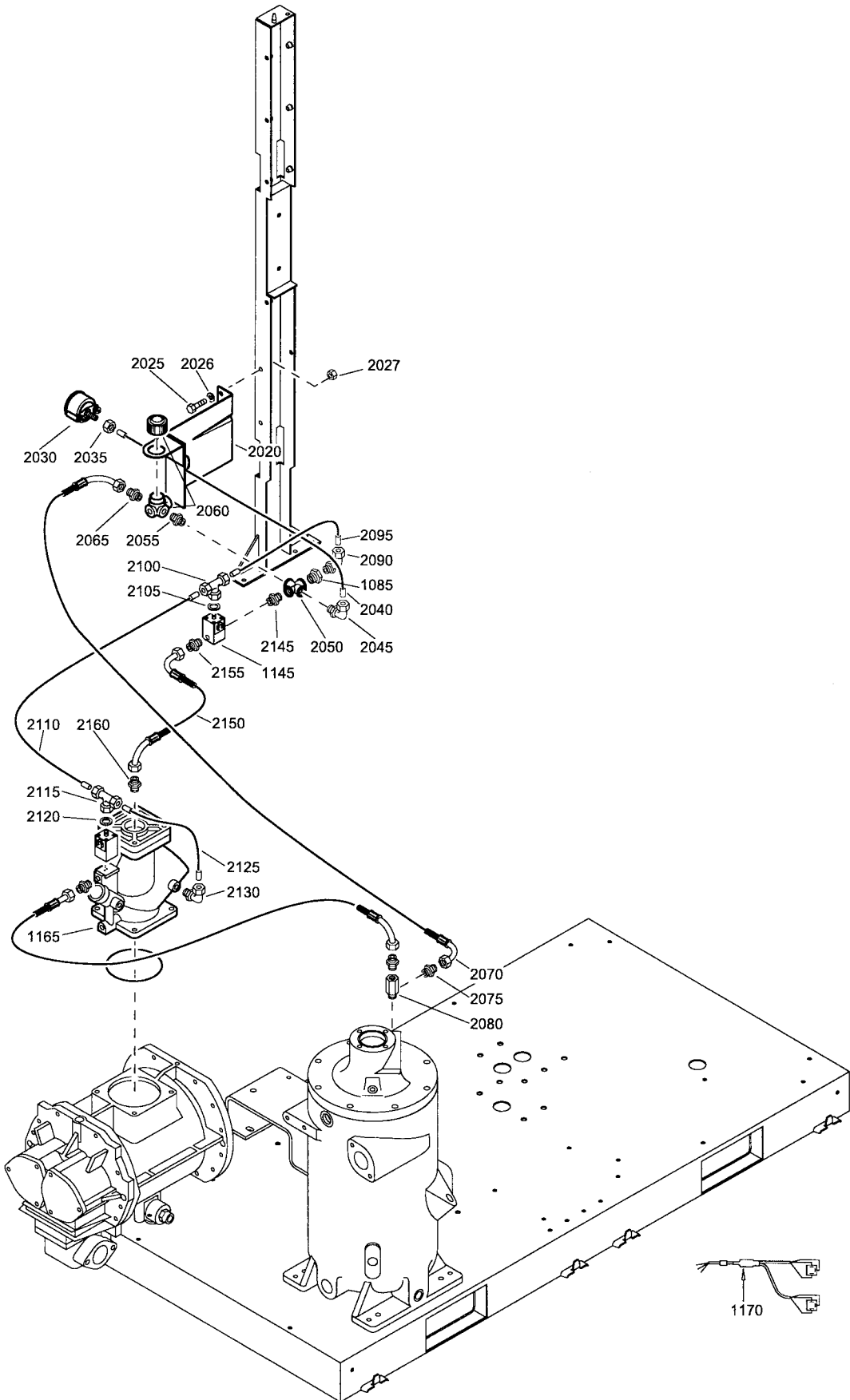
24



Bodywork

Ref.	Part number	Qty	Name	Remarks	Ref.	Part number	Qty	Name	Remarks
1010	1613 9878 00	1	Frame	3)	2020	1613 8550 81 •	1	Door assembly 2)	
1015	1613 9884 00	2	Beam	3)		1613 8486 00 ••	1	Lock	
1020	0147 1962 72	8	Hexagon bolt	3)		1613 8484 01 ••	1	Hinge	
1025	1613 9852 80	1	Panel assembly	1)		0129 3270 29 ••	2	Blind rivet	
1030	0147 1962 72	4	Hexagon bolt		3010	1613 9942 80	1	Cubicle, assy	
1040	0147 1962 72	2	Hexagon bolt			1619 3843 00 •	AR	Seal	
1045	1613 9883 00	1	Support			1202 6584 00 •	AR	Seal	
1046	1088 0801 52	1	Grommet		3015	0147 1962 72	3	Hexagon bolt	
1050	0147 1962 72	4	Hexagon bolt		3020	1613 9998 80	1	Door ass'y cubi	
1085	0147 1962 72	4	Hexagon bolt			0129 3270 29 •	2	Blind rivet	
1090	1613 9850 80	1	Roof assembly 1)3)			1613 9525 00 •	1	Hinge	
	0129 3270 30 •	8	Blind rivet			1613 7705 00 •	1	Protect. cap	
	1613 9963 00 •		Corner			1079 9920 83 •	1	Label "website"	
1095	0226 0300 46	4	Tapping screw		3025	1613 9532 00	1	Pin	
1100	0211 1325 03	2	Cap screw		3030	1503 2467 00	AR	Seal cord	
1105	0147 1962 72	2	Hexagon bolt		3035	0147 1205 03	4	Hexagon bolt	
1145	1613 9996 80	1	Panel ass'y 1)		3040	1613 9894 80	1	Inletbaffle ass 1)	
	1616 2987 00 •	2	Plug		3045	0147 1962 72	6	Hexagon bolt	
1155	1613 9994 81	2	Panel ass'y wit 1)		4010	1079 9901 09	5	Label	
	1613 8485 00 •	2	Lock		4015	1088 1001 02	2	Warning mark	
	0690 1125 01 •	1	House mark		4020	1079 9901 29	1	Label	
	1616 2987 00 •	2	Plug		4025	1088 1001 01	2	Warning mark	
1156	1613 9994 80	1	Panel ass'y 1)		5010		1	Decal	
	1613 8485 00 •	2	Lock			1613 9027 09		GA30	
	1616 2987 00 •	2	Plug			1613 9027 12		GA30 FF	
1200	1619 2766 00	3	Bolt			1613 9027 10		GA37	
1201	1619 2766 00	6	Bolt			1613 9027 13		GA37 FF	
1202	0333 3227 00	6	Lock washer			1613 9027 11		GA45	
1205	1613 9613 00	1	Plate			1613 9027 14		GA45 FF	
1210	0226 3343 59	4	Tapping screw			1613 9027 24		GA55C	
1230	1503 0786 00	2	Rotation arrow			1613 9027 23		GA55C FF	
1235	1079 9915 99	1	Label		5015		1	Data plate	
1240	0301 2335 00	1	Washer			1613 7394 00		50Hz	
1245	0333 3227 00	1	Lock washer			1614 5933 00		60Hz	
1250	0266 2110 00	1	Nut		5020	1613 9846 00	1	Decal "WorkPlace"	
1255	0129 3103 00	4	Blind rivet						
1310	1089 9068 01	2	Key		1-2)	Lined with / Bekleed met / Beklädd med / Ausgekleidet mit / Garnir de / Rivestido de / Allineato con / Foret med / Revestido com / Kledd med / Vuorattu :			
1315	1089 9154 02	1	Key			1) Foam : 0395 6001 59 (AR) 30 x 2040 x 1650 self- adhesive			
1320	1088 1301 02	1	Cable strip			2) Foam : 0395 6001 58 (AR) 20 x 2040 x 1650 self- adhesive			
1345	1613 9881 00	1	Support		3)	See / Zie / Se / Siehe / Voir / Véase / Vedere / Se / Ver / Se / Katso			
1350	0147 1362 03	5	Hexagon bolt			Lifting device			
1355	0301 2344 00	5	Washer						
	1613 9855 80	1	Panel assembly						
2010	1613 9855 00 •	1	Panel						
	1613 9882 00 ••	4	Hinge						
	1613 9527 00 ••	1	Hinge						
2015	1613 8560 00 •	1	Washer						

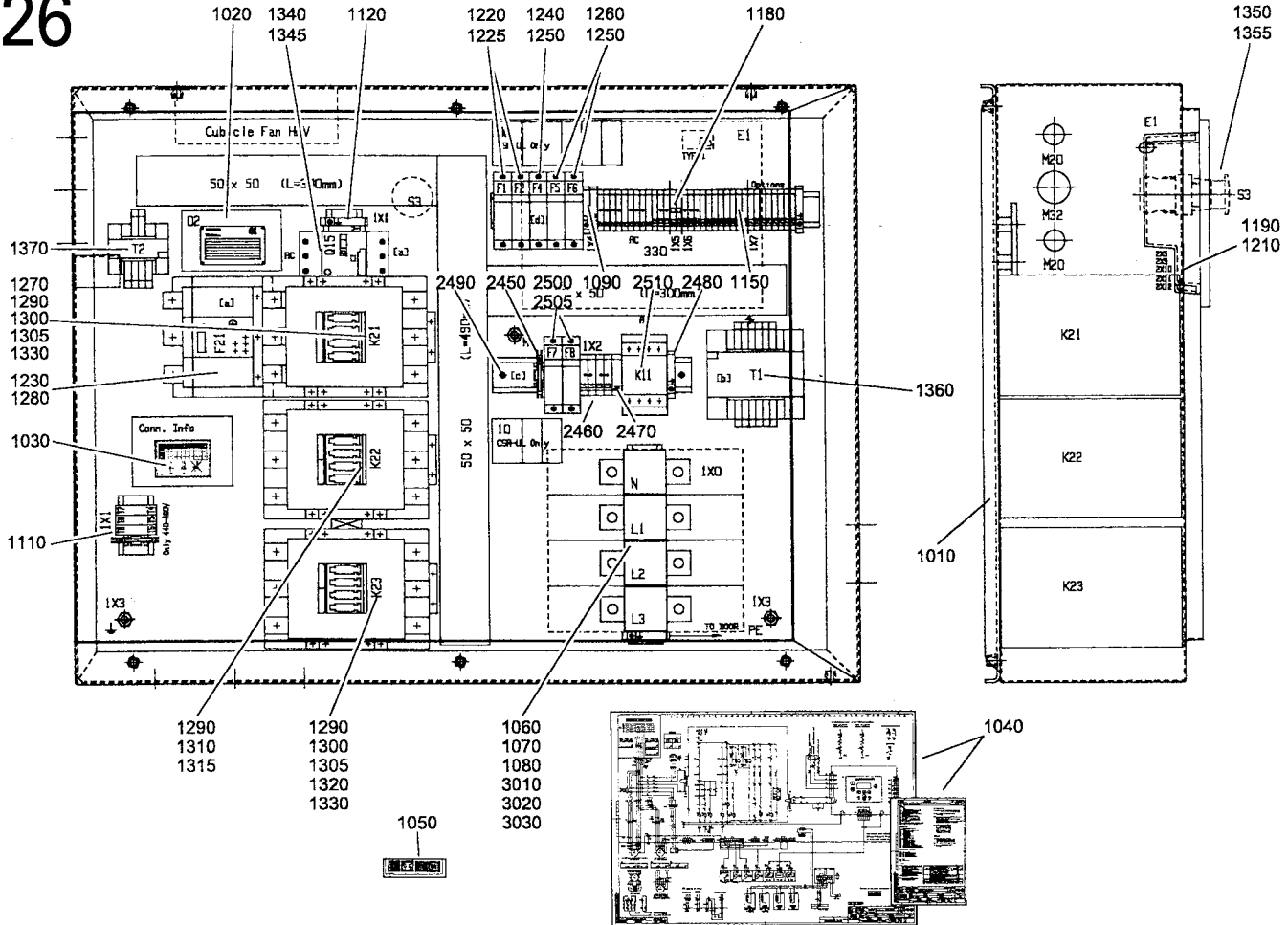
25



Modulating control

Ref.	Partnumber	Qty	Name	Remarks	Ref.	Partnumber	Qty	Name	Remarks
		1	Standard option		2040	0070 6002 04	•	AR	Plastic tube
			Modulating control		2045	0581 1200 16	•	1	Coupling(elbow)
	8092 2428 93		50Hz		2050	0560 4400 85	•	1	Cross
	8092 2429 01		60Hz		2055	1503 2564 10	•	1	Nipple
	8092 2429 19		60Hz - CSA/UL		2060	1613 6961 00	•	1	Regulator
1085		• 1	Nozzle		2065	1079 5840 26	•	1	Hexagon nipple
	1613 6968 05		Ø 1.4		2070	0575 0792 25	•	1	Hose assembly
	1613 6968 06		Ø 1.5		2075	1079 5840 26	•	1	Hexagon nipple
1145		• 1	Solenoid valve		2080	1613 7367 00	•	1	Connection
	1089 0621 01		230V/50Hz		2090	0581 1200 26	•	1	Elbow coupling
	1089 0621 02		120V/60Hz-CSA/UL		2095	0070 6002 05	•	AR	Plastic tube
	1089 0621 03		230V/60Hz		2100	0581 2000 27	•	1	Pipe coupling
1165	<<<< >>>>	• 1	Valve ass'y		2105	0653 1046 00	•	1	Flat gasket
1170		• 1	Cable		2110	0070 6002 05	•	AR	Plastic tube
	1613 7475 02		IEC		2115	0581 2000 27	•	1	Pipe coupling
	1613 7475 01		CSA/UL		2120	0653 1046 00	•	1	Flat gasket
2020	1613 7366 00	• 1	Support		2125	0070 6002 05	•	AR	Plastic tube
2025	0147 1323 03	• 2	Hexagon bolt		2130	0581 1200 23	•	1	Elbow coupling
2026	0301 2335 00	• 2	Washer		2140	1503 2564 01	•	1	Nipple
2027	0266 2110 00	• 2	Nut		2150	1079 5840 25	•	1	Hexagon nipple
2030	1615 7264 00	• 1	Pressure gauge		2155	0575 0401 18	•	1	Hose assembly
2035	0584 9904 00	• 1	Sleeve		2160	1079 5840 25	•	1	Hexagon nipple

26



61540_12

Ref.	Partnumber	Qty	Name	Remarks	Ref.	Partnumber	Qty	Name	Remarks
		1	Cubicle						
	1900 2060 61		GA30(W) 200V/50Hz		1089 0506 05	3	GA30(W) 380-500V/50Hz,		
	1900 2060 55		GA30(W) 230V/50Hz		1089 0506 04	3	GA30(W) 400V/50Hz		
	1900 2060 68		GA30(W) 380-500V/50Hz,		1089 0506 04	1	GA30(W) 440-460V/60Hz		
			GA37(W) 380-500V/50Hz		1089 0506 25	3	GA37(W) 200V/50Hz		
	1900 2060 51		GA30(W) 400V/50Hz		1089 0506 25	3	GA37(W) 230V/50Hz		
	1900 2060 64		GA30(W) 440-460V/60Hz		1089 0506 05	4	GA37(W) 400V/50Hz		
	1900 2060 62		GA37(W) 200V/50Hz		1089 0506 05	3	GA37(W) 440-460V/60Hz		
	1900 2060 56		GA37(W) 230V/50Hz		1089 0506 26	3	GA45(W) 200V/50Hz		
	1900 2060 52		GA37(W) 400V/50Hz		1089 0506 26	3	GA45(W) 230V/50Hz		
	1900 2060 65		GA37(W) 440-460V/60Hz		1089 0506 15	3	GA45(W) 380-500V/50-60Hz		
	1900 2060 63		GA45(W) 200V/50Hz		1089 0506 15	4	GA45(W) 400V/50Hz		
	1900 2060 57		GA45(W) 230V/50Hz		1089 0506 05	3	GA45(W) 440-460V/60Hz		
	1900 2060 69		GA45(W) 380-500V/50-60Hz		1089 0506 26	3	GA55C(W) 230V/50Hz		
	1900 2060 53		GA45(W) 400V/50Hz		1089 0506 15	4	GA55C(W) 400V/50Hz		
	1900 2060 66		GA45(W) 440-460V/60Hz		1089 0506 15	3	GA55C(W) 440-460V/60Hz		
	1900 2060 58		GA55C(W) 230V/50Hz		1089 0506 15	3	GA55C(W) 500V/50Hz		
	1900 2060 54		GA55C(W) 400V/50Hz		1070	•	Cover		
	1900 2060 67		GA55C(W) 440-460V/60Hz		1089 0542 10	3	GA30(W) 200V/50Hz		
	1900 2060 70		GA55C(W) 500V/50Hz		1089 0542 10	3	GA30(W) 230V/50Hz		
1010	1613 8506 20	• 1	Plate		1089 0542 11	3	GA37(W) 200V/50Hz		
1020	1613 6639 00	• 1	Data Plate		1089 0542 11	3	GA37(W) 230V/50Hz		
1030	1079 9906 09	• 1	Label		1089 0542 12	3	GA45(W) 200V/50Hz		
1040	9820 3547 51	• 1	Label		1089 0542 12	3	GA45(W) 230V/50Hz		
1050	1079 9901 68	• 1	Label		1089 0542 10	3	GA45(W) 380-500V/50-60Hz		
1060		•	Terminal		1089 0542 10	4	GA45(W) 400V/50Hz		
	1089 0506 15	3	GA30(W) 200V/50Hz		1089 0542 12	3	GA55C(W) 230V/50Hz		
	1089 0506 15	3	GA30(W) 230V/50Hz		1089 0542 10	4	GA55C(W) 400V/50Hz		
					1089 0542 10	3	GA55C(W) 440-460V/60Hz		
					1089 0542 10	3	GA55C(W) 500V/50Hz		

Start cubicle - Star/Delta - Elektronikon I - IEC

Ref.	Part number	Qty	Name	Remarks	Ref.	Part number	Qty	Name	Remarks
1080	• 1089 0506 03	1	Terminal		1089 9037 09			GA37(W) 230V/50Hz	
			GA30(W) 400V/50Hz		1089 9037 09			GA37(W) 400V/50Hz	
1090	• 1089 0506 27	5	Terminal		1089 9037 09			GA37(W) 440-460V/60Hz	
1110	• 1089 0506 61	1	Terminal		1089 9037 09			GA45(W) 200V/50Hz	
			GA30(W) 440-460V/60Hz		1089 9037 09			GA45(W) 230V/50Hz	
	1089 0506 07		GA37(W) 440-460V/60Hz		1089 9037 09			GA45(W) 380-500V/50-60Hz	
	1089 0506 07		GA45(W) 440-460V/60Hz		1089 9037 09			GA45(W) 400V/50Hz	
	1089 0506 07		GA55C(W) 440-460V/60Hz		1089 9037 09			GA45(W) 440-460V/60Hz	
1120	• 1089 0506 09	1	Terminal		1089 9037 09			GA55C(W) 230V/50Hz	
1150	• 1089 0506 62	15	Terminal		1089 9037 09			GA55C(W) 400V/50Hz	
1180	• 1089 0506 23	1	Barrier		1089 9037 09			GA55C(W) 440-460V/60Hz	
1190	• 1088 0031 32	1	Connector		1089 9037 09			GA55C(W) 500V/50Hz	
1210	• 1088 0031 06	1	Connector		1270 1089 9415 55	• 1		Contact Block	
1220	• 1089 0612 01	2	Fuse holder		1280 1089 9362 21	• 1		Terminal cover	
1225	• 1089 0612 24	2	Fuse		1089 9362 21			GA45(W) 200V/50Hz	
1230	• 1089 9424 39	1	Overload relay		1089 9362 21			GA45(W) 230V/50Hz	
	1089 9424 48		GA30(W) 200V/50Hz		1089 9362 21			GA55C(W) 230V/50Hz	
	1089 9424 47		GA30(W) 230V/50Hz		1290	• 4		Terminal cover	
	1089 9446 11		GA30(W) 380-500V/50Hz,		1089 9362 11	• 2		GA55C(W) 230V/50Hz	
			GA37(W) 380-500V/50Hz		1300	• 2		Terminal cover	
	1089 9424 40		GA30(W) 400V/50Hz		1089 9362 11			GA45(W) 200V/50Hz	
	1089 9424 39		GA30(W) 440-460V/60Hz		1089 9362 11			GA45(W) 230V/50Hz	
	1089 9424 48		GA37(W) 200V/50Hz		1305	• 2		Contact	
	1089 9424 48		GA37(W) 230V/50Hz		1089 9415 42			GA30(W) 200V/50Hz	
	1089 9424 41		GA37(W) 400V/50Hz		1089 9415 42			GA30(W) 230V/50Hz	
	1089 9424 40		GA37(W) 440-460V/60Hz		1089 9415 33			GA30(W) 380-500V/50Hz,	
	1089 9446 21		GA45(W) 200V/50Hz					GA37(W) 380-500V/50Hz	
	1089 9446 21		GA45(W) 230V/50Hz		1089 9415 32			GA30(W) 400V/50Hz	
	1089 9446 16		GA45(W) 380-500V/50-60Hz		1089 9415 32			GA30(W) 440-460V/60Hz	
	1089 9424 46		GA45(W) 400V/50Hz		1089 9415 43			GA37(W) 200V/50Hz	
	1089 9424 46		GA45(W) 440-460V/60Hz		1089 9415 42			GA37(W) 230V/50Hz	
	1089 9446 21		GA55C(W) 230V/50Hz		1089 9415 33			GA37(W) 400V/50Hz	
	1089 9424 47		GA55C(W) 400V/50Hz		1089 9415 33			GA37(W) 440-460V/60Hz	
	1089 9424 46		GA55C(W) 440-460V/60Hz		1089 9415 58			GA45(W) 200V/50Hz	
	1089 9424 46		GA55C(W) 500V/50Hz		1089 9415 58			GA45(W) 230V/50Hz	
1240	• 1089 9037 01	1	Fuse link		1089 9415 41			GA45(W) 380-500V/50-60Hz	
			GA30(W) 200V/50Hz		1089 9415 41			GA45(W) 400V/50Hz	
	1089 9037 01		GA30(W) 230V/50Hz		1089 9415 41			GA45(W) 440-460V/60Hz	
	1089 9037 09		GA30(W) 380-500V/50Hz,		1089 9415 58			GA55C(W) 230V/50Hz	
			GA37(W) 380-500V/50Hz		1089 9415 42			GA55C(W) 400V/50Hz	
	1089 9037 09		GA30(W) 400V/50Hz		1089 9415 41			GA55C(W) 440-460V/60Hz	
	1089 9037 09		GA30(W) 440-460V/60Hz		1089 9415 41			GA55C(W) 500V/50Hz	
	1089 9037 01		GA37(W) 200V/50Hz		1310 1089 9415 09	• 1		Contact Block	
	1089 9037 01		GA37(W) 230V/50Hz		1315	• 1		Contact	
	1089 9037 09		GA37(W) 400V/50Hz		1089 9415 33			GA30(W) 200V/50Hz	
	1089 9037 09		GA37(W) 440-460V/60Hz		1089 9415 33			GA30(W) 230V/50Hz	
	1089 9037 02		GA45(W) 200V/50Hz		1089 9415 31			GA30(W) 380-500V/50Hz,	
	1089 9037 01		GA45(W) 230V/50Hz					GA37(W) 380-500V/50Hz	
	1089 9037 09		GA45(W) 380-500V/50-60Hz		1089 9415 23			GA30(W) 400V/50Hz	
	1089 9037 09		GA45(W) 400V/50Hz		1089 9415 31			GA30(W) 440-460V/60Hz	
	1089 9037 09		GA45(W) 440-460V/60Hz		1089 9415 41			GA37(W) 200V/50Hz	
	1089 9037 01		GA55C(W) 230V/50Hz		1089 9415 41			GA37(W) 230V/50Hz	
	1089 9037 01		GA55C(W) 400V/50Hz		1089 9415 31			GA37(W) 400V/50Hz	
	1089 9037 01		GA55C(W) 440-460V/60Hz		1089 9415 31			GA37(W) 440-460V/60Hz	
	1089 9037 09		GA55C(W) 500V/50Hz		1089 9415 31			GA37(W) 440-460V/60Hz	
1250	• 1089 0506 16	3	Fuse terminal		1089 9415 42			GA45(W) 200V/50Hz	
1260	• 1089 9037 09	2	Fuse link		1089 9415 41			GA45(W) 230V/50Hz	
			GA30(W) 200V/50Hz		1089 9415 32			GA45(W) 380-500V/50-60Hz	
	1089 9037 09		GA30(W) 230V/50Hz		1089 9415 31			GA45(W) 400V/50Hz	
	1089 9037 09		GA30(W) 380-500V/50Hz,		1089 9415 31			GA45(W) 440-460V/60Hz	
			GA37(W) 380-500V/50Hz		1089 9415 58			GA55C(W) 230V/50Hz	
	1089 9037 09		GA30(W) 400V/50Hz		1089 9415 33			GA55C(W) 400V/50Hz	
	1089 9037 09		GA30(W) 440-460V/60Hz		1089 9415 32			GA55C(W) 440-460V/60Hz	
	1089 9037 09		GA37(W) 200V/50Hz		1089 9415 32			GA55C(W) 500V/50Hz	

Start cubicle - Star/Delta - Elektronikon I - IEC

Ref.	Part number	Qty	Name	Remarks	Ref.	Part number	Qty	Name	Remarks
1320	• 1	1	Contact Block		1370	1089 9136 92	• 1	Transformer	
	1089 9415 56		GA30(W) 200V/50Hz			1900 2062 01	1	Dryer rail	
	1089 9415 56		GA30(W) 230V/50Hz			1900 2062 02		400V+N	
	1089 9415 56		GA30(W) 380-500V/50Hz,			1900 2062 04		ID90, ID110	
			GA37(W) 380-500V/50Hz			1900 2062 03		ID150/50Hz, ID155/50Hz	
	1089 9415 56		GA30(W) 400V/50Hz		2450	1089 0506 30	• 1	ID150/60Hz, ID155/60Hz	
	1089 9415 56		GA30(W) 440-460V/60Hz					End bracket	
	1089 9415 56		GA37(W) 200V/50Hz		2460	1089 0506 60	• 4	Terminal	
	1089 9415 56		GA37(W) 230V/50Hz		2470		• 1	Terminal	
	1089 9415 56		GA37(W) 400V/50Hz			1089 0506 06		400V+N	
	1089 9415 56		GA37(W) 440-460V/60Hz		2480	1089 0506 28	• 1	Terminal	
	1089 9415 56		GA45(W) 380-500V/50-60Hz		2490	9139 5000 16	• 1	Mounting rail	
	1089 9415 56		GA45(W) 400V/50Hz		2500	1089 0612 01	• 2	Fuse holder	
	1089 9415 56		GA45(W) 440-460V/60Hz		2505		• 2	Fuse	
	1089 9415 56		GA55C(W) 400V/50Hz			1089 0612 29		400V+N	
	1089 9415 56		GA55C(W) 440-460V/60Hz			1089 0612 29		ID90, ID110	
	1089 9415 56		GA55C(W) 500V/50Hz			1089 0612 29		ID150/50Hz, ID155/50Hz	
						1089 0612 30		ID150/60Hz, ID155/60Hz	
1330	• 6	6	Terminal cover		2510	• 1	1	Contact	
	1089 9362 02		GA45(W) 200V/50Hz			1089 9415 22		400V+N	
	1089 9362 02		GA45(W) 230V/50Hz			1089 9415 21		ID90, ID110	
	1089 9362 02		GA55C(W) 230V/50Hz			1089 9415 22		ID150/50Hz, ID155/50Hz	
1340	• 1	1	Contact Block			1089 9415 23		ID150/60Hz, ID155/60Hz	
1345	• 1	1	Circuit breaker				1	Standard option	
	1089 9416 27		GA30(W) 200V/50Hz					Main switch	
	1089 9416 26		GA30(W) 230V/50Hz					Disconnect sw	
	1089 9416 64		GA30(W) 380-500V/50Hz,		3010	1089 9447 02	1	GA30(W) 200-230V,	
			GA37(W) 380-500V/50Hz					GA55C(W) 200-230V,	
	1089 9416 24		GA30(W) 400V/50Hz			1089 9447 06		GA55C(W) 440-690V	
	1089 9416 24		GA30(W) 440-460V/60Hz					GA37(W) 380-415V,	
	1089 9416 27		GA37(W) 200V/50Hz					GA45(W) GA55C(W) 400V/	
	1089 9416 26		GA37(W) 230V/50Hz					50Hz	
	1089 9416 24		GA37(W) 400V/50Hz			1089 9448 03		GA30(W) 380-690V,	
	1089 9416 24		GA37(W) 440-460V/60Hz					GA37(W) 440-690V	
	1089 9416 27		GA45(W) 200V/50Hz					Operating handl	
	1089 9416 26		GA45(W) 230V/50Hz		3020	1089 9447 01	1	GA30(W)200-230V,	
	1089 9416 64		GA45(W) 380-500V/50-60Hz					GA55C(W) 200-230V,	
	1089 9416 24		GA45(W) 400V/50Hz					GA55C(W) 440-690V	
	1089 9416 24		GA45(W) 440-460V/60Hz			1089 9448 01		GA30(W) 380-690V,	
	1089 9416 29		GA55C(W) 230V/50Hz					GA37(W) 440-690V	
	1089 9416 27		GA55C(W) 400V/50Hz		3030		4	Tapping screw	
	1089 9416 67		GA55C(W) 440-460V/60Hz			0226 3343 92		GA37(W) 380-415V,	
	1089 9416 66		GA55C(W) 500V/50Hz					GA45(W) GA55C(W) 400V/	
1350	• 2	2	Contact Block					50Hz	
1355	• 1	1	Emergency stop button			0226 3343 92		GA30(W)200-230V,	
1360	• 1	1	Transformer					GA55C(W) 200-230V,	
	1089 9436 03		GA30(W) 200V/50Hz					GA55C(W) 440-690V	
	1089 9136 96		GA30(W) 230V/50Hz						
	1089 9436 02		GA30(W) 380-500V/50Hz,						
			GA37(W) 380-500V/50Hz						
	1089 9136 95		GA30(W) 400V/50Hz						
	1089 9436 02		GA30(W) 440-460V/60Hz						
	1089 9436 03		GA37(W) 200V/50Hz						
	1089 9136 96		GA37(W) 230V/50Hz						
	1089 9136 95		GA37(W) 400V/50Hz						
	1089 9436 02		GA37(W) 440-460V/60Hz						
	1089 9436 04		GA45(W) 200V/50Hz						
	1089 9136 96		GA45(W) 230V/50Hz						
	1089 9436 02		GA45(W) 380-500V/50-60Hz						
	1089 9136 95		GA45(W) 400V/50Hz						
	1089 9436 02		GA45(W) 440-460V/60Hz						
	1089 9136 96		GA55C(W) 230V/50Hz						
	1089 9136 96		GA55C(W) 400V/50Hz						
	1089 9436 03		GA55C(W) 440-460V/60Hz						
	1089 9436 02		GA55C(W) 500V/50Hz						

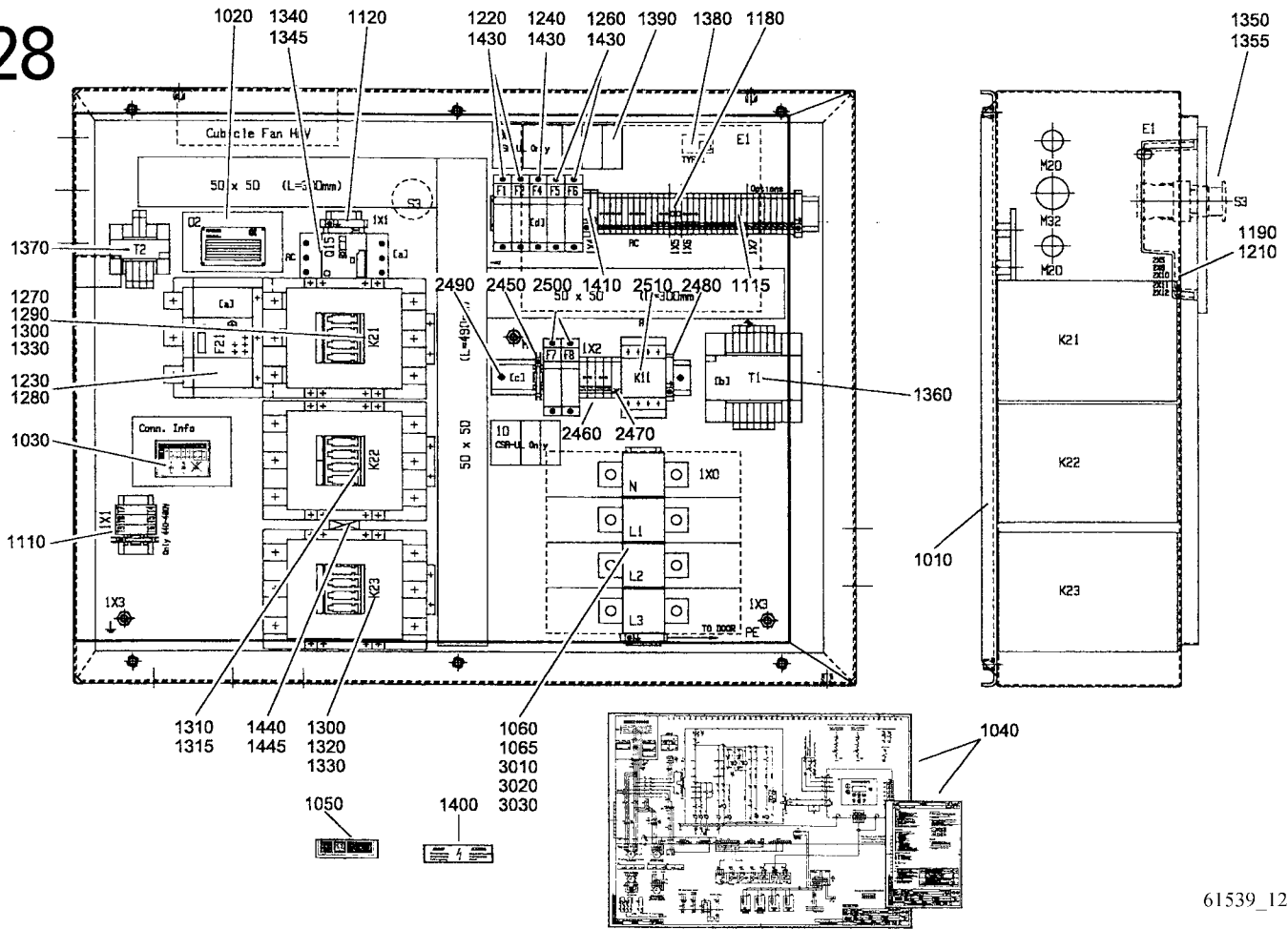
Start cubicle - Star/Delta - Elektronikon II - IEC

Ref.	Part number	Qty	Name	Remarks	Ref.	Part number	Qty	Name	Remarks
1090	1089 0506 27	• 5	Terminal		1300		• 2	Terminal cover	
1110		• 1	Terminal		1089 9362 11			GA45(W) 230V/50Hz	
	1089 0506 61		GA30(W) 440-460V/60Hz		1089 9362 11			GA45(W) 200V/50Hz	
	1089 0506 07		GA37(W) 440-460V/60Hz		1305		• 2	Contact	
	1089 0506 07		GA45(W) 440-460V/60Hz		1089 9415 42			GA30(W) 200V/50Hz	
	1089 0506 07		GA55C(W) 440-460V/60Hz		1089 9415 42			GA30(W) 230V/50Hz	
1120	1089 0506 09	• 1	Terminal		1089 9415 33			GA30(W) 380-500V/50Hz,	
1140	1089 0506 62	• 25	Terminal					GA37(W) 380-500V/50Hz	
1160	1089 0506 38	• 2	Socket		1089 9415 32			GA30(W) 400V/50Hz	
1170	1089 0506 23	• 2	Barrier		1089 9415 32			GA30(W) 440-460V/60Hz	
1190	1088 0031 49	• 1	Connector		1089 9415 43			GA37(W) 200V/50Hz	
1200	1088 0031 29	• 1	Connector		1089 9415 42			GA37(W) 230V/50Hz	
1210	1088 0031 13	• 1	Connector		1089 9415 33			GA37(W) 400V/50Hz	
1220	1089 0612 01	• 2	Fuse holder		1089 9415 33			GA37(W) 440-460V/60Hz	
1225	1089 0612 24	• 2	Fuse		1089 9415 58			GA45(W) 200V/50Hz	
1230		• 1	Overload relay		1089 9415 58			GA45(W) 230V/50Hz	
	1089 9424 48		GA30(W) 200V/50Hz		1089 9415 41			GA45(W) 380-500V/50-60Hz	
	1089 9424 47		GA30(W) 230V/50Hz		1089 9415 41			GA45(W) 400V/50Hz	
	1089 9446 11		GA30(W) 380-500V/50Hz,		1089 9415 41			GA45(W) 440-460V/60Hz	
			GA37(W) 380-500V/50Hz		1089 9415 58			GA55C(W) 230V/50Hz	
	1089 9424 40		GA30(W) 400V/50Hz		1089 9415 42			GA55C(W) 400V/50Hz	
	1089 9424 39		GA30(W) 440-460V/60Hz		1089 9415 41			GA55C(W) 440-460V/60Hz	
	1089 9424 48		GA37(W) 200V/50Hz		1089 9415 41			GA55C(W) 500V/50Hz	
	1089 9424 48		GA37(W) 230V/50Hz		1310	1089 9415 09	• 1	Contact Block	
	1089 9424 41		GA37(W) 400V/50Hz		1315		• 1	Contact	
	1089 9424 40		GA37(W) 440-460V/60Hz		1089 9415 33			GA30(W) 200V/50Hz	
	1089 9446 21		GA45(W) 200V/50Hz		1089 9415 33			GA30(W) 230V/50Hz	
	1089 9446 21		GA45(W) 230V/50Hz		1089 9415 31			GA30(W) 380-500V/50Hz,	
	1089 9446 16		GA45(W) 380-500V/50-60Hz					GA37(W) 380-500V/50Hz	
	1089 9424 46		GA45(W) 400V/50Hz		1089 9415 23			GA30(W) 400V/50Hz	
	1089 9424 46		GA45(W) 440-460V/60Hz		1089 9415 31			GA30(W) 440-460V/60Hz	
	1089 9446 21		GA55C(W) 230V/50Hz		1089 9415 41			GA37(W) 200V/50Hz	
	1089 9424 47		GA55C(W) 400V/50Hz		1089 9415 41			GA37(W) 230V/50Hz	
	1089 9424 46		GA55C(W) 440-460V/60Hz		1089 9415 31			GA37(W) 400V/50Hz	
	1089 9424 46		GA55C(W) 500V/50Hz		1089 9415 31			GA37(W) 440-460V/60Hz	
1240		• 1	Fuse link		1089 9415 42			GA45(W) 200V/50Hz	
	1089 9037 01		GA30(W) 200V/50Hz		1089 9415 41			GA45(W) 230V/50Hz	
	1089 9037 01		GA30(W) 230V/50Hz		1089 9415 32			GA45(W) 380-500V/50-60Hz	
	1089 9037 09		GA30(W) 380-500V/50Hz,		1089 9415 31			GA45(W) 400V/50Hz	
			GA37(W) 380-500V/50Hz		1089 9415 31			GA45(W) 440-460V/60Hz	
	1089 9037 09		GA30(W) 400V/50Hz		1089 9415 58			GA55C(W) 230V/50Hz	
	1089 9037 09		GA30(W) 440-460V/60Hz		1089 9415 33			GA55C(W) 400V/50Hz	
	1089 9037 01		GA37(W) 200V/50Hz		1089 9415 32			GA55C(W) 440-460V/60Hz	
	1089 9037 01		GA37(W) 230V/50Hz		1089 9415 32			GA55C(W) 500V/50Hz	
	1089 9037 09		GA37(W) 400V/50Hz		1320	1089 9415 56	• 1	Contact Block	
	1089 9037 09		GA37(W) 440-460V/60Hz		1330		• 6	Terminal cover	
	1089 9037 02		GA45(W) 200V/50Hz		1089 9362 02			GA45(W) 230V/50Hz	
	1089 9037 01		GA45(W) 230V/50Hz		1089 9362 02			GA55C(W) 230V/50Hz	
	1089 9037 09		GA45(W) 380-500V/50-60Hz		1089 9362 02			GA45(W) 200V/50Hz	
	1089 9037 09		GA45(W) 400V/50Hz		1340	1089 9416 01	• 1	Contact Block	
	1089 9037 09		GA45(W) 440-460V/60Hz		1345	1089 9416 24	• 1	Circuit breaker	
	1089 9037 01		GA55C(W) 230V/50Hz		1089 9416 27			GA30(W) 200V/50Hz	
	1089 9037 01		GA55C(W) 400V/50Hz		1089 9416 26			GA30(W) 230V/50Hz	
	1089 9037 01		GA55C(W) 440-460V/60Hz		1089 9416 64			GA30(W) 380-500V/50Hz,	
	1089 9037 09		GA55C(W) 500V/50Hz					GA37(W) 380-500V/50Hz	
1250	1089 0506 16	• 3	Fuse terminal		1089 9416 24			GA30(W) 400V/50Hz	
1260	1089 9037 09	• 2	Fuse link		1089 9416 24			GA30(W) 440-460V/60Hz	
1270	1089 9415 55	• 1	Contact Block		1089 9416 27			GA37(W) 200V/50Hz	
1280		• 1	Terminal cover		1089 9416 26			GA37(W) 230V/50Hz	
	1089 9362 21		GA45(W) 230V/50Hz		1089 9416 24			GA37(W) 400V/50Hz	
	1089 9362 21		GA55C(W) 230V/50Hz		1089 9416 24			GA37(W) 440-460V/60Hz	
	1089 9362 21		GA45(W) 200V/50Hz		1089 9416 27			GA45(W) 200V/50Hz	
1290		• 4	Terminal cover		1089 9416 26			GA45(W) 230V/50Hz	
	1089 9362 11		GA55C(W) 230V/50Hz		1089 9416 64			GA45(W) 380-500V/50-60Hz	

Start cubicle - Star/Delta - Elektronikon II - IEC

Ref.	Part number	Qty	Name	Remarks	Ref.	Part number	Qty	Name	Remarks
	1089 9416 24		GA45(W) 400V/50Hz		3020		1	Operating handl	
	1089 9416 24		GA45(W) 440-460V/60Hz			1089 9447 01		GA30(W)200-230V,	
	1089 9416 29		GA55C(W) 230V/50Hz					GA55C(W) 200-230V,	
	1089 9416 27		GA55C(W) 400V/50Hz					GA55C(W) 440-690V	
	1089 9416 67		GA55C(W) 440-460V/60Hz			1089 9448 01		GA30(W) 380-690V,	
	1089 9416 66		GA55C(W) 500V/50Hz					GA37(W) 440-690V	
1350	1089 0362 50	• 2	Contact Block		3030		4	Tapping screw	
1355	1089 0362 51	• 1	Emergency stop button			0226 3343 92		GA37(W) 380-415V,	
1360		• 1	Transformer					GA45(W) GA55C(W) 400V/	
	1089 9436 03		GA30(W) 200V/50Hz					50Hz	
	1089 9136 96		GA30(W) 230V/50Hz			0226 3343 92		GA30(W)200-230V,	
	1089 9436 02		GA30(W) 380-500V/50Hz,					GA55C(W) 200-230V,	
			GA37(W) 380-500V/50Hz					GA55C(W) 440-690V	
	1089 9136 95		GA30(W) 400V/50Hz						
	1089 9436 02		GA30(W) 440-460V/60Hz						
	1089 9436 03		GA37(W) 200V/50Hz						
	1089 9136 96		GA37(W) 230V/50Hz						
	1089 9136 95		GA37(W) 400V/50Hz						
	1089 9436 02		GA37(W) 440-460V/60Hz						
	1089 9436 04		GA45(W) 200V/50Hz						
	1089 9136 96		GA45(W) 230V/50Hz						
	1089 9436 02		GA45(W) 380-500V/50-60Hz						
	1089 9136 95		GA45(W) 400V/50Hz						
	1089 9436 02		GA45(W) 440-460V/60Hz						
	1089 9136 96		GA55C(W) 230V/50Hz						
	1089 9136 96		GA55C(W) 400V/50Hz						
	1089 9436 03		GA55C(W) 440-460V/60Hz						
	1089 9436 02		GA55C(W) 500V/50Hz						
1370	1089 9136 92	• 1	Transformer						
		1	Dryer rail						
	1900 2062 01		400V+N						
	1900 2062 02		ID90, ID110						
	1900 2062 04		ID150/50Hz, ID155/50Hz						
	1900 2062 03		ID150/60Hz, ID155/60Hz						
2450	1089 0506 30	• 1	End bracket						
2460	1089 0506 60	• 4	Terminal						
2470		• 1	Terminal						
	1089 0506 06		400V+N						
2480	1089 0506 28	• 1	Terminal						
2490	9139 5000 16	• 1	Mounting rail						
2500	1089 0612 01	• 2	Fuse holder						
2505		• 2	Fuse						
	1089 0612 29		400V+N						
	1089 0612 29		ID90, ID110						
	1089 0612 29		ID150/50Hz, ID155/50Hz						
	1089 0612 30		ID150/60Hz, ID155/60Hz						
2510		• 1	Contacto						
	1089 9415 22		400V+N						
	1089 9415 21		ID90, ID110						
	1089 9415 22		ID150/50Hz, ID155/50Hz						
	1089 9415 23		ID150/60Hz, ID155/60Hz						
		1	Standard option						
			Main switch						
3010		1	Disconnecto						
	1089 9447 02		GA30(W) 200-230V,						
			GA55C(W) 200-230V,						
			GA55C(W) 440-690V						
	1089 9447 06		GA37(W) 380-415V,						
			GA45(W) GA55C(W) 400V/						
			50Hz						
	1089 9448 03		GA30(W) 380-690V,						
			GA37(W) 440-690V						

28



61539_12

Ref.	Part number	Qty	Name	Remarks	Ref.	Part number	Qty	Name	Remarks
		1	Cubicle		1089 0506 15	3	GA45(W) 460V/60Hz		
	1900 2061 51		GA30(W) 200V/60Hz		1089 0506 26	3	GA55C(W) 230V/60Hz		
	1900 2061 52		GA30(W) 230V/60Hz		1089 0506 15	3	GA55C(W) 460V/60Hz		
	1900 2061 53		GA30(W) 460V/60Hz		1089 0506 15	3	GA55C(W) 575V/60Hz		
	1900 2061 54		GA30(W) 575V/60Hz		1065	• 3	Cover		
	1900 2061 55		GA37(W) 200-220V/60Hz, GA45(W) 200-220V/60Hz		1089 0542 11		GA30(W) 200V/60Hz		
	1900 2061 56		GA37(W) 230V/60Hz, GA45(W) 230V/60Hz		1089 0542 11		GA30(W) 230V/60Hz		
	1900 2061 57		GA37(W) 460V/60Hz, GA45(W) 575V/60Hz		1089 0542 12		GA37(W) 200-220V/60Hz, GA45(W) 200-220V/60Hz		
	1900 2061 58		GA37(W) 575V/60Hz		1089 0542 12		GA37(W) 230V/60Hz, GA45(W) 230V/60Hz		
	1900 2061 59		GA45(W) 460V/60Hz		1089 0542 10		GA45(W) 460V/60Hz		
	1900 2061 60		GA55C(W) 230V/60Hz		1089 0542 12		GA55C(W) 230V/60Hz		
	1900 2061 61		GA55C(W) 460V/60Hz		1089 0542 10		GA55C(W) 460V/60Hz		
	1900 2061 62		GA55C(W) 575V/60Hz		1089 0542 10		GA55C(W) 575V/60Hz		
1010	1613 8506 20	• 1	Plate		1110	• 1	Terminal		
1020	1614 8949 00	• 1	Data Plate		1089 0506 61		GA30(W) 460V/60Hz		
1030	1079 9906 09	• 1	Label		1089 0506 07		GA37(W) 460V/60Hz, GA45(W) 575V/60Hz		
1040	9820 3547 51	• 1	Label		1089 0506 07		GA45(W) 460V/60Hz		
1050	1079 9901 68	• 1	Label		1089 0506 07		GA55C(W) 460V/60Hz		
1060		•	Terminal		1120	1089 0506 09	• 1	Terminal	
	1089 0506 25	3	GA30(W) 200V/60Hz		1150	1089 0506 62	• 15	Terminal	
	1089 0506 25	3	GA30(W) 230V/60Hz		1180	1089 0506 23	• 1	Barrier	
	1089 0506 04	1	GA30(W) 460V/60Hz		1190	1088 0031 32	• 1	Connector	
	1089 0506 04	1	GA30(W) 575V/60Hz		1210	1088 0031 06	• 1	Connector	
	1089 0506 26	3	GA37(W) 200-220V/60Hz, GA45(W) 200-220V/60Hz		1220	1089 9168 26	• 2	Fuse link	
	1089 0506 26	3	GA37(W) 230V/60Hz, GA45(W) 230V/60Hz		1230	• 1	Overload relay		
	1089 0506 05	3	GA37(W) 460V/60Hz, GA45(W) 575V/60Hz		1089 9424 48		GA30(W) 200V/60Hz		
	1089 0506 04	1	GA37(W) 575V/60Hz		1089 9424 47		GA30(W) 230V/60Hz		
					1089 9424 39		GA30(W) 460V/60Hz		
					1089 9424 38		GA30(W) 575V/60Hz		

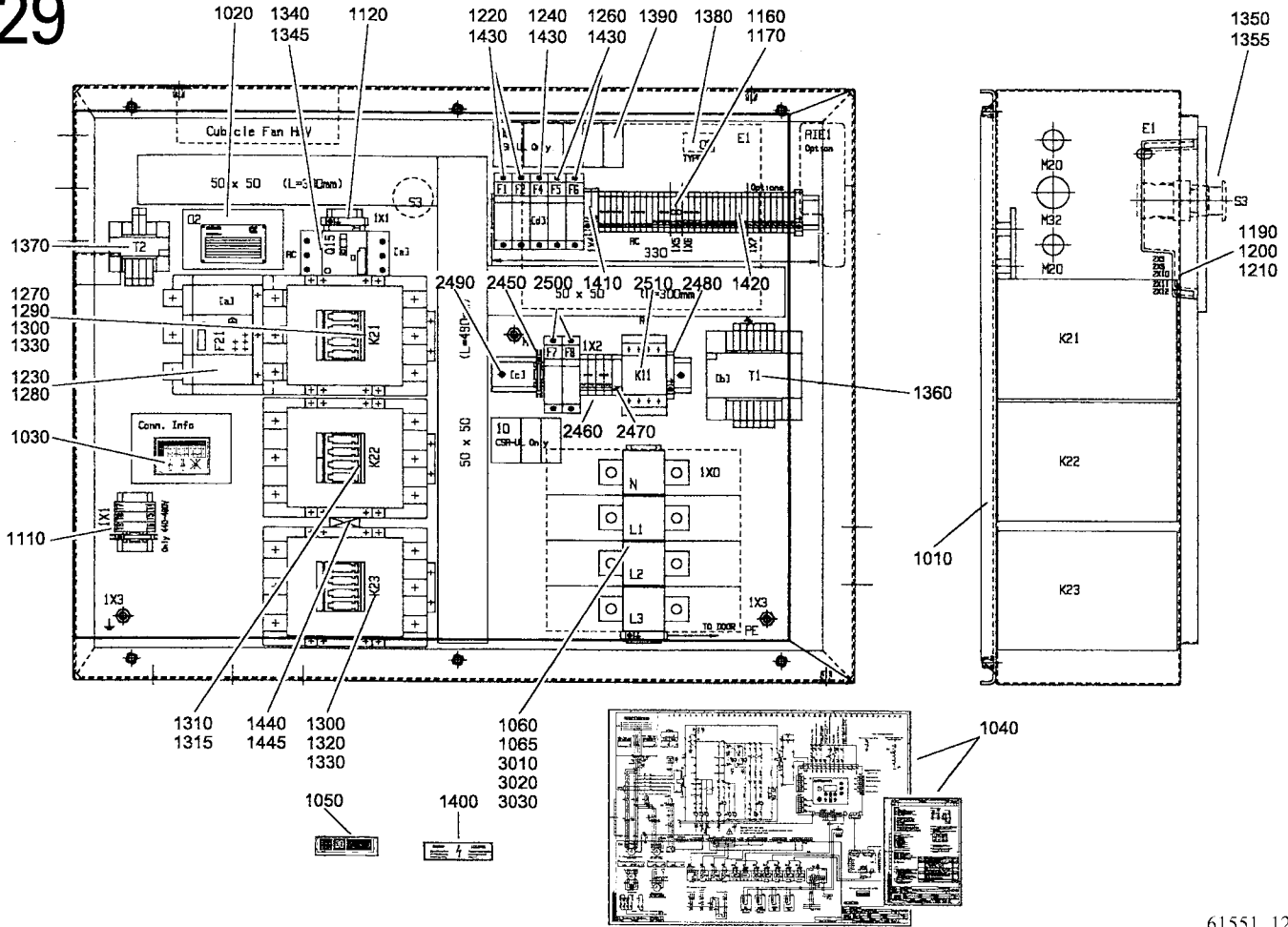
Start cubicle - Star/Delta - Elektronikon I - CSA/UL

Ref.	Partnumber	Qty	Name	Remarks	Ref.	Partnumber	Qty	Name	Remarks
	1089 9446 21		GA37(W) 200-220V/60Hz, GA45(W) 200-220V/60Hz			1089 9415 45		GA55C(W) 460V/60Hz	
	1089 9446 21		GA37(W) 230V/60Hz, GA45(W) 230V/60Hz		1310	1089 9415 44	• 1	GA55C(W) 575V/60Hz Contact Block	
	1089 9424 40		GA37(W) 460V/60Hz, GA45(W) 575V/60Hz			1089 9415 09		GA30(W) 200V/60Hz	
	1089 9424 39		GA37(W) 575V/60Hz			1089 9415 09		GA30(W) 230V/60Hz	
	1089 9424 46		GA45(W) 460V/60Hz			1089 9415 09		GA30(W) 460V/60Hz	
	1089 9446 21		GA55C(W) 230V/60Hz			1089 9415 09		GA30(W) 575V/60Hz	
	1089 9424 47		GA55C(W) 460V/60Hz			1089 9415 09		GA37(W) 460V/60Hz, GA45(W) 575V/60Hz	
1240	1089 9424 46	• 1	GA55C(W) 575V/60Hz Fuse link			1089 9415 09		GA37(W) 460V/60Hz, GA45(W) 575V/60Hz	
	1089 9168 07		GA30(W) 200V/60Hz			1089 9415 09		GA55C(W) 460V/60Hz	
	1089 9168 07		GA30(W) 230V/60Hz		1315	1089 9415 09	• 1	GA55C(W) 575V/60Hz Contactor	
	1089 9168 07		GA30(W) 460V/60Hz			1089 9415 44		GA30(W) 200V/60Hz	
	1089 9168 07		GA30(W) 575V/60Hz			1089 9415 44		GA30(W) 230V/60Hz	
	1089 9168 02		GA37(W) 200-220V/60Hz, GA45(W) 200-220V/60Hz			1089 9415 34		GA30(W) 460V/60Hz	
	1089 9168 02		GA37(W) 230V/60Hz, GA45(W) 230V/60Hz			1089 9415 34		GA30(W) 575V/60Hz	
	1089 9168 07		GA37(W) 460V/60Hz, GA45(W) 575V/60Hz			1089 9415 58		GA37(W) 200-220V/60Hz, GA45(W) 200-220V/60Hz	
	1089 9168 07		GA37(W) 575V/60Hz			1089 9415 58		GA37(W) 230V/60Hz, GA45(W) 230V/60Hz	
	1089 9168 07		GA45(W) 460V/60Hz			1089 9415 34		GA37(W) 460V/60Hz, GA45(W) 575V/60Hz	
	1089 9168 02		GA55C(W) 230V/60Hz			1089 9415 34		GA37(W) 575V/60Hz	
	1089 9168 07		GA55C(W) 460V/60Hz			1089 9415 44		GA45(W) 460V/60Hz	
	1089 9168 07		GA55C(W) 575V/60Hz			1089 9415 58		GA55C(W) 230V/60Hz	
1260	1089 9168 09	• 2	Fuse link			1089 9415 44		GA55C(W) 460V/60Hz	
1270		• 1	Contact Block			1089 9415 44		GA55C(W) 575V/60Hz	
	1089 9415 55		GA30(W) 200V/60Hz		1320	1089 9415 44	• 1	GA55C(W) 575V/60Hz Contact block	
	1089 9415 55		GA30(W) 230V/60Hz			1089 9415 56		GA30(W) 200V/60Hz	
	1089 9415 55		GA30(W) 460V/60Hz			1089 9415 56		GA30(W) 230V/60Hz	
	1089 9415 55		GA30(W) 575V/60Hz			1089 9415 56		GA30(W) 460V/60Hz	
	1089 9415 55		GA37(W) 460V/60Hz, GA45(W) 575V/60Hz			1089 9415 56		GA30(W) 575V/60Hz	
	1089 9415 55		GA37(W) 575V/60Hz			1089 9415 56		GA37(W) 460V/60Hz, GA45(W) 575V/60Hz	
	1089 9415 55		GA45(W) 460V/60Hz			1089 9415 56		GA37(W) 575V/60Hz	
	1089 9415 55		GA55C(W) 460V/60Hz			1089 9415 56		GA45(W) 460V/60Hz	
	1089 9415 55		GA55C(W) 575V/60Hz			1089 9415 56		GA55C(W) 460V/60Hz	
1280		• 1	Terminal cover			1089 9415 56		GA55C(W) 575V/60Hz	
	1089 9362 21		GA37(W) 200-220V/60Hz, GA45(W) 200-220V/60Hz		1330	1089 9415 56	• 6	GA55C(W) 575V/60Hz Terminal cover	
	1089 9362 21		GA37(W) 230V/60Hz, GA45(W) 230V/60Hz			1089 9362 02		GA37(W) 200-220V/60Hz, GA45(W) 200-220V/60Hz	
	1089 9362 21		GA55C(W) 230V/60Hz			1089 9362 02		GA37(W) 230V/60Hz, GA45(W) 230V/60Hz	
1290		• 4	Terminal cover			1089 9362 02		GA55C(W) 230V/60Hz	
	1089 9362 11		GA37(W) 200-220V/60Hz, GA45(W) 200-220V/60Hz		1340	1089 9416 01	• 1	Contact block	
	1089 9362 11		GA37(W) 230V/60Hz, GA45(W) 230V/60Hz		1345		• 1	Circuit breaker	
	1089 9362 11		GA55C(W) 230V/60Hz			1089 9416 27		GA30(W) 200V/60Hz	
1300		• 2	Contact Block			1089 9416 26		GA30(W) 230V/60Hz	
	1089 9415 46		GA30(W) 200V/60Hz			1089 9416 23		GA30(W) 460V/60Hz	
	1089 9415 45		GA30(W) 230V/60Hz			1089 9416 63		GA30(W) 575V/60Hz	
	1089 9415 36		GA30(W) 460V/60Hz			1089 9416 27		GA37(W) 200-220V/60Hz, GA45(W) 200-220V/60Hz	
	1089 9415 35		GA30(W) 575V/60Hz			1089 9416 26		GA37(W) 230V/60Hz, GA45(W) 230V/60Hz	
	1089 9415 58		GA37(W) 200-220V/60Hz, GA45(W) 200-220V/60Hz			1089 9416 63		GA37(W) 460V/60Hz, GA45(W) 230V/60Hz	
	1089 9415 58		GA37(W) 230V/60Hz, GA45(W) 230V/60Hz			1089 9416 63		GA37(W) 460V/60Hz, GA45(W) 575V/60Hz	
	1089 9415 36		GA37(W) 460V/60Hz, GA45(W) 575V/60Hz			1089 9416 23		GA37(W) 575V/60Hz	
	1089 9415 35		GA37(W) 575V/60Hz			1089 9416 29		GA45(W) 460V/60Hz	
	1089 9415 44		GA45(W) 460V/60Hz			1089 9416 67		GA55C(W) 230V/60Hz	
	1089 9415 58		GA55C(W) 230V/60Hz			1089 9416 66		GA55C(W) 460V/60Hz	
	1089 9415 44		GA45(W) 460V/60Hz		1350	1089 0362 50	• 2	GA55C(W) 575V/60Hz Contact block	
	1089 9415 58		GA55C(W) 230V/60Hz		1355	1089 0362 51	• 1	Emergency stop button	

Start cubicle - Star/Delta - Elektronikon I - CSA/UL

Ref.	Partnumber	Qty	Name	Remarks	Ref.	Partnumber	Qty	Name	Remarks
1360	•	1	Transformer		3020		1	Operating handl	
	1089 9436 03		GA30(W) 200V/60Hz			1089 9447 01		GA30(W)200-230V,	
	1089 9436 03		GA30(W) 230V/60Hz					GA55C(W) 200-230V,	
	1089 9436 02		GA30(W) 460V/60Hz					GA55C(W) 440-690V	
	1089 9436 02		GA30(W) 575V/60Hz			1089 9448 01		GA30(W) 380-690V,	
	1089 9436 04		GA37(W) 200-220V/60Hz,					GA37(W) 440-690V	
			GA45(W) 200-220V/60Hz		3030		4	Tapping screw	
	1089 9436 04		GA37(W) 230V/60Hz,			0226 3343 92		GA37(W) 380-415V,	
			GA45(W) 230V/60Hz					GA45(W) GA55C(W) 400V/	
	1089 9436 02		GA37(W) 460V/60Hz,					50Hz	
			GA45(W) 575V/60Hz			0226 3343 92		GA30(W)200-230V,	
	1089 9436 02		GA37(W) 575V/60Hz					GA55C(W) 200-230V,	
	1089 9436 03		GA45(W) 460V/60Hz					GA55C(W) 440-690V	
	1089 9436 04		GA55C(W) 230V/60Hz						
	1089 9436 03		GA55C(W) 460V/60Hz						
	1089 9436 03		GA55C(W) 575V/60Hz						
1370	1089 9135 03	• 1	Transformer						
1380	1079 9911 01	• 1	Label						
1390	1079 9921 82	• 1	Label						
1400	1613 3431 00	• 1	Label						
1410	1089 0506 27	• 5	Terminal						
1430	1089 0612 01	• 5	Fuse holder						
1440	•	1	Interlock						
	1089 9415 91		GA30(W) 200V/60Hz						
	1089 9415 91		GA30(W) 230V/60Hz						
	1089 9415 10		GA30(W) 460V/60Hz						
	1089 9415 91		GA30(W) 575V/60Hz						
	1089 9415 91		GA37(W) 200-220V/60Hz,						
			GA45(W) 200-220V/60Hz						
	1089 9415 91		GA37(W) 230V/60Hz,						
			GA45(W) 230V/60Hz						
	1089 9415 10		GA37(W) 460V/60Hz,						
			GA45(W) 575V/60Hz						
	1089 9415 10		GA37(W) 575V/60Hz						
	1089 9415 10		GA45(W) 460V/60Hz						
	1089 9415 91		GA55C(W) 230V/60Hz						
	1089 9415 10		GA55C(W) 460V/60Hz						
	1089 9415 10		GA55C(W) 575V/60Hz						
1445	1089 9415 90	• 2	Interlock link						
		1	Dryer rail						
	1900 2062 11		ID90, ID110						
	1900 2062 12		ID150, ID155						
2450	1089 0506 30	• 1	End bracket						
2460	1089 0506 60	• 4	Terminal						
2480	1089 0506 28	• 1	Terminal						
2490	9139 5000 16	• 1	Mounting rail						
2500	1089 0612 01	• 2	Fuse holder						
2510	•	1	Contacto						
	1089 9415 25		ID90, ID110						
	1089 9415 26		ID150, ID155						
		1	Standard option						
			Main switch						
3010		1	Disconnecto						
	1089 9447 02		GA30(W) 200-230V,						
			GA55C(W) 200-230V,						
			GA55C(W) 440-690V						
	1089 9447 06		GA37(W) 380-415V,						
			GA45(W) GA55C(W) 400V/						
			50Hz						
	1089 9448 03		GA30(W) 380-690V,						
			GA37(W) 440-690V						

29



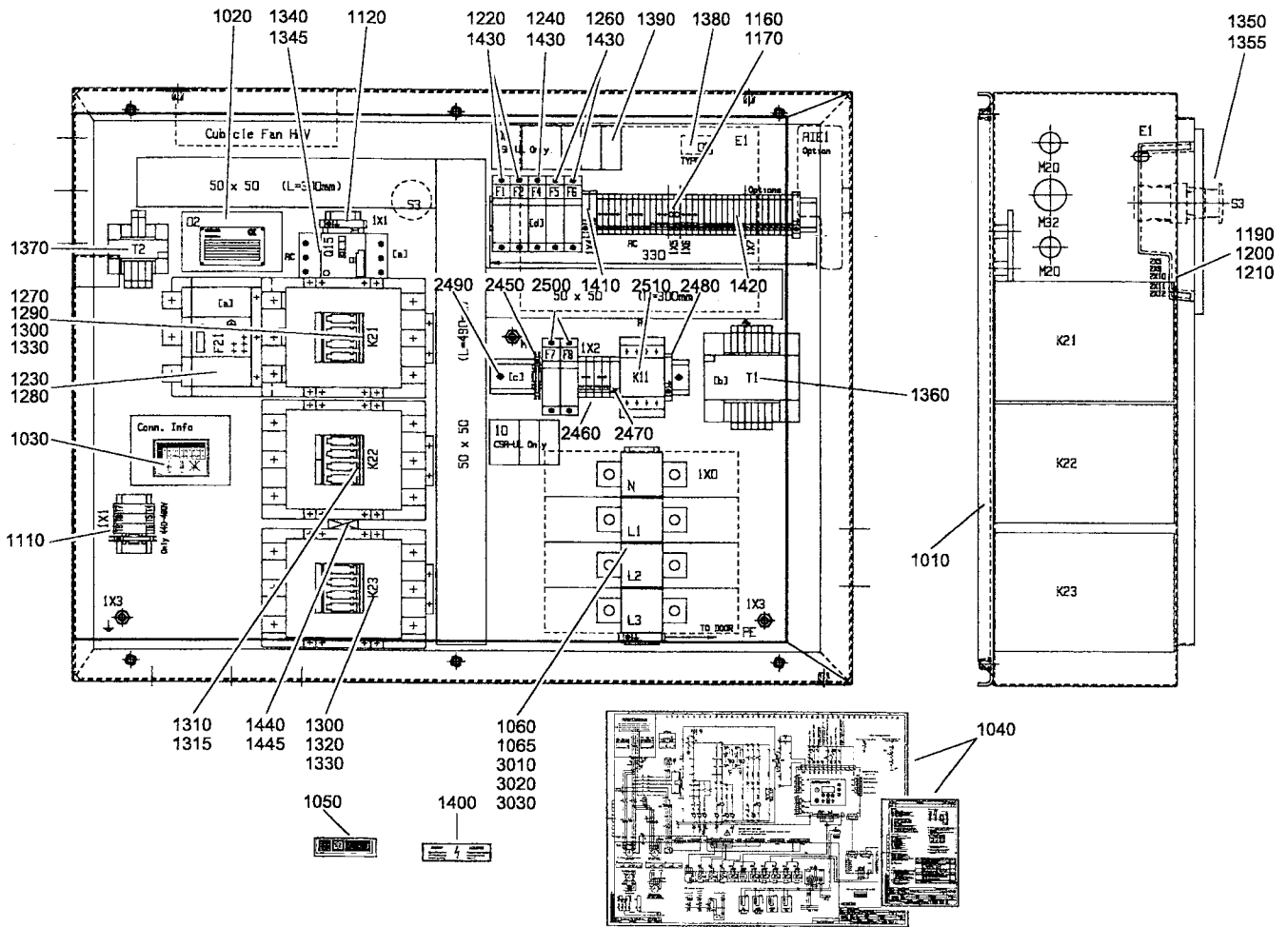
61551_12

Ref.	Partnumber	Qty	Name	Remarks	Ref.	Partnumber	Qty	Name	Remarks
		1	Cubicle						
	1900 2061 01		GA30(W) 200V/60Hz			1089 0506 05	3	GA37(W) 460V/60Hz,	
	1900 2061 02		GA30(W) 230V/60Hz			1089 0506 04	1	GA45(W) 575V/60Hz	
	1900 2061 03		GA30(W) 460V/60Hz			1089 0506 15	3	GA37(W) 575V/60Hz	
	1900 2061 04		GA30(W) 575V/60Hz			1089 0506 15	3	GA45(W) 460V/60Hz	
	1900 2061 05		GA37(W) 200-220V/60Hz,			1089 0506 26	3	GA55C(W) 230V/60Hz	
			GA45(W) 200-220V/60Hz			1089 0506 15	3	GA55C(W) 460V/60Hz	
	1900 2061 06		GA37(W) 230V/60Hz,		1065	1089 0506 15	3	GA55C(W) 575V/60Hz	
			GA45(W) 230V/60Hz				• 3	Cover	
	1900 2061 07		GA37(W) 460V/60Hz,			1089 0542 11		GA30(W) 200V/60Hz	
			GA45(W) 575V/60Hz			1089 0542 11		GA30(W) 230V/60Hz	
	1900 2061 08		GA37(W) 575V/60Hz			1089 0542 12		GA37(W) 200-220V/60Hz,	
	1900 2061 09		GA45(W) 460V/60Hz					GA45(W) 200-220V/60Hz	
	1900 2061 10		GA55C(W) 230V/60Hz			1089 0542 12		GA37(W) 230V/60Hz,	
	1900 2061 11		GA55C(W) 460V/60Hz					GA45(W) 230V/60Hz	
	1900 2061 12		GA55C(W) 575V/60Hz			1089 0542 10		GA45(W) 460V/60Hz	
1010	1613 8506 20	• 1	Plate			1089 0542 12		GA55C(W) 230V/60Hz	
1020	1614 8949 00	• 1	Data Plate			1089 0542 10		GA55C(W) 460V/60Hz	
1030	1079 9906 09	• 1	Label			1089 0542 10		GA55C(W) 575V/60Hz	
1040	9820 3547 01	• 1	Label		1110		• 1	Terminal	
1050	1079 9901 68	• 1	Label			1089 0506 61		GA30(W) 460V/60Hz	
1060		•	Terminal			1089 0506 07		GA37(W) 460V/60Hz,	
	1089 0506 25	3	GA30(W) 200V/60Hz			1089 0506 07		GA45(W) 575V/60Hz	
	1089 0506 25	3	GA30(W) 230V/60Hz			1089 0506 07		GA45(W) 460V/60Hz	
	1089 0506 04	1	GA30(W) 460V/60Hz		1120	1089 0506 09	• 1	GA55C(W) 460V/60Hz	
	1089 0506 04	1	GA30(W) 575V/60Hz		1160	1089 0506 38	• 2	Terminal	
	1089 0506 26	3	GA37(W) 200-220V/60Hz,		1170	1089 0506 23	• 2	Socket	
			GA45(W) 200-220V/60Hz		1190	1088 0031 49	• 1	Barrier	
	1089 0506 26	3	GA37(W) 230V/60Hz,		1200	1088 0031 29	• 1	Connector	
			GA45(W) 230V/60Hz		1210	1088 0031 13	• 1	Connector	

Start cubicle - Star/Delta - Elektronikon II - CSA/UL

Ref.	Partnumber	Qty	Name	Remarks	Ref.	Partnumber	Qty	Name	Remarks
1220	1089 9168 26	• 2	Fuse link			1089 9415 58		GA37(W) 230V/60Hz,	
1230		• 1	Overload relay					GA45(W) 230V/60Hz	
	1089 9424 48		GA30(W) 200V/60Hz			1089 9415 36		GA37(W) 460V/60Hz,	
	1089 9424 47		GA30(W) 230V/60Hz					GA45(W) 575V/60Hz	
	1089 9424 39		GA30(W) 460V/60Hz			1089 9415 35		GA37(W) 575V/60Hz	
	1089 9424 38		GA30(W) 575V/60Hz			1089 9415 44		GA45(W) 460V/60Hz	
	1089 9446 21		GA37(W) 200-220V/60Hz,			1089 9415 58		GA55C(W) 230V/60Hz	
			GA45(W) 200-220V/60Hz			1089 9415 45		GA55C(W) 460V/60Hz	
	1089 9446 21		GA37(W) 230V/60Hz,			1089 9415 44		GA55C(W) 575V/60Hz	
			GA45(W) 230V/60Hz		1310		• 1	Contact Block	
	1089 9424 40		GA37(W) 460V/60Hz,			1089 9415 09		GA30(W) 200V/60Hz	
			GA45(W) 575V/60Hz			1089 9415 09		GA30(W) 230V/60Hz	
	1089 9424 39		GA37(W) 575V/60Hz			1089 9415 09		GA30(W) 460V/60Hz	
	1089 9424 46		GA45(W) 460V/60Hz			1089 9415 09		GA30(W) 575V/60Hz	
	1089 9446 21		GA55C(W) 230V/60Hz			1089 9415 09		GA37(W) 460V/60Hz,	
	1089 9424 47		GA55C(W) 460V/60Hz			1089 9415 09		GA45(W) 575V/60Hz	
	1089 9424 46		GA55C(W) 575V/60Hz			1089 9415 09		GA37(W) 575V/60Hz	
1240		• 1	Fuse link			1089 9415 09		GA45(W) 460V/60Hz	
	1089 9168 07		GA30(W) 200V/60Hz			1089 9415 09		GA55C(W) 460V/60Hz	
	1089 9168 07		GA30(W) 230V/60Hz			1089 9415 09		GA55C(W) 575V/60Hz	
	1089 9168 07		GA30(W) 460V/60Hz		1315		• 1	Contact Block	
	1089 9168 07		GA30(W) 575V/60Hz			1089 9415 44		GA30(W) 200V/60Hz	
	1089 9168 02		GA37(W) 200-220V/60Hz,			1089 9415 44		GA30(W) 230V/60Hz	
			GA45(W) 200-220V/60Hz			1089 9415 34		GA30(W) 460V/60Hz	
	1089 9168 02		GA37(W) 230V/60Hz,			1089 9415 34		GA30(W) 575V/60Hz	
			GA45(W) 230V/60Hz			1089 9415 58		GA37(W) 200-220V/60Hz,	
	1089 9168 07		GA37(W) 460V/60Hz,			1089 9415 58		GA45(W) 200-220V/60Hz,	
			GA45(W) 575V/60Hz			1089 9415 34		GA37(W) 230V/60Hz,	
	1089 9168 07		GA37(W) 575V/60Hz			1089 9415 34		GA45(W) 230V/60Hz	
	1089 9168 07		GA45(W) 460V/60Hz			1089 9415 34		GA37(W) 460V/60Hz,	
	1089 9168 02		GA55C(W) 230V/60Hz			1089 9415 34		GA45(W) 575V/60Hz	
	1089 9168 07		GA55C(W) 460V/60Hz			1089 9415 34		GA37(W) 575V/60Hz	
	1089 9168 07		GA55C(W) 575V/60Hz			1089 9415 44		GA45(W) 460V/60Hz	
1260	1089 9168 09	• 2	Fuse link			1089 9415 58		GA55C(W) 230V/60Hz	
1270		• 1	Contact Block			1089 9415 44		GA55C(W) 460V/60Hz	
	1089 9415 55		GA30(W) 200V/60Hz			1089 9415 44		GA55C(W) 575V/60Hz	
	1089 9415 55		GA30(W) 230V/60Hz		1320	1089 9415 56	• 1	Contact Block	
	1089 9415 55		GA30(W) 460V/60Hz		1330	1089 9362 02	• 6	Terminal cover	
	1089 9415 55		GA30(W) 575V/60Hz			1089 9362 02		GA37(W) 200-220V/60Hz,	
	1089 9415 55		GA37(W) 460V/60Hz,					GA45(W) 200-220V/60Hz	
			GA45(W) 575V/60Hz			1089 9362 02		GA37(W) 230V/60Hz,	
	1089 9415 55		GA37(W) 575V/60Hz					GA45(W) 230V/60Hz	
	1089 9415 55		GA45(W) 460V/60Hz			1089 9362 02		GA55C(W) 230V/60Hz	
	1089 9415 55		GA55C(W) 460V/60Hz		1340	1089 9416 01	• 1	Contact Block	
	1089 9415 55		GA55C(W) 575V/60Hz		1345		• 1	Circuit breaker	
1280		• 1	Terminal cover			1089 9416 27		GA30(W) 200V/60Hz	
	1089 9362 21		GA37(W) 200-220V/60Hz,			1089 9416 26		GA30(W) 230V/60Hz	
			GA45(W) 200-220V/60Hz			1089 9416 23		GA30(W) 460V/60Hz	
	1089 9362 21		GA37(W) 230V/60Hz,			1089 9416 63		GA30(W) 575V/60Hz	
			GA45(W) 230V/60Hz			1089 9416 27		GA37(W) 200-220V/60Hz,	
	1089 9362 21		GA55C(W) 230V/60Hz					GA45(W) 200-220V/60Hz	
1290	1089 9362 11	• 4	Terminal cover			1089 9416 26		GA37(W) 230V/60Hz,	
	1089 9362 11		GA37(W) 200-220V/60Hz,					GA45(W) 230V/60Hz	
			GA45(W) 200-220V/60Hz			1089 9416 63		GA37(W) 460V/60Hz,	
	1089 9362 11		GA37(W) 230V/60Hz,					GA45(W) 575V/60Hz	
			GA45(W) 230V/60Hz			1089 9416 63		GA37(W) 575V/60Hz	
	1089 9362 11		GA55C(W) 230V/60Hz			1089 9416 23		GA45(W) 460V/60Hz	
1300		• 2	Contact Block			1089 9416 29		GA55C(W) 230V/60Hz	
	1089 9415 46		GA30(W) 200V/60Hz			1089 9416 67		GA55C(W) 460V/60Hz	
	1089 9415 45		GA30(W) 230V/60Hz			1089 9416 66		GA55C(W) 575V/60Hz	
	1089 9415 36		GA30(W) 460V/60Hz		1350	1089 0362 50	• 2	Contact Block	
	1089 9415 35		GA30(W) 575V/60Hz		1355	1089 0362 51	• 1	Emergency stop button	
	1089 9415 58		GA37(W) 200-220V/60Hz,						
			GA45(W) 200-220V/60Hz						

29



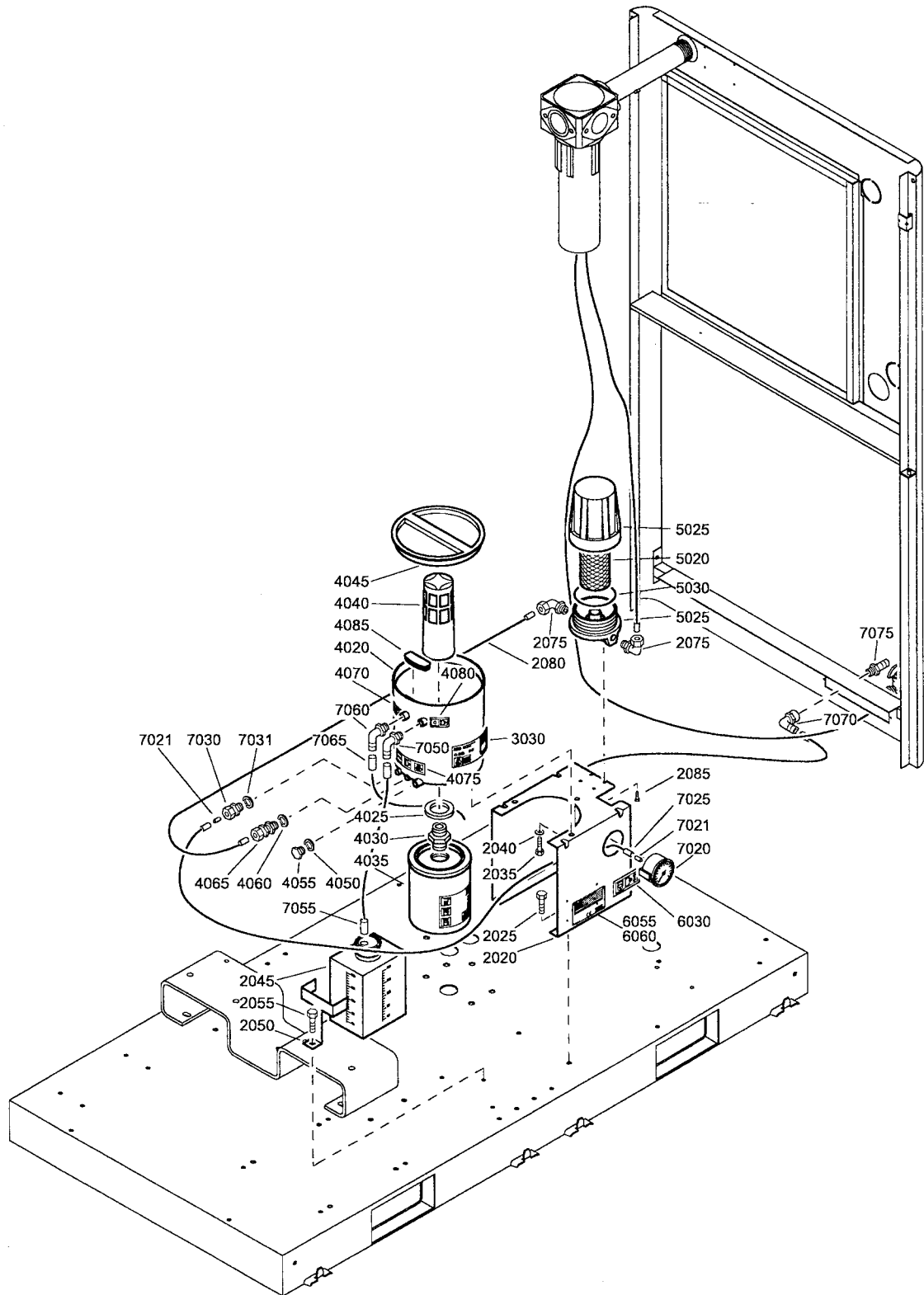
Start cubicle - Star/Delta - Elektronikon II - CSA/UL

Ref.	Partnumber	Qty	Name	Remarks	Ref.	Partnumber	Qty	Name	Remarks
1360		• 1	Transformer		3020		1	Operating handl	
	1089 9436 03		GA30(W) 200V/60Hz			1089 9447 01		GA30(W)200-230V,	
	1089 9436 03		GA30(W) 230V/60Hz					GA55C(W) 200-230V,	
	1089 9436 02		GA30(W) 460V/60Hz					GA55C(W) 440-690V	
	1089 9436 02		GA30(W) 575V/60Hz			1089 9448 01		GA30(W) 380-690V,	
	1089 9436 04		GA37(W) 200-220V/60Hz,					GA37(W) 440-690V	
			GA45(W) 200-220V/60Hz		3030		4	Tapping screw	
	1089 9436 04		GA37(W) 230V/60Hz,			0226 3343 92		GA37(W) 380-415V,	
			GA45(W) 230V/60Hz					GA45(W) GA55C(W) 400V/	
	1089 9436 02		GA37(W) 460V/60Hz,					50Hz	
			GA45(W) 575V/60Hz			0226 3343 92		GA30(W)200-230V,	
	1089 9436 02		GA37(W) 575V/60Hz					GA55C(W) 200-230V,	
	1089 9436 03		GA45(W) 460V/60Hz					GA55C(W) 440-690V	
	1089 9436 04		GA55C(W) 230V/60Hz						
	1089 9436 03		GA55C(W) 460V/60Hz						
	1089 9436 03		GA55C(W) 575V/60Hz						
1370	1089 9135 03	• 1	Transformer						
1380	1079 9911 01	• 1	Label						
1390	1079 9921 82	• 1	Label						
1400	1613 3431 00	• 1	Label						
1410	1089 0506 27	• 5	Terminal						
1420	1089 0506 62	• 25	Terminal						
1430	1089 0612 01	• 5	Fuse holder						
1440		• 1	Interlock						
	1089 9415 91		GA30(W) 200V/60Hz						
	1089 9415 91		GA30(W) 230V/60Hz						
	1089 9415 10		GA30(W) 460V/60Hz						
	1089 9415 91		GA30(W) 575V/60Hz						
	1089 9415 91		GA37(W) 200-220V/60Hz,						
			GA45(W) 200-220V/60Hz						
	1089 9415 91		GA37(W) 230V/60Hz,						
			GA45(W) 230V/60Hz						
	1089 9415 10		GA37(W) 460V/60Hz,						
			GA45(W) 575V/60Hz						
	1089 9415 10		GA37(W) 575V/60Hz						
	1089 9415 10		GA45(W) 460V/60Hz						
	1089 9415 91		GA55C(W) 230V/60Hz						
	1089 9415 10		GA55C(W) 460V/60Hz						
	1089 9415 10		GA55C(W) 575V/60Hz						
1445	1089 9415 90	• 2	Interlock link						
		• 1	Dryer rail						
	1900 2062 11		ID90, ID110						
	1900 2062 12		ID150, ID155						
2450	1089 0506 30	• 1	End bracket						
2460	1089 0506 60	• 4	Terminal						
2480	1089 0506 28	• 1	Terminal						
2490	9139 5000 16	• 1	Mounting rail						
2500	1089 0612 01	• 2	Fuse holder						
2510		• 1	Contacto						
	1089 9415 25		ID90, ID110						
	1089 9415 26		ID150, ID155						
		• 1	Standard option						
			Main switch						
3010		1	Disconnecto						
	1089 9447 02		GA30(W) 200-230V,						
			GA55C(W) 200-230V,						
			GA55C(W) 440-690V						
	1089 9447 06		GA37(W) 380-415V,						
			GA45(W) GA55C(W) 400V/						
			50Hz						
	1089 9448 03		GA30(W) 380-690V,						
			GA37(W) 440-690V						

Energy recovery system

Ref.	Part number	Qty	Name	Remarks	Ref.	Part number	Qty	Name	Remarks
	8092 2428 51	1	Standard option		1145	0605 8700 51 •	2	Bushing	
			Energy recovery		1146	0661 1000 44 •	2	Seal washer	
1020	1613 7636 80 •	1	Support ass'y		1150	1619 2841 00 •	2	Thermometer	
1021	1079 9911 57 •	1	Label		1155	1079 5840 22 •	1	Nipple	
1026	0147 1962 72 •	4	Hexagon bolt		1160	0661 1000 44 •	1	Seal washer	
1030	1613 7634 00 •	1	Heat exchanger		1165	1613 7062 00 •	1	Pipe	
1035	0147 1344 03 •	4	Hexagon bolt		1170	0663 3129 00 •	1	O-ring	
1040	0301 2335 00 •	4	Washer		1175	0147 1325 03 •	2	Hexagon bolt	
1045	1613 7061 00 •	1	Bracket		1180	1079 5840 22 •	1	Nipple	
1050	0147 1962 72 •	2	Hexagon bolt		1185	0661 1000 44 •	1	Seal washer	
1055	1202 7521 00 •	1	Therm.housing		1190	1613 7063 00 •	1	Pipe	
1060	0147 1321 03 •	2	Hexagon bolt		1195	0663 3129 00 •	1	O-ring	
1065	0301 2335 00 •	2	Washer		1200	0147 1325 03 •	2	Hexagon bolt	
1070	1614 6118 00 •	1	Flange		1205	1613 8625 01 •	1	Hose assembly	
1075	0663 2101 95 •	1	O-ring		1210	1613 8624 01 •	1	Hose assembly	
1080	0147 1246 03 •	2	Hexagon bolt		1215	0663 3129 00 •	2	O-ring	
1085	0301 2321 00 •	2	Washer		1220	0147 1327 03 •	4	Hexagon bolt	
1090	1619 7333 00 •	1	Thermostat 40°C		1225	0266 2110 00 •	4	Nut	
1100	1202 7522 00 •	1	4-way valve		1230		1	Thermostatic valve	
	2901 0100 00	1	4-way valve kit			1613 7064 01		60 - 75°C	
	0663 2106 02 •	1	O-ring			1619 7596 00		65 - 85°C	
	0663 2106 03 •	1	O-ring			1619 7595 00		70 - 85°C	
1105	0663 2102 64 •	2	O-ring			1619 7493 00		75 - 95°C	
1110	0147 1325 03 •	4	Hexagon bolt			1619 7614 00		80 - 95°C	
1115	1202 7689 00 •	1	Handle		1255	1079 9913 69 •	1	Inform.label	
1120	1202 7683 00 •	2	Label		1260	1079 9913 79 •	1	Inform.label	
1122	1079 9902 89 •	1	Warning label		1265	0686 3716 01 •	1	Hexagon plug	
1125	0147 1321 03 •	1	Hexagon bolt		1270	0661 1000 38 •	1	Seal washer	
1130	0301 2335 00 •	1	Washer			1613 7636 80 •	1	Support ass'y	
1135	0551 0001 60 •	2	Threaded pipe		2020	1613 7636 00 ••	1	Support	
1140	0564 0000 29 •	2	Tee		2030	1202 7682 00 ••	1	Label	

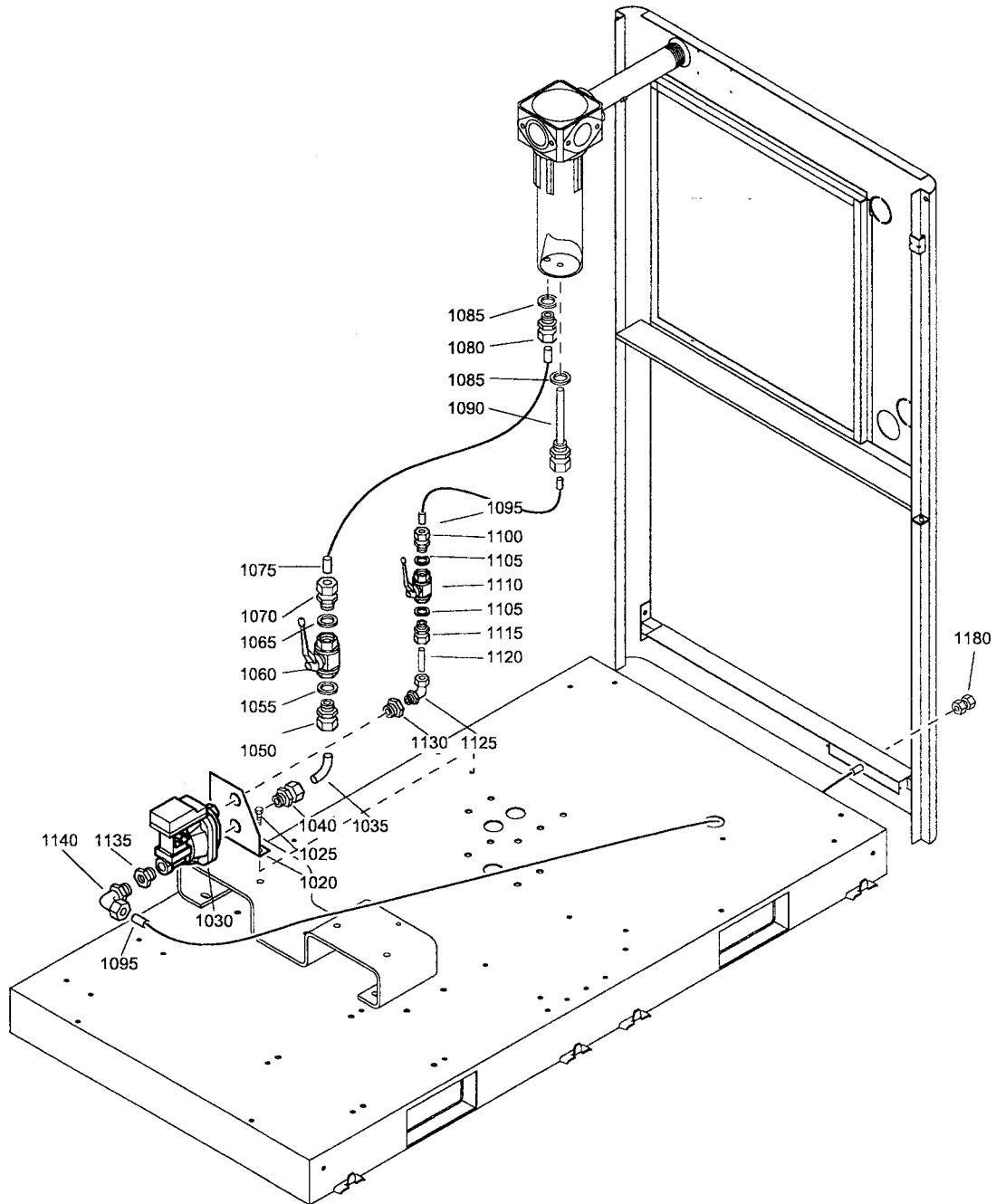
31



Drain system - Oil Separator condensate Drain

Ref.	Part number	Qty	Name	Remarks	Ref.	Part number	Qty	Name	Remarks
	8092 2413 82	1	Standard option		4060	0653 0500 02	••• 1	Gasket	
			Oil Separator condensate		4065	1613 7378 00	••• 1	Strainer	
			Drain		4070	1079 9913 69	••• 1	Inform.label	
2020	1613 8109 00	• 1	Support		4075	1079 9912 07	••• 1	Decal	
2025	1619 2766 00	• 2	Bolt		4080	1079 9912 28	••• 1	Decal	
2035	0147 1322 03	• 3	Hexagon bolt		4085	1613 7945 00	••• 1	Plug	
2040	0301 2335 00	• 3	Washer		5020	1613 7864 00	•• 1	Filter element	
2045	1613 9735 00	• 1	Oil can		5025	1613 7865 00	•• 1	Filter housing	
2050	1622 0091 00	• 1	Support		5030	0663 2104 06	•• 1	O-ring	
2055	1619 2766 00	• 1	Bolt		6030	1079 9912 11	• 1	Decal	
2075	0581 1200 37	• 2	Pipe coupling		6055	1613 7384 00	• 1	Data plate	
2080	0070 6002 05	• AR	Plastic tube		6060	0129 3104 00	• 4	Blind rivet	
2085	0226 0326 00	• 4	Tapping screw		7020	1615 7264 00	• 1	Pressure gauge	
	1613 7301 81	• 1	OSD assembly		7021	0584 9904 00	• 2	Sleeve	
3030	1079 9909 07	•• 1	Label		7025	0070 6002 04	• AR	Plastic tube	
	1613 7301 80	•• 1	OSD assembly		7030	0581 2024 32	• 1	Coupling	
4020	1613 7301 00	••• 1	OSD housing		7031	0653 0500 47	• 1	Gasket	
4025	0661 1054 00	••• 1	Tredo washer		7050	1613 7985 80	• 1	Elbow coupling	
4030	1613 7297 00	••• 1	Valve		7055	0070 6002 14	• AR	Plastic tube	
4035	1613 7277 00	••• 1	Oilfilter OSD		7060	1613 7985 80	• 1	Elbow coupling	
4040	1613 7299 00	••• 1	Filter		7065	0070 6002 14	• AR	Plastic tube	
4045	1613 7298 00	••• 1	Cover		7070	1613 7342 00	• 1	Elbow coupling	
4050	0653 9098 00	••• 1	Flat gasket		7075	1613 7341 00	• 1	Pipe coupling	
4055	0686 3716 02	••• 1	Hexagon plug						

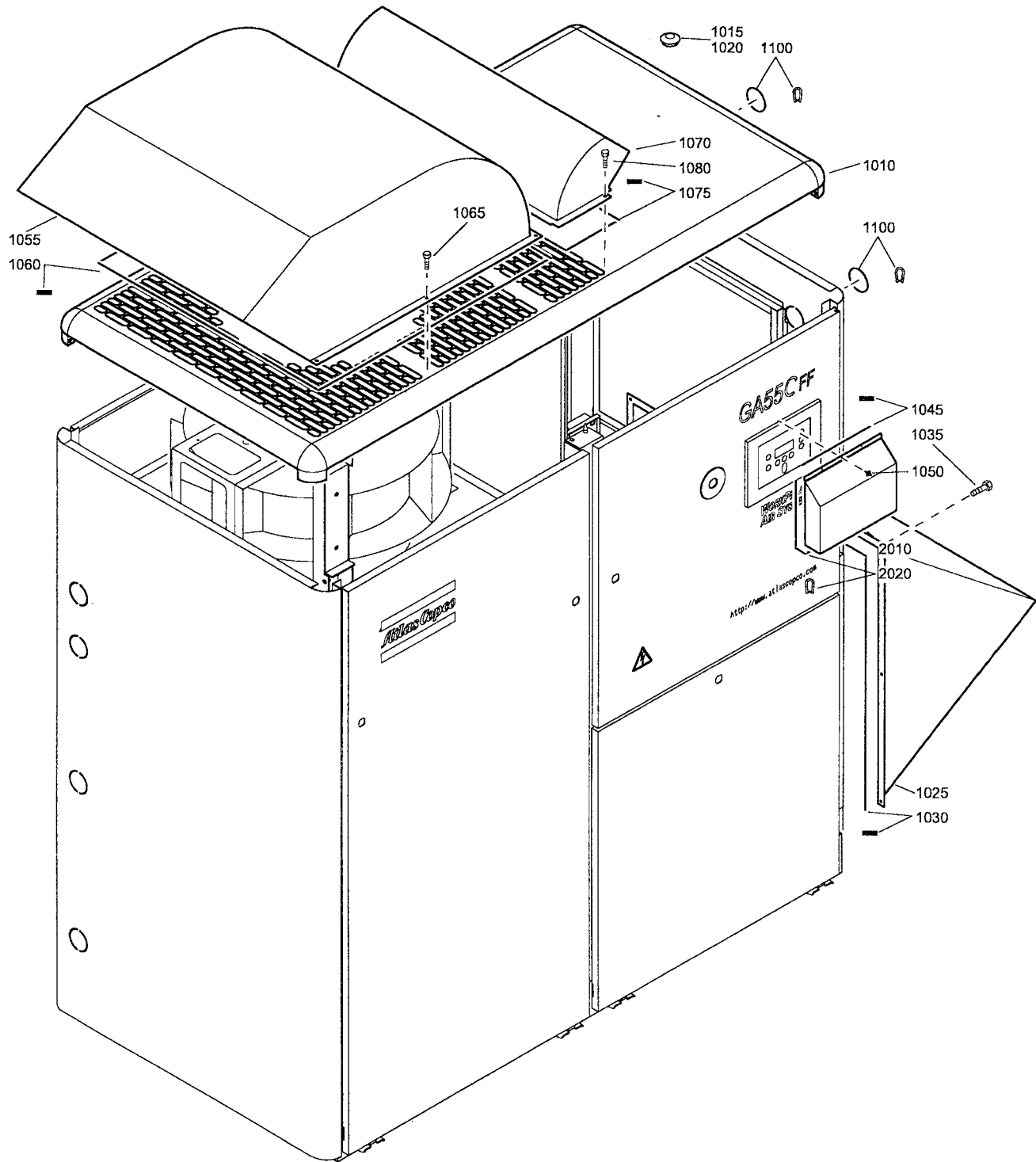
32



Drain system - Electronic Water Drain

Ref.	Part number	Qty	Name	Remarks	Ref.	Part number	Qty	Name	Remarks
	8092 2428 54	1	Standard option		1075	0070 6002 06 •	AR	Plastic tube	
	8092 2454 84		Electronic Water Drain - IEC		1080	0581 0000 45 •	1	Pipe coupling	
			Electronic Water Drain -		1085	0661 1000 38 •	2	Seal washer	
			CSA/UL		1090	1613 8084 00 •	1	Pipe coupling	
1020	1613 8675 00 •	1	Support		1095	0070 6002 05 •	AR	Plastic tube	
1025	0147 1962 72 •	2	Hexagon bolt		1100	0581 0000 35 •	1	Coupling	
1030		1	Electronic drain valve		1105	0661 1000 38 •	2	Seal washer	
	1613 8810 01 •		IEC		1110	0852 0010 11 •	1	Ball valve	
	1613 8810 02 •		CSA/UL		1115	0581 0028 01 •	1	Pipe coupling	
1040	0581 0000 37 •	1	Pipe coupling		1120	1613 8108 01 •	1	Pipe	
1045	1613 7720 09 •	1	Pipe		1125	0581 1228 04 •	1	Elbow	
1050	0581 0000 37 •	1	Pipe coupling		1130	0605 8814 06 •	1	Bushing	
1055	0661 1000 39 •	1	Seal washer		1135	0607 3000 13 •	1	Reducer	
1060	1619 6153 04 •	1	Ball valve		1140	0581 1200 23 •	1	Elbow coupling	
1065	0661 1000 39 •	1	Seal washer		1180	0581 1200 27 •	1	Pipe coupling	
1070	0581 0000 53 •	1	Straight pipe coupling						

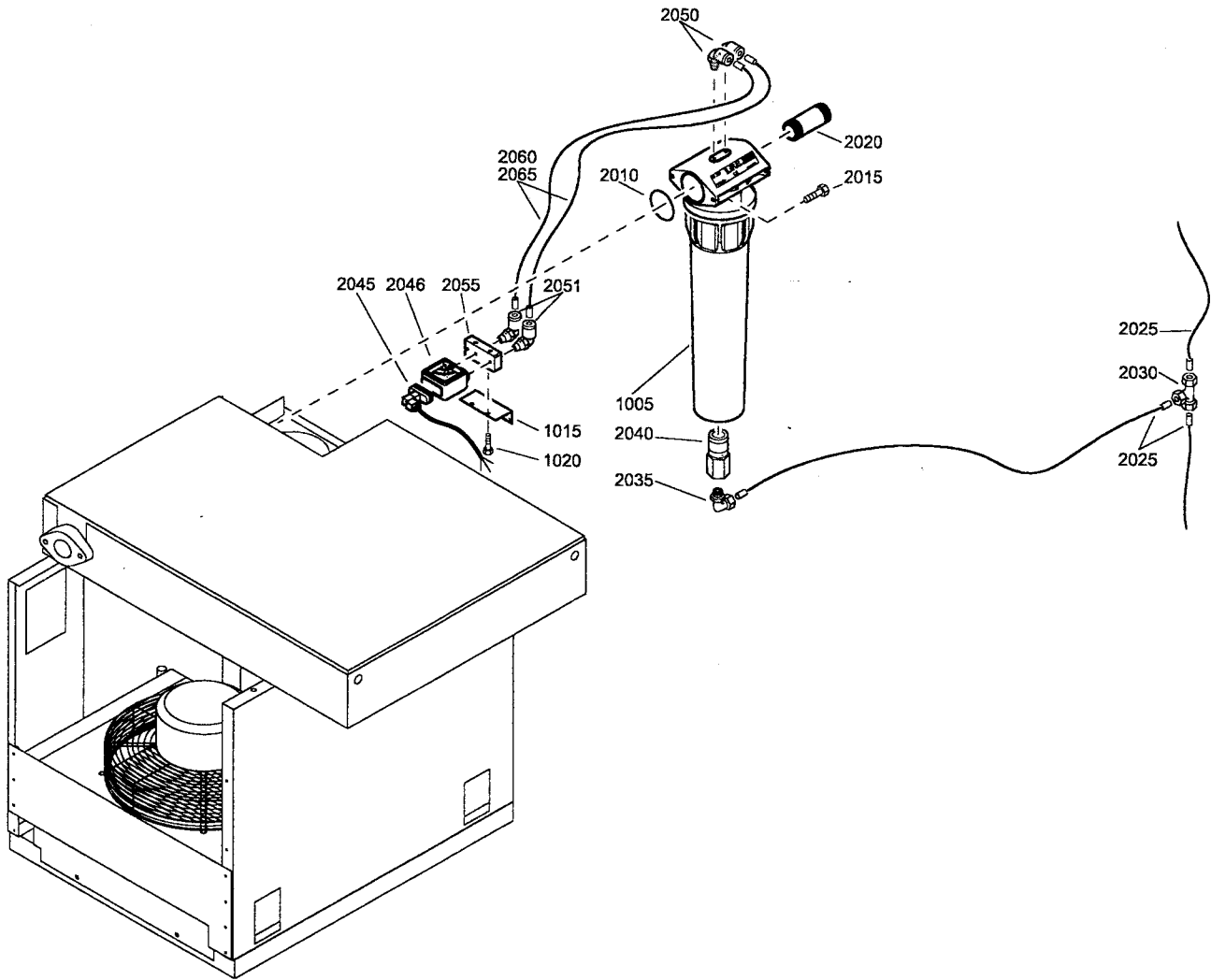
33



Rain protection

Ref.	Partnumber	Qty	Name	Remarks	Ref.	Partnumber	Qty	Name	Remarks
	8092 2470 90	1	Standard option		1070	1613 8680 01	• 1	Rain cowl	
			Rain protection		1075	1619 5188 00	• AR	Seal	
1010	1613 9922 80	• 1	Roof assembly 1)		1080	1619 2765 00	• 9	Screw(self tapp	
1015	1613 8702 01	• 6	Plug.		1100	1503 1056 00	• AR	Seal	
1020	1613 8702 02	• 2	Plug			1613 7954 80	• 1	Baffle ass'y	
1025	1613 9935 00	• 1	Rain cowl		2010		•• 1	Baffle ass'y	
1030	1619 5188 00	• AR	Seal		2020	1503 1056 00	•• AR	Seal	
1035	1619 2765 00	• 7	Screw(self tapp						
1045	1619 5188 00	• AR	Seal		1)			Lined with / Bekleed met / Beklädd med / Ausgekleidet	
1050	0129 3115 00	• 3	Blind rivet					mit / Garnir de / Rivestido de /	
1055	1613 8691 01	• 1	Rain cowl					Allineato con / Foret med / Revestido com / Kledd	
1060	1619 5188 00	• AR	Seal					med / Vuorattu :	
1065	1619 2765 00	• 8	Screw(self tapp					Foam: 0395 6001 69 (AR) 50 x 2040 x 1650	

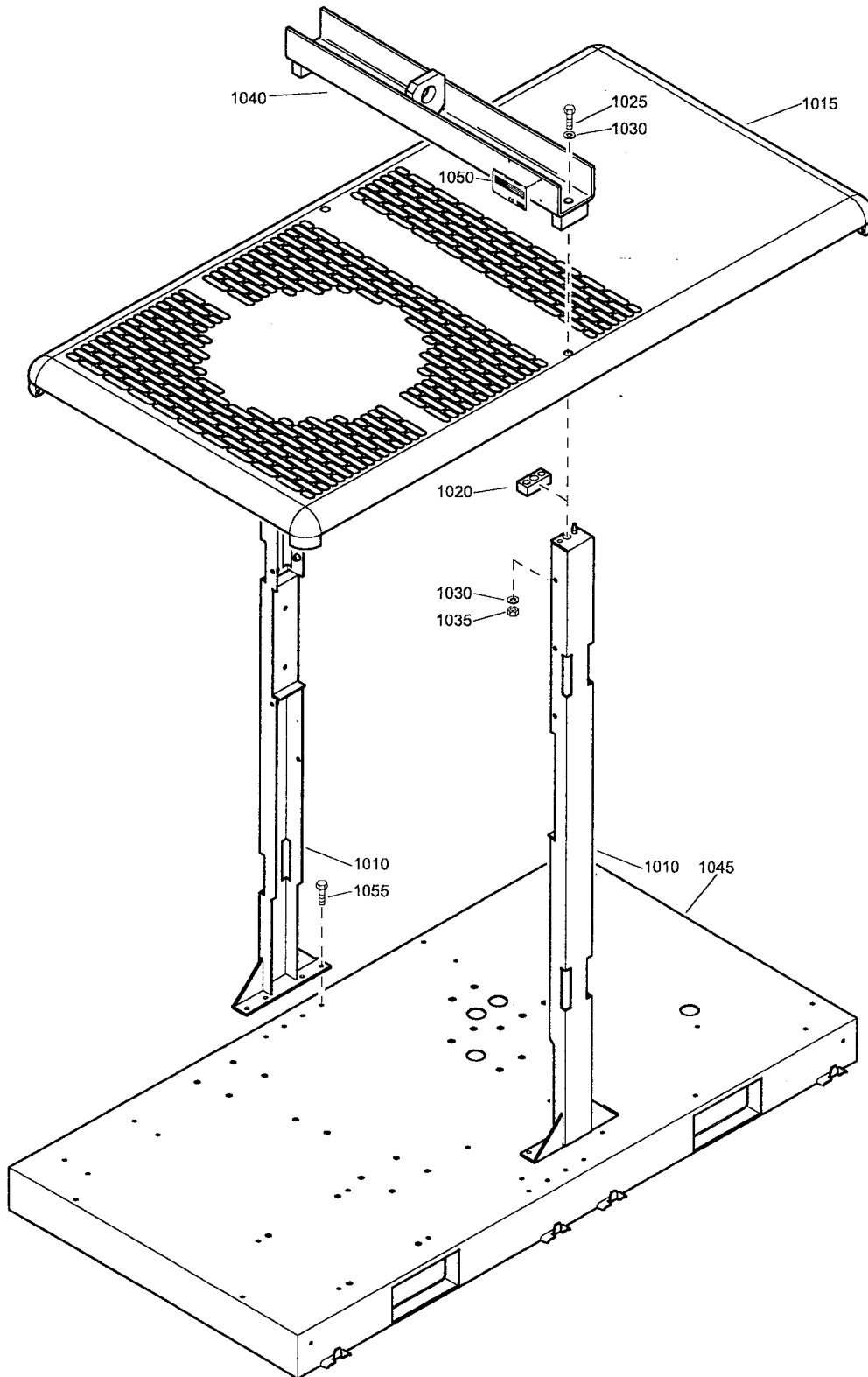
34



DD Filter kit - Pack FF / WorkPlace FF

Ref.	Partnumber	Qty	Name	Remarks	Ref.	Partnumber	Qty	Name	Remarks
	8092 2439 17	1	Standard option		2025	0070 6002 05	• AR	Plastic tube	
			DD Filter Kit - GA30(W),		2030	0581 2000 18	• 1	Coupling(tee)	
			GA37(W)		2035	0581 0000 38	• 1	Pipe coupling	
	8092 2439 25		DD Filter Kit - GA45(W),		2040	1617 7082 02	• 1	Quick coupling	
			GA55C(W)		2045		• 1	Wiring assembly	
1005		• 1	DD Filter			1617 2237 80		Elektronikon II	
	8102 2602 08		GA30(W), GA37(W)		2046	1617 7045 00	• 1	Diff.press.gauge	
	8102 2602 40		GA45(W), GA55C(W)		2050	0583 8120 62	• 2	Push-in couplin	
1015	1613 9949 00	• 1	Bracket		2051	0583 8120 10	• 2	Elbow coupling	
1020	0147 1205 03	• 2	Hexagon bolt		2055	1617 7098 00	• 1	Support	
2010	0663 2104 75	• 1	O-ring		2060	0070 6002 20	• AR	Plastic tube	
2015	0215 0003 74	• 2	Hex sock. screw		2065	0070 6002 20	• AR	Plastic tube	
2020	0551 0002 17	• 1	Threaded pipe						

35



Lifting device

35

Ref.	Part number	Qty	Name	Remarks	Ref.	Part number	Qty	Name	Remarks
1010	1613 9921 00	2	Beam		1035	0291 1114 00	2	Lock nut	
1015	1613 9922 80	1	Roof assembly 1)		1040	1613 9868 00	1	Beam	
1020	1622 0292 00	2	Spacer		1045	1613 9920 00	1	Frame	
1025	0147 1495 03	2	Hexagon bolt		1050	1613 7394 03	1	Data plate	
1030	0301 2378 00	4	Washer		1055	1619 5337 01	8	Bolt	

36

Service kits

Ref.	Part number	Qty	Name	Remarks	Ref.	Part number	Qty	Name	Remarks
	2900 1017 00	1	Drain valve kit			2901 0326 00	1	Filter kit	
	0663 2101 71 •	1	O-ring					GA37-7.5bar(e), GA37-8bar(e), GA37-100psi, GA45-7.5bar(e), GA45-8bar(e), GA45-10bar(e), GA45-100psi, GA45-125psi, GA45-150psi, GA55C-7.5bar(e), GA55C-10bar(e), GA55C-100psi, GA55C-150psi	
	0663 2103 86 •	1	O-ring						
	0663 2152 00 •	1	O ring						
	0663 6147 00 •	1	O-ring						
	2901 0245 01	1	Oil can						
			ROTO-INJECTFLUID 5 l						
	2901 0522 00	1	Oil can						
			ROTO-INJECTFLUID 20 l			0661 1000 38 •	1	Seal washer	
						0661 1000 39 •	2	Seal washer	
						0661 1000 40 •	1	Seal washer	
						0661 1000 43 •	1	Seal washer	
						0663 2102 15 •	1	O-ring	
						1613 6105 00 •	1	Oil filter	
						1613 7408 00 •	1	Element(airfilt	
	2901 0045 01	1	Oil barrel			2901 0068 00	1	Thermostatic valve kit	
			ROTO-INJECTFLUID 209 l					7.5bar(e), 10bar(e), 100psi, 125psi, 150psi	
						0663 2101 95 •	1	O-ring	
						1619 7333 00 •	1	Thermostatic valve	
	2901 0217 00 •	1	Oil stop valve kit			2901 0069 00	1	Thermostatic valve kit	
	0661 1000 39 •	1	Seal washer					13bar(e), 175 psig	
	0661 1000 43 •	1	Seal washer			0663 2101 95 •	1	O-ring	
	0661 1000 44 •	2	Seal washer			1619 7596 00 •	1	Thermostat valve	
	0663 2100 24 •	1	O-ring						
	0663 2101 80 •	2	O-ring						
	0663 2101 97 •	2	O-ring						
	0663 3120 00 •	1	O-ring						
	0663 7135 00 •	1	O-ring						
	1613 2357 00 •	1	Compr.spring						
	2901 0218 00	1	Minimum pressure valve kit			2901 0211 00	1	Unloader valve kit	
	0301 2344 00 •	4	Washer			0261 1090 67 •	1	Nut	
	0335 3111 00 •	1	Retaining ring			0301 2335 00 •	4	Washer	
	0663 3133 00 •	1	O-ring			0335 2136 00 •	1	Circlip	
	0663 7134 00 •	1	O-ring			0653 0500 02 •	1	Gasket	
	0663 7136 00 •	3	O-ring			0653 1062 00 •	1	Flat gasket	
	0663 7138 00 •	2	O-ring			0653 1100 00 •	4	Flat gasket	
	1612 4048 00 •	1	Compr.spring			0657 5742 00 •	1	Flat gasket	
	1612 4049 00 •	1	Compr.spring			0661 1000 46 •	1	Seal washer	
	1613 3223 01 •	1	Washer			0663 2104 83 •	2	O-ring	
	1614 4662 00 •	2	Piston ring			0663 3122 00 •	1	O-ring	
						0663 7132 00 •	1	O-ring	
						0663 7144 00 •	1	O-ring	
						0663 7150 00 •	1	O-ring	
						0663 9870 00 •	1	O-ring	
						1079 9903 82 •	1	Warning label	
						1079 9903 83 •	1	Warning label	
						1513 0011 00 •	1	Spring	
						1613 6783 00 •	1	Piston	
						1613 6816 00 •	1	Lipseal	
						1613 6818 01 •	1	Valve	
						1613 8068 01 •	1	Spring	
						1619 5819 00 •	1	Sintered disk	
						2901 0246 00	1	Cooler kit	
						0661 1000 39 •	1	Seal washer	
						0661 1000 43 •	4	Seal washer	
	0653 1062 00 •	1	Flat gasket			0663 7134 00 •	1	O-ring	
	0661 1000 38 •	1	Seal washer			0663 7135 00 •	4	O-ring	
	0661 1000 39 •	2	Seal washer			0663 7136 00 •	2	O-ring	
	0661 1000 40 •	1	Seal washer			0663 7138 00 •	1	O-ring	
	0663 2102 15 •	1	O-ring			1614 6256 00 •	4	O-ring	
	1613 6105 00 •	1	Oil filter			1614 6257 00 •	1	Ring	
	1613 7407 00 •	1	Element airfilter			1614 6258 00 •	1	Division rib	
						1614 6259 00 •	1	Rib joint	

Service kits

Ref.	Partnumber	Qty	Name	Remarks	Ref.	Partnumber	Qty	Name	Remarks
	2901 0503 00	1	Check valve kit			2901 0569 00		Element mounting kit	
	1202 6139 00	• 1	Valve					GA30-7.5bar(e)	
	1613 5165 00	• 1	Spring			0337 6068 00	• 1	Parallel key	
	0663 7138 00	• 1	O-ring			0653 1062 00	• 2	Flat gasket	
	0661 1000 40	• 1	Seal washer			0653 1100 00	• 2	Flat gasket	
	0663 7136 00	• 2	O-ring			0661 1000 43	• 1	Seal washer	
	0663 2107 77	• 1	O-ring			0663 2107 77	• 1	O-ring	
						0663 3120 00	• 1	O-ring	
	2901 0566 00	1	Oil separator kit			0663 7135 00	• 1	O-ring	
	0653 1062 00	• 4	Flat gasket			0663 7136 00	• 1	O-ring	
	0653 1100 00	• 2	Flat gasket			0663 7138 00	• 1	O-ring	
	0663 7134 00	• 1	O-ring			0663 7150 00	• 1	O-ring	
	0663 7138 00	• 1	O-ring			1613 8377 00	• 2	Joint	
	0663 7168 00	• 2	O-ring			1613 8451 01	• 2	Antivibration p	
	1613 8377 00	• 1	Joint			2903 1015 01	• 1	Coupling el.(=1	
	1613 8397 00	• 1	Oil separator element						
	1613 8451 01	• 1	Antivibration pad			2901 0570 00	1	Element mounting kit	
	2901 0567 00	1	Preventive maintenance kit			Gearbox Drive			
			GA30, GA37-10bar(e),			0147 1409 03	• 1	Hexagon bolt	
			GA37-13bar(e)			0335 2169 00	• 1	Int.circlip	
			GA37-125psi, GA37-150psi,			0337 0009 35	• 1	Parallel key	
			GA37-175psi, GA45-			0337 6068 00	• 1	Parallel key	
			13bar(e),			0504 0200 13	• 1	Bearing	
			GA45-175 psi			0508 1100 50	• 1	Roller bearing	
			GA55C-13 bar(e), GA55C -			0653 1062 00	• 2	Flat gasket	
			175psi			0653 1100 00	• 2	Flat gasket	
	2901 0211 00	• 1	Unloader valve kit			0661 1000 43	• 1	Seal washer	
	2901 0217 00	• 1	Oil stop valve kit			0663 2103 22	• 1	O-ring	
	2901 0218 00	• 1	Minimum pressure valve kit			0663 2107 77	• 1	O-ring	
						0663 2109 30	• 1	O-ring	
	2901 0219 00	• 1	Water separating kit			0663 3120 00	• 1	O-ring	
	2901 0325 00	• 1	Filter kit			0663 7135 00	• 1	O-ring	
	2901 0503 00	• 1	Check valve kit			0663 7136 00	• 1	O-ring	
	2901 0566 00	• 1	Oil separator kit			0663 7138 00	• 1	O-ring	
						0663 7150 00	• 1	O-ring	
	2901 0568 00	1	Preventive maintenance kit			1613 8377 00	• 2	Joint	
			GA37-7.5bar(e), GA37-8			1613 8451 01	• 2	Antivibration p	
			bar(e), GA37-100 psig,						
			GA45-7.5bar(e), GA45-						
			8bar(e), GA45-10bar(e),						
			GA45-100psi, GA45-125psi,						
			GA45-150psi						
			GA55C-7.5bar(e), GA55C-						
			10bar(e), GA55C-100psi,						
			GA55C-150psi						
	2901 0211 00	• 1	Unloader valve kit						
	2901 0217 00	• 1	Oil stop valve kit						
	2901 0218 00	• 1	Minimum pressure valve kit						
	2901 0219 00	• 1	Water separating kit						
	2901 0326 00	• 1	Filter kit						
	2901 0503 00	• 1	Check valve kit						
	2901 0566 00	• 1	Oil separator kit						