

Atlas Copco Stationary Air Compressors

GA55, GA75, GA90C

GA55 W, GA75 W, GA90C W

Elektronikon® II regulator -WorkPlace /WorkPlace Full-feature

Parts list

From serial number AII 474 000 onwards

- Copyright 2002, Atlas Copco Airpower n.v., Antwerp, Belgium.
Any unauthorized use or copying of the contents or any part thereof is prohibited.
This applies in particular to trademarks, model denominations, part numbers and drawings.
- **Use only authorized parts.** Any damage or malfunction caused by the use of unauthorized parts is not covered by Warranty or Product Liability.

No. 2930 1326 01

Registration code : APC G55-90C/2000 / 39 / 995

Replaces 2930 1326 00

2002-06

www.atlascopco.com

Atlas Copco

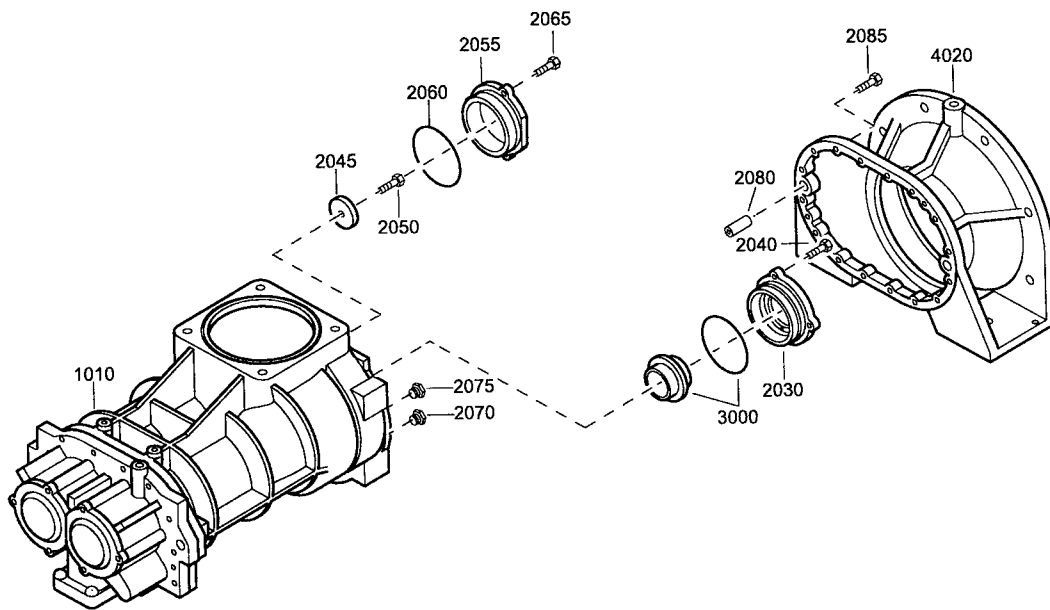
Contents
Inhoud
Innehåll
Inhaltsverzeichnis
Table des matières
Indice

Indice
Innholdsfortegnelse
Indice
Indholdsfortegnelse
Sisällysluettelo

Compressor element(s) and drive gear	Regulating system		
Compressorelement(en) en aandrijving	Regelsysteem		
Kompressorelement och drivning	Reglersystem		
Kompressorelement(e) und Antrieb	Regelsystem		
Élément(s) compresseur(s) et entraînement	Système de régulation		
Elemento(s) compresor(es) y accionamiento	Sistema de regulación		
Elemento(i) compressore e ingranaggi di azionamento	Sistema di regolazione		
Kompressorelement og drivhjul	Reguleringssystem		
Elemento(s) compresor(es) e accionamento	Sistema de regulação		
Kompressorelement(er) og drivgir	Reguleringssystem		
Kompressorilementit ja voimansiirto	Säätöjärjestelmä		
- GA75(W)-7.5	- Elektronikon II regulating	1	10
- GA55(W), GA75(W)-10-13, GA75(W)-100-125-150-175, GA90C(W)		2	
Motor, frame and coupling	Water system		
Motor, frame en koppeling	Watersysteem		
Motor, ram och koppling	Vattensystem		
Motor, Rahmen und Kupplung	Wassersystem		
Moteur, châssis et accouplement	Système d'eau		
Motor, bastidor y acoplamiento	Sistema de agua		
Motore elettrico, telaio e giunto	Sistema dell'acqua		
Motor, ramme og kobling	Vandsystem		
Motor, base e acoplamento	Sistema de água		
Motor, ramme og kopling	Vannsystem		
Moottori, runko ja kytkin	Vesijärjestelmä	3	11
	- GA W Oil- and aftercooler		
Air inlet	Oil- and aftercooler connections		
Luchtinlaat	Olje- en nakoeleraansluitingen		
Luftintag	Olje- och efterkylaranslutningar		
Luftleinlaß	Öl- und Nachkühleranschlüsse		
Admission d'air	Connexions des refroidisseurs d'huile et final		
Entrada de aire	Conexiones del refrigerador de aceite y del refrigerador posterior		
Presa d'aria	Connessioni del refrigeratore dell'olio e del refrigeratore finale		
Luftinsug	Tilslutninger, olie- og efterkøler		
Admissão de ar	Ligações do arrefecedor de óleo e arrefecedor final		
Luftinnløp	Olje- og etterkjølertilkoplinger		
Tuloilma	Öl- ja välijäähdytinliitännät	4	12
	- GA W Combi-cooler		
Unloader	Cooler(s)		
Ontlader	Koeler(s)		
Avlastningsenhet	Kylare		
Entlastungsvorrichtung	Kühler		
Déchargeur	Refroidisseur(s)		
Descargador	Refrigerador(es)		
Gruppo di messa a vuoto	Refrigeratore(i)		
Aflaster	Kølere		
Sistema de descarga	Refrigerador(es)		
Avlaster	Kjøler(e)		
Kevennin	Jäähdyttimet	5	13
	- GA W Combi-cooler		
Air receiver and delivery pipes	Air outlet		
Luchtketel en druppijpen	Luchtuitlaat		
Luftbehållare och utloppsror	Luftutløp		
Luftbehälter und Druckleitungen	Luftauslaß		
Réservoir d'air et tuyaux de refoulement	Sortie d'air		
Depósito de aire y tubos de descarga	Salida de aire		
Serbatoio dell'aria e tubi della mandata	Mandata dell'aria		
Oljebeholder og udløbsrør	Luftafgang		
Reservatório de ar e tubagem de descarga	Saida de ar		
Luftbeholder og utløpsrør	Luftutløp		
Ilmasäiliö ja paineilmaputket	Paineilmaputki		
- GA	- WorkPlace	6	14
- GA W Aftercooler	- WorkPlace FF	7	15
Oil system	Air dryer		
Oliesysteem	Luchtdroger		
Oljesystem	Lufttorkare		
Ösystem	Lufttrockner		
Système d'huile	Sécheur d'air		
Sistema de aceite	Secador de aire		
Sistema dell'olio	Essicatore d'aria		
Oliesystem	Lufttørrer		
Sistema de óleo	Secador de ar		
Oljesystem	Lufttørker		
Voitelujärjestelmä	Kuivain		
- GA	- WorkPlace FF	8	16
- GA W Oil cooler		9	

Start cubicle - star/delta	Umgehungsleitung	
Startkast - ster/driehoek	Tuyaux de by-pass	
Startskåp - stjärn/triangel	Tubería de derivación	
Anlaßschrank - Stern/Dreieck	By-pass	
Armoire de démarrage - étoile/triangle	By-pass	
Cubículo de arranque - estrella/triángulo	Tubagem de derivação	
Armadio apparecch. di avviamento - stella/triangolo	Omløpsrør	
Starterskab - stjerne/trekant	Ohitus	26
Cubículo-arranque estrela/triângulo		
Startskap - stjerne-trekant	DD Filter kit	
Käynnistinkotelo - Y/D	DD Filter kit	
- IEC 50-60Hz	DD Filter kit	
	DD Filter kit	
- CSA/UL 60Hz	Kit, filtre DD	
	Equipo de filtros DD	
Bodywork	Kit, filtro DD	
Carrosserie	DD Filtersaet	
Karosseri	Kit, filtro DD	
Karosserie	DD Filtersett	
Capotage	DD-suodatinsarja	
Carrocería	- WorkPlace FF	27
Cappottatura		
Karosseri	PD/DD Filter kit	
Carroceria	PD/DD Filter kit	
Kabinett	PD/DD Filter kit	
Kotelo	PD/DD Filter kit	
- GA (W) - 1)	Kit, filtre PD/DD	
	Equipo de filtros PD/DD	
- GA - 2)	Kit, filtro PD/DD	
	PD/DD Filtersaet	
- GA W - 2)	Kit, filtro PD/DD	
	PD/DD Filtersett	
Modulating control	PD/DD-suodatinsarja	
Modulatiecontrole	- WorkPlace FF	28
Moduleringskontroll		
Modulationskontrolle	Rain protection	
Contrôle de la modulation	Regenbescherming	
Control de modulaci6n	Regnskydd	
Controllo continuo	Regenschutz	
Modulationsstyring	Protection contre la pluie	
Controlo de modulaç6o	Protecci6n la lluvia	
Modulaç6nsregulering	Protezione contro la pioggia	
Modulointisäätö	Regnbeskyttelse	
	Proteçç6o contra a chura	
Energy recovery system	Regnbeskyttelse	
Energiätvinningsssystem	Sadesvuojat	29
Energierückgewinnungssystem		
Système de récupération d'énergie	Service kits	
Sistema de recuperaci6n de energía	Service kits	
Sistema di recupero energia	Service Kits	
Energigenvinding	Service kits	
Sistema de recuperaç6o de energia	Service kits	
Energigjenvinningsystem	Kit per la manutenzione	
Energian talteenottojärjestelmä	Service kits	
	Conjuntos de reparaç6o	
Drain system	Servicesett	
Aftapsysteem	Huoltotarvikesarjat	30
Avtappningssystem		
Ablafsysteem	1) Up to serial No.: / Tot serienummer: / T.o.m. tillverkningsnummer:	
Système de vidange	Bis Seriennummer: / Jusqu'au numéro de série: / Hasta el número	
Sistema de drenaje	de serie: / Fino al número de serie: / Gælder til følgende serienumre:	
Sistema di scarico	Até o número de série: / Til følgende serienummer: / Seuraavaan	
Drænsystem	valmistusnumeroon asti, No.:	
Sistema de drenagem de condensados	All 744 999	
Avtappningssystem	2) From following serial No. onwards: / Geldig vanaf volgend	
Lauhteenpoistojärjestelmä	serienummer: / Fr.o.m. tillverkningsnummer: / Gültig ab	
- Oil Separator condensate Drain	Seriennummer: / Valable à partir du numéro de série suivant:	
	A partir del siguiente número de serie: / Dai seguenti numeri di	
- Electronic Water Drain	serie in avanti: / Gælder fra følgende serienumre: / A partir do	
	número de série: / Fra og med følgende serienummer: / Alkacn	
By-pass dryer	valmistusnumeroosta	
Omløpleiding	All 745 500	
Förbiledningskanal		

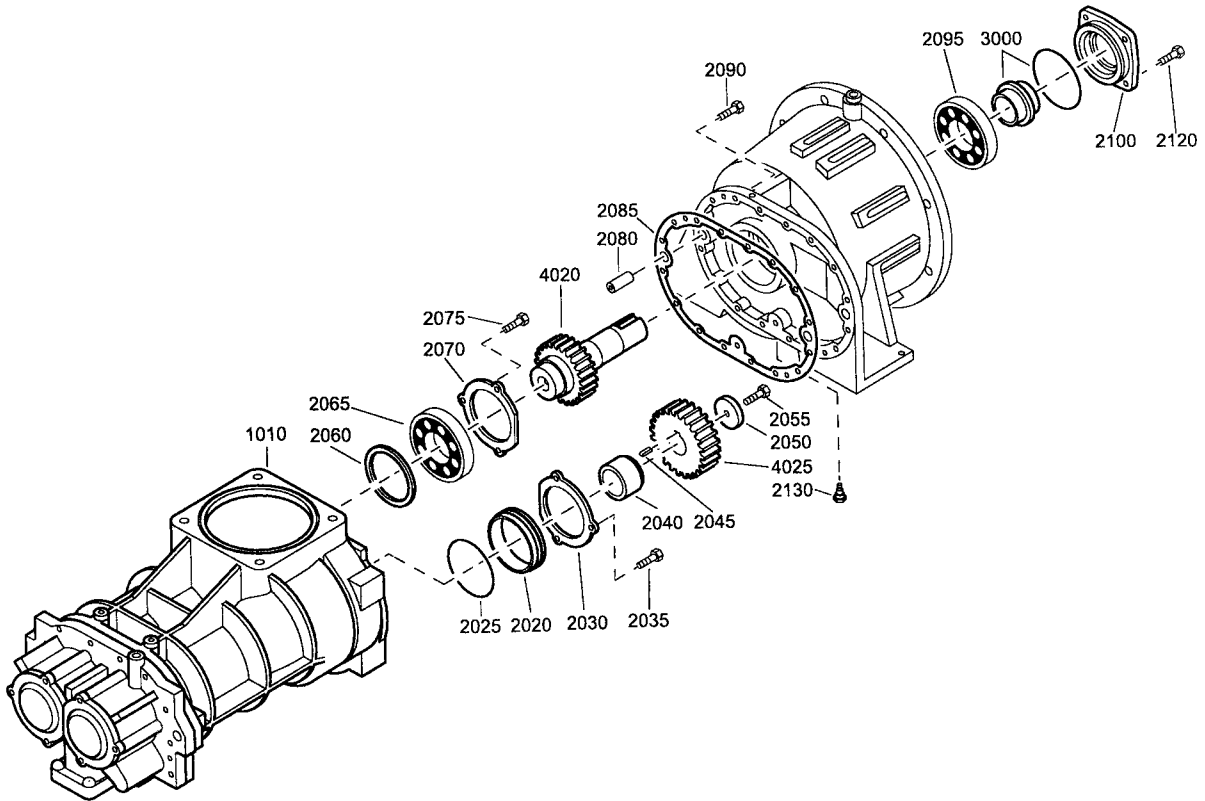
1



Compressor element(s) and drive gear - GA75(W)-7.5**1**

Ref.	Part number	Qty	Name	Remarks	Ref.	Part number	Qty	Name	Remarks
1010	2989 0163 00	1	Service stage		2070	0686 6132 00	1	Plug	
2030	1616 6014 00	1	Cover		2075	0686 6126 00	1	Plug	
2040	0147 1364 03	3	Hexagon bolt		2080	0101 1680 00	2	Parallel pin	
2045	1616 4928 00	1	Washer		2085	0147 1365 03	16	Hexagon bolt	
2050	0147 1409 03	1	Hexagon bolt		3000	2904 0109 00	1	Lipseal kit	
2055	1616 4941 00	1	Cover			0663 2106 19	1	O-ring	
2060	0663 2106 19	1	O-ring		4020	1613 8301 00	1	Coupling housing	
2065	0147 1364 03	3	Hexagon bolt						

2

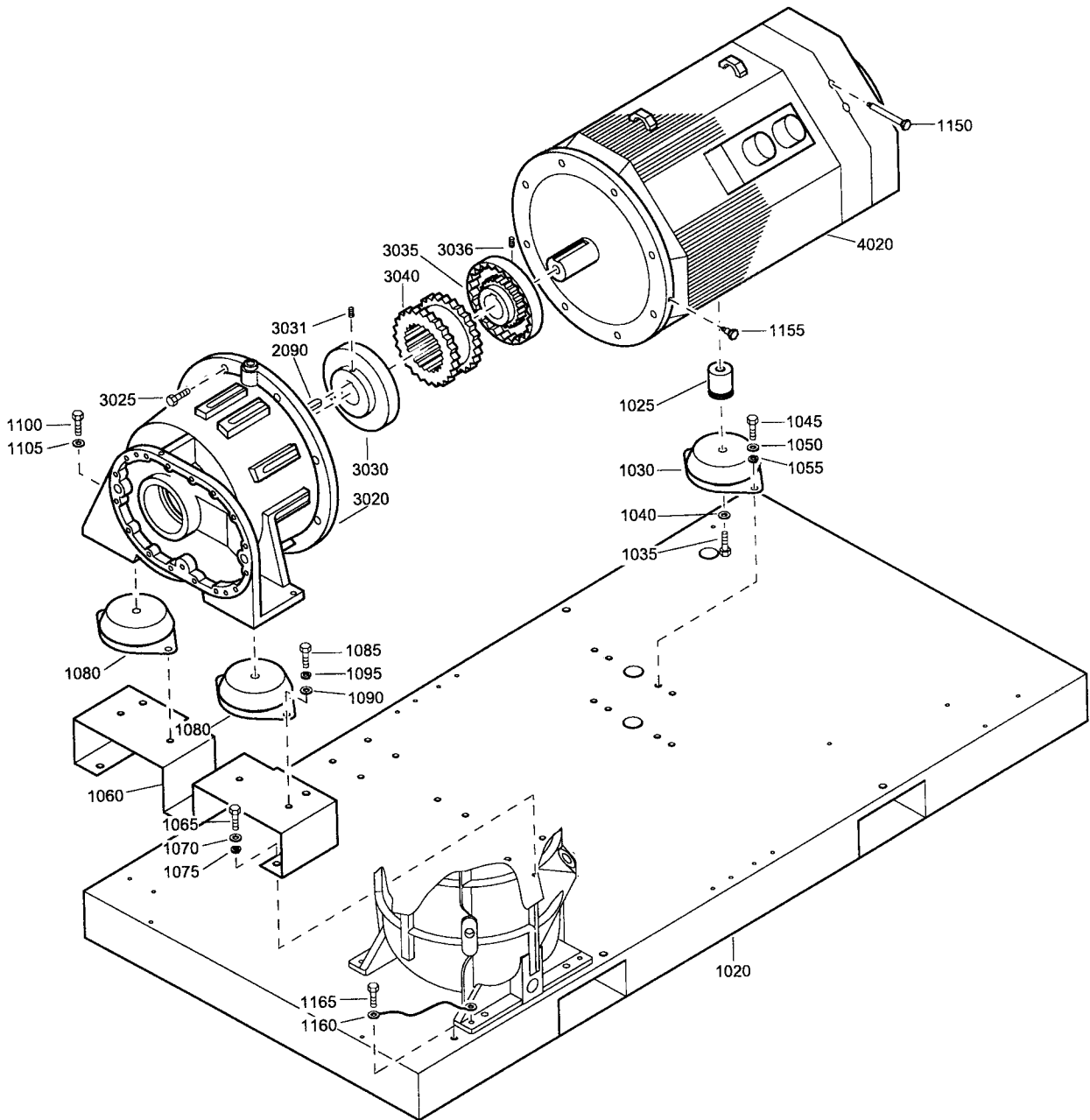


Compressor element(s) and drive gear**GA55(W), GA75(W)-10-13, GA(W)75-100-125-150-175, GA90C(W)**

Ref.	Part number	Qty	Name	Remarks	Ref.	Part number	Qty	Name	Remarks
1010	2989 0163 00	1	Service stage						
2020	1616 4933 00	1	Bushing			1613 9653 00		GA90C-10 HAV	2)
2025	0663 2106 19	1	O-ring			1613 9647 00		GA90C-13 HAV	2)
2030	1616 4939 00	1	Cover			1613 9657 00		GA90C-100 HAV	2)
2035	0147 1362 03	3	Hexagon bolt			1613 9647 00		GA90C-125 HAV	2)
2040	1616 4932 00	1	Bushing			1613 9643 00		GA90C-150 HAV	2)
2045	0337 2293 23	1	Parallel key		4025	1613 9639 00	1	GA90C-175 HAV	2)
2050	1616 4928 00	1	Washer			1613 9642 00		Gear wheel	
2055	0147 1409 03	1	Hexagon bolt					GA55-7.5, GA55-7.5 Japan	
2060	1616 4934 00	1	Ring			1613 9636 00		50Hz	
2065	0508 1100 85	1	Roller bearing			1613 9636 00		GA55-10, GA75-175	
2070	1616 4939 00	1	Cover					GA55-10 Japan, GA75-13	
2075	0147 1362 03	3	Hexagon bolt			1613 9658 00		Japan	
2080	0101 1680 00	2	Parallel pin					GA55-100, GA55-7.5 Japan	
2085	1202 7022 00	1	Gasket			1613 9634 00		60Hz	
2090	0147 1365 03	16	Hexagon bolt			1613 9650 00		GA55-125	
2095	0506 0100 09	1	Bearing					GA75-10, GA75-10 Japan	
2100	1616 4946 00	1	Retainer			1613 9644 00		50Hz	
2120	0211 1362 03	4	Cap screw					GA75-13, GA75-13 Japan,	
2130	1619 6032 00	1	SPM Nipple 1)			1613 9648 00		GA75-125	
3000	2904 0070 00	1	Lipseal kit			1613 9648 00		GA75-100	
	0663 2106 19	1	O-ring			1613 9638 00		GA75-150	
4020		1	Gearwheel			1613 8773 00		GA90C-7.5	
	1613 9643 00		GA55-7.5, GA55-7.5 Japan			1613 9654 00		GA90C-10	
			50Hz			1613 9656 00		GA90C-13, GA90C-125,	
	1613 9637 00		GA55-10, GA75-175					GA75-7.5 Japan	
	1613 9637 00		GA55-10 Japan, GA75-13			1613 9652 00		GA90C-100	
			Japan			1613 9646 00		GA90C-150	
	1613 9659 00		GA55-100, GA55-7.5 Japan			1613 9640 00		GA90C-175, GA75-10 Japan	
			60Hz					60Hz	
	1613 9635 00		GA55-125			1613 9638 00		GA55-7.5 HAV 2)	
	1613 9651 00		GA75-10, GA75-10 Japan			1613 9634 00		GA55-10 HAV 2)	
			50Hz			1613 9634 00		GA55-100 HAV	2)
	1613 9645 00		GA75-13, GA75-13 Japan,			1613 9607 00		GA55-125 HAV	2)
			GA75-125			1613 9654 00		GA75-7.5 HAV 2)	
	1613 9649 00		GA75-100			1613 9646 00		GA75-10 HAV 2)	
	1613 9639 00		GA75-150			1613 9638 00		GA75-13 HAV 2)	
	1202 8184 00		GA90C-7.5			1613 9644 00		GA75-100 HAV	2)
	1613 9655 00		GA90C-10			1613 9636 00		GA75-150 HAV	2)
	1613 9657 00		GA90C-13, GA90C-125,			1613 9638 00		GA75-125 HAV	2)
			GA75-7.5 Japan			1613 9658 00		GA75-175 HAV	2)
	1613 9653 00		GA90C-100			1613 9753 00		GA90C-7.5 HAV	2)
	1613 9647 00		GA90C-150			1613 9652 00		GA90C-10 HAV	2)
	1613 9641 00		GA90C-175, GA75-10 Japan			1613 9646 00		GA90C-13 HAV	2)
			60Hz			1613 9656 00		GA90C-100 HAV	2)
	1613 9639 00		GA55-7.5 HAV 2)			1613 9646 00		GA90C-125 HAV	2)
	1613 9635 00		GA55-10 HAV 2)			1613 9642 00		GA90C-150 HAV	2)
	1613 9635 00		GA55-100 HAV	2)		1613 9638 00		GA90C-175 HAV	2)
	1613 9633 00		GA55-125 HAV	2)					
	1613 9655 00		GA75-7.5 HAV 2)						
	1613 9647 00		GA75-10 HAV 2)						
	1613 9639 00		GA75-13 HAV 2)						
	1613 9639 00		GA75-125 HAV	2)					
	1613 9645 00		GA75-100 HAV	2)					
	1613 9637 00		GA75-150 HAV	2)					
	1613 9659 00		GA75-175 HAV	2)					
	1613 9752 00		GA90C-7.5 HAV	2)					

- 1) Vibration monitoring "Shock Pulse Measurement" / Trillingskontrolle "SPM" / Vibrationskontroll "Stötpuls-mätning" / Schwingungsüberwachung "SPM" / Surveillance des vibrations "SPM" / Monitorización de vibraciones "SPM" / Controllo di vibrazione "SPM" / Vibrationsovervågning "SPM" / Controllo de vibrações SPM / Vibrasjonsovervåking "SPM" / SPM-tärinänvalvonta
- 2) HAV : High ambient version

3

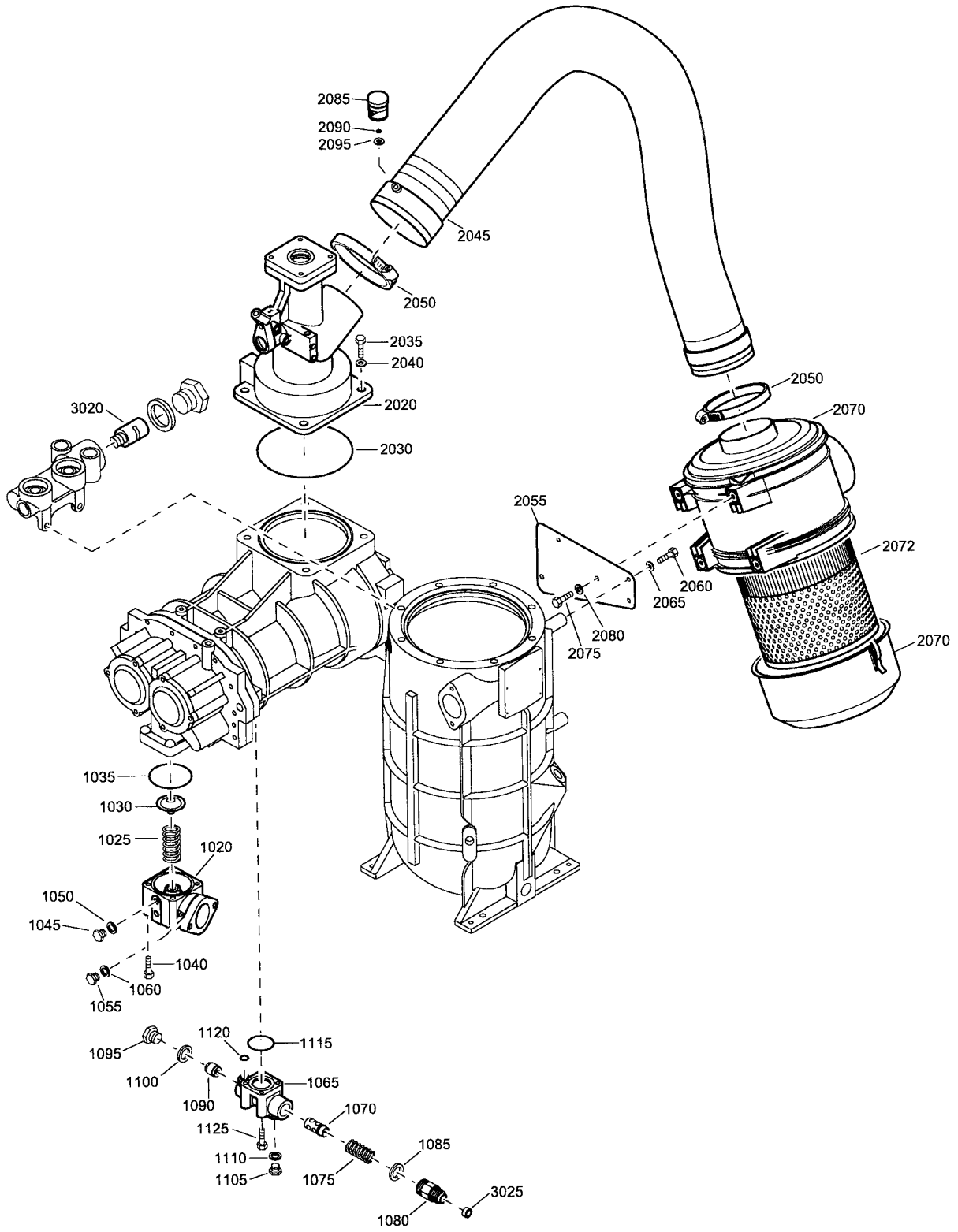


Motor, frame and coupling

Ref.	Part number	Qty	Name	Remarks	Ref.	Part number	Qty	Name	Remarks
1020		1	Frame		1080 4113 18			GA55 380V/60Hz	
	1613 9538 00		1)		1080 4113 20			GA55 575V/60Hz	
	1613 9538 01		2)		1080 4114 01			GA75 200V/50Hz	
1025	1613 9598 00	1	Spacer		1080 4114 02			GA75 230V/50Hz	
1030	1613 6752 13	1	Antivibr.pad		1080 4114 03			GA75 400V/50Hz	
1035	0147 1491 03	1	Hexagon bolt		1080 4114 05			GA75 500V/50Hz	
1040	0301 2378 00	1	Washer		1080 4113 16			GA55 200V/60Hz	
1045	0211 1400 03	2	Cap screw		1080 4113 18			GA55 380V/60Hz	
1050	0301 2358 00	2	Washer		1080 4114 15			GA75 220-230V/440-460V/ 60Hz	
1055	0333 3237 00	2	Lock washer		1080 4114 16			GA75 200V/60Hz	
1060	1613 9628 00	1	Support		1080 4114 18			GA75 380V/60Hz	
1065	0147 1400 03	5	Hexagon bolt		1080 4114 20			GA75 575V/60Hz	
1070	0301 2358 00	5	Washer		1080 4020 12			GA90C 230V/50Hz	
1075	0333 3237 00	5	Lock washer		1080 4020 13			GA90C 400V/50Hz	
1080	1613 6752 18	2	Antivibr.pad		1080 4020 15			GA90C 500V/50Hz	
1085	0211 1400 03	4	Cap screw		1080 4020 25			GA90C 220-230V/440- 460V/60Hz	
1090	0301 2358 00	4	Washer		1080 4020 28			GA90C 380V/60Hz	
1095	0333 3237 00	4	Lock washer		1080 4020 30			GA90C 575V/60Hz	
1100	0147 1479 03	2	Hexagon bolt						
1105	0301 2378 00	2	Washer						
1150	1613 7874 01	1	SPM nipple	3)					
1155	1619 6032 00	1	SPM nipple	3)					
1160	1613 8967 02	1	Cable						
1165	0147 1962 72	1	Hexagon bolt						
2090	0337 2293 23	1	Parallel key						
3020		1	Gear casing						
	1613 8302 00		50Hz						
	1613 8359 00		60Hz						
3025			Hexagon bolt / Cap srew						
	0147 1479 03	8	50Hz						
	0211 1962 06	4	60Hz						
3030		1	Coupling half						
	1613 9681 00		GA55, GA75-7.5						
	1613 9683 00		Others						
3031	0196 1360 00	• 1	Screw						
3035		1	Coupling half						
	1613 9680 01		GA55 60Hz						
	1613 9680 02		GA55 50Hz						
	1613 9682 01		GA75 60Hz						
	1613 9680 03		GA75-7.5 50Hz						
	1613 9682 03		GA75-10 50Hz, GA75-13 50Hz						
	1613 9682 04		GA90C 60Hz						
	1613 9682 05		GA90C 50Hz						
3036	0196 1360 00	• 1	Screw						
3040		1	Coupling element						
	1613 9585 00		GA55, GA75-7.5						
	1613 9499 00		Others						
4020		1	Motor						
	1080 4113 01		GA55 200V/50Hz						
	1080 4113 02		GA55 230V/50Hz						
	1080 4113 03		GA55 400V/50Hz						
	1080 4113 05		GA55 500V/50Hz						
	1080 4113 15		GA55 220-230V/440-460V/ 60Hz						

- 1) Up to serial No. :
Tot serienummer:
T.o.m. tillverkningsnummer:
Bis Seriennummer:
Jusqu'au numéro de série:
Hasta el número de serie:
Fino al numeri di serie:
Gælder til følgende serienumre:
Até o número de série:
Til følgende serienummer:
Seuraavaan valmistusnumeroon asti, No.:
AII 744 999
- 2) From following serial No. onwards:
Geldig vanaf volgend serienummer:
Fr.o.m. tillverkningsnummer:
Gültig ab Seriennummer:
Valable à partir du numéro de série suivant:
A partir del siguiente número de serie:
Dai seguenti numeri di serie in avanti:
Gælder fra følgende serienumre:
A partir do número de série:
Fra og med følgende serienummer:
Alkaen valmistusnumerosta
AII 745 500
- 3) Vibration monitoring "Shock Pulse Measurement" /
Trillingskontrolle "SPM" / Vibrationskontroll "Stötpuls-
mätning" / Schwingungsüberwachung "SPM" / Sur-
veillance des vibrations "SPM" / Monitorización de
vibraciones "SPM" / Controllo di vibrazione "SPM" /
Vibrationsovervågning "SPM" / Controllo de vibrações
SPM / Vibraçõesovervåking "SPM" / SPM-tärinänvalvonta

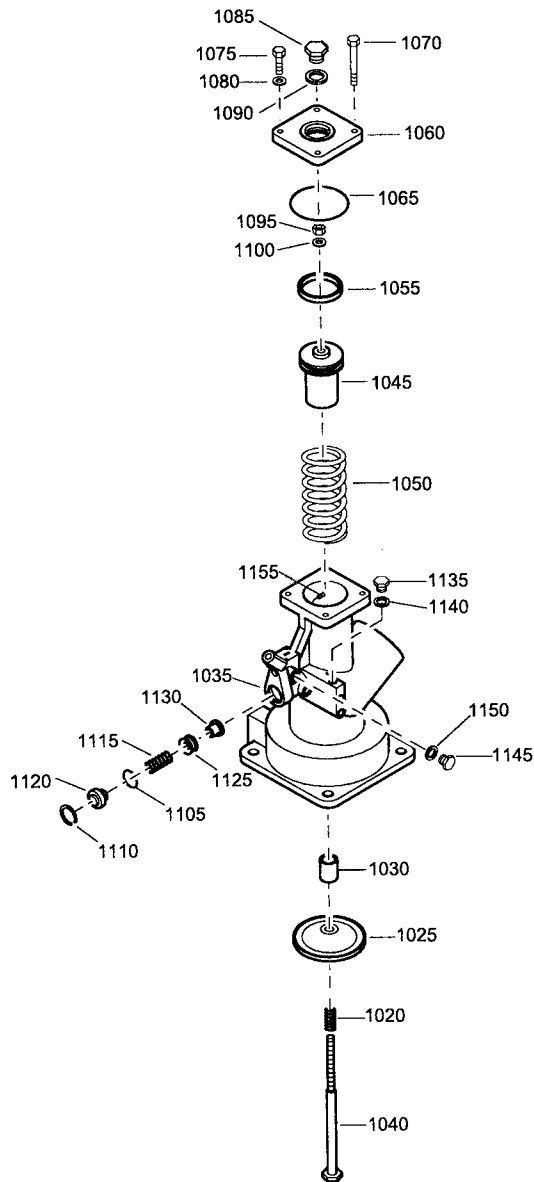
4



Air inlet

Ref.	Part number	Qty	Name	Remarks	Ref.	Part number	Qty	Name	Remarks
1020	1202 6771 00	1	Valve housing		2040	0301 2378 00	4	Washer	
1025	1613 5165 00	1	Spring		2045	1613 9542 00	1	Hose	
1030	1202 6139 00	1	Valve		2050	0347 6120 00	2	Hose clip	
1035	0663 2104 03	1	O-ring		2055	1613 9571 00	1	Plate	
1040	0147 1376 03	4	Hexagon bolt		2060	0147 1321 03	2	Hexagon bolt	
1045	0686 3716 01	2	Hexagon plug		2065	0301 2335 00	2	Washer	
1050	0661 1000 25	2	Seal washer		2070		1	Air filter	
1055	0686 3716 30	1	Hexagon plug			1613 9500 00		GA55	
1060	0661 1000 26	1	Seal washer			1613 9502 00		GA75-90C	
1065	1613 2355 00	1	Body		2072		1	Filter element	
1070	1613 2356 00	1	Valve			1613 9501 00		GA55	
1075	1613 2357 00	1	Compr.spring			1613 9503 00		GA75-90C	
1080	1613 8129 00	1	Nipple		2075	0147 1360 03	2	Hexagon bolt	
1085	0661 1000 30	1	Seal washer		2080	0301 2344 00	2	Washer	
1090	1613 2359 00	1	Piston		2085	1613 7912 01	1	Indicator	
1095	0686 3716 07	1	Hexagon plug		2090	1619 5819 00	1	Sintered disk	
1100	0661 1000 30	1	Seal washer		2095	0657 5742 00	1	Flat gasket	
1105	0686 3716 47	1	Hexagon plug		3020		1	Thermostat	
1110	0661 1000 27	1	Seal washer			1202 5869 04		100-125-150-175 psig	
1115	0663 7135 00	1	O-ring					Tropical	
1120	0663 3120 00	1	O-ring			1202 5869 02		13 bar(e), 175 psig	
1125	0147 1336 03	4	Hexagon bolt			1619 7560 00		7.5-10 bar(e),	
2020	<<<< >>>>	1	Unloader					100-125-150 psig	
2030	0663 2106 43	1	O-ring		3025		1	Restrictor	
2035	0147 1477 03	4	Hexagon bolt			1613 8130 00		13 bar(e), 175 psig	

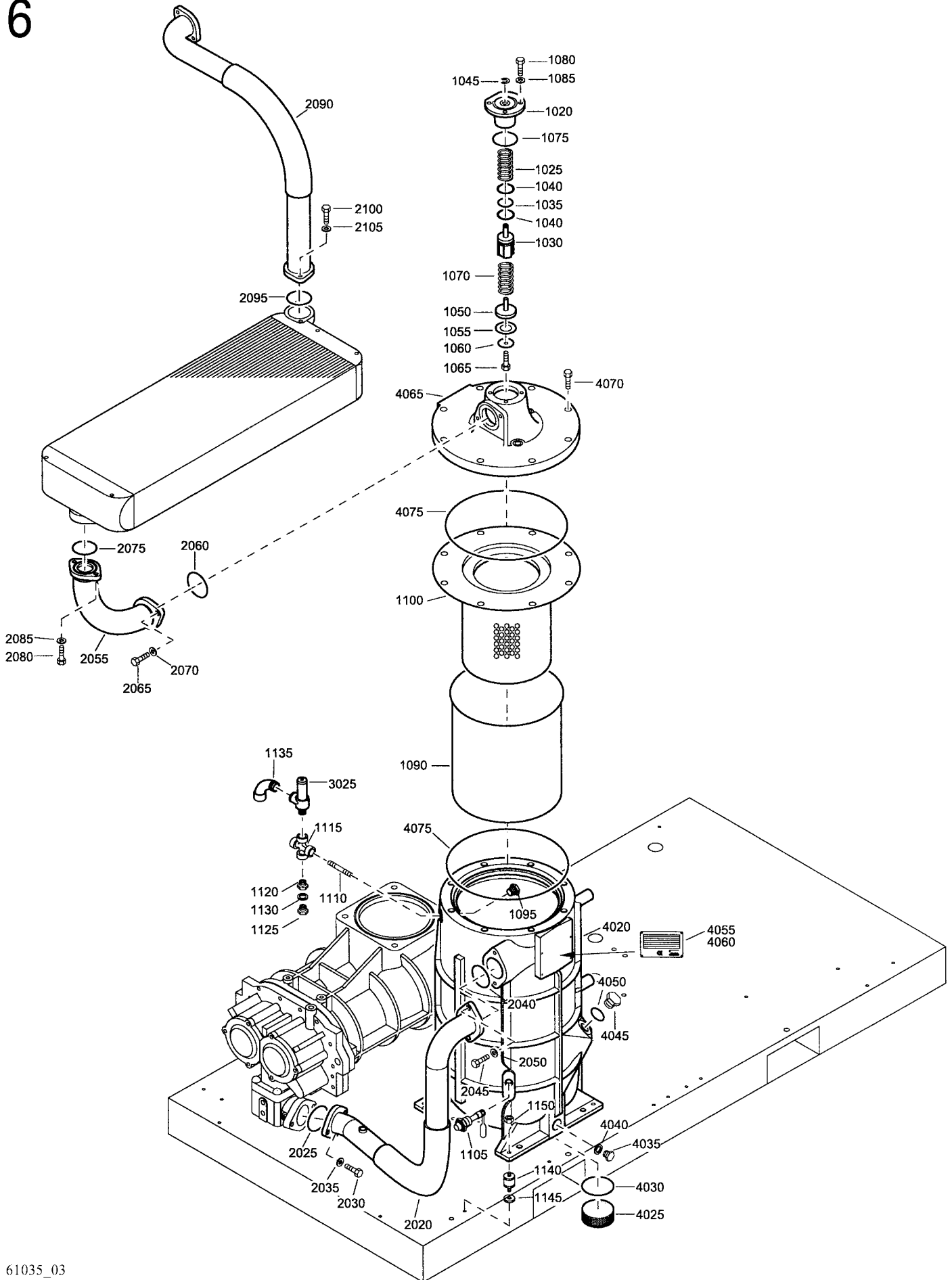
5



Unloader

Ref.	Part number	Qty	Name	Remarks	Ref.	Part number	Qty	Name	Remarks
	2901 0461 00	1	Unloader		1080	0301 2335 00	• 4	Washer	
	2901 0462 00		Load / Unload control		1085		• 1	Hexagon plug	
	2901 0462 00		Modulating Control			1613 8148 00		Modulating control	
	1079 9903 83	1	Warning label			0686 4210 00		Standard	
1020		• 1	Spring		1090		• 1	Seal washer	
	1613 8068 00		Modulating control			0661 1000 32		Modulating control	
	1613 8069 00		Standard			0661 1000 46		Standard	
1025		• 1	Valve		1095	0261 1090 67	• 1	Nut	
	1613 8071 80		Modulating control		1100	0653 0500 02	• 1	Gasket	
	1613 8072 00		Standard		1105	0663 7132 00	• 1	O-ring	
1030	0500 4510 33	• 1	Standard		1110	0335 2136 00	• 1	Circlip	
1035		• 1	Housing		1115	1513 0011 00	• 1	Spring	
	1613 8151 00		Modulating control		1120	1613 6794 00	• 1	Cover	
	1613 8150 00		Standard		1125	1613 6783 00	• 1	Piston	
1040	1613 8073 00	• 1	Piston rod		1130	1613 6796 00	• 1	Valve seat	
1045	1613 8149 00	• 1	Piston		1135	0686 3716 01	• 3	Hexagon plug	
1050	1613 7372 01	• 1	Spring		1140	0653 0500 02	• 3	Gasket	
1055	1613 7262 00	• 1	Piston ring		1145	0686 3716 38	• 3	Hexagon plug	
1060	1613 9661 00	• 1	Cover		1150	0653 9078 00	• 3	Flat gasket	
1065	0663 7144 00	• 1	O-ring		1155		• 1	Plug	
1070	0211 1963 94	• 2	Cap screw			1613 6964 00		Modulating control	
1075	0211 1328 03	• 2	Cap screw						

6

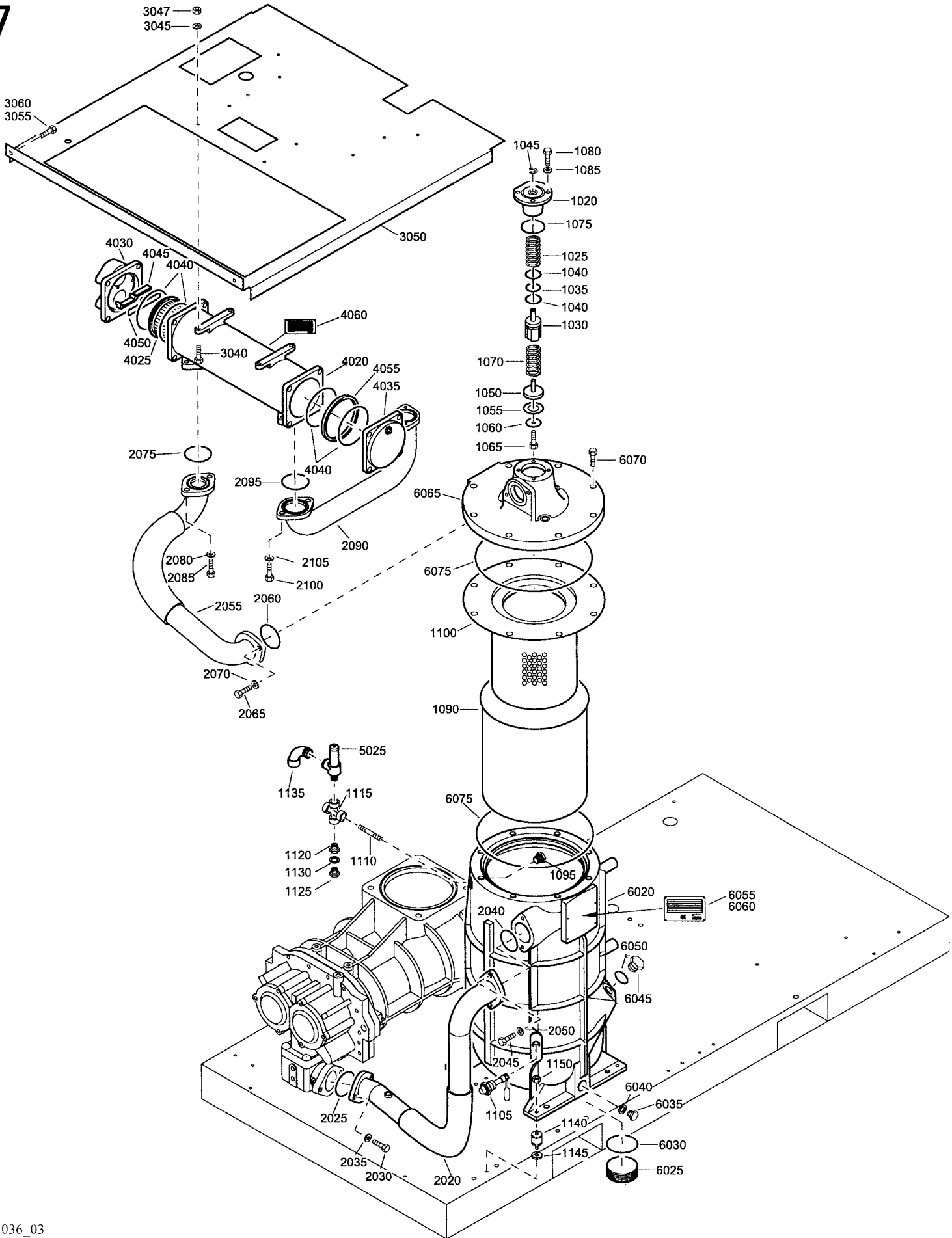


61035_03

Air receiver and delivery pipes - GA

Ref.	Part number	Qty	Name	Remarks	Ref.	Part number	Qty	Name	Remarks
1020	1202 9747 00	1	Cover		2060	0663 7138 00	1	O-ring	
1025	1612 4048 00	1	Compr.spring		2065	0147 1363 03	2	Hexagon bolt	
1030	1613 3220 01	1	Piston		2070	0301 2344 00	2	Washer	
1035	0663 3133 00	1	O-ring		2075	0663 9868 00	1	O-ring	
1040	1614 4662 00	2	Piston ring		2080	0211 1326 03	2	Cap screw	
1045	0335 3111 00	1	Retaining ring		2085	0301 2335 00	2	Washer	
1050	1613 3221 00	1	Piston valve		2090	1613 9627 00	1	Connection	
1055	1613 3223 01	1	Washer		2095	0663 9868 00	1	O-ring	
1060	1613 3222 00	1	Washer		2100	0211 1326 03	2	Cap screw	
1065	0147 1244 03	1	Hexagon bolt		2105	0301 2335 00	2	Washer	
1070	1612 4049 00	1	Compr.spring		3025		1	Safety valve	
1075	0663 7136 00	1	O-ring			1202 5749 00		T - 12 bar(e)	
1080	0147 1362 03	4	Hexagon bolt			1202 5401 00		T - 14.5 bar(e)	
1085	0301 2344 00	4	Washer			1613 5452 00		As - 200 psig	
1090	1613 9556 00	1	Shield			1613 7810 00		As - 215 psig	
1095	1613 8103 00	1	Bushing				1	Vessel	
1100	1613 9840 00	1	Oil separator element			1613 9395 82		Lloyds, DIR, UDT	
1105	1616 5108 00	1	Level gauge			1613 9395 85		Mol Japan	
1110	0551 0001 05	1	Threaded pipe			1613 9395 86		SQL	
1115	0567 0000 17	1	Cross			1613 9395 99		ASME, CE	
1120	0605 8300 50	1	Bushing		4020		•	Vessel	
1125	0686 3716 02	1	Hexagon plug		4025	1613 9348 00	• 1	Plug	
1130	0661 1000 27	1	Seal washer		4030	0663 2111 17	• 1	O-ring	
1135	0560 0200 55	1	Elbow		4035	0686 3716 02	• 1	Hexagon plug	
1140	0392 1100 06	4	Anti vibrat.pad		4040	0661 1000 39	• 1	Seal washer	
1145	0300 0274 17	4	Washer		4045	1202 8992 00	• 1	Plug	
1150	0266 2110 00	4	Nut		4050	0663 2102 15	• 1	O-ring	
2020	1613 9625 00	1	Connection		4055		• 1	Dataplate	
2025	0663 7138 00	1	O-ring			1613 9349 00		SQL	
2030	0147 1401 03	2	Hexagon bolt			1622 0003 00		ASME	
2035	0301 2358 00	2	Washer			1622 0003 01		Others	
2040	0663 7138 00	1	O-ring		4060	0244 4184 00	• 4	Drive screw	
2045	0147 1363 03	2	Hexagon bolt		4065	1613 9396 00	• 1	Valve housing	
2050	0301 2344 00	2	Washer		4070	0147 1961 17	• 8	Hexagon bolt	
2055	1613 9626 00	1	Connection		4075	0663 2111 16	• 2	O-ring	

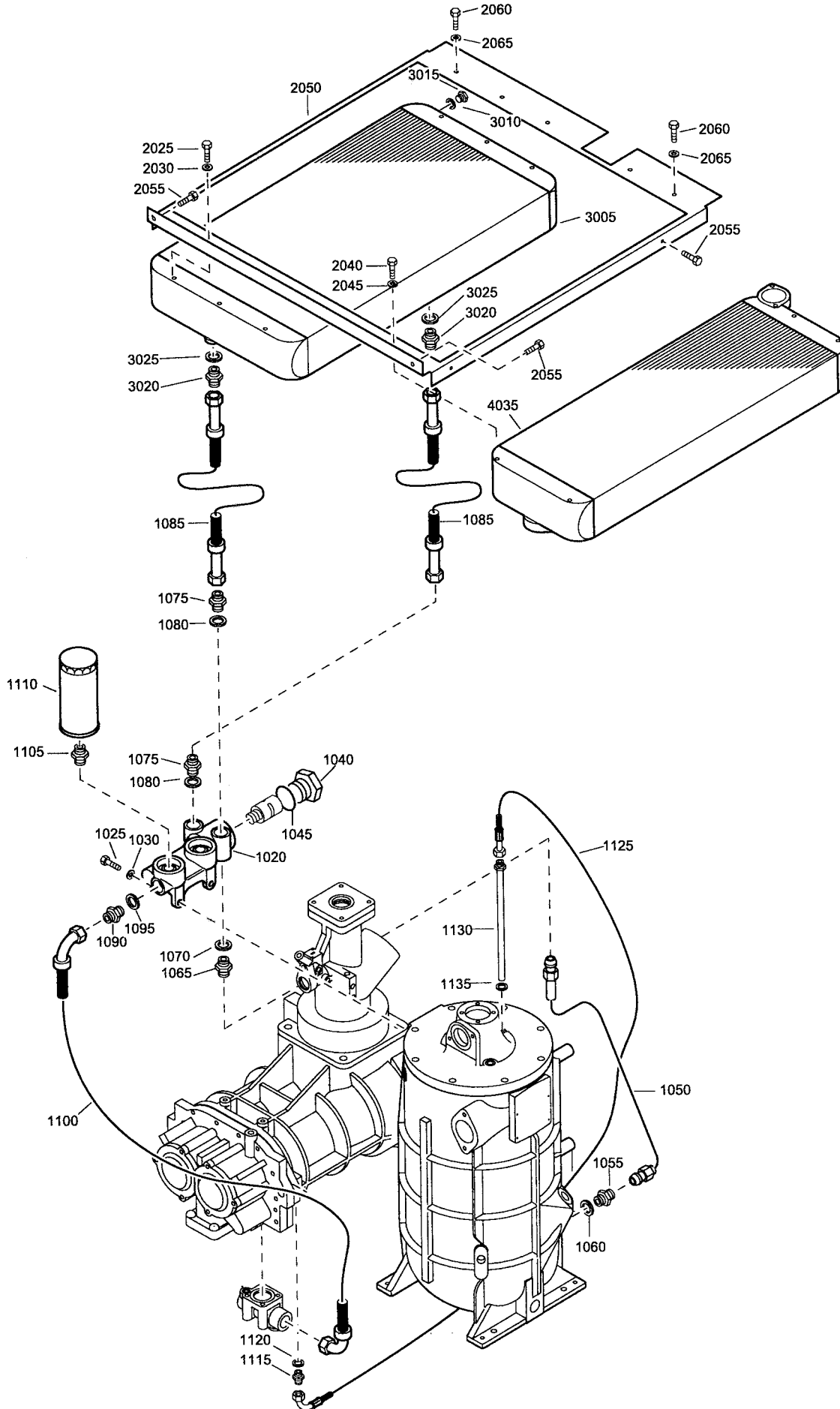
7



Air receiver and delivery pipes - GA W Aftercooler

Ref.	Part number	Qty	Name	Remarks	Ref.	Part number	Qty	Name	Remarks
1020	1202 9747 00	1	Cover		2100	0211 1326 03	2	Cap screw	
1025	1612 4048 00	1	Compr.spring		2105	0301 2335 00	2	Washer	
1030	1613 3220 01	1	Piston		3040	0147 1327 03	4	Hexagon bolt	
1035	0663 3133 00	1	O-ring		3045	0301 2335 00	4	Washer	
1040	1614 4662 00	2	Piston ring		3047	0266 2110 00	4	Nut	
1045	0335 3111 00	1	Retaining ring		3050	1613 9709 00	1	Plate	
1050	1613 3221 00	1	Piston valve		3055	0147 1962 72	3	Hexagon bolt	
1055	1613 3223 01	1	Washer		3060	0147 1962 72	2	Hexagon bolt	
1060	1613 3222 00	1	Washer			1202 9849 88	1	Aftercooler	
1065	0147 1244 03	1	Hexagon bolt		4020	1613 6199 00	• 1	Cylinder	
1070	1612 4049 00	1	Compr.spring		4025	1614 6245 00	• 1	Tube stack	
1075	0663 7136 00	1	O-ring		4030	1614 6249 00	• 1	Water box	
1080	0147 1362 03	4	Hexagon bolt		4035	1614 6250 00	• 1	Return box	
1085	0301 2344 00	4	Washer		4040	1614 6256 00	• 4	O-ring	
1090	1613 9556 00	1	Shield		4045	1614 6258 00	• 1	Division rib	
1095	1613 8103 00	1	Bushing		4050	1614 6259 00	• 1	Gasket	
1100	1613 9840 00	1	Oil separator element		4055	1614 6257 00	• 1	Ring	
1105	1616 5108 00	1	Level gauge		4060	9820 0857 00	• 1	Data plate instruction	
1110	0551 0001 05	1	Threaded pipe		5025		1	Safety valve	
1115	0567 0000 17	1	Cross			1202 5749 00		T - 12 bar(e)	
1120	0605 8300 50	1	Bushing			1202 5401 00		T - 14.5 bar(e)	
1125	0686 3716 02	1	Hexagon plug			1613 5452 00		As - 200 psig	
1130	0661 1000 27	1	Seal washer			1613 7810 00		As - 215 psig	
1135	0560 0200 55	1	Elbow				1	Vessel	
1140	0392 1100 06	4	Anti vibrat.pad			1613 9395 82		Lloyds, DIR, UDT	
1145	0300 0274 17	4	Washer			1613 9395 85		Mol Japan	
1150	0266 2110 00	4	Nut			1613 9395 86		SQL	
2020	1613 9625 00	1	Connection			1613 9395 99		ASME, CE	
2025	0663 7138 00	1	O-ring		6020		•	Vessel	
2030	0147 1401 03	2	Hexagon bolt		6025	1613 9348 00	• 1	Plug	
2035	0301 2358 00	2	Washer		6030	0663 2111 17	• 1	O-ring	
2040	0663 7138 00	1	O-ring		6035	0686 3716 02	• 1	Hexagon plug	
2045	0147 1363 03	2	Hexagon bolt		6040	0661 1000 39	• 1	Seal washer	
2050	0301 2344 00	2	Washer		6045	1202 8992 00	• 1	Plug	
2055	1613 9710 00	1	Pipe		6050	0663 2102 15	• 1	O-ring	
2060	0663 7138 00	1	O-ring		6055		• 1	Dataplate	
2065	0147 1363 03	2	Hexagon bolt			1613 9349 00		SQL	
2070	0301 2344 00	2	Washer			1622 0003 00		ASME	
2075	0663 9868 00	1	O-ring			1622 0003 01		Others	
2080	0211 1326 03	2	Cap screw		6060	0244 4184 00	• 4	Drive screw	
2085	0301 2335 00	2	Washer		6065	1613 9396 00	• 1	Valve housing	
2090	1613 9711 00	1	Pipe		6070	0147 1961 17	• 8	Hexagon bolt	
2095	0663 9868 00	1	O-ring		6075	0663 2111 16	• 2	O-ring	

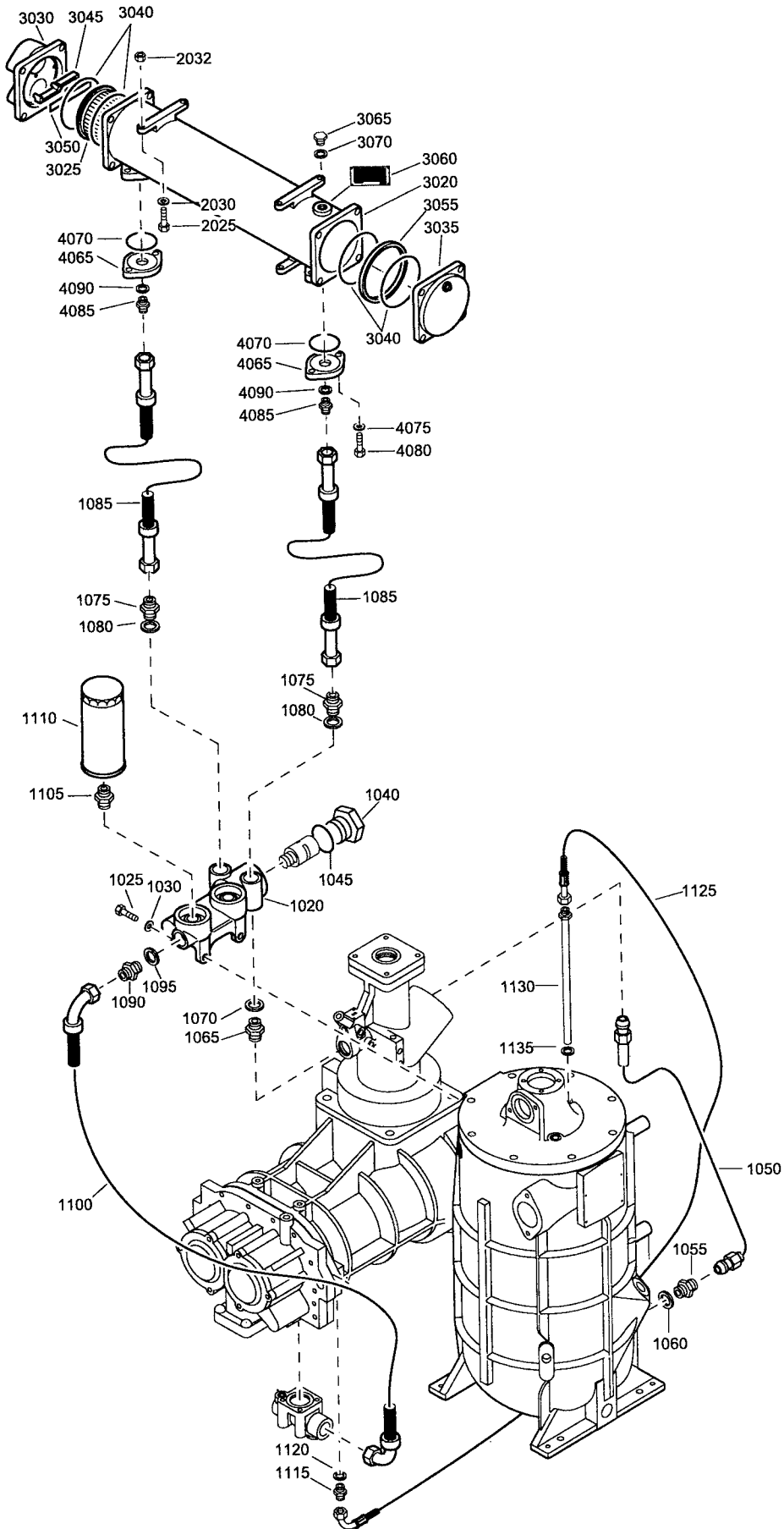
8



Oil system - GA

Ref.	Part number	Qty	Name	Remarks	Ref.	Part number	Qty	Name	Remarks
1020	1613 8043 00	1	Valve housing		2040			Hexagon bolt	
1025	0147 1401 03	2	Hexagon bolt		0147 1322 03	4	GA55		
1030	0301 2358 00	2	Washer		0147 1322 03	3	GA75, GA90C		
1040	1613 9505 00	1	Plug		2045			Washer	
1045	0663 7137 00	1	O-ring		0301 2335 00	4	GA55		
1050	1613 9566 00	1	Pipe		0301 2335 00	3	GA75, GA90C		
1055	0571 0035 25	1	Hexagon nipple		2050		1	Plate	
1060	0661 1000 43	1	Seal washer		1613 9517 00			GA55	
1065	2250 4983 00	1	Nipple		1613 9518 00			GA75	
1070	0661 1000 44	1	Seal washer		1613 9519 00			GA90C	
1075	2250 4983 00	2	Nipple		2055	0147 1962 72	3	Hexagon bolt	
1080	0661 1000 44	2	Seal washer		2060		2	Hexagon bolt	
1085	0574 9870 02	2	Hose assembly		0147 1323 03			GA75, GA90C	
1090	2250 4983 00	1	Nipple		0147 1962 72			GA55	
1095	0661 1000 44	1	Seal washer		2065		2	Washer	
1100	0574 9878 03	1	Hose assembly		0301 2335 00			GA75, GA90C	
1105	1619 3770 00	2	Nipple				1	Oil cooler	
1110	1613 6105 00	2	Oil filter					GA55	
1115	1079 5840 07	1	Nipple					GA75	
1120	0661 1000 40	1	Seal washer					GA90C	
1125	0574 9917 01	1	Hose assembly		3005		• 1	Oil cooler	
1130	1613 9841 00	1	Scavenge line		3010	0686 3716 01	• 1	Hexagon plug	
1135	0661 1000 40	1	Seal washer		3015	0653 1062 00	• 1	Flat gasket	
2025			Hexagon bolt		3020	2250 4983 00	• 2	Nipple	
	0147 1322 03	4	GA55		3025	0661 1049 00	• 2	Sealing washer	
	0147 1322 03	5	GA75, GA90C		4035		1	Aftercooler	
2030			Washer			1613 9508 00		GA55	
	0301 2335 00	4	GA55			1613 9510 00		GA75	
	0301 2335 00	5	GA75, GA90C			1613 9512 00		GA90C	

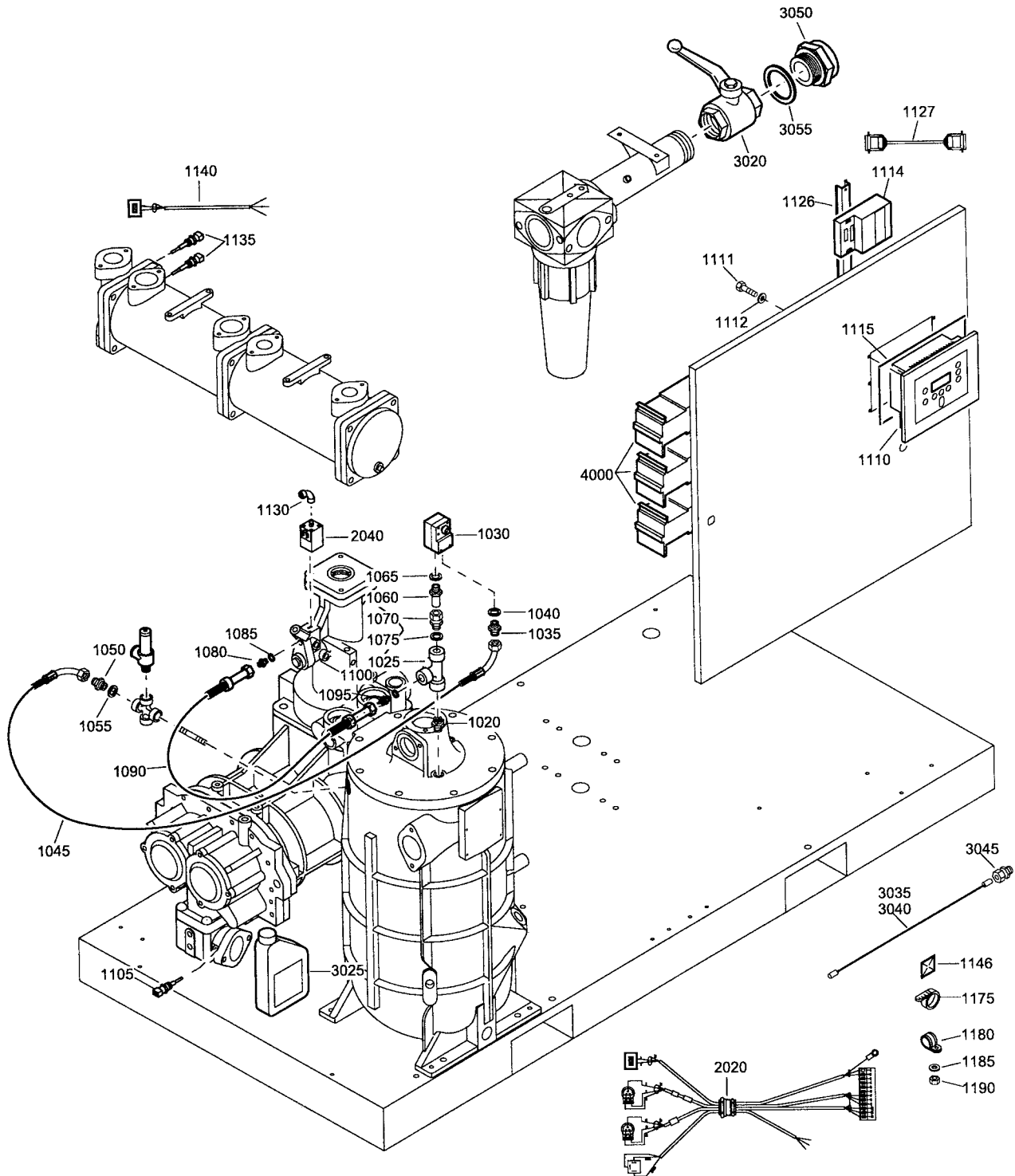
9



Oil system - GA W Oil cooler

Ref.	Part number	Qty	Name	Remarks	Ref.	Part number	Qty	Name	Remarks
1020	1613 8043 00	1	Valve housing		1135	0661 1000 40	1	Seal washer	
1025	0147 1401 03	2	Hexagon bolt		2025	0147 1327 03	4	Hexagon bolt	
1030	0301 2358 00	2	Washer		2030	0301 2335 00	4	Washer	
1040	1613 9505 00	1	Plug		2032	0266 2110 00	4	Nut	
1045	0663 7137 00	1	O-ring			1613 8744 88	1	Oil cooler	
1050	1613 9566 00	1	Pipe		3020	1613 6198 00	• 1	Cylinder	
1055	0571 0035 25	1	Hexagon nipple		3025	1613 8741 00	• 1	Tubestack	
1060	0661 1000 43	1	Seal washer		3030	1614 6249 00	• 1	Water box	
1065	2250 4983 00	1	Nipple		3035	1614 6250 00	• 1	Return box	
1070	0661 1000 44	1	Seal washer		3040	1614 6256 00	• 4	O-ring	
1075	2250 4983 00	2	Nipple		3045	1614 6258 00	• 1	Division rib	
1080	0661 1000 44	2	Seal washer		3050	1614 6259 00	• 1	Gasket	
1085	0574 9870 02	2	Hose assembly		3055	1614 6257 00	• 1	Ring	
1090	2250 4983 00	1	Nipple		3060	9820 0857 00	• 1	Data plate instruction	
1095	0661 1000 44	1	Seal washer		3065	0686 3716 02	• 1	Drain plug	
1100	0574 9878 03	1	Hose assembly		3070	0661 1033 00	• 1	Gasket	
1105	1619 3770 00	2	Nipple		4065	1613 7000 07	2	Flange	
1110	1613 6105 00	2	Oil filter		4070	0663 7136 00	2	O-ring	
1115	1079 5840 07	1	Nipple		4075	0147 1402 03	4	Hexagon bolt	
1120	0661 1000 40	1	Seal washer		4080	0301 2358 00	4	Washer	
1125	0574 9917 01	1	Hose assembly		4085	2250 4983 00	2	Nipple	
1130	1613 9841 00	1	Scavenge line		4090	0661 1000 44	2	Seal washer	

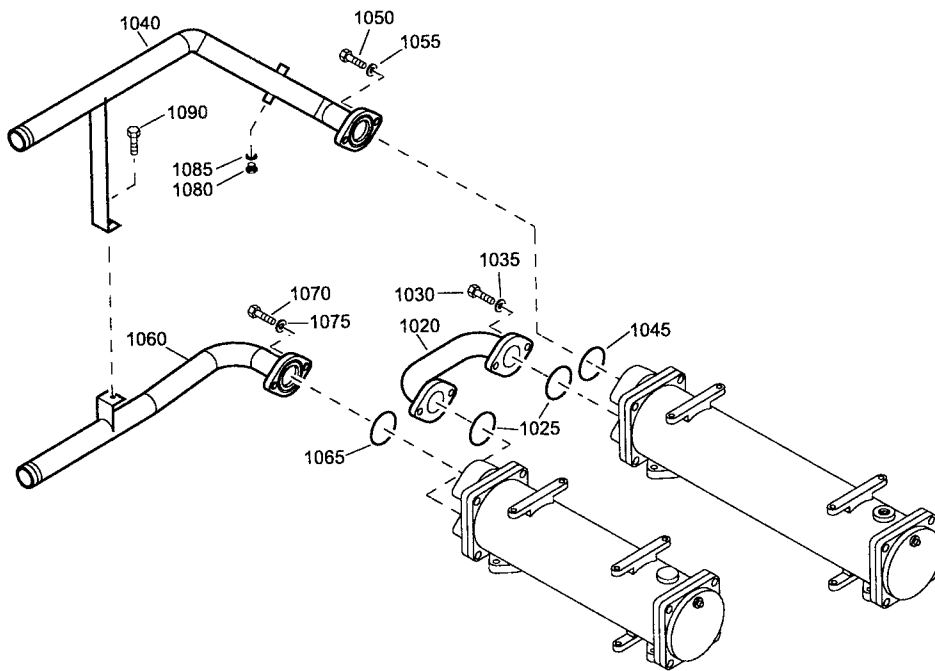
10



Regulating system - Elektronikon II regulating

Ref.	Part number	Qty	Name	Remarks	Ref.	Part number	Qty	Name	Remarks
1020	0603 4103 03	1	Hexagon nipple		1180	1613 0801 08	2	Clamp	
1025	0564 0000 37	1	Tee		1185	0266 2108 00	2	Nut	
1030	1089 0575 20	1	Dp transducer		1190	0301 2321 00	2	Washer	
1035	1079 5840 01	1	Nipple		2020		1	Wire harness	
1040	0661 1000 42	1	Seal washer			1613 8044 07		C, U	
1045	0574 9917 04	1	Hose assembly			1613 8044 08		IEC	
1050	0571 0035 05	1	Hexagon nipple		2040		1	Solenoid valve	
1055	0661 1000 43	1	Seal washer			1089 0621 14		230V/50Hz	
1060	1615 3624 00	1	Nozzle			1089 0621 19		115V/60Hz C, U	
1065	0661 1000 42	1	Seal washer		3020	0852 0010 20	1	Ball valve	
1070	0581 0031 01	1	Pipe coupling		3025	1613 6532 01	1	Oil can	
1075	0661 1000 40	1	Seal washer		3035	0070 6002 04	AR	Plastic tube	
1080	1079 5840 03	1	Nipple		3040	0070 6002 05	AR	Plastic tube	
1085	0661 1000 40	1	Seal washer		3045	0581 0000 33	1	Coupling	
1090	0574 9910 09	1	Hose assembly		3050		1	Adaptor	
1095	1079 5840 03	1	Nipple			1614 5941 00		USA	
1100	0661 1000 40	1	Seal washer		3055		1	Flat gasket	
1105	1089 0574 04	1	Temp.sensor			0653 1331 00		USA	
1110	1900 0710 11	1	Regulator		4000		1	Standard option	
1111	0147 1169 03	4	Hexagon bolt			8055 2159 36		Digital Input/Output	
1112	0301 2315 00	4	Washer					Expansion module	
1114	1900 0710 41	1	I/U expansion module			1900 0701 53	• 1	DIOE	
			GA W			8055 2160 09		Sensor Input/Output	
1115	1503 2467 00	AR	Seal cord					Expansion module	
1126	1622 0665 00	1	Din-rail	GA W		1900 0701 45	• 1	SIOE	
1127	1622 0661 01	1	Cable	GA W		8055 2160 17		Sensor Input/Output	
1130	0560 1302 03	1	Elbow					Expansion Dedicated 1	
1135	1089 0574 07	2	Temperature sensor	GA W		1900 0701 46	• 1	SIOE D1	
1140	1622 0662 00	2	Cable	GA W		8055 2160 25		Sensor Input/Output	
1146	1088 1305 01	3	Push mount					Expansion Dedicated 2	
1175	1088 1301 05	2	Cable strip	GA W		1900 0701 47	• 1	SIOE D2	

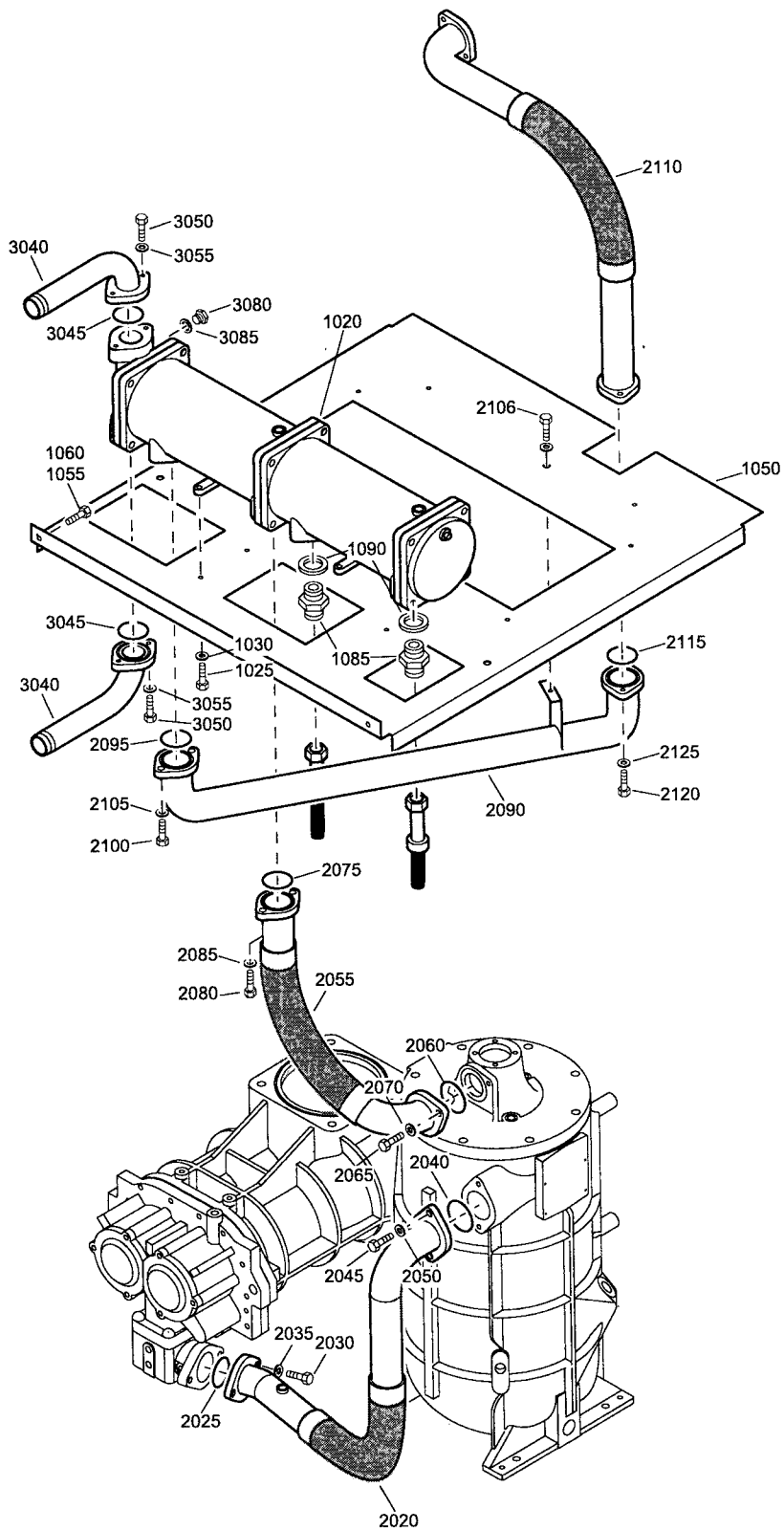
11



Water system - GA W Oil- and aftercooler**11**

Ref.	Part number	Qty	Name	Remarks	Ref.	Part number	Qty	Name	Remarks
1020	1613 6991 00	1	Pipe		1060	1613 9713 00	1	Pipe	
1025	0663 7135 00	2	O-ring		1065	0663 7135 00	1	O-ring	
1030	0147 1401 03	4	Hexagon bolt		1070	0147 1401 03	2	Hexagon bolt	
1035	0301 2358 00	4	Washer		1075	0301 2358 00	2	Washer	
1040	1613 9712 00	1	Pipe		1080	0686 3716 01	1	Hexagon plug	
1045	0663 7135 00	1	O-ring		1085	0661 1000 38	1	Seal washer	
1050	0147 1401 03	2	Hexagon bolt		1090	0147 1962 72	1	Hexagon bolt	
1055	0301 2358 00	2	Washer						

12

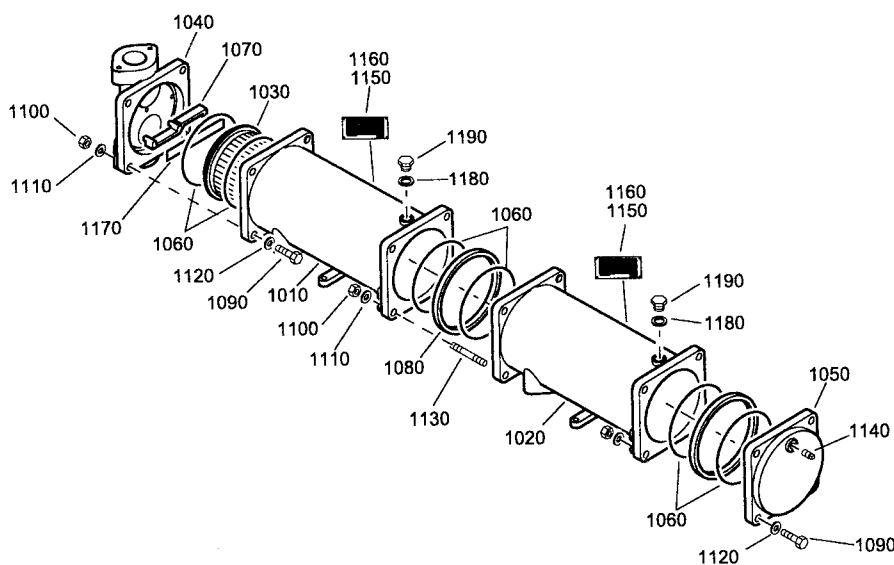


Oil- and aftercooler connections - GA W Combi-cooler 1)

Ref.	Part number	Qty	Name	Remarks	Ref.	Part number	Qty	Name	Remarks
1020	<<< >>>	1	Combi-cooler		2070	0301 2344 00	2	Washer	
1025	0147 1323 03	4	Hexagon bolt		2075	0663 7136 00	1	O-ring	
1030	0301 2335 00	4	Washer		2080	0147 1326 03	2	Hexagon bolt	
1050	1613 9689 00	1	Plate		2085	0301 2335 00	2	Washer	
1055	0147 1962 72	3	Hexagon bolt		2090	1613 9688 00	1	Pipe	
1060	0147 1962 72	2	Hexagon bolt		2095	0663 7136 00	1	O-ring	
1085	2250 4983 00	2	Nipple		2100	0147 1326 03	2	Hexagon bolt	
1090	0661 1000 44	2	Seal washer		2105	0301 2335 00	2	Washer	
2020	1613 9875 00	1	Connection		2106	0147 1962 72	1	Hexagon bolt	
2025	0663 7138 00	1	O-ring		2110	1613 9627 00	1	Connection	
2030	0147 1401 03	2	Hexagon bolt		2115	0663 9868 00	1	O-ring	
2035	0301 2358 00	2	Washer		2120	0211 1326 03	2	Cap screw	
2040	0663 7138 00	1	O-ring		2125	0301 2335 00	2	Washer	
2045	0147 1363 03	2	Hexagon bolt		3040	1613 9691 00	2	Pipe	
2050	0301 2344 00	2	Washer		3045	0663 7136 00	2	O-ring	
2055	1613 9687 00	1	Pipe		3050	0147 1326 03	4	Hexagon bolt	
2060	0663 7138 00	1	O-ring		3055	0301 2335 00	4	Washer	
2065	0147 1363 03	2	Hexagon bolt		3080	0686 3716 30	1	Hexagon plug	
2070	0301 2344 00	2	Washer		3085	0661 1000 40	1	Seal washer	
2075	0663 7136 00	1	O-ring						
2080	0147 1326 03	2	Hexagon bolt		1)	From following serial No. onwards: Geldig vanaf volgend serienummer: Fr.o.m. tillverkningsnummer: Gültig ab Seriennummer: Valable à partir du numéro de série suivant: A partir del siguiente número de serie: Dai seguenti numeri di serie in avanti: Gælder fra følgende serienumre: A partir do número de série: Fra og med følgende serienummer: Alkaen valmistusnumerosta GA55 W AII 473 501 GA75 W AII 473 465 GA90C W AII 473 418			
2085	0301 2335 00	2	Washer						
2090	1613 9688 00	1	Pipe						
2095	0663 7136 00	1	O-ring						
2100	0147 1326 03	2	Hexagon bolt						
2105	0301 2335 00	2	Washer						
2106	0147 1962 72	1	Hexagon bolt						
2110	1613 9627 00	1	Connection						
2115	0663 9868 00	1	O-ring						
2120	0211 1326 03	2	Cap screw						
2125	0301 2335 00	2	Washer						
2050	0301 2344 00	2	Washer						
2055	1613 9687 00	1	Pipe						
2060	0663 7138 00	1	O-ring						
2065	0147 1363 03	2	Hexagon bolt						

13

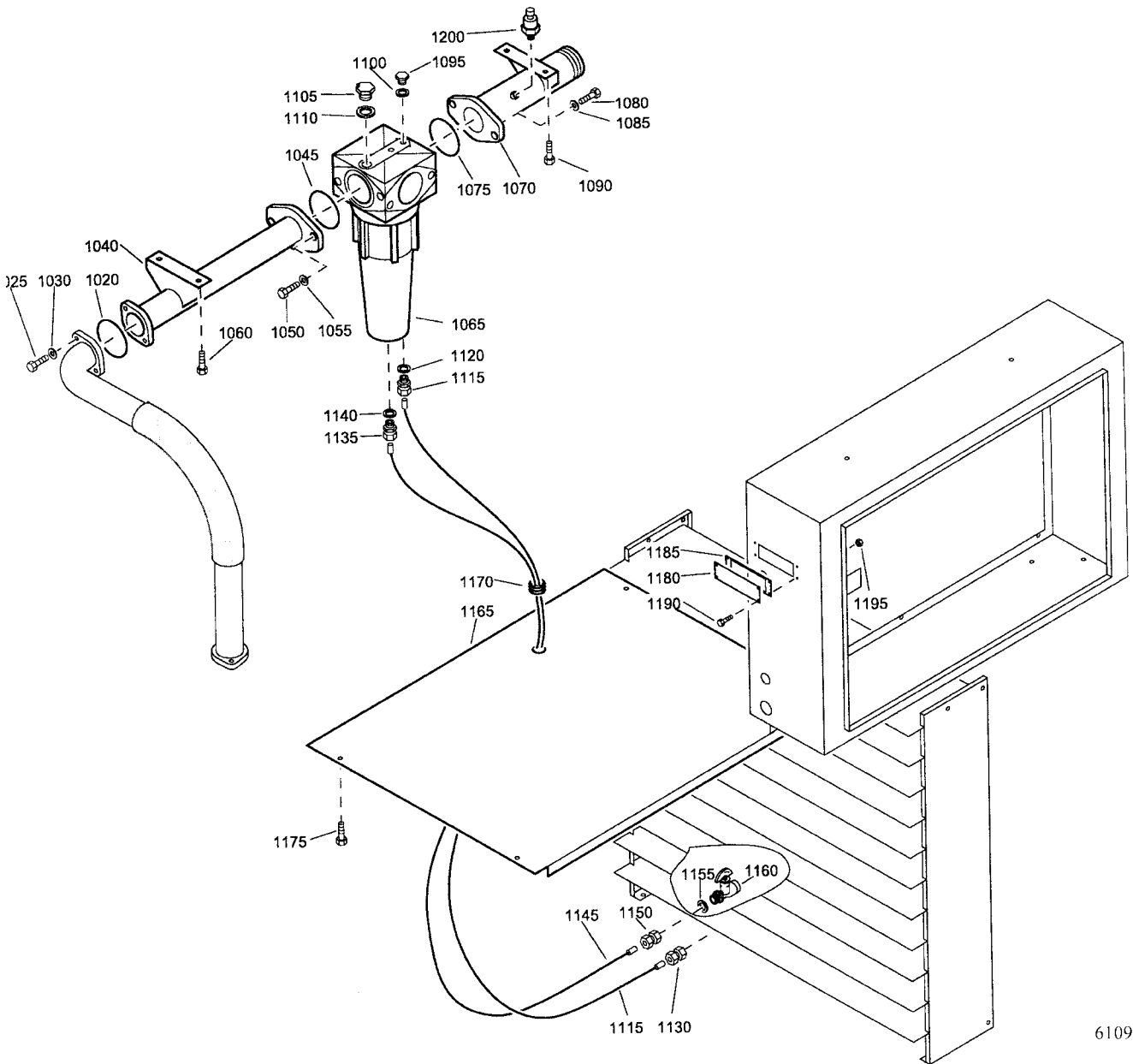
Cooler(s) - GA W Combi-cooler - 1)



61398_04

Ref.	Part number	Qty	Name	Remarks	Ref.	Part number	Qty	Name	Remarks
	1613 9731 80	1	Combi-cooler		1180		• 2	Washer	
1010	1613 9731 01	• 1	Cylinder		1190	0686 3904 00	• 2	Plug	
1020	1613 9731 02	• 1	Cylinder		1)			From following serial No. onwards:	
1030	1613 9731 03	• 1	Tubestack					Geldig vanaf volgend serienummer:	
1040	1613 9731 04	• 1	Water box 2 flow					Fr.o.m. tillverkningsnummer:	
1050	1613 9731 05	• 1	Return cover					Gültig ab Seriennummer:	
1060	1613 9731 06	• 6	O-ring					Valable à partir du numéro de série suivant:	
1070	1613 9731 07	• 1	Division rib joint					A partir del siguiente número de serie:	
1080	1613 9731 08	• 2	Leakage ring					Dai seguenti numeri di serie in avanti:	
1090	0147 1406 03	• 8	Hexagon bolt					Gælder fra følgende serienummer:	
1100	0266 2112 00	• 12	Nut					A partir do número de série:	
1110	0333 3237 00	• 12	Spring washer					Fra og med følgende serienummer:	
1120	0301 2358 00	• 8	Plain washer					Alkaen valmistusnumerosta	
1130		• 4	Stud					GA55 W AII 473 501	
1140		• 1	Plug					GA75 W AII 473 465	
1150	9820 0857 00	• 2	Data plate					GA90C W AII 473 418	
1160		• 8	Drive scew						
1170		• AR	Evo stick						

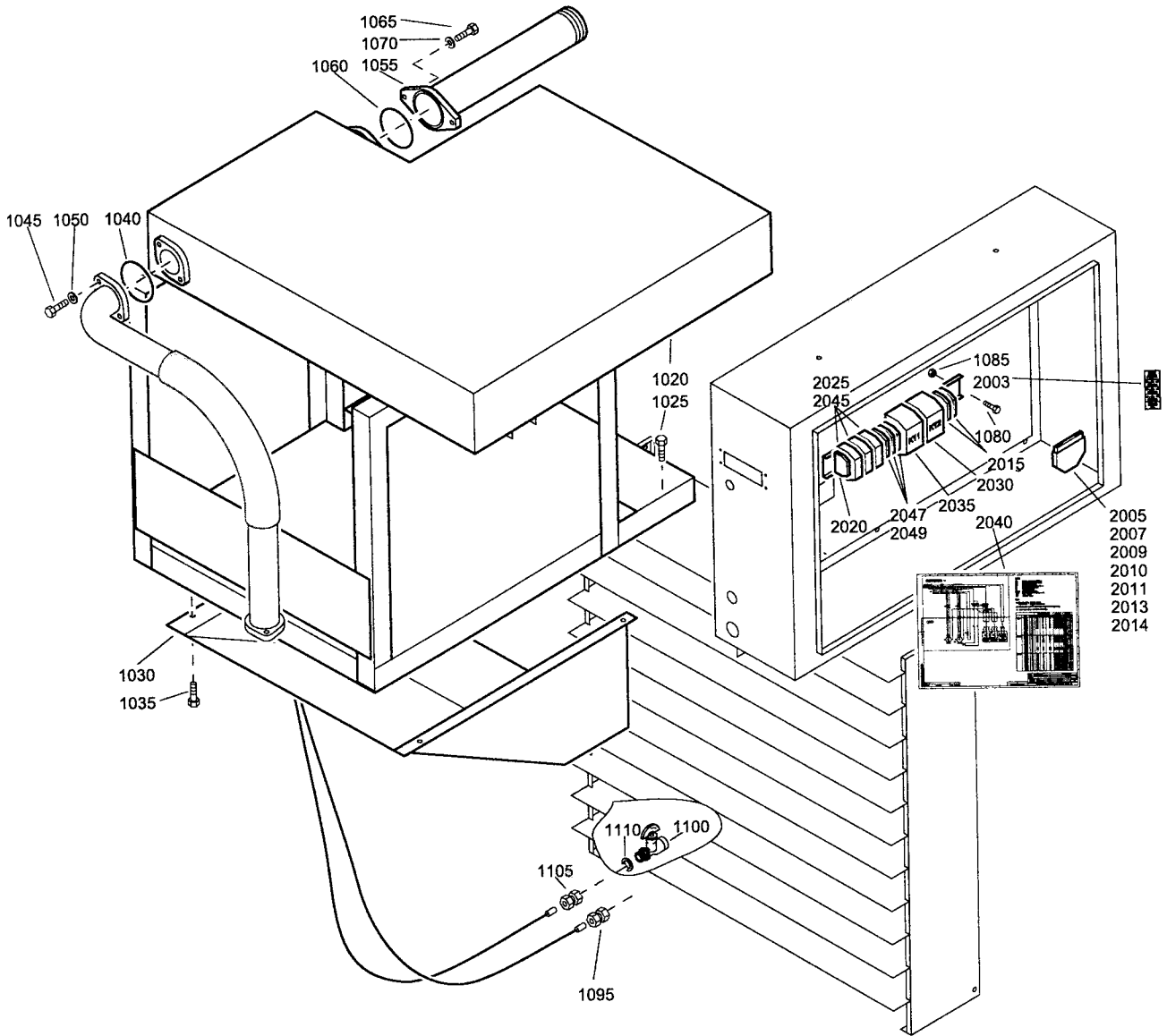
Air outlet - WorkPlace



61090_06

Ref.	Part number	Qty	Name	Remarks	Ref.	Part number	Qty	Name	Remarks
1020	0663 9868 00	1	O-ring		1115	0581 0000 35	1	Coupling	
1025	0147 1326 03	2	Hexagon bolt		1120	0661 1000 38	1	Seal washer	
1030	0301 2335 00	2	Washer		1125	0070 6002 05	AR	Plastic tube	
1040	1613 9560 00	1	Pipe		1130	0581 0000 55	1	Pipe coupling	
1045	0663 3143 00	1	O-ring		1135	0581 0000 34	1	Coupling	
1050	0147 1476 03	2	Hexagon bolt		1140	0661 1000 38	1	Seal washer	
1055	0301 2378 00	2	Washer		1145	0070 6002 04	AR	Plastic tube	
1060	0147 1962 72	2	Hexagon bolt		1150	0581 0000 33	1	Coupling	
1065	1619 7474 01	1	Waterseparator		1155	0661 1000 42	1	Seal washer	
1070	1613 9561 00	1	Pipe		1160	1613 8892 00	1	Cock	
1075	0663 3143 00	1	O-ring		1165	1613 9558 00	1	Plate	
1080	0147 1476 03	2	Hexagon bolt		1170	1088 0801 26	1	Grommet	
1085	0301 2378 00	2	Washer		1175	0147 1962 72	4	Hexagon bolt	
1090	0147 1962 72	2	Hexagon bolt		1180	1613 8876 00	1	Cover	
1095	0686 3716 01	2	Hexagon plug		1185	1613 8877 00	1	Seal	
1100	0661 1000 38	2	Seal washer		1190	0160 6040 00	4	Screw	
1105	0686 3716 02	1	Hexagon plug		1195	0266 2106 00	4	Nut	
1110	0661 1000 39	1	Seal washer		1200	1089 0575 51	1	Pressure transducer	

15

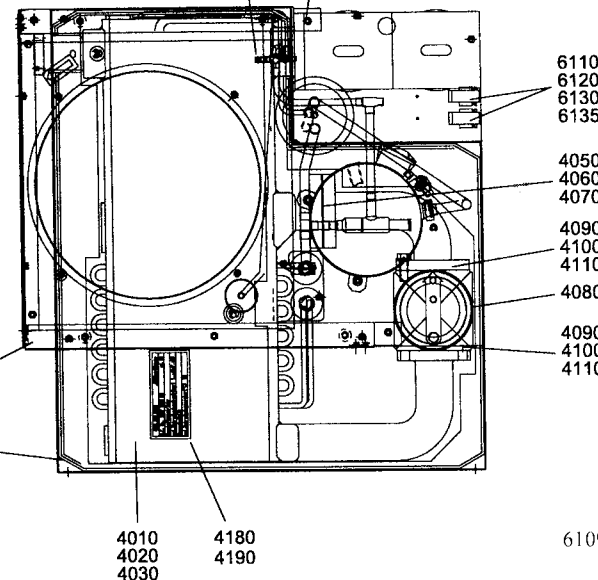
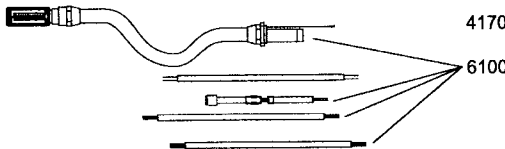
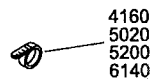
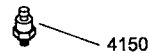
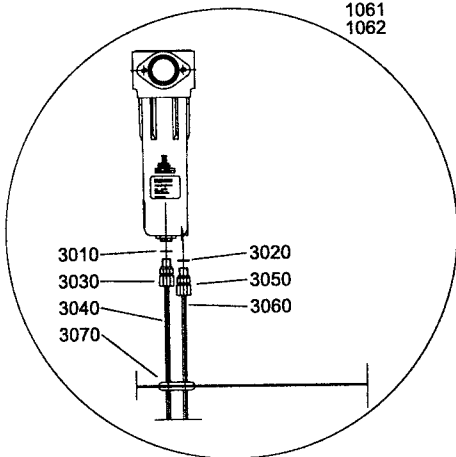
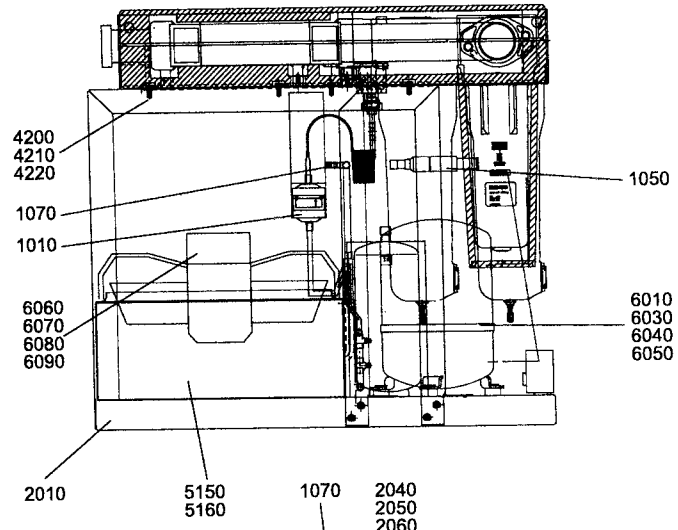
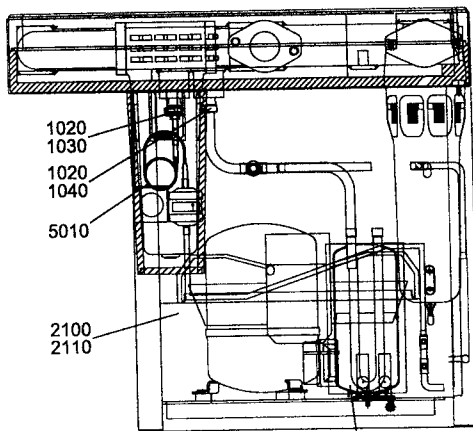


Air outlet - WorkPlace FF

Ref.	Part number	Qty	Name	Remarks	Ref.	Part number	Qty	Name	Remarks
1020	<<< >>>	1	Dryer		2014		16	Crimp contact	
1025	0147 1962 72	4	Hexagon bolt			1088 0029 90		GA75-90C 220-230V	
1030	1613 9557 00	1	Duct		2015	1089 0506 27	2	Terminal	
1035	0147 1962 72	4	Hexagon bolt		2020	1089 0506 62	1	Terminal	
1040	0663 9868 00	1	O-ring		2025		3	Fuse holder	
1045	0147 1327 03	2	Hexagon bolt			1089 0612 12		GA75-90C 220-230V IEC	
1050	0301 2335 00	2	Washer			1089 0612 01		IEC others	
1055	1613 9580 00	1	Pipe			1089 9049 04		GA75-90C 220-230V C, U	
1060	0663 2104 98	1	O-ring			1089 9049 04		C, U others	
1065	0147 1364 03	2	Hexagon bolt		2030		1	Contacteur	
1070	0301 2344 00	2	Washer			1089 9415 11		GA75-90C 220-230V IEC	
1080	0160 6040 00	4	Screw			1089 9415 12		IEC others	
1085	0266 2106 00	4	Nut			1089 9415 14		GA75-90C 220-230V C, U	
1095	0581 0000 55	1	Pipe coupling			1089 9415 15		C, U others	
1100	1613 8892 00	1	Cock		2035		1	Contacteur	
1105	0581 0000 33	1	Coupling			1089 9415 23		GA75-90C 220-230V IEC	
1110	0661 1000 42	1	Seal washer			1089 9415 22		IEC others	
2003		1	Label			1089 9415 26		GA75-90C 220-230V C, U	
	1079 9920 95		GA75-90C 220-230V C, U			1089 9415 25		C, U others	
	1079 9920 94		C, U others		2040		1	Service diagram	
2005		1	Screw terminal			9820 2958 06		GA75-90C 220-230V	
	1088 0029 01		IEC others			9820 2958 05		Others	
	1088 0029 01		C, U others		2045		3	Fuse	
2007		1	Frame			1089 0612 46		GA75-90C 220-230V IEC	
	1088 0029 76		GA75-90C 220-230V			1089 0612 30		IEC others	
2009		1	Crimp terminal			1089 9168 57		GA75-90C 220-230V C, U	
	1088 0029 82		GA75-90C 220-230V			1089 9168 61		C, U others	
2010	1088 0029 21	1	Housing		2047		3	Fuse terminal	
2011		3	Crimp contact			1089 0506 16		GA75-90C 220-230V IEC	
	1088 0029 86		GA75-90C 220-230V			1089 9049 04		GA75-90C 220-230V C, U	
2013		2	Crimp terminal		2049		3	Fuse link	
	1088 0029 88		GA75-90C 220-230V			1089 9037 05		GA75-90C 220-230V IEC	
						1089 9168 30		GA75-90C 220-230V C, U	

16

Air dryer - WorkPlace FF

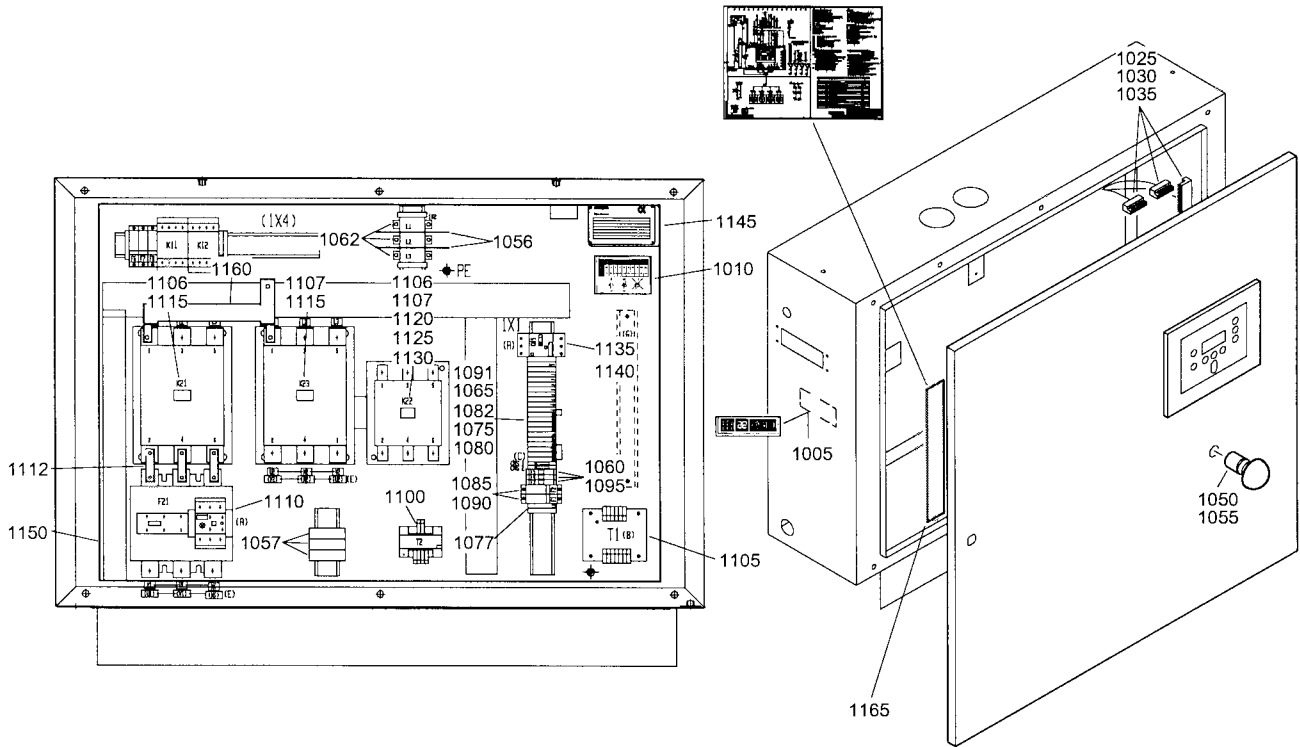


61095_17

Ref.	Part number	Qty	Name	Remarks	Ref.	Part number	Qty	Name	Remarks
		1	Dryer		1010	1617 1322 04	• 1	Filter-dryer	
8092 2459 38			ID175 200V/50Hz		1020	1617 0315 00	• 2	Ring	
8092 2459 12			ID175 230V/50Hz		1030	1617 0314 00	• 1	Nut	
8092 2459 20			ID175 400V/50Hz		1040	1617 0107 00	• 1	Sleeve	
8092 2459 46			ID175 230V/60Hz C, U		1050	1617 1524 04	• 1	Hgb valve	
8092 2459 53			ID175 460V/60Hz C, U		1060	1617 2428 00	• 1	Liquid separator	
8092 2459 61			ID175 500-575V/50-60Hz		1061	0301 2335 00	• 1	Washer	
8092 2459 79			ID175 380V/60Hz		1062	0266 2110 00	• 1	Nut	
8092 2459 87			ID235 230V/50Hz		1070	1619 5563 02	• 2	Schrädrventiel	
8092 2459 95			ID235 400V/50Hz		2010	1617 2429 00	• 1	Frame	
8092 2460 01			ID235 200V/60Hz		2040	1617 2430 00	• 1	Support	
8092 2460 19			ID235 230V/60Hz C, U		2050	0147 1322 03	• 6	Hex.bolt	
8092 2460 27			ID235 460V/60Hz C, U		2060	0301 2335 00	• 6	Washer	
8092 2460 35			ID235 500V/50Hz		2070	1617 2431 00	• 1	Support	
8092 2460 43			ID235 380V/60Hz		2080	0147 1322 03	• 6	Hex.bolt	
8092 2460 50			ID270 230V/50Hz		2090	0301 2335 00	• 6	Washer	
8092 2460 68			ID270 400V/50Hz		2100	1617 2432 00	• 1	Support	
8092 2460 84			ID270 230V/60Hz C, U		2110	0129 3115 00	• 4	Blind rivet	
8092 2460 92			ID270 460V/60Hz C, U		3010	0653 1062 00	• 1	Flat gasket	
8092 2461 00			ID270 500-575V/50-60Hz						

17

Start cubicle - star/delta - IEC 50-60 Hz



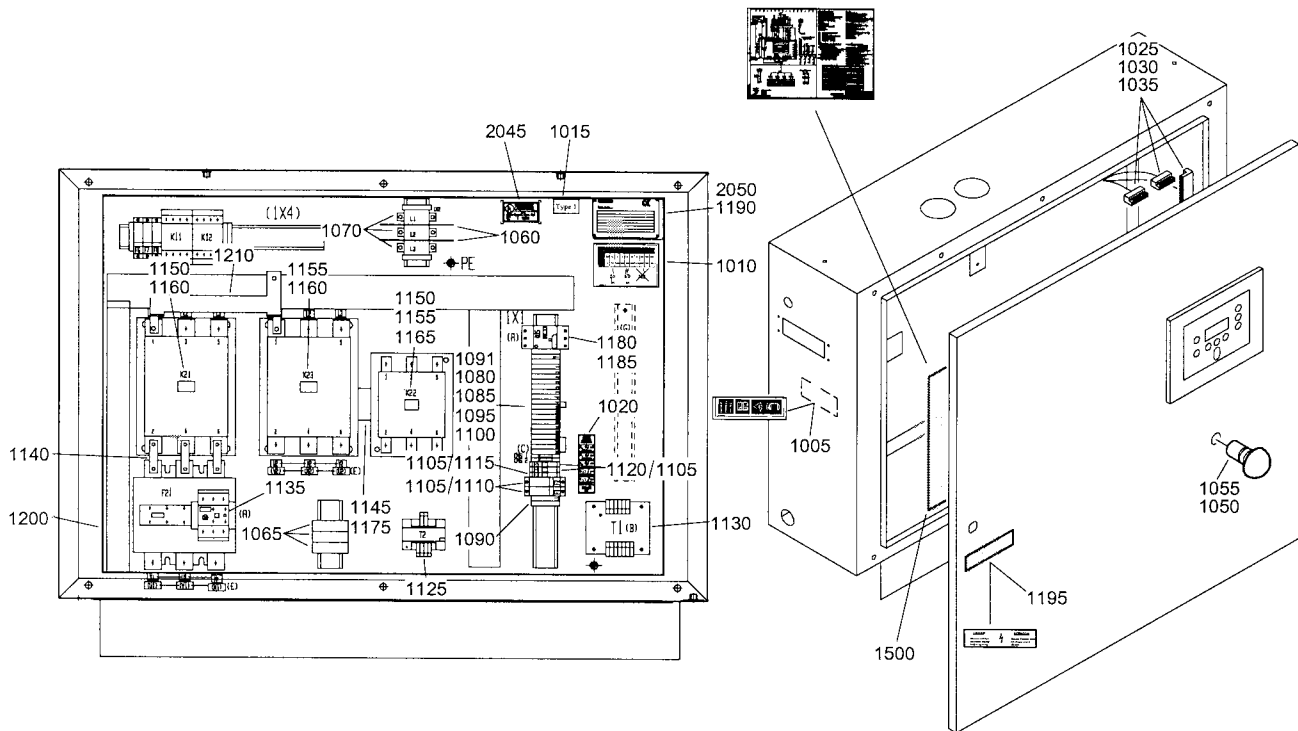
61405_12

Ref.	Part number	Qty	Name	Remarks	Ref.	Part number	Qty	Name	Remarks
		1	Electr. panel		1035	1088 0031 29	• 1	Connector	
1900	2512 01		GA55 230V/50Hz		1040	1088 0031 49	• 1	Connector	
1900	2512 02		GA55 400V/50Hz		1050	1089 0362 50	• 2	Contact Block	
1900	2512 04		GA55 230V/60Hz, GA90C 380V/60Hz		1055	1089 0362 51	• 1	Emergency stop button	
1900	2512 05		GA55 380V/60Hz, GA55 500V/50Hz		1056		• 2	Barrier	
1900	2512 06		GA55 460V/60Hz		1089	0426 03		GA55 400V/50Hz	
1900	2512 11		GA75 230V/50Hz, GA90C 230V/50Hz		1089	0426 03		GA55 380V/60Hz, GA55 550V/50Hz	
1900	2512 12		GA75 400V/50Hz		1089	0426 03		GA55 460V/60Hz	
1900	2512 13		GA75 500V/50Hz		1089	0426 03		GA75 400V/50Hz	
1900	2512 15		GA75 380V/60Hz, GA90C 500V/50Hz		1089	0426 03		GA75 500V/50Hz	
1900	2512 16		GA75 460V/60Hz		1057		• 1	Terminal	
1900	2512 22		GA90C 400V/50Hz		1089	0506 04		GA55 460V/60Hz	
1900	2512 81		GA55 200V/50-60Hz Japan		1089	0506 04		GA75 460V/60Hz	
1900	2512 82		GA75 200V/50-60Hz Japan		1060	1089 0506 16	• 3	Fuse terminal	
1900	2512 83		GA90C 200V/50-60Hz Japan		1062		• 3	Terminal	
1005	1079 9901 68	• 1	Label		1089	0506 15		GA55 400V/50Hz	
1010	1079 9906 09	• 1	Label		1089	0506 15		GA55 380V/60Hz, GA55 550V/50Hz	
1025	1088 0031 13	• 1	Connector		1089	0506 15		GA55 460V/60Hz	
					1089	0506 15		GA75 400V/50Hz	
					1089	0506 15		GA75 500V/50Hz	

Ref.	Part number	Qty	Name	Remarks	Ref.	Part number	Qty	Name	Remarks
1065	1089 0506 27	• 3	Terminal			1089 9415 42		GA75 400V/50Hz	
1075	1089 0506 63	• 3	Terminal			1089 9415 42		GA75 500V/50Hz	
1077	1089 0506 06	• 3	Terminal			1089 9221 30		GA75 230V/50Hz	
1080	1089 0506 64	• 1	Terminal			1089 9221 03		GA75 380V/60Hz	
1082	1089 0506 38	• 2	Terminal socket			1089 9221 03		GA75 460V/60Hz	
1085	1089 0612 01	• 2	Fuse holder			1089 9221 03		GA90C 400V/50Hz	
1090	1089 0612 24	• 2	Fuse			1089 9221 30		GA55 200V/50-60Hz Japan	
1091	1089 0506 62	• 3	Terminal			1089 9221 96		GA75 200V/50-60Hz Japan	
1095	1089 9037 02	• 6	Fuse link			1089 9221 96		GA90C 200V/50-60Hz Japan	
1100	1089 9136 93	• 1	Transformer		1 120		•	Contact Block	
1105		• 1	Transformer			1089 9415 07	1	GA55 230V/50Hz	
	1089 9136 96		GA55 230V/50Hz			1089 9415 07	3	GA75 400V/50Hz	
	1089 9136 96		GA75 400V/50Hz			1089 9415 07	1	GA75 380V/60Hz	
	1089 9136 96		GA90C 400V/50Hz			1089 9415 07	1	GA90C 400V/50Hz	
	1089 9136 95		GA55 400V/50Hz		1 125		•	Contact Block	
	1089 9136 97		GA75 230V/50Hz			1089 9415 08	1	GA55 230V/50Hz	
	1089 9436 05		GA55 230V/60Hz			1089 9415 08	3	GA75 400V/50Hz	
	1089 9436 02		GA55 460V/60Hz			1089 9415 08	1	GA75 380V/60Hz	
	1089 9436 03		GA55 380V/60Hz			1089 9415 08	1	GA90C 400V/50Hz	
	1089 9436 03		GA75 500V/50Hz		1 130		• 1	Contact Block	
	1089 9436 03		GA75 380V/60Hz			1089 9415 41		GA55 230V/50Hz,	
	1089 9436 03		GA75 460V/60Hz			1089 9415 41		GA55 380V/60Hz, GA55	
	1089 9436 05		GA55 200V/50-60Hz Japan					550V/50Hz	
	1089 9436 06		GA75 200V/50-60Hz Japan			1089 9415 41		GA75 400V/50Hz	
	1089 9436 06		GA90C 200V/50-60Hz Japan			1089 9415 41		GA75 500V/50Hz	
1106		•	Contact Block			1089 9415 41		GA90C 400V/50Hz	
	1089 9415 07	3	GA55 400V/50Hz,			1089 9415 32		GA55 400V/50Hz	
	1089 9415 07	3	GA55 380V/60Hz, GA55			1089 9415 32		GA55 460V/60Hz	
			550V/50Hz			1089 9221 03		GA75 230V/50Hz	
	1089 9415 07	3	GA55 460V/60Hz,			1089 9221 03		GA55 230V/60Hz	
	1089 9415 07	3	GA75 500V/50Hz			1089 9415 42		GA75 380V/60Hz	
	1089 9415 07	1	GA75 460V/60Hz			1089 9415 42		GA75 460V/60Hz	
1107		•	Contact Block			1089 9221 03		GA55 200V/50-60Hz Japan	
	1089 9415 08	3	GA55 400V/50Hz			1089 9221 30		GA75 200V/50-60Hz Japan	
	1089 9415 08	3	GA55 380V/60Hz, GA55			1089 9221 30		GA90C 200V/50-60Hz Japan	
			550V/50Hz		1 135	1089 9416 01	• 1	Contact Block	
	1089 9415 08	3	GA55 460V/60Hz		1 140		• 1	Circuit breaker	
	1089 9415 08	3	GA75 500V/50Hz			1089 9416 29		GA55 230V/50Hz	
	1089 9415 08	1	GA75 460V/60Hz			1089 9416 29		GA55 230V/60Hz	
1110		• 1	Overload relay			1089 9416 26		GA55 380V/60Hz, GA55	
	1089 9205 15		GA55 230V/50Hz					550V/50Hz	
	1089 9424 47		GA55 400V/50Hz			1089 9416 27		GA55 400V/50Hz	
	1089 9424 47		GA55 380V/60Hz, GA55			1089 9416 27		GA55 460V/60Hz	
			550V/50Hz			1089 9416 27		GA75 400V/50Hz	
	1089 9424 47		GA55 460V/60Hz			1089 9416 28		GA75 380V/60Hz	
	1089 9424 48		GA75 500V/50Hz			1089 9416 28		GA75 460V/60Hz	
	1089 9424 49		GA75 400V/50Hz			1089 9416 30		GA75 230V/50Hz	
	1089 9205 05		GA55 230V/60Hz			1089 9416 67		GA75 500V/50Hz	
	1089 9205 13		GA75 380V/60Hz			1089 9416 28		GA90C 400V/50Hz	
	1089 9205 13		GA75 460V/60Hz			1089 9416 30		GA55 200V/50-60Hz Japan	
	1089 9205 08		GA75 230V/50Hz			1089 9416 30		GA75 200V/50-60Hz Japan	
	1089 9205 14		GA90C 400V/50Hz			1089 9416 71		GA90C 200V/50-60Hz Japan	
	1089 9205 06		GA55 200V/50-60Hz Japan		1 145	1613 6639 00	• 1	Data Plate	
	1089 9399 03		GA75 200V/50-60Hz Japan		1 150	1613 9522 00	• 1	Plate	
	1089 9399 03		GA90C 200V/50-60Hz Japan		1 160		• 1	Connection element	
1112		• 3	Connection			1613 9629 00		GA55 230V/50Hz	
	1089 9215 07		GA55 230V/60Hz			1613 9629 00		GA75 380V/60Hz	
	1089 9215 07		GA75 230V/50Hz			1613 9629 00		GA75 460V/60Hz	
	1089 9215 07		GA55 200V/50-60Hz Japan			1613 9629 00		GA90C 400V/50Hz	
1115		• 2	Contact Block			1613 9630 00		GA55 230V/60Hz	
	1089 9221 03		GA55 230V/50Hz			1613 9630 00		GA75 230V/50Hz	
	1089 9221 30		GA55 230V/60Hz			1613 9630 00		GA55 200V/50-60Hz Japan	
	1089 9415 41		GA55 400V/50Hz			1613 9631 00		GA75 200V/50-60Hz Japan	
	1089 9415 41		GA55 460V/60Hz			1613 9631 00		GA90C 200V/50-60Hz Japan	
	1089 9415 42		GA55 380V/60Hz		1 165	9820 2958 41	• 1	Service diagram	

18

Start cubicle - star/delta - CSA/UL 60 Hz



61408_12

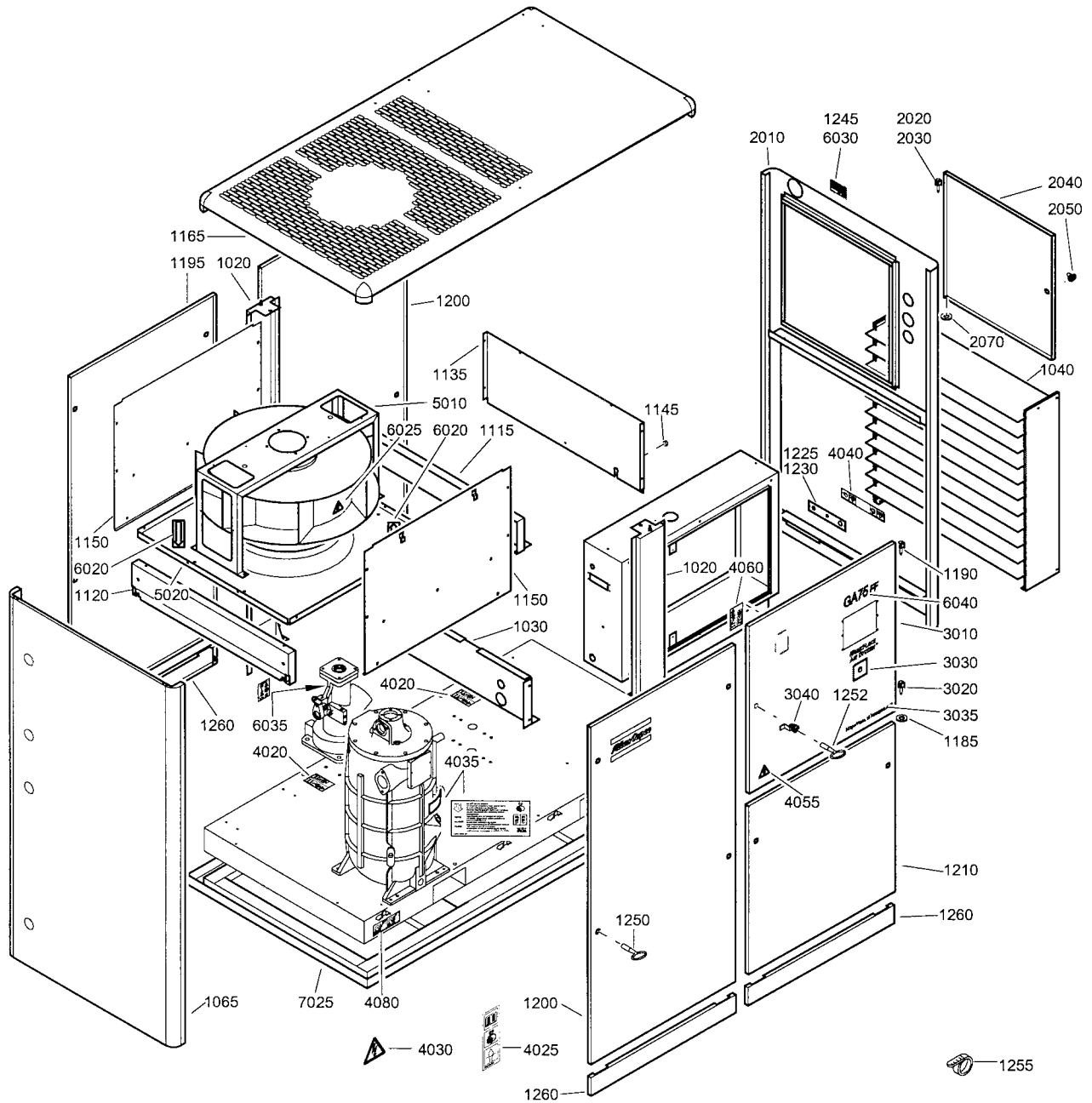
Ref.	Part number	Qty	Name	Remarks	Ref.	Part number	Qty	Name	Remarks
		1	Electr. panel		1005	1079 9901 68 ●	1	Warning label	
	1900 2512 50		GA55 200V		1010	1079 9906 09 ●	1	Label	
	1900 2512 51		GA55 230V		1015	1079 9911 01 ●	1	Label	
	1900 2512 52		GA55 460V		1020	1079 9920 86 ●	1	Label	
	1900 2512 53		GA55 575V		1025	1088 0031 13 ●	1	Connector	
	1900 2512 60		GA75 230V		1030	1088 0031 29 ●	1	Connector	
	1900 2512 62		GA75-90C 460V		1035	1088 0031 49 ●	1	Connector	
	1900 2512 63		GA75-90C 575V		1050	1089 0362 50 ●	2	Contact block	
	1900 2512 71		GA90C 230V		1055	1089 0362 51 ●	1	Emergency stop button	

Ref.	Part number	Qty	Name	Remarks	Ref.	Part number	Qty	Name	Remarks
1060		• 2	Barrier		1150		• 3	Contact block	
	1089 0426 03		GA55 460V/60Hz			1089 9415 07		GA55 460V	
	1089 0426 03		GA55 575V/60Hz			1089 9415 07		GA55 575V	
	1089 0426 03		GA75 575V, GA90C 575V			1089 9415 07		GA75 575V, GA90C 575V	
1065		• 3	Terminal		1155		• 3	Contact block	
	1089 0506 04		GA55 460V			1089 9415 08		GA55 460V	
	1089 0506 04		GA90C 460V, GA75 460V			1089 9415 08		GA55 575V	
1070		• 3	Terminal			1089 9415 08		GA75 575V, GA90C 575V	
	1089 0506 15		GA55 460V		1160		• 2	Contact block	
	1089 0506 15		GA55 575V			1089 9221 43		GA55 200V	
	1089 0506 15		GA75 575V, GA90C 575V			1089 9221 49		GA55 230V	
1080	1089 0506 27	• 3	Terminal			1089 9221 48		GA90C 460V, GA75 460V	
1085	1089 0506 38	• 2	Terminal socket			1089 9221 50		GA75 200V, GA75 230V	
1090	1089 0506 06	• 3	Terminal			1089 9221 50		GA90C 230V	
1091	1089 0506 62	• 3	Terminal			1089 9415 44		GA55 575V	
1095	1089 0506 63	• 3	Terminal			1089 9415 45		GA55 460V	
1100	1089 0506 64	• 1	Terminal			1089 9415 46		GA75 575V, GA90C 575V	
1105		•	Fuse holder		1165		• 1	Contact block	
	1089 0612 01	5	GA55 200V			1089 9221 93		GA55 200V	
	1089 0612 01	5	GA55 230V			1089 9221 48		GA55 230V	
	1089 0612 01	5	GA55 460V			1089 9221 48		GA90C 460V, GA75 460V	
	1089 0612 01	5	GA75 200V, GA75 230V			1089 9221 50		GA75 200V, GA75 230V	
	1089 0612 01	5	GA90C 460V, GA75 460V			1089 9221 50		GA90C 230V	
	1089 0612 01	5	GA90C 230V			1089 9415 44		GA55 460V	
	1089 0612 01	3	GA75 575V, GA90C 575V			1089 9415 44		GA55 575V	
	1089 9049 04	2	GA75 575V, GA90C 575V			1089 9415 46		GA75 575V, GA90C 575V	
	1089 0612 01	3	GA55 575V		1175		• 2	Interlock link	
	1089 9049 04	2	GA55 575V			1089 9415 90		GA55 460V	
1110	1089 9168 26	• 2	Fuse			1089 9415 90		GA55 575V	
1115	1089 9168 30	• 1	Fuse link			1089 9415 90		GA75 575V, GA90C 575V	
1120	1089 9168 02	• 2	Fuse		1180	1089 9416 01	• 1	Auxiliary contact block	
1125	1089 9136 27	• 1	Transformer		1185		• 1	Circuit breaker	
1130		• 1	Transformer			1089 9416 26		GA55 575V	
	1089 9436 05		GA55 200V			1089 9416 27		GA55 460V	
	1089 9436 05		GA55 230V			1089 9416 27		GA75 575V, GA90C 575V	
	1089 9436 03		GA55 460V			1089 9416 28		GA90C 460V, GA75 460V	
	1089 9436 02		GA55 575V			1089 9416 29		GA55 230V	
	1089 9436 07		GA75 200V, GA75 230V			1089 9416 30		GA55 200V	
	1089 9436 04		GA75 460V, GA90C 460V			1089 9416 30		GA75 200V, GA75 230V	
	1089 9436 03		GA75 575V, GA90C 575V			1089 9416 71		GA90C 230V	
	1089 9436 07		GA90C 230V		1190	1614 8949 00	• 1	Data plate	
1135		• 1	Overload relay		1195	1613 3431 00	• 1	Label	
	1089 9205 05		GA55 230V		1200	1613 9522 00	• 1	Plate	
	1089 9205 06		GA55 200V		1210	1613 9629 00	• 1	Connection element	
	1089 9424 47		GA55 460V			1613 9629 00		GA90C 460V/60Hz, GA75 460V/60Hz	
	1089 9424 46		GA55 575V			1613 9629 00		GA75 200V/60Hz, GA75 230V/60Hz	
	1089 9399 12		GA75 200V, GA75 230V			1613 9630 00		GA55 200V/60Hz 115V Ctrl	
	1089 9205 13		GA75 460V, GA90C 460V			1613 9630 00		GA55 230V/60Hz 115V Ctrl	
	1089 9399 12		GA90C 230V			1613 9631 00		GA75 200V/60Hz, GA75 230V/60Hz 115V Ctrl	
	1089 9424 47		GA75 575V, GA90C 575V			1613 9631 00		GA90C 230V/60Hz 115V Ctrl	
1140		• 3	Connection strip		1500	9820 2958 41	• 1	Service diagram	
	1089 9215 02		GA55 200V		2045	1613 5330 00	1	Listing mark	
1145		• 1	Interlock		2050	0129 3104 00	4	Blind rivet	
	1089 9216 03		GA55 200V						
	1089 9216 03		GA55 230V						
	1089 9216 03		GA75 200V, GA75 230V						
	1089 9216 03		GA75 460V, GA90C 460V						
	1089 9216 03		GA90C 230V						
	1089 9415 10		GA55 460V						
	1089 9415 10		GA55 575V						
	1089 9415 10		GA75 575V, GA90C 575V						

Ref.	Part number	Qty	Name	Remarks
1020	1613 9526 00	2	Beam	
1030	1613 9537 00	1	Support	
1040	1613 9967 80	1	Baffle ass'y	1)
1065	1613 9524 80	1	Panel ass'y	3)
1076		1	Screen	
	1613 9718 00		GA75-90C 230V/60Hz, GA75 220V/50-60Hz Japan	1613 9489 04 1613 9489 11
	1613 9676 00		Others	1613 9489 12
1115		1	Support	6020 • 1 Fan
	1613 9567 00		GA	• 1 Fan plate
1120		1	Support	1613 9490 00 GA55, GA75, GA90C IEC
	1614 9568 00		GA	1613 9535 00 GA90C C, U
1135	1613 9569 80	1	Plate (ass'y)	7020 2 Rotation arrow
			GA	1503 0786 00 GA
	1613 9690 80		GA W	7022 1 Information label
1145	1088 0801 20	1	Grommet	1079 9913 69 GA W
1150	1613 9570 80	2	Plate (ass'y)	7023 1 Information label
	1079 9901 18	• 1	Warning label	1079 9913 79 GA W
1165	1613 9521 80	1	Roof ass'y	7025 1088 1001 01 1 Warning mark
	1613 8344 00	• 4	Corner	7030 1 1 Data plate
1185	1613 8560 00	1	Washer	1613 7394 00 50Hz
1190	1613 9532 00	1	Pin	1614 5933 00 60Hz
1195	1613 9520 80	1	Door ass'y	1613 8883 00 GA55-75/50-60Hz Japan
	1613 9531 00	• 1	Lock	1 1 Warning label
1200	1613 9528 80	2	Door assembly	1079 9903 82 50Hz
	0690 1125 01	• 1	House mark	1079 9903 83 60Hz
	1613 9531 00	• 1	Lock	7040 1 Decal
1205	1613 9529 80	2	Left door ass'y	1613 9027 25 GA55 (W) Pack
	1613 9531 00	• 1	Lock	1613 9027 26 GA75 (W) Pack
1210	1613 9529 81	2	Right door ass'y	1613 9027 27 GA90C (W) Pack
	1613 9531 00	• 1	Lock	1613 9027 28 GA55 (W) Full-feature
1215	1613 8560 00	7	Washer	1613 9027 29 GA75 (W) Full-feature
1220	1613 9532 00	7	Pin	1613 9027 30 GA90C (W) Full-feature
1225	1613 9613 00	1	Plate	8025 1 Standard option
1250	1089 9068 01	2	Key	1613 9703 00 Oil containing frame
1255	1088 1301 03	1	Cable strip	
1260	1613 9536 80	4	Baffle ass'y	4) AR Hexagon bolt
	1613 9968 80	1	Panel ass'y	2) 0147 1205 03 M5 x 12 - 8.8
2010		• 1	Panel	0147 1320 03 M8 x 25 - 8.8
2020	1613 8484 01	• 1	Hinge	0147 1962 72 M8 x 25 - 8.8 Type E
2025	1613 9549 00	• 1	Door	1619 2766 00 M8 x 25 - 8.8 Type E
2030	1613 8486 00	• 1	Lock	AR Tapping screw
2040	1613 8560 00	• 1	Washer	0226 0300 46 M6 x 16 Type B1
	1613 9541 80	1	Cubicle ass'y	0226 3343 59 Ø3.5 x 9.5 Type A1
3010		• 1	Cubicle	AR Blind rivet
3015	1619 3843 00	• AR	Seal	0129 3103 00 Ø2.4 x 5.1
3020	1202 6584 00	• AR	Seal	0129 3270 29 Ø5 x 6.5
	1613 9539 82	1	Door ass'y	0129 3270 30 Ø5 x 7.5
4010		• 1	Door	AR Washer
4030	1619 7705 00	• 1	Lock	0301 2318 00 Ø5.3 x 10 x 1
5020	1079 9901 09	4	Label	0301 2335 00 Ø8.4 x 16 x 1.6
5025	1079 9901 29	1	Label	AR Lock washer
5030	1088 1001 04	1	Warning mark	0333 3227 00 Ø8.4
5035	1079 9909 57	1	Label	AR Nut
5040	1079 9915 99	1	Label	0266 2110 00 M8
5045	1088 1001 01	1	Warning mark	
5050	1613 9028 00	1	Decal	1..4) Lined with / Bekleed met / Beklädd med / Ausgekleidet mit / Garnir de / Rivestido de / Allineato con / Foret med / Revestido com / Kledd med / Vuorattu :
5055	1088 1001 03	1	Warning mark	
5060	1079 9901 09	1	Label	1) Foam: 0395 6001 69 (AR) 50 x 2040 x 1650
5075	1079 9920 83	1	Website label	2) Foam: 0395 6001 58 (AR) 20 x 2040 x 1650
6010	1613 9488 08	1	Fan ass'y	3) Foam: 0395 6001 59 (AR) 30 x 2040 x 1650
			GA55-75 200V/50Hz	4) Foam: 0395 6001 66 (AR) 25 x 2040 x 1650
	1613 9488 15		GA55 200V/60Hz	5) Up to serial No. : / Tot serienummer: / T.o.m. tillverkningsnummer: / Bis Serienummer: / Jusqu'au numéro de série: / hasta el número de serie: / Fino al número di serie: / Gælder til følgende serienumre: / Até o número de série: / Til følgende serienummer: / Seuraavaan valmistusnumeroon asti, No.:
	1613 9488 01		GA55-75 230-400V/50Hz	
	1613 9488 11		GA55-75-90C 230V/380V/460V/60Hz	
	1613 9488 03		GA55-75 500V/50Hz	
	1613 9488 12		GA55-75 575V/60Hz C, U	
	1613 9489 02		GA90C 230-400V/50Hz	

20

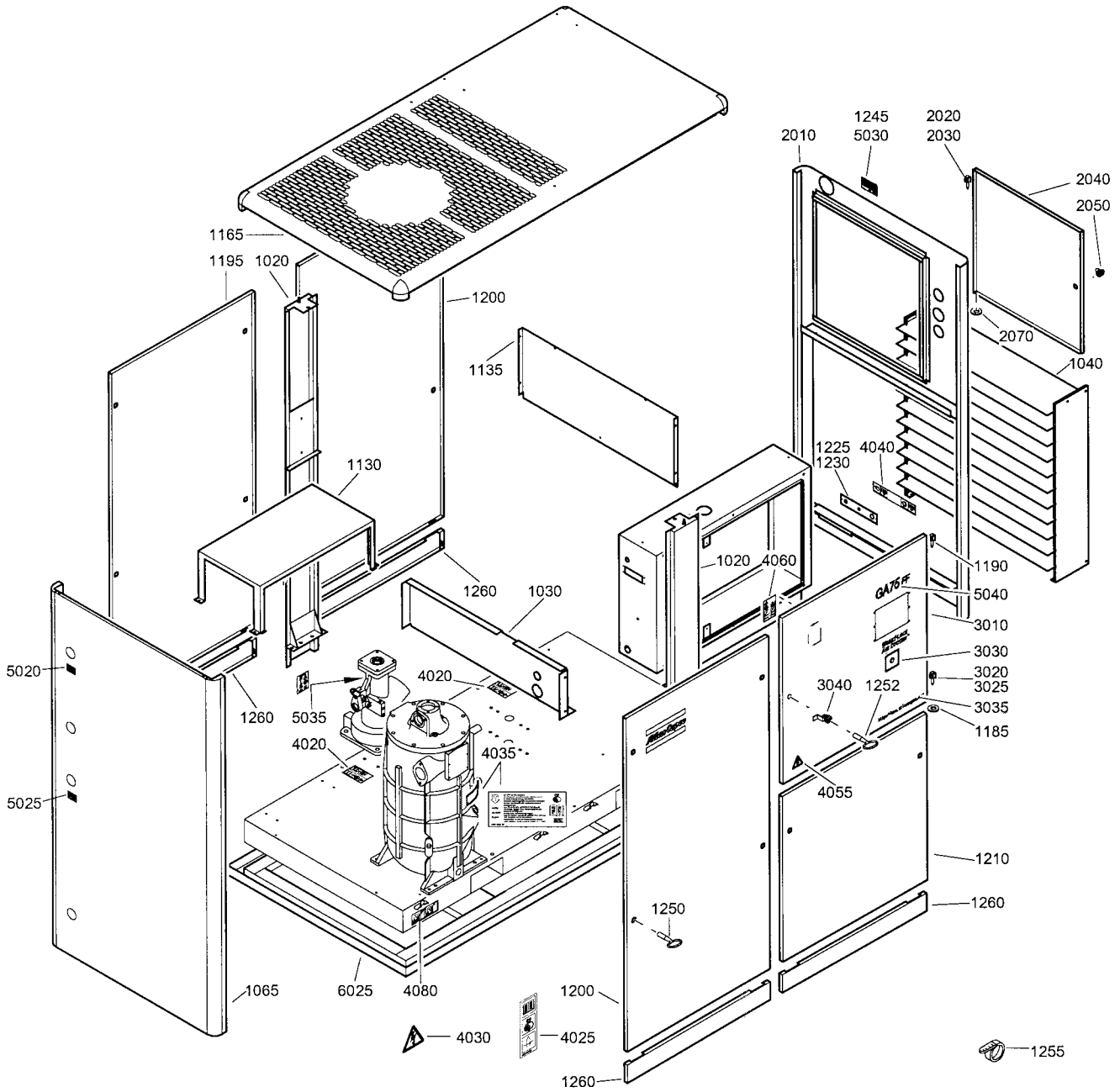
Bodywork - GA - 5)



Ref.	Part number	Qty	Name	Remarks
1020	1613 9526 00	2	Beam	
1030	1613 9537 00	1	Support (z-plat	
1040	1613 9967 80	1	Baffle ass'y	1)
1065	1613 9524 81	1	Panel assy'	1)
1115	1613 9567 00	1	Support (fan)	
1120	1613 9568 00	1	Support (fan)	
1135	1613 9569 80	1	Plate (ass'y)	4)
1145	1088 0801 20	1	Grommet	
1150	1613 9570 80	2	Plate (ass'y)	4)
	1079 9901 18	• 1	Warning label	
1165	1613 9521 80	1	Roof ass'y	4)
	1613 9963 00	• 4	Corner	
	0129 3270 30	• 8	Blind rivet	
1170	0226 0300 46	4	Tapping screw	
1185	1613 8560 00	1	Washer	
1190	1613 9532 00	1	Pin	
1195	1622 0168 80	1	Panel assy'	3)
	1613 8485 00	• 2	Lock	
	1616 2987 00	• 2	Plug	
1200	1622 0168 81	2	Panel assy'	3)
	1613 8485 00	• 2	Lock	
	1616 2987 00	• 2	Plug	
	0690 1125 01	• 1	House mark	
1210	1622 0176 80	1	Panel assy'	3)
	1613 8485 00	2	Lock	
	1616 2987 00	2	Plug	
1225	1613 9613 00	1	Plate	
1230	0226 3343 59	2	Tapping screw	
1245	0129 3103 00	4	Blind rivet	
1250	1089 9068 01	2	Key	
1252	1089 9154 02	1	Key	
1255	1088 1301 03	1	Cable strip	
1260	1613 9536 81	4	Baffle ass'y	4)
	1613 9968 81	1	Panel assy'	4)
2010	1613 9968 01	• 1	Panel	
2020	0129 3270 29	• 2	Blind rivet	
2030	1613 8484 01	• 1	Hinge	
2040	1613 9549 00	• 1	Door	2)
2050	1613 8486 00	• 1	Lock	
2070	1613 8560 00	• 1	Washer	
	1613 9539 82	1	Door ass'y	4)
3010	1613 9539 02	• 1	Door	
3020	1613 9525 00	• 1	Hinge	
3025	0129 3270 29	• 2	Blind rivet	
3030	1613 9028 00	• 1	Decal	
3035	1079 9920 83	• 1	Label website	
3040	1619 7705 00	• 1	Lock	
4020	1079 9901 09	4	Label	
4025	1079 9901 29	1	Label	
4030	1088 1001 04	1	Warning mark	
4035	1079 9909 57	1	Label rotoinjec	
4040	1079 9915 99	1	Label	
4045	1088 1001 01	1	Warning mark	
4055	1088 1001 03	1	Warning mark	
4060	1079 9901 09	1	Label	
4080	1079 9922 39	2	Warning label	
		1	Fan ass'y	
	1613 9488 08		GA55-75 200V/50Hz	
	1613 9488 15		GA55 200V/60Hz	
	1613 9488 01		GA55-75 230-400V/50Hz	
	1613 9488 11		GA55-75-90C 230V/380V/ 460V/60Hz	
	1613 9488 03		GA55-75 500V/50Hz	
	1613 9488 12		GA55-75 575V/60Hz C, U	
	1613 9489 02		GA90C 230-400V/50Hz	
	1613 9489 04		GA90C 500V/50Hz	
	1613 9489 11		GA90C 230V/380V/460V/ 60Hz C, U	
	1613 9489 12		GA90C 575V/60Hz C, U	

Ref.	Part number	Qty	Name	Remarks
5010		• 1	Fan	
5020		• 1	Fan plate	
	1613 9490 00		GA55, GA75, GA90C IEC	
	1613 9490 00		GA90C IEC	
	1613 9535 00		GA90C C, U	
6020		2	Rotation arrow	
	1503 0786 00		GA	
6025	1088 1001 01	1	Warning mark	
6030		1	Data plate	
	1613 7394 00		50Hz	
	1614 5933 00		60Hz	
	1613 8883 00		GA55-75/50-60Hz Japan	
6035		1	Warning label	
	1079 9903 82		50Hz	
	1079 9903 83		60Hz	
6040		1	Decal	
	1613 9027 25		GA55	
	1613 9027 26		GA75	
	1613 9027 27		GA90C	
	1613 9027 28		GA55 FF	
	1613 9027 29		GA75 FF	
	1613 9027 30		GA90C FF	
7025		1	Standard option	
	1613 9703 00		Oil containing frame	
		AR	Hexagon bolt	
	0147 1205 03		M5 x 12 - 8.8	
	0147 1320 03		M8 x 25 - 8.8	
	0147 1962 72		M8 x 25 - 8.8 Type E	
	1619 2766 00		M8 x 25 - 8.8 Type E	
		AR	Tapping screw	
	0226 0300 46		M6 x 16 Type B1	
	0226 3343 59		Ø3.5 x 9.5 Type A1	
		AR	Blind rivet	
	0129 3103 00		Ø2.4 x 5.1	
	0129 3270 29		Ø5 x 6.5	
	0129 3270 30		Ø5 x 7.5	
		AR	Washer	
	0301 2318 00		Ø5.3 x 10 x 1	
	0301 2335 00		Ø8.4 x 16 x 1.6	
		AR	Lock washer	
	0333 3227 00		Ø8.4	
		AR	Nut	
	0266 2110 00		M8	
1-4)	Lined with / Bekleed met / Beklädd med / Ausgekleidet mit / Garnir de / Rivestido de / Allineato con / Foret med / Revestido com / Kledd med / Vuorattu :			
	1) Foam: 0395 6001 69 (AR) 50 x 2040 x 1650			
	2) Foam: 0395 6001 58 (AR) 20 x 2040 x 1650			
	3) Foam: 0395 6001 59 (AR) 30 x 2040 x 1650			
	4) Foam: 0395 6001 66 (AR) 25 x 2040 x 1650			
5)	From following serial No. onwards: / Geldig vanaf volgend serienummer: / Fr.o.m. tillverkningsnummer: / Gültig ab Seriennummer: / Valable à partir du numéro de série suivant: / A partir del siguiente número de serie: / Dai seguenti numeri di serie in avanti: / Gælder fra følgende serienumre: / A partir do número de série: / Fra og med følgende serienummer: / Alkaen valmistusnumerosta AII 745 500			

21



Bodywork - GA - 5)

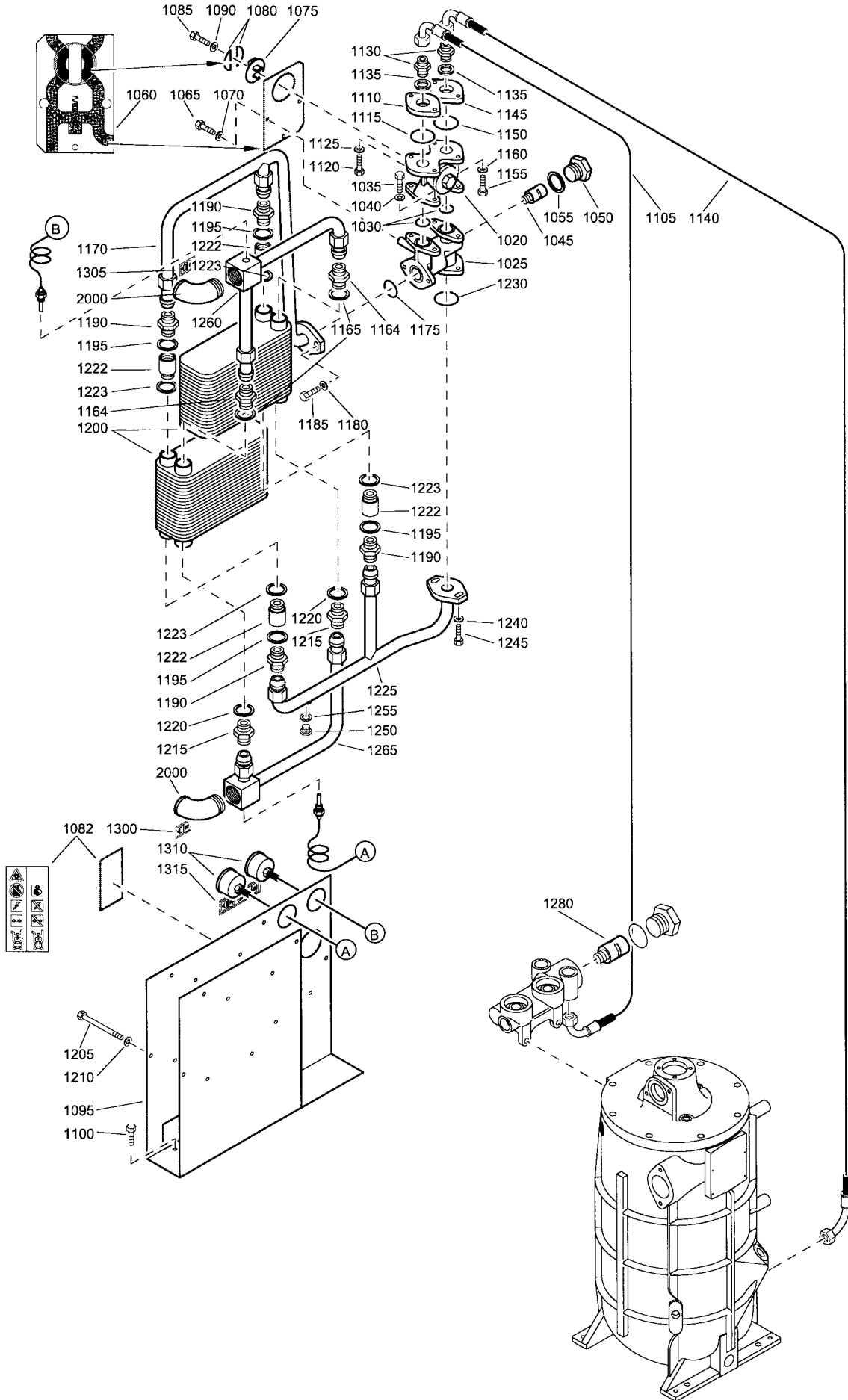
21

Ref.	Part number	Qty	Name	Remarks	Ref.	Part number	Qty	Name	Remarks
1020	1613 9526 00	2	Beam		5030		1	Data plate	
1030	1613 9537 00	1	Support			1613 7394 00		50Hz	
1040	1613 9967 80	1	Baffle ass'y	1)		1614 5933 00		60Hz	
1065	1613 9524 81	1	Panel assy'	1)		1613 8883 00		GA55-75/50-60Hz Japan	
1130	1613 9740 80	1	Support assy	4)	5035		1	Warning label	
1135	1613 9690 80	1	Plate assembly	4)		1079 9903 82		50Hz	
1165	1613 9521 80	1	Roof ass'y	4)		1079 9903 83		60Hz	
	1613 9963 00	• 4	Corner		5040		1	Decal	
	0129 3270 30	• 8	Blind rivet			1613 9027 25		GA55	
1170	0226 0300 46	4	Tapping screw			1613 9027 26		GA75	
1185	1613 8560 00	1	Washer			1613 9027 27		GA90C	
1190	1613 9532 00	1	Pin			1613 9027 28		GA55 FF	
1195	1622 0168 80	1	Panel assy'	3)		1613 9027 29		GA75 FF	
	1613 8485 00	• 2	Lock			1613 9027 30		GA90C FF	
	1616 2987 00	• 2	Plug		6025		1	Standard option	
1200	1622 0168 81	2	Panel assy'	3)		1613 9703 00		Oil containing frame	
	1613 8485 00	• 2	Lock				AR	Hexagon bolt	
	1616 2987 00	• 2	Plug			0147 1205 03		M5 x 12 - 8.8	
	0690 1125 01	• 1	House mark			0147 1320 03		M8 x 25 - 8.8	
1210	1622 0176 80	1	Panel assy'	3)		0147 1962 72		M8 x 25 - 8.8 Type E	
	1613 8485 00	• 2	Lock			1619 2766 00		M8 x 25 - 8.8 Type E	
	1616 2987 00	• 2	Plug				AR	Tapping screw	
1225	1613 9613 00	1	Plate			0226 0300 46		M6 x 16 Type B1	
1230	0226 3343 59	2	Tapping screw			0226 3343 59		Ø3.5 x 9.5 Type A1	
1245	0129 3103 00	4	Blind rivet				AR	Blind rivet	
1250	1089 9068 01	2	Key			0129 3103 00		Ø2.4 x 5.1	
1252	1089 9154 02	1	Key			0129 3270 29		Ø5 x 6.5	
1255	1088 1301 03	1	Cable strip			0129 3270 30		Ø5 x 7.5	
1260	1613 9536 81	4	Baffle ass'y	4)			AR	Washer	
	1613 9968 81	1	Panel assy'			0301 2318 00		Ø5.3 x 10 x 1	
2010	1613 9968 01	• 1	Panel			0301 2335 00		Ø8.4 x 16 x 1.6	
2020	0129 3270 29	• 2	Blind rivet				AR	Lock washer	
2030	1613 8484 01	• 1	Hinge			0333 3227 00		Ø8.4	
2040	1613 9549 00	• 1	Door	2)			AR	Nut	
2050	1613 8486 00	• 1	Lock			0266 2110 00		M8	
2070	1613 8560 00	• 1	Washer						
	1613 9539 82	1	Door ass'y	4)	1-4)			Lined with / Bekleed met / Beklädd med / Ausgekleidet mit / Garnir de / Rivestido de / Allineato con / Foret med / Revestido com / Kledd med / Vuorattu :	
3010	1613 9539 02	• 1	Door					1) Foam: 0395 6001 69 (AR) 50 x 2040 x 1650	
3020	1613 9525 00	• 1	Hinge					2) Foam: 0395 6001 58 (AR) 20 x 2040 x 1650	
3025	0129 3270 29	• 2	Blind rivet					3) Foam: 0395 6001 59 (AR) 30 x 2040 x 1650	
3030	1613 9028 00	• 1	Decal					4) Foam: 0395 6001 66 (AR) 25 x 2040 x 1650	
3035	1079 9920 83	• 1	Label website		5)			From following serial No. onwards:	
3040	1619 7705 00	• 1	Lock					Geldig vanaf volgend serienummer:	
4020	1079 9901 09	4	Label					Fr.o.m. tillverkningsnummer:	
4025	1079 9901 29	1	Label					Gültig ab Seriennummer:	
4030	1088 1001 04	1	Warning mark					Valable à partir du numéro de série suivant:	
4035	1079 9909 57	1	Label rotoinjec					A partir del siguiente número de serie:	
4040	1079 9915 99	1	Label					Dai seguenti numeri di serie in avanti:	
4045	1088 1001 01	1	Warning mark					Gælder fra følgende serienumre:	
4055	1088 1001 03	1	Warning mark					A partir do número de série:	
4060	1079 9901 09	1	Label					Fra og med følgende serienummer:	
4080	1079 9922 39	2	Warning label					Alkaen valmistusnumerosta	
5020	1079 9913 69	1	Information label					All 745 500	
5025	1079 9913 79	1	Information label						

Modulating control

Ref.	Part number	Qty	Name	Remarks	Ref.	Part number	Qty	Name	Remarks
		1	Modulating control		2030	0266 2110 00	• 1	Nut	
	8092 2448 73		60Hz C, U		2031	0301 2335 00	• 1	Washer	
	8092 2448 65		60Hz IEC		2035	<<< >>>	• 1	Unloader	
	8092 2448 57		50Hz IEC		2040	0581 1200 23	• 1	Elbow coupling	
1025		• 1	Solenoid valve		2045	0070 6002 05	• AR	Plastic tube	
	1089 0621 02		120V/60Hz C, U		2050	0581 2000 27	• 1	Pipe coupling	
	1089 0621 03		230V/60Hz		2055	0070 6002 05	• AR	Plastic tube	
	1089 0621 01		230V/50Hz		2060	0581 1200 26	• 1	Elbow coupling	
1030		• 1	Cable		2070	0560 4400 85	• 1	Cross	
	1613 9584 01		60Hz C, U		2075	0581 1200 16	• 1	Coupling(elbow)	
	1613 9584 00		50-60Hz IEC		2080	0070 6002 04	• AR	Plastic tube	
1035		• 1	Nozzle		2085	0580 8402 00	• 1	Pipe coupling	
	1613 6968 05		GA55 7.5-10 bar(e),		2090	1513 0480 00	• 1	Pressure gauge	
			GA55 100-125 psig		2095	1503 2564 01	• 1	Nipple	
	1613 6968 06		GA75 10-13 bar(e),		2100	1079 5840 25	• 1	Hexagon nipple	
			GA 75 125-150 psig		2105	0574 9914 10	• 1	Hose assembly	
			GA90C 7.5-8 bar(e), GA90C		2110	1079 5840 25	• 1	Hexagon nipple	
			100 psig		2120	1503 2564 10	• 1	Nipple	
	1613 6968 07		GA75 175 psig,		2125	1613 6961 00	• 1	Regulator	
			GA90C 10-13 bar(e),		2130	1079 5840 23	• 1	Nipple	
			GA90C 125-175 psig		2135	0574 9914 09	• 1	Hose assembly	
2020	1613 9583 00	• 1	Plate		2140	1079 5840 14	• 1	Nipple	
2025	0147 1321 03	• 1	Hexagon bolt		2145	0661 1000 40	• 1	Seal washer	

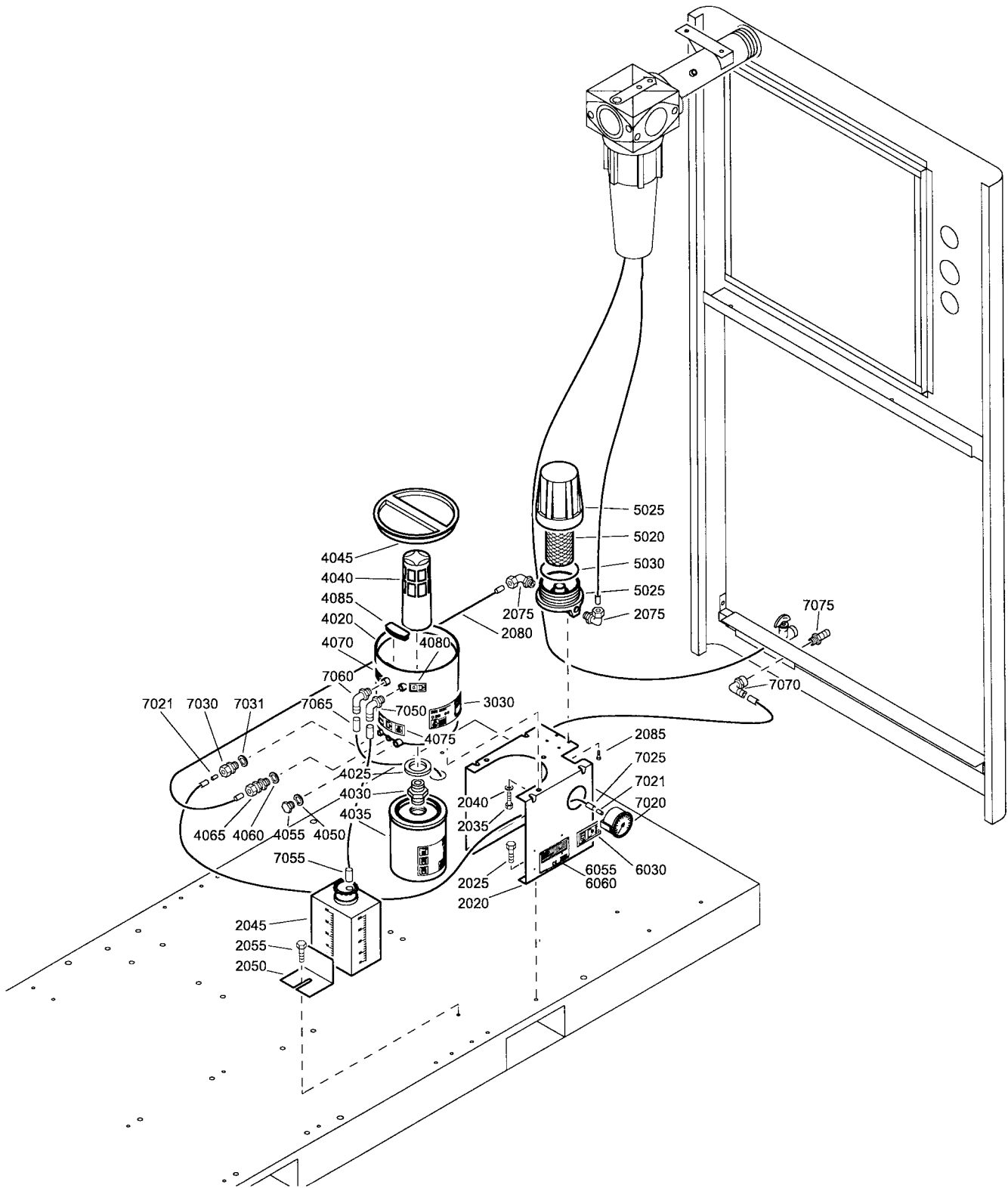
23



Energy recovery system

Ref.	Part number	Qty	Name	Remarks	Ref.	Part number	Qty	Name	Remarks
		1	Energy recovery system		1195		•	Seal washer	
	8092 2454 58		GA55			0661 1000 44	1	GA55	
	8092 2454 66		GA75, GA90C			0661 1000 44	2	GA75, GA90C	
1020	1202 5896 00	• 1	4-way valve		1200		•	Heat exchanger	
1025	1202 5907 00	• 1	Therm.housing			1613 7634 00	1	GA55	
1030	0663 3132 00	• 2	O-ring			1613 7634 00	2	GA75, GA90C	
1035	0147 1363 03	• 4	Hexagon bolt		1205		•	Hexagon bolt	
1040	0301 2344 00	• 4	Washer			0147 1344 03	4	GA55	
1045	1619 7333 00	• 1	Thermostat 40°C			0147 1344 03	8	GA75, GA90C	
1050	0686 4209 00	• 1	Hexagon plug		1210		•	Washer	
1055	0661 1000 45	• 1	Seal washer			0301 2335 00	4	GA55	
1060	1202 5925 00	• 1	Decal			0301 2335 00	8	GA75, GA90C	
1065	0147 1321 03	• 3	Hexagon bolt		1215		•	Nipple	
1070	0301 2335 00	• 3	Washer			2250 4983 00	1	GA55	
1075	1202 5926 00	• 1	Handle			2250 4983 00	2	GA75, GA90C	
1080	1202 5927 00	• 2	Decal		1220		•	Seal washer	
1082	1079 9902 89	• 1	Warning label			0661 1000 44	1	GA55	
1085	0147 1321 03	• 1	Hexagon bolt			0661 1000 44	2	GA75, GA90C	
1090	0301 2335 00	• 1	Washer		1222		•	Bush	
1095		• 1	Support			1613 8106 00		GA75, GA90C	
	1613 9702 00		GA55		1223		•	Seal washer	
	1613 9698 00		GA75, GA90C			0661 1000 44		GA75, GA90C	
1100	1619 2766 00	• 4	Bolt		1225		•	Pipe	
1105	0574 9878 05	• 1	Hose assembly			1613 9701 00		GA55	
1110	1613 7000 07	• 1	Flange			1613 9695 00		GA75, GA90C	
1115	0663 7136 00	• 1	O-ring		1230	0663 3132 00	• 1	O-ring	
1120	0147 1363 03	• 2	Hexagon bolt		1240	0302 1274 01	• 2	Washer	
1125	0301 2344 00	• 2	Washer		1245	0147 1363 03	• 2	Hexagon bolt	
1130	2250 4983 00	• 2	Nipple		1250	0686 3716 01	• 1	Hexagon plug	
1135	0661 1000 44	• 2	Seal washer		1255	0661 1000 38	• 1	Seal washer	
1140	0574 9878 06	• 1	Hose assembly		1260		•	Threaded pipe/Pipe	
1145	1613 7000 07	• 1	Flange			1613 9699 00	2	GA55	
1150	0663 7136 00	• 1	O-ring			1613 9696 00	1	GA75, GA90C	
1155	0147 1363 03	• 2	Hexagon bolt		1265		•	Tee/Pipe	
1160	0301 2344 00	• 2	Washer			0564 0000 29	2	GA55	
1164		•	Nipple			1613 9697 00	1	GA75, GA90C	
	2250 4983 00	1	GA55				• 2	Bushing	
	2250 4983 00	2	GA75, GA90C			0605 8700 51		GA55	
1165		•	Seal washer				• 2	Seal washer	
	0661 1000 44	1	GA55			0661 1000 44		GA55	
	0661 1000 44	2	GA75, GA90C		1280		• 1	Thermostat	
1170		• 1	Pipe			1202 5869 01		70°C	
	1613 9700 00		GA55			1202 5869 02		60°C	
	1613 9694 00		GA75, GA90C			1202 5869 03		65°C	
1175	0663 7134 00	• 1	O-ring			1202 5869 04		75°C	
1180	0301 2344 00	• 2	Washer		1300	1079 9913 69	• 1	Inform.label	
1185	0147 1363 03	• 2	Hexagon bolt		1305	1079 9913 79	• 1	Inform.label	
1190		• 1	Nipple		1310	1619 2841 00	• 2	Thermometer	
	2250 4983 00	1	GA55		1315	1079 9911 57	• 2	Label	
	2250 4983 00	2	GA75, GA90C		2000		2	Socket	Not used

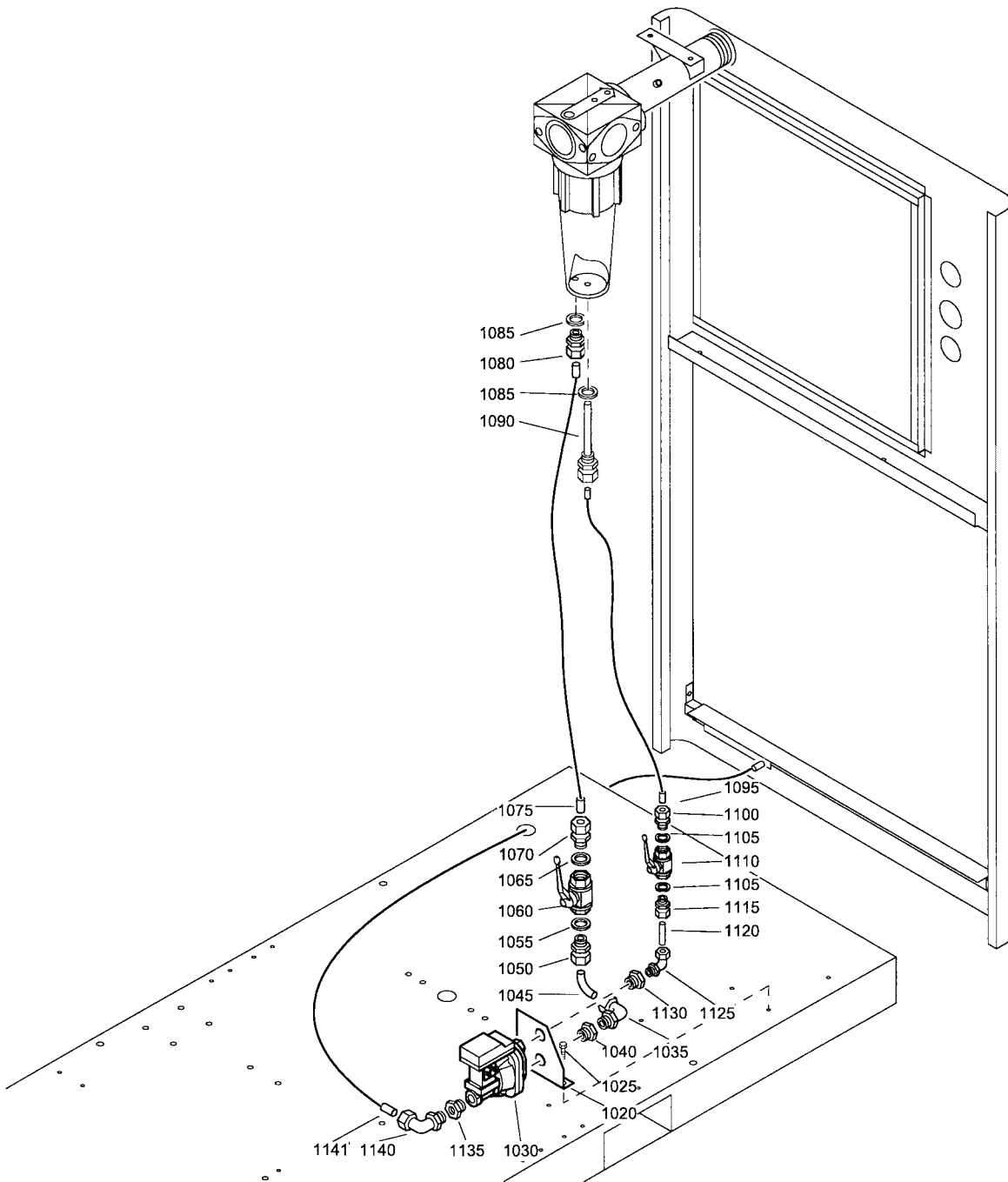
24



Drain system - Standard option - Oil Separator condensate Drain

Ref.	Part number	Qty	Name	Remarks	Ref.	Part number	Qty	Name	Remarks
	8092 2450 94	1	Oil Separator condensate Drain		4060	0653 0500 02	••• 1	Gasket	
2020	1613 8109 00	• 1	Support		4065	1613 7378 00	••• 1	Strainer	
2025	1619 2766 00	• 2	Bolt		4070	1079 9913 69	••• 1	Inform.label	
2035	0147 1322 03	• 3	Hexagon bolt		4075	1079 9912 07	••• 1	Decal	
2040	0301 2335 00	• 3	Washer		4080	1079 9912 28	••• 1	Decal	
2045	1613 9735 00	• 1	Oil can		4085	1613 7945 00	••• 1	Plug	
2050	1613 7327 00	• 1	Support			1613 7865 80	• 1	Filter ass'y	
2055	1619 2766 00	• 1	Bolt		5020	1613 7864 00	•• 1	Filter element	
2075	0581 1200 37	• 2	Pipe coupling		5025	1613 7865 00	•• 1	Filter housing	
2080	0070 6002 05	• AR	Plastic tube		5030	0663 2104 06	•• 1	O-ring	
2085	0226 0326 00	• 4	Tapping screw		6030	1079 9912 11	• 1	Decal	
	1613 7301 81	• 1	OSD assembly		6055	1613 7384 00	• 1	Data plate	
3030	1079 9909 07	•• 1	Label		6060	0129 3104 00	• 4	Blind rivet	
	1613 7301 80	•• 1	OSD		7020	1615 7264 00	• 1	Pressure gauge	
4020	1613 7301 00	••• 1	OSD housing		7021	0584 9904 00	• 2	Sleeve	
4025	0661 1054 00	••• 1	Tredo washer		7025	0070 6002 04	• AR	Plastic tube	
4030	1613 7297 00	••• 1	Valve		7030	0581 2024 32	• 1	Coupling	
4035	1613 7277 00	••• 1	Oilfilter		7031	0653 0500 47	• 1	Gasket	
4040	1613 7299 00	••• 1	Filter		7050	1613 7985 80	• 1	Elbow coupling	
4045	1613 7298 00	••• 1	Cover		7055	0070 6002 14	• AR	Plastic tube	
4050	0653 9098 00	••• 1	Flat gasket		7060	1613 7985 80	• 1	Elbow coupling	
4055	0686 3716 02	••• 1	Hexagon plug		7065	0070 6002 14	• AR	Plastic tube	
					7070	1613 7342 00	• 1	Elbow coupling	
					7075	1613 7341 00	• 1	Pipe coupling	

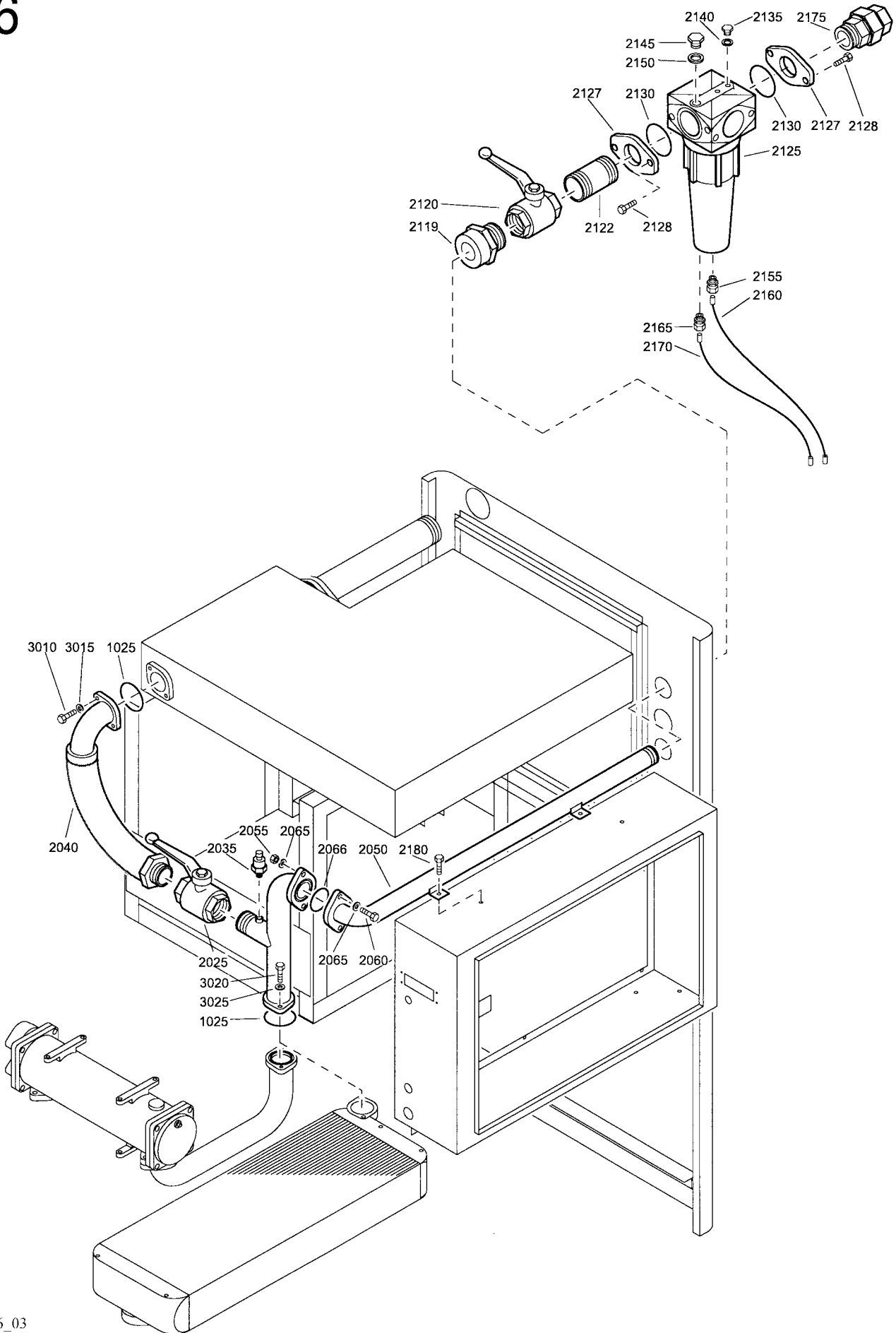
25



Drain system - Standard option - Electronic water drain

Ref.	Part number	Qty	Name	Remarks	Ref.	Part number	Qty	Name	Remarks
	8092 2450 78	1	Electronic Water Drain		1080	0581 0000 45 •	1	Pipe coupling	
1020	1613 8079 00 •	1	Support		1085	0661 1000 38 •	2	Seal washer	
1025	1619 2766 00 •	2	Bolt		1090	1613 8084 00 •	1	Pipe coupling	
1030	1613 8810 01 •	1	Drain valve		1095	0070 6002 05 •	AR	Plastic tube	
1035	0605 8814 06 •	1	Bushing		1100	0581 0000 35 •	1	Coupling	
1040	0581 1200 14 •	1	Elbow coupling		1105	0661 1000 38 •	2	Seal washer	
1045	1613 7720 08 •	1	Pipe		1110	0852 0010 11 •	1	Ball valve	
1050	0581 0000 37 •	1	Pipe coupling		1115	0581 0028 01 •	1	Pipe coupling	
1055	0661 1000 39 •	1	Seal washer		1120	1613 8108 01 •	1	Pipe	
1060	1619 6153 04 •	1	Ball valve		1125	0581 1228 04 •	1	Elbow	
1065	0661 1000 39 •	1	Seal washer		1130	0605 8814 06 •	1	Bushing	
1070	0581 0000 53 •	1	Straight pipe coupling		1135	0607 3000 13 •	1	Reducer	
1075	0070 6002 06 •	AR	Plastic tube		1140	0581 1200 23 •	1	Elbow coupling	
					1141	0070 6002 05 •	AR	Plastic tube	

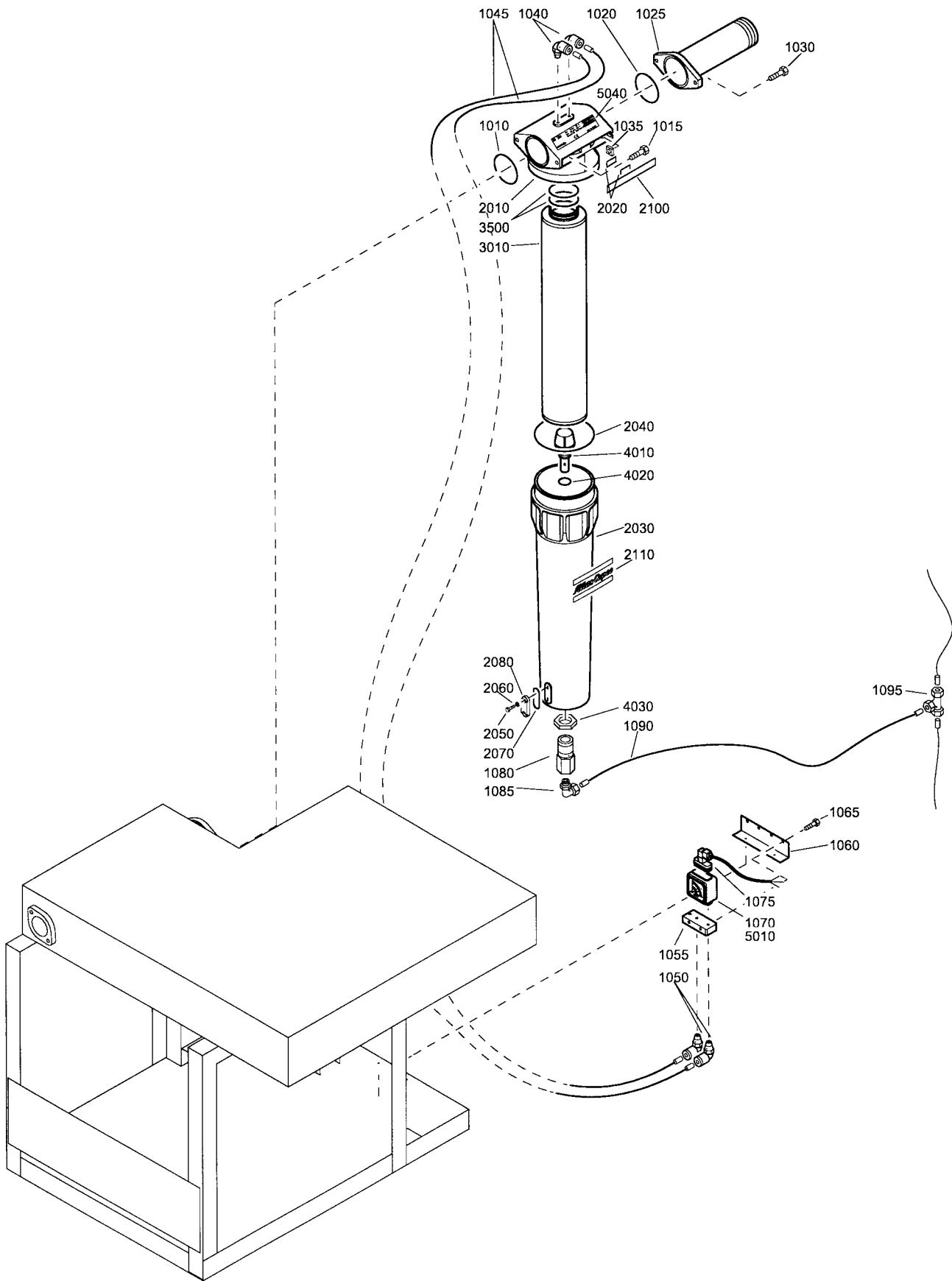
26



By-pass dryer - WorkPlace FF

Ref.	Part number	Qty	Name	Remarks	Ref.	Part number	Qty	Name	Remarks
	8092 2451 02	1	Dryer by-pass		2130	0663 3143 00	• 2	O-ring	
1025	0663 9868 00	• 2	O-ring		2135	0686 3716 01	• 2	Hexagon plug	
2020	1613 9586 00	• 1	Pipe		2140	0661 1000 38	• 4	Seal washer	
2025	1619 6153 09	• 1	Ball valve		2145	0686 3716 02	• 1	Hexagon plug	
2035	1089 0575 51	• 1	Pressure transducer		2150	0661 1000 39	• 1	Seal washer	
2040	1613 9592 00	• 1	Pipe		2155	0581 0000 35	• 1	Coupling	
2050	1613 9593 00	• 1	Pipe		2160	0070 6002 05	• AR	Plastic tube	
2055	0266 2110 00	• 2	Nut		2165	0581 0000 34	• 1	Coupling	
2060	0147 1328 03	• 2	Hexagon bolt		2170	0070 6002 04	• AR	Plastic tube	
2065	0301 2335 00	• 4	Washer		2175	0586 1000 15	• 1	Coupling	
2066	0663 9868 00	• 1	O-ring		2180	1619 2766 00	• 2	Bolt	
2119	0605 8300 72	• 1	Bushing						1) See "Service kits" / Zie "Service kits" / Se "Service kits" / Siehe "Service kits" / Voir "Service kits" / Véase "Service kits" / Vedere "Kit per la manutenzione" / Se "Service kits" / Ver "Conjuntos de reparação" / Se "Servicesett" / Katso "Huoltotarvik"
2120	0852 0010 20	• 1	Ball valve		2901 0749 00 1			Drain valve kit	
2122	0551 0001 55	• 1	Threaded pipe						
2125	1619 7474 01	• 1	Waterseparator	1)					
	0663 6147 00	•• 1	O-ring						
2127	1613 6999 21	• 2	Flange						
2128	0147 1476 03	• 4	Hexagon bolt						

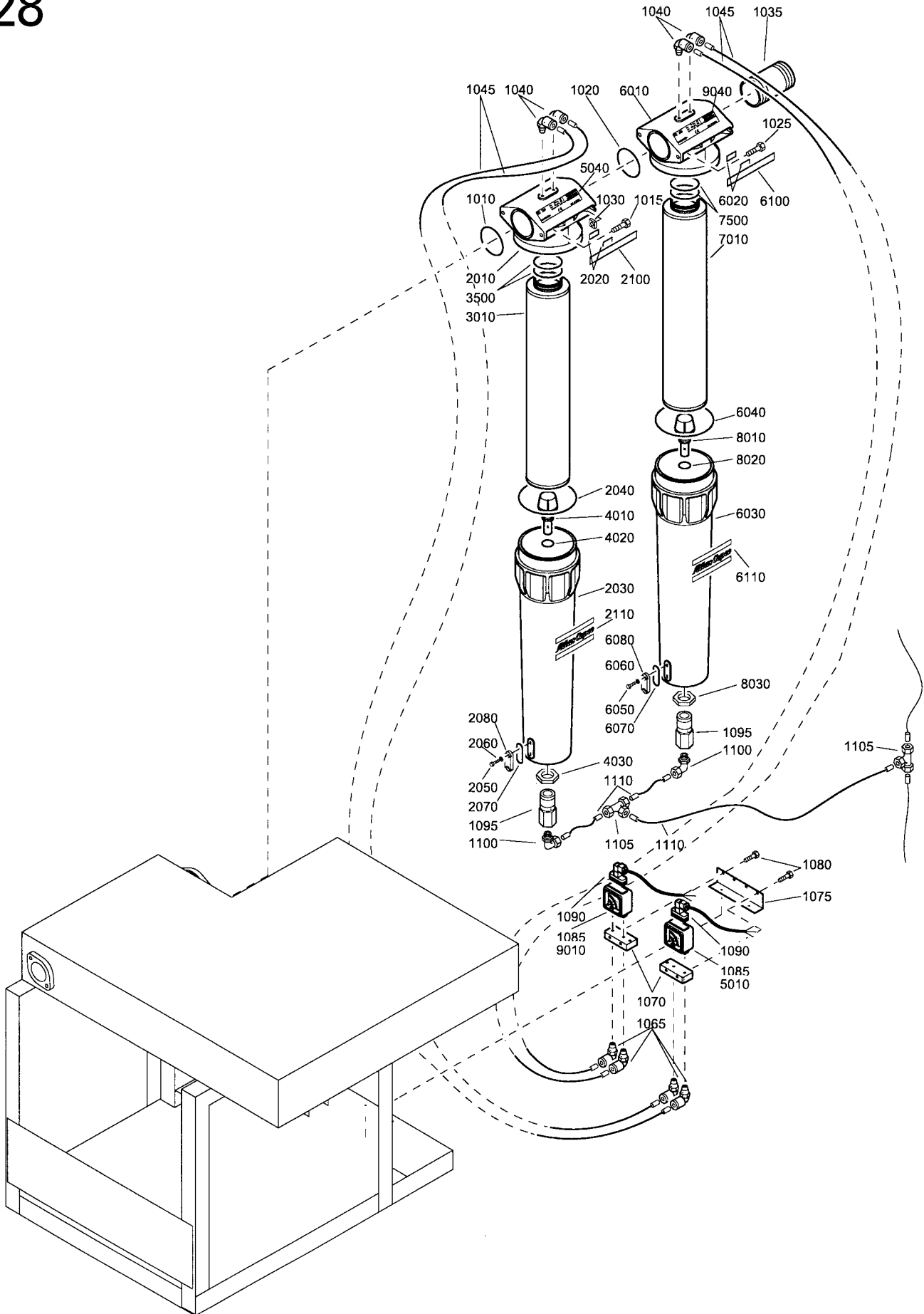
27



DD filter kit - WorkPlace FF

Ref.	Part number	Qty	Name	Remarks	Ref.	Part number	Qty	Name	Remarks
	8092 2454 33	1	DD Filter kit		2010	1617 7007 00	••• 1	Head	
1010	0663 2104 98	• 1	O-ring		2020	1617 7038 03	••• 2	Dual lock strip	
1015	0211 1362 03	• 2	Cap screw		2030	1617 7015 00	••• 1	Bowl	
1020	0663 2104 98	• 1	O-ring		2040	0663 2109 62	••• 1	O-ring	
1025	1613 9685 00	• 1	Pipe			2901 0562 00	•• 1	Sight glass kit	
1030	0211 1363 03	• 2	Cap screw		2050		••• 2	Screw	
1035	0266 2111 00	• 2	Nut		2060		••• 2	Tredo washer	
1040	0583 8120 62	• 2	Push-in coupling		2070		••• 1	O-ring	
1045	0070 6002 20	• AR	Plastic tube		2080		••• 1	Sight glass	
1050	0583 8120 10	• 2	Elbow coupling		2100	1617 7034 00	••• 2	Side plate	
1055	1617 7098 00	• 1	Support		2110	0690 1110 01	••• 2	Atlas Copco log	
1060	1613 9564 00	• 1	Plate			2901 0544 00	•• 1	DD and DDp element kit	
1065	0147 1205 03	• 2	Hexagon bolt				••• 1	Cartridge	
1070	1617 7045 00	• 1	Differential pressure gage		3010		••• 1	Filter element	
1075	1613 9553 80	• 1	Wire assembly		3500	0663 2109 66	••• 2	O-ring	
1080	1617 7082 02	• 1	Quick coupling			2901 0563 00	•• 1	Automatic drain valve kit	
1085	0581 1200 23	• 1	Elbow coupling		4010		••• 1	Automatic drain valve	
1090	0070 6002 05	• AR	Plastic tube		4020	0663 9244 00	••• 1	O-ring	
1095	0581 2000 18	• 1	Coupling		4030	1617 7046 00	••• 1	Nut	
	8102 2603 23	• 1	DD260				•• 1	Misc.parts	
	1603 7000 08	•• 1	Head/bowl		5010	1617 7045 00	••• 1	Differential pressure gage	
					5040	1617 7054 03	••• 1	Label DD260	

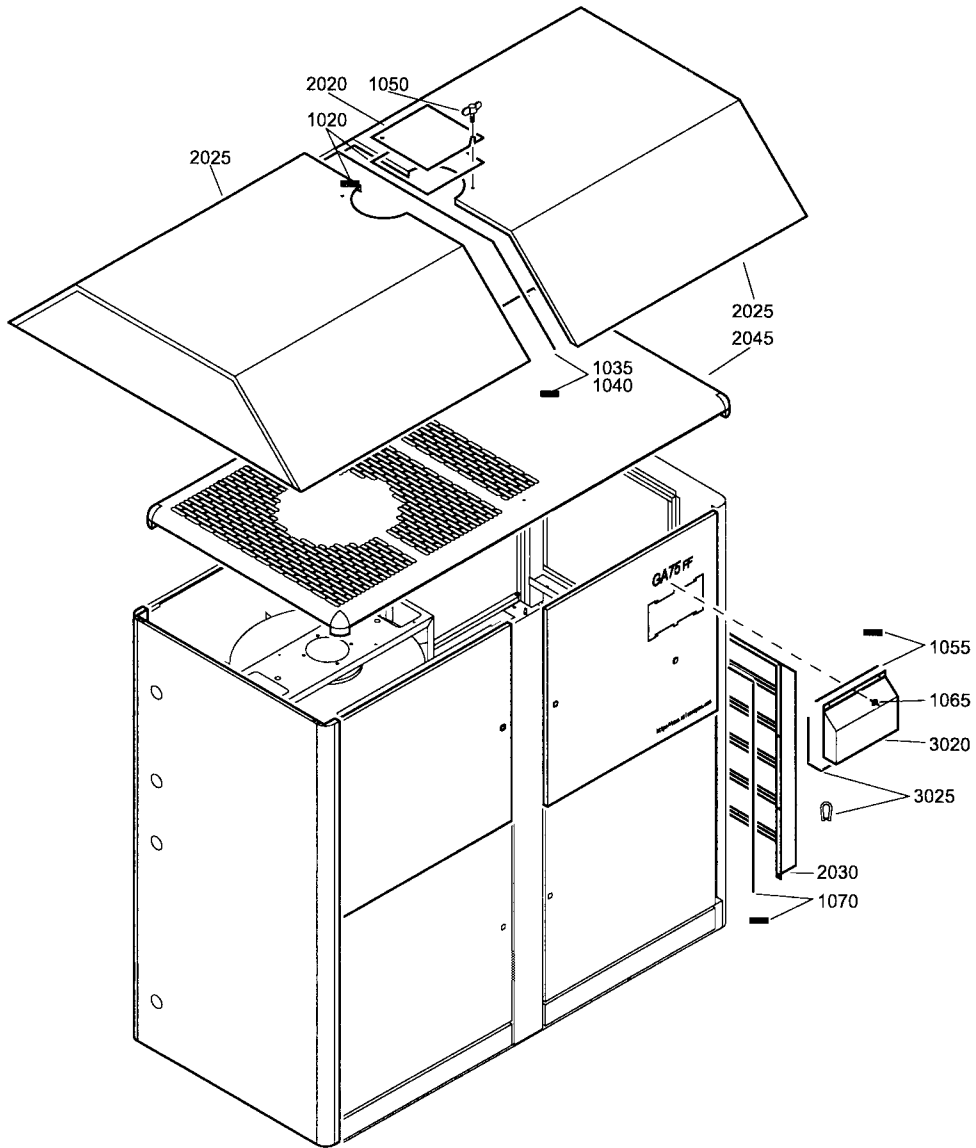
28



PD/DD filter kit - Full feature

Ref.	Part number	Qty	Name	Remarks	Ref.	Part number	Qty	Name	Remarks
	8092 2454 41	1	PD/DD Filter kit		3010	1617 7042 03	••• 1	Filter element	
1010	0663 2104 98	• 1	O-ring		3500	0663 2109 66	••• 2	O-ring	
1015	0211 1362 03	• 2	Cap screw			1603 7002 20	•• 1	Aut.drain	
1020	0663 2104 98	• 1	O-ring		4010	1617 7047 00	••• 1	Autom.drain val	
1025	0211 1363 03	• 2	Cap screw		4020	0663 9244 00	••• 1	O-ring	
1030	0266 2111 00	• 2	Nut		4030	1617 7046 00	••• 1	Nut	
1035	0551 0002 25	• 1	Threaded pipe			1603 7003 12	•• 1	Misc.parts	
1040	0583 8120 62	• 4	Push-in coupling		5010	1617 7045 00	••• 1	Differential pressure gauge	
1045	0070 6002 20	• AR	Plastic tube		5040	1617 7054 03	••• 1	Label DD260	
1065	0583 8120 10	• 4	Elbow coupling			8102 2603 31	• 1	PD260	
1070	1617 7098 00	• 2	Support			1603 7000 08	•• 1	Head/bowl	
1075	1613 9564 00	• 1	Plate		6010	1617 7007 00	••• 1	Head	
1080	0147 1205 03	• 4	Hexagon bolt		6020	1617 7038 03	••• 2	Dual lock strip	
1085	1617 7045 00	• 2	Differential pressure gage		6030	1617 7015 00	••• 1	Bowl	
1090	1613 9553 80	• 2	Wire assembly		6040	0663 2109 62	••• 1	O-ring	
1095	1617 7082 02	• 2	Quick coupling		6050	0160 0996 06	••• 2	Screw	
1100	0581 1200 23	• 2	Elbow coupling		6060	0661 1010 00	••• 2	Tredo washer	
1105	0581 2000 18	• 2	Coupling(tee)		6070	0663 9095 00	••• 1	O-ring	
1110	0070 6002 05	• AR	Plastic tube		6080	1617 7044 00	••• 1	Sight glass	
	8102 2603 23	• 1	DD260		6100	1617 7034 00	••• 2	Side plate	
	1603 7000 08	•• 1	Head/bowl		6110	0690 1110 01	••• 2	Atlas copco logo	
2010	1617 7007 00	••• 1	Head			1603 7001 37	•• 1	Cartridge	
2020	1617 7038 03	••• 2	Dual lock strip		7010	1617 7042 01	••• 1	Filter element	
2030	1617 7015 00	••• 1	Bowl		7500	0663 2109 66	••• 2	O-ring	
2040	0663 2109 62	••• 1	O-ring			1603 7002 20	•• 1	Aut.drain	
2050	0160 0996 06	••• 2	Screw		8010	1617 7047 00	••• 1	Autom.drain val	
2060	0661 1010 00	••• 2	Tredo washer		8020	0663 9244 00	••• 1	O-ring	
2070	0663 9095 00	••• 1	O-ring		8030	1617 7046 00	••• 1	Nut	
2080	1617 7044 00	••• 1	Sight glass			1603 7003 13	•• 1	Misc.parts	
2100	1617 7034 00	••• 2	Side plate		9010	1617 7045 00	••• 1	Differential pressuere gauge	
2110	0690 1110 01	••• 2	Atlas copco logo		9040	1617 7054 01	••• 1	Label PD260	
	1603 7001 35	•• 1	Cartridge						

29



Rain protection - Standard option

Ref.	Part number	Qty	Name	Remarks	Ref.	Part number	Qty	Name	Remarks
	8092 2453 91	1	Rain protection		3020		• 1	Baffle	
1020	1619 5188 00	AR	Seal		3025	1503 1056 00	• AR	Seal	
1035	1619 5188 00	AR	Seal				AR	Hexagon bolt	
1040	1619 5188 00	AR	Seal		0147 1322 03			M8 x 16 - 8.8	
1050	0223 1322 02	2	Wing screw		0147 1962 72			M8 x 25 - 8.8	
1055	1619 5188 00	AR	Seal		1619 2765 00			M8 x 25	
1065	0129 3115 00	3	Blind rivet				AR	Nut	
1070	1619 5188 00	AR	Seal		0261 2110 00			M8	
2020	1613 9605 00	1	Plate						
2025	1613 9604 00	2	Rain protection		1)			Lined with / Bekleed met / Beklädd med / Ausgekleidet	
2030	1613 9603 00	1	Rain protection					mit / Garnir de / Rivestido de /	
2045	1613 9615 80	1	Roof assembly 1)					Allineato con / Foret med / Revestido com / Kledd	
	1613 8344 00	• 4	Corner					med / Vuorattu :	
	0129 3270 30	• 8	Blind rivet					Foam: 1079 0003 33 (AR) 25 x 2000 x 1500	
	1613 8138 80	1	Baffle ass'y						

Ref.	Part number	Qty	Name	Remarks	Ref.	Part number	Qty	Name	Remarks
	2901 0077 01	• 1	Check valve kit		2901 0077 01	1	Check valve kit		
	2901 0218 00	• 1	Min.press.valve		0301 2358 00	• 2	Washer		
	2901 0448 00	• 1	Unloader valve		0661 1000 38	• 1	Seal washer		
		1	Preventive maintenance kit		0663 2104 03	• 1	O-ring		
	2901 0841 01		GA75-90C		0663 7138 00	• 1	O-ring		
	2901 0840 01		USA, Japan		1613 9872 00	• 1	Valve		
		• 1	Others		1613 5165 00	• 1	Spring		
	2901 0778 00		Filter kit		2901 0074 00	1	Thermostatic valve kit		
	2901 0776 00		USA, Japan				7.5-8-10 bar(e), 100-125-150 psig		
	2901 0858 00	• 1	Oil separator kit		0661 1000 47	• 1	Seal washer		
	2901 0072 00	• 1	Oil stop valve		0663 7137 00	• 1	O-ring		
	2901 0845 00	• 1	Waterseparator		1619 7560 00	• 1	Thermostat 40 °C		
	2901 0077 01	• 1	Check valve kit		2901 0447 00	1	Thermostatic valve kit		
	2901 0218 00	• 1	Min.press.valve				13 bar(e), 175 psig		
	2901 0448 00	• 1	Unloader valve		0661 1000 47	• 1	Seal washer		
	2901 0918 00	1	Combi-cooler kit GA W		0663 7137 00	• 1	O-ring		
	0333 3227 00	• 12	Lock washer		1202 5869 02	• 1	Thermostat 60 °C		
	0661 1000 44	• 2	Seal washer		2901 0838 00	1	Thermostatic valve kit		
	0661 1033 00	• 2	Sealing washer				Tropical version		
	0663 7136 00	• 5	O-ring		0661 1000 47	• 1	Seal washer		
	0663 7138 00	• 2	O-ring		0663 7137 00	• 1	O-ring		
	1613 9731 06	• 6	O-ring		1202 5869 04	• 1	Thermostat 75 °C		
	1613 9731 07	• 1	Division rib jo						
	1613 9731 08	• 2	Leakage ring						
	2901 0858 00	1	Oil separator kit						
	0661 1000 40	• 2	Seal washer						
	0661 1000 42	• 1	Seal washer						
	0663 2111 16	• 2	O-ring						
	0663 7138 00	• 1	O-ring						
	0663 9868 00	• 1	O-ring						
	1613 9840 00	• 1	Oil sep.element						
	2901 0522 00	1	Oil can						
			ROTO-INJECTFLUID 20 l						
		1	Air/Oil filter kit						
	2901 0775 00		GA55						
	2901 0776 00		GA75-90C						
	0661 1000 38	• 1	Seal washer						
	0661 1000 39	• 2	Seal washer						
	0663 2102 15	• 1	O-ring						
	1613 6105 00	• 2	Oil filter						
		• 1	Air filter element						
	1613 9501 00	1	GA55						
	1613 9503 00	1	GA75-90C						
	2901 0338 03	1	Grease cartridge						
	2901 0218 00	1	Minimum pressure valve kit						
	0301 2344 00	• 4	Washer						
	0335 3111 00	• 1	Retaining ring						
	0663 3133 00	• 1	O-ring						
	0663 7134 00	• 1	O-ring						
	0663 7136 00	• 3	O-ring						
	0663 7138 00	• 2	O-ring						
	1612 4048 00	• 1	Compr.spring						
	1612 4049 00	• 1	Compr.spring						
	1613 3223 01	• 1	Washer						
	1614 4662 00	• 2	Piston ring						