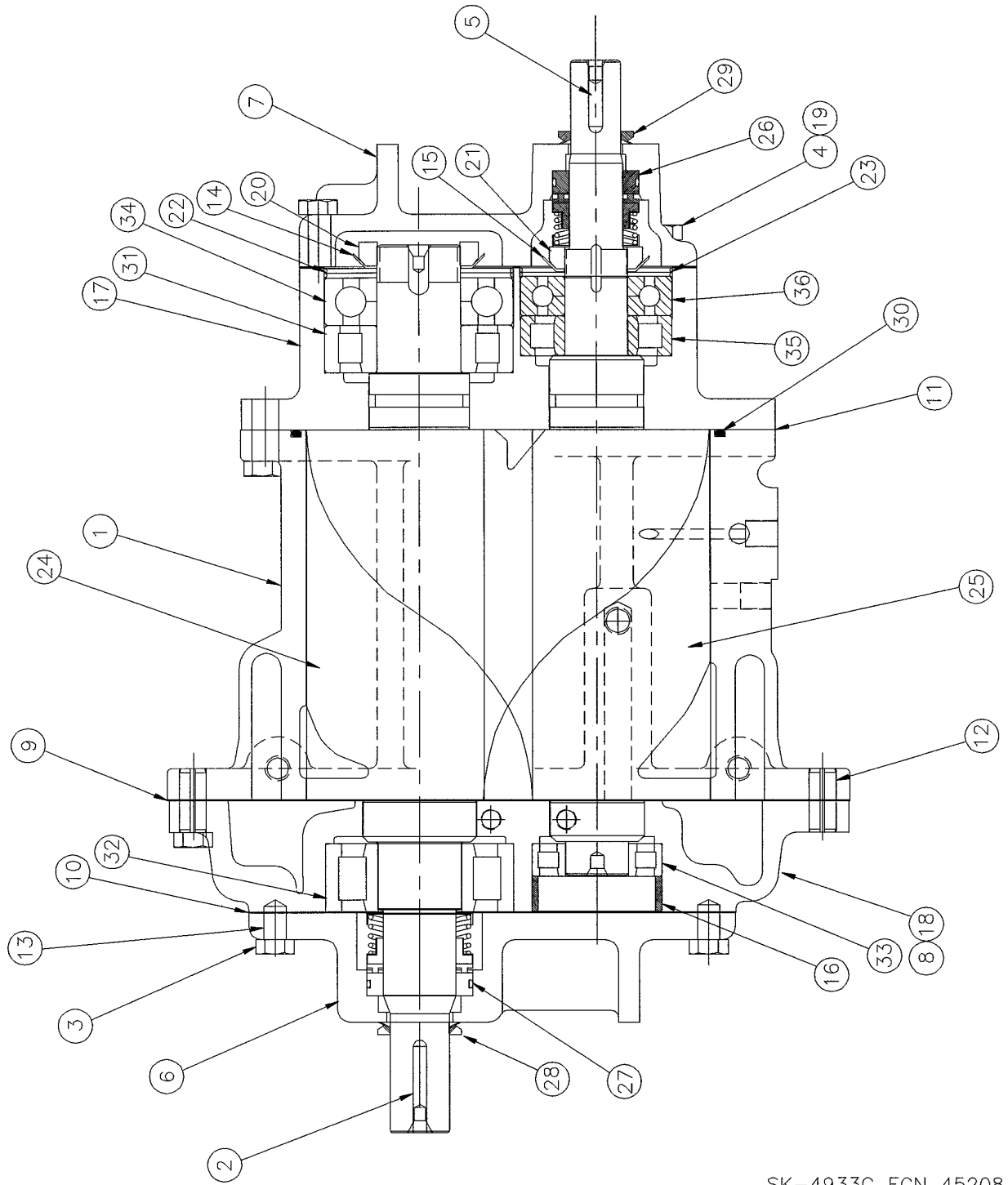


# INDEX PARTS LIST

JULY 1997

4391X,4393X,4394X,4395X,4396X

GROUP NUMBER	GROUP NAME	GROUP NUMBER	GROUP NAME
1	AIREND ASSEMBLY		
1A	AIREND PLUMBING		
2	AIR/OIL RECEIVER - AIR/OIL PIPING		
3	AIR CLEANER - INTAKE VALVE		
4	OIL COOLER/AFTERCOOLER - FAN - FAN SHROUD		
5	SS CONTROL PIPING		
5A	CUB CONTROL PIPING		
6	BEDPLATE - DRIVE - ELECTRIC MOTOR - BELT GUARD		
7	STARTER ENCLOSURE		
8	AIR RECEIVER - MOISTURE SEPARATOR		
9	HOUSING		
10	DECALS AND LABELS		
11	MICROCONTROLLER CONTROL		
11A	AUTO-DUAL CONTROL		
			<p>WHEN CONSULTING YOUR DISTRIBUTOR OR THE FACTORY CONCERNING YOUR COMPRESSOR OR WHEN ORDERING SERVICE LITERATURE OR SERVICE PARTS, ALWAYS FURNISH COMPLETE UNIT MODEL AND SERIAL NUMBER.</p> <p><b>NOTE:</b> ILLUSTRATIONS USED IN THIS PARTS LIST ARE OF TYPICAL PARTS AND MAY DIFFER IN DETAIL.</p>



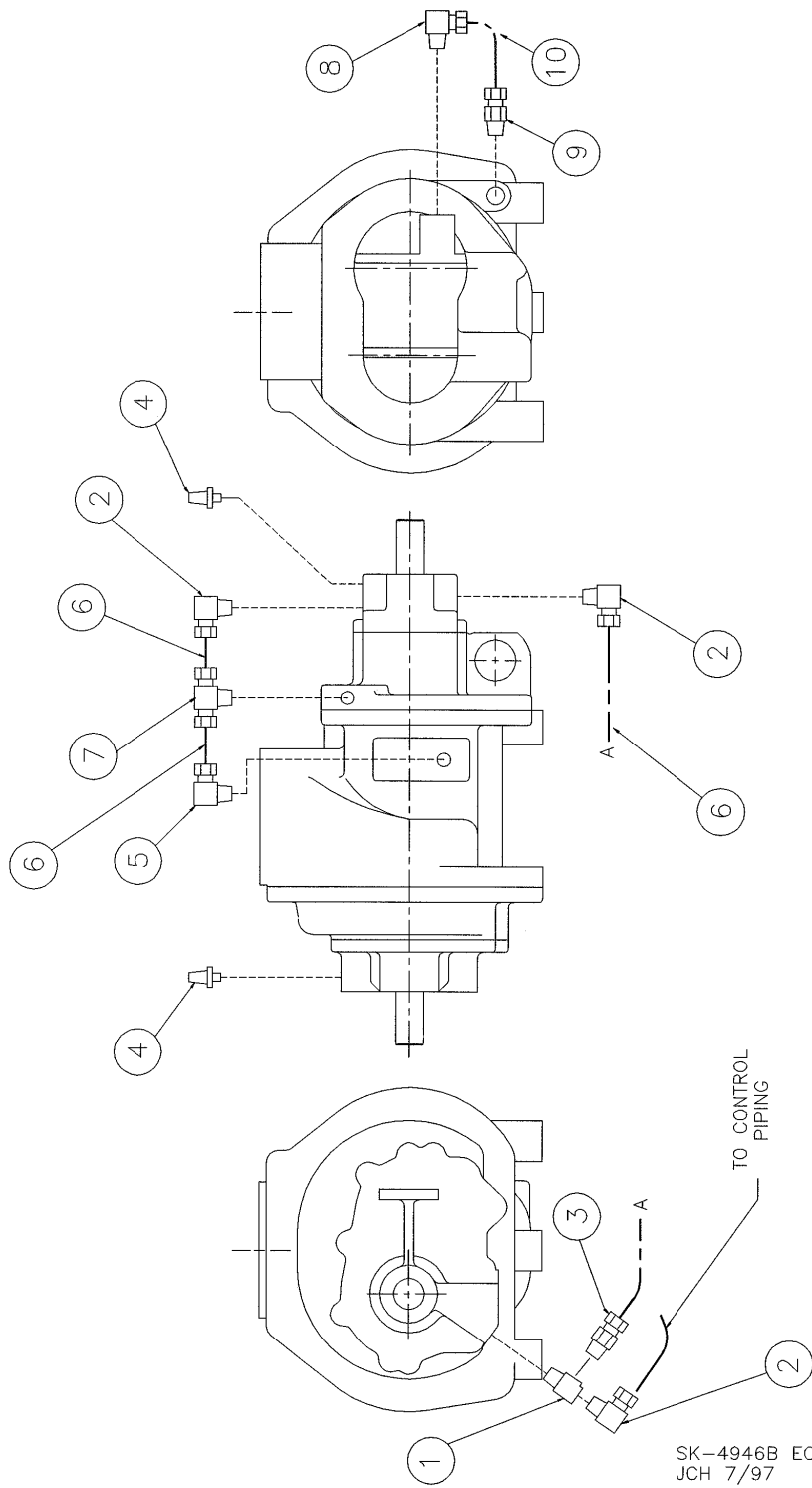
SK-4933C ECN 45208  
 JCH 7/97

# PARTS LIST GROUPS AND COMPONENTS

**MODEL**  
**CL15-20-25-30SS,CUB**

**PART NUMBERS**

GROUP NO. 1 AIREND ASSEMBLY			STANDARD		
REF	PART DESCRIPTION	QTY	3A219-198		
1	CYLINDER	1	1-863-6		
2	KEY	1	0-9-116		
3	CAPSCREW, M10 X 30	20	0-2-860		
4	CAPSCREW, M10 X 40	17	0-2-862		
5	KEY	1	0-9-117		
6	INLET BEARING COVER	1	14-1817-2		
7	DISCHARGE BEARING COVER	1	14-1820-1		
8	CHECK VALVE	1	15-1703		
9	GASKET	1	16-2097		
10	GASKET	1	16-2098		
11	GASKET	1	16-2099		
12	ROLL PIN	3	17-598-52		
13	DOWEL PIN	3	17-647		
14	LOCKWASHER	1	20-902		
15	LOCKWASHER	1	20-902-2		
16	SPACER	1	22-1223		
17	DISCHARGE BEARING RET.	1	31-999-4		
18	INLET BEARING RETAINER	1	31-1000-2		
19	CAPSCREW, M10 X 35	2	34-1364-13		
20	BEARING LOCKNUT	1	53-789		
21	BEARING LOCKNUT	1	53-789-2		
22	LOAD RING	1	64-312		
23	LOAD RING	1	64-313		
24	MALE ROTOR	1	101-215-1		
25	FEMALE ROTOR	1	101-216		
26	ROTARY SEAL	1	125-924		
27	ROTARY SEAL	1	125-940		
28	SEAL	1	125-950-3		
29	SEAL	1	125-950-4		
30	O-RING	1	125-955-3		
31	CYL. ROLLER BEARING	1	181-404		
32	CYL. ROLLER BEARING	1	181-599		
33	CYL. ROLLER BEARING	1	181-600		
34	FOUR-POINT BEARING	1	181-627		
35	CYL. ROLLER BEARING	1	181-632		
36	FOUR-POINT BEARING	1	181-633		



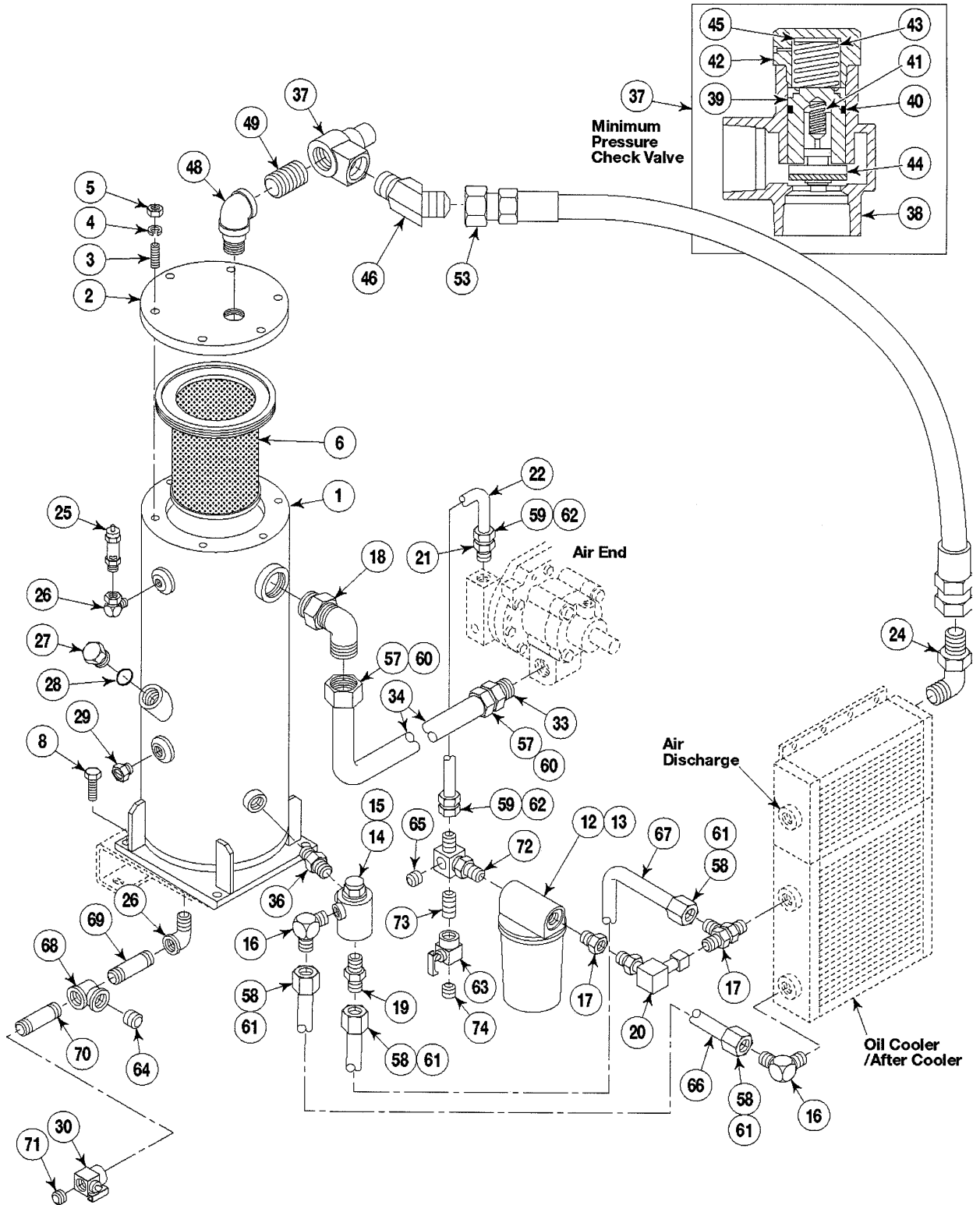
SK-4946B ECN 45208  
JCH 7/97

# PARTS LIST GROUPS AND COMPONENTS

**MODEL**  
**CL15-20-25-30SS,CUB**

**PART NUMBERS**

GROUP NO. 1A AIREND PLUMBING			STANDARD		
REF	PART DESCRIPTION	QTY			
			G33-1294		
1	RUN TEE	1	182-182		
2	TUBE FITTING 90°	3	H182-393		
3	TUBE FITTING	1	182-358		
4	BREATHER	2	49-94		
5	TUBE FITTING 90°	1	H182-383		
6	TUBING	3	55-29		
7	TUBE FITTING TEE	1	H182-360		
8	TUBE FITTING 90°	1	182-728		
9	TUBE FITTING	1	182-405		
10	TUBING	1	55-48-19		



# PARTS LIST GROUPS AND COMPONENTS

MODEL CL15-20-25-30SS,CUB			PART NUMBERS		
GROUP NO. 2 AIR RECEIVER/OIL RESERVOIR - OIL PIPING/OIL FILTER			STANDARD		
REF	PART DESCRIPTION	QTY	G69-915 G33-944		
1	AIR RECEIVER-OIL RESERVOIR	1	A69-915 Inc. A to B		
2	COVER	1	14-1946--A		
3	STUD	6	105-585		
4	WASHER, SPECIAL	6	20-917		
5	NUT	6	53-788--B		
6	ELEMENT, SEPARATOR	1	43-1038		
8	SCREW, CAP 3/8-16 ROLOK	4	34-1512-1		
12	HEAD, OIL FILTER	1	43-1062		
13	ELEMENT, FILTER	1	43-1041--D		
14	BODY, BYPASS VALVE	1	116-218-4		
15	VALVE, THERMAL BYPASS 160D	1	116-441		
16	FITTING, ADPTR	2	182-1068		
17	FITTING, ADPTR.	1	182-1059		
18	FITTING, ADPTR.	1	182-1060-3(CUB) 182-1062(SS)		
19	FITTING, ADPTR.	1	182-511		
20	FITTING, ADPTR 90D	1	182-1061		
21	FITTING, ADPTR.	1	182-1060		
22	TUBE 3/4" OIL INJECTION	1	55-2612		
24	FITTING, 90° ADAPTOR	1	182-434-12		
25	VALVE, PRESSURE RELIEF	1	15-1270-6		
26	ELBOW, PIPE	1	013-504		
27	PLUG, FILLER	1	182-750-14		
28	SEAL, PLUG	1	125-789-23		
29	GAGE, OIL LEVEL	1	60-629		
30	VALVE, DRAIN	1	15-1292		
33	FITTING, ADPTR. STA	1	182-511-2		
34	TUBE 1 1/4"	1	55-2611		
36	FITTING, UNION	1	182-1058		
37	VALVE, MINIMUM PRESSURE/CHECK	1	15-1667 Inc. E to F		
38	BODY, VALVE	1	220-182-1--E		
39	PISTON, LARGE	1	220-182-3		
40	SEAL, O-RING	1	125-826-29		
41	SPRING, SMALL	1	220-187-4		
42	CAP	1	220-159-5		
43	SPRING, LARGE	1	220-159-6		
44	PISTON, ASSEMBLY	1	220-159-7		
45	SPACER (SHIM)	3	06-69--F		
46	FITTING 1 1/4 NPT X JIC 11 45D	1	182-433-9		
48	ELBOW, PIPE	1	013-507-3		
49	NIPPLE, PIPE	1	013-171-3		
53	HOSE ASSEMBLY	1	A73-1049		
57	FERRULE 1 1/4"	2	182-1056-1		
58	FERRULE 3/4"	4	182-1056-3		
59	FERRULE 1/2"	2	182-1056-2		
60	NUT VERSILFLARE 1 1/4"	2	182-1057-1		
61	NUT VERSILFLARE 3/4"	4	182-1057-3		
62	NUT VERSILFLARE 1/2"	2	182-1057-2		
63	VALVE, BALL 1/4"	1	15-338		

**THIS PAGE LEFT INTENTIONALLY BLANK.**

# PARTS LIST GROUPS AND COMPONENTS

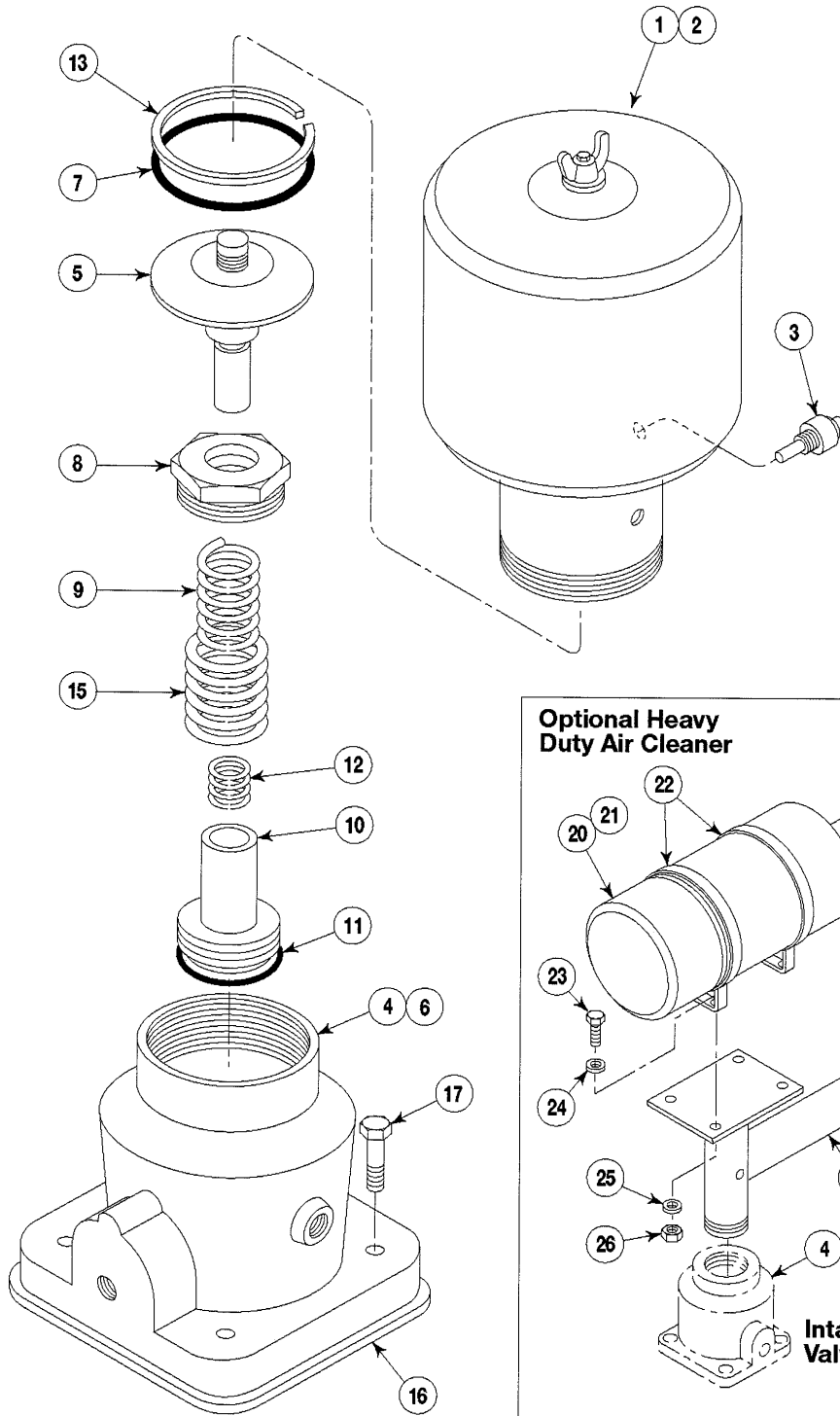
**MODEL  
CL15-20-25-30SS,CUB**

**PART NUMBERS**

**GROUP NO. 2 AIR RECEIVER/OIL  
RESERVOIR - OIL PIPING/OIL FILTER CONTINUED**

**STANDARD**

REF	PART DESCRIPTION	QTY	PART NUMBERS
64	PLUG, 1/2" PIPE MAGNETIC	1	19-370
65	DETECTOR, METAL (VISUAL) CUB (STANDARD)	1	76-1307
	DETECTOR, (ELECTRONIC) SS (OPTIONAL)	1	76-1299
66	TUBE 3/4"	1	55-2613
67	TUBE 3/4"	1	55-2614
68	TEE, 1/2" NPT	1	013-604
69	PIPE NIPPLE	1	013-114
70	NIPPLE CLOSE	1	013-4
71	PLUG, 1/2	1	011-104
72	ADPTR, EL SAE 16XJ1C8 SPEC.	1	182-1072
73	HEX NIPPLE 1/4 NPT	1	182-906
74	PLUG, 1/4	1	011-102



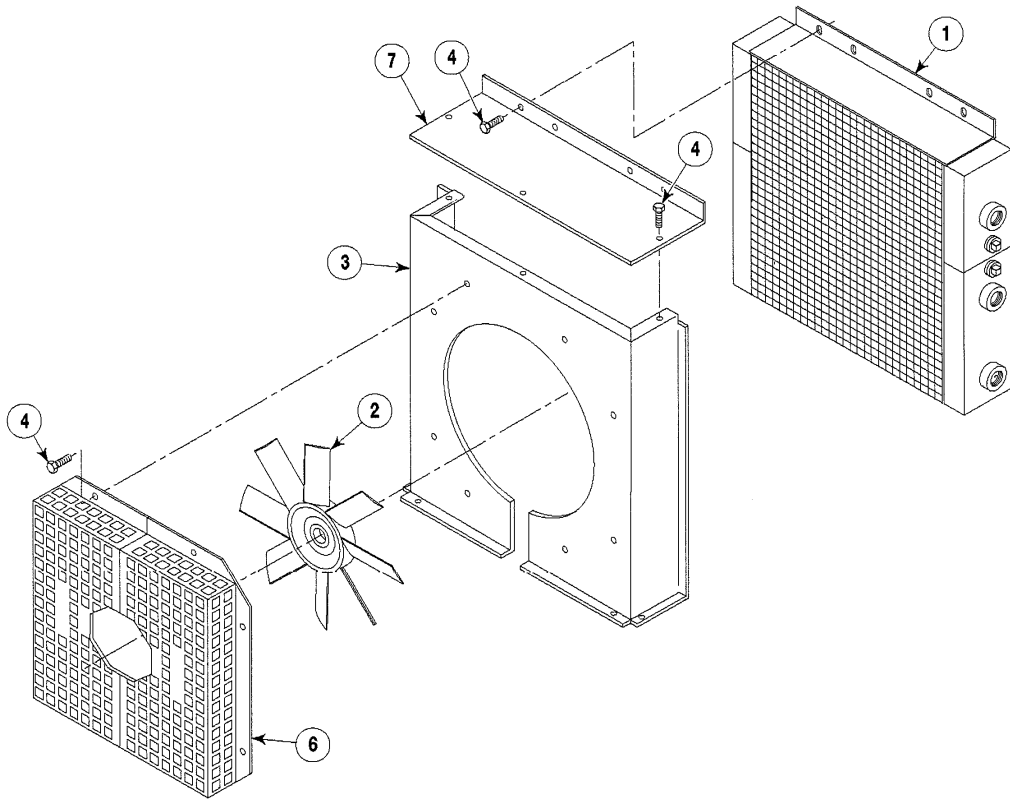
A2250PB

# PARTS LIST GROUPS AND COMPONENTS

**MODEL  
CL15-30SS,CUB**

**PART NUMBERS**

<b>GROUP NO. 3 AIR CLEANER - INTAKE VALVE</b>				<b>STANDARD</b>	
<b>REF</b>	<b>PART DESCRIPTION</b>	<b>QTY</b>			
				9G116-427	
				43-827-1	
				A39-7447	
1	AIR CLEANER	1		43-827-1	
				Inc. A	
2	ELEMENT	1		43-763--A	
4	VALVE ASSEMBLY, INTAKE	1		116-427	
				Inc. B to C	
5	VALVE	1		220-260--B	
6	BODY	1		220-260-1	
7	SEAL, SPECIAL	1		220-260-2	
8	CAP	1		220-260-3	
9	SPRING, (INNER)	1		220-260-4	
10	PISTON	1		220-260-5	
11	SEAL, O-RING	1		220-260-6	
12	SPRING	1		220-260-7	
13	RING, RETAINING	1		220-260-8	
15	SPRING (OUTER)	1		220-260-10--C	
16	GASKET	1		16-1851	
17	SCREW, CAP	4		02-37	
	<b>AIR CLEANER GROUP (HEAVY DUTY OPTION)</b>				
20	AIR CLEANER	1		43-494-2	
				Inc. D	
21	AIR FILTER ELEMENT	1		220-105	
22	CLAMP, AIR CLEANER MTG.	2		83-608	
23	SCREW, CAP	4		02-20	
24	WASHER, FLAT	4		06-3	
25	WASHER, LOCK	4		05-50	
26	NUT	4		04-102	
27	ELBOW RUBBER	2		H73-765	
28	HOSE CLAMP	4		83-621-3	
29	TUBE	1		55-1956	
30	SUPPORT AIR FILTER HD	1		A39-7447	



A2251PB

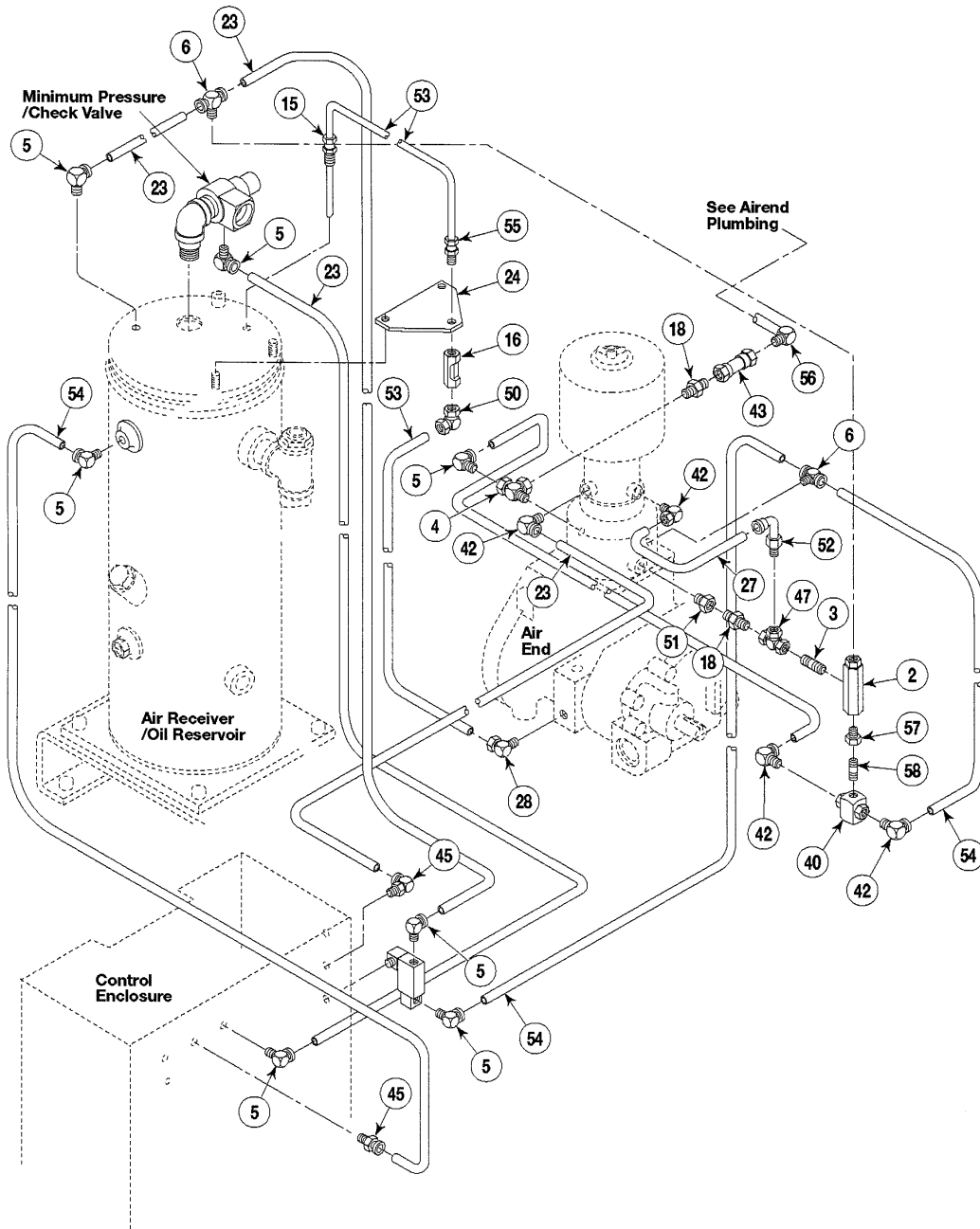
## PARTS LIST GROUPS AND COMPONENTS

**MODEL  
CL15-30SS,CUB**

**PART NUMBERS**

**GROUP NO. 4 OIL COOLER/AFTERCOOLER -  
FAN - FAN SHROUD**

REF	PART DESCRIPTION	QTY	STANDARD	PART NUMBERS
			1G71-1063	
1	OIL COOLER/AFTERCOOLER ASSEMBLY	1	71-1063	
2	FAN 14"	1	42-373	
3	SHROUD	1	201-380-1	
4	SCREW, CAP	16	34-1512-4	
6	GUARD	2	68-3192-1	
7	SHROUD COVER	1	14-1953-1	
	<b>16" FAN 2G71-1063</b>			
	OIL COOLER/AFTERCOOLER - FAN - FAN SHROUD 16" (150 PSI MACHINES)			
1	OIL COOLER/AFTERCOOLER ASSEMBLY	1	71-1063	
2	FAN 16"	1	42-376	
3	FAN SHROUD 16"	1	201-393-1	
4	SCREW, CAP	16	14-1953-1	
6	GUARD, FAN 16"	2	68-2530-1	
7	SHROUD COVER	1	34-1512-4	



## PARTS LIST GROUPS AND COMPONENTS

**MODEL  
CL15-30SS**

**PART NUMBERS**

GROUP NO. 5 CONTROL PIPING SS			STANDARD		
REF	PART DESCRIPTION	QTY	G33-946		
2	VALVE, BLOW DOWN	1	15-1717		
3	HEX NIPPLE	1	182-906		
5	FITTING 1/4 T X 1/4" 90	7	182-1064-1		
6	FITTING 1/4 T TEE	2	182-1066		
8	TUBE, 1/4" BLU	5	55-2615-2		
15	FITTING, COMP 1/4T X 1/4 NPT	1	H182-382-1		
16	GAGE, SIGHT WITH ORIFICE	1	60-628		
18	VALVE, CHECK	2	15-1703		
23	TUBE, 1/4" RED	5	55-2615-1		
24	BRACKET	1	39-7438		
27	TUBE, 1/4" BLACK	3	55-2615		
28	FITTING	1	182-435-12		
40	VALVE, SHUTTLE	1	15-1179		
42	FTG. 1/4T X 1/8 MNPT X 90D	4	182-1064		
43	COUPLING NEX 1/4 X 1/4 BRASS	1	182-1073		
45	FTG 1/4T X 1/4 MNPT X 90D	2	182-1065-1		
47	FTG. TEE 1/4" BRASS	1	182-1067		
50	FITTING 1/4T X 1/4 FNPT 90°	1	182-901-1		
51	ORIFICE .052	1	54-559		
52	ORIFICE .078	1	54-560		
53	TUBING BUNDYWELD 1/4"	4	K5701731		
54	TUBE 1/4 NYLON BLU	3	55-2615-2		
55	FTG. 1/4T X 1/4 MNPT	1	182-436-12		
56	TUBE FITTING 1/4T X 1/4 MNPT 90° COMP	2	182-383		
57	1/4 X 1/8 REDUCER BUSHING	1	013-1061-3		
58	1/8 CLOSE NIPPLE	1	013-1-3		

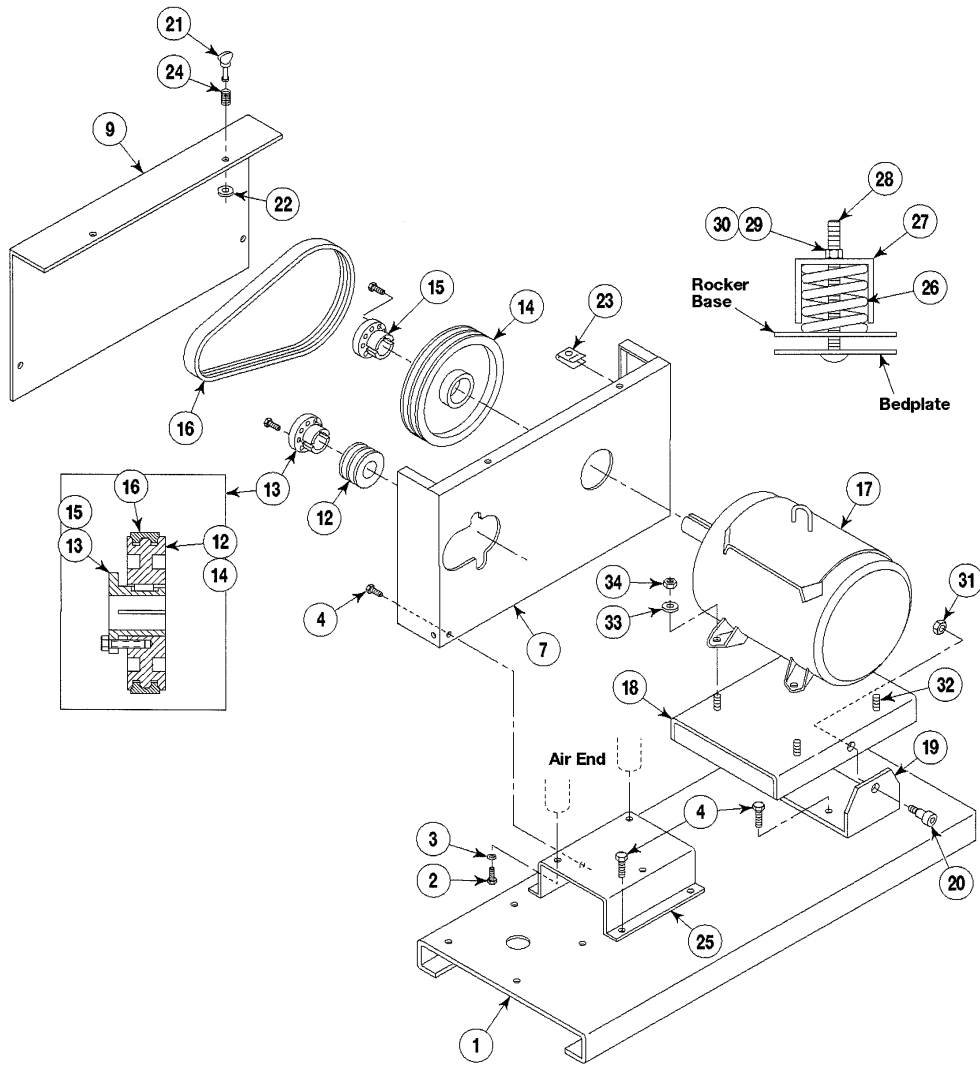


# PARTS LIST GROUPS AND COMPONENTS

**MODEL  
CL15-30CUB**

**PART NUMBERS**

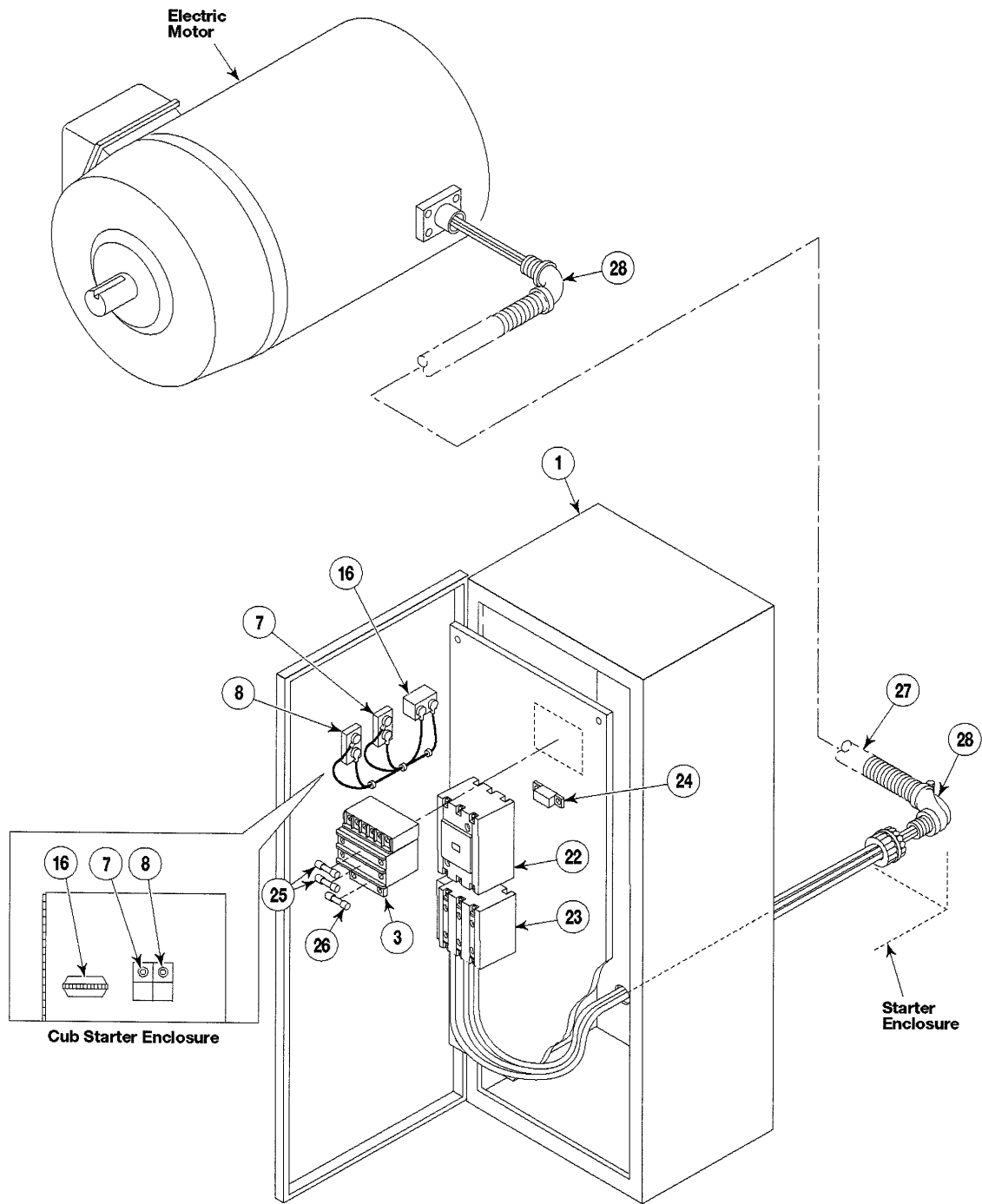
GROUP NO. 5A CONTROL PIPING			STANDARD		
REF	PART DESCRIPTION	QTY	G33-1291		
1	VALVE, CONTROL PRESSURE REGULATOR REBUILD KIT	1	15-1580-3 Inc. A 220-363-A		
2	VALVE, BLOW DOWN	1	15-1717		
3	FITTING	4	182-906		
4	FITTING	1	182-849		
5	FITTING 1/4T X 1/4" 90	4	182-1064-1		
6	FITTING 1/4 T TEE	4	182-1066		
7	VALVE, RETURN AIR BLEED	1	15-1666		
9	INDICATOR, RESTRICTION	1	60-345		
11	FITTING	1	182-725		
13	GAGE, PRESSURE	1	60-559		
15	FITTING, SPECIAL	1	H182-382-1		
16	GAGE, SIGHT WITH ORIFICE	1	60-628		
18	VALVE, CHECK	2	15-1703		
21	PRESSURE INDICATOR	1	60-471		
23	TUBE, 1/4" RED	5	55-2615-1		
24	BRACKET	1	39-7438		
27	TUBE, 1/4" BLACK	3	55-2615		
28	FITTING	1	182-435-12		
42	FTG. 1/4 X 1/8 MNPT X 90°	1	182-1064		
43	COUPLING HEX 1/4 NPT	1	182-1073		
45	FTG. 1/4 X 1/4 MNPT X 90D	2	182-1065-1		
48	TEE BRASS 1/4 NPT	3	182-907		
49	PRESSURE SWITCH (AUTO DUAL OPTION)	1	76-1263		
50	FTG. 1/4 TUBE - 1/4 FNPT 90°	1	182-901-1		
51	ORIFICE 1/4 MNPT - 1/4 FNPT	2	54-559		
52	ORIFICE	1	54-560		
53	TUBING BUNDYWELD 1/4"	4	K5701731		
54	TUBE 1/4" NYLON BLU	3	55-2615-2		
55	FTG. 1/4T X 1/4 MNPT	1	182-436-12		
56	TUBE FITTING 1/4T X 1/4 MNPT 90° COMP.	2	182-383		



2511PB

# PARTS LIST GROUPS AND COMPONENTS

MODEL CL15-30SS,CUB			PART NUMBERS			
GROUP NO. 6 BED PLATE - DRIVE - ELECTRIC MOTORS - BELT GUARD			CL15	CL20	CL25	CL30
REF	PART DESCRIPTION	QTY	G68-3190			
1	BASE, WELDMENT	1	A118-1278	A118-1278	A118-1278	A118-1278
2	SCREW, CAP	3	02-890	02-890	02-890	02-890
3	WASHER, LOCK	3	05-52	05-52	05-52	05-52
4	SCREW, CAP	16	34-1512-1	34-1512-1	34-1512-1	34-1512-1
7	GUARD, BELT	1	68-3190-1	68-3190-1	68-3190-1	68-3190-1
9	COVER, GUARD	1	68-3191-1	68-3191-1	68-3191-1	68-3191-1
<b>DRIVE FOR 100 PSI OPERATION:</b>						
12	PULLEY (COMPRESSOR)	1	36-1292-7	76-1292-6	36-1292-9	36-1300-1
13	BUSHING, PULLEY	1	132-251	132-251	132-251	132-198-6
14	PULLER (MOTOR)	1	36-1292-13	36-1292-18	36-1292-21	36-1299-7
15	BUSHING, PULLEY	1	132-251-1	132-251-2	132-251-2	132-251-2
16	BELT	1	41-629-2	41-629-7	41-629-11	41-641-5
<b>DRIVE FOR 125 PSI OPERATION:</b>						
12	PULLEY (COMPRESSOR)	1	36-1292-10	36-1292-6	36-1292-13	36-1300-1
13	BUSHING, PULLEY	1	132-251	132-251	132-151	132-198-6
14	PULLEY (MOTOR)	1	36-1292-13	136-1292-16	36-1292-21	36-1299-5
15	BUSHING, PULLEY	1	132-251-1	132-251-1	132-251-2	132-251-2
16	BELT	1	41-629-2	41-629-2	41-629-11	41-641-4
<b>DRIVE FOR 150 PSI OPERATION:</b>						
12	PULLEY (COMPRESSOR)	1		36-1292-10	36-1292-15	36-1300-6
13	BUSHING, PULLEY	1		132-251	132-251	132-198-6
14	PULLEY (MOTOR)	1		36-1292-18	36-1292-23	36-1299-7
15	BUSHING, PULLEY	1		132-251-1	132-251-2	132-251-2
16	BELT	1		41-629-7	41-629-10	41-641-5
<b>ELECTRIC MOTOR 200 VOLT:</b>						
17	MOTOR, O.D.P.	1	107-1036-18	107-1036-12	107-1036-7	107-1036-18
<b>ELECTRIC MOTOR 230/460 VOLT:</b>						
17	MOTOR, O.D.P.	1	107-1036-19	107-1036-13	107-1036-7	107-1036-1
<b>ELECTRIC MOTOR 575 VOLT:</b>						
17	MOTOR, O.D.P.	1	107-1036-20	107-1036-14	107-1036-8	107-1036-2
18	BASE, MOTOR	1	39-7935	39-7935	39-7935	39-7935
19	BASE BRACKET	1	222-5514	222-5514	222-5514	222-5514
20	SCREW SHOULDER	2	34-1583	34-1583	34-1583	34-1583
21	THUMB SCREW	4	34-1584	34-1584	34-1584	34-1584
22	RETAINING WASHER	4	53-805	53-805	53-805	53-805
23	NUT CLIP	4	53-806	53-806	53-806	53-806
24	SPRING	4	24-1095	24-1095	24-1095	24-1095
25	BRACKET, AIREND MTG.	1	39-7934	39-7934	39-7934	39-7934
26	SPRING 4" X 1.16 DIA.	1	24-1096	24-1096	24-1096	24-1096
27	SPRING HOLDER	1	63-471	63-471	63-471	63-471
28	BOLT CARRAIGE	1	02-100	02-100	02-100	02-100
29	NUT, HEX	1	04-103-1	04-103-1	04-103-1	04-103-1
30	WASHER, FLAT 3/8	1	06-4-1	06-4-1	06-4-1	06-4-1
31	NUT 3/8 - 16 NYLOK	2	53-766-1			
32	CAPSCREW	4	02-71	02-71	02-71	02-71
33	LOCK WASHER	4	05-53	05-53	05-53	05-53
34	NUT	4	04-104	04-104	04-104	04-104

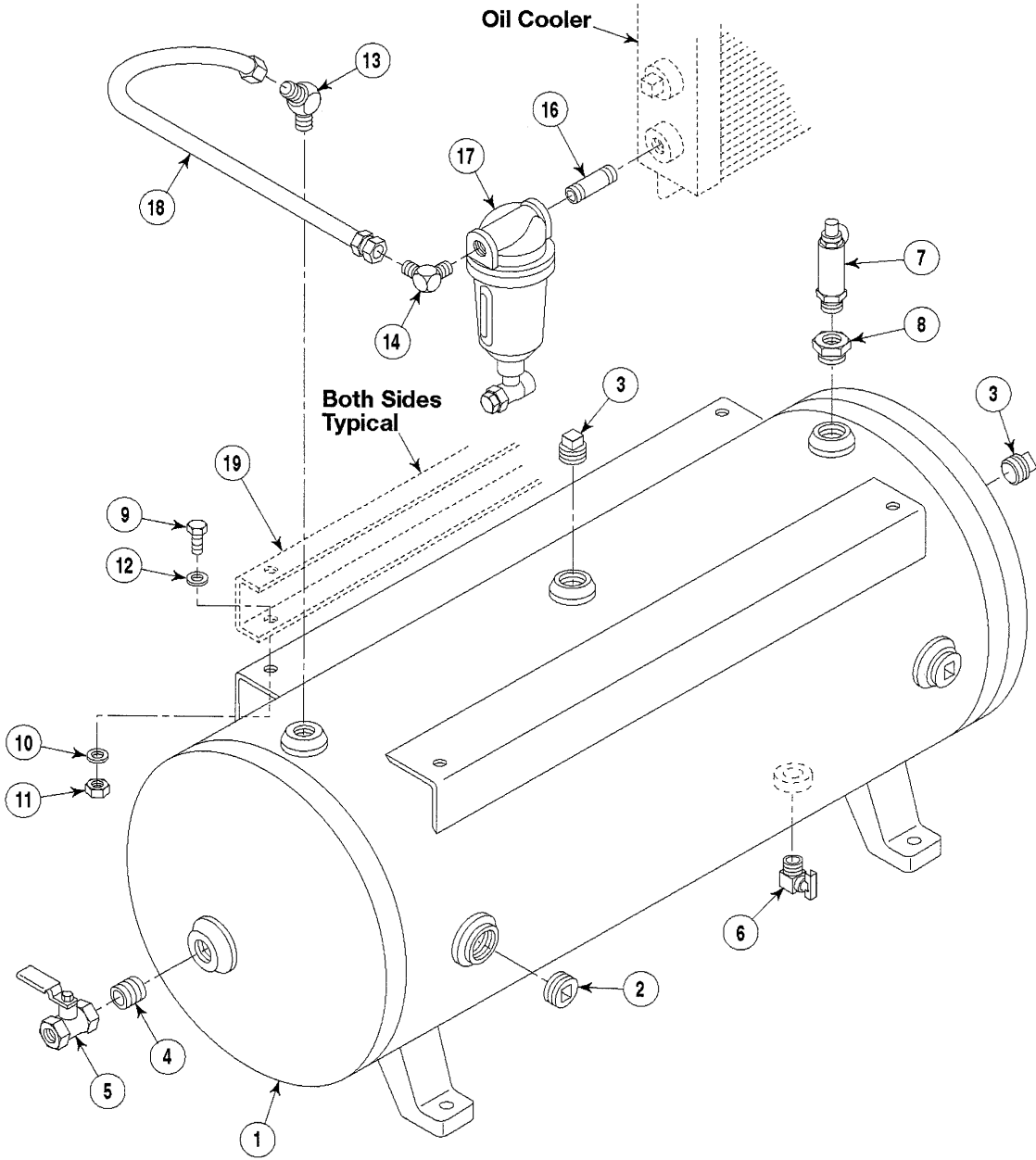


## PARTS LIST GROUPS AND COMPONENTS

**MODEL**  
**CL15-20-25-30SS,CUB**

**PART NUMBERS**

GROUP NO. 7 STARTER ENCLOSURE			CL15	CL20	CL25	CL30	
REF	PART DESCRIPTION	QTY					
1	ENCLOSURE, STARTER CUB	1	68-3199 Inc. A	68-3199 Inc. A	68-3199 Inc. A	68-3199 Inc. A	68-3199 Inc. A
1	ENCLOSURE, STARTER SS	1	68-3199-1 Inc. A	68-3199-1 Inc. A	68-3199-1 Inc. A	68-3199-1 Inc. A	68-3199-1 Inc. A
3	TRANSFORMER 60 HZ	1	185-27--A	185-27--A	185-27--A	185-27--A	185-27--A
3	TRANSFORMER 50 HZ	1	185-27-2--A	185-27-2--A	185-27-2--A	185-27-2--A	185-27-2--A
7	BUTTON, SWITCH, "STOP" (CUB)	1	76-1337	76-1337	76-1337	76-1337	76-1337
8	BUTTON, SWITCH, "START" (CUB)	1	76-1340	17-1340	76-1340	76-1340	76-1340
16	HOURMETER (CUB)	1	60-457	60-457	60-457	60-457	60-457
	<b>200 VOLT:</b>						
22	CONTACTOR	1	76-1325-2	76-1325-2	76-1325-3	76-1325-3	76-1325-5
23	OVERLOAD RELAY	1	76-1326-1	76-1326-1	76-1326-2	76-1326-2	76-1326-3
24	SURGE PROTECTOR (SS ONLY)	1	76-1327-7	76-1327-8	76-1327-13	76-1327-13	76-1327-14
25	FUSE, PRIMARY	2	139-275-6	139-275-6	139-275-6	139-275-6	139-275-6
26	FUSE, SECONDARY	1	139-244-9	139-244-9	139-244-9	139-244-9	139-244-9
	<b>230 VOLT:</b>						
22	CONTACTOR	1	76-1325-2	76-1325-2	76-1325-2	76-1325-2	76-1325-3
23	OVERLOAD RELAY	1	76-1326-1	76-1326-1	76-1326-1	76-1326-1	76-1326-2
24	SURGE PROTECTOR (SS ONLY)	1	76-1327-7	76-1327-7	76-1327-8	76-1327-8	76-1327-13
25	FUSE, PRIMARY	2	139-275-6	139-275-6	139-275-6	139-275-6	139-275-6
26	FUSE, SECONDARY	1	139-244-9	139-244-9	139-244-9	139-244-9	139-244-9
	<b>460 VOLT:</b>						
22	CONTACTOR	1	76-1325-1	76-1325-1	76-1325-2	76-1325-2	76-1325-2
23	OVERLOAD RELAY	1	76-1326	76-1326	76-1326-1	76-1326-1	76-1326-1
24	HEATER PAK (3)	1	76-1327-4	76-1327-4	76-1327-5	76-1327-5	76-1327-6
25	FUSE, PRIMARY	2	139-275-3	139-275-3	139-275-3	139-275-3	139-275-3
26	FUSE, SECONDARY	1	139-244-9	139-244-9	139-244-9	139-244-9	139-244-9
	<b>575 VOLT:</b>						
22	CONTACTOR	1	76-1325-1	76-1325-1	76-1325-1	76-1325-1	76-1325-2
23	OVERLOAD RELAY	1	76-1326	76-1326	76-1326	76-1326	76-1326-1
24	SURGE PROTECTOR (SS ONLY)	1	76-1327-3	76-1327-4	76-1327-4	76-1327-4	76-1327-5
25	FUSE, PRIMARY	2	139-275-3	139-275-3	139-275-3	139-275-3	139-275-3
26	FUSE, SECONDARY	1	139-244-9	139-244-9	139-244-9	139-244-9	139-244-9
27	CONDUIT	3	55-2447-4				
28	CONDUIT ELBOW	2	182-1069-4				



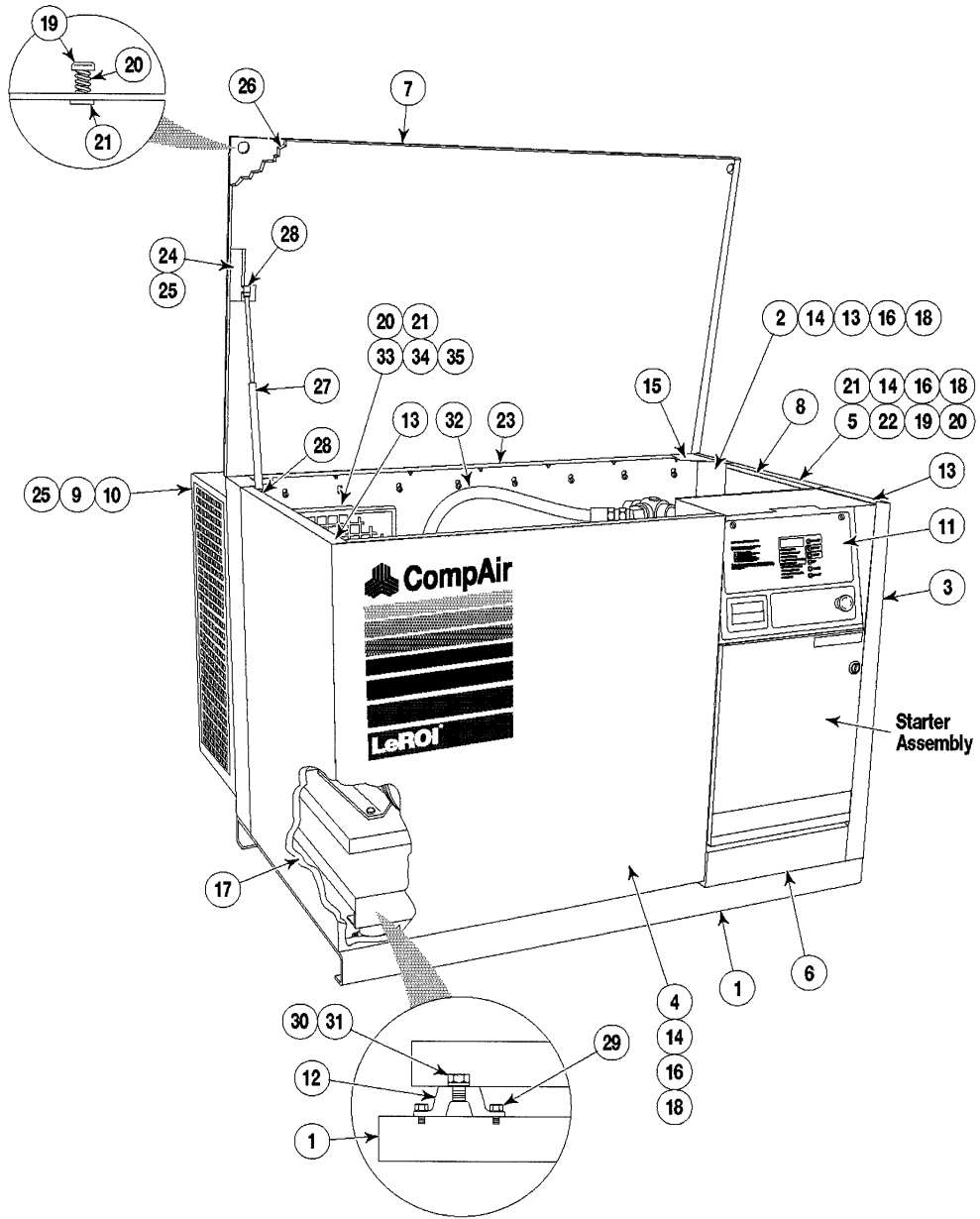
2264PB

## PARTS LIST GROUPS AND COMPONENTS

**MODEL**  
**CL15-20-25-30SS,CUB**

**PART NUMBERS**

<b>GROUP NO. 8 AIR RECEIVER - MOISTURE SEPARATOR</b>			69-833	
<b>REF</b>	<b>PART DESCRIPTION</b>	<b>QTY</b>	<b>STANDARD</b>	
			43-932	
			1G69-643-2	
1	RECEIVER, AIR 120 GAL	1	69-833	
2	PLUG, PIPE	2	011-209	
3	PLUG, PIPE	2	011-207	
4	NIPPLE, PIPE	1	013-26	
5	VALVE, SERVICE	1	H15-1292-2	
6	VALVE, DRAIN	1	H15-689	
7	VALVE, PRESSURE RELIEF 200 PSI	1	15-1949	
8	BUSHING, PIPE	1	013-1077	
9	SCREW, CAP	8	01-71	
10	WASHER, LOCK	8	05-53	
11	NUT	8	04-105	
12	WASHER, FLAT	8	06-6	
13	ADAPTOR J1C - NPT 45°	1	182-433-9	
14	ADAPTOR J1C - NPT 90°	1	182-434-12	
16	NIPPLE (USED ONLY WITH #17)	1	013-156	
17	FILTER, MOISTURE (OPTIONAL)	1	43-932	
18	HOSE ASSEMBLY	1	A73-1049	
19	RAIL	2	39-7449	
	<b>200 GAL RECEIVER</b>			
1	RECEIVER, AIR 200 GAL	1	69-643-2	
7	VALVE, PRESSURE RELIEF 170 PSI	1	15-1270-6	
13	ADAPTOR 45° NPT X J1C	1	182-433-1	
14	ADAPTOR NPT X J1C	1	182-422-5	
18	HOSE ASSEMBLY	1	K0260682	
20	BRACKET ASSEMBLY (TANK MOUNTED ENCLOSED UNIT)	1	A68-2517	

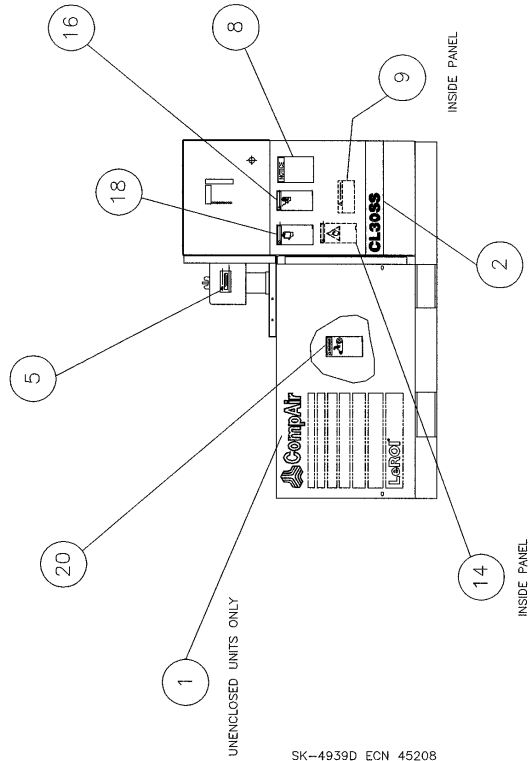
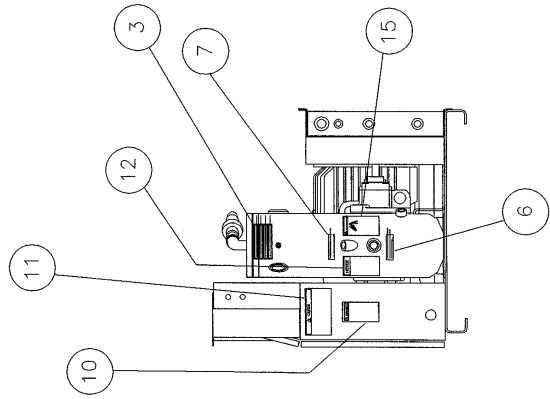
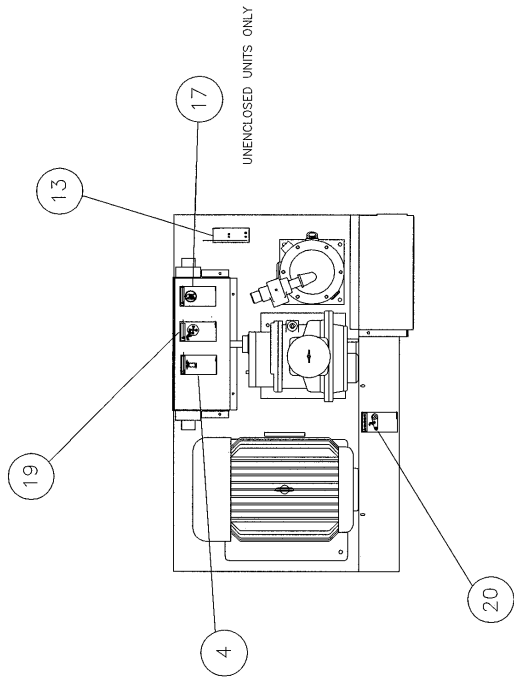


## PARTS LIST GROUPS AND COMPONENTS

**MODEL**  
**CL15-20-25-30SS,CUB**

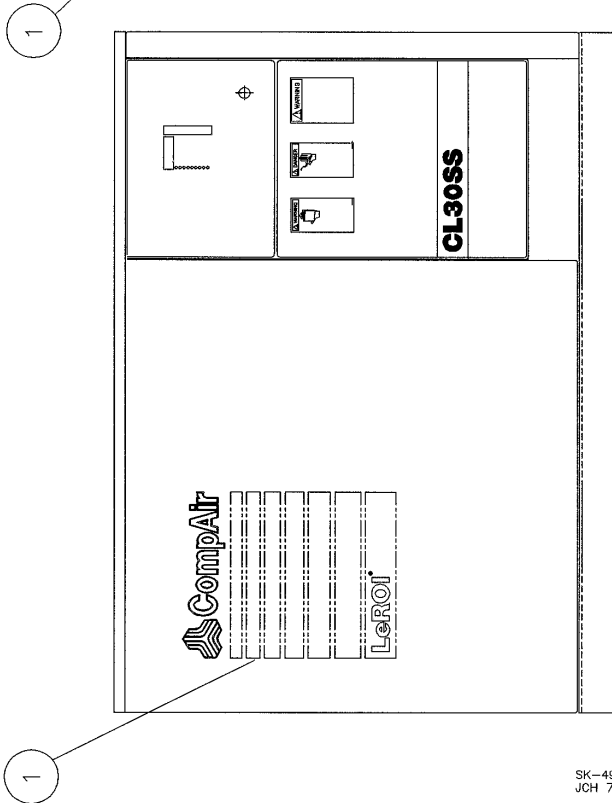
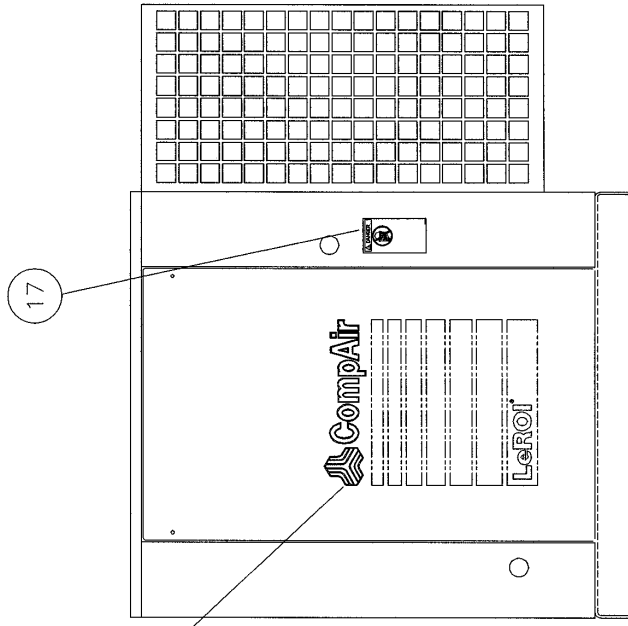
**PART NUMBERS**

GROUP NO. 9 HOUSING ASSEMBLY			STANDARD		
REF	PART DESCRIPTION	QTY	G68-3197 (SS)	G68-3197-1 (CUB)	
1	BASE, ENCLOSURE	1		118-1279	
2	BACK, PANEL	1		68-2483-1	
3	POST, RIGHT FRONT	1		68-2482-1	
4	PANEL, FRONT END	1		68-2484-1	
5	PANEL, SERVICE END	1		68-2486-1	
6	PANEL, BOTTOM FRONT	1		68-2481-1	
7	PANEL, TOP	1		68-2485-1	
8	RAIL, SERVICE END	1		68-2492-1	
9	SOUND BOX ENCLOSURE	2		68-2490-1	
10	SOUND BOX COVER	2		68-2491-1	
11	COMPAIRTROLLER ASSEMBLY (SS)	1		G76-1296	
11	PANEL, FILLER (CUB)	1		151-512	
12	VIBRATION ISOLATOR	6		74-264	
13	NUT CLIP	4		53-806	
14	PIN, LOCATING	7		17-1317	
15	GUSSET, REAR PANEL	2		39-7464	
16	NUT, LOCATING PIN	7		04-101-1	
17	INSULATION, FOAM 1"	17.3sq		124-234	
18	LOCK WASHER, LOCATING PIN	7		05-49	
19	SCREW, PANEL RETAINER	5		34-1588	
20	SPRING, PANEL RETAINER	7		24-1095	
21	SCREW RETAINER	7		53-805	
22	INSULATION, FOAM 1"	5 sq		124-234	
23	HINGE	1		39-7440	
24	SUPPORT, GAS STRUT	1		39-7441	
25	RIVET, 3/16 X 1/2	20		126-31-1	
26	INSULATION, FOAM 1"	12.8 sq		124-234	
27	CYLINDER, GAS	1		1-818-4	
28	STUD, CYLINDER MTG.	2		105-591	
29	SCREW SELF TAPPING	12		34-1512	
30	CAPSCREW 1/2 - 20 X	6		02-569	
31	LOCKWASHER 1/2"	6		05-53-1	
32	SHOULDER SCREW	16		34-1592	
33	FILTER, CABINET	1		43-1063	
34	FILTER HOLDER	1		39-7943-1	
35	THUMB SCREW	2		34-1584	



SK-4939D ECN 45208  
JCH 7/97

**THIS PAGE INTENTIONALLY BLANK.**



SK-4940D ECN 45208  
JCH 7/97

## PARTS LIST GROUPS AND COMPONENTS

**MODEL**  
**CL15-20-25-30SS,CUB**

**PART NUMBERS**

GROUP NO. 10 DECALS AND LABELS			STANDARD		
REF	PART DESCRIPTION	QTY	G62-1351 (SS) G62-1352 (CUB)		
1	LEROI BARS	2	62-1359		
2	CL30SS	1	62-1360		
2	CL25SS	1	62-1360-1		
2	CL20SS	1	62-1360-2		
2	CL15SS	1	62-1360-3		
2	CL30CUB	1	62-1360-4		
2	CL25CUB	1	62-1360-5		
2	CL20CUB	1	62-1360-6		
2	CL15CUB	1	62-1360-7		
3	OPERATING PSI	1	62-1118		
4	REVERSE ROTATION	1	62-1373		
5	AIR FILTER ELEMENT	1	62-1135		
6	LOW OIL LEVEL	1	62-1108		
7	OIL FILL LEVEL	1	62-1109		
8	AUTO RESTART (MICROCONTROLLER ONLY)	1	62-1376		
9	GROUNDING INFO	1	62-742		
10	DISCONNECT POWER	1	62-1375		
11	CAUTION LEROI PARTS	1	62-1364		
12	NOTICE LUBRICANTS	1	62-1365		
13	LUBRICANT TYPE	1	62-1342		
14	WARNING FUSES	1	62-1368		
15	PRESSURIZED HOT OIL	1	62-1370		
16	HIGH VOLTAGE	1	62-1371		
17	NOT BREATHING AIR	1	62-1372		
18	READ MANUAL	1	62-1374		
19	FAN WARNING	1	62-1377		
20	BELT WARNING	1	62-1378		

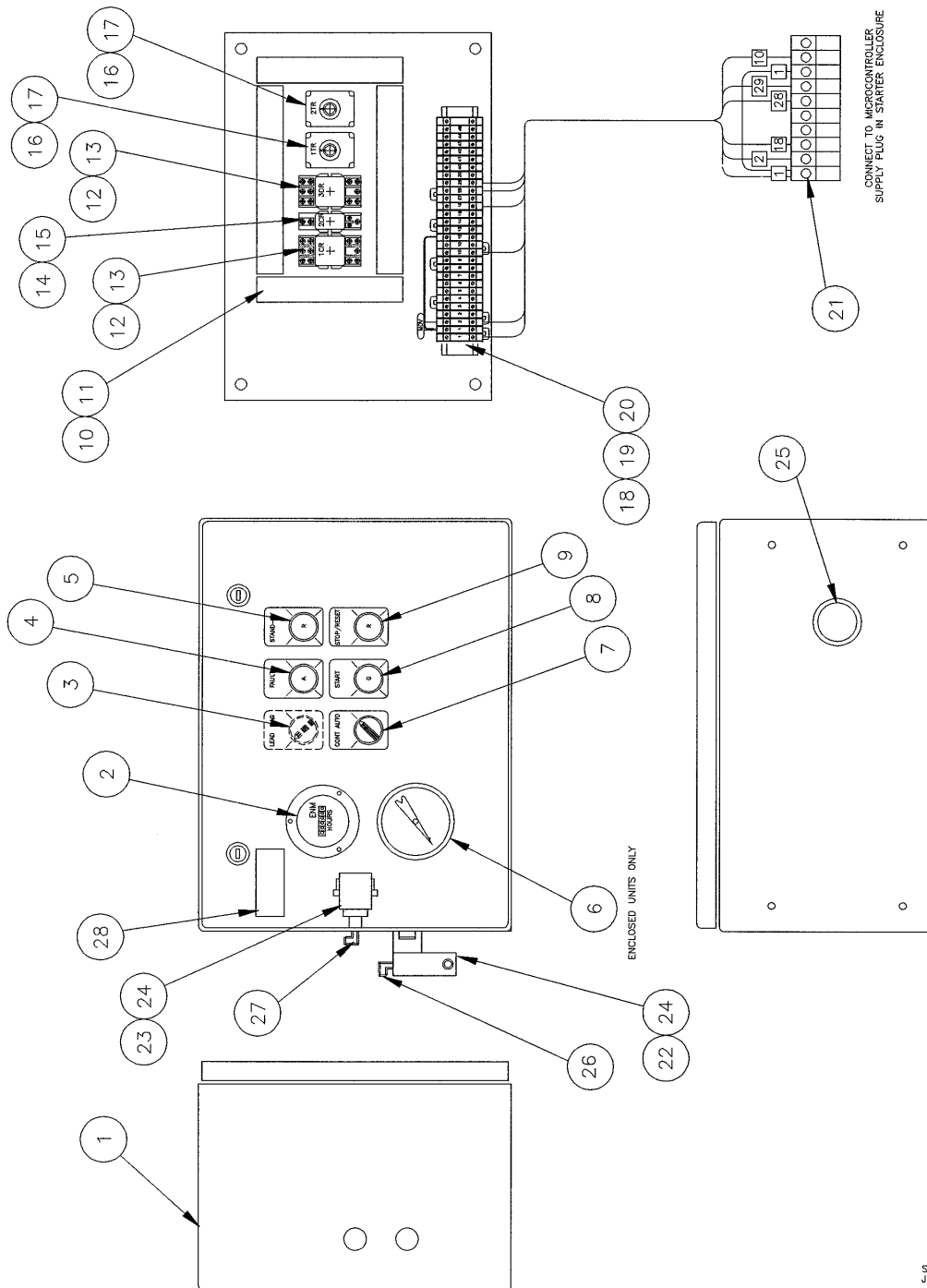


## PARTS LIST GROUPS AND COMPONENTS

**MODEL**  
**CL15-20-25-30SS,CUB**

**PART NUMBERS**

GROUP NO. 11 MICROCONTROLLER ASSEMBLY			STANDARD		
REF	PART DESCRIPTION	QTY	G76-1300 NEMA 4		
			G76-1296 NEMA 1		
1	ENCLOSURE MICROCONTROLLER (NEMA 1)	1	A68-3193		
1	ENCLOSURE MICROCONTROLLER (NEMA 4)	1	68-2503		
2	DOOR ASSY MICROCONTROLLER (NEMA 1; N/A NEMA 4)	1	39-7439		
3	MICROCONTROLLER ASSY	1	76-1300		
4	TRANSFORMER 115/24V 30VA	1	185-26		
5	TRANSDUCER, PRESSURE 232 PSIG	2	76-1306		
6	DECAL, MICROCONTROLLER	1	62-1357		
7	PUSH BUTTON, EMERGENCY STOP	1	76-1301		
8	DECAL, SERIAL NO.	1	62-1382		
9	VALVE, SOL. 1/8" 3 WAY N/O 120 VAC	1	15-1932		
10	BUSHING, 1/2" NPT	1	188-129-1		
11	SWITCH, VAC 20" HZ0 N/C	1	76-1303		
12	HARNESS, WIRE ASSY	1	61-1040		
13	TEMP. PROBE KTY 10-6	1	76-1302		
14	SWITCH, DELTA-P OIL FILTER	1	76-1304		
15	BULKHEAD COUPLING 1/4 X 3/4	3	K0073259		
16	TERMINAL MALE 1/4" INSUL	5	121-263		
17	TERMINAL FEMALE 1/4" INSUL	5	121-262		
18	SPACER #8 X 1/4"	6	22-1443		
20	SWIVEL 1/4 TUBE X 1/8 MNPT X 90D	2	182-1064		
21	SWIVEL 1/4 TUBE X 1/4 MNPT X 90D	4	182-1064-1		
22	BUSHING 1/4 X 1/8	3	013-1061-3		
23	GROMMET 1-3/16 ID	1	150-70		
24	SCREW PAN HEAD 8-23 X 1/2"	5	34-1585		
25	NUT HEX #8-32	5	04-11		
26	SCREW ROUND HEAD 10-32 X 1/2	2	34-1586		
27	CONNECTOR LIQUID TITE 3/8 X 90D	2	182-1069-1		
28	CONNECTOR LIQUID TITE 3/8 STR	2	182-928-1		
29	CONDUIT PVC 3/8"	8	55-2447-1		
30	SCREW 1/4 - 20 3/4	4	02-4-1		
31	NUT 1/4 - 20	4	04-101-1		
32	SB CONDUIT BODY 1/2"	2	188-128		
33	SOUTHCO KNURL SCREW	2	34-1587		
34	SOUTHCO CLIP	2	53-806		
35	SOUTHCO RETAINER	2	53-805		
36	SOUTHCO SPRING	2	24-1095		
37	PRESSURE SWITCH (NOT SHOWN) (MICROCONTROLLER BYPASS OPTION)	1	76-1263		



NOTE: AUTO/DUAL OPTION MUST USE UPPER RANGE MODULATION AND SS STARTER ENCLOSURE

SK-4944D ECN 45208  
JCH 7/97

# PARTS LIST GROUPS AND COMPONENTS

**MODEL**  
**CL15-20-25-30SS,CUB**

**PART NUMBERS**

GROUP NO. 11A AUTO-DUAL CONTROL			STANDARD		
REF	PART DESCRIPTION	QTY	G68-2527		
1	ENCLOSURE	1	68-2527		
2	HOURMETER	1	Inc. A to B		
3	OPERATOR SELECTOR		Consult Factory		
4	LIGHT		Consult Factory		
5	LIGHT		Consult Factory		
6	PRESSURE GAUGE	1	Consult Factory		
7	OPERATOR SELECTOR		Consult Factory		
8	OPERATOR BUTTON		Consult Factory		
9	OPERATOR BUTTON		Consult Factory		
10	PANDUIT WIREWAY	4	Consult Factory		
11	WIREWAY CAP	4	Consult Factory		
12	RELAY		Consult Factory		
13	SOCKET		Consult Factory		
14	RELAY		Consult Factory		
15	SOCKET BASE		Consult Factory		
16	TIMER RELAY		Consult Factory		
17	RELAY BASE		Consult Factory		
18	TERMINAL BLOCK		Consult Factory		
19	END CAP	2	Consult Factory		
20	DIN RAIL	1	Consult Factory		
21	CONNECTOR HARNESS	1	Consult Factory		
22	SOLENOID VALVE	1	15-1932		
23	PRESURE SWITCH	1	76-1263		
24	LOCK NUT	3	53-261-1		
25	GROMMET	1	150-70		
26	TUBE FITTING	3	182-1064		
27	TUBE FITTING	1	182-1064-1		
28	DECAL SERIAL #	1	62-1382		
29	PIPE NIPPLE	1	013-4-3		

**THIS PAGE LEFT INTENTIONALLY BLANK.**

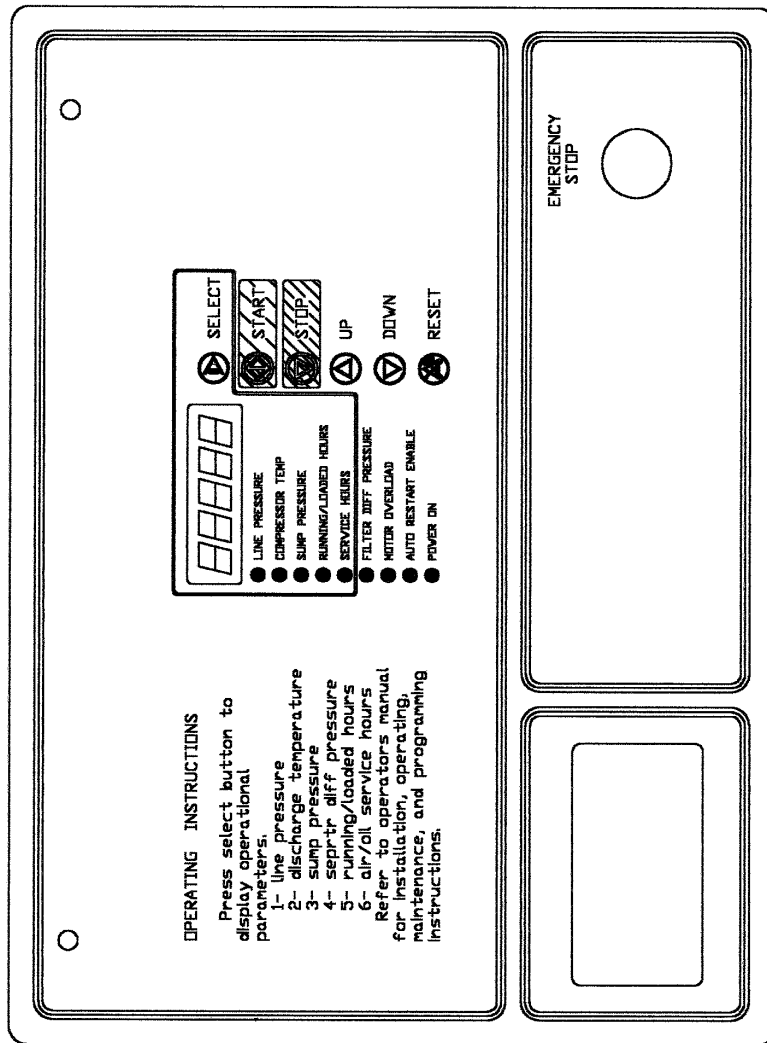
CompAir LeROI

DRAWINGS

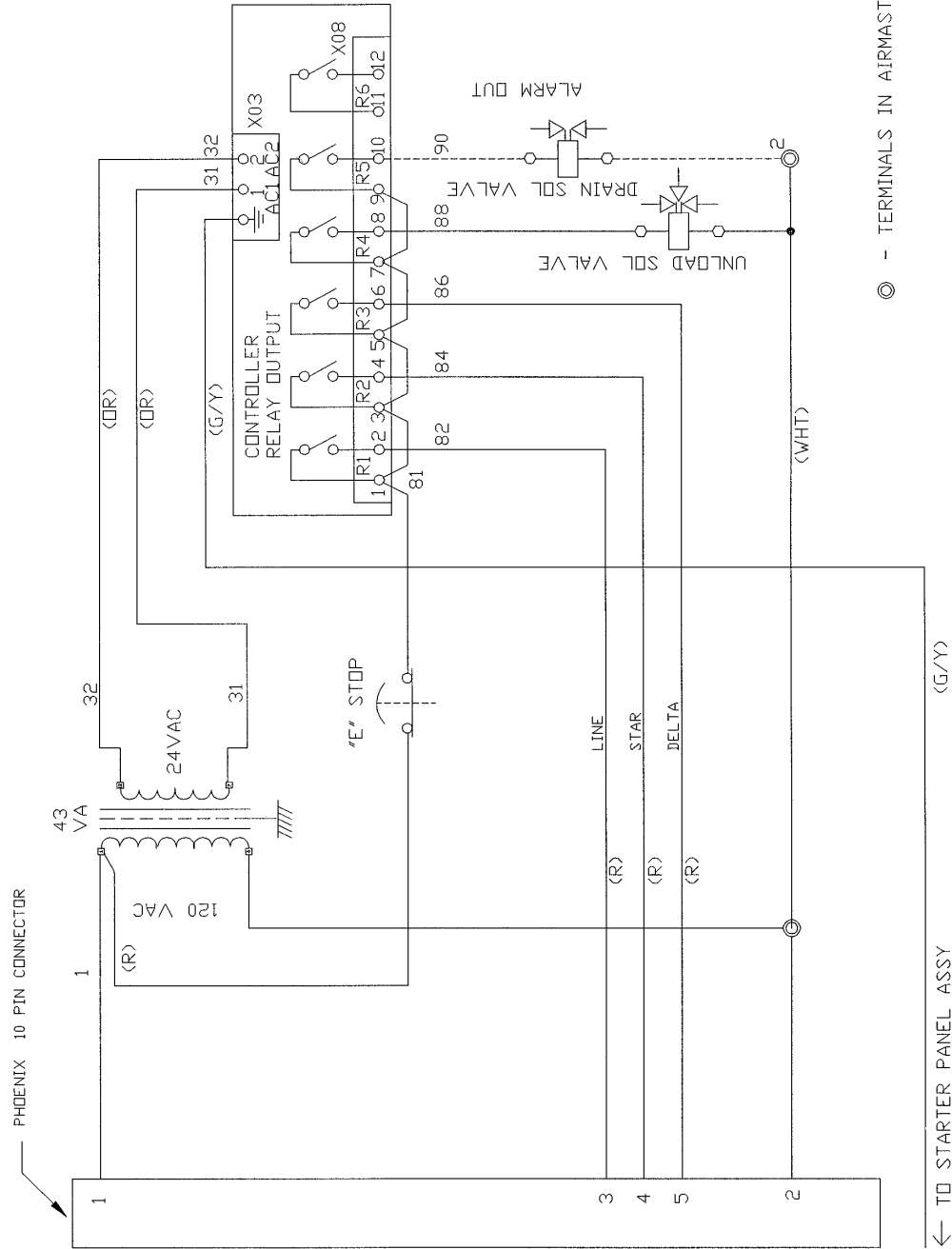
MODEL  
CL15-20-25-30  
CUB,SS

JULY 1997

4391X,4393X,4394X,4395X,4396X







© - TERMINALS IN AIRMASTER ASSY

COMPARTROLLER RELAY OUTPUTS  
8870C ECN 44397





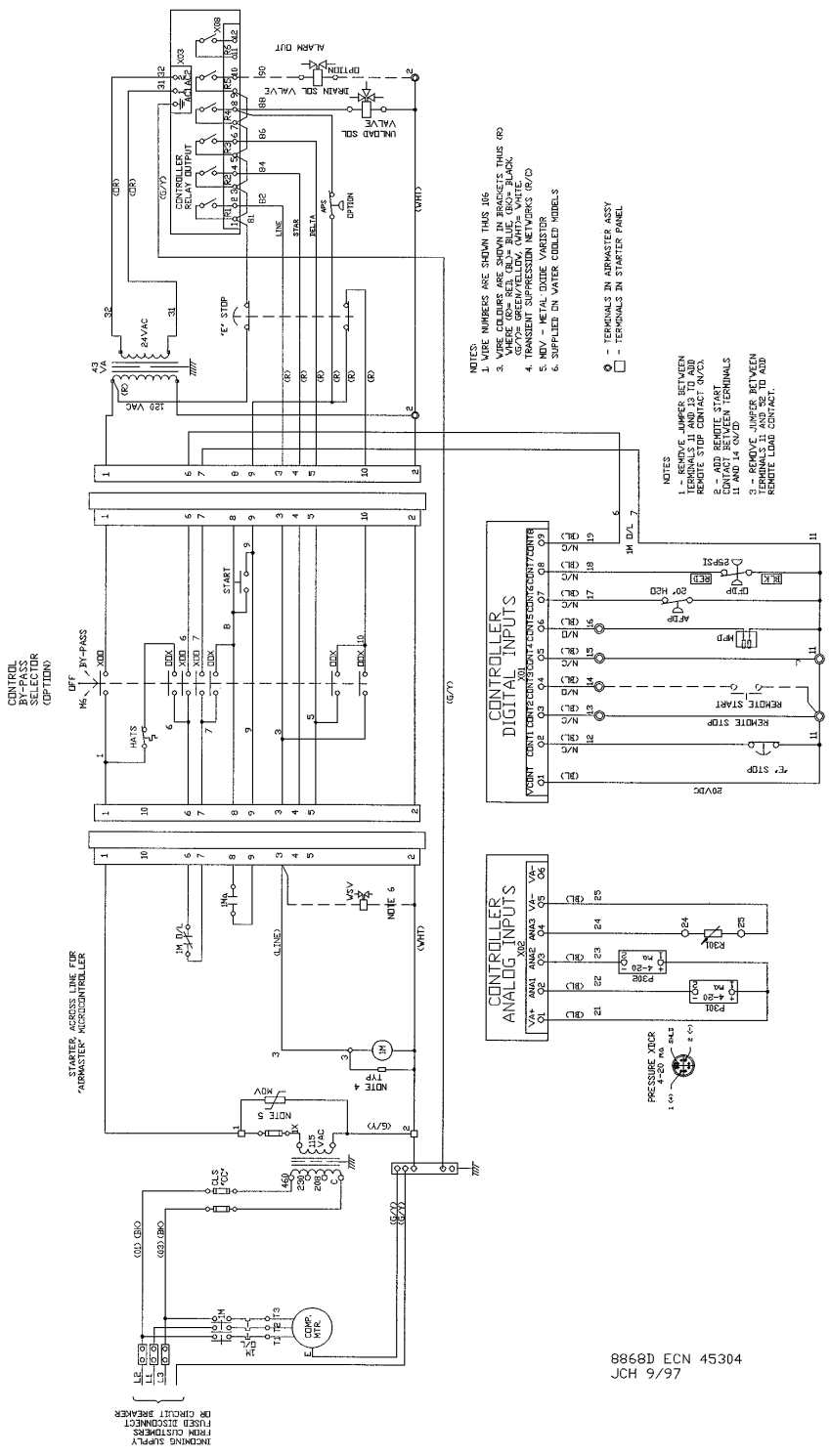












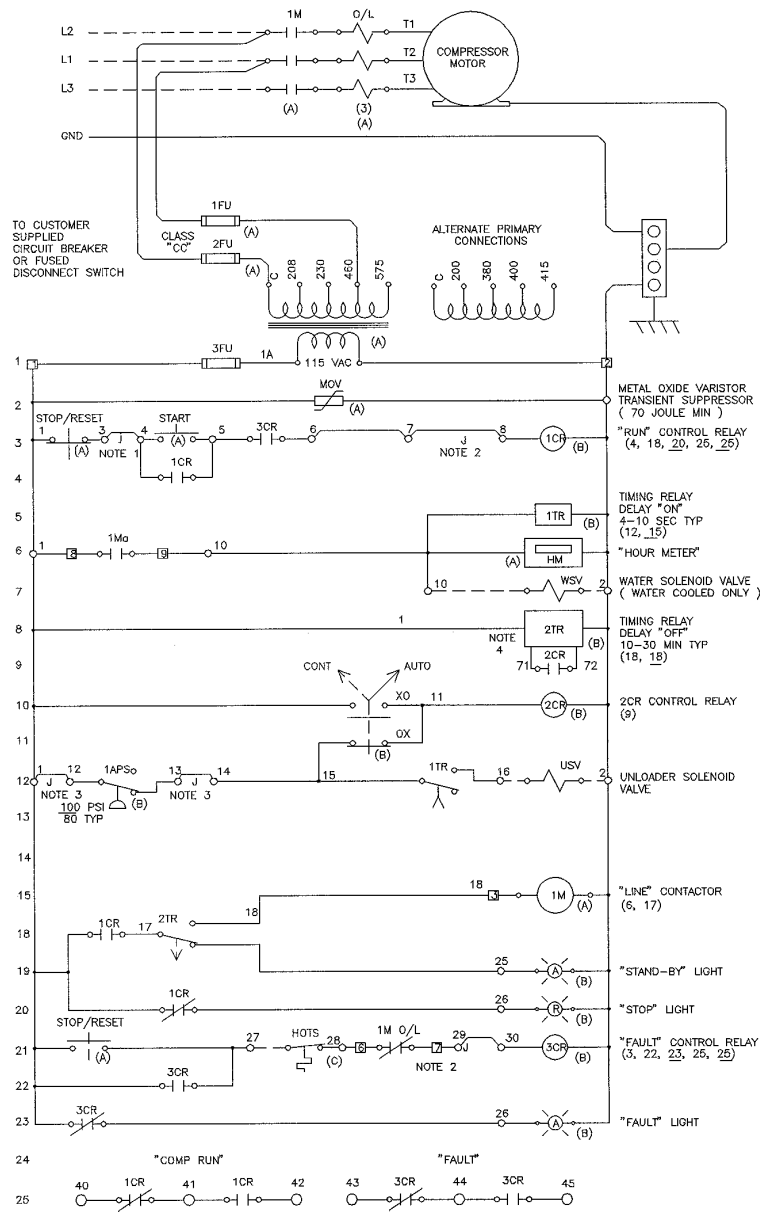
COMPAIR CONTROLLER BYPASS OPTION  
WIRING DIAGRAM

8868D ECN 45304  
JCH 9/97









AUTO-DUAL CONTROL  
 CUB, ACROSS LINE

- NOTES :**
- 1- REMOVE JUMPER WHEN INSTALLING REMOTE 3-WIRE START / STOP PUSH BUTTON STATION TO TERMINALS 3, 4, AND 5.
  - 2- REMOVE JUMPER WHEN INSTALLING EXTRA SAFETY DEVICE(S) (NORMALLY CLOSED) BETWEEN TERMINALS 6, 7, AND 8.
  - 3- REMOVE JUMPERS 1-12, 13-14 WHEN INSTALLING MULTIPLE COMPRESSOR SEQUENCER PANEL.
  - 4- THE "XO" AND "OX", INDICATE THE POSITION THE SELECTOR SWITCH CONTACTS ARE OPEN (O) OR CLOSED (X).

**NOMENCLATURE :**

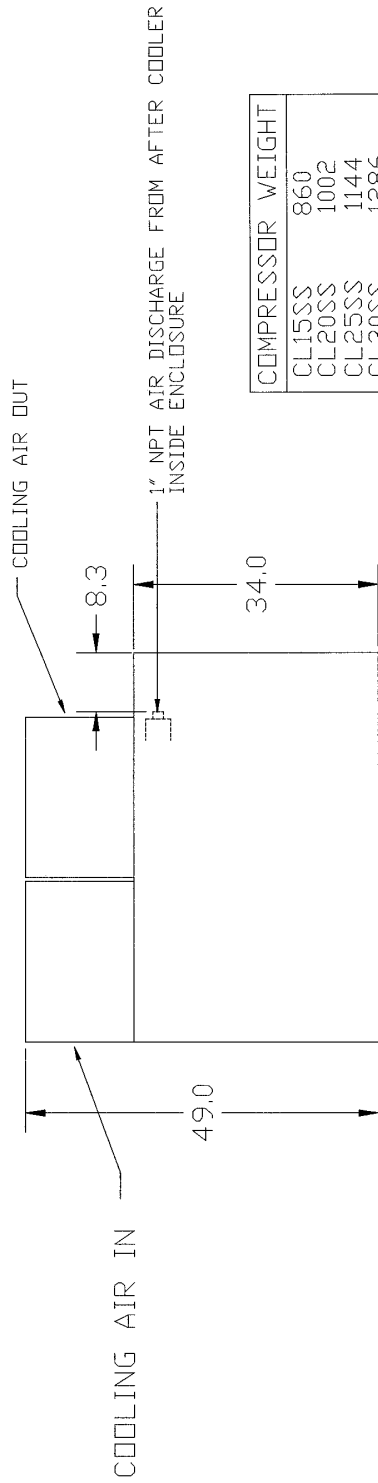
O/L	OVERLOAD RELAY
1M	"LINE" CONTACTOR
S	"START" CONTACTOR
D	"DELTA" CONTACTOR
FU	FUSE
MOV	METAL OXIDE VARISTOR
CR	CONTROL RELAY
TR	TIMING RELAY
HM	"RUNNING" HOUR METER
WSV	WATER SOLENOID VALVE
APS	AIR PRESSURE SWITCH
USV	UNLOAD SOLENOID VALVE
HOTS	HIGH AIR/OIL TEMP SWITCH

- (A) COMPONENT IN STARTER PANEL  
 (B) COMPONENT IN CONTROL PANEL  
 (C) COMPONENT ON COMPRESSOR ASSY

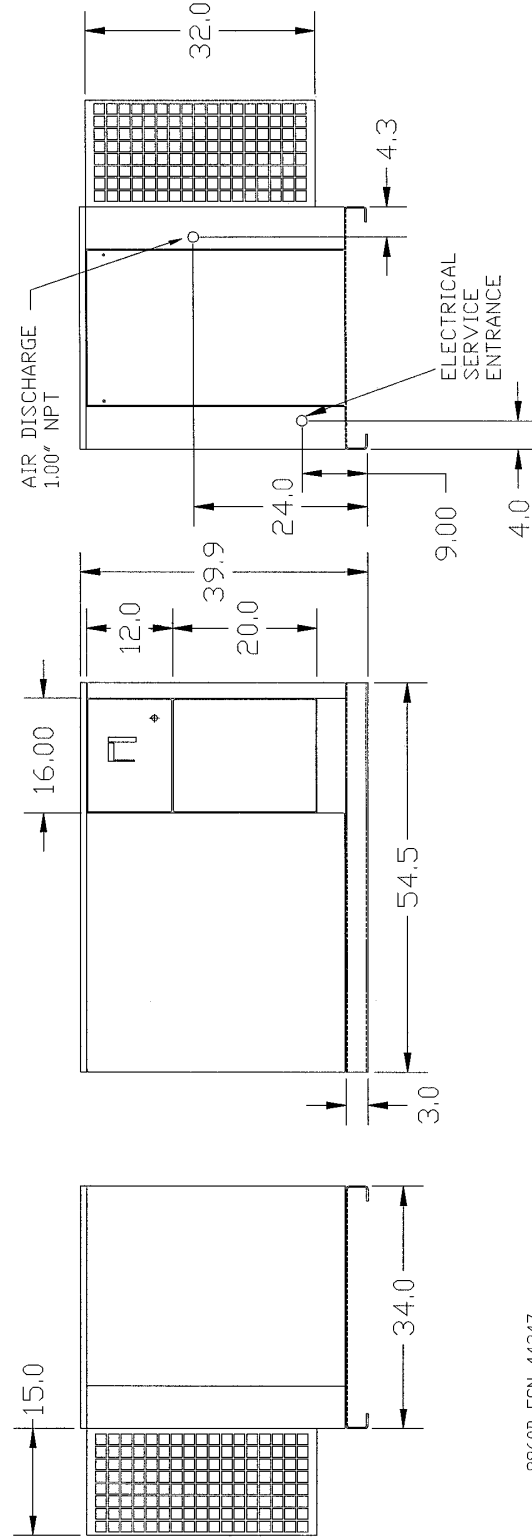
□ CIRCUIT NO. IN STARTER

8932D ECN 45304  
 JCH 9/97





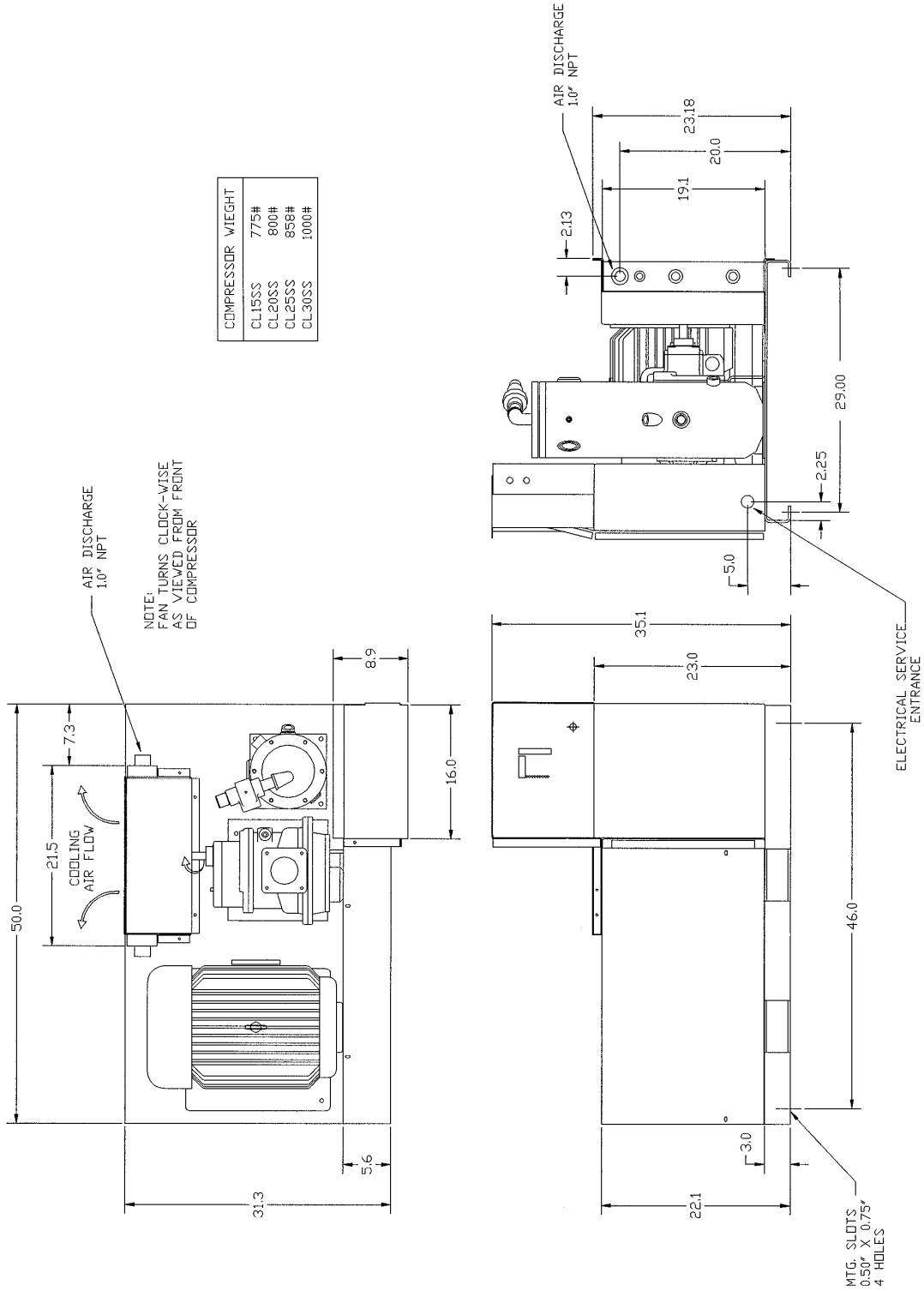
COMPRESSOR WEIGHT	
CL15SS	860
CL20SS	1002
CL25SS	1144
CL30SS	1286



8860D ECN 44347  
JCH 9/97

# ENCLOSED CL15-30SS INSTALLATION

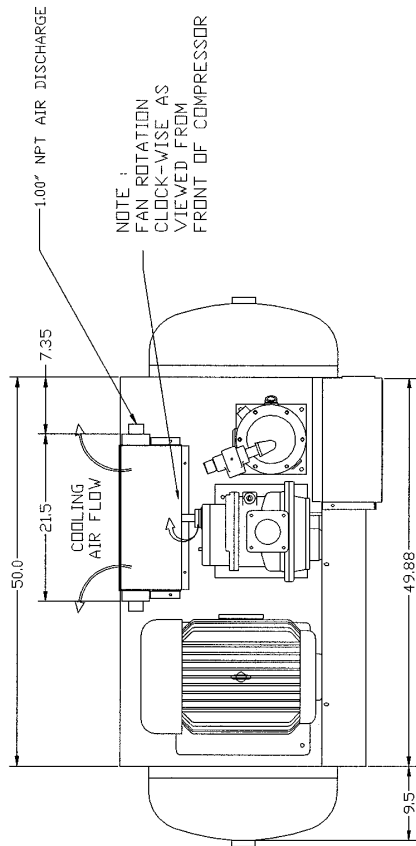




UNENCLOSED CL15-30SS INSTALLATION

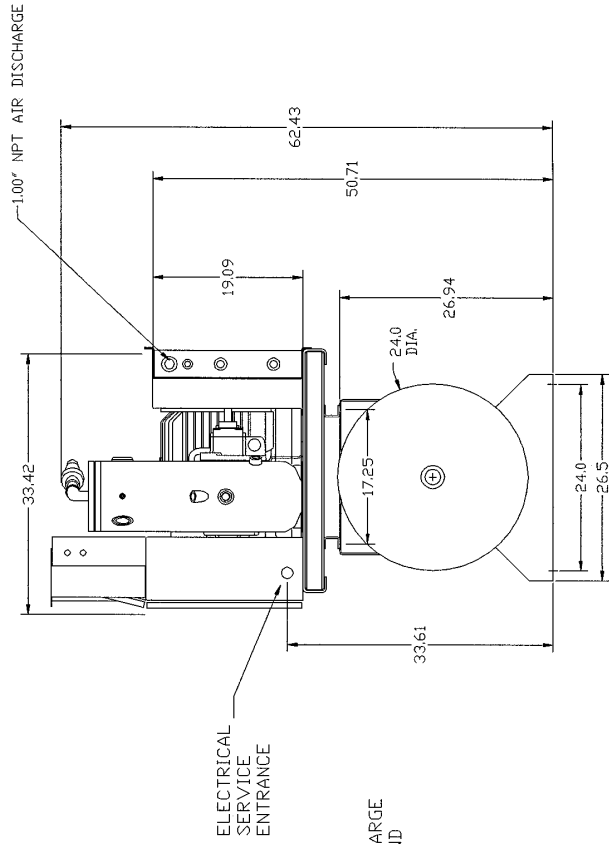
8858D ECN 44395  
JCH 9/97





COMPRESSOR	WEIGHT
CL15SS	1075#
CL20SS	1100#
CL25SS	1160#
CL30SS	1300#

NOTE:  
 FAN ROTATION  
 CLOCK-WISE AS  
 VIEWED FROM  
 FRONT OF COMPRESSOR



1.00" NPT AIR DISCHARGE

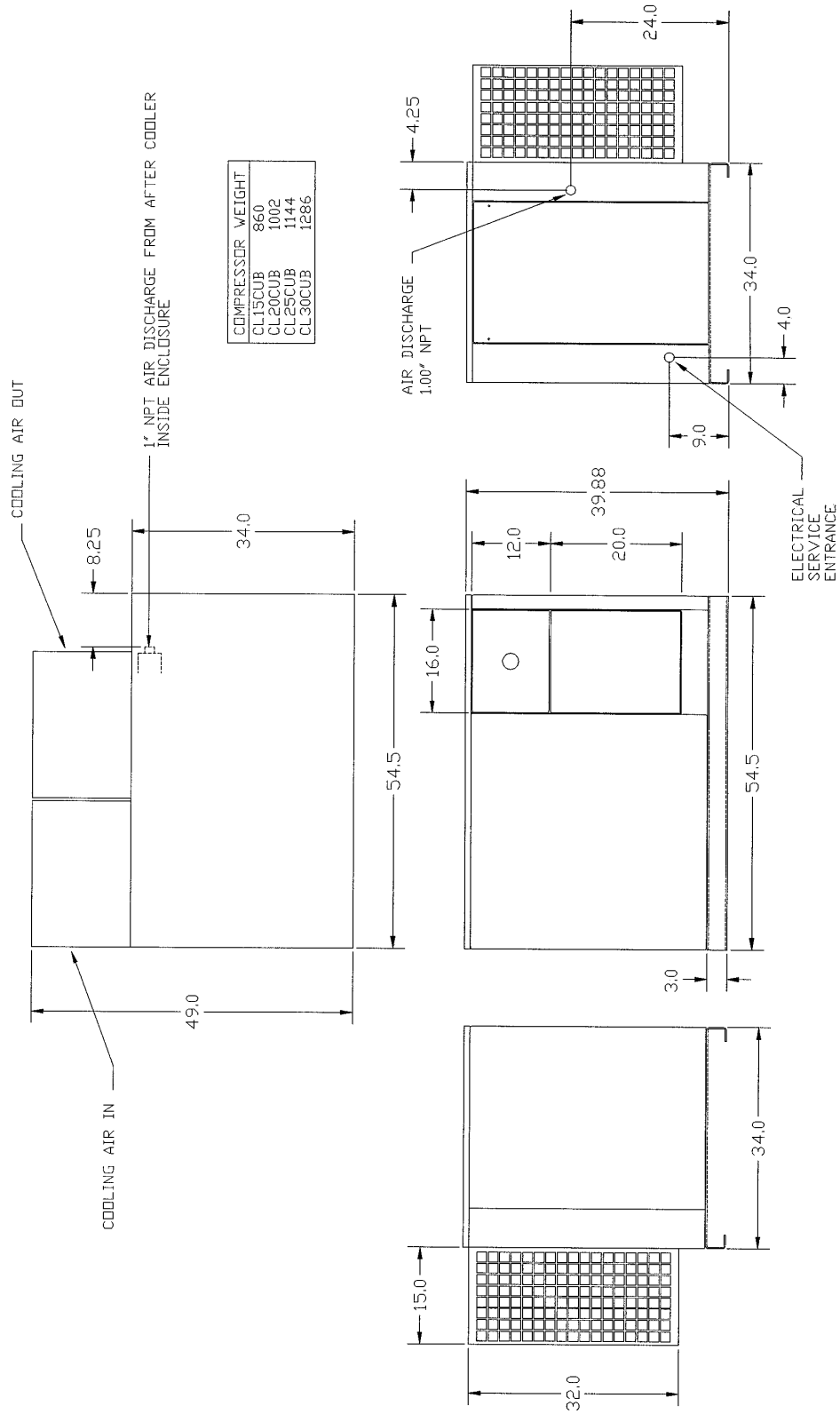
ELECTRICAL SERVICE ENTRANCE

AIR DISCHARGE EITHER END 1.50" NPT

88590 ECN 44895  
 JCH 9/97

TANK MOUNTED CL15-30SS (120 GAL.)

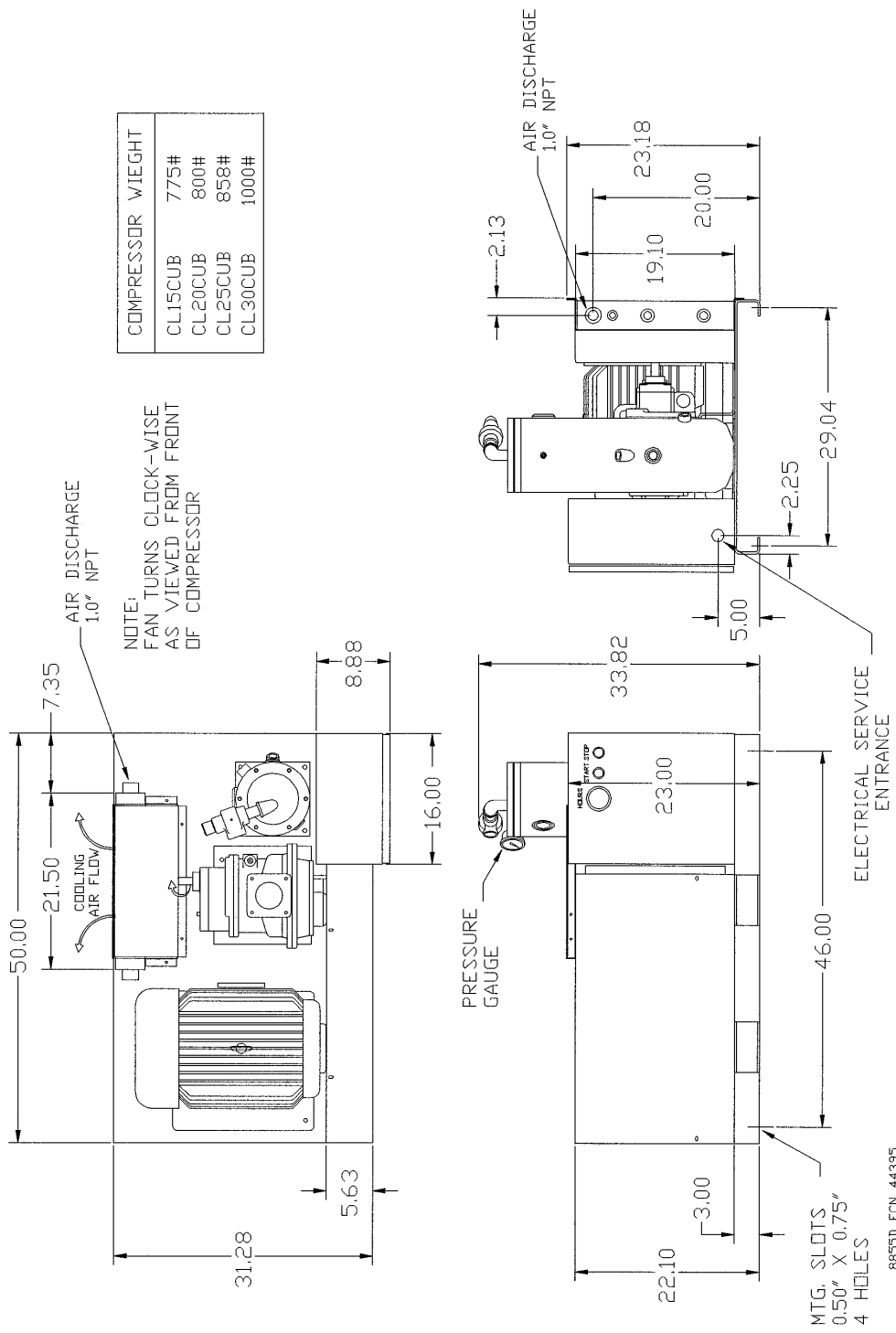




ENCLOSED CL15-30CUB INSTALLATION

8857D ECN 44347  
JCH 9/97



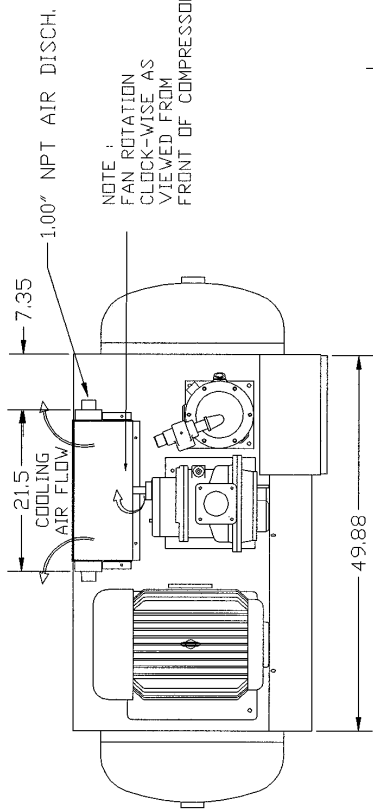


COMPRESSOR	WIEGHT
CL15CUB	775#
CL20CUB	800#
CL25CUB	858#
CL30CUB	1000#

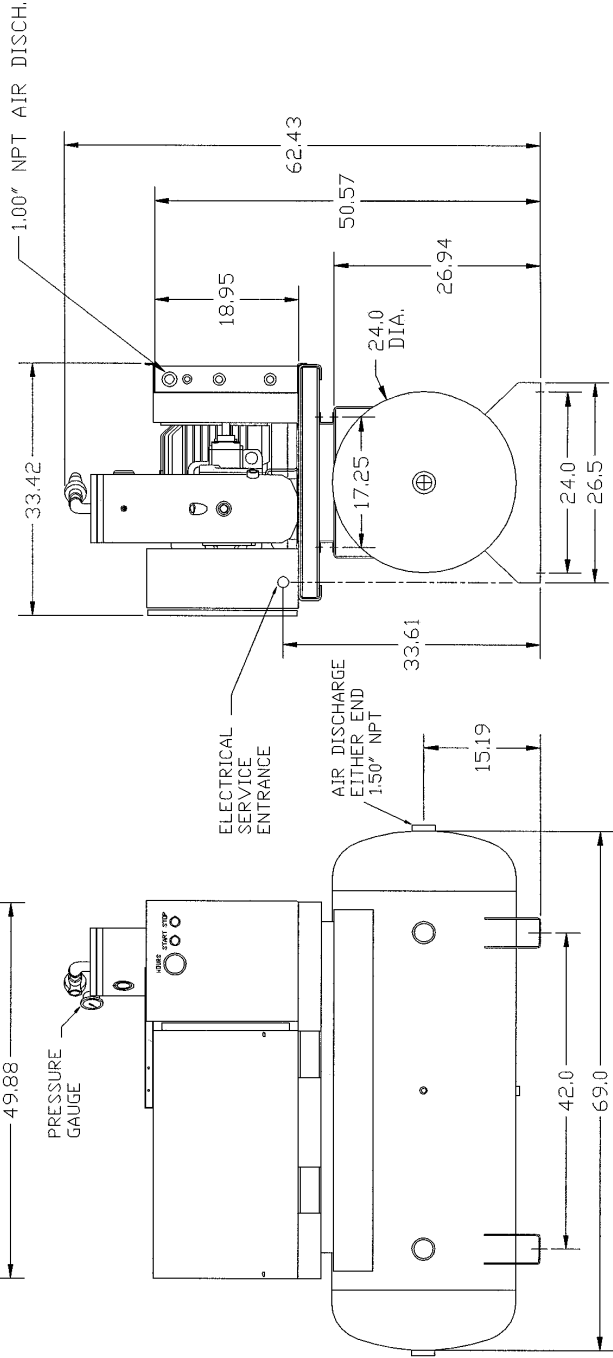
UNENCLOSED CL15-30CUB INSTALLATION

8855D EGN 44395  
JCH 9/97





COMPRESSOR	WEIGHT
CL15CUB	1075#
CL20CUB	1100#
CL25CUB	1160#
CL30CUB	1300#



TANK MOUNTED CL15-30CUB (120 GAL.) INSTALLATION

88562 EDN 44395  
JUN 9/97







