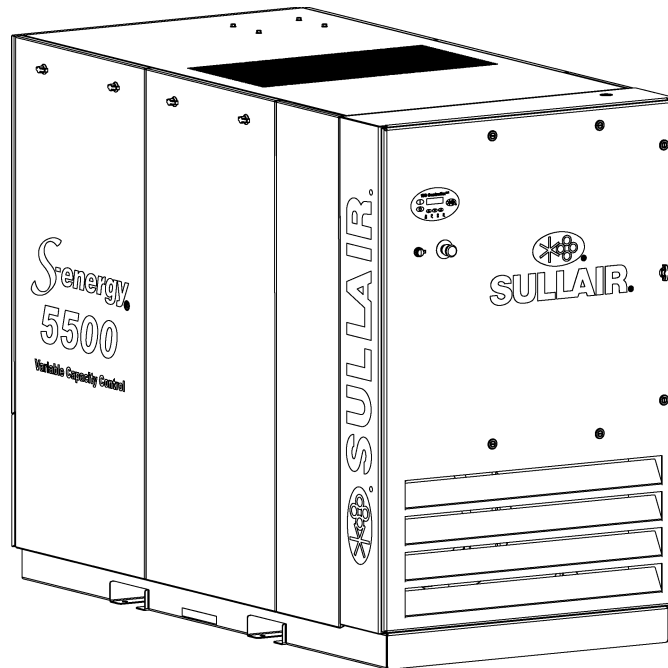




## PARTS LIST MANUAL

### Industrial Air Compressor 4500PVB, 4500PSB, 5500B, 5500VB, 5500PSB, 7500B, 7500VB, 7500PSB, 7500PVB

60, 75 & 100 hp (45, 55 & 75 kW)



**PART NUMBER:  
02250219-895 R01**

#### **SAFETY WARNING**

Users are required to read the entire User Manual before handling or using the product.

#### **WARRANTY NOTICE**

Failure to follow the instructions and procedures in this manual, or misuse of this equipment, will void its warranty.

The information in this manual is current as of its publication date and applies to compressors with serial number:

**201511010000**

and all subsequent serial numbers.

**Publication date: 9/30/2015**

Copyright © 2015 Sullair, LLC. All rights reserved.



## **Air Care Seminar Training**

Sullair Air Care Seminars are courses that provide hands-on instruction for the proper operation, maintenance, and servicing of Sullair products. Individual seminars on Stationary compressors and compressor electrical systems are offered at regular intervals throughout the year at Sullair's training facility located at Michigan City, Indiana.

Instruction includes training on the function and installation of Sullair service parts, troubleshooting common faults and malfunctions, and actual equipment operation. These seminars are recommended for maintenance, contractor maintenance, and service personnel.

For detailed course outlines, schedule, and cost information contact:

### **Sullair Training Department**

1-888-SULLAIR or  
219-879-5451 (ext. 5623)  
[www.sullair.com](http://www.sullair.com)  
[training@sullair.com](mailto:training@sullair.com)

- Or Write -

**Sullair, LLC**  
3700 E. Michigan Blvd.  
Michigan City, IN 46360  
Attn: Service Training Department.



# Table of Contents

1.1	Procedure for ordering parts.....	1	1.17	Cooling and lubrication system, air-cooled coolercentrifugal fan—16/18 series, 60 & 75 hp (45 & 55 kW).....	40
1.2	Recommended spare parts list.....	2	1.18	Cooling and lubrication system, air-cooled cooler centrifugal fan—16/18 series, 100 hp (75 kW).....	44
1.3	Compressor, frame and drive—16 series, 60 & 75 hp (45 & 55 kW) standard.....	4	1.19	Cooling and lubrication system, water-cooled standard—16/18 series.....	48
1.4	Compressor, frame and drive—16 series, 75 hp (55 kW) HA and 100 hp standard.....	8	1.20	Cooling and lubrication system, water-cooled with solenoid valve—16/18 series.....	50
1.5	Compressor, frame and drive—18 series, 60 & 75 hp (45 & 55 kW) standard.....	12	1.21	Cooling and lubrication system, water-cooled with regulator valve—16/18 series.....	52
1.6	Compressor, frame and drive—18 series, 75 hp (55 kW) HA and 100 hp (75 kW) standard.....	16	1.22	Cooling and lubrication system, water-cooled with regulator valve & solenoid—16/18 series.....	54
1.7	Air inlet system—16 series.....	20	1.23	Sump & piping—16 series.....	56
1.8	Air inlet system—18 series.....	22	1.24	Sump & piping—18 series.....	58
1.9	Air piping, air-cooled—16/18 series.....	24	1.25	Sump tank assembly—16/18 series.....	60
1.10	Air piping, water-cooled—16/18 series.....	26	1.26	Moisture drain, standard—16/18 series.....	62
1.11	Fluid piping, air-cooled—16 series.....	28	1.27	Moisture drain, zero loss—16/18 series.....	64
1.12	Fluid piping, air-cooled—18 series.....	30	1.28	Pneumatic control, nylon—16 series.....	66
1.13	Fluid piping, water-cooled, standard—16 series.....	32	1.29	Pneumatic control, stainless steel—16 series.....	70
1.14	Fluid piping, water-cooled with regulator valve—16 series.....	34	1.30	Pneumatic control, nylon with spiral valve—18 series.....	74
1.15	Fluid piping, water-cooled, standard—18 series.....	36			
1.16	Fluid piping, water-cooled with regulator valve—18 series.....	38			

1.31	Pneumatic control, stainless steel with spiral valve— 18 series.....	78	1.35	Control starter, VSD .....	102
1.32	Electrical control assembly—16/18 series .....	82	1.36	Enclosure, air-cooled—16/18 series .....	110
1.33	Control starter, MFV.....	86	1.37	Enclosure, water-cooled—16/18 series .....	112
1.34	Control starter, wye-delta.....	94	1.38	Decal locations—16/18 series.....	116

## 1.1 Procedure for ordering parts

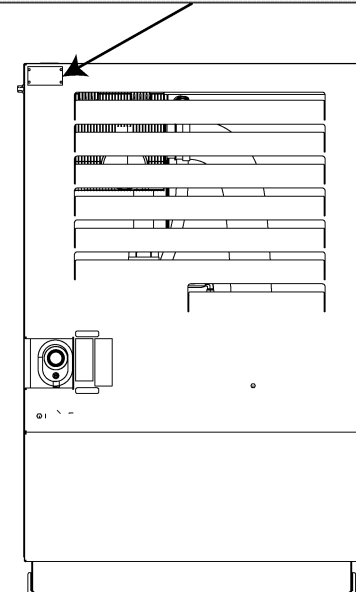
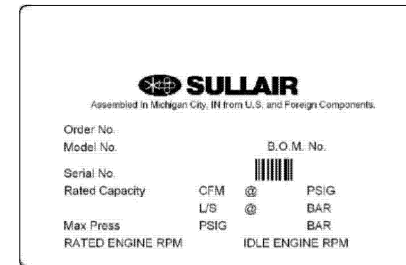
You should order parts from the nearest authorized Sullair representative or the representative from whom the compressor was purchased. If for any reason you cannot obtain parts in this manner, contact the factory directly at the address, phone number, or website listed below.

### Sullair North America Operations

3700 East Michigan Boulevard  
Michigan City, IN 46360 USA  
www.sullair.com  
1-800-SULLAIR (USA only)  
1-219-879-5451 (non-USA)

When ordering parts, always indicate the serial number of the compressor. You can get the serial number from the Bill of Lading for the compressor or from the Serial Number Plate located on the compressor (see *Figure 1-1: Serial number plate location*).

The genuine Sullair service parts listed meet or exceed the demands of this compressor. Use of replacement parts other than those approved by Sullair will void the Sullair warranties specific to this product and may lead to hazardous conditions over which Sullair has no control. Such conditions include, but are not limited to, bodily injury and compressor failure.



**Figure 1-1: Serial number plate location**

## 1.2 Recommended spare parts list

Part Number	Qty	Description	Notes
<b>ELEMENTS</b>			
02250168-084	1	COMPRESSOR FLUID FILTER 02250197-189	
02250215-315	1	AIR FILTER ASSEMBLY 02250214-305	
02250218-061	1	REPLACEMENT FOR SEPARATOR 02250214-961	
<b>KITS</b>			
02250125-376	1	EVACUATOR VALVE FOR AIR FILTER ASSEMBLY 02250164-930	
02250212-738	1	REPAIR FOR MINIMUM PRESSURE / CHECK VALVE 02250213-740	
02250144-327	1	REPAIR FOR THERMAL VALVE (195°F [91°C]) 02250092-081	
02250148-827	1	REPAIR FOR THERMAL VALVE (210°F [99°C]) 02250148-796	
250019-453	1	REPAIR FOR PRESSURE REGULATOR 02250073-632	
02250100-042	1	REPLACEMENT BLOWDOWN VALVE	
02250157-500	1	REPAIR FOR CONTROL SOLENOID VALVE 02250213-873	
02250214-987	1	COIL REPLACEMENT FOR CONTROL SOLENOID VALVE 02250213-873	
02250171-245	1	REPAIR FOR MOISTURE DRAIN SOLENOID VALVE 02250213-338	
02250213-870	1	COIL REPLACEMENT FOR MOISTURE DRAIN SOLENOID VALVE 02250213-338	
02250166-220	1	SEAL INLET VALVE 0250166-128 16 SERIES	
02250166-230	1	REBUILD INLET VALVE 0250166-128 16 SERIES	
02250169-605	1	SHAFT SEAL REPLACEMENT, 18 SERIES	
02250169-607	1	INLET VALVE REPAIR 18 SERIES	
02250169-608	1	INLET VALVE REBUILD 18 SERIES	
02250169-625	1	TOOL, SPIRAL VALVE ACTUATOR DIAPHRAGM REPAIR 18 SERIES	
608311-001	1	SPIRAL VALVE DIAPHRAGM REPAIR	
241772	1	KIT, REPAIR FOR V-TYPE STRAINER 241771 16 SERIES	
02250050-364	1	KIT, REPAIR FOR SHAFT SEAL 16 SERIES	
602542-001	1	KIT, TOOL FOR SHAFT SEAL INSTALLATION 16 AND 18 SERIES	
02250117-782	2	FILTER, SCAVENGE LINE 02250117-782	

(I) FOR PROPER AMOUNT OF FLUID FILL, PLEASE CONSULT SECTION 3.5: LUBRICATION GUIDE IN USER MANUAL.

## 1.2 Recommended spare parts list

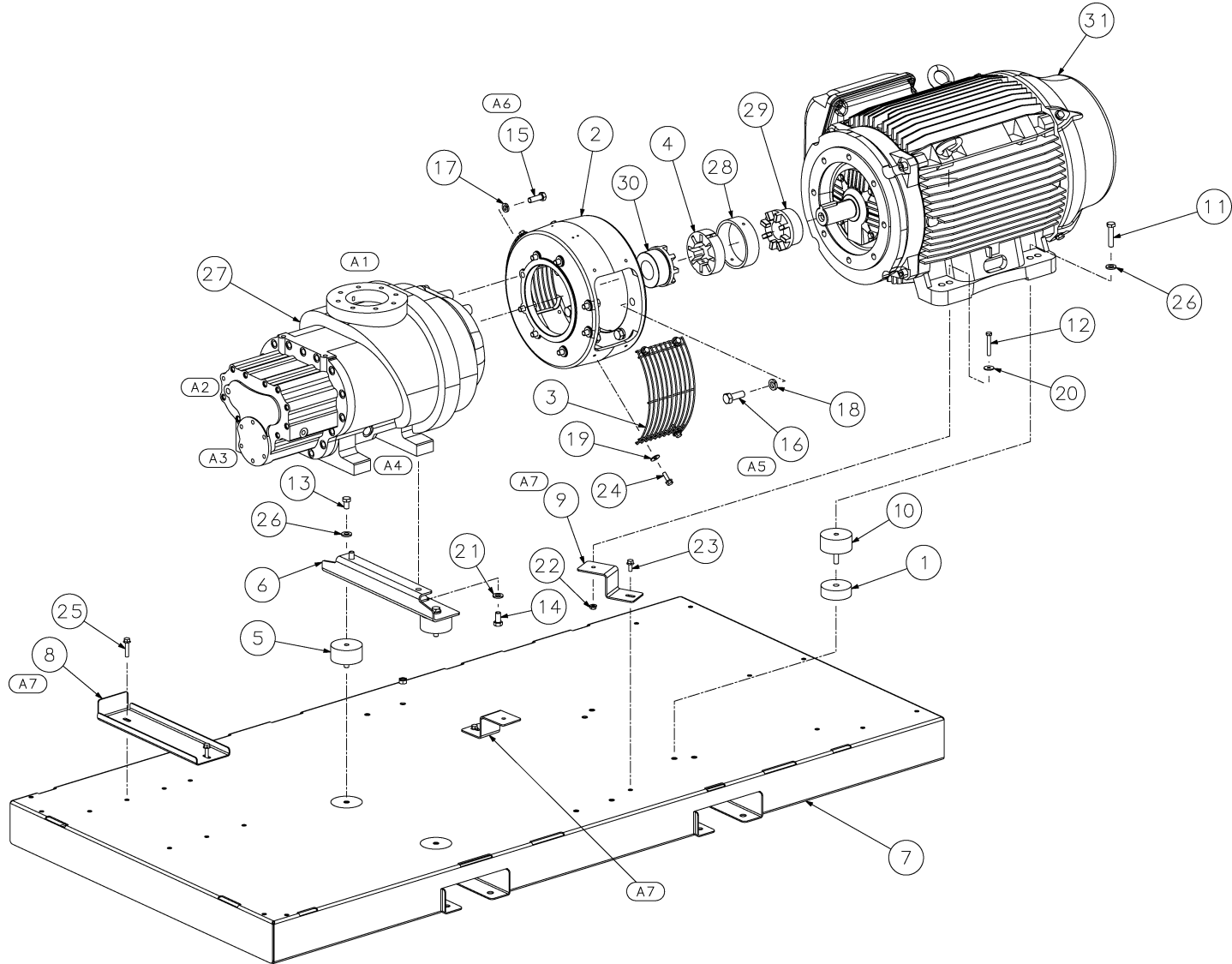
Part Number	Qty	Description	Notes
02250219-941	1	KIT, CONVERSION 230V TO 460V 60 – 75 HP P16B/P18B	
02250219-942	1	KIT, CONVERSION 230V TO 460V 100 HP P16B/P18B	
<b>PARTS</b>			
02250219-417	1	LATCH, ENCLOSURE FOR DOORS 02250214-331 & 02250214-336	
02250218-420	1	LATCH, SLOTTED FOR STARTER ENCLOSURE 02250213-773 & 02250214-745	
02250201-157	1	LATCH, LOCKABLE FOR STARTER ENCLOSURE 02250213-773 & 02250214-745	
<b>FLUIDS</b>			
250019-662	(I)	FLUID, SRF 1/4000 (5 GAL/19 LITER)	
250022-669	(I)	LUBRICANT, SULLUBE (STD.) (5 GAL/19 LITER)	
02250051-153	(I)	LUBRICANT, 24 KT (5 GAL/19 LITER)	
02250196-470	(I)	LUBRICANT, PRISTINE FG (FOOD GRADE) (5 GAL/19 LITER)	

(I) FOR PROPER AMOUNT OF FLUID FILL, PLEASE CONSULT SECTION 3.5: LUBRICATION GUIDE IN USER MANUAL.

### NOTICE

Mixing of lubricants within the compressor will void all warranties.

1.3 Compressor, frame and drive—16 series, 60 & 75 hp (45 & 55 kW) standard



02250213-422 R01



02250219-895 R01  
Subject to EAR, ECCN EAR99 and related export control restrictions.

**1.3 Compressor, frame and drive—16 series, 60 & 75 hp (45 & 55 kW) standard**

Key	Part number	Qty	Description	Notes
1	02250151-499	2	SPACER,AIR END SHAFT HEIGHT	
2	02250151-630	1	ADAPTER, COMPR/MOTOR 50HP MA	
3	02250152-346	2	GRILLE,COUPLING GUARD 50HP	
4	02250152-670	1	ELEMENT,COUPLING 20R	
5	02250162-372	2	ISOLATOR,VIBRATION P16/18	
6	02250213-752	1	SUPPORT,UNIT P16 SENERGY	
7	02250214-291	1	FRAME,SENERGY P16/18	
8	02250214-714	1	SUPPORT,SHIP REC FEET SENERGY P16	
9	02250214-958	2	SUPPORT,SHIP MTR SEN P18	
10	02250215-644	2	ISOLATOR,VIBRATION P16 / P18	
11	02250218-089	2	CAPSCREW,HEX 8.8 M12 X 55MM PLT	
12	828008-055	2	CAPSCREW,HEX 8.8GR 8 X 55MMPLT	
13	828012-020	2	CAPSCREW,HEX 8.8 M12 X 20MM PLT	
14	829108-100	2	CAPSCREW,HEX GR5 1/2-13 X 1"	
15	829108-150	8	CAPSCREW,HEX GR5 1/2-13 X 1 1/2"	
16	829110-175	8	CAPSCREW,HX GR5 5/8-11 X 1 3/4	
17	837808-125	8	WASHER, SPRLOCK REG PLTD 1/2"	
18	837810-156	8	WASHER, SPRLOCK REG PLTD 5/8"	
19	865708-240	8	WASHER, ISO7093-8-140HV	
20	866008-025	2	WASHER, FLT LG 8 X 25MM BN732	
21	878608-100	2	WASHER, NORD-LOCK PL 1/2" SP	
22	882508-125	2	NUT, HEX SERR FLNG M8 X 1.25	
23	882608-020	2	SCREW, HEX SER WASHER M8 X 20	
24	882608-025	8	SCREW, HEX SER WASHER M8 X 25	
25	882608-040	2	SCREW, HEX SER WASHER M8 X 40	
26	883212-254	4	WASHER, NORD-LOCK PL M12 SP	
27	COMPR VARIOUS	1	CONSULT SULLAIR	

**1.3 Compressor, frame and drive—16 series, 60 & 75 hp (45 & 55 kW) standard**

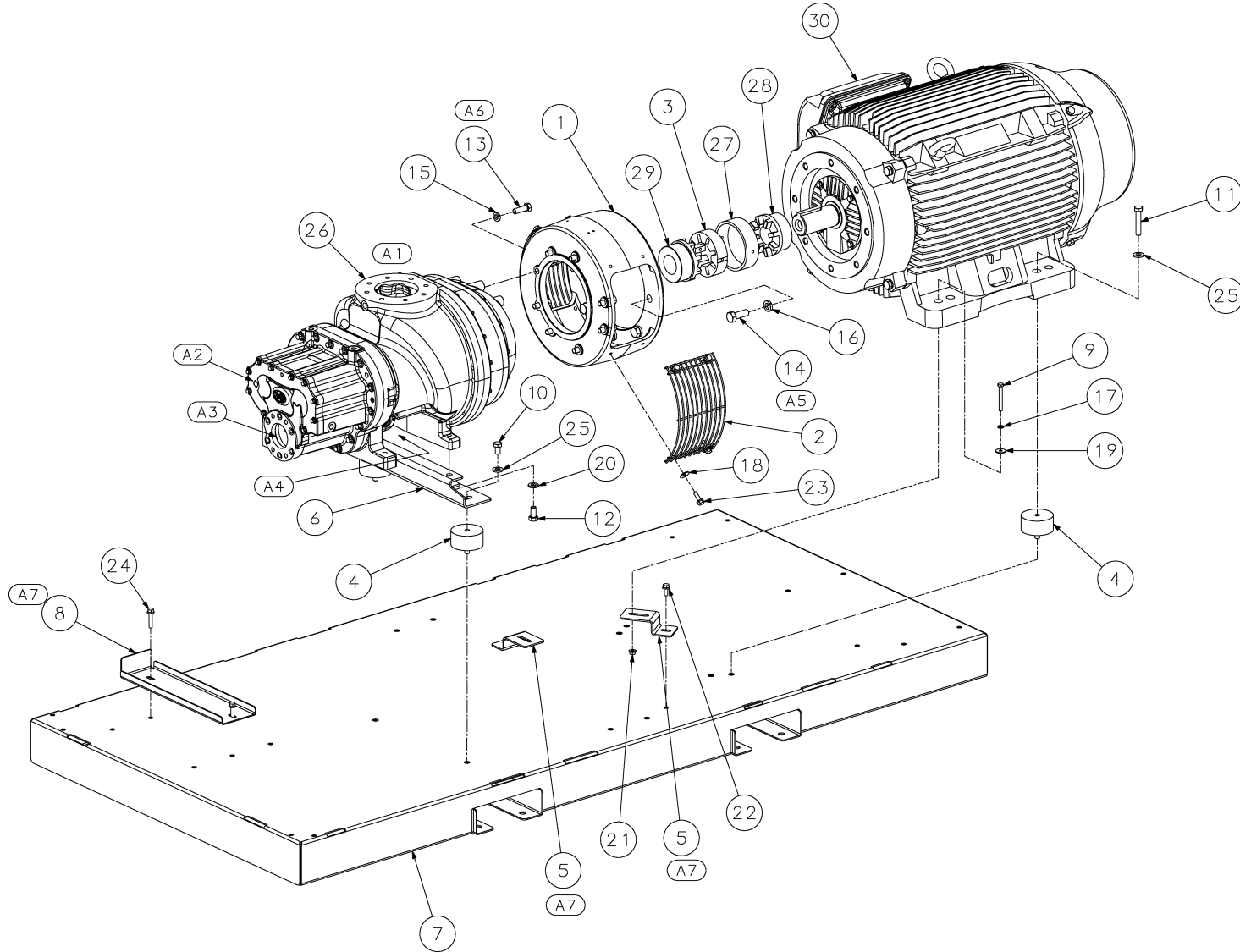
Key	Part number	Qty	Description	Notes
28	COUPLING VARIOUS	1	CONSULT SULLAIR	
29	HUB1 VARIOUS	1	CONSULT SULLAIR	
30	HUB2 VARIOUS	1	CONSULT SULLAIR	
31	MOTOR VARIOUS	1	CONSULT SULLAIR	

**Drawing notes**

A1	FROM AIR INLET FILTER
A2	OIL RETURN FROM SIGHT GLASS ON RECEIVER TANK
A3	TO RECEIVER TANK
A4	MAIN OIL CONNECTION
A5	TORQUE TO 113 FT/LBS
A6	TORQUE TO 50 FT/LBS
A7	FOR SHIPPING ONLY REMOVE BEFORE USE

**Notes:**

1.4 Compressor, frame and drive—16 series, 75 hp (55 kW) HA and 100 hp standard



02250213-156 R01



02250219-895 R01  
Subject to EAR, ECCN EAR99 and related export control restrictions.

**1.4 Compressor, frame and drive—16 series, 75 hp (55 kW) HA and 100 hp standard**

Key	Part number	Qty	Description	Notes
1	02250151-630	1	ADAPTER, COMPR/MOTOR 50HP MA	
2	02250152-346	2	GRILLE, COUPLING GUARD 50HP	
3	02250152-670	1	ELEMENT, COUPLING 20R	
4	02250162-372	4	ISOLATOR, VIBRATION P16/18	
5	02250213-737	2	SUPPORT, SHIP MTR SENERGY 60 HP	
6	02250213-752	1	SUPPORT, UNIT P16 SENERGY	
7	02250214-291	1	FRAME, SENERGY P16/18	
8	02250214-714	1	SUPPORT, SHIP REC FEET SENERGY P16	
9	828008-065	2	CAPSCREW, HEX 8.8 M8 X 65MM	
10	828012-020	2	CAPSCREW, HEX 8.8 M12 X 20MM PLT	
11	828012-065	2	CAPSCREW, HEX M12 X 65MM	
12	829108-100	2	CAPSCREW, HEX GR5 1/2-13 X 1"	
13	829108-150	8	CAPSCREW, HEX GR5 1/2-13 X 1 1/2"	
14	829110-175	8	CAPSCREW, HX GR5 5/8-11 X 1 3/4	
15	837808-125	8	WASHER, SPRLOCK REG PLTD 1/2"	
16	837810-156	8	WASHER, SPRLOCK REG PLTD 5/8"	
17	838808-200	2	WASHER, SPRLOCK METRIC M8	
18	865708-240	8	WASHER, ISO7093-8-140HV	
19	866008-025	2	WASHER, FLT LG 8 X 25MM BN732	
20	878608-100	2	WASHER, NORD-LOCK PL 1/2" SP	
21	882508-125	2	NUT, HEX SERR FLNG M8 X 1.25	
22	882608-020	2	SCREW, HEX SER WASHER M8 X 20	
23	882608-025	8	SCREW, HEX SER WASHER M8 X 25	
24	882608-040	2	SCREW, HEX SER WASHER M8 X 40	
25	883212-254	4	WASHER, NORD-LOCK PL M12 SP	
26	COMPR VARIOUS	1	CONSULT SULLAIR	
27	COUPLING VARIOUS	1	CONSULT SULLAIR	

**1.4 Compressor, frame and drive—16 series, 75 hp (55 kW) HA and 100 hp standard**

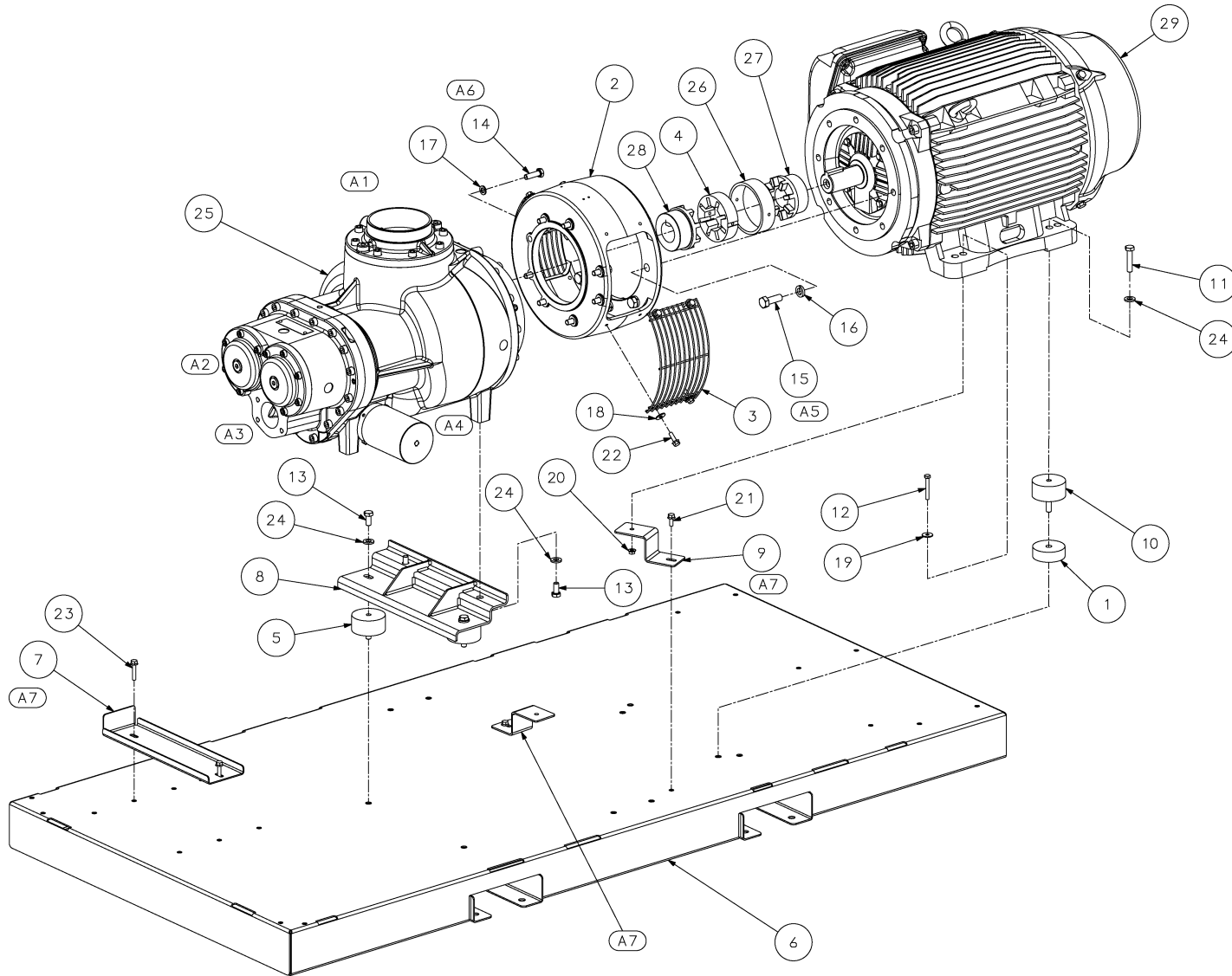
Key	Part number	Qty	Description	Notes
28	HUB1 VARIOUS	1	CONSULT SULLAIR	
29	HUB2 VARIOUS	1	CONSULT SULLAIR	
30	MOTOR VARIOUS	1	CONSULT SULLAIR	

**Drawing notes**

A1	FROM AIR INLET FILTER
A2	OIL RETURN FROM SIGHT GLASS ON RECEIVER TANK
A3	TO RECEIVER TANK
A4	MAIN OIL CONNECTION
A5	TORQUE TO 113 FT/LBS
A6	TORQUE TO 50 FT/LBS
A7	FOR SHIPPING ONLY REMOVE BEFORE USE

**Notes:**

1.5 Compressor, frame and drive—18 series, 60 & 75 hp (45 & 55 kW) standard



02250213-423 R01



02250219-895 R01  
Subject to EAR, ECCN EAR99 and related export control restrictions.

**1.5 Compressor, frame and drive—18 series, 60 & 75 hp (45 & 55 kW) standard**

Key	Part number	Qty	Description	Notes
1	02250151-499	2	SPACER,AIR END SHAFT HEIGHT	
2	02250151-630	1	ADAPTER, COMPR/MOTOR 50HP MA	
3	02250152-346	2	GRILLE,COUPLING GUARD 50HP	
4	02250152-670	1	ELEMENT,COUPLING 20R	
5	02250162-372	2	ISOLATOR,VIBRATION P16/18	
6	02250214-291	1	FRAME,SENERGY P16/18	
7	02250214-714	1	SUPPORT,SHIP REC FEET SENERGY P16	
8	02250214-919	1	SUPPORT,UNIT SENERGY P18	
9	02250214-958	2	SUPPORT,SHIP MTR SEN P18	
10	02250215-644	2	ISOLATOR,VIBRATION P16 / P18	
11	02250218-089	2	CAPSCREW,HEX 8.8 M12 X 55MM PLT	
12	828008-055	2	CAPSCREW,HEX 8.8GR 8 X 55MMPLT	
13	828012-025	4	CAPSCREW,HEX 8.8 M12 X 25MM PLT	
14	828012-040	8	CAPSCREW, HEX 8.8 M12 X 40	
15	829110-175	8	CAPSCREW,HX GR5 5/8-11 X 1 3/4	
16	837810-156	8	WASHER, SPRLOCK REG PLTD 5/8"	
17	838812-250	8	WASHER, SPRLOCK METRIC M12	
18	865708-240	8	WASHER, ISO7093-8-140HV	
19	866008-025	2	WASHER, FLT LG 8 X 25MM BN732	
20	882508-125	2	NUT, HEX SERR FLNG M8 X 1.25	
21	882608-020	2	SCREW, HEX SER WASHER M8 X 20	
22	882608-025	8	SCREW, HEX SER WASHER M8 X 25	
23	882608-040	2	SCREW, HEX SER WASHER M8 X 40	
24	883212-254	6	WASHER, NORD-LOCK PL M12 SP	
25	COMP VARIOUS	1	CONSULT SULLAIR	
26	COUPLING VARIOUS	1	CONSULT SULLAIR	
27	HUB1 VARIOUS	1	CONSULT SULLAIR	

**1.5 Compressor, frame and drive—18 series, 60 & 75 hp (45 & 55 kW) standard**

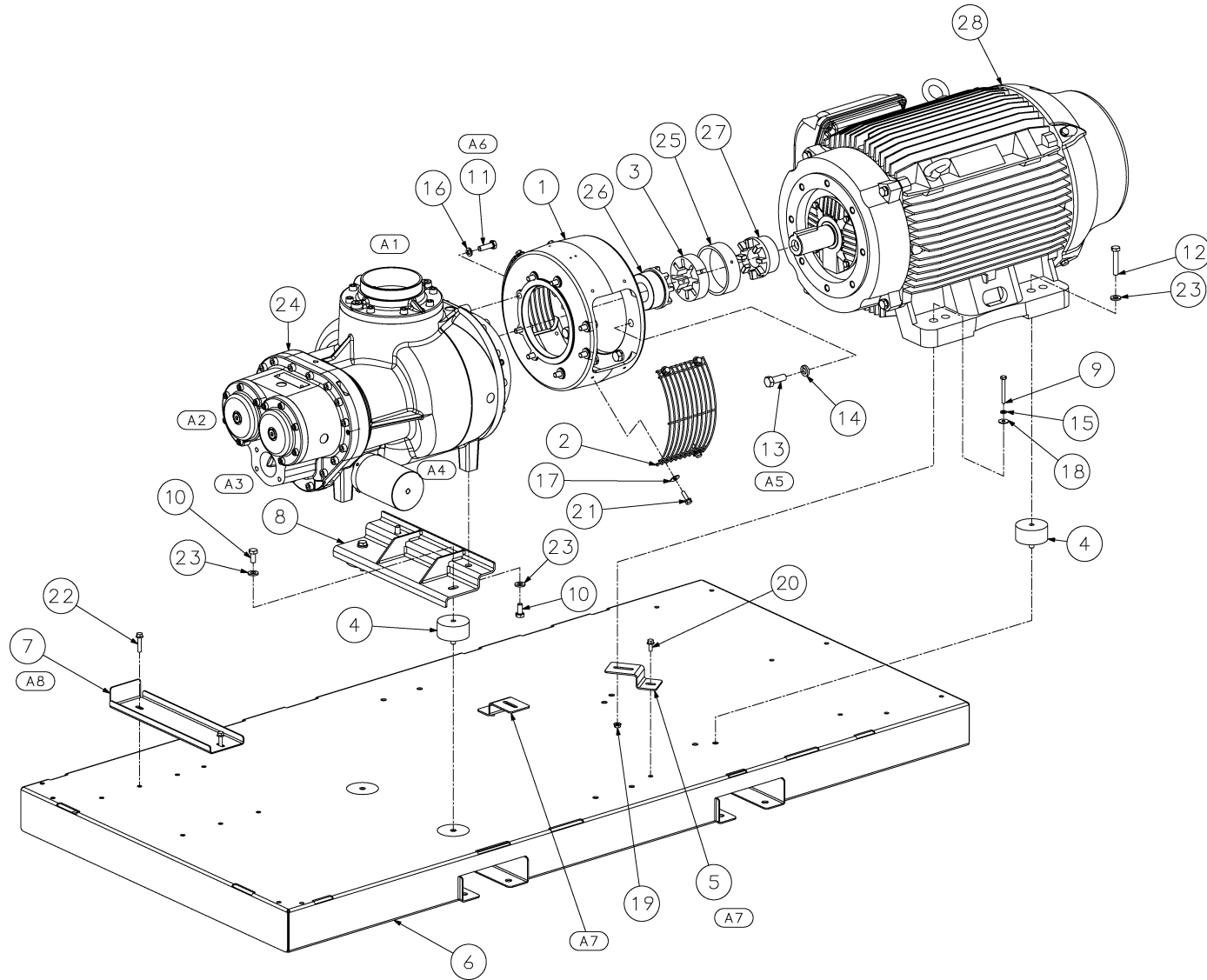
Key	Part number	Qty	Description	Notes
28	HUB2 VARIOUS	1	CONSULT SULLAIR	
29	MOTOR VARIOUS	1	CONSULT SULLAIR	

**Drawing notes**

A1	FROM AIR INLET FILTER
A2	OIL RETURN FROM SIGHT GLASS ON RECEIVER TANK
A3	TO RECEIVER TANK
A4	MAIN OIL CONNECTION
A5	TORQUE TO 113 FT/LBS
A6	TORQUE TO 50 FT/LBS
A7	FOR SHIPPING ONLY REMOVE BEFORE USE

**Notes:**

1.6 Compressor, frame and drive—18 series, 75 hp (55 kW) HA and 100 hp (75 kW) standard



02250213-096 R01

**1.6 Compressor, frame and drive—18 series, 75 hp (55 kW) HA and 100 hp (75 kW) standard**

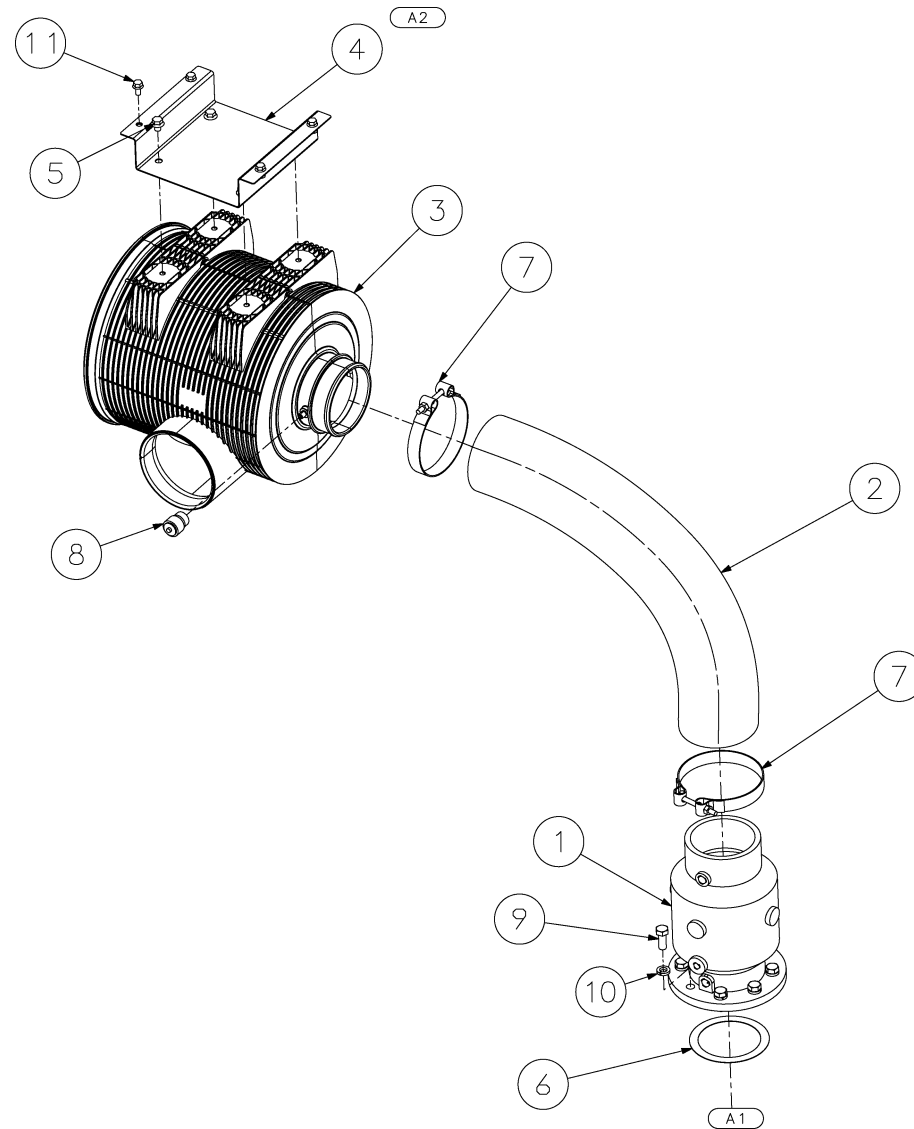
Key	Part number	Qty	Description	Notes
1	02250151-630	1	ADAPTER, COMPR/MOTOR 50HP MA	
2	02250152-346	2	GRILLE, COUPLING GUARD 50HP	
3	02250152-670	1	ELEMENT, COUPLING 20R	
4	02250162-372	4	ISOLATOR, VIBRATION P16/18	
5	02250213-737	2	SUPPORT, SHIP MTR SENERGY 60 HP	
6	02250214-291	1	FRAME, SENERGY P16/18	
7	02250214-714	1	SUPPORT, SHIP REC FEET SENERGY P16	
8	02250214-919	1	SUPPORT, UNIT SENERGY P18	
9	828008-065	2	CAPSCREW, HEX 8.8 M8 X 65MM	
10	828012-025	4	CAPSCREW, HEX 8.8 M12 X 25MM PLT	
11	828012-040	8	CAPSCREW, HEX 8.8 M12 X 40	
12	828012-065	2	CAPSCREW, HEX M12 X 65MM	
13	829110-175	8	CAPSCREW, HX GR5 5/8-11 X 1 3/4	
14	837810-156	8	WASHER, SPRLOCK REG PLTD 5/8"	
15	838808-200	2	WASHER, SPRLOCK METRIC M8	
16	838812-250	8	WASHER, SPRLOCK METRIC M12	
17	865708-240	8	WASHER, ISO7093-8-140HV	
18	866008-025	2	WASHER, FLT LG 8 X 25MM BN732	
19	882508-125	2	NUT, HEX SERR FLNG M8 X 1.25	
20	882608-020	2	SCREW, HEX SER WASHER M8 X 20	
21	882608-025	8	SCREW, HEX SER WASHER M8 X 25	
22	882608-040	2	SCREW, HEX SER WASHER M8 X 40	
23	883212-254	6	WASHER, NORD-LOCK PL M12 SP	
24	COMP VARIOUS	1	CONSULT SULLAIR	
25	COUPLING VARIOUS	1	CONSULT SULLAIR	
26	HUB1 VARIOUS	1	CONSULT SULLAIR	
27	HUB2 VARIOUS	1	CONSULT SULLAIR	
28	MOTOR VARIOUS	1	CONSULT SULLAIR	

**1.6 Compressor, frame and drive—18 series, 75 hp (55 kW) HA and 100 hp (75 kW) standard**

Key	Part number	Qty	Description	Notes
<b>Drawing notes</b>				
A1			FROM AIR INLET FILTER	
A2			OIL RETURN FROM SIGHT GLASS ON RECEIVER TANK	
A3			TO RECEIVER TANK	
A4			MAIN OIL CONNECTION	
A5			TORQUE TO 113 FT/LBS	
A6			TORQUE TO 50 FT/LBS	
A7			FOR SHIPPING ONLY REMOVE BEFORE USE	

**Notes:**

### 1.7 Air inlet system—16 series



02250213-158 R01

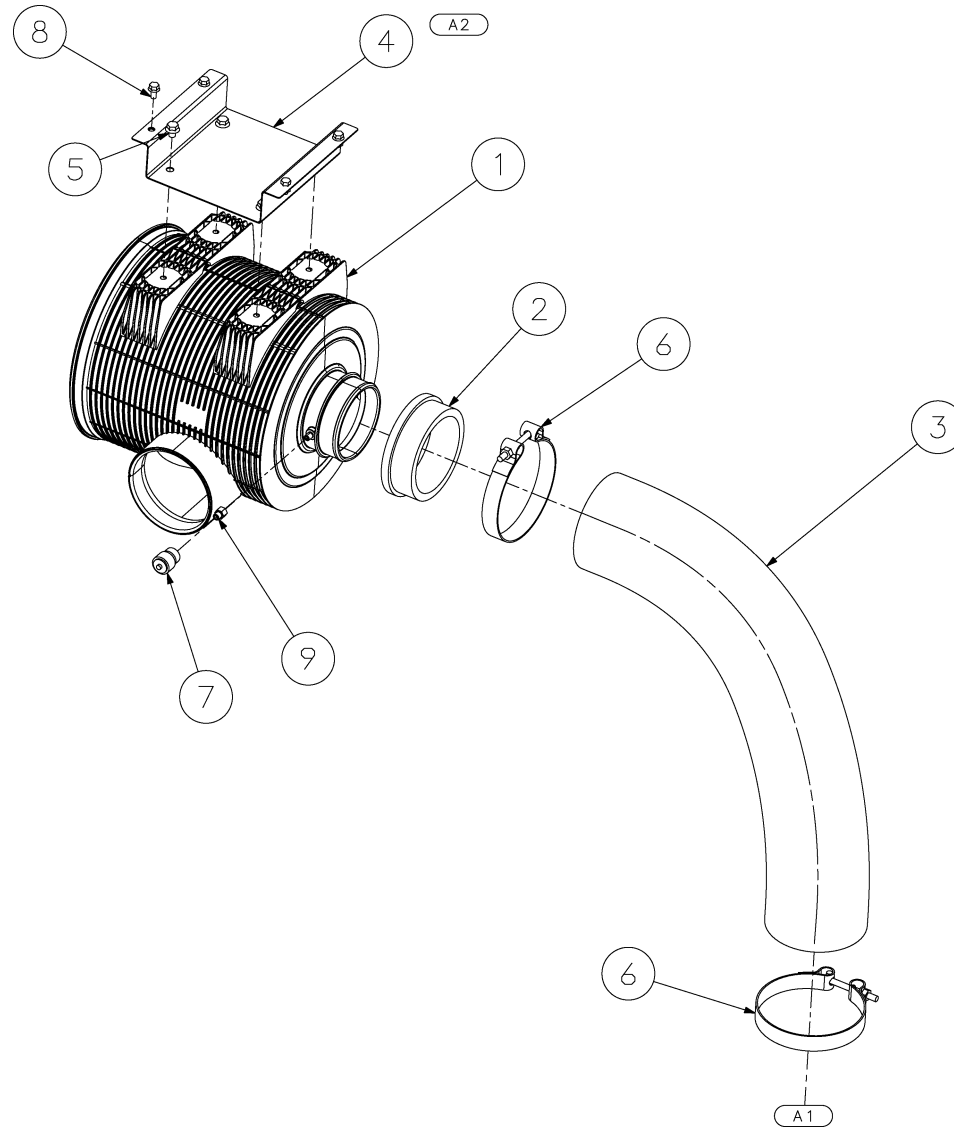
**1.7 Air inlet system—16 series**

Key	Part number	Qty	Description	Notes
1	02250166-128	1	VALVE,INLET 4" P16 LOW PILOT PRES	
2	02250214-296	1	HOSE,FLEX 5"ID	
3	02250214-305	1	FILTER,AIR 2 STAGE P16/18	
4	02250214-968	1	SUPPORT,AIR FLTR STD P16/18	
5	02250215-508	4	SCREW,HEX SER WASHER M10 X 12	
6	040708	1	GASKET, 1/32 X 5 1/4ODX4 1/8ID	
7	042324	2	CLAMP, T-BOLT SS BAND 5.50" ID	
8	250003-869	1	INDICATOR, RESTRICTION 20"H20	
9	829108-125	8	CAPSCREW,HEX GR5 1/2-13 X 1 1/4"	
10	837808-125	8	WASHER, SPRLOCK REG PLTD 1/2"	
11	882608-016	4	SCREW, HEX SER WASHER M8 X 16	

**Drawing notes**

A1	COMPRESSOR INLET
A2	ATTACH TO CANOPY ROOF

1.8 Air inlet system—18 series



02250213-159 R01

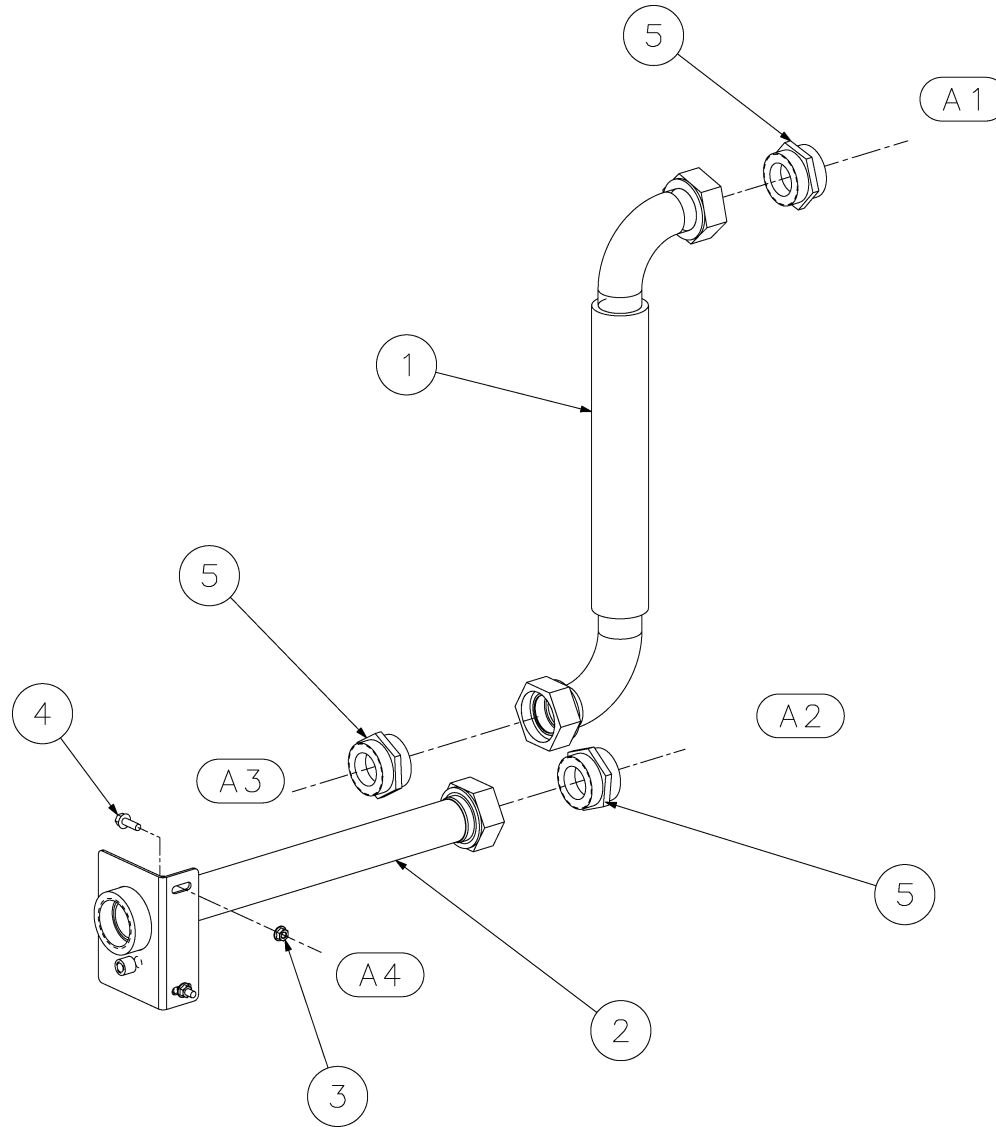
**1.8 Air inlet system—18 series**

Key	Part number	Qty	Description	Notes
1	02250214-305	1	FILTER,AIR 2 STAGE P16/18	
2	02250214-388	1	SLEEVE, ADPT 5"ID X 6"OD	
3	02250214-400	1	HOSE, FLEX 6"ID	
4	02250214-968	1	SUPPORT,AIR FLTR STD P16/18	
5	02250215-508	4	SCREW,HEX SER WASHER M10 X 12	
6	040305	2	CLAMP, HOSE 6 1/2"	
7	250003-869	1	INDICATOR, RESTRICTION 20"H20	
8	882608-016	4	SCREW, HEX SER WASHER M8 X 16	
9	886802-002	1	ADAPTER,1/8F X 1/8M BRS	

**Drawing notes**

A1	COMPRESSOR INLET
A2	ATTACH TO CANOPY ROOF

### 1.9 Air piping, air-cooled—16/18 series



02250213-291 R01

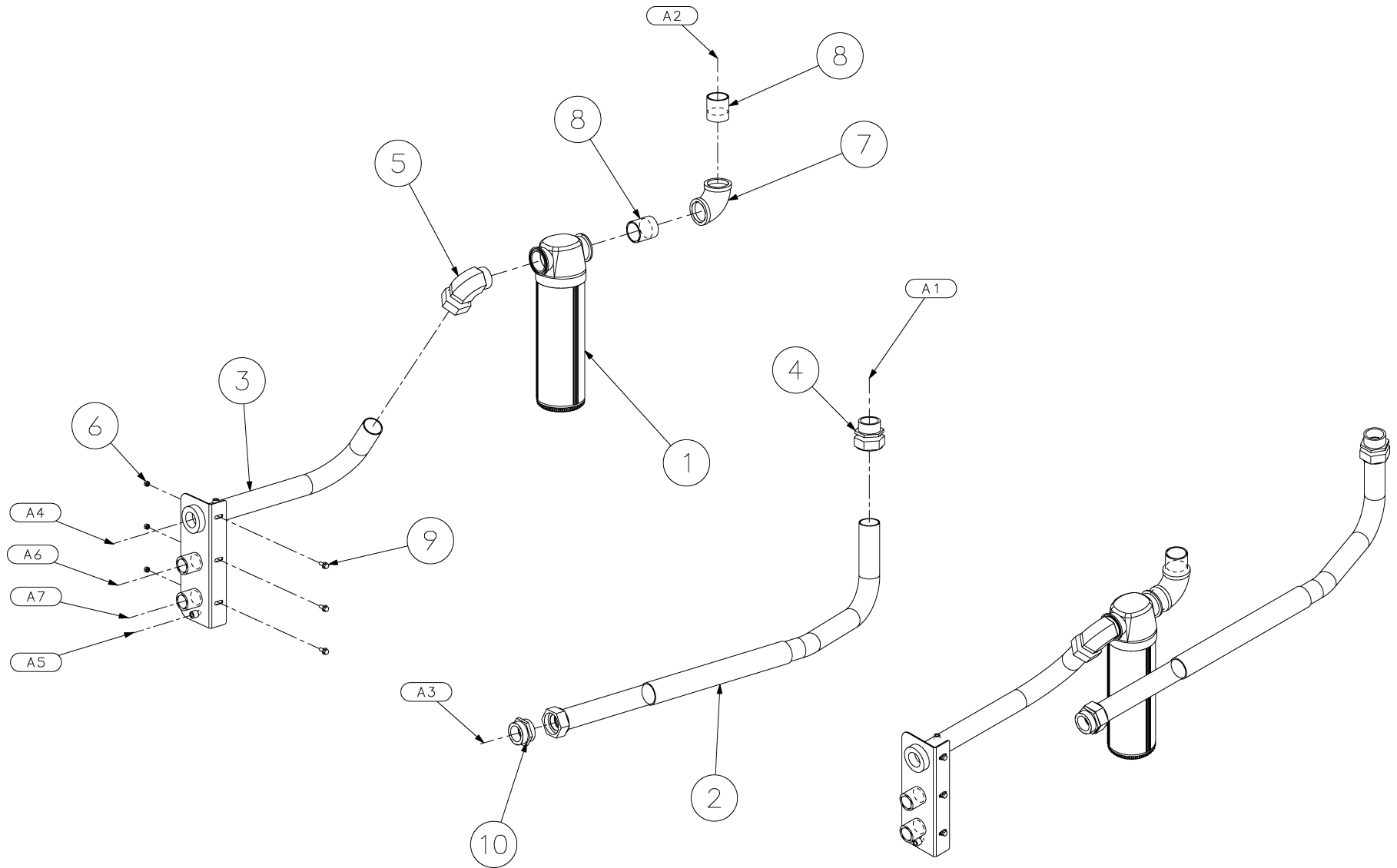
**1.9 Air piping, air-cooled—16/18 series**

Key	Part number	Qty	Description	Notes
1	02250214-767	1	PIPE ASSEMBLY,2" TANK-COOLER	
2	02250214-777	1	PIPE ASSEMBLY,2" COOLER SENERGY	
3	882508-125	2	NUT, HEX SERR FLNG M8 X 1.25	
4	882608-020	2	SCREW, HEX SER WASHER M8 X 20	
5	884432-250	3	CONNECTOR,STR THD/ORFS 2 1/2X2 1/2"	

**Drawing notes**

A1	AIR COOLER IN
A2	AIR COOLER OUT
A3	SEPARATOR TANK OUT
A4	CANOPY

1.10 Air piping, water-cooled—16/18 series



02250213-286 R02

**1.10 Air piping, water-cooled—16/18 series**

Key	Part number	Qty	Description	Notes
1	02250208-569	1	SEPARATOR,WTR CS-650 2" W/O DR	
2	02250215-280	1	PIPE ASSEMBLY,2" TANK-COOLER	
3	02250215-339	1	PIPE ASSEMBLY,2" COOLER WC	
4	810232-200	1	CONNECTOR, TUBE-M 2 X 2"	
5	810532-200	1	ELBOW, TUBE-M 2 X 2"	
6	825908-125	3	NUT, HEX METRIC M8 X 1.25	
7	866215-080	1	ELBOW, PIPE 90DG 2" 150# PLT	
8	866332-025	2	NIPPLE, PIPE 2 X 2 1/2" PLT	
9	882608-020	3	SCREW, HEX SER WASHER M8 X 20	
10	884432-250	1	CONNECTOR,STR THD/ORFS 2 1/2X2 1/2"	

**Drawing notes**

A1	TO HEAT EXCHANGER INLET
A2	TO HEAT EXCHANGER OUTLET
A3	FROM MINIMUM PRESSURE VALVE
A4	PACKAGE OUT
A5	MOISTURE DRAIN
A6	WATER OUT
A7	WATER IN



**1.11 Fluid piping, air-cooled—16 series**

Key	Part number	Qty	Description	Notes
1	02250055-015	1	ADAPTER,SAE 1 5/8-12 X 1 5/8-12	
2	02250087-068	3	CONNECTOR,SAE X ORFS 1.25"	
3	02250087-071	3	ELBOW,90 SAE X ORFS 1.25"	
4	02250092-081	1	VALVE,THERMAL 195F 1 1/2-18	
5	02250196-306	1	VALVE, KP18NV (1/8" NPTF, VITON)	
6	02250197-189	1	FILTER,FL CRLES 1" SAE P16/18 LG	
7	02250214-917	1	BLOCK,THERMAL VALVE P16/18	
8	02250215-793	3	HOSE,MP 1-1/8ID X 40.0OAL	
9	02250215-794	1	HOSE,MP 1-1/8ID X 23.5OAL	
10	02250218-243	1	ELBOW,STR THD/ORFS 1-5/16X1-1/4	
11	826502-218	1	O-RING,VITON 1 1/4" X 1/8"	
12	826502-219	1	O-RING,VITON 1 5/16 X 1/8"	
13	828008-085	2	CAPSCREW, HX 8.8 M8 X 85MM PLT	

**Drawing notes**

A1	TO OIL COOLER
A2	FROM OIL COOLER
A3	TO UNIT
A4	TO RECIEVER TANK



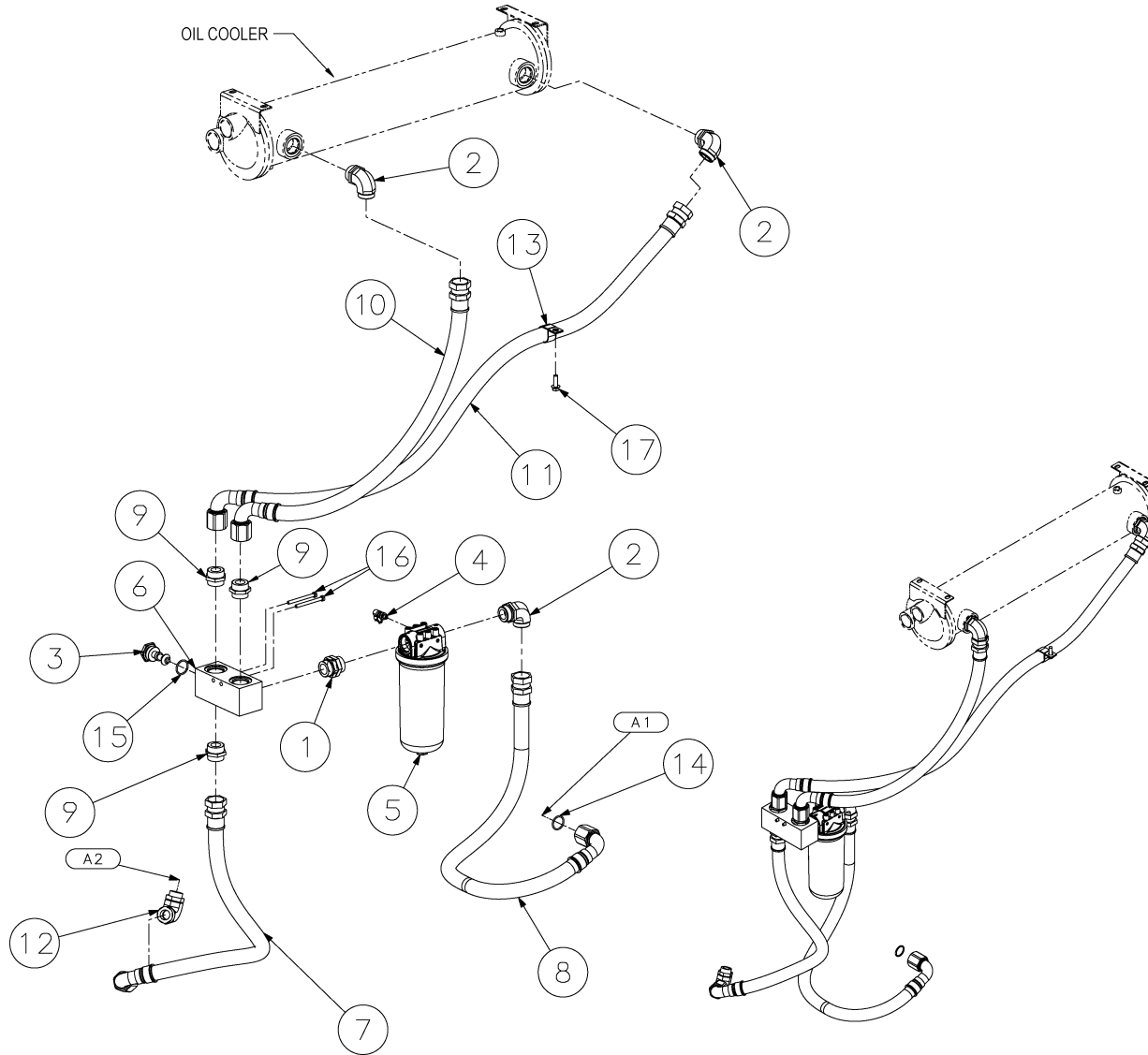
**1.12 Fluid piping, air-cooled—18 series**

Key	Part number	Qty	Description	Notes
1	02250055-015	1	ADAPTER,SAE 1 5/8-12 X 1 5/8-12	
2	02250087-068	4	CONNECTOR,SAE X ORFS 1.25"	
3	02250087-071	3	ELBOW,90 SAE X ORFS 1.25"	
4	02250092-081	1	VALVE,THERMAL 195F 1 1/2-18	
5	02250196-306	1	VALVE, KP18NV (1/8" NPTF, VITON)	
6	02250197-189	1	FILTER,FL CRLES 1" SAE P16/18 LG	
7	02250214-917	1	BLOCK,THERMAL VALVE P16/18	
8	02250215-793	2	HOSE,MP 1-1/8ID X 40.0OAL	
9	02250215-794	1	HOSE,MP 1-1/8ID X 23.5OAL	
10	02250215-796	1	HOSE,MP 1-1/8ID X 23.5OAL	
11	02250218-243	1	ELBOW,STR THD/ORFS 1-5/16X1-1/4	
12	826502-219	1	O-RING,VITON 1 5/16 X 1/8"	
13	828008-085	2	CAPSCREW, HX 8.8 M8 X 85MM PLT	

**Drawing notes**

A1	TO OIL COOLER
A2	FROM OIL COOLER
A3	TO UNIT
A4	TO RECIEVER TANK

1.13 Fluid piping, water-cooled, standard—16 series



02250214-446 R02

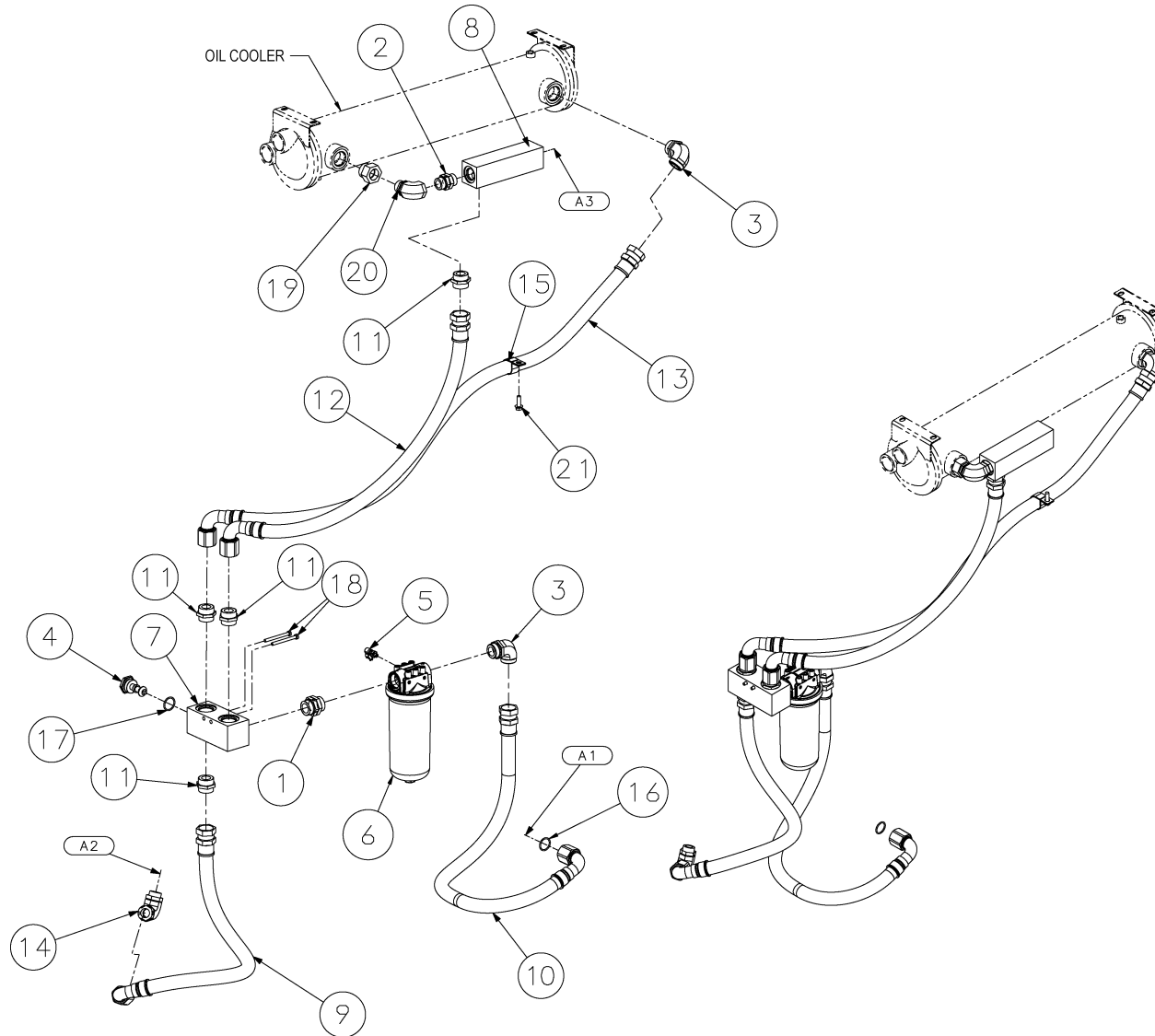
**1.13 Fluid piping, water-cooled, standard—16 series**

Key	Part number	Qty	Description	Notes
1	02250055-015	1	ADAPTER,SAE 1 5/8-12 X 1 5/8-12	
2	02250087-071	3	ELBOW,90 SAE X ORFS 1.25"	
3	02250148-796	1	VALVE,THERMAL 210F 1 1/2-18	
4	02250196-306	1	VALVE, KP18NV (1/8" NPTF, VITON)	
5	02250197-189	1	FILTER,FL CRLES 1" SAE P16/18 LG	
6	02250214-917	1	BLOCK,THERMAL VALVE P16/18	
7	02250215-793	1	HOSE,MP 1-1/8ID X 40.0OAL	
8	02250215-801	1	HOSE,MP 1-1/8ID X 29.0OAL	
9	02250215-841	3	CONNECTOR,STR THD/ORFS 1-5/8X1-1/4	
10	02250215-928	1	HOSE,MP 1-1/8ID X 45.0OAL	
11	02250215-929	1	HOSE,MP 1-1/8ID X 63.0OAL	
12	02250218-243	1	ELBOW,STR THD/ORFS 1-5/16X1-1/4	
13	408300-007	1	CLAMP, HOSE O.D. 1.500	
14	826502-218	1	O-RING,VITON 1 1/4" X 1/8"	
15	826502-219	1	O-RING,VITON 1 5/16 X 1/8"	
16	828008-085	2	CAPSCREW, HX 8.8 M8 X 85MM PLT	
17	882610-030	1	SCREW, HEX SER WASHER M10 X 30	

**Drawing notes**

A1	TO UNIT INJECTION
A2	FROM RECIEVER TANK

1.14 Fluid piping, water-cooled with regulator valve—16 series



02250214-447 R03

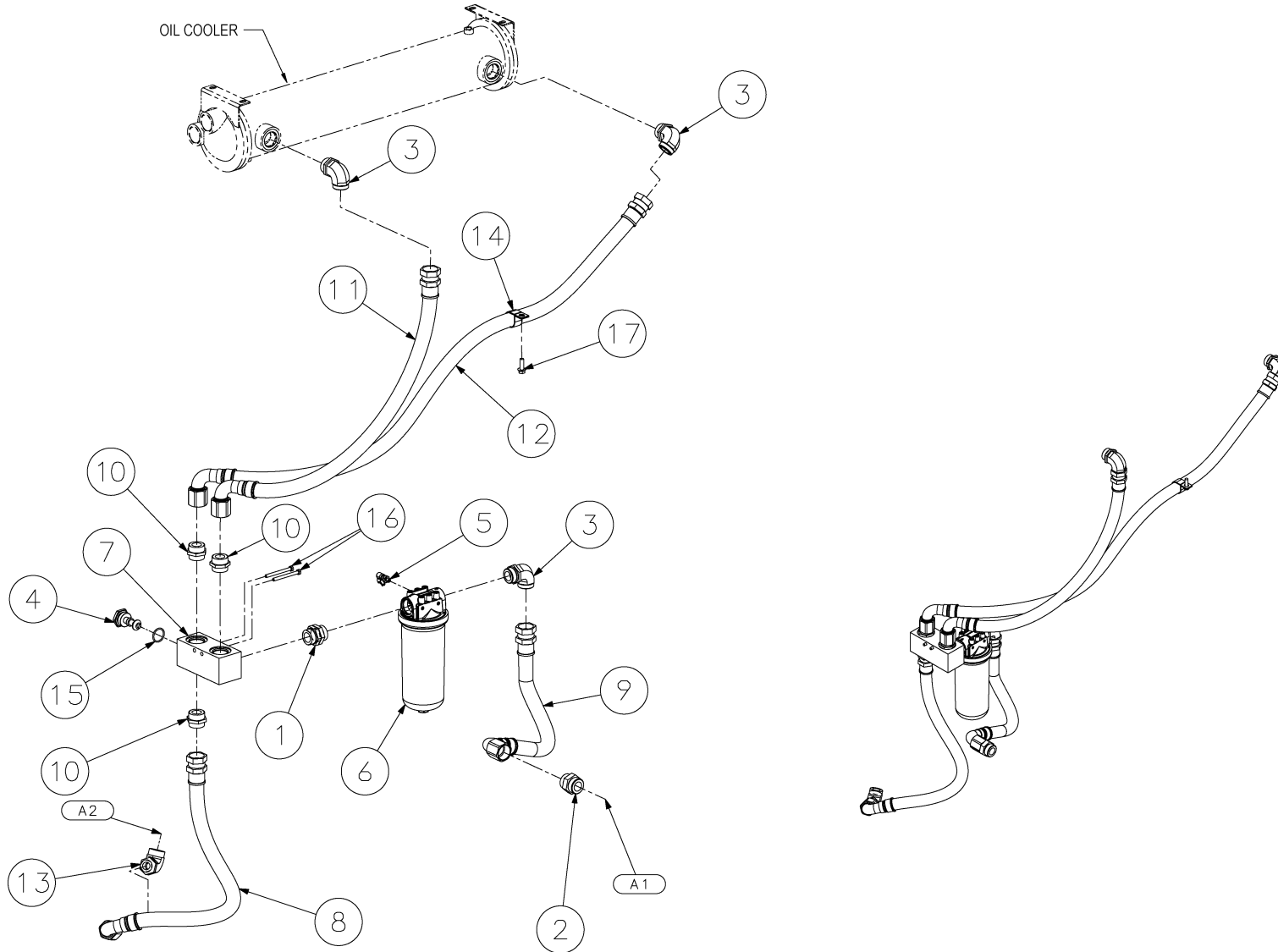
## 1.14 Fluid piping, water-cooled with regulator valve—16 series

Key	Part number	Qty	Description	Notes
1	02250055-015	1	ADAPTER,SAE 1 5/8-12 X 1 5/8-12	
2	02250086-022	1	ADAPTER,SAE 1 5/16 X 1 5/16-12	
3	02250087-071	2	ELBOW,90 SAE X ORFS 1.25"	
4	02250148-796	1	VALVE,THERMAL 210F 1 1/2-18	
5	02250196-306	1	VALVE, KP18NV (1/8" NPTF, VITON)	
6	02250197-189	1	FILTER,FL CRLES 1" SAE P16/18 LG	
7	02250214-917	1	BLOCK,THERMAL VALVE P16/18	
8	02250214-979	1	TEE,SAE 1-5/8 OIL RETURN	
9	02250215-793	1	HOSE,MP 1-1/8ID X 40.0OAL	
10	02250215-801	1	HOSE,MP 1-1/8ID X 29.0OAL	
11	02250215-841	4	CONNECTOR,STR THD/ORFS 1-5/8X1-1/4	
12	02250215-928	1	HOSE,MP 1-1/8ID X 45.0OAL	
13	02250215-929	1	HOSE,MP 1-1/8ID X 63.0OAL	
14	02250218-243	1	ELBOW,STR THD/ORFS 1-5/16X1-1/4	
15	408300-007	1	CLAMP, HOSE O.D. 1.500	
16	826502-218	1	O-RING,VITON 1 1/4" X 1/8"	
17	826502-219	1	O-RING,VITON 1 5/16 X 1/8"	
18	828008-085	2	CAPSCREW, HX 8.8 M8 X 85MM PLT	
19	870020-016	1	REDUCER,STR THRD 1 1/4 X 1" VITON	
20	878316-131	1	ELBOW, FEMALE STRTHRD 1 5/16	
21	882610-030	1	SCREW, HEX SER WASHER M10 X 30	

## Drawing notes

A1	TO UNIT INJECTION
A2	FROM RECIEVER TANK
A3	WATER REGULATOR VALVE PROBE LOCATION

1.15 Fluid piping, water-cooled, standard—18 series



02250216-217 R02

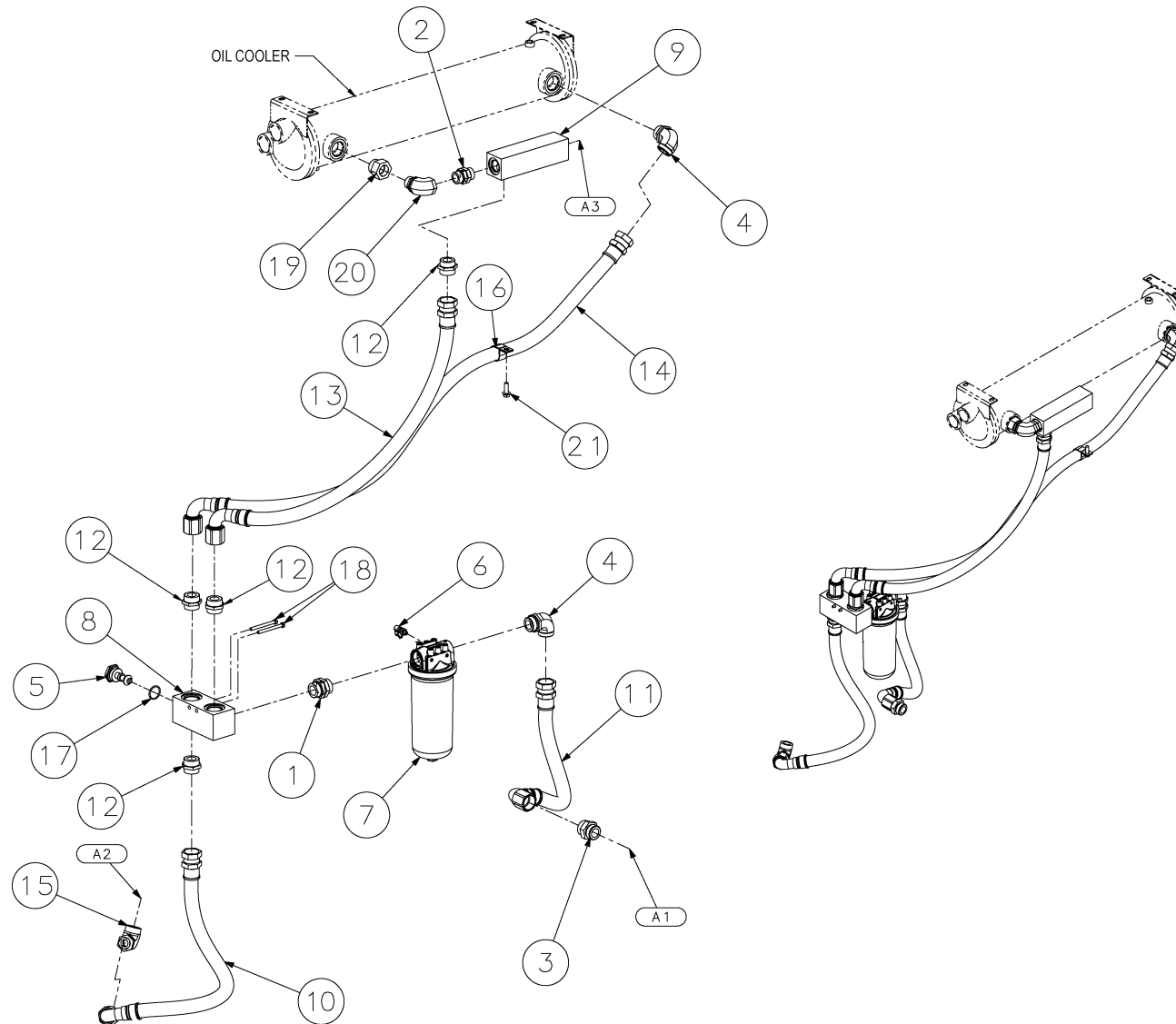
**1.15 Fluid piping, water-cooled, standard—18 series**

Key	Part number	Qty	Description	Notes
1	02250055-015	1	ADAPTER,SAE 1 5/8-12 X 1 5/8-12	
2	02250087-068	1	CONNECTOR,SAE X ORFS 1.25"	
3	02250087-071	3	ELBOW,90 SAE X ORFS 1.25"	
4	02250148-796	1	VALVE,THERMAL 210F 1 1/2-18	
5	02250196-306	1	VALVE, KP18NV (1/8" NPTF, VITON)	
6	02250197-189	1	FILTER,FL CRLES 1" SAE P16/18 LG	
7	02250214-917	1	BLOCK,THERMAL VALVE P16/18	
8	02250215-793	1	HOSE,MP 1-1/8ID X 40.0OAL	
9	02250215-796	1	HOSE,MP 1-1/8ID X 23.5OAL	
10	02250215-841	3	CONNECTOR,STR THD/ORFS 1-5/8X1-1/4	
11	02250215-928	1	HOSE,MP 1-1/8ID X 45.0OAL	
12	02250215-929	1	HOSE,MP 1-1/8ID X 63.0OAL	
13	02250218-243	1	ELBOW,STR THD/ORFS 1-5/16X1-1/4	
14	408300-007	1	CLAMP, HOSE O.D. 1.500	
15	826502-219	1	O-RING,VITON 1 5/16 X 1/8"	
16	828008-085	2	CAPSCREW, HX 8.8 M8 X 85MM PLT	
17	882610-030	1	SCREW, HEX SER WASHER M10 X 30	

**Drawing notes**

A1	TO UNIT INJECTION
A2	FROM RECIEVER TANK

### 1.16 Fluid piping, water-cooled with regulator valve—18 series



02250216-216 R02

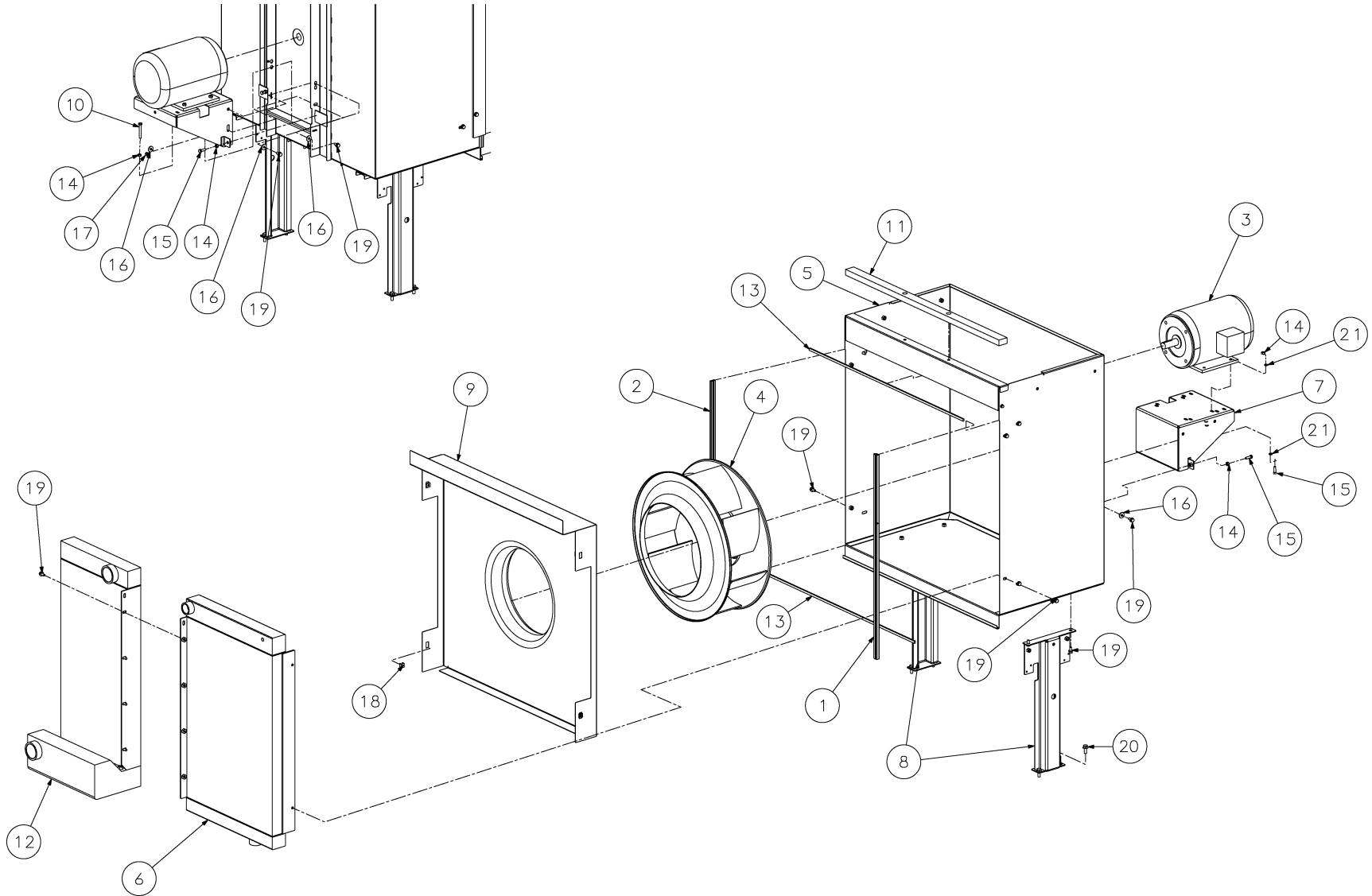
**1.16 Fluid piping, water-cooled with regulator valve—18 series**

Key	Part number	Qty	Description	Notes
1	02250055-015	1	ADAPTER,SAE 1 5/8-12 X 1 5/8-12	
2	02250086-022	1	ADAPTER,SAE 1 5/16 X 1 5/16-12	
3	02250087-068	1	CONNECTOR,SAE X ORFS 1.25"	
4	02250087-071	2	ELBOW,90 SAE X ORFS 1.25"	
5	02250148-796	1	VALVE,THERMAL 210F 1 1/2-18	
6	02250196-306	1	VALVE, KP18NV (1/8" NPTF, VITON)	
7	02250197-189	1	FILTER,FL CRLES 1" SAE P16/18 LG	
8	02250214-917	1	BLOCK,THERMAL VALVE P16/18	
9	02250214-979	1	TEE,SAE 1-5/8 OIL RETURN	
10	02250215-793	1	HOSE,MP 1-1/8ID X 40.0OAL	
11	02250215-796	1	HOSE,MP 1-1/8ID X 23.5OAL	
12	02250215-841	4	CONNECTOR,STR THD/ORFS 1-5/8X1-1/4	
13	02250215-928	1	HOSE,MP 1-1/8ID X 45.0OAL	
14	02250215-929	1	HOSE,MP 1-1/8ID X 63.0OAL	
15	02250218-243	1	ELBOW,STR THD/ORFS 1-5/16X1-1/4	
16	408300-007	1	CLAMP, HOSE O.D. 1.500	
17	826502-219	1	O-RING,VITON 1 5/16 X 1/8"	
18	828008-085	2	CAPSCREW, HX 8.8 M8 X 85MM PLT	
19	870020-016	1	REDUCER,STR THRD 1 1/4 X 1" VITON	
20	878316-131	1	ELBOW, FEMALE STRTHRD 1 5/16	
21	882610-030	1	SCREW, HEX SER WASHER M10 X 30	

**Drawing notes**

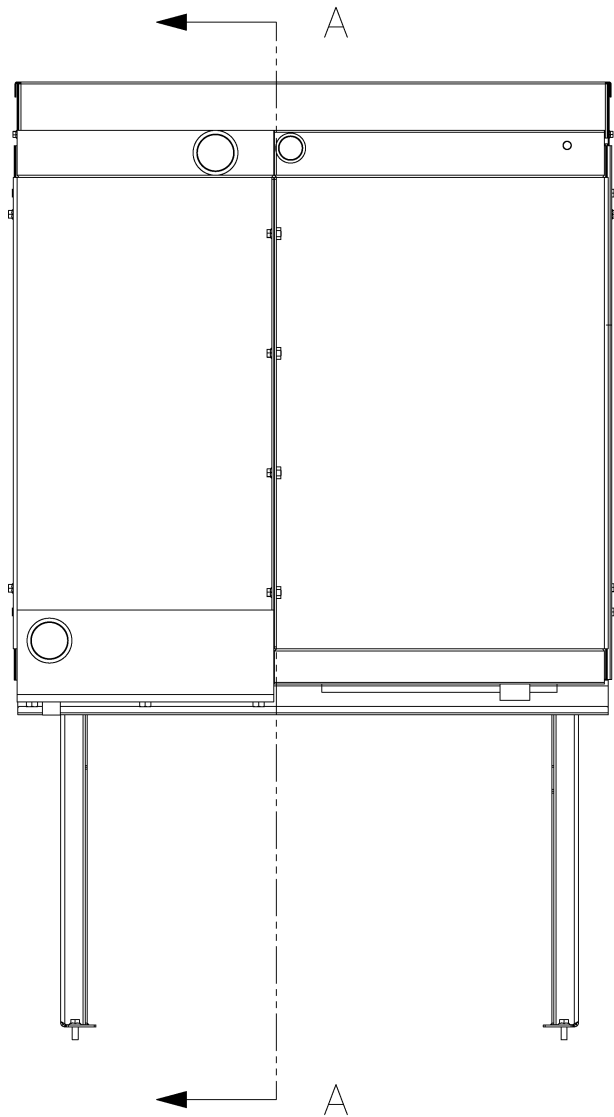
A1	TO UNIT INJECTION
A2	FROM RECIEVER TANK
A3	WATER REGULATOR VALVE PROBE LOCATION

1.17 Cooling and lubrication system, air-cooled cooler centrifugal fan—16/18 series, 60 & 75 hp (45 & 55 kW)

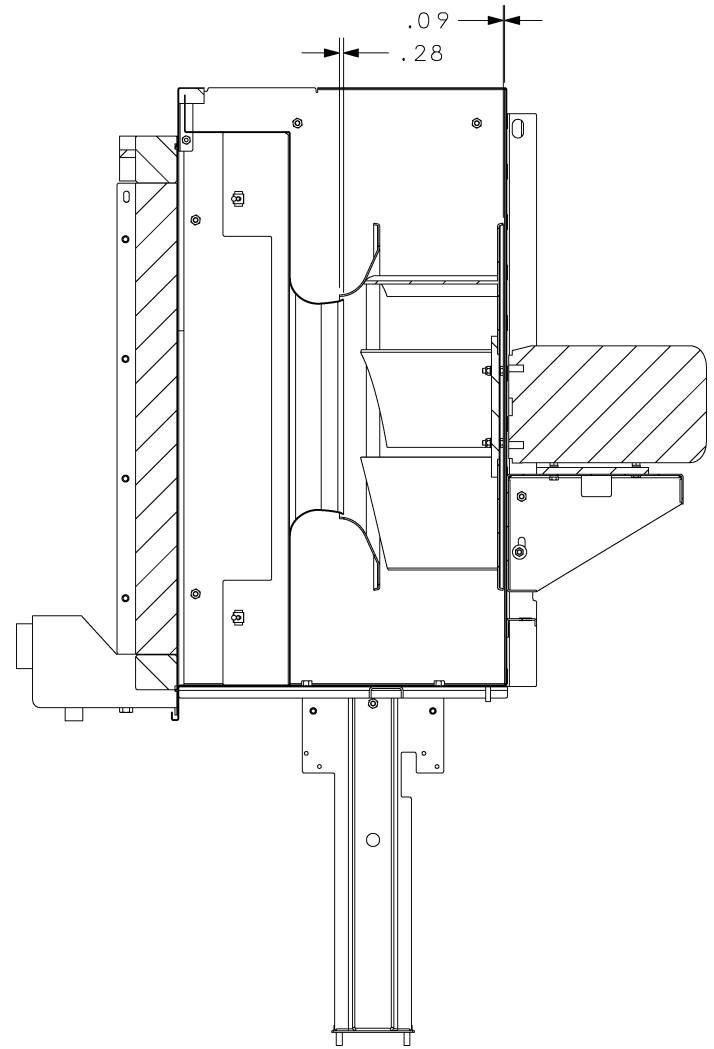


02250215-684 R02 (sh1)

1.17 Cooling and lubrication system, air-cooled cooler centrifugal fan—16/18 series, 60 & 75 hp (45 & 55 kW)



02250215-684 R02 (sh2)



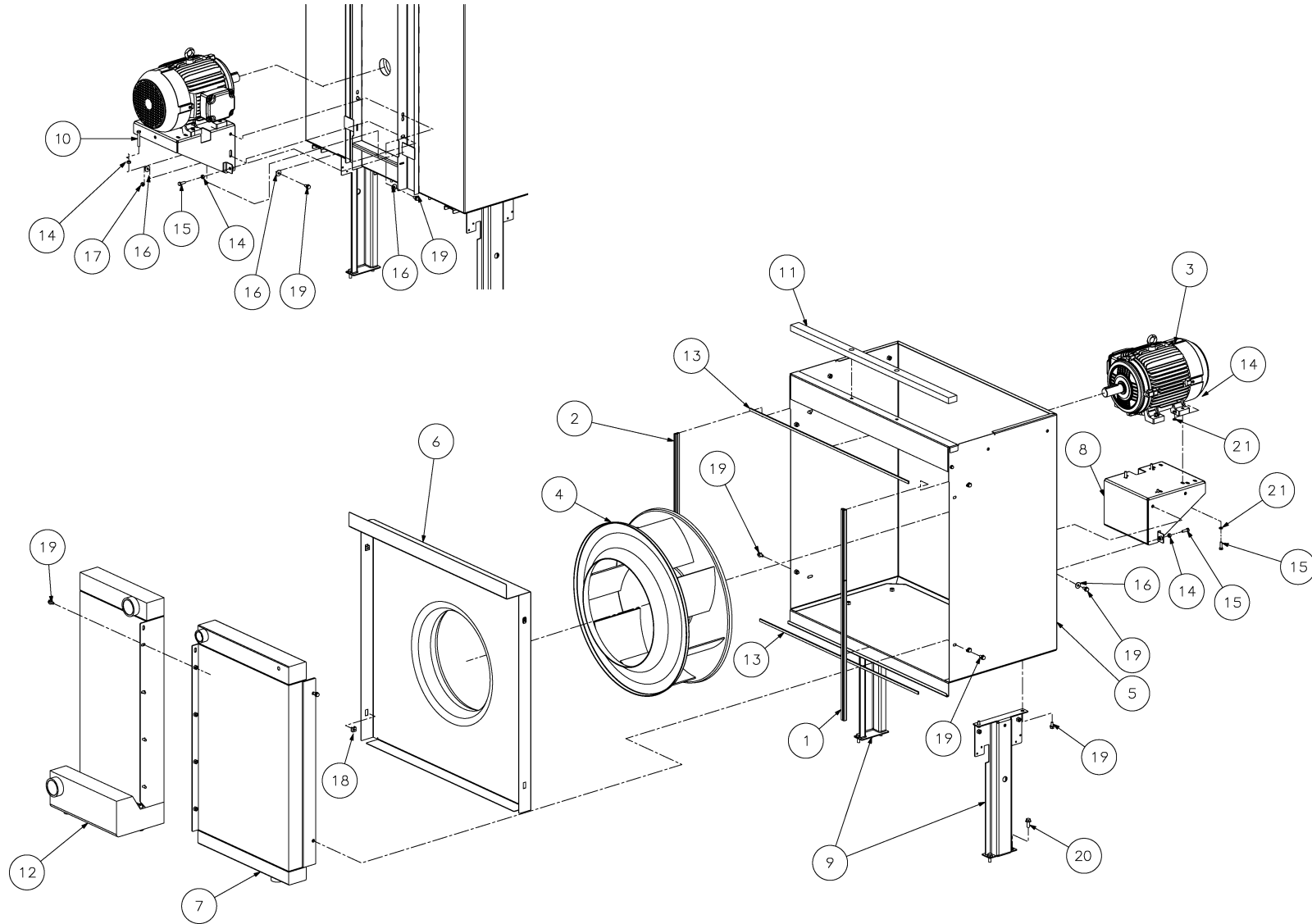
SECTION A-A

**1.17 Cooling and lubrication system, air-cooled cooler centrifugal fan—16/18 series, 60 & 75 hp (45 & 55 kW)**

Key	Part number	Qty	Description	Notes
1	02250137-297	3	SEAL, CLIP-ON BAFFLES 185 60HP	
2	02250160-095	3	WEATHERSTRIP, EPDM 65 SHORE/SPGE RUBBER BLACK	
3	02250204-920	1	MOTOR, 2 HORSE POWER 230/460 6P TEPE	
4	02250213-596	1	FAN,CENTRIFUGAL 560X200	
5	02250213-829	1	HOUSING,FAN SQUARE P16/18	
6	02250213-833	1	COOLER,OIL 2.756 THICK CORE	
7	02250214-207	1	SUPPORT,BRACKET MTR	
8	02250214-209	2	SUPPORT,BRACE SENERGY CLR HSG	
9	02250214-343	1	ADAPTER,VENTURI 22 FAN	
10	02250215-385	1	CAPSCREW,HEX FULL THRD M8X60 PLTD	
11	02250215-814	1	ACOUSTICAL PANEL,1.00 X 1.68 X 39.38	
12	02250218-302	1	COOLER,AFTERCOOLER 2.756 THICK CORE	
13	250022-436	7	WEATHERSTRIP, 3/16 X 3/8 FT	
14	825908-125	7	NUT, HEX METRIC M8 X 1.25	
15	828008-025	6	CAPSCREW,HEX 8.8 M8 X 25MM PLT	
16	865708-240	4	WASHER, ISO7093-8-140HV	
17	882108-125	1	NUT, HEX METRIC M8 X 1.25	
18	882408-230	4	NUT, RETAINER M8 X 1.25 2.3	
19	882608-016	19	SCREW, HEX SER WASHER M8 X 16	
20	882610-025	4	SCREW, HEX SER WASHER M10 X 25	
21	883208-135	8	WASHER, NORD-LOCK PL M8	

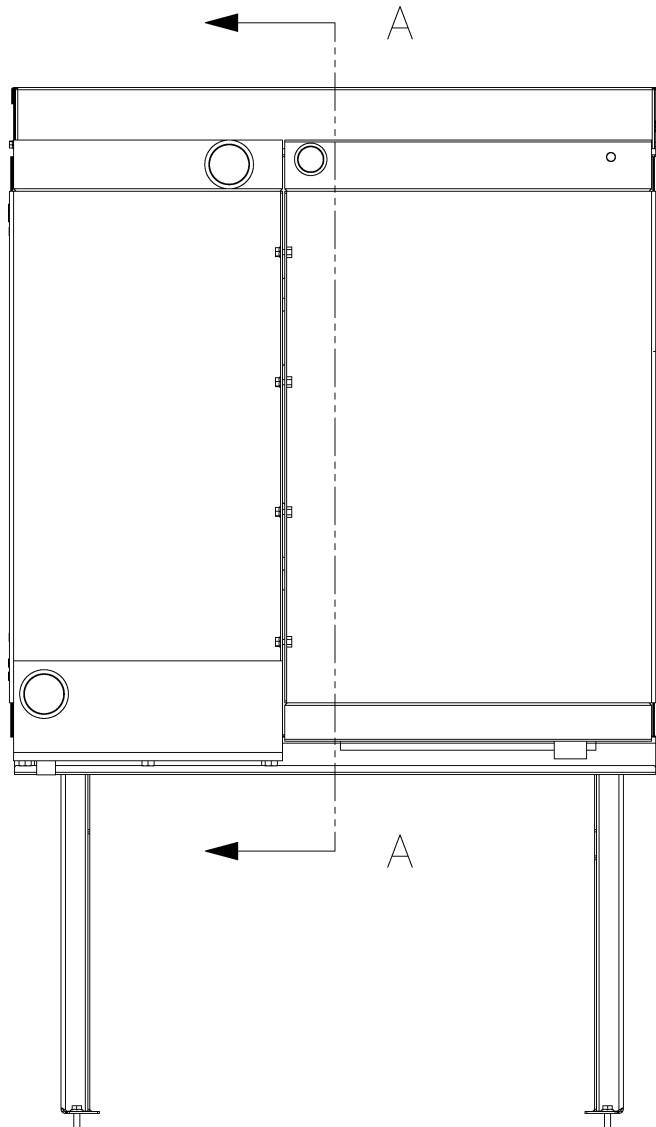
**Notes:**

1.18 Cooling and lubrication system, air-cooled cooler centrifugal fan—16/18 series, 100 hp (75 kW)

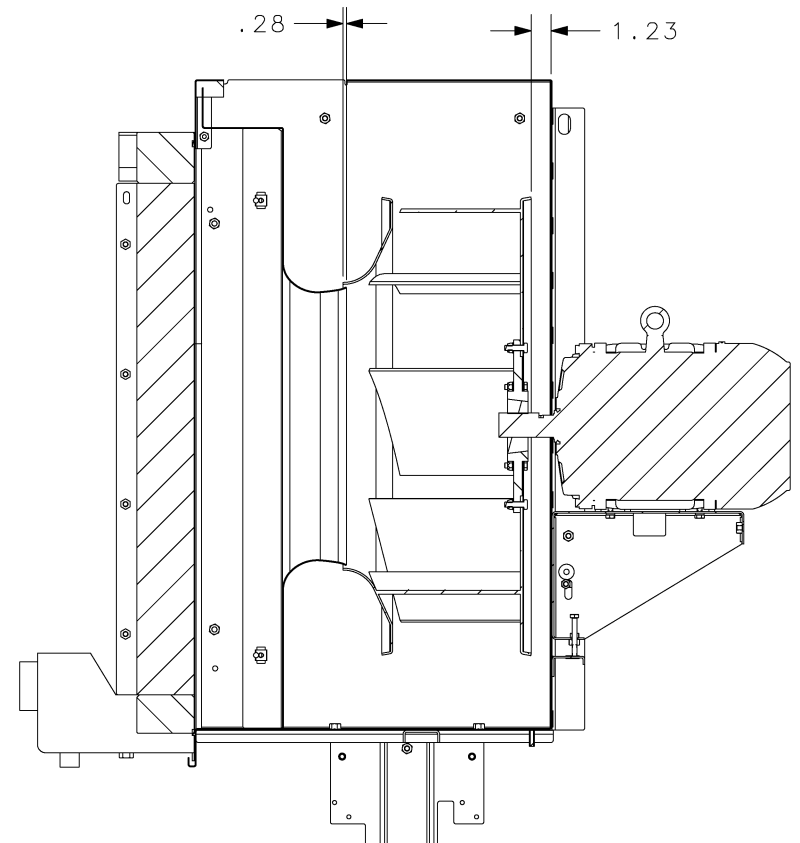


02250215-685 R02 (sh1)

1.18 Cooling and lubrication system, air-cooled cooler centrifugal fan—16/18 series, 100 hp (75 kW)



02250215-685 R02 (sh2)



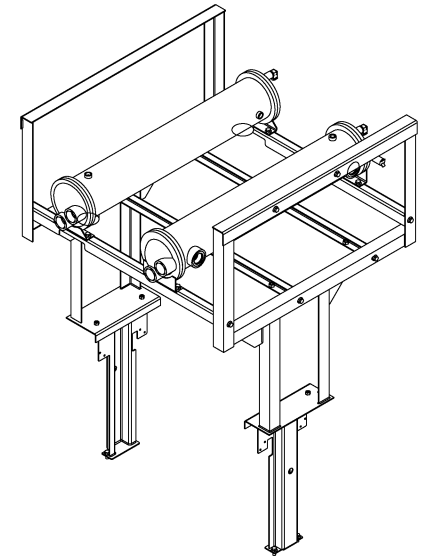
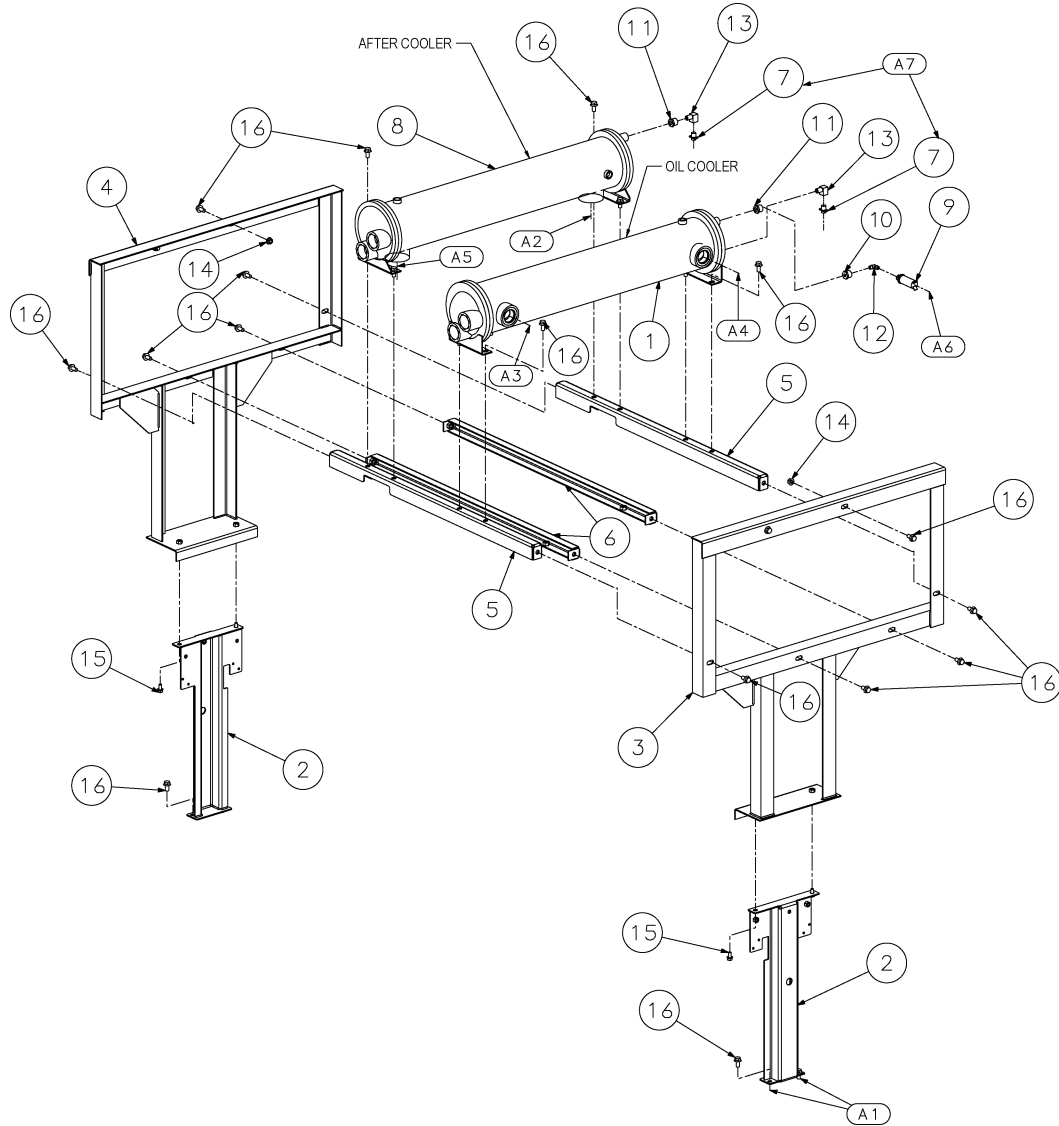
SECTION A-A

**1.18 Cooling and lubrication system, air-cooled cooler centrifugal fan—16/18 series, 100 hp (75 kW)**

Key	Part number	Qty	Description	Notes
1	02250137-297	3	SEAL, CLIP-ON BAFFLES 185 60HP	
2	02250160-095	3	WEATHERSTRIP, EPDM 65 SHORE/SPGE RUBBER BLACK	
3	02250161-395	1	MOTOR, 3 HORSE POWER UNIV/50/60 6P TEPE	
4	02250213-597	1	FAN,CENTRIFUGAL 630X200	
5	02250213-829	1	HOUSING,FAN SQUARE P16/18	
6	02250213-831	1	ADAPTER,VENTURI 24 FAN	
7	02250214-112	1	COOLER,OIL 3.5 THICK CORE	
8	02250214-207	1	SUPPORT,BRACKET MTR	
9	02250214-209	2	SUPPORT,BRACE SENERGY CLR HSG	
10	02250215-385	1	CAPSCREW,HEX FULL THRD M8X60 PLTD	
11	02250215-814	1	ACOUSTICAL PANEL,1.00 X 1.68 X 39.38	
12	02250218-107	1	COOLER,AFTERCOOLER 3.50 THICK CORE	
13	250022-436	7	WEATHERSTRIP, 3/16 X 3/8 FT	
14	825908-125	7	NUT, HEX METRIC M8 X 1.25	
15	828008-025	6	CAPSCREW,HEX 8.8 M8 X 25MM PLT	
16	865708-240	4	WASHER, ISO7093-8-140HV	
17	882108-125	1	NUT, HEX METRIC M8 X 1.25	
18	882408-230	4	NUT, RETAINER M8 X 1.25 2.3	
19	882608-016	21	SCREW, HEX SER WASHER M8 X 16	
20	882610-025	4	SCREW, HEX SER WASHER M10 X 25	
21	883208-135	8	WASHER, NORD-LOCK PL M8	

**Notes:**

1.19 Cooling and lubrication system, water-cooled standard—16/18 series



02250214-448 R01



02250219-895 R01  
Subject to EAR, ECCN EAR99 and related export control restrictions.

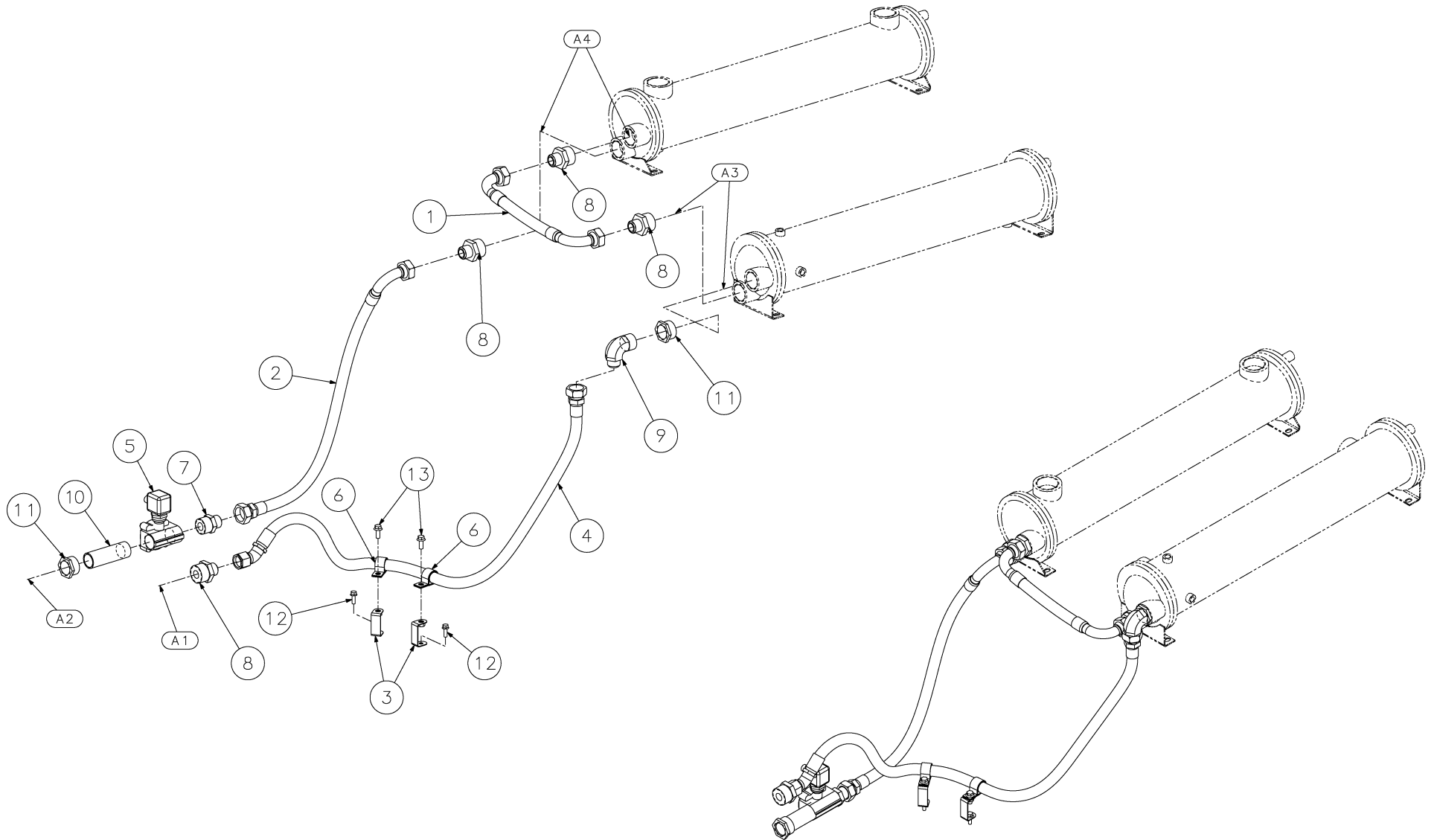
**1.19 Cooling and lubrication system, water-cooled standard—16/18 series**

Key	Part number	Qty	Description	Notes
1	02250172-501	1	COOLER,OIL/WATER 6X36 1-5/8"SAE	
2	02250214-209	2	SUPPORT,BRACE SENERGY CLR HSG	
3	02250215-153	1	SUPPORT,COOLER ASSY RIGHT WC	
4	02250215-154	1	SUPPORT,COOLER ASSY LEFT WC	
5	02250215-155	2	SUPPORT,HT EXCH WC	
6	02250215-805	2	SUPPORT,HT EXCH WC	
7	040061	2	DRAINLOCK, 1/4"	
8	043008	1	COOLER,WATER COOLED AFT CLR 06036-L-4 STD STL +	
9	250017-992	1	SWITCH, PRESSURE N.O. 10 PSI	
10	868902-005	1	BUSHING,RED HEX 1/2 X 1/8" PLT	
11	868902-010	2	BUSHING, RED HEX 1/2 X 1/4 PLT	
12	881002-012	1	ELBOW,PIPE-90M 1/8 X 1/8"BRASS	
13	881204-025	2	ELBOW,PIPE 90M/F 1/4 X 1/4	
14	882510-150	4	NUT, HEX SERR FLNG M10 X 1.5	
15	882608-016	4	SCREW, HEX SER WASHER M8 X 16	
16	882610-020	24	SCREW, HEX SER WASHER M10 X 20	

**Drawing notes**

A1	TO FRAME
A2	FROM MINIMUM PRESSURE VALVE
A3	TO THERMAL BLOCK
A4	FROM THERMAL BLOCK
A5	TO WATER SEPARATOR
A6	LOW WATER PRESSURE SWITCH
A7	AIR BLEED VALVE
	THE BRACKET AT THE END OF BOTH COOLERS MUST BE MOUNTED FACING DOWN

### 1.20 Cooling and lubrication system, water-cooled with solenoid valve—16/18 series



02250214-452 R02

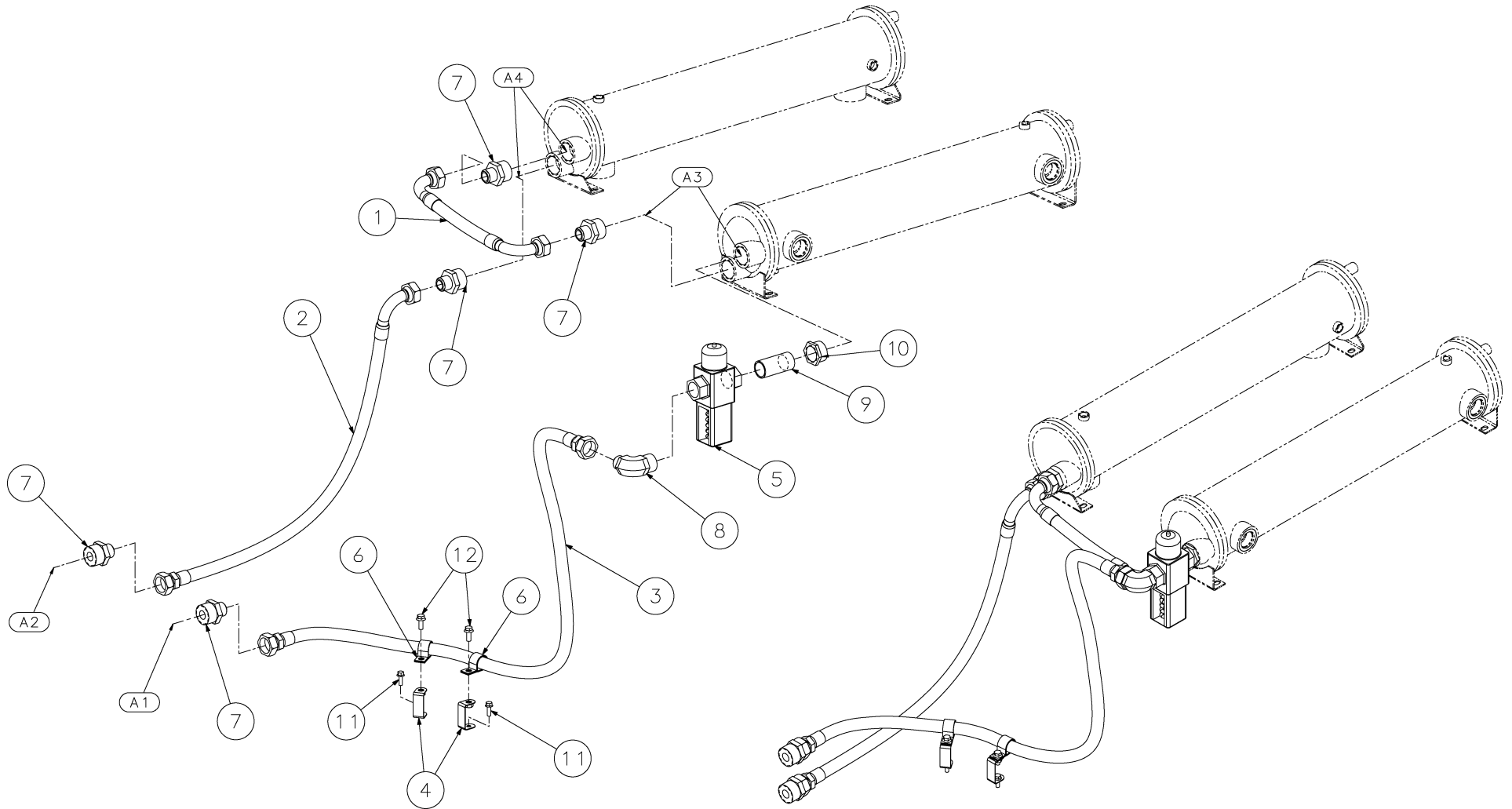
**1.20 Cooling and lubrication system, water-cooled with solenoid valve—16/18 series**

Key	Part number	Qty	Description	Notes
1	02250215-252	1	HOSE,HOSE,HYD 1" X 16"LG	
2	02250215-333	1	HOSE,HOSE,HYD 1" X 32"LG	
3	02250216-372	2	ANGLE,BRACKET	
4	02250216-492	1	HOSE,HOSE,HYD 1" X 61"LG	
5	250035-291	1	VALVE, SOLENOID 1-1/4"	
6	408300-006	2	CLAMP, HOSE O.D. 1.250	
7	860116-125	1	CONNECTOR, 37FL/MPT 1 X 1 1/4"	
8	860116-150	4	CONNECTOR, 37FL/MPT 1 X 1-1/2"	
9	860216-125	1	ELBOW, 37FL 90M 1 X 1 1/4"	
10	866320-050	1	NIPPLE, PIP 1 1/4 X 5" PLT	
11	868906-050	2	BUSHING,RED HEX 1 1/2 X 1 1/4"	
12	882608-025	2	SCREW, HEX SER WASHER M8 X 25	
13	882610-025	2	SCREW, HEX SER WASHER M10 X 25	

**Drawing notes**

A1	WATER OUT
A2	WATER IN
A3	TO OIL COOLER
A4	TO AFTER COOLER

### 1.21 Cooling and lubrication system, water-cooled with regulator valve—16/18 series



02250214-450 R03



02250219-895 R01  
Subject to EAR, ECCN EAR99 and related export control restrictions.

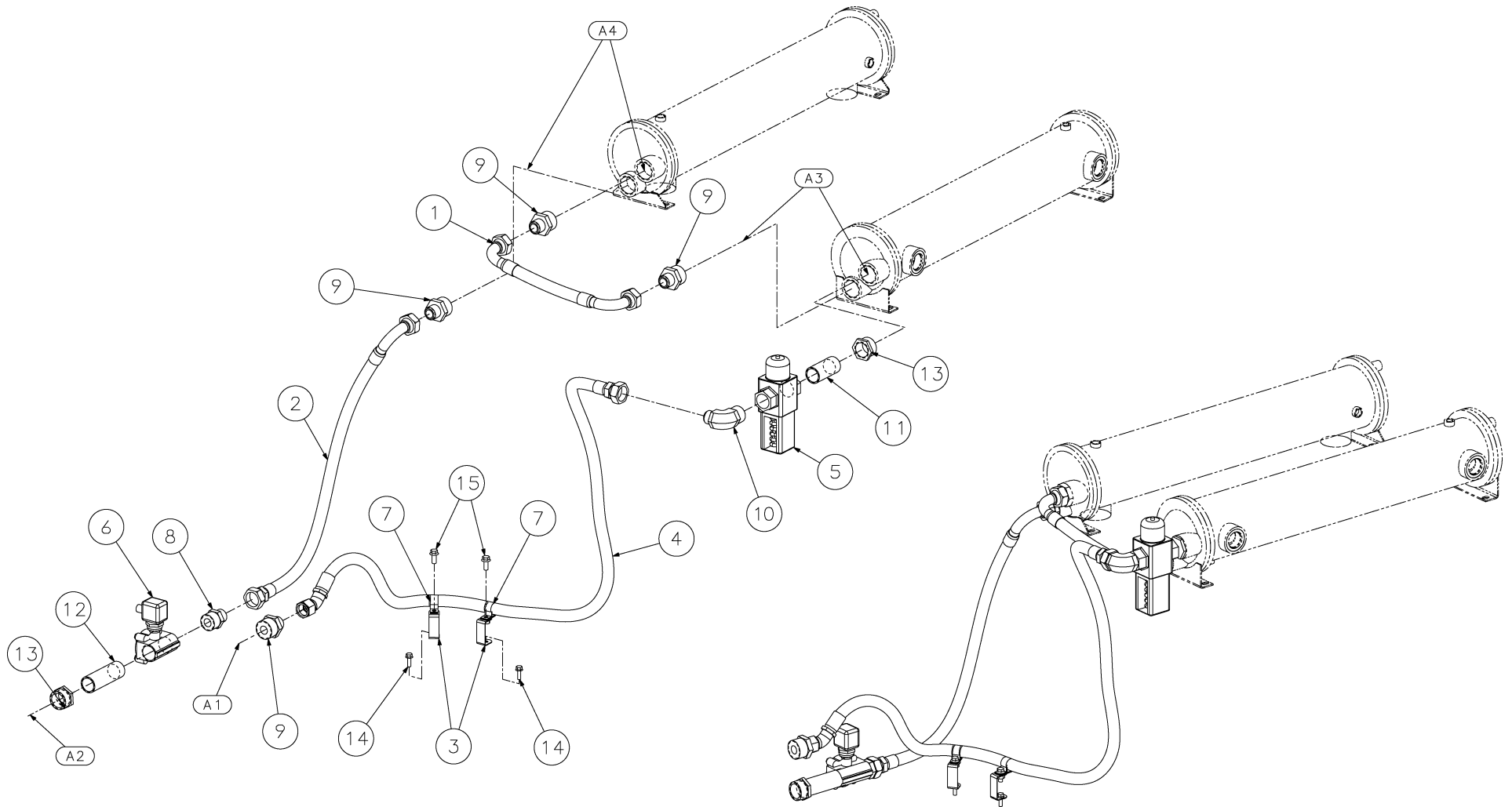
**1.21 Cooling and lubrication system, water-cooled with regulator valve—16/18 series**

Key	Part number	Qty	Description	Notes
1	02250215-252	1	HOSE,HOSE,HYD 1" X 16"LG	
2	02250215-253	1	HOSE,HOSE,HYD 1" X 44"LG	
3	02250215-332	1	HOSE,HOSE,HYD 1" X 72"LG	
4	02250216-372	2	ANGLE,BRACKET	
5	049474	1	VALVE, WATER REGULATING 1 1/4"	
6	408300-006	2	CLAMP, HOSE O.D. 1.250	
7	860116-150	5	CONNECTOR, 37FL/MPT 1 X 1-1/2"	
8	860216-125	1	ELBOW, 37FL 90M 1 X 1 1/4"	
9	866320-035	1	NIPPLE,PIPE 1 1/4 X 3 1/2" PLT	
10	868906-050	1	BUSHING,RED HEX 1 1/2 X 1 1/4"	
11	882608-025	2	SCREW, HEX SER WASHER M8 X 25	
12	882610-025	2	SCREW, HEX SER WASHER M10 X 25	

**Drawing notes**

A1	WATER OUT
A2	WATER IN
A3	TO OIL COOLER
A4	TO AFTER COOLER

1.22 Cooling and lubrication system, water-cooled with regulator valve & solenoid—16/18 series



02250216-238 R01

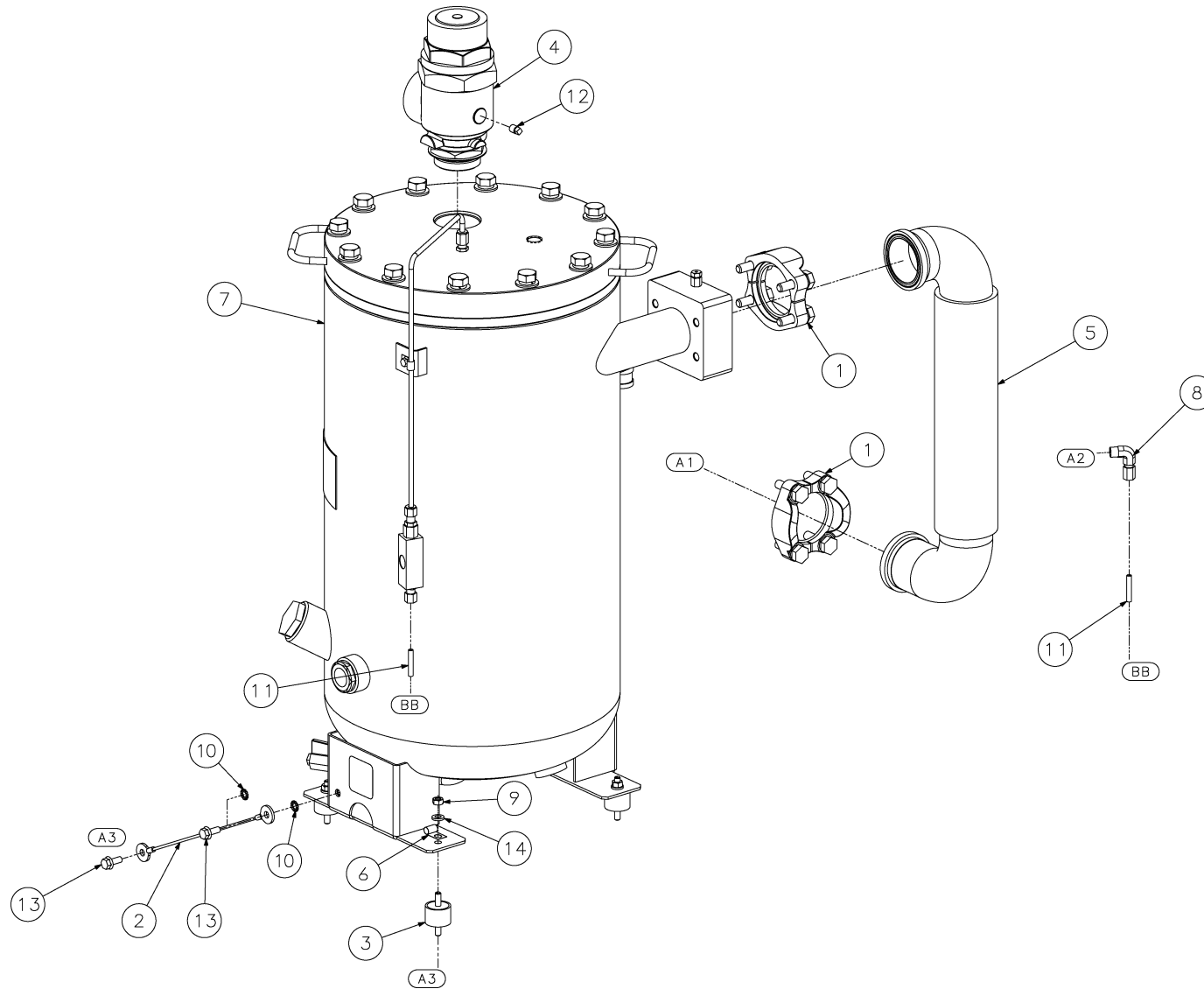
**1.22 Cooling and lubrication system, water-cooled with regulator valve & solenoid—16/18 series**

Key	Part number	Qty	Description	Notes
1	02250215-252	1	HOSE,HOSE,HYD 1" X 16"LG	
2	02250215-333	1	HOSE,HOSE,HYD 1" X 32"LG	
3	02250216-372	2	ANGLE,BRACKET	
4	02250218-212	1	HOSE,HOSE,HYD 1" X 69"LG	
5	049474	1	VALVE,WATER REGULATING 1-1/4"	
6	250035-291	1	VALVE, SOLENOID 1-1/4"	
7	408300-005	2	CLAMP, HOSE O.D. 1.062	
8	860116-125	1	CONNECTOR, 37FL/MPT 1 X 1 1/4"	
9	860116-150	4	CONNECTOR, 37FL/MPT 1 X 1-1/2"	
10	860216-125	1	ELBOW, 37FL 90M 1 X 1 1/4"	
11	866320-035	1	NIPPLE,PIPE 1 1/4 X 3 1/2" PLT	
12	866320-050	1	NIPPLE, PIP 1 1/4 X 5" PLT	
13	868906-050	2	BUSHING,RED HEX 1 1/2 X 1 1/4"	
14	882608-025	2	SCREW, HEX SER WASHER M8 X 25	
15	882610-025	2	SCREW, HEX SER WASHER M10 X 25	

**Drawing notes**

A1	WATER OUT
A2	WATER IN
A3	TO OIL COOLER
A4	TO AFTER COOLER

1.23 Sump & piping—16 series



02250213-180 R03

**1.23 Sump & piping—16 series**

Key	Part number	Qty	Description	Notes
1	02250152-813	2	FLANGE,KIT 2.5" SPLIT M12 X 45	
2	02250157-450	1	WIRE, 10 GAGE GROUND BOND 12" M8	
3	02250162-374	4	ISOLATOR,VIBRATION REC TANK P16/18	
4	02250214-687	1	VALVE,MINIMUM PRESSURE CHK 2 1/2"	
5	02250214-768	1	PIPE,DISCH 2.5" P16	
6	02250218-685	1	CLAMP,SPEED - TUBE 1/4"	
7	02250219-509	1	SUB ASSEMBLY,MODULAR,SEP TNK P16/18	
8	250211-005	1	ELBOW,TUBE-M 1/4" SWGLK 316SS	
9	825908-125	4	NUT, HEX METRIC M8 X 1.25	
10	838405-034	2	WASHER, LOCK EXT TOOTH 5/16"	
11	841215-004	6	TUBING,STNLS STL 1/4 20GA FT	
12	866900-005	1	PLUG, PIPE 1/8" 3000# STL PLT	
13	882608-020	2	SCREW, HEX SER WASHER M8 X 20	
14	883208-166	4	WASHER, NORD-LOCK PL M8 SP	

**Drawing notes**

A1	TO UNIT DISCHARGE
A2	TO UNIT OIL RETURN PORT
A3	ATTACH TO THE FRAME



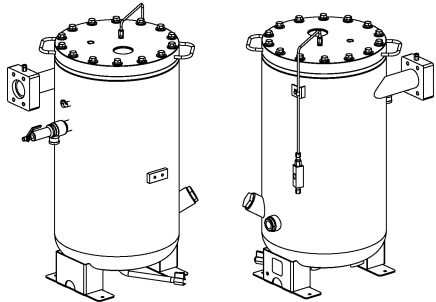
**1.24 Sump & piping—18 series**

Key	Part number	Qty	Description	Notes
1	02250152-813	2	FLANGE,KIT 2.5" SPLIT M12 X 45	
2	02250157-450	1	WIRE, 10 GAGE GROUND BOND 12" M8	
3	02250162-374	4	ISOLATOR,VIBRATION REC TANK P16/18	
4	02250214-687	1	VALVE,MINIMUM PRESSURE CHK 2 1/2"	
5	02250215-330	1	PIPE,DISCHARGE P18	
6	02250218-685	1	CLAMP,SPEED - TUBE 1/4"	
7	02250219-509	1	SUB ASSEMBLY,MODULAR,SEP TNK P16/18	
8	250139-016	1	CONNECTOR,TUBE-M 1/4" SWGLK 316SS	
9	825908-125	4	NUT, HEX METRIC M8 X 1.25	
10	838405-034	2	WASHER, LOCK EXT TOOTH 5/16"	
11	841215-004	6	TUBING,STNLS STL 1/4 20GA FT	
12	866900-005	1	PLUG, PIPE 1/8" 3000# STL PLT	
13	882608-020	2	SCREW, HEX SER WASHER M8 X 20	
14	883208-166	4	WASHER, NORD-LOCK PL M8 SP	

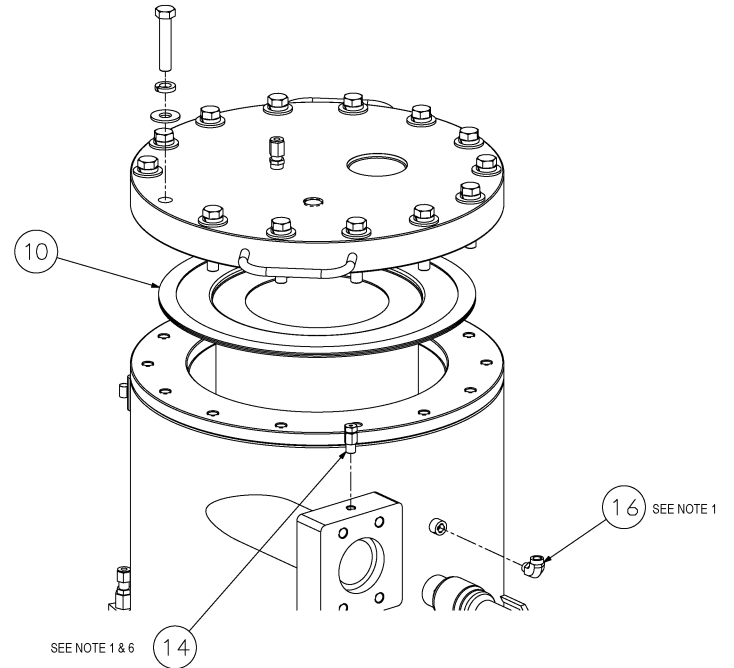
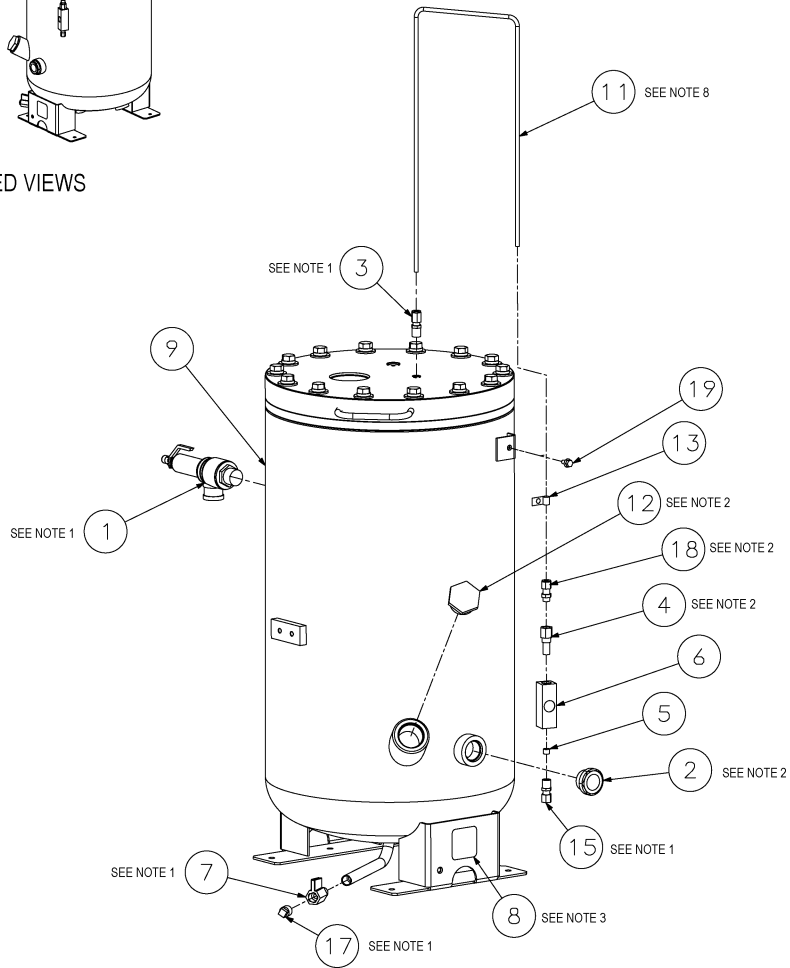
**Drawing notes**

A1	TO UNIT DISCHARGE
A2	TO UNIT OIL RETURN PORT
A3	ATTACH TO THE FRAME

1.25 Sump tank assembly—16/18 series



ASSEMBLED VIEWS



02250219-509 R01



02250219-895 R01  
Subject to EAR, ECCN EAR99 and related export control restrictions.

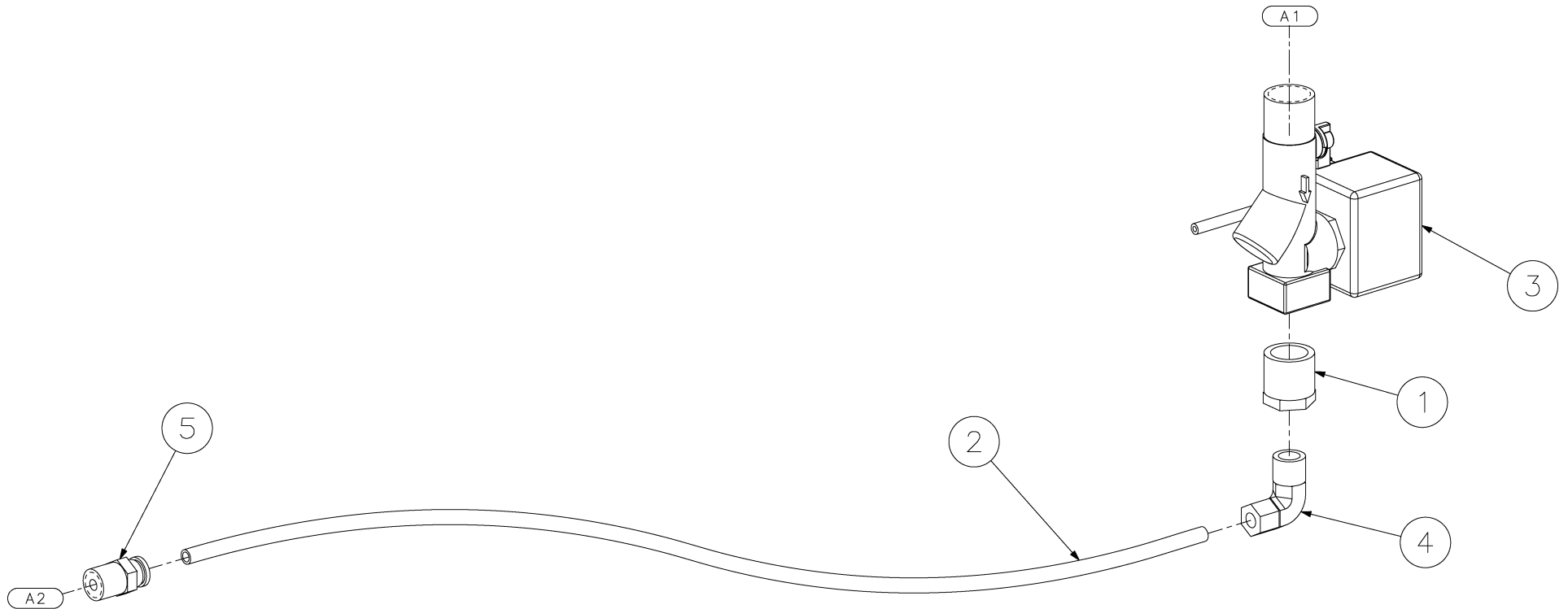
**1.25 Sump tank assembly—16/18 series**

Key	Part number	Qty	Description	Notes
1	02250097-349	1	VALVE,RELIEF 200#	
2	02250097-610	1	PLUG,SIGHT GLASS 1 15/16" SAE	
3	02250108-700	1	CONNECTOR,TUBE OIL RETURN 1/4 X 1/4	
4	02250117-782	1	FILTER,ASSEMBLY GENISIS FILTR +	
5	02250125-774	1	ORIFICE,PLUG 1/8"NPT 1/32	
6	02250126-129	1	SIGHTGLASS/ORF BLOCK - SAE	
7	02250146-870	1	VALVE,BALL MINI M X F 3/8"VITON	
8	02250156-944	1	DECAL,CONTINUITY CHECK 3700	
9	02250214-293	1	TANK,SEPARATOR P16 18	
10	02250214-961	1	SEPARATOR,ELEMENT 75-100 SYNERGY	
11	02250219-510	1	TUBE,STAINLESS STEEL STNLS STL 1/4 20 GA.	
12	040029	1	PLUG, O-RING BOSS SAE 1 1/4	
13	043357	1	CLAMP, SPEED - TUBE 1/4"	
14	250028-635	1	FITTING, COMPRESS ADJ	
15	250139-016	1	CONNECTOR,TUBE-M 1/4" SWGLK 316SS	
16	860702-012	1	ELBOW, PIPE 90M/F 1/8 X 1/8	
17	866900-015	1	PLUG, PIPE 3/8" 3000# STL PLT	
18	870904-044	1	CONNECTOR,TB-M STR THD SS 1/4 X7/16	
19	882606-012	1	SCREW, HEX SER WASHER M6 X 12	

**Drawing notes**

1	APPLY LOCTITE 567 PST PIPE SEALANT TO ALL NPT CONNECTIONS
2	APPLY 3M 8898 4-WAY SPRAY LUBRICANT TO ALL O-RING CONNECTIONS
3	CHECK ELECTRICAL CONTINUITY BETWEEN THE LID AND SEPARATOR ELEMENT PER PE010, SECTION 1
4	ALL FITTINGS SHOULD BE ORIENTED HORIZONTALLY OR VERTICALLY AS SHOWN
5	TORQUE BOLTS PER PE008
6	VENDOR TO REMOVE NUT AND FERRULE BEFORE TIGHTENING FITTING TO TANK IN ORDER TO ELIMINATE COMPRESSION ON FITTING
7	ALL NAMEPLATES, ID TAGS AND STICKERS SHALL BE LOCATED IN A PLACE FREE OF OBSTRUCTION AND READILY VISIBLE.
8	SCAVENGE TUBE ITEM IS TO BE FULLY INSERTED UNTILL IT HITS THE BOTTOM OF THE SEP ELEMENT. THEN RAISED 0.125"
9	FINISHED ASSEMBLY IS TO BE LEAK FREE AT 100 PSI OF AIR

### 1.26 Moisture drain, standard—16/18 series



02250215-474 R01

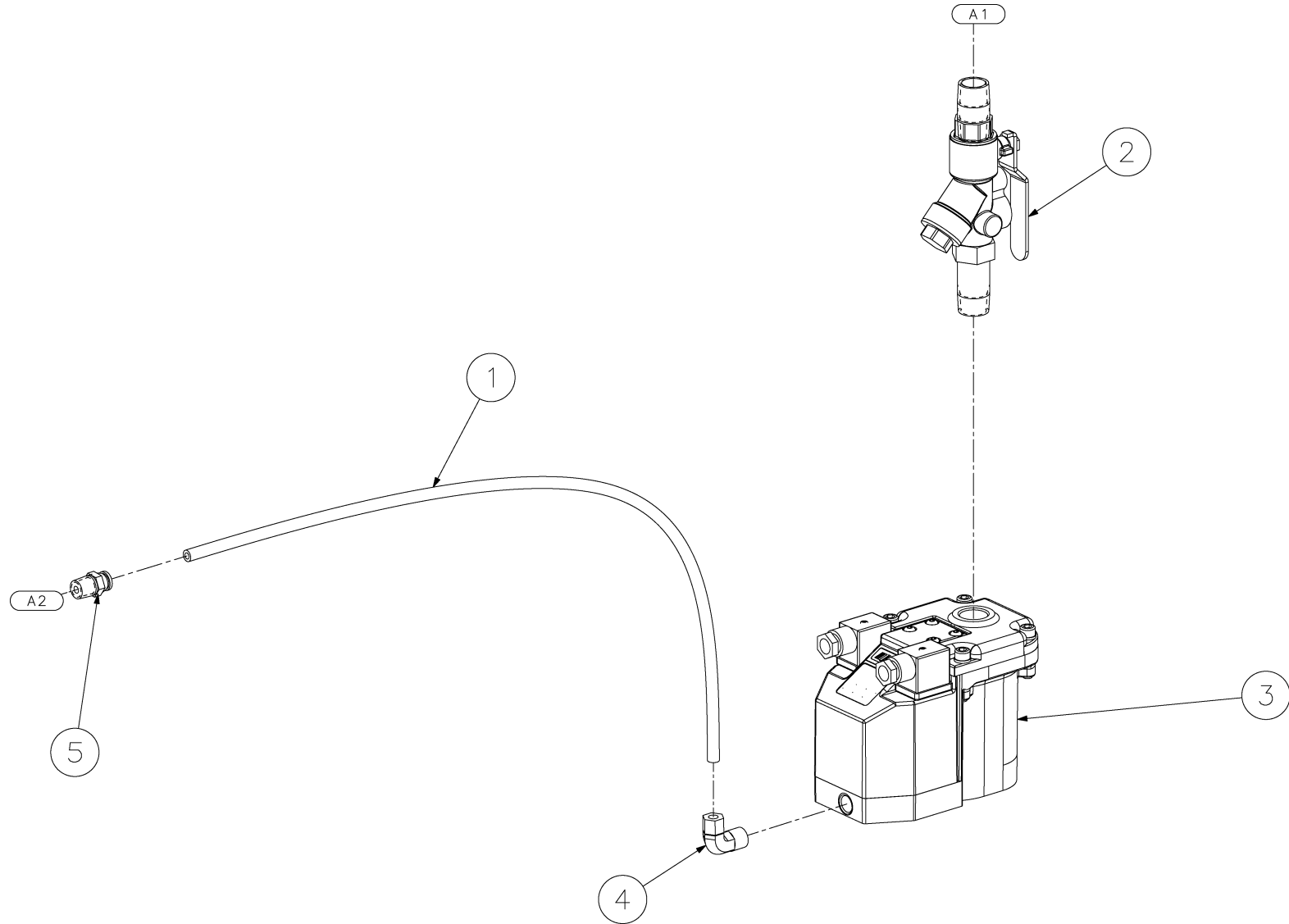
**1.26 Moisture drain, standard—16/18 series**

Key	Part number	Qty	Description	Notes
1	02250046-110	1	BUSHING,RED-BRS-1/2"X1/4"	
2	02250054-860	4	TUBE,NYL .25 OD X 040W WHT(FT)	
3	02250213-338	1	VALVE,DR COMBO 24 VDC	
4	250025-850	1	ELBOW, 90DEG M SWVL 1/4 T X1/4	
5	250025-859	1	CONNECTOR, MALE1/4TUBE X 1/4	

**Drawing notes**

A1	TO AIR COOLER
A2	TO CUSTOMER CONNECTION

### 1.27 Moisture drain, zero loss—16/18 series



02250215-475 R01

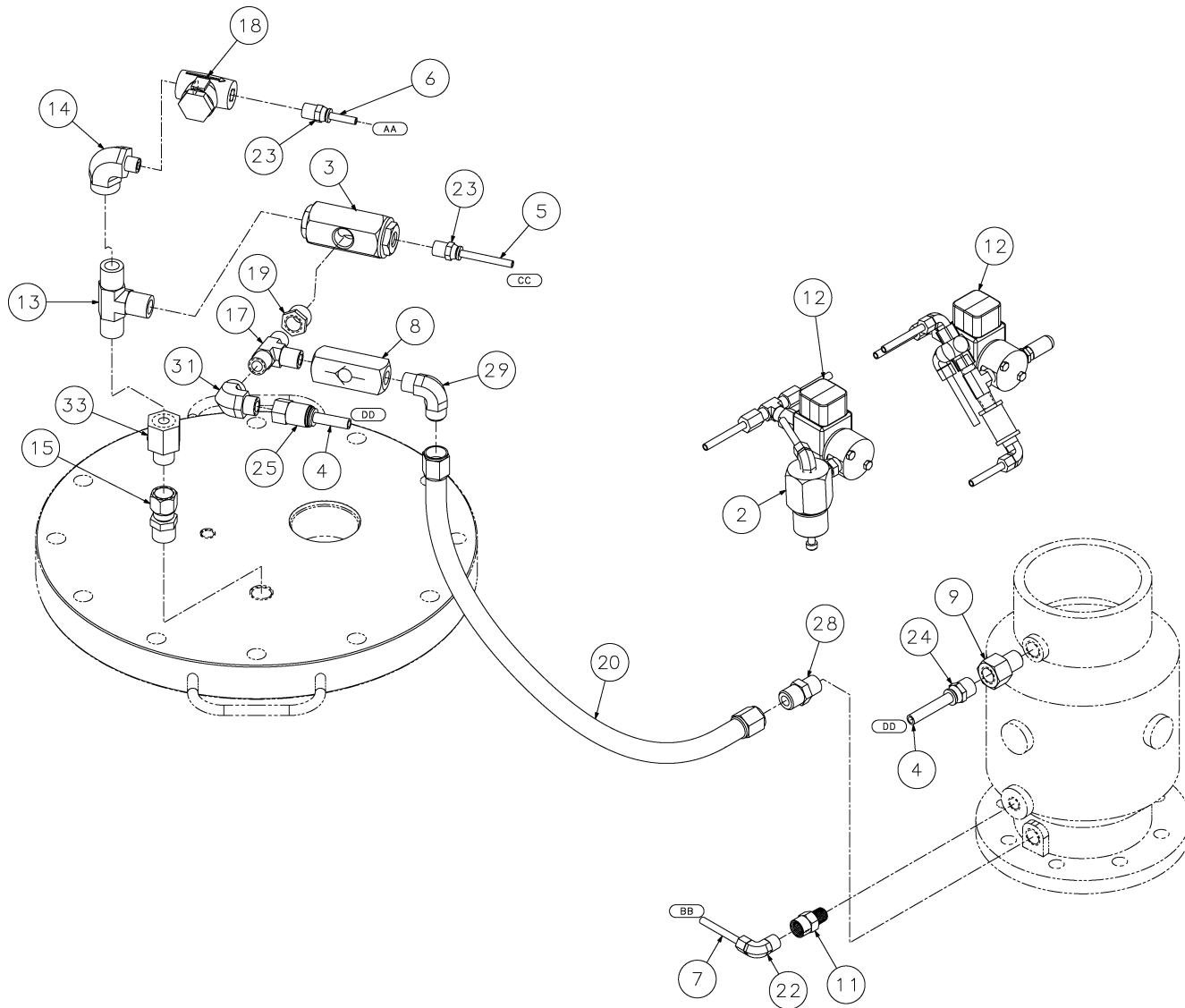
**1.27 Moisture drain, zero loss—16/18 series**

Key	Part number	Qty	Description	Notes
1	02250054-860	6	TUBE,NYL .25 OD X 040W WHT(FT)	
2	02250144-841	1	VALVE,BALL/STNR COMB 1/2M X 1/2M	
3	02250209-760	1	DRAIN,ZERO LOSS 115VAC A1 ALARM	
4	250025-850	1	ELBOW, 90DEG M SWVL 1/4 T X1/4	
5	250025-859	1	CONNECTOR, MALE1/4TUBE X 1/4	

**Drawing notes**

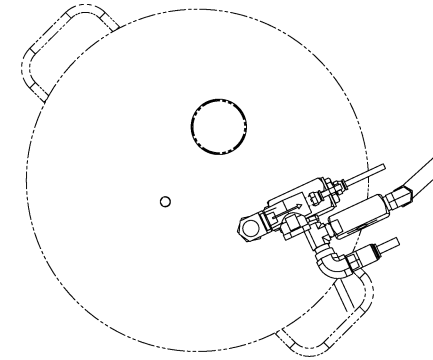
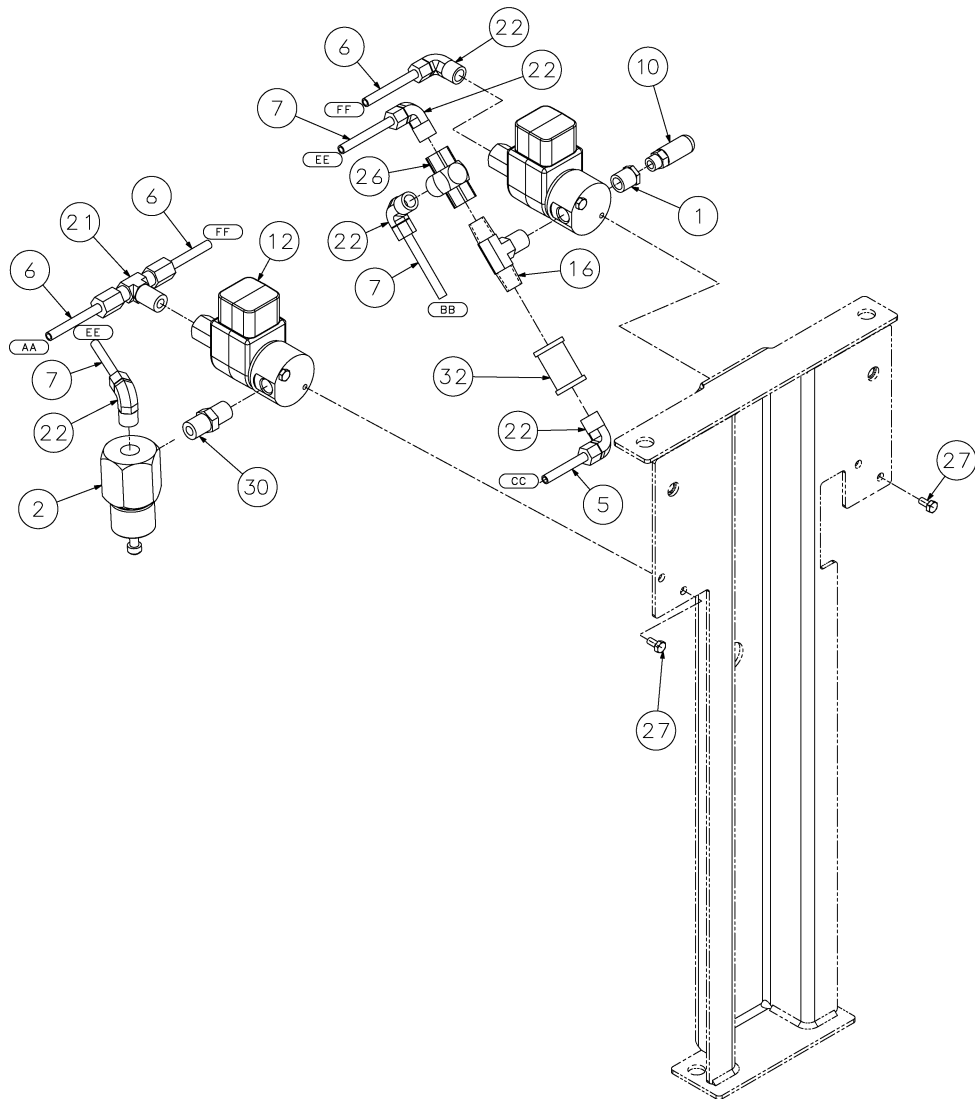
A1	COOLER
A2	TO CUSTOMER CONNECTION

1.28 Pneumatic control, nylon—16 series

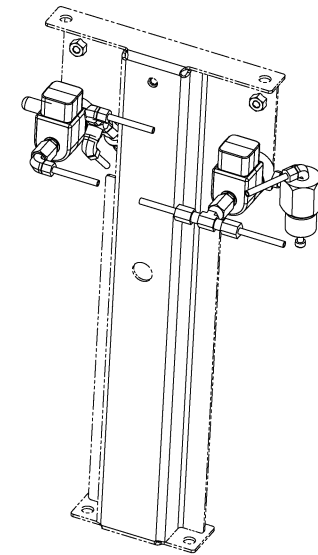


02250215-348 R01 (sh1)

1.28 Pneumatic control, nylon—16 series



TANK LID SHOWN FOR CLARITY



AIRLOC LEG SHOWN FOR CLARITY

02250215-348 R01 (sh1)

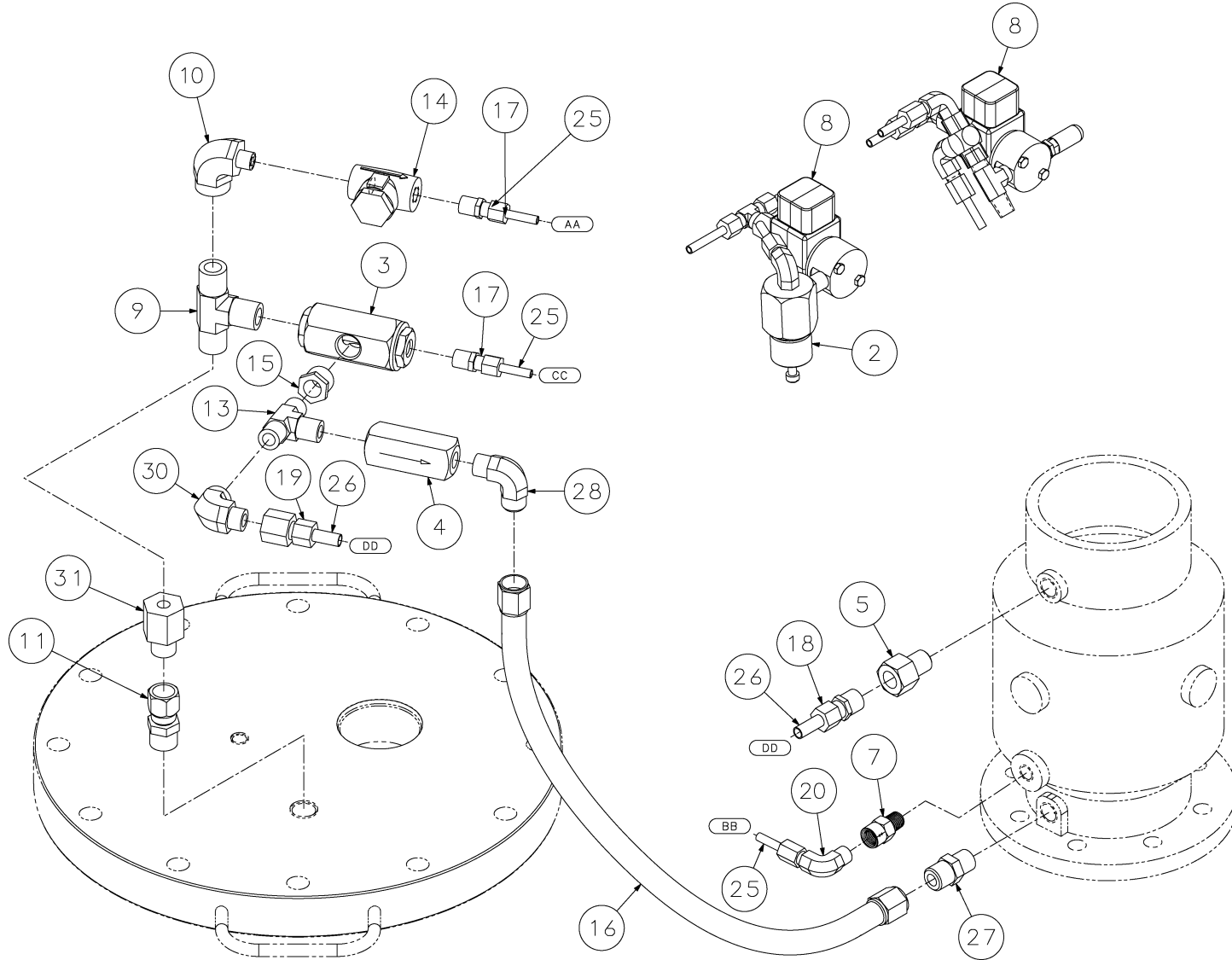
## 1.28 Pneumatic control, nylon—16 series

Key	Part number	Qty	Description	Notes
1	02250046-101	1	BUSHING,RED-BRS-1/4"X1/8"	
2	02250073-632	1	VALVE,BACK PRESSREG 100 PSIG	
3	02250100-042	1	VALVE, 1/2 BLDWN 1.8:1 250 PSIG	
4	02250139-953	3	TUBING,NYLON-11 3/8"OD BLUE	
5	02250155-961	4	TUBING,NYLON 1/4"-OD RED	
6	02250155-962	5	TUBING,NYLON 1/4"-OD BLUE	
7	02250155-963	8	TUBING,NYLON 1/4"-OD YELLOW	
8	02250172-320	1	VALVE,CHECK 3/8"NPTF BRASS VITON	
9	02250172-323	1	ORIFICE, .140" 3/8 FNPT X 3/8 MNPT	
10	02250173-972	1	FILTER,PNEUMATIC 1/8"NPT 5MICRON	
11	02250210-799	1	VALVE,CHECK 1/4 FEMALE- MALE	
12	02250213-873	2	VALVE,SOLENOID 3WNO 1/4 250# 24VAC	
13	02250217-513	1	TEE,MALE PIPE 1/2 STL ZN PLTD	
14	02250217-519	1	ELBOW,PIPE 90M/F 1/4X1/2 STL ZN	
15	02250217-520	1	CONNECTOR,37FL SW 1/2X1/2 ST ZN	
16	02250217-523	1	TEE,MALE PIPE 1/4 STL ZN PLTD	
17	02250217-879	1	TEE,MALE PIPE 3/8 STL ZN PLTD	
18	241771	1	STRAINER, V-TYPE 300PSIX1/4	
19	248614-014	1	BUSHING,RED 150# 1/2X3/8" 304S	
20	249608-005	1	HOSE, MED PRESS 0.50 X 024"	
21	250025-835	1	TEE, M BR SWVIL 1/4TUBE X 1/4	
22	250025-850	6	ELBOW, 90DEG M SWVL 1/4 T X1/4	
23	250025-859	2	CONNECTOR, MALE1/4TUBE X 1/4	
24	250025-862	1	CONNECTOR, MALE 3/8TUBE X 3/8	
25	250025-927	1	CONNECTOR, FEM TUBE 3/8 X 3/8 NPTF	
26	408893	1	VALVE, SHUTTLE 1/4" (DBL CHK)	
27	831102-038	4	SCREW, MACH-HEX 10-32 X 3/8"	

**1.28 Pneumatic control, nylon—16 series**

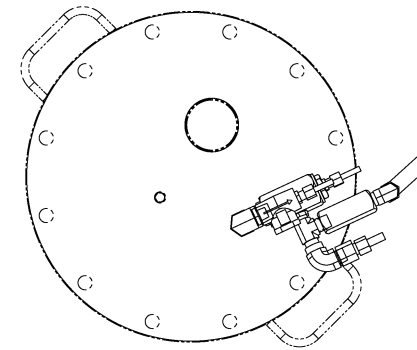
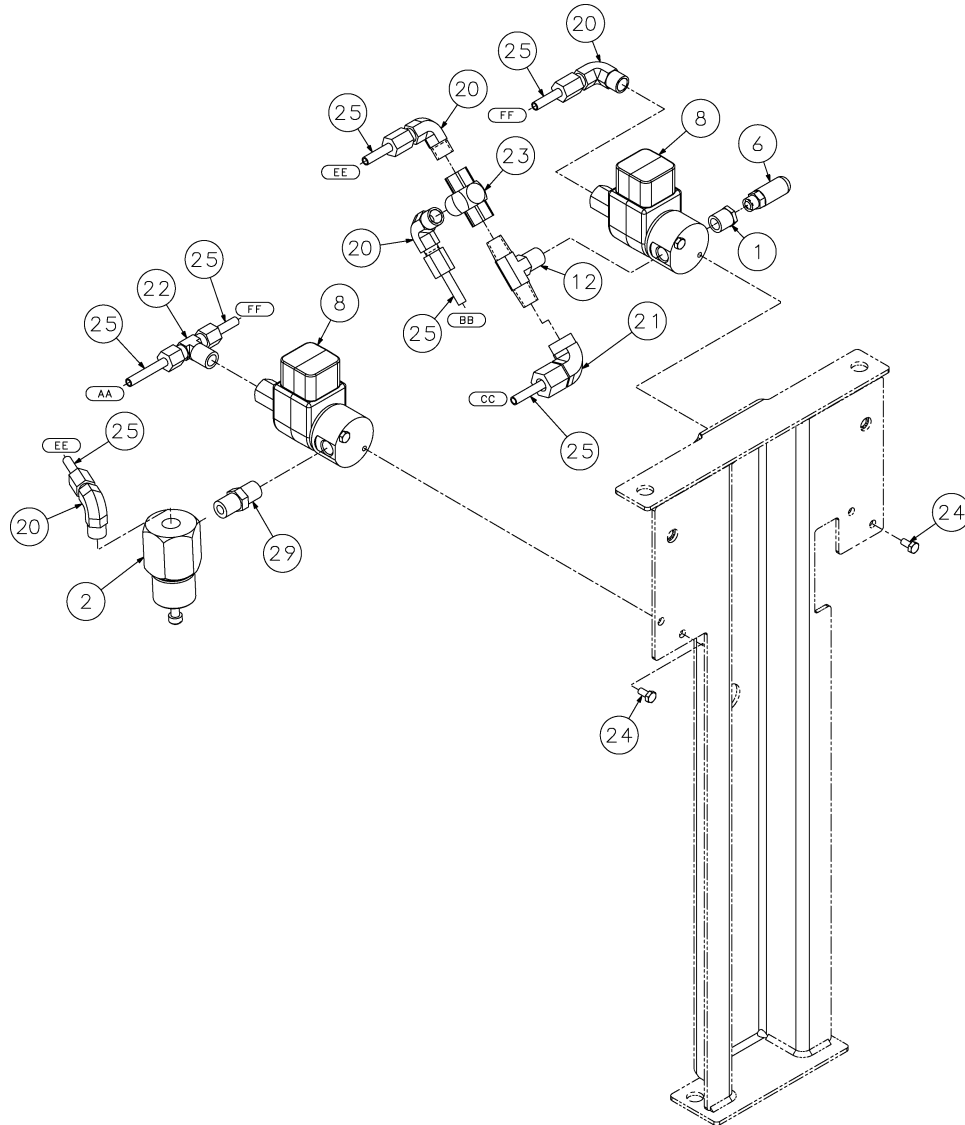
Key	Part number	Qty	Description	Notes
28	860108-038	1	CONNECTOR, 37FL/MPT 1/2 X 3/8"	
29	860208-038	1	ELBOW, 37FL 90M 1/2 X 3/8"	
30	860404-025	1	NIPPLE, PIPE HX 1/4"	
31	860706-038	1	ELBOW, PIPE 90M/F 3/8 X 3/8"	
32	867430-010	1	COUPLING,PIPE 1/4" 300# PLT	
33	873708-075	1	CONNECTOR, 37 FL 1/2 X 1/2" -14 NPT	

1.29 Pneumatic control, stainless steel—16 series

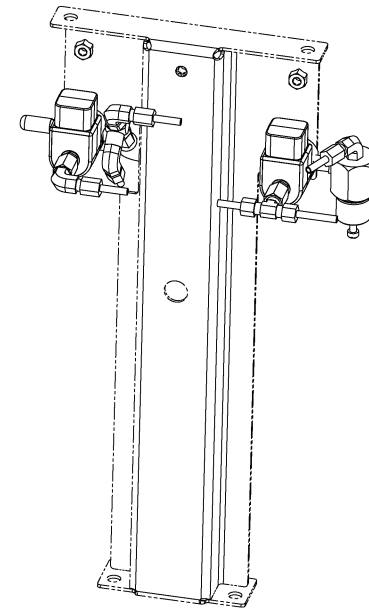


02250215-812 R02 (sh1)

1.29 Pneumatic control, stainless steel—16 series



TANK LID SHOWN FOR CLARITY



AIRLOC LEG SHOWN FOR CLARITY

02250215-812 R02 (sh2)

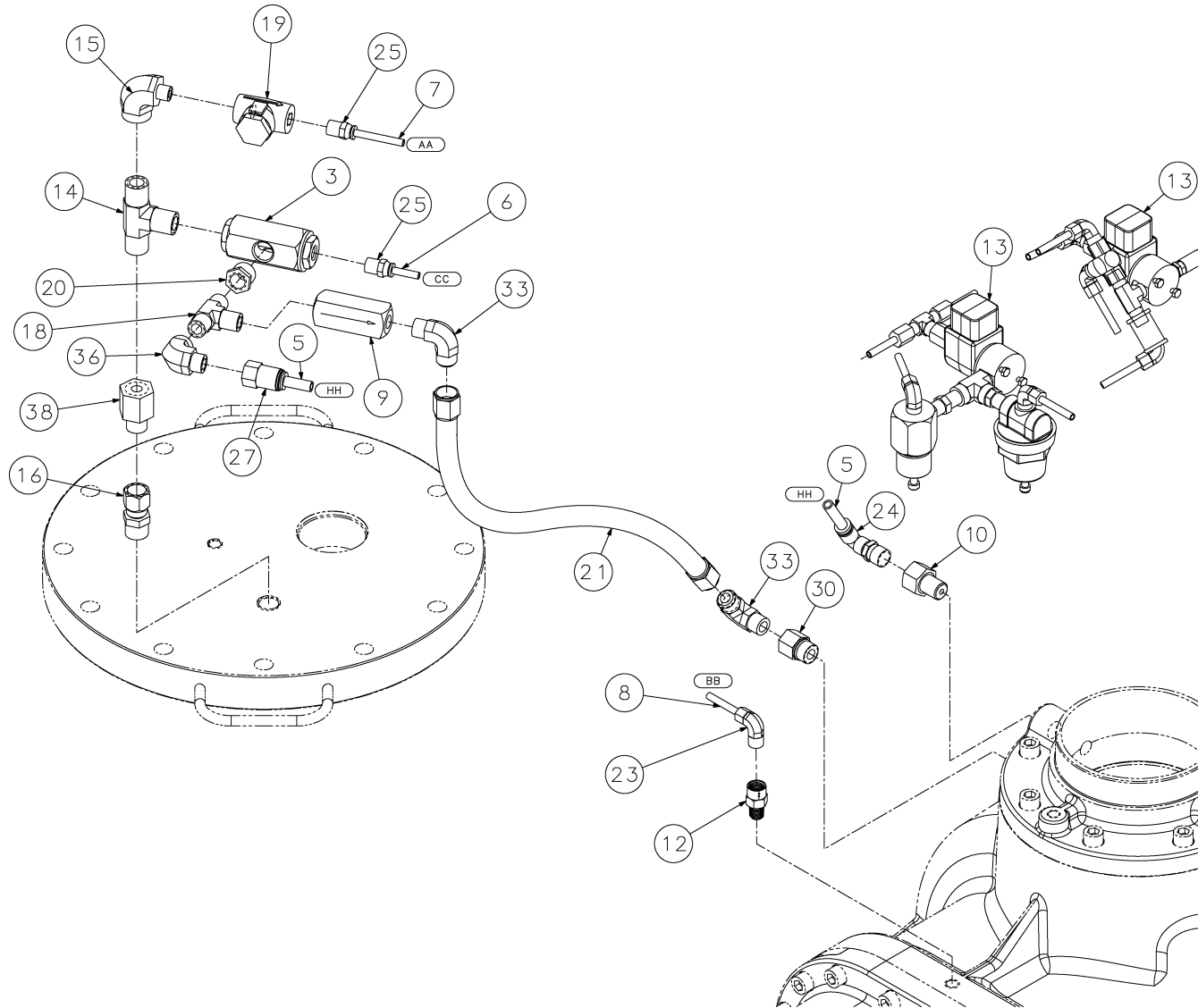
## 1.29 Pneumatic control, stainless steel—16 series

Key	Part number	Qty	Description	Notes
1	02250046-101	1	BUSHING,RED-BRS-1/4"X1/8"	
2	02250073-632	1	VALVE,BACK PRESSREG 100 PSIG	
3	02250100-042	1	VALVE, 1/2 BLDWN 1.8:1 250 PSIG	
4	02250172-320	1	VALVE,CHECK 3/8"NPTF BRASS VITON	
5	02250172-323	1	ORIFICE, .205" 3/8 FNPT X 3/8 MNPT	
6	02250173-972	1	FILTER,PNEUMATIC 1/8"NPT 5MICR	
7	02250210-799	1	VALVE,CHECK 1/4 FEMALE- MALE	
8	02250213-873	2	VALVE,SOLENOID 3WNO 1/4 250# 24VAC	
9	02250217-513	1	TEE,MALE PIPE 1/2 STL ZN PLTD	
10	02250217-519	1	ELBOW,PIPE 90M/F 1/4X1/2 STL ZN	
11	02250217-520	1	CONNECTOR,37FL SW 1/2X1/2 ST ZN	
12	02250217-523	1	TEE,MALE PIPE 1/4 STL ZN PLTD	
13	02250217-879	1	TEE,MALE PIPE 3/8 STL ZN PLTD	
14	241771	1	STRAINER, V-TYPE 300PSIX1/4	
15	248614-014	1	BUSHING,RED 150# 1/2X3/8" 304S	
16	249608-005	1	HOSE, MED PRESS 0.50 X 024"	
17	250139-016	2	CONNECTOR,TUBE-M 1/4" SWGLK 316SS	
18	250139-017	1	CONNECTOR, TUBE-M 3/8" SWGLK 316S	
19	250139-045	1	CONNECTOR, TUBE-F 3/8" SWGLK SS	
20	250211-005	5	ELBOW,TUBE-M 1/4" SWGLK 316SS	
21	250211-024	1	ELBOW, TUBE-F 1/4" SWGLOK SS	
22	250591-002	1	TEE, TUBE-M BRANCH 1/4" SWG SS	
23	408893	1	VALVE, SHUTTLE 1/4" (DBL CHK)	
24	831102-038	4	SCREW, MACH-HEX 10-32 X 3/8"	
25	841215-004	15	TUBING,STNLS STL 1/4 20GA FT	
26	841215-006	3	TUBING, STNLS STL 3/8" 20GA FT	
27	860108-038	1	CONNECTOR, 37FL/MPT 1/2 X 3/8"	

**1.29 Pneumatic control, stainless steel—16 series**

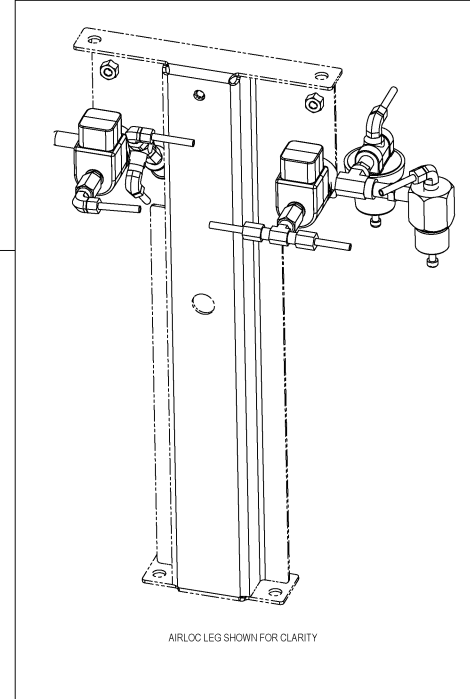
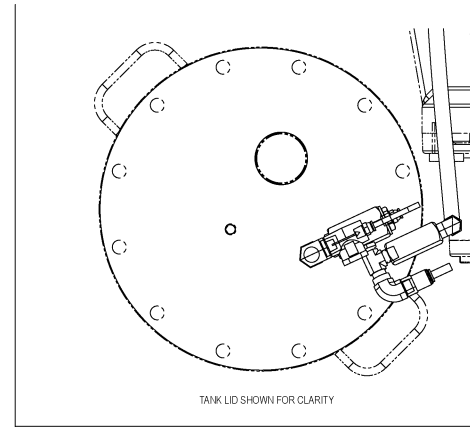
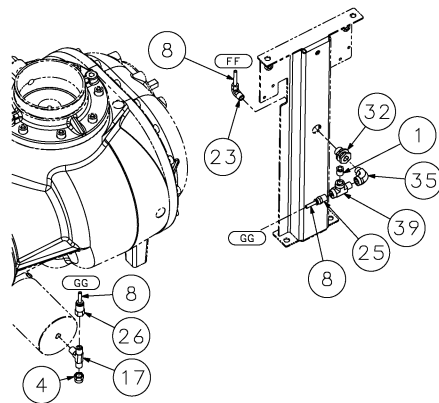
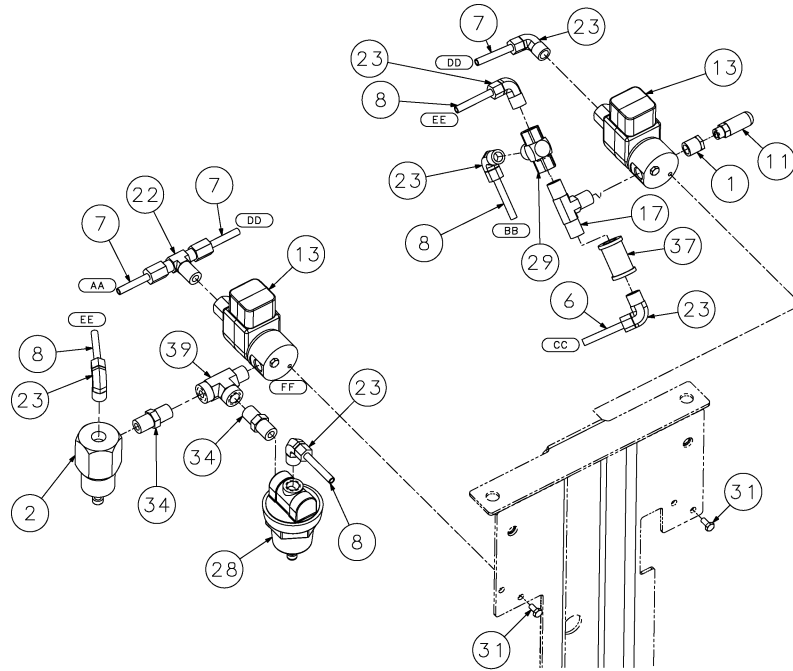
Key	Part number	Qty	Description	Notes
28	860208-038	1	ELBOW, 37FL 90M 1/2 X 3/8"	
29	860404-025	1	NIPPLE, PIPE HX 1/4"	
30	860706-038	1	ELBOW, PIPE 90M/F 3/8 X 3/8"	
31	873708-075	1	CONNECTOR, 37 FL 1/2 X 1/2" -14 NPT	

1.30 Pneumatic control, nylon with spiral valve—18 series



02250215-349 R02 (sh1)

1.30 Pneumatic control, nylon with spiral valve—18 series



02250215-349 R02 (sh2)

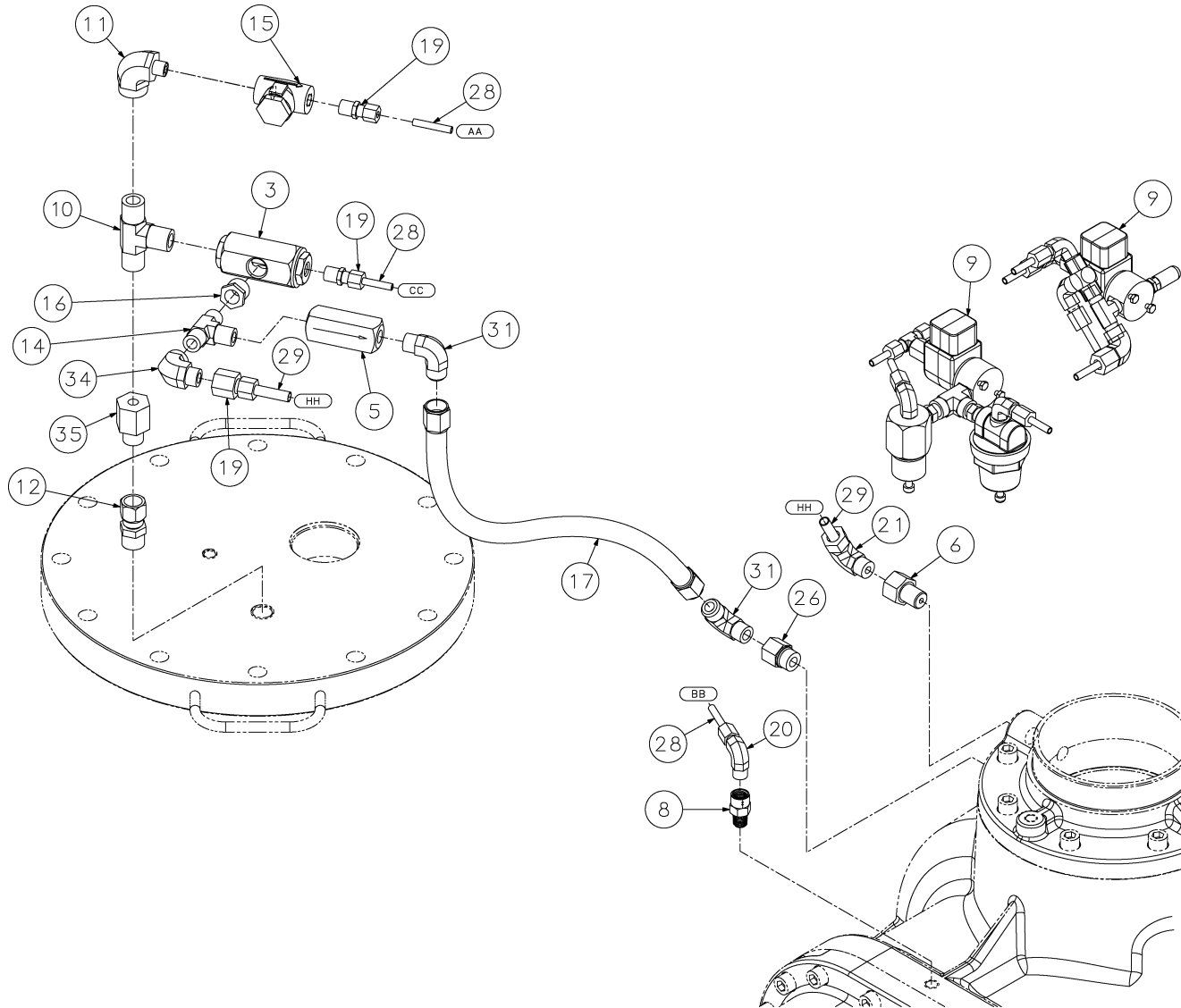
**1.30 Pneumatic control, nylon with spiral valve—18 series**

Key	Part number	Qty	Description	Notes
1	02250046-101	2	BUSHING,RED-BRS-1/4"X1/8"	
2	02250073-632	1	VALVE,BACK PRESSREG 100 PSIG	
3	02250100-042	1	VALVE, 1/2 BLDWN 1.8:1 250 PSIG	
4	02250132-934	1	ORIFICE,CAP 031 X 1/4"NPT	
5	02250139-953	3	TUBING,NYLON-11 3/8"OD BLUE	
6	02250155-961	3	TUBING,NYLON 1/4"-OD RED	
7	02250155-962	5	TUBING,NYLON 1/4"-OD BLUE	
8	02250155-963	8	TUBING,NYLON 1/4"-OD YELLOW	
9	02250172-320	1	VALVE,CHECK 3/8"NPTF BRASS VITON	
10	02250172-323	1	ORIFICE,.140" 3/8 FNPT X 3/8 MNPT	
11	02250173-972	1	FILTER,PNEUMATIC 1/8"NPT 5MICR	
12	02250210-799	1	VALVE,CHECK 1/4 FEMALE- MALE	
13	02250213-873	2	VALVE,SOLENOID 3WNO 1/4 250# 24VAC	
14	02250217-513	1	TEE,MALE PIPE 1/2 STL ZN PLTD	
15	02250217-519	1	ELBOW,PIPE 90M/F 1/4X1/2 STL ZN	
16	02250217-520	1	CONNECTOR,37FL SW 1/2X1/2 ST ZN	
17	02250217-523	2	TEE,MALE PIPE 1/4 STL ZN PLTD	
18	02250217-879	1	TEE,MALE PIPE 3/8 STL ZN PLTD	
19	241771	1	STRAINER, V-TYPE 300PSIX1/4	
20	248614-014	1	BUSHING,RED 150# 1/2X3/8" 304S	
21	249608-005	1	HOSE, MED PRESS 0.50 X 024"	
22	250025-835	1	TEE, M BR SWVIL 1/4TUBE X 1/4	
23	250025-850	8	ELBOW, 90DEG M SWVL 1/4 T X1/4	
24	250025-853	1	ELBOW, 90DEG M SWVL 3/8 T X3/8	
25	250025-859	3	CONNECTOR, MALE1/4TUBE X 1/4	
26	250025-923	1	CONNECTOR, FEM TUBE 1/4 X 1/4 NPTF	
27	250025-927	1	CONNECTOR, FEM TUBE 3/8 X 3/8 NPTF	

**1.30 Pneumatic control, nylon with spiral valve—18 series**

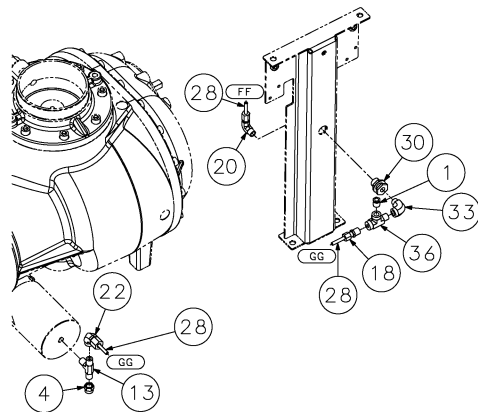
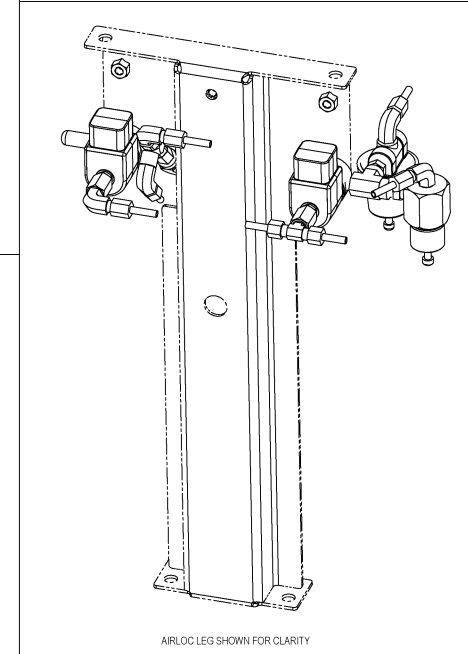
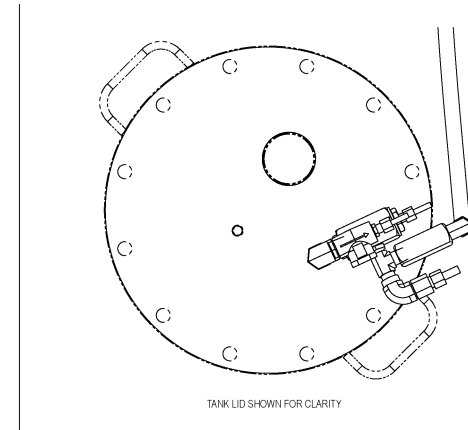
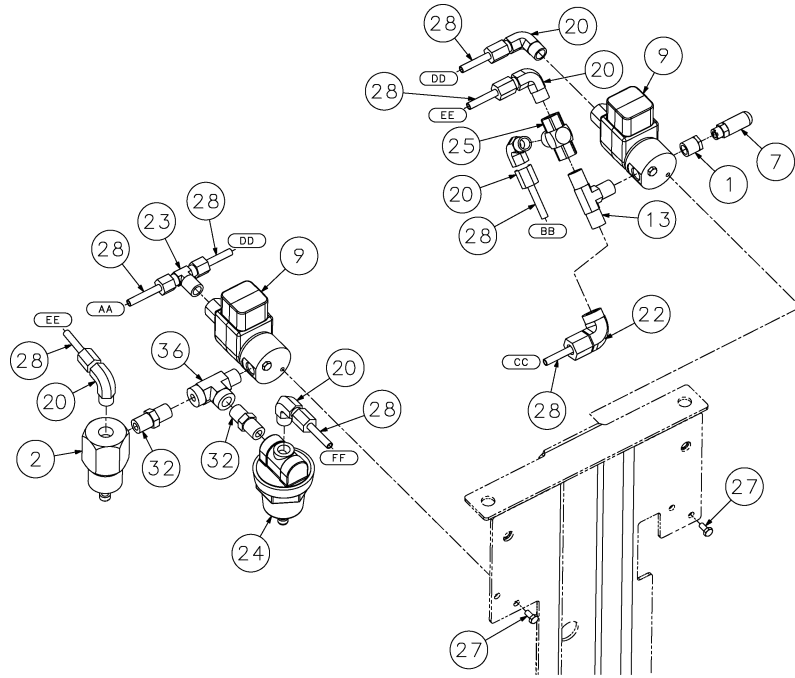
Key	Part number	Qty	Description	Notes
28	408275	1	VALVE, PRESSURE REG 100PSI	
29	408893	1	VALVE, SHUTTLE 1/4" (DBL CHK)	
30	811504-038	1	ADAPTER, PIPE-F 1/2 X 3/8"	
31	831102-038	4	SCREW, MACH-HEX 10-32 X 3/8"	
32	841500-004	1	BULKHEAD, PIPE 1/4" NPT	
33	860208-038	2	ELBOW, 37FL 90M 1/2 X 3/8"	
34	860404-025	2	NIPPLE, PIPE HX 1/4"	
35	860704-025	1	ELBOW, PIPE 90M/F 1/4 X 1/4"	
36	860706-038	1	ELBOW, PIPE 90M/F 3/8 X 3/8"	
37	867430-010	1	COUPLING,PIPE 1/4" 300# PLT	
38	873708-075	1	CONNECTOR, 37 FL 1/2 X 1/2" -14 NPT	
39	895504-025	2	TEE,MALE/FEMALE/FEMALE 1/4"	

1.31 Pneumatic control, stainless steel with spiral valve—18 series



02250218-097 R01 (sh1)

1.31 Pneumatic control, stainless steel with spiral valve—18 series



02250218-097 R01 (sh2)

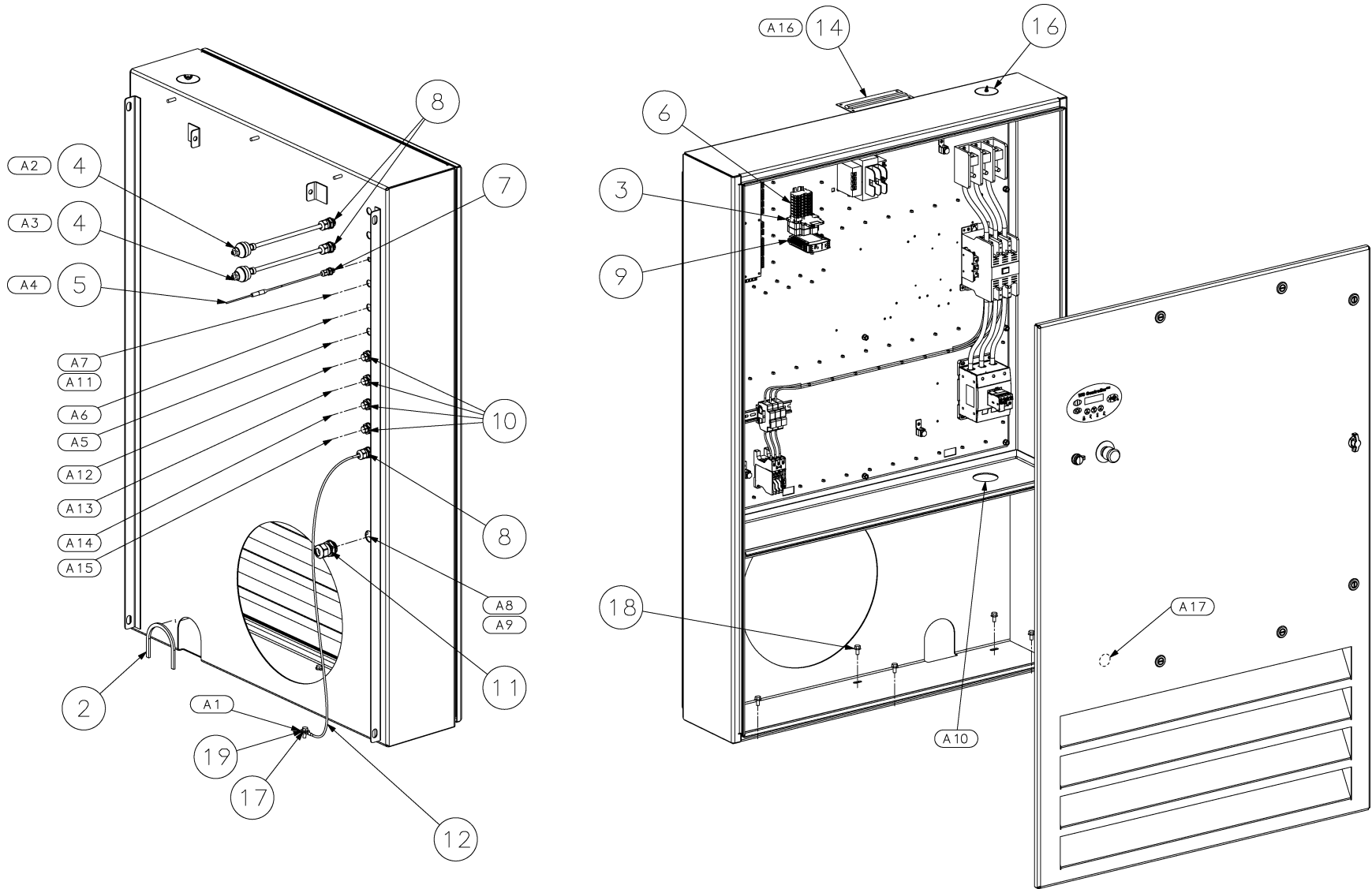
**1.31 Pneumatic control, stainless steel with spiral valve—18 series**

Key	Part number	Qty	Description	Notes
1	02250046-101	2	BUSHING,RED-BRS-1/4"X1/8"	
2	02250073-632	1	VALVE,BACK PRESSREG 100 PSIG	
3	02250100-042	1	VALVE, 1/2 BLDWN 1.8:1 250 PSIG	
4	02250132-934	1	ORIFICE,CAP 031 X 1/4"NPT	
5	02250172-320	1	VALVE,CHECK 3/8"NPTF BRASS VITON	
6	02250172-323	1	ORIFICE,.140" 3/8 FNPT X 3/8 MNPT	
7	02250173-972	1	FILTER,PNEUMATIC 1/8"NPT 5MICR	
8	02250210-799	1	VALVE,CHECK 1/4 FEMALE- MALE	
9	02250213-873	2	VALVE,SOLENOID 3WNO 1/4 250# 24VAC	
10	02250217-513	1	TEE,MALE PIPE 1/2 STL ZN PLTD	
11	02250217-519	1	ELBOW,PIPE 90M/F 1/4X1/2 STL ZN	
12	02250217-520	1	CONNECTOR,37FL SW 1/2X1/2 ST ZN	
13	02250217-523	2	TEE,MALE PIPE 1/4 STL ZN PLTD	
14	02250217-879	1	TEE,MALE PIPE 3/8 STL ZN PLTD	
15	241771	1	STRAINER, V-TYPE 300PSIX1/4	
16	248614-014	1	BUSHING,RED 150# 1/2X3/8" 304S	
17	249608-005	1	HOSE, MED PRESS 0.50 X 024"	
18	250139-016	1	CONNECTOR,TUBE-M 1/4" SWGLK 316SS	
19	250139-045	1	CONNECTOR, TUBE-F 3/8" SWGLK SS	
20	250211-005	7	ELBOW,TUBE-M 1/4" SWGLK 316SS	
21	250211-006	1	ELBOW, TUBE-M 3/8" SWGLOCK SS	
22	250211-024	2	ELBOW, TUBE-F 1/4" SWGLOK SS	
23	250591-002	1	TEE, TUBE-M BRANCH 1/4" SWG SS	
24	408275	1	VALVE, PRESSURE REG 100PSI	
25	408893	1	VALVE, SHUTTLE 1/4" (DBL CHK)	
26	811504-038	1	ADAPTER, PIPE-F 1/2 X 3/8"	
27	831102-038	4	SCREW, MACH-HEX 10-32 X 3/8"	

**1.31 Pneumatic control, stainless steel with spiral valve—18 series**

Key	Part number	Qty	Description	Notes
28	841215-004	19	TUBING,STNLS STL 1/4 20GA FT	
29	841215-006	3	TUBING, STNLS STL 3/8" 20GA FT	
30	841500-004	1	BULKHEAD, PIPE 1/4" NPT	
31	860208-038	2	ELBOW, 37FL 90M 1/2 X 3/8"	
32	860404-025	2	NIPPLE, PIPE HX 1/4"	
33	860704-025	1	ELBOW, PIPE 90M/F 1/4 X 3/8"	
34	860706-038	1	ELBOW, PIPE 90M/F 3/8 X 3/8"	
35	873708-075	1	CONNECTOR, 37 FL 1/2 X 1/2" -14 NPT	
36	895504-025	2	TEE,MALE/FEMALE/FEMALE 1/4	

1.32 Electrical control assembly—16/18 series



02250215-455 R03

**1.32 Electrical control assembly—16/18 series**

Key	Part number	Qty	Description	Notes
1	02250109-734	1	DECAL,ELECTRICAL COMP ID IEC	
2	02250154-659	1	TRIM, CLIP ON GRIP 185-260DUQ	
3	02250171-645	1	RELAY,6A SPDT 24V COIL DIN MTG	
4	02250172-873	2	TRANSDUCER,PRESS 0-250# 12FT CORD	
5	02250175-087	1	PROBE,THERMISTER 3000 OHM NTC 12'L	
6	02250213-359	9	BLOCK,CONTROL TERMINAL BLOCK	
7	02250215-692	1	GRIP,CORD CABLE GLAND M 12	
8	02250215-693	3	GRIP,CORD CABLE GLAND M 20	
9	02250216-222	1	SUPPLY,POWER 24V AC/DC PULS	
10	02250216-341	4	PLUG,CLICK BLK 20MM	
11	02250217-531	1	GRIP,CORD CABLE GLAND M32	
12	02250217-584	1	WIRE,10 GAGE GROUND BOND 50" M8	
13	02250219-249	5	CLIP,J TYPE 11/16	
14	249008	1	HEATER, ENCLOSURE 50W	
15	408300-002	2	CLAMP, HOSE O.D. .687	
16	409918-006	1	PLUG,HOLE N4 1-1/2" COND	
17	838405-034	1	WASHER, LOCK EXT TOOTH 5/16"	
18	882608-016	7	SCREW, HEX SER WASHER M8 X 16	
19	882608-020	1	SCREW, HEX SER WASHER M8 X 20	

**Drawing notes**

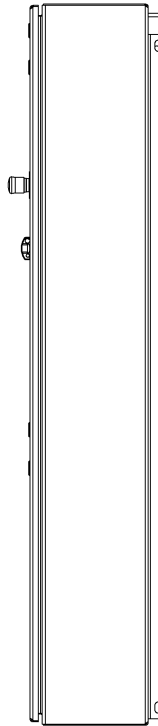
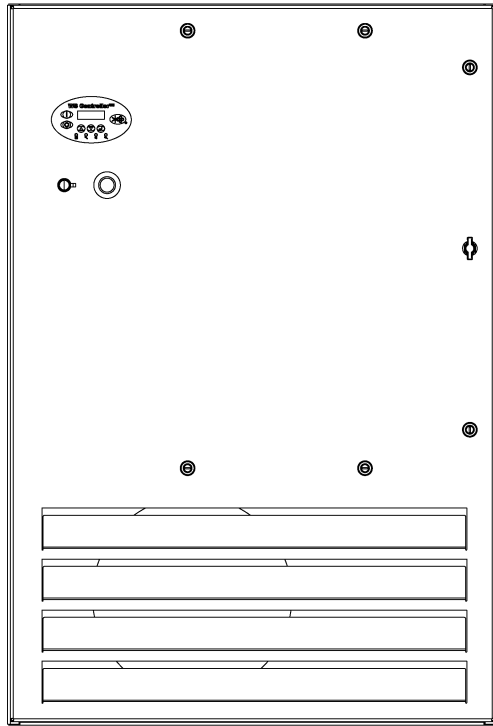
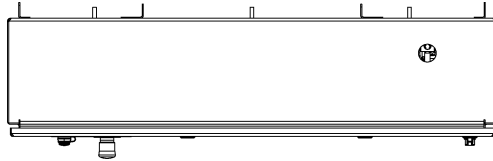
A1	TO FRAME
A2	P1-TO SUMP TANK WET SUMP PRESSURE
A3	P2-PACKAGE DISCHARGE PRESSURE
A4	T1-TO SUMP TANK WET DISCHARGE TEMPERATURE
A5	SOLENOID 1
A6	SOLENOID 4
A7	SOLENOID 5-ELECTRIC DRAIN

**1.32 Electrical control assembly—16/18 series**

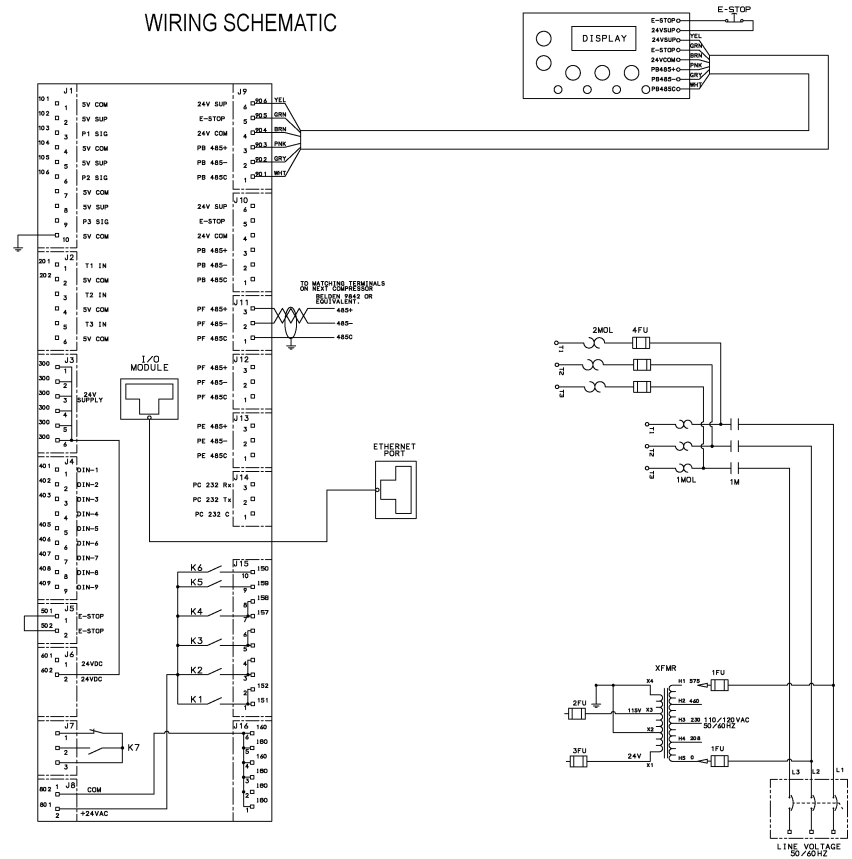
Key	Part number	Qty	Description	Notes
A8			SOLENOID 6- WATER SHUTOFF VALVE (WC ONLY)	
A9			FAN MOTOR CONNECTION (AC ONLY)	
A10			MOTOR WIRING	
A11			JZL DRAIN OPTION	
A12			HEATER OPTION 1 ONLY	
A13			HEATER OPTION 2 ONLY	
A14			HEATER OPTION 3 ONLY	
A15			HEATER OPTION 4 ONLY	
A16			ENCLOSURE HEATER MOUNTED INSIDE TOP OF STARTER BOX	
A17			CSA OPTION	

**Notes:**

1.33 Control starter, MFV



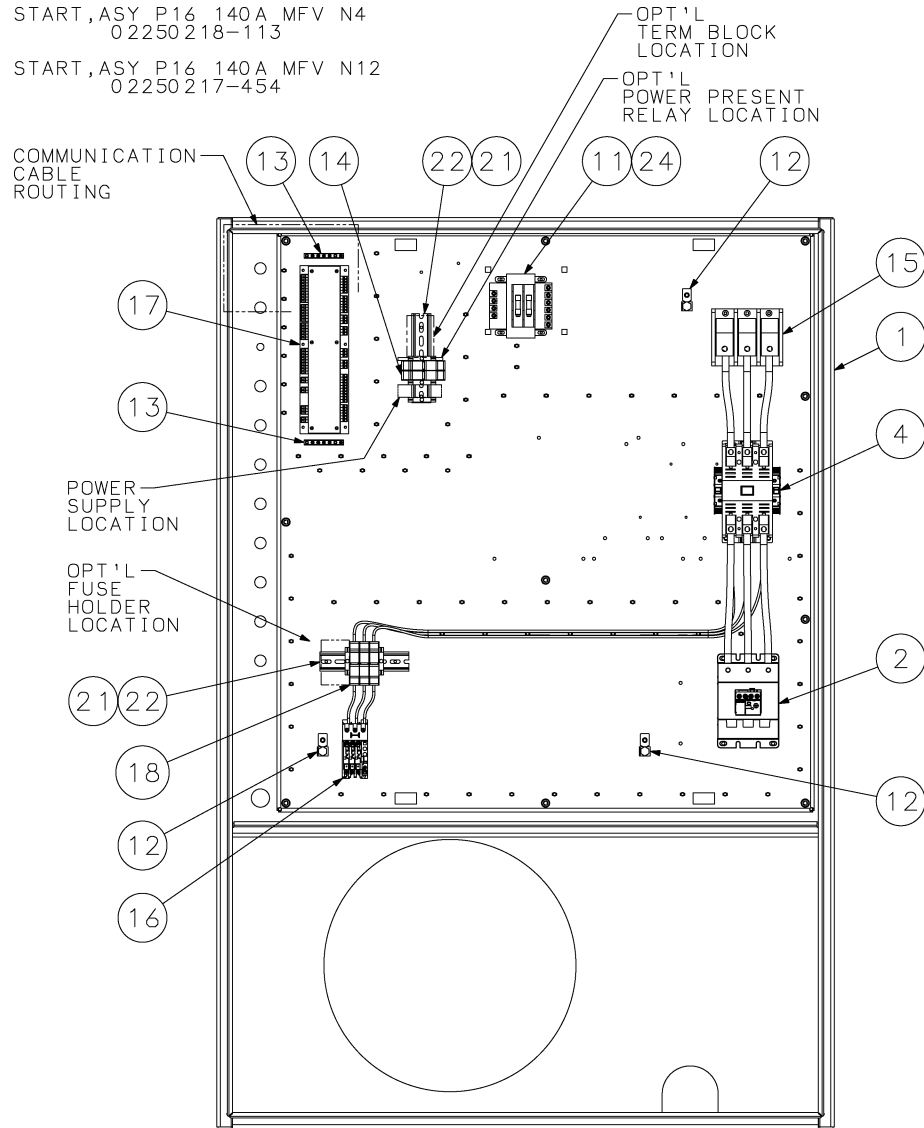
WIRING SCHEMATIC



02250213-774 R03 (sh1)

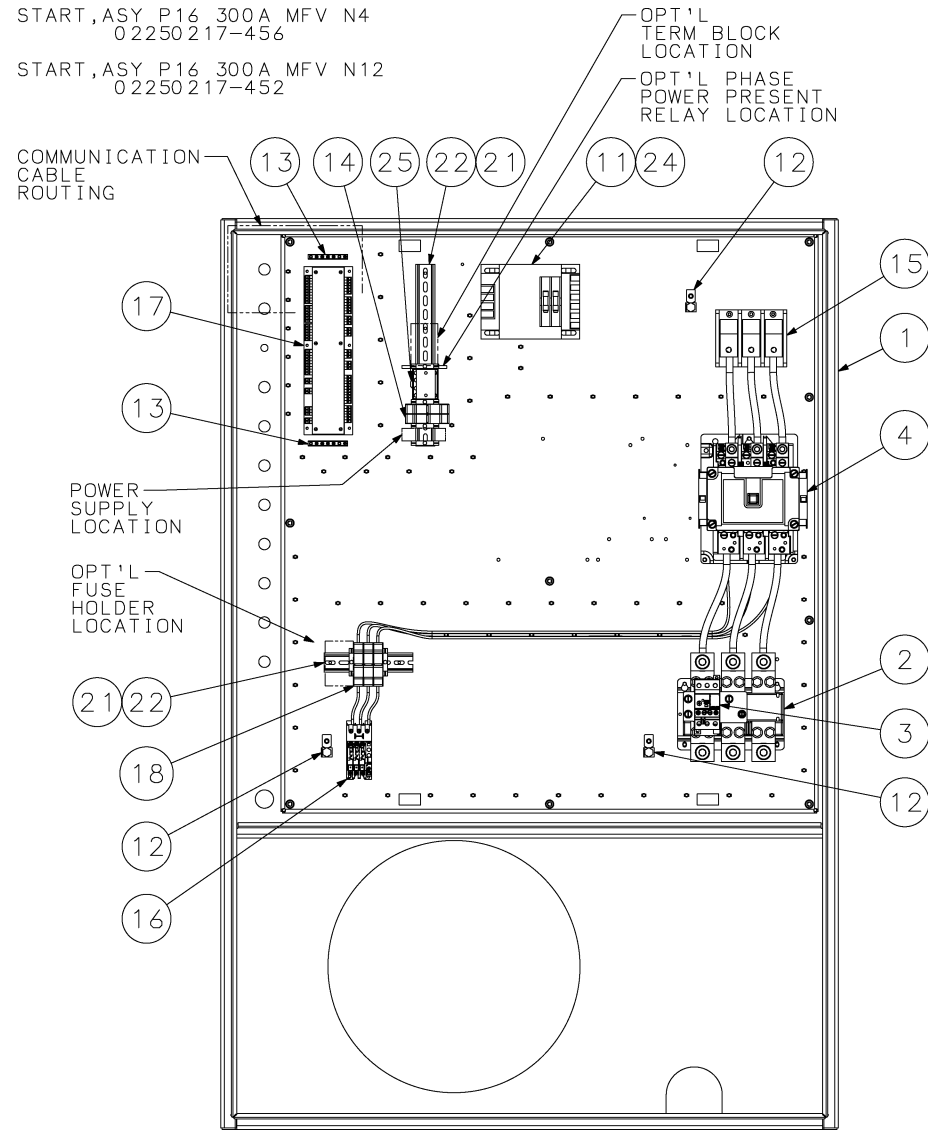


1.33 Control starter, MFV



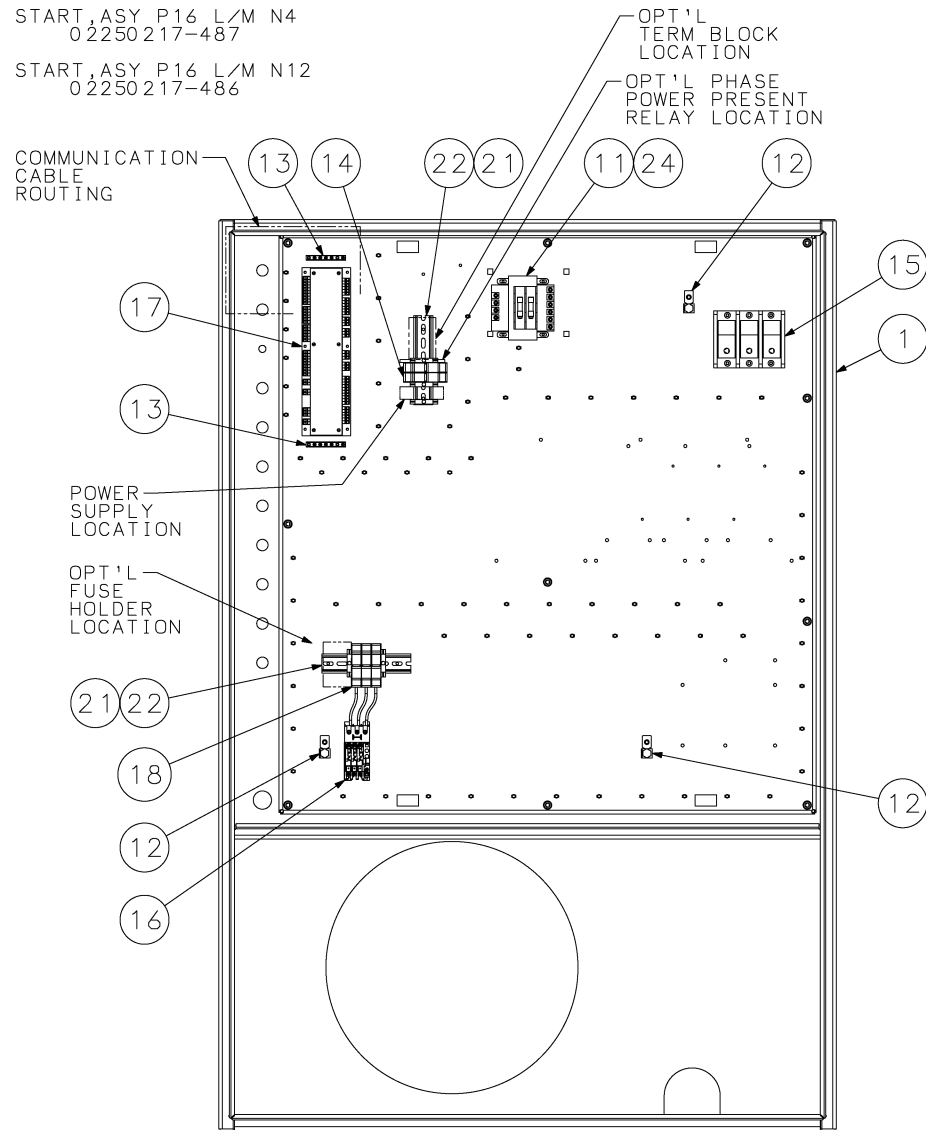
02250213-774 R03 (sh2)

1.33 Control starter, MFV



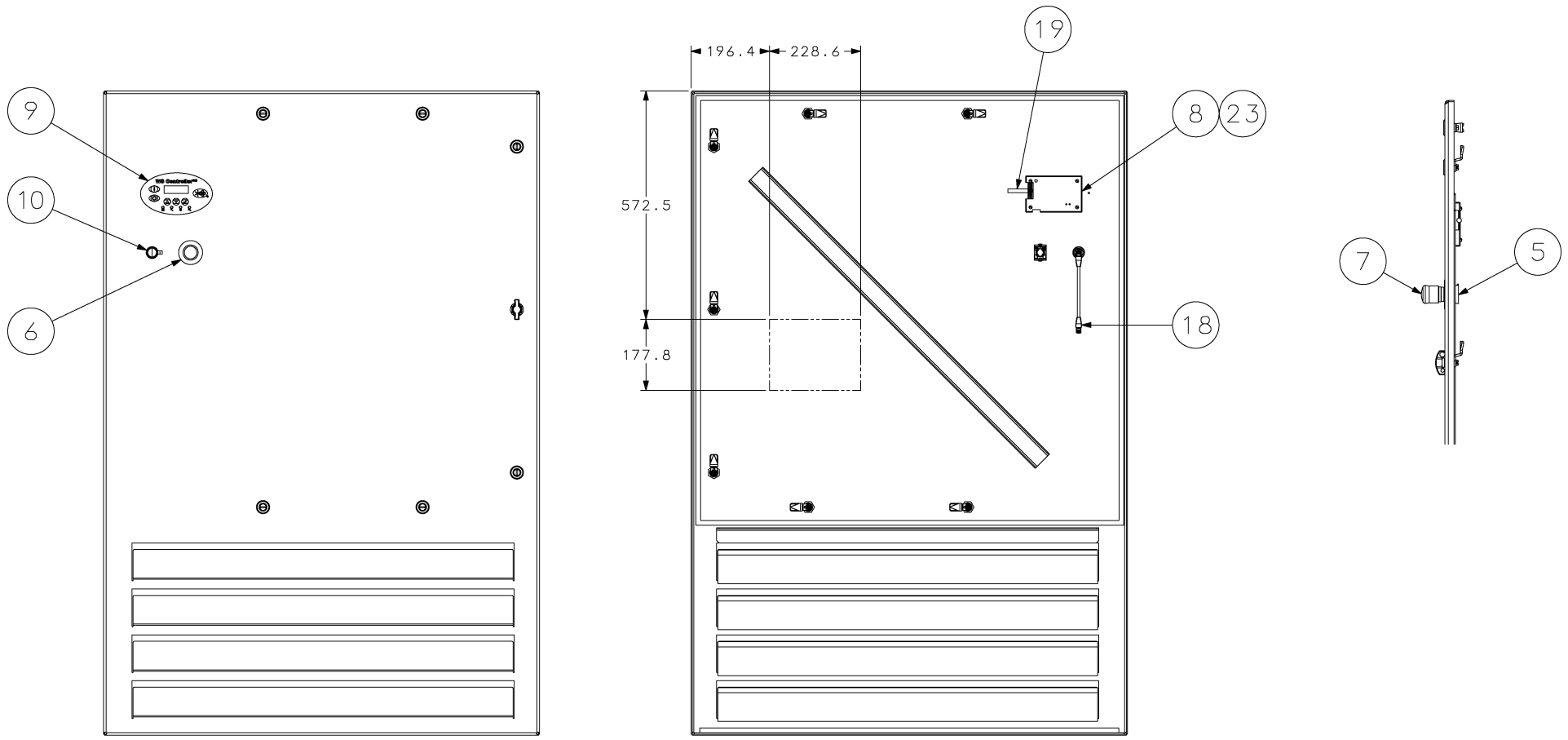
02250213-774 R03 (sh3)

1.33 Control starter, MFV



02250213-774 R03 (sh4)

1.33 Control starter, MFV



02250213-774 R03 (sh5)

## 1.33 Control starter, MFV

Key	Part number	Qty						Description
		02250217-486	02250217-487	02250217-452	02250217-456	02250217-454	02250218-113	
1	02250213-773	1	1	1	1	1	1	ENCLOSURE,STARTER FIXED SP P16/18
2	02250213-373	-	-	1	1	-	-	CT KIT 300:5
	02250213-372	-	-	-	-	1	1	RELAY, OVERLOAD 28-140A
3	02250213-374	-	-	1	1	-	-	5A SEPARATE MOUNT OL RELAY
4	02250213-369	-	-	1	1	-	-	CONTACTOR,300AMP SZS 24VAC
	02250213-368	-	-	-	-	1	1	CONTACTOR,140AMP SZN 24VAC
5	02250192-111	1	1	1	1	1	1	BLOCK, CONTACT1 N.C E-STOP
6	02250201-054	1	1	1	1	1	1	DECAL, E-STOP YELLOW RING 22MM
7	02250192-110	1	1	1	1	1	1	SWITCH,PB OPER RED 40MM
8	02250154-051	1	1	1	1	1	1	BUTTON, DISPLAY WS
9	02250154-359	1	1	1	1	1	1	DECAL, MICROPROCESSOR OVERLAY
10	02250213-364	1	1	1	1	1	1	JACK,NETWORK JACK
11	02250218-075	-	-	1	1	-	-	TRANSFORMER, CPT QU 120/100VA-24/400VA
	02250218-074	1	1	-	-	1	1	TRANSFORMER, CPT QU 120/100VA-24/150VA
12	849215-025	3	3	3	3	3	3	GND LUG
13	02250101-721	2	2	2	2	2	2	BAR, GROUND 5 POST
14	02250214-781	5	5	5	5	5	5	HOLDER,FUSE 1 POLE
15	02250145-194	1	1	1	1	1	1	BLOCK,POWER DISTRIBUTION 310A
16	02250213-470	1	1	1	1	1	1	RELAY, OVERLOAD 32A
17	02250211-588	1	1	1	1	1	1	BUTTON, S4 I/O Mod 24V AC/DC
18	02250218-071	1	1	1	1	1	1	CABLE,ETHERNET PORT TO IO MODU
19	02250127-816	1	1	1	1	1	1	CABLE, ELECT 20GA 3 PAIR W/SHLD
20	02250214-985	76	76	76	76	76	76	CLAMP,STRAP
21	02250057-245	5	5	6	6	5	5	DIN CLAMPS

**1.33 Control starter, MFV**

Key	Part number	Qty						Description
		02250217-486	02250217-487	02250217-452	02250217-456	02250217-454	02250218-113	
22	02250218-324	-	-	1	1	-	-	DIN RAIL 12.75IN
	02250060-705	2	2	1	1	2	2	DIN RAIL 6.25" PRE-CUT
23	02250161-759	4	4	4	4	4	4	SPACER, .25DIA X .41 LONG-ALUM
24	250026-648	-	-	2	2	-	-	FUSE,KLDR 3.5 600V TD
	250026-646	2	2	-	-	2	2	FUSE,KLDR 2.50 600V TD
25	02250218-268	-	-	1	1	-	-	CONTACT RELAY 30A

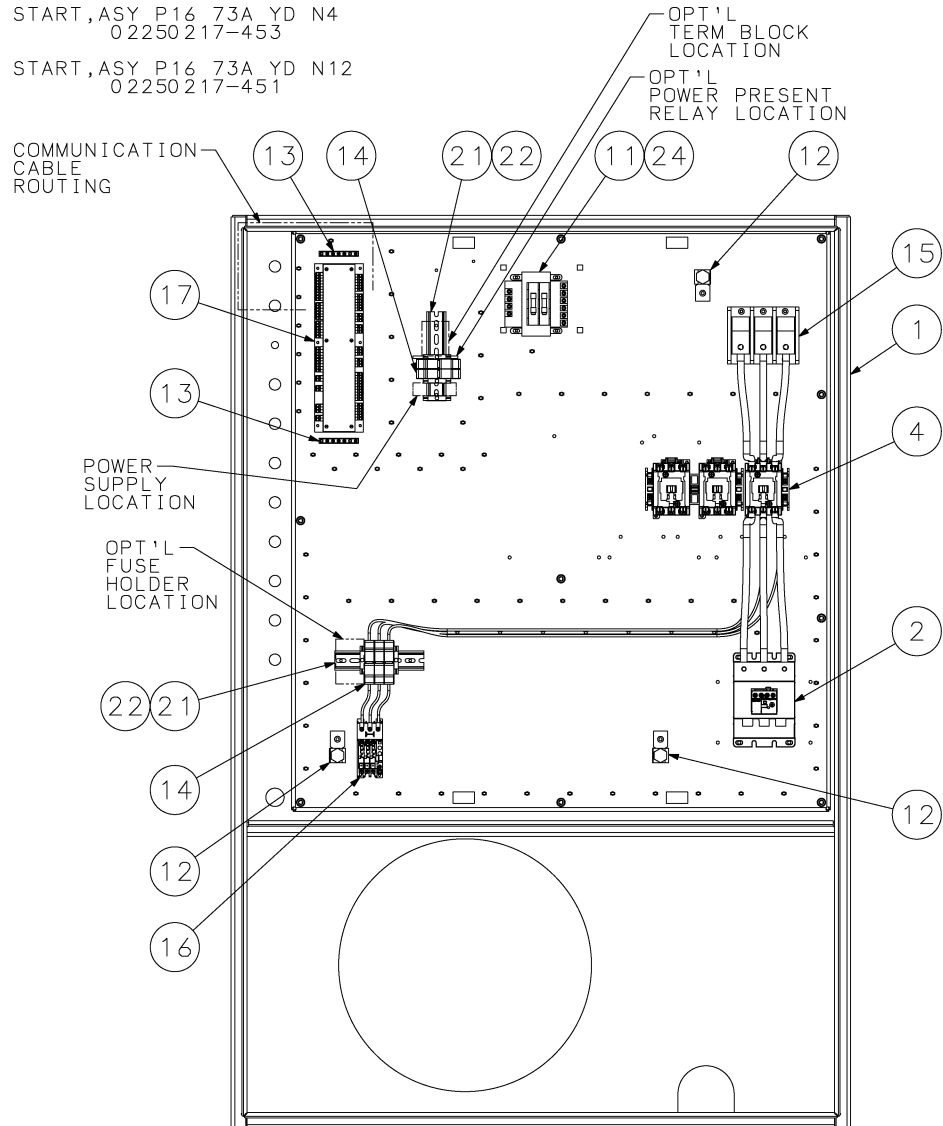
**Starter assemblies**

Part number	Description	Rev
02250218-113	P16 140A N4 FV	00
02250217-454	P16 140A N12 FV	00
02250217-456	P16 300A N4 FV	00
02250217-452	P16 300A N12 FV	00
02250217-487	P16 N4 L/M	00
02250217-486	P16 N12 L/M	00

**Notes:**

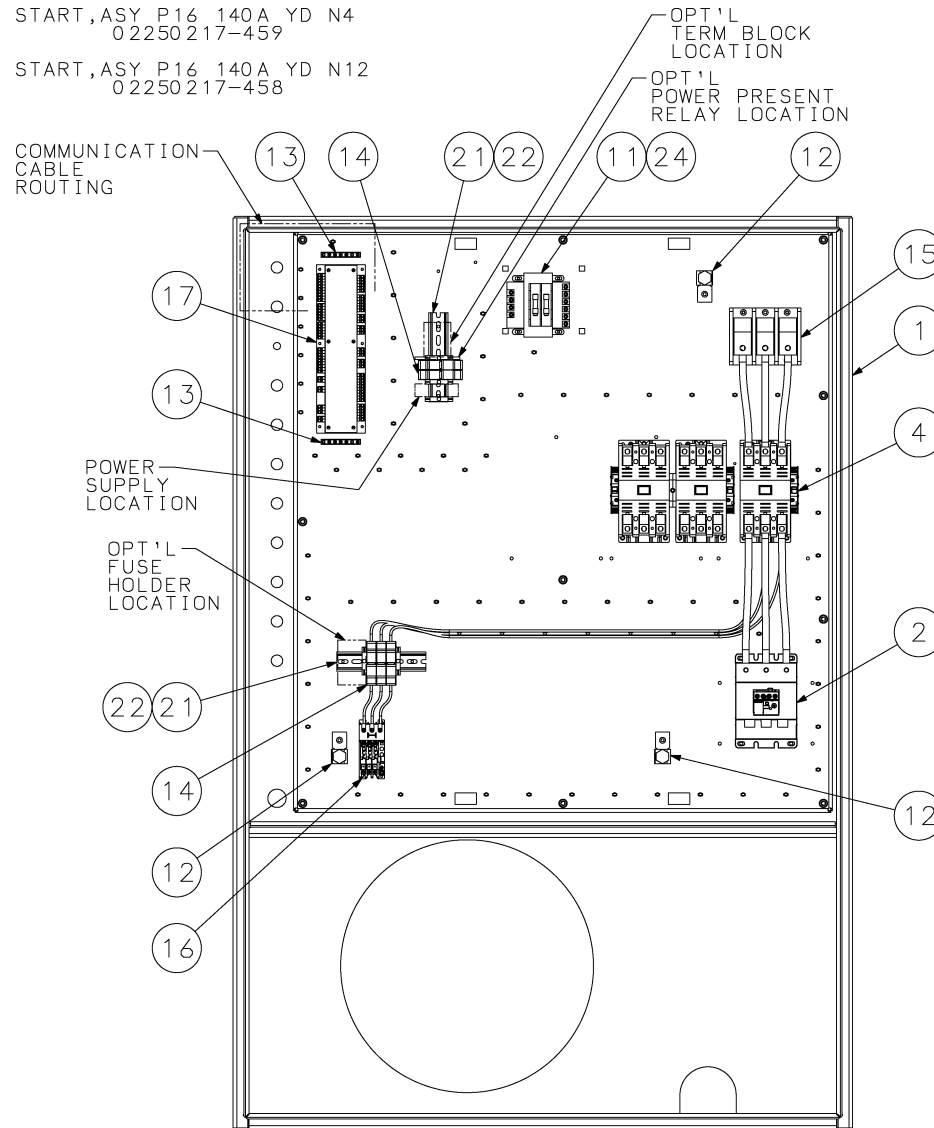


1.34 Control starter, wye-delta



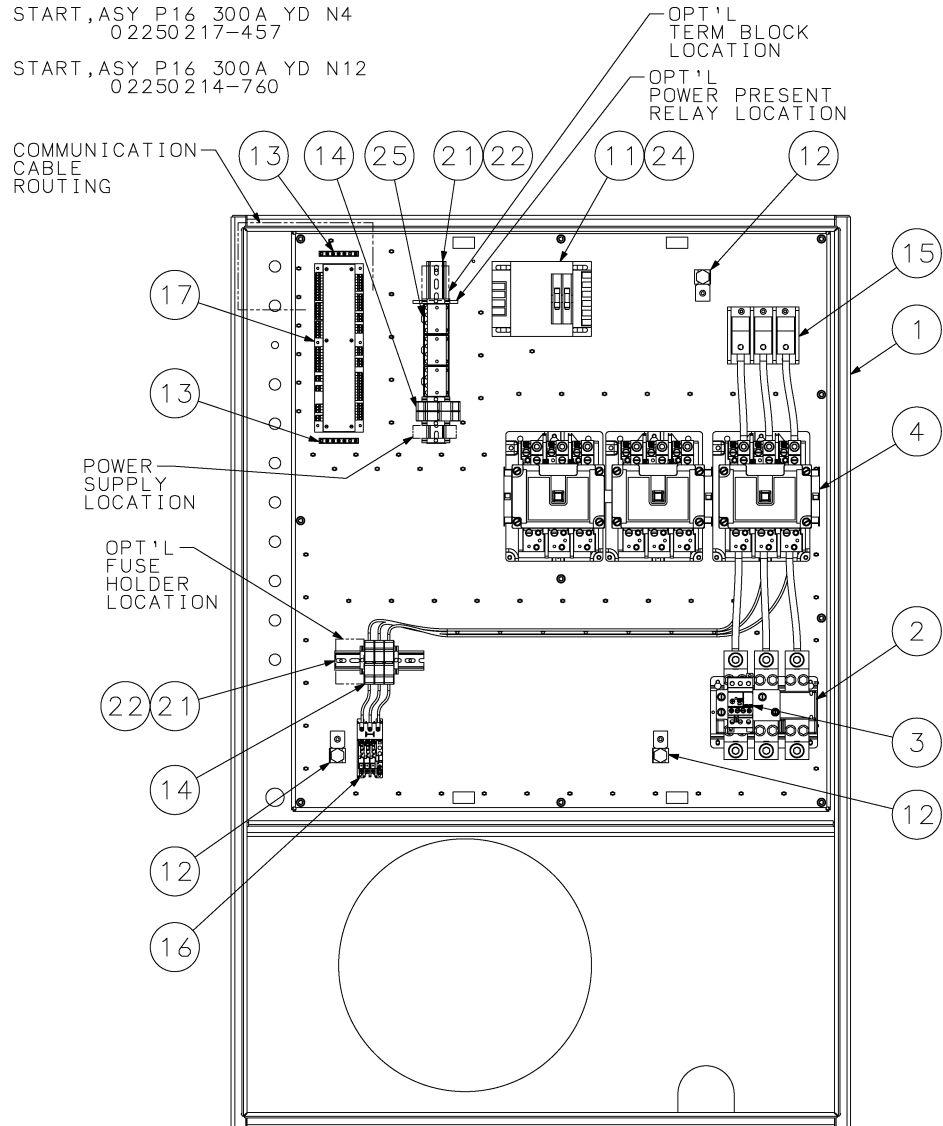
02250214-744 R04 (sh2)

### 1.34 Control starter, wye-delta



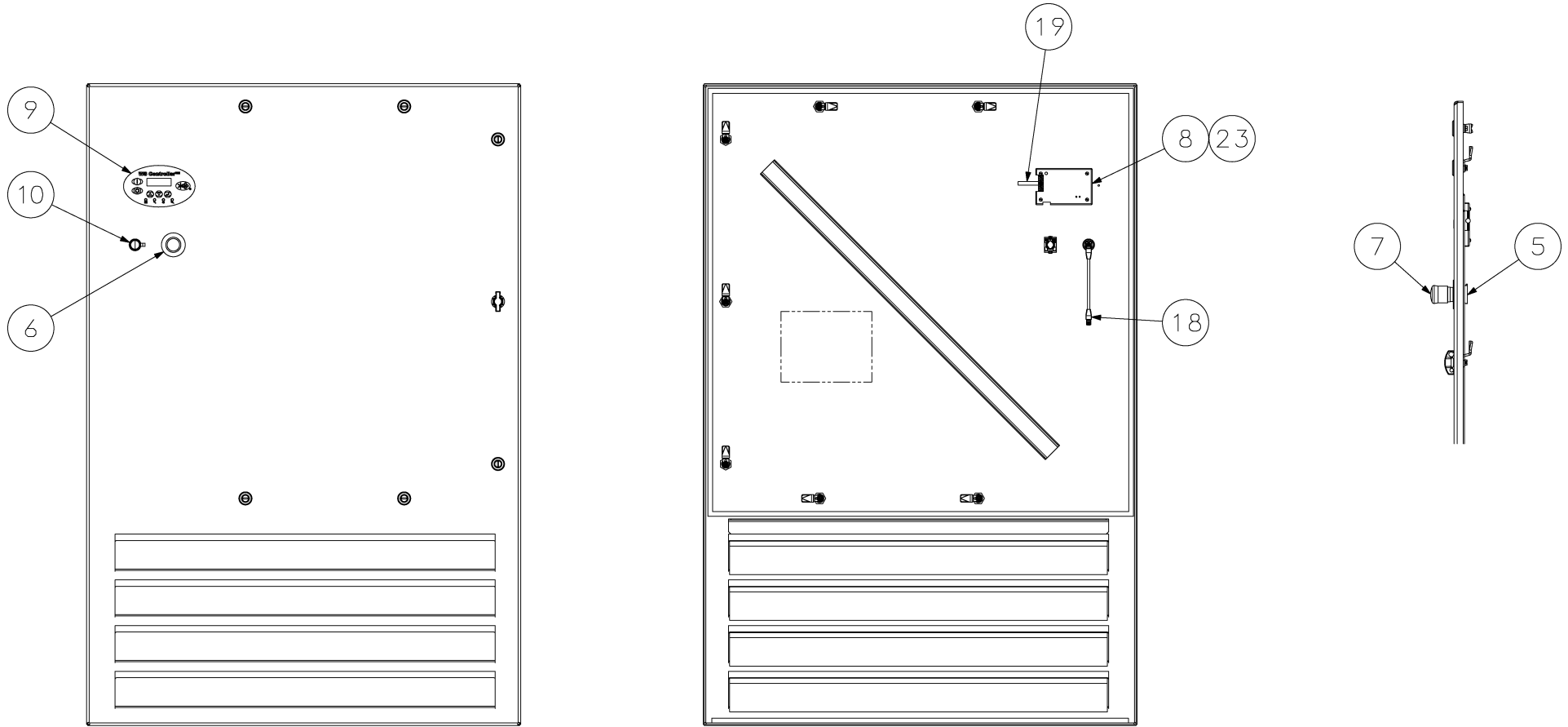
02250214-744 R04 (sh3)

1.34 Control starter, wye-delta



02250214-744 R04 (sh4)

1.34 Control starter, wye-delta



02250214-744 R04 (sh5)

## 1.34 Control starter, wye-delta

Key	Part number	Qty						Description
		02250214-760	02250217-457	02250217-458	02250217-459	02250217-451	02250217-453	
1	02250213-773	1	1	1	1	1	1	ENCLOSURE,STARTER FIXED SP P16/18
2	02250213-373	1	1	-	-	-	-	CT KIT 300:5
	02250213-372	-	-	1	1	1	1	RELAY, OVERLOAD 28-140A
3	02250213-374	1	1	-	-	-	-	5A SEPARATE MOUNT OL RELAY
4	02250213-369	3	3	-	-	-	-	CONTACTOR, 300 AMP SZS 24VAC
	02250213-368	-	-	3	3	-	-	CONTACTOR,140AMP SZN 24VAC
	02250213-367	-	-	-	-	3	3	CONTACTOR, 73 AMP SZK 24VAC
5	02250192-111	1	1	1	1	1	1	BLOCK, CONTACT1 N.C E-STOP
6	02250201-054	1	1	1	1	1	1	DECAL, E-STOP YELLOW RING 22MM
7	02250192-110	1	1	1	1	1	1	SWITCH,PB OPER RED 40MM
8	02250154-051	1	1	1	1	1	1	BUTTON, DISPLAY WS
9	02250154-359	1	1	1	1	1	1	DECAL, MICROPROCESSOR OVERLAY
10	02250213-364	1	1	1	1	1	1	JACK,NETWORK JACK
11	02250218-075	1	1	-	-	-	-	TRANSFORMER, CPT QU 120/100VA-24/400VA
	02250218-074	-	-	1	1	1	1	TRANSFORMER, CPT QU 120/100VA-24/150VA
12	849215-028	3	3	3	3	3	3	GND LUG
13	02250101-721	2	2	2	2	2	2	BAR, GROUND 5 POST
14	02250214-781	5	5	5	5	5	5	HOLDER,FUSE 1 POLE
15	02250145-194	1	1	1	1	1	1	BLOCK,POWER DISTRIBUTION 310A
16	02250213-470	1	1	1	1	1	1	RELAY, OVERLOAD 32A
17	02250211-588	1	1	1	1	1	1	BUTTON, S4 I/O Mod 24V AC/DC
18	02250218-071	1	1	1	1	1	1	CABLE,ETHERNET PORT TO IO MODU
19	02250127-816	1	1	1	1	1	1	CABLE, ELECT 20GA 3 PAIR W/SHLD
20	02250214-985	76	76	76	76	76	76	CLAMP,STRAP
21	02250057-245	6	6	5	5	5	5	DIN CLAMPS

### 1.34 Control starter, wye-delta

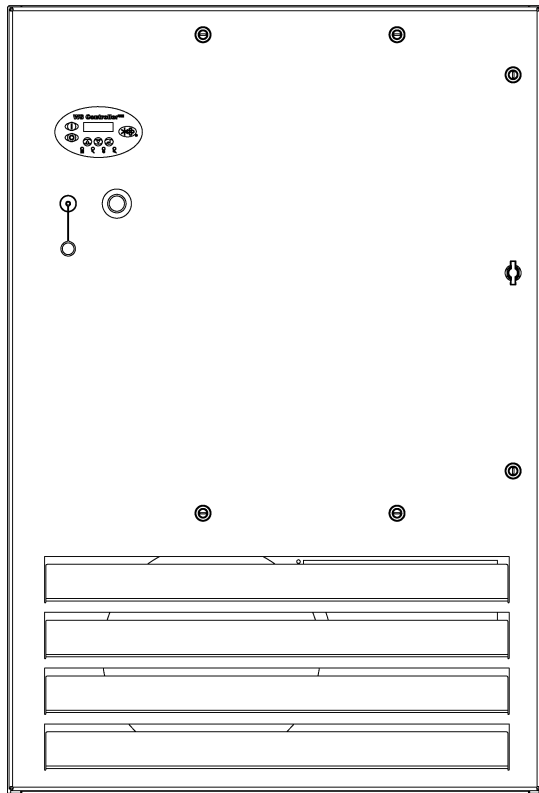
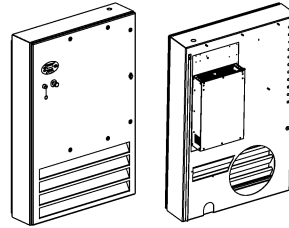
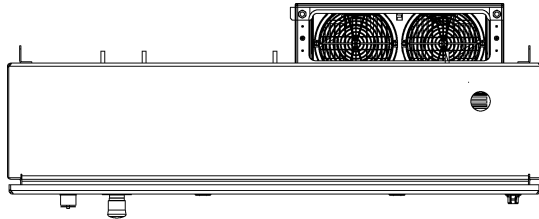
Key	Part number	Qty						Description
		02250214-760	02250217-457	02250217-458	02250217-459	02250217-451	02250217-453	
22	02250218-324	1	1	-	-	-	-	DIN RAIL 12.75IN
	02250060-705	1	1	2	2	2	2	DIN RAIL 6.25" PRE-CUT
23	02250161-759	4	4	4	4	4	4	SPACER, .25DIA X .41 LONG-ALUM
24	250026-648	2	2	-	-	-	-	FUSE,KLDR 3.5 600V TD
	250026-646	-	-	2	2	2	2	FUSE,KLDR 2.50 600V TD
25	02250218-268	3	3	-	-	-	-	CONTACT RELAY 30A

#### Starter assemblies

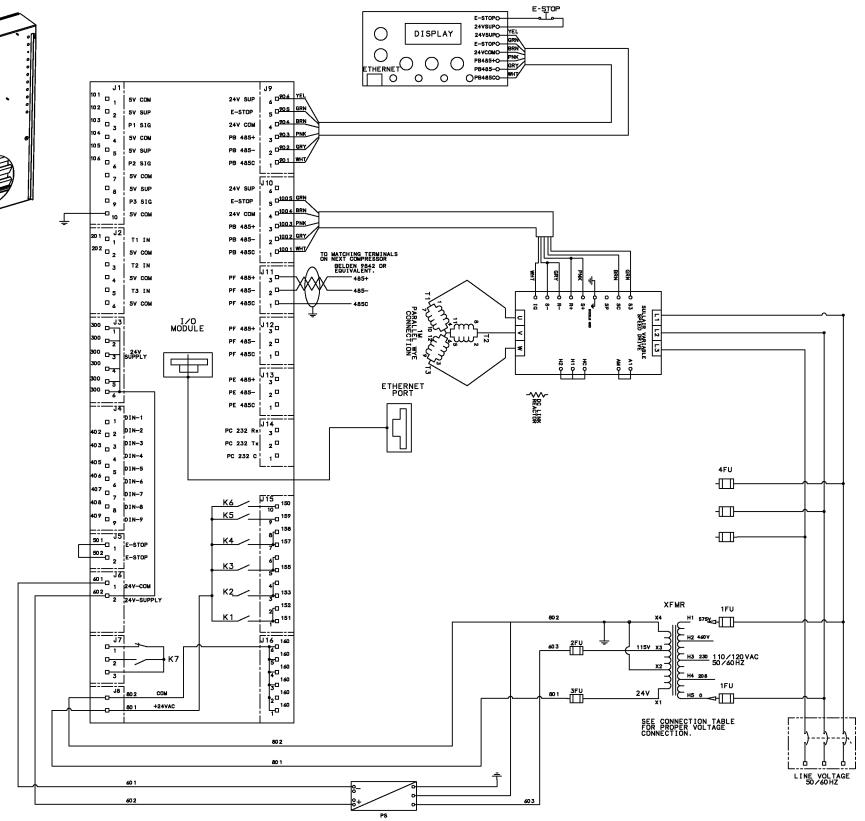
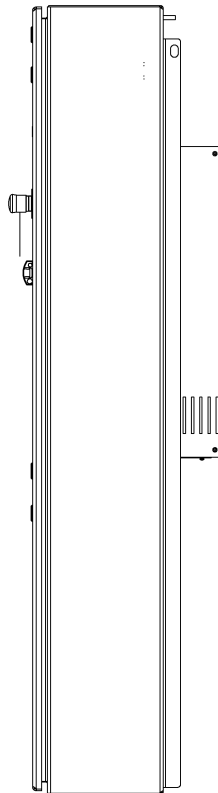
Part number	Description	Rev
02250217-453	P16 73A N4 YD	00
02250217-451	P16 73A N12 YD	00
02250217-459	P16 140A N4 YD	00
02250217-458	P16 140A N12 YD	00
02250217-457	P16 300A N4 YD	00
02250214-760	P16 300A N12 YD	01

**Notes:**

1.35 Control starter, VSD

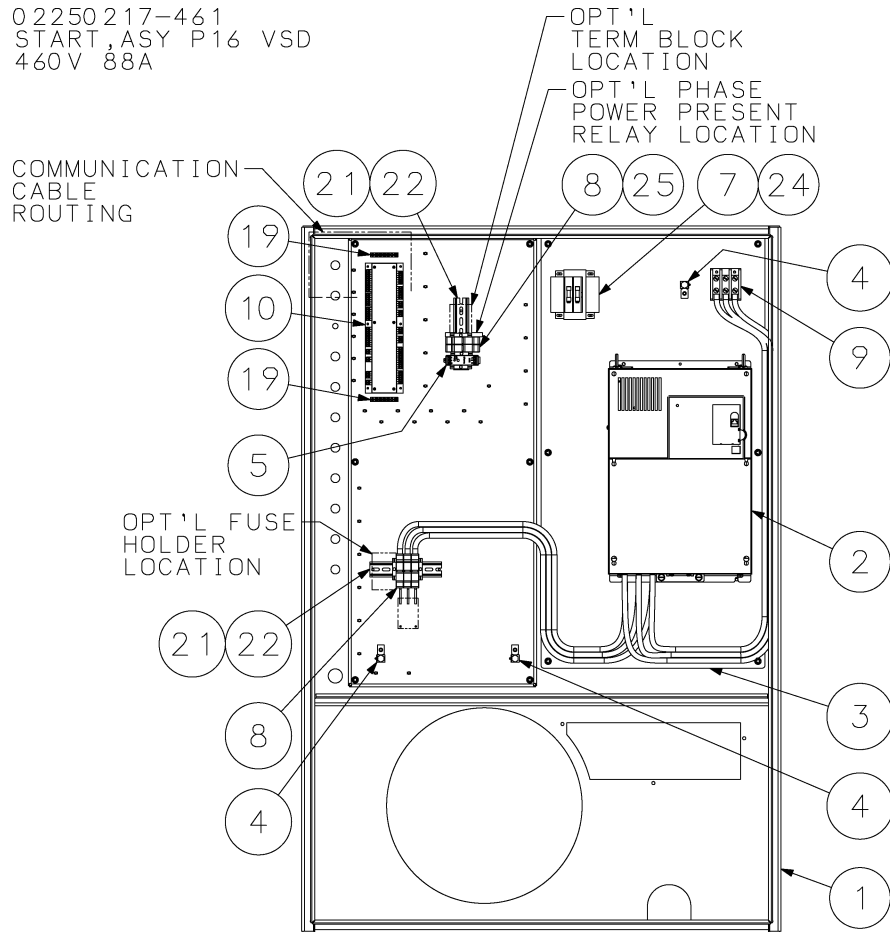


02250214-746 R05 (sh1)

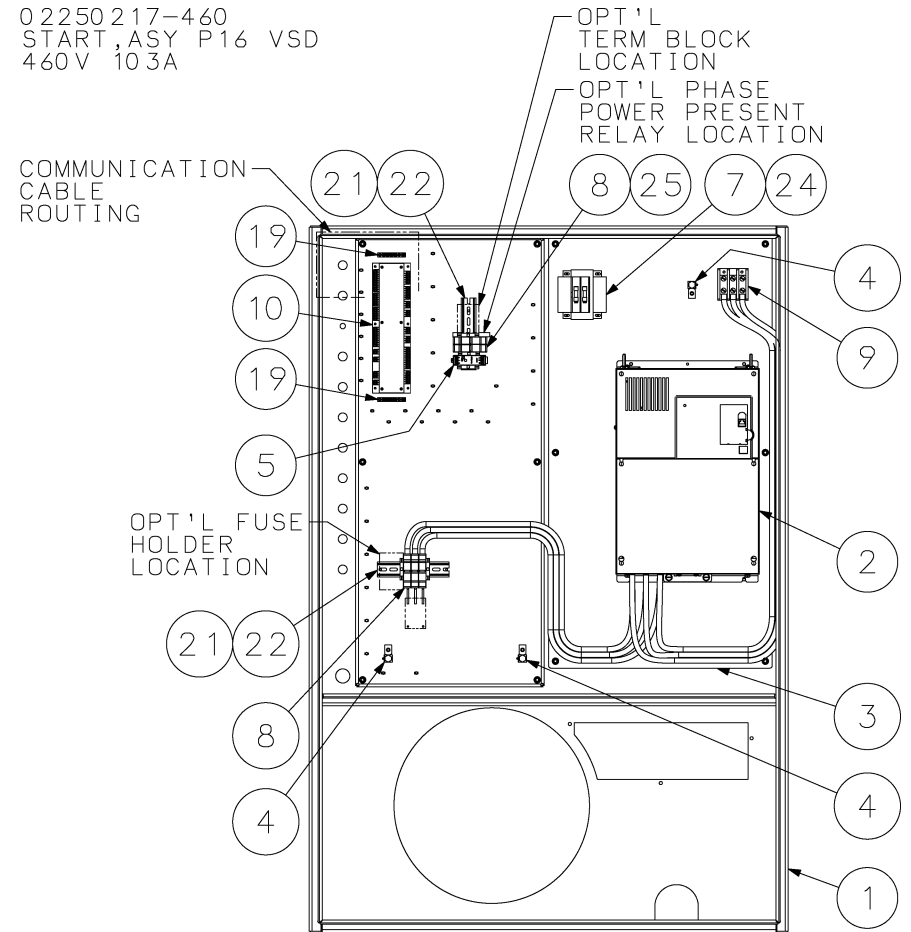


1.35 Control starter, VSD

02250217-461  
START, ASY P16 VSD  
460V 88A



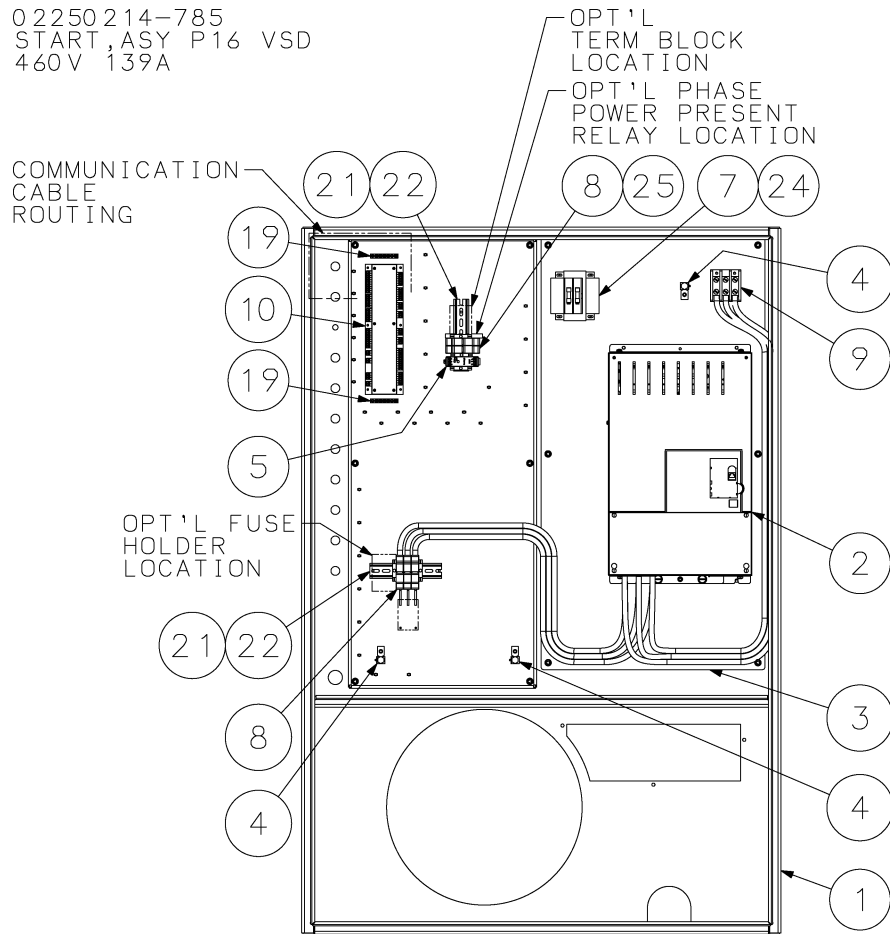
02250217-460  
START, ASY P16 VSD  
460V 103A



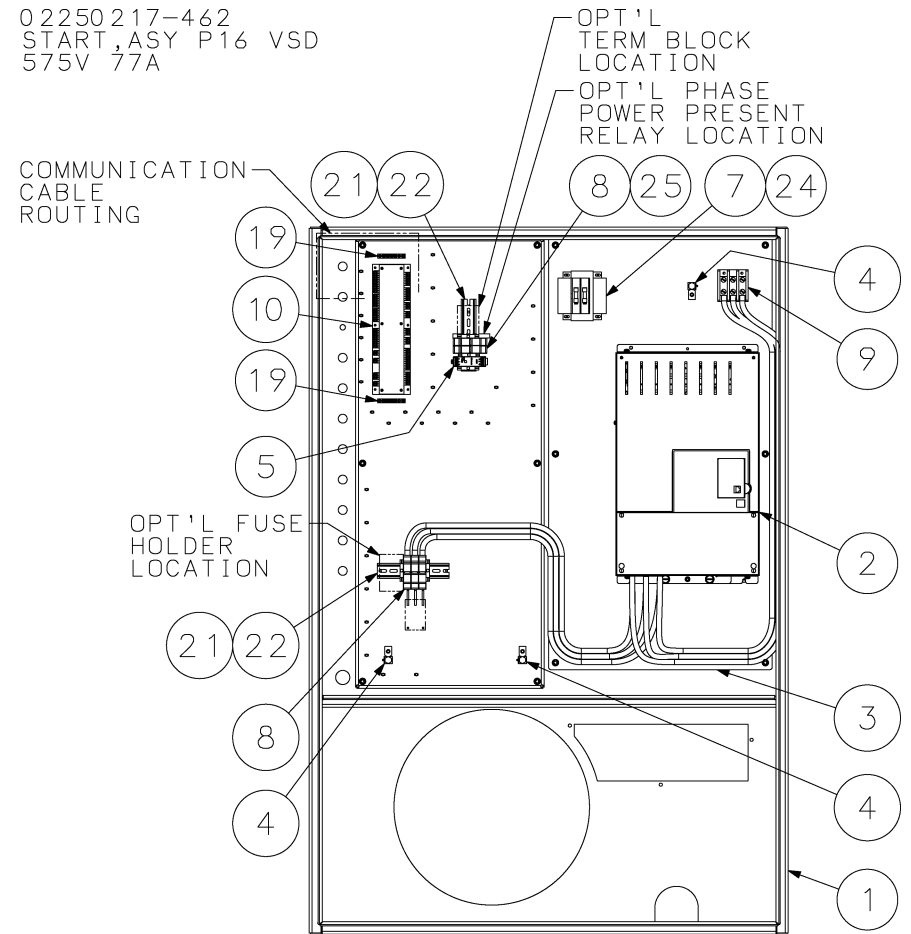
02250214-746 R05 (sh2)

### 1.35 Control starter, VSD

02250214-785  
START, ASY P16 VSD  
460V 139A



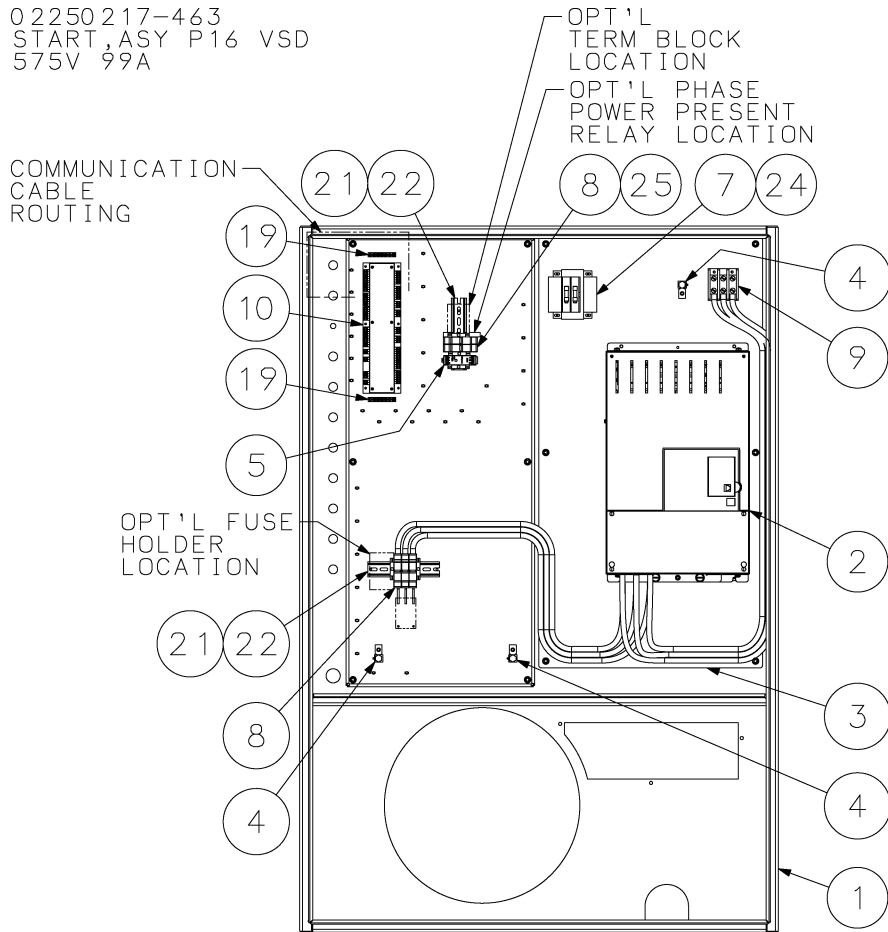
02250217-462  
START, ASY P16 VSD  
575V 77A



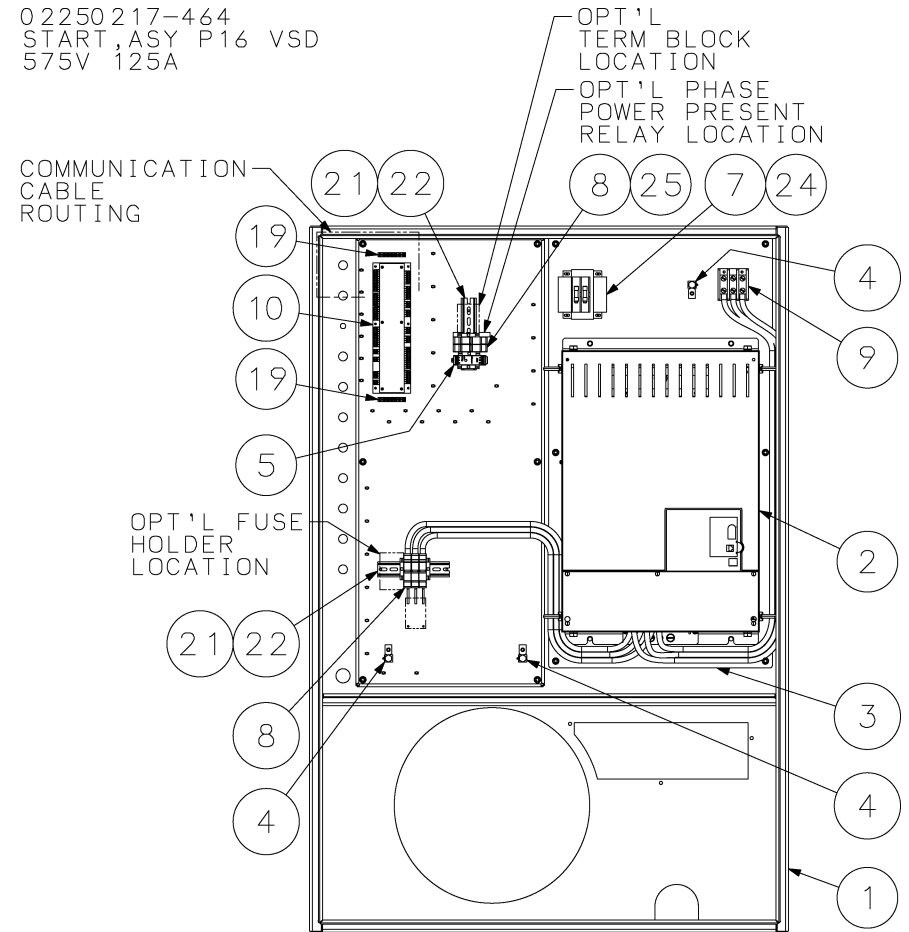
02250214-746 R05 (sh3)

1.35 Control starter, VSD

02250217-463  
START,ASY P16 VSD  
575V 99A

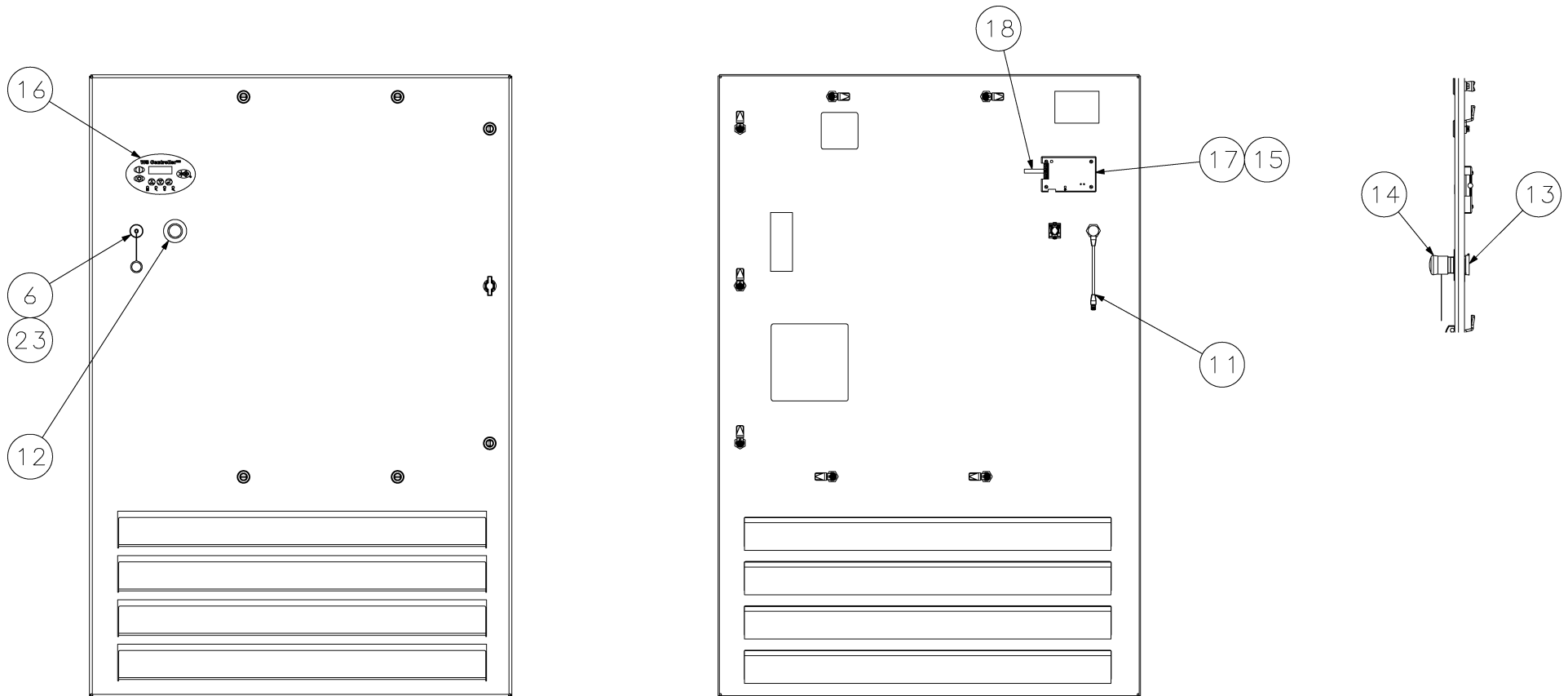


02250217-464  
START,ASY P16 VSD  
575V 125A



02250214-746 R05 (sh4)

### 1.35 Control starter, VSD



02250214-746 R05 (sh5)

## 1.35 Control starter, VSD

Key	Part number	Qty						Description
		02250217-464	02250217-463	02250217-462	02250214-785	02250217-460	02250217-461	
1	02250214-745	1	1	1	1	1	1	ENCLOSURE,STARTER VSD P16/18
2	02250210-012	1	-	-	-	-	-	DRIVE,VSD WS 575V 125A IP00
	02250210-011	-	1	-	-	-	-	DRIVE,VSD WS 575V 99A IP00
	02250210-010	-	-	1	-	-	-	DRIVE,VSD WS 575V 77A IP00
	02250207-323	-	-	-	1	-	-	DRIVE,VSD WS 460V 139A IP00
	02250207-322	-	-	-	-	1	-	DRIVE,VSD WS 460V 103A IP00
	02250207-321	-	-	-	-	-	1	DRIVE,VSD WS 460V 88A IP00
3	02250215-265	1	-	-	-	-	-	PLATE,ADAPTER VSD SZ 11
	02250215-264	-	1	1	1	-	-	PLATE,ADAPTER VSD SZ 10
	02250215-262	-	-	-	-	1	1	PLATE,ADAPTER VSD SZ 9
4	849215-025	3	3	3	3	3	3	LUG, GROUNDING
5	02250216-222	1	1	1	1	1	1	SUPPLY,POWER 24V AC/DC PULS
6	02250207-731	1	1	1	1	1	1	RECEIVER,ETHERNET PORT NEMA6
7	02250213-357	1	1	1	1	1	1	TRANSFORMER,CPT 250VA -QUAD/24V-115V
8	02250214-781	5	5	5	5	5	5	HOLDER, FUSE 1 POLE
9	02250201-189	1	1	1	1	1	1	BLOCK,POWER DISTRIBUTION 175A
10	02250211-588	1	1	1	1	1	1	BUTTON,S4 I/O MOD 24V AC/DC
11	02250218-071	1	1	1	1	1	1	CABLE,ETHERNET PORT TO IO MODU
12	02250201-054	1	1	1	1	1	1	DECAL,ESTOP YELLOW RING 60MM
13	02250192-111	1	1	1	1	1	1	BLOCK,CONTACT 1 N.C E-STOP
14	02250192-110	1	1	1	1	1	1	SWITCH,PB OPER RED 40MM
15	02250161-759	4	4	4	4	4	4	SPACER,.25DIA X .41 LONG - ALUM
16	02250154-359	1	1	1	1	1	1	DECAL,MICROPROCESSOR OVERLAY
17	02250154-051	1	1	1	1	1	1	BUTTON, DISPLAY WS
18	02250127-816	1	1	1	1	1	1	CABLE,ELECT 20GA 3PAIR W/SHLD

## 1.35 Control starter, VSD

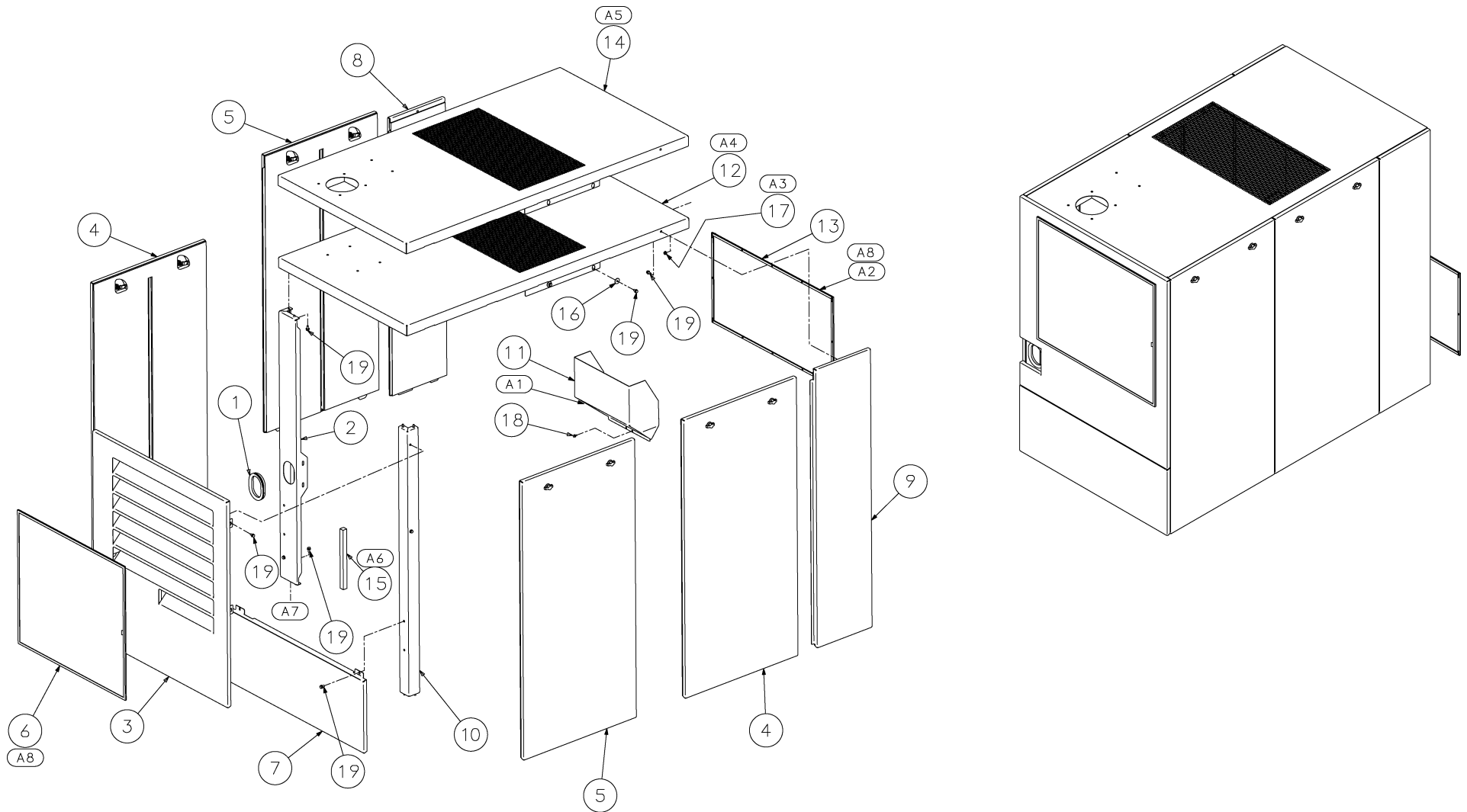
Key	Part number	Qty						Description
		02250217-464	02250217-463	02250217-462	02250214-785	02250217-460	02250217-461	
19	02250101-721	2	2	2	2	2	2	BAR,GROUND 5 POST
20	02250214-985	36	36	36	36	36	36	CLAMP,STRAP
21	02250057-245	5	5	5	5	5	5	DIN CLAMPS
22	02250218-671	2	2	2	2	2	2	DIN RAIL 6.5IN
23	02250207-732	1	1	1	1	1	1	CAP,ETHERNET PORT NEMA6
24	250026-646	2	2	2	2	2	2	FUSE, KLDR 1 2.5A
25	250041-610	2	2	2	2	2	2	FUSE,CC TD 5A 600VAC

## Starter assemblies

Part number	Description	Rev
02250217-461	P16 460V 88A VSD	00
02250217-460	P16 460V 103A VSD	00
02250214-785	P16 460V 139A VSD	01
02250217-462	P16 575V 77A VSD	00
02250217-463	P16 575V 99A VSD	00
02250217-464	P16 575V 125A VSD	00

**Notes:**

1.36 Enclosure, air-cooled—16/18 series



02250214-288 R05

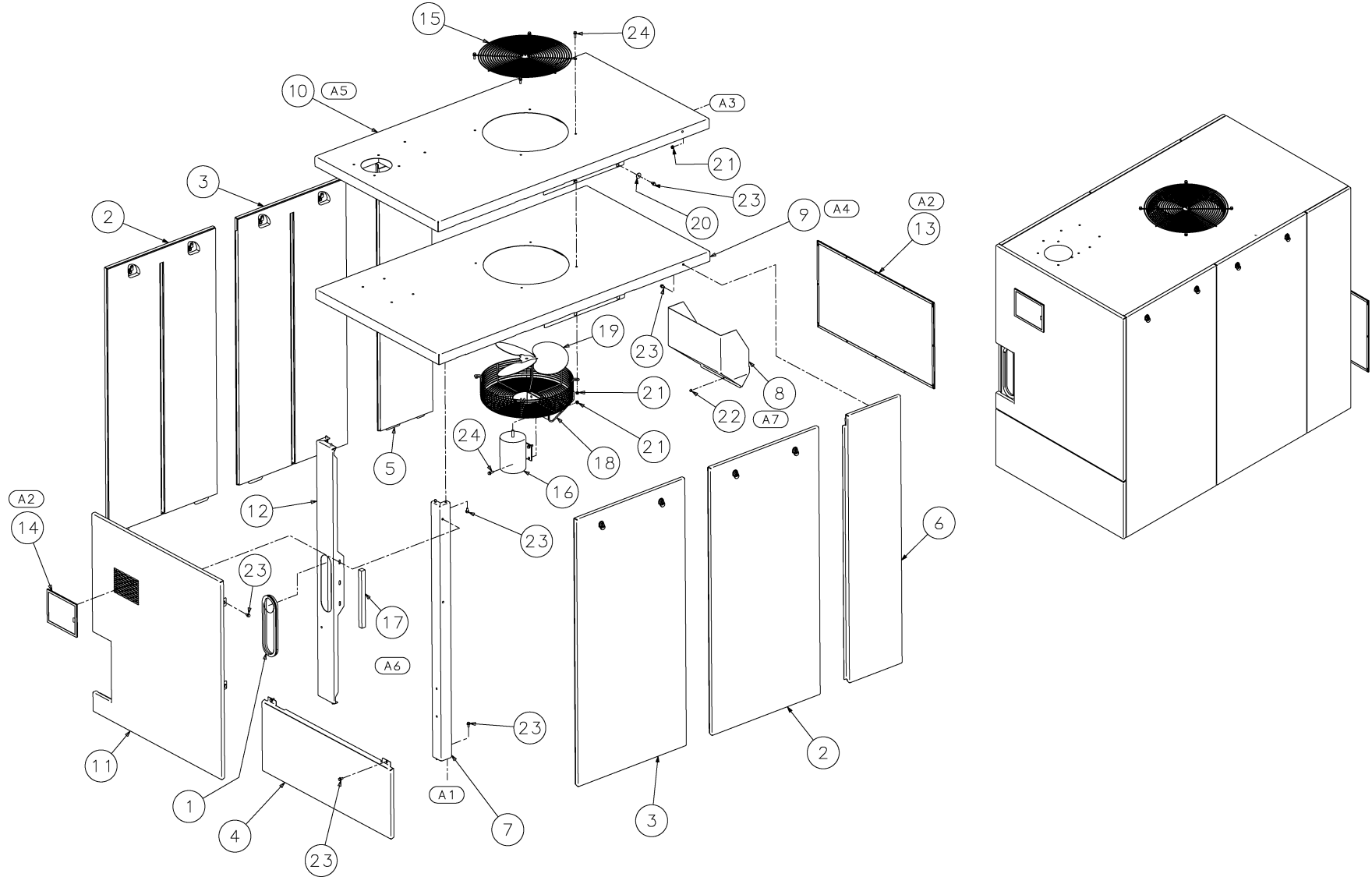
**1.36 Enclosure, air-cooled—16/18 series**

Key	Part number	Qty	Description	Notes
1	02250137-297	1	SEAL, CLIP-ON BAFFLES 185 60HP	
2	02250214-292	1	SUPPORT,CORNER LH CAN P16/18	
3	02250214-322	1	PANEL,CAN INLET END SEN P16 AC	
4	02250214-331	2	PANEL,DOOR SENERGY P16 W/O FLG	
5	02250214-336	2	PANEL,DR W/FLG SENERGY P16	
6	02250214-338	1	FILTER,CLEAN AIR SENERGY INL P16	
7	02250214-339	1	PANEL,CAN INLET END LOW P16 AC	
8	02250214-870	1	PANEL,CAN LH SIDE SENERGY P16	
9	02250214-871	1	PANEL,CAN RH SIDE SENERGY P16	
10	02250214-883	1	SUPPORT,CORNER RH CAN P16/18	
11	02250214-918	1	DUCT,VSD SENERGY P16/18	
12	02250215-730	1	PANEL,ROOF GRTD STD INLET P16	
13	02250216-566	1	FILTER,CLEAN AIR SENERGY INL P16	
14	02250217-593	1	PANEL,ROOF GRTD REM INLET P16	
15	250041-174	1	WEATHERSTRIP, 1"THK X 1"WIDE	
16	866008-030	4	WASHER, FLT LG 8 X 30MM BN732	
17	882508-125	3	NUT, HEX SERR FLNG M8 X 1.25	
18	882606-012	3	SCREW, HEX SER WASHER M6 X 12	
19	882608-016	20	SCREW, HEX SER WASHER M8 X 16	

**Drawing notes**

A1	ATTACHED ABOUT STARTER FAN BOX. VSD MODELS ONLY.
A2	PLACE OVER INLET LOUVERS ON STARTER ENCLOSURE DOOR
A3	ATTACHED TO STARTER ENCLOSURE
A4	FOR STANDARD MACHINES (W/O REMOTE AIR INLET OPTION)
A5	FOR REMOTE AIR INLET OPTION
A6	TO SUPPORT CHANNEL OF ITEM 3 CENTERED ABOUT SEVICE VALVE OUTLET.
A7	TO FRAME.
A8	CLEAN AIR OPTION ONLY.

1.37 Enclosure, water-cooled—16/18 series



02250215-966 R02



02250219-895 R01  
Subject to EAR, ECCN EAR99 and related export control restrictions.

**1.37 Enclosure, water-cooled—16/18 series**

Key	Part number	Qty	Description	Notes
1	02250137-297	3	SEAL, CLIP-ON BAFFLES 185 60HP	
2	02250214-331	2	PANEL,DOOR SENERGY P16 W/O FLG	
3	02250214-336	2	PANEL,DR W/FLG SENERGY P16	
4	02250214-339	1	PANEL,CAN INLET END LOW P16 AC	
5	02250214-870	1	PANEL,CAN LH SIDE SENERGY P16	
6	02250214-871	1	PANEL,CAN RH SIDE SENERGY P16	
7	02250214-883	1	SUPPORT,CORNER RH CAN P16/18	
8	02250214-918	1	DUCT,VSD SENERGY P16/18	
9	02250215-970	1	PANEL,ROOF WC STD INLET P16	
10	02250215-974	1	PANEL,ROOF WC REM INLET P16	
11	02250215-976	1	PANEL,CAN INLET END SEN P16 WC	
12	02250215-980	1	SUPPORT,CORNER LH CAN P16/18 WC	
13	02250216-566	1	FILTER,CLEAN AIR SENERGY INL P16	
14	02250218-917	1	FILTER,CLEAN AIR AIR INL P12	
15	241137	1	GUARD, FAN 20"DIA	
16	250000-031	1	MOTOR, .25HP 208-230/460	
17	250041-174	1	WEATHERSTRIP, 1"THK X 1"WIDE	
18	410179	1	GUARD,FAN 20" DIA 48 FRAME MTR	
19	410358	1	FAN,18" VENT 1/2" BORE 3 BLADE	
20	866008-030	4	WASHER, FLT LG 8 X 30MM BN732	
21	882508-125	10	NUT, HEX SERR FLNG M8 X 1.25	
22	882606-012	3	SCREW, HEX SER WASHER M6 X 12	
23	882608-016	20	SCREW, HEX SER WASHER M8 X 16	
24	882608-025	8	SCREW, HEX SER WASHER M8 X 25	

**Drawing notes**

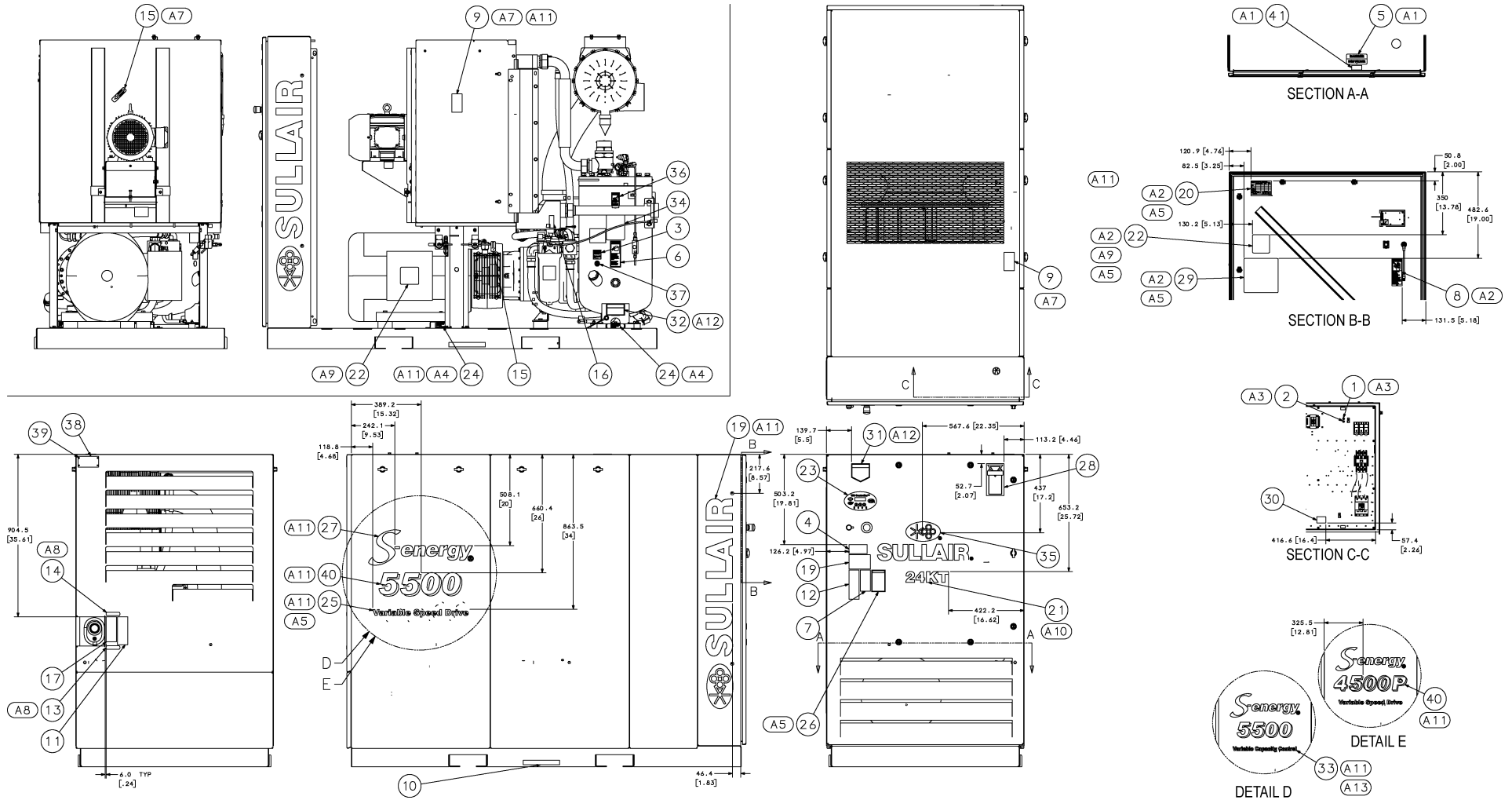
A1	TO FRAME.
A2	PLACE ITEM 13 OVER INLET LOUVERS ON STARTER ENCLOSURE DOOR. PLACE ITEM 14 OVER AIR INLET GRILL. STANDARD ON ALL VSD MODELS. OPTIONAL FOR ALL OTHER MODELS.

**1.37 Enclosure, water-cooled—16/18 series**

Key	Part number	Qty	Description	Notes
A3			ATTACHED TO STARTER ENCLOSURE	
A4			FOR STANDARD MACHINES (W/O REMOTE AIR INLET OPTION)	
A5			FOR REMOTE AIR INLET OPTION	
A6			TO SUPPORT CHANNEL OF ITEM 11 CENTERED ABOUT SEVICE VALVE OUTLET.	
A7			ATTACHED ABOUT STARTER FAN BOX VSD MODELS ONLY.	

**Notes:**

1.38 Decal locations—16/18 series



02250218-435 R01



02250219-895 R01  
Subject to EAR, ECCN EAR99 and related export control restrictions.

## 1.38 Decal locations—16/18 series

Key	Part number	Qty	Description	Notes
1	*02250075-045	1	DECAL,PROTECTIVE EARTH GROUND	
2	*02250075-540	1	DECAL, PE DESIGNATION	
3	*02250110-891	1	DECAL,EN-WARNING MIXING FLUIDS	
4	*041065	1	DECAL, WARNING AUTO START	
5	*042218	1	DECAL, DANGER HI VOLTAGE	
6	*049685	1	SIGN, WARNING-COMP OIL FIL CAP	
7	*049850	1	SIGN, DANGER ELECTROCUTION	
8	*049852	1	SIGN, WARNING GROUND FAULT	
9	*049855	3	SIGN, WARNING-SEVER-FAN-INDUS	
10	*241814	2	DECAL, FORK LIFTING	
11	*250003-144	1	SIGN, WARN "FOOD GRADE" LUBE	
12	*250017-903	1	DECAL, WARNING AUTO START 4PF	
13	*250019-107	1	DECAL, WATER IN	
14	*250019-108	1	DECAL, WATER OUT	
15	*250021-564	2	DECAL, ROTATION 3.5" LG	
16	*250022-810	1	DECAL, WATER DRAIN 3 3/4 X 1"	
17	*250027-935	1	DECAL, DANGER BREATH AIR	
18	02250057-605	2	DECAL,SULLAIR 5.75 X 46 BLACK	
19	02250077-472	1	DECAL,ELECTROCUTION HAZARD	
20	02250127-896	1	DECAL,PACKAGE AMPS LABEL	
21	02250145-206	1	DECAL,24KT METALIC GOLD	
22	02250146-385	2	DECAL,PARALLEL WYE MOTOR CONN.	
23	02250154-359	1	DECAL,MICROPROCESSOR OVERLAY	
24	02250158-358	3	DECAL,REMOVE BEFORE STARTUP	
25	02250162-215	2	DECAL,VSD BLACK P16/18	
26	02250164-823	1	DECAL,WRN N12 ELEC ENCL PROTC	
27	02250168-920	2	DECAL,S-ENERGY BLACK	
28	02250174-997	1	DECAL,CAGI INFO ENGLISH	

**1.38 Decal locations—16/18 series**

Key	Part number	Qty	Description	Notes
29	02250207-677	1	DECAL,VSD WIRE SIZE 460V YAS	
30	02250209-435	1	LABEL,UL ENCL CONT PNL W/BC	
31	02250210-811	1	DECAL,10 YEAR WARR DIAMOND EN	
32	02250210-812	1	DECAL,10 YEAR WARR RECT EN	
33	02250218-439	2	DECAL, VSD BLACK P8/P10/P12	
34	02250218-440	1	DECAL,MAINT KIT ENG P16	
35	02250218-743	1	DECAL,SULLAIR TOP LOGO 21.0L	
36	407408	1	SIGN, WARNING-HOT SURFACES	
37	FLUID DECAL	1	VARIOUS	
38	NAME PLATE	1	VARIOUS	
39	RIVET	4	VARIOUS	
40	SERIES DECAL	2	VARIOUS	
41	VOLTAGE DECAL	1	VARIOUS	

**Drawing notes**

A1	ATTACH TO THE BOTTOM ON INSIDE OF STARTER BOX
A2	ATTACH TO THE INSIDE OF STARTER DOOR
A3	ATTACH TO SUBPANEL INSIDE OF STARTER BOX
A4	ATTACH TO THE SHIPPING STRAP
A5	VSD MACHINE ONLY
A6	USED ON PARALLEL WYE MACHINES
A7	AIR COOLED MACHINES ONLY
A8	WATER COOLED MACHINES ONLY
A9	460V VSD MACHINES ONLY
A10	USED ON 24KT MACHINES
A11	BOTH SIDES OF MACHINE
A12	USE ON <=150 PSI (10 BAR) MACHINES ONLY
A13	SPIRAL VALVE MACHINES ONLY (P18) (VSD OR NON VSD)
Q1	A "*" PRECEEDING THE PART NUMBER INDICATES DECALS CONTAINED IN KIT 02250069-604





*a division of Accudyne Industries*

---

---

**Sullair, LLC**

3700 East Michigan Boulevard

Michigan City, IN 46360 USA

[www.sullair.com](http://www.sullair.com)

1-800-SULLAIR (USA only)

1-219-879-5451 (non-USA)

---

---

Information and specifications are subject to change without prior notice.  
Subject to EAR, ECCN EAR99 and related export control restrictions.