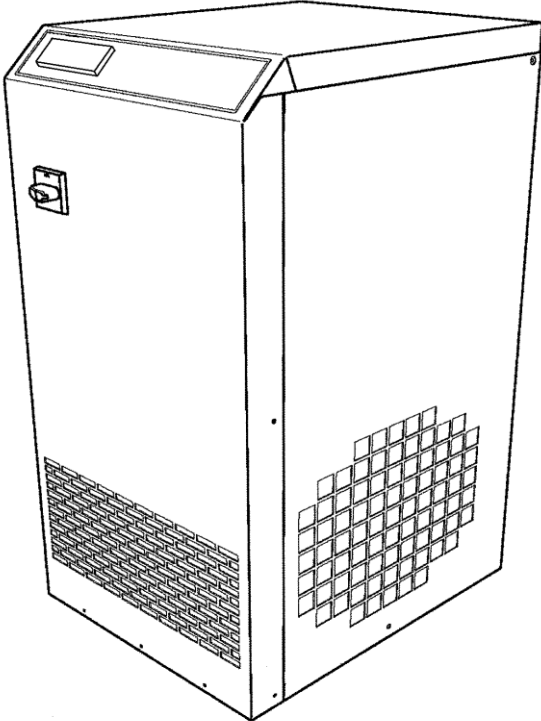




Code
2200780112 01
Edition
01/01/2015

AIR DRYER PARTS LIST

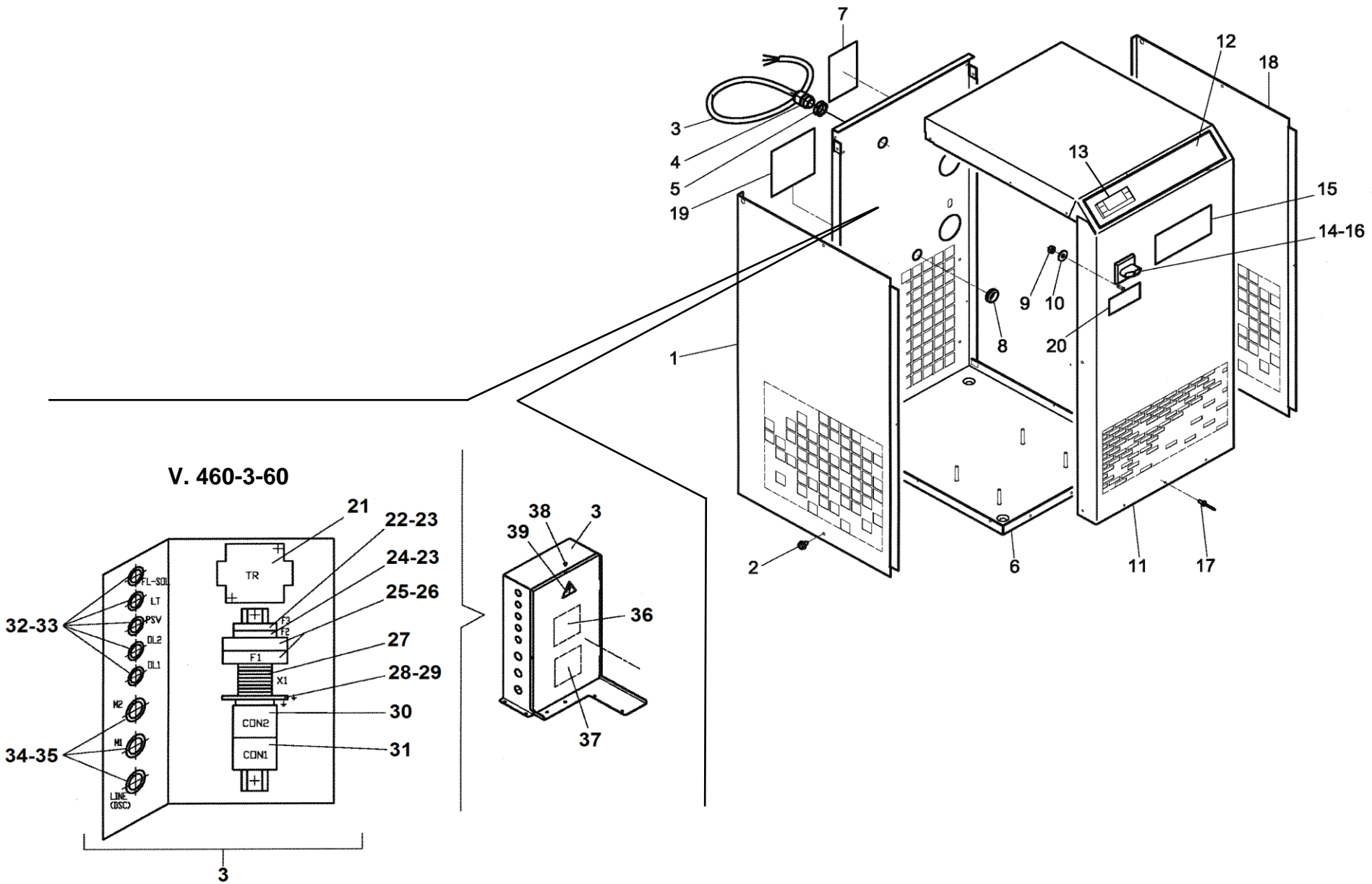
QPNC 75, QPNC 100, QPNC 125, QPNC 150, QPNC 200, QPNC 250



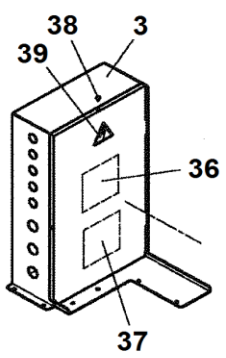
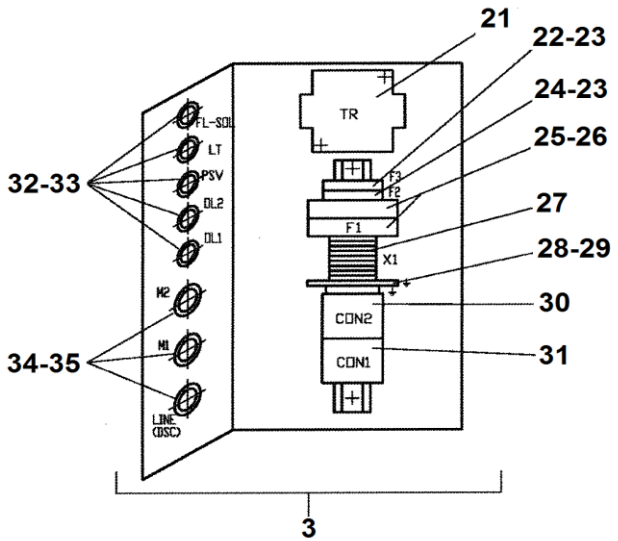
AIR DRYER PARTS LIST

QPNC 75, QPNC 100, QPNC 125, QPNC 150, QPNC 200, QPNC 250

Type	Code	V. Dryer
QPNC 75	4102002434	230/1/60
	4102002440	115/1/60
QPNC 100	4102002435	230/1/60
	4102002441	115/1/60
QPNC 125	4102002436	230/1/60
	4102002442	115/1/60
QPNC 150	4102002437	230/1/60
QPNC 200	4102002438	230/1/60
QPNC 250	4102002439	230/1/60
	4102002443	460/3/60

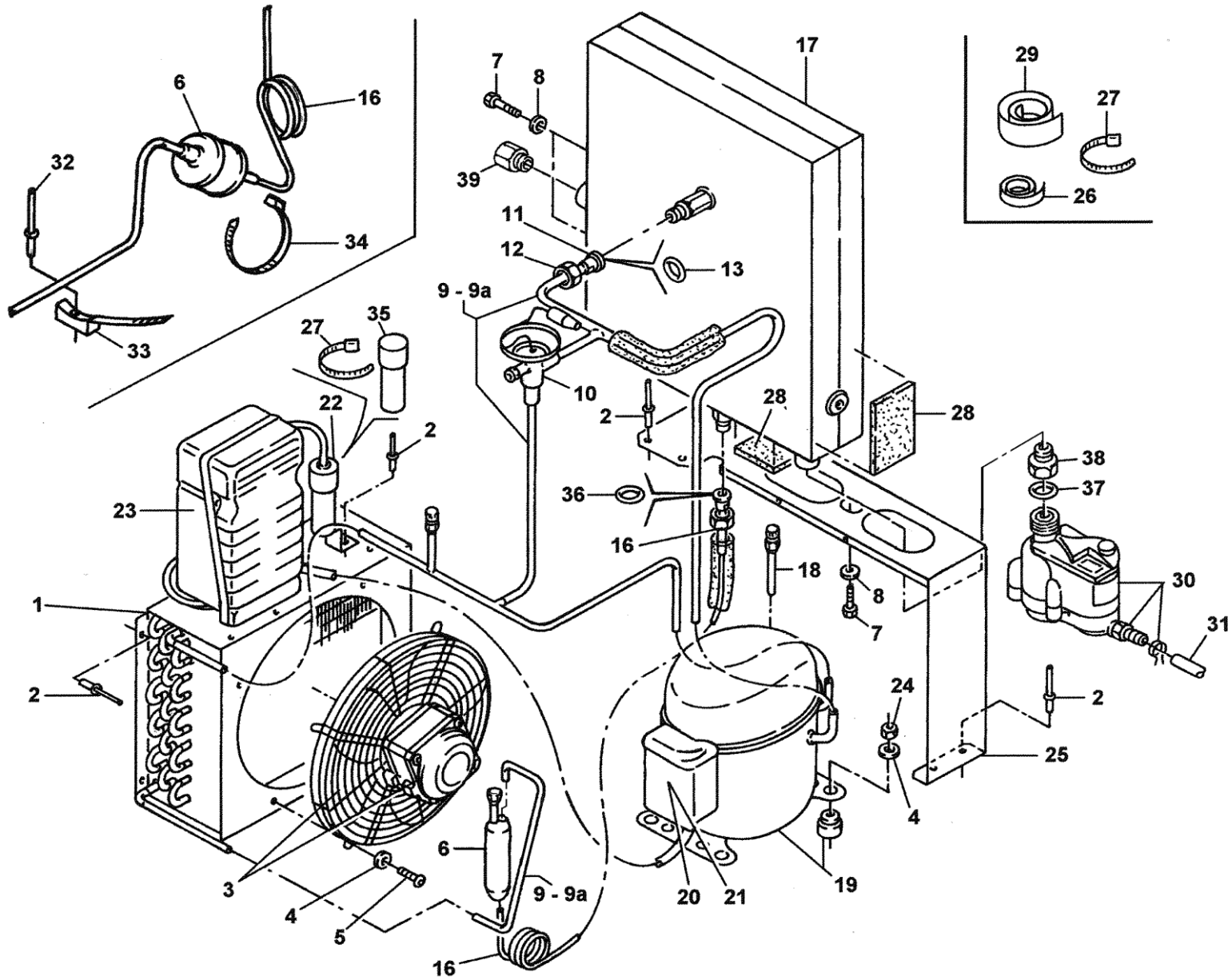


V. 460-3-60



TAB. 1		Q.ty										Body work		
		QPNC 75		QPNC 100		QPNC 125		QPNC 150		QPNC 200			QPNC 250	
Ref. No	RECOMMENDED SPARES	Part. num.	NOTE	4102002434	4102002440	4102002435	4102002441	4102002436	4102002442	4102002437	4102002438	4102002439	4102002443	DESCRIPTION
1		2202829001		1	1									PANEL
1		2202829201				1	1	1	1					PANEL
1		2202829401								1		1	1	PANEL
2		2200719953		10	10	10	10	10	10	14		14		SCREW
3		9828443271			1									ELECTRIC CABLES
3		9828443221		1										ELECTRIC CABLES
3		9828443231				1		1						ELECTRIC CABLES
3		9828443281					1							ELECTRIC CABLES
3		9828443391							1					ELECTRIC CABLES
3		9828443241								1		1		ELECTRIC CABLES
3		9828443291									1		1	ELECTRIC CABLES
4		0698514121		1	1	1		1		1		1	1	CABLE GLAND
4		0698514117					1	1						CABLE GLAND
5		0697980953		1	1	1		1		1		1	1	NUT
5		0697980954					1	1						NUT
6		2202736082		1	1									FRAME
6		2202738382				1	1	1	1					FRAME
6		2202738682								1		1	1	FRAME
7		1079990348		1	1	1	1	1	1	1		1	1	LABEL
8		0989422008		1	1	1	1	1	1	1		1	1	GROMMET
9		0266210800		1	1	1	1	1	1	1		1	1	NUT
10		0333422000		1	1	1	1	1	1	1		1	1	WASHER
11		2202815185		1	1									PANEL
11		2202827885				1	1	1	1					PANEL
11		2202827985								1		1	1	PANEL
12		2203076101		1	1									LABEL INSTRUCTION
12		2203076102				1	1	1	1					LABEL INSTRUCTION
12		2203076103								1		1	1	LABEL INSTRUCTION
13	*	2200902828		1		1				1				KIT DIGITAL CONTROLLER
13	*	2200902831						1			1			KIT DIGITAL CONTROLLER
13	*	2200902832										1		KIT DIGITAL CONTROLLER
13	*	2200902822			1		1							KIT DIGITAL CONTROLLER
13	*	2200902825						1						KIT DIGITAL CONTROLLER
14		1089949850		1	1	1	1	1	1	1		1	1	HANDLE
15		2202809001		1	1									LABEL "QUINCY"
15		2202809002				1	1	1	1					LABEL "QUINCY"
15		2202809003								1		1	1	LABEL "QUINCY"
16	*	1089949849		1	1	1	1	1	1	1		1	1	SWITCH
17		0129327040		11	11	11	11	11	11	11		11	15	BLIND RIVET
18		2202829101		1	1									PANEL
18		2202829301				1	1	1	1					PANEL
18		2202829501								1		1	1	PANEL
19		2203079154		1	1	1	1	1	1	1		1		LABEL FOR EQUIPMENT DRYER
19		2203079160						1						LABEL FOR EQUIPMENT DRYER
19		2203079155										1		LABEL FOR EQUIPMENT DRYER
19		2202836400												LABEL FOR EQUIPMENT DRYER
20		2202261192		1	1	1	1	1	1	1		1	1	LABEL "OPEN INDUSTRIAL CONTROL PANEL"
21		2202823500											1	TRANSFORMER

NOTE



TAB. 2				Q.ty												Air dryer	
				QPNC 75		QPNC 100		QPNC 125		QPNC 150		QPNC 200		QPNC 250			DESCRIPTION
Ref. No	RECOMMENDED SPARES	Part. num.	NOTE	4102002434	4102002440	4102002435	4102002441	4102002436	4102002442	4102002437		4102002438		4102002439	4102002443		
1		2202735102		1	1												CONDENSER COIL
1		2202735201				1	1	1	1								CONDENSER COIL
1		2202737201								1		1		1	1		CONDENSER COIL
2		0129327040		11	11	11	11	11	11	11		11		11	11		BLIND RIVET
3	*	2202737303		1													FAN MOTOR
3	*	2202737304			1												FAN MOTOR
3	*	2202737305				1		1									FAN MOTOR
3	*	2202737306					1	1									FAN MOTOR
3	*	2202710802								1		1		1			FAN MOTOR
3	*	1627032600													1		FAN MOTOR
4		0300027464		8	8	8	8	8	8	8		8		8	8		WASHER
5		0215000391		4	4	4	4	4	4	4		4		4	4		SCREW
6		1617299601		1	1	1	1	1	1								FILTER-DRYER
6		2202789801								1		1		1	1		FILTER-DRYER
7	*	0147136203		3	3	3	3	3	3	3		3		3	3		SCREW
8		0300027417		3	3	3	3	3	3	3		3		3	3		WASHER
9		2203026780		1	1												ASS. PIPE
9		2203026880				1	1										ASS. PIPE
9		2203072780						1	1								ASS. PIPE
9		2202735580								1		1		1	1		ASS. PIPE
10	*	2202732402		1	1	1	1										BY-PASS VALVE
10	*	2202732401						1	1								BY-PASS VALVE
10	*	2202732403								1		1		1	1		BY-PASS VALVE
11		2202746601		1	1												SLEEVE
11		2202746603				1	1	1	1								SLEEVE
11		2202746606								1		1		1	1		SLEEVE
12		2202746602		1	1												ROTALOCK NUT
12		2202746604				1	1	1	1								ROTALOCK NUT
12		2202746607								1		1		1	1		ROTALOCK NUT
13		2202742501		1	1												O-RING
13		2200633610				1	1	1	1								O-RING
13		2200633611								1		1		1	1		O-RING
16		2202741302		1	1												CAPILLARY TUBE
16		2202741303				1	1										CAPILLARY TUBE
16		2202741304						1	1								CAPILLARY TUBE
16		2202741306								1				1	1		CAPILLARY TUBE
16		2202741307										1					CAPILLARY TUBE
17		2202736682		1	1												EXCHANGER
17		2202736782				1	1	1	1								EXCHANGER
17		2202736882								1		1		1	1		EXCHANGER
18		2200599743		1	1	1	1	1	1	1		1		1	1		CHECK VALVE
19		2203026504		1													COMPRESSOR
19		2203026507			1												COMPRESSOR
19		2203026505				1											COMPRESSOR
19		2203026508					1										COMPRESSOR
19		2203026506						1									COMPRESSOR
19		2203026509							1								COMPRESSOR
19		1617149409												1			COMPRESSOR

TAB. 2		Q.ty										Air dryer		
		QPNC 75		QPNC 100		QPNC 125		QPNC 150		QPNC 200			QPNC 250	
Ref. No	RECOMMENDED SPARES	Part. num.	NOTE	4102002434	4102002440	4102002435	4102002441	4102002436	4102002442	4102002437	4102002438	4102002439	4102002443	DESCRIPTION
19		1617149405								1				COMPRESSOR
19		2202706101									1			COMPRESSOR
19		1624229404											1	COMPRESSOR
20		2202765120		1										START RELAY
20		2202765123			1									START RELAY
20		2202765121				1								START RELAY
20		2202765124					1							START RELAY
20		2202765122						1						START RELAY
20		2202765119							1					START RELAY
20		1617155157								1				START RELAY
20		2202765115									1			START RELAY
20		1617155118										1		START RELAY
21		2202765227		1										OVERLOAD PROTECTOR
21		2202765230			1									OVERLOAD PROTECTOR
21		2202765228				1								OVERLOAD PROTECTOR
21		2202765230					1							OVERLOAD PROTECTOR
21		2202765229						1						OVERLOAD PROTECTOR
21		2202765231							1					OVERLOAD PROTECTOR
21		1617155070								1				OVERLOAD PROTECTOR
21		1617155020										1		OVERLOAD PROTECTOR
21		2202765216									1			OVERLOAD PROTECTOR
21		1617155065											2	OVERLOAD PROTECTOR
22		2202765307						1						RUN CAPACITOR
22		2202765306				1								RUN CAPACITOR
22		2202765308						1						RUN CAPACITOR
22		2202765303									1			RUN CAPACITOR
22		1617187401								1				RUN CAPACITOR
22		1617187402										1		RUN CAPACITOR
23		2202765227		1										START CAPACITOR
23		2202765019						1						START CAPACITOR
23		2202765020			1									START CAPACITOR
23		2202765019				1								START CAPACITOR
23		2202765020					1							START CAPACITOR
23		2202765021						1						START CAPACITOR
23		2202765005									1			START CAPACITOR
23		1617154911								1				START CAPACITOR
23		1617154910										1		START CAPACITOR
24		0266210800		4	4	4	4	4	4	4	4	4	4	SCREW
25		2202736500		1	1									STIRRUP
25		2202733300				1	1	1	1					STIRRUP
25		2202738400								1	1	1	1	STIRRUP
26		0017986267		X	X	X	X	X	X	X	X	X	X	TAPE (IN METERS)
27		0348010120		10	10	10	10	10	10	10	10	10	10	CABLE TIE
28		0395101005		X	X	X	X	X	X	X	X	X	X	INSULATION SET
29		2202758701		X	X	X	X	X	X	X	X	X	X	TAPE (IN METERS)
30	*	2202754703		1		1		1		1		1	1	CONDENSATE DRAIN
30	*	2202754704			1		1		1					CONDENSATE DRAIN

NOTE

