

# Atlas Copco Stationary Air Compressors

GX15, GX18, GX22

## Parts list

From serial No. onwards :

AII - 661 850

- Copyright 2005, Atlas Copco Airpower n.v., Antwerp, Belgium.  
Any unauthorized use or copying of the contents or any part thereof is prohibited.  
This applies in particular to trademarks, model denominations, part numbers and drawings.
- **Use only authorized parts.** Any damage or malfunction caused by the use of unauthorized parts is not covered by Warranty or Product Liability.

No. 2930 1364 01

Registration code : APC GX 2001 / 39

Replaces No. 2930 1364 00

2005-09

[www.atlascopco.com](http://www.atlascopco.com)

**Atlas Copco**

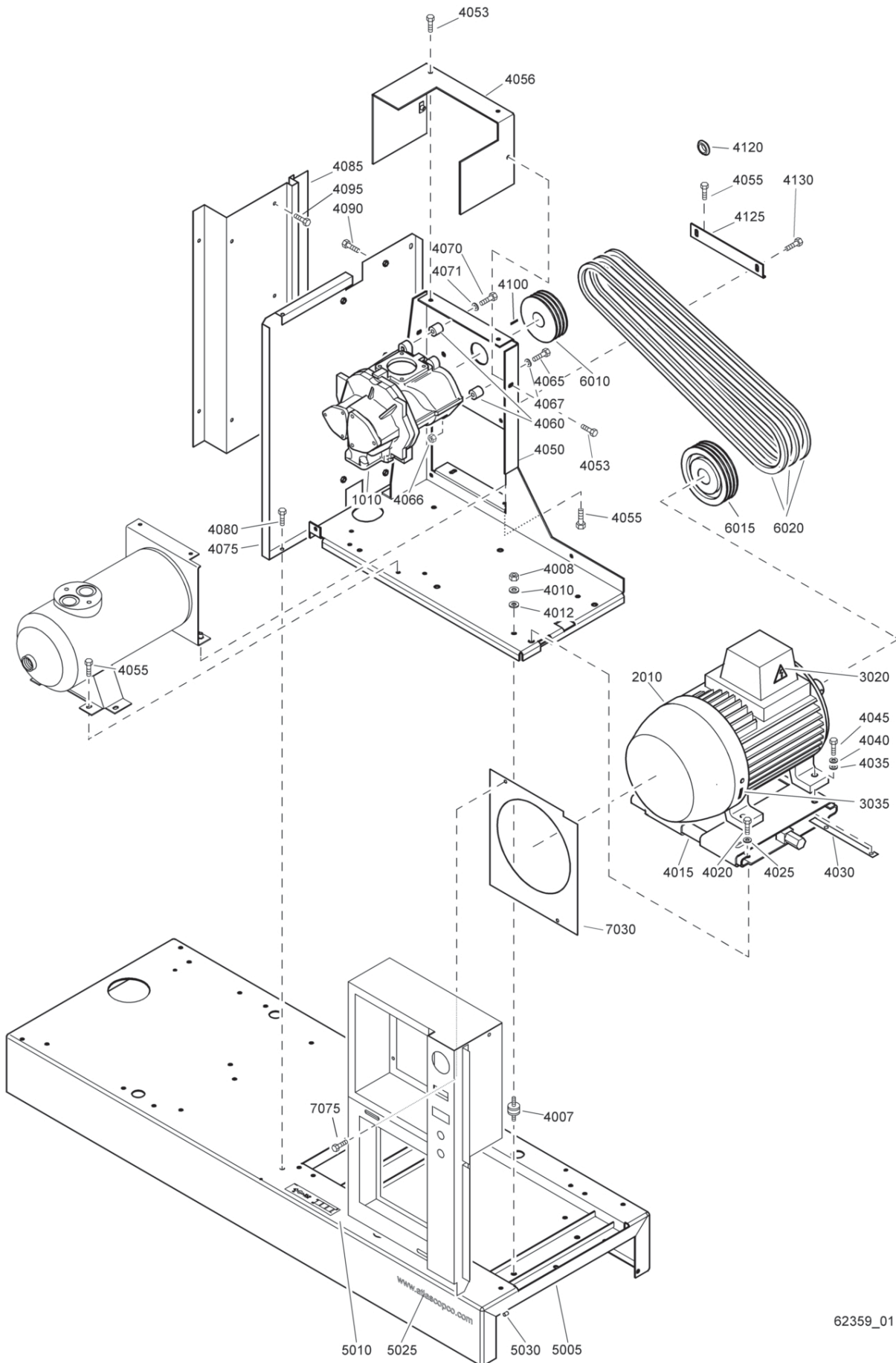
Contents	
Inhoud	
Innehåll	
Inhaltsverzeichnis	
Table des matières	
Indice	

Indice
Innholdsfortegnelse
Indice
Indholdsfortegnelse
Sisällysluettelo

Drive arrangement		Oil system	
Aandrijfuitvoering		Oliesysteem	
Drivarrangemang		Oljesystem	
Antriebsanordnung		Ölsystem	
Dispositif d'entraînement		Système d'huile	
Disposición de accionamiento		Sistema de aceite	
Disposizione di azionamento		Sistema dell'olio	
Arrangement		Oliesystem	
Disposição de accionamento		Sistema de óleo	
Drivarrangement		Oljesystem	
Rakenne .....	<b>1</b>	Voitelujärjestelmä .....	<b>8</b>
Air flow		Start cubicle	
Luchtstroming		Startkast	
Luftflöde		Startskåp - direkt startutrustning	
Luftstrom		Anlaßschrank	
Flux d'air		Armoire de démarrage	
Flujo de aire		Cubiculo de arranque	
Flusso d'aria		Armadio apparecch. di avviamento	
Luftflow		Starterskab	
Fluxo de ar		Cubiculo	
Luftstrøm		Startskap	
Ilman virtaus		Käynnistinkotelo	
- Common - 1) .....	<b>2</b>	- Cubicle - CSA/UL 60Hz - 3) .....	<b>9</b>
- Common - 2) .....	<b>3</b>	- Cubicle - CSA/UL 60Hz - 4) .....	<b>10</b>
- Air outlet - Pack .....	<b>4</b>	- Cubicle - IEC 50-60Hz - With trafo - 3) .....	<b>11</b>
- Air outlet - Full-feature .....	<b>5</b>	- Cubicle - IEC 50-60Hz - With trafo - 4) .....	<b>12</b>
Unloading valve		- Cubicle - IEC 400V+N/50Hz - Without trafo - 3) ...	<b>13</b>
Ontlastventiel		- Cubicle - IEC 400V+N/50Hz - Without trafo - 4) ...	<b>14</b>
Avlastningsventil		Bodywork	
Entlastungsventil		Carrosserie	
Soupape de décharge		Karosseri	
Válvula de descarga		Karosserie	
Valvola di messa a vuoto		Capotage	
Aflastningsventil		Carrocería	
Válvula de descarga		Cappottatura	
Avlastningsventil		Karosseri	
Kevennyssventtiili		Carroceria	
- 1) .....	<b>6</b>	Kabinett	
- 2) .....	<b>7</b>	Kotelo .....	<b>15</b>

Floor-mounted		Service kits	
Montage op de vloer		Service kits	
Golvmonterad		Service kits	
Aufstellung auf dem Fußboden		Service Kits	
Montage sur le sol		Service kits	
Montado en el suelo		Service kits	
Montati sul pavimento		Kit per la manutenzione	
Gulvmonteret		Service kits	
Montados em soalho		Conjuntos de reparação	
Gulvmonterte modeller		Servicesett	
Lattialle asennettava .....	16	Huoltotarvikesarjat .....	23
Air dryer			
Luchtdroger			
Lufttorkare			
Lufttrockner			
Sécheur d'air			
Secador de aire			
Essiccatore d'aria			
Lufttørrer			
Secador de ar			
Lufttørker			
Kuivain .....	17		
Standard option			
Standaard optie			
Standard tilläggsutrustning			
Standard Option			
Option standard			
Opción estándar			
Opzione standard			
Standard ekstraudstyr			
Opção standard			
Standard tilleggststyr			
Lisävaruste			
- Electronic drain .....	18		
- With aftercooler for Pack .....	19		
- WSD and aftercooler for Pack .....	20		
- DD filter kit for Full-feature .....	21		
- PDX filter kit for Full-feature .....	22		
		1-3) Up to serial No. :	
		Tot serienummer:	
		T.o.m. tillverkningsnummer:	
		Bis Seriennummer:	
		Jusqu'au numéro de série:	
		Hasta el número de serie:	
		Fino al numeri di serie:	
		Gælder til følgende serienumre:	
		Até o número de série:	
		Til følgende serienummer:	
		Seuraavaan valmistusnumeroon asti, No.:	
		1) API - 440 899	
		3) API - 440 101	
		2-4) From following serial No. onwards:	
		Geldig vanaf volgend serienummer:	
		Fr.o.m. tillverkningsnummer:	
		Gültig ab Seriennummer:	
		Valable à partir du numéro de série suivant:	
		A partir del siguiente número de serie:	
		Dai seguenti numeri di serie in avanti:	
		Gælder fra følgende serienumre:	
		A partir do número de série:	
		Fra og med følgende serienummer:	
		Alkaen valmistusnumeroosta	
		2) API - 440 900	
		4) API - 440 101	

1



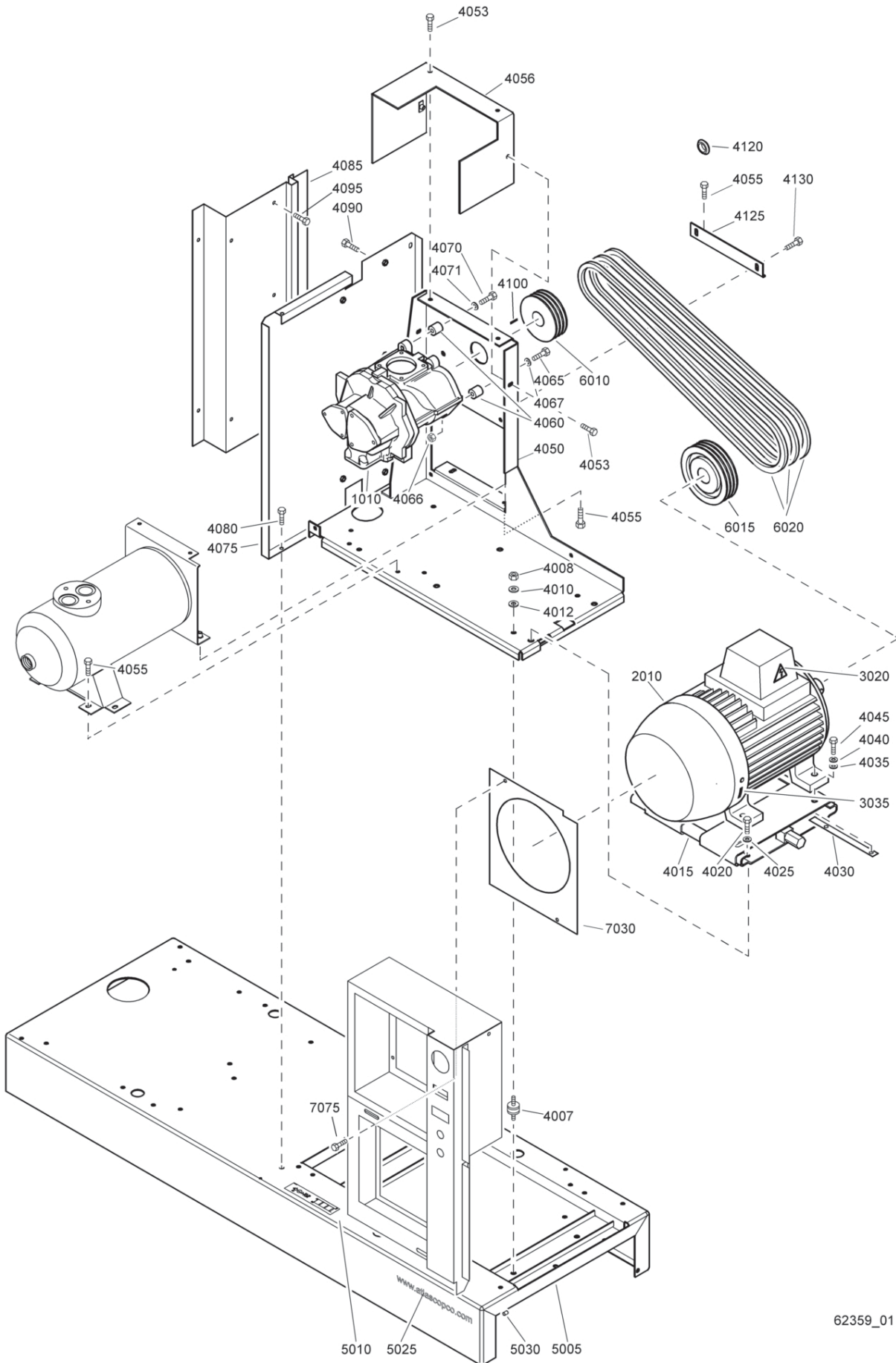
62359\_01

62359\_01

## Drive arrangement

Ref.	Part number	Qty	Name	Remarks	Ref.	Part number	Qty	Name	Remarks
1010	2989 0154 01	1	Service stage		4090	1619 2766 00	3	Bolt	
2010		1	Motor		4095	1619 2766 00	3	Bolt	
	1080 4177 12		GX15 200V/50Hz		4100	0337 6064 00	1	Parallel key	
	1080 4177 02		GX15 230V/50Hz		4117	0147 1964 22	9	Paint strip bolt	
	1080 4177 03		GX15 400V/50Hz		4120	1088 0801 52	1	Grommet	
	1080 4177 03		GX15 400V+N/50Hz		4125	1622 1216 00	1	Support	
	1080 4177 04		GX15 500V/50Hz		4130	0147 1962 72	1	Hexagon bolt	
	1080 4177 12		GX15 230V/60Hz			<b>1622 0686 81</b>	<b>1</b>	<b>Frame assembly 2)</b>	
	1080 4177 12		GX15 230V/60Hz CSA/UL		5005	1622 0686 10	• 1	Frame	
	1080 4177 13		GX15 380V/60Hz		5010	1079 9921 17	• 1	Label	
	1080 4177 12		GX15 460V/60Hz		5025	1079 9920 83	• 1	Label website	
	1080 4177 12		GX15 460V/60Hz CSA/UL		5030	1622 0287 00	• 4	Tube	
	1080 4177 14		GX15 575V/60Hz CSA/UL		6010		1	Pulley (element)	
	1080 4178 02		GX18 230V/50Hz			1622 0273 01		GX15-7.5bar	
	1080 4178 03		GX18 400V/50Hz			1622 0273 04		GX15-10bar	
	1080 4178 03		GX18 400V+N/50Hz			1622 0273 05		GX15-13bar	
	1080 4178 04		GX18 500V/50Hz			1622 0272 01		GX15-100psi	
	1080 4178 12		GX18 230V/60Hz			1622 0273 02		GX15-125psi	
	1080 4178 12		GX18 230V/60Hz CSA/UL			1622 0273 04		GX15-150psi	
	1080 4178 13		GX18 380V/60Hz			1622 0273 05		GX15-175psi	
	1080 4178 13		GX18 380V/60Hz			1622 0273 01		GX18-7.5bar	
	1080 4178 12		GX18 460V/60Hz			1622 0273 04		GX18-10bar	
	1080 4178 12		GX18 460V/60Hz CSA/UL			1622 0273 05		GX18-13bar	
	1080 4178 14		GX18 575V/60Hz CSA/UL			1622 0273 02		GX18-125psi	
	1080 4179 02		GX22 230V/50Hz			1622 0273 04		GX18-150psi	
	1080 4179 03		GX22 400V/50Hz			1622 0273 05		GX18-175psi	
	1080 4179 03		GX22 400V+N/50Hz			1622 0273 01		GX22-7.5bar	
	1080 4179 04		GX22 500V/50Hz			1622 0273 04		GX22-10bar	
	1080 4179 12		GX22 200V/60Hz			1622 0273 05		GX22-13bar	
	1080 4179 12		GX22 230V/60Hz			1622 0273 01		GX22-100psi	
	1080 4179 12		GX22 230V/60Hz CSA/UL			1622 0273 02		GX22-125psi	
	1080 4179 13		GX22 380V/60Hz			1622 0273 04		GX22-150psi	
	1080 4179 12		GX22 460V/60Hz			1622 0273 05		GX22-175psi	
	1080 4179 12		GX22 460V/60Hz CSA/UL		6015		1	Pulley (motor)	
	1080 4179 14		GX22 575V/60Hz CSA/UL			1622 0272 02		GX15-7.5bar	
3020	1088 1001 02	1	Warning mark			1622 0272 02		GX15-10bar	
3035	1503 0786 00	1	Rotation arrow			1622 0272 02		GX15-13bar	
4007	0392 1100 20	4	Damper			1622 0273 01		GX15-100psi	
4008	0266 2111 00	4	Nut			1622 0272 01		GX15-125psi	
4010	0333 3232 00	4	Lock washer			1622 0272 01		GX15-150psi	
4012	0301 2344 00	4	Washer			1622 0272 01		GX15-175psi	
4015	1622 0350 00	1	Support (motor)			1622 0272 03		GX18-7.5bar	
4020	0147 1398 03	4	Hexagon bolt			1622 0272 03		GX18-10bar	
4025	0301 2358 00	4	Washer			1622 0272 03		GX18-13bar	
4030	1622 0339 00	2	Support			1622 0272 02		GX18-125psi	
4035	0301 2358 00	4	Washer			1622 0272 02		GX18-150psi	
4040	0333 3237 00	4	Lock washer			1622 0272 02		GX18-175psi	
4045	0147 1403 03	4	Hexagon bolt			1622 0272 04		GX22-7.5bar	
4050	1622 0687 10	1	Subframe			1622 0272 04		GX22-10bar	
4052	0147 1323 15	2	Hexagon bolt			1622 0272 04		GX22-13bar	
4053	1619 2766 00	4	Bolt			1622 0272 03		GX22-100psi	
4055	1619 2766 00	6	Bolt			1622 0272 03		GX22-125psi	
<b>4056</b>	<b>1622 0688 81</b>	<b>1</b>	<b>Baffle assembly 1)</b>			1622 0272 03		GX22-150psi	
4060	1622 0318 00	4	Spacer			1622 0272 03		GX22-175psi	
4065	0147 1370 03	2	Hexagon bolt		6020		1	V-belt(set 3x)	
4066	0291 1111 00	2	Lock nut			1613 9032 10		GX15-7.5bar	
4067	0301 2344 00	2	Washer			1613 9032 10		GX15-10bar	
4070	0147 1367 03	2	Hexagon bolt			1613 9032 11		GX15-13bar	
4071	0301 2344 00	2	Washer			1613 9032 09		GX15-100psi	
<b>4075</b>	<b>1622 0308 80</b>	<b>1</b>	<b>Plate assembly 1)</b>			1613 9032 09		GX15-125psi	
4080	1619 2766 00	2	Bolt			1613 9032 09		GX15-150psi	
4085	1622 0375 00	1	Plate			1613 9032 10		GX15-175psi	

1



62359\_01

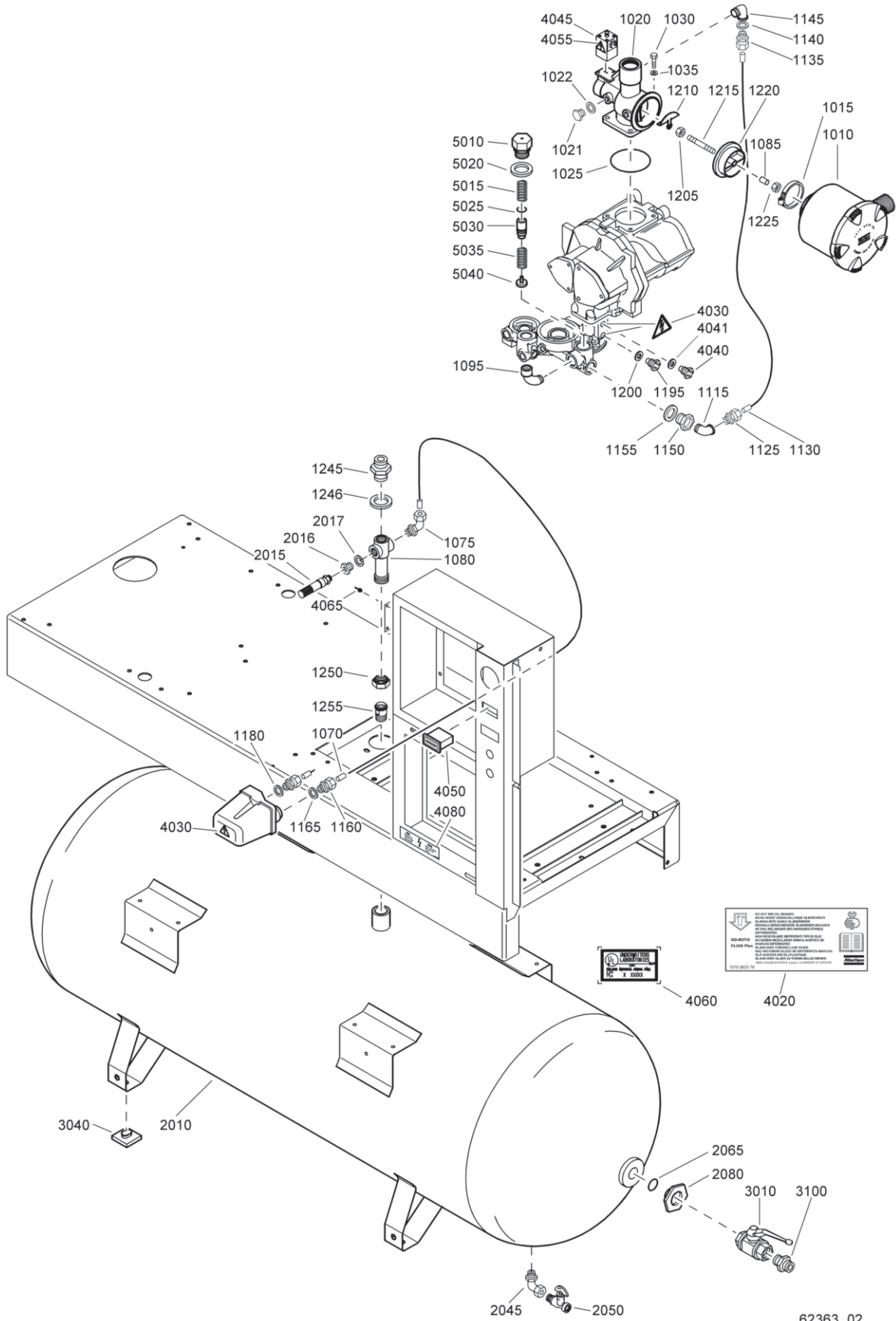
62359\_01

**Drive arrangement**

Ref.	Part number	Qty	Name	Remarks
	1613 9032 11		GX18-7.5bar	
	1613 9032 19		GX18-10bar	
	1613 9032 12		GX18-13bar	
	1613 9032 10		GX18-125psi	
	1613 9032 18		GX18-150psi	
	1613 9032 11		GX18-175psi	
	1613 9032 12		GX22-7.5bar	
	1613 9032 20		GX22-10bar	
	1613 9032 13		GX22-13bar	
	1613 9032 11		GX22-100psi	
	1613 9032 11		GX22-125psi	
	1613 9032 19		GX22-150psi	
	1613 9032 10		GX22-175psi	
<b>7030</b>		<b>1</b>	<b>Plate assembly</b>	
	<b>1622 0327 81</b>		GX15	3)
	<b>1622 0327 82</b>		GX18, GX22	1)
7075	0147 1963 08	2	Hexagon bolt	

- 1-3) Lined with / Bekleed met / Beklädd med / Ausgekleidet mit / Garni de / Revestido de / Allineato con / Foret med / Revestido com / Kledd med / Vuorattu  
 1) Foam: 0395 6001 66 (AR) 25 x 2040 x 1650  
 2) Foam: 0395 6001 70 (AR) 60 x 2040 x 1650  
 3) Foam: 0395 6001 69 (AR) 50 x 2040 x 1650

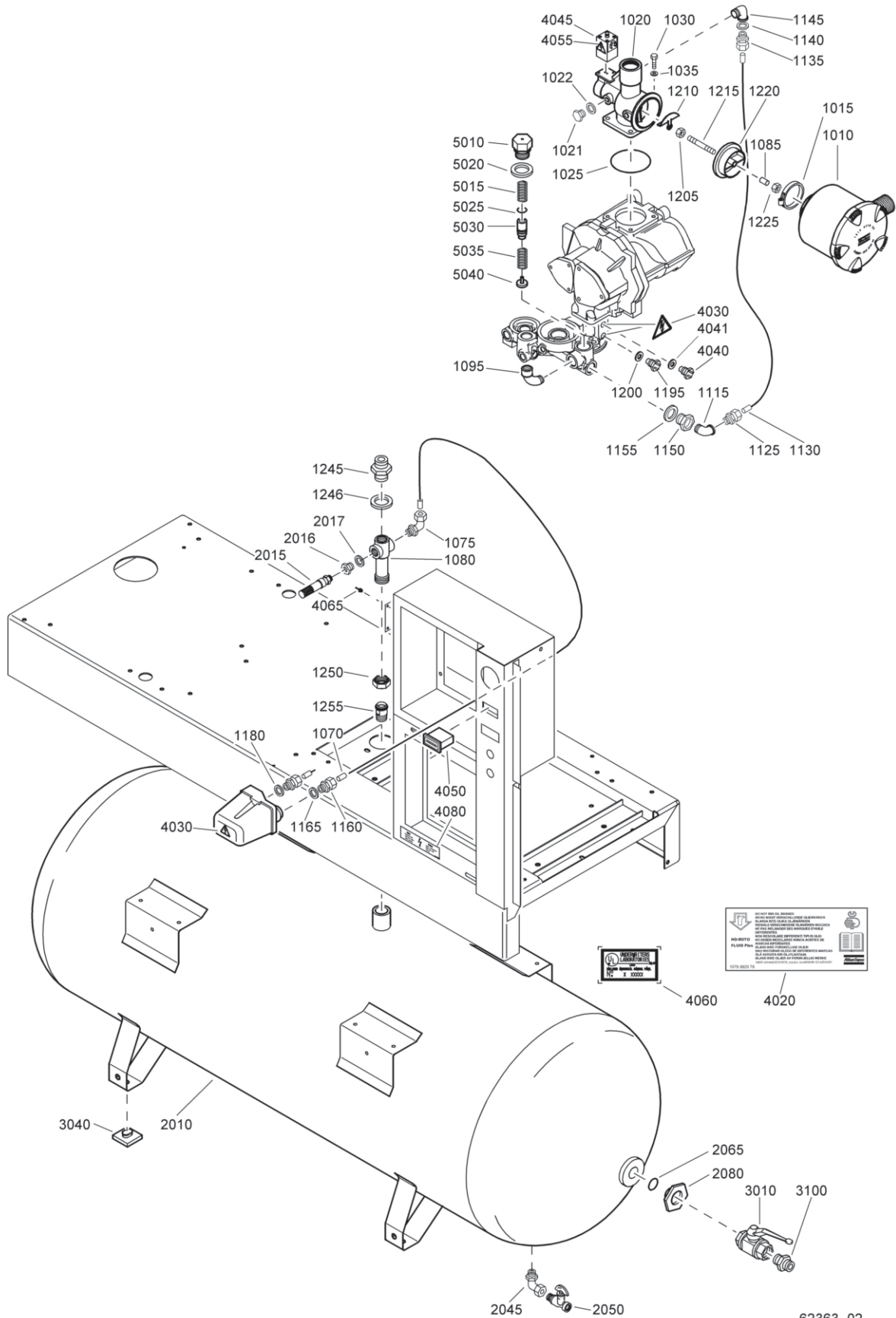
2



## Air flow - Common - 1)

Ref.	Part number	Qty	Name	Remarks	Ref.	Part number	Qty	Name	Remarks
1010	1613 8719 00	1	Filter housing		0830	1008 85		GX18-175psi ASME/LLOYDS	
	1613 8720 00	1	Filter element		0830	1005 10		GX22-7.5bar CE/DIR/SQL	
1015	0347 6100 16	1	Hose clamp		0830	1007 68		GX22-7.5bar MOM	
1020	<<<< >>>>	1	Unloading valve		0830	1005 10		GX22-10bar CE/DIR/SQL	
1021	0686 3716 01	2	Hexagon plug		0830	1007 68		GX22-10bar MOM	
1022	0661 1000 38	2	Seal washer		0830	1008 88		GX22-13bar CE/DIR/SQL/ MOM	
1025	0663 7142 00	1	O-ring		0830	1008 35		GX22-100psi ASME/LLOYDS	
1030	0147 1325 03	4	Hexagon bolt		0830	1008 35		GX22-125psi ASME/LLOYDS	
1035	0301 2335 00	4	Washer		0830	1008 85		GX22-150psi ASME/LLOYDS	
1070	0070 6002 04	AR	Plastic tube		0830	1008 85		GX22-175psi ASME/LLOYDS	
1075	0581 1200 28	1	Coupling		2016		1	Nipple	
1080	1622 0699 00	1	Connection		0605	8700 36		GX15-7.5bar CE/DIR/SQL	
1095	0560 4401 13	1	Elbow		0605	8700 36		GX15-10bar CE/DIR/SQL	
1115	1503 2565 02	1	Bend		0605	8700 36		GX15-13bar CE/DIR/SQL	
1125	0581 0000 67	1	Pipe coupling		0605	8300 91		GX18-7.5bar CE/DIR/SQL	
1130	0070 6002 10	AR	Plastic tube		0605	8300 91		GX18-10bar CE/DIR/SQL	
1135	0581 0000 67	1	Pipe coupling		0605	8700 36		GX18-13bar CE/DIR/SQL	
1140	0661 1000 38	1	Seal washer		0605	8300 91		GX22-7.5bar SQL/DIR/SQL	
1145	1503 2565 02	1	Bend		0605	8300 91		GX22-10bar SQL/DIR/SQL	
1150	0605 8820 05	1	Bushing		0605	8700 36		GX22-13bar CE/DIR/SQL	
1155	0661 1000 43	1	Seal washer		0605	8300 91		7.5bar LLOYDS/ASME/MOM	
1160	0581 0000 34	1	Coupling		0605	8300 91		10bar LLOYDS/ASME/MOM	
1165	0661 1000 38	1	Seal washer		0605	8300 91		13bar LLOYDS/ASME/MOM	
1180	0661 1000 38	1	Seal washer		0605	8300 91		100psi LLOYDS/ASME/MOM	
1195	1089 0637 09	1	Temperature switch		0605	8300 91		125psi LLOYDS/ASME/MOM	
1200	0661 1000 39	1	Seal washer		0605	8300 91		150psi LLOYDS/ASME/MOM	
1205	0266 2110 00	1	Nut		0605	8300 91		175psi LLOYDS/ASME/MOM	
1210	1613 7310 00	1	Plate		2017	0661 1000 40	1	Seal washer	
1215	0246 1956 39	1	Stud		2045	1503 2565 41	1	Elbow	
1220	1613 8722 80	1	Connection		2050	0852 0010 36	1	Ball valve	
1225	0291 1110 00	1	Lock nut		2065		2	O-ring	
1245	0571 0035 53	1	Nipple			0663 9202 00		No SQL	
1246	0661 1000 43	1	Seal washer		2080		1	Plug	
1250	1622 0698 00	1	Nut			1622 1227 00		No SQL	
1255	1622 0697 00	1	Coupling		3010	0852 0010 34	1	Ball valve	
2010		1	Air receiver		3040	1502 4202 00	4	Pad	
	1622 0254 00		CE		3100		1	Hexagon nipple	
	1622 0269 00		LLOYDS, ASME			0603 4150 17		CSA/UL	
	1622 0279 00		DIR		4020		1	Label HD Rotofluid	
	1622 0279 01		SQL			1079 9920 76		CSA/UL	
	1622 0269 02		MOM		4030	1088 1001 01	3	Warning mark	
2015		1	Safety valve		4040	1089 0637 13	1	Temperature switch	
	0830 1007 68		GX15-7.5bar CE/DIR/SQL		4041	0661 1000 39	1	Seal washer	
	0830 1007 68		GX15-7.5bar MOM		4045		1	Solenoid valve	
	0830 1007 68		GX15-10bar CE/DIR/SQL			1089 0621 14		230V/50Hz IEC	
	0830 1007 68		GX15-10bar MOM			1089 0621 16		230V/60Hz IEC	
	0830 1008 88		GX15-13bar CE/DIR/SQL/ MOM			1089 0621 19		115V/60Hz CSA/UL	
	0830 1008 35		GX15-100psi ASME/LLOYDS	4050			1	Hourmeter	
	0830 1008 35		GX15-125psi ASME/LLOYDS			1089 0642 03		230V/50Hz IEC	
	0830 1008 85		GX15-150psi ASME/LLOYDS			1089 0642 08		230V/60Hz IEC	
	0830 1008 85		GX15-175psi ASME/LLOYDS			1089 0642 07		115V/60Hz CSA/UL	
	0830 1005 10		GX18-7.5bar CE/DIR/SQL	4060			1	Listing mark	
	0830 1007 68		GX18-7.5bar MOM			1613 5330 00		CSA/UL	
	0830 1005 10		GX18-10bar CE/DIR/SQL	4065			4	Blind rivet	
	0830 1007 68		GX18-10bar MOM			0129 3104 00		CSA/UL	
	0830 1008 88		GX18-13bar CE/DIR/SQL/ MOM	4080			1	Label	
						1613 3431 00		CSA/UL	
	0830 1008 35		GX18-100psi ASME/LLOYDS				1	Minimum pressure valve	
	0830 1008 35		GX18-125psi ASME/LLOYDS		1608 0473 00			7.5bar, 10bar,	
	0830 1008 85		GX18-150psi ASME/LLOYDS						

2

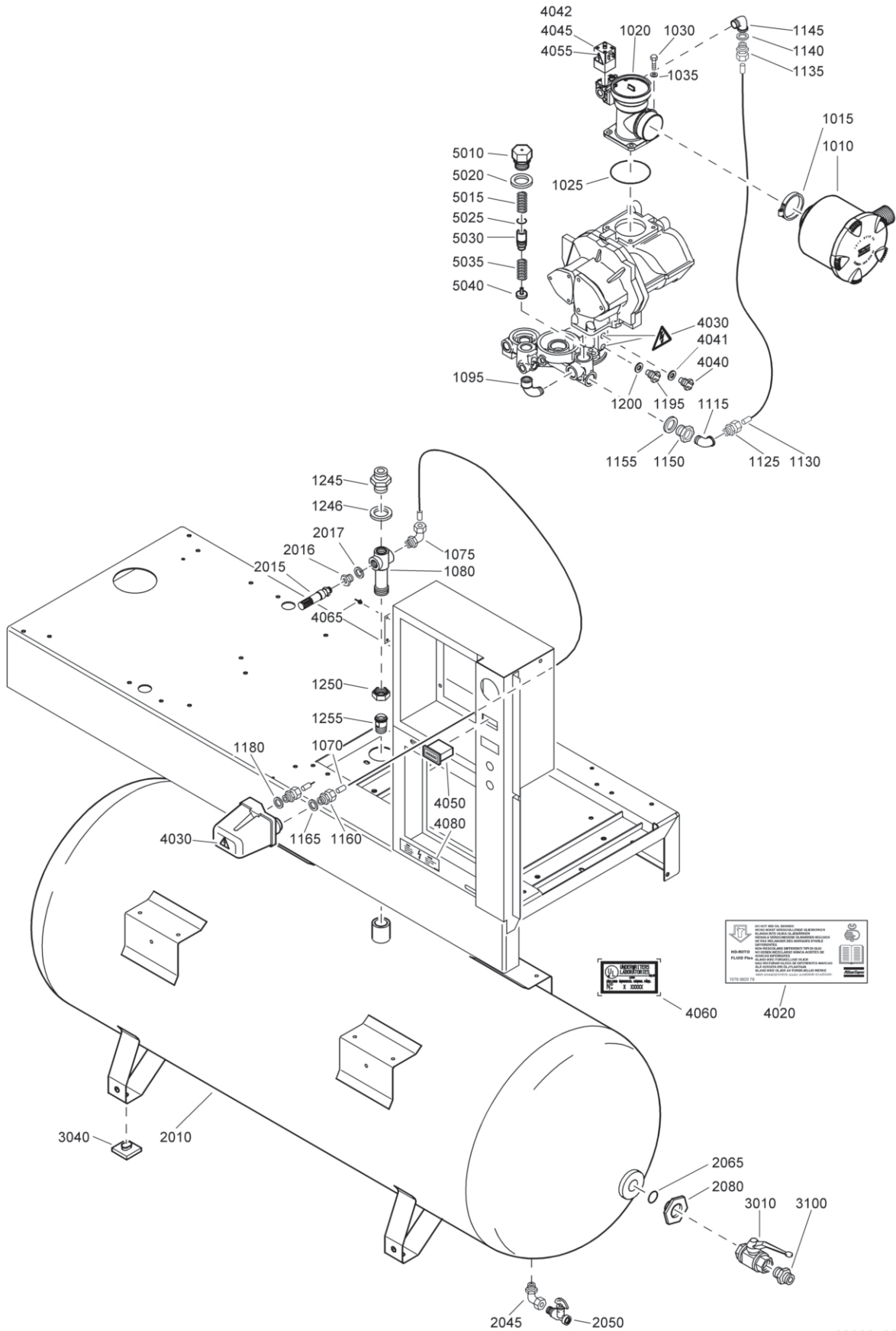


**Air flow - Common - 1)**

Ref.	Part number	Qty	Name	Remarks
	<b>1608 0473 00</b>		100psi, 125psi, 150psi	
	<b>1608 0472 00</b>		13bar, 175psi	
5010	• 1513 0539 00	• 1	Housing	
	1513 0539 00		7.5bar, 10bar	
	1513 0539 00		100psi, 125psi, 150psi	
	1622 0257 00		13bar, 175psi	
5015	• 1513 0063 00	• 1	Spring	
	1513 0063 00		7.5bar, 10bar,	
	1513 0063 00		100psi, 125psi, 150psi	
	1622 0259 00		13bar, 175psi	
5020	• 0661 1000 44	• 1	Seal washer	
5025	• 0663 2105 40	• 1	O-ring	
5030	• 1513 0402 01	• 1	Piston	
	1513 0402 01		7.5bar, 10bar	
	1513 0402 01		100psi, 125psi, 150psi	
	1513 0402 02		13bar, 175psi	
5035	• 1513 0064 00	• 1	Spring	
5040	• 1513 0401 01	• 1	Valve disc	

- 1) Up to serial No. :  
 Tot serienummer:  
 T.o.m. tillverkningsnummer:  
 Bis Seriennummer:  
 Jusqu'au numéro de série:  
 Hasta el número de serie:  
 Fino al numeri di serie:  
 Gælder til følgende serienumre:  
 Até o número de série:  
 Til følgende serienummer:  
 Seuraavaan valmistusnumeroon asti, No.:  
 1) API - 440 899

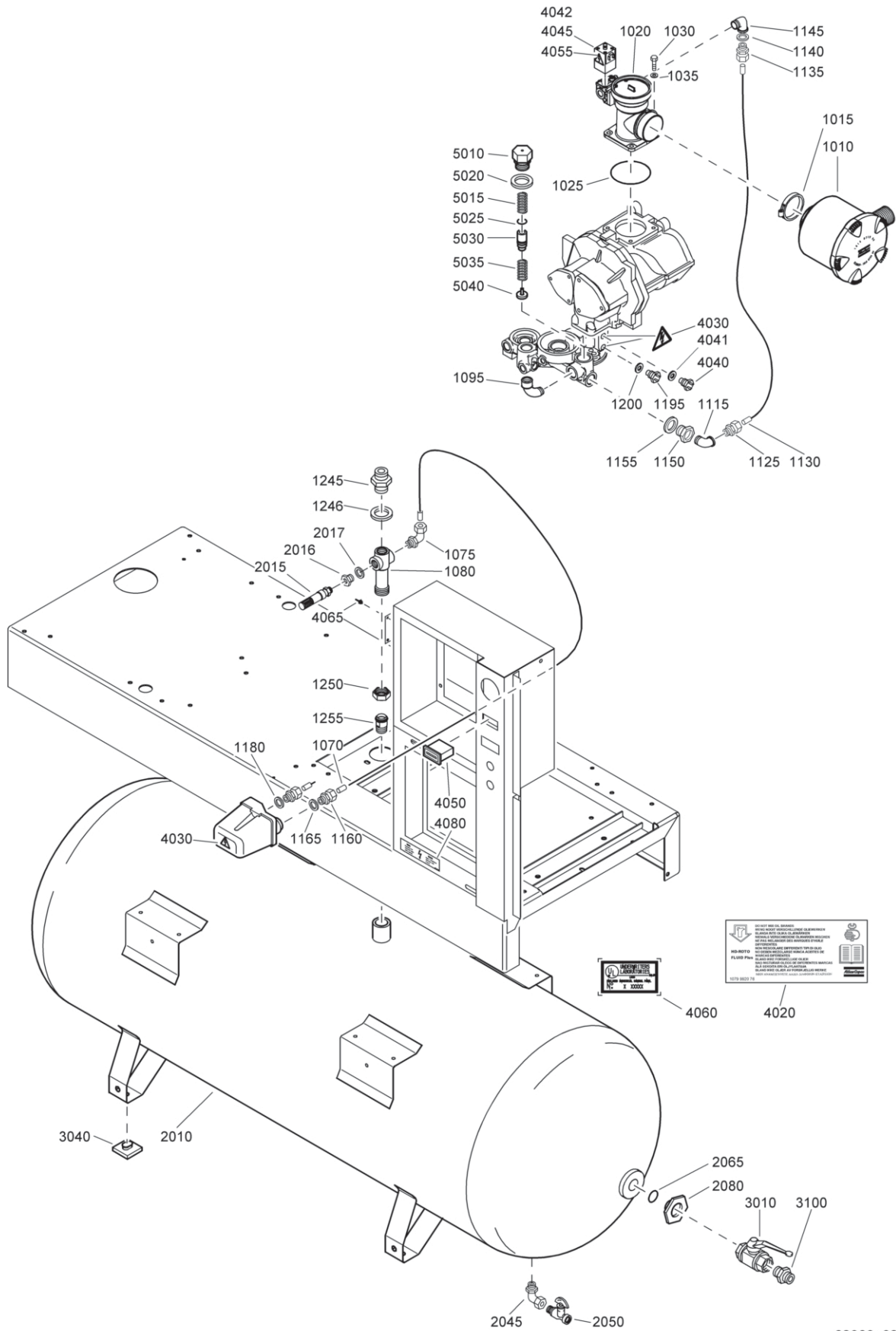
3



## Air flow - Common - 2)

Ref.	Part number	Qty	Name	Remarks	Ref.	Part number	Qty	Name	Remarks
1010	1613 8719 00	1	Filter housing						
	1613 8720 00	1	Filter element						
1015	0347 6100 16	1	Hose clamp						
1020	<<<< >>>>	1	Unloading valve						
1030	0147 1325 03	4	Hexagon bolt						
1035	0301 2335 00	4	Washer						
1070	0070 6002 04	AR	Plastic tube		2016		1	Nipple	
1075	0581 1200 28	1	Coupling			0605 8700 36		GX15-7.5bar CE/DIR/SQL	
1080	1622 0699 00	1	Connection			0605 8700 36		GX15-10bar CE/DIR/SQL	
1095	0560 4401 13	1	Elbow			0605 8700 36		GX15-13bar CE/DIR/SQL	
1115	1503 2565 02	1	Bend			0605 8300 91		GX18-7.5bar CE/DIR/SQL	
1125	0581 0000 67	1	Pipe coupling			0605 8300 91		GX18-10bar CE/DIR/SQL	
1130	0070 6002 10	AR	Plastic tube			0605 8700 36		GX18-13bar CE/DIR/SQL	
1135	0581 0000 67	1	Pipe coupling			0605 8300 91		GX22-7.5bar SQL/DIR/SQL	
1140	0661 1000 38	1	Seal washer			0605 8300 91		GX22-10bar SQL/DIR/SQL	
1145	0581 1200 59	1	Bend			0605 8700 36		GX22-13bar CE/DIR/SQL	
1150	0605 8820 05	1	Bushing			0605 8300 91		7.5bar LLOYDS/ASME/MOM	
1155	0661 1000 43	1	Seal washer			0605 8300 91		10bar LLOYDS/ASME/MOM	
1160	0581 0000 34	1	Coupling			0605 8300 91		13bar LLOYDS/ASME/MOM	
1165	0661 1000 38	1	Seal washer			0605 8300 91		100psi LLOYDS/ASME/MOM	
1180	0661 1000 38	1	Seal washer			0605 8300 91		125psi LLOYDS/ASME/MOM	
1195	1089 0637 09	1	Temperature switch			0605 8300 91		150psi LLOYDS/ASME/MOM	
1200	0661 1000 39	1	Seal washer			0605 8300 91		175psi LLOYDS/ASME/MOM	
1245	0571 0035 53	1	Nipple		2017	0661 1000 40	1	Seal washer	
1246	0661 1000 43	1	Seal washer		2045	1503 2565 41	1	Elbow	
1250	1622 0698 00	1	Nut		2050	0852 0010 36	1	Ball valve	
1255	1622 0697 00	1	Coupling		2065		2	O-ring	
2010		1	Air receiver			0663 9202 00		No SQL	
	1622 0254 00		CE		2080		1	Plug	
	1622 0269 00		LLOYDS, ASME			1622 1227 00		No SQL	
	1622 0279 00		DIR		3010	0852 0010 34	1	Ball valve	
	1622 0279 01		SQL		3040	1502 4202 00	4	Pad	
	1622 0269 02		MOM		3100		1	Hexagon nipple	
2015		1	Safety valve			0603 4150 17		CSA/UL	
	0830 1007 68		GX15-7.5bar CE/DIR/SQL		4020		1	Label HD Rotofluid	
	0830 1007 68		GX15-7.5bar MOM			1079 9920 76		CSA/UL	
	0830 1007 68		GX15-10bar CE/DIR/SQL		4030	1088 1001 01	3	Warning mark	
	0830 1007 68		GX15-10bar MOM		4040	1089 0637 13	1	Temperature switch	
	0830 1008 88		GX15-13bar CE/DIR/SQL/ MOM		4041	0661 1000 39	1	Seal washer	
					4042	1089 0702 82	1	Adapter	
	0830 1008 35		GX15-100psi ASME/LLOYDS		4045		1	Solenoid valve	
	0830 1008 35		GX15-125psi ASME/LLOYDS			1089 0702 01		230V/50Hz IEC	
	0830 1008 85		GX15-150psi ASME/LLOYDS			1089 0702 06		115V/60Hz IEC	
	0830 1008 85		GX15-175psi ASME/LLOYDS			1089 0621 19		115V/60Hz CSA/UL	
	0830 1005 10		GX18-7.5bar CE/DIR/SQL		4050		1	Hourmeter	
	0830 1007 68		GX18-7.5bar MOM			1089 9581 01		230V/50Hz IEC	
	0830 1005 10		GX18-10bar CE/DIR/SQL			1089 9581 05		115V/60Hz IEC	
	0830 1007 68		GX18-10bar MOM			1089 0642 07		115V/60Hz CSA/UL	
	0830 1008 88		GX18-13bar CE/DIR/SQL/ MOM		4060		1	Listing mark	
						1613 5330 00		CSA/UL	
	0830 1008 35		GX18-100psi ASME/LLOYDS		4065		4	Blind rivet	
	0830 1008 35		GX18-125psi ASME/LLOYDS			0129 3104 00		CSA/UL	
	0830 1008 85		GX18-150psi ASME/LLOYDS		4080		1	Label	
	0830 1008 85		GX18-175psi ASME/LLOYDS			1613 3431 00		CSA/UL	
	0830 1005 10		GX22-7.5bar CE/DIR/SQL				1	Minimum pressure valve	
	0830 1007 68		GX22-7.5bar MOM			1608 0473 00		7.5bar, 10bar,	
	0830 1005 10		GX22-10bar CE/DIR/SQL			1608 0473 00		100psi, 125psi, 150psi	
	0830 1007 68		GX22-10bar MOM			1608 0472 00		13bar, 175psi	

3



SELECT THE FLUID ADDRESS  
 The fluid address is the address of the fluid reservoir. It is located on the front panel of the machine. The fluid address is used to identify the correct fluid for the machine. The fluid address is also used to identify the correct fluid for the machine.

4060 4020

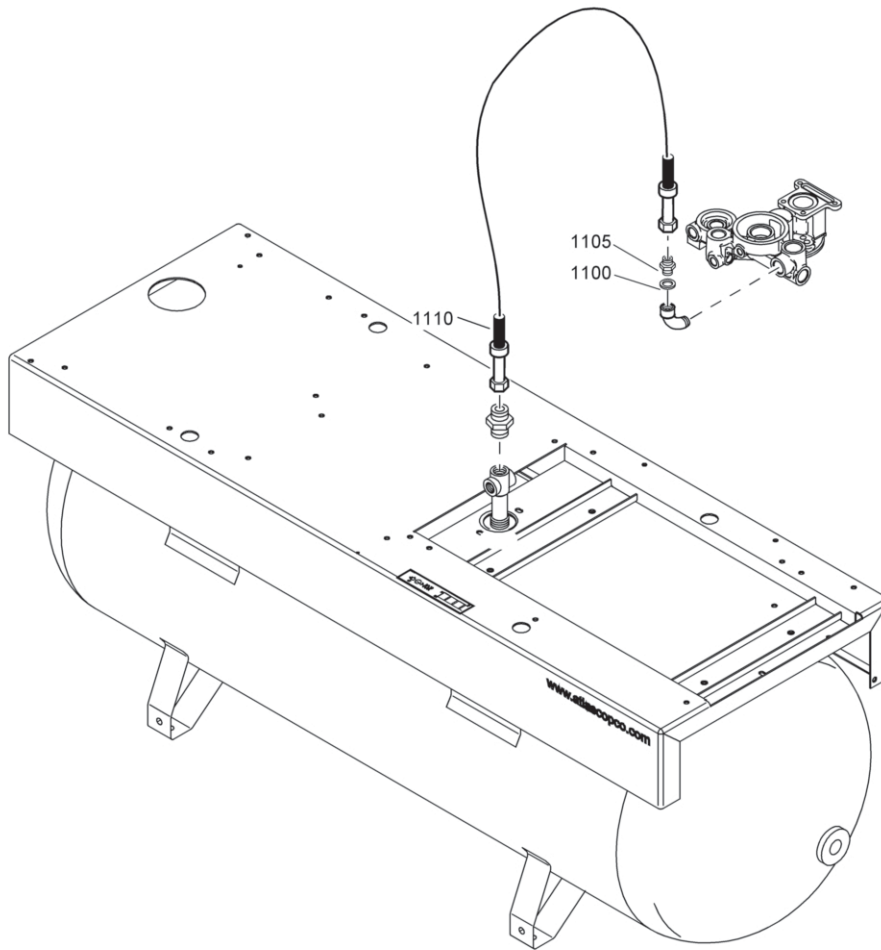
**Air flow - Common - 1)**

Ref.	Part number	Qty	Name	Remarks
5010	• 1513 0539 00	1	Housing	
	1513 0539 00		7.5bar, 10bar	
	1513 0539 00		100psi, 125psi, 150psi	
	1622 0257 00		13bar, 175psi	
5015	• 1513 0063 00	1	Spring	
	1513 0063 00		7.5bar, 10bar,	
	1513 0063 00		100psi, 125psi, 150psi	
	1622 0259 00		13bar, 175psi	
5020	• 0661 1000 44	1	Seal washer	
5025	• 0663 2105 40	1	O-ring	
5030	• 1513 0402 01	1	Piston	
	1513 0402 01		7.5bar, 10bar	
	1513 0402 01		100psi, 125psi, 150psi	
	1513 0402 02		13bar, 175psi	
5035	• 1513 0064 00	1	Spring	
5040	• 1513 0401 01	1	Valve disc	

- 2) From following serial No. onwards:  
 Geldig vanaf volgend serienummer:  
 Fr.o.m. tillverkningsnummer:  
 Gültig ab Seriennummer:  
 Valable à partir du numéro de série suivant:  
 A partir del siguiente número de serie:  
 Dai seguenti numeri di serie in avanti:  
 Gælder fra følgende serienumre:  
 A partir do número de série:  
 Fra og med følgende serienummer:  
 Alkaen valmistusnumerosta  
 2) API - 440 900

**4**

**Air outlet - Pack**

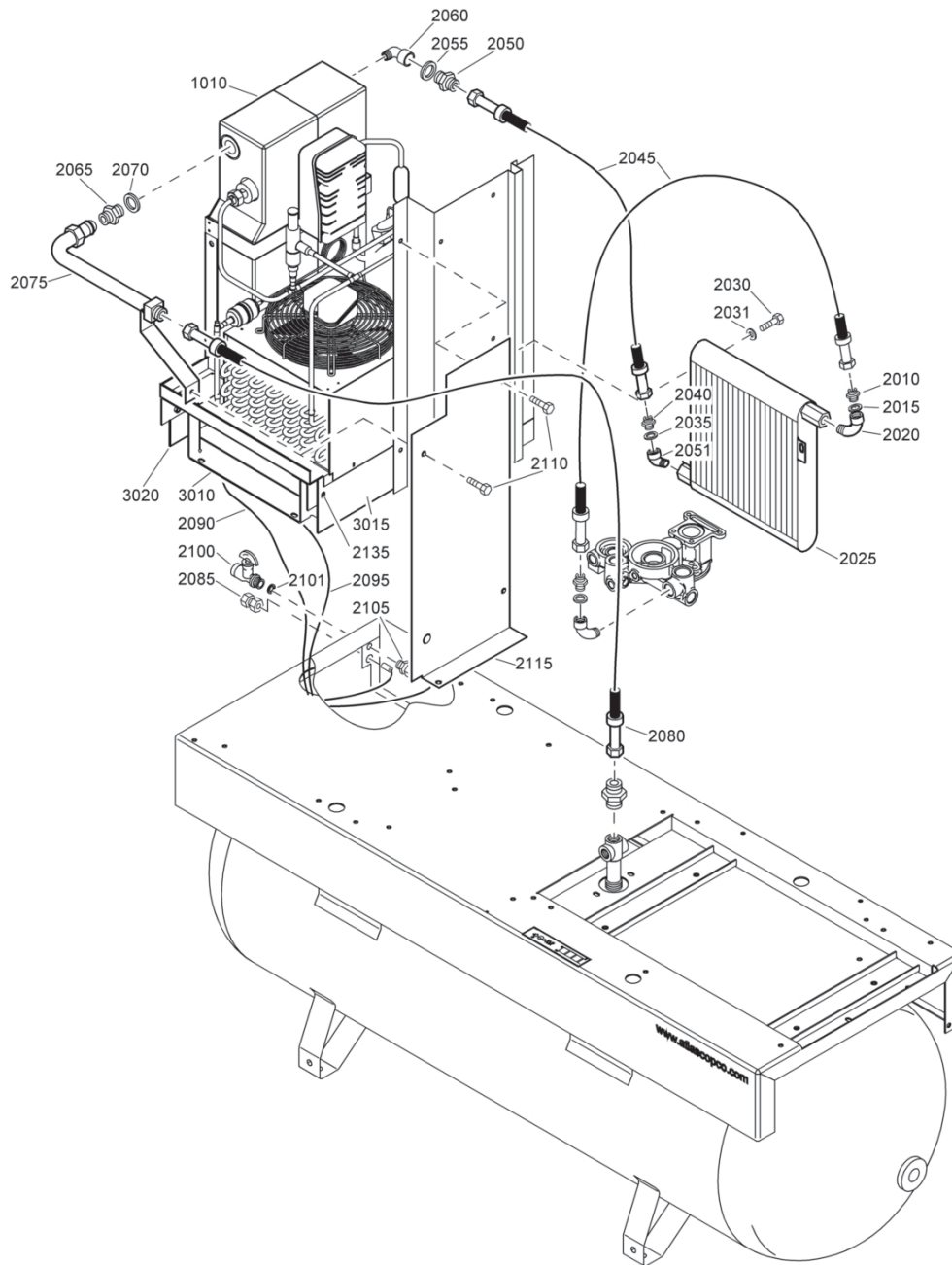


62371\_02

62371\_02

Ref.	Part number	Qty	Name	Remarks	Ref.	Part number	Qty	Name	Remarks
1100	0661 1000 43	1	Seal washer		1110	0574 9870 07	1	Hose assembly	
1105	1619 6249 00	1	Hexagon nipple						

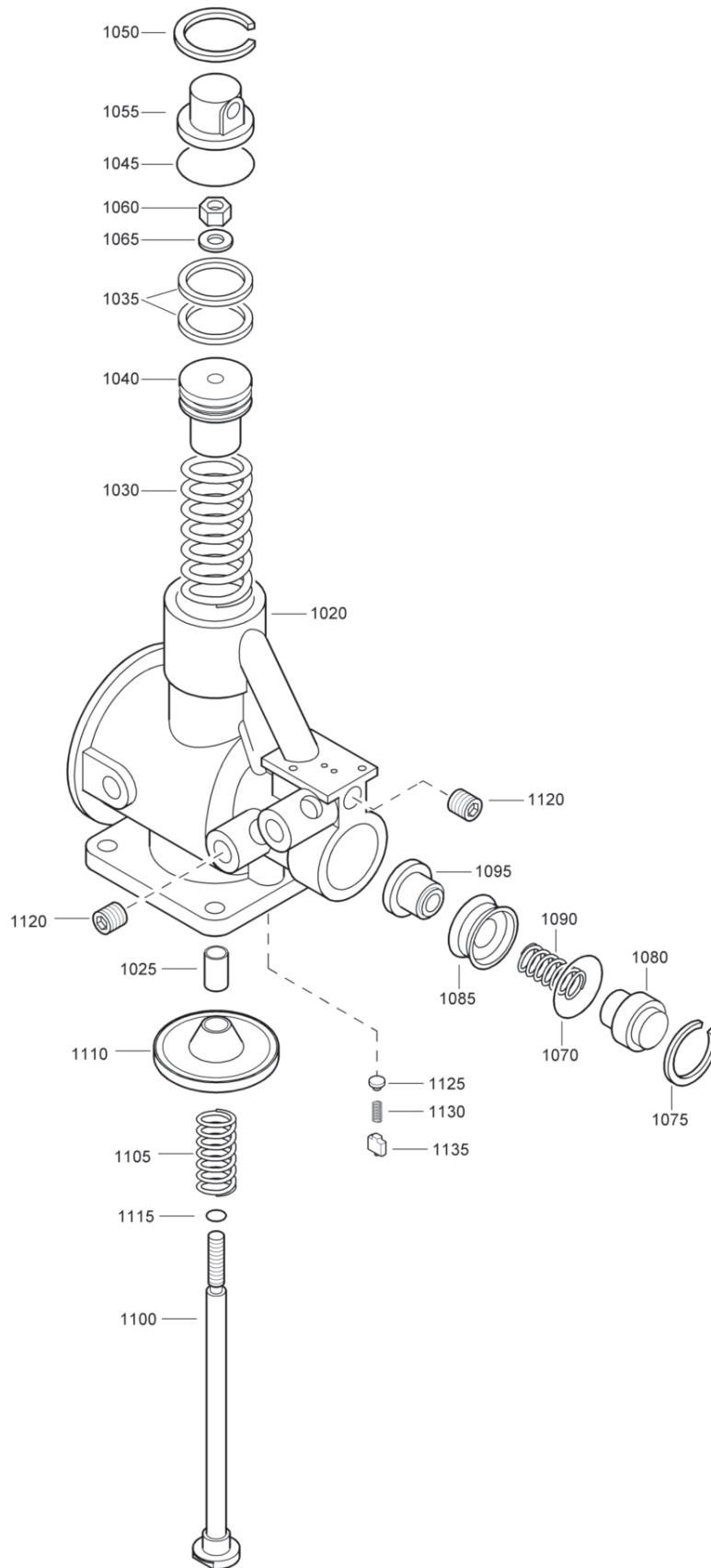
**Air outlet - Full-feature**



62372\_02  
62372\_02

Ref.	Part number	Qty	Name	Remarks	Ref.	Part number	Qty	Name	Remarks
<b>1010</b>	<<<< >>>>	<b>1</b>	<b>Dryer</b>		2075	1622 0377 00	1	Pipe	
2010	1619 6249 00	1	Nipple		2080	0575 0057 40	1	Hose assembly	
2015	0661 1000 43	1	Seal washer		2085	0581 0000 55	1	Pipe coupling	
2020	0560 4401 13	1	Elbow		2090	0070 6002 05	AR	Plastic tube	
2025	1622 0322 01	1	Aftercooler		2095	0070 6002 04	AR	Plastic tube	
2030	1619 2766 00	4	Bolt		2100	1613 8892 00	1	Cock	
2031	0301 2335 00	4	Washer		2101	0661 1000 42	1	Seal washer	
2035	0661 1000 43	1	Seal washer		2105	0581 0000 33	1	Coupling	
2040	1619 6249 00	1	Nipple		2110	1619 2766 00	4	Bolt	
2045	0574 9870 06	2	Hose assembly		2115	1622 0376 00	1	Plate	
2050	1619 6249 00	1	Nipple		2135	1619 2766 00	8	Bolt	
2051	0560 4401 13	1	Elbow		2145	1503 2566 21	1	Tee	
2055	0661 1000 43	1	Seal washer		3010	1617 2774 00	2	Support	
2060	0560 4401 13	1	Elbow		3015	1617 2775 00	1	Plate	
2065	2250 4983 00	1	Nipple		3020	1617 2780 00	1	Plate	
2070	0661 1000 44	1	Seal washer						

# 6

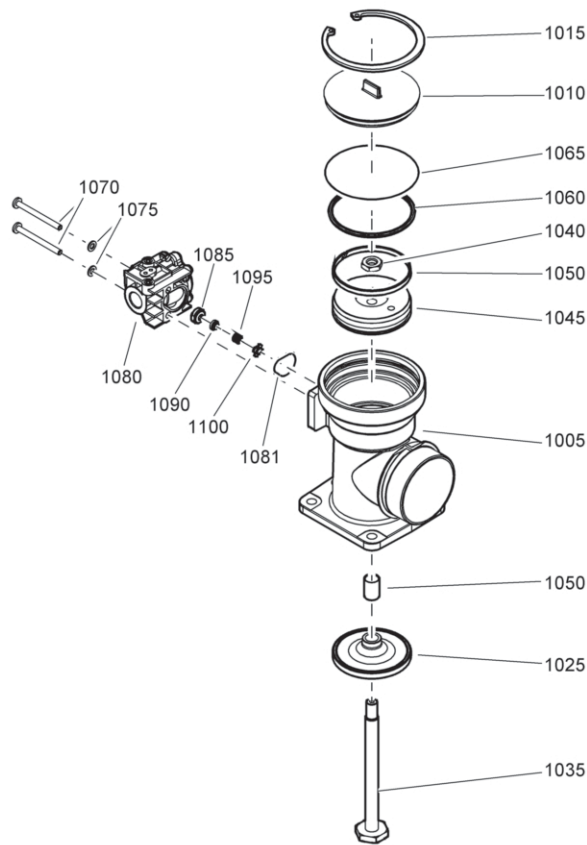


60760\_20

**Unloading valve - 1)**

Ref.	Part number	Qty	Name	Remarks	Ref.	Part number	Qty	Name	Remarks
	<b>1613 7568 84</b>	<b>1</b>	<b>Unloading valve</b>		1115	0663 2101 85	• 1	O-ring	
1020		• 1	Valve housing		1120	0686 6128 00	• 4	Plug	
1025		• 1	Plain bearing		1125		• 1	Plug	
1030	1613 6800 00	• 1	Spring		1130		• 1	Spring	
1035	1613 6969 00	• 2	Piston ring		1135		• 1	Plug	
1040	1613 7031 00	• 1	Piston						
1045	0663 2105 46	• 1	O-ring						
1050	0335 2140 00	• 1	Circlip		1)			Up to serial No. :	
1055	1613 6966 00	• 1	Cover					Tot serienummer:	
1060	0291 1110 00	• 1	Lock nut					T.o.m. tillverkningsnummer:	
1065	0653 1033 00	• 1	Flat gasket					Bis Seriennummer:	
1070	0663 7132 00	• 1	O-ring					Jusqu'au numéro de série:	
1075	0335 2136 00	• 1	Circlip					Hasta el número de serie:	
1080	1613 6794 00	• 1	Cover					Fino al numeri di serie:	
1085	1613 6783 00	• 1	Piston					Gælder til følgende serienumre:	
1090	1513 0011 00	• 1	Spring					Até o número de série:	
1095	1613 6796 00	• 1	Valve seat					Til følgende serienummer:	
1100	1613 7032 01	• 1	Piston rod					Seuraavaan valmistusnumeroon asti, No.:	
1105	1613 6802 00	• 1	Spring					1) API - 440 899	
1110	1613 7699 01	• 1	Valve						

# 7



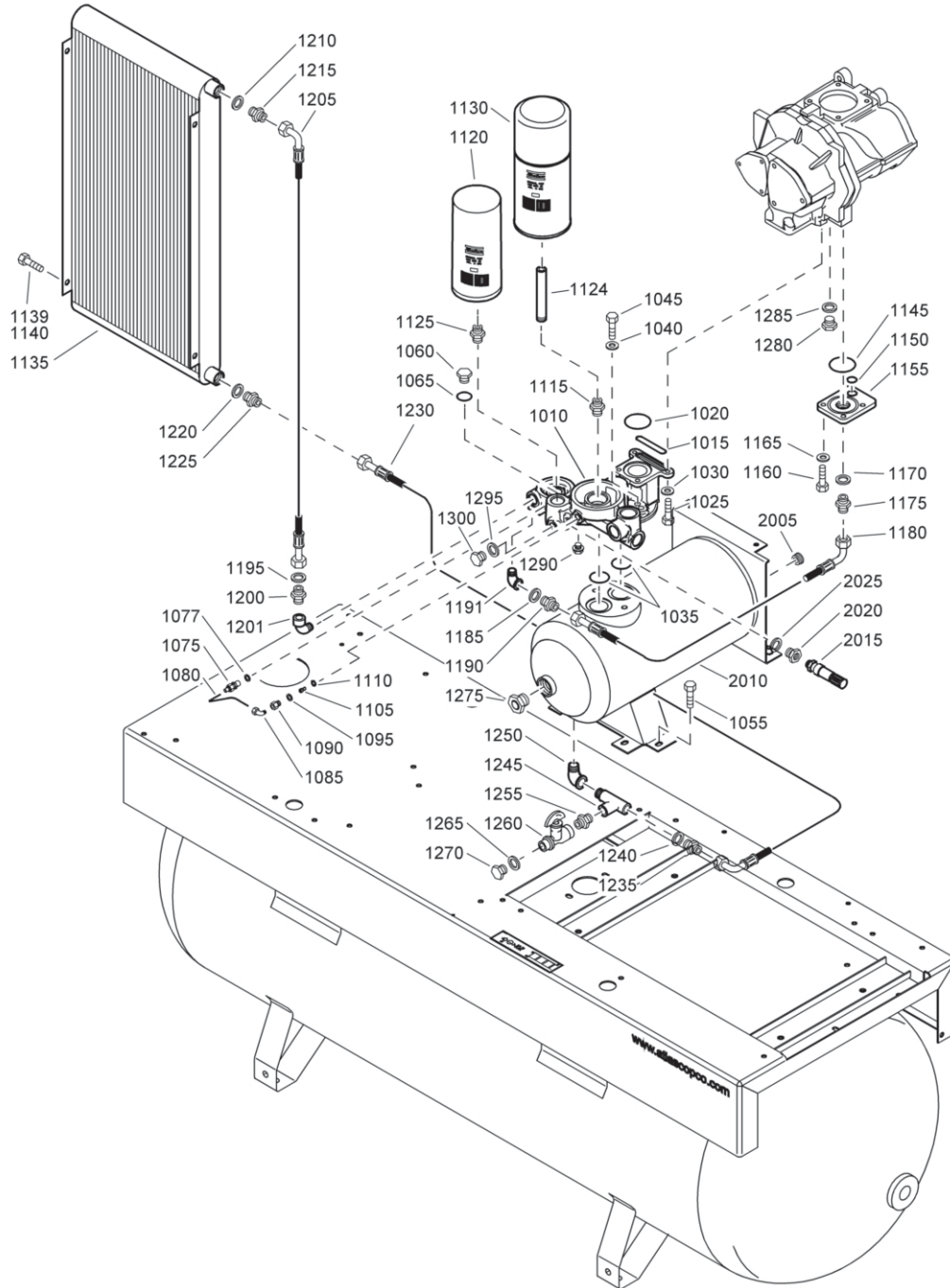
62962\_20

## Unloading valve - 2)

7

Ref.	Part number	Qty	Name	Remarks	Ref.	Part number	Qty	Name	Remarks
	<b>1622 1713 80</b>	<b>1</b>	<b>Unloading valve</b>		1 100	1622 2903 00 •	1	Spring guide	
1005		• 1	Housing		1)	See „Service kits“ / Zie „Service kits“ / Se „Service kits“ / Siehe „Service kits“ / Voir „Service kits“ / Véase „Service kits“ / Vedere „Kit per la manutenzione“ / Se „Service kits“ / Ver „Conjuntos de reparação“ / Se „Servicesett“ / Katso „Huoltotarvik			
1010	1622 1717 00	• 1	Cover			<b>2902 0161 00</b>	<b>1</b>	<b>Unloader valve kit</b>	
1015	0335 2164 00	• 1	Circlip		2)	From following serial No. onwards: Geldig vanaf volgend serienummer: Fr.o.m. tillverkningsnummer: Gültig ab Seriennummer: Valable à partir du numéro de série suivant: A partir del siguiente número de serie: Dai seguenti numeri di serie in avanti: Gælder fra følgende serienummer: A partir do número de série: Fra og med følgende serienummer: Alkaen valmistusnumera 2) API - 440 900			
1025	1622 1755 80	• 1	Valve ass'y						
1035	1622 1773 00	• 1	Rod						
1040	0261 1090 86	• 1	Nut						
1045	1622 1789 00	• 1	Piston						
1050	1622 1790 00	• 1	Guidance tape						
1055	1622 1797 00	• 1	Bushing						
1060	1622 1798 00	• 1	Quad-ring						
1065	0663 2104 98	• 1	O-ring						
1070	0160 0996 86	• 2	Screw						
1075	0301 2318 00	• 2	Washer						
1080	1622 3694 80	• 1	Blow off valve	1)					
1081	0663 7128 00	• 1	O-ring						
1085	1622 2906 00	• 1	Bushing						
1090	1622 2905 00	• 1	Seal						
1095	1622 2904 00	• 1	Spring						

8

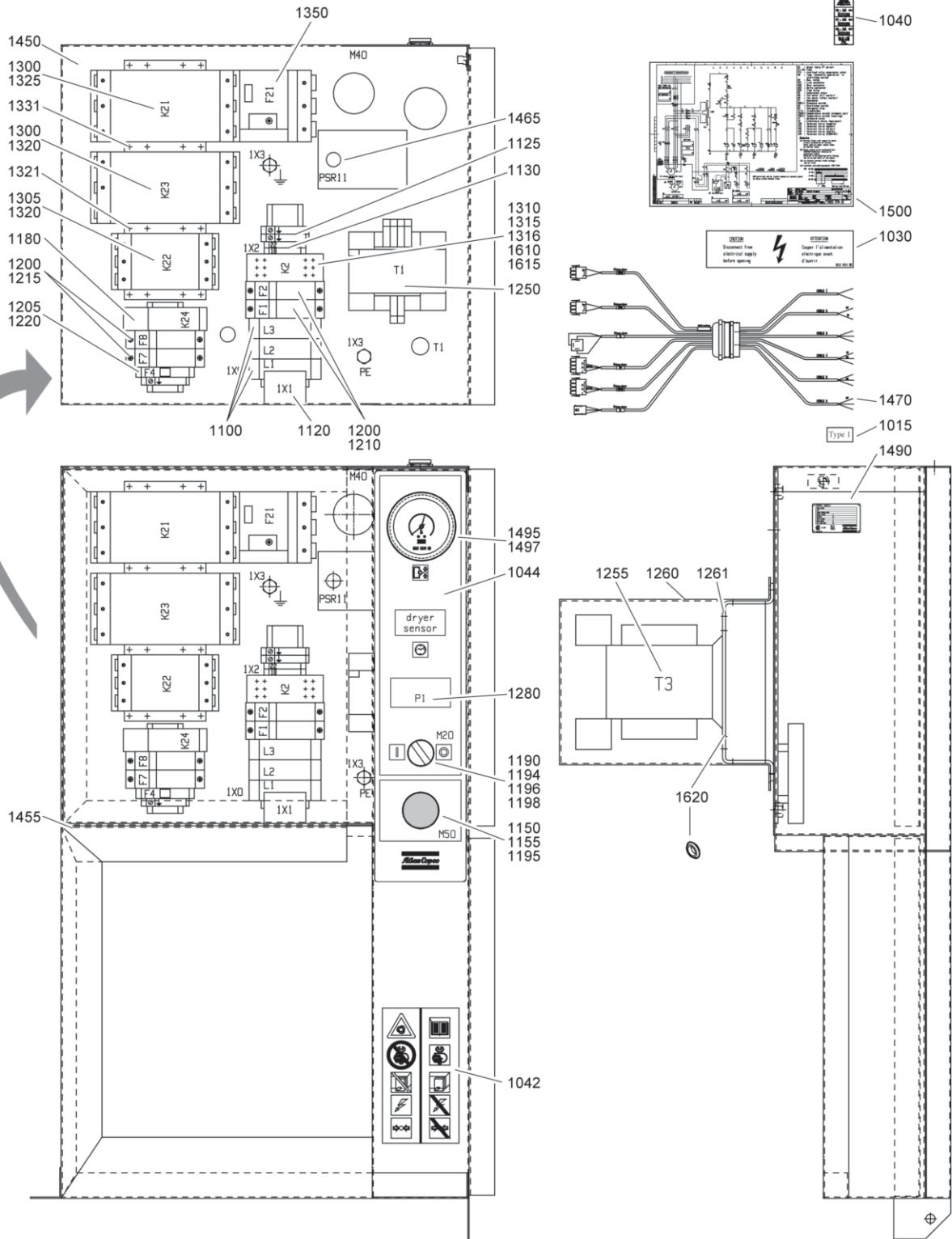


62364\_02

## Oil System

Ref.	Part number	Qty	Name	Remarks	Ref.	Part number	Qty	Name	Remarks
1010	1622 0319 01	1	Connection		1210	0661 1000 39	1	Seal washer	
1015	1616 6056 00	1	O-ring		1215	1079 5840 12	1	Nipple	
1020	0663 2109 68	1	O-ring		1220	0661 1000 39	1	Seal washer	
1025	0211 1325 03	4	Cap screw		1225	1079 5840 12	1	Nipple	
1030	0301 2335 00	4	Washer		1230	0575 1216 53	1	Hose assembly	
1035	0663 3135 00	2	O-ring		1235	1079 5840 12	1	Nipple	
1040	0301 2344 00	2	Washer		1240	0661 1000 39	1	Seal washer	
1045	0147 1364 03	2	Hexagon bolt		1245	1503 2566 13	1	Tee	
1055	0147 1963 08	2	Hexagon bolt		1250	1503 2565 04	1	Elbow	
1060	1202 8992 00	1	Plug		1255	0603 4100 17	1	Hexagon nipple	
1065	0663 2102 15	1	O-ring		1260	1503 2531 00	1	Ball valve	
1070	0661 1000 38	1	Seal washer		1265	0661 1000 38	1	Seal washer	
1075	0581 0001 16	1	Pipe coupling		1270	0686 3716 01	1	Hexagon plug	
1077	0661 1000 40	1	Seal washer		1275	1513 0164 00	1	Sight glass	
1080	1622 0737 00	1	Scavenge line		1280	0686 4201 03	1	Hexagon plug	
1085	0581 1200 32	1	Coupling		1285	0661 1000 42	1	Seal washer	
1090	1622 1025 00	1	Nipple		1290	0686 3716 01	1	Hexagon plug	
1095	0661 1000 38	1	Seal washer		1295	0661 1000 40	1	Seal washer	
1105	1613 9005 00	1	Non return valve		1300	0686 3716 30	1	Hexagon plug	
1110	0663 2108 11	1	O-ring		2005		1	Plug	
1115	1622 0338 00	1	Coupling			0686 6132 00		CE/DIR/MOL/SQL	
1120	1613 6105 01	1	Oil filter			0686 6132 00		LLOYDS, ASME	
1124	1622 0337 00	1	Pipe		2010		1	Vessel	
1125	1619 3770 00	1	Nipple			1622 1030 00		CE/DIR/MOL/SQL 50Hz	
1130	1622 0351 01	1	Oil separator			1622 1029 00		LLOYDS/ASME 50Hz	
1135	1622 0321 00	1	Cooler	1)		1622 1030 00		LLOYDS/ASME 60Hz	
1139	0147 1963 08	2	Hexagon bolt		2015		1	Safety valve	
1140	0147 1963 08	2	Hexagon bolt			0830 1007 70		CE/DIR/MOL/SQL 50Hz	
1145	0663 7135 00	1	O-ring			0830 1008 38		LLOYDS/ASME 50Hz	
1150	0663 3120 00	1	O-ring			0830 1008 38		LLOYDS/ASME 60Hz	
1155	1613 7506 01	1	Flange		2020		1	Nipple	
1160	0147 1325 03	4	Hexagon bolt			0605 8708 00		CE/DIR/MOL/SQL 50Hz	
1165	0301 2335 00	4	Washer			0605 8300 91		LLOYDS/ASME 50Hz	
1170	0661 1000 43	1	Seal washer			0605 8300 91		LLOYDS/ASME 60Hz	
1175	0571 0035 12	1	Nipple		2025		1	Seal washer	
1180	0575 1216 54	1	Hose assembly			0661 1000 40		CE/DIR/MOL/SQL 50Hz	
1185	0661 1000 39	1	Seal washer			0661 1000 40		LLOYDS/ASME 60Hz	
1190	1079 5840 12	1	Nipple						
1191	1503 2565 04	1	Elbow		1)			Lined with / Bekleed met / Beklädd med / Ausgekleidet	
1195	0661 1000 39	1	Seal washer					mit / Garni de / Revestido de / Allineato con / Foret med	
1200	1079 5840 12	1	Nipple					/ Revestido com / Kledd med / Vuorattu	
1201	1503 2565 04	1	Elbow					Foam : 0395 6000 68 (AR) 25 x 2040 x 1650	
1205	0575 1216 53	1	Hose assembly						

9



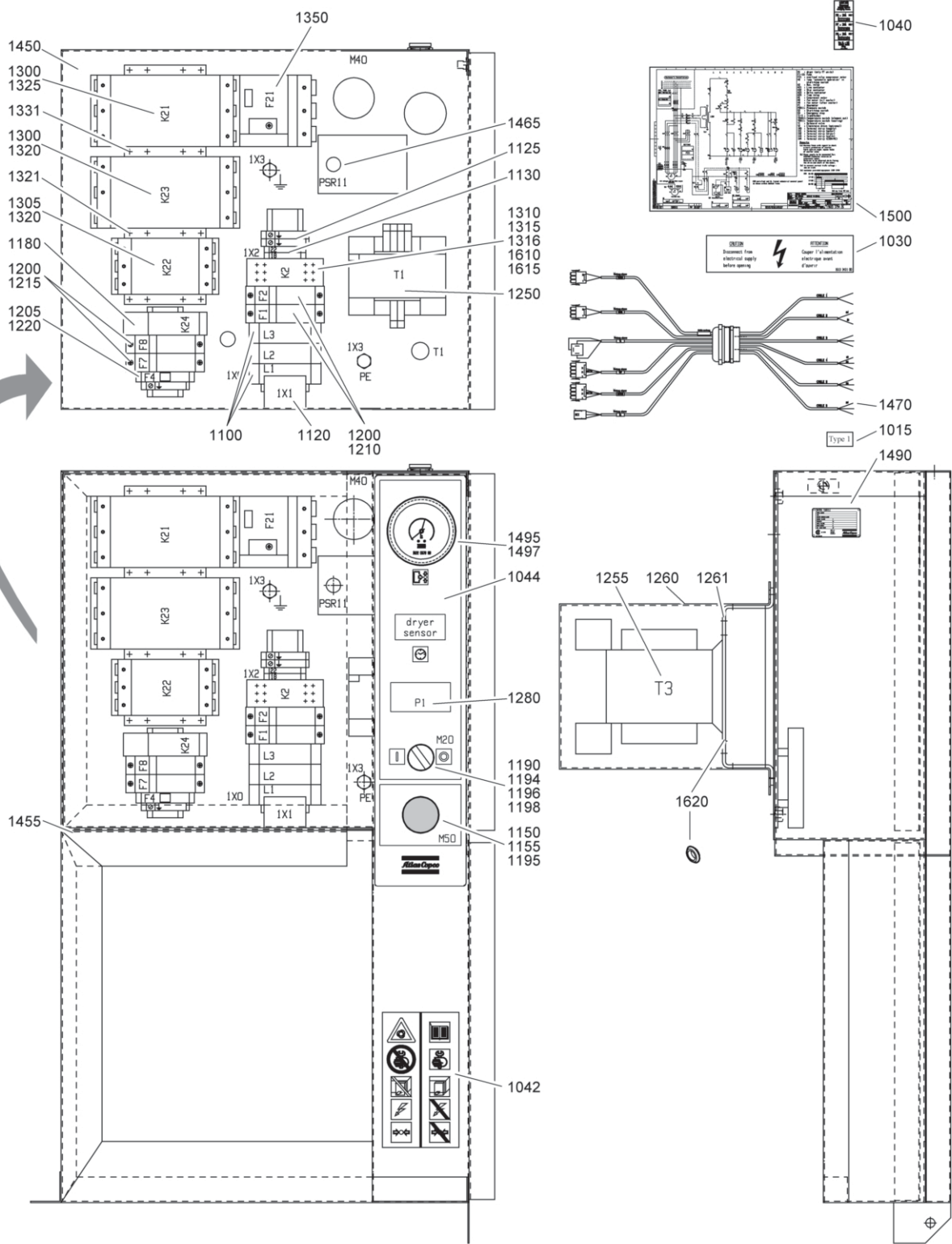
62377\_12

## Start Cubicle - CSA/UL 60Hz - 3)

9

Ref.	Part number	Qty	Name	Remarks	Ref.	Part number	Qty	Name	Remarks
		1	<b>Start Cubicle</b>						
	1900 2024 86		GX15FF 200V		1215		2	Fuse link	
	1900 2024 86		GX15FF 230V			1089 9168 41		Pack	
	1900 2024 86		GX15FF 460V			1089 9168 62		Full-feature	
	1900 2024 86		GX15FF 575V		1220	1089 9168 77	1	Fuse link	
	1900 2024 85		GX15P 200V		1250	1089 9436 02	1	Transformer	
	1900 2024 85		GX15P 230V		1255		1	Autotransformer	
	1900 2024 85		GX15P 460V			1089 9437 51		Pack	
	1900 2024 85		GX15P 575V			1089 9437 52		Full-feature	
	1900 2024 90		GX18FF 200V		1260	1622 0353 30	1	Trafo housing	
	1900 2024 90		GX18FF 230V		1261	1622 0353 20	1	Trafo support	
	1900 2024 86		GX18FF 460V		1280		1	Thermometer	
	1900 2024 86		GX18FF 575V			1613 0974 02		Full-feature	
	1900 2024 89		GX18P 200V		1300		2	Contacto	
	1900 2024 89		GX18P 230V			1089 9415 36		GX15	
	1900 2024 85		GX18P 460V			1089 9415 45		GX18 200V	
	1900 2024 85		GX18P 575V			1089 9415 45		GX18 230V	
	1900 2024 90		GX22FF 200V			1089 9415 36		GX18 460V	
	1900 2024 90		GX22FF 230V			1089 9415 36		GX18 575V	
	1900 2024 86		GX22FF 460V			1089 9415 45		GX22 200V	
	1900 2024 86		GX22FF 575V			1089 9415 45		GX22 230V	
	1900 2024 89		GX22P 200V			1089 9415 36		GX22 460V	
	1900 2024 89		GX22P 230V			1089 9415 36		GX22 575V	
	1900 2024 85		GX22P 460V		1305		1	Contacto	
	1900 2024 85		GX22P 575V			1089 9415 26		GX15	
1015	1079 9911 01	1	Label			1089 9415 35		GX18 200V	
1030	1613 3431 00	1	Label			1089 9415 35		GX18 230V	
1040		1	Label			1089 9415 26		GX18 460V	
	1079 9923 04		Pack			1089 9415 26		GX18 575V	
	1079 9923 05		Full-feature			1089 9415 35		GX22 200V	
1042	1079 9903 87	1	Label			1089 9415 35		GX22 230V	
1044		1	Decal			1089 9415 26		GX22 460V	
	1622 0222 00		Full-feature			1089 9415 26		GX22 575V	
	1622 0227 00		Pack		1310	1089 9511 25	1	Relay	
1100	1089 0577 26	3	Terminal		1315	1089 9511 29	1	Socket	
1120	1089 0506 61	1	Terminal		1316	1089 9511 34	1	Clip	
1125	1089 0506 27	4	Terminal		1320	1089 9415 09	2	Contact block	
1130			Terminal		1321	1089 9415 10	1	Interlock	
	1089 0506 62	2	GX15FF 200V		1325	1089 9415 55	1	Contact block	
	1089 0506 62	2	GX15FF 230V		1331		1	Bridge	
	1089 0506 62	2	GX15FF 460V			1089 9415 97		GX15P 200V	
	1089 0506 62	2	GX15FF 575V			1089 9415 97		GX15P 230V	
	1089 0506 62	1	GX18FF 200V			1089 9415 97		GX15P 460V	
	1089 0506 62	1	GX18FF 230V			1089 9415 97		GX15P 575V	
	1089 0506 62	2	GX18FF 460V			1089 9415 97		GX15P 575V	
	1089 0506 62	2	GX18FF 575V			1089 9415 97		GX18P 460V	
	1089 0506 62	1	GX22FF 200V			1089 9415 97		GX18P 575V	
	1089 0506 62	1	GX22FF 230V			1089 9415 97		GX22P 460V	
	1089 0506 62	2	GX22FF 460V			1089 9415 97		GX22P 575V	
	1089 0506 62	2	GX22FF 575V		1350		1	Others	
	1089 0506 62	2	Pack			1089 9446 15		Overload relay	
1150	1089 0362 51	1	Push button			1089 9446 15		GX15FF 200V	
1155	1089 0362 50	1	Contact block			1089 9446 15		GX15FF 230V	
1180	1089 9435 12	1	Time relay			1089 9446 15		GX15FF 460V	
1190	1089 0362 87	1	Switch			1089 9446 15		GX15FF 460V	
1194	1089 0362 78	1	Contact block			1089 9446 11		GX15FF 575V	
1195	1089 0362 58	1	Contact block			1089 9446 11		GX15P 200V	
1196	1089 0362 82	1	Lamp block			1089 9446 11		GX15P 230V	
1198	1089 0362 80	1	Holder			1089 9446 11		GX15P 460V	
1200	1089 0612 01	4	Fuse holder			1089 9446 11		GX15P 575V	
1205	1089 0506 16	1	Fuse terminal			1089 9424 46		GX18FF 200V	
1210	1089 9168 24	2	Fuse link			1089 9424 46		GX18FF 230V	
						1089 9446 15		GX18FF 460V	

9



62377\_12

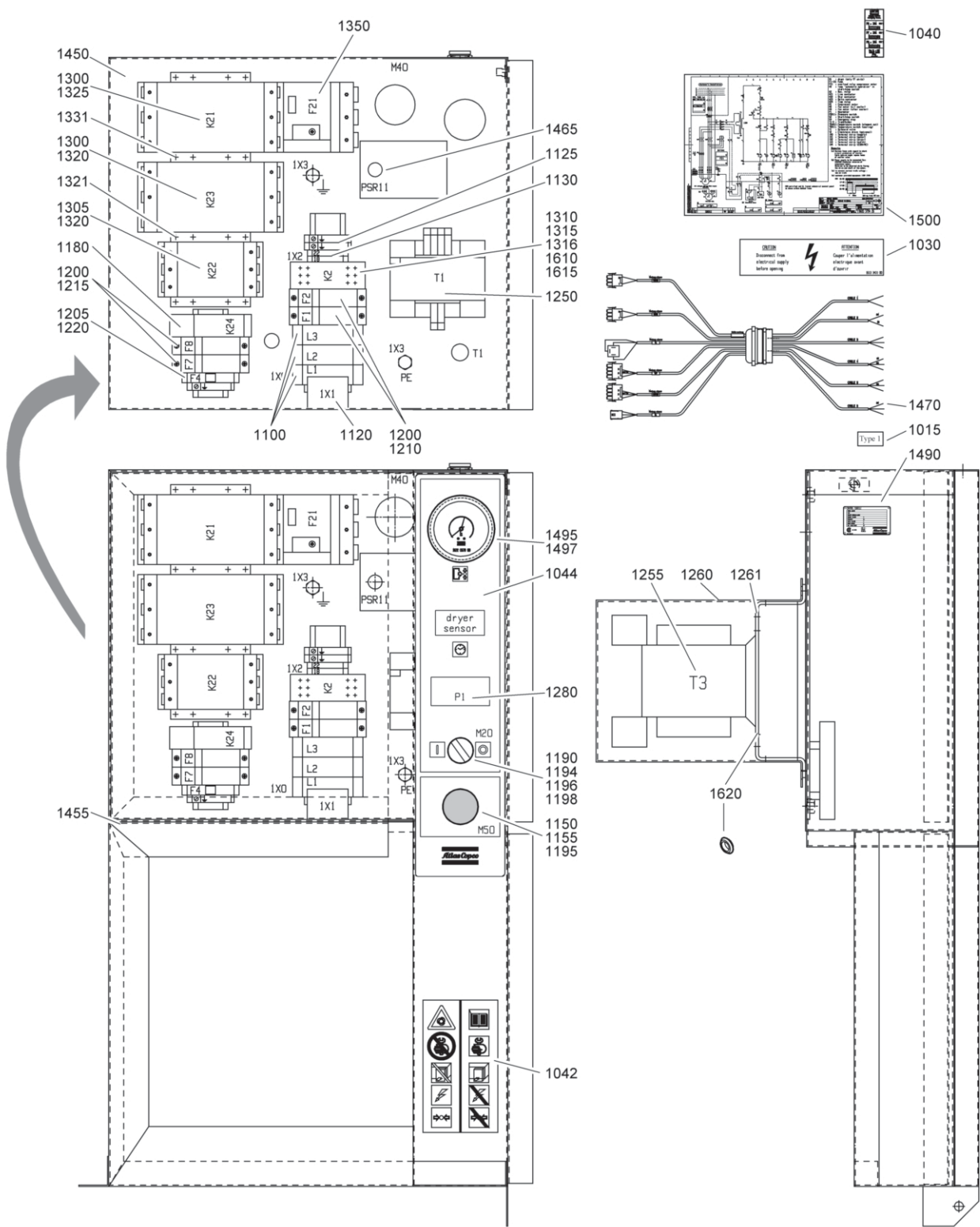
**Start Cubicle - CSA/UL 60Hz - 3)**

Ref.	Part number	Qty	Name	Remarks
	1089 9446 15		GX18FF 575V	
	1089 9424 46		GX18P 200V	
	1089 9424 46		GX18P 230V	
	1089 9446 11		GX18P 460V	
	1089 9446 11		GX18P 575V	
	1089 9424 46		GX22FF 200V	
	1089 9424 46		GX22FF 230V	
	1089 9446 15		GX22FF 460V	
	1089 9446 15		GX22FF 575V	
	1089 9424 46		GX22P 200V	
	1089 9424 46		GX22P 230V	
	1089 9446 11		GX22P 460V	
	1089 9446 11		GX22P 575V	
1450	1622 0313 50	• 1	Back plate	
<b>1455</b>	<b>1622 0312 10</b>	<b>• 1</b>	<b>Cubicle assembly</b>	1)
1465		• 1	Pressure switch	
	1089 0654 02		Full-feature	
1470	1622 0354 21	• 1	Wire harness	
1490	1614 8949 00	• 1	Data plate	
1495	1622 0678 00	• 1	Pressure gauge	
1497	0070 6002 04	• AR	Plastic tube	
1500	9820 3794 26	• 1	Service diagram	
1610		•	Seal washer	
	0661 1000 38	1	Pack	
	0661 1000 38	2	Full-feature	
1615		•	Coupling	
	0581 0000 34	1	Pack	
	0581 0000 34	2	Full-feature	
1620	1088 0801 23	• 1	Grommet	

1) Lined with / Bekleed met / Beklädd med / Ausgekleidet mit / Garni de / Revestido de / Allineato con / Foret med / Revestido com / Kledd med / Vuorattu  
Foam: 0395 6001 66 (AR) 25 x 2040 x 1650

3) Up to serial No. :  
Tot serienummer:  
T.o.m. tillverkningsnummer:  
Bis Seriennummer:  
Jusqu'au numéro de série:  
Hasta el número de serie:  
Fino al numeri di serie:  
Gælder til følgende serienumre:  
Até o número de série:  
Til følgende serienummer:  
Seuraavaan valmistusnumeroon asti, No. :  
3) API - 440 101

# 10



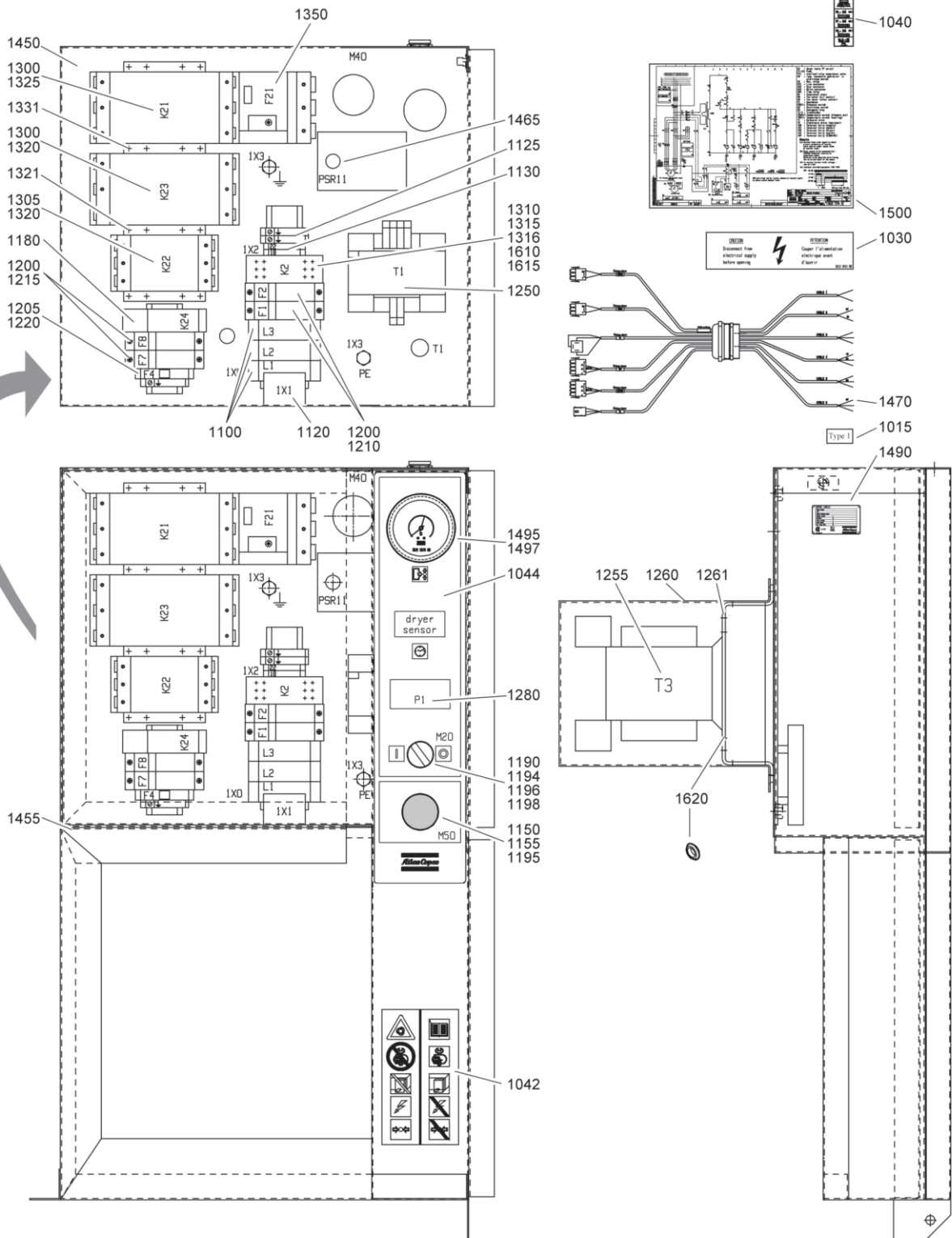
62377\_12

## Start Cubicle - CSA/UL 60Hz - 4)

10

Ref.	Part number	Qty	Name	Remarks	Ref.	Part number	Qty	Name	Remarks
		1	<b>Start Cubicle</b>						
	1900 2024 82		GX15FF 200V		1215		2	Fuse link	
	1900 2024 82		GX15FF 230V			1089 9168 41		Pack	
	1900 2024 82		GX15FF 460V			1089 9168 62		Full-feature	
	1900 2024 82		GX15FF 575V		1220	1089 9168 77	1	Fuse link	
	1900 2024 81		GX15P 200V		1250	1089 9436 02	1	Transformer	
	1900 2024 81		GX15P 230V		1255		1	Autotransformer	
	1900 2024 81		GX15P 460V			1089 9437 51		Pack	
	1900 2024 81		GX15P 575V			1089 9437 52		Full-feature	
	1900 2024 82		GX18FF 200V		1260	1622 0353 30	1	Trafo housing	
	1900 2024 82		GX18FF 230V		1261	1622 0353 20	1	Trafo support	
	1900 2024 82		GX18FF 460V		1280		1	Thermometer	
	1900 2024 82		GX18FF 575V			1613 0974 02		Full-feature	
	1900 2024 81		GX18P 200V		1300		2	Contacto	
	1900 2024 81		GX18P 230V			1089 9415 44		GX15	
	1900 2024 81		GX18P 460V			1089 9415 44		GX18 200V	
	1900 2024 81		GX18P 575V			1089 9415 44		GX18 230V	
	1900 2024 84		GX22FF 200V			1089 9415 44		GX18 460V	
	1900 2024 84		GX22FF 230V			1089 9415 44		GX18 575V	
	1900 2024 84		GX22FF 460V			1089 9415 45		GX22 200V	
	1900 2024 82		GX22FF 575V			1089 9415 45		GX22 230V	
	1900 2024 83		GX22P 200V			1089 9415 45		GX22 460V	
	1900 2024 83		GX22P 230V			1089 9415 44		GX22 575V	
	1900 2024 83		GX22P 460V		1305		1	Contacto	
	1900 2024 81		GX22P 575V			1089 9415 44		GX15	
1015	1079 9911 01	1	Label			1089 9415 44		GX18 200V	
1030	1613 3431 00	1	Label			1089 9415 44		GX18 230V	
1040		1	Label			1089 9415 44		GX18 460V	
	1079 9923 04		Pack			1089 9415 45		GX18 575V	
	1079 9923 05		Full-feature			1089 9415 45		GX22 200V	
1042	1079 9903 87	1	Label			1089 9415 45		GX22 230V	
1044		1	Decal			1089 9415 45		GX22 460V	
	1622 0222 00		Full-feature			1089 9415 44		GX22 575V	
	1622 0227 00		Pack		1310	1089 9511 25	1	Relay	
1100	1089 0577 26	3	Terminal		1315	1089 9511 29	1	Socket	
1120	1089 0506 61	1	Terminal		1316	1089 9511 34	1	Clip	
1125	1089 0506 27	4	Terminal		1320	1089 9415 09	2	Contact block	
1130			Terminal		1321	1089 9415 10	1	Interlock	
	1089 0506 62	2	GX15FF 200V		1325	1089 9415 55	1	Contact block	
	1089 0506 62	2	GX15FF 230V		1331		1	Bridge	
	1089 0506 62	2	GX15FF 460V			1089 9415 44		GX15P 200V	
	1089 0506 62	2	GX15FF 575V			1089 9415 44		GX15P 230V	
	1089 0506 62	1	GX18FF 200V			1089 9415 44		GX15P 460V	
	1089 0506 62	1	GX18FF 230V			1089 9415 44		GX15P 575V	
	1089 0506 62	2	GX18FF 460V			1089 9415 97		GX15P 575V	
	1089 0506 62	2	GX18FF 575V			1089 9415 97		GX18P 460V	
	1089 0506 62	1	GX22FF 200V			1089 9415 97		GX18P 575V	
	1089 0506 62	1	GX22FF 230V			1089 9415 97		GX22P 460V	
	1089 0506 62	2	GX22FF 460V			1089 9415 97		GX22P 575V	
	1089 0506 62	2	GX22FF 575V		1350		1	Others	
	1089 0506 62	2	Pack			1089 9446 15		Overload relay	
1150	1089 0362 51	1	Push button			1089 9446 15		GX15FF 200V	
1155	1089 0362 50	1	Contact block			1089 9446 15		GX15FF 230V	
1180	1089 9435 12	1	Time relay			1089 9446 15		GX15FF 460V	
1190	1089 0362 87	1	Switch			1089 9446 15		GX15FF 575V	
1194	1089 0362 78	1	Contact block			1089 9446 15		GX15P 200V	
1195	1089 0362 58	1	Contact block			1089 9446 15		GX15P 230V	
1196	1089 0362 82	1	Lamp block			1089 9446 15		GX15P 460V	
1198	1089 0362 80	1	Holder			1089 9446 15		GX15P 575V	
1200	1089 0612 01	4	Fuse holder			1089 9446 15		GX18FF 200V	
1205	1089 0506 16	1	Fuse terminal			1089 9446 15		GX18FF 230V	
1210	1089 9168 24	2	Fuse link			1089 9446 15		GX18FF 460V	

# 10



62377\_12

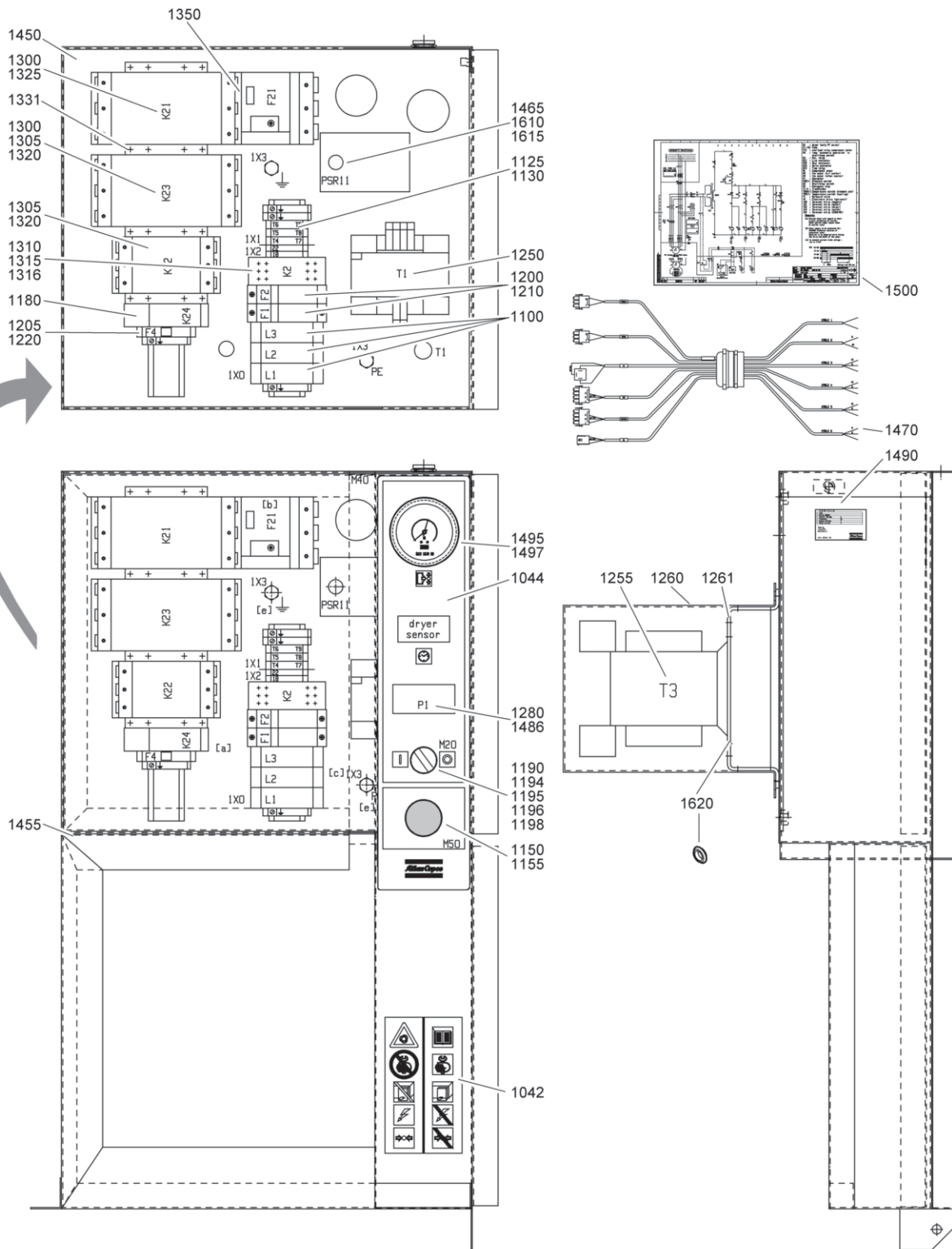
**Start Cubicle - CSA/UL 60Hz - 4)**

Ref.	Part number	Qty	Name	Remarks
	1089 9446 15		GX18FF 575V	
	1089 9446 15		GX18P 200V	
	1089 9446 15		GX18P 230V	
	1089 9446 15		GX18P 460V	
	1089 9446 15		GX18P 575V	
	1089 9446 16		GX22FF 200V	
	1089 9446 16		GX22FF 230V	
	1089 9446 16		GX22FF 460V	
	1089 9446 15		GX22FF 575V	
	1089 9446 16		GX22P 200V	
	1089 9416 16		GX22P 230V	
	1089 9446 16		GX22P 460V	
	1089 9446 15		GX22P 575V	
1450	1622 0313 50	• 1	Back plate	
<b>1455</b>	<b>1622 1224 80</b>	<b>• 1</b>	<b>Cubicle assembly</b>	1)
1465		• 1	Pressure switch	
	1089 0654 02		Full-feature	
1470	1622 0354 21	• 1	Wire harness	
1490	1614 8949 00	• 1	Data plate	
1495	1622 0678 00	• 1	Pressure gauge	
1497	0070 6002 04	• AR	Plastic tube	
1500	9820 3794 26	• 1	Service diagram	
1610		•	Seal washer	
	0661 1000 38	1	Pack	
	0661 1000 38	2	Full-feature	
1615		•	Coupling	
	0581 0000 34	1	Pack	
	0581 0000 34	2	Full-feature	
1620	1088 0801 23	• 1	Grommet	

1) Lined with / Bekleed met / Beklädd med / Ausgekleidet mit / Garni de / Revestido de / Allineato con / Foret med / Revestido com / Kledd med / Vuorattu  
Foam: 0395 6001 66 (AR) 25 x 2040 x 1650

4) From following serial No. onwards:  
Geldig vanaf volgend serienummer:  
Fr.o.m. tillverkningsnummer:  
Gültig ab Seriennummer:  
Valable à partir du numéro de série suivant:  
A partir del siguiente número de serie:  
Dai seguenti numeri di serie in avanti:  
Gælder fra følgende serienumre:  
A partir do número de série:  
Fra og med følgende serienummer:  
Alkaen valmistusnumerosta  
4) API - 440 101

# 11



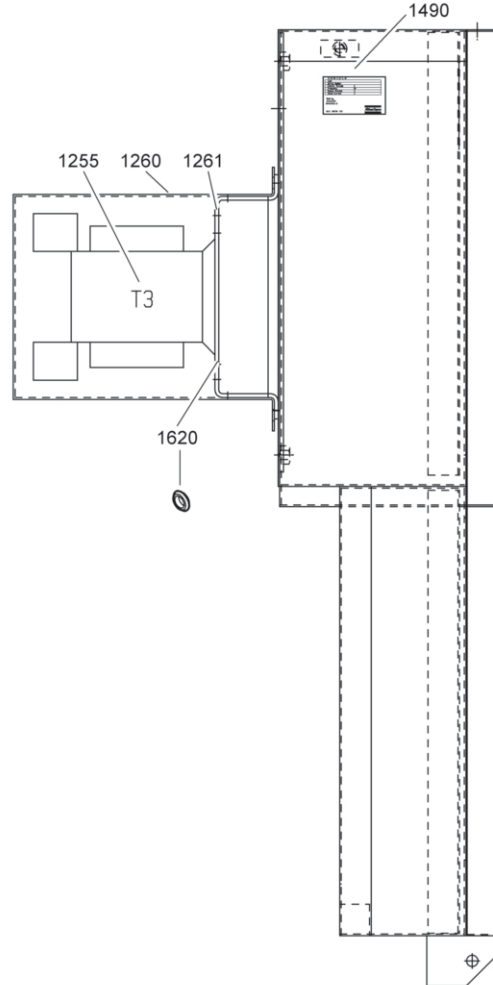
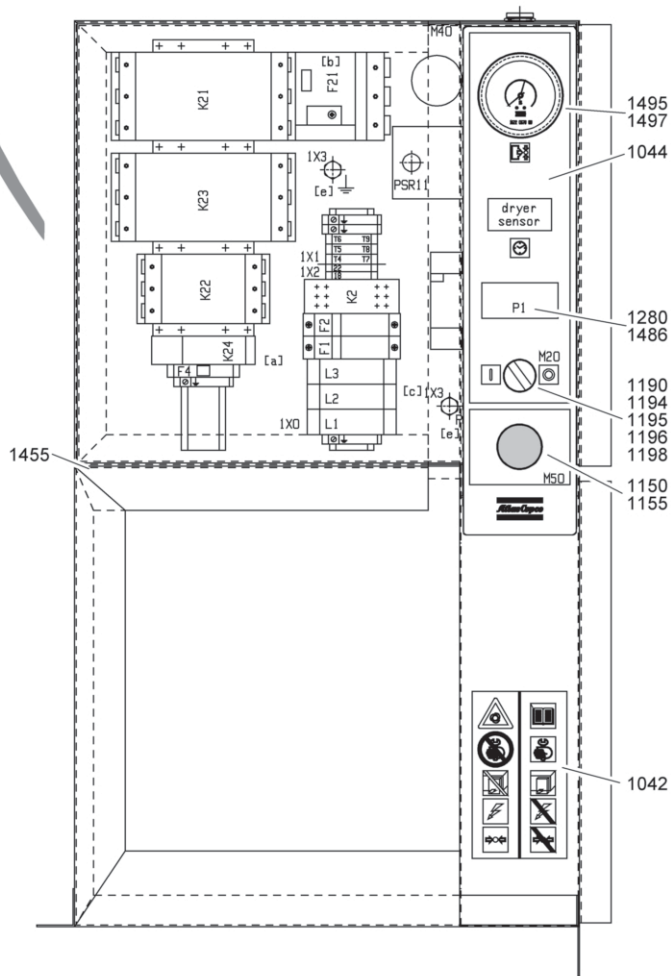
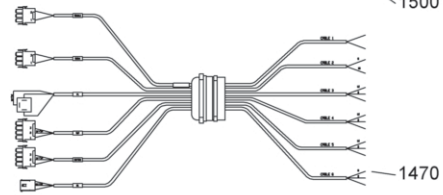
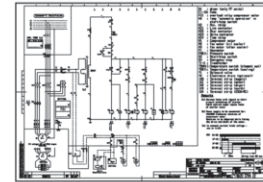
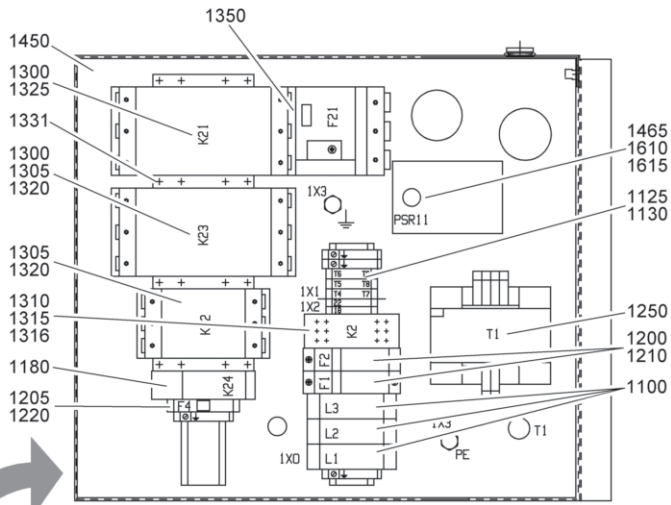
62378\_12

## Start Cubicle IEC - 50-60Hz - With Trafo - 3)

11

Ref.	Part number	Qty	Name	Remarks	Ref.	Part number	Qty	Name	Remarks
			<b>Start Cubicle</b>		1155	1089 0362 50	1	Contact block	
	1900 2024 24		GX15FF 230V/50Hz		1180	1089 9435 11	1	Time relay	
	1900 2024 24		GX15FF 380V/60Hz		1190	1089 0362 87	1	Switch	
	1900 2024 24		GX15FF 400V/50Hz		1194	1089 0362 78	1	Contact block	
	1900 2024 24		GX15FF 460V/60Hz		1195	1089 0362 58	1	Contact block	
	1900 2024 24		GX15FF 500V/50Hz		1196	1089 0362 79	1	Lamp block	
	1900 2024 23		GX15P 230V/50Hz		1198	1089 0362 80	1	Holder	
	1900 2024 23		GX15P 230V/60Hz		1205	1089 0506 16	1	Fuse terminal	
	1900 2024 23		GX15P 380V/60Hz		1200	1089 0612 01	2	Fuse holder	
	1900 2024 23		GX15P 400V/50Hz		1210		2	Fuse	
	1900 2024 23		GX15P 460V/60Hz			1089 0612 25		Pack	
	1900 2024 23		GX15P 500V/50Hz			1089 0612 27		GX15FF	
	1900 2024 26		GX18FF 230V/50Hz			1089 0612 28		GX18FF 230V/50Hz	
	1900 2024 26		GX18FF 230V/60Hz			1089 0612 28		GX18FF 230V/60Hz	
	1900 2024 26		GX18FF 380V/60Hz			1089 0612 28		GX18FF 380V/60Hz	
	1900 2024 24		GX18FF 400V/50Hz			1089 0612 27		GX18FF 400V/50Hz	
	1900 2024 24		GX18FF 460V/60Hz			1089 0612 27		GX18FF 460V/60Hz	
	1900 2024 24		GX18FF 500V/50Hz			1089 0612 27		GX18FF 500V/50Hz	
	1900 2024 25		GX18P 230V/50Hz			1089 0612 28		GX22FF 230V/50Hz	
	1900 2024 25		GX18P 230V/60Hz			1089 0612 28		GX22FF 230V/60Hz	
	1900 2024 25		GX18P 380V/60Hz			1089 0612 28		GX22FF 380V/60Hz	
	1900 2024 23		GX18P 400V/50Hz			1089 0612 27		GX22FF 400V/50Hz	
	1900 2024 23		GX18P 460V/60Hz			1089 0612 27		GX22FF 460V/60Hz	
	1900 2024 23		GX18P 500V/50Hz			1089 0612 27		GX22FF 500V/50Hz	
	1900 2024 26		GX22FF 230V/50Hz		1220	1089 9037 09	1	Fuse link	
	1900 2024 26		GX22FF 230V/60Hz		1250	1089 9436 02	1	Transformer	
	1900 2024 26		GX22FF 380V/60Hz		1255		1	Autotransformer	
	1900 2024 24		GX22FF 400V/50Hz			1089 9437 51		Pack	
	1900 2024 24		GX22FF 400V+N/50Hz			1089 9437 52		Full-feature	
	1900 2024 24		GX22FF 460V/60Hz		1260	1622 0353 30	1	Trafo housing	
	1900 2024 24		GX22FF 500V/50Hz		1261	1622 0353 20	1	Trafo support	
	1900 2024 25		GX22P 230V/50Hz		1280		1	Thermometer	
	1900 2024 23		GX22P 230V/60Hz			1613 0974 02		Full-feature	
	1900 2024 25		GX22P 230V/60Hz		1300		2	Contactors	
	1900 2024 25		GX22P 380V/60Hz			1089 9415 31		GX15	
	1900 2024 23		GX22P 400V/50Hz			1089 9415 41		GX18 230V/50Hz	
	1900 2024 23		GX22P 400V+N/50Hz			1089 9415 41		GX18 230V/60Hz	
	1900 2024 23		GX22P 460V/60Hz			1089 9415 41		GX18 380V/60Hz	
	1900 2024 23		GX22P 500V/50Hz			1089 9415 31		GX18 400V/50Hz	
1042	1079 9903 87	• 1	Label			1089 9415 31		GX18 460V/60Hz	
1044		• 1	Decal			1089 9415 31		GX18 500V/50Hz	
	1622 0222 00		Full-feature			1089 9415 41		GX22 230V/50Hz	
	1622 0227 00		Pack			1089 9415 41		GX22 230V/60Hz	
1100		•	Terminal			1089 9415 41		GX22 380V/60Hz	
	1089 0506 04	1	GX15			1089 9415 31		GX22 400V/50Hz	
	1089 0577 26	3	GX18 230V/50Hz			1089 9415 31		GX22 400V+N/50Hz	
	1089 0577 26	3	GX18 230V/60Hz			1089 9415 31		GX22 460V/60Hz	
	1089 0577 26	3	GX18 380V/60Hz			1089 9415 31		GX22 500V/50Hz	
	1089 0506 04	1	GX18 400V/50Hz		1305		1	Contactors	
	1089 0506 04	1	GX18 460V/60Hz			1089 9415 23		GX15	
	1089 0506 04	1	GX18 500V/50Hz			1089 9415 31		GX18 230V/50Hz	
	1089 0577 26	3	GX22 230V/50Hz			1089 9415 31		GX18 230V/60Hz	
	1089 0577 26	3	GX22 230V/60Hz			1089 9415 31		GX18 380V/60Hz	
	1089 0577 26	3	GX22 380V/60Hz			1089 9415 23		GX18 400V/50Hz	
	1089 0506 04	1	GX22 400V/50Hz			1089 9415 23		GX18 460V/60Hz	
	1089 0506 04	1	GX22 400V+N/50Hz			1089 9415 23		GX18 500V/50Hz	
	1089 0506 04	1	GX22 460V/60Hz			1089 9415 31		GX22 230V/50Hz	
	1089 0506 04	1	GX22 500V/50Hz			1089 9415 31		GX22 230V/60Hz	
1125	1089 0506 27	4	Terminal			1089 9415 31		GX22 380V/60Hz	
1130	1089 0506 62	2	Terminal			1089 9415 23		GX22 400V/50Hz	
1150	1089 0362 51	1	Push button			1089 9415 23		GX22 400V+N/50Hz	

# 11



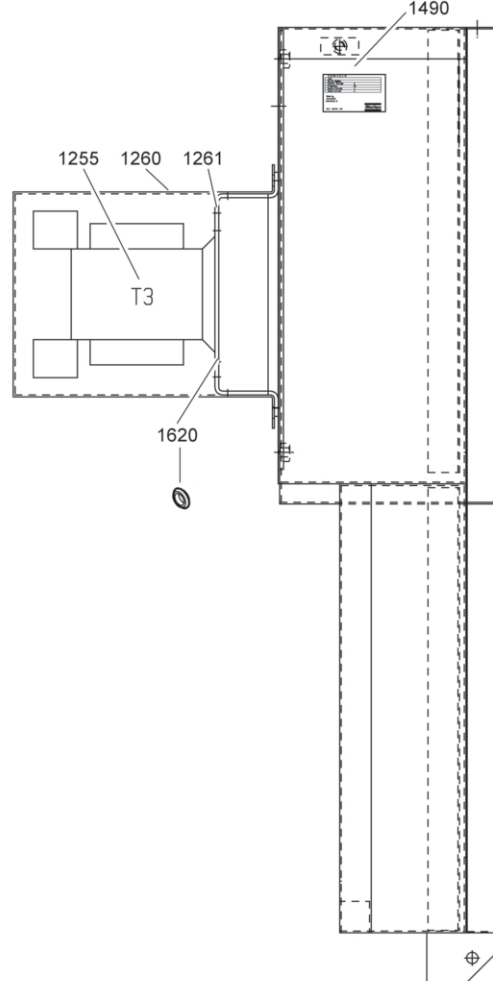
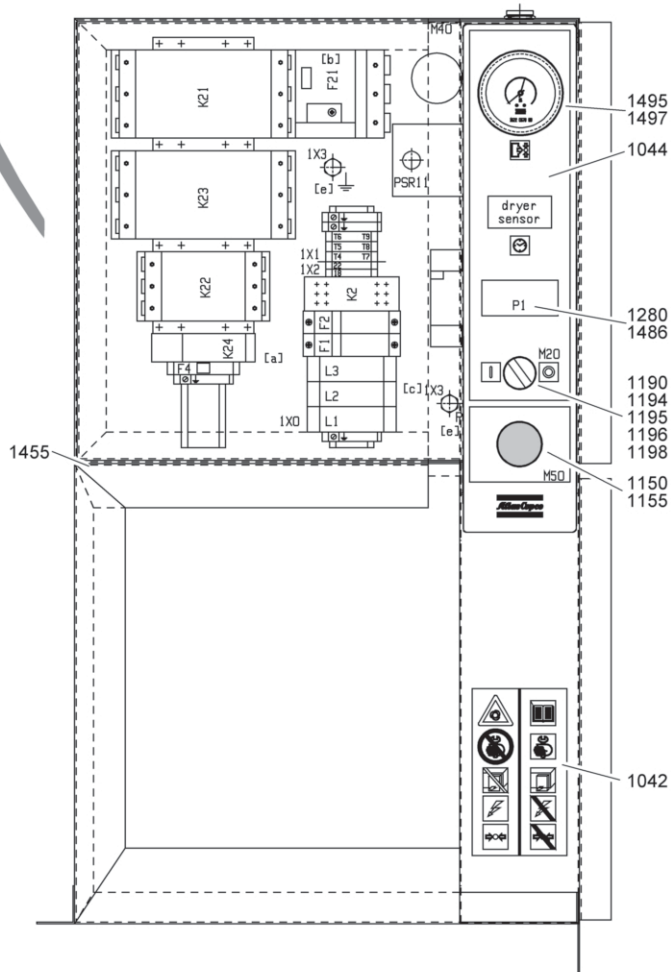
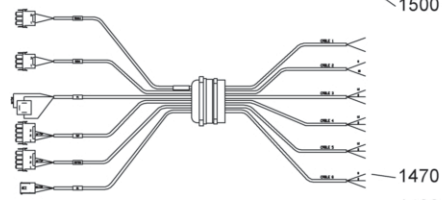
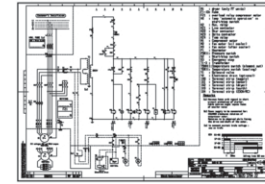
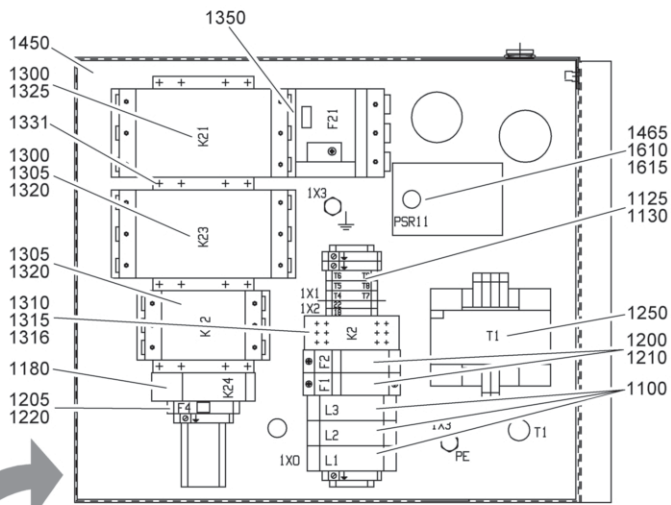
62378\_12

## Start Cubicle IEC - 50-60Hz - With Trafo - 3)

11

Ref.	Part number	Qty	Name	Remarks	Ref.	Part number	Qty	Name	Remarks
	1089 9415 23		GX22 460V/60Hz			0581 0000 34	2	GX22FF 500V/50Hz	
	1089 9415 23		GX22 500V/50Hz		1620	1088 0801 23	1	Grommet	
1310	1089 9511 27	1	Interface relay		1)	Lined with / Bekleed met / Beklädd med / Ausgekleidet mit / Garni de / Revestido de / Allineato con / Foret med / Revestido com / Kledd med / Vuorattu			
1315	1089 9511 29	1	Socket			Foam: 0395 6001 66 (AR) 25 x 2040 x 1650			
1316	1089 9511 34	1	Clip		3)	Up to serial No. :			
1320	1089 9415 09	2	Contact block			Tot serienummer:			
1325	1089 9415 55	1	Contact block			T.o.m. tillverkningsnummer:			
1331		1	Bridge			Bis Seriennummer:			
	1089 9415 97		GX15			Jusqu'au numéro de série:			
	1089 9415 98		GX18 230V/50Hz			Hasta el número de serie:			
	1089 9415 98		GX18 230V/60Hz			Fino al numeri di serie:			
	1089 9415 98		GX18 380V/60Hz			Gælder til følgende serienumre:			
	1089 9415 97		GX18 400V/50Hz			Até o número de série:			
	1089 9415 97		GX18 460V/60Hz			Til følgende serienummer:			
	1089 9415 97		GX18 500V/50Hz			Seuraavaan valmistusnumeroon asti, No.:			
	1089 9415 98		GX22 230V/50Hz			3) API - 440 101			
	1089 9415 98		GX22 230V/60Hz						
	1089 9415 98		GX22 380V/60Hz						
	1089 9415 97		GX22 400V/50Hz						
	1089 9415 97		GX22 400V+N/50Hz						
	1089 9415 97		GX22 460V/60Hz						
	1089 9415 97		GX22 500V/50Hz						
1350		1	Overload relay						
	1089 9446 11		GX15						
	1089 9446 16		GX18 230V/50Hz						
	1089 9446 16		GX18 230V/60Hz						
	1089 9446 16		GX18 380V/60Hz						
	1089 9446 11		GX18 400V/50Hz						
	1089 9446 11		GX18 460/60Hz						
	1089 9446 11		GX18 500V/50Hz						
	1089 9446 16		GX22 230V/50Hz						
	1089 9446 16		GX22 230V/60Hz						
	1089 9446 16		GX22 380V/60Hz						
	1089 9446 11		GX22 400V/50Hz						
	1089 9446 11		GX22 400V+N/50Hz						
	1089 9446 11		GX22 460V/60Hz						
	1089 9446 11		GX22 500V/50Hz						
1450	1622 0313 50	1	Back plate						
<b>1455</b>	<b>1622 0312 10</b>	<b>1</b>	<b>Cubicle assembly</b>	1)					
1465	1089 0654 02	1	Press.switch						
1470	1622 0354 20	1	Wire harness						
1490	1613 6639 00	1	Data plate						
1495	1622 0678 00	1	Pressure gauge						
1497	0070 6002 04	AR	Plastic tube						
1500	9820 3794 22	1	Service diagram						
1610	0661 1000 38	1	Seal washer						
1615			Coupling						
	0581 0000 34	1	Pack						
	0581 0000 34	2	GX15FF						
	0581 0000 34	1	GX18FF 230V/50Hz						
	0581 0000 34	1	GX18FF 230V/60Hz						
	0581 0000 34	1	GX18FF 380V/60Hz						
	0581 0000 34	2	GX18FF 400V/50Hz						
	0581 0000 34	2	GX18FF 460V/60Hz						
	0581 0000 34	2	GX18FF 500V/50Hz						
	0581 0000 34	1	GX22FF 230V/50Hz						
	0581 0000 34	1	GX22FF 230V/60Hz						
	0581 0000 34	1	GX22FF 380V/60Hz						
	0581 0000 34	2	GX22FF 400V/50Hz						
	0581 0000 34	2	GX22FF 400V+N/50Hz						
	0581 0000 34	2	GX22FF 460V/60Hz						

# 12



62378\_12

## Start Cubicle IEC - 50-60Hz - With Trafo - 4)

12

Ref.	Part number	Qty	Name	Remarks	Ref.	Part number	Qty	Name	Remarks
			<b>Start Cubicle</b>		1194	1089 0362 78	1	Contact block	
	1900 2024 34		GX15FF 230V/50Hz		1195	1089 0362 58	1	Contact block	
	1900 2024 34		GX15FF 230V/60Hz		1196	1089 0362 79	1	Lamp block	
	1900 2024 34		GX15FF 380V/60Hz		1198	1089 0362 80	1	Holder	
	1900 2024 34		GX15FF 400V/50Hz		1205	1089 0506 16	1	Fuse terminal	
	1900 2024 34		GX15FF 460V/60Hz		1200	1089 0612 01	2	Fuse holder	
	1900 2024 34		GX15FF 500V/50Hz		1210		2	Fuse	
	1900 2024 33		GX15P 230V/50Hz			1089 0612 25		Pack	
	1900 2024 33		GX15P 230V/60Hz			1089 0612 27		GX15FF	
	1900 2024 33		GX15P 380V/60Hz			1089 0612 28		GX18FF 230V/50Hz	
	1900 2024 33		GX15P 400V/50Hz			1089 0612 28		GX18FF 230V/60Hz	
	1900 2024 33		GX15P 460V/60Hz			1089 0612 28		GX18FF 380V/60Hz	
	1900 2024 33		GX15P 500V/50Hz			1089 0612 27		GX18FF 400V/50Hz	
	1900 2024 36		GX18FF 230V/50Hz			1089 0612 27		GX18FF 460V/60Hz	
	1900 2024 36		GX18FF 230V/60Hz			1089 0612 27		GX18FF 500V/50Hz	
	1900 2024 36		GX18FF 380V/60Hz			1089 0612 28		GX22FF 230V/50Hz	
	1900 2024 34		GX18FF 400V/50Hz			1089 0612 28		GX22FF 230V/60Hz	
	1900 2024 34		GX18FF 460V/60Hz			1089 0612 28		GX22FF 380V/60Hz	
	1900 2024 34		GX18FF 500V/50Hz			1089 0612 27		GX22FF 400V/50Hz	
	1900 2024 35		GX18P 230V/50Hz			1089 0612 27		GX22FF 460V/60Hz	
	1900 2024 35		GX18P 230V/60Hz			1089 0612 27		GX22FF 500V/50Hz	
	1900 2024 35		GX18P 380V/60Hz		1220	1089 9037 09	1	Fuse link	
	1900 2024 33		GX18P 400V/50Hz		1250	1089 9436 02	1	Transformer	
	1900 2024 33		GX18P 460V/60Hz		1255		1	Autotransformer	
	1900 2024 33		GX18P 500V/50Hz			1089 9437 51		Pack	
	1900 2024 36		GX22FF 230V/50Hz			1089 9437 52		Full-feature	
	1900 2024 36		GX22FF 230V/60Hz		1260	1622 0353 30	1	Trafo housing	
	1900 2024 36		GX22FF 380V/60Hz		1261	1622 0353 20	1	Trafo support	
	1900 2024 34		GX22FF 400V/50Hz		1280		1	Thermometer	
	1900 2024 34		GX22FF 400V+N/50Hz			1613 0974 02		Full-feature	
	1900 2024 34		GX22FF 460V/60Hz		1300		2	Contactor	
	1900 2024 34		GX22FF 500V/50Hz			1089 9415 31		GX15	
	1900 2024 35		GX22P 230V/50Hz			1089 9415 41		GX18 230V/50Hz	
	1900 2024 35		GX22P 230V/60Hz			1089 9415 41		GX18 230V/60Hz	
	1900 2024 35		GX22P 380V/60Hz			1089 9415 41		GX18 380V/60Hz	
	1900 2024 33		GX22P 400V/50Hz			1089 9415 31		GX18 400V/50Hz	
	1900 2024 33		GX22P 400V+N/50Hz			1089 9415 31		GX18 460V/60Hz	
	1900 2024 33		GX22P 460V/60Hz			1089 9415 31		GX18 500V/50Hz	
	1900 2024 33		GX22P 500V/50Hz			1089 9415 41		GX22 230V/50Hz	
1042	1079 9903 87	• 1	Label			1089 9415 41		GX22 230V/60Hz	
1044		• 1	Decal			1089 9415 41		GX22 380V/60Hz	
	1622 0222 00		Full-feature			1089 9415 31		GX22 400V/50Hz	
	1622 0227 00		Pack			1089 9415 31		GX22 400V+N/50Hz	
1100		•	Terminal			1089 9415 31		GX22 460V/60Hz	
	1089 0506 04	1	GX15			1089 9415 31		GX22 500V/50Hz	
	1089 0577 26	3	GX18 230V/50Hz		1305		1	Contactor	
	1089 0577 26	3	GX18 230V/60Hz			1089 9415 23		GX15	
	1089 0577 26	3	GX18 380V/60Hz			1089 9415 31		GX18 230V/50Hz	
	1089 0506 04	1	GX18 400V/50Hz			1089 9415 31		GX18 230V/60Hz	
	1089 0506 04	1	GX18 460V/60Hz			1089 9415 31		GX18 380V/60Hz	
	1089 0506 04	1	GX18 500V/50Hz			1089 9415 23		GX18 400V/50Hz	
	1089 0577 26	3	GX22 230V/50Hz			1089 9415 23		GX18 460V/60Hz	
	1089 0577 26	3	GX22 230V/60Hz			1089 9415 23		GX18 500V/50Hz	
	1089 0577 26	3	GX22 380V/60Hz			1089 9415 31		GX22 230V/50Hz	
	1089 0506 04	1	GX22 400V/50Hz			1089 9415 31		GX22 230V/60Hz	
	1089 0506 04	1	GX22 400V+N/50Hz			1089 9415 31		GX22 380V/60Hz	
	1089 0506 04	1	GX22 460V/60Hz			1089 9415 23		GX22 400V/50Hz	
	1089 0506 04	1	GX22 500V/50Hz			1089 9415 23		GX22 400V+N/50Hz	
1125	1089 0506 27	4	Terminal			1089 9415 23		GX22 460V/60Hz	
1130	1089 0506 62	2	Terminal			1089 9415 23		GX22 500V/50Hz	
1150	1089 0362 51	1	Push button		1310	1089 9511 27	1	Interface relay	
1155	1089 0362 50	1	Contact block		1315	1089 9511 29	1	Socket	
1180	1089 9435 11	1	Time relay		1316	1089 9511 34	1	Clip	
1190	1089 0362 87	1	Switch		1320	1089 9415 09	2	Contact block	

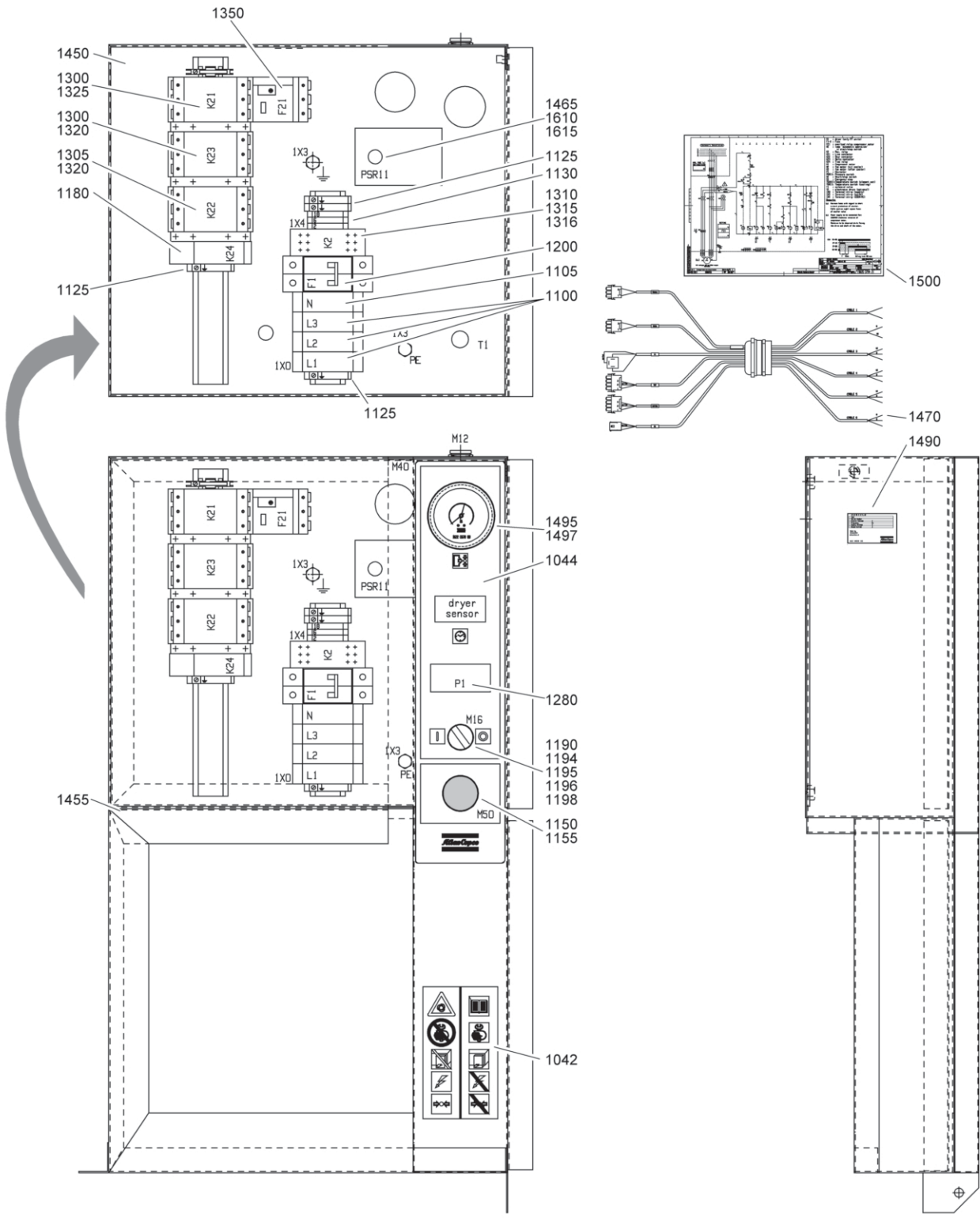


## Start Cubicle IEC - 50-60Hz - With Trafo - 4)

12

Ref.	Part number	Qty	Name	Remarks	Ref.	Part number	Qty	Name	Remarks
1325	1089 9415 55	1	Contact block		1)	Lined with / Bekleed met / Beklädd med / Ausgekleidet mit / Garni de / Revestido de / Allineato con / Foret med / Revestido com / Kledd med / Vuorattu			
1331		1	Bridge						
	1089 9415 97		GX15						
	1089 9415 98		GX18 230V/50Hz						
	1089 9415 98		GX18 230V/60Hz		4)	From following serial No. onwards: Geldig vanaf volgend serienummer: Fr.o.m. tillverkningsnummer: Gültig ab Seriennummer: Valable à partir du numéro de série suivant: A partir del siguiente número de serie: Dai seguenti numeri di serie in avanti: Gælder fra følgende serienumre: A partir do número de série: Fra og med følgende serienummer: Alkaen valmistusnumerosta			
	1089 9415 98		GX18 380V/60Hz						
	1089 9415 97		GX18 400V/50Hz						
	1089 9415 97		GX18 460V/60Hz						
	1089 9415 97		GX18 500V/50Hz						
	1089 9415 98		GX22 230V/50Hz						
	1089 9415 98		GX22 230V/60Hz						
	1089 9415 98		GX22 380V/60Hz						
	1089 9415 97		GX22 400V/50Hz						
	1089 9415 97		GX22 400V+N/50Hz						
	1089 9415 97		GX22 460V/60Hz						
	1089 9415 97		GX22 500V/50Hz						
1350		1	Overload relay		4) API - 440 101				
	1089 9446 11		GX15						
	1089 9446 16		GX18 230V/50Hz						
	1089 9446 16		GX18 230V/60Hz						
	1089 9446 16		GX18 380V/60Hz						
	1089 9446 11		GX18 400V/50Hz						
	1089 9446 11		GX18 460/60Hz						
	1089 9446 11		GX18 500V/50Hz						
	1089 9446 16		GX22 230V/50Hz						
	1089 9446 16		GX22 230V/60Hz						
	1089 9446 16		GX22 380V/60Hz						
	1089 9446 11		GX22 400V/50Hz						
	1089 9446 11		GX22 400V+N/50Hz						
	1089 9446 11		GX22 460V/60Hz						
	1089 9446 11		GX22 500V/50Hz						
1450	1622 0313 50	1	Back plate						
<b>1455</b>	<b>1622 1224 80</b>	<b>1</b>	<b>Cubicle assembly</b>	1)					
1465	1089 0654 02	1	Press.switch						
1470	1622 0354 20	1	Wire harness						
1490	1613 6639 00	1	Data plate						
1495	1622 0678 00	1	Pressure gauge						
1497	0070 6002 04	AR	Plastic tube						
1500	9820 3794 22	1	Service diagram						
1610	0661 1000 38	1	Seal washer						
1615			Coupling						
	0581 0000 34	1	Pack						
	0581 0000 34	2	GX15FF						
	0581 0000 34	1	GX18FF 230V/50Hz						
	0581 0000 34	1	GX18FF 230V/60Hz						
	0581 0000 34	1	GX18FF 380V/60Hz						
	0581 0000 34	2	GX18FF 400V/50Hz						
	0581 0000 34	2	GX18FF 460V/60Hz						
	0581 0000 34	2	GX18FF 500V/50Hz						
	0581 0000 34	1	GX22FF 230V/50Hz						
	0581 0000 34	1	GX22FF 230V/60Hz						
	0581 0000 34	1	GX22FF 380V/60Hz						
	0581 0000 34	2	GX22FF 400V/50Hz						
	0581 0000 34	2	GX22FF 400V+N/50Hz						
	0581 0000 34	2	GX22FF 460V/60Hz						
	0581 0000 34	2	GX22FF 500V/50Hz						
1620	1088 0801 23	1	Grommet						

# 13

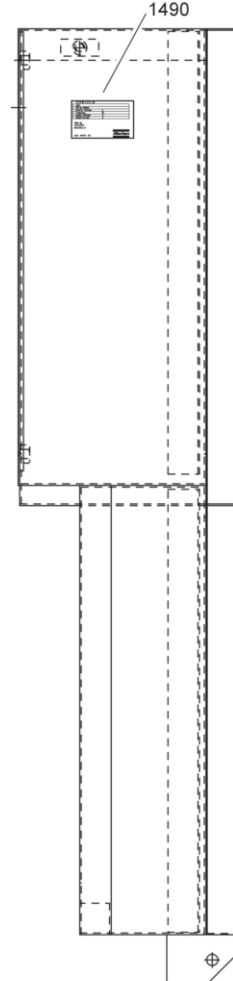
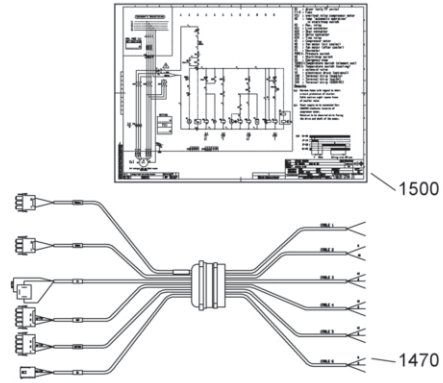
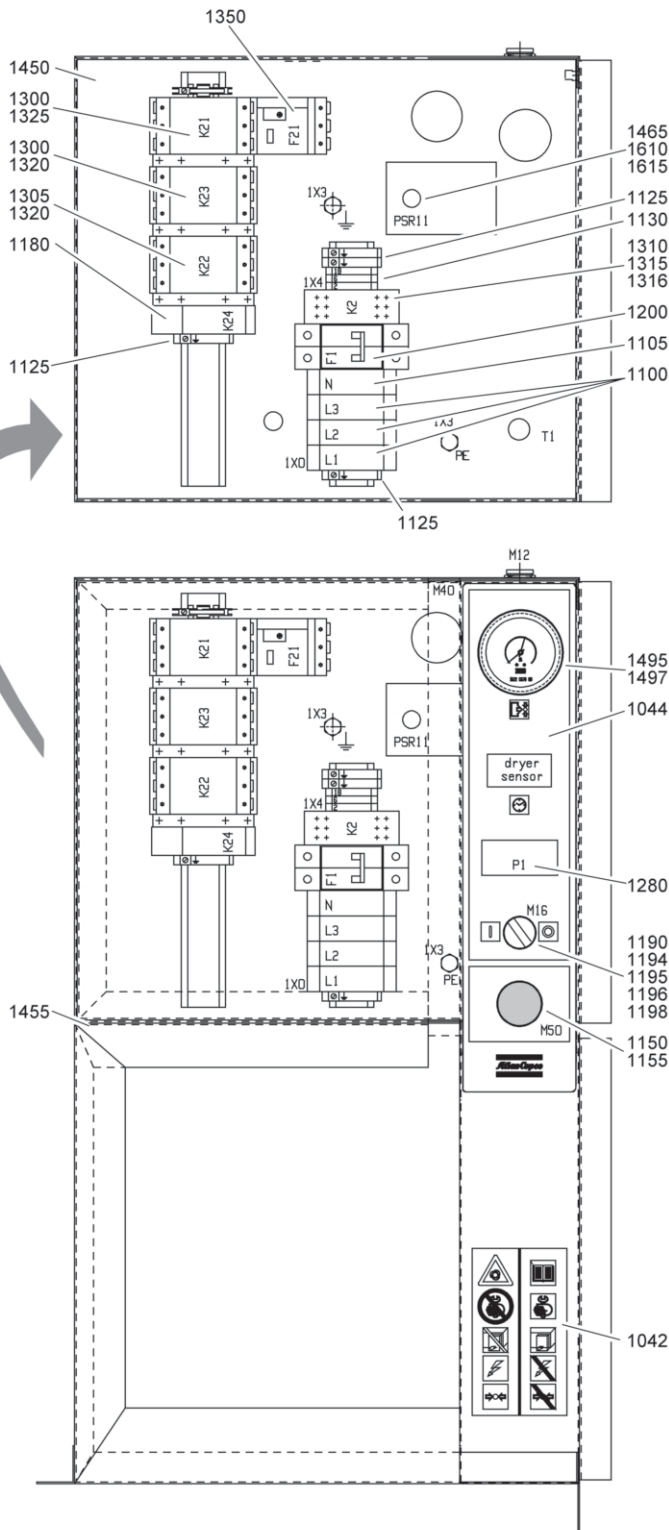


62379\_12

## Start Cubicle IEC 400V+N/50Hz - Without Trafo - 3)

Ref.	Part number	Qty	Name	Remarks	Ref.	Part number	Qty	Name	Remarks
		<b>1</b>	<b>Start Cubicle</b>		1316	1089 9511 34	• 1	Clip	
	<b>1900 2024 22</b>		GX15FF		1320	1089 9415 09	• 2	Contact block	
	<b>1900 2024 21</b>		GX15P		1325	1089 9415 55	• 1	Contact block	
	<b>1900 2024 22</b>		GX18FF		1350	1089 9424 31	• 1	Overload relay	
	<b>1900 2024 21</b>		GX18P		1450	1622 0313 50	• 1	Back plate	
1042	1079 9903 87	• 1	Label		<b>1455 1622 0312 10</b>	• <b>1</b>	<b>Cubicle assembly</b>	1)	
1044		• 1	Decal		1465	1089 0654 02	• 1	Press.switch	
	1622 0222 00		Full-feature		1470	1622 0354 20	• 1	Wire harness	
	1622 0227 00		Pack		1490	1613 6639 00	• 1	Data plate	
1100	1089 0506 07	• 1	Terminal		1495	1622 0678 00	• 1	Pressure gauge	
1105	1089 0506 06	• 1	Terminal		1497	0070 6002 04	• AR	Plastic tube	
1125	1089 0506 27	• 4	Terminal		1500	9820 3794 21	• 1	Service diagram	
1130	1089 0506 62	• 3	Terminal		1610	0661 1000 38	• 2	Seal washer	
1150	1089 0362 51	• 1	Push button		1615	0581 0000 34	• 2	Coupling	
1155	1089 0362 50	• 1	Contact block						
1180	1089 9435 11	• 1	Time relay		1)			Lined with / Bekleed met / Beklädd med / Ausgekleidet mit / Garni de / Revestido de / Allineato con / Foret med / Revestido com / Kledd med / Vuorattu	
1190		• 1	Switch					Foam: 0395 6001 66 (AR) 25 x 2040 x 1650	
	1089 0362 87		Pack		3)			Up to serial No. :	
1194	1089 0362 78	• 1	Contact block					Tot serienummer:	
1195	1089 0362 58	• 1	Contact block					T.o.m. tillverkningsnummer:	
1196	1089 0362 79	• 1	Lamp block					Bis Seriennummer:	
1198	1089 0362 80	• 1	Holder					Jusqu'au numéro de série:	
1200		• 1	Circuit breaker					Hasta el número de serie:	
	1089 9203 54		Pack					Fino al numeri di serie:	
	1089 9203 60		Full-feature					Gælder til følgende serienumre:	
1280		• 1	Thermometer					Até o número de série:	
	1613 0974 02		Full-feature					Til følgende serienummer:	
1300	1089 9415 23	• 2	Contactactor					Seuraavaan valmistusnumeroon asti, No.:	
1305	1089 9415 21	• 1	Contactactor					3) API - 440 101	
1310	1089 9511 27	• 1	Interface relay						
1315	1089 9511 29	• 1	Socket						

# 14

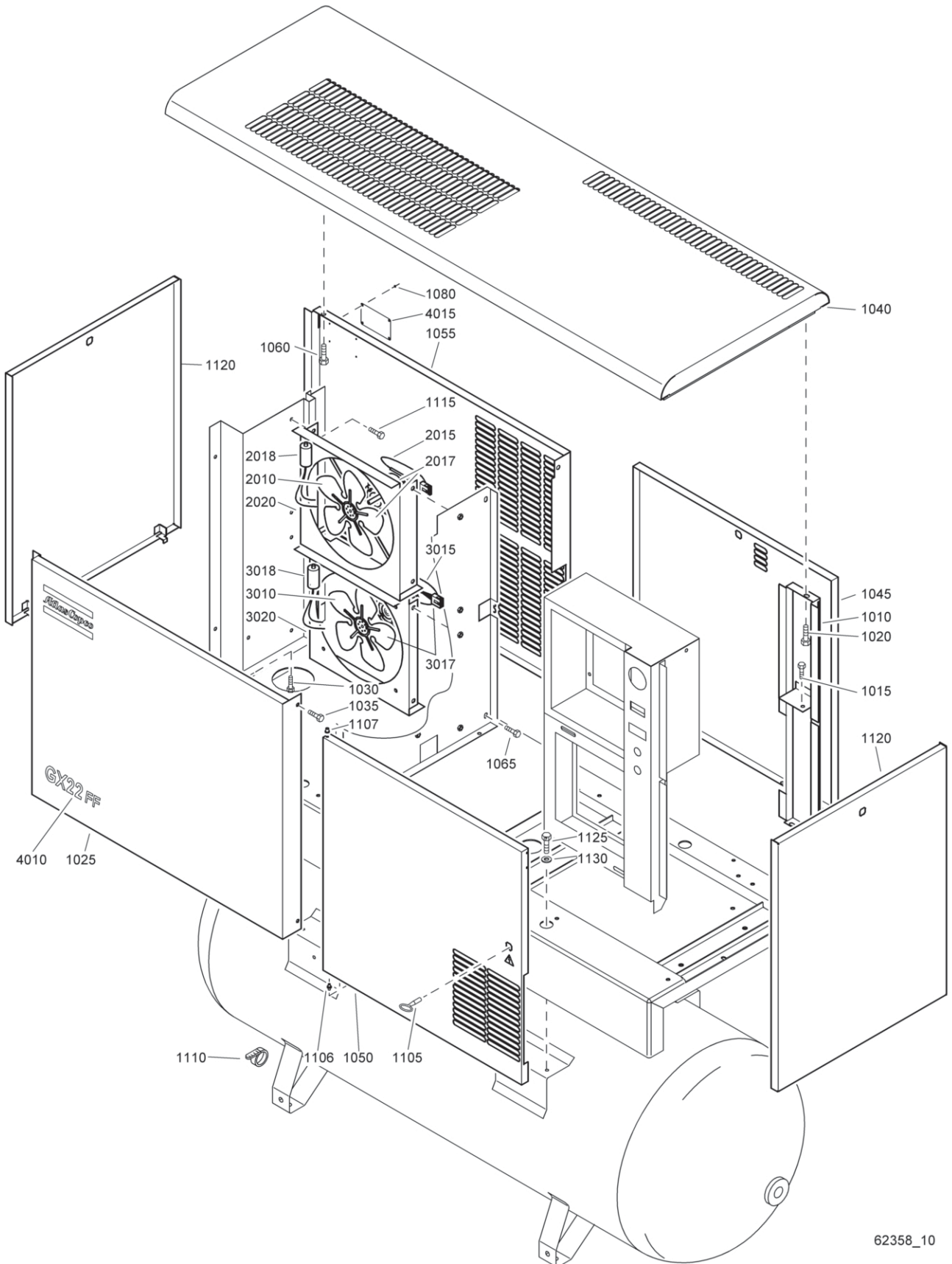


62379\_12

## Start Cubicle IEC 400V+N/50Hz - Without Trafo - 4)

Ref.	Part number	Qty	Name	Remarks	Ref.	Part number	Qty	Name	Remarks
		1	<b>Start Cubicle</b>						
	<b>1900 2024 32</b>		GX15FF		1320	1089 9415 09	• 2	Contact block	
	<b>1900 2024 31</b>		GX15P		1325	1089 9415 55	• 1	Contact block	
	<b>1900 2024 32</b>		GX18FF		1350	1089 9424 31	• 1	Overload relay	
	<b>1900 2024 31</b>		GX18P		1450	1622 0313 50	• 1	Back plate	
1042	1079 9903 87	• 1	Label		<b>1455 1622 1224 80</b>	• <b>1</b>	<b>Cubicle assembly</b>	1)	
1044		• 1	Decal		1465	1089 0654 02	• 1	Press.switch	
	1622 0222 00		Full-feature		1470	1622 0354 20	• 1	Wire harness	
	1622 0227 00		Pack		1490	1613 6639 00	• 1	Data plate	
1100	1089 0506 07	• 1	Terminal		1495	1622 0678 00	• 1	Pressure gauge	
1105	1089 0506 06	• 1	Terminal		1497	0070 6002 04	• AR	Plastic tube	
1125	1089 0506 27	• 4	Terminal		1500	9820 3794 21	• 1	Service diagram	
1130	1089 0506 62	• 3	Terminal		1610	0661 1000 38	• 2	Seal washer	
1150	1089 0362 51	• 1	Push button		1615	0581 0000 34	• 2	Coupling	
1155	1089 0362 50	• 1	Contact block					1) Lined with / Bekleed met / Beklädd med / usgekleidet mit / Garni de / Revestido de / Allineato con / Foret med / Revestido com / Kledd med / Vuorattu	
1180	1089 9435 11	• 1	Time relay					Foam: 0395 6001 66 (AR) 25 x 2040 x 1650	
1190		• 1	Switch					4) From following serial No. onwards:	
	1089 0362 87		Pack					Geldig vanaf volgend serienummer:	
1194	1089 0362 78	• 1	Contact block					Fr.o.m. tillverkningsnummer:	
1195	1089 0362 58	• 1	Contact block					Gültig ab Seriennummer:	
1196	1089 0362 79	• 1	Lamp block					Valable à partir du numéro de série suivant:	
1198	1089 0362 80	• 1	Holder					A partir del siguiente número de serie:	
1200		• 1	Circuit breaker					Dai seguenti numeri di serie in avanti:	
	1089 9203 54		Pack					Gælder fra følgende serienumre:	
	1089 9203 60		Full-feature					A partir do número de série:	
1280		• 1	Thermometer					Fra og med følgende serienummer:	
	1613 0974 02		Full-feature					Alkaen valmistusnumerosta	
1300	1089 9415 23	• 2	Contacto					4) API - 440 101	
1305	1089 9415 21	• 1	Contacto						
1310	1089 9511 27	• 1	Interface relay						
1315	1089 9511 29	• 1	Socket						
1316	1089 9511 34	• 1	Clip						

# 15

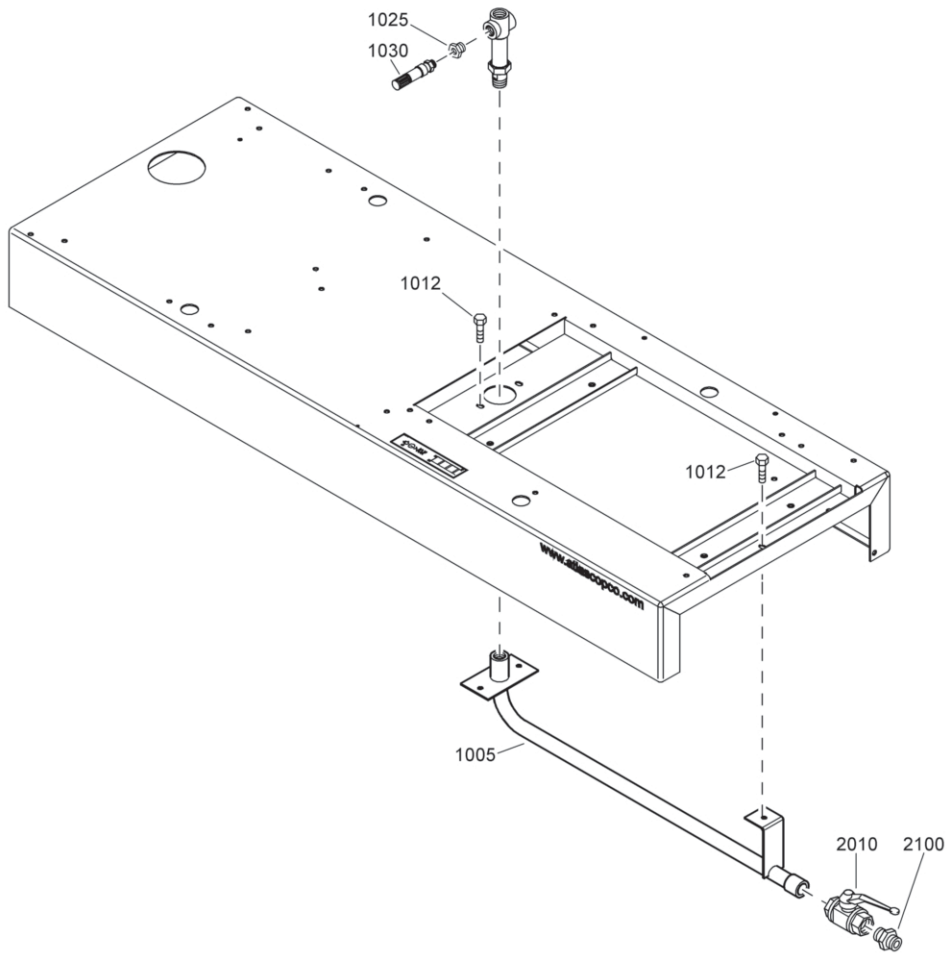


62358\_10

## Bodywork

Ref.	Part number	Qty	Name	Remarks	Ref.	Part number	Qty	Name	Remarks
1010	1622 0301 82	1	Panel assembly	2)	2020		1	Fan support	
1015	0147 1963 08	1	Hexagon bolt				1	Fan assembly	
1020	1619 2766 00	2	Bolt		1622 0316 80			GX15P IEC	
1025	1622 0304 82	1	Panel assembly	2)3)	1622 0316 81			GX15P CSA/UL	
	0690 1116 01	1	House mark		1622 0317 80			GX15FF IEC	
1030	1619 2766 00	1	Bolt		1622 0317 81			GX15FF CSA/UL	
1035	0147 1963 08	2	Hexagon bolt		1622 0316 80			GX18P IEC	
1040	1622 0368 82	1	Roof assembly	1)	1622 0316 81			GX18P CSA/UL	
1045	1622 0302 81	1	Panel assembly	2)	1622 0317 80			GX18FF IEC	
	1613 9531 00	1	Lock		1622 0317 81			GX18FF CSA/UL	
	1616 2987 00	2	Plug		1622 0316 80			GX22P IEC	
1050	1622 0305 80	1	Door assembly	2)	1622 0316 81			GX22P CSA/UL	
	1088 1001 02	1	Warning mark		1622 0317 80			GX22FF IEC	
	1613 9531 00	1	Lock		1622 0317 81			GX22FF CSA/UL	
	1613 8484 02	1	Hinge		3010		1	Fan	
1055	1622 0367 82	1	Panel assembly	2)4)	1613 9819 01			GX15P	
1060	1619 2766 00	1	Bolt		1613 9819 01			GX18P	
1065	0147 1963 08	2	Hexagon bolt		1613 9819 01			GX22P	
1080	0129 3103 00	4	Blind rivet		3015		1	Fan motor	
1105	1089 9068 01	2	Key		1613 9800 03			GX15P IEC	
1106	1622 0229 00	1	Plug		1613 9800 03			GX18P IEC	
1107	1613 8559 00	1	Plug		1613 9800 03			GX22P IEC	
1110	1088 1301 02	1	Cable strip		1613 9800 04			GX15P CSA/UL	
1115	0147 1963 08	8	Hexagon bolt		1613 9800 04			GX18P CSA/UL	
1120	1622 1807 80	2	Panel assembly	5)	1613 9800 04			GX22P CSA/UL	
	1503 0431 00	1	Lock		3017		1	Fan assembly	
1125	0147 1323 00	4	Bolt		1622 0333 01			GX15FF IEC	
1130	0301 2335 00	4	Washer		1622 0333 01			GX18FF IEC	
		1	Fan assembly		1622 0333 01			GX22FF IEC	
	1622 0316 80		GX15P IEC		1622 0333 02			GX15FF CSA/UL	
	1622 0316 81		GX15P CSA/UL		1622 0333 02			GX18FF CSA/UL	
	1622 0316 80		GX15FF IEC		1622 0333 02			GX22FF CSA/UL	
	1622 0316 81		GX15FF CSA/UL		3018		1	Condensator	
	1622 0316 81		GX18P IEC		1622 0334 00			GX15FF	
	1622 0316 81		GX18P CSA/UL		1622 0334 00			GX18FF	
	1622 0316 80		GX18FF IEC		1622 0334 00			GX22FF	
	1622 0316 81		GX18FF CSA/UL		3020		1	Fan support	
	1622 0316 80		GX22P IEC		4010		1	Decal	
	1622 0316 81		GX22P CSA/UL		1622 0232 15			GX15FF	
	1622 0317 80		GX22FF IEC		1622 0232 16			GX15	
	1622 0317 81		GX22FF CSA/UL		1622 0232 17			GX18FF	
2010		1	Fan		1622 0232 18			GX18	
	1613 9819 01		GX15		1622 0232 19			GX22FF	
	1613 9819 01		GX18		1622 0232 20			GX22	
	1613 9819 01		GX22P		4015		1	Data plate	
2015		1	Fan motor		1622 0395 00			50Hz	
	1613 9800 03		GX15 IEC		1614 5933 00			60Hz	
	1613 9800 03		GX18 IEC						
	1613 9800 03		GX22P IEC						
	1613 9800 04		GX15 CSA/UL						
	1613 9800 04		GX18 CSA/UL						
	1613 9800 04		GX22P CSA/UL						
2017		1	Fan assembly		1-5)			Lined with / Bekleed met / Beklädd med / Ausgekleidet mit / Garni de / Revestido de / Allineato con / Foret med / Revestido com / Kledd med / Vuorattu	
	1622 0333 01		GX22FF IEC					1) Foam: 0395 6001 69 (AR) 50 x 2040 x 1650	
	1622 0333 02		GX22FF CSA/UL					2) Foam: 0395 6001 66 (AR) 25 x 2040 x 1650	
2018		1	Condensator					3) Foam: 0395 6001 68 (AR) 40 x 2040 x 1650	
	1622 0334 00		GX22FF					4) Foam: 0395 6001 62 (AR) 10 x 2040 x 1650	
								5) Foam: 0395 6001 67 (AR) 30 x 2040 x 1650	

# 16



62376\_10

## Floor Mounted

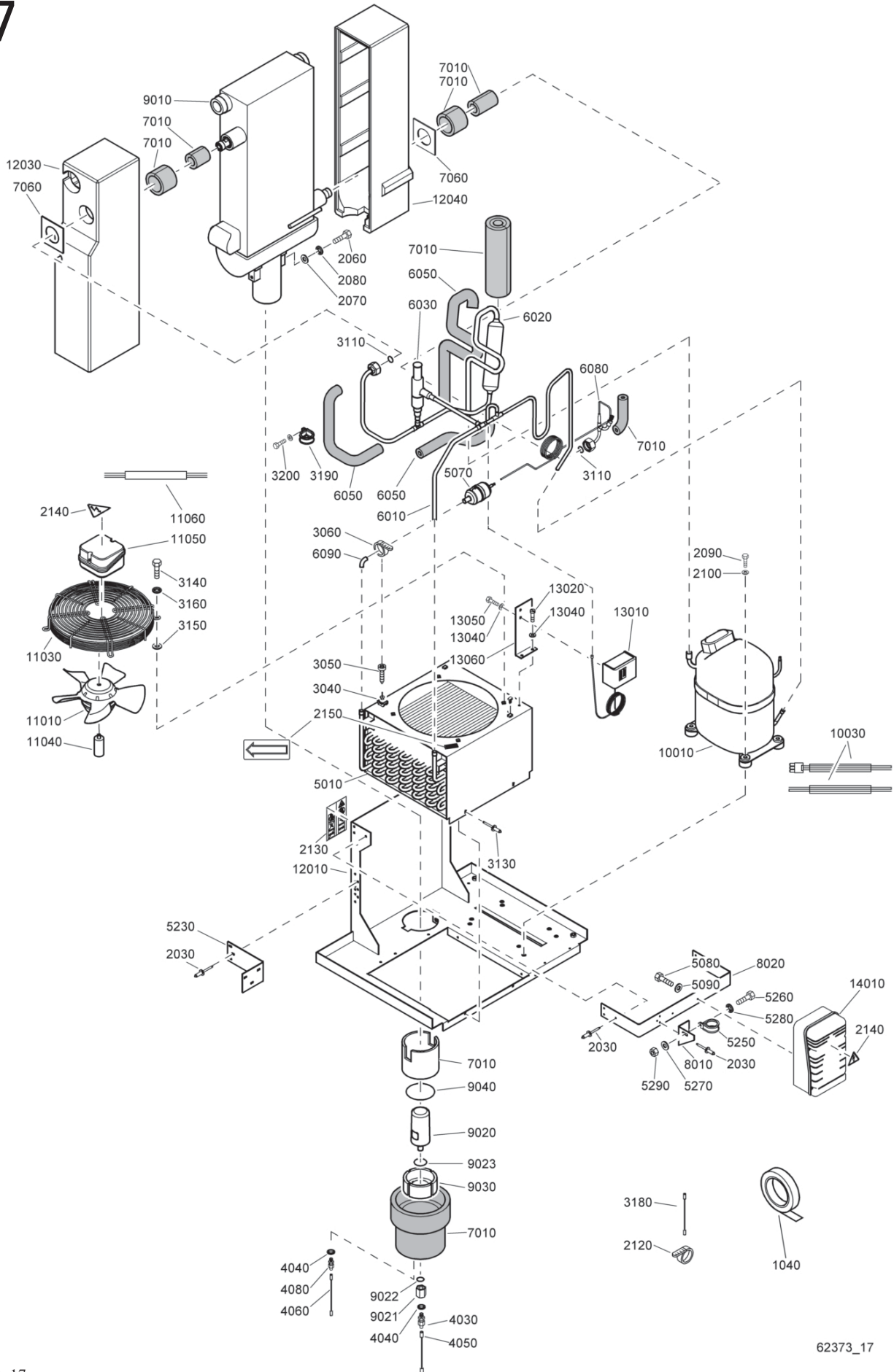
Ref.	Part number	Qty	Name	Remarks	Ref.	Part number	Qty	Name	Remarks
1005	1622 0343 10	1	Pipe		1030		1	Safety valve	
1012	1619 2766 00	3	Bolt			0830 1007 68		GX15-7.5bar CE/DIR/MOM/ SQL	
1025		1	Nipple			0830 1007 68		GX15-10bar CE/DIR/MOM/ SQL	
	0605 8700 36		GX15-7.5bar CE/DIR/MOM/ SQL			0830 1005 10		GX18-7.5bar CE/DIR/MOL/ SQL	
	0605 8700 36		GX15-10bar CE/DIR/MOM/ SQL			0830 1005 10		GX18-10bar CE/DIR/MOL/ SQL	
	0605 8700 88		GX18-7.5bar CE/DIR/MOL/ SQL			0830 1005 10		GX22-7.5bar CE/DIR/MOL/ SQL	
	0605 8700 88		GX18-10bar CE/DIR/MOL/ SQL			0830 1005 10		GX22-10bar CE/DIR/MOL/ SQL	
	0605 8700 88		GX22-7.5bar CE/DIR/MOL/ SQL			0830 1008 88		13bar CE	
	0605 8700 88		GX22-10bar CE/DIR/MOL/ SQL			0830 1008 35		7.5bar ASME/LLOYDS	
	0605 8700 36		13bar CE			0830 1008 35		10bar ASME/LLOYDS	
	0605 8700 88		7.5bar ASME/LLOYDS			0830 1008 35		100psi ASME/LLOYDS	
	0605 8700 88		10bar ASME/LLOYDS			0830 1008 35		125psi ASME/LLOYDS	
	0605 8700 88		100psi ASME/LLOYDS			0830 1008 85		150psi ASME/LLOYDS	
	0605 8700 88		125psi ASME/LLOYDS			0830 1008 85		175psi ASME/LLOYDS	
	0605 8700 88		150psi ASME/LLOYDS		2010	0852 0010 34	1	Ball valve	
	0605 8700 88		175psi ASME/LLOYDS		2100		1	Hexagon nipple	
						0603 4150 17		CSA/UL	



## Air Dryer

Ref.	Part number	Qty	Name	Remarks	Ref.	Part number	Qty	Name	Remarks
		<b>1</b>	<b>Air Dryer</b>						
	<b>8092 2479 83</b>		GX15 - IDX44 230V/50Hz IEC		6090	1617 3448 80		GX22 - IDX66	
	<b>8092 2480 07</b>		GX15 - IDX44 200-220V/ 60Hz CSA/UL		7010	1617 3451 00	•• 1	Elbow	
	<b>8092 2479 83</b>		GX18 - IDX44 230V/50Hz IEC		7060	1617 2294 00	•• 2	Seal	
	<b>8092 2480 07</b>		GX18 - IDX44 200-220V/ 60Hz CSA/UL		8010	1617 3508 00	•• 1	Support	
	<b>8092 2479 91</b>		GX22 - IDX66 230V/50Hz IEC		8020	1617 3404 00	•• 1	Bracket	
	<b>8092 2480 15</b>		GX22 - IDX66 200-220V/ 60Hz CSA/UL		9010		• 1	Heat exchanger	
1040	0395 1010 05	•	AR Insulation tape			1617 3557 00		GX15 - IDX44	
2030	0129 3115 00	•	17 Blind rivet			1617 3557 00		GX18 - IDX44	
2060	0147 1322 03	•	2 Bolt			1617 2492 00		GX22 - IDX66	
2070	0301 2335 00	•	2 Washer		9020	1613 9227 81	• 1	Drain	
2080	0333 3127 00	•	2 Washer		9021	1613 9247 00	• 1	Nut	
2090	1619 5337 03	•	4 Bolt		9022	0663 6124 00	• 1	O-ring	
2100	0300 8019 00	•	4 Washer		9023	0663 6128 00	• 1	O-ring	
2120	1088 1301 01	•	8 Cable tie		9030	1617 2372 00	• 1	Connection drain	
2130	1079 9901 09	•	1 Decal		9040	0663 7137 00	• 1	O-ring	
2140	1088 1001 01	•	2 Warning mark		<b>10010</b>		• <b>1</b>	<b>Refrigerant compressor</b>	
2150	1617 2385 00	•	1 Rotation arrow			<b>1617 3460 05</b>		GX15 - IDX44 230V/50Hz IEC	
3040	0348 0110 03	•	1 Anchor			<b>1617 3460 07</b>		GX15 - IDX44 200-220V/ 60Hz CSA/UL	
3050	0226 3343 07	•	1 Tapping screw			<b>1617 3460 05</b>		GX18 - IDX44 230V/50Hz IEC	
3060	0348 0101 13	•	3 Cable tie			<b>1617 3460 07</b>		GX18 - IDX44 200-220V/ 60Hz CSA/UL	
3110	1617 0057 00	•	2 Ring			<b>1617 1494 01</b>		GX22 - IDX66 230V/50Hz IEC	
3130	0129 3115 00	•	4 Blind rivet			<b>1617 1494 03</b>		GX22 - IDX66 200-230V/ 60Hz CSA/UL	
3140	0147 1208 03	•	4 Bolt				•• 1	Start capacitor	
3150	0300 0274 70	•	4 Washer			1617 1549 02		GX15 - IDX44 230V/50Hz IEC	
3160	0333 3215 00	•	4 Washer			1617 1549 02		GX15 - IDX44 200-220V/ 60Hz CSA/UL	
3180	0070 6002 04	•	AR Plastic tube			1617 1549 02		GX18 - IDX44 230V/50Hz IEC	
3190	0348 0111 06	•	2 Connector			1617 1549 02		GX18 - IDX44 200-220V/ 60Hz CSA/UL	
3200	0147 1247 03	•	1 Bolt			1617 1549 01		GX22 - IDX66 230V/50Hz IEC	
4030	0581 0000 35	•	1 Straight coupling			1617 1549 11		GX22 - IDX66 200-230V/ 60Hz CSA/UL	
4040	0661 1020 00	•	2 Seal washer				•• 1	Start Relay	
4050	0070 6002 05	•	AR Plastic tube			1617 1551 25		GX15 - IDX44 230V/50Hz IEC	
4060	0070 6002 04	•	AR Plastic tube			1617 1551 29		GX15 - IDX44 200-220V/ 60Hz CSA/UL	
4080	0581 0000 34	•	1 Straight coupling			1617 1551 25		GX18 - IDX44 230V/50Hz IEC	
5010		•	1 Condensor			1617 1551 27		GX22 - IDX66 200-230V/ 60Hz CSA/UL	
	1617 3401 00		GX15 - IDX44					Overload protector	
	1617 3401 00		GX18 - IDX44			1617 1550 27		GX15 - IDX44 230V/50Hz IEC	
	1617 3402 00		GX22 - IDX66			1617 1550 29		GX15 - IDX44 200-220V/ 60Hz CSA/UL	
5070	1617 1322 02	•	1 Filter-drier			1617 1550 27		GX18 - IDX44 230V/50Hz IEC	
5080		•	2 Screw			1617 1550 29		GX18 - IDX44 200-220V/ 60Hz CSA/UL	
	0226 3256 00	•	GX22			1617 1551 13		GX22 - IDX66 230V/50Hz IEC	
5090		•	2 Washer				•• 1	Overload protector	
	0301 2318 00		GX22					GX15 - IDX44 230V/50Hz IEC	
5230	1617 3498 00	•	1 Support					GX15 - IDX44 200-220V/ 60Hz CSA/UL	
5250	0346 1000 37	•	1 Pipe clamp					GX18 - IDX44 230V/50Hz IEC	
5260	0147 1249 03	•	1 Bolt					GX22 - IDX66 230V/50Hz IEC	
5270	0301 2321 00	•	1 Washer					GX22 - IDX66 200-230V/ 60Hz CSA/UL	
5280	0333 3220 00	•	1 Washer					Overload protector	
5290	0266 2108 00	•	1 Nut					GX15 - IDX44 230V/50Hz IEC	
6010		••	1 Pipe assembly					GX15 - IDX44 200-220V/ 60Hz CSA/UL	
6020		•••	1 Accumulator					GX18 - IDX44 230V/50Hz IEC	
	1624 2010 00		GX15 - IDX44					GX18 - IDX44 200-220V/ 60Hz CSA/UL	
	1624 2010 00		GX18 - IDX44					GX22 - IDX66 230V/50Hz IEC	
	1624 2010 00		GX22 - IDX66					Overload protector	
6030	1617 1524 01	•••	1 Hot gas by-pass valve					GX15 - IDX44 230V/50Hz IEC	
6050		•••	1 Insulation					GX18 - IDX44 200-220V/ 60Hz CSA/UL	
6080		••	1 Capillary assembly					GX18 - IDX44 200-220V/ 60Hz CSA/UL	
	1617 2229 80		GX15 - IDX44						
	1617 2229 80		GX18 - IDX44						

# 17

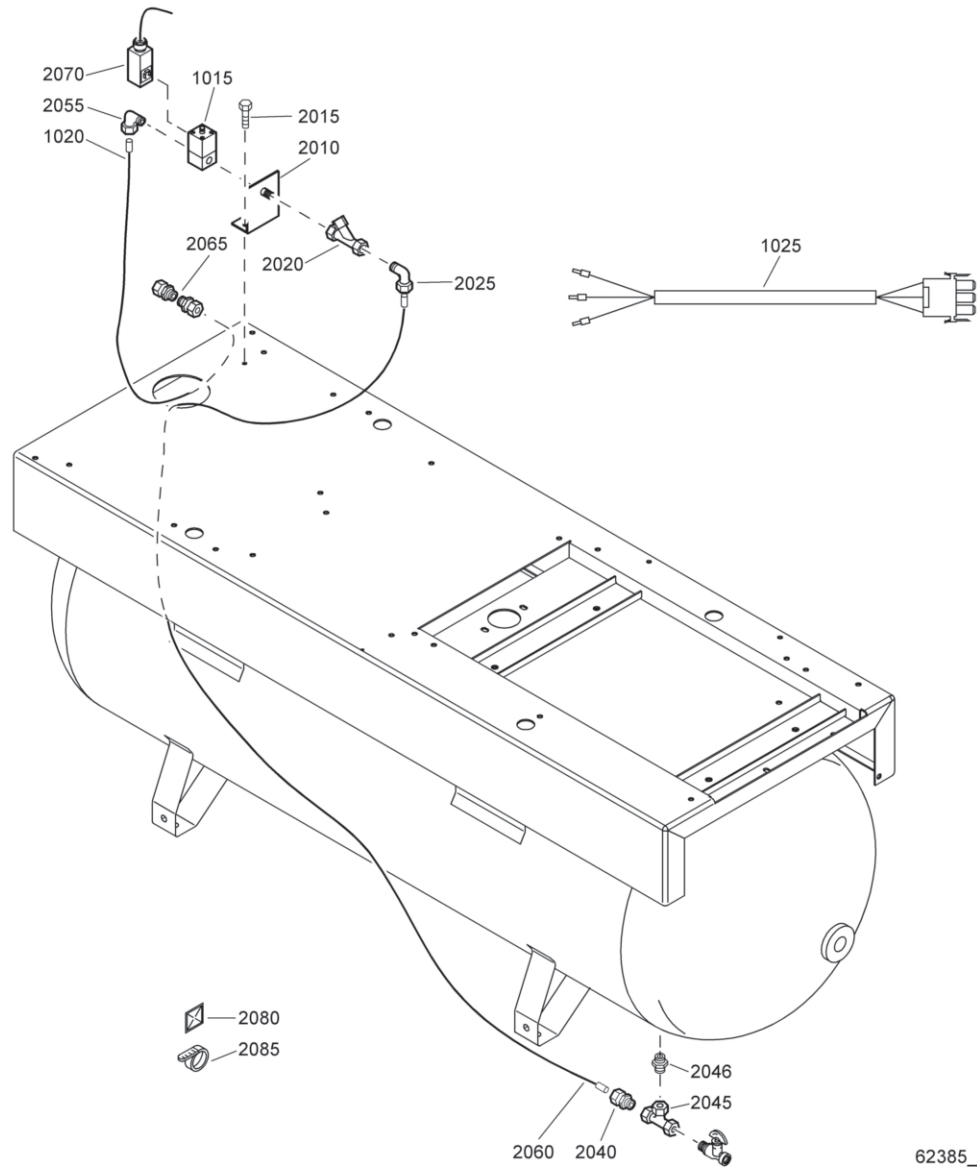


## Air Dryer

Ref.	Part number	Qty	Name	Remarks
	1617 1550 14		GX22 - IDX66 230V/50Hz IEC	
	1617 1550 15		GX22 - IDX66 200-230V/ 60Hz CSA/UL	
10030	1617 1530 80	•• 1	Anti-vibration set	
		• 1	Wiring	
	1617 3589 80		GX15 - IDX44 230V/50Hz IEC	
	1617 3587 80		GX15 - IDX44 200-220V/ 60Hz CSA/UL	
	1617 3589 80		GX18 - IDX44 230V/50Hz IEC	
	1617 3587 80		GX18 - IDX44 200-220V/ 60Hz CSA/UL	
	1617 2778 00		GX22 - IDX66 230V/50Hz IEC	
	1617 2779 00		GX22 - IDX66 200-230V/ 60Hz CSA/UL	
		• 1	<b>Fan assembly</b>	
	<b>1617 2770 81</b>		230V/50Hz IEC	
	<b>1617 2770 82</b>		200-230V/60Hz CSA/UL	
11 010		•• 1	Fanmotor	
	1617 2771 01		230V/50Hz IEC	
	1617 2771 02		200-230V/60Hz CSA/UL	
11 030	1617 2486 00	•• 1	Grating	
11 040	1617 2285 00	•• 1	Condensator fan	
11 050	1617 2772 00	•• 1	Terminal box	
11 060		•• 1	Wiring fan	
	1617 2773 01		230V/50Hz IEC	
	1617 2773 02		200-220V/60Hz CSA/UL	
12 010	1617 3499 00	• 1	Frame	
12 030		• 1	Insulation left	
	1617 2290 00		GX15 - IDX44	
	1617 2290 00		GX18 - IDX44	
	1617 2292 00		GX22 - IDX66	
12 040		• 1	Insulation right	
	1617 2291 00		GX15 - IDX44	
	1617 2291 00		GX18 - IDX44	
	1617 2293 00		GX22 - IDX66	
13 010	1089 9139 02	• 1	Pressure switch	
13 020	0226 3256 00	• 2	Screw	
13 040	0301 2315 00	• 4	Washer	
13 050	0147 1169 03	• 2	Screw	
13 060	1617 3168 00	• 1	Support	
14 010		• 1	Electrical box	
	1617 1248 00		GX22	

# 18

## Standard option - Electronic drain

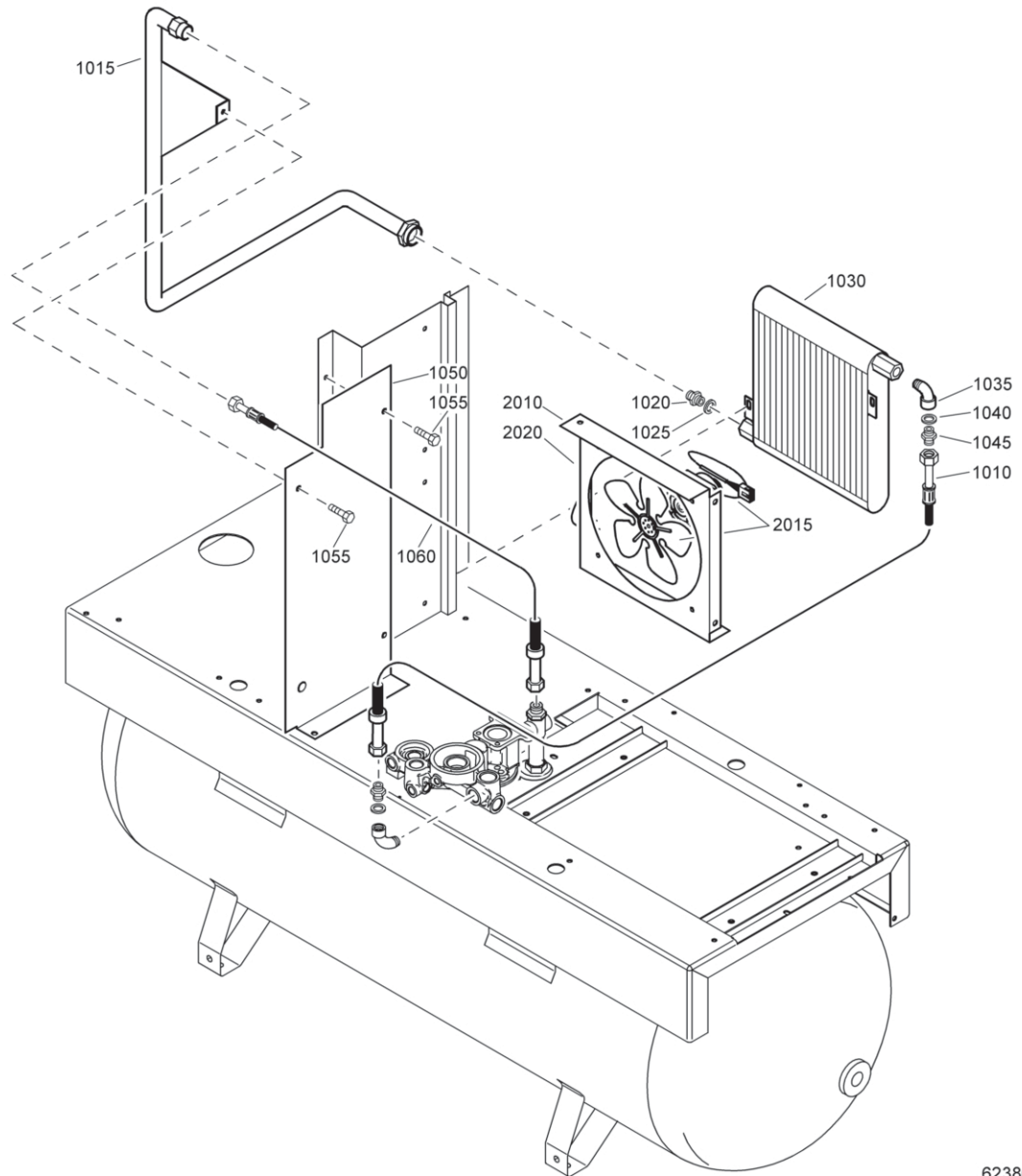


62385\_07

62385\_07

Ref.	Part number	Qty	Name	Remarks	Ref.	Part number	Qty	Name	Remarks
1015	1089 0640 20	1	Solenoid		2040	0581 0000 35	1	Coupling	
	1089 0640 21		220V/50-60Hz		2045	1503 2566 11	1	Tee	
			110V/60Hz		2046	1503 2564 11	1	Nipple	
1020	0070 6002 05	AR	Plastic tube		2055	0581 1200 26	1	Elbow coupling	
1025	1622 0682 00	1	Cable assembly		2060	0070 6002 05	AR	Plastic tube	
2010	1622 0508 00	1	Support		2065	0581 0000 55	1	Pipe coupling	
2015	1619 2766 00	1	Bolt		2070	1089 9259 20	1	Timer	
2020	2235 2607 01	1	Filter		2080	1088 1305 01	3	Push mount	
2025	0581 1200 23	1	Elbow coupling		2085	1088 1301 01	3	Cable strip	

Standard option - With aftercooler for Pack



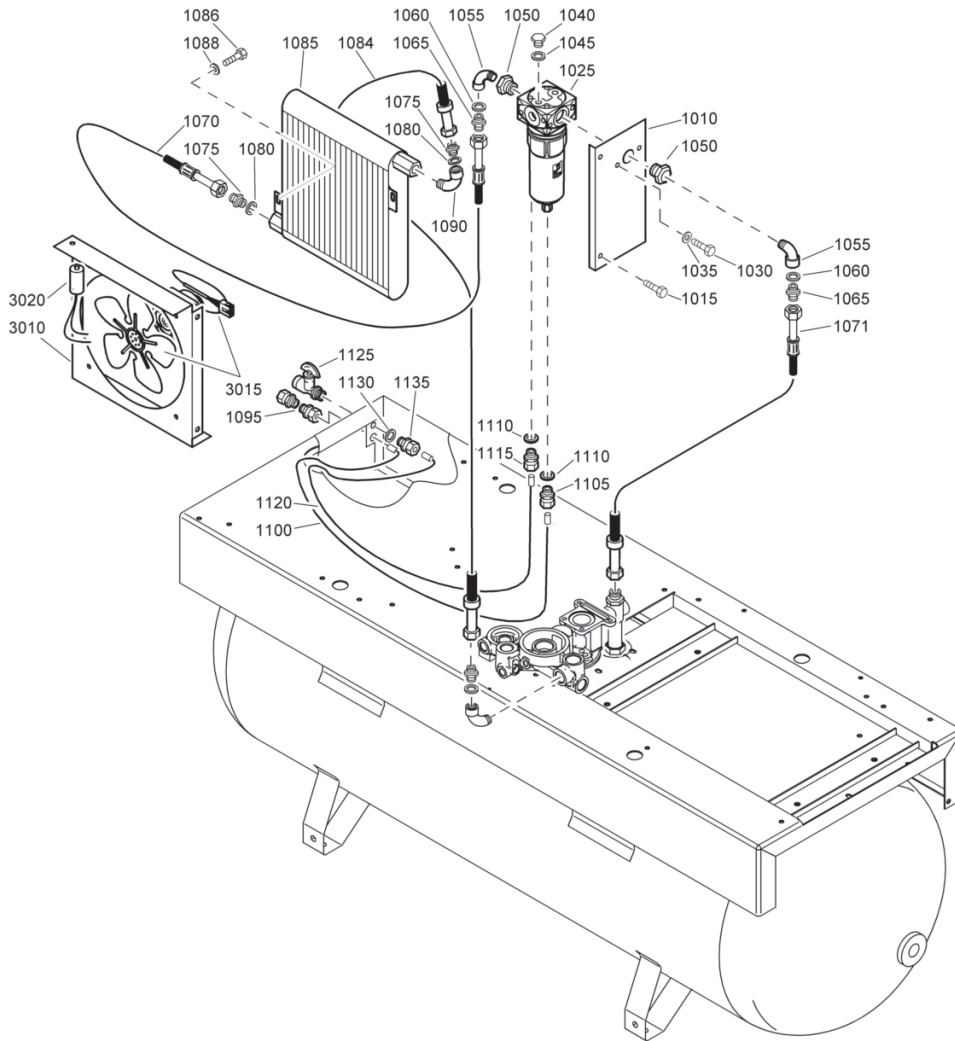
62386\_04

62386\_04

Ref.	Part number	Qty	Name	Remarks	Ref.	Part number	Qty	Name	Remarks
1010	0574 9870 06	1	Hose assembly					<b>Fan assembly</b>	
1015	1622 0389 00	1	Pipe			1622 0317 80	1	GX15 IEC	
1020	0571 0035 25	1	Hexagon nipple			1622 0317 81	1	GX15 CSA/UL	
1025	0661 1000 43	1	Seal washer			1622 0317 80	1	GX18 IEC	
1030	1622 0322 01	1	Aftercooler			1622 0317 81	1	GX18 CSA/UL	
1035	0560 4401 13	1	Elbow			1622 0317 80	2	GX22 IEC	
1040	0661 1000 43	1	Seal washer			1622 0317 81	2	GX22 CSA/UL	
1045	1619 6249 00	1	Nipple		2010	1622 0317 00	• 1	Fan support	
1050	1622 0376 00	1	Plate		2015		1	Fan assembly	
1055	0147 1323 03	4	Hexagon bolt			1622 0333 01	•	IEC	
1060	0575 0057 40	1	Hose assembly			1622 0333 02	•	CSA/UL	
					2020	1622 0334 00	• 1	Condensator	

# 20

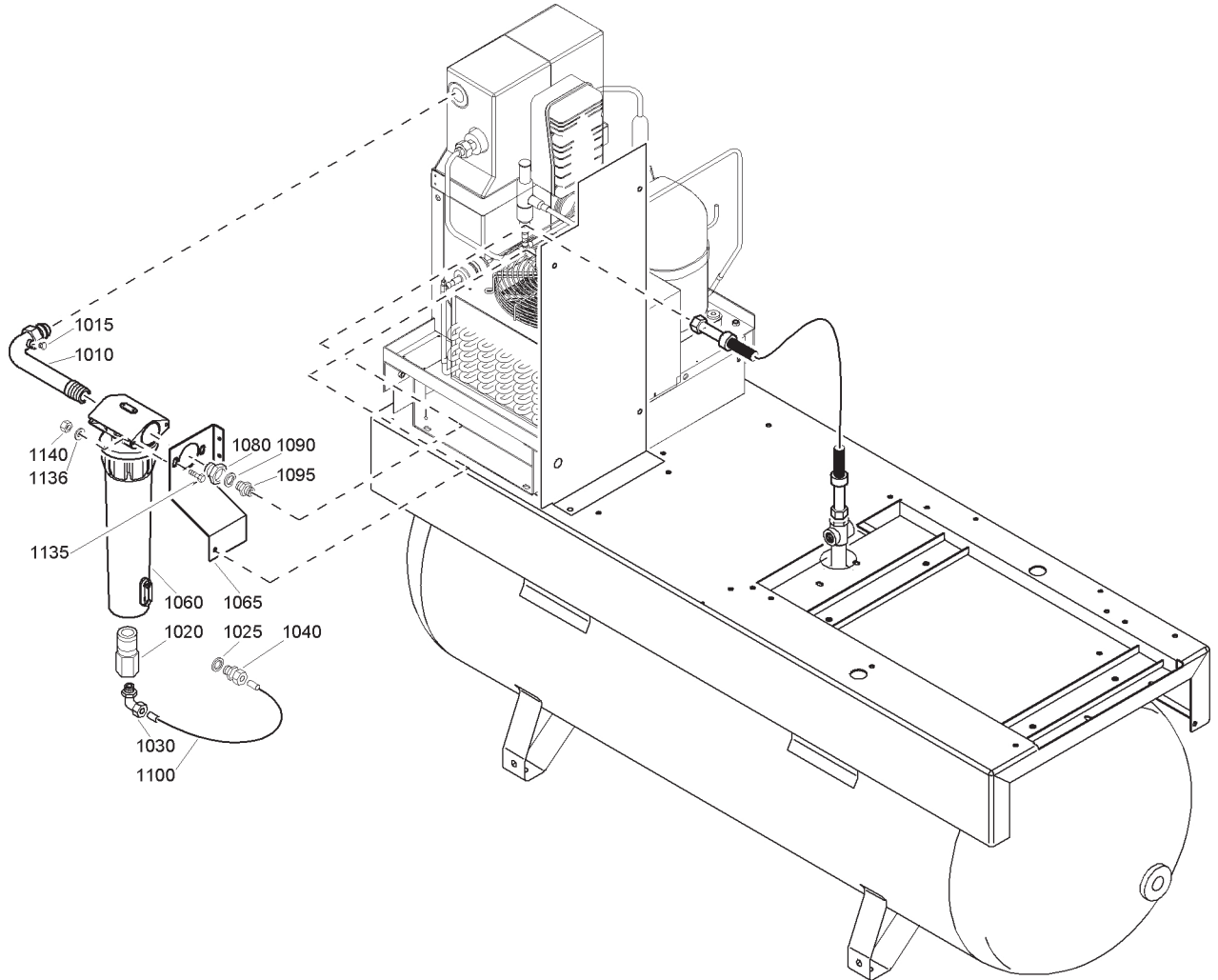
## Standard option - WSD and aftercooler for Pack



62387\_04 62387\_04

Ref.	Part number	Qty	Name	Remarks	Ref.	Part number	Qty	Name	Remarks
1010	1622 0345 00	1	Support		1088	0301 2335 00	4	Washer	
1015	1619 2766 00	2	Bolt		1090	0560 4401 13	1	Elbow	
<b>1025</b>	<b>1613 8222 80</b>	<b>1</b>	<b>WSD 25</b>		1095	0581 0000 55	1	Pipe coupling	
	0663 6128 00 •	1	O-ring		1100	0070 6002 05	AR	Plastic tube	
	0663 6124 00 •	1	O-ring		1105	0581 0000 35	1	Coupling	
	0663 9289 00 •	1	O-ring		1110	0661 1000 38	2	Seal washer	
	0663 2111 28 •	1	O-ring		1115	0581 0000 34	1	Coupling	
	0663 9004 00 ••	1	O-ring		1120	0070 6002 04	AR	Plastic tube	
1030	0147 1321 03	2	Hexagon bolt		1125	1613 8892 00	1	Cock	
1035	0301 2335 00	2	Washer		1130	0661 1000 42	1	Seal washer	
1040	0686 3716 01	1	Hexagon plug		1135	0581 0000 33	1	Coupling	
1045	0661 1000 38	1	Seal washer					<b>Fan assembly</b>	
1050	1622 0348 00	2	Bushing			<b>1622 0317 80</b>	<b>1</b>	GX15 IEC	
1055	0560 4401 13	2	Elbow			<b>1622 0317 81</b>	<b>1</b>	GX15 CSA/UL	
1060	0661 1000 43	2	Seal washer			<b>1622 0317 80</b>	<b>1</b>	GX18 IEC	
1065	1619 6249 00	2	Nipple			<b>1622 0317 81</b>	<b>1</b>	GX18 CSA/UL	
1070	0574 9870 06	1	Hose assembly			<b>1622 0317 80</b>	<b>2</b>	GX22 IEC	
1071	0575 0057 40	1	Hose assembly			<b>1622 0317 81</b>	<b>2</b>	GX22 CSA/UL	
1075	1619 6249 00	2	Nipple		3010	1622 0317 00 •	1	Fan support	
1080	0661 1000 43	2	Seal washer		3015		1	Fan assembly	
1084	0574 9870 06	1	Hose assembly			1622 0333 01 •		IEC	
1085	1622 0322 01	1	Aftercooler			1622 0333 02 •		CSA/UL	
1086	1619 2766 00	4	Bolt		3020	1622 0334 00 •	1	Condensator	

**Standard option - DD filter kit for Full-feature**



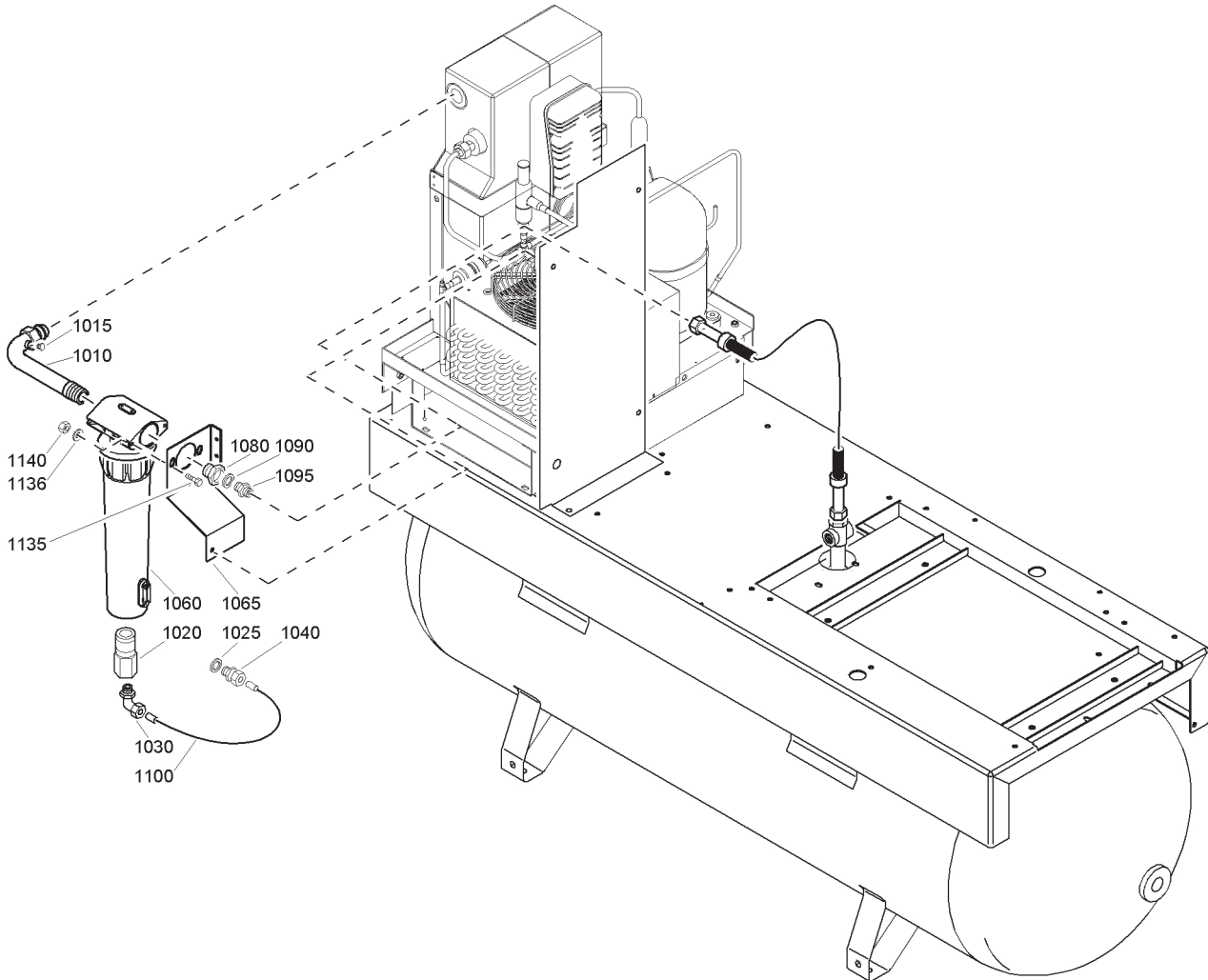
62388\_02

62388\_02

Ref.	Part number	Qty	Name	Remarks	Ref.	Part number	Qty	Name	Remarks
1010	1622 0380 00	1	Pipe		1080	1622 0348 00	1	Bushing	
1015	0686 6128 00	1	Plug		1090	0661 1000 43	1	Seal washer	
1020	1617 7082 02	1	Quick coupling		1095	1619 6249 00	1	Nipple	
1025	0661 1000 38	1	Seal washer		1100	0070 6002 05	AR	Plastic tube	
1030	0581 1200 23	1	Elbow coupling		1135	0147 1323 03	2	Hexagon bolt	
1040	0581 0000 35	1	Coupling		1136	0300 0274 34	2	Washer	
1060	1617 7218 00	1	Filter DD60		1140	0266 2110 00	2	Nut	
1065	1622 0378 00	1	Support						

# 22

## Standard option - PDX filter kit for Full-feature



62389\_02

62389\_02

Ref.	Part number	Qty	Name	Remarks	Ref.	Part number	Qty	Name	Remarks
1010	1622 0380 00	1	Pipe		1080	1622 0348 00	1	Bushing	
1015	0686 6128 00	1	Plug		1090	0661 1000 43	1	Seal washer	
1020	1617 7082 02	1	Quick coupling		1095	1619 6249 00	1	Nipple	
1025	0661 1000 38	1	Seal washer		1100	0070 6002 05	AR	Plastic tube	
1030	0581 1200 23	1	Elbow coupling		1135	0147 1323 03	2	Hexagon bolt	
1040	0581 0000 35	1	Coupling		1136	0300 0274 34	2	Washer	
1060	1617 7224 02	1	PDX60 Filter		1140	0266 2110 00	2	Nut	
1065	1622 0378 00	1	Support						

## Service kits

Ref.	Part number	Qty	Name	Remarks	Ref.	Part number	Qty	Name	Remarks
	<b>2901 0319 01</b>	<b>1</b>	<b>Element mounting kit</b>			<b>2901 0532 00</b>	<b>1</b>	<b>DD60 filter kit</b>	
	0663 7142 00 •	1	O-ring			0663 2109 60 •	1	O-ring-hamrin k	
	0663 3135 00 •	1	O-ring			0663 9244 00 •	1	O-ring	
	1616 6056 00 •	1	O-ring			1617 7040 07 •	1	Filter element	
	0663 7135 00 •	1	O-ring			2904 0120 00 •	1	Cartridge repla	
	0663 3120 00 •	1	O-ring			2904 0122 00 •	1	Label	
	0661 1000 39 •	2	seal washer			<b>2901 0868 00</b>	<b>1</b>	<b>PDX60 filter kit</b>	
	<b>2901 1580 00</b>	<b>1</b>	<b>Shaft seal kit</b>			0663 2109 60 •	1	O-ring	
	0663 2107 23 •	1	O-ring			1617 7180 03 •	1	Filter element	
	1616 5794 00 •	1	Bushing			0663 9244 00 •	1	O-ring	
	1616 6024 00 •	1	Lipseal			<b>2901 0712 00</b>	<b>1</b>	<b>WSD Service kit</b>	
	1616 6283 00 •	1	Retainer			0663 2109 81 •	1	O-ring	
	<b>2901 0002 01</b>	<b>1</b>	<b>Unloader valve kit</b>	1)		0663 2111 28 •	1	O-ring	
	0291 1110 00 •	1	Lock nut			0663 3133 00 •	3	O-ring	
	0335 2136 00 •	1	Circlip			1613 9227 80 •	1	Drain assembly	
	0335 2140 00 •	1	Circlip			<b>2901 0748 00</b>	<b>1</b>	<b>WSD Service kit</b>	
	0653 1033 00 •	1	Flat gasket			0291 1108 00 •	1	Lock nut	
	0663 2101 85 •	1	O-ring			0663 9289 00 •	1	O-ring	
	0663 2104 83 •	2	O-ring			1613 9225 00 •	1	Clamp	
	0663 2105 46 •	1	O-ring			1613 9226 00 •	1	Ring	
	0663 7132 00 •	1	O-ring			<b>2901 0866 01</b>	<b>1</b>	<b>Filter kit</b>	
	0663 7142 00 •	1	O-ring			1613 8720 00 •	1	Filter element	
	1202 6999 00 •	1	Gasket			1613 6105 01 •	1	Oil filter	
	1513 0011 00 •	1	Spring			1622 0351 01 •	1	Oil separator	
	1613 6783 00 •	1	Piston						
	1613 6802 00 •	1	Spring						
	1613 6969 00 •	2	Piston ring						
	1613 7310 00 •	1	Plate						
	1613 7699 01 •	1	Valve						
	<b>2902 0161 00</b>	<b>1</b>	<b>Unloader valve kit</b>	2)	1)	Up to serial No. :			
	0160 0996 86 •	2	Cross screw			Tot serienummer:			
	0211 1957 50 •	2	Screw			T.o.m. tillverkningsnummer:			
	0301 2318 00 •	2	Washer			Bis Seriennummer:			
	0661 1000 40 •	1	Seal washer			Jusqu'au numéro de série:			
	0663 2104 98 •	1	O-ring			Hasta el número de serie:			
	0663 2111 55 •	1	O-ring			Fino al numeri di serie:			
	0663 7142 00 •	1	O-ring			Gælder til følgende serienumre:			
	1622 1755 80 •	1	Valve ass'y			Até o número de série:			
	1622 1790 00 •	1	Guidance			Til følgende serienummer:			
	1622 1797 00 •	1	Bushing			Seuraavaan valmistusnumeroon asti, No.:			
	1622 1798 00 •	1	Quad-ring			1) API - 440 899			
	1622 2903 00 •	1	Spring guide		2)	From following serial No. onwards:			
	1622 2904 00 •	1	Spring			Geldig vanaf volgend serienummer:			
	1622 2905 00 •	1	High temperatur			Fr.o.m. tillverkningsnummer:			
	1622 2906 00 •	1	Bushing			Gültig ab Seriennummer:			
	1622 3694 80 •	1	Assembly			Valable à partir du numéro de série suivant:			
	<b>2901 0245 01</b>	<b>1</b>	<b>Oil can</b>			A partir del siguiente número de serie:			
			Roto-Inject fluid - 5l			Dai seguenti numeri di serie in avanti:			
	<b>2901 0522 00</b>	<b>1</b>	<b>Oil can</b>			Gælder fra følgende serienumre:			
			Roto-Inject fluid - 20l			A partir do número de série:			
						Fra og med følgende serienummer:			
						Alkaen valmistusnumerosta			
						2) API - 440 900			







# **Atlas Copco** Stationary Air Compressors

GX15, GX18, GX22

Parts list

What sets Atlas Copco apart as a company is our conviction that we can only excel in what we do if we provide the best possible know-how and technology to really help our customers produce, grow and succeed.

There is a unique way of achieving that - we simply call it the Atlas Copco way. It builds on **interaction**, on long-term relationships and involvement in the customers' process, needs and objectives. It means having the flexibility to adapt to the diverse demands of the people we cater for.

It's the **commitment** to our customers' business that drives our effort towards increasing their productivity through better solutions. It starts with fully supporting existing products and continuously doing things better, but it goes much further, creating advances in technology through **innovation**. Not for the sake of technology, but for the sake of our customer's bottom line and peace-of-mind.

That is how Atlas Copco will strive to remain the first choice, to succeed in attracting new business and to maintain our position as the industry leader.

