

Parts List

V30-500 Models (ACE)
V37-500 Models (ACE)
V45-500 Models (ACE)

Table Of Contents

STANDARD COMPRESSOR BUILD

1	PL31-V3045-ACE	MOTOR AND COUPLING ASSEMBLY	PAGE 3
2	PL32-V3045-ACE	DRIVE END COVER ASSEMBLY	PAGE 5
3	PL33-V3045-ACE	ROTOR AND STATOR ASSEMBLY	PAGE 7
4	PL34-V3045-ACE	NON DRIVE END ASSEMBLY	PAGE 11
5	PL35-V3045-ACE	AIR INTAKE COVER ASSEMBLY	PAGE 12
6	PL36-V3045-ACE	VACUUM VALVE ASSEMBLY	PAGE 13
7	PL37-V3045-ACE	MINIMUM PRESSURE VALVE ASSEMBLY	PAGE 14
8	PL38-V3045-ACE	UNLOADER VALVE ASSEMBLY	PAGE 15
9	PL39-V3045-ACE	SEPARATOR MANIFOLD ASSEMBLY	PAGE 17
10	PL40-V3045-ACE	BASE BUILD ASSEMBLY	PAGE 20
11	PL41-V3045-ACE	COOLER & FAN ASSEMBLY	PAGE 23
12	PL42-V3045-ACE	STARTER ASSEMBLY	PAGE 25
13	PL43-V3045-ACE	30KW 200V 50/60HZ STAR DELTA CHASSIS	PAGE 26
14	PL44-V3045-ACE	37-45KW 200V 50/60HZ STAR DELTA CHASSIS	PAGE 27
15	PL45-V3045-ACE	30KW 200-460V 60HZ DOL CHASSIS	PAGE 28
16	PL46-V3045-ACE	37-45K DOL 200-460V 60HZ DOL CHASSIS	PAGE 29
17	PL47-V3045-ACE	30-45KW 575V 60HZ DOL CHASSIS	PAGE 30
18	PL48-V3045-ACE	30KW 400V 50HZ STAR DELTA CHASSIS	PAGE 31
19	PL49-V3045-ACE	37-45KW 400V 50HZ STAR DELTA CHASSIS	PAGE 32
20	PL50-V3045-ACE	30KW 400V 50/60HZ RS CHASSIS	PAGE 33
21	PL51-V3045-ACE	37KW RS 400V 50/60HZ RS CHASSIS	PAGE 34
22	PL52-V3045-ACE	45KW RS 400V 50/60HZ RS CHASSIS	PAGE 35
23	PL53-V3045-ACE	PANEL ASSEMBLY	PAGE 36
24	PL54-V3045-ACE	SOLENOID PIPING LAYOUT	PAGE 41

Key to symbols used:



Torque setting (Nm).



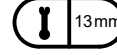
Allen key required (mm).



Grease required (Chart number).



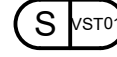
Loctite required (Specification number).



Spanner required (mm) A/F.



Lubricate with oil.



Service tool required (Tool Number).



Note: Do not mix oils.

Recommended Oils	
Fluid Force 2000	

Number	Recommended Grease	
	Number	Grease Type
1	1	Shell Albida HD2
		Mobil Mobilih SHC PM
2	2	Molykole DX Paste

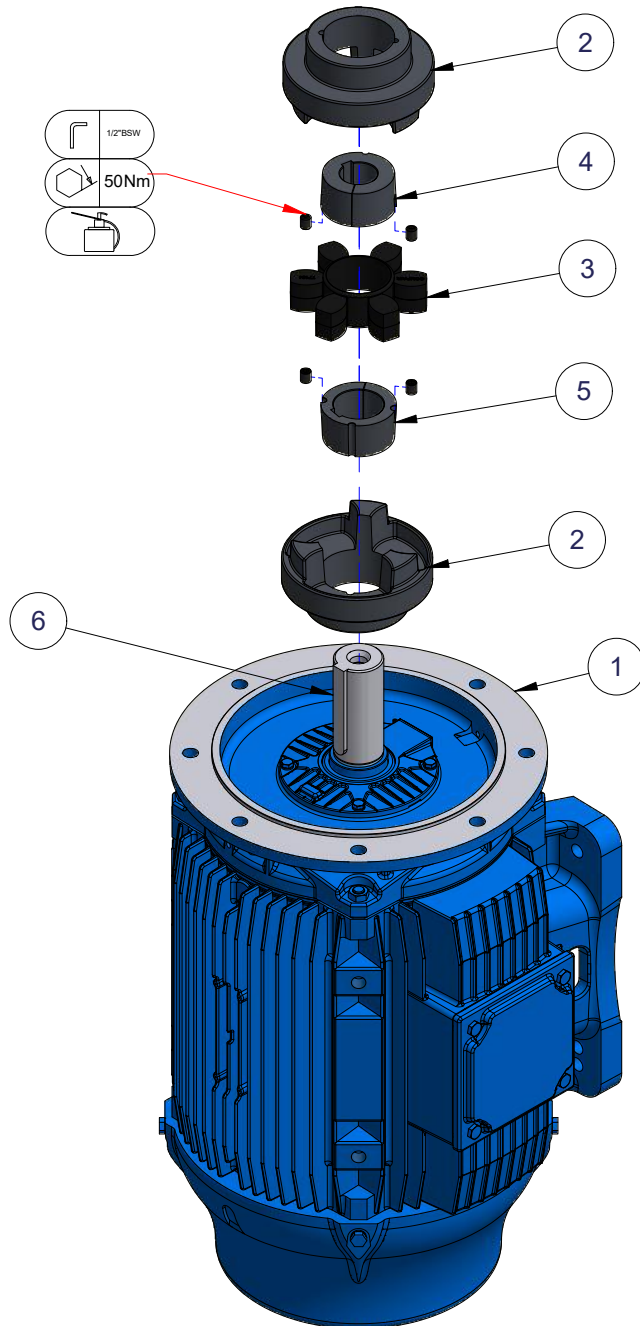
Electrical Component Terminal Torques	
Screw Size (mm)	Torque (Nm)
2.5	0.7
3	0.8
3.5	1.0
4	1.5
5	2.5
6	4.0
8	7.5
10	12.5

Torque settings & spanner sizes:

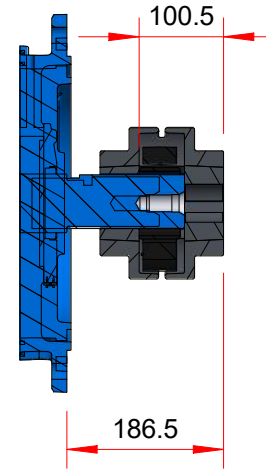
Listed below are recommended torque settings and spanner sizes.

Note: Torque settings must be applied when indicated.

Torque Settings & Spanner Sizes		
Thread Size (mm)	Setting (Nm)	Spanner Size (mm)
6	15	10
8	35	13
10	60	17
12	95	19
16	160	24
42	400	N/A

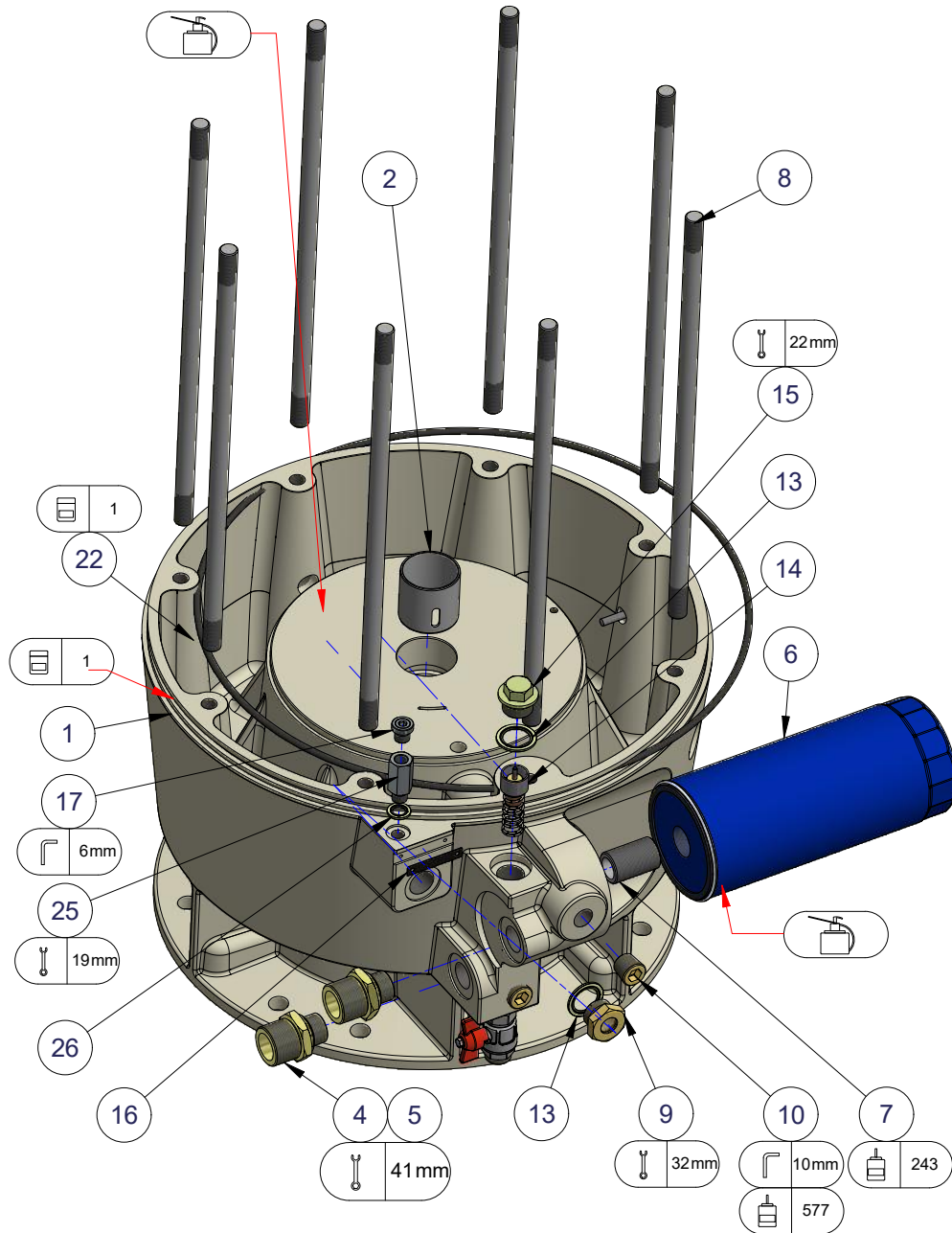


TAPER BUSH AND DRIVE COUPLING SETTING

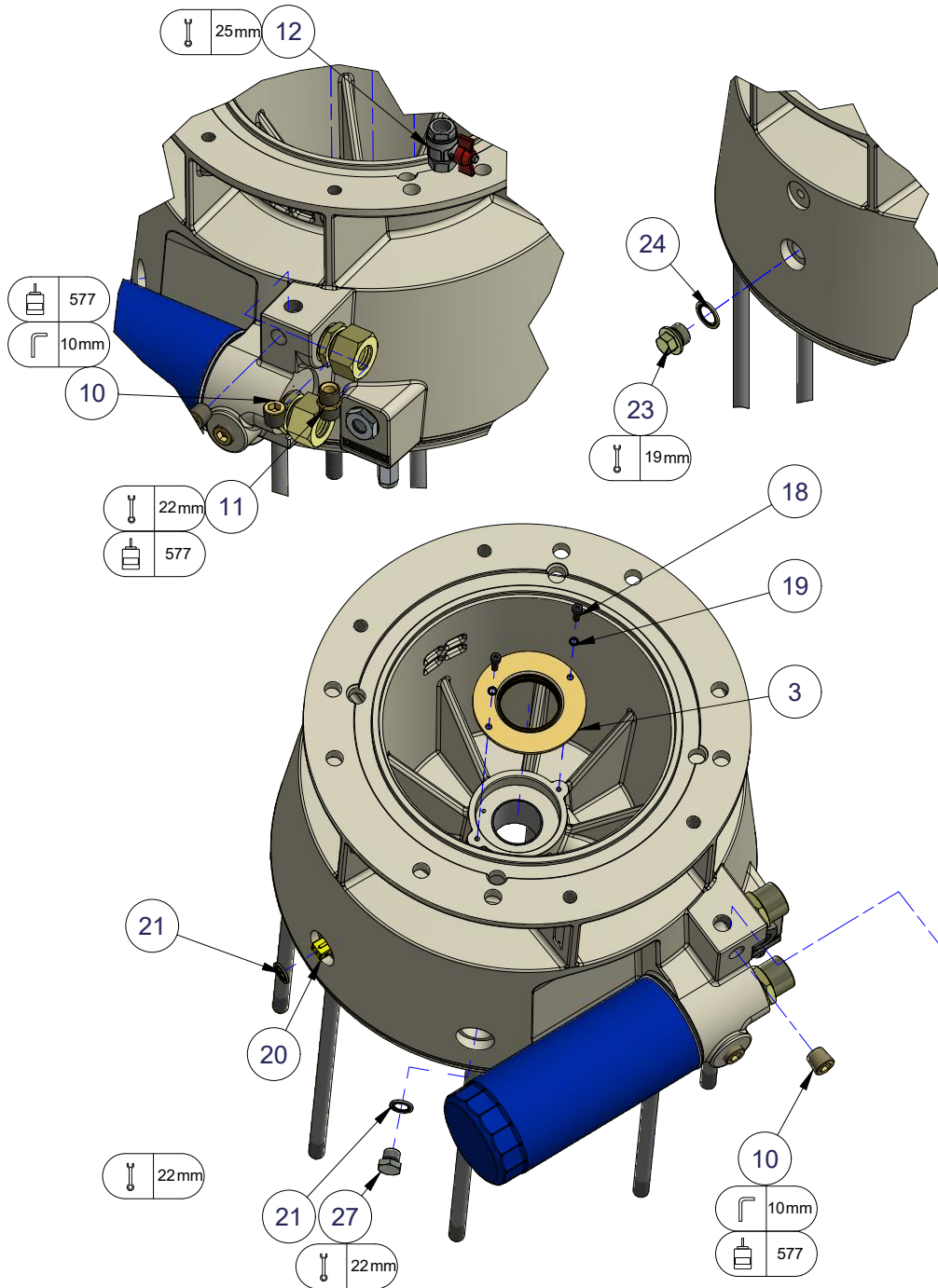


DIM A (SHAFT)	DIM B (SETTING)
110mm	
140mm	

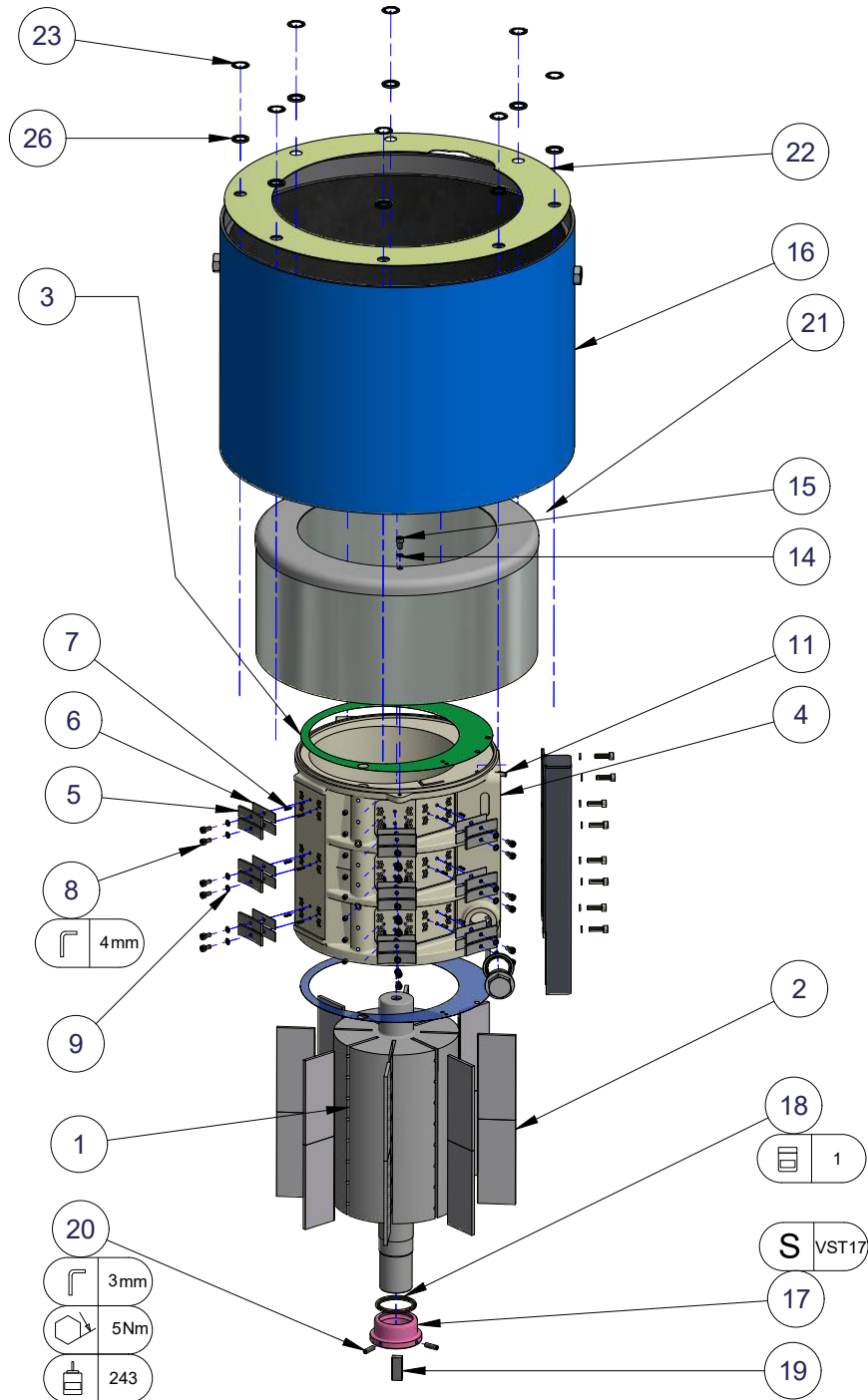
PL31-V3045-ACE-MOTOR & COUPLING ASSEMBLY							
ITEM	PART NUMBER	DESCRIPTION	KIT	QTY	V30	V37	V45
1	CC1178905	MOTOR 30KW 400V 50HZ 3PH	KBH200		1		
1	77332-65	MOTOR 30KW 230/460V 60HZ 3PH	KBH200		1		
1	77338-33	MOTOR 30KW 575V 60HZ 3PH	KBH200		1		
1	77885-64	MOTOR 30KW 200V 50/60HZ 3PH	KBH200		1		
1	CC1065042	MOTOR 30KW 460V 60HZ 3PH	KBH200		1		
1	CC1178906	MOTOR 37KW 400V 50HZ 3PH	KBV225H			1	
1	CC1076277	MOTOR 37KW 200V 50/60HZ 3PH	KBV225H			1	
1	CC1076278	MOTOR 37KW 230/460V 60HZ 3PH	KBV225H			1	
1	CC1076279	MOTOR 37KW 575V 60HZ 3PH	KBV225H			1	
1	CC1076280	MOTOR 37KW 460V 60HZ 3PH	KBV225H			1	
1	CC1178907	MOTOR 45KW 400V 50HZ 3PH	KBV225H				1
1	CC1076281	MOTOR 45KW 200V 50/60HZ 3PH	KBV225H				1
1	CC1076282	MOTOR 45KW 230/460V 60HZ 3PH	KBV225H				1
1	CC1076283	MOTOR 45KW 575V 60HZ 3PH	KBV225H				1
1	CC1076284	MOTOR 45.0KW 460V 60HZ 3PH	KBV225H				1
2	77133	DRIVE COUPLING	KT3045 & KW3045	2			
3	CZ77134	COUPLING ELEMENT		1			
4	77135	TAPER BUSH COUPLING 45MM DIA		1			
5	77136	TAPER BUSH COUPLING 55MM DIA			1		
5	77137	TAPER BUSH COUPLING 60MM DIA				1	1
6	MOTOR KEY	18x10x80LG DRIVE KEY			1		
6	MOTOR KEY	18x11x125LG DRIVE KEY				1	1



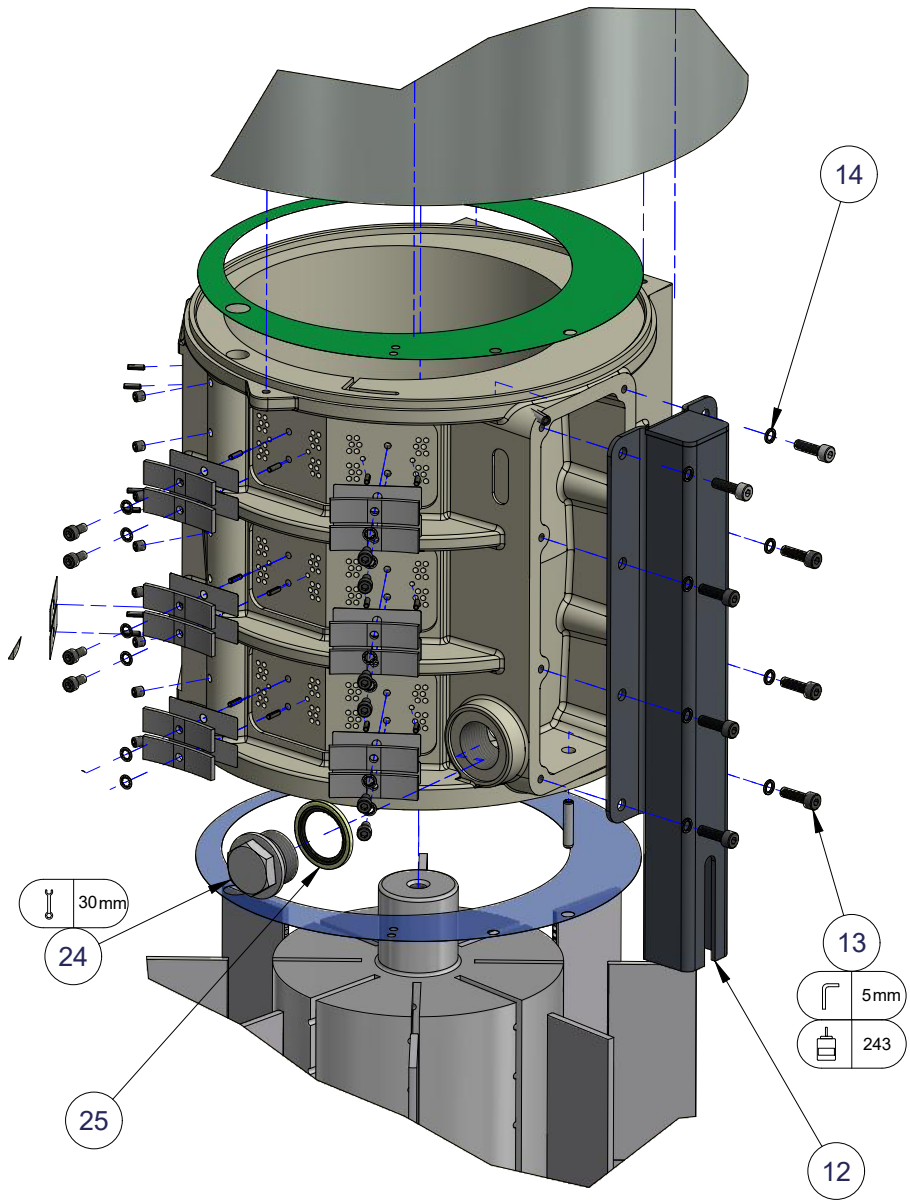
PL32-V3045-ACE - DRIVE END ASSEMBLY							
ITEM	PART NUMBER	DESCRIPTION	KIT	QTY	V30	V37	V45
1	76223	DRIVE END COVER	35207	1			
2	52403	BEARING BUSH	35207	1			
3	76270	OIL SEAL	KT3045ELS & KW3045E	1			
4	77413	G3/4"x25MM STUD COUPLING BODY		2			
5	77259	VITON SEAL 3/4"	KT3045ELS	1			
6	70301	OIL FILTER ELEMENT	KT3045ELS & KW3045E	1			
7	77200	OIL FILTER CONNECTOR	35207	1			
8	76255	STATOR STUD		8			
9	32625	SIGHT LEVEL GLASS UNIT		1			
10	59425-04	BRASS PLUG R1/2"	35207	3			
11	76139	EQUAL PIPE NIPPLE 1/2" BSPT		1			
12	77393	OUTLET TAP G1/2"		1			
13	CZ9619	BONDED SEAL G3/4"	KT3045ELS	2			
14	CC1128213	THERMAL BYPASS ASSY LONG PISTON (82 DEG)		1			
15	CC1047705	BYPASS VALVE PLUG		1			
16	74094	LABEL SERIAL NUMBER		1			
17	74859	BLANKING PLUG G1/4"	KO3045E	1			
18	MS706-20	M6 x 20 LG SKT HEAD SCREW	KT3045ELS & KW3045E	2			
19	MWG6	M6 SPRING WASHER	KT3045ELS & KW3045E	2			
20	CC1062522	TEMPERATURE SENSOR PT1000		1			
21	CZ9613	BONDED SEAL G3/8"	KT3045ELS	2			
22	CC1117939	O RING	KT3045ELS	1			
23	75020	OIL FILLER PLUG		1			
24	CZ9617	BONDED SEAL G5/8		1			
25	77815	OIL FILL ADAPTOR	KO3045E	1			
26	CZ9609	BONDED SEAL G1/4	KO3045E	1			
27	57996	DRAIN PLUG G.3/8		1			



PL32-V3045-ACE - DRIVE END ASSEMBLY							
ITEM	PART NUMBER	DESCRIPTION	KIT	QTY	V30	V37	V45
1	76223	DRIVE END COVER	35207	1			
2	52403	BEARING BUSH	35207	1			
3	76270	OIL SEAL	KT3045ELS & KW3045E	1			
4	77413	G3/4"x25MM STUD COUPLING BODY		2			
5	77259	VITON SEAL 3/4"	KT3045ELS	1			
6	70301	OIL FILTER ELEMENT	KT3045ELS & KW3045E	1			
7	77200	OIL FILTER CONNECTOR	35207	1			
8	76255	STATOR STUD		8			
9	32625	SIGHT LEVEL GLASS UNIT		1			
10	59425-04	BRASS PLUG R1/2"	35207	3			
11	76139	EQUAL PIPE NIPPLE 1/2" BSPT		1			
12	77393	OUTLET TAP G1/2"		1			
13	CZ9619	BONDED SEAL G3/4"	KT3045ELS	2			
14	CC1128213	THERMAL BYPASS ASSY LONG PISTON (82 DEG)		1			
15	CC1047705	BYPASS VALVE PLUG		1			
16	74094	LABEL SERIAL NUMBER		1			
17	74859	BLANKING PLUG G1/4"	KO3045E	1			
18	MS706-20	M6 x 20 LG SKT HEAD SCREW	KT3045ELS & KW3045E	2			
19	MWG6	M6 SPRING WASHER	KT3045ELS & KW3045E	2			
20	CC1062522	TEMPERATURE SENSOR PT1000		1			
21	CZ9613	BONDED SEAL G3/8"	KT3045ELS	2			
22	CC1117939	O RING	KT3045ELS	1			
23	75020	OIL FILLER PLUG		1			
24	CZ9617	BONDED SEAL G5/8		1			
25	77815	OIL FILL ADAPTOR	KO3045E	1			
26	CZ9609	BONDED SEAL G1/4	KO3045E	1			
27	57996	DRAIN PLUG G.3/8		1			

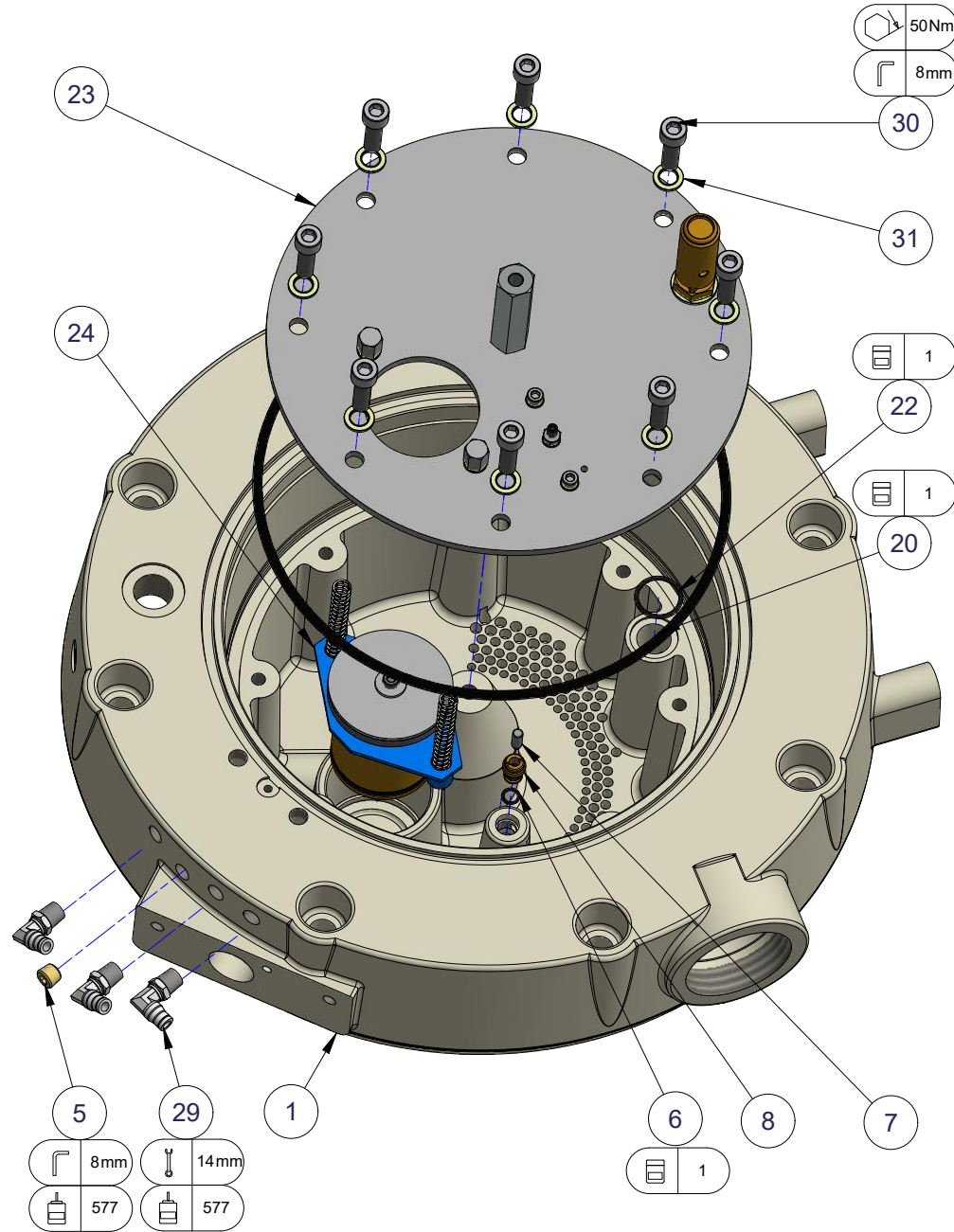


PL33-V3045-ACE - ROTOR AND STATOR ASSEMBLY							
ITEM	PART NUMBER	DESCRIPTION	KIT	QTY	V30	V37	V45
1	77742	ROTOR 30KW + (37KW 60HZ) + 30KW RS			1	1	
1	CZ77741	ROTOR 45KW + (37KW 50HZ) + (37/45KW RS)				1	1
2	77744-01	BLADE 37KW 8BAR 50HZ (45KW 8 BAR 60HZ)				16	16
2	77744-02	BLADE 37KW RS (37/45KW 10 BAR 60HZ)				16	16
2	77744-03	BLADE 37KW 8 BAR 50HZ (37KW 8 BAR 60HZ)				16	
2	77744-04	BLADE 30KW RS (30KW 10BAR 50HZ) + (37KW 10BAR 60HZ)			16	16	
2	77744-05	BLADE 45KW 8 BAR 50HZ					16
2	77744-06	BLADE 45KW RS (45KW 10BAR 50HZ)					16
2	77744-07	BLADE 30KW 8 BAR 60HZ			16		
2	77744-08	BLADE 30KW 10 BAR 60HZ			16		
3	77360-01 (BLUE)	SHIM 37KW & 45KW RS (37KW 8-10BAR 50HZ) +45KW 8-10 BAR	KT3045ELS + 35158	AS REQ			
3	77360-02 (GREEN)	SHIM 37KW & 45KW RS (37KW 8-10BAR 50HZ) + 45KW 8-10 BAR	KT3045ELS + 35158	AS REQ			
3	77361-01 (BLUE)	SHIM 30KW 8-10BAR (37KW 8-10 BAR 60HZ)	KT3045ELS + 35159	AS REQ			
3	77361-02 (GREEN)	SHIM 30KW 8-10BAR (37KW 8-10 BAR 60HZ)	KT3045ELS + 35159	AS REQ			
4	76247-01	STATOR 37KW 8 BAR 50HZ (45KW 8 BAR 60HZ)	CC1094379 + C1094384			1	1
4	76247-02	STATOR 37KW RS (37KW 10 BAR 50HZ) + (45KW 10 BAR 60HZ)	CC1094381 + CC1094386			1	1
4	76247-03	STATOR 45KW 8 BAR 50HZ	CC1094384				1
4	76247-04	STATOR 45KW RS (45KW 10 BAR 50HZ)	CC1094385				1
4	77313-01	STATOR 30KW 8 BAR 50HZ (37KW 8 BAR 60HZ)	CC1094375 + CC1094380		1	1	
4	77313-02	STATOR 30KW RS (30KW 10 BAR 50/60HZ)	CC1094377		1		
4	77313-03	STATOR 30KW 8 BAR 60HZ	CC1094376		1		
4	77313-04	STATOR 30KW 10 BAR 60HZ	CC1094378		1		
5	73700	VALVE GUARD		18			
6	CZ73198	REED VALVE		18			
7	57027	ROLL PIN		18			
8	MS705-10	M5x10 SKT HD SCREW		18			
9	73701	SHAKEPROOF WASHER M5		18			
11	75201_DOWEL 6 DIA X 30LG	DOWEL 6MM OD x 14 LG		2			
12	77805	STATOR COVER PLATE		1			
13	MS706-20	M6 x 20 LG SKT HEAD SCREW		8			
14	MWG6	M6 SPRING WASHER		11			
15	MS706-10	M6x10 SKT HD CAP SCREW		3			
16	CZ76227	MAIN HOUSING		1			
17	76269	WEAR SLEEVE	KT/KW3045E	1			
18	CZ9859	O RING	KT/KW3045E	1			
19	77161	DRIVE KEY_COMPRESSOR 30_45KW		1			
20	MG1706-20	M6x20 LG SKT SET SCREW	KT3045ELS + KW3045E	2			
21	77462	IMPINGEMENT COWL		1			
22	77463	IMPINGEMENT COWL UPPER		1			
23	77464	TOOTHED RETAINER		8			
24	53191	END CAP		1			
25	CZ9624	BONDED SEAL G1		1			
26	CZ9613	BONDED SEAL G3/8		8			
10	MG1706-06	M6 x 6 LG SKT SET SCREW		8			

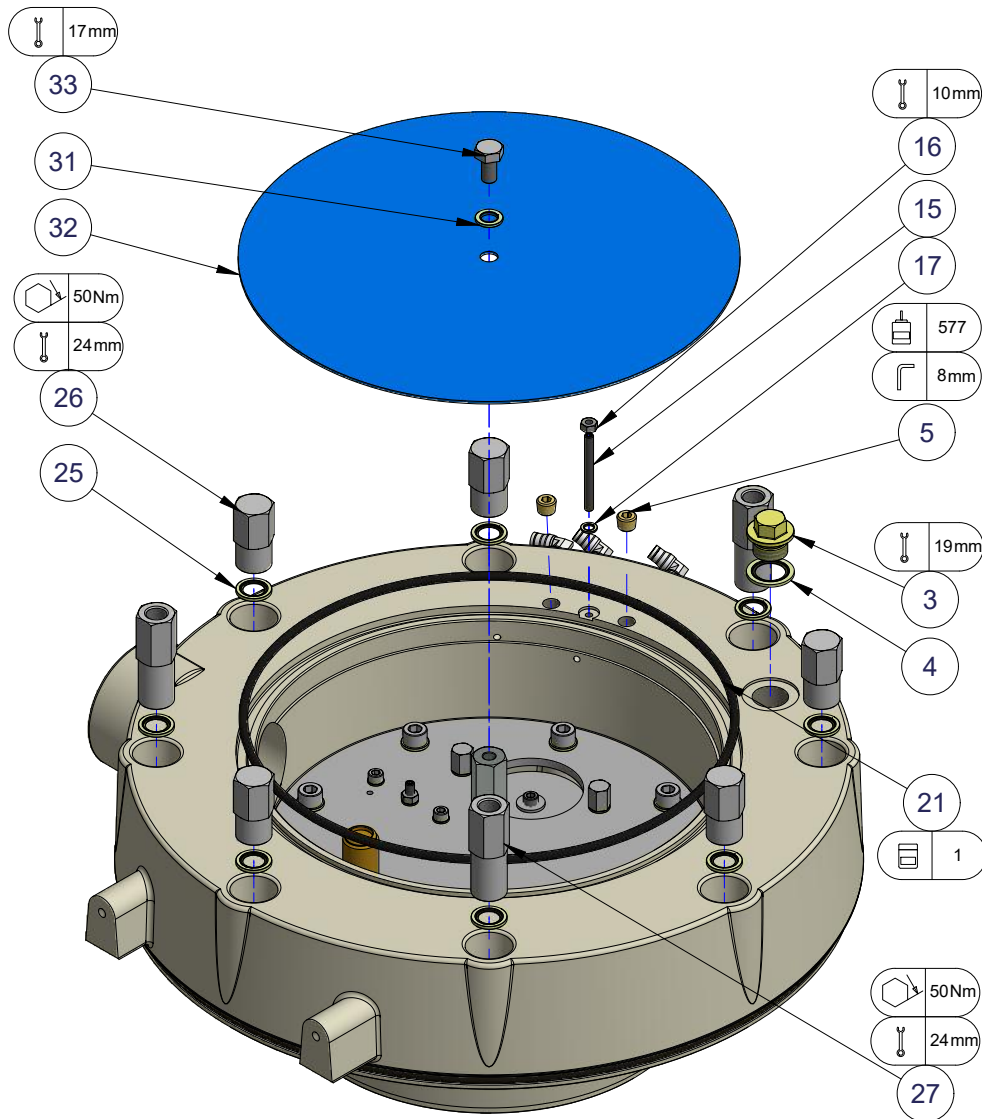


PL33-V3045-ACE - ROTOR AND STATOR ASSEMBLY

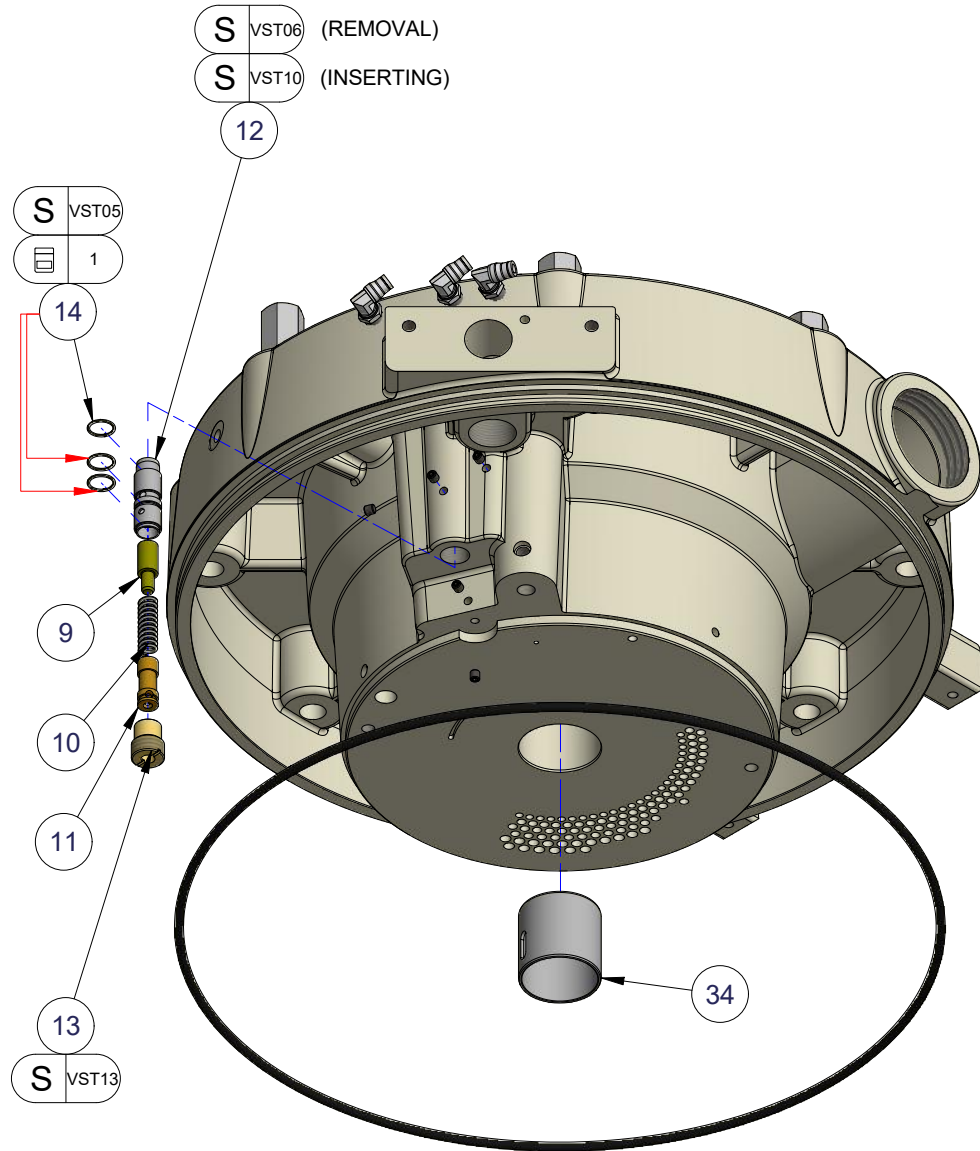
ITEM	PART NUMBER	DESCRIPTION	KIT	QTY	V30	V37	V45
1	77742	ROTOR 30KW + (37KW 60HZ) + 30KW RS			1	1	
1	CZ77741	ROTOR 45KW + (37KW 50HZ) + (37/45KW RS)				1	1
2	77744-02	BLADE 37KW RS (37/45KW 10 BAR 60HZ)				16	16
2	77744-03	BLADE 37KW 8 BAR 50HZ (37KW 8 BAR 60HZ)				16	
2	77744-04	BLADE 30KW RS (30KW 10BAR 50HZ) + (37KW 10BAR 60HZ)			16	16	
2	77744-05	BLADE 45KW 8 BAR 50HZ					16
2	77744-06	BLADE 45KW RS (45KW 10BAR 50HZ)					16
2	77744-08	BLADE 30KW 10 BAR 60HZ			16		
2	77744-07	BLADE 30KW 8 BAR 60HZ			16		
2	77744-01	BLADE 37KW 8BAR 50HZ (45KW 8 BAR 60HZ)				16	16
3	77360-01 (BLUE)	SHIM 37KW & 45KW RS (37KW 8-10BAR 50HZ) +45KW 8-10 BAR	KT3045ELS + 35158	AS REQ			
3	77360-02 (GREEN)	SHIM 37KW & 45KW RS (37KW 8-10BAR 50HZ) + 45KW 8-10 BAR	KT3045ELS + 35158	AS REQ			
3	77361-01 (BLUE)	SHIM 30KW 8-10BAR (37KW 8-10 BAR 60HZ)	KT3045ELS + 35159	AS REQ			
3	77361-02 (GREEN)	SHIM 30KW 8-10BAR (37KW 8-10 BAR 60HZ)	KT3045ELS + 35159	AS REQ			
4	76247-01	STATOR 37KW 8 BAR 50HZ (45KW 8 BAR 60HZ)	CC1094379 + C1094384			1	1
4	76247-02	STATOR 37KW RS (37KW 10 BAR 50HZ) + (45KW 10 BAR 60HZ)	CC1094381 + CC1094386			1	1
4	76247-03	STATOR 45KW 8 BAR 50HZ	CC1094384				1
4	76247-04	STATOR 45KW RS (45KW 10 BAR 50HZ)	CC1094385				1
4	77313-01	STATOR 30KW 8 BAR 50HZ (37KW 8 BAR 60HZ)	CC1094375 + CC1094380		1	1	
4	77313-02	STATOR 30KW RS (30KW 10 BAR 50/60HZ)	CC1094377		1		
4	77313-03	STATOR 30KW 8 BAR 60HZ	CC1094376		1		
4	77313-04	STATOR 30KW 10 BAR 60HZ	CC1094378		1		
5	73700	VALVE GUARD		18			
6	CZ73198	REED VALVE		18			
7	57027	ROLL PIN		18			
8	MS705-10	M5x10 SKT HD SCREW		18			
9	73701	SHAKEPROOF WASHER M5		18			
11	75201_DOWEL 6 DIA X 30LG	DOWEL 6MM OD x 14 LG		2			
12	77805	STATOR COVER PLATE		1			
13	MS706-20	M6 x 20 LG SKT HEAD SCREW		8			
14	MWG6	M6 SPRING WASHER		11			
15	MS706-10	M6x10 SKT HD CAP SCREW		3			
16	CZ76227	MAIN HOUSING		1			
17	76269	WEAR SLEEVE	KT/KW3045E	1			
18	CZ9859	O RING	KT/KW3045E	1			
19	77161	DRIVE KEY_COMPRESSOR 30_45KW		1			
20	MG1706-20	M6x20 LG SKT SET SCREW	KT3045ELS + KW3045E	2			
21	77462	IMPINGEMENT COWL		1			
22	77463	IMPINGEMENT COWL UPPER		1			
23	77464	TOOTHED RETAINER		8			
24	53191	END CAP		1			
25	CZ9624	BONDED SEAL G1		1			
26	CZ9613	BONDED SEAL G3/8		8			
10	MG1706-06	M6 x 6 LG SKT SET SCREW		8			



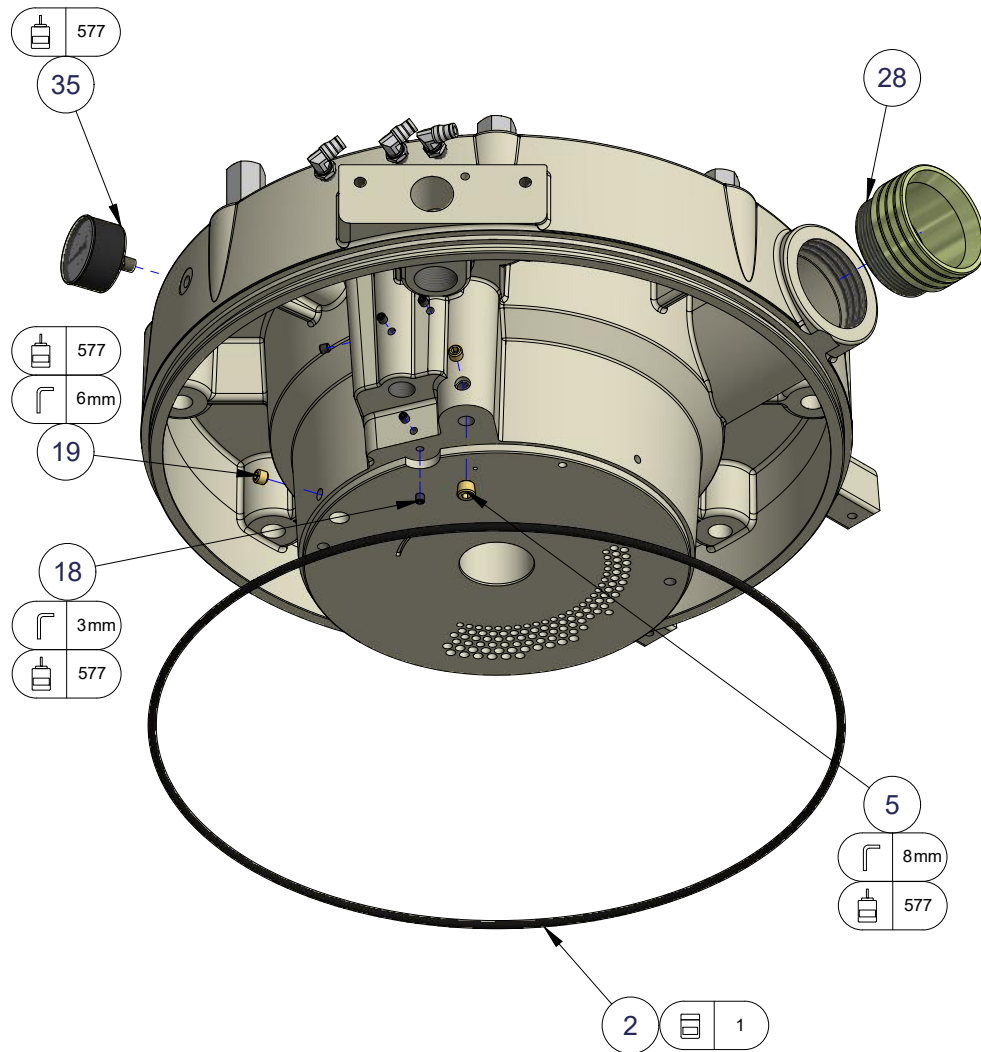
PL34-V3045-ACE - NON DRIVE END ASSEMBLY							
ITEM	PART NUMBER	DESCRIPTION	KIT	QTY	V30	V37	V45
1	77781	NDE COVER	35248	1			
2	CZ9911	O RING		1			
3	75020	OIL FILLER PLUG		1			
4	CZ9617	BONDED SEAL G5/8		1			
5	59425-02	PLUG R1/4"	35248	4			
6	9706	O-RING (0081-16) VITON	KT3045ELS	1			
7	75313	VACUUM VALVE STEM		1			
8	75312	VACUUM VALVE INSERT		1			
9	76030	SERVO ADJUSTER PLUG		1			
10	71564	SPRING-SERVO VALVE		1			
11	50105	SERVO PISTON		1			
12	75258	SERVO SLEEVE	35248	1			
13	75018	SERVO VALVE PLUG		1			
14	9712	O' RING	35248 + KT3045ELS	3			
15	MG1706-60	M6x60 SET GRUB SCREW		1			
16	MN106	M6 NUT		1			
17	CZ9604	BONDED SEAL M6	KT3045ELS	1			
18	MG1706-05	M6x5 LG SKT SET SCREW		5			
19	59425-01	PLUG R1/8"	35248	2			
20	CZ9901	O-RING	KT3045ELS	1			
21	CZ9904	O-RING	KT3045ELS	1			
22	CZ9758	O-RING	KT3045ELS	1			
23	PL35-V3045-ACE	AIR INTAKE COVER ASSEMBLY		1			
24	PL38-V3045-ACE	UNLOADER VALVE ASSEMBLY		1			
25	CZ9613	BONDED SEAL G3/8"	KT3045ELS	8			
26	CZ75941	STATOR NUT		5			
27	77019	EXTENDED STATOR NUT		3			
28	77122	AIR FILTER CONNECTOR		1			
29	73283	ELBOW R1/4"-6mm	KT3045ELS	3			
30	MS710-35	M10x35 SKT HD CAP SCREWS		8			
31	CZ9607	BONDED SEAL M10	KT3045ELS	9			
32	76207	AIR FILTER SUPPORT		1			
33	MS110-20	M10x20 HEX HEAD SCREW		1			
34	52403	BEARING BUSH	35248	1			
35	56391	PRESSURE GAUGE -15 BAR	KT3045ELS	1			



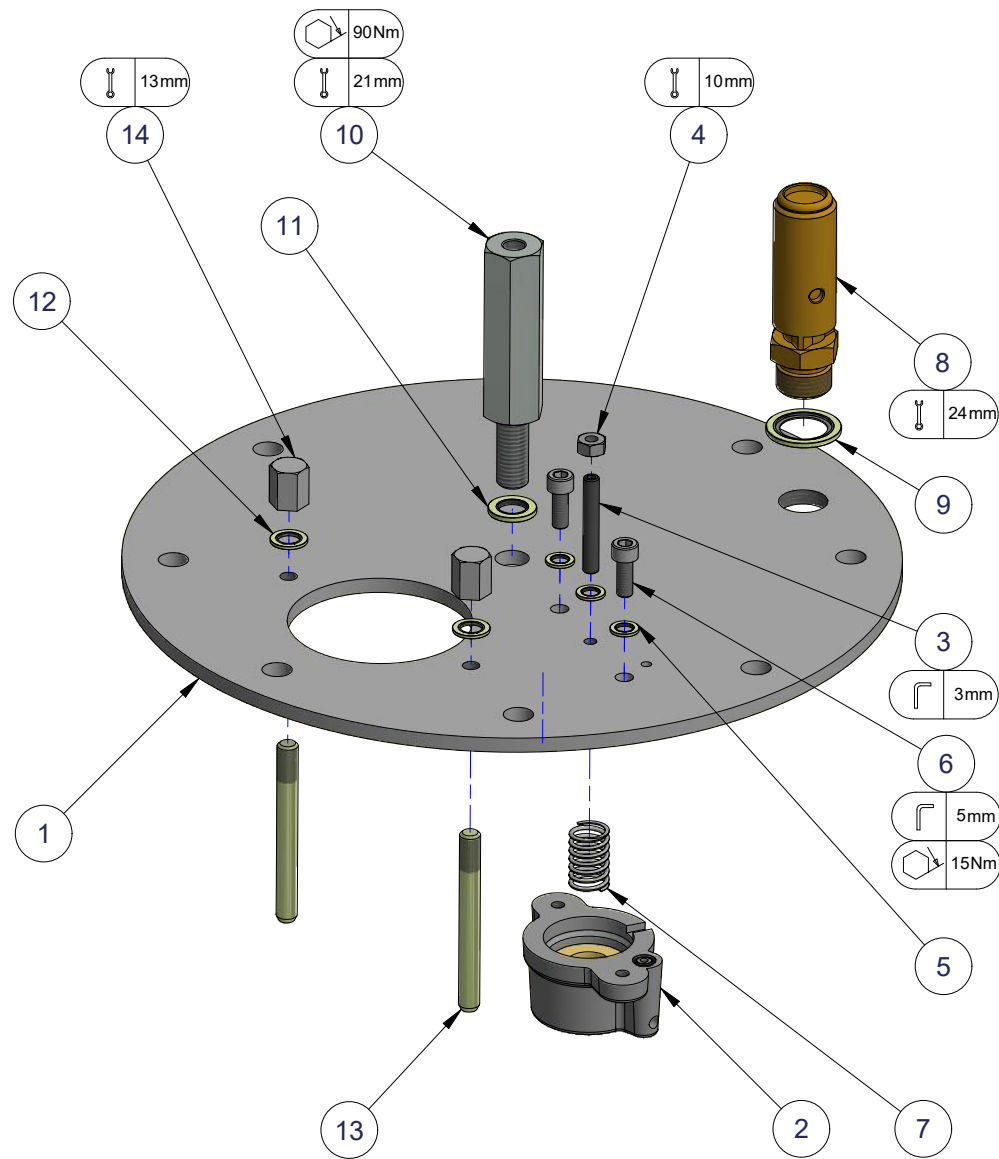
PL34-V3045-ACE - NON DRIVE END ASSEMBLY							
ITEM	PART NUMBER	DESCRIPTION	KIT	QTY	V30	V37	V45
1	77781	NDE COVER	35248	1			
2	CZ9911	O RING		1			
3	75020	OIL FILLER PLUG		1			
4	CZ9617	BONDED SEAL G5/8		1			
5	59425-02	PLUG R1/4"	35248	4			
6	9706	O-RING (0081-16) VITON	KT3045ELS	1			
7	75313	VACUUM VALVE STEM		1			
8	75312	VACUUM VALVE INSERT		1			
9	76030	SERVO ADJUSTER PLUG		1			
10	71564	SPRING-SERVO VALVE		1			
11	50105	SERVO PISTON		1			
12	75258	SERVO SLEEVE	35248	1			
13	75018	SERVO VALVE PLUG		1			
14	9712	O' RING	35248 + KT3045ELS	3			
15	MG1706-60	M6x60 SET GRUB SCREW		1			
16	MN106	M6 NUT		1			
17	CZ9604	BONDED SEAL M6	KT3045ELS	1			
18	MG1706-05	M6x5 LG SKT SET SCREW		5			
19	59425-01	PLUG R1/8"	35248	2			
20	CZ9901	O-RING	KT3045ELS	1			
21	CZ9904	O-RING	KT3045ELS	1			
22	CZ9758	O-RING	KT3045ELS	1			
23	PL35-V3045-ACE	AIR INTAKE COVER ASSEMBLY		1			
24	PL38-V3045-ACE	UNLOADER VALVE ASSEMBLY		1			
25	CZ9613	BONDED SEAL G3/8"	KT3045ELS	8			
26	CZ75941	STATOR NUT		5			
27	77019	EXTENDED STATOR NUT		3			
28	77122	AIR FILTER CONNECTOR		1			
29	73283	ELBOW R1/4"-6mm	KT3045ELS	3			
30	MS710-35	M10x35 SKT HD CAP SCREWS		8			
31	CZ9607	BONDED SEAL M10	KT3045ELS	9			
32	76207	AIR FILTER SUPPORT		1			
33	MS110-20	M10x20 HEX HEAD SCREW		1			
34	52403	BEARING BUSH	35248	1			
35	56391	PRESSURE GAUGE -15 BAR	KT3045ELS	1			



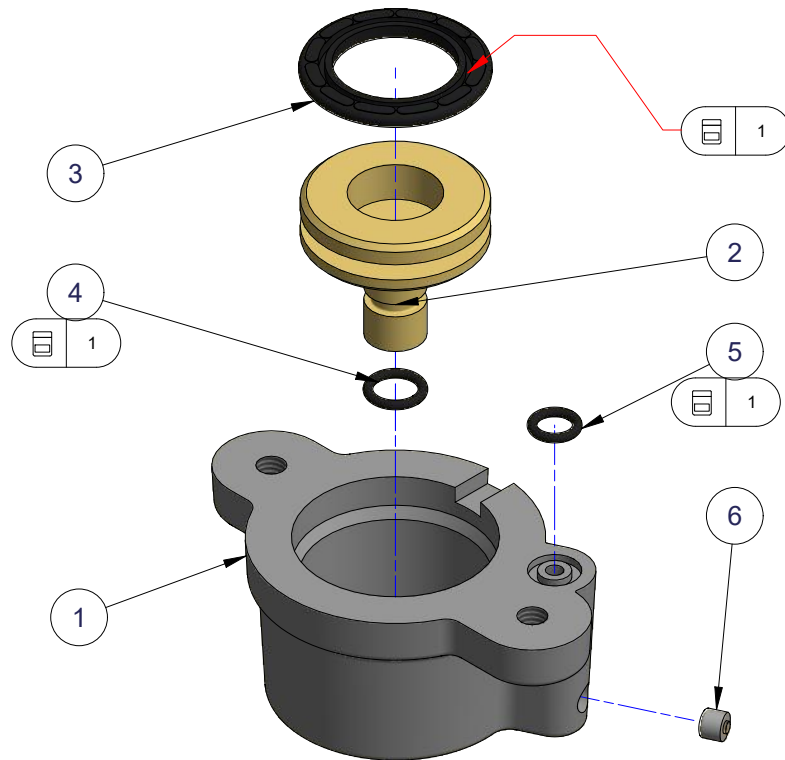
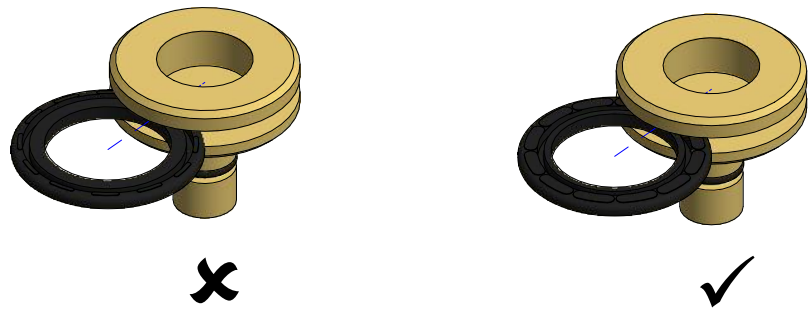
PL34-V3045-ACE - NON DRIVE END ASSEMBLY							
ITEM	PART NUMBER	DESCRIPTION	KIT	QTY	V30	V37	V45
1	77781	NDE COVER	35248	1			
2	CZ9911	O RING		1			
3	75020	OIL FILLER PLUG		1			
4	CZ9617	BONDED SEAL G5/8		1			
5	59425-02	PLUG R1/4"	35248	4			
6	9706	O-RING (0081-16) VITON	KT3045ELS	1			
7	75313	VACUUM VALVE STEM		1			
8	75312	VACUUM VALVE INSERT		1			
9	76030	SERVO ADJUSTER PLUG		1			
10	71564	SPRING-SERVO VALVE		1			
11	50105	SERVO PISTON		1			
12	75258	SERVO SLEEVE	35248	1			
13	75018	SERVO VALVE PLUG		1			
14	9712	O' RING	35248 + KT3045ELS	3			
15	MG1706-60	M6x60 SET GRUB SCREW		1			
16	MN106	M6 NUT		1			
17	CZ9604	BONDED SEAL M6	KT3045ELS	1			
18	MG1706-05	M6x5 LG SKT SET SCREW		5			
19	59425-01	PLUG R1/8"	35248	2			
20	CZ9901	O-RING	KT3045ELS	1			
21	CZ9904	O-RING	KT3045ELS	1			
22	CZ9758	O-RING	KT3045ELS	1			
23	PL35-V3045-ACE	AIR INTAKE COVER ASSEMBLY		1			
24	PL38-V3045-ACE	UNLOADER VALVE ASSEMBLY		1			
25	CZ9613	BONDED SEAL G3/8"	KT3045ELS	8			
26	CZ75941	STATOR NUT		5			
27	77019	EXTENDED STATOR NUT		3			
28	77122	AIR FILTER CONNECTOR		1			
29	73283	ELBOW R1/4"-6mm	KT3045ELS	3			
30	MS710-35	M10x35 SKT HD CAP SCREWS		8			
31	CZ9607	BONDED SEAL M10	KT3045ELS	9			
32	76207	AIR FILTER SUPPORT		1			
33	MS110-20	M10x20 HEX HEAD SCREW		1			
34	52403	BEARING BUSH	35248	1			
35	56391	PRESSURE GAUGE -15 BAR	KT3045ELS	1			



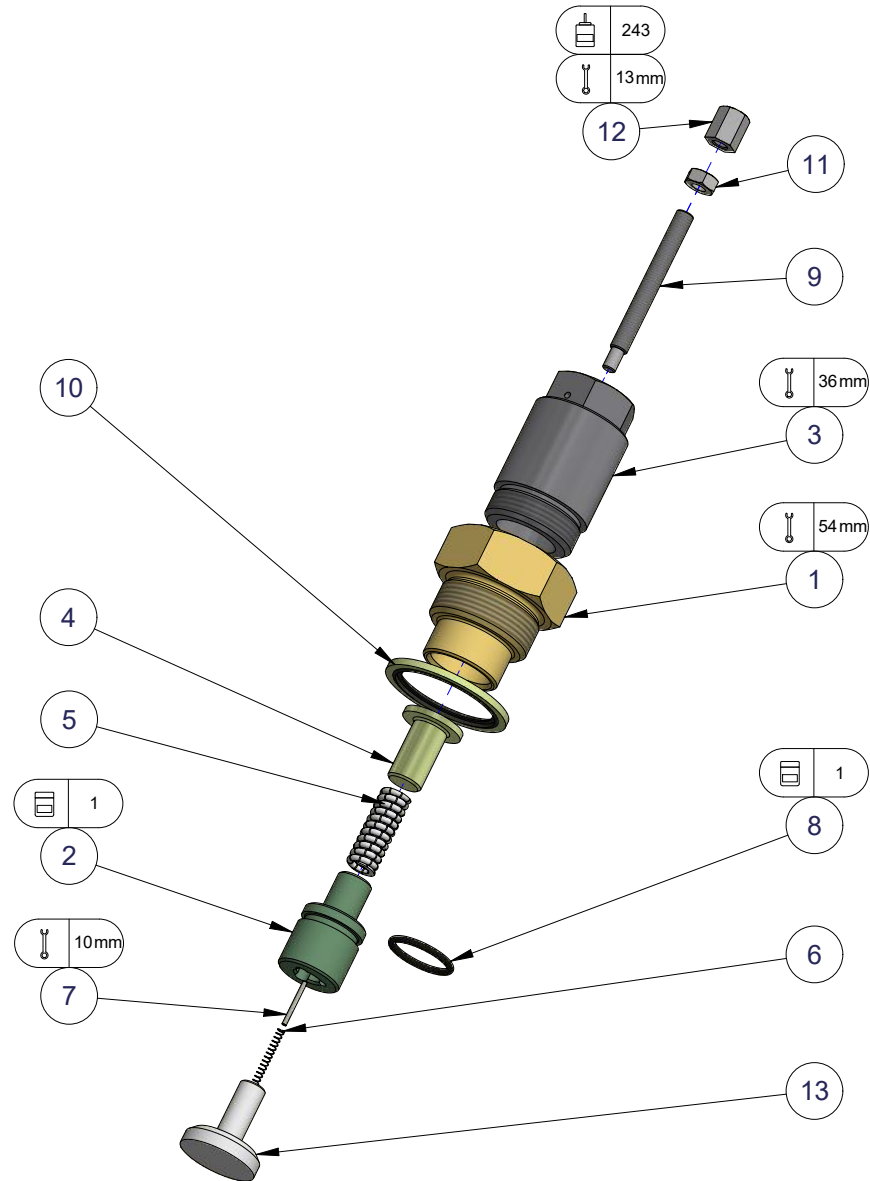
PL34-V3045-ACE - NON DRIVE END ASSEMBLY							
ITEM	PART NUMBER	DESCRIPTION	KIT	QTY	V30	V37	V45
1	77781	NDE COVER	35248	1			
2	CZ9911	O RING		1			
3	75020	OIL FILLER PLUG		1			
4	CZ9617	BONDED SEAL G5/8		1			
5	59425-02	PLUG R1/4"	35248	4			
6	9706	O-RING (0081-16) VITON	KT3045ELS	1			
7	75313	VACUUM VALVE STEM		1			
8	75312	VACUUM VALVE INSERT		1			
9	76030	SERVO ADJUSTER PLUG		1			
10	71564	SPRING-SERVO VALVE		1			
11	50105	SERVO PISTON		1			
12	75258	SERVO SLEEVE	35248	1			
13	75018	SERVO VALVE PLUG		1			
14	9712	O' RING	35248 + KT3045ELS	3			
15	MG1706-60	M6x60 SET GRUB SCREW		1			
16	MN106	M6 NUT		1			
17	CZ9604	BONDED SEAL M6	KT3045ELS	1			
18	MG1706-05	M6x5 LG SKT SET SCREW		5			
19	59425-01	PLUG R1/8"	35248	2			
20	CZ9901	O-RING	KT3045ELS	1			
21	CZ9904	O-RING	KT3045ELS	1			
22	CZ9758	O-RING	KT3045ELS	1			
23	PL35-V3045-ACE	AIR INTAKE COVER ASSEMBLY		1			
24	PL38-V3045-ACE	UNLOADER VALVE ASSEMBLY		1			
25	CZ9613	BONDED SEAL G3/8"	KT3045ELS	8			
26	CZ75941	STATOR NUT		5			
27	77019	EXTENDED STATOR NUT		3			
28	77122	AIR FILTER CONNECTOR		1			
29	73283	ELBOW R1/4"-6mm	KT3045ELS	3			
30	MS710-35	M10x35 SKT HD CAP SCREWS		8			
31	CZ9607	BONDED SEAL M10	KT3045ELS	9			
32	76207	AIR FILTER SUPPORT		1			
33	MS110-20	M10x20 HEX HEAD SCREW		1			
34	52403	BEARING BUSH	35248	1			
35	56391	PRESSURE GAUGE -15 BAR	KT3045ELS	1			



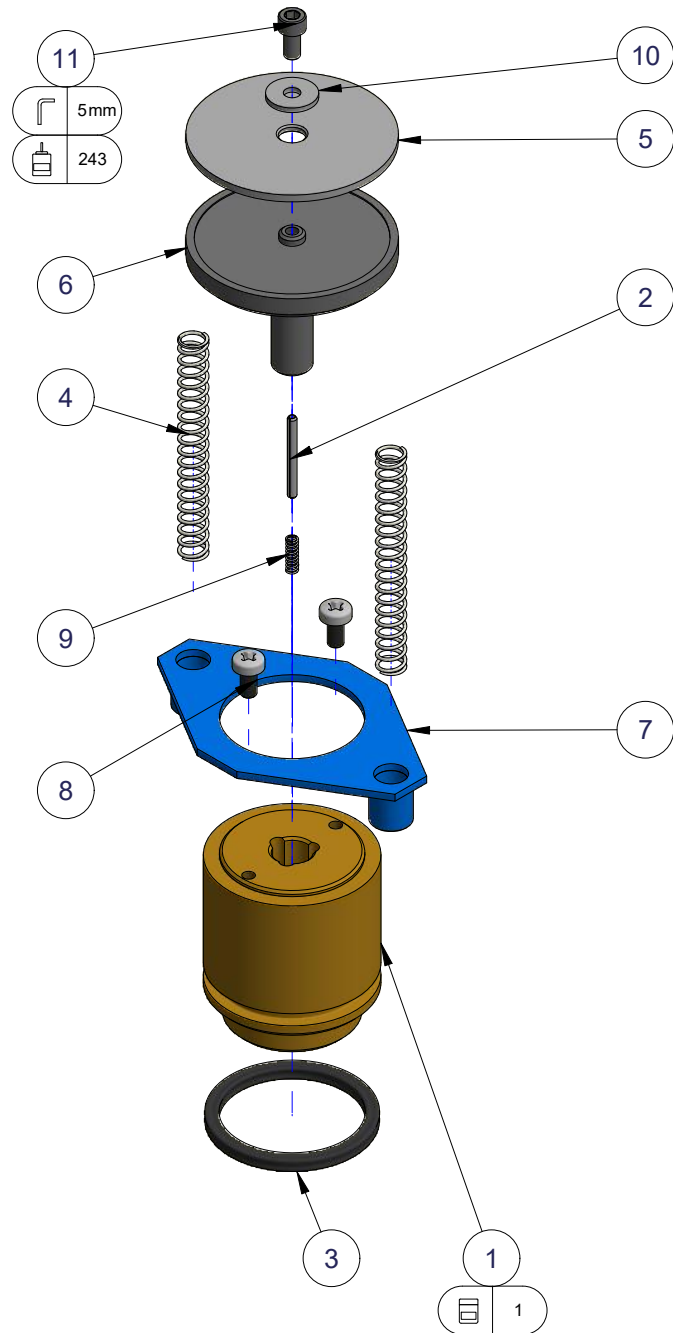
PL35-V3045-ACE - AIR INTAKE COVER ASSEMBLY							
ITEM	PART NUMBER	DESCRIPTION	KIT	QTY	V30	V37	V45
1	CZ76229	INTAKE COVER		1			
2	PL36-V3045-ACE	VACUUM VALVE ASSEMBLY		1			
3	MG706-40	M6x40 GRUB SCREW		1			
4	MN106	M6 NUT		1			
5	CZ9604	BONDED SEAL M6	KT3045ELS	3			
6	MS706-16	M6x16 SOCKET HEAD SCREW		2			
7	RO20000-79	SPRING		1			
8	53399	SAFETY VALVE (8BAR)		1			
8	CZ73146	SAFETY VALVE (10BAR)		1			
9	CZ9616	BONDED SEAL G1/2	KT3045ELS	1			
10	77395	AIR FILTER SPACER		1			
12	CZ9605	BONDED SEAL M8	KT3045ELS	2			
13	77406	UNLOADER VALVE GUIDE	KT3045ELS	2			
14	58353	CAP NUT		2			
11	CZ9607	BONDED SEAL M10		1			



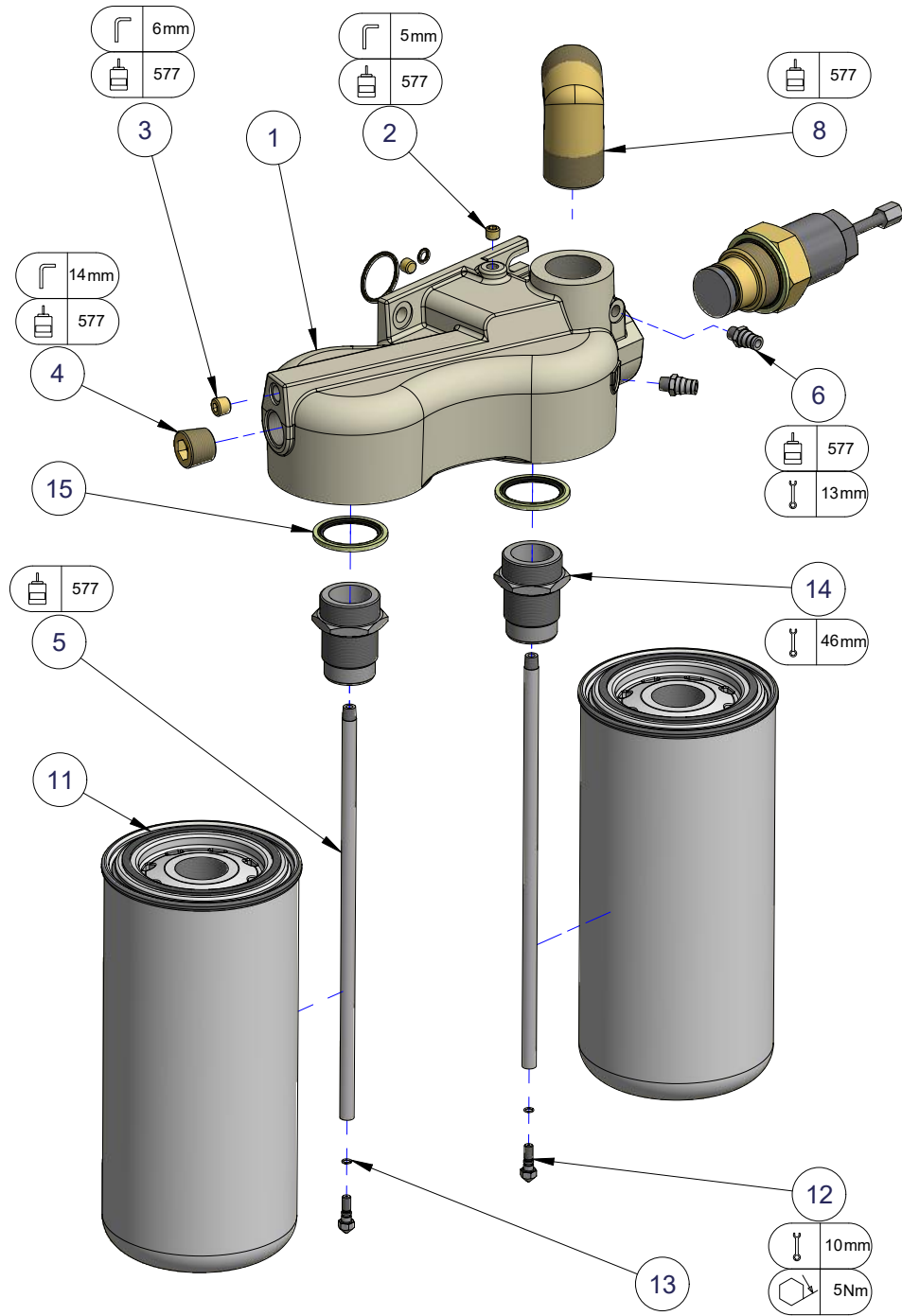
PL36-V3045-ACE - VACUUM VALVE ASSEMBLY							
ITEM	PART NUMBER	DESCRIPTION	KIT	QTY	V30	V37	V45
1	75948	VACUUM VALVE HSG		1			
2	75963	VACUUM VALVE STEM		1			
3	57596	VACUUM VALVE SEAL	KT3045ELS	1			
4	CZ9705	O RING	KT3045ELS	1			
5	9704	O-RING (0061-16) VITON	KT3045ELS	1			
6	58607	AVDEL SEAL 5MM DIA		1			



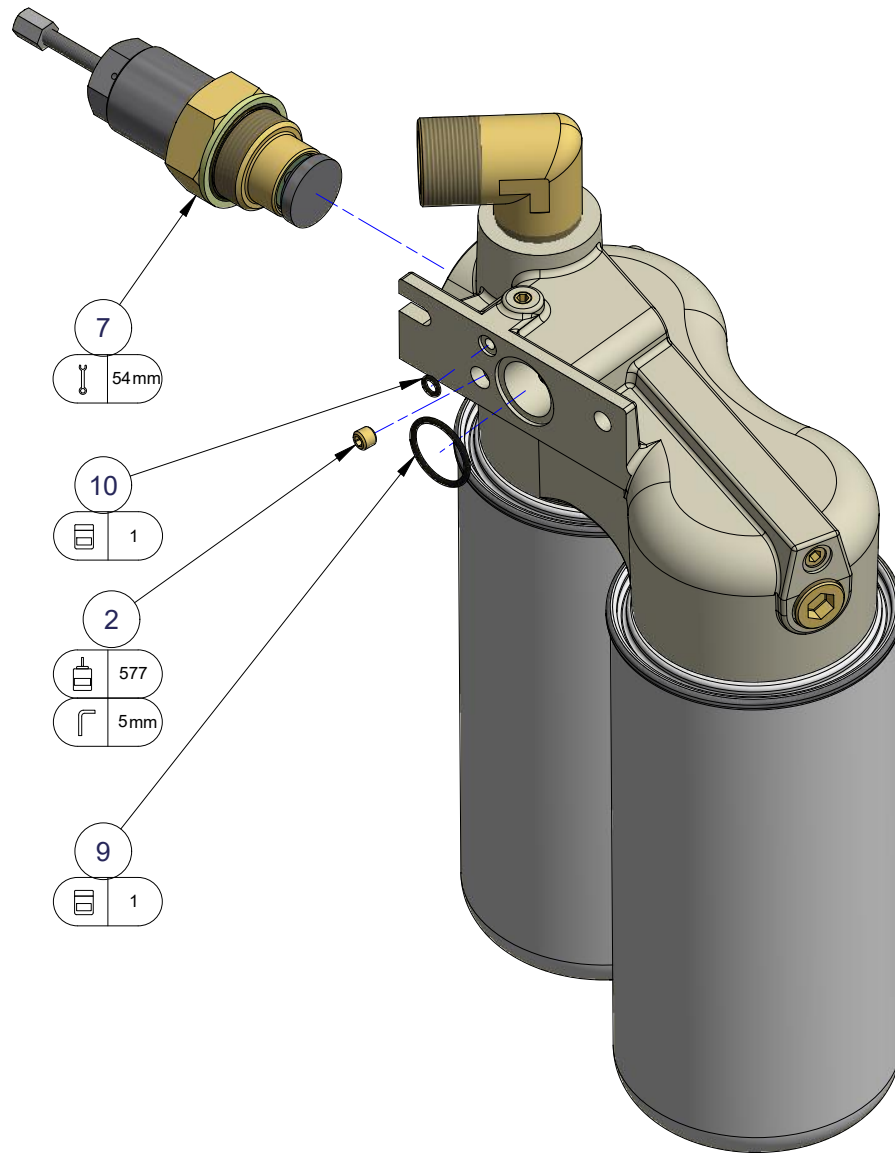
PL37-V3045-ACE - MINIMUM PRESSURE VALVE ASSEMBLY							
ITEM	PART NUMBER	DESCRIPTION	KIT	QTY	V30	V37	V45
1	76230	MPV HOUSING	35210	1			
2	76231	MPV PISTON	35210	1			
3	77404	MPV HOUSING	35210	1			
4	76232	MPV SPRING SUPPORT	35210	1			
5	76234	MPV SPRING	35210	1			
6	75021	UNLOADER SPRING	35210 + KT3045ELS	1			
7	MRP2-22	ROLL PIN 2 OD x 22 LG	35210	1			
8	CZ9792	O RING	35210 + KM3045ELS	1			
9	77426	MPV ADJUSTING SCREW	35210	1			
10	CZ9630	BONDED SEAL G1 1/2	35210 + KM3045ELS	1			
11	MN108	M8 NUT	35210	1			
12	58353	CAP NUT	35210	1			
13	CC1097903	VALVE HEAD		1			



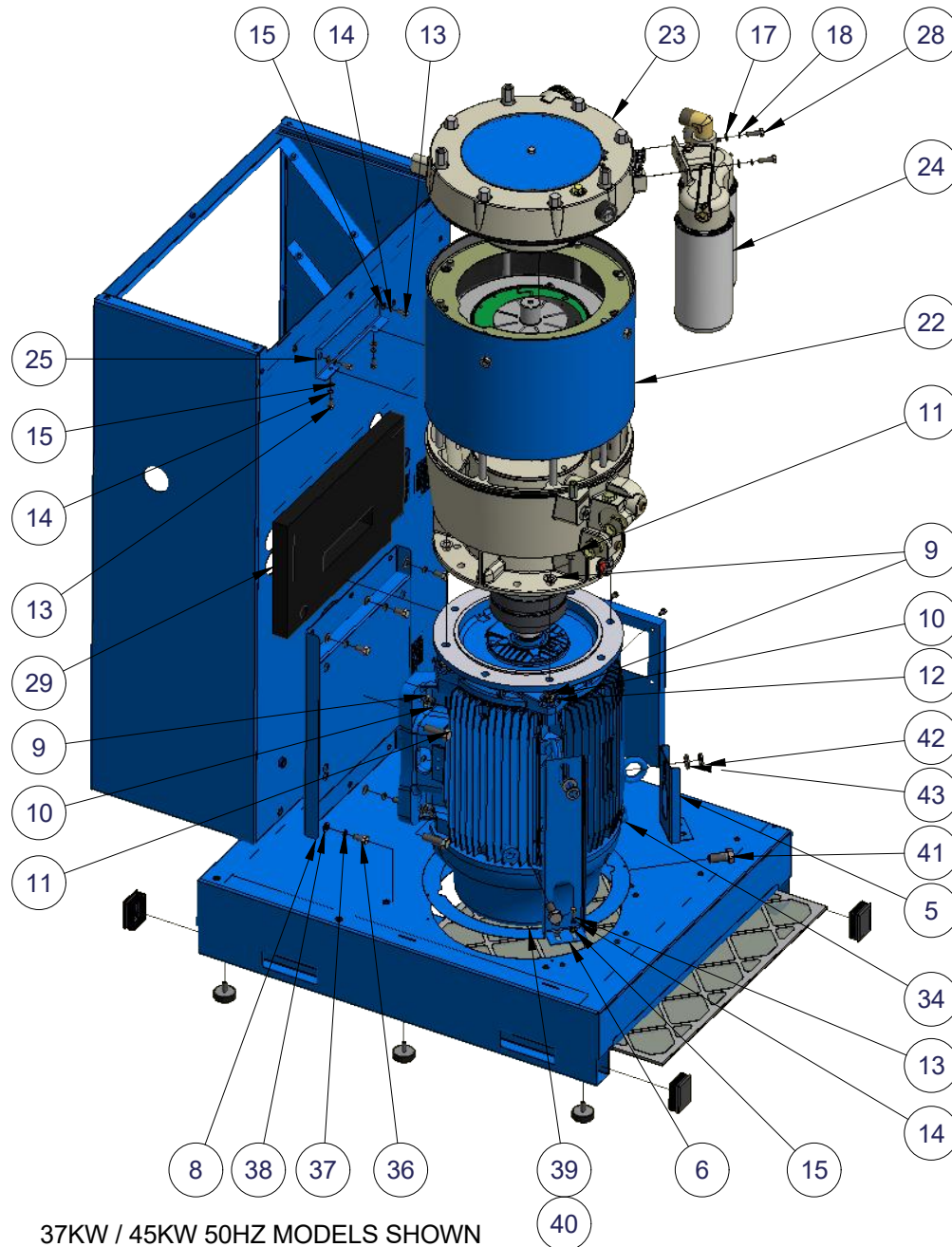
PL38-V3045-ACE - UNLOADER VALVE ASSEMBLY							
ITEM	PART NUMBER	DESCRIPTION	KIT	QTY	V30	V37	V45
1	76258	UNLOADER VALVE PISTON		1			
2	MRP3.5-35	ROLL PIN 3.5 DIA x 35 LONG		1			
3	76256	SEAL	KT3045ELS	1			
4	76261	UNLOADER SPRING		2			
5	76260	UNLOADER VALVE SEAT	KT3045ELS + 35160	1			
6	76259	UNLOADER VALVE HEAD	KT3045ELS + 35160	1			
7	76262	UNLOADER SUPPORT		1			
8	MS2106-12	M6x12 POZ PAN HEAD		2			
9	77394	UNLOADER RETURN SPRING	KT3045ELS	1			
10	RO6000-329	RETAINING WASHER	KT3045ELS + 35160	1			
11	MS706-12	M6X12 SKT HD CAP SCREW	KT3045ELS + 35160	1			



PL39-V3045-ACE - SEPARATOR MANIFOLD ASSEMBLY							
ITEM	PART NUMBER	DESCRIPTION	KIT	QTY	V30	V37	V45
1	CC1159437	SEPARATOR MANIFOLD		1			
2	59425-01	PLUG R1/8"		2			
3	59425-02	PLUG R1-4		1			
4	59425-06	PLUG R3/4"		1			
5	77778	SEPARATOR DIP TUBE		2			
6	73449	MALE STUD COUPLING R. 1/8-6MM	KT3045ELS	2			
7	PL37-V3045-ACE	MINIMUM PRESSURE VALVE ASSEMBLY	35210	1			
8	77316	ELBOW COUPLING 1.1/4"NPT X 30 OD		1			
9	9797	O-RING	KT3045ELS	1			
10	CZ9743	O-RING	KT3045ELS	1			
11	A10525274	SEPARATOR ELEMENT	KM3045ELS	2			
12	CC1121891	RESTRICTOR PLUG (EXTENDED)		2			
13	CC1121909	O-RING (0050-10) VITON		2			
14	CZ77558	SEPARATOR CONNECTOR V18-V22		2			
15	CZ9628	BONDED SEAL G1 1/4		2			



PL39-V3045-ACE - SEPARATOR MANIFOLD ASSEMBLY							
ITEM	PART NUMBER	DESCRIPTION	KIT	QTY	V30	V37	V45
1	CC1159437	SEPARATOR MANIFOLD		1			
2	59425-01	PLUG R1/8"		2			
3	59425-02	PLUG R1-4		1			
4	59425-06	PLUG R3/4"		1			
5	77778	SEPARATOR DIP TUBE		2			
6	73449	MALE STUD COUPLING R. 1/8-6MM	KT3045ELS	2			
7	PL37-V3045-ACE	MINIMUM PRESSURE VALVE ASSEMBLY	35210	1			
8	77316	ELBOW COUPLING 1.1/4"NPT X 30 OD		1			
9	9797	O-RING	KT3045ELS	1			
10	CZ9743	O-RING	KT3045ELS	1			
11	A10525274	SEPARATOR ELEMENT	KM3045ELS	2			
12	CC1121891	RESTRICTOR PLUG (EXTENDED)		2			
13	CC1121909	O-RING (0050-10) VITON		2			
14	CZ77558	SEPARATOR CONNECTOR V18-V22		2			
15	CZ9628	BONDED SEAL G1 1/4		2			

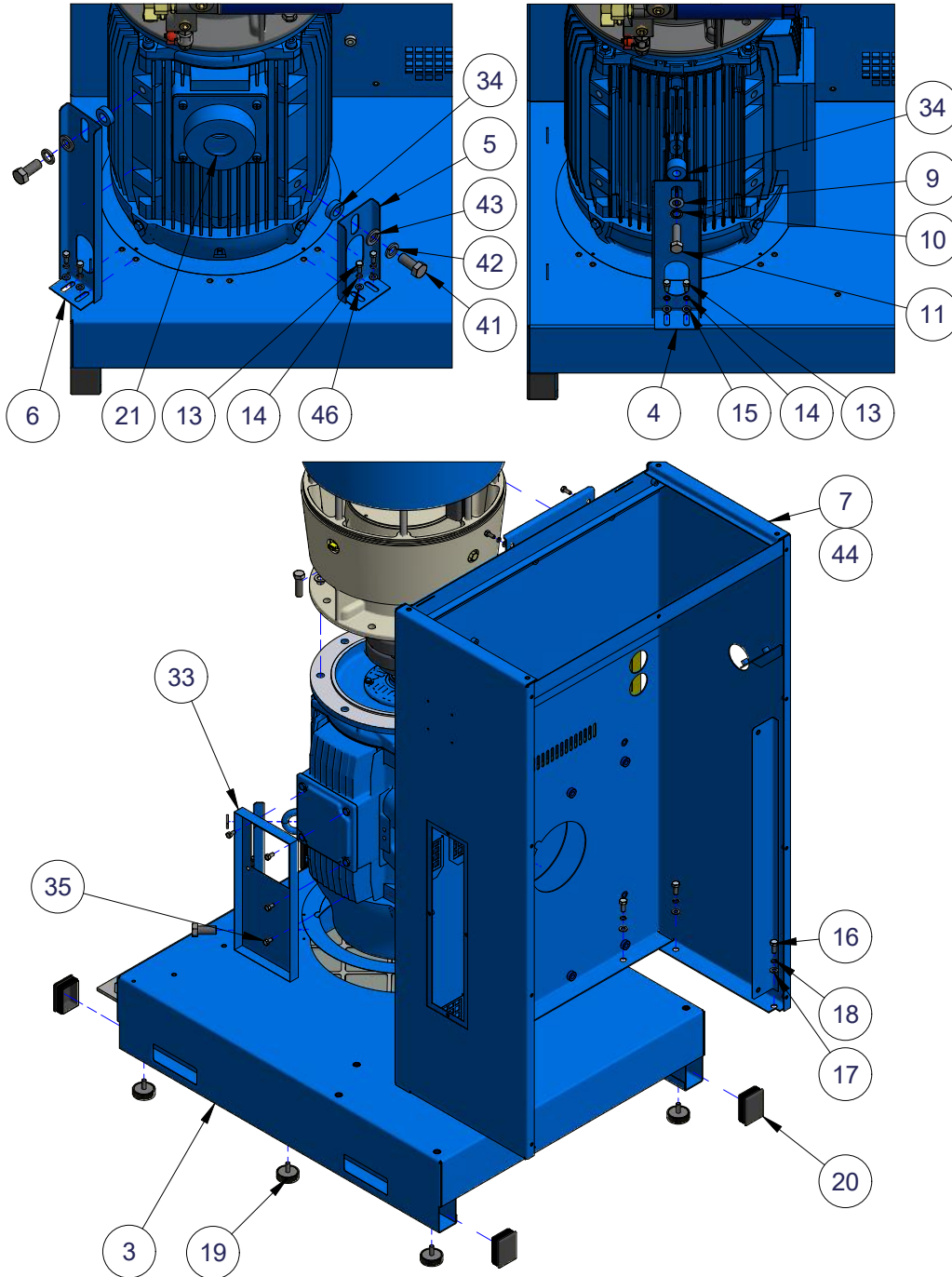


37KW / 45KW 50HZ MODELS SHOWN

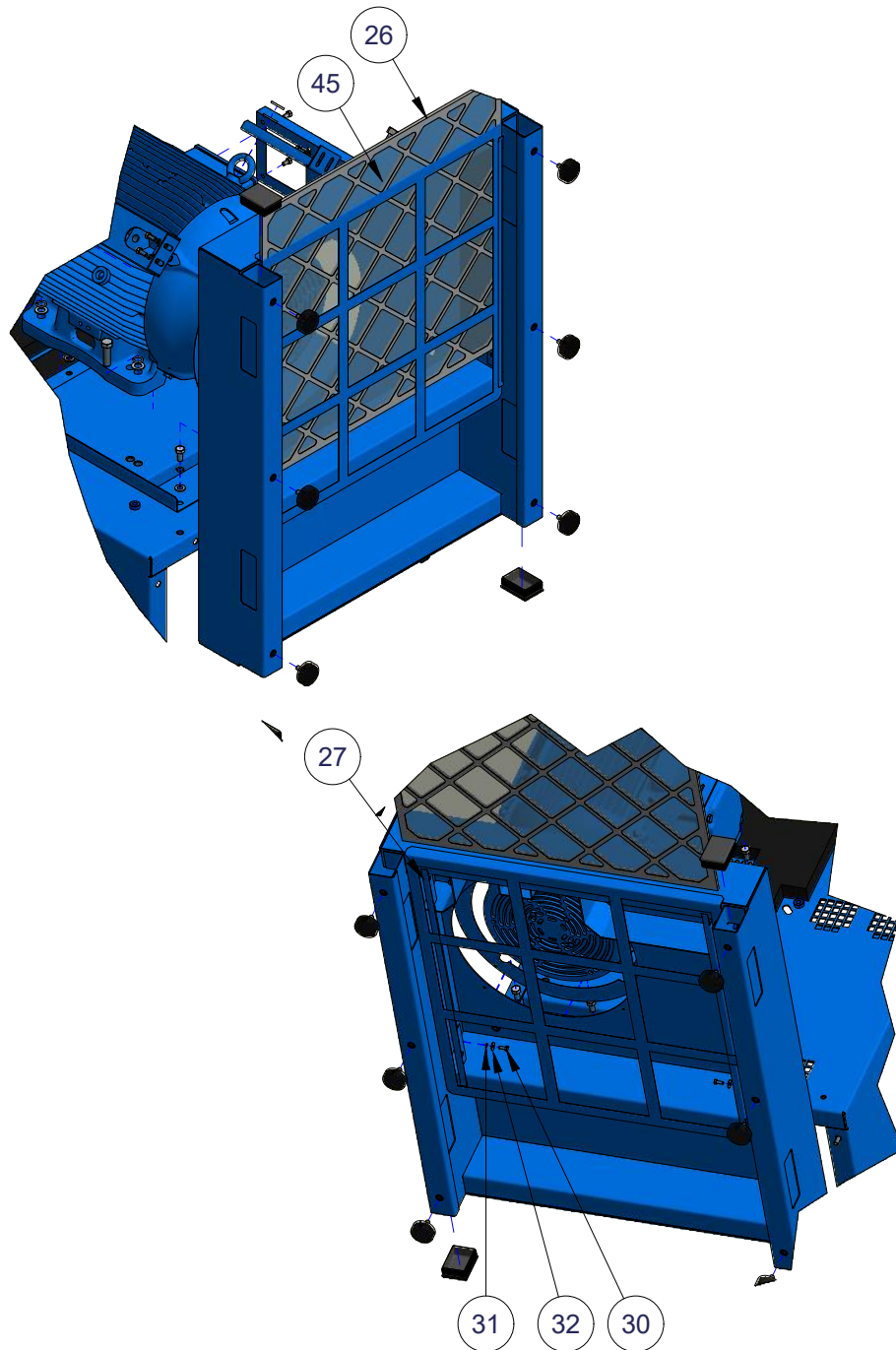
PL40-V3045-ACE - BASE BUILD ASSEMBLY							
ITEM	PART NUMBER	DESCRIPTION	KIT	QTY	V30	V37	V45
1	PL31-V3045-ACE	MOTOR & COUPLING ASSEMBLY		1			
2	PL32-V3045-ACE	DRIVE END ASSEMBLY		1			
3	CC1075764	PLINTH	CC1063059	1			
4	77187	MOTOR SUPPORT BRACKET (50HZ)			1		
5	CC1075776	MOTOR SUPPORT BRACKET (50 & 60HZ)				1	1
6	CC1075859	MOTOR SUPPORT BRACKET (50 & 60HZ)				1	1
7	CC1073874	COLUMN	CC1063059	1			
8	76389	MOTOR BRACKET				1	1
8	77193	MOTOR BRACKET			1		
9	MW16	M16 WASHER			11	10	10
10	MWG16	M16 SPRING WASHER			8	7	7
11	MS116-55	M16x55 HEX HD SCREW			8	7	7
12	MN116	M16 NUT		3			
13	MS108-20	M8x20 HEX HEAD SCREW		6			
14	MWG8	M8 SPRING WASHER		6			
15	MW8	M8 WASHER		6			
16	MS110-25	M10x25 HEX HEAD SCREW		6			
17	MW10	M10 WASHER		8			
18	MWG10	M10 SPRING WASHER		8			
19	75922	AVA MOUNT		6			
20	75932	END PLUG		4			
21	CC1095873	TERMINAL BOX COVER (60HZ)				1	1
22	PL33-V3045-ACE	ROTOR & STATOR ASSEMBLY		1			
23	PL34-V3045-ACE	NON DRIVE END ASSEMBLY		1			
24	PL39-V3045-ACE	SEPARATOR MANIFOLD ASSY		1			
25	77197	COMPRESSOR SUPPORT	CC1063059	1			
26	77143	CABINET FILTER	KF3045E	2			
27	77345	MOTOR FILTER BRACKET	CC1063059	2			
28	MS110x35	M10 x 35 HEX HEAD SCREW		2			
29	76263	FOAM. COLUMN FACE		1			
30	MS106-16	M6x16 HEX HD SET SCREW		4			
31	MWG6	M6 SPRING WASHER		4			
32	MW6A	M6 WASHER. LARGE		4			
33	CC1179411	TERMINAL BOX EXTENSION (50HZ)				1	1
33	77469	TERMINAL BOX EXTENSION (50HZ)			1		
34	77470	MOTOR BRACKET SPACER (50HZ)			1		
34	CC1077141	MOTOR BRACKET SPACER (50 & 60HZ)				2	2
35	MS108-16	M8x16 HEX HEAD SCREW		4			
36	MS112-25	M12 X 25 HEX HEAD SCREW		6			
37	MWG12	M12 SPRING WASHER		6			
38	MW12	M12 WASHER		6			
39	CC1075775	MOTOR BAFFLE (50 & 60HZ)				1	1
39	CC1076158	MOTOR BAFFLE (50HZ)			1		
40	74444	BLIND RIVET		4			
41	MS120-45	M20 X 45 HEX HEAD SET SCREW				2	2
42	MWG20	M20 SPRING WASHER				2	2
43	MW20	M20 WASHER				2	2
44	75062	FILTER MEDIA		3			
45	CC1053966	CABINET FILTER SUPPORT		1			

37KW AND 45KW 60HZ MODELS ONLY

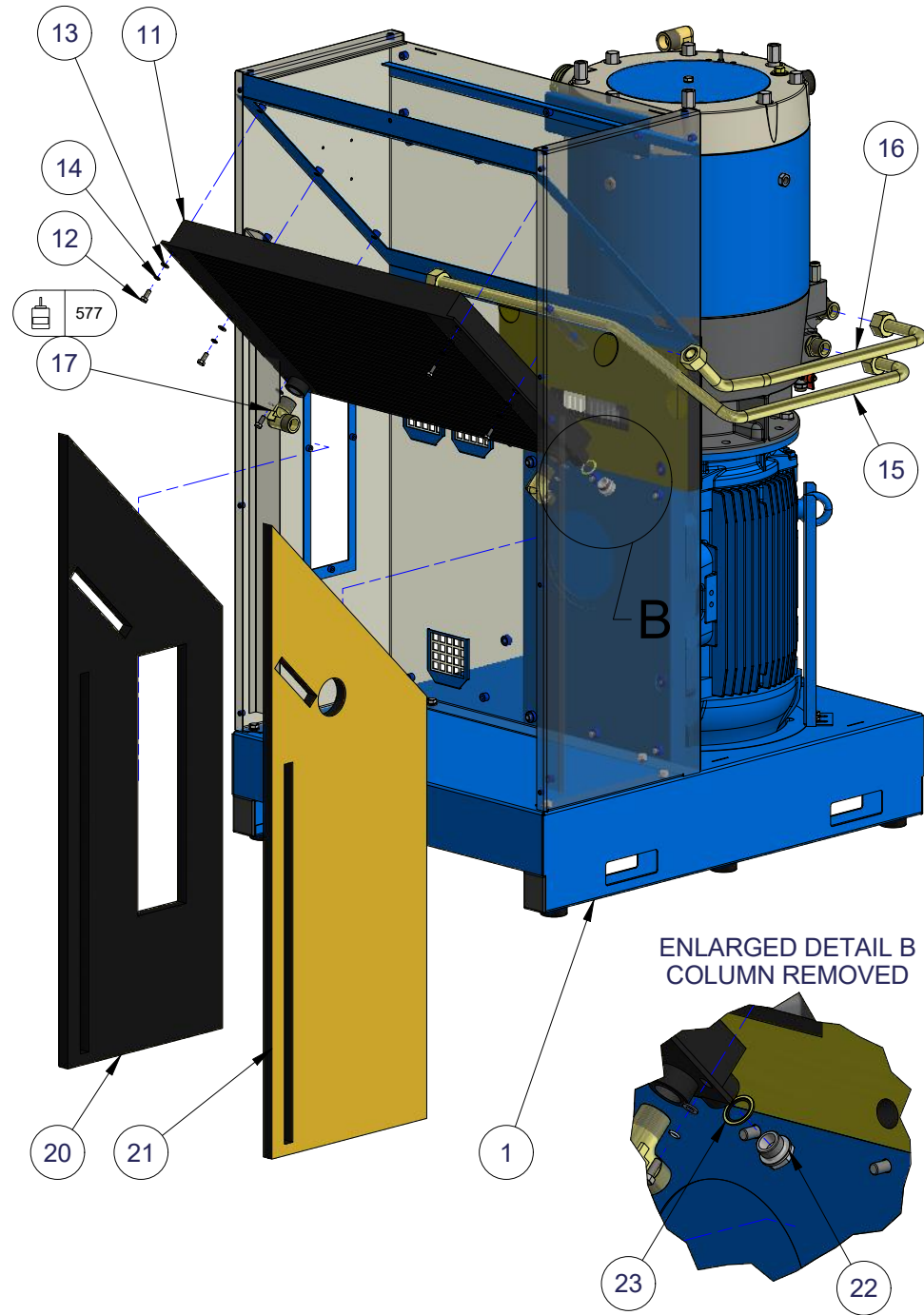
30KW 50HZ MODELS ONLY



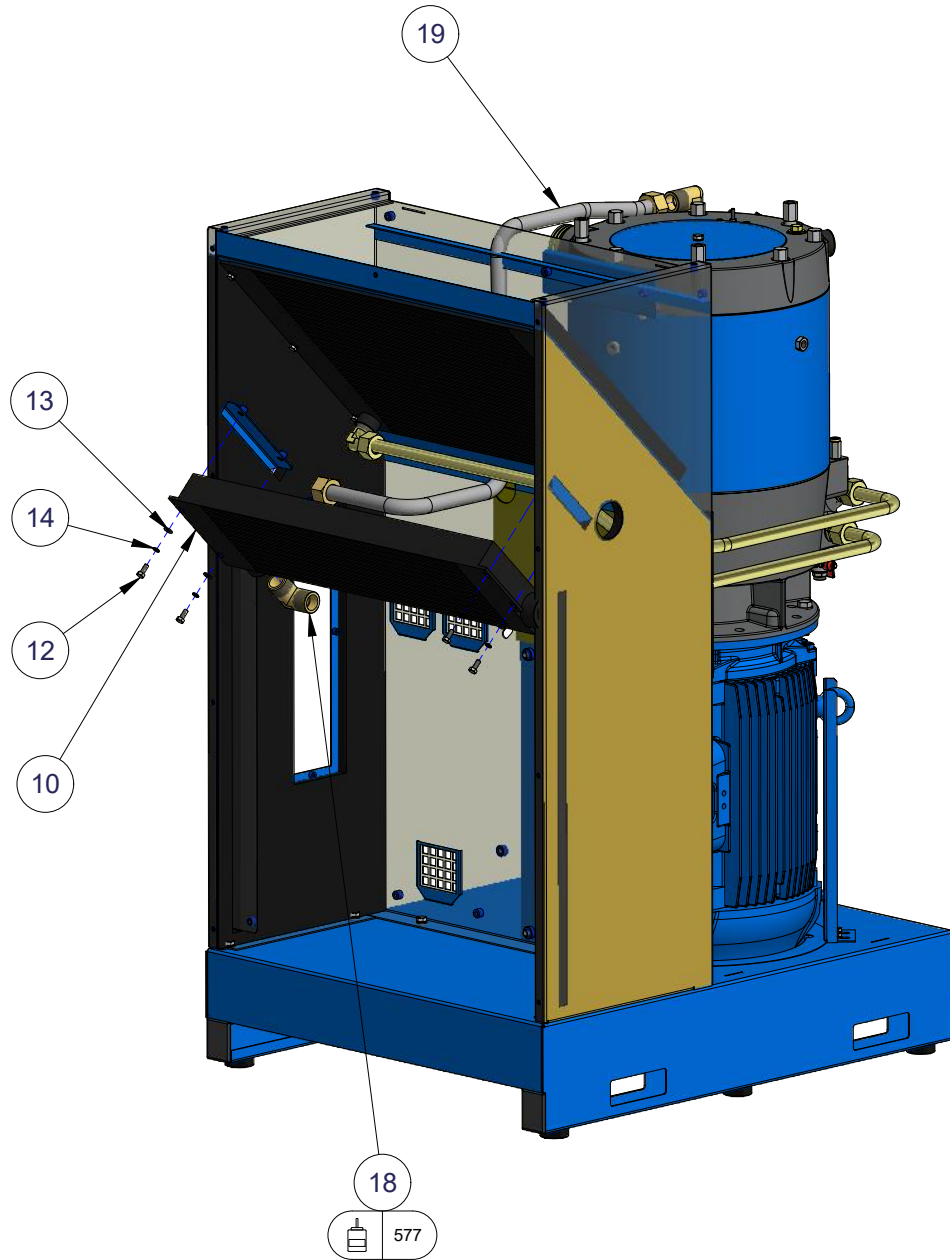
PL40-V3045-ACE - BASE BUILD ASSEMBLY							
ITEM	PART NUMBER	DESCRIPTION	KIT	QTY	V30	V37	V45
1	PL31-V3045-ACE	MOTOR & COUPLING ASSEMBLY		1			
2	PL32-V3045-ACE	DRIVE END ASSEMBLY		1			
3	CC1075764	PLINTH	CC1063059	1			
4	77187	MOTOR SUPPORT BRACKET (50HZ)			1		
5	CC1075776	MOTOR SUPPORT BRACKET (50 & 60HZ)				1	1
6	CC1075859	MOTOR SUPPORT BRACKET (50 & 60HZ)				1	1
7	CC1073874	COLUMN	CC1063059	1			
8	76389	MOTOR BRACKET				1	1
8	77193	MOTOR BRACKET			1		
9	MW16	M16 WASHER			11	10	10
10	MWG16	M16 SPRING WASHER			8	7	7
11	MS116-55	M16x55 HEX HD SCREW			8	7	7
12	MN116	M16 NUT		3			
13	MS108-20	M8x20 HEX HEAD SCREW		6			
14	MWG8	M8 SPRING WASHER		6			
15	MW8	M8 WASHER		6			
16	MS110-25	M10x25 HEX HEAD SCREW		6			
17	MW10	M10 WASHER		8			
18	MWG10	M10 SPRING WASHER		8			
19	75922	AVA MOUNT		6			
20	75932	END PLUG		4			
21	CC1095873	TERMINAL BOX COVER (60HZ)				1	1
22	PL33-V3045-ACE	ROTOR & STATOR ASSEMBLY		1			
23	PL34-V3045-ACE	NON DRIVE END ASSEMBLY		1			
24	PL39-V3045-ACE	SEPARATOR MANIFOLD ASSY		1			
25	77197	COMPRESSOR SUPPORT	CC1063059	1			
26	77143	CABINET FILTER	KF3045E	2			
27	77345	MOTOR FILTER BRACKET	CC1063059	2			
28	MS110x35	M10 x 35 HEX HEAD SCREW		2			
29	76263	FOAM. COLUMN FACE		1			
30	MS106-16	M6X16 HEX HD SET SCREW		4			
31	MWG6	M6 SPRING WASHER		4			
32	MW6A	M6 WASHER. LARGE		4			
33	CC1179411	TERMINAL BOX EXTENSION (50HZ)				1	1
33	77469	TERMINAL BOX EXTENSION (50HZ)			1		
34	77470	MOTOR BRACKET SPACER (50HZ)			1		
34	CC1077141	MOTOR BRACKET SPACER (50 & 60HZ)				2	2
35	MS108-16	M8x16 HEX HEAD SCREW		4			
36	MS112-25	M12 X 25 HEX HEAD SCREW		6			
37	MWG12	M12 SPRING WASHER		6			
38	MW12	M12 WASHER		6			
39	CC1075775	MOTOR BAFFLE (50 & 60HZ)				1	1
39	CC1076158	MOTOR BAFFLE (50HZ)			1		
40	74444	BLIND RIVET		4			
41	MS120-45	M20 X 45 HEX HEAD SET SCREW				2	2
42	MWG20	M20 SPRING WASHER				2	2
43	MW20	M20 WASHER				2	2
44	75062	FILTER MEDIA		3			
45	CC1053966	CABINET FILTER SUPPORT		1			



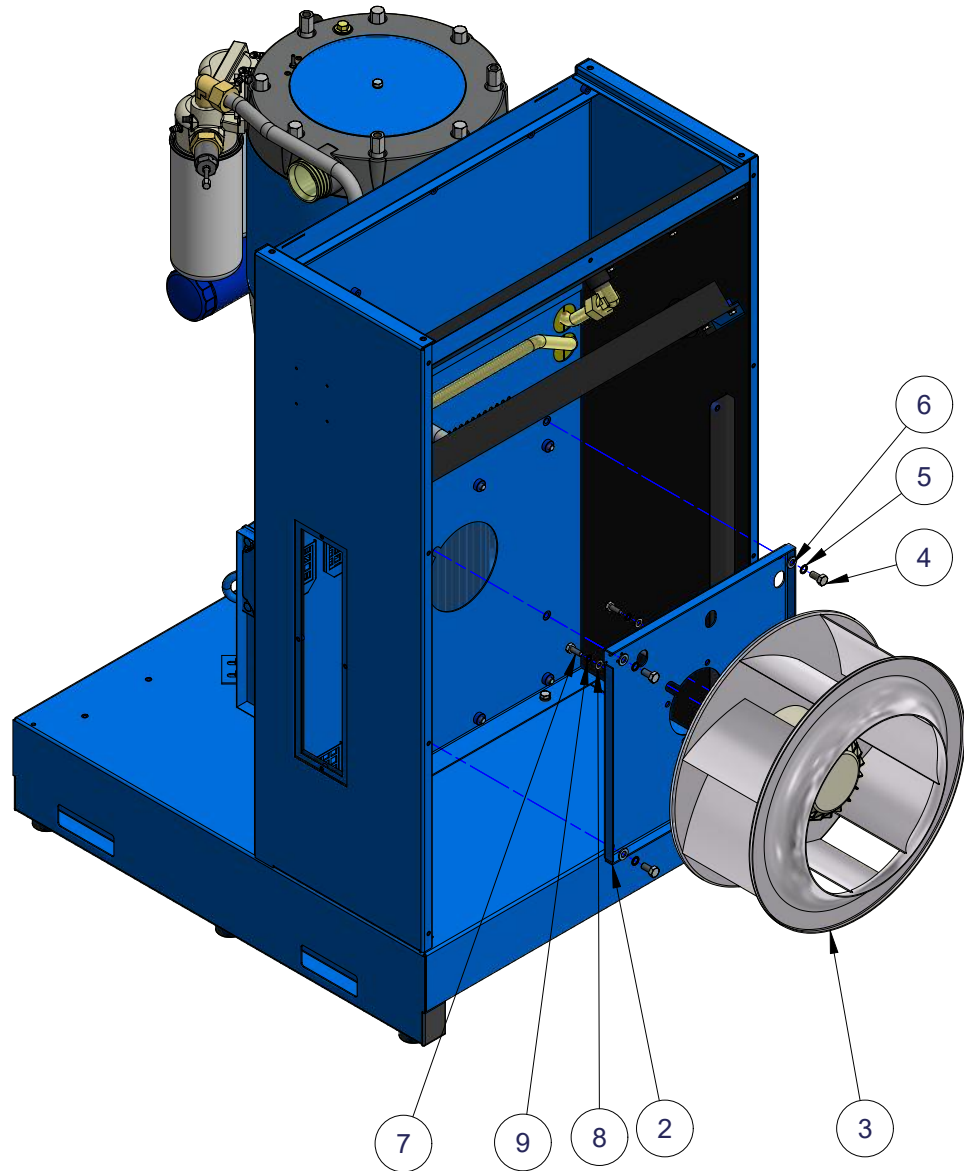
PL40-V3045-ACE - BASE BUILD ASSEMBLY							
ITEM	PART NUMBER	DESCRIPTION	KIT	QTY	V30	V37	V45
1	PL31-V3045-ACE	MOTOR & COUPLING ASSEMBLY		1			
2	PL32-V3045-ACE	DRIVE END ASSEMBLY		1			
3	CC1075764	PLINTH	CC1063059	1			
4	77187	MOTOR SUPPORT BRACKET (50HZ)			1		
5	CC1075776	MOTOR SUPPORT BRACKET (50 & 60HZ)				1	1
6	CC1075859	MOTOR SUPPORT BRACKET (50 & 60HZ)				1	1
7	CC1073874	COLUMN	CC1063059	1			
8	76389	MOTOR BRACKET				1	1
8	77193	MOTOR BRACKET			1		
9	MW16	M16 WASHER			11	10	10
10	MWG16	M16 SPRING WASHER			8	7	7
11	MS116-55	M16x55 HEX HD SCREW			8	7	7
12	MN116	M16 NUT		3			
13	MS108-20	M8x20 HEX HEAD SCREW		6			
14	MWG8	M8 SPRING WASHER		6			
15	MW8	M8 WASHER		6			
16	MS110-25	M10x25 HEX HEAD SCREW		6			
17	MW10	M10 WASHER		8			
18	MWG10	M10 SPRING WASHER		8			
19	75922	AVA MOUNT		6			
20	75932	END PLUG		4			
21	CC1095873	TERMINAL BOX COVER (60HZ)				1	1
22	PL33-V3045-ACE	ROTOR & STATOR ASSEMBLY		1			
23	PL34-V3045-ACE	NON DRIVE END ASSEMBLY		1			
24	PL39-V3045-ACE	SEPARATOR MANIFOLD ASSY		1			
25	77197	COMPRESSOR SUPPORT	CC1063059	1			
26	77143	CABINET FILTER	KF3045E	2			
27	77345	MOTOR FILTER BRACKET	CC1063059	2			
28	MS110x35	M10 x 35 HEX HEAD SCREW		2			
29	76263	FOAM. COLUMN FACE		1			
30	MS106-16	M6X16 HEX HD SET SCREW		4			
31	MWG6	M6 SPRING WASHER		4			
32	MW6A	M6 WASHER. LARGE		4			
33	CC1179411	TERMINAL BOX EXTENSION (50HZ)				1	1
33	77469	TERMINAL BOX EXTENSION (50HZ)			1		
34	77470	MOTOR BRACKET SPACER (50HZ)			1		
34	CC1077141	MOTOR BRACKET SPACER (50 & 60HZ)				2	2
35	MS108-16	M8x16 HEX HEAD SCREW		4			
36	MS112-25	M12 X 25 HEX HEAD SCREW		6			
37	MWG12	M12 SPRING WASHER		6			
38	MW12	M12 WASHER		6			
39	CC1075775	MOTOR BAFFLE (50 & 60HZ)				1	1
39	CC1076158	MOTOR BAFFLE (50HZ)			1		
40	74444	BLIND RIVET		4			
41	MS120-45	M20 X 45 HEX HEAD SET SCREW				2	2
42	MWG20	M20 SPRING WASHER				2	2
43	MW20	M20 WASHER				2	2
44	75062	FILTER MEDIA		3			
45	CC1053966	CABINET FILTER SUPPORT		1			



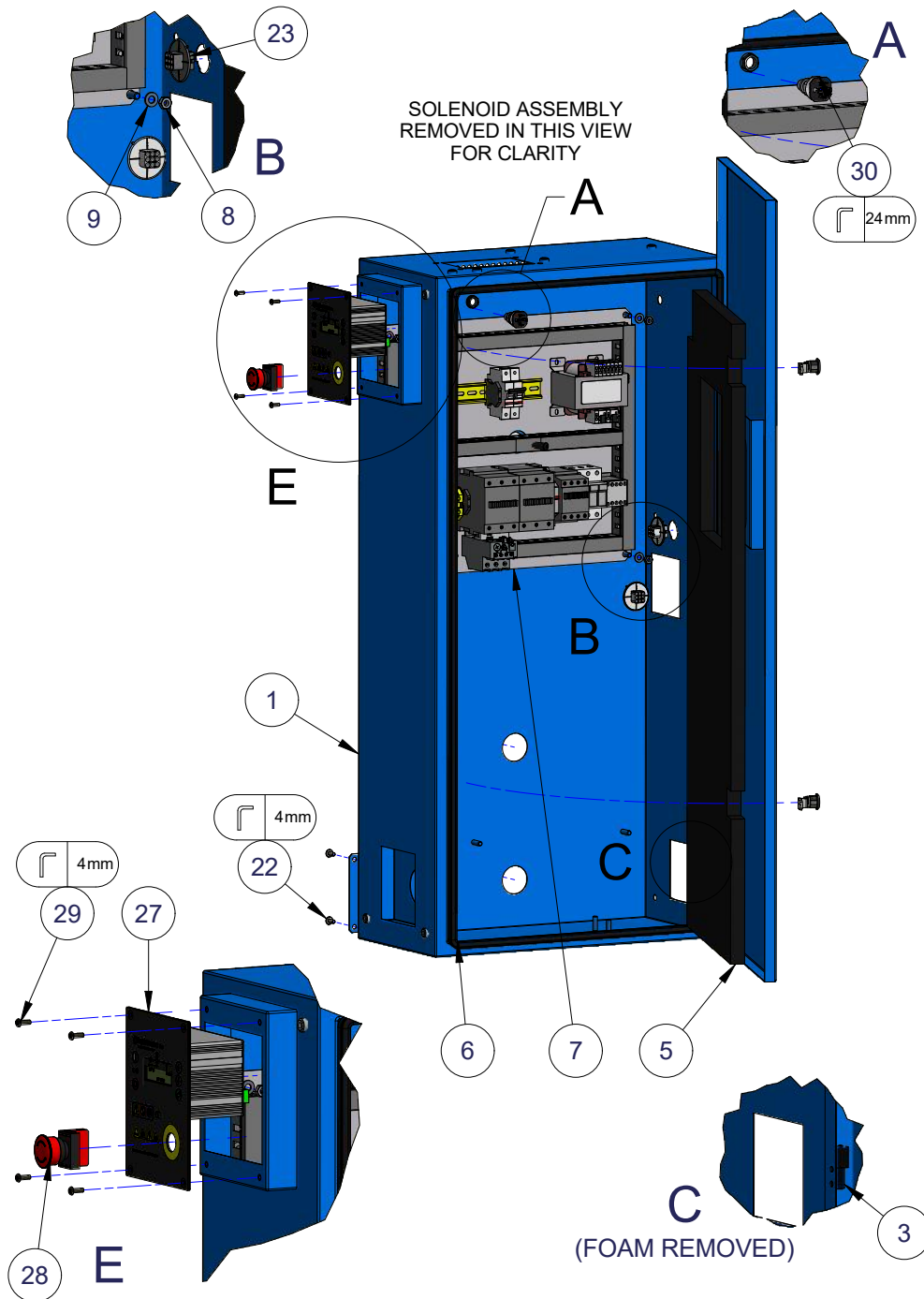
PL41-V3045-ACE - COOLER & FAN ASSEMBLY							
ITEM	PART NUMBER	DESCRIPTION	KIT	QTY	V30	V37	V45
1	PL40-V3045-ACE	BASE BUILD ASSEMBLY		1			
2	CC1138040	FAN BRACKET				1	1
2	CC1137674	FAN BRACKET			1		
3	CC1135579	COOLING FAN 400V 560 DIA (37/45KW 50HZ SINGLE SPEED & RS MODELS)				1	1
3	CC1135577	COOLING FAN 400V 450 DIA (30KW 50HZ SINGLE SPEED & RS MODELS)			1		
3	77366	COOLING FAN 230/460V 500 DIA (37/45KW 60HZ SINGLE SPEED & RS MODELS)				1	1
3	77367	COOLING FAN 230/460V 450 DIA (30KW 60HZ SINGLE SPEED & RS MODELS)			1		
3	77368	COOLING FAN 575V 500DIA (37/45KW 50HZ SINGLE SPEED & RS MODELS)				1	1
3	77369	COOLING FAN 575V 450 DIA (30KW 50HZ SINGLE SPEED & RS MODELS)			1		
4	MS112-25	M12 X 25 HEX HEAD SCREW		4			
5	MWG12	M12 SPRING WASHER		4			
6	MW12	M12 WASHER		4			
7	MS106-16	M6x16 HEX HEAD SCREW			4		
7	MS110-25	M10x25 HEX HEAD SCREW				4	4
8	MW6	M6 WASHER			4		
8	MW10	M10 WASHER				4	4
9	MWG6	M6 SPRING WASHER			4		
9	MWG10	M10 SPRING WASHER				4	4
10	77129	COOLER. AIR		1			
11	77130	COOLER. OIL		1			
12	MS108-20	M8x20 HEX HEAD SCREW		10			
13	MW8	M8 WASHER		10			
14	MWG8	M8 SPRING WASHER		10			
15	76236	PIPE OIL FEED V45	35320	1			
16	76237	PIPE OIL RETURN V45	35320	1			
17	77414	ELBOW COUPLING 1" NPT X 25MM OD	35320	2			
18	77316	ELBOW COUPLING 1.1/4"NPT X 30 OD	35320	1			
19	CZ77785	AIR OUTLET PIPE	35320	1			
20	76264	FOAM. COLUMN LH	CC1064707	1			
21	76267	FOAM. COLUMN RH	CC1064707	1			
22	1668	DRAIN PLUG G.3/4		1			
23	CZ9619	BONDED SEAL G3/4		1			



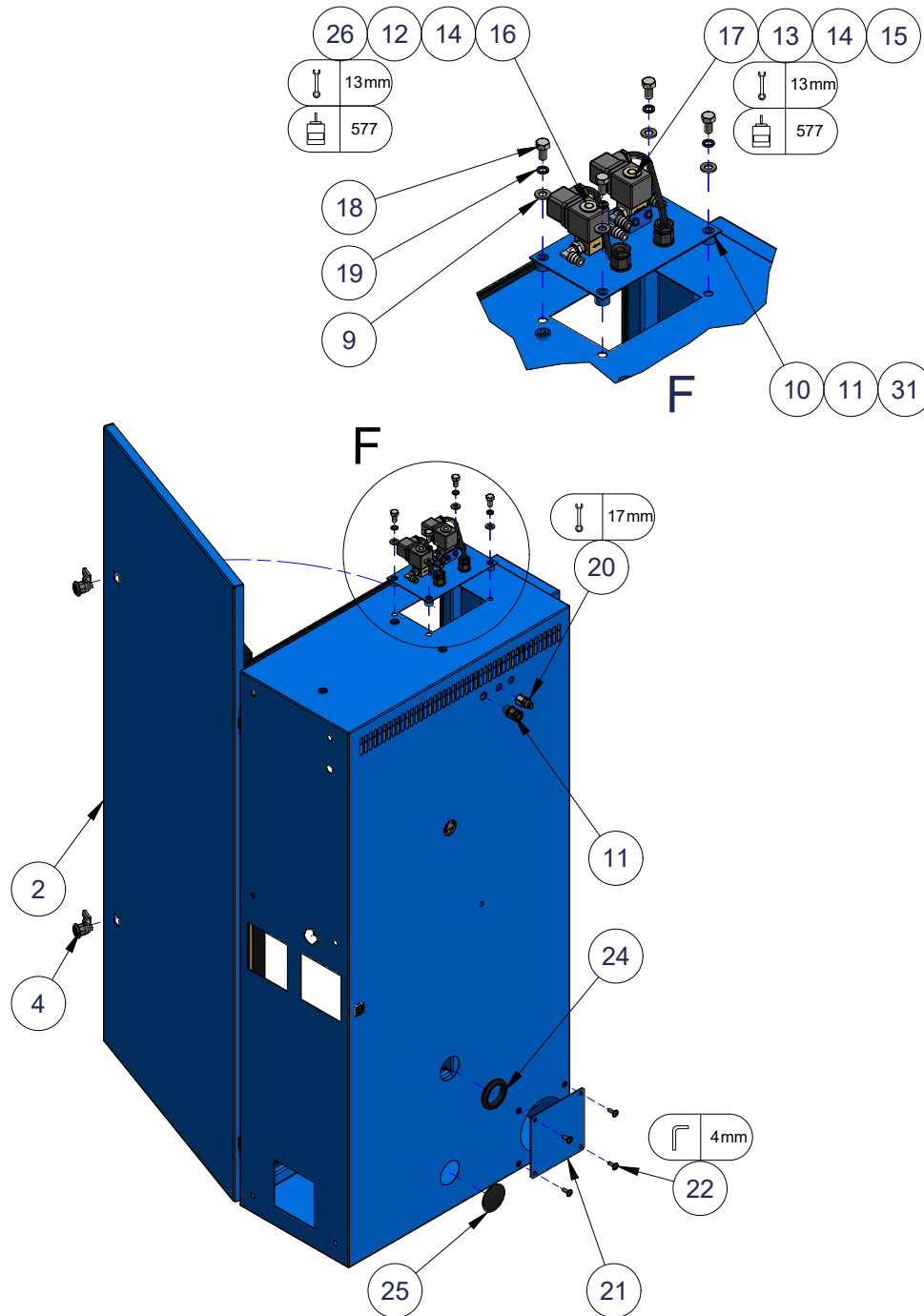
PL41-V3045-ACE - COOLER & FAN ASSEMBLY							
ITEM	PART NUMBER	DESCRIPTION	KIT	QTY	V30	V37	V45
1	PL40-V3045-ACE	BASE BUILD ASSEMBLY		1			
2	CC1138040	FAN BRACKET				1	1
2	CC1137674	FAN BRACKET			1		
3	CC1135579	COOLING FAN 400V 560 DIA (37/45KW 50HZ SINGLE SPEED & RS MODELS)				1	1
3	CC1135577	COOLING FAN 400V 450 DIA (30KW 50HZ SINGLE SPEED & RS MODELS)			1		
3	77366	COOLING FAN 230/460V 500 DIA (37/45KW 60HZ SINGLE SPEED & RS MODELS)				1	1
3	77367	COOLING FAN 230/460V 450 DIA (30KW 60HZ SINGLE SPEED & RS MODELS)			1		
3	77368	COOLING FAN 575V 500DIA (37/45KW 50HZ SINGLE SPEED & RS MODELS)				1	1
3	77369	COOLING FAN 575V 450 DIA (30KW 50HZ SINGLE SPEED & RS MODELS)			1		
4	MS112-25	M12 X 25 HEX HEAD SCREW		4			
5	MWG12	M12 SPRING WASHER		4			
6	MW12	M12 WASHER		4			
7	MS106-16	M6x16 HEX HEAD SCREW			4		
7	MS110-25	M10x25 HEX HEAD SCREW				4	4
8	MW6	M6 WASHER			4		
8	MW10	M10 WASHER				4	4
9	MWG6	M6 SPRING WASHER			4		
9	MWG10	M10 SPRING WASHER				4	4
10	77129	COOLER. AIR		1			
11	77130	COOLER. OIL		1			
12	MS108-20	M8x20 HEX HEAD SCREW		10			
13	MW8	M8 WASHER		10			
14	MWG8	M8 SPRING WASHER		10			
15	76236	PIPE OIL FEED V45	35320	1			
16	76237	PIPE OIL RETURN V45	35320	1			
17	77414	ELBOW COUPLING 1" NPT X 25MM OD	35320	2			
18	77316	ELBOW COUPLING 1.1/4"NPT X 30 OD	35320	1			
19	CZ77785	AIR OUTLET PIPE	35320	1			
20	76264	FOAM. COLUMN LH	CC1064707	1			
21	76267	FOAM. COLUMN RH	CC1064707	1			
22	1668	DRAIN PLUG G.3/4		1			
23	CZ9619	BONDED SEAL G3/4		1			



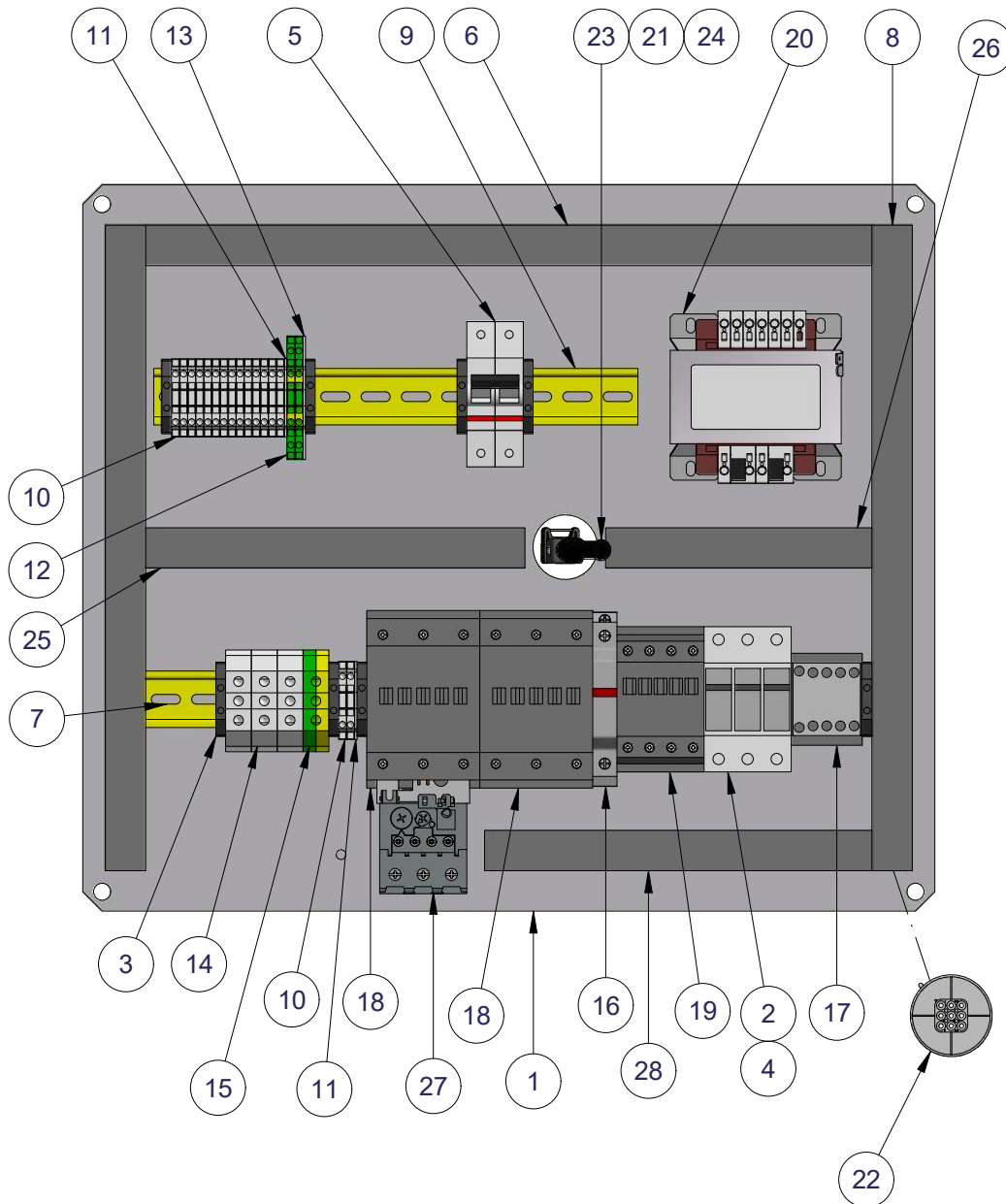
PL41-V3045-ACE - COOLER & FAN ASSEMBLY							
ITEM	PART NUMBER	DESCRIPTION	KIT	QTY	V30	V37	V45
1	PL40-V3045-ACE	BASE BUILD ASSEMBLY		1			
2	CC1138040	FAN BRACKET				1	1
2	CC1137674	FAN BRACKET			1		
3	CC1135579	COOLING FAN 400V 560 DIA (37/45KW 50HZ SINGLE SPEED & RS MODELS)				1	1
3	CC1135577	COOLING FAN 400V 450 DIA (30KW 50HZ SINGLE SPEED & RS MODELS)			1		
3	77366	COOLING FAN 230/460V 500 DIA (37/45KW 60HZ SINGLE SPEED & RS MODELS)				1	1
3	77367	COOLING FAN 230/460V 450 DIA (30KW 60HZ SINGLE SPEED & RS MODELS)			1		
3	77368	COOLING FAN 575V 500DIA (37/45KW 50HZ SINGLE SPEED & RS MODELS)				1	1
3	77369	COOLING FAN 575V 450 DIA (30KW 50HZ SINGLE SPEED & RS MODELS)			1		
4	MS112-25	M12 X 25 HEX HEAD SCREW		4			
5	MWG12	M12 SPRING WASHER		4			
6	MW12	M12 WASHER		4			
7	MS106-16	M6x16 HEX HEAD SCREW			4		
7	MS110-25	M10x25 HEX HEAD SCREW				4	4
8	MW6	M6 WASHER			4		
8	MW10	M10 WASHER				4	4
9	MWG6	M6 SPRING WASHER			4		
9	MWG10	M10 SPRING WASHER				4	4
10	77129	COOLER. AIR		1			
11	77130	COOLER. OIL		1			
12	MS108-20	M8x20 HEX HEAD SCREW		10			
13	MW8	M8 WASHER		10			
14	MWG8	M8 SPRING WASHER		10			
15	76236	PIPE OIL FEED V45	35320	1			
16	76237	PIPE OIL RETURN V45	35320	1			
17	77414	ELBOW COUPLING 1" NPT X 25MM OD	35320	2			
18	77316	ELBOW COUPLING 1.1/4"NPT X 30 OD	35320	1			
19	CZ77785	AIR OUTLET PIPE	35320	1			
20	76264	FOAM. COLUMN LH	CC1064707	1			
21	76267	FOAM. COLUMN RH	CC1064707	1			
22	1668	DRAIN PLUG G.3/4		1			
23	CZ9619	BONDED SEAL G3/4		1			



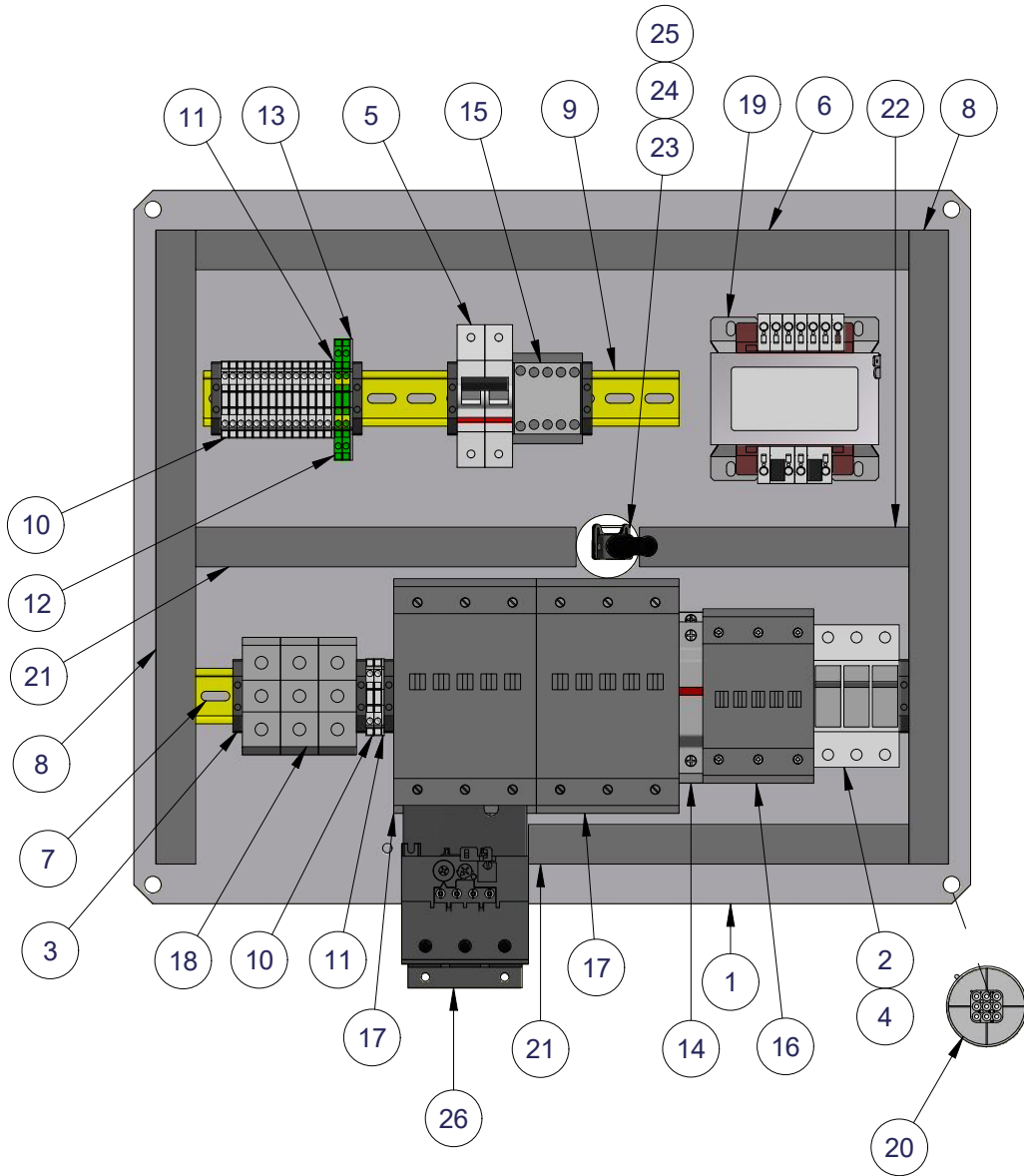
PL42-V3045-ACE - STARTER ASSEMBLY									
ITEM	PART NUMBER	DESCRIPTION	KIT	QTY	V30	V37	V45		
1	CC1063061	STARTER ENCLOSURE	CC1063059	1					
2	77132	STARTER DOOR	CC1063059	1					
3	76372	HINGE		2					
4	CZ75950	DOOR CATCH		2					
5	CC1073890	FOAM, STARTER DOOR	CC1064707	1					
6	77054	DOOR SEALING GASKET (V45)		1					
7	PL43-V3045-ACE	30KW 200V 50/60HZ STAR DELTA			1				
7	PL44-V3045-ACE	37-45KW 200V 50/60HZ STAR DELTA				1	1		
7	PL45-V3045-ACE	30KW 200-460V 60HZ DOL			1				
7	PL46-V3045-ACE	37-45K DOL 200-460V 60HZ DOL				1	1		
7	PL47-V3045-ACE	30-45KW 575V 60HZ DOL		1					
7	PL48-V3045-ACE	30KW 400V 50HZ STAR DELTA			1				
7	PL49-V3045-ACE	37-45KW 400V 50HZ STAR DELTA				1	1		
7	PL50-V3045-ACE	30KW 400V 50/60HZ RS			1				
7	PL51-V3045-ACE	37KW RS 400V 50/60HZ RS				1			
7	PL52-V3045-ACE	45KW RS 400V 50/60HZ RS						1	
8	MN108	M8 NUT		8					
9	MW8	M8 WASHER		8					
10	76317	SOLENOID VALVE BRACKET		1					
11	72112	CABLE GLAND M16 SMALL		3					
12	MS703-06	M3 x 6 LG SKT HEAD SCREW		2					
13	73215	ELBOW R1/8'	KSV3045E & KT3045ELS	2					
14	DIN PLUG	DIN 43650 TYPE A CONNECTOR		2					
15	MS704-30	CAP HEAD M4X30 LONG		2					
16	77417	SOLENOID VALVE N.C. (50HZ)	KSV3045E	1					
16	77419	SOLENOID VALVE N.C (60HZ) + RS	KSV3045E	1					
17	73841	SOLENOID VALVE N.O. (50HZ)	KSV3045E	1					
17	CZ75821	SOLENOID VALVE N.O (60HZ) + RS	KSV3045E	1					
18	MS108-16	M8x16 HEX HEAD SCREW		4					
19	MWG8	M8 SPRING WASHER		4					
20	73245	BULKHEAD G.1/4-6MM		1					
21	76405	GLAND PLATE		1					
22	CC1074810	M6 x 16 FLANGED SOCKET BUTTON HEAD		4					
23	77358	FLANGED FAN SOCKET		1					
24	77384	GROMMET.OPEN 50DIA		1					
25	77385	GROMMET.BLIND 50DIA		1					
26	73283	ELBOW R1/4"-6mm	KSV3045E & KT3045ELS	2					
27	CC1054325	HYDROVANE PRO CONTROLLER		1					
27	CC1068566	HYDROVANE PRO RS CONTROLLER (RS MODELS)		1					
28	72134	EMERGENCY STOP		1					
29	CC1091883	M5 X 15 SKT BUTTON HEAD		4					
30	CC1064846	PRESSURE TRANSDUCER	KE3745E	1					
31	CC1045709	SOLENOID VALVE BRACKET GASKET		1					



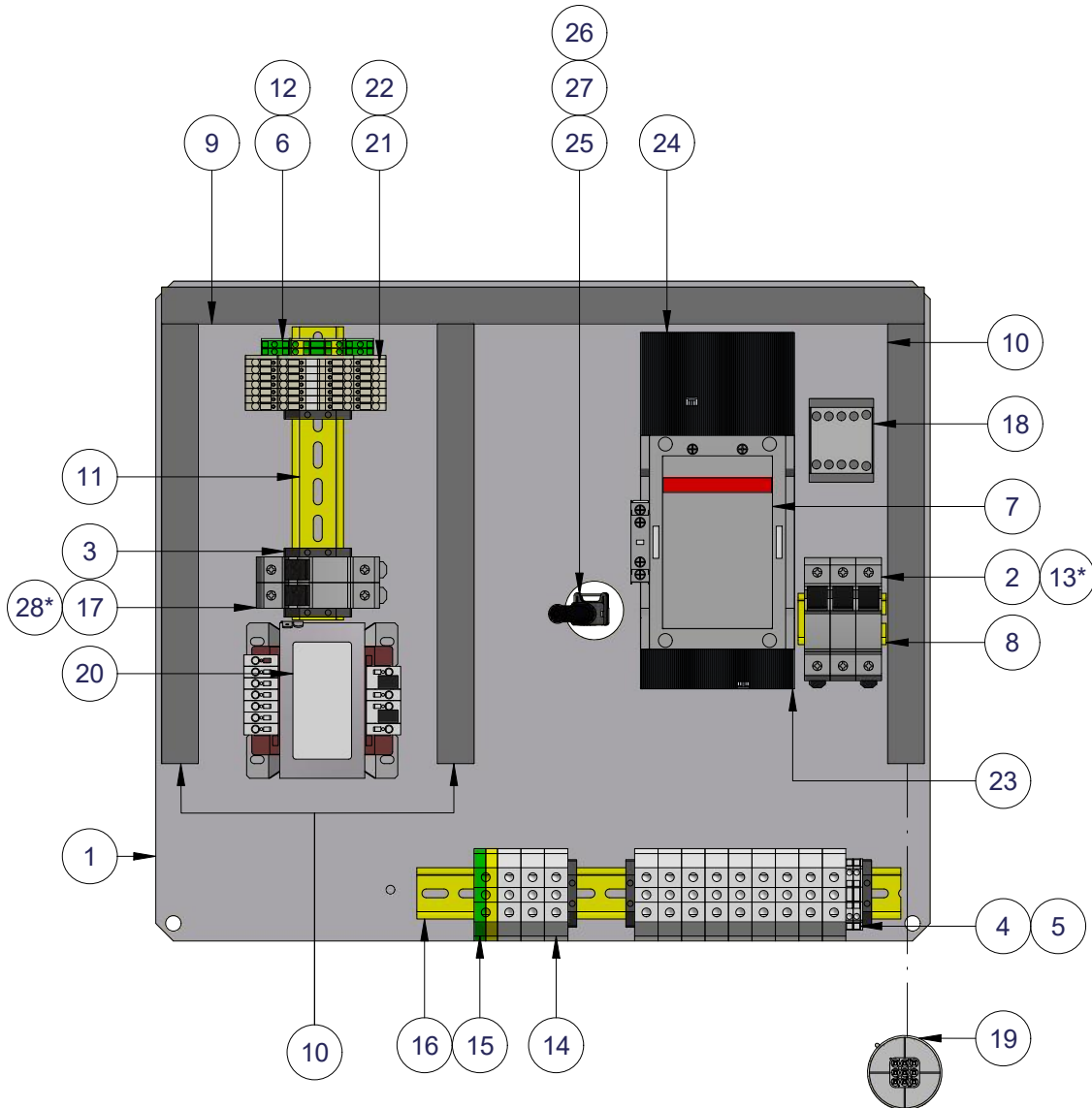
PL42-V3045-ACE - STARTER ASSEMBLY							
ITEM	PART NUMBER	DESCRIPTION	KIT	QTY	V30	V37	V45
1	CC1063061	STARTER ENCLOSURE	CC1063059	1			
2	77132	STARTER DOOR	CC1063059	1			
3	76372	HINGE		2			
4	CZ75950	DOOR CATCH		2			
5	CC1073890	FOAM. STARTER DOOR	CC1064707	1			
6	77054	DOOR SEALING GASKET (V45)		1			
7	PL43-V3045-ACE	30KW 200V 50/60HZ STAR DELTA			1		
7	PL44-V3045-ACE	37-45KW 200V 50/60HZ STAR DELTA				1	1
7	PL45-V3045-ACE	30KW 200-460V 60HZ DOL			1		
7	PL46-V3045-ACE	37-45K DOL 200-460V 60HZ DOL				1	1
7	PL47-V3045-ACE	30-45KW 575V 60HZ DOL		1			
7	PL48-V3045-ACE	30KW 400V 50HZ STAR DELTA			1		
7	PL49-V3045-ACE	37-45KW 400V 50HZ STAR DELTA				1	1
7	PL50-V3045-ACE	30KW 400V 50/60HZ RS			1		
7	PL51-V3045-ACE	37KW RS 400V 50/60HZ RS				1	
7	PL52-V3045-ACE	45KW RS 400V 50/60HZ RS					1
8	MN108	M8 NUT		8			
9	MW8	M8 WASHER		8			
10	76317	SOLENOID VALVE BRACKET		1			
11	72112	CABLE GLAND M16 SMALL		3			
12	MS703-06	M3 x 6 LG SKT HEAD SCREW		2			
13	73215	ELBOW R1/8'	KSV3045E & KT3045ELS	2			
14	DIN PLUG	DIN 43650 TYPE A CONNECTOR		2			
15	MS704-30	CAP HEAD M4X30 LONG		2			
16	77417	SOLENOID VALVE N.C. (50HZ)	KSV3045E	1			
16	77419	SOLENOID VALVE N.C (60HZ) + RS	KSV3045E	1			
17	73841	SOLENOID VALVE N.O. (50HZ)	KSV3045E	1			
17	CZ75821	SOLENOID VALVE N.O (60HZ) + RS	KSV3045E	1			
18	MS108-16	M8x16 HEX HEAD SCREW		4			
19	MW68	M8 SPRING WASHER		4			
20	73245	BULKHEAD G. 1/4-6MM		1			
21	76405	GLAND PLATE		1			
22	CC1074810	M6 x 16 FLANGED SOCKET BUTTON HEAD		4			
23	77358	FLANGED FAN SOCKET		1			
24	77384	GROMMET.OPEN 50DIA		1			
25	77385	GROMMET.BLIND 50DIA		1			
26	73283	ELBOW R1/4"-6mm	KSV3045E & KT3045ELS	2			
27	CC1054325	HYDROVANE PRO CONTROLLER		1			
27	CC1068566	HYDROVANE PRO RS CONTROLLER (RS MODELS)		1			
28	72134	EMERGENCY STOP		1			
29	CC1091883	M5 X 15 SKT BUTTON HEAD		4			
30	CC1064846	PRESSURE TRANSDUCER	KE3745E	1			
31	CC1045709	SOLENOID VALVE BRACKET GASKET		1			



PL43-V3045-ACE - 30KW 200V 50/60HZ STAR DELTA CHASSIS (CC1065125)							
ITEM	PART NUMBER	DESCRIPTION	KIT	QTY	V30	V37	V45
1	77354	CHASSIS 528X450		1	1		
2	CC1070082	3 POLE FUSE HOLDER		1			
3	76156	TERMINAL END BLOCK		8			
4	77427	FUSE 6AMP 500V TIME DELAY	KE30E	3			
5	76166	MINATURE CIRCUIT BREAKER 2 POLE 6A (CE)	KE30E	1			
6	TRUNKING_450	25X40X450MM LG		2			
7	DIN RAIL_450	DIN RAIL 450MM LG		1			
8	TRUNKING_400	25X40X400MM LG		2			
9	DIN RAIL_300	DIN RAIL 300MM LG		1			
10	76158	2.5MM CAGE CLAMP TERMINAL		16			
11	76159	2.5MM CAGE CLAMP TERMINAL END PLATE		2			
12	CZ77347	2.5MM CAGE CLAMP EARTH TERMINAL LARGE		2			
13	CZ77348	2.5MM CAGE CLAMP EARTH TERMINAL END PLATE		1			
14	74908	35MM SCREW TERMINAL		3			
15	74909	35MM SCREW EARTH TERMINAL		1			
16	77424	MECHANICAL/ELECTRICAL INTERLOCK	KE30E & KC30E	1			
17	75810	FAN MOTOR CONTACTOR 24V		1			
18	76356	CONTACTOR 75A 24VAC COIL	KE30E & KC30E	2			
19	76078	CONTACTOR 40A 24VAC COIL	KE30E & KC30E	1			
20	CC1047454	TRANSFORMER 200-575V 250/50VA (UL)		1			
21		TE 2POS JUNIOR POWER TIMER PLUG		1			
22	77358	9 PIN FLANGED SOCKET - AMP/TYCO REF: 794761-1		1			
23		JUNIOR POWER TIMER PLUG BOOT		1			
24	TYCO PLUG PIN	JUNIOR POWER TIMER PLUG PIN - AMP TYCO REF: 927783-1		2			
25	TRUNKING_235	25X40X235MM LG		1			
26	TRUNKING_165	25X40X165MM LG		1			
27	CC1053801	THERMAL OVERLOAD RELAY 60-80AMPS		1			
28	TRUNKING_240	25X40X240MM LG		1			



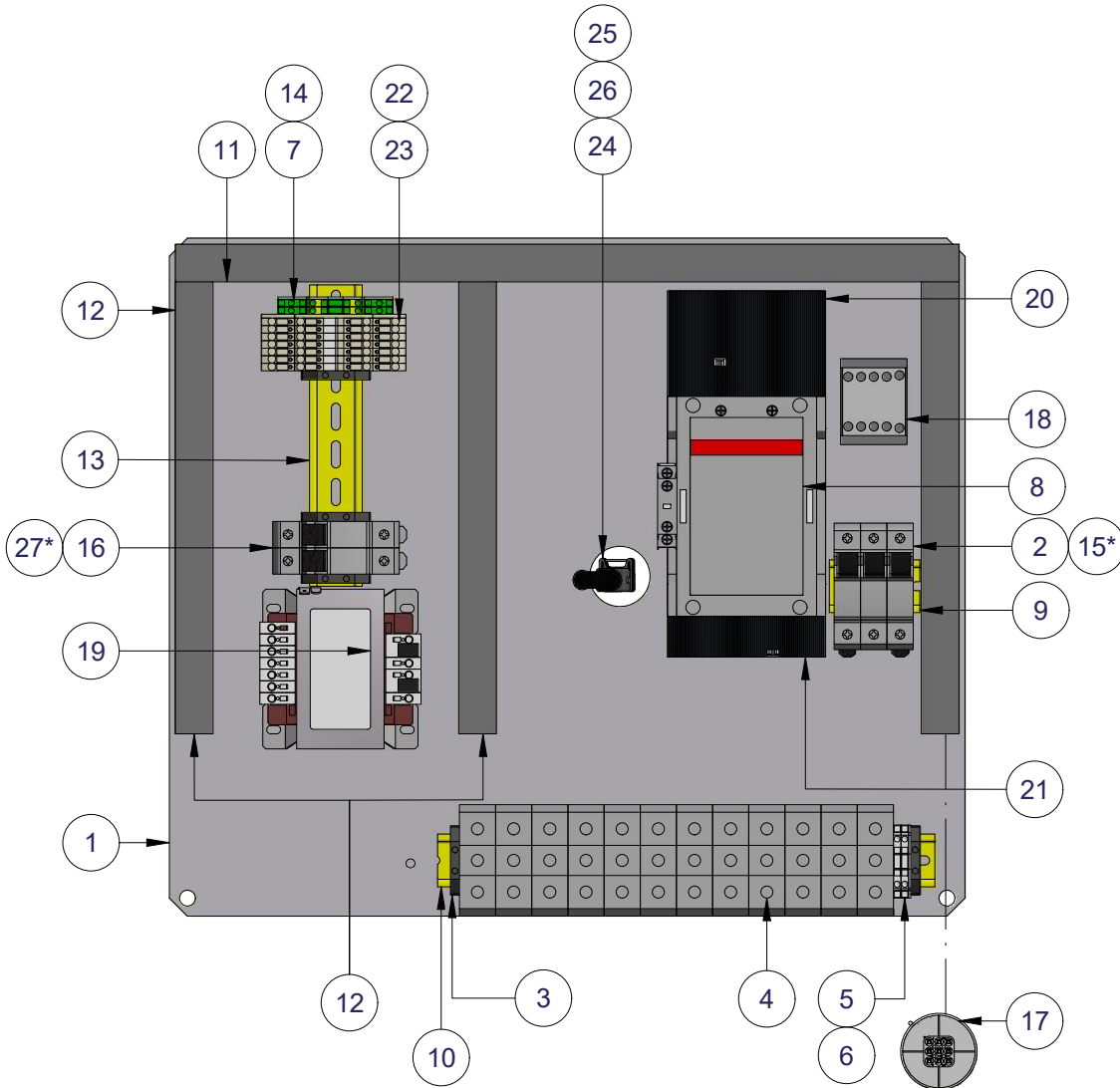
PL44-V3045-ACE - 37-45KW 200V 50/60HZ STAR DELTA CHASSIS (CC1065126)							
ITEM	PART NUMBER	DESCRIPTION	KIT	QTY	V30	V37	V45
1	77354	CHASSIS 528X450				1	1
2	CC1070082	3 POLE FUSE HOLDER				1	1
3	76156	TERMINAL END BLOCK				8	8
4	CC1047412	FUSE 10AMP 500V TIME DELAY CE 10 X 38mm	KE3745E			3	3
5	76166	MINATURE CIRCUIT BREAKER 2 POLE 6A (CE)	KE3745E			1	1
6	TRUNKING_450	25X40X450MM LG				1	1
7	DIN RAIL_450	DIN RAIL 450MM LG				1	1
8	TRUNKING_400	25X40X400MM LG				2	2
9	DIN RAIL_300	DIN RAIL 300MM LG				1	1
10	76158	2.5MM CAGE CLAMP TERMINAL				16	16
11	76159	2.5MM CAGE CLAMP TERMINAL END PLATE				2	2
12	CZ77347	2.5MM CAGE CLAMP EARTH TERMINAL LARGE				2	2
13	CZ77348	2.5MM CAGE CLAMP EARTH TERMINAL END PLATE				1	1
14	77424	MECHANICAL/ELECTRICAL INTERLOCK				1	1
15	75810	FAN MOTOR CONTACTOR 24V				1	1
16	76198	CONTACTOR 65A 24VAC COIL	KE3745E & KC3745E			1	1
17	77007	CONTACTOR 110A 24VAC COIL	KE3745E & KC3745E			2	2
18	76892	70MM SCREW TERMINAL				3	3
19	CC1047454	TRANSFORMER 200-575V 250/50VA (UL)				1	1
20	77358	9 PIN FLANGED SOCKET - AMP/TYCO REF: 794761-1		1			
21	TRUNKING_240	25X40X240MM LG				1	1
22	TRUNKING_170	25X40X170MM LG				1	1
23		TE 2POS JUNIOR POWER TIMER PLUG		1			
24		JUNIOR POWER TIMER PLUG BOOT		1			
25		JUNIOR POWER TIMER PLUG PIN - AMP TYCO REF: 927783-1		2			
26	CC1102168	THERMAL OVERLOAD RELAY 80-110AMPS		1			



PL45-V3045-ACE - 30KW 200-460V 60HZ DOL CHASSIS (CC1160941)							
ITEM	PART NUMBER	DESCRIPTION	KIT	QTY	V30	V37	V45
1	77354	CHASSIS 528X450			1		
2	CC1160949	FUSE HOLDER 3PH UL			2		
3	76156	TERMINAL END BLOCK			6		
4	76158	2.5MM CAGE CLAMP TERMINAL			2		
5	76159	2.5MM CAGE CLAMP TERMINAL END PLATE			1		
6	CZ77347	2.5MM CAGE CLAMP EARTH TERMINAL LARGE			2		
7	74704	3 POLE 145A CONTACTOR, 24V 50/60HZ COIL	KE30E-60		1		
8	DIN RAIL_60	DIN RAIL 80MM LG			1		
9	TRUNKING_520	25X40X520MM LG			1		
10	TRUNKING_300	25X40X300MM LG			3		
11	DIN RAIL_200	DIN RAIL 200MM LG			1		
12	CZ77348	2.5MM CAGE CLAMP EARTH TERMINAL END PLATE			1		
13*	24CA5967	FUSE 5AMP- 600V, LP-CC-5			3		
14	74908	35MM SCREW TERMINAL			12		
15	74909	35MM SCREW EARTH TERMINAL			1		
16	DIN RAIL_330	DIN RAIL 330MM LG			1		
17	CC1160948	FUSE HOLDER 2PH UL			1		
18	75810	FAN MOTOR CONTACTOR 24V			1		
19	77358	9 PIN FLANGED SOCKET - AMP/TYCO REF: 794761-1		1			
20	CC1047454	TRANSFORMER 200-575V 250/50VA (UL)			1		
21	CZ77683	2.5MM CAGE CLAMP TERMINAL DOUBLE STACK			7		
22	CZ77684	2.5MM CAGE CLAMP TERMINAL DOUBLE STACK END PLATE			1		
23	LT185AC	CONTACTOR TERMINAL SHROUD			1		
24	LT185AL	CONTACTOR TERMINAL SHROUD			1		
25		TE 2POS JUNIOR POWER TIMER PLUG		1			
26		JUNIOR POWER TIMER PLUG BOOT		1			
27	TYCO PLUG PIN	JUNIOR POWER TIMER PLUG PIN - AMP TYCO REF: 927783-1		2			
28*	24CA2779	FUSE 1AMP 600 V, MIDGET			2		

* DEFAULT FUSES (460V) SHOWN IN PARTS LIST, REFER BELOW TABLE FOR FUSES AS PER VOLTAGE.

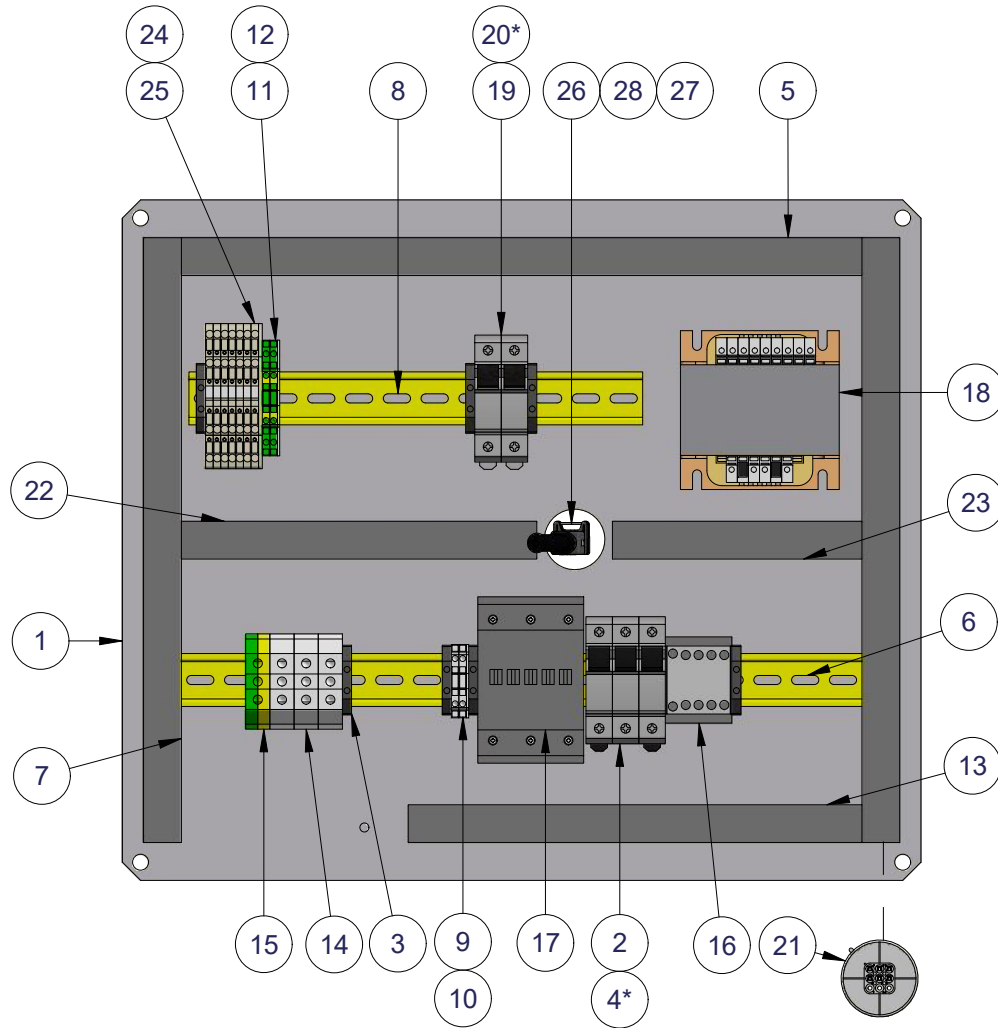
VOLTAGE	FAN FUSE - ITEM No:- 13	CONTROL CIRCUIT FUSE ITEM No:- 28
200-230	24CA4094 - RATING 8A	24CA2782 - RATING 2A
460	24CA5967 - RATING 5A	24CA2779 - RATING 1A



PL46-V3045-ACE - 37-45K DOL 200-460V 60HZ DOL CHASSIS (CC1160943)							
ITEM	PART NUMBER	DESCRIPTION	KIT	QTY	V30	V37	V45
1	77354	CHASSIS 528X450				1	1
2	CC1160949	FUSE HOLDER 3PH UL				1	1
3	76156	TERMINAL END BLOCK				5	5
4	76892	70MM SCREW TERMINAL				12	12
5	76158	2.5MM CAGE CLAMP TERMINAL				2	2
6	76159	2.5MM CAGE CLAMP TERMINAL END PLATE				1	1
7	CZ77347	2.5MM CAGE CLAMP EARTH TERMINAL LARGE				2	2
8	77365	3 POLE 185A CONTACTOR, 24V 50/60HZ COIL	K3745E-60			1	1
9	DIN RAIL_60	DIN RAIL 80MM LG				1	1
10	DIN RAIL_330	DIN RAIL 330MM LG				1	1
11	TRUNKING_520	25X40X520MM LG				1	1
12	TRUNKING_300	25X40X300MM LG				3	3
13	DIN RAIL_200	DIN RAIL 200MM LG				1	1
14	CZ77348	2.5MM CAGE CLAMP EARTH TERMINAL END PLATE				1	1
15*	24CA4094	FUSE 008.00 600V LP-CC				3	3
16	CC1160948	FUSE HOLDER 2PH UL				1	1
17	77358	9 PIN FLANGED SOCKET - AMP/TYCO REF: 794761-1		1			
18	75810	FAN MOTOR CONTACTOR 24V				1	1
19	CC1047454	TRANSFORMER 200-575V 250/50VA (UL)				1	1
20	LT185AL	CONTACTOR TERMINAL SHROUD				1	1
21	LT185AC	CONTACTOR TERMINAL SHROUD				1	1
22	CZ77684	2.5MM CAGE CLAMP TERMINAL DOUBLE STACK END PLATE				1	1
23	CZ77683	2.5MM CAGE CLAMP TERMINAL DOUBLE STACK				7	7
24		TE 2POS JUNIOR POWER TIMER PLUG		1			
25		JUNIOR POWER TIMER PLUG BOOT		1			
26	TYCO PLUG PIN	JUNIOR POWER TIMER PLUG PIN - AMP TYCO REF: 927783-1		2			
27*	24CA2779	FUSE 1AMP 600 V, MIDGET, type FNQ-R				2	2

* DEFAULT FUSES (460V) SHOWN IN PARTS LIST, REFER BELOW TABLE FOR FUSES AS PER VOLTAGE.

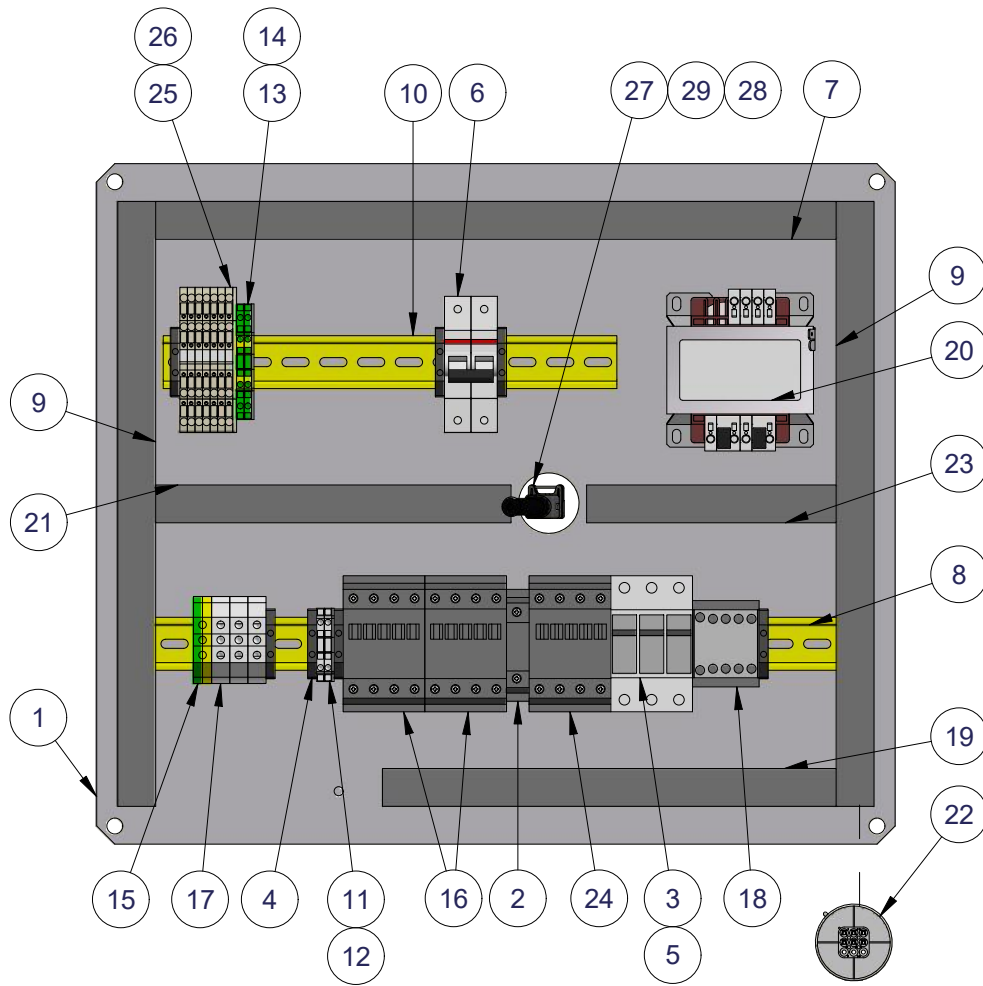
VOLTAGE	FAN FUSE - ITEM No:- 19	CONTROL CIRCUIT FUSE ITEM No:- 37
200-230	24CA4096 - RATING 15A	24CA2782 - RATING 2A
460	24CA4094 - RATING 8A	24CA2779 - RATING 1A



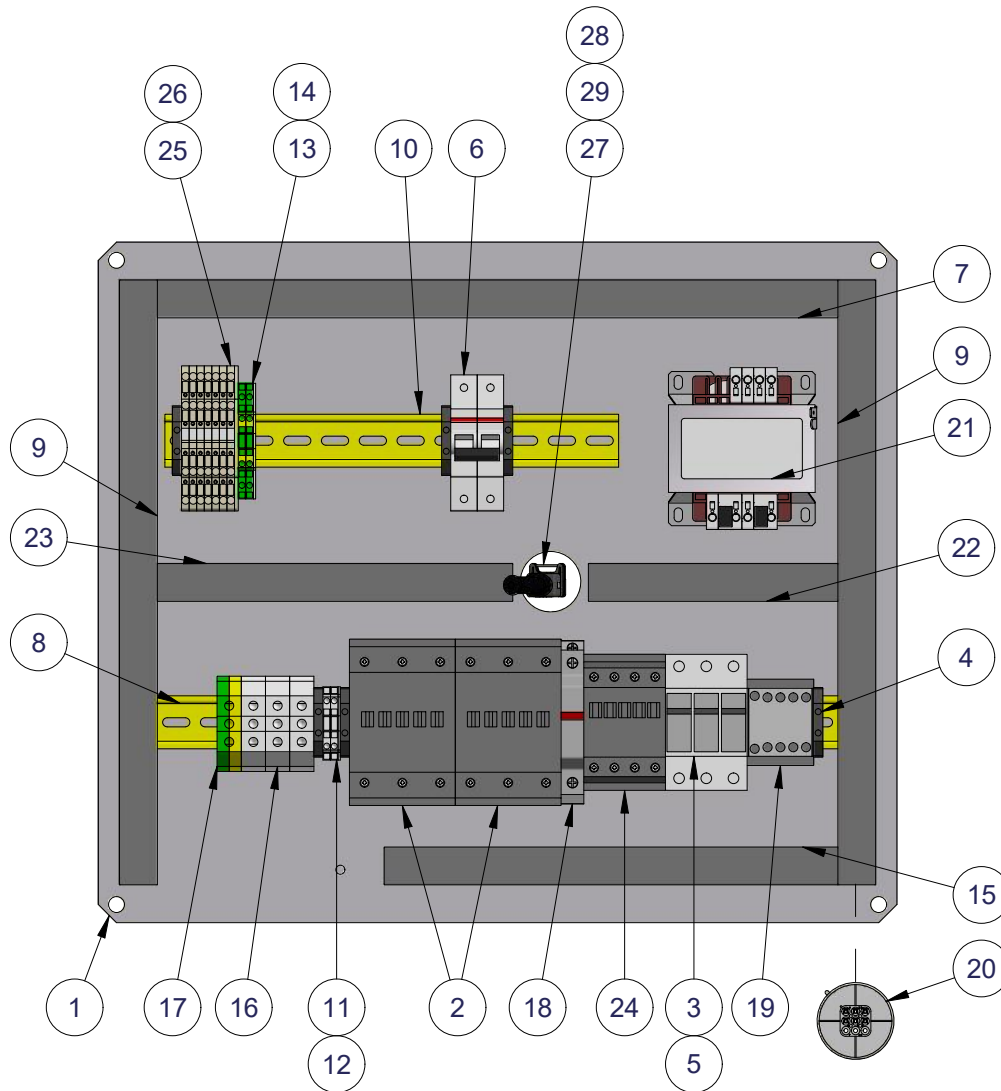
PL47-V3045-ACE - 30-45KW 575V 60HZ DOL CHASSIS (CC1160944)							
ITEM	PART NUMBER	DESCRIPTION	KIT	QTY	V30	V37	V45
1	77354	CHASSIS 528X450		1			
2	CC1160949	FUSE HOLDER 3PH UL		1			
3	76156	TERMINAL END BLOCK		7			
4*	24CA4094	FUSE 008.00 600V LP-CC		3			
5	TRUNKING_450	25X40X450MM LG		1			
6	DIN RAIL_450	DIN RAIL 450MM LG		1			
7	TRUNKING_400	25X40X400MM LG		2			
8	DIN RAIL_300	DIN RAIL 300MM LG		1			
9	76158	2.5MM CAGE CLAMP TERMINAL		2			
10	76159	2.5MM CAGE CLAMP TERMINAL END PLATE		1			
11	CZ77347	2.5MM CAGE CLAMP EARTH TERMINAL LARGE		2			
12	CZ77348	2.5MM CAGE CLAMP EARTH TERMINAL END PLATE		1			
13	TRUNKING_300	25X40X300MM LG		1			
14	74908	35MM SCREW TERMINAL		3			
15	74909	35MM SCREW EARTH TERMINAL		1			
16	75810	FAN MOTOR CONTACTOR 24V		1			
17	76356	CONTACTOR 75A 24VAC COIL	KE30E-60 & KE3745E-60	1			
18	77070	TRANSFORMER 200-575V 196/100/50VA (UL)		1			
19	CC1160948	FUSE HOLDER 2PH UL		1			
20*	24CA2779	FUSE 1AMP 600 V, MIDGET		2			
21	77358	9 PIN FLANGED SOCKET - AMP/TYCO REF: 794761-1		1			
22	TRUNKING_235	25X40X235MM LG		1			
23	TRUNKING_165	25X40X165MM LG		1			
24	CZ77684	2.5MM CAGE CLAMP TERMINAL DOUBLE STACK END PLATE		1			
25	CZ77683	2.5MM CAGE CLAMP TERMINAL DOUBLE STACK		7			
26		TE 2POS JUNIOR POWER TIMER PLUG		1			
27		JUNIOR POWER TIMER PLUG BOOT		1			
28	TYCO PLUG PIN	JUNIOR POWER TIMER PLUG PIN - AMP TYCO REF: 927783-1		2			

* DEFAULT FUSES (37/45KW-50/60HP-575V) SHOWN IN PARTS LIST, REFER BELOW TABLE FOR FUSES AS PER KW & HP.

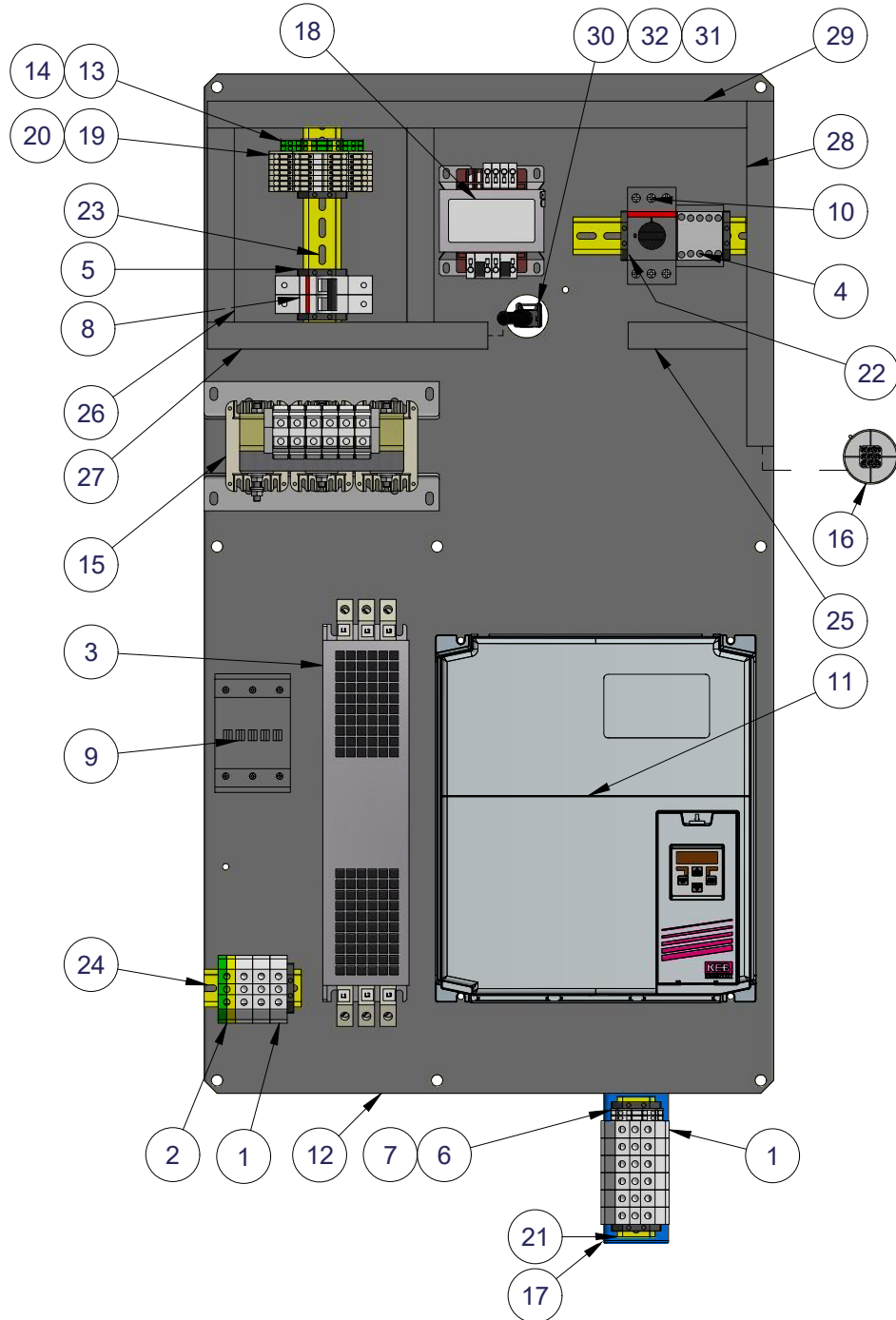
KW	HP	VOLTAGE	FAN FUSE - ITEM No:- 4	CONTROL CIRCUIT FUSE ITEM No:- 20
30	40	575	24CA4091 - RATING 4A	24CA2779 - RATING 1A
37	50	575	24CA4094 - RATING 8A	24CA2779 - RATING 1A
45	60	575	24CA4094 - RATING 8A	24CA2779 - RATING 1A



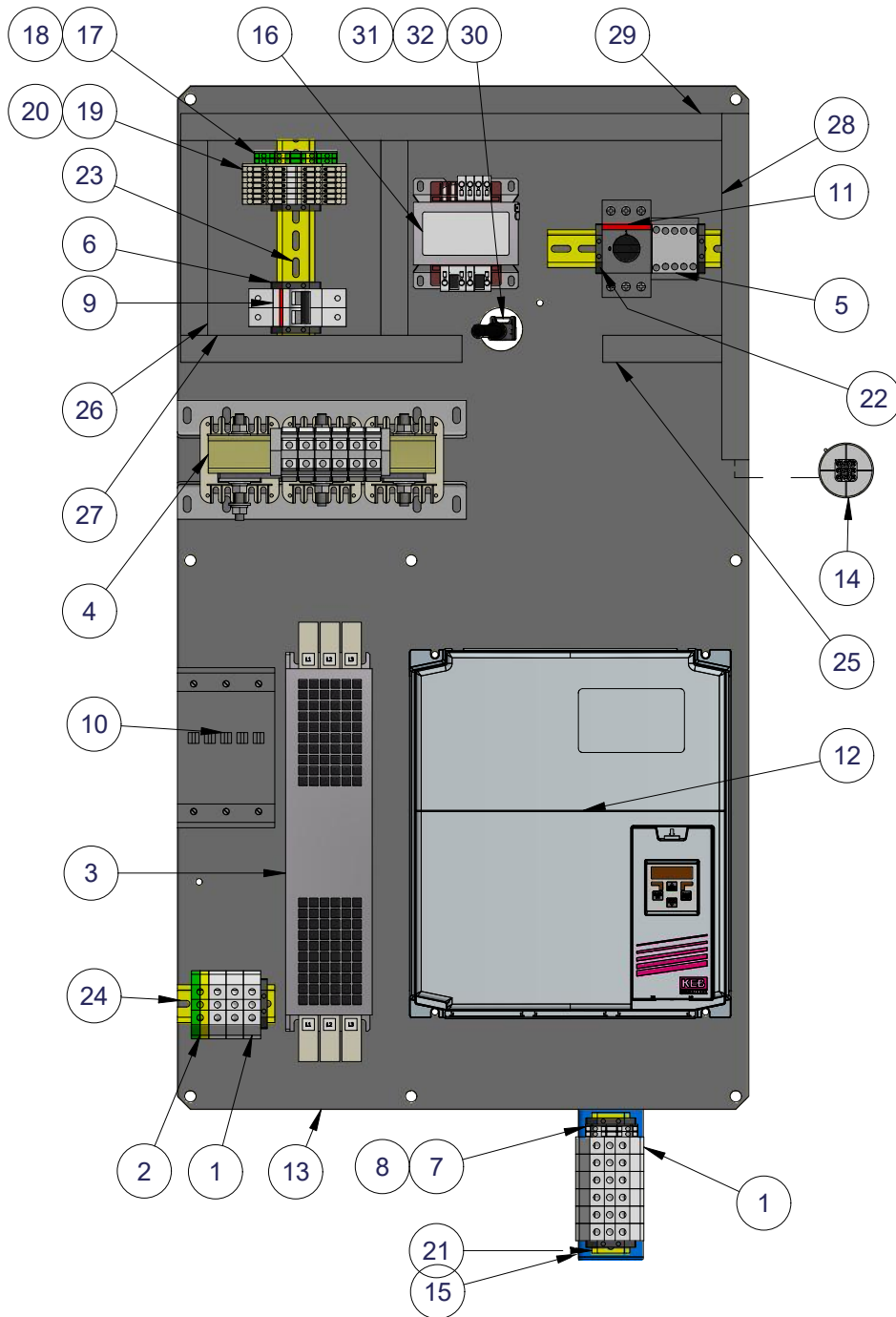
PL48-V3045-ACE - 30KW 400V 50HZ STAR DELTA CHASSIS (CC1065121)							
ITEM	PART NUMBER	DESCRIPTION	KIT	QTY	V30	V37	V45
1	77354	CHASSIS 528X450			1		
2	74897	MECHANICAL INTERLOCK	KE30E		1		
3	CC1070082	3 POLE FUSE HOLDER			1		
4	76156	TERMINAL END BLOCK			7		
5	77110	FUSE 4AMP 500V TIME DELAY CE 10 X 38mm	KE30E		3		
6	76166	MINATURE CIRCUIT BREAKER 2 POLE 6A (CE)			1		
7	TRUNKING_450	25X40X450MM LG			1		
8	DIN RAIL_450	DIN RAIL 450MM LG			1		
9	TRUNKING_400	25X40X400MM LG			2		
10	DIN RAIL_300	DIN RAIL 300MM LG			1		
11	76158	2.5MM CAGE CLAMP TERMINAL			2		
12	76159	2.5MM CAGE CLAMP TERMINAL END PLATE			1		
13	CZ77347	2.5MM CAGE CLAMP EARTH TERMINAL LARGE			2		
14	CZ77348	2.5MM CAGE CLAMP EARTH TERMINAL END PLATE			1		
15	74822	16MM SCREW EARTH TERMINAL			1		
16	76078	CONTACTOR 40A 24VAC COIL			2		
17	CZ74821	16MM SCREW TERMINAL			3		
18	75810	FAN MOTOR CONTACTOR 24V			1		
19	TRUNKING_300	25X40X300MM LG			1		
20	CC1047428	TRANSFORMER 400-460V 200/50VA (UL)			1		
21	TRUNKING_235	25X40X235MM LG			1		
22	77358	9 PIN FLANGED SOCKET - AMP/TYCO REF: 794761-1		1			
23	TRUNKING_165	25X40X165MM LG			1		
24	75812	CONTACTOR 26A 24VAC COIL	KE30E		1		
25	CZ77683	2.5MM CAGE CLAMP TERMINAL DOUBLE STACK			7		
26	CZ77684	2.5MM CAGE CLAMP TERMINAL DOUBLE STACK END PLATE			1		
27		TE 2POS JUNIOR POWER TIMER PLUG		1			
28		JUNIOR POWER TIMER PLUG BOOT		1			
29	TYCO PLUG PIN	JUNIOR POWER TIMER PLUG PIN - AMP TYCO REF: 927783-1		2			



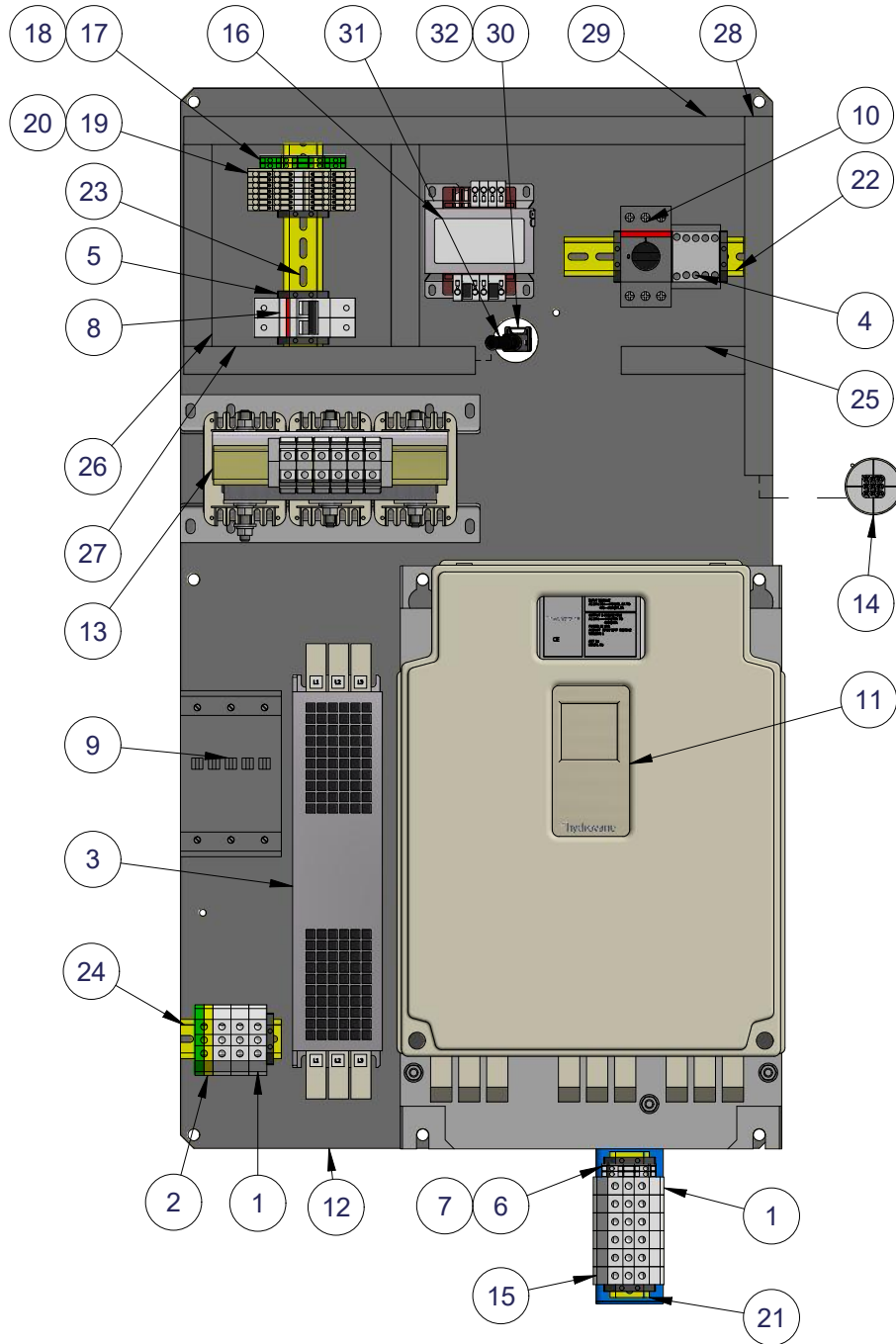
PL49-V3045-ACE - 37-45KW 400V 50HZ STAR DELTA CHASSIS (CC1065122)							
ITEM	PART NUMBER	DESCRIPTION	KIT	QTY	V30	V37	V45
1	77354	CHASSIS 528X450				1	1
2	76198	CONTACTOR 65A 24VAC COIL	KE3745E & KC3745E			2	2
3	CC1070082	3 POLE FUSE HOLDER				1	1
4	76156	TERMINAL END BLOCK				6	6
5	77427	FUSE 6AMP 500V TIME DELAY CE 10 X 38mm	KE3745E			3	3
6	76166	MINATURE CIRCUIT BREAKER 2 POLE 6A (CE)	KE3745E			1	1
7	TRUNKING_450	25X40X450MM LG				1	1
8	DIN RAIL_450	DIN RAIL 450MM LG				1	1
9	TRUNKING_400	25X40X400MM LG				2	2
10	DIN RAIL_300	DIN RAIL 300MM LG				1	1
11	76158	2.5MM CAGE CLAMP TERMINAL				2	2
12	76159	2.5MM CAGE CLAMP TERMINAL END PLATE				1	1
13	CZ77347	2.5MM CAGE CLAMP EARTH TERMINAL LARGE				2	2
14	CZ77348	2.5MM CAGE CLAMP EARTH TERMINAL END PLATE				1	1
15	TRUNKING_300	25X40X300MM LG				1	1
16	74908	35MM SCREW TERMINAL				3	3
17	74909	35MM SCREW EARTH TERMINAL				1	1
18	77424	MECHANICAL/ELECTRICAL INTERLOCK	KE3745E & KC3745E			1	1
19	75810	FAN MOTOR CONTACTOR 24V				1	1
20	77358	9 PIN FLANGED SOCKET - AMP/TYCO REF: 794761-1		1			
21	CC1047428	TRANSFORMER 400-460V 200/50VA (UL)				1	1
22	TRUNKING_165	25X40X165MM LG				1	1
23	TRUNKING_235	25X40X235MM LG				1	1
24	76078	CONTACTOR 40A 24VAC COIL	KE3745E & KC3745E			1	1
25	CZ77683	2.5MM CAGE CLAMP TERMINAL DOUBLE STACK				7	7
26	CZ77684	2.5MM CAGE CLAMP TERMINAL DOUBLE STACK END PLATE				1	1
27		TE 2POS JUNIOR POWER TIMER PLUG		1			
28		JUNIOR POWER TIMER PLUG BOOT		1			
29	TYCO PLUG PIN	JUNIOR POWER TIMER PLUG PIN - AMP TYCO REF: 927783-1		2			



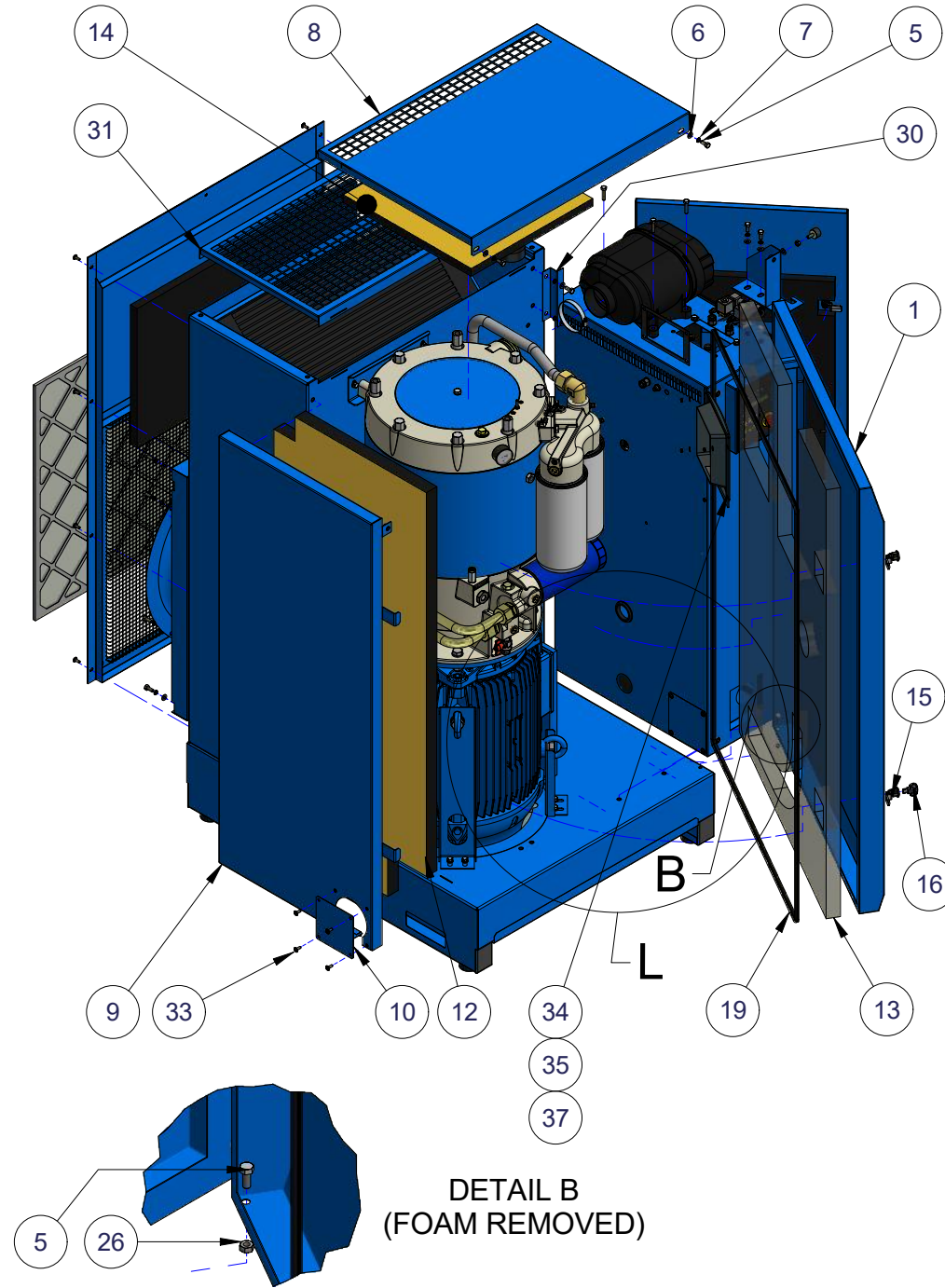
PL50-V3045-ACE - 30KW 400V 50-60HZ RS CHASSIS (CC1065128)							
ITEM	PART NUMBER	DESCRIPTION	KIT	QTY	V30	V37	V45
1	74908	35MM SCREW TERMINAL			3		
2	74909	35MM SCREW EARTH TERMINAL			1		
3	75340	EMC FILTER 30KW 400V RS			1		
4	75810	FAN MOTOR CONTACTOR 24V	KE30ERS	1			
5	76156	TERMINAL END BLOCK			8		
6	76158	2.5MM CAGE CLAMP TERMINAL			2		
7	76159	2.5MM CAGE CLAMP TERMINAL END PLATE			1		
8	76165	MINATURE CIRCUIT BREAKER 2 POLE 6A (UL)	KE30ERS	1			
9	76356	CONTACTOR 75A 24VAC COIL	KE30ERS & KC30ERS	1			
10	76991	MANUAL MOTOR STARTER 2.5-4.0A (UL)	KE30ERS	1			
11	77322	INVERTER 30KW 400V			1		
12	77325	CHASSIS 528X945			1		
13	CZ77347	2.5MM CAGE CLAMP EARTH TERMINAL LARGE			2		
14	CZ77348	2.5MM CAGE CLAMP EARTH TERMINAL END PLATE			1		
15	77349	MAINS CHOKE			1		
16	77358	9 PIN FLANGED SOCKET - AMP/TYCO REF: 794761-1		1			
17	77619	TERMINAL RAIL BRACKET			1		
18	CC1047428	TRANSFORMER 400-460V 200/50VA (UL)			1		
19	CZ77683	2.5MM CAGE CLAMP TERMINAL DOUBLE STACK			7		
20	CZ77684	2.5MM CAGE CLAMP TERMINAL DOUBLE STACK END PLATE			1		
21	DIN RAIL_130 PART1	DIN RAIL 130MM LG			1		
22	DIN RAIL_160	DIN RAIL 160MM LG			1		
23	DIN RAIL_180	DIN RAIL 180MM LG			1		
24	DIN RAIL_90	DIN RAIL 90MM LG			1		
25	TRUNKING_110	25X60X110 LG			1		
26	TRUNKING_180	25X60X180 LG			2		
27	TRUNKING_260	25X60X260 LG			1		
28	TRUNKING_320	25X60X320 LG			1		
29	TRUNKING_500	25X60X500 LG			1		
30		TE 2POS JUNIOR POWER TIMER PLUG		1			
31		JUNIOR POWER TIMER PLUG BOOT		1			
32	TYCO PLUG PIN	JUNIOR POWER TIMER PLUG PIN - AMP TYCO REF: 927783-1		2			



PL51-V3045-ACE - 37KW RS 400V 50/60HZ RS CHASSIS (CC1065129)							
ITEM	PART NUMBER	DESCRIPTION	KIT	QTY	V30	V37	V45
1	74908	35MM SCREW TERMINAL				3	
2	74909	35MM SCREW EARTH TERMINAL				1	
3	75792	EMC FILTER 37KW & 45KW 400V RS				1	
4	75793	MAINS CHOKE				1	
5	75810	FAN MOTOR CONTACTOR 24V	KE3745ERS			1	
6	76156	TERMINAL END BLOCK				8	
7	76158	2.5MM CAGE CLAMP TERMINAL				2	
8	76159	2.5MM CAGE CLAMP TERMINAL END PLATE				1	
9	76165	MINATURE CIRCUIT BREAKER 2 POLE 6A (UL)	KE3745ERS			1	
10	76309	CONTACTOR 95A 24VAC COIL	KE3745ERS & KC3745ERS			1	
11	76991	MANUAL MOTOR STARTER 2.5-4.0A (UL)	KE3745ERS			1	
12	77060	INVERTER 37KW 400V				1	
13	77325	CHASSIS 528X945				1	
14	77358	9 PIN FLANGED SOCKET - AMP/TYCO REF: 794761-1		1			
15	77619	TERMINAL RAIL BRACKET				1	
16	CC1047428	TRANSFORMER 400-460V 200/50VA (UL)				1	
17	CZ77347	2.5MM CAGE CLAMP EARTH TERMINAL LARGE				2	
18	CZ77348	2.5MM CAGE CLAMP EARTH TERMINAL END PLATE				1	
19	CZ77683	2.5MM CAGE CLAMP TERMINAL DOUBLE STACK				7	
20	CZ77684	2.5MM CAGE CLAMP TERMINAL DOUBLE STACK END PLATE				1	
21	DIN RAIL130 PART1	DIN RAIL 130MM LG				1	
22	DIN RAIL_160	DIN RAIL 160MM LG				1	
23	DIN RAIL_180	DIN RAIL 180MM LG				1	
24	DIN RAIL_90	DIN RAIL 90MM LG				1	
25	TRUNKING_110	25X60X110 LG				1	
26	TRUNKING_180	25X60X180 LG				2	
27	TRUNKING_260	25X60X260 LG				1	
28	TRUNKING_320	25X60X320 LG				1	
29	TRUNKING_500	25X60X500 LG				1	
30		TE 2POS JUNIOR POWER TIMER PLUG		1			
31		JUNIOR POWER TIMER PLUG BOOT		1			
32	TYCO PLUG PIN	JUNIOR POWER TIMER PLUG PIN - AMP TYCO REF: 927783-1		2			

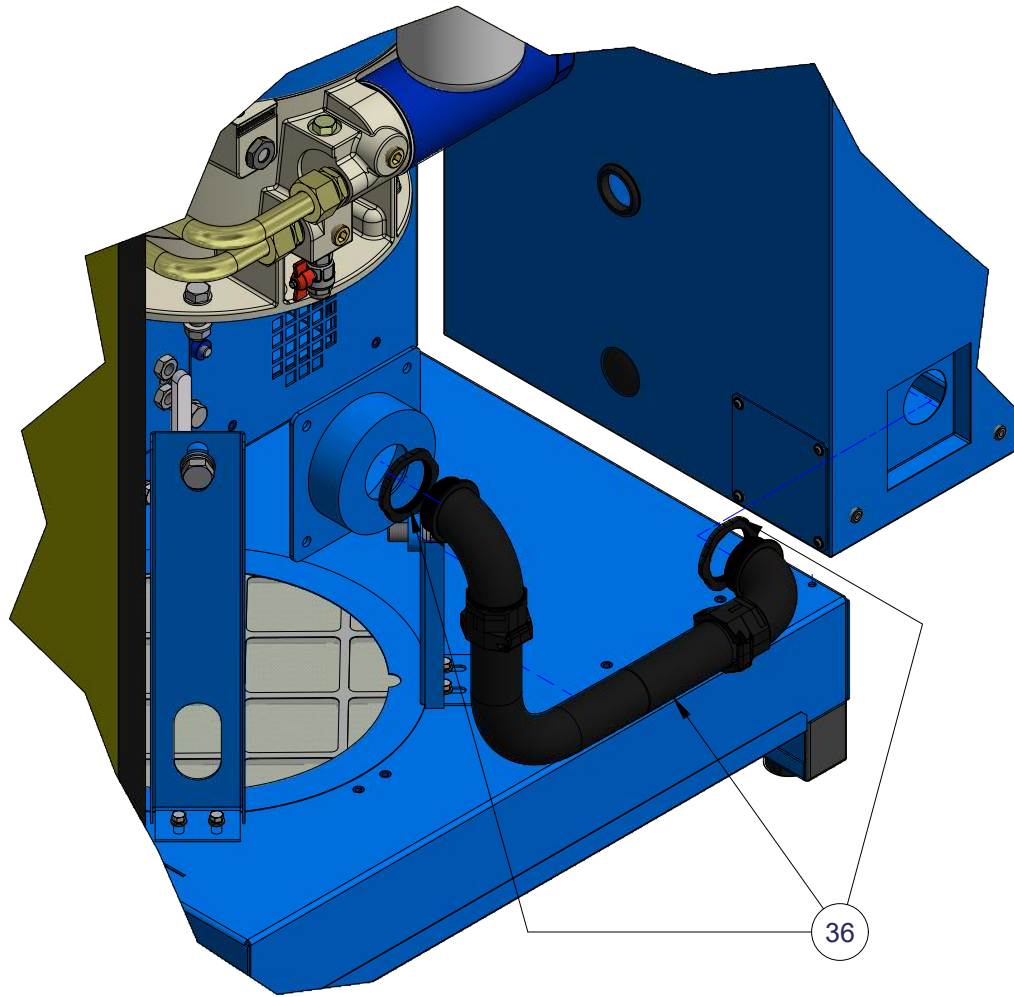


PL52-V3045-ACE - 45KW RS 400V 50-60HZ RS CHASSIS (CC1065130)							
ITEM	PART NUMBER	DESCRIPTION	KIT	QTY	V30	V37	V45
1	74908	35MM SCREW TERMINAL					3
2	74909	35MM SCREW EARTH TERMINAL					1
3	75792	EMC FILTER 37KW & 45KW 400V RS					1
4	75810	FAN MOTOR CONTACTOR 24V	KE3745ERS				1
5	76156	TERMINAL END BLOCK					8
6	76158	2.5MM CAGE CLAMP TERMINAL					2
7	76159	2.5MM CAGE CLAMP TERMINAL END PLATE					1
8	76165	MINATURE CIRCUIT BREAKER 2 POLE 6A (UL)	KE3745ERS				1
9	76309	CONTACTOR 95A 24VAC COIL	KE3745ERS & KC3745ERS				1
10	76991	MANUAL MOTOR STARTER 2.5-4.0A (UL)	KE3745ERS				1
11	77323	INVERTER 45KW 400V					1
12	77325	CHASSIS 528X945					1
13	77350	MAINS CHOKE					1
14	77358	9 PIN FLANGED SOCKET - AMP/TYCO REF: 794761-1		1			
15	77619	TERMINAL RAIL BRACKET					1
16	CC1047428	TRANSFORMER 400-460V 200/50VA (UL)					1
17	CZ77347	2.5MM CAGE CLAMP EARTH TERMINAL LARGE					2
18	CZ77348	2.5MM CAGE CLAMP EARTH TERMINAL END PLATE					1
19	CZ77683	2.5MM CAGE CLAMP TERMINAL DOUBLE STACK					7
20	CZ77684	2.5MM CAGE CLAMP TERMINAL DOUBLE STACK END PLATE					1
21	DIN RAIL_130 PART1	DIN RAIL 130MM LG					1
22	DIN RAIL_160	DIN RAIL 160MM LG					1
23	DIN RAIL_180	DIN RAIL 180MM LG					1
24	DIN RAIL_90	DIN RAIL 90MM LG					1
25	TRUNKING_110	25X60X110 LG					1
26	TRUNKING_180	25X60X180 LG					2
27	TRUNKING_260	25X60X260 LG					1
28	TRUNKING_320	25X60X320 LG					1
29	TRUNKING_500	25X60X500 LG					1
30		TE 2POS JUNIOR POWER TIMER PLUG		1			
31		JUNIOR POWER TIMER PLUG BOOT		1			
32	TYCO PLUG PIN	JUNIOR POWER TIMER PLUG PIN - AMP TYCO REF: 927783-1		2			



PL53-V3045-ACE - PANEL ASSEMBLY

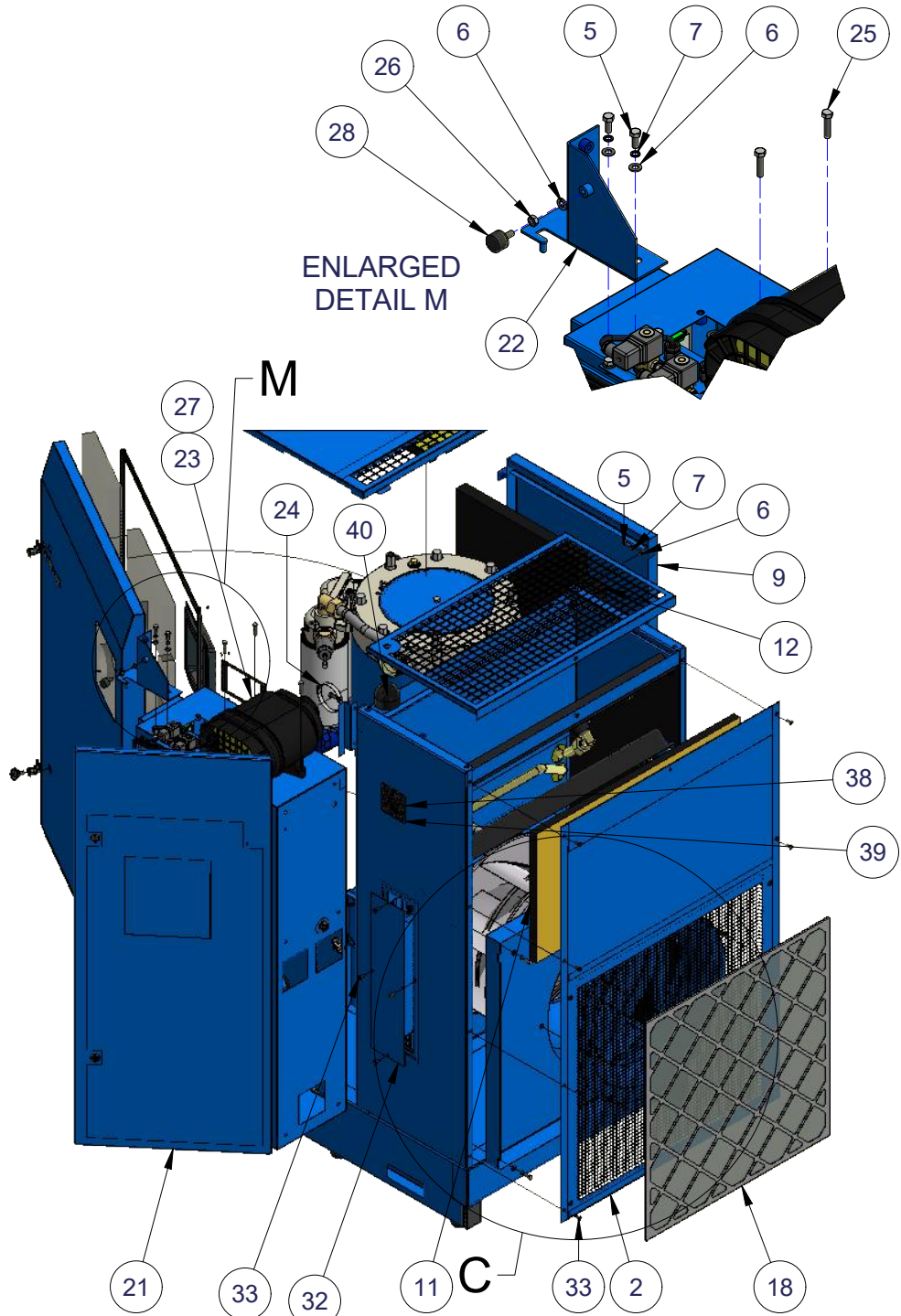
ITEM	PART NUMBER	DESCRIPTION	KIT	QTY	V30	V37	V45
1	CC1063060	FRONT PANEL		1			
2	76239	REAR PANEL	CC1063059	1			
3	CC1147018	VOLUTE (50HZ MODELS)		1			
3	77440	VOLUTE (60HZ MODELS)				1	1
3	77125	VOLUTE		1			
4	77196	INTAKE DUCT	CC1063059	1			
4	77440	VOLUTE		1			
5	MS108-20	M8x20 HEX HEAD SCREW		32			
6	MW8	M8 WASHER		32			
7	MWG8	M8 SPRING WASHER		31			
8	76257	TOP PANEL	CC1063059	1			
9	77782	SIDE PANEL	CC1063059	1			
10	76405	GLAND PLATE	CC1063059	1			
11	77220	FOAM, REAR PANEL	CC1064707	1			
12	76266	FOAM, SIDE PANEL	CC1063059	1			
13	CC1064708	FOAM, FRONT PANEL	CC1063059	1			
14	76268	FOAM, TOP PANEL	CC1063059	1			
15	CZ75950	DOOR CATCH		2			
16	76941	KEY, 1/4 TURN		1			
18	77143	CABINET FILTER	KF3045E	1			
19	70832	DOOR SEAL		1			
20	75989	HYDROVANE LOGO		1			
21	PL42-V3045-ACE	STARTER ASSEMBLY		1			
22	77149	DOOR BRACKET	CC1063059	1			
23	CZ76209	AIR FILTER UNIT		1			
24	95370_0015	JUBILEE CLIP		1			
25	MS108-35	M8x20 HEX HEAD SCREW		3			
26	MN108	M8 NUT		2			
27	76210	AIR FILTER CARTRIDGE	KF3045E & KM3045ELS	1			
28	74231	AVA MOUNT		1			
29	CZ74490	LABEL MODEL LOGO HV37				1	
29	CZ74491	LABEL MODEL LOGO HV45					1
29	75151	LABEL MODEL LOGO HV37RS				1	
29	77410	LABEL MODEL LOGO HV45RS					1
29	77411	LABEL MODEL LOGO HV30RS				1	
29	CZ74489	LABEL MODEL LOGO HV30				1	
30	77443	STARTER INFILL ANGLE	CC1063059	1			
31	77543	COOLER ACCESS PANEL	CC1063059	1			
32	CC1071775	ACCESS PANEL	CC1063059	1			
33	CC1074810	M6 x 16 FLANGED SOCKET BUTTON HEAD		17			
34	CC1057064	BEZEL		1			
35	MN105	M5 NUT		4			
36	CC1096397	MOTOR CONDUIT ASSEMBLY (60HZ MODELS)				1	1
37	MW5C	M5 PLAIN WASHER - FORM C		4			
38	CC1076369	SERIAL NUMBER PLATE		1			
39	CZ74444	POP RIVET		4			
40	ZS1167532	ICONN ANTENNA		1			
41	56095	BUSH HEYCO		1			
42	77125	VOLUTE V45		1			



DETAIL L
(60HZ MODELS)

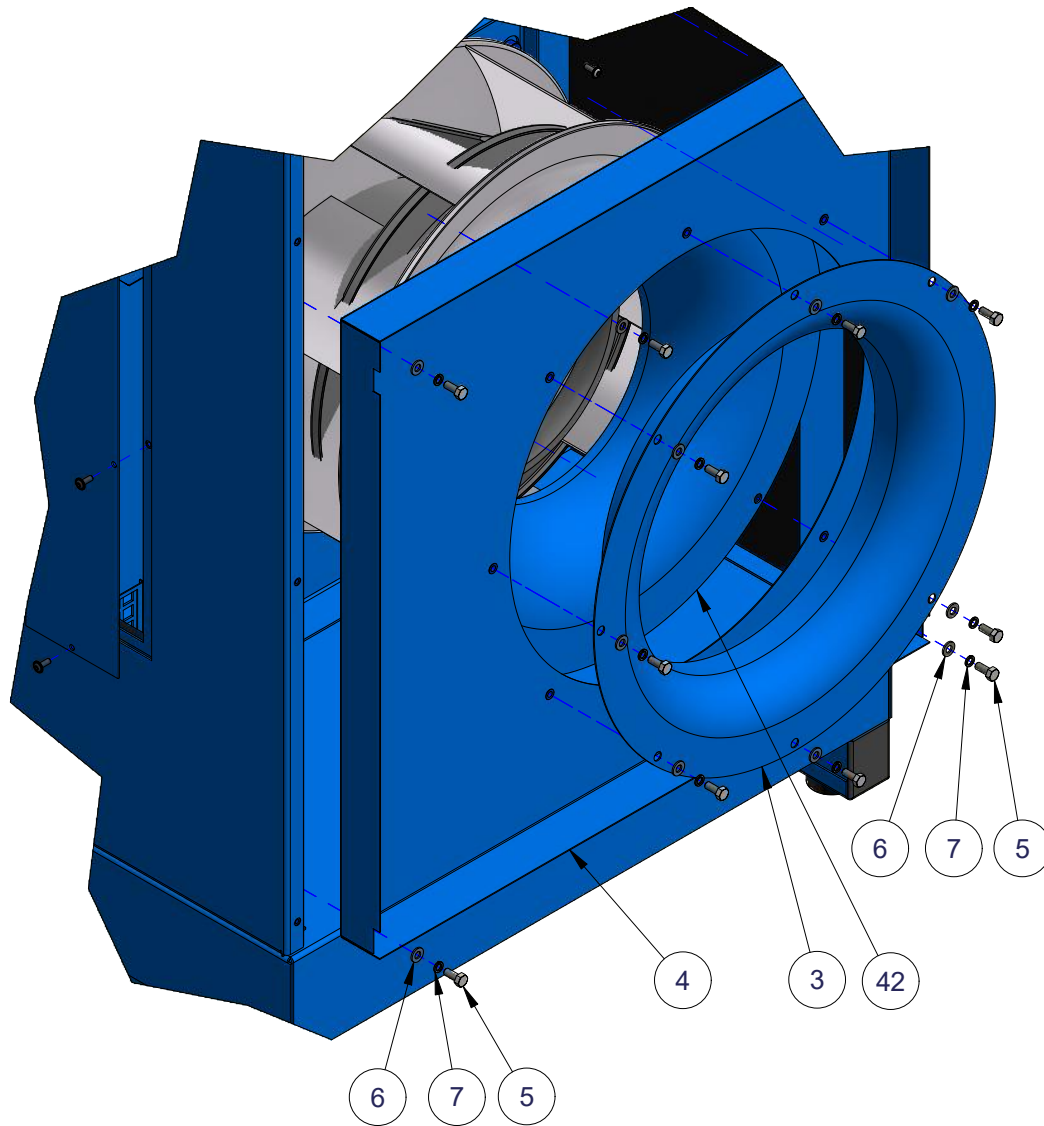
PL53-V3045-ACE - PANEL ASSEMBLY

ITEM	PART NUMBER	DESCRIPTION	KIT	QTY	V30	V37	V45
1	CC1063060	FRONT PANEL		1			
2	76239	REAR PANEL	CC1063059	1			
3	CC1147018	VOLUTE (50HZ MODELS)		1			
3	77440	VOLUTE (60HZ MODELS)				1	1
3	77125	VOLUTE		1			
4	77196	INTAKE DUCT	CC1063059	1			
4	77440	VOLUTE		1			
5	MS108-20	M8x20 HEX HEAD SCREW		32			
6	MW8	M8 WASHER		32			
7	MWG8	M8 SPRING WASHER		31			
8	76257	TOP PANEL	CC1063059	1			
9	77782	SIDE PANEL	CC1063059	1			
10	76405	GLAND PLATE	CC1063059	1			
11	77220	FOAM. REAR PANEL	CC1064707	1			
12	76266	FOAM. SIDE PANEL	CC1063059	1			
13	CC1064708	FOAM. FRONT PANEL	CC1063059	1			
14	76268	FOAM. TOP PANEL	CC1063059	1			
15	CZ75950	DOOR CATCH		2			
16	76941	KEY. 1/4 TURN		1			
18	77143	CABINET FILTER	KF3045E	1			
19	70832	DOOR SEAL		1			
20	75989	HYDROVANE LOGO		1			
21	PL42-V3045-ACE	STARTER ASSEMBLY		1			
22	77149	DOOR BRACKET	CC1063059	1			
23	CZ76209	AIR FILTER UNIT		1			
24	95370_0015	JUBILEE CLIP		1			
25	MS108-35	M8x20 HEX HEAD SCREW		3			
26	MN108	M8 NUT		2			
27	76210	AIR FILTER CARTRIDGE	KF3045E & KM3045ELS	1			
28	74231	AVA MOUNT		1			
29	CZ74490	LABEL MODEL LOGO HV37				1	
29	CZ74491	LABEL MODEL LOGO HV45					1
29	75151	LABEL MODEL LOGO HV37RS				1	
29	77410	LABEL MODEL LOGO HV45RS					1
29	77411	LABEL MODEL LOGO HV30RS			1		
29	CZ74489	LABEL MODEL LOGO HV30			1		
30	77443	STARTER INFILL ANGLE	CC1063059	1			
31	77543	COOLER ACCESS PANEL	CC1063059	1			
32	CC1071775	ACCESS PANEL	CC1063059	1			
33	CC1074810	M6 x 16 FLANGED SOCKET BUTTON HEAD		17			
34	CC1057064	BEZEL		1			
35	MN105	M5 NUT		4			
36	CC1096397	MOTOR CONDUIT ASSEMBLY (60HZ MODELS)				1	1
37	MW5C	M5 PLAIN WASHER - FORM C		4			
38	CC1076369	SERIAL NUMBER PLATE		1			
39	CZ74444	POP RIVET		4			
40	ZS1167532	ICONN ANTENNA		1			
41	56095	BUSH HEYCO		1			
42	77125	VOLUTE V45		1			



PL53-V3045-ACE - PANEL ASSEMBLY

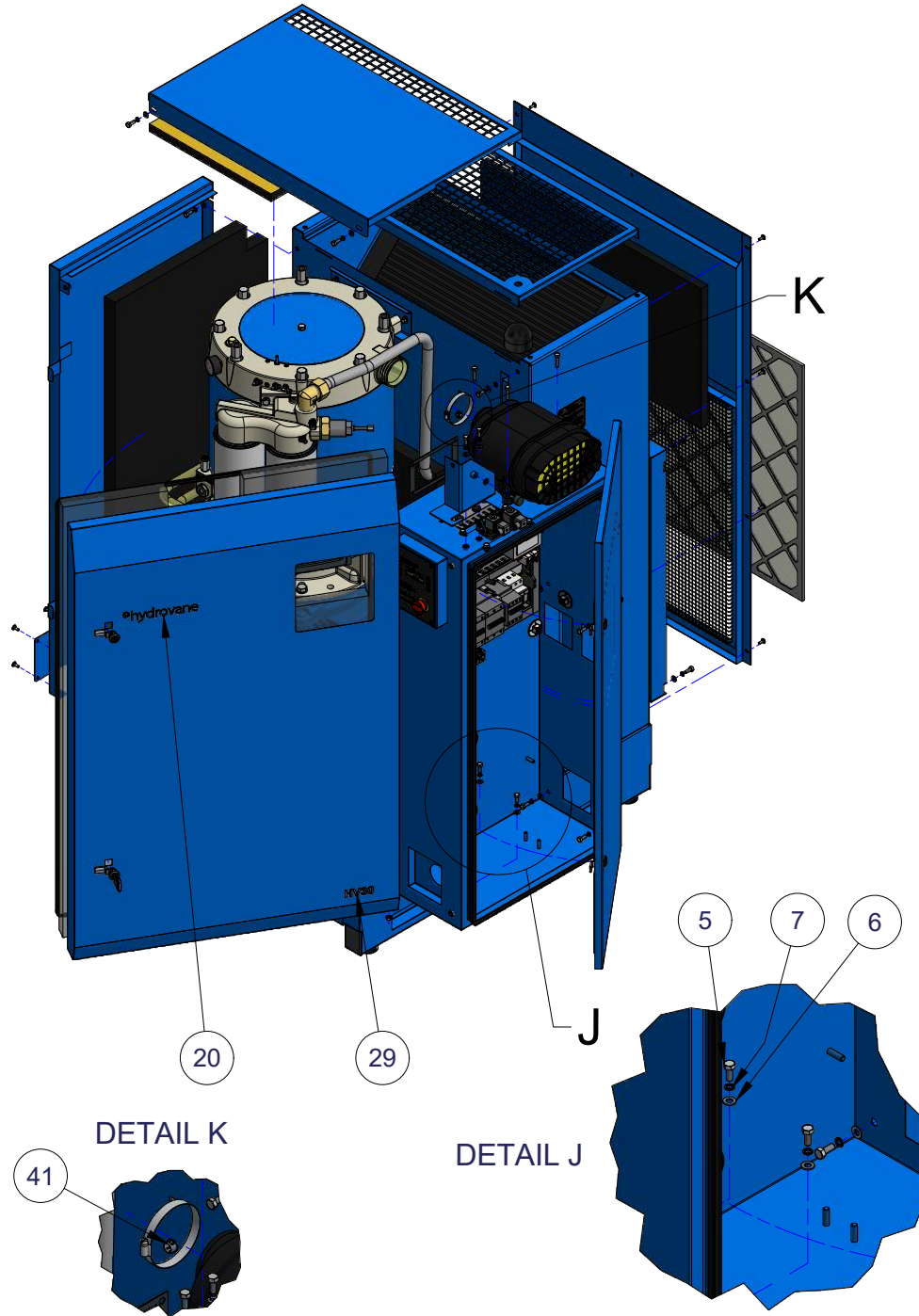
ITEM	PART NUMBER	DESCRIPTION	KIT	QTY	V30	V37	V45
1	CC1063060	FRONT PANEL		1			
2	76239	REAR PANEL	CC1063059	1			
3	CC1147018	VOLUTE (50HZ MODELS)		1			
3	77440	VOLUTE (60HZ MODELS)				1	1
3	77125	VOLUTE		1			
4	77196	INTAKE DUCT	CC1063059	1			
4	77440	VOLUTE		1			
5	MS108-20	M8x20 HEX HEAD SCREW		32			
6	MW8	M8 WASHER		32			
7	MWG8	M8 SPRING WASHER		31			
8	76257	TOP PANEL	CC1063059	1			
9	77782	SIDE PANEL	CC1063059	1			
10	76405	GLAND PLATE	CC1063059	1			
11	77220	FOAM. REAR PANEL	CC1064707	1			
12	76266	FOAM. SIDE PANEL	CC1063059	1			
13	CC1064708	FOAM. FRONT PANEL	CC1063059	1			
14	76268	FOAM. TOP PANEL	CC1063059	1			
15	CZ75950	DOOR CATCH		2			
16	76941	KEY. 1/4 TURN		1			
18	77143	CABINET FILTER	KF3045E	1			
19	70832	DOOR SEAL		1			
20	75989	HYDROVANE LOGO		1			
21	PL42-V3045-ACE	STARTER ASSEMBLY		1			
22	77149	DOOR BRACKET	CC1063059	1			
23	CZ76209	AIR FILTER UNIT		1			
24	95370_0015	JUBILEE CLIP		1			
25	MS108-35	M8x20 HEX HEAD SCREW		3			
26	MN108	M8 NUT		2			
27	76210	AIR FILTER CARTRIDGE	KF3045E & KM3045ELS	1			
28	74231	AVA MOUNT		1			
29	CZ74490	LABEL MODEL LOGO HV37				1	
29	CZ74491	LABEL MODEL LOGO HV45					1
29	75151	LABEL MODEL LOGO HV37RS				1	
29	77410	LABEL MODEL LOGO HV45RS					1
29	77411	LABEL MODEL LOGO HV30RS				1	
29	CZ74489	LABEL MODEL LOGO HV30				1	
30	77443	STARTER INFILL ANGLE	CC1063059	1			
31	77543	COOLER ACCESS PANEL	CC1063059	1			
32	CC1071775	ACCESS PANEL	CC1063059	1			
33	CC1074810	M6 x 16 FLANGED SOCKET BUTTON HEAD		17			
34	CC1057064	BEZEL		1			
35	MN105	M5 NUT		4			
36	CC1096397	MOTOR CONDUIT ASSEMBLY (60HZ MODELS)				1	1
37	MW5C	M5 PLAIN WASHER - FORM C		4			
38	CC1076369	SERIAL NUMBER PLATE		1			
39	CZ74444	POP RIVET		4			
40	ZS1167532	ICONN ANTENNA		1			
41	56095	BUSH HEYCO		1			
42	77125	VOLUTE V45		1			



DETAIL C

PL53-V3045-ACE - PANEL ASSEMBLY

ITEM	PART NUMBER	DESCRIPTION	KIT	QTY	V30	V37	V45
1	CC1063060	FRONT PANEL		1			
2	76239	REAR PANEL	CC1063059	1			
3	CC1147018	VOLUTE (50HZ MODELS)		1			
3	77440	VOLUTE (60HZ MODELS)				1	1
3	77125	VOLUTE		1			
4	77196	INTAKE DUCT	CC1063059	1			
4	77440	VOLUTE		1			
5	MS108-20	M8x20 HEX HEAD SCREW		32			
6	MW8	M8 WASHER		32			
7	MWG8	M8 SPRING WASHER		31			
8	76257	TOP PANEL	CC1063059	1			
9	77782	SIDE PANEL	CC1063059	1			
10	76405	GLAND PLATE	CC1063059	1			
11	77220	FOAM. REAR PANEL	CC1064707	1			
12	76266	FOAM. SIDE PANEL	CC1063059	1			
13	CC1064708	FOAM. FRONT PANEL	CC1063059	1			
14	76268	FOAM. TOP PANEL	CC1063059	1			
15	CZ75950	DOOR CATCH		2			
16	76941	KEY. 1/4 TURN		1			
18	77143	CABINET FILTER	KF3045E	1			
19	70832	DOOR SEAL		1			
20	75989	HYDROVANE LOGO		1			
21	PL42-V3045-ACE	STARTER ASSEMBLY		1			
22	77149	DOOR BRACKET	CC1063059	1			
23	CZ76209	AIR FILTER UNIT		1			
24	95370_0015	JUBILEE CLIP		1			
25	MS108-35	M8x20 HEX HEAD SCREW		3			
26	MN108	M8 NUT		2			
27	76210	AIR FILTER CARTRIDGE	KF3045E & KM3045ELS	1			
28	74231	AVA MOUNT		1			
29	CZ74490	LABEL MODEL LOGO HV37				1	
29	CZ74491	LABEL MODEL LOGO HV45					1
29	75151	LABEL MODEL LOGO HV37RS				1	
29	77410	LABEL MODEL LOGO HV45RS					1
29	77411	LABEL MODEL LOGO HV30RS			1		
29	CZ74489	LABEL MODEL LOGO HV30			1		
30	77443	STARTER INFILL ANGLE	CC1063059	1			
31	77543	COOLER ACCESS PANEL	CC1063059	1			
32	CC1071775	ACCESS PANEL	CC1063059	1			
33	CC1074810	M6 x 16 FLANGED SOCKET BUTTON HEAD		17			
34	CC1057064	BEZEL		1			
35	MN105	M5 NUT		4			
36	CC1096397	MOTOR CONDUIT ASSEMBLY (60HZ MODELS)				1	1
37	MW5C	M5 PLAIN WASHER - FORM C		4			
38	CC1076369	SERIAL NUMBER PLATE		1			
39	CZ74444	POP RIVET		4			
40	ZS1167532	ICONN ANTENNA		1			
41	56095	BUSH HEYCO		1			
42	77125	VOLUTE V45		1			



PL53-V3045-ACE - PANEL ASSEMBLY							
ITEM	PART NUMBER	DESCRIPTION	KIT	QTY	V30	V37	V45
1	CC1063060	FRONT PANEL		1			
2	76239	REAR PANEL	CC1063059	1			
3	CC1147018	VOLUTE (50HZ MODELS)		1			
3	77440	VOLUTE (60HZ MODELS)				1	1
3	77125	VOLUTE		1			
4	77196	INTAKE DUCT	CC1063059	1			
4	77440	VOLUTE		1			
5	MS108-20	M8x20 HEX HEAD SCREW		32			
6	MW8	M8 WASHER		32			
7	MWG8	M8 SPRING WASHER		31			
8	76257	TOP PANEL	CC1063059	1			
9	77782	SIDE PANEL	CC1063059	1			
10	76405	GLAND PLATE	CC1063059	1			
11	77220	FOAM. REAR PANEL	CC1064707	1			
12	76266	FOAM. SIDE PANEL	CC1063059	1			
13	CC1064708	FOAM. FRONT PANEL	CC1063059	1			
14	76268	FOAM. TOP PANEL	CC1063059	1			
15	CZ75950	DOOR CATCH		2			
16	76941	KEY. 1/4 TURN		1			
18	77143	CABINET FILTER	KF3045E	1			
19	70832	DOOR SEAL		1			
20	75989	HYDROVANE LOGO		1			
21	PL42-V3045-ACE	STARTER ASSEMBLY		1			
22	77149	DOOR BRACKET	CC1063059	1			
23	CZ76209	AIR FILTER UNIT		1			
24	95370_0015	JUBILEE CLIP		1			
25	MS108-35	M8x20 HEX HEAD SCREW		3			
26	MN108	M8 NUT		2			
27	76210	AIR FILTER CARTRIDGE	KF3045E & KM3045ELS	1			
28	74231	AVA MOUNT		1			
29	CZ74490	LABEL MODEL LOGO HV37				1	
29	CZ74491	LABEL MODEL LOGO HV45					1
29	75151	LABEL MODEL LOGO HV37RS				1	
29	77410	LABEL MODEL LOGO HV45RS					1
29	77411	LABEL MODEL LOGO HV30RS				1	
29	CZ74489	LABEL MODEL LOGO HV30				1	
30	77443	STARTER INFILL ANGLE	CC1063059	1			
31	77543	COOLER ACCESS PANEL	CC1063059	1			
32	CC1071775	ACCESS PANEL	CC1063059	1			
33	CC1074810	M6 x 16 FLANGED SOCKET BUTTON HEAD		17			
34	CC1057064	BEZEL		1			
35	MN105	M5 NUT		4			
36	CC1096397	MOTOR CONDUIT ASSEMBLY (60HZ MODELS)				1	1
37	MW5C	M5 PLAIN WASHER - FORM C		4			
38	CC1076369	SERIAL NUMBER PLATE		1			
39	CZ74444	POP RIVET		4			
40	ZS1167532	ICONN ANTENNA		1			
41	56095	BUSH HEYCO		1			
42	77125	VOLUTE V45		1			

Copyright ©

All rights reserved. The copyright of this document is the property of hydrovane. No part of this publication may be reproduced, stored in a retrieval system, or transmitted, in any form or by any means, electronic, mechanical, photocopying, recording, or otherwise without the prior written permission of
Technical Publications Department, hydrovane

hydrovane
Claybrook Drive
Washford Industrial Estate
Redditch
Worcestershire
United Kingdom
B98 0DS
Tel: +44 (0)1527 525522
Fax: +44 (0)1527 521140

hydrovane USA
1301 North Euclid Avenue
Princeton, IL 61356
United States of America
Tel (866) 994-8807
Fax (800) 443-7790

hydrovane Canada
871 Cranberry Court
Oakville, Ontario L6L 6J7
Canada
Tel (905) 847-0688
Fax (905) 847-8124