



**ELECTRA-SAVER II®  
STATIONARY BASE-MOUNTED  
COMPRESSOR**

**Parts List Manual**

**MODEL**

**EBQ99R**

**125, 150, 200 HP – 60 Hz  
125 & 150 HP – 50 Hz**

213-9-507  
Version 04  
March 17, 2021

## **MAINTAIN COMPRESSOR RELIABILITY AND PERFORMANCE WITH GENUINE GARDNER DENVER® COMPRESSOR PARTS AND SUPPORT SERVICES**

Gardner Denver® Compressor genuine parts, manufactured to design tolerances, are developed for optimum dependability, specifically for Gardner Denver compressor systems. Design and material innovations are the result of years of experience with hundreds of different compressor applications. Reliability in materials and quality assurance is incorporated in our genuine replacement parts.

Your authorized Gardner Denver Compressor distributor offers all the backup you'll need. A worldwide network of authorized distributors provides the finest product support in the air compressor industry.

Your authorized distributor can support your Gardner Denver air compressor with these services:

1. Trained parts specialists to assist you in selecting the correct replacement parts.
2. Factory warranted new and remanufactured rotary screw airends. Most popular model remanufactured airends are maintained in stock at the factory, for purchase on an exchange basis with liberal core credit available for the replacement unit.
3. A full line of factory tested AEON™ compressor lubricants specifically formulated for use in Gardner Denver compressors.
4. Repair and maintenance kits designed with the necessary parts to simplify servicing your compressor.

Authorized distributor service technicians are factory trained and skilled in compressor maintenance and repair. They are ready to respond and assist you by providing fast, expert maintenance and repair services.

To Contact Gardner Denver or locate your local distributor:

Visit: [www.contactgd.com/compressors](http://www.contactgd.com/compressors)

Or

Call: (800) 682-9868

### **INSTRUCTIONS FOR ORDERING REPAIR PARTS**

When ordering parts, specify Compressor MODEL, Method of Cooling, POWER and SERIAL NUMBER (see nameplate on unit). The airend Serial Numbers are also stamped on top of the discharge bearing carrier castings.

All orders for Parts should be placed with the nearest authorized distributor.

Where NOT specified, quantity of parts required per compressor or unit is one (1); where more than one is required per unit, quantity is indicated in parenthesis. SPECIFY EXACTLY THE NUMBER OF PARTS REQUIRED.

DO NOT ORDER BY SETS OR GROUPS.

To determine the Right-Hand and Left-Hand side of a compressor, stand at the motor end and look toward the compressor. Right-Hand and Left- Hand are indicated in parenthesis following the part name, i.e. (RH) and (LH), when appropriate.

## **TOTAL PRODUCT SUPPORT, GARDNER DENVER'S CONTINUING COMMITMENT TO YOUR AIR COMPRESSOR PERFORMANCE**

Commitment to total product support continues long after the purchase of your quality Gardner Denver rotary screw compressor.

Gardner Denver original parts incorporate years of experience and improvements in design, materials and quality assurance. Maintaining your compressor investment with Gardner Denver parts will insure protection for the air compressor unit and long, dependable service life.

Your authorized Gardner Denver compressor distributor maintains a complete stock of all common maintenance parts, factory approved AEON lubricants, and Gardner Denver factory warranted exchange airends. In addition, authorized distributor technicians are factory trained, and can provide complete diagnostic, compressor maintenance and repair services.

This manual is designed to assist you in maintaining high performance and receiving many years of dependable service you expect from your Gardner Denver compressor.

### **REMANUFACTURED AIRENDS**

Whenever an airend requires replacement or repair, Gardner Denver offers an industry unique, factory remanufactured airend exchange program. From its modern factory, Gardner Denver is committed to supplying you with the highest quality, factory remanufactured airends that are guaranteed to save you time and money.

#### **Immediately Available**

Repair downtime costs you money, which is why the most popular models are in inventory at all times.

#### **Skilled Craftsmen**

Our Remanufacturing assembly technicians average over 20 years of experience with air compression products.

#### **Precision Remanufacturing**

All potentially usable parts are thoroughly cleaned, inspected and analyzed. Only those parts that can be brought back to original factory specifications are remanufactured. Every remanufactured airend receives a new overhaul kit: bearings, gears, seals, sleeves and gaskets.

#### **Extensive Testing**

Gardner Denver performs testing that repair houses just don't do. Magnaflux and ultrasonic inspection spot cracked or stressed castings, monochromatic light analysis exposes oil leaks, and coordinate measurement machine inspects to +/- .0001", insuring that all remanufactured airends meet factory performance specifications.

#### **Warranty**

Gardner Denver backs up every remanufactured airend with a new warranty...27 months from purchase, 24 months from service.

Gardner Denver remanufactured airends deliver quality without question...year in and year out.

Call Gardner Denver for information on the airend exchange program and the name of your authorized distributor.

Phone Number: (800) 682-9868 or  
Fax: (217) 224-7814

## TABLE OF CONTENTS

Maintain Compressor Reliability And Performance With Genuine Gardner Denver Compressor Parts And Support Services .....	1
Instructions For Ordering Repair Parts .....	1
Total Product Support – Gardner Denver’s Continuing Commitment To Your Air Compressor Performance.....	2
Remanufactured Airends .....	2
60 HZ-Airend Selection And Repair Kits .....	5
50 HZ-Airend Selection And Repair Kits .....	5
Bare Compressor - SSQ .....	6
Discharge Bearing .....	7
Bearing Plate Cover.....	8
Mounting Group .....	9
Oil Seal Detail – SSQ.....	10
Inlet Valve – SSQ Only .....	11
Bare Compressor – SSP .....	12
Oil Seal Detail – SSP .....	13
Bare Compressor – SSM Only.....	14
Oil Seal Detail – SSM Only .....	15
Inlet Valve – SSP & SSM Only.....	16
Air Filter & Mounting .....	17
Oil Reservoir Group .....	18
Separator Housing .....	19
Compressor Discharge Piping .....	20
Oil Reservoir Group .....	21
Separator Group .....	22
Oil Return Line .....	23
Minimum Pressure/Check Valve – 200 HP .....	24
Minimum Pressure/Check Valve – 125 & 150 HP .....	25
Oil Filter & Mixing Valve Assembly .....	26
Cooling Group – Air Cooled – 125 & 150 HP .....	27
Cooling Group – Air Cooled – 125 & 150 HP .....	28
Cooler Group – 200 HP .....	29, 30
Water Cooled Heat Exchanger – With Aftercooler – 200 HP (100-150 PSI).....	31, 32
Water Cooled Heat Exchanger – With Aftercooler – 200 HP (175-200 PSI).....	33, 34
Water Cooled Heat Exchanger – Without Aftercooler – 200 HP (100-150 PSI).....	35, 36
Water Cooled Heat Exchanger – Without Aftercooler – 200 HP (175-200 PSI).....	37, 38
Water Cooled Heat Exchanger – With Aftercooler – 125 & 150 HP.....	39, 40
Water Cooled Heat Exchanger – Without Aftercooler – 125 & 150 HP .....	41, 42
Control Schematic.....	43, 44
Compressor Base Group – SSP & SSM .....	45
Compressor Base Group – SSQ.....	46
Enclosure Vent Fan Assembly .....	47
Enclosure – Basic, Standard.....	48
Enclosure - Hardware .....	49
Enclosure – Air Cooled Panels .....	50
Enclosure – Water Cooled Panels .....	51
Enclosure – Basic, Quiet.....	52
Air Cooled – Baffle .....	53
Air Cooled – Baffle Hardware.....	54
Enclosure – Water Cooled .....	55

Main Motor Group – 60 HZ ..... 56, 57  
Main Motor Group – 50 HZ ..... 58  
Controller Assembly With Wye-Delta Starter – Less Current Monitor – 125, 150 & 200 HP  
(380,460 & 575 Volt) - Size N ..... 59, 60  
Controller Assembly With Wye-Delta Starter – With Current Monitor – 125, 150 & 200 HP  
(380,460 & 575 Volt) - Size N ..... 61, 62  
Controller Assembly With Wye-Delta Starter – Less Current Monitor – 125 & 150 HP  
(200, 230 & 380 Volt) - Size 5 ..... 63, 64  
Controller Assembly With Wye-Delta Starter – Less Current Monitor – 200 & 250 HP  
(380, 460 & 575 Volt) - Size 5 ..... 65, 66  
Controller Assembly With Wye-Delta Starter – With Current Monitor – 125 & 150 HP  
(200, 230 & 380 Volt) - Size 5 ..... 67, 68  
Controller Assembly With Wye-Delta Starter – With current Monitor – 200 HP  
(380 & 460 Volt) - Size 5 ..... 69, 70  
Controller Assembly - Less Starter And Less Current Monitor – 200, 230, 380, 460 & 575 Volt..... 71, 72  
Controller Assembly - Less Starter And With Current Monitor – 200, 230, 380, 460 & 575 Volt..... 73, 74  
Miscellaneous Electrical Parts ..... 75  
Motor Wiring – Wye Delta – 125 HP, 200, 230, 460 & 575 Volt – 60 HZ ..... 76  
Motor Wiring – Wye Delta – 150 Hp, 200, 230 Volt – 60 HZ..... 77  
Motor Wiring – Wye Delta – 150 HP, 460 & 575 Volt – 60 HZ ..... 78  
Motor Wiring – Wye Delta – 200 HP, 460 & 575 Volt – 60 HZ ..... 79  
Motor Wiring – Wye Delta – 125 HP, 380, 400 & 415 Volt – 50 HZ ..... 80  
Motor Wiring – Wye Delta – 150 HP, 380, 400 & 415 Volt – 50 HZ ..... 81  
Fan Motor Wiring – Air Cooled – 3 HP, 200 & 230 Volt ..... 83, 84  
Fan Motor Wiring – Air Cooled – 3 HP, 380, 400 & 415 Volt..... 85, 86  
Fan Motor Wiring – Air Cooled – 3 HP, 460 & 575 Volt ..... 87, 88  
Fan Motor Wiring – Air Cooled – 5 HP, 230, 460 & 575 Volt..... 89, 90  
Fan Motor Wiring – Water Cooled – 1/4 HP, 200, 230, 460 & 575 Volt ..... 91, 92  
Fan Motor Wiring – Water Cooled – 1/2 Hp, 380, 400 & 415 Volt..... 93, 94  
Motor Group (Fan Motors) ..... 95  
Motor List – 60 HZ ..... 96  
Motor List – 50 HZ ..... 96  
Identification And Instruction Group ..... 97, 98  
AirSmart Display Panel ..... 99  
Repair Kits ..... 100 thru 103

<b>For Operating And Service Instructions, See:</b>	
Service Manual:	13-21-608
Controller Manual:	13-17-600
Controller Com Module Manual:	13-17-604

**60 HZ-AIREND SELECTION AND REPAIR KITS**

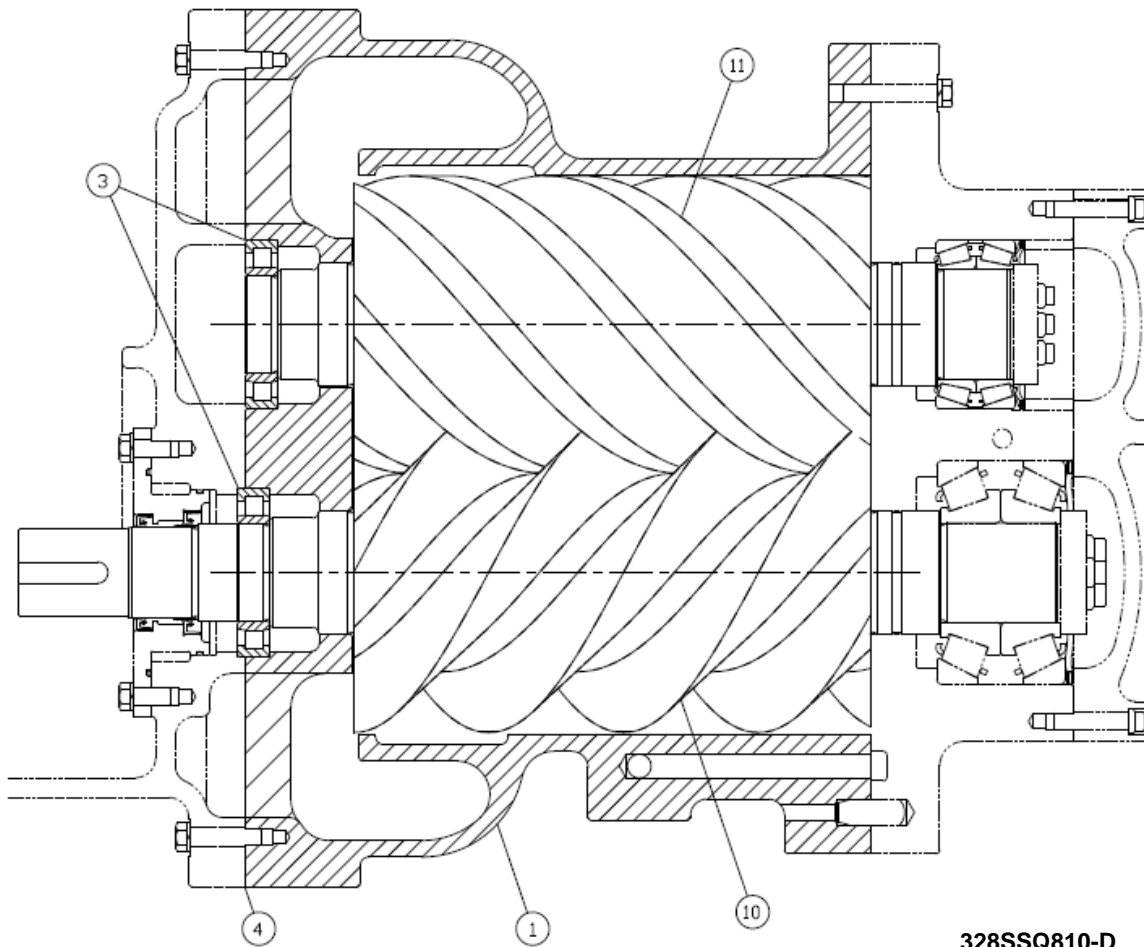
Model	HP	PSI	Airend w/Inlet Valve	Reman Airend w/Inlet Valve	Bearing Kit *	Gasket Kit	Inlet Valve Kit	Drive Shaft Seal Kit	Drive Shaft Wear Sleeve Removal & Installation Kit
EBQ	125	100	SSQDVAAM01S	SSQDVAAM01X	314SSQ6013	315SSQ6013	301EAQ6013	200SSQ6007	200SSQ4017
		125	SSQDVAAM04S	SSQDVAAM04X	314SSQ6013	315SSQ6013	301EAQ6013	200SSQ6007	200SSQ4017
		150	SSPCBN01	SSPCBN01X	323SSP6013	324SSP6013	301EAQ6013	300SSP6013	200SSP4017
		175	SSMCBE01	SSMCBE01X	320SSM6013	321SSM6013	301EAQ6013	302SSH6013	200SSH4017
		200	SSMCBE01	SSMCBE01X	320SSM6013	321SSM6013	301EAQ6013	302SSH6013	200SSH4017
	150	100	SSQDVAAM02S	SSQDVAAM02X	314SSQ6013	315SSQ6013	301EAQ6013	200SSQ6007	200SSQ4017
		125	SSQDVAAM01S	SSQDVAAM01X	314SSQ6013	315SSQ6013	301EAQ6013	200SSQ6007	200SSQ4017
		150	SSQDVAAM04S	SSQDVAAM04X	314SSQ6013	315SSQ6013	301EAQ6013	200SSQ6007	200SSQ4017
		175	SSPCBN01	SSPCBN01X	323SSP6013	324SSP6013	301EAQ6013	300SSP6013	200SSP4017
	200	200	SSPCBN01	SSPCBN01X	323SSP6013	324SSP6013	301EAQ6013	300SSP6013	200SSP4017
		150	SSQDVAAM02S	SSQDVAAM02X	314SSQ6013	315SSQ6013	301EAQ6013	200SSQ6007	200SSQ4017
		175	SSQDVAAM02S	SSQDVAAM02X	314SSQ6013	315SSQ6013	301EAQ6013	200SSQ6007	200SSQ4017
	200	SSQDVAAM01S	SSQDVAAM01X	314SSQ6013	315SSQ6013	301EAQ6013	200SSQ6007	200SSQ4017	

**50 HZ-AIREND SELECTION AND REPAIR KITS**

EBQ	125	100	SSQDVAAM02S	SSQDVAAM02X	314SSQ6013	315SSQ6013	301EAQ6013	200SSQ6007	200SSQ4017
		125	SSQDVAAM01S	SSQDVAAM01X	314SSQ6013	315SSQ6013	301EAQ6013	200SSQ6007	200SSQ4017
		150	SSQDVAAM04S	SSQDVAAM04X	314SSQ6013	315SSQ6013	301EAQ6013	200SSQ6007	200SSQ4017
	150	100	SSPCBN03	SSPCBN03X	323SSP6013	324SSP6013	301EAQ6013	300SSP6013	200SSP4017
		125	SSQDVAAM02S	SSQDVAAM02X	314SSQ6013	315SSQ6013	301EAQ6013	200SSQ6007	200SSQ4017
		150	SSQDVAAM01S	SSQDVAAM01X	314SSQ6013	315SSQ6013	301EAQ6013	200SSQ6007	200SSQ4017

\* When ordering Bearing Kits, also order Gasket Kit and Drive Shaft Seal Kit.  
 For listing of Repair Parts included in Kit numbers above, see Repair Kit Section, page 100.

## SSQ BARE COMPRESSOR



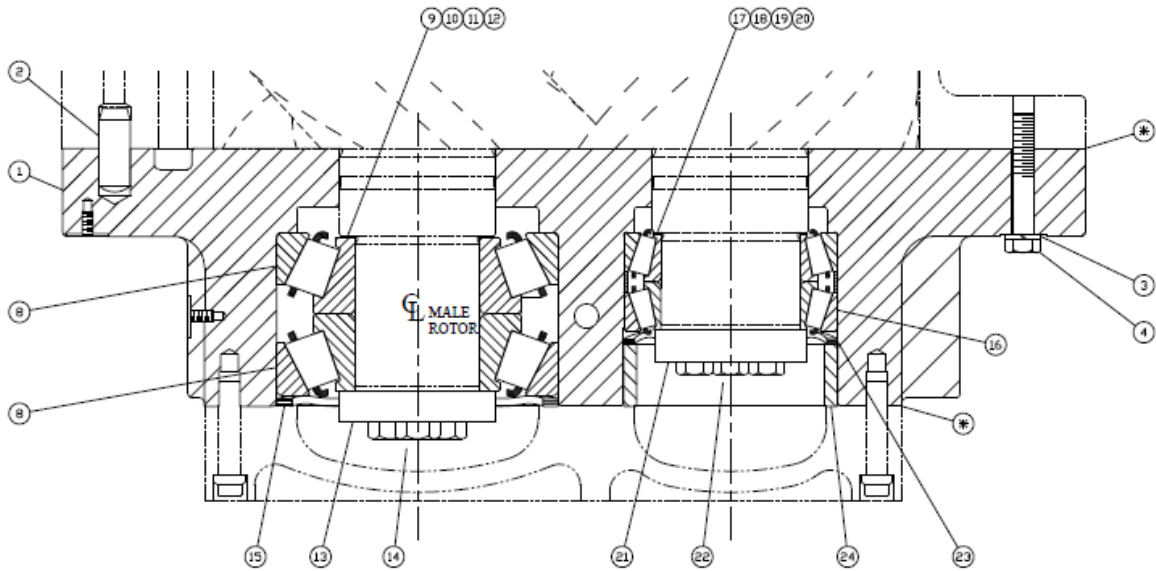
**328SSQ810-D**  
**(Ref. Drawing)**

**B/M:**  
**303-305SSQ4042**  
**307-309SSQ4028**

Item	Description	Qty	Part No.
1	CYLINDER, AIR .....	1	***
*	3 ROLLER BEARING .....	2	12BA126
**	4 GASKET ELIMINATOR .....	1	25BC222
	5 PLUG (NOT SHOWN) .....	6	64AA5
	6 PLUG (NOT SHOWN) .....	1	64AA7
	10 MAIN ROTOR .....	1	***
	11 GATE ROTOR .....	1	***

\* Parts included in Periodic Overhaul Kit 314SSQ6013, refer to page 102.  
 \*\* Parts included in Gasket Kit 315SSQ6013, refer to page 102.  
 \*\*\* Shown for reference only.

## DISCHARGE BEARING



**332SSQ810-D**  
**(Ref. Drawing)**

**B/M:**  
**308SSQ4044**

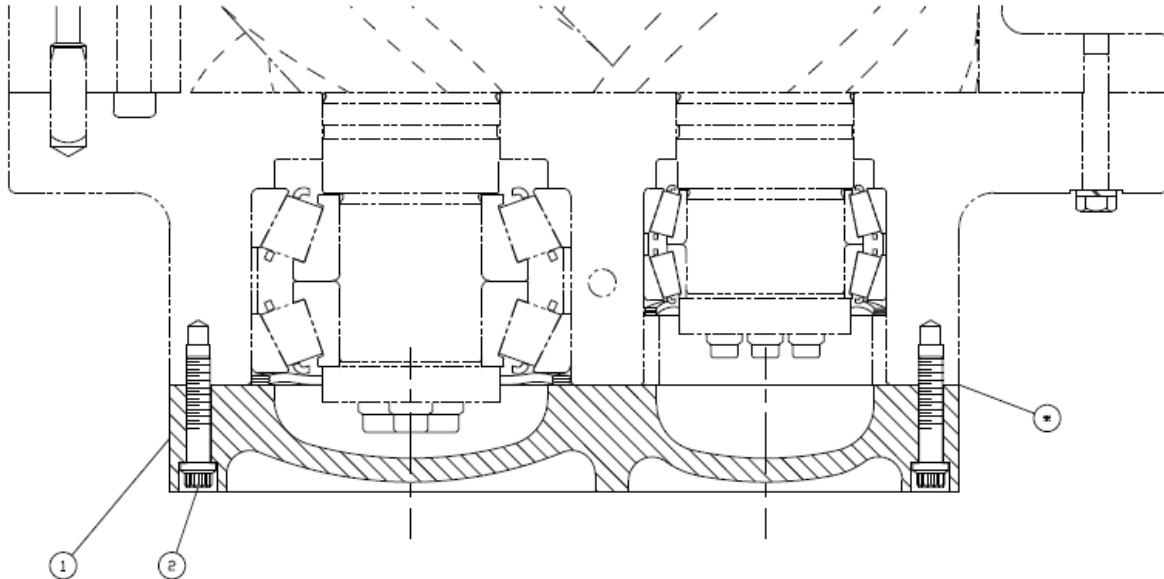
Item	Description	Qty	Part No.
1	HOUSING, BEARING .....	1	****
2	PIN, DOWEL.....	1	****
3	LOCKWASHER.....	25	****
4	SCREW .....	18	****
5	SCREW .....	4	****
6	SCREW .....	3	****
7	SCREW .....	2	****
**	8 BEARING.....	2	12BA251
***	9 SHIM .....	3	77H107002
***	10 SHIM .....	3	77H107003
***	11 SHIM .....	3	77H107005
***	12 SHIM .....	2	77H107015
	13 PLATE, BEARING RETAINER .....	1	****
	14 SCREW .....	3	****
**	15 SPRING .....	1	78W109
**	16 BEARING.....	1	12BA192
***	17 SHIM .....	3	77H50002
***	18 SHIM .....	3	77H50003
***	19 SHIM .....	3	77H50005
***	20 SHIM .....	3	77H50015
	21 PLATE, BEARING RETAINER .....	1	****
	22 SCREW .....	3	****
**	23 SPRING .....	1	78W89
	24 SPACER.....	1	****
	25 PLUG (NOT SHOWN).....	5	****
	26 PLUG (NOT SHOWN).....	1	****
	27 PLUG (NOT SHOWN).....	1	****
	28 PIN (NOT SHOWN).....	1	****

\*\* Parts included in Periodic Overhaul Kit 314SSQ6013, refer to page 102.

\*\*\* Parts included in Gasket Kit 315SSQ6013, refer to page 102.

\*\*\*\* Shown for reference only.

## BEARING PLATE COVER



\* DESIGNATES JOINTS REQUIRING GASKET ELIMINATOR 25BC222

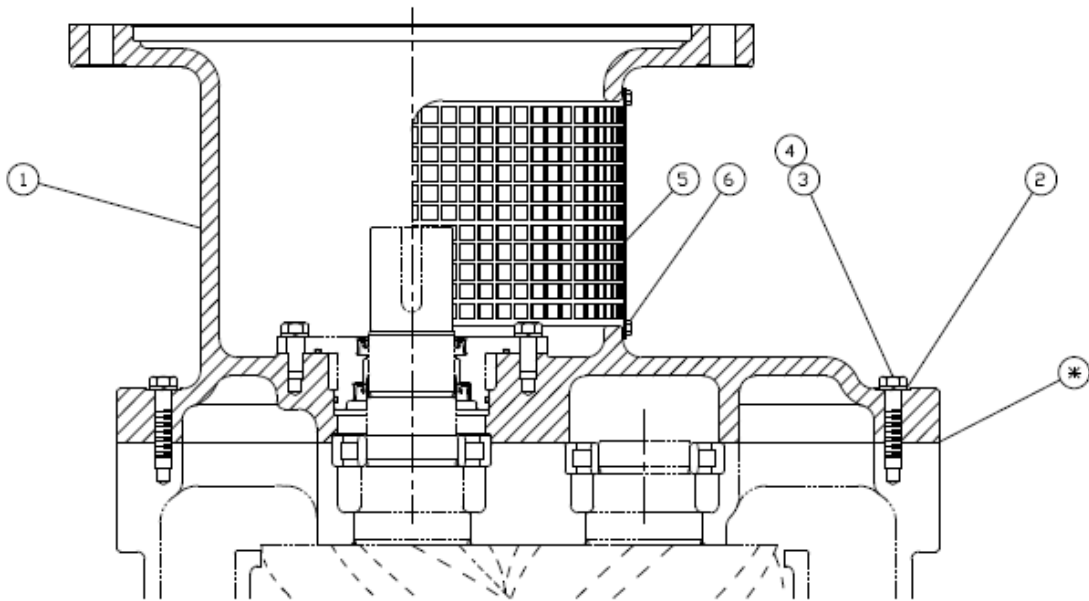
**333SSQ810-B**  
**(Ref. Drawing)**

**B/M:**  
**300SSQ4037**

Item	Description	Qty	Part No.
1	PLATE, BEARING COVER.....	1	**
2	SCREW, CAP.....	22	75P78

\*\* Shown for Reference Only.

# MOUNTING GROUP



**334SSQ810-B**  
(Ref. Drawing)

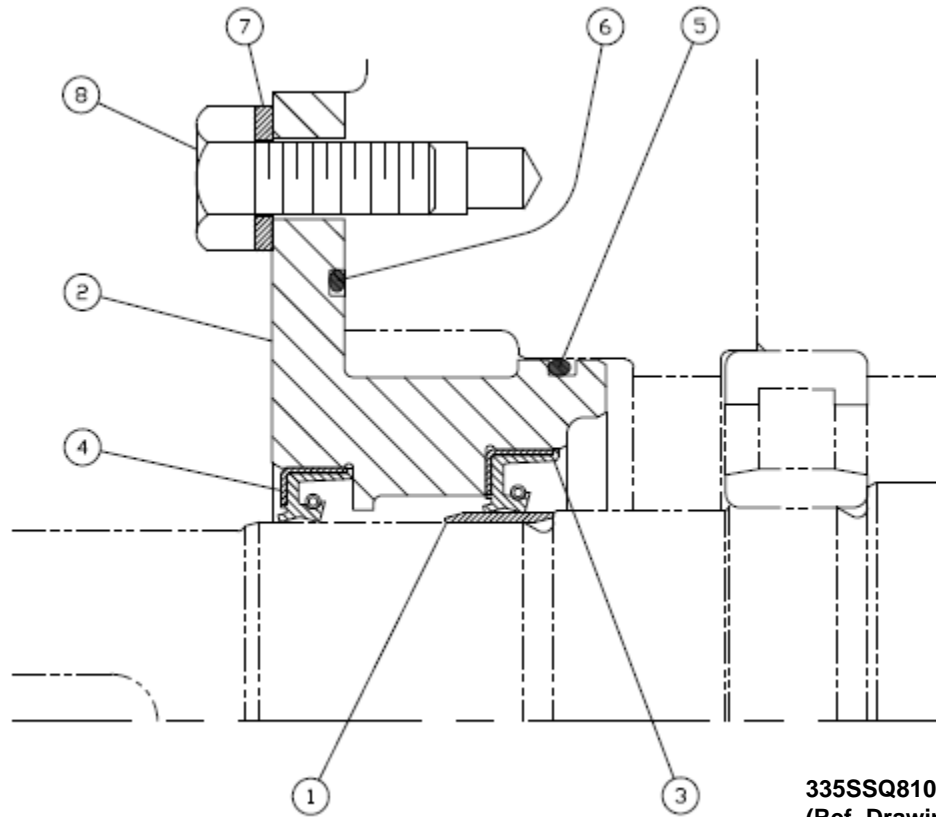
(\*) DESIGNATES JOINTS REQUIRING GASKET ELIMINATOR  
25BC222

**B/M:**  
**300SSQ4017**

Item	Description	Qty	Part No.
1	ADAPTOR.....	1	**
2	LOCK WASHER.....	22	95B5
3	SCREW.....	21	655EE100
4	SCREW.....	1	655EE140
5	GUARD, COUPLING.....	1	200SSQ339
6	SCREW.....	4	75LM150

\*\* Shown for reference only.

## SSQ OIL SEAL DETAIL



**335SSQ810-B  
(Ref. Drawing)**

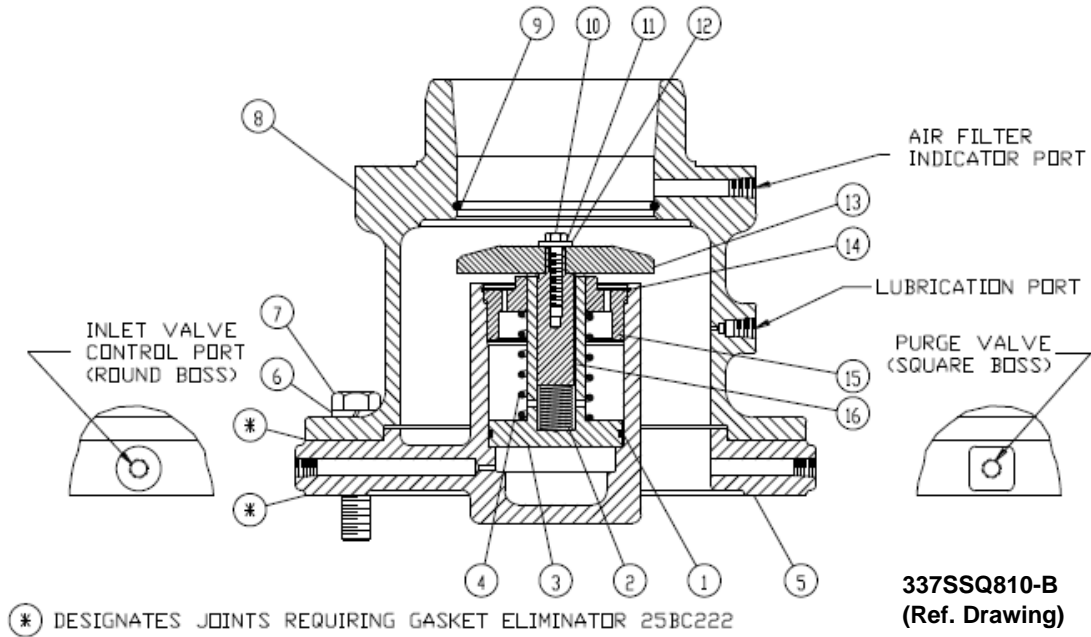
**B/M:  
300SSQ6029**

Item	Description	Qty	Part No.
* 1	SLEEVE, WEAR .....	1	80M28
2	HOUSING, SEAL .....	1	207SSQ362
* 3	SEAL, OIL.....	1	60DD571
* 4	SEAL, OIL.....	1	60DD689
* 5	O-RING .....	1	25BC157
* 6	O-RING .....	1	25BC431
7	LOCK WASHER.....	8	95B5
8	SCREW .....	8	655EE050
9	PLUG (NOT SHOWN).....	1	64AC1
10	PLUG (NOT SHOWN).....	1	64AC2
* 11	VALVE, CHECK.....	1	90AR923

\* Parts included in Oil Seal Kit Part Number 200SSQ6007, refer to page 102.

For Wear Sleeve Installation/Removal Kit, order Part Number 200SSQ4017, refer to page 103.

## SSQ INLET VALVE ONLY

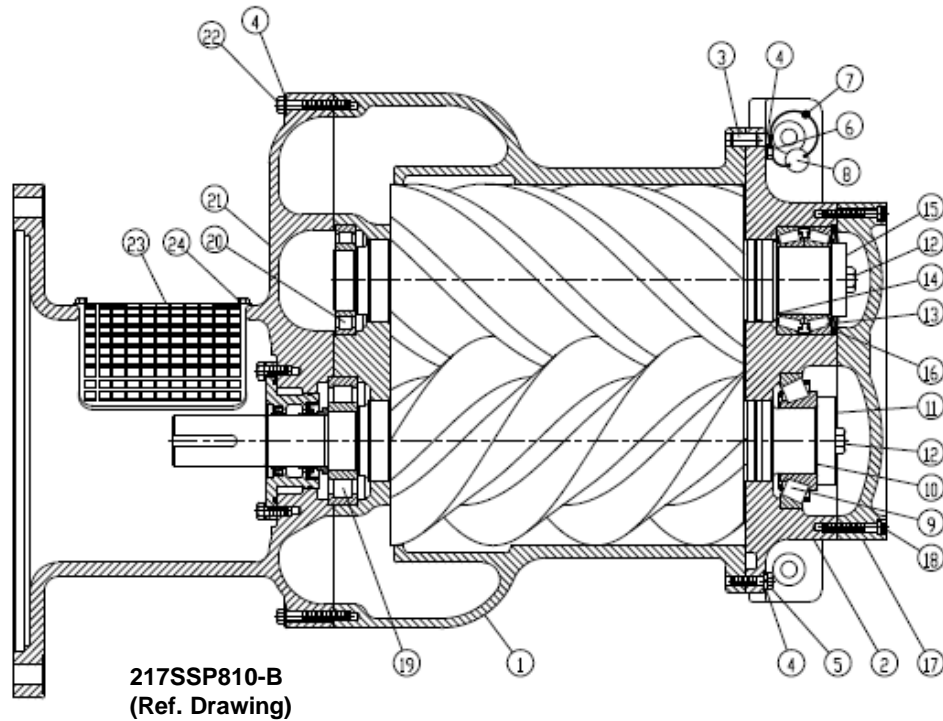


**B/M:  
201SSQ4030**

Item	Description	Qty	Part No.
** 1	O-RING.....	1	25BC298
** 2	SPRING.....	1	78W62
3	PISTON, INLET VALVE .....	1	201SSQ043
** 4	SPRING.....	1	78W61
5	HOUSING, INLET .....	1	204SSQ041
6	LOCK WASHER .....	8	95B8
7	SCREW .....	8	655EG120
8	SEAT.....	1	202SSQ256
** 9	O-RING.....	1	25AM30
10	SCREW .....	1	75A102
11	LOCK WASHER .....	1	95H57
12	WASHER.....	1	95A2
13	VALVE, INLET .....	1	201SSQ044
**14	RING, RETAINING.....	1	74D89
15	RETAINER.....	1	200SSQ205
16	GUIDE, VALVE.....	1	201SSQ483

\*\* Included in Inlet Maintenance Kit 301EAQ6013, refer to page 100.

## SSP BARE COMPRESSOR



**B/M:  
319SSP4000**

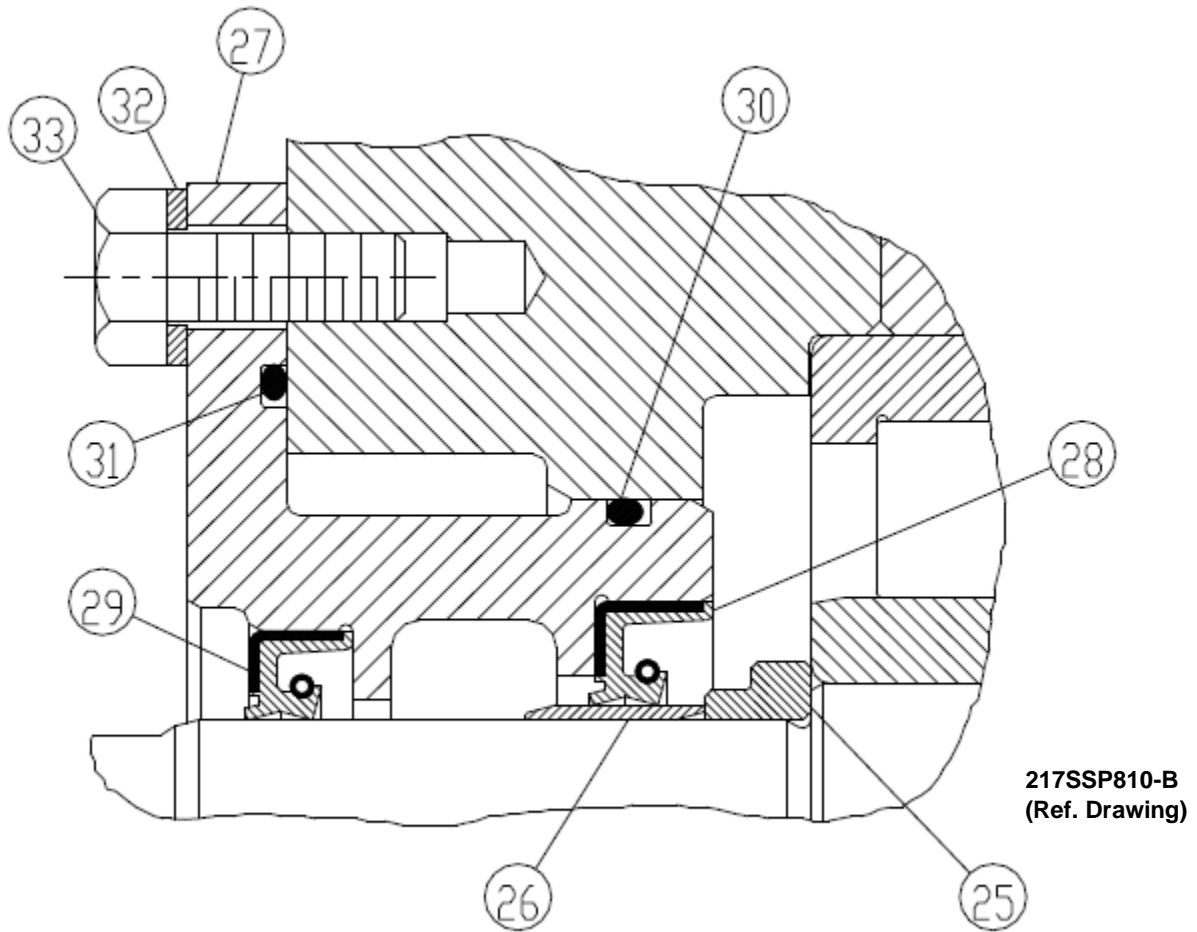
Item	Description	Qty	Part No.
1	CYLINDER .....	1	***
2	HOUSING, BEARING .....	1	***
3	PIN, DOWEL .....	2	***
4	LOCK WASHER .....	36	***
5	SCREW .....	14	***
6	SCREW .....	2	***
7	SEAL, LEAD .....	1	***
8	TAG, INSTRUCTION .....	1	***
*	9 ROLLER BEARING .....	1	12BA105
**	10 SHIM SET .....	1	77H63
	11 PLATE, BEARING RETAINER.....	1	***
	12 SCREW .....	2	***
*	13 ROLLER BEARING .....	1	12BA198
**	14 SHIM SET .....	1	77H62
	15 PLATE, BEARING RETAINER.....	1	***
*	16 SPRING .....	1	78W98
	17 PLATE, BEARING COVER .....	1	***
	18 SCREW .....	18	***
*	19 ROLLER BEARING .....	1	12BA104
*	20 ROLLER BEARING .....	1	12BA103
	21 ADAPTOR .....	1	***
	22 SCREW .....	19	***
	23 GUARD, COUPLING .....	1	***
	24 SCREW .....	4	***
	35 PLUG (not shown) .....	1	***
	36 PLUG (not shown) .....	1	***
**	37 GASKET ELIMINATOR (not shown).....	1	25BC222
	38 PLUG (not shown) .....	2	***
	39 SCREW (not shown).....	1	***

\* Parts included in Periodic Overhaul Kit Part Number 323SSP6013, refer to page 102.

\*\* Parts included in Gasket Kit Part Number 324SSP6013, refer to page 102.

\*\*\* Shown for reference only.

## SSP OIL SEAL DETAIL



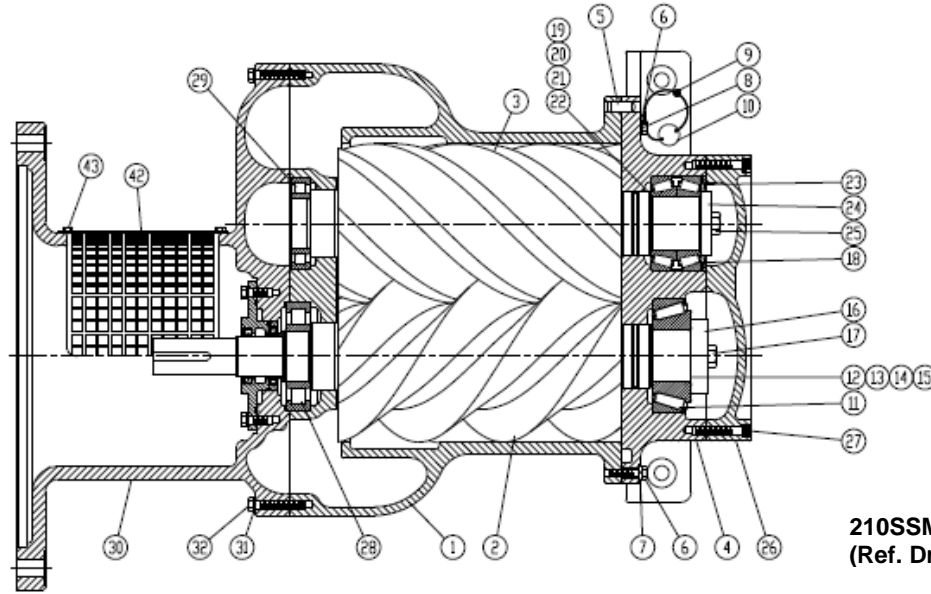
**B/M:  
319SSP4000**

Item	Description	Qty	Part No.
25	SPACER, SHAFT .....	1	200SSP600
* 26	SLEEVE, WEAR .....	1	80M40
27	HOUSING, SEAL .....	1	204SSP362
* 28	SEAL-OIL.....	1	60DD693
* 29	SEAL-OIL.....	1	60DD692
* 30	O-RING .....	1	25BC380
* 31	O-RING .....	1	8502140
32	LOCK WASHER.....	8	95B5
33	SCREW .....	8	655EE050
*	VALVE, CHECK (NOT SHOWN) .....	1	90AR923

\* Parts included in Oil Seal Kit part Number 300SSP6013, refer to page 103.

Note: For Wear Sleeve Installation/Removal Kit, see Part Number 200SSP4017, refer to page 103.

## SSM BARE COMPRESSOR ONLY



**210SSM810-A**  
(Ref. Drawing)

**B/M:**  
**312SSM4049**

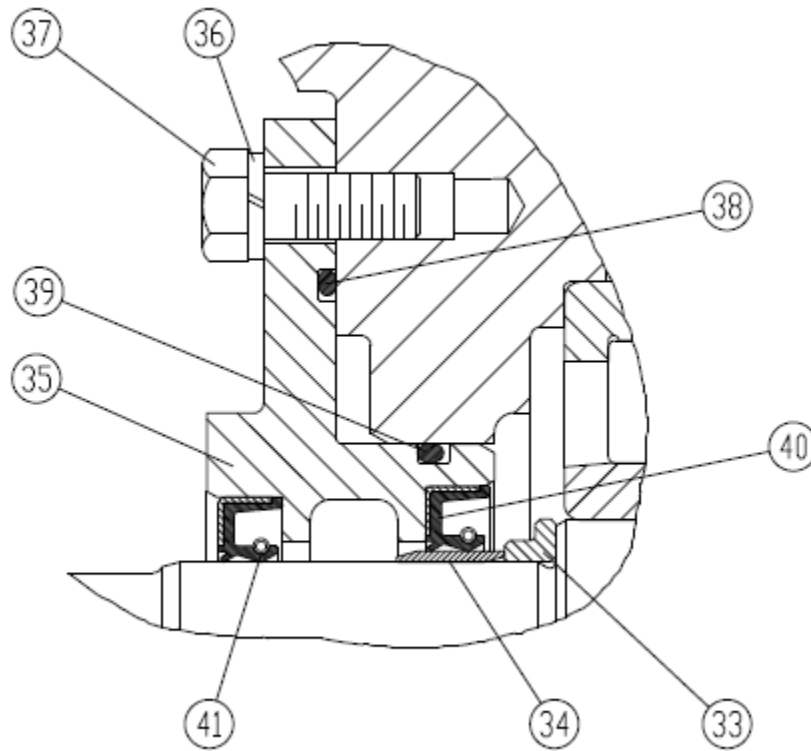
Item	Description	Qty	Part No.
1	CYLINDER .....	1	***
4	HOUSING, BEARING .....	1	***
5	PIN .....	2	***
6	SCREW .....	14	***
7	LOCK WASHER.....	16	***
8	SCREW.....	2	***
9	SEAL, LEAD.....	1	***
10	TAG, INSTRUCTION .....	1	***
* 11	ROLLER BEARING.....	1	12BA92
** 12	SHIM .....	2	77H56015
** 13	SHIM .....	3	77H56005
** 14	SHIM .....	3	77H56003
** 15	SHIM .....	3	77H56002
16	PLATE, BEARING RETAINER .....	1	***
17	SCREW .....	1	***
* 18	ROLLER BEARING.....	1	12BA197
** 19	SHIM .....	2	77H57015
** 20	SHIM .....	3	77H57005
** 21	SHIM .....	3	77H57003
** 22	SHIM .....	3	77H57002
* 23	SPRING.....	1	78W97
24	PLATE, BEARING RETAINER .....	1	***
25	SCREW.....	1	***
26	PLATE, BEARING COVER.....	1	***
27	SCREW.....	18	***
* 28	ROLLER BEARING.....	1	12W34
* 29	ROLLER BEARING.....	1	12BA93
30	ADAPTOR.....	1	***
31	LOCK WASHER.....	16	***
32	SCREW .....	16	***
42	GUARD, COUPLING .....	1	***
43	SCREW .....	4	***
44	PLUG (not shown).....	6	***
45	PLUG (not shown).....	1	***
46	PLUG (not shown).....	1	***
47	PLUG (not shown).....	1	***
** 48	GASKET, ELIMINATOR (not shown) .....	1	25BC222

\* Parts included in Periodic Overhaul Kit Part Number 320SSM6013. Refer to page 102.

\*\* Parts included in Gasket Kit Part Number 321SSM6013. Refer to page 102.

\*\*\* Shown for reference only

**SSM OIL SEAL DETAIL ONLY**



**210SSM810-A**  
(Ref. Drawing)

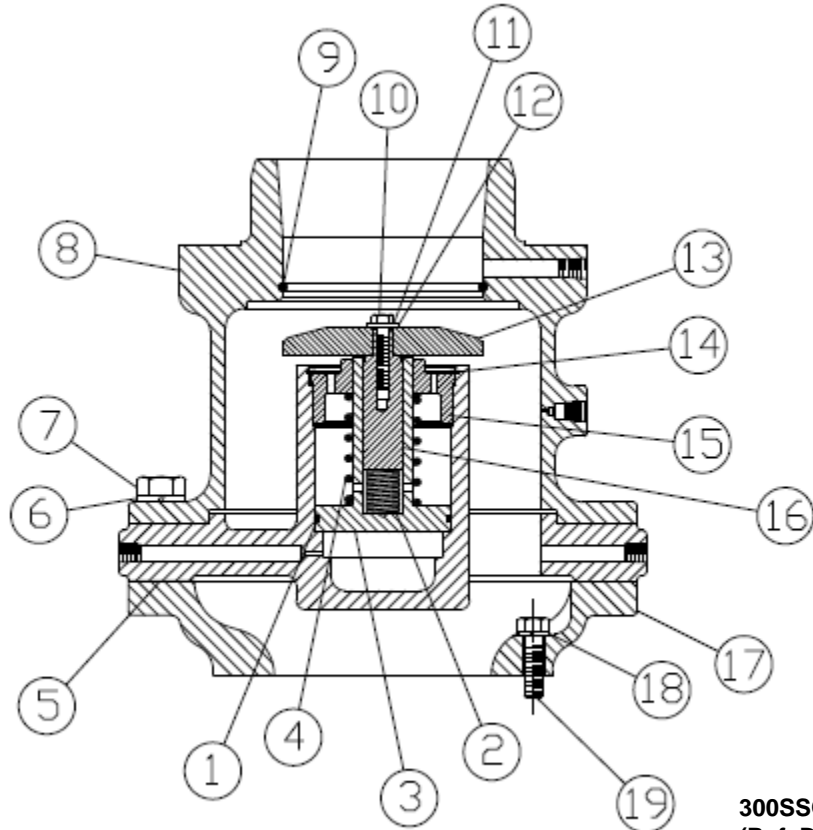
**B/M:**  
**312SSM4049**

<b>Item</b>	<b>Description</b>	<b>Qty</b>	<b>Part No.</b>
33	SHAFT SPACER.....	1	200SSH600
* 34	SLEEVE, WEAR.....	1	80M12
35	HOUSING, SEAL.....	1	202SSH362
36	LOCK WASHER.....	8	95B5
37	SCREW.....	8	655EE050
* 38	O-RING.....	1	8502140
* 39	O-RING.....	1	25BC165
* 40	SEAL, OIL.....	1	60DD679
* 41	SEAL, OIL.....	1	60DD690
*	VALVE, CHECK.....	1	90AR923

\* Parts included in Oil Seal Kit part Number 302SSH6013, refer to page 103.

Note: For Wear Sleeve Installation/Removal Kit, see Part Number 200SSH4017, refer to page 103.

SSP & SSM INLET VALVE ONLY



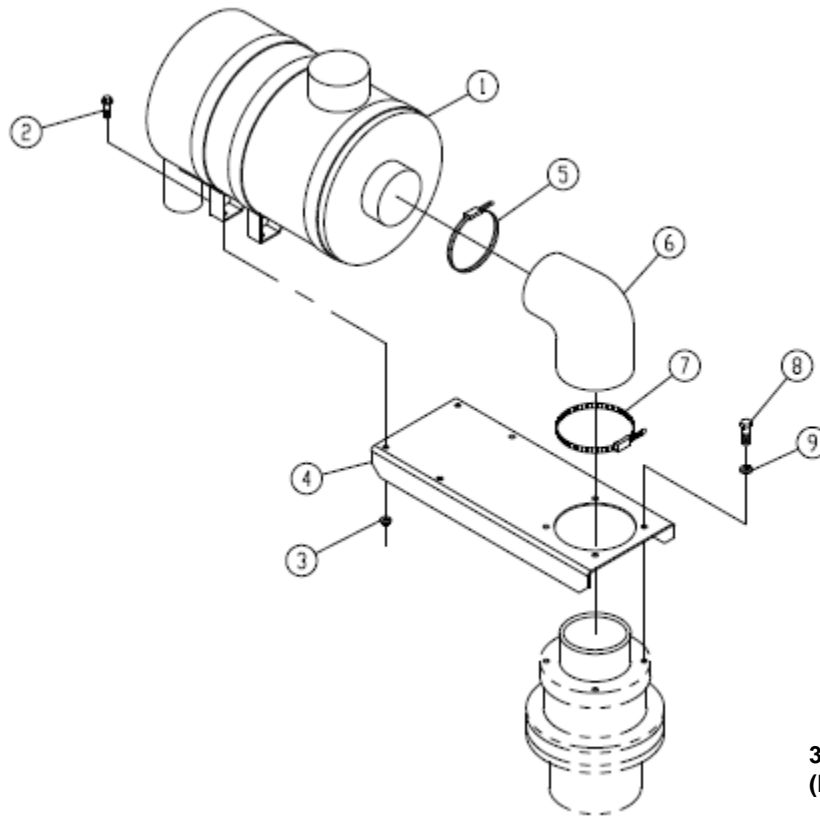
300SSQ810  
(Ref. Drawing)

B/M:  
300SSQ4030

Item	Description	Qty	Part No.
* 1	O-RING .....	1	25BC298
* 2	SPRING .....	1	78W62
3	PISTON, INLET VALVE.....	1	201SSQ043
* 4	SPRING .....	1	78W61
5	HOUSING, INLET .....	1	204SSQ041
6	LOCK WASHER.....	8	95B8
7	SCREW .....	8	655EG120
8	SEAT .....	1	202SSQ256
* 9	O-RING .....	1	25AM30
10	SCREW .....	1	75A102
11	LOCK WASHER.....	1	95H57
12	WASHER .....	1	95A2
13	VALVE, INLET .....	1	201SSQ044
* 14	RING, RETAINING .....	1	74D89
15	RETAINER.....	1	200SSQ205
16	GUIDE, VALVE .....	1	201SSQ483
17	ADAPTOR.....	1	200SSM170
18	LOCK WASHER.....	8	95B5
19	SCREW .....	8	655EE070

\* Included in Inlet Maintenance Kit Part Number 301EAQ6013, refer to page 100.

## AIR FILTER & MOUNTING

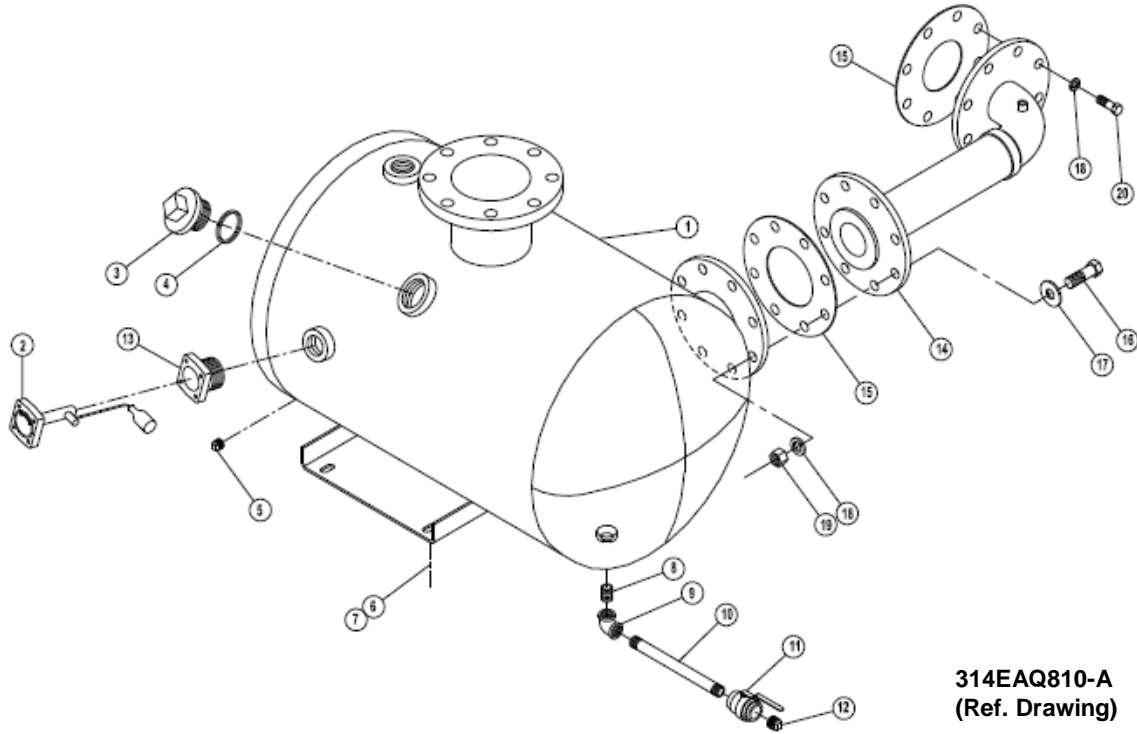


**315EAQ810-A  
(Ref. Drawing)**

**B/M:  
300EAQ4054**

Item	Description	Qty.	Part No.
1	FILTER, AIR.....	1	5L353
2	SCREW .....	4	75LM51
3	NUT .....	4	50AW5
4	BRACKET, FILTER.....	1	301EAQ389
5	CLAMP .....	1	29B46
6	HOSE .....	1	29Z96
7	CLAMP .....	1	2009499
8	SCREW .....	4	655EE040
9	LOCK WASHER.....	4	95B5
*	ELEMENT, AIR FILTER, FOR REPAIR (NOT SHOWN) .....	1	2118349

**OIL RESERVOIR GROUP  
100 – 150 PSI**



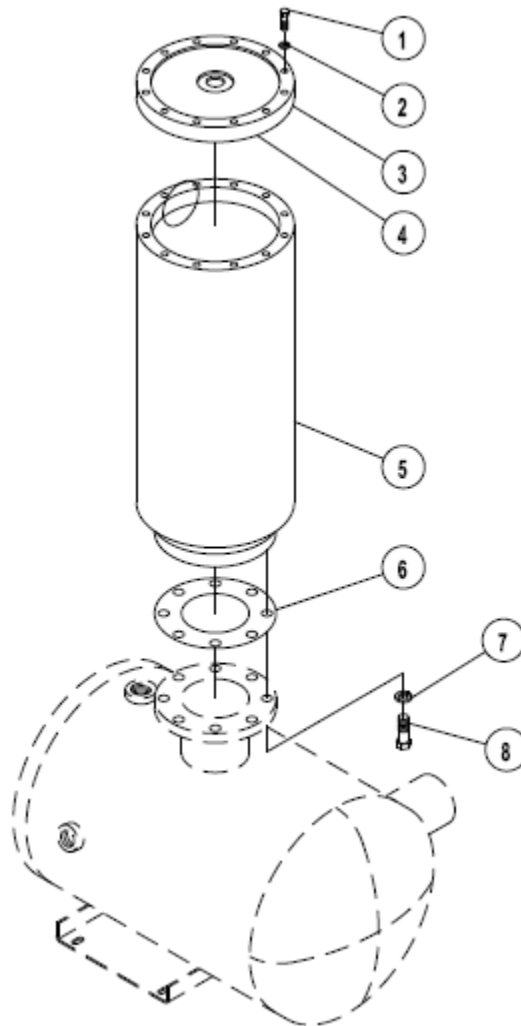
**314EAQ810-A  
(Ref. Drawing)**

**B/M:  
302EAQ4018  
307EAQ4018**

Item	Description	Qty	Part No.
1	RESERVOIR, OIL .....	1	303EAQ037
* 2	GAUGE, FLOAT.....	1	300EBM303
3	COVER, FILLER.....	1	200SPF156
4	O-RING.....	1	25BC900
5	PLUG.....	1	64AA5
6	SCREW .....	4	75LM135
7	NUT .....	4	50AW35
8	NIPPLE .....	1	63F21G
9	ELBOW.....	1	64C4G
10	NIPPLE .....	1	63F15G
11	VALVE, BALL.....	1	90AR360
12	PLUG.....	1	64AA7
13	ADAPTOR, GAUGE .....	1	200EDE058
14	MANIFOLD, DISCHARGE		
	SSQ AIRENDS .....	1	300EAQ071
	SSM AIRENDS .....	1	301EAQ071
	SSP AIRENDS .....	1	301EAQ071
15	GASKET .....	2	25C121N
16	SCREW .....	8	655EF120
17	WASHER.....	8	95A7
18	LOCK WASHER.....	16	95B7
19	NUT .....	8	50B7
20	SCREW .....	8	655EF080

\* For repair, order Float Gauge Gasket Part Number 54C204.

**SEPARATOR HOUSING  
100 – 150 PSI**

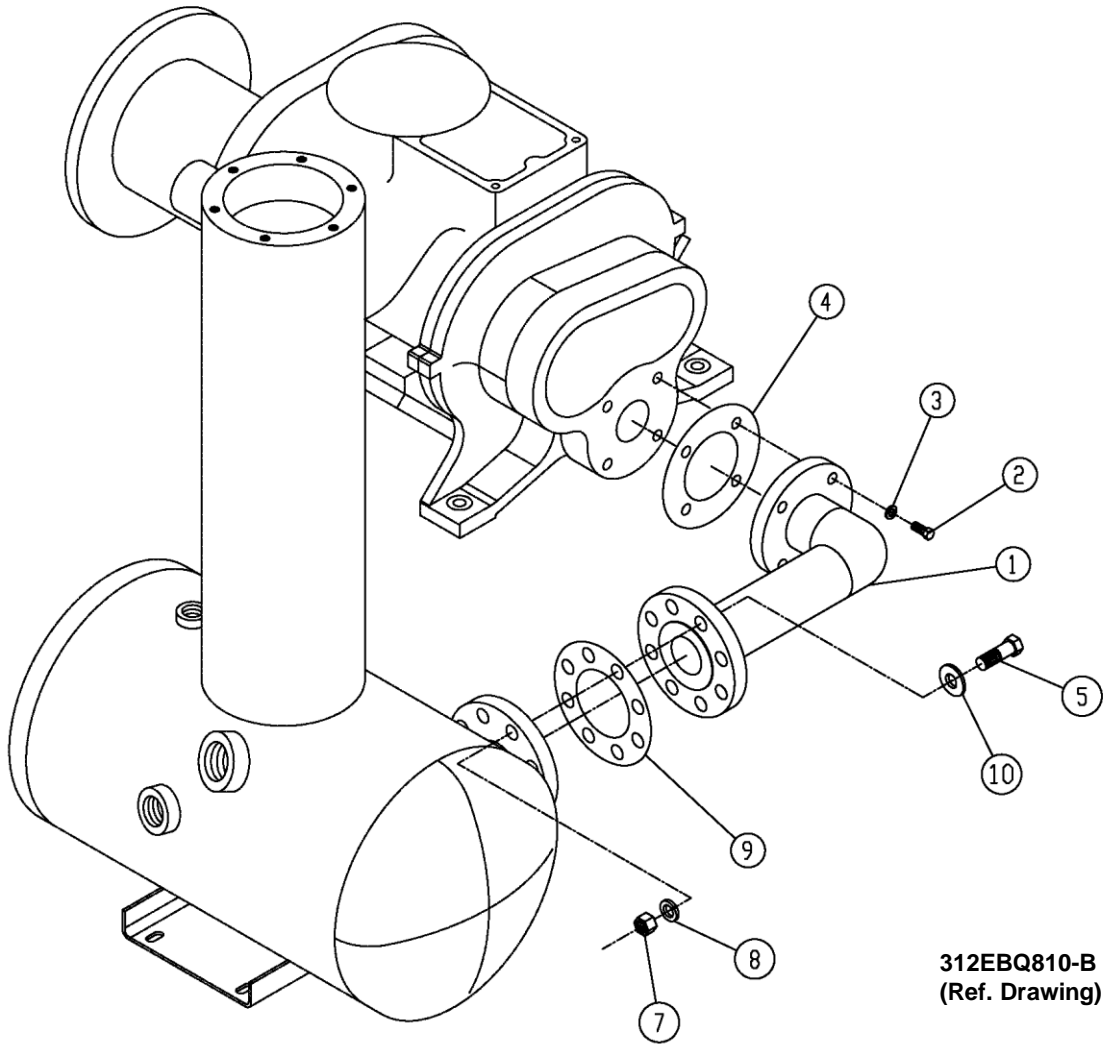


**209EDM810-A  
(Ref. Drawing)**

**B/M:  
201EDM4018**

<b>Item</b>	<b>Description</b>	<b>Qty</b>	<b>Part No.</b>
1	SCREW .....	12	655EE090
2	LOCK WASHER .....	12	95B5
3	COVER .....	1	200EDM225
4	GASKET ELIMINATOR.....	1	25BC222
5	HOUSING.....	1	200EDM405
6	GASKET.....	1	25C2719N
7	LOCK WASHER .....	8	95B8
8	SCREW .....	8	655EG080

**COMPRESSOR DISCHARGE PIPING  
175 – 200 PSI**

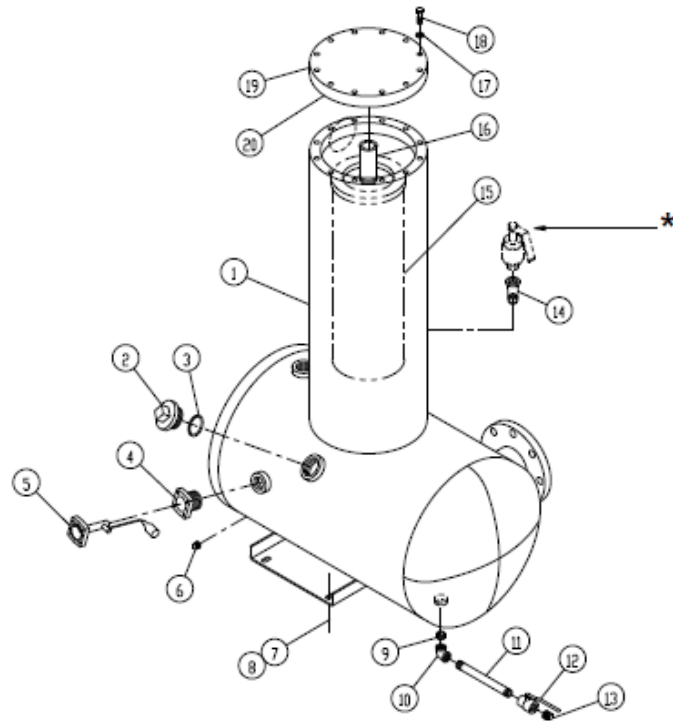


**312EBQ810-B  
(Ref. Drawing)**

**B/M:  
305EBQ4013  
307EBQ4013**

<b>Item</b>	<b>Description</b>	<b>Qty</b>	<b>Part No.</b>
1	MANIFOLD		
	SSQ AIRENDS .....	1	CC1016758
	SSM AIRENDS .....	1	300EBQ4013
	SSP AIRENDS .....	1	300EBQ4013
2	SCREW .....	8	655EF080
3	LOCK WASHER .....	8	95B7
4	GASKET .....	1	25C603N
5	SCREW .....	8	655EG160
7	NUT .....	8	50B8
8	LOCK WASHER .....	8	95B8
9	GASKET .....	1	25C320N
10	WASHER .....	8	95A8

**OIL RESERVOIR GROUP  
175 – 200 PSI**



**309EBQ810-A  
(Ref. Drawing)**

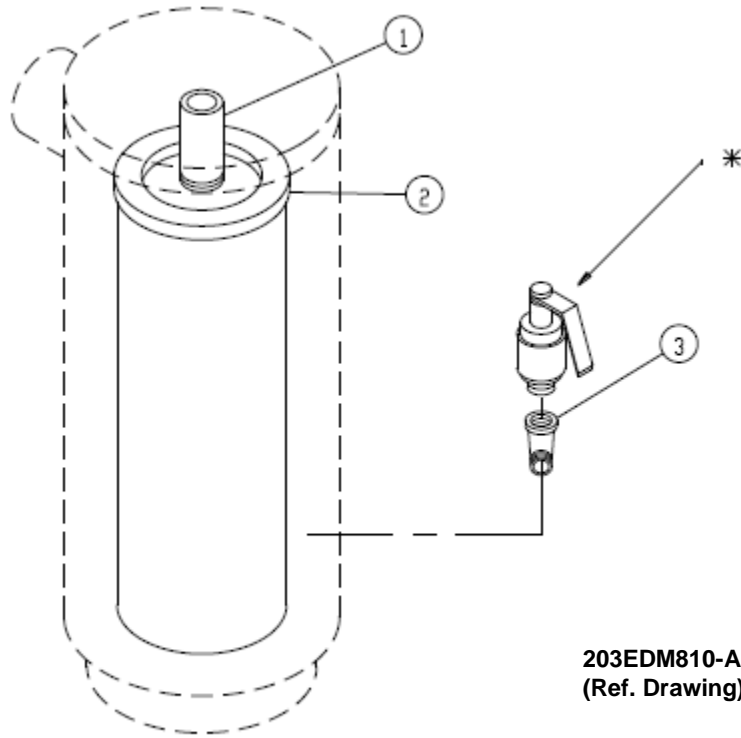
**B/M:  
302EBQ4018  
300-301EBQ4045**

Item	Description	Qty	Part No.
1	RESERVOIR, OIL .....	1	300EBQ037
2	COVER, FILLER .....	1	200SPF156
3	O-RING .....	1	25BC900
4	ADAPTOR, GAUGE .....	1	200EDE058
**	5 GAUGE, FLOAT .....	1	300EBM303
6	PLUG .....	1	64AA5
7	SCREW .....	4	75LM135
8	NUT .....	4	50AW35
9	NIPPLE .....	1	63F1G
10	ELBOW .....	1	64C4G
11	NIPPLE .....	1	63F42G
12	VALVE, BALL .....	1	90AR360
13	PLUG .....	1	64AA7
14	ELBOW .....	1	64D8G
***	15 AIR/OIL SEPARATOR .....	1	VP1040693
16	SPACER .....	1	300EBQ392
17	LOCK WASHER .....	12	95B5
18	SCREW .....	12	655EE090
19	COVER .....	1	300EBQ225
***	20 GASKET ELIMINATOR .....	1	25BC222
*	RELIEF VALVE		
	175 PSI .....	1	90AR205
	200 PSI .....	1	90AR206

\*\* For repair: Float Gauge Gasket, order Part Number 54C204

\*\*\* Separator Repair Kit Part Number 305EBQ6013, refer to page 100.

**SEPARATOR GROUP  
100 – 150 PSI**



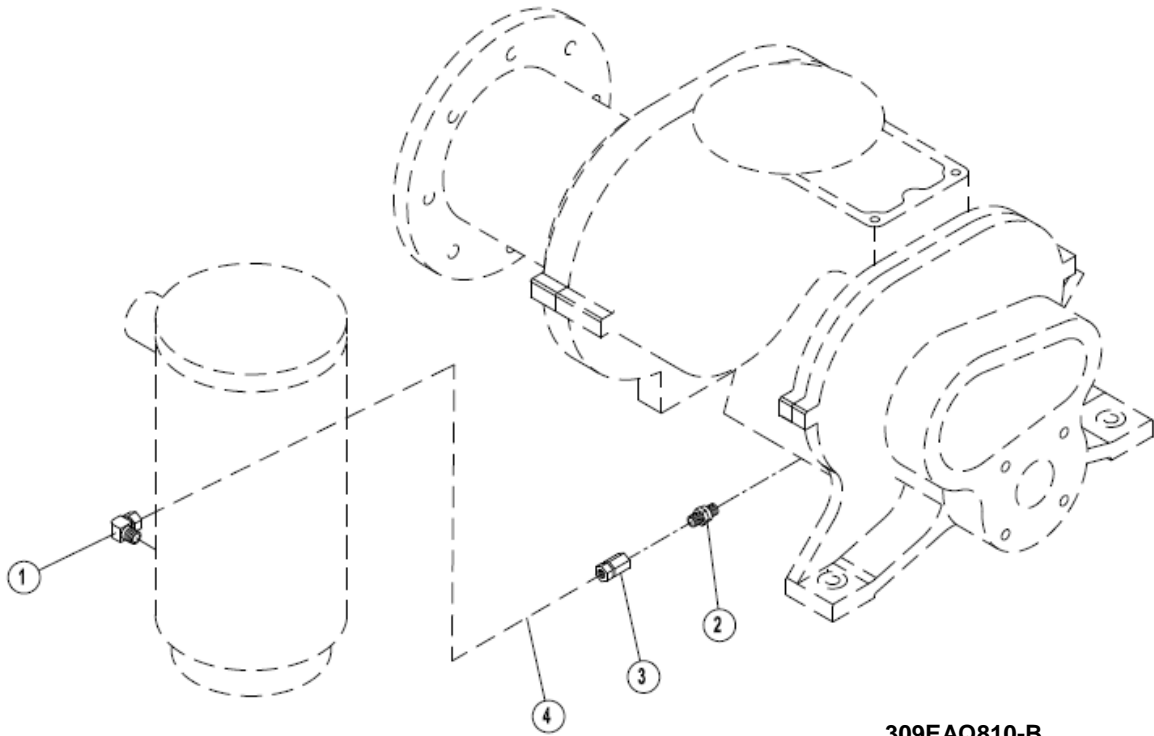
**203EDM810-A  
(Ref. Drawing)**

**B/M:  
200EDP4013  
EAQ76999  
EAQ77000  
EAQ77001**

<b>Item</b>	<b>Description</b>	<b>Qty</b>	<b>Part No.</b>
1	SPACER .....	1	201EDM392
** 2	AIR/OIL SEPARATOR .....	1	301EBQ035
3	ELBOW .....	1	64D8G
*	RELIEF VALVE .....		
	100 PSI.....		90AR510
	125 PSI.....		90AR532
	150 PSI.....		90AR976

\*\* For Separator Repair Kit, order Part Number 305EBQ6013, refer to page 100.

## OIL RETURN LINE



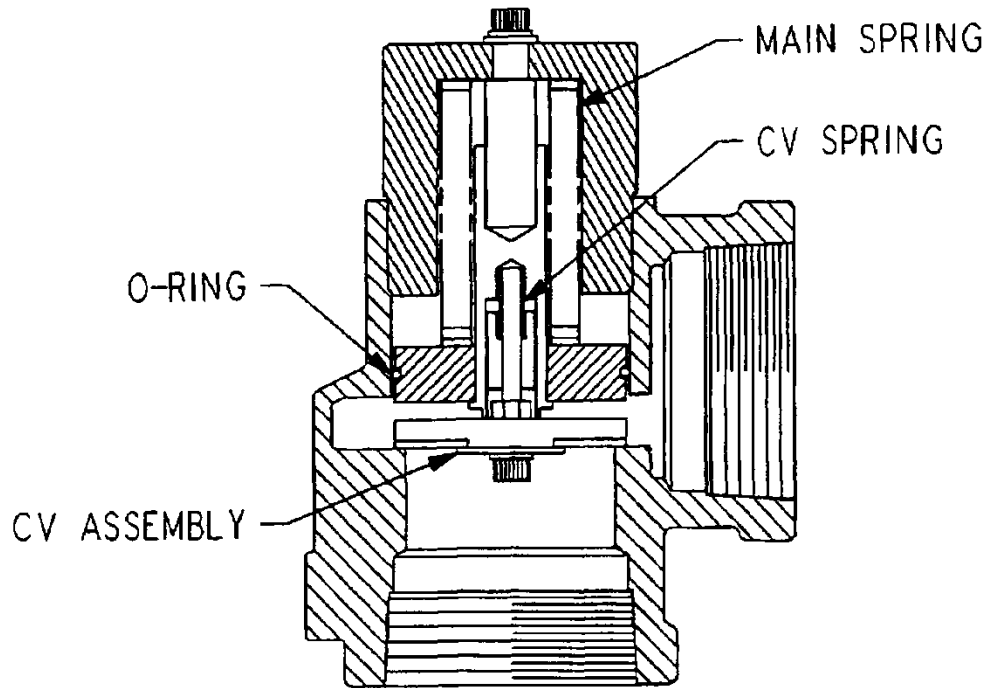
**309EAQ810-B**  
**(Ref. Drawing)**

**B/M:**  
**308EAQ4017**

<b>Item</b>	<b>Description</b>	<b>Qty</b>	<b>Part No.</b>
1	TUBE FITTING.....	1	86E220
* 2	VALVE, CHECK.....	1	90AR261
3	TUBE FITTING.....	1	86E218
4	TUBE (IN FEET) .....	3	85K3

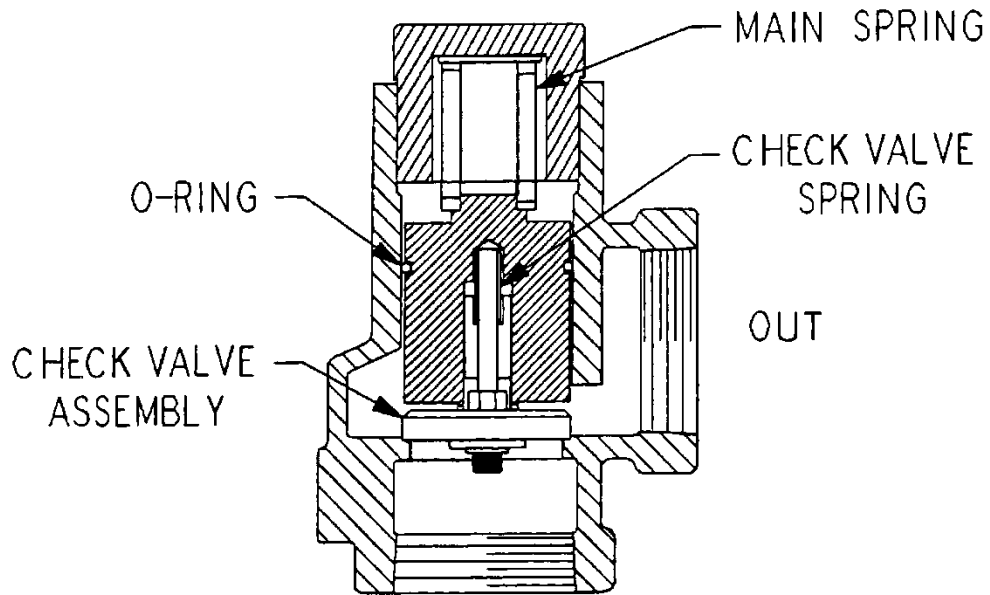
\* Part included in Pneumatic Control Kit Part Number 302EAQ6013, refer to page 100.

**MINIMUM PRESSURE/CHECK VALVE, 200 HP**



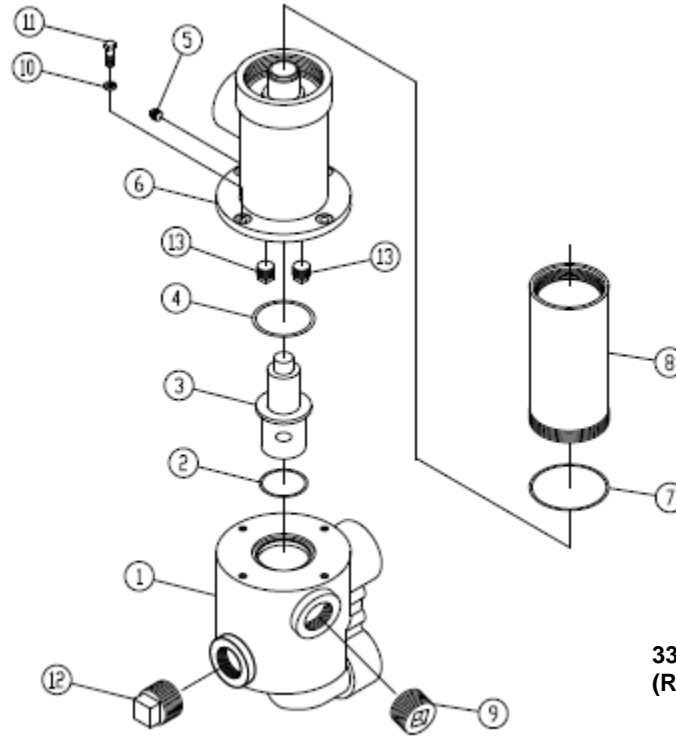
<b>Description</b>	<b>Qty</b>	<b>200 HP 3" Part No.</b>
MINIMUM PRESSURE VALVE ASSEMBLY		
100, 125 & 150 PSI.....	1	201EDM527
175 & 200 PSI.....	1	300EAU527
REPAIR KIT: (For 201EDM527 Only).....	1	2116855
REPAIR KIT: (For 300EAU527 Only).....	1	2118770
CHECK VALVE ASSEMBLY.....	1	
MAIN SPRING.....	1	
CHECK VALVE SPRING.....	1	
O-RING.....	1	

**MINIMUM PRESSURE/CHECK VALVE, 125 & 150 HP, 2"**



Description	125 & 150 HP 2"	
	Qty	Part No.
MINIMUM PRESSURE VALVE ASSEMBLY		
100, 125, 150, 175 & 200 PSI .....	1	301EBM527
REPAIR KIT: (For 201EBM527 Only) .....	1	2118775
O-RING .....	1	
SPRING, CHECK VALVE .....	1	
CHECK VALVE ASSEMBLY .....	1	
SPRING, MAIN .....	1	

**OIL FILTER & MIXING VALVE ASSEMBLY  
(WITH 150° F ELEMENT, STANDARD)**



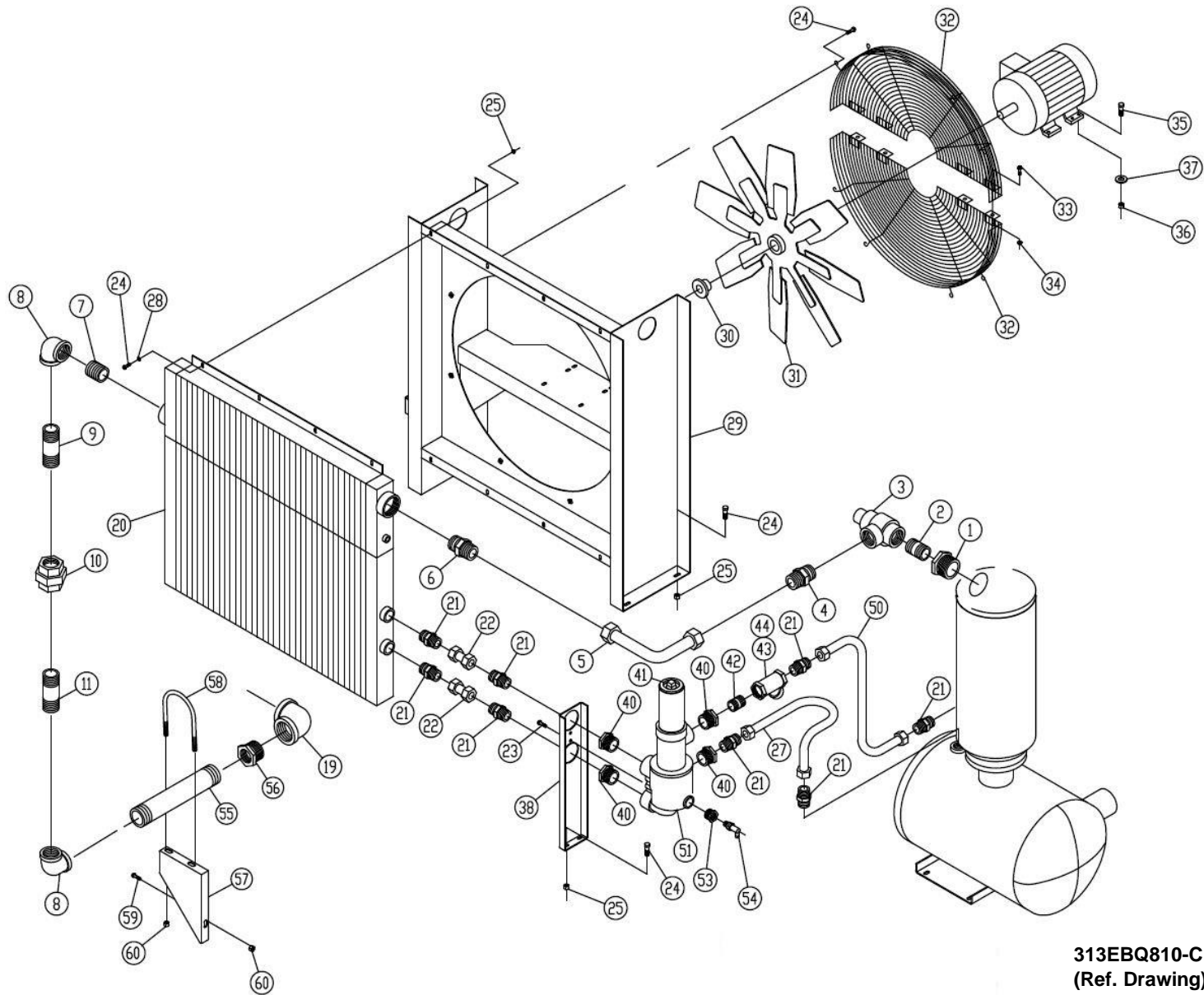
**333EAU810-B  
(Ref. Drawing)**

**B/M:  
303EAQ2045 (150°F, STD)  
304EAQ2045 (180°F)**

Item	Description	Qty.	Part No.
1	MANIFOLD, OIL.....	1	200EAU116
2	O-RING.....	1	25BC127
3	ELEMENT		
	150°F (Standard) .....	1	2117382
	140°F (Optional) .....	1	2117381
	160°F (Optional) .....	1	2117383
	180°F (Optional) .....	1	2117384
4	O-RING.....	1	25BC175
5	PLUG.....	1	64AC2
6	MANIFOLD, OIL.....	1	201EAU116
7	O-RING.....	1	25BC380
* 8	BODY, OIL FILTER.....	1	200EDM032
9	PLUG.....	1	64B7
10	LOCK WASHER.....	4	95B3
11	SCREW .....	4	655ED050
12	PLUG.....	1	64AA2
13	PLUG.....	2	2118347

\* For Oil Filter Element, order Part Number 2118342.

**COOLING GROUP, AIR COOLED, 125 & 150 HP**



**313EBQ810-C**  
**(Ref. Drawing)**

**COOLING GROUP, AIR COOLED, 125 & 150 HP**

**B/M:  
319-322EBQ4003  
304EBQ4013  
300EDM4013  
300EDP4013  
308-309EAQ4013**

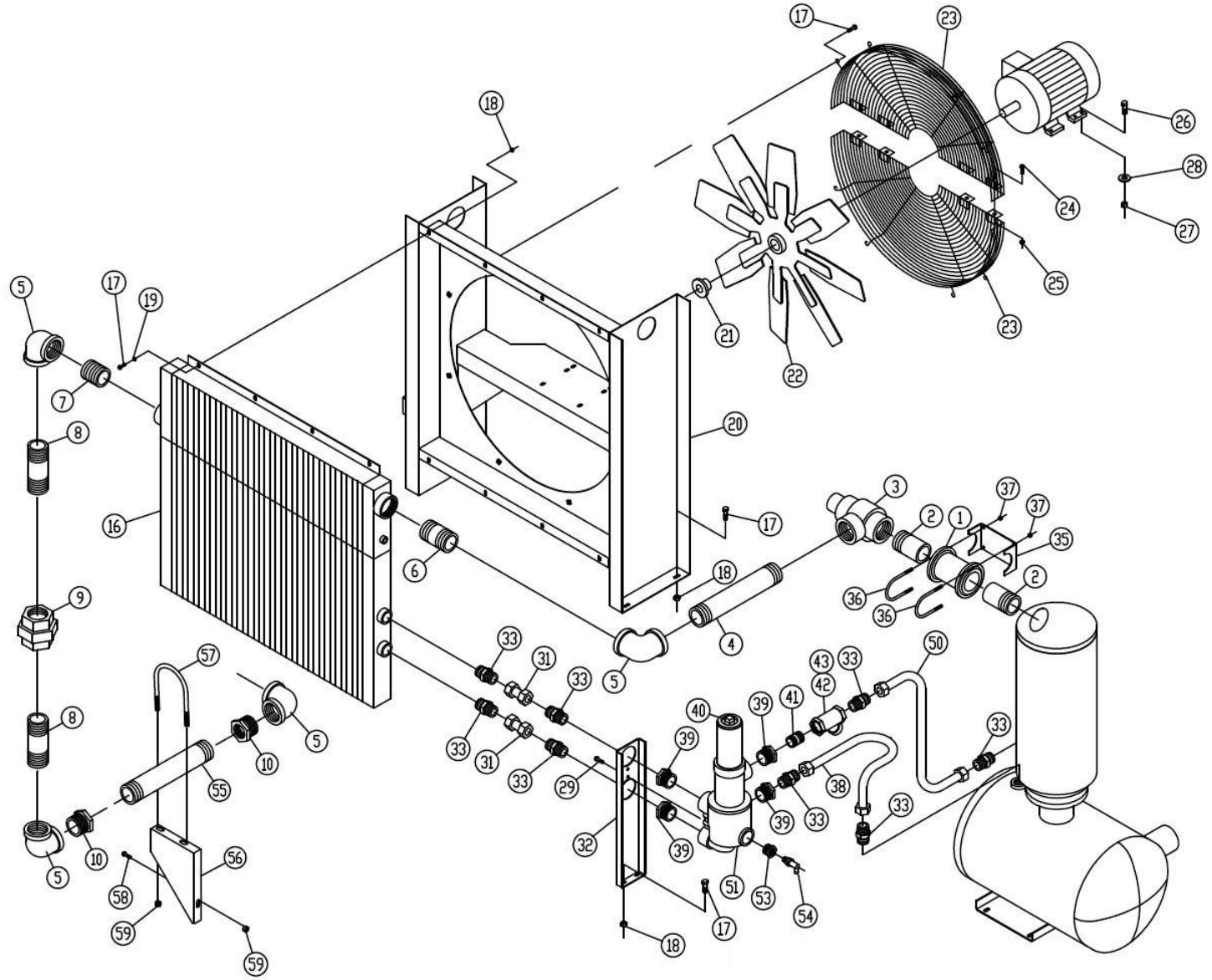
Item	Description	Qty	Part No.	Item	Description	Qty	Part No.
1	BUSHING, PIPE .....	1	64E41	29	SUPPORT .....	1	200EDM165
2	NIPPLE .....	1	63L25G	30	BUSHING, HUB .....	1	22G2
+ 3	VALVE, MINIMUM PRESSURE 100 – 200 PSI .....	1	301EBM527	31	FAN .....	1	200EAQ701
4	CONNECTOR TUBE .....	1	86H142	32	GUARD, FAN .....	1	200EDM393
5	TUBE WITH FITTINGS .....	1	306EAQ863	33	SCREW .....	4	75LM50
6	CONNECTOR TUBE .....	1	86H142	34	NUT .....	4	50AW4
7	NIPPLE .....	1	63L2G	35	SCREW .....	4	75LM78
8	ELBOW .....	2	64C9G	36	NUT .....	4	50AW5
9	NIPPLE .....	1	63L26G	37	WASHER .....	4	95W15
10	UNION .....	1	64Z2	38	BRACKET (FORMED) .....	1	300EAQ142
11	NIPPLE .....	1	63L26G	40	BUSHING, PIPE .....	4	64EB304
19	ELBOW .....	1	64C10G	41	OIL FILTER .....	1	300EAQ369
20	COOLER, OIL			42	NIPPLE .....	1	63K20G
	100 – 150 PSI .....	1	300EAQ201	** 43	STRAINER .....	1	82E49
	100 – 150 PSI (Seacoast) .....	1	301EAQ201	44	PLUG .....	1	64AA3
	175 – 200 PSI .....	1	300EBQ201	50	TUBE WITH FITTINGS		
	175 – 200 PSI (Seacoast) .....	1	301EBQ201		SSQ .....	1	303EBQ863
21	CONNECTOR, TUBE .....	8	86H141		SSP .....	1	305EDP863
22	TUBE WITH FITTINGS .....	2	311EAQ863	51	SSM .....	1	300ERM863
23	SCREW .....	2	75LM51	51	FILTER ASSEMBLY (150°) (See page 26) .....	1	303EAQ2045
19	ELBOW .....	1	64C10G	53	FILTER ASSEMBLY (180°) (See page 26) .....	1	304EAQ2045
24	SCREW .....	22	75LM51	54	BUSHING-PIPE .....	1	64E61
25	NUT .....	14	50AW5	54	VALVE, OIL SAMPLING .....	1	86N345
27	TUBE WITH FITTINGS			55	NIPPLE .....	1	63N32X144G
	(100-150 PSI) .....	1	310EAQ863	56	BUSHING .....	1	VP1052333
	(175-200 PSI) .....	1	302EBQ863	57	BRACKET .....	1	304EAQ142
28	WASHER .....	8	95A3	58	U-BOLT .....	1	15U101
				59	SCREW .....	1	75LM135
				60	NUT .....	3	50AW35

\*\* Repair Parts for Strainer: 2118378 – 100 Mesh Screen; 2118381 – Blow-Off Bushing.

∇ Repair Element Part Number 2118342.

+ For Repair Parts Kits for Minimum Pressure / Check Valve, see page 25.  
For Fan Motor Part Numbers, see page 95.

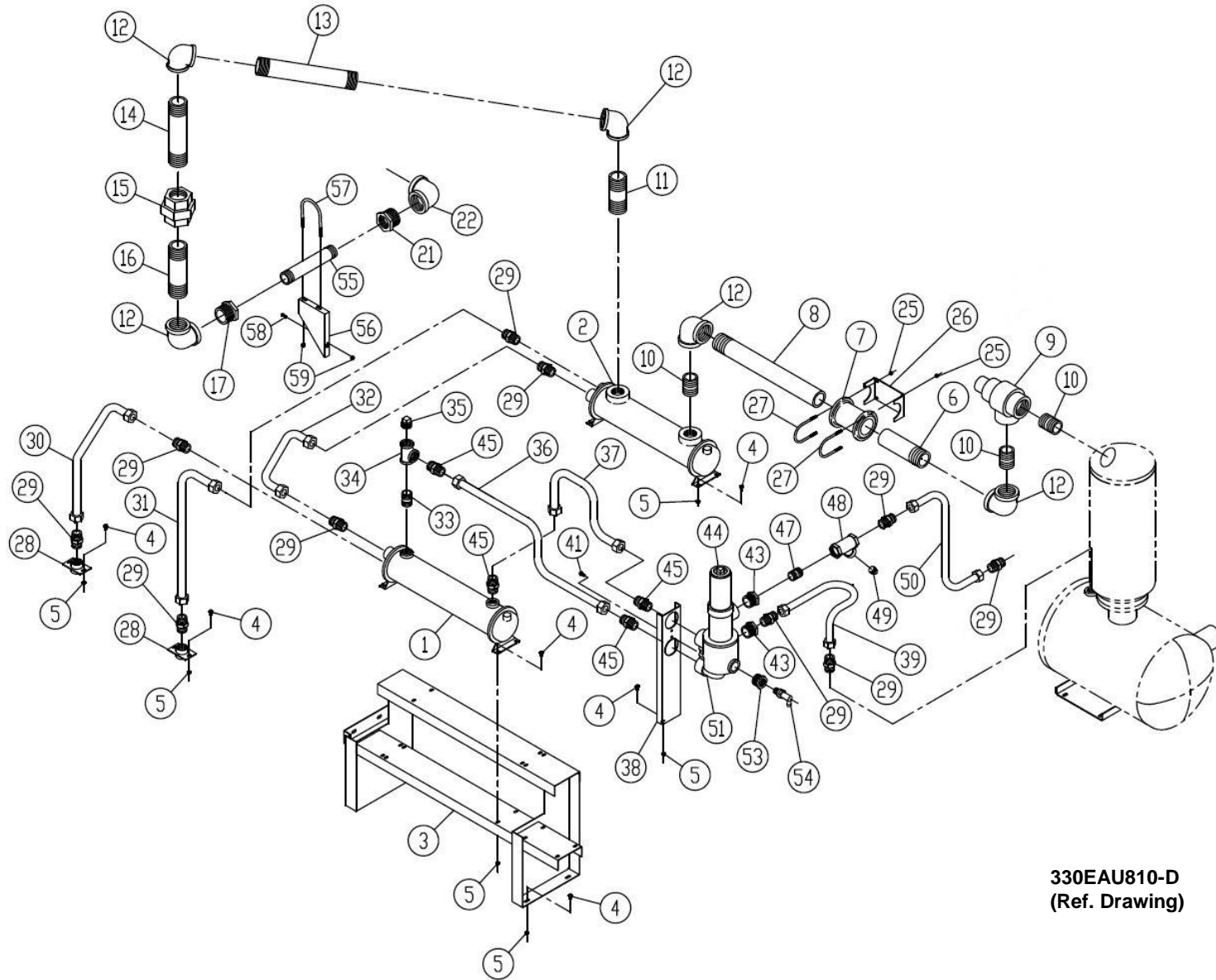
# COOLER GROUP, 200 HP



308EBU810C  
(Ref. Drawing)



**WATER COOLED HEAT EXCHANGER, WITH AFTERCOOLER, 200 HP  
(100 – 150 PSI)**



**330EAU810-D  
(Ref. Drawing)**

**WATER COOLED HEAT EXCHANGER, WITH AFTERCOOLER, 200 HP  
(100 – 150 PSI)**

**B/M:  
300-301EBU4003  
304EBQ4013  
308-309EAQ4013**

Item	Description	Qty	Part No.	Item	Description	Qty	Part No.
1	HEAT EXCHANGER (Fresh Water).....	1	200EAU349	17	BUSHING, PIPE.....	1	64E33
	BONNET, IN/OUT.....	1	2117102	21	BUSHING, PIPE.....	1	64E33
	BONNET, RETURN.....	1	2117103	22	ELBOW.....	1	64C10G
	GASKET, IN/OUT.....	1	2117104	25	NUT.....	4	50AW5
	GASKET, RETURN.....	1	2117105	26	BRACKET, PIPE.....	1	200EAQ108
	HEAT EXCHANGER (Salt Water).....	1	203EAU349	27	U-BOLT.....	2	15U108
	BONNET, IN/OUT.....	1	2117757	28	MANIFOLD, WATER.....	2	200EDM072
	BONNET, RETURN.....	1	2117758	29	CONNECTOR, TUBE.....	10	86H141
	GASKET, IN/OUT.....	1	2117104	30	TUBE WITH FITTINGS.....	1	323EAU863
	GASKET, RETURN.....	1	2117105	31	TUBE WITH FITTINGS.....	1	321EAU863
2	AFTERCOOLER (Fresh Water).....	1	204EAU292	32	TUBE WITH FITTINGS.....	1	324EAU863
	BONNET, IN/OUT.....	1	2117102	33	NIPPLE.....	1	63L24G
	BONNET, RETURN.....	1	2117103	34	TEE.....	1	64G1G
	GASKET, IN/OUT.....	1	2117104	****	35 PLUG.....	1	64B7
	GASKET, RETURN.....	1	2117105	36	TUBE WITH FITTINGS.....	1	325EAU863
	AFTERCOOLER (Salt Water).....	1	206EAU292	37	TUBE WITH FITTINGS.....	1	326EAU863
	BONNET, IN/OUT.....	1	2117757	38	BRACKET (FORMED).....	1	300EAQ142
	BONNET, RETURN.....	1	2117758	39	TUBE WITH FITTINGS.....	1	310EAQ863
	GASKET, IN/OUT.....	1	2117104	41	SCREW.....	2	75LM51
	GASKET, RETURN.....	1	2117105	43	BUSHING, PIPE.....	2	64EB304
3	SUPPORT.....	1	300EAQ165	∇	44 FILTER, OIL.....	1	300EAQ369
4	SCREW, FLANGED.....	18	75LM51	45	CONNECTOR, TUBE.....	4	86H142
5	NUT.....	18	50AW5	47	NIPPLE.....	1	63K20G
6	NIPPLE.....	1	63AJ48X50G	***	48 STRAINER.....	1	82E49
* 7	COUPLING, FLEXIBLE.....	1	64EB803	49	PLUG.....	1	64AA3
+ 8	NIPPLE.....	1	63AJ48X234G	50	TUBE WITH FITTINGS (SSQ).....	1	303EBQ863
9	VALVE, MINIMUM PRESSURE 100 – 150 PSI.....	1	201EDM527	51	FILTER ASSEMBLY (150°) (See page 26) ...	1	303EAQ2045
10	NIPPLE.....	3	63P11G		FILTER ASSEMBLY (180°) (See page 26) ...	1	304EAQ2045
11	NIPPLE.....	1	63P13G	53	BUSHING-PIPE.....	1	64E61
12	ELBOW.....	5	64C10G	54	VALVE, OIL SAMPLING.....	1	86N345
13	NIPPLE.....	1	63N48X200G	55	NIPPLE.....	1	63M23G
14	NIPPLE.....	1	63P17G	56	BRACKET.....	1	304EAQ142
15	UNION.....	1	64Z21	57	U-BOLT.....	1	15U88
16	NIPPLE.....	1	63P17G	58	SCREW.....	1	75LM135
				59	NUT.....	3	50AW35

\* For Repair Order (2) 2117161 Gaskets.

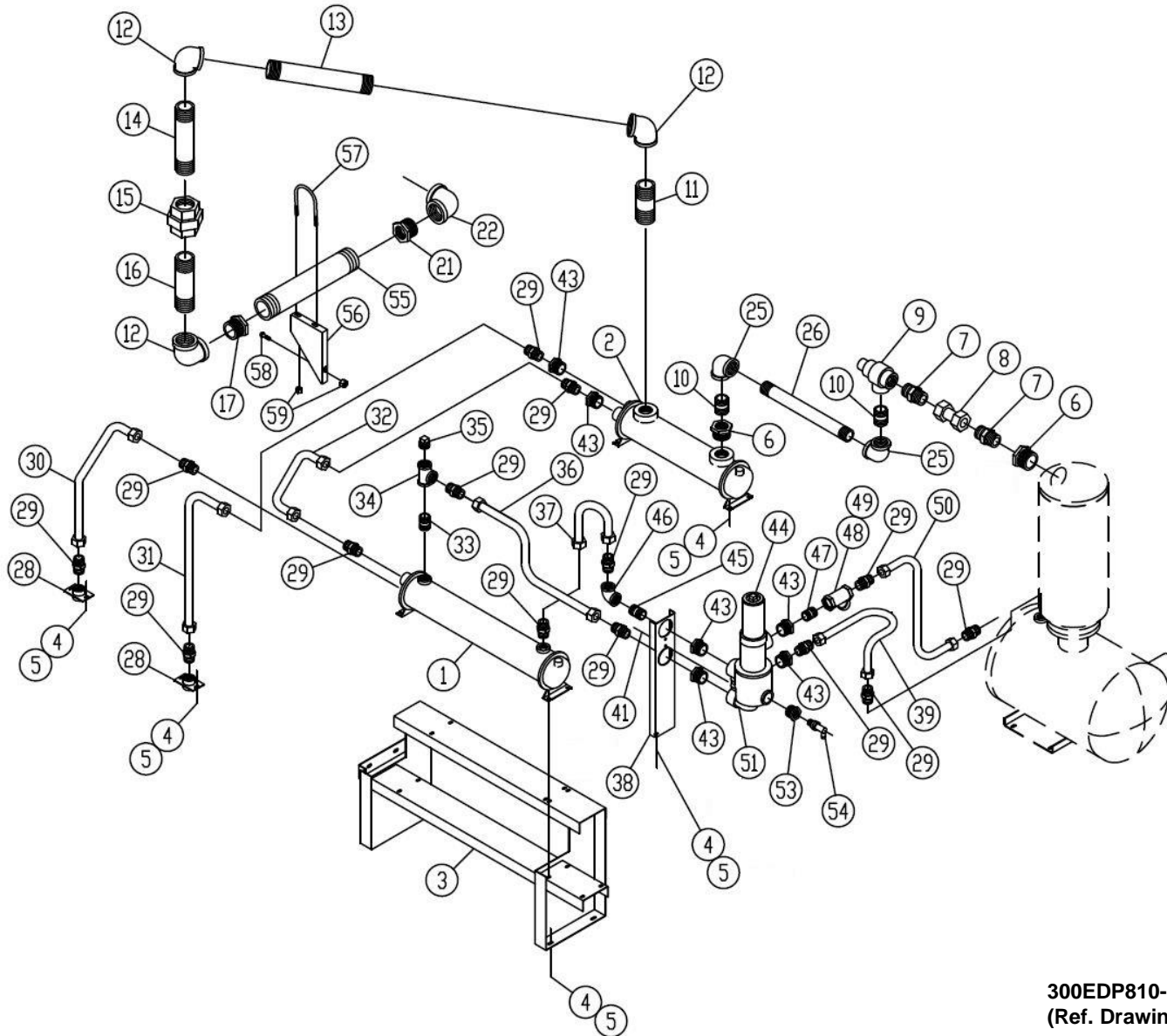
\*\*\* Repair Parts for Strainer: 2118378 – 100 Mesh Screen; 2118381 – Blow-off Bushing.

\*\*\*\* NOTE: Remove this plug when Optional Water Temperature Regulator is used. This is where the temperature pick-up goes.

∇ Repair Element Part Number 2118342.

+ For Repair Parts Kits for Minimum Pressure / Check Valve, see page 24.

**WATER COOLED HEAT EXCHANGER, WITH AFTERCOOLER, 200 HP  
(175 – 200 PSI)**



**300EDP810-H  
(Ref. Drawing)**

**WATER COOLED HEAT EXCHANGER, WITH AFTERCOOLER, 200 HP  
(175 – 200 PSI)**

**B/M:  
315-316EBQ4003  
304EBQ4013  
308-309EAQ4013**

Item	Description	Qty	Part No.	Item	Description	Qty	Part No.
1	HEAT EXCHANGER (Fresh Water)...	1	200EDP349	26	NIPPLE.....	1	63N32X186G
	BONNET, IN/OUT .....	1	2117178	28	MANIFOLD, WATER.....	2	200EDM072
	BONNET, RETURN.....	1	2117179	29	CONNECTOR, TUBE .....	14	86H141
	GASKET, IN/OUT .....	1	2109064	30	TUBE WITH FITTINGS .....	1	303EAQ863
	GASKET, RETURN .....	1	2109068	31	TUBE WITH FITTINGS .....	1	302EDP863
	HEAT EXCHANGER (Salt Water).....	1	201EDP349	32	TUBE WITH FITTINGS .....	1	301EDP863
2	AFTERCOOLER (Fresh Water).....	1	200EDP292	33	NIPPLE.....	1	63K6G
	BONNET, IN/OUT .....	1	2117187	34	TEE .....	1	64G11G
	BONNET, RETURN.....	1	2117188	****	35 PLUG.....	1	64A8
	GASKET, IN/OUT .....	1	2117189	36	TUBE WITH FITTINGS .....	1	308EAQ863
	GASKET, RETURN .....	1	2117190	37	TUBE WITH FITTINGS .....	1	303EDP863
	AFTERCOOLER (Salt Water) .....	1	201EDP292	38	BRACKET (FORMED) .....	1	300EAQ142
3	SUPPORT .....	1	300EAQ165	39	TUBE WITH FITTINGS .....	1	302EBQ863
4	SCREW-FLANGED.....	18	75LM51	41	SCREW.....	2	75LM51
5	NUT .....	18	50AW5	43	BUSHING, PIPE .....	6	64EB304
6	BUSHING .....	2	64E41	▽	44 FILTER-OIL.....	1	300EAQ369
7	CONNECTOR .....	2	86H142	45	NIPPLE.....	1	63K3G
8	TUBE WITH FITTING.....	1	314EAQ863	46	ELBOW .....	1	64C8G
+ 9	VALVE, MINIMUM PRESSURE 175 – 200 PSI.....	1	301EBM527	47	NIPPLE.....	1	63K20G
				***	48 STRAINER .....	1	82E49
10	NIPPLE .....	2	63L2G	49	PLUG.....	1	64AA3
11	NIPPLE .....	1	63P12G	50	TUBE WITH FITTINGS (SSQ).....	1	303EBQ863
12	ELBOW.....	3	64C10G	51	FILTER ASSEMBLY (150°) (See page 26) .....	1	303EAQ2045
13	NIPPLE .....	1	63N48X200G		FILTER ASSEMBLY (180°) (See page 26) .....	1	304EAQ2045
14	NIPPLE .....	1	63P17G	53	BUSHING-PIPE .....	1	64E61
15	UNION .....	1	64Z21	54	VALVE, OIL SAMPLING .....	1	86N345
16	NIPPLE .....	1	63P17G	55	NIPPLE.....	1	63N40X130G
17	BUSHING, PIPE .....	1	64E33	56	BRACKET .....	1	304EAQ142
21	BUSHING, PIPE .....	1	64E33	57	U-BOLT .....	1	15U88
22	ELBOW.....	1	64C10G	58	SCREW.....	1	75LM135
25	ELBOW.....	2	64C9G	59	NUT .....	3	50AW35

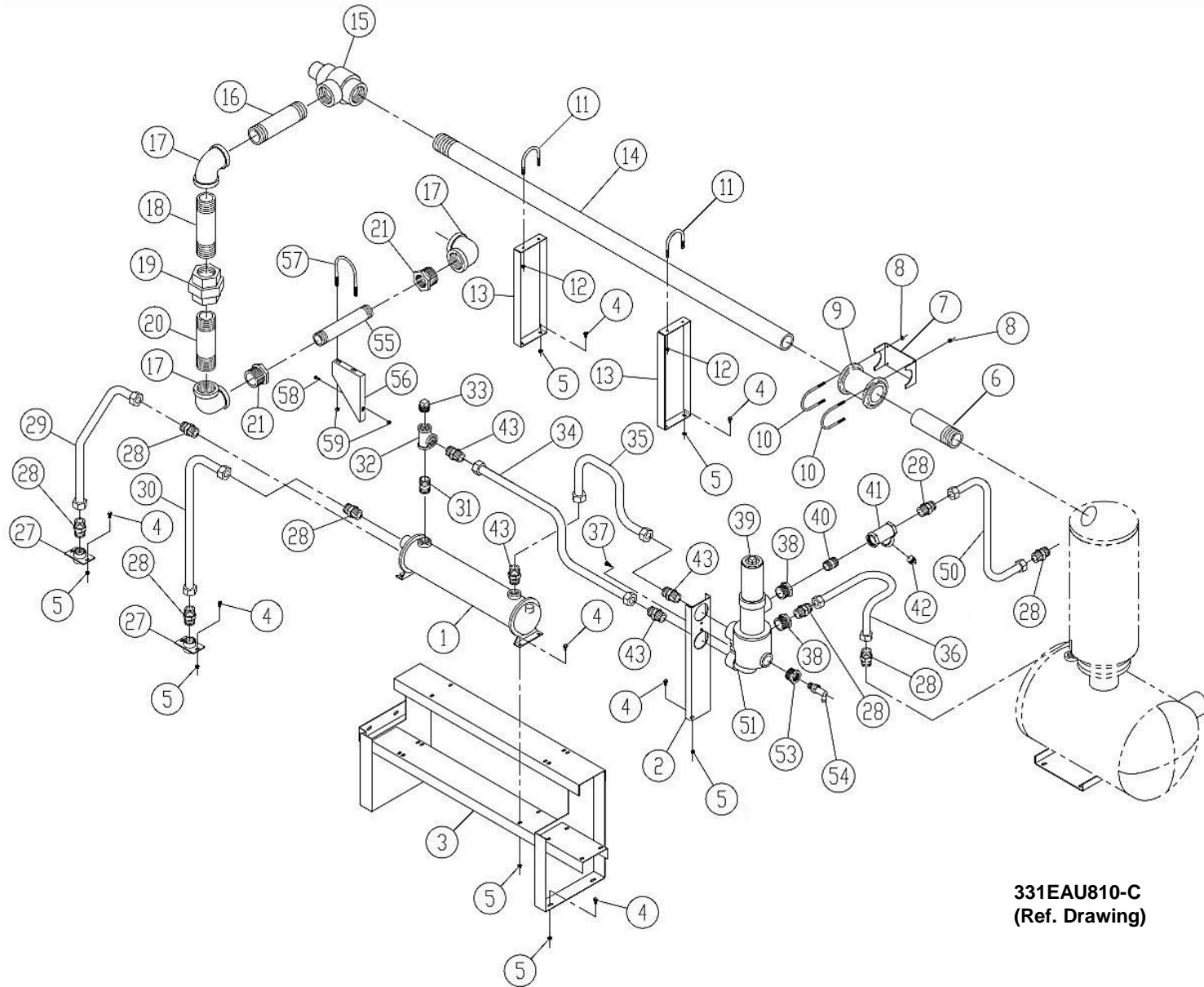
\*\*\* Repair Parts for Strainer: 2118378 – 100 Mesh Screen; 2118381 – Blow-off Bushing.

\*\*\*\* NOTE: Remove this plug when Optional Water Temperature Regulator is used. This is where the temperature pick-up goes.

▽ Repair Element Part Number 2118342.

+ For Repair Parts Kits for Minimum Pressure / Check Valve, see page 25.

**WATER COOLED HEAT EXCHANGER, WITHOUT AFTERCOOLER, 200 HP  
(100 – 150 PSI)**



**331EAU810-C  
(Ref. Drawing)**

**WATER COOLED HEAT EXCHANGER, WITHOUT AFTERCOOLER, 200 HP  
(100 – 150 PSI)**

**B/M:  
302-304EBQ4013  
308-309EAQ4013**

Item	Description	Qty	Part No.	Item	Description	Qty	Part No.
1	HEAT EXCHANGER (Fresh Water).....	1	200EAU349	20	NIPPLE .....	1	63P20G
	BONNET, IN/OUT .....	1	2117102	21	BUSHING, PIPE .....	2	64E33
	BONNET, RETURN .....	1	2117103	27	MANIFOLD, WATER .....	2	200EDM072
	GASKET, IN/OUT .....	1	2117104	28	CONNECTOR, TUBE .....	8	86H141
	GASKET, RETURN .....	1	2117105	29	TUBE WITH FITTINGS .....	1	323EAU863
	HEAT EXCHANGER (Salt Water).....	1	203EAU349	30	TUBE WITH FITTINGS .....	1	322EAU863
	BONNET, IN/OUT .....	1	2117757	31	NIPPLE .....	1	63L24G
	BONNET, RETURN .....	1	2117758	32	TEE .....	1	64G1G
	GASKET, IN/OUT .....	1	2117104	****	33 PLUG .....	1	64B7
	GASKET, RETURN .....	1	2117105	34	TUBE WITH FITTINGS .....	1	325EAU863
2	BRACKET (FORMED) .....	1	300EAQ142	35	TUBE WITH FITTINGS .....	1	326EAU863
3	SUPPORT .....	1	300EAQ165	36	TUBE WITH FITTINGS .....	1	310EAQ863
4	SCREW, FLANGED .....	18	75LM51	37	SCREW .....	2	75LM51
5	NUT .....	18	50AW5	38	BUSHING, PIPE .....	4	64EB304
6	NIPPLE .....	1	63AJ48X50G	▽	39 FILTER, OIL .....	1	300EAQ369
7	BRACKET, PIPE .....	1	200EAQ108	40	NIPPLE .....	1	63K20G
8	NUT .....	4	50AW5	***	41 STRAINER .....	1	82E49
* 9	COUPLING, FLEXIBLE .....	1	64EB803	42	PLUG .....	1	64AA3
10	U-BOLT .....	2	15U108	43	CONNECTOR, TUBE .....	4	86H142
11	U-BOLT .....	2	15U87	50	TUBE WITH FITTINGS (SSQ) .....	1	303EBQ863
12	NUT .....	4	50AW35	51	FILTER ASSEMBLY (150°) (See page 26)....	1	303EAQ2045
13	BRACKET, PIPE .....	2	200EDM108		FILTER ASSEMBLY (180°) (See page 26)....	1	304EAQ2045
14	NIPPLE .....	1	63AJ48X690G	53	BUSHING-PIPE .....	1	64E61
+15	VALVE, MINIMUM PRESSURE			54	VALVE, OIL SAMPLING .....	1	86N345
	100-150 PSI.....	1	201EDM527	55	NIPPLE .....	1	63N40X130G
16	NIPPLE .....	1	63P5G	56	BRACKET .....	1	304EAQ142
17	ELBOW .....	3	64C10G	57	U-BOLT .....	1	15U88
18	NIPPLE .....	1	63P25G	58	SCREW .....	1	75LM135
19	UNION .....	1	64Z21	59	NUT .....	3	50AW35

\* For Repair Order (2) 2117161 Gaskets.

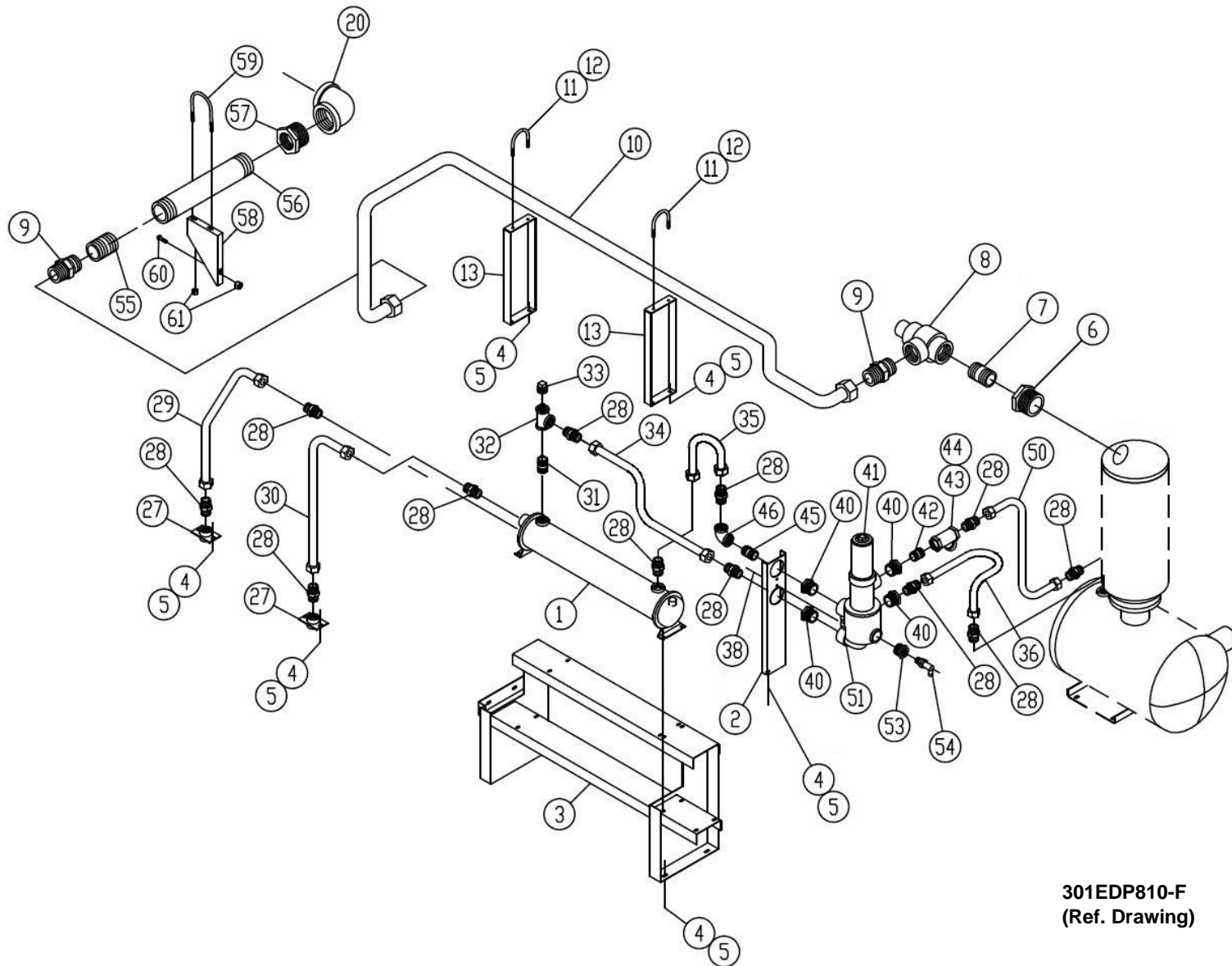
\*\*\* Repair Parts for Strainer: 2118378– 100 Mesh Screen; 2118381 – Blow-off Bushing.

\*\*\*\* NOTE: Remove this plug when Optional Water Temperature Regulator is used. This is where the temperature pick-up goes.

▽ Repair Element Part Number 2118342.

+ For Repair Parts Kits for Minimum Pressure / Check Valve, see page 24.

**WATER COOLED HEAT EXCHANGER, WITHOUT AFTERCOOLER, 200 HP  
(175 – 200 PSI)**



**301EDP810-F  
(Ref. Drawing)**

**WATER COOLED HEAT EXCHANGER, WITHOUT AFTERCOOLER, 200 HP  
(175 – 200 PSI)**

**B/M:  
317-318EBQ4003  
304EBQ4013  
308-309EAQ4013**

<b>Item</b>	<b>Description</b>	<b>Qty</b>	<b>Part No.</b>	<b>Item</b>	<b>Description</b>	<b>Qty</b>	<b>Part No.</b>
1	HEAT EXCHANGER (Fresh Water)..	1	200EDP349	31	NIPPLE.....	1	63K6G
	BONNET, IN/OUT .....	1	2117178	32	TEE .....	1	64G11G
	BONNET, RETURN .....	1	2117179	**** 33	PLUG .....	1	64A8
	GASKET, IN/OUT .....	1	2109064	34	TUBE WITH FITTINGS .....	1	308EAQ863
	GASKET, RETURN .....	1	2117180	35	TUBE WITH FITTINGS .....	1	303EDP863
	HEAT EXCHANGER (Salt Water).....	1	201EDP349	36	TUBE WITH FITTINGS .....	1	302EBQ863
2	BRACKET (FORMED).....	1	300EAQ142	38	SCREW .....	2	75LM51
3	SUPPORT .....	1	300EAQ165	40	BUSHING, PIPE .....	4	64EB304
4	SCREW, FLANGED .....	18	75LM51	∇ 41	FILTER, OIL .....	1	300EAQ369
5	WASHER .....	18	50AW5	42	NIPPLE.....	1	63K20G
6	PIPE BUSHING.....	1	64E41	*** 43	STRAINER .....	1	82E49
7	BRACKET, PIPE .....	1	63L9G	44	PLUG .....	1	64AA3
+ 8	VALVE, MINIMUM PRESSURE .....	1	301EBM527	45	NIPPLE.....	1	63K3G
9	CONNECTOR.....	2	86H142	46	ELBOW .....	1	64C8G
10	TUBE WITH FITTING.....	1	305EAQ863	50	TUBE WITH FITTINGS (SSQ).....	1	303EBQ863
11	U-BOLT .....	2	15U18	51	FILTER ASSEMBLY (150°) (See page 26) ..	1	303EAQ2045
12	NUT .....	4	50AW5		FILTER ASSEMBLY (180°) (See page 26) ..	1	304EAQ2045
13	BRACKET, PIPE .....	2	300EAQ108	53	BUSHING, PIPE .....	1	64E61
20	ELBOW.....	1	64C10G	54	VALVE, OIL SAMPLING .....	1	86N345
27	MANIFOLD, WATER.....	2	200EDM072	55	COUPLING .....	1	64BK9
28	CONNECTOR, TUBE.....	12	86H141	56	NIPPLE.....	1	63L31G
29	TUBE WITH FITTINGS .....	1	303EAQ863	57	BUSHING .....	1	VP1052333
30	TUBE WITH FITTINGS .....	1	302EAQ863	58	BRACKET.....	1	304EAQ142
				59	U-BOLT .....	1	15U101
				60	SCREW .....	1	75LM135
				61	NUT.....	3	50AW35

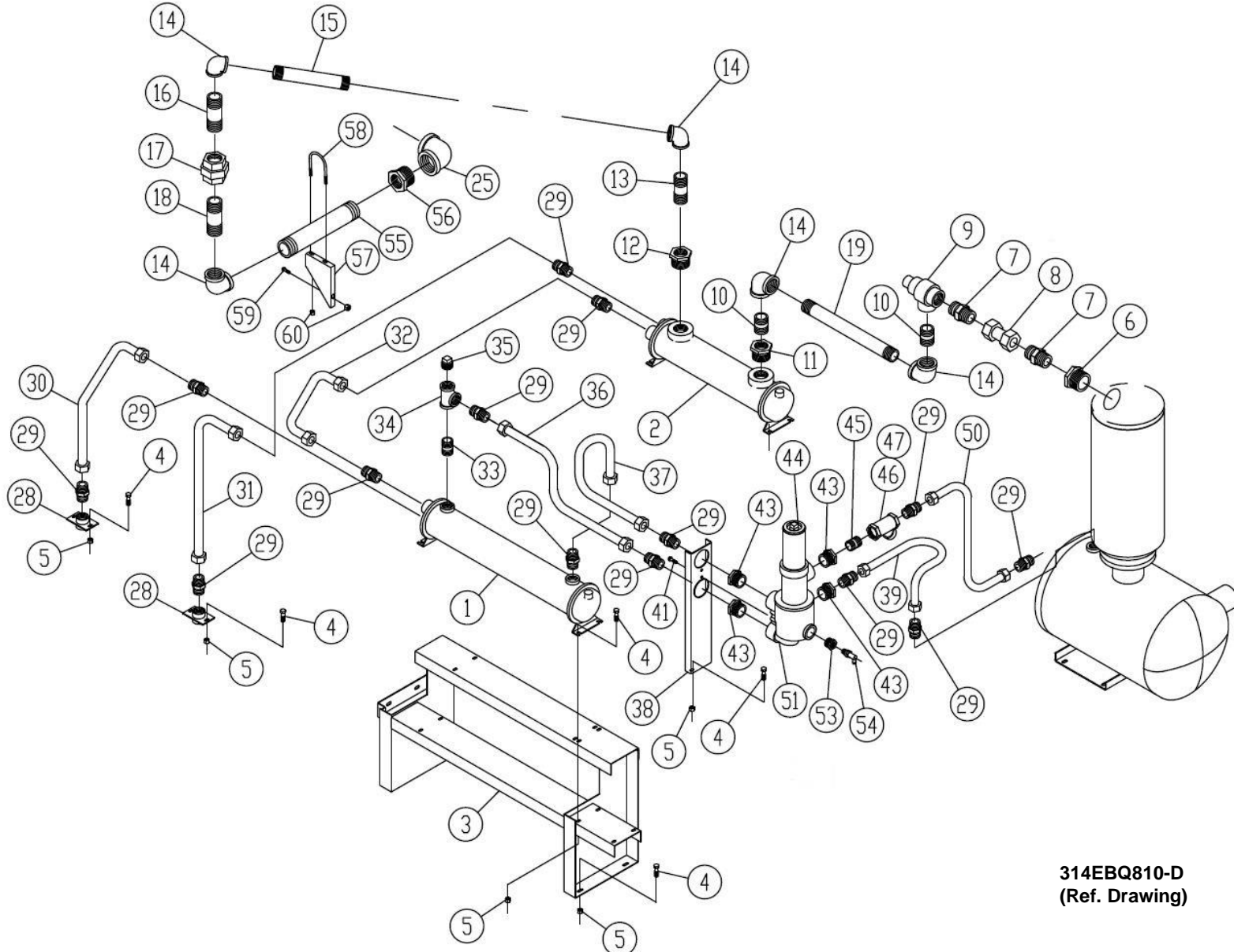
\*\*\* Repair Parts for Strainer: 2118378 – 100 Mesh Screen; 2118381 – Blow-off Bushing.

\*\*\*\* NOTE: Remove this plug when Optional Water Temperature Regulator is used. This is where the temperature pick-up goes.

∇ Repair Element Part Number 2118342.

+ For Repair Parts Kits for Minimum Pressure / Check Valve, see page 25.

**WATER COOLED HEAT EXCHANGER, WITH AFTERCOOLER, 125 & 150 HP**



**314EBQ810-D**  
**(Ref. Drawing)**

**WATER COOLED HEAT EXCHANGER, WITH AFTERCOOLER, 125 & 150 HP**

**B/M:  
323-326EBQ4003  
300EDM4013, 300EDP4013  
308-309EAQ4013  
304EBQ4013**

Item	Description	Qty	Part No.	Item	Description	Qty	Part No.
1	HEAT EXCHANGER (Fresh Water).....	1	200EDM349	18	NIPPLE .....	1	63L26G
	BONNET, IN/OUT .....	1	2117178	19	NIPPLE .....	1	63N32X186G
	BONNET, RETURN .....	1	2117179	20	NIPPLE .....	1	63L17G
	GASKET, IN/OUT .....	1	2109064	25	ELBOW .....	1	64C10G
	GASKET, RETURN .....	1	2117180	28	MANIFOLD, WATER .....	2	200EDM072
	HEAT EXCHANGER (Salt Water).....	1	201EDM349	29	CONNECTOR,TUBE .....	14	86H141
	BONNET, IN/OUT .....	1	2117183	30	TUBE WITH FITTINGS .....	1	303EAQ863
	BONNET, RETURN .....	1	2117184	31	TUBE WITH FITTINGS .....	1	304EAQ863
	GASKET, IN/OUT .....	1	2109064	32	TUBE WITH FITTINGS .....	1	301EAQ863
	GASKET, RETURN .....	1	2117180	33	NIPPLE .....	1	63K6G
2	AFTERCOOLER (Fresh Water).....	1	200EDM292	34	TEE .....	1	64G11G
	BONNET, IN/OUT .....	1	2109065	*** 35	PLUG .....	1	64A8
	BONNET, RETURN .....	1	2117182	36	TUBE WITH FITTINGS .....	1	308EAQ863
	GASKET, IN/OUT .....	1	2109063	37	TUBE WITH FITTINGS .....	1	309EAQ863
	GASKET, RETURN .....	1	2109064	38	BRACKET (FORMED) .....	1	300EAQ142
	AFTERCOOLER (Salt Water) .....	1	201EDM292	39	TUBE WITH FITTINGS (100-150 PSI) .....	1	310EAQ863
	BONNET, IN/OUT .....	1	2109077		(175-200 PSI) .....	1	302EBQ863
	BONNET, RETURN .....	1	2109076	41	SCREW .....	2	75LM51
	GASKET, IN/OUT .....	1	2109063	43	BUSHING, PIPE .....	4	64EB304
	GASKET, RETURN .....	1	2109064	∇ 44	OIL FILTER .....	1	300EAQ369
3	SUPPORT .....	1	300EAQ165	45	NIPPLE .....	1	63K20G
4	SCREW .....	18	75LM51	** 46	STRAINER .....	1	82E49
5	NUT .....	18	50AW5	47	PLUG .....	1	64AA3
6	BUSHING, PIPE .....	1	64E41	50	TUBE WITH FITTINGS (SSQ) .....	1	303EBQ863
7	CONNECTOR, TUBE .....	2	86H142		TUBE WITH FITTINGS (SSP).....	1	305EDP863
8	TUBE WITH FITTINGS .....	1	314EAQ863		TUBE WITH FITTINGS (SSM) .....	1	300ERM863
+ 9	VALVE-MINIMUM PRESSURE 100 – 200 PSI.....	1	301EBM527	51	FILTER ASSEMBLY (150°) (See page 26).....	1	303EAQ2045
10	NIPPLE .....	2	63L20G		FILTER ASSEMBLY (180°) (See page 26).....	1	304EAQ2045
11	BUSHING, PIPE .....	1	64E41	53	BUSHING, PIPE .....	1	64E61
12	BUSHING, PIPE .....	1	64E41	54	VALVE, OIL SAMPLING .....	1	86N345
13	NIPPLE .....	1	63L7G	55	NIPPLE .....	1	63N32X144G
14	ELBOW .....	5	64C9G	56	BUSHING .....	1	VP1052333
15	NIPPLE .....	1	63N32X216G	57	BRACKET.....	1	304EAQ142
16	NIPPLE .....	1	63L27G	58	U-BOLT .....	1	15U101
17	UNION .....	1	64Z2	59	SCREW .....	1	75LM135
				60	NUT .....	3	50AW35

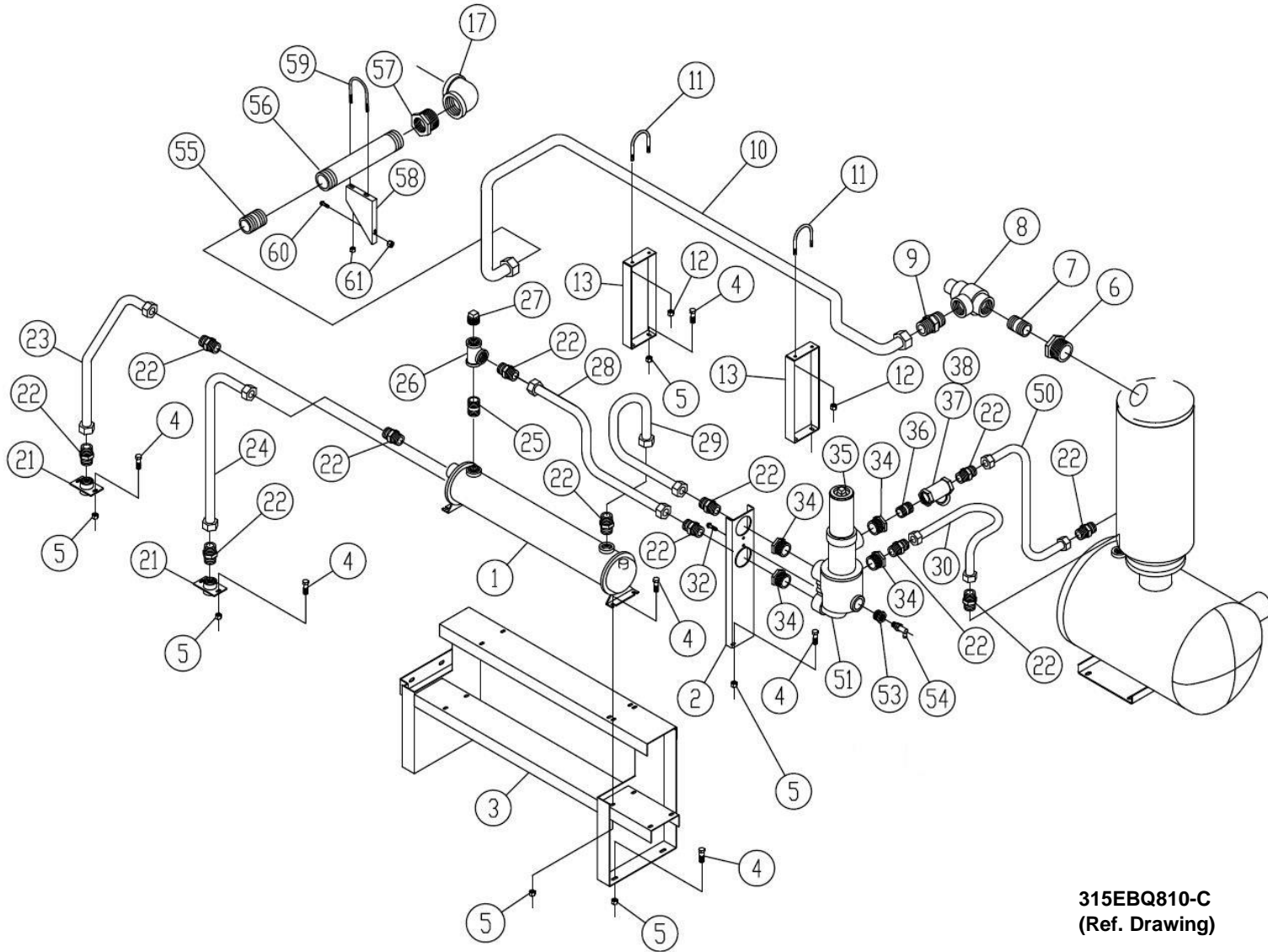
\*\* Repair Parts for Strainer: 2118378 – 100 Mesh Screen; 2118381 – Blow-off Bushing.

\*\*\* Note: Remove this plug when Optional Water Temperature Regulator is used. This is where the temperature pick-up goes.

∇ Repair Element Part Number 2118342.

+ For Repair Parts Kits for Minimum Pressure / Check Valve, see page 25

**WATER COOLED HEAT EXCHANGER, WITHOUT AFTERCOOLER, 125 & 150 HP**



**315EBQ810-C**  
**(Ref. Drawing)**

**WATER COOLED HEAT EXCHANGER, WITHOUT AFTERCOOLER, 125 & 150 HP**

**B/M:  
327-330EBQ4003  
300EDP4013  
304EBQ4013  
300EDM4013  
308-309EAQ4013**

Item	Description	Qty	Part No.	Item	Description	Qty	Part No.
1	HEAT EXCHANGER.....	1	200EDM349	25	NIPPLE.....	1	63K6G
	BONNET, IN/OUT .....	1	2117178	26	TEE .....	1	64G11G
	BONNET, RETURN .....	1	2117179	*** 27	PLUG.....	1	64A8
	GASKET, IN/OUT.....	1	2109064	28	TUBE WITH FITTINGS .....	1	308EAQ863
	GASKET, RETURN.....	1	2117180	29	TUBE WITH FITTINGS .....	1	309EAQ863
	HEAT EXCHANGER (Salt Water) (Optional) .....	1	201EDM349	30	TUBE WITH FITTINGS		
	BONNET, IN/OUT .....	1	2117183		100-150 PSI .....	1	310EAQ863
	BONNET, RETURN .....	1	2117184		175-200 PSI .....	1	302EBQ863
	GASKET, IN/OUT.....	1	2109064	32	SCREW .....	2	75LM51
	GASKET, RETURN.....	1	2117180	34	BUSHING, PIPE.....	4	64EB304
2	BRACKET (FORMED).....	1	300EAQ142	∇ 35	FILTER, OIL .....	1	300EAQ369
3	SUPPORT.....	1	300EAQ165	36	NIPPLE.....	1	63K20G
4	SCREW.....	18	75LM51	** 37	STRAINER .....	1	82E49
5	NUT.....	18	50AW5	38	PLUG.....	1	64AA3
6	BUSHING, PIPE .....	1	64E41	50	TUBE WITH FITTINGS (SSQ).....	1	303EBQ863
7	NIPPLE .....	1	63L9G		TUBE WITH FITTINGS (SSP) .....	1	305EDP863
=+ 8	VALVE, MINIMUM PRESSURE				TUBE WITH FITTINGS (SSM).....	1	300ERM863
	100-200 PSI .....	1	301EBM527	51	FILTER ASSEMBLY (150°) See page 26	1	303EAQ2045
9	CONNECTOR, TUBE .....	2	86H142		FILTER ASSEMBLY (180°) See page 26..	1	304EAQ2045
10	TUBE WITH FITTINGS.....	1	305EAQ863	53	BUSHING, PIPE.....	1	64E61
11	U-BOLT .....	2	15U18	54	VALVE, OIL SAMPLING .....	1	86N345
12	NUT.....	4	50AW5	55	COUPLING .....	1	64BK9
13	BRACKET, PIPE.....	2	300EAQ108	56	NIPPLE .....	1	63L31G
17	ELBOW .....	1	64C10G	57	BUSHING.....	1	VP1052333
21	MANIFOLD, WATER .....	2	200EDM072	58	BRACKET .....	1	304EAQ142
22	CONNECTOR, TUBE .....	12	86H141	59	U-BOLT .....	1	15U101
23	TUBE WITH FITTINGS.....	1	303EAQ863	60	SCREW.....	1	75LM135
24	TUBE WITH FITTINGS.....	1	302EAQ863	61	NUT .....	3	50AW35

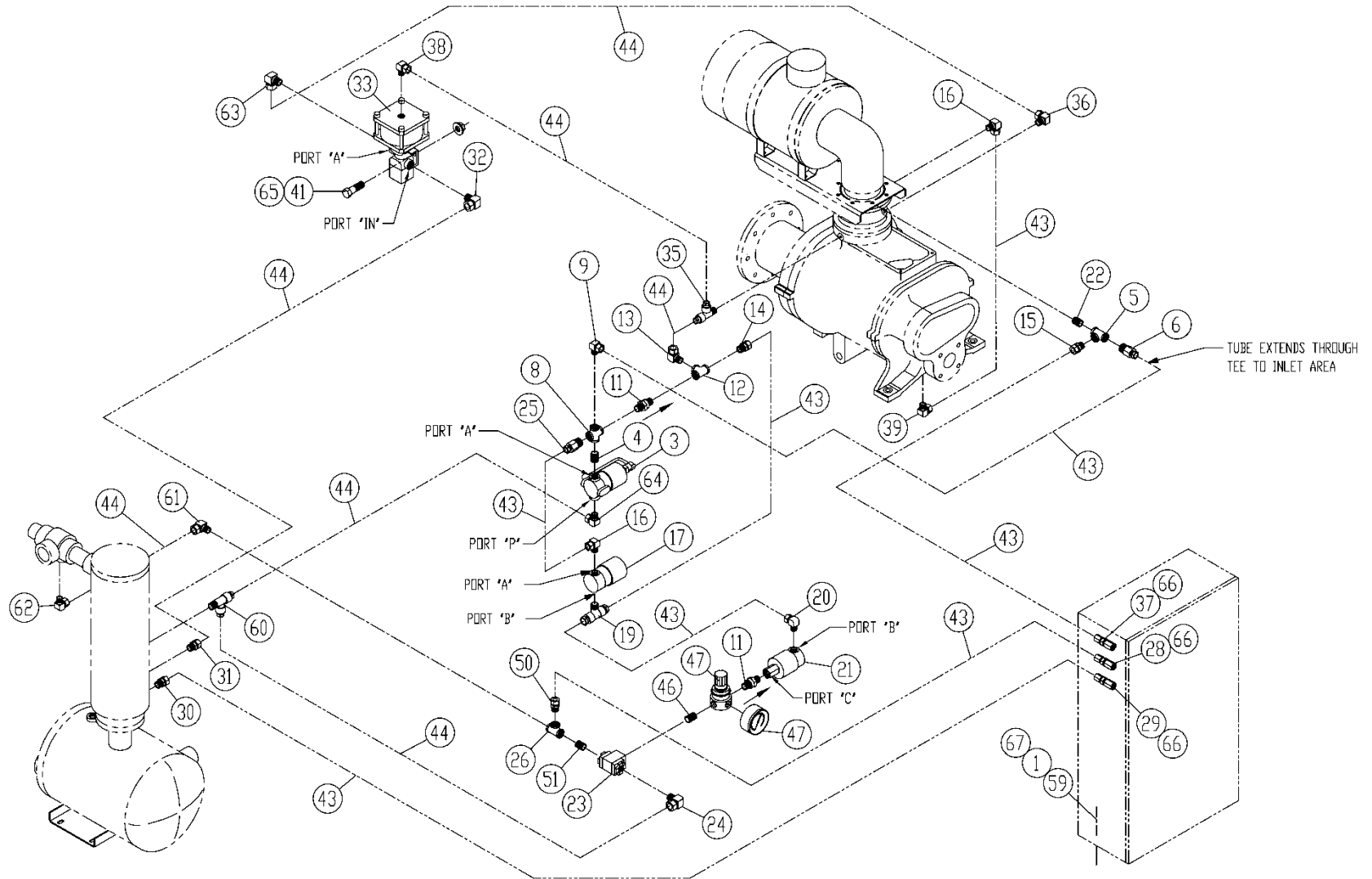
\*\* Repair Parts for Strainer: 2118378 – 100 Mesh Screen; 2118381 – Blow-off Bushing.

\*\*\* Note: Remove this plug when Optional Water Temperature Regulator is used. This is where the temperature pick-up goes.

∇ Repair Element Part Number 2118342.

+ For Repair Parts Kits for Minimum Pressure / Check Valve, see page 25.

# CONTROL SCHEMATIC



**310EBQ810-B**  
(Ref. Drawing)

## CONTROL SCHEMATIC

**B/M:  
303EBQ4002  
302EBQ4052  
303EBQ4052**

Item	Description	Qty	Part No.	Item	Description	Qty	Part No.
1	SCREW .....	4	75LM51	**++ 33	CONTROL VALVE .....	1	90AR1082
* + 3	VALVE, SOLENOID .....	1	91B250-2	35	TUBE FITTING .....	1	TEN001728
4	NIPPLE.....	1	63D1G	36	TUBE FITTING .....	1	TEN001714
5	TEE .....	1	64G3G	37	CONNECTOR, TUBE .....	1	86N287
6	TUBE FITTING .....	1	TEN001742	38	TUBE FITTING .....	1	TEN001714
8	CROSS.....	1	64K1G	39	TUBE FITTING .....	1	TEN001712
9	TUBE FITTING .....	1	TEN001712	41	NUT.....	2	50AW3
++ 11	VALVE, CHECK.....	1	90AR261	43	TUBE (IN FEET) .....	28	85K3
12	TEE .....	1	64G3G	44	TUBE (IN FEET) .....	24	85K5
13	TUBE FITTING .....	1	TEN001714	46	NIPPLE.....	1	63D1G
14	ORIFICE.....	1	86N289	++ Δ 47	REGULATOR, PRESSURE W/GAUGE..	1	88H367
15	TUBE FITTING .....	2	TEN001699	50	TUBE FITTING .....	1	86E210
16	TUBE FITTING .....	1	TEN001712	51	NIPPLE.....	1	63D1G
+ 17	VALVE, SOLENOID .....	1	91B245	59	NUT.....	4	50AW5
19	TUBE FITTING .....	1	TEN001730	60	TUBE FITTING .....	1	TEN001728
22	NIPPLE.....	1	63D1G	61	TUBE FITTING .....	1	TEN001714
25	TUBE FITTING .....	1	TEN001699	62	TUBE FITTING .....	1	TEN001714
28	TUBE FITTING .....	1	TEN001734	63	TUBE FITTING .....	1	TEN001714
29	TUBE FITTING .....	1	TEN001734	64	TUBE FITTING .....	1	TEN001714
30	TUBE FITTING .....	1	TEN001699	65	SCREW .....	2	75LM48
31	TUBE FITTING .....	1	TEN001701	66	O-RING .....	3	165011
32	TUBE FITTING .....	1	TEN001701	67	WASHER.....	4	95A3Z

\* For Repair Kit (includes Springs, Seals, Piston Assembly, Plunger Assembly, Nut & O-Ring, order Part Number 2116077.

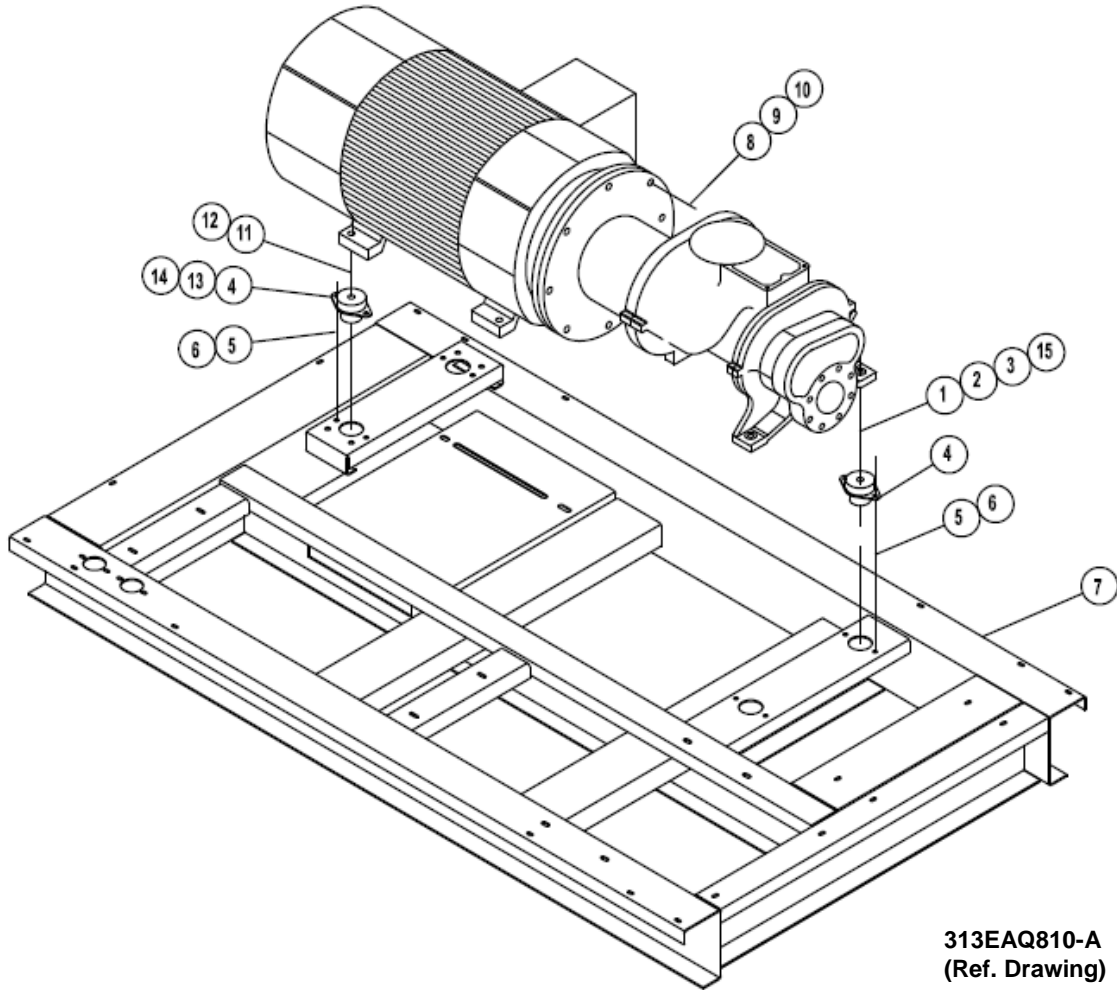
+ Parts included in Electrical Control Kit, Part Number 306EBQ6013. Refer to page 100.

\*\* For Repair of U-Cup (Piston Seal), order Part Number 2117904; For O-Ring (Top Plate), order Part Number 2117905.

++ Parts included in Pneumatic Control Kit, Part Number 302EAQ6013. Refer to page 100.

Δ For Replacement Gauge, order Part Number 2118767.

### SSP & SSM COMPRESSOR BASE GROUP



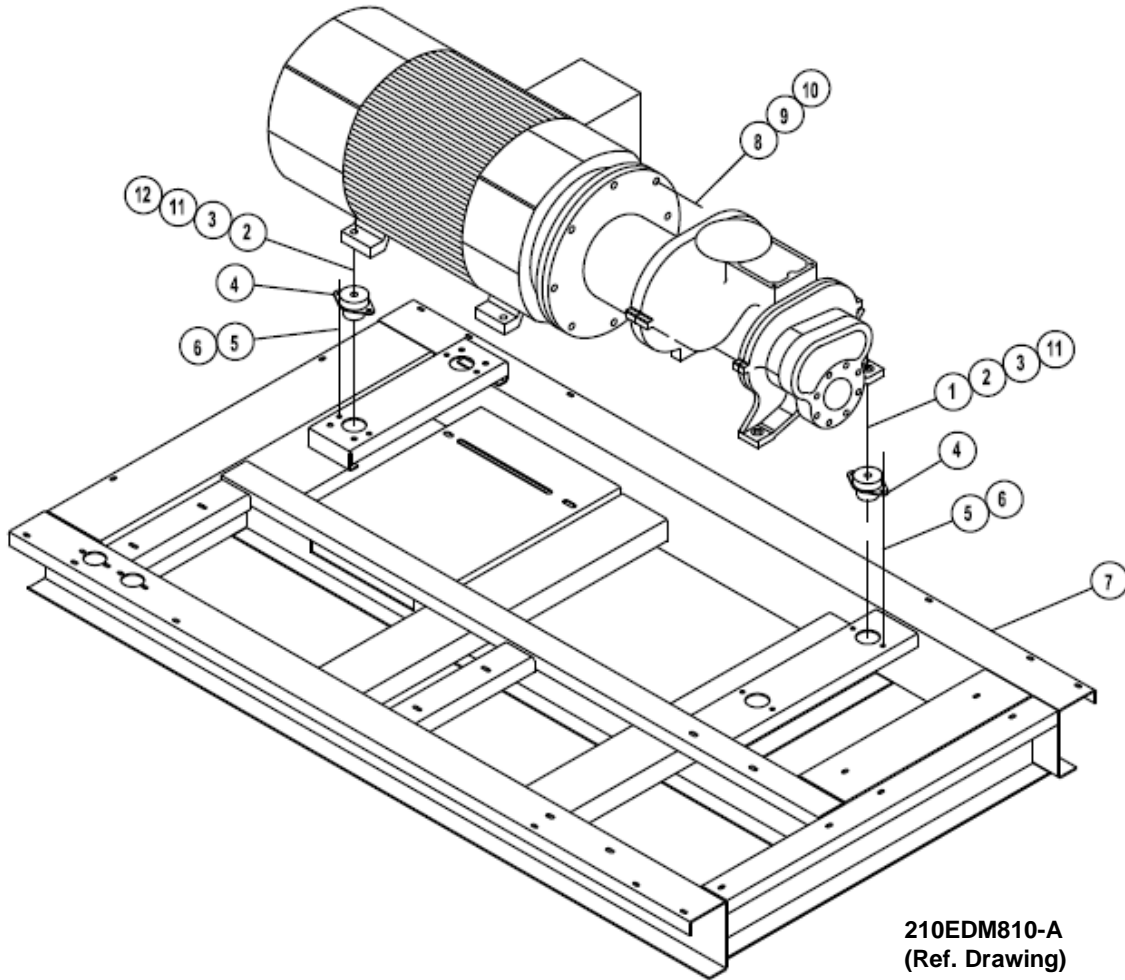
313EAQ810-A  
(Ref. Drawing)

B/M:  
301ERM4017

Item	Description	Qty	Part No.
1	SCREW .....	2	655EF200
2	LOCK WASHER.....	2	95B7
3	NUT .....	2	50B7
4	ISOLATOR, VIBRATION .....	4	49C48
5	SCREW .....	8	75LM135
6	NUT .....	8	50AW35
7	BASE .....	1	300ERM285
8	NUT .....	8	50B8
9	LOCK WASHER.....	8	95B8
10	SCREW .....	8	655EG140
11	SCREW .....	2	655EG240
12	WASHER .....	2	95A8
13	LOCK WASHER.....	2	95B8
14	NUT .....	2	50B8
15	WASHER .....	2	95A7

**Note:** Repair Key Part Number 8500082 (SSP), 35L24 (SSM)

## SSQ COMPRESSOR BASE GROUP



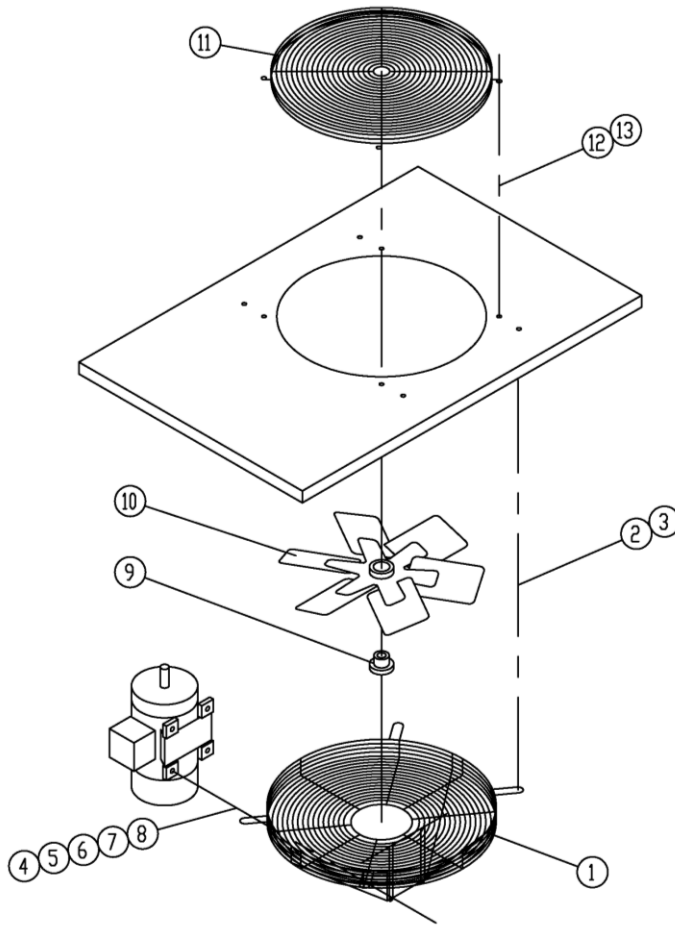
**210EDM810-A  
(Ref. Drawing)**

**B/M:  
311EAQ4017**

Item	Description	Qty	Part No.
1	SCREW .....	2	655EG220
2	LOCK WASHER .....	4	95B8
3	NUT .....	4	50B8
4	ISOLATOR, VIBRATION .....	4	49C48
5	SCREW .....	8	75LM135
6	NUT .....	8	50AW35
7	BASE .....	1	300EAQ285
8	NUT .....	8	50B8
9	LOCK WASHER .....	8	95B8
10	SCREW .....	8	655EG140
11	WASHER .....	4	95A8
12	SCREW .....	2	655EG240

NOTE: Repair Key Part Number 35B243 (SSQ)

**ENCLOSURE VENT FAN ASSEMBLY  
(WATER COOLED ONLY)**



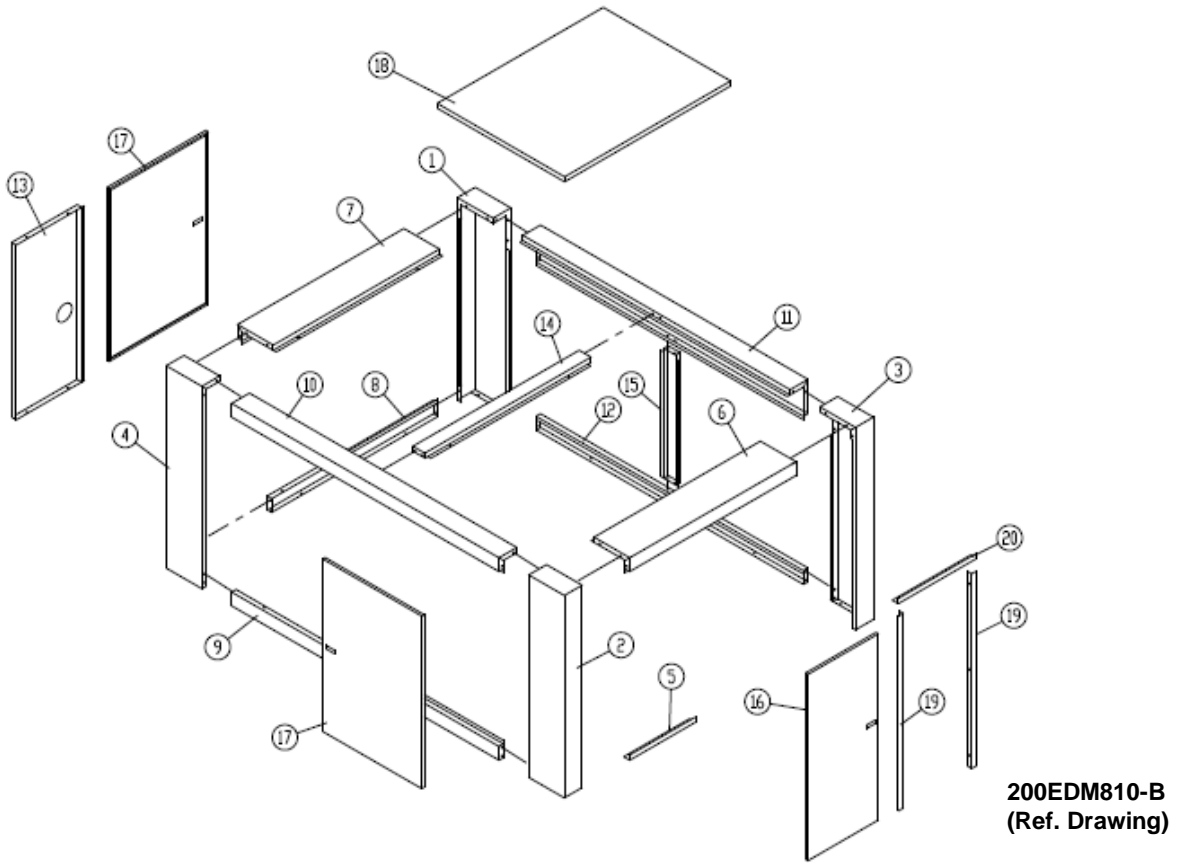
**262EAU810-A  
(Ref. Drawing)**

**B/M:  
300EBQ4017**

<b>Item</b>	<b>Description</b>	<b>Qty</b>	<b>Part No.</b>
1	GUARD, FAN.....	1	202ECM393
2	SCREW .....	4	75K48
3	WASHER.....	4	95A5
4	SCREW .....	4	75A35
5	RETAINER.....	4	2014731
6	WASHER.....	4	95A2
7	LOCK WASHER .....	4	95B2
8	NUT.....	4	50B2
9	BUSHING, SHEAVE .....	1	22G27
10	FAN .....	1	202ECM701
11	GUARD, FAN.....	1	200ECM393
12	SCREW .....	4	75LM51
13	NUT.....	4	50AW5

For Fan Motor part numbers, see Page 95.

**ENCLOSURE, BASIC  
(STANDARD)**

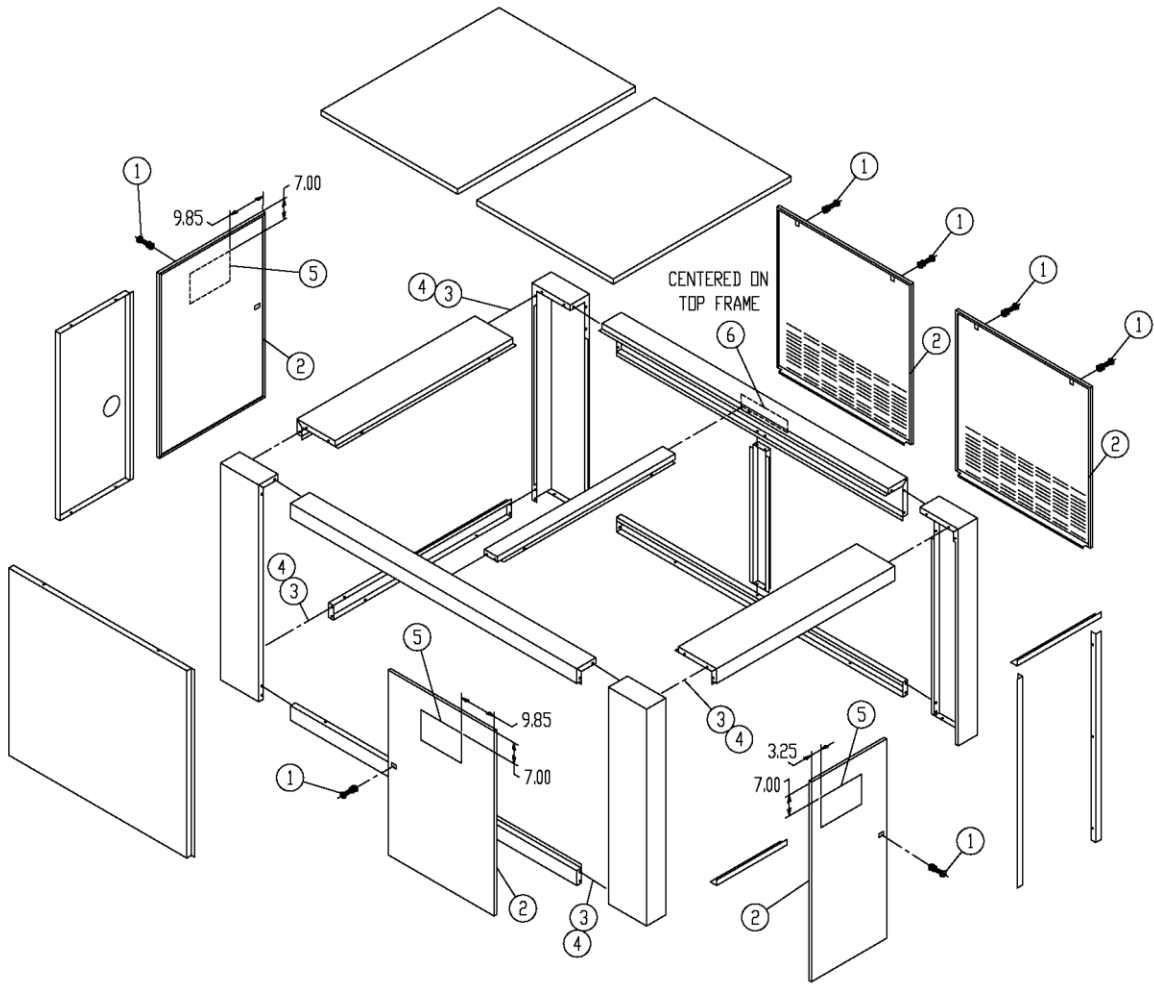


**200EDM810-B  
(Ref. Drawing)**

**B/M:  
300EBQ4023**

Item	Description	Qty	Part No.
1	POST .....	1	CC1046854
2	POST .....	1	CC1046856
3	POST .....	1	CC1046857
4	POST .....	1	CC1046858
5	FRAME.....	1	200EDM314
6	FRAME.....	1	201EDM314
7	FRAME.....	1	202EDM314
8	FRAME.....	1	203EDM314
9	FRAME.....	1	204EDM314
10	FRAME.....	1	205EDM314
11	FRAME.....	1	206EDM314
12	FRAME.....	1	207EDM314
13	BRACE.....	1	CC1046862
14	BRACE.....	1	201EDM326
15	BRACE.....	1	202EDM326
16	DOOR, CANOPY .....	1	CC1046859
17	DOOR, CANOPY .....	2	CC1046860
18	PANEL .....	1	203EDM216
19	BRACKET .....	2	201EDM142
20	BRACKET .....	1	202EDM142

**ENCLOSURE, HARDWARE  
(STANDARD & QUIET)**

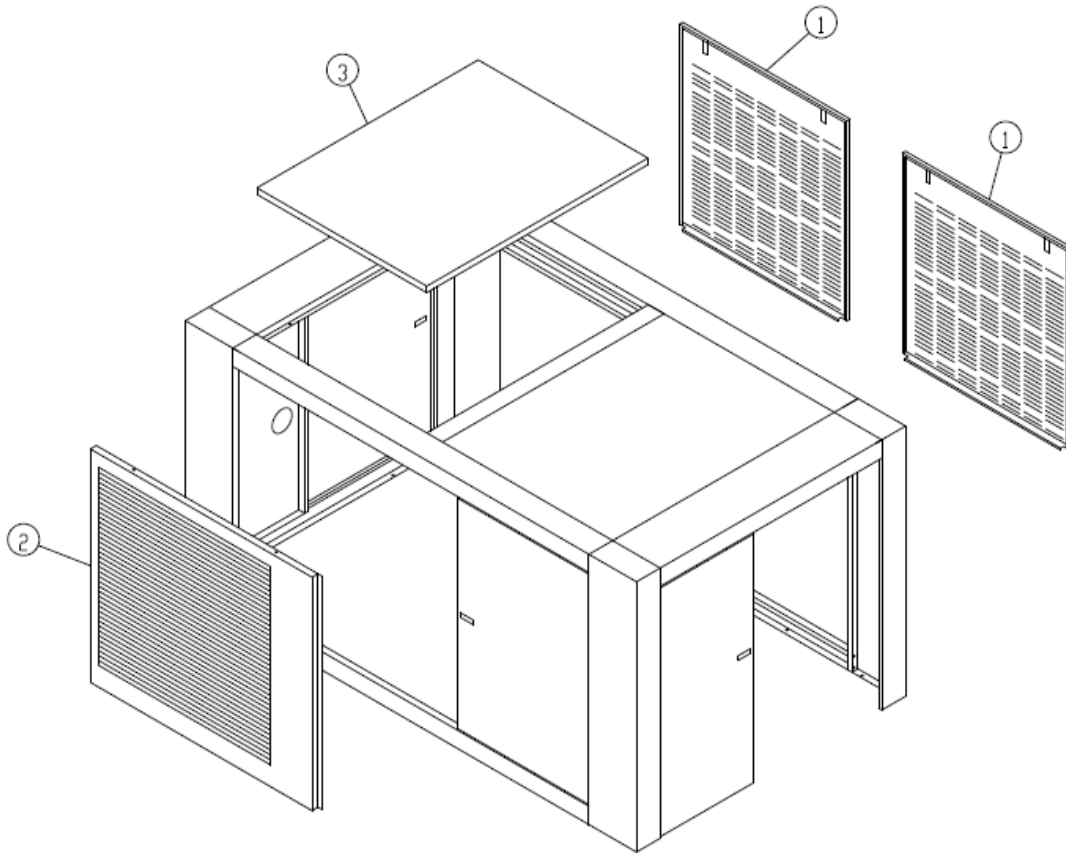


**317EBQ810-A  
(Ref. Drawing)**

**B/M:  
307EBQ4017**

Item	Description	Qty	Part No.
1	LATCH.....	7	31D68
2	SEAL (IN FEET).....	75	32E12
3	SCREW, FLANGED.....	90	75LM51
4	NUT.....	82	50AW5
5	DECAL.....	3	VP1042952
6	DECAL, "GARDNER DENVER".....	1	VP1044830
7	KEY (not shown).....	2	VP1049035

**ENCLOSURE, AIR COOLED PANELS  
(STANDARD)**

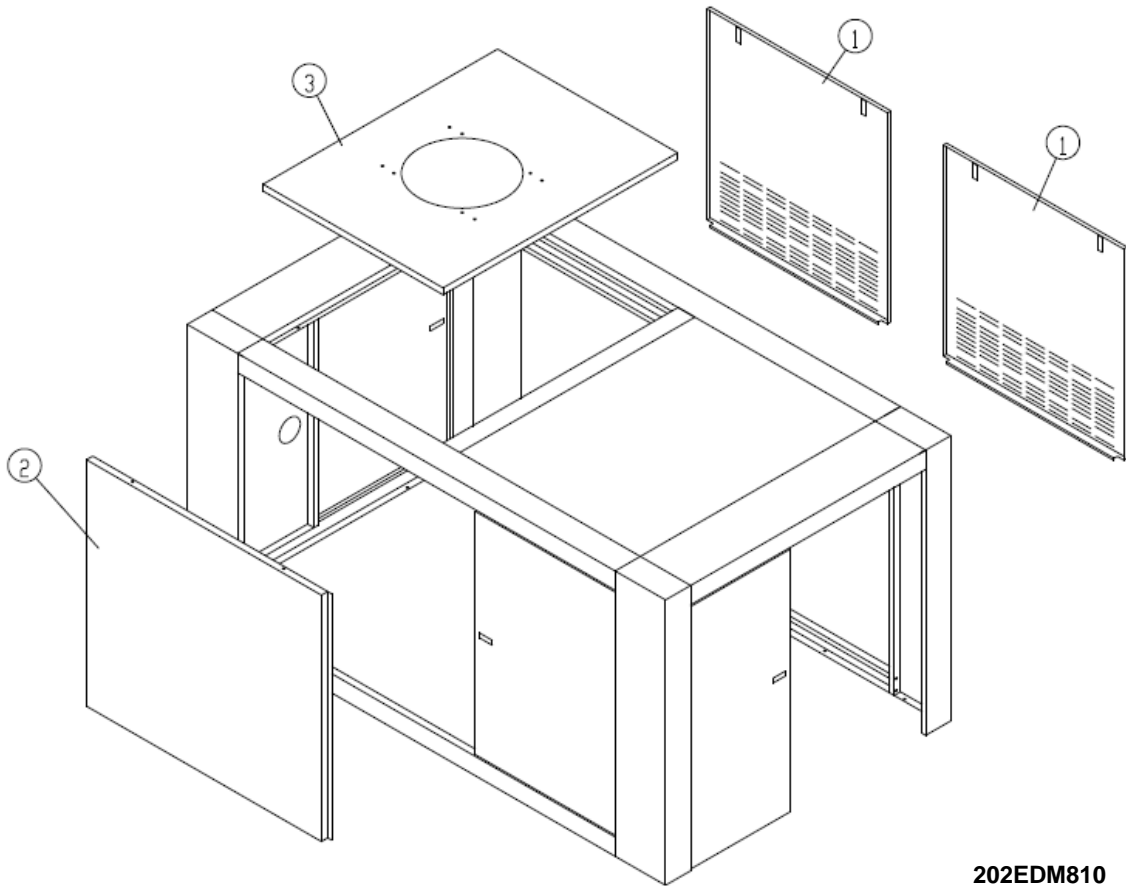


**201EDM810-A  
(Ref. Drawing)**

**B/M:  
201EDM4023**

<b>Item</b>	<b>Description</b>	<b>Qty</b>	<b>Part No.</b>
1	PANEL .....	2	CC1018159
2	PANEL .....	1	202EDM216
3	PANEL .....	1	203EDM216

**ENCLOSURE, WATER COOLED PANELS  
(STANDARD)**

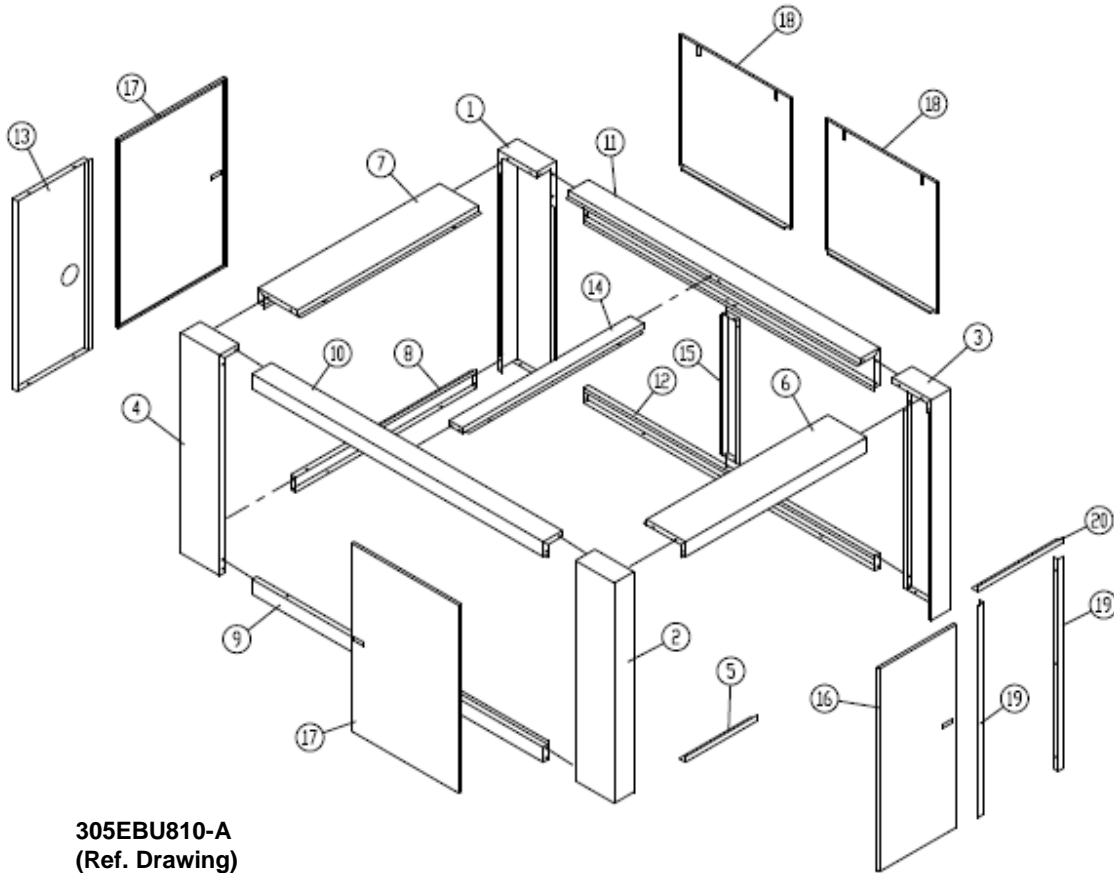


**202EDM810  
(Ref. Drawing)**

**B/M:  
202EDM4023**

<b>Item</b>	<b>Description</b>	<b>Qty</b>	<b>Part No.</b>
1	PANEL .....	2	CC1018160
2	PANEL .....	1	204EDM216
3	PANEL .....	1	205EDM216

**ENCLOSURE, BASIC  
(QUIET)**

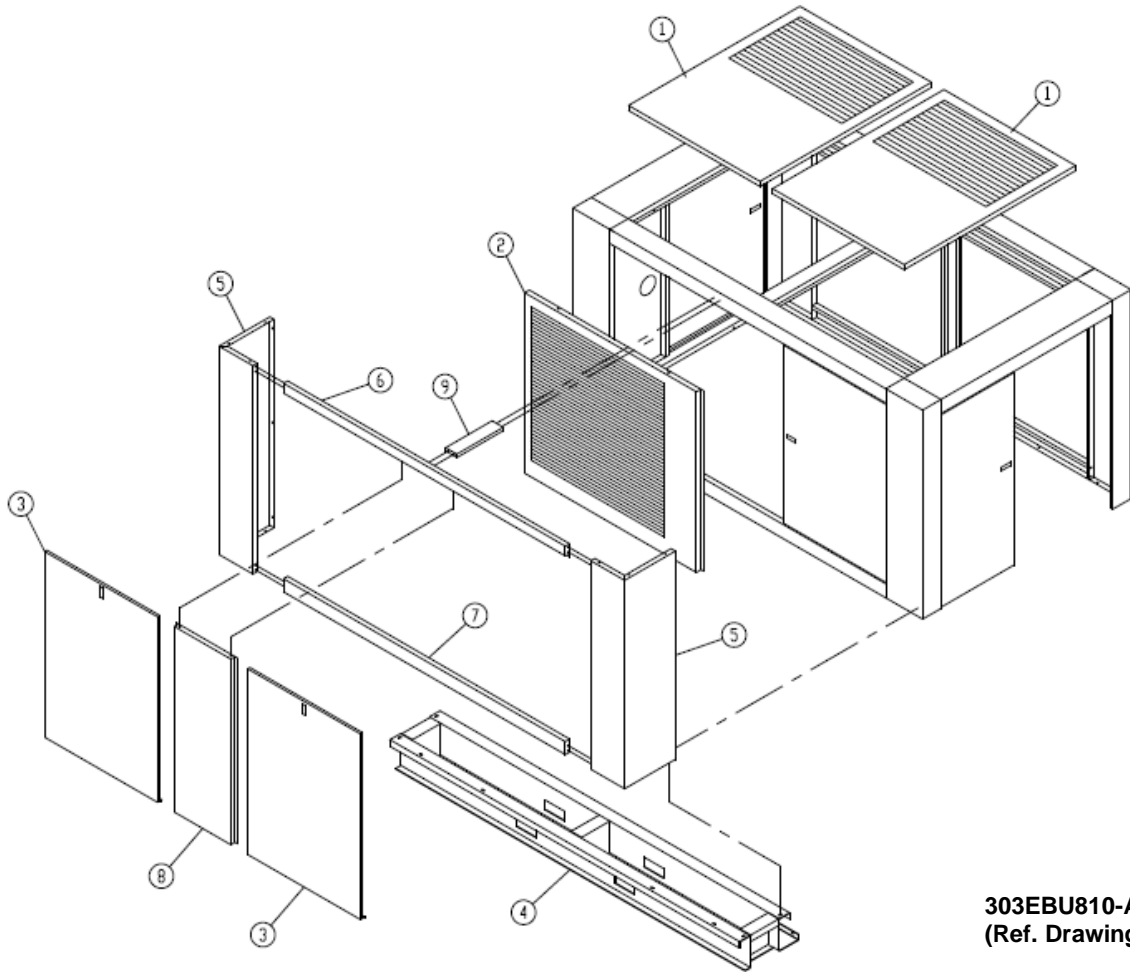


**305EBU810-A  
(Ref. Drawing)**

**B/M:  
301EBQ4023**

Item	Description	Qty	Part No.
1	POST .....	1	CC1046854
2	POST .....	1	CC1046856
3	POST .....	1	CC1046857
4	POST .....	1	CC1046858
5	FRAME .....	1	200EDM314
6	FRAME .....	1	201EDM314
7	FRAME .....	1	202EDM314
8	FRAME .....	1	203EDM314
9	FRAME .....	1	204EDM314
10	FRAME .....	1	205EDM314
11	FRAME .....	1	206EDM314
12	FRAME .....	1	207EDM314
13	BRACE.....	1	CC1046864
14	BRACE.....	1	201EDM326
15	BRACE.....	1	202EDM326
16	DOOR .....	1	CC1046866
17	DOOR .....	2	CC1046865
18	PANEL .....	2	CC1018163
19	BRACKET .....	2	201EDM142
20	BRACKET .....	1	202EDM142

**AIR COOLED, BAFFLE  
(QUIET)**

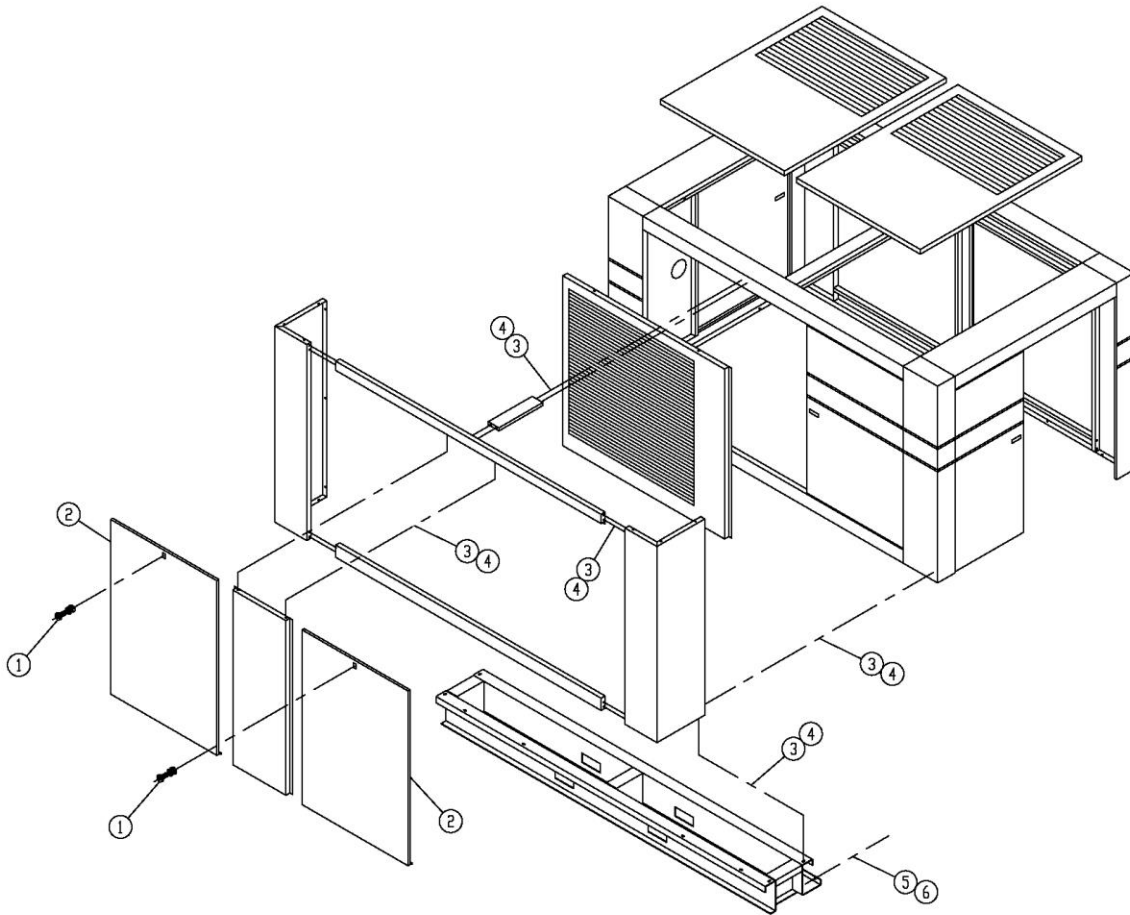


**303EBU810-A  
(Ref. Drawing)**

**B/M:  
302EBQ4023**

<b>Item</b>	<b>Description</b>	<b>Qty</b>	<b>Part No.</b>
1	PANEL .....	2	300EBU216
2	PANEL .....	1	202EDM216
3	PANEL .....	2	CC1018164
4	BASE .....	1	300EBU285
5	POST .....	2	CC1046863
6	FRAME .....	1	300EBU314
7	FRAME .....	1	301EBU314
8	BRACE .....	1	301EBU326
9	BRACE .....	1	205EAU326

**AIR COOLED, BAFFLE HARDWARE  
(QUIET)**

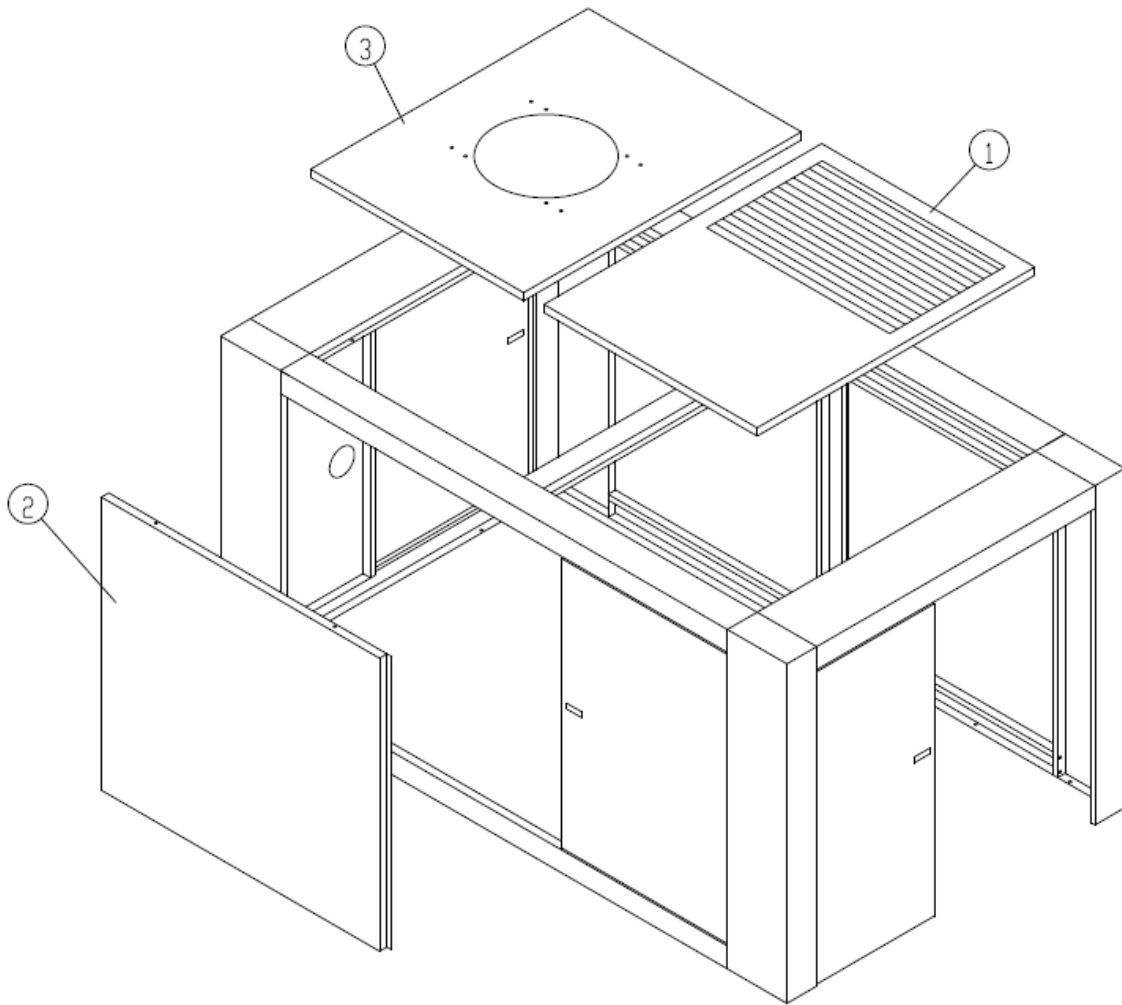


**318EBQ810-A  
(Ref. Drawing)**

**B/M:  
308EBQ4017**

<b>Item</b>	<b>Description</b>	<b>Qty</b>	<b>Part No.</b>
1	LATCH .....	2	31D68
2	SEAL (IN FEET) .....	25	32E12
3	SCREW .....	30	75LM51
4	NUT.....	30	50AW5
5	SCREW .....	4	75LM135
6	NUT.....	4	50AW35

**ENCLOSURE, WATER COOLED  
(QUIET)**

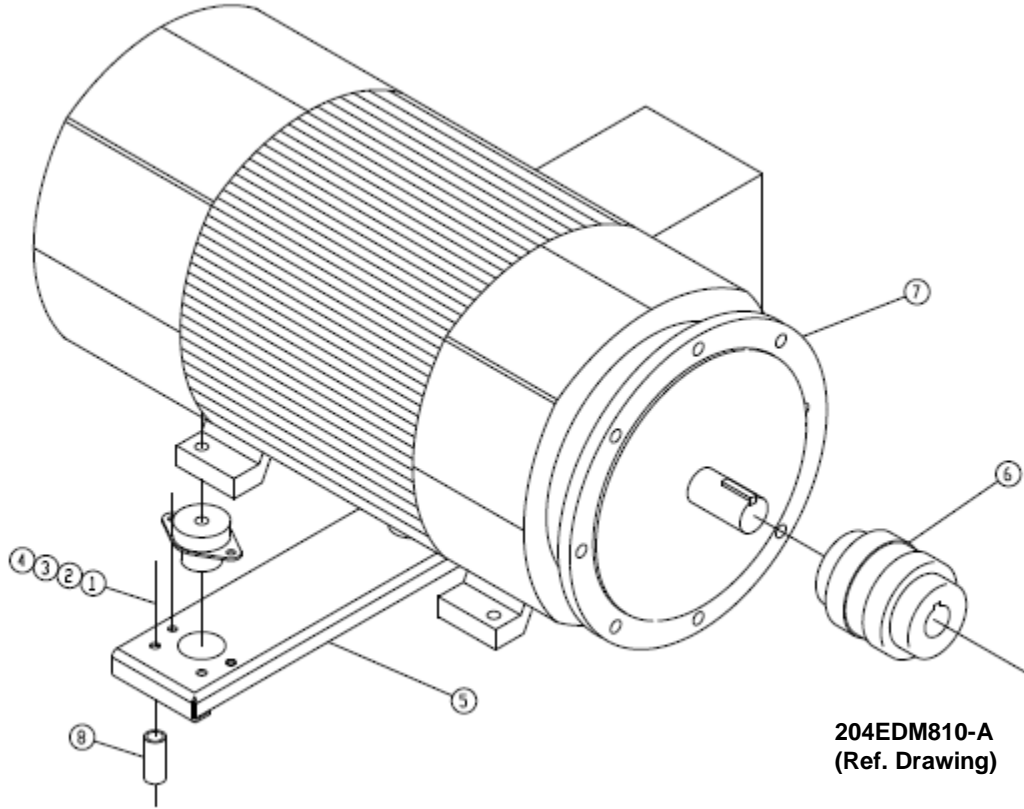


**302EBU810-A  
(Ref. Drawing)**

**B/M:  
300EBU4023**

<b>Item</b>	<b>Description</b>	<b>Qty</b>	<b>Part No.</b>
1	PANEL.....	1	300EBU216
2	PANEL.....	1	302EBU216
3	PANEL.....	1	301EBU216

**MAIN MOTOR GROUP, 60 HZ**

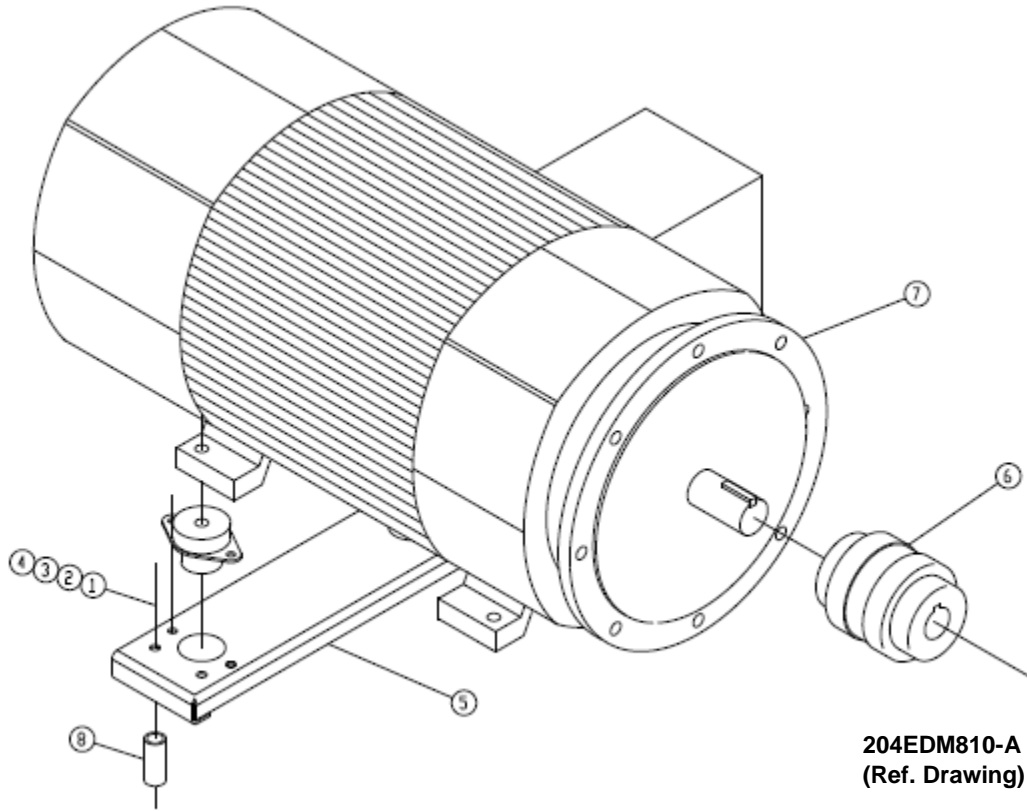


Item	Description	Qty	Part No.	Part No.	Part No.	Part No.
			125 HP - ODP 100 & 125 #	125 HP - ODP 150 #	125 HP – TEFC – 100 & 125 # 150 HP – ODP & TEFC – 100, 125 & 150 #	125 HP – TEFC 150#
	<b>AIREND MOTOR FRAME</b>		SSQ 404 & 405	SSP 404 & 405	SSQ 444 – 449	SSP 444 – 449
1	WASHER .....	4	95A7	95A7	95A7	95A7
2	LOCK WASHER .....	4	95B7	95B7	95B7	95B7
3	NUT.....	4	50B7	50B7	50B7	50B7
4	SCREW .....	4	655EF180	655EF220	655EF160	655EF180
5	SUPPORT, MOTOR.....	1	201EDM620	300EBQ620	200EDM620	200EDP620
6	COUPLING FLEXIBLE .....	1	51L219	51L223	51L231	51L222
7	MOTOR .....	1	See Page 96	See Page 96	See Page 96	See Page 96
8	NIPPLE .....	4	63AM12X32G	63AM12X42G	63AM12X22G	63AM12X32G

NOTE: Drive Coupling Repair Spider Part Number 2118273

51L220 Coupling (2-1/8 Motor Shaft Diameter – 2-5/8 Airend Shaft Diameter)  
 51L221 Coupling (2-3/8 Motor Shaft Diameter – 2-5/8 Airend Shaft Diameter)  
 51L222 Coupling (2-3/8 Motor Shaft Diameter – 2-1/8 Airend Shaft Diameter)  
 51L223 Coupling (2-1/8 Motor Shaft Diameter – 2-1/8 Airend Shaft Diameter)

**MAIN MOTOR GROUP, 60 HZ**

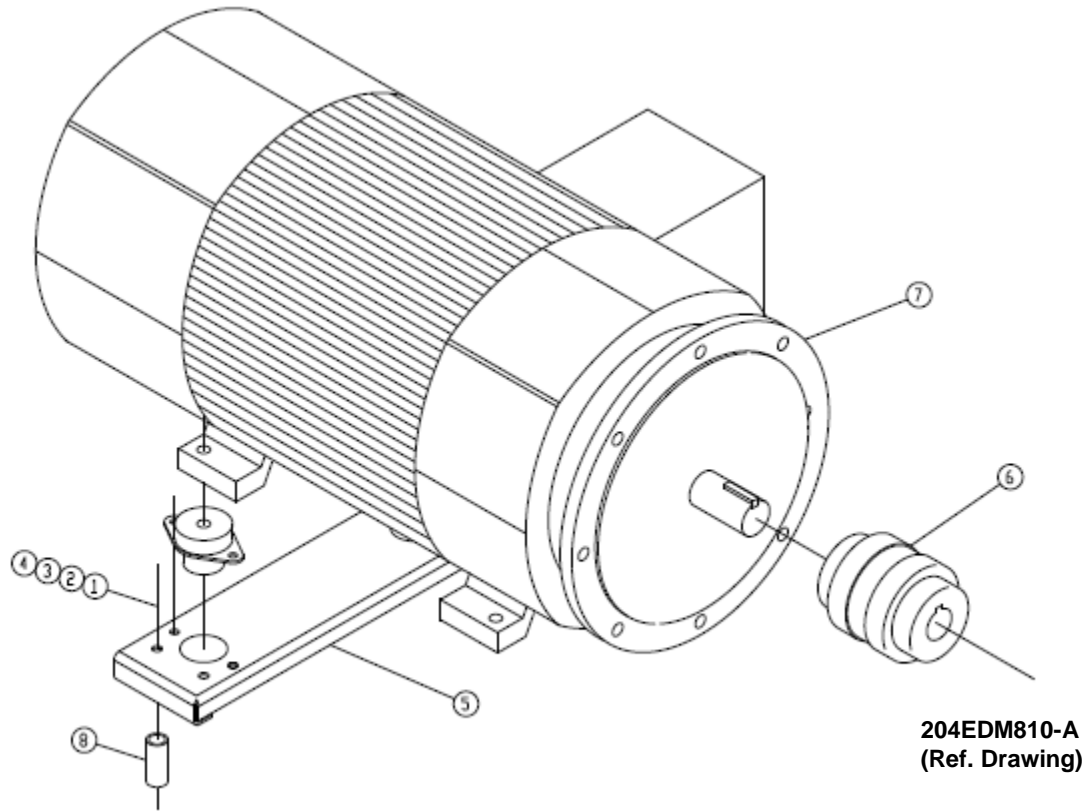


Item	Description	Qty	125 HP - ODP	200 HP – ODP & TEFC	150 HP – ODP & TEFC	125 HP – TEFC
			175 - 200 #	175 & 200 #	175 - 200 #	175 & 200 #
			Part No.	Part No.	Part No.	Part No.
	<b>AIREND MOTOR FRAME</b>		SSM 404 & 405	SSQ 444 – 449	SSP 444 - 449	SSM 444 - 449
1	WASHER.....	4	95A7	95A7	95A7	95A7
2	LOCK WASHER.....	4	95B7	95B7	95B7	95B7
3	NUT .....	4	50B7	50B7	50B7	50B7
4	SCREW .....	4	655EF180	655EF160	655EF180	655EF160
5	SUPPORT, MOTOR.....	1	201EDM620	200EDM620	200EDP620	200EDM620
6	COUPLING FLEXIBLE .....	1	51L219	51L221	51L222	51L222
7	MOTOR .....	1	See Page 96	See Page 96	See Page 96	See Page 96
8	NIPPLE .....	4	63AM12X32G	63AM12X22G	63AM12X32G	63AM12X22G

NOTE: Drive Coupling Repair Spider Part Number \* 2118273 \*\* 2117297

- \* 51L221 Coupling (2-3/8 Motor Shaft Diameter – 2-5/8 Airend Shaft Diameter)
- \* 51L222 Coupling (2-3/8 Motor Shaft Diameter – 2-1/8 Airend Shaft Diameter)
- \* 51L231 Coupling (2-3/8 Motor Shaft Diameter – 1-3/4 Airend Shaft Diameter)
- \*\* 51L219 Coupling (2-1/8 Motor Shaft Diameter – 1-3/4 Airend Shaft Diameter)

**MAIN MOTOR GROUP, 50 HZ**

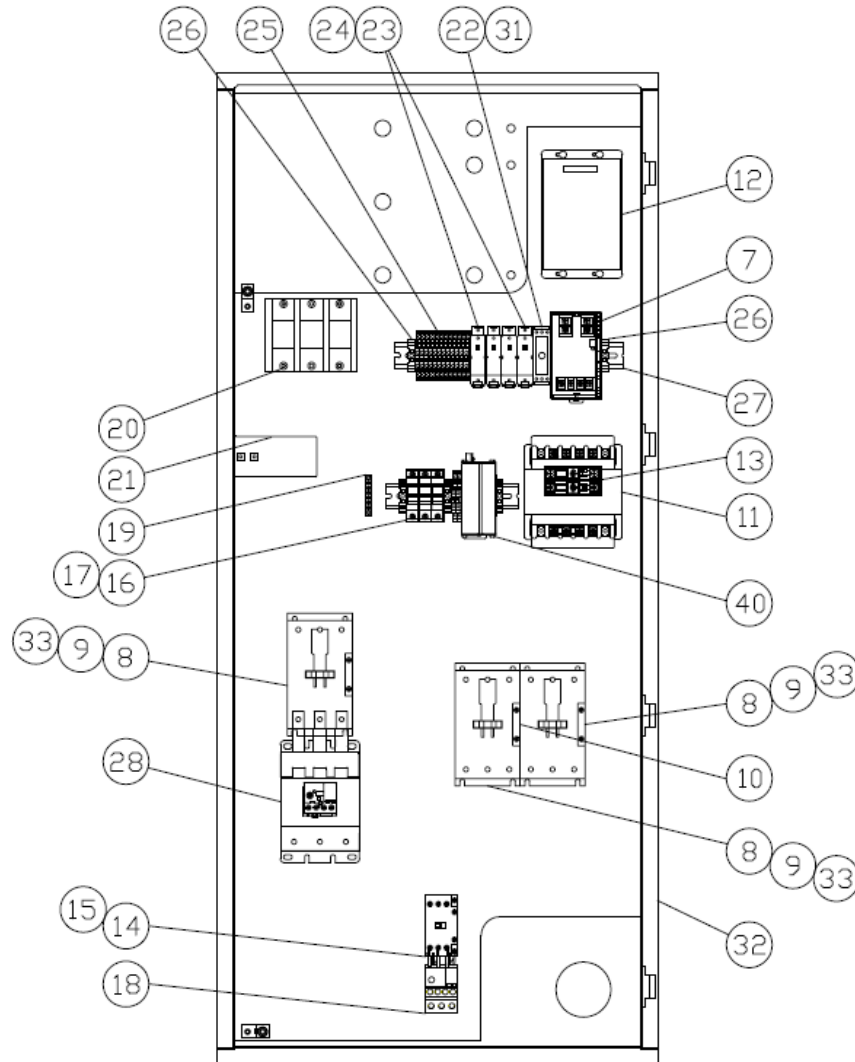


Item	Description	Qty	125 HP – ODP	125 HP – TEFC	150 HP – ODP & TEFC	150 HP – ODP & TEFC
			100, 125 & 150 PSI	100, 125 & 150 PSI	100 & 125 PSI	150 PSI
			Part No.	Part No.	Part No.	Part No.
	<b>AIREND</b>		SSQ	SSQ	SSQ	SSP
	<b>MOTOR FRAME</b>		404 & 405	444 & 449	444 - 449	444 - 449
1	WASHER.....	4	95A7	95A7	95A7	95A7
2	LOCK WASHER.....	4	95B7	95B7	95B7	95B7
3	NUT .....	4	50B7	50B7	50B7	50B7
4	SCREW .....	4	655EF180	655EF160	655EF160	655EF220
5	SUPPORT, MOTOR.....	1	201EDM620	200EDM620	200EDM620	300EBQ620
6	COUPLING FLEXIBLE.....	1	51L220	51L221	51L221	51L222
7	MOTOR .....	1	See Page 96	See Page 96	See Page 96	See Page 96
8	NIPPLE.....	4	63AM12X32G	63AM12X22G	63AM12X22G	63AM12X42G

NOTE: Drive Coupling Repair Spider Part Number 2118273.

51L220 Coupling (2-1/8 Motor Shaft Diameter – 2-5/8 Airend Shaft Diameter.)  
 51L221 Coupling (2-3/8 Motor Shaft Diameter – 2-5/8 Airend Shaft Diameter.)  
 51L223 Coupling (2-1/8 Motor Shaft Diameter – 2-1/8 Airend Shaft Diameter.)

**CONTROLLER ASSEMBLY  
(WYE-DELTA, SIZE "N" STARTER CONTROL BOX)**

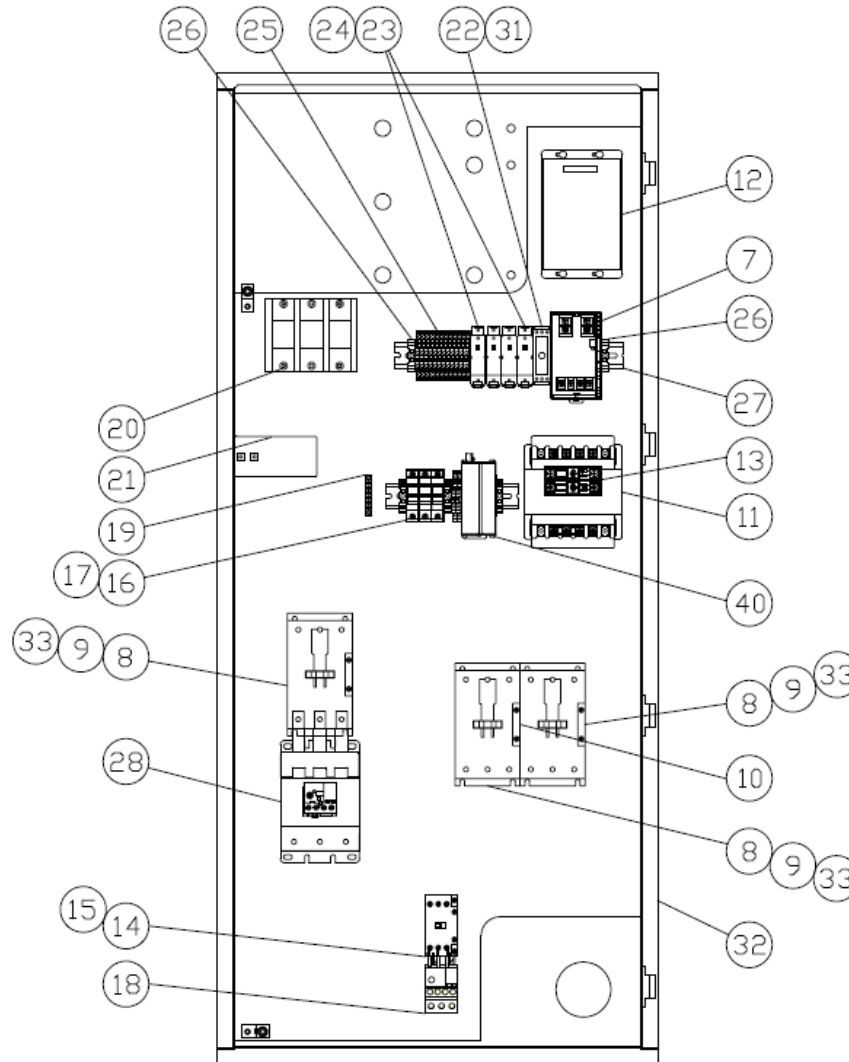


**327EAQ810-00  
(Ref. Drawing)**

**CONTROLLER ASSEMBLY, WITH WYE-DELTA STARTER, LESS CURRENT MONITOR  
125, 150 & 200 HP (380, 460 & 575 VOLT) SIZE "G"**

Item	Description	Qty	125 HP	125 HP	150 HP	125 HP	150 HP	200 HP
			380V	460V	460V	575V	575V	575V
	UL TYPE 4 CONTROL BOX.....		440EAQ466	444EAQ466	445EAQ466	448EAQ466	449EAQ466	450EAQ466
1	AIRSMART DISPLAY MODULE .....	1	300ETK375	300ETK375	300ETK375	300ETK375	300ETK375	300ETK375
2	GASKET .....	1	VP1033867	VP1033867	VP1033867	VP1033867	VP1033867	VP1033867
3	PUSH/PULL "EMERGENCY STOP" .....	1	24CA7110	24CA7110	24CA7110	24CA7110	24CA7110	24CA7110
4	CONTACT BLOCK.....	2	24CA7111	24CA7111	24CA7111	24CA7111	24CA7111	24CA7111
5	DOOR LATCH (SLOTTED) .....	5	24CA7129	24CA7129	24CA7129	24CA7129	24CA7129	24CA7129
6	DOOR LATCH .....	1	24CA7130	24CA7130	24CA7130	24CA7130	24CA7130	24CA7130
7	POWER SUPPLY.....	1	24CA6168	24CA6168	24CA6168	24CA6168	24CA6168	24CA6168
8	CONTACTOR .....	3	TEN011307	TEN011307	TEN011307	TEN011307	TEN011307	TEN011307
9	COIL .....	3	TEN011430	TEN011430	TEN011430	TEN011430	TEN011430	TEN011430
10	STARTER SIZE G.....	1	24CA6046	24CA6046	24CA6046	24CA6046	24CA6046	24CA6046
11	TRANSFORMER.....	1	2116865	2116865	2116865	2116865	2116865	2116865
12	AIRSMART CONTROLLER.....	1	300ETK1173F	300ETK1173F	300ETK1173F	300ETK1173F	300ETK1173F	300ETK1173F
13	FUSE .....	2	24CA3723	24CA2783	24CA2783	24CA3722	24CA3722	24CA3722
14	STARTER .....	1	24CA6992	24CA6992	24CA6992	24CA6992	24CA6992	24CA6992
15	COIL .....	1	TEN011427	TEN011427	TEN011427	TEN011427	TEN011427	TEN011427
16	FUSE HOLDER.....	1	24CA7528	24CA7528	24CA7528	24CA7528	24CA7528	24CA7528
17	FUSE .....	3	24CA4096	24CA4096	24CA4096	24CA4096	24CA4096	24CA4096
18	RELAY.....	1	24CA7344	24CA7344	24CA7344	24CA7545	24CA7545	24CA7344
19	GROUND-BAR.....	1	24CA7142	24CA7142	24CA7142	24CA7142	24CA7142	24CA7142
20	POWER DISTRIBUTION BLOCK .....	1	24CA5932	24CA5932	24CA5932	24CA5932	24CA5932	24CA5932
23	RELAY .....	4	TEN000670	TEN000670	TEN000670	TEN000670	TEN000670	TEN000670
24	SOCKET .....	4	TEN000671	TEN000671	TEN000671	TEN000671	TEN000671	TEN000671
25	TERMINAL BLOCK BI-LEVEL.....	14	24CA5984	24CA5984	24CA5984	24CA5984	24CA5984	24CA5984
26	TERMINAL BLOCK END STOP .....	5	24CA5987	24CA5987	24CA5987	24CA5987	24CA5987	24CA5987
27	DIN RAIL.....	1	24CA5991	24CA5991	24CA5991	24CA5991	24CA5991	24CA5991
28	RELAY .....	1	24CA7550	24CA7550	24CA7550	24CA7550	24CA7550	24CA7550
32	AIRSMART CONTROLLER, NEMA 4...	1	301EDM179	301EDM179	301EDM179	301EDM179	301EDM179	301EDM179
33	CONTACTOR-AUX .....	1	24CA6043	24CA6043	24CA6043	24CA6043	24CA6043	24CA6043
40	ICONN MODEM.....	1	251167531	251167531	251167531	251167531	251167531	251167531

**CONTROLLER ASSEMBLY  
(WYE-DELTA, SIZE "N" STARTER CONTROL BOX)**

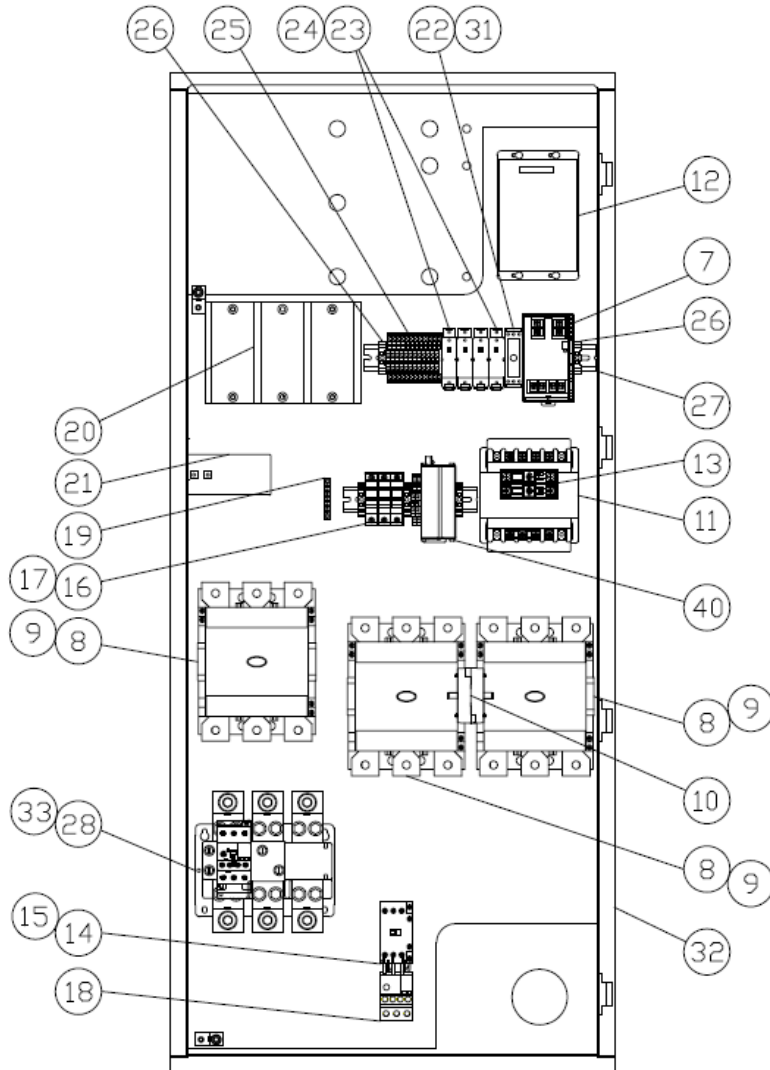


**327EAQ810-00  
(Ref. Drawing)**

**CONTROLLER ASSEMBLY, WITH WYE-DELTA STARTER, WITH CURRENT MONITOR  
125, 150 & 200 HP (380, 460 & 575 VOLT) SIZE "G"**

Item	Description	Qty	125 HP 380V	125 HP 460V	150 HP 460V	125 HP 575V	150 HP 575V	200 HP 575V
1	UL TYPE 4 CONTROL BOX .....		461EAQ466	465EAQ466	466EAQ466	469EAQ466	470EAQ466	471EAQ466
1	AIRSMART DISPLAY MODULE.....	1	300ETK375	300ETK375	300ETK375	300ETK375	300ETK375	300ETK375
2	GASKET .....	1	VP1033867	VP1033867	VP1033867	VP1033867	VP1033867	VP1033867
3	PUSH/PULL "EMERGENCY STOP" .....	1	24CA7110	24CA7110	24CA7110	24CA7110	24CA7110	24CA7110
4	CONTACT BLOCK .....	2	24CA7111	24CA7111	24CA7111	24CA7111	24CA7111	24CA7111
5	DOOR LATCH (SLOTTED).....	5	24CA7129	24CA7129	24CA7129	24CA7129	24CA7129	24CA7129
6	DOOR LATCH .....	1	24CA7130	24CA7130	24CA7130	24CA7130	24CA7130	24CA7130
7	POWER SUPPLY .....	1	24CA6168	24CA6168	24CA6168	24CA6168	24CA6168	24CA6168
8	CONTACTOR .....	3	TEN011307	TEN011307	TEN011307	TEN011307	TEN011307	TEN011307
9	COIL.....	3	TEN011430	TEN011430	TEN011430	TEN011430	TEN011430	TEN011430
10	STARTER SIZE N.....	1	24CA6046	24CA6046	24CA6046	24CA6046	24CA6046	24CA6046
11	TRANSFORMER .....	1	2116865	2118244	2118244	2118245	2118245	2118245
12	AIRSMART CONTROLLER .....	1	300ETK1173F	300ETK1173F	300ETK1173F	300ETK1173F	300ETK1173F	300ETK1173F
13	FUSE.....	2	24CA3723	24CA2783	24CA2783	24CA3722	24CA3722	24CA3722
14	STARTER.....	1	24CA6992	24CA6992	24CA6992	24CA6992	24CA6992	24CA6992
15	COIL.....	1	TEN011427	TEN011427	TEN011427	TEN011427	TEN011427	TEN011427
16	FUSE HOLDER .....	1	24CA7528	24CA7528	24CA7528	24CA7528	24CA7528	24CA7528
17	FUSE.....	3	24CA4096	24CA4096	24CA4096	24CA4096	24CA4096	24CA4096
18	RELAY .....	1	24CA7344	24CA7344	24CA7344	24CA7545	24CA7545	24CA7344
19	GROUND-BAR .....	1	24CA7142	24CA7142	24CA7142	24CA7142	24CA7142	24CA7142
20	POWER DISTRIBUTION BLOCK.....	1	24CA5932	24CA5932	24CA5932	24CA5932	24CA5932	24CA5932
21	TRANSFORMER .....	1	24CA4242	24CA4242	24CA4242	24CA4242	24CA4242	24CA4242
22	TRANSDUCER.....	1	24CA6095	24CA6095	24CA6095	24CA6095	24CA6095	24CA6095
23	RELAY .....	4	TEN000670	TEN000670	TEN000670	TEN000670	TEN000670	TEN000670
24	SOCKET.....	4	TEN000671	TEN000671	TEN000671	TEN000671	TEN000671	TEN000671
25	TERMINAL BLOCK BI-LEVEL .....	14	24CA5984	24CA5984	24CA5984	24CA5984	24CA5984	24CA5984
26	TERMINAL BLOCK END STOP .....	5	24CA5987	24CA5987	24CA5987	24CA5987	24CA5987	24CA5987
27	DIN RAIL .....	1	24CA5991	24CA5991	24CA5991	24CA5991	24CA5991	24CA5991
28	RELAY .....	1	24CA7550	24CA7550	24CA7550	24CA7550	24CA7550	24CA7550
31	RESISTOR .....	1	24CA6096	24CA6096	24CA6096	24CA6096	24CA6096	24CA6096
32	AIRSMART CONTROLLER, NEMA 4...	1	301EDM179	301EDM179	301EDM179	301EDM179	301EDM179	301EDM179
33	CONTACTOR-AUX.....	1	24CA6043	24CA6043	24CA6043	24CA6043	24CA6043	24CA6043
40	ICONN MODEM .....	1	251167531	251167531	251167531	251167531	251167531	251167531

**CONTROLLER ASSEMBLY WITH WYE-DELTA STARTER  
(SIZE "5" STARTER CONTROL BOX)**

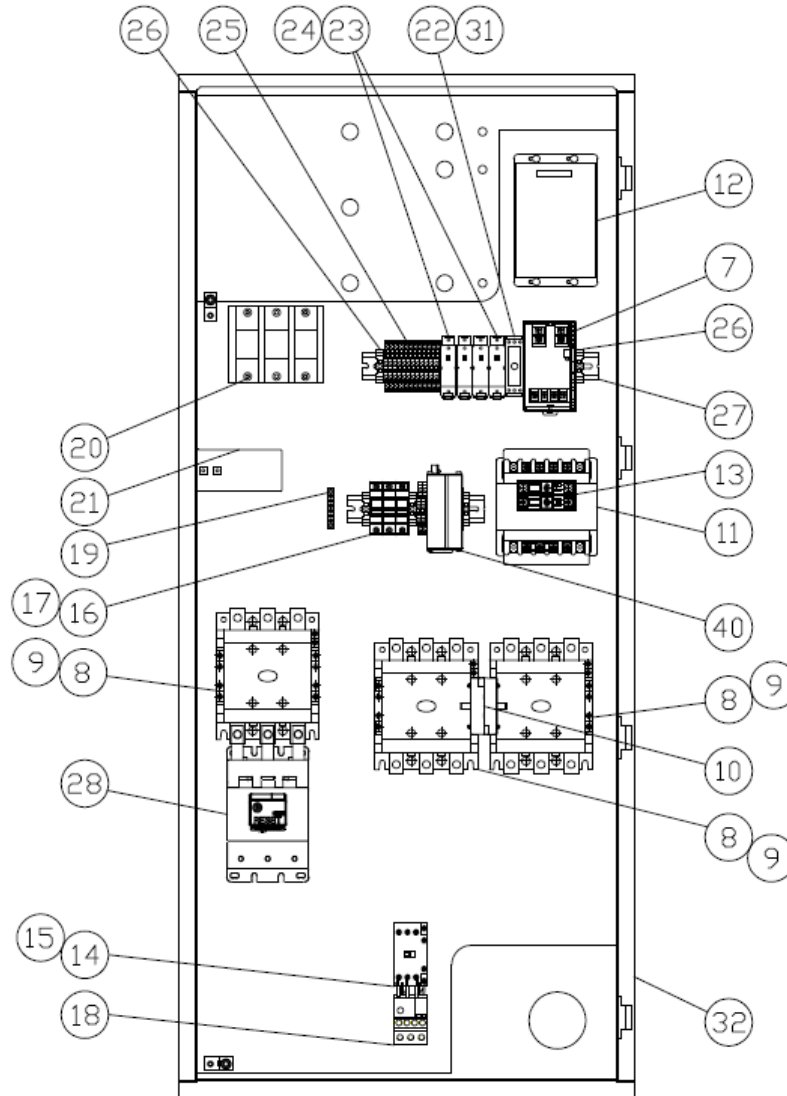


**329EAQ810-A  
(Ref. Drawing)**

**CONTROLLER ASSEMBLY, WITH WYE-DELTA STARTER, LESS CURRENT MONITOR  
125 & 150 HP (200, 230 & 380 VOLT) SIZE "m"**

Item	Description	Qty	125 HP 200V	125 HP 230V	150 HP 200V	150 HP 230V	150 HP 380V
	UL TYPE 4 CONTROL BOX.....		436EAQ466	438EAQ466	437EAQ466	439EAQ466	441EAQ466
1	AIRSMART DISPLAY MODULE.....	1	300ETK375	300ETK375	300ETK375	300ETK375	300ETK375
2	GASKET.....	1	VP1033867	VP1033867	VP1033867	VP1033867	VP1033867
3	PUSH/PULL "EMERGENCY STOP".....	1	24CA7110	24CA7110	24CA7110	24CA7110	24CA7110
4	CONTACT BLOCK.....	2	24CA7111	24CA7111	24CA7111	24CA7111	24CA7111
5	DOOR LATCH (SLOTTED).....	5	24CA7129	24CA7129	24CA7129	24CA7129	24CA7129
6	DOOR LATCH.....	1	24CA7130	24CA7130	24CA7130	24CA7130	24CA7130
7	POWER SUPPLY.....	1	24CA6168	24CA6168	24CA6168	24CA6168	24CA6168
8	CONTACTOR.....	3	TEN011320	TEN011320	TEN011320	TEN011320	TEN011314
9	COIL.....	3	TEN011435	TEN011435	TEN011435	TEN011435	TEN011431
10	STARTER SIZE 5.....	1	TEN011438	TEN011438	TEN011438	TEN011438	TEN011438
11	TRANSFORMER.....	1	2118366	2118244	2118366	2118244	2116865
12	AIRSMART CONTROLLER.....	1	300ETK1173F	300ETK1173F	300ETK1173F	300ETK1173F	300ETK1173F
13	FUSE.....	2	24CA2786	24CA2785	24CA2786	24CA2785	24CA3723
14	STARTER.....	1	24CA6992	24CA6992	24CA6992	24CA6992	24CA6992
15	COIL.....	1	TEN011427	TEN011427	TEN011427	TEN011427	TEN011427
16	FUSE HOLDER.....	1	24CA7528	24CA7528	24CA7528	24CA7528	24CA7528
17	FUSE.....	3	24CA4321	24CA4097	24CA4321	24CA4097	24CA4096
18	RELAY.....	1	24CA7344	24CA7344	24CA7344	24CA7344	24CA7344
19	GROUND-BAR.....	1	24CA7142	24CA7142	24CA7142	24CA7142	24CA7142
20	POWER DISTRIBUTION BLOCK.....	1	24CA7132	24CA7132	24CA7132	24CA7132	24CA7132
23	RELAY.....	4	TEN000670	TEN000670	TEN000670	TEN000670	TEN000670
24	SOCKET.....	4	TEN000671	TEN000671	TEN000671	TEN000671	TEN000671
25	TERMINAL BLOCK BI-LEVEL.....	14	24CA5984	24CA5984	24CA5984	24CA5984	24CA5984
26	TERMINAL BLOCK END STOP.....	5	24CA5987	24CA5987	24CA5987	24CA5987	24CA5987
27	DIN RAIL.....	1	24CA5991	24CA5991	24CA5991	24CA5991	24CA5991
32	AIRSMART CONTROLLER, NEMA 4...	1	301EDM179	301EDM179	301EDM179	301EDM179	301EDM179
33	TRANSFORMER.....	1	TEN005507	TEN005507	TEN005507	TEN005507	-----
40	ICONN MODEM.....	1	251167531	251167531	251167531	251167531	251167531

**CONTROLLER ASSEMBLY WITH WYE-DELTA STARTER  
(SIZE "5" STARTER CONTROL BOX)**

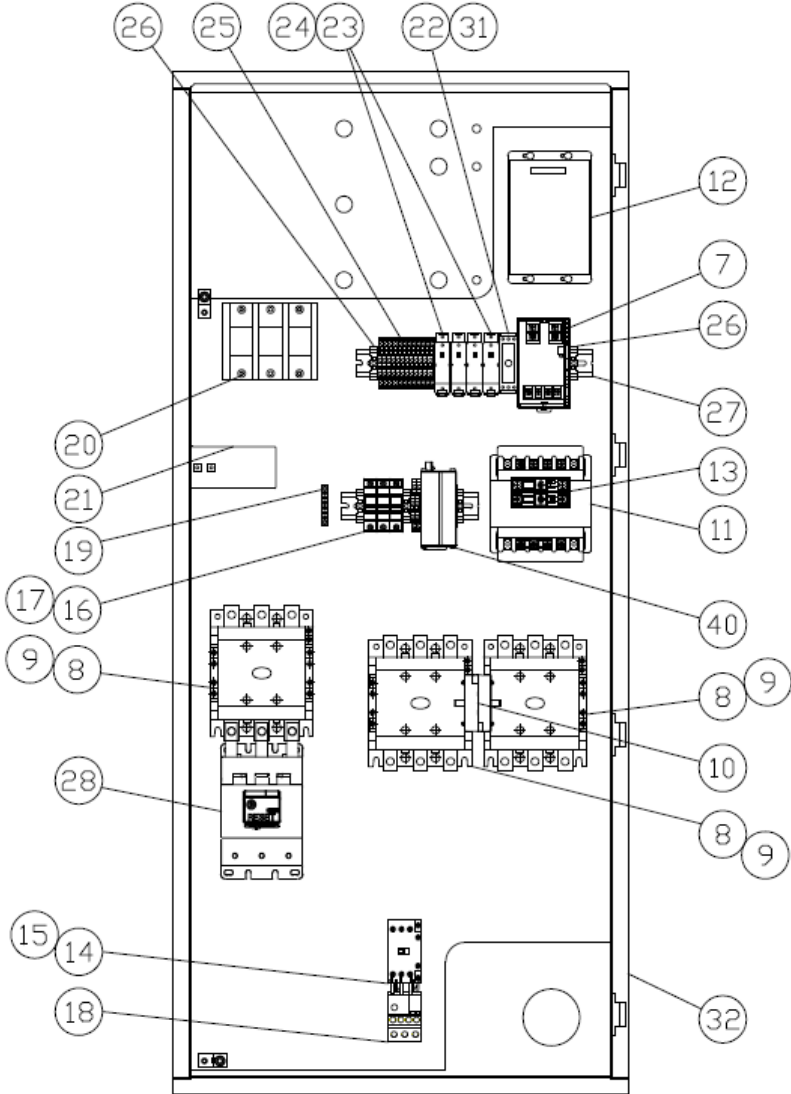


**328EAQ810-00  
(Ref. Drawing)**

**CONTROLLER ASSEMBLY, WITH WYE-DELTA STARTER, LESS CURRENT MONITOR  
200 HP (380 & 460 VOLT) SIZE "5"**

<b>Item</b>	<b>Description</b>	<b>Qty</b>	<b>200 HP 380V</b>	<b>200 HP 460V</b>
	UL TYPE 4 CONTROL BOX.....		442EAQ466	446EAQ466
1	AIRSMART DISPLAY MODULE .....	1	300ETK375	300ETK375
2	GASKET .....	1	VP1033867	VP1033867
3	PUSH/PULL "EMERGENCY STOP" .....	1	24CA7110	24CA7110
4	CONTACT BLOCK.....	2	24CA7111	24CA7111
5	DOOR LATCH (SLOTTED) .....	5	24CA7129	24CA7129
6	DOOR LATCH .....	1	24CA7130	24CA7130
7	POWER SUPPLY.....	1	24CA6168	24CA6168
8	CONTACTOR .....	3	TEN011320	TEN011314
9	COIL .....	3	TEN011435	TEN011431
10	STARTER SIZE 5.....	1	TEN011438	TEN011438
11	TRANSFORMER.....	1	2116865	2118244
12	AIRSMART CONTROLLER.....	1	300ETK1173F	300ETK1173F
13	FUSE .....	2	24CA3723	24CA2783
14	STARTER .....	1	24CA7132	24CA6992
15	COIL .....	1	TEN011427	TEN011427
16	FUSE HOLDER.....	1	24CA7528	24CA7528
17	FUSE .....	3	24CA4096	24CA4097
18	RELAY .....	1	24CA7344	24CA7344
19	GROUND-BAR.....	1	24CA7142	24CA7142
20	POWER DISTRIBUTION BLOCK .....	1	24CA7132	24CA5932
23	RELAY .....	4	TEN000670	TEN000670
24	SOCKET .....	4	TEN000671	TEN000671
25	TERMINAL BLOCK BI-LEVEL .....	14	24CA5984	24CA5984
26	TERMINAL BLOCK END STOP .....	5	24CA5987	24CA5987
27	DIN RAIL.....	1	24CA5991	24CA5991
28	RELAY .....	1	TEN000677	24CA7551
32	AIRSMART CONTROLLER, NEMA 4...	1	301EDM179	301EDM179
33	TRANSFORMER.....	1	TEN005507	-----
40	ICONN MODEM .....	1	251167531	251167531

**CONTROLLER ASSEMBLY, WITH WYE-DELTA STARTER, WITH CURRENT MONITOR  
(SIZE "5" STARTER CONTROL BOX)**

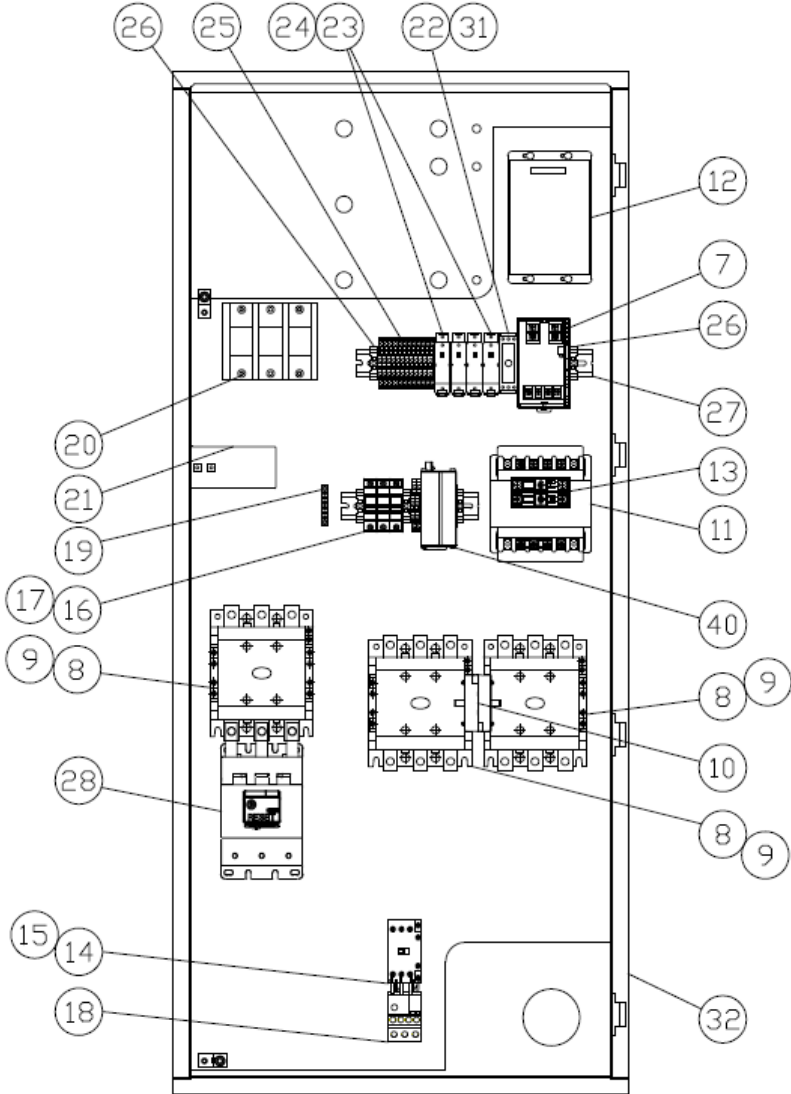


**328EAQ810-00  
(Ref. Drawing)**

**CONTROLLER ASSEMBLY, WITH WYE-DELTA STARTER, WITH CURRENT MONITOR  
125 & 150 HP (200, 230 & 380 VOLT) SIZE "5"**

Item	Description	Qty	125 HP 200V	125 HP 230V	150 HP 200V	150 HP 230V	150 HP 380V
	UL TYPE 4 CONTROL BOX .....		457EAQ466	459EAQ466	458EAQ466	460EAQ466	462EAQ466
1	AIRSMART DISPLAY MODULE .....	1	300ETK375	300ETK375	300ETK375	300ETK375	300ETK375
2	GASKET .....	1	VP1033867	VP1033867	VP1033867	VP1033867	VP1033867
3	PUSH/PULL "EMERGENCY STOP" .....	1	24CA7110	24CA7110	24CA7110	24CA7110	24CA7110
4	CONTACT BLOCK .....	2	24CA7111	24CA7111	24CA7111	24CA7111	24CA7111
5	DOOR LATCH (SLOTTED).....	5	24CA7129	24CA7129	24CA7129	24CA7129	24CA7129
6	DOOR LATCH .....	1	24CA7130	24CA7130	24CA7130	24CA7130	24CA7130
7	POWER SUPPLY.....	1	24CA6168	24CA6168	24CA6168	24CA6168	24CA6168
8	CONTACTOR.....	3	TEN011320	TEN011320	TEN011320	TEN011320	TEN011314
9	COIL .....	3	TEN011435	TEN011435	TEN011435	TEN011435	TEN011431
10	STARTER SIZE 5.....	1	TEN011438	TEN011438	TEN011438	TEN011438	TEN011438
11	TRANSFORMER.....	1	2118366	2118244	2118366	2118244	2116865
12	AIRSMART CONTROLLER .....	1	300ETK1173F	300ETK1173F	300ETK1173F	300ETK1173F	300ETK1173F
13	FUSE .....	2	24CA2786	24CA2785	24CA2786	24CA2785	24CA3723
14	STARTER.....	1	24CA6992	24CA6992	24CA6992	24CA6992	24CA6992
15	COIL .....	1	TEN011427	TEN011427	TEN011427	TEN011427	TEN011427
16	FUSE HOLDER .....	1	24CA7528	24CA7528	24CA7528	24CA7528	24CA7528
17	FUSE .....	3	24CA4321	24CA4097	24CA4321	24CA4097	24CA4096
18	RELAY .....	1	24CA7344	24CA7344	24CA7344	24CA7344	24CA7344
19	GROUND-BAR .....	1	24CA7142	24CA7142	24CA7142	24CA7142	24CA7142
20	POWER DISTRIBUTION BLOCK.....	1	24CA7132	24CA7132	24CA7132	24CA7132	24CA7132
21	TRANSFORMER.....	1	24CA4242	24CA4242	24CA4242	24CA4242	24CA4242
22	TRANSDUCER.....	1	24CA6095	24CA6095	24CA6095	24CA6095	24CA6095
23	RELAY .....	4	TEN000670	TEN000670	TEN000670	TEN000670	TEN000670
24	SOCKET .....	4	TEN000671	TEN000671	TEN000671	TEN000671	TEN000671
25	TERMINAL BLOCK BI-LEVEL .....	14	24CA5984	24CA5984	24CA5984	24CA5984	24CA5984
26	TERMINAL BLOCK END STOP .....	5	24CA5987	24CA5987	24CA5987	24CA5987	24CA5987
27	DIN RAIL .....	1	24CA5991	24CA5991	24CA5991	24CA5991	24CA5991
28	RELAY .....	1	TEN000677	TEN000677	TEN000677	TEN000677	TEN000677
31	RESISTOR .....	1	24CA6096	24CA6096	24CA6096	24CA6096	24CA6096
32	AIRSMART CONTROLLER, NEMA 4.....	1	301EDM179	301EDM179	301EDM179	301EDM179	301EDM179
33	TRANSFORMER.....	1	TEN005507	TEN005507	TEN005507	TEN005507	-----
40	ICONN MODEM .....	1	251167531	251167531	251167531	251167531	251167531

**CONTROLLER ASSEMBLY, WITH WYE-DELTA STARTER, WITH CURRENT MONITOR  
(SIZE "5" STARTER CONTROL BOX)**

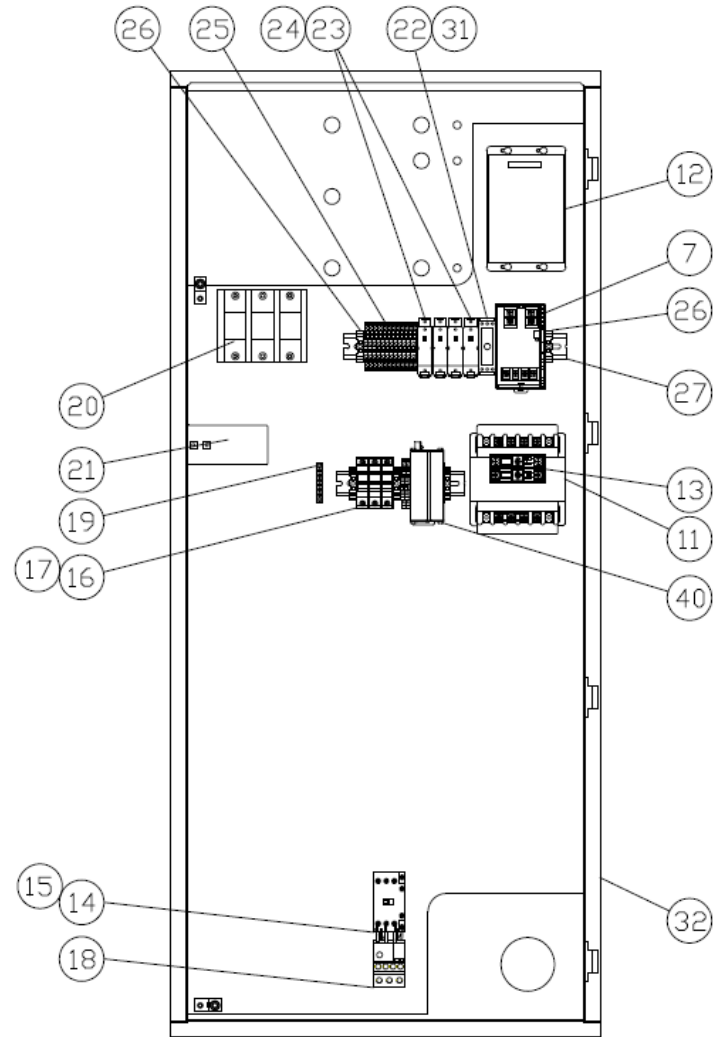


**328EAQ810-A  
(Ref. Drawing)**

**CONTROLLER ASSEMBLY, WITH WYE-DELTA STARTER, WITH CURRENT MONITOR  
200 HP (380 & 460 VOLT) SIZE "M"**

<b>Item</b>	<b>Description</b>	<b>Qty</b>	<b>200 HP 380V</b>	<b>200 HP 460V</b>
	UL TYPE 4 CONTROL BOX.....		463EAQ466	467EAQ466
1	AIRSMART DISPLAY MODULE .....	1	300ETK375	300ETK375
2	GASKET .....	1	VP1033867	VP1033867
3	PUSH/PULL "EMERGENCY STOP" .....	1	24CA7110	24CA7110
4	CONTACT BLOCK.....	2	24CA7111	24CA7111
5	DOOR LATCH (SLOTTED) .....	5	24CA7129	24CA7129
6	DOOR LATCH .....	1	24CA7130	24CA7130
7	POWER SUPPLY.....	1	24CA6168	24CA6168
8	CONTACTOR .....	3	TEN011320	TEN011314
9	COIL .....	3	TEN011435	TEN011431
10	STARTER SIZE 5.....	1	TEN011438	TEN011438
11	TRANSFORMER.....	1	2118365	2118244
12	AIRSMART CONTROLLER.....	1	300ETK1173F	300ETK1173F
13	FUSE .....	2	24CA3723	24CA2783
14	STARTER .....	1	24CA6992	24CA6992
15	COIL .....	1	TEN011427	TEN011427
16	FUSE HOLDER.....	1	24CA7528	24CA7528
17	FUSE .....	3	24CA4096	24CA4097
18	RELAY.....	1	24CA7344	24CA7344
19	GROUND-BAR.....	1	24CA7142	24CA7142
20	POWER DISTRIBUTION BLOCK .....	1	24CA7132	24CA5932
21	TRANSFORMER.....	1	24CA4242	24CA4242
22	TRANSDUCER .....	1	24CA6095	24CA6095
23	RELAY .....	4	TEN000670	TEN000670
24	SOCKET .....	4	TEN000671	TEN000671
25	TERMINAL BLOCK BI-LEVEL .....	14	24CA5984	24CA5984
26	TERMINAL BLOCK END STOP .....	5	24CA5987	24CA5987
27	DIN RAIL.....	1	24CA5991	24CA5991
28	RELAY .....	1	TEN000677	24CA7551
31	RESISTOR.....	1	24CA6096	24CA6096
32	AIRSMART CONTROLLER, NEMA 4...	1	301EDM179	301EDM179
33	TRANSFORMER.....	1	TEN005507	-----
40	ICONN MODEM .....	1	251167531	251167531

**CONTROLLER ASSEMBLY, LESS STARTER AND LESS CURRENT MONITOR  
(200, 230, 380, 460 & 575 VOLT)**

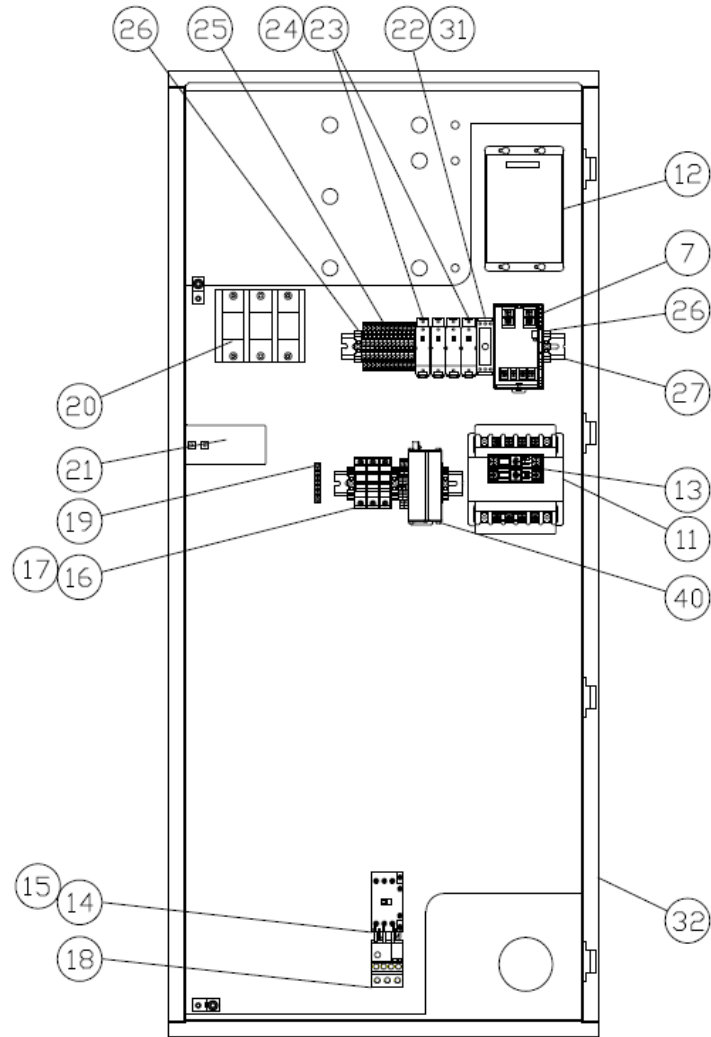


**330EAQ810-00  
(Ref. Drawing)**

**CONTROLLER ASSEMBLY, LESS STARTER AND LESS CURRENT MONITOR  
(200, 230, 380, 460 & 575 VOLT)**

Item	Description	Qty	200 VOLT	230 VOLT	380 VOLT	460 VOLT	575 VOLT
	UL TYPE 4 CONTROL BOX.....		452EAQ466	453EAQ466	454EAQ466	455EAQ466	456EAQ466
1	AIRSMART DISPLAY MODULE.....	1	300ETK375	300ETK375	300ETK375	300ETK375	300ETK375
2	GASKET.....	1	VP1033867	VP1033867	VP1033867	VP1033867	VP1033867
3	PUSH/PULL "EMERGENCY STOP".....	1	24CA7110	24CA7110	24CA7110	24CA7110	24CA7110
4	CONTACT BLOCK.....	2	24CA7111	24CA7111	24CA7111	24CA7111	24CA7111
5	DOOR LATCH (SLOTTED).....	5	24CA7129	24CA7129	24CA7129	24CA7129	24CA7129
6	DOOR LATCH.....	1	24CA7130	24CA7130	24CA7130	24CA7130	24CA7130
7	POWER SUPPLY.....	1	24CA6168	24CA6168	24CA6168	24CA6168	24CA6168
11	TRANSFORMER.....	1	2118366	2118244	2116865	2118244	2118245
12	AIRSMART CONTROLLER.....	1	300ETK1173F	300ETK1173F	300ETK1173F	300ETK1173F	300ETK1173F
13	FUSE.....	2	24CA2786	24CA2785	24CA3723	24CA2783	24CA3722
14	STARTER.....	1	24CA6992	24CA6992	24CA6992	24CA6992	24CA6992
15	COIL.....	1	TEN011427	TEN011427	TEN011427	TEN011427	TEN011427
16	FUSE HOLDER.....	1	24CA7528	24CA7528	24CA7528	24CA7528	24CA7528
17	FUSE.....	3	24CA4321	24CA4097	24CA4096	24CA4096	24CA4096
18	RELAY.....	1	24CA7344	24CA7344	24CA7344	24CA7344	24CA7344
19	GROUND-BAR.....	1	24CA7142	24CA7142	24CA7142	24CA7142	24CA7142
20	POWER DISTRIBUTION BLOCK.....	1	TEN001117	TEN001117	TEN001117	TEN001117	TEN001117
23	RELAY.....	4	TEN000670	TEN000670	TEN000670	TEN000670	TEN000670
24	SOCKET.....	4	TEN000671	TEN000671	TEN000671	TEN000671	TEN000671
25	TERMINAL BLOCK BI-LEVEL.....	14	24CA5984	24CA5984	24CA5984	24CA5984	24CA5984
26	TERMINAL BLOCK END STOP.....	5	24CA5987	24CA5987	24CA5987	24CA5987	24CA5987
27	DIN RAIL.....	1	24CA5991	24CA5991	24CA5991	24CA5991	24CA5991
32	AIRSMART CONTROLLER, NEMA 4...	1	301EDM179	301EDM179	301EDM179	301EDM179	301EDM179
40	ICONN MODEM.....	1	251167531	251167531	251167531	251167531	251167531

**CONTROLLER ASSEMBLY, LESS STARTER AND WITH CURRENT MONITOR  
(200, 230, 380, 460 & 575 VOLT)**

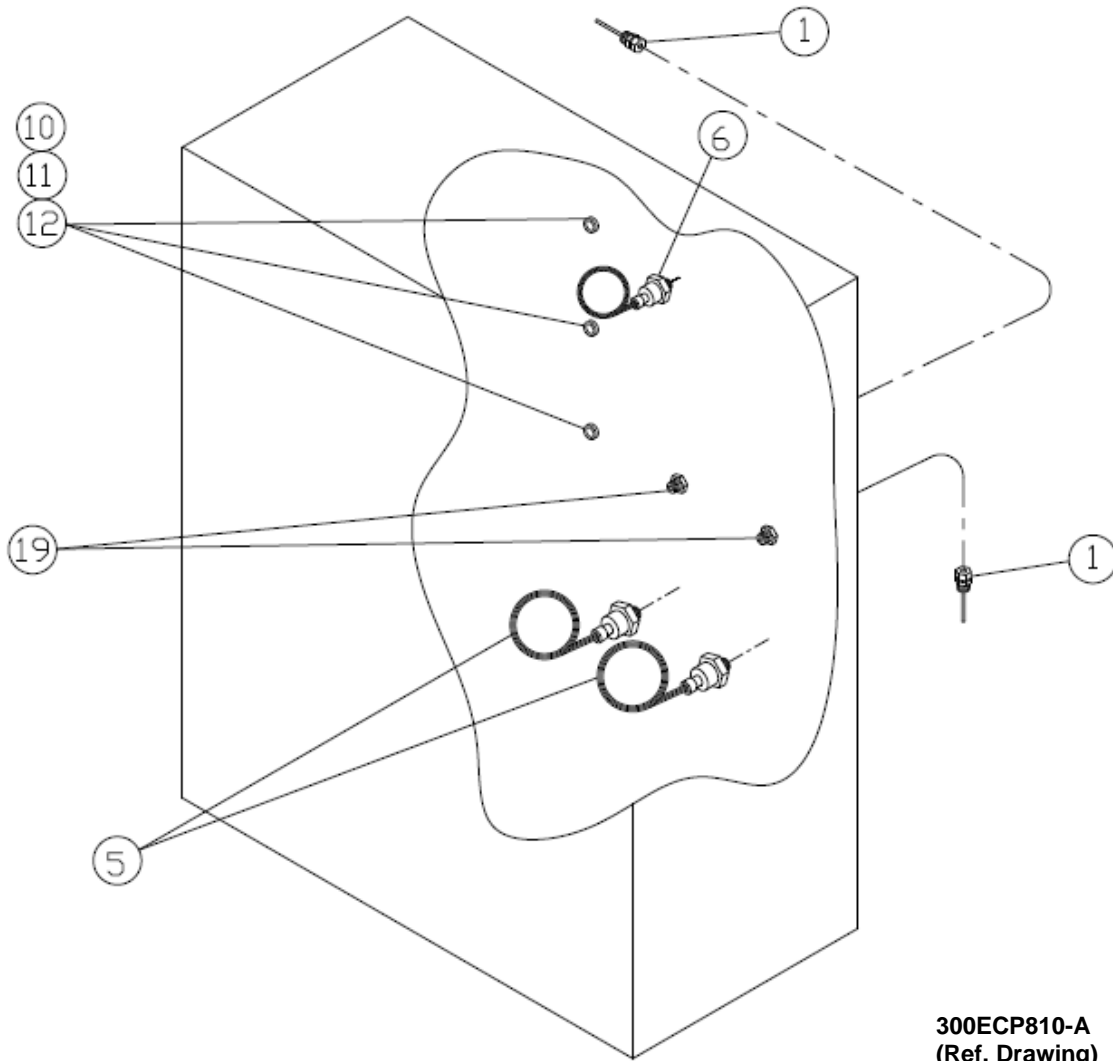


**330EAQ810-00  
(Ref. Drawing)**

**CONTROLLER ASSEMBLY, LESS STARTER AND WITH CURRENT MONITOR  
(200, 230, 380, 460 & 575 VOLT)**

Item	Description	Qty	200 VOLT	230 VOLT	380 VOLT	460 VOLT	575 VOLT
	UL TYPE 4 CONTROL BOX.....		473EAQ466	474EAQ466	475EAQ466	476EAQ466	477EAQ466
1	AIRSMART DISPLAY MODULE.....	1	300ETK375	300ETK375	300ETK375	300ETK375	300ETK375
2	GASKET.....	1	VP1033867	VP1033867	VP1033867	VP1033867	VP1033867
3	PUSH/PULL "EMERGENCY STOP".....	1	24CA7110	24CA7110	24CA7110	24CA7110	24CA7110
4	CONTACT BLOCK.....	2	24CA7111	24CA7111	24CA7111	24CA7111	24CA7111
5	DOOR LATCH (SLOTTED).....	5	24CA7129	24CA7129	24CA7129	24CA7129	24CA7129
6	DOOR LATCH.....	1	24CA7130	24CA7130	24CA7130	24CA7130	24CA7130
7	POWER SUPPLY.....	1	24CA6168	24CA6168	24CA6168	24CA6168	24CA6168
11	TRANSFORMER.....	1	2118366	2118244	2116865	2118244	2118245
12	AIRSMART CONTROLLER.....	1	300ETK1173F	300ETK1173F	300ETK1173F	300ETK1173F	300ETK1173F
13	FUSE.....	2	24CA2786	24CA2785	24CA3723	24CA2783	24CA3722
14	STARTER.....	1	24CA6992	24CA6992	24CA6992	24CA6992	24CA6992
15	COIL.....	1	TEN011427	TEN011427	TEN011427	TEN011427	TEN011427
16	FUSE HOLDER.....	1	24CA7528	24CA7528	24CA7528	24CA7528	24CA7528
17	FUSE.....	3	24CA4321	24CA4097	24CA4096	24CA4096	24CA4096
18	RELAY.....	1	24CA7344	24CA7344	24CA7344	24CA7344	24CA7344
19	GROUND-BAR.....	1	24CA7142	24CA7142	24CA7142	24CA7142	24CA7142
20	POWER DISTRIBUTION BLOCK.....	1	TEN001117	TEN001117	TEN001117	TEN001117	TEN001117
21	TRANSFORMER.....	1	24CA4242	24CA4242	24CA4242	24CA4242	24CA4242
22	TRANSDUCER.....	1	24CA6095	24CA6095	24CA6095	24CA6095	24CA6095
23	RELAY.....	4	TEN000670	TEN000670	TEN000670	TEN000670	TEN000670
24	SOCKET.....	4	TEN000671	TEN000671	TEN000671	TEN000671	TEN000671
25	TERMINAL BLOCK BI-LEVEL.....	14	24CA5984	24CA5984	24CA5984	24CA5984	24CA5984
26	TERMINAL BLOCK END STOP.....	5	24CA5987	24CA5987	24CA5987	24CA5987	24CA5987
27	DIN RAIL.....	1	24CA5991	24CA5991	24CA5991	24CA5991	24CA5991
31	RESISTOR.....	1	24CA6096	24CA6096	24CA6096	24CA6096	24CA6096
32	AIRSMART CONTROLLER, NEMA 4...	1	301EDM179	301EDM179	301EDM179	301EDM179	301EDM179
40	ICONN MODEM.....	1	251167531	251167531	251167531	251167531	251167531

MISCELLANEOUS ELECTRICAL PARTS



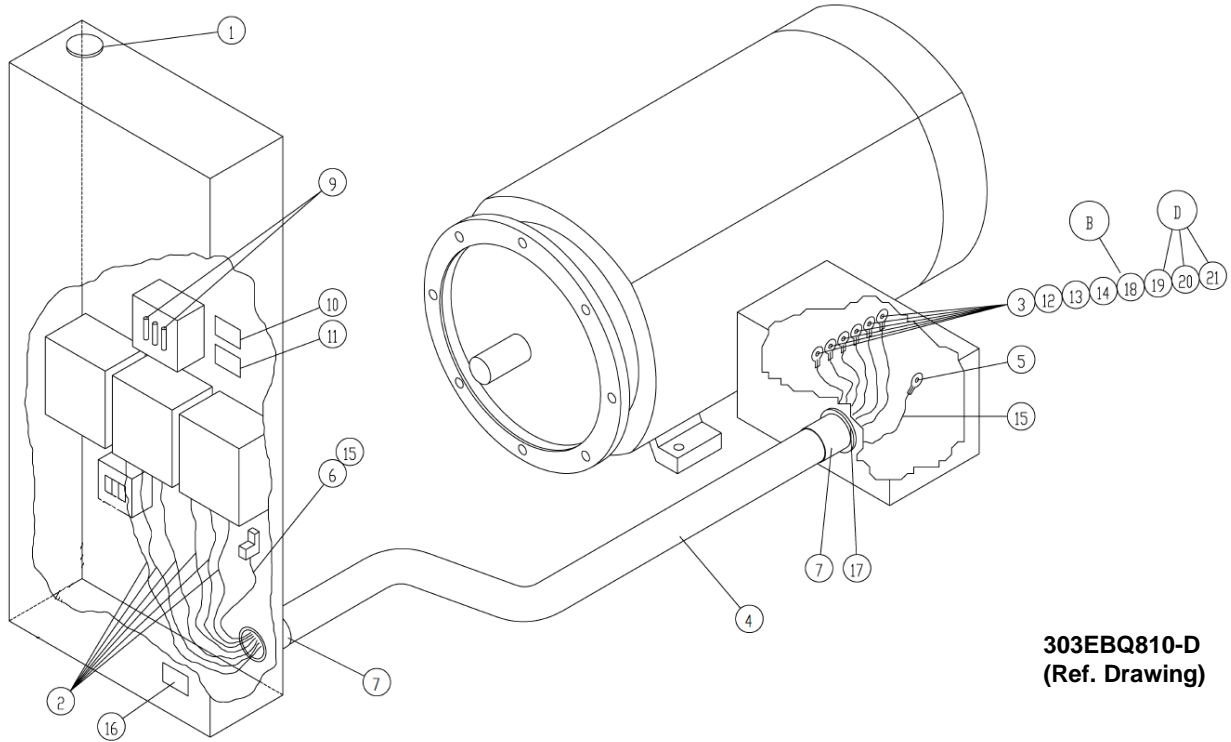
300ECP810-A  
(Ref. Drawing)

B/M:  
301EBP4007

Item	Description	Qty	Part No.
* 1	PROBE, ELECTRICAL .....	2	21D264
5	TRANSDUCER, PRESSURE .....	2	88H365
* 6	SWITCH, VACUUM .....	1	88H195
10	NIPPLE .....	3	24CA4641
11	O-RING .....	3	24A383
12	LOCKNUT, CONDUIT .....	3	24A77
19	FITTING, ELECTRICAL .....	2	24CA2865

\* Parts included in Electrical Control Kit Part Number 306EBQ6013, refer to page 100.

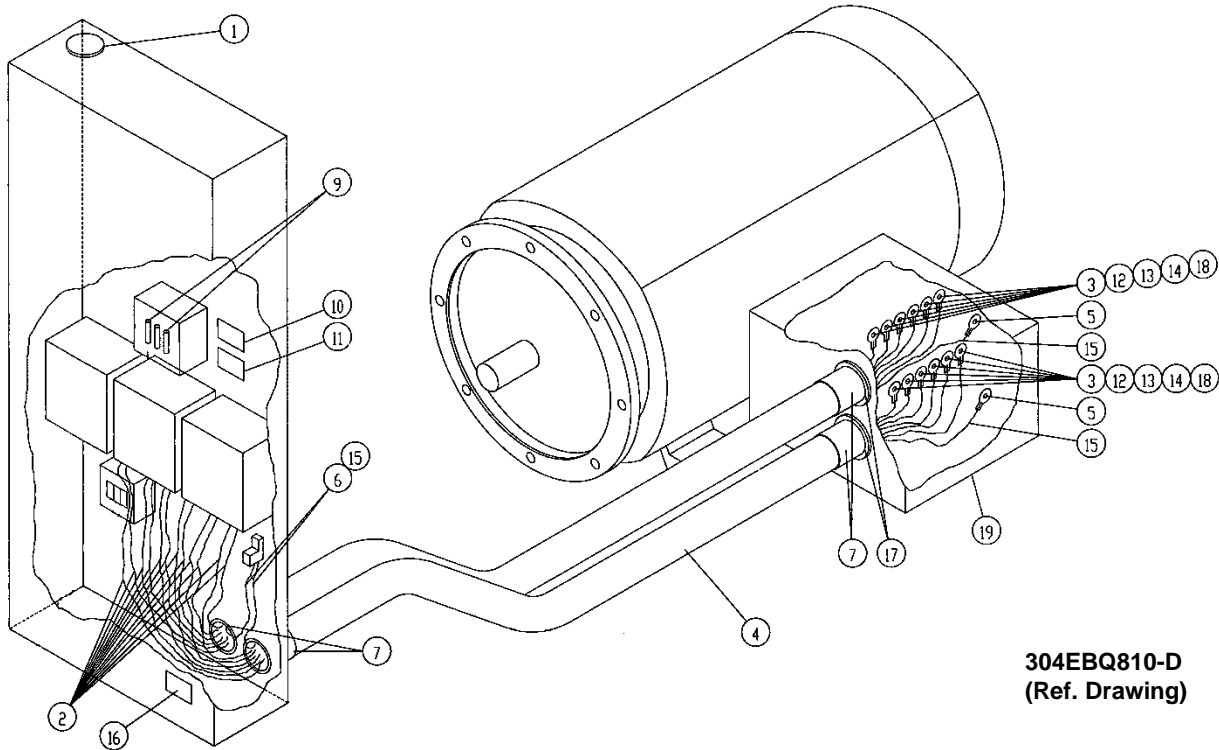
**MOTOR WIRING, WYE DELTA, 125 HP, 200, 230, 460 & 575 VOLT, 60 HZ**



**303EBQ810-D  
(Ref. Drawing)**

Item	Description	Qty	204EBQ4007	205EBQ4007	207EBQ4007	208EBQ4007
			125 HP 200 VOLT	125 HP 230 VOLT	125 HP 460 VOLT	125 HP 575 VOLT
1	SEAL PLUG .....	1	24CA4954	24CA4954	24CA4954	24CA4954
2	WIRE (In Feet) .....	53	2009804	2009804	2009422	2009321
3	LUG, TERMINAL.....	6	2009535	2009535	24A500	24CA1364
4	CONDUIT (In Feet) .....	5	2009385	2009385	2009413	2009412
5	LUG, TERMINAL.....	1	24A500	24A499	24CA518	24CA1444
6	WIRE (In Feet) .....	7	2009422	2009410	97J77	97J77
7	FITTING .....	2	2009349	2009349	2009341	2009337
9	FUSE.....	2	24CA2786	24CA2785	24CA2783	24CA3722
10	DECAL .....	1	265AUX077	264AUX077	262AUX077	294AUX077
11	DECAL .....	1	301AUX077	301AUX077	301AUX077	301AUX077
12	SCREW.....	6	655EE04B	655EE04B	655ED0B	655ED03B
13	NUT.....	6	50X13	50X13	50x5	50X5
14	WASHER.....	6	95H20	95H20	95H18	95H18
15	TAPE.....	1	24CA898	24CA898	24CA898	24CA898
16	VOLTAGE MARKER.....	1	69F50	69F51	69F52	69F60
17	WASHER.....	2	-----	-----	24CA55	24CA18
18	TAPE.....	6	24CA886	24CA886	24CA886	24CA886
19	TAPE.....	2	24CA883	24CA883	24CA883	24CA883
20	TAPE.....	1	24CA882	24CA882	24CA882	24CA882
21	CABLE TIE.....	20	24CA127	24CA127	24CA127	24CA127

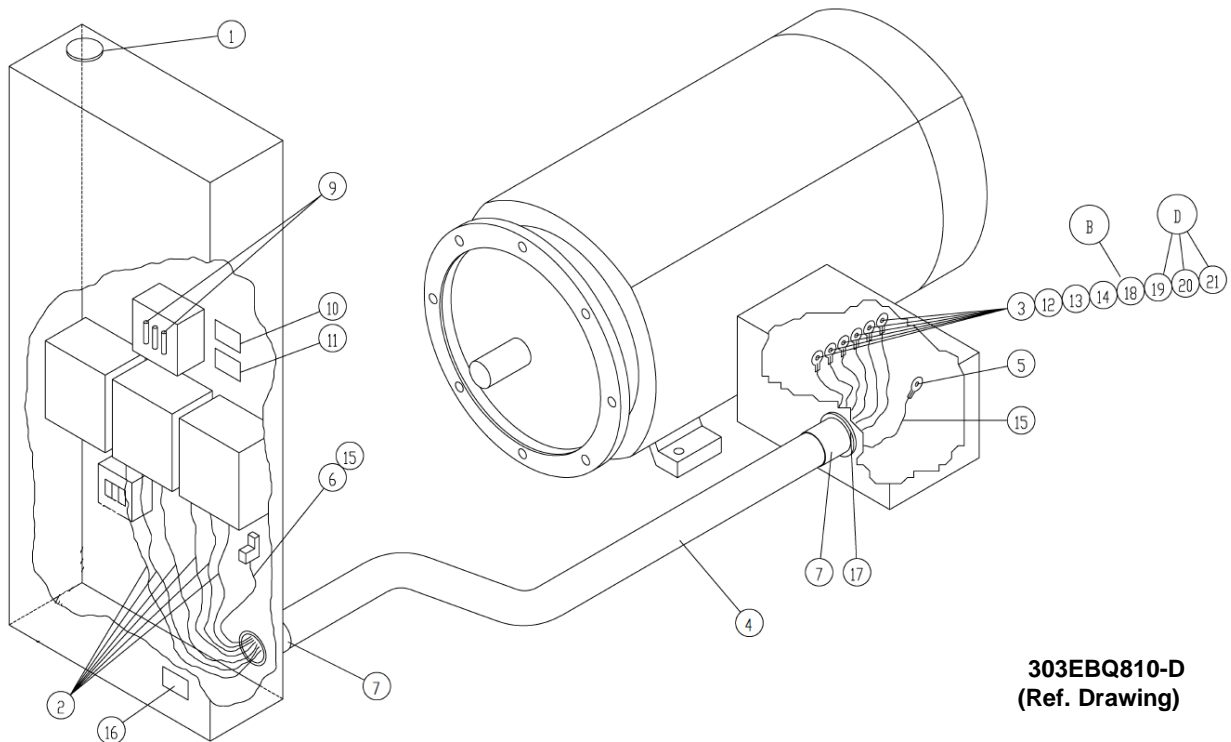
**MOTOR WIRING, WYE DELTA, 150 HP, 200 & 230 VOLT, 60 HZ**



**304EBQ810-D  
(Ref. Drawing)**

Item	Description	Qty	209EBQ4007	210EBQ4007
			150 HP 200 VOLT	150 HP 230 VOLT
1	SEAL PLUG.....	1	24CA4954	24CA4954
2	WIRE (In Feet).....	108	2009802	2009522
3	LUG-TERMINAL .....	12	2009532	24A520
4	CONDUIT (In Feet) .....	11	2009424	2009413
5	LUG-TERMINAL .....	2	24CA1364	24CA518
6	WIRE (In Feet).....	14	2009321	97J77
7	FITTING .....	4	2009345	2009341
9	FUSE.....	2	24CA2786	24CA2785
10	DECAL .....	1	265AUX077	264AUX077
11	DECAL .....	1	301AUX077	301AUX077
12	SCREW .....	6	655ED03B	655ED03B
13	NUT.....	6	50X5	50X5
14	WASHER.....	6	95H18	95H18
15	TAPE.....	1	24CA898	24CA898
16	VOLTAGE MARKER.....	1	69F50	69F51
18	TAPE.....	6	24CA886	24CA886
19	ENCLOSURE .....	1	300EAU379	300EAU379

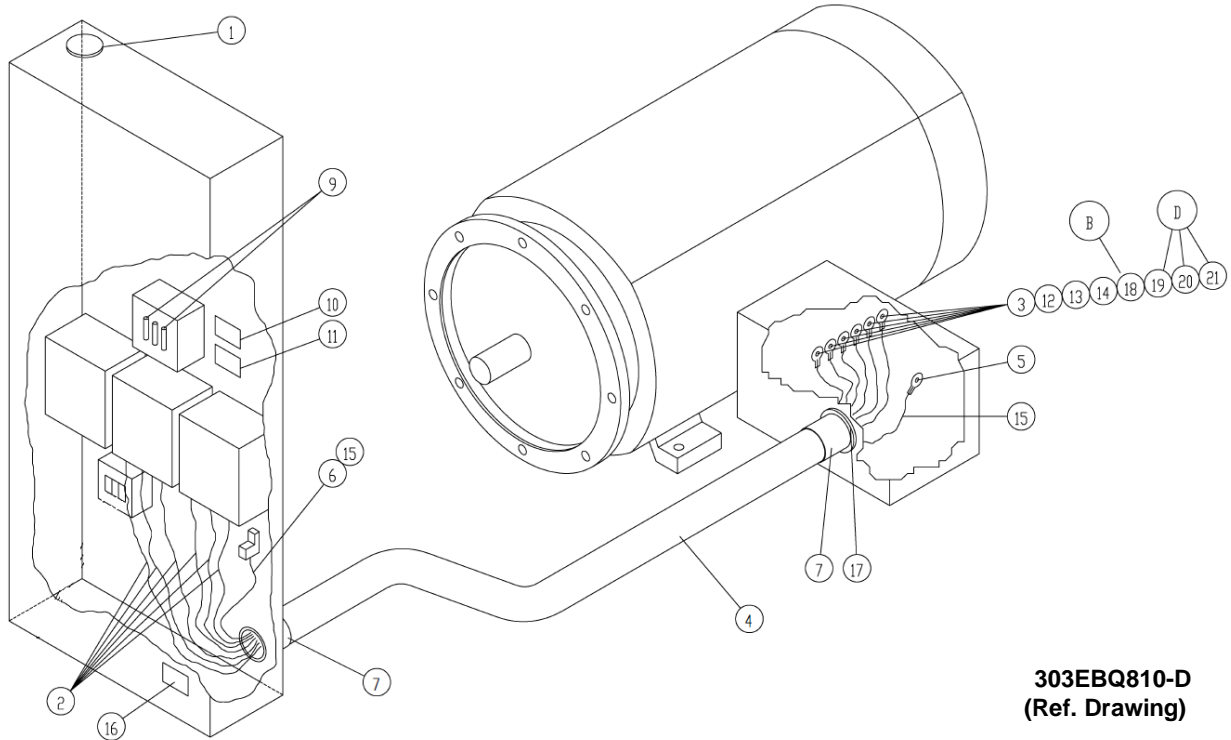
**MOTOR WIRING, WYE DELTA, 150 HP, 460 & 575 VOLT, 60 HZ**



**303EBQ810-D  
(Ref. Drawing)**

Item	Description	Qty	212EBQ4007	213EBQ4007
			150 HP 460 VOLT	150 HP 575 VOLT
1	SEAL PLUG .....	1	24CA4954	24CA4954
2	WIRE (In Feet) .....	53	2009522	2009410
3	LUG-TERMINAL .....	6	24A520	24A499
4	CONDUIT (In Feet) .....	5	2009413	2009412
5	LUG-TERMINAL .....	1	24CA518	24CA1444
6	WIRE (In Feet) .....	9	97J77	97J77
7	FITTING .....	2	2009341	2009337
9	FUSE .....	2	24CA2783	24CA3722
10	DECAL .....	1	262AUX077	294AUX077
11	DECAL .....	1	301AUX077	301AUX077
12	SCREW .....	6	655ED03B	655ED03B
13	NUT .....	6	50X5	50X5
14	WASHER.....	6	95H18	95H18
15	TAPE .....	1	24CA898	24CA898
16	VOLTAGE MARKER.....	1	69F52	69F60
17	WASHER.....	2	24CA55	24CA18
18	TAPE .....	6	24CA886	24CA886
19	TAPE .....	2	24CA883	24CA883
20	TAPE .....	1	24CA882	24CA882
21	CABLE TIE .....	20	24CA127	24CA127

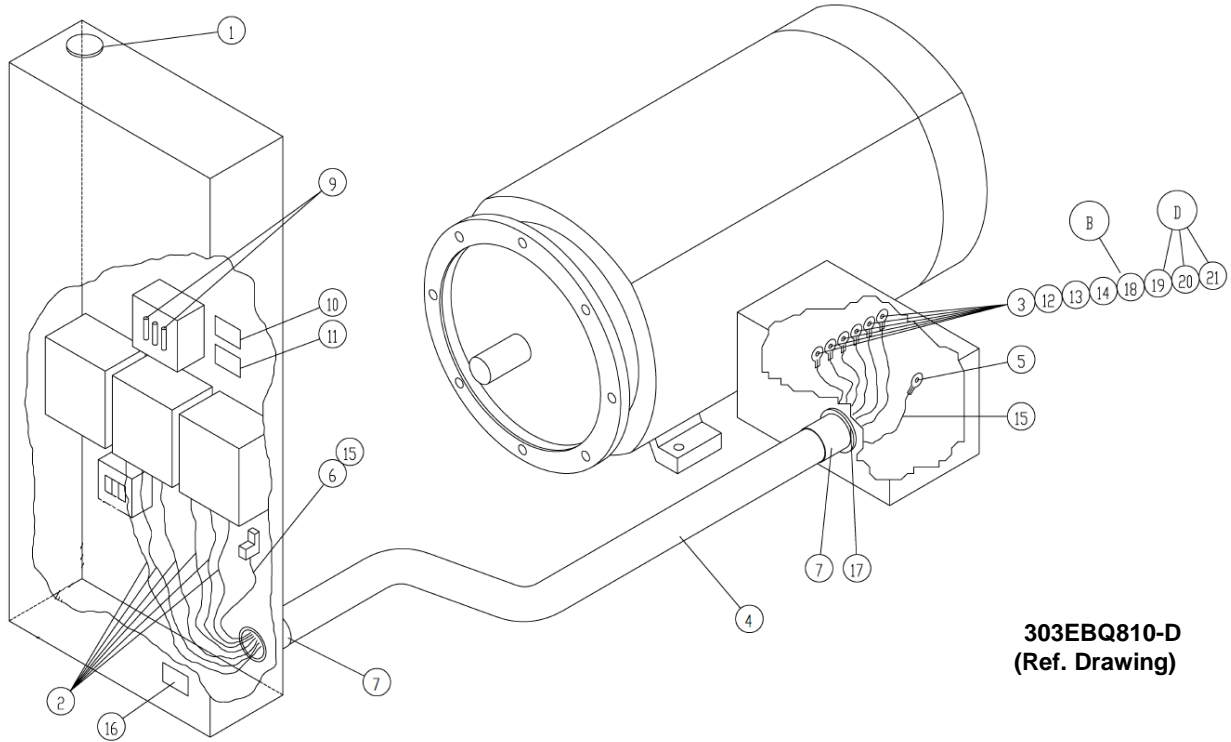
**MOTOR WIRING, WYE DELTA, 200 HP, 460 & 575 VOLT, 60 HZ**



**303EBQ810-D**  
**(Ref. Drawing)**

Item	Description	Qty	351EBQ4007	352EBQ4007
			200 HP 460 VOLT	200 HP 575 VOLT
1	SEAL PLUG .....	1	24CA4954	24CA4954
2	WIRE (In Feet) .....	53	2009803	2009522
3	LUG-TERMINAL .....	6	24CA207	24CA520
4	CONDUIT (In Feet) .....	5	2009424	2009413
5	LUG-TERMINAL .....	1	24CA1364	24A518
6	WIRE (In Feet) .....	7	97J90	97J77
7	FITTING .....	2	2009345	2009341
9	FUSE .....	2	24CA2783	24CA3722
10	DECAL .....	1	262AUX077	294AUX077
11	DECAL .....	1	301AUX077	301AUX077
12	SCREW .....	6	655ED03B	655ED03B
13	NUT .....	6	50X5	50X5
14	WASHER .....	6	95H18	95H18
15	TAPE .....	1	24CA898	24CA898
16	VOLTAGE MARKER .....	1	69F52	69F60
17	WASHER .....	2	24CA55	24CA18
18	TAPE .....	6	24CA886	24CA886
19	TAPE .....	2	24CA883	24CA883
20	TAPE .....	1	24CA882	24CA882
21	CABLE TIE .....	20	24CA127	24CA127

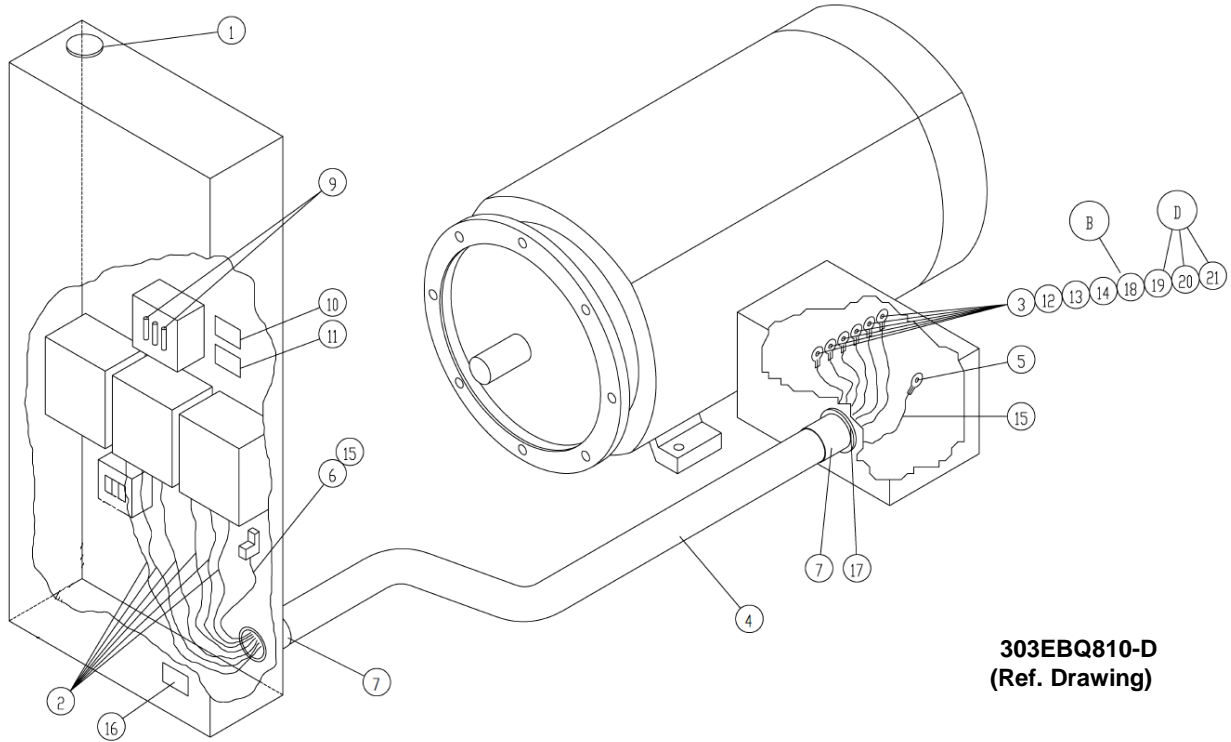
**MOTOR WIRING, WYE DELTA, 125 HP, 380, 400 & 415 VOLT, 50 HZ**



**303EBQ810-D  
(Ref. Drawing)**

Item	Description	Qty	206EBQ4007	307EBQ4007	308EBQ4007
			125 HP 380 VOLT	125 HP 400 VOLT	125 HP 415 VOLT
1	SEAL PLUG.....	1	24CA4954	24CA4954	24CA4954
2	WIRE (In Feet).....	53	2009522	2009522	2009522
3	LUG-TERMINAL.....	6	24A520	24A520	24A520
4	CONDUIT (In Feet).....	5	2009413	2009413	2009413
5	LUG-TERMINAL.....	1	24CA518	24A518	24A518
6	WIRE (In Feet).....	7	97J77	97J77	97J77
7	FITTING.....	2	2009341	2009341	2009341
9	FUSE.....	2	24CA3723	24CA3723	24CA3723
10	DECAL.....	1	295AUX077	295AUX077	295AUX077
11	DECAL.....	1	298AUX077	298AUX077	298AUX077
12	SCREW.....	6	655ED03B	655ED03B	655ED03B
13	NUT.....	6	50X5	50X5	50X5
14	WASHER.....	6	95H18	95H18	95H18
15	TAPE.....	1	24CA898	24CA898	24CA898
16	VOLTAGE MARKER.....	1	69F55	69F56	69F59
17	WASHER.....	2	24CA55	24CA55	24CA55
18	TAPE.....	6	24CA886	24CA886	24CA886
19	TAPE.....	2	24CA883	24CA883	24CA883
20	TAPE.....	1	24CA882	24CA882	24CA882
21	CABLE TIE.....	20	24CA127	24CA127	24CA127

**MOTOR WIRING, WYE DELTA, 150 HP, 380, 400 & 415 VOLT, 50 HZ**

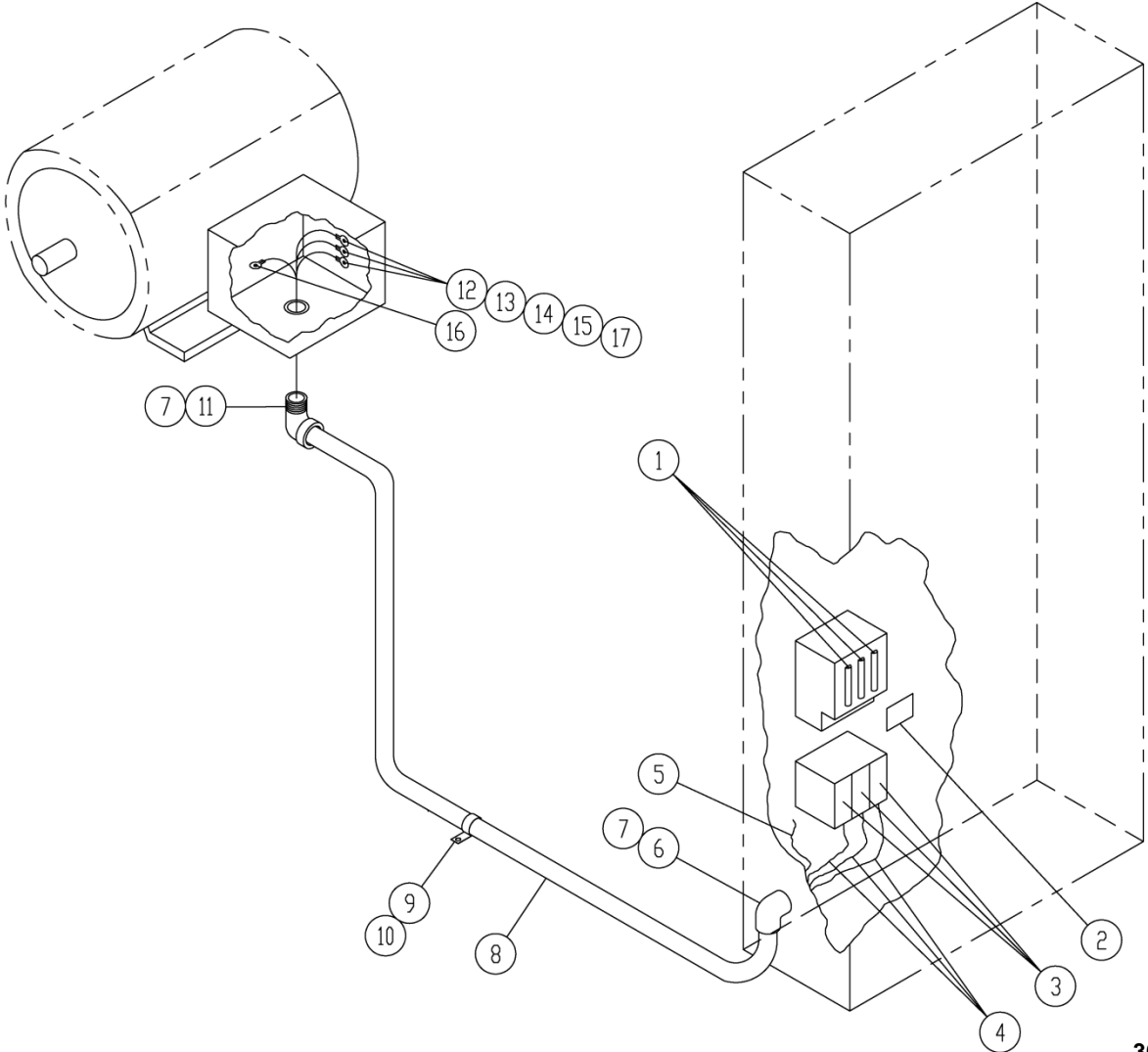


**303EBQ810-D  
(Ref. Drawing)**

Item	Description	Qty	211EBQ4007	312EBQ4007	313EBQ4007
			150 HP 380 VOLT	150 HP 400 VOLT	150 HP 415 VOLT
1	SEAL PLUG.....	1	24CA4954	24CA4954	24CA4954
2	WIRE (In Feet).....	53	2009802	2009802	2009802
3	LUG-TERMINAL.....	6	2009532	2009532	2009532
4	CONDUIT (In Feet).....	5	2009424	2009424	2009424
5	LUG-TERMINAL.....	1	24CA1364	24CA1364	24CA1364
6	WIRE (In Feet).....	9	2009321	2009321	2009321
7	FITTING.....	2	2009345	2009345	2009345
9	FUSE.....	2	24CA3723	24CA3723	24CA3723
10	DECAL.....	1	295AUX077	295AUX077	295AUX077
11	DECAL.....	1	298AUX077	298AUX077	298AUX077
12	SCREW.....	6	655ED03B	655ED03B	655ED03B
13	NUT.....	6	50X5	50X5	50X5
14	WASHER.....	6	95H18	95H18	95H18
15	TAPE.....	1	24CA898	24CA898	24CA898
16	VOLTAGE MARKER.....	1	69F55	69F56	69F59
17	WASHER.....	2	-----	-----	-----
18	TAPE.....	3	24CA886	24CA886	24CA886
19	TAPE.....	2	24CA883	24CA883	24CA883
20	TAPE.....	1	24CA882	24CA882	24CA882
21	CABLE TIE.....	20	24CA127	24CA127	24CA127

**THIS PAGE INTENTIONALLY LEFT BLANK**

FAN MOTOR WIRING, AIR COOLED 3 HP, 200 & 230 VOLT

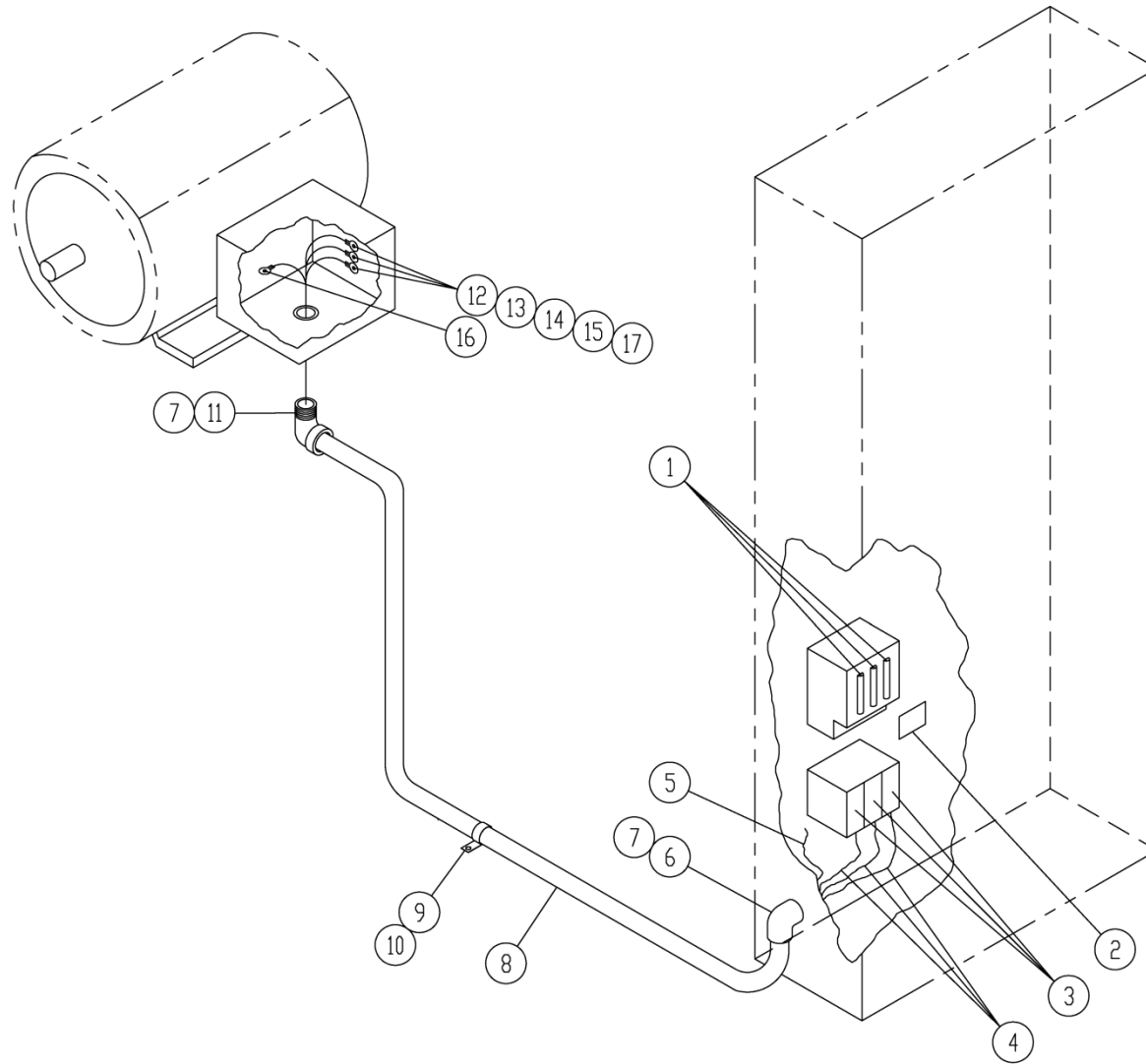


308EBQ810-D  
(Ref. Drawing)

**FAN MOTOR WIRING, AIR COOLED 3 HP, 200 & 230 VOLT**

			<b>B/M: 327EBQ4007</b>	<b>B/M: 329EBQ4007</b>
<b>Item</b>	<b>Description</b>	<b>Qty</b>	<b>3 HP 200 VOLT</b>	<b>3 HP 230 VOLT</b>
1	FUSE.....	3	24CA4321	24CA4321
2	DECAL .....	1	322AUX077	315AUX077
3	HEATER .....	3	24CA4110	24CA4110
4	WIRE (IN FEET) .....	36	2009319	2009319
5	WIRE (IN FEET) .....	12	2009988	2009988
6	CONDUIT .....	1	24A380	24A380
7	O-RING.....	2	24A383	24A383
8	CONDUIT (IN FEET).....	9	24A402	24A402
9	CLAMP .....	1	98H3	98H3
10	SCREW .....	1	75LM302	75LM302
11	FITTING.....	1	24A380	24A380
12	LUG, TERMINAL .....	3	24CA1910	24CA1910
13	LOCK WASHER .....	6	2009550	2009550
14	NUT.....	6	50K6	50K6
15	SCREW .....	6	75G56	75G56
16	LUG, TERMINAL .....	1	24CA1980	24CA1980
17	LUG, TERMINAL .....	12	24CA488	24CA488

FAN MOTOR WIRING, AIR COOLED 3 HP, 380, 400 & 415 VOLT

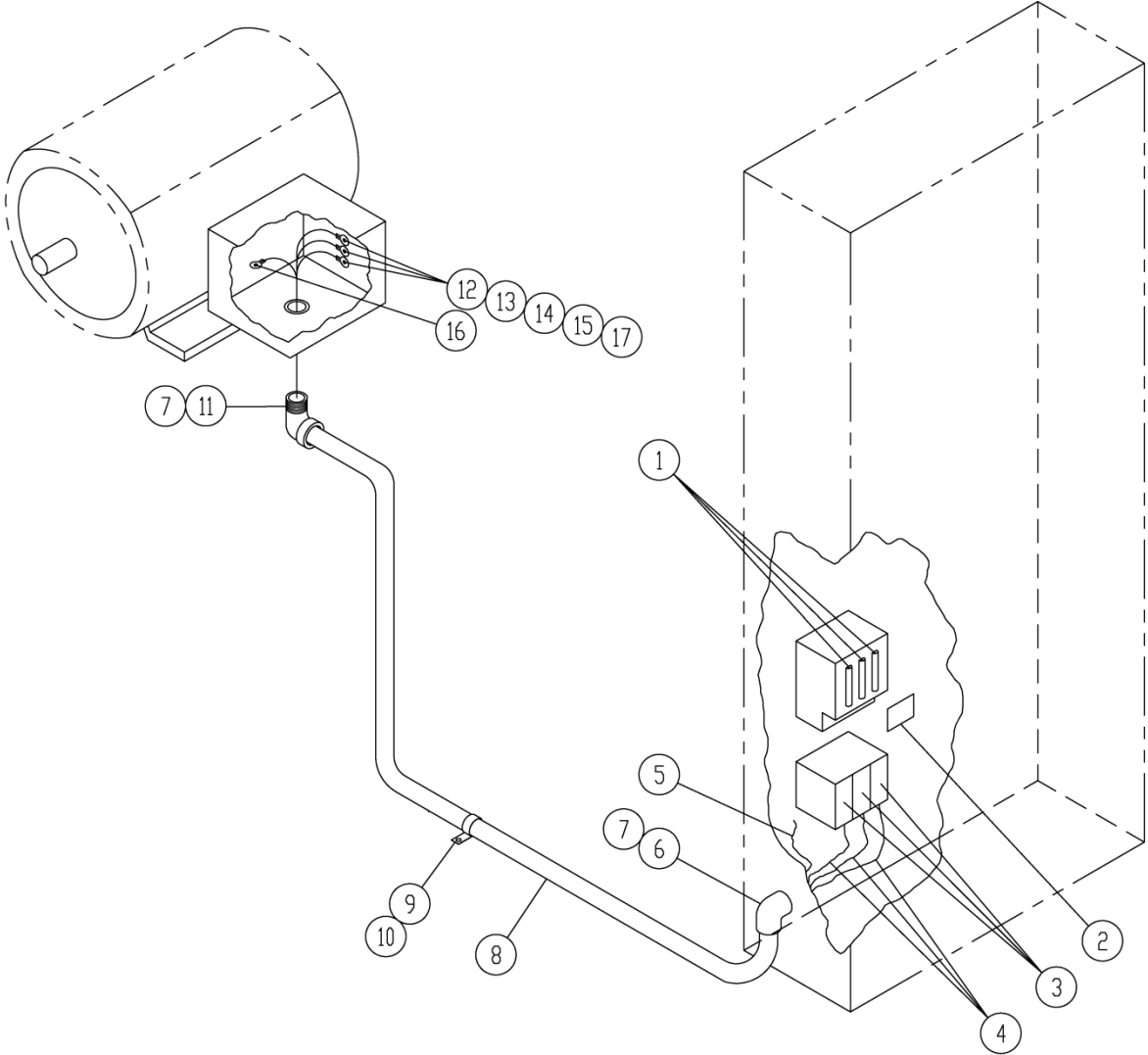


308EBQ810-D  
(Ref. Drawing)

**FAN MOTOR WIRING, AIR COOLED 3 HP, 380, 400 & 415 VOLT**

Item	Description	Qty	B/M: 330EBQ4007	B/M: 331EBQ4007	B/M: 332EBQ4007
			3 HP 380 VOLT	3 HP 400 VOLT	3 HP 415 VOLT
1	FUSE.....	3	24CA4096	24CA4096	24CA4096
2	DECAL .....	1	314AUX077	314AUX077	313AUX077
3	HEATER .....	3	24CA4108	24CA4108	24CA4108
4	WIRE (IN FEET) .....	36	2009319	2009319	2009319
5	WIRE (IN FEET) .....	12	2009988	2009988	2009988
6	CONDUIT .....	1	24A380	24A380	24A380
7	O-RING.....	2	24A383	24A383	24A383
8	CONDUIT (IN FEET).....	9	24A402	24A402	24A402
9	CLAMP .....	1	98H3	98H3	98H3
10	SCREW .....	1	75LM302	75LM302	75LM302
11	FITTING.....	1	24A380	24A380	24A380
12	LUG, TERMINAL .....	3	24CA1910	24CA1910	24CA1910
13	LOCK WASHER .....	3	2009550	2009550	2009550
14	NUT .....	3	50K6	50K6	50K6
15	SCREW .....	3	75G56	75G56	75G56
16	LUG, TERMINAL .....	1	24CA1980	24CA1980	24CA1980
17	LUG, TERMINAL .....	12	24CA488	24CA488	24CA488

FAN MOTOR WIRING, AIR COOLED 3 HP, 460 & 575 VOLT

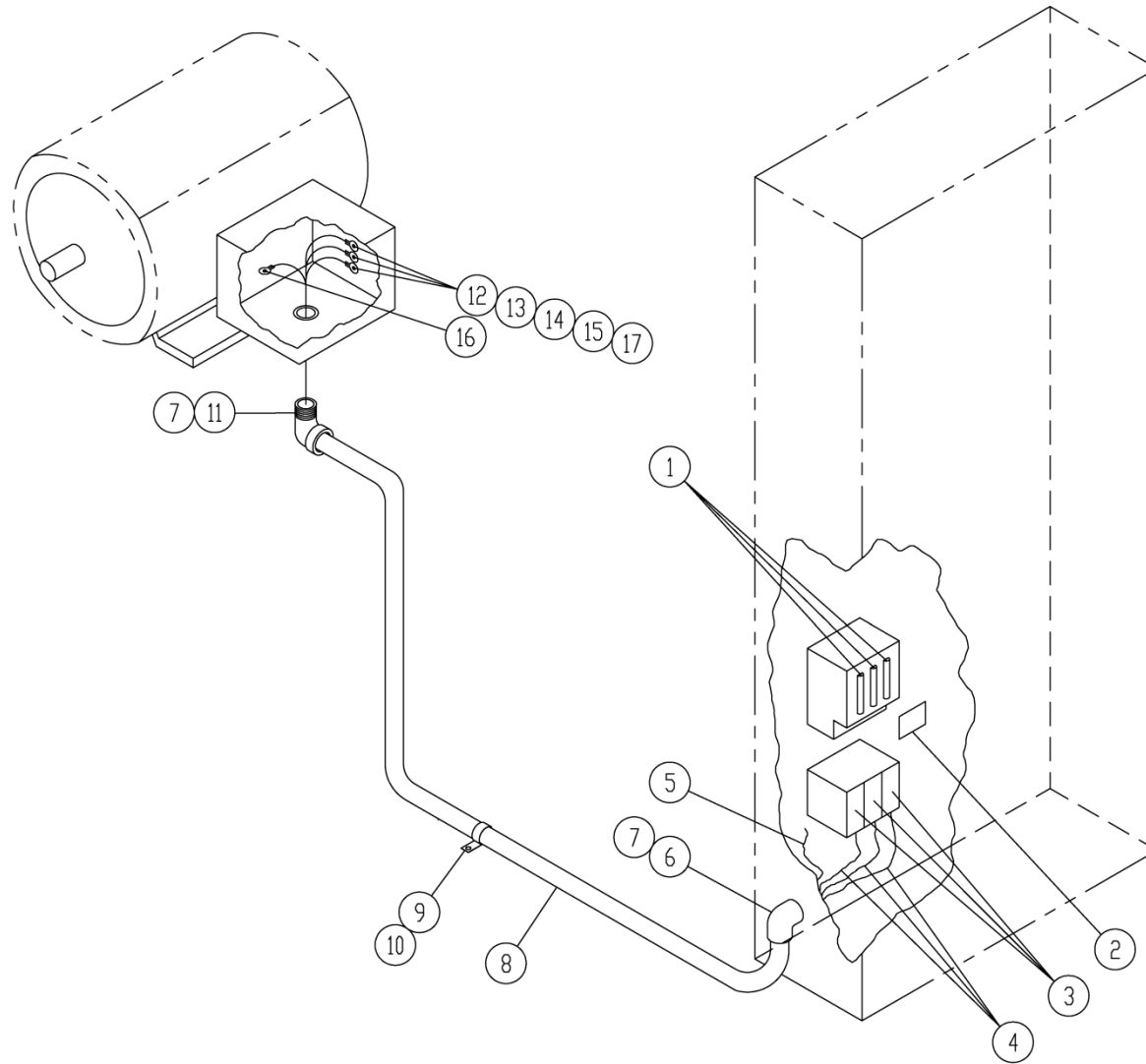


308EBQ810-D  
(Ref. Drawing)

**FAN MOTOR WIRING, AIR COOLED 3 HP, 460 & 575 VOLT**

			<b>B/M: 334EBQ4007</b>	<b>B/M: 336EBQ4007</b>
<b>Item</b>	<b>Description</b>	<b>Qty</b>	<b>3 HP 460 VOLT</b>	<b>3 HP 575 VOLT</b>
1	FUSE .....	3	24CA4096	24CA4096
2	DECAL .....	1	314AUX077	314AUX077
3	HEATER .....	3	24CA4108	24CA4107
4	WIRE (IN FEET) .....	36	2009319	2009319
5	WIRE (IN FEET) .....	12	2009988	2009988
6	CONDUIT .....	1	24A380	24A380
7	O-RING.....	2	24A383	24A383
8	CONDUIT (IN FEET).....	9	24A402	24A402
9	CLAMP .....	1	98H3	98H3
10	SCREW .....	1	75LM302	75LM302
11	FITTING.....	1	24A380	24A380
12	LUG, TERMINAL .....	3	24CA1910	24CA1910
13	LOCK WASHER .....	6	2009550	2009550
14	NUT .....	6	50K6	50K6
15	SCREW .....	6	75G56	75G56
16	LUG, TERMINAL .....	1	24CA1980	24CA1980
17	LUG, TERMINAL .....	12	24CA488	24CA488

FAN MOTOR WIRING, AIR COOLED 5 HP, 230, 460 & 575 VOLT

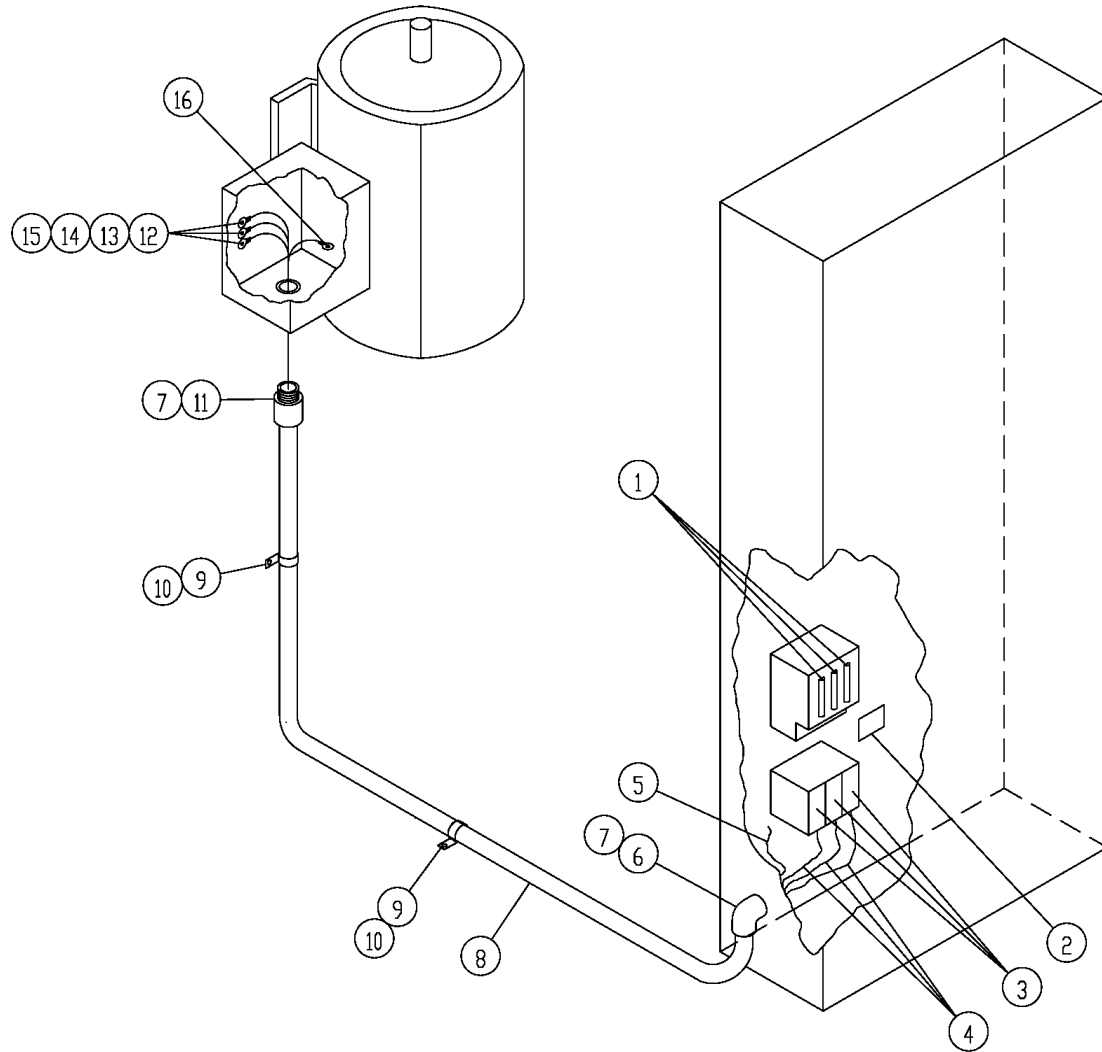


308EBQ810-D  
(Ref. Drawing)

**FAN MOTOR WIRING, AIR COOLED 5 HP, 230, 460 & 575 VOLT**

Item	Description	Qty	B/M: 215EDP4007		B/M: 216EDP4007		B/M: 217EDP4007	
			5 HP 230 VOLT	Qty	5 HP 460 VOLT	Qty	5 HP 575 VOLT	
1	MOTOR	1	24CA6587	1	24CA6587	1	24CA6588	
2	CONDUIT (IN FEET)	10	24A402	8	24A402	10	24A402	
3	FITTING	1	24A378	1	24A379	1	24A378	
4	FITTING	1	24A380	1	24A380	1	24A380	
5	WIRE (IN FEET)	36	2009319	36	2009319	36	97H2A	
6	WIRE (IN FEET)	12	2009988	12	2009988	12	97H2G	
7	LUG, TERMINAL	12	24CA1910	9	24CA805	9	24CA806	
8	LUG, TERMINAL	1	24A298	4	24CA1980	1	24CA567	
9	ELECTRICAL GROUP	1	AUX68367	3	-----	1	AUX68369	
10	HEATER, OVERLOAD	3	24CA4110	3	24CA4108	3	24CA4108	
11	FUSE	3	24CA4321	1	24CA4097	3	24CA3952	
12	DECAL	1	322AUX077	1	315AUX077	1	305AUX077	

FAN MOTOR WIRING, WATER COOLED 1/4 HP, 200, 230, 460 & 575 VOLT

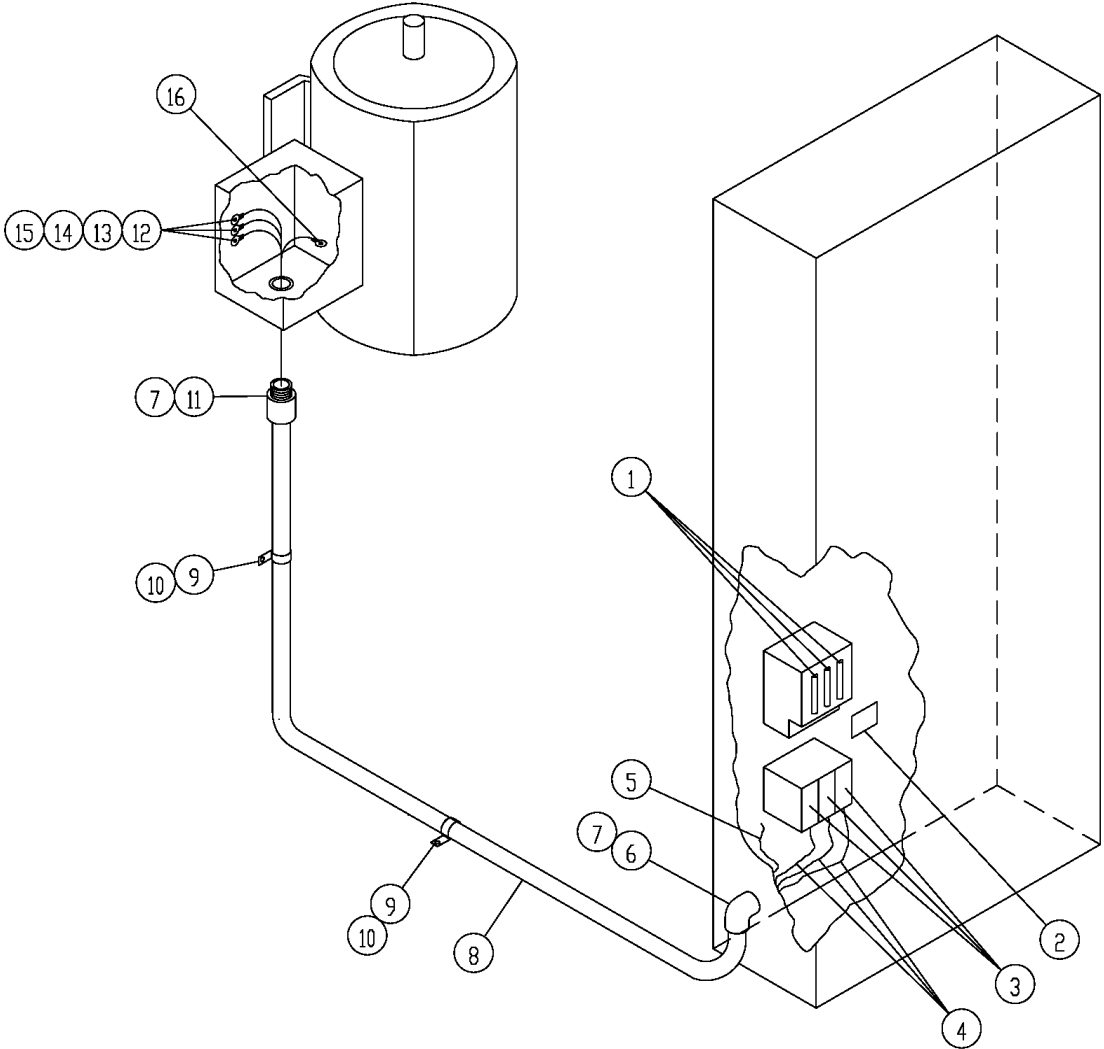


306EBQ810-A  
(Ref. Drawing)

**FAN MOTOR WIRING, WATER COOLED 1/4 HP, 200, 230, 460 & 575 VOLT**

Item	Description	Qty	B/M: 317EBQ4007	B/M: 318EBQ4007	B/M: 320EBQ4007	B/M: 321EBQ4007
			1/4 HP 200 VOLT	1/4 HP 230 VOLT	1/4 HP 460 VOLT	1/4 HP 575 VOLT
1	FUSE .....	3	24CA4093	24CA4092	24CA4090	24CA4090
2	DECAL.....	1	311AUX077	310AUX077	308AUX077	308AUX077
3	HEATER .....	3	24CA4104	24CA4104	24CA4102	24CA4102
4	WIRE (IN FEET).....	36	97H2A	97H2A	97H2A	97H2A
5	WIRE (IN FEET).....	12	97H2G	97H2G	97H2G	97H2G
6	CONDUIT.....	1	24A380	24A380	24A380	24A380
7	O-RING .....	2	24A383	24A383	24A383	24A383
8	CONDUIT (IN FEET) .....	9	24A402	24A402	24A402	24A402
9	CLAMP .....	2	98H3	98H3	98H3	98H3
10	SCREW .....	2	75LM47	75LM47	75LM47	75LM47
11	FITTING .....	1	24A378	24A378	24A378	24A378
12	LUG, TERMINAL.....	3	24CA806	24CA806	24CA806	24CA806
13	LOCK WASHER.....	3	95W45	95W45	95W45	95W45
14	NUT .....	3	50K3	50K3	50K3	50K3
15	SCREW .....	3	75G23	75G23	75G23	75G23
16	LUG, TERMINAL.....	1	24CA444	24CA806	24CA806	24CA806

FAN MOTOR WIRING, WATER COOLED 1/2 HP, 380, 400 & 415 VOLT



306EBQ810-A  
(Ref. Drawing)

**FAN MOTOR WIRING, WATER COOLED 1/2 HP, 380, 400 & 415 VOLT**

Item	Description	Qty	B/M: 319EBQ4007	B/M: 323EBQ4007	B/M: 324EBQ4007
			1/2 HP 380 VOLT	1/2 HP 400 VOLT	1/2 HP 415 VOLT
1	FUSE .....	3	24CA4091	24CA4091	24CA4091
2	DECAL .....	1	309AUX077	309AUX077	309AUX077
3	HEATER .....	3	24CA4103	24CA4103	24CA4103
4	WIRE (IN FEET).....	36	97H2A	97H2A	97H2A
5	WIRE (IN FEET).....	12	97H2G	97H2G	97H2G
6	CONDUIT .....	1	24A380	24A380	24A380
7	O-RING .....	2	24A383	24A383	24A383
8	CONDUIT (IN FEET) .....	9	24A402	24A402	24A402
9	CLAMP .....	2	98H3	98H3	98H3
10	SCREW.....	2	75LM47	75LM47	75LM47
11	FITTING .....	1	24A378	24A378	24A378
12	LUG, TERMINAL .....	3	24CA806	24CA806	24CA806
13	LOCK WASHER.....	3	95W45	95W45	95W45
14	NUT .....	3	50K3	50K3	50K3
15	SCREW.....	3	75G23	75G23	75G23
16	LUG, TERMINAL .....	1	24CA806	24A444	24A444

**MOTOR GROUP (FAN MOTORS) (125 & 150 HP)**

**AIR COOLED FAN MOTOR (COOLING MODULE)  
(T.E.F.C., 3 HP, 1200 RPM, 60 HZ, 1.33 S.F.)**

<b>VOLTAGE</b>	<b>PART NO.</b>
MOTOR, 200V	24CA6584
MOTOR, 230V	24CA6585
MOTOR, 460V	24CA6585
MOTOR, 575V	24CA6586

**MOTOR GROUP (FAN MOTORS)  
AIR COOLED FAN MOTOR (COOLING MODULE)  
(2.2 KW, 3 HP, TEFC, 1000 RPM, 50 HZ, 1.0 SF)**

<b>VOLTAGE</b>	<b>PART NO.</b>
MOTOR, 380V	24CA463
MOTOR, 400V	24CA2474
MOTOR, 415V	24CA662

**MOTOR GROUP (FAN MOTORS) (200 HP)**

**AIR COOLED FAN MOTOR (COOLING MODULE)  
(T.E.F.C., 5 HP, 1200 RPM, 60 HZ, 1.33 S.F.)**

<b>VOLTAGE</b>	<b>PART NO.</b>
MOTOR, 230V	24CA6587
MOTOR, 460V	24CA6587
MOTOR, 575V	24CA6588

**WATER COOLED FAN MOTOR  
(ENCLOSURE VENT FAN)  
(T.E.F.C., 1/4 HP, 1200 RPM, 60 HZ, 1.0 S.F.)**

<b>VOLTAGE</b>	<b>PART NO.</b>
MOTOR, 200V	24CA4177
MOTOR, 230V	24CA2464
MOTOR, 460V	24CA2464
MOTOR, 575V	24CA4178

**WATER COOLED FAN MOTOR (ENCLOSURE VENT FAN)  
(.4 KW, 1/2 HP, TEFC, 1500 RPM, 50 HZ, 1.0 SF)**

<b>VOLTAGE</b>	<b>PART NO.</b>
MOTOR, 380V	24CA522
MOTOR, 400V	24CA2645
MOTOR, 415V	24CA523

**MOTOR LIST (MAIN DRIVE MOTORS, 60 HZ)**

<b>Name of Part</b>	<b>Wye Delta 125 HP Part No.</b>	<b>Wye Delta 150 HP Part No.</b>	<b>Wye Delta 200 HP Part No</b>
<b>OPEN DRIP PROOF (60 HZ, ODP, EISA EFFICIENCY)</b>			
MOTOR, 200V	24CA6399	24CA6415	N/A
MOTOR, 230V	24CA6400	24CA6416	24CA6429
MOTOR, 460V	24CA6401	24CA6417	24CA6430
MOTOR, 575V	24CA6402	24CA6418	24CA6431

**TOTALLY ENCLOSED FAN COOLED  
(60 HZ, TEFC, EISA EFFICIENCY)**

MOTOR, 200V	24CA6403	24CA6419	N/A
MOTOR, 230V	24CA6404	24CA6420	24CA6432
MOTOR, 460V	24CA6405	24CA6421	24CA6433
MOTOR, 575V	24CA6406	24CA6422	24CA6434

**MOTOR LIST (MAIN DRIVE MOTORS, 50 HZ)**

<b>Name of Part</b>	<b>93 KW (125 HP) 1500 RPM Part No.</b>	<b>112 KW (150 HP) 3000 RPM 100 PSI Part No.</b>	<b>112 KW (150 HP) 1500 RPM 125 &amp; 150 PSI Part No.</b>
---------------------	---	--	--

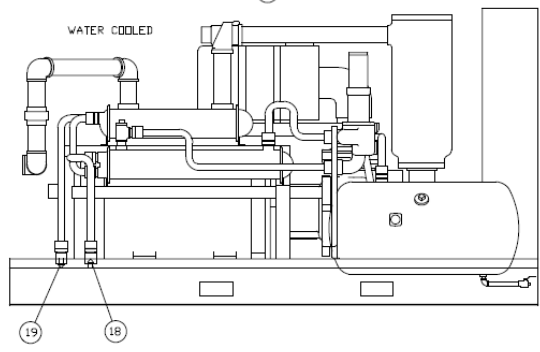
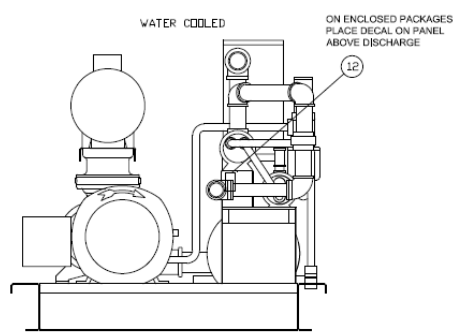
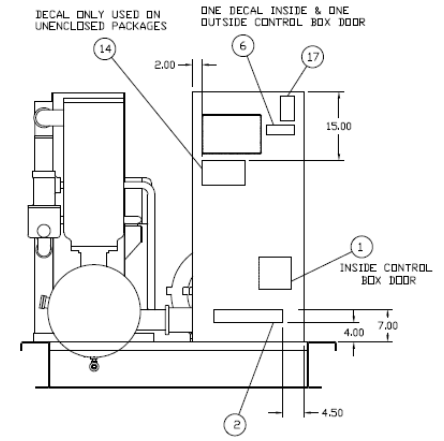
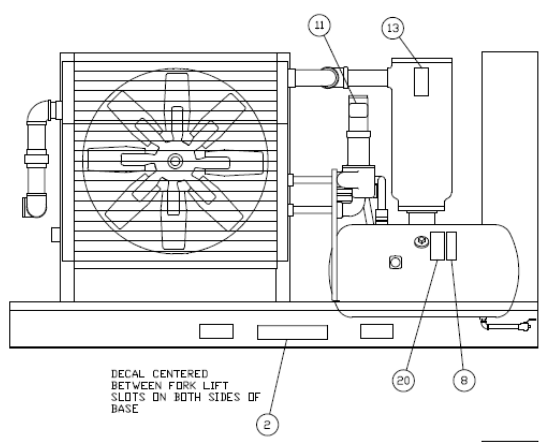
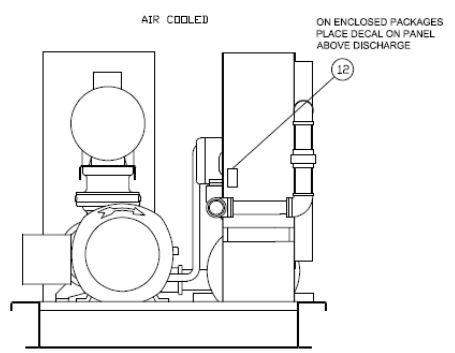
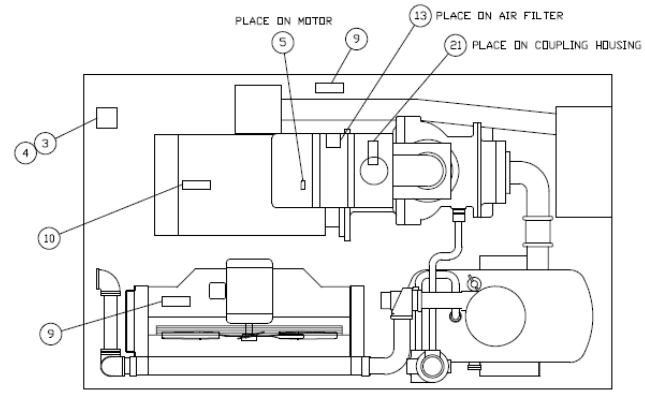
**OPEN DRIP PROOF  
(50 HZ, ODP)**

MOTOR, 380V	24CA3578	24CA3590	24CA3584
MOTOR, 400V	24CA3579	24CA3591	24CA3585
MOTOR, 415V	24CA3580	24CA3592	24CA3586

**TOTALLY ENCLOSED FAN COOLED  
(50 HZ, TEFC)**

MOTOR, 380V	24CA3602	24CA3614	24CA3608
MOTOR, 400V	24CA3603	24CA3615	24CA3609
MOTOR, 415V	24CA3604	24CA3616	24CA3610

# IDENTIFICATION AND INSTRUCTION GROUP



**316EBQ810-04**  
**(Ref. Drawing)**

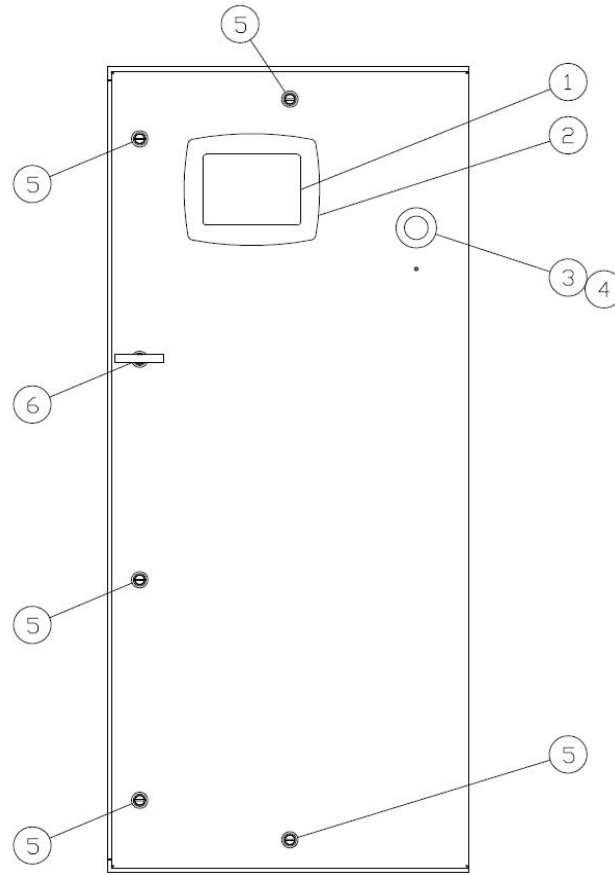
**IDENTIFICATION AND INSTRUCTION GROUP**

**B/M:  
301-304EBQ4011**

<b>Item</b>	<b>Description</b>	<b>Qty.</b>	<b>Part No.</b>
2	DECAL, ELECTRA SAVER II (LARGE).....	2	VP1051551
3	RIVET, 0.156 DIA. 0.126-0.250 GRIP RANGE .....	4	70E13
4	NAME PLATE .....	1	208EAQ496
* 5	DECAL, ROTATION ARROW .....	1	304EFC077
* 6	DECAL, ISO WARNING, CONTROL BOX.....	2	VP1009371
* 8	DECAL, ISO WARNING, SEPARATOR TANK .....	1	VP1009376
* 9	DECAL, ISO WARNING, FAN/COOLER HOUSING .....	2	VP1009582
* 10	DECAL, ISO WARNING, MOTOR.....	1	VP1009374
11	DECAL, OIL FILL ELEMENT INSTALL	1	326EAQ077
* 12	DECAL, ISO WARNING, PACKAGE DISCHARGE AIR.....	1	VP1009623
* 13	DECAL, NOTICE (USE GENUINE GD PARTS) .....	2	CC1009474
14	DECAL, GD LOGO (SMALL).....	1	TEN000780
* 16	DECAL, ELECTRA-SAVER II (LARGE).....	1	VP1044839
17	DECAL, CAGI PERFORMANCE	1	CC1021484
18	DECAL, HEAT EXCHANGE "IN" .....	1	200ESP077
19	DECAL, HEAT EXCHANGE "OUT" .....	1	201ESP077
21	DECAL, ISO WARNING, COUPLING HOUSING.....	1	VP1009375

\* For Replacement Decals Order Part Number CC1010403 Decal Group Sheet.

### AIRSMART DISPLAY PANEL



**322EAQ810-A  
(Ref. Drawing)**

Item	Description	Qty	B/M * Part No.
1	AIRSMART CONTROLLER .....	1	300ETK375
2	GASKET .....	1	VP1033867
3	NAME PLATE EMERGENCY STOP ...	1	24CA7110
4	CONTACT BLOCK .....	1	24CA7111
5	DOOR LATCH (SLOTTED).....	5	24CA7129
6	DOOR LATCH.....	1	24CA7130

**\* Drawing 322EAQ810 and B/M references the following part numbers**

388EAQ466	389EAQ466	390EAQ466	391EAQ466
392EAQ466	393EAQ466	394EAQ466	396EAQ466
397EAQ466	398EAQ466	400EAQ466	401EAQ466
402EAQ466	404EAQ466	405EAQ466	406EAQ466
407EAQ466	408EAQ466	409EAQ466	410EAQ466
411EAQ466	412EAQ466	413EAQ466	414EAQ466
415EAQ466	417EAQ466	418EAQ466	419EAQ466
421EAQ466	422EAQ466	423EAQ466	431EAQ466
432EAQ466	433EAQ466	434EAQ466	435EAQ466

## REPAIR KITS

Your Gardner Denver rotary screw compressor is designed and manufactured for many years of reliable operation. All components are engineered to exacting specifications, which will function together as a system to provide maximum efficiency. To insure the continuing integrity of compressor operation, use only original quality genuine Gardner Denver replacement parts and accessories.

Description	Qty	Part No.
<b>ROUTINE MAINTENANCE KIT (Heavy Duty Air Filter)</b>		<b>303EBQ6013</b>
ELEMENT, AIR FILTER .....	2	2118349
ELEMENT, OIL FILTER .....	3	2118342
 <b>OIL SEPARATOR KIT</b>		<b>305EBQ6013</b>
OIL SEPARATOR .....	1	VP1040693
GASKET ELIMINATOR .....	1	25BC222
LUBRICANT (Oil Seal Grease).....	1	2116755
 <b>INLET MAINTENANCE KIT</b>		<b>301EAQ6013</b>
O-RING .....	1	25BC298
SPRING .....	1	78W62
SPRING .....	1	78W61
O-RING .....	1	25AM30
RETAINING RING .....	1	74D89
GASKET ELIMINATOR .....	1	25BC222
 <b>PNEUMATIC CONTROLS AND GAUGES</b>		<b>302EAQ6013</b>
CHECK VALVE .....	3	90AR261
CONTROL VALVE .....	1	90AR1034
CONTROL VALVE .....	1	90AR1082
PRESSURE REGULATOR.....	1	88H367
PRESSURE GAUGE.....	1	2118767
 <b>ELECTRICAL CONTROL GROUP – 100 – 200 PSI</b>		<b>306EBQ6013</b>
SOLENOID VALVE .....	1	91B250
SOLENOID VALVE .....	1	91B243
SOLENOID VALVE .....	1	91B245
ELECTRICAL PROBE.....	2	21D264
TRANSDUCER .....	2	88H365
VACUUM SWITCH.....	1	88H195
 WATER TEMPERATURE REGULATOR (Optional) .....	1	90AR151
BUSHING (Optional).....	1	64E117G
 MAGNETIC WATER SHUTOFF VALVE, NEMA 4 (Optional).....	1	90AR1150

## REPAIR KITS (Continued)

Description	Qty	Part No.
<b>LUBRICANT (AEON 9000SP) STANDARD</b>		
5 GALLON PAIL.....	1	28H109
55 GALLON DRUM.....	1	28H110
<b>LUBRICANT (AEON 9000TH)</b>		
5 GALLON PAIL.....	1	28H286
55 GALLON DRUM.....	1	28H270
<b>LUBRICANT (AEON 6000FG)</b>		
5 GALLON PAIL.....	1	28H99
55 GALLON DRUM.....	1	28H100
<b>LUBRICANT (AEON 6000FG-68)</b>		
5 GALLON PAIL.....	1	28H314
55 GALLON DRUM.....	1	28H315
<b>LUBRICANT (AEON BIO)</b>		
5 GALLON PAIL.....	1	28H102
55 GALLON DRUM.....	1	28H103
<b>TOUCH-UP PAINT</b>		
5 GALLON PAIL (WHITE).....	1	28H76
1 GALLON CAN (WHITE).....	1	28H84
1 QUART CAN (WHITE).....	1	28H83
5 GALLON PAIN (RED).....	1	28H325
1 GALLON CAN (RED).....	1	28H324
1QUART CAN (RED).....	1	28H323

**REPAIR KITS (Continued)**

Description	Qty	Part No.
<b>AIREND REPAIR KITS (REFER TO PAGE 5 FOR SELECTION)</b>		
<b>BEARING KIT</b>		<b>323SSP6013</b>
ROLLER BEARING .....	1	12BA105
ROLLER BEARING .....	1	12BA198
ROLLER BEARING .....	1	12BA104
ROLLER BEARING .....	1	12BA103
SPRING .....	1	78W98
 <b>BEARING KIT</b>		 <b>314SSQ6013</b>
ROLLER BEARING .....	2	12BA126
BEARING .....	2	12BA251
BEARING .....	1	12BA192
SPRING .....	1	78W89
SPRING .....	1	78W109
 <b>BEARING KIT</b>		 <b>320SSM6013</b>
ROLLER BEARING .....	1	12BA92
ROLLER BEARING .....	1	12BA197
ROLLER BEARING .....	1	12W34
ROLLER BEARING .....	1	12BA93
SPRING .....	1	78W97
 <b>GASKET KIT</b>		 <b>315SSQ6013</b>
GASKET ELIMINATOR .....	1	25BC222
SHIM SET .....	1	77H50
SHIM SET .....	1	77H107
 <b>GASKET KIT</b>		 <b>324SSP6013</b>
SHIM SET .....	1	77H63
SHIM SET .....	1	77H62
GASKET ELIMINATOR .....	1	25BC222
 <b>GASKET KIT</b>		 <b>321SSM6013</b>
SHIM SET .....	1	77H56
SHIM SET .....	1	77H57
GASKET ELIMINATOR .....	1	25BC222
 <b>OIL SEAL KIT</b>		 <b>200SSQ6007</b>
WEAR SLEEVE .....	1	80M28
OIL SEAL .....	1	60DD571
OIL SEAL .....	1	60DD689
O-RING .....	1	25BC157
O-RING .....	1	25BC431
GASKET ELIMINATOR .....	1	25BC222
CHECK VALVE .....	1	90AR923

**REPAIR KITS (Continued)**

<b>Description</b>	<b>Qty</b>	<b>Part No.</b>
<b>OIL SEAL KIT</b>		<b>300SSP6013</b>
O-RING.....	1	8502140
O-RING.....	1	25BC380
OIL SEAL.....	1	60DD692
OIL SEAL.....	1	60DD693
WEAR SLEEVE.....	1	80M40
GASKET ELIMINATOR.....	1	25BC222
CHECK VALVE.....	1	90AR923
<b>OIL SEAL KIT</b>		<b>302SSH6013</b>
WEAR SLEEVE.....	1	80M12
OIL SEAL.....	1	60DD679
OIL SEAL.....	1	60DD690
O-RING.....	1	8502140
O-RING.....	1	25BC165
GASKET ELIMINATOR.....	1	25BC222
CHECK VALVE.....	1	90AR923
<b>WEAR SLEEVE INSTALLATION/REMOVAL KIT</b>		<b>200SSQ4017</b>
PULLER.....	1	200SSQ219
PULLER PLATE.....	1	300SSU340
SCREW.....	1	655EE030
SCREW.....	1	655EE120A
SCREW.....	2	75D176
GUIDE.....	1	200SSQ450
TOOL.....	1	200SSQ074
<b>WEAR SLEEVE INSTALLATION/REMOVAL KIT</b>		<b>200SSP4017</b>
PULLER.....	1	200SSP219
PULLER PLATE.....	1	200SSP340
SCREW.....	1	75LM192
SCREW.....	1	655ED120A
SCREW.....	2	75D177
GUIDE.....	1	200SSP450
TOOL.....	1	200SSP074
<b>WEAR SLEEVE INSTALLATION/REMOVAL KIT</b>		<b>200SSH4017</b>
PULLER.....	1	200SSH219
PULLER PLATE.....	1	200SSH340
SCREW.....	1	75LM192
SCREW.....	1	655EE030
SCREW.....	1	655ED120A
SCREW.....	2	75D176
GUIDE.....	1	200SSH450
TOOL.....	1	200SSH074









# Gardner Denver®

For additional information, contact your local representative or visit:  
[www.contactgd.com/compressors](http://www.contactgd.com/compressors)

©2021 Gardner Denver, Inc. Printed in U.S.A.

