

---

---

**GARDNER DENVER®**

13-9-576

Version: 02

February 12, 2004

**REVISED September 5, 2013**  
**See page 1**

**ELECTRA-SAVER®**  
**ELECTRA-SAVER II®**  
**STATIONARY**  
**BASE-MOUNTED COMPRESSORS**

**AUTO SENTRY® -- ES+ CONTROLS**

**MODELS**

**EAU99N – EBU99B**  
**200 HP**

**PARTS LIST**

**Gardner**  

---

**Denver**

**MAINTAIN COMPRESSOR RELIABILITY AND PERFORMANCE WITH  
GENUINE GARDNER DENVER® COMPRESSOR PARTS AND SUPPORT SERVICES**

Gardner Denver® Compressor genuine parts, manufactured to design tolerances, are developed for optimum dependability – specifically for Gardner Denver compressor systems. Design and material innovations are the result of years of experience with hundreds of different compressor applications. Reliability in materials and quality assurance is incorporated in our genuine replacement parts.

Your authorized Gardner Denver Compressor distributor offers all the backup you'll need. A worldwide network of authorized distributors provides the finest product support in the air compressor industry. Your local authorized distributor maintains a large inventory of genuine parts and he is backed up for emergency parts by direct access to the Master Distribution Center (MDC) in Memphis, Tennessee.

Your authorized distributor can support your Gardner Denver air compressor with these services:

1. Trained parts specialists to assist you in selecting the correct replacement parts.
2. Factory warranted new and remanufactured rotary screw airends. Most popular model remanufactured airends are maintained in stock at the Remanufacturing Center in Indianapolis, IN., for purchase on an exchange basis with liberal core credit available for the replacement unit.
3. A full line of factory tested AEON™ compressor lubricants specifically formulated for use in Gardner Denver compressors.
4. Repair and maintenance kits designed with the necessary parts to simplify servicing your compressor.

Authorized distributor service technicians are factory trained and skilled in compressor maintenance and repair. They are ready to respond and assist you by providing fast, expert maintenance and repair services.

**For the location of your local authorized Gardner Denver Air Compressor distributor, refer to the yellow pages of your phone directory or contact:**

**Distribution Center:**

Gardner Denver  
Master Distribution Center  
5585 East Shelby Drive  
Memphis, TN 38141

Phone: (901) 542-6100  
(800) 245-4946

Fax: (901) 542-6159

**Factory:**

Gardner Denver  
1800 Gardner Expressway  
Quincy, IL 62301

Phone: (217) 222-5400

Fax: (217) 224-7814

**INSTRUCTIONS FOR ORDERING REPAIR PARTS**

When ordering parts, specify Compressor MODEL, Method of Cooling, HORSEPOWER and SERIAL NUMBER (see nameplate on unit). The Serial Number is also stamped on top of the discharge bearing carrier casting.

All orders for Parts should be placed with the nearest authorized distributor.

Where NOT specified, quantity of parts required per compressor or unit is one (1); where more than one is required per unit, quantity is indicated in parenthesis. SPECIFY EXACTLY THE NUMBER OF PARTS REQUIRED.

**DO NOT ORDER BY SETS OR GROUPS.**

To determine the Right-Hand and Left-Hand side of a compressor, stand at the motor end and look toward the compressor. Right-Hand and Left- Hand are indicated in parenthesis following the part name, i.e. (RH) and (LH), when appropriate.

## **TOTAL PRODUCT SUPPORT – GARDNER DENVER’S CONTINUING COMMITMENT TO YOUR AIR COMPRESSOR PERFORMANCE**

Commitment to total product support continues long after the purchase of your quality Gardner Denver rotary screw compressor.

Gardner Denver original parts incorporate years of experience and improvements in design, materials and quality assurance. Maintaining your compressor investment with Gardner Denver parts will insure protection for the air compressor unit and long, dependable service life.

Your authorized Gardner Denver compressor distributor maintains a complete stock of all common maintenance parts, factory approved AEON lubricants, and Gardner Denver factory warranted exchange airends. In addition, authorized distributor technicians are factory trained, and can provide complete diagnostic, compressor maintenance and repair services.

This manual is designed to assist you in maintaining high performance and receiving many years of dependable service you expect from your Gardner Denver compressor.

### **REMANUFACTURED AIRENDS**

Whenever an airend requires replacement or repair, Gardner Denver offers an industry unique, factory remanufactured airend exchange program. From its modern Remanufacturing Center in Indianapolis, IN., Gardner Denver is committed to supplying you with the highest quality, factory remanufactured airends that are guaranteed to save you time, aggravation and money.

#### **Immediately Available**

Repair downtime costs you money, which is why there are over 200 remanufactured units in inventory at all times, ready for immediate delivery.

#### **Skilled Craftsmen**

Our Remanufacturing assembly technicians average over 20 years experience with air compression products.

#### **Precision Remanufacturing**

All potentially usable parts are thoroughly cleaned, inspected and analyzed. Only those parts that can be brought back to original factory specifications are remanufactured. Every remanufactured airend receives a new overhaul kit: bearings, gears, seals, sleeves and gaskets.

#### **Extensive Testing**

Gardner Denver performs testing that repair houses just don't do. Magnaflux and ultrasonic inspection spot cracked or stressed castings, monochromatic light analysis exposes oil leaks, and coordinate measurement machine inspects to +/- .0001", insuring that all remanufactured airends meet factory performance specifications.

#### **Warranty**

Gardner Denver backs up every remanufactured airend with a new warranty...18 months from purchase, 12 months from service.

Gardner Denver remanufactured airends deliver *quality without question...year in and year out.*

Call Gardner Denver for information on the airend exchange program and the name of your authorized distributor.

**Phone Number: 800-245-4946 or Fax: 901-542-6159**

## TABLE OF CONTENTS

Maintain Compressor Reliability And Performance With Genuine Gardner Denver Compressor Parts And Support Services .....	i
Instructions For Ordering Repair Parts .....	i
Total Product Support – Gardner Denver’s Continuing Commitment To Your Air Compressor Performance.....	ii
Remanufactured Airends .....	ii
Airend Selection And Repair Kits .....	1
Cylinder Group, Turn Valve (Plugs) .....	2
Cylinder Group, Base Load (Plugs) .....	3
Cylinder, Group (All Units) .....	4
Discharge Housing Group – All Models .....	5, 6
Discharge Flange Mounting Group .....	7
Bearing Cover Plate Group .....	8
Oil Seal Detail .....	9
Miscellaneous Parts Group .....	10
Turn Valve Spacer Group .....	11
Turn Valve – EAU .....	12
Inlet Valve.....	13
Air Filter & Mounting.....	14
Separator Housing .....	15
Separator Group .....	16
Discharge Piping .....	17
Oil Return Line .....	18
Oil Inlet Tube.....	19
Filter Assembly.....	20
Cooler Group.....	21, 22
Water Cooled Heat Exchanger – With Aftercooler .....	23, 24
Water Cooled Heat Exchanger – Without Aftercooler .....	25, 26
Control Schematic.....	27, 28
Minimum Pressure/Check Valve .....	29
Turn Valve Actuator – (EAU Only) .....	30
Enclosure Vent Fan Assembly .....	31
Enclosure .....	32
Enclosure – Hardware.....	33
Enclosure – Air Cooled Panels .....	34
Enclosure – Water Cooled Panels .....	35
Enclosure – Basic .....	36
Air Cooled Baffle .....	37
Air Cooled Baffle Hardware.....	38
Enclosure – Water Cooled .....	39
Compressor Base Group .....	40
Main Motor Group .....	41
Overload Relay Heater Conversion Listing.....	42
Motor Group (Main Drive Motors) .....	43
Miscellaneous Electrical Parts .....	44
Controller Assembly .....	45
Identification And Instruction Group.....	46
Controller Assembly - Wye Delta Starters .....	47, 48
Controller Assembly - Full Voltage.....	49, 50
Controller Assembly - Less Starter .....	51, 52
Repair Kits.....	53-54

**For Operating and Service Instructions see:**

**SERVICE MANUAL      13-9-656**  
**CONTROLLER MANUAL 13-9-653**

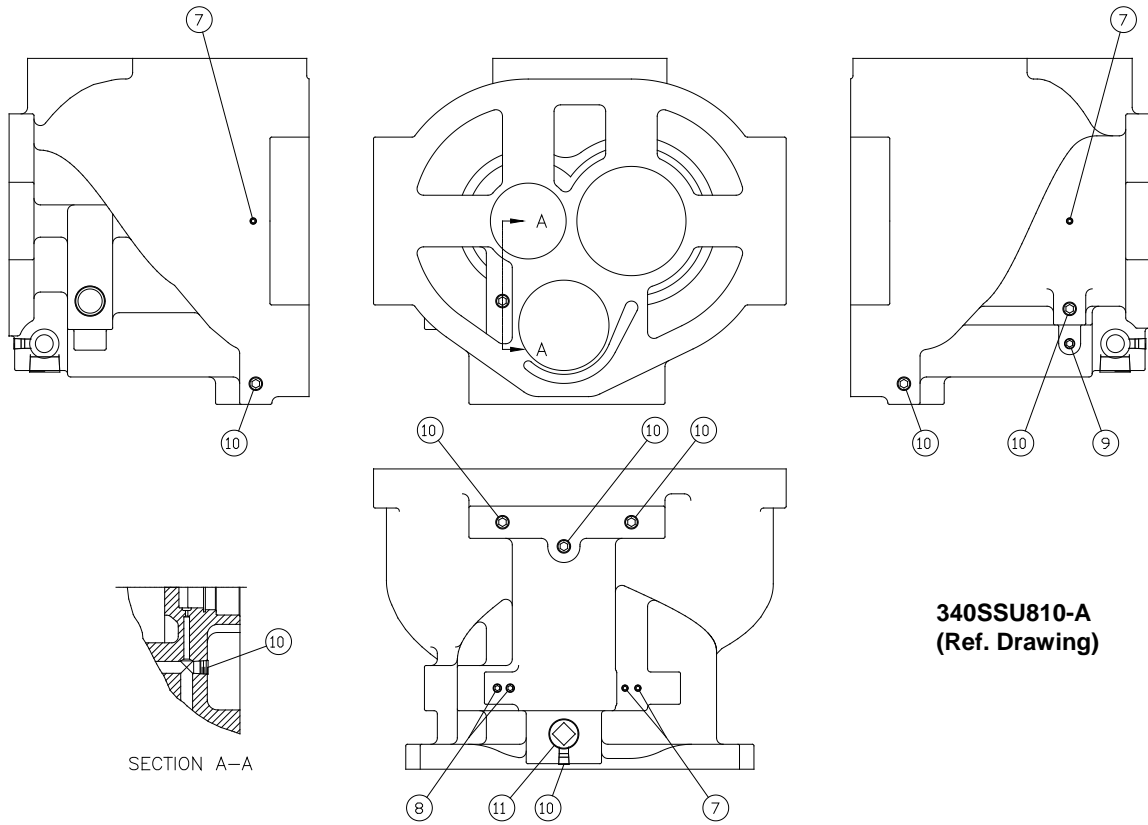
## AIREND SELECTION AND REPAIR KITS

Model	HP	PSI	Airend w/Inlet Valve	Reman Airend w/Inlet Valve	Bearing Kit *	Gasket Kit	Inlet Valve Kit	Turn Valve Kit	Drive Shaft Seal Kit	Drive Shaft Wear Sleeve Removal & Installation Kit
EAU	200	100	SSUAVABM01S	SSUAVABM01X	331SSU6013	334SSU6013	301EAQ6013	335SSU6013	324SSU6013	200SSU4017
		125	SSUAVABM01S	SSUAVABM01X	331SSU6013	334SSU6013	301EAQ6013	335SSU6013	324SSU6013	200SSU4017
EBU	200	100	SSUDVAAM01S	SSUDVAAM01X	331SSU6013	334SSU6013	301EAQ6013	N/A	324SSU6013	200SSU4017
		125	SSUDVAAM02S	<del>SSUDVAAM01X</del> SSUDVAAM02X	331SSU6013	334SSU6013	301EAQ6013	N/A	324SSU6013	200SSU4017

\* When order Bearing Kits, also order Gasket Kit and Drive Shaft Seal Kit.

For listing of Repair Parts included in Kit numbers above, see Repair Kit Section, page 53.

Order by Part Number and Description. Reference Numbers are for your convenience only.

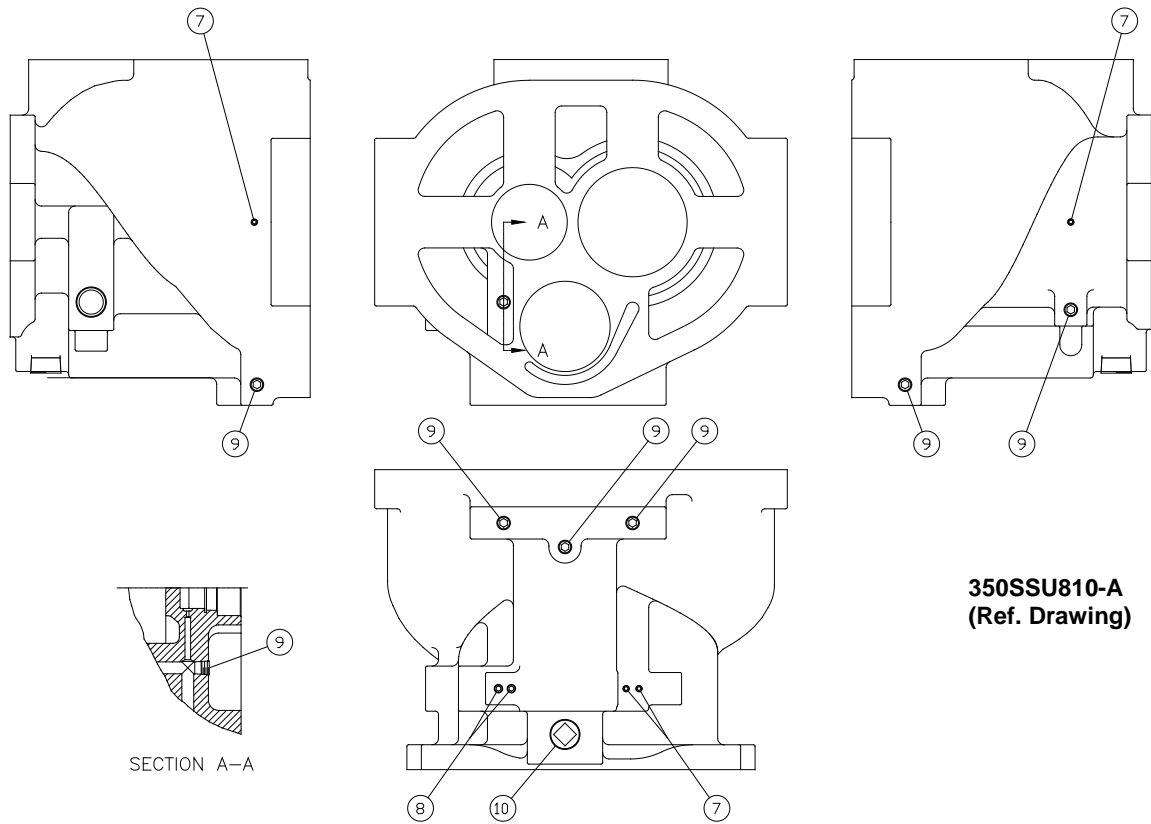


**CYLINDER GROUP, TURN VALVE (PLUGS)**

**B/M: 300SSU4042**

Ref. No.	Name of Part	Qty.	Part No.
7	PLUG .....	4	64AA5
8	PLUG .....	2	64AA4
9	PLUG .....	1	64AA7
10	PLUG .....	8	64AA3
11	PLUG .....	1	64B7

Order by Part Number and Description. Reference Numbers are for your convenience only.

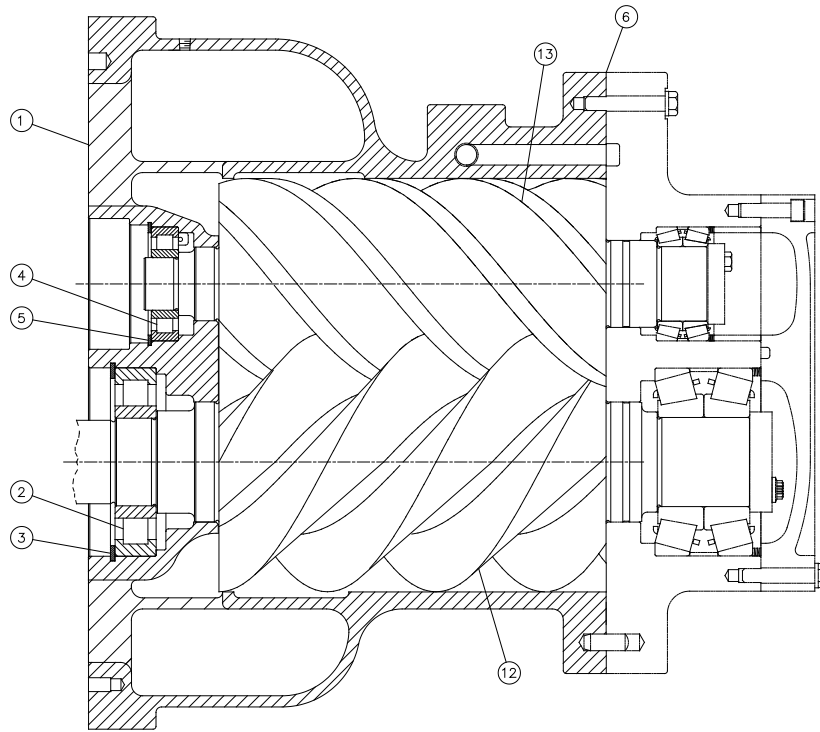


**CYLINDER GROUP, BASE LOAD (PLUGS)**

**B/M: 301SSU4042**

Ref. No.	Name of Part	Qty.	Part No.
7	PLUG .....	4	64AA5
8	PLUG .....	2	64AA4
9	PLUG .....	7	64AA3
10	PLUG .....	1	64B7

Order by Part Number and Description. Reference Numbers are for your convenience only.



339SSU810-B  
(Ref. Drawing)

**CYLINDER, GROUP (ALL UNITS)**

**B/M: 300SSU4042**

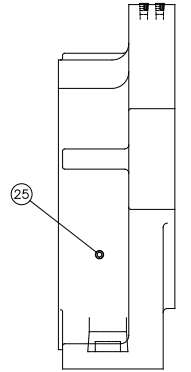
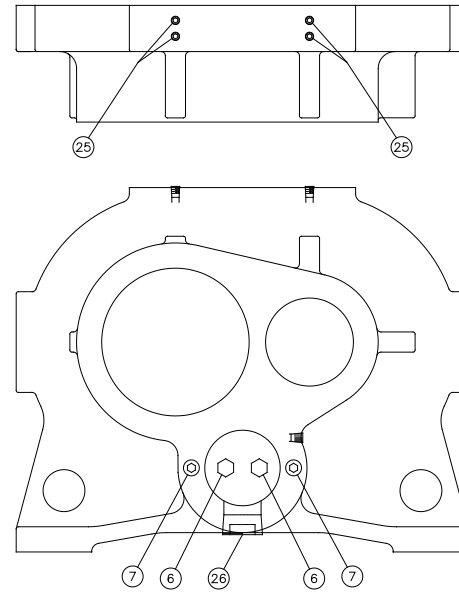
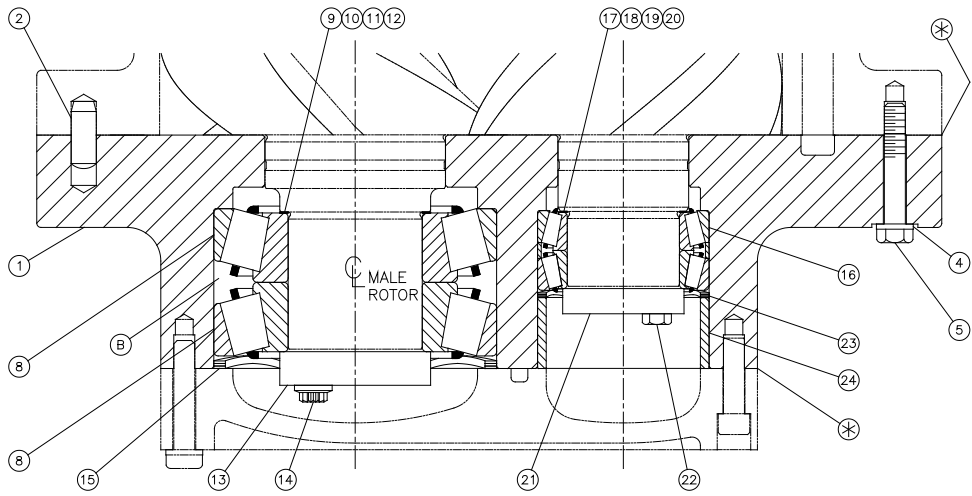
Ref. No.	Name of Part	Qty.	Part No.
1	CYLINDER-AIR, TURN VALVE .....	1	**
* 2	BEARING-ROLLER.....	1	12BA52
* 3	RING-RETAINER .....	1	65W61
* 4	BEARING-ROLLER.....	1	12W34
* 5	RING-RETAINING .....	1	65W14
6	GASKET-ELIMINATOR.....	1	25BC222

\* Parts included in Bearing Kit Part Number 331SSU6013. Refer to page 54.

\*\* Shown for reference only.

DISCHARGE HOUSING GROUP – ALL MODELS

13-9-576 Page 5



342SSU810-B  
(Ref. Drawing)

Order by Part Number and Description. Reference Numbers are for your convenience only.

DISCHARGE HOUSING GROUP – ALL MODELS

B/M: 310SSU4044

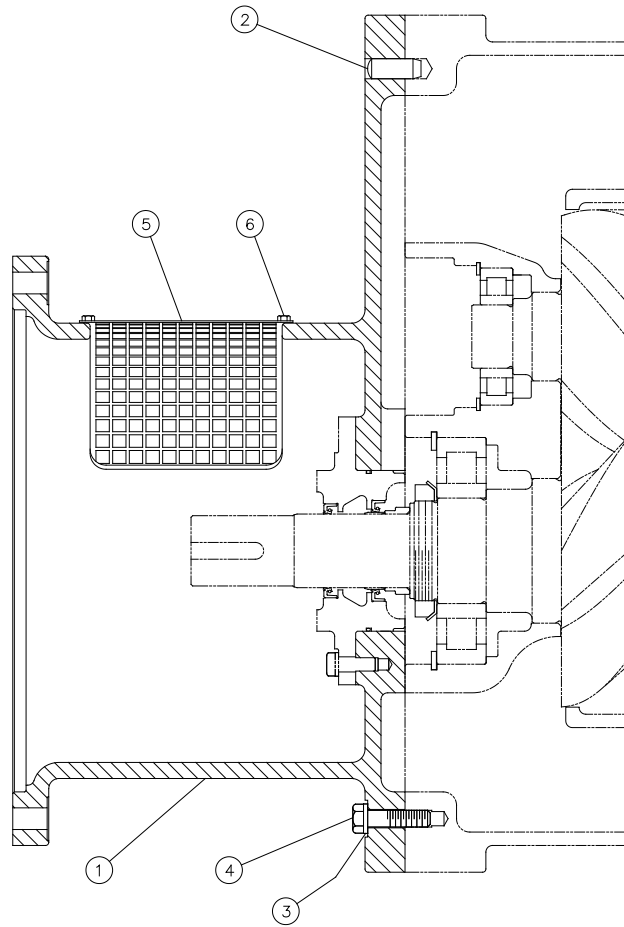
Ref. No.	Name of Part	Qty.	Part No.
1	HOUSING-BEARING .....	1	**
2	PIN-DOWEL .....	1	**
3	PIN (not shown).....	1	**
4	LOCKWASHER .....	24	**
5	SCREW .....	22	**
6	SCREW .....	2	**
7	SCREW .....	2	**
* 8	BEARING .....	2	12BA79
*** 9	SHIM-SET .....	3	77H108002
*** 10	SHIM-SET .....	3	77H108003
*** 11	SHIM-SET .....	3	77H108005
*** 12	SHIM-SET .....	2	77H108015
13	PLATE-BEARING RETAINER.....	1	**
14	SCREW .....	3	**
* 15	SPRING.....	1	78W110
* 16	BEARING .....	1	12BA192
*** 17	SHIM .....	3	77H50002
*** 18	SHIM .....	3	77H50003
*** 19	SHIM .....	3	77H50005
*** 20	SHIM .....	2	77H50015
21	PLATE-BEARING RETAINER.....	1	**
22	SCREW .....	3	**
* 23	SPRING.....	1	78W90
24	SPACER.....	1	**
25	PLUG (not shown).....	5	**
26	PLUG (not shown).....	1	**

\* Parts included in Bearing Kit Part Number 331SSU6013, page 54.

\*\* For reference only.

\*\*\* Parts included in Gasket Kit Part Number 334SSU6013, page 54.

Order by Part Number and Description. Reference Numbers are for your convenience only.



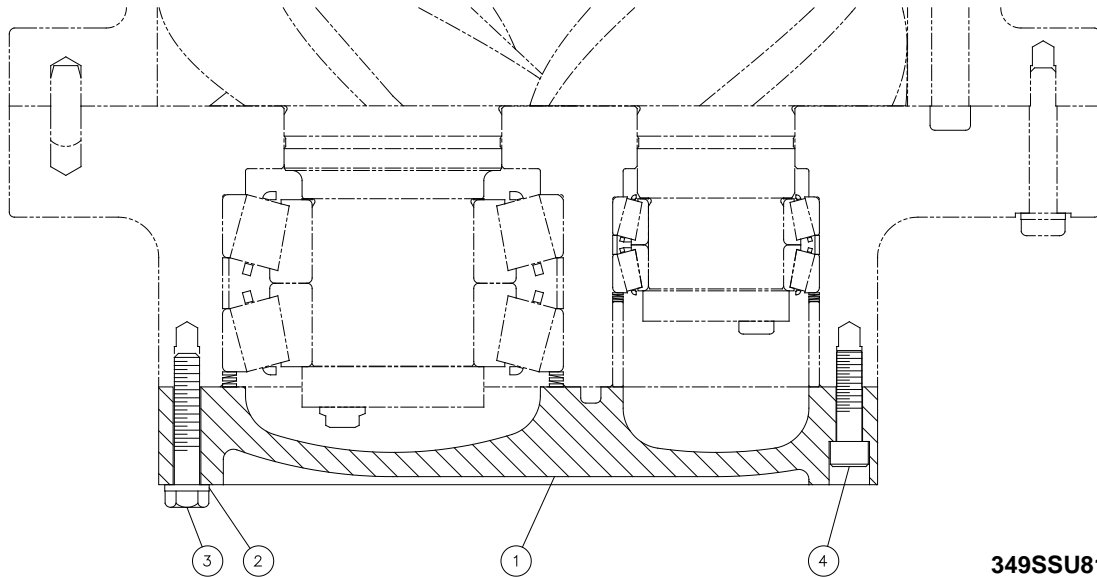
344SSU810-A  
(Ref. Drawing)

**DISCHARGE FLANGE MOUNTING GROUP**

B/M: 301SSU4017

Ref. No.	Name of Part	Qty.	Part No.
1	ADAPTOR .....	1	301SSU170
2	PIN-DOWEL .....	2	62M112
3	LOCKWASHER .....	20	95B7
4	SCREW .....	20	655EF100
5	GUARD-COUPLING.....	1	301SSU339
6	SCREW .....	4	75LM51
7	PLUG (not shown).....	1	64AA5

Order by Part Number and Description. Reference Numbers are for your convenience only.



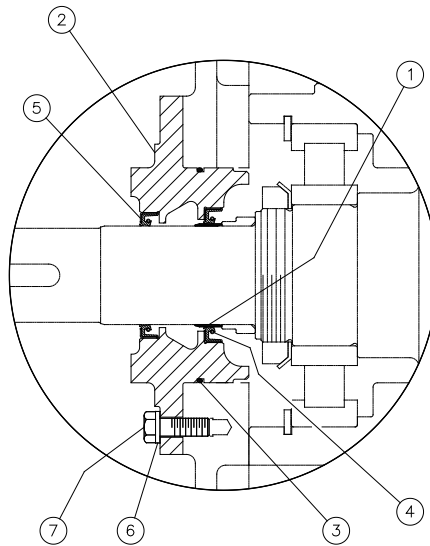
349SSU810-A  
(Ref. Drawing)

**BEARING COVER PLATE GROUP**

B/M: 300SSU4037

Ref. No.	Name of Part	Qty.	Part No.
1	PLATE-BEARING COVER.....	1	304SSU315
2	LOCKWASHER.....	10	95B7
3	SCREW.....	10	655EF130
4	SCREW.....	9	75P197

Order by Part Number and Description. Reference Numbers are for your convenience only.



348SSU810 – A  
(Ref. Drawing)

**OIL SEAL DETAIL**

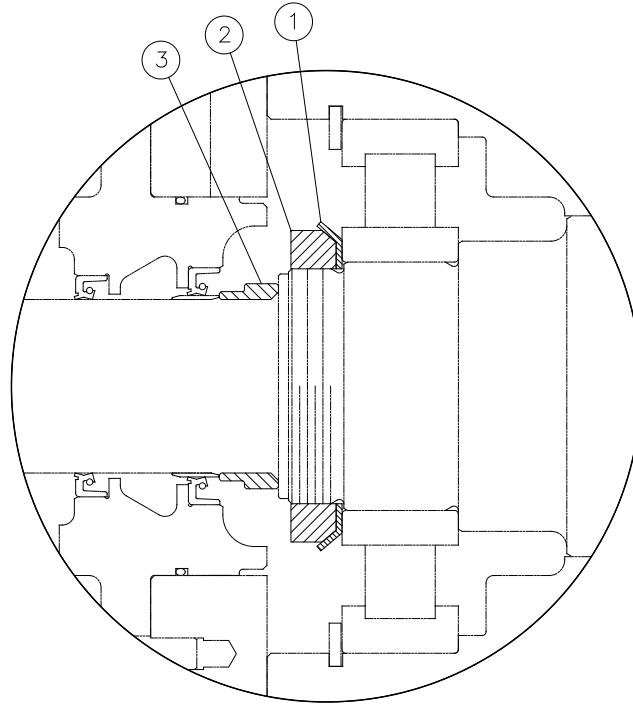
**B/M: 302SSU6029**

Ref. No.	Name of Part	Qty.	Part No.
* 1	SLEEVE-WEAR.....	1	80M28
2	HOUSING-SEAL .....	1	203SSU362
* 3	O-RING.....	1	25BC205
* 4	SEAL-OIL.....	1	60DD571
* 5	SEAL-OIL.....	1	60DD689
6	LOCKWASHER .....	6	95B5
7	SCREW .....	6	655EE060
* 8	VALVE-CHECK (not shown) .....	1	90AR923

\* Parts included in Oil Seal Kit Part Number 324SSU6013, page 54

Order by Part Number and Description. Reference Numbers are for your convenience only.

346SSU810-A  
(Ref. Drawing)

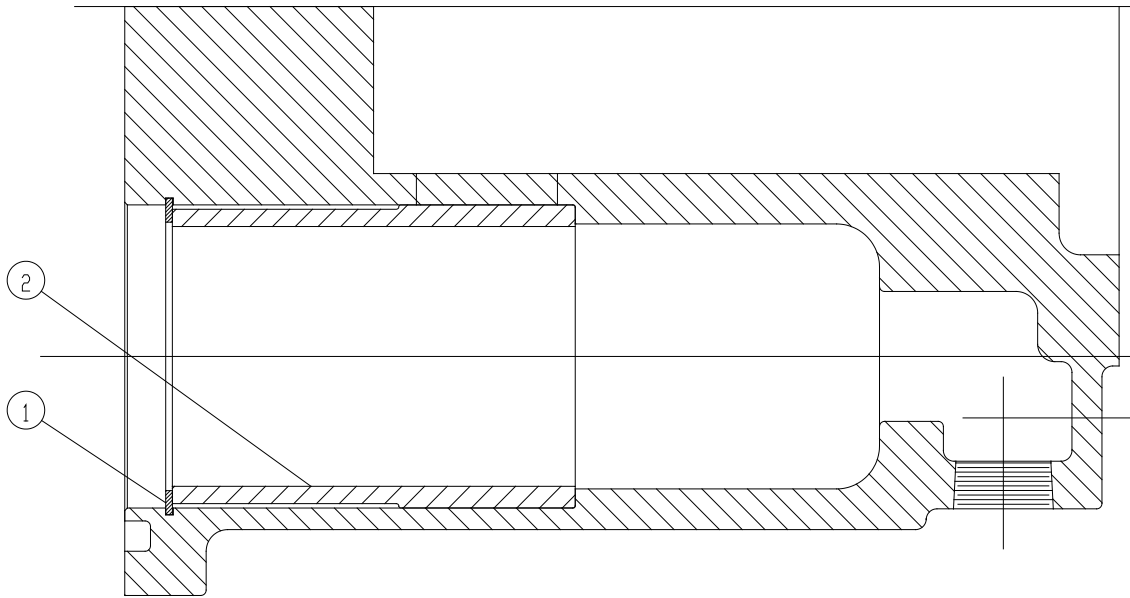


**MISCELLANEOUS PARTS GROUP**

**B/M: 306SSU4013**

<b>Ref. No.</b>	<b>Name of Part</b>	<b>Qty.</b>	<b>Part No.</b>
1	LOCKWASHER-BEARING.....	1	95N19
2	LOCKNUT.....	1	50Z19
3	SPACER-SHAFT.....	1	300SSU600

Order by Part Number and Description. Reference Numbers are for your convenience only.



327SSU810-A  
(Ref. Drawing)

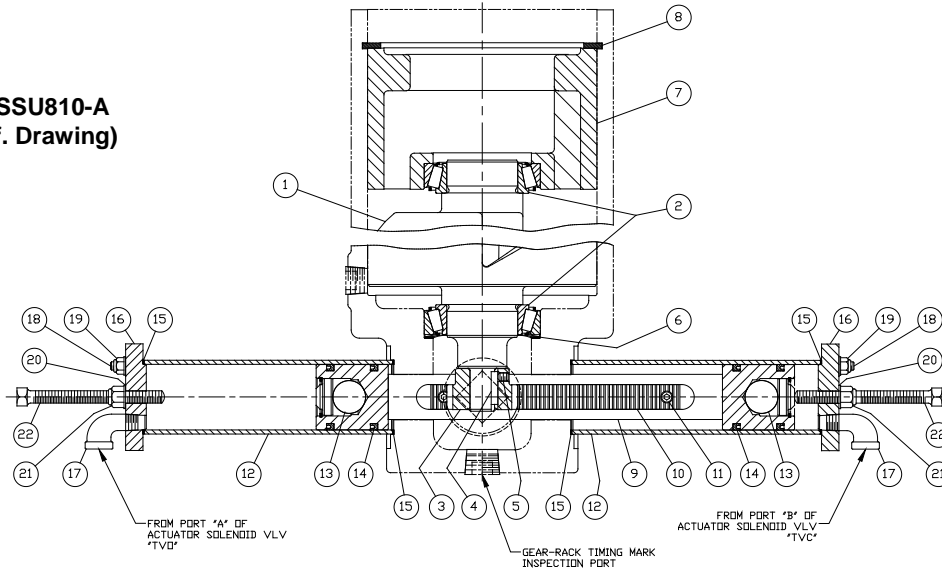
**TURN VALVE SPACER GROUP  
(SSUDVAAM01S AIREND ONLY)**

B/M: 316SSU4049

Ref. No.	Name of Part	Qty.	Part No.
1	RING-RETAINING.....	1	100522
2	SPACER.....	1	305SSU144

Order by Part Number and Description. Reference Numbers are for your convenience only.

**341SSU810-A**  
(Ref. Drawing)



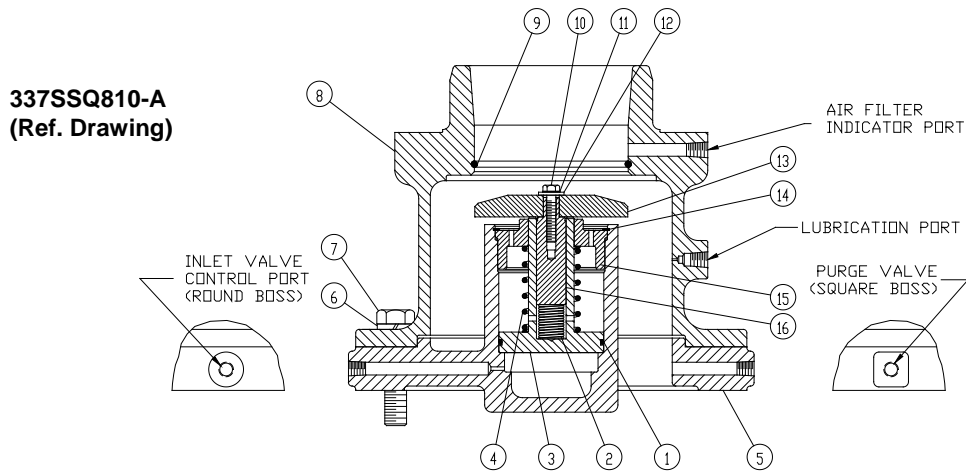
**TURN VALVE – EAU**  
**(SSUAVABM01S ONLY)**

**B/M: 300SSU4052**

Ref. No.	Name of Part	Qty.	Part No.
1	VALVE.....	1	203SSU238
* 2	BEARING-ROLLER.....	2	12BA51
3	GEAR-AUXILIARY.....	1	200SSU031
* 4	KEY.....	1	35C114
5	SCREW.....	1	76G21N
* 6	SPRING.....	1	78W50
7	RETAINER.....	1	207SSU205
8	RING-RETAINING.....	1	100522
9	SHAFT-CONTROL.....	1	200SSU081
10	RACK.....	1	200SSU360
11	SCREW.....	2	75P11N
12	CYLINDER.....	2	200SSU082
13	GROUP-PISTON.....	2	300SSU4056
	PISTON-CONTROL.....	1	201SSU084
* 14	PACKING-RING.....	4	60AM46
* 15	GASKET.....	4	25BC138N
16	HEAD-CONTROL CYLINDER.....	2	301SSU083
17	ELBOW.....	2	64D2G
18	STUD.....	8	79AL5
19	NUT.....	8	50AW24
* 20	SEAL.....	2	60DD801
21	LOCKNUT.....	2	50AW38
22	SCREW.....	2	76D49

\* Parts included in Periodic Overhaul Kit Part Number 335SSU6013, page 54

Order by Part Number and Description. Reference Numbers are for your convenience only.



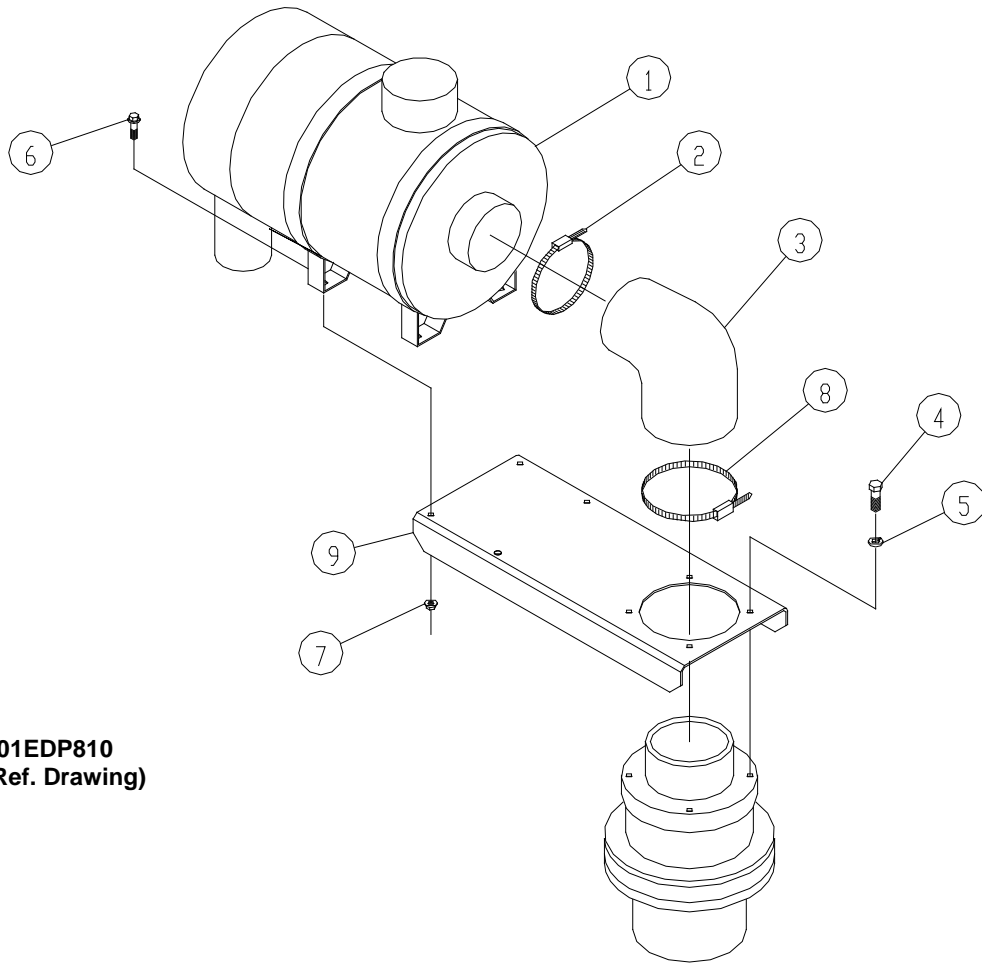
**INLET VALVE**

**B/M: 201SSQ4030**

Ref. No.	Name of Part	Qty.	Part No.
* 1	O-RING.....	1	25BC298
* 2	SPRING.....	1	78W62
3	PISTON-INLET VALVE.....	1	201SSQ043
* 4	SPRING.....	1	78W61
5	HOUSING-INLET.....	1	204SSQ041
6	LOCKWASHER.....	8	95B8
7	SCREW.....	8	655EG120
8	SEAT.....	1	202SSQ256
* 9	O-RING.....	1	25AM30
10	SCREW.....	1	75A102
11	LOCKWASHER.....	1	95H57
12	WASHER.....	1	95A2
13	VALVE-INLET.....	1	201SSQ044
* 14	RING-RETAINING.....	1	74D89
15	RETAINER.....	1	200SSQ205
16	GUIDE-VALVE.....	1	201SSQ483

\* Parts included in Periodic Maintenance Kit Number 301EAQ6013. Refer to page 54

Order by Part Number and Description. Reference Numbers are for your convenience only.



201EDP810  
(Ref. Drawing)

**AIR FILTER & MOUNTING**

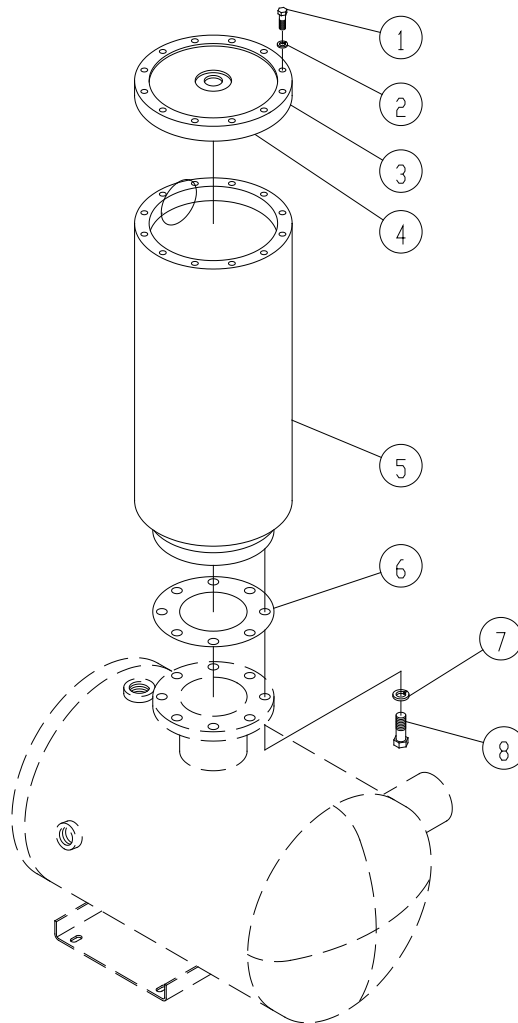
**B/M: 203EDP4017**

Ref. No.	Name of Part	Qty.	Part No.
* 1	FILTER-AIR .....	1	5L262
2	CLAMP .....	1	29B46
3	HOSE .....	1	29Z96
4	SCREW .....	4	655EE040
5	LOCKWASHER .....	4	95B5
6	SCREW .....	4	75K48
7	NUT .....	4	50AW5
8	CLAMP .....	1	2009499
9	BRACKET-FILTER .....	1	201EDP389

\* Air Filter Element Part Number is 2116702.

Order by Part Number and Description. Reference Numbers are for your convenience only.

209EDM810-A  
(Ref. Drawing)

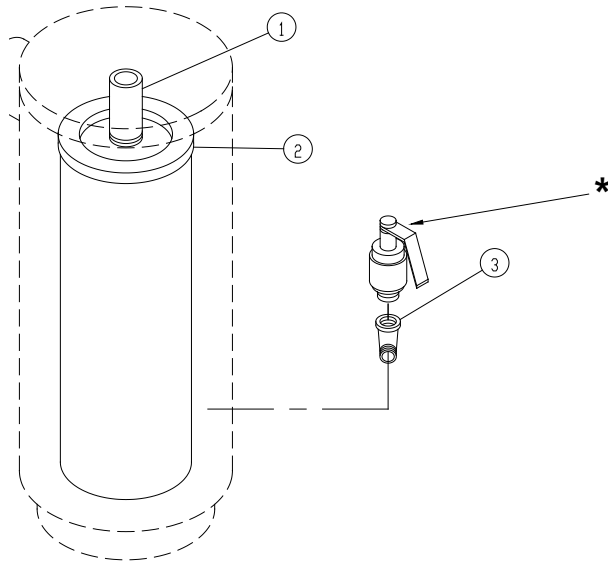


**SEPARATOR HOUSING**

B/M: 201EDM4018

Ref. No.	Name of Part	Qty.	Part No.
1	SCREW .....	12	655EE090
2	LOCKWASHER.....	12	95B5
3	COVER.....	1	200EDM225
4	GASKET-ELIMINATOR.....	1	25BC222
5	HOUSING.....	1	200EDM405
6	GASKET .....	1	25C2719N
7	LOCKWASHER.....	8	95B8
8	SCREW .....	8	655EG080

Order by Part Number and Description. Reference Numbers are for your convenience only.



203EDM810-A  
(Ref. Drawing)

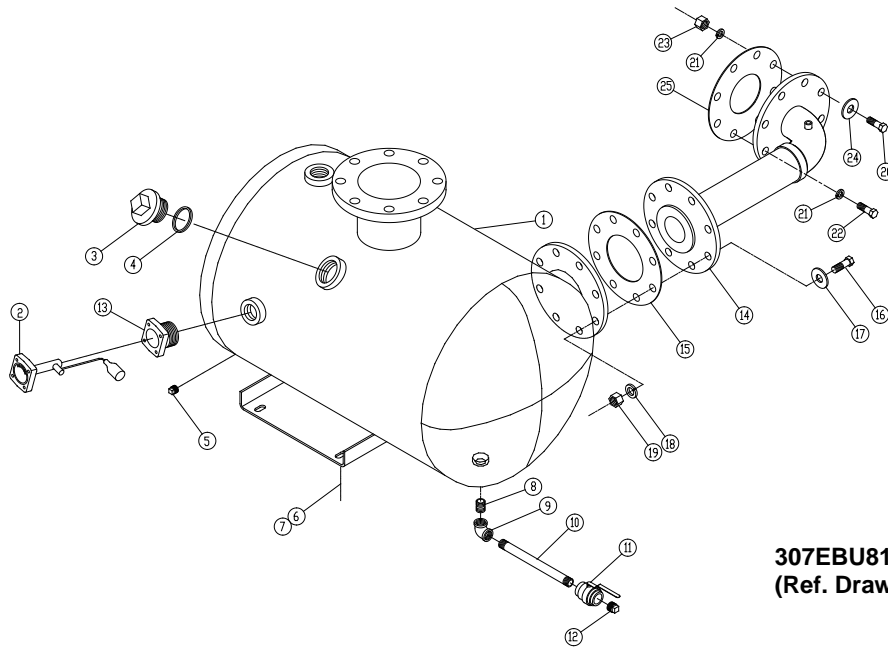
**SEPARATOR GROUP**

**B/M: 200EDP4013**

Ref. No.	Name of Part	Qty.	Part No.
1	SPACER .....	1	201EDM392
** 2	OIL SEPARATOR.....	1	55B44
3	ELBOW .....	1	64D8G
*	RELIEF VALVE .....		
	100 PSI .....		90AR510
	125 PSI .....		90AR532

\*\* For repair, order Separator Repair Kit Part Number 202EDP6013. Refer to page 53.

Order by Part Number and Description. Reference Numbers are for your convenience only.



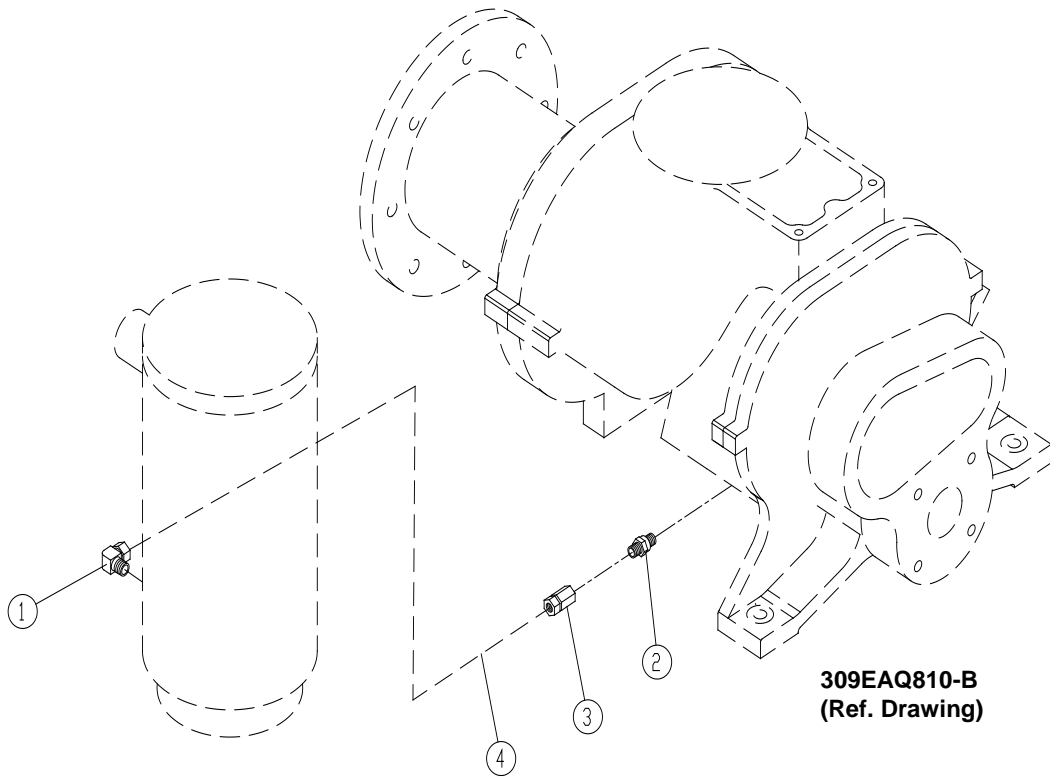
**307EBU810-A  
(Ref. Drawing)**

**DISCHARGE PIPING**

**B/M: 300EBU4018**

Ref. No.	Name of Part	Qty.	Part No.
1	RESERVOIR-OIL .....	1	303EAQ037
2	GAUGE .....	1	300EBM303
3	COVER .....	1	200SPF156
4	O-RING .....	1	54C214
5	PLUG.....	1	64AA5
6	SCREW .....	4	75LM135
7	NUT .....	4	50AW35
8	NIPPLE .....	1	63F1G
9	ELBOW .....	1	64C4G
10	NIPPLE .....	1	63F15G
11	VALVE-BALL .....	1	90AR360
12	PLUG.....	1	64AA7
13	ADAPTOR-GAUGE .....	1	200EDE058
14	MANIFOLD-DISCHARGE.....	1	300EBU071
15	GASKET .....	1	25C121N
16	SCREW .....	8	655EF120
17	WASHER.....	8	95A7
18	LOCKWASHER .....	8	95B7
19	NUT .....	8	50B7
20	SCREW .....	2	655EG140
21	LOCKWASHER .....	8	95B8
22	SCREW .....	6	655EG090
23	NUT .....	2	50B8
24	WASHER.....	2	95A8
25	GASKET .....	1	25C144N

Order by Part Number and Description. Reference Numbers are for your convenience only.

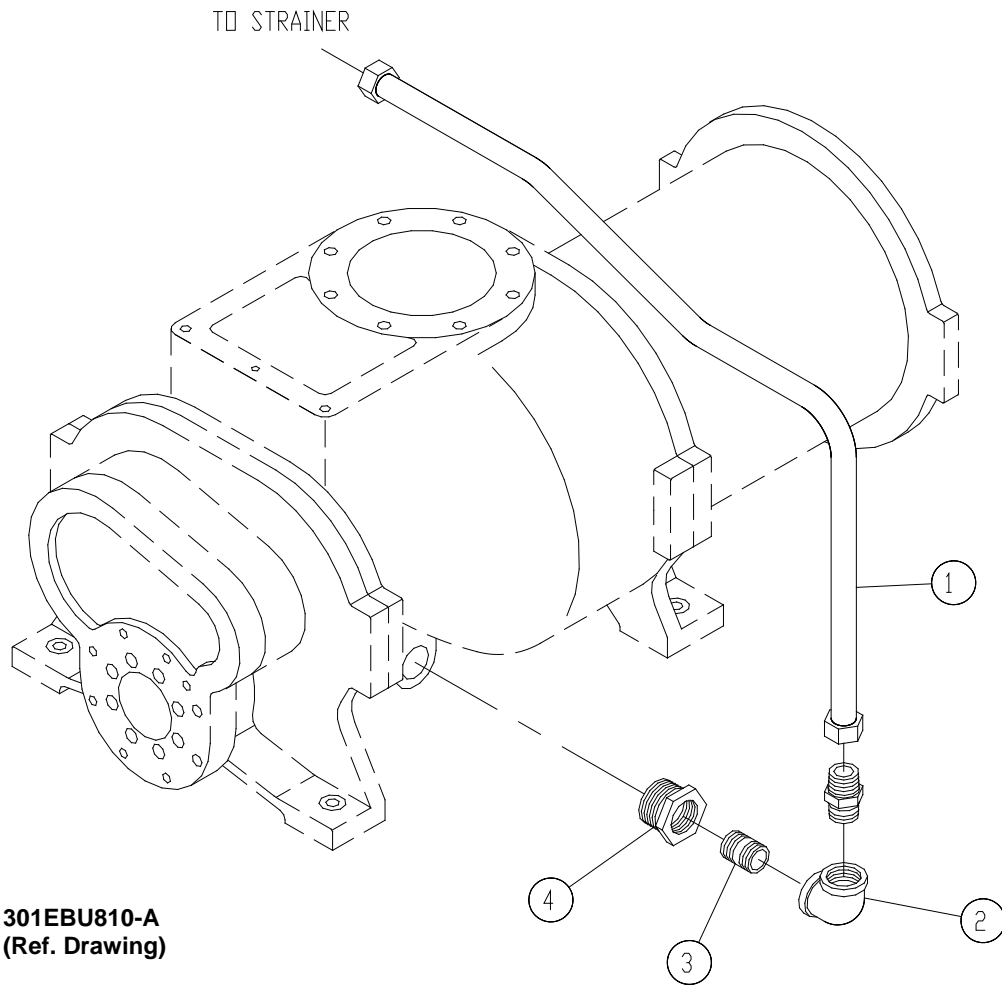


**OIL RETURN LINE**

**B/M: 308EAQ4017**

Ref. No.	Name of Part	Qty.	Part No.
1	ELBOW.....	1	86E60
2	VALVE-CHECK.....	1	90AR261
3	CONNECTOR-TUBE.....	1	86E28
4	TUBE (IN FEET).....	3	85K3

Order by Part Number and Description. Reference Numbers are for your convenience only.

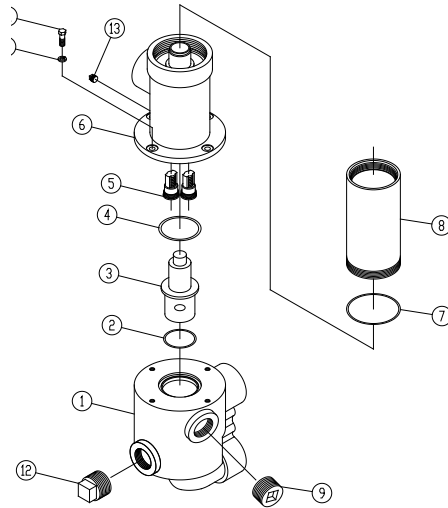


**OIL INLET TUBE**

**B/M: 302EBU4017**

Ref. No.	Name of Part	Qty.	Part No.
1	TUBE WITH FITTINGS .....	1	301EBU863
2	ELBOW .....	1	64C8G
3	NIPPLE .....	1	63K15G
4	BUSHING-PIPE .....	1	64E12

Order by Part Number and Description. Reference Numbers are for your convenience only.



261EAU810-B  
(Ref. Drawing)

**FILTER ASSEMBLY  
(WITH 150° ELEMENT – STANDARD)**

**B/M: 300EAQ2045 (150° F)  
301EAQ2045 (180° F)**

Ref. No.	Name of Part	Qty.	Part No.
1	MANIFOLD-OIL MIXING VALVE ELEMENT .....	1	200EAU116
2	O-RING.....	1	25BC127
3	ELEMENT	1	
	STANDARD 150° F .....	1	2117382
	OPTIONAL 140° F .....	1	2117381
	OPTIONAL 160° F .....	1	2117383
	OPTIONAL 180° F .....	1	2117384
4	O-RING.....	1	25BC175
5	CARTRIDGE-FILTER.....	2	2116640
6	MANIFOLD-OIL.....	1	201EAU116
7	O-RING.....	1	25BC380
* 8	BODY-OIL FILTER.....	1	200EDM032
9	PLUG.....	1	64B7
10	LOCKWASHER.....	4	95B3
11	SCREW .....	4	655ED050
12	PLUG.....	1	64AA2
13	PLUG.....	1	64AC2

\* For Repair of Filter Element, order Part Number 201EDM369.



**COOLER GROUP**

**B/M: 300EDP4003; 301EDP4003  
306EAQ4013; 307EAQ4013**

Ref. No.	Name of Part	Qty.	Part No.	Ref. No.	Name of Part	Qty.	Part No.
* 1	COUPLING-FLEXIBLE .....	1	64EB803	22	FAN .....	1	200EDP701
2	NIPPLE .....	2	63AJ48X50G	23	GUARD-FAN .....	1	200EDM393
3	VALVE-MINIMUM PRESSURE .....	1	201EDM527	24	SCREW .....	4	75LM50
4	NIPPLE .....	1	63P21G	25	NUT .....	4	50AW4
5	ELBOW .....	4	64C10G	26	SCREW .....	4	75LM78
6	NIPPLE .....	1	63P10G	27	NUT .....	4	50AW5
7	NIPPLE .....	1	63P1G	28	WASHER .....	4	95W15
8	NIPPLE .....	2	63P17G	29	SCREW .....	2	75LM51
9	UNION .....	1	64Z21	31	TUBE WITH FITTINGS.....	2	311EAQ863
10	BUSHING-PIPE .....	2	64E33	32	BRACKET (FORMED).....	1	300EAQ142
11	NIPPLE .....	1	63M2G	33	CONNECTOR-TUBE .....	8	86H141
** 12	SEPARATOR-MOISTURE.....	1	83C92	35	BRACKET-PIPE .....	1	200EAQ108
13	NIPPLE .....	1	63M3G	36	U-BOLT.....	2	15U108
14	U-BOLT.....	1	15U75	37	NUT .....	4	50AW5
15	NUT .....	2	50AW35	38	TUBE WITH FITTINGS.....	1	310EAQ863
16	COOLER-OIL/AIR.....	1	300EDP201	39	BUSHING-PIPE .....	4	64E12
	COOLER-OIL/AIR (SEACOAST).....	1	301EDP201	40	FILTER-OIL.....	1	201EDM369
17	SCREW .....	22	75LM51	41	NIPPLE .....	1	63K15G
18	NUT .....	14	50AW5	*** 42	STRAINER.....	1	82E40
19	WASHER.....	8	95A3	43	PLUG.....	1	64AA3
20	SUPPORT .....	1	200EDM165	50	TUBE ASSEMBLY.....	1	See Page 17
21	BUSHING-HUB.....	1	22G2	51	FILTER ASSEMBLY (150°) ...	1	300EAQ2045
					FILTER ASSEMBLY (180°) ...	1	301EAQ2045

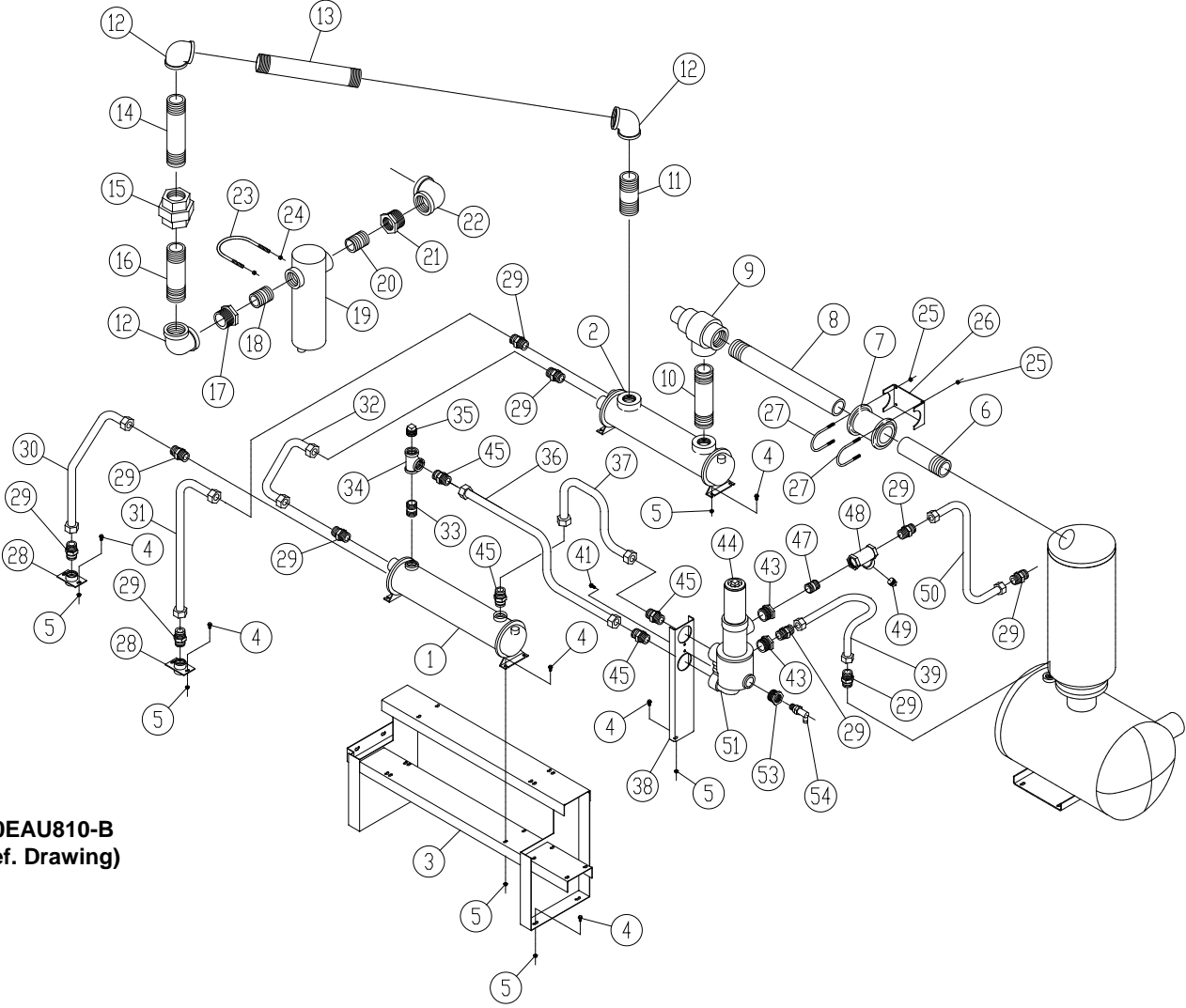
\* For Repair Order (2) 2117161 Gaskets.

\*\* Repair Parts Kits for Moisture Separator: 2117587 – Valve & Seat Assembly; 2117588 – Cover Gasket; 2117589 – Float & Spindle.

\*\*\* Repair Parts for Strainer: 2117307 – 100 Mesh Screen; 2117310 – Blow-off Bushing

NOTE: For motor part number, see page 43.

**WATER COOLED HEAT EXCHANGER – WITH AFTERCOOLER**



**330EAU810-B  
(Ref. Drawing)**

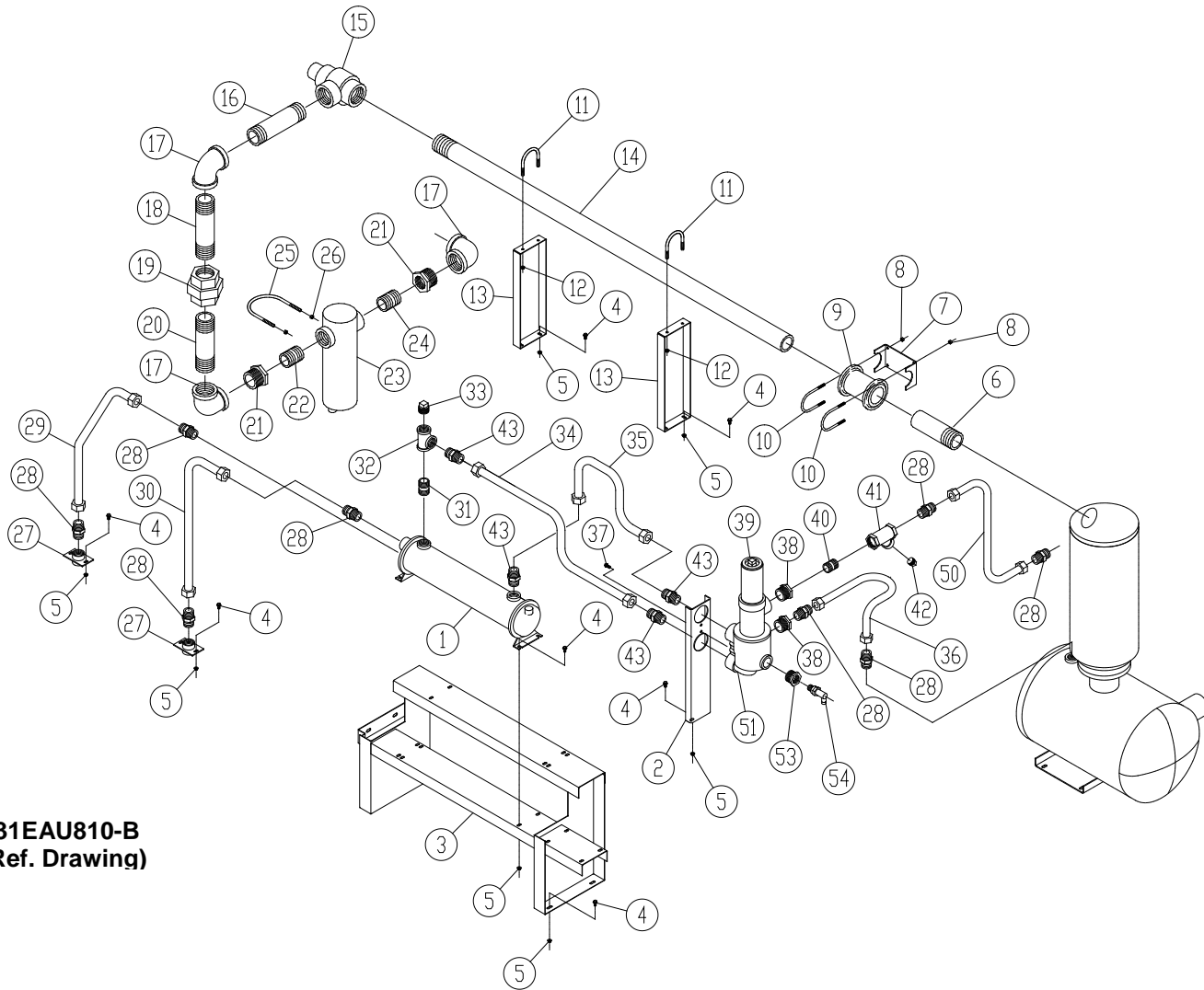
**WATER COOLED HEAT EXCHANGER – WITH AFTERCOOLER**

B/M: 350EAU4003; 352EAU4003  
308EAQ4013; 309EAQ4013

Ref. No.	Name of Part	Qty.	Part No.	Ref. No.	Name of Part	Qty.	Part No.
* 1	HEAT EXCHANGER (Fresh Water)...	1	200EAU349	26	BRACKET-PIPE .....	1	200EAQ108
	HEAT EXCHANGER (Salt Water).....	1	203EAU349	27	U-BOLT .....	2	15U108
** 2	AFTERCOOLER (Fresh Water) .....	1	204EAU292	28	MANIFOLD-WATER .....	2	200EDM072
	AFTERCOOLER (Salt Water) .....	1	206EAU292	29	CONNECTOR-TUBE .....	10	86H141
3	SUPPORT.....	1	300EAQ165	30	TUBE WITH FITTINGS .....	1	323EAU863
4	SCREW-FLANGED.....	18	75LM51	31	TUBE WITH FITTINGS .....	1	321EAU863
5	NUT-FLANGED.....	18	50AW5	32	TUBE WITH FITTINGS .....	1	324EAU863
6	NIPPLE .....	1	63AJ48X50G	33	NIPPLE .....	1	63L24G
+ 7	COUPLING-FLEXIBLE .....	1	64EB803	34	TEE .....	1	64G1G
8	NIPPLE .....	1	63AJ48X316G	++ 35	PLUG .....	1	64B7
9	VALVE-MINIMUM PRESSURE.....	1	201EDM527	36	TUBE WITH FITTINGS .....	1	325EAU863
10	NIPPLE .....	1	63P20G	37	TUBE WITH FITTINGS .....	1	326EAU863
11	NIPPLE .....	1	63P12G	38	BRACKET (FORMED) .....	1	300EAQ142
12	ELBOW .....	3	64C10G	39	TUBE WITH FITTINGS .....	1	310EAQ863
13	NIPPLE .....	1	63N48X200G	41	SCREW.....	2	75LM51
14	NIPPLE .....	1	63P17G	43	BUSHING-PIPE .....	2	64E12
15	UNION .....	1	64Z21	44	FILTER – OIL .....	1	201EDM369
16	NIPPLE .....	1	63P17G	45	CONNECTOR .....	4	86H142
17	BUSHING-PIPE .....	1	64E33	47	NIPPLE .....	1	63K15G
18	NIPPLE .....	1	63M3G	**** 48	STRAINER.....	1	82E49
*** 19	SEPARATOR-MOISTURE.....	1	83C92	49	PLUG .....	1	64AA3
20	NIPPLE .....	1	63M3G	50	TUBE ASSEMBLY .....	1	See Page 17
21	BUSHING-PIPE .....	1	64E33	51	FILTER ASSEMBLY (150°)...	1	303EAQ2045
22	ELBOW .....	1	64C10G		FILTER ASSEMBLY (180°)....	1	304EAQ2045
23	U-BOLT .....	1	15U75	53	BUSHING.....	1	64E61
24	NUT-FLANGED.....	2	50AW35	54	TUBE WITH FITTING .....	1	86N345
25	NUT-FLANGED.....	4	50AW5				

- \* For Repair: Bonnet (In & Out) – 2117178; Bonnet (Return) – 2117179; Gasket (In & Out) – 2109064; Gasket (Return) - 2117180
- \*\* For Repair: Bonnet (In & Out) – 2117187; Bonnet (Return) – 2117188; Gasket (In & Out) – 2117189; Gasket (Return) – 2117190
- \*\*\* Repair Parts Kits for Moisture Separator: 2117587 – Valve & Seat Assembly; 2117588 – Cover Gasket; 2117589 – Float & Spindle.
- \*\*\*\* Repair Parts for Strainer: 2117307 – 100 Mesh Screen; 2117310 – Blow-off Bushing.
- + For Repair Order (2) 2117161 Gaskets.
- ++ Remove this plug when Optional Water Temperature Regulator is used. This is the temperature probe location.

# WATER COOLED HEAT EXCHANGER – WITHOUT AFTERCOOLER



**331EAU810-B**  
**(Ref. Drawing)**

**WATER COOLED HEAT EXCHANGER – WITHOUT AFTERCOOLER**

B/M: 353EAU4003; 354EAU4003  
308EAQ4013; 309EAQ4013

Ref. No.	Name of Part	Qty.	Part No.	Ref. No.	Name of Part	Qty.	Part No.
* 1	HEAT EXCHANGER (Fresh Water) ...	1	200EAU349	24	NIPPLE.....	1	63M3G
	HEAT EXCHANGER (Salt Water) .....	1	203EAU349	25	U-BOLT .....	1	15U75
2	BRACKET (FORMED).....	1	300EAQ142	26	NUT-FLANGED .....	2	50AW35
3	SUPPORT .....	1	300EAQ165	27	MANIFOLD-WATER .....	2	200EDM072
4	SCREW-FLANGED .....	18	75LM51	28	CONNECTOR-TUBE.....	8	86H141
5	NUT .....	18	50AW5	29	TUBE WITH FITTINGS.....	1	323EAQ863
6	NIPPLE.....	1	63AJ48X50G	30	TUBE WITH FITTINGS.....	1	322EAQ863
7	BRACKET-PIPE .....	1	200EAQ108	31	NIPPLE.....	1	63L24G
8	NUT-FLANGED .....	4	50AW5	32	TEE .....	1	64G1G
+ 9	COUPLING-FLEXIBLE .....	1	64EB803	++33	PLUG.....	1	64B7
10	U-BOLT.....	2	15U108	34	TUBE WITH FITTINGS.....	1	325EAU863
11	U-BOLT.....	2	15U87	35	TUBE WITH FITTINGS.....	1	326EAU863
12	NUT-FLANGED .....	4	50AW35	36	TUBE WITH FITTINGS.....	1	310EAQ863
13	BRACKET-PIPE .....	2	200EDM108	37	SCREW .....	2	75LM51
14	NIPPLE.....	1	63AJ48X690G	38	BUSHING-PIPE .....	4	64E12
15	VALVE-MINIMUM PRESSURE .....	1	201EDM527	39	FILTER – OIL .....	1	201EDM369
16	NIPPLE.....	1	63P5G	40	NIPPLE.....	1	63K15G
17	ELBOW	3	64C10G	41	STRAINER .....	1	82E49
18	NIPPLE.....	1	63P25G	***42	PLUG.....	1	64AA3
19	UNION .....	1	64Z21	43	CONNECTOR .....	4	86H142
20	NIPPLE.....	1	63P20G	50	TUBE ASSEMBLY.....	1	See Page 17
21	BUSHING-PIPE .....	2	64E33	51	FILTER ASSEMBLY (150°)..	1	303EAQ2045
22	NIPPLE.....	1	63M2G		FILTER ASSEMBLY (180°)..	1	304EAQ2045
** 23	SEPARATOR-MOISTURE.....	1	83C92	53	BUSHING .....	<u>1</u>	64E61
				54	TUBE WITH FITTING .....	<u>1</u>	86N345

† For Repair Order (2) 2117161 Gaskets.

\* For Repair: Bonnet (In & Out) – 2117178; Bonnet (Return) – 2117179; Gasket (In & Out) – 2109064; Gasket (Return) - 2117180

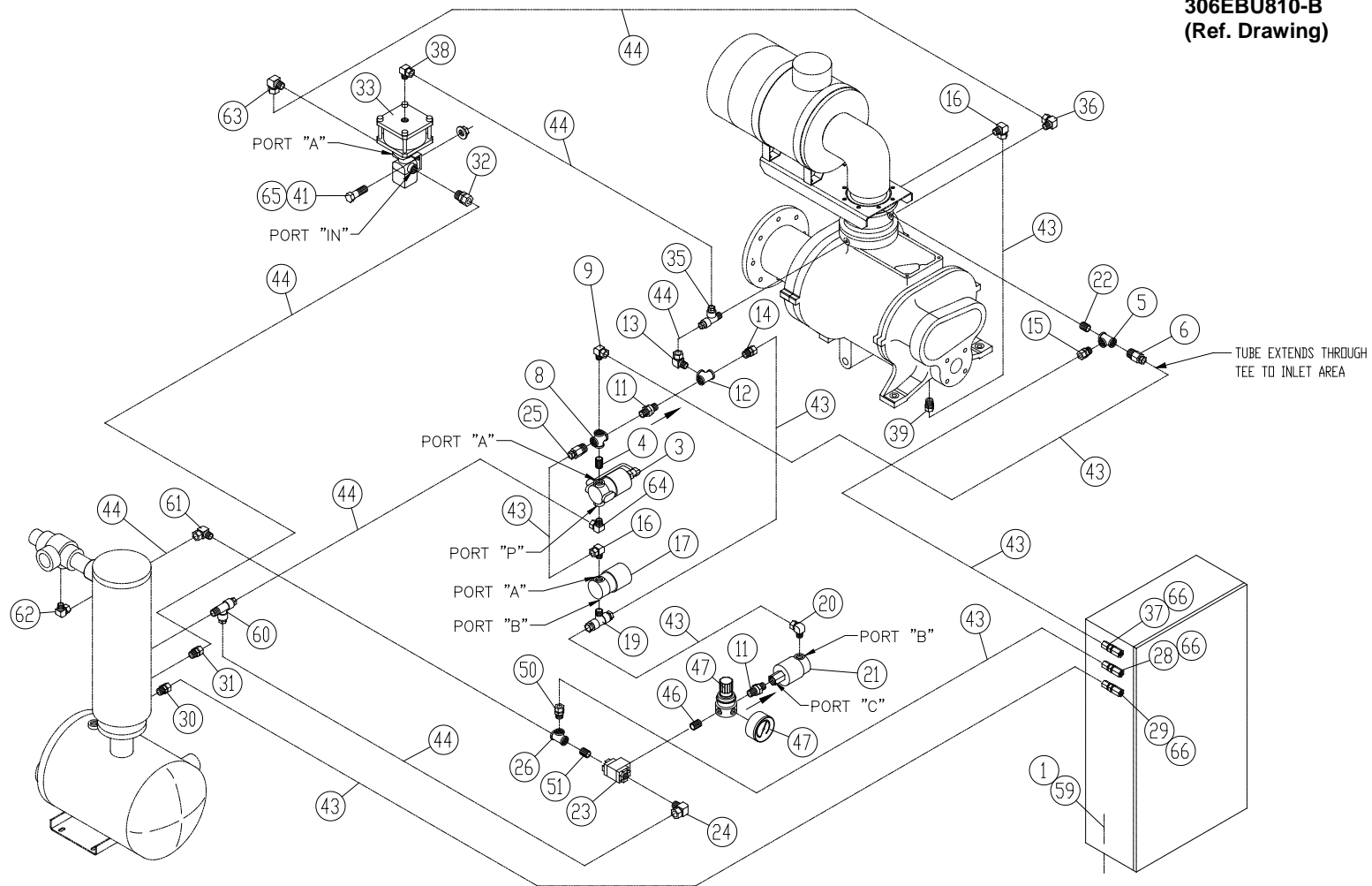
\*\* Repair Parts Kits for Moisture Separator: 2117587 – Valve & Seat Assembly; 2117588 – Cover Gasket; 2117589 – Float & Spindle.

\*\*\* Repair Parts for Strainer: 2117307 – 100 Mesh Screen; 2117310 – Blow-off Bushing.

++ NOTE: Remove this plug when Optional Water Temperature Regulator is used. This is the temperature probe location.

# CONTROL SCHEMATIC

306EUB810-B  
(Ref. Drawing)



Order by Part Number and Description. Reference Numbers are for your convenience only.

CONTROL SCHEMATIC

B/M: 300EBU4002

Ref. No.	Name of Part	Qty.	Part No.	Ref. No.	Name of Part	Qty.	Part No.
1	SCREW .....	4	75LM51	30	CONNECTOR-TUBE .....	1	86E4
*+ 3	VALVE-SOLENOID .....	1	91B70	31	CONNECTOR-TUBE .....	1	86E9
4	NIPPLE .....	1	63D1G	32	CONNECTOR-TUBE .....	1	86E9
5	TEE .....	1	64G3G	**++33	CONTROL VALVE .....	1	90AR1082
6	CONNECTOR .....	1	86N272	35	TEE .....	1	86E136
8	CROSS .....	1	64K1G	36	ELBOW .....	1	86E64
9	ELBOW-TUBE .....	1	86E60	37	CONNECTOR-TUBE .....	1	86N287
++11	VALVE-CHECK .....	2	90AR261	38	ELBOW .....	1	86E64
12	TEE .....	1	64G3G	39	CONNECTOR-TUBE .....	1	86E4
13	ELBOW .....	1	86E64	41	NUT .....	2	50AW3
14	ORIFICE .....	1	86N289	43	TUBE (IN FEET) .....	28	85K3
15	CONNECTOR-TUBE .....	1	86E4	44	TUBE (IN FEET) .....	24	85K5
16	ELBOW-TUBE .....	2	86E60	46	NIPPLE .....	1	63D1G
+ 17	VALVE-SOLENOID .....	1	91B144	++▽47	REGULATOR-PRESS w/ GAUGE .....	1	88H139
19	TEE .....	1	86E119	50	CONNECTOR-TUBE .....	1	86E4
20	ELBOW-TUBE .....	1	86E60	51	NIPPLE .....	1	63D1G
+ 21	VALVE-SOLENOID .....	1	91B143	59	NUT .....	4	50AW5
22	NIPPLE .....	1	63D1G	60	TEE .....	1	86E136
++23	VALVE-CONTROL .....	1	90AR1034	61	ELBOW .....	1	86E64
24	ELBOW .....	1	86E64	62	ELBOW .....	1	86E64
25	CONNECTOR-TUBE .....	1	86E4	63	ELBOW .....	1	86E64
26	TEE .....	1	64G3G	64	ELBOW .....	1	86E64
28	CONNECTOR-TUBE .....	1	86N287	65	SCREW .....	2	75LM48
29	CONNECTOR-TUBE .....	1	86N287	66	O-RING .....	3	165011

\* For Repair Kit (includes Springs, Seals, Piston Assembly, Plunger Assembly, Nut & O-Ring, order Part Number 2116077 or for Coil, order Part Number 2116078.

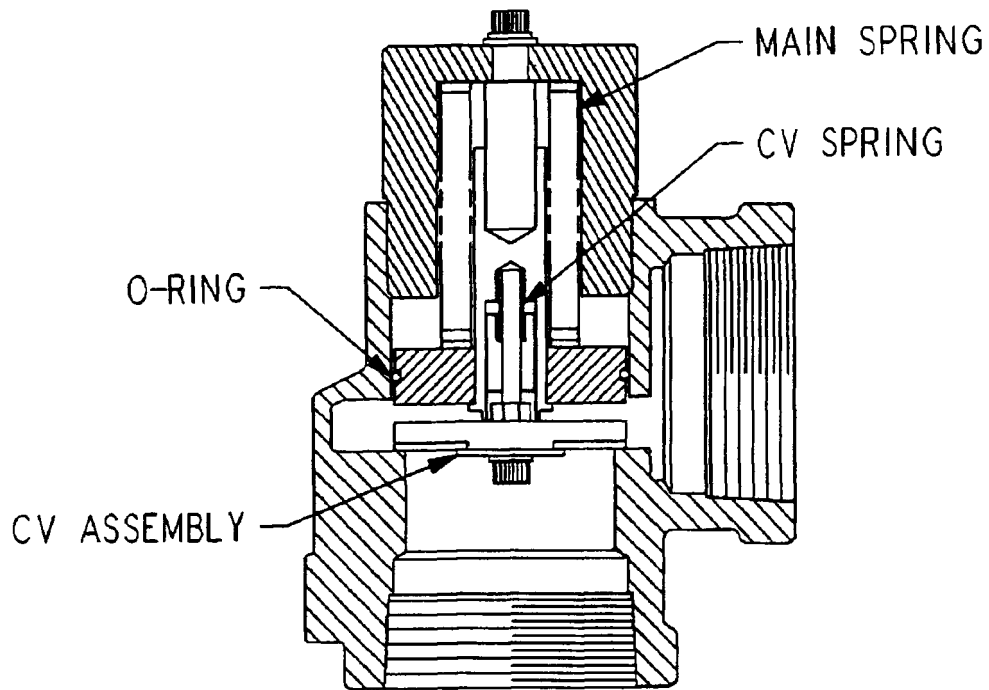
\*\* For Repair of U-Cup (Piston Seal), order Part Number 2117904; For O-Ring (Top Plate), order Part Number 2117905.

+ Parts included in Electrical Control Kit, Part Number 306EAQ6013. Refer to page 53.

++ Parts included in Pneumatic Control Kit, Part Number 302EAQ6013. Refer to page 53.

▽ For Replacement Gauge, order Part Number 2116732.

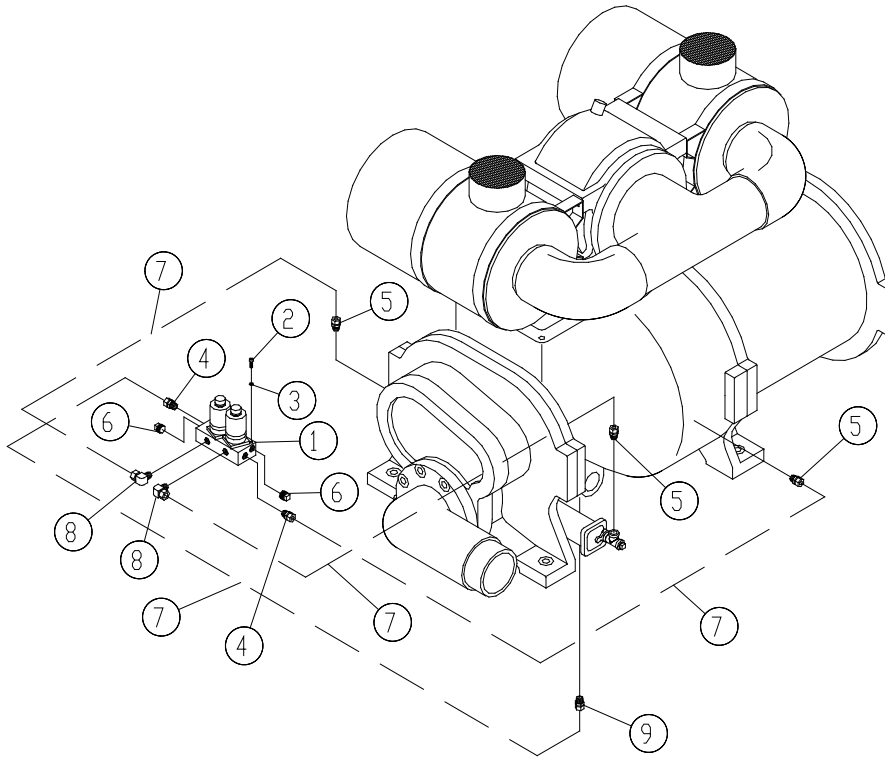
Order by Part Number and Description. Reference Numbers are for your convenience only.



**MINIMUM PRESSURE/CHECK VALVE**

Name of Part	Qty.	Part No.
MINIMUM PRESSURE VALVE ASSEMBLY.....	1	201EDM527
REPAIR KIT: .....	1	2116855
CHECK VALVE ASSEMBLY.....	1	
MAIN SPRING.....	1	
CHECK VALVE SPRING .....	1	
O-RING .....	1	

Order by Part Number and Description. Reference Numbers are for your convenience only.



255EAU810-B  
(Ref. Drawing)

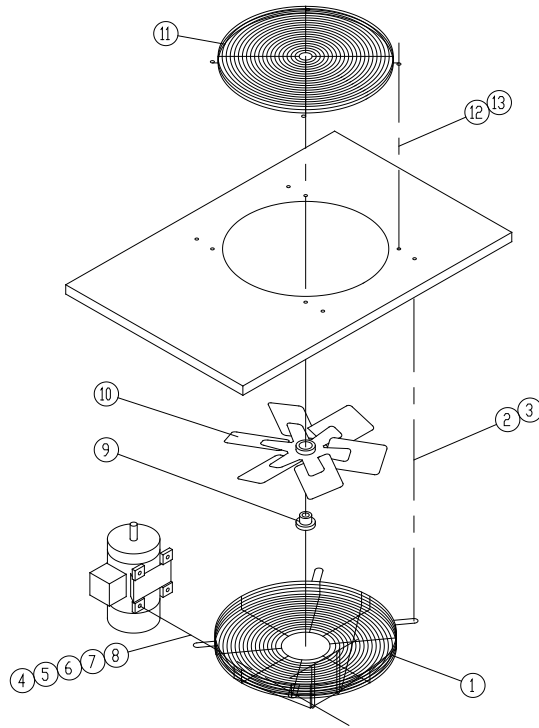
**TURN VALVE ACTUATOR – (EAU ONLY)**

**B/M: 203EAU4013**

Ref. No.	Name of Part	Qty.	Part No.
1 *	VALVE-SOLENOID .....	1	301EAQ861
2	SCREW .....	2	75P26
3	LOCKWASHER.....	2	95B1
4	CONNECTOR-TUBE .....	2	86E5
5	CONNECTOR-TUBE .....	3	86E4
6	PLUG.....	2	64AC3
7	TUBE-BULK (IN FEET) .....	20	85K3
8	ELBOW-TUBE.....	2	86E60
9	CONNECTOR-TUBE .....	1	86E5

\*For O-Ring Repair Kit, order Part Number 307EAQ6013. Refer to Page 53.

Order by Part Number and Description. Reference Numbers are for your convenience only.



262EAU810  
(Ref. Drawing)

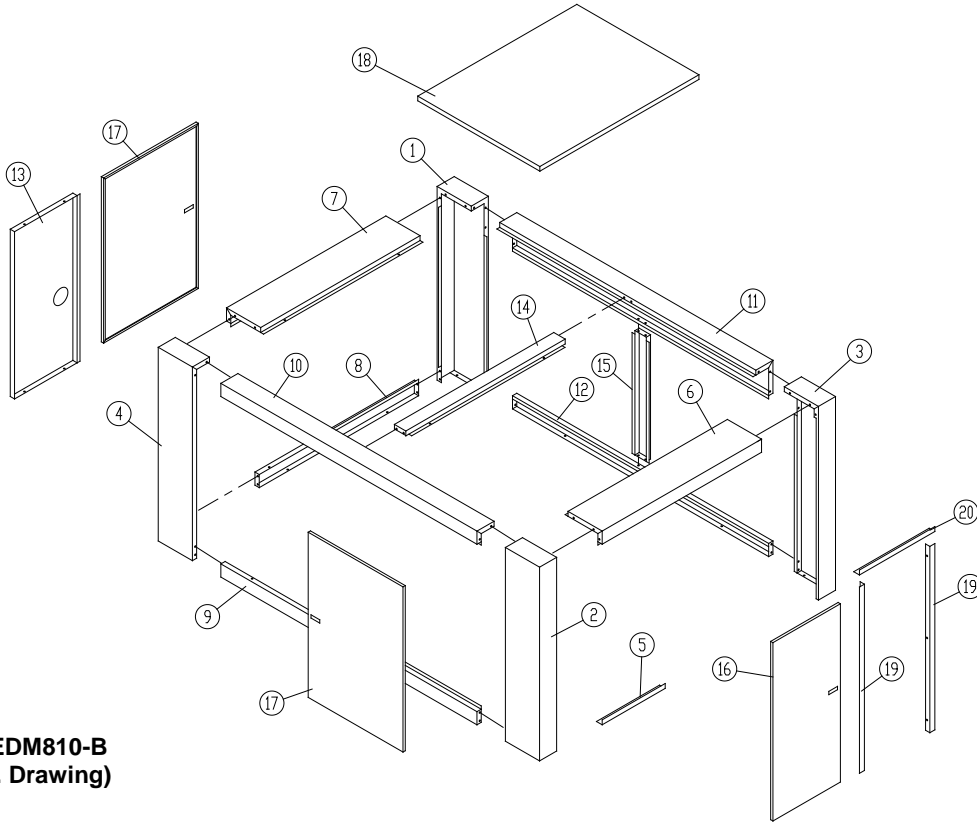
**ENCLOSURE VENT FAN ASSEMBLY  
(WATER COOLED ONLY)**

**B/M: 300EBQ4017**

Ref. No.	Name of Part	Qty.	Part No.
1	GUARD-FAN .....	1	202ECM393
2	SCREW .....	4	75K48
3	WASHER .....	4	95A5
4	SCREW .....	4	75A35
5	RETAINER.....	4	2014731
6	WASHER.....	4	95A2
7	LOCKWASHER .....	4	95B2
8	NUT .....	4	50B2
9	BUSHING-SHEAVE .....	1	22G27
10	FAN.....	1	202ECM701
11	GUARD-FAN .....	1	200ECM393
12	SCREW .....	4	75LM51
13	NUT .....	4	50AW5

For Motor Part Number refer to Page 43.

Order by Part Number and Description. Reference Numbers are for your convenience only.

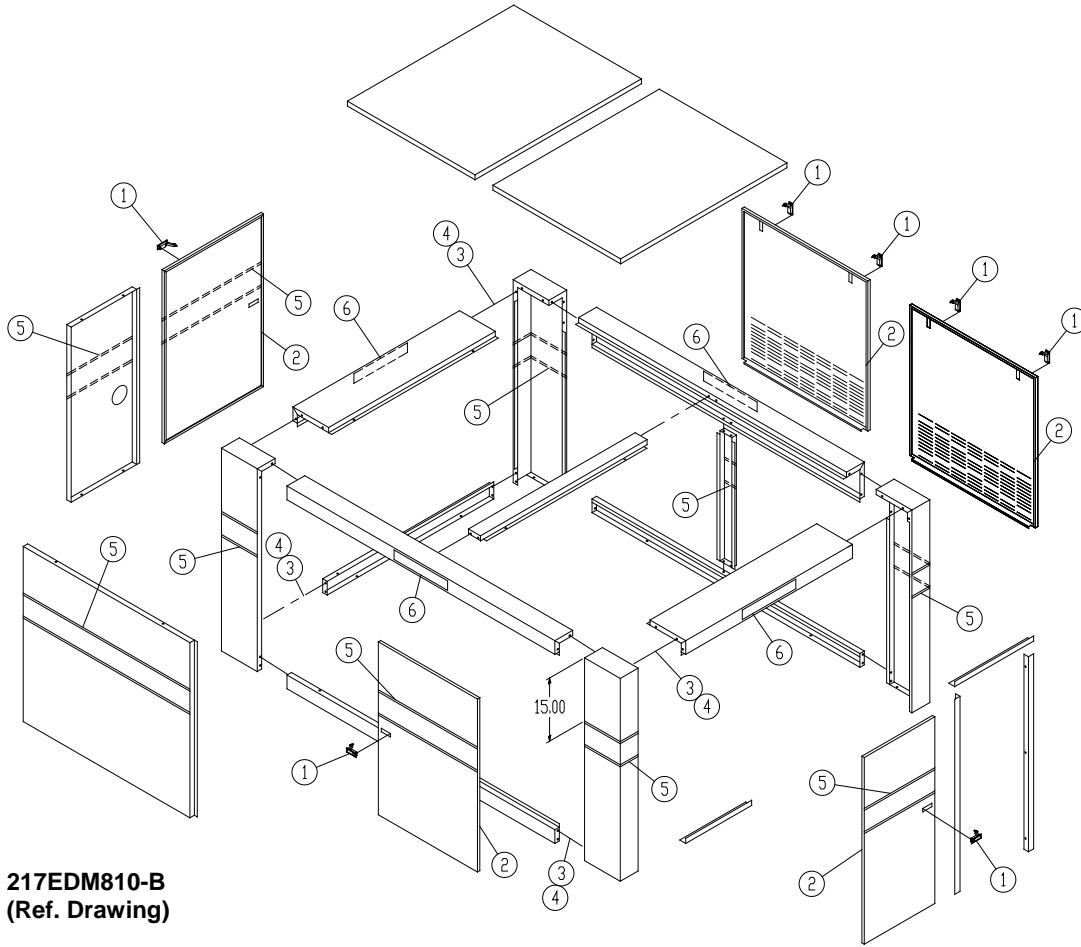


200EDM810-B  
(Ref. Drawing)

**ENCLOSURE  
(STANDARD)**

Ref. No.	Name of Part	Qty.	B/M: 200EDM4023 ODP Part No.	B/M: 311EBU4023 TEFC Part No.
1	POST .....	1	200EDM313	309EBU313
2	POST .....	1	201EDM313	201EDM313
3	POST .....	1	202EDM313	202EDM313
4	POST .....	1	203EDM313	310EBU313
5	FRAME .....	1	200EDM314	200EDM314
6	FRAME .....	1	201EDM314	201EDM314
7	FRAME .....	1	202EDM314	315EBU314
8	FRAME .....	1	203EDM314	316EBU314
9	FRAME .....	1	204EDM314	204EDM314
10	FRAME .....	1	205EDM314	205EDM314
11	FRAME .....	1	206EDM314	206EDM314
12	FRAME .....	1	207EDM314	207EDM314
13	BRACE .....	1	200EDM326	200EDM326
14	BRACE .....	1	201EDM326	201EDM326
15	BRACE .....	1	202EDM326	202EDM326
16	DOOR – CANOPY .....	1	200EDM334	200EDM334
17	DOOR – CANOPY .....	2	201EDM334	201EDM334
18	PANEL .....	1	203EDM216	203EDM216
19	BRACKET .....	2	201EDM142	201EDM142
20	BRACKET .....	1	202EDM142	202EDM142

Order by Part Number and Description. Reference Numbers are for your convenience only.

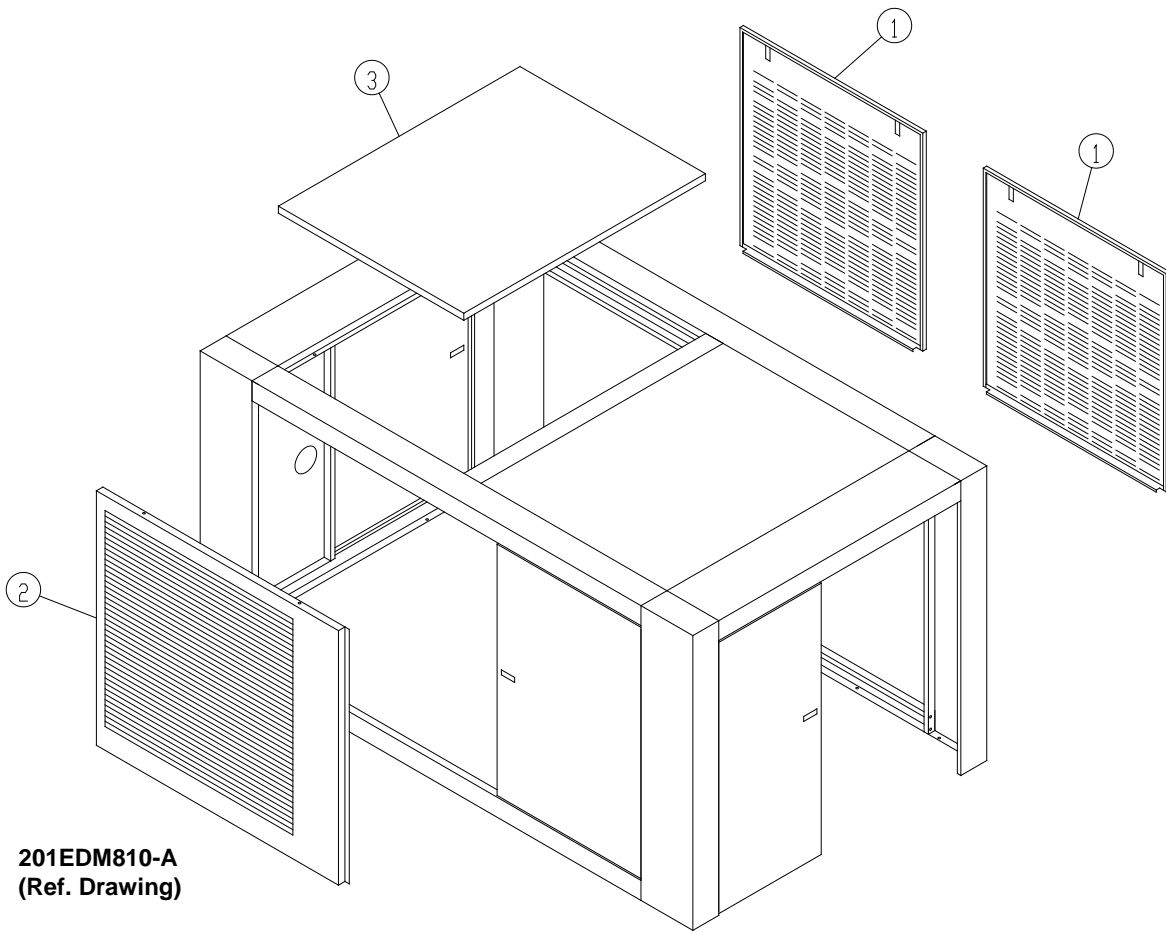


**ENCLOSURE – HARDWARE  
(STANDARD & QUIET)**

**B/M: 208EDM4017  
ODP & TEFC**

Ref. No.	Name of Part	Qty.	Part No.
1	LATCH.....	7	31D51
2	SEAL (IN FEET).....	75	32E12
3	SCREW.....	90	75LM51
4	NUT.....	82	50AW5
5	DECAL.....	6	203ESO077
6	DECAL-"GARDNER DENVER".....	4	213ECM077

Order by Part Number and Description. Reference Numbers are for your convenience only.

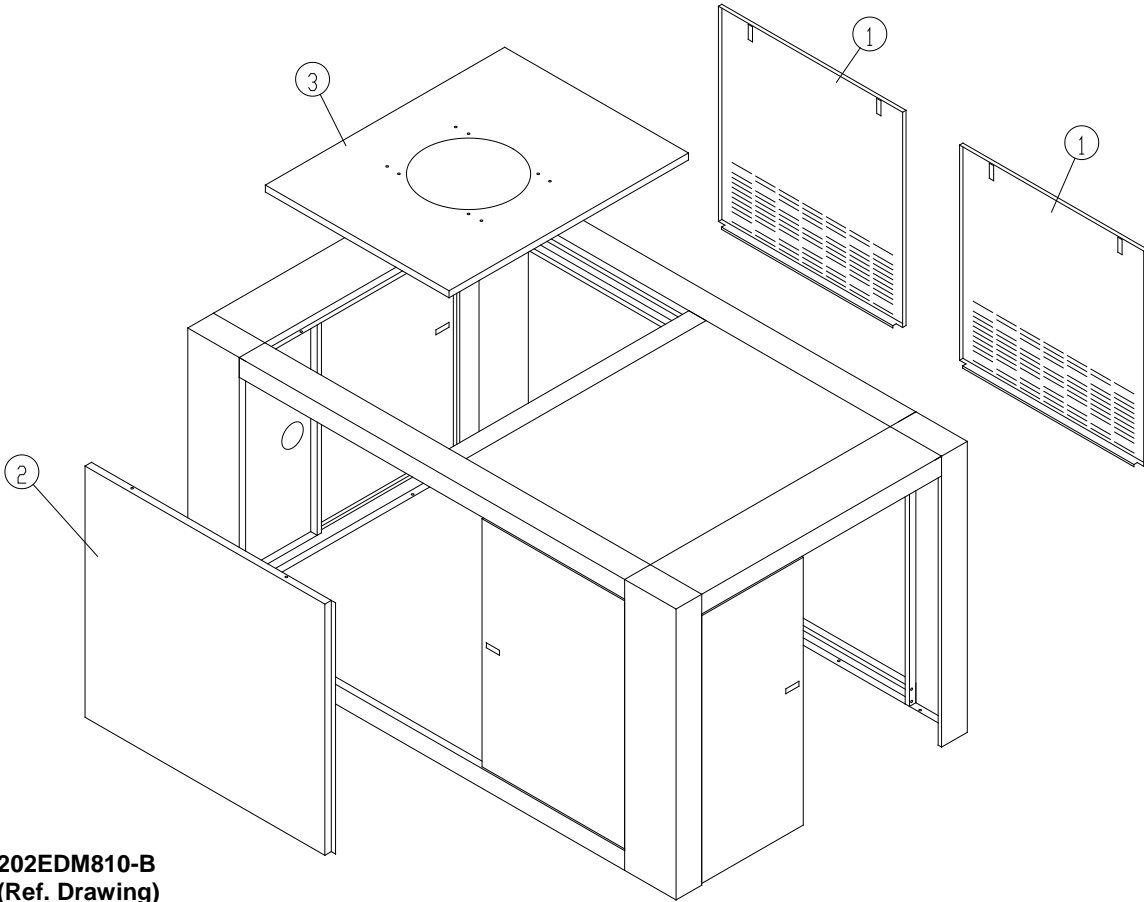


**ENCLOSURE – AIR COOLED PANELS  
(STANDARD)**

**B/M: 201EDM4023  
ODP & TEFC**

Ref. No.	Name of Part	Qty.	Part No.
1	PANEL.....	2	200EDM216
2	PANEL.....	1	202EDM216
3	PANEL.....	1	203EDM216

Order by Part Number and Description. Reference Numbers are for your convenience only.



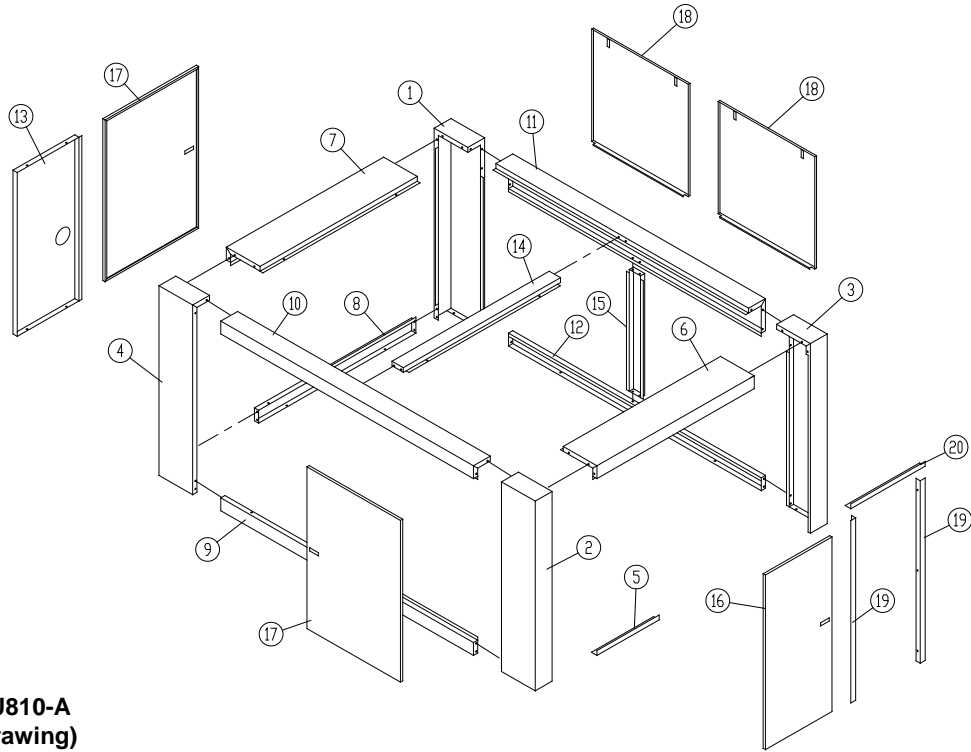
202EDM810-B  
(Ref. Drawing)

**ENCLOSURE – WATER COOLED PANELS  
(STANDARD)**

B/M: 202EDM4023  
ODP & TEFC

Ref. No.	Name of Part	Qty.	Part No.
1	PANEL.....	2	201EDM216
2	PANEL.....	1	204EDM216
3	PANEL.....	1	205EDM216

Order by Part Number and Description. Reference Numbers are for your convenience only.

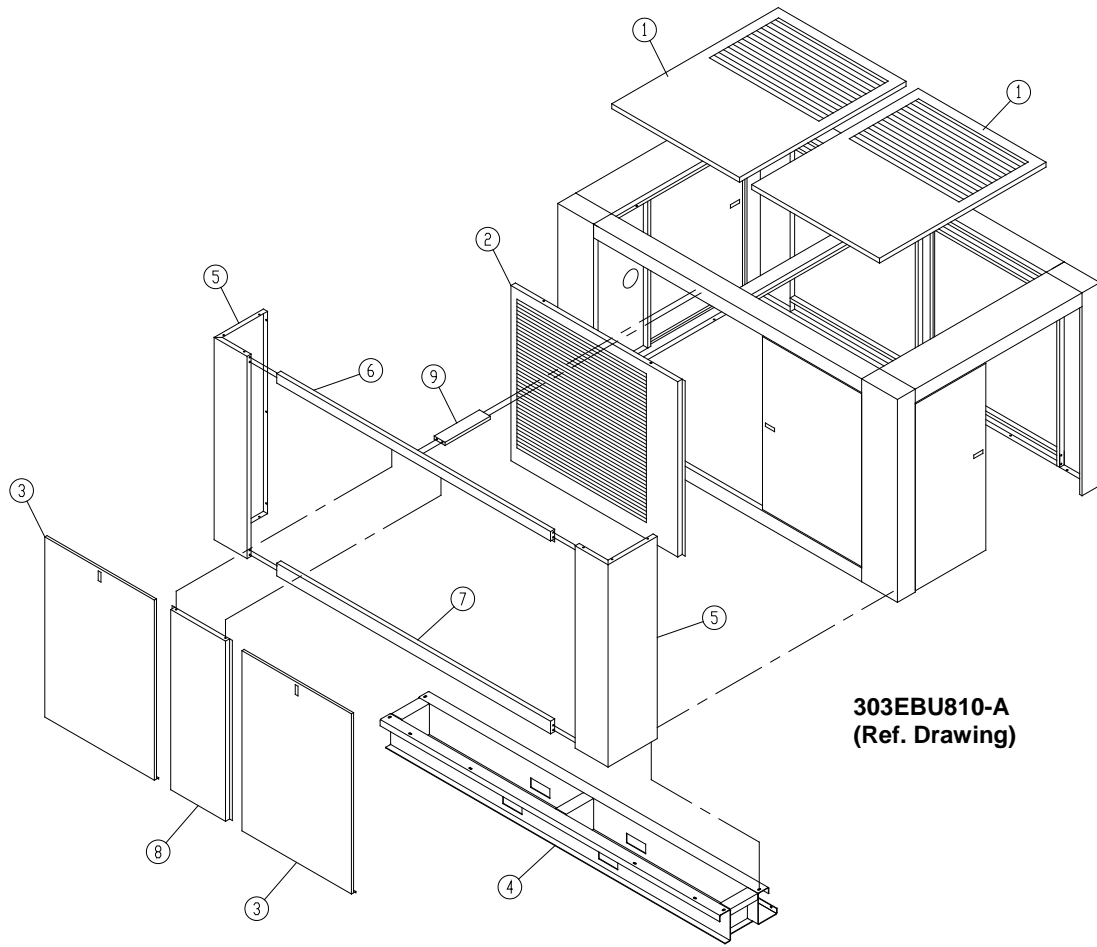


305EBU810-A  
(Ref. Drawing)

**ENCLOSURE – BASIC  
(QUIET)**

Ref. No.	Name of Part	Qty.	B/M: 302EBU4023	B/M: 312EBU4023
			ODP Part No.	TEFC Part No.
1	POST.....	1	200EDM313	309EBU313
2	POST.....	1	201EDM313	201EDM313
3	POST.....	1	202EDM313	202EDM313
4	POST.....	1	203EDM313	310EBU313
5	FRAME.....	1	200EDM314	200EDM314
6	FRAME.....	1	201EDM314	201EDM314
7	FRAME.....	1	202EDM314	315EBU314
8	FRAME.....	1	203EDM314	316EBU314
9	FRAME.....	1	204EDM314	204EDM314
10	FRAME.....	1	205EDM314	205EDM314
11	FRAME.....	1	206EDM314	206EDM314
12	FRAME.....	1	207EDM314	207EDM314
13	BRACE (MOTOR SIDE).....	1	300EBU326	300EBU326
14	BRACE.....	1	201EDM326	201EDM326
15	BRACE.....	1	202EDM326	202EDM326
16	DOOR (CONTROL SIDE).....	1	301EBU334	301EBU334
17	DOOR.....	2	300EBU334	300EBU334
18	PANEL (QUIET).....	2	304EBU216	304EBU216
19	BRACKET.....	2	201EDM142	201EDM142
20	BRACKET.....	1	202EDM142	202EDM142

Order by Part Number and Description. Reference Numbers are for your convenience only.



303EBU810-A  
(Ref. Drawing)

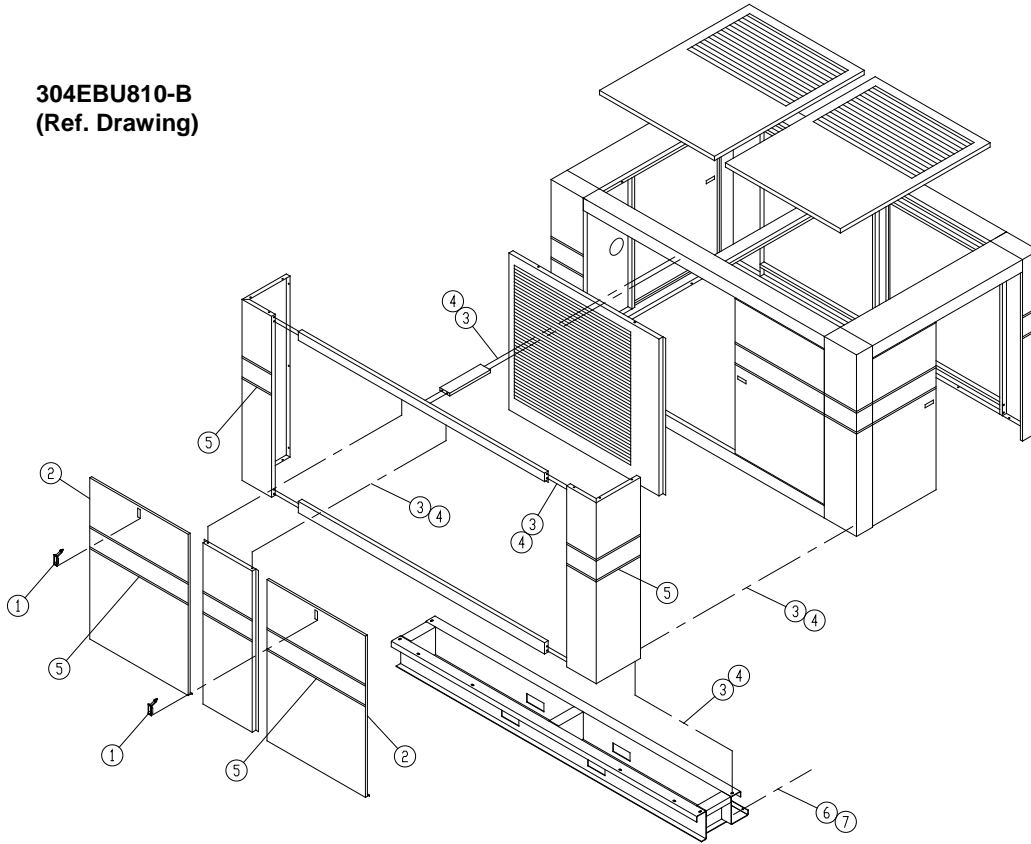
**AIR COOLED BAFFLE  
(QUIET)**

**B/M: 301EBU4023  
ODP & TEFC**

Ref. No.	Name of Part	Qty.	Part No.
1	PANEL (TOP AIR INLET) .....	2	300EBU216
2	PANEL .....	1	202EDM216
3	PANEL .....	2	305EBU216
4	BASE .....	1	300EBU285
5	POST .....	2	300EBU313
6	FRAME .....	1	300EBU314
7	FRAME (BAFFLE BOTTOM).....	1	301EBU314
8	BRACE (BAFFLE SIDE).....	1	301EBU326
9	BRACE.....	1	205EAU326

Order by Part Number and Description. Reference Numbers are for your convenience only.

304EBU810-B  
(Ref. Drawing)

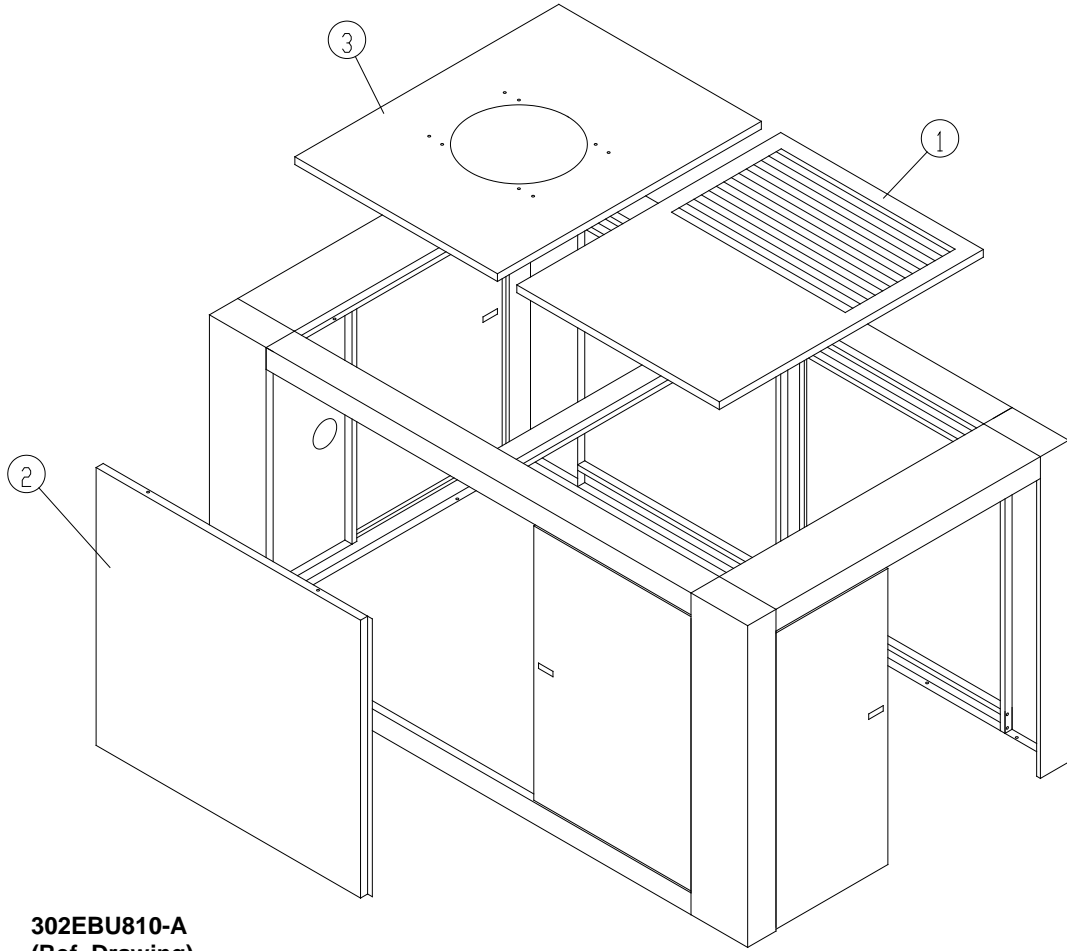


**AIR COOLED BAFFLE HARDWARE  
(QUIET)**

**B/M: 303EBU4023  
ODP & TEFC**

Ref. No.	Name of Part	Qty.	Part No.
1	LATCH.....	2	31D51
2	SEAL (IN FEET) .....	25	32E12
3	SCREW .....	30	75LM51
4	NUT .....	30	50AW5
5	DECAL.....	4	203ESO077
6	SCREW .....	4	75LM135
7	NUT .....	4	50AW35

Order by Part Number and Description. Reference Numbers are for your convenience only.



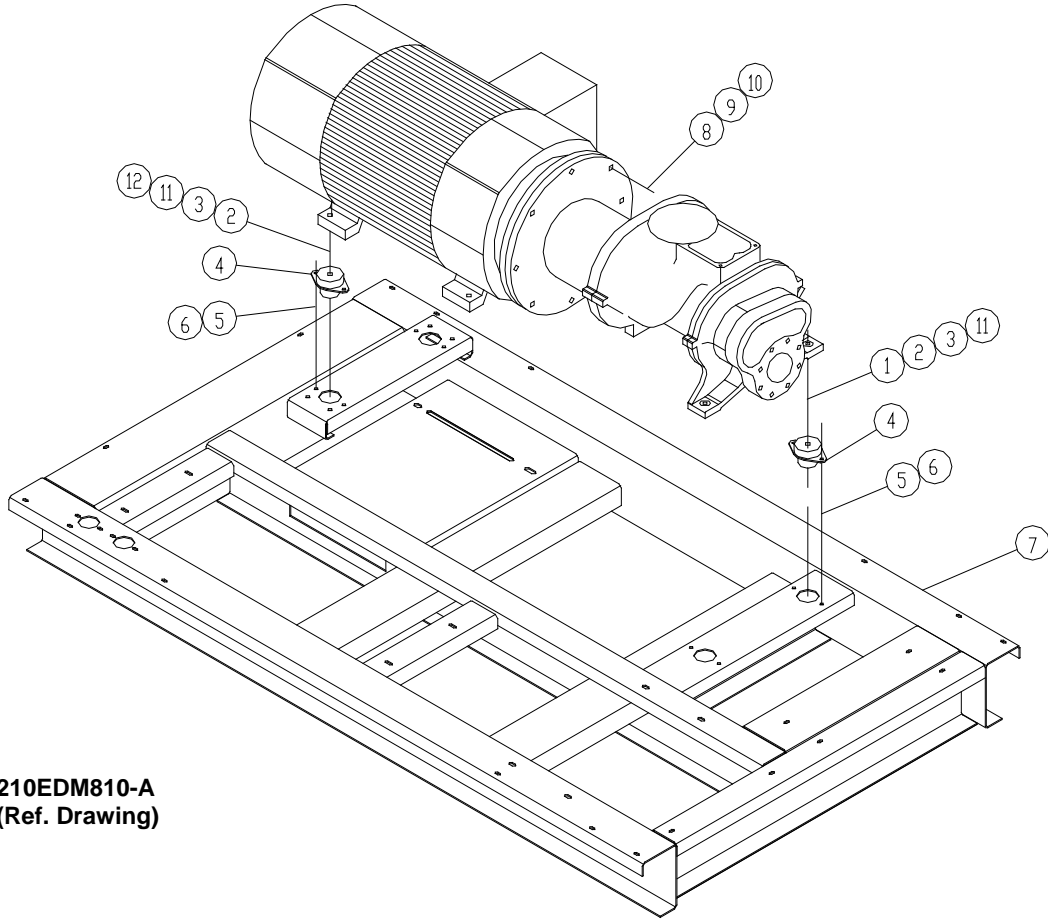
302EBU810-A  
(Ref. Drawing)

**ENCLOSURE – WATER COOLED  
(QUIET)**

**B/M: 300EBU4023  
ODP & TEFC**

Ref. No.	Name of Part	Qty.	Part No.
1	PANEL (TOP AIR INLET).....	1	300EBU216
2	PANEL.....	1	302EBU216
3	PANEL.....	1	301EBU216

Order by Part Number and Description. Reference Numbers are for your convenience only.



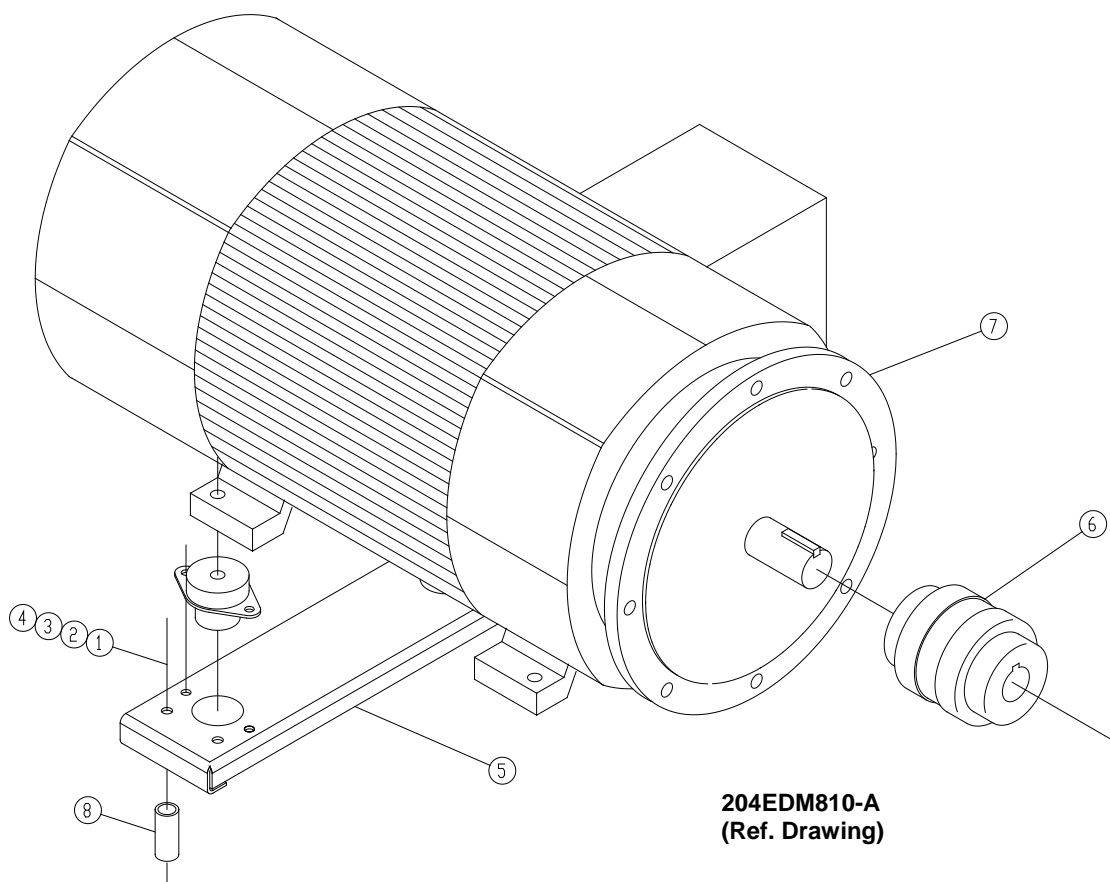
210EDM810-A  
(Ref. Drawing)

**COMPRESSOR BASE GROUP**

**B/M: 311EAQ4017**

Ref. No.	Name of Part	Qty.	Part No.
1	SCREW .....	2	655EG220
2	LOCKWASHER .....	4	95B8
3	NUT .....	4	50B8
4	ISOLATOR-VIBRATION.....	4	49C48
5	SCREW .....	8	75LM135
6	NUT .....	8	50AW35
7	BASE .....	1	300EAQ285
8	NUT .....	8	50B8
9	LOCKWASHER .....	8	95B8
10	SCREW .....	8	655EG140
11	WASHER.....	4	95A8
12	SCREW .....	2	655EG240

Order by Part Number and Description. Reference Numbers are for your convenience only.



**MAIN MOTOR GROUP**

Ref. No.	Name of Part	Qty.	Part No.
1	WASHER .....	4	95A7
2	LOCKWASHER .....	4	95B7
3	NUT.....	4	50B7
4	SCREW .....	4	655EF160
5	SUPPORT-MOTOR.....	1	200EDM620
6	DRIVE COUPLING-FLEXIBLE.....	1	51L221
7	MOTOR .....	1	See page 43
8	NIPPLE .....	4	63AM12X22G

NOTE: Drive Coupling repair Spider Part No. 2118273.

## OVERLOAD RELAY HEATER CONVERSION LISTING

**Refer to Motor Nameplate “Amperage” and Decal in Control Panel for Selection of Overload Relay Heater Packs**

<b>CUTLER-HAMMER PART NUMBER</b>	<b>GARDNER DENVER PART NUMBER</b>
H2002B	24CA4101
H2003B	24CA4102
H2004B	24CA4103
H2005B	24CA4104
H2006B	24CA4105
H2007B	24CA4106
H2008B	24CA4107
H2009B	24CA4108
H2010B	24CA4109
H2011B	24CA4110
H2012B	24CA4111
H2013B	24CA4112
H2014B	24CA4113
H2015B	24CA4114
H2016B	24CA4115
H2017B	24CA4116
H2018	24CA2924
H2019	24CA2925
H2020	24CA2926
H2021	24CA2927
H2022	24CA2893
H2023	24CA2894
H2024	24CA2928

**MOTOR GROUP (MAIN DRIVE MOTORS)  
200 HP**

Name of Part	FULL VOLTAGE Part No.	WYE DELTA Part No.
--------------	--------------------------	-----------------------

**OPEN DRIP PROOF – 60 HZ – ODP**

MOTOR, 230V	24CA3834	24CA3429
MOTOR, 460V	24CA3430	24CA3430
MOTOR, 575V	24CA3836	24CA3431

**OPEN DRIP PROOF -- 60 HZ – ODP - HIGH EFFICIENCY**

MOTOR, 230V	24CA4036	24CA3432
MOTOR, 460V	24CA3433	24CA3433
MOTOR, 575V	24CA4038	24CA3434

**TOTALLY ENCLOSED FAN COOLED (TEFC) – 60 HZ**

MOTOR, 230V	24CA4923	24CA3435
MOTOR, 460V	24CA3436	24CA3436
MOTOR, 575V	24CA4925	24CA3437

**TOTALLY ENCLOSED FAN COOLED (TEFC) – 60 HZ – HIGH EFFICIENCY**

MOTOR, 230V	24CA4919	24CA3438
MOTOR, 460V	24CA3439	24CA3439
MOTOR, 575V	24CA4921	24CA3440

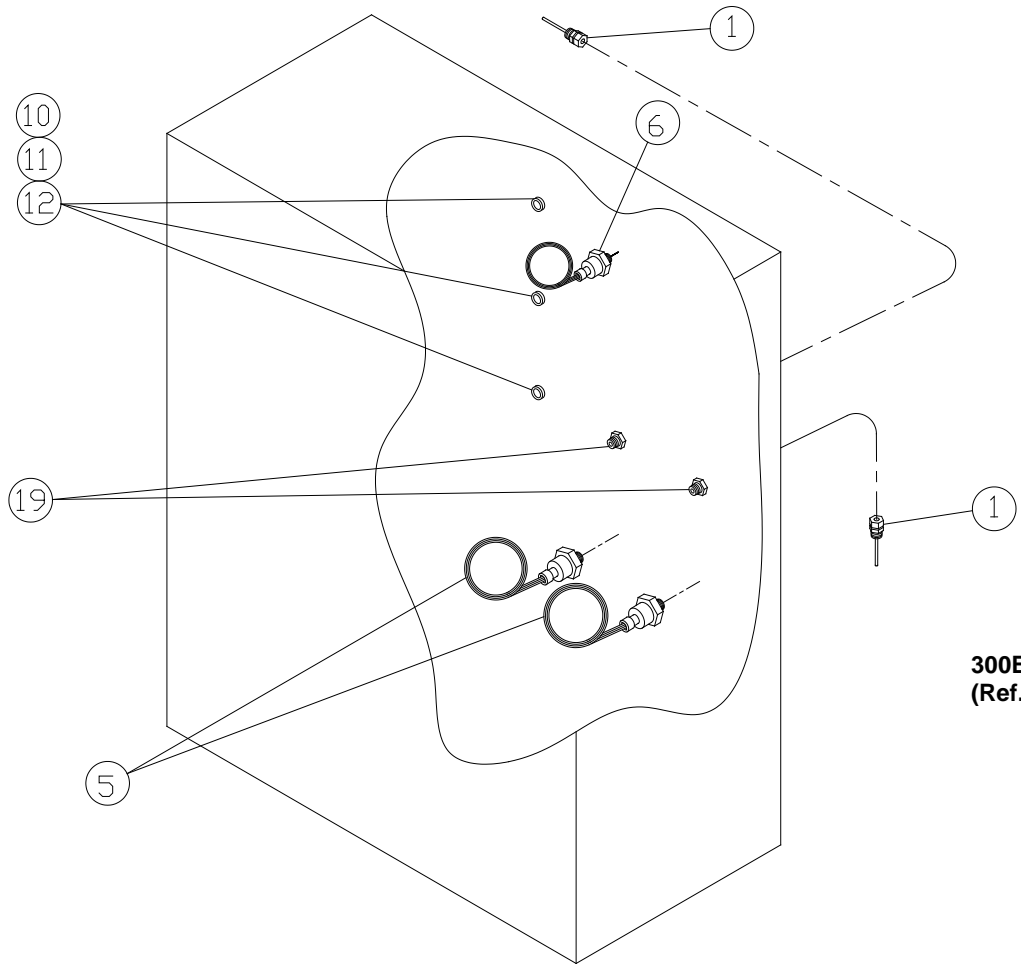
**MOTOR GROUP  
AIR COOLED FAN MOTOR (COOLING MODULE)  
(TEFC, 5 HP, 1.33 S.F., 1200 RPM, 60 HZ)**

VOLTAGE	PART NO.
MOTOR, 230V	24CA3345
MOTOR, 460V	24CA3345
MOTOR, 575V	24CA3346

**WATER COOLED FAN MOTOR (ENCLOSURE VENT FAN)  
(TEFC, 1200 RPM, 60 HZ, 1.0 S.F.)**

VOLTAGE	PART NO.	HP
MOTOR, 230V	24CA2464	1/4
MOTOR, 460V	24CA2464	1/4
MOTOR, 575V	24CA4178	1/2

Order by Part Number and Description. Reference Numbers are for your convenience only.



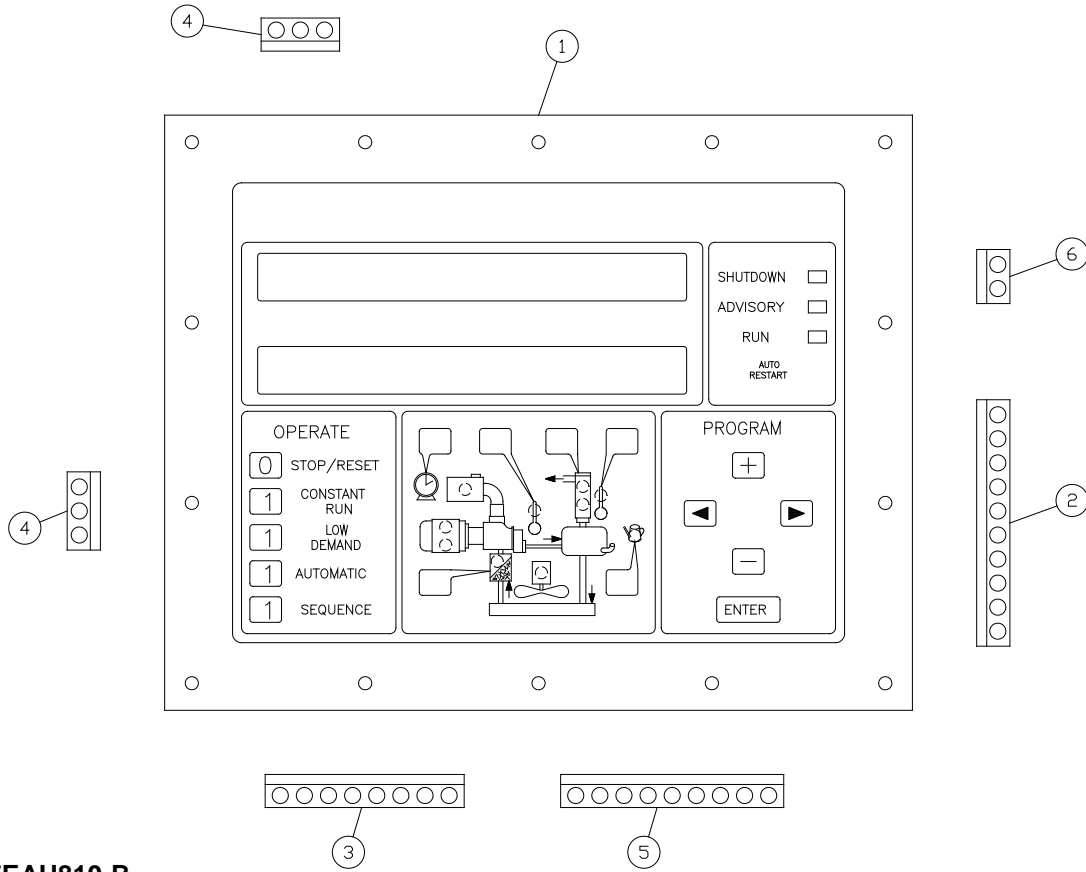
300ECP810-A  
(Ref. Drawing)

**MISCELLANEOUS ELECTRICAL PARTS**

**B/M: 200ECP4007**

Ref. No.	Name of Part	Qty.	Part No.
1	PROBE-ELECTRICAL.....	2	21D264
5	TRANSDUCER-PRESSURE.....	2	88H359
6	SWITCH-VACUUM.....	1	88H195
10	NIPPLE.....	3	24CA4641
11	O-RING.....	3	24A383
12	LOCKNUT-CONDUIT.....	3	24A77
19	FITTING-ELECTRICAL.....	2	24CA2865

Order by Part Number and Description. Reference Numbers are for your convenience only.



327EAU810-B  
(Ref. Drawing)

**CONTROLLER ASSEMBLY**

**B/M: 302EAU2006**

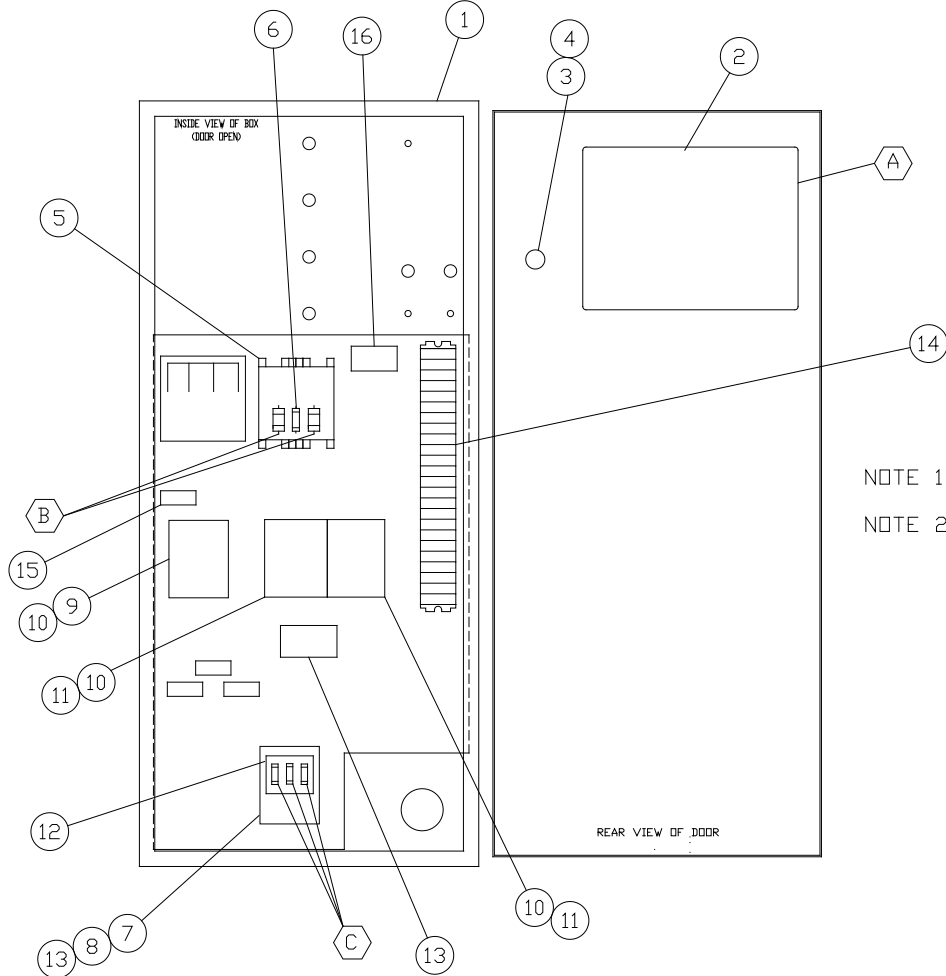
Ref. No.	Name of Part	Qty.	Part No.
1	CONTROLLER, AUTO SENTRY ES+ .....	1	302EAU1173
2	PLUG-CONNECTOR 10 PIN TERMINAL.....	1	24CA3306
3	PLUG-CONNECTOR 8 PIN TERMINAL.....	1	24CA3400
4	PLUG-CONNECTOR 3 PIN TERMINAL.....	2	24CA3401
5	PLUG-CONNECTOR 9 PIN TERMINAL.....	1	24CA3402
6	PLUG-CONNECTOR 2 PIN TERMINAL.....	1	24CA4240

**IDENTIFICATION AND INSTRUCTION GROUP**

Name of Part	Qty.	B/M: 300EBQ4011 301EAQ4011
DECAL, OPERATION & MAINTENANCE .....	1	217ECM077
DECAL-WARNING.....	1	227EAQ077
DECAL, PARTS LIST & SERVICE MANUAL .....	1	204EDE077
DECAL-WARNING (ELECTRICAL SHOCK & FIRE) .....	1	314EAQ077
DECAL-DANGER (AIR/OIL UNDER PRESSURE).....	1	212EAQ077
DECAL-WARNING (INSPECT OIL RESERVOIR) .....	1	217EAQ077
DECAL-NOTICE (USE GENUINE GD PARTS).....	1	214EAQ077
DECAL-NOTICE (USE GENUINE GD PARTS).....	1	214EAQ077
DECAL-CAUTION (DO NOT LIFT).....	2	208EAQ077
DECAL-WARNING (ROTATING MACHINERY).....	1	211EAQ077
DECAL-DANGER (DO NOT BREATHE DISCHARGE AIR) .....	1	206EAQ077
DECAL, GD LOGO - VERT 18-1/2 HIGH .....	1	69F18
DECAL, HEAT EXCHANGE "IN" .....	1	200ESP077
DECAL, HEAT EXCHANGE "OUT" .....	1	201ESP077
DECAL, ELECTRA-SAVER II .....	1	201ECP077
DECAL, ELECTRA-SAVER II .....		200ECP077
DECAL SAVER .....	1	202EAP077
DECAL SAVER .....	1	201EAP077
DECAL-MADE IN USA.....	1	69F64
DECAL-WARNING.....	1	240EAQ077
DECAL-QUALITY WITHOUT QUESTION.....	1	251EAQ077
TAG-INSTRUCTION - ES+ SPEEDY REFERENCE.....	1	300EAQ304
TAG-INSTRUCTION - ES+ SPEEDY REFERENCE.....	1	301EAQ304
POCKET.....	1	200EAQ1304

**CONTROLLER ASSEMBLY – WYE DELTA STARTERS  
(EAU & EBU – 200 HP [200/230 VOLT NOT AVAILABLE])**

**302EAQ797-A  
(Ref. Drawing)**



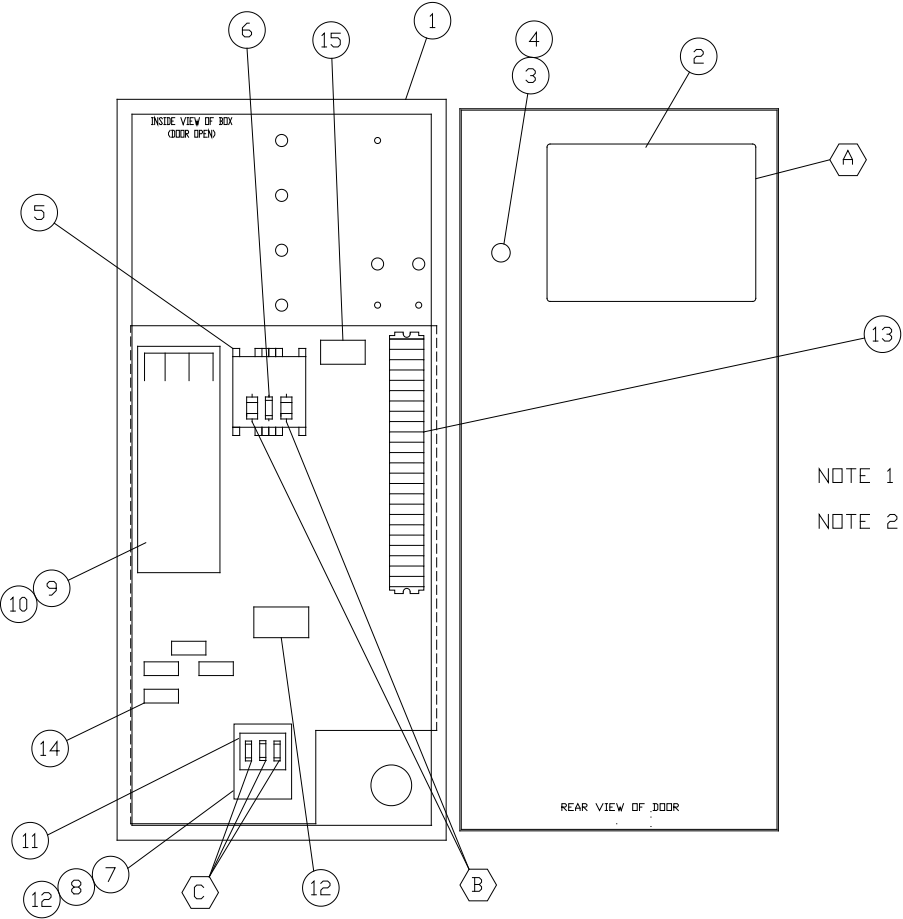
NOTE 1 - ITEMS 15 & 16 ARE USED ONLY ON PANELS WITH ES + AND CURRENT MONITORING.  
NOTE 2 - ITEM 10 IS INCLUDED IN 9 & 11.  
ITEM 8 & 13 ARE INCLUDED IN 7.

**CONTROLLER ASSEMBLY – WYE DELTA STARTERS  
(EAU & EBU – 200 HP [200/230 VOLT NOT AVAILABLE])**

	Qty.	200 HP 460V	200 HP 575V
ASSEMBLED PANEL – <b>ES+</b> : NEMA 12, With Current Monitor .....	1	227EAQ466	229EAQ466
ASSEMBLED PANEL – <b>ES+</b> : NEMA 4, With Current Monitor .....	1	234EAQ466	236EAQ466
A FUSE, CONTROL BOARD (1A, AGC).....	1	24CA2932 (1A)	24CA2932 (1A)
B FUSE, TRANSFORMER PRIMARY (-A, FNQ-R) .....	2	24CA2786 (6A)	24CA2786 (6A)
C FUSE, FAN MOTOR, AIR COOLED (-A, LP-CC) .....	3	24CA4097 (25A)	24CA3952 (20A)
C FUSE, FAN MOTOR, WATER COOLED (-A, LP-CC) .....	3	24CA4092 (6A)	24CA4090 (3A)
* 1 ASSEMBLY CONTROL .....	1	302EAU2006	302EAU2006
2 BOX-CONTROL			
NEMA 12.....	1	200EDM179	200EDM179
NEMA 4 .....	1	201EDM179	201EDM179
3 OPERATOR, EMERGENCY STOP .....	1	24CA2907	24CA2907
4 CONTACT BLOCK .....	1	24CA2908	24CA2908
5 TRANSFORMER .....	1	2116287	2116288
6 FUSE .....	1	24CA3729	24CA3729
7 STARTER .....	1	24CA4134	24CA4134
8 COIL STARTER.....	1	2115950	2115950
9 STARTER .....	1	24CA3490	24CA3255
10 COIL .....	3	2115952	2116555
11 CONTACTOR .....	2	24CA3696	24CA3259
12 FUSE HOLDER .....	1	24CA4098	24CA4098
13 RELAY .....	2	24CA4086	24CA4086
14 BLOCK.....	6	24CA2633	24CA2633
15 CURRENT TRANSFORMER.....	1	24CA4242	24CA4242
16 CURRENT TRANSDUCER.....	1	24CA4241	24CA4241

Refer page 45, for Controller Part Numbers.

**CONTROLLER ASSEMBLY – FULL VOLTAGE STARTERS  
(EAU & EBU – 200 HP [200/230 VOLT NOT AVAILABLE])**



**301EAQ797-A  
(Ref. Drawing)**

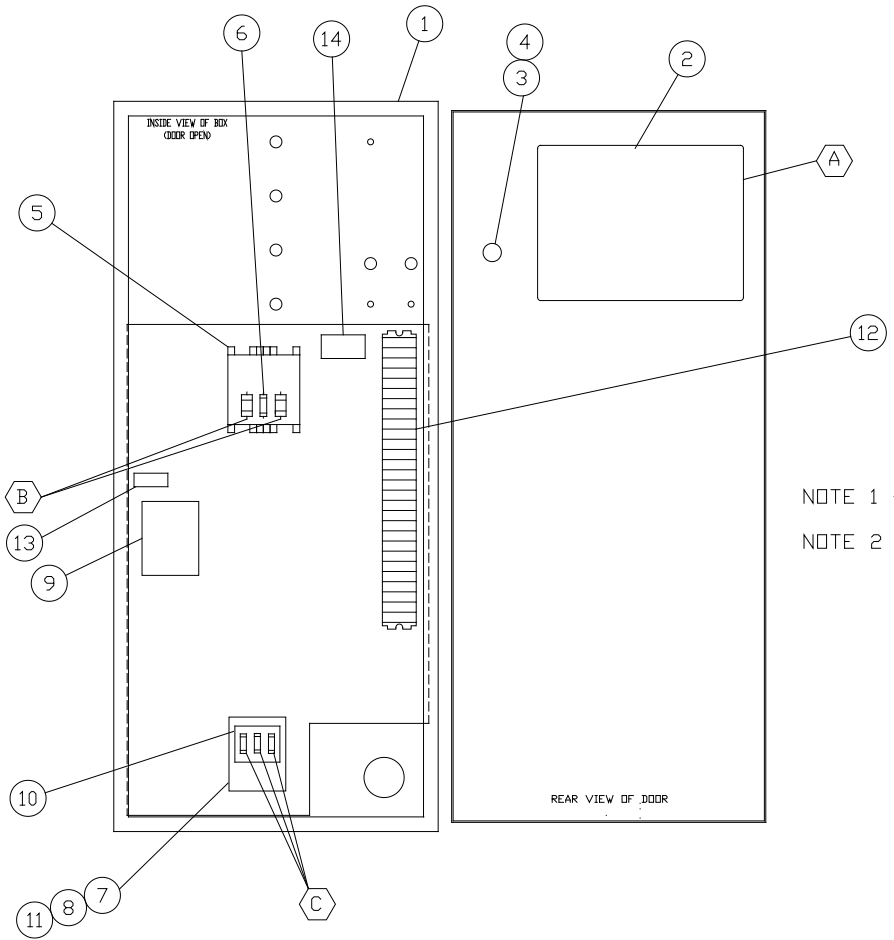
NOTE 1 - ITEMS 14 & 15 ARE USED ONLY ON PANELS WITH ES + AND CURRENT MONITORING.  
NOTE 2 - ITEM 10 IS INCLUDED IN 9, ITEMS 8 & 12 ARE INCLUDED IN 7.

**CONTROLLER ASSEMBLY – FULL VOLTAGE STARTERS  
(EAU & EBU – 200 HP [200/230 VOLT NOT AVAILABLE])**

	Qty.	200 HP 460V	200 HP 575V
ASSEMBLED PANEL – <b>ES+</b> : NEMA 12, With Current Monitor .....	1	240EAQ466	241EAQ466
ASSEMBLED PANEL – <b>ES+</b> : NEMA 4, With Current Monitor .....	1	242EAQ466	243EAQ466
A FUSE, CONTROL BOARD (1A, AGC).....	1	24CA2932 (1A)	24CA2932 (1A)
B FUSE, TRANSFORMER PRIMARY (-A, FNQ-R) .....	2	24CA2784 (3A)	24CA3722 (2.25A)
C FUSE, FAN MOTOR, AIR COOLED (-A, LP-CC) .....	3	24CA4094 (8A)	24CA4092 (6A)
C FUSE, FAN MOTOR, WATER COOLED (-A, LP-CC) .....	3	24CA4090 (3A)	24CA4090 (3A)
* 1 ASSEMBLY CONTROL .....	1	302EAU2006	302EAU2006
2 BOX-CONTROL			
NEMA 12.....	1	200EDM179	200EDM179
NEMA 4 .....	1	201EDM179	201EDM179
3 OPERATOR, EMERGENCY STOP .....	1	24CA2907	24CA2907
4 CONTACT BLOCK .....	1	24CA2908	24CA2908
5 TRANSFORMER .....	1	2116287	2116288
6 FUSE .....	1	24CA3729	24CA3729
7 STARTER .....	1	24CA4134	24CA4134
8 COIL STARTER.....	1	2115950	2115950
9 STARTER .....	1	24CA3490	24CA3490
10 COIL .....	1	2115952	2115952
11 FUSE HOLDER .....	1	24CA4098	24CA4098
12 RELAY .....	2	24CA4086	24CA4086
13 BLOCK.....	6	24CA2633	24CA2633
14 CURRENT TRANSFORMER.....	1	24CA4242	24CA4242
15 CURRENT TRANSDUCER.....	1	24CA4241	24CA4241

Refer page 45, for Controller Part Numbers.

**CONTROLLER ASSEMBLY – LESS STARTER  
(EAU & EBU)**



**303EAQ797-A  
(Ref. Drawing)**

NOTE 1 - ITEMS 13 & 14 ARE USED ONLY ON PANELS WITH ES + AND CURRENT MONITORING.  
 NOTE 2 - ITEMS 8 & 11 ARE INCLUDED IN 7.

**CONTROLLER ASSEMBLY – LESS STARTER  
(EAU & EBU)**

	Qty.	200 HP 230V	200 HP 460V	200 HP 575V
ASSEMBLED PANEL – <b>ES+</b> : NEMA 12, With Current Monitor .....	1	244EAQ466	244EAQ466	246EAQ466
ASSEMBLED PANEL – <b>ES+</b> : NEMA 4, With Current Monitor .....	1	248EAQ466	248EAQ466	250EAQ466
A FUSE, CONTROL BOARD (1A, AGC).....	1	24CA2932 (1A)	24CA2932 (1A)	24CA2932 (1A)
B FUSE, TRANSFORMER PRIMARY (-A, FNQ-R) .....	2	24CA2786 (6A)	24CA2786 (6A)	24CA3722 (2.25A)
C FUSE, FAN MOTOR, AIR COOLED (-A, LP-CC) .....	3	24CA4096 (15A)	24CA4096 (15A)	24CA4092 (6A)
C FUSE, FAN MOTOR, WATER COOLED (-A, LP-CC) .....	3	24CA4092 (6A)	24CA4092 (6A)	24CA4090 (3A)
* 1 ASSEMBLY CONTROL .....	1	302EAU2006	302EAU2006	302EAU2006
2 BOX-CONTROL				
NEMA 12.....	1	200EDM179	200EDM179	200EDM179
NEMA 4 .....	1	201EDM179	201EDM179	201EDM179
3 OPERATOR, EMERGENCY STOP .....	1	24CA2907	24CA2907	24CA2907
4 CONTACT BLOCK .....	1	24CA2908	24CA2908	24CA2908
5 TRANSFORMER .....	1	2116287	2116287	2116288
6 FUSE .....	1	24CA3729	24CA3729	24CA3729
7 STARTER .....	1	24CA4134	24CA4134	24CA4134
8 COIL STARTER.....	1	2115950	2115950	2115950
9 CONTROL RELAY .....	1	24CA3896	24CA3896	24CA3896
10 FUSE HOLDER .....	1	24CA4098	24CA4098	24CA4098
11 RELAY .....	1	24CA4086	24CA4086	24CA4086
12 BLOCK.....	7	24CA2633	24CA2633	24CA2633
13 CURRENT TRANSFORMER.....	1	24CA4242	24CA4242	24CA4242
14 CURRENT TRANSDUCER.....	1	24CA4241	24CA4241	24CA4241

Refer page 45, for Controller Part Numbers.

## REPAIR KITS

Your Gardner Denver rotary screw compressor is designed and manufactured for many years of reliable operation. All components are engineered to exacting specifications, which will function together as a system to provide maximum efficiency. To insure the continuing integrity of compressor operation, use only original quality genuine Gardner Denver replacement parts and accessories.

Name of Part	Qty.	Part No.
ROUTINE MAINTENANCE KIT – HEAVY DUTY AIR FILTER .....		203EDP6013
ELEMENT, AIR FILTER .....	2	2116702
ELEMENT, OIL FILTER .....	3	201EDM369
SEPARATOR KIT .....		202EDP6013
OIL SEPARATOR.....	1	55B44
GASKET ELIMINATOR .....	1	25BC222
LUBRICANT (OIL SEAL GREASE).....	1	2116755
PNEUMATIC CONTROLS AND GAUGES.....		302EAQ6013
CHECK VALVE.....	3	90AR261
CONTROL VALVE.....	1	90AR1034
CONTROL VALVE.....	1	90AR1082
PRESSURE REGULATOR .....	1	88H139
PRESSURE GAUGE .....	1	2116732
ELECTRICAL CONTROL KIT .....		306EAQ6013
SOLENOID VALVE.....	1	91B70
SOLENOID VALVE.....	1	91B143
SOLENOID VALVE.....	1	91B144
THERMISTOR PROBE .....	2	21D264
TRANSDUCER.....	2	88H359
VACUUM SWITCH.....	1	88H195
LUBRICANT (AEON 9000SP) .....		
5 GALLON PAIL .....	1	28H109
55 GALLON DRUM .....	1	28H110
TOUCH-UP PAINT.....		
5 GALLON PAIL .....	1	28H76
1 GALLON CAN.....	1	28H84
1 QUART CAN.....	1	28H83
WATER TEMPERATURE REGULATOR (Optional).....	1	90AR151
MAGNETIC WATER SHUTOFF VALVE – Nema 4 (Optional).....		91B173
TURN VALVE ACTUATOR O-RING KIT (EAU Only).....		307EAQ6013
O-RING (TOP OF STEM).....	2	25BC738
O-RING (BODY TO MANIFOLD, LARGE) .....	2	25BC37
O-RING (BODY TO MANIFOLD, SMALL).....	2	25BC35
O-RING (TUBE).....	2	2009224

## REPAIR KIT (Continued)

Name of Part	Qty.	Part No.
BEARING KIT.....		331SSU6013
ROLLER BEARING .....	1	12BA52
ROLLER BEARING .....	1	12W34
ROLLER BEARING .....	2	12BA79
ROLLER BEARING .....	1	12BA192
SPRING-WAVE .....	1	78W90
SPRING-WAVE .....	1	78W110
RETAINING RING .....	1	65W61
RETAINING RING .....	1	65W14
PERIODIC MAINTENANCE KIT (INLET VALVE).....		301EAQ6013
O-RING .....	1	25BC298
SPRING .....	1	78W62
SPRING .....	1	78W61
O-RING .....	1	25AM30
RETAINING RING .....	1	74D89
GASKET ELIMINATOR .....	1	25BC222
GASKET KIT .....		334SSU6013
SHIM SET .....	1	77H108
SHIM SET .....	1	77H50
GASKET .....	1	25C144N
GASKET .....	1	25C121N
GASKET ELIMINATOR .....	1	25BC222
OIL SEAL KIT .....		324SSU6013
WEAR SLEEVE .....	1	80M28
OIL SEAL .....	1	60DD571
OIL SEAL .....	1	60DD689
O-RING .....	1	25BC205
CHECK VALVE .....	1	90AR923
PERIODIC OVERHAUL TURNVALVE KIT.....		335SSU6013
ROLLER BEARING .....	2	12BA51
SPRING .....	1	78W50
KEY .....	1	35C114
PACKING RING .....	4	60AM46
SEAL .....	2	60DD801
GASKET .....	4	25BC138N
BUMPER .....	2	32E15
RETAINER PLATE .....	2	300SSU168
RETAINING RING .....	2	74D49
SEAL .....	2	60DD65
WEAR SLEEVE INSTALLATION/REMOVAL KIT .....		200SSU4017
PULLER .....	1	200SSQ219
PLATE-PULLER .....	1	200SSQ340
SCREW .....	1	655EE030
SCREW .....	1	655ED120
SCREW .....	2	75D178
GUIDE .....	1	200SSU450
TOOL .....	1	200SSQ074

# **Gardner** --- **Denver**

Specifications subject to change without notice.

Copyright © 1999 Gardner Denver, Inc.

Litho in U.S.A.

<http://www.gardnerdenver.com>

[mktg@gardnerdenver.com](mailto:mktg@gardnerdenver.com)

For additional information contact your local representative or



Gardner Denver Compressor and Pump Division,  
1800 Gardner Expressway, Quincy, Illinois 62301  
Customer Service Department Telephone:  
(800) 682-9868 FAX: (217) 224-7814

Sales and Service in all major cities.

For parts information, contact Gardner Denver,  
Master Distribution Center, Memphis, TN  
Telephone: (800) 245-4946 FAX: (901) 542-6159