
GARDNER DENVER®

13-9-570
1st Edition
December, 1999

**ELECTRA-SAVER II
STATIONARY
BASE-MOUNTED & TANK MOUNTED
COMPRESSORS**

**MODELS – EBE99K
15, 20, 25 & 30 HP**

PARTS LIST

**Gardner
Denver**

INSTRUCTIONS FOR ORDERING REPAIR PARTS

When ordering parts, specify Compressor MODEL, Method of Cooling, HORSEPOWER and SERIAL NUMBER (see nameplate on unit). The Serial Number is also stamped on top of the cylinder flange to the right of the inlet housing.

All orders for Parts should be placed with the nearest authorized distributor.

Where NOT specified, quantity of parts required per compressor or unit is one (1); where more than one is required per unit, quantity is indicated in parenthesis. SPECIFY EXACTLY THE NUMBER OF PARTS REQUIRED.

DO NOT ORDER BY SETS OR GROUPS

To determine the Right Hand and Left Hand side of a compressor, stand at the motor end and look toward the compressor. Right Hand and Left Hand are indicated in parenthesis following the part name, i.e. (RH) & (LH), when appropriate.

TABLE OF CONTENTS

Instructions For Ordering Repair Parts	i
Maintain Compressor Reliability And Performance With Genuine Gardner Denver Compressor Parts And Support Services.....	iii
Remanufactured Air Ends	iii
Total Product Support – Gardner Denver’s Continuing Commitment To Your Air Compressor Performance.....	iv
Bare Compressor.....	1, 2
Oil Seal Detail.....	3
Inlet Valve	4
Severe Duty Air Filter And Mounting (Standard)	5
Heavy Duty Air Filter (Optical).....	6
Oil Cooler Group.....	7
Oil Reservoir.....	8
Oil Filter - 200EBE369	9
Oil Line Fittings.....	10
Oil Line Tubes	11
Air Receiver Group	12
Discharge Piping - Base Mounted Units	13
Discharge Piping - Tank Mounted Units	14
Discharge Piping - Tank Mounted Units (Without Separator-Trap).....	15
Thermal Valve (Thermostatic Mixing)	16
Control Group.....	17, 18
Drive Groups	19, 20
Subtractive Pilot Valve	21
Controller Assembly.....	22, 24
Control/Starter Box (With Overload Heaters & Fusetrons With Main Motor Starter	24
Without Main Motor Starter	24
Overload Relay Heater Conversion Listing.....	25
Enclosure - Hardware & Decals	26
Enclosure - Basic Parts.....	27
Quiet Enclosure - ODP Motor Only	28
Enclosure – Panels.....	29
Identification And Instruction Group.....	30
Main Motor (Standard ODP/TEFC & HI-EFF. ODP).....	31
Repair Kits And Accessories	32, 34
Bare Compressor Repair And Replacement.....	34
Gardner Denver Air End Exchange Program.....	34

**MAINTAIN COMPRESSOR RELIABILITY AND PERFORMANCE WITH
GENUINE GARDNER DENVER COMPRESSOR PARTS AND SUPPORT SERVICES**

Gardner Denver Compressor genuine parts, manufactured to design tolerances, are developed for optimum dependability --- specifically for Gardner Denver compressor systems. Design and material innovations are the result of years of experience with hundreds of different compressor applications. Reliability in materials and quality assurance are incorporated in our genuine replacement parts.

Your authorized Gardner Denver Compressor distributor offers all the backup you'll need. A worldwide network of authorized distributors provides the finest product support in the air compressor industry. Your local authorized distributor maintains a large inventory of genuine parts and he is backed up for emergency parts by direct access to the Gardner Denver Master Distribution Center (MDC) in Memphis, Tennessee.

Your authorized distributor can support your Gardner Denver air compressor with these services:

1. Trained parts specialists to assist you in selecting the correct replacement parts.
2. Factory warranted new and remanufactured rotary screw air ends. Most popular model remanufactured air ends are maintained in stock at MDC for purchase on an exchange basis with liberal core credit available for the replacement unit.
3. A full line of factory tested AEON™ compressor lubricants specifically formulated for use in Gardner Denver compressors.
4. Repair and maintenance kits designed with the necessary parts to simplify servicing your compressor.

Authorized distributor service technicians are factory-trained and skilled in compressor maintenance and repair. They are ready to respond and assist you by providing fast, expert maintenance and repair services.

For the location of your local authorized Gardner Denver Air Compressor distributor refer to the yellow pages of your phone directory or contact:

Distribution Center:

Gardner Denver
Master Distribution Center
5585 East Shelby Drive
Memphis, TN 38141

Phone: (901) 542-6100
(800) 245-4946

Fax: (901) 542-6159

Factory:

Gardner Denver
1800 Gardner Expressway
Quincy, IL 62301

Phone: (217) 222-5400

Fax: (217) 224-7814

REMANUFACTURED AIR ENDS

Whenever an air end requires replacement or repair, Gardner Denver offers an industry unique, factory remanufactured air end exchange program. From its modern Remanufacturing Center in Indianapolis, IN, Gardner Denver is committed to supplying you with the highest quality, factory remanufactured air ends that are guaranteed to save you time, aggravation and money.

Immediately Available

Repair downtime costs you money, which is why there are over 200 remanufactured units in inventory at all times, ready for immediate delivery.

Skilled Craftsmen

Our Remanufacturing assembly technicians average over 20 years experience with air compression products.

Precision Remanufacturing

All potentially usable parts are thoroughly cleaned, inspected and analyzed. Only those parts that can be brought back to original factory specifications are remanufactured. Every remanufactured air end receives a new overhaul kit: bearings, gears, seals, sleeves and gaskets.

Extensive Testing

Gardner Denver performs testing that repair houses just don't do. Magnaflux and ultrasonic inspection spot cracked or stressed castings, monochromatic light analysis exposes oil leaks, and coordinate measurement machine inspects to +/- .0001", insuring that all remanufactured air ends meet factory performance specifications.

Warranty

Gardner Denver backs up every remanufactured air end with a new warranty . . . 18 months from purchase, 12 months from service. Gardner Denver remanufactured air ends deliver *quality without question . . . year in and year out.*

Call Gardner Denver for information on the air end exchange program and the name of your authorized distributor.

Phone Number: 800-245-4946
FAX: 901-542-6159

TOTAL PRODUCT SUPPORT – GARDNER DENVER’S CONTINUING COMMITMENT TO YOUR AIR COMPRESSOR PERFORMANCE

Commitment to total product support continues long after the purchase of your quality Gardner Denver rotary screw compressor.

Gardner Denver original parts incorporate years of experience and improvements in design, materials and quality assurance. Maintaining your compressor investment with Gardner Denver parts will insure protection for the air compressor unit and long, dependable service life.

Your authorized Gardner Denver compressor distributor maintains a complete stock of all common maintenance parts, factory approved AEON™ lubricants, and Gardner Denver factory warranted exchange air ends. In addition, authorized distributor technicians are factory trained, and can provide complete diagnostic, compressor maintenance and repair services.

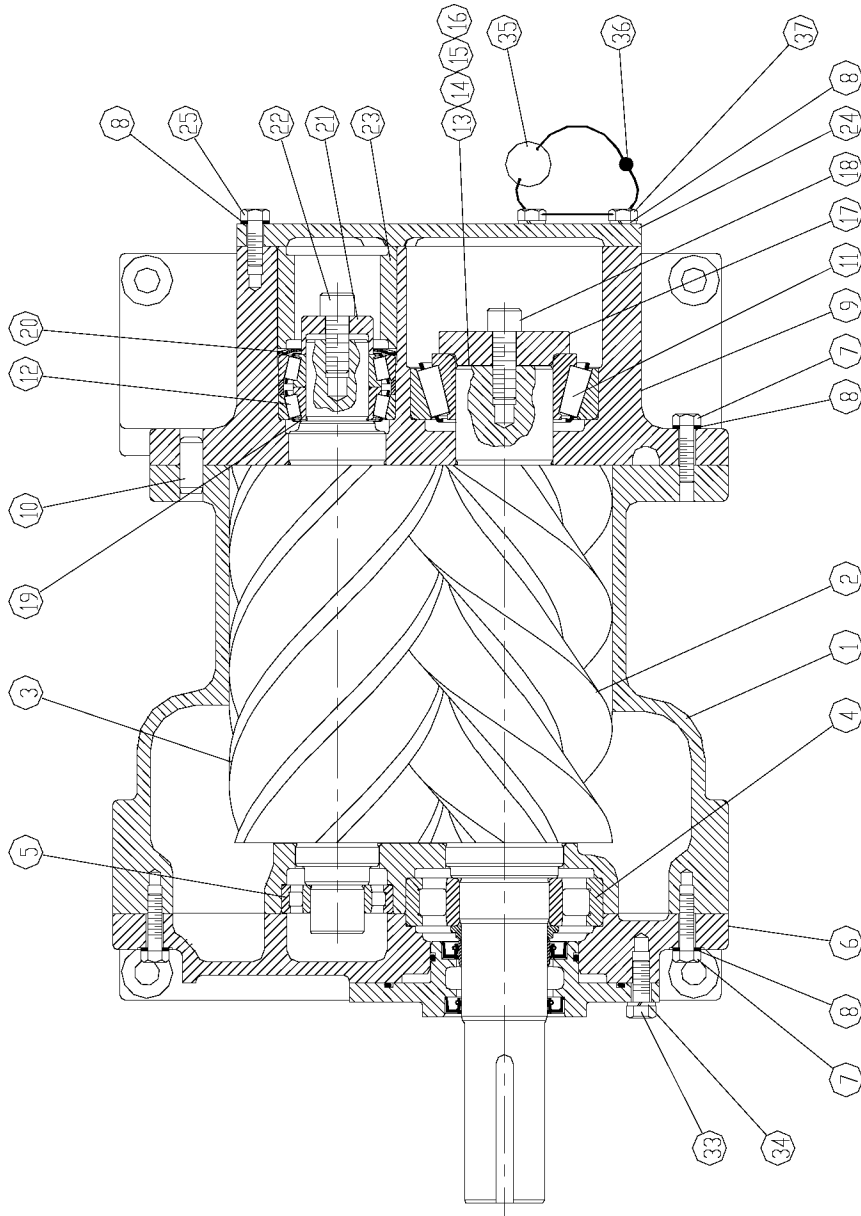
This manual is designed to assist you in maintaining high performance and receiving many years of dependable service you expect from your Gardner Denver compressor.

For Operating and Service Instructions, See:

SERVICE MANUAL

13-9-648

BARE COMPRESSOR



210SSE810-A
(Ref. Drawing)

NOTE: LINE NUMBERS 38,39,40,41,42 & 43 ARE NOT SHOWN

Order by Part Number and Description. Reference Numbers are for your convenience only.
 Refer to Repair Kit section for ordering field replacement components.

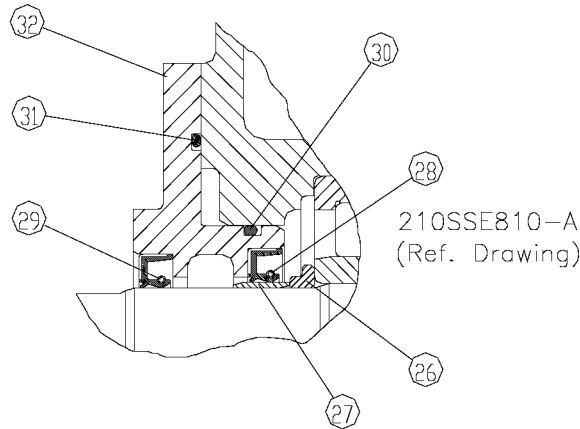
BARE COMPRESSOR

Ref. No.	Name of Part	Qty	Part No.	Ref. No.	Name of Part	Qty	Part No.
** 1	CYLINDER.....			** 18	SCREW		
** 2	ROTOR.....			* 19	SHIM	3	77C58002
** 3	ROTOR.....				SHIM	3	77C58003
* 4	BEARING-ROLLER.....	1	12BA130		SHIM	3	77C58005
* 5	BEARING-ROLLER.....	1	12BA129		SHIM	3	77C58015
** 6	PLATE-BEARING COVER			* 20	SPRING.....	2	78W47
** 7	SCREW			** 21	PLATE-BEARING RETAINER.		
** 8	LOCKWASHER.....			** 22	SCREW		
** 9	HOUSING-BEARING			** 23	SPACER.....		
** 10	PIN-DOWEL.....			** 24	PLATE-BEARING COVER.....		
* 11	BEARING-ROLLER.....	1	12BA127	** 25	SCREW		
* 12	BEARING-ROLLER.....	1	12BA128	** 33	SCREW		
* 13	SHIM.....	3	77H54002	** 34	LOCKWASHER		
* 14	SHIM.....	3	77H54003	** 35	TAG-INSTRUCTION		
* 15	SHIM.....	3	77H54005	** 36	SEAL		
* 16	SHIM.....	3	77H54015	** 37	SCREW		
** 17	PLATE-BEARING RETAINER .						

* Parts included in Periodic Overhaul Kit 202SSE6013. Refer to Page 32

** Shown for reference only

Order by Part Number and Description. Reference Numbers are for your convenience only.



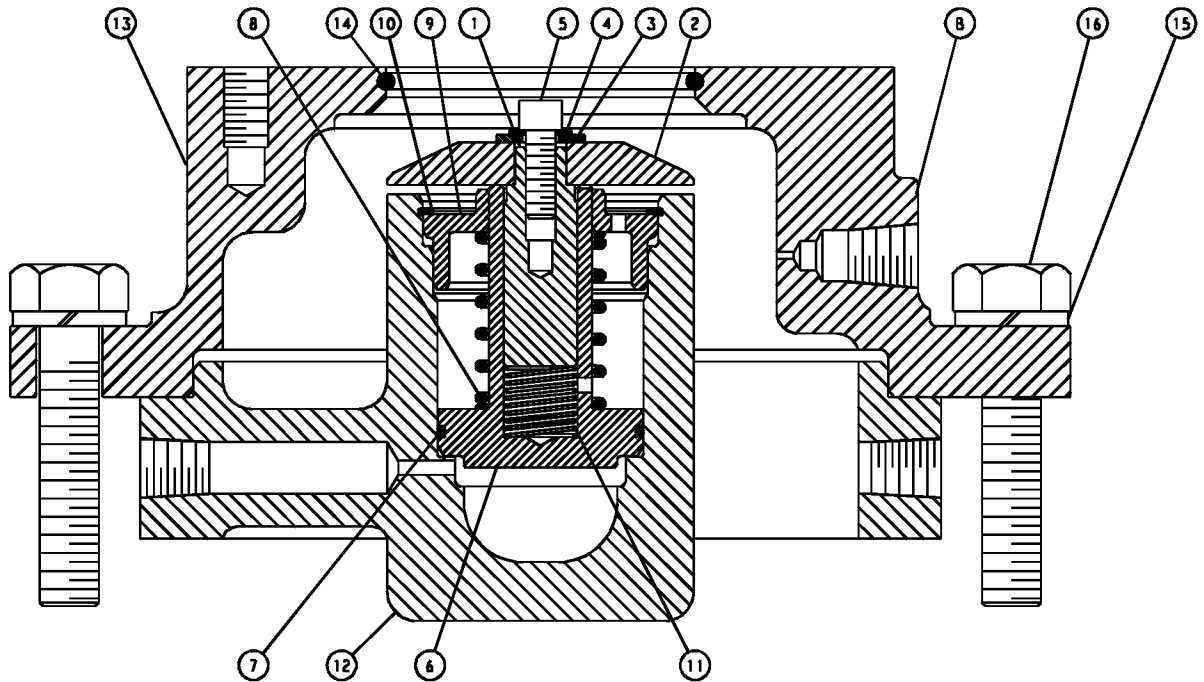
OIL SEAL DETAIL

Ref. No.	Name of Part	Qty.	Part No.
26	SPACER-SHAFT	1	201SSH600
* 27	SLEEVE-WEAR	1	80M12
* 28	SEAL-OIL	1	60DD679
* 29	SEAL-OIL	1	60DD690
* 30	O-RING	1	25BC165
* 31	O-RING	1	8502140
32	HOUSING-SEAL.....	1	205SSE362

* Parts included in Oil Seal Kit 302SSH6013. Refer to page 32.

Wear Sleeve Installation and Removal Kit SSE81282. Refer to Page 33. (Includes Wear Sleeve Puller and Installation Tool).

Order by Part Number and Description. Reference Numbers are for your convenience only.



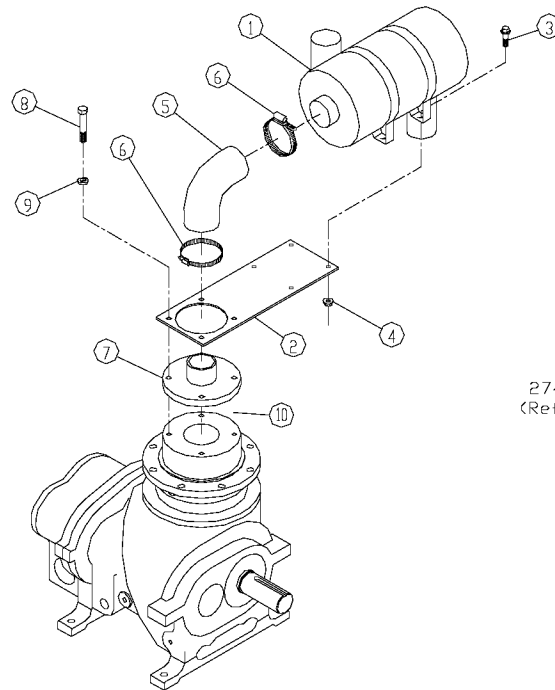
209SSE810-B
(Ref. Drawing)

INLET VALVE

Ref. No.	Name of Part	Qty.	Part No.
1	GUIDE-VALVE	1	201SSE483
2	VALVE-INLET.....	1	202SSE044
3	WASHER	1	95A1
4	LOCKWASHER.....	1	95H56
5	SCREW	1	655EC03N
6	PISTON-INLET VALVE.....	1	202SSE043
* 7	O-RING	1	25BC440
* 8	SPRING	1	78H22
9	RETAINER	1	200SSE205
* 10	RING-RETAINING.....	1	74D87
* 11	SPRING	1	78W59
12	HOUSING-INLET.....	1	205SSE041
13	SEAT.....	1	204SSE256
* 14	O-RING	1	25AM15
15	LOCKWASHER.....	8	95B5
16	SCREW	8	655EE100

* Parts included in Periodic Maintenance Kit, Part Number 302EBE6013. Refer to Page 32.

Order by Part Number and Description. Reference Numbers are for your convenience only.



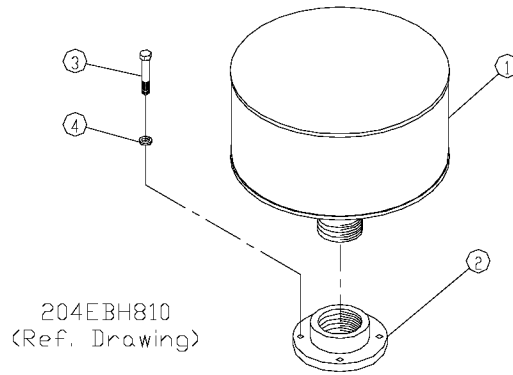
274EBE810-B
(Ref. Drawing)

SEVERE DUTY AIR FILTER AND MOUNTING (STANDARD)

Ref. No.	Name of Part	Qty.	Part No.
1	FILTER-AIR.....	1	5L220
2	BRACKET-FILTER.....	1	203EBE389
3	SCREW-FLANGED.....	4	75LM50
4	NUT-FLANGED.....	4	50AW4
5	HOSE-MOLDED.....	1	29Z97
6	CLAMP-HOSE.....	2	29B32
7	ADAPTOR-FILTER.....	1	201EBE070
8	SCREW.....	4	655ED080
9	LOCKWASHER.....	4	95B3
10	GASKET ELIMINATOR.....	1	25BC222
*	ELEMENT (REPAIR).....	1	2116150

* Not shown on Severe Duty illustration.

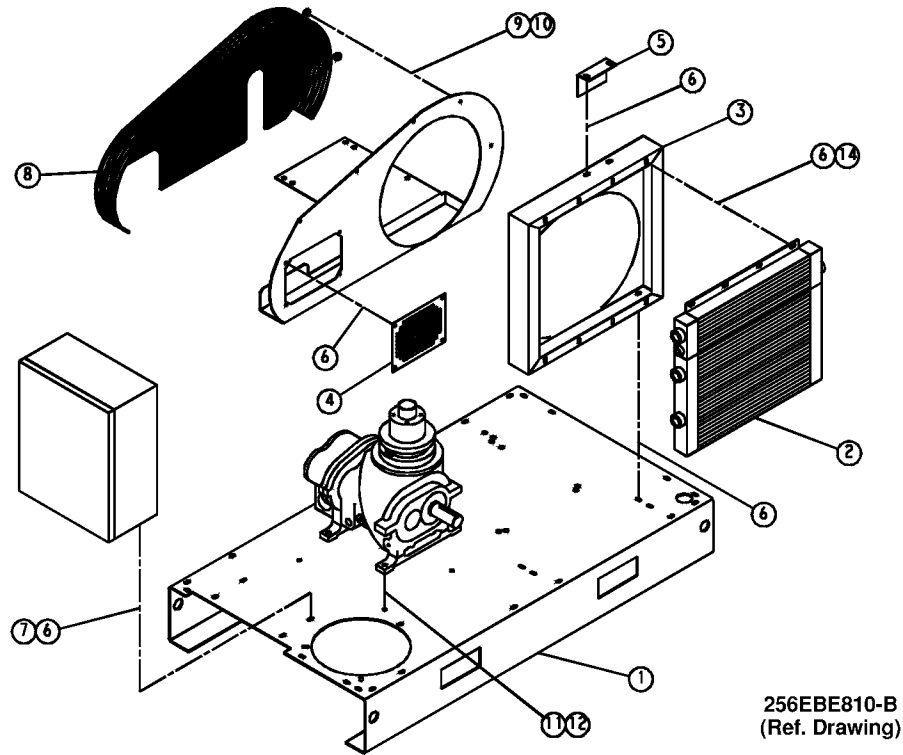
Order by Part Number and Description. Reference Numbers are for your convenience only.



HEAVY DUTY AIR FILTER (OPTIONAL)

Ref. No.	Name of Part	Qty.	Part No.
1	FILTER-AIR.....	1	200EBE059
2	ADAPTOR-FILTER.....	1	200EBE070
3	SCREW.....	4	655ED080
4	LOCKWASHER.....	4	95B3

Order by Part Number and Description. Reference Numbers are for your convenience only.

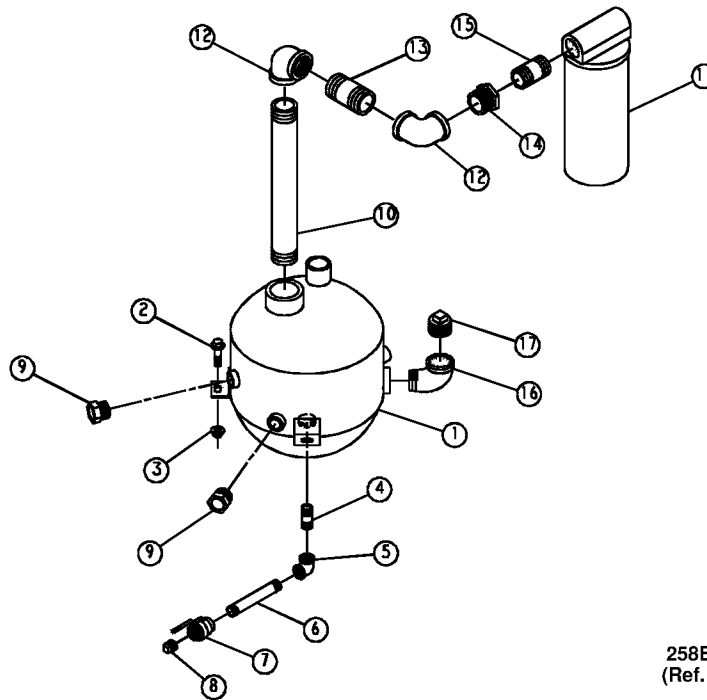


OIL COOLER GROUP

Ref. No.	Name of Part	Qty.	15/20 HP Part No.	25/30 HP Part No.
1	BASE	1	203EBE285	203EBE285
2	COOLER-OIL	1	202EBE201	202EBE201
3	BAFFLE	1	200EBE840	200EBE840
4	PLATE-INSPECTION	1	200EBE052	200EBE052
5	BRACKET	1	200EBE142	200EBE142
6	SCREW-FLANGED	22	75LM51	75LM51
7	NUT-FLANGED	4	50AW5	50AW5
8	GUARD-FAN	1	203EBE393	203EBE393
9	SCREW-FLANGED	5	75LM150	75LM150
10	RETAINER	5	2014731	2014731
11	SCREW	4	655EE080	655EE080
12	LOCKWASHER	4	95B5	95B5
14	WASHER	8	95A3	95A3
*	ORIFICE	1	206EBE814	207EBE814

* Not shown on illustration.

Order by Part Number and Description. Reference Numbers are for your convenience only.



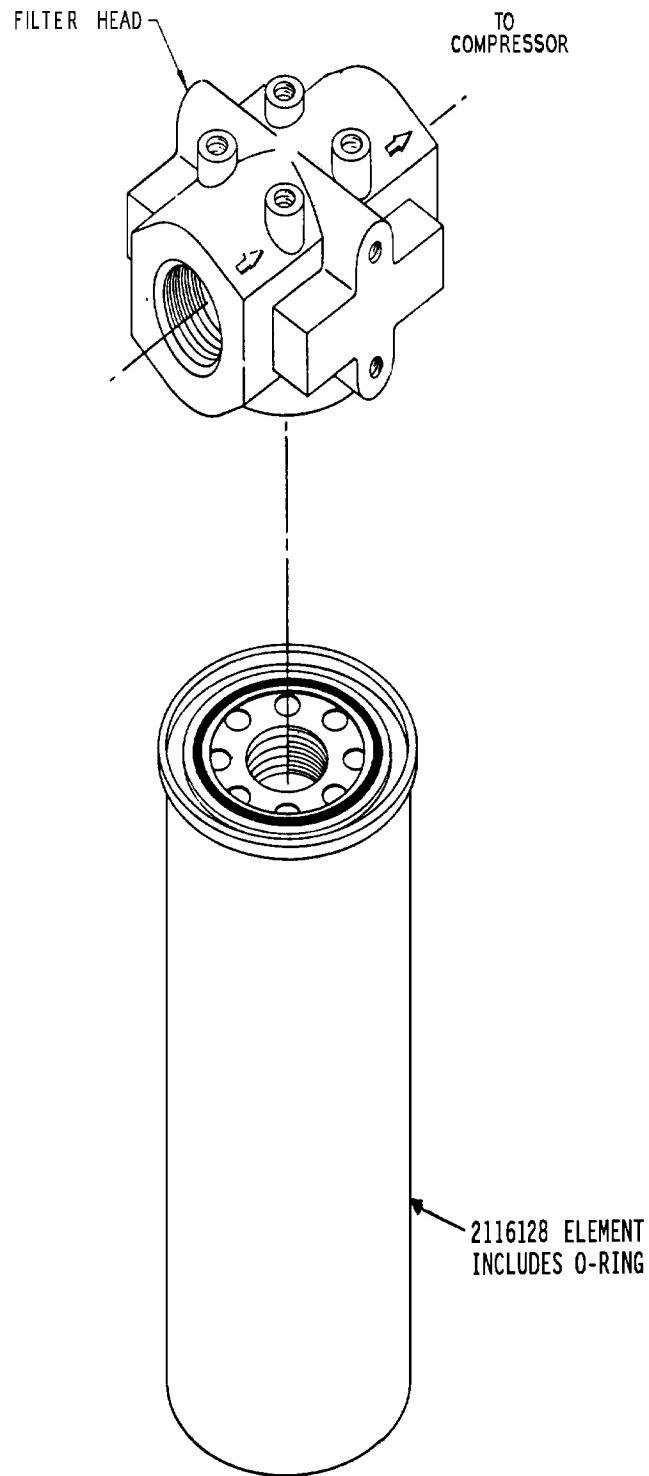
258EBE810-A
(Ref. Drawing)

OIL RESERVOIR

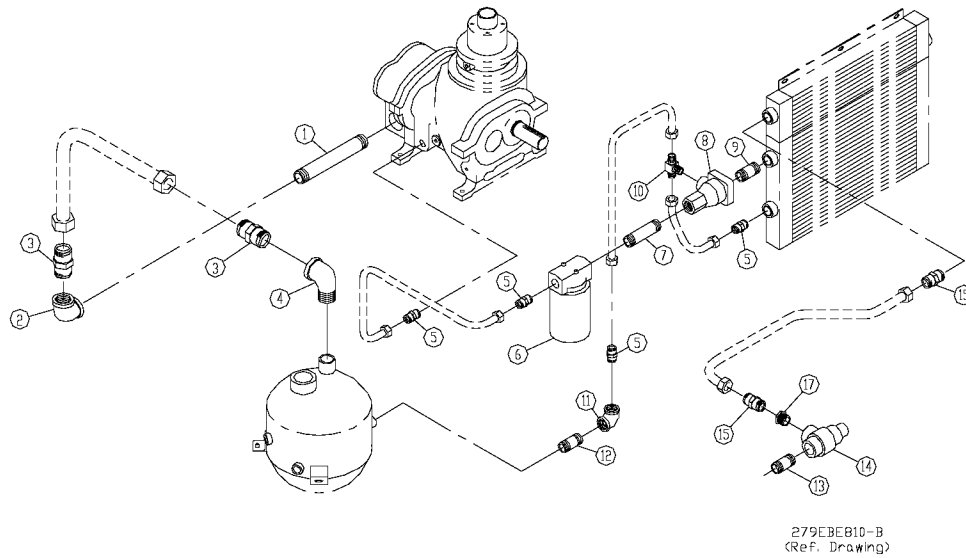
Ref. No.	Name of Part	Qty.	Part No.
* 1	RESERVOIR-OIL.....	1	203EBE037
2	SCREW-FLANGED	3	75LM51
3	NUT-FLANGED	3	50AW5
4	NIPPLE	1	63F1G
5	ELBOW	1	64C4G
6	NIPPLE	1	63F6G
7	VALVE-BALL.....	1	90AR360
8	PLUG	1	64AA7
9	GAUGE (LIQUID LEVEL).....	2	00914483 0012
10	NIPPLE	1	63K34G
11	SEPARATOR-OIL.....	1	55B57
12	ELBOW	2	64C8G
13	NIPPLE	1	63K18G
14	BUSHING.....	1	64E98
15	NIPPLE	1	63AA13G
16	ELBOW	1	64D7G
17	PLUG	1	64A26

For Replacement Element and O-Ring order 2116717. For Replacement Head order 2116716.

OIL FILTER - 200EBE369



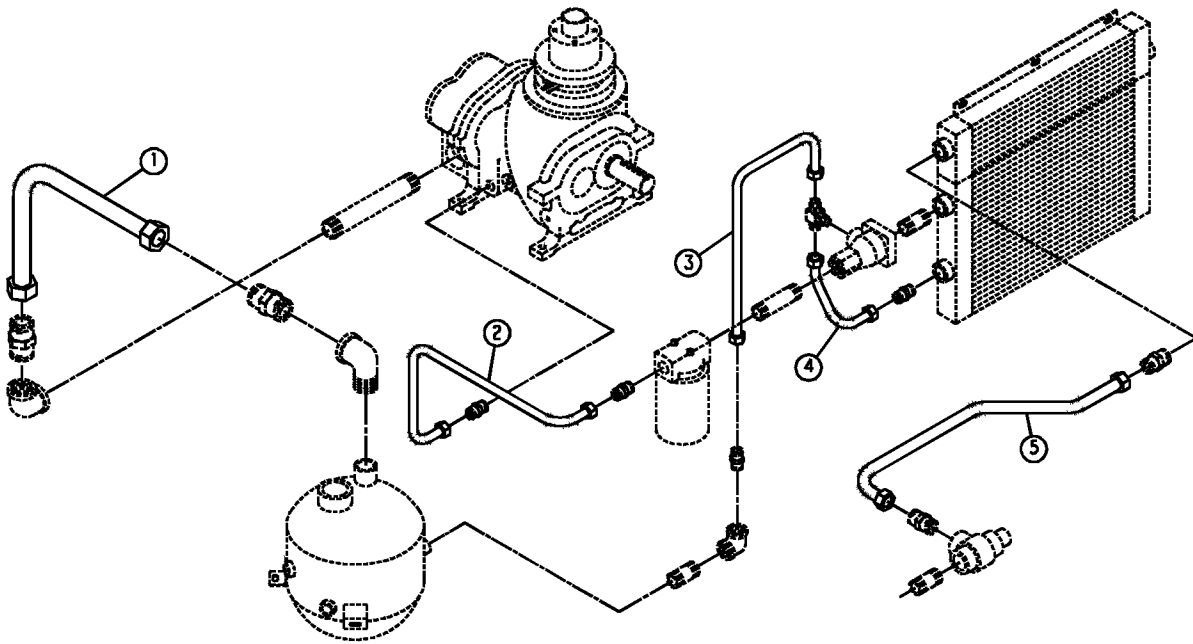
Order by Part Number and Description. Reference Numbers are for your convenience only.



OIL LINE FITTINGS

Ref. No.	Name of Part	Qty.	Part No.
1	NIPPLE	1	63L5G
2	ELBOW	1	64C9G
3	CONNECTOR-TUBE	2	86H142
4	ELBOW	1	64U6G
5	CONNECTOR-TUBE	4	86H137
6	FILTER-OIL	1	200EBE369
7	NIPPLE	1	63G28G
8	VALVE-THERMAL	1	90AR1093
9	NIPPLE	1	63G33G
10	TEE	1	86N286
11	ELBOW	1	64C5G
12	NIPPLE	1	63G1G
13	NIPPLE	1	63J15G
14	VALVE-MINIMUM PRESSURE	1	200EDE527
15	CONNECTOR-TUBE	2	86H138
17	BUSHING-PIPE	1	64E97

Order by Part Number and Description. Reference Numbers are for your convenience only.

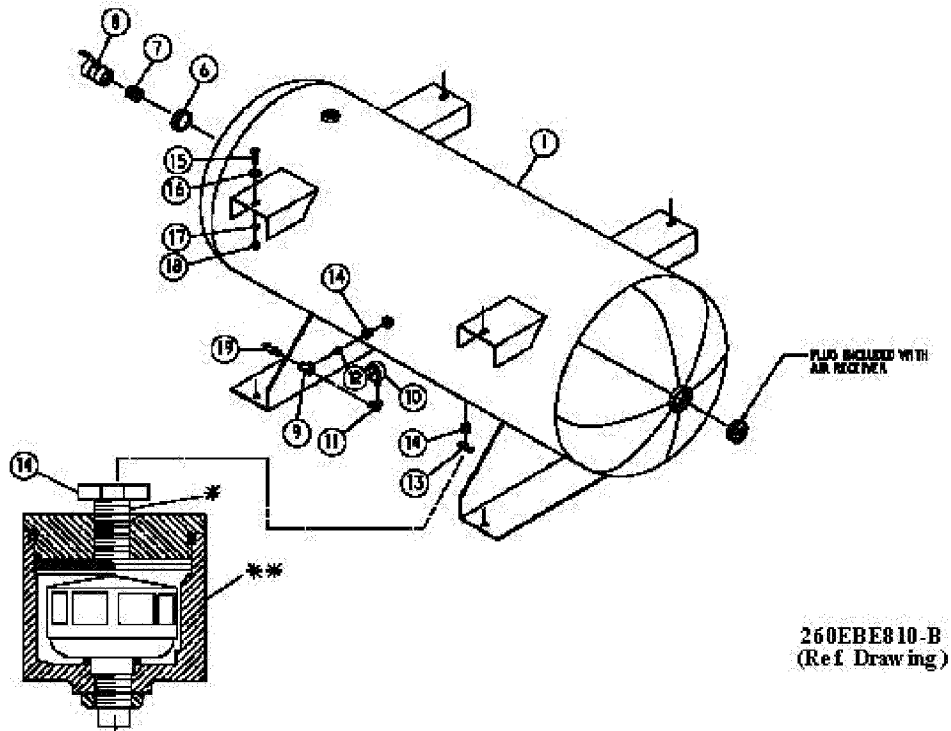


280EBE810
(Ref. Drawing)

OIL LINE TUBES

Ref. No.	Name of Part	Qty.	Part No.
1	TUBE WITH FITTINGS.....	1	207EBE863
2	TUBE WITH FITTINGS.....	1	201EBE863
3	TUBE WITH FITTINGS.....	1	200EBE863
4	TUBE WITH FITTINGS.....	1	202EBE863
5	TUBE WITH FITTINGS.....	1	206EBE863

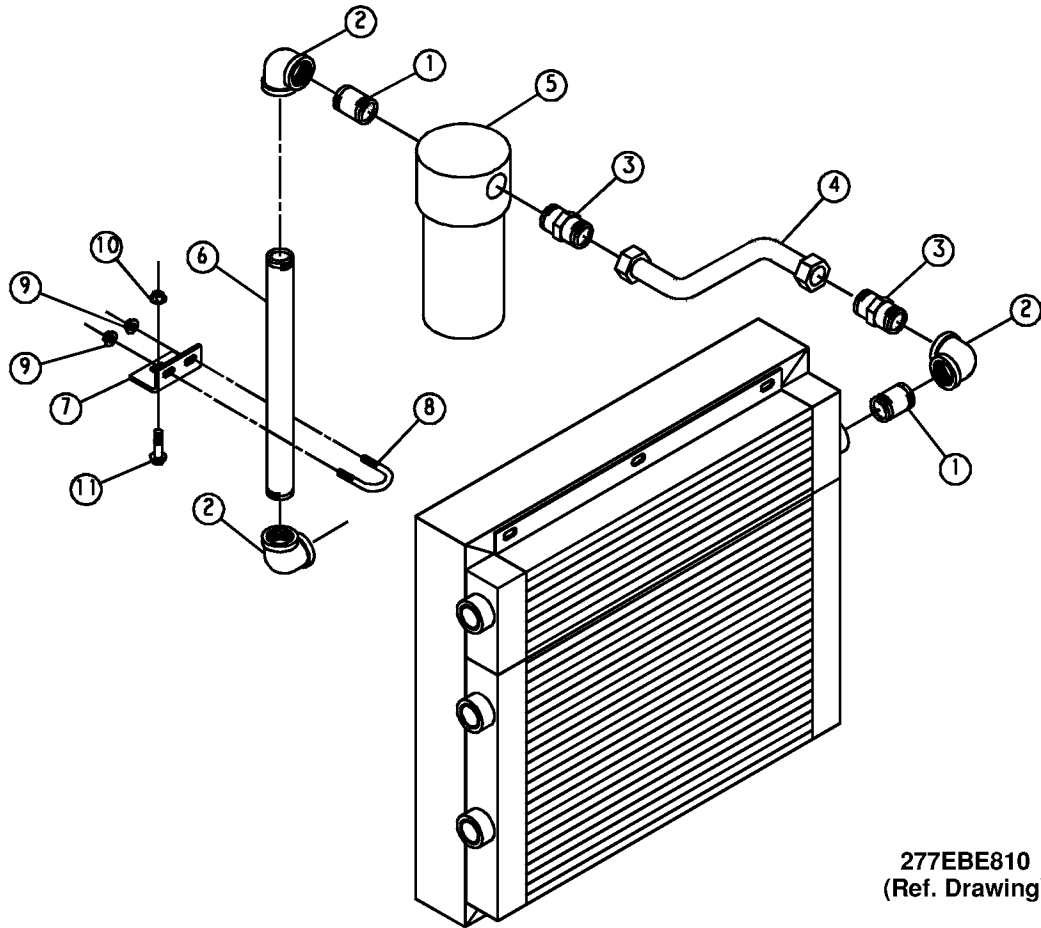
Order by Part Number and Description. Reference Numbers are for your convenience only.



AIR RECEIVER GROUP

Ref. No.	Name of Part	Qty.	Part No.
1	RECEIVER-AIR..... 120 GALLON..... 200 GALLON.....	1	200EJB645 201EJB645
6	BUSHING-PIPE.....	1	64E11
7	NIPPLE.....	1	63H1G
8	VALVE-BALL.....	1	90AR362
9	TEE-PIPE.....	1	64G3G
10	GAUGE-AIR PRESSURE.....	1	27A114
11	ELBOW.....	1	64D2G
12	NIPPLE.....	1	63D1G
13	COCK.....	1	90C12
14	BUSHING.....	2	64E2G
15	SCREW.....	4	655EE060
16	WASHER.....	8	95A5
17	LOCKWASHER.....	4	95B5
18	NUT.....	4	50B5
19	VALVE-PRESSURE RELIEF.....	1	90AR657
*	NIPPLE (OPTIONAL).....	1	63F21G
**	EJECTOR VALVE (OPTIONAL).....	1	90AR319

Order by Part Number and Description. Reference Numbers are for your convenience only.

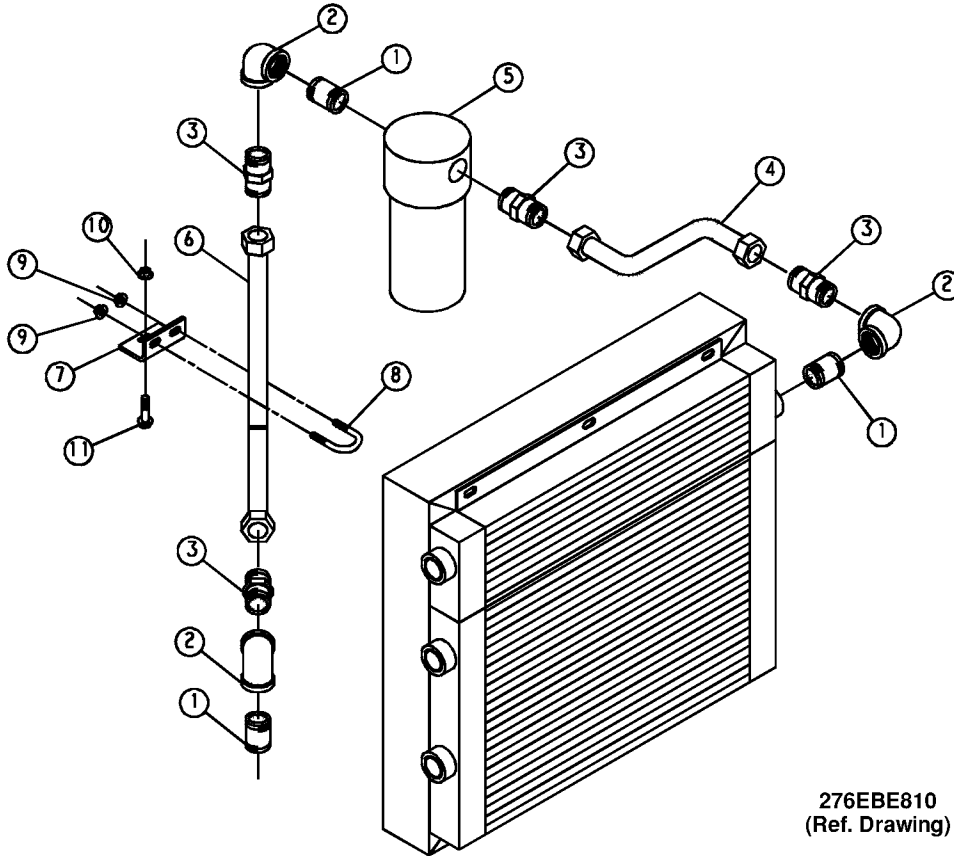


277EBE810
(Ref. Drawing)

DISCHARGE PIPING - BASE MOUNTED UNITS

Ref. No.	Name of Part	Qty.	Part No.
1	NIPPLE	2	63H1G
2	ELBOW	3	64C6G
3	CONNECTOR-TUBE	2	86H138
4	TUBE WITH FITTINGS	1	203EBE863
5	TRAP	1	83C78
6	NIPPLE	1	63N16X134G
7	BRACKET	1	204EJB142
8	U-BOLT	1	143738
9	NUT-FLANGED	2	50AW4
10	NUT-FLANGED	1	50AW5
11	SCREW-FLANGED	1	75LM51

Order by Part Number and Description. Reference Numbers are for your convenience only.

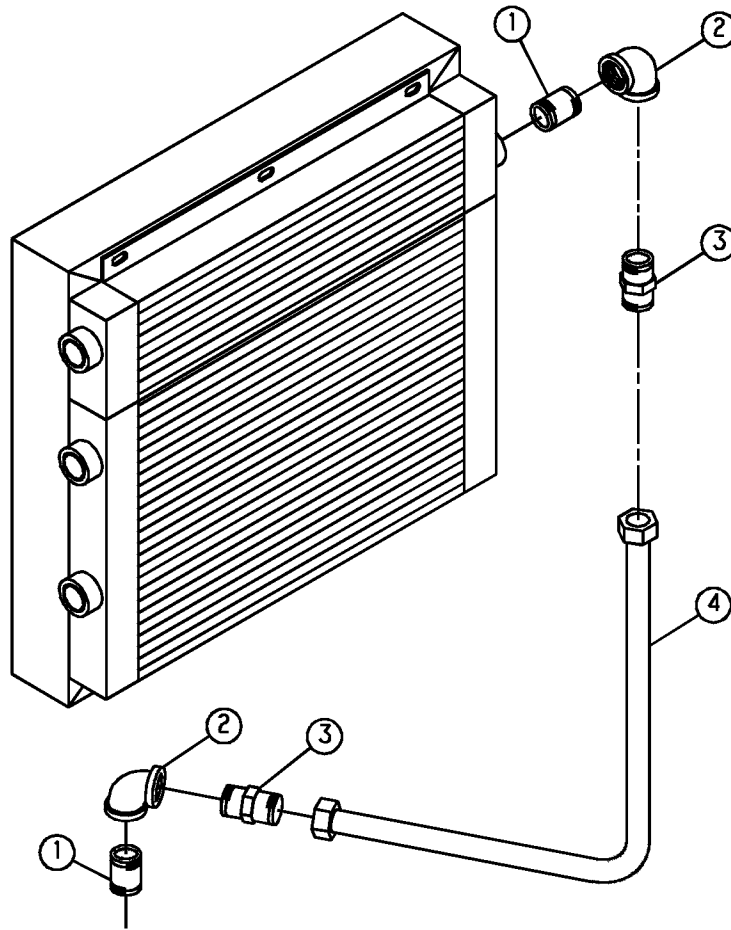


276EBE810
(Ref. Drawing)

DISCHARGE PIPING - TANK MOUNTED UNITS

Ref. No.	Name of Part	Qty.	Part No.
1	NIPPLE	3	63H1G
2	ELBOW	3	64C6G
3	CONNECTOR-TUBE.....	4	86H138
4	TUBE WITH FITTINGS.....	1	203EBE863
5	TRAP	1	83C78
6	TUBE WITH FITTINGS.....	1	204EBE863
7	BRACKET	1	202EJB142
8	U-BOLT.....	1	15U59
9	NUT-FLANGED.....	2	50AW3
10	NUT-FLANGED.....	1	50AW5
11	SCREW-FLANGED.....	1	75LM51

Order by Part Number and Description. Reference Numbers are for your convenience only.



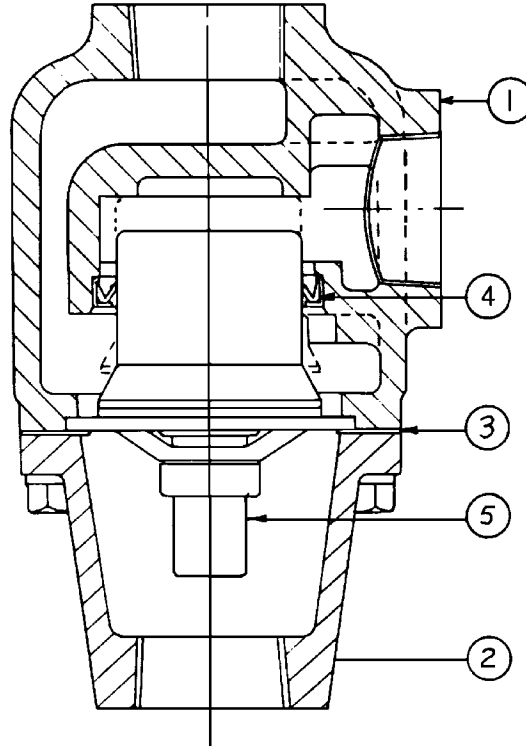
278EBE810
(Ref. Drawing)

**DISCHARGE PIPING - TANK MOUNTED UNITS
(WITHOUT SEPARATOR-TRAP)**

Ref. No.	Name of Part	Qty.	Part No.
1	NIPPLE	2	63H1G
2	ELBOW	2	64C6G
3	CONNECTOR-TUBE	2	86H138
4	TUBE WITH FITTINGS	1	205EBE863

Order by Part Number and Description. Reference Numbers are for your convenience only.

**THERMAL VALVE
(Thermostatic Mixing)**

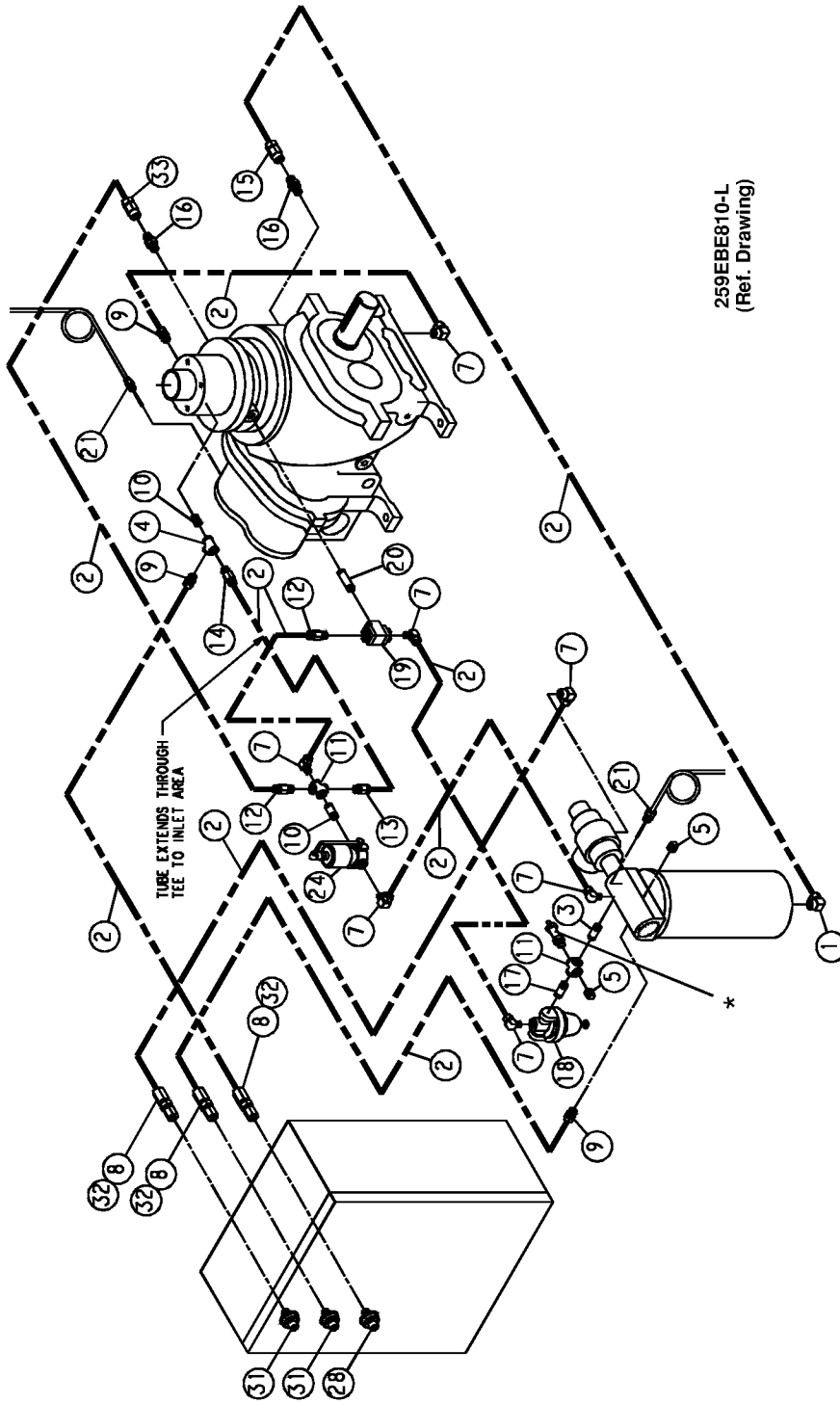


90AR1093 ASM VALVE - THERMAL (ALUMINIM HOUSING)

Ref. No.	Name of Part	Qty.	Part No.
1	VALVE BODY (3/4")	1	2117072
2	VALVE COVER (3/4").....	1	2117073
	VALVE KIT (Includes Reference Nos. 3, 4 and 5)	1	
	150_ THERMOMETER.....		2115542
	160_ THERMOMETER.....		2115543
	170_ THERMOMETER (STD)		2117074
	180_ THERMOMETER.....		2117075
3	O-RING	1	
4	LIP SEAL.....	1	
5	ELEMENT	1	

Order by Part Number and Description. Reference Numbers are for your convenience only.

CONTROL GROUP



259EBE810-L
(Ref. Drawing)

* See Relief Valve Selective on Page 20. Select by Horsepower and PSI

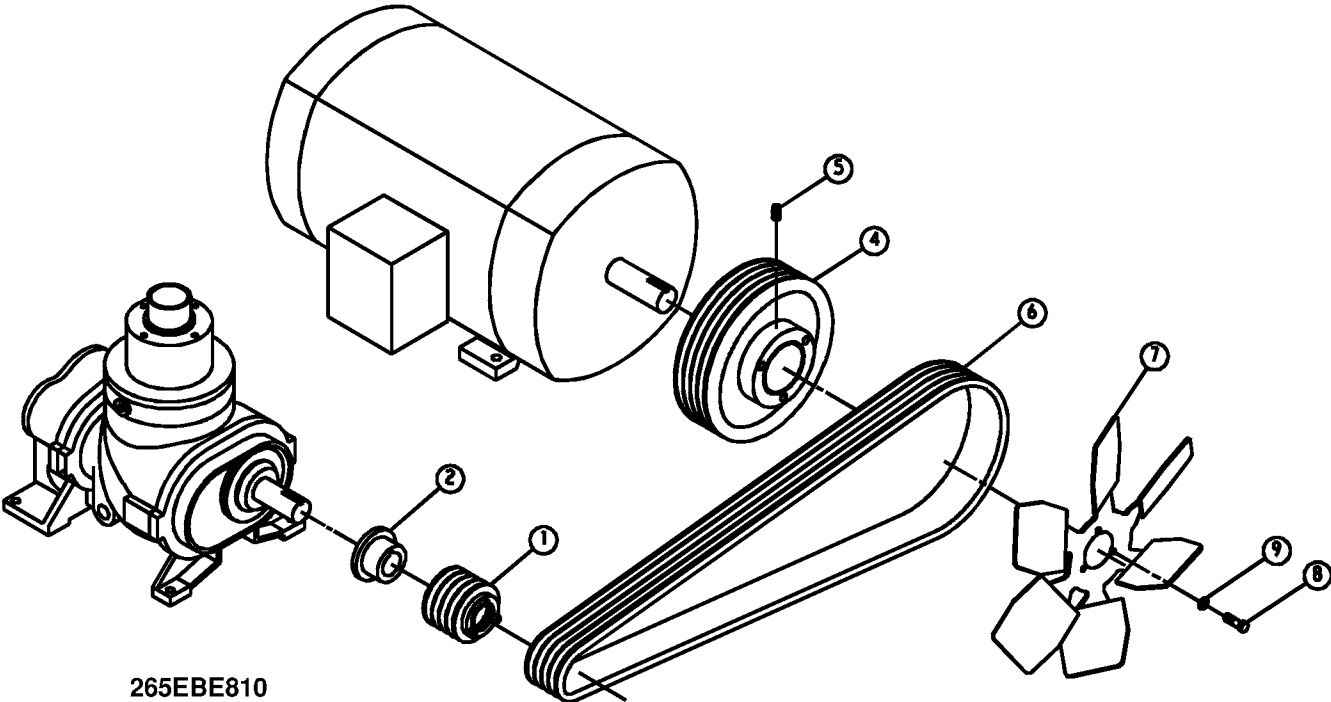
CONTROL GROUP

Ref. No.	Name of Part	Qty	Part No.	Ref. No.	Name of Part	Qty	Part No.
1	ELBOW-TUBE.....	1	86E59	18	VALVE-SUB/PILOT.....	1	2009398
2	TUBE.....	35	85K3	19	VALVE-CONTROL.....	1	90AR1034
3	NIPPLE-PIPE.....	3	63D3G	20	NIPPLE-PIPE.....	1	63D6G
4	TEE-PIPE.....	1	64G3G	21	PROBE-ELECTRICAL.....	2	21D264
5	PLUG.....	2	64AA5	24	VALVE-SOLENOID.....	1	91B77
7	ELBOW-TUBE.....	7	86E60	28	SWITCH-VACUUM.....	1	88H195
8	CONNECTOR(TUBE/PIPE).....	3	86N287	31	TRANSDUCER-PRESSURE.....	2	88H242
9	CONNECTOR(TUBE/PIPE).....	3	86E4	32	RING (O-RING).....	3	165011
10	NIPPLE-PIPE.....	2	63D1G	33	CONNECTOR-TUBE.....	1	86E28
11	CROSS.....	2	64K1G	*	SEAL-PLUG.....	1	24A415
12	ORIFICE.....	2	86N290	*	RING (O-RING).....	1	24A383
13	ORIFICE.....	1	86N290	*	NIPPLE-CHASE.....	1	24CA4641
14	CONNECTOR.....	1	86N272	*	LOCKNUT-CONDUIT.....	1	24A77
15	CONNECTOR-TUBE.....	1	86E28	*	WIRE.....	8	97H2R
16	VALVE-CHECK.....	2	90AR261	*	LUG TERMINAL.....	2	24A476
17	NIPPLE-PIPE.....	1	63D3G				

* Not shown on illustration

Order by Part Number and Description. Reference Numbers are for your convenience only.

DRIVE GROUPS



265EBE810
(Ref. Drawing)

DRIVE GROUPS

Ref. No.	Name of Part	Qty.	Part Number Per Pressure			
			100	125	150 (N/A)	175 (N/A)
	15 H.P. DRIVE GROUP		200EBE4004	201EBE4004		
1	SHEAVE, COMPRESSOR	1	73M43V65	73M43V80		
2	HUB-BUSHING	1	22F28SK	22F28SK		
4	SHEAVE, MOTOR	1	208EBE099	208EBE099		
5	SET SCREW	2	76F65	76F65		
6	BELT SET	1	13AG6004	13AG6004		
7	FAN	1	203EBE701	203EBE701		
8	SCREW	3	655ED030	655ED030		
9	LOCKWASHER	3	95B3	95B3		
10+	RELIEF VALVE	1	90AR661	90AR662		

Ref. No.	Name of Part	Qty	Part Number Per Pressure			
			100	125	150	175 (N/A)
	20 H.P. DRIVE GROUP		202EBE4004	203EBE4004	204EBE4004	
1	SHEAVE, COMPRESSOR	1	73M43V56	73M43V80	73M43V65	
2	HUB-BUSHING	1	22F28SDS	22F28SK	22F28SK	
4	SHEAVE, MOTOR	1	201EBE099	205EBE099	202EBE099	
5	SET SCREW	2	76F65	76F65	76F65	
6	BELT SET	1	13AG6004	13AG6304	13AG6004	
7	FAN	1	203EBE701	203EBE701	203EBE701	
8	SCREW	3	655ED030	655ED030	655ED030	
9	LOCKWASHER	3	95B3	95B3	95B3	
10+	RELIEF VALVE	1	90AR661	90AR662	90AR663	

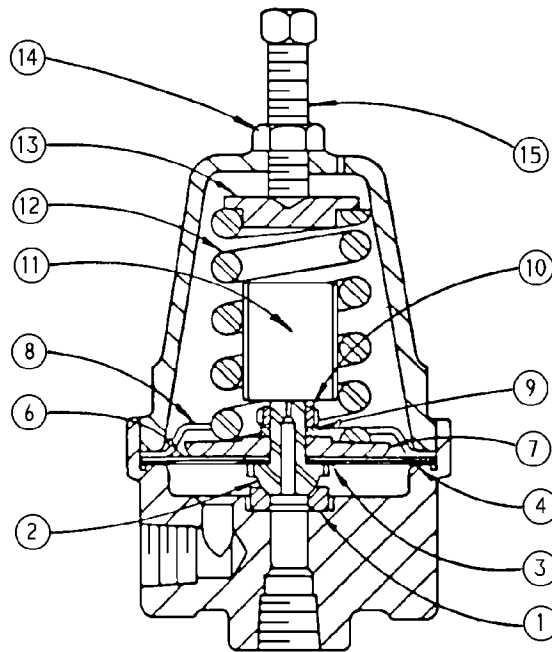
Ref. No.	Name of Part	Qty	Part Number Per Pressure			
			100	125	150	175
	25 H.P. DRIVE GROUP		205EBE4004	206EBE4004	207EBE4004	208EBE4004
1	SHEAVE, COMPRESSOR	1	73M43V65	73M43V80	73M43V80	73M43V80
2	HUB-BUSHING	1	22F28SK	22F28SK	22F28SK	22F28SK
4	SHEAVE, MOTOR	1	203EBE099	204EBE099	207EBE099	206EBE099
5	SET SCREW	2	76F65	76F65	76F65	76F65
6	BELT SET	1	13AG6704	13AG6704	13AG6704	13AG6704
7	FAN	1	202EBE701	202EBE701	202EBE701	202EBE701
8	SCREW	3	655ED030	655ED030	655ED030	655ED030
9	LOCKWASHER	3	95B3	95B3	95B3	95B3
10+	RELIEF VALVE	1	*	90AR662	90AR663	90AR657

Ref. No.	Name of Part	Qty	Part Number Per Pressure			
			100	125	150	175
	30 H.P. DRIVE GROUP		209EBE4004	210EBE4004	211EBE4004	212EBE4004
1	SHEAVE, COMPRESSOR	1	73M43V56	73M43V65	73M43V65	73M43V65
2	HUB-BUSHING	1	22F28SDS	22F28SK	22F28SK	22F28SK
4	SHEAVE, MOTOR	1	203EBE099	203EBE099	207EBE099	206EBE099
5	SET SCREW	2	76F65	76F65	76F65	76F65
6	BELT SET	1	13AG6304	13AG6704	13AG6304	13AG6304
7	FAN	1	202EBE701	202EBE701	202EBE701	202EBE701
8	SCREW	3	655ED030	655ED030	655ED030	655ED030
9	LOCKWASHER	3	95B3	95B3	95B3	95B3
10+	RELIEF VALVE	1	*	90AR662	90AR663	90AR657

* (2) 90AR661 RELIEF VALVES REQUIRED

+ Not shown on drawing. See Page 17.

Order by Part Number and Description. Reference Numbers are for your convenience only.



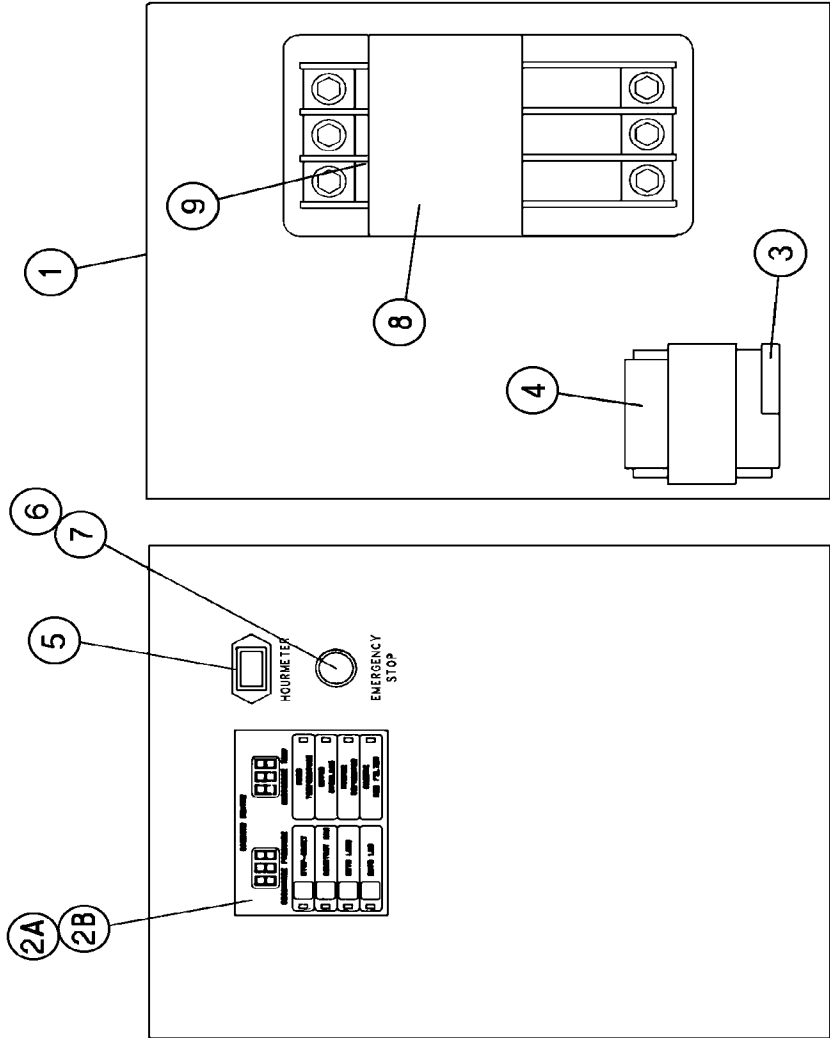
SUBTRACTIVE PILOT VALVE

Ref. No.	Name of Part	Qty.	Part No.
	VALVE-SUBTRACTIVE PILOT, Includes Ref. No. 1 thru 15		2009398
1	RING-SEAT	1	2008021
2	DISC-SEAT.....	1	2010080
3	GASKET-DURABLA.....	1	2008019
4	GASKET-DURABLA.....	1	2008017
6	DIAPHRAGM SET (Set of 5)	1	2008018
7	PLATE-PRESSURE	1	2008015
8	STOP-DIAPHRAGM.....	1	2008016
9	WASHER-LOCK	1	95B1
10	NUT-PRESSURE PLATE	1	2008888
11	DAMPER	1	2008711
12	SPRING-PRESSURE.....	1	2008014
13	BUTTON-SPRING.....	1	2008891
14	LOCKNUT.....	1	50Y2
15	SCREW-PRESSURE	1	2008952

NOTE: It is necessary to replace some parts in groups to insure satisfactory repair. When replacing diaphragm, also replace both diaphragm and seat gaskets. When replacing seat disc or seat ring, replace also the mating seat ring or disc and the seat disc gasket.

Order by Part Number and Description. Reference Numbers are for your convenience only.

CONTROLLER ASSEMBLY



FRONT VIEW - CONTROL CABINET

FRONT VIEW - (DOOR)

CONTROLLER ASSEMBLY

Ref. No.	Name of Part	Qty.	15-20 HP 200V		15-20 HP 230V		25-30 HP 200V		25-30 HP 230V	
			15-20 HP 460V	15-25 HP 575V	30 HP 460V	30 HP 575V	25-30 HP 460V	25-30 HP 575V	25-30 HP 460V	25-30 HP 575V
	ASSEMBLED PANEL: NEMA 12	1	308EBE466		309EBE466			310EBE466		
	ASSEMBLED PANEL: NEMA 4	1	312EBE466		313EBE466			314EBE466		
1	BOX-CONTROL	1	203EBE179		203EBE179			203EBE179		
2A	KEYPAD	1	200EBE375		200EBE375			200EBE375		
2B	CONTROL BOARD	1	200EBE1173		200EBE1173			200EBE1173		
3	SECONDARY FUSE	1	24CA3725		24CA3726			24CA3727		
4	TRANSFORMER	1	2116694		2116695			2116696		
5	HOURMETER (60 HZ)	1	24CA2895		24CA2895			24CA2895		
6	OPERATOR 22MM PUSH-PULL E-STOP	1	24CA2907		24CA2907			24CA2907		
7	CONTACT BLOCK E22B1 SPNC	1	24CA2908		24CA2908			24CA2908		
8	STARTER	1	24CA4135		24CA4141			24CA3828		
9	COIL-STARTER	1	2116394		2116395			2116396		
10	REPLACEMENT CONTACTOR / CONTACTS	1	24CA2906		24CA3863			2116384		
11	REPLACEMENT OVERLOAD RELAY	1	24CA4086		24CA4087			24CA2905		

**CONTROL/STARTER BOX
(WITH OVERLOAD HEATERS & FUSETRONS)
WITH MAIN MOTOR STARTER**

Control/Starter Box		O.L. * Wiring Harness GP		Primary Heaters (3)	Primary Fuse (2)	Secondary Fuse Decal	Secondary Fuse (1)	Fuse Decal
H.P.	Voltage	Nema 12	Nema 4					
15	200	309EBE466	313EBE466	217EBE4014	24CA3722	294AUX077	24CA3726	298AUX077
15	230	309EBE466	313EBE466	218EBE4014	24CA2781	260AUX077	24CA3726	298AUX077
15	460	308EBE466	312EBE466	219EBE4014	24CA2897	272AUX077	24CA3725	297AUX077
15	575	308EBE466	312EBE466	220EBE4014	24CA3718	290AUX077	24CA3725	297AUX077
20	200	309EBE466	313EBE466	221EBE4014	24CA3722	294AUX077	24CA3726	298AUX077
20	230	309EBE466	313EBE466	222EBE4014	24CA2781	260AUX077	24CA3726	298AUX077
20	460	308EBE466	312EBE466	223EBE4014	24CA2897	272AUX077	24CA3725	297AUX077
20	575	308EBE466	312EBE466	224EBE4014	24CA3718	290AUX077	24CA3725	297AUX077
25	200	310EBE466	314EBE466	208EBE4014	24CA3723	295AUX077	24CA3727	299AUX077
25	230	310EBE466	314EBE466	209EBE4014	24CA2783	262AUX077	24CA3727	299AUX077
25	460	309EBE466	313EBE466	225EBE4014	24CA2779	258AUX077	24CA3726	298AUX077
25	575	308EBE466	312EBE466	226EBE4014	24CA3718	290AUX077	24CA3725	297AUX077
30	200	310EBE466	314EBE466	212EBE4014	24CA3723	295AUX077	24CA3727	299AUX077
30	230	310EBE466	314EBE466	213EBE4014	24CA2783	262AUX077	24CA3727	299AUX077
30	460	309EBE466	313EBE466	227EBE4014	24CA2779	258AUX077	24CA3726	298AUX077
30	575	309EBE466	313EBE466	228EBE4014	24CA2898	273AUX077	24CA3726	298AUX077

*Includes O.L. Heaters (3) & Fusetrons (2) As Indicated; Also Wiring Components For Box To Motor

WITHOUT MAIN MOTOR STARTER

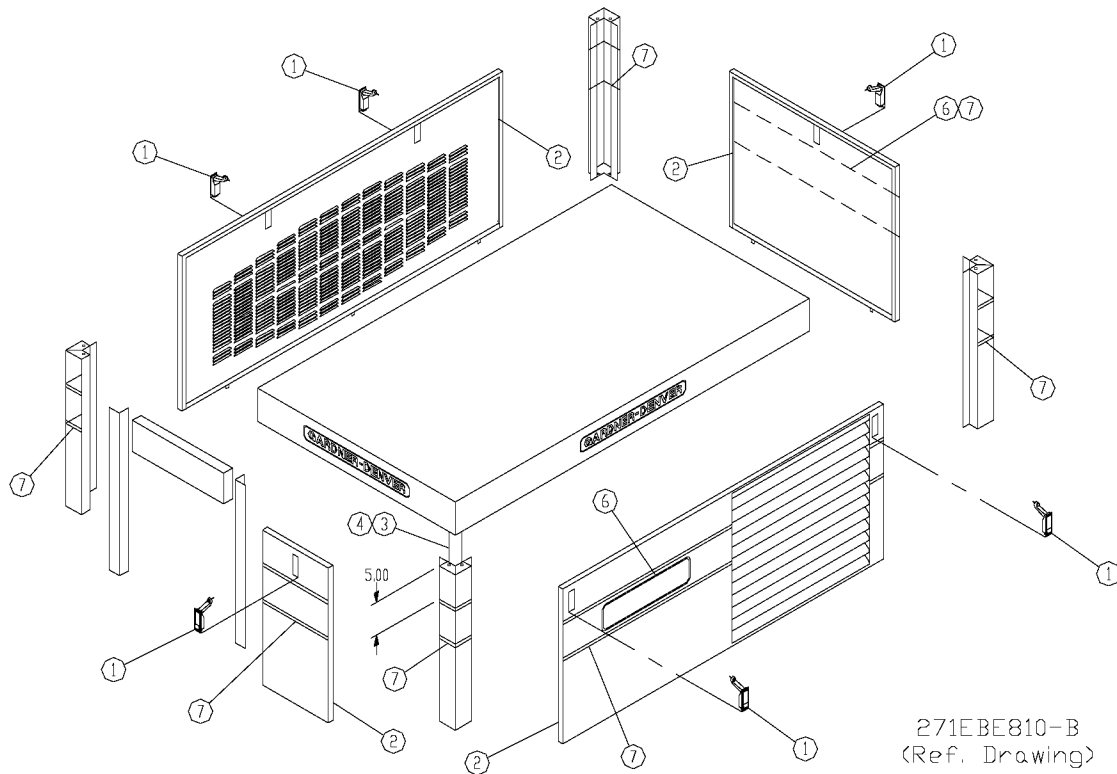
200	311EBE466	315EBE466	249EBE4014	-----	24CA3720	292AUX077	24CA3725	297AUX077
230	311EBE466	315EBE466	250EBE4014	-----	24CA2779	258AUX077	24CA3725	297AUX077
460	311EBE466	315EBE466	252EBE4014	-----	24CA2897	272AUX077	24CA3725	297AUX077
575	311EBE466	315EBE466	253EBE4014	-----	24CA3718	290AUX077	24CA3725	297AUX077

OVERLOAD RELAY HEATER CONVERSION LISTING

Refer to Motor Nameplate "Amperage" and Decal in Control Panel for Selection of Overload Relay Heater Packs

Cutler-Hammer Part Number	Gardner Denver Part Number
H2002B.....	24CA4101
H2003B.....	24CA4102
H2004B.....	24CA4103
H2005B.....	24CA4104
H2006B.....	24CA4105
H2007B.....	24CA4106
H2008B.....	24CA4107
H2009B.....	24CA4108
H2010B.....	24CA4109
H2011B.....	24CA4110
H2012B.....	24CA4111
H2013B.....	24CA4112
H2014B.....	24CA4113
H2015B.....	24CA4114
H2016B.....	24CA4115
H2017B.....	24CA4116
H2018.....	24CA2924
H2019.....	24CA2925
H2020.....	24CA2926
H2021.....	24CA2927
H2022.....	24CA2893
H2023.....	24CA2894
H2024.....	24CA2928

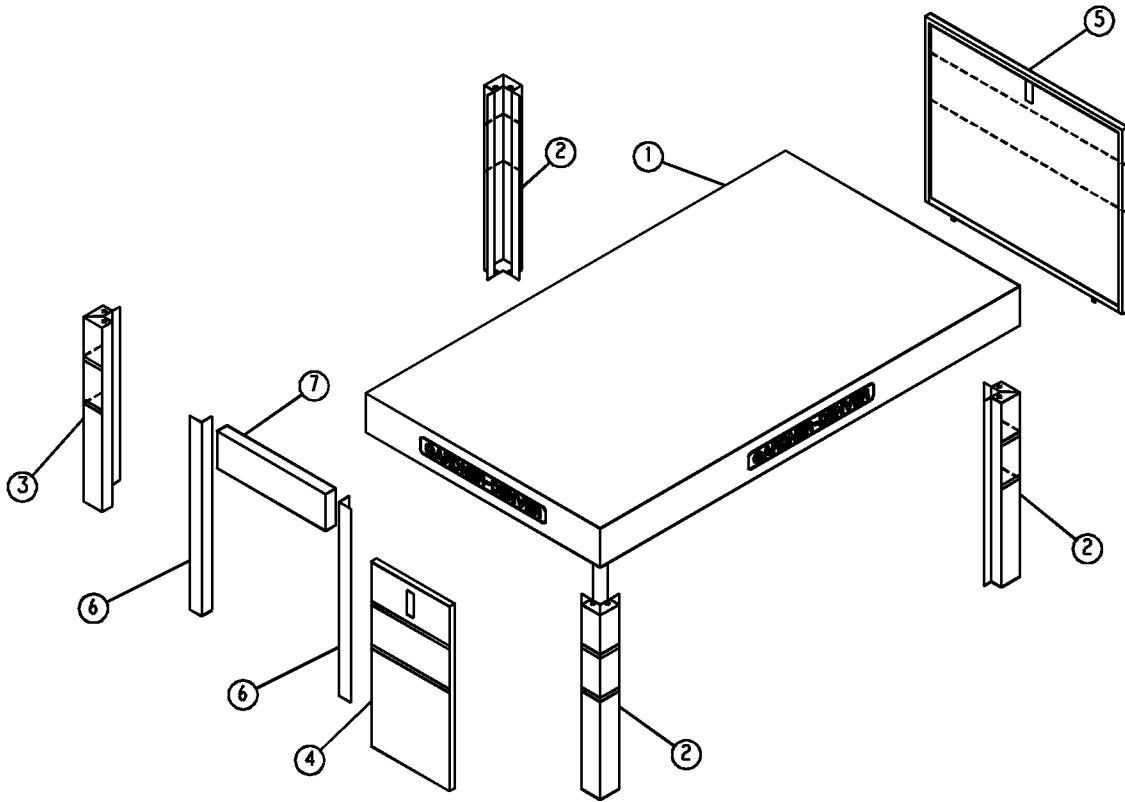
Order by Part Number and Description. Reference Numbers are for your convenience only.



ENCLOSURE - HARDWARE & DECALS

Ref. No.	Name of Part	Qty.	Part No.
1	LATCH	6	31D51
2	SEAL.....	28	32E12
3	SCREW-FLANGED	24	75LM51
4	NUT-FLANGED	24	50AW5
6	DECAL	2	200ECP077
7	DECAL	2	203ESO077

Order by Part Number and Description. Reference Numbers are for your convenience only.

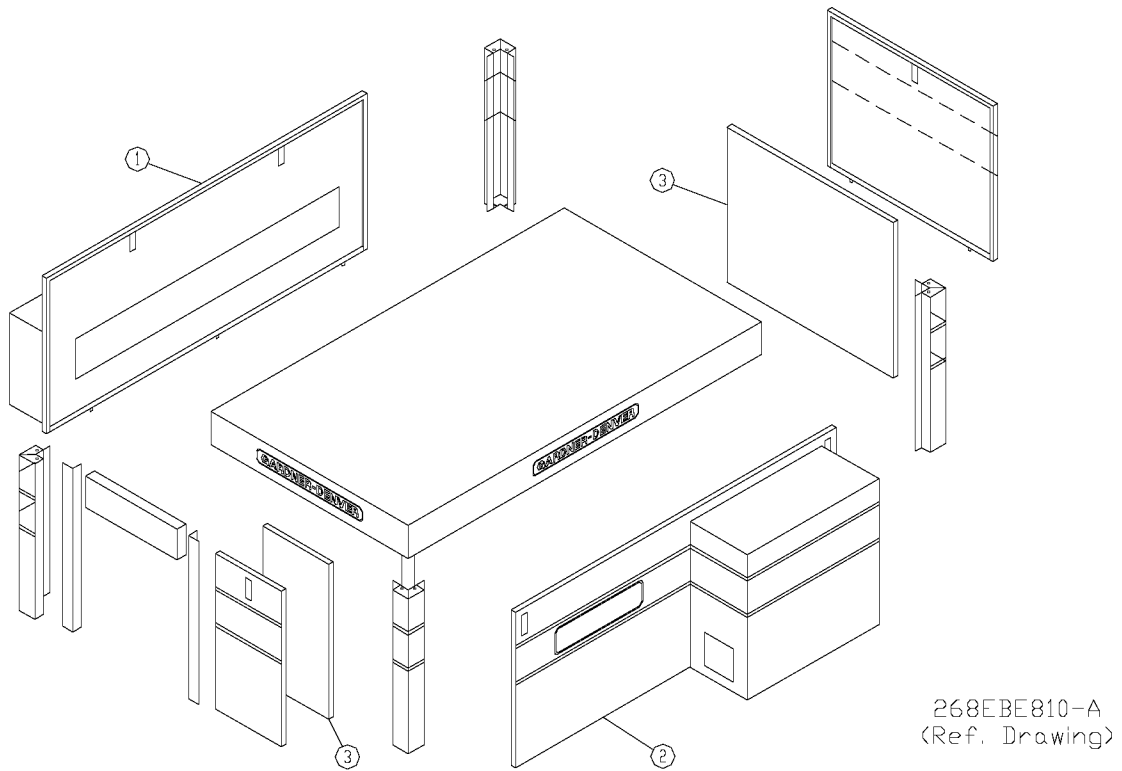


270EBE810
(Ref. Drawing)

ENCLOSURE - BASIC PARTS

Ref. No.	Name of Part	Qty.	Part No.
1	HOOD	1	200EBE053
2	POST	3	206EBE313
3	POST	1	207EBE313
4	PANEL	1	205EBE216
5	PANEL	1	203EBE216
6	BRACKET	2	201EBE142
7	BRACKET (FORMED).....	1	203EBE142

Order by Part Number and Description. Reference Numbers are for your convenience only.

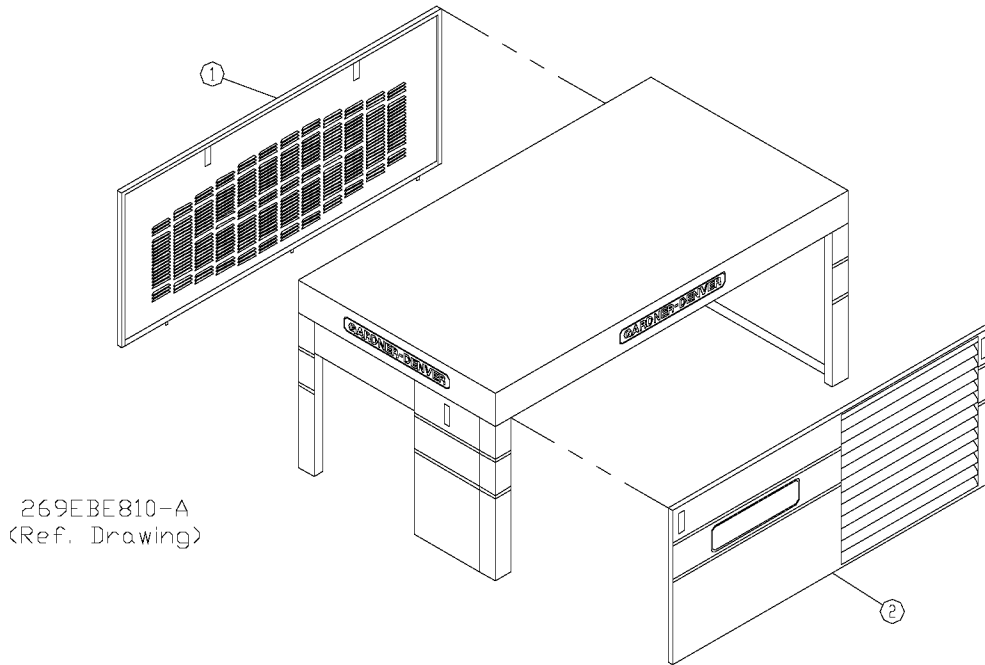


268EBE810-A
(Ref. Drawing)

QUIET ENCLOSURE - ODP MOTOR ONLY

Ref. No.	Name of Part	Qty.	Part No.
1	BAFFLE	1	201EBE840
2	BAFFLE	1	203EBE840
3	INSULATION.....	1	200EJB470

Order by Part Number and Description. Reference Numbers are for your convenience only.



ENCLOSURE – PANELS

Ref. No.	Name of Part	Qty.	ODP Motors Part No.	TEFC Motors Part No.
1	PANEL	1	204EBE216	207EBE216
2	PANEL	1	210EBE216	210EBE216

IDENTIFICATION AND INSTRUCTION GROUP

Ref. No.	Name of Part	Qty.	Part No.
1	DECAL, WARNING - SEE WIRING DIAGRAM	1	222EAQ077
2	DECAL, WARNING - ELECTRICAL SHOCK	1	216EAQ077
3	DECAL, PARTS LIST/SERVICE MANUAL #.....	1	204EDE077
8	TAG-INSTRUCTION.....	1	201EAQ304
7	RIVET	1	70E13
9	DECAL, ROTATION ARROW	1	204EBE077
10	DECAL, WARNING	1	227EAQ077
11	DECAL, DANGER - HOT OIL UNDER PRESSURE.....	2	212EAQ077
12	DECAL, AEON 4000 LUBRICANT	1	228EAQ077
13	DECAL, WARNING - INSPECT OIL RESERVOIR	1	217EAQ077
14	DECAL, DANGER - DO NOT MODIFY	1	218EAQ077
15	DECAL, WARNING - ROTATING MACHINERY	1	211EAQ077
16	DECAL, CAUTION - DO NOT LIFT	1	208EAQ077
17	DECAL, WARNING - AUTO RESTART	4	207EAQ077
18	DECAL, DANGER - DO NOT BREATHE	2	206EAQ077
19	DECAL, OIL LEVEL.....	1	200EJB077
20	DECAL, ID & INSTRUCTION.....	1	201EJB077
21	DECAL, DRAIN MOISTURE DAILY	1	205ESO077
22	DECAL, OIL FILTER ELEMENT	1	205EBE077
23	DECAL, NOTICE - USE GARDNER DENVER PARTS	1	214EAQ077
24	DECAL, AUTO SENTRY-S.....	1	206EJB077
25	DECAL, MADE IN THE USA.....	1	69F64
26	DECAL, OIL SEPARATOR CANISTER.....	1	211EBE077
27	DECAL, CAUTION - USE FLOOR PLATE	1	221EAQ077
28	DECAL, GARDNER DENVER	2	213ECM077
29	DECAL, ELECTRA-SAVER II	2	200ECP077
31	DECAL, QUALITY WITHOUT QUESTION	1	251EAQ077

MAIN MOTOR (STANDARD ODP/TEFC & HI-EFF. ODP)

**OPEN DRIP PROOF
(60 HZ – ODP)**

Name of Part	15 HP Part No.	20 HP Part No.	25 HP Part No.	30 HP Part No.
MOTOR, 200V	24AW8	24AW9	24AW10	24AW11
MOTOR, 230V	24AW24	24AW25	24AW26	24AW27
MOTOR, 460V	24AW24	24AW25	24AW26	24AW27
MOTOR, 575V	24AW43	24AW44	24AW45	24AW46

**HI-EFF, OPEN DRIP PROOF
(60 HZ – ODP)**

MOTOR, 200V	24CA1489	24CA1490	24CA1491	24CA1492
MOTOR, 230V	24CA1509	24CA1510	24CA1511	24CA1512
MOTOR, 460V	24CA1509	24CA1510	24CA1511	24CA1512
MOTOR, 575V	24CA1536	24CA1537	24CA1538	24CA1539

**TOTALLY ENCLOSED FAN COOLED
(60 HZ – TEFC)**

MOTOR, 200V	24CA2385	24CA2388	24CA2391	24CA2394
MOTOR, 230V	24CA2386	24CA2389	24CA2392	24CA2395
MOTOR, 460V	24CA2386	24CA2389	24CA2392	24CA2395
MOTOR, 575V	24CA2387	24CA2390	24CA2393	24CA2396

**HI-EFF. TOTALLY ENCLOSED FAN COOLED
(60 HZ – TEFC)**

MOTOR, 200V	24CA2654	24CA2655	24CA2656	24CA2657
MOTOR, 230V	24CA2650	24CA2651	24CA2561	24CA2562
MOTOR, 460V	24CA2650	24CA2651	24CA2561	24CA2562
MOTOR, 575V	24CA2660	24CA2661	24CA2662	24CA2663

REPAIR KITS AND ACCESSORIES

Your Gardner Denver rotary screw compressor is designed and manufactured for many years of reliable operation. All components are engineered to exacting specifications, which will function together as a system to provide maximum efficiency. To insure the continuing integrity of compressor operation, use only original quality genuine Gardner Denver replacement parts and accessories.

Name of Part	Qty.	Part No.
ROUTINE MAINTENANCE KIT (3000 Hrs.), Heavy Duty Air Filter.....		EBE80665
ELEMENT, Air Filter.....	2	2116150
ELEMENT, Oil Filter.....	3	2116128
ROUTINE MAINTENANCE KIT (3000 Hrs.), Standard Air Filter		203EBE6013
ELEMENT, Air Filter.....	2	200EBE059
ELEMENT, Oil Filter.....	3	2116128
PERIODIC MAINTENANCE KIT (Inlet Valve).....		302EBE6013
O-RING	1	25BC440
SPRING.....	1	78H22
SPRING.....	1	78W59
O-RING	1	25AM15
RING-RETAINING	1	74D87
PERIODIC OVERHAUL KIT, Air End (See pages 5 and 10 for Parts Listing)....		202SSE6013
BEARING-ROLLER	1	12BA130
BEARING-ROLLER	1	12BA129
BEARING-ROLLER	1	12BA127
BEARING-ROLLER	1	12BA128
SEAL-OIL	1	60DD679
SHIM	1	77C58
SPRING.....	2	78W47
SHIM	1	77H54
GASKET (ELIMINATOR)	1	25BC222
O-RING	1	54C210
O-RING	1	25BC380
SEAL-OIL	1	60DD543
OIL SEPARATOR ELEMENT	1	2116717
KIT, OIL SEAL.....	1	302SSH6013
SLEEVE	1	80M12
OIL SEAL	1	60DD679
OIL SEAL	1	60DD690
O-RING	1	8502140
O-RING	1	25BC165
GASKET (ELIMINATOR)	1	25BC222
VALVE-CHECK	1	90AR923

REPAIR KITS AND ACCESSORIES (Continued)

FIELD ENCLOSURE KIT (ODP Motor)	1	217EBE4023
FIELD ENCLOSURE KIT (TEFC Motor)	1	218EBE4023
QUIET ENCLOSURE KIT (ODP Motor Only) (Field Enclosure)	1	219EBE4023
ELECTRICAL CONTROL KIT		EJB81373
THERMISTOR PROBE	2	21D264
VALVE-SOLENOID	1	91B77
SWITCH-VACUUM	1	88H195
TRANSDUCER	2	88H242
PNEUMATIC CONTROL KIT		300EBE6013
VALVE-SUBTRACTIVE PILOT	1	2009398
VALVE-SHUTTLE	1	90AR1034
VALVE-CHECK	2	90AR261
GASKET ELIMINATOR	1	25BC222
LUBRICANT (AEON 4000)		
5-GALLON PAIL	1	28H57
55-GALLON DRUM	1	28H36
TOUCH-UP PAINT, White		
5-GALLON PAIL	1	28H76
1-GALLON CAN	1	28H84
1-QUART CAN	1	28H83
WEAR SLEEVE INSTALLATION/REMOVAL KIT	1	SSE81282
WEAR SLEEVE PULLER	1	300SSE219
PLATE PULLER	1	300SSE340
SCREW	1	655EE030
SCREW	1	655ED120
SCREW	1	75D176
GUIDE	1	300SSE450
TOOL	1	200SSH074

**BARE COMPRESSOR
REPAIR AND REPLACEMENT**

Gardner Denver rotary screw compressor air ends are designed, manufactured, assembled, and tested to exacting standards. All new and factory remanufactured air ends are warranted by Gardner Denver. Unauthorized disassembly or field repair may void the warranty and adversely effect operation.

**GARDNER DENVER AIR END
EXCHANGE PROGRAM**

Should your air end require replacement, both new and factory remanufactured units are stocked by your authorized distributor or at the Gardner Denver Distribution Center in Memphis, Tennessee.

Remanufactured and warranted compressor air end exchange units provide a quick, reliable, and economical method for field replacement. Your compressor may be returned to service promptly and the exchange core returned later for credit.

Air ends are remanufactured at the Gardner Denver Remanufacturing Center in Indianapolis, Indiana, and factory warranted. The Indianapolis facility is staffed with experienced, skilled technicians dedicated to the remanufacture and repair of Gardner Denver compressor units. The latest improvements are incorporated in the remanufacturing process. A new or rebuilt Gardner Denver exchange compressor is your guarantee of optimum performance and reliability.

	REMANUFACTURED AIR END EXCHANGE (Furnished With Inlet Valve)	NEW AIR END EXCHANGE (Furnished With Inlet Valve)
15 HP	SSEBBKX	SSEBBK
20 HP	SSEBBKX	SSEBBK
25 HP	SSEBBKX	SSEBBK
30 HP	SSEBBKX	SSEBBK

Gardner Denver

Specifications subject to change without notice.

Copyright © 1999 Gardner Denver, Inc.

Litho in U.S.A.

<http://www.gardnerdenver.com> mktg@gardnerdenver.com

For additional information contact your local representative or



Gardner Denver Compressor and Pump Division,
1800 Gardner Expressway, Quincy, Illinois 62301
Customer Service Department Telephone:
(800) 682-9868 FAX: (217) 224-7814

Sales and Service in all major cities.

For parts information, contact Gardner Denver,
Master Distribution Center, Memphis, TN
Telephone: (800) 245-4946 FAX: (901) 542-6159