
GARDNER DENVER[®]

13-9-569
1st Edition
July, 1999

ELECTRA-SAVER[®]
ELECTRA-SAVER II[®]
STATIONARY
BASE-MOUNTED COMPRESSORS

AUTO SENTRY[®] -ES+ CONTROLS

MODELS

EAU99L, EBU99A

200 HP

PARTS LIST

Gardner

Denver

INSTRUCTIONS FOR ORDERING REPAIR PARTS

When ordering parts, specify Compressor MODEL, Method of Cooling, HORSE-POWER and SERIAL NUMBER (see nameplate on unit). The Serial Number is also stamped on top of the cylinder flange to the right of the inlet housing.

All orders for Parts should be placed with the nearest authorized distributor.

Where NOT specified, quantity of parts required per compressor or unit is one (1); where more than one is required per unit, quantity is indicated in parenthesis. SPECIFY EXACTLY THE NUMBER OF PARTS REQUIRED.

DO NOT ORDER BY SETS OR GROUPS.

To determine the Right Hand and Left Hand side of a compressor, stand at the motor end and look toward the compressor. Right Hand and Left Hand are indicated in parenthesis following the part name, i.e. (RH) & (LH), when appropriate.

For Operating and Service Instructions see:

SERVICE MANUAL 13-910-643

CONTROLLER MANUAL 13-910-647

**MAINTAIN COMPRESSOR RELIABILITY AND PERFORMANCE WITH
GENUINE GARDNER DENVER® COMPRESSOR
PARTS AND SUPPORT SERVICES**

Gardner Denver® Compressor genuine parts, engineered to original tolerances, are designed for optimum dependability --- specifically for Gardner Denver compressor systems. Design and material innovations are the result of years of experience with hundreds of different compressor applications. Reliability in materials and quality assurance are incorporated in our genuine replacement parts.

Your authorized international servicing distributor offers all the backup you'll need. A worldwide network of authorized distributors provides the finest product support in the air compressor industry.

Your authorized international servicing distributor maintains a large inventory of genuine parts and he is backed up for emergency parts by direct access to the Gardner Denver Master Distribution Center (MDC) in Memphis, Tennessee.

Your authorized international servicing distributor can support your Gardner Denver® air compressor with these services:

1. Trained parts specialists to assist you in selecting the correct replacement parts.
2. A full line of factory tested AEON™ compressor lubricants specifically formulated for use in Gardner Denver compressors.
3. Repair and maintenance kits designed with the necessary parts to simplify servicing your compressor.

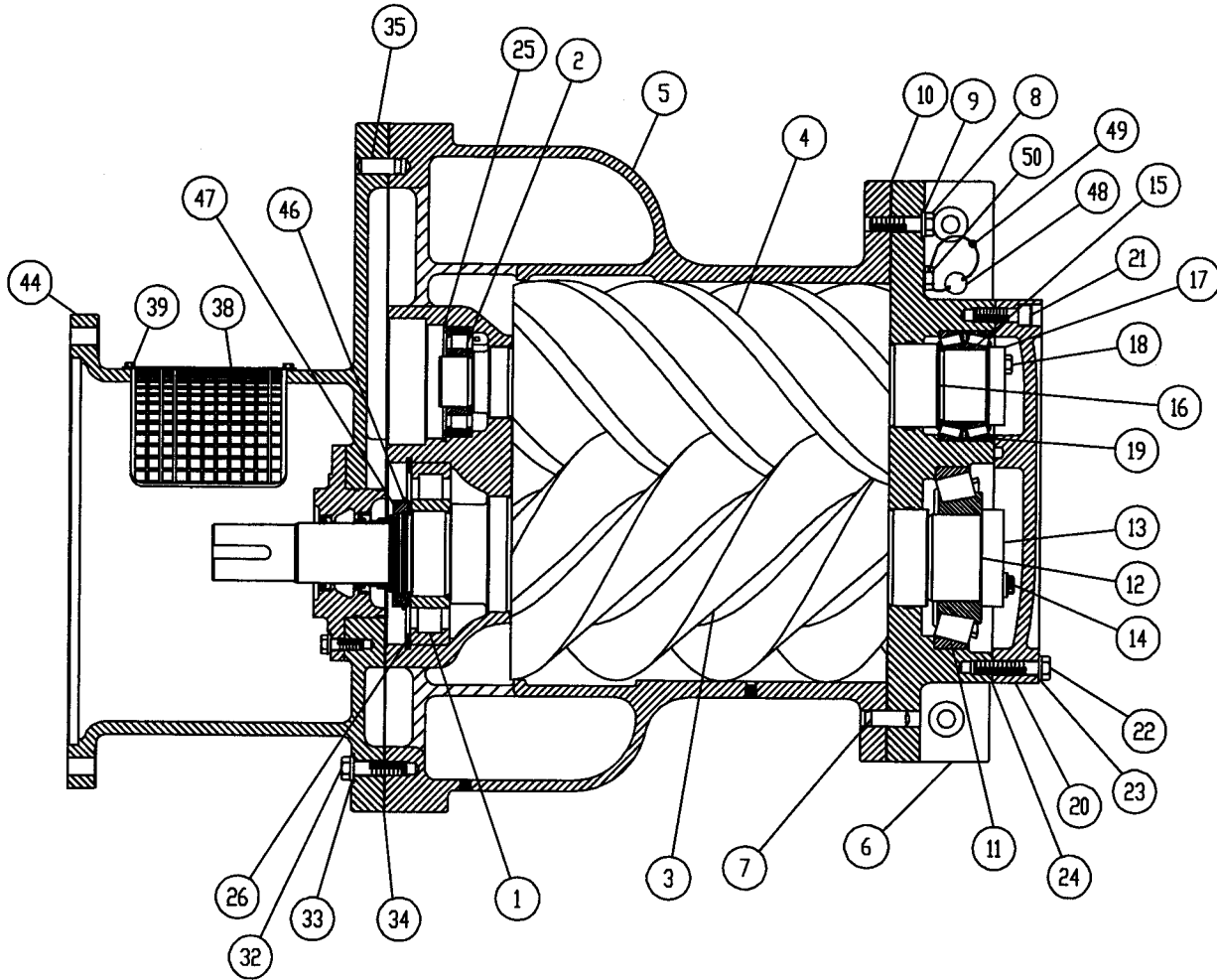
Authorized international servicing distributor service technicians are factory-trained and skilled in compressor maintenance and repair. They are ready to respond and assist you by providing fast, expert maintenance and repair services.

TABLE OF CONTENTS

Page No.

Instructions for Ordering Repair Parts	1
Maintain Compressor Reliability And Performance With Genuine Gardner Denver Compressor	
Parts And Support Services	2
Bare Compressor	4, 5
Oil Seal Detail	6
Discharge Bearing Lubrication Line	7
Turnvalve Spacer Group	8
Turn Valve - EAU (SSUABM01 Only)	9
Inlet Valve	10
Air Filter & Mounting	11
Oil Reservoir Group	12
Separator Housing	13
Separator Group	14
Discharge Piping	15
Oil Return Line	16
Minimum Pressure/Check Valve - 201EDM527	17
Cooler Group	18, 19
Water Cooled Heat Exchanger - With Aftercooler	20, 21
Water Cooled Heat Exchanger - Without Aftercooler	22, 23
Oil Inlet Tube	24
Filter Assembly - 300EAQ2045 (With 1505 Element - Standard)	25
Discharge Bearing Oil Filter And Piping	26
Enclosure Vent Fan Assembly (Water Cooled Only)	27
Control Schematic	28, 29
Turn Valve Actuator	30
Enclosure	31
Enclosure - Hardware	32
Enclosure - Air Cooled Panels	33
Enclosure - Water Cooled Panels	34
Compressor Base Group	35
Main Motor Group	36
Motor Group (Main Drive Motors)	37
Motor Group (Fan Motors)	37
Controller Assembly (EAU & EBU - 200 HP Wye Delta Starters)	38, 39
Controller Assembly (EAU & EBU - 200 HP (200/230 Volt Not Available) Full Voltage Starters)	40, 41
Controller Assembly (EAU & EBU - Less Main Motor Starter)	42, 43
Miscellaneous Electrical Parts	44
Overload Relay Heater Conversion Listing	45
Identification and Instruction Group	46
Repair Kits	47, 48, 49

BARE COMPRESSOR



**329SSU810-B
(Ref. Drawing)**

AIREND SELECTION

	HP	PSI	AIREND	REMANUFACTURED AIREND
EAU	200	100	SSUABM01	SSUABM01X
EAU	200	125	SSUABM01	SSUABM01X
EBU	200	100	SSUMBB01	SSUMBB01X
EBU	200	125	SSUMBB02	SSUMBB02X

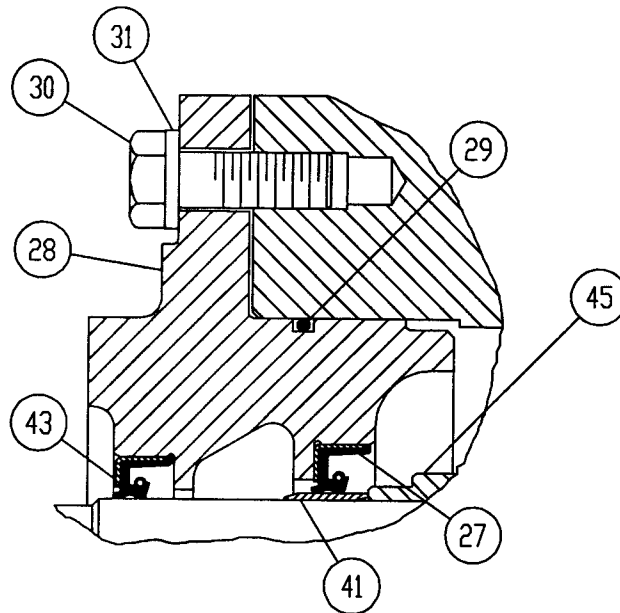
BARE COMPRESSOR

Ref. No.	Name of Part	Qty.	Part No.
* 1	BEARING-ROLLER	1	12BA52
* 2	BEARING-ROLLER	1	12W34
3	ROTOR	1	**
4	ROTOR	1	**
5	CYLINDER-AIR	1	**
6	HOUSING-BEARING	1	**
7	PIN-DOWEL	2	**
8	SCREW	18	**
9	LOCKWASHER	20	**
* 10	GASKET	1	208SSU715N
* 11	BEARING-ROLLER	1	12BA79
* 12	SHIM	1	77H55
13	PLATE-BEARING RETAINER	1	**
14	SCREW	3	**
* 15	BEARING	1	12BA78
* 16	SHIM	3	77H50015
* 16	SHIM	3	77H50005
* 16	SHIM	3	77H50003
* 16	SHIM	2	77H50002
17	PLATE-BEARING RETAINER	1	**
18	SCREW	3	
* 19	SPRING-WAVE	1	78W54
20	PLATE-BEARING COVER	1	**
21	SCREW	9	**
22	SCREW	10	**
23	LOCKWASHER	10	**
* 24	GASKET-ELIMINATOR	1	25BC222
* 25	RING-RETAINING	1	65W14
* 26	RING-RETAINING	1	65W61
32	SCREW	20	**
33	LOCKWASHER	20	**
* 34	GASKET	1	209SSU715N
35	PIN-DOWEL	2	**
36	PLUG	5	**
37	PLUG	2	**
38	GUARD-COUPLING	1	**
39	SCREW	4	**
40	PLUG	1	**
42	PLUG	1	**
44	ADAPTOR	1	**
46	LOCKWASHER-BEARING	1	95N19
47	LOCKNUT-BEARING	1	50Z19

* Parts included in Periodic Overhaul Kit number 323SSU6013. Refer to page 47.

** Shown for reference only.

Order by Part Number and Description. Reference Numbers are for your convenience only.



329SSU810-B
(Ref. Drawing)

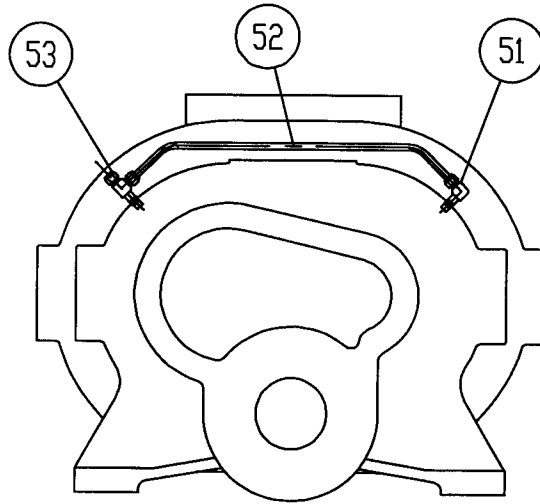
OIL SEAL DETAIL

Ref. No.	Name of Part	Qty.	Part No.
* 27	SEAL-OIL (VITON)	1	60DD571
28	HOUSING-SEAL	1	203SSU362
* 29	O-RING	1	25BC205
30	SCREW	6	655EE060
31	LOCKWASHER	6	95B5
* 41	SLEEVE-WEAR	1	80M28
* 43	SEAL-OIL	2	60DD689
45	SPACER-SHAFT	1	300SSU600
*	CHECK VALVE (not shown)	1	90AR923

* Parts included in 324SSU6013. Refer to page 47.

Wear Sleeve Installation and Remove Kit Part Number 200SSU4017 (Includes Wear Sleeve Puller and Installation Tool). See Wear Sleeve Installation/Remove Kit, page 48.

Order by Part Number and Description. Reference Numbers are for your convenience only.

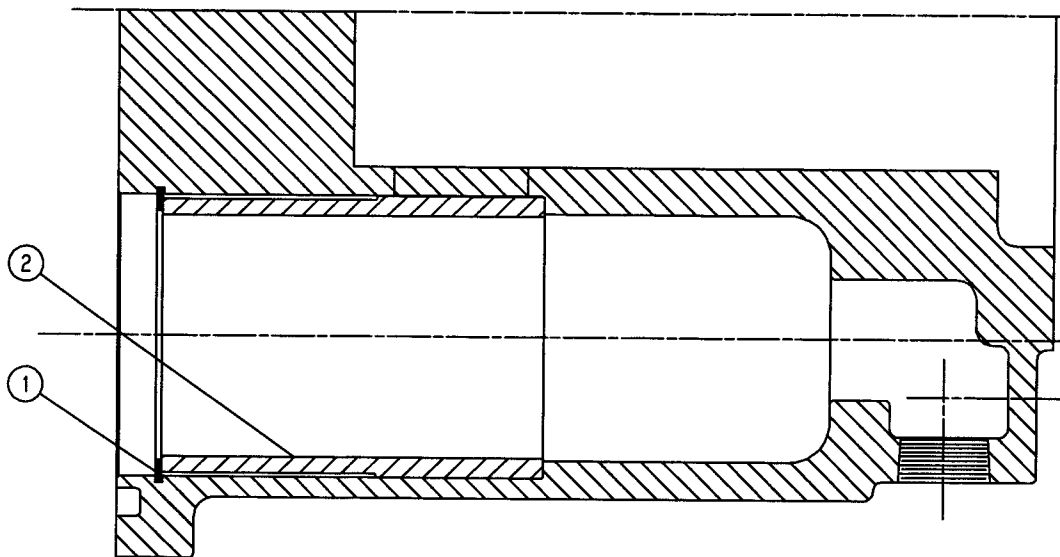


329SSU810-B
(Ref. Drawing)

DISCHARGE BEARING LUBRICATION LINE

Ref. No.	Name of Part	Qty.	Part No.
51	ELBOW	1	86E64
52	TUBE	2	85K5
53	TEE-TUBE	1	86E136

Order by Part Number and Description. Reference Numbers are for your convenience only.

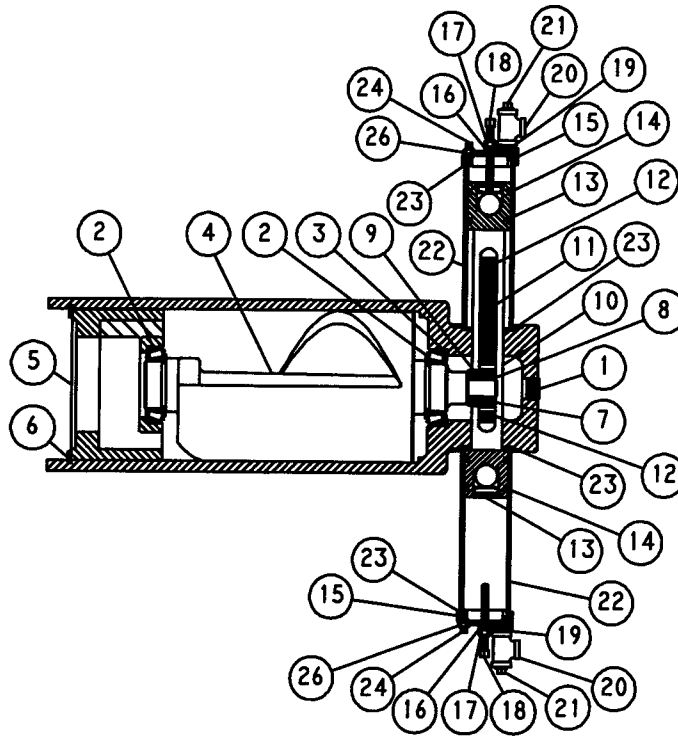


327SSU810-A
(Ref. Drawing)

**TURNVALVE SPACER GROUP
(SSUMBB01 AIREND ONLY)**

Ref. No.	Name of Part	Qty.	Part No.
1	RING-RETAINING	1	100522
2	SPACER (TURNVALVE BORE)	1	301SSU144

Order by Part Number and Description. Reference Numbers are for your convenience only.



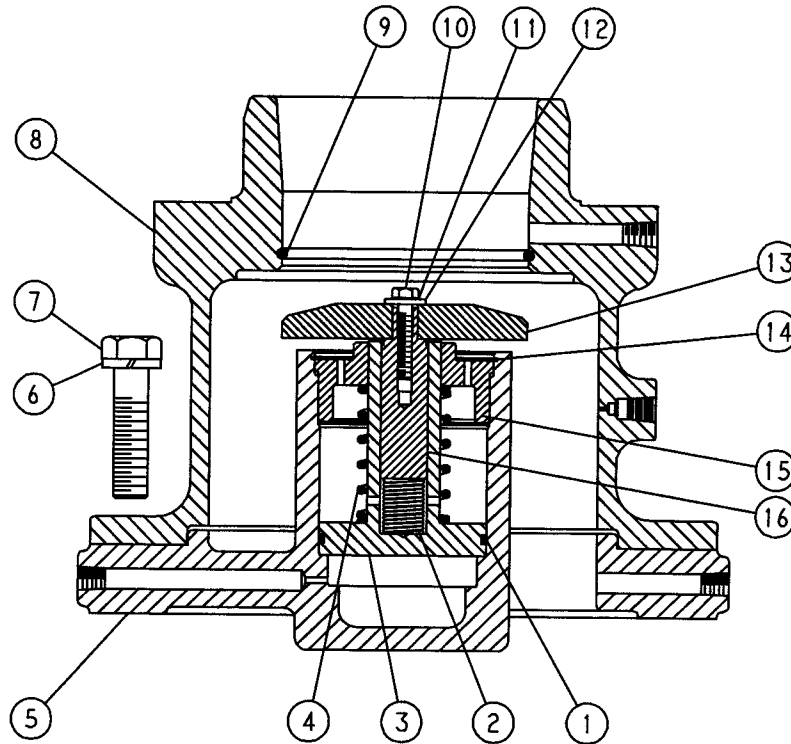
326SSU810-A
(Ref. Drawing)

**TURN VALVE - EAU
(SSUABM01 ONLY)**

Ref. No.	Name of Part	Qty.	Part No.
1	PLUG	1	64AA3
2 *	BEARING-ROLLER	2	12BA51
3 *	SPRING	1	78W50
4	VALVE	1	203SSU238
5	RETAINER	1	207SSU205
6	RING-RETAINING	1	100522
7	GEAR-AUXILIARY	1	200SSU031
8 *	KEY-SQUARE	1	35C114
9	SETSCREW	1	76G21N
10	SHAFT-CONTROL	1	200SSU081
11	RACK	1	200SSU360
12	SCREW	2	75P11N
13	CONTROL PISTON ASSEMBLY, Includes next four items	2	SSU80565
	PISTON-CONTROL	1	201SSU084
*	BUMPER (Ball)	1	32E15
*	PLUG (Expansion)	1	66D15
*	RETAINING RING	1	74D49
14 *	PACKING-RING	4	60AM46
15	HEAD-CONTROL CYLINDER	2	200RPA083
16 *	SEAL-FASTENER	2	60DD65
17	NUT	2	50AW24
18	SETSCREW	2	76D226
19	NIPPLE PIPE	2	63D1G
20	TEE	2	64G3G
21	PLUG	2	64AA5
22	CYLINDER-CONTROL	2	200SSU082
23 *	GASKET	4	25BC138N
24	STUD	8	79AL5
26	NUT	8	50AW24
	PLUG (Not shown)	2	64AA4

* Parts included in Turnvalve Repair Kit, Part Number 307SSU6013. Refer to page 49.

Order by Part Number and Description. Reference Numbers are for your convenience only.



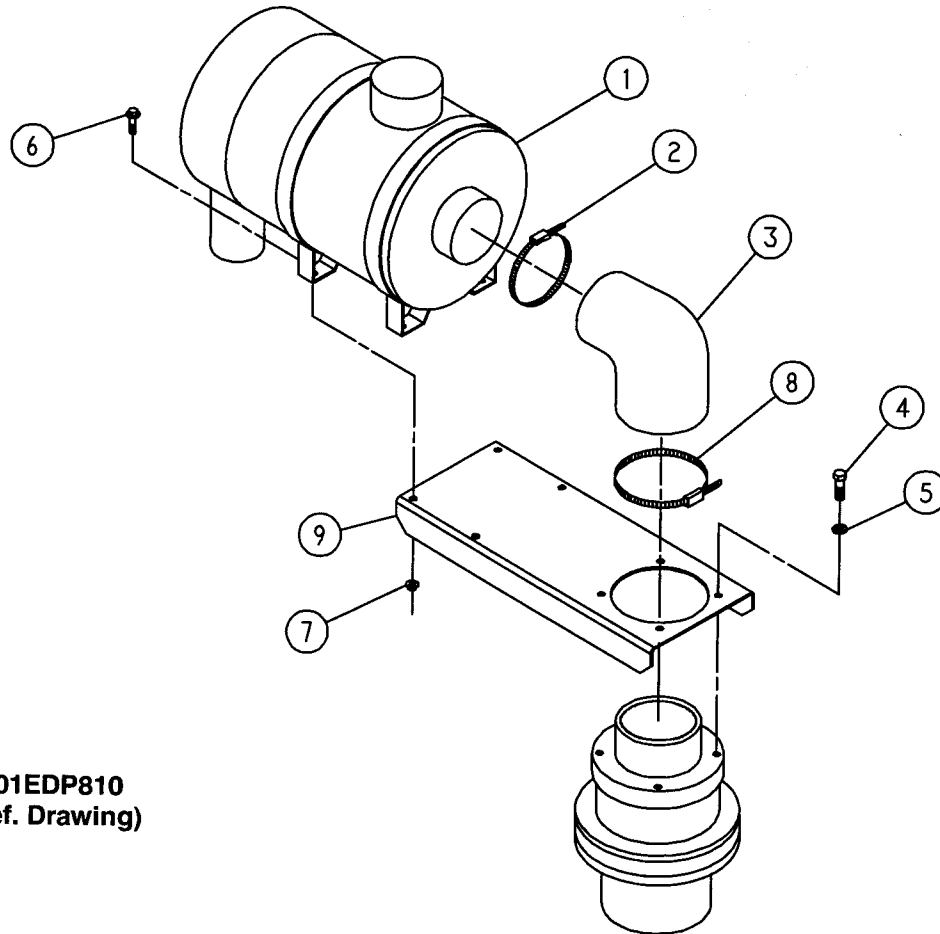
224SSQ810-A
(Ref. Drawing)

INLET VALVE

Ref. No.	Name of Part	Qty.	Part No.
1	* O-RING	1	25BC298
2	* SPRING	1	78W62
3	PISTON-INLET VALVE	1	201SSQ043
4	* SPRING	1	78W61
5	HOUSING-INLET	1	204SSQ041
6	LOCKWASHER	8	95B8
7	SCREW	8	655EG120
8	SEAT	1	202SSQ256
9	* O-RING	1	25AM30
10	SCREW	1	75A102
11	LOCKWASHER	1	95H57
12	WASHER	1	95A2
13	VALVE-INLET	1	201SSQ044
14	* RING-RETAINING	1	74D89
15	RETAINER	1	200SSQ205
16	GUIDE-VALVE	1	201SSQ483

* Parts included in Periodic Maintenance Kit number 301EAQ6013. Refer to page 47.

Order by Part Number and Description. Reference Numbers are for your convenience only.



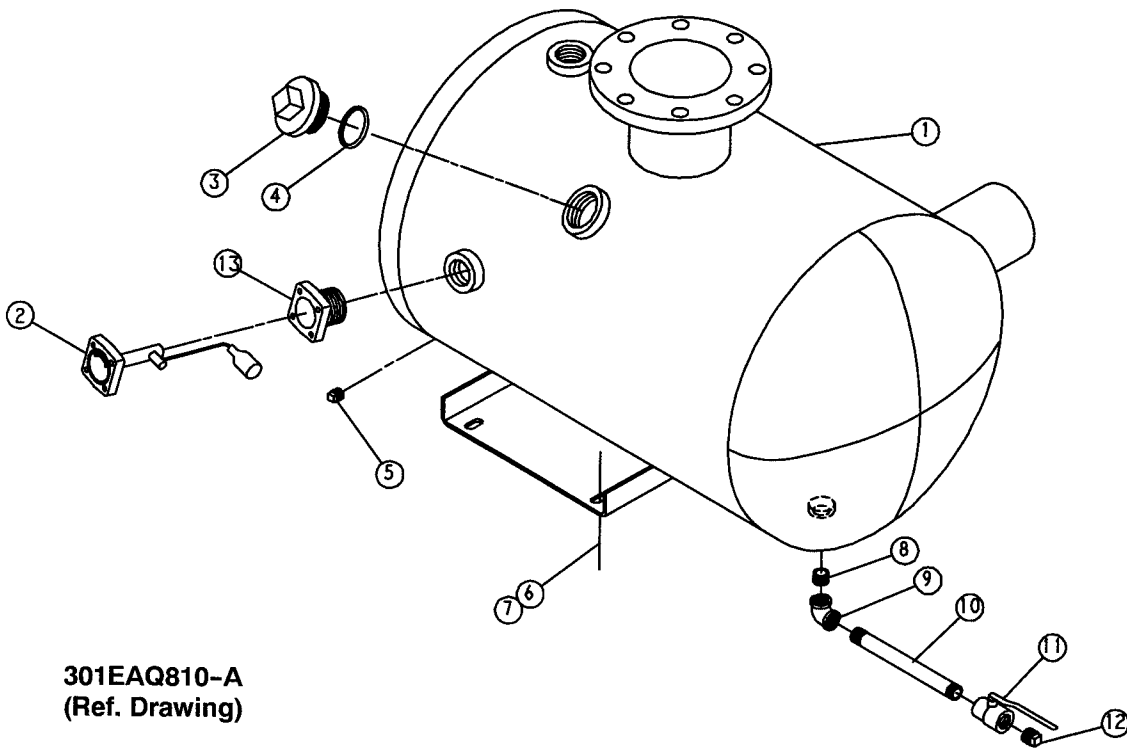
201EDP810
(Ref. Drawing)

AIR FILTER & MOUNTING

Ref. No.	Name of Part	Qty.	Part No.
1	* FILTER-AIR	1	5L262
2	CLAMP-HOSE	1	29B46
3	HOSE-MOLDED	1	29Z96
4	SCREW	4	655EE040
5	LOCKWASHER	4	95B5
6	SCREW-FLANGED	4	75K48
7	NUT-FLANGED	4	50AW5
8	CLAMP-HOSE	1	2009499
9	BRACKET-FILTER	1	201EDP389

* Air Filter Element part number is 2116702.

Order by Part Number and Description. Reference Numbers are for your convenience only.



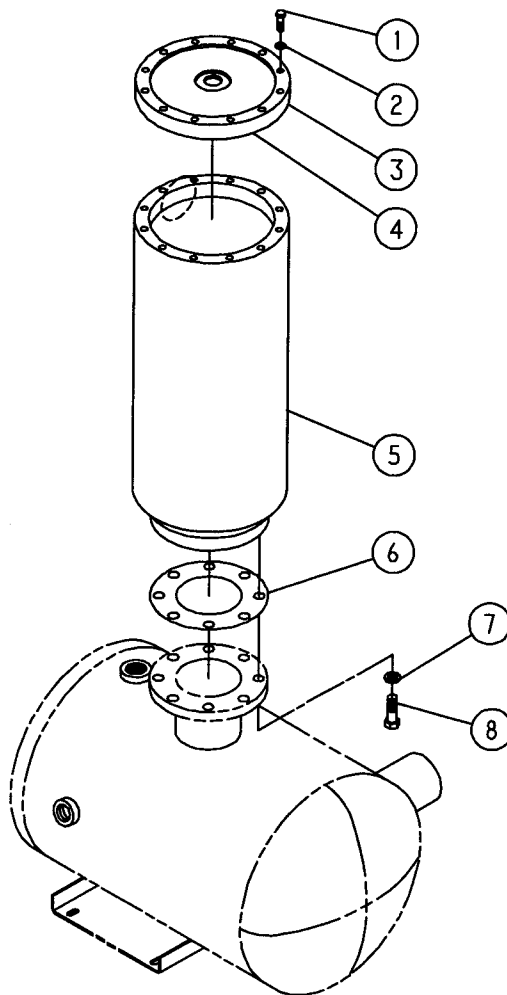
301EAQ810-A
(Ref. Drawing)

OIL RESERVOIR GROUP

Ref. No.	Name of Part	Qty.	Part No.
1	RESERVOIR-OIL	1	300EAQ037
2 *	GAUGE-FLOAT	1	300EBM303
3	COVER-FILLER	1	200SPF156
4	O-RING	1	54C214
5	PLUG	1	64AA5
6	SCREW-FLANGED	4	75LM135
7	NUT-FLANGED	4	50AW35
8	NIPPLE	1	63F1G
9	ELBOW	1	64C4G
10	NIPPLE	1	63F15G
11	VALVE-BALL	1	90AR360
12	PLUG	1	64AA7
13	ADAPTOR-GAUGE	1	200EDE058

* For Repair Gasket, order Part Number 54C204.

Order by Part Number and Description. Reference Numbers are for your convenience only.

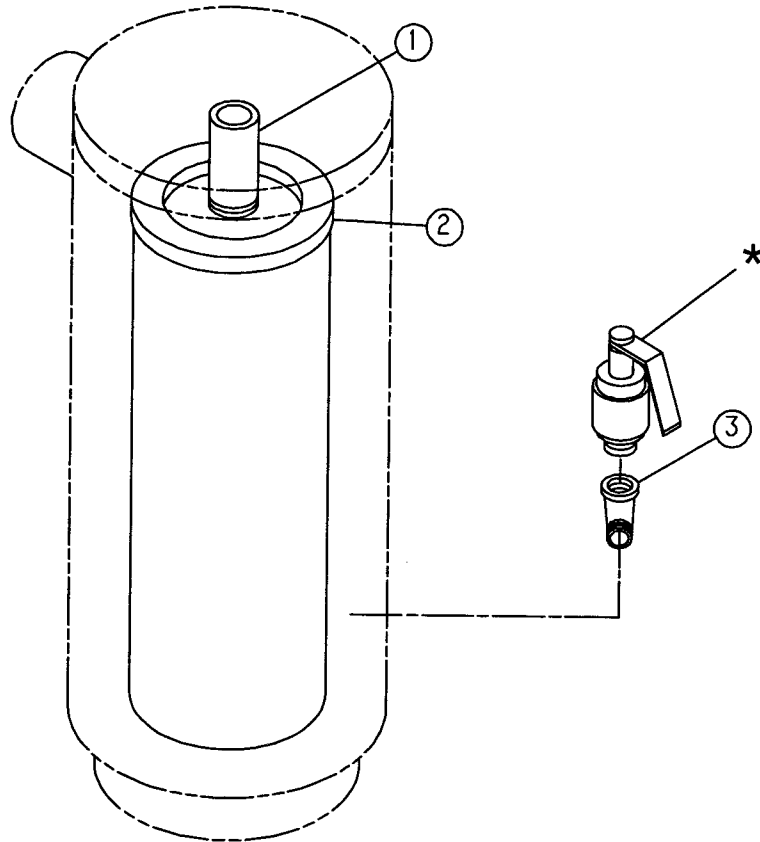


209EDM810-A
(Ref. Drawing)

SEPARATOR HOUSING

Ref. No.	Name of Part	Qty.	Part No.
1	SCREW	12	655EE090
2	LOCKWASHER	12	95B5
3	COVER	1	200EDM225
4	GASKET ELIMINATOR	1	25BC222
5	HOUSING	1	200EDM405
6	GASKET	1	25C2719N
7	LOCKWASHER	8	95B8
8	SCREW	8	655EG080

Order by Part Number and Description. Reference Numbers are for your convenience only.



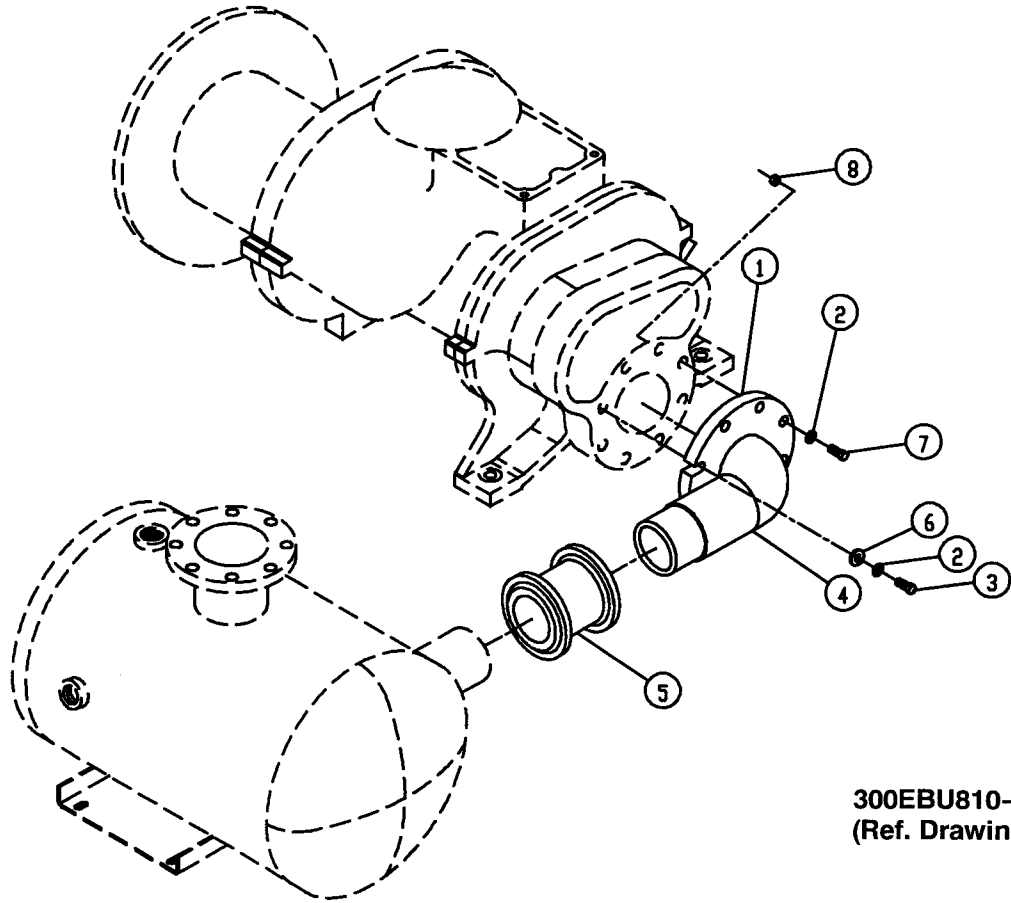
203EDM810-A
(Ref. Drawing)

SEPARATOR GROUP

Ref. No.	Name of Part	Qty.	Part No.
1	SPACER (PIPE)	1	201EDM392
2	OIL SEPARATOR	1	55B44
3	ELBOW-PIPE ST	1	64D8G
*	RELIEF VALVE	1	
	100 PSI		90AR510
	125 PSI		90AR532

SEPARATOR REPAIR KIT - See page 47.

Order by Part Number and Description. Reference Numbers are for your convenience only.



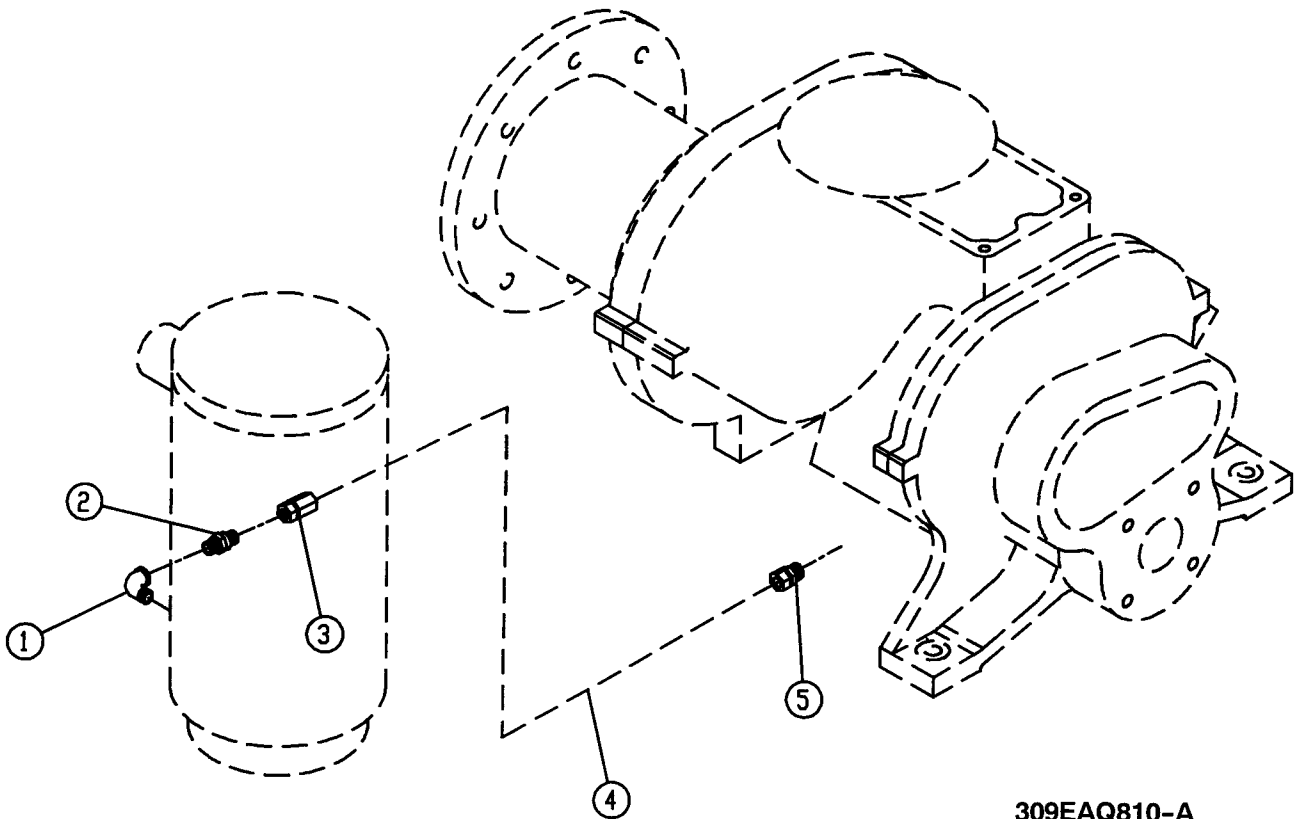
300EBU810-B
(Ref. Drawing)

DISCHARGE PIPING

Ref. No.	Name of Part	Qty.	Part No.
1	GASKET-ELIMINATOR	1	25BC222
2	LOCKWASHER	8	95B8
3	SCREW	6	655EG090
4	MANIFOLD (DISCHARGE TO RESERVOIR)	1	300EBU286
5 *	COUPLING-FLEXIBLE	1	64EB804
6	WASHER	2	95A8
7	SCREW	2	655EG140
8	NUT	2	50B8

* For repair Gasket (Flexible Coupling) order (2) of Part Number 2117162.

Order by Part Number and Description. Reference Numbers are for your convenience only.

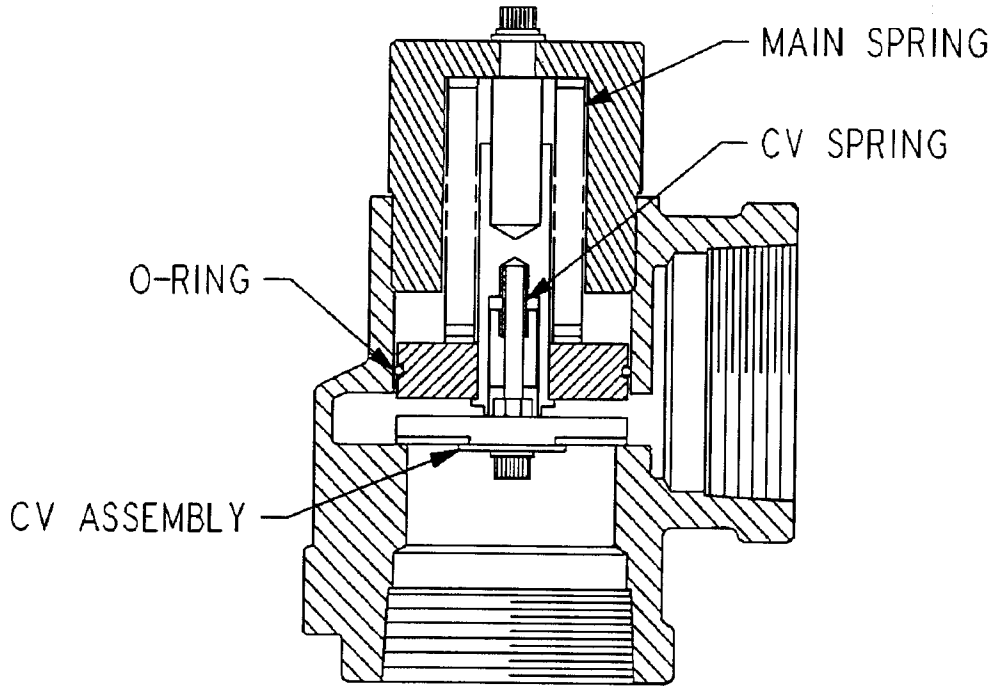


309EAQ810-A
(Ref. Drawing)

OIL RETURN LINE

Ref. No.	Name of Part	Qty.	Part No.
1	ELBOW	1	64D2G
2	VALVE-CHECK	1	90AR261
3	CONNECTOR-TUBE	1	86E28
4	TUBE	3.75	85K3
5	CONNECTOR-TUBE	1	86E4

Order by Part Number and Description. Reference Numbers are for your convenience only.

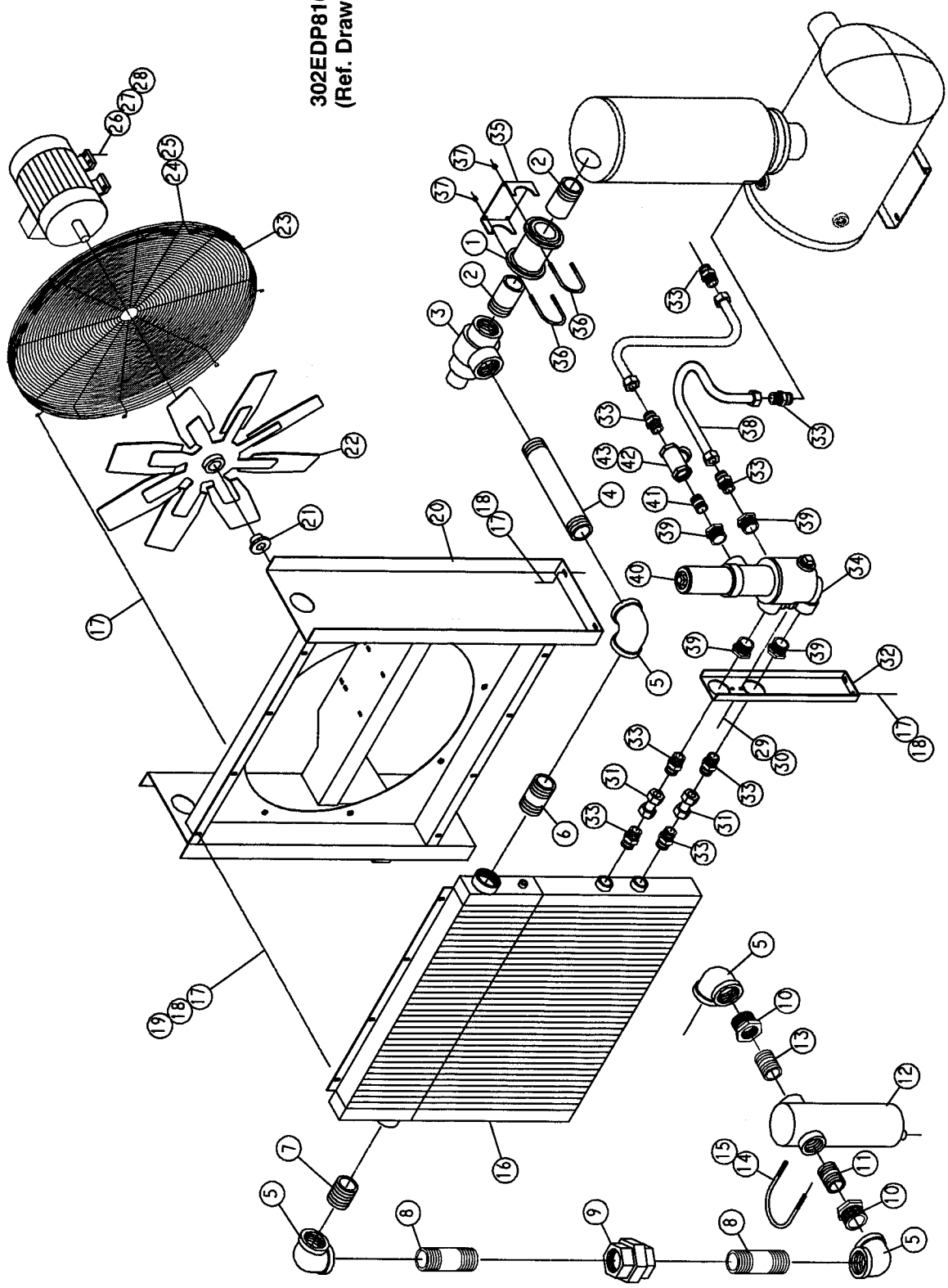


MINIMUM PRESSURE/CHECK VALVE - 201EDM527

Name of Part	Qty.	Part No.
MINIMUM PRESSURE/CHECK VALVE (REPAIR KIT) (Includes next 4 items): . . .	1	2116855
CHECK VALVE ASSEMBLY	1	
MAIN SPRING	1	
CHECK VALVE SPRING	1	
O-RING (VITON)	1	

COOLER GROUP

302EDP810-B
(Ref. Drawing)



COOLER GROUP

Ref. No.	Name of Part	Qty.	Part No.	Ref. No.	Name of Part	Qty.	Part No.
1 *	COUPLING-FLEXIBLE	1	64EB803	22	FAN	1	200EDP701
2	NIPPLE	2	63AJ48X54G	23	GUARD-FAN	1	200EDM393
3	VALVE-MINIMUM PRESSURE ..	1	201EDM527	24	SCREW-FLANGED	4	75LM50
4	NIPPLE	1	63P5G	25	NUT-FLANGED	4	50AW4
5	ELBOW	4	64C10G	26	SCREW-FLANGED	4	75LM78
6	NIPPLE	1	63P10G	27	NUT-FLANGED	4	50AW5
7	NIPPLE	1	63P1G	28	WASHER-PLAIN	4	95W15
8	NIPPLE	2	63P17G	29	SCREW	2	655ED040
9	UNION	1	64Z21	30	WASHER	2	95B3
10	BUSHING-PIPE	2	64E33	31	TUBE-WITH FITTING	2	311EAQ863
11	NIPPLE	1	63M2G	32	BRACKET (FORMED)	1	300EAQ142
12 **	SEPARATOR-MOISTURE	1	83C92	33	CONNECTOR-TUBE	8	86H141
13	NIPPLE	1	63M3G	34	FILTER ASSEMBLY	1	300EAQ2045
14	U-BOLT	1	15U75	35	BRACKET-PIPE	1	200EAQ108
15	NUT-FLANGED	2	50AW35	36	U-BOLT	2	15U108
16	COOLER-OIL/AIR	1	300EDP201	37	NUT-FLANGED	4	50AW5
17	COOLER-OIL/AIR (SEACOAST)	1	301EDP201	38	TUBE-WITH FITTING	1	310EAQ863
18	SCREW-FLANGED	22	75LM51	39	BUSHING-PIPE	4	64E12
19	NUT-FLANGED	14	50AW5	40	FILTER - OIL	1	201EDM369
19	WASHER	8	95A3	41	NIPPLE	1	63K18G
20	SUPPORT	1	200EDM165	42 ***	STRAINER	1	82E40
21	BUSHING-HUB	1	22G2	43	PLUG	1	64A26

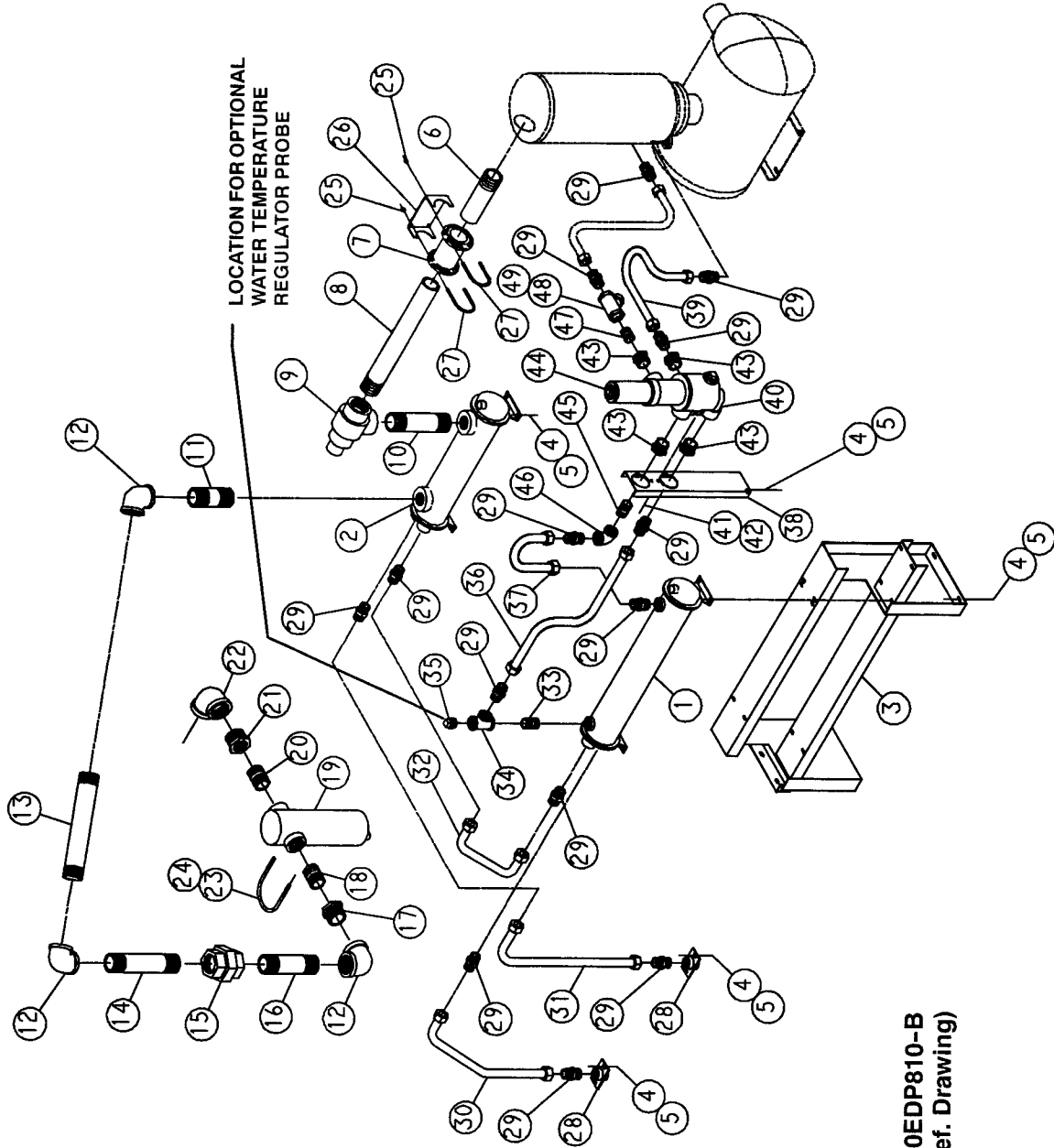
* For Repair Order (2) 2117161 Gaskets.

** Repair Parts Kits for Moisture Separator: 2117587 - Valve & Seat Assembly, 2117588 - Cover Gasket, 2117589 - Float & Spindle

*** Repair Parts for Strainer: 2117307 - 100 Mesh Screen, 2117310 - Blow-off Bushing

NOTE: For motor part number, see page 37.

WATER COOLED HEAT EXCHANGER - WITH AFTERCOOLER



300EDP810-B
(Ref. Drawing)

WATER COOLED HEAT EXCHANGER - WITH AFTERCOOLER

Ref. No.	Name of Part	Qty.	Part No.	Ref. No.	Name of Part	Qty.	Part No.
1 *	HEAT EXCHANGER (Fresh Water)	1	200EDP349	27	U-BOLT	2	15U108
	HEAT EXCHANGER (Salt Water)	1	201EDP349	28	MANIFOLD-WATER	2	200EDM072
2 **	AFTERCOOLER (Fresh Water) ..	1	200EDP292	29	CONNECTOR-TUBE	14	86H141
	AFTERCOOLER (Salt Water)	1	201EDP292	30	TUBE WITH FITTING	1	303EAQ863
3	SUPPORT	1	300EAQ165	31	TUBE WITH FITTING	1	302EDP863
4	SCREW-FLANGED	18	75LM51	32	TUBE WITH FITTING	1	301EDP863
5	NUT-FLANGED	18	50AW5	33	NIPPLE	1	63K6G
6	NIPPLE	1	63AJ48X50G	34	TEE	1	64G11G
7 †	COUPLING-FLEXIBLE	2	64EB803	35	PLUG	1	64A8
8	NIPPLE	1	63AJ48X270G	36	TUBE WITH FITTING	1	308EAQ863
9	VALVE-MINIMUM PRESSURE ..	1	201EDM527	37	TUBE WITH FITTING	1	303EDP863
10	NIPPLE	1	63P22G	38	BRACKET (FORMED)	1	300EAQ142
11	NIPPLE	1	63P12G	39	TUBE WITH FITTING	1	310EAQ863
12	ELBOW	3	64C10G	40	FILTER ASSEMBLY	1	300EAQ2045
13	NIPPLE	1	63N48X200G	41	SCREW	2	655ED040
14	NIPPLE	1	63P17G	42	WASHER	2	95B3
15	UNION	1	64Z21	43	BUSHING-PIPE	4	64E12
16	NIPPLE	1	63P17G	44	FILTER - OIL	1	201EDM369
17	BUSHING-PIPE	1	64E33	45	NIPPLE	1	63K3G
18	NIPPLE	1	63M3G	46	ELBOW	1	64C8G
19 ***	SEPARATOR-MOISTURE	1	83C92	47	NIPPLE	1	63K18G
20	NIPPLE	1	63M3G	48 ****	STRAINER	1	82E40
21	BUSHING-PIPE	1	64E33	49	PLUG	1	64A26
22	ELBOW	1	64C10G				
23	U-BOLT	1	15U75		WATER VALVES (Optional) (Not shown)		
24	NUT-FLANGED	2	50AW35	**	TEMPERATURE REGULATOR	1	90AR151
25	NUT-FLANGED	4	50AW5	**	SOLENOID VALVE - NEMA 1	1	91B3
26	BRACKET-PIPE	1	200EAQ108	**	SOLENOID VALVE - NEMA 4	1	91B24

† For Repair Order (2) 2117161 Gaskets.

* For Repair: Bonnet (In & Out) - 2117178, Bonnet (Return) - 2117179, Gasket (In & Out) - 2109064, Gasket (Return) - 2117180

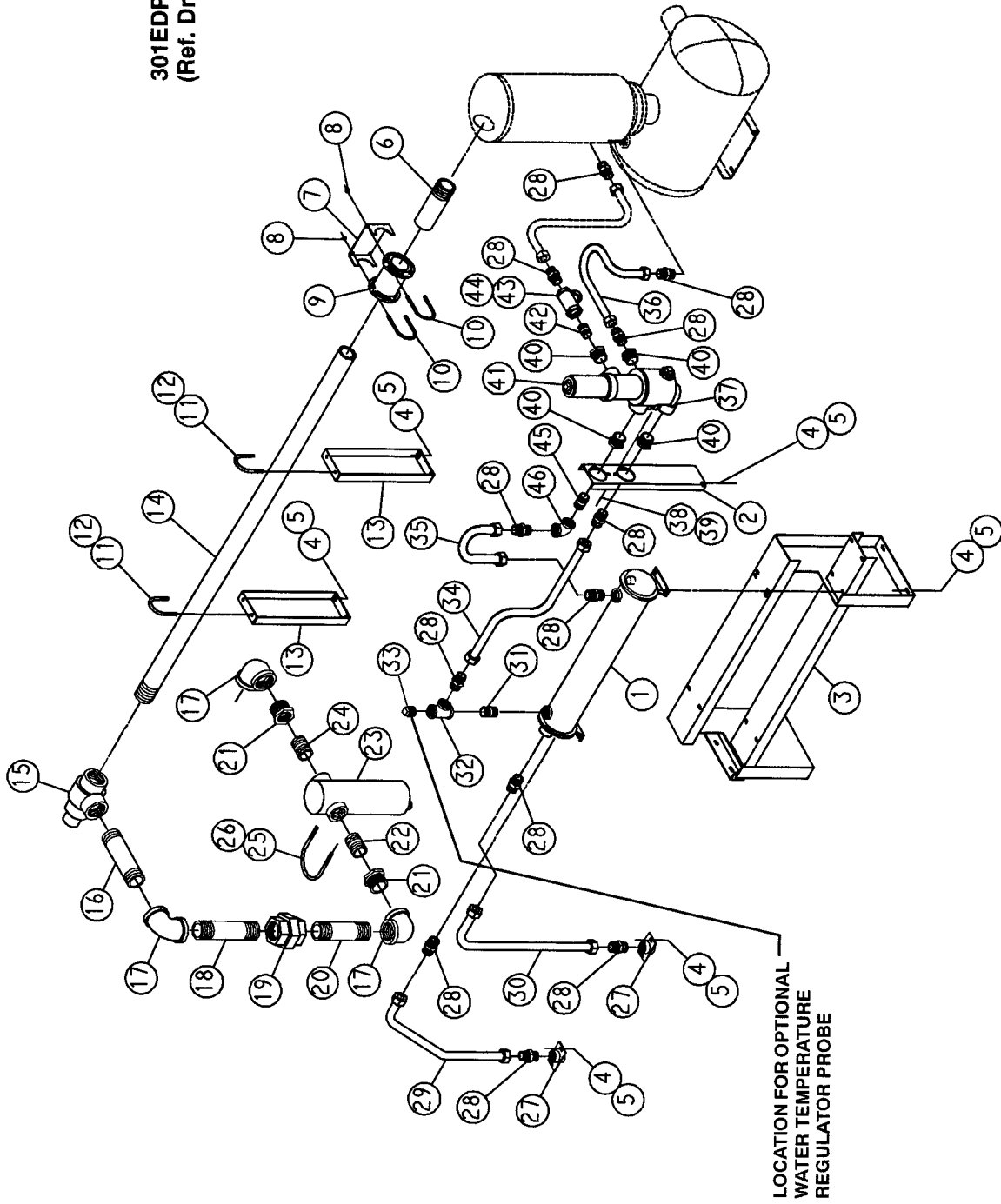
** For Repair: Bonnet (In & Out) - 2117187, Bonnet (Return) - 2117188, Gasket (In & Out) - 2117189, Gasket (Return) - 2117190

*** Repair Parts Kits for Moisture Separator: 2117587 - Valve & Seat Assembly, 2117588 - Cover Gasket, 2117589 - Float & Spindle

**** Repair Parts for Strainer: 2117307 - 100 Mesh Screen, 2117310 - Blow-off Bushing

WATER COOLED HEAT EXCHANGER - WITHOUT AFTERCOOLER

301EDP810-A
(Ref. Drawing)



WATER COOLED HEAT EXCHANGER - WITHOUT AFTERCOOLER

Ref. No.	Name of Part	Qty.	Part No.	Ref. No.	Name of Part	Qty.	Part No.
1 *	HEAT EXCHANGER (Fresh Water)	1	200EDP349	26	NUT-FLANGED	2	50AW35
	HEAT EXCHANGER (Salt Water)	1	201EDP349	27	MANIFOLD-WATER	2	200EDM072
2	BRACKET (FORMED)	1	300EAQ142	28	CONNECTOR-TUBE	12	86H141
3	SUPPORT	1	300EAQ165	29	TUBE WITH FITTING	1	303EAQ863
4	SCREW-FLANGED	18	75LM51	30	TUBE WITH FITTING	1	302EAQ863
5	WASHER	18	95B3	31	NIPPLE	1	63K6G
6	NIPPLE	1	63AJ48X54G	32	TEE	1	64G11G
7	BRACKET-PIPE	1	200EAQ108	33	PLUG	1	64A8
8	NUT-FLANGED	4	50AW5	34	TUBE WITH FITTING	1	308EAQ863
9 †	COUPLING-FLEXIBLE	1	64EB803	35	TUBE WITH FITTING	1	303EDP863
10	U-BOLT	2	15U108	36	TUBE WITH FITTING	1	310EAQ863
11	U-BOLT	2	15U87	37	FILTER ASSEMBLY	1	300EAQ2045
12	NUT-FLANGED	4	50AW35	38	SCREW	2	655ED040
13	BRACKET-PIPE	2	200EDM108	39	WASHER	2	95B3
14	NIPPLE	1	63AJ48X690G	40	BUSHING-PIPE	4	64E12
15	VALVE-MINIMUM PRESSURE	1	201EDM527	41	FILTER - OIL	1	201EDM369
16	NIPPLE	1	63P5G	42	NIPPLE	1	63K18G
17	ELBOW	3	64C10G	43 ***	STRAINER	1	82E40
18	NIPPLE	1	63P25G	44	PLUG	1	64A26
19	UNION	1	64Z21	45	NIPPLE	1	63K3G
20	NIPPLE	1	63P20G	46	ELBOW	1	64C8G
21	BUSHING-PIPE	2	64E33				
22	NIPPLE	1	63M2G		WATER VALVES (Optional) (Not shown)		
23 **	SEPARATOR-MOISTURE	1	83C92	**	TEMPERATURE REGULATOR	1	90AR51
24	NIPPLE	1	63M3G	**	SOLENOID VALVE - NEMA 1	1	91B3
25	U-BOLT	1	15U75	**	SOLENOID VALVE - NEMA 4	1	91B24

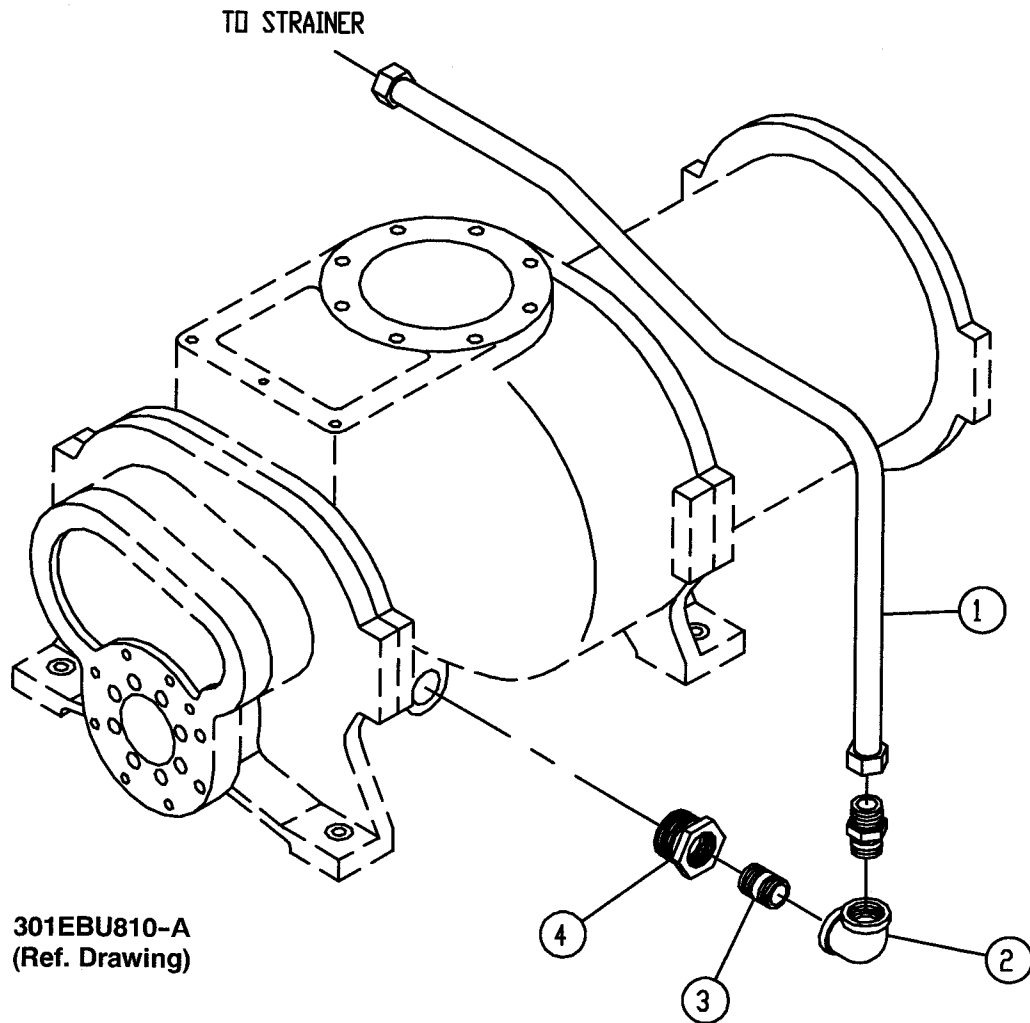
† For Repair Order (2) 2117161 Gaskets.

* For Repair: Bonnet (In & Out) - 2117178, Bonnet (Return) - 2117179, Gasket (In & Out) - 2109064, Gasket (Return) - 2117180

** Repair Parts Kits for Moisture Separator: 2117587 - Valve & Seat Assembly, 2117588 - Cover Gasket, 2117589 - Float & Spindle

*** Repair Parts for Strainer: 2117307 - 100 Mesh Screen, 2117310 - Blow-off Bushing

Order by Part Number and Description. Reference Numbers are for your convenience only.

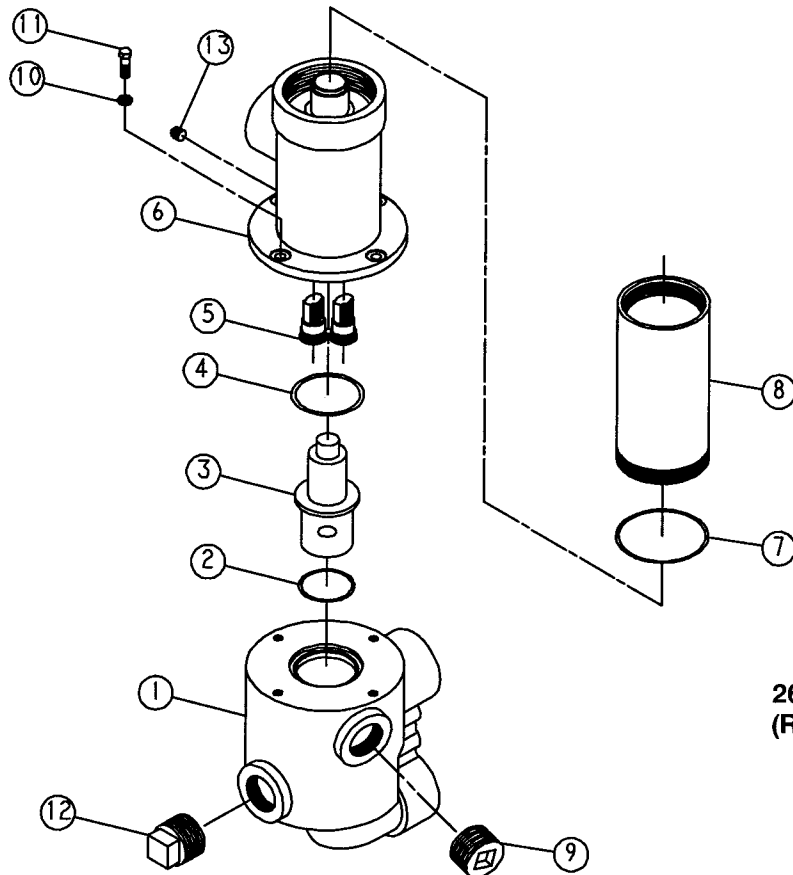


301EBU810-A
(Ref. Drawing)

OIL INLET TUBE

Ref. No.	Name of Part	Qty.	Part No.
1	TUBE-WITH FITTINGS	1	300EBU863
2	ELBOW-PIPE	1	64C8G
3	NIPPLE-PIPE	1	63K18G
4	BUSHING-PIPE	1	64E12

Order by Part Number and Description. Reference Numbers are for your convenience only.



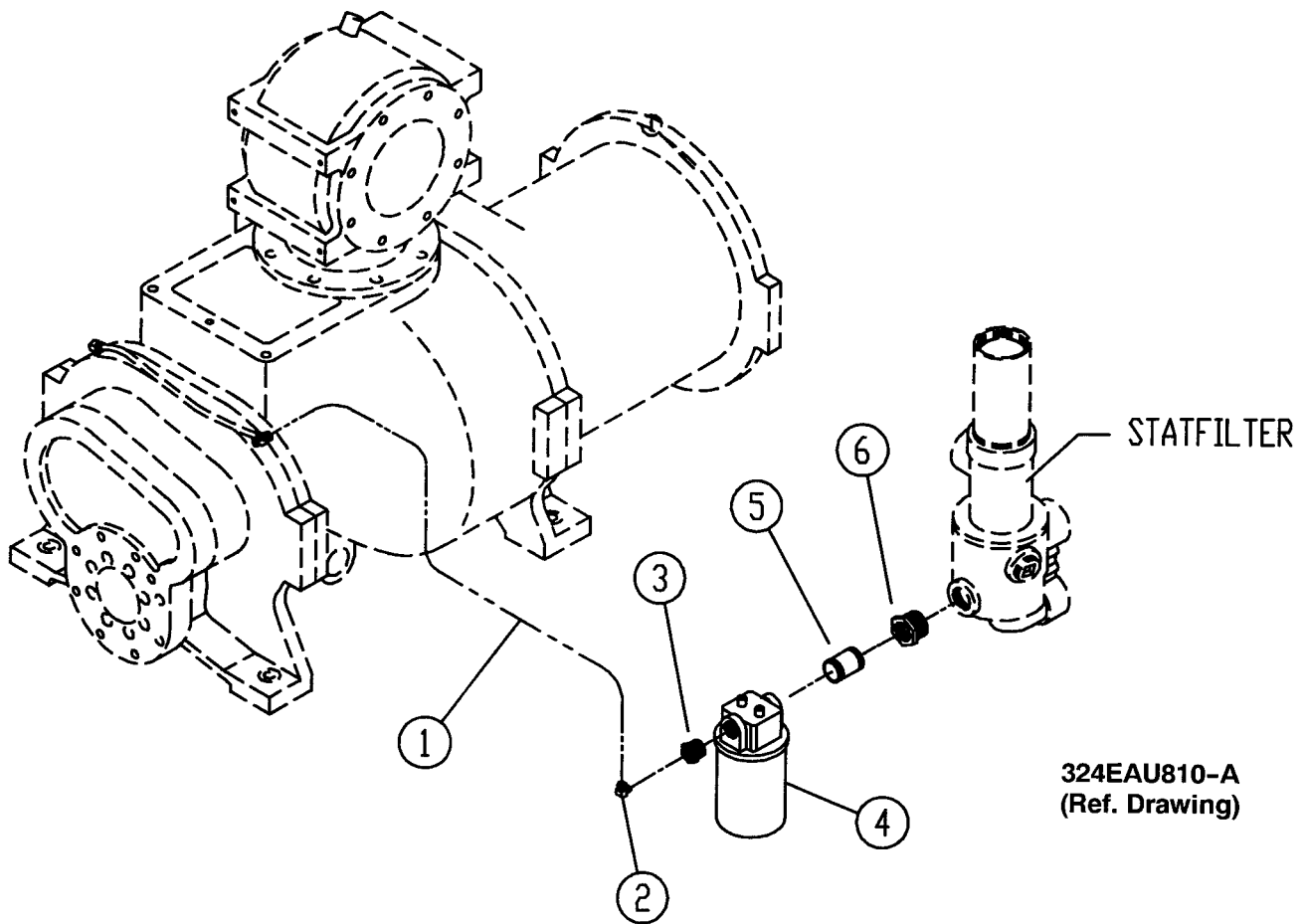
261EAU810-B
(Ref. Drawing)

**FILTER ASSEMBLY - 300EAQ2045
(WITH 150° ELEMENT - STANDARD)**

Ref. No.	Name of Part	Qty.	Part No.
1	MANIFOLD-OIL	1	200EAU116
2	O-RING	1	25BC127
3	ELEMENT		
	STANDARD 150° F	1	2117382
	OPTIONAL 160° F	1	2117383
	OPTIONAL 180° F	1	2117384
4	O-RING	1	25BC175
5	CARTRIDGE-FILTER	2	2116640
6	MANIFOLD-OIL	1	201EAU116
7	O-RING	1	25BC380
8 *	BODY-OIL FILTER	1	200EDM032
9	PLUG	1	64B7
10	WASHER	4	95B3
11	SCREW	4	655ED050
12	PLUG	1	64AA2
13	PLUG	1	64AC2

* For Repair of FILTER ELEMENT, order Part Number 201EDM369.

Order by Part Number and Description. Reference Numbers are for your convenience only.

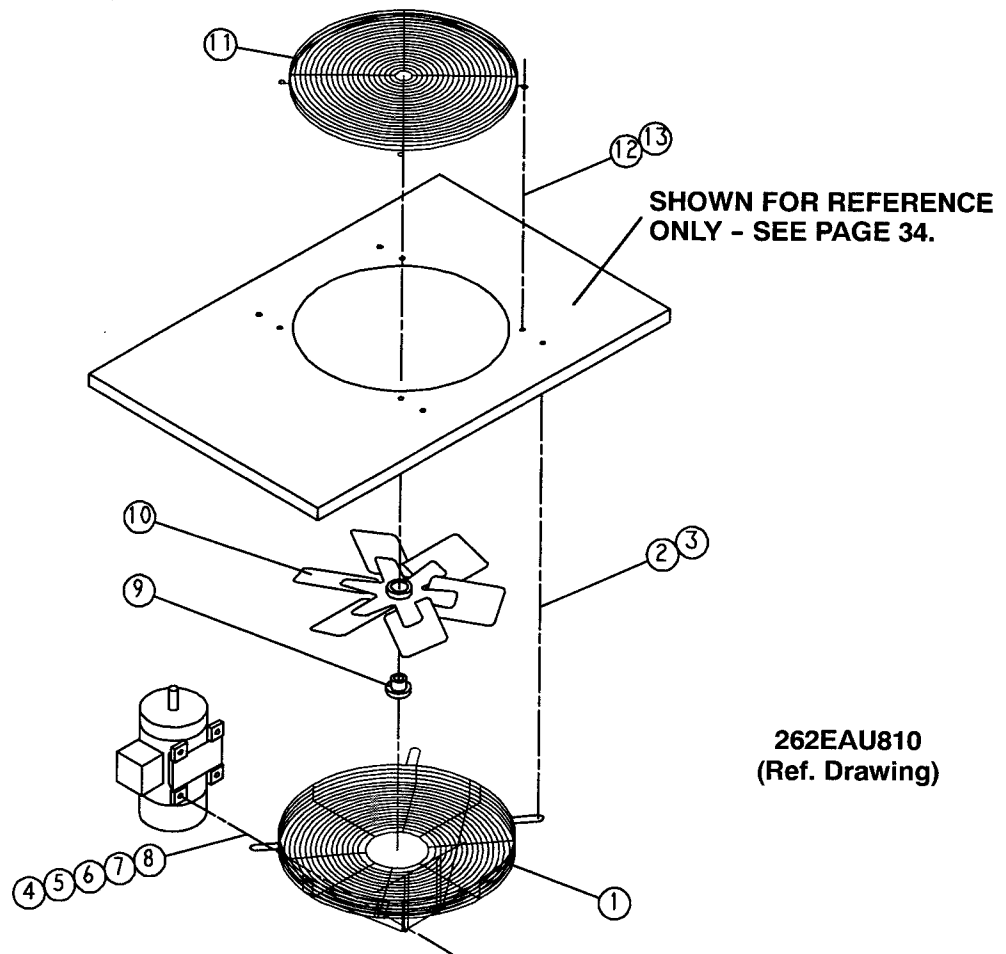


DISCHARGE BEARING OIL FILTER AND PIPING

Ref. No.	Name of Part	Qty.	Part No.
1	TUBE	6	85K5
2	ELBOW	1	86E65
3	BUSHING	1	64E10G
4 *	FILTER-OIL	1	200EBE369
5	NIPPLE-PIPE	1	63G2G
6	BUSHING-PIPE	1	64E8

* For Repair Filter Element order Part Number 2116128.

Order by Part Number and Description. Reference Numbers are for your convenience only.

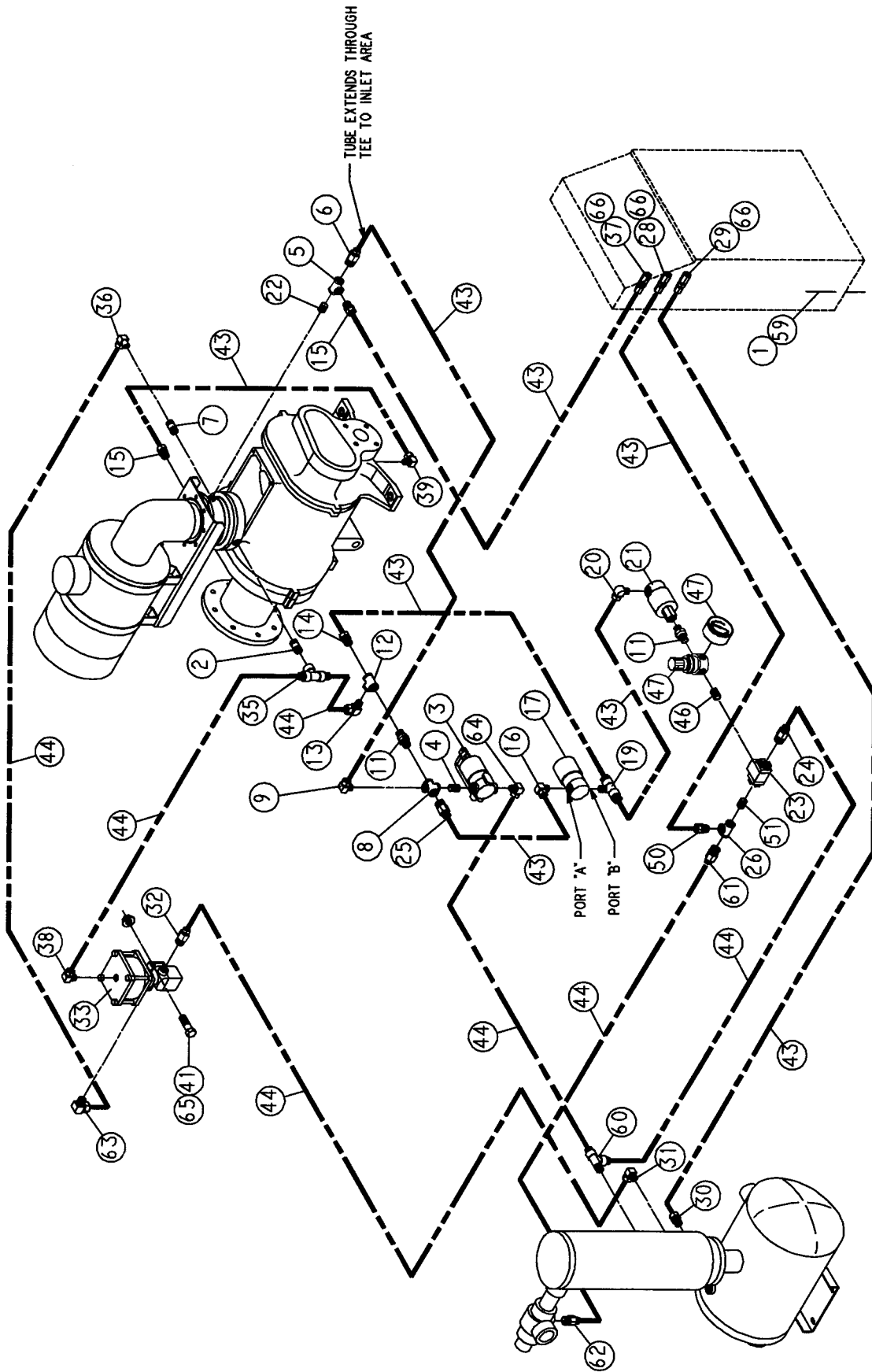


**ENCLOSURE VENT FAN ASSEMBLY
(WATER COOLED ONLY)**

Ref. No.	Name of Part	Qty.	Part No.
1	GUARD-FAN	1	202ECM393
2	SCREW-FLANGED	4	75K48
3	WASHER	4	95A5
4	SCREW	4	75A35
5	RETAINER	4	2014731
6	WASHER	4	95A2
7	LOCKWASHER	4	95B2
8	NUT	4	50B2
9	BUSHING-SHEAVE	1	22G27
10	FAN	1	202ECM701
11	GUARD-FAN	1	200ECM393
12	SCREW-FLANGED	4	75LM51
13	NUT-FLANGED	4	50AW5

For Motor Part Number refer to page 37.

CONTROL SCHEMATIC



287ECM810-P
(Ref. Drawing)

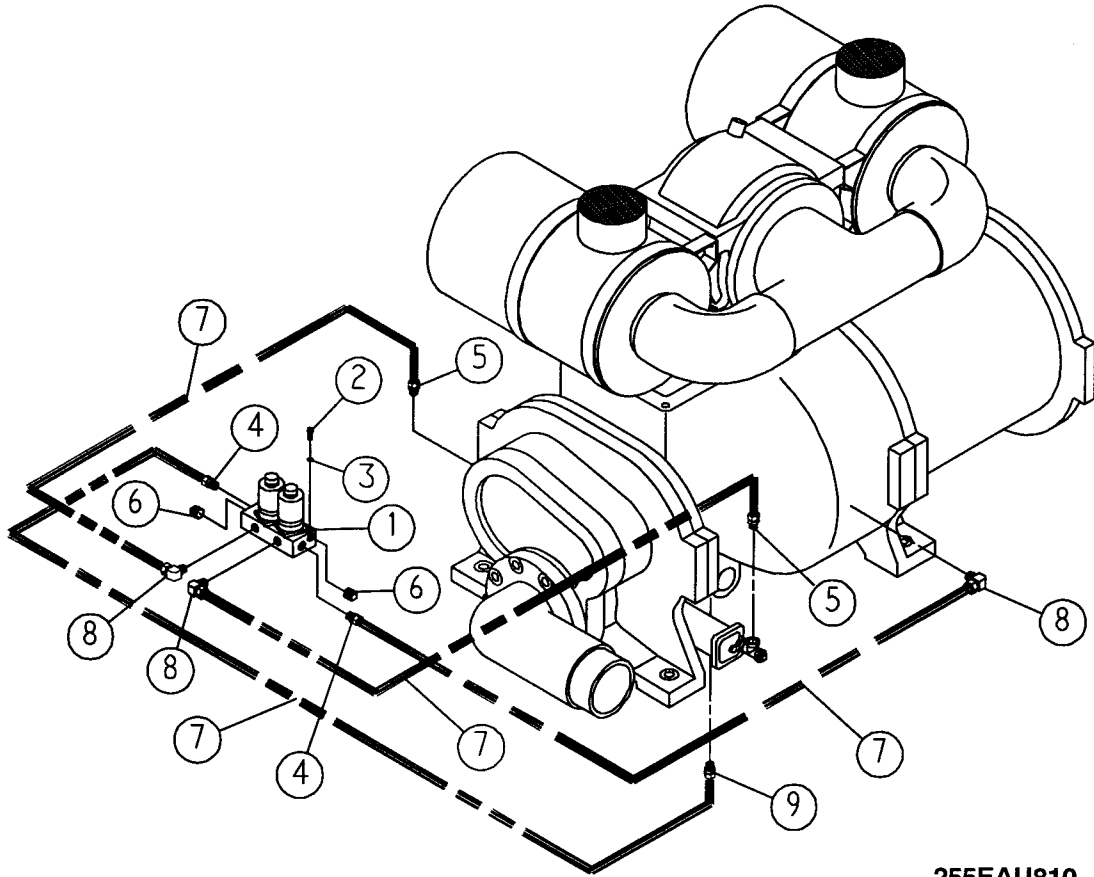
Order by Part Number and Description. Reference Numbers are for your convenience only.

CONTROL SCHEMATIC

Ref. No.	Name of Part	Qty.	Part No.	Ref. No.	Name of Part	Qty.	Part No.
1	SCREW-FLANGED	4	75LM51	29	CONNECTOR-TUBE	1	86N287
2	NIPPLE	1	63D5G	30	CONNECTOR-TUBE	1	86E4
3	VALVE-SOLENOID	1	91B70	31	ELBOW	1	86E64
4	NIPPLE	1	63D1G	32	CONNECTOR-TUBE	1	86E9
5	TEE-PIPE	1	64G3G	33 *	VALVE-CONTROL	1	90AR1082
6	CONNECTOR	1	86N272	35	TEE	1	86E147
7	NIPPLE	1	63D5G	36	ELBOW	1	86E82
8	CROSS	1	64K1G	37	CONNECTOR-TUBE	1	86N287
9	ELBOW	1	86E60	38	ELBOW	1	86E64
11	VALVE-CHECK	2	90AR261	39	ELBOW	1	86E60
12	TEE	1	64G3G	41	NUT-FLANGED	2	50AW3
13	ELBOW	1	86E64	43	TUBE	28 ft.	85K3
14	ORIFICE	1	86N289	44	TUBE	24 ft.	85K5
15	CONNECTOR-TUBE	2	86E4	46	NIPPLE	1	63D1G
16	ELBOW	1	86E60	47	REGULATOR	1	88H139
17	VALVE-SOLENOID	1	91B144		GAUGE (For Repair)	1	2116732
18	BUSHING-PIPE	1	64E2G	50	CONNECTOR-TUBE	1	86E4
19	TEE	1	86E119	51	NIPPLE	1	63D1G
20	ELBOW	1	86E60	59	NUT-FLANGED	4	50AW5
21	VALVE-SOLENOID	1	91B143	60	TEE	1	86E136
22	NIPPLE	1	63D1G	61	CONNECTOR-TUBE	1	86E9
23	VALVE-CONTROL	1	90AR1034	62	CONNECTOR-TUBE	1	86E9
24	CONNECTOR-TUBE	1	86E9	63	ELBOW	1	86E64
25	CONNECTOR-TUBE	1	86E4	64	ELBOW	1	86E64
26	TEE	1	64G3G	65	SCREW	2	75LM48
28	CONNECTOR-TUBE	1	86N287	66	O-RING	3	165011

* For Repair of U-Cup (Piston Seal) order Part Number 2117904. For Repair of O-Ring (Top Plate) order Part Number 2117905.

TURN VALVE ACTUATOR

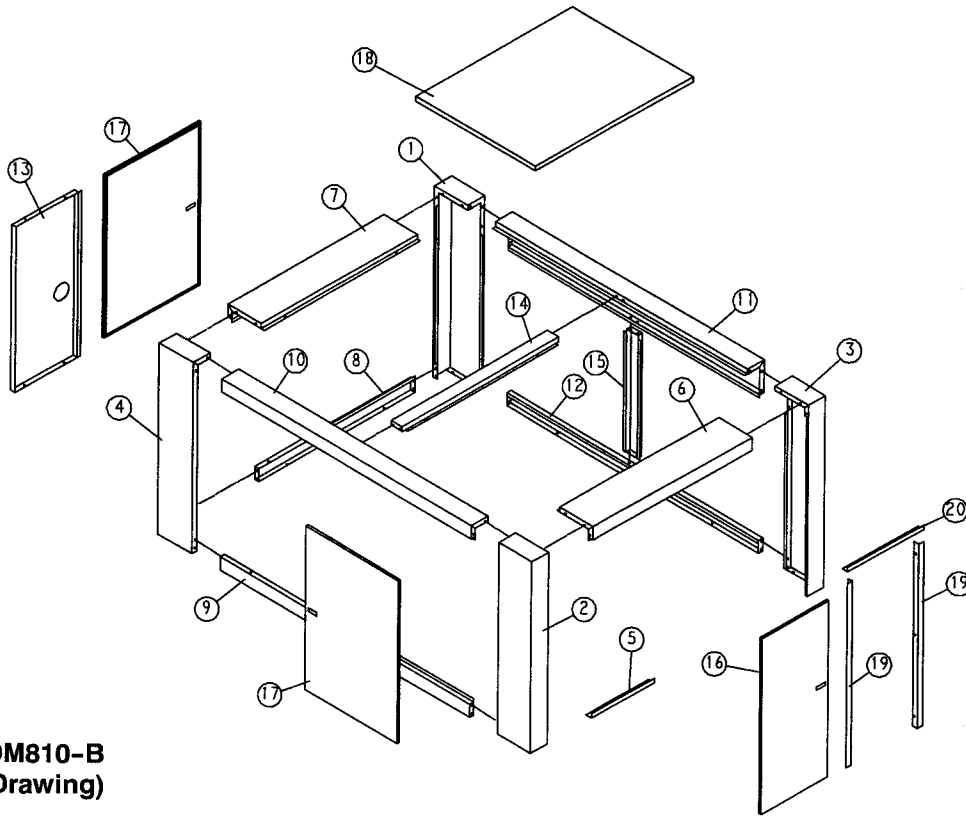


**255EAU810-A
(Ref. Drawing)**

Ref. No.	Name of Part	Qty.	Part No.
1 *	VALVE-SOLENOID	1	200EAQ861
2	SCREW	2	75P26
3	LOCKWASHER	2	95B1
4	CONNECTOR-TUBE	2	86E5
5	CONNECTOR (TUBE/PIPE)	2	86E4
6	PLUG	2	64AC3
7	TUBE	20 Ft.	85K3
8	ELBOW-TUBE	3	86E60
9	CONNECTOR-TUBE	1	86E5

* For O-Ring Repair Kit, order Part Number 307EAQ6013. Refer to page 49.

Order by Part Number and Description. Reference Numbers are for your convenience only.

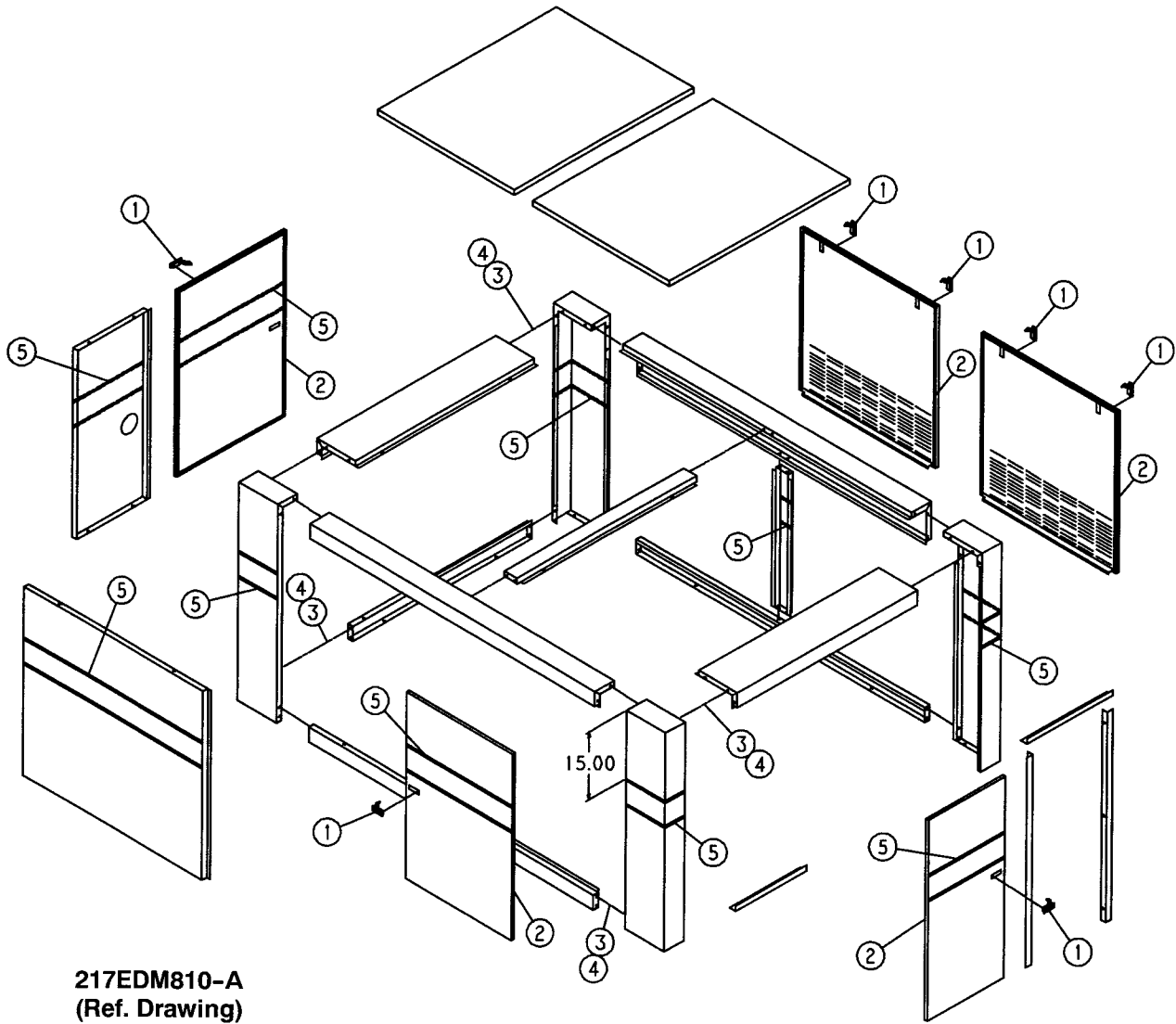


200EDM810-B
(Ref. Drawing)

ENCLOSURE

Ref. No.	Name of Part	Qty.	Part No.
1	POST	1	200EDM313
2	POST	1	201EDM313
3	POST	1	202EDM313
4	POST	1	203EDM313
5	FRAME	1	200EDM314
6	FRAME	1	201EDM314
7	FRAME	1	202EDM314
8	FRAME	1	203EDM314
9	FRAME	1	204EDM314
10	FRAME	1	205EDM314
11	FRAME	1	206EDM314
12	FRAME	1	207EDM314
13	BRACE	1	200EDM326
14	BRACE	1	201EDM326
15	BRACE	1	202EDM326
16	DOOR - CANOPY	1	200EDM334
17	DOOR - CANOPY	1	201EDM334
18	PANEL	2	201EDM334
19	BRACKET	1	203EDM216
19	BRACKET	2	201EDM142
20	BRACKET	1	202EDM142

Order by Part Number and Description. Reference Numbers are for your convenience only.



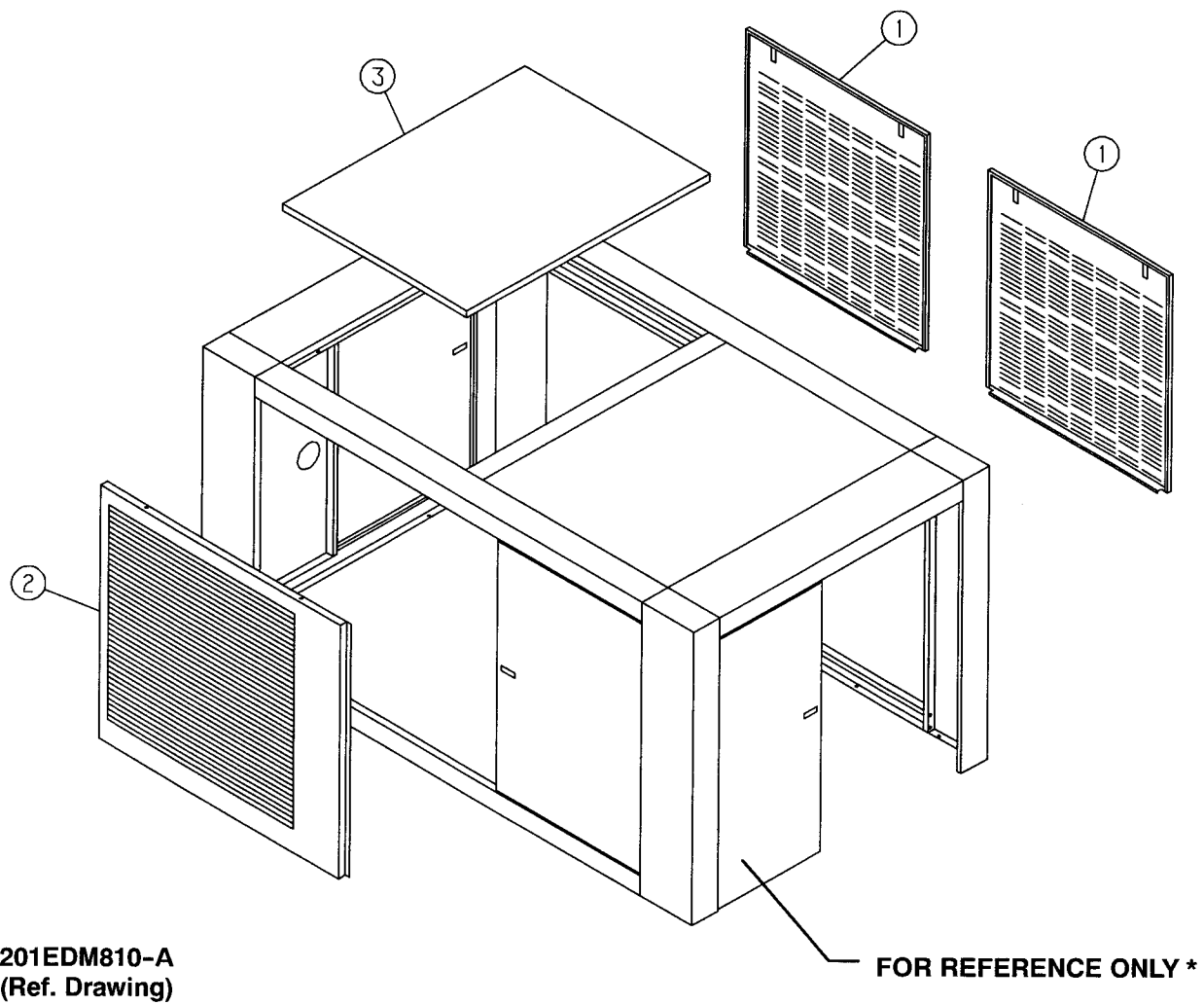
217EDM810-A
(Ref. Drawing)

ENCLOSURE - HARDWARE

Ref. No.	Name of Part	Qty.	Part No.
1	LATCH	7	31D58
2	SEAL	75 ft.	32E12
3	SCREW-FLANGED	90	75LM51
4	NUT-FLANGED	82	50AW5
5	DECAL	6	203ESO077
*	DECAL	3	215ECM077

* Not shown.

Order by Part Number and Description. Reference Numbers are for your convenience only.

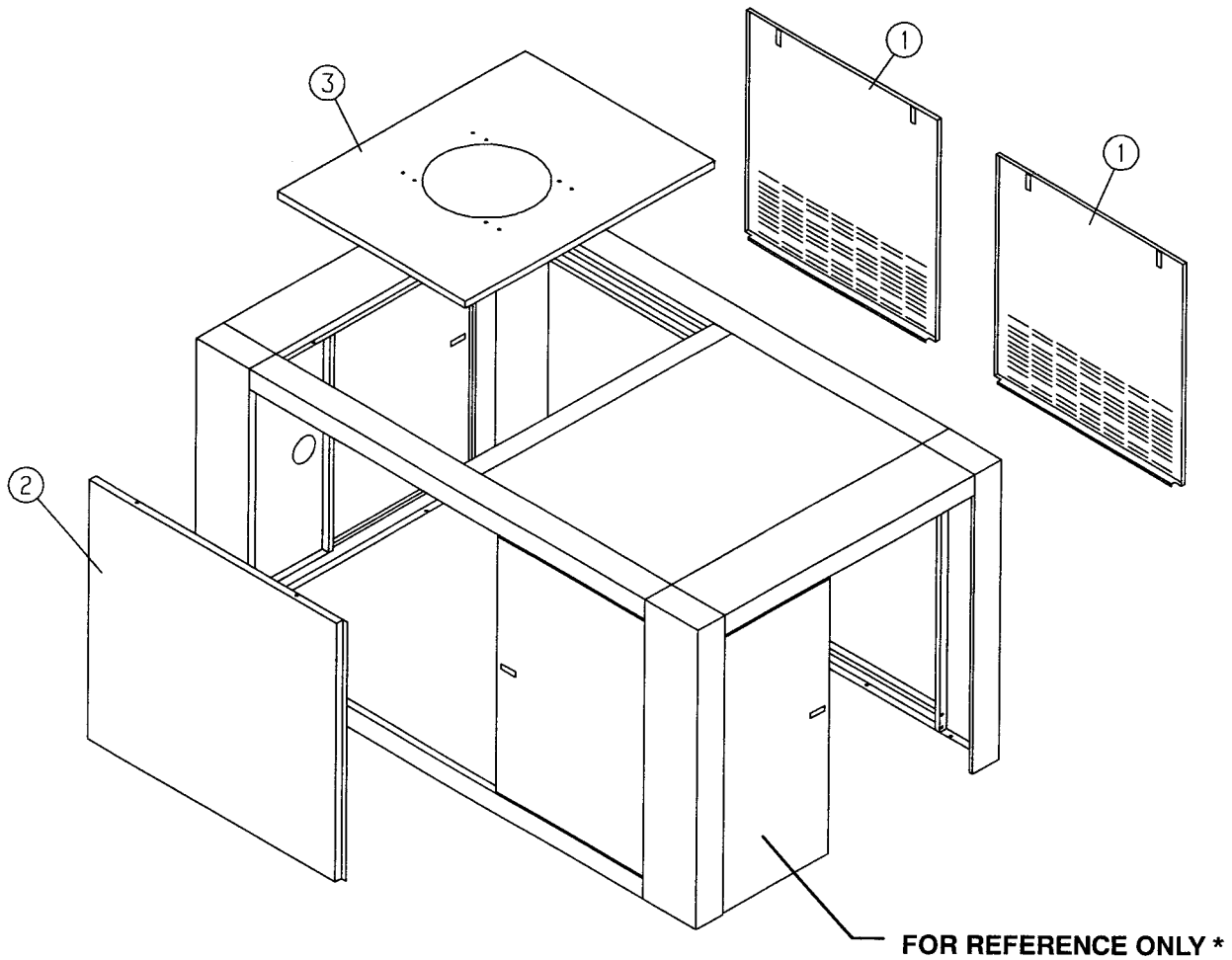


ENCLOSURE - AIR COOLED PANELS

Ref. No.	Name of Part	Qty.	Part No.
1	PANEL	2	200EDM216
2	PANEL	1	202EDM216
3	PANEL	1	203EDM216

* Refer to Pages 31 & 32 for Enclosure Parts & Hardware.

Order by Part Number and Description. Reference Numbers are for your convenience only.



202EDM810-B
(Ref. Drawing)

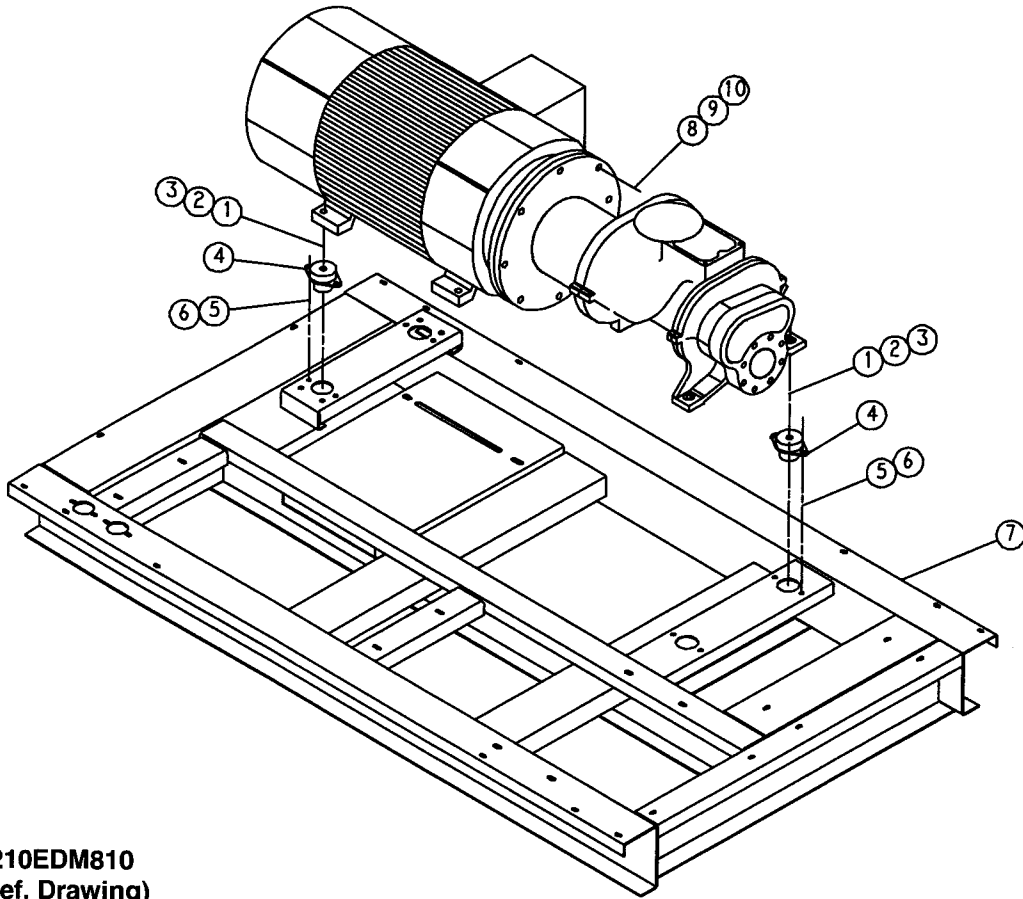
FOR REFERENCE ONLY *

ENCLOSURE - WATER COOLED PANELS

Ref. No.	Name of Part	Qty.	Part No.
1	PANEL	2	201EDM216
2	PANEL	1	204EDM216
3	PANEL	1	205EDM216

* Refer to Pages 31 & 32 for Enclosure Parts & Hardware.

Order by Part Number and Description. Reference Numbers are for your convenience only.



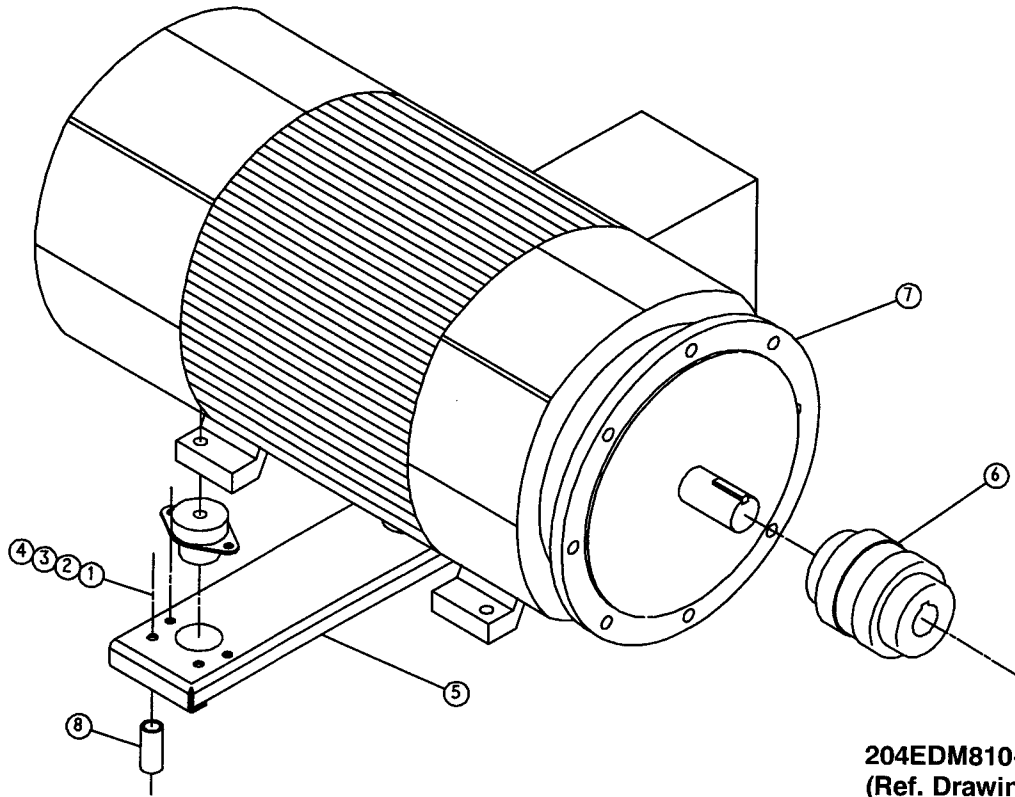
210EDM810
(Ref. Drawing)

COMPRESSOR BASE GROUP

Ref. No.	Name of Part	Qty.	Part No.
1	SCREW	4	655EF200
2	LOCKWASHER	4	95B7
3	NUT	4	50B7
4	ISOLATOR-VIBRATION	4	49C48
5	SCREW-FLANGED	8	75LM135
6	NUT-FLANGED	8	50AW35
7	BASE	1	206EAQ285
8	NUT	8	50B8
9	LOCKWASHER	8	95B8
10	SCREW	8	655EG140
*	KEY-SQUARE	1	35B243

* Not shown.

Order by Part Number and Description. Reference Numbers are for your convenience only.



MAIN MOTOR GROUP

Ref. No.	Name of Part	Qty.	Part No.
MOTOR FRAME			444 - 449
1	WASHER	4	95A7
2	LOCKWASHER	4	95B7
3	NUT	4	50B7
4	SCREW	4	655EF160
5	SUPPORT-MOTOR	1	200EDM620
6	DRIVE COUPLING-FLEXIBLE	1	51L30
7	MOTOR	1	See Page 37
8	NIPPLE	4	63AM12X22G
*	SQUARE KEY	1	35L27

* Not shown.

NOTE: DRIVE COUPLING - REPAIR CUSHIONS (See Page 48)
51L30 COUPLING (2-3/8 Motor Shaft Diameter Repair Cushions - 2109116, Qty. of 6)

MOTOR GROUP (MAIN DRIVE MOTORS)

NAME OF PART	200 HP PART NO. (FULL VOLTAGE)	200 HP PART NO. (WYE DELTA)
OPEN DRIP PROOF (60 HZ - ODP)		
MOTOR, 230V	24CA3834	24CA3429
MOTOR, 460V	24CA3430	24CA3430
MOTOR, 575V	24CA3836	24CA3431
OPEN DRIP PROOF (60 HZ - ODP - HIGH EFFICIENCY)		
MOTOR, 230V	24CA4036	24CA3432
MOTOR, 460V	24CA3433	24CA3433
MOTOR, 575V	24CA4038	24CA3434
TOTALLY ENCLOSED FAN COOLED (60 HZ - TEFC)		
MOTOR, 230V	24CA4923	24CA3435
MOTOR, 460V	24CA3436	24CA3436
MOTOR, 575V	24CA4925	24CA3437
TOTALLY ENCLOSED FAN COOLED (60 HZ - TEFC - HIGH EFFICIENCY)		
MOTOR, 230V	24CA4919	24CA3438
MOTOR, 460V	24CA3439	24CA3439
MOTOR, 575V	24CA4921	24CA3440

MOTOR GROUP (FAN MOTORS)

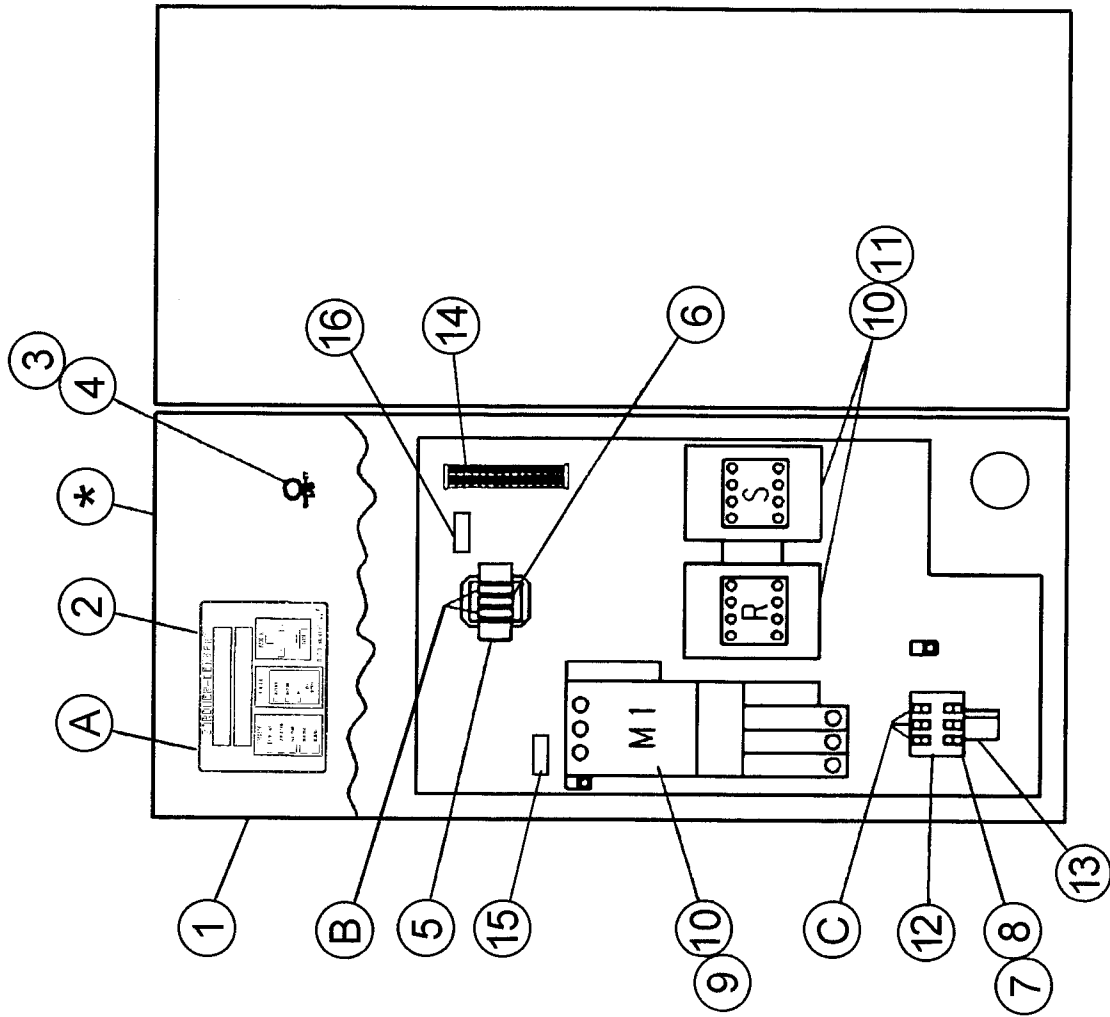
**AIR COOLED FAN MOTOR (COOLING MODULE)
(T.E.F.C., 5 HP, 1200 RPM, 60 HZ, 1.33 S.F.)**

VOLTAGE	P/N
MOTOR, 230V	24CA3345
MOTOR, 460V	24CA3345
MOTOR, 575V	24CA3346

**WATER COOLED FAN MOTOR (ENCLOSURE VENT FAN)
(T.E.F.C., 1200 RPM, 60 HZ, 1.0 S.F.)**

VOLTAGE	P/N	HP
MOTOR, 230V	24CA2464	1/4
MOTOR, 460V	24CA2464	1/4
MOTOR, 575V	24CA4178	1/2

**CONTROLLER ASSEMBLY
(EAU & EBU - 200 HP WYE DELTA STARTERS)**



Refer to parts list on page 39.

CONTROLLER ASSEMBLY
(EAU & EBU - 200 HP WYE DELTA STARTERS)
 (Refer to drawing on page 38)

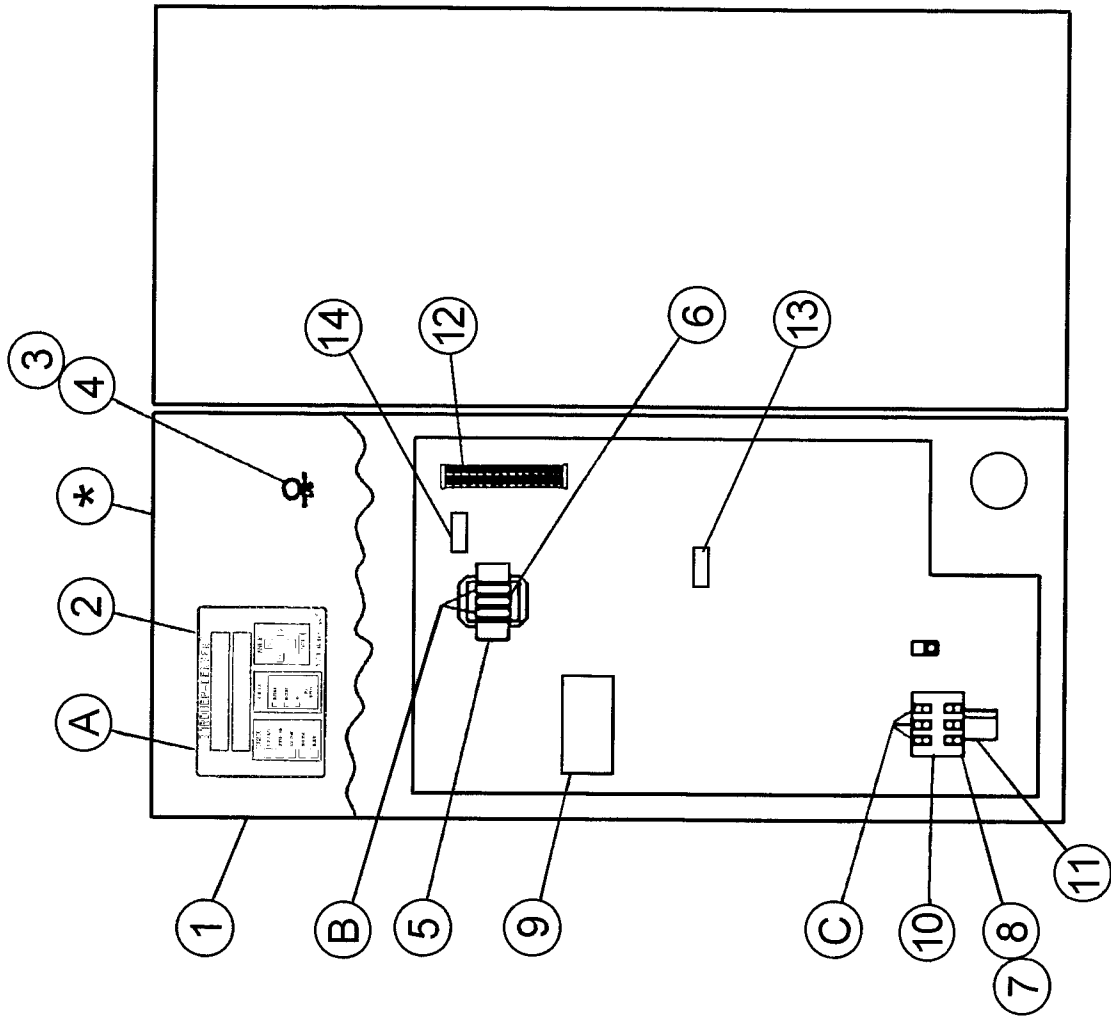
		460V	575V
	QTY.	200 HP	200 HP
* ASSEMBLED PANEL - ES+: NEMA 12, With Current Monitor	1	227EAQ466	229EAQ466
* ASSEMBLED PANEL - ES+: NEMA 4, With Current Monitor	1	234EAQ466	236EAQ466
A FUSE, CONTROL BOARD	1	24CA2932	24CA2932
B FUSE, TRANSFORMER PRIMARY	2	24CA2786	24CA3722
C FUSE, FAN MOTOR, AIR COOLED	3	24CA4096	24CA4092
C FUSE, FAN MOTOR, WATER COOLED	3	24CA4092	24CA4090
1 ELECTRICAL CONTROL ENCLOSURE	1	200EDM179	200EDM179
2 ELECTRICAL CONTROL ASSEMBLY - ES+ CONTROLLER	1	200EAU1173	200EAU1173
3 OPERATOR, 22mm PUSH/PULL EMERGENCY STOP	1	24CA2907	24CA2907
4 CONTACT BLOCK, 22mm SPNC	1	24CA2908	24CA2908
5 CONTROL TRANSFORMER	1	2116287	2116288
6 FUSE, TRANSFORMER SECONDARY	1	24CA3729	24CA3729
7 STARTER, FAN MOTOR	1	24CA4134	24CA4134
8 REPLACEMENT COIL FOR ITEM 7	1	2115950	2115950
9 STARTER, MAIN MOTOR	1	24CA3490	24CA3255
10 REPLACEMENT COIL FOR ITEMS 9 & 11	3	2115952	2116555
11 CONTACTOR	2	24CA3696	24CA3259
12 FUSEHOLDER	1	24CA4098	24CA4098
13 OVERLOAD RELAY	1	24CA4086	24CA4086
14 TERMINAL BLOCK	6	24CA2633	24CA2633
15 CURRENT TRANSFORMER	1	24CA4242	24CA4242
16 CURRENT TRANSDUCER	1	24CA4241	24CA4241

**CONTROLLER ASSEMBLY
(EAU & EBU - 200 HP (200/230 VOLT NOT AVAILABLE) FULL VOLTAGE STARTERS)**

(Refer to drawing on page 40)

	Qty.	460V	575V
* ASSEMBLED PANEL - ES+: NEMA 12, With Current Monitor	1	240EAQ466	241EAQ466
* ASSEMBLED PANEL - ES+: NEMA 4, With Current Monitor	1	242EAQ466	243EAQ466
A FUSE, CONTROL BOARD (1A, AGC)	1	24CA2932	24CA2932
B FUSE, TRANSFORMER PRIMARY (-A, FNG-R)	2	24CA2783 (3A)	24CA3722 (2.25A)
C FUSE, FAN MOTOR, AIR COOLED (-A, LP-CC)	3	24CA4094 (8A)	24CA4092 (6A)
C FUSE, FAN MOTOR, WATER COOLED (-A, LP-CC)	3	24CA4090 (3A)	24CA4090 (3A)
1 ELECTRICAL CONTROL ENCLOSURE	1	200EDM179	200EDM179
2 ELECTRICAL CONTROL ASSEMBLY - ES+ CONTROLLER	1	200EAU1173	200EAU1173
3 OPERATOR, 22mm PUSH/PULL EMERGENCY STOP	1	24CA2907	24CA2907
4 CONTACT BLOCK, 22mm SPNC	1	24CA2908	24CA2908
5 CONTROL TRANSFORMER	1	2116287	2116288
6 FUSE, TRANSFORMER SECONDARY (6A, MDL)	1	24CA3729	24CA3729
7 STARTER, FAN MOTOR	1	24CA4134	24CA4134
8 REPLACEMENT COIL FOR ITEM 7	1	2115950	2115950
9 STARTER, MAIN MOTOR	1	24CA3490	24CA3490
10 REPLACEMENT COIL FOR ITEM 9	1	2115952	2115952
11 FUSEHOLDER	1	24CA4098	24CA4098
12 OVERLOAD RELAY	1	24CA4086	24CA4086
13 TERMINAL BLOCK	6	24CA2633	24CA2633
14 CURRENT TRANSFORMER	1	24CA4242	24CA4242
15 CURRENT TRANSDUCER	1	24CA4241	24CA4241

**CONTROLLER ASSEMBLY
(EAU & EBU - LESS MAIN MOTOR STARTER)**

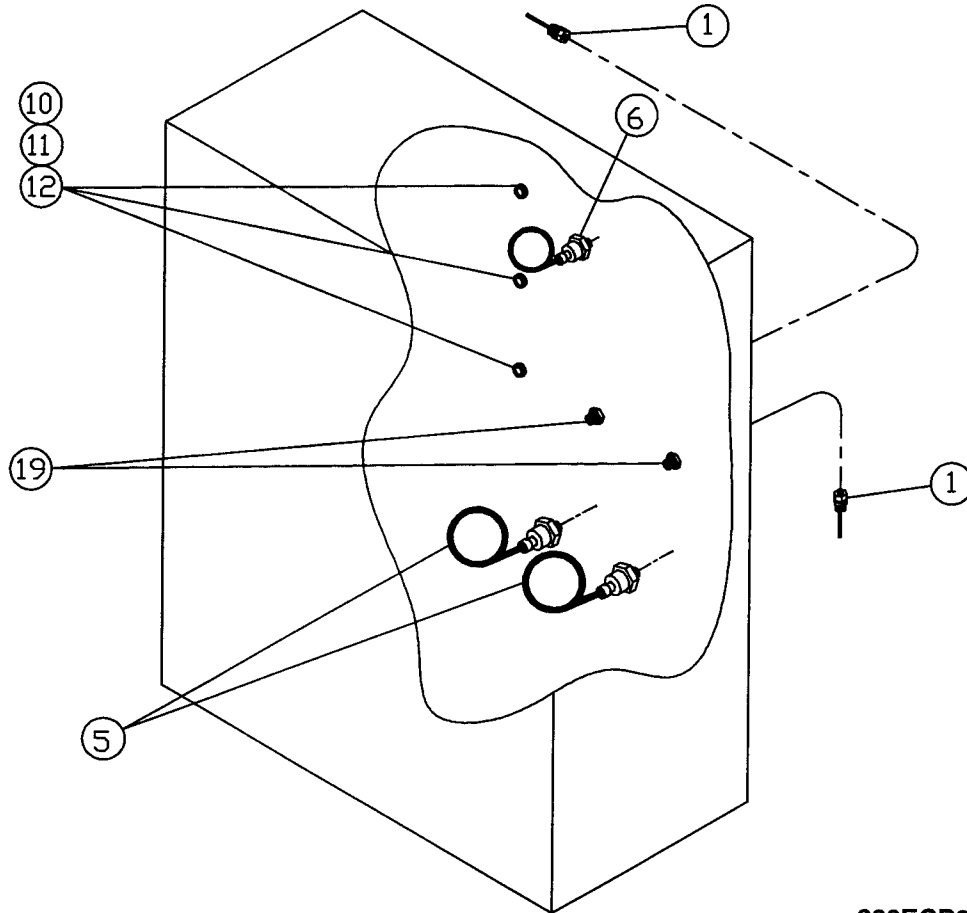


Refer to parts list on page 43.

CONTROLLER ASSEMBLY
(EAU & EBU - LESS MAIN MOTOR STARTER)
 (Refer to drawing on page 42)

		200 HP 230 V	200 HP 460 V	200 HP 575 V
*	ASSEMBLED PANEL - ES+: NEMA 12, With Current Monitor	244EAQ466	244EAQ466	246EAQ466
*	ASSEMBLED PANEL - ES+: NEMA 4, With Current Monitor	248EAQ466	248EAQ466	250EAQ466
A	FUSE, CONTROL BOARD (1A, Agc)	24CA2932	24CA2932	24CA2932
B	FUSE, TRANSFORMER PRIMARY (-A, FNQ-R)	24CA2786 (6A)	24CA2783 (3A)	24CA3722 (2.25A)
C	FUSE, FAN MOTOR, AIR COOLED (-A, LP-CC)	24CA4096 (15A)	24CA4094 (8A)	24CA4092 (6A)
C	FUSE, FAN MOTOR, WATER COOLED (-A, LP-CC)	24CA4092 (6A)	24CA4090 (3A)	24CA4090 (3A)
1	ELECTRICAL CONTROL ENCLOSURE	200EDM179	200EDM179	200EDM179
2	ELECTRICAL CONTROL ASSEMBLY - ES+ CONTROLLER	200EAU1173	200EAU1173	200EAU1173
3	OPERATOR, 22mm PUSH/PULL EMERGENCY STOP	24CA2907	24CA2907	24CA2907
4	CONTACT BLOCK, 22mm SPNC	24CA2908	24CA2908	24CA2908
5	CONTROL TRANSFORMER	2116287	2116287	2116288
6	FUSE, TRANSFORMER SECONDARY (6A, MDL)	24CA3729	24CA3729	24CA3729
7	STARTER, FAN MOTOR	24CA4134	24CA4134	24CA4134
8	REPLACEMENT COIL FOR ITEM 7	2115950	2115950	2115950
9	CONTROL RELAY	24CA3896	24CA3896	24CA3896
10	FUSEHOLDER	24CA4098	24CA4098	24CA4098
11	OVERLOAD RELAY	24CA4086	24CA4086	24CA4086
12	TERMINAL BLOCK	24CA2633	24CA2633	24CA2633
13	CURRENT TRANSFORMER	24CA4242	24CA4242	24CA4242
14	CURRENT TRANSDUCER	24CA4241	24CA4241	24CA4241

Order by Part Number and Description. Reference Numbers are for your convenience only.



300ECP810-A
(Ref. Drawing)

MISCELLANEOUS ELECTRICAL PARTS

Ref. No.	Name of Part	Qty.	Part No.
1	PROBE-ELECTRICAL	2	21D264
5	TRANSDUCER-PRESSURE	2	88H242
6	SWITCH-VACUUM	1	88H195
10	NIPPLE-CHASE	3	24CA4641
11	O-RING	3	24A383
12	LOCKNUT-CONDUIT	3	24A77
19	FITTING-ELECTRICAL	2	24CA2865

OVERLOAD RELAY HEATER CONVERSION LISTING

Refer to Motor Nameplate "Amperage" and Decal in Control Panel for Selection of Overload Relay Heater Packs.

**CUTLER-HAMMER
PART NUMBER**

**GARDNER DENVER
PART NUMBER**

H2002B	24CA4101
H2003B	24CA4102
H2004B	24CA4103
H2005B	24CA4104
H2006B	24CA4105
H2007B	24CA4106
H2008B	24CA4107
H2009B	24CA4108
H2010B	24CA4109
H2011B	24CA4110
H2012B	24CA4111
H2013B	24CA4112
H2014B	24CA4113
H2015B	24CA4114
H2016B	24CA4115
H2017B	24CA4116
H2018	24CA2924
H2019	24CA2925
H2020	24CA2926
H2021	24CA2927
H2022	24CA2893
H2023	24CA2894
H2024	24CA2928

IDENTIFICATION AND INSTRUCTION GROUP

Name of Part	Qty.	Part No.
DECAL, OPERATION & MAINTENANCE	1	217ECM077
DECAL, WARNING	1	227EAQ077
DECAL, PARTS LIST/SERVICE MANUAL #	1	204EDE077
DECAL, WARNING - ELECTRICAL SHOCK	1	216EAQ077
DECAL, DANGER - DO NOT MODIFY	1	218EAQ077
DECAL, WARNING - ELECTRICAL SHOCK	1	213EAQ077
DECAL, WARNING - READ OPERATOR MANUAL	1	215EAQ077
DECAL, CAUTION - USE FLOOR PLATE	1	221EAQ077
DECAL, WARNING - SEE WIRING DIAGRAM	1	222EAQ077
DECAL, DANGER - HOT OIL UNDER PRESSURE	1	212EAQ077
DECAL, WARNING - INSPECT OIL RESERVOIR	1	217EAQ077
DECAL, AEON 9000SP LUBRICANT	1	243EAQ077
DECAL, NOTICE - USE GD PARTS	1	214EAQ077
DECAL, NOTICE - USE GD PARTS	1	214EAQ077
DECAL, CAUTION - DO NOT LIFT	1	208EAQ077
DECAL, WARNING - ROTATING MACHINERY	1	211EAQ077
DECAL, DANGER - DO NOT BREATHE	1	206EAQ077
DECAL, DRAIN MOISTURE DAILY	1	205ESO077
DECAL, GD LOGO	1	69F18
RIVET	4	70E13
DECAL, HEAT EXCHANGER "IN"	1	200ESP077
DECAL, HEAT EXCHANGER "OUT"	1	201ESP077
DECAL, ELECTRA-SAVER	1	202EAP077
DECAL, ELECTRA-SAVER II	1	201ECP077
DECAL, ELECTRA-SAVER	3	201EAP077
DECAL, ELECTRA-SAVER II	3	200ECP077
TAG-INSTRUCTION	1	203EAQ304
DECAL, NAMEPLATE	1	69F64
DECAL, OIL FILL INSTRUCTIONS	1	240EAQ077
DECAL, "QUALITY WITHOUT QUESTION"	1	251EAQ077
TAG-INSTRUCTION	1	204EAQ304
TAG-INSTRUCTION	1	205EAQ304
POCKET	1	200EAQ1304

REPAIR KITS

Name of Part	Qty.	Part No.
ROUTINE MAINTENANCE KIT - HEAVY DUTY AIR FILTER		300EBU6013
(Includes next two items)		
ELEMENT, AIR FILTER	2	2116702
ELEMENT, OIL FILTER	3	201EDM369
ELEMENT, OIL FILTER	3	2116128
PERIODIC MAINTENANCE KIT (INLET VALVE)		301EAQ6013
(Includes next five items)		
O-RING	1	25BC298
SPRING	1	78W62
SPRING	1	78W61
O-RING	1	25AM30
RETAINER-RING	1	74D89
GASKET ELIMINATOR	1	25BC222
PERIODIC OVERHAUL KIT (Includes next eight items)	1	323SSU6013
GASKET KIT (See below)	1	322SSU6013
OIL SEAL KIT (See below)	1	324SSU6013
ROLLER BEARING	2	12BA52
ROLLER BEARING	1	12W34
ROLLER BEARING	1	12BA78
ROLLER BEARING	2	12BA79
SPRING	1	78W54
RING-RETAINING	1	65W14
RING-RETAINING	1	65W61
GASKET KIT (Includes next eight items)		322SSU6013
PERIODIC MAINTENANCE KIT (INLET VALVE)	1	301EAQ6013
SHIM SET (SHAFT)	1	77H50
SHIM SET	1	77H55
GASKET	1	208SSU715N
GASKET	1	209SSU715N
PACKING RING	4	60AM46
FASTENER SEAL	2	60DD65
GASKET	4	25BC138N
SEPARATOR KIT (Includes next three items)		202EDP6013
OIL SEPARATOR	1	55B44
GASKET ELIMINATOR	1	25BC222
LUBRICANT (OIL SEAL GREASE)	1	2116755
OIL SEAL KIT (Includes next seven items)		324SSU6013
WEAR SLEEVE	1	80M28
OIL SEAL	1	60DD571
OIL SEAL	1	60DD689
O-RING	1	25BC205
CHECK VALVE	1	90AR923

REPAIR KITS (Continued)

Name of Part	Qty.	Part No.
PERIODIC OVERHAUL KIT - TURN VALVE (EAU Only)		
(Includes next nine items)		307SSU6013
KEY-SQUARE	1	35C114
BEARING-ROLLER	2	12BA51
SPRING	1	78W50
GASKET	4	25BC138N
PACKING RING	4	60AM46
SEAL-FASTENER	2	60DD65
BUMPER	2	32E15
PLUG	2	66D15
RING-RETAINING	2	74D49
PNEUMATIC CONTROLS AND GAUGES (Includes next five items) ...		
CHECK VALVE	2	302EAQ6013
CONTROL VALVE	2	90AR261
CONTROL VALVE	2	90AR1034
CONTROL VALVE	1	90AR1082
PRESSURE REGULATOR	1	88H139
PRESSURE GAUGE	1	2116732
ELECTRICAL CONTROL KIT (Includes next six items)		
SOLENOID VALVE	1	306EAQ6013
SOLENOID VALVE	1	91B70
SOLENOID VALVE	1	91B143
SOLENOID VALVE	1	91B144
THERMISTOR PROBE	2	21D264
TRANSDUCER	2	88H242
VACUUM SWITCH	1	88H195
DRIVE COUPLING KIT (Includes next item)		
CUSHIONS	6	ECK77781
LUBRICANT (AEON 9000 SP)		
5 GALLON PAIL		2109116
55 GALLON DRUM		28H109
TOUCH-UP PAINT		
5 GALLON PAIL		28H76
1 GALLON CAN		28H84
1 QUART CAN		28H83
WEAR SLEEVE INSTALLATION / REMOVAL KIT		
(Includes next seven items)		200SSU4017
PULLER	1	200SSQ219
PLATE-PULLER	1	200SSQ340
SCREW	1	655EE030
SCREW	1	655ED120
SCREW	2	75D178
GUIDE	1	200SSU450
TOOL	1	200SSQ074

REPAIR KITS (Continued)

Name of Part	Qty.	Part No.
WATER TEMPERATURE REGULATOR (Optional)		90AR151
MAGNETIC WATER SHUTOFF VALVE - NEMA 1 (Optional)		EAQ77013
MAGNETIC WATER SHUTOFF VALVE - NEMA 4 (Optional)		EAQ77014
TURNVALVE ACTUATOR O-RING KIT (EAU ONLY)		307EAQ6013
O-RING (TOP OF STEM)	2	25BC738
O-RING (BODY TO MANIFOLD, LARGE)	2	25BC37
O-RING (BODY TO MANIFOLD, SMALL)	2	25BC35
O-RING (TUBE)	2	2009224

Gardner
Denver

For additional information contact your local representative or
Gardner Denver, Customer Service Department,
1800 Gardner Expressway, Quincy, Illinois 62301
Telephone: (800) 682-9868 FAX: (217) 224-7814



Sales and Service in all major cities.

For parts information, contact Gardner Denver,
Master Distribution Center, Memphis, TN
Telephone: (800) 245-4946 FAX: (901) 542-6159

Specifications subject to change without notice.
Copyright 1999 Gardner Denver, Inc. Litho in U.S.A.

<http://www.gardnerdenver.com> mktg@gardnerdenver.com