
GARDNER DENVER®

13-9-568
Version: 02
August 31, 2001

Manual Updated 4/15/2021 Page 37

**ELECTRA-SAVER®
ELECTRA-SAVER II®
BASE-MOUNTED COMPRESSOR**

**AUTO SENTRY® -- ES+ CONTROLS
AUTO SENTRY® -- ES CONTROLS**

MODELS

**EAM99A – 75 HP
EBM99F – 60 & 75 HP
EAP99E – 100 HP
EBP99D – 100 HP**

60 HZ DOMESTIC ONLY

PARTS LIST

**Gardner
Denver**

**MAINTAIN COMPRESSOR RELIABILITY AND PERFORMANCE WITH
GENUINE GARDNER DENVER® COMPRESSOR
PARTS AND SUPPORT SERVICES**

Gardner Denver® Compressor genuine parts, manufactured to design tolerances, are developed for optimum dependability – specifically for Gardner Denver compressor systems. Design and material innovations are the result of years of experience with hundreds of different compressor applications. Reliability in materials and quality assurance is incorporated in our genuine replacement parts.

Your authorized Gardner Denver Compressor distributor offers all the backup you'll need. A worldwide network of authorized distributors provides the finest product support in the air compressor industry. Your local authorized distributor maintains a large inventory of genuine parts and he is backed up for emergency parts by direct access to the Master Distribution Center (MDC) in Memphis, Tennessee.

Your authorized distributor can support your Gardner Denver air compressor with these services:

1. Trained parts specialists to assist you in selecting the correct replacement parts.
2. Factory warranted new and remanufactured rotary screw airends. Most popular model remanufactured airends are maintained in stock at the Remanufacturing Center in Indianapolis, IN., for purchase on an exchange basis with liberal core credit available for the replacement unit.
3. A full line of factory tested AEON™ compressor lubricants specifically formulated for use in Gardner Denver compressors.
4. Repair and maintenance kits designed with the necessary parts to simplify servicing your compressor.

Authorized distributor service technicians are factory trained and skilled in compressor maintenance and repair. They are ready to respond and assist you by providing fast, expert maintenance and repair services.

For the location of your local authorized Gardner Denver Air Compressor distributor, refer to the yellow pages of your phone directory or contact:

Distribution Center:	Factory:
Gardner Denver	Gardner Denver
Master Distribution Center	1800 Gardner Expressway
5585 East Shelby Drive	Quincy, IL 62301
Memphis, TN 38141	
Phone: (901) 542-6100	Phone: (217) 222-5400
(800) 245-4946	
Fax: (901) 542-6159	Fax: (217) 224-7814

INSTRUCTIONS FOR ORDERING REPAIR PARTS

When ordering parts, specify Compressor MODEL, Method of Cooling, HORSEPOWER and SERIAL NUMBER (see nameplate on unit). The Serial Number is also stamped on top of the discharge bearing carrier casting.

All orders for Parts should be placed with the nearest authorized distributor.

Where NOT specified, quantity of parts required per compressor or unit is one (1); where more than one is required per unit, quantity is indicated in parenthesis. SPECIFY EXACTLY THE NUMBER OF PARTS REQUIRED.

DO NOT ORDER BY SETS OR GROUPS.

To determine the Right-Hand and Left-Hand side of a compressor, stand at the motor end and look toward the compressor. Right-Hand and Left- Hand are indicated in parenthesis following the part name, i.e. (RH) and (LH), when appropriate.

TOTAL PRODUCT SUPPORT – GARDNER DENVER’S CONTINUING COMMITMENT TO YOUR AIR COMPRESSOR PERFORMANCE

Commitment to total product support continues long after the purchase of your quality Gardner Denver rotary screw compressor.

Gardner Denver original parts incorporate years of experience and improvements in design, materials and quality assurance. Maintaining your compressor investment with Gardner Denver parts will insure protection for the air compressor unit and long, dependable service life.

Your authorized Gardner Denver compressor distributor maintains a complete stock of all common maintenance parts, factory approved AEON lubricants, and Gardner Denver factory warranted exchange airends. In addition, authorized distributor technicians are factory trained, and can provide complete diagnostic, compressor maintenance and repair services.

This manual is designed to assist you in maintaining high performance and receiving many years of dependable service you expect from your Gardner Denver compressor.

REMANUFACTURED AIRENDS

Whenever an airend requires replacement or repair, Gardner Denver offers an industry unique, factory remanufactured airend exchange program. From its modern Remanufacturing Center in Indianapolis, IN., Gardner Denver is committed to supplying you with the highest quality, factory remanufactured airends that are guaranteed to save you time, aggravation and money.

Immediately Available

Repair downtime costs you money, which is why there are over 200 remanufactured units in inventory at all times, ready for immediate delivery.

Skilled Craftsmen

Our Remanufacturing assembly technicians average over 20 years experience with air compression products.

Precision Remanufacturing

All potentially usable parts are thoroughly cleaned, inspected and analyzed. Only those parts that can be brought back to original factory specifications are remanufactured. Every remanufactured airend receives a new overhaul kit: bearings, gears, seals, sleeves and gaskets.

Extensive Testing

Gardner Denver performs testing that repair houses just don't do. Magnaflux and ultrasonic inspection spot cracked or stressed castings, monochromatic light analysis exposes oil leaks, and coordinate measurement machine inspects to +/- .0001", insuring that all remanufactured airends meet factory performance specifications.

Warranty

Gardner Denver backs up every remanufactured airend with a new warranty...18 months from purchase, 12 months from service.

Gardner Denver remanufactured airends deliver *quality without question...year in and year out.*

Call Gardner Denver for information on the airend exchange program and the name of your authorized distributor.

Phone Number: 800-245-4946 or
Fax: 901-542-6159

TABLE OF CONTENTS

Maintain Compressor Reliability And Performance With Genuine Gardner Denver Compressor Parts And Support Services.....	i
Instructions For Ordering Repair Parts.....	i
Total Product Support – Gardner Denver’s Continuing Commitment To Your Air Compressor Performance.....	ii
Remanufactured Airends.....	ii
Airend Selection And Repair Kits.....	1
Bare Compressor – (Ssm) – Eam.....	2, 3
C” Flange Motor Adaptor – Eam Only.....	4
Lip Seal Assembly – Eam Only.....	5
Discharge Bearing Housing – Eam Only.....	6
Cover – Eam Only.....	7
Automatic Turn Valve – Eam Only.....	8, 9
Turn Valve Actuator – Eam Only.....	10
Discharge Bearing Oil Line – Eam Only.....	11
Bare Compressor – (Ssh) Ebm.....	12, 13
Bare Compressor – (Ssm) Ebm & Ebp.....	14, 15
Bare Compressor – (Ssp) – Eap & Ebp.....	16, 17
Oil Seal Detail – (Ssm) – Ebm & Ebp.....	18
Oil Seal Detail – (Ssp) – Eap & Ebp.....	19
Turn Valve – Eap Only.....	20, 21
Turn Valve Solenoid Valve – Eap Only.....	22
Inlet Valve (All Models).....	23
Air Filter.....	24
Oil Reservoir Group.....	25
Oil Separator Housing.....	26
Discharge Manifold.....	27
Oil Piping Group.....	28
Oil Filter – 301ebm369.....	29
Oil Piping Line.....	30, 31
Oil Scavenge Line.....	32
Compressor Base Group – Eam Only.....	33
Compressor Base Group – Eap, Ebm & Ebp Only.....	34
Thermal Valve.....	35
Air Discharge Piping.....	36
Air Cooled Discharge Piping.....	37
Water Cooled Heat Exchanger (With Aftercooler).....	38, 39
Water Cooled Heat Exchanger (Without Aftercooler).....	40, 41
Control Tubing Schematic.....	42, 43
Minimum Pressure Valve.....	44
Enclosure (Common Parts - Air/Water Cooled).....	45
Enclosure – Hardware.....	46
Enclosure – Air Cooled Units.....	47
Enclosure – Water Cooled Units.....	48
Enclosure – Common Parts.....	49
Enclosure – Water Cooled (Quiet).....	50
Enclosure – Air Cooled (Quiet Baffle).....	51
Enclosure – Air Cooled (Quiet Baffle – Hardware).....	52
Enclosure – Vent Fan Assembly (Water Cooled Units Only).....	53
Controller Assembly – Full Voltage Starters.....	54, 54
Controller Assembly – Wye Delta Starters.....	56-59
Controller Assembly – Less Main Motor Starter.....	60, 61
Controller Assembly.....	62
Miscellaneous Electrical Parts.....	63
Main Motor Group.....	64
Overload Relay Heater Conversion Listing.....	65
Motor Group (Main Drive Motors).....	66
Identification And Instruction Group.....	67
Repair Kits.....	68-70

For Operating and Service Instructions, see:

SERVICE MANUAL: 13-910-641
CONTROLLER MANUAL: 13-910-647

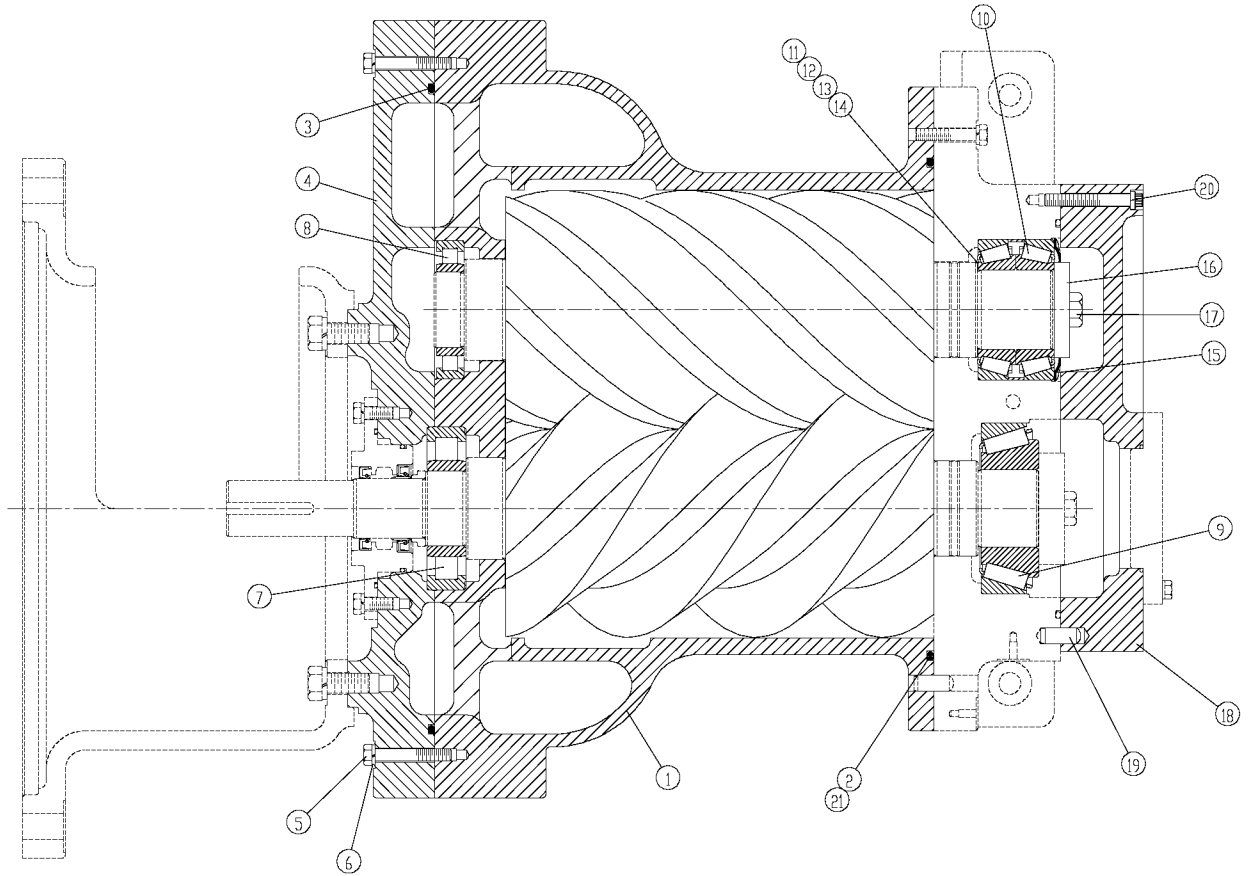
AIREND SELECTION AND REPAIR KITS

Model	HP	PSI	Airend w/Inlet Valve	Airend w/Inlet Valve	Reman			TurnValve Kit	Drive Shaft Seal Kit	Drive Shaft Wear Sleeve Removal & Installation Kit
					Bearing Kit *	Gasket Kit	Inlet Valve Kit			
EBM	60	100	SSMNBB03	SSMNBB03X	320SSM6013	321SSM6013	302SSM6013	302SSH6013	200SSH4017	
		125	SSHCBL01	SSHCBL01X	326SSH6013	327SSH6013	302SSM6013	302SSH6013	200SSH4017	
		150	SSHCBL02	SSHCBL02X	326SSH6013	327SSH6013	302SSM6013	302SSH6013	200SSH4017	
	75	100	SSMNBB01	SSMNBB01X	320SSM6013	321SSM6013	302SSM6013	302SSH6013	200SSH4017	
		125	SSMNBB02	SSMNBB02X	320SSM6013	321SSM6013	302SSM6013	302SSH6013	200SSH4017	
		150	SSMNBB03	SSMNBB03X	320SSM6013	321SSM6013	302SSM6013	302SSH6013	200SSH4017	
EBP	100	100	SSPNBE01	SSPNBE01X	323SSP6013	324SSP6013	302SSM6013	300SSP6013	200SSP4017	
		125	SSPNBE02	SSPNBE02X	323SSP6013	324SSP6013	302SSM6013	300SSP6013	200SSP4017	
		150	SSMNBB01	SSMNBB01X	320SSM6013	321SSM6013	302SSM6013	302SSH6013	200SSH4017	
EAM	75	100	SSMABA01	SSMABA01X	320SSM6013	319SSM6013	302SSM6013	322SSH6013	200SSH4017	
		125	SSMABA01	SSMABA01X	320SSM6013	319SSM6013	302SSM6013	322SSH6013	200SSH4017	
EAP	100	100	SSPABJ01	SSPABJ01X	323SSP6013	324SSP6013	302SSM6013	300SSP6013	200SSP4017	
		125	SSPABJ01	SSPABJ01X	323SSP6013	324SSP6013	302SSM6013	300SSP6013	200SSP4017	
		150	SSPABJ01	SSPABJ01X	323SSP6013	324SSP6013	302SSM6013	300SSP6013	200SSP4017	

* When ordering Bearing Kits, also order Gasket Kit and Drive Shaft Seal Kit.

For listing of Repair Parts included in Kit numbers above, see Repair Kit Section page 68-72.

BARE COMPRESSOR – (SSM) – EAM
75 HP – 100 & 125 PSI



308SSM810-B
(Ref. Drawing)

Order by Part Number and Description. Reference Numbers are for your convenience only.

**BARE COMPRESSOR – (SSM) – EAM
75 HP – 100 & 125 PSI**

B/M: 305SSM4049

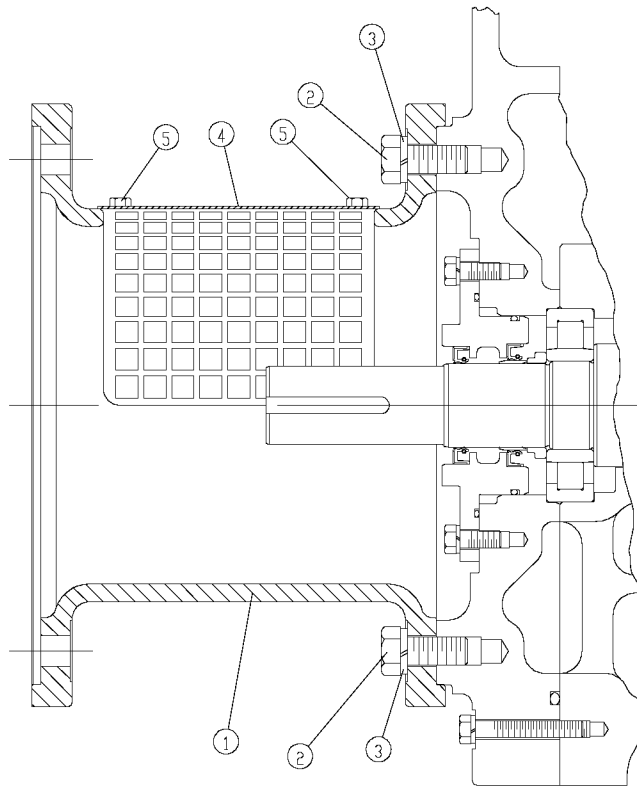
Ref. No.	Name of Part	Qty.	Part No.
1	CYLINDER AIR (TURN VALVE-GAS).....	1	***
** 2	O-RING	1	25BC631
** 3	O-RING	1	25BC696
4	PLATE-BEARING COVER (INLET END).....	1	***
5	SCREW	21	***
6	LOCKWASHER.....	21	***
* 7	BEARING-ROLLER.....	1	12W34
* 8	BEARING-ROLLER.....	1	12BA93
* 9	BEARING-ROLLER.....	1	12BA92
* 10	BEARING-ROLLER.....	1	12BA197
** 11	SHIM.....	3	77H57002
** 12	SHIM.....	3	77H57003
** 13	SHIM.....	3	77H57005
** 14	SHIM.....	2	77H57015
* 15	SPRING	1	78W97
16	PLATE-BEARING RETAINER	1	***
17	SCREW	1	***
18	PLATE-BEARING COVER	1	***
19	PIN-DOWEL.....	2	***
20	SCREW	19	***
** 21	O-RING	1	25BC684
22	PLUG (not shown).....	1	***
23	PLUG (not shown).....	1	***

* Parts included in Bearing Kit Part Number 320SSM6013. Refer to page 69.

** Parts included in Gasket Kit Part Number 319SSM6013. Refer to page 69.

*** For reference only

Order by Part Number and Description. Reference Numbers are for your convenience only.



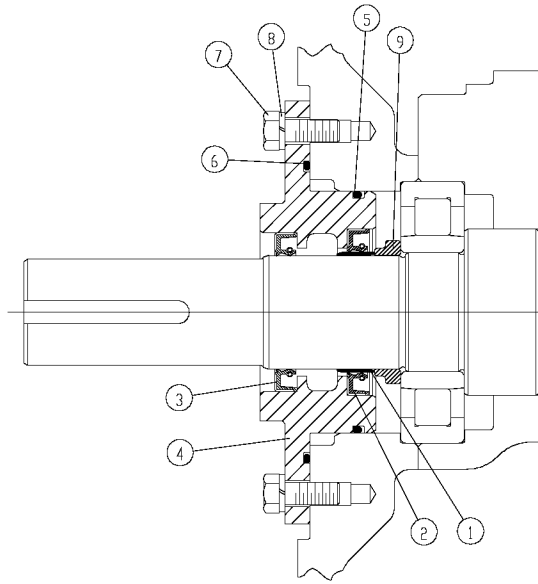
310SSH810-A
(Ref. Drawing)

“C” FLANGE MOTOR ADAPTOR – EAM ONLY

B/M: 304SSH4049

Ref. No.	Name of Part	Qty.	Part No.
1	ADAPTOR ("C" Flange Motor Mounting).....	1	300SSH170
2	SCREW	8	655EF060
3	LOCKWASHER.....	8	95B7
4	GUARD-COUPLING (Drive Shaft)	1	300SSH339
5	SCREW	4	75LM150

Order by Part Number and Description. Reference Numbers are for your convenience only.



306SSH810-A
(Ref. Drawing)

LIP SEAL ASSEMBLY – EAM ONLY

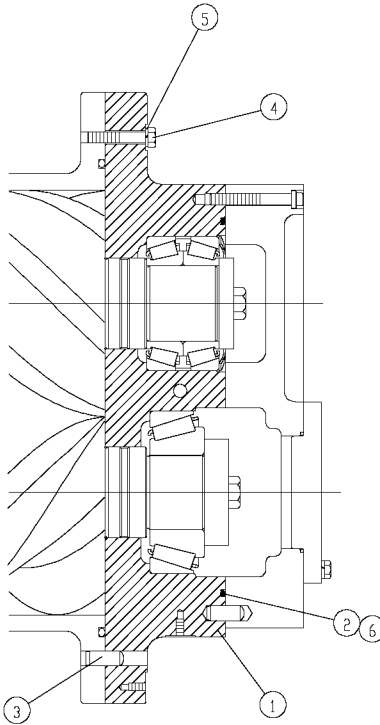
B/M: 302SSH6029

Ref. No.	Name of Part	Qty.	Part No.
* 1	SLEEVE-WEAR	1	80M12
* 2	SEAL-OIL.....	1	60DD679
* 3	SEAL-OIL.....	1	60DD690
4	HOUSING-SEAL (Drive Shaft - Lip Seal).....	1	302SSH362
* 5	O-RING.....	1	25BC242
* 6	O-RING.....	1	25BC157
7	SCREW	8	655ED040
8	LOCKWASHER.....	8	95B3
9	SPACER-SHAFT (Drive Shaft Lip Seal).....	1	300SSH600
* 10	VALVE-CHECK (not shown).....	1	90AR923
* 11	O-RING (For Valve-Check) (not shown).....	1	25BC683

* Parts included in Drive Shaft Seal Kit Part Number 322SSH6013. Refer to page 69.

Wear Sleeve Installation/Removal Kit Part Number 200SSH4017, includes Wear Sleeve Puller and Installation Tool. Refer to page 70.

Order by Part Number and Description. Reference Numbers are for your convenience only.



313SSM810-B
(Ref. Drawing)

DISCHARGE BEARING HOUSING – EAM ONLY

B/M: 302SSM4044

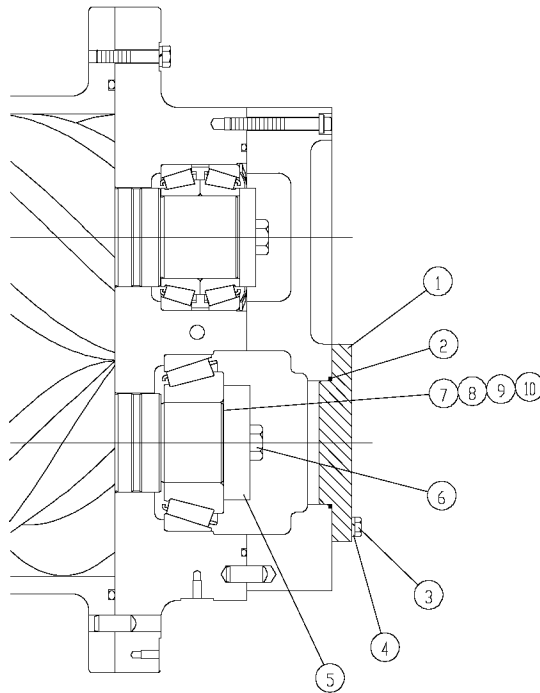
Ref. No.	Name of Part	Qty.	Part No.
1	HOUSING-BEARING	1	**
* 2	O-RING	1	25BC690
3	PIN-DOWEL.....	2	**
4	SCREW	13	**
5	LOCKWASHER.....	16	**
* 6	O-RING	1	25BC687
7	SCREW (not shown).....	1	**
8	SCREW (not shown).....	2	**

* Parts included in Gasket Kit Part Number 319SSM6013. Refer to page 69.

** Shown for reference only.

Order by Part Number and Description. Reference Numbers are for your convenience only.

309SSM810-A
(Ref. Drawing)



COVER – EAM ONLY

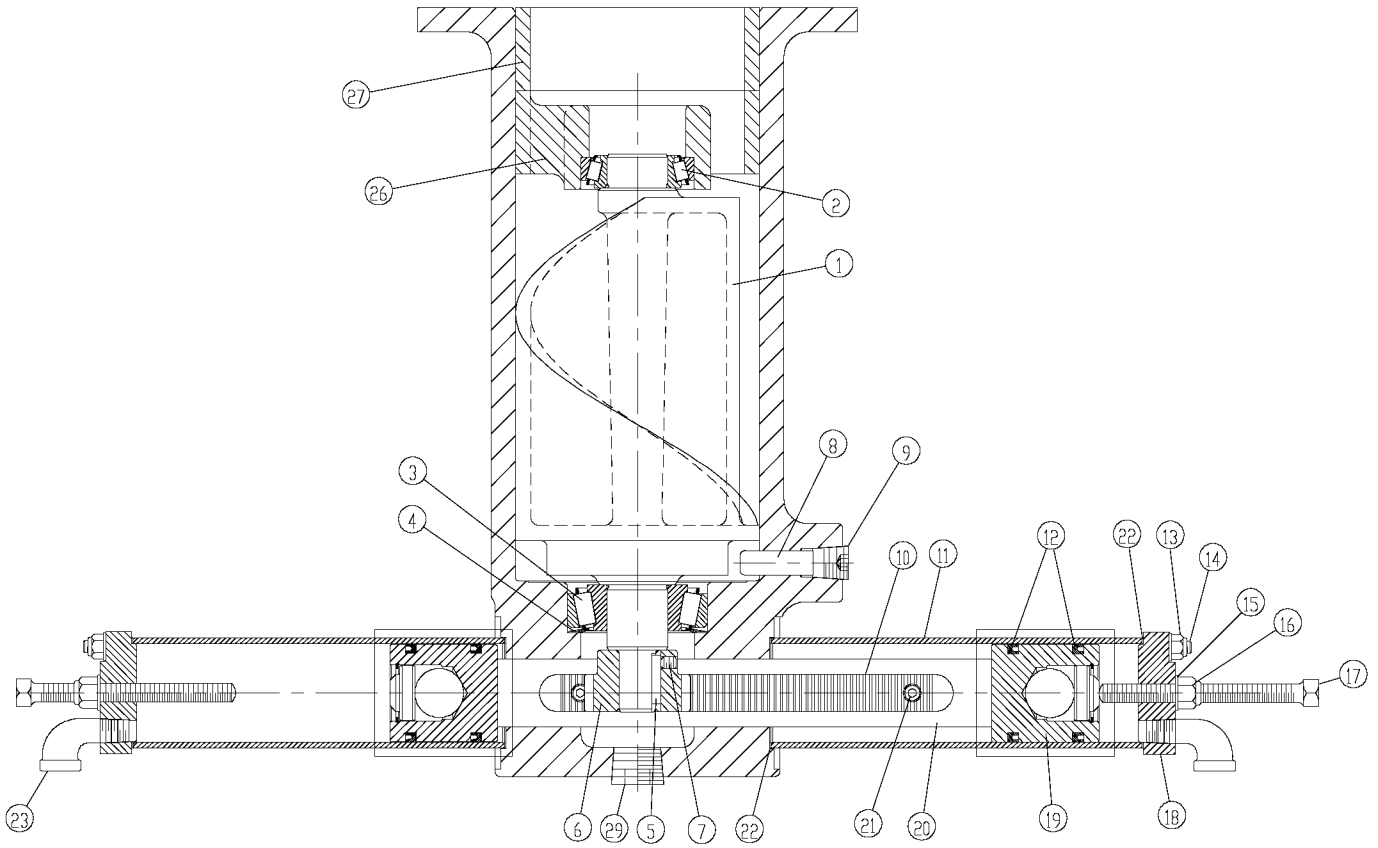
B/M: 300SSM4013

Ref. No.	Name of Part	Qty.	Part No.
1	COVER	1	**
* 2	O-RING	1	25BC242
3	SCREW	4	**
4	LOCKWASHER.....	4	**
5	PLAE-BEARING RETAINER	1	**
6	SCREW	1	**
* 7	SHIM.....	3	77H56002
* 8	SHIM.....	3	77H56003
* 9	SHIM.....	3	77H56005
* 10	SHIM.....	2	77H56015

* Parts included in Gasket Kit Part Number 319SSM6013. Refer to page 69.

** Shown for reference only.

AUTOMATIC TURN VALVE – EAM ONLY



**312SSM810-C
(Ref. Drawing)**

Order by Part Number and Description. Reference Numbers are for your convenience only.

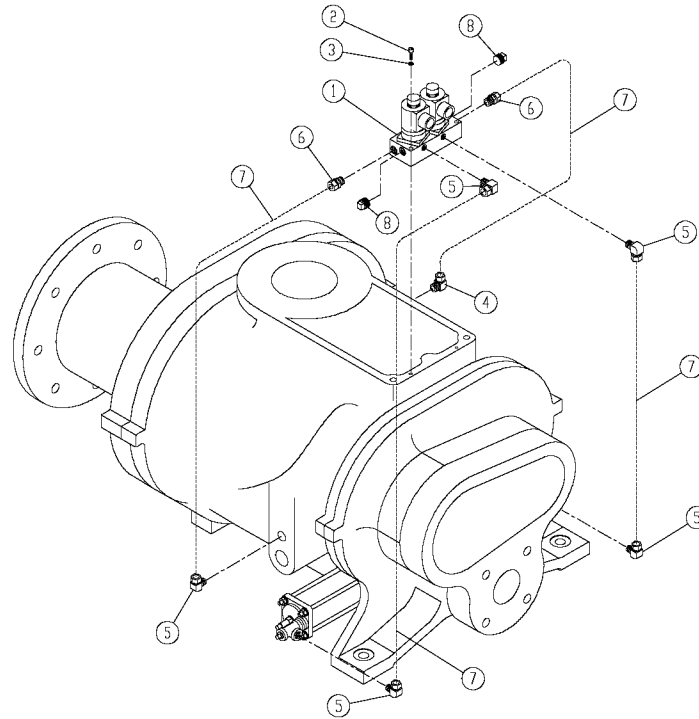
AUTOMATIC TURN VALVE – EAM ONLY

B/M: 304SSM4049

Ref. No.	Name of Part	Qty.	Part No.
1	TURN VALVE	1	300SSH238
* 2	BEARING ROLLER	1	12C77
* 3	BEARING-ROLLER	1	12BA172
* 4	SPRING-WAVE	1	78W78
* 5	KEY	1	35C114
6	GEAR-AUXILIARY	1	200SSU031
7	SCREW	1	76G21N
8	PIN-DOWEL	1	62M84
9	PLUG	1	64B1
10	RACK	1	200SSU360
11	CYLINDER-CONTROL	2	200SSU082
* 12	PACKING-RING	4	60AM46
13	NUT	8	50AW24
14	STUD	8	79AL5
* 15	SEAL	2	60DD801
16	LOCKNUT	2	50AW38
17	SCREW	2	76D49
18	HEAD-CONTROL CYLINDER.....	2	301SSY083
19	GROUP PISTON	2	300SSU4056
	PISTON-CONTROL	1	201SSU084
* 20	BUMPER.....	1	32E15
* 21	PLATE-RETAINER.....	1	300SSU168
* 22	RING-RETAINING.....	1	74D49
23	SHAFT-CONTROL	1	200SSU081
24	SCREW	2	75P11N
* 25	GASKET	4	25BC138N
26	ELBOW	2	64D2G
27	HOUSING-BEARING INLET	1	302SSH006
28	SPACER-SHAFT	1	301SSH600
29	PLUG	1	64B3

* Parts included in TurnValve Part Number 329SSH6013. Refer to page 69.

Order by Part Number and Description. Reference Numbers are for your convenience only.



300EAH810-C
(Ref. Drawing)

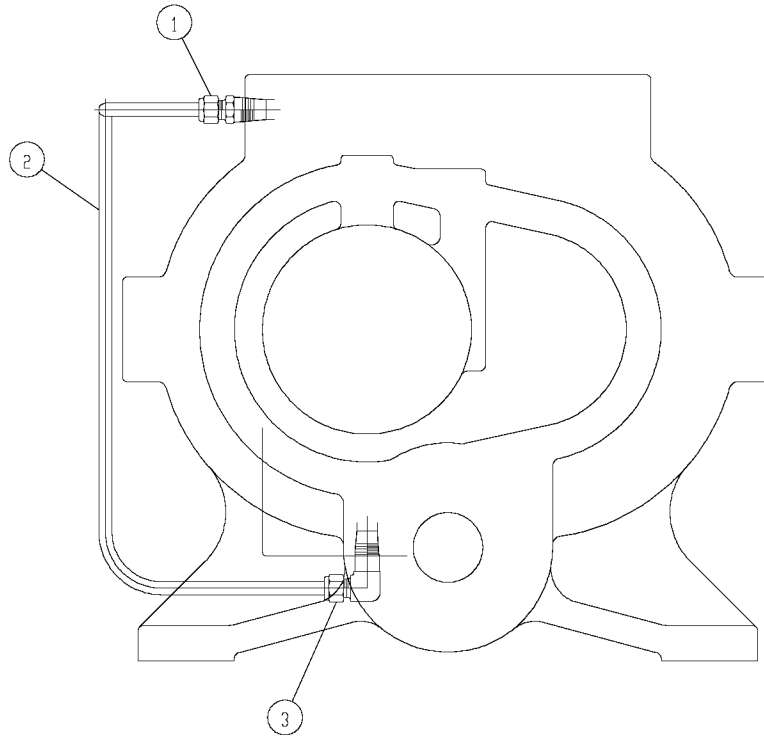
TURN VALVE ACTUATOR – EAM ONLY

B/M: 300EAH4013

Ref. No.	Name of Part	Qty.	Part No.
* 1	VALVE-SOLENOID	1	301EAQ861
2	SCREW	2	75P26
3	LOCKWASHER.....	2	95B1
4	ELBOW-TUBE.....	1	86E60
5	ELBOW-TUBE.....	5	86E60
6	CONNECTOR-TUBE.....	2	86E5
7	TUBE	10	85K3
8	PLUG	2	64AC3

* For O-Ring Repair Kit, order Part Number 307EAQ6013. Refer to page 68.

Order by Part Number and Description. Reference Numbers are for your convenience only.



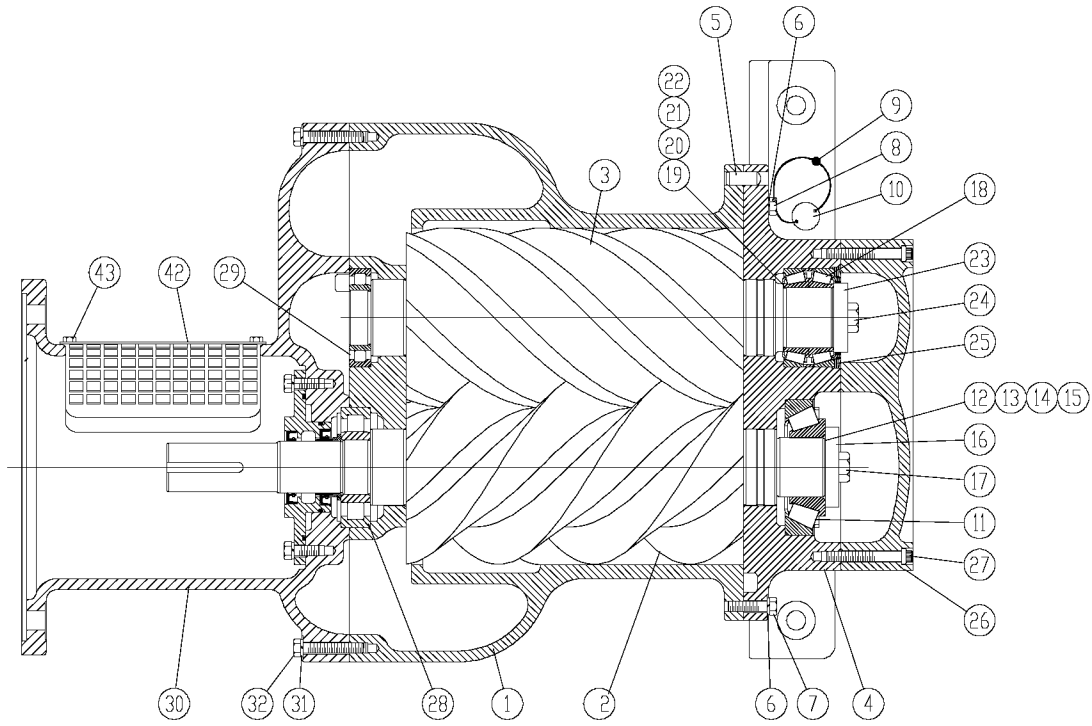
315SSF810-A
(Ref. Drawing)

DISCHARGE BEARING OIL LINE – EAM ONLY

B/M: 300SSH4012

Ref. No.	Name of Part	Qty.	Part No.
1	CONNECTOR-TUBE.....	1	86N327
2	TUBE	2	85K5
3	ELBOW TUBE.....	1	86N328

**BARE COMPRESSOR – (SSH) EBM
60 HP – 125 & 150 PSI**



**207SSH810-C
(Ref. Drawing)**

Order by Part Number and Description. Reference Numbers are for your convenience only.

**BARE COMPRESSOR – (SSH) EBM
60 HP – 125 & 150 PSI**

B/M: 200SSH4049

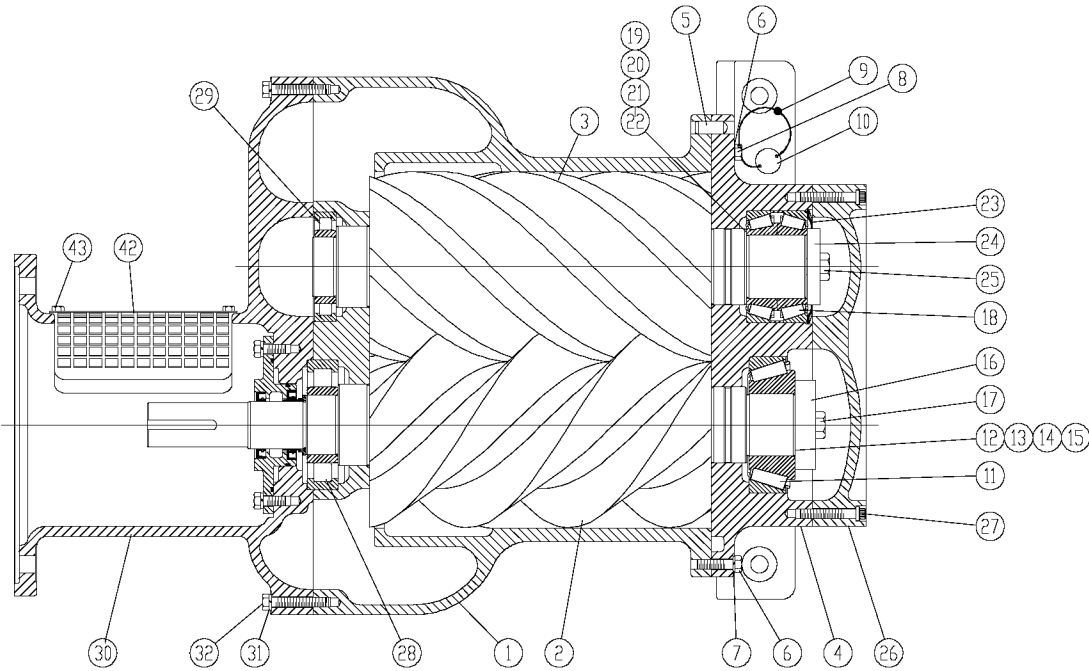
Ref. No.	Name of Part	Qty.	Part No.
1	CYLINDER	1	***
2	ROTOR	1	***
3	ROTOR	1	***
4	HOUSING-BEARING	1	***
5	PIN-DOWEL	2	***
6	LOCKWASHER	14	***
7	SCREW	10	***
8	SCREW	2	***
9	SEAL	1	***
10	TAG-INSTRUCTION	1	***
* 11	BEARING-ROLLER	1	12BA91
** 12	SHIM	2	77H54015
** 13	SHIM	3	77H54005
** 14	SHIM	3	77H54003
** 15	SHIM	3	77H54002
16	PLATE-BEARING RETAINER	1	***
17	SCREW	1	***
* 18	BEARING-ROLLER	1	12BA196
** 19	SHIM	2	77H53015
** 20	SHIM	3	77H53005
** 21	SHIM	3	77H53003
** 22	SHIM	3	77H53002
23	PLATE-BEARING RETAINER	1	***
24	SCREW	1	***
* 25	SPRING	1	78W96
26	PLATE-BEARING COVER	1	***
27	SCREW	18	***
* 28	BEARING-ROLLER	1	12BA130
* 29	BEARING-ROLLER	1	12BA136
30	ADAPTOR	1	***
31	LOCKWASHER	16	***
32	SCREW	16	***
42	GUARD COUPLING	1	***
43	SCREW	4	***
44	PLUG (Not shown)	4	64AA5
45	PLUG (not shown)	1	64AA6
46	PLUG (not shown)	1	64AC1
47	PLUG (not shown)	1	64AC2
** 48	GASKET-ELIMINATOR (not shown)	1	25BC222
49	SCREW (not shown)	2	655ED080
50	PLUG (not shown)	2	64AA5

* Parts included in Bearing Kit Part Number 326SSH6013. Refer to page 69

** Parts included in Gasket Kit Part Number 327SSH6013. Refer to page 69.

*** Shown for reference only

BARE COMPRESSOR – (SSM) EBM & EBP
EBM - 60 HP – 100 PSI & 75 HP – 100, 125 & 150 PSI
EBP - 100 HP – 150 PSI



209SSM810-B
(Ref. Drawing)

Order by Part Number and Description. Reference Numbers are for your convenience only.

BARE COMPRESSOR – (SSM) EBM & EBP
EBM - 60 HP – 100 PSI & 75 HP – 100, 125 & 150 PSI
EBP - 100 HP – 150 PSI

B/M: 200SSM4049

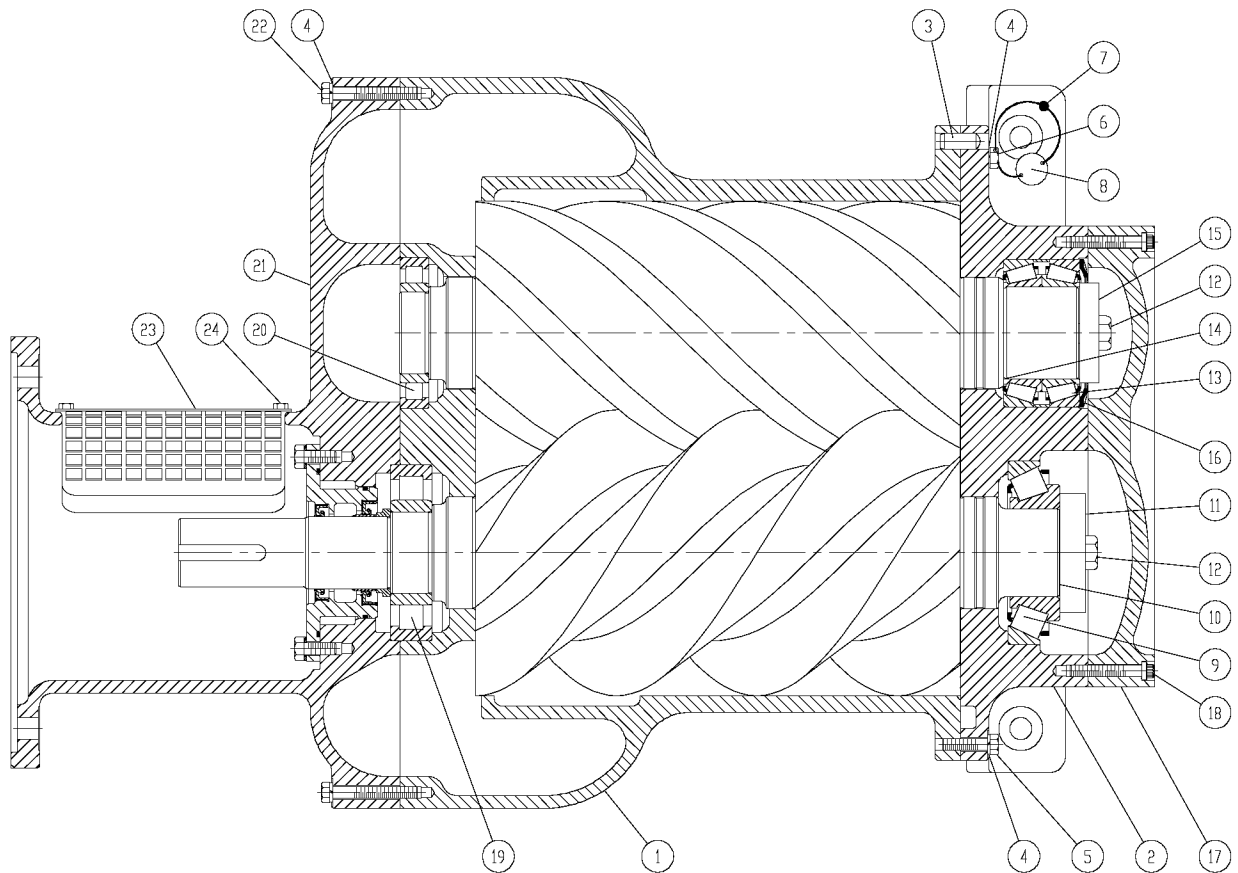
Ref. No.	Name of Part	Qty.	Part No.
1	CYLINDER.....	1	***
2	ROTOR.....	1	***
3	ROTOR.....	1	***
4	HOUSING-BEARING.....	1	***
5	PIN-DOWEL.....	2	***
6	SCREW.....	14	***
7	LOCKWASHER.....	16	***
8	SCREW.....	2	***
9	SEAL.....	1	***
10	TAG-INSTRUCTION.....	1	***
* 11	BEARING-ROLLER.....	1	12BA92
** 12	SHIM.....	2	77H56015
** 13	SHIM.....	3	77H56005
** 14	SHIM.....	3	77H56003
** 15	SHIM.....	3	77H56002
16	PLATE-BEARING RETAINER.....	1	***
17	SCREW.....	1	***
* 18	BEARING-ROLLER.....	1	12BA197
** 19	SHIM.....	2	77H57015
** 20	SHIM.....	3	77H57005
** 21	SHIM.....	3	77H57003
** 22	SHIM.....	3	77H57002
* 23	SPRING.....	1	78W97
24	PLATE-BEARING RETAINER.....	1	***
25	SCREW.....	1	***
26	PLATE-BEARING-COVER.....	1	***
27	SCREW.....	18	***
* 28	BEARING-ROLLER.....	1	12W34
* 29	BEARING-ROLLER.....	1	12BA93
30	ADAPTOR.....	1	***
31	LOCKWASHER.....	16	***
32	SCREW.....	16	***
42	GUARD COUPLING.....	1	***
43	SCREW.....	4	75LM150
44	PLUG (not shown).....	6	64AA5
45	PLUG (not shown).....	1	64AA6
46	PLUG (not shown).....	1	64AC1
47	PLUG (not shown).....	1	64AC2
** 48	GASKET-ELIMINATOR (not shown).....	1	25BC222

* Parts included in Bearing Kit Part Number 320SSM6013. Refer to page 69.

** Parts included in Gasket Kit Part Number 321SSM6013. Refer to page 69.

*** Shown for reference only.

BARE COMPRESSOR – (SSP) – EAP & EBP
EBP - 100 HP – 100 & 125 PSI
EAP - 100 HP – 100, 125 & 150 PSI



216SSP810-B
(Ref. Drawing)

Order by Part Number and Description. Reference Numbers are for your convenience only.

BARE COMPRESSOR – (SSP) – EAP & EBP
EBP - 100 HP – 100 & 125 PSI
EAP - 100 HP – 100, 125 & 150 PSI

B/M: 208SSP4000
209SSP4000

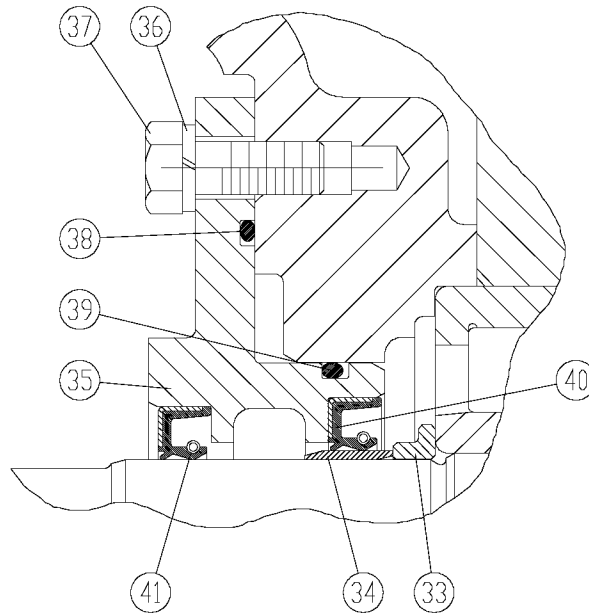
Ref. No.	Name of Part	Qty.	Part No.
1	CYLINDER	1	***
2	HOUSING-BEARING	1	***
3	PIN-DOWEL	2	***
4	LOCKWASHER	36	***
5	SCREW	14	***
6	SCREW	2	***
7	SEAL	1	***
8	TAG-INSTRUCTION	1	***
* 9	BEARING-ROLLER	1	12BA105
** 10	SHIM SET	1	77H63
11	PLATE-BEARING RETAINER.....	1	***
12	SCREW	2	***
* 13	BEARING-ROLLER	1	12BA198
** 14	SHIM SET	1	77H62
15	PLATE-BEARING RETAINER.....	1	***
* 16	SPRING.....	1	78W98
17	PLATE-BEARING COVER.....	1	***
18	SCREW	18	***
* 19	BEARING-ROLLER	1	12BA104
* 20	BEARING-ROLLER	1	12BA103
21	ADAPTOR	1	***
22	SCREW	19	***
23	GUARD COUPLING	1	***
24	SCREW	4	***
35	PLUG (not shown).....	1	***
36	PLUG (not shown).....	1	***
** 37	GASKET-ELIMINATOR (not shown).....	1	25BC222
38	PLUG (not shown).....	2	***
39	SCREW (not shown).....	1	***
41	PLUG (not shown).....	1	***

* Parts included in Bearing Kit Part Number 323SSP6013. Refer to page 70.

** Parts included in Gasket Kit Part Number 324SSP6013. Refer to page 70.

*** Shown for reference only.

Order by Part Number and Description. Reference Numbers are for your convenience only.



207SSH810-C
(Ref. Drawing)

209SSM810-B
(Ref. Drawing)

OIL SEAL DETAIL – (SSM) – EBM & EBP
EBM - 60 HP – 100 PSI & 75 HP – 100, 125 & 150 PSI
EBP - 100 HP – 150 PSI

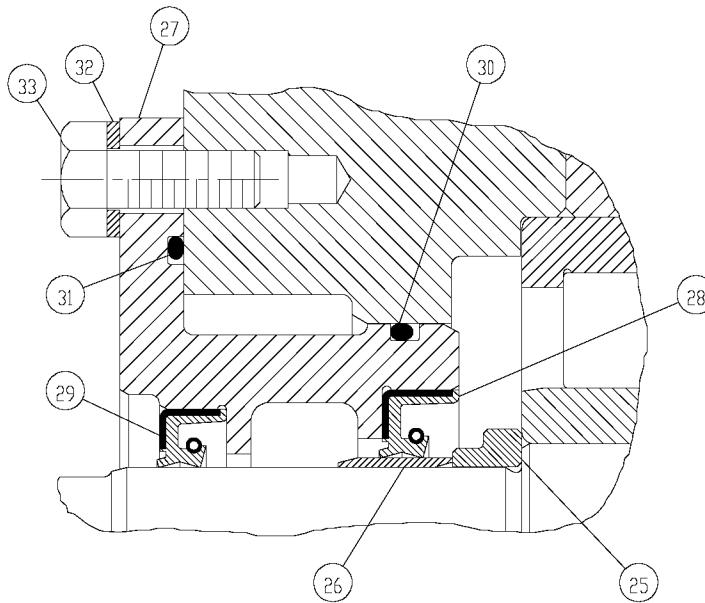
B/M: 200SSH4049
200SSM4049

Ref. No.	Name of Part	Qty.	Part No.
	33 SPACER-SHAFT	1	200SSH600
*	34 SLEEVE-WEAR	1	80M12
	35 HOUSING-SEAL	1	202SSH362
	36 LOCKWASHER.....	8	95B3
	37 SCREW	8	655ED050
*	38 O-RING	1	8502140
*	39 O-RING	1	25BC165
*	40 SEAL-OIL.....	1	60DD679
*	41 SEAL-OIL.....	1	60DD690
*	CHECK VALVE (not shown)	1	90AR923

* Parts included in Drive Shaft Seal Kit, Part Number 300SSH6013. Refer to page 70.

Note: For Wear Sleeve Installation/Removal Kit, see Part Number 200SSH4017.
Refer to page 70.

Order by Part Number and Description. Reference Numbers are for your convenience only.



216SSP810-B
(Ref. Drawing)

OIL SEAL DETAIL – (SSP) – EAP & EBP
EAP - 100 HP – 100, 125 & 150 PSI
EBP - 100 HP – 100 & 125 PSI

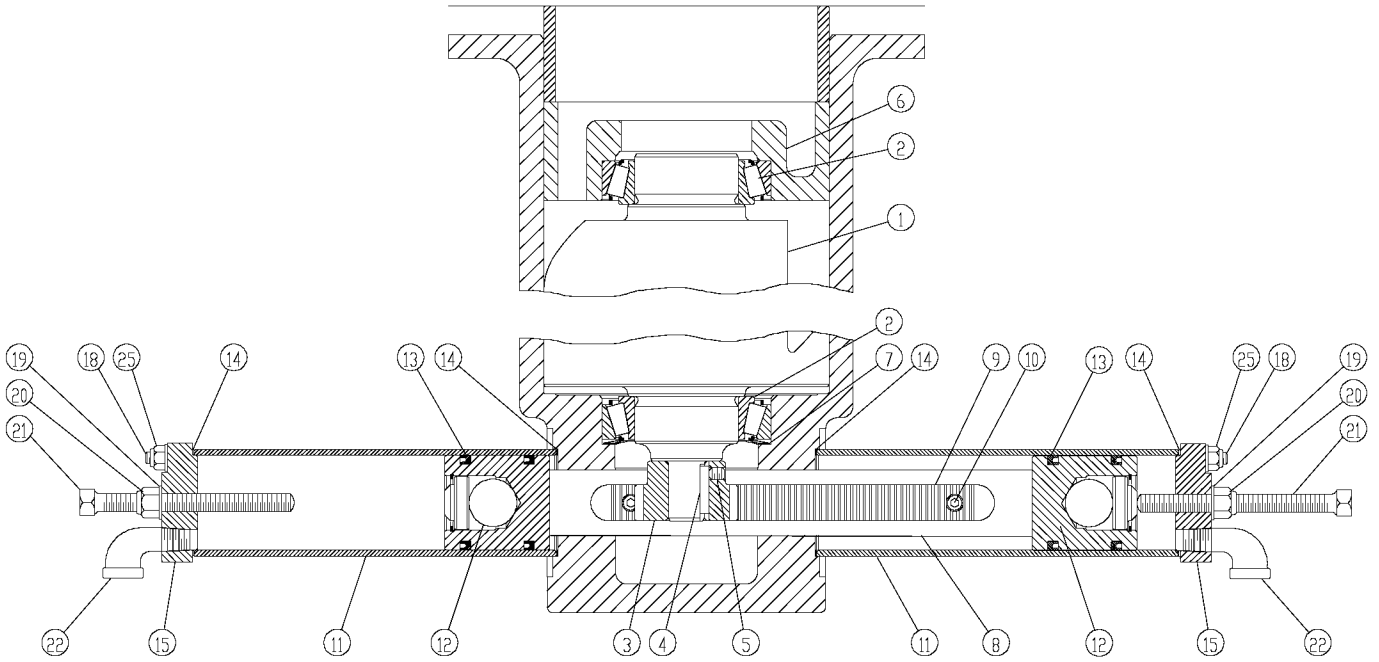
B/M: 208SSP4000
209SSP4000

Ref. No.	Name of Part	Qty.	Part No.
25	SPACER-SHAFT	1	200SSP600
* 26	SLEEVE-WEAR	1	200SSP1458
27	HOUSING-SEAL	1	204SSP362
* 28	SEAL-OIL	1	60DD693
* 29	SEAL-OIL	1	60DD692
* 30	O-RING	1	25BC380
* 31	O-RING	1	8502140
32	LOCKWASHER	8	95B3
33	SCREW	8	655ED050
*	CHECK VALVE (not shown)	1	90AR923

* Parts included in Drive Shaft Seal Kit, Part Number 300SSP6013. Refer to page 70.

Note: For Wear Sleeve Installation/Removal Kit, see Part Number 200SSP4017.
Refer to page 70.

TURN VALVE – EAP ONLY



222SSQ810-C
(Ref. Drawing)

Order by Part Number and Description. Reference Numbers are for your convenience only.

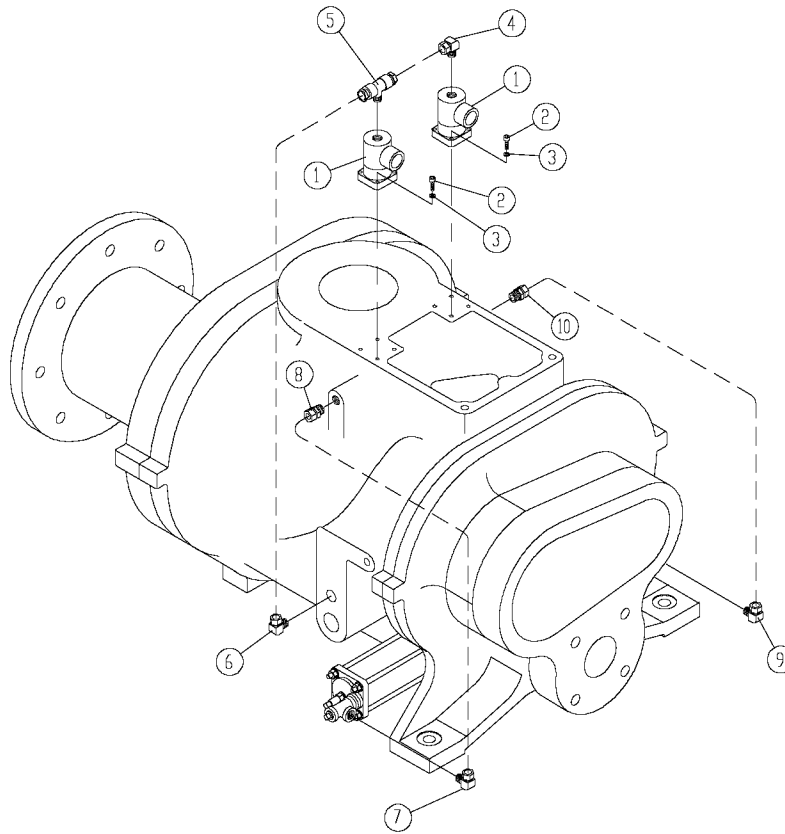
TURN VALVE – EAP ONLY

B/M: 200SSQ4049

Ref. No.	Name of Part	Qty.	Part No.
1	VALVE.....	1	202SSQ238
* 2	BEARING-ROLLER.....	2	12BA51
3	GEAR-AUXILIARY.....	1	200SSU031
* 4	KEY.....	1	35C114
5	SCREW.....	1	76G21N
6	HOUSING-BEARING.....	1	215SSQ006
* 7	SPRING.....	1	78W50
8	SHAFT-CONTROL.....	1	200SSU081
9	RACK.....	1	200SSU360
10	SCREW.....	2	75P11N
11	CYLINDER-CONTROL.....	2	200SSU082
12	GROUP-PISTON ASSEMBLY.....	2	300SSU4056
	PISTON-CONTROL.....	1	201SSU084
*	BUMPER.....	1	32E15
*	PLATE-RETAINER.....	1	300SSU168
*	RING-RETAINING.....	1	74D49
* 13	PACKING-RING.....	4	60AM46
* 14	GASKET.....	4	25BC138N
15	HEAD-CONTROL CYLINDER.....	2	301SSY083
18	STUD.....	8	79AL5
* 19	SEAL-FASTENER.....	2	60DD801
20	LOCKNUT.....	2	50AW38
21	SCREW.....	2	76D49
22	ELBOW.....	2	64D2G
25	NUT.....	8	50AW24

* Parts included in Turn Valve Kit Part Number 325SSP6013. Refer to page 70.

Order by Part Number and Description. Reference Numbers are for your convenience only.



203EAP810
(Ref. Drawing)

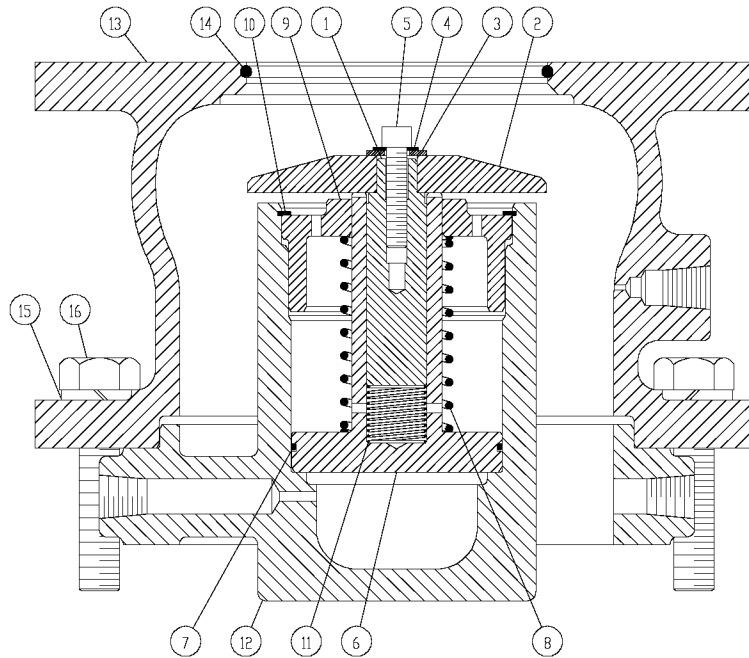
TURN VALVE SOLENOID VALVE – EAP ONLY

B/M: EAP81709

Ref. No.	Name of Part	Qty.	Part No.
1	VALVE, SOLENOID	2	91B82
2	SCREW	8	75V3
3	LOCKWASHER.....	8	95B13
4	ELBOW-TUBE.....	1	86E60
5	TEE-TUBE	1	86E119
6	ELBOW-TUBE.....	1	86E60
7	ELBOW-TUBE.....	1	86E60
8	CONNECTOR-TUBE.....	1	86E4
9	ELBOW-TUBE.....	1	86E60
10	CONNECTOR-TUBE.....	1	86E4
* 11	TUBE	10	85K3
*	O-RING, SOLENOID VALVE TO CYLINDER (Small).....	1	25W7
*	O-RING, SOLENOID VALVE TO CYLINDER (Large)	1	126156

* Not shown

Order by Part Number and Description. Reference Numbers are for your convenience only.



208SSM810-C
(Ref. Drawing)

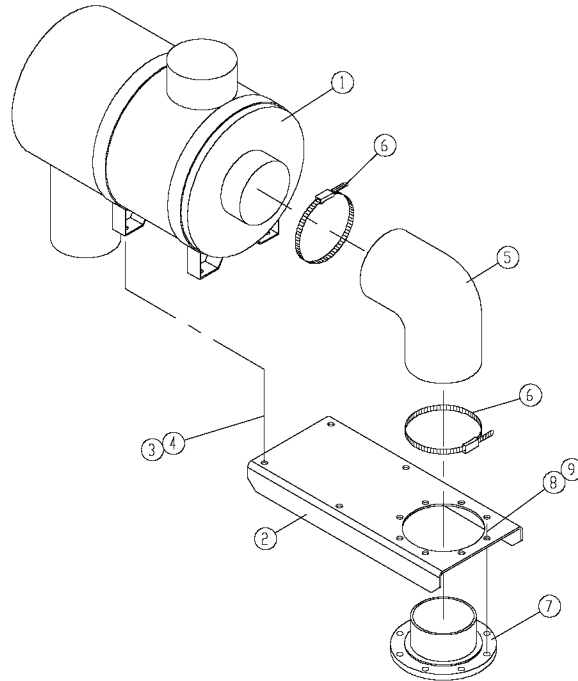
INLET VALVE (All Models)

B/M: 200SSM4030

Ref. No.	Name of Part	Qty.	Part No.
1	GUIDE-VALVE	1	200SSM483
2	VALVE-INLET	1	200SSM044
3	WASHER	1	95A1
4	LOCKWASHER.....	1	95H56
5	SCREW	1	655EC05N
6	PISTON-INLET VALVE	1	201SSM043
* 7	O-RING	1	25BC447
* 8	SPRING	1	78G19
9	RETAINER.....	1	200SSM205
* 10	RING-RETAINING.....	1	74D88
* 11	SPRING	1	78W63
12	HOUSING-INLET	1	205SSM041
13	SEAT	1	203SSM256
* 14	O-RING.....	1	25AM29
15	LOCKWASHER.....	8	95B5
16	SCREW	8	655EE100

* Parts included in Periodic Maintenance Part Number 302SSM6013. Refer to page 68.

Order by Part Number and Description. Reference Numbers are for your convenience only.



289ECM810
(Ref. Drawing)

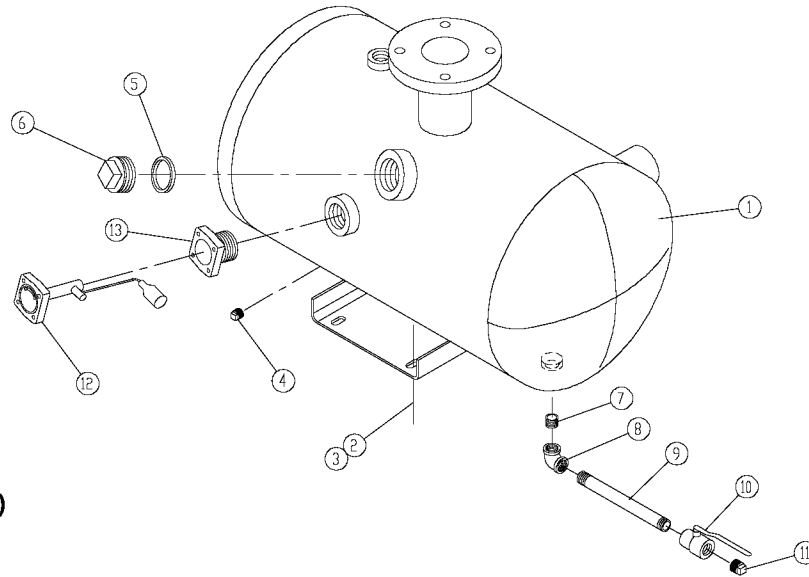
AIR FILTER

B/M: 285ECM4017

Ref. No.	Name of Part	Qty.	Part No.
1	FILTER-AIR.....	1	5L263
2	BRACKET-FILTER.....	1	202ECM389
3	SCREW	4	75LM51
4	NUT	4	50AW5
5	HOSE.....	1	2009503
6	CLAMP.....	2	2009644
7	ADAPTOR-FILTER.....	1	200EBM070
8	SCREW	8	655EE060
9	LOCKWASHER.....	8	95B5
10	GASKET-ELIMINATOR (not shown).....	1	25BC222
*	ELEMENT, AIR FILTER	1	2116713

* Repair Element for Air Filter.

Order by Part Number and Description. Reference Numbers are for your convenience only.



206EBM810
(Ref. Drawing)

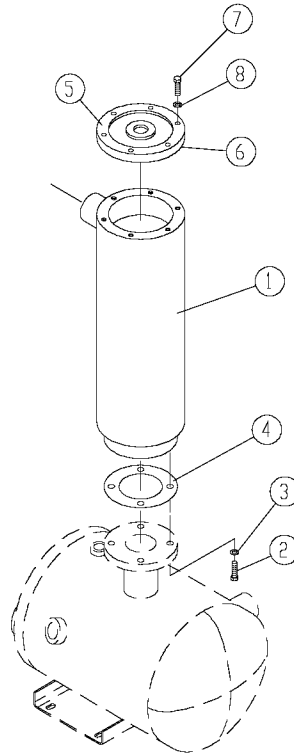
OIL RESERVOIR GROUP

B/M: 200EBM4018

Ref. No.	Name of Part	Qty.	Part No.
1	RESERVOIR-OIL	1	200EBM037
2	SCREW	4	75LM135
3	NUT	4	50AW35
4	PLUG	1	64AA5
5	O-RING	1	54C214
6	COVER-FILLER	1	200SPF156
7	NIPPLE	1	63F2G
8	ELBOW	1	64C4G
9	NIPPLE	1	63F13G
10	VALVE-BALL.....	1	90AR360
* 11	PLUG	1	64AA7
12	GAUGE-FLOAT.....	1	300EBM303
13	ADAPTOR-GAUGE.....	1	200EDE058

* For Repair: Float Gauge Gasket – order Part Number 54C204.

Order by Part Number and Description. Reference Numbers are for your convenience only.



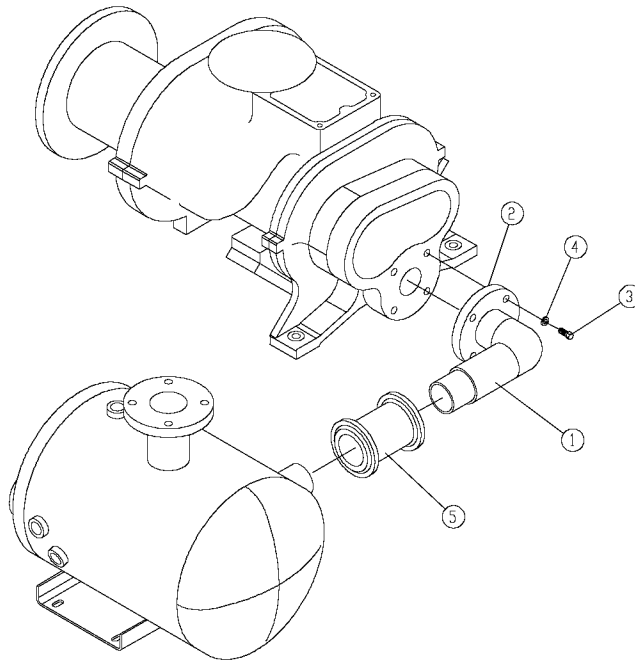
274ECM810-B
(Ref. Drawing)

OIL SEPARATOR HOUSING

B/M: ECM81515

Ref. No.	Name of Part	Qty.	Part No.
1	HOUSING	1	200ECM405
2	SCREW	4	655EF080
3	LOCKWASHER.....	4	95B7
4	GASKET	1	25C802
5	COVER.....	1	203ECM225
6	GASKET-ELIMINATOR	1	25BC222
7	SCREW	6	655EE070
8	LOCKWASHER.....	6	95B5

Order by Part Number and Description. Reference Numbers are for your convenience only.



277ECM810-A
(Ref. Drawing)

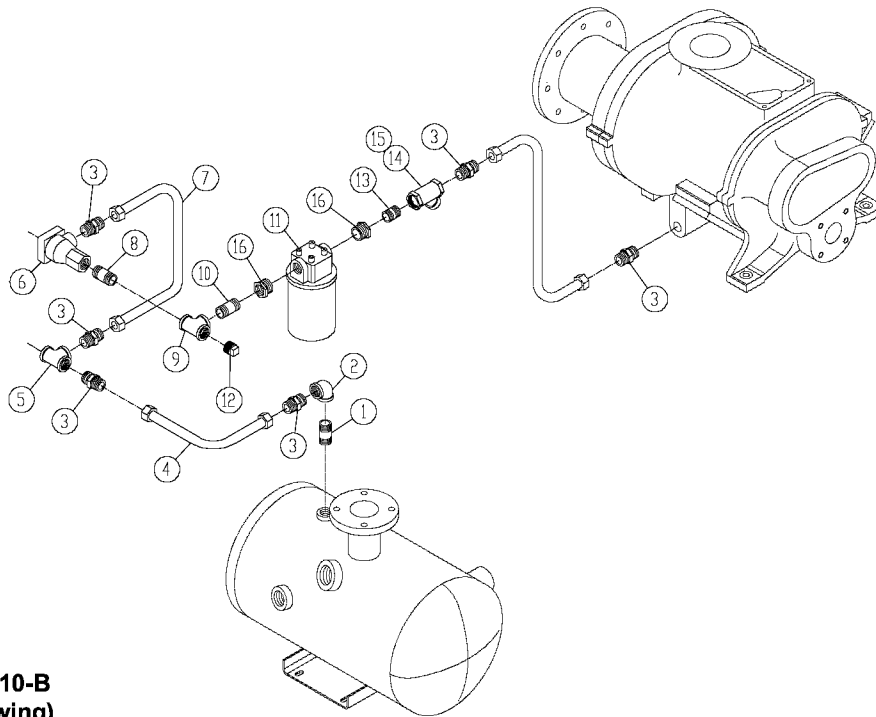
DISCHARGE MANIFOLD

B/M: ECM81518

Ref. No.	Name of Part	Qty.	Part No.
1	MANIFOLD.....	1	201ECM286
2	GASKET-ELIMINATOR.....	1	25BC222
3	SCREW	4	655EF080
4	LOCKWASHER.....	4	95B7
5	COUPLING-FLEXIBLE.....	1	64EB802
*	GASKET, FLEXIBLE COUPLING (For Repair)	2	2117160

* Not shown

Order by Part Number and Description. Reference Numbers are for your convenience only.



207EBM810-B
(Ref. Drawing)

OIL PIPING GROUP

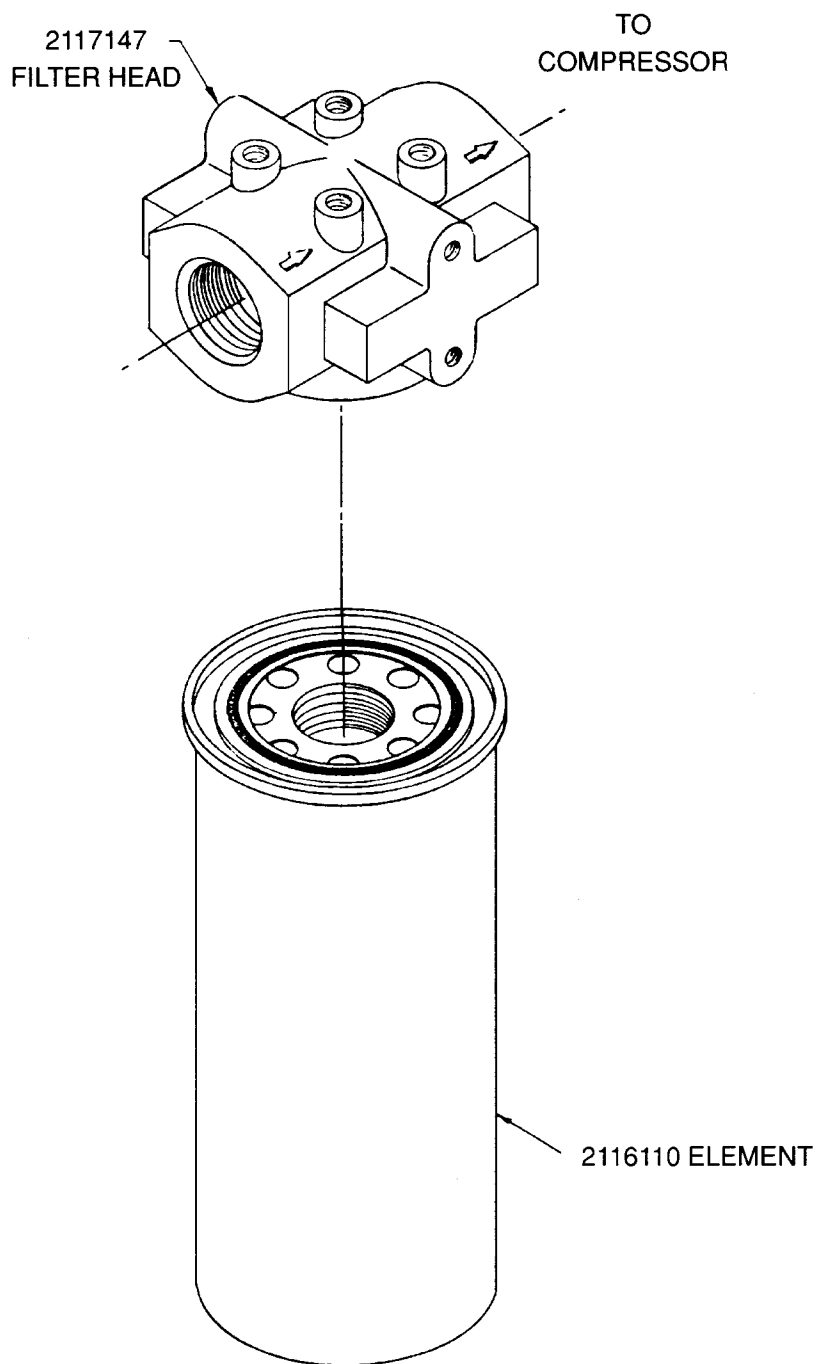
B/M: 202EBM4019

Ref. No.	Name of Part	Qty.	Part No.
1	NIPPLE	1	63H1G
2	ELBOW	1	64C6G
3	CONNECTOR-TUBE.....	6	86H138
4	TUBE WITH FITTINGS.....	1	202EBM863
5	TEE.....	1	64G8G
6	VALVE-THERMAL.....	1	90AR167
7	TUBE WITH FITTINGS.....	1	201EBM863
8	NIPPLE	1	63H1G
9	TEE.....	1	64G8G
10	NIPPLE	1	63H1G
* 11	FILTER-OIL.....	1	301EBM369
12	PLUG	1	64AA1
13	NIPPLE	1	63H1G
** 14	STRAINER.....	1	82E39
15	PLUG.....	1	64AA3
16	BUSHING-PIPE.....	2	64E97

* For Repair: Filter Element – order Part Number 2116110.

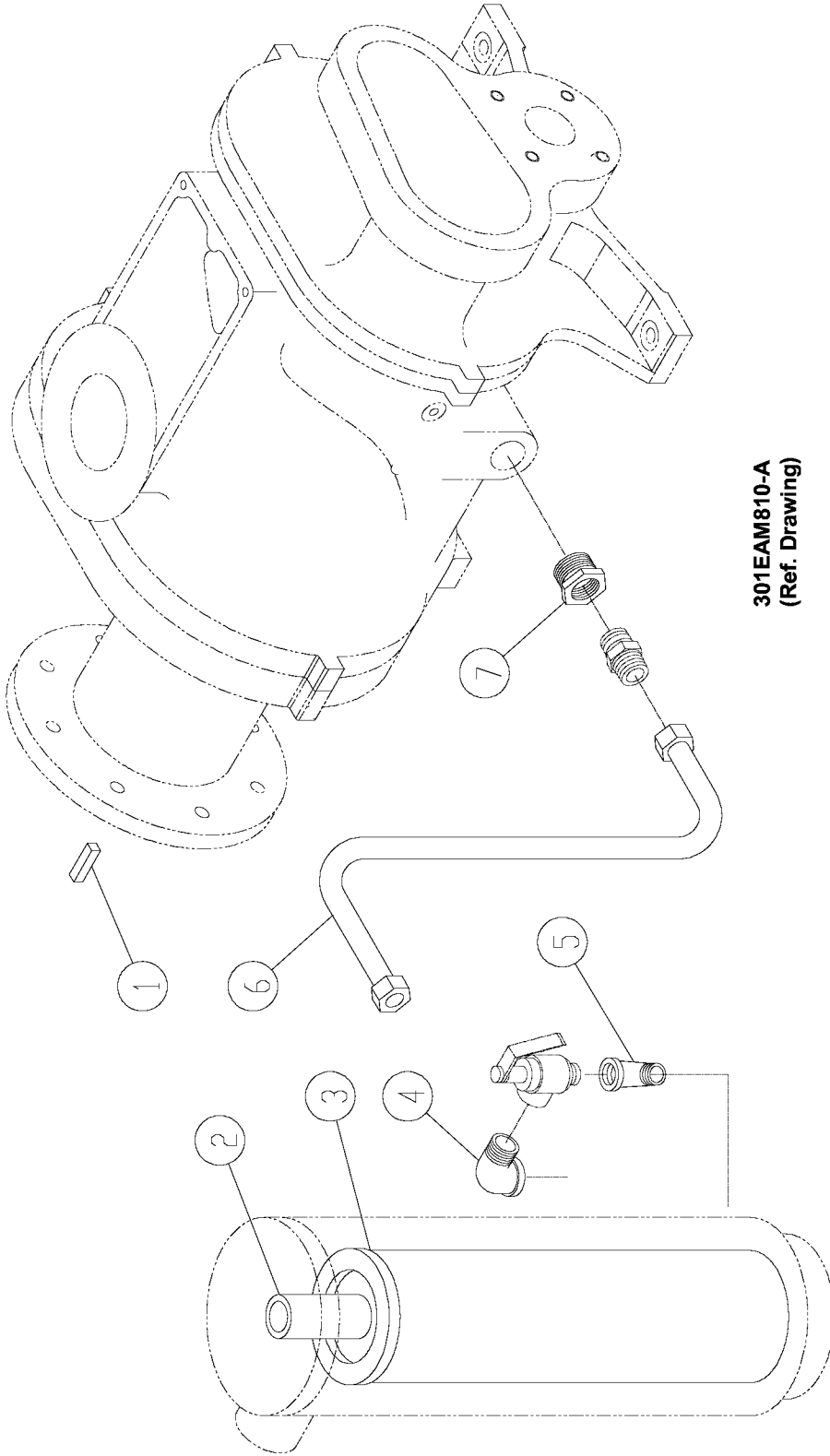
** For Repair: Screen – order Part Number 2117306
Bushing – order Part Number 2117309.

OIL FILTER – 301EBM369



WITH 212ECM077 DECAL AFFIXED TO ELEMENT

OIL PIPING LINE



301EAM810-A
(Ref. Drawing)

Order by Part Number and Description. Reference Numbers are for your convenience only.

OIL PIPING LINE

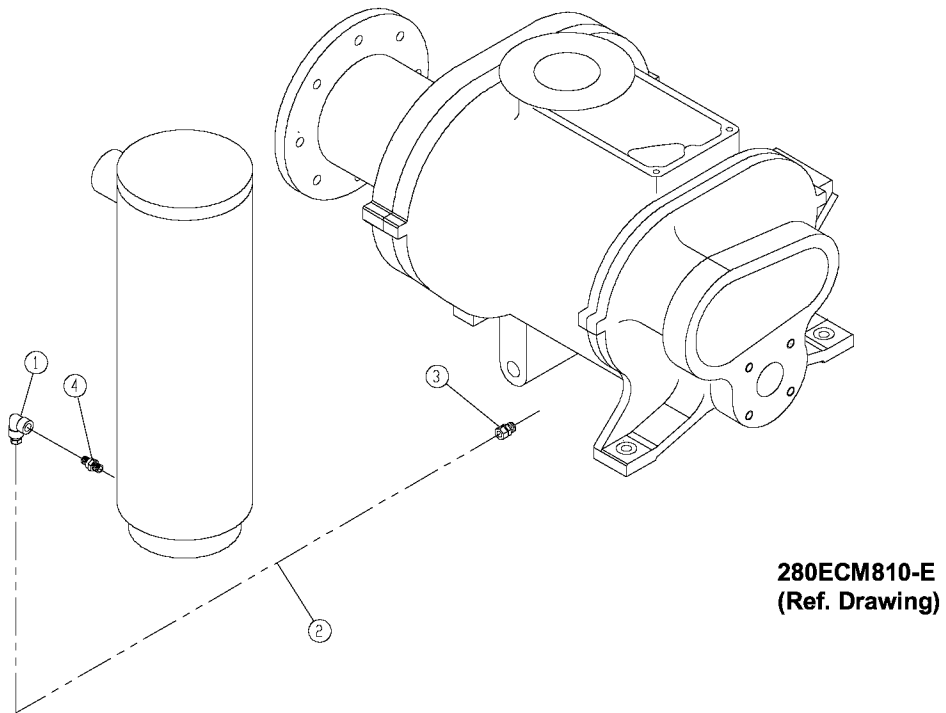
B/M: 300EAM4013 (EAM) B/M: 300EBM4013 (EBM – SSM)
 200EBM4013 (EBM - SSM) 201EAP4013 (EAP)
 200EBP4013 (EBP)

Ref. No.	Name of Part	Qty.	Part No.	Part No.
1	KEY-SQUARE (SSH & SSM AIREND)	1	8500109	8500109
	KEY-SQUARE (SSP AIREND)	1	35L37	35L37
2	SPACER (PIPE).....	1	200ECM392	200ECM392
** 3	SEPARATOR-AIL/OIL.....	1	200ECM035	200ECM035
4	ELBOW	1	64D10G	64D10G
5	ELBOW	1	64D6G	64D6G
6	TUBE WITH FITTINGS - EAM.....	1	300EAM863	300EAM863
	TUBE WITH FITTINGS - EBM, EBP (SSM AIREND)..	1	300EBM863	300EBM863
	TUBE WITH FITTINGS - EBM (SSH AIREND)	1	300EDH863	300EDH863
	TUBE WITH FITTINGS - EAP	1	300EAP863	300EAP863
	TUBE WITH FITTINGS - EBP (SSP AIREND)	1	300EBP863	300EBP863
7	BUSHING-PIPE	1	64EB303	-----

Relief Valves: 100 PSI UNITS 90AR381
 125 PSI UNITS 90AR382
 150 PSI UNITS 90AR146

** For Separator Kit Part Number 208EAP6013, refer to page 68.

Order by Part Number and Description. Reference Numbers are for your convenience only.



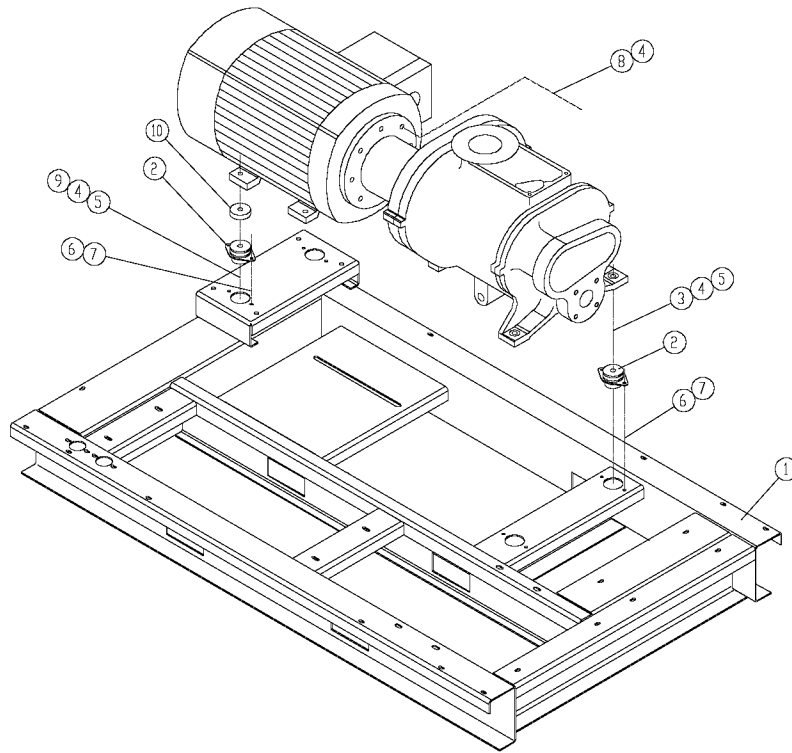
280ECM810-E
(Ref. Drawing)

OIL SCAVENGE LINE

B/M: ECM81547

Ref. No.	Name of Part	Qty.	Part No.
1	ELBOW-TUBE.....	1	86N223
2	TUBE	5	85K3
3	CONNECTOR-TUBE.....	1	86E4
4	VALVE-CHECK.....	1	90AR261

Order by Part Number and Description. Reference Numbers are for your convenience only.



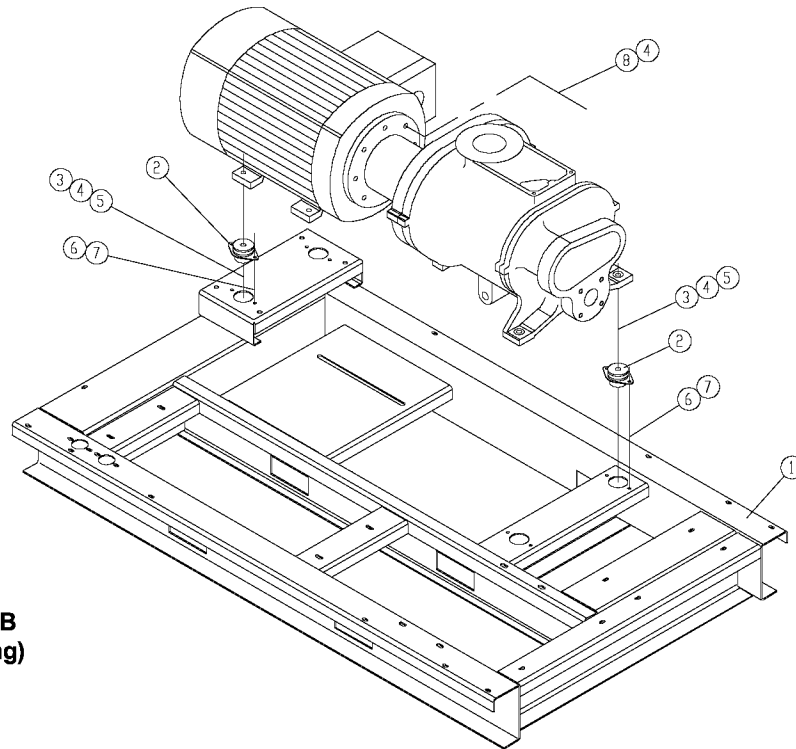
300EAM810-A
(Ref. Drawing)

COMPRESSOR BASE GROUP – EAM ONLY

B/M: 300EAM4017

Ref. No.	Name of Part	Qty.	Part No.
1	BASE (MAIN)	1	201EDF285
2	ISOLATOR-VIBRATION	4	49C47
3	SCREW	2	655EF200
4	LOCKWASHER.....	12	95B7
5	NUT	4	50B7
6	SCREW	8	75LM51
7	NUT	8	50AW5
8	SCREW	8	655EF070
9	SCREW	2	655EF240
10	SPACER.....	2	200ESO144

Order by Part Number and Description. Reference Numbers are for your convenience only.



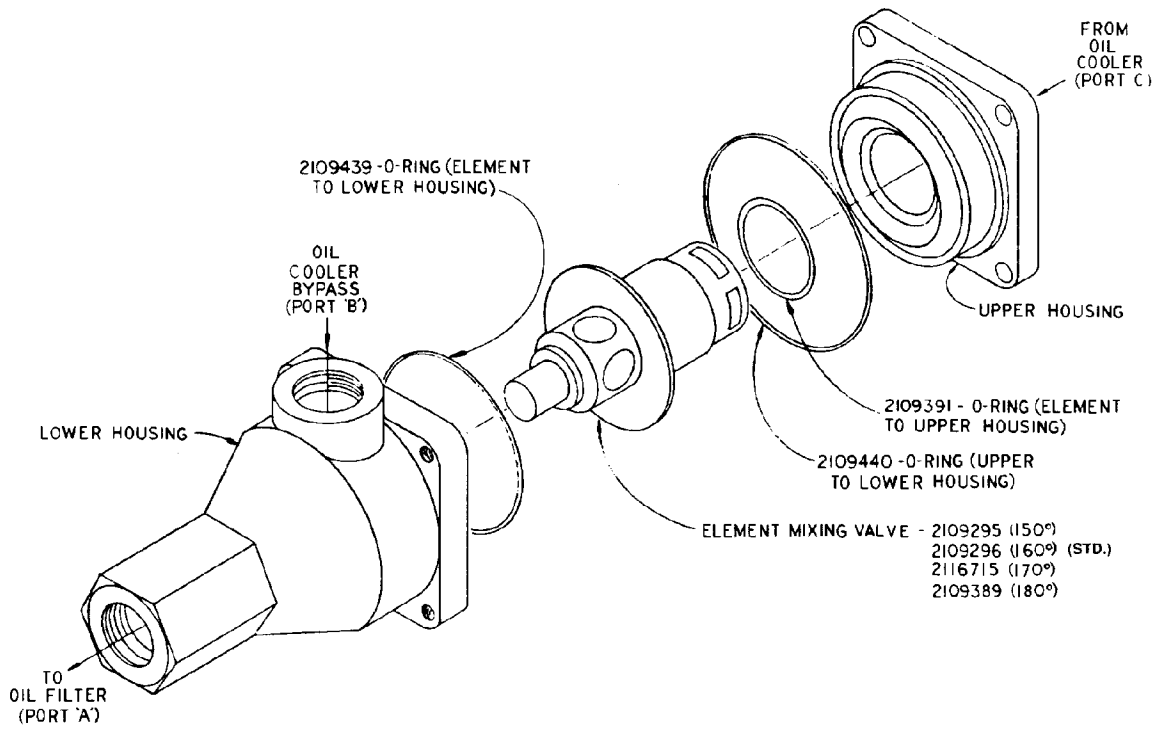
202EDF810-B
(Ref. Drawing)

COMPRESSOR BASE GROUP – EAP, EBM & EBP ONLY

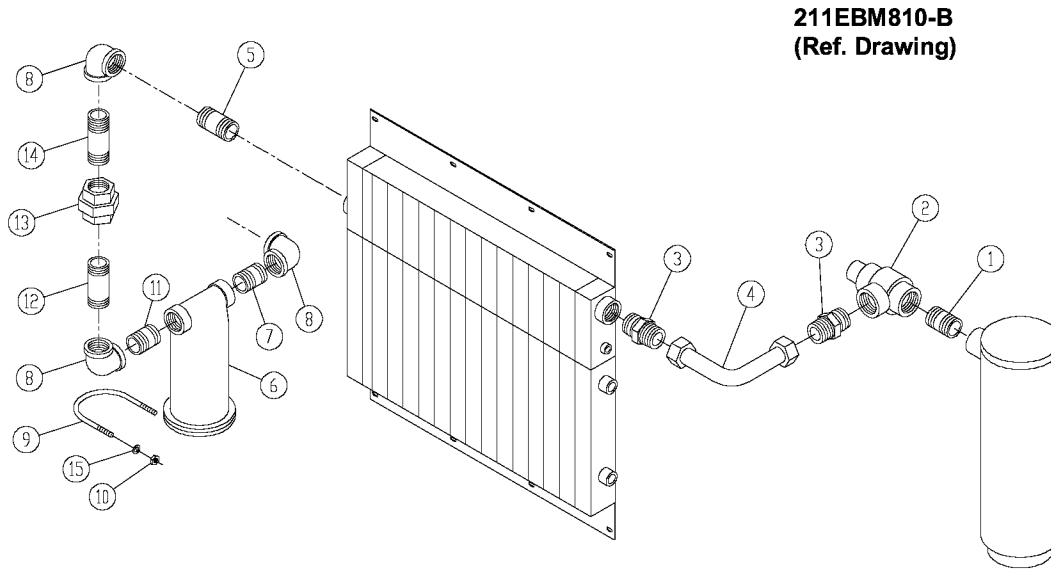
B/M: 200EDH4017

Ref. No.	Name of Part	Qty.	Part No.
1	BASE (MAIN)	1	201EDF285
2	ISOLATOR-VIBRATION	4	49C47
3	SCREW	4	655EF200
4	LOCKWASHER.....	12	95B7
5	NUT	4	50B7
6	SCREW	8	75LM51
7	NUT	8	50AW5
8	SCREW	8	655EF070

THERMAL VALVE (THERMOSTATIC MIXING)



Order by Part Number and Description. Reference Numbers are for your convenience only.



211EBM810-B
(Ref. Drawing)

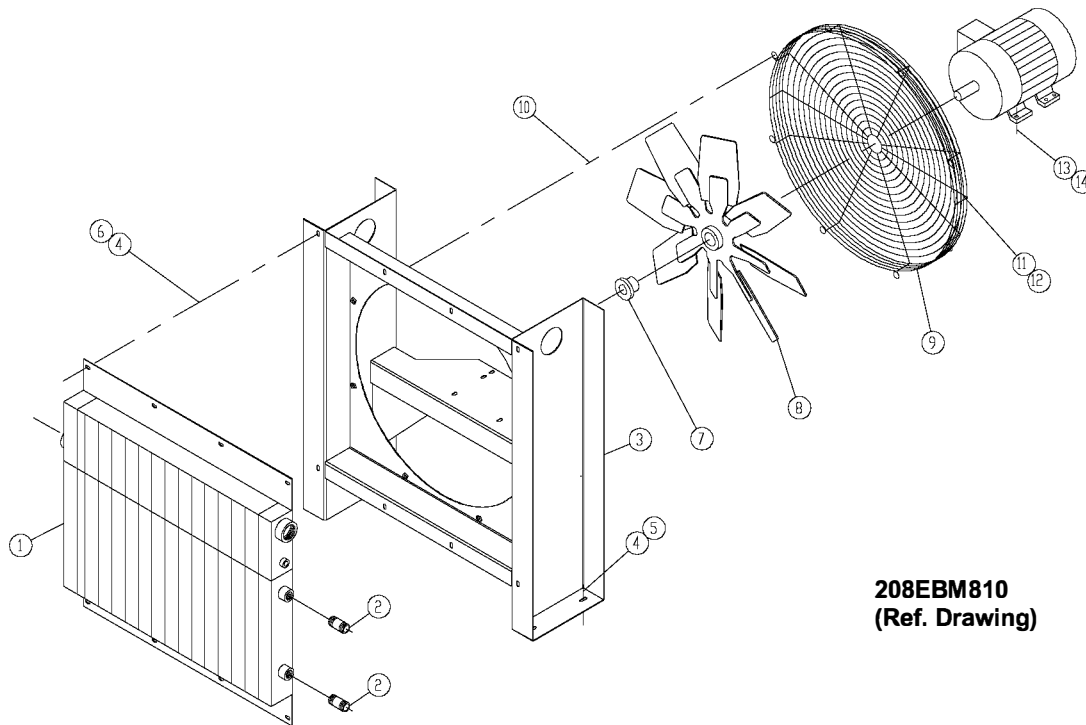
AIR DISCHARGE PIPING

B/M: 212EBM4003

Ref. No.	Name of Part	Qty.	Part No.
1	NIPPLE	1	63L1G
2	VALVE-MINIMUM PRESSURE (See page.....)	1	200EBM527
3	CONNECTOR-TUBE.....	2	86H142
4	TUBE WITH FITTINGS.....	1	204EBM863
5	NIPPLE	1	63L15G
* 6	TRAP	1	83C84
7	NIPPLE	1	63L1G
8	ELBOW	3	64C9G
9	U-BOLT.....	1	15U64
10	NUT	2	50AW5
11	NIPPLE	1	63L9G
12	NIPPLE	1	63L20G
13	UNION	1	64Z2
14	NIPPLE	1	63L22G
15	WASHER-PLAIN	2	95A3

Repair Gasket for Trap 2117588
 Repair Valve & Seat Kit 2117587
 Repair Float 2117589

Order by Part Number and Description. Reference Numbers are for your convenience only.



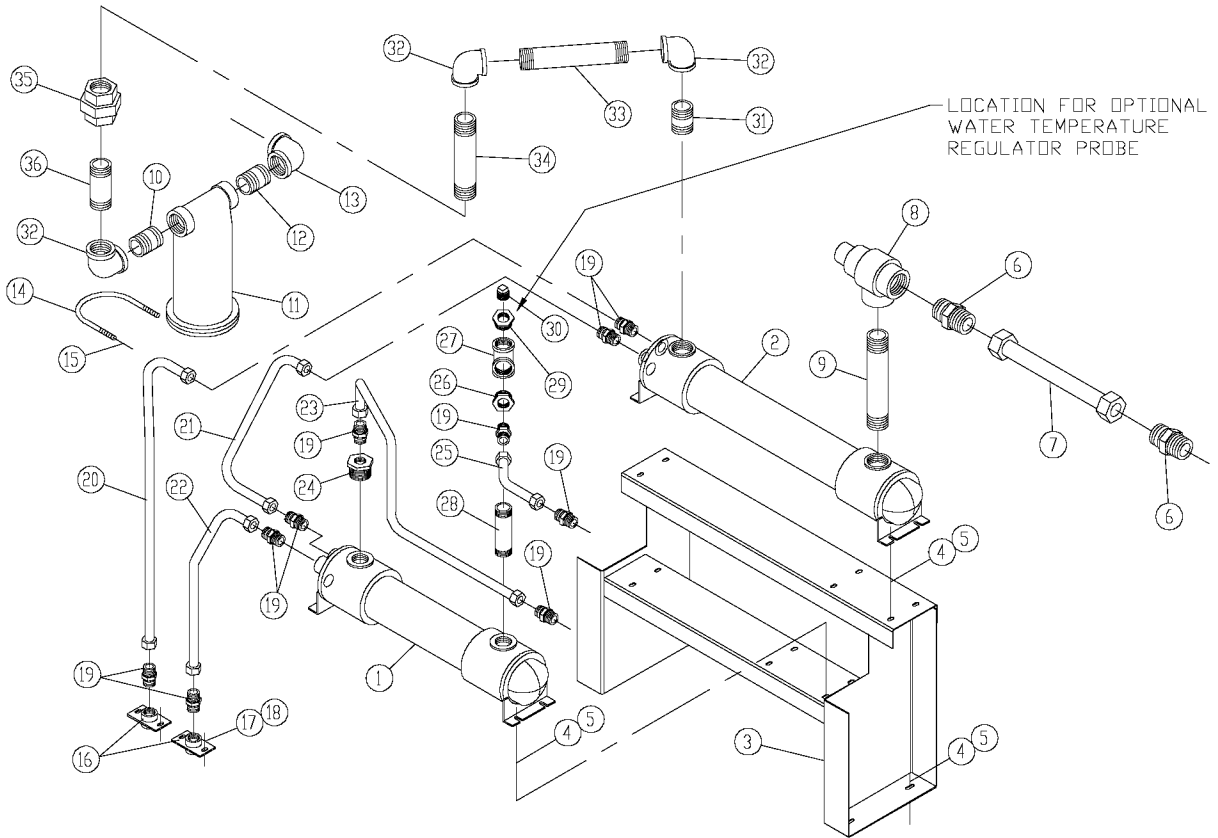
AIR COOLED DISCHARGE PIPING

**B/M: 207EBM4003
213EBM4003**

**B/M: 200EBP4003
215EAP4003**

Ref. No.	Name of Part	Qty.	60 – 75 HP Part No.	100 HP Part No.
1	COOLER-OIL/AIR	1	200EBM201	200EBP201
	COOLER-OIL/AIR SEACOAST (Optional)	1	201EBM201	201EBP201
2	NIPPLE	2	63H4G	63H4G
3	SUPPORT.....	1	200EBM165	200EBM165
4	SCREW	12	75LM51	75LM51
5	NUT	4	50AW5	50AW5
6	WASHER-PLAIN	8	95A3	95A3
7	BUSHING-HUB	1	22G2	22G2
8	FAN	1	201ECM701	201ECM701
9	GUARD-FAN.....	1	200EBM393	200EBM393
10	SCREW	8	75LM51	75LM51
11	SCREW	4	75LM50	75LM50
12	NUT	4	50AW4	50AW4
13	SCREW	4	75LM78	75KLM78
14	NUT	4	50AW5	50AW5

WATER COOLED HEAT EXCHANGER (WITH AFTERCOOLER)



209EBM810-A
(Ref. Drawing)

Order by Part Number and Description. Reference Numbers are for your convenience only.

**WATER COOLED HEAT EXCHANGER
(WITH AFTERCOOLER)**

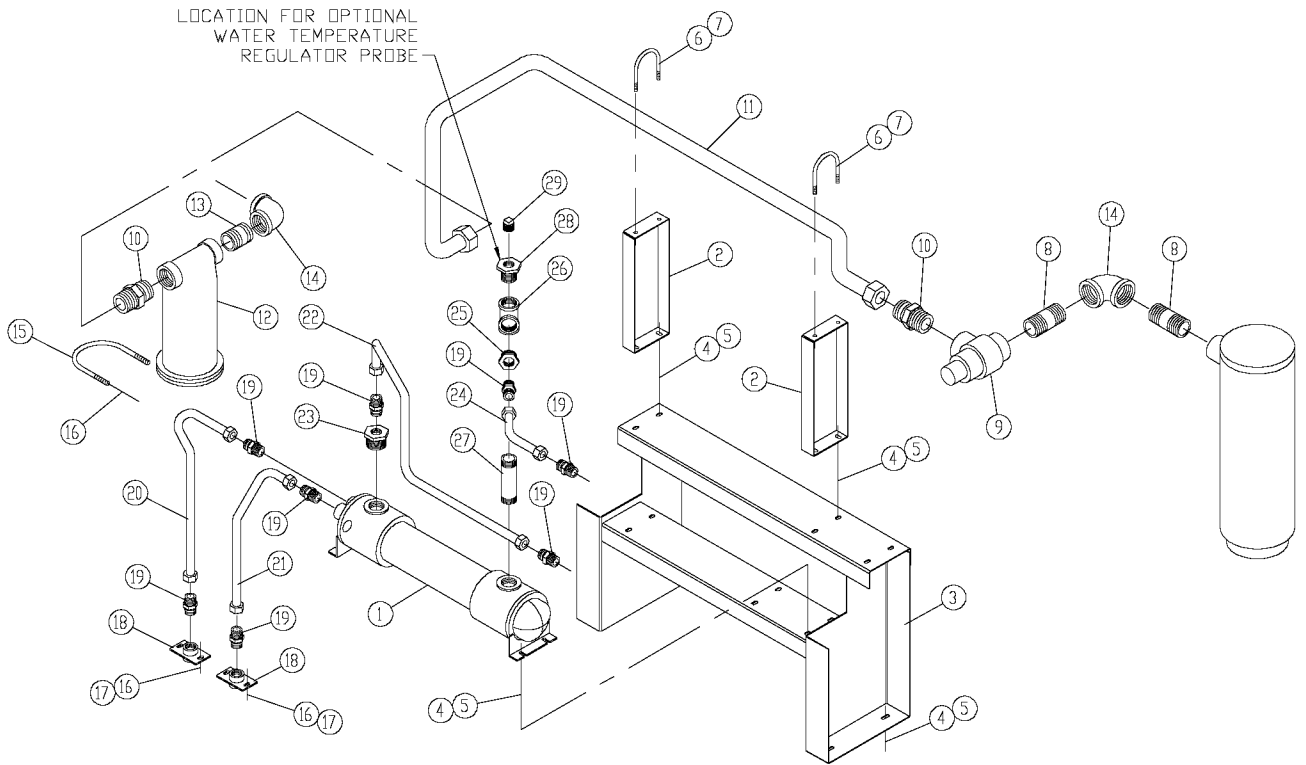
**B/M: 208EBM4003
209EBM4003**

**B/M: 201EBP4003
202EBP4003**

Ref. No.	Name of Part	Qty.		Part No.
1	EXCHANGER-HEAT (Oil/Water) – Standard.....	1	202ESJ349	204ESM349
	BONNET-IN & OUT (For Repair)	1	2109060	2109060
	BONNET-RETURN (For Repair)	1	2109061	2109061
	GASKET-IN & OUT (For Repair).....	1	2109058	2109058
	GASKET-RETURN (For Repair)	1	2109059	2109059
	EXCHANGER-HEAT (Oil/Water) – Salt Water	1	203ESJ349	203ESM349
	BONNET-IN & OUT (For Repair)	1	2109075	2117756
	BONNET-RETURN (For Repair)	1	2109074	2109074
	GASKET-IN & OUT (For Repair).....	1	2109058	2109058
	GASKET-RETURN (For Repair)	1	2109059	2109059
2	AFTERCOOLER.....	1	200ESL292	201ESM292
	BONNET-IN & OUT (For Repair).....	1	2109060	2109060
	BONNET-RETURN (For Repair)	1	2109061	2109061
	GASKET-IN & OUT (For Repair).....	1	2109058	2109058
	GASKET-RETURN (For Repair)	1	2109059	2109059
	AFTERCOOLER – Salt Water.....	1	201ESL292	202ESM292
	BONNET-IN & OUT (For Repair)	1	2117756	2117756
	BONNET-RETURN (For Repair)	1	2109074	2109074
	GASKET-IN & OUT (For Repair).....	1	2109058	2109058
	GASKET-RETURN (For Repair)	1	2109059	2109059
3	SUPPORT	1	213ECM165	213ECM165
4	SCREW	12	75LM51	75LM51
5	NUT.....	12	50AW5	50AW5
6	CONNECTOR-TUBE	2	86H142	86H142
7	TUBE WITH FITTINGS.....	1	206EBM863	202EBP863
8	VALVE-MINIMUM PRESSURE	1	200EBM527	200EBM527
9	NIPPLE	1	63L28G	63L28G
10	NIPPLE	1	63L9G	63L9G
* 11	TRAP	1	83C84	83C84
12	NIPPLE	1	63L9G	63L9G
13	ELBOW	1	64C9G	64C9G
14	U-BOLT	1	15U64	15U64
15	NUT.....	2	50AW5	50AW5
16	MANIFOLD-WATER	2	200ECM072	200ECM072
17	SCREW	4	75LM51	75LM51
18	NUT.....	4	50AW5	50AW5
19	CONNECTOR(TUB/PIPE	10	86H138	86H138
20	TUBE WITH FITTINGS.....	1	209EBM863	209EBM863
21	TUBE WITH FITTINGS.....	1	208EBM863	208EBM863
22	TUBE WITH FITTINGS.....	1	210EBM863	210EBM863
23	TUBE WITH FITTINGS.....	1	207EBM863	207EBM863
24	BUSHING-PIPE.....	1	64E13	64E13
25	TUBE WITH FITTINGS.....	1	205EBM863	201EBP863
26	BUSHING-PIPE.....	1	64E13	64E13
27	TEE	1	64G11G	64G11G
28	NIPPLE	1	63K6G	63K6G
29	BUSHING-PIPE.....	1	64E13	64E13
30	PLUG	1	64AA1	64AA1
31	NIPPLE	1	63L9G	63L15G
32	ELBOW	3	64C9G	64C9G
33	NIPPLE	1	63L34G	63L34G
34	NIPPLE	1	63L27G	63L27G
35	UNION	1	64Z2	64Z2
36	NIPPLE	1	63L20G	63L16G
	TEMPERATURE REGULATOR (Optional) Not shown	1	90AR326	90AR326
	SOLENOID VALVE (Optional) Not shown	1	91B167	91B167

* Repair Gasket for Trap - 2117588; Repair Valve & Seat Kit - 2117587; Repair Float - 2117589

**WATER COOLED HEAT EXCHANGER
(WITHOUT AFTERCOOLER)**



**210EBM810-A
(Ref. Drawing)**

Order by Part Number and Description. Reference Numbers are for your convenience only.

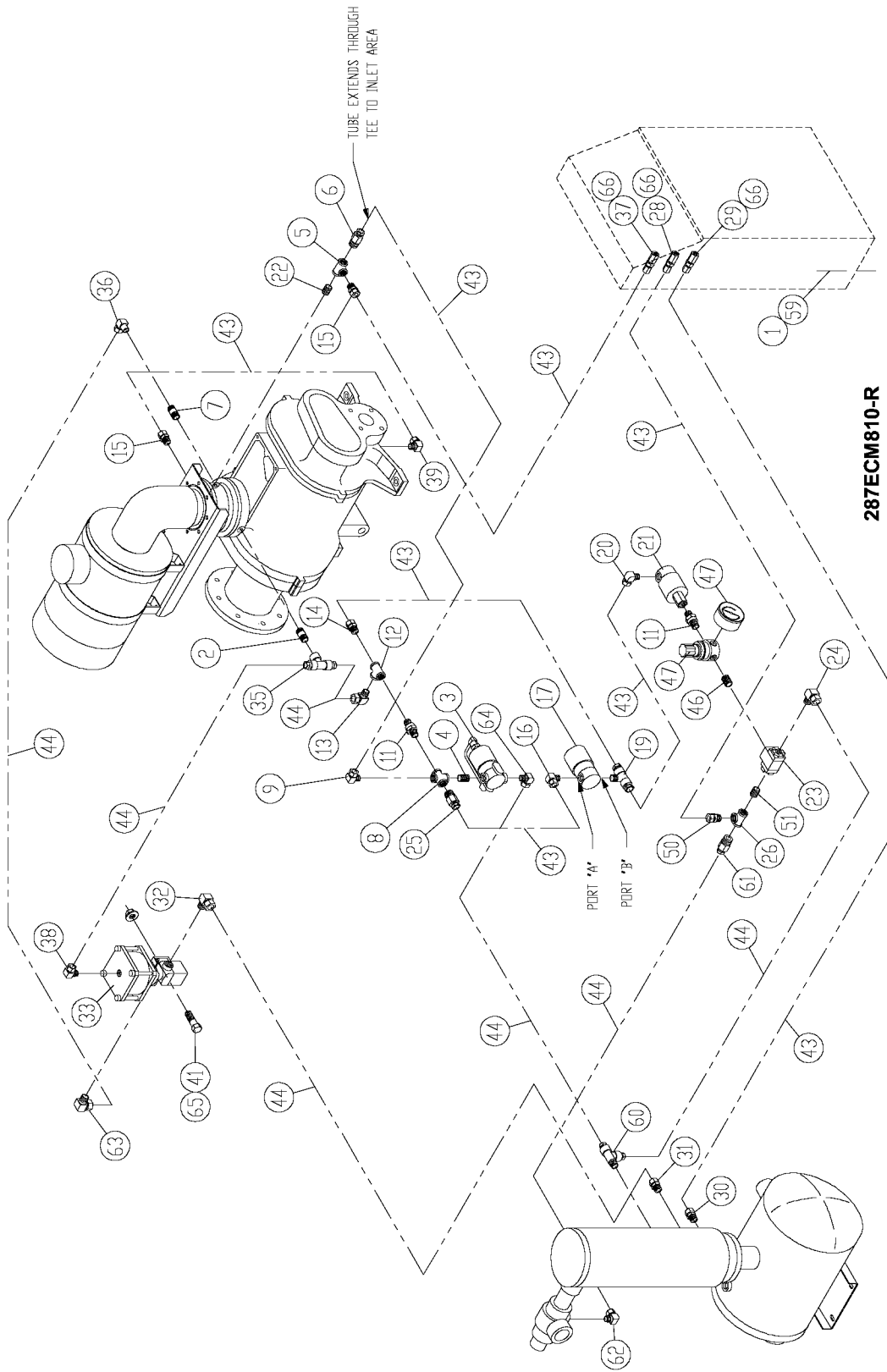
**WATER COOLED HEAT EXCHANGER
(WITHOUT AFTERCOOLER)**

**B/M: 210EBM4003 B/M: 203EBP4003
211EBM4003 204EBP4003**

Ref. No.	Name of Part	Qty.		Part No.
1	EXCHANGER-HEAT (Oil/Water) – Standard	1	202ESJ349	204ESM349
	BONNET-IN & OUT (For Repair)	1	2109060	2109060
	BONNET-RETURN (For Repair)	1	2109061	2109061
	GASKET-IN & OUT (For Repair)	1	2109058	2109058
	GASKET-RETURN (For Repair)	1	2109059	2109059
	EXCHANGER-HEAT (Oil/Water) – Salt Water	1	203ESJ349	203ESM349
	BONNET-IN & OUT (For Repair)	1	2109075	2117756
	BONNET-RETURN (For Repair).....	1	2109074	2109074
	GASKET-IN & OUT (For Repair)	1	2109058	2109058
	GASKET-RETURN (For Repair).....	1	2109059	2109059
2	BRACKET-PIPE	2	201ECM108	201ECM108
3	SUPPORT	1	213ECM165	213ECM165
4	SCREW	12	75LM51	75LM51
5	NUT	12	50AW5	50AW5
6	U-BOLT	2	15U18	15U18
7	NUT	4	50AW5	50AW5
8	NIPPLE	2	63L9G	63L9G
9	VALVE-MINIMUM PRESSURE	1	200EBM527	200EBM527
10	CONNECTOR-TUBE.....	2	86H142	86H142
11	TUBE WITH FITTINGS.....	1	213EBM863	213EBM863
* 12	TRAP	1	83C84	83C84
13	NIPPLE	1	63L1G	63L1G
14	ELBOW	2	64C9G	64C9G
15	U-BOLT	1	15U64	15U64
16	NUT	6	50AW5	50AW5
17	SCREW	4	75LM51	75LM51
18	MANIFOLD-WATER.....	2	200ECM072	200ECM072
19	CONNECTOR-TUBE.....	8	86H138	86H138
20	TUBE WITH FITTINGS.....	1	211EBM863	211EBM863
21	TUBE WITH FITTINGS.....	1	210EBM863	210EBM863
22	TUBE WITH FITTINGS.....	1	207EBM863	207EBM863
23	BUSHING-PIPE.....	1	64E13	64E13
24	TUBE WITH FITTINGS.....	1	205EBM863	201EBP863
25	BUSHING-PIPE.....	1	64E13	64E13
26	TEE.....	1	64G11G	64G11G
27	NIPPLE	1	63K6G	63K6G
28	BUSHING-PIPE.....	1	64E13	64E13
29	PLUG	1	64AA1	64AA1
*	TEMPERATURE REGULATOR (Optional)	1	90AR326	90AR326
*	SOLENOID VALVE (NEMA 1) (Optional).....	1	90AC118	90AC118
*	SOLENOID VALVE (NEMA 4) (Optional).....	1	90AC103	90AC103

* Repair Gasket for Trap – 2117588; Repair Valve & Seat Kit – 2117587; Repair Float – 2117589

CONTROL TUBING SCHEMATIC



287ECM810-R
(Ref. Drawing)

Order by Part Number and Description. Reference Numbers are for your convenience only.

CONTROL TUBING SCHEMATIC

B/M: ECM81708

Ref. No.	Name of Part	Qty.	Part No.	Ref. No.	Name of Part	Qty.	Part No.
1	SCREW.....	4	75LM51	30	CONNECTOR-TUBE.....	1	86E4
2	NIPPLE.....	1	63D5G	31	CONNECTOR-TUBE.....	1	86E9
* +	VALVE-SOLENOID.....	1	91B70	32	ELBOW.....	1	86E64
4	NIPPLE.....	1	63D1G	** ++	CONTROL VALVE.....	1	90AR1082
5	TEE.....	1	64G3G	35	TEE.....	1	86E147
6	CONNECTOR.....	1	86N272	36	ELBOW-TUBE.....	1	86E82
7	NIPPLE.....	1	63D5G	37	CONNECTOR-TUBE.....	1	86N287
8	CROSS.....	1	64K1G	38	ELBOW.....	1	86E64
9	ELBOW-TUBE.....	1	86E60	39	ELBOW-TUBE.....	1	86E60
++	VALVE-CHECK.....	2	90AR261	41	NUT.....	2	50AW3
12	TEE.....	1	64G3G	43	TUBE.....	28	85K3
13	ELBOW.....	1	86E64	44	TUBE.....	24	85K5
14	ORIFICE.....	1	86N289	46	NIPPLE.....	1	63D1G
15	CONNECTOR-TUBE.....	2	86E4	** Δ	REGULATOR-PRESS W/GAUGE.....	1	88H139
16	ELBOW-TUBE.....	1	86E60	50	CONNECTOR-TUBE.....	1	86E4
+	VALVE-SOLENOID.....	1	91B81	51	NIPPLE.....	1	63D1G
19	TEE.....	1	86E119	59	NUT.....	4	50AW5
20	ELBOW-TUBE.....	1	86E60	60	TEE.....	1	86E136
+	VALVE-SOLENOID.....	1	91B80	61	CONNECTOR-TUBE.....	1	86E9
22	NIPPLE.....	1	63D1G	62	ELBOW.....	1	86E64
++	VALVE-CONTROL.....	1	90AR1034	63	ELBOW.....	1	86E64
24	ELBOW.....	1	86E64	64	ELBOW.....	1	86E64
25	CONNECTOR-TUBE.....	1	86E4	65	SCREW.....	2	75LM48
26	TEE.....	1	64G3G	66	O-RING.....	3	165011
28	CONNECTOR-TUBE.....	1	86N287	67	TIE CABLE.....	30	24CA127
29	CONNECTOR-TUBE.....	1	86N287				

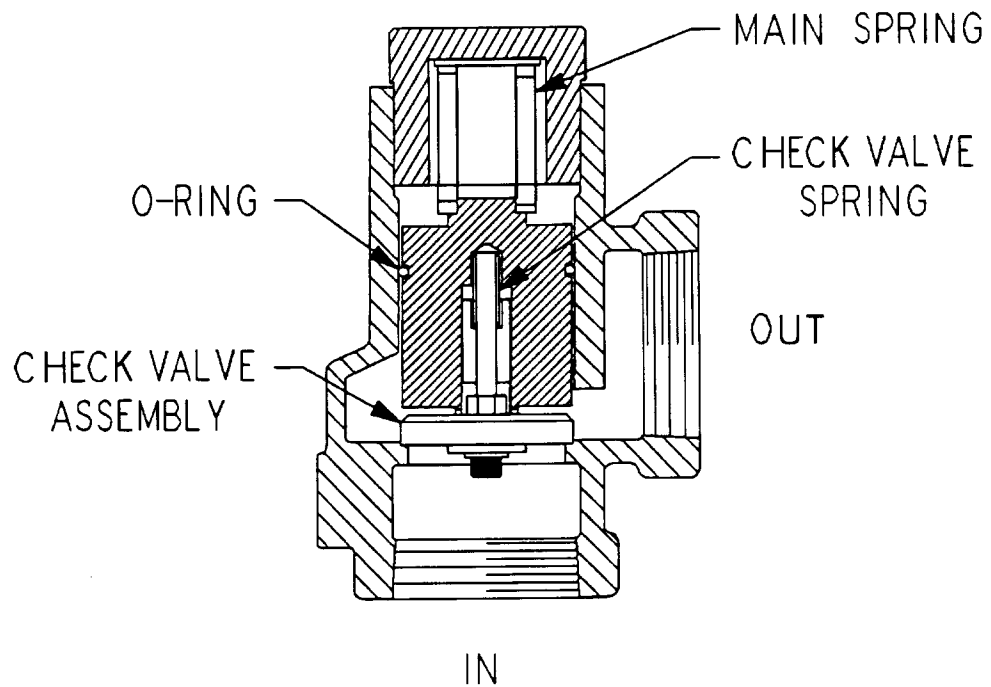
* For Repair Kit (includes Springs, Seals, Piston Assembly, Plunger Assembly, Nut & O-Ring, order Part Number 2116077 or for Coil, order Part Number 2116078).

+ Parts included in Electrical Control Kit, Part Number 206EAP6013. Refer to Page 68.

** For Repair of U-Cup (Piston Seal), order Part Number 2117904; For O-Ring (Top Plate), order Part Number 2117905.

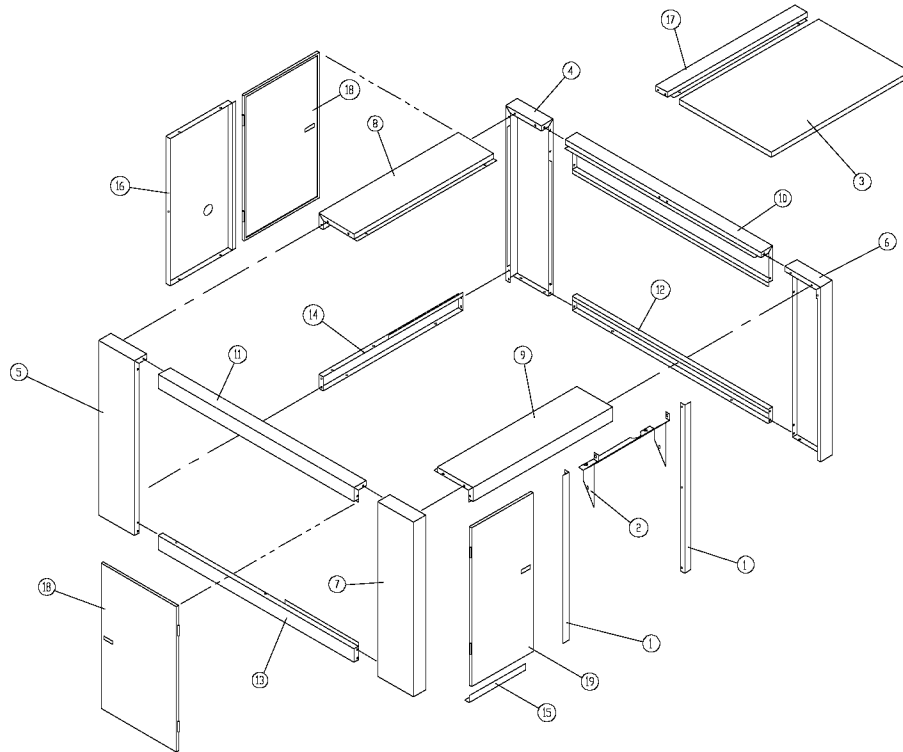
++ Parts included in Pneumatic Control Kit, Part Number 302EAQ6013. Refer to Page 68.

Δ For Replacement Gauge, order Part Number 2116732.



MINIMUM PRESSURE VALVE

Name of Part	Qty.	Part No.
MINIMUM PRESSURE VALVE ASSEMBLY	1	200EBM527
REPAIR KIT – Includes the following:	1	2116854
O-RING	1	
SPRING- CHECK VALVE.....	1	
CHECK VALVE ASSEMBLY	1	
SPRING, MAIN	1	

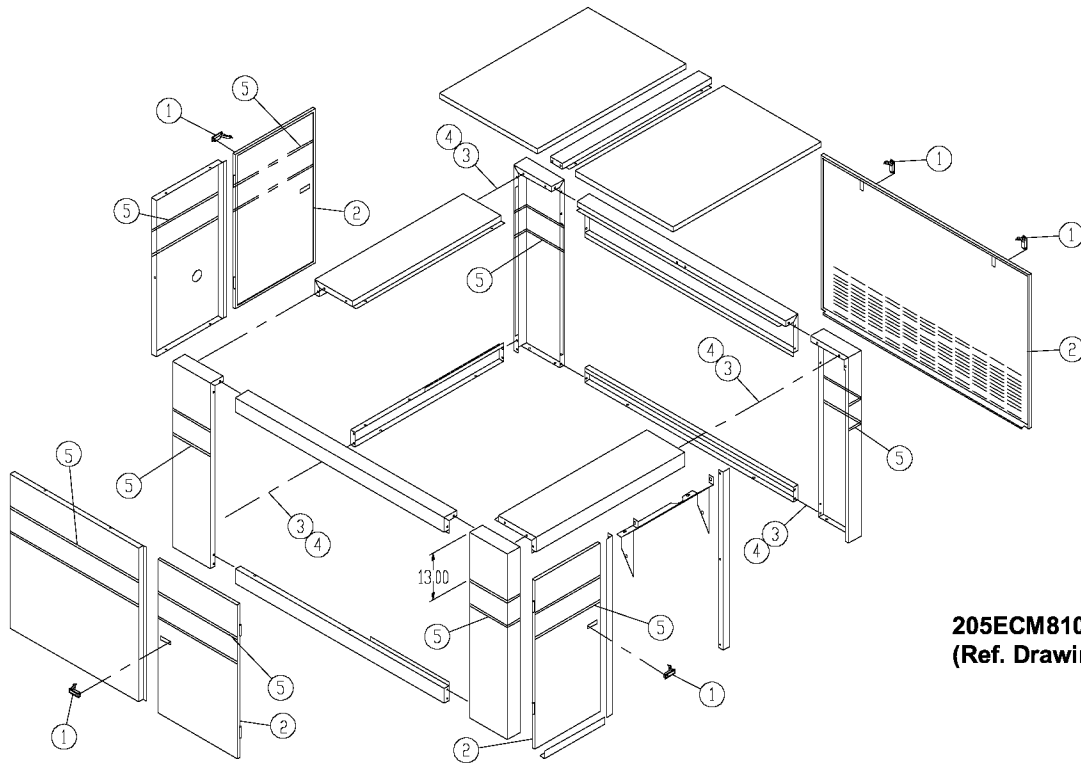


**ENCLOSURE
(COMMON PARTS – AIR/WATER COOLED)**

B/M: 200ECM4023

Ref. No.	Name of Part	Qty.	Part No.
1	BRACKET	2	215ECM142
2	BRACKET	1	216ECM142
3	PANEL	1	217ECM216
4	POST	1	208ECM313
5	POST	1	209ECM313
6	POST	1	213ECM313
7	POST	1	214ECM313
8	FRAME	1	215ECM314
9	FRAME	1	216ECM314
10	FRAME	1	217ECM314
11	FRAME-AIR DISCHARGE SIDE	1	218ECM314
12	FRAME-AIR INLET SIDE	1	219ECM314
13	FRAME	1	220ECM314
14	FRAME	1	221ECM314
15	FRAME	1	222ECM314
16	BRACE-MOTOR SIDE	1	206ECM326
17	BRACE-TOP	1	205ECM326
18	DOOR-CANOPY	2	210ECM334
19	DOOR-CANOPY	1	211ECM334

Order by Part Number and Description. Reference Numbers are for your convenience only.



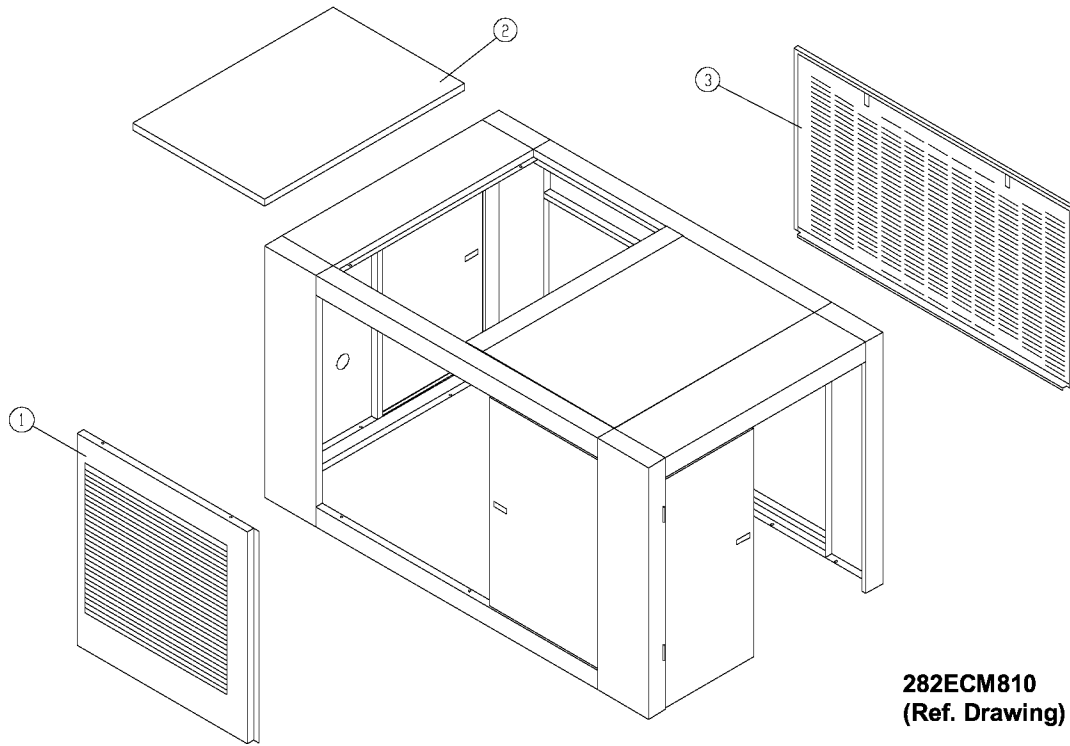
205ECM810-B
(Ref. Drawing)

ENCLOSURE – HARDWARE

B/M: 281ECM4017

Ref. No.	Name of Part	Qty.	Part No.
1	LATCH	5	31D51
2	SEAL	51	32E12
3	SCREW	86	75LM51
4	NUT	78	50AW5
5	DECAL	6	203ESO077

Order by Part Number and Description. Reference Numbers are for your convenience only.

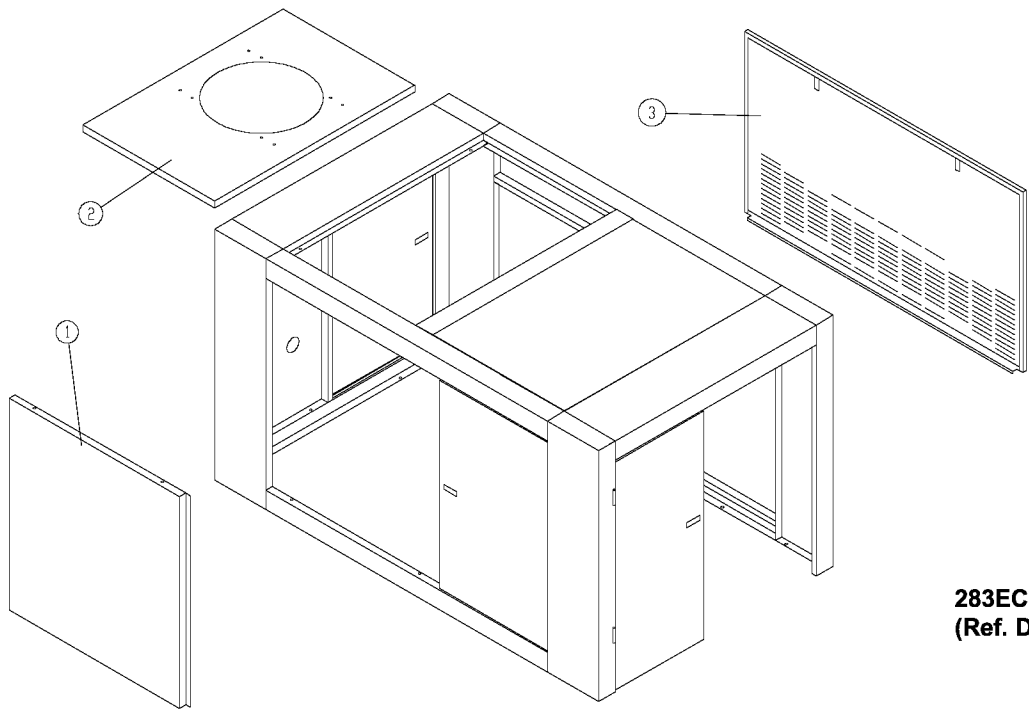


ENCLOSURE – AIR COOLED UNITS

B/M: ECM81545

Ref. No.	Name of Part	Qty.	Part No.
1	PANEL	1	220ECM216
2	PANEL	1	217ECM216
3	PANEL	1	215ECM216

Order by Part Number and Description. Reference Numbers are for your convenience only.



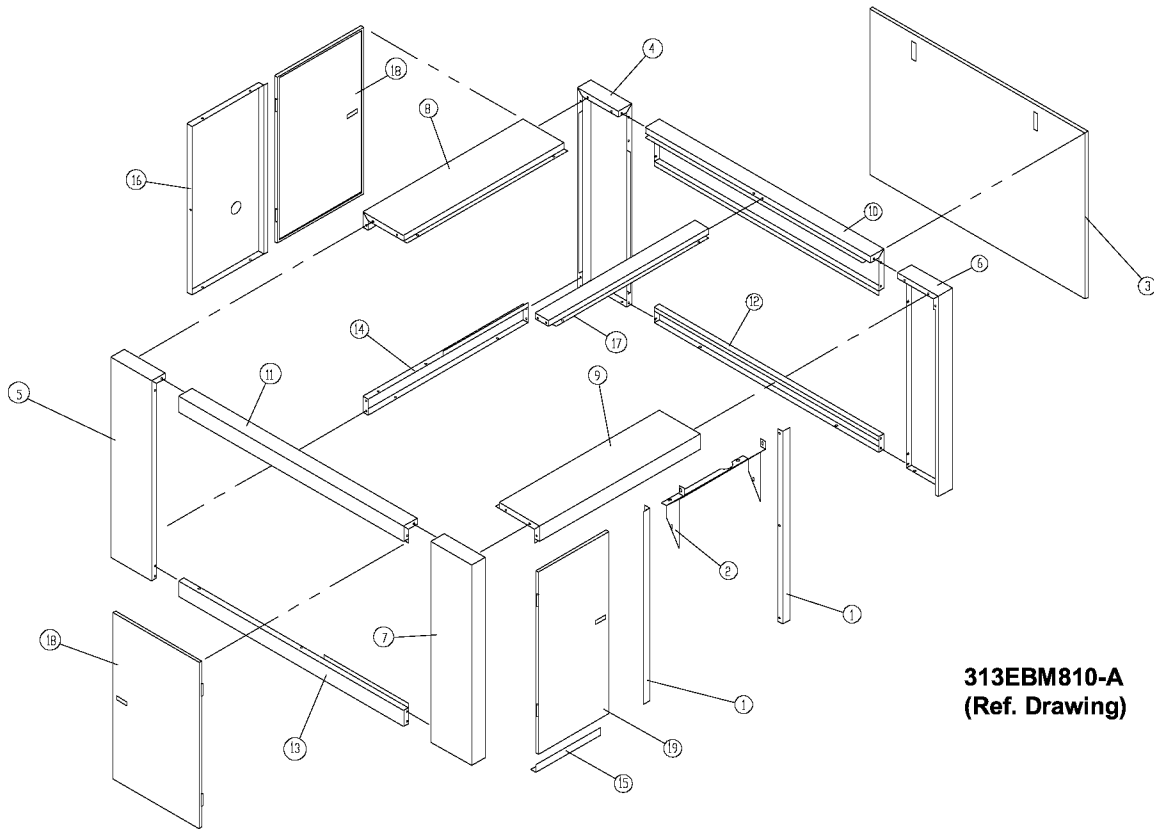
283ECM810
(Ref. Drawing)

ENCLOSURE – WATER COOLED UNITS

B/M: 201ECM4023

Ref. No.	Name of Part	Qty.	Part No.
1	PANEL	1	222ECM216
2	PANEL	1	216ECM216
3	PANEL	1	218ECM216

Order by Part Number and Description. Reference Numbers are for your convenience only.



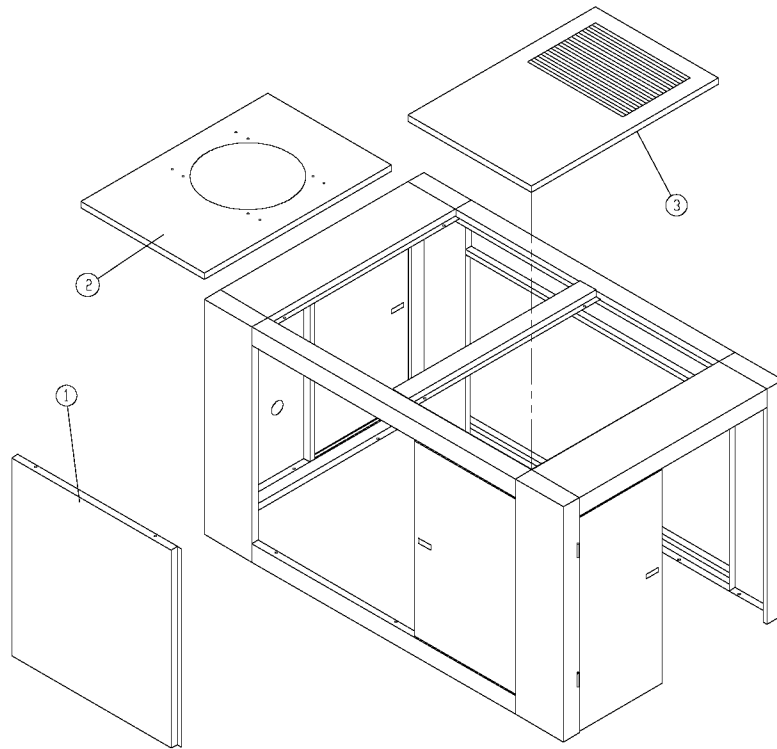
313EBM810-A
(Ref. Drawing)

ENCLOSURE – COMMON PARTS

B/M: 300EBM4023

Ref. No.	Name of Part	Qty.	Part No.
1	BRACKET	2	215ECM142
2	BRACKET	1	216ECM142
3	PANEL	1	302EBM216
4	POST	1	300EBM313
5	POST	1	301EBM313
6	POST	1	302EBM313
7	POST	1	303EBM313
8	FRAME	1	302EBM314
9	FRAME	1	303EBM314
10	FRAME	1	304EBM314
11	FRAME-AIR DISCHARGE SIDE.....	1	218ECM314
12	FRAME-AIR INLET SIDE	1	219ECM314
13	FRAME	1	220ECM314
14	FRAME	1	221ECM314
15	FRAME	1	222ECM314
16	BRACE.....	1	302EBM326
17	BRACE-TOP	1	205ECM326
18	DOOR-CANOPY	2	300EBM334
19	DOOR-CANOPY	1	301EBM334

Order by Part Number and Description. Reference Numbers are for your convenience only.



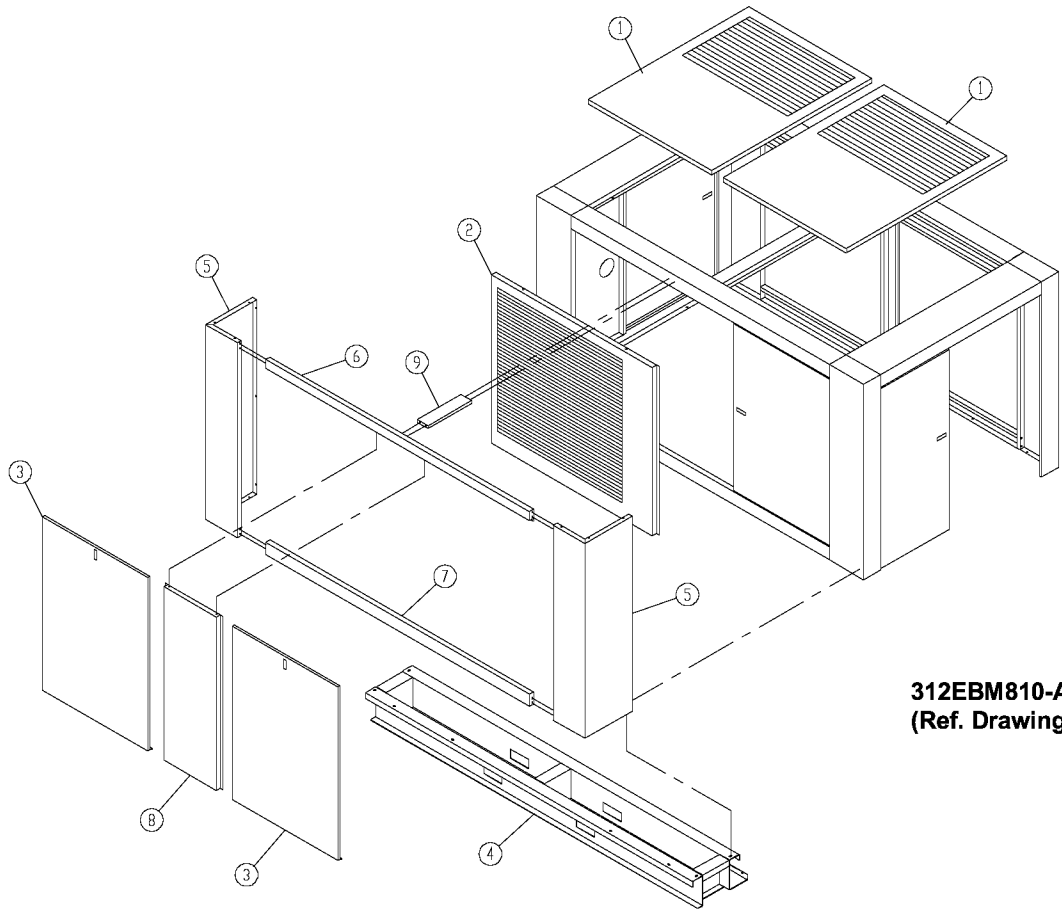
314EBM810-A
(Ref. Drawing)

ENCLOSURE – WATER COOLED (QUIET)

B/M: 302EBM4023

Ref. No.	Name of Part	Qty.	Part No.
1	PANEL	1	303EBM216
2	PANEL	1	304EBM216
3	PANEL (TOP AIR INLET).....	1	301EBM216

Order by Part Number and Description. Reference Numbers are for your convenience only.



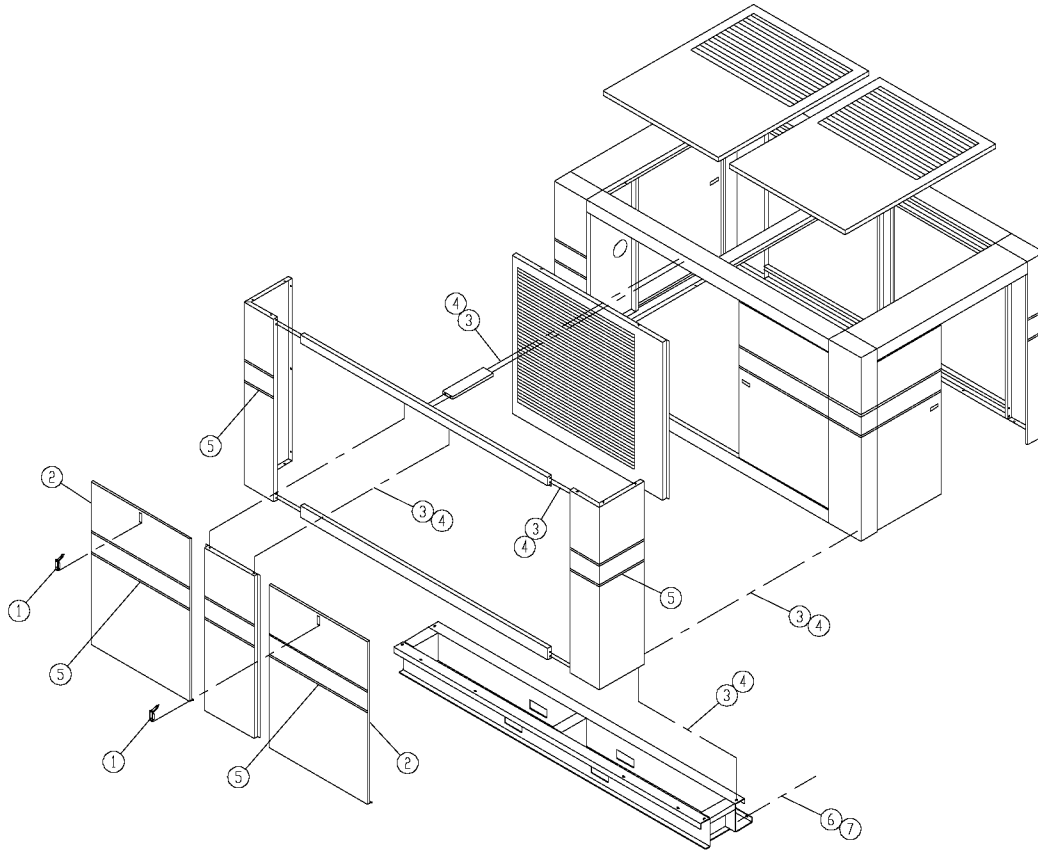
312EBM810-A
(Ref. Drawing)

ENCLOSURE – AIR COOLED (QUIET BAFFLE)

B/M: 301EBM4023

Ref. No.	Name of Part	Qty.	Part No.
1	PANEL (TOP AIR INLET)	2	301EBM216
2	PANEL	1	220ECM216
3	PANEL	2	300EBM216
4	BASE	1	301EBM285
5	POST	2	304EBM313
6	FRAME	1	301EBM314
7	FRAME (BAFFLE BOTTOM)	1	300EBM314
8	BRACE (BAFFLE SIDE)	1	300EBM326
9	BRACE	1	301EBM326

Order by Part Number and Description. Reference Numbers are for your convenience only.



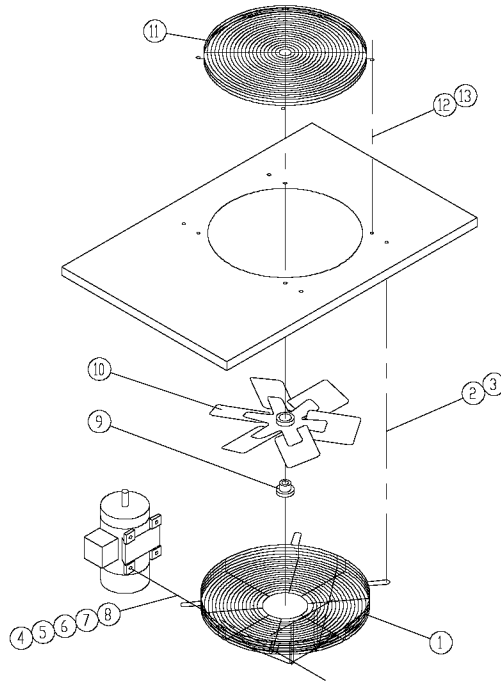
304EBU810-B
(Ref. Drawing)

ENCLOSURE – AIR COOLED (QUIET BAFFLE – HARDWARE)

B/M: 303EBU4023

Ref. No.	Name of Part	Qty.	Part No.
1	LATCH	2	31D51
2	SEAL.....	25	32E12
3	SCREW	30	75LM51
4	NUT	30	50AW5
5	DECAL	4	203ESO077
6	SCREW	4	75LM135
7	NUT	4	50AW35

Order by Part Number and Description. Reference Numbers are for your convenience only.



262EAU810
(Ref. Drawing)

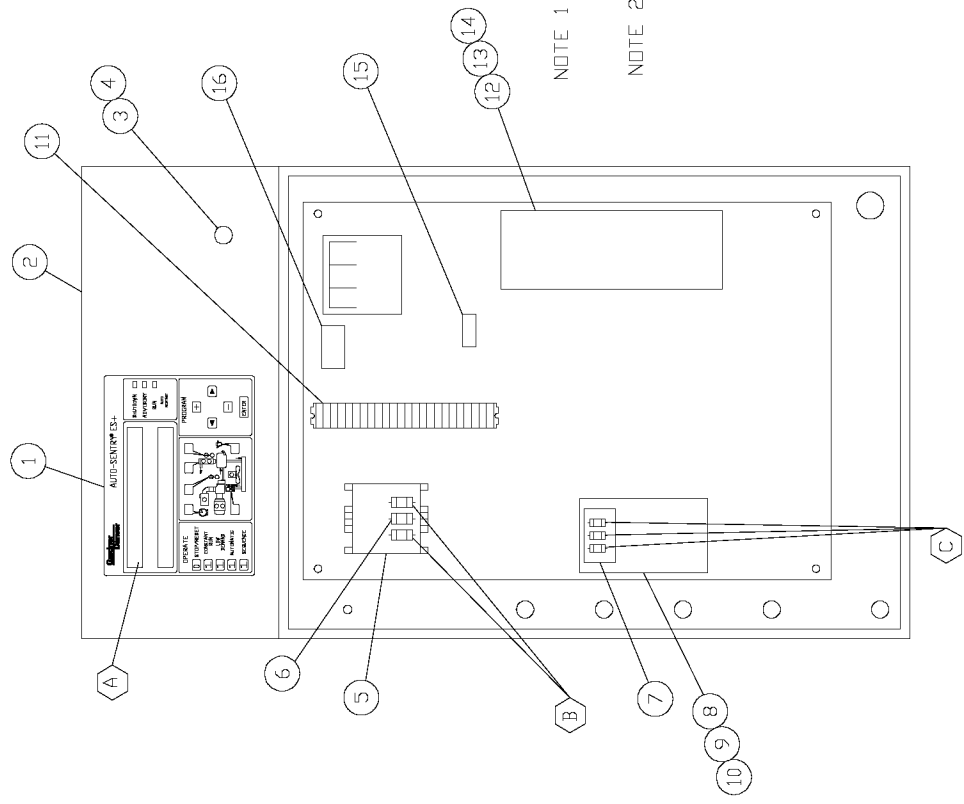
ENCLOSURE – VENT FAN ASSEMBLY (WATER COOLED UNITS ONLY)

B/M: 305EBM4017

Ref. No.	Name of Part	Qty.	Part No.
1	GUARD-FAN.....	1	202ECM393
2	SCREW	4	75K48
3	WASHER	4	95A5
4	SCREW	4	75A35
5	RETAINER.....	4	2014731
6	WASHER	4	95A2
7	LOCKWASHER.....	4	95B2
8	NUT	4	50B2
9	BUSHING-SHEAVE	1	22G27
10	FAN.....	1	202ECM701
11	GUARD-FAN.....	1	200ECM393
12	SCREW	4	75LM51
13	NUT	4	50AW5

NOTE: For Fan Motor Part Numbers, see page 66

**CONTROLLER ASSEMBLY – FULL VOLTAGE STARTERS
60, 75 & 100 HP**



NOTE 1 – ITEMS 15 & 16 ARE USED ONLY ON PANELS WITH ES + AND CURRENT MONITORING.

NOTE 2 – ITEMS 13 & 14 ARE INCLUDED IN 12

**300EAP797-A
(Ref. Drawing)**

Order by Part Number and Description. Reference Numbers are for your convenience only.

CONTROLLER ASSEMBLY – FULL VOLTAGE STARTERS
60, 75 & 100 HP

	Qty.	60 – 75 HP 200V	60 – 100 HP 230V	60 – 100 HP 460V	60 – 100 HP 575V
ASSEMBLED PANEL – ES+: NEMA 12, Without Current Monitor	1	320EAP466	317EAP466	316EAP466	326EAP466
ASSEMBLED PANEL – ES+: NEMA 4, Without Current Monitor	1	321EAP466	319EAP466	318EAP466	327EAP466
ASSEMBLED PANEL – ES+: NEMA 12, With Current Monitor	1	352EAP466	349EAP466	348EAP466	358EAP466
ASSEMBLED PANEL – ES+: NEMA 4, With Current Monitor	1	353EAP466	351EAP466	350EAP466	359EAP466
FUSE, CONTROL BOARD (1A, AGC).....	1	24CA2932	24CA2932	24CA2932	24CA2932
FUSE, TRANSFORMER PRIMARY (-A, FNQ-R).....	2	24CA2786 (6A)	24CA2786 (6A)	24CA2783 (3A)	24CA3722 (2.25A)
FUSE, FAN MOTOR, AIR COOLED (-A, LP-CC).....	3	24CA4097 (25A)	24CA3952 (20A)	24CA4095 (10A)	24CA4094 (8A)
FUSE, FAN MOTOR, WATER COOLED (-A, LP-CC).....	3	24CA4093 (7A)	24CA4093 (7A)	24CA4091 (4A)	24CA4090 (3A)
* 1 ASSEMBLY CONTROL.....	1	200EAU2006	200EAU2006	200EAU2006	200EAU2006
2 BOX-CONTROL.....	1	200EAP179	200EAP179	200EAP179	200EAP179
3 OPERATOR, EMERGENCY STOP.....	1	24CA2907	24CA2907	24CA2907	24CA2907
4 CONTACT BLOCK.....	1	24CA2908	24CA2908	24CA2908	24CA2908
5 TRANSFORMER, CONTROL.....	1	2116371	2116372	2116372	2116373
6 FUSE, TRANSFORMER SECONDARY	1	24CA3728	24CA3728	24CA3728	24CA3728
7 FUSE HOLDER.....	1	24CA4098	24CA4098	24CA4098	24CA4098
8 STARTER, FAN MOTOR.....	1	24CA4408	24CA4408	24CA4408	24CA4408
9 COIL-STARTER.....	1	2115950	2115950	2115950	2115950
10 OVERLOAD RELAY.....	1	24CA4086	24CA4086	24CA4086	24CA4086
11 TERMINAL BLOCK	6	24CA2633	24CA2633	24CA2633	24CA2633
12 STARTER, MAIN MOTOR.....	1	24CA3490	24CA3490	24CA3881	24CA3881
13 COIL.....	1	2115952	2115952	2115952	2115952
14 OVERLOAD RELAY.....	1	24CA4086	24CA4086	24CA4086	24CA4086
15 CURRENT TRANSFORMER.....	1	24CA4242	24CA4242	24CA4242	24CA4242
16 CURRENT TRANSDUCER.....	1	24CA4241	24CA4241	24CA4241	24CA4241

Note: Items 15 & 16 are used with ES+ with Current Monitoring Units Only.

* Refer to page 62, for Controller Part Numbers.

Order by Part Number and Description. Reference Numbers are for your convenience only.

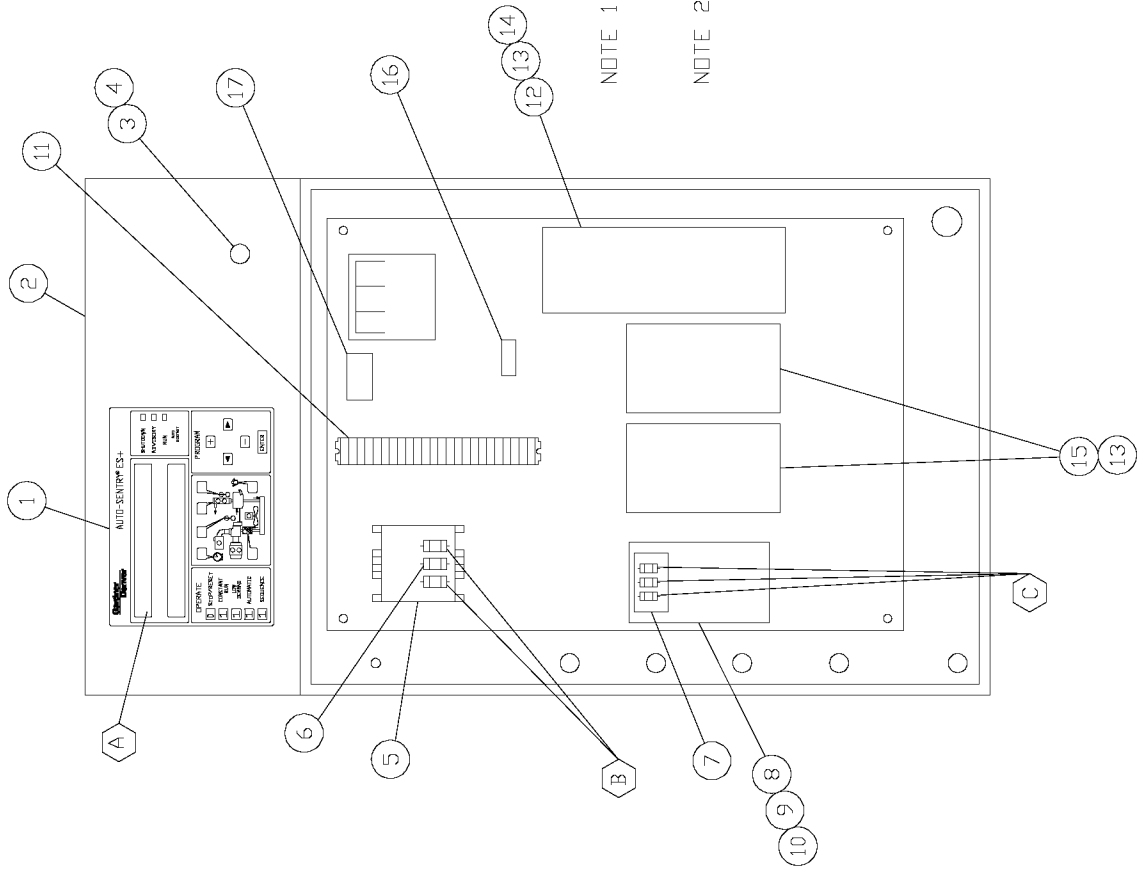
**CONTROLLER ASSEMBLY – WYE DELTA STARTERS
60, 75 & 100 HP**

	Qty.	60 HP 200V	60 – 75 HP 230V	60 – 75 HP 460V	100 HP 460V
ASSEMBLED PANEL – ES+: NEMA 12, Without Current Monitor	1	300EAP466	297EAP466	296EAP466	297EAP466
ASSEMBLED PANEL – ES+: NEMA 4, Without Current Monitor	1	301EAP466	299EAP466	298EAP466	299EAP466
ASSEMBLED PANEL – ES+: NEMA 12, With Current Monitor	1	332EAP466	329EAP466	328EAP466	329EAP466
ASSEMBLED PANEL – ES+: NEMA 4, With Current Monitor	1	333EAP466	331EAP466	330EAP466	331EAP466
A FUSE, CONTROL BOARD (1A, AGC).....	1	24CA2932	24CA2932	24CA2932	24CA2932
B FUSE, TRANSFORMER PRIMARY (-A, FNQ-R).....	2	24CA2786 (6A)	24CA2786 (6A)	24CA2783 (3A)	24CA2783 (3A)
C FUSE, FAN MOTOR, AIR COOLED (-A, LP-CC).....	3	24CA4097 (25A)	24CA3952 (20A)	24CA4095 (10A)	24CA4095 (10A)
C FUSE, FAN MOTOR, WATER COOLED (-A, LP-CC)	3	24CA4093 (7A)	24CA4093 (7A)	24CA4091 (4A)	24CA4091 (4A)
* 1 ASSEMBLY CONTROL	1	200EAU2006	200EAU2006	200EAU2006	200EAU2006
2 BOX-CONTROL	1	200EAP179	200EAP179	200EAP179	200EAP179
3 OPERATOR, EMERGENCY STOP.....	1	24CA2907	24CA2907	24CA2907	24CA2907
4 CONTACT BLOCK.....	1	24CA2908	24CA2908	24CA2908	24CA2908
5 TRANSFORMER, CONTROL	1	2116371	2116372	2116372	2116372
6 FUSE, TRANSFORMER SECONDARY	1	24CA3728	24CA3728	24CA3728	24CA3728
7 FUSE HOLDER.....	1	24CA4098	24CA4098	24CA4098	24CA4098
8 STARTER, FAN MOTOR.....	1	24CA4408	24CA4408	24CA4408	24CA4408
9 COIL-STARTER.....	1	2115950	2115950	2115950	2115950
10 OVERLOAD RELAY	1	24CA4086	24CA4086	24CA4086	24CA4086
11 TERMINAL BLOCK	6	24CA2633	24CA2633	24CA2633	24CA2633
12 STARTER, MAIN MOTOR	1	24CA3255	24CA3255	24CA4142	24CA3255
13 COIL.....	3	2116555	2116555	2116124	2116555
14 OVERLOAD RELAY	1	24CA4086	24CA4086	24CA4087	24CA4086
15 CONTACTOR.....	2	24CA3259	24CA3259	24CA3258	24CA3259
16 CURRENT TRANSFORMER.....	1	24CA4242	24CA4242	24CA4242	24CA4242
17 CURRENT TRANSDUCER.....	1	24CA4241	24CA4241	24CA4241	24CA4241

Note: Items 16 & 17 are used with ES+ with Current Monitoring Units Only.

* Refer to page 62, for Controller Part Numbers.

**CONTROLLER ASSEMBLY – WYE DELTA STARTERS
60, 75 & 100 HP**



NOTE 1 – ITEMS 16 & 17 ARE USED ONLY ON PANELS WITH ES + AND CURRENT MONITORING.

NOTE 2 – ITEMS 13 & 14 ARE INCLUDED IN 12
ITEM 13 IS INCLUDED IN 15.

**301EAP797-A
(Ref. Drawing)**

Order by Part Number and Description. Reference Numbers are for your convenience only.

**CONTROLLER ASSEMBLY – WYE DELTA STARTERS
60, 75 & 100 HP**

		Qty.	575V Part No.
	ASSEMBLED PANEL – ES+: NEMA 12, Without Current Monitor.....	1	304EAP466
	ASSEMBLED PANEL – ES+: NEMA 4, Without Current Monitor.....	1	306EAP466
	ASSEMBLED PANEL – ES+: NEMA 12, With Current Monitor.....	1	336EAP466
	ASSEMBLED PANEL – ES+: NEMA 4, With Current Monitor.....	1	338EAP466
A	FUSE, CONTROL BOARD (1A, AGC).....	1	24CA2932
B	FUSE, TRANSFORMER PRIMARY (-A, FNQ-R).....	2	24CA2786 (6A)
C	FUSE, FAN MOTOR, AIR COOLED (-A, LP-CC).....	3	24CA4097 (25A)
C	FUSE, FAN MOTOR, WATER COOLED (-A, LP-CC).....	3	24CA4093 (7A)
* 1	ASSEMBLY CONTROL.....	1	200EAU2006
2	BOX-CONTROL.....	1	200EAP179
3	OPERATOR, EMERGENCY STOP.....	1	24CA2907
4	CONTACT BLOCK.....	1	24CA2908
5	TRANSFORMER, CONTROL.....	1	2116373
6	FUSE, TRANSFORMER SECONDARY.....	1	24CA3728
7	FUSE HOLDER.....	1	24CA4098
8	STARTER, FAN MOTOR.....	1	24CA4408
9	COIL-STARTER.....	1	2115950
10	OVERLOAD RELAY.....	1	24CA4086
11	TERMINAL BLOCK.....	6	24CA2633
12	STARTER, MAIN MOTOR.....	1	24CA4142
13	COIL.....	3	2116124
14	OVERLOAD RELAY.....	1	24CA4087
15	CONTACTOR.....	2	24CA3258
16	CURRENT TRANSFORMER.....	1	24CA4242
17	CURRENT TRANSDUCER.....	1	24CA4241

* Refer to page 62, for Controller Part Numbers

Note: Items 16 & 17 are used with ES+ with Current Monitoring Units Only.

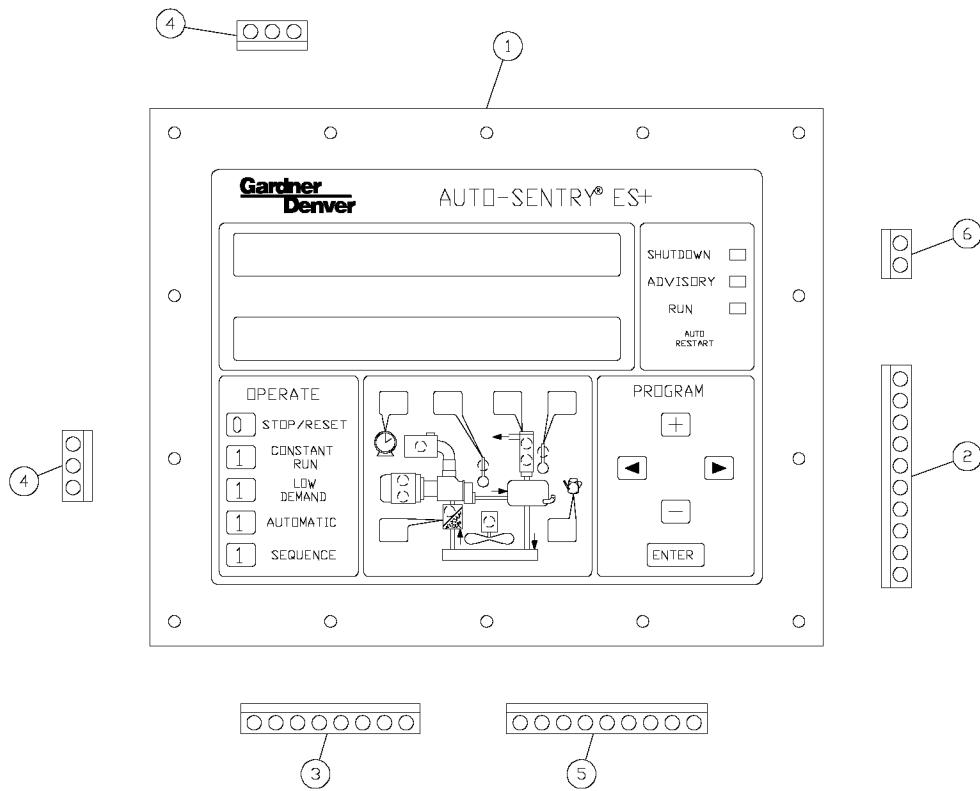
**CONTROLLER ASSEMBLY – LESS MAIN MOTOR STARTER
(60, 75 & 100 HP)**

	Qty.	200V	230V	460V	575V
ASSEMBLED PANEL – ES+ : NEMA 12, Without Current Monitor	1	309EAP466	308EAP466	308EAP466	311EAP466
ASSEMBLED PANEL – ES+ : NEMA 4, Without Current Monitor	1	313EAP466	312EAP466	312EAP466	315EAP466
ASSEMBLED PANEL – ES+ : NEMA 12, With Current Monitor	1	341EAP466	340EAP466	340EAP466	343EAP466
ASSEMBLED PANEL – ES+ : NEMA 4, With Current Monitor	1	345EAP466	344EAP466	344EAP466	347EAP466
A FUSE, CONTROL BOARD (1A, AGC).....	1	24CA2932	24CA2932	24CA2932	24CA2932
B FUSE, TRANSFORMER PRIMARY (-A, FNQ-R).....	2	24CA2786 (6A)	24CA2786 (6A)	24CA2783 (3A)	24CA3722 (2.25A)
C FUSE, FAN MOTOR, AIR COOLED (-A, LP-CC).....	3	24CA4097 (25A)	24CA3952 (20A)	24CA4095 (10A)	24CA4094 (8A)
C FUSE, FAN MOTOR, WATER COOLED (-A, LP-CC).....	3	24CA4093 (7A)	24CA4093 (7A)	24CA4091 (4A)	24CA4090 (3A)
* 1 ASSEMBLY CONTROL.....	1	200EAU2006	200EAU2006	200EAU2006	200EAU2006
2 BOX-CONTROL.....	1	200EAP179	200EAP179	200EAP179	200EAP179
3 OPERATOR, EMERGENCY STOP.....	1	24CA2907	24CA2907	24CA2907	24CA2907
4 CONTACT BLOCK.....	1	24CA2908	24CA2908	24CA2908	24CA2908
5 TRANSFORMER, CONTROL.....	1	2116371	2116372	2116372	2116373
6 FUSE, TRANSFORMER SECONDARY	1	24CA3728	24CA3728	24CA3728	24CA3728
7 FUSE HOLDER.....	1	24CA4098	24CA4098	24CA4098	24CA4098
8 STARTER, FAN MOTOR.....	1	24CA4408	24CA4408	24CA4408	24CA4408
9 COIL-STARTER.....	1	2115950	2115950	2115950	2115950
10 OVERLOAD RELAY.....	1	24CA4086	24CA4086	24CA4086	24CA4086
11 TERMINAL BLOCK.....	7	24CA2633	24CA2633	24CA2633	24CA2633
12 CONTROL RELAY.....	1	24CA3896	24CA3896	24CA3896	24CA3896
13 CURRENT TRANSFORMER.....	1	24CA4242	24CA4242	24CA4242	24CA4242
14 CURRENT TRANSDUCER.....	1	24CA4241	24CA4241	24CA4241	24CA4241

Note: Items 13 & 14 are used with ES+ with Current Monitoring Units Only.

* Refer to page 62, for Controller Part Numbers.

Order by Part Number and Description. Reference Numbers are for your convenience only.



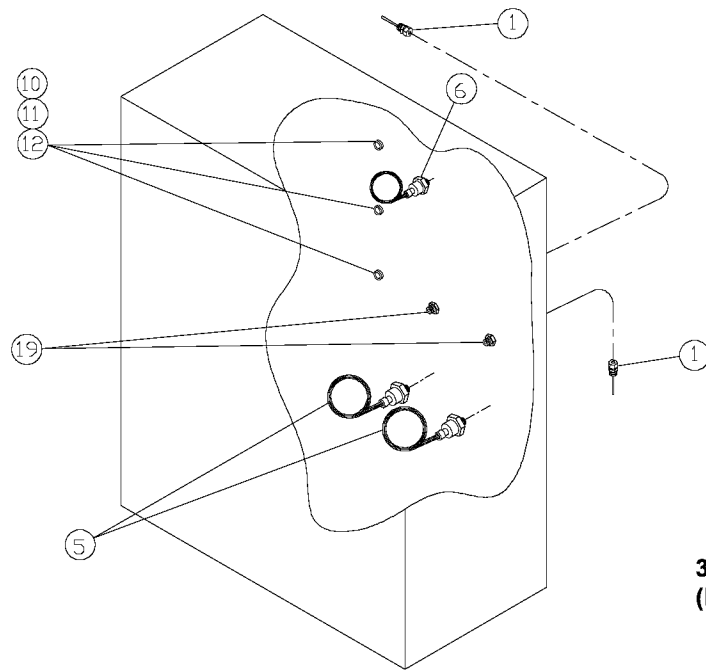
327EAU810-A
(Ref. Drawing)

CONTROLLER ASSEMBLY

B/M: 200EAU2006

Ref. No.	Name of Part	Qty.	Part No.
1	CONTROLLER, AUTO SENTRY ES+	1	200EAU1173
2	PLUG-CONNECTOR 10 PIN TERMINAL	1	24CA3306
3	PLUG-CONNECTOR 8 PIN TERMINAL	1	24CA3400
4	PLUG-CONNECTOR 3 PIN TERMINAL	2	24CA3401
5	PLUG-CONNECTOR 9 PIN TERMINAL	1	24CA3402
6	PLUG-CONNECTOR 2 PIN TERMINAL	1	24CA4240

Order by Part Number and Description. Reference Numbers are for your convenience only.



**300ECP810-A
(Ref. Drawing)**

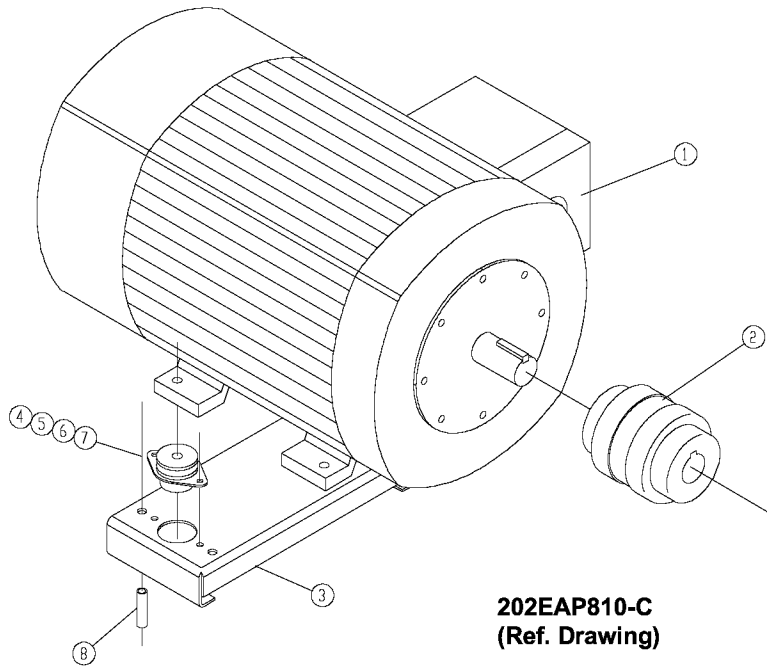
MISCELLANEOUS ELECTRICAL PARTS

B/M: 200ECP4007

Ref. No.	Name of Part	Qty.	Part No.
* 1	PROBE-ELECTRICAL.....	2	21D264
* 5	TRANSDUCER-PRESSURE	2	88H242
* 6	SWITCH-VACUUM.....	1	88H195
10	NIPPLE	3	24CA4641
11	O-RING.....	3	24A383
12	LOCKNUT	3	24A77
19	FITTING-ELECTRICAL	2	24CA2865

* Parts included in Electrical Control Kit, Part Number 206EAP6013. Refer to page 68.

Order by Part Number and Description. Reference Numbers are for your convenience only.



MAIN MOTOR GROUP

Ref. No.	Name of Part	Qty.	Part No.
1	MOTOR.....	1	*
2	COUPLING-FLEXIBLE (SSH and SSM Airends).....	1	** 51L200
	COUPLING-FLEXIBLE (SSP Airends).....	1	*** 51L204
3	SUPPORT-MOTOR – 326 FRAME MOTOR.....	1	202EDF620
	SUPPORT-MOTOR – 364 & 365 FRAME MOTOR.....	1	201EDF620
	SUPPORT-MOTOR – 404 & 405 FRAME MOTOR.....	1	202EAP620
4	SCREW	4	655EF160
5	WASHER	4	95A7
6	LOCKWASHER.....	4	95B7
7	NUT	4	50B7
8	NIPPLE (Use with 202EDF620).....	4	63AM12X36G
	NIPPLE (Use with 201EDF620 & 202EAP620)	4	63AM12X26G

* Selective – See page 66.

** For repair, order Drive Coupling Spider Part Number 2118053.

*** For repair, order Drive Coupling Spider Part Number 2118054.

OVERLOAD RELAY HEATER CONVERSION LISTING

Refer to Motor Nameplate “Amperage” and Decal in Control Panel for Selection of Overload Relay Heater Packs

CUTLER-HAMMER PART NUMBER	GARDNER DENVER PART NUMBER
H2002B	24CA4101
H2003B	24CA4102
H2004B	24CA4103
H2005B	24CA4104
H2006B	24CA4105
H2007B	24CA4106
H2008B	24CA4107
H2009B	24CA4108
H2010B	24CA4109
H2011B	24CA4110
H2012B	24CA4111
H2013B	24CA4112
H2014B	24CA4113
H2015B	24CA4114
H2016B	24CA4115
H2017B	24CA4116
H2018	24CA2924
H2019	24CA2925
H2020	24CA2926
H2021	24CA2927
H2022	24CA2893
H2023	24CA2894
H2024	24CA2928

**MOTOR GROUP (MAIN DRIVE MOTORS)
WYE DELTA & FULL VOLTAGE -- 60 HZ**

Name of Part	60 HP Part No.	75 HP Part No.	100 HP Part No.
OPEN DRIP PROOF – 60 HZ – STANDARD EFFICIENCY			
MOTOR, 200V	24CA2952	24CA2956	24CA2960
MOTOR, 230V	24CA3013	24CA3014	24CA3015
MOTOR, 460V	24CA3013	24CA3014	24CA3015
MOTOR, 575V	24CA2955	24CA2959	24CA2963
OPEN DRIP PROOF – 60 HZ – HIGH EFFICIENCY			
MOTOR, 200V	24CA2968	24CA2972	24CA2976
MOTOR, 230V	24CA3017	24CA30018	24CA3019
MOTOR, 460V	24CA3017	24CA3018	24CA3019
MOTOR, 575V	24CA2971	24CA2975	24CA2979
TOTALLY ENCLOSED FAN COOLED (TEFC) – 60 HZ			
MOTOR, 200V	24CA2984	24CA2988	24CA2992
MOTOR, 230V	24CA3021	24CA3022	24CA3023
MOTOR, 460V	24CA3021	24CA3022	24CA3023
MOTOR, 575V	24CA2987	24CA2991	24CA2995
TOTALLY ENCLOSED FAN COOLED (TEFC) – 60 HZ – HIGH EFFICIENCY			
MOTOR, 200V	24CA2996	24CA3000	24CA3004
MOTOR, 230V	24CA3024	24CA3025	24CA3026
MOTOR, 460V	24CA3024	24CA3025	24CA3026
MOTOR, 575V	24CA2999	24CA3003	24CA3007

**MOTOR GROUP
AIR COOLED FAN MOTOR (COOLING MODULE)
(TEFC, 3 HP, 1.33 S.F., 1200 RPM, 60 HZ)**

VOLTAGE	PART NO.
MOTOR, 200V	24CA4259
MOTOR, 230V	24CA4260
MOTOR, 460V	24CA4260
MOTOR, 575V	24CA4261

**WATER COOLED FAN MOTOR (ENCLOSURE VENT FAN)
(TEFC, 1.0 S.F., 1200 RPM, 60 HZ)**

VOLTAGE	PART NO.
MOTOR, 200V	24CA4177
MOTOR, 230V	24CA2464
MOTOR, 460V	24CA2464
MOTOR, 575V	24CA4178

IDENTIFICATION AND INSTRUCTION GROUP

**B/M: 300EBM4011
300EAP4011**

Name of Part	Qty.	Part No.
DECAL, OPERATING & MAINTENANCE	1	217ECM077
DECAL, WARNING.....	1	227EAQ077
DECAL, PARTS LIST/SERVICE MANUAL #.....	1	204EDE077
DECAL, WARNING – ELECTRICAL SHOCK.....	1	314EAQ077
DECAL, DANGER – HOT OIL UNDER PRESSURE	1	212EAQ077
DECAL, WARNING – INSPECT OIL RESERVOIR.....	1	217EAQ077
DECAL, NOTICE – USE GARDNER DENVER PARTS	1	214EAQ077
DECAL, NOTICE – USE GARDNER DENVER PARTS.....	1	212ECM077
DECAL, CAUTION – DO NOT LIFT	2	208EAQ077
DECAL, WARNING – ROTATING MACHINERY	1	211EAQ077
DECAL, DANGER – DO NOT BREATHE.....	1	206EAQ077
DECAL, GARDNER DENVER LOGO	1	69F18
DECAL, HEAT EXCHANGER “IN”	1	200ESP077
DECAL, HEAT EXCHANGER “OUT”	1	201ESP077
DECAL, ELECTRA-SAVER II LOGO	1	201ECP077
DECAL, ELECTRA-SAVER II LOGO	1	200ECP077
DECAL, ELECTRA-SAVER LOGO	1	202EAP077
DECAL, ELECTRA-SAVER LOGO	1	201EAP077
DECAL	1	69F64
DECAL	1	240EAQ077
DECAL	1	251EAQ077
TAG-INSTRUCTION.....	1	300EAQ304
TAG-INSTRUCTION.....	1	301EAQ304
POCKET.....	1	200EAQ1304

REPAIR KITS

Your Gardner Denver rotary screw compressor is designed and manufactured for many years of reliable operation. All components are engineered to exacting specifications, which will function together as a system to provide maximum efficiency. To insure the continuing integrity of compressor operation, use only original quality genuine Gardner Denver replacement parts and accessories.

Name of Part	Qty.	Part No.
ROUTINE MAINTENANCE KIT (Heavy Duty Air Filter).....		202ECM6013
ELEMENT, AIR FILTER	2	2116713
ELEMENT, OIL FILTER.....	3	2116110
SEPARATOR KIT		208EAP6013
OIL SEPARATOR.....	1	200ECM035
GASKET	1	25C1788N
LUBRICANT	1	2116755
PNEUMATIC CONTROLS & GAUGES.....		302EAQ6013
CHECK VALVE	2	90AR261
CONTROL VALVE.....	1	90AR1034
CONTROL VALVE.....	1	90AR1082
PRESSURE REGULATOR	1	88H139
PRESSURE GAUGE	1	2116732
ELECTRICAL CONTROL KIT		206EAP6013
SOLENOID VALVE.....	1	91B70
SOLENOID VALVE.....	1	91B80
SOLENOID VALVE.....	1	91B81
THERMISTOR PROBE	2	21D264
TRANSDUCER	2	88H242
VACUUM SWITCH	1	88H195
TURNVALVE ACTUATOR O-RING KIT – EAM ONLY.....		307EAQ6013
O-RING (Top of Stem).....	2	25BC738
O-RING (Body to Manifold, Large).....	2	25BC37
O-RING (Body to Manifold, Small).....	2	25BC35
O-RING (Tube).....	2	2009224
LUBRICANT (AEON 9000 SP)		
5 GALLON PAIL.....	1	28H109
55 GALLON DRUM.....	1	28H110
TOUCH-UP PAINT (WHITE)		
5 GALLON PAIL.....	1	28H76
1 GALLON CAN.....	1	28H84
1 QUART CAN.....	1	28H83
WATER TEMPERATURE REGULATOR (Optional).....	1	90AR326
MAGNETIC WATER SHUTOFF VALVE – NEMA 4 (Optional).....	1	ECH75596
AIR COOLED FIELD INSTALLED ENCLOSURE KIT	1	282ECM4017
AIR COOLED FIELD INSTALLED ENCLOSURE KIT	1	283ECM4017
AIREND REPAIR KITS (Refer to page 1 for selection)		
PERIODIC MAINTENANCE KIT		302SSM6013
O-RING	1	25BC447
SPRING.....	1	78G19
SPRING.....	1	78W63
O-RING	1	25AM29
RING-RETAINING	1	74D88
GASKET (ELIMINATOR).....	1	25BC222

REPAIR KITS (CONTINUED)

Name of Part	Qty.	Part No.
		320SSM6013
ROLLER BEARING	1	12BA92
ROLLER BEARING	1	12BA197
ROLLER BEARING	1	12W34
ROLLER BEARING	1	12BA93
SPRING.....	1	78W97
		319SSM6013
O-RING (Inlet Bearing Cover to Cylinder)	1	25BC696
O-RING (Discharge to Cylinder Flange)	1	25BC631
O-RING (Discharge to Cylinder Flange)	1	25BC684
O-RING (Discharge Housing to Cover)	1	25BC690
O-RING (Discharge Housing to Cover).....	1	25BC687
O-RING (Cover to Oil Pump or Cover)	1	25BC242
SHIM (Bearing Retainer, Female Rotor).....	1	77H57
SHIM (Bearing Retainer, Male Rotor, Less Pump).....	1	77H56
		322SSH6013
SLEEVE	1	80M12
OIL SEAL	1	60DD679
OIL SEAL	1	60DD690
O-RING (Seal Housing)	1	25BC242
O-RING (Seal Housing).....	1	25BC157
O-RING (Seal Housing).....	1	25BC683
VALVE-CHECK.....	1	90AR923
		329SSH6013
ROLLER BEARING	1	12C77
ROLLER BEARING	1	12BA172
SPRING-WAVE	1	78W78
KEY	1	35C114
PACKING-RING.....	4	60AM46
SEAL-FASTENER	2	60DD65
GASKET.....	4	25BC138N
BUMPER.....	2	32E15
PLATE-RETAINING.....	2	300SSU168
RING RETAINING	1	74D49
SEAL-FASTENER	2	60DD801
		321SSM6013
SHIM SET	1	77H56
SHIM SET	1	77H57
GASKET ELIMINATOR.....	1	25BC222
		326SSH6013
ROLLER BEARING	1	12BA91
ROLLER BEARING	1	12BA196
ROLLER BEARING	1	12BA130
ROLLER BEARING	1	12BA136
SPRING-WAVE	1	78W96
		327SSH6013
SHIM SET	1	77H54
SHIM SET	1	77H53
GASKET ELIMINATOR.....	1	25BC222

REPAIR KITS (CONTINUED)

Name of Part	Qty.	Part No.
WEAR SLEEVE	1	302SSH6013
OIL SEAL	1	80M12
OIL SEAL	1	60DD679
O-RING	1	60DD690
O-RING	1	8502140
O-RING	1	25BC165
GASKET ELIMINATOR	1	25BC222
VALVE-CHECK	1	90AR923
WEAR SLEEVE INSTALLATION/REMOVAL KIT (All SSH & SSM AIRENDS).....	1	200SSH4017
WEAR SLEEVE PULLER	1	200SSH219
PLATE PULLER	1	200SSH340
SCREW	1	75LM192
SCREW	1	655ED120
SCREW	2	75D176
GUIDE	1	200SSH450
TOOL	1	200SSH074
ROLLER BEARING	1	323SSP6013
ROLLER BEARING	1	12BA105
ROLLER BEARING	1	12BA198
ROLLER BEARING	1	12BA104
ROLLER BEARING	1	12BA103
SPRING	1	78W98
SHIM SET	1	324SSP6013
SHIM SET	1	77H63
SHIM SET	1	7H62
GASKET ELIMINATOR	1	25BC222
O-RING	1	300SSP6013
O-RING	1	8502140
O-RING	1	25BC380
OIL SEAL	1	60DD692
OIL SEAL	1	60DD693
WEAR SLEEVE	1	200SSP1458
GASKET ELIMINATOR	1	25BC222
VALVE CHECK	1	90AR923
PERIODIC OVERHAUL KIT – TURNVALVE (EAP ONLY)		325SSP6013
ROLLER BEARING	2	12BA51
KEY	1	35C114
SPRING	1	78W50
PACKING RING	4	60AM46
GASKET	4	25BC138N
SEAL FASTENER	2	60DD801
BUMPER	2	32E15
RETAINER PLATE	2	300SSU168
RETAINING RING	2	74D49
SEAL FASTENER	2	60DD65
WEAR SLEEVE INSTALLATION/REMOVAL KIT (All SSP AIRENDS)		200SSP4017
PULLER	1	200SSP219
PLATE-PULLER	1	200SSP340
SCREW	1	75LM192
SCREW	1	655ED120
SCREW	2	75D177
GUIDE	1	200SSP450
TOOL	1	200SSP074

Gardner Denver

Specifications subject to change without notice.

Copyright © 1999 Gardner Denver, Inc.

Litho in U.S.A.

<http://www.gardnerdenver.com>

mktg@gardnerdenver.com

For additional information contact your local representative or



Gardner Denver Compressor and Pump Division,
1800 Gardner Expressway, Quincy, Illinois 62301
Customer Service Department Telephone:
(800) 682-9868 FAX: (217) 224-7814

Sales and Service in all major cities.

For parts information, contact Gardner Denver,
Master Distribution Center, Memphis, TN
Telephone: (800) 245-4946 FAX: (901) 542-6159