
GARDNER DENVER®

13-9-567
Version: 02
August 28, 2001

ELECTRA-SAVER®

ELECTRA-SAVER II®

BASE-MOUNTED COMPRESSOR

AUTO SENTRY® -- ES+ CONTROLS

AUTO SENTRY® -- ES CONTROLS

MODELS

EAH99A – 50 HP

EBH99D – 40 HP & 50 HP

60 HZ

PARTS LIST

Gardner

Denver

**MAINTAIN COMPRESSOR RELIABILITY AND PERFORMANCE WITH
GENUINE GARDNER DENVER® COMPRESSOR
PARTS AND SUPPORT SERVICES**

Gardner Denver® Compressor genuine parts, manufactured to design tolerances, are developed for optimum dependability – specifically for Gardner Denver compressor systems. Design and material innovations are the result of years of experience with hundreds of different compressor applications. Reliability in materials and quality assurance is incorporated in our genuine replacement parts.

Your authorized Gardner Denver Compressor distributor offers all the backup you'll need. A worldwide network of authorized distributors provides the finest product support in the air compressor industry. Your local authorized distributor maintains a large inventory of genuine parts and he is backed up for emergency parts by direct access to the Master Distribution Center (MDC) in Memphis, Tennessee.

Your authorized distributor can support your Gardner Denver air compressor with these services:

1. Trained parts specialists to assist you in selecting the correct replacement parts.
2. Factory warranted new and remanufactured rotary screw airends. Most popular model remanufactured airends are maintained in stock at the Remanufacturing Center in Indianapolis, IN., for purchase on an exchange basis with liberal core credit available for the replacement unit.
3. A full line of factory tested AEON™ compressor lubricants specifically formulated for use in Gardner Denver compressors.
4. Repair and maintenance kits designed with the necessary parts to simplify servicing your compressor.

Authorized distributor service technicians are factory trained and skilled in compressor maintenance and repair. They are ready to respond and assist you by providing fast, expert maintenance and repair services.

For the location of your local authorized Gardner Denver Air Compressor distributor, refer to the yellow pages of your phone directory or contact:

Distribution Center:

Gardner Denver
Master Distribution Center
5585 East Shelby Drive
Memphis, TN 38141

Phone: (901) 542-6100
(800) 245-4946

Fax: (901) 542-6159

Factory:

Gardner Denver
1800 Gardner Expressway
Quincy, IL 62301

Phone: (217) 222-5400

Fax: (217) 224-7814

INSTRUCTIONS FOR ORDERING REPAIR PARTS

When ordering parts, specify Compressor MODEL, Method of Cooling, HORSEPOWER and SERIAL NUMBER (see nameplate on unit). The Serial Number is also stamped on top of the discharge bearing carrier casting.

All orders for Parts should be placed with the nearest authorized distributor.

Where NOT specified, quantity of parts required per compressor or unit is one (1); where more than one is required per unit, quantity is indicated in parenthesis. SPECIFY EXACTLY THE NUMBER OF PARTS REQUIRED.

DO NOT ORDER BY SETS OR GROUPS.

To determine the Right-Hand and Left-Hand side of a compressor, stand at the motor end and look toward the compressor. Right-Hand and Left- Hand are indicated in parenthesis following the part name, i.e. (RH) and (LH), when appropriate.

TOTAL PRODUCT SUPPORT – GARDNER DENVER'S CONTINUING COMMITMENT TO YOUR AIR COMPRESSOR PERFORMANCE

Commitment to total product support continues long after the purchase of your quality Gardner Denver rotary screw compressor.

Gardner Denver original parts incorporate years of experience and improvements in design, materials and quality assurance. Maintaining your compressor investment with Gardner Denver parts will insure protection for the air compressor unit and long, dependable service life.

Your authorized Gardner Denver compressor distributor maintains a complete stock of all common maintenance parts, factory approved AEON lubricants, and Gardner Denver factory warranted exchange airends. In addition, authorized distributor technicians are factory trained, and can provide complete diagnostic, compressor maintenance and repair services.

This manual is designed to assist you in maintaining high performance and receiving many years of dependable service you expect from your Gardner Denver compressor.

REMANUFACTURED AIRENDS

Whenever an airend requires replacement or repair, Gardner Denver offers an industry unique, factory remanufactured airend exchange program. From its modern Remanufacturing Center in Indianapolis, IN., Gardner Denver is committed to supplying you with the highest quality, factory remanufactured airends that are guaranteed to save you time, aggravation and money.

Immediately Available

Repair downtime costs you money, which is why there are over 200 remanufactured units in inventory at all times, ready for immediate delivery.

Skilled Craftsmen

Our Remanufacturing assembly technicians average over 20 years experience with air compression products.

Precision Remanufacturing

All potentially usable parts are thoroughly cleaned, inspected and analyzed. Only those parts that can be brought back to original factory specifications are remanufactured. Every remanufactured airend receives a new overhaul kit: bearings, gears, seals, sleeves and gaskets.

Extensive Testing

Gardner Denver performs testing that repair houses just don't do. Magnaflux and ultrasonic inspection spot cracked or stressed castings, monochromatic light analysis exposes oil leaks, and coordinate measurement machine inspects to +/- .0001", insuring that all remanufactured airends meet factory performance specifications.

Warranty

Gardner Denver backs up every remanufactured airend with a new warranty...18 months from purchase, 12 months from service.

Gardner Denver remanufactured airends deliver *quality without question...year in and year out.*

Call Gardner Denver for information on the airend exchange program and the name of your authorized distributor.

Phone Number: 800-245-4946 or
Fax: 901-542-6159

TABLE OF CONTENTS

Maintain Compressor Reliability And Performance With Genuine Gardner Denver Compressor Parts And Support Services.....	i
Instructions For Ordering Repair Parts	i
Total Product Support – Gardner Denver's Continuing Commitment To Your Air Compressor Performance.....	ii
Remanufactured Airends	ii
Airend Selection And Repair Kits	1
Bare Compressor – EAH.....	2, 3
Oil Seal Detail – EAH Only.....	4
Flange Motor Adaptor - EAH Only.....	5
Cover Assembly – EAH Only	6
Discharge Bearing Housing – EAH Only	7
Automatic Turn Valve – EAH Only	8
Discharge Bearing Oil Line – EAH Only	9
Bare Compressor – EBH.....	11
Oil Seal Detail – EBH Only.....	12
Inlet Valve	13
Air Filter.....	14
Oil Reservoir.....	15
Oil Separator Housing.....	16
Oil Return Line.....	17
Discharge Manifold	18
Oil Piping.....	19
Air Cooled Discharge Piping	20
Final Discharge Piping	21
Water Cooled Heat Exchanger (With Aftercooler).....	22, 23
Water Cooled Heat Exchanger (Without Aftercooler).....	24, 25
Oil Filter.....	26
Thermal Valve (Thermostatic Mixing).....	27
Minimum Pressure Valve	28
Turn Valve Solenoid Valve (EAH Units Only)	29
Control Tubing Schematic.....	30, 31
Controller Assembly – Full Voltage Starters	32, 33
Controller Assembly – Wye Delta Starters.....	34, 35
Controller Assembly – Without Starter.....	36, 37
Controller Assembly.....	38
Miscellaneous Electrical Parts.....	39
Base Group	40
Motor Group (Main Drive Motors).....	41
Enclosure Group Common Parts - Air/Water Cooled	42
Water Cooled Enclosure Panels.....	43
Air Cooled Enclosure Panels.....	44
Enclosure Hardware	45
Vent Fan Group (Water Cooled Enclosed)	46, 47
Overload Relay Heater Conversion Listing.....	48
Identification And Instruction Group.....	49
Repair Kits.....	50-52

For Operating and Service Instructions, see:

SERVICE MANUAL:	13-910-641
CONTROLLER MANUAL:	13-910-647

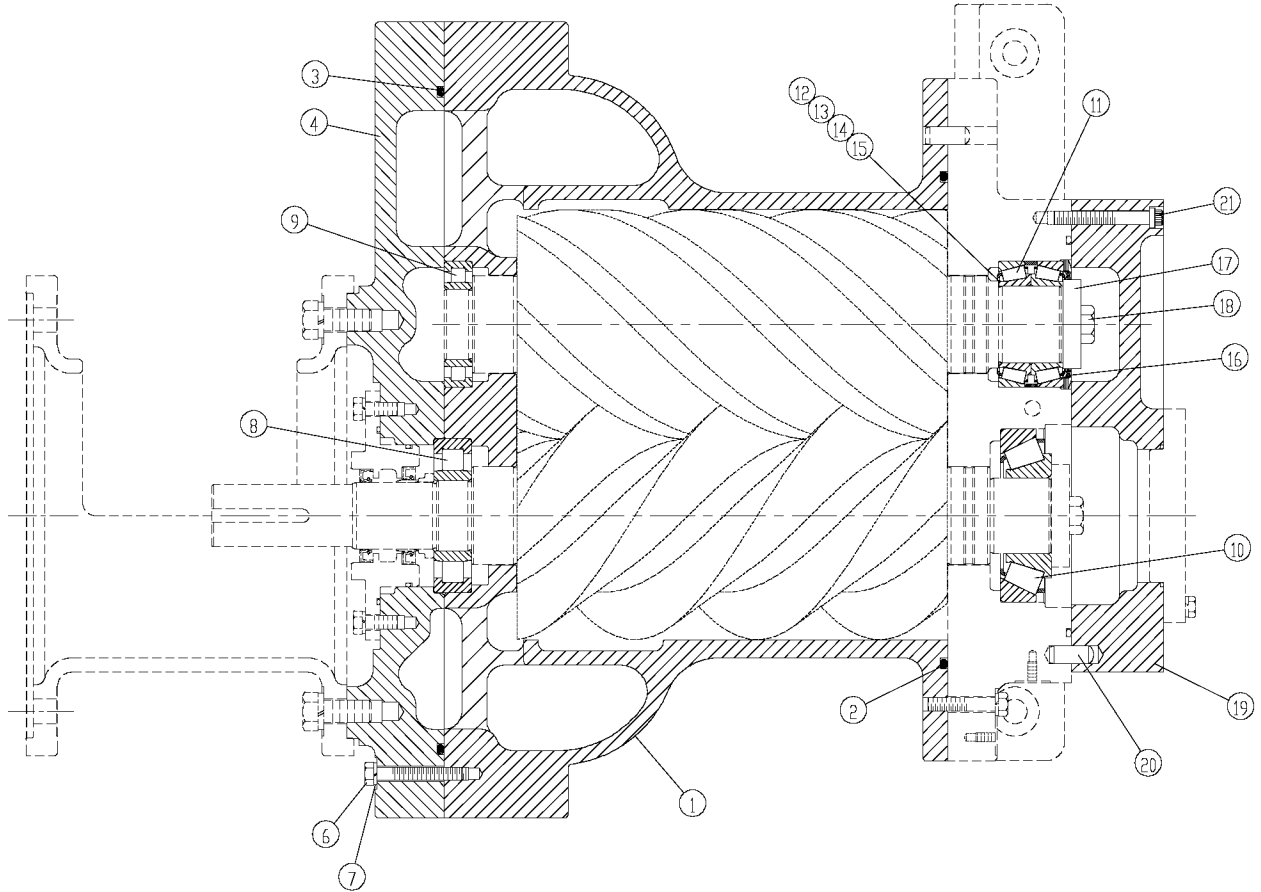
AIREND SELECTION AND REPAIR KITS

Model	HP	PSI	Airend w/Inlet Valve	Airend w/Inlet Valve	Bearing Kit *	Gasket Kit	Inlet Valve Kit	TurnValve Kit	Drive Shaft Seal Kit	Drive Shaft Wear Sleeve Removal & Installation Kit
EBH	40	100	SSHCBJ03	SSHCBJ03X	326SSH6013	327SSH6013	302EBE6013		302SSH6013	200SSH4017
			SSHCBJ04	SSHCBJ04X	326SSH6013	327SSH6013	302EBE6013		302SSH6013	200SSH4017
	50	100	SSHCBJ01	SSHCBJ01X	326SSH6013	327SSH6013	302EBE6013		302SSH6013	200SSH4017
EAH	50	100	SSHCBJ02	SSHCBJ02X	326SSH6013	327SSH6013	302EBE6013		302SSH6013	200SSH4017
			SSHCBJ03	SSHCBJ03X	326SSH6013	327SSH6013	302EBE6013		302SSH6013	200SSH4017
	125	100	SSHABB01	SSHABB01X	307SSH6013	321SSH6013	302EBE6013	329SSH6013	322SSH6013	200SSH4017
	125		SSHABB01	SSHABB01X	307SSH6013	321SSH6013	302EBE6013	329SSH6013	322SSH6013	200SSH4017

* When ordering Bearing Kits, also order Gasket Kit and Drive Shaft Seal Kit.

For listing of Repair Parts included in Kit numbers above, see Repair Kit Section page 50-52.

BARE COMPRESSOR – EAH



**304SSH810-B
(Ref. Drawing)**

Order by Part Number and Description. Reference Numbers are for your convenience only.

BARE COMPRESSOR – EAH

B/M: 307SSH4049

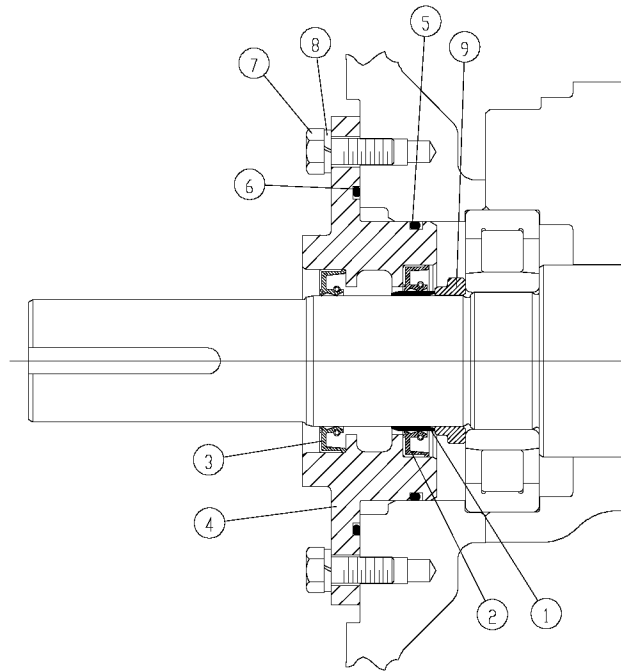
Ref. No.	Name of Part	Qty.	Part No.
1	CYLINDER-AIR (TURN VALVE).....	1	***
** 2	O-RING	1	25BC693
** 3	O-RING	1	25BC695
4	PLATE-BEARING COVER (INLET END)	1	***
6	SCREW	21	***
7	LOCKWASHER.....	21	***
* 8	BEARING-ROLLER.....	1	12BA119
* 9	BEARING-ROLLER.....	1	12BA118
* 10	BEARING-ROLLER.....	1	12BA91
* 11	BEARING-ROLLER.....	1	12BA196
** 12	SHIM.....	3	77H53002
** 13	SHIM.....	3	77H53003
** 14	SHIM.....	3	77H53005
** 15	SHIM.....	2	77H53015
* 16	SPRING	1	78W96
17	PLATE-BEARING RETAINER	1	***
18	SCREW	1	***
19	PLATE-BEARING COVER	1	***
20	PIN-DOWEL.....	2	***
21	SCREW	22	***
** 22	O-RING (Not shown)	1	25BC684
23	PLUG (Not shown)	1	***
24	PLUG (Not shown)	6	***
25	PLUG (Not shown)	1	***
26	PLUG (Not shown)	1	***

* Parts included in Bearing Kit Part Number 307SSH6013. Refer to page 51.

** Parts included in Gasket Kit Part Number 321SSH6013. Refer to page 51.

*** For reference only

Order by Part Number and Description. Reference Numbers are for your convenience only.



**306SSH810-A
(Ref. Drawing)**

OIL SEAL DETAIL – EAH ONLY

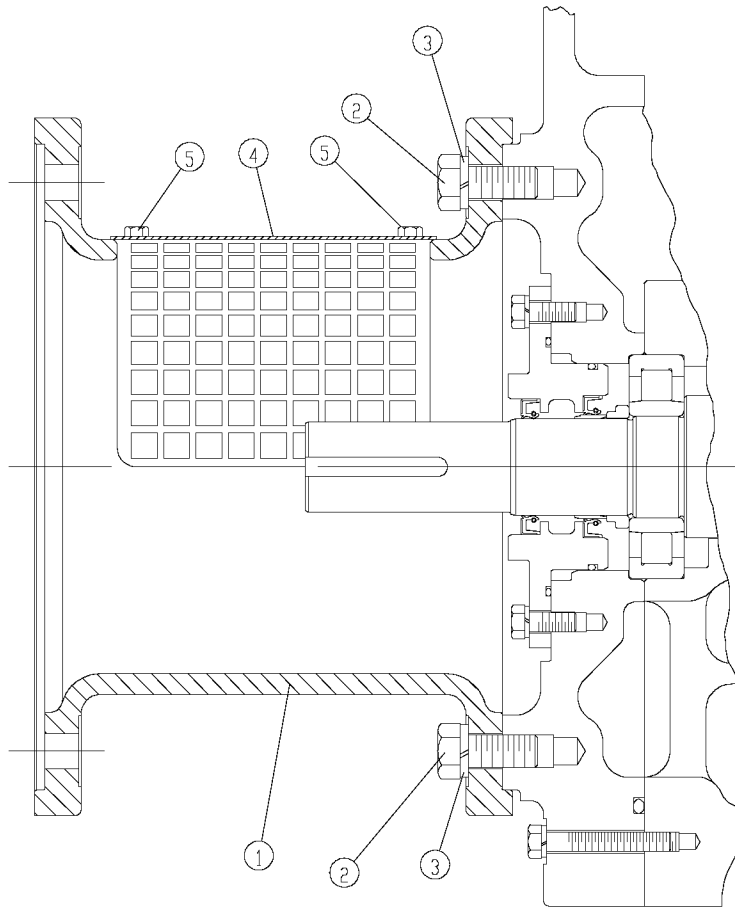
B/M: 302SSH6029

Ref. No.	Name of Part	Qty.	Part No.
* 1	SLEEVE-WEAR	1	80M12
* 2	SEAL-OIL.....	1	60DD679
* 3	SEAL-OIL.....	1	60DD690
4	HOUSING-SEAL (Drive Shaft-Lip Seal)	1	302SSH362
* 5	O-RING	1	25BC242
* 6	O-RING	1	25BC157
7	SCREW	8	655ED040
8	LOCKWASHER.....	8	95B3
9	SPACER-SHAFT (Drive Shaft-Lip Seal)	1	300SSH600
* 10	VALVE-CHECK (Not shown).....	1	90AR923
* 11	O-RING (Not shown)	1	25BC683

* Parts included in Drive Shaft Seal Kit Part Number 322SSH6013. Refer to page 51.

Note: For Wear Sleeve Installation/Removal Kit, see Part Number 200SSH4017.
Refer to page 52.

Order by Part Number and Description. Reference Numbers are for your convenience only.



310SSH810-A
(Ref. Drawing)

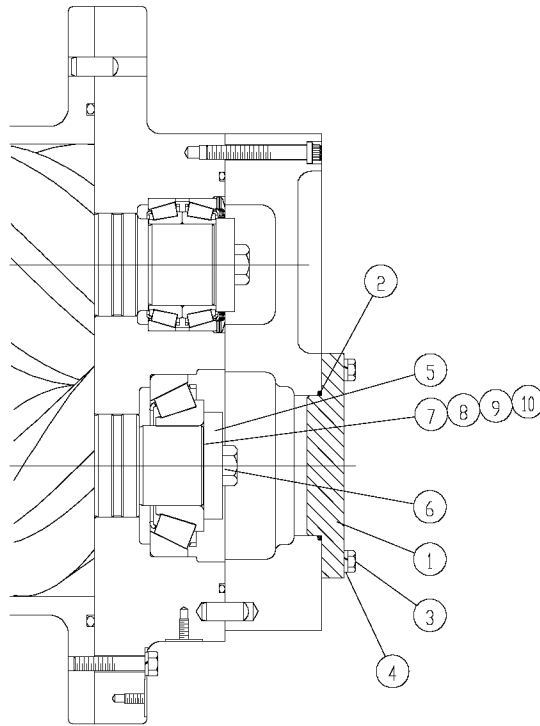
FLANGE MOTOR ADAPTOR - EAH ONLY

B/M: 304SSH4049

Ref. No.	Name of Part	Qty.	Part No.
1	ADAPTOR	1	300SSH170
2	SCREW	8	655EF060
3	LOCKWASHER.....	8	95B7
4	GUARD-COUPLING	1	300SSH339
5	SCREW	4	75LM150

Order by Part Number and Description. Reference Numbers are for your convenience only.

307SSH810-A
(Ref. Drawing)



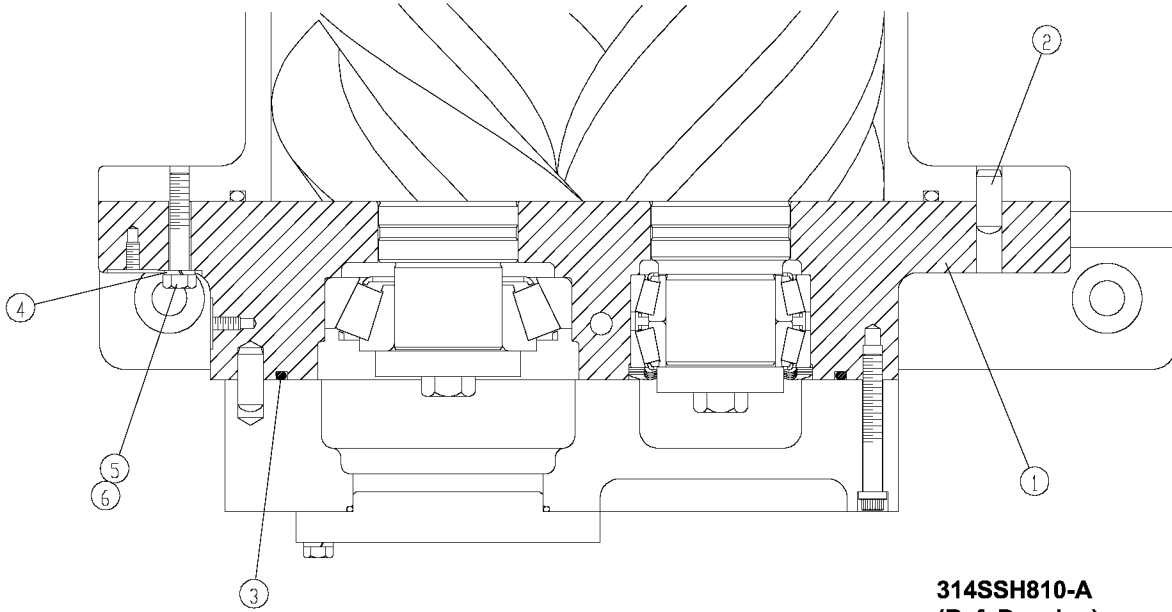
COVER ASSEMBLY – EAH ONLY

B/M: 300SSH4013

Ref. No.	Name of Part	Qty.	Part No.
1	COVER (LESS OIL PUMP)	1	301SSH225
* 2	O-RING	1	25BC242
3	SCREW	4	75A10
4	LOCKWASHER.....	4	95B2
5	PLATE-BEARING RETAINER	1	200SSM253
6	SCREW	1	655EF08N
* 7	SHIM.....	2	77H54015
* 8	SHIM.....	3	77H54005
* 9	SHIM.....	3	77H54003
* 10	SHIM.....	3	77H54002

* Parts included in Gasket Kit Part Number 321SSH6013. Refer to page 51.

Order by Part Number and Description. Reference Numbers are for your convenience only.



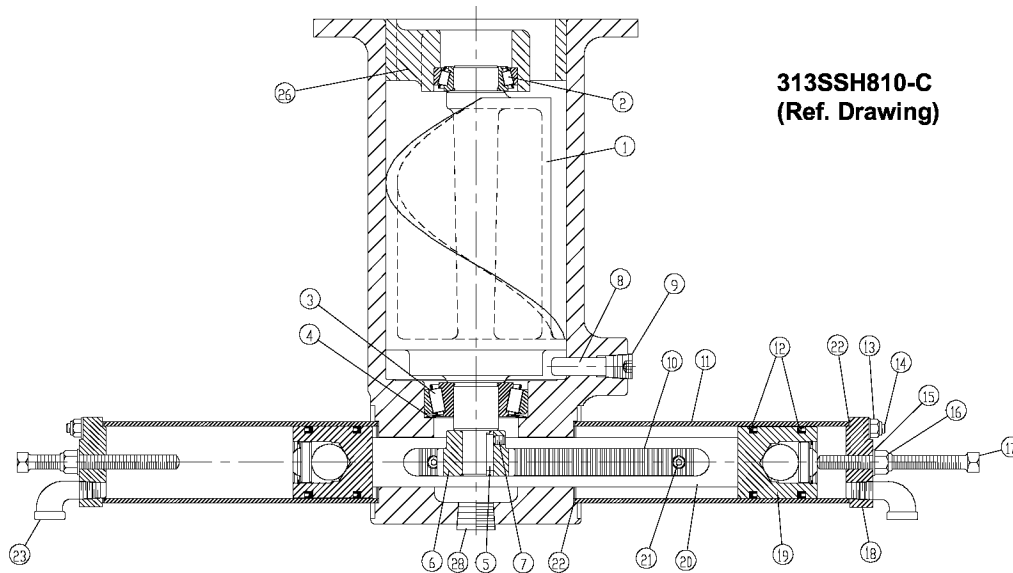
DISCHARGE BEARING HOUSING – EAH ONLY

B/M: 302SSH4044

Ref. No.	Name of Part	Qty.	Part No.
1	HOUSING-BEARING	1	303SSH006
2	PIN.....	2	62M83
* 3	O-RING.....	1	25BC688
4	LOCKWASHER.....	14	95B3
5	SCREW	14	655ED080
6	SCREW	2	75LM18
7	PLUG (Not shown).....	2	64AA5
8	PLUG (Not shown).....	1	64AA4
* 9	O-RING (Not shown)	1	25BC686

* Parts included in Gasket Kit Part Number 321SSH6013. Refer to page 51.

Order by Part Number and Description. Reference Numbers are for your convenience only.



313SSH810-C
(Ref. Drawing)

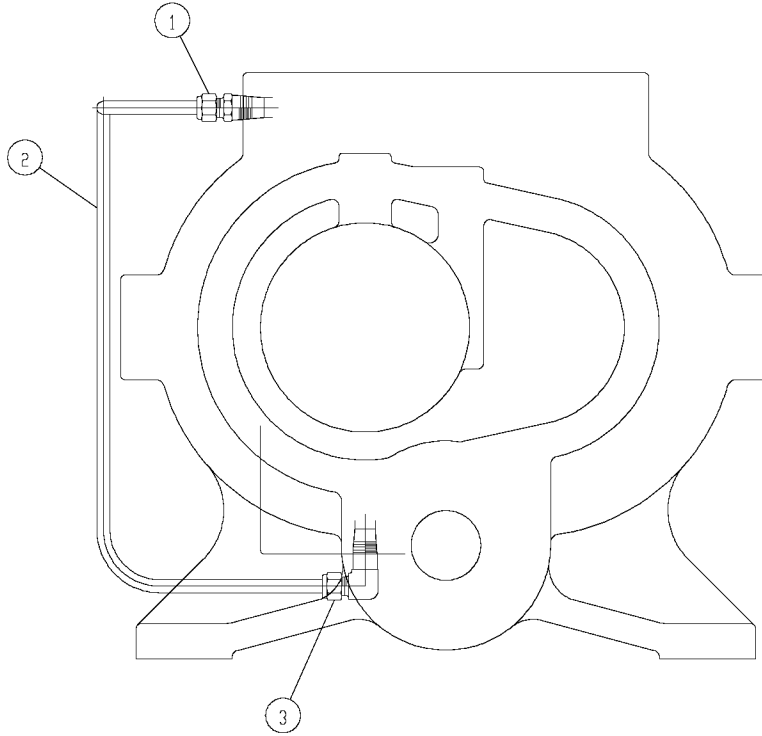
AUTOMATIC TURN VALVE – EAH ONLY

B/M: 303SSH4049

Ref. No.	Name of Part	Qty.	Part No.
1	VALVE.....	1	300SSH238
* 2	BEARING ROLLER.....	1	12C77
* 3	BEARING-ROLLER.....	1	12BA172
* 4	SPRING.....	1	78W78
* 5	KEY.....	1	35C114
6	GEAR-AUXILIARY.....	1	200SSU031
7	SCREW.....	1	76G21N
8	PIN.....	1	62M84
9	PLUG.....	1	64B1
10	RACK.....	1	200SSU360
11	CYLINDER-CONTROL.....	2	200SSU082
* 12	PACKING-RING.....	4	60AM46
13	NUT.....	8	50AW24
14	STUD.....	8	79AL5
* 15	SEAL.....	2	60DD801
16	NUT.....	2	50AW38
17	SCREW.....	2	76D49
18	HEAD-CONTROL CYLINDER.....	2	301SSY083
19	GROUP-PISTON (includes next four items).....	2	300SSU4056
	PISTON-CONTROL.....	1	201SSU084
* 20	BUMPER.....	1	32E15
* 21	PLATE-RETAINER.....	1	300SSU168
* 22	RING RETAINING.....	1	74D49
20	SHAFT-CONTROL.....	1	200SSU081
21	SCREW.....	2	75P11N
* 22	GASKET.....	4	25BC138N
23	NIPPLE.....	2	64D2G
26	HOUSING-BEARING INLET.....	1	302SSH006
28	PLUG.....	1	64B3

* Parts included in TurnValve Kit, Part Number 329SSH6013. Refer to page 52.

Order by Part Number and Description. Reference Numbers are for your convenience only.



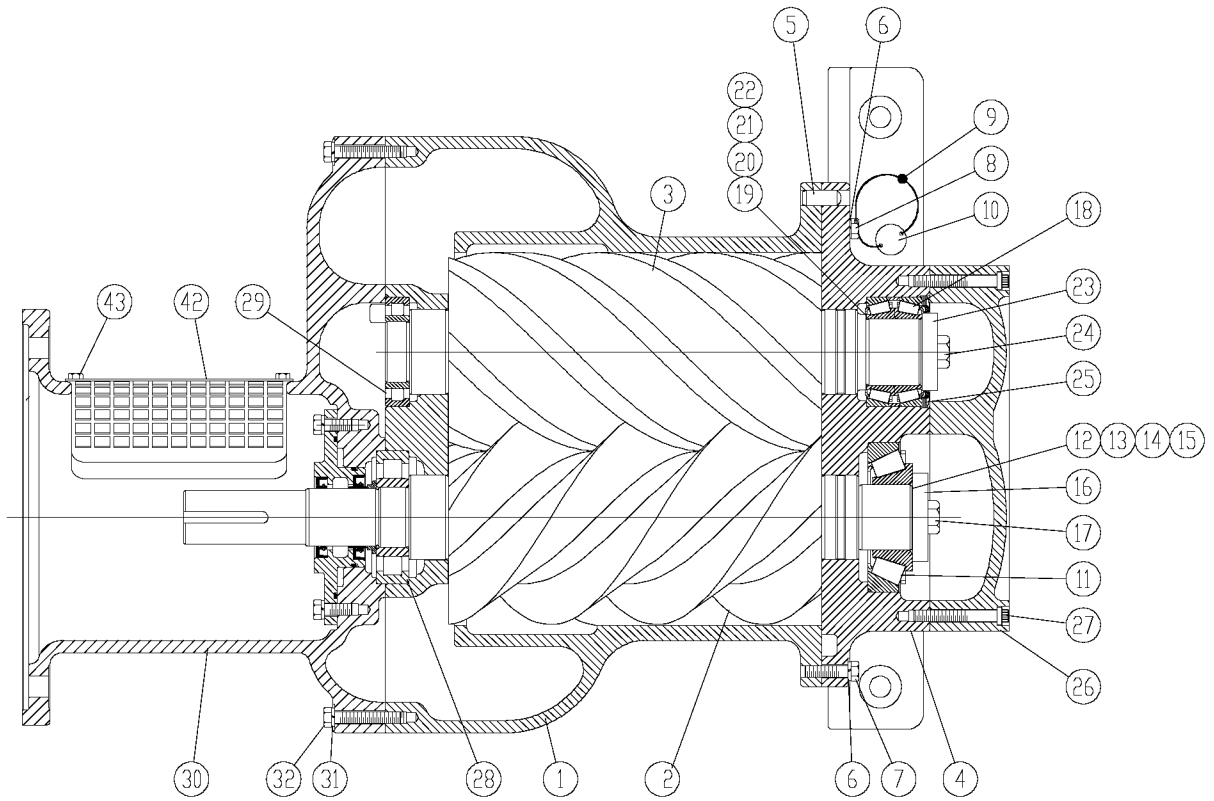
315SSF810-A
(Ref. Drawing)

DISCHARGE BEARING OIL LINE – EAH ONLY

B/M: 300SSH4012

Ref. No.	Name of Part	Qty.	Part No.
1	CONNECTOR-TUBE.....	1	86N327
2	TUBE	2	85K5
3	ELBOW TUBE.....	1	86N328

BARE COMPRESSOR – EBH



**207SSH810-C
(Ref. Drawing)**

Order by Part Number and Description. Reference Numbers are for your convenience only.

BARE COMPRESSOR – EBH

B/M: 200SSH4049

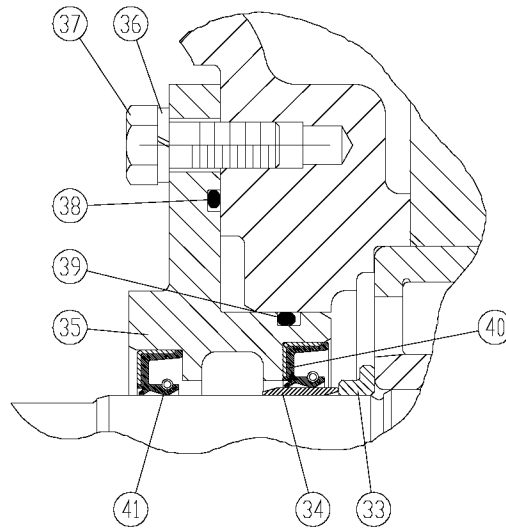
Ref. No.	Name of Part	Qty.	Part No.
1	CYLINDER	1	***
2	ROTOR	1	***
3	ROTOR	1	***
4	HOUSING-BEARING	1	***
5	PIN-DOWEL	2	***
6	LOCKWASHER	14	***
7	SCREW	10	***
8	SCREW	2	***
9	SEAL	1	***
10	TAG-INSTRUCTION	1	***
* 11	BEARING-ROLLER	1	12BA91
** 12	SHIM	2	77H54015
** 13	SHIM	3	77H54005
** 14	SHIM	3	77H54003
** 15	SHIM	3	77H54002
16	PLATE-BEARING RETAINER	1	***
17	SCREW	1	***
* 18	BEARING-ROLLER	1	12BA196
** 19	SHIM	2	77H53015
** 20	SHIM	3	77H53005
** 21	SHIM	3	77H53003
** 22	SHIM	3	77H53002
23	PLATE-BEARING RETAINER	1	***
24	SCREW	1	***
* 25	SPRING	1	78W96
26	PLATE-BEARING COVER	1	***
27	SCREW	18	***
* 28	BEARING-ROLLER	1	12BA130
* 29	BEARING-ROLLER	1	12BA136
30	ADAPTOR	1	***
31	LOCKWASHER	16	***
32	SCREW	16	***
42	GUARD COUPLING	1	***
43	SCREW	4	***
44	PLUG (Not shown)	4	64AA5
45	PLUG (Not shown)	1	64AA6
46	PLUG (Not shown)	1	64AC1
47	PLUG (Not shown)	1	64AC2
** 48	GASKET-ELIMINATOR (Not shown)	1	25BC222
49	SCREW (Not shown)	2	655ED080
50	PLUG (Not shown)	2	64AA5

* Parts included in Bearing Kit Part Number 326SSH6013. Refer to page 52.

** Parts included in Gasket Kit Part Number 327SSH6013. Refer to page 52.

*** Shown for reference only.

Order by Part Number and Description. Reference Numbers are for your convenience only.



207SSH810-C
(Ref. Drawing)

OIL SEAL DETAIL – EBH ONLY

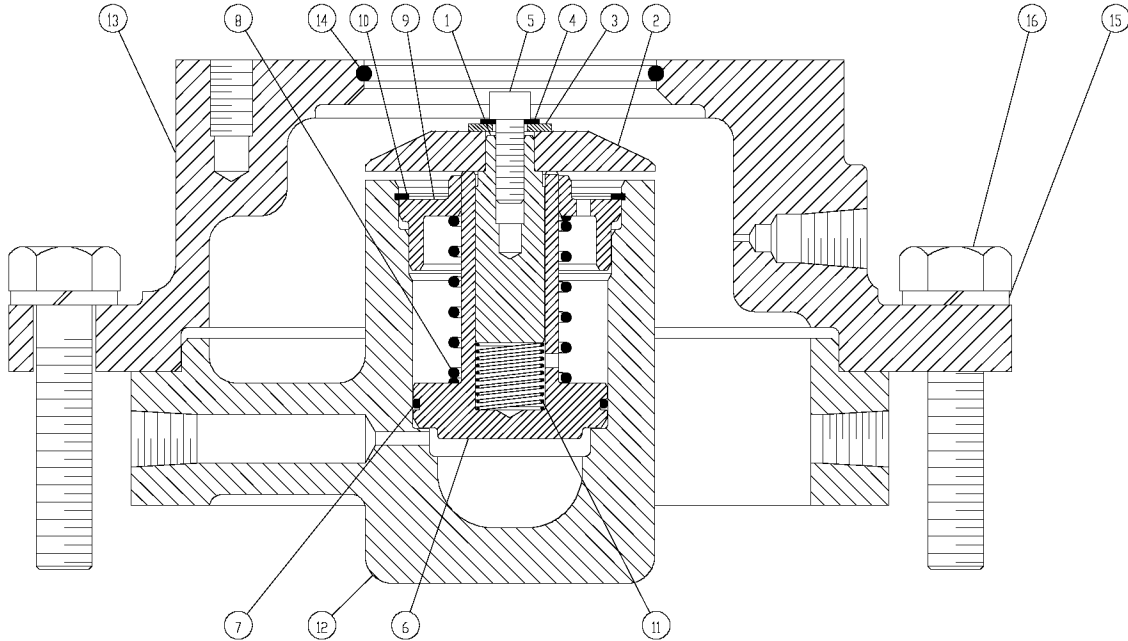
B/M: 200SSH4049

Ref. No.	Name of Part	Qty.	Part No.
33	SPACER-SHAFT.....	1	200SSH600
* 34	SLEEVE-WEAR.....	1	80M12
35	HOUSING-SEAL.....	1	202SSH362
36	LOCKWASHER.....	8	95B3
37	SCREW.....	8	655ED050
* 38	O-RING.....	1	8502140
* 39	O-RING.....	1	25BC165
* 40	SEAL-OIL.....	1	60DD679
* 41	SEAL-OIL.....	1	60DD690
*	CHECK VALVE (Not shown).....	1	90AR923

* Parts included in Oil Seal Kit, Part Number 302SSH6013. Refer to page 52.

Note: For Wear Sleeve Installation/Removal Kit, see Part Number 200SSH4017.
Refer to page 52.

Order by Part Number and Description. Reference Numbers are for your convenience only.



209SSE810-B
(Ref. Drawing)

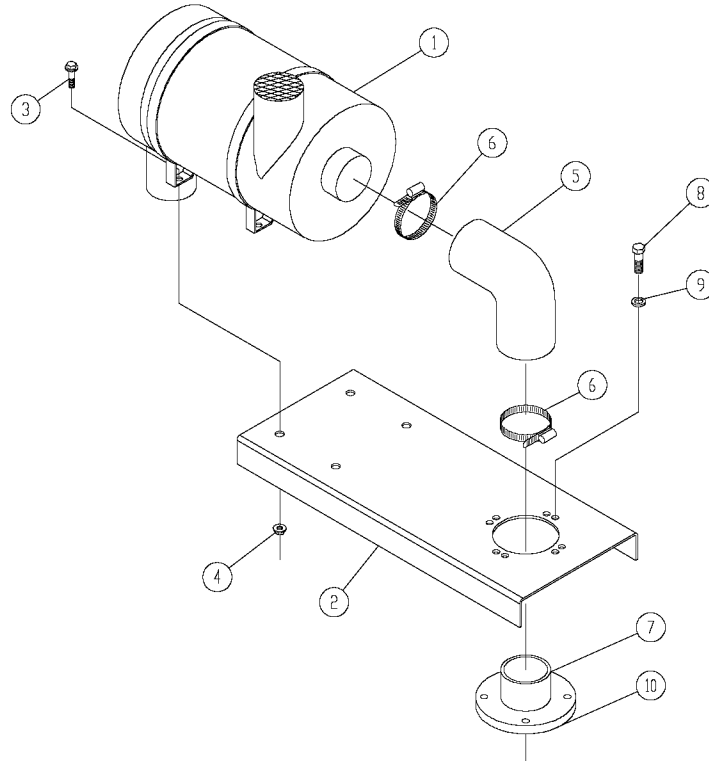
INLET VALVE

B/M: 200SSE4030

Ref. No.	Name of Part	Qty.	Part No.
1	GUIDE-VALVE	1	201SSE483
2	VALVE-INLET	1	202SSE044
3	WASHER	1	95A1
4	LOCKWASHER.....	1	95H56
5	SCREW	1	655EC03N
6	PISTON-INLET VALVE	1	202SSE043
* 7	O-RING	1	25BC440
* 8	SPRING	1	78H22
9	RETAINER.....	1	200SSE205
* 10	RING-RETAINING.....	1	74D87
* 11	SPRING	1	78W59
12	HOUSING-INLET	1	205SSE041
13	SEAT	1	204SSE256
* 14	O-RING.....	1	25AM15
15	LOCKWASHER.....	8	95B5
16	SCREW	8	655EE100

* Parts included in Periodic Maintenance Part Number 302EBE6013. Refer to page 51.

Order by Part Number and Description. Reference Numbers are for your convenience only.



238EDE810-A
(Ref. Drawing)

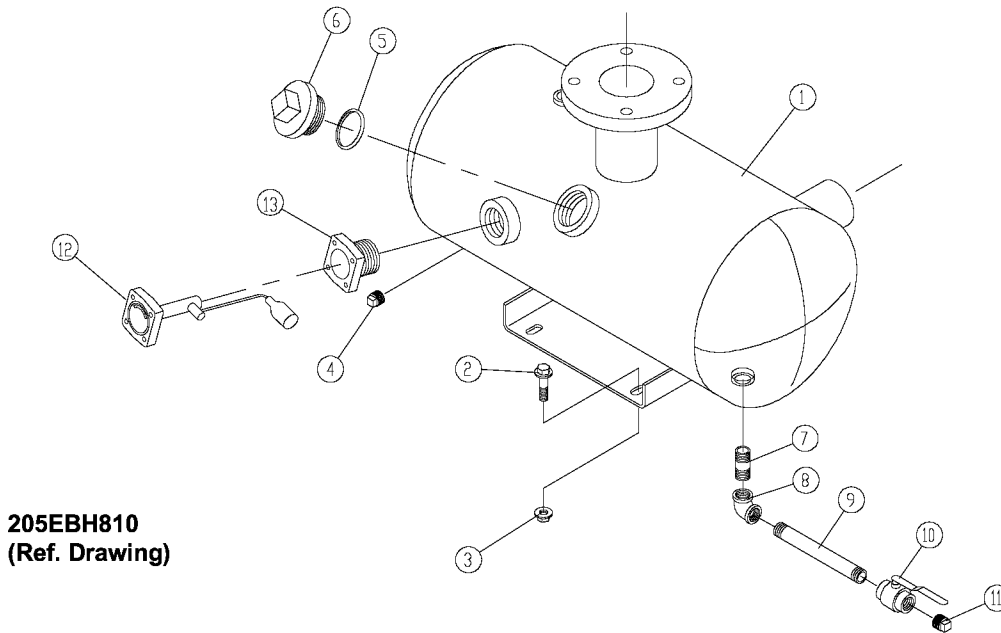
AIR FILTER

B/M: 200EDE4054

Ref. No.	Name of Part	Qty.	Part No.
1	FILTER-AIR.....	1	5L260
2	BRACKET-FILTER.....	1	203EDE389
3	SCREW	4	75LM50
4	NUT	4	50AW4
5	HOSE.....	1	29Z108
6	CLAMP.....	2	29B36
7	ADAPTOR-FILTER.....	1	200EDE070
8	SCREW	4	655ED080
9	LOCKWASHER.....	4	95B3
10	GASKET-ELIMINATOR	1	25BC222
*	ELEMENT-AIR FILTER (For Repair).....	1	2116701

* Not shown

Order by Part Number and Description. Reference Numbers are for your convenience only.



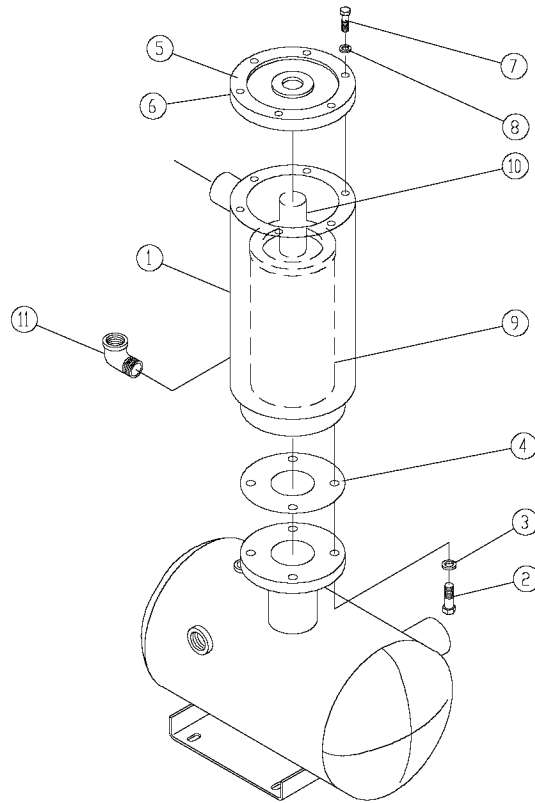
OIL RESERVOIR

B/M: 200EBH4018

Ref. No.	Name of Part	Qty.	Part No.
1	RESERVOIR-OIL	1	200EBH037
2	SCREW	4	75LM135
3	NUT	4	50AW35
4	PLUG	1	64AA5
5	O-RING	1	54C214
6	COVER-FILLER	1	200SPF156
7	NIPPLE	1	63F2G
8	ELBOW	1	64C4G
9	NIPPLE	1	63F16G
10	VALVE-BALL.....	1	90AR360
11	PLUG	1	64AA7
* 12	GAUGE-FLOAT.....	1	300EBH303
13	ADAPTOR-GAUGE	1	200EDE058

* For Repair: Float Gauge Gasket – order Part Number 54C204.

Order by Part Number and Description. Reference Numbers are for your convenience only.



246ECH810-C
(Ref. Drawing)

OIL SEPARATOR HOUSING

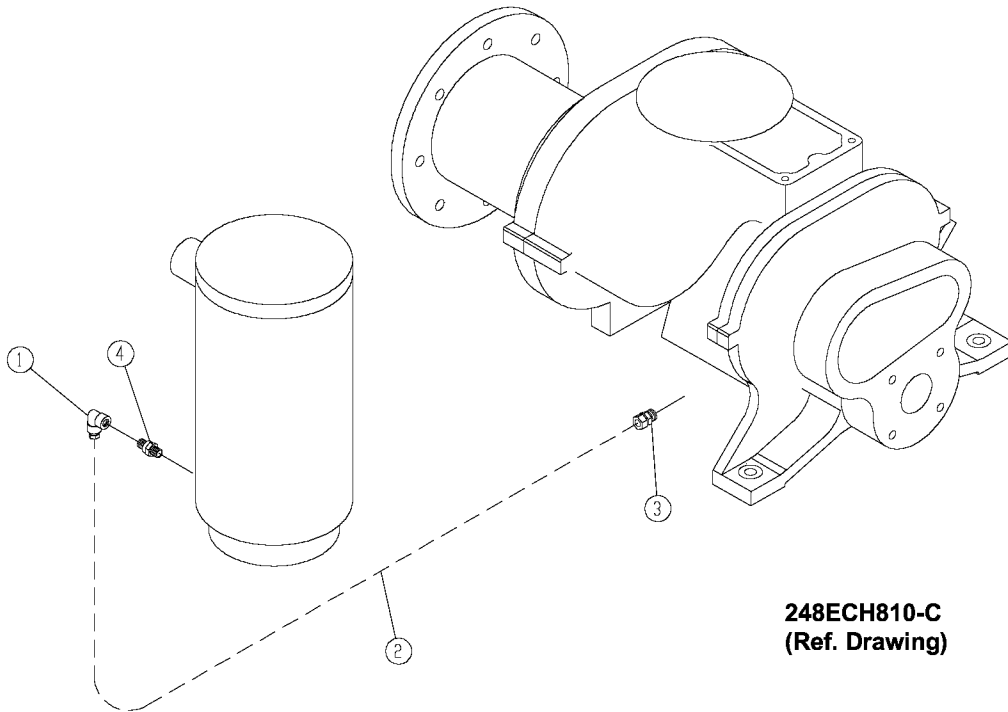
B/M: ECH81760

Ref. No.	Name of Part	Qty.	Part No.
1	HOUSING	1	200ECH405
2	SCREW	4	655EF080
3	LOCKWASHER.....	4	95B7
4	GASKET	1	25C802
5	COVER.....	1	203ECM225
6	GASKET-ELIMINATOR.....	1	25BC222
7	SCREW	6	655EE070
8	LOCKWASHER.....	6	95B5
9	SEPARATOR-AIR/OIL.....	1	200ECH035
10	SPACER.....	1	200ECH392
11	ELBOW	1	64D10G

NOTE: For Separator Repair Kit, order Part Number 200ECH6013. Refer to page 50.

Relief Valves (Not shown):
 100 PSI 90AR381
 125 PSI 90AR382
 150 PSI 90AR146

Order by Part Number and Description. Reference Numbers are for your convenience only.



**248ECH810-C
(Ref. Drawing)**

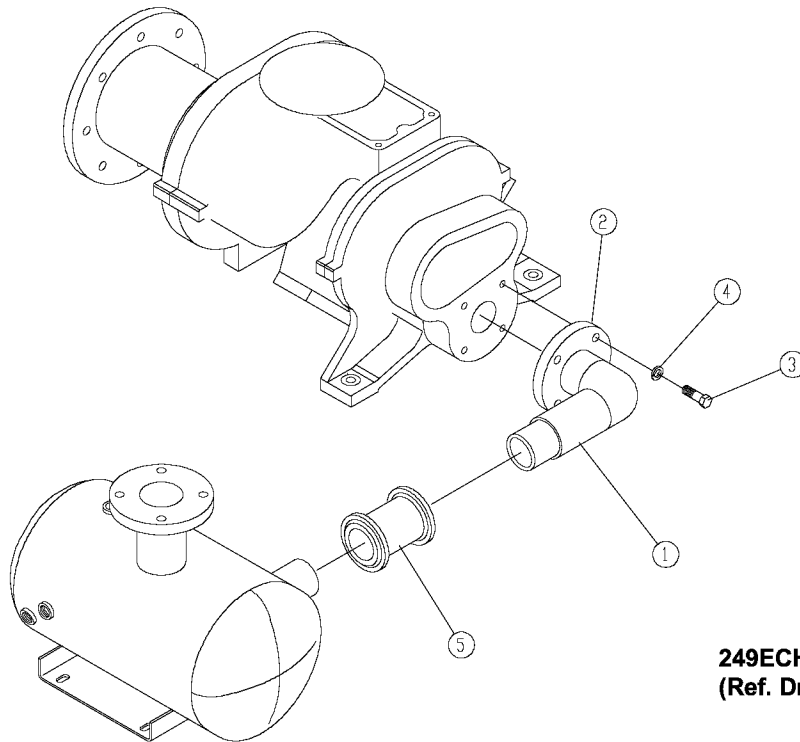
OIL RETURN LINE

B/M: ECH81762

Ref. No.	Name of Part	Qty.	Part No.
1	ELBOW-TUBE.....	1	86E193
2	TUBE	10 Ft.	85K3
3	CONNECTOR-TUBE.....	1	86E4
* 4	VALVE-CHECK.....	1	90AR261

* Part included in Pneumatic Control Kit, Part Number 302EAQ6013. Refer to Page 50.

Order by Part Number and Description. Reference Numbers are for your convenience only.



249ECH810-A
(Ref. Drawing)

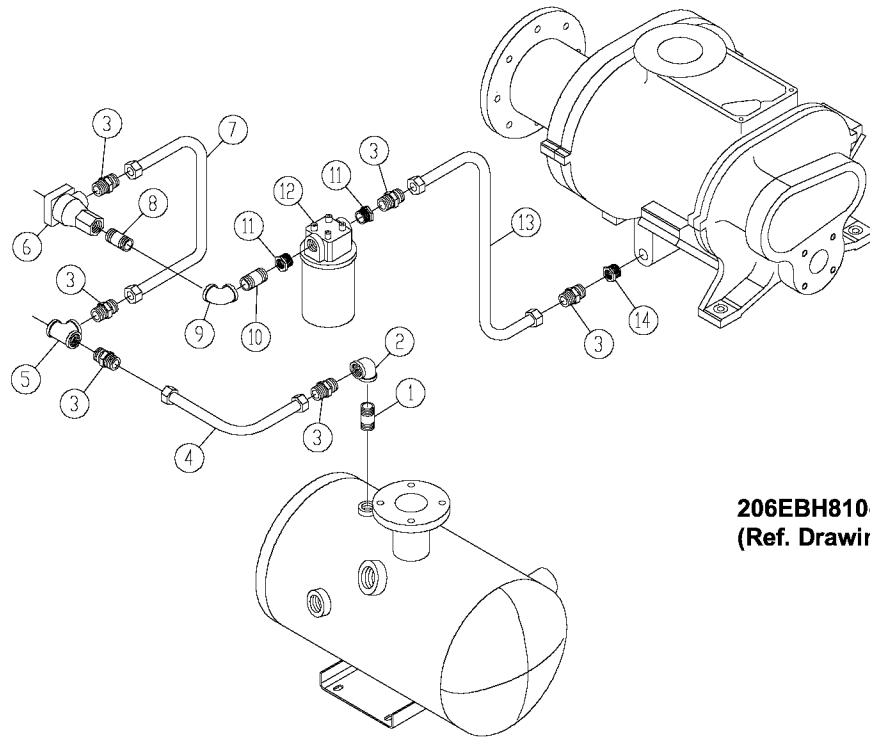
DISCHARGE MANIFOLD

B/M: ECH81763

Ref. No.	Name of Part	Qty.	Part No.
1	MANIFOLD.....	1	201ECM286
2	GASKET-ELIMINATOR	1	25BC222
3	SCREW	4	655EF070
4	LOCKWASHER.....	4	95B7
5	COUPLING-FLEXIBLE	1	64EB802
*	GASKET-FLEXIBLE COUPLING (For Repair)	2	2117160

* Not shown

Order by Part Number and Description. Reference Numbers are for your convenience only.



206EBH810-A
(Ref. Drawing)

OIL PIPING

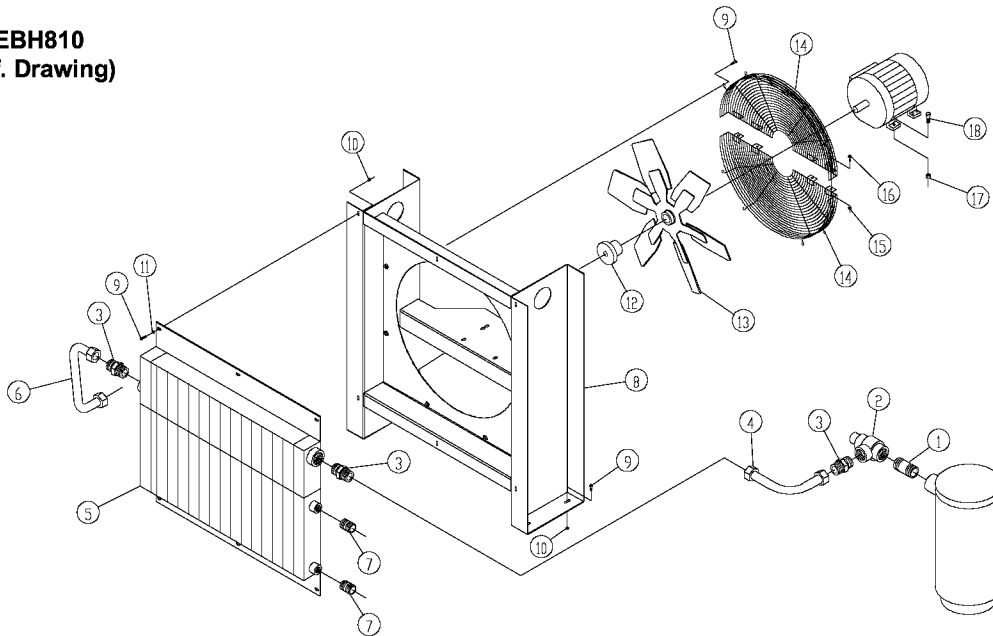
**B/M: 300EAH4019
201EBH4019**

Ref. No.	Name of Part	Qty.	Part No.
1	NIPPLE	1	63G2G
2	ELBOW	1	64C5G
3	CONNECTOR-TUBE.....	6	86H137
4	TUBE WITH FITTINGS.....	1	201EBH863
5	TEE-PIPE.....	1	64G7G
6	VALVE-THERMAL.....	1	90AR991
7	TUBE WITH FITTINGS.....	1	202EBH863
8	NIPPLE	1	63G1G
9	ELBOW	1	64C5G
10	NIPPLE	1	63G2G
11	BUSHING-PIPE.....	2	64E45
* 12	FILTER-OIL (For Repair Parts, see page 26)	1	301EBM369
13	TUBE WITH FITTINGS (EAH)	1	300EAH863
	TUBE WITH FITTINGS (EBH)		200EBH863
14	BUSHING-PIPE.....	1	64E36

* For Repair Element part number, order Part Number 2116110.

Order by Part Number and Description. Reference Numbers are for your convenience only.

207EBH810
(Ref. Drawing)



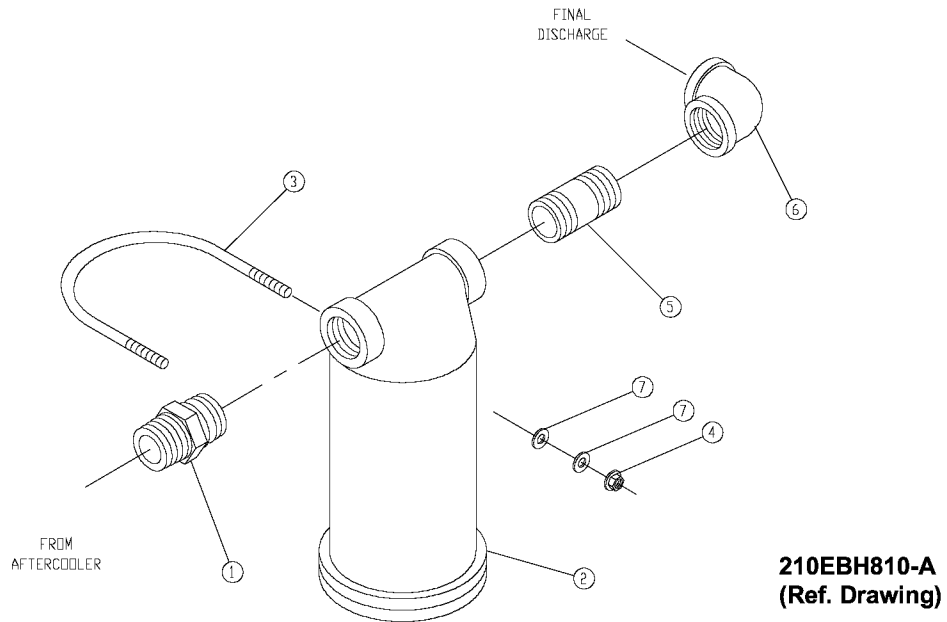
AIR COOLED DISCHARGE PIPING

**B/M: 203EBH4003
204EBH4003**

Ref. No.	Name of Part	Qty.	Part No.
1	NIPPLE	1	63J15G
2	VALVE-MINIMUM PRESSURE	1	200EDE527
3	CONNECTOR-TUBE.....	3	86H140
4	TUBE WITH FITTINGS.....	1	203EBH863
5	COOLER-OIL/AIR-RADIATOR	1	200EBH201
	COOLER-OIL/AIR-RADIATOR – SEACOAST OPTION	1	201EBH201
6	TUBE WITH FITTINGS.....	1	204EBH863
7	NIPPLE	2	63G4G
8	SUPPORT.....	1	200ECH165
9	SCREW	18	75LM51
10	NUT	10	50AW4
11	WASHER	6	95A3
12	BUSHING-HUB	1	22G4
13	FAN.....	1	200ESJ701
14	GUARD-FAN.....	1	202ECH393
15	NUT	4	50AW4
16	SCREW	4	75LM50
17	NUT	4	50AW4
18	SCREW	4	75LM97

Note: For Motor Group part numbers, see page 41.

Order by Part Number and Description. Reference Numbers are for your convenience only.



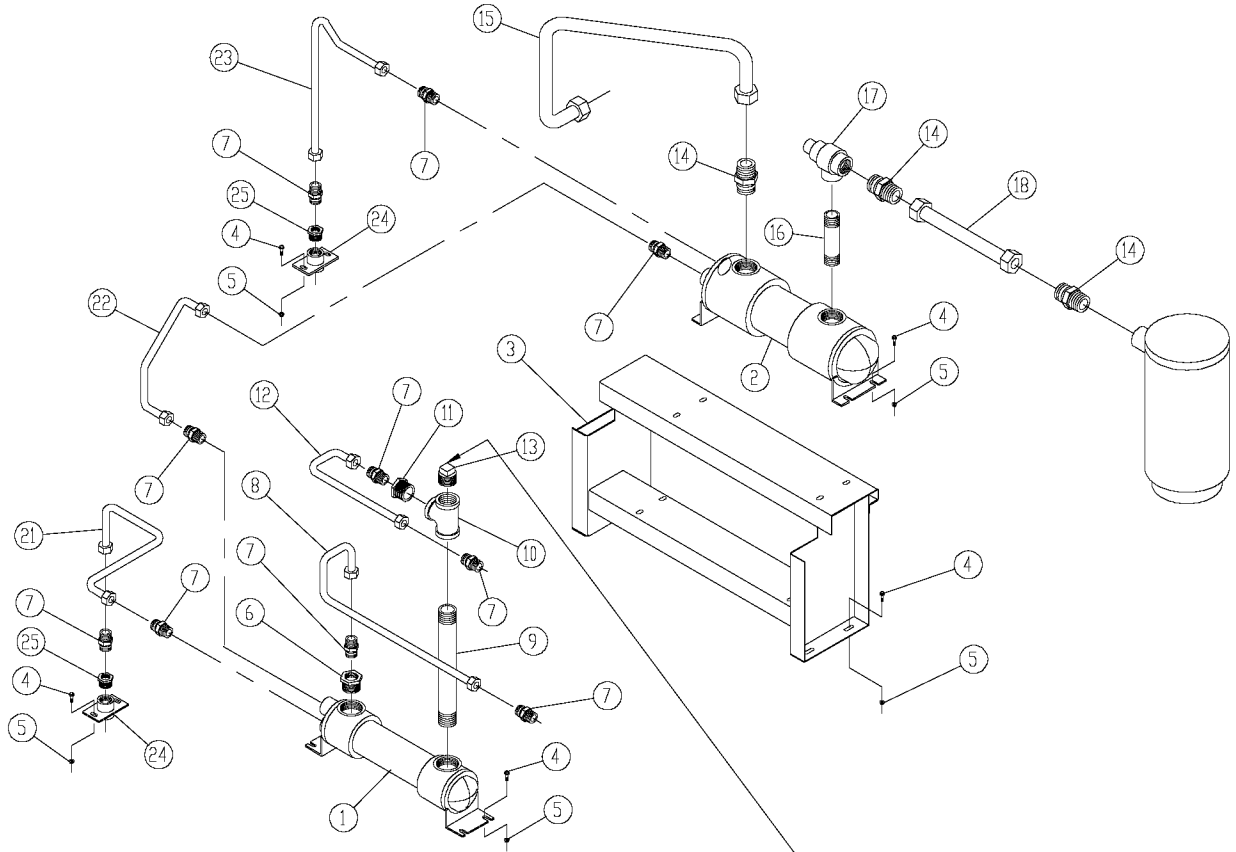
FINAL DISCHARGE PIPING

B/M: 202EBH4019

Ref. No.	Name of Part	Qty.	Part No.
1	CONNECTOR-TUBE.....	1	86H140
* 2	TRAP	1	83C83
3	U-BOLT.....	1	143742
4	NUT	2	50AW5
5	NIPPLE	1	63J15G
6	ELBOW	1	64C7G
7	WASHER	4	95A3

* Repair Part Kits for Moisture Separator: 2117587 – Valve & Seat Assembly
 2117588 – Cover Gasket
 2117589 – Float & Spindle

**WATER COOLED HEAT EXCHANGER
(WITH AFTERCOOLER)**



Location for Optional
Water Temperature
Regulator Probe

**208EBH810-A
(Ref. Drawing)**

Order by Part Number and Description. Reference Numbers are for your convenience only.

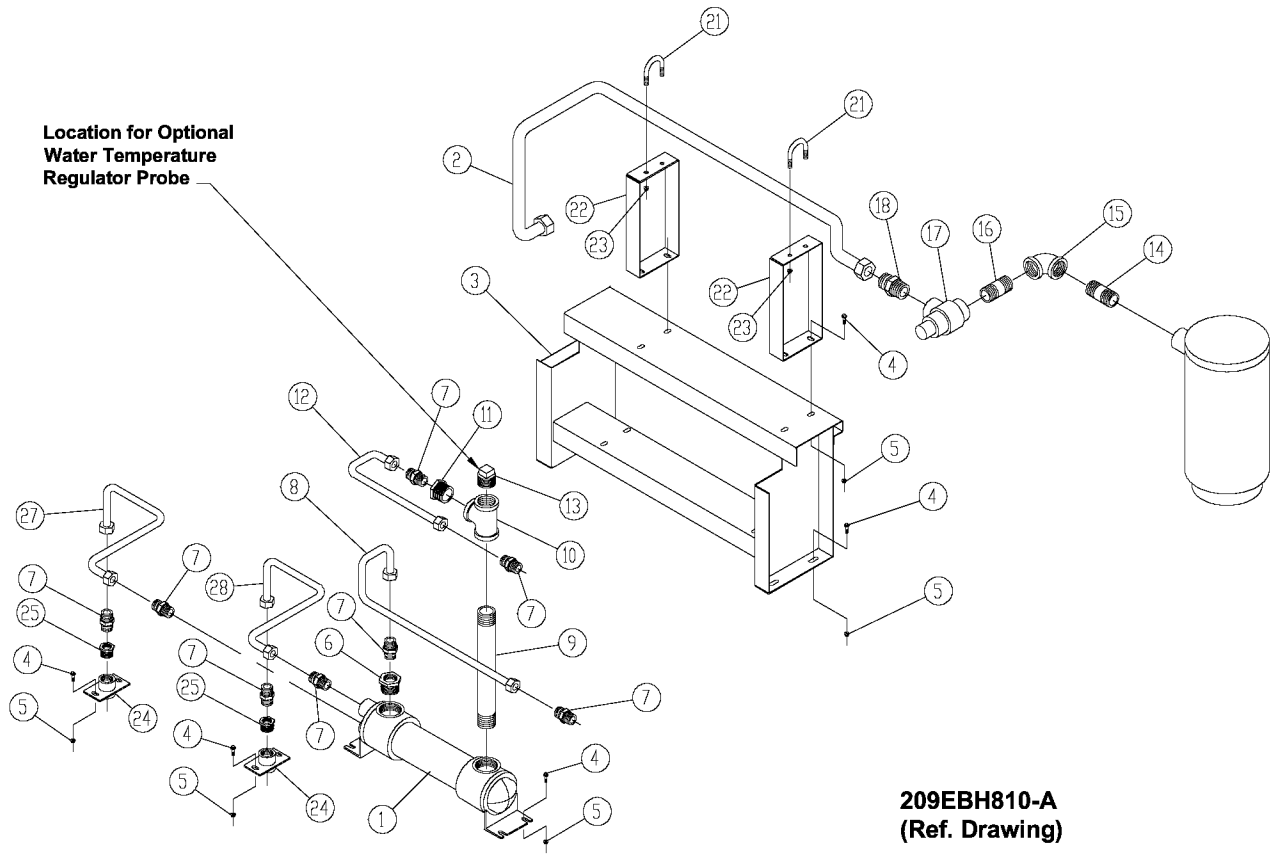
**WATER COOLED HEAT EXCHANGER
(WITH AFTERCOOLER)**

**B/M: 205EBH4003
206EBH4003**

Ref. No.	Name of Part	Qty.	Part No.
1	EXCHANGER-HEAT – Fresh Water – Standard	1	200EBH349
*	EXCHANGER-HEAT – Seacoast Option.....	1	201EBH349
	BONNET-IN & OUT (For Repair – Fresh Water)	1	2117753
	BONNET-RETURN (For Repair – Fresh Water).....	1	2117754
	GASKET-IN & OUT (For Repair – Fresh Water)	1	2109059
	GASKET-RETURN (For Repair – Fresh Water)	1	2117755
2	AFTERCOOLER – Fresh Water – Standard.....	1	200EBH292
*	AFTERCOOLER – Seacoast Option.....	1	201EBH292
	BONNET-IN & OUT (For Repair – Fresh Water)	1	2117753
	BONNET-RETURN (For Repair – Fresh Water).....	1	2117754
	GASKET-IN & OUT (For Repair – Fresh Water)	1	2109059
	GASKET-RETURN (For Repair – Fresh Water)	1	2117755
3	SUPPORT.....	1	200EBH165
4	SCREW	16	75LM51
5	NUT	16	50AW5
6	BUSHING-PIPE.....	1	64E6G
7	CONNECTOR-TUBE.....	10	86H137
8	TUBE WITH FITTINGS.....	1	209EBH863
9	NIPPLE	1	63J18G
10	TEE.....	1	64G9G
11	BUSHING-PIPE.....	1	64E6G
12	TUBE WITH FITTINGS.....	1	210EBH863
13	PLUG	1	64A26
14	CONNECTOR-TUBE.....	3	86H140
15	TUBE WITH FITTINGS.....	1	211EBH863
16	NIPPLE	1	63J7G
17	VALVE-MINIMUM PRESSURE	1	200EDE527
18	TUBE WITH FITTINGS.....	1	212EBH863
21	TUBE WITH FITTINGS.....	1	208EBH863
22	TUBE WITH FITTINGS.....	1	207EBH863
23	TUBE WITH FITTINGS.....	1	205EBH863
24	MANIFOLD-WATER.....	2	200ECM072
25	BUSHING-PIPE.....	2	64E36
*	WATER TEMPERATURE REGULATOR (Optional equipment).....	1	90AR326
*	WATER SOLENOID VALVE (N4) (Optional equipment).....	1	91B167

* Optional items

WATER COOLED HEAT EXCHANGER (WITHOUT AFTERCOOLER)



Order by Part Number and Description. Reference Numbers are for your convenience only.

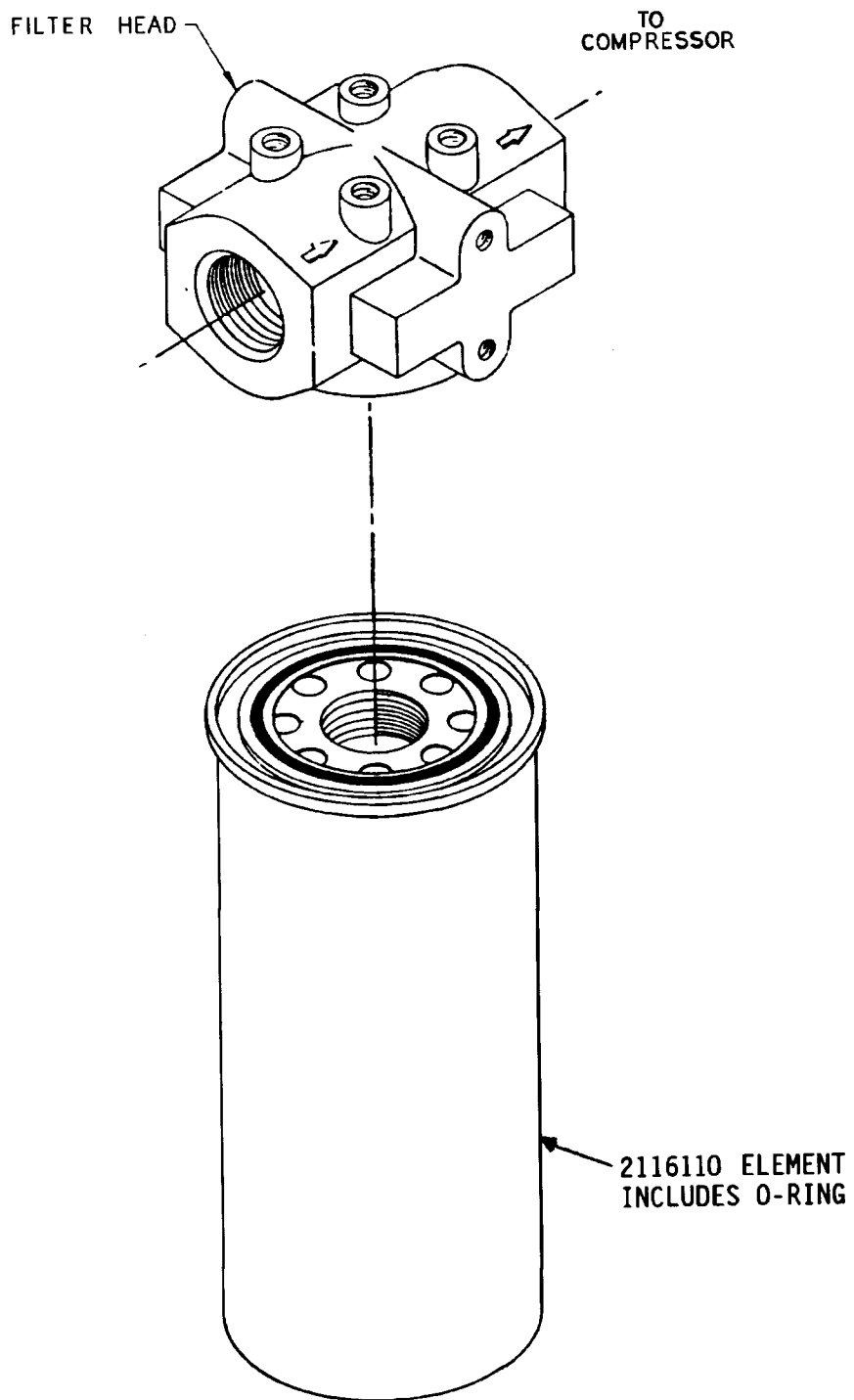
**WATER COOLED HEAT EXCHANGER
(WITHOUT AFTERCOOLER)**

**B/M: 207EBH4003
208EBH4003**

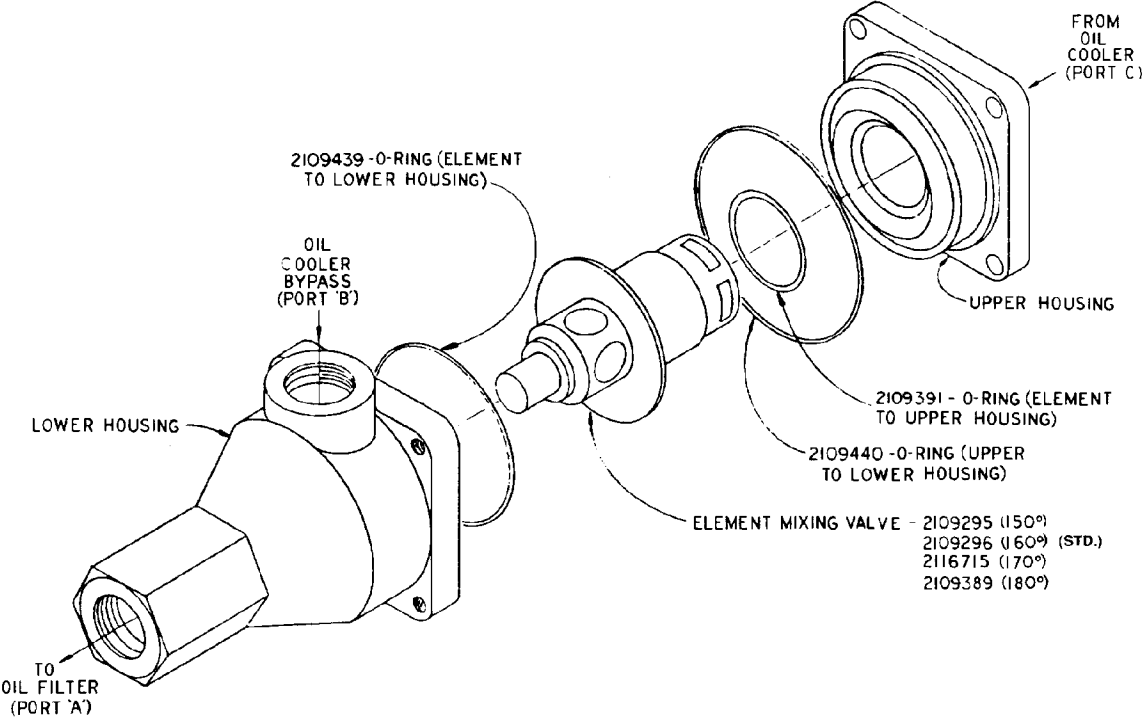
Ref. No.	Name of Part	Qty.	Part No.
1	EXCHANGER-HEAT-HEAT – Fresh Water – Standard.....	1	200EBH349
*	EXCHANGER-HEAT – Seacoast Option.....	1	201EBH349
	BONNET-IN & OUT (For Repair – Fresh Water).....	1	2117753
	BONNET-RETURN (For Repair – Fresh Water).....	1	2117754
	GASKET-IN & OUT (For Repair – Fresh Water).....	1	2109059
	GASKET-RETURN (For Repair – Fresh Water).....	1	2117755
2	TUBE WITH FITTINGS.....	1	213EBH863
3	SUPPORT.....	1	200EBH165
4	SCREW.....	16	75LM51
5	NUT.....	16	50AW5
6	BUSHING-PIPE.....	1	64E6G
7	CONNECTOR-TUBE.....	8	86H137
8	TUBE WITH FITTINGS.....	1	209EBH863
9	NIPPLE.....	1	63J18G
10	TEE.....	1	64G9G
11	BUSHING-PIPE.....	1	64E6G
12	TUBE WITH FITTINGS.....	1	210EBH863
13	PLUG.....	1	64A26
14	NIPPLE.....	1	63J35G
15	ELBOW.....	1	64C7G
16	NIPPLE.....	1	63J15G
17	VALVE-MINIMUM PRESSURE.....	1	200EDE527
18	CONNECTOR-TUBE.....	1	86H140
21	U-BOLT.....	2	15U58
22	BRACKET-PIPE.....	2	200ECH108
23	NUT.....	4	50AW5
24	MANIFOLD-WATER.....	2	200ECM072
25	BUSHING-PIPE.....	2	64E36
27	TUBE WITH FITTINGS.....	1	208EBH863
28	TUBE WITH FITTINGS.....	1	206EBH863
*	WATER TEMPERATURE REGULATOR (Optional equipment).....	1	90AR326
*	WATER SOLENOID VALVE (N4) (Optional equipment).....	1	91B167

* Optional items

OIL FILTER – 301EBM369

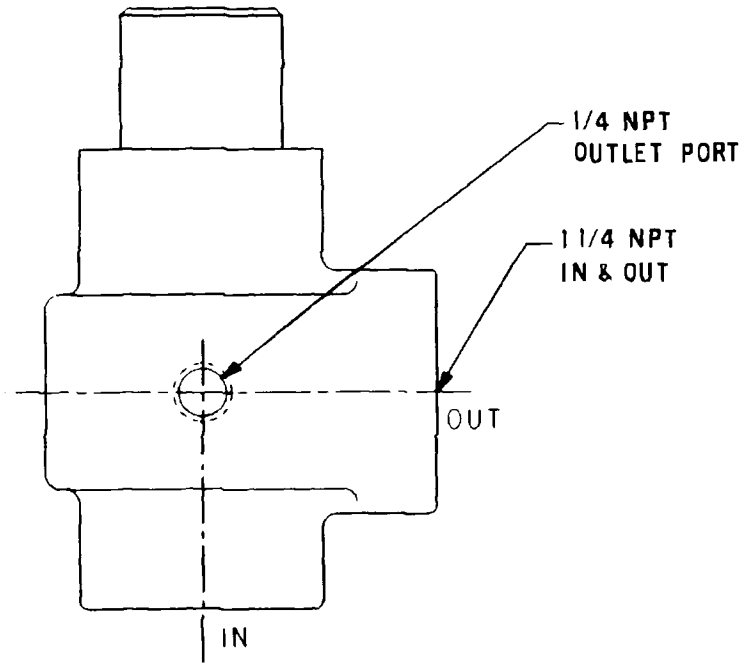


**THERMAL VALVE
(Thermostatic Mixing)**

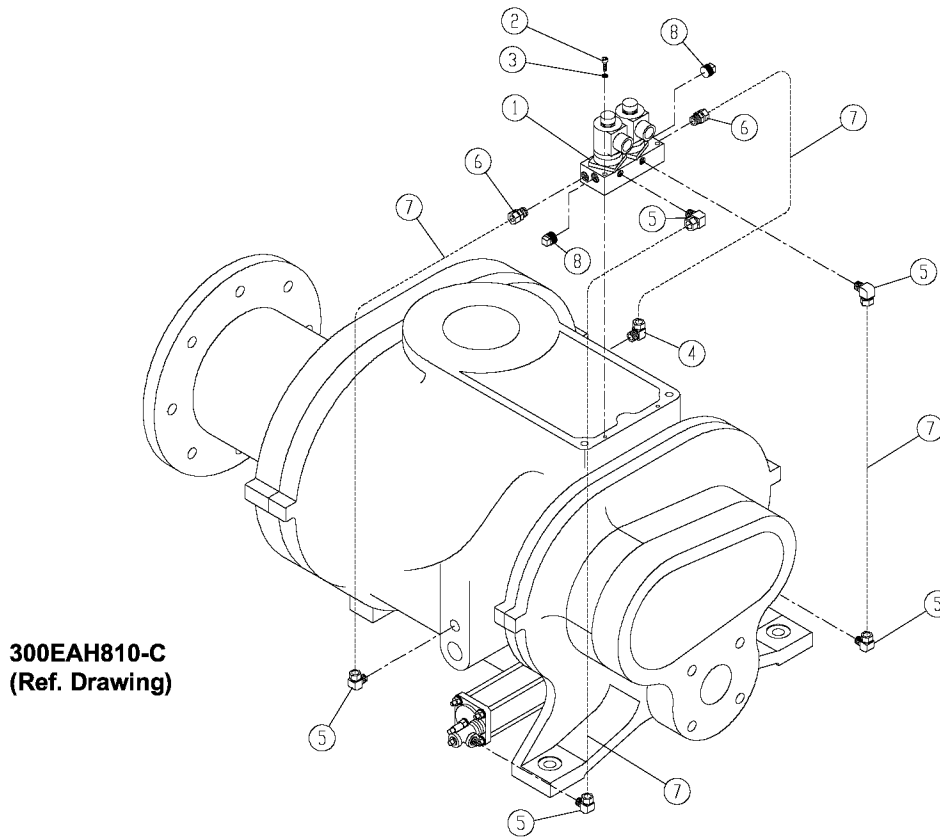


90AR991 THERMAL VALVE (ALUMINUM HOUSING)

**MINIMUM PRESSURE VALVE
(200EDE527)**



Order by Part Number and Description. Reference Numbers are for your convenience only.



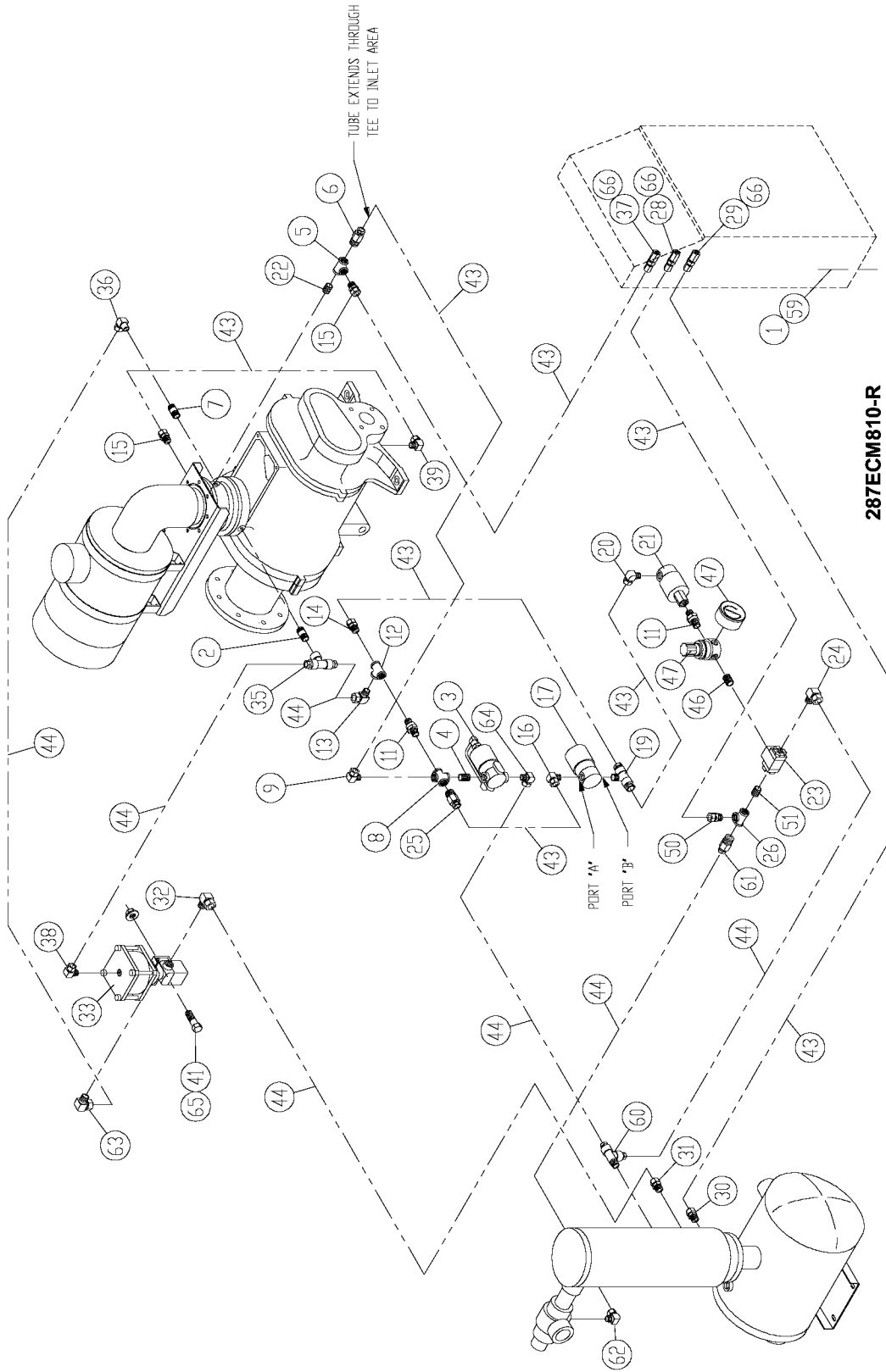
**TURN VALVE SOLENOID VALVE
(EAH UNITS ONLY)**

B/M: 300EAH4013

Ref. No.	Name of Part	Qty.	Part No.
* 1	VALVE-SOLENOID	1	301EAQ861
2	SCREW	2	75P26
3	LOCKWASHER.....	2	95B1
4	ELBOW-TUBE.....	1	86E60
5	ELBOW-TUBE.....	5	86E60
6	CONNECTOR-TUBE.....	2	86E5
7	TUBE	10	85K3
8	PLUG	2	64AC3

* For O-Ring Repair Kit, order Part Number 307EAQ6013. Refer to page 51

CONTROL TUBING SCHEMATIC



Order by Part Number and Description. Reference Numbers are for your convenience only.

CONTROL TUBING SCHEMATIC

B/M: ECM81708

Ref. No.	Name of Part	Qty.	Part No.	Ref. No.	Name of Part	Qty.	Part No.
1	SCREW.....	4	75LM51	30	CONNECTOR-TUBE.....	1	86E4
2	NIPPLE.....	1	63D5G	31	CONNECTOR-TUBE.....	1	86E9
* +	VALVE-SOLENOID.....	1	91B70	32	ELBOW.....	1	86E64
4	NIPPLE.....	1	63D1G	** ++	CONTROL VALVE.....	1	90AR1082
5	TEE.....	1	64G3G	35	TEE.....	1	86E147
6	CONNECTOR.....	1	86N272	36	ELBOW-TUBE.....	1	86E82
7	NIPPLE.....	1	63D5G	37	CONNECTOR-TUBE.....	1	86N287
8	CROSS.....	1	64K1G	38	ELBOW.....	1	86E64
9	ELBOW-TUBE.....	1	86E60	39	ELBOW-TUBE.....	1	86E60
++	VALVE-CHECK.....	2	90AR261	41	NUT.....	2	50AW3
12	TEE.....	1	64G3G	43	TUBE.....	28	85K3
13	ELBOW.....	1	86E64	44	TUBE.....	24	85K5
14	ORIFICE.....	1	86N289	46	NIPPLE.....	1	63D1G
15	CONNECTOR-TUBE.....	2	86E4	** Δ	REGULATOR-PRESS W/GAUGE.....	1	88H139
16	ELBOW-TUBE.....	1	86E60	50	CONNECTOR-TUBE.....	1	86E4
+	VALVE-SOLENOID.....	1	91B81	51	NIPPLE.....	1	63D1G
19	TEE.....	1	86E119	59	NUT.....	4	50AW5
20	ELBOW-TUBE.....	1	86E60	60	TEE.....	1	86E136
+	VALVE-SOLENOID.....	1	91B80	61	CONNECTOR-TUBE.....	1	86E9
22	NIPPLE.....	1	63D1G	62	ELBOW.....	1	86E64
++	VALVE-CONTROL.....	1	90AR1034	63	ELBOW.....	1	86E64
24	ELBOW.....	1	86E64	64	ELBOW.....	1	86E64
25	CONNECTOR-TUBE.....	1	86E4	65	SCREW.....	2	75LM48
26	TEE.....	1	64G3G	66	O-RING.....	3	165011
28	CONNECTOR-TUBE.....	1	86N287	67	TIE CABLE.....	30	24CA127
29	CONNECTOR-TUBE.....	1	86N287				

* For Repair Kit (includes Springs, Seals, Piston Assembly, Plunger Assembly, Nut & O-Ring, order Part Number 2116077 or for Coil, order Part Number 2116078).

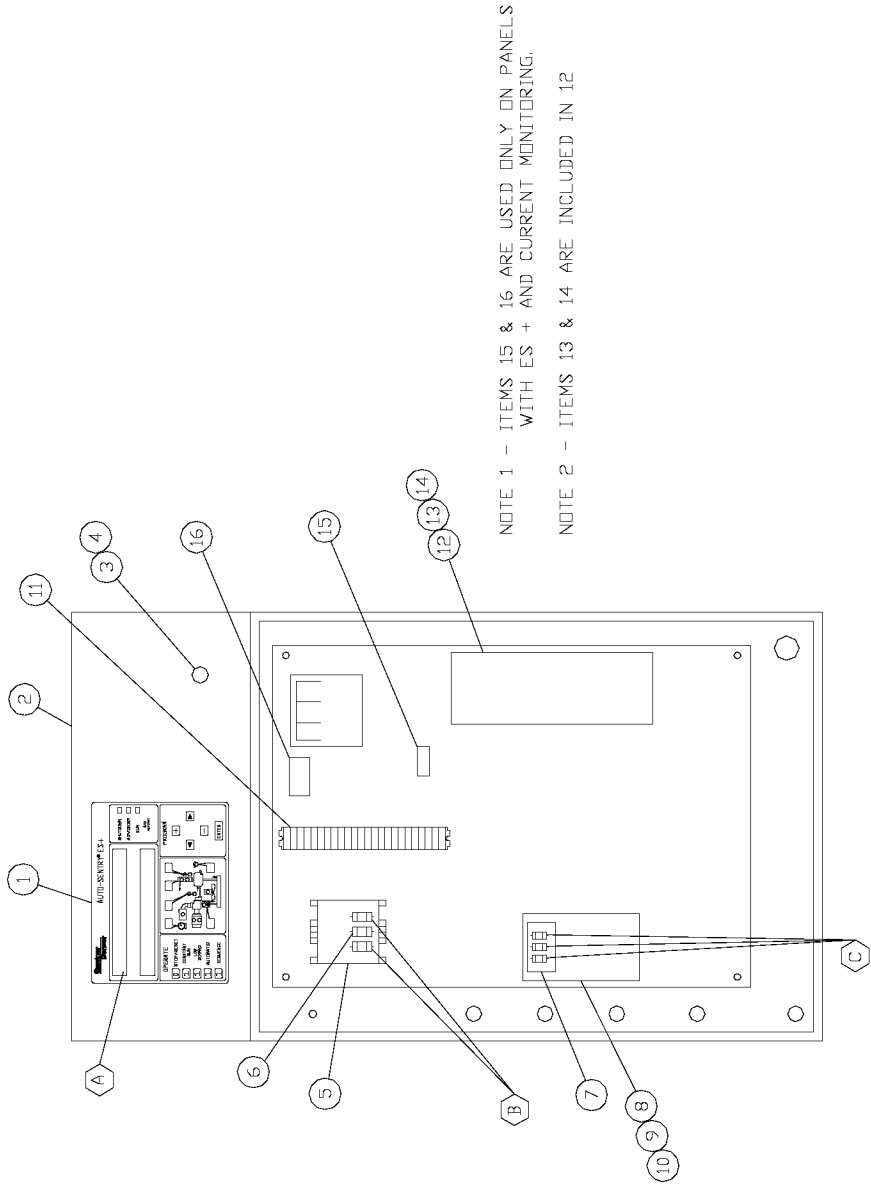
+ Parts included in Electrical Control Kit, Part Number 206EAP6013. Refer to Page 50.

** For Repair of U-Cup (Piston Seal), order Part Number 2117904; For O-Ring (Top Plate), order Part Number 2117905.

++ Parts included in Pneumatic Control Kit, Part Number 302EAQ6013. Refer to Page 50.

Δ For Replacement Gauge, order Part Number 2116732.

CONTROLLER ASSEMBLY – FULL VOLTAGE STARTERS



NOTE 1 – ITEMS 15 & 16 ARE USED ONLY ON PANELS WITH ES + AND CURRENT MONITORING.

NOTE 2 – ITEMS 13 & 14 ARE INCLUDED IN 12

302EBH797-A
(Ref. Drawing)

Order by Part Number and Description. Reference Numbers are for your convenience only.

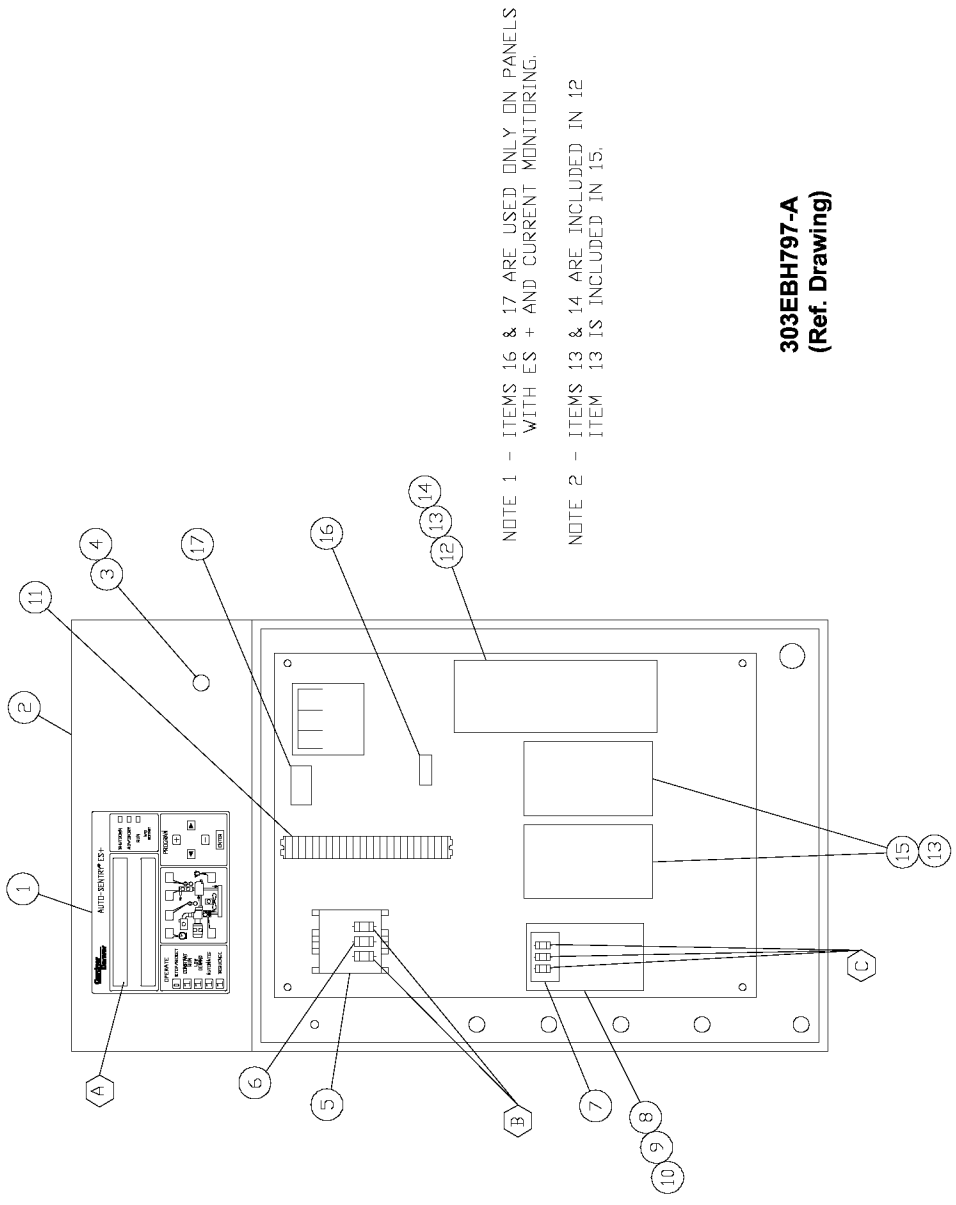
CONTROLLER ASSEMBLY – FULL VOLTAGE STARTERS

	Qty.	40 HP 200V	40 & 50 HP 230V	40 & 50 HP 460V	40 & 50 HP 575V	50 HP 200V
ASSEMBLED PANEL – ES+; NEMA 12, Without Current Monitor...	1	306EBH466	302EBH466	300EBH466	312EBH466	308EBH466
ASSEMBLED PANEL – ES+; NEMA 4, Without Current Monitor...	1	307EBH466	303EBH466	301EBH466	313EBH466	309EBH466
ASSEMBLED PANEL – ES+; NEMA 12, With Current Monitor	1	346EBH466	342EBH466	340EBH466	352EBH466	348EBH466
ASSEMBLED PANEL – ES+; NEMA 4, With Current Monitor	1	347EBH466	343EBH466	341EBH466	353EBH466	349EBH466
A FUSE, CONTROL BOARD (1A, AGC).....	1	24CA2932	24CA2932	24CA2932	24CA2932	24CA2932
B FUSE, TRANSFORMER PRIMARY (-A, FNQ-R).....	2	24CA2786 (6A)	24CA2786 (6A)	24CA2783 (3A)	24CA3722 (2.25A)	24CA2786 (6A)
C FUSE, FAN MOTOR, AIR COOLED (-A, LP-CC).....	3	24CA4094 (8A)	24CA4094 (8A)	24CA4091 (4A)	24CA4090 (3A)	24CA4094 (8A)
C FUSE, FAN MOTOR, WATER COOLED (-A, LP-CC).....	3	24CA4093 (7A)	24CA4093 (7A)	24CA4091 (4A)	24CA4090 (3A)	24CA4093 (7A)
* 1 ELECTRICAL CONTROL ASSEMBLY – ES+ CONTROLLER	1	200EAU2006	200EAU2006	200EAU2006	200EAU2006	200EAU2006
2 BOX-CONTROL	1	200ECH179	200ECH179	200ECH179	200ECH179	200ECH179
3 OPERATOR	1	24CA2907	24CA2907	24CA2907	24CA2907	24CA2907
4 CONTACT BLOCK.....	1	24CA2908	24CA2908	24CA2908	24CA2908	24CA2908
5 TRANSFORMER.....	1	2116371	2116372	2116372	2116373	2116371
6 FUSE (3A, MDL).....	1	24CA3728	24CA3728	24CA3728	24CA3728	24CA3728
7 FUSE HOLDER.....	1	24CA4098	24CA4098	24CA4098	24CA4098	24CA4098
8 STARTER, FAN MOTOR.....	1	24CA4408	24CA4408	24CA4408	24CA4408	24CA4408
9 COIL-STARTER.....	1	2115950	2115950	2115950	2115950	2115950
10 OVERLOAD RELAY.....	1	24CA4086	24CA4086	24CA4086	24CA4086	24CA4086
11 TERMINAL BLOCK.....	6	24CA2633	24CA2633	24CA2633	24CA2633	24CA2633
12 STARTER, MAIN MOTOR.....	1	24CA3881	24CA3881	24CA3880	24CA3880	24CA3490
13 COIL.....	1	2115952	2115952	2116555	2116555	2115952
14 OVERLOAD RELAY.....	1	24CA4086	24CA4086	24CA2905	24CA2905	24CA4086
15 TRANSFORMER.....	1	24CA4242	24CA4242	24CA4242	24CA4242	24CA4242
16 TRANSDUCER.....	1	24CA4241	24CA4241	24CA4241	24CA4241	24CA4241

NOTE: Items 15 & 16 are used with ES+ with Current Monitoring Units Only.

* Refer to page 38 for Controller Part Numbers.

CONTROLLER ASSEMBLY – WYE DELTA STARTERS



303EBH797-A
(Ref. Drawing)

Order by Part Number and Description. Reference Numbers are for your convenience only.

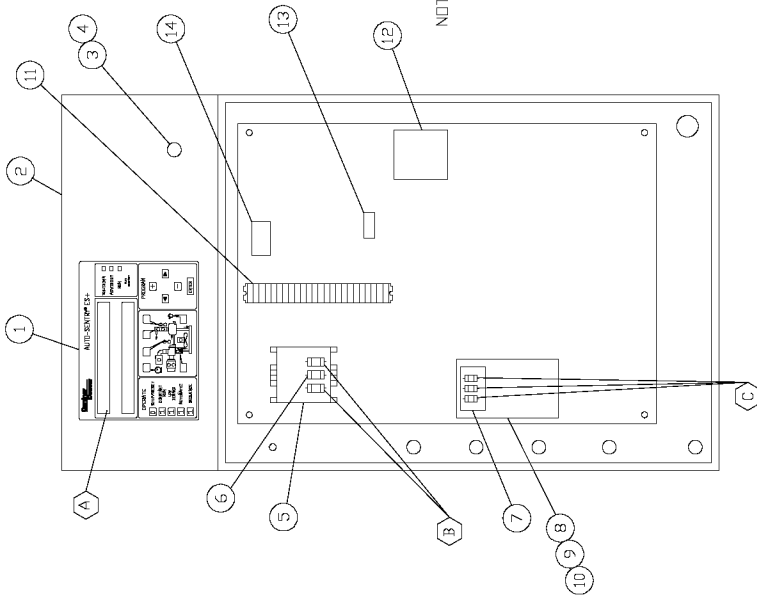
CONTROLLER ASSEMBLY – WYE DELTA STARTERS

	Qty.	40 & 50HP 200V	40 & 50 HP 230V	40 & 50 HP 460V	40 HP 575V	50 HP 200V
ASSEMBLED PANEL – ES+: NEMA 12, Without Current Monitor ..	1	324EBH466	320EBH466	318EBH466	328EBH466	330EBH466
ASSEMBLED PANEL – ES+: NEMA 4, Without Current Monitor ..	1	325EBH466	321EBH466	319EBH466	329EBH466	331EBH466
ASSEMBLED PANEL – ES+: NEMA 12, With Current Monitor	1	364EBH466	360EBH466	358EBH466	368EBH466	370EBH466
ASSEMBLED PANEL – ES+: NEMA 4, With Current Monitor	1	365EBH466	361EBH466	359EBH466	369EBH466	371EBH466
A FUSE, CONTROL BOARD (1A, AGC).....	1	24CA2932	24CA2932	24CA2932	24CA2932	24CA2932
B FUSE, TRANSFORMER PRIMARY (-A, FNQ-R)	2	24CA2786 (6A)	24CA2786 (6A)	24CA2783 (3A)	24CA3722 (2.25A)	24CA3722 (2.25A)
C FUSE, FAN MOTOR, AIR COOLED (-A, LP-CC).....	3	24CA4094 (8A)	24CA4094 (8A)	24CA4091 (4A)	24CA4090 (3A)	24CA4090 (3A)
C FUSE, FAN MOTOR, WATER COOLED (-A, LP-CC).....	3	24CA4093 (7A)	24CA4093 (7A)	24CA4091 (4A)	24CA4090 (3A)	24CA4090 (3A)
* 1 ELECTRICAL CONTROL ASSEMBLY – ES+ CONTROLLER.....	1	200EAU2006	200EAU2006	200EAU2006	200EAU2006	200EAU2006
2 BOX-CONTROL	1	200ECH179	200ECH179	200ECH179	200ECH179	200ECH179
3 OPERATOR.....	1	24CA2907	24CA2907	24CA2907	24CA2907	24CA2907
4 CONTACT BLOCK.....	1	24CA2908	24CA2908	24CA2908	24CA2908	24CA2908
5 TRANSFORMER.....	1	2116371	2116372	2116372	2116373	2116373
6 FUSE (3A, MDL).....	1	24CA3728	24CA3728	24CA3728	24CA3728	24CA3728
7 FUSE HOLDER.....	1	24CA4098	24CA4098	24CA4098	24CA4098	24CA4098
8 STARTER, FAN MOTOR.....	1	24CA4408	24CA4408	24CA4408	24CA4408	24CA4408
9 COIL-STARTER.....	1	2115950	2115950	2115950	2115950	2115950
10 OVERLOAD RELAY.....	1	24CA4086	24CA4086	24CA4086	24CA4086	24CA4086
11 TERMINAL BLOCK.....	6	24CA2633	24CA2633	24CA2633	24CA2633	24CA2633
12 STARTER, MAIN MOTOR.....	1	24CA3255	24CA3255	24CA4142	24CA4137	24CA4142
13 COIL.....	3	2116555	2116555	2116124	2115950	2116124
14 OVERLOAD RELAY.....	1	24CA4086	24CA4086	24CA4087	24CA4086	24CA4087
15 CONTACTOR (WYE DELTA).....	2	24CA3259	24CA3259	24CA3258	24CA2609	24CA3258
16 TRANSFORMER.....	1	24CA4242	24CA4242	24CA4242	24CA4242	24CA4242
17 TRANSJUCER.....	1	24CA4241	24CA4241	24CA4241	24CA4241	24CA4241

NOTE: Items 16 & 17 are used with ES+ with Current Monitoring Units Only.

* Refer to page 38 for Controller Part Numbers.

CONTROLLER ASSEMBLY – WITHOUT STARTER



NOTE 1 – ITEMS 13 & 14 ARE USED ONLY ON PANELS WITH ES + AND CURRENT MONITORING.

304EBH797-A
(Ref. Drawing)

Order by Part Number and Description. Reference Numbers are for your convenience only.

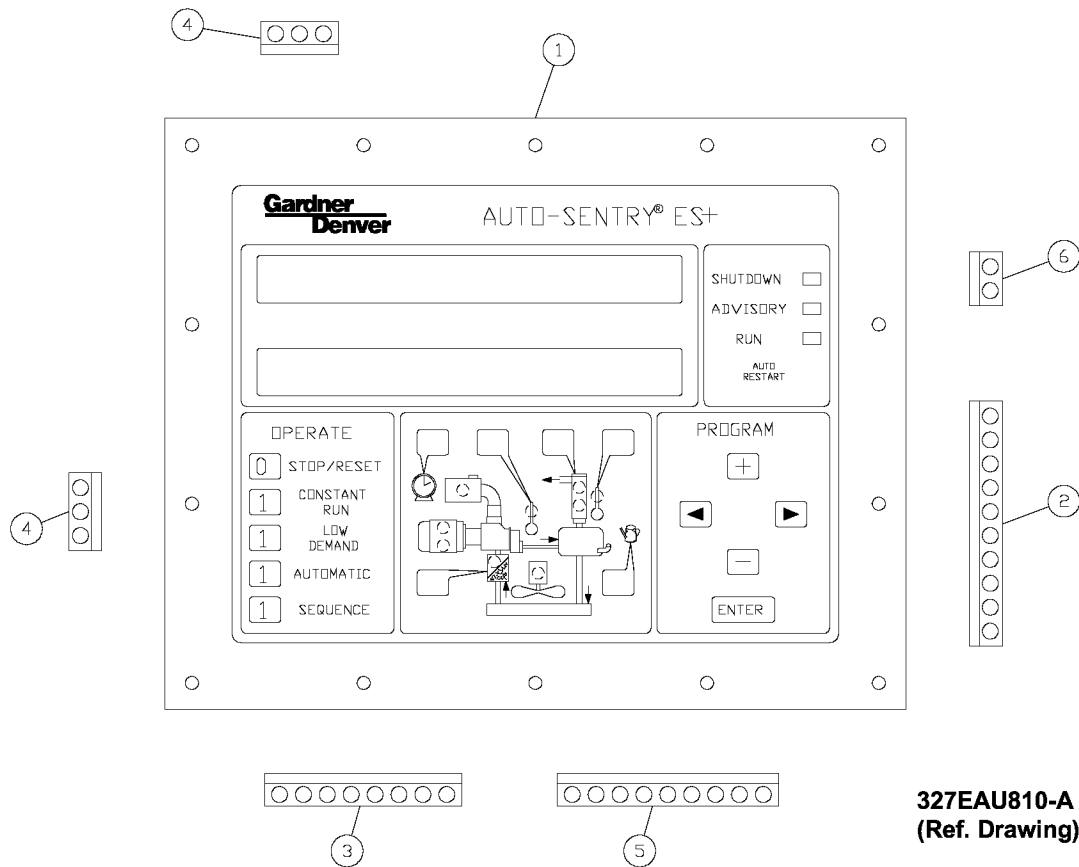
CONTROLLER ASSEMBLY – WITHOUT STARTER

	Qty.	40 & 50HP 200V	40 & 50 HP 230V	40 & 50 HP 460V	40 & 50HP 575V
ASSEMBLED PANEL – ES+: NEMA 12, Without Current Monitor	1	334EBH466	332EBH466	333EBH466	338EBH466
ASSEMBLED PANEL – ES+: NEMA 4, Without Current Monitor	1	335EBH466	333EBH466	333EBH466	339EBH466
ASSEMBLED PANEL – ES+: NEMA 12, With Current Monitor	1	374EBH466	372EBH466	372EBH466	378EBH466
ASSEMBLED PANEL – ES+: NEMA 4, With Current Monitor	1	375EBH466	373EBH466	373EBH466	379EBH466
A FUSE, CONTROL BOARD (1A, AGC)	1	24CA2932	24CA2932	24CA2932	24CA2932
B FUSE, TRANSFORMER PRIMARY (-A, FNO-R)	2	24CA2786 (6A)	24CA2786 (6A)	24CA2783 (3A)	24CA3722 (2.25A)
C FUSE, FAN MOTOR, AIR COOLED (-A, LP-CC)	3	24CA4094 (8A)	24CA4094 (8A)	24CA4091 (4A)	24CA4090 (3A)
C FUSE, FAN MOTOR, WATER COOLED (-A, LP-CC)	3	24CA4093 (7A)	24CA4093 (7A)	24CA4091 (4A)	24CA4090 (3A)
* 1 ELECTRICAL CONTROL ASSEMBLY – ES+ CONTROLLER	1	200EAU2006	200EAU2006	200EAU2006	200EAU2006
2 BOX-CONTROL	1	200ECH179	200ECH179	200ECH179	200ECH179
3 OPERATOR	1	24CA2907	24CA2907	24CA2907	24CA2907
4 CONTACT BLOCK	1	24CA2908	24CA2908	24CA2908	24CA2908
5 TRANSFORMER	1	2116371	2116372	2116372	2116373
6 FUSE (3A, MDL)	1	24CA3728	24CA3728	24CA3728	24CA3728
7 FUSE HOLDER	1	24CA4098	24CA4098	24CA4098	24CA4098
8 STARTER	1	24CA4408	24CA4408	24CA4408	24CA4408
9 COIL-STARTER	1	2115950	2115950	2115950	2115950
10 OVERLOAD RELAY	1	24CA4086	24CA4086	24CA4086	24CA4086
11 TERMINAL BLOCK	7	24CA2633	24CA2633	24CA2633	24CA2633
12 CONTROL RELAY	1	24CA3896	24CA3896	24CA3896	24CA3896
13 TRANSFORMER	1	24CA4242	24CA4242	24CA4242	24CA4242
14 TRANSDUCER	1	24CA4241	24CA4241	24CA4241	24CA4241

NOTE: Items 13 & 14 are used with ES+ with current monitoring units only.

* Refer to page 38 for Controller Part Numbers.

Order by Part Number and Description. Reference Numbers are for your convenience only.



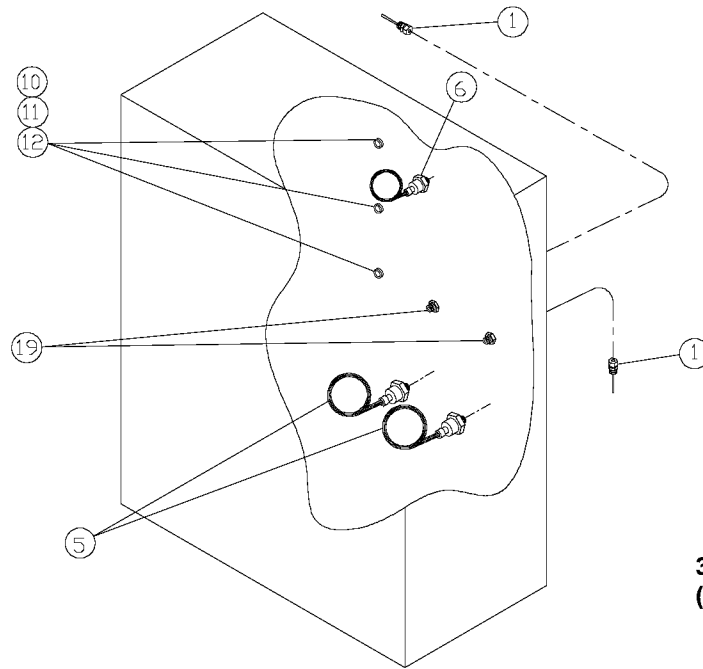
327EAU810-A
(Ref. Drawing)

CONTROLLER ASSEMBLY

B/M: 200EAU2006

Ref. No.	Name of Part	Qty.	Part No.
1	CONTROLLER, AUTO SENTRY ES+	1	200EAU1173
2	PLUG-CONNECTOR 10 PIN TERMINAL	1	24CA3306
3	PLUG-CONNECTOR 8 PIN TERMINAL	1	24CA3400
4	PLUG-CONNECTOR 3 PIN TERMINAL	2	24CA3401
5	PLUG-CONNECTOR 9 PIN TERMINAL	1	24CA3402
6	PLUG-CONNECTOR 2 PIN TERMINAL	1	24CA4240

Order by Part Number and Description. Reference Numbers are for your convenience only.



300ECP810-A
(Ref. Drawing)

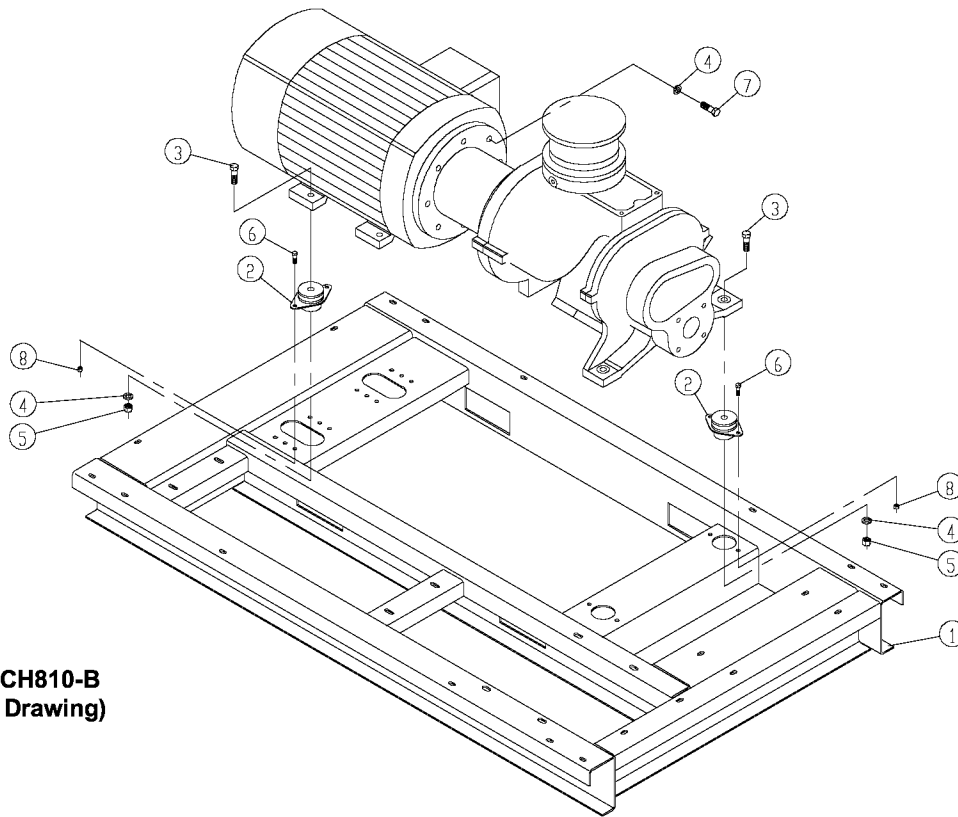
MISCELLANEOUS ELECTRICAL PARTS

B/M: 200ECP4007

Ref. No.	Name of Part	Qty.	Part No.
* 1	PROBE-ELECTRICAL.....	2	21D264
* 5	TRANSDUCER-PRESSURE	2	88H242
* 6	SWITCH-VACUUM.....	1	88H195
10	NIPPLE	3	24CA4641
11	O-RING	3	24A383
12	LOCKNUT	3	24A77
19	FITTING-ELECTRICAL	2	24CA2865

* Parts included in Electrical Control Kit, Part Number 206EAP6013. Refer to page 50.

Order by Part Number and Description. Reference Numbers are for your convenience only.



247ECH810-B
(Ref. Drawing)

BASE GROUP

B/M: ECH81761

Ref. No.	Name of Part	Qty.	Part No.
1	BASE	1	202ECH285
2	ISOLATOR-VIBRATOR	4	49C46
3	SCREW	4	655EF200
4	LOCKWASHER.....	8	95B7
5	NUT	4	50B7
6	SCREW	8	75LM51
7	SCREW	4	655EF070
8	NUT	8	50AW5
* 10	COUPLING-FLEXIBLE (not shown).....	1	51L200

* For repair, use Drive Coupling Spider Part Number 2118052.

**MOTOR GROUP (MAIN DRIVE MOTORS)
WYE DELTA & FULL VOLTAGE -- 60 HZ**

Name of Part	40 HP Part No.	50 HP Part No.
---------------------	---------------------------	---------------------------

OPEN DRIP PROOF

MOTOR, 200V	24CA3060	24CA3065
MOTOR, 230V	24CA3061	24CA3066
MOTOR, 460V	24CA3061	24CA3066
MOTOR, 575V	24CA3064	24CA3069

OPEN DRIP PROOF -- HIGH EFFICIENCY

MOTOR, 200V	24CA3070	24CA3075
MOTOR, 230V	24CA3071	24CA3076
MOTOR, 460V	24CA3071	24CA3076
MOTOR, 575V	24CA3074	24CA3079

TOTALLY ENCLOSED FAN COOLED (TEFC)

MOTOR, 200V	24CA3080	24CA3085
MOTOR, 230V	24CA3081	24CA3086
MOTOR, 460V	24CA3081	24CA3086
MOTOR, 575V	24CA3084	24CA3089

TOTALLY ENCLOSED FAN COOLED (TEFC) -- HIGH EFFICIENCY

MOTOR, 200V	24CA3090	24CA3095
MOTOR, 230V	24CA3091	24CA3096
MOTOR, 460V	24CA3091	24CA3096
MOTOR, 575V	24CA3094	24CA3099

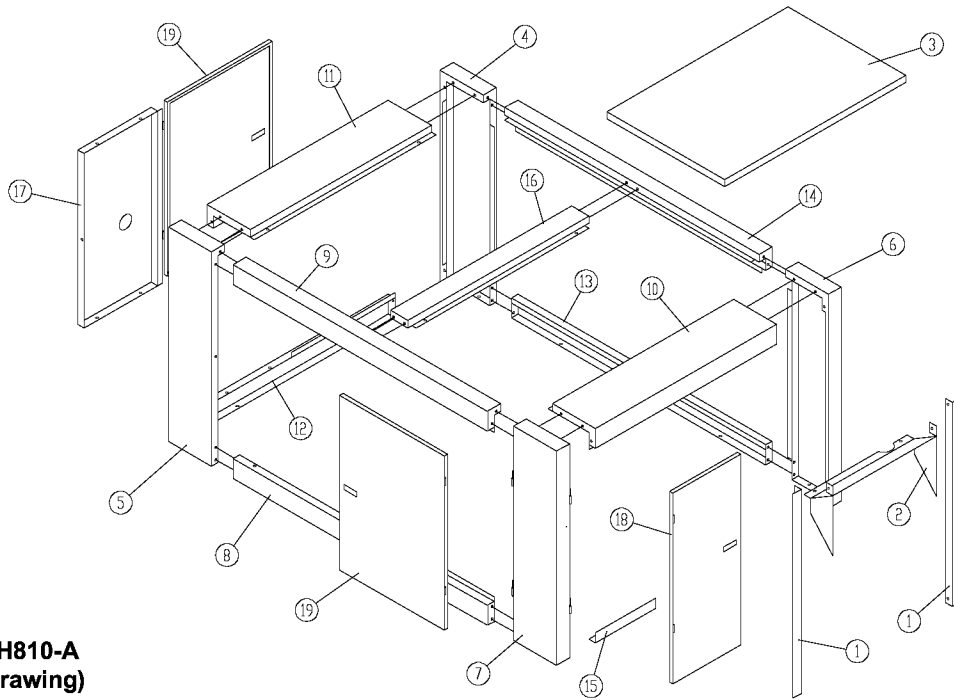
**MOTOR GROUP
AIR COOLED FAN MOTOR (COOLING MODULE)
(TEFC, 1 HP, 1.15 S.F., 1200 RPM, 60 HZ)**

VOLTAGE	PART NO.
MOTOR, 200V	24CA3311
MOTOR, 230V	24CA3312
MOTOR, 460V	24CA3312
MOTOR, 575V	24CA3313

**WATER COOLED FAN MOTOR (ENCLOSURE VENT FAN)
(TEFC, 1.0 S.F., 1200 RPM, 60 HZ)**

VOLTAGE	PART NO.	HP
MOTOR, 200V	24CA4177	1/4
MOTOR, 230V	24CA2464	1/4
MOTOR, 460V	24CA2464	1/4
MOTOR, 575V	24CA4178	1/4

Order by Part Number and Description. Reference Numbers are for your convenience only.



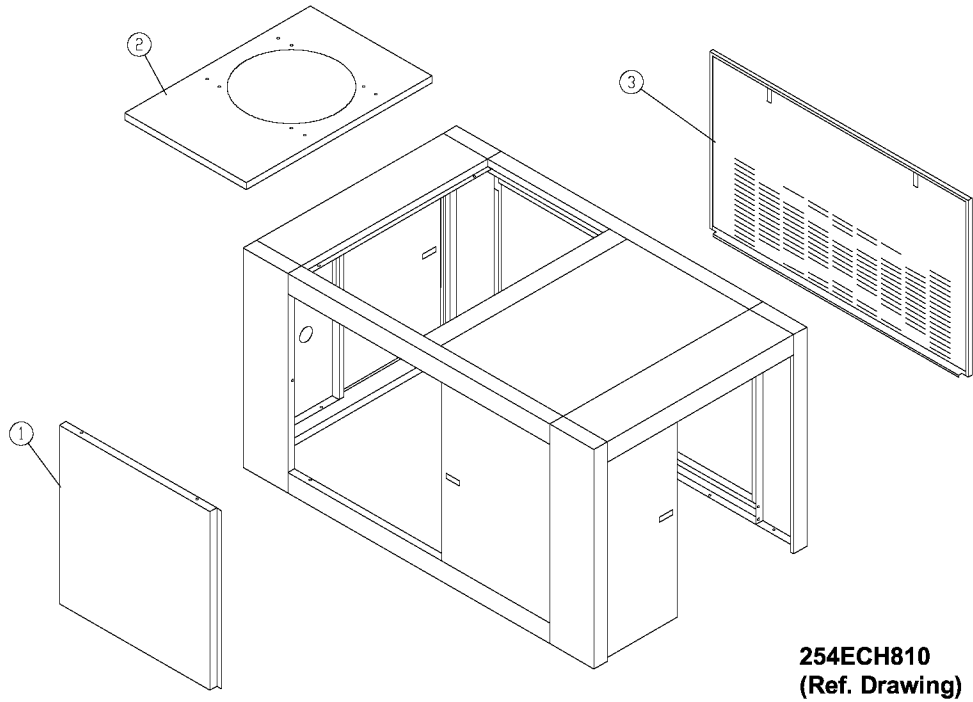
252ECH810-A
(Ref. Drawing)

**ENCLOSURE GROUP
COMMON PARTS – AIR/WATER COOLED**

B/M: ECH81766

Ref. No.	Name of Part	Qty.	Part No.
1	BRACKET	2	202ECH142
2	BRACKET	1	201ECH142
3	PANEL	1	209ECH216
4	POST	1	209ECH313
5	POST	1	208ECH313
6	POST	1	207ECH313
7	POST	1	206ECH313
8	FRAME	1	209ECH314
9	FRAME	1	210ECH314
10	FRAME	1	211ECH314
11	FRAME	1	212ECH314
12	FRAME	1	213ECH314
13	FRAME	1	214ECH314
14	FRAME	1	215ECH314
15	FRAME	1	216ECH314
16	BRACE.....	1	202ECH326
17	BRACE.....	1	203ECH326
18	DOOR-CANOPY	1	203ECH334
19	DOOR-CANOPY	2	204ECH334

Order by Part Number and Description. Reference Numbers are for your convenience only.



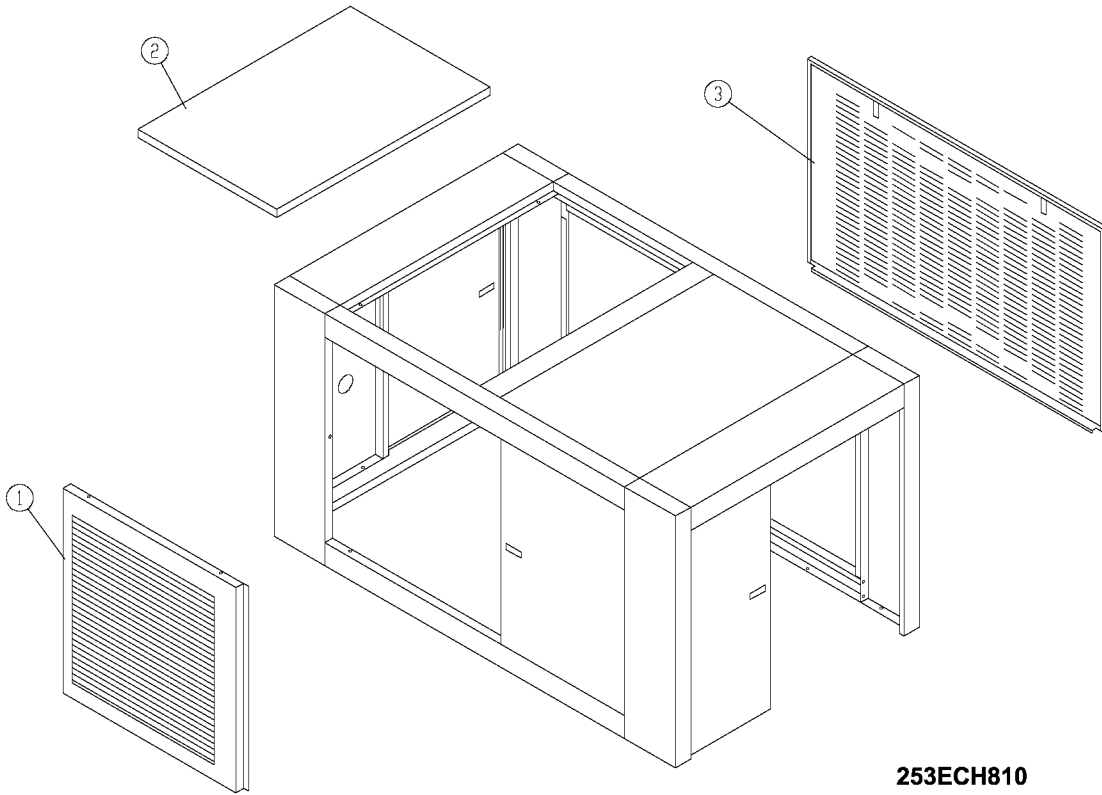
WATER COOLED ENCLOSURE PANELS

B/M: ECH81770

Ref. No.	Name of Part	Qty.	Part No.
1	PANEL	1	213ECH216
* 2	PANEL	1	210ECH216
3	PANEL	1	212ECH216

* For Vent Fan Part Numbers, refer to pages 41 & 47.

Order by Part Number and Description. Reference Numbers are for your convenience only.



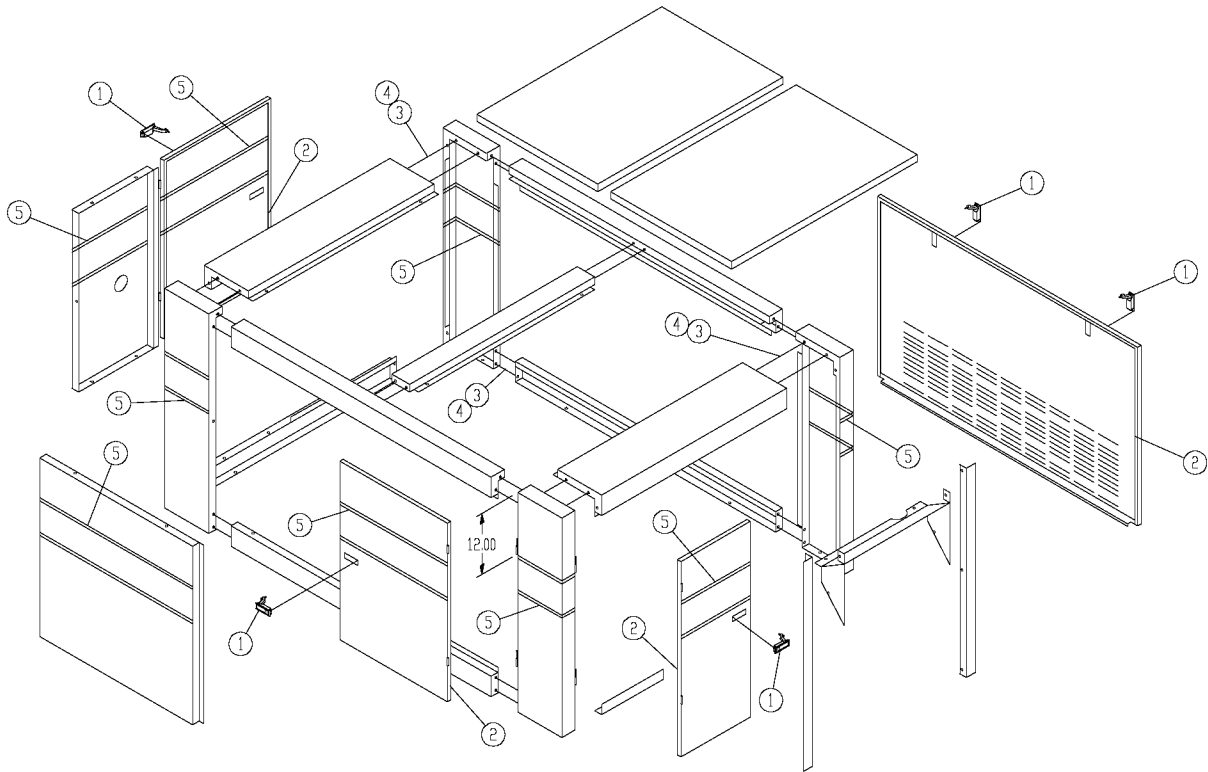
253ECH810
(Ref. Drawing)

AIR COOLED ENCLOSURE PANELS

B/M: ECH81769

Ref. No.	Name of Part	Qty.	Part No.
1	PANEL	1	214ECH216
2	PANEL	1	209ECH216
3	PANEL	1	211ECH216

Order by Part Number and Description. Reference Numbers are for your convenience only.



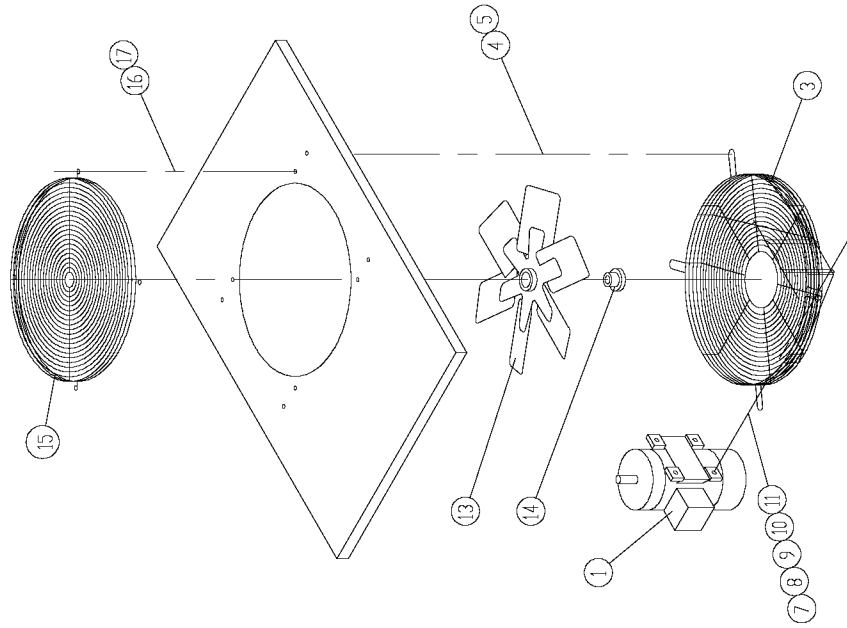
203EBH810-A
(Ref. Drawing)

ENCLOSURE HARDWARE

B/M: 233ECH4017

Ref. No.	Name of Part	Qty.	Part No.
1	LATCH	5	31D51
2	SEAL.....	51	32E12
3	SCREW	86	75LM51
4	NUT	78	50AW5
5	DECAL.....	6	203ESO077

**VENT FAN GROUP
(WATER COOLED ENCLOSED)**



**285ECM810
(Ref. Drawing)**

Order by Part Number and Description. Reference Numbers are for your convenience only.

**VENT FAN GROUP
(WATER COOLED ENCLOSED)**

B/M: 304EBH4007 B/M: 305EBH4007 B/M: 306EBH4007 B/M: 307EBH4007

Ref. No.	Name of Part	Qty.	200V		230V		460V		575V	
			Part No.	Part No.	Part No.	Part No.	Part No.	Part No.		
1	MOTOR.....	1	24CA4177	24CA2464	24CA2464	24CA4178	24CA2464	24CA4178	24CA4178	24CA4178
3	GUARD-FAN.....	1	202ECM393	202ECM393	202ECM393	202ECM393	202ECM393	202ECM393	202ECM393	202ECM393
4	SCREW.....	4	75K48	75K48	75K48	75K48	75K48	75K48	75K48	75K48
5	WASHER.....	4	95A5	95A5	95A5	95A5	95A5	95A5	95A5	95A5
7	SCREW.....	4	75A35	75A35	75A35	75A35	75A35	75A35	75A35	75A35
8	RETAINER.....	4	2014731	2014731	2014731	2014731	2014731	2014731	2014731	2014731
9	WASHER.....	4	95A2	95A2	95A2	95A2	95A2	95A2	95A2	95A2
10	LOCKWASHER.....	4	95B2	95B2	95B2	95B2	95B2	95B2	95B2	95B2
11	NUT.....	4	50B2	50B2	50B2	50B2	50B2	50B2	50B2	50B2
13	FAN.....	1	202ECM701	202ECM701	202ECM701	202ECM701	202ECM701	202ECM701	202ECM701	202ECM701
14	BUSHING-SHEAVE.....	1	22G27	22G27	22G27	22G27	22G27	22G27	22G27	22G27
15	GUARD-FAN.....	1	200ECM393	200ECM393	200ECM393	200ECM393	200ECM393	200ECM393	200ECM393	200ECM393
16	SCREW.....	4	75LM51	75LM51	75LM51	75LM51	75LM51	75LM51	75LM51	75LM51
* 17	NUT.....	4	50AW5	50AW5	50AW5	50AW5	50AW5	50AW5	50AW5	50AW5
* 18	CONDUIT.....	6	24A402	24A402	24A402	24A402	24A402	24A402	24A402	24A402
* 20	FITTING-CONDUIT.....	1	24A378	24A378	24A378	24A378	24A378	24A378	24A378	24A378
* 21	FITTING-CONDUIT.....	1	24A380	24A380	24A380	24A380	24A380	24A380	24A380	24A380
* 22	WIRE.....	24	97H2A	97H2A	97H2A	97H2A	97H2A	97H2A	97H2A	97H2A
* 23	WIRE.....	8	97H2G	97H2G	97H2G	97H2G	97H2G	97H2G	97H2G	97H2G
* 24	LUG-TERMINAL.....	12	24CA806	24CA806	24CA806	24CA806	24CA806	24CA806	24CA806	24CA806
* 25	LUG-TERMINAL.....	1	24CA805	24CA805	24CA805	24CA805	24CA805	24CA805	24CA805	24CA805
* 26	HEATER-OVERLOAD.....	3	**	**	**	**	**	**	**	**
* 27	FUSE.....	3	24CA4093	24CA4093	24CA4093	24CA4093	24CA4093	24CA4093	24CA4093	24CA4093
* 28	SCREW.....	3	75G23	75G23	75G23	75G23	75G23	75G23	75G23	75G23
* 29	DECAL.....	1	311AUX077	311AUX077	311AUX077	311AUX077	311AUX077	311AUX077	311AUX077	311AUX077
* 30	LOCKWASHER.....	3	95W45	95W45	95W45	95W45	95W45	95W45	95W45	95W45
* 31	NUT.....	3	50K3	50K3	50K3	50K3	50K3	50K3	50K3	50K3

* Not shown
** See page 48 for Heater Selections.

OVERLOAD RELAY HEATER CONVERSION LISTING

Refer to Motor Nameplate “Amperage” and Decal in Control Panel for Selection of Overload Relay Heater Packs

CUTLER-HAMMER PART NUMBER	GARDNER DENVER PART NUMBER
H2002B	24CA4101
H2003B	24CA4102
H2004B	24CA4103
H2005B	24CA4104
H2006B	24CA4105
H2007B	24CA4106
H2008B	24CA4107
H2009B	24CA4108
H2010B	24CA4109
H2011B	24CA4110
H2012B	24CA4111
H2013B	24CA4112
H2014B	24CA4113
H2015B	24CA4114
H2016B	24CA4115
H2017B	24CA4116
H2018	24CA2924
H2019	24CA2925
H2020	24CA2926
H2021	24CA2927
H2022	24CA2893
H2023	24CA2894
H2024	24CA2928

IDENTIFICATION AND INSTRUCTION GROUP

**B/M: 300EBH4011
300EAP4011**

Name of Part	Qty.	Part No.
DECAL, OPERATING & MAINTENANCE	1	217ECM077
DECAL, WARNING.....	1	227EAQ077
DECAL, PARTS LIST/SERVICE MANUAL #.....	1	204EDE077
DECAL, WARNING – ELECTRICAL SHOCK.....	1	314EAQ077
DECAL, DANGER – HOT OIL UNDER PRESSURE	1	212EAQ077
DECAL, WARNING – INSPECT OIL RESERVOIR.....	1	217EAQ077
DECAL, NOTICE – USE GARDNER DENVER PARTS.....	1	214EAQ077
DECAL, NOTICE – USE GARDNER DENVER PARTS.....	1	212ECM077
DECAL, CAUTION – DO NOT LIFT	2	208EAQ077
DECAL, WARNING – ROTATING MACHINERY	1	211EAQ077
DECAL, DANGER – DO NOT BREATHE.....	1	206EAQ077
DECAL, GARDNER DENVER LOGO	1	69F18
DECAL, HEAT EXCHANGER “IN”	1	200ESP077
DECAL, HEAT EXCHANGER “OUT”	1	201ESO077
DECAL, SAVER II LOGO, EBH ONLY	1	201ECP077
DECAL, SAVER II LOGO, EBH ONLY	3	200ECP077
DECAL, SAVER, EAH ONLY	1	202EAP077
DECAL, SAVER, EAH ONLY	1	201EAP077
DECAL, “MADE IN USA”	1	69F64
DECAL, WARNING.....	1	240EAQ077
DECAL, “QUALITY WITHOUT QUESTION”.....	1	251EAQ077
TAG-INSTRUCTION.....	1	300EAQ304
TAG-INSTRUCTION.....	1	301EAQ304
POCKET.....	1	200EAQ1304

REPAIR KITS

Your Gardner Denver rotary screw compressor is designed and manufactured for many years of reliable operation. All components are engineered to exacting specifications, which will function together as a system to provide maximum efficiency. To insure the continuing integrity of compressor operation, use only original quality genuine Gardner Denver replacement parts and accessories.

Name of Part	Qty.	Part No.
ROUTINE MAINTENANCE KIT (Heavy Duty Air Filter)		201ECH6013
ELEMENT, AIR FILTER.....	2	2116701
ELEMENT, OIL FILTER.....	3	2116110
SEPARATOR KIT		202ECH6013
OIL SEPARATOR.....	1	200ECH035
GASKERT ELIMINATOR.....	1	25BC632
LUBRICANT (Oil Seal Grease).....	1	2116755
PNEUMATIC CONTROLS & GAUGES		302EAQ6013
CHECK VALVE.....	3	90AR261
CONTROL VALVE.....	1	90AR1034
CONTROL VALVE.....	1	90AR1082
PRESSURE REGULATOR.....	1	88H139
PRESSURE GAUGE	1	2116732
ELECTRICAL CONTROL KIT		206EAP6013
SOLENOID VALVE.....	1	91B70
SOLENOID VALVE.....	1	91B80
SOLENOID VALVE.....	1	91B81
THERMISTOR PROBE.....	2	21D264
TRANSDUCER.....	2	88H242
VACUUM SWITCH	1	88H195
LUBRICANT (AEON 9000SP)		
5-GALLON PAIL	1	28H109
55-GALLON DRUM	1	28H110
TOUCH-UP PAINT (White)		
5-GALLON.....	1	28H76
1-GALLON.....	1	28H84
1-QUART CAN	1	28H83
WATER TEMPERATURE REGULATOR (Optional)	1	90AR326
MAGNETIC WATER SHUTOFF VAVLE (Optional)	1	91B167

REPAIR KITS (CONTINUED)

Name of Part	Qty.	Part No.
FIELD INSTALLED ENCLOSURE KITS		
AIR COOLER	1	234ECH4017
WATER COOLED - Consult Factory (No Electrical Parts).....	1	235ECH4017
TURNVALVE ACTUATOR O-RING KIT – EAH ONLY.....		307EAQ6013
O-RING (Top of Stem)	2	25BC738
O-RING (Body to Manifold, Large)	2	25BC37
O-RING (Body to Manifold, Small).....	2	25BC35
O-RING (Tube)	2	2009224
AIREND REPAIR KITS (Refer to Page 1 for selection)		
		302EBE6013
O-RING	1	25BC440
SPRING	1	78H22
SPRING	1	78W59
O-RING	1	25AM15
RING-RETAINING	1	74D87
GASKET (ELIMINATOR)	1	25BC222
		307SSH6013
BEARING-ROLLER	1	12BA119
BEARING-ROLLER	1	12BA118
BEARING-ROLLER	1	12BA91
BEARING-ROLLER	1	12BA196
SPRING	1	78W96
		321SSH6013
O-RING (Inlet Bearing Cover to Cylinder).....	1	25BC695
O-RING (Discharge to Cylinder Flange)	1	25BC693
O-RING (Discharge to Cylinder Flange)	1	25BC684
O-RING (Discharge Housing to Cover).....	1	25BC688
O-RING (Discharge Housing to Discharge Manifold)	1	25BC686
O-RING (Dover to Oil Pump or Cover)	1	25BC242
SHIM (Bearing Retainer, Frame Rotor)	1	77H53
SHIM (Bearing Retainer, Male Rotor, Less Pump).....	1	77H54
		322SSH6013
SLEEVE	1	80M12
OIL SEAL	1	60DD679
OIL SEAL	1	60DD690
O-RING (Seal Housing)	1	25BC242
O-RING (Seal Housing)	1	25BC157
O-RING (Seal Housing)	1	25BC683
VALVE-CHECK	1	90AR923

REPAIR KITS (CONTINUED)

Name of Part	Qty.	Part No.
		329SSH6013
ROLLER BEARING	1	12C77
ROLLER BEARING	1	12BA172
SPRING-WAVE	1	78W78
KEY	1	35C114
PACKING-RING	4	60AM46
SEAL-FASTENER	2	60DD65
GASKET	4	25BC138N
BUMPER	2	32E15
PLATE-RETAINER	2	300SSU168
RING RETAINING	2	74D49
SEAL-FASTENER	2	60DD801
		326SSH6013
ROLLER BEARING	1	12BA91
ROLLER BEARING	1	12BA196
ROLLER BEARING	1	12BA130
ROLLER BEARING	1	12BA136
SPRING	1	78W96
		327SSH6013
SHIM SET	1	77H54
SHIM SET	1	77H53
GASKET ELIMINATOR.....	1	25BC222
		302SSH6013
WEAR SLEEVE	1	80M12
OIL SEAL	1	60DD679
OIL SEAL	1	60DD690
O-RING	1	8502140
O-RING	1	25BC165
GASKET ELIMINATOR.....	1	25BC222
VALVE-CHECK	1	90AR923
		200SSH4017
WEAR SLEEVE INSTALLATION/REMOVAL KIT	1	200SSH4017
WEAR SLEEVE PULLER.....	1	200SSH219
PLATE PULLER	1	200SSH340
SCREW	1	75LM192
SCREW	1	655ED120
SCREW	2	75D176
GUIDE	1	200SSH450
TOOL	1	200SSH074

Gardner Denver

Specifications subject to change without notice.

Copyright © 1999 Gardner Denver, Inc.

Litho in U.S.A.

<http://www.gardnerdenver.com>

mktg@gardnerdenver.com

For additional information contact your local representative or



Gardner Denver Compressor and Pump Division,
1800 Gardner Expressway, Quincy, Illinois 62301
Customer Service Department Telephone:
(800) 682-9868 FAX: (217) 224-7814

Sales and Service in all major cities.

For parts information, contact Gardner Denver,
Master Distribution Center, Memphis, TN
Telephone: (800) 245-4946 FAX: (901) 542-6159