

---

---

**GARDNER DENVER®**

13-9-559  
Version: 06  
June 28, 2002

**ELECTRA-SAVER II  
STATIONARY BASE-MOUNTED  
COMPRESSOR**

**AUTO SENTRY® -- ES+ CONTROLS  
AUTO SENTRY® -- ES CONTROLS**

**MODELS**

**EBQ99F**

**125 & 150 HP**

**PARTS LIST**

**Gardner  
Denver**

**MAINTAIN COMPRESSOR RELIABILITY AND PERFORMANCE WITH  
GENUINE GARDNER DENVER® COMPRESSOR  
PARTS AND SUPPORT SERVICES**

Gardner Denver® Compressor genuine parts, manufactured to design tolerances, are developed for optimum dependability – specifically for Gardner Denver compressor systems. Design and material innovations are the result of years of experience with hundreds of different compressor applications. Reliability in materials and quality assurance is incorporated in our genuine replacement parts.

Your authorized Gardner Denver Compressor distributor offers all the backup you'll need. A worldwide network of authorized distributors provides the finest product support in the air compressor industry. Your local authorized distributor maintains a large inventory of genuine parts and he is backed up for emergency parts by direct access to the Master Distribution Center (MDC) in Memphis, Tennessee.

Your authorized distributor can support your Gardner Denver air compressor with these services:

1. Trained parts specialists to assist you in selecting the correct replacement parts.
2. Factory warranted new and remanufactured rotary screw airends. Most popular model remanufactured airends are maintained in stock at the Remanufacturing Center in Indianapolis, IN., for purchase on an exchange basis with liberal core credit available for the replacement unit.
3. A full line of factory tested AEON™ compressor lubricants specifically formulated for use in Gardner Denver compressors.
4. Repair and maintenance kits designed with the necessary parts to simplify servicing your compressor.

Authorized distributor service technicians are factory trained and skilled in compressor maintenance and repair. They are ready to respond and assist you by providing fast, expert maintenance and repair services.

**For the location of your local authorized Gardner Denver Air Compressor distributor, refer to the yellow pages of your phone directory or contact:**

**Distribution Center:**

Gardner Denver  
Master Distribution Center  
5585 East Shelby Drive  
Memphis, TN 38141

Phone: (901) 542-6100  
(800) 245-4946

Fax: (901) 542-6159

**Factory:**

Gardner Denver  
1800 Gardner Expressway  
Quincy, IL 62301

Phone: (217) 222-5400

Fax: (217) 224-7814

**INSTRUCTIONS FOR ORDERING REPAIR PARTS**

When ordering parts, specify Compressor MODEL, Method of Cooling, HORSEPOWER and SERIAL NUMBER (see nameplate on unit). The Serial Number is also stamped on top of the discharge bearing carrier casting.

All orders for Parts should be placed with the nearest authorized distributor.

Where NOT specified, quantity of parts required per compressor or unit is one (1); where more than one is required per unit, quantity is indicated in parenthesis. SPECIFY EXACTLY THE NUMBER OF PARTS REQUIRED.

DO NOT ORDER BY SETS OR GROUPS.

To determine the Right-Hand and Left-Hand side of a compressor, stand at the motor end and look toward the compressor. Right-Hand and Left- Hand are indicated in parenthesis following the part name, i.e. (RH) and (LH), when appropriate.

**TOTAL PRODUCT SUPPORT – GARDNER DENVER’S  
CONTINUING COMMITMENT  
TO YOUR AIR COMPRESSOR PERFORMANCE**

Commitment to total product support continues long after the purchase of your quality Gardner Denver rotary screw compressor.

Gardner Denver original parts incorporate years of experience and improvements in design, materials and quality assurance. Maintaining your compressor investment with Gardner Denver parts will insure protection for the air compressor unit and long, dependable service life.

Your authorized Gardner Denver compressor distributor maintains a complete stock of all common maintenance parts, factory approved AEON lubricants, and Gardner Denver factory warranted exchange airends. In addition, authorized distributor technicians are factory trained, and can provide complete diagnostic, compressor maintenance and repair services.

This manual is designed to assist you in maintaining high performance and receiving many years of dependable service you expect from your Gardner Denver compressor.

**REMANUFACTURED AIRENDS**

Whenever an airend requires replacement or repair, Gardner Denver offers an industry unique, factory remanufactured airend exchange program. From its modern Remanufacturing Center in Indianapolis, IN., Gardner Denver is committed to supplying you with the highest quality, factory remanufactured airends that are guaranteed to save you time, aggravation and money.

**Immediately Available**

Repair downtime costs you money, which is why there are over 200 remanufactured units in inventory at all times, ready for immediate delivery.

**Skilled Craftsmen**

Our Remanufacturing assembly technicians average over 20 years experience with air compression products.

**Precision Remanufacturing**

All potentially usable parts are thoroughly cleaned, inspected and analyzed. Only those parts that can be brought back to original factory specifications are remanufactured. Every remanufactured airend receives a new overhaul kit: bearings, gears, seals, sleeves and gaskets.

**Extensive Testing**

Gardner Denver performs testing that repair houses just don't do. Magnaflux and ultrasonic inspection spot cracked or stressed castings, monochromatic light analysis exposes oil leaks, and coordinate measurement machine inspects to +/- .0001", insuring that all remanufactured airends meet factory performance specifications.

**Warranty**

Gardner Denver backs up every remanufactured airend with a new warranty...18 months from purchase, 12 months from service.

Gardner Denver remanufactured airends deliver *quality without question...year in and year out.*

Call Gardner Denver for information on the airend exchange program and the name of your authorized distributor.

Phone Number: 800-245-4946 or  
Fax: 901-542-6159

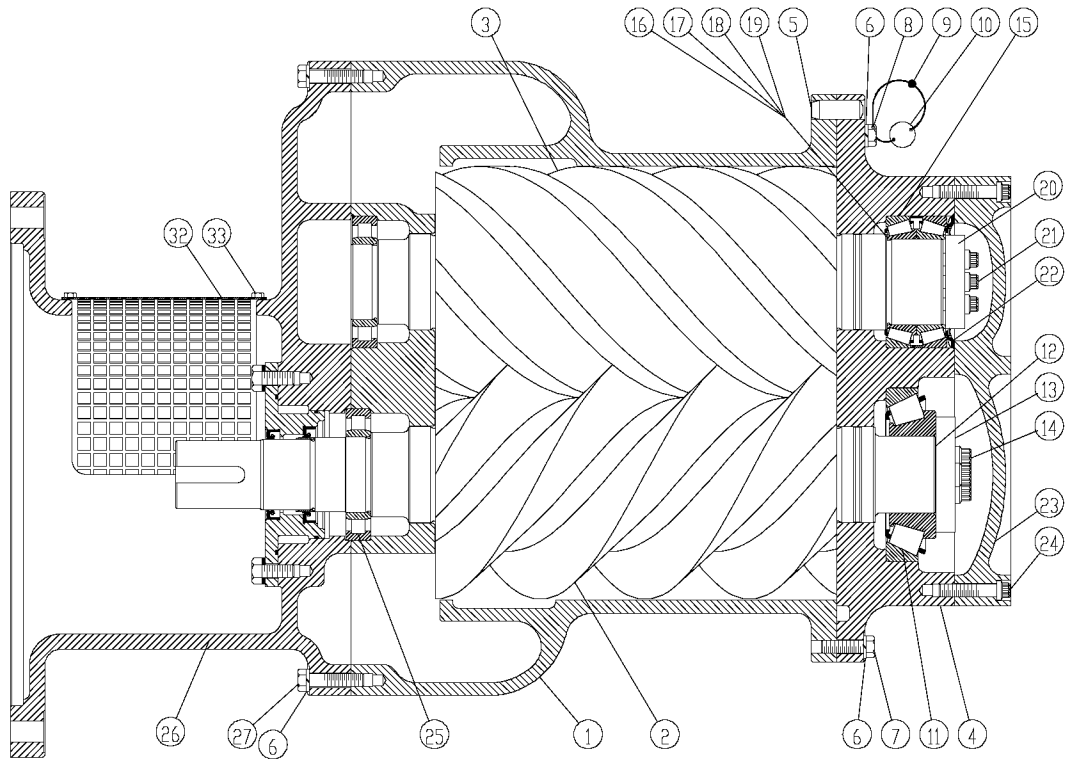
## TABLE OF CONTENTS

Maintain Compressor Reliability And Performance With Genuine Gardner Denver Compressor Parts And Support Services.....	i
Instructions For Ordering Repair Parts .....	i
Total Product Support – Gardner Denver’s Continuing Commitment To Your Air Compressor Performance.....	ii
Remanufactured Airends .....	ii
Bare Compressor.....	1, 2
Airend Selection .....	1
Oil Seal Detail.....	3
Inlet Valve .....	4
Air Filter & Mounting .....	5
Oil Reservoir Group.....	6
Separator Housing.....	7
Separator Group.....	8
Discharge Piping .....	9
Oil Return Line.....	10
Cooling Group .....	11, 12
Water Cooled Heat Exchanger – With Aftercooler .....	13, 14
Water Cooled Heat Exchanger – Without Aftercooler .....	15, 16
Control Schematic .....	17, 18
Compressor Base Group .....	19
Minimum Pressure Valve .....	20
Oil Filter & Mixing Valve Assembly.....	21
Discharge Bearing Oil Filter Mounting.....	22
Enclosure Vent Fan Assembly (Water Cooled Only).....	23
Enclosure – Basic.....	24
Enclosure – Hardware.....	25
Enclosure – Air Cooled Panels.....	26
Enclosure – Water Cooled Panels.....	27
Enclosure – Basic Quiet.....	28
Air Cooled Quiet Baffle .....	29
Air Cooled Quiet Baffle Hardware.....	30
Enclosure – Water Cooled Quiet .....	31
Main Motor Group.....	32
Motor Group .....	33
Overload Relay Heater Conversion Listing.....	34
Controller Assembly (EBQ - 125/150 HP Full Voltage Starters) .....	35, 36
Controller Assembly (EBQ - 125/150 HP Wye Delta Starters).....	37, 38
Controller Assembly (EBQ - Less Main Motor Starter .....	39, 40
Miscellaneous Electrical Parts.....	41
Identification And Instruction Group.....	42
Repair Kits.....	43

**For Operating and Service Instructions, see:**

<b>SERVICE MANUAL</b>	<b>13-910-643</b>
<b>CONTROLLER MANUAL</b>	<b>13-9-653</b>

## BARE COMPRESSOR



**221SSQ810-A**  
(Ref. Drawing)

### AIREND SELECTION

HP	PSI	AIREND	REMANUFACTURED AIREND
125 150	100 125	SSQNBFO1	SSQNBFO1X
150	100	SSQNBFO2	SSQNBFO2X
125 150	125 150	SSQNBFO4	SSQNBFO4X

Order by Part Number and Description. Reference Numbers are for your convenience only.

**BARE COMPRESSOR**

B/M: 326SSQ4000  
327SSQ4000  
328SSQ4000

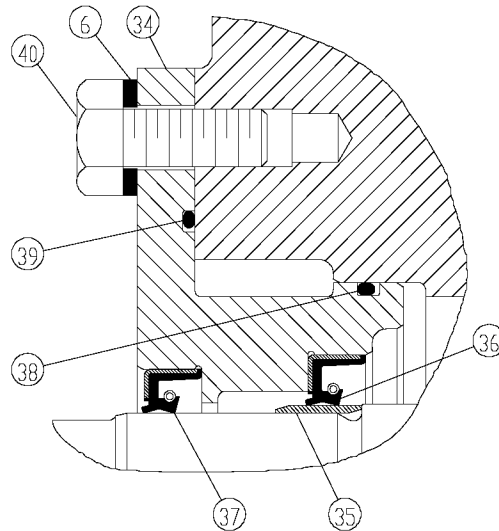
Ref. No.	Name of Part	Qty.	Part No.
	BARE COMPRESSOR.....		SSQNBF01
	BARE COMPRESSOR.....		SSQNBF02
	BARE COMPRESSOR.....		SSQNBF04
1	CYLINDER.....	1	**
2	ROTOR.....	1	**
3	ROTOR.....	1	**
4	HOUSING-BEARING .....	1	**
5	PIN-DOWEL.....	2	**
6	LOCKWASHER.....	52	**
7	SCREW .....	20	**
8	SCREW .....	2	**
9	SEAL.....	1	**
10	TAG-INSTRUCTION .....	1	**
* 11	BEARING-ROLLER.....	1	12BA138
* 12	SHIM .....	3	77C36002
	SHIM .....	3	77C36003
	SHIM .....	3	77C36005
	SHIM .....	2	77C36015
13	PLATE-BEARING RETAINER .....	1	**
14	SCREW .....	3	**
* 15	BEARING.....	1	12BA192
* 16	SHIM.....	3	77H50002
* 17	SHIM.....	3	77H50003
* 18	SHIM.....	3	77H50005
* 19	SHIM.....	2	77H50015
20	PLATE-BEARING RETAINER .....	1	**
21	SCREW .....	3	**
* 22	SPRING .....	1	78W89
23	PLATE-BEARING COVER .....	1	**
24	SCREW .....	22	**
* 25	BEARING-ROLLER.....	2	12BA126
26	ADAPTOR.....	1	**
27	SCREW .....	21	**
*** 28	SCREW .....	1	
*** 30	PLUG.....	1	
*** 31	PLUG.....	1	
32	GUARD-COUPLING.....	1	**
33	SCREW .....	4	**
*** 41	GASKET ELIMINATOR .....	1	25BC222

\* Parts included in Periodic Overhaul Kit, Part Number 300EBQ6013. Refer to page 43.

\*\* Shown for reference only

\*\*\* Not shown on Drawing

Order by Part Number and Description. Reference Numbers are for your convenience only.



221SSQ810-A  
(Ref. Drawing)

**OIL SEAL DETAIL**

B/M: 326SSQ4000  
327SSQ4000  
328SSQ4000

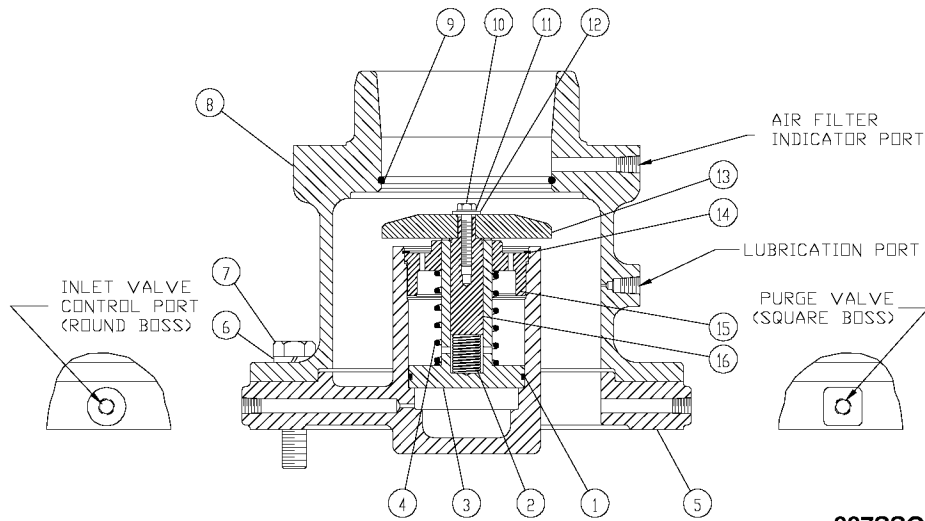
Ref. No.	Name of Part	Qty.	Part No.
6	LOCKWASHER.....	8	95B5
34	HOUSING-SEAL .....	1	207SSQ362
* 35	SLEEVE-WEAR .....	1	80M28
* 36	SEAL-OIL.....	1	60DD571
* 37	SEAL-OIL.....	1	60DD689
* 38	O-RING.....	1	25BC157
* 39	O-RING.....	1	25BC431
40	SCREW .....	8	655EE050
* VALVE-CHECK (Not shown)	.....	1	90AR923

\* Parts included in Periodic Overhaul Kit, Part Number 300EBQ6013. Refer to page 43.

To replace Oil Seal, order Kit 200SSQ6007.

For Wear Sleeve Installation/Removal Kit, refer to Part Number 200SSQ4017, page 44.

Order by Part Number and Description. Reference Numbers are for your convenience only.



**337SSQ810-A**  
(Ref. Drawing)

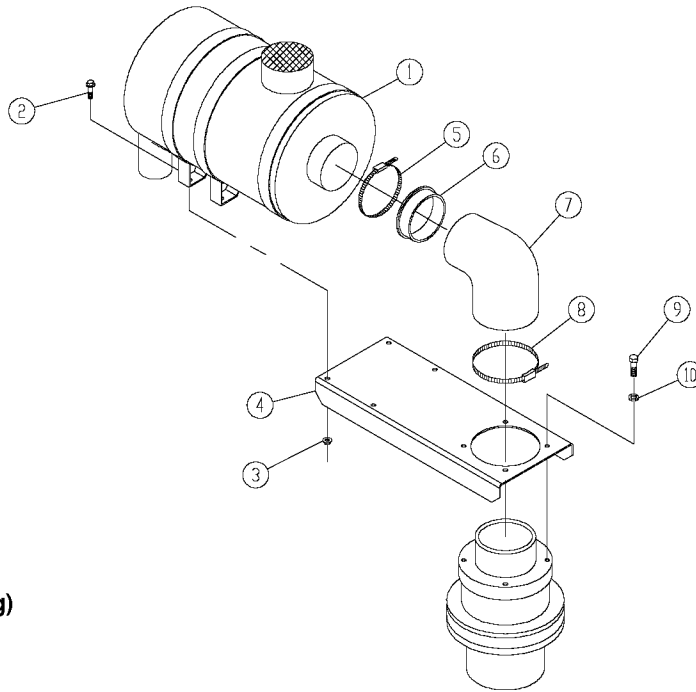
**INLET VALVE**

**B/M: 201SSQ4030**

Ref. No.	Name of Part	Qty.	Part No.
* 1	O-RING .....	1	25BC298
* 2	SPRING .....	1	78W62
3	PISTON-INLET VALVE .....	1	201SSQ043
* 4	SPRING .....	1	78W61
5	HOUSING-INLET .....	1	204SSQ041
6	LOCKWASHER.....	8	95B8
7	SCREW .....	8	655EG120
8	SEAT .....	1	202SSQ256
* 9	O-RING.....	1	25AM30
10	SCREW .....	1	75A102
11	LOCKWASHER.....	1	95H57
12	WASHER .....	1	95A2
13	VALVE-INLET .....	1	201SSQ044
* 14	RING-RETAINING.....	1	74D89
15	RETAINER.....	1	200SSQ205
16	GUIDE-VALVE .....	1	201SSQ483

\* Included in Periodic Maintenance Kit Part Number 301EAQ6013, page 43.

Order by Part Number and Description. Reference Numbers are for your convenience only.



**300EAQ810**  
(Ref. Drawing)

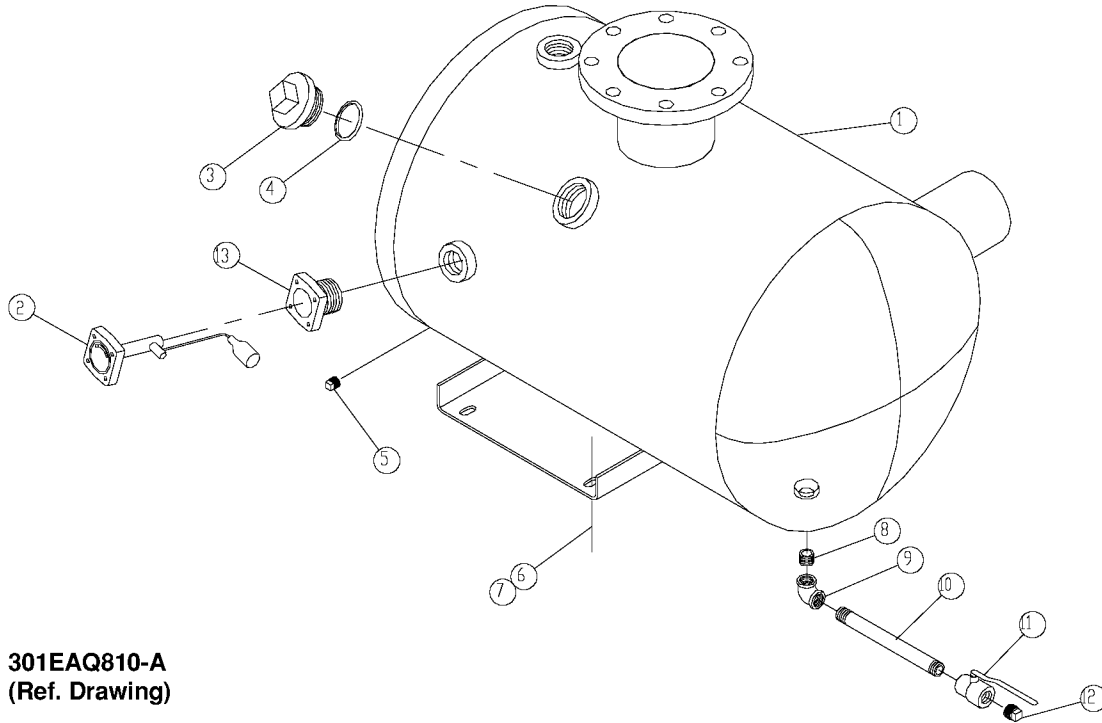
**AIR FILTER & MOUNTING**

**B/M: 300EAQ4017**

Ref. No.	Name of Part	Qty.	Part No.
1	FILTER-AIR.....	1	5L300
2	SCREW .....	4	75LM51
3	NUT .....	4	50AW5
4	BRACKET-FILTER.....	1	300EAQ389
5	CLAMP .....	1	29B46
6	REDUCER .....	1	300EAQ1323
7	HOSE .....	1	29Z96
8	CLAMP .....	1	2009499
9	SCREW .....	4	655EE040
10	LOCKWASHER.....	4	95B5
*	ELEMENT (Air Filter).....	1	2117151

\* Not shown

Order by Part Number and Description. Reference Numbers are for your convenience only.



301EAQ810-A  
(Ref. Drawing)

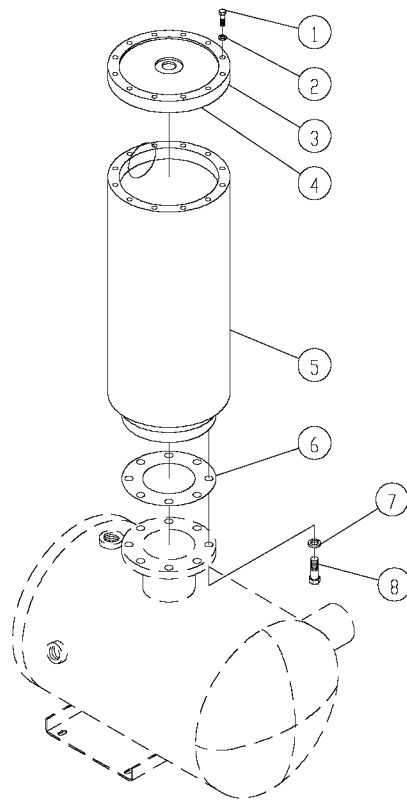
**OIL RESERVOIR GROUP**

**B/M: 300EAQ4018**

Ref. No.	Name of Part	Qty.	Part No.
1	RESERVOIR-OIL .....	1	300EAQ037
* 2	GAUGE-FLOAT .....	1	300EBM303
3	COVER-FILLER .....	1	200SPF156
4	O-RING .....	1	54C214
5	PLUG .....	1	64AA5
6	SCREW .....	4	75LM135
7	NUT .....	4	50AW35
8	NIPPLE .....	1	63F1G
9	ELBOW .....	1	64C4G
10	NIPPLE .....	1	63F15G
11	VALVE-BALL .....	1	90AR360
12	PLUG .....	1	64AA7
13	ADAPTOR-GAUGE .....	1	200EDE058

\* For Repair, order Float Gauge Gasket Part Number 54C204

Order by Part Number and Description. Reference Numbers are for your convenience only.



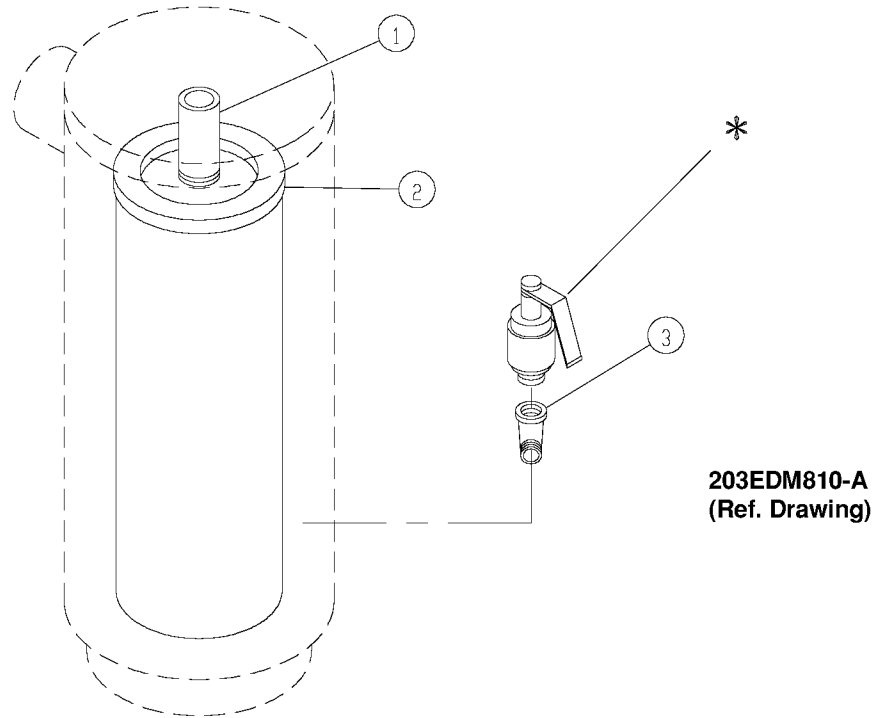
209EDM810-A  
(Ref. Drawing)

**SEPARATOR HOUSING**

**B/M: 201EDM4018**

Ref. No.	Name of Part	Qty.	Part No.
1	SCREW .....	12	655EE090
2	LOCKWASHER.....	12	95B5
3	COVER.....	1	200EDM225
4	GASKET-ELIMINATOR.....	1	25BC222
5	HOUSING .....	1	200EDM405
6	GASKET .....	1	25C2719N
7	LOCKWASHER.....	8	95B8
8	SCREW .....	8	655EG080

Order by Part Number and Description. Reference Numbers are for your convenience only.



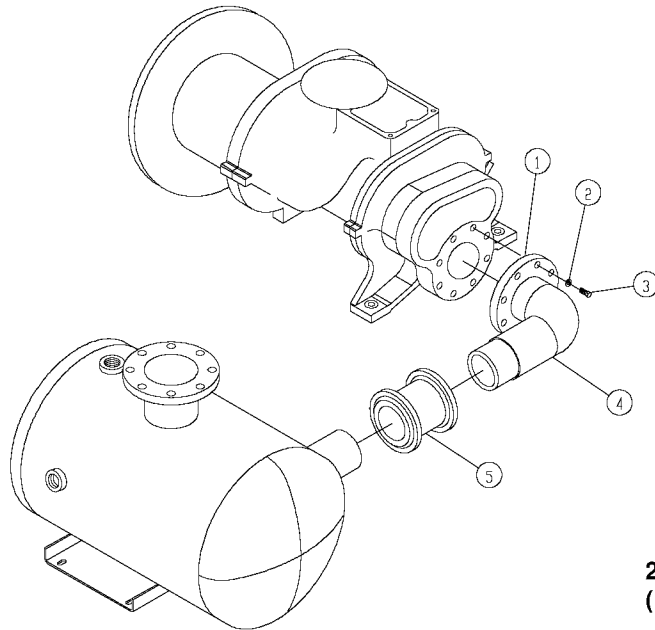
**SEPARATOR GROUP**

**B/M: 200EDP4013**

<b>Ref. No.</b>	<b>Name of Part</b>	<b>Qty.</b>	<b>Part No.</b>
1	SPACER (PIPE) .....	1	201EDM392
** 2	OIL SEPARATOR .....	1	55B44
3	ELBOW .....	1	64D8G
*	RELIEF VALVE .....	1	
	100 PSI .....		90AR510
	125 PSI .....		90AR532
	150 PSI .....		90AR976

\*\* For Separator Repair Kit, see Part Number 202EDP6013, page 43.

Order by Part Number and Description. Reference Numbers are for your convenience only.



207EDM810-A  
(Ref. Drawing)

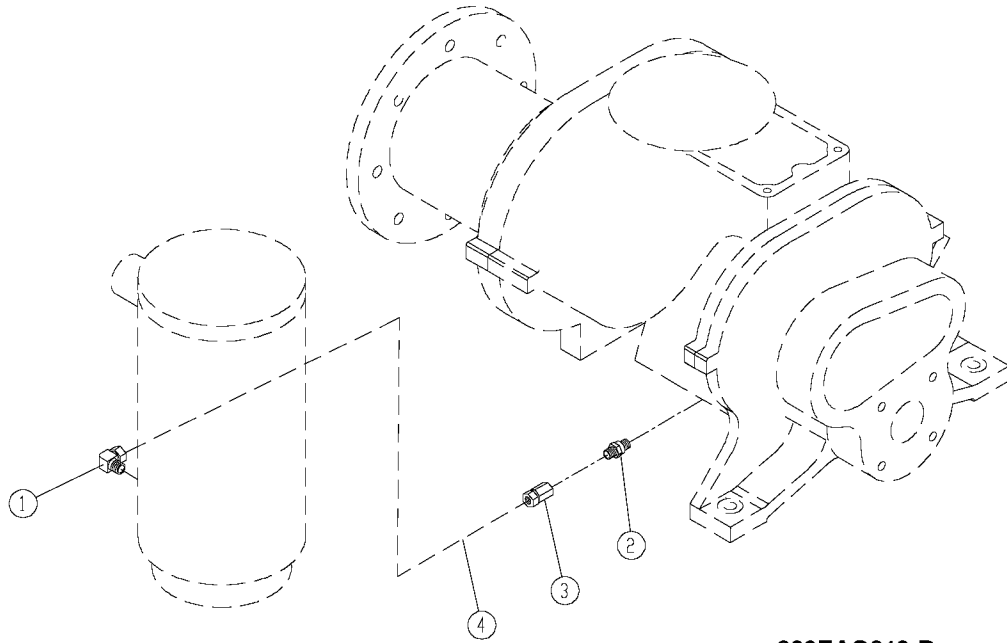
**DISCHARGE PIPING**

**B/M: 200EDM4019**

Ref. No.	Name of Part	Qty.	Part No.
1	GASKET-ELIMINATOR .....	1	25BC222
2	LOCKWASHER.....	8	95B7
3	SCREW .....	8	655EF080
4	MANIFOLD.....	1	200EDM286
5	COUPLING-FLEXIBLE .....	1	64EB804
*	GASKET, FLEXIBLE COUPLING (For Repair) .....	2	2117162

\* Not shown

Order by Part Number and Description. Reference Numbers are for your convenience only.



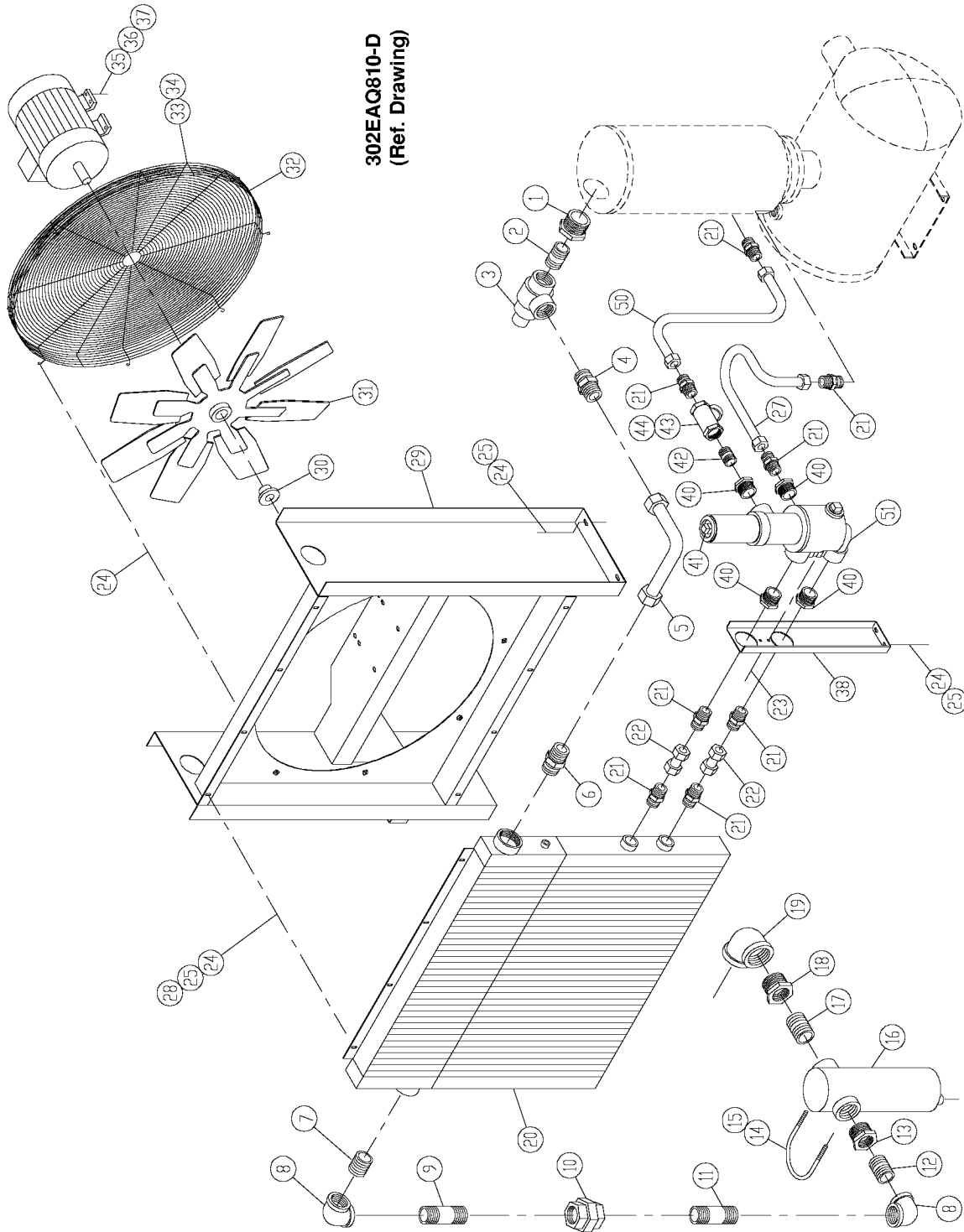
**309EAQ810-B**  
(Ref. Drawing)

**OIL RETURN LINE**

**B/M: 308EAQ4017**

<b>Ref. No.</b>	<b>Name of Part</b>	<b>Qty.</b>	<b>Part No.</b>
1	ELBOW .....	1	86E60
2	VALVE-CHECK .....	1	90AR261
3	CONNECTOR-TUBE .....	1	86E28
4	TUBE .....	3 FT	85K3

**COOLING GROUP**



**302EAQ810-D**  
(Ref. Drawing)

Order by Part Number and Description. Reference Numbers are for your convenience only.

COOLING GROUP

B/M: 300EAQ4003  
 301EAQ4003  
 300EBQ4013  
 306 & 307EAQ4013

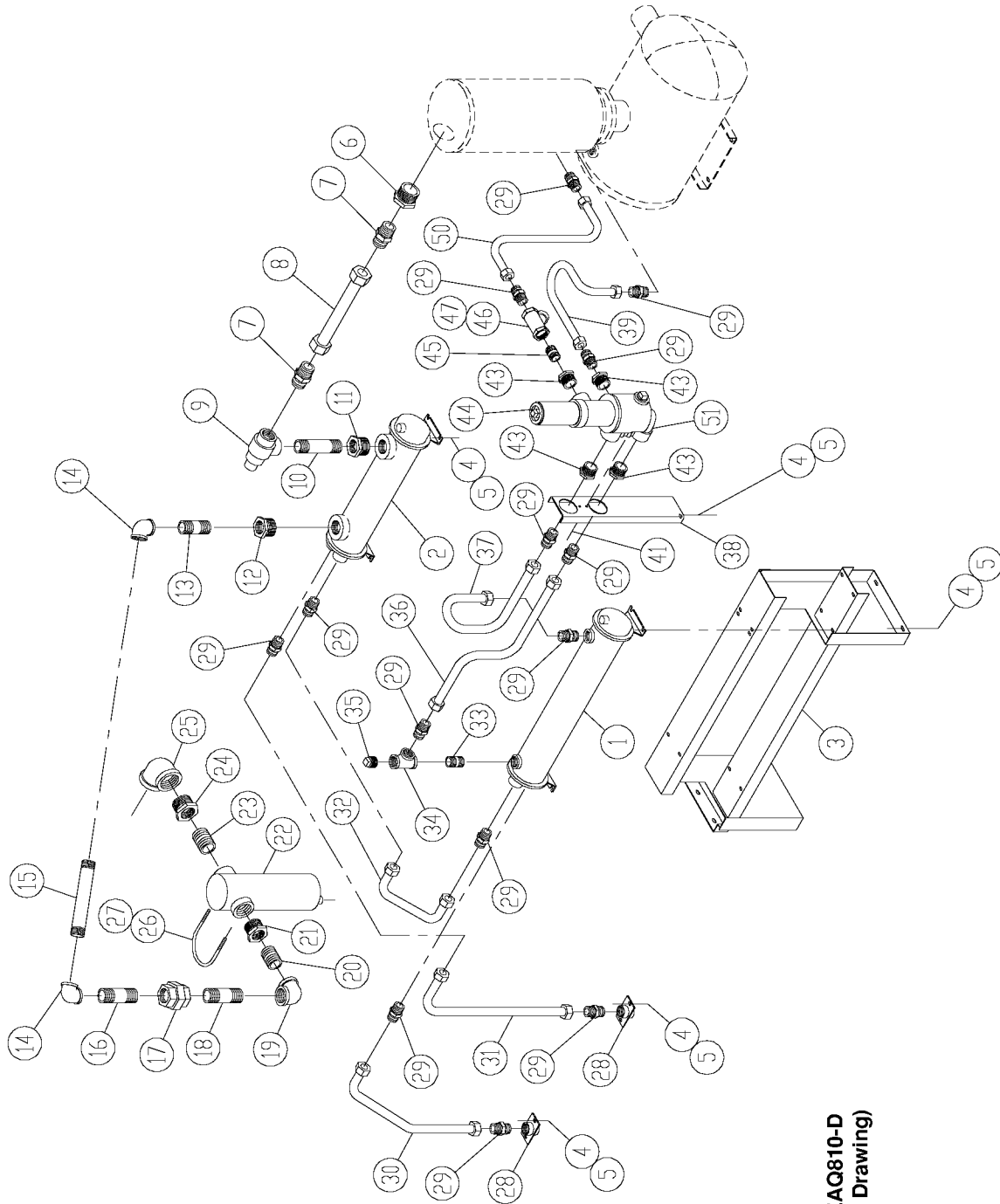
Ref. No.	Name of Part	Qty.	Part No.	Ref. No.	Name of Part	Qty.	Part No.
1	BUSHING-PIPE .....	1	64E41	23	SCREW .....	2	75LM51
2	NIPPLE-PIPE .....	1	63L25G	24	SCREW .....	22	75LM51
3	VALVE-MINIMUM PRESSURE..	1	200EBM527	25	NUT .....	14	50AW5
4	CONNECTOR-TUBE .....	1	86H142	27	TUBE WITH FITTINGS .....	1	310EAQ863
5	TUBE WITH FITTINGS .....	1	306EAQ863	28	WASHER .....	8	95A3
6	CONNECTOR-TUBE .....	1	86H142	29	SUPPORT .....	1	200EDM165
7	NIPPLE .....	1	63L2G	30	BUSHING-HUB .....	1	22G2
8	ELBOW .....	2	64C9G	31	FAN .....	1	200EAQ701
9	NIPPLE .....	1	63L26G	32	GUARD-FAN .....	1	200EDM393
10	UNION .....	1	64Z2	33	SCREW .....	4	75LM50
11	NIPPLE .....	1	63L26G	34	NUT .....	4	50AW4
12	NIPPLE .....	1	63L16G	35	SCREW .....	4	75LM78
13	BUSHING-PIPE .....	1	64E25	36	NUT .....	4	50AW5
14	U-BOLT .....	1	15U75	37	WASHER .....	4	95W15
15	NUT .....	2	50AW35	38	BRACKET (FORMED) .....	1	300EAQ142
16	SEPARATOR-MOISTURE .....	1	83C92	40	BUSHING-PIPE .....	4	64E12
17	NIPPLE .....	1	63M3G	41	OIL FILTER .....	1	201EDM369
18	BUSHING-PIPE .....	1	64E33	42	NIPPLE .....	1	63K20G
19	ELBOW .....	1	64C10G	** 43	STRAINER .....	1	82E49
20	COOLER-OIL/AIR-RADIATOR ..	1	300EAQ201	44	PLUG .....	1	64A26
	COOLER-OIL/AIR-RADIATOR ..	1	301EAQ201	50	TUBE WITH FITTINGS .....	1	301EBQ863
	(Seacoast) (Optional)				(Filter to Air End)		
21	CONNECTOR-TUBE .....	8	86H141	51	FILTER ASSEMBLY (150°) .....	1	300EAQ2045
22	TUBE WITH FITTINGS .....	2	311EAQ863		FILTER ASSEMBLY (180°) Optional ...	1	301EAQ2045

\* Repair Parts Kit for Moisture Separator: 2117587 – Valve & Seat Assembly; 2117588 – Cover Gasket; 2117589 – Float & Spindle.

\*\* Repair Parts for Strainer: 2117307 – 100 Mesh Screen; 2117310 – Blow-off Bushing.

For Fan Motor Part Numbers, see page 33.

**WATER COOLED HEAT EXCHANGER – WITH AFTERCOOLER**



**303EAQ810-D**  
(Ref. Drawing)

Order by Part Number and Description. Reference Numbers are for your convenience only.

WATER COOLED HEAT EXCHANGER – WITH AFTERCOOLER

B/M: 302EAQ4003  
303EAQ4003  
300EBQ4013  
306 & 307EAQ4013

Ref. No.	Name of Part	Qty.	Part No.	Ref. No.	Name of Part	Qty.	Part No.
1	HEAT EXCHANGER .....	1	200EDM349	18	NIPPLE .....	1	63L26G
	GASKET-RETURN .....	1	2117180	19	ELBOW .....	1	64C9G
	GASKET-IN/OUT .....	1	2109064	20	NIPPLE .....	1	63L17G
	BONNET-RETURN .....	1	2117179	21	BUSHING-PIPE .....	1	64E25
	BONNET-IN/OUT .....	1	2117178	**	SEPARATOR-MOISTURE .....	1	83C92
	HEAT EXCHANGER (Salt Water) (Optional) .....	1	201EDM349	23	NIPPLE .....	1	63M3G
	GASKET-RETURN .....	1	2117180	24	BUSHING-PIPE .....	1	64E33
	GASKET-IN/OUT .....	1	2109064	25	ELBOW .....	1	64C10G
	BONNET-RETURN .....	1	2117184	26	U-BOLT .....	1	15U75
	BONNET-IN/OUT .....	1	2117183	27	NUIT .....	2	50AW35
2	AFTERCOOLER .....	1	200EDM292	28	MANIFOLD-WATER .....	2	200EDM072
	GASKET-RETURN .....	1	2109064	29	CONNECTOR-TUBE .....	14	86H141
	GASKET-IN/OUT .....	1	2109063	30	TUBE WITH FITTINGS .....	1	303EAQ863
	BONNET-RETURN .....	1	2117182	31	TUBE WITH FITTINGS .....	1	304EAQ863
	BONNET-IN/OUT .....	1	2109065	32	TUBE WITH FITTINGS .....	1	301EAQ863
	AFTERCOOLER (Salt Water) (Optional) .....	1	201EDM292	33	NIPPLE .....	1	63K6G
	GASKET-RETURN .....	1	2109064	34	TEE .....	1	64G11G
	GASKET-IN/OUT .....	1	2109063	****	PLUG .....	1	64A8
	BONNET-RETURN .....	1	2109076	36	TUBE WITH FITTINGS .....	1	308EAQ863
	BONNET-IN/OUT .....	1	2109077	37	TUBE WITH FITTINGS .....	1	309EAQ863
3	SUPPORT .....	1	300EAQ165	38	BRACKET (FORMED) .....	1	300EAQ142
4	SCREW .....	18	75LM51	39	TUBE WITH FITTINGS .....	1	310EAQ863
5	NUIT .....	18	50AW5	41	SCREW .....	2	75LM51
6	BUSHING-PIPE .....	1	64E41	43	BUSHING-PIPE .....	4	64E12
7	CONNECTOR-TUBE .....	2	86H142	44	OIL FILTER .....	1	201EDM369
8	TUBE WITH FITTINGS .....	1	307EAQ863	45	NIPPLE .....	1	63K20G
9	VALVE-MINIMUM PRESSURE .....	1	200EBM527	***	STRAINER .....	1	82E49
10	NIPPLE .....	1	63L34G	47	PLUG .....	1	64A26
11	BUSHING-PIPE .....	1	64E41	50	TUBE WITH FITTINGS (Filter to Air End) .....	1	301EBQ863
12	BUSHING-PIPE .....	1	64E41	51	FILTER ASSEMBLY (150°) .....	1	300EAQ2045
13	NIPPLE .....	1	63L7G		FILTER ASSEMBLY (180°) Optional .....	1	301EAQ2045
14	ELBOW .....	2	64C9G				
15	NIPPLE .....	1	63N32X216G		WATER VALVES (Optional) .....		
16	NIPPLE .....	1	63L27G	*	TEMPERATURE REGULATOR .....	1	90AR151
17	UNION .....	1	64Z2	*	SOLENOID VALVE – NEMA 4 .....	1	91B173

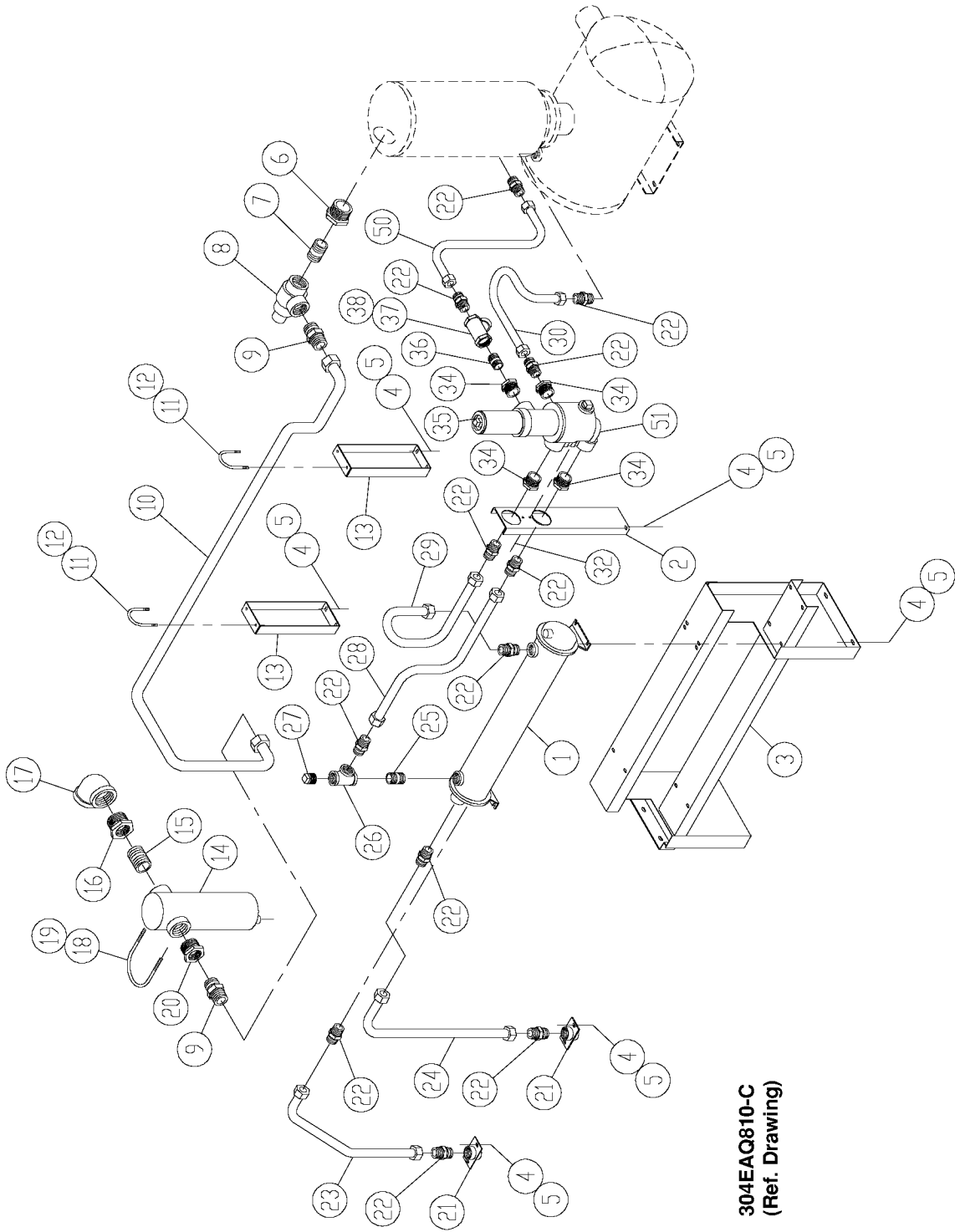
\* Not Shown

\*\* Repair Parts Kit for Moisture Separator: 2117587 – Valve & Seat Assembly; 2117588 – Cover Gasket; 2117589 – Float & Spindle

\*\*\* Repair Parts for Strainer: 2117307 – 100 Mesh Screen; 2117310 – Blow-off Bushing

\*\*\*\* Note: Remove this plug when Optional Water Temperature Regulator is used. This is where the temperature pick-up goes.

**WATER COOLED HEAT EXCHANGER – WITHOUT AFTERCOOLER**



**304EAQ810-C  
(Ref. Drawing)**

Order by Part Number and Description. Reference Numbers are for your convenience only.

WATER COOLED HEAT EXCHANGER – WITHOUT AFTERCOOLER

B/M: 304EAQ4003  
 305EAQ4003  
 300EBQ4013  
 306 & 307EAQ4013

Ref. No.	Name of Part	Qty.	Part No.	Ref. No.	Name of Part	Qty.	Part No.
1	HEAT EXCHANGER .....	1	200EDM349	17	ELBOW .....	1	64C10G
	GASKET-RETURN .....	1	2117180	18	U-BOLT .....	1	15U75
	GASKET-IN/OUT .....	1	2109064	19	NUT .....	2	50AW35
	BONNET-RETURN .....	1	2117179	20	BUSHING-PIPE .....	1	64E25
	BONNET-IN/OUT .....	1	2117178	21	MANIFOLD-WATER .....	2	200EDM072
	HEAT EXCHANGER (Salt Water) (Optional)	1	201EDM349	22	CONNECTOR-TUBE .....	12	86H141
	GASKET-RETURN .....	1	2117180	23	TUBE WITH FITTINGS .....	1	303EAQ863
	GASKET-IN/OUT .....	1	2109064	24	TUBE WITH FITTINGS .....	1	302EAQ863
	BONNET-RETURN .....	1	2117184	25	NIPPLE .....	1	63K6G
	BONNET-IN/OUT .....	1	2117183	26	TEE .....	1	64G11G
2	BRACKET (FORMED) .....	1	300EAQ142	**** 27	PLUG .....	1	64A8
3	SUPPORT .....	1	300EAQ165	28	TUBE WITH FITTINGS .....	1	308EAQ863
4	SCREW .....	18	75LM51	29	TUBE WITH FITTINGS .....	1	309EAQ863
5	NUT .....	18	50AW5	30	TUBE WITH FITTINGS .....	1	310EAQ863
6	BUSHING-PIPE .....	1	64E41	32	SCREW .....	2	75LM51
7	NIPPLE .....	1	63L9G	34	BUSHING-PIPE .....	4	64E12
8	VALVE-MINIMUM PRESSURE .....	1	200EBM527	35	FILTER - OIL .....	1	201EDM369
9	CONNECTOR-TUBE .....	2	86H142	36	NIPPLE .....	1	63K20G
10	TUBE WITH FITTINGS .....	1	305EAQ863	*** 37	STRAINER .....	1	82E49
11	U-BOLT .....	2	15U18	38	PLUG .....	1	64A26
12	NUT .....	4	50AW5	50	TUBE WITH FITTINGS (Filter to Air End)	1	301EBQ863
13	BRACKET-PIPE .....	2	300EAQ108	51	FILTER ASSEMBLY (150°) .....	1	300EAQ2045
** 14	SEPARATOR-MOISTURE .....	1	83C92		FILTER ASSEMBLY (180°) Optional .....	1	301EAQ2045
15	NIPPLE .....	1	63M3G				
16	BUSHING-PIPE .....	1	64E33				
				*	WATER VALVES (Optional) .....		
				*	TEMPERATURE REGULATOR .....	1	90AR151
				*	SOLENOID VALVE – NEMA 4 .....	1	91B173

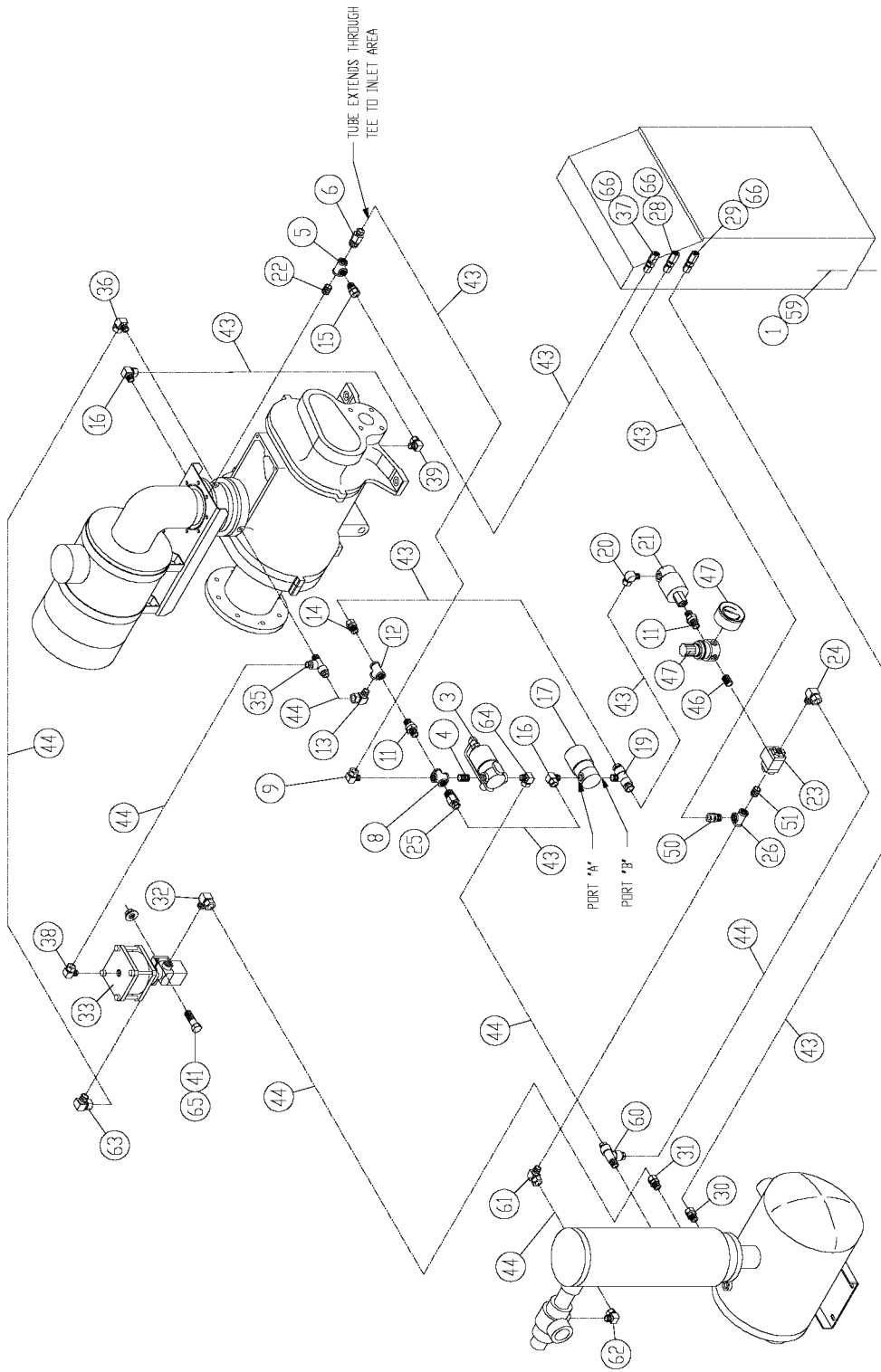
\* Not Shown

\*\* Repair Parts Kit for Moisture Separator: 2117587 – Valve & Seat Assembly; 2117588 – Cover Gasket; 2117589 – Float & Spindle

\*\*\* Repair Parts for Strainer: 2117307 – 100 Mesh Screen; 2117310 – Blow-off Bushing

\*\*\*\* Note: Remove this plug when Optional Water Temperature Regulator is used. This is where the temperature pick-up goes.

# CONTROL SCHEMATIC



310EBQ810-A  
(Ref. Drawing)

Order by Part Number and Description. Reference Numbers are for your convenience only.

CONTROL SCHEMATIC

Ref. No.	Name of Part	Qty.	Part No.	Ref. No.	Name of Part	Qty.	Part No.
1	SCREW .....	4	75LM51	30	CONNECTOR-TUBE .....	1	86E4
** 3	VALVE-SOLENOID .....	1	91B70	31	CONNECTOR-TUBE .....	1	86E9
4	NIPPLE .....	1	63D1G	32	CONNECTOR-TUBE .....	1	86E9
5	TEE .....	1	64G3G	* 33	CONTROL VALVE .....	1	90AR1082
6	CONNECTOR .....	1	86N272	35	TEE .....	1	86E136
8	CROSS .....	1	64K1G	36	ELBOW .....	1	86E64
9	ELBOW .....	1	86E60	37	CONNECTOR-TUBE .....	1	86N287
11	VALVE-CHECK .....	2	90AR261	38	ELBOW .....	1	86E64
12	TEE .....	1	64G3G	39	ELBOW .....	1	86E60
13	ELBOW .....	1	86E64	41	NUT .....	2	50AW3
14	ORIFICE .....	1	86N289	43	TUBE .....	28 FT.	85K3
15	CONNECTOR-TUBE .....	2	86E4	44	TUBE .....	24 FT.	85K5
16	ELBOW .....	1	86E60	46	NIPPLE .....	1	63D1G
17	VALVE-SOLENOID .....	1	91B144	***47	REGULATOR-PRESS W/GAUGE .....	1	88H139
19	TEE .....	1	86E119	50	CONNECTOR-TUBE .....	1	86E4
20	ELBOW .....	1	86E60	51	NIPPLE .....	1	63D1G
21	VALVE-SOLENOID .....	1	91B143	59	NUT .....	4	50AW5
22	NIPPLE .....	1	63D1G	60	TEE .....	1	86E136
23	VALVE-CONTROL .....	1	90AR1034	61	ELBOW .....	1	86E64
24	ELBOW .....	1	86E64	62	ELBOW .....	1	86E64
25	CONNECTOR-TUBE .....	1	86E4	63	ELBOW .....	1	86E64
26	TEE .....	1	64G3G	64	ELBOW .....	1	86E64
28	CONNECTOR-TUBE .....	1	86N287	65	SCREW .....	2	75LM48
29	CONNECTOR-TUBE .....	1	86N287	66	O-RING .....	3	165011
				67	TIE-CABLE (not shown) .....	30	24CA127

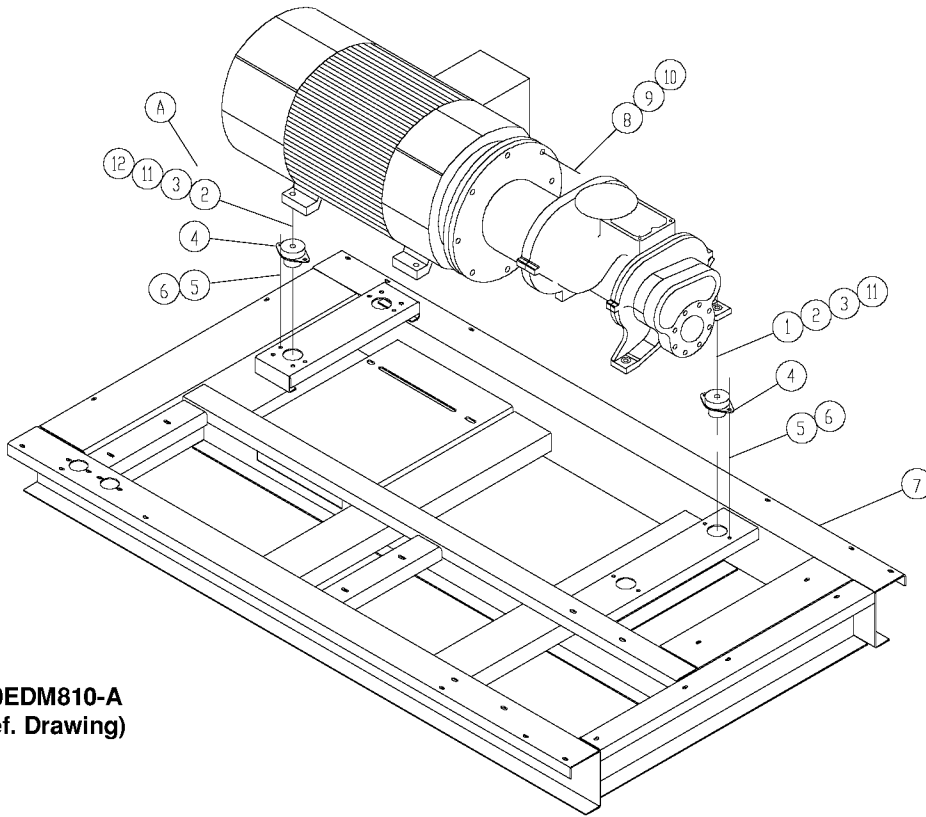
B/M: 301EBQ4002

\* For Repair of U-Cup (Piston Seal, order Part Number 2117904. For O-Ring (Top Plate), order Part Number 2117905.

\*\* For Repair Kit (Includes Springs, Seals, Piston Assembly, Plunger Assembly, Nut and O-Ring), order Part Number 2116077 or for Coil, order Part Number 2116078.

\*\*\* For Replacement Gauge, order Part Number 2116732.

Order by Part Number and Description. Reference Numbers are for your convenience only.



210EDM810-A  
(Ref. Drawing)

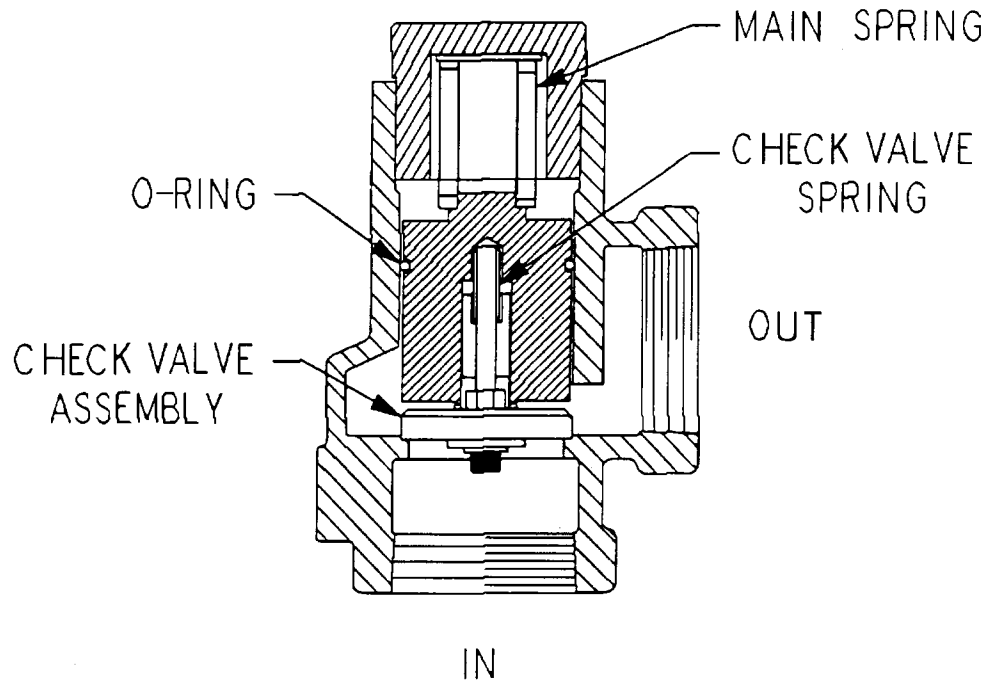
**COMPRESSOR BASE GROUP**

B/M: 200EAQ4017

Ref. No.	Name of Part	Qty.	Part No.
1	SCREW .....	2	655EG220
2	LOCKWASHER.....	4	95B8
3	NUT .....	4	50B8
4	ISOLATOR-VIBRATION .....	4	49C48
5	SCREW .....	8	75LM135
6	NUT .....	8	50AW35
7	BASE .....	1	206EAQ285
8	NUT .....	8	50B8
9	LOCKWASHER.....	8	95B8
10	SCREW .....	8	655EG140
11	WASHER.....	4	95A8
12	SCREW .....	2	655EG240
*	KEY-SQUARE.....	1	35B243

\* Not shown on drawing

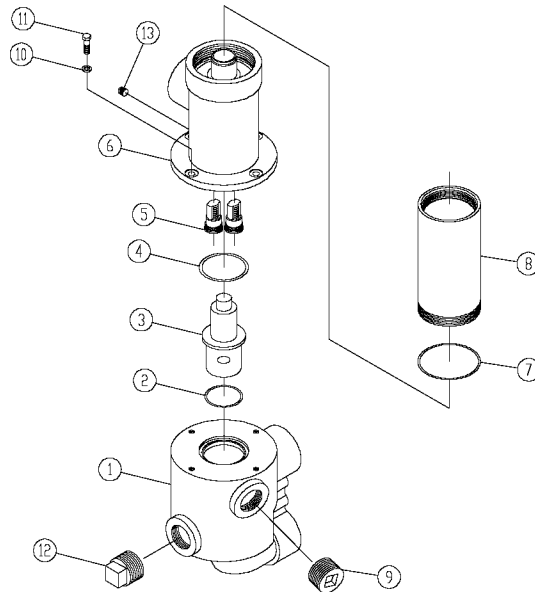
Order by Part Number and Description. Reference Numbers are for your convenience only.



**MINIMUM PRESSURE VALVE**

<b>Name of Part</b>	<b>Qty.</b>	<b>Part No.</b>
MINIMUM PRESSURE VALVE ASSEMBLY .....	1	200EBM527
REPAIR KIT - .....	1	2116854
O-RING.....	1	
SPRING, CHECK VALVE.....	1	
CHECK VALVE ASSEMBLY .....	1	
SPRING, MAIN .....	1	

Order by Part Number and Description. Reference Numbers are for your convenience only.



261EAU810-B  
(Ref. Drawing)

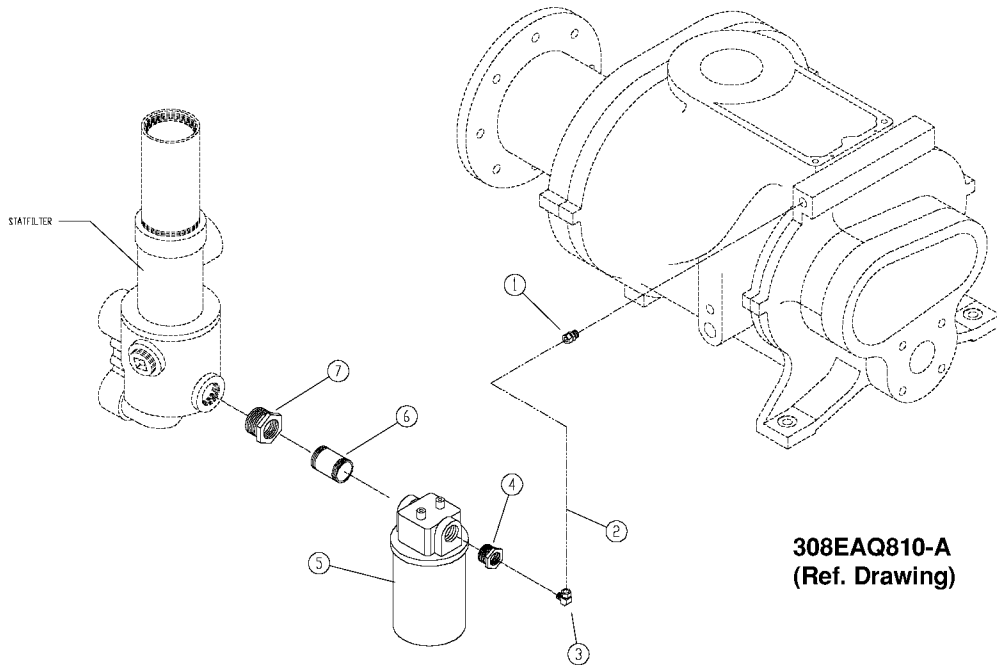
**OIL FILTER & MIXING VALVE ASSEMBLY  
(WITH 150° F ELEMENT – STANDARD)**

**B/M: 300EAQ2045**

Ref. No.	Name of Part	Qty.	Part No.
1	MANIFOLD-OIL .....	1	200EAU116
2	O-RING .....	1	25BC127
3	ELEMENT		
	150° F (Standard) .....	1	2117382
	140° F (Optional) .....	1	2117381
	160° F (Optional) .....	1	2117383
	180° F (Optional) .....	1	2118384
4	O-RING .....	1	25BC175
5	CARTRIDGE-FILTER .....	2	2116640
6	MANIFOLD-OIL .....	1	201EAU116
7	O-RING .....	1	25BC380
* 8	BODY-OIL FILTER .....	1	200EDM032
9	PLUG .....	1	64B7
10	LOCKWASHER .....	4	95B3
11	SCREW .....	4	655ED050
12	PLUG .....	1	64AA2
13	PLUG .....	1	64AC2

\* For repair of Filter Element, order Part Number 201EDM369.

Order by Part Number and Description. Reference Numbers are for your convenience only.



**308EAQ810-A  
(Ref. Drawing)**

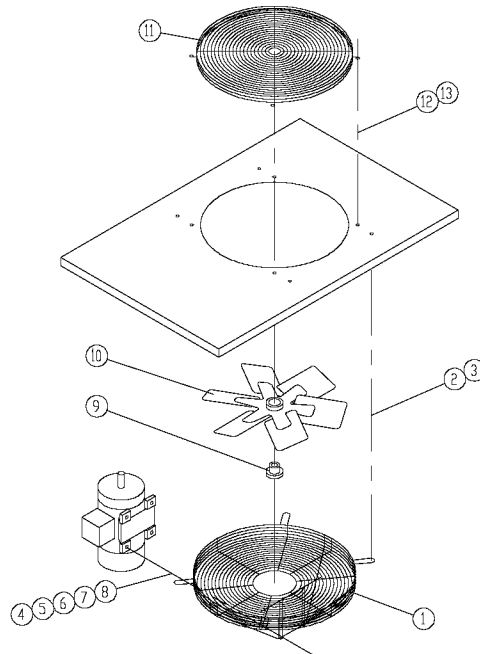
**DISCHARGE BEARING OIL FILTER MOUNTING**

**B/M: 307EAQ4017**

<b>Ref. No.</b>	<b>Name of Part</b>	<b>Qty.</b>	<b>Part No.</b>
1	CONNECTOR-TUBE.....	1	86N327
2	TUBE .....	6	85K5
3	ELBOW .....	1	86N328
4	BUSHING.....	1	64E10G
* 5	FILTER-OIL .....	1	26C27
6	NIPPLE .....	1	63G2G
7	BUSHING-PIPE.....	1	64E8

\* For repair of Filter Element, order Part Number 2116128.

Order by Part Number and Description. Reference Numbers are for your convenience only.



262EAU810  
(Ref. Drawing)

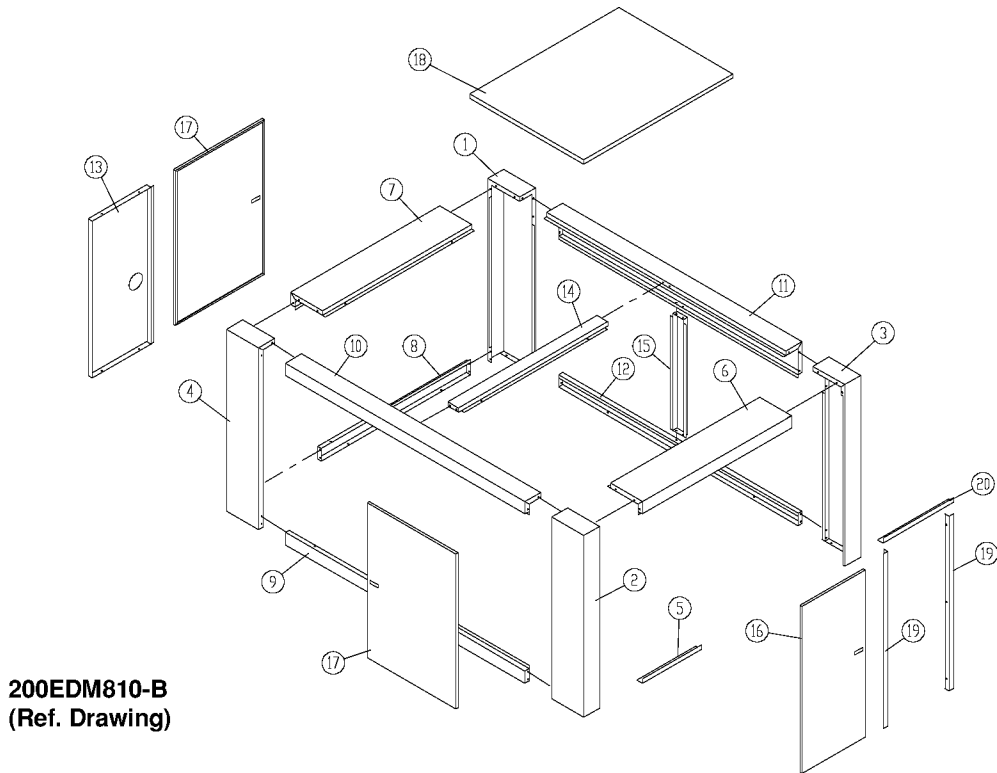
**ENCLOSURE VENT FAN ASSEMBLY  
(WATER COOLED ONLY)**

B/M: 300EBQ4017

Ref. No.	Name of Part	Qty.	Part No.
1	GUARD-FAN.....	1	202ECM393
2	SCREW –FLANGED .....	4	75K48
3	WASHER .....	4	95A5
4	SCREW .....	4	75A35
5	RETAINER .....	4	2014731
6	WASHER .....	4	95A2
7	LOCKWASHER.....	4	95B2
8	NUT .....	4	50B2
9	BUSHING-SHEAVE .....	1	22G27
10	FAN.....	1	202ECM701
11	GUARD-FAN .....	1	200ECM393
12	SCREW –FLANGED .....	4	75LM51
13	NUT .....	4	50AW5

For Fan Motor part number, see page 33.

Order by Part Number and Description. Reference Numbers are for your convenience only.

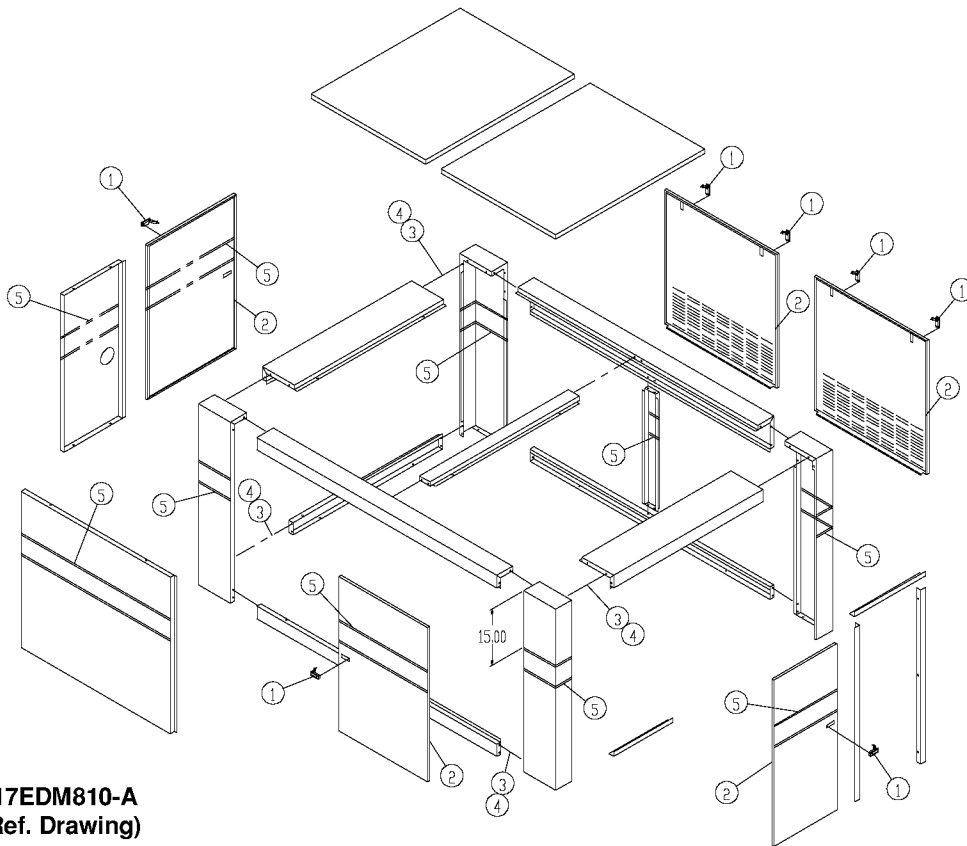


**ENCLOSURE – BASIC**

**B/M: 200EDM4023**

Ref. No.	Name of Part	Qty.	Part No.
1	POST .....	1	200EDM313
2	POST .....	1	201EDM313
3	POST .....	1	202EDM313
4	POST .....	1	203EDM313
5	FRAME .....	1	200EDM314
6	FRAME .....	1	201EDM314
7	FRAME .....	1	202EDM314
8	FRAME .....	1	203EDM314
9	FRAME .....	1	204EDM314
10	FRAME .....	1	205EDM314
11	FRAME .....	1	206EDM314
12	FRAME .....	1	207EDM314
13	BRACE.....	1	200EDM326
14	BRACE .....	1	201EDM326
15	BRACE .....	1	202EDM326
16	DOOR-CANOPY .....	1	200EDM334
17	DOOR-CANOPY .....	2	201EDM334
18	PANEL .....	1	203EDM216
19	BRACKET .....	2	201EDM142
20	BRACKET .....	1	202EDM142

Order by Part Number and Description. Reference Numbers are for your convenience only.



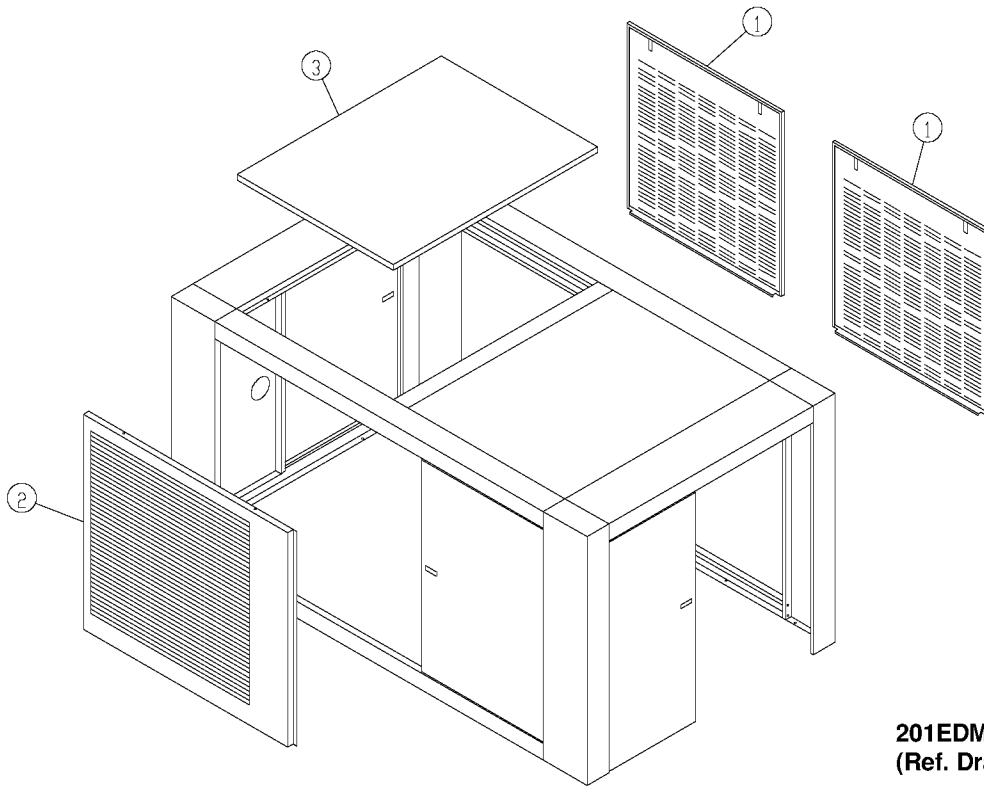
217EDM810-A  
(Ref. Drawing)

**ENCLOSURE – HARDWARE**

**B/M: 208EDM4017**

Ref. No.	Name of Part	Qty.	Part No.
1	LATCH .....	7	31D51
2	SEAL .....	75 FT.	32E12
3	SCREW –FLANGED .....	90	75LM51
4	NUT .....	82	50AW5
5	DECAL.....	6	203ESO077

Order by Part Number and Description. Reference Numbers are for your convenience only.



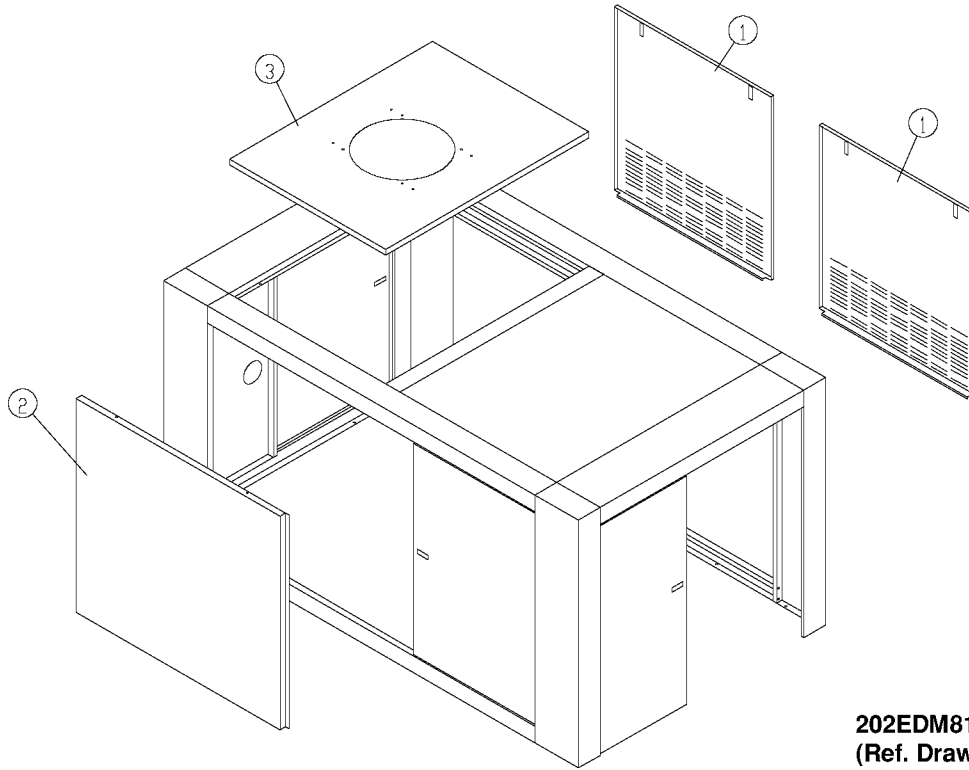
201EDM810-A  
(Ref. Drawing)

**ENCLOSURE – AIR COOLED PANELS**

**B/M: 201EDM4023**

Ref. No.	Name of Part	Qty.	Part No.
1	PANEL .....	2	200EDM216
2	PANEL .....	1	202EDM216
3	PANEL .....	1	203EDM216

Order by Part Number and Description. Reference Numbers are for your convenience only.



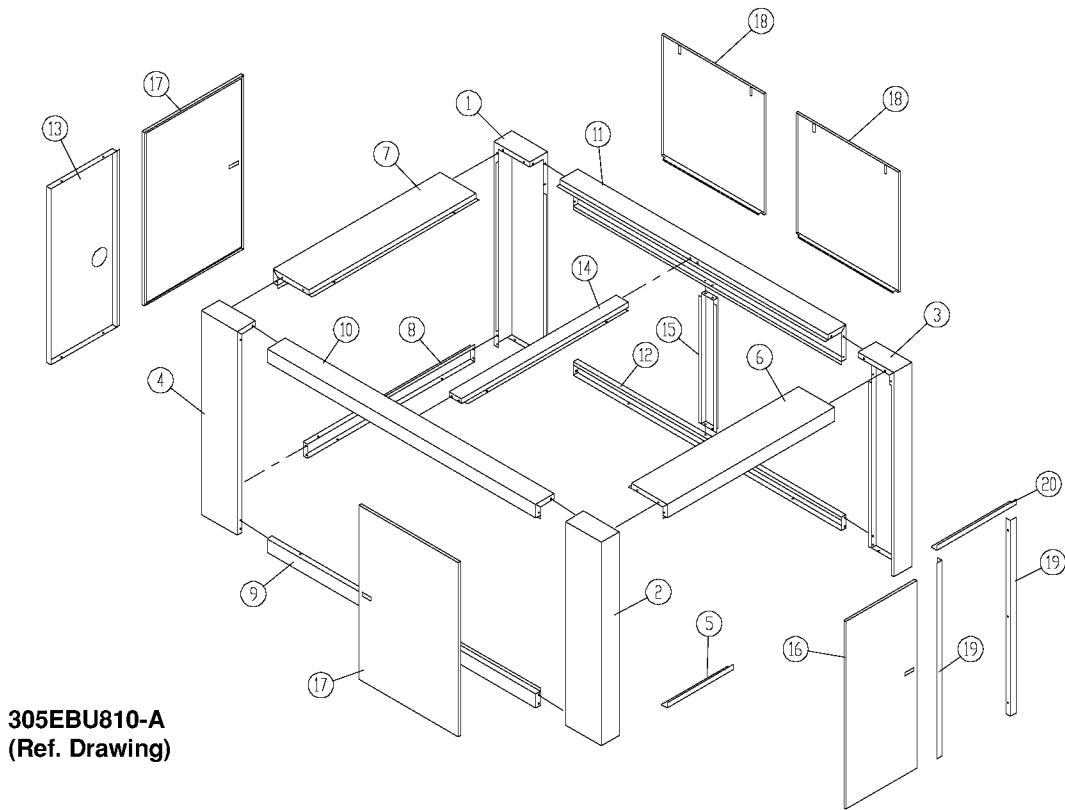
202EDM810  
(Ref. Drawing)

**ENCLOSURE – WATER COOLED PANELS**

**B/M: 202EDM4023**

<b>Ref. No.</b>	<b>Name of Part</b>	<b>Qty.</b>	<b>Part No.</b>
1	PANEL .....	2	201EDM216
2	PANEL .....	1	204EDM216
3	PANEL .....	1	205EDM216

Order by Part Number and Description. Reference Numbers are for your convenience only.



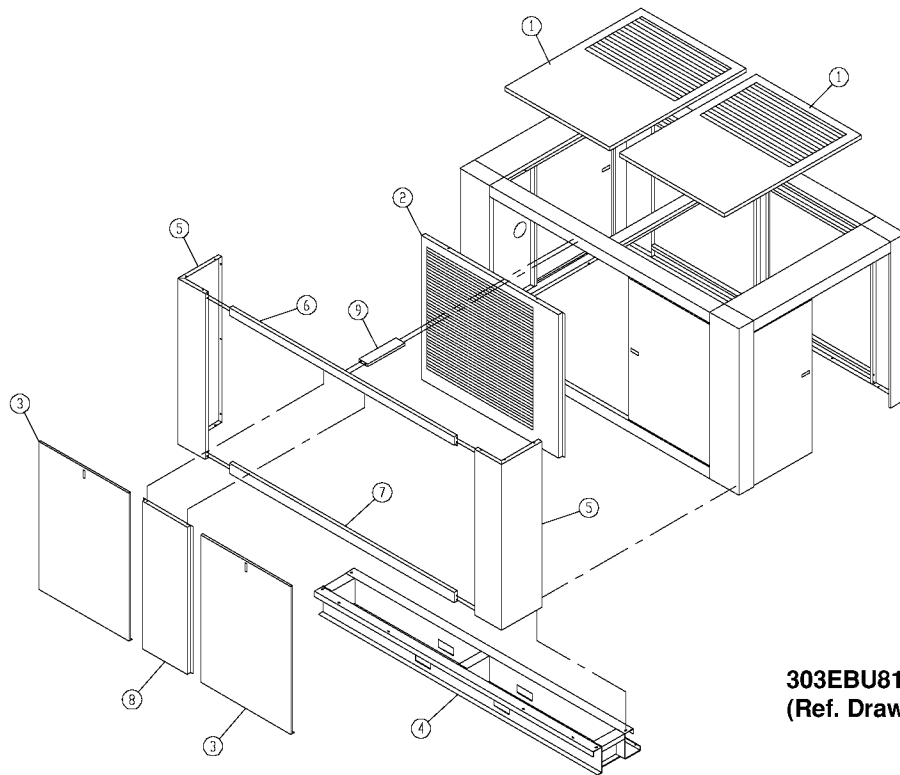
305EBU810-A  
(Ref. Drawing)

**ENCLOSURE – BASIC QUIET**

**B/M: 302EBU4023**

Ref. No.	Name of Part	Qty.	Part No.
1	POST .....	1	200EDM313
2	POST .....	1	201EDM313
3	POST .....	1	202EDM313
4	POST .....	1	203EDM313
5	FRAME .....	1	200EDM314
6	FRAME .....	1	201EDM314
7	FRAME .....	1	202EDM314
8	FRAME .....	1	203EDM314
9	FRAME .....	1	204EDM314
10	FRAME .....	1	205EDM314
11	FRAME .....	1	206EDM314
12	FRAME .....	1	207EDM314
13	BRACE (MOTOR SIDE) .....	1	300EBU326
14	BRACE.....	1	201EDM326
15	BRACE.....	1	202EDM326
16	DOOR (CONTROL SIDE).....	1	301EBU334
17	DOOR.....	2	300EBU334
18	PANEL (QUIET) .....	2	304EBU216
19	BRACKET .....	2	201EDM142
20	BRACKET .....	1	202EDM142

Order by Part Number and Description. Reference Numbers are for your convenience only.



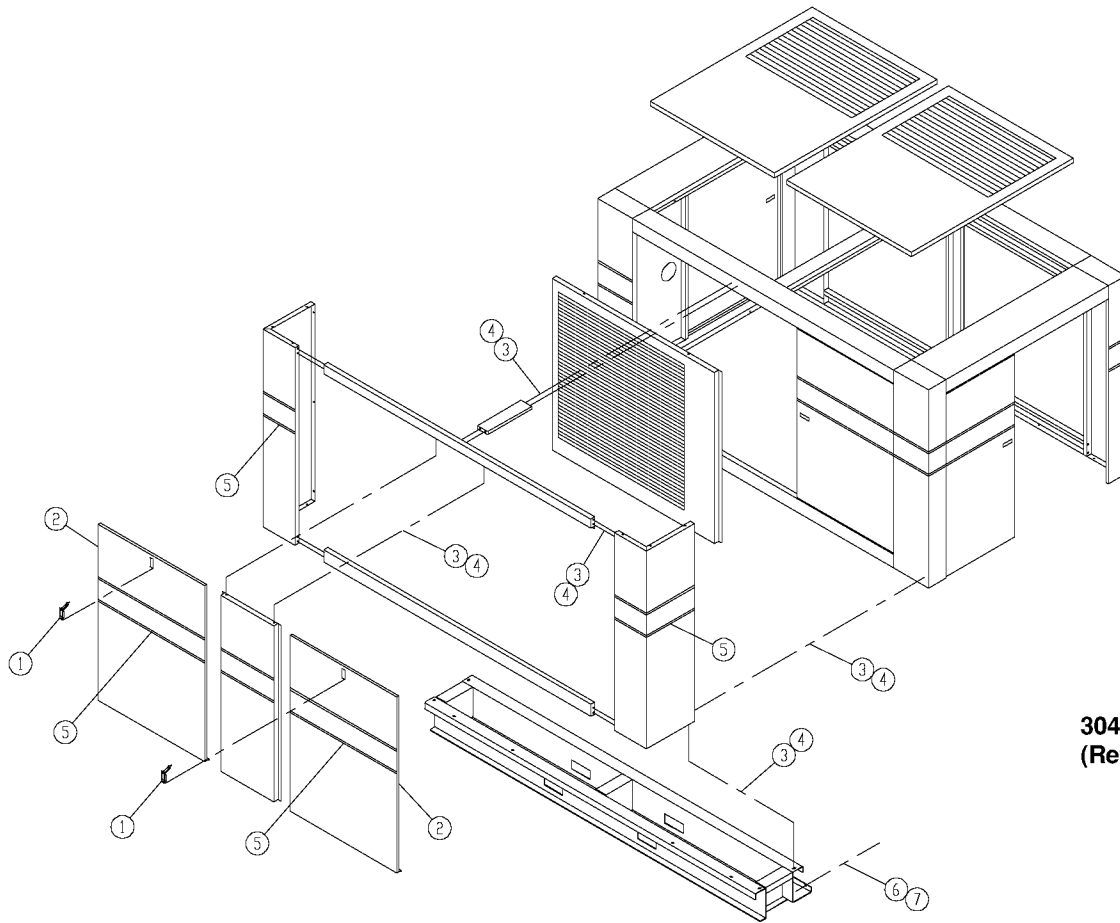
303EBU810-A  
(Ref. Drawing)

**AIR COOLED QUIET BAFFLE**

B/M: 301EBU4023

Ref. No.	Name of Part	Qty.	Part No.
1	PANEL (TOP AIR INLET) .....	2	300EBU216
2	PANEL .....	1	202EDM216
3	PANEL .....	2	305EBU216
4	BASE .....	1	300EBU285
5	POST .....	2	300EBU313
6	FRAME .....	1	300EBU314
7	FRAME (BAFFLE BOTTOM) .....	1	301EBU314
8	BRACE (BAFFLE SIDE) .....	1	301EBU326
9	BRACE.....	1	205EAU326

Order by Part Number and Description. Reference Numbers are for your convenience only.



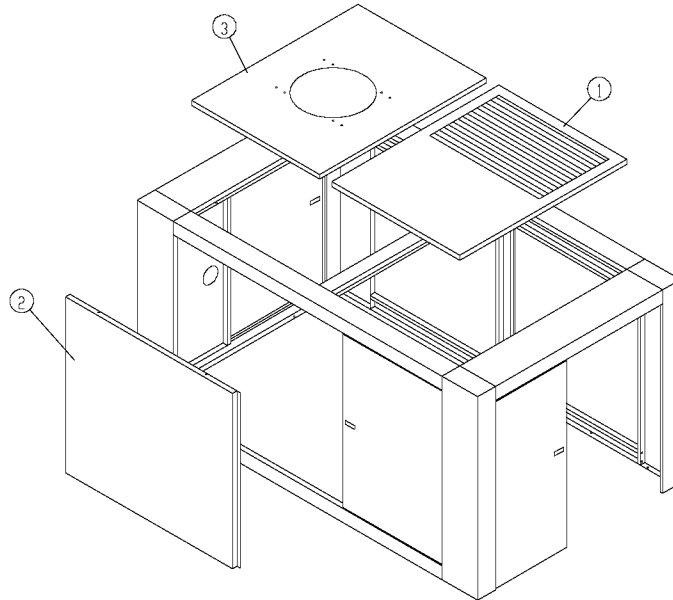
304EBU810-B  
(Ref. Drawing)

**AIR COOLED QUIET BAFFLE HARDWARE**

**B/M: 303EBU4023**

Ref. No.	Name of Part	Qty.	Part No.
1	LATCH .....	2	31D51
2	SEAL.....	25	32E12
3	SCREW .....	30	75LM51
4	NUT .....	30	50AW5
5	DECAL.....	4	203ESO077
6	SCREW .....	4	75LM135
7	NUT .....	4	50AW35

Order by Part Number and Description. Reference Numbers are for your convenience only.



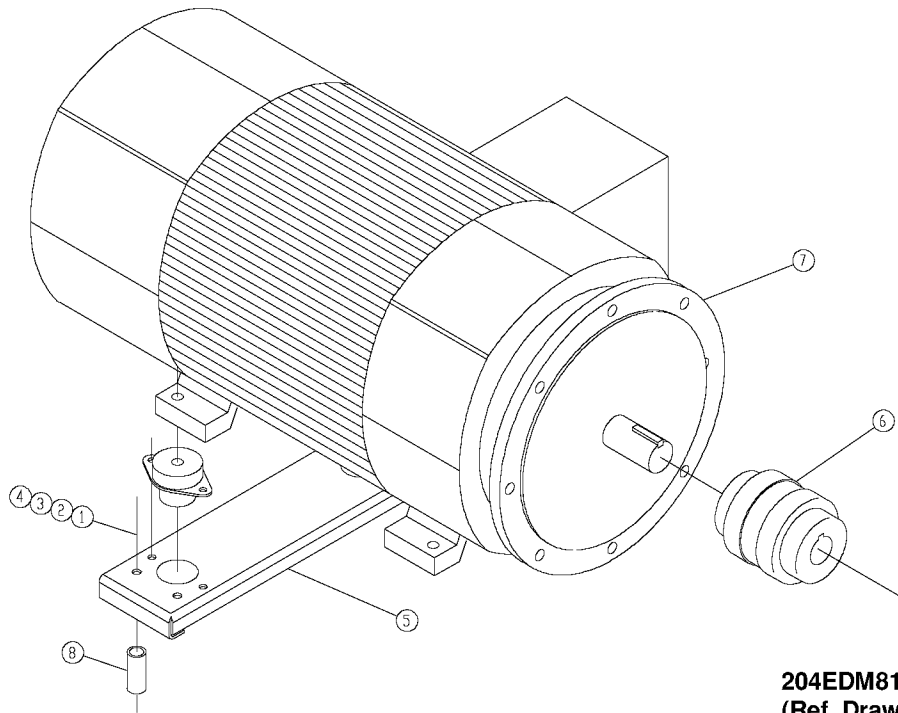
302EBU810-A  
(Ref. Drawing)

**ENCLOSURE – WATER COOLED QUIET**

**B/M: 300EBU4023**

Ref. No.	Name of Part	Qty.	Part No.
1	PANEL (TOP AIR INLET) .....	1	300EBU216
2	PANEL .....	1	302EBU216
3	PANEL .....	1	301EBU216

Order by Part Number and Description. Reference Numbers are for your convenience only.



204EDM810-A  
(Ref. Drawing)

**MAIN MOTOR GROUP**

Ref. No.	Name of Part	Qty.	B/M: 204-206; 216-218; 228; 230; 231EAQ4015		B/M: 207-215; 219-227; 229; 231-237EAQ4015	
			Part No.	Part No.		
	<b>MOTOR FRAME</b>		<b>404 &amp; 405</b>	<b>444 - 449</b>		
1	WASHER .....	4	95A7	95A7		
2	LOCKWASHER.....	4	95B7	95B7		
3	NUT .....	4	50B7	50B7		
4	SCREW .....	4	655EF180	655EF140		
5	SUPPORT-MOTOR.....	1	201EDM620	200EDM620		
6	COUPLING-FLEXIBLE (Drive).....	1	51L201	51L202		
7	MOTOR.....	1	See Page 33	See Page 33		
8	NIPPLE .....	4	63AM12X32G	63AM12X22G		

NOTE: Drive Coupling Repair Spider Part Number 2118053.

51L201 Coupling (2-1/8 Motor Shaft Diameter)

51L202 Coupling (2-3/8 Motor Shaft Diameter)

**MOTOR GROUP (MAIN DRIVE MOTORS)**

<b>Name of Part</b>	<b>Full Voltage 125 HP Part No.</b>	<b>Full Voltage 150 HP Part No.</b>	<b>Wye Delta 125 HP Part No.</b>	<b>Wye Delta 150 HP Part No.</b>
<b>OPEN DRIP PROOF (60 HZ – ODP)</b>				
MOTOR, 200V	24CA3794	24CA3798	24CA3495	24CA3496
MOTOR, 230V	24CA3795	24CA3799	24CA3370	24CA3373
MOTOR, 460V	24CA3796	24CA3374	24CA3371	24CA3374
MOTOR, 575V	24CA3797	24CA3801	24CA3372	24CA3375
<b>OPEN DRIP PROOF (60 HZ – ODP - HIGH EFFICIENCY)</b>				
MOTOR, 200V	24CA3802	24CA3806	24CA3498	24CA3499
MOTOR, 230V	24CA3803	24CA3807	24CA3376	24CA3379
MOTOR, 460V	24CA3804	24CA3808	24CA3377	24CA3380
MOTOR, 575V	24CA3805	24CA3809	24CA3378	24CA3381
<b>TOTALLY ENCLOSED FAN COOLED (60 HZ – TEFC)</b>				
MOTOR, 200V	24CA3810	24CA3814	24CA3501	24CA3502
MOTOR, 230V	24CA3811	24CA3815	24CA3382	24CA3385
MOTOR, 460V	24CA3812	24CA3816	24CA3383	24CA3386
MOTOR, 575V	24CA3813	24CA3817	24CA3384	24CA3387
<b>TOTALLY ENCLOSED FAN COOLED (60 HZ – TEFC - HIGH EFFICIENCY)</b>				
MOTOR, 200V	24CA3818	24CA3822	24CA3504	24CA3505
MOTOR, 230V	24CA3819	24CA3823	24CA3388	24CA3391
MOTOR, 460V	24CA3820	24CA3824	24CA3389	24CA3392
MOTOR, 575V	24CA3821	24CA3825	24CA3390	24CA3393

**MOTOR GROUP (FAN MOTORS)**

**AIR COOLED FAN MOTOR (COOLING MODULE)  
(T.E.F.C., 3 HP, 1200 RPM, 60 HZ., 1.33 S.F.)**

<b>VOLTAGE</b>	<b>PART NO.</b>
MOTOR, 200V	24CA4259
MOTOR, 230V	24CA4260
MOTOR, 460V	24CA4260
MOTOR, 575V	24CA4261

**WATER COOLED FAN MOTOR (ENCLOSURE VENT FAN)  
(T.E.F.C., 1200 RPM, 60 HZ., 1.0 S.F.)**

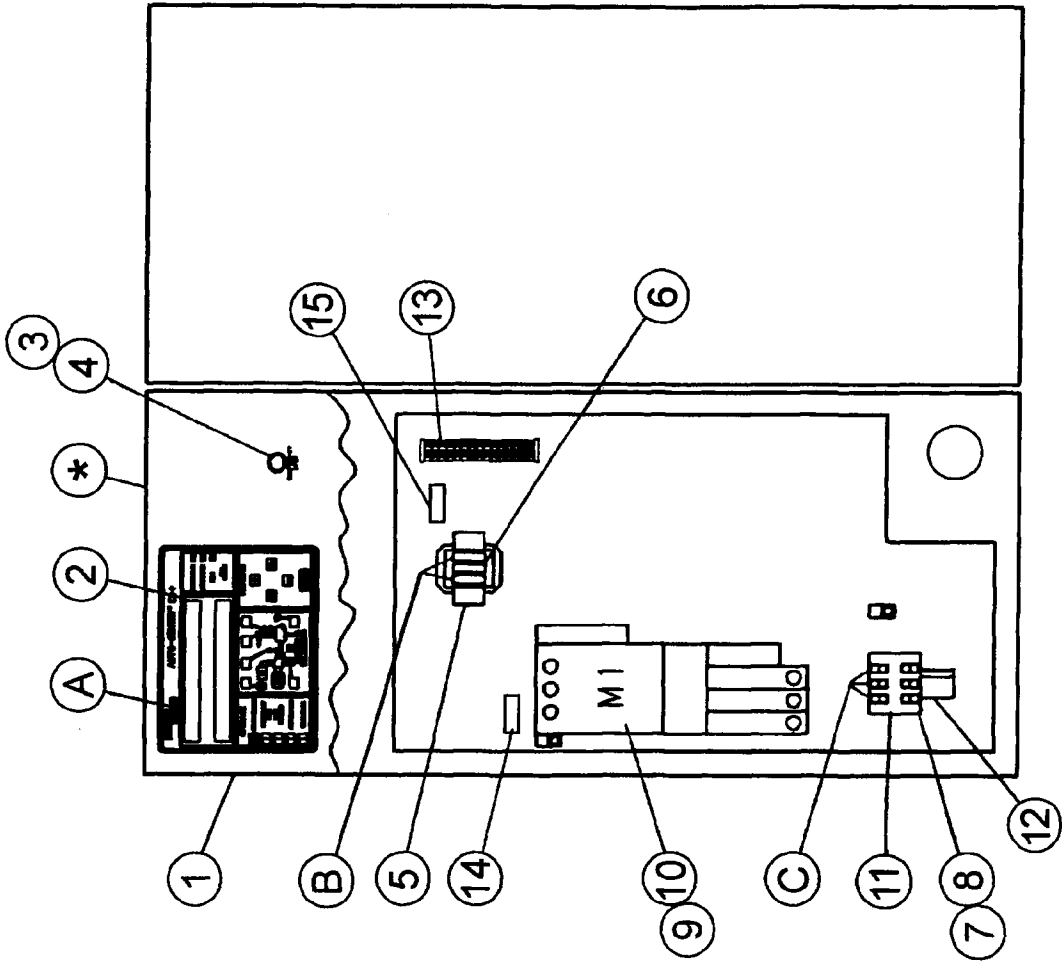
<b>VOLTAGE</b>	<b>PART NO.</b>	<b>HP</b>
MOTOR, 200V	24CA4177	1/4
MOTOR, 230V	24CA2464	1/4
MOTOR, 460V	24CA2464	1/4
MOTOR, 575V	24CA4178	1/4

## OVERLOAD RELAY HEATER CONVERSION LISTING

Refer to Motor Nameplate "Amperage" and Decal in Control Panel for Selection of Overload Relay Heater Packs

<b>CUTLER-HAMMER PART NUMBER</b>	<b>GARDNER DENVER PART NUMBER</b>
H2002B .....	24CA4101
H2003B .....	24CA4102
H2004B .....	24CA4103
H2005B .....	24CA4104
H2006B .....	24CA4105
H2007B .....	24CA4106
H2008B .....	24CA4107
H2009B .....	24CA4108
H2010B .....	24CA4109
H2011B .....	24CA4110
H2012B .....	24CA4111
H2013B .....	24CA4112
H2014B .....	24CA4113
H2015B .....	24CA4114
H2016B .....	24CA4115
H2017B .....	24CA4116
H2018 .....	24CA2924
H2019 .....	24CA2925
H2020 .....	24CA2926
H2021 .....	24CA2927
H2022 .....	24CA2893
H2023 .....	24CA2894
H2024 .....	24CA2928

**CONTROLLER ASSEMBLY  
(EBQ - 125/150 HP FULL VOLTAGE STARTERS)**

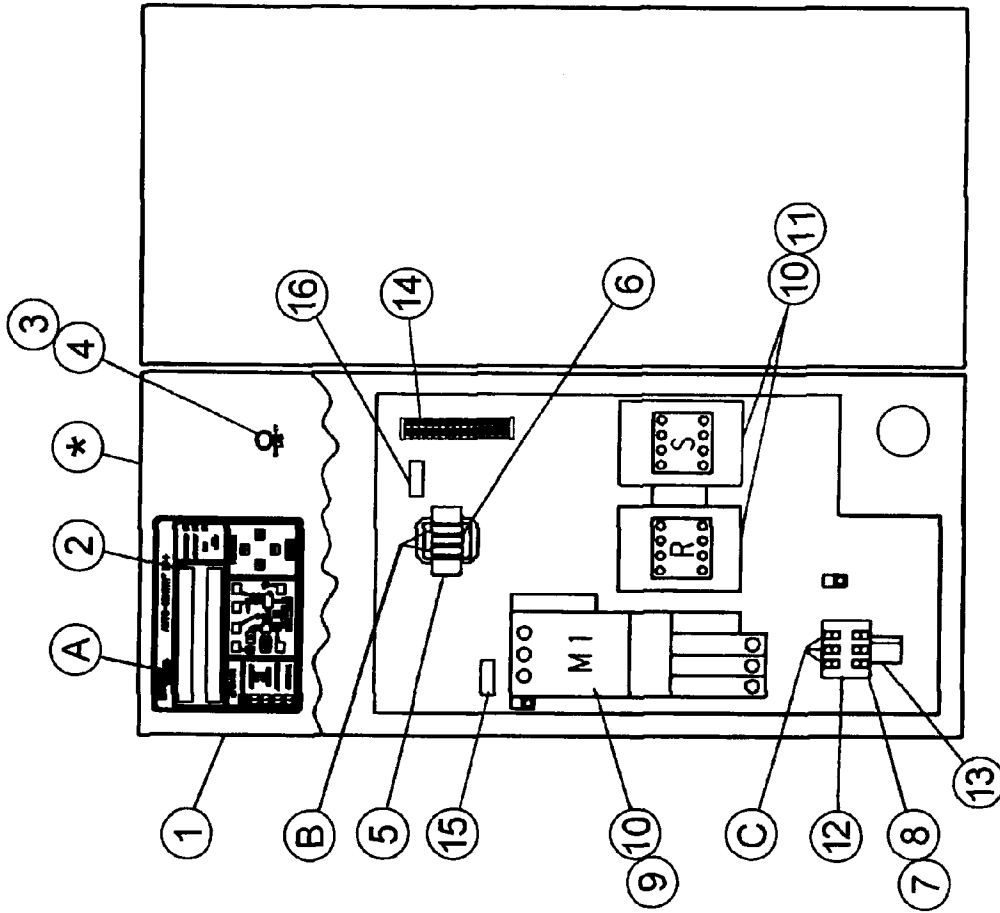


**CONTROLLER ASSEMBLY**  
**(EBQ – 125/150 HP FULL VOLTAGE STARTERS)**

		QTY.	200V	230V	460V	575V
*	ASSEMBLED PANEL – ES: NEMA 12.....	1	N/A	N/A	218EDP466	219EDP466
*	ASSEMBLED PANEL – ES: NEMA 4.....	1	N/A	N/A	220EDP466	221EDP466
*	ASSEMBLED PANEL – ES+: NEMA 12, W/O Current Monitor.....	1	N/A	N/A	214EAQ466	215EAQ466
*	ASSEMBLED PANEL – ES+: NEMA 4, W/O Current Monitor.....	1	N/A	N/A	216EAQ466	217EAQ466
*	ASSEMBLED PANEL – ES+: NEMA 12, With Current Monitor.....	1	N/A	N/A	240EAQ466	241EAQ466
*	ASSEMBLED PANEL – ES+: NEMA 4, With Current Monitor.....	1	N/A	N/A	242EAQ466	243EAQ466
A	FUSE, CONTROL BOARD (1A, AGC).....	1	N/A	N/A	24CA2932	24CA2932
B	FUSE, TRANSFORMER PRIMARY (-A, FNQ-R).....	2	N/A	N/A	24CA2783 (3A)	24CA3722 (2.25A)
C	FUSE FAN MOTOR					
	AIR COOLED (-A, LP-CC).....	3	N/A	N/A	24CA4094 (8A)	24CA4092 (6A)
	WATER COOLED (-A, LP-CC).....	3	N/A	N/A	24CA4090 (3A)	24CA4090 (3A)
1	CONTROL BOX.....	1	N/A	N/A	200EDM179	200EDM179
2	ES CONTROLLER.....	1	N/A	N/A	202EAP1173	202EAP1173
	ES+ CONTROLLER.....	1	N/A	N/A	200EAU1173	200EAU1173
3	OPERATOR.....	1	N/A	N/A	24CA2907	24CA2907
4	CONTACT BLOCK.....	1	N/A	N/A	24CA2908	24CA2908
5	TRANSFORMER.....	1	N/A	N/A	2116287	2116288
6	FUSE.....	1	N/A	N/A	24CA3729	24CA3729
7	STARTER.....	1	N/A	N/A	24CA4134	24CA4134
8	COIL-STARTER.....	1	N/A	N/A	2115950	2115950
9	STARTER-MAIN MOTOR.....	1	N/A	N/A	24CA3490	24CA3490
10	COIL.....	1	N/A	N/A	2115952	2115952
11	FUSEHOLDER.....	1	N/A	N/A	24CA4098	24CA4098
12	OVERLOAD RELAY.....	1	N/A	N/A	24CA4086	24CA4086
13	TERMINAL BLOCK.....	6	N/A	N/A	24CA2633	24CA2633
14	TRANSFORMER (See Note Below).....	1	N/A	N/A	24CA4242	24CA4242
15	TRANSUDCER (See Note Below).....	1	N/A	N/A	24CA4241	24CA4241

**NOTE:** Used with ES+ with Current Monitoring Units Only.

**CONTROLLER ASSEMBLY  
(EBQ - 125/150 HP WYE DELTA STARTERS)**

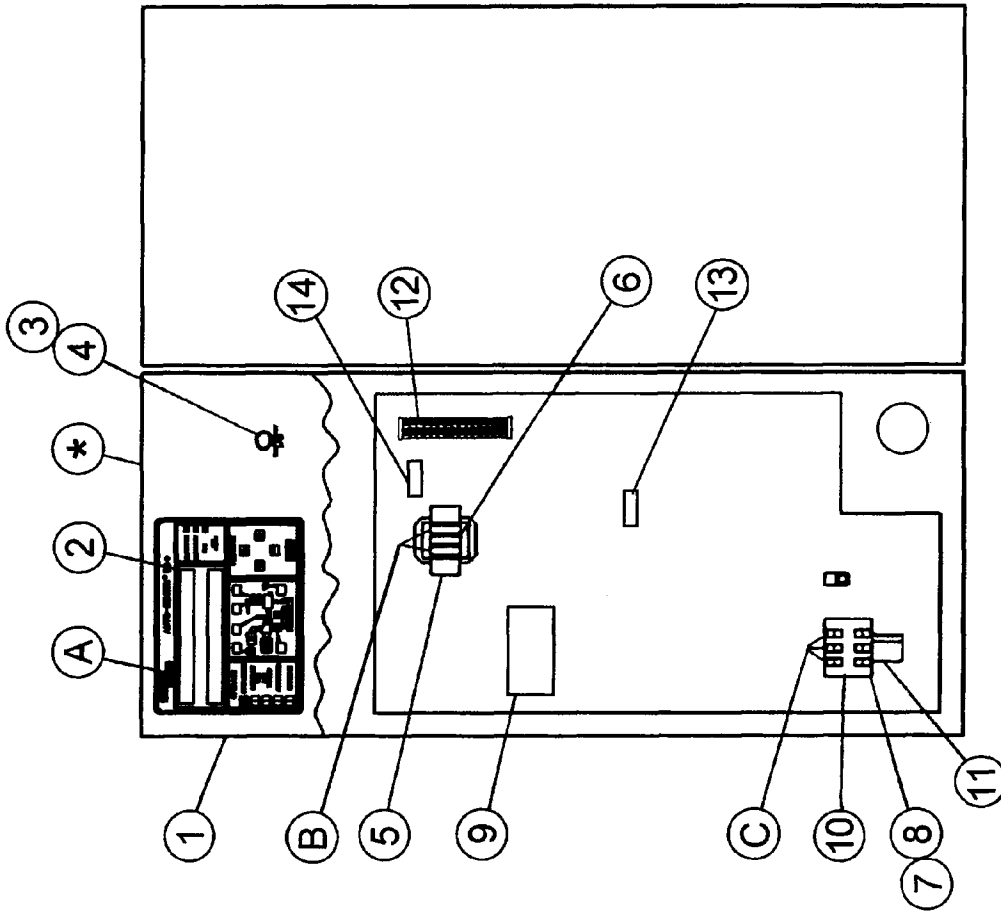


**CONTROLLER ASSEMBLY  
(EBQ – 125/150 HP WYE DELTA STARTERS)**

		<b>QTY.</b>	<b>200V</b>	<b>230V</b>	<b>460V</b>	<b>575V</b>
*	ASSEMBLED PANEL – <b>ES:</b> NEMA 12.....	1	203EDP466	202EDP466	200EDP466	204EDP466
*	ASSEMBLED PANEL – <b>ES:</b> NEMA 4.....	1	212EDP466	211EDP466	209EDP466	213EDP466
*	ASSEMBLED PANEL – <b>ES+:</b> NEMA 12, W/O Current Monitor.....	1	202EAQ466	201EAQ466	200EAQ466	203EAQ466
*	ASSEMBLED PANEL – <b>ES+:</b> NEMA 4, W/O Current Monitor.....	1	209EAQ466	208EAQ466	207EAQ466	210EAQ466
*	ASSEMBLED PANEL – <b>ES+:</b> NEMA 12, With Current Monitor.....	1	228EAQ466	227EAQ466	226EAQ466	229EAQ466
*	ASSEMBLED PANEL – <b>ES+:</b> NEMA 4, With Current Monitor.....	1	235EAQ466	234EAQ466	233EAQ466	236EAQ466
A	FUSE, CONTROL BOARD (1A, AGC).....	1	24CA2932	24CA2932	24CA2932	24CA2932
B	FUSE, TRANSFORMER PRIMARY (-A, FNG-R).....	2	24CA4093 (7A)	24CA2786 (6A)	24CA2783 (3A)	24CA3722 (2.25A)
C	FUSE FAN MOTOR					
	AIR COOLED (-A, LP-CC).....	3	24CA4096 (15A)	24CA4096 (15A)	24CA4094 (8A)	24CA4092 (6A)
	WATER COOLED (-A, LP-CC).....	3	24CA4093 (7A)	24CA4092 (6A)	24CA4090 (3A)	24CA4090 (3A)
1	CONTROL BOX.....	1	200EDM179	200EDM179	200EDM179	200EDM179
2	<b>ES</b> CONTROLLER.....	1	202EAP1173	202EAP1173	202EAP1173	202EAP1173
	<b>ES+</b> CONTROLLER.....	1	200EAU1173	200EAU1173	200EAU1173	200EAU1173
3	OPERATOR.....	1	24CA2907	24CA2907	24CA2907	24CA2907
4	CONTACT BLOCK.....	1	24CA2908	24CA2908	24CA2908	24CA2908
5	TRANSFORMER.....	1	2116286	2116287	2116287	2116288
6	FUSE.....	1	24CA3729	24CA3729	24CA3729	24CA3729
7	STARTER.....	1	24CA4134	24CA4134	24CA4134	24CA4134
8	COIL-STARTER.....	1	2115950	2115950	2115950	2115950
9	STARTER-MAIN MOTOR.....	1	24CA3490	24CA3490	24CA3255	24CA3255
10	COIL.....	3	2115952	2115952	2116555	2116555
11	CONTACTOR.....	2	24CA3696	24CA3696	24CA3259	24CA3259
12	FUSEHOLDER.....	1	24CA4098	24CA4098	24CA4098	24CA4098
13	OVERLOAD RELAY.....	1	24CA4086	24CA4086	24CA4086	24CA4086
14	TERMINAL BLOCK.....	6	24CA2633	24CA2633	24CA2633	24CA2633
15	TRANSFORMER (See Note Below).....	1	24CA4242	24CA4242	24CA4242	24CA4242
16	TRANSUDUCER (See Note Below).....	1	24CA4241	24CA4241	24CA4241	24CA4241

**NOTE:** Used with ES+ with Current Monitoring Units Only.

CONTROLLER ASSEMBLY  
 (EBQ - LESS MAIN MOTOR STARTER)

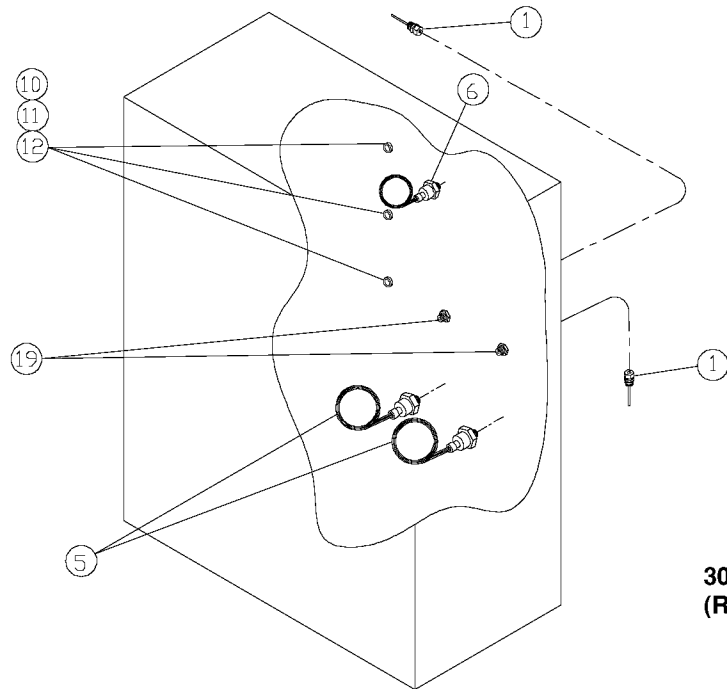


**CONTROLLER ASSEMBLY  
(EBQ – LESS MAIN MOTOR STARTER)**

	QTY.	200V 125 HP	230V 125-150 HP	460V 125-150 HP	575V 125-150 HP
* ASSEMBLED PANEL – ES: NEMA 12.....	1	223EDP466	222EDP466	222EDP466	224EDP466
* ASSEMBLED PANEL – ES: NEMA 4 .....	1	227EDP466	226EDP466	226EDP466	228EDP466
* ASSEMBLED PANEL – ES+: NEMA 12, W/O Current Monitor .....	1	219EAQ466	218EAQ466	218EAQ466	220EAP466
* ASSEMBLED PANEL – ES+: NEMA 4, W/O Current Monitor .....	1	223EAQ466	222EAQ466	222EAQ466	224EAQ466
* ASSEMBLED PANEL – ES+: NEMA 12, With Current Monitor .....	1	245EAQ466	244EAQ466	244EAQ466	246EAQ466
* ASSEMBLED PANEL – ES+: NEMA 4, With Current Monitor .....	1	249EAQ466	248EAQ466	248EAQ466	250EAQ466
A FUSE, CONTROL BOARD (1A, AGC).....	1	24CA2932	24CA2932	24CA2932	24CA2932
B FUSE, TRANSFORMER PRIMARY (-A, FNQ-R).....	2	24CA4093 (7A)	24CA2786 (6A)	24CA2783 (3A)	24CA3722 (2.25A)
C FUSE FAN MOTOR					
AIR COOLED (-A, LP-CC).....	3	24CA4096 (15A)	24CA4096 (15A)	24CA4094 (8A)	24CA4092 (6A)
WATER COOLED (-A, LP-CC).....	3	24CA4093 (7A)	24CA4092 (6A)	24CA4090 (3A)	24CA4090 (3A)
CONTROL BOX.....	1	200EDM179	200EDM179	200EDM179	200EDM179
2 ES CONTROLLER.....	1	202EAP1173	200EAP1173	202EAP1173	202EAP1173
ES+ CONTROLLER.....	1	200EAU1173	200EAU1173	200EAU1173	200EAU1173
3 OPERATOR.....	1	24CA2907	24CA2907	24CA2907	24CA2907
4 CONTACT BLOCK .....	1	24CA2908	24CA2908	24CA2908	24CA2908
5 TRANSFORMER .....	1	2116286	2116287	2116287	2116288
6 FUSE .....	1	24CA3729	24CA3729	24CA3729	24CA3729
7 STARTER.....	1	24CA4134	24CA4134	24CA4134	24CA4134
8 COIL-STARTER .....	1	2115950	2115950	2115950	2115950
9 CONTROL RELAY.....	1	24CA3896	24CA3896	24CA3896	24CA3896
10 FUSEHOLDER .....	1	24CA4098	24CA4098	24CA4098	24CA4098
11 OVERLOAD RELAY .....	1	24CA4086	24CA4086	24CA4086	24CA4086
12 TERMINAL BLOCK.....	7	24CA2633	24CA2633	24CA2633	24CA2633
13 TRANSFORMER (See Note Below).....	1	24CA4242	24CA4242	24CA4242	24CA4242
14 TRANSDUCER (See Note Below) .....	1	24CA4241	24CA4241	24CA4241	24CA4241

**NOTE:** Used with ES+ with Current Monitoring Units only.

Order by Part Number and Description. Reference Numbers are for your convenience only.



300ECP810-A  
(Ref. Drawing)

**MISCELLANEOUS ELECTRICAL PARTS**

**B/M: 200ECP4007**

Ref. No.	Name of Part	Qty.	Part No.
1	PROBE-ELECTRICAL.....	2	21D264
5	TRANSDUCER-PRESSURE .....	2	88H242
6	SWITCH-VACUUM.....	1	88H195
10	NIPPLE .....	3	24CA4641
11	O-RING .....	3	24A383
12	LOCKNUT-CONDUIT .....	3	24A77
19	FITTING-ELECTRICAL .....	2	24CA2865

## IDENTIFICATION AND INSTRUCTION GROUP

B/M: 300EBQ4011

Ref. No.	Name of Part	Qty.	Part No.
1	DECAL, OPERATION & MAINTENANCE.....	1	217ECM077
2	DECAL, WARNING.....	1	227EAQ077
3	DECAL, PARTS LIST & SERVICE MANUAL.....	1	204EDE077
4	DECAL, WARNING - ELECTRICAL SHOCK & FIRE.....	1	314EAQ077
10	DECAL, DANGER - AIR & OIL UNDER PRESSURE.....	1	212EAQ077
11	DECAL, WARNING - INSPECT OIL RESERVOIR.....	1	217EAQ077
13	DECAL, NOTICE - USE GENUINE GD PARTS.....	1	214EAQ077
14	DECAL, NOTICE - USE GENUINE GD PARTS.....	1	214EAQ077
15	DECAL, CAUTION - DO NOT LIFT.....	2	208EAQ077
16	DECAL, WARNING - ROTATING MACHINERY.....	1	211EAQ077
17	DECAL, DANGER-DO NOT BREATHE DISCH. AIR.....	1	206EAQ077
19	DECAL, GD LOGO - VERT 18-1/2 HIGH.....	1	69F18
21	DECAL, HEAT EXCHANGE "IN".....	1	200ESP077
22	DECAL, HEAT EXCHANGE "OUT".....	1	201ESP077
23	DECAL, ELECTRA-SAVER II.....	1	201ECP077
24	DECAL, ELECTRA-SAVER II.....	1	200ECP077
26	DECAL - MADE IN USA.....	1	69F64
28	DECAL, WARNING - OIL FILL & ELECTRICAL.....	1	240EAQ077
29	DECAL - QUALITY WITHOUT QUESTION.....	1	251EAQ077
30	TAG-INSTRUCTION - ES+ SPEEDY REFERENCE.....	1	300EAQ304
31	TAG-INSTRUCTION - ES+ SPEEDY REFERENCE.....	1	301EAQ304
32	POCKET.....	1	200EAQ1304

## REPAIR KITS

Your Gardner Denver rotary screw compressor is designed and manufactured for many years of reliable operation. All components are engineered to exacting specifications, which will function together as a system to provide maximum efficiency. To insure the continuing integrity of compressor operation, use only original quality genuine Gardner Denver replacement parts and accessories.

Name of Part	Qty.	Part No.
ROUTINE MAINTENANCE KIT (Heavy Duty Air Filter) .....		308EAQ6013
ELEMENT, AIR FILTER.....	2	2117151
ELEMENT, OIL FILTER.....	3	201EDM369
ELEMENT, OIL FILTER.....	3	2116128
PERIODIC MAINTENANCE KIT (Inlet Valve).....		301EAQ6013
O-RING .....	1	25BC298
SPRING.....	1	78W62
SPRING.....	1	78W61
O-RING .....	1	25AM30
RETAINING RING .....	1	74D89
GASKET ELIMINATOR.....	1	25BC222
PERIODIC OVERHAUL KIT.....		300EBQ6013
GASKET KIT .....	1	301EBQ6013
OIL SEAL KIT .....	1	200SSQ6007
ROLLER BEARING .....	2	12BA126
ROLLER BEARING .....	1	12BA138
ROLLER BEARING .....	1	12BA192
SPRING.....	1	78W89
GASKET KIT .....		301EBQ6013
PERIODIC MAINTENANCE KIT (Inlet Valve).....	1	301EAQ6013
SHIM SET .....	1	77C36
SHIM SET .....	1	77H50
GASKET ELIMINATOR.....	1	25BC222
OIL SEPARATOR KIT .....		202EDP6013
OIL SEPARATOR.....	1	55B44
GASKET ELIMINATOR.....	1	25BC222
LUBRICANT (Oil Seal Grease).....	1	2116755
OIL SEAL KIT .....		200SSQ6007
SHIM SET .....	3	77H50
WEAR SLEEVE.....	1	80M28
OIL SEAL .....	1	60DD571
OIL SEAL .....	1	60DD689
O-RING .....	1	25BC157
O-RING .....	1	25BC431
GASKET ELIMINATOR.....	1	25BC222
CHECK VALVE.....	1	90AR923

## REPAIR KITS (Continued)

Name of Part	Qty.	Part No.
PNEUMATIC CONTROLS AND GAUGES .....		302EAQ6013
CHECK VALVE.....	2	90AR261
CONTROL VALVE.....	2	90AR1034
CONTROL VALVE.....	1	90AR1082
PRESSURE REGULATOR.....	1	88H139
PRESSURE GAUGE .....	1	2116732
ELECTRICAL CONTROL GROUP.....		306EAQ6013
SOLENOID VALVE.....	1	91B70
SOLENOID VALVE.....	1	91B143
SOLENOID VALVE.....	1	91B144
THERMISTOR PROBE.....	2	21D264
TRANSDUCER.....	2	88H242
VACUUM SWITCH .....	1	88H195
DRIVE COUPLING SPIDER.....	1	2118053
LUBRICANT (AEON 9000SP)		
5 GALLON PAIL .....	1	28H109
55 GALLON DRUM.....	1	28H110
TOUCH-UP PAINT		
5 GALLON PAIL .....	1	28H76
1 GALLON CAN.....	1	28H84
1 QUART CAN.....	1	28H83
WEAR SLEEVE INSTALLATION/REMOVAL KIT.....		200SSQ4017
PULLER .....	1	200SSQ219
PULLER PLATE .....	1	200SSQ340
SCREW .....	1	655EE030
SCREW .....	1	655ED120
SCREW .....	2	75D176
GUIDE.....	1	200SSQ450
TOOL .....	1	200SSQ074
WATER TEMPERATURE REGULATOR (Optional) .....		90AR151
MAGNETIC WATER SHUTOFF VALVE – NEMA 4 (Optional) .....		91B173

# **Gardner Denver**

Specifications subject to change without notice.

Copyright © 1999 Gardner Denver, Inc.

Litho in U.S.A.

<http://www.gardnerdenver.com>

[mktg@gardnerdenver.com](mailto:mktg@gardnerdenver.com)

For additional information contact your local representative or



Gardner Denver Compressor and Pump Division,  
1800 Gardner Expressway, Quincy, Illinois 62301  
Customer Service Department Telephone:  
(800) 682-9868 FAX: (217) 224-7814

Sales and Service in all major cities.

For parts information, contact Gardner Denver,  
Master Distribution Center, Memphis, TN  
Telephone: (800) 245-4946 FAX: (901) 542-6159