



GARDNER-DENVER®

13-9-551
1st Edition

**"ECM"
ELECTRA-SAVER II®
STATIONARY
BASE-MOUNTED
COMPRESSORS**

MODELS

ECMQKE	-	AIR-COOLED	-	60 HP
ECMSKE	-	WATER COOLED	-	60 HP
ECMQLE	-	AIR-COOLED	-	75 HP
ECMSLE	-	WATER COOLED	-	75 HP

Parts List



INDUSTRIAL MACHINERY

TABLE OF CONTENTS

Models
ECPQME
ECPSME

GROUP NAME

Thirteen Character Model Designations.....	Page 2
Introduction	Page 3
Ordering Instructions	Page 3
Bare Compressor	Pages 4 thru 7
Inlet Valve	Page 8
Air Filter Group	Page 9
Oil Reservoir Group.....	Page 10
Separator Housing Group.....	Page 11
Discharge Piping	Page 12
Heat Exchanger Piping	Page 13
Oil Piping Group.....	Page 14
Oil Filter	Page 15
Tube Group	Page 16
Minimum Pressure Valve.....	Page 17
Thermal Mixing Valve	Page 18
Air Cooled Fan Assembly.....	Page 19
Air Cooled Remote Cooler Group	Page 20
Parts List	Page 21
Heat Exchanger Group	Pages 22 & 23
Oil Piping Schematic.....	Page 24
Parts List	Page 25
Enclosure.....	Page 26
Parts List	Page 27
Enclosure.....	Pages 28 & 29
Compressor Base Group.....	Page 30
Motor Group Selectives	Page 31
Main Motor Group.....	Page 32
Decal Location.....	Page 33
Controller Assembly.....	Page 34
Parts List	Page 35
Repair Kits.....	Pages 36 & 37

**MODELS ECMQ_E & ECMS_E, 60 & 75 HP Air/Water-Cooled Base-Mounted Units
Electra-Saver II® Compressors – Matrix/Menu**

Notice to Customer -- To find the construction options for your compressor unit, FILL IN THE BALANCE OF LETTERS OR NUMBERS FROM YOUR UNIT NAMEPLATE. . .
Column Number:

E C M			E									
1	2	3	4	5	6	7	8	9	10	11	12	13

Follow the line down and over from each space thus filled in to find the appropriate construction with which your machine is equipped. The number "9" in any column space indicates "NOT APPLICABLE." The number "8" in any column space indicates special design -- Refer to Factory Order Ticket.

COLUMNS 1 & 2 - ELECTRA-SAVER II® Family – Single Stage

COLUMN 3 - AIR END

- M. SSH OR SSM AIR END - 60 & 75 HP Units

COLUMN 4 - CONSTRUCTION

- Q. Air-Cooled - Base Mounted (Std)
- S. Water-Cooled - Base Mounted (Std)

COLUMN 5 - HORSEPOWER

- K. 60 HP
- L. 75 HP

COLUMN 6 - ENGINEERING SPECIFICATION

COLUMN 7 - PRESSURE & HZ

- A. 100 PSIG - 60 HZ
- B. 125 PSIG - 60 HZ
- C. 150 PSIG - 60 HZ

COLUMN 8 - CONTROL TYPE (Constant Speed or PC)

- | | | | |
|------------------------------|------------------------------|-----------------------|--|
| NO OPTIONS | | WITH VIBRATION SWITCH | |
| A. AIR COOLED - YD STARTER | D. AIR COOLED - YD STARTER | | |
| B. WATER COOLED - YD STARTER | E. WATER COOLED - YD STARTER | | |
| C. WITHOUT MAIN MTR. STR. | F. WITHOUT MAIN MTR. STR. | | |

COLUMN 9 - CONTROL BOX STARTER (Per HP/Voltage)/NEMA

- | | | | |
|------------------------|------------------------|----------------------|----------------------|
| A. 60 HP - 200V - N 12 | E. 75 HP - 200V - N 12 | I. 60 HP - 200V - N4 | M. 75 HP - 200V - N4 |
| B. 60 HP - 230V - N 12 | F. 75 HP - 230V - N 12 | J. 60 HP - 230V - N4 | N. 75 HP - 230V - N4 |
| C. 60 HP - 460V - N 12 | G. 75 HP - 460V - N 12 | K. 60 HP - 460V - N4 | O. 75 HP - 460V - N4 |
| D. 60 HP - 575V - N 12 | H. 75 HP - 575V - N 12 | L. 60 HP - 575V - N4 | P. 75 HP - 575V - N4 |

COLUMN 10 - ENCLOSURE

- A. NO ENCLOSURE (AIR/WATER COOLED)
- B. AIR COOLED ONLY (W/ENCLOSURE)
- D. WATER COOLED - 200V OR AIR COOLED W/REM COOLER
- E. WATER COOLED - 230V OR AIR COOLED W/REM COOLER
- F. WATER COOLED - 460V OR AIR COOLED W/REM COOLER
- G. WATER COOLED - 575V OR AIR COOLED W/REM COOLER

COLUMN 11 - OIL COOLERS - AIR & WATER

- | | | | |
|---------------------------------|----------------------------------|----------------------------|--|
| AIR COOLED - W/AFTERCOOLER | | WATER COOLED - FRESH WATER | |
| A. WITH STD CLR - 60 HZ | G. WITHOUT AFTERCOOLER | | |
| B. WITH SEACOAST COOLER - 60 HZ | H. WITH AFTERCOOLER | | |
| | I. WITHOUT AFT - WITH TEMP. REG. | | |
| | J. WITH AFT - WITH TEMP. REG. | | |

COLUMN 12 - COOLER ELECTRICS

- | | | | |
|-----------------|-----------------------------|--------------|--|
| AIR COOLED | | WATER COOLED | |
| A. 200V - 60 HZ | J. NEMA 1 | | |
| B. 230V - 60 HZ | K. NEMA 4 | | |
| C. 460V - 60 HZ | L. LESS WATER SHUTOFF VALVE | | |
| D. 575V - 60 HZ | | | |

COLUMN 13 - COMPRESSOR DRIVE MOTOR

- | | | | |
|-----------------|--|------------------|--|
| ODP (STD. EFF.) | | TEFC (STD. EFF.) | |
| A. 200V - 60 HZ | I. 200V - 60 HZ | | |
| B. 230V - 60 HZ | J. 230V - 60 HZ | | |
| C. 460V - 60 HZ | K. 460V - 60 HZ | | |
| D. 575V - 60 HZ | L. 575V - 60 HZ | | |
| ODP (HI-EFF.) | | TEFC (HI-EFF.) | |
| E. 200V - 60 HZ | M. 200V - 60 HZ | | |
| F. 230V - 60 HZ | N. 230V - 60 HZ | | |
| G. 460V - 60 HZ | O. 460V - 60 HZ | | |
| H. 575V - 60 HZ | P. 575V - 60 HZ | | |
| | Q. LESS MOTOR - 364 TSC - 60 HP - ODP/TEFC (SSH) | | |
| | R. LESS MOTOR - 365 TSC - 75 HP - ODP/TEFC (SSM) | | |

INTRODUCTION

CONTENTS:

This Parts List Manual contains repair parts for all models in the Electra-Saver II® Stationary Screw Compressor line shown on the cover.

Following is a list of comments to guide you in the selection of pages that are applicable to your particular unit.

MODEL DESIGNATIONS:

The new thirteen digit Model Designations will reflect the optional or selective types of construction available on these units, however, if an "8" appears in any column, the original order and subsequent machine ticket must always be referred to when ordering repair parts for that option (see Ordering Instructions below).

Early model designations DO NOT reflect the optional or selective types of construction available on these units. The original order and subsequent machine ticket must always be referred to when ordering repair parts (see Ordering Instruction Page).

The following are offered as a guide in showing the various types of construction:

- Air Cooled (Radiator Module) vs. Water Cooled (With Heat Exchanger).
- With or without Aftercooler for both Air-Cooled and Water-Cooled Units only.
- "Fresh Water" or "Salt Water" Service with Water-

Cooled Units.

- Pressure ratings (100, 125 or 150 PSIG) - these differences are reflected in the selection offered for Gear Kits and Pressure Relief Valves.
- Standard Control is referred to as "Constant Speed With Low-Demand Mode Switch." Other controls, such as "Automatic Start-Timed Stop" are also available. These cover both 60 Hz (Domestic) and 50 Hz (International) and NEMA I or NEMA IV Enclosures.

Above items are covered in this Parts List Manual. Additional items NOT covered are as follows:

Motors, Motor Starters, Overload Heaters, and various electrical components. There is a wide selection of these items available in all of the constructions listed above. All repair orders for these items must be referred to the factory.

QUALITY OF PARTS:

Numerous mounting components, such as piping, tubing, fasteners, minor electrical parts and wiring, etc., may be purchased from your local supply source. However, it is emphasized that **IT IS THE RESPONSIBILITY OF THE CUSTOMER** when purchasing repair parts locally to use only parts that are of **EQUAL** or better quality than those used in the original construction.

INSTRUCTIONS FOR ORDERING REPAIR PARTS

When ordering parts, specify Compressor **MODEL**, Method of Cooling, **HORSEPOWER** and **SERIAL NUMBER** (see nameplate on unit). Serial Number is also stamped on top of the cylinder flange to the right of the inlet housing.

All orders for Parts should be placed with the nearest Authorized Gardner-Denver-IMD Distributor.

Where NOT specified, quantity of parts required per compressor or unit is one (1); where more than one is required per unit, quantity is indicated in parenthesis. **SPECIFY EXACTLY THE NUMBER OF PARTS REQUIRED.**

DO NOT ORDER BY SETS OR GROUPS.

To determine the Right Hand and Left Hand side of an Electra-Screw® compressor, stand at the motor end and look toward the compressor. Right Hand and Left Hand are indicated in parenthesis following part name, i.e. (RH) & (LH).

PARTS RETURNED

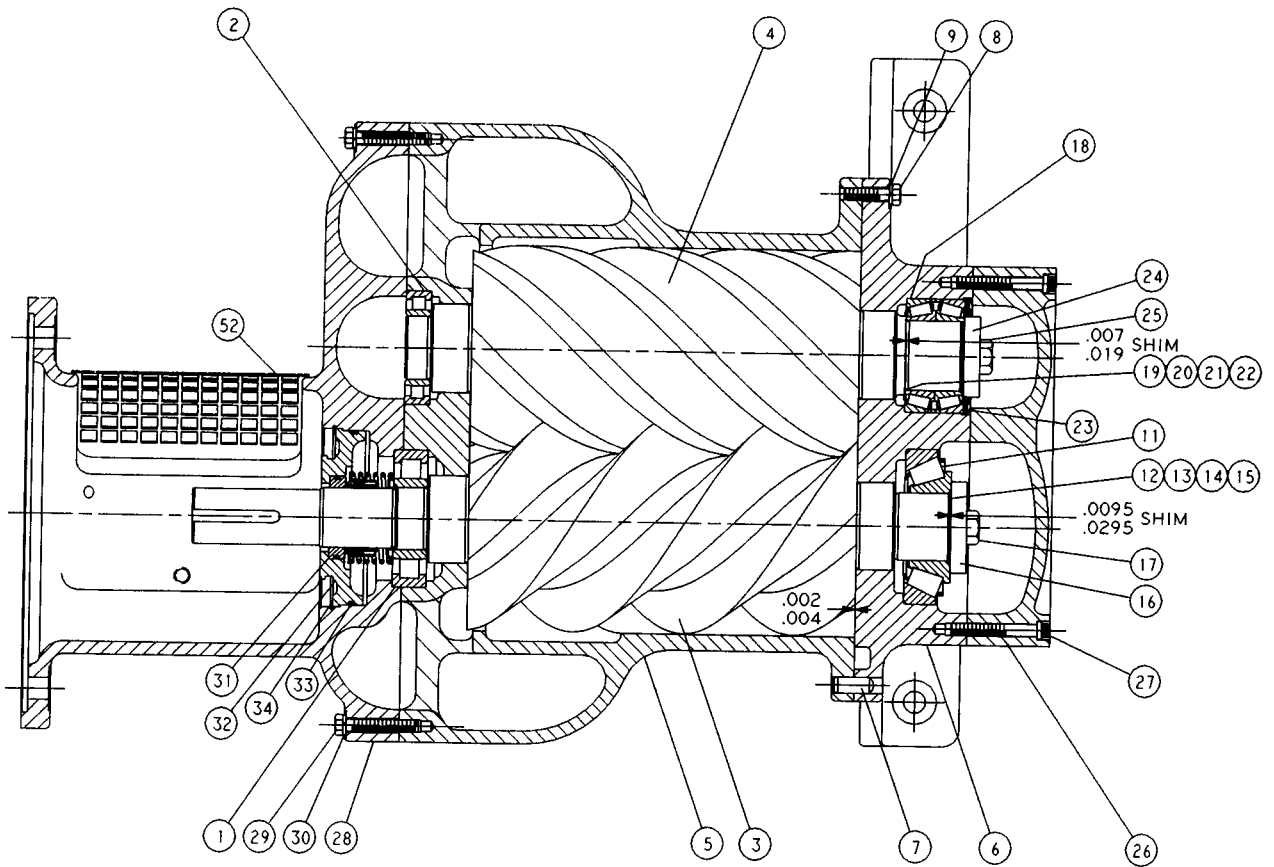
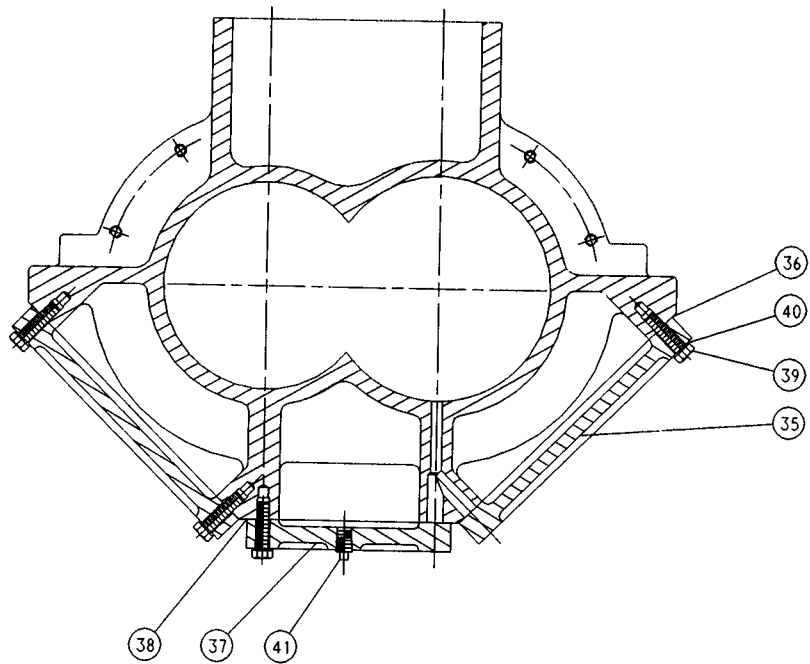
All claims must be made within five days after receipt of goods. If order has been filled correctly, we cannot allow the return of the goods without our consent and

then only on a basis of a charge for service and rehandling plus transportation charges.

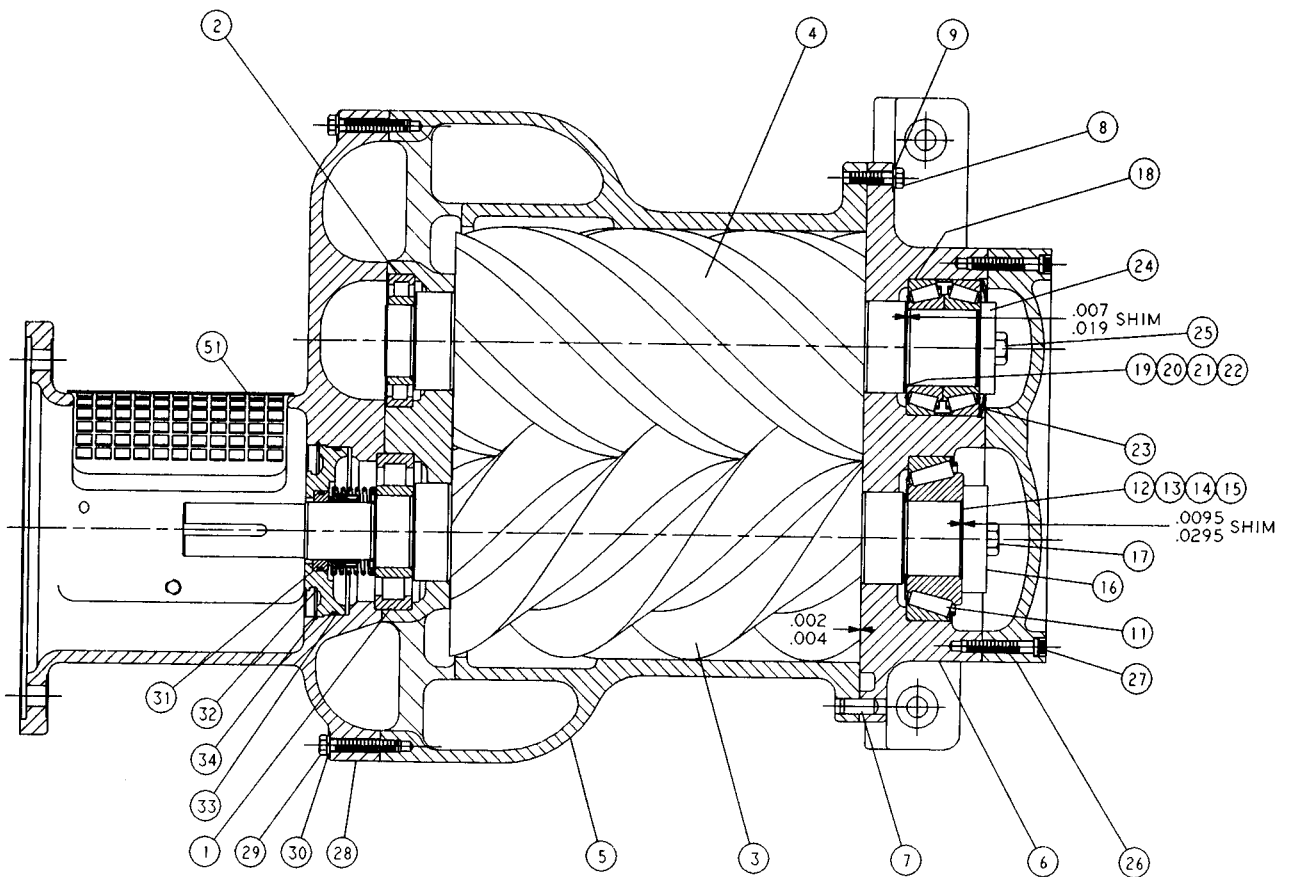
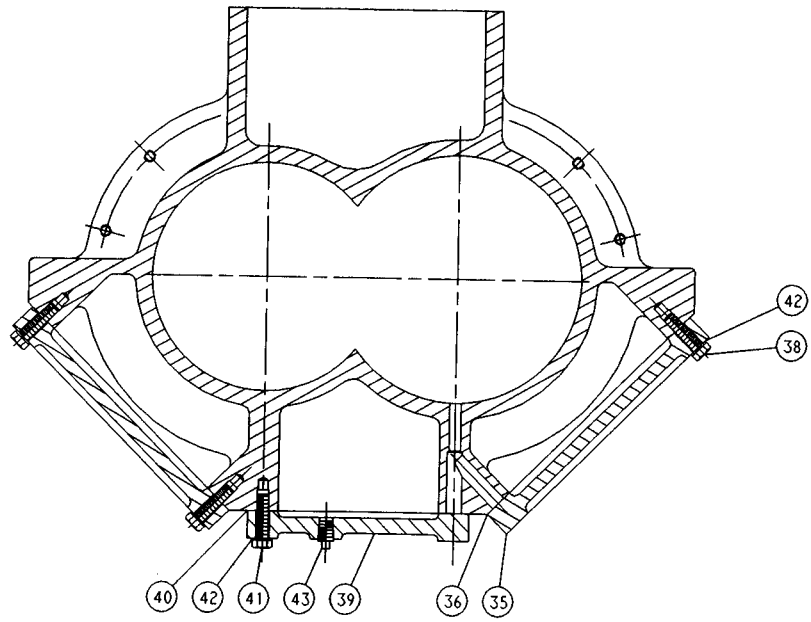
Transportation charges must be prepaid. If it is necessary to return a part to the factory for duplication or inspection, do not fail to do the following:

1. Write the nearest Authorized Gardner-Denver-IMD Distributor a letter advising what material you wish to return and why.
2. After receiving permission to return the item or items, obtain from the Sales and Service Office the correct forms filled out by that office for the proper return of material.
3. Place a tag in the package showing your name and address.
4. Tag each article in the box or package stating what and how many are returned.
5. Always give the serial number of the machine from which the parts were removed or the invoice number on which the parts were originally shipped.

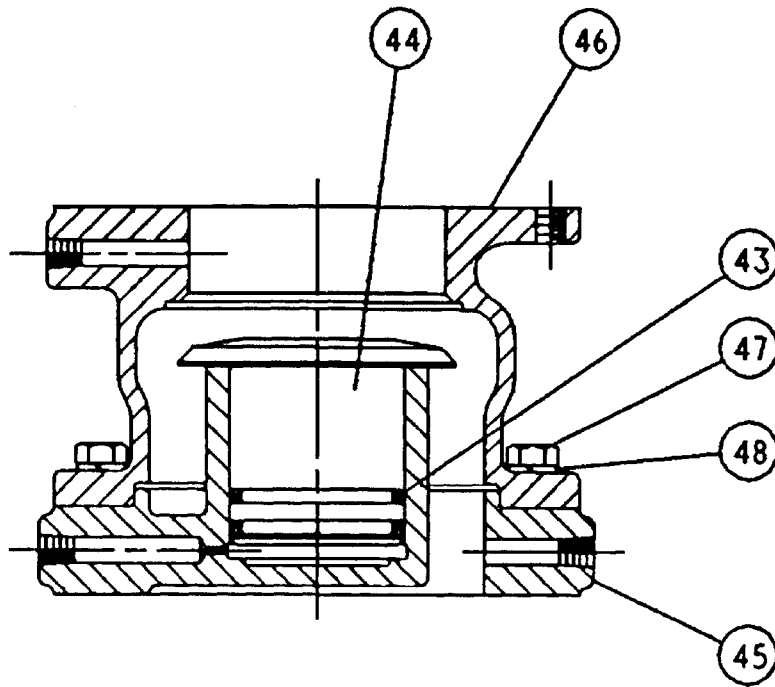
All parts returned for credit should be handled in the same manner as that for duplication or inspection.



Ref No.	Name of Part	Qty. Req.	60 HP 7B	60 HP 7C
BARE COMPRESSOR			Part No. SSHMBC01	Part No. SSHMBC02
1	BEARING-ROLLER	1	12BA130	12BA130
2	BEARING-ROLLER	1	12BA136	12BA136
3	ROTOR	1	205SSH010	205SSH010
4	ROTOR	1	206SSH010	207SSH010
5	CYLINDER.....	1	203SSH002	203SSH002
6	HOUSING-BRG.....	1	203SSH006	203SSH006
7	PIN-DOWEL	2	62M83	62M83
8	SCREW-HEX HD.....	12	655ED060	655ED060
9	WASHER-LOCK.....	14	95B3	95B3
10	GASKET-ELIMINATOR	--	25BC256	25BC256
11	BEARING-ROLLER	1	12BA91	12BA91
12	SHIM.....	2	77H54015	77H54015
13	SHIM.....	3	77H54005	77H54005
14	SHIM.....	3	77H54003	77H54003
15	SHIM.....	3	77H54002	77H54002
16	PLATE-BRG RET.....	1	200SSM253	200SSM253
17	SCREW HEX CAP.....	1	75A29N	75A29N
18	BEARING-ROLLER	1	12BA90	12BA90
19	SHIM.....	2	77H53015	77H53015
20	SHIM.....	3	77H53002	77H53005
21	SHIM.....	3	77H53003	77H53003
22	SHIM.....	3	77H53005	77H53002
23	SPRING-WAVE.....	4	78W48	78W48
24	PLATE-BEARING RET.....	1	200SSH253	200SSH253
25	SCREW HEX CAP.....	1	75A29N	75A29N
26	PLATE-BRG COVER.....	1	201SSH315	201SSH315
27	SCREW 12 PT CAP.....	18	75LM208	75LM208
28	ADAPTOR.....	1	201SSH170	201SSH170
29	SCREW HEX HD.....	16	655ED090	655ED090
30	WASHER-LOCK.....	16	95B3	95B3
31	SEAL-OIL.....	1	60DD599	60DD599
32	HOUSING-SEAL	1	203SSM362	203SSM362
33	O-RING.....	1	25AH30	25AH30
34	RING-RETAINING	1	75D55	75D55
35	COVER	2	202SSH225	202SSH225
36	GASKET	2	202SSH715N	202SSH715N
37	COVER	1	201SSH225	201SSH225
38	GASKET	1	200SSH715N	200SSH715N
39	SCREW-HEX HD.....	28	655ED060	655ED060
40	WASHER-LOCK.....	28	95B3	95B3
41	PLUG-SQHD PIPE	1	64AA5	64AA5
42	PLUG-SQHD PIPE	1	64AA6	64AA6
49	TAG-INSTRUCTION.....	1	202EAQ304	202EAQ304
50	SEAL BLANK LEAD	1	01228421 0025	01228421 0025
51	SCREW HEX CAP 3/8.....	2	00900050 0033	00900050 0033
52	GUARD COUPLING.....	1	200SSM339	200SSM339
53	SCREW-FLANGED	4	75LM150	75LM150



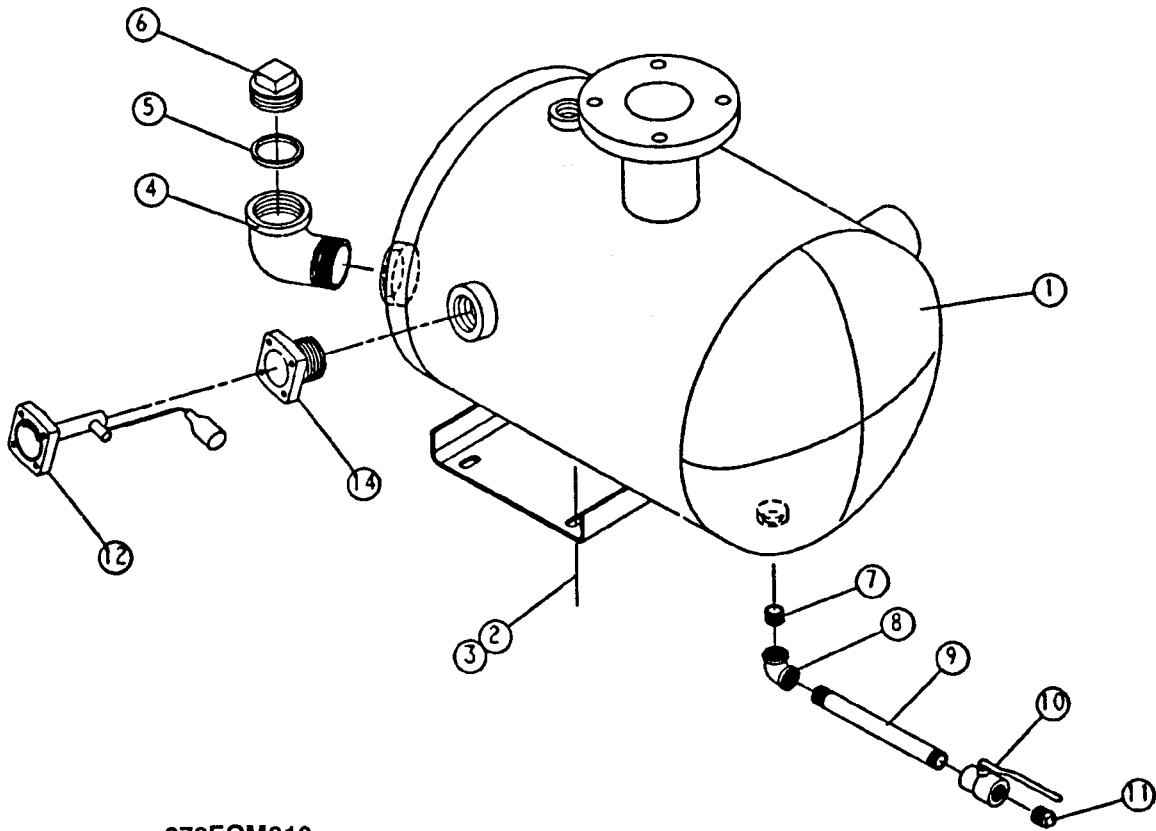
Ref No.	Name of Part	Qty. Req.	75 HP 7A	75 HP 7B	60 HP 7A	75 HP 7C
BARE COMPRESSOR			Part No. SSMMBD01	Part No. SSMMBD02	Part No. SSMMBD03	Part No. SSMMBD04
1	BEARING-ROLLER	1	12W34	12W34	12W34	12W34
2	BEARING-ROLLER	1	12BA93	12BA93	12BA93	12BA93
3	ROTOR	1	206SSM010	206SSM010	206SSM010	206SSM010
4	ROTOR	1	207SSM010	208SSM010	209SSM010	210SSM010
5	CYLINDER	1	203SSM002	203SSM002	203SSM002	203SSM002
6	HOUSING-BRG	1	203SSM006	203SSM006	203SSM006	203SSM006
7	PIN-DOWEL	2	62M83	62M83	62M83	62M83
8	SCREW-HEX HD	16	655ED060	655ED060	655ED060	655ED060
9	WASHER-LOCK	16	95B3	95B3	95B3	95B3
10	GASKET-ELIMINATOR	-	25BC256	25BC256	25BC256	25BC256
11	BEARING-ROLLER	1	12BA92	12BA92	12BA92	12BA92
12	SHIM	2	77H56015	77H56015	77H56015	77H54015
13	SHIM	3	77H56005	77H56005	77H56005	77H56005
14	SHIM	3	77H56003	77H56003	77H56003	77H56003
15	SHIM	3	77H56002	77H56002	77H56002	77H56002
16	PLATE-BRG RET	1	201SSM253	201SSM253	201SSM253	201SSM253
17	SCREW HEX CAP	1	75A29N	75A29N	75A29N	75A29N
18	BEARING-ROLLER	1	12BA94	12BA94	12BA94	12BA94
19	SHIM	2	77H57015	77H57015	77H57015	77H57015
20	SHIM	3	77H57005	77H57005	77H57005	77H57005
21	SHIM	3	77H57003	77H57003	77H57003	77H57003
22	SHIM	3	77H57002	77H57002	77H57002	77H57002
23	SPRING-WAVE (SSM)	1	78W53	78W53	78W53	78W53
24	PLATE-BEARING RET.	1	200SSM253	200SSM253	200SSM253	200SSM253
25	SCREW HEX CAP	1	75A29N	75A29N	75A29N	75A29N
26	PLATE-BRG COVER	1	202SSM315	202SSM315	202SSM315	202SSM315
27	SCREW 12 PT CAP	18	75LM206	75LM206	75LM206	75LM206
28	ADAPTOR	1	201SSM170	201SSM170	201SSM170	201SSM170
29	SCREW HEX HD	16	655ED090	655ED090	655ED090	655ED090
30	WASHER-LOCK	16	95B3	95B3	95B3	95B3
31	SEAL-OIL	1	60DD599	60DD599	60DD599	60DD599
32	HOUSING-SEAL	1	203SSM362	203SSM362	203SSM362	203SSM362
33	O-RING	1	25AH30	25AH30	25AH30	25AH30
34	RING-RETAINING	1	74D55	74D55	74D55	74D55
35	COVER	2	202SSH225	202SSH225	202SSH225	202SSH225
36	GASKET	2	202SSH715N	202SSH715N	202SSH715N	202SSH715N
38	SCREW HEX HD	18	655ED060	655ED060	655ED060	655ED060
39	COVER	1	200SSM225	200SSM225	200SSM225	200SSM225
40	GASKET	1	201SSM715N	201SSM715N	201SSM715N	201SSM715N
41	SCREW-HEX HD	12	655ED060	655ED060	655ED060	655ED060
42	WASHER-LOCK	30	95B3	95B3	95B3	95B3
43	PLUG-SQHD PIPE	1	64AA5	64AA5	64AA5	64AA5
44	PLUG-SQHD PIPE	1	64AA6	64AA6	64AA6	64AA6
51	GUARD COUPLING	1	200SSM339	200SSM339	200SSM339	200SSM339
52	SCREW-FLANGED	4	75LM150	75LM150	75LM150	75LM150
53	TAG-INSTRUCTION	1	202EAQ304	202EAQ304	202EAQ304	202EAQ304
54	SEAL BLANK LEAD	1	01228421 0025	01228421 0025	01228421 0025	01228421 0025
55	SCREW HEX CAP 3/8	2	00900050 0033	00900050 0033	00900050 0033	00900050 0033



Order by Part Number and Description. Reference Numbers are for your convenience only.

INLET VALVE

Ref No.	Name of Part	Qty.	Part No.
43	PACKING-RING.....	2	60DD21
44	PISTON-INLET VALVE.....	1	200SSM043
45	HOUSING-INLET	1	202SSM041
46	SEAT.....	1	201SSM256
47	SCREW-HEX CAP.....	8	75A67
48	WASHER-LOCK.....	8	95B5



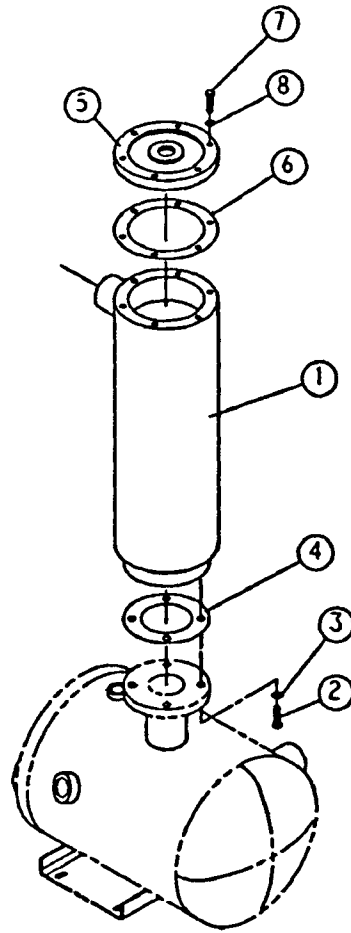
273ECM810

OIL RESERVOIR GROUP

Det. No.	Description	Qty. Req.	Part No.
1	RESERVOIR	1	204ECM037
2	SCREW-FLANGED.....	4	75LM135
3	NUT-FLANGED	4	50AW35
4	ELBOW.....	1	200LSF262
5	O-RING.....	1	25AH5
6	COVER-FILLER	1	200SPF156
7	NIPPLE-PIPE.....	1	63F35G
8	ELBOW-PIPE.....	1	64C4G
9	NIPPLE-PIPE.....	1	63F13G
10	VALVE-BALL.....	1	90AR360
11	PLUG-SQHD PIPE	1	64AA7
12	GAUGE-FLOAT	1	200ECM303
14	ADAPTOR-GAUGE.....	1	200EDE058
*	GASKET, FLOAT GAUGE	1	54C204

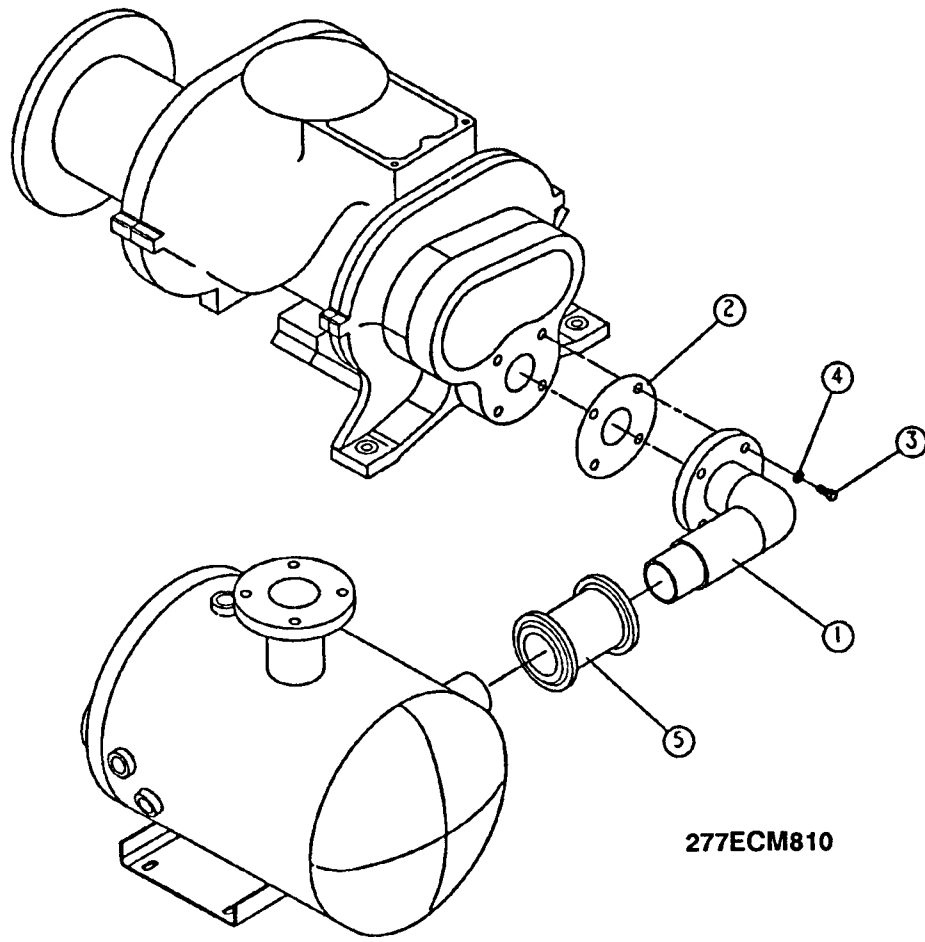
* NOT SHOWN

274ECM810



SEPARATOR HOUSING GROUP

Det. No.	Description	Qty. Req.	Part No.
1	HOUSING	1	200ECM405
2	SCREW-HEX CAP	4	655EF070
3	WASHER-LOCK.....	4	95B7
4	GASKET	1	25C2211N
5	COVER.....	1	203ECM225
6	GASKET	1	25C1788N
7	SCREW-HEX CAP	6	655EE070
8	WASHER-LOCK.....	6	95B5

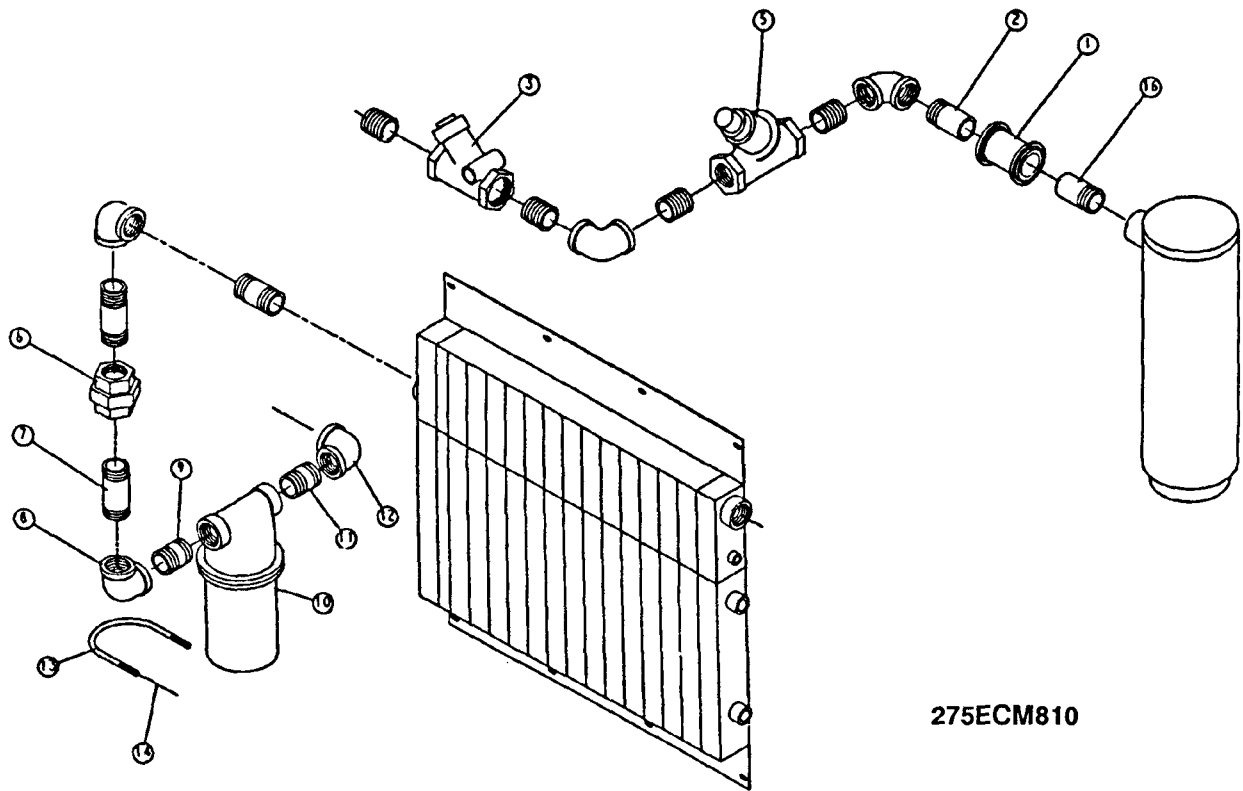


277ECM810

DISCHARGE PIPING

Det. No.	Description	Qty. Req.	Part No.
1	MANIFOLD	1	201ECM286
2	GASKET-RING.....	1	25C1230N
3	SCREW-HEX CAP	4	655EF070
4	WASHER-LOCK.....	4	95B7
5	COUPLING-FLEX	1	64EB57
*	GASKET, FLEX CPLG	2	2010680

* NOT SHOWN

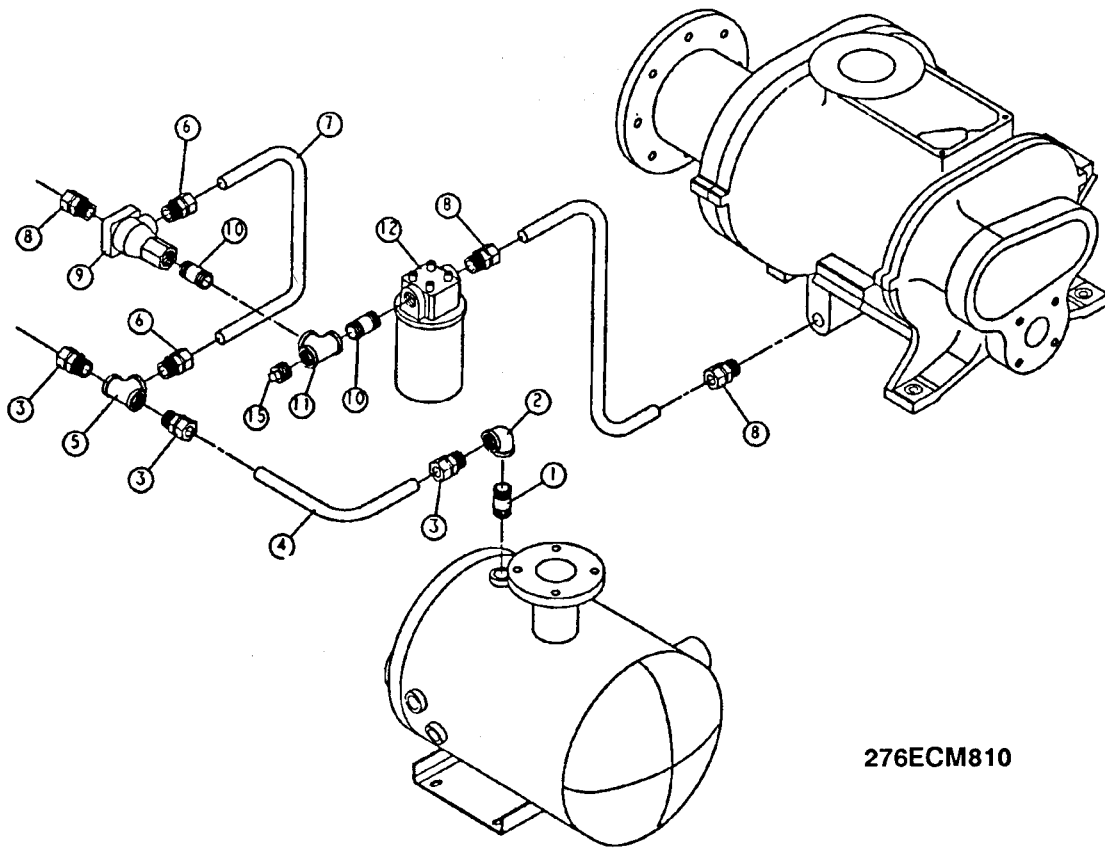


275ECM810

HEAT EXCHANGER PIPING

Det. No.	Description	Qty. Req.	Part No.
1	COUPLING-FLEX.....	1	2009589
2	NIPPLE-PIPE.....	2	63AJ32X30G
3	VALVE-CHECK.....	1	90J113
5	VALVE-M/PRESS.....	1	200ECM527
6	UNION-STRAIGHT.....	1	64Z2
7	NIPPLE-PIPE.....	1	63L20C
8	ELBOW-PIPE.....	1	64C9G
9	NIPPLE-PIPE.....	1	63L9G
10	TRAP.....	1	83C84
11	NIPPLE-PIPE.....	1	63L15G
12	ELBOW-PIPE.....	1	64C9G
13	BOLT-U.....	1	15U64
14	NUT-FLANGED.....	2	50AW5
16	NIPPLE-PIPE.....	1	63AJ32X26G
*	GASKET, FLEX CPLG.....	2	2010363

* NOT SHOWN



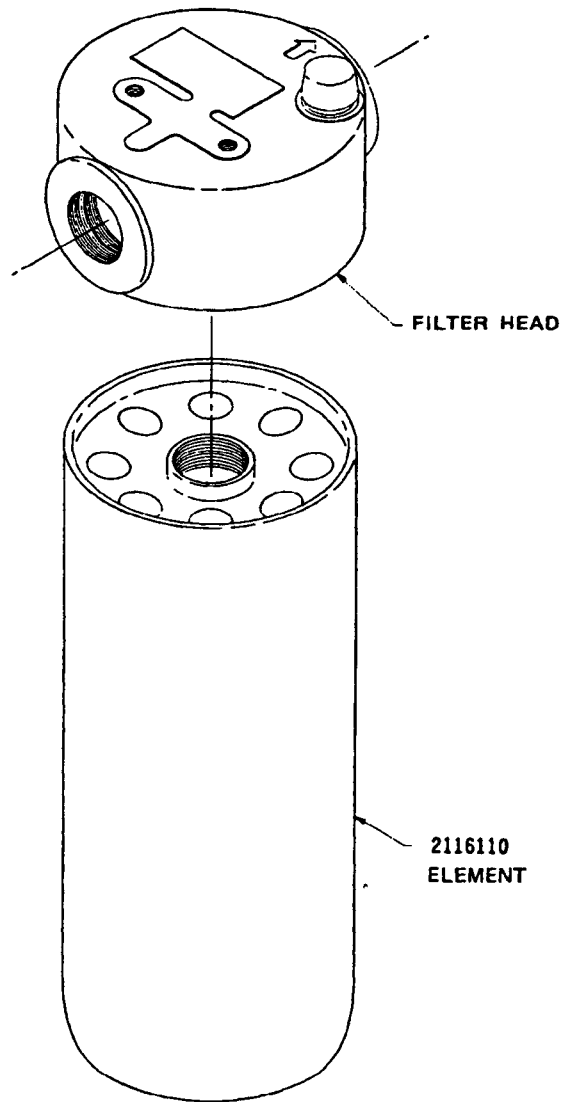
276ECM810

OIL PIPING GROUP

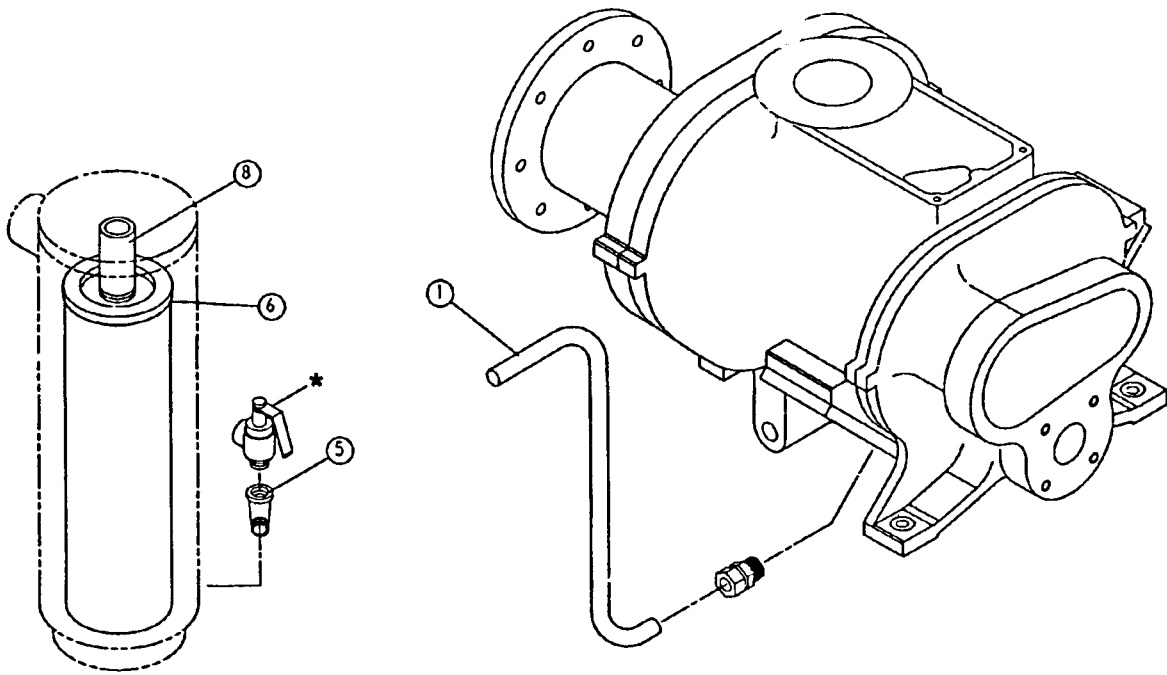
Det. No.	Description	Qty. Req.	Part No.
1	PIPE-NIPPLE.....	1	63H2G
2	ELBOW-PIPE.....	1	64C6G
3	CONNECTOR-TUBE.....	3	86N120
4	TUBE	1	265ECM857
5	TEE-PIPE.....	1	64G8G
6	CONNECTOR-TUBE.....	2	86N120
7	TUBE	1	254ECM857
8	CONNECTOR-TUBE.....	1	86N120
9	VALVE-THERM.....	1	90AR166
10	PIPE-NIPPLE.....	2	63H2G
11	TEE-PIPE.....	1	64G8G
12	FILTER-OIL.....	1	26C26
15	PLUG-SQHD PIPE	1	64AA5
*	ELEMENT, OIL FILTER.....	1	2116110

* NOT SHOWN

**OIL FILTER
26C26**



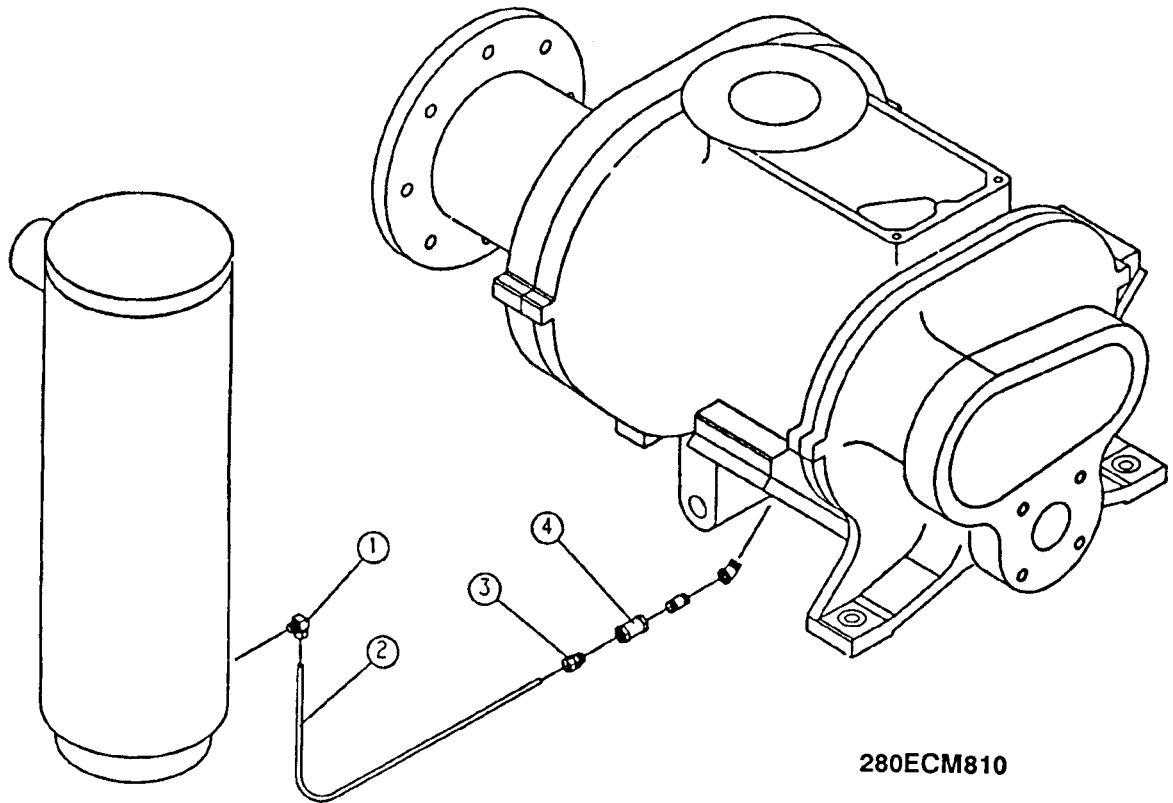
WITH 211ECM077 DECAL AFFIXED TO ELEMENT



203SSM810

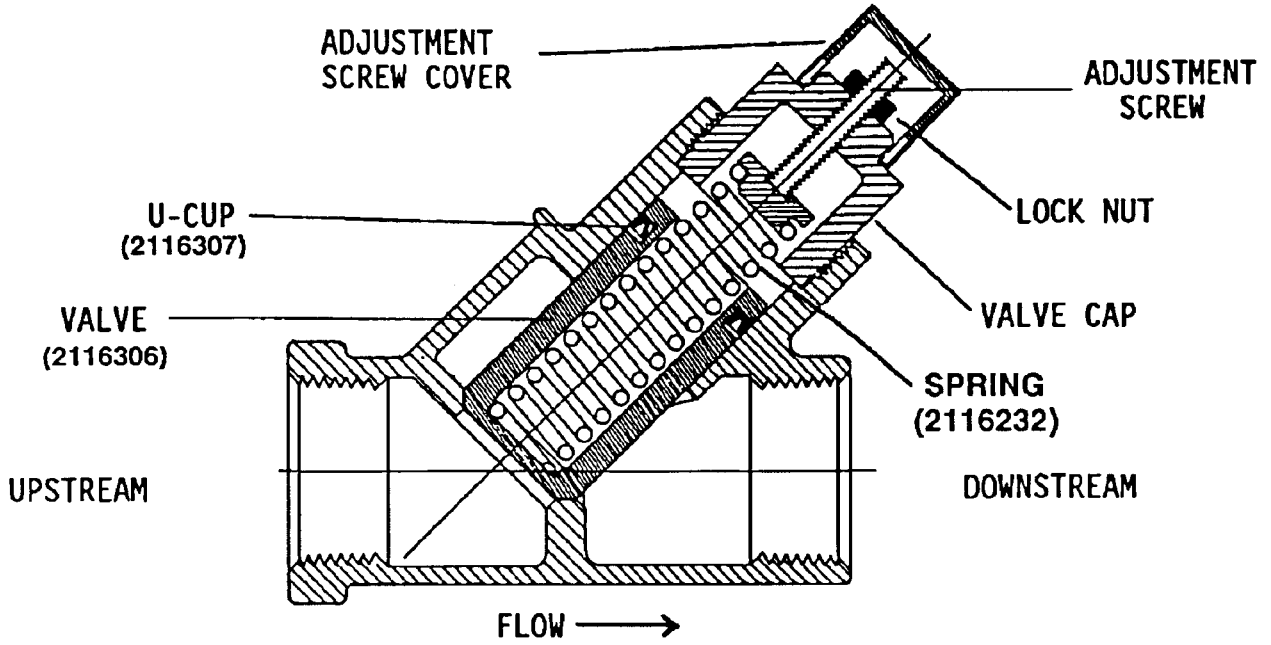
OIL RETURN LINE

Det. No.	Description	Qty. Req.	Part No.
1	TUBE.....	1	266ECM857
5	ELBOW-PIPE.....	1	64D6G
6	SEPARATOR.....	1	55B42
8	NIPPLE-PIPE.....	1	63AM24X47G
*	RELIEF VALVES - 60/75 H.P. - 100 PSI UNITS.....		90AR381
	125 PSI UNITS.....		90AR382
	150 PSI UNITS.....		90AR143



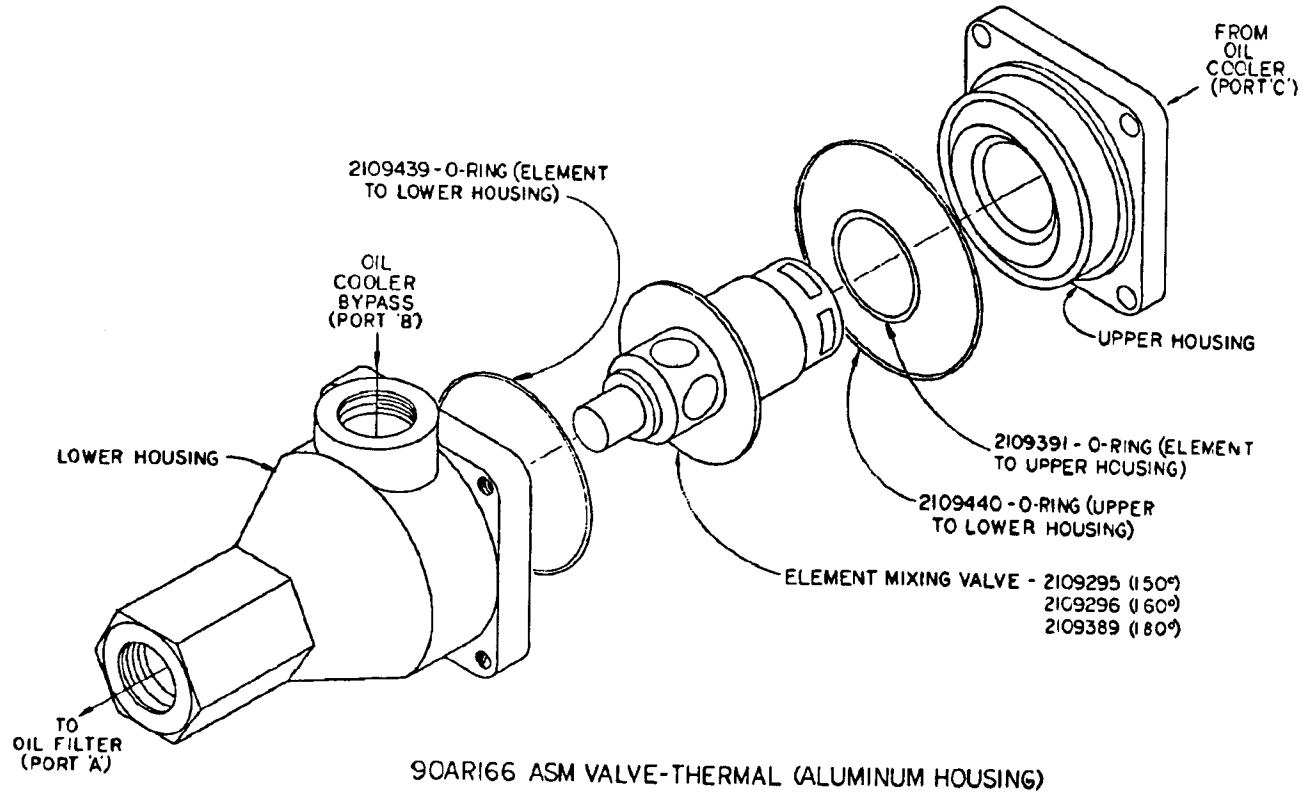
Det. No.	Description	Qty. Req.	Part No.
1	ELBOW-TUBE.....	1	86E60
2	TUBE.....	5	85K3
3	CONNECTOR-TUBE.....	1	86E4
4	VALVE-CHECK.....	1	90AR261
1	ELBOW-PIPE.....	1	64C4G

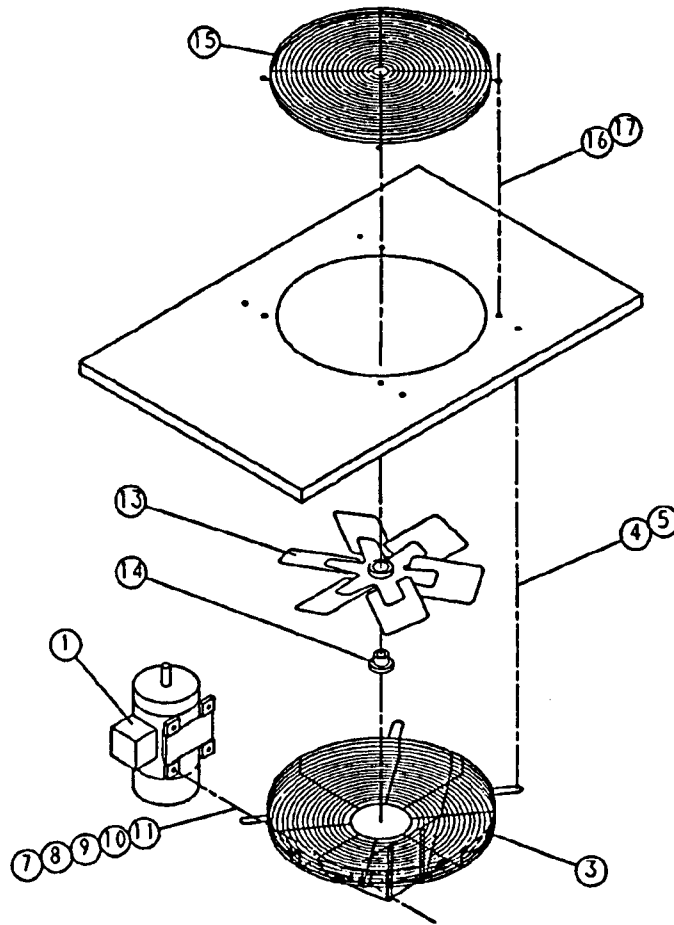
MINIMUM PRESSURE VALVE



200ECM527

THERMOSTATIC MIXING VALVE

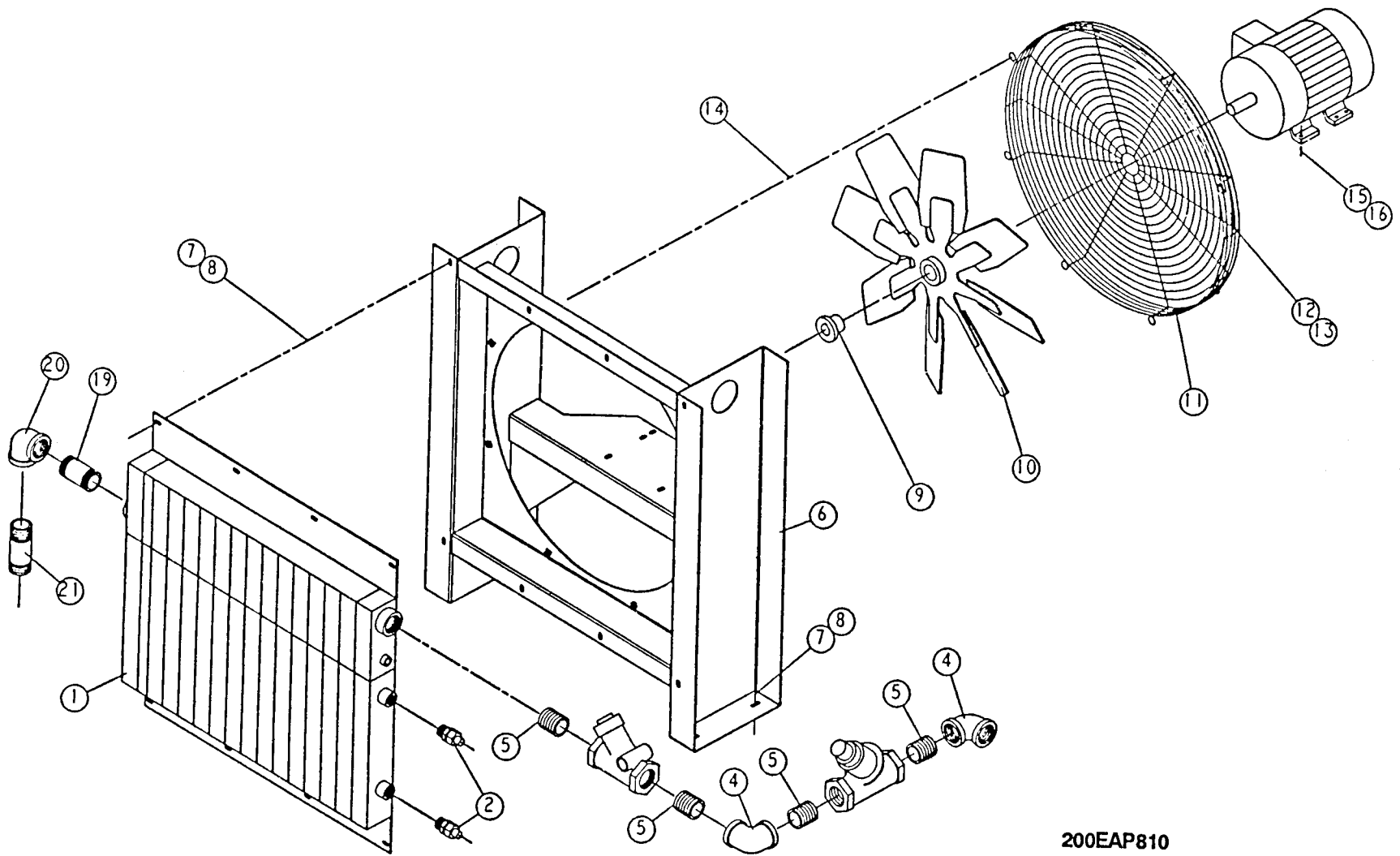




AIR COOLED FAN ASSEMBLY

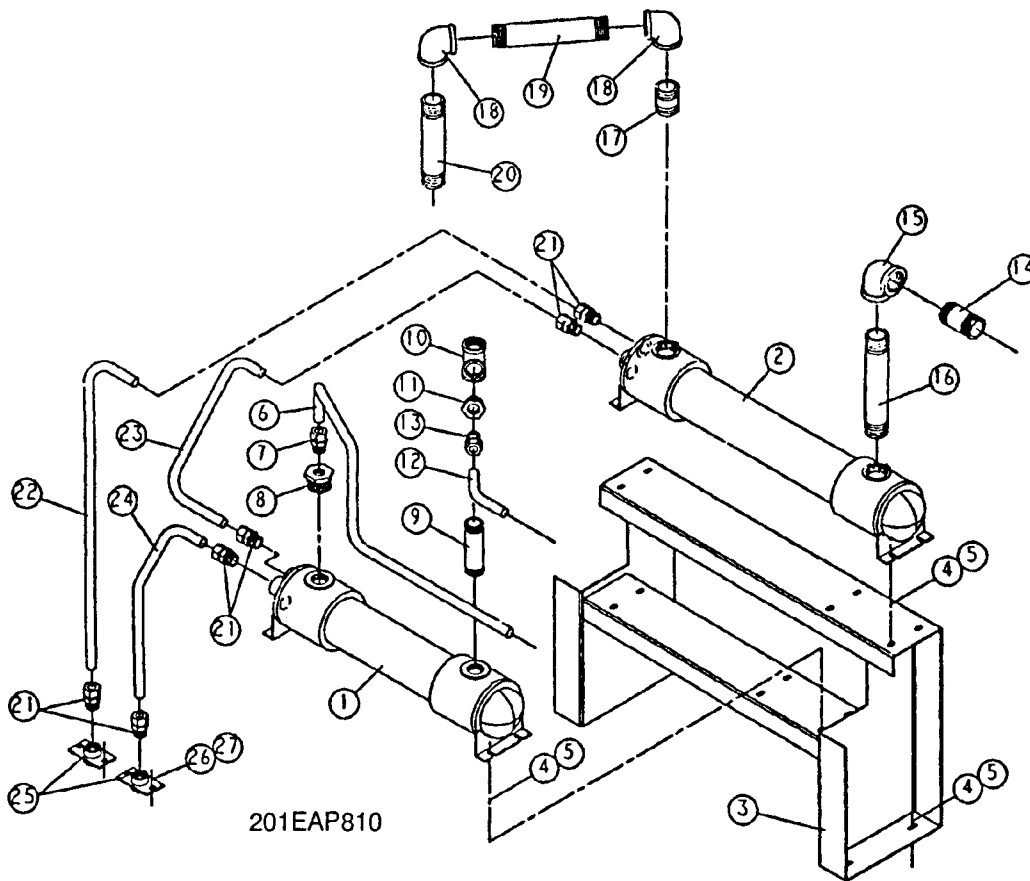
Det. No.	Description	Qty. Req.	Part No.
1	MOTOR	1	24CA2463
3	GUARD-FAN.....	1	202ECM393
4	SCREW-FLANGED	4	75K48
5	WASHER-PLAIN.....	4	95A5
7	SCREW-HEX CAP	4	75A35
8	RETAINER	4	2014731
9	WASHER-PLAIN.....	4	95A2
10	WASHER-LOCK	4	95B2
11	NUT-HEX.....	4	50B2
13	FAN.....	1	202ECM701
14	HUB BUSHING	1	22G27
15	GUARD-FAN.....	1	200ECM393
16	SCREW-FLANGED	4	75LM51
17	NUT-FLANGED	4	50AW5

AIR COOLED REMOTE COOLER GROUP



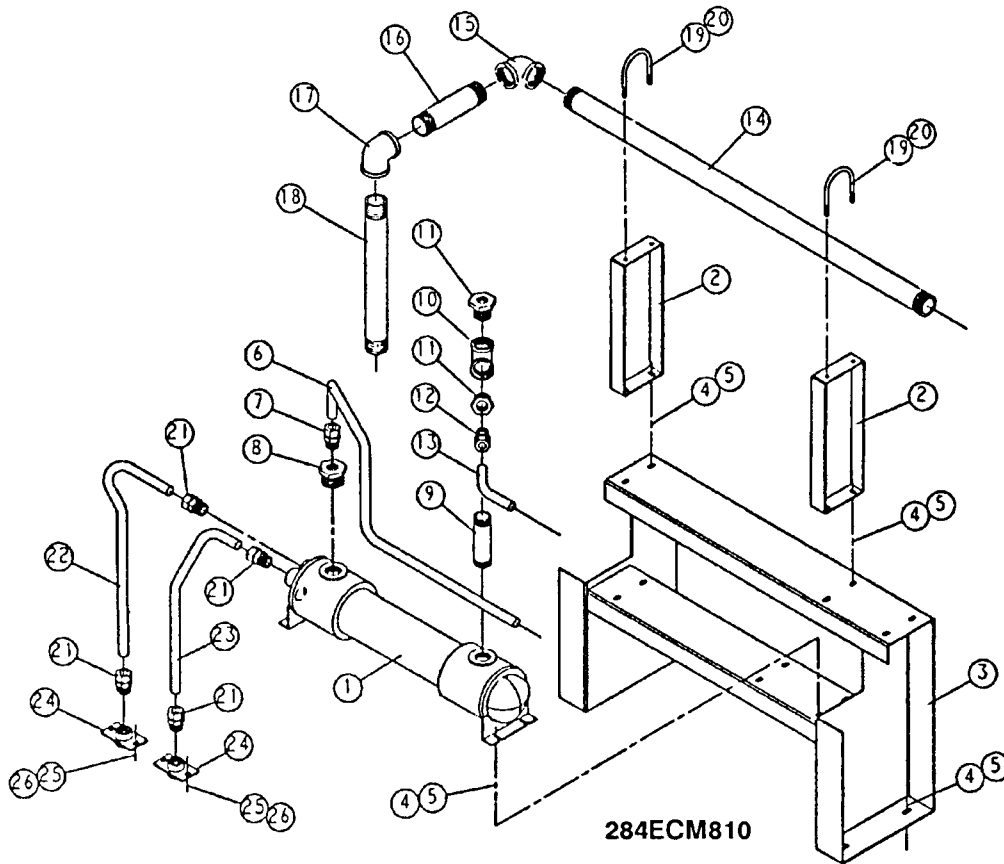
200EAP810

Det. No.	Description	Qty. Req.	Part No.
	DRAWING 200EAP810		
1	COOLER-OIL.....	1	207ECM201
2	ADAPTOR-TUBE	2	86N117
4	ELBOW-PIPE	2	64C9G
6	SUPPORT.....	1	212ECM165
7	SCREW-FLANGED.....	12	75LM51
8	NUT-FLANGED.....	12	50AW5
9	BUSHING-HUB.....	1	22G2
10	FAN.....	1	201ECM701
11	GUARD-FAN.....	1	200ESM393
12	SCREW-FLANGED.....	4	75LM50
13	NUT-FLANGED.....	4	50AW4
14	SCREW-FLANGED.....	8	75LM51
15	SCREW-FLANGED.....	4	75K48
16	NUT-FLANGED.....	4	50AW5
19	NIPPLE-PIPE	1	63L2G
20	ELBOW-PIPE.....	1	64C9G
21	NIPPLE-PIPE	1	63L22G



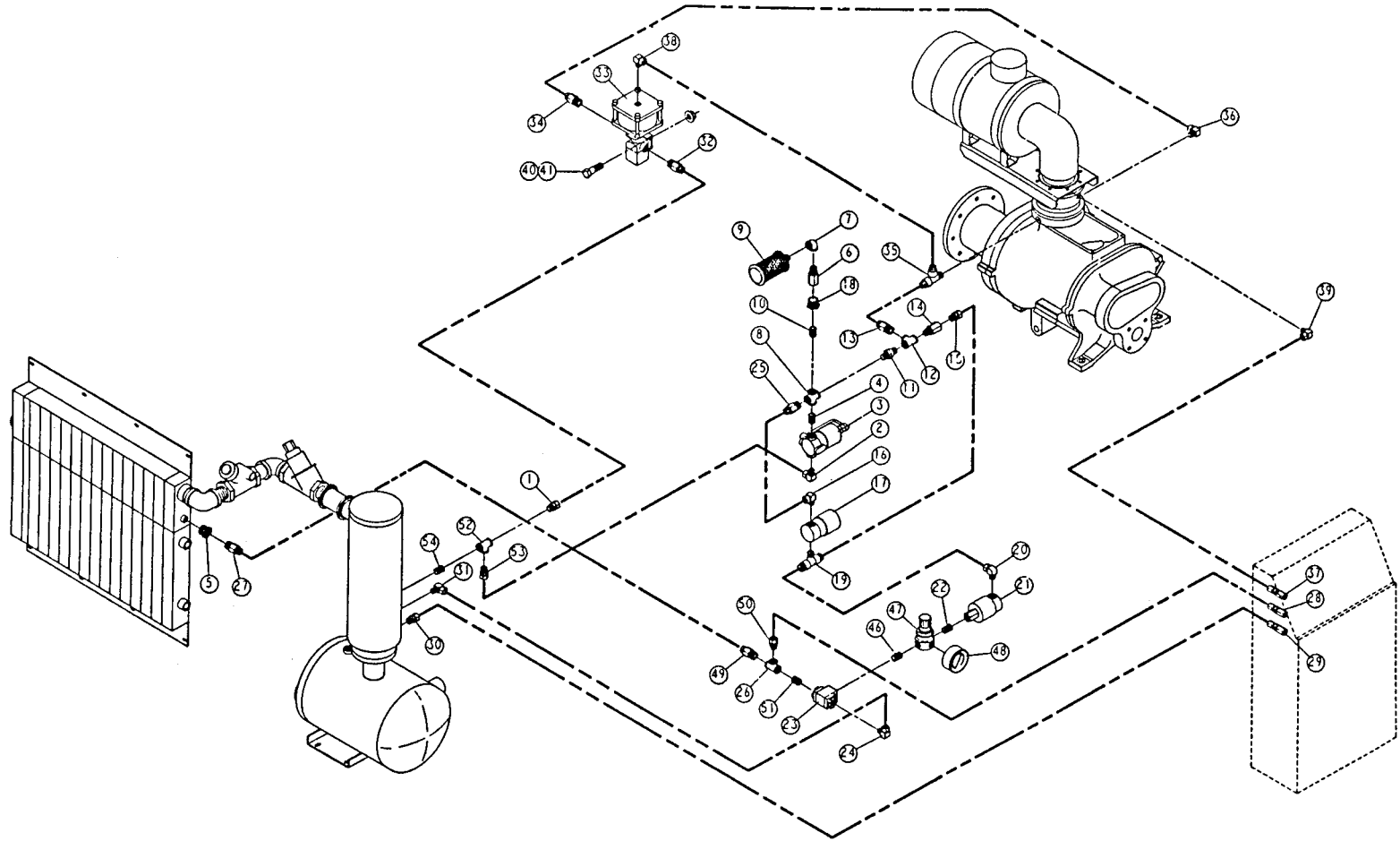
201EAP810

Det. No.	Description	Qty. Req.	Part No.	Part No.
			60 H.P.	75 H.P.
1	HEAT EXCHANGER.....	1	202ESJ349	204ESM349
2	AFTERCOOLER	1	200ESL292	201ESM292
3	SUPPORT	1	213ECM165	13ECM165
4	SCREW-FLANGED.....	12	75LM51	75LM51
5	NUT-FLANGED	12	50AW5	50AW5
6	TUBE	1	271ECM857	271ECM857
7	CONNECTOR-TUBE.....	1	86N120	86N120
8	BUSHING-PIPE	1	64E13	64E13
9	NIPPLE-PIPE.....	1	63K6G	63K6G
10	TEE-PIPE.....	1	64G11G	64G11G
11	BUSHING-PIPE.....	2	64E13	64E13
12	TUBE	1	270ECM857	204EAP857
13	CONNECTOR-TUBE.....	1	86N120	86N120
14	NIPPLE-PIPE.....	1	63N32X124G	63L16G
15	ELBOW-PIPE.....	1	64C9G	64P106G
16	NIPPLE-PIPE.....	1	63L30G	63L30G
17	NIPPLE-PIPE.....	1	63L9G	63L9G
18	ELBOW-PIPE.....	2	64C9G	64C9G
19	NIPPLE-PIPE.....	1	63L34G	63L34G
20	NIPPLE-PIPE.....	1	63L27G	63L27G
21	CONNECTOR-TUBE.....	6	86N120	86N120
22	TUBE	1	267ECM857	267ECM857
23	TUBE	1	264ECM857	264ECM857
24	TUBE	1	269ECM857	269ECM857
25	MANIFOLD-WATER	2	200ECM072	200ECM072
26	SCREW-FLANGED.....	4	75LM51	75LM51
27	NUT-FLANGED	4	50AW5	50AW5



Det. No.	Description	Qty. Req.	Part No.	Part No.
			60 H.P.	75 H.P.
1	HEAT EXCHANGER.....	1	202ESJ349	204ESM349
2	BRACKET-PIPE.....	2	201ECM108	201ECM108
3	SUPPORT.....	1	213ECM165	213ECM165
4	SCREW-FLANGED.....	12	75LM51	75LM51
5	NUT-FLANGED.....	12	50AW5	50AW5
6	TUBE.....	1	271ECM857	271ECM857
7	CONNECTOR-TUBE.....	1	86N120	86N120
8	BUSHING-PIPE.....	1	64E13	64E13
9	NIPPLE-PIPE.....	1	63K6G	63K6G
10	TEE-PIPE.....	1	64G11G	64G11G
11	BUSHING-PIPE.....	2	64E13	64E13
12	CONNECTOR-TUBE.....	1	86N120	86N120
13	TUBE.....	1	270ECM857	204EAP857
14	NIPPLE-PIPE.....	1	63N32X440G	63N32X440G
15	ELBOW-PIPE.....	1	64C9G	64C9GG
16	NIPPLE-PIPE.....	1	63L28G	63L28G
17	ELBOW-PIPE.....	1	64C9G	64C9G
18	NIPPLE-PIPE.....	1	63N32X156G	63N32X156G
19	BOLT-U.....	2	15U101	15U101
20	NUT-FLANGED.....	4	50AW35	50AW35
21	CONNECTOR-TUBE.....	4	86N120	86N120
22	TUBE.....	1	268ECM857	268ECM857
23	TUBE.....	1	269ECM857	269ECM857
24	MANIFOLD-WATER.....	2	200ECM072	200ECM072
25	SCREW-FLANGED.....	4	75LM51	75LM51
26	NUT-FLANGED.....	4	50AW5	50AW5

OIL PIPING SCHEMATIC

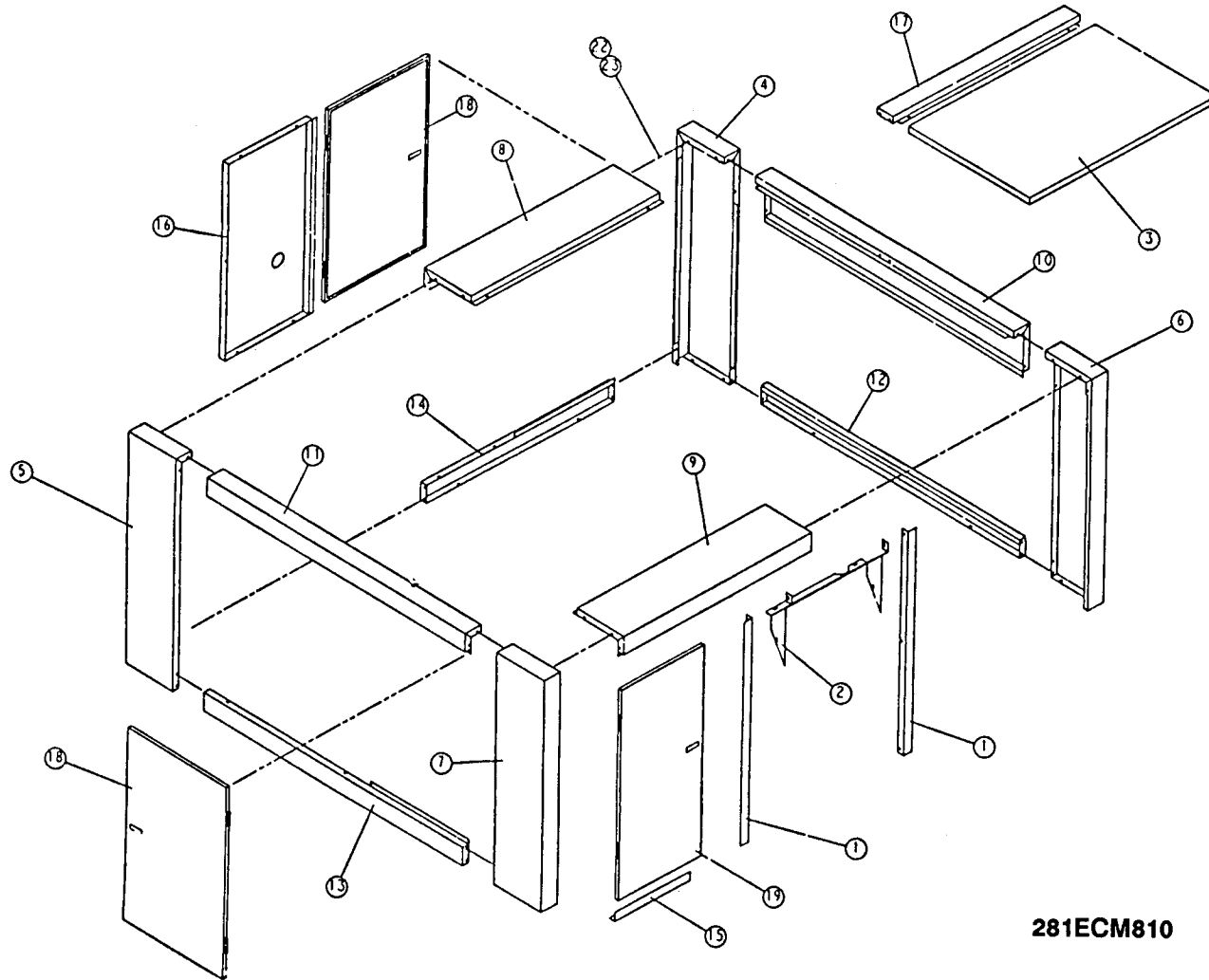


287ECM810

Det. No.	Description	Qty. Req.	Part No.	Det. No.	Description	Qty. Req.	Part No.
1	CONNECTOR-TUBE	1	86E9	31	ELBOW-TUBE	1	86E64
2	ELBOW-TUBE	1	86E60	32	CONNECTOR-TUBE	1	86E9
3	VALVE-SOLENOID	1	91B70	33	VALVE-AIR CONT.....	1	90AR35
4	NIPPLE-PIPE	1	63D1G	34	CONNECTOR-TUBE	1	86E9
5	BUSHING-PIPE	1	64E2	35	TEE-TUBE.....	1	86E136
6	ORIFICE.....	1	200ECM814	36	ELBOW-TUBE	1	86E64
7	ELBOW-PIPE	1	64C4G	37	CONNECTOR.....	1	86N218
8	CROSS-PIPE	1	64K1G	38	ELBOW-TUBE	1	86E64
9	MUFFLER	1	43E6	39	ELBOW-TUBE	1	86E60
10	NIPPLE-PIPE	1	63D1G	40	SCREW-HEX CAP	2	655EC060
11	VALVE-CHECK	1	90AR261	41	NUT-FLANGED.....	2	50AW3
12	TEE-PIPE	1	64G3G	43	TUBE.....	30 FT.	85K3
13	CONNECTOR-TUBE	1	86E9	44	TUBE.....	20 FT.	85K5
14	ORIFICE.....	1	2011768	46	NIPPLE-PIPE	1	63D1G
15	CONNECTOR-TUBE	1	86E4	47	REGULATOR-PRESSURE.....	1	88H139
16	ELBOW-TUBE	1	86E60	48	GAUGE	1	27P109
17	VALVE, SOLENOID	1	91B80	49	CONNECTOR-TUBE	1	86E9
18	BUSHING-PIPE	1	64E2	50	CONNECTOR-TUBE	1	86E4
19	TEE-TUBE.....	1	86E119	51	NIPPLE-PIPE	1	63D1G
20	ELBOW-TUBE	1	86E60	52	TEE-PIPE	1	64G3G
21	VALVE, SOLENOID	1	91B81	53	CONNECTOR-TUBE	1	86E4
22	NIPPLE-PIPE	1	63D1G	54	NIPPLE-PIPE	1	63D1G
23	VALVE.....	1	90AR107	55	SEAL PLUG	1	24CA2597
24	ELBOW-TUBE	1	86E64	56	FITTING-CONDUIT.....	1	24A341
25	CONNECTOR-TUBE	1	86E4	57	GASKET	1	24A342
26	TEE-PIPE	1	64G3G	58	COVER.....	1	24A343
27	CONNECTOR-TUBE	1	86E9	*	VALVE REPAIR KIT (90AR35) (Includes		
28	CONNECTOR.....	1	86N218		2116130 DIAPHRAGM).....	1	2109652
29	CONNECTOR.....	1	86N218	*	DIAPHRAGM ONLY (90AR35).....	1	2116130
30	CONNECTOR-TUBE	1	86E4				

* NOT SHOWN.

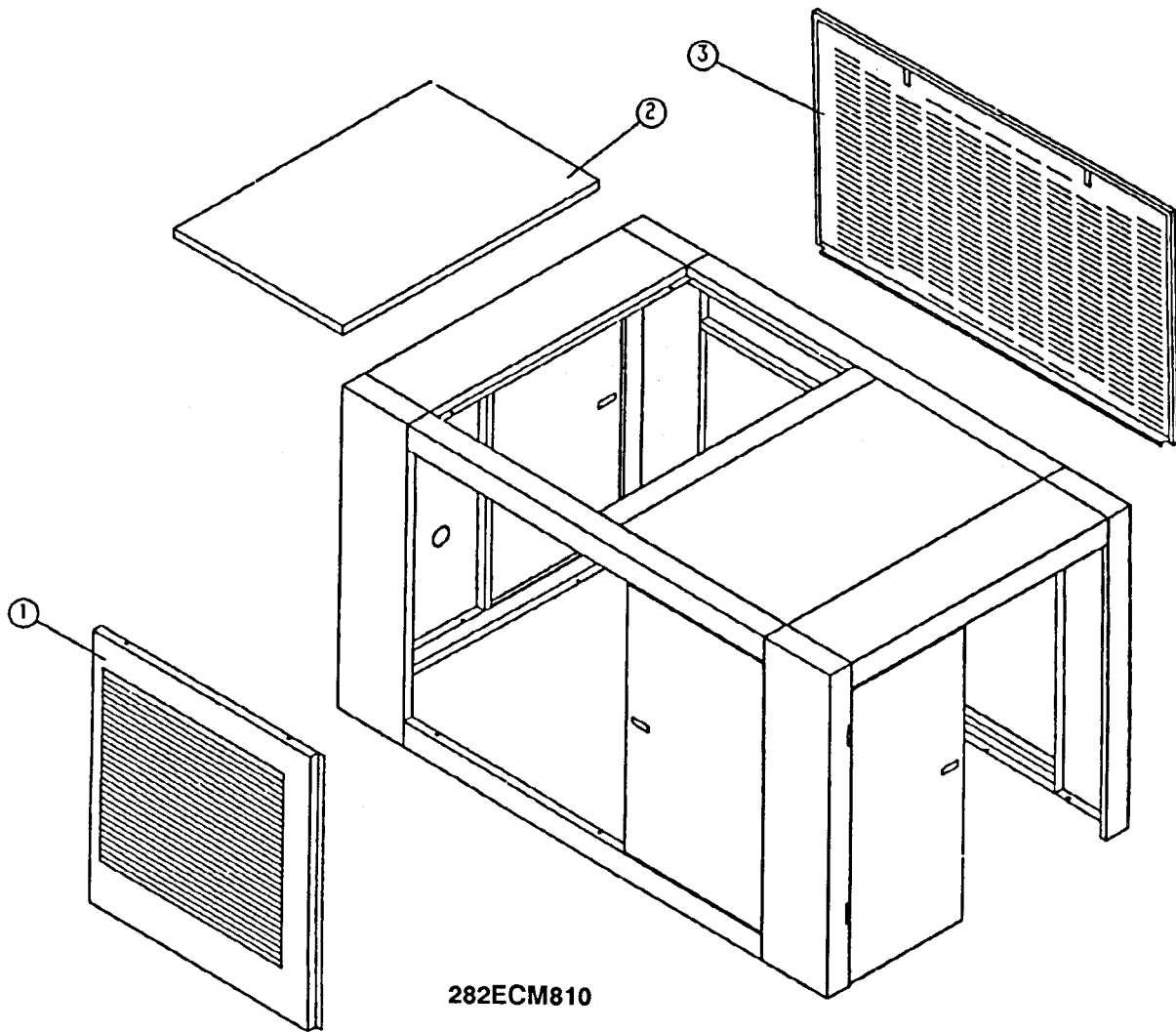
ENCLOSURE
(Common Parts - Air/Water Cooled)



281ECM810

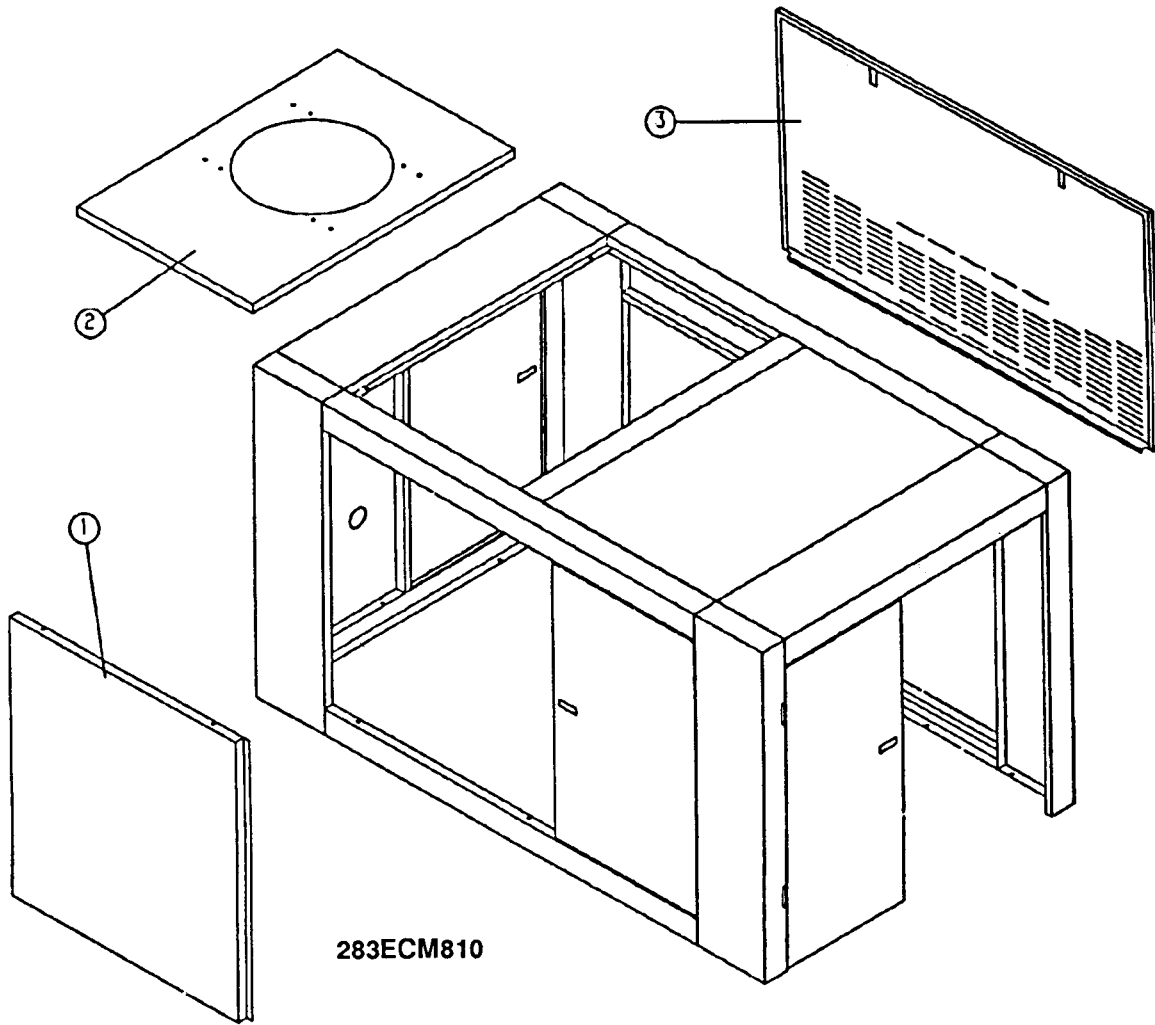
Det. No.	Description	Qty. Req.	Part No.
1	BRACKET	2	215ECM142
2	BRACKET	1	216ECM142
3	PANEL	1	217ECM216
4	POST	1	208ECM313
5	POST	1	209ECM313
6	POST	1	210ECM313
7	POST	1	211ECM313
8	FRAME.....	1	215ECM314
9	FRAME.....	1	216ECM314
10	FRAME.....	1	217ECM314
11	FRAME.....	1	218ECM314
12	FRAME.....	1	219ECM314
13	FRAME.....	1	220ECM314
14	FRAME.....	1	221ECM314
15	FRAME.....	1	222ECM314
16	BRACE.....	1	204ECM326
17	BRACE.....	1	205ECM326
18	DOOR-CANOPY.....	2	208ECM334
19	DOOR-CANOPY.....	1	209ECM334
*	LATCH	5	31D51
*	TRIM SEAL	51	32E12
22	SCREW-FLANGED.....	86	75LM51
23	NUT-FLANGED	78	50AW5

* NOT SHOWN



AIR COOLED UNITS

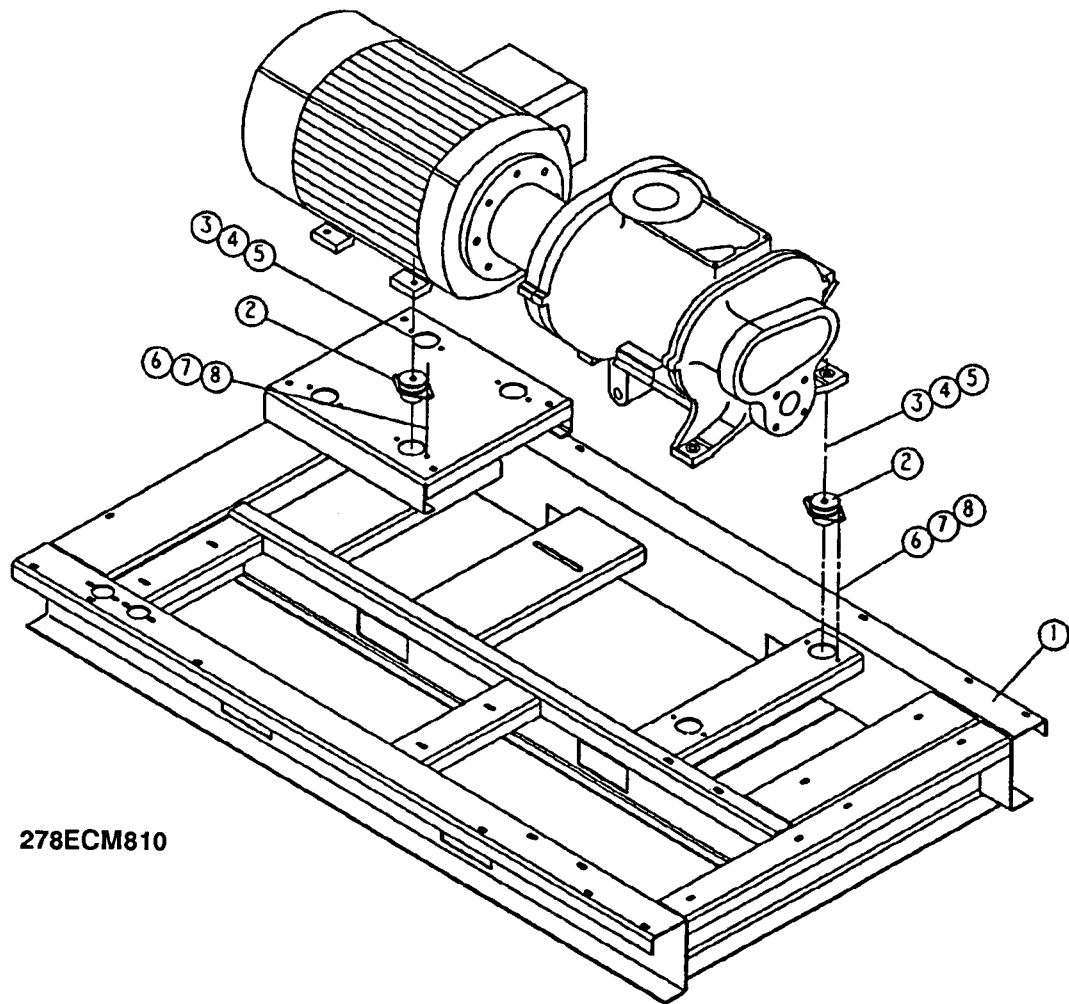
Det. No.	Description	Qty. Req.	Part No.
1	PANEL	1	220ECM216
2	PANEL	1	217ECM216
3	PANEL	1	215ECM216



283ECM810

WATER COOLED UNITS

Det. No.	Description	Qty. Req.	Part No.
1	PANEL.....	1	219ECM216
2	PANEL.....	1	216ECM216
3	PANEL.....	1	218ECM216



278ECM810

COMPRESSOR BASE GROUP

Det. No.	Description	Qty. Req.	Part No.
1	BASE.....	1	205ECM285
2	ISOLATOR-VIB.....	6	49C47
3	SCREW-HEX CAP	6	655EF200
4	WASHER-LOCK.....	6	95B7
5	NUT-HEX.....	6	50B7
6	SCREW-HEX CAP	12	655ED040
7	WASHER-LOCK.....	12	95B5
8	NUT-HEX.....	12	50B5
10	WASHER.....	1	95A7

**MOTOR GROUP
(MAIN DRIVE MOTORS) (WYE-DELTA)**

COLUMN CODE	NAME OF PART	60 HP PART NO.	75 H.P. PART NO.
OPEN DRIP PROOF (60 HZ - ODP)			
13A	MOTOR, 200V	24CA2952	24CA2956
13B	MOTOR, 230V	24CA3013	24CA3014
13C	MOTOR, 460V	24CA3013	24CA3014
13D	MOTOR, 575V	24CA2955	24CA2959

OPEN DRIP PROOF (60 HZ - ODP - HIGH EFFICIENCY)			
13E	MOTOR, 200V	24CA2968	24CA2972
13F	MOTOR, 230V	24CA3017	24CA3018
13G	MOTOR, 460V	24CA3017	24CA3018
13H	MOTOR, 575V	24CA2971	24CA2975

TOTALLY ENCLOSED FAN COOLED (60 HZ - TEFC)			
13I	MOTOR, 200V	24CA2984	24CA2988
13J	MOTOR, 230V	24CA3021	24CA3022
13K	MOTOR, 460V	24CA3021	24CA3022
13L	MOTOR, 575V	24CA2987	24CA2991

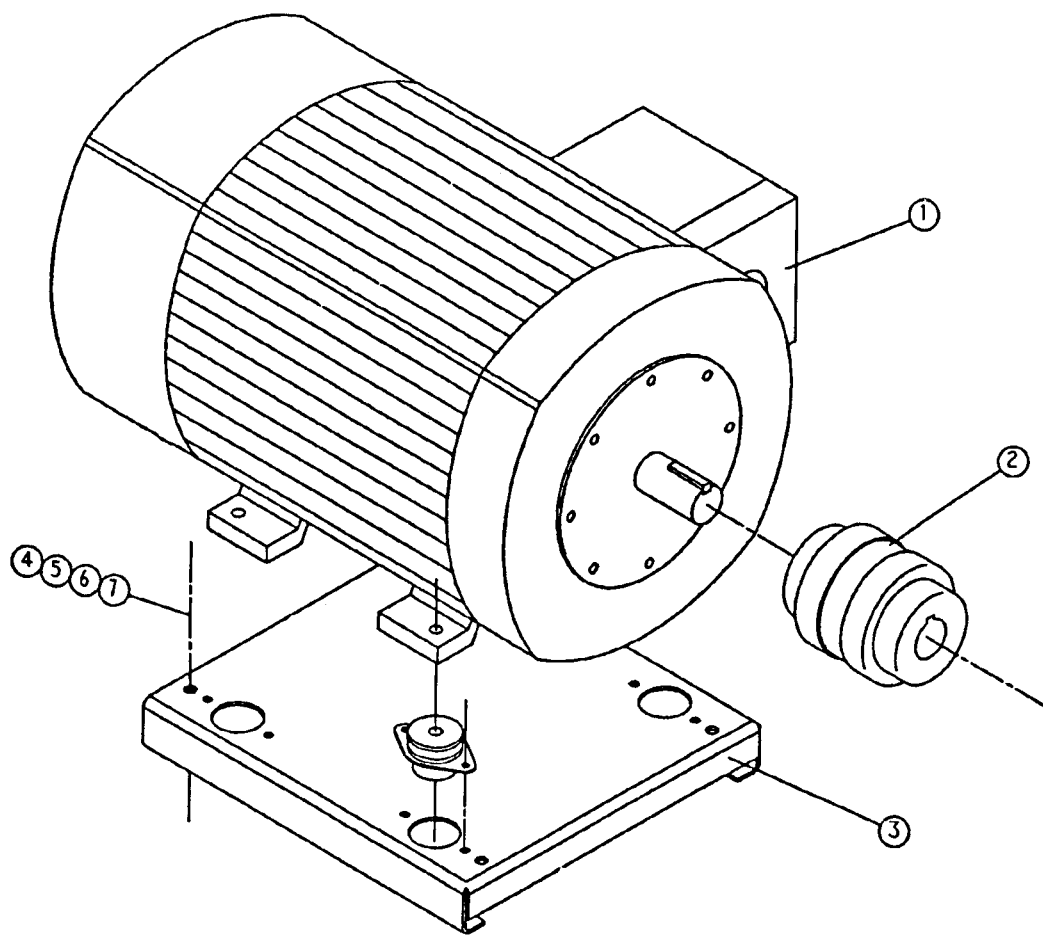
TOTALLY ENCLOSED FAN COOLED (60 HZ - TEFC - HIGH EFFICIENCY)			
13M	MOTOR, 200V	24CA2996	24CA3000
13N	MOTOR, 230V	24CA3024	24CA3025
13O	MOTOR, 460V	24CA3024	24CA3025
13P	MOTOR, 575V	24CA2999	24CA3003

**MOTOR GROUP
AIR COOLED FAN MOTOR (COOLING MODULE)
(T.E.A.O., 3 H.P., 1200 RPM, 60 HZ, 1.33 S.F.)**

VOLTAGE	P/N
MOTOR, 200V	24CA189
MOTOR, 230V	24CA190
MOTOR, 460V	24CA190
MOTOR, 575V	24CA191

**WATER COOLED FAN MOTOR (ENCL VENT FAN)
(T.E.A.O., 1200 RPM, 60 HZ, 1.0 S.F.)**

VOLTAGE	P/N	H.P.
MOTOR, 200V	24CA2463	1/2
MOTOR, 230V	24CA2464	1/4
MOTOR, 460V	24CA2464	1/4
MOTOR, 575V	24CA2465	1/2



202EDF810

MAIN MOTOR GROUP

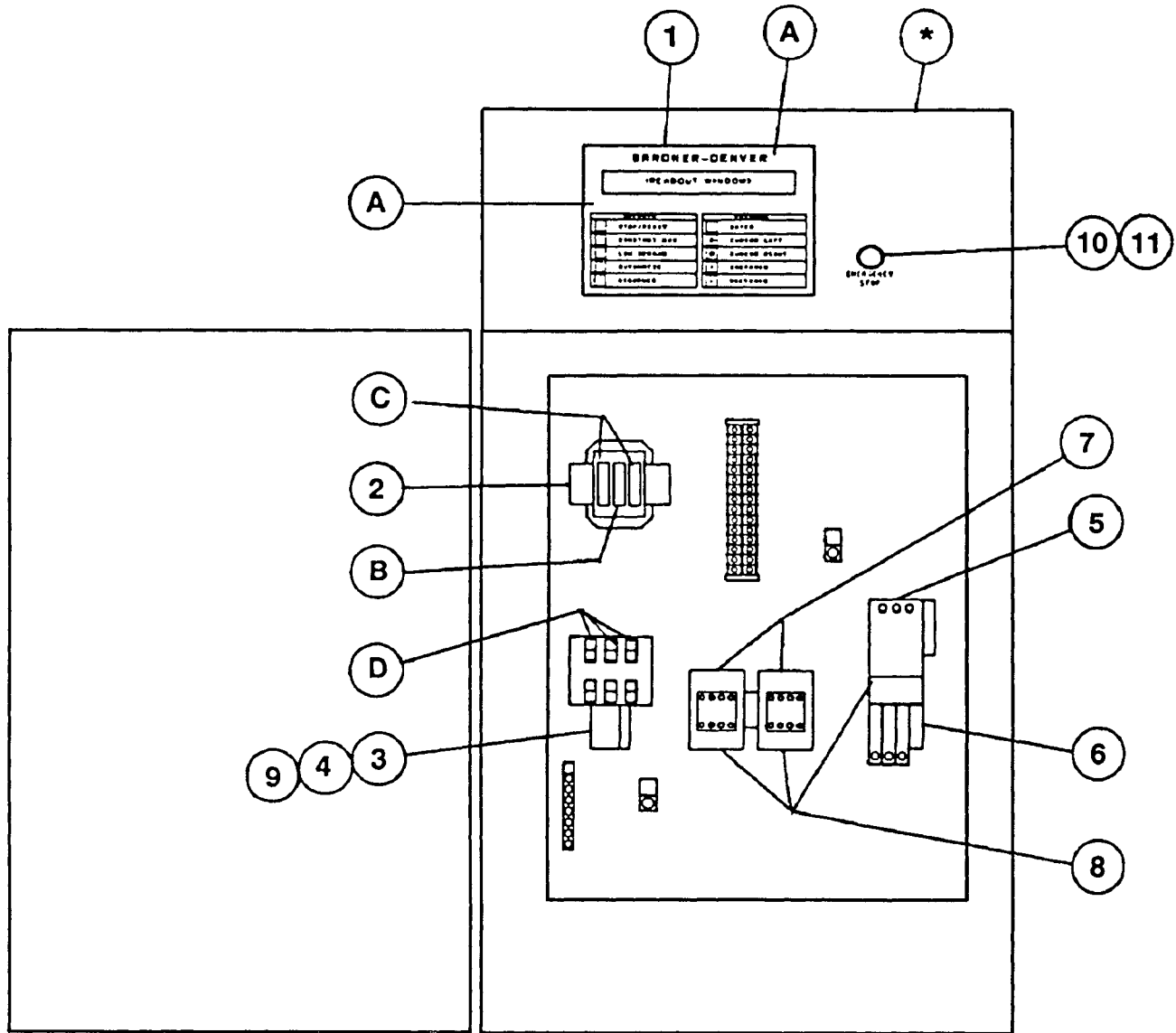
Det. No.	Description	Qty. Req.	Part No.
1	MOTOR	1	*
2	COUPLING-FLEX	1	51L60**
3	SUPPORT-MOTOR (60 HP)	1	203ECM620
3	SUPPORT-MOTOR (75 HP)	1	201ECM620
4	SCREW-HEX CAP	4	655EF160
5	WASHER-PLAIN	4	95A7
6	WASHER-LOCK.....	4	95B7
7	NUT-HEX.....	4	50B7

* OPTIONAL - SEE PAGE 31.

** DRIVE COUPLING KIT - ECK77781(INCLUDES (6) 2109116 CUSHIONS)

IDENTIFICATION & INSTRUMENT GROUP

NAME	QTY.	PART NO.
DECAL, CONTROL VOLTAGE	1	69D38
DECAL, GROUNDING	1	208ESG077
DECAL, COPPER WIRE ONLY.....	1	214ESG077
DECAL, WARNING	2	202ESG077
DECAL, PARTS LIST/SERVICE MANUAL #	1	204EDE077
DECAL, DRAIN MOISTURE DAILY	1	205ESO077
DECAL, DANGER - DO NOT BREATHE	1	206EAQ077
DECAL, WARNING - AUTO RESTART	3	207EAQ077
DECAL, CAUTION - DO NOT LIFT	1	208EAQ077
DECAL, AEON 9000 LUBRICANT	1	210EAQ077
DECAL, WARNING - ROTATING MACHINERY	1	211EAQ077
DECAL, DANGER - HOT OIL UNDER PRESSURE	1	212EAQ077
DECAL, WARNING - ELECTRICAL SHOCK	1	213EAQ077
DECAL, NOTICE - USE GD PARTS	1	214EAQ077
DECAL, WARNING - READ OPERATOR MANUAL	1	215EAQ077
DECAL, WARNING - ELECTRICAL SHOCK	1	216EAQ077
DECAL, WARNING - INSPECT OIL RESERVOIR	1	217EAQ077
DECAL, DANGER - DO NOT MODIFY	1	218EAQ077
DECAL, CAUTION - USE FLOOR PLATE	1	221EAQ077
DECAL, WARNING - SEE WIRING DIAGRAM	1	222EAQ077
DECAL, OPERATION & MAINTENANCE.....	1	217ECM077
DECAL, WARNING	1	227ECM077



**CONTROLLER ASSEMBLY
(60/75 H.P.)**

	QTY	200V	230V	460V	
* ASSEMBLED PANEL: NEMA 12	1	244EDF466	248EDF466	240EDF466	2
* ASSEMBLED PANEL: NEMA 4	1	246EDF466	250EDF466	241EDF466	2
A FUSE, CONTROL BOARD.....	2	24CA2932	24CA2932	24CA2932	2
B FUSE, TRANSFORMER SECONDARY	1	24CA3324	24CA3324	24CA3324	2
C FUSE, TRANSFORMER PRIMARY	2	24CA617	24CA617	24CA276	2
D FUSE, FAN MOTOR, AIR-COOLED	3	24CA2478	24CA2478	24CA2477	2
D FUSE, FAN MOTOR, WATER-COOLED	3	24CA2476	24CA2476	24CA2475	2
1 ELECTRONIC CONTROLLER ASSEMBLY.....	1	202EJB1173	202EJB1173	202EJB1173	2
2 CONTROL TRANSFORMER, 105 VA.....	1	2116618	2116617	2116617	2
3 STARTER, FAN MOTOR	1	24CA3353	24CA3353	24CA3353	2
4 HEATER, FAN MOTOR OVERLOAD, AIR-COOLED	3	24CA2488	24CA2488	24CA2486	2
4 HEATER, FAN MOTOR OVERLOAD, WATER-COOLED.....	3	24CA2482	24CA2482	24CA2480	2
5 STARTER, MAIN MOTOR	1	24CA3322	24CA3320	24CA3318	2
6 HEATER, MAIN MOTOR OVERLOAD 60 HP ...	3	24CA2894	24CA2894	24CA2607	2
HEATER, MAIN MOTOR OVERLOAD 75 HP ...	3	24CA2928	24CA2928	24CA2608	2
7 CONTACTOR, MAIN MOTOR-WYE DELTA.....	2	24CA3331	24CA3329	24CA3327	2
8 REPLACEMENT COIL FOR ITEMS 5 & 7.....	(3)	2116622	2116624	2116627	2
9 REPLACEMENT COIL FOR ITEM 3	(1)	2116394	2116394	2116394	2
10 OPERATOR, 22mm PUSH-PULL E-STOP	1	24CA2907	24CA2907	24CA2907	2
11 CONTACT BLOCK E22B1 SPNC	1	24CA2908	24CA2908	24CA2908	2

REPAIR KITS

		- AIR END -	
		SSH	SSM
1)	ROUTINE MAINTENANCE KIT (3000 HOURS) H.P. AIR FILTER	200EAP6013	200EAP6013
	(2) ELEMENT, AIR FILTER 2010509		
	(3) ELEMENT, OIL FILTER 2116110		
2)	PERIODIC MAINTENANCE KIT (9000 HOURS)	201EAP6013	201EAP6013
	(2) 60DD21 PACKING-RING		
	(1) 25AH30 O-RING		
	(1) 2109295		
3)	PERIODIC OVERHAUL (18,000 HOURS)	200ECM6013	201ECM6013
	(1) 12BA130 BEARING-ROLLER		
	(1) 12BA136 BEARING-ROLLER		
	(1) 25BC222 GASKET (ELIMINATOR)		
	(1) 12BA91 BEARING-ROLLER		
	(1) 77H67 SHIM		
	(1) 12BA90 BEARING-ROLLER		
	(1) 77H67 SHIM		
	(1) 60DD570 SEAL-OIL (VITON)		
	(1) 60DD543 SEAL-OIL		
	(1) 25BC157 O-RING		
	(2) 25BC298 O-RING		
	(1) 8500958 O-RING		
4)	SEPARATOR KIT (18,000 HOURS)	204EAP6013	204EAP6013
	(1) 55B42 OIL SEPARATOR		
	(1) 25C1788N GASKET		
5)	PNEUMATIC CONTROLS & GAUGES (18,000 HOURS)	205EAP6013	205EAP6013
	(2) 90AR261 CHECK VALVE		
	(2) 90AR107 VALVE		
	(1) 90AR35 AIR CONTROL VALVE		
	(1) 88H139 PRESSURE REGULATOR		
	(1) 27P109 PRESSURE GAUGE		

REPAIR KITS (CONTINUED)

- AIR END -

SSH

SSM

6) ELECTRICAL CONTROL KIT (18,000 HOURS)

206EAP6013

206EAP6013

(1) 91B70 SOLENOID VALVE

(1) 91B80 SOLENOID VALVE

(1) 91B81 SOLENOID VALVE

(2) 21D231 THERMISTOR PROBE

(1) 88H178 TRANSDUCER

(1) 88H154 VAC SWITCH

7) DRIVE COUPLING KIT (51L10)

ECK77781

ECK77781

(6) 2109116 CUSHIONS



INDUSTRIAL MACHINERY

1800 GARDNER EXPRESSWAY • QUINCY, ILLINOIS 62305-4024 • (217) 222-5400