

---

---

**GARDNER DENVER®**

13-8-527  
Version: 08  
March 15, 2007

**INTEGRA  
BASE-MOUNTED  
COMPRESSOR**

**RS 2000 - CONTROLS**

**MODELS**

**EFE99A – 60 & 75 HP**

**60 HZ DOMESTIC ONLY**

**PARTS LIST**



## **MAINTAIN COMPRESSOR RELIABILITY AND PERFORMANCE WITH GENUINE GARDNER DENVER® COMPRESSOR PARTS AND SUPPORT SERVICES**

Gardner Denver® Compressor genuine parts, manufactured to design tolerances, are developed for optimum dependability – specifically for Gardner Denver compressor systems. Design and material innovations are the result of years of experience with hundreds of different compressor applications. Reliability in materials and quality assurance is incorporated in our genuine replacement parts.

Your authorized Gardner Denver Compressor distributor offers all the backup you'll need. A worldwide network of authorized distributors provides the finest product support in the air compressor industry.

Your authorized distributor can support your Gardner Denver air compressor with these services:

1. Trained parts specialists to assist you in selecting the correct replacement parts.
2. Factory warranted new and remanufactured rotary screw airends. Most popular model remanufactured airends are maintained in stock at the Remanufacturing Center in Indianapolis, IN., for purchase on an exchange basis with liberal core credit available for the replacement unit.
3. A full line of factory tested AEON™ compressor lubricants specifically formulated for use in Gardner Denver compressors.
4. Repair and maintenance kits designed with the necessary parts to simplify servicing your compressor.

Authorized distributor service technicians are factory trained and skilled in compressor maintenance and repair. They are ready to respond and assist you by providing fast, expert maintenance and repair services.

**For the location of your local authorized Gardner Denver Air Compressor distributor, refer to the yellow pages of your phone directory, check the Gardner Denver Web Site at [www.gardnerdenver.com](http://www.gardnerdenver.com) or contact:**

Gardner Denver  
1800 Gardner Expressway  
Quincy, IL 62305

Phone: (217) 222-5400

Fax: (217) 224-7814

### **INSTRUCTIONS FOR ORDERING REPAIR PARTS**

When ordering parts, specify Compressor MODEL, Method of Cooling, POWER and SERIAL NUMBER (see nameplate on unit). The Airend Serial Number is also stamped on top of the discharge bearing carrier castings.

All orders for Parts should be placed with the nearest authorized distributor.

Where NOT specified, quantity of parts required per compressor or unit is one (1); where more than one is required per unit, quantity is indicated in parenthesis. SPECIFY EXACTLY THE NUMBER OF PARTS REQUIRED.

**DO NOT ORDER BY SETS OR GROUPS.**

To determine the Right-Hand and Left-Hand side of a compressor, stand at the motor end and look toward the compressor. Right-Hand and Left- Hand are indicated in parenthesis following the part name, i.e. (RH) and (LH), when appropriate.

## **TOTAL PRODUCT SUPPORT – GARDNER DENVER’S CONTINUING COMMITMENT TO YOUR AIR COMPRESSOR PERFORMANCE**

Commitment to total product support continues long after the purchase of your quality Gardner Denver rotary screw compressor.

Gardner Denver original parts incorporate years of experience and improvements in design, materials and quality assurance. Maintaining your compressor investment with Gardner Denver parts will insure protection for the air compressor unit and long, dependable service life.

Your authorized Gardner Denver compressor distributor maintains a complete stock of all common maintenance parts, factory approved AEON lubricants, and Gardner Denver factory warranted exchange airends. In addition, authorized distributor technicians are factory trained, and can provide complete diagnostic, compressor maintenance and repair services.

This manual is designed to assist you in maintaining high performance and receiving many years of dependable service you expect from your Gardner Denver compressor.

### **REMANUFACTURED AIRENDS**

Whenever an airend requires replacement or repair, Gardner Denver offers an industry unique, factory remanufactured airend exchange program. From its modern Remanufacturing Center in Indianapolis, IN., Gardner Denver is committed to supplying you with the highest quality, factory remanufactured airends that are guaranteed to save you time, aggravation and money.

#### **Immediately Available**

Repair downtime costs you money, which is why the most popular models are in inventory at all times.

#### **Skilled Craftsmen**

Our Remanufacturing assembly technicians average over 20 years experience with air compression products.

#### **Precision Remanufacturing**

All potentially usable parts are thoroughly cleaned, inspected and analyzed. Only those parts that can be brought back to original factory specifications are remanufactured. Every remanufactured airend receives a new overhaul kit: bearings, gears, seals, sleeves and gaskets.

#### **Extensive Testing**

Gardner Denver performs testing that repair houses just don't do. Magnaflux and ultrasonic inspection spot cracked or stressed castings, monochromatic light analysis exposes oil leaks, and coordinate measurement machine inspects to +/- .0001", insuring that all remanufactured airends meet factory performance specifications.

#### **Warranty**

Gardner Denver backs up every remanufactured airend with a new warranty...27 months from purchase, 24 months from service.

Gardner Denver remanufactured airends deliver quality without question...year in and year out.

Call Gardner Denver for information on the airend exchange program and the name of your authorized distributor.

Phone Number: (217) 222-5400 or  
Fax: (217) 224-7814

## TABLE OF CONTENTS

Maintain Compressor Reliability And Performance With Genuine Gardner Denver Compressor Parts And Support Services .....	1
Instructions For Ordering Repair Parts .....	1
Total Product Support – Gardner Denver’s Continuing Commitment To Your Air Compressor Performance .....	2
Remanufactured Airends .....	2
Bare Compressor .....	4, 5
Airends .....	6
Inlet Valve.....	7
Intergrated Compressor Parts.....	8, 9
Minimum Pressure/Check Valve .....	10, 11
Motor Base Drive Group .....	12, 13
Air Cooled Cooling Group .....	14, 15
Water Cooled Cooling Group .....	16, 17
Control Mount Group.....	18, 19
Control Mount Group (Control Box) .....	20
Mounting Group .....	21
Enclosure Group .....	22, 23
Enclosure Group – Air-Cooled Standard .....	24
Enclosure Group – Air-Cooled Quiet .....	25
Enclosure Group – Water-Cooled.....	26
Mounting Hardware.....	27
Control Box Mounting Hardware .....	28
Identification And Instruction Group.....	29
Controller Assembly – Full Voltage Starters .....	30, 31
Controller Assembly – Less Starters.....	32, 33
Controller Assembly .....	34
Controller Assembly - Board .....	35
Overload Relay Heater Conversion Listing.....	36
Motor Group (Main Drive Motors) .....	37
Repair Kits.....	38-40

**For Operating and Service Instructions, see:**

**SERVICE MANUAL:       13-8-637**  
**CONTROLLER MANUAL: 13-8-623**



Order by Part Number and Description. Reference Numbers are for your convenience only.

**BARE COMPRESSOR**

**B/M: 300EFE4049**

Ref. No.	Name of Part	Qty.	Part No.
1	HOUSING ROTOR.....	1	EFC04021108
2	DISCHARGE FLANG .....	1	EFC04021238
3	COVER-SEAL .....	1	EFC03791398
4	GASKET .....	1	EFC22324258
* 5	GASKET .....	2	EFC30809118
* 7	RING.....	1	EFC30809248
8	ROLLER BEARING .....	2	12BA226
9	ROLLER BEARING .....	1	12BA227
10	ROLLER BEARING .....	2	EFC87284739
11	BALL BEARING.....	1	12BA230
12	BALL BEARING.....	1	EFC87457139
13	NUT .....	1	EFC86912899
14	NUT .....	1	EFC87455529
* 16	SHAFT SEAL ASSEMBLY .....	1	EFC30834150
17	O-RING.....	2	EFC87908849
18	O-RING.....	1	EFC87284609
19	SCREW .....	4	EFC44586350
20	SCREW .....	11	EFC80059259
21	SCREW .....	12	EFC80280559
22	PLUG.....	2	87089899
23	PLUG.....	4	EFC87219819
24	PLUG.....	7	EFC87089919
25	PIN.....	2	EFC81531869
27	SCREW .....	1	EFC44859580
28	GEARBOX CASING.....	1	EFC04021498
29	GEARBOX FLANGE .....	1	EFC03967258
30	RING GUIDE .....	1	EFC03796468
31	ROTOR SET.....	1	EFC30809098
32	RING.....	1	EFC30809408
33	NOZZLE.....	1	EFC30813198
34	NOZZLE.....	1	EFC30832268
35	O-RING.....	1	EFC86663099
36	O-RING.....	1	EFC89598409
37	RING-RETAINING.....	1	EFC42227290
38	SCREW .....	2	EFC87465559
39	SCREW .....	2	EFC87465689
40	SCREW .....	3	EFC44577900
41	SCREW .....	7	EFC44582160
42	BALL BEARING.....	1	EFC80107339
43	RING-RETAINING.....	1	EFC42210040
45	RING-RETAINING.....	1	EFC42230660
46	O-RING.....	1	EFC52204900
47	NUT .....	1	EFC80082019
48	O-RING.....	2	EFC80879029
59	SCREW .....	2	EFC80147199
60	COVER.....	1	EFC03967008
61	SHAFT.....	1	EFC22327971

\* Parts included in Seal Kit number 305EFE6013. Refer to page 39.

Order by Part Number and Description. Reference Numbers are for your convenience only.

**AIRENDS**

**Enduro 25G Airend, 2.571**

**B/M: EFC30834699**

<b>Ref. No.</b>	<b>Name of Part</b>	<b>Qty.</b>	<b>Part No.</b>
1	BASIC PARTS GROUP	1	300EFE4049
50	GEAR.....	1	EFC22345622
51	GEAR.....	1	EFC22345621

**Enduro 25G Airend, 2.333**

**B/M: EFC30835571**

<b>Ref. No.</b>	<b>Name of Part</b>	<b>Qty.</b>	<b>Part No.</b>
1	BASIC PARTS GROUP	1	300EFE4049
50	GEAR.....	1	EFC37670482
51	GEAR.....	1	EFC37670481

**Enduro 25G Airend, 2.125**

**B/M: EFC30834712**

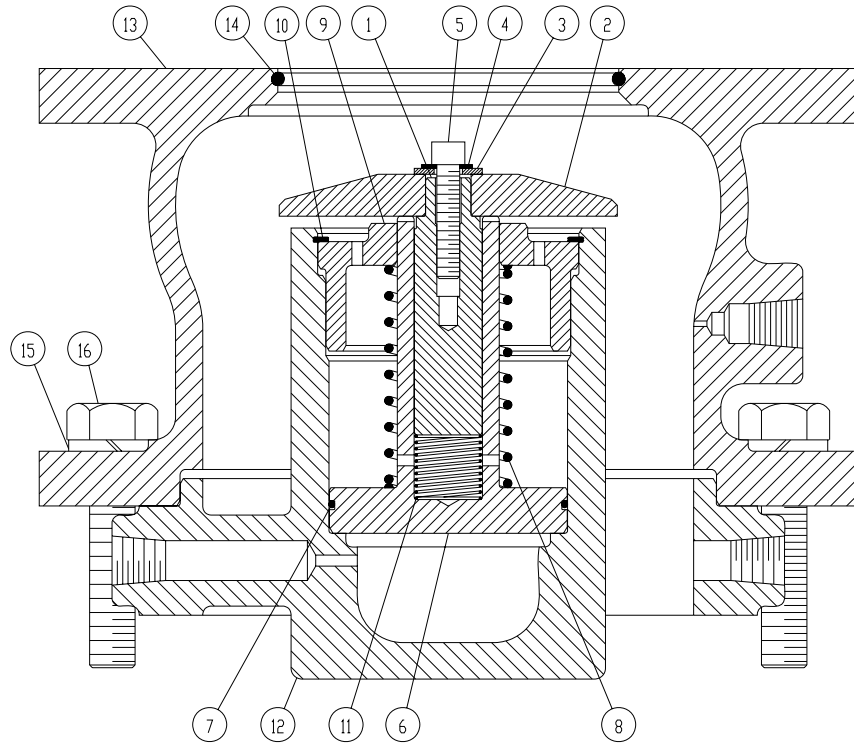
<b>Ref. No.</b>	<b>Name of Part</b>	<b>Qty.</b>	<b>Part No.</b>
1	BASIC PARTS GROUP	1	300EFE4049
50	GEAR.....	1	EFC22351202
51	GEAR.....	1	EFC22351201

**Enduro 25G Airend, 1.857**

**B/M: EFC30834693**

<b>Ref. No.</b>	<b>Name of Part</b>	<b>Qty.</b>	<b>Part No.</b>
1	BASIC PARTS GROUP	1	300EFE4049
50	GEAR.....	1	EFC22324792
51	GEAR.....	1	EFC22324791

Order by Part Number and Description. Reference Numbers are for your convenience only.



208SSM810-C  
(Ref. Drawing)

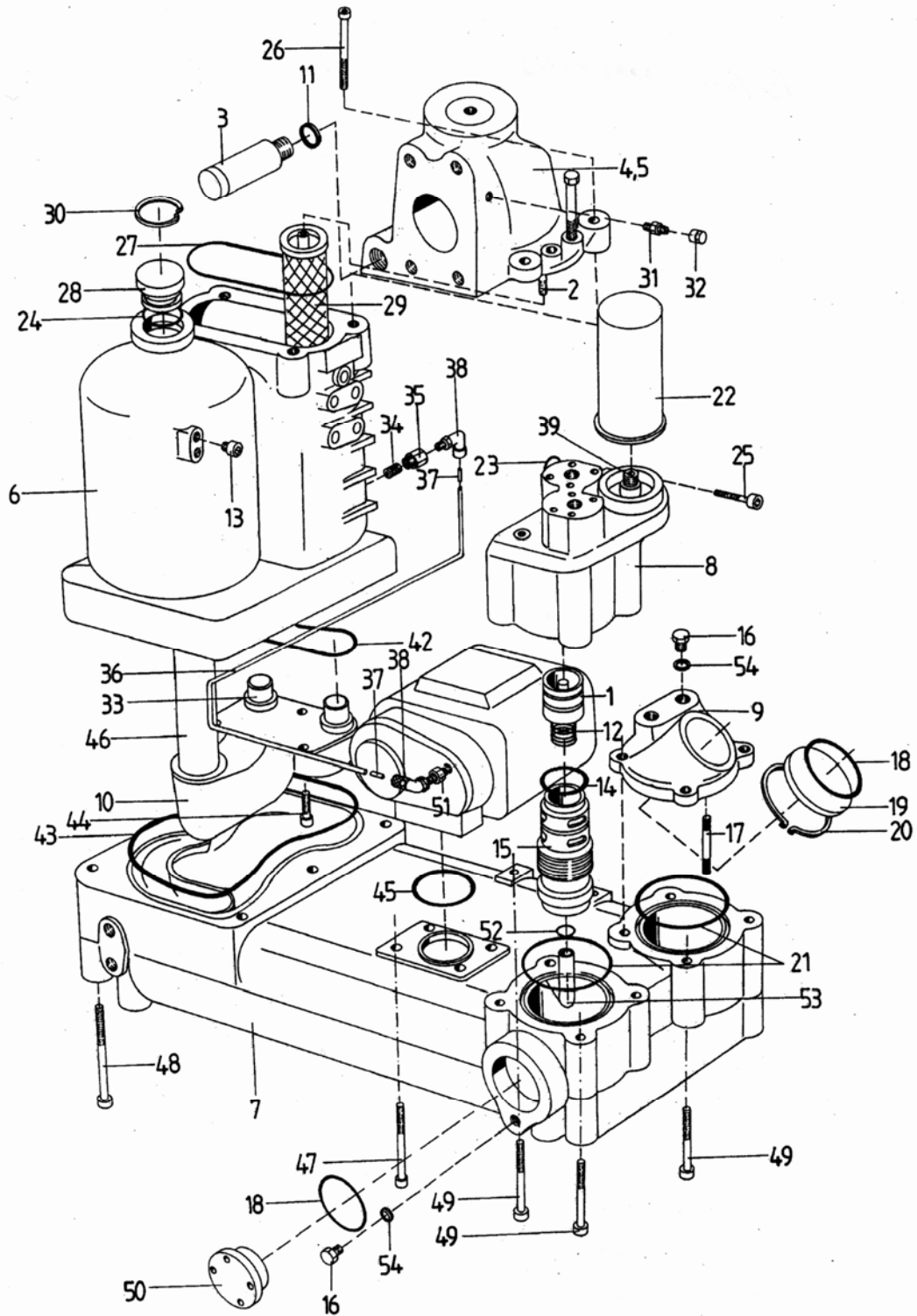
**INLET VALVE**

**B/M: 200SSM4030**

Ref. No.	Name of Part	Qty.	Part No.
1	GUIDE-VALVE .....	1	200SSM483
2	VALVE-INLET.....	1	200SSM044
3	WASHER.....	1	95A1
4	LOCKWASHER .....	1	95H56
5	SCREW .....	1	655EC05N
6	PISTON-INLET VALVE .....	1	201SSM043
* 7	O-RING.....	1	25BC447
* 8	SPRING .....	1	78G19
9	RETAINER.....	1	200SSM205
* 10	RING-RETAINING.....	1	74D88
* 11	SPRING .....	1	78W63
12	HOUSING-INLET .....	1	205SSM041
13	SEAT .....	1	203SSM256
* 14	O-RING.....	1	25AM29
15	LOCKWASHER .....	8	95B5
16	SCREW .....	8	655EE100

\* Parts included in Periodic Maintenance Kit Part Number 302SSM6013. Refer to page 38.

# INTEGRATED COMPRESSOR PARTS



Order by Part Number and Description. Reference Numbers are for your convenience only.

**INTEGRATED COMPRESSOR PARTS**

**B/M: EFC03981941**

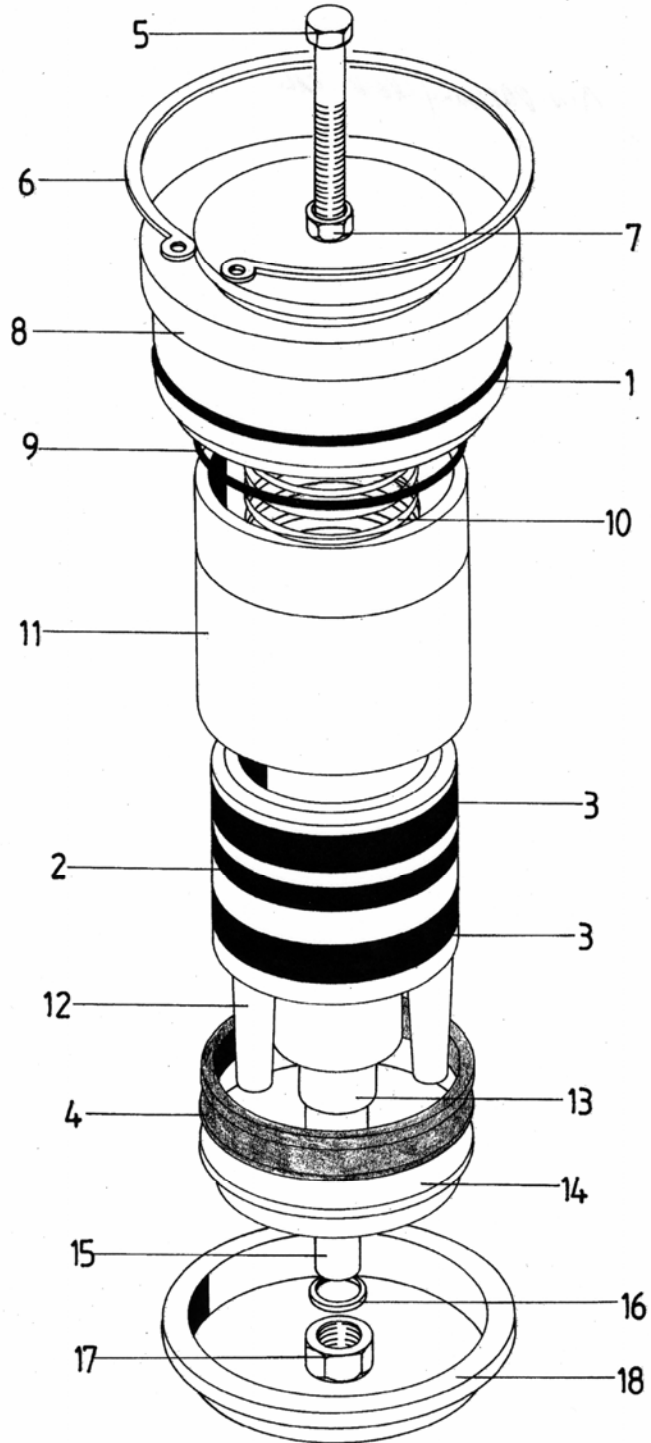
Ref. No.	Name of Part	Qty.	Part No.
1	THERMOSTAT ELEMENT		
	150° F STANDARD.....	1	EFC89560169
	180° F OPTIONAL.....	1	EFC89626099
2	STUD.....	2	EFC30977918
3	VALVE/PRESSURE RELIEF.....	1	EFC89526519
4	MINIMUM PRESSURE/CHECK VALVE ASSEMBLY.....	1	EFC37641798
5	HOUSING.....	1	EFC03982138
6	SEPARATOR HOUSING.....	1	EFC04029188
7	FRAME.....	1	EFC04029058
8	FILTER HOUSING.....	1	EFC03982008
9	OIL SITE GAGE HOUSING.....	1	EFC03812268
10	AIR DUCT.....	1	EFC03823048
11	GASKET.....	1	EFC80034819
12	SPRING.....	1	EFC89565369
13	PLUG.....	4	EFC80704779
14	O-RING.....	1	EFC89560299
15	SUCTION TUBE.....	1	EFC37648348
16	PLUG.....	4	EFC03381178
17	OIL SITE GLASS MEASURING ROD.....	1	EFC30899608
18	O-RING.....	3	EFC89573939
19	OIL SITE GLASS.....	1	EFC30899578
20	RETAINING RING.....	1	EFC42227570
21	O-RING.....	2	EFC86906369
***	22 OIL FILTER.....	1	EFC89755919
23	O-RING.....	1	EFC89565109
24	O-RING.....	1	EFC80704929
25	SCREW.....	2	EFC44572670
26	SCREW.....	4	EFC89729719
**	27 O-RING.....	1	EFC89730509
28	FLANGE.....	1	EFC30899858
**	29 OIL COALESCING ELEMENT.....	2	VP1011585
30	RING-RETAINING.....	1	EFC80011019
31	NIPPLE.....	1	EFC81288279
32	PLUG.....	1	EFC85842839
33	ADAPTOR.....	2	EFC30934298
*	34 SCREEN.....	1	EFC85588619
35	HOUSING.....	1	EFC30941448
36	PLASTIC TUBE.....	1	EFC85200299
37	ORIFICE.....	2	EFC30895408
38	ELBOW.....	2	EFC85267219
39	NIPPLE.....	1	EFC30949418
42	O-RING.....	1	EFC89730489
43	O-RING.....	1	EFC89730639
44	SCREW.....	3	EFC80280559
45	O-RING.....	1	EFC89730359
46	AIR SEPARATION SHOTGUN.....	1	EFC30949548
47	SCREW.....	4	EFC89730229
48	SCREW.....	6	EFC87465689
49	SCREW.....	10	EFC89730109
50	NUT.....	2	EFC30977638
*	51 CHECK VALVE.....	1	EFC89597779
52	O-RING.....	1	EFC89725659
53	OIL TUBE.....	1	EFC37648218
54	GASKET.....	4	EFC80034799

\* Parts included in Pneumatic Control Kit, Part Number 300EFE6013. Refer to page 38.

\*\* Parts included in Oil Separator Kit number 302EFE6013. Refer to page 38.

\*\*\* Parts included in Routine Maintenance Kit number 303EFE6013. Refer to page 38.

# MINIMUM PRESSURE/CHECK VALVE



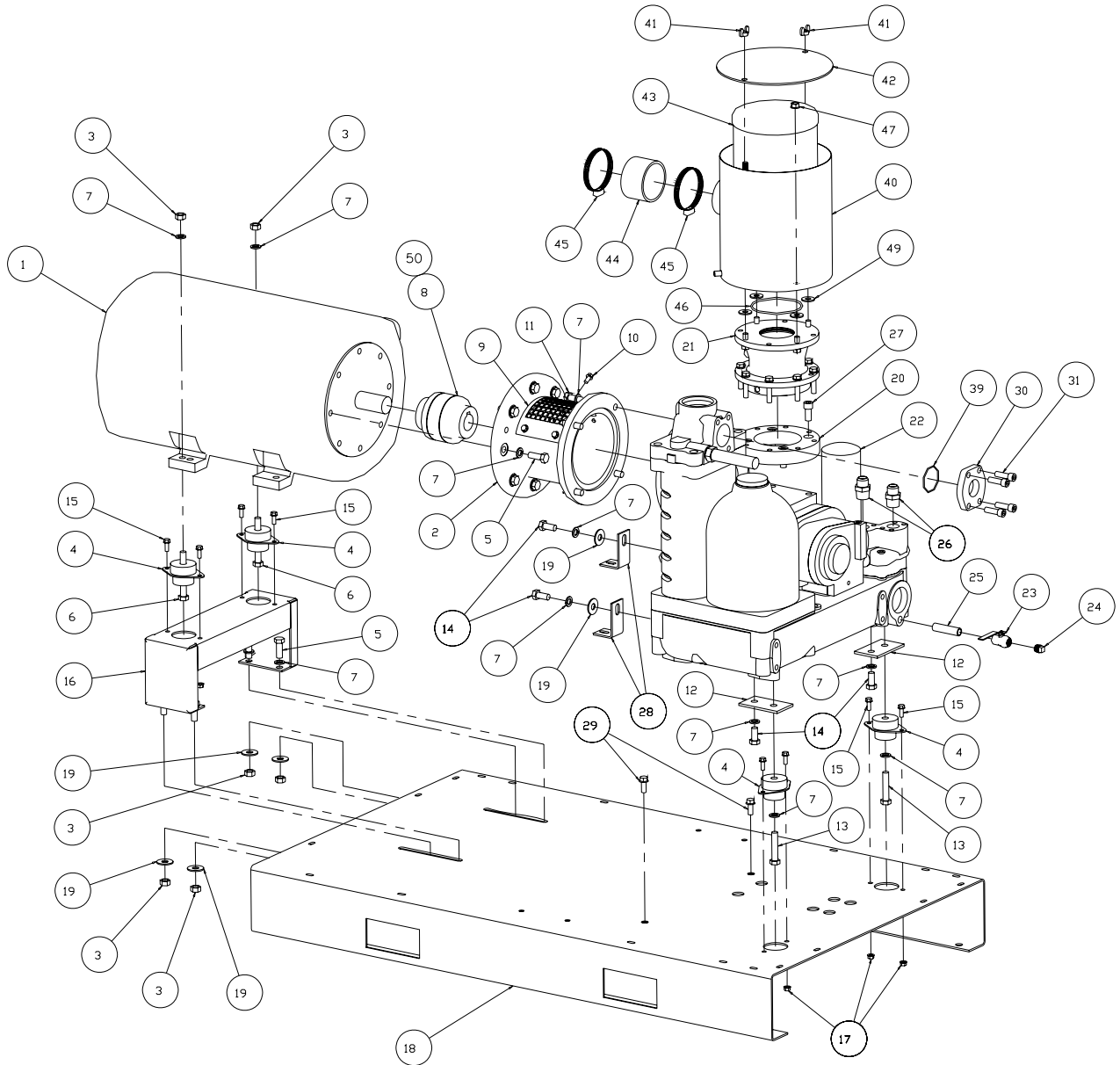
Order by Part Number and Description. Reference Numbers are for your convenience only.

MINIMUM PRESSURE/CHECK VALVE

B/M: EFC37641798

Ref. No.	Name of Part	Qty.	Part No.
	SEAL KIT ASSEMBLY, (includes Items 1-4).....	1	EFC89783319
	REPAIR KIT ASSEMBLY, (includes Items 1-4, 9, 10, 12-17) .....	1	EFC89808639
1	O-RING.....	1	
2	GASKET .....	1	
3	SLIDE RING .....	2	
4	PLATE GASKET.....	1	
5	SCREW .....	1	
6	RETAINING RING .....	1	
7	NUT .....	1	
8	COVER.....	1	
9	O-RING.....	1	
10	SPRING .....	1	
11	TUBE .....	1	
12	PISTON .....	1	
13	BEARING BUSHING .....	1	
14	PLATE .....	1	
15	ARM.....	1	
16	GASKET .....	1	
17	NUT .....	1	
18	THRUST RING .....	1	

# MOTOR BASE DRIVE GROUP



300FE810-D  
(Ref. Drawing)

Order by Part Number and Description. Reference Numbers are for your convenience only.

MOTOR BASE DRIVE GROUP

B/M: 300EFE4004  
300 thru 303EFE4001

Ref. No.	Name of Part	Qty.	Part No.
1	MOTOR (SELECTIVE SEE PAGE 37)		
2	ADAPTOR.....	1	300EFE170
3	NUT.....	6	50B7
4	ISOLATOR-VIBRATION.....	4	49C47
5	SCREW.....	12	655EF070
6	SCREW.....	2	655EF180
7	LOCKWASHER.....	24	95B7
** 8	FLEXIBLE COUPLING.....	1	51L228
9	COVER.....	1	300EFE225
10	SCREW.....	4	75LM51
11	SCREW.....	4	665HMCA160450
12	SPACER.....	2	300EFE144
13	SCREW.....	2	665HMCA160800
14	SCREW.....	4	665HMCA160350
15	SCREW.....	8	75K48
16	SUPPORT-MOTOR.....	1	300EFE620
17	NUT.....	8	50AW5
18	BASE.....	1	300EFE285
19	WASHER.....	6	95A7
20	SPACER-FLANGED.....	1	300EFE139
21	VALVE GROUP.....	1	200SSM4030
* 22	ENCAPSULATED COMPRESSOR (SELECTIVE).....	1	See Table Below
23	VALVE-BALL.....	1	90AR360
24	PLUG.....	1	64AA7
25	NIPPLE.....	1	86H154
26	CONNECTOR.....	2	86H150
27	SCREW.....	4	665SMCA160350
28	FORMED BRACKET.....	2	302EFE142
29	SCREW.....	2	75LM135
30	FLANGE.....	1	300EFE073
31	SCREW.....	4	665SMCA140400
39	O-RING.....	1	2009697
40	HOUSING-INLET.....	1	300EFE041
41	NUT.....	2	124049
42	COVER.....	1	301EFE225
*** 43	AIR FILTER ELEMENT.....	1	300EFE1445
44	HOSE.....	1	29Z39
45	CLAMP.....	2	2009644
46	O-RING.....	1	25BC406
47	NUT.....	4	50AW35
48	SCREW.....	4	75LM135
49	WASHER.....	4	95A5
50	KEY.....	1	35L91

	PSIG	60 HP	75 HP
	100	EFE50497120 (2.125)	EFE50496930 (2.571)
	125	EFE50497250 (1.857)	EFE50497000 (2.333)
	150	N/A	EFE50497120 (2.125)
	175	N/A	EFE50497250 (1.857)

\*\* Element for Repair of Drive Coupling is Part Number 2117297.

\*\*\* Parts included in Routine Maintenance Kit number 303EFE6013. Refer to page 38.



Order by Part Number and Description. Reference Numbers are for your convenience only.

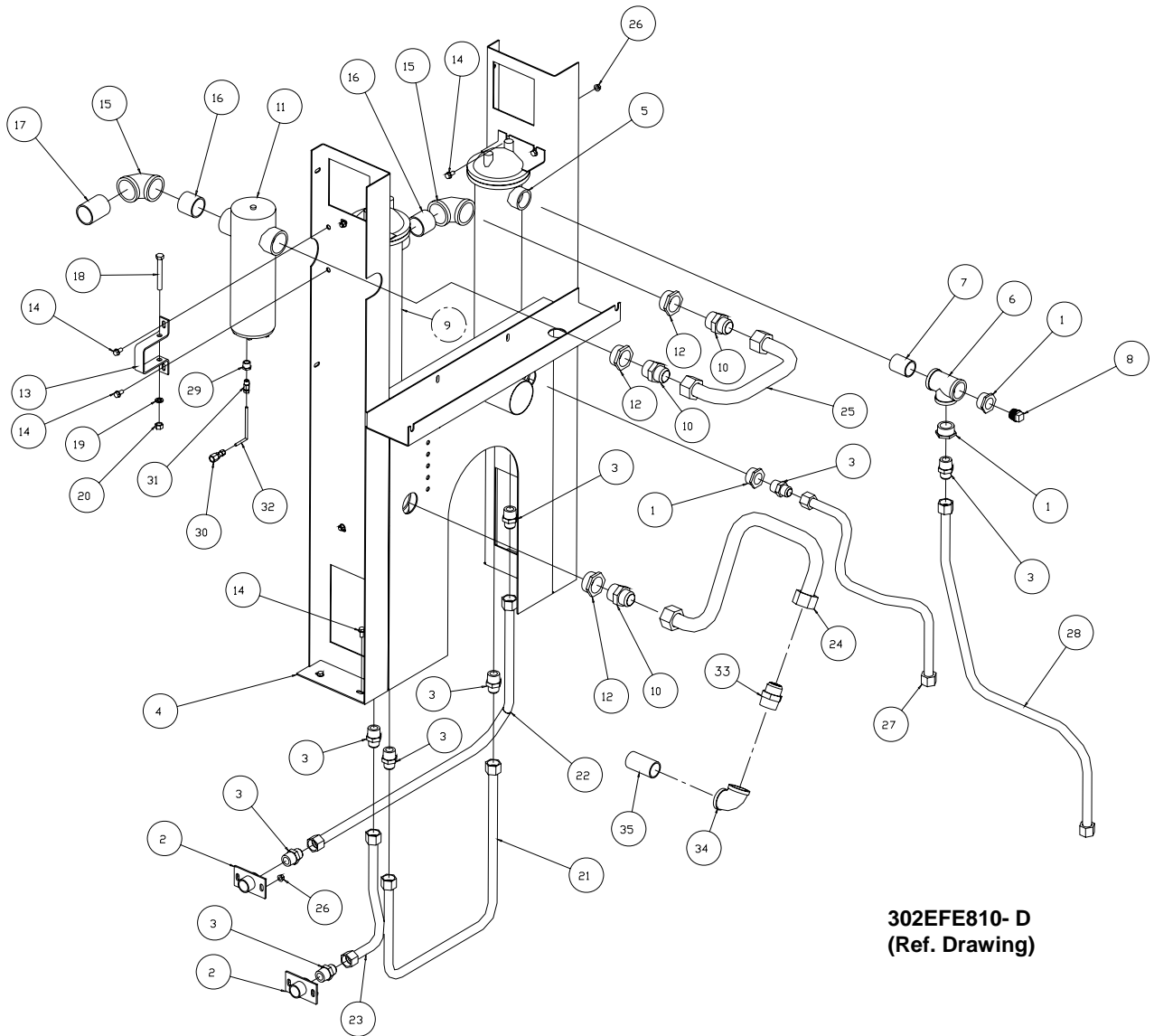
AIR COOLED COOLING GROUP

B/M: 300EFE4003  
301EFE4003

Ref. No.	Name of Part	Qty.	Part No.
1	GUARD-FAN .....	1	301EFE393
2	FAN.....	1	302EFE701
4	ELBOW .....	1	64D8G
5	SUPPORT .....	1	302EFE165
6	NUT .....	4	50AW4
7	SCREW .....	23	75LM51
8	SCREW .....	4	75LM50
9	SCREW .....	4	75LM78
10	COOLER-OIL/AIR (STANDARD) .....	1	304EFE201
	COOLER-OIL/AIR (SEACOAST) .....	1	305EFE201
11	CONNECTOR-TUBE.....	1	86H138
12	CONNECTOR-TUBE.....	1	86H141
13	TUBE WITH FITTINGS .....	1	311EFE863
14	TUBE WITH FITTINGS .....	1	312EFE863
15	TUBE WITH FITTINGS .....	1	313EFE863
* 16	MOISTURE SEPARATOR & TRAP .....	1	83C84
17	NIPPLE .....	1	63L1G
18	ELBOW .....	1	64C9G
19	ELBOW .....	2	64C8G
20	NIPPLE .....	1	63K18G
21	BUSHING-PIPE .....	1	64EB304
22	ADAPTOR .....	1	29Z244
23	FORMED BRACKET .....	1	301EFE142
24	NUT .....	1	50B5
25	LOCKWASHER .....	1	95B5
26	SCREW .....	1	655EE160
27	NIPPLE .....	1	63L2G
28	BAFFLE .....	1	301EFE840
29	CONNECTOR .....	1	86N343
30	CONNECTOR .....	1	86E4
31	BUSHING-PIPE .....	1	64E43
32	TUBE (IN FEET).....	1	85G3
33	NIPPLE .....	1	63K2G
34	UNION .....	1	64Z1
35	NIPPLE .....	1	63K4G
36	NUT .....	4	50AW5
37	CONNECTOR .....	1	86H141
38	NIPPLE .....	1	63K3G

\* Repair Parts Kit for Moisture Separator & Trap 2117587 – Valve & Seat Assembly; 2117588 – Cover Gasket; 2117589 – Float & Spindle.

# WATER COOLED COOLING GROUP



**302EFE810- D**  
**(Ref. Drawing)**

Order by Part Number and Description. Reference Numbers are for your convenience only.

**WATER COOLED COOLING GROUP**

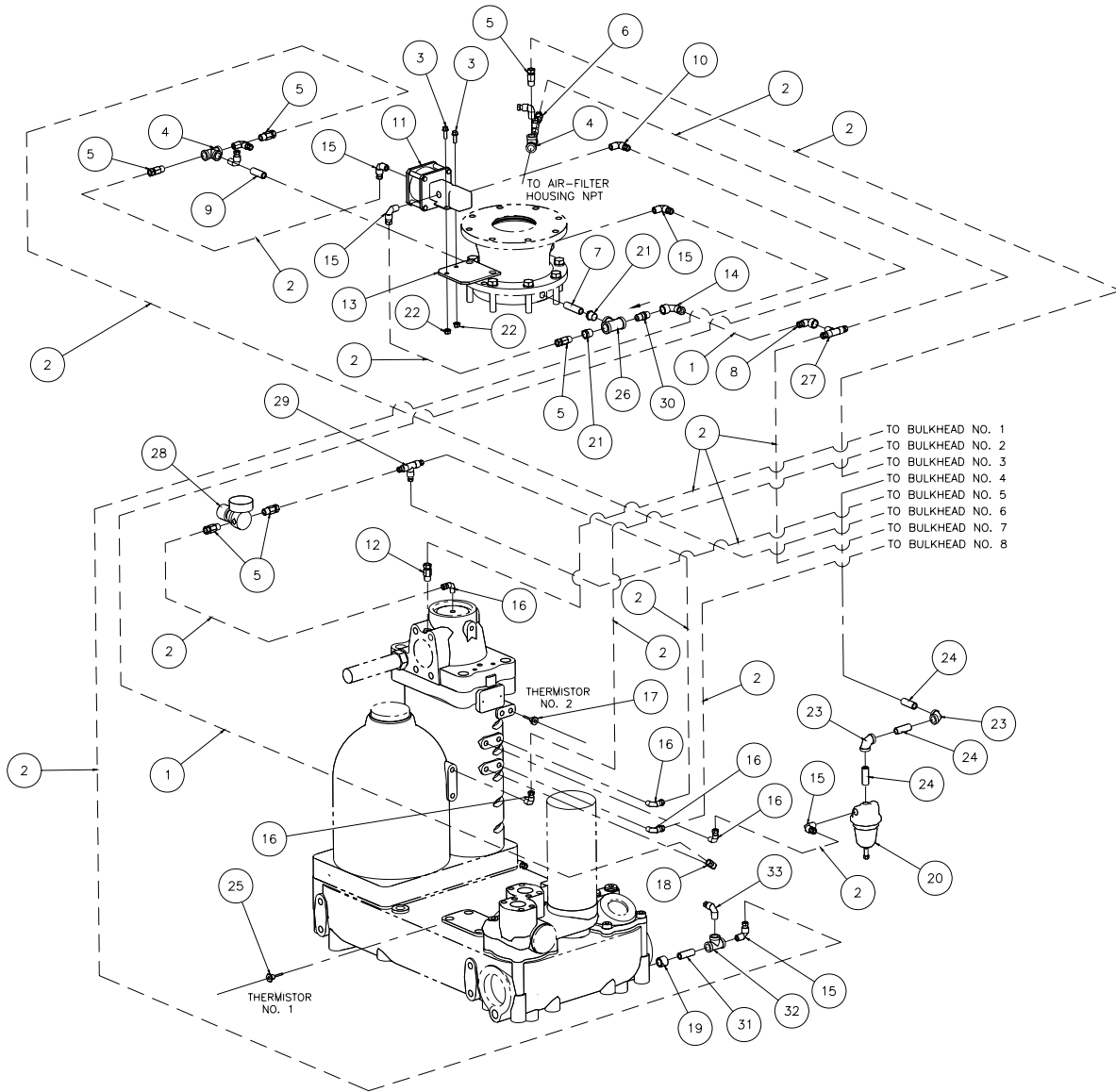
**B/M: 302EFE4003  
303EFE4003**

Ref. No.	Name of Part	Qty.	Part No.
1	BUSHING-PIPE .....	3	64E13
2	MANIFOLD-WATER .....	2	200ECM072
3	CONNECTOR .....	8	86H138
4	SUPPORT .....	1	301EFE165
5	EXCHANGER-HT (STANDARD) .....	1	300EFE349
	BONNET-IN & OUT (For Repair) .....	1	2109060
	BONNET-RETURN (For Repair) .....	1	2109061
	GASKET-IN & OUT (For Repair) .....	1	2109058
	GASKET-RETURN (For Repair) .....	1	2109059
	EXCHANGER-HT (SALT WATER) .....	1	301EFE349
	BONNET-IN & OUT (For Repair) .....	1	2117756
	BONNET-RETURN (For Repair) .....	1	2109074
	GASKET-IN & OUT (For Repair) .....	1	2109058
	GASKET-RETURN (For Repair) .....	1	2109059
6	TEE .....	1	64G11G
7	NIPPLE .....	1	63K20G
** 8	PLUG .....	1	64AA1
9	AFTERCOOLER (STANDARD) .....	1	300EFE292
	BONNET-IN & OUT (For Repair) .....	1	2109060
	BONNET-RETURN (For Repair) .....	1	2109061
	GASKET-IN & OUT (For Repair) .....	1	2109058
	GASKET-RETURN (For Repair) .....	1	2109059
	AFTERCOOLER (SALT WATER) .....	1	301EFE292
	BONNET-IN & OUT (For Repair) .....	1	2117756
	BONNET-RETURN (For Repair) .....	1	2109074
	GASKET-IN & OUT (For Repair) .....	1	2109058
	GASKET-RETURN (For Repair) .....	1	2109059
10	CONNECTOR .....	3	86H141
* 11	MOISTURE SEPARATOR & TRAP .....	1	83C84
12	BUSHING-PIPE .....	3	64EB304
13	FORMED BRACKET .....	1	301EFE142
14	SCREW .....	14	75LM51
15	ELBOW .....	2	64C9G
16	NIPPLE .....	2	63L9G
17	NIPPLE .....	1	63L2G
18	SCREW .....	1	655EE160
19	LOCKWASHER .....	1	95B5
20	NUT .....	1	50B5
21	TUBE WITH FITTINGS .....	1	304EFE863
22	TUBE WITH FITTINGS .....	1	305EFE863
23	TUBE WITH FITTINGS .....	1	306EFE863
24	TUBE WITH FITTINGS .....	1	314EFE863
25	TUBE WITH FITTINGS .....	1	308EFE863
26	NUT .....	12	50AW5
27	TUBE WITH FITTINGS .....	1	309EFE863
28	TUBE WITH FITTINGS .....	1	310EFE863
29	BUSHING-PIPE .....	1	64E43
30	CONNECTOR .....	1	86N343
31	CONNECTOR .....	1	86E4
32	TUBE (IN FEET) .....	1	85G3
33	CONNECTOR .....	1	86H141
34	ELBOW .....	1	64C8G
35	NIPPLE .....	1	63K15G

\* Repair Parts Kit for Moisture Separator & Trap 2117587 – Valve & Seat Assembly; 2117588 – Cover Gasket; 2117589 – Float & Spindle.

\*\* Note: Remove this plug when Optional Water Temperature Regulator is used. This is where the temperature pick-up goes.

# CONTROL MOUNT GROUP



**304EFE810-G**  
 (Ref. Drawing)

Order by Part Number and Description. Reference Numbers are for your convenience only.

**CONTROL MOUNT GROUP**

**B/M: 300EFE4002**

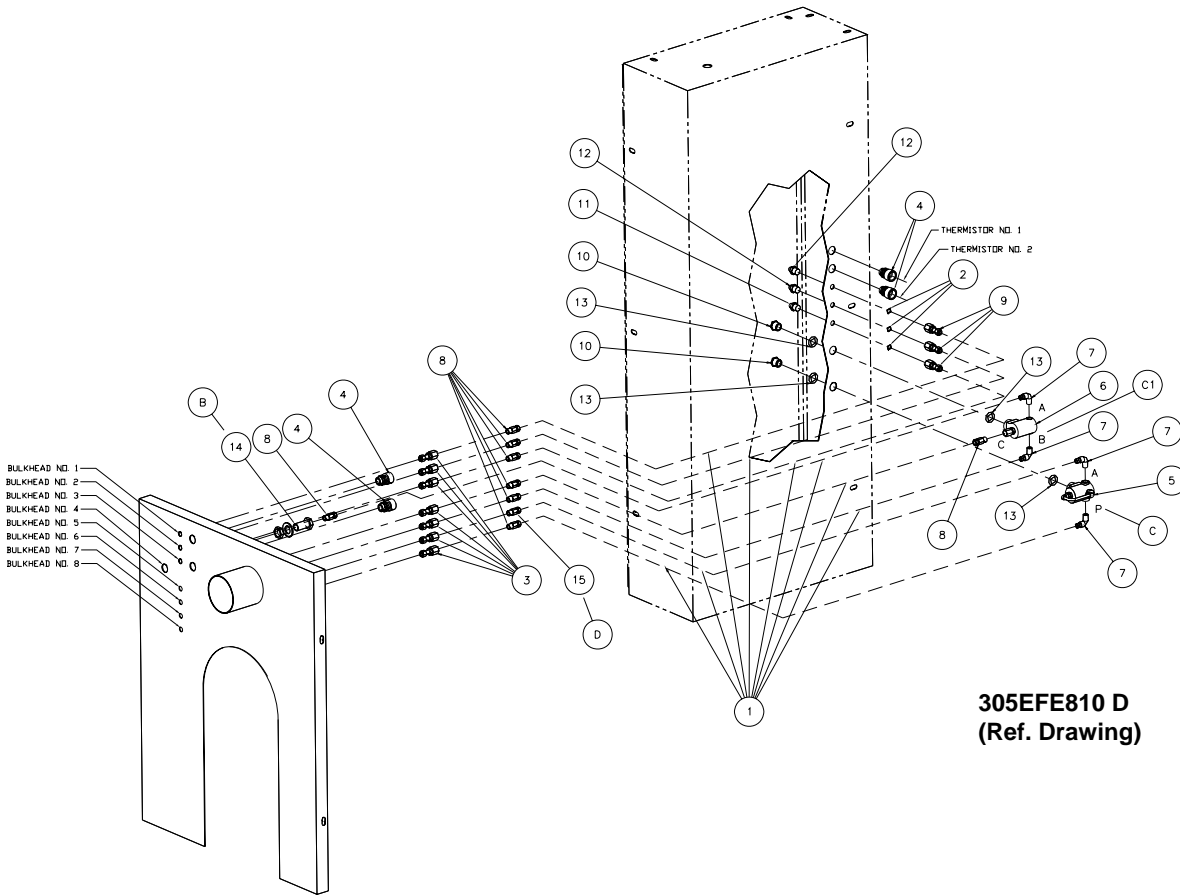
Ref. No.	Name of Part	Qty.	Part No.
1	TUBE (IN FEET).....	5	85K5
2	TUBE (IN FEET) .....	75	85K3
3	SCREW .....	2	75LM48
4	TEE .....	2	64G3G
5	CONNECTOR.....	6	86E4
6	CONNECTOR .....	1	86N272
7	NIPPLE .....	1	63U4X20G
8	ELBOW.....	1	86E82
9	NIPPLE .....	1	63D3G
10	ELBOW .....	1	86E64
Δ *	11 CONTROL VALVE .....	1	90AR1082
	12 TUBE CONNECTOR.....	1	86H159
	13 FORMED BRACKET .....	1	303EFE142
	14 ELBOW.....	1	86E83
	15 ELBOW .....	5	86E60
	16 ELBOW .....	5	86H160
**	17 THERMISTOR PROBE .....	1	21D346
	18 ELBOW .....	1	86H161
	19 BUSHING .....	1	86H155
*	20 VALVE-SUBTRACTIVE/PILOT .....	1	2009398
	21 BUSHING-PIPE .....	2	64E1
	22 NUT .....	2	50AW3
	23 ELBOW.....	2	64C2G
	24 NIPPLE .....	3	63U4X10G
**	25 THERMISTOR PROBE .....	1	21D347
	26 TEE.....	1	64G41
	27 TEE.....	1	86E119
*	28 REGULATOR-PRESSURE W/ GAUGE.....	1	88H139
	* REPLACEMENT GAUGE.....	1	2116732
	29 TEE.....	1	86E155
*	30 VALVE-CHECK .....	1	90AR1111
	31 NIPPLE .....	1	63D3G
	32 BUSHING-PIPE .....	1	64G3G
	33 VALVE-OIL SAMPLING .....	1	86N345

\* Parts included in Pneumatic Control Kit, Part Number 300EFE6013. Refer to page 38.

\*\* Parts included in Electrical Control Kit, Part Number 315EFC6013. Refer to page 38.

Δ For Repair Kit (Includes Springs, Seals, Piston Assembly, Plunger Assembly, Nut & O-Ring) order Part Number 2116077 or for Coil, order Part Number 2116078.

Order by Part Number and Description. Reference Numbers are for your convenience only.



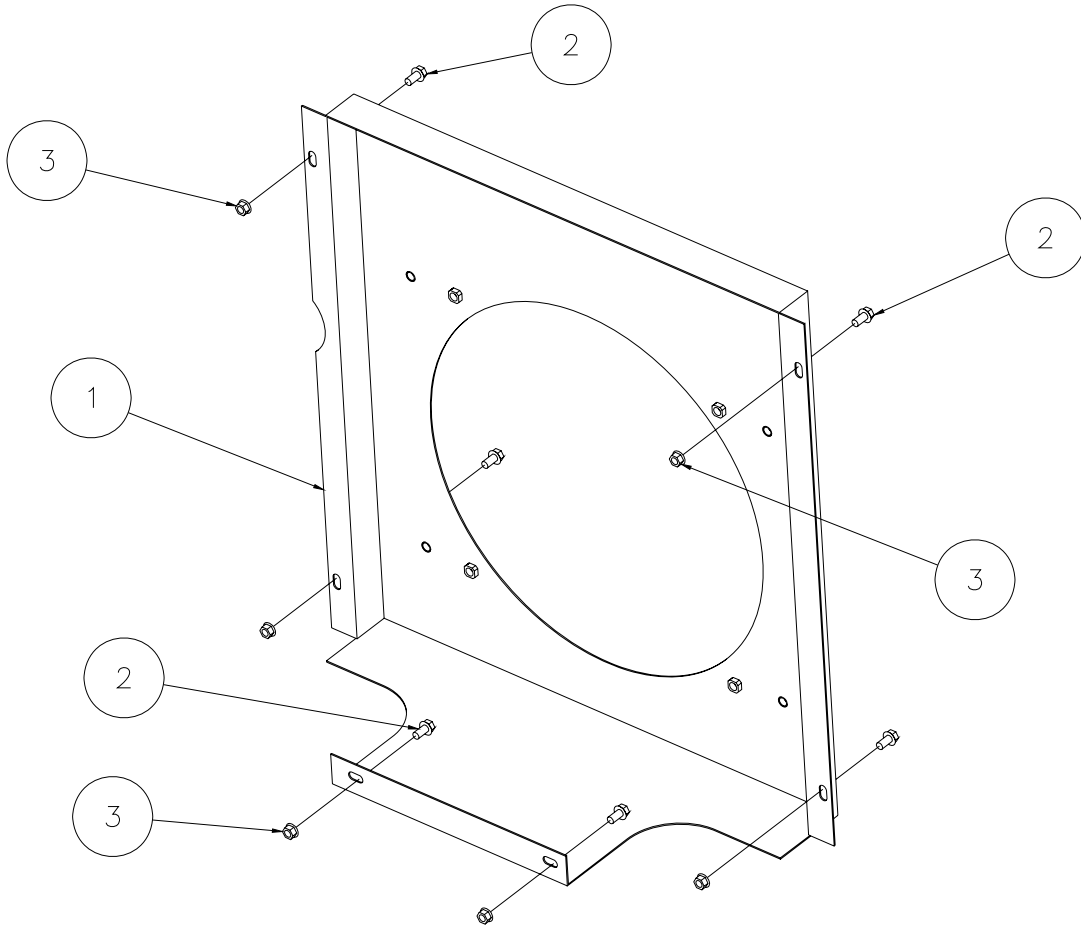
**CONTROL MOUNT GROUP (CONTROL BOX)**

**B/M: 301EFE4002**

Ref. No.	Name of Part	Qty.	Part No.
1	TUBE-BULK (IN FEET) .....	50	85K3
2	O-RING.....	3	165011
3	CONNECTOR-FEMALE .....	7	86N316
4	FITTING-ELECTRICAL .....	4	24CA2865
* 5	VALVE-SOLENOID (BLOWDOWN VALVE).....	1	91B70
* 6	VALVE SOLENOID (MAGNETIC UNLOADER VALVE) ..	1	91B223
7	ELBOW .....	4	86E60
8	CONNECTOR .....	8	86E4
9	CONNECTOR .....	3	86N287
10	NIPPLE .....	2	24CA4641
* 11	VACUUM SWITCH.....	1	88H195
* 12	TRANSDUCER.....	2	88H359
13	SEALING RING .....	4	24A383
14	COUPLING-PIPE .....	1	64EB368
15	ORIFICE .....	1	86N290

\* Parts included in Electrical Control Kit, Part Number 315EFC6013. Refer to page 38.

Order by Part Number and Description. Reference Numbers are for your convenience only.



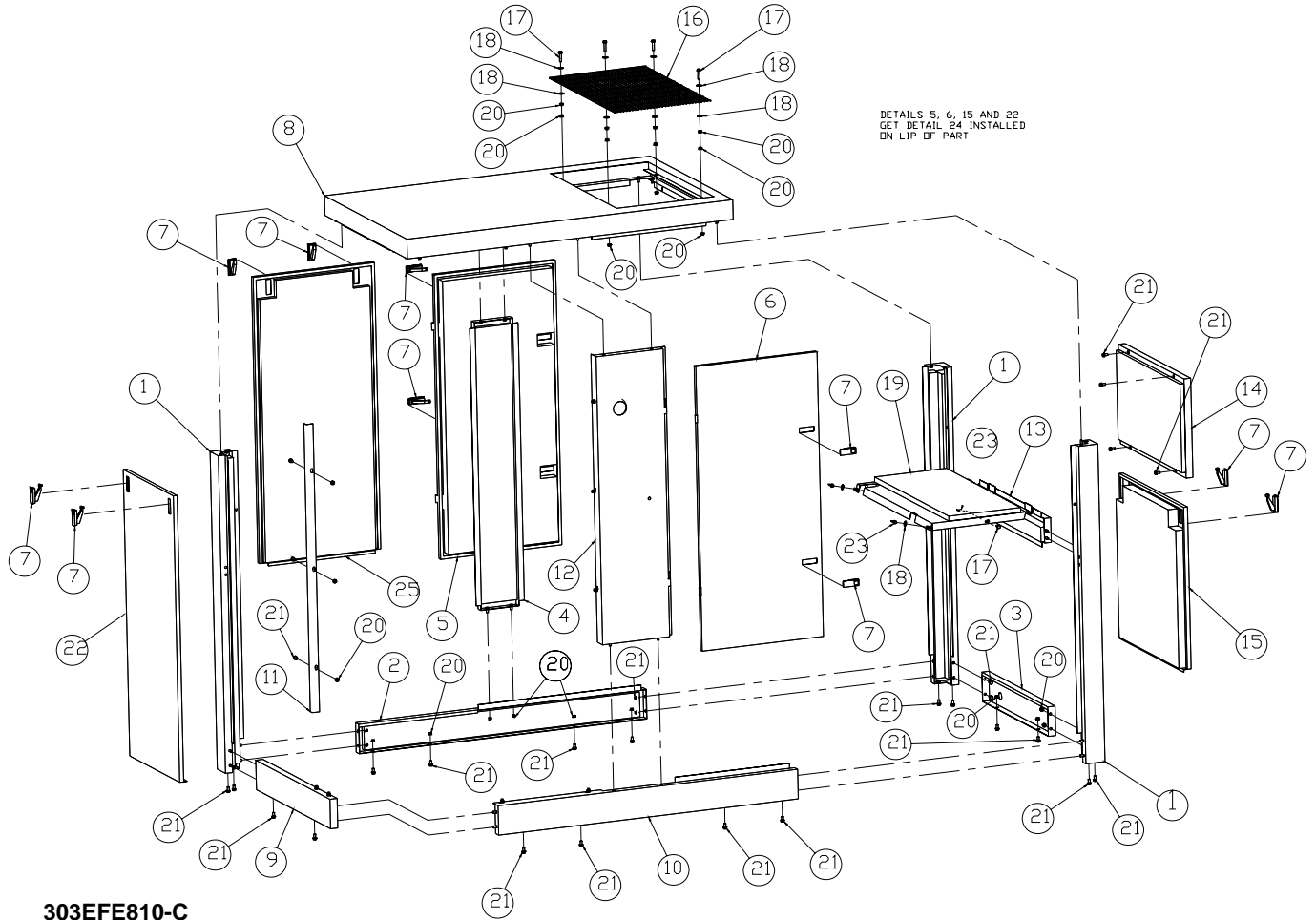
306EFE810 -A  
(Ref. Drawing)

**ENCLOSURE GROUP  
(WATER COOLED VENT FAN)**

B/M: 303EFE4017

Ref. No.	Name of Part	Qty.	Part No.
1	BRACKET-FAN .....	1	300EFE129
2	SCREW .....	6	75LM51
3	NUT .....	6	50AW5

# MOUNTING, ENCLOSURE BASIC PARTS GROUP



**303EFE810-C**  
**(Ref. Drawing)**

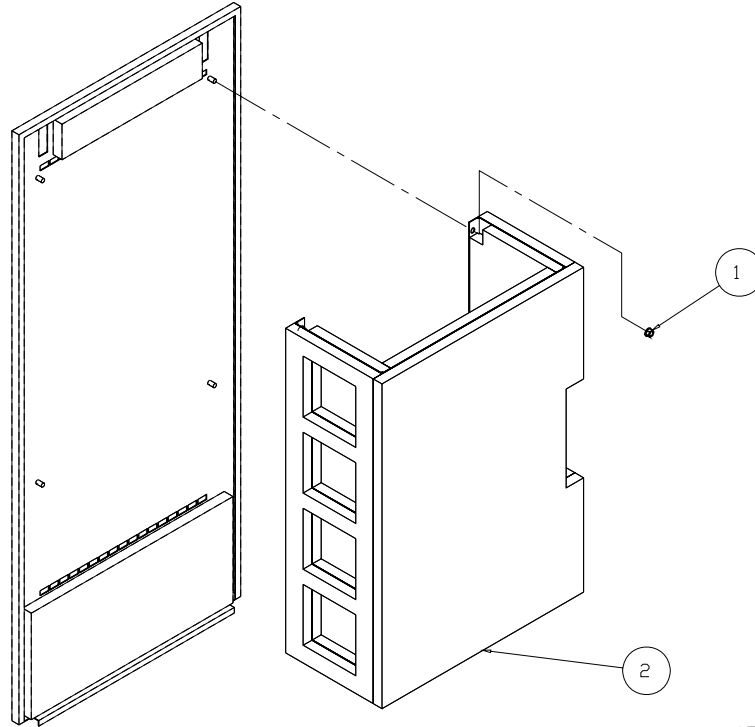
Order by Part Number and Description. Reference Numbers are for your convenience only.

**MOUNTING, ENCLOSURE BASIC PARTS GROUP**

**B/M: 300EFE4013; 300 thru 305EFE4017**      **B/M: 300EFE4013; 300EFE4017; 306EFE4017; 301EFE4017**      **B/M: 300EFE4013; 300EFE4017; 302EFE4017 309EFE4017**

<b>Ref. No.</b>	<b>Name of Part</b>	<b>Qty.</b>	<b>Air-Cooled Standard Part No.</b>	<b>Air-Cooled Quiet Part No.</b>	<b>Water-Cooled Standard &amp; Quiet Part No.</b>
1	POST .....	3	300EFE313	300EFE313	300EFE313
2	FRAME, SIDE .....	1	305EFE314	305EFE314	305EFE314
3	FRAME .....	1	301EFE314	301EFE314	301EFE314
4	BRACE, SIDE .....	1	304EFE326	304EFE326	304EFE326
5	DOOR .....	1	CC1018683	CC1018683	CC1018683
6	DOOR .....	1	CC1018684	CC1018684	CC1018684
7	LATCH .....	10	31D68	31D68	31D68
8	HOOD .....	1	300EFE053	301EFE053	300EFE053
9	FRAME .....	1	302EFE314	302EFE314	302EFE314
10	FRAME .....	1	303EFE314	303EFE314	304EFE314
11	BRACKET .....	1	300EFE142	300EFE142	300EFE142
12	BRACE .....	1	303EFE326	303EFE326	303EFE326
13	BRACE .....	1	302EFE326	302EFE326	302EFE326
14	PANEL .....	1	302EFE216	302EFE216	302EFE216
15	PANEL .....	1	CC1018682	CC1018682	CC1018682
16	GUARD-FAN.....	1	300EFE393	300EFE393	300EFE393
17	SCREW .....	5	75LM98	75LM98	75LM98
18	WASHER .....	10	95A3	95A3	95A3
19	BAFFLE .....	1	303EFE840	303EFE840	303EFE840
20	NUT .....	74	50AW5	50AW5	50AW5
21	SCREW .....	66	75LM51	75LM51	75LM51
22	PANEL .....	1	CC1018681	CC1018681	CC1018681
23	NUT .....	3	50H1	50H1	50H1
24	SEAL.....	68	32E12	32E12	32E12
25	PANEL .....	1	CC1018680	CC1018679	CC1018678
26	KEY (not shown).....	1	VP1014243	VP1014243	VP1014243

Order by Part Number and Description. Reference Numbers are for your convenience only.



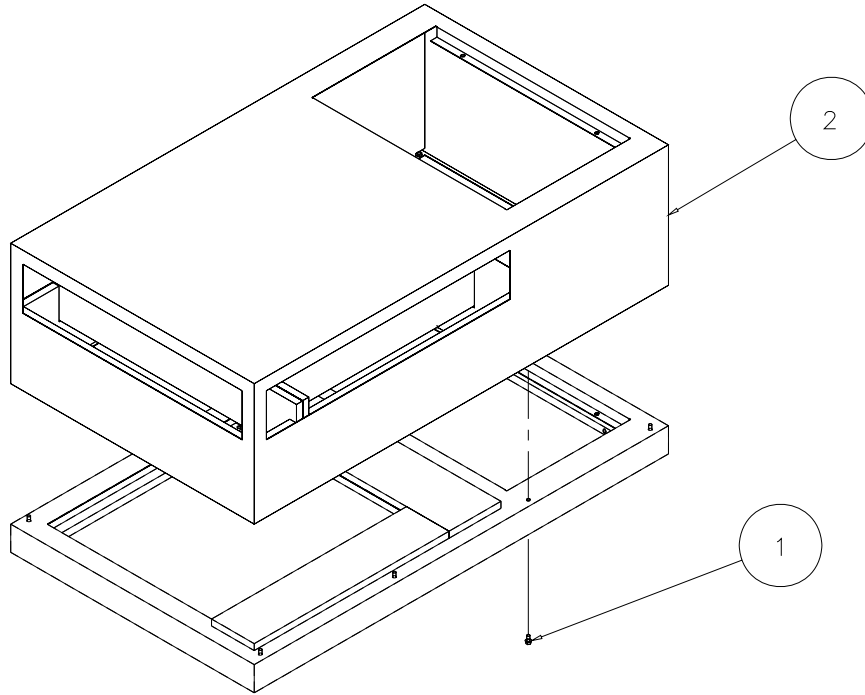
321EFE810-A  
(Ref. Drawing)

**ENCLOSURE GROUP – AIR-COOLED STANDARD  
(AIR INLET BAFFLE)**

**B/M: 307EFE4017**

Ref. No.	Name of Part	Qty.	Part No.
1	NUT .....	4	50AW5
2	BAFFLE .....	1	305EFE840

Order by Part Number and Description. Reference Numbers are for your convenience only.



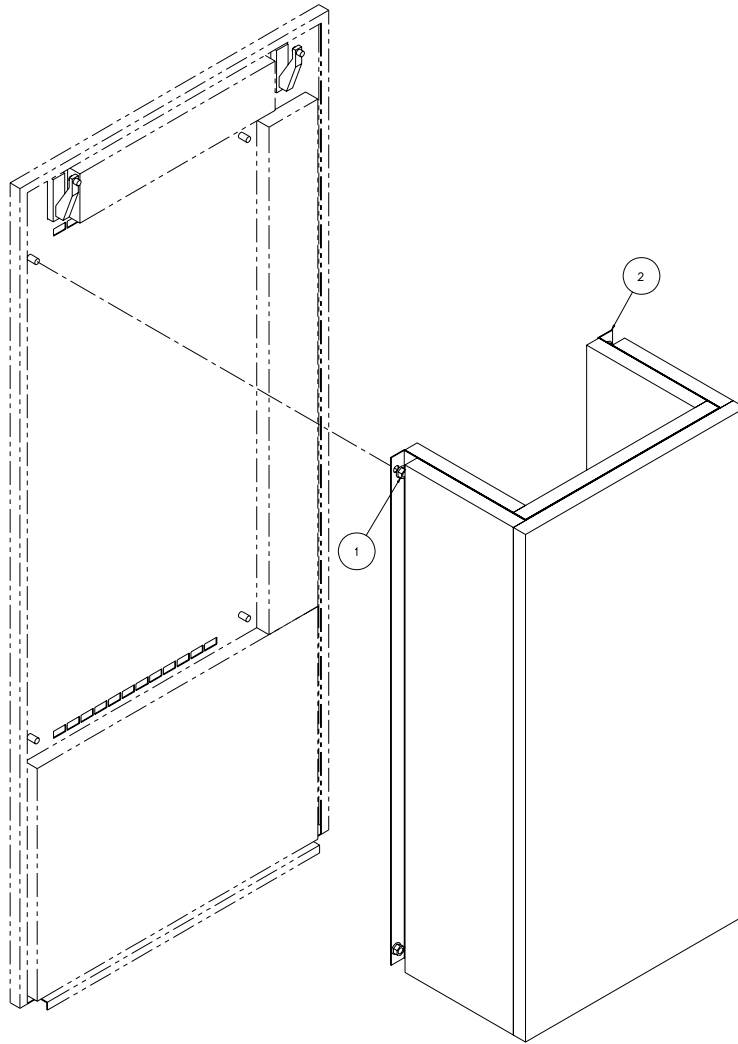
322EFE810-A  
(Ref. Drawing)

**ENCLOSURE GROUP – AIR-COOLED QUIET  
(TOP BAFFLE)**

B/M: 304EFE4017

Ref. No.	Name of Part	Qty.	Part No.
1	SCREW .....	8	75LM51
2	BAFFLE .....	1	304EFE840

Order by Part Number and Description. Reference Numbers are for your convenience only.



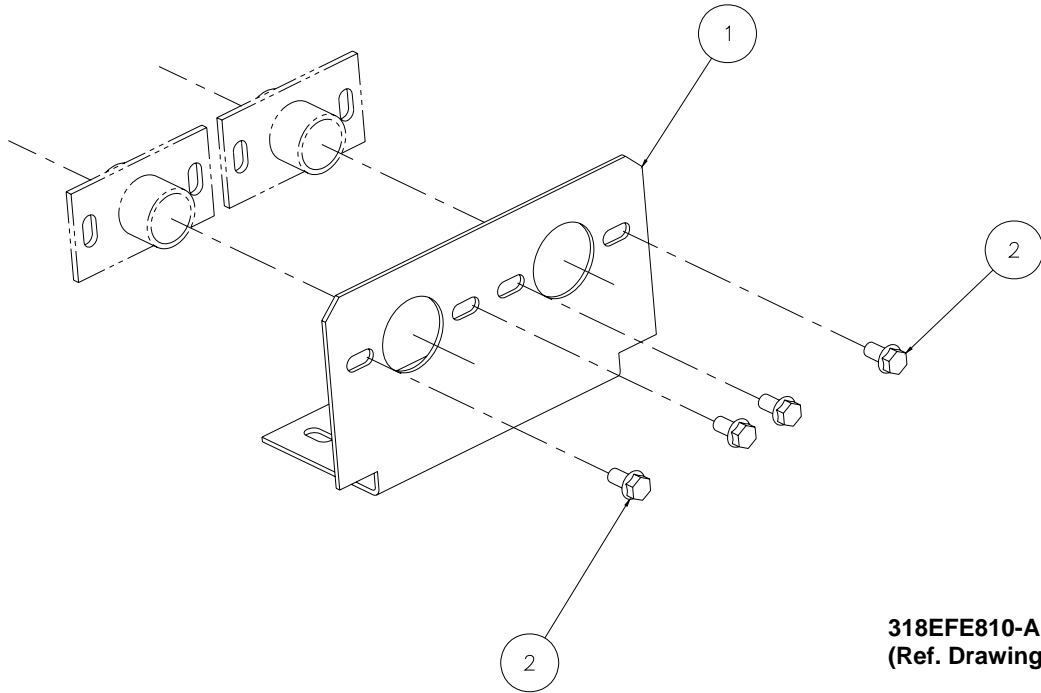
323EFE810-B  
(Ref. Drawing)

**ENCLOSURE GROUP – WATER-COOLED  
(AIR INLET)**

B/M: 308EFE4017

Ref. No.	Name of Part	Qty.	Part No.
1	NUT .....	4	50AW5
2	BAFFLE .....	1	306EFE840

Order by Part Number and Description. Reference Numbers are for your convenience only.

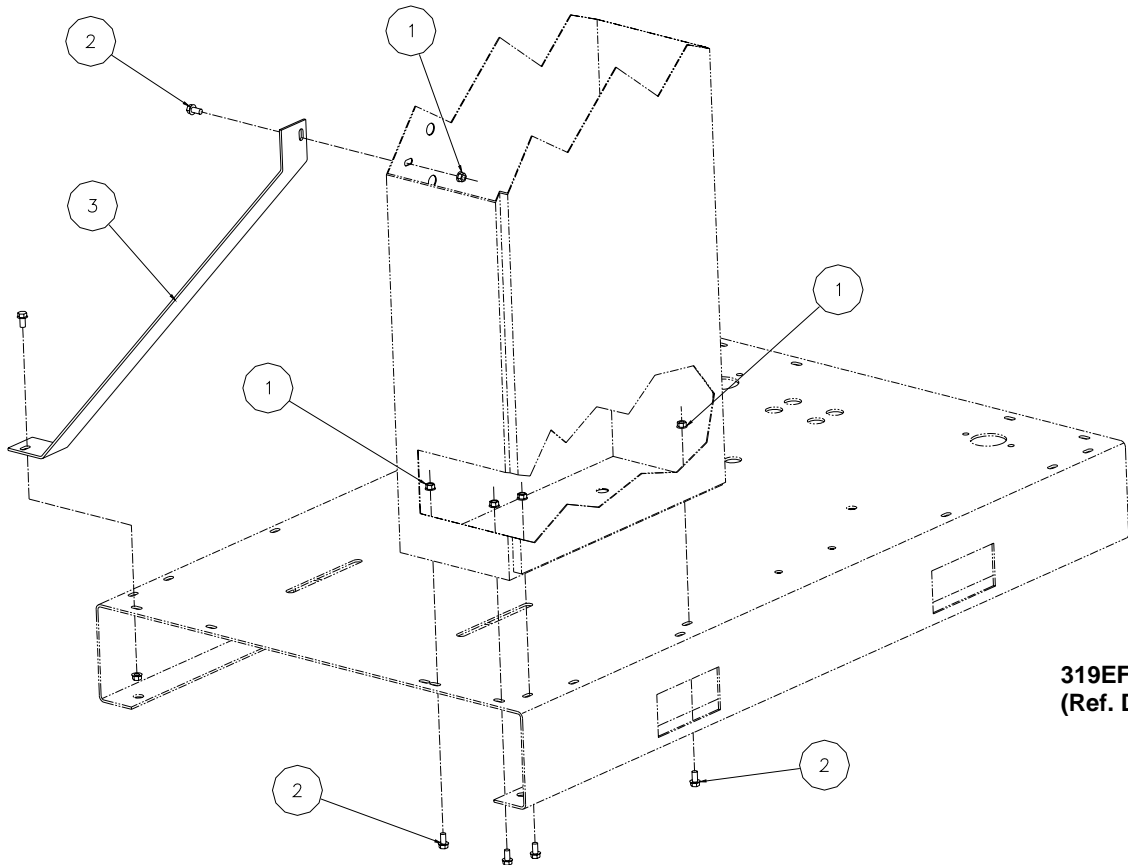


**MOUNTING HARDWARE  
( WATER COOLED, LESS ENCLOSURE )**

**B/M: 303EFE4013**

<b>Ref. No.</b>	<b>Name of Part</b>	<b>Qty.</b>	<b>Part No.</b>
1	BRACKET-PIPE .....	1	300EFE108
2	SCREW .....	4	75LM51

Order by Part Number and Description. Reference Numbers are for your convenience only.



319EFE810-B  
(Ref. Drawing)

**CONTROL BOX MOUNTING HARDWARE  
(LESS ENCLOSURE, AIR & WATER COOLED)**

**B/M: 304EFE4013**

Ref. No.	Name of Part	Qty.	Part No.
1	NUT .....	6	50AW5
2	SCREW .....	6	75LM51
3	SUPPORT .....	1	300EFE146

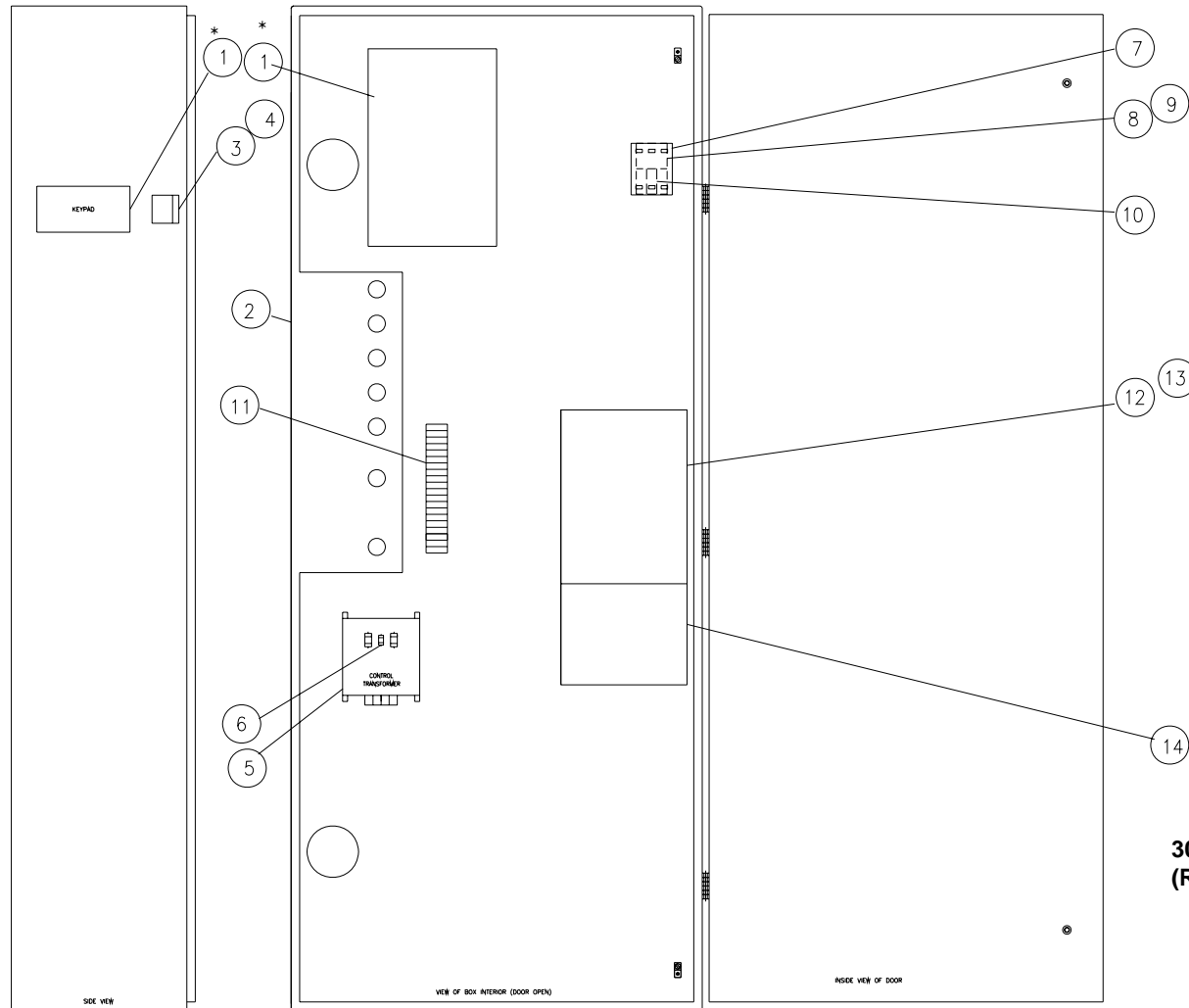
Order by Part Number and Description. Reference Numbers are for your convenience only.

**IDENTIFICATION AND INSTRUCTION GROUP**

**B/M: 300EFE4011**

<b>Ref. No.</b>	<b>Name of Part</b>	<b>Qty.</b>	<b>Part No.</b>
1	DECAL, GD INTEGRA .....	2	CC1022500
2	DECAL-WARNING (ELECTRICAL SHOCK & FIRE) .....	1	314EAQ077
3	DECAL-DANGER (AIR/OIL UNDER PRESSURE) .....	1	212EAQ077
4	DECAL, GD 21" LONG .....	1	CC1022502
5	DECAL-DANGER (DO NOT MODIFY).....	1	218EAQ077
6	DECAL, OIL FILTER ELEMENT INSTALL.....	1	302EFE077
7	DECAL-WARNING (ROTATING MACHINERY) .....	5	211EAQ077
8	DECAL-CAUTION (DO NOT LIFT) .....	1	208EAQ077
9	DECAL-WARNING (UNIT CAN AUTO START).....	1	207EAQ077
10	DECAL-DANGER (DO NOT BREATHE DISCHARGE AIR) ..	1	206EAQ077
11	DECAL .....	1	302EFC077
12	DECAL, PARTS LIST & SERVICE MANUAL.....	1	204EDE077
13	DECAL-NOTICE (USE GENUINE GD PARTS) .....	1	214EAQ077
14	DECAL-WARNING .....	1	227EAQ077
15	DECAL-ROTATION ARROW .....	1	204EBE077
18	TAG-INSTRUCTION .....	1	201EAQ304
19	DECAL (6" RED STRIP) .....	5	CC1022499
20	DECAL-"GARDNER DENVER" .....	4	213ECM077

### CONTROLLER ASSEMBLY – FULL VOLTAGE STARTERS



**309EFE810-A  
(Ref. Drawing)**

\* - ITEM 1 CONSISTS OF A KEYPAD AND A CONTROL MODULE.  
ITEM 12 INCLUDES ITEM 13 & ITEM 14

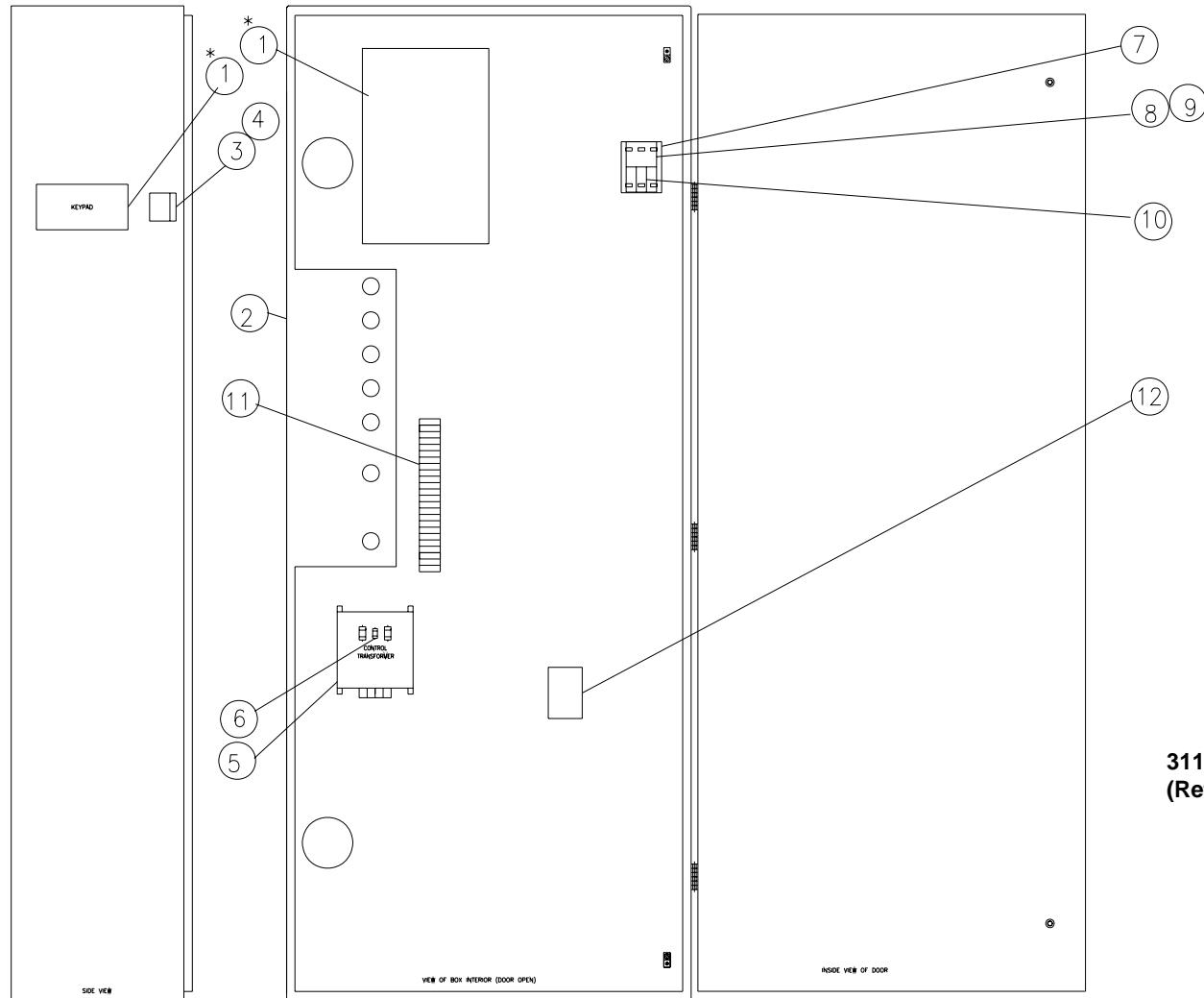
Order by Part Number and Description. Reference Numbers are for your convenience only.

**CONTROLLER ASSEMBLY – FULL VOLTAGE STARTERS**

	Qty	60 HP 200V	75 HP 200V	60 – 75 HP 230V	60 – 75 HP 460V	60 – 75 HP 575V
ASSEMBLED PANEL : NEMA 12, RS2000 .....	1	300EFE466	302EFE466	306EFE466	304EFE466	308EFE466
ASSEMBLED PANEL: NEMA 12, AIRPILOT+ .....	1	326EFE466	328EFE466	332EFE466	330EFE466	334EFE466
ASSEMBLED PANEL: NEMA 4, RS2000 .....	1	301EFE466	303EFE466	307EFE466	305EFE466	309EFE466
ASSEMBLED PANEL: NEMA 4, AIRPILOT+ .....	1	327EFE466	329EFE466	333EFE466	331EFE466	335EFE466
A FUSE, CONTROL BOARD (1A, AGC).....	1	24CA2932	24CA2932	24CA2932	24CA2932	24CA2932
B FUSE, TRANSFORMER PRIMARY (-A, FNQ-R) .....	2	24CA2786 (6A)	24CA2786 (6A)	24CA2786 (6A)	24CA2783 (3A)	24CA3722 (2-1/4A)
C FUSE, FAN MOTOR, AIR COOLED (-A, LP-CC) ....	3	24CA4321 (30A)	24CA4321 (30A)	24CA4097 (25A)	24CA4096 (15A)	24CA4096 (15A)
C FUSE, FAN MOTOR, WATER COOLED (-A, LP-CC) ...	3	24CA4093 (7A)	24CA4093 (7A)	24CA4093 (7A)	24CA4091 (4A)	24CA4090 (3A)
* 1 ASSEMBLY CONTROL RS2000 .....	1	300EBC2006	300EBC2006	300EBC2006	300EBC2006	300EBC2006
* 1 ASSEMBLY CONTROL AIRPILOT+ .....	1	300EFD2006	300EFD2006	300EFD2006	300EFD2006	300EFD2006
2 BOX-CONTROL (NEMA 12) .....	1	300EFE179	300EFE179	300EFE179	300EFE179	300EFE179
2 BOX-CONTROL (NEMA 4) .....	1	301EFE179	301EFE179	301EFE179	301EFE179	301EFE179
3 OPERATOR, EMERGENCY STOP .....	1	24CA2907	24CA2907	24CA2907	24CA2907	24CA2907
4 CONTACT BLOCK.....	1	24CA2908	24CA2908	24CA2908	24CA2908	24CA2908
5 TRANSFORMER, CONTROL.....	1	24CA5588	24CA5588	24CA5587	24CA5587	24CA5589
6 FUSE, TRANSFORMER SECONDARY .....	1	24CA3725	24CA3725	24CA3725	24CA3725	24CA3725
7 FUSE HOLDER.....	1	24CA4098	24CA4098	24CA4098	24CA4098	24CA4098
8 STARTER, FAN MOTOR.....	1	24CA4408	24CA4408	24CA4408	24CA4408	24CA4408
9 COIL-STARTER.....	1	2118127	2118127	2118127	2118127	2118127
10 OVERLOAD RELAY .....	1	24CA4086	24CA4086	24CA4086	24CA4086	24CA4086
11 TERMINAL BLOCK.....	6	24CA2633	24CA2633	24CA2633	24CA2633	24CA2633
12 STARTER, MAIN MOTOR.....	1	24CA4158	24CA3490	24CA4158	24CA3255	24CA3255
13 COIL.....	1	2116920	2115952	2116920	2116555	2116555
14 OVERLOAD RELAY .....	1	24CA4086	24CA4086	24CA4086	24CA4640	24CA4640

\* Refer to page 34, for Controller Part Numbers.

# CONTROLLER ASSEMBLY – LESS STARTERS



**311EFE810-A  
(Ref. Drawing)**

\* - ITEM 1 CONSISTS OF A KEYPAD AND A CONTROL MODULE.

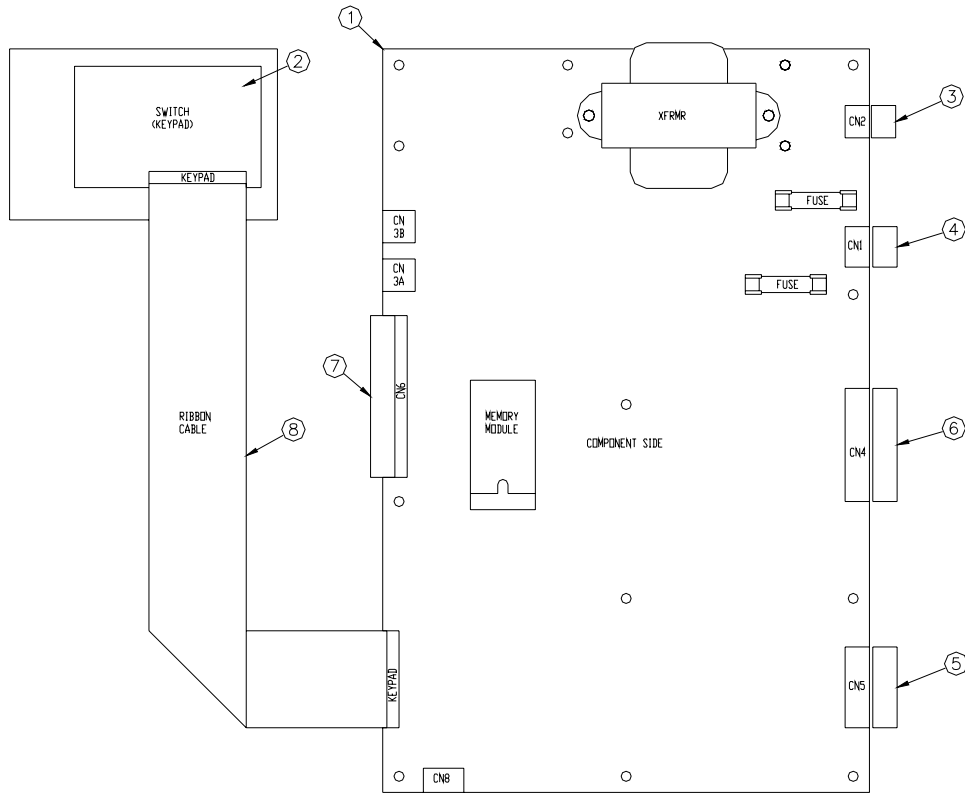
Order by Part Number and Description. Reference Numbers are for your convenience only.

**CONTROLLER ASSEMBLY – LESS STARTERS**

	Qty	60 HP 200V	60 - 75 HP 230V	60 – 75 HP 460V	60 – 75 HP 575V
ASSEMBLED PANEL: NEMA 12, RS2000 .....	1	320EFE466	322EFE466	322EFE466	324EFE466
ASSEMBLED PANEL: NEMA 12, AIRPILOT+.....	1	346EFE466	348EFE466	348EFE466	350EFE466
ASSEMBLED PANEL: NEMA 4, RS2000 .....	1	321EFE466	323EFE466	323EFE466	325EFE466
ASSEMBLED PANEL: NEMA 4, AIRPILOT+ .....	1	347EFE466	349EFE466	349EFE466	351EFE466
A FUSE, CONTROL BOARD (1A, AGC).....	1	24CA2932	24CA2932	24CA2932	24CA2932
B FUSE, TRANSFORMER PRIMARY (-A, FNQ-R) .....	2	24CA2786 (6A)	24CA2786 (6A)	24CA2783 (3A)	24CA3722 (2-1/4A)
C FUSE, FAN MOTOR, AIR COOLED (-A, LP-CC) ....	3	24CA4321 (30A)	24CA4097 (25A)	24CA4096 (15A)	24CA4096 (15A)
C FUSE, FAN MOTOR, WATER COOLED (-A, LP-CC) ...	3	24CA4093 (7A)	24CA4093 (7A)	24CA4091 (4A)	24CA4090 (3A)
* 1 ASSEMBLY CONTROL RS2000 .....	1	300EBC2006	300EBC2006	300EBC2006	300EBC2006
* 1 ASSEMBLY CONTROL AIRPILOT+ .....	1	300EFD2006	300EFD2006	300EFD2006	300EFD2006
2 BOX-CONTROL (NEMA 12) .....	1	300EFE179	300EFE179	300EFE179	300EFE179
2 BOX-CONTROL (NEMA 4) .....	1	301EFE179	301EFE179	301EFE179	301EFE179
3 OPERATOR, EMERGENCY STOP .....	1	24CA2907	24CA2907	24CA2907	24CA2907
4 CONTACT BLOCK.....	1	24CA2908	24CA2908	24CA2908	24CA2908
5 TRANSFORMER, CONTROL.....	1	24CA5588	24CA5587	24CA5587	24CA5589
6 FUSE, TRANSFORMER SECONDARY .....	1	24CA3725	24CA3725	24CA3725	24CA3725
7 FUSE HOLDER.....	1	24CA4098	24CA4098	24CA4098	24CA4098
8 STARTER, FAN MOTOR.....	1	24CA4408	24CA4408	24CA4408	24CA4408
9 COIL-STARTER .....	1	2118127	2118127	2118127	2118127
10 OVERLOAD RELAY .....	1	24CA4086	24CA4086	24CA4086	24CA4086
11 TERMINAL BLOCK.....	6	24CA2633	24CA2633	24CA2633	24CA2633
12 CONTROL RELAY.....	1	24CA3896	24CA3896	24CA3896	24CA3896

\* Refer to page 34, for Controller Part Numbers.

Order by Part Number and Description. Reference Numbers are for your convenience only.

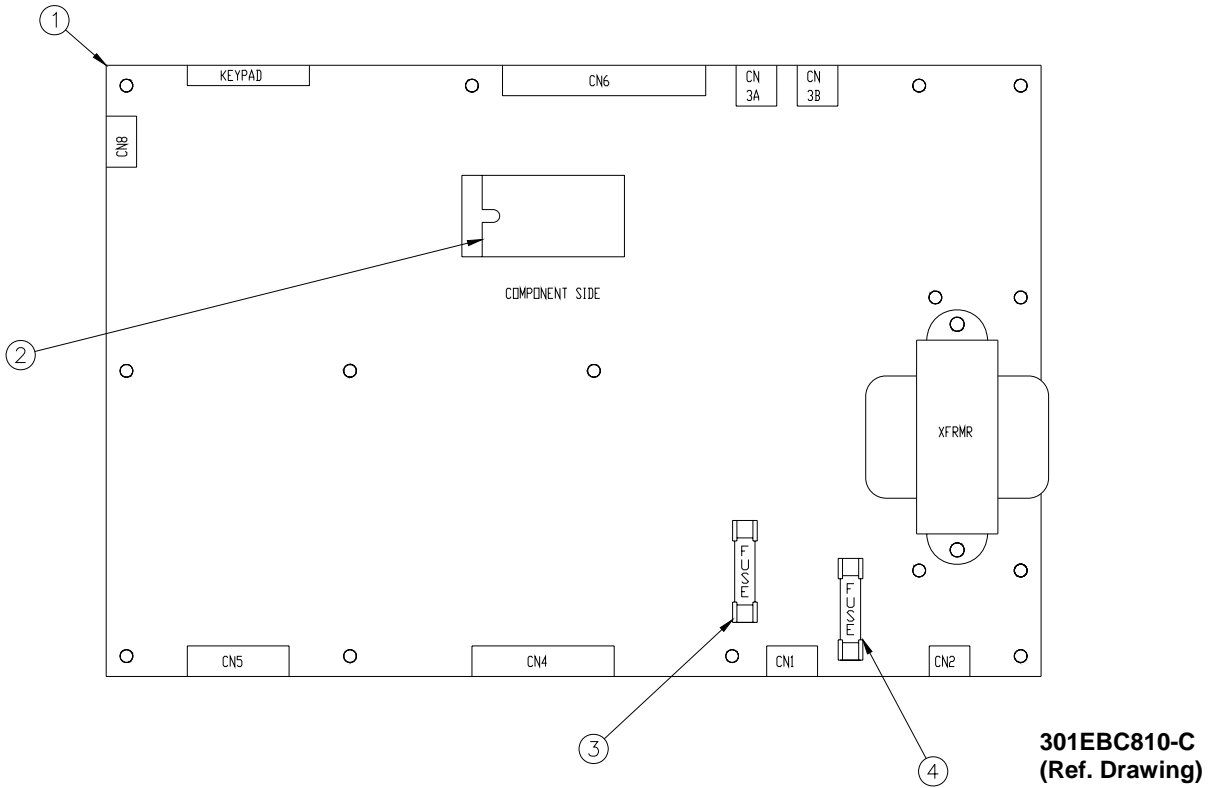


**300EBC810-B**  
(Ref. Drawing)

**CONTROLLER ASSEMBLY**

Ref. No.	Name of Part	Qty.	RS2000	AIRPILOT+
			Part No.	Part No.
1	CONTROL ASSEMBLY – BOARD .....	1	300EBC560	300EFD560
2	SWITCH (KEYPAD) .....	1	300EVE375	300EVE375
3	PLUG-CONNECTOR .....	1	24CA4240	24CA4240
4	PLUG-CONNECTOR .....	1	24CA3401	24CA3401
5	PLUG-TERMINAL .....	1	24CA4823	24CA4823
6	PLUG-TERMINAL .....	1	24CA4999	24CA4999
7	PLUG-CONNECTOR .....	1	24CA3306	24CA3306
8	CABLE.....	1	24CA5178	24CA5178

Order by Part Number and Description. Reference Numbers are for your convenience only.



**CONTROLLER ASSEMBLY - BOARD**

Ref. No.	Name of Part	Qty.	RS2000		AIRPILOT+	
			Part No.	Part No.	Part No.	Part No.
1	CONTROLLER.....	1	*	*		
2	MEMORY MODULE.....	1	300EBC566		300EFD566	
3	FUSE.....	1	24CA2932		24CA2932	
4	FUSE.....	1	24CA2932		24CA2932	

\* Part Number not available for Repair.

## OVERLOAD RELAY HEATER CONVERSION LISTING

**Refer to Motor Nameplate “Amperage” and Decal in Control Panel for Selection of Overload Relay Heater Packs**

<b>CUTLER-HAMMER PART NUMBER</b>	<b>CHAMPION PART NUMBER</b>
H2002B	24CA4101
H2003B	24CA4102
H2004B	24CA4103
H2005B	24CA4104
H2006B	24CA4105
H2007B	24CA4106
H2008B	24CA4107
H2009B	24CA4108
H2010B	24CA4109
H2011B	24CA4110
H2012B	24CA4111
H2013B	24CA4112
H2014B	24CA4113
H2015B	24CA4114
H2016B	24CA4115
H2017B	24CA4116
H2018	24CA2924
H2019	24CA2925
H2020	24CA2926
H2021	24CA2927
H2022	24CA2893
H2023	24CA2894
H2024	24CA2928

**MOTOR GROUP (MAIN DRIVE MOTORS)**

<b>Name of Part</b>	<b>60 HP Part No.</b>	<b>75 HP Part No.</b>
<b>OPEN DRIP PROOF – 60 HZ – STANDARD EFFICIENCY</b>		
MOTOR, 200V	24CA2952	24CA2956
MOTOR, 230V	24CA3013	24CA3014
MOTOR, 460V	24CA3013	24CA3014
MOTOR, 575V	24CA2955	24CA2959
<b>OPEN DRIP PROOF -- 60 HZ – HIGH EFFICIENCY</b>		
MOTOR, 200V	24CA2968	24CA2972
MOTOR, 230V	24CA3017	24CA3018
MOTOR, 460V	24CA3017	24CA3018
MOTOR, 575V	24CA2971	24CA2975
<b>TOTALLY ENCLOSED FAN COOLED (TEFC) – 60 HZ</b>		
MOTOR, 200V	24CA2984	24CA2988
MOTOR, 230V	24CA3021	24CA3022
MOTOR, 460V	24CA3021	24CA3022
MOTOR, 575V	24CA2987	24CA2991
<b>TOTALLY ENCLOSED FAN COOLED (TEFC) – 60 HZ – HIGH EFFICIENCY</b>		
MOTOR, 200V	24CA2996	24CA3000
MOTOR, 230V	24CA3024	24CA3025
MOTOR, 460V	24CA3024	24CA3025
MOTOR, 575V	24CA2999	24CA3003

**MOTOR GROUP  
AIR COOLED FAN MOTOR (COOLING MODULE)  
(TEFC, 3 HP, 1.15 S.F., 1800 RPM, 60 HZ)**

<b>VOLTAGE</b>	<b>PART NO.</b>
MOTOR, 200V	24CA2373
MOTOR, 230V	24CA2374
MOTOR, 460V	24CA2374
MOTOR, 575V	24CA2375

**WATER COOLED FAN MOTOR (ENCLOSURE VENT FAN)  
(TEFC, 1/4 HP, 1.0 S.F., 1200 RPM, 60 HZ)**

<b>VOLTAGE</b>	<b>PART NO.</b>
MOTOR, 200V	24CA4177
MOTOR, 230V	24CA2464
MOTOR, 460V	24CA2464
MOTOR, 575V	24CA4178

## REPAIR KITS

Your Gardner Denver rotary screw compressor is designed and manufactured for many years of reliable operation. All components are engineered to exacting specifications, which will function together as a system to provide maximum efficiency. To insure the continuing integrity of compressor operation, use only original quality genuine Gardner Denver replacement parts and accessories.

Name of Part	Qty.	Part No.
ROUTINE MAINTENANCE KIT (Heavy Duty Air Filter) .....		303EFE6013
ELEMENT, AIR FILTER .....	2	300EFE1445
ELEMENT, OIL FILTER .....	3	EFC89755919
OIL SEPARATOR KIT .....		302EFE6013
OIL COALESCING ELEMENT .....	2	VP1011585
O-RING .....	1	EFC89730509
LUBRICANT .....	1	216755
PNEUMATIC CONTROL .....		300EFE6013
CONTROL VALVE .....	1	90AR1082
CHECK VALVE .....	1	EFC89597779
STRAINER .....	1	EFC85588619
SUBTRACTIVE PILOT .....	1	2009398
PRESSURE REGULATOR .....	1	88H139
PRESSURE GAUGE .....	1	2116732
CHECK VALVE .....	1	90AR1111
ELECTRICAL CONTROL GROUP .....		315EFC6013
TRANSDUCER .....	2	88H359
THERMISTOR PROBE .....	1	21D347
THERMISTOR PROBE .....	1	21D346
SOLENOID VALVE .....	1	91B70
SOLENOID VALVE .....	1	91B223
VACUUM SWITCH .....	1	88H195
PERIODIC MAINTENANCE KIT (Minimum Pressure/Check Valve) .....		304EFE6013
MINIMUM PRESSURE VALVE ASM KIT .....	1	EFC89783319
O-RING .....	1	EFC89730509
THERMAL MIXING VALVE ELEMENT REPAIR KIT .....		301EFE6013
THERMAL ELEMENT .....	1	EFC89560169
SPRING (MIXING VALVE) .....	1	EFC89565369
O-RING (MIXING VALVE) .....	1	EFC89560299
O-RING .....	1	EFC86906369
O-RING .....	1	EFC89725659
O-RING .....	1	EFC89565109
PERIODIC MAINTENANCE KIT (Inlet Valve) .....		302SSM6013
O-RING .....	1	25BC447
SPRING .....	1	78G19
SPRING .....	1	78W63
O-RING .....	1	25AM29
RING-RETAINING .....	1	74D88
GASKET ELIMINATOR .....	1	25BC222

**REPAIR KITS (CONTINUED)**

Name of Part	Qty.	Part No.
SEAL KIT .....		305EFE6013
SEAL, SHAFT ASSEMBLY .....	1	EFC30834150
GASKET .....	2	EFC30809118
RING, PROTECTION .....	1	EFC30809248
GASKET ELIMINATOR .....	1	25BC632
 BARE AIREND REPAIR KIT 75 HP, 100# 2.571 .....		306EFE6013
ENDURO AIREND 25G .....	1	EFC30834699
O-RING .....	1	EFC89565109
O-RING .....	1	EFC89730359
GASKET ELIMINATOR .....	1	25BC222
 BARE AIREND REPAIR KIT 75 HP, 125# 2.333 .....		307EFE6013
ENDURO AIREND 25G .....	1	EFC30835571
O-RING .....	2	EFC89565109
O-RING .....	2	EFC89730359
GASKET ELIMINATOR .....	1	25BC222
 BARE AIREND REPAIR KIT 75 HP, 150# and 60 HP, 100# 2.125 .....		308EFE6013
ENDURO AIREND 25G .....	1	EFC30834712
O-RING .....	1	EFC89565109
O-RING .....	1	EFC89730359
GASKET ELIMINATOR .....	1	25BC222
 BARE AIREND REPAIR KIT 75 HP, 175# and 60 HP, 125# 1.857 .....		309EFE6013
ENDURO AIREND 25G .....	1	EFC30834693
O-RING .....	1	EFC89565109
O-RING .....	1	EFC89730359
GASKET ELIMINATOR .....	1	25BC222
 LUBRICANT (AEON 2000)		
5-GALLON PAIL .....	1	28G36
55-GALLON DRUM .....	1	28G37
 LUBRICANT (AEON 4000) – STANDARD .....		
5-GALLON PAIL .....	1	28H57
55-GALLON DRUM .....	1	28H36
 LUBRICANT (AEON 6000FG)		
5-GALLON PAIL .....	1	28H99
55-GALLON DRUM .....	1	28H100
 LUBRICANT (AEON 9000SP)		
5-GALLON PAIL .....	1	28H109
55-GALLON DRUM .....	1	28H110
 TOUCH-UP PAINT, White		
5-GALLON PAIL .....	1	28H76
1-GALLON CAN .....	1	28H84
1-QUART CAN .....	1	28H83

REPAIR KITS (CONTINUED)

Name of Part	Qty.	Part No.
DRIVE SHAFT SEAL TOOL KIT .....	1	310EFE6013
WEAR SLEEVE PULLER.....	1	EFC89587189
SEAL SHAFT TOOL .....	1	EFC30851748
SEAL SHAFT TOOL .....	1	EFC30851878
SEAL SHAFT TOOL .....	1	EFC03423678

# **Gardner** --- **Denver**

Specifications subject to change without notice.  
Copyright © 2005 Gardner Denver, Inc.

Litho in U.S.A.

For additional information contact your local representative or  
Gardner Denver Compressor Division,  
1800 Gardner Expressway, Quincy, Illinois 62305



Telephone: (800) 682-9868  
FAX: (217) 224-7814

Visit our Web Site: [www.gardnerdenver.com](http://www.gardnerdenver.com)  
Sales and Service in all major cities.