

---

---

**GARDNER DENVER®**

13-8-510X  
6th Edition  
November 10, 2000

**ELECTRA-SCREW®  
STATIONARY BASE-MOUNTED  
COMPRESSOR**

**MODELS**

**EDE99L**

**30 & 37 KW (40 & 50 HP)**

**50/60 HZ**

**PARTS LIST**

**Gardner**  

---

**Denver**

**MAINTAIN COMPRESSOR RELIABILITY AND PERFORMANCE WITH  
GENUINE GARDNER DENVER® COMPRESSOR  
PARTS AND SUPPORT SERVICES**

Gardner Denver® Compressor genuine parts, manufactured to design tolerances, are developed for optimum dependability – specifically for Gardner Denver compressor systems. Design and material innovations are the result of years of experience with hundreds of different compressor applications. Reliability in materials and quality assurance is incorporated in our genuine replacement parts.

Your authorized Gardner Denver Compressor distributor offers all the backup you'll need. A worldwide network of authorized distributors provides the finest product support in the air compressor industry. Your local authorized distributor maintains a large inventory of genuine parts and he is backed up for emergency parts by direct access to the Master Distribution Center (MDC) in Memphis, Tennessee.

Your authorized distributor can support your Gardner Denver air compressor with these services:

1. Trained parts specialists to assist you in selecting the correct replacement parts.
2. Factory warranted new and remanufactured rotary screw airends. Most popular model remanufactured airends are maintained in stock at the Remanufacturing Center in Indianapolis, IN., for purchase on an exchange basis with liberal core credit available for the replacement unit.
3. A full line of factory tested AEON™ compressor lubricants specifically formulated for use in Gardner Denver compressors.
4. Repair and maintenance kits designed with the necessary parts to simplify servicing your compressor.

Authorized distributor service technicians are factory trained and skilled in compressor maintenance and repair. They are ready to respond and assist you by providing fast, expert maintenance and repair services.

**For the location of your local authorized Gardner Denver Air Compressor distributor, refer to the yellow pages of your phone directory or contact:**

<b>Distribution Center:</b>	<b>Factory:</b>
Gardner Denver	Gardner Denver
Master Distribution Center	1800 Gardner Expressway
5585 East Shelby Drive	Quincy, IL 62301
Memphis, TN 38141	
Phone: (901) 542-6100	Phone: (217) 222-5400
(800) 245-4946	
Fax: (901) 542-6159	Fax: (217) 224-7814

**INSTRUCTIONS FOR ORDERING REPAIR PARTS**

When ordering parts, specify Compressor MODEL, Method of Cooling, HORSEPOWER and SERIAL NUMBER (see nameplate on unit). The Serial Number is also stamped on top of the discharge bearing carrier casting.

All orders for Parts should be placed with the nearest authorized distributor.

Where NOT specified, quantity of parts required per compressor or unit is one (1); where more than one is required per unit, quantity is indicated in parenthesis. SPECIFY EXACTLY THE NUMBER OF PARTS REQUIRED.

DO NOT ORDER BY SETS OR GROUPS.

To determine the Right-Hand and Left-Hand side of a compressor, stand at the motor end and look toward the compressor. Right-Hand and Left- Hand are indicated in parenthesis following the part name, i.e. (RH) and (LH), when appropriate.

**TOTAL PRODUCT SUPPORT – GARDNER DENVER’S  
CONTINUING COMMITMENT  
TO YOUR AIR COMPRESSOR PERFORMANCE**

Commitment to total product support continues long after the purchase of your quality Gardner Denver rotary screw compressor.

Gardner Denver original parts incorporate years of experience and improvements in design, materials and quality assurance. Maintaining your compressor investment with Gardner Denver parts will insure protection for the air compressor unit and long, dependable service life.

Your authorized Gardner Denver compressor distributor maintains a complete stock of all common maintenance parts, factory approved AEON lubricants, and Gardner Denver factory warranted exchange airends. In addition, authorized distributor technicians are factory trained, and can provide complete diagnostic, compressor maintenance and repair services.

This manual is designed to assist you in maintaining high performance and receiving many years of dependable service you expect from your Gardner Denver compressor.

**REMANUFACTURED AIRENDS**

Whenever an airend requires replacement or repair, Gardner Denver offers an industry unique, factory remanufactured airend exchange program. From its modern Remanufacturing Center in Indianapolis, IN., Gardner Denver is committed to supplying you with the highest quality, factory remanufactured airends that are guaranteed to save you time, aggravation and money.

**Immediately Available**

Repair downtime costs you money, which is why there are over 200 remanufactured units in inventory at all times, ready for immediate delivery.

**Skilled Craftsmen**

Our Remanufacturing assembly technicians average over 20 years experience with air compression products.

**Precision Remanufacturing**

All potentially usable parts are thoroughly cleaned, inspected and analyzed. Only those parts that can be brought back to original factory specifications are remanufactured. Every remanufactured airend receives a new overhaul kit: bearings, gears, seals, sleeves and gaskets.

**Extensive Testing**

Gardner Denver performs testing that repair houses just don't do. Magnaflux and ultrasonic inspection spot cracked or stressed castings, monochromatic light analysis exposes oil leaks, and coordinate measurement machine inspects to +/- .0001", insuring that all remanufactured airends meet factory performance specifications.

**Warranty**

Gardner Denver backs up every remanufactured airend with a new warranty...18 months from purchase, 12 months from service.

Gardner Denver remanufactured airends deliver *quality without question...year in and year out.*

Call Gardner Denver for information on the airend exchange program and the name of your authorized distributor.

Phone Number: 800-245-4946 or  
Fax: 901-542-6159

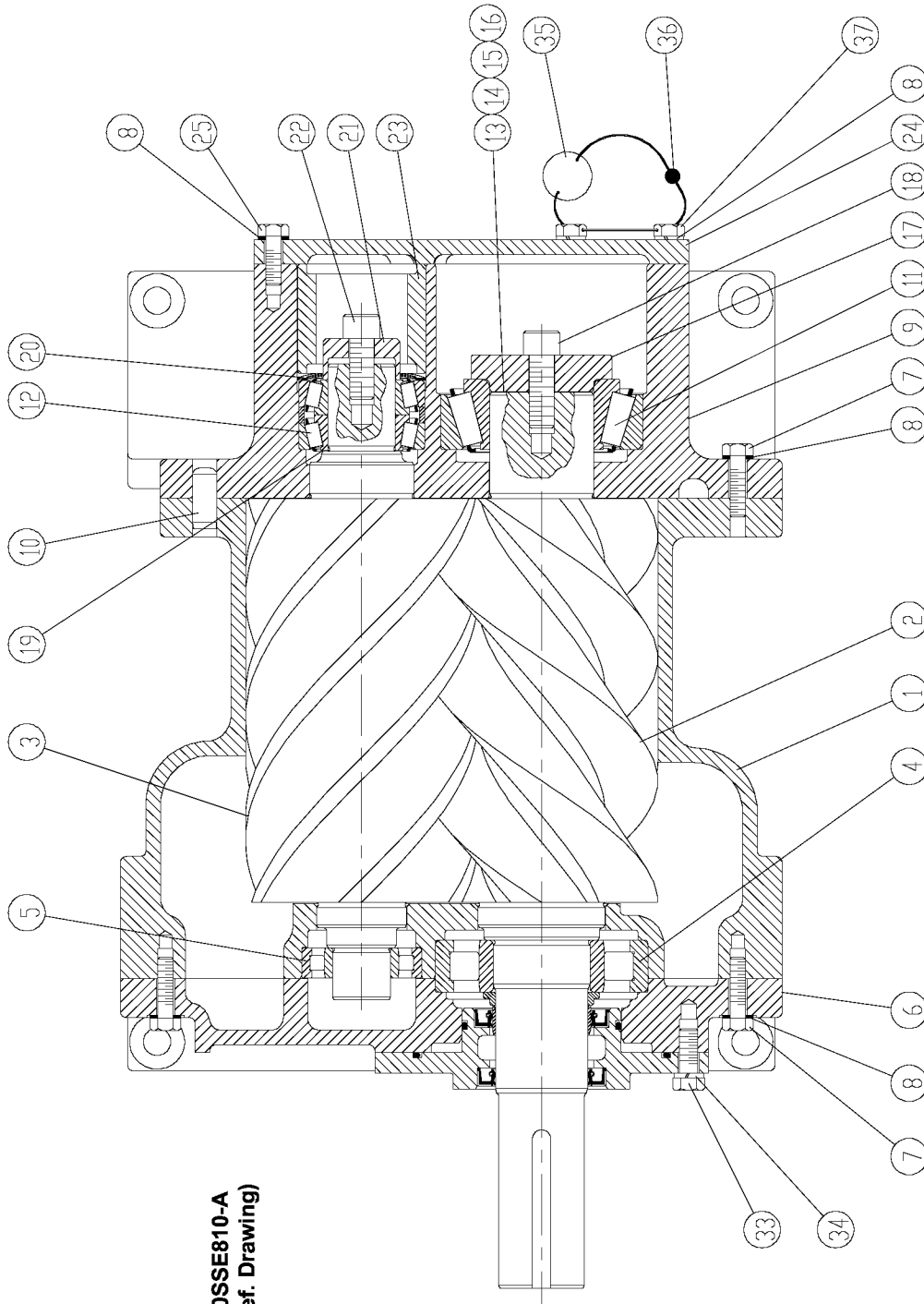
## TABLE OF CONTENTS

Maintain Compressor Reliability And Performance With Genuine Gardner Denver Compressor Parts And Support Service .....	i
Instructions For Ordering Repair Parts .....	i
Total Product Support – Gardner Denver's Continuing Commitment To Your Air Compressor Performance.....	ii
Bare Compressor.....	1, 2
Oil Seal Detail.....	3
Inlet Valve .....	4
Cooler Group.....	5, 6
Heavy Duty Air Filter And Mounting.....	7
Thermal Valve .....	8
Oil Reservoir Group.....	9, 9
Oil And Air Piping Group.....	11
Oil And Air Piping Group (Tubes).....	12
Oil Filter.....	13
Subtractive Pilot Valve.....	14
Control Piping.....	15, 16
Drive Groups, Belts And Sheaves (60 HZ) .....	17
Drive Groups, Belts And Sheaves (50 HZ) .....	18
Motor Group (Main Drive Motors).....	19
Enclosure – Common Parts .....	20
Enclosure – TEFC Motor.....	21
Enclosure – Hardware & Mounting.....	22
Quiet Enclosure .....	23
Quiet Enclosure – Hardware .....	24
Controller Assembly.....	25
Controller Assembly – Full Voltage Starter (Wye-Delta) 30 Kw - 40 HP Units .....	26
Controller Assembly – Full Voltage Starter – 50 HP.....	27
Identification And Instruction Group.....	28
Overload Relay Heater Conversion Listing.....	29
Repair Kits.....	30

	<b>REMANUFACTURED AIR END</b>	<b>NEW AIR END</b>
30/37 KW (40/50 HP)	SSEBBMX (With Inlet Valve)	SSEBBM (With Inlet Valve)

**For Operating and Service Instructions, see:**  
**SERVICE MANUAL 13-8-610**

**BARE COMPRESSOR**



**210SSE810-A**  
**(Ref. Drawing)**

Order by Part Number and Description. Reference Numbers are for your convenience only.

BARE COMPRESSOR

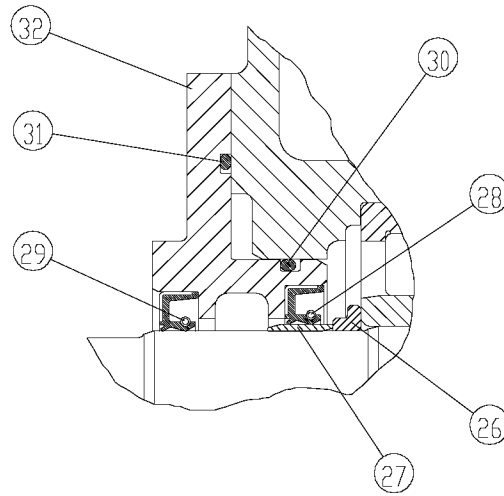
B/M: 307SSE4049

Ref. No.	Name of Part	Qty.	Part No.	Ref. No.	Name of Part	Qty.	Part No.
1	CYLINDER.....	1		18	SCREW.....	1	
2	ROTOR.....	1		* 19	SHIM.....	2	77C58015
3	ROTOR.....	1		*	SHIM.....	3	77C58005
* 4	BEARING-ROLLER.....	1	12BA130	*	SHIM.....	3	77C58002
* 5	BEARING-ROLLER.....	1	12BA129	*	SHIM.....	3	77C58003
6	PLATE-BEARING COVER.....	1		* 20	SPRING-WAVE.....	1	78W95
7	SCREW.....	26		21	PLATE-BEARING RETAINER.....	1	
8	LOCKWASHER.....	43		22	SCREW.....	1	
9	HOUSING-BEARING.....	1		23	SPACER.....	1	
10	PIN-DOWEL.....	2		24	PLATE-BEARING COVER.....	1	
* 11	BEARING-ROLLER.....	1	12BA127	25	SCREW.....	9	
* 12	BEARING-ROLLER.....	1	12BA195	33	SCREW.....	8	
* 13	SHIM.....	3	77H54002	34	LOCKWASHER.....	8	
* 14	SHIM.....	3	77H54003	35	TAG-INSTRUCTION.....	1	
* 15	SHIM.....	3	77H54005	36	SEAL-LEAD.....	1	
* 16	SHIM.....	2	77H54015	37	SCREW.....	2	
17	PLATE-BEARING RETAINER.....	1		** 38	GASKET-ELIMINATOR.....	1	25BC222

\* Parts included in Periodic Overhaul Kit Part Number 300SSE6013. Refer to page 30.

\*\* Shown for reference only.

Order by Part Number and Description. Reference Numbers are for your convenience only.



210SSE810-A  
(Ref. Drawing)

**OIL SEAL DETAIL**

**B/M: 307SSE4049**

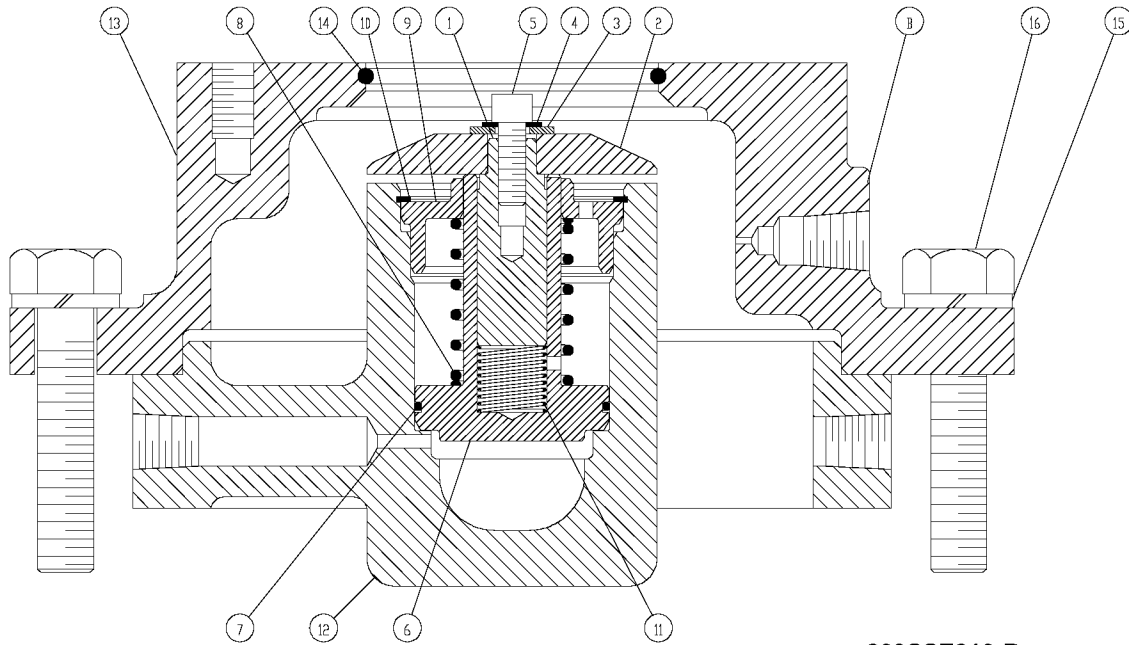
Ref. No.	Name of Part	Qty.	Part No.
26	SPACER-SHAFT .....	1	200SSH600
* 27	SLEEVE-WEAR .....	1	80M12
* 28	SEAL-OIL .....	1	60DD679
* 29	SEAL-OIL .....	1	60DD690
* 30	O-RING .....	1	25BC165
* 31	O-RING .....	1	8502140
32	HOUSING-SEAL .....	1	206SSE362
* **	CHECK VALVE .....	1	90AR923
* **	GASKET ELIMINATOR .....	1	25BC222

\* Parts included in Oil Seal Kit Part Number 302SSH6013. Refer to page 30.

Wear Sleeve Installation and Removal Kit Part Number SSE81282. Refer to page 31.  
(Includes Wear Sleeve Puller and Installation Tool)

\*\* Not shown

Order by Part Number and Description. Reference Numbers are for your convenience only.



**209SSE810-B**  
(Ref. Drawing)

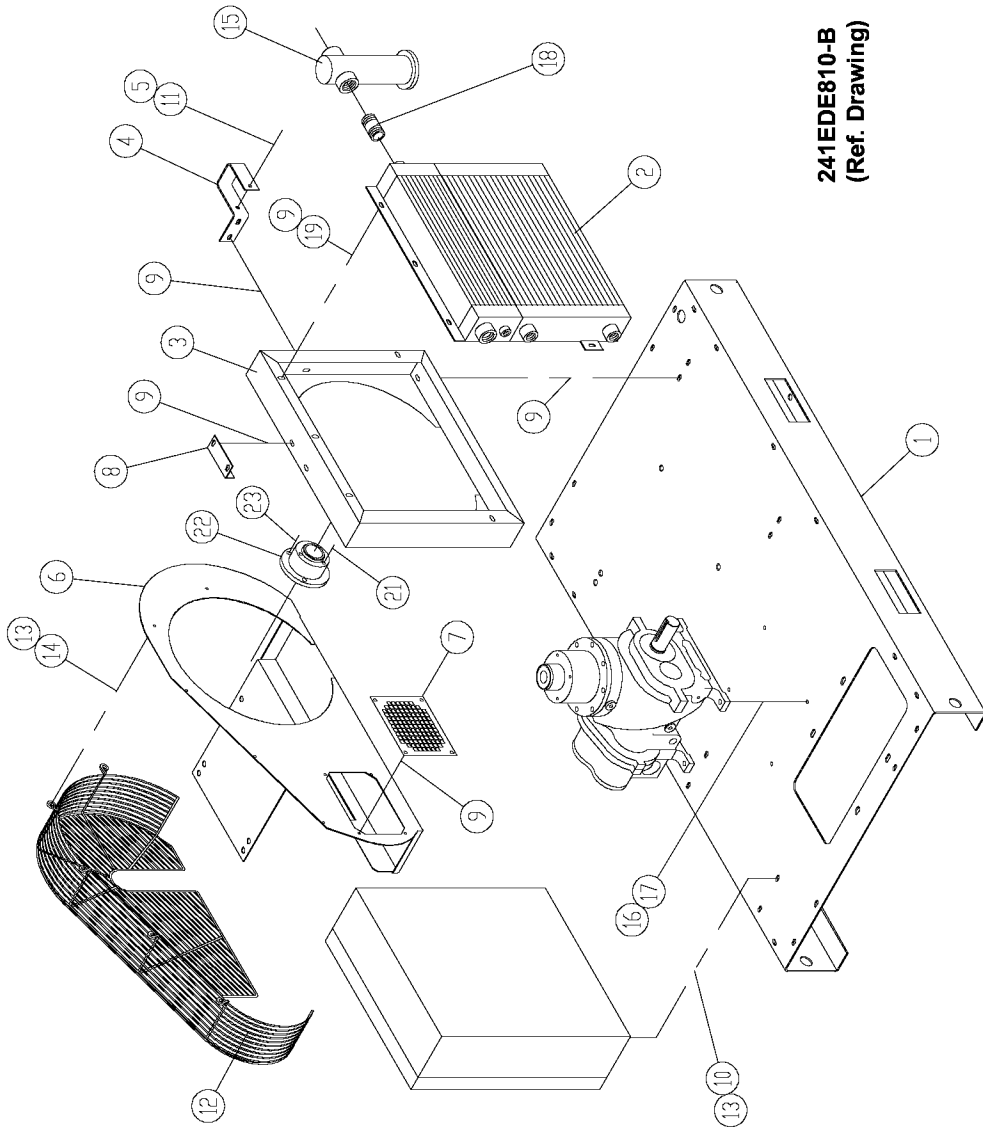
**INLET VALVE**

**B/M: 200SSE4030**

Ref. No.	Name of Part	Qty.	Part No.
1	GUIDE-VALVE .....	1	201SSE483
2	VALVE-INLET .....	1	202SSE044
3	WASHER .....	1	95A1
4	LOCKWASHER.....	1	95H56
5	SCREW .....	1	655EC03N
6	PISTON-INLET VALVE .....	1	202SSE043
* 7	O-RING .....	1	25BC440
* 8	SPRING .....	1	78H22
9	RETAINER.....	1	200SSE205
* 10	RING-RETAINING.....	1	74D87
* 11	SPRING .....	1	78W59
12	HOUSING-INLET .....	1	205SSE041
13	SEAT .....	1	204SSE256
* 14	O-RING .....	1	25AM15
15	LOCKWASHER.....	8	95B5
16	SCREW .....	8	655EE100

\* Parts included in Periodic Maintenance (Inlet Valve) Kit Part No. 302EBE6013. Refer to page 30.

**COOLER GROUP**



**241EDE810-B**  
(Ref. Drawing)

Order by Part Number and Description. Reference Numbers are for your convenience only.

COOLER GROUP

B/M: 202EDE4003  
301EDE4003

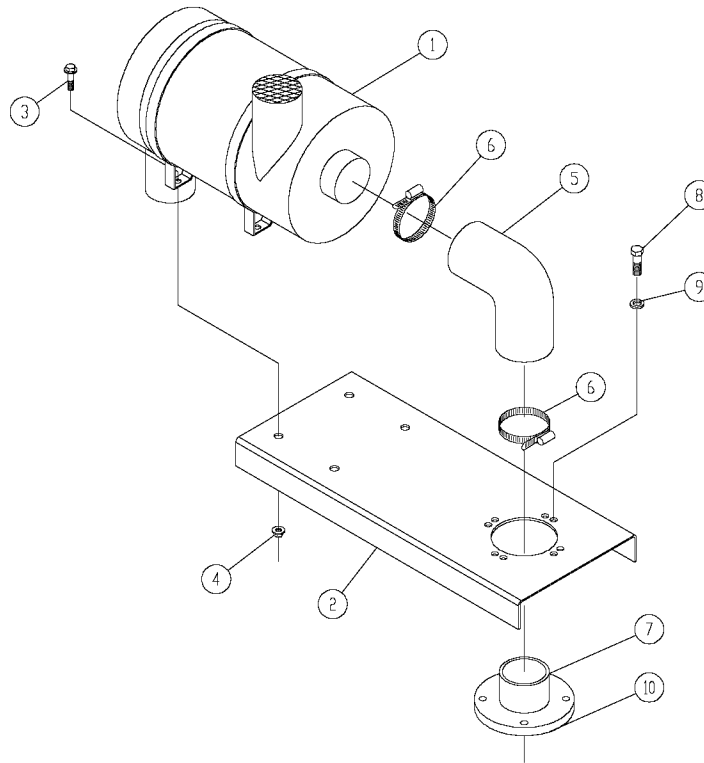
Ref. No.	Name of Part	Qty.	Part No.	Ref. No.	Name of Part	Qty.	Part No.
1	BASE.....	1	202EDE285	11	NUT.....	1	50AW5
2	COOLER-OIL/AIR-RADIATOR Fresh Water – Standard.....	1	206EDE201	12	GUARD-FAN.....	1	200EDE393
	Seacoast Option.....	1	301EDE201	13	SCREW.....	9	75LM150
3	BAFFLE.....	1	204EDE840	14	WASHER.....	10	95A3
4	BRACKET.....	1	200EDE142	* 15	TRAP.....	1	83C83
5	SCREW.....	1	655ED170	16	SCREW.....	4	655EE080
6	ORIFICE.....	1	204EDE814	17	LOCKWASHER.....	4	95B5
7	PLATE-INSPECTION.....	1	200EBE052	18	NIPPLE.....	1	63AA13G
8	BRACKET.....	1	200EBE142	19	WASHER.....	5	95A3
9	SCREW.....	17	75LM51	21	SCREW.....	3	75P6N
10	NUT.....	4	50AW5	22	ADAPTOR-FAN.....	1	200EDE649
				23	SCREW.....	3	75LM189N

\* Repair Parts Kit for Moisture Separator:

- 2117587 – Valve & Seat Assembly
- 2117588 – Cover Gasket
- 2117589 – Float & Spindle

Order by Part Number and Description. Reference Numbers are for your convenience only.

238EDE810-A  
(Ref. Drawing)



**HEAVY DUTY AIR FILTER AND MOUNTING**

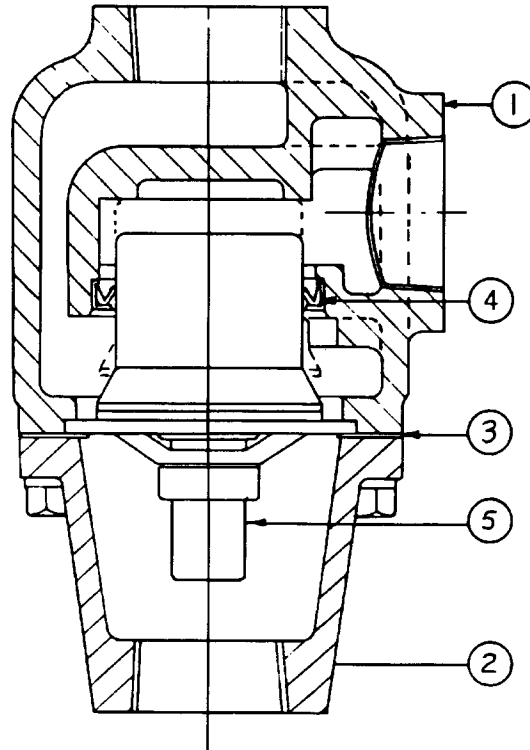
**B/M: 200EDE4054**

Ref. No.	Name of Part	Qty.	Part No.
1	FILTER-AIR.....	1	5L260
2	BRACKET-FILTER.....	1	203EDE389
3	SCREW .....	4	75LM50
4	NUT .....	4	50AW4
5	HOSE.....	1	29Z108
6	CLAMP.....	2	29B36
7	ADAPTOR-FILTER.....	1	200EDE070
8	SCREW .....	4	655ED080
9	LOCKWASHER.....	4	95B3
10	GASKET-ELIMINATOR .....	1	25BC222
*	ELEMENT-AIR FILTER (Order for repair) .....	1	2116701

\* Not shown

Order by Part Number and Description. Reference Numbers are for your convenience only.

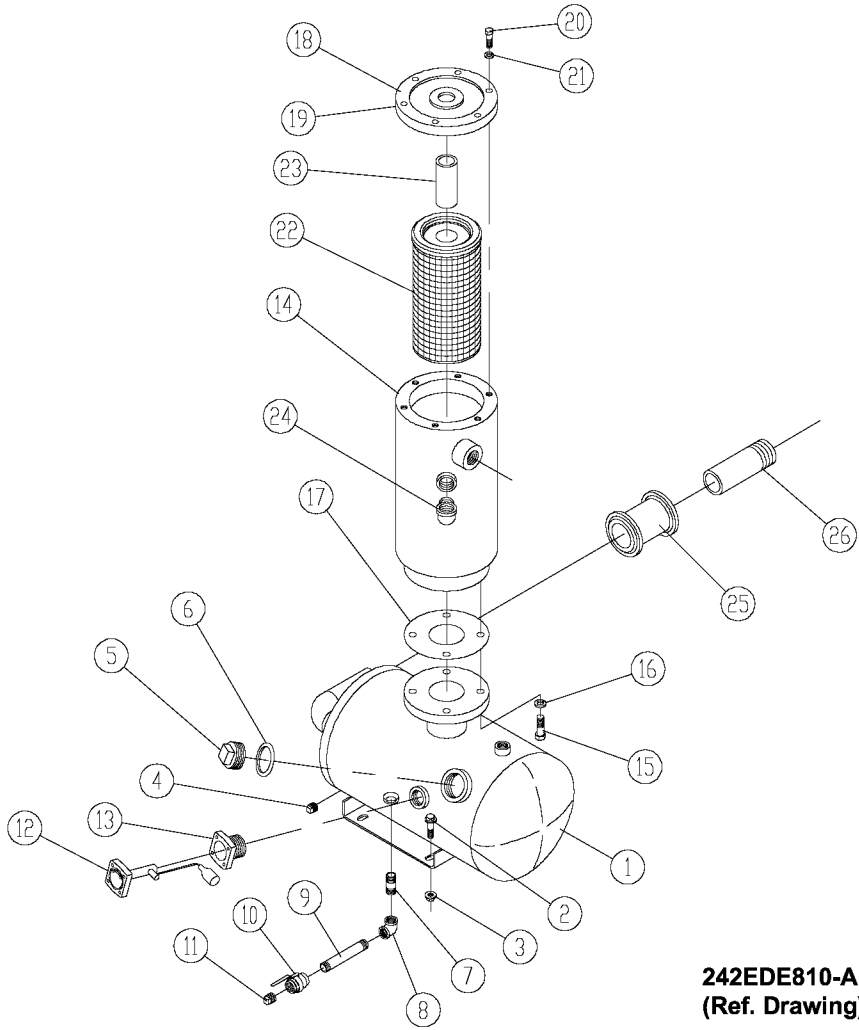
**THERMAL VALVE  
(Thermostatic Mixing Valve)**



**90AR942 VALVE ASSEMBLY – THERMAL (ALUMINUM HOUSING)**

Ref. No.	Name of Part	Qty.	Part No.
1	VALVE BODY (3/4") .....	1	2117072
2	VALVE COVER (3/4").....	1	2117073
	VALVE KIT (Includes Reference Nos. 3, 4 & 5)		
	150° THERMOSTAT (Optional) .....	1	2115542
	160° THERMOSTAT (Standard).....	1	2115543
	170° THERMOSTAT (Optional) .....	1	2117074
	180° THERMOSTAT (Optional) .....	1	2117075
3	O-RING (Included in Valve Kit) .....	1	
4	LIP SEAL (Included in Valve Kit).....	1	
5	ELEMENT (Included in Valve Kit) .....	1	

# OIL RESERVOIR GROUP



**242EDE810-A**  
**(Ref. Drawing)**

Order by Part Number and Description. Reference Numbers are for your convenience only.

OIL RESERVOIR GROUP

B/M: 201EDE4018

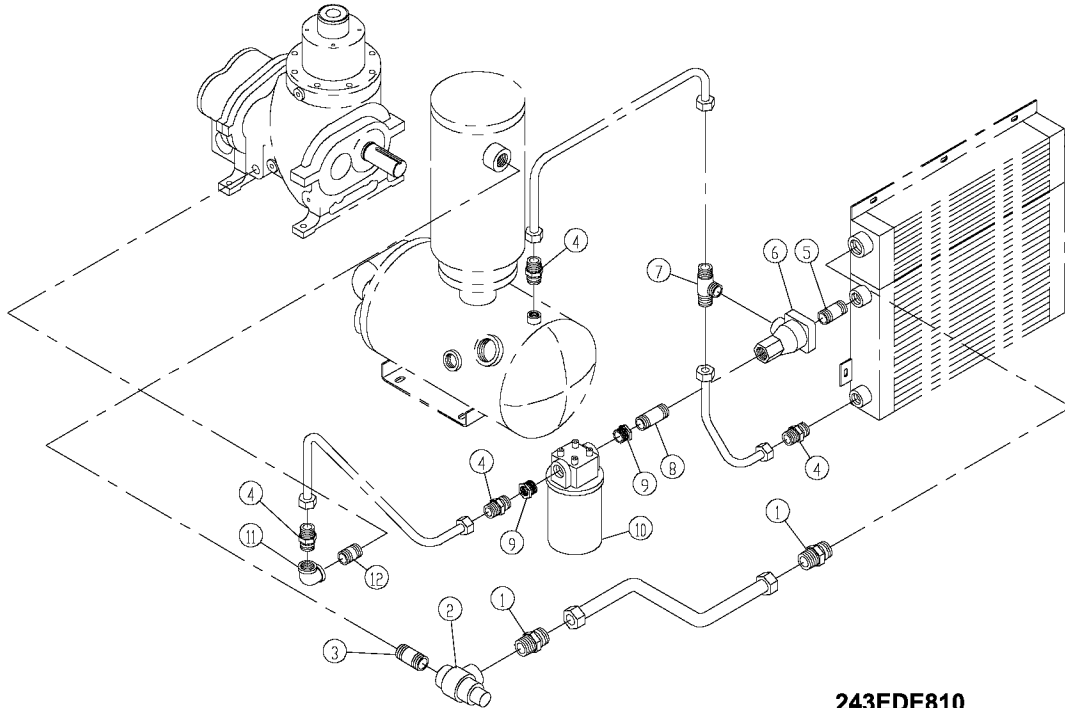
Ref. No.	Name of Part	Qty.	Part No.
1	RESERVOIR-OIL .....	1	300EDE037
2	SCREW .....	4	75LM135
3	NUT .....	4	50AW35
4	PLUG .....	1	64AA5
5	COVER-FILLER .....	1	200SPF156
6	O-RING .....	1	54C214
7	NIPPLE .....	1	63F1G
8	ELBOW .....	1	64C4G
9	NIPPLE .....	1	63F1G
10	VALVE-BALL.....	1	90AR360
11	PLUG .....	1	64AA7
* 12	GAUGE-FLOAT.....	1	300EBH303
13	ADAPTOR-GAUGE .....	1	200EDE058
14	HOUSING .....	1	200ECH405
15	SCREW .....	4	655EF070
16	LOCKWASHER.....	4	95B7
17	GASKET .....	1	25C802
18	COVER .....	1	203ECM225
19	GASKET-ELIMINATOR .....	1	25BC222
20	SCREW .....	6	655EE070
21	LOCKWASHER.....	6	95B5
*** 22	SEPARATOR-AIR/OIL.....	1	200ECH035
23	SPACER .....	1	200ECH392
24	ELBOW .....	1	64D6G
** 25	COUPLING-FLEXIBLE .....	1	64EB801
26	NIPPLE .....	1	63AJ32X74G

\* For Repair Gasket – order Part Number 54C204

\*\* For Repair Gasket – order Part Number 2117159 (2) required

\*\*\* For Repair Separator Kit – order Part Number 200ECH6013

Order by Part Number and Description. Reference Numbers are for your convenience only.



243EDE810  
(Ref. Drawing)

**OIL AND AIR PIPING GROUP**

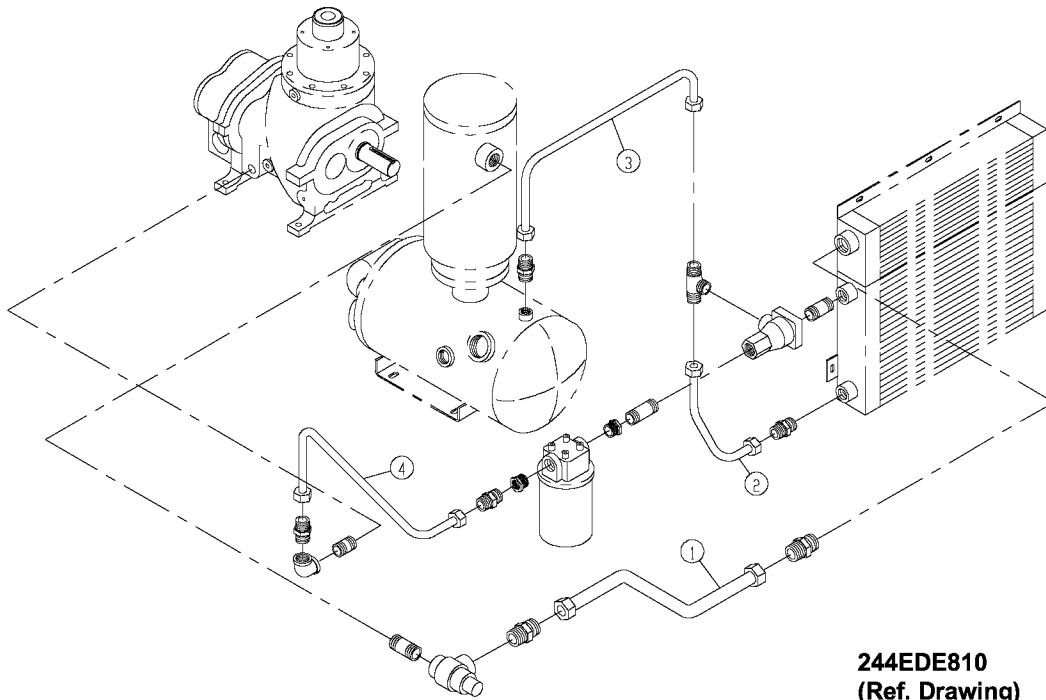
B/M: 202EDE4019

Ref. No.	Name of Part	Qty.	Part No.
1	CONNECTOR-TUBE.....	2	86H140
2	VALVE-MINIMUM PRESSURE .....	1	200EDE527
3	NIPPLE .....	1	63AA13G
4	CONNECTOR-TUBE.....	4	86H137
5	NIPPLE .....	1	63G19G
6	VALVE-THERMAL (See page 8).....	1	90AR942
7	TEE.....	1	86N286
8	NIPPLE .....	1	63G30G
9	BUSHING-PIPE.....	2	64E45
* 10	FILTER-OIL (See page 13).....	1	301EBM369
11	ELBOW .....	1	64C5G
12	NIPPLE .....	1	63G31G

\* For Repair:

Oil Filter Element – Order Part Number 2116110

Order by Part Number and Description. Reference Numbers are for your convenience only.



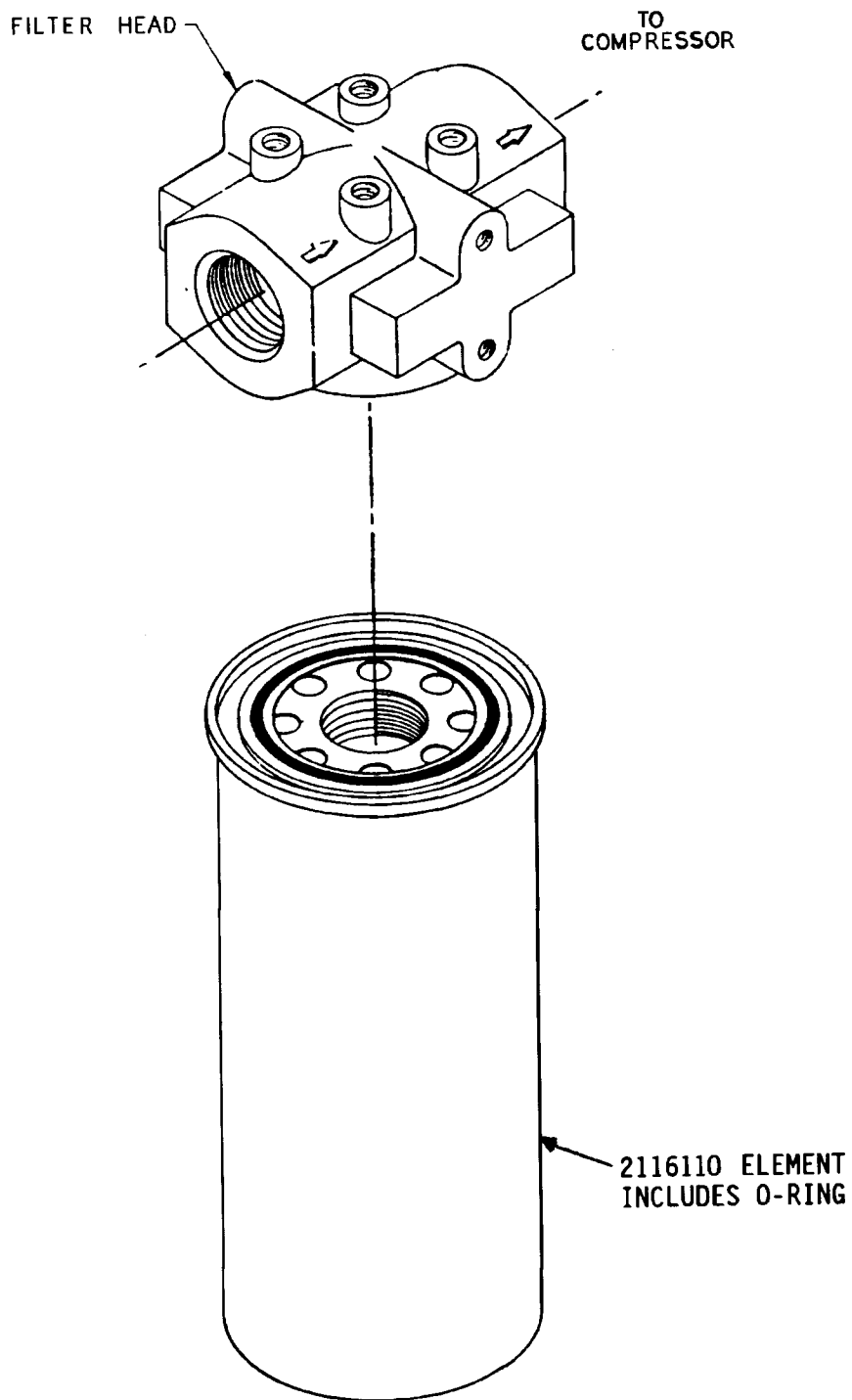
244EDE810  
(Ref. Drawing)

**OIL AND AIR PIPING GROUP (TUBES)**

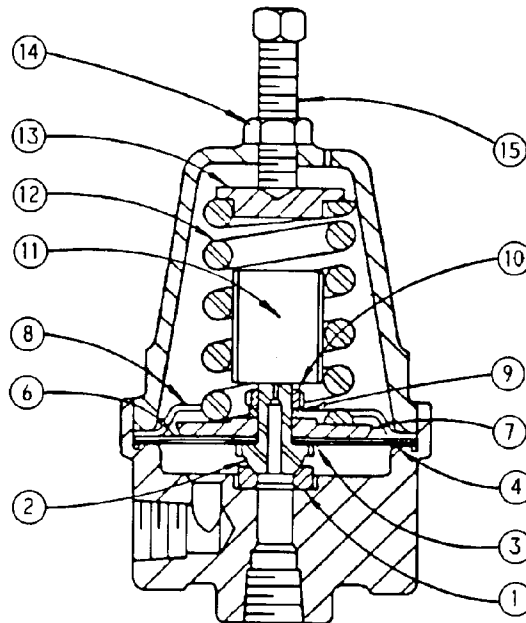
**B/M: 203EDE4019**

Ref. No.	Name of Part	Qty.	Part No.
1	TUBE WITH FITTINGS.....	1	200EDE863
2	TUBE WITH FITTINGS.....	1	202EDE863
3	TUBE WITH FITTINGS.....	1	201EDE863
4	TUBE WITH FITTINGS.....	1	203EDE863

OIL FILTER – 301EBM369



Order by Part Number and Description. Reference Numbers are for your convenience only.

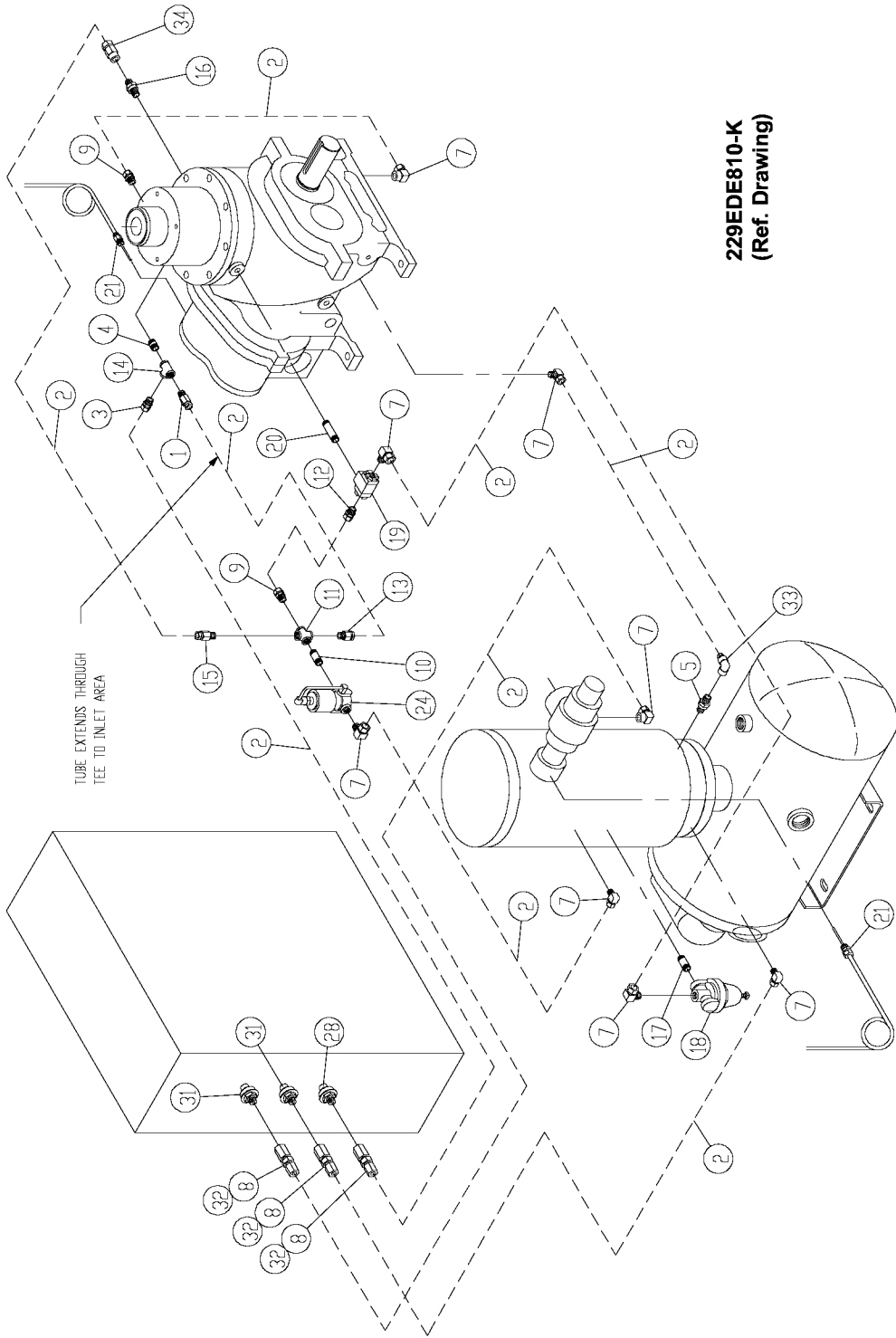


**SUBTRACTIVE PILOT VALVE**

Ref. No.	Name of Part	Qty.	Part No.
	VALVE-SUBTRACTIVE PILOT (Includes Re. No.'s 1-15)		2009398
1	RING-SEAT.....	1	2008021
2	DISC-SEAT .....	1	2010080
3	GASKET-DURABLA.....	1	2008019
4	GASKET-DURABLA.....	1	2008017
6	DIAPHRAGM .....	5	2008018
7	PLATE-PRESSURE .....	1	2008015
8	STOP-DIAPHRAGM.....	1	2008016
9	LOCKWASHER.....	1	95B1
10	NUT-PRESSURE PLATE .....	1	2008888
11	DAMPER.....	1	2008711
12	SPRING-PRESSURE.....	1	2008014
13	BUTTON-SPRING.....	1	2008891
14	LOCKNUT.....	1	50Y2
15	SCREW-PRESSURE .....	1	2008952

NOTE: It is necessary to replace some parts in groups to insure satisfactory repair. When replacing diaphragm, also replace both diaphragm and seat gaskets. When replacing seat disc or seat ring, replace also the mating seat ring or disc and the seat disc gasket

**CONTROL PIPING**



**229EDE810-K**  
**(Ref. Drawing)**

**CONTROL PIPING**

**B/M: 201EDE4019**

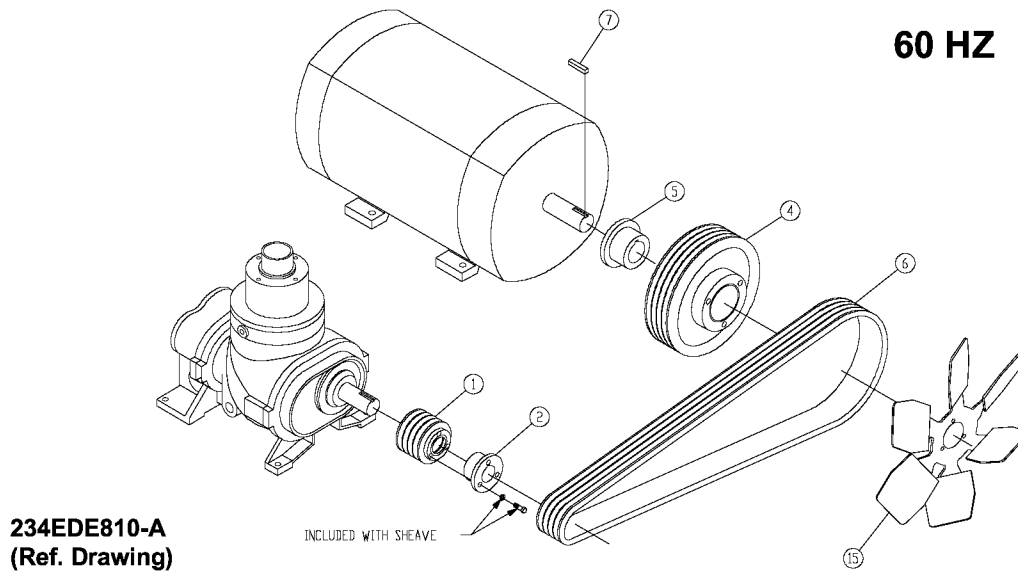
Ref. No.	Name of Part	Qty.	Part No.	Ref. No.	Name of Part	Qty.	Part No.
1	CONNECTOR.....	1	86N272	** 18	VALVE-SUB/PILOT .....	1	2009398
2	TUBE-BULK.....	35	85K3	19	VALVE-CONTROL .....	1	90AR1034
3	CONNECTOR-TUBE .....	1	86E4	20	NIPPLE .....	1	63D6G
4	NIPPLE.....	1	63D1G	21	PROBE-ELECTRICAL.....	2	21D264
5	VALVE-CHECK.....	1	90AR261	23	SEAL-PLUG.....	1	24A415
7	ELBOW-TUBE .....	8	86E60	* 24	VALVE-SOLENOID .....	1	91B77
8	CONNECTOR-TUBE .....	3	86N287	25	O-RING.....	1	24A383
9	CONNECTOR-TUBE .....	2	86E4	26	NIPPLE .....	1	24CA4641
10	ELBOW .....	1	63D1G	27	LOCKNUT .....	1	24A77
11	CROSS.....	1	64K1G	28	SWITCH-VACUUM.....	1	88H195
12	ORIFICE.....	1	86N291	31	TRANSDUCER-PRESSURE .....	2	88H242
13	ORIFICE.....	1	86N291	32	O-RING.....	3	165011
14	TEE .....	1	64G3G	33	ELBOW-TUBE.....	1	86E193
15	ORIFICE .....	1	86N289	***34	CONNECTOR-TUBE.....	1	86E28
16	VALVE-CHECK.....	1	90AR261	***35	O-RING.....	1	24A383
17	NIPPLE.....	1	63D3G				

\* For Repair Kit, order Part Number 2116077 (Includes Springs, Seals, Piston Assembly, Plunger Assembly, Nut and O-Ring)

\*\* For Repair Parts, see page 14

\*\*\* Not shown on illustration

Order by Part Number and Description. Reference Numbers are for your convenience only.



234EDE810-A  
(Ref. Drawing)

**DRIVE GROUPS, BELTS AND SHEAVES**

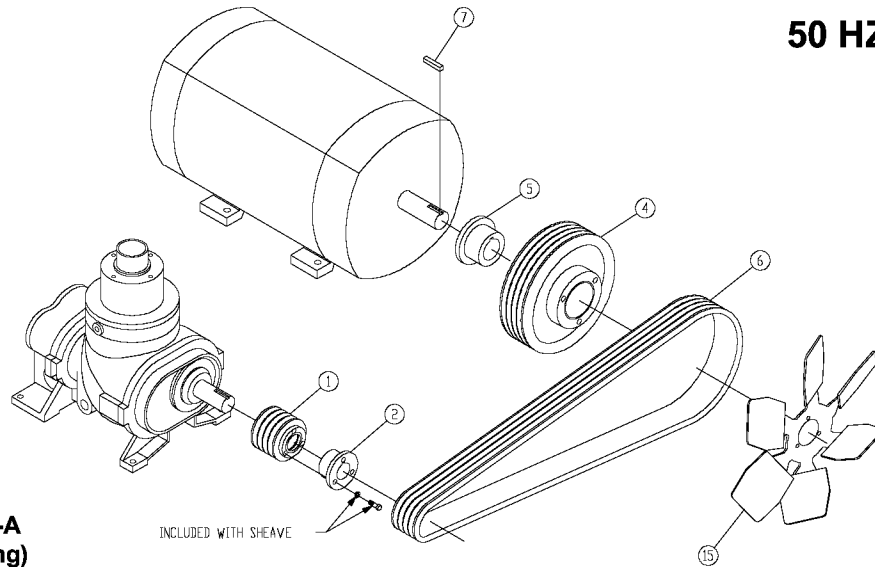
Ref. No.	Name of Part	Qty.	Part No. Per Pressure		
			100	125	150
<b>30 KW (40 H.P.) DRIVE GROUP</b>			<b>EDE81825</b>	<b>EDE81826</b>	<b>EDE81827</b>
1	SHEAVE .....	1	73M45V59	73M45V49	73M45V59
2	BUSHING-SHEAVE .....	1	22F28SD	22F28SD	22F28SD
4	SHEAVE .....	1	73M45V125	73M45V90	73M45V97
5	BUSHING-SHEAVE .....	1	22F34E	22F34E	22F34E
6	BELT-SET.....	1	13AH7504	13AH6704	13AH7104
7	KEY-SQUARE .....	1	8500116	8500116	8500116
* 8	VALVE-PRESSURE RELIEF.....	1	90AR382	90AR146	90AR171
15	FAN .....	1	201EDE701	201EDE701	201EDE701

Ref. No.	Name of Part	Qty.	Part No. Per Pressure		
			100	125	150
<b>37 KW (50 H.P.) DRIVE GROUP</b>			<b>EDE81829</b>	<b>EDE81830</b>	<b>EDE81831</b>
1	SHEAVE .....	1	73M45V49	73M45V49	73M45V59
2	BUSHING-SHEAVE .....	1	22F28SD	22F28SD	22F28SD
4	SHEAVE .....	1	73M45V125	73M45V113	73M45V118
5	BUSHING-SHEAVE .....	1	22F34E	22F34E	22F34E
6	BELT-SET.....	1	13AH7504	13AH7104	13AH7504
7	KEY-SQUARE .....	1	8500116	8500116	8500116
* 8	VALVE-PRESSURE RELIEF.....	1	90AR382	90AR146	90AR171
15	FAN .....	1	201EDE701	201EDE701	201EDE701

\* Not shown

Order by Part Number and Description. Reference Numbers are for your convenience only.

**50 HZ**



**234EDE810-A**  
(Ref. Drawing)

**DRIVE GROUPS, BELTS AND SHEAVES**

Ref. No.	Name of Part	Qty.	Part No. Per Pressure		
			100	125	150
<b>30 KW (40 H.P.) DRIVE GROUP</b>			<b>EDE81833</b>	<b>EDE81834</b>	<b>EDE81835</b>
1	SHEAVE .....	1	73M45V44	73M45V59	73M45V59
2	BUSHING-SHEAVE .....	1	22F28SD	22F28SD	22F28SD
4	SHEAVE .....	1	73M45V113	73M45V132	73M45V118
5	BUSHING-SHEAVE .....	1	22F34E	22F34E	22F34E
6	BELT-SET .....	1	13AH7104	13AH7504	13AH7504
7	KEY-SQUARE .....	1	35L52	35L52	35L52
* 8	VALVE-PRESSURE RELIEF .....	1	90AR381	90AR382	90AR146
15	FAN .....	1	202EDE701	202EDE701	202EDE701

Ref. No.	Name of Part	Qty.	Part No. Per Pressure		
			100	125	150
<b>37 KW (50 H.P.) DRIVE GROUP</b>			<b>EDE81837</b>	<b>EDE81838</b>	<b>EDE81839</b>
1	SHEAVE .....	1	73M45V49	73M45V46	73M45V44
2	BUSHING-SHEAVE .....	1	22F28SD	22F28SD	22F28SD
4	SHEAVE .....	1	73M45V150	73M45V132	73M45V109
5	BUSHING-SHEAVE .....	1	22F34E	22F34E	22F34E
6	BELT-SET .....	1	13AH8004	13AH7504	13AH7104
7	KEY-SQUARE .....	1	35L52	35L52	35L52
* 8	VALVE-PRESSURE RELIEF .....	1	90AR381	90AR382	90AR146
15	FAN .....	1	202EDE701	202EDE701	202EDE701

\* Not shown

**MOTOR GROUP (MAIN DRIVE MOTORS)  
(F2 CONDUIT BOX MOUNTING)**

<b>HZ</b>	<b>Name of Part</b>	<b>30 KW (40 HP) Part No.</b>	<b>37 KW (50 HP) Part No.</b>
-----------	---------------------	-----------------------------------	-----------------------------------

**OPEN DRIP PROOF  
(ODP)**

60	MOTOR, 230V	24AW74F2	24AW75F2
60	MOTOR, 460V	24AW74F2	24AW75F2
50	MOTOR, 380V	24CA4349	24CA4350
50	MOTOR, 415V	24CA4349	24CA4350

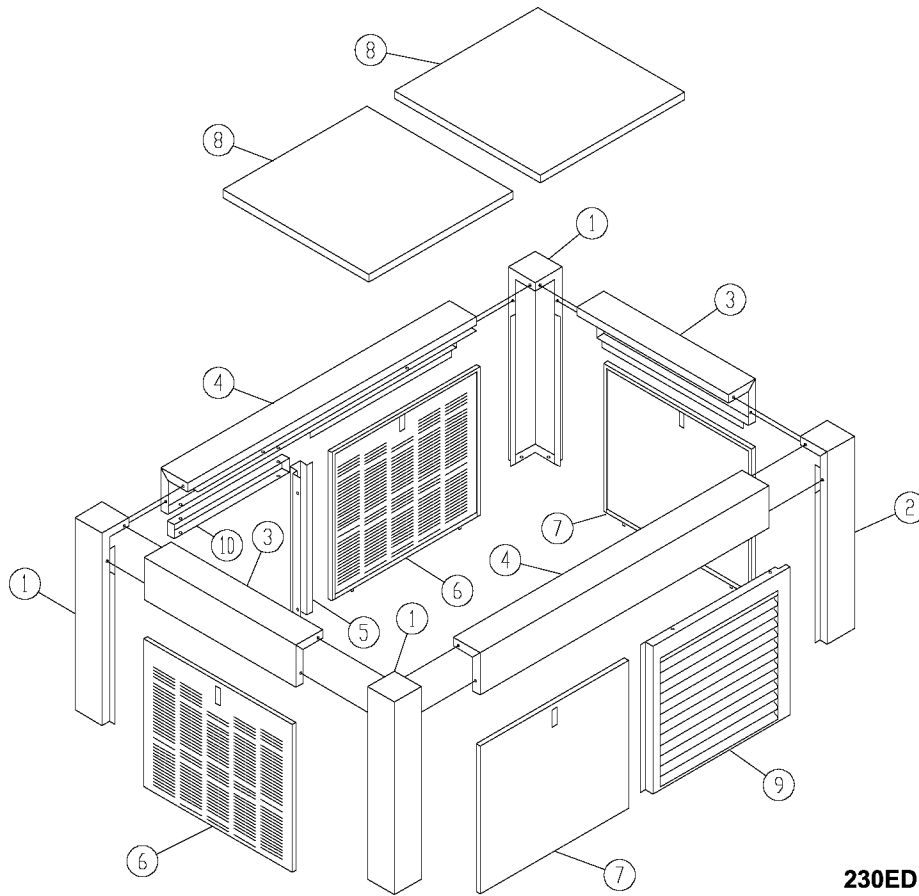
**TOTALLY ENCLOSED FAN COOLED  
(TEFC)**

60	MOTOR, 230V	24CA3840	24CA3841
60	MOTOR, 460V	24CA3840	24CA3841
50	MOTOR, 380V	24CA4361	24CA4362
50	MOTOR, 415V	24CA4361	24CA4362

**MOTOR BASES**

<b>KW (HP)</b>	<b>FRAME NO.</b>	<b>PART NO.</b>
30 (40)	324T	24AZ25
37 (50)	326T	24AZ26

Order by Part Number and Description. Reference Numbers are for your convenience only.



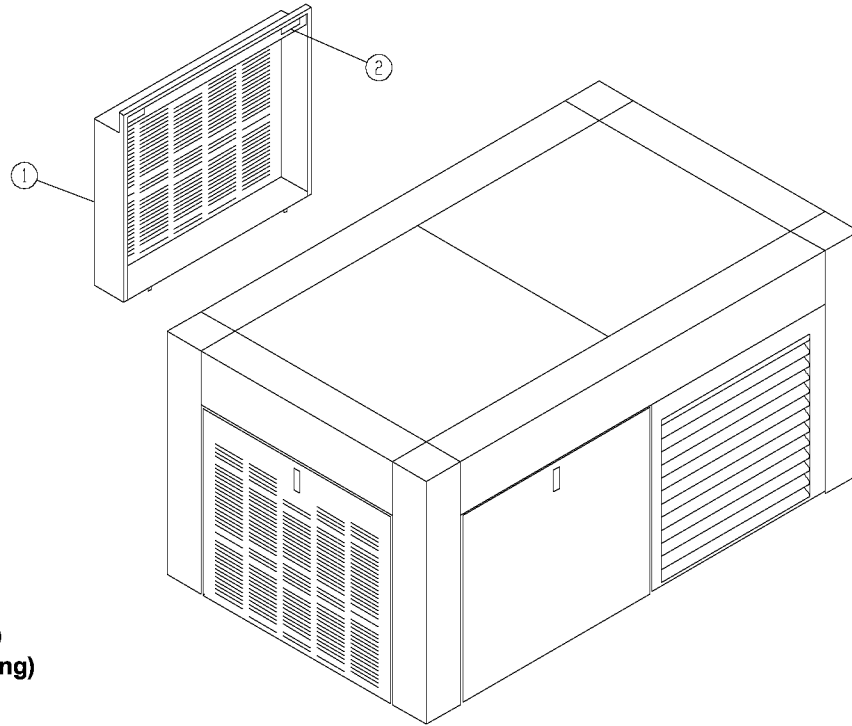
230EDE810-D  
(Ref. Drawing)

**ENCLOSURE – COMMON PARTS**

**B/M: 206EDE4023**

Ref. No.	Name of Part	Qty.	Part No.
1	POST .....	3	200EDE313
2	POST .....	1	206EDE313
3	FRAME .....	2	203EDE314
4	FRAME .....	2	204EDE314
5	BRACKET (FORMED).....	1	201EDE142
6	PANEL .....	2	202EDE216
7	PANEL .....	2	203EDE216
8	PANEL .....	2	204EDE216
9	PANEL .....	1	209EDE216
10	BRACKET (FORMED).....	1	203EDE142

Order by Part Number and Description. Reference Numbers are for your convenience only.



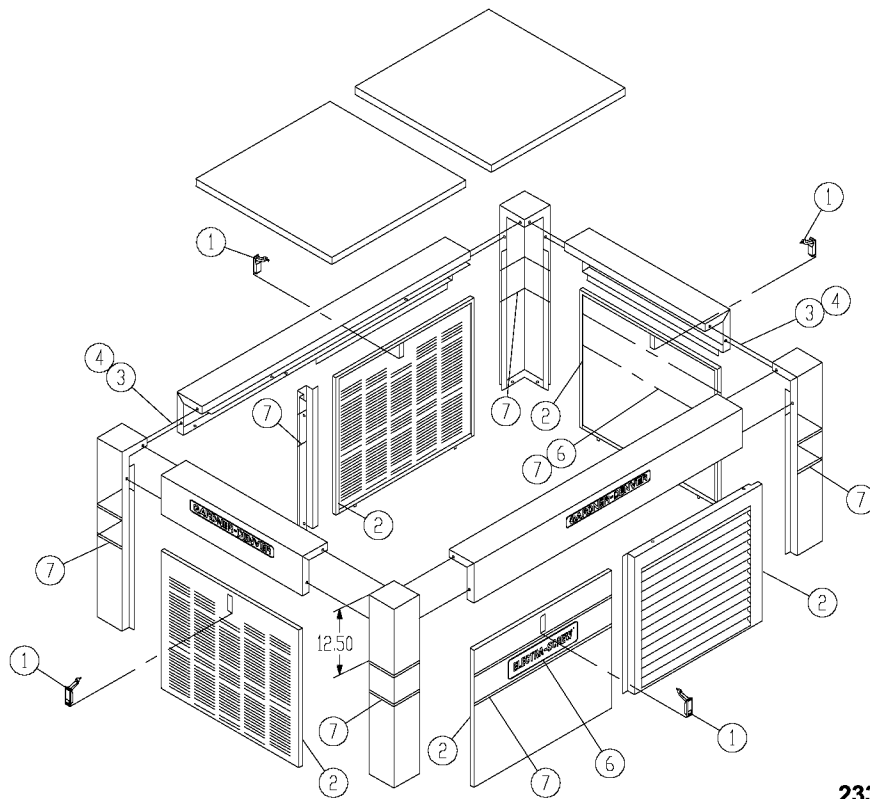
231EDE810  
(Ref. Drawing)

**ENCLOSURE – TEFC MOTOR**

**B/M: 202EDE4023    B/M: 300EDE4023**

<b>Ref. No.</b>	<b>Name of Part</b>	<b>Qty.</b>	<b>Standard Enclosure Part No.</b>	<b>Quiet Enclosure Part No.</b>
1	PANEL .....	1	206EDE216	300EDE216
2	LATCH .....	1	31D51	31D51

Order by Part Number and Description. Reference Numbers are for your convenience only.



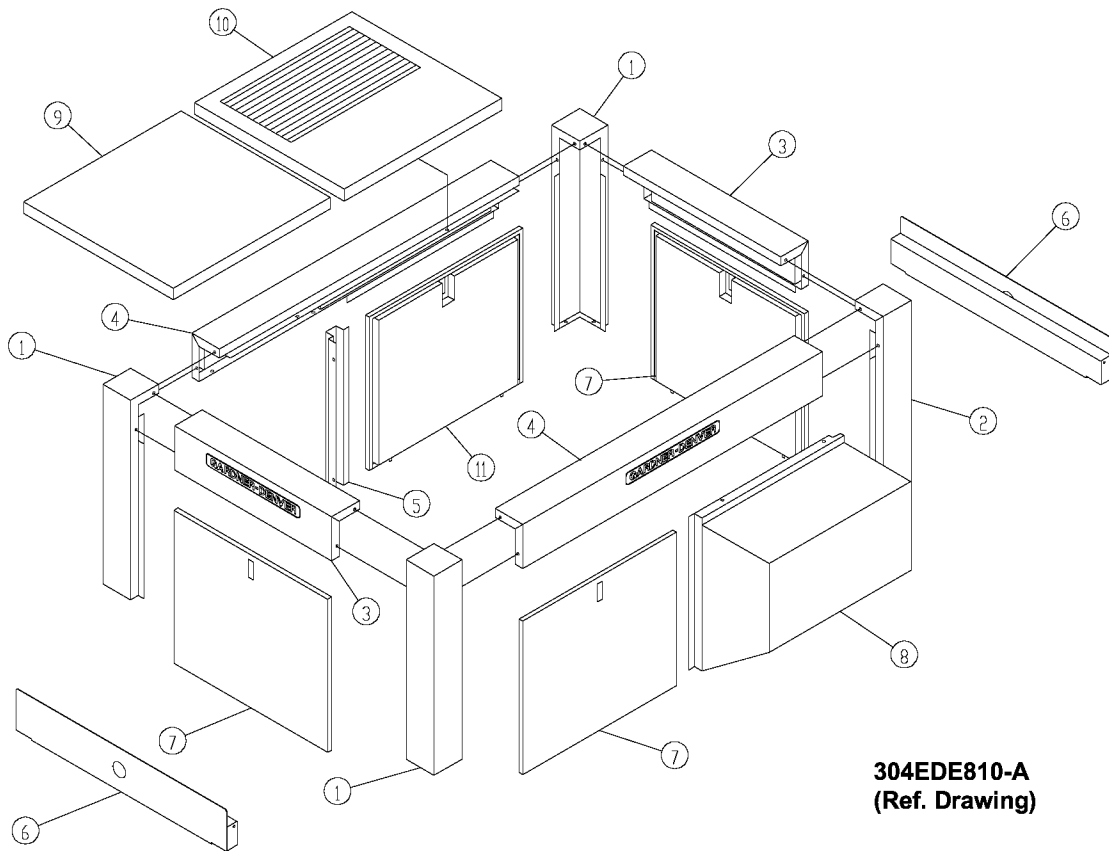
233EDE810-C  
(Ref. Drawing)

**ENCLOSURE – HARDWARE & MOUNTING**

**B/M: 301EDE4017**

Ref. No.	Name of Part	Qty.	Part No.
1	LATCH .....	4	31D51
2	SEAL.....	30	32E12
3	SCREW .....	30	75LM51
4	NUT .....	26	50AW5
6	DECAL.....	2	214ECM077
7	DECAL.....	2	203ESO077

Order by Part Number and Description. Reference Numbers are for your convenience only.



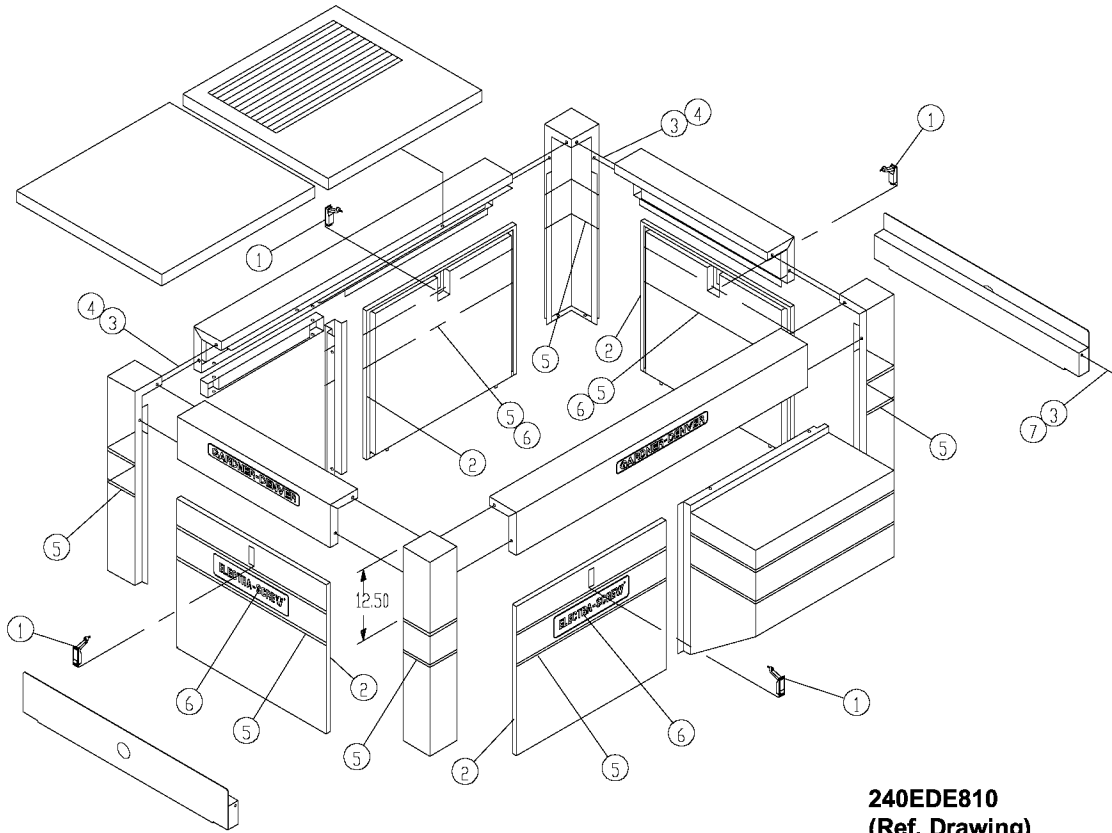
304EDE810-A  
(Ref. Drawing)

**QUIET ENCLOSURE**

B/M: 302EDE4023    B/M: 302EDE4023  
304EDE4023

Ref. No.	Name of Part	Qty.	ODP Part No.	TEFC Part No.
1	POST .....	3	204EDE313	204EDE313
2	POST .....	1	208EDE313	208EDE313
3	FRAME .....	2	206EDE314	206EDE314
4	FRAME .....	2	207EDE314	207EDE314
5	BRACKET-ENCLOSURE .....	1	201EDE142	201EDE142
6	PANEL .....	2	212EDE216	212EDE216
7	PANEL-SIDE.....	3	208EDE216	208EDE216
8	BAFFLE .....	1	206EDE840	206EDE840
9	PANEL-TOP .....	1	210EDE216	210EDE216
10	PANEL-TOP AIR INLET .....	1	211EDE216	211EDE216
11	PANEL .....	1	208EDE216	(See page 21)

Order by Part Number and Description. Reference Numbers are for your convenience only.



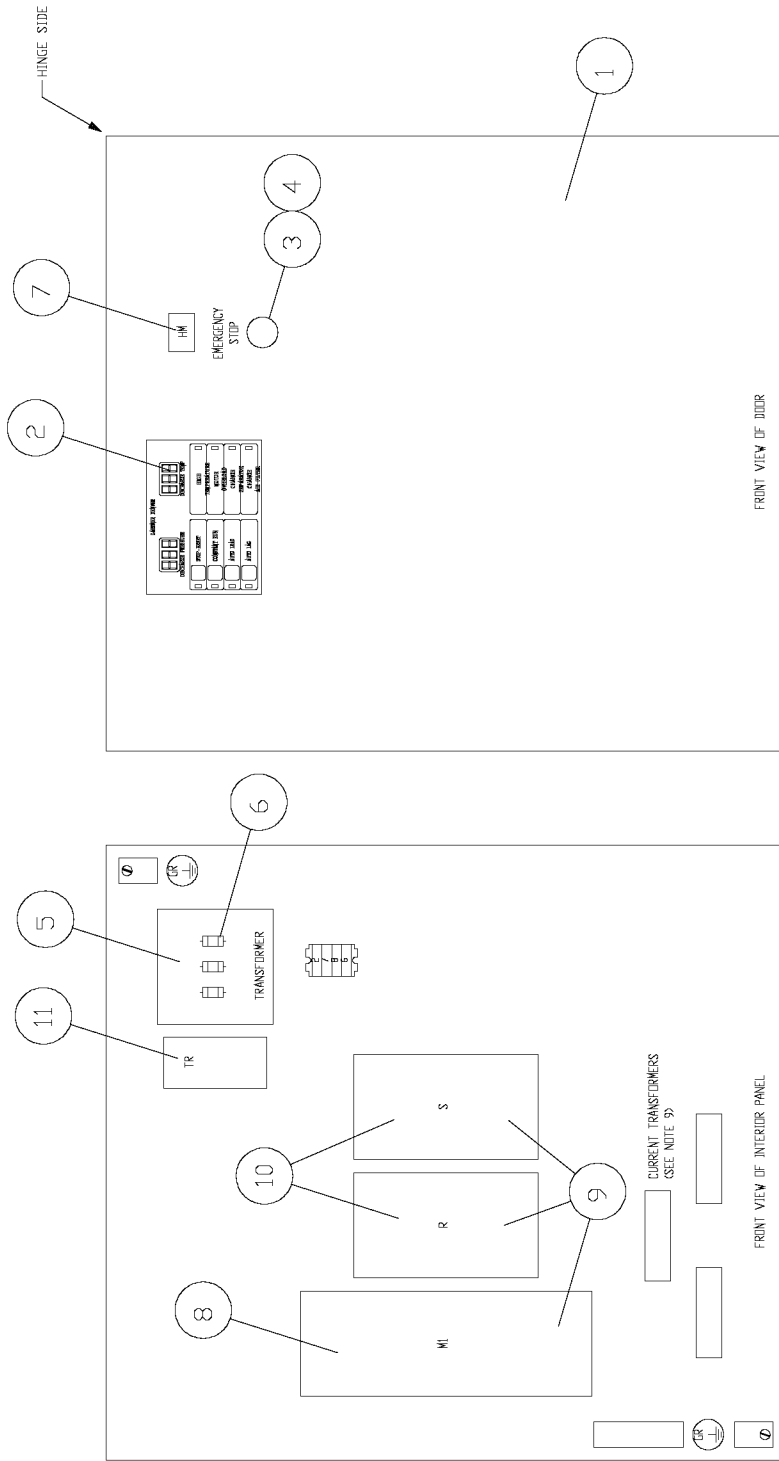
240EDE810  
(Ref. Drawing)

**QUIET ENCLOSURE – HARDWARE**

**B/M: 302EDE4017**

Ref. No.	Name of Part	Qty.	Part No.
1	LATCH .....	4	31D51
2	SEAL .....	30	32E12
3	SCREW .....	34	75LM51
4	NUT .....	26	50AW5
5	DECAL .....	5	203ESO077
6	DECAL .....	4	214ECM077
7	WASHER .....	4	95W19C

# CONTROLLER ASSEMBLY



**270EDE466  
(Ref. Drawing)**

Order by Part Number and Description. Reference Numbers are for your convenience only.

**CONTROLLER ASSEMBLY – FULL VOLTAGE STARTER (WYE-DELTA)  
30 KW - 40 HP UNITS**

	<b>QTY.</b>	<b>230V</b>	<b>460V</b>	<b>380V</b>	<b>415V</b>
* ASSEMBLED PANEL: NEMA 12.....	1	271EDE466	270EDE466	276EDE466	276EDE466
* ASSEMBLED PANEL: NEMA 4.....	1	274EDE466	273EDE466	278EDE466	278EDE466
1 CONTROL BOX.....	1	200EDE179	200EDE179	200EDE179	200EDE179
2 ELECTRONIC CONTROLLER ASSEMBLY .....	1	200EBE2006	200EBE2006	200EBE2006	200EBE2006
3 OPERATOR .....	1	24CA2907	24CA2907	24CA2907	24CA2907
4 CONTACT BLOCK .....	1	24CA2908	24CA2908	24CA2908	24CA2908
5 TRANSFORMER .....	1	2116695	2116695	2116863	2116863
6 FUSE, TRANSFORMER SECONDARY .....	1	24CA3726	24CA3726	24CA3726	24CA3726
7 HOURMETER (60 HZ).....	1	24CA2895	24CA2895		
HOURMETER (50 HZ).....	1			24CA3542	24CA3542
8 STARTER, MAIN MOTOR .....	1	24CA4141	24CA4135	24CA4141	24CA4141
9 COIL-STARTER.....	3	2116395	2116743	2116395	2116395
10 CONTACTOR.....	2	24CA3863	24CA2906	24CA3863	24CA3863
11 RELAY .....	1	24CA3314	24CA3314	24CA3314	24CA3314

Order by Part Number and Description. Reference Numbers are for your convenience only.

**CONTROLLER ASSEMBLY – FULL VOLTAGE STARTER (WYE-DELTA)  
37 KW – 50 H.P. UNITS**

	QTY.	230V	460V	380V	415V
* ASSEMBLED PANEL: NEMA 12.....	1	272EDE466	271EDE466	276EDE466	276EDE466
* ASSEMBLED PANEL: NEMA 4.....	1	275EDE466	274EDE466	278EDE466	278EDE466
1 CONTROL BOX.....	1	200EDE179	200EDE179	200EDE179	200EDE179
2 ELECTRONIC CONTROLLER ASSEMBLY .....	1	200EBE2006	200EBE2006	200EBE2006	200EBE2006
3 OPERATOR .....	1	24CA2907	24CA2907	24CA2907	24CA2907
4 CONTACT BLOCK .....	1	24CA2908	24CA2908	24CA2908	24CA2908
5 TRANSFORMER.....	1	2116695	2116695	2116863	2116863
6 FUSE, TRANSFORMER SECONDARY .....	1	24CA3726	24CA3726	24CA3726	24CA3726
7 HOURMETER (60 HZ).....	1	24CA2895	24CA2895		
7 HOURMETER (50 HZ).....	1			24CA3542	24CA3542
8 STARTER, MAIN MOTOR .....	1	24CA3828	24CA4141	24CA4141	24CA4141
9 COIL-STARTER.....	3	2116396	2116395	2116395	2116395
10 CONTACTOR.....	2		24CA3863	24CA3863	24CA3863
CONTACT KIT.....	2	2116384			
11 RELAY.....	1	24CA3314	24CA3314	24CA3314	24CA3314

**IDENTIFICATION AND INSTRUCTION GROUP**

<b>Name of Part</b>	<b>Qty.</b>	<b>B/M: 201EDE4011 Part No.</b>
DECAL .....	1	314EAQ077
DECAL, DANGER - AIR & OIL UNDER PRESSURE .....	1	212EAQ077
DECAL, WARNING – INSPECT OIL RESERVOIR.....	1	217EAQ077
DECAL, DANGER – DO NOT MODIFY.....	1	218EAQ077
DECAL, WARNING – ROTATING MACHINERY .....	4	211EAQ077
DECAL, CAUTION – DO NOT LIFT .....	1	208EAQ077
DECAL, WARNING – AUTO RESTART .....	1	207EAQ077
DECAL, MADE IN USA .....	1	69F64
DECAL, DANGER .....	1	206EAQ077
DECAL, IDENTIFICATION & INSTRUCTION.....	1	201EJB077
DECAL, PARTS LIST/SERVICE MANUAL #.....	1	204EDE077
DECAL, "GARDNER DENVER" .....	2	213ECM077
DECAL, NOTICE – USE GD PARTS .....	1	214EAQ077
DECAL, AUTO SENTRY-S .....	1	206EJB077
DECAL, OIL FILTER ELEMENT .....	1	212ECM077
DECAL, WARNING.....	1	227EAQ077
DECAL, ROTATION ARROW .....	1	204EBE077
TAG-INSTRUCTION.....	1	201EAQ304
DECAL, QUALITY WITHOUT QUESTION .....	1	251EAQ077
DECAL, OIL FILL INSTRUCTIONS.....	1	240EAQ077

## OVERLOAD RELAY HEATER CONVERSION LISTING

**Refer to Motor Nameplate “Amperage” and Decal in Control Panel for Selection of Overload Relay Heater Packs**

<b>CUTLER-HAMMER PART NUMBER</b>	<b>GARDNER DENVER PART NUMBER</b>
H2002B	24CA4101
H2003B	24CA4102
H2004B	24CA4103
H2005B	24CA4104
H2006B	24CA4105
H2007B	24CA4106
H2008B	24CA4107
H2009B	24CA4108
H2010B	24CA4109
H2011B	24CA4110
H2012B	24CA4111
H2013B	24CA4112
H2014B	24CA4113
H2015B	24CA4114
H2016B	24CA4115
H2017B	24CA4116
H2018	24CA2924
H2019	24CA2925
H2020	24CA2926
H2021	24CA2927
H2022	24CA2893
H2023	24CA2894
H2024	24CA2928

## REPAIR KITS

Your Gardner Denver rotary screw compressor is designed and manufactured for many years of reliable operation. All components are engineered to exacting specifications, which will function together as a system to provide maximum efficiency. To insure the continuing integrity of compressor operation, use only original quality genuine Gardner Denver replacement parts and accessories.

Name of Part	Qty.	Part No.
ROUTINE MAINTENANCE KIT (Heavy Duty Air Filter) .....		201ECH6013
ELEMENT, AIR FILTER.....	2	2116701
ELEMENT, OIL FILTER.....	3	2116110
PERIODIC MAINTENANCE KIT (Inlet Valve).....		302EBE6013
O-RING .....	1	25BC440
SPRING.....	1	78H22
SPRING.....	1	78W59
O-RING .....	1	25AM15
RING-RETAINING .....	1	74D87
GASKET (ELIMINATOR) .....	1	25BC222
PERIODIC OVERHAUL KIT .....		300SSE6013
GASKET KIT .....	1	301SSE6013
OIL SEAL KIT .....	1	302SSH6013
BEARING-ROLLER .....	1	12BA130
BEARING-ROLLER .....	1	12BA129
BEARING-ROLLER .....	1	12BA127
BEARING-ROLLER .....	1	12BA195
SPRING.....	1	78W95
GASKET KIT .....		301SSE6013
PERIODIC MAINTENANCE KIT .....	1	302EBE6013
SHIM SET .....	1	77H54
SHIM SET .....	1	77C58
GASKET ELIMINATOR.....	1	25BC222
OIL SEAL KIT .....		302SSH6013
SLEEVE .....	1	80M12
OIL SEAL .....	1	60DD679
OIL SEAL .....	1	60DD690
O-RING .....	1	8502140
O-RING .....	1	25BC165
GASKET (ELIMINATOR) .....	1	25BC222
VALVE-CHECK .....	1	90AR923

Name of Part	Qty.	Part No.
WEAR SLEEVE INSTALLATION/REMOVAL KIT .....	1	SSE81282
WEAR SLEEVE PULLER.....	1	300SSE219
PLATE PULLER .....	1	300SSE340
SCREW .....	1	655EE030
SCREW .....	1	655ED120
SCREW .....	2	75D176
GUIDE .....	1	300SSE450
TOOL .....	1	200SSH074
SEPARATOR KIT .....		200ECH6013
SEPARATOR-AIR/OIL .....	1	200ECH035
GASKET ELIMINATOR.....	1	25BC632
LUBRICANT .....	1	2116755
PNEUMATIC CONTROL KIT .....	1	EJB81375
VALVE-SUBTRACTIVE PILOT .....	1	2009398
VALVE-SHUTTLE.....	1	90AR1034
ELECTRICAL CONTROL KIT .....	1	EJB81373
THERMISTOR PROBE .....	2	21D264
VALVE-SOLENOID.....	1	91B77
SWITCH-VACUUM .....	1	88H195
TRANSDUCER.....	2	88H242
LUBRICANT (AEON 4000 – STANDARD)) .....		
5-GALLON PAIL .....	1	28H57
55-GALLON DRUM .....	1	28H36
LUBRICANT (AEON 9000SP – OPTIONAL) .....		
5-GALLON PAIL .....	1	28H109
55-GALLON DRUM .....	1	28H110
TOUCH-UP PAINT (White) .....		
5-GALLON.....	1	28H76
1-GALLON.....	1	28H84
1-QUART CAN .....	1	28H83

# **Gardner Denver**

Specifications subject to change without notice.

Copyright © 1999 Gardner Denver, Inc.

Litho in U.S.A.

<http://www.gardnerdenver.com>

[mktg@gardnerdenver.com](mailto:mktg@gardnerdenver.com)

For additional information contact your local representative or



Gardner Denver Compressor and Pump Division,  
1800 Gardner Expressway, Quincy, Illinois 62301  
Customer Service Department Telephone:  
(800) 682-9868 FAX: (217) 224-7814

Sales and Service in all major cities.

For parts information, contact Gardner Denver,  
Master Distribution Center, Memphis, TN  
Telephone: (800) 245-4946 FAX: (901) 542-6159