



13-17-502
Version: 14
May 7, 2018

**VARIABLE SPEED
TWO-STAGE
STATIONARY BASE-MOUNTED
COMPRESSOR**

AirSmart™ CONTROLLER

MODELS

VST225B-VST260B

225-260 kW

60 HZ

PARTS LIST

**MAINTAIN COMPRESSOR RELIABILITY AND PERFORMANCE WITH
GENUINE GARDNER DENVER® COMPRESSOR PARTS AND SUPPORT SERVICES**

Gardner Denver® Compressor genuine parts, manufactured to design tolerances, are developed for optimum dependability . specifically for Gardner Denver compressor systems. Design and material innovations are the result of years of experience with hundreds of different compressor applications. Reliability in materials and quality assurance is incorporated in our genuine replacement parts.

Your authorized Gardner Denver Compressor distributor offers all the backup you need. An AirSmart network of authorized distributors provides the finest product support in the air compressor industry.

Your authorized distributor can support your Gardner Denver air compressor with these services:

1. Trained parts specialists to assist you in selecting the correct replacement parts.
2. Factory warranted new and remanufactured rotary screw airends. Most popular model remanufactured airends are maintained in stock at the factory for purchase on an exchange basis with liberal core credit available for the replacement unit.
3. A full line of factory tested AEONi compressor lubricants specifically formulated for use in Gardner Denver compressors.
4. Repair and maintenance kits designed with the necessary parts to simplify servicing your compressor.

Authorized distributor service technicians are factory trained and skilled in compressor maintenance and repair. They are ready to respond and assist you by providing fast, expert maintenance and repair services.

To Contact Gardner Denver or locate your local distributor:

visit: www.contactgd.com/compressors

or

call: (217)222-5400

INSTRUCTIONS FOR ORDERING REPAIR PARTS

When ordering parts, specify Compressor MODEL, Method of Cooling, POWER and SERIAL NUMBER (see nameplate on unit). The Airend Serial Number is also stamped on top of the discharge bearing carrier castings.

All orders for Parts should be placed with the nearest authorized distributor.

Where NOT specified, quantity of parts required per compressor or unit is one (1); where more than one is required per unit, quantity is indicated in parenthesis. SPECIFY EXACTLY THE NUMBER OF PARTS REQUIRED.

DO NOT ORDER BY SETS OR GROUPS.

To determine the Right-Hand and Left-Hand side of a compressor, stand at the motor end and look toward the compressor. Right-Hand and Left- Hand are indicated in parenthesis following the part name, i.e. (RH) and (LH), when appropriate.

TOTAL PRODUCT SUPPORT – GARDNER DENVER’S CONTINUING COMMITMENT TO YOUR AIR COMPRESSOR PERFORMANCE

Commitment to total product support continues long after the purchase of your quality Gardner Denver rotary screw compressor.

Gardner Denver original parts incorporate years of experience and improvements in design, materials and quality assurance. Maintaining your compressor investment with Gardner Denver parts will insure protection for the air compressor unit and long, dependable service life.

Your authorized Gardner Denver compressor distributor maintains a complete stock of all common maintenance parts, factory approved AEON lubricants, and Gardner Denver factory warranted exchange airends. In addition, authorized distributor technicians are factory trained, and can provide complete diagnostic, compressor maintenance and repair services.

This manual is designed to assist you in maintaining high performance and receiving many years of dependable service you expect from your Gardner Denver compressor.

REMANUFACTURED AIRENDS

Whenever an airend requires replacement or repair, Gardner Denver offers an industry unique, factory remanufactured airend exchange program. From its modern factory, Gardner Denver is committed to supplying you with the highest quality, factory remanufactured airends that are guaranteed to save you time, and money.

Immediately Available

Repair downtime costs you money, which is why the most popular models are in inventory at all times.

Skilled Craftsmen

Our Remanufacturing assembly technicians average over 20 years experience with air compression products.

Precision Remanufacturing

All potentially usable parts are thoroughly cleaned, inspected and analyzed. Only those parts that can be brought back to original factory specifications are remanufactured. Every remanufactured airend receives a new overhaul kit: bearings, gears, seals, sleeves and gaskets.

Extensive Testing

Gardner Denver performs testing that repair houses just don't do. Magnaflux and ultrasonic inspection spot cracked or stressed castings, monochromatic light analysis exposes oil leaks, and coordinate measurement machine inspects to +/- .0001+, insuring that all remanufactured airends meet factory performance specifications.

Warranty

Gardner Denver backs up every remanufactured airend with a warranty of 27 months from purchase.

Gardner Denver remanufactured airends deliver *quality without question...year in and year out.*

Call Gardner Denver for information on the airend exchange program and the name of your authorized distributor.

Phone Number: (800) 682-9868 or
Fax: (217) 224-7814

TABLE OF CONTENTS

Maintain Compressor Reliability And Performance With Genuine Gardner Denver Compressor Parts And Support Services	1
Instructions For Ordering Repair Parts	1
Total Product Support . Gardner Denver's Continuing Commitment To Your Air Compressor Performance.....	2
Remanufactured Airends	2
Airend Selection And Repair Kits	4
Seal And Wear Sleeve Sealant Application	5
Airend . SBW 1 st Stage (Plugs)	6
Airend . SBW (Main Assembly) 1 st Stage	7, 8
Airend . SBN (Main Assembly) 2 nd Stage	9, 10
Airend . SBN 2 nd Stage (Plugs)	11
InterStage Manifold Assembly	12
Base, Airends And Motors	13, 14
Separator / Reservoir Assembly.....	15, 16
Fan Cooler Assembly (Air Cooled).....	17, 18
Coolers & Oil Piping	19, 20
Electrical Group . Air Cooled.....	21
Minimum Pressure/Check Valve	22
Cooling Group . Water Cooled . Standard	23, 24
Cooling Group . Water Cooled . Seacoast.....	25, 26
Water Temperature Regulating Valve Option	27, 28
Oil Filter Assembly.....	29
Oil Filter Element Assembly.....	30
Moisture Separator	31
Air Inlet Filter	32
Oil Distribution Lines.....	33, 34
Control Lines	35, 36
Temperature & Pressure Controls.....	37, 38
Enclosure	39, 40
Control Box Support Assembly	41, 42
Vent Fans.....	43
Control Box . Air -Cooled	44
Control Box Layout . Water Cooled . 460 Volt	45
Control Box Layout . Without EMC Filter	46
Control Box Layout . With EMC Filter.....	47 thru 50
Decals	51
Decal Layout	52 thru 54
Decals . Air Cooled.....	55, 56
Main Motor Conduit	57, 58
Electrical Grounding Kit	59
Repair Kits.....	60, 61

For Operating and Service Instructions, see:

SERVICE MANUAL	13-17-609
CONTROLLER MANUAL	13-17-600
COMMUNICATIONS MODULE	13-17-604

AIREND SELECTION AND REPAIR KITS

Model	KW	PSI	Airend 1st Stage	Reman Airend 1st Stage	Airend 2nd Stage	Reman Airend 2nd Stage	Drive Shaft Seal Kit
VST225-260A	225, 260	100-175	SBWFNAAE00S	SBWFNAAE00X	SBNSNAAE00S	SBNSNAAE00X	300SBW6029 300SBN6029

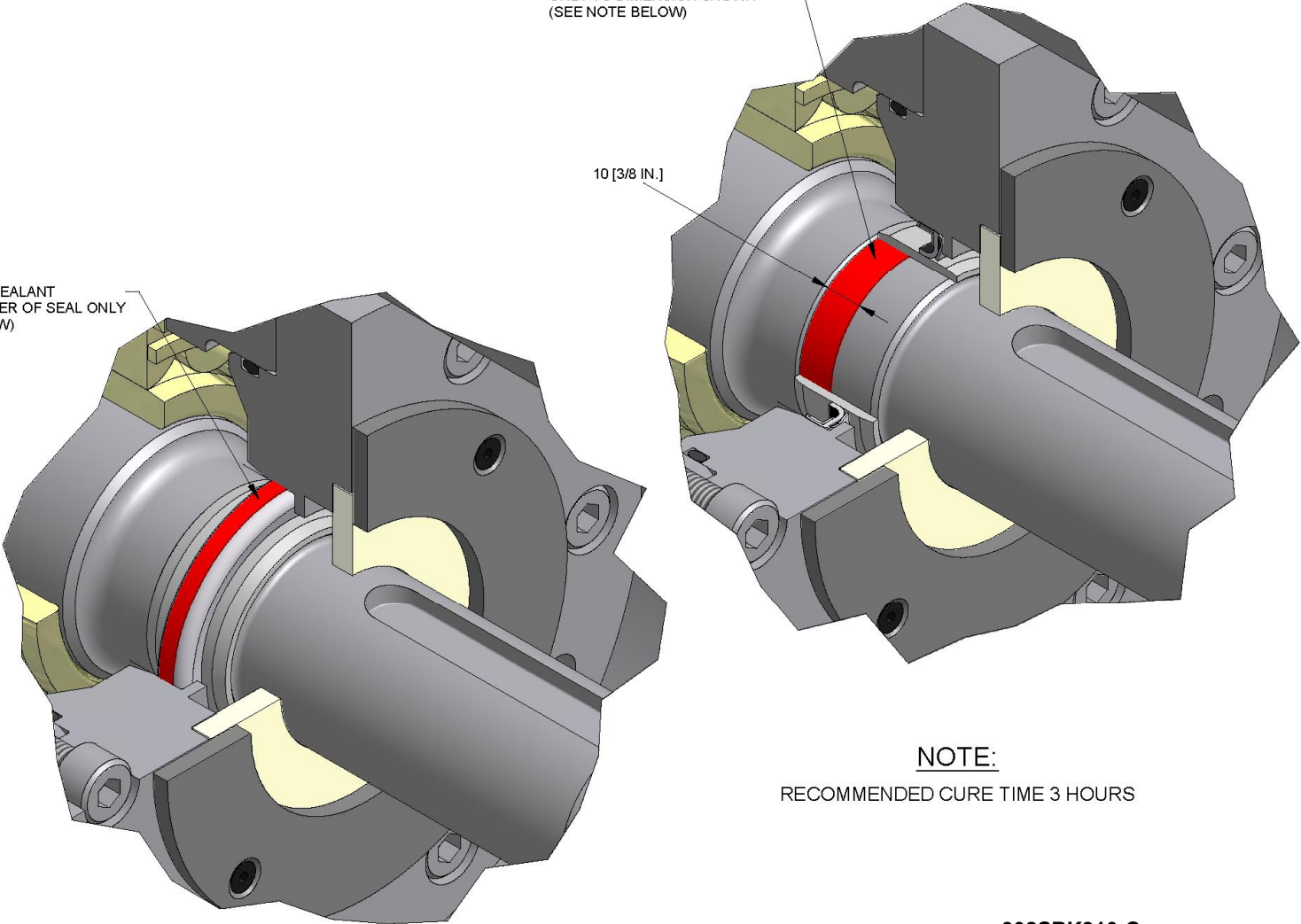
For listing of Repair Parts included in Kit numbers above, see Repair Kit Section, page 61.

SEAL AND WEAR SLEEVE SEALANT APPLICATION

APPLY 25BC632 SEALANT
TO SHAFT UNDER WEAR SLEEVE
ONLY TO DIMENSION SHOWN
(SEE NOTE BELOW)

10 [3/8 IN.]

APPLY 25BC632 SEALANT
OUTSIDE DIAMETER OF SEAL ONLY
(SEE NOTE BELOW)

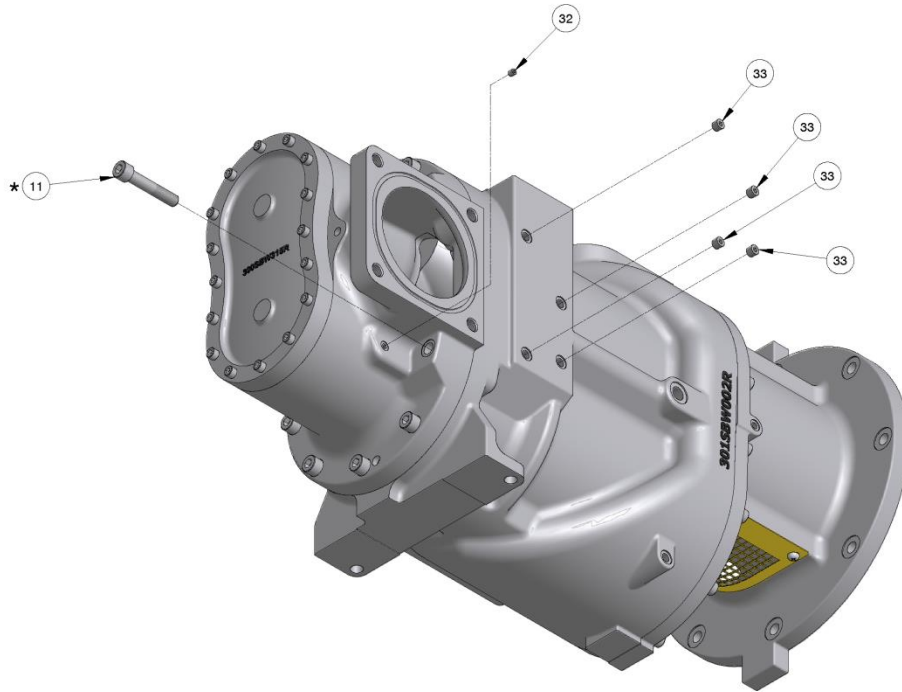


NOTE:

RECOMMENDED CURE TIME 3 HOURS

**302SBK810-C
(Ref. Drawing)**

Order by Part Number and Description. Reference Numbers are for your convenience only.

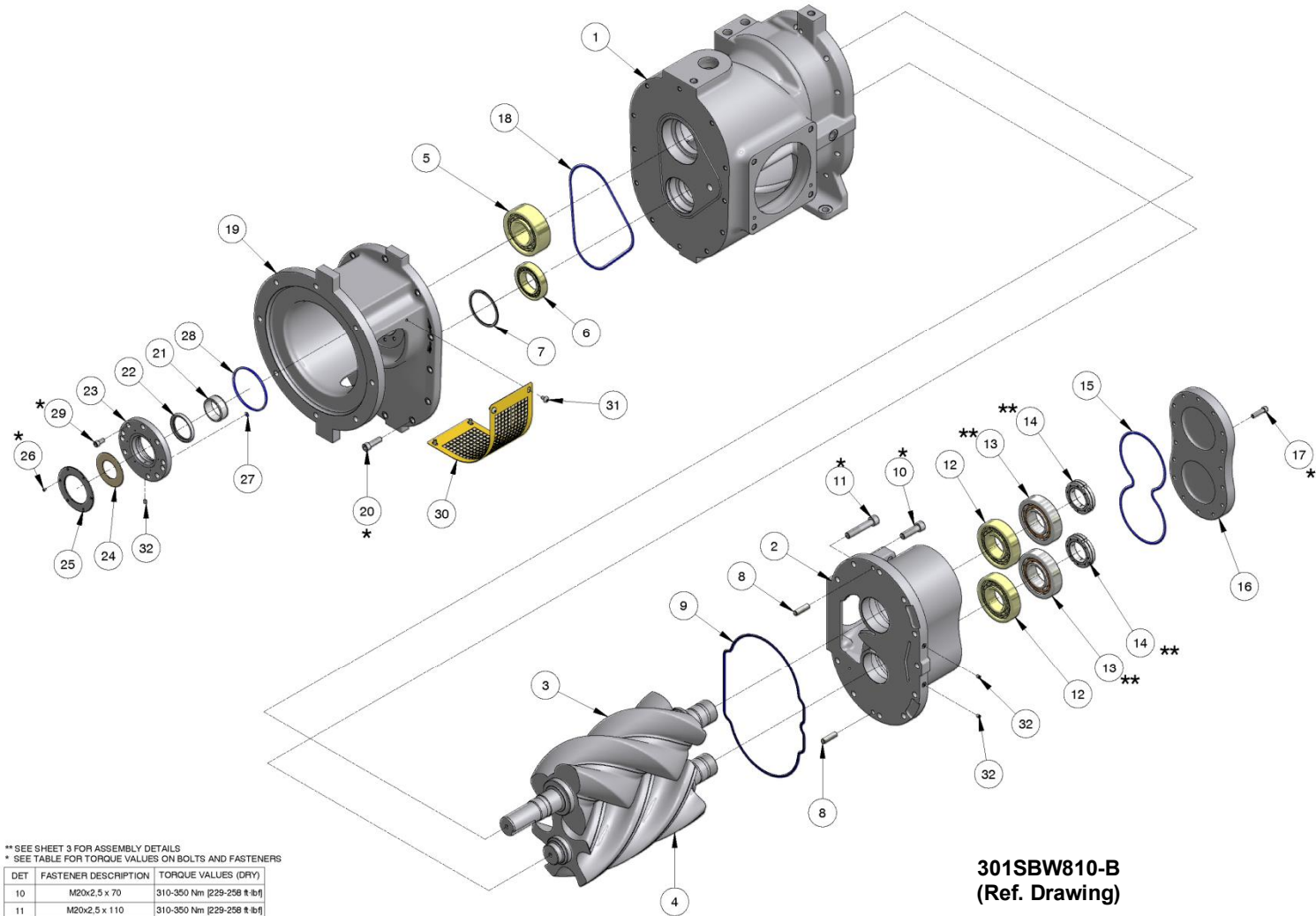


301SBW810-A
(Ref. Drawing)

**AIREND – SBW 1st STAGE
(PLUGS)**

Ref. No.	Name of Part	B/M Qty.	SBWFNAAE00S Part No.
11	SCREW.....	1	665SMCA201100
32	PLUG.....	1	64AA55
33	PLUG.....	4	64AA56

**AIREND – SBW
(MAIN ASSEMBLY)
1st STAGE**



** SEE SHEET 3 FOR ASSEMBLY DETAILS
* SEE TABLE FOR TORQUE VALUES ON BOLTS AND FASTENERS

DET	FASTENER DESCRIPTION	TORQUE VALUES (DRY)
10	M20x2,5 x 70	310-350 Nm [229-258 ft lbf]
11	M20x2,5 x 110	310-350 Nm [229-258 ft lbf]
17	M12x1,75 x 50	66-74 Nm [49-55 ft lbf]
20	M16x2 x 55	160-180 Nm [118-133 ft lbf]
26	M4x0,7 x 10	2,1-2,5 Nm [18-22 in lbf]
29	M12x1,75 x 25	66-74 Nm [49-55 ft lbf]

**301SBW810-B
(Ref. Drawing)**

Order by Part Number and Description. Reference Numbers are for your convenience only.

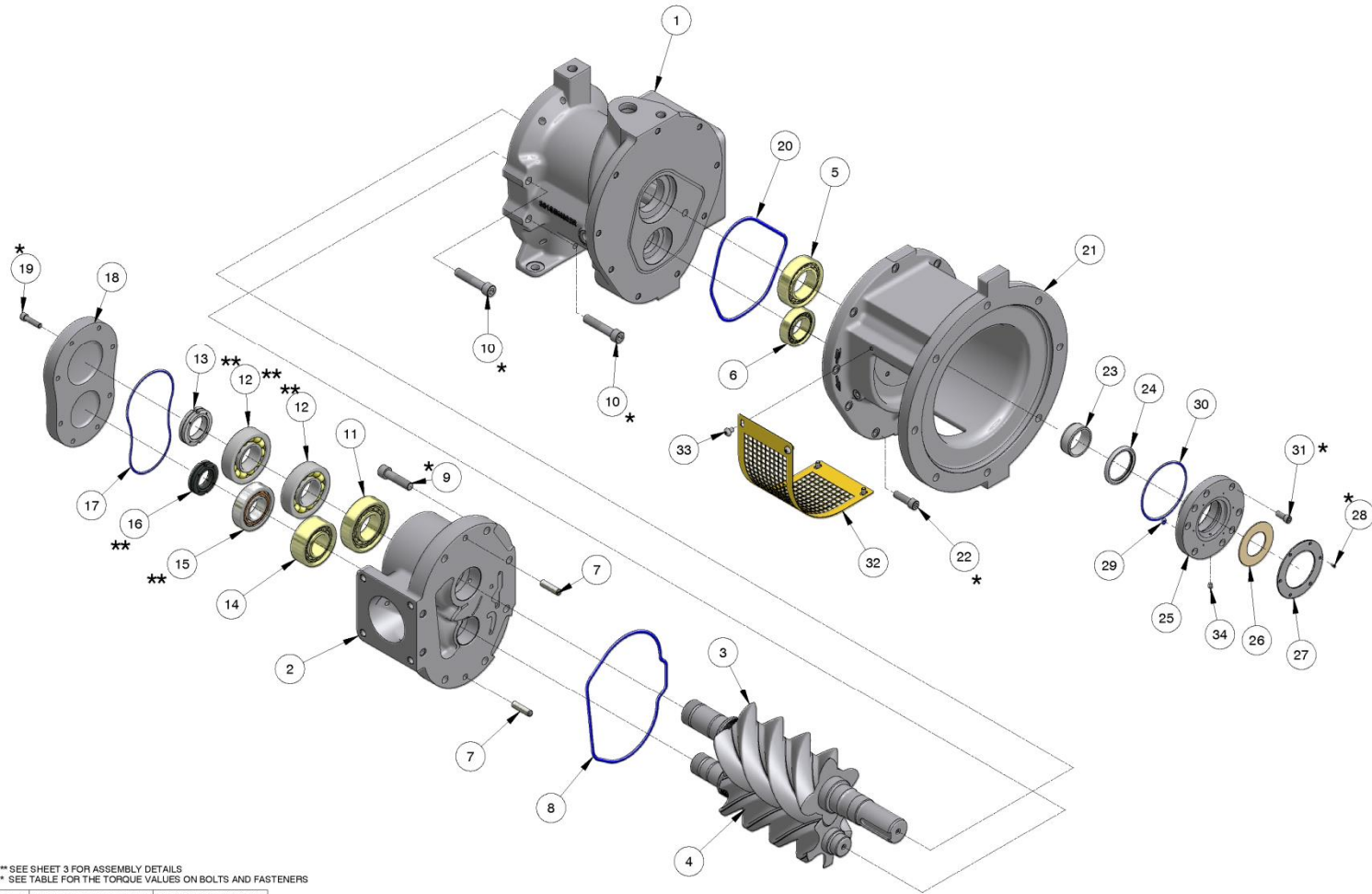
**AIREND – SBW
(MAIN ASSEMBLY)
1st STAGE**

B/M: SBWFNAAE00S

Ref. No.	Name of Part	Qty.	Part No.	Ref. No.	Name of Part	Qty.	Part No.
1	AIR CYLINDER.....	1		18	O-RING.....	1	25BC702
2	BEARING HOUSING	1		19	ADAPTOR.....	1	
3	ROTOR	1		20	SCREW	12	
4	ROTOR	1		* 21	WEAR SLEEVE	1	89548209
5	ROLLER BEARING	1	12BA241	* 22	OIL SEAL.....	1	89556349
6	ROLLER BEARING	1	12BA242	23	SEAL HOUSING	1	
7	RETAINING RING	1		* 24	SEAL	1	300SBN316
8	PIN	2		25	RETAINER.....	1	
9	O-RING	1	25BC881	26	SCREW	6	
10	SCREW	9		* 27	O-RING	1	25BC844
11	SCREW	2		* 28	O-RING	1	25BC878
12	ROLLER BEARING	2	12BA240	29	SCREW	8	
13	ROLLER BEARING	2	12BA237	30	COUPLING GUARD.....	1	
14	NUT.....	2		31	SCREW	4	
15	O-RING	1	25BC880	32	PLUG	3	
16	PLATE.....	1		34	SEALANT (not shown)	1	
17	SCREW.....	16		35	GASKET (not shown)	1	25BC669

* Parts Included In Drive Shaft Seal Kit Part Number 300SBW6029. Refer To Page 61.

**AIREND – SBN
(MAIN ASSEMBLY)
2nd STAGE**



** SEE SHEET 3 FOR ASSEMBLY DETAILS
* SEE TABLE FOR THE TORQUE VALUES ON BOLTS AND FASTENERS

DET	FASTENER DESCRIPTION	TORQUE VALUES (DRY)
9	M20x2.5 x 80	310-350 Nm [229-258 ft-lbf]
10	M20x2.5 x 100	310-350 Nm [229-258 ft-lbf]
19	M12x1.75 x 50	66-74 Nm [49-55 ft-lbf]
22	M16x2 x 55	160-180 Nm [118-133 ft-lbf]
28	M4x0.7 x 10	2.1-2.5 Nm [18-22 in-lbf]
31	M12x1.75 x 30	66-74 Nm [49-55 ft-lbf]

**301SBN810-B
(Ref. Drawing)**

Order by Part Number and Description. Reference Numbers are for your convenience only.

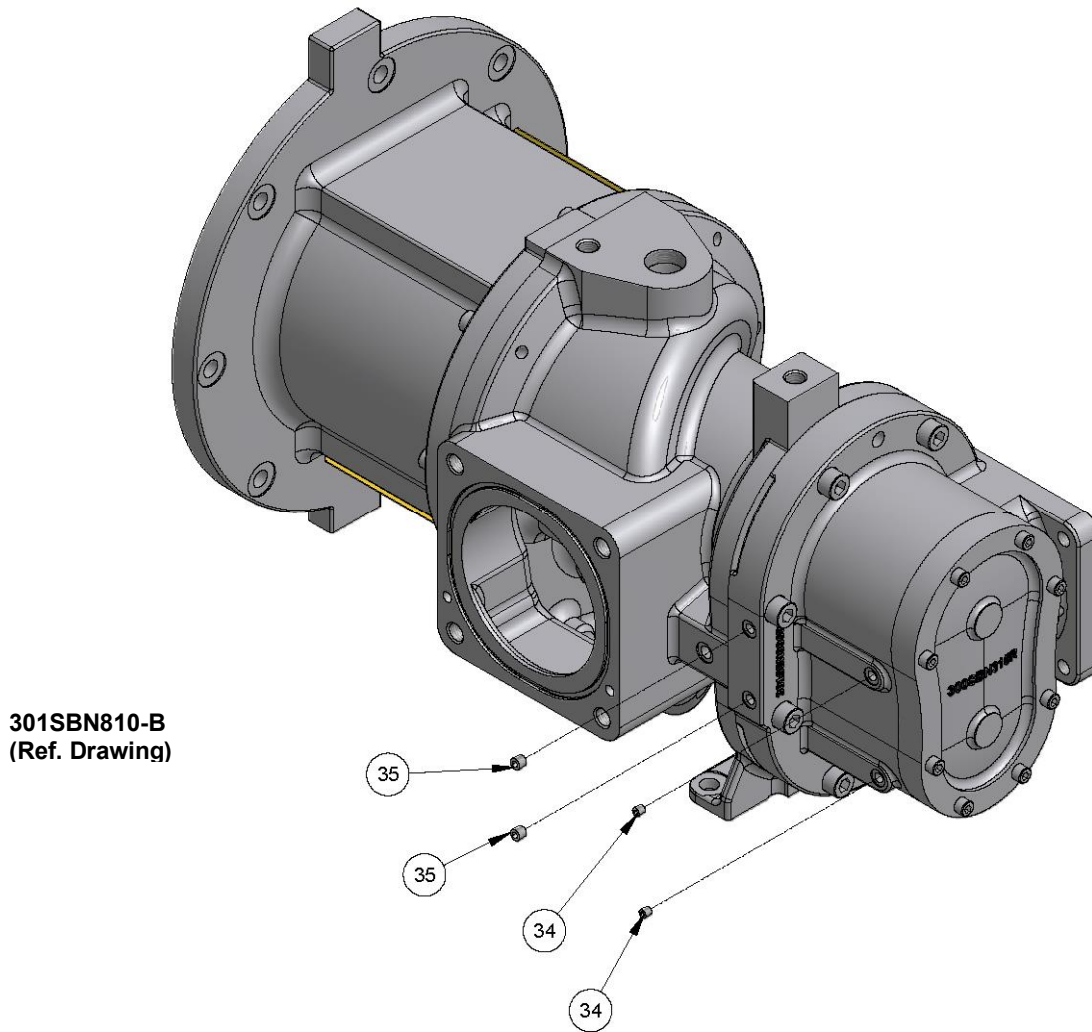
**AIREND – SBN
(MAIN ASSEMBLY)
2nd STAGE**

B/M: SBNSNAAE00S

Ref. No.	Name of Part	Qty.	Part No.	Ref. No.	Name of Part	Qty.	Part No.
1	AIR CYLINDER.....	1		20	O-RING.....	1	25BC879
2	BEARING HOUSING	1		21	ADAPTOR	1	
3	ROTOR.....	1		22	SCREW	9	
4	ROTOR.....	1		* 23	WEAR SLEEVE	1	89548209
5	ROLLER BEARING.....	1	12BA245	* 24	OIL SEAL.....	1	89556349
6	ROLLER BEARING.....	1	12BA221	25	SEAL HOUSING.....	1	
7	PIN	2		* 26	SEAL	1	300SBN316
8	O-RING.....	1	25BC702	27	RETAINER	1	
9	SCREW	6		28	SCREW	6	
10	SCREW	2		* 29	O-RING.....	1	25BC844
11	ROLLER BEARING.....	1	12BA222	* 30	O-RING.....	1	25BC431
12	BALL BEARING	2	12BA250	31	SCREW	6	
13	NUT	1		32	COUPLING GUARD	1	
14	ROLLER BEARING.....	1	12BA244	33	SCREW	4	
15	BALL BEARING	1	12BA239	34	PLUG.....	1	
16	NUT	1		36	SEALANT (not shown)	1	25BC848
17	O-RING.....	1	25BC423	37	SEALANT (not shown)	1	25BC669
18	PLATE	1					
19	SCREW	8					

* Parts Included In Drive Shaft Seal Kit Part Number 300SBN6029. Refer To Page 61.

Order by Part Number and Description. Reference Numbers are for your convenience only.



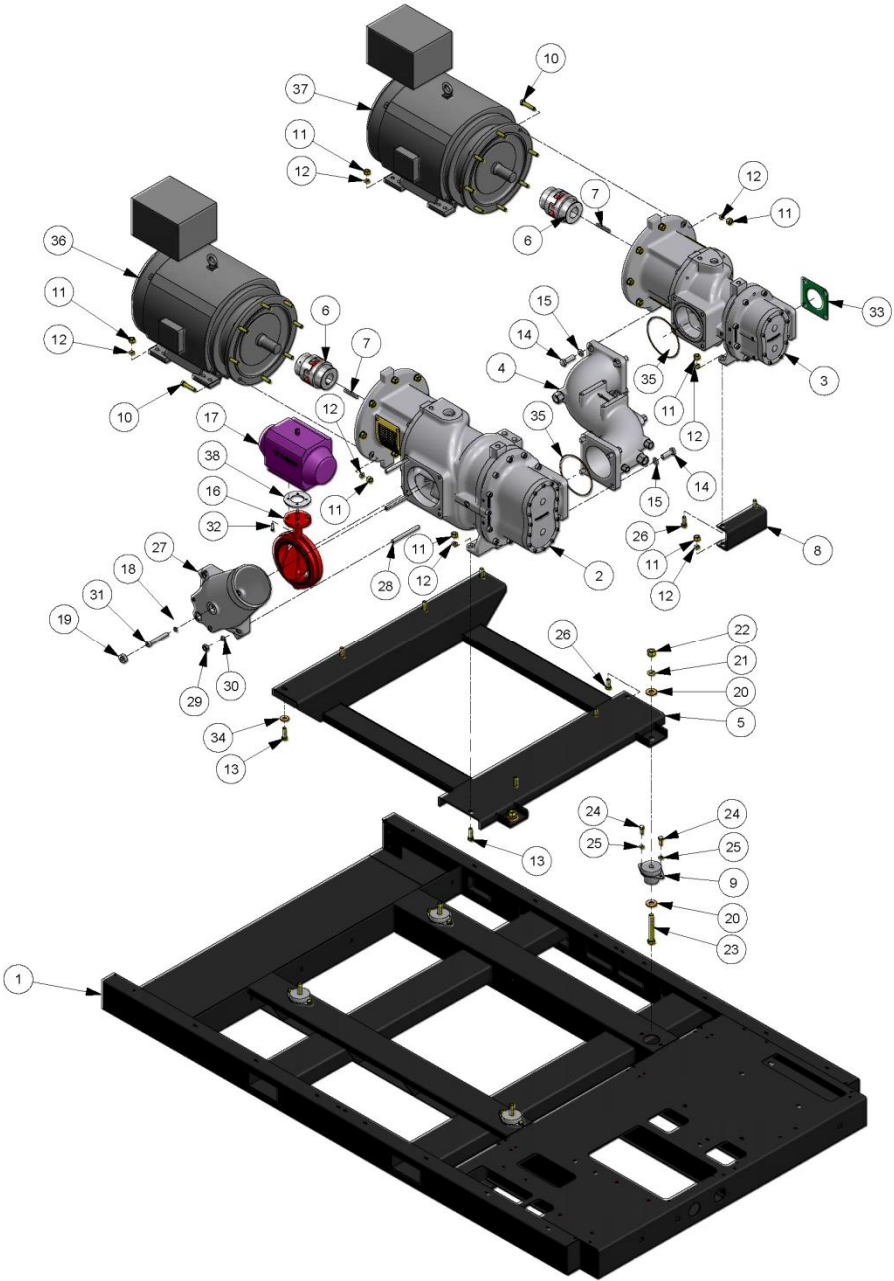
301SBN810-B
(Ref. Drawing)

**AIREND – SBN 2nd STAGE
(PLUGS)**

B/M: SBNSNAAE00S

Ref. No.	Name of Part	Qty.	Part No.
34	PLUG	2	64AA55
35	PLUG	2	64AA50

BASE, AIRENDS AND MOTORS



**302ETW810-B
(Ref. Drawing)**

Order by Part Number and Description. Reference Numbers are for your convenience only.

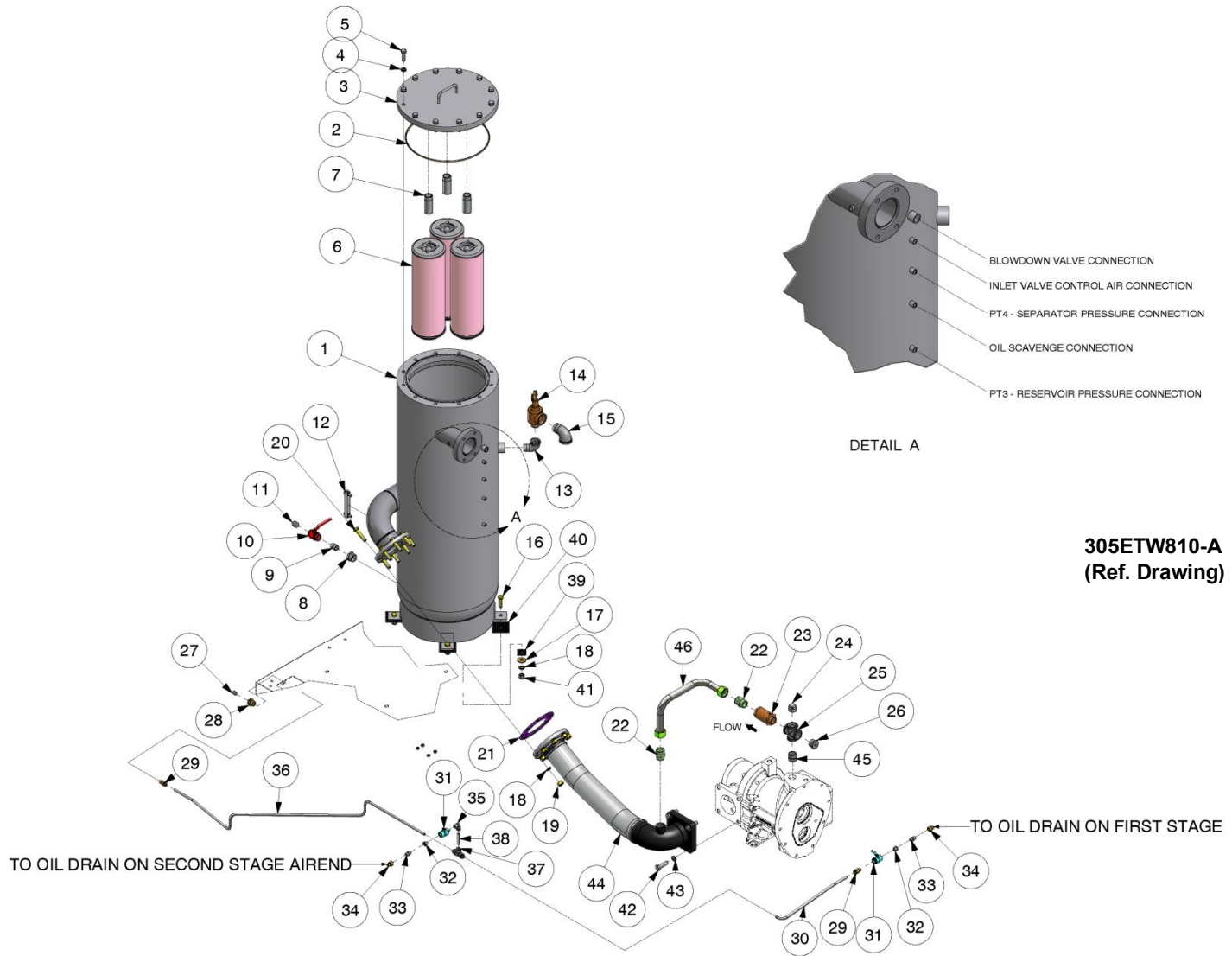
BASE, AIRENDS AND MOTORS

B/M: 300ETW4001;
301 & 302ETW4015

Ref. No.	Name of Part	Qty.	Part No.	Ref. No.	Name of Part	Qty.	Part No.
1	BASE.....	1	CC1030901	21	WASHER.....	4	95B10Z
2	BARE SCREW MODEL (See pages 6-8)	1	SBWFNAAE00S	22	NUT	4	50B10Z
3	BARE SCREW MODEL (See pages 9-11)	1	SBNSNAAE00S	23	SCREW	4	655EH28Z
4	INTERSTAGE MANIFOLD (See page 12)	1	300ETW4013	24	SCREW	8	655EF06Z
5	BASE.....	1	CC1022525	25	WASHER.....	8	95B7Z
6	COUPLING GROUP	2	CC1027021	26	SCREW	4	655EG08Z
	COUPLING HUB.....	1	VP1018039	27	INLET MANIFOLD	1	CC1024505
	COUPLING HUB, MOTOR SIDE.....	1	VP1018041	28	STUD.....	3	79L226
	SPIDER.....	1	VP1018042	29	NUT	3	668HMCA20Z
7	KEY.....	2	35L96	30	WASHER.....	3	671HLHR20Z
8	SUPPORT	1	CC1022526	31	SCREW	1	665SMCA20140Z
9	VIBRATION ISOLATOR.....	4	49C55	32	SCREW	4	75LM78
10	SCREW.....	16	655EG14Z	33	GASKET	1	25BC864
11	NUT.....	26	50B8Z	34	WASHER.....	4	95A8Z
12	WASHER.....	26	95B8Z	35	O-RING.....	2	25BC836
13	SCREW.....	6	655EG10Z	* 36	MOTOR		
14	SCREW.....	8	665HMCA24075Z		VST225.....	1	24CA7455
15	WASHER.....	8	671HLHR24Z		VST260.....	1	24CA7456
16	BUTTERFLY VALVE	1	90AR1126	* 37	MOTOR		
17	BUTTERFLY VALVE	1	90AR1190		VST225.....	1	24CA7457
18	O-RING	1	25B874		VST260.....	1	24CA7458
19	PLUG	1	64B26	38	SPACER.....	1	300ETW139
20	WASHER.....	8	95A10Z				

* See Page 60 for Motor Bearing Grease Part Numbers.

SEPARATOR / RESERVOIR ASSEMBLY



305ETW810-A
(Ref. Drawing)

Order by Part Number and Description. Reference Numbers are for your convenience only.

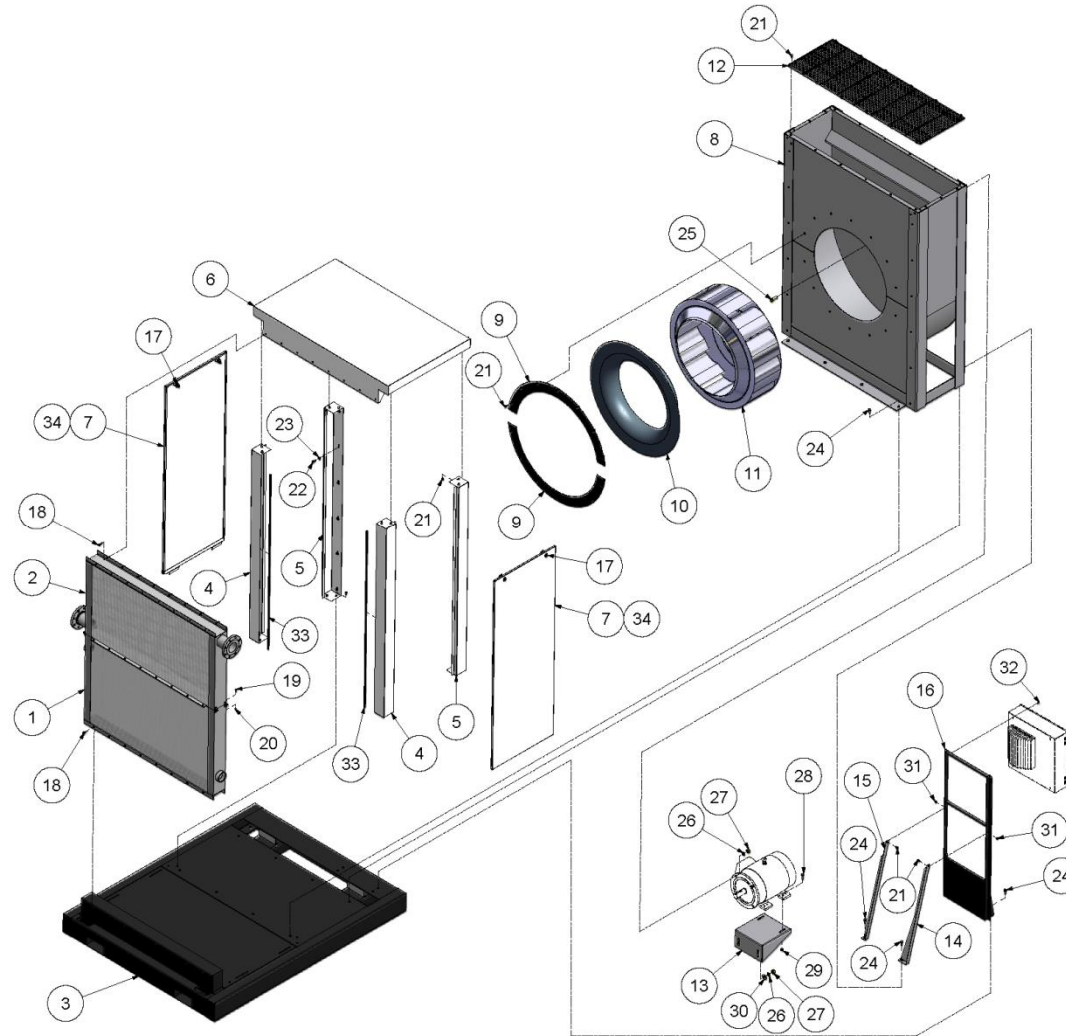
SEPARATOR / RESERVOIR ASSEMBLY

B/M: 302ETW4013
303ETW4013

Ref. No.	Name of Part	Qty.	Part No.	Ref. No.	Name of Part	Qty.	Part No.
**+1	OIL RESERVOIR	1	CC1022532	24	PLUG.....	1	64A27G
*+ 2	O-RING.....	1	25BC868	25	CROSS.....	1	64K20G
+ 3	COVER.....	1	CC1022533	26	PIPE BUSHING	1	64E39G
+ 4	WASHER.....	12	95B8Z	27	PLUG.....	1	64AA7G
+ 5	SCREW.....	12	655EG10Z	28	COUPLING.....	1	64EB613
* 6	AIR/OIL SEPARATOR ELEMENT	3	300EBQ035	29	TUBE FITTING	2	TEN001705
7	PIPE.....	3	63AJ24X54G	30	TUBE (IN FEET)	1	85K6
8	PIPE BUSHING.....	1	64EB303G	31	VALVE.....	2	90AR241
9	PIPE.....	1	63H1G	32	PIPE BUSHING	2	64E4G
10	VALVE	1	90AR362	33	PIPE	2	86N402
11	PLUG.....	1	64A25G	34	ADAPTOR	2	86H176
12	OIL LEVEL GAUGE.....	1	40P77	35	ELBOW.....	1	TEN001720
13	ELBOW.....	1	64D8G	36	TUBE (IN FEET)	1	85K6
14	PRESSURE RELIEF VALVE	1	90AR1168	37	TUBE FITTING	1	TEN001736
15	ELBOW.....	1	64D9G	38	TUBE (IN FEET)	1	85K6
16	SCREW.....	4	655EG10Z	39	VIBRATION ISOLATOR.....	4	VP1030503
17	WASHER.....	4	95A8Z	40	VIBRATION ISOLATOR.....	4	VP1030502
18	WASHER.....	12	95B8Z	41	NUT	4	50AW9
19	NUT	8	50B8Z	42	SCREW	4	665HMCA20070Z
20	SCREW.....	8	655EG13Z	43	WASHER.....	4	671HLHR20Z
21	GASKET	1	25C807N	44	MANIFOLD	1	CC1022534
22	TUBE CONNECTOR.....	2	86H141	45	PIPE	1	63K18G
23	CHECK VALVE	1	90AR1147	46	TUBE WITH FITTING.....	1	CC1022536

- * Part Included In Separator Repair Kit Part Number 302ETW6013. Refer to page 60
- + Cover & Hardware Included with Replacement Reservoir Part Number 302ETW4013.
- ** Oil Reservoir Fill Plug Part Number 2118518 O-Ring Part Number 2118519

FAN COOLER ASSEMBLY (AIR COOLED)



304ETW810-B
(Ref. Drawing)

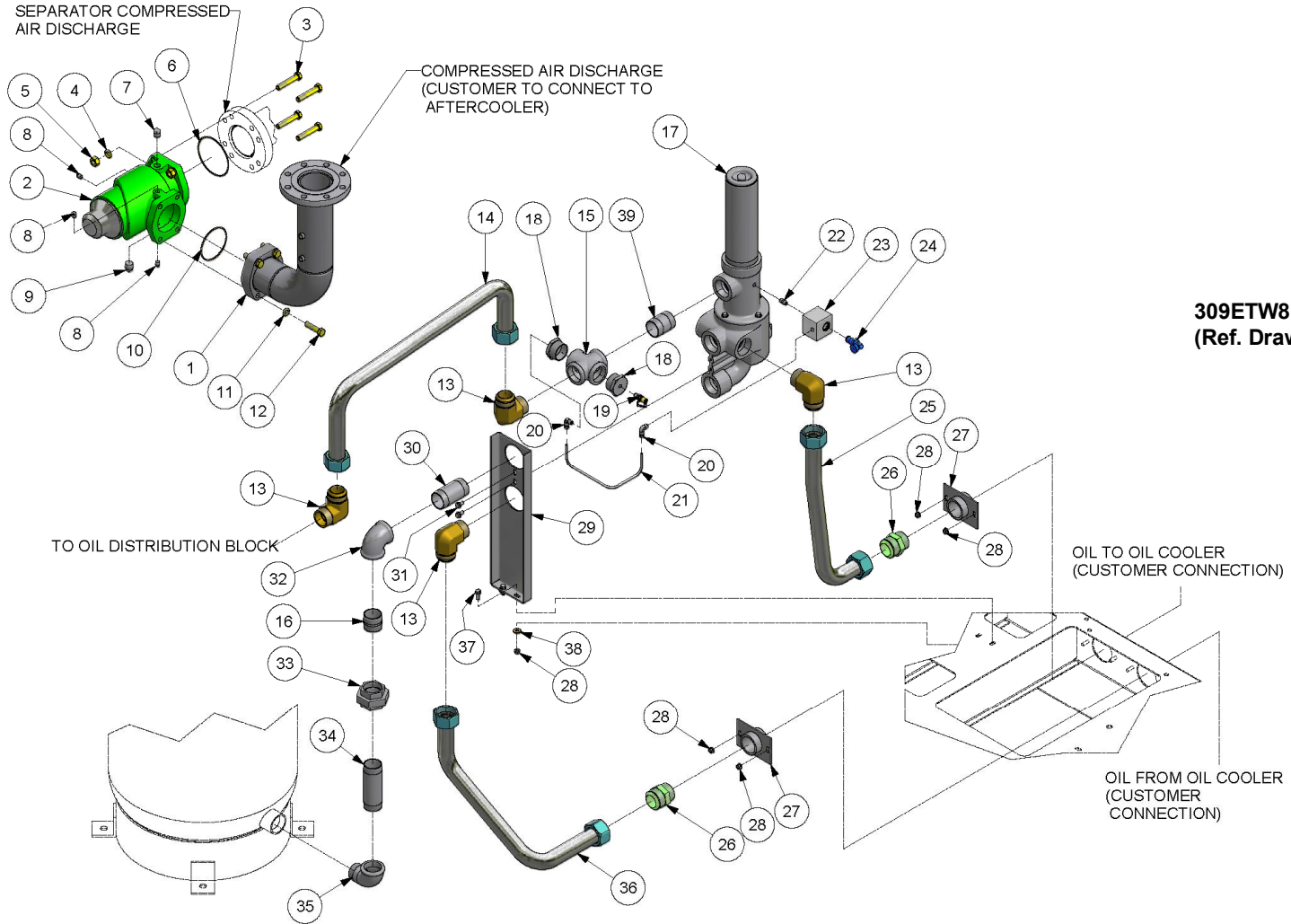
Order by Part Number and Description. Reference Numbers are for your convenience only.

**FAN COOLER ASSEMBLY
(AIR COOLED)**

**B/M:
310ETW4013, 304
& 305ETW4003**

Ref. No.	Name Of Part	Qty.	Part No.	Ref. No.	Name Of Part	Qty.	Part No.
1	OIL COOLER			16	SUPPORT	1	CC1022588
	STANDARD	1	300ETW201	17	LATCH	4	31D68
	SEACOAST.....	1	301ETW201	18	SCREW	24	75LM258
2	AFTERCOOLER			19	SCREW	20	75LM48
	STANDARD	1	302ETW292	20	NUT.....	20	50AW3
	SEACOAST.....	1	303ETW292	21	SCREW	50	75LM51
3	BASE	1	CC1022560	22	SCREW	16	75K48
4	POST.....	2	CC1022562	23	WASHER.....	12	95A3Z
5	PANEL.....	2	CC1022582	24	SCREW	12	75LM135
6	PANEL.....	1	CC1022570	25	SCREW	4	655EG10Z
7	PANEL.....	2	CC1022581	26	WASHER.....	6	95B8Z
8	POST.....	1	CC1022561	27	NUT.....	6	50B32Z
9	SUPPORT.....	2	CC1022572	28	SCREW	2	75LM291
10	CONE	1	VP1022594	29	NUT.....	2	50AW35
11	FAN	1	VP1022595	30	WASHER.....	2	95A8Z
12	FAN GUARD.....	1	CC1022585	31	NUT.....	2	50AW5
13	SUPPORT.....	1	CC1022571	32	SCREW	4	75LM54
14	PANEL.....	1	CC1022583	33	SEAL (IN FEET)	12	32E30
15	PANEL.....	1	CC1022584	34	SEAL (IN FEET)	30	32E12

COOLERS & OIL PIPING (AIR COOLED)



309ETW810-B
(Ref. Drawing)

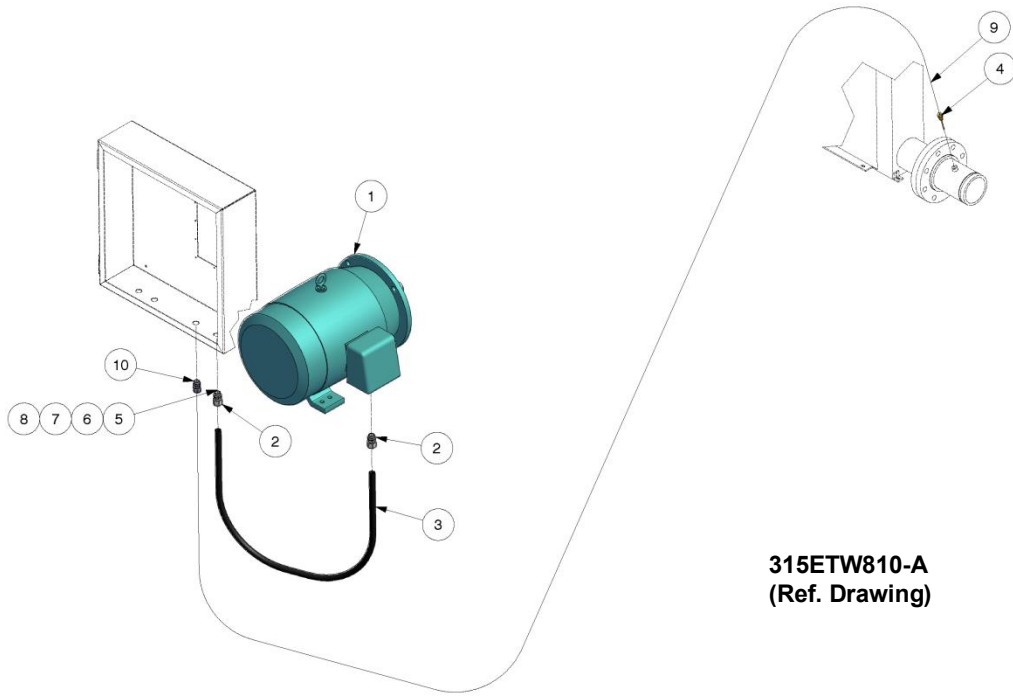
Order by Part Number and Description. Reference Numbers are for your convenience only.

COOLERS & OIL PIPING
(AIR COOLED)

B/M
309ETW4013

Ref. No.	Name of Part	Qty	Part No.	Ref. No.	Name of Part	Qty.	Part No.
1	MANIFOLD	1	CC1022589	20	TUBE FITTING.....	2	TEN001712
2	MINI PRESS/CHECK VALVE (See page 22) ...	1	301ETW527	21	TUBE (IN FEET).....	1	85K3
3	SCREW	4	655EF14Z	22	PIPE.....	1	63D21G
4	WASHER.....	4	95B7Z	23	MANIFOLD.....	1	CC1010042
5	NUT	4	50B31Z	24	INDICATOR.....	1	VP1013599
6	O-RING.....	1	25BC378	25	DOOR	1	CC1022576
7	PLUG.....	1	64AA7G	26	TUBE CONNECTOR	2	86H142
8	PLUG.....	3	64AA5G	27	WATER MANIFOLD	2	300EHG072
9	PLUG.....	1	64AA3G	28	NUT	6	50AW5
10	O-RING.....	1	25BC462	29	SUPPORT	1	CC1010038
11	WASHER.....	4	95B7Z	30	NIPPLE	1	63L20G
12	SCREW	4	655EF10Z	31	SCREW.....	2	75LM51
13	ADAPTOR.....	4	119446	32	ELBOW	1	64C9G
14	TUBE WITH FITTING.....	1	CC1022540	33	UNION	1	64Z2G
15	CROSS.....	1	64K21G	34	NIPPLE	1	63L24G
16	NIPPLE	1	63L1G	35	ELBOW	1	64D9G
17	OIL FILTER ASSEMBLY (See page 29)	1	300VST2045	36	PANEL	1	CC1022577
18	PIPE BUSHING.....	2	64E60G	37	SCREW.....	2	75K48
19	VALVE.....	1	86N345	38	WASHER	2	95A3Z
				39	NIPPLE	1	63L2G

Order by Part Number and Description. Reference Numbers are for your convenience only.



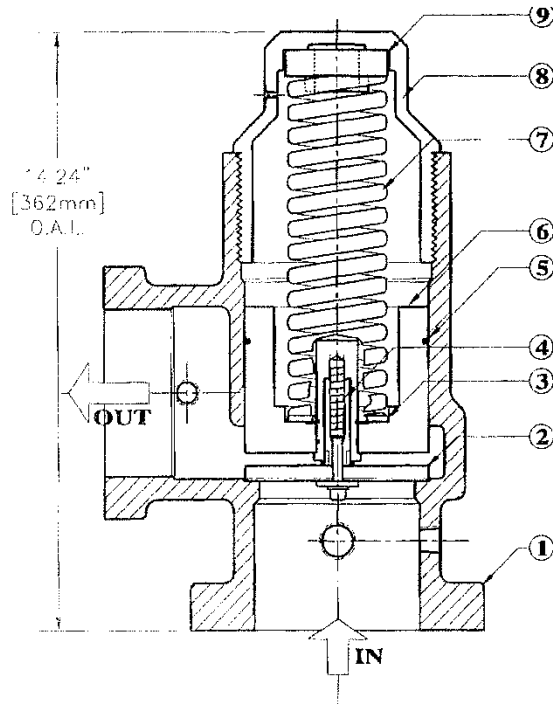
315ETW810-A
(Ref. Drawing)

ELECTRICAL GROUP – AIR COOLED

**B/M: 304ETW4007;
303ETW4015**

Ref. No.	Name of Part	Qty.	Part No.
1	MOTOR (460V).....	1	90500117
2	ELECTRICAL FITTING	2	24A378
3	CONDUIT (IN FEET).....	6	24A402
4	PROBE	1	VP1018671
5	WIRE (IN FEET)	24	2009800
6	WIRE (IN FEET)	8	2009989
7	TUBE CONNECTOR.....	6	24CA2068
8	TUBE CONNECTOR.....	2	24A298
9	PROBE	1	VP1018672
10	ELECTRICAL FITTING	1	24CA2865

Order by Part Number and Description. Reference Numbers are for your convenience only.

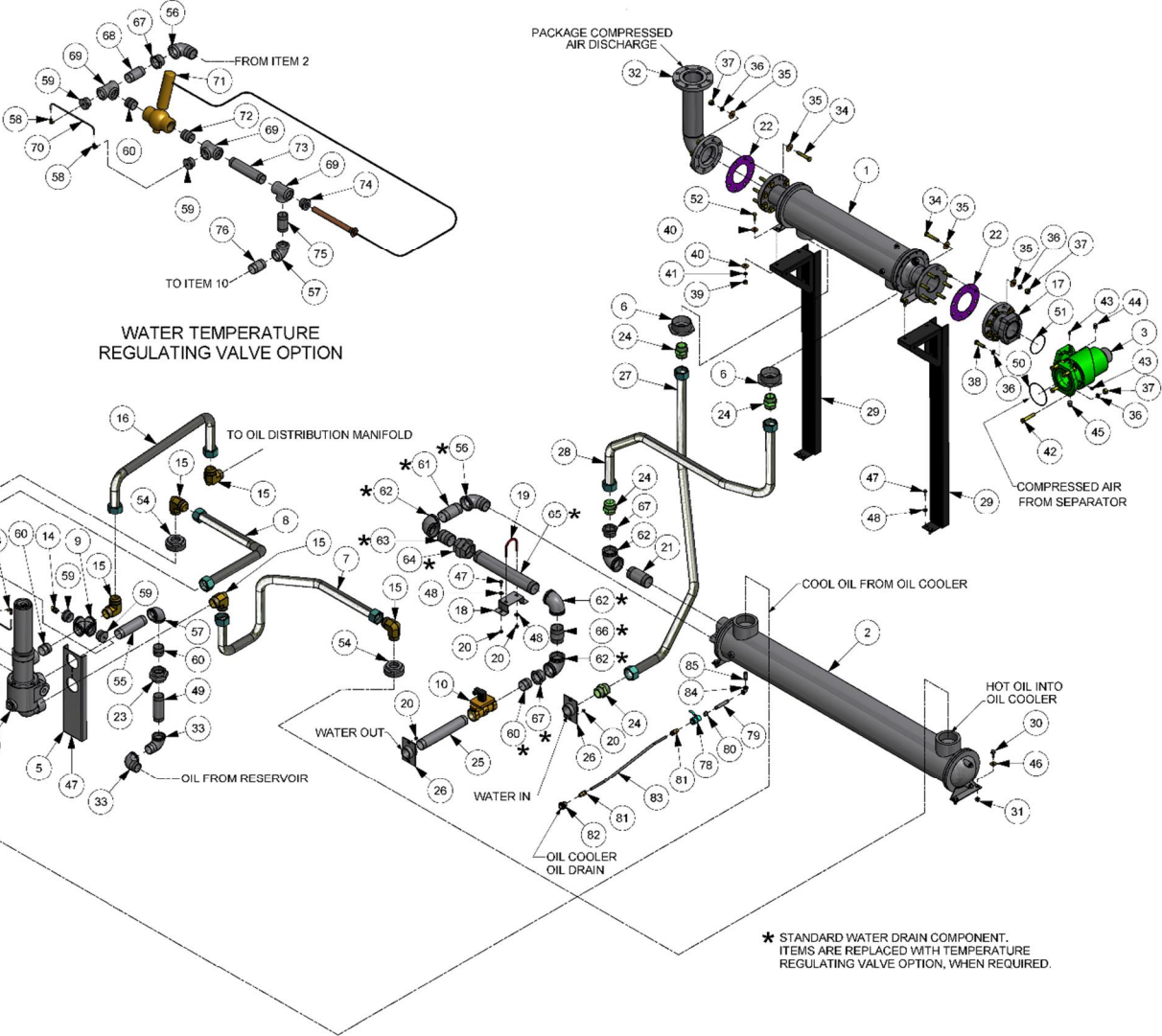


MINIMUM PRESSURE/CHECK VALVE

Name Of Part	Qty.	Part No.
MINIMUM PRESSURE VALVE ASSEMBLY	1	301ETW527
* REPAIR KIT:	1	2118870
1 BODY	1	
* 2 CHECK VALVE ASSEMBLY	1	
3 SPACER.....	1	
* 4 SPRING.....	1	
* 5 O-RING.....	1	
6 PISTON ASSEMBLY.....	1	
* 7 SPRING.....	1	
8 CAP	1	
9 RETAINER SPRING	1	
* Included in Repair Kit 2118870.		

COOLING GROUP – WATER COOLED – STANDARD

303ETW810-B
(Ref. Drawing)



* STANDARD WATER DRAIN COMPONENT. ITEMS ARE REPLACED WITH TEMPERATURE REGULATING VALVE OPTION, WHEN REQUIRED.

Order by Part Number and Description. Reference Numbers are for your convenience only

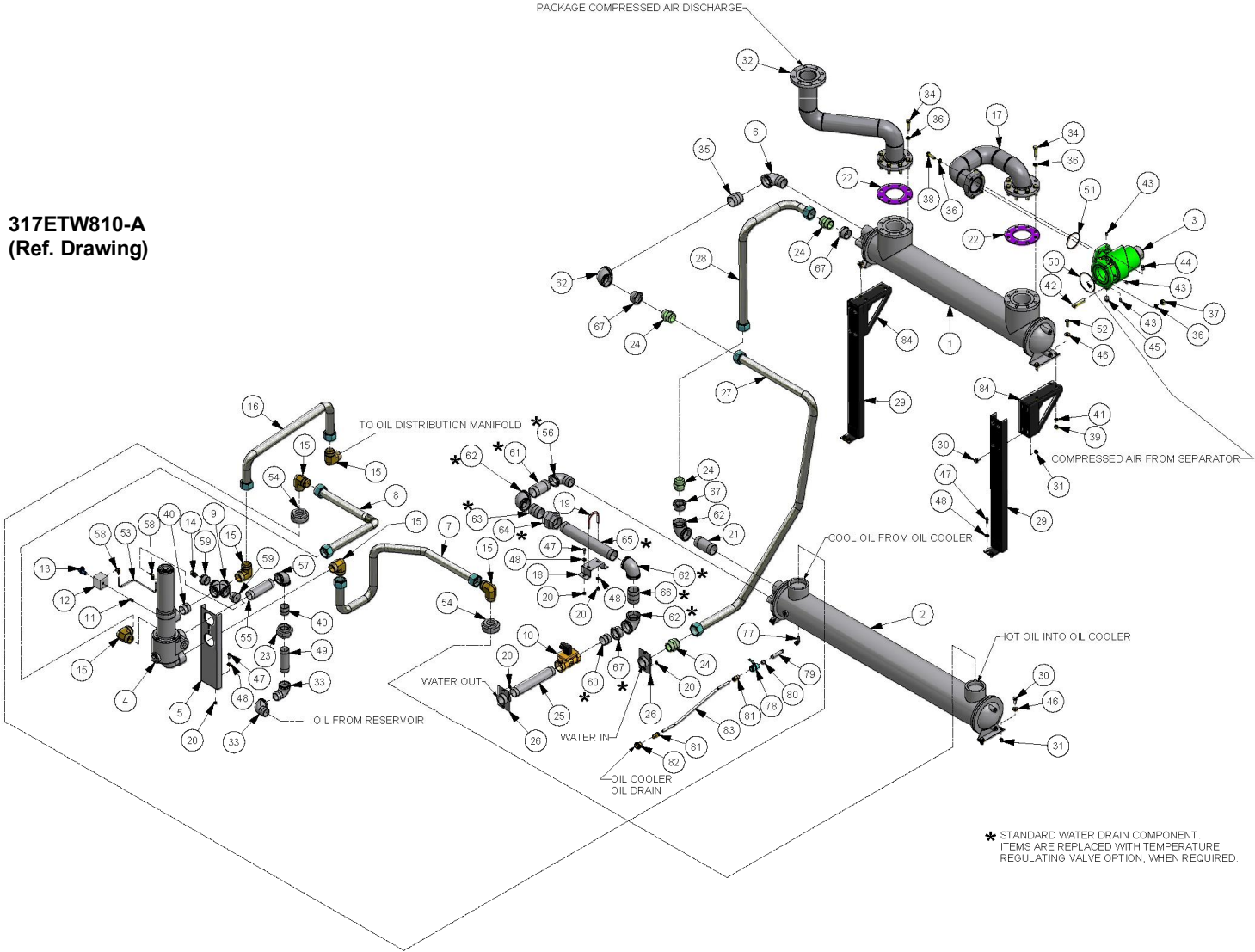
COOLING GROUP WATER COOLED – STANDARD

B/M: 300ETW4003 &
302ETW4003

Ref. No.	Name of Part	Qty.	Part No.	Ref. No.	Name of Part	Qty.	Part No.
1	AFTERCooler.....	1	300ETW292	38	SCREW.....	4	655EF09Z
2	OIL COOLER.....	1	300ETW349	39	NUT.....	4	50B5Z
3	MIN. PRESSURE CHECK/VALVE (See page 22).....	1	301ETW527	40	WASHER.....	4	95A5Z
4	OIL FILTER ASSEMBLY (See page 29).....	1	300VST2045	41	WASHER.....	4	95B5Z
5	SUPPORT.....	1	CC1010038	42	SCREW.....	4	655EF14Z
6	PIPE BUSHING.....	2	64EB327G	43	PLUG.....	3	64AA5G
7	TUBE WITH FITTING.....	1	CC1022538	44	PLUG.....	1	64AA7G
8	TUBE WITH FITTING.....	1	CC1022539	45	PLUG.....	1	64AA3G
9	CROSS.....	1	64K21G	46	WASHER.....	4	95A5Z
10	CONTROL VALVE.....	1	90AR1151	47	SCREW.....	12	75K48
11	NIPPLE.....	1	63D21G	48	WASHER.....	14	95A3Z
12	MANIFOLD.....	1	CC1010042	49	NIPPLE.....	1	63L7G
13	INDICATOR.....	1	VP1013599	50	O-RING.....	1	25BC378
14	VALVE.....	1	86N345	51	O-RING.....	1	25BC462
15	ADAPTOR.....	6	119446	52	SCREW.....	4	655EE06Z
16	TUBE WITH FITTING.....	1	CC1022540	53	TUBE (IN FEET).....	1	85K3
17	MANIFOLD.....	1	CC1022541	54	PIPE BUSHING.....	2	64E102G
18	SUPPORT.....	1	CC1022542	55	NIPPLE.....	1	63L26G
19	U BOLT.....	1	143741	56	ELBOW.....	1	64D13G
20	NUT.....	10	50AW5	57	ELBOW.....	1	64C9G
21	NIPPLE.....	1	63M11G	58	TUBE FITTING.....	2	TEN001712
22	GASKET.....	2	25BC325	59	PIPE BUSHING.....	2	64E60G
23	UNION.....	1	64Z2G	60	NIPPLE.....	1	63L1G
24	TUBE CONNECTOR.....	4	86H142	61	NIPPLE.....	1	63M10G
25	NIPPLE.....	1	63N32X140G	62	ELBOW.....	4	64C14G
26	WATER MANIFOLD.....	2	300EHG072	63	NIPPLE.....	1	63M3G
27	TUBE WITH FITTING.....	1	CC1022543	64	UNION.....	1	64Z14G
28	TUBE WITH FITTING.....	1	CC1022544	65	NIPPLE.....	1	63N40X180G
29	SUPPORT.....	2	CC1022545	66	NIPPLE.....	1	63M8G
30	SCREW.....	4	75LM135	67	PIPE BUSHING.....	1	64E25G
31	NUT.....	4	50AW35	76	NIPPLE.....	1	63L16G
32	MANIFOLD.....	1	CC1022547	78	VALVE.....	1	90AR241
33	ELBOW.....	2	64D9G	79	NIPPLE.....	1	63E12G
34	SCREW.....	16	655EF14Z	80	PIPE BUSHING.....	1	64E4G
35	WASHER.....	32	95A7Z	81	TUBE FITTING.....	2	TEN001705
36	WASHER.....	24	95B7Z	82	COUPLING.....	1	64EB613
37	NUT.....	20	50B7Z	83	TUBE (IN FEET).....	3	85K6
				84	ELBOW.....	1	64C3G
				85	NIPPLE.....	1	63E6G

COOLING GROUP – WATER COOLED – SEACOAST

317ETW810-A
(Ref. Drawing)



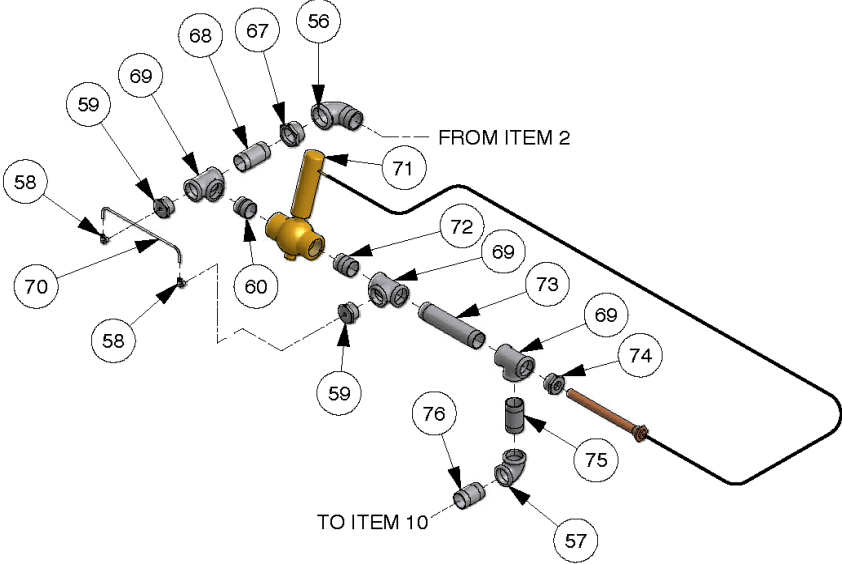
Order by Part Number and Description. Reference Numbers are for your convenience only

COOLING GROUP – WATER COOLED – SEACOAST

B/M: 301ETW4003 &
303ETW4003

Ref. No.	Name of Part	Qty.	Part No.	Ref. No.	Name of Part	Qty.	Part No.
1	AFTERCooler.....	1	301ETW292	39	NUT.....	4	50B5Z
2	OIL COOLER.....	1	301ETW349	40	NIPPLE.....	2	63L1G
3	MIN. PRESSURE/CHECK VALVE (See page 22)	1	301ETW527	41	WASHER.....	4	95B5Z
4	OIL FILTER ASSEMBLY (See page 29).....	1	300VST2045	42	SCREW.....	4	655EF14Z
5	SUPPORT.....	1	CC1010038	43	PLUG.....	3	64AA5G
6	ELBOW.....	1	64D13G	44	PLUG.....	1	64AA7G
7	TUBE WITH FITTING.....	1	CC1022538	45	PLUG.....	1	64AA3G
8	TUBE WITH FITTING.....	1	CC1022539	46	WASHER.....	4	95A5Z
9	CROSS.....	1	64K21G	47	SCREW.....	12	75K48
10	CONTROL VALVE.....	1	90AR1151	48	WASHER.....	14	95A3Z
11	NIPPLE.....	1	63D21G	49	NIPPLE.....	1	63L7G
12	MANIFOLD.....	1	CC1010042	50	O-RING.....	1	25BC378
13	INDICATOR.....	1	VP1013599	51	O-RING.....	1	25BC462
14	VALVE.....	1	86N345	52	SCREW.....	4	655EE06Z
15	ADAPTOR.....	6	119446	53	TUBE (IN FEET).....	1	85K3
16	TUBE WITH FITTING.....	1	CC1022540	54	PIPE BUSHING.....	2	64E102
17	MANIFOLD.....	1	CC1022541	55	NIPPLE.....	1	63L26G
18	MANIFOLD.....	1	CC1032316	56	ELBOW.....	1	64D13G
19	U BOLT.....	1	143741	57	ELBOW.....	1	64C9G
20	NUT.....	10	50AW5	58	TUBE FITTING.....	2	86E220
21	NIPPLE.....	1	63M11G	59	PIPE BUSHING.....	2	64E60G
22	GASKET.....	2	25BC325	60	NIPPLE.....	1	63L1G
23	UNION.....	1	64Z2G	61	NIPPLE.....	1	63M10G
24	TUBE CONNECTOR.....	4	86H142	62	ELBOW.....	5	64C14G
25	NIPPLE.....	1	63N32X140G	63	NIPPLE.....	1	63M3G
26	WATER MANIFOLD.....	2	300EHG072	64	UNION.....	1	64Z14G
27	TUBE WITH FITTING.....	1	CC1032319	65	NIPPLE.....	1	63N40X18G
28	TUBE WITH FITTING.....	1	CC1032320	66	NIPPLE.....	1	63M8G
29	SUPPORT.....	2	CC1032321	67	PIPE BUSHING.....	4	64E25G
30	SCREW.....	12	75LM135	77	ELBOW.....	1	64D4G
31	NUT.....	12	50AW35	78	VALVE.....	1	90AR241
32	MANIFOLD.....	1	CC1032318	79	NIPPLE.....	1	63E12G
33	ELBOW.....	2	64D9G	80	PIPE BUSHING.....	1	64E4
34	SCREW.....	16	655EF10Z	81	TUBE FITTING.....	2	86E215
35	NIPPLE.....	1	63M3G	82	COUPLING.....	1	64EB613
36	WASHER.....	24	95B7Z	83	TUBE (IN FEET).....	3	85K6
37	NUT.....	4	50B7Z	84	SUPPORT.....	2	CC1032355
38	SCREW.....	4	655EF09Z				

WATER TEMPERATURE REGULATING VALVE OPTION



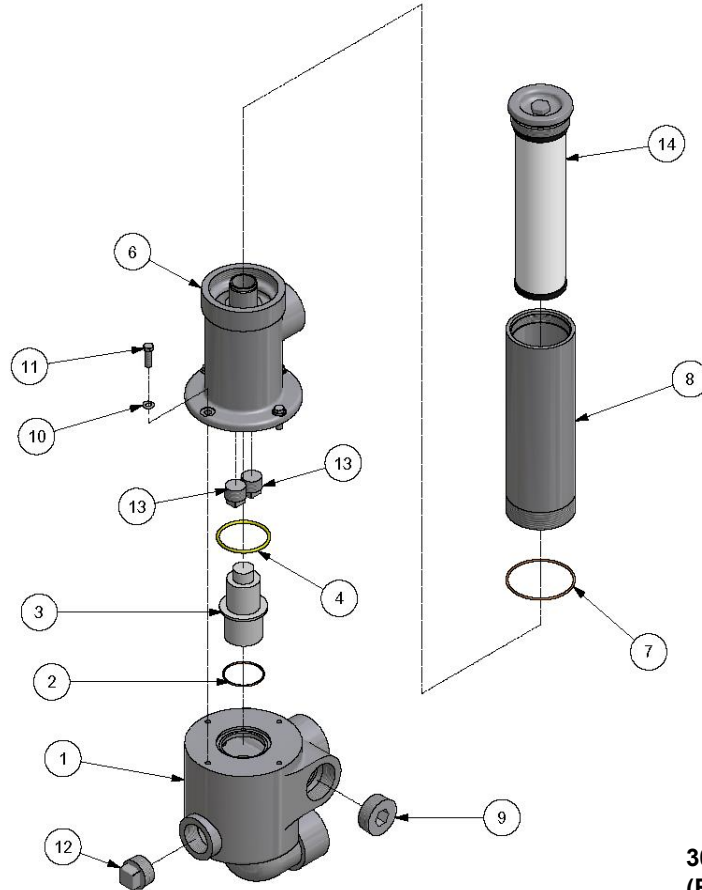
303ETW810-A &
317ETW810-A
(Ref. Drawing)

Order by Part Number and Description. Reference Numbers are for your convenience only

WATER TEMPERATURE REGULATING VALVE OPTION

Ref. No.	Name Of Part	Qty.	B/M: 303ETW4003 Part No.
56	ELBOW.....	1	64D13G
57	ELBOW.....	1	64C9G
58	TUBE FITTING.....	2	TEN001712
59	PIPE BUSHING.....	2	64E60G
60	NIPPLE.....	1	63L1G
67	PIPE BUSHING.....	1	64E25G
68	NIPPLE.....	1	63L20G
69	TEE.....	3	64G1G
70	TUBE (IN FEET)	2	85K3
71	REGULATOR.....	1	90AR1117
72	NIPPLE.....	1	63L9G
73	NIPPLE.....	1	63L30G
74	PIPE BUSHING.....	1	64E77G
75	NIPPLE.....	1	63L19G
76	NIPPLE.....	1	63L16G

Order by Part Number and Description. Reference Numbers are for your convenience only.



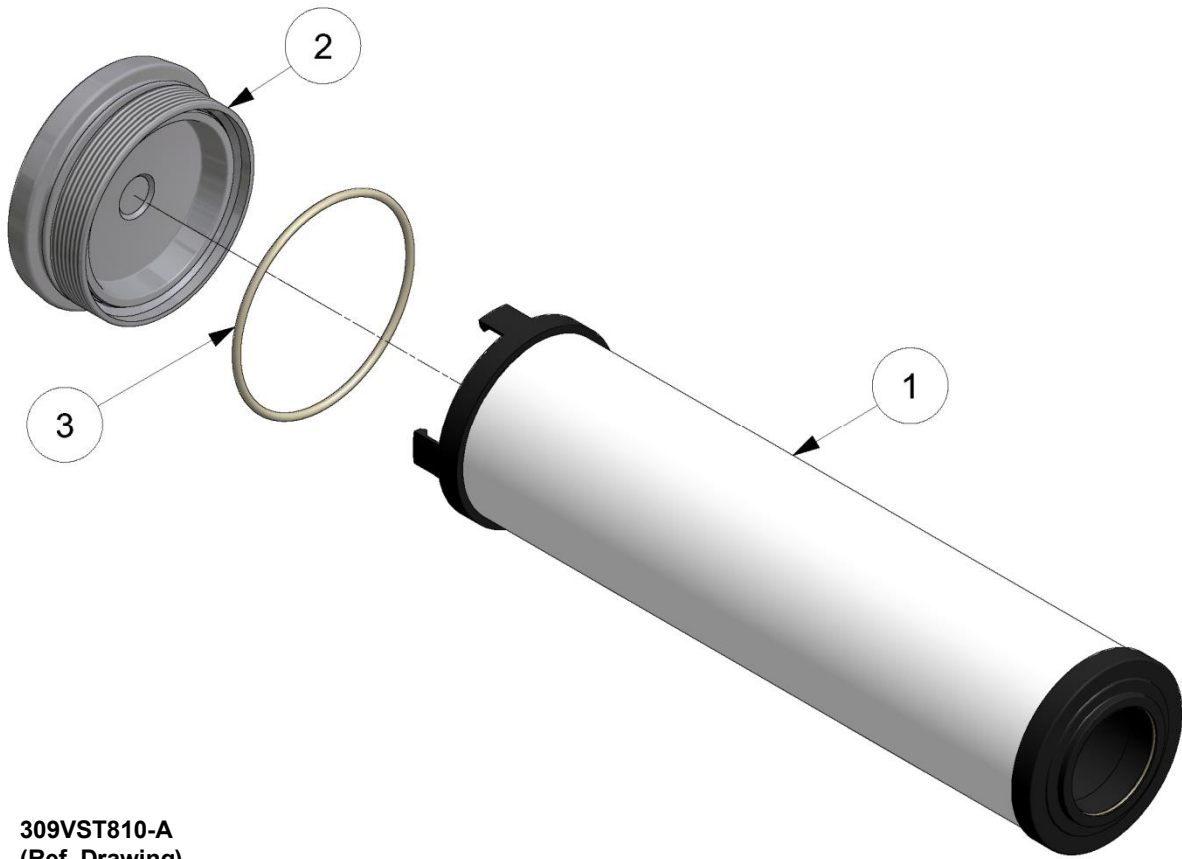
308VST810-A
(Ref. Drawing)

OIL FILTER ASSEMBLY

Ref. No.	Name of Part	Qty.	Part No.
1	MANIFOLD	1	200EAU116
2	O-RING	1	25BC127
3	ELEMENT	1	93C9
4	O-RING	1	25BC175
6	MANIFOLD	1	201EAU116
7	O-RING	1	25BC380
8	OIL FILTER BODY	1	300ETY032
9	PLUG	1	64B7
10	LOCKWASHER.....	4	95B3
11	SCREW	4	655ED050
12	PLUG	1	64AA2
13	PLUG.....	2	2118347
14	OIL FILTER ASSEMBLY (See Page 30).....	1	300VST369

B/M: 300VST2045,
313VST4013

Order by Part Number and Description. Reference Numbers are for your convenience only



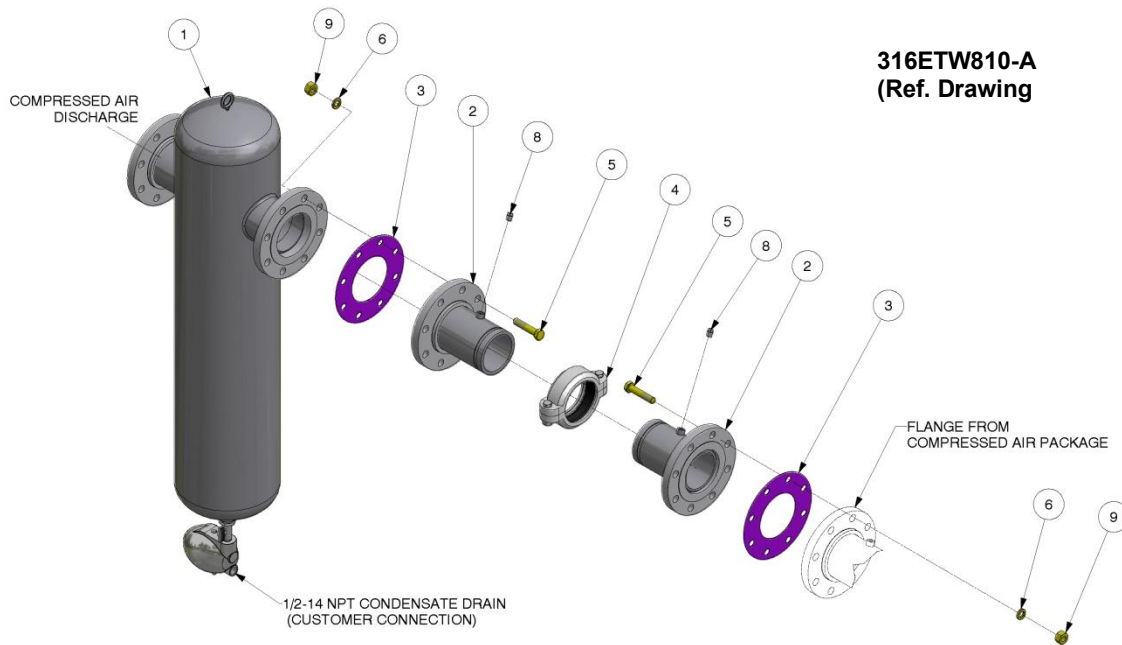
309VST810-A
(Ref. Drawing)

OIL FILTER ELEMENT ASSEMBLY

Ref. No.	Name Of Part	B/M Qty.	300VST369 Part No.
* 1	ELEMENT	1	2118345
2	COVER	1	2118343
3	O-RING	1	25BC298

* Part Included in Routine Maintenance Kit Part Number 303ETW6003. See page 60 .

Order by Part Number and Description. Reference Numbers are for your convenience only



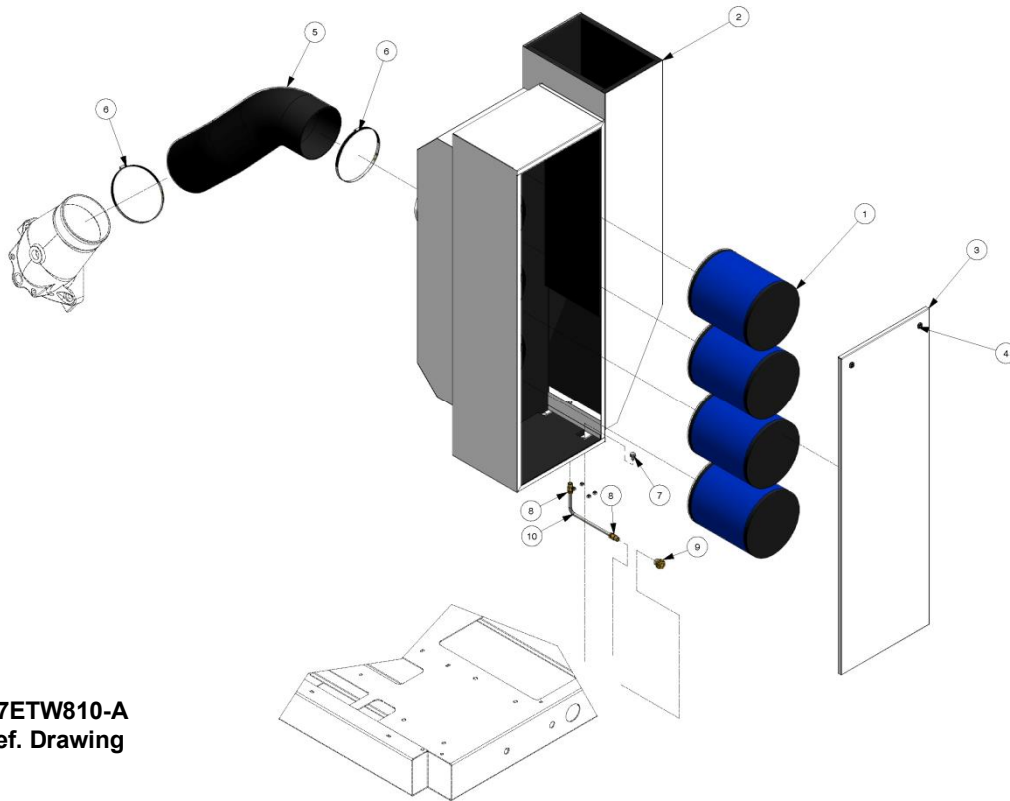
316ETW810-A
(Ref. Drawing)

MOISTURE SEPARATOR

Ref. No.	Name of Part	Qty.	B/M: 308ETW4013 Part No.
* 1	SEPARATOR.....	1	VP1010052
2	MANIFOLD	2	CC1022586
3	GASKET	2	25BC325
4	COUPLING	1	VP1009576
5	SCREW	16	655EF12Z
6	WASHER	16	95B7Z
7	NUT	16	50B31Z
8	PLUG.....	2	64AA5G

- * Order Part Number 2118388 for Trap Replacement.
- * Order Part Number 2118548 for Separator Replacement.

Order by Part Number and Description. Reference Numbers are for your convenience only



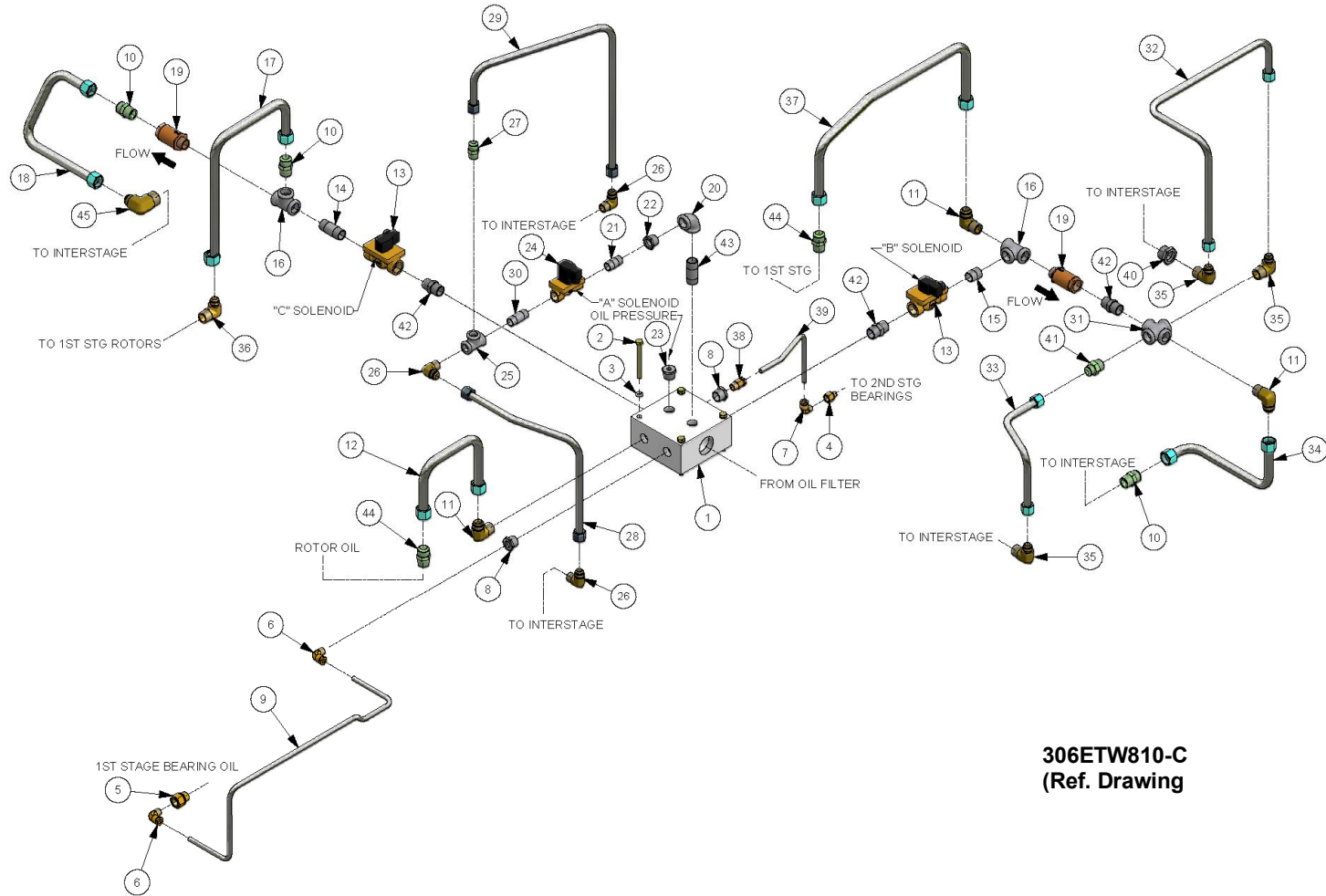
307ETW810-A
(Ref. Drawing)

AIR INLET FILTER

Ref. No.	Name of Part	Qty.	B/M: 305ETW4013 Part No.
* 1	AIR FILTER ELEMENT	4	5L356
2	BAFFLE	1	CC1022548
3	COVER	1	CC1022550
4	LATCH	2	89865139
5	HOSE.....	1	VP1028451
6	CLAMP	2	29Z478
7	SCREW	4	75LM268
8	TUBE FITTING.....	2	86N215
9	COUPLING	1	64EB613
10	TUBE (IN FEET).....	2	85K6

* Parts included in Routine Maintenance Kit Part Number 303ETW6003. Refer to page 60.

OIL DISTRIBUTION LINES



306ETW810-C
(Ref. Drawing)

Order by Part Number and Description. Reference Numbers are for your convenience only

OIL DISTRIBUTION LINES

B/M: 304ETW4013

Ref. No.	Name of Part	Qty.	Part No.	Ref. No.	Name of Part	Qty.	Part No.
1	OIL MANIFOLD	1	CC1022960	a * 24	CONTROL VALVE	1	90AR1215
2	SCREW	4	665HMCA12120Z	25	TEE	1	64G7G
3	WASHER	4	671HLHR12Z	26	ADAPTOR	3	29Z241
4	ADAPTOR	1	86H176	27	TUBE CONNECTOR.....	1	86H137
5	ADAPTOR	1	86H222	28	TUBE WITH FITTING.....	1	CC1022566
6	TUBE FITTING	1	TEN001720	29	TUBE WITH FITTING.....	1	CC1022567
7	TUBE FITTING	1	TEN001719	30	NIPPLE	1	63G3G
8	PIPE BUSHING	2	64E14G	31	CROSS	1	64K18G
9	TUBE (IN FEET).....	6	85K6	32	TUBE WITH FITTING.....	1	CC1022568
10	TUBE CONNECTOR	3	86H138	33	FRAME	1	CC1022569
11	ADAPTOR	3	29Z244	34	TUBE WITH FITTING.....	1	CC1040299
12	TUBE WITH FITTING	1	CC1022563	35	ADAPTOR	3	5000798
a * 13	CONTROL VALVE.....	2	90AR1216	36	TUBE WITH FITTING.....	1	86H285
14	NIPPLE	1	63H4G	37	TUBE FITTING	1	CC1022574
15	NIPPLE	1	63H1G	38	TUBE FITTING	1	TEN001705
16	TEE	2	64G8G	39	TUBE (IN FEET)	3	85K6
17	TUBE WITH FITTING	1	CC1022564	40	TUBE FITTING	1	64E7G
18	TUBE WITH FITTING	1	CC1022565	41	TUBE FITTING	1	8504804
** 19	CHECK VALVE	2	90AR1136	42	NIPPLE	3	5018080
20	ELBOW	1	64C6G	43	NIPPLE	1	63U16X30G
21	NIPPLE	1	63G2G	44	TUBE CONNECTOR.....	2	86H150
22	PIPE BUSHING	1	64E16G	45	ADAPTOR	1	5010030
23	PIPE BUSHING	1	143814G				

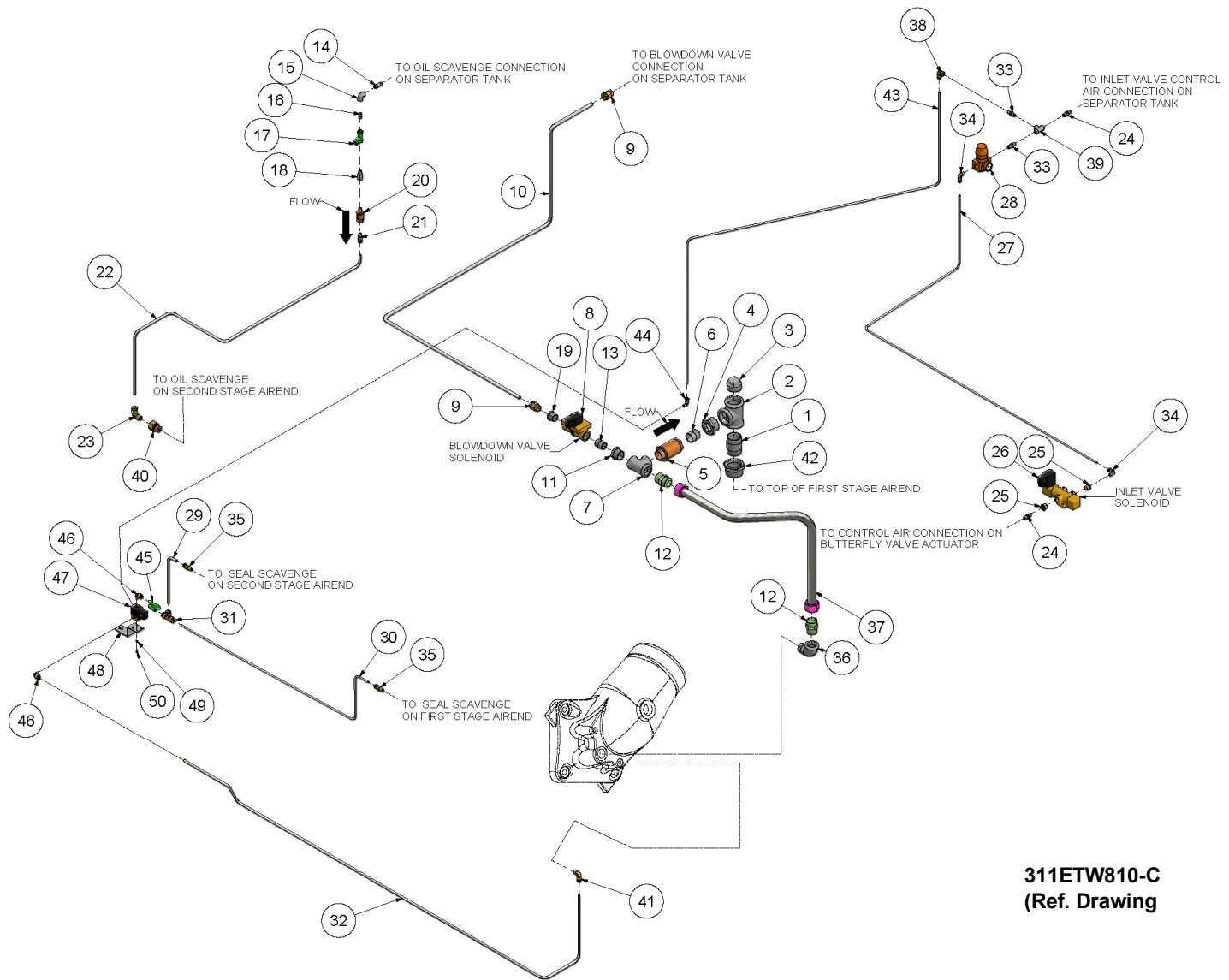
13-17-502 Page 34

* Parts included in Electrical Control Kit Part Number 301ETW6013. Refer to page 60.

** Parts included in Pneumatic Control Kit Part Number 300ETW6013. Refer to page 60.

^a For Repair of DIN Connector, order Part Number 2118514.

CONTROL LINES



311ETW810-C
(Ref. Drawing)

Order by Part Number and Description. Reference Numbers are for your convenience only

CONTROL LINES

B/M: 307ETW4013

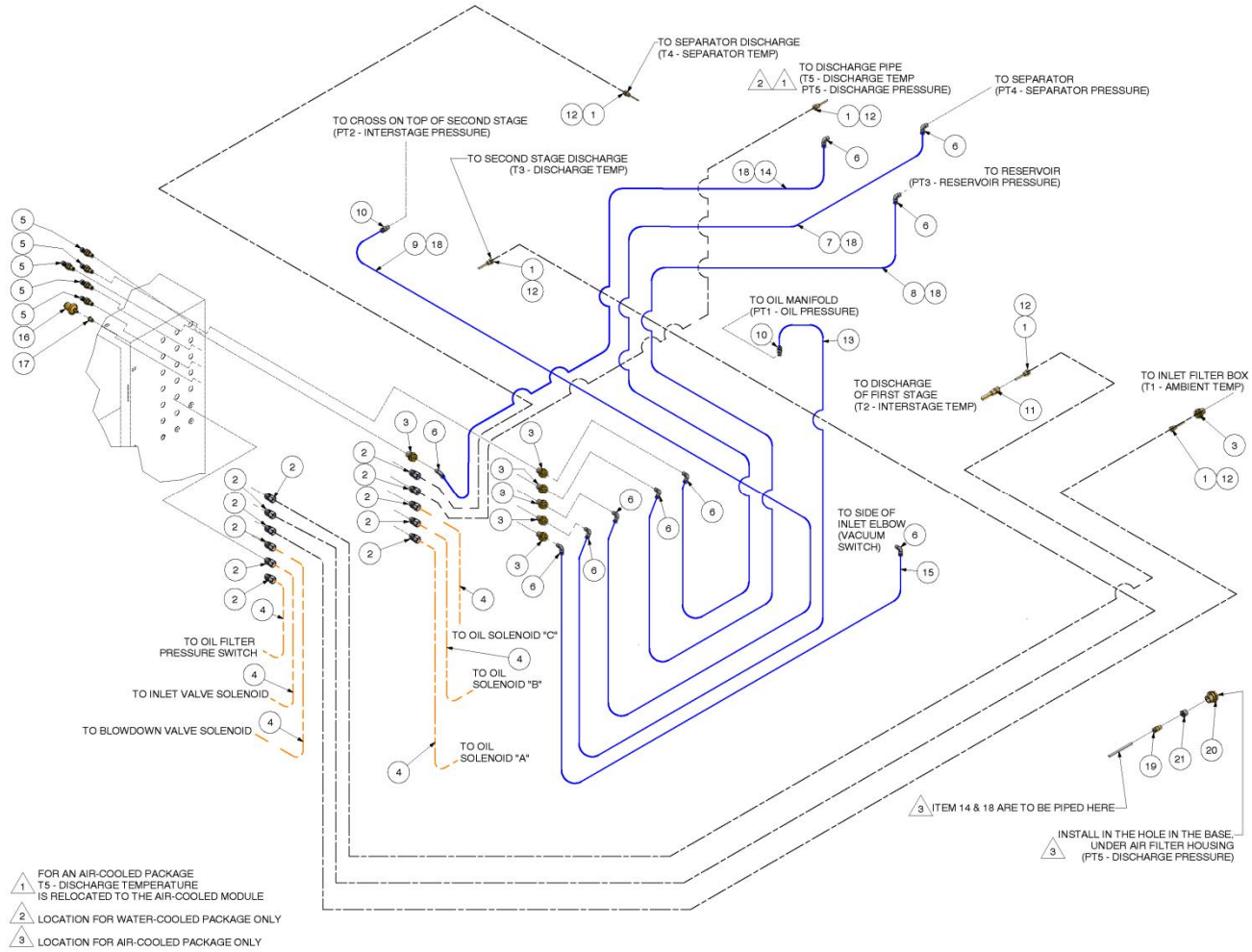
Ref. No.	Name of Part	Qty.	Part No.	Ref. No.	Name of Part	Qty.	Part No.
1	NIPPLE	1	63L2G	26	SOLENOID VALVE	1	91B256
2	TEE	1	64G1G	27	TUBE (IN FEET).....	15	85K3
3	PLUG	1	64A9G	** 28	REGULATOR.....	1	TEN000580
4	PIPE BUSHING.....	1	64E31G	29	TUBE (IN FEET).....	1	85G5
** 5	CHECK VALVE	1	90AR1146	30	TUBE (IN FEET).....	10	85G5
6	NIPPLE	1	63J15G	31	TUBE FITTING.....	1	TEN001737
7	TEE	1	64G9G	32	TUBE (IN FEET).....	20	85G5
a * 8	CONTROL VALVE	1	90AR1216	33	NIPPLE	2	82E54
9	TUBE FITTING.....	2	TEN001706	34	TUBE FITTING.....	2	TEN001712
10	TUBE (IN FEET).....	15	85K6	35	TUBE FITTING.....	2	TEN001701
11	PIPE BUSHING.....	1	64E7G	36	ELBOW.....	1	64D7G
12	TUBE CONNECTOR.....	2	86H140	37	TUBE WITH FITTING.....	1	CC1022578
13	NIPPLE	1	63H1G	38	TUBE FITTING.....	1	86E230
14	NIPPLE	1	86N384	39	TEE.....	1	64G3G
15	ELBOW	1	64C2G	40	ADAPTOR.....	1	86H222
16	NIPPLE	1	86N384	41	TUBE FITTING.....	1	TEN001716
** 17	STRAINER.....	1	82E46	42	PIPE BUSHING.....	1	64E25G
18	ORIFICE.....	1	300ETK814	43	TUBE (IN FEET).....	10	85K3
19	PIPE BUSHING.....	1	64E16G	44	TUBE FITTING.....	1	TEN001711
** 20	CHECK VALVE	1	90AR1138	45	TUBE (IN FEET).....	10	85G5
21	TUBE FITTING.....	1	TEN001701	46	TUBE FITTING.....	2	TEN001713
22	TUBE (IN FEET).....	10	85K5	47	SOLENOID VALVE	1	91B252
23	TUBE FITTING.....	1	TEN001717	48	BRACKET	1	CC1025288
24	NIPPLE	2	86N384	49	LOCK WASHER.....	4	671HLHR05Z
25	PIPE BUSHING.....	2	64E2G	50	SCREW	4	75G72

* Parts included in Electrical Control Kit Part Number 301ETW6013. Refer to page 60.

** Parts included in Pneumatic Control Kit Part Number 300ETW6013. Refer to page 60.

^a For Repair of DIN Connector, order Part Number 2118514.

TEMPERATURE & PRESSURE CONTROLS



Order by Part Number and Description. Reference Numbers are for your convenience only

TEMPERATURE & PRESSURE CONTROLS

B/M: 300 THRU
303ETW4052

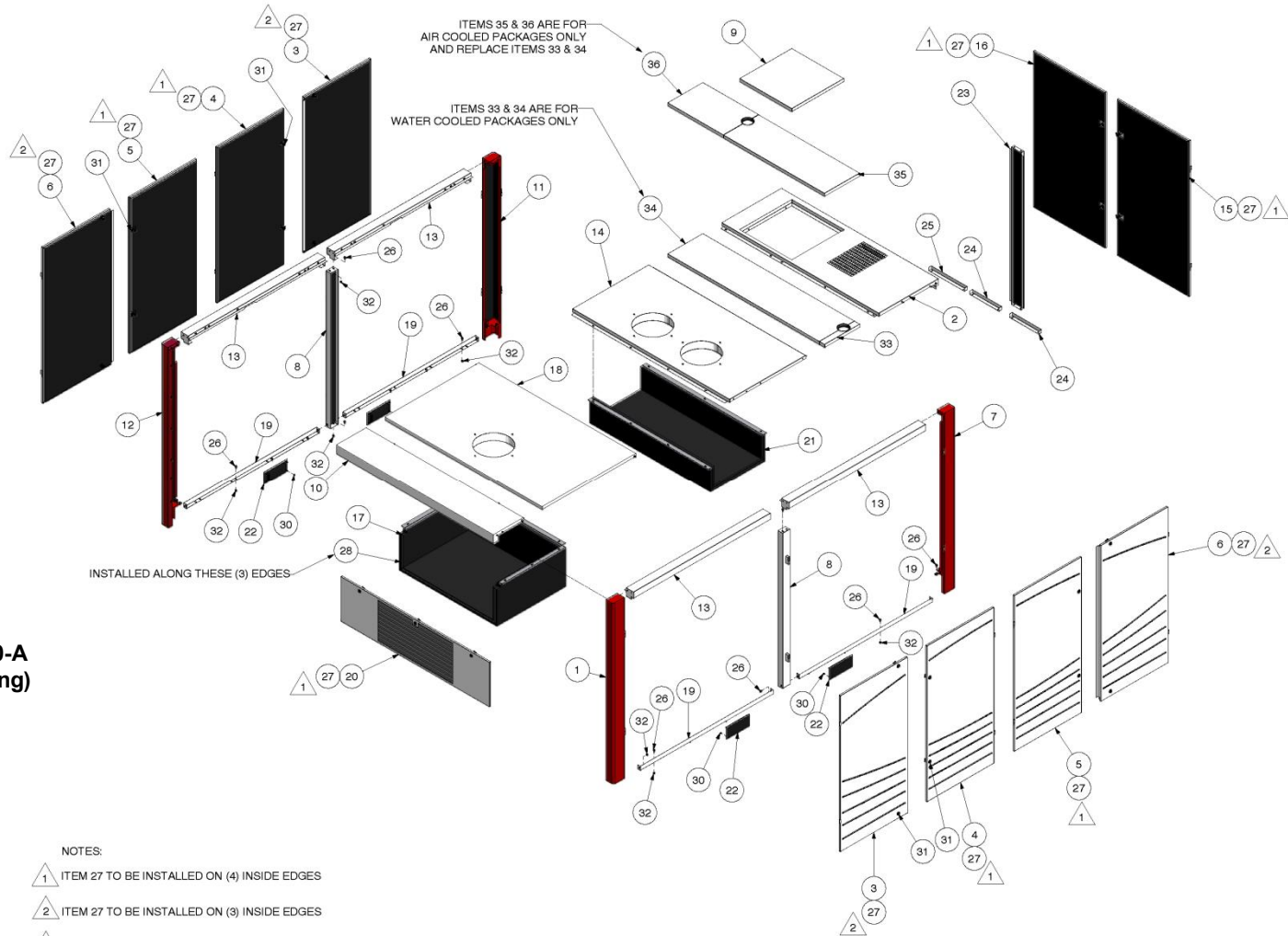
Ref. No.	Name of Part	Qty.	Part No.	Ref. No.	Name of Part	Qty.	Part No.
* 1	ELECTRICAL PROBE	5	VP1018671	11	VALVE	1	CC1010205
2	ELECTRICAL FITTING	12	24CA2865	* 12	CORD	5	VP1018672
3	TUBE CONNECTOR	7	64EB368	13	TUBE (IN FEET).....	18	85K3
4	CORD.....	7	VP1010780	14	TUBE (IN FEET).....	18	85K3
* 5	TRANSDUCER.....	5	88H365	15	TUBE (IN FEET).....	20	85K3
6	TUBE FITTING	10	TEN001712	* 16	VACUUM SWITCH.....	1	88H195
7	TUBE (IN FEET)	20	85K3	17	PIPE BUSHING.....	1	64E28
8	TUBE (IN FEET)	20	85K3	18	TUBE FITTING.....	4	86E244
9	TUBE (IN FEET)	18	85K3	19	TUBE FITTING.....	1	TEN001699
10	TUBE FITTING	2	TEN001699	20	BUSHING.....	1	64E43G
				21	PIPE COUPLING	1	64EB613

13-17-502 Page 38

- * Parts included in

Electrical Control Kit Part Number 301ETW6013. Refer to page 60.

ENCLOSURE



308ETW810-A
(Ref. Drawing)

NOTES:

- △ 1 ITEM 27 TO BE INSTALLED ON (4) INSIDE EDGES
- △ 2 ITEM 27 TO BE INSTALLED ON (3) INSIDE EDGES
- △ 3 ITEM 27 TO BE INSTALLED ON THIS EDGE ONLY

Order by Part Number and Description. Reference Numbers are for your convenience only

ENCLOSURE

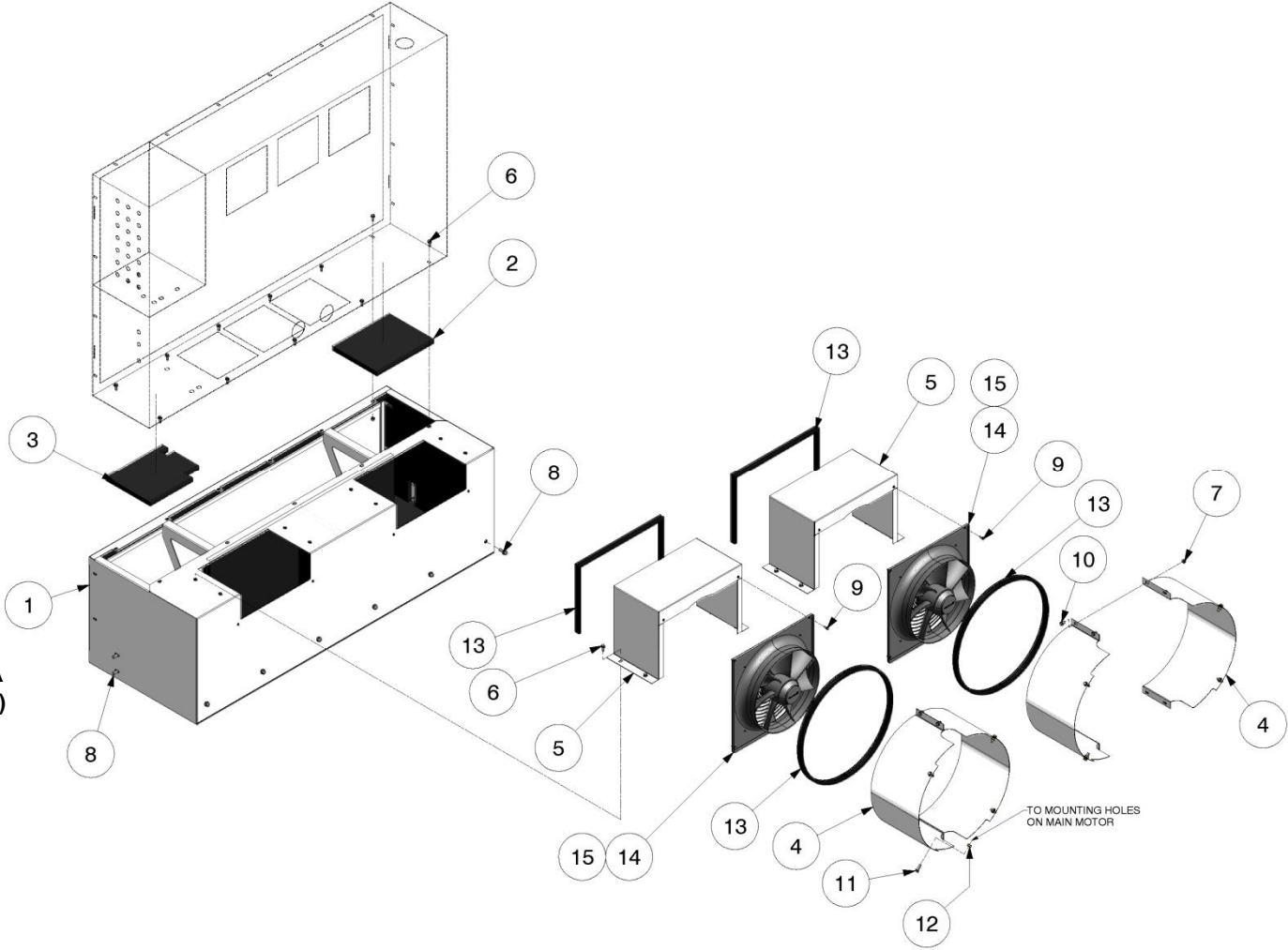
B/M: 301, 302 &
303ETW4017; 306ETW4013

Ref. No.	Name of Part	Qty.	Part No.	Ref. No.	Name of Part	Qty.	Part No.
1	POST.....	1	CC1010212	19	FRAME.....	4	CC1010231
2	FRAME.....	1	CC1022553	20	PANEL.....	1	CC1022551
3	DOOR.....	2	CC1010214	21	BAFFLE.....	1	CC1010233
4	DOOR.....	2	CC1010215	22	COVER.....	4	306ETK225
5	DOOR.....	2	CC1010216	23	FRAME.....	1	CC1022559
6	DOOR.....	2	CC1010217	24	FRAME.....	2	CC1024697
7	POST.....	1	CC1022555	25	FRAME.....	1	CC1024698
8	BRACE.....	2	CC1010220	26	SCREW.....	81	75LM51
9	PANEL.....	1	CC1022554	27	SEAL.....	150	32E12
10	FRAME.....	1	CC1010223	28	SEAL.....	24	32E18
11	POST.....	1	CC1022556	29	KEY (not shown).....	2	VP1049035
12	POST.....	1	CC1010225	30	NUT.....	16	50AW3
13	FRAME.....	4	CC1010226	31	LATCH.....	23	31D68
14	PANEL.....	1	CC1022552	32	NUT.....	68	50AW5
15	DOOR.....	1	CC1022557	33	PANEL (WATER COOLED ONLY) ...	1	CC1022590
16	DOOR.....	1	CC1022558	34	PANEL (WATER COOLED ONLY) ...	1	CC1022591
17	BAFFLE.....	1	CC1010234	35	PANEL (AIR COOLED ONLY).....	1	CC1022592
18	PANEL.....	1	CC1010230	36	PANEL (AIR COOLED ONLY).....	1	CC1022593

CONTROL BOX SUPPORT ASSEMBLY

13-17-502 Page 41

301ETW810-A
(Ref. Drawing)



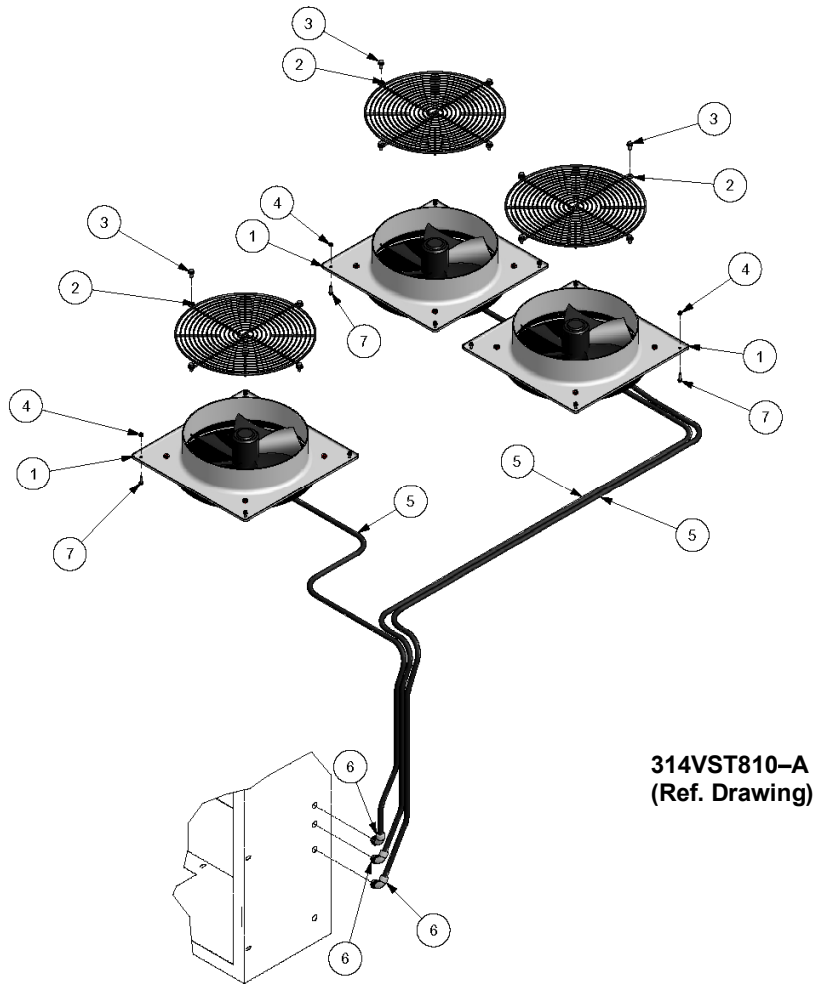
Order by Part Number and Description. Reference Numbers are for your convenience only

CONTROL BOX SUPPORT ASSEMBLY

B/M: 300ETW4017;
301ETW4013;
302ETW4007

Ref. No.	Name of Part	Qty.	Part No.
1	BAFFLE.....	1	CC1022529
2	ACOUSTIC FOAM.....	1	CC1009728
3	ACOUSTIC FOAM.....	1	CC1023432
4	BAFFLE.....	4	CC1022530
5	BAFFLE.....	2	CC1022531
6	SCREW.....	19	75K48
7	NUT.....	19	50AW5
8	SCREW.....	10	75LM135
9	SCREW.....	8	75LM48
10	SCREW.....	8	75LM51
11	SCREW.....	8	75LM51
12	NUT.....	8	50B3Z
13	SEAL.....	20	32E18
14	FAN (460V).....	2	VP1128042
15	WIRE (IN FEET).....	30	97J83

Order by Part Number and Description. Reference Numbers are for your convenience only.

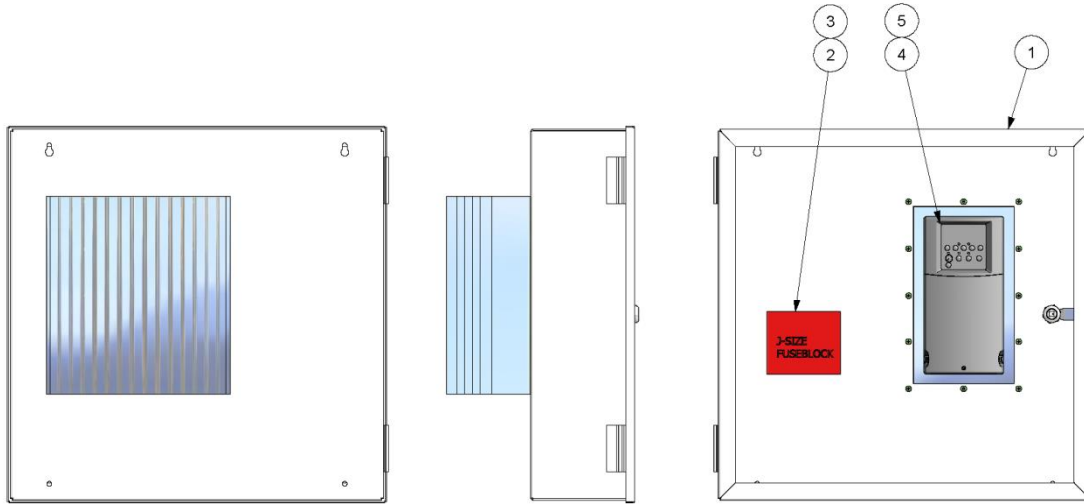


314VST810-A
(Ref. Drawing)

VENT FANS

Ref. No.	Name of Part	Qty.	300VST4007 & B/M 300ETV4007 Part No.
1	VENT FAN.....	3	VP1128045
2	GUARD.....	3	301ETK393
3	SCREW	12	75LM51
4	NUT	12	50AW3
5	WIRE (IN FEET).....	60	97J83
6	ELECTRICAL FITTING	3	24CA4196
7	SCREW	12	75LM53

Order by Part Number and Description. Reference Numbers are for your convenience only



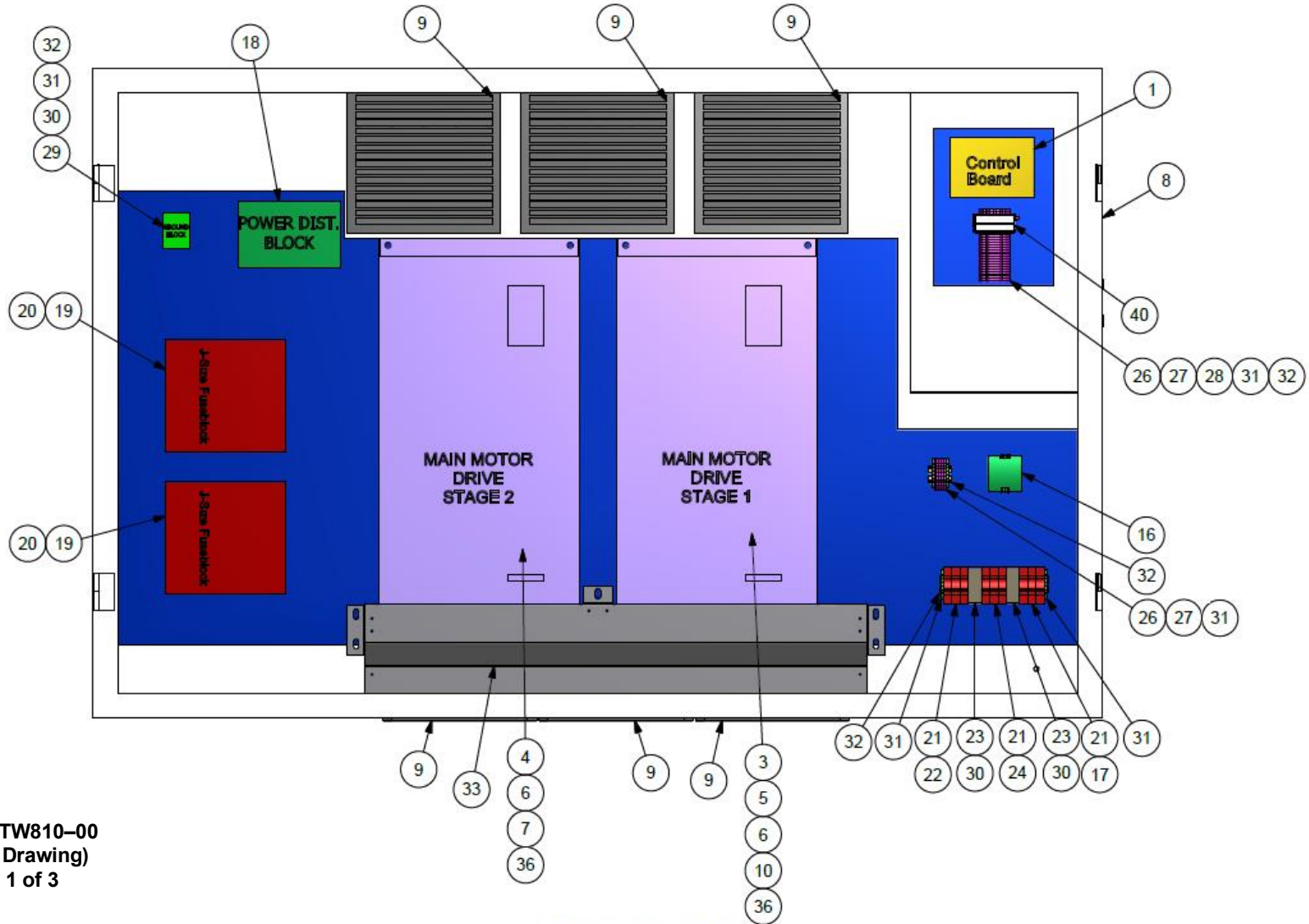
310ETW810-B
(Ref. Drawing)

VIEW SHOWN WITH DOOR REMOVED

CONTROL BOX – AIR COOLED

Ref. No.	Name of Part	Qty.	B/M: 306ETW1189 Part No.
1	CONTROL BOX.....	1	CC1022587
2	HOLDER.....	1	24CA5946
3	FUSE.....	3	24CA5944
4	DRIVE GROUP.....	1	90500153A
5	RESISTOR	1	24CA5933
6	SPLITTER CABLE	1	24CA5899
7	RESISTOR	1	24CA5900
8	RESISTOR	1	24CA5960

CONTROL BOX LAYOUT – WATER COOLED – 460 VOLT



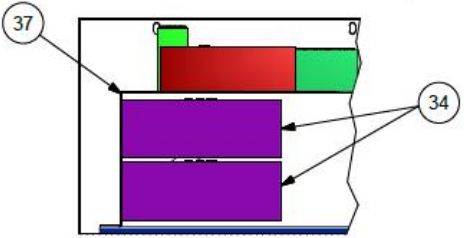
VIEW WITH DOORS REMOVED

Order by Part Number and Description. Reference Numbers are for your convenience only

**CONTROL BOX LAYOUT – WITHOUT EMC FILTER
WATER COOLED – 460 VOLT**

Ref. No.	Name of Part	QTY.	VST225	VST260
	VFD GROUP	1	301ETW4014	302ETW4014
	CONTROL BOX ASSEMBLY (WITHOUT EMC FILTER)	1	307ETW1189	309ETW1189
1	AIRSMART CONTROLLER.....	1	300ETK1173	300ETK1173
2	DISPLAY MODULE.....	1	300ETK375	300ETK375
3	DRIVE GROUP 1 ST STAGE.....	1	90500033E	90500035B
4	DRIVE GROUP 2 ND STAGE	1	90500033F	90500035C
5	CABLE ASSEMBLY	1	24CA5898	-----
6	SPLITTER CABLE	2	24CA5899	-----
7	RESISTOR	1	24CA5900	-----
8	CONTROL BOX.....	1	CC1022527	CC1022527
9	BLACK GRILLE FILTER.....	6	24CA5914	24CA5914
10	PLUG KIT RJ45 SCREW TERMINAL	1	24CA5933	24CA5933
11	OPERATOR.....	1	24CA2907	24CA2907
12	CONTACT BLOCK.....	1	24CA2908	24CA2908
16	POWER SUPPLY	1	24CA6050	24CA6050
17	FUSE.....	2	24CA4088	24CA4088
18	POWER DISTRIBUTION BLOCK	1	24CA5928	24CA5978
19	FUSE HOLDER	2	24CA5923	24CA5923
20	FUSE.....	6	24CA5927	24CA5961
21	FUSE BLOCK	8	24CA5910	24CA5910
22	FUSE.....	3	24CA4091	24CA4091
23	RELAY.....	2	24CA6854	24CA6854
24	FUSE.....	3	24CA4092	24CA4092
26	TERMINAL BLOCK.....	27	24CA5984	24CA5984
27	END PLATE.....	2	24CA5985	24CA5985
28	GROUND BLOCK	2	24CA5986	24CA5986
29	GROUND BLOCK	2	24CA5988	24CA5988
30	GROUND BLOCK	5	24CA5989	24CA5989
31	END STOP	8	24CA5987	24CA5987
32	DIN RAIL	1	24CA5991	24CA5991
33	BAFFLE DRIVE COOLING.....	1	CC1022528	CC1022528
35	DECAL	1	CC1011559	CC1011559
36	COMMUNICATIONS MODULE	2	-----	90500154
36	PLUG KIT	1	24CA5933	-----

**CONTROL BOX LAYOUT – WITH EMC FILTER
WATER COOLED – 460 VOLT**



VIEW WITH DOORS REMOVED
ALTERNATE LOCATION FOR ITEMS 18-20 & 29-32
WHEN OPTIONAL ITEMS 34 & 37 ARE REQUIRED

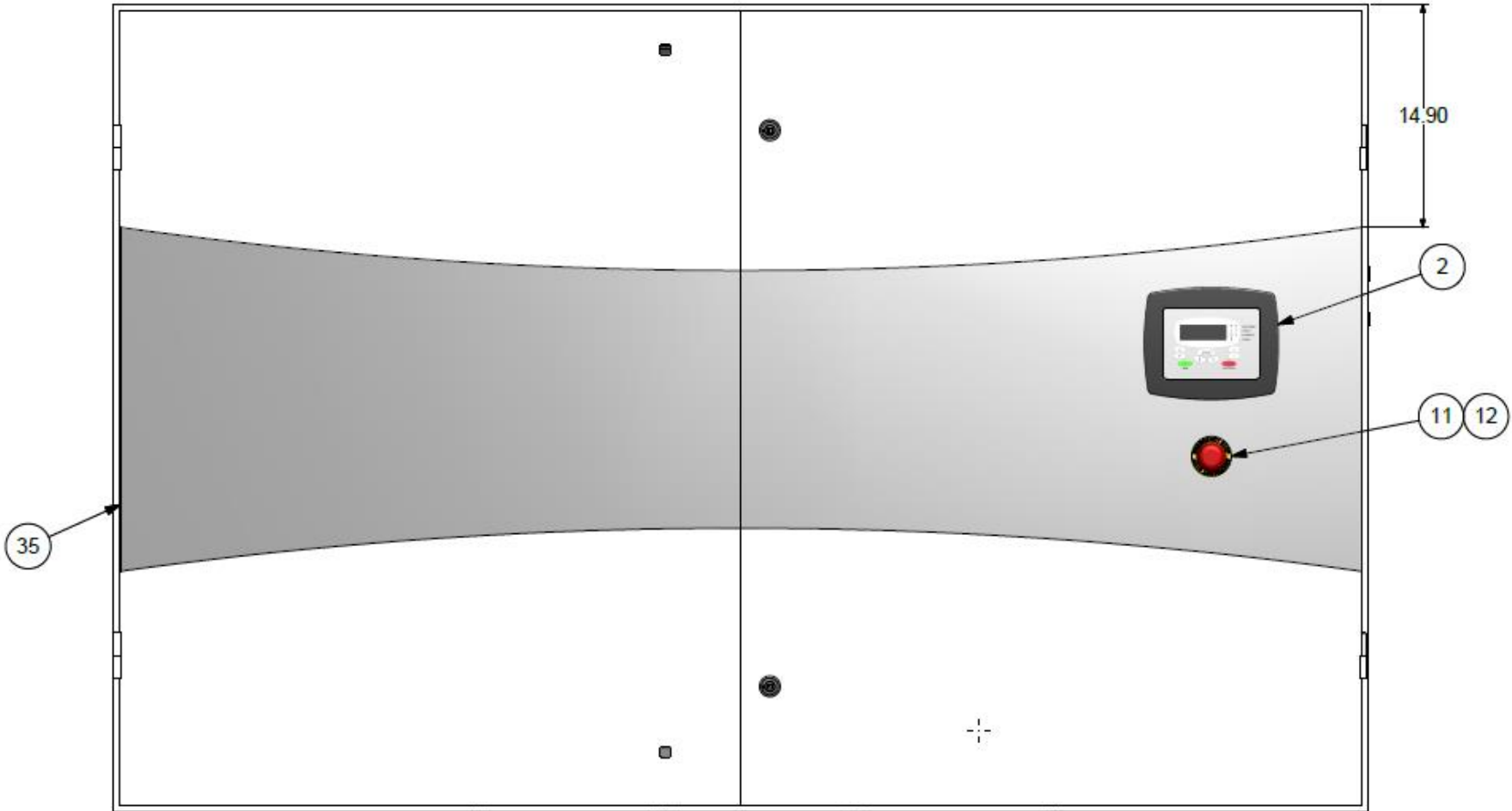
SECTION A-A

Order by Part Number and Description. Reference Numbers are for your convenience only

**CONTROL BOX LAYOUT – WITH EMC FILTER
WATER COOLED – 460 VOLT**

Ref. No.	Name of Part	QTY.	VST225	VST260
	VFD GROUP	1	304ETW4014	302ETW4014
	CONTROL BOX ASSEMBLY (WITHOUT EMC FILTER)	1	308ETW1189	309ETW1189
1	AIRSMART CONTROLLER.....	1	300ETK1173	300ETK1173
2	DISPLAY MODULE.....	1	300ETK375	300ETK375
3	DRIVE GROUP 1 ST STAGE.....	1	90500033E	90500035B
4	DRIVE GROUP 2 ND STAGE	1	90500033F	90500035C
5	CABLE ASSEMBLY	1	24CA5898	-----
6	SPLITTER CABLE	2	24CA5899	-----
7	RESISTOR	1	24CA5900	-----
8	CONTROL BOX.....	1	CC1022527	CC1022527
9	BLACK GRILLE FILTER.....	6	24CA5914	24CA5914
10	PLUG KIT RJ45 SCREW TERMINAL	1	24CA5933	24CA5933
11	OPERATOR.....	1	24CA2907	24CA2907
12	CONTACT BLOCK.....	1	24CA2908	24CA2908
16	POWER SUPPLY	1	24CA6050	24CA6050
17	FUSE.....	2	24CA4088	24CA4088
18	POWER DISTRIBUTION BLOCK	1	24CA5928	24CA5978
19	FUSE HOLDER	2	24CA5923	24CA5923
20	FUSE.....	6	24CA5927	24CA5961
21	FUSE BLOCK	8	24CA5910	24CA5910
22	FUSE.....	3	24CA4091	24CA4091
23	RELAY.....	2	24CA6854	24CA6854
24	FUSE.....	3	24CA4092	24CA4092
26	TERMINAL BLOCK.....	27	24CA5984	24CA5984
27	END PLATE.....	2	24CA5985	24CA5985
28	GROUND BLOCK	2	24CA5986	24CA5986
29	GROUND BLOCK	2	24CA5988	24CA5988
30	GROUND BLOCK	5	24CA5989	24CA5989
31	END STOP	8	24CA5987	24CA5987
32	DIN RAIL	1	24CA5991	24CA5991
33	BAFFLE DRIVE COOLING.....	1	CC1022528	CC1022528
35	DECAL	1	CC1011559	CC1011559
36	COMMUNICATIONS MODULE	2	-----	90500154
36	PLUG KIT	1	24CA5933	-----

CONTROL BOX LAYOUT – WITH EMC FILTER
WATER COOLED – 460 VOLT

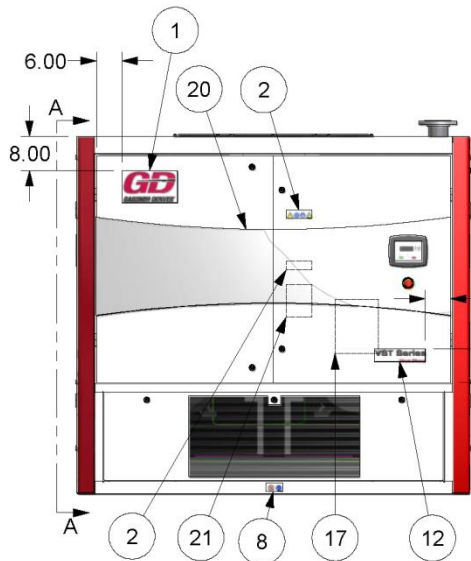


Order by Part Number and Description. Reference Numbers are for your convenience only

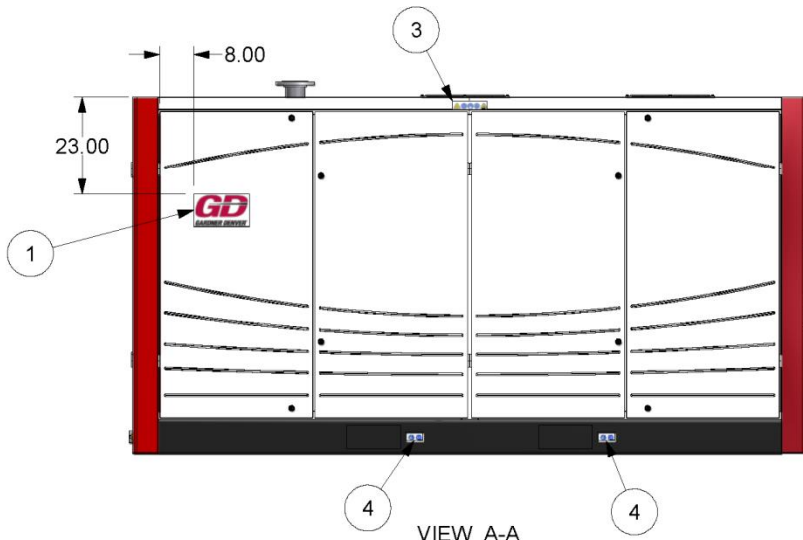
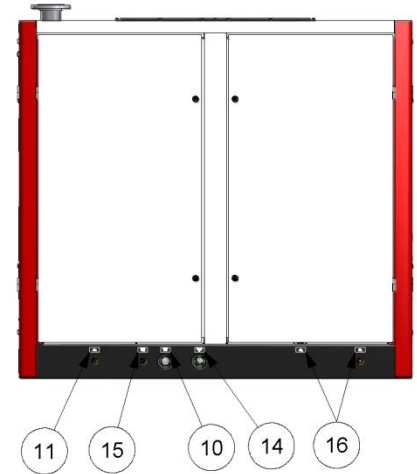
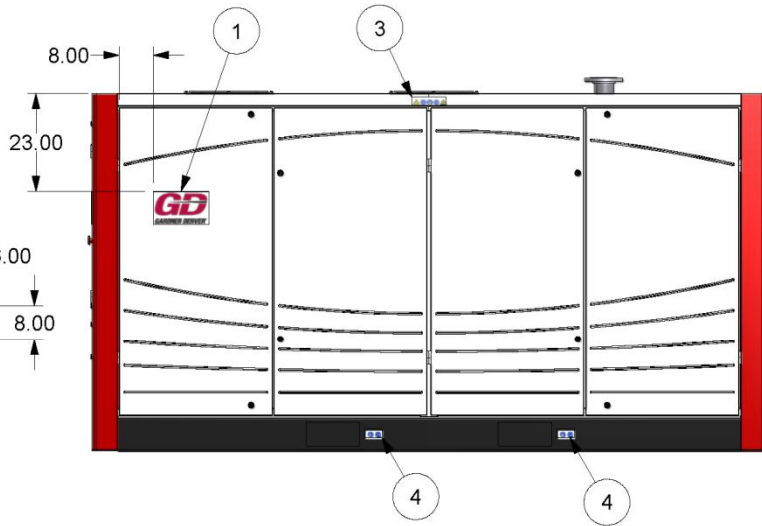
CONTROL BOX LAYOUT – WITH EMC FILTER
WATER COOLED – 460 VOLT

Ref. No.	Name of Part	Qty.	B/M: 306 THRU 309ETW1189 Part No.
2	CONTROLLER DISPLAY MODULE	1	300ETK375
11	SWITCH.....	1	24CA2907
12	SWITCH.....	1	24CA2908
35	DECAL.....	1	CC1011559

DECALS



INSIDE CONTROL BOX DOOR



VIEW A-A

Order by Part Number and Description. Reference Numbers are for your convenience only

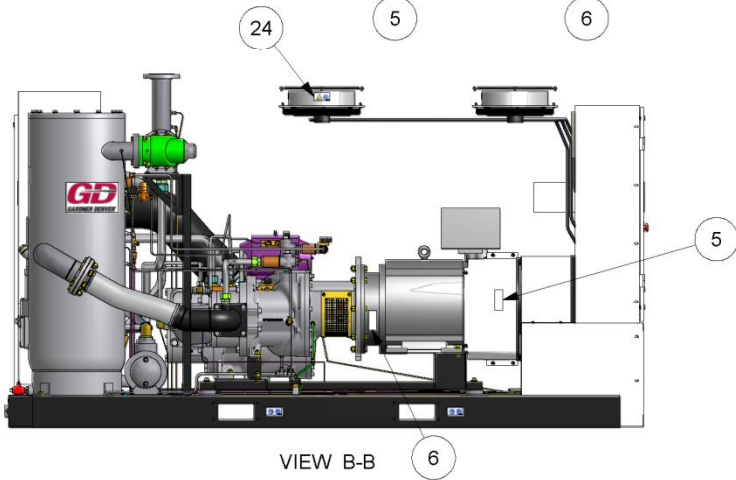
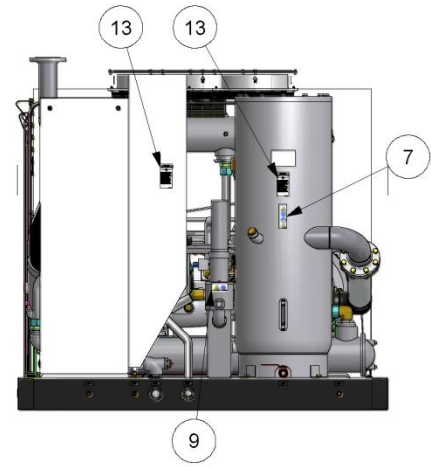
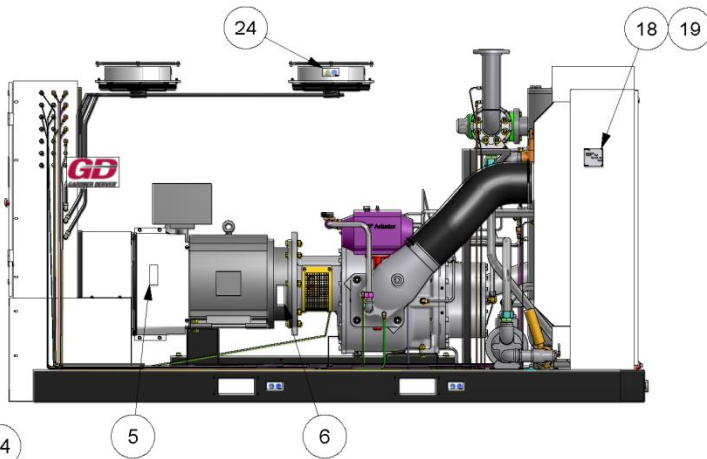
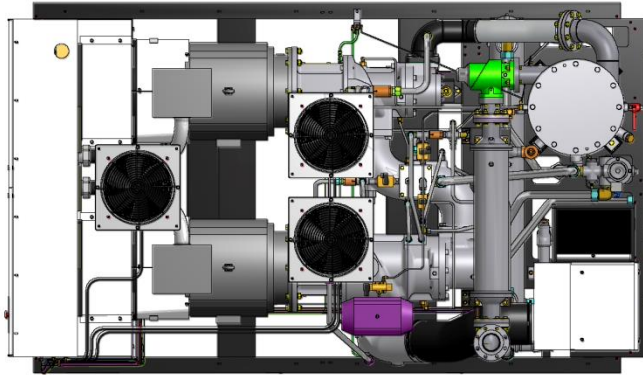
DECAL LAYOUT
(PACKAGE EXTERIOR)

Ref. No.	Name of Part	Qty.	B/M: 300 & 308ETW4011 Part No.
1	DECAL, GARDNER DENVER PRODUCT LOGO.....	2	TEN000787
2	DECAL, ISO WARNING . Control Box.....	2	VP1009371
3	DECAL, ISO WARNING . Sides Above Doors	2	VP1009372
4	DECAL, ISO WARNING . Fork Pocket	4	VP1009373
5	DECAL, ISO WARNING-Motor (use CC1010403).....	2	VP1009374
6	DECAL, ISO WARNING-Coupling Housing.....	2	VP1009375
7	DECAL, ISO WARNING-PRESSURE & HOT SURFAC.....	1	VP1009376
8	DECAL, ISO WARNING . Do Not Lift	1	VP1032920
9	DECAL, ISO WARNING-COMPRESSED GAS.....	1	VP1009379
10	DATA PLATE		
	WATER COOLED (Water Drain).....	1	202EWD454
	AIR COOLED (From Oil Cooler).....	1	CC1032397
11	DATA PLATE		
	WATER COOLED (Oil Drain).....	1	300EHG454
	AIR COOLED (Discharge Air Pressure).....	1	CC1033301
12	DECAL, VST		
	DECAL, VST 225	1	TEN005190
	DECAL, VST 225	1	CC1031556
	DECAL, VST 260	1	TEN005191
	DECAL, VST 260	1	CC1031557
13	DECAL-NOTICE (Use Genuine GD Parts)	2	CC1009474
14	DATA PLATE, TO OIL COOLER		
	WATER COOLED (Cool Water In).....	1	203EWD454
	AIR COOLED (To Oil Cooler).....	1	CC1032396
15	DATA PLATE	1	CC1009381
16	DATA PLATE	2	300EHG454
17	POCKET.....	1	VP1009797
18	PLATE-NAME (See internal note)		208EAQ496
19	RIVET .156DIA .126-.250 GRIP RANGE1		208EAQ496
20	DECAL, GRAY CONTROL BOX4	1	CC1011559
21	DECAL, GARDNER DENVER CD		
	ENGLISH.....	1	VP1009795
	FRENCH CANADIAN	1	VP1012949
	MEXICAN SPANISH.....	1	VP1012948
24	DECAL, ISO WARNING-Rotating Fans.....	2	VP1009640
25	DECAL, GROUP DECAL SHEET	1	CC1010403

* For Replacement Decals, order Part Number CC1010403 Decal Group Sheet

DECAL LAYOUT

(PACKAGE EXTERIOR)



13-17-502 Page 53

313ETW810-C
(Ref. Drawing)
Page 2 of 2

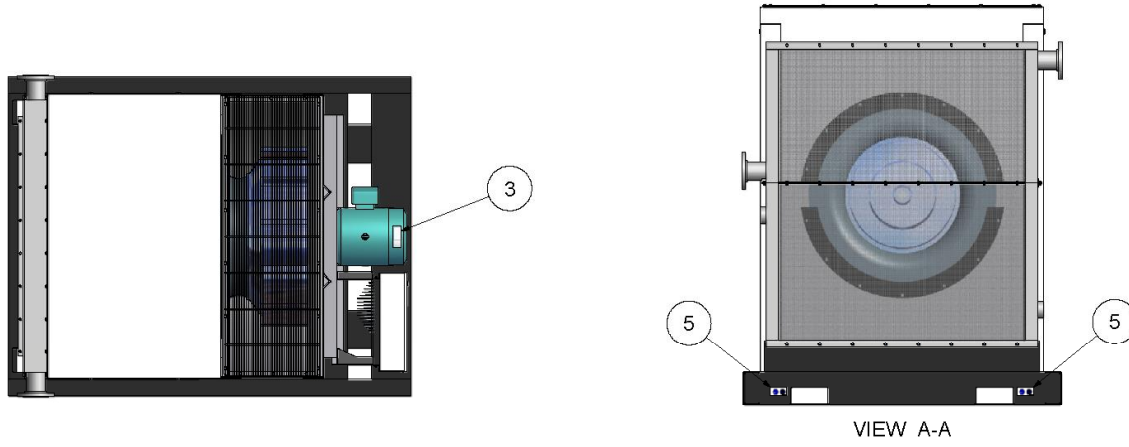
Order by Part Number and Description. Reference Numbers are for your convenience only

**DECAL LAYOUT
(PACKAGE EXTERIOR)**

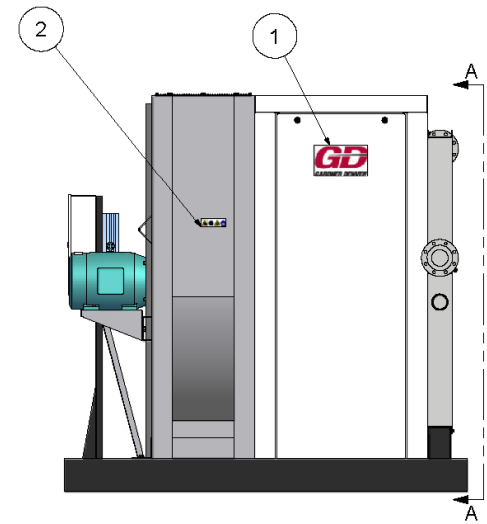
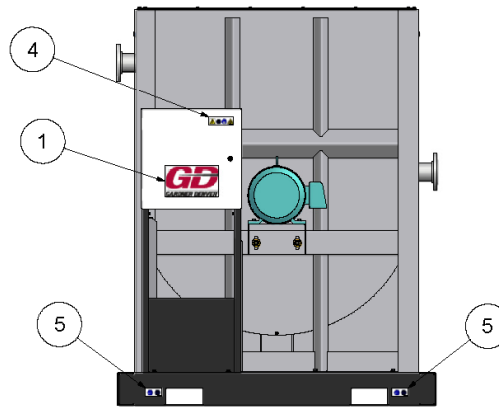
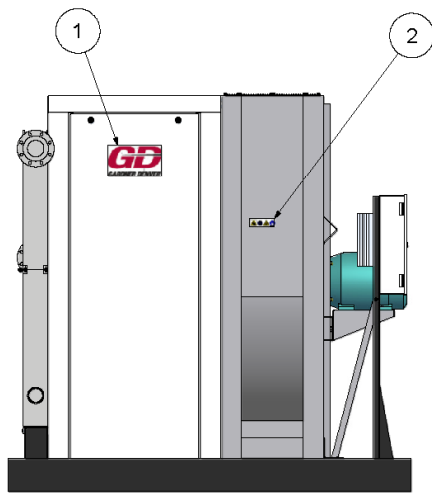
Ref. No.	Name of Part	Qty.	B/M: 300ETW4011 Part No.
* 5	DECAL, ISO WARNING - MOTOR.....	1	VP1009374
* 6	DECAL, ISO WARNING . COUPLING HOUSING.....	2	VP1009375
* 7	DECAL, ISO WARNING . SEPARATOR TANK	1	VP1009376
* 9	DECAL, ISO WARNING . OIL FILTER	1	VP1009379
13	DECAL, NOTICE (USE GENUINE GD PARTS).....	2	CC1009474
18	NOT AVAILABLE FOR SALE.....		
19	NOT AVAILABLE FOR SALE.....		
*24	DECAL, ISO WARNING . ROTATING FANS.....	1	VP1009640

*For Replacement Decals, order Part Number CC1010403 Decal Group Sheet

DECALS – AIR COOLED



319ETW810-B
(Ref. Drawing)



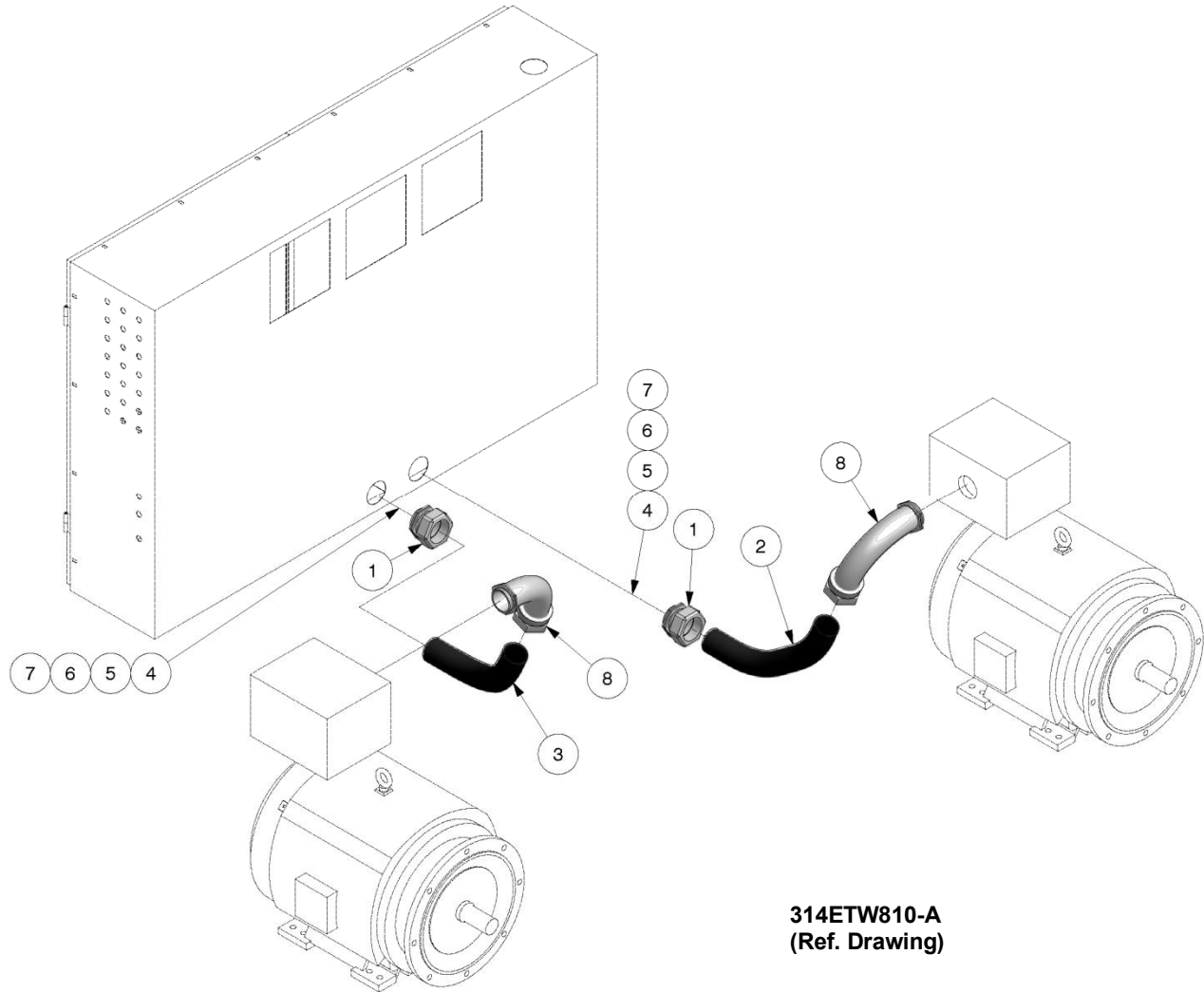
Order by Part Number and Description. Reference Numbers are for your convenience only

DECALS – AIR COOLED

Ref. No.	Name of Part	Qty.	B/M: 309ETW4011 Part No.
1	DECAL, GARDNER DENVER PRODUCT LOGO.....	3	TEN000787
2	DECAL, ISO WARNING-Fan/Auto Start	2	VP1009377
3	DECAL, ISO WARNING, Motor	1	VP1009374
4	DECAL, ISO WARNING-Control Box.....	1	VP1009371
5	DECAL, ISO WARNING-Fork Pocket	4	VP1009373
6	DECAL, GROUP DECAL SHEET.....	1	CC1010403

* For Replacement Decals, order Part Number CC1010403 Decal Group Sheet

MAIN MOTOR CONDUIT



314ETW810-A
(Ref. Drawing)

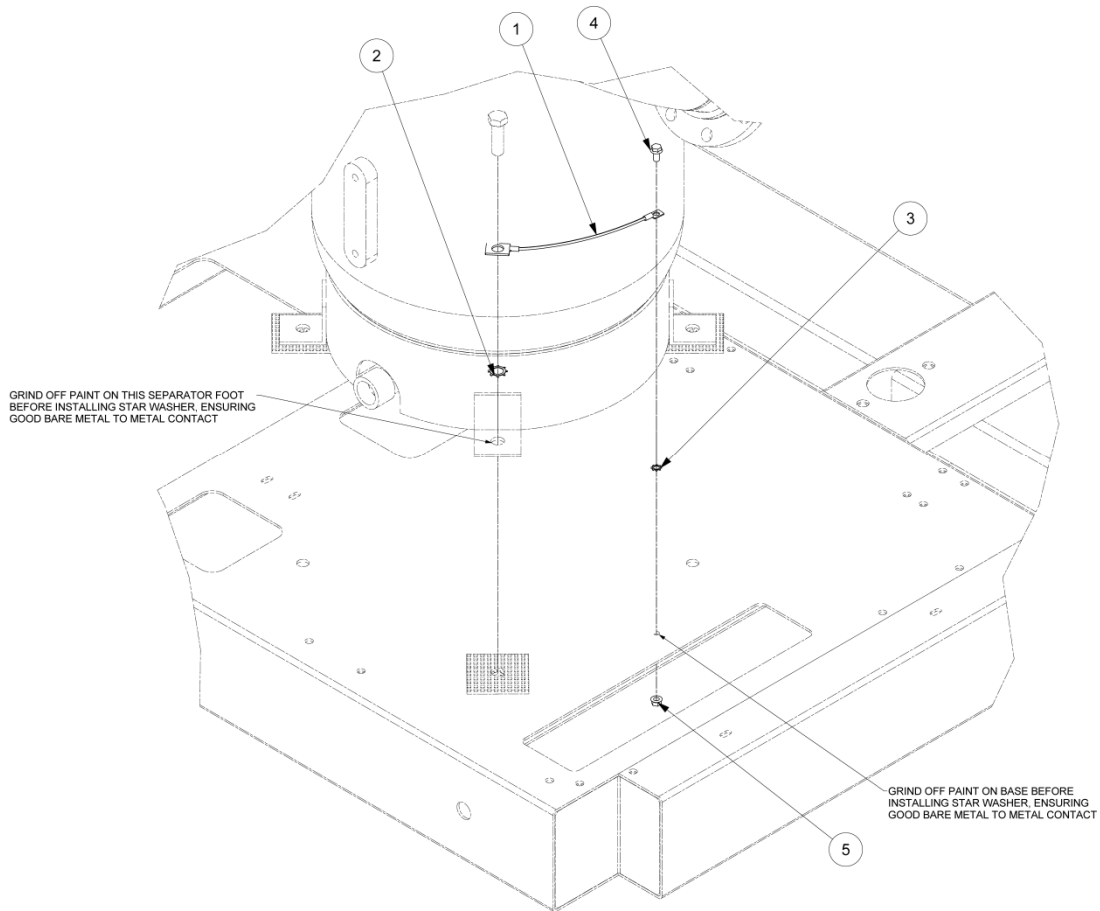
Order by Part Number and Description. Reference Numbers are for your convenience only

MAIN MOTOR CONDUIT

Ref. No.	Name of Part	Qty.	B/M: 300, 301 & 303ETW4007 Part No.
1	ELECTRICAL FITTING	2	2009345
2	CONDUIT (IN INCHES)	27	2009424
3	CONDUIT (IN INCHES)	26	2009424
4	WIRE (IN FEET)		
	VST200.....	84	2009410
	VST225.....	84	2009422
	VST260.....	84	2009522
5	WIRE (IN FEET)		
	VST200.....	28	97J77
	VST225.....	28	2009410
	VST260.....	28	2009410
6	TERMINAL LUG		
	VST200.....	24	24A499
	VST225.....	24	24A500
	VST260.....	24	24A520
7	TERMINAL LUG		
	VST200.....	4	24A518
	VST225.....	4	24A499
	VST260.....	4	24A499
8	CONDUIT FITTING.....	2	2009347
9	TAPE (GREEN) (NOT SHOWN)	1	24CA898

Order by Part Number and Description. Reference Numbers are for your convenience only

ELECTRICAL GROUNDING KIT



321ETW810-A
(Ref. Drawing)

Ref. No.	Name of Part	B/M Qty.	306ETW6005 Part No.
1	ELECTRICAL GROUP (GROUNDING WIRE & LUGS).....	1	306ETW4007
2	LOCK WASHER.....	1	95H8
3	LOCK WASHER.....	1	95H3
4	SCREW.....	1	75LM51
5	NUT.....	1	50AW5

All Parts included in Field Repair Kit Part Number 307ETK6005.
Refer to Page 62.

REPAIR KITS

Your Gardner Denver rotary screw compressor is designed and manufactured for many years of reliable operation. All components are engineered to exacting specifications, which will function together as a system to provide maximum efficiency. To insure the continuing integrity of compressor operation, use only original quality genuine Gardner Denver replacement parts and accessories.

Name of Part	Qty.	Part No.
ROUTINE MAINTENANCE KIT		303ETW6003
ELEMENT, AIR FILTER	8	5L356
ELEMENT, OIL FILTER.....	3	2118345
OIL SEPARATOR KIT.....		302ETW6013
OIL SEPARATOR	3	300EBQ035
O-RING.....	1	25BC868
O-RING LUBRICANT	1	2116755
PNEUMATIC CONTROLS AND GAUGES.....		300ETW6013
CHECK VALVE.....	1	90AR1146
CHECK VALVE.....	2	90AR1136
CHECK VALVE.....	1	90AR1138
PRESSURE REGULATOR.....	1	88H345
PRESSURE GAUGE.....	1	2118581
STRAINER.....	1	82E46
ELECTRICAL CONTROL GROUP		301ETW6013
CONTROL VALVE	1	90AR1148
CONTROL VALVE	3	90AR1153
THERMISTOR	5	VP1018671
PRESSURE TRANSDUCER	5	88H365
VACUUM SWITCH.....	1	88H195
THERMISTOR CABLE (30 FT).....	5	VP1018672
NOZZLE REPAIR KIT.....		305ETW6003
LOCTITE	1	25BC669
ADAPTER.....	2	300ETV170
ADAPTER.....	2	301ETK170
NOZZLE	2	52C7
NOZZLE	2	52C12
GASKET	2	25BC861
GASKET	2	25BC862
NOZZLE	2	52C14
ADAPTOR	2	301ETV170
GASKET.....	2	25BC876
MOTOR BEARING GREASE		
400 GRAM CARTRIDGE.....	1	28H311
1 KILOGRAM CAN.....	1	28H312
25 KILOGRAM PAIL.....	1	28H313
LUBRICANT (AEON 9000TH)		
5 GALLON PAIL.....	1	28H286
55 GALLON DRUM.....	1	28H270

REPAIR KITS (Continued)

Name of Part	Qty.	Part No.
TOUCH-UP PAINT		
1 QUART CAN (WHITE).....	1	28H83
1 GALLON CAN (WHITE).....	1	28H84
5 GALLON PAIL (WHITE).....	1	28H76
1 QUART CAN (RED)	1	28H323
1 GALLON CAN (RED).....	1	28H324
5 GALLON PAIL (RED)	1	28H325
WATER TEMPERATURE REGULATOR (OPTIONAL).....		90AR1117
WATER SHUT-OFF VALVE (OPTIONAL)		90AR1151
OIL SEAL KIT (1st STAGE).....		300SBW6029
SHAFT SEAL	1	89556349
O-RING.....	1	25BC878
INNER RING.....	1	89548209
O-RING.....	1	25BC844
SEAL	1	300SBN316
GASKET ELIMINATOR	1	25BC632
COMPOUND ANTI-SEIZE.....	1	25BC850
COUPLING INSTALLATION SHEET.....	1	MP167
OIL SEAL KIT (2nd STAGE)		300SBN6029
SHAFT SEAL	1	89556349
O-RING.....	1	25BC431
INNER RING.....	1	89548209
O-RING.....	1	25BC844
SEAL	1	300SBN316
GASKET ELIMINATOR	1	25BC632
COMPOUND ANTI-SEIZE.....	1	25BC850
COUPLING INSTALLATION SHEET.....	1	MP167
COUPLING INSTALLATION & REMOVAL TOOL KIT.....		300CGF6031
COUPLING INSTALLATION TOOL.....	1	300SQP074
PULLER.....	1	90500151
COUPLING INSTALLATION SHEET.....	1	MP167
SEAL INSTALLATION & REMOVAL TOOL KIT.....		300ETW6031
COUPLING INSTALLATION TOOL.....	1	300SQP074
PULLER.....	1	90500151
WEAR SLEEVE PUSHER TOOL.....	1	20500130
TOOL.....	1	20500128
GUIDE	1	20500129
PULLER ASSEMBLY	1	20500162
COUPLING INSTALLATION SHEET.....	1	MP167

REPAIR KITS (Continued)

Name of Part	Qty.	Part No.
SEPARATOR GROUNDING, FIELD REPAIR KIT		307ETW6005
ELECTRICAL GROUP (GROUNDING WIRE & LUGS).....	1	306ETW4007
LOCK WASHER	1	95H8
LOCK WASHER	1	95H3
SCREW	1	75LM51
NUT.....	1	50AW5

Gardner Denver®

For additional information, contact your local representative or visit:
www.contactgd.com/compressors

©2018 Gardner Denver, Inc. Printed in U.S.A.



Member



Please recycle after use.