
GARDNER DENVER®

13-13-501
1st Edition
November, 1999

**ELECTRA-SAVER
TWO-STAGE
STATIONARY BASE-MOUNTED
COMPRESSOR**

AUTO SENTRY®-ES+ CONTROLS

MODELS

ETU99A - 200 HP AND 300 HP

PARTS LIST

Gardner

Denver

INSTRUCTIONS FOR ORDERING REPAIR PARTS

When ordering parts, specify Compressor MODEL, Method of Cooling, HORSEPOWER and SERIAL NUMBER (see nameplate on unit). The Serial Number is also stamped on top of the cylinder flange to the right of the inlet housing.

All orders for Parts should be placed with the nearest authorized distributor.

Where NOT specified, quantity of parts required per compressor or unit is one (1); where more than one is required per unit, quantity is indicated in parenthesis. SPECIFY EXACTLY THE NUMBER OF PARTS REQUIRED.

DO NOT ORDER BY SETS OR GROUPS.

To determine the Right Hand and Left Hand side of a compressor, stand at the motor end and look toward the compressor. Right Hand and Left Hand are indicated in parenthesis following the part name, i.e. (RH) & (LH), when appropriate.

**For Operating and Service Instructions, See
SERVICE MANUAL 13-13-601**

TABLE OF CONTENTS

Instructions For Ordering Repair Parts	1
Maintain Compressor Reliability And Performance With Genuine Gardner Denver	
Compressor Parts And Support Services	3
Remanufactured Air Ends	3
Total Product Support – Gardner Denver’s Continuing Commitment To Your	
Air Compressor Performance	4
Air - End Selective	4
Bare Compressor - First Stage (SSU)	5, 6
Oil Seal Detail - First Stage (SSU).....	7
Discharge Bearings Lubrication Lines - First Stage (SSU).....	8
Bare Compressor - Second Stage (SSM).....	9, 10
Oil Seal Detail - Second Stage (SSM)	11
Discharge Bearings Lubrication Lines - Second Stage (SSM)	12
Bare Compressor - Second Stage (SSH)	13, 14
Oil Seal Detail - Second Stage (SSH)	15
Bearing Lubrication Lines - Second Stage (SSH).....	16
Turn Valve - First Stage (SSU)	17
Turn Valve Actuator	18
Inlet Valve	19
Air Filter	20
Oil Reservoir	21, 22
Oil Piping.....	23, 24
Air Cooled Cooler.....	25, 26
Water Cooled Cooler With Aftercooler.....	27, 28
Water Cooled Cooler Without Aftercooler.....	29, 30
Filter Assembly.....	31
Mounting Group	32
Control Schematic.....	33, 34
Miscellaneous Electrical Parts	35
Vent Fan.....	36
Enclosure - Common Parts.....	37
Enclosure - Air Cooled	38
Enclosure - Water Cooled.....	39
Enclosure - Air Cooled	40
Enclosure - Water-Cooled Hardware	41
Enclosure - Air-Cooled Hardware	42
Enclosure - Air-Cooled Quiet Enclosure	43
Enclosure - Air-Cooled Quiet Enclosure	44
Motor And Mounting Group.....	45, 46
Motor Group (Main Drive Motors)	47
Minimum Pressure/Check Valve.....	48
Controller Assembly.....	49 thru 55
Identification And Instruction Group.....	56
Repair Kits.....	57 thru 60

**MAINTAIN COMPRESSOR RELIABILITY AND PERFORMANCE WITH
GENUINE GARDNER DENVER COMPRESSOR PARTS AND SUPPORT SERVICES**

Gardner Denver Compressor genuine parts, manufactured to design tolerances, are developed for optimum dependability --- specifically for Gardner Denver compressor systems. Design and material innovations are the result of years of experience with hundreds of different compressor applications. Reliability in materials and quality assurance are incorporated in our genuine replacement parts.

Your authorized Gardner Denver Compressor distributor offers all the backup you'll need. A worldwide network of authorized distributors provides the finest product support in the air compressor industry. Your local authorized distributor maintains a large inventory of genuine parts and he is backed up for emergency parts by direct access to the Gardner Denver Master Distribution Center (MDC) in Memphis, Tennessee.

Your authorized distributor can support your Gardner Denver air compressor with these services:

1. Trained parts specialists to assist you in selecting the correct replacement parts.
2. Factory warranted new and remanufactured rotary screw air ends. Most popular model remanufactured air ends are maintained in stock at MDC for purchase on an exchange basis with liberal core credit available for the replacement unit.
3. A full line of factory tested AEON™ compressor lubricants specifically formulated for use in Gardner Denver compressors.
4. Repair and maintenance kits designed with the necessary parts to simplify servicing your compressor.

Authorized distributor service technicians are factory-trained and skilled in compressor maintenance and repair. They are ready to respond and assist you by providing fast, expert maintenance and repair services.

For the location of your local authorized Gardner Denver Air Compressor distributor refer to the yellow pages of your phone directory or contact:

Distribution Center:
Gardner Denver
Master Distribution Center
5585 East Shelby Drive
Memphis, TN 38141

Phone: (901) 542-6100
(800) 245-4946

Fax: (901) 542-6159

Factory:
Gardner Denver
1800 Gardner Expressway
Quincy, IL 62301

Phone: (217) 222-5400

Fax: (217) 224-7814

REMANUFACTURED AIR ENDS

Whenever an air end requires replacement or repair, Gardner Denver offers an industry unique, factory remanufactured air end exchange program. From its modern Remanufacturing Center in Indianapolis, IN, Gardner Denver is committed to supplying you with the highest quality, factory remanufactured air ends that are guaranteed to save you time, aggravation and money.

Immediately Available

Repair downtime costs you money, which is why there are over 200 remanufactured units in inventory at all times, ready for immediate delivery.

Skilled Craftsmen

Our Remanufacturing assembly technicians average over 20 years experience with air compression products.

Precision Remanufacturing

All potentially usable parts are thoroughly cleaned, inspected and analyzed. Only those parts that can be brought back to original factory specifications are remanufactured. Every remanufactured air end receives a new overhaul kit: bearings, gears, seals, sleeves and gaskets.

Extensive Testing

Gardner Denver performs testing that repair houses just don't do. Magnaflux and ultrasonic inspection spot cracked or stressed castings, monochromatic light analysis exposes oil leaks, and coordinate measurement machine inspects to +/- .0001", insuring that all remanufactured air ends meet factory performance specifications.

Warranty

Gardner Denver backs up every remanufactured air end with a new warranty . . . 18 months from purchase, 12 months from service.

Gardner Denver remanufactured air ends deliver *quality without question . . . year in and year out.*

Call Gardner Denver for information on the air end exchange program and the name of your authorized distributor.

Phone Number: 800-245-4946
FAX: 901-542-6159

**TOTAL PRODUCT SUPPORT – GARDNER DENVER’S
CONTINUING COMMITMENT
TO YOUR AIR COMPRESSOR PERFORMANCE**

Commitment to total product support continues long after the purchase of your quality Gardner Denver rotary screw compressor.

Gardner Denver original parts incorporate years of experience and improvements in design, materials and quality assurance. Maintaining your compressor investment with Gardner Denver parts will insure protection for the air compressor unit and long, dependable service life.

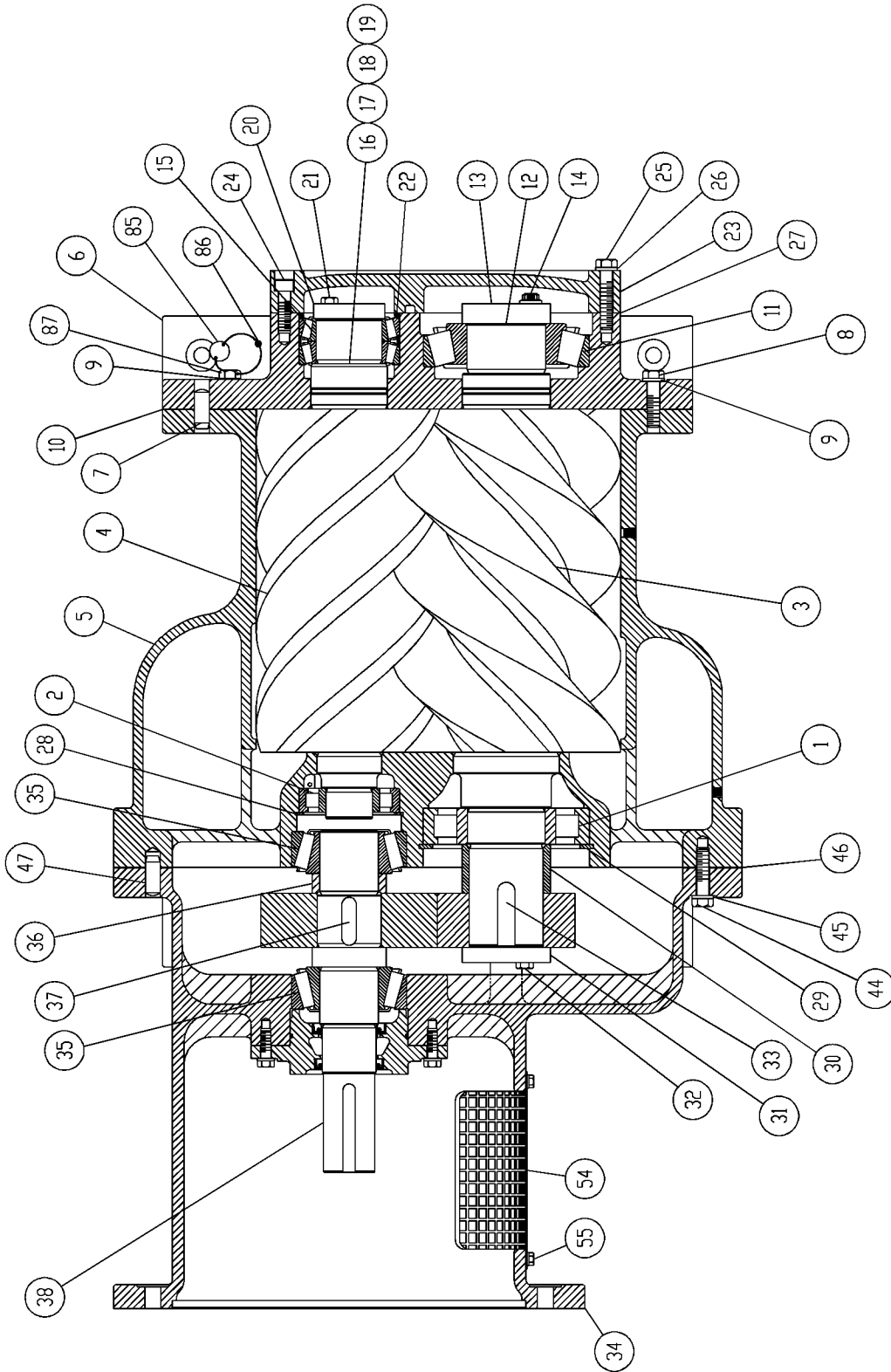
Your authorized Gardner Denver compressor distributor maintains a complete stock of all common maintenance parts, factory approved AEON™ lubricants, and Gardner Denver factory warranted exchange air ends. In addition, authorized distributor technicians are factory trained, and can provide complete diagnostic, compressor maintenance and repair services.

This manual is designed to assist you in maintaining high performance and receiving many years of dependable service you expect from your Gardner Denver compressor.

AIR - END SELECTIVE

HP	PSIG	1ST STAGE AIR END	2ND STAGE AIR END
200	100	SSUTBA04	SSHTAA01
200	125	SSUTBA04	SSHTAA01
300	100	SSUTBA02	SSMTAA01
300	125	SSUTBA02	SSMTAA01

BARE COMPRESSOR - FIRST STAGE (SSU)



324SSU810-B
(Ref. Drawing)

Order by Part Number and Description. Reference Numbers are for your convenience only.

BARE COMPRESSOR - FIRST STAGE (SSU)

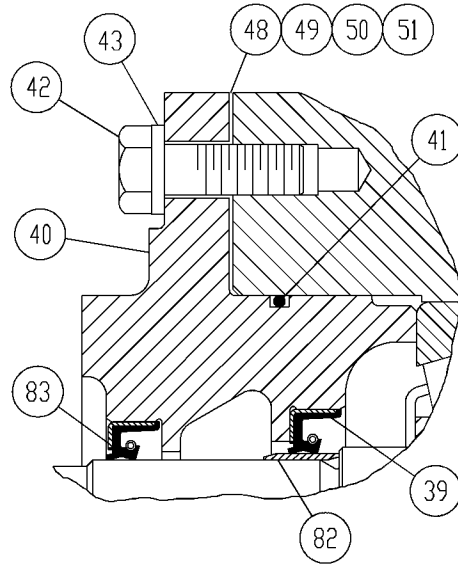
B/M: 304SSU4000

Ref.	No.	Name of Part	Qty.	Part No.	Ref.	No.	Name of Part	Qty.	Part No.
	* 1	BEARING-ROLLER.....	1	12BA52	* 27	GASKET-ELIMINATOR.....	1	**	
	* 2	BEARING-ROLLER.....	1	12W34	28	RING-RETAINING.....	1	**	
	3	ROTOR-MAIN.....	1	**	29	RING-RETAINING.....	1	**	
	4	ROTOR-SECONDARY.....	1	**	30	SPACER-SHAFT.....	1	**	
	5	CYLINDER.....	1	**	31	PLATE-BEARING RETAINER.....	1	**	
	6	HOUSING-BEARING.....	1	**	32	SCREW.....	3	**	
	7	PIN-DOWEL.....	1	**	33	KEY.....	1	**	
	8	SCREW.....	1	**	34	HOUSING-GEAR.....	1	**	
	9	LOCKWASHER.....	20	**	* 35	BEARING.....	2	12C60	
	* 10	GASKET.....	1	208SSU715N	36	SPACER-SHAFT.....	1	**	
	* 11	BEARING-ROLLER.....	1	12BA79	37	KEY-SQUARE.....	1	**	
	* 12	SHIM.....	1	77H55	38	SHAFT.....	1	**	
	13	PLATE-BEARING RETAINER.....	1	**	44	SCREW.....	20	**	
	14	SCREW.....	3	**	45	LOCKWASHER.....	20	**	
	* 15	BEARING.....	1	12BA78	* 46	GASKET.....	1	209SSU715N	
	* 16	SHIM.....	2	77H50002	47	PIN-DOWEL.....	2	**	
	* 17	SHIM.....	3	77H50003	52	PLUG.....	5	**	
	* 18	SHIM.....	3	77H50005	53	PLUG.....	2	**	
	* 19	SHIM.....	3	77H50015	54	GUARD-COUPLING.....	1	**	
	20	PLATE-BEARING RETAINER.....	1	**	55	SCREW.....	4	**	
	21	SCREW.....	3	**	56	PLUG.....	1	**	
	* 22	SPRING-WAVE.....	1	78W54	58	PLUG.....	1	**	
	23	PLATE-BEARING COVER.....	1	**	84	PLUG.....	2	**	
	24	SCREW.....	9	**	85	TAG-INSTRUCTION.....	1	**	
	25	SCREW.....	10	**	86	SEAL.....	1	**	
	26	LOCKWASHER.....	10	**	87	SCREW.....	2	**	

* Included in Periodic Overhaul Kit Number 300SSU6013. Refer to page 57

** Shown for reference only.

Order by Part Number and Description. Reference Numbers are for your convenience only.



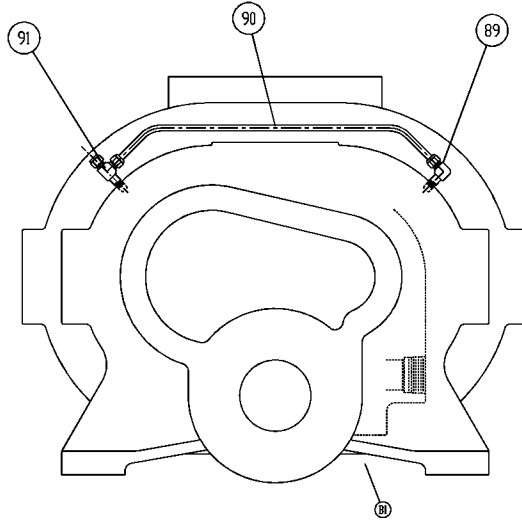
324SSU810-B
(Ref. Drawing)

OIL SEAL DETAIL - FIRST STAGE (SSU)

Ref. No.	Name of Part	Qty.	Part No.
* 39	SEAL-OIL.....	1	60DD571
40	HOUSING-SEAL.....	1	203SSU362
* 41	O-RING.....	1	25BC205
42	SCREW.....	6	655EE060
43	LOCKWASHER.....	6	95B5
* 48	SHIM.....	12	204SSY732
* 49	SHIM.....	12	205SSY732
* 50	SHIM.....	6	207SSY732
* 51	SHIM.....	6	208SSY732
* 82	SLEEVE-WEAR.....	1	80M28
* 83	SEAL-OIL.....	1	60DD689
*	CHECK VALVE (not shown).....	1	90AR923

* Parts included in Oil Seal. Refer to page 58
Wear Sleeve Installation and Removal Kit Number 200SSU4017 (Includes Wear Sleeve Puller and Installation Tool) Refer to page 59

Order by Part Number and Description. Reference Numbers are for your convenience only.

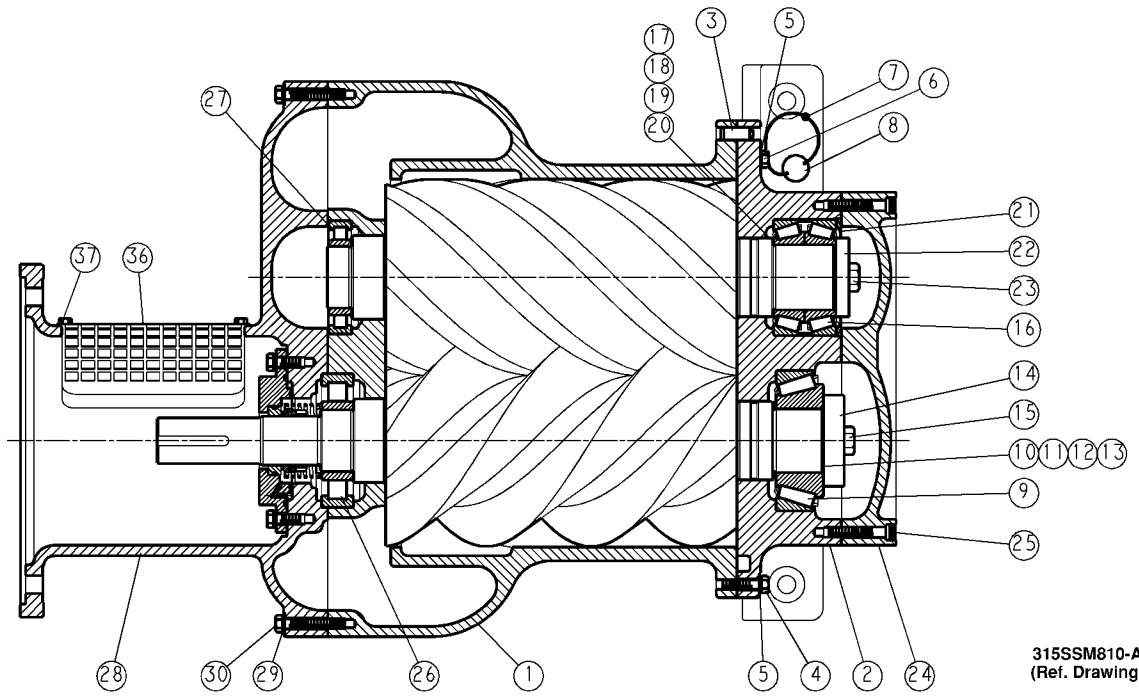


324SSU810-B
(Ref. Drawing)

DISCHARGE BEARINGS LUBRICATION LINES - FIRST STAGE (SSU)

Ref. No.	Name of Part	Qty.	Part No.
89	ELBOW.....	1	86E64
90	TUBE.....	2	85K5
91	TEE-TUBE.....	1	86E136

BARE COMPRESSOR - SECOND STAGE (SSM)



Order by part number and description. Reference numbers are for your convenience only

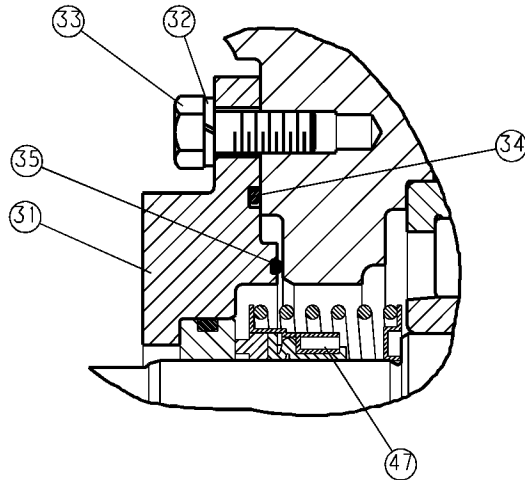
BARE COMPRESSOR - SECOND STAGE (SSM)

Ref. No.	Name of Part	Qty.	Part No.
1	CYLINDER-AIR	1	**
2	HOUSING-BEARING	1	**
3	PIN-DOWEL	2	**
4	SCREW	14	**
5	LOCKWASHER.....	16	**
6	SCREW	2	**
7	SEAL.....	1	**
8	TAG-INSTRUCTION	1	**
* 9	BEARING-ROLLER.....	1	12BA92
* 10	SHIM.....	2	77H56015
* 11	SHIM.....	3	77H56005
* 12	SHIM.....	3	77H56003
* 13	SHIM.....	3	77H56002
14	PLATE-BEARING RETAINER.....	1	**
15	SCREW	1	**
* 16	BEARING-ROLLER.....	1	12BA94
* 17	SHIM.....	2	77H57015
* 18	SHIM.....	3	77H57005
* 19	SHIM.....	3	77H57003
* 20	SHIM.....	3	77H57002
* 21	SPRING.....	1	78W53
22	PLATE-BEARING RETAINER.....	1	**
23	SCREW	1	**
24	PLATE-BEARING COVER.....	1	**
25	SCREW	18	**
* 26	BEARING-ROLLER.....	1	12W34
* 27	BEARING-ROLLER.....	1	12BA93
28	ADAPTOR	1	**
29	LOCKWASHER.....	16	**
30	SCREW	16	**
36	GUARD-COUPLING.....	1	**
37	SCREW	4	**
38	PLUG	6	**
39	PLUG.....	1	**
40	PLUG.....	1	**
41	PLUG.....	1	**
* 42	GASKET-ELIMINATOR.....	1	25BC222
43	CONNECTOR	1	**

* Included in Periodic Overhaul Kit Number 318SSM6013. Refer to page 58

** Shown for reference only.

Order by Part Number and Description. Reference Numbers are for your convenience only.



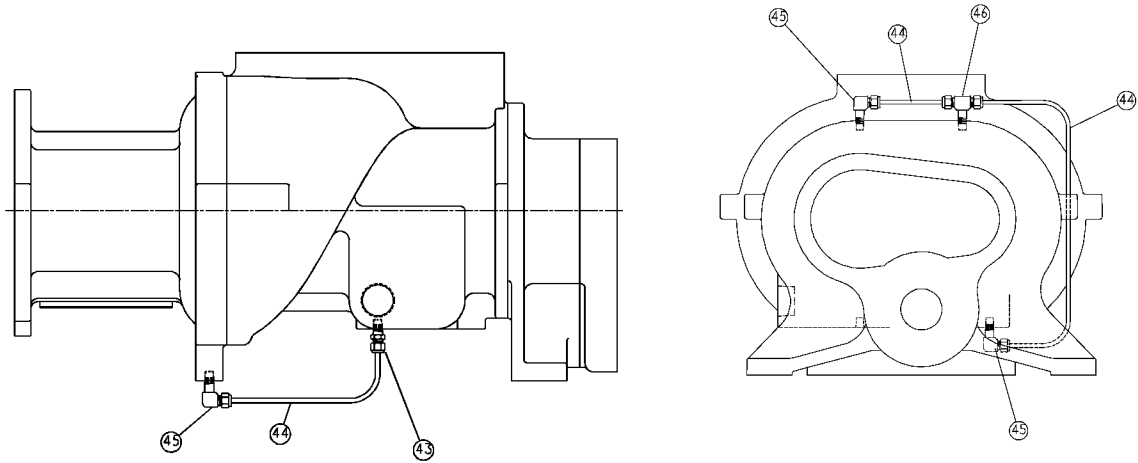
315SSM810-A
(Ref. Drawing)

OIL SEAL DETAIL - SECOND STAGE (SSM)

Ref. No.	Name of Part	Qty.	Part No.
31	HOUSING-SEAL	1	303SSH362
32	LOCKWASHER	8	95B5
33	SCREW	8	655EE050
* 34	O-RING.....	1	25BC157
* 35	O-RING.....	1	8501627
* 47	SEAL-OIL	1	60DD599

* Parts Included Oil Seal Kit Number 323SSH6013. Refer to page 59

Order by Part Number and Description. Reference Numbers are for your convenience only

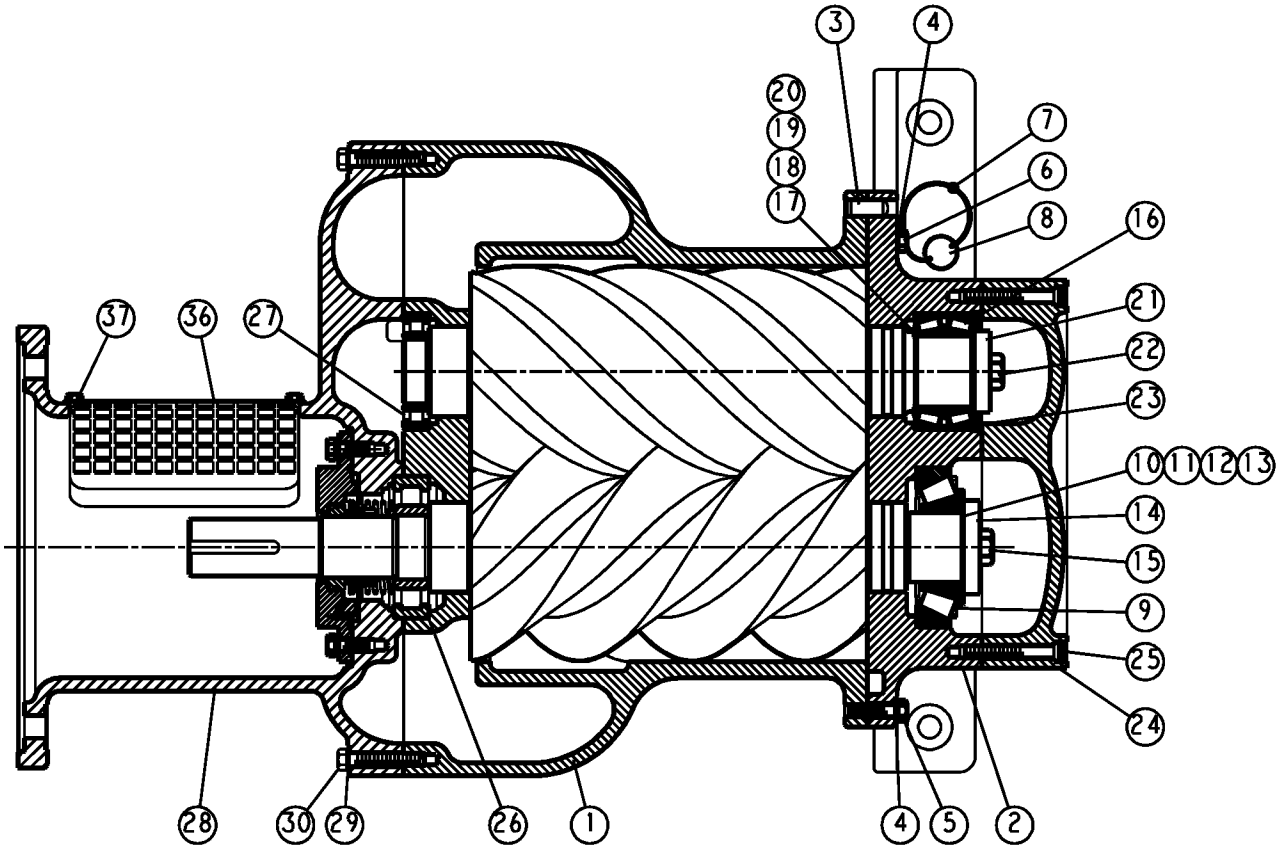


315SSM810-A
(Ref. Drawing)

DISCHARGE BEARINGS LUBRICATION LINES - SECOND STAGE (SSM)

Ref. No.	Name of Part	Qty.	Part No.
43	CONNECTOR	1	86E4
44	TUBE	4	85K3
45	ELBOW-TUBE.....	3	86E60
46	TEE-TUBE.....	1	85K3

BARE COMPRESSOR - SECOND STAGE (SSH)



321SSH810-A
(Ref. Drawing)

Order by Part Number and Description. Reference Numbers are for your convenience only.

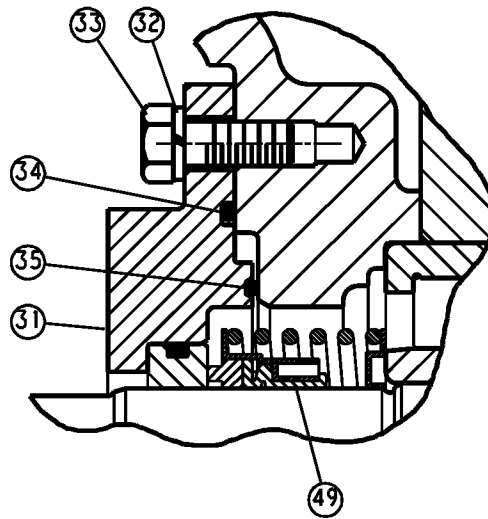
BARE COMPRESSOR - SECOND STAGE (SSH)

Ref. No.	Name of Part	Qty.	Part No.
1	CYLINDER-AIR OIL INJECTION MODIFICATION.....	1	**
2	HOUSING-BEARING	1	**
3	PIN-DOWEL	2	**
4	LOCKWASHER	14	**
5	SCREW	10	**
6	SCREW	2	**
7	SEAL	**	
8	TAG-INSTRUCTION	1	**
* 9	BEARING-ROLLER.....	1	12BA91
* 10	SHIM.....	2	77H54015
* 11	SHIM.....	3	77H54005
* 12	SHIM.....	3	77H54003
* 13	SHIM.....	3	77H54002
14	PLATE-BEARING RETAINER	1	**
15	SCREW	1	**
* 16	BEARING-ROLLER.....	1	12BA90
* 17	SHIM.....	2	77H53015
* 18	SHIM.....	3	77H53005
* 19	SHIM.....	3	77H53003
* 20	SHIM.....	3	77H53002
21	PLATE-BEARING RETAINER	1	**
22	SCREW	1	**
* 23	SPRING.....	3	78W48
24	PLATE-BEARING COVER.....	1	**
25	SCREW	18	**
* 26	BEARING-ROLLER.....	1	12BA130
* 27	BEARING-ROLLER.....	1	12BA136
28	ADAPTOR	1	**
29	LOCKWASHER.....	16	**
30	SCREW	16	**
36	GUARD COUPLING.....	1	**
37	SCREW	4	**
38	PLUG.....	4	**
39	PLUG.....	1	**
40	PLUG.....	1	**
41	PLUG.....	1	**
* 42	GASKET-ELIMINATOR.....	1	25BC222
43	SCREW	2	**
44	PLUG	2	**

* Parts included in Periodic Overhaul Kit Number 325SSH6013. Refer to Page 58

** Shown for reference only

Order by Part Number and Description. Reference Numbers are for your convenience only.



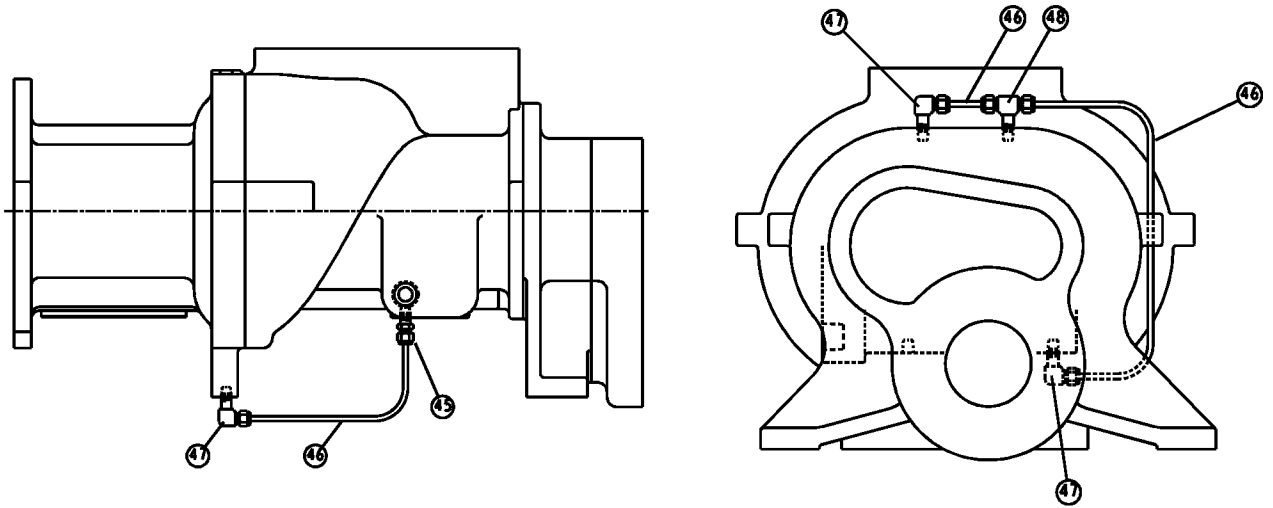
321SSH810-A
(Ref. Drawing)

OIL SEAL DETAIL - SECOND STAGE (SSH)

Ref. No.	Name of Part	Qty.	Part No.
31	HOUSING-SEAL	1	303SSH362
32	LOCKWASHER.....	8	95B5
33	SCREW	8	655EE050
* 34	O-RING.....	1	25BC157
* 35	O-RING.....	1	8501627
* 49	SEAL-OIL	1	60DD599

* Parts included in Oil Seal Kit Number 323SSH6013. Refer to page 59

Order by Part Number and Description. Reference Numbers are for your convenience only.

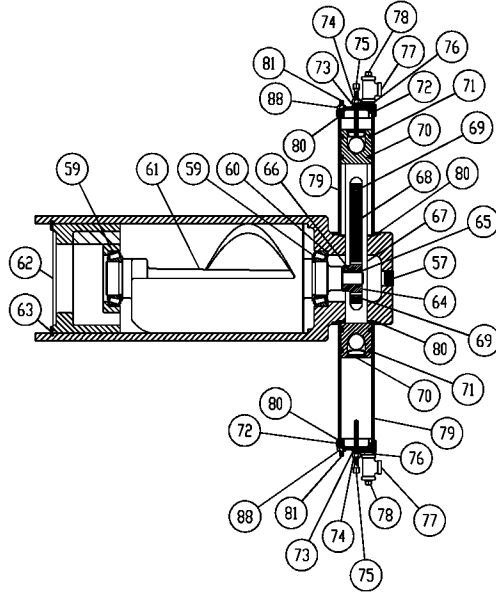


321SSH810-A
(Ref. Drawing)

BEARING LUBRICATION LINES - SECOND STAGE (SSH)

Ref. No.	Name of Part	Qty.	Part No.
45	CONNECTOR.....	1	86E4
46	TUBE.....	4	85K3
47	ELBOW-TUBE	3	86E60
48	TEE-TUBE	1	86E119

Order by Part Number and Description. Reference Numbers are for your convenience only.



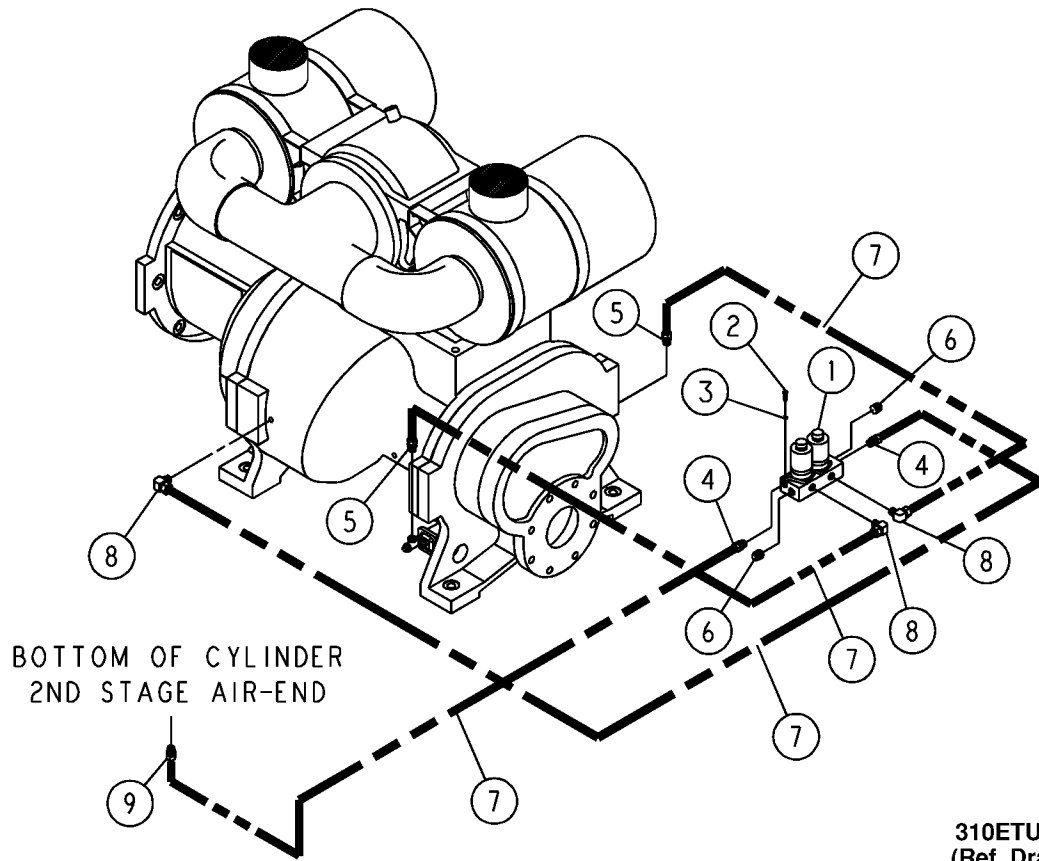
324SSU810-B
(Ref. Drawing)

TURN VALVE - FIRST STAGE (SSU)

Ref. No.	Name of Part	Qty.	Part No.
57	PLUG.....	1	64AA3
* 59	BEARING-ROLLER.....	2	12BA51
* 60	SPRING.....	1	78W50
61	VALVE.....	1	203SSU238
62	RETAINER	1	207SSU205
63	RING-RETAINING.....	1	100522
64	GEAR-AUXILIARY	1	200SSU031
* 65	KEY-SQUARE.....	1	35C114
66	SETSCREW	1	76G21N
67	SHAFT-CONTROL.....	1	200SSU081
68	RACK.....	1	200SSU360
69	SCREW	2	75P11N
70	CONTROL PISTON ASSEMBLY (includes next 4 items).	2	SSU80565
	PISTON-CONTROL (not shown)	1	201SSU084
	BUMPER (BALL) (not shown)	1	32E15
	PLUG (EXPANSION) (not shown)	1	66D15
	RETAINING RING (not shown)	1	74D49
* 71	PACKING-RING	4	60AM46
72	HEAD-CONTROL CYLINDER	2	200RPA083
* 73	SEAL	2	60DD65
74	NUT	2	50AW24
75	SETSCREW	2	76D226
76	NIPPLE.....	2	63D1G
77	TEE.....	2	64G3G
78	PLUG.....	2	64AA5
79	CYLINDER-CONTROL	2	200SSU082
* 80	GASKET	4	25BC138N
81	STUD.....	8	79AL5
88	NUT	8	50AW24

* Included in Periodic Overhaul Kit Number 300SSU6013. Refer to Page 57

Order by Part Number and Description. Reference Numbers are for your convenience only.



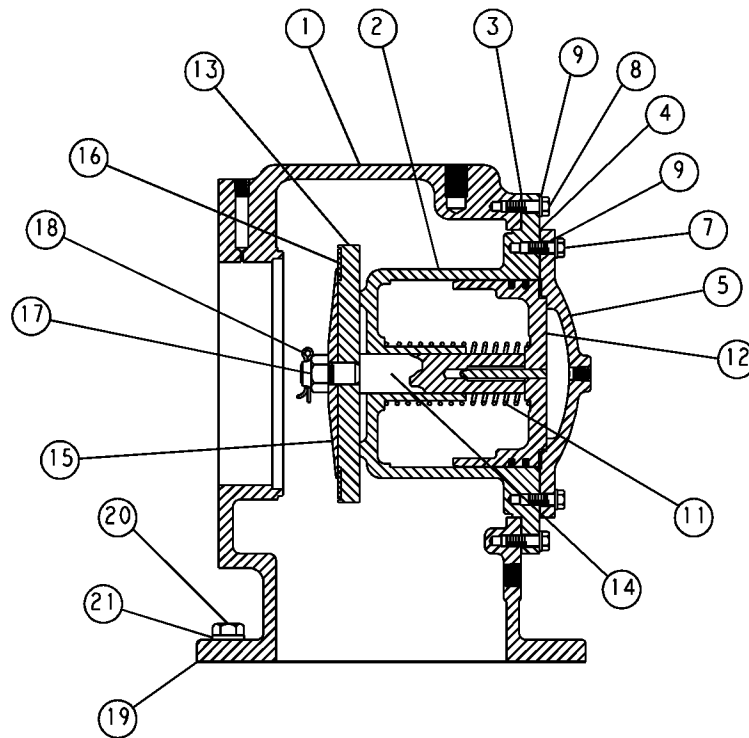
310ETU810-B
(Ref. Drawing)

TURN VALVE ACTUATOR

Ref. No.	Name of Part	Qty.	Part No.
* 1	VALVE-SOLENOID	1	200EAQ861
2	SCREW	2	75P26
3	LOCKWASHER	2	95B1
4	CONNECTOR-TUBE	2	86E5
5	CONNECTOR	2	86E4
6	PLUG.....	2	64AA4
7	TUBE	20	85K3
8	ELBOW.....	3	86E60
9	CONNECTOR-TUBE	1	86E5

* For O-Ring Repair Kit, order Part Number 307EAQ6013. Refer to Page. 59

Order by Part Number and Description. Reference Numbers are for your convenience only.



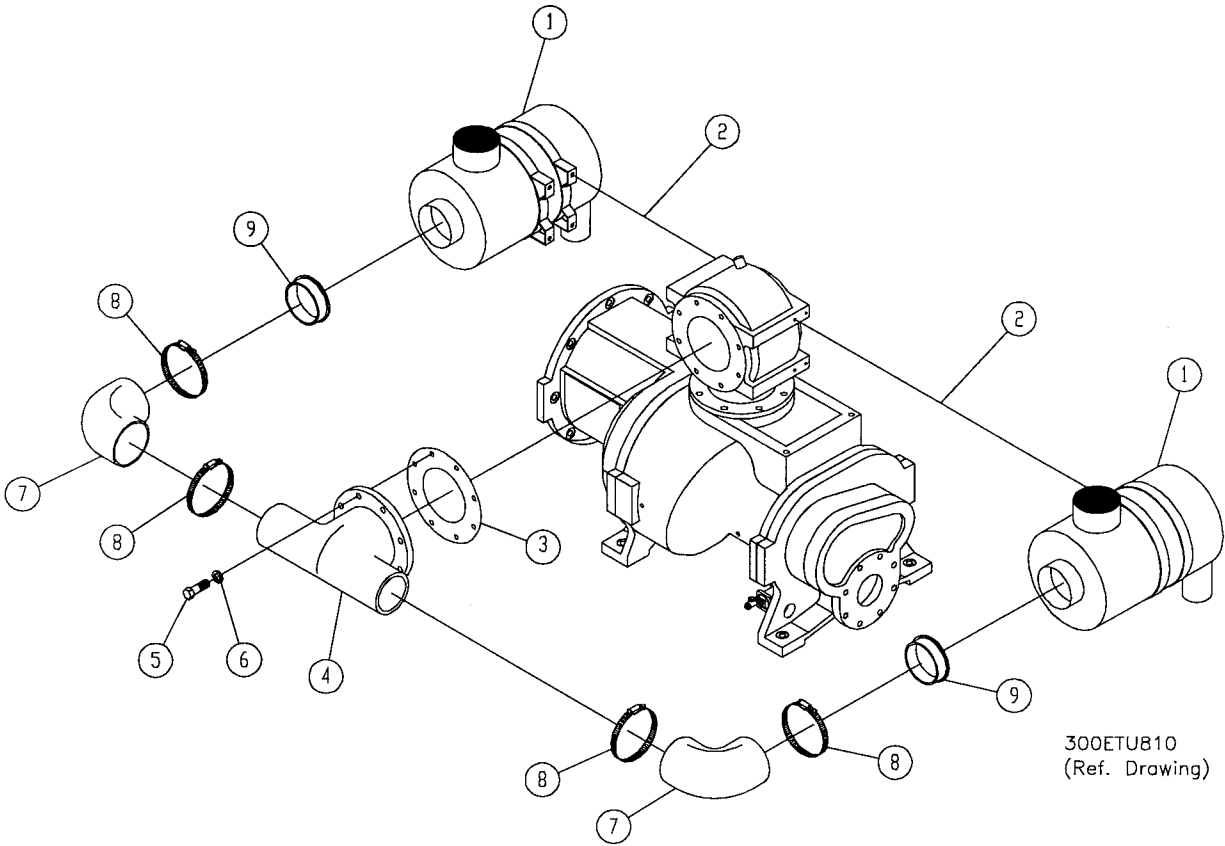
206SSU810-B
(Ref. Drawing)

INLET VALVE

Ref. No.	Name of Part	Qty.	Part No.
1	HOUSING-INLET	1	200SSU041
2	CYLINDER-INLET VALVE	1	S11542
* 3	GASKET	1	203SSU715N
* 4	GASKET	1	25C2683N
5	CAP-CYLINDER	1	S115274
7	SCREW	6	655ED040
8	SCREW	8	655ED050
9	WASHER.....	14	95B3
* 11	SPRING.....	1	78A366
12	INLET VALVE PISTON ASSEMBLY (includes next 2 items) .	1	S11543D
	PISTON-INLET VALVE.....	1	S11543C
	RING-PISTON.....	2	65A319
13	VALVE-INLET	1	200SSW044
14	GUIDE-VALVE	1	200SSW483
15	CLAMP-DISC	1	200SSW338
* 16	DISC-VALVE	1	200SSW067
17	NUT-HEX CASTLE	1	50E9
18	PIN-COTTER	1	62E30
* 19	GASKET RING.....	1	25BC160
20	SCREW	8	655EG070
21	LOCKWASHER.....	8	95B8
	PIN-SPRING ROLL (not shown).....	1	62R101

* Parts included in Periodic Maintenance Kit Number 201SSU6003. Refer to Page 57

Order by Part Number and Description. Reference Numbers are for your convenience only.

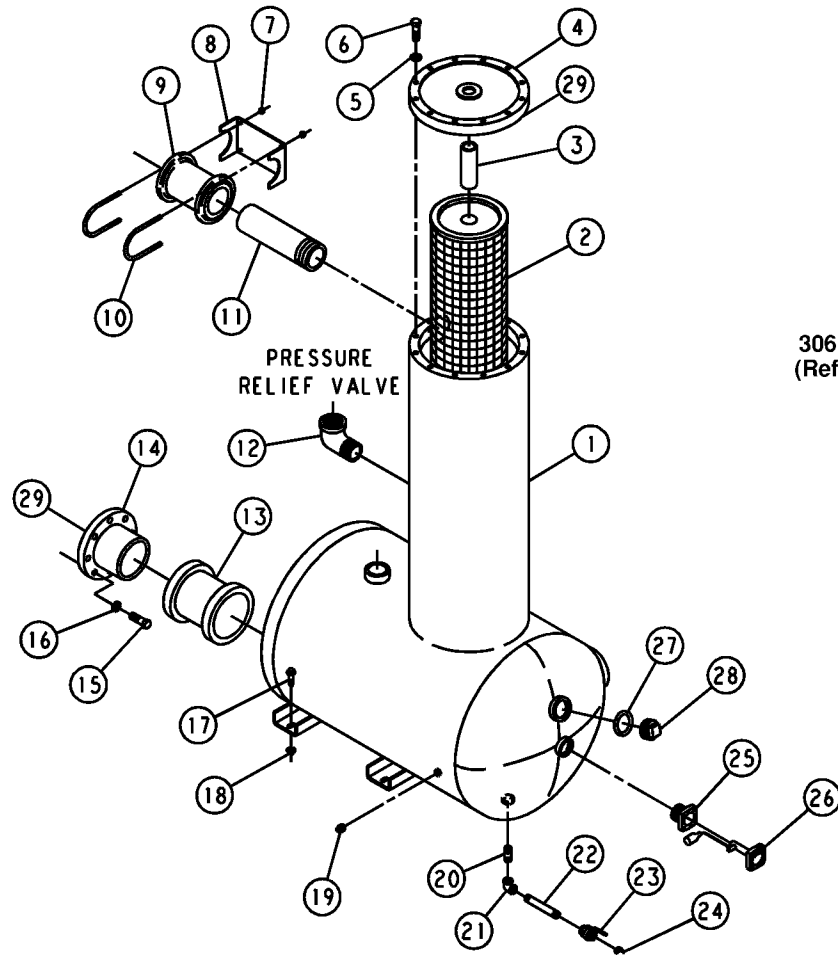


AIR FILTER

Ref. No.	Name of Part	Qty.	Part No.
* 1	FILTER-AIR	2	5L300
2	SCREW	8	75K48
3	GASKET RING	1	25C2721N
4	MANIFOLD-INLET	1	203EAU690
5	SCREW	8	655EG080
6	LOCKWASHER	8	95B8
7	HOSE	2	2009734
8	CLAMP	4	2009499
9	REDUCER.....	2	300EAQ132

* Air Filter Element Part Number is 2117151 (2 required)

OIL RESERVOIR



Order by Part Number and Description. Reference Numbers are for your convenience only.

OIL RESERVOIR

Ref. No.	Name of Part	Qty.	Part No.
1	RESERVOIR-OIL	1	300ETU037
* 2	SEPARATOR-AIR/OIL	1	200EAU035
3	NIPPLE.....	1	63AM24X7G
4	COVER.....	1	202EAU225
5	LOCKWASHER.....	12	95B5
6	SCREW	12	655EE090
7	NUT	4	50AW5
8	BRACKET-PIPE.....	1	200EAQ108
** 9	COUPLING	1	64EB803
10	BOLT-U	2	15U108
11	NIPPLE.....	1	63AJ48X1G
12	ELBOW	1	64D9G
*** 13	COUPLING	1	64EB805
14	MANIFOLD-DISCHARGE.....	1	301ETU071
15	SCREW	8	655EF080
16	LOCKWASHER.....	8	95B7
17	SCREW	4	75LM135
18	NUT	4	50AW35
19	PLUG.....	1	64AA5
20	NIPPLE.....	1	63F1G
21	ELBOW	1	64C4G
22	NIPPLE.....	1	63F10G
23	VALVE-BALL.....	1	90AR360
24	PLUG.....	1	64AA7
25	ADAPTOR-GAUGE.....	1	200EDE058
**** 26	GAUGE-FLOAT	1	200EAU303
27	O-RING	1	54C214
28	COVER-FILLER.....	1	200SPF156
29	GASKET-ELIMINATOR	1	25BC256

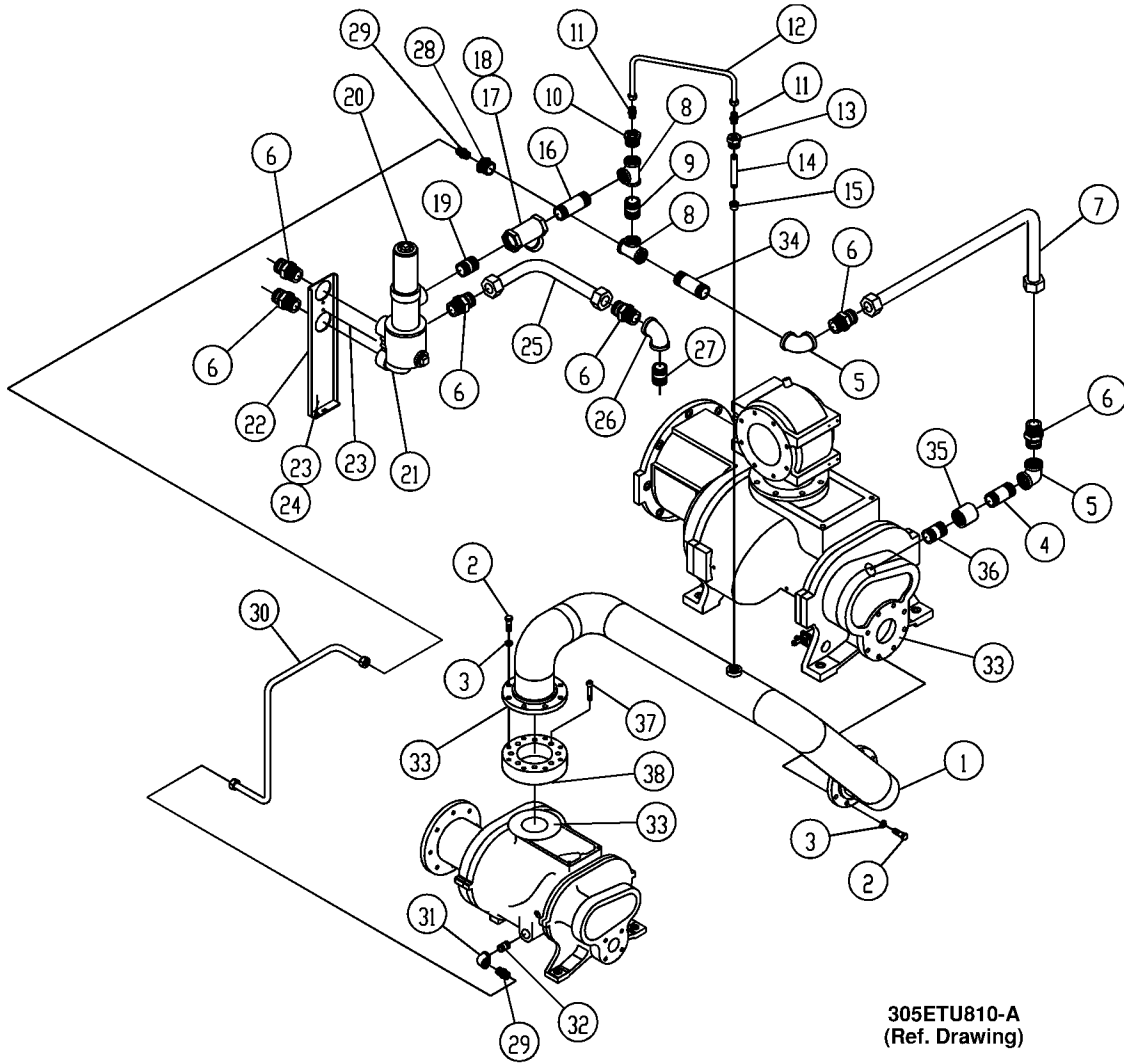
* For Repair Separator, Order 202EAU6013 Separator Repair Kit. Refer to Page 57

** For Repair Gaskets, order 2117161.Gasket Kit

*** For Repair Gaskets, order 2117163.Gasket Kit

**** For Repair Gasket, order 54C204 Gasket Float Gauge

OIL PIPING



305ETU810-A
(Ref. Drawing)

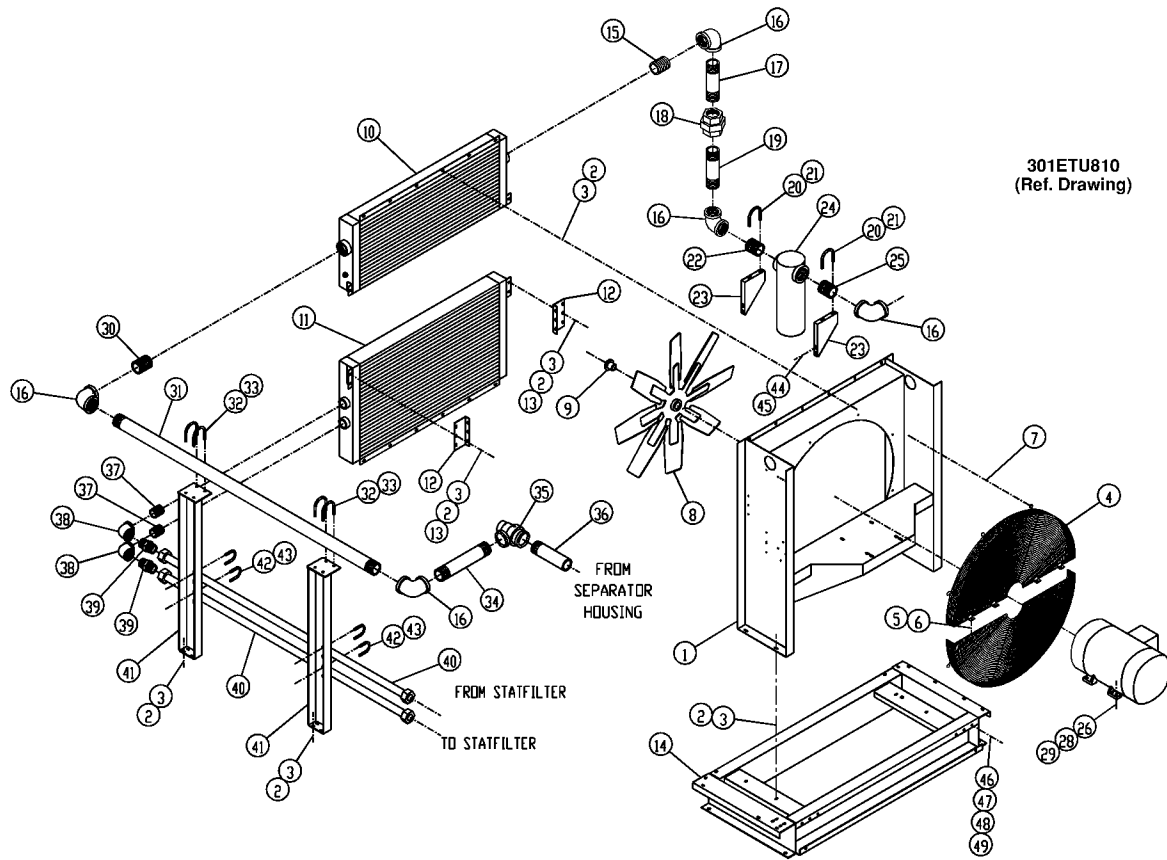
Order by Part Number and Description. Reference Numbers are for your convenience only.

OIL PIPING

Ref. No.	Name of Part	Qty.	Part No.
1	MANIFOLD-INTERSTAGE (SSM AIREND).....	1	300ETU286
	MANIFOLD-INTERSTAGE (SSH AIREND)	1	301ETU286
2	SCREW	16	655EG120
3	LOCKWASHER.....	16	95B8
4	NIPPLE.....	1	63L23G
5	ELBOW	2	64C9G
6	CONNECTOR	6	86H142
7	TUBE WITH FITTINGS	1	305ETU863
8	TEE.....	2	64G1G
9	NIPPLE.....	1	63L9G
10	BUSHING-PIPE.....	1	64E73
11	CONNECTOR	2	86H137
12	TUBE WITH FITTINGS	1	302ETU863
13	BUSHING-PIPE.....	1	300ETY1472
14	BAR	1	300ETY813
15	CAP	1	64AD5
16	NIPPLE.....	1	63L5G
17 *	STRAINER	1	82E41
18	PLUG.....	1	64AA2
19	NIPPLE.....	1	63L9G
20	FILTER-OIL	1	201EDM369
21	ASSEMBLY-FILTER (See Page 31)	1	200EAU2045
22	BRACKET.....	1	300ETU142
23	SCREW	4	75LM51
24	NUT	2	50AW5
25	TUBE WITH FITTINGS	1	315ETU863
26	ELBOW	1	64C9G
27	NIPPLE.....	1	63L9G
28	BUSHING-PIPE.....	1	64E77
29	CONNECTOR	2	86H138
30	TUBE WITH FITTINGS (SSM)	1	318ETU863
	TUBE WITH FITTINGS (SSH)	1	319ETU863
29	CONNECTOR	2	86H138
31	ELBOW-PIPE	1	64C6G
32	NIPPLE.....	1	63H2G
33	GASKET RING.....	2	25C2720N
34	NIPPLE.....	1	63L18G
35	COUPLING-PIPE	1	64BK9
36	ORIFICE	1	300ETY814
37	SCREW	8	75P80
38	ADAPTOR	1	300ETU170

* Repair Parts for Strainer: 2117308 - 100 Mesh Screen
2117311 - Bushing

AIR COOLED COOLER



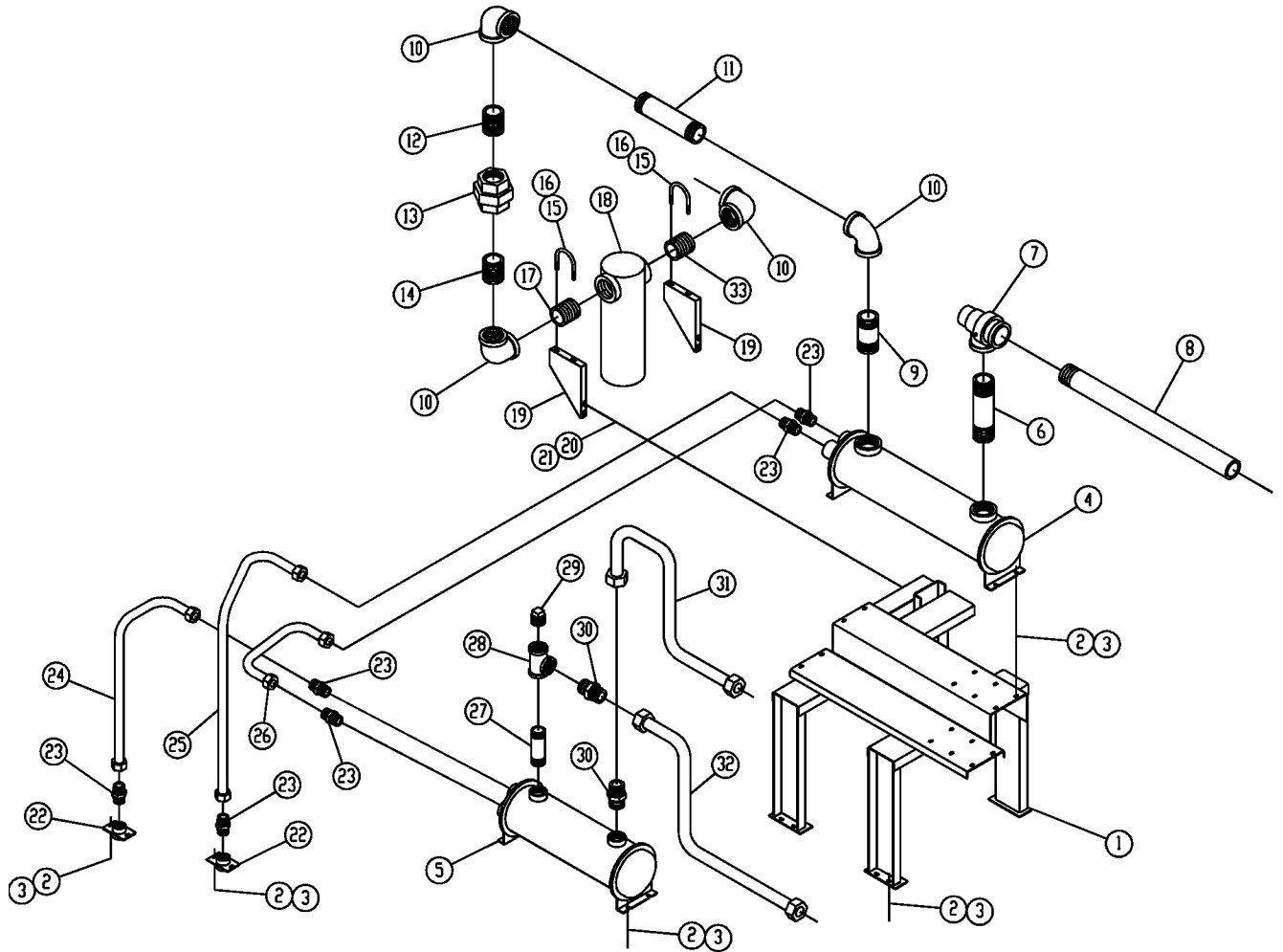
Order by part number and description. Reference numbers for your convenience only.

AIR COOLED COOLER

Ref. No.	Name of Part	Qty.	Part No.
1	SUPPORT	1	301ETU165
2	SCREW	36	75LM51
3	NUT	30	50AW5
4	GUARD-FAN	1	201EAU393
5	NUT	4	50AW4
6	SCREW	4	75LM50
7	SCREW	8	75LM51
8	FAN (250-300 HP).....	1	204EAU701
	FAN (200 HP).....	1	200EDP701
9	BUSHING-SHEAVE	1	2009277
10	AFTERCOOLER (200-300 HP).....	1	300ETU292
	AFTERCOOLER (200-300 HP) Saltwater.....	1	301ETU292
11	COOLER-OIL (200-300 HP).....	1	300ETU201
	COOLER-OIL (200-300 HP) Saltwater	1	301ETU201
12	BRACKET (FORMED)	2	206EAU142
13	LOCKWASHER.....	6	95A3
14	BASE	1	301ETU285
15	NIPPLE	1	63P11G
16	ELBOW	5	64C10G
17	NIPPLE.....	1	63P5G
18	UNION.....	1	64Z21
19	NIPPLE.....	1	63P2G
20	U-BOLT	2	15U87
21	NUT	4	50AW35
22	NIPPLE.....	1	63P2G
23	BRACKET (FORMED)	2	205EAU142
24	TRAP	1	83C103
25	NIPPLE.....	1	63P2G
26	SCREW	4	75LM78
28	LOCKWASHER.....	4	95W15
29	NUT	4	50AW5
30	NIPPLE.....	1	63P11G
31	NIPPLE.....	1	63N48X992G
32	U-BOLT	4	15U87
33	NUT	8	50AW35
34	NIPPLE.....	1	63P25G
* 35	VALVE-MINIMUM PRESSURE.....	1	201EDM527
36	NIPPLE.....	1	63AJ48X110G
37	NIPPLE.....	2	63L9G
38	ELBOW	2	64C9G
39	CONNECTOR-TUBE	2	86H142
40	TUBE WITH FITTINGS	2	300ETU863
41	BRACKET-PIPE	2	300ETU108
42	U-BOLT	4	15U101
43	NUT	8	50AW35
44	SCREW	4	75LM135
45	NUT	4	50AW35
46	SCREW	8	655EE090
47	LOCKWASHER.....	16	95A5
48	LOCKWASHER.....	8	95B5
49	NUT	8	50B

* For Repair Kit, see page 48

WATER COOLED COOLER WITH AFTERCOOLER



302ETU810
(Ref. Drawing)

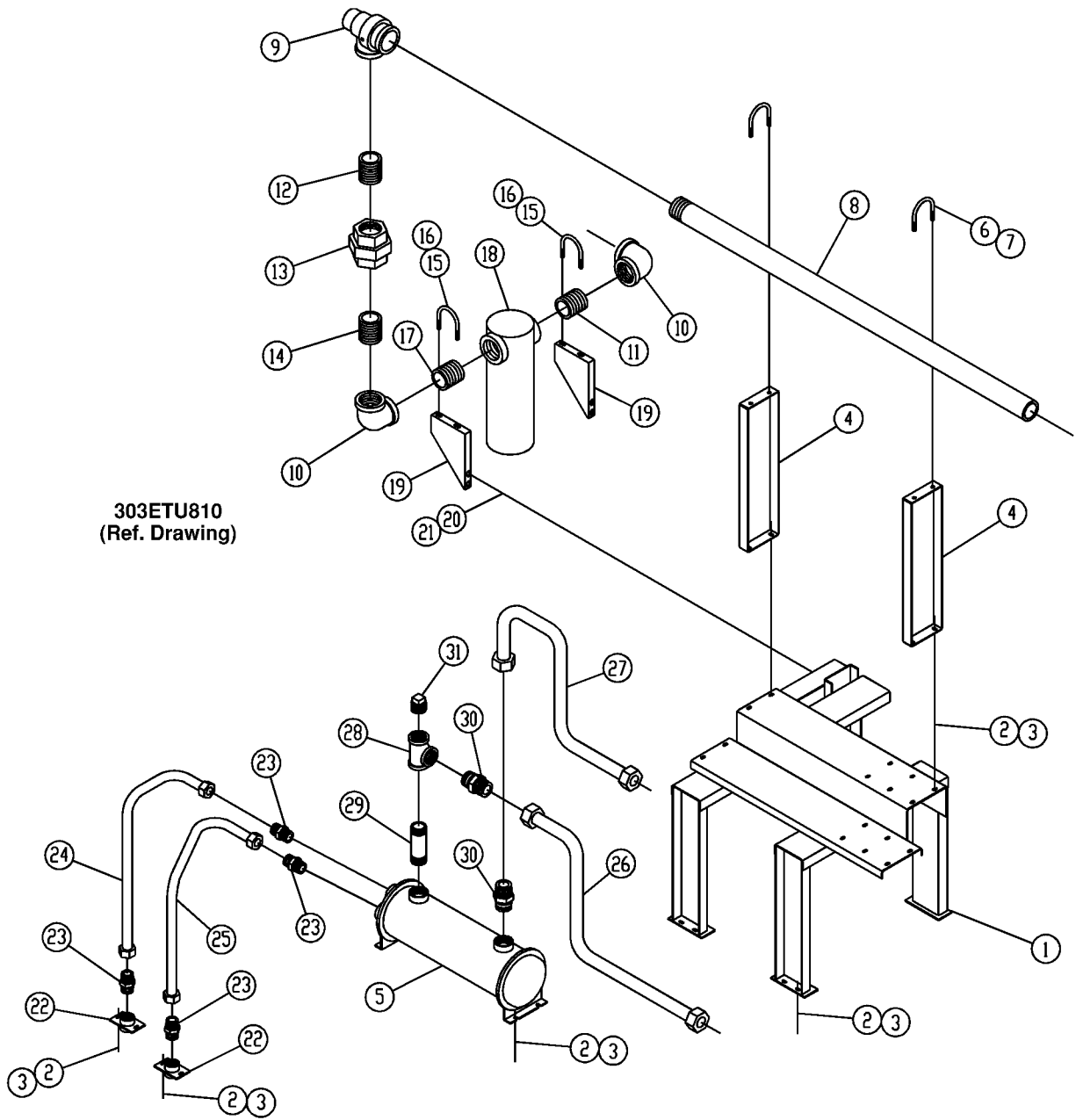
Order by Part Number and Description. Reference Numbers are for your convenience only

WATER COOLED COOLER WITH AFTERCOOLER

Ref. No.	Name of Part	Qty.	Part No.
1	SUPPORT	1	300ETU165
2	SCREW	20	75LM51
3	NUT	20	50AW5
4	AFTERCOOLER (200 HP, FRESH WATER).....	1	204EAU292
	AFTERCOOLER (300 HP, FRESH WATER).....	1	200EAU292
	AFTERCOOLER (200 HP, SALT WATER).....	1	206EAU292
	AFTERCOOLER (300 HP, SALT WATER).....	1	208EAU292
5	EXCHANGER-HEAT (200 HP, FRESH WATER).....	1	200EAU349
	EXCHANGER-HEAT (300 HP, FRESH WATER).....	1	202EAU349
	EXCHANGER-HEAT (200 HP, SALT WATER)	1	203EAU349
	EXCHANGER-HEAT (300 HP, SALT WATER)	1	205EAU349
6	NIPPLE.....	1	63P17G
* 7	VALVE-MINIMUM PRESSURE.....	1	201EDM527
8	NIPPLE (200 HP)	1	63AJ48X334G
	NIPPLE (300 HP)	1	63AJ48X234G
9	NIPPLE.....	1	63P1G
10	ELBOW	3	64C10G
11	NIPPLE.....	1	63P20G
12	NIPPLE.....	1	63P2G
13	UNION.....	1	64Z21
14	NIPPLE.....	1	63P2G
15	BOLT-U	2	15U87
16	NUT	4	50AW35
17	NIPPLE.....	1	63P12G
18	TRAP	1	83C103
19	BRACKET.....	2	205EAU142
20	SCREW	4	75LM135
21	NUT	4	50AW35
22	MANIFOLD-WATER.....	2	200EDM072
23	CONNECTOR	6	86H141
24	TUBE WITH FITTINGS	1	314ETU863
25	TUBE WITH FITTINGS	1	312ETU863
26	TUBE WITH FITTINGS	1	311ETU863
27	NIPPLE.....	1	63L24G
28	TEE.....	1	64G1G
29	PLUG.....	1	64B7
30	CONNECTOR	2	86H142
31	TUBE WITH FITTINGS (200 HP).....	1	308ETU863
	TUBE WITH FITTINGS (300 HP).....	1	310ETU863
32	TUBE WITH FITTINGS	1	307ETU863

* For Repair Kit, see page 48

WATER COOLED COOLER WITHOUT AFTERCOOLER



303ETU810
(Ref. Drawing)

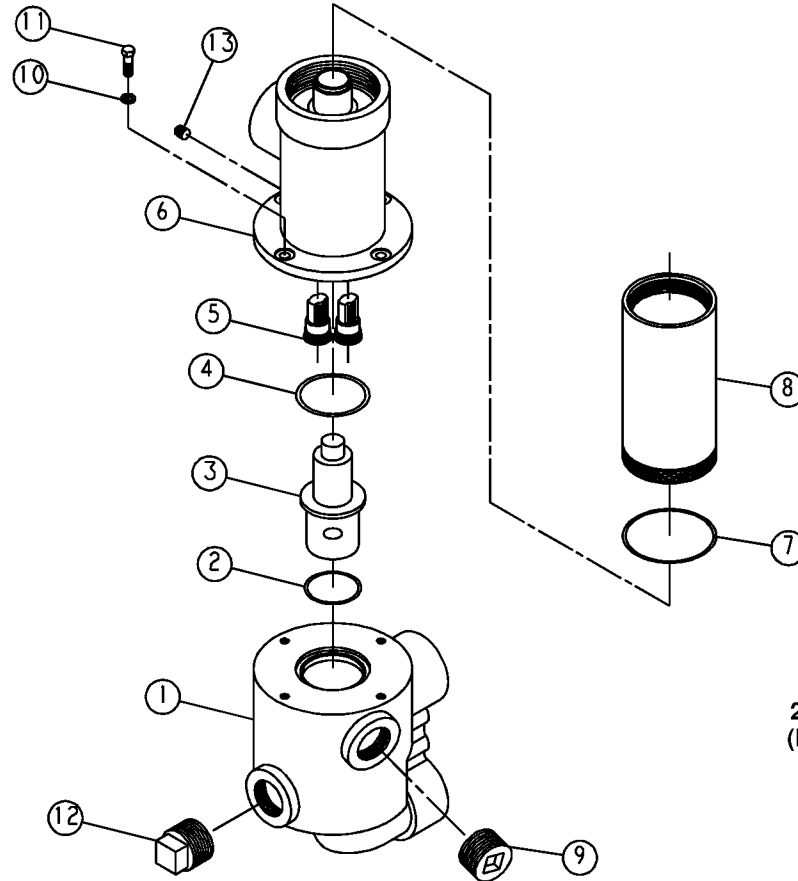
Order by Part Number and Description. Reference Numbers are for your convenience only.

WATER COOLED COOLER WITHOUT AFTERCOOLER

Ref. No.	Name of Part	Qty.	Part No.
1	SUPPORT	1	300ETU165
2	SCREW	20	75LM51
3	NUT	20	50AW5
4	BRACKET-PIPE	2	301ETU108
5	EXCHANGER-HEAT (200 HP, FRESH WATER)	1	200EAU349
	EXCHANGER-HEAT (300 HP, FRESH WATER)	1	202EAU349
	EXCHANGER-HEAT (200 HP, SALT WATER)	1	203EAU349
	EXCHANGER-HEAT (300 HP, SALT WATER)	1	205EAU349
6	U-BOLT	2	15U87
7	NUT	4	50AW35
8	NIPPLE	1	63AJ48X780G
* 9	VALVE-MINIMUM PRESSURE.....	1	201EDM527
10	ELBOW	2	64C10G
11	NIPPLE	1	63P2G
12	NIPPLE	1	63P19G
13	UNION	1	64Z21
14	NIPPLE	1	63P2G
15	U-BOLT	2	15U87
16	NUT	4	50AW35
17	NIPPLE	1	63P18G
18	TRAP	1	83C103
19	BRACKET (FORMED)	2	205EAU142
20	SCREW	4	75LM135
21	NUT	4	50AW35
22	MANIFOLD-WATER.....	2	200EDM072
23	CONNECTOR-TUBE	4	86H141
24	TUBE WITH FITTINGS	1	314ETU863
25	TUBE WITH FITTINGS	1	313ETU863
26	TUBE WITH FITTINGS	1	307ETU863
27	TUBE WITH FITTINGS (200 HP).....	1	308ETU863
	TUBE WITH FITTINGS (300 HP).....	1	310ETU863
28	TEE.....	1	64G1G
29	NIPPLE.....	1	63L24G
30	CONNECTOR-TUBE	2	86H142
31	PLUG.....	1	64B7

* For Repair Kit, see page 48

Order by Part Number and Description. Reference Numbers are for your convenience only.



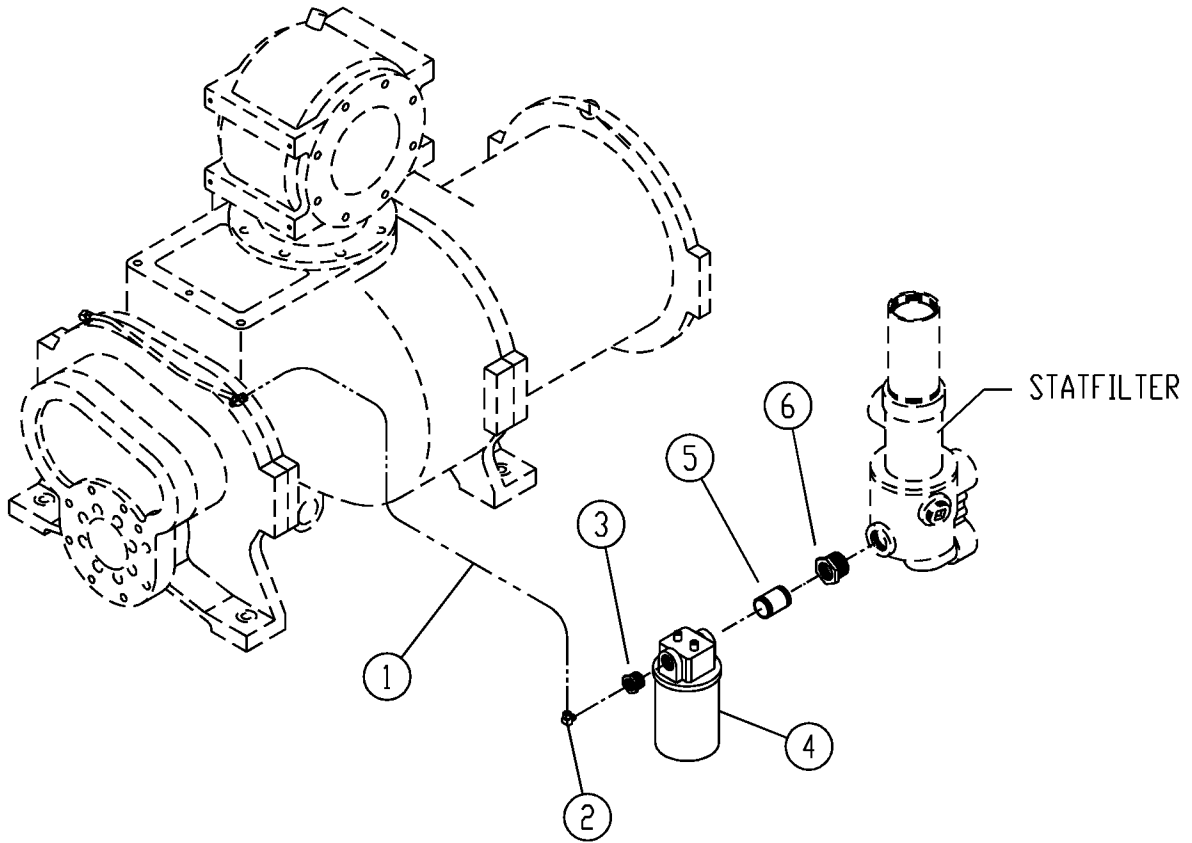
261EAU810-B
(Ref. Drawing)

**FILTER ASSEMBLY - 200EAU2045
(WITH 150° ELEMENT - STANDARD)**

Ref. No.	Name of Part	Qty.	Part No.
1	MANIFOLD-OIL.....	1	200EAU116
2	O-RING.....	1	25BC127
3	ELEMENT 140° F. (Optional).....	1	2109366
	ELEMENT 150° F. (Standard).....	1	2109365
	ELEMENT 160° F. (Optional).....	1	2109364
4	O-RING.....	1	25BC175
5	CARTRIDGE-FILTER.....	2	2116640
6	MANIFOLD-OIL.....	1	201EAU116
7	O-RING.....	1	25BC380
* 8	BODY-OIL FILTER.....	1	200EDM032
9	PLUG.....	1	64B7
10	WASHER.....	4	95B3
11	SCREW.....	4	655ED050
12	PLUG.....	1	64AA2
13	PLUG.....	1	64AC2

* Filter Element, for repair, order 201EDM369.

Order by Part Number and Description. Reference Numbers are for your convenience only.



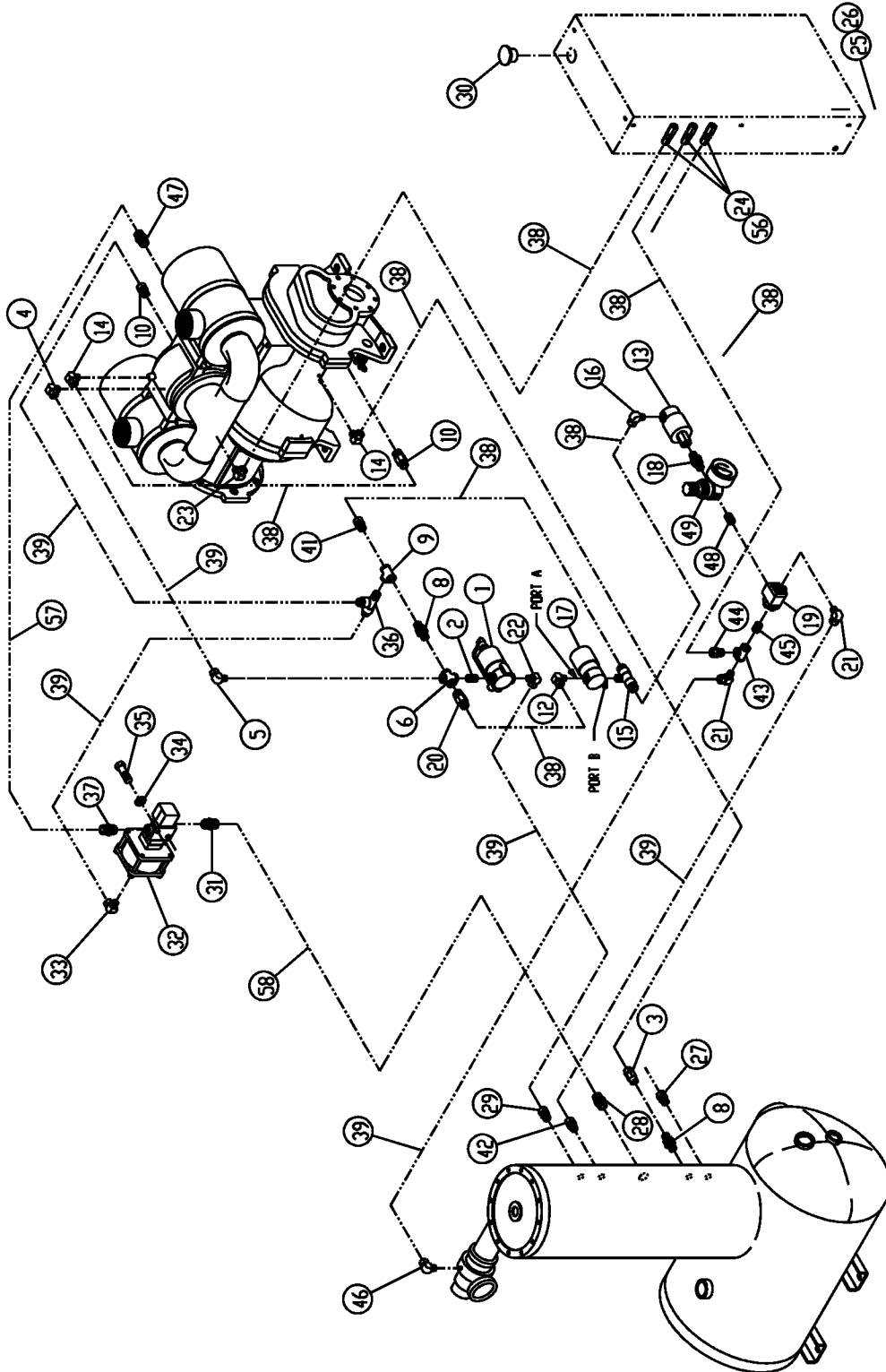
324EAU810-A
(Ref. Drawing)

MOUNTING GROUP

Ref. No.	Name of Part	Qty.	Part No.
1	TUBE	6	85K5
2	ELBOW	1	86E65
3	BUSHING	1	64E10G
* 4	FILTER-OIL	1	200EBE369
5	NIPPLE.....	1	63G2G
6	BUSHING-PIPE.....	1	64E8

* For Repair of FILTER ELEMENT, order Part Number 2116128.

CONTROL SCHEMATIC



309ETU810
(Ref. Drawing)

Order by part number and description. Reference numbers for your convenience only.

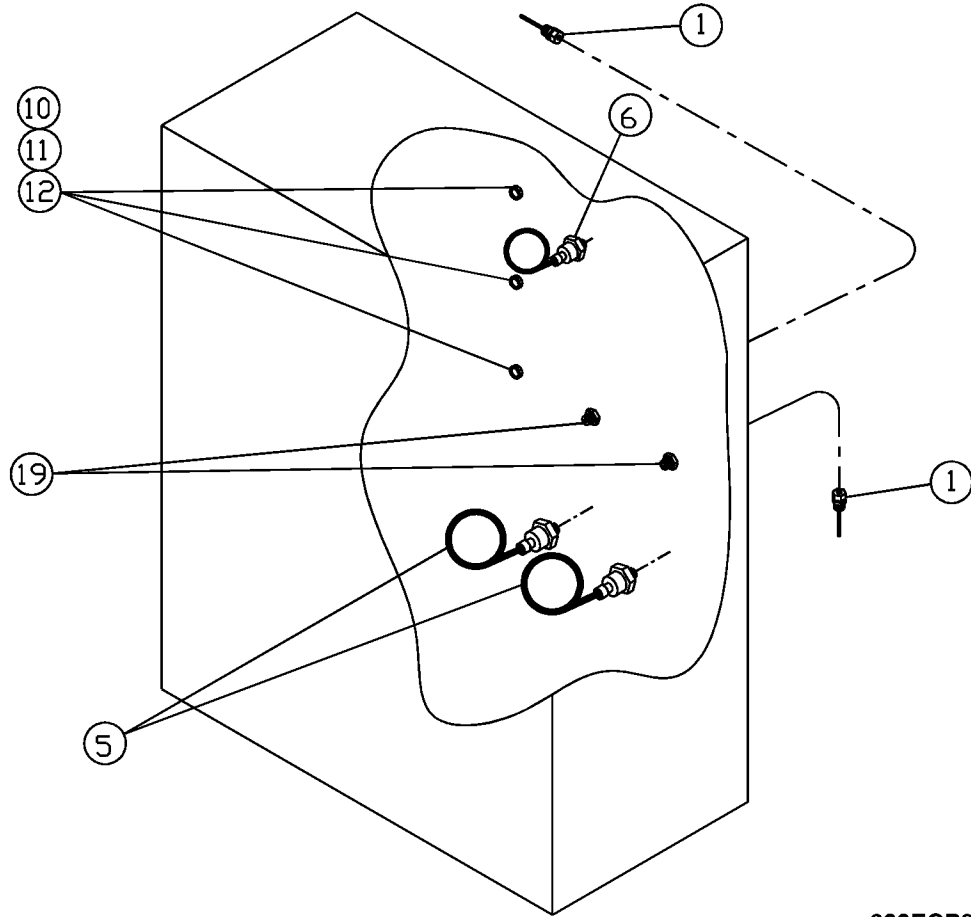
CONTROL SCHEMATIC

Ref. No.	Name of Part	Qty.	Part No.	Ref. No.	Name of Part	Qty.	Part No.
** 1	VALVE-SOLENOID	1	91B70	28	CONNECTOR-TUBE.....	1	86H144
2	NIPPLE	1	63D1G	29	CONNECTOR-TUBE.....	1	86E9
3	CONNECTOR-TUBE.....	1	86E28	30	SEAL PLUG.....	1	24CA2597
4	ELBOW.....	1	86E64	31	CONNECTOR-TUBE.....	1	86H144
5	ELBOW.....	1	86E64	* 32	VALVE-CONTROL	1	90AR1083
6	CROSS.....	1	64K1G	33	ELBOW	1	86E64
8	VALVE-CHECK	2	90AR261	34	LOCKWASHER.....	2	95B2
9	TEE.....	1	64G3G	35	SCREW.....	2	75P42
10	CONNECTOR-TUBE.....	2	86E9	36	TEE-TUBE	1	86E136
12	ELBOW-TUBE	1	86E60	37	CONNECTOR-TUBE.....	1	86H144
13	VALVE-SOLENOID	1	91B80	38	TUBE.....	30	85K3
14	ELBOW-TUBE	2	86E60	39	TUBE.....	35	85K5
15	TEE-TUBE	1	86E119	41	ORIFICE.....	1	86N289
16	ELBOW-TUBE	1	86E60	42	CONNECTOR-TUBE.....	1	86E9
17	VALVE-SOLENOID	1	91B81	43	TEE.....	1	64G3G
18	VALVE-CHECK	1	90AR261	44	CONNECTOR-TUBE.....	1	86E4
19	VALVE-CONTROL	1	90AR1034	45	NIPPLE	1	63D1G
20	CONNECTOR-TUBE.....	1	86E4	46	ELBOW	1	86E64
21	ELBOW.....	2	86E64	47	CONNECTOR-TUBE.....	1	86H144
22	ELBOW.....	1	86E64	48	NIPPLE	1	63D1G
23	ELBOW-TUBE	1	86E60	49	REGULATOR-PRESSURE.....	1	88H139
24	CONNECTOR-TUBE.....	3	86N287	56	O-RING.....	3	165011
25	SCREW	4	75LM51	57	TUBE WITH FITTINGS.....	1	303ETU863
26	NUT	4	50AW5	58	TUBE WITH FITTINGS.....	1	304ETU863
27	CONNECTOR-TUBE.....	1	86E4				

* For Repair of U-Cup (Piston Seal), order Part Number 2117904; For Repair of O-Ring (Top Plate), order Part Number 2117905.

** For Repair Kit (includes springs, seals, piston assembly, plunger assembly, nut & o-ring), order Part Number 2116077, or for coil, order Part Number 2116078.

Order by Part Number and Description. Reference Numbers are for your convenience only.

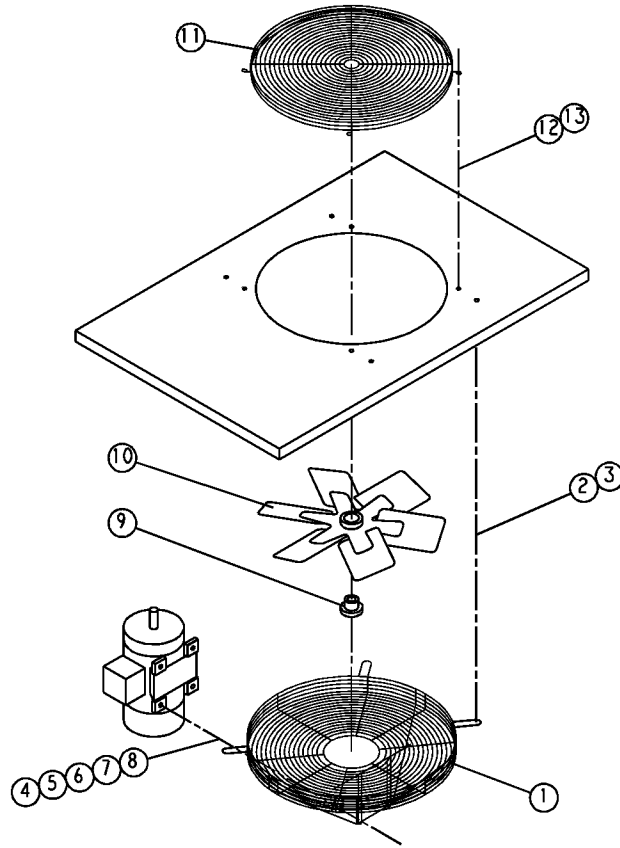


300ECP810-A
(Ref. Drawing)

MISCELLANEOUS ELECTRICAL PARTS

Ref. No.	Name of Part	Qty.	Part No.
1	PROBE-ELECTRICAL	2	21D264
5	TRANSDUCER-PRESSURE	2	88H242
6	SWITCH-VACUUM.....	1	88H195
10	NIPPLE-CHASE	3	24CA4641
11	O-RING.....	3	24A383
12	LOCKNUT-CONDUIT.....	3	24A77
19	FITTING-ELECTRICAL	2	24CA2865

Order by Part Number and Description. Reference Numbers are for your convenience only.



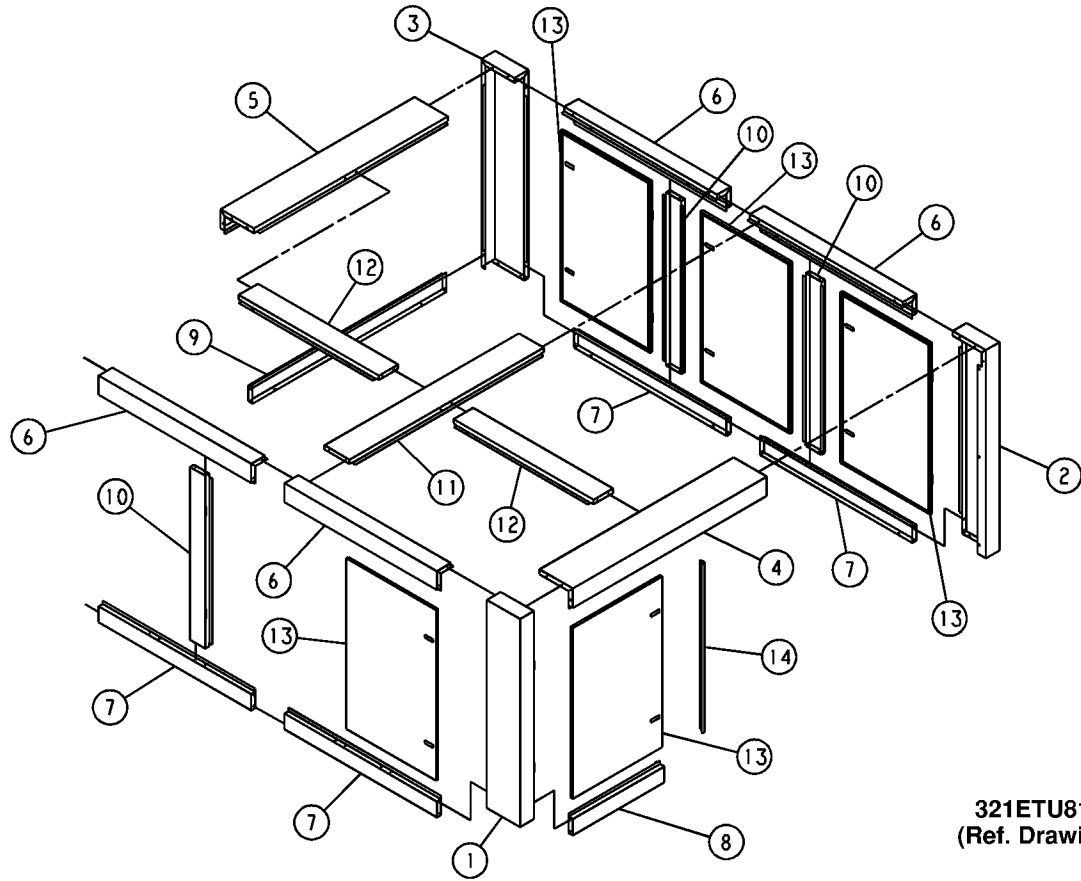
262EAU810
(Ref. Drawing)

VENT FAN

Ref. No.	Name of Part	Qty.	Part No.
1	GUARD-FAN	1	200EBB393
2	SCREW-FLANGED	4	75K48
3	WASHER.....	4	95A5
4	SCREW	4	75A35
5	RETAINER	4	2014731
6	WASHER.....	4	95A2
7	LOCKWASHER.....	4	95B2
8	NUT	4	50B2
9	BUSHING-SHEAVE	1	22G27
10	FAN	1	200EBB701
11	GUARD-FAN	1	200ECM393
12	SCREW-FLANGED	4	75LM51
13	NUT-FLANGED.....	4	50AW5

Refer to page 47 for Vent Fan Motors.

Order by Part Number and Description. Reference Numbers are for your convenience only.

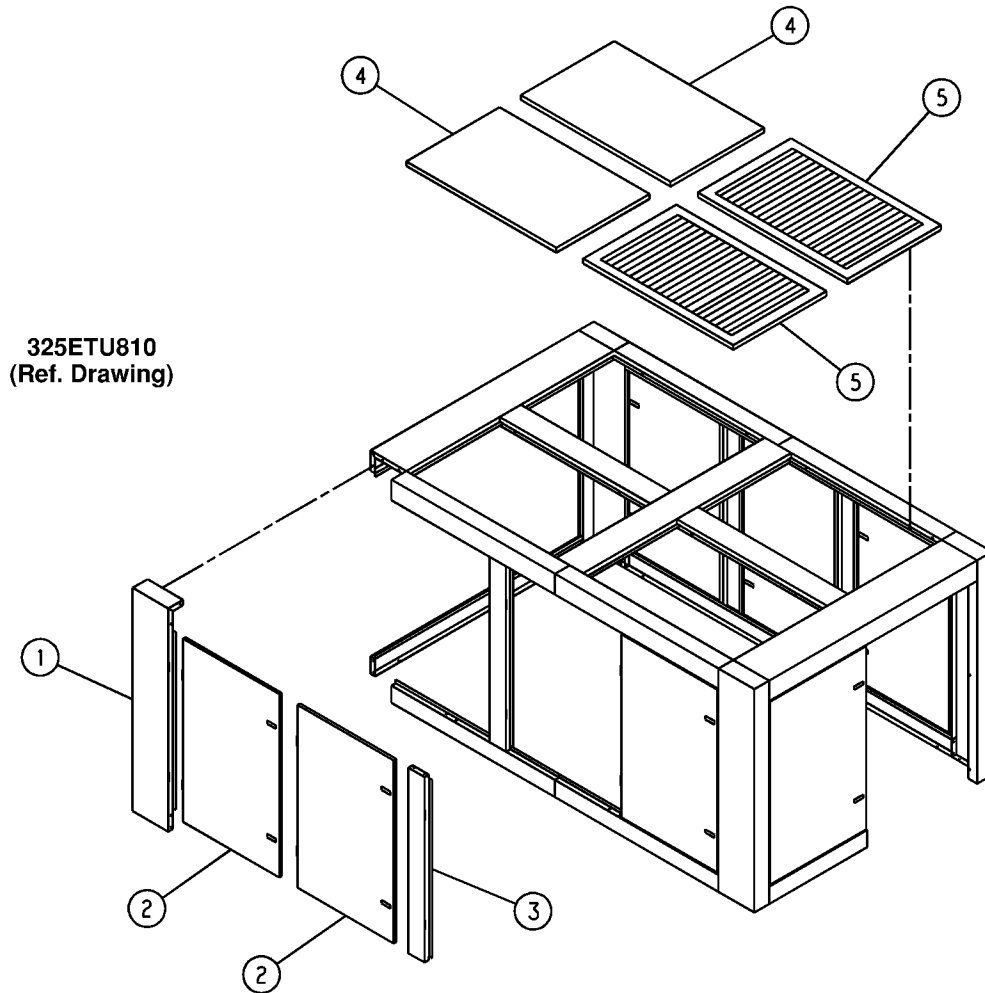


321ETU810
(Ref. Drawing)

ENCLOSURE - COMMON PARTS

Ref. No.	Name of Part	Qty.	Standard Enclosure Part No.	Quiet Enclosure Part No.
1	POST	1	301ETU313	301ETU313
2	POST	1	302ETU313	302ETU313
3	POST	1	303ETU313	303ETU313
4	FRAME	1	304ETU314	304ETU314
5	FRAME	1	303ETU314	303ETU314
6	FRAME	4	302ETU314	302ETU314
7	FRAME	4	301ETU314	301ETU314
8	FRAME	1	305ETU314	305ETU314
9	FRAME	1	300ETU314	300ETU314
10	BRACE	3	300ETU326	305ETU326
11	BRACE	1	301ETU326	306ETU326
12	BRACE	2	302ETU326	307ETU326
13	DOOR.....	5	300ETU334	301ETU334
14	BRACKET (FORMED)	1	301ETU142	301ETU142

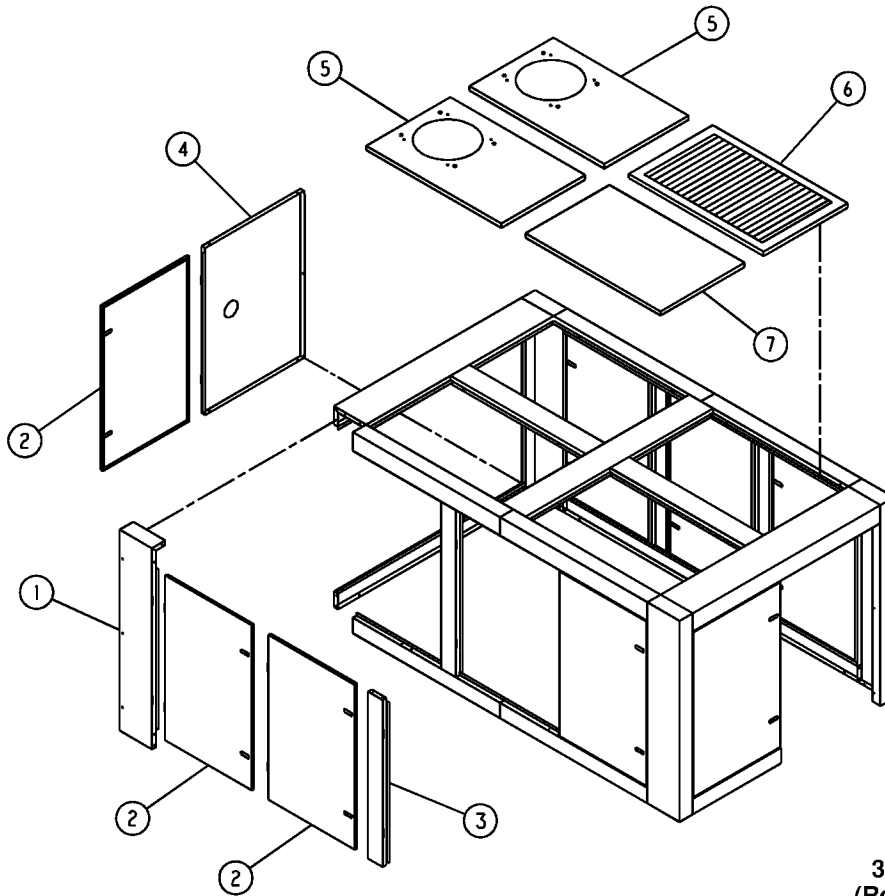
Order by Part Number and Description. Reference Numbers are for your convenience only.



ENCLOSURE - AIR COOLED

Ref. No.	Name of Part	Qty.	Standard Enclosure Part No.	Quiet Enclosure Part No.
1	POST.....	1	308ETU313	308ETU313
2	DOOR.....	2	300ETU334	301ETU334
3	BRACE.....	1	300ETU326	305ETU326
4	PANEL.....	2	300ETU216	307ETU216
5	PANEL.....	2	301ETU216	301ETU216

Order by Part Number and Description. Reference Numbers are for your convenience only.

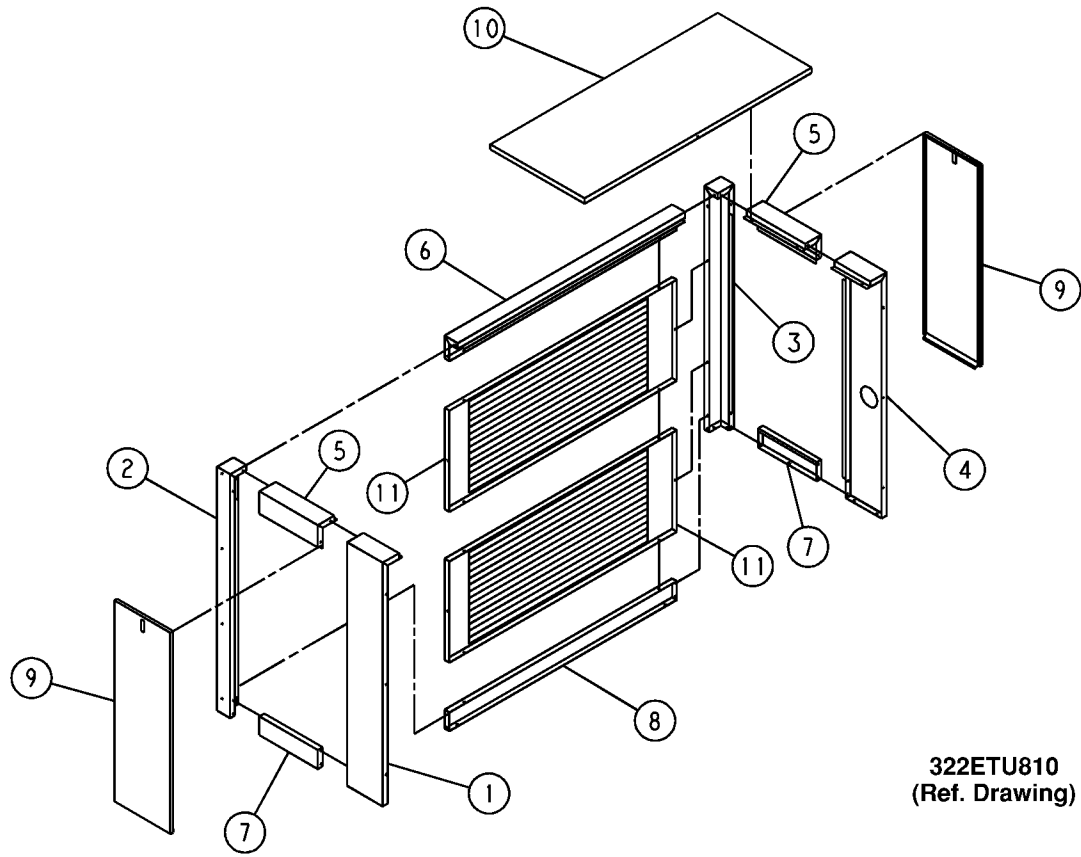


324ETU810
(Ref. Drawing)

ENCLOSURE - WATER COOLED

Ref. No.	Name of Part	Qty.	Standard Enclosure Part No.	Quiet Enclosure Part No.
1	POST	1	300ETU313	300ETU313
2	DOOR	3	300ETU334	301ETU334
3	BRACE	1	300ETU326	305ETU326
4	BRACE	1	303ETU326	308ETU326
5	PANEL	2	302ETU216	308ETU216
6	PANEL	1	301ETU216	301ETU216
7	PANEL	1	300ETU216	307ETU216

Order by Part Number and Description. Reference Numbers are for your convenience only.

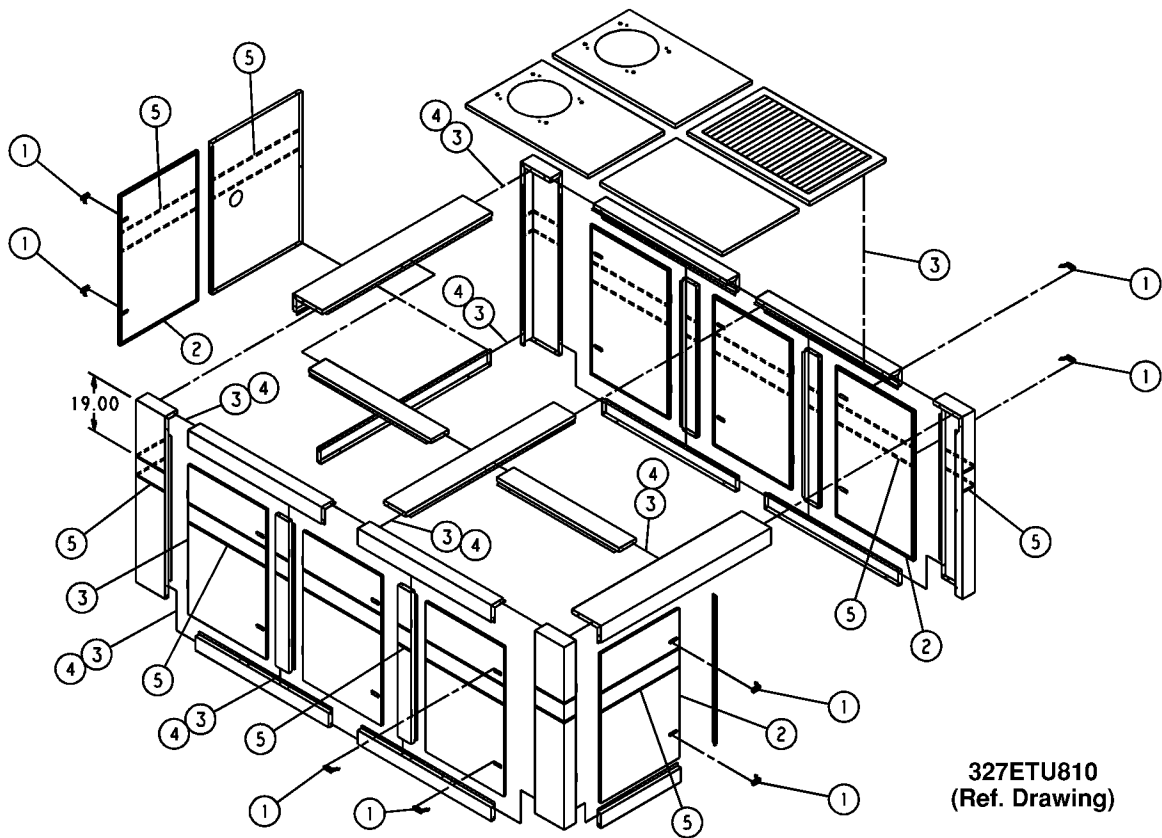


322ETU810
(Ref. Drawing)

ENCLOSURE - AIR COOLED

Ref. No.	Name of Part	Qty.	Standard Enclosure Part No.	Quiet Enclosure Part No.
1	POST.....	1	304ETU313	304ETU313
2	POST.....	1	306ETU313	306ETU313
3	POST.....	1	307ETU313	307ETU313
4	POST.....	1	305ETU313	305ETU313
5	FRAME.....	2	307ETU314	305ETU313
6	FRAME.....	1	309ETU314	309ETU314
7	FRAME.....	2	306ETU314	306ETU314
8	FRAME.....	1	308ETU314	308ETU314
9	PANEL.....	2	303ETU216	309ETU216
10	PANEL.....	1	304ETU216	310ETU216
11	PANEL.....	2	305ETU216	305ETU216

Order by Part Number and Description. Reference Numbers are for your convenience only.

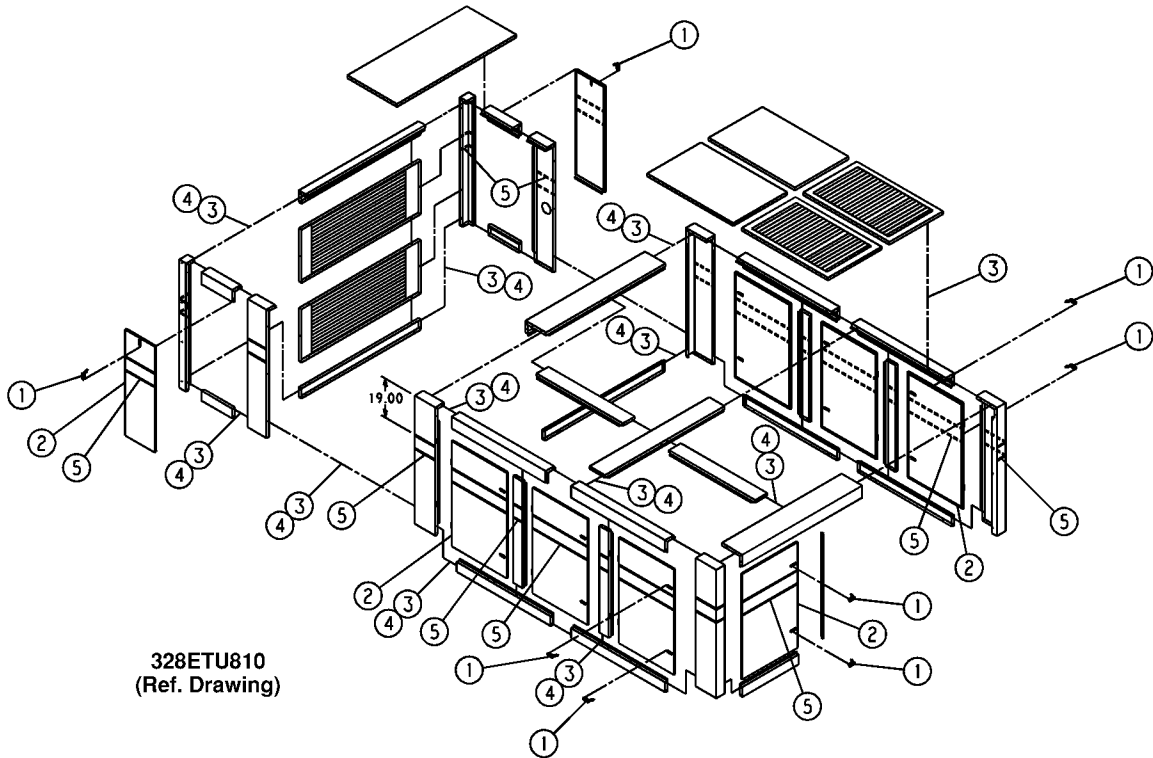


327ETU810
(Ref. Drawing)

ENCLOSURE - WATER-COOLED HARDWARE

Ref. No.	Name of Part	Qty.	Part No.
1	LATCH.....	16	31D51
2	SEAL	115	32E12
3	SCREW	119	75LM51
4	NUT	103	50AW5
5	DECAL.....	10	203ESO077

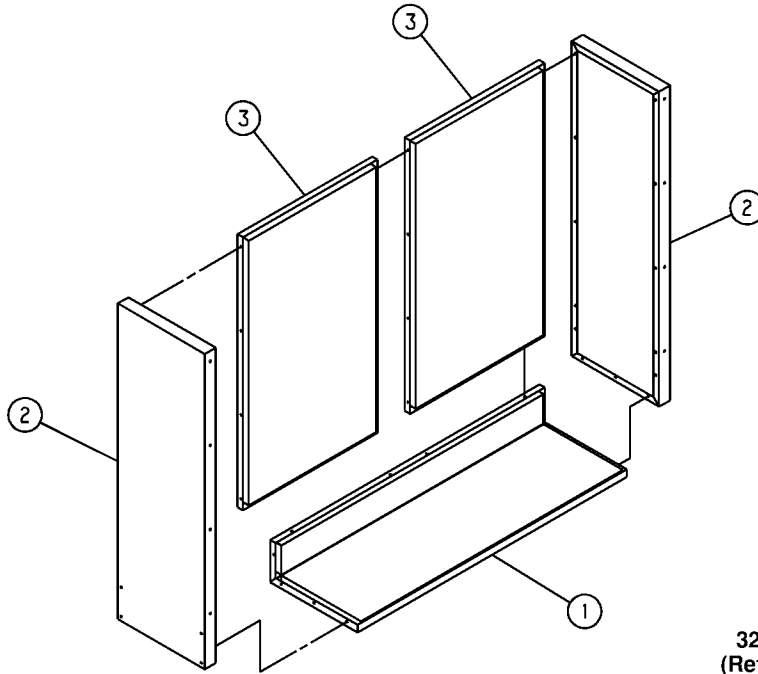
Order by Part Number and Description. Reference Numbers are for your convenience only.



ENCLOSURE - AIR-COOLED HARDWARE

Ref. No.	Name of Part	Qty.	Part No.
1	LATCH.....	16	31D51
2	SEAL	124	32E12
3	SCREW	169	75LM51
4	NUT	149	50AW5
5	DECAL.....	10	203ESO077

Order by Part Number and Description. Reference Numbers are for your convenience only.

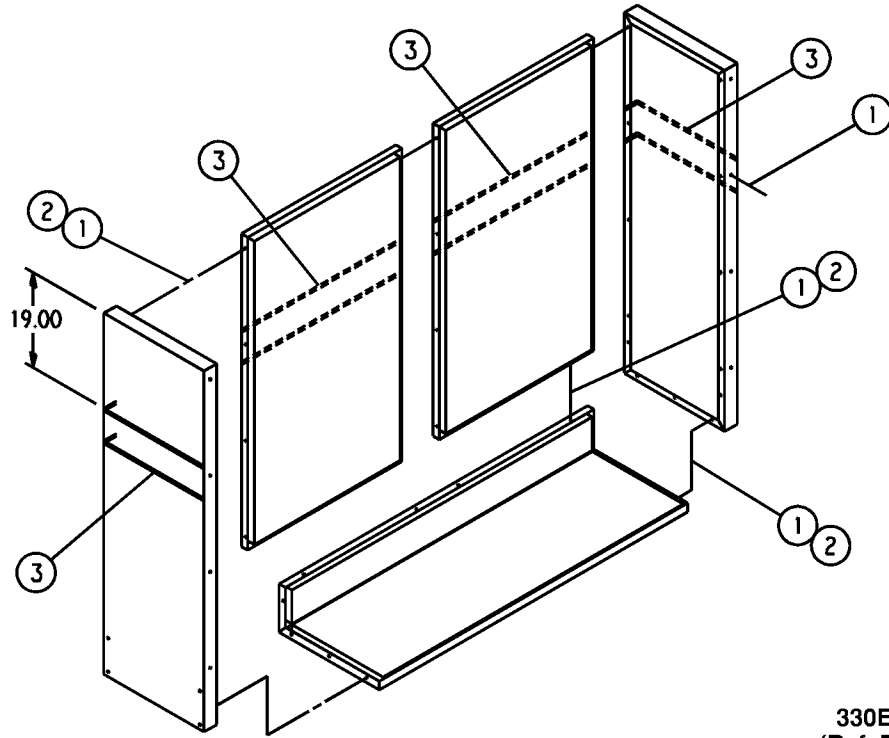


323ETU810
(Ref. Drawing)

ENCLOSURE - AIR-COOLED QUIET ENCLOSURE

Ref. No.	Name of Part	Qty.	Part No.
1	FRAME	1	310ETU314
2	POST	2	309ETU313
3	PANEL	2	306ETU216

Order by Part Number and Description. Reference Numbers are for your convenience only.

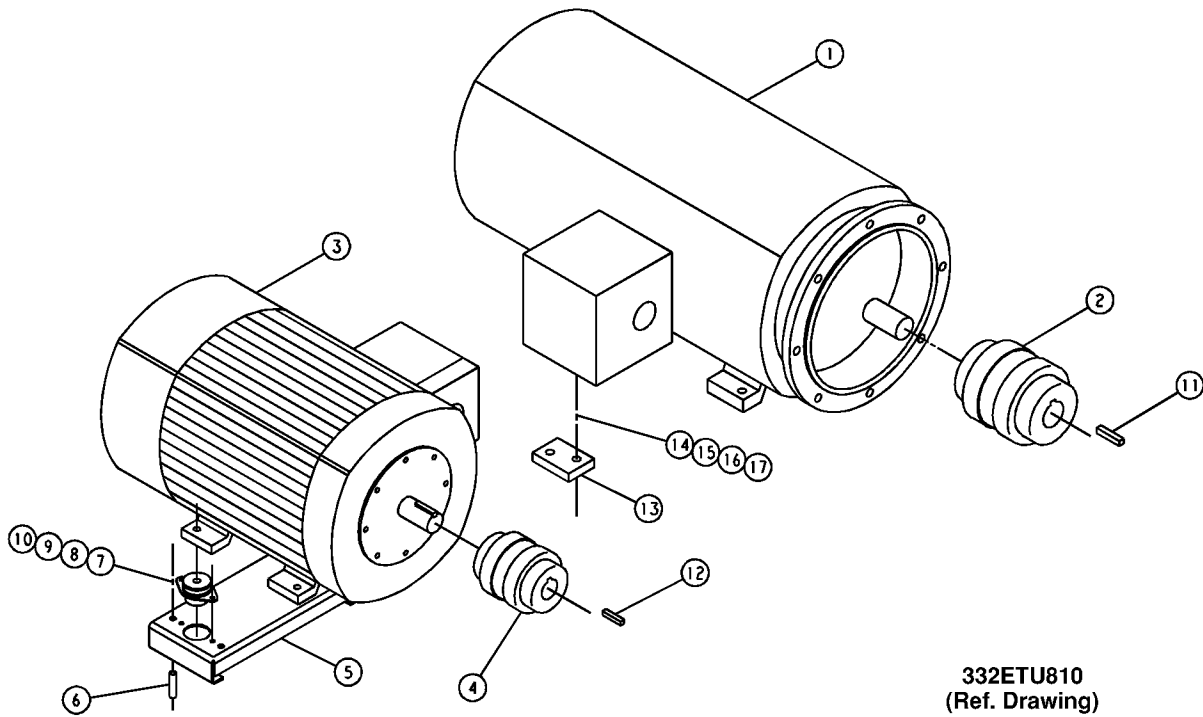


330ETU810
(Ref. Drawing)

ENCLOSURE - AIR-COOLED QUIET ENCLOSURE

Ref. No.	Name of Part	Qty.	Part No.
1	SCREW	32	75LM51
2	NUT	24	50AW5
3	DECAL.....	3	203ESO077

Order by Part Number and Description. Reference Numbers are for your convenience only.

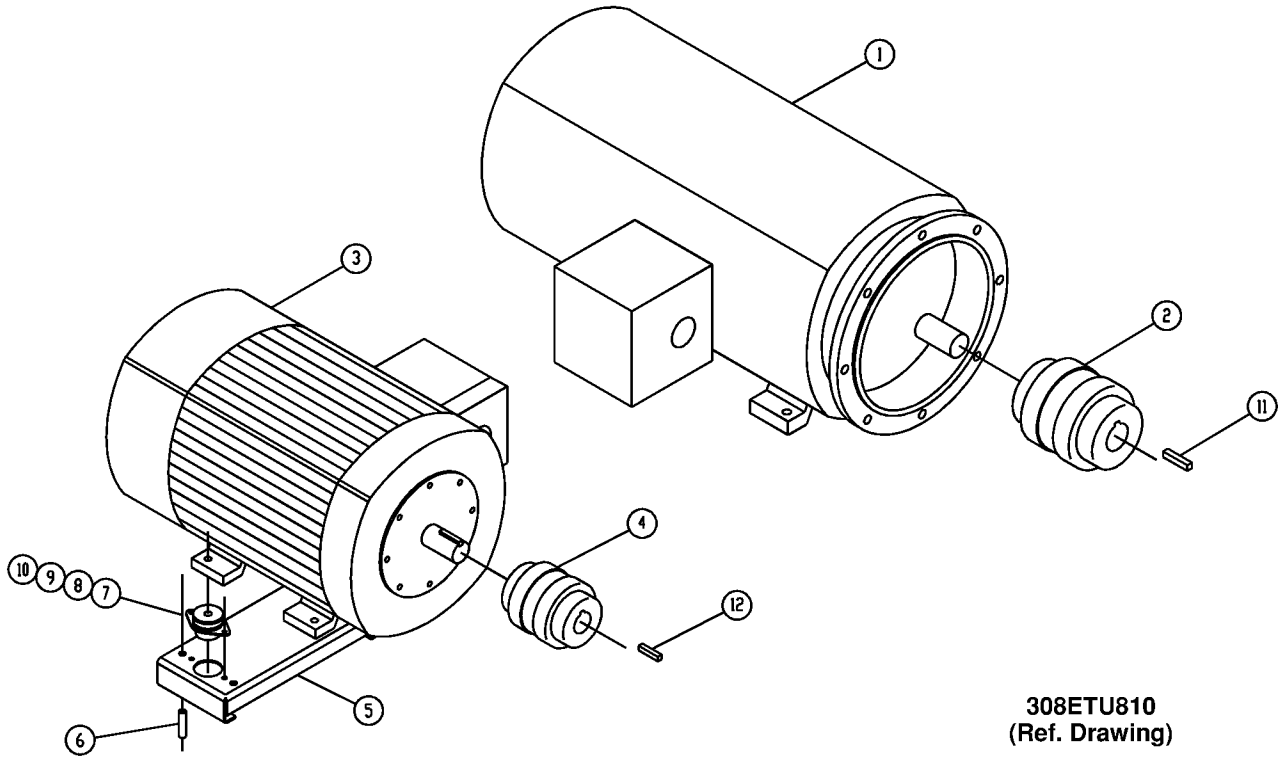


**MOTOR AND MOUNTING GROUP
(200 HP ODP)**

Ref. No.	Name of Part	Qty.	Part No.
1	MOTOR (1st Stage) See Page 47.....	1	
* 2	COUPLING-FLEXIBLE.....	1	51L29
3	MOTOR (2nd Stage) See Page 47	1	
* 4	COUPLING-FLEXIBLE.....	1	51L61
5	SUPPORT-MOTOR	1	200EDH620
6	NIPPLE.....	4	63AM12X16G
7	SCREW	4	655EF120
8	WASHER.....	4	95A7
9	LOCKWASHER.....	4	95B7
10	NUT	4	50B7
11	KEY-SQUARE.....	1	35L27
12	KEY-SQUARE.....	1	8500109
13	SPACER (MOTOR FOOT).....	2	300ETU144
14	SCREW	2	655EG140
15	WASHER.....	2	95A8
16	LOCKWASHER.....	2	95B8
17	NUT	2	50B8

* Flexible Coupling Repair Bushing Part Number ECK77781, see page 60

Order by Part Number and Description. Reference Numbers are for your convenience only.



308ETU810
(Ref. Drawing)

**MOTOR AND MOUNTING GROUP
(200 HP TEFC and 300 HP ODP/TEFC)**

Ref. No.	Name of Part	Qty.	Part No.
1	MOTOR (1st Stage) See Page 47.....	1	
* 2	COUPLING-FLEXIBLE.....	1	51L31
3	MOTOR (2nd Stage) See Page 47	1	
** 4	COUPLING-FLEXIBLE.....	1	51L61
5	SUPPORT-MOTOR	1	200EDH620
6	NIPPLE.....	4	63AM12X16G
7	SCREW	4	655EF120
8	WASHER.....	4	95A7
9	LOCKWASHER.....	4	95B7
10	NUT	4	50B7
11	KEY-SQUARE.....	1	35L27
12	KEY-SQUARE.....	1	8500109

* Flexible Coupling Repair Bushing Part EAU77790, see page 60
 ** Flexible Coupling Repair Bushing Part ECK77781, see page 60

MOTOR GROUP (MAIN DRIVE MOTORS)

200 HP 1st Stage Part No.	200 HP 2nd Stage Part No.	300 HP 1st Stage Part No.	300 HP 2nd Stage Part No.
--	--	--	--

**OPEN DRIP PROOF
(60 HZ - ODP - STANDARD EFFICIENCY)**

MOTOR, 200V	24CA2002	24CA3746	24CA4268	24CA2964
MOTOR, 230V	24CA741	24CA3747	24CA4269	24CA3016
MOTOR, 460V	24CA746	24CA3747	24CA2111	24CA3016
MOTOR, 575V	24CA751	24CA3748	24CA2117	24CA2967

**OPEN DRIP PROOF
(60 HZ - ODP - HIGH EFFICIENCY)**

MOTOR, 200V	24CA1595	24CA3761	24CA4276	24CA2980
MOTOR, 230V	24CA1598	24CA3762	24CA4277	24CA3020
MOTOR, 460V	24CA1603	24CA3762	24CA4278	24CA3020
MOTOR, 575V	24CA1609	24CA3763	24CA4279	24CA2983

**TOTALLY ENCLOSED FAN COOLED
(60 HZ - TEFC)**

MOTOR, 200V	24CA4517	24CA3776	24CA4291	24CA5128
MOTOR, 230V	24CA756	24CA3777	24CA4292	24CA5129
MOTOR, 460V	24CA761	24CA3777	24CA4293	24CA5129
MOTOR, 575V	24CA766	24CA3778	24CA4294	24CA5130

**TOTALLY ENCLOSED FAN COOLED
(60 HZ - TEFC - HIGH EFFICIENCY)**

MOTOR, 200V	24CA4531	24CA3791	24CA4306	24CA5131
MOTOR, 230V	24CA4532	24CA3792	24CA4307	24CA5132
MOTOR, 460V	24CA1879	24CA3792	24CA4308	24CA5132
MOTOR, 575V	24CA1885	24CA3793	24CA4309	24CA5133

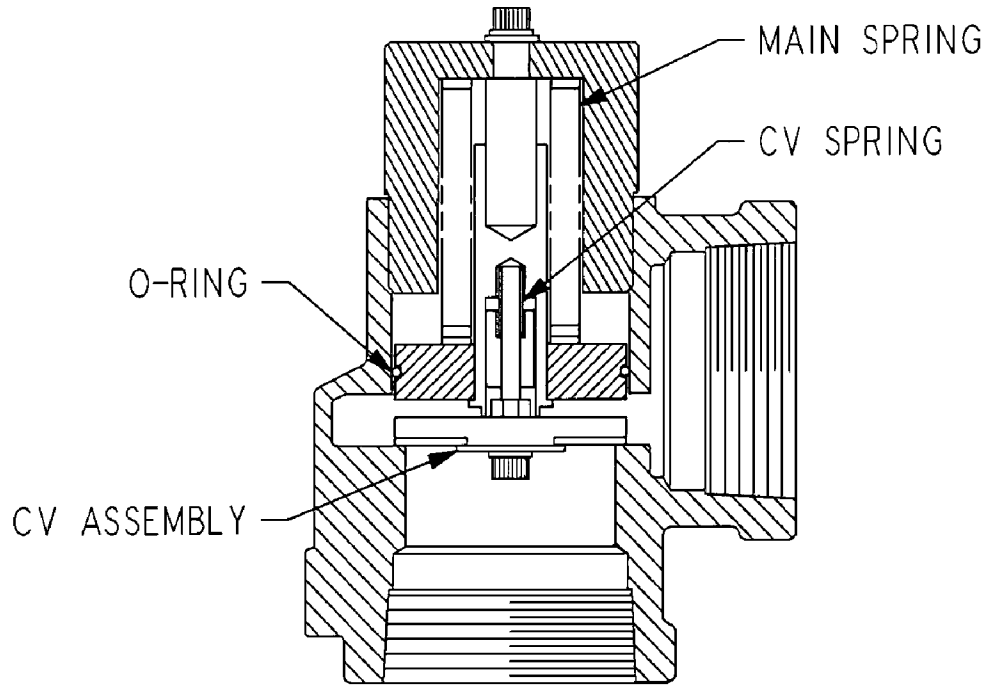
**MOTOR GROUP (FAN MOTORS)
AIR COOLED FAN MOTOR (COOLING MODULE)
(T.E.A.O., 10 HP, 900 RPM, 60 HZ, 1.40 S.F.)**

VOLTAGE	P/N
MOTOR, 200V	24CA358
MOTOR, 230V	24CA193
MOTOR, 460V	24CA193
MOTOR, 575V	24CA359

**WATER COOLED FAN MOTOR (ENCLOSURE VENT FAN)
(T.E.F.C., 1/2 H.P., 1800 RPM, 60 HZ, 1.0 S.F.)**

VOLTAGE	P/N
MOTOR, 200V	24CA2180
MOTOR, 230V	24CA2182
MOTOR, 460V	24CA2182
MOTOR, 575V	24CA2184

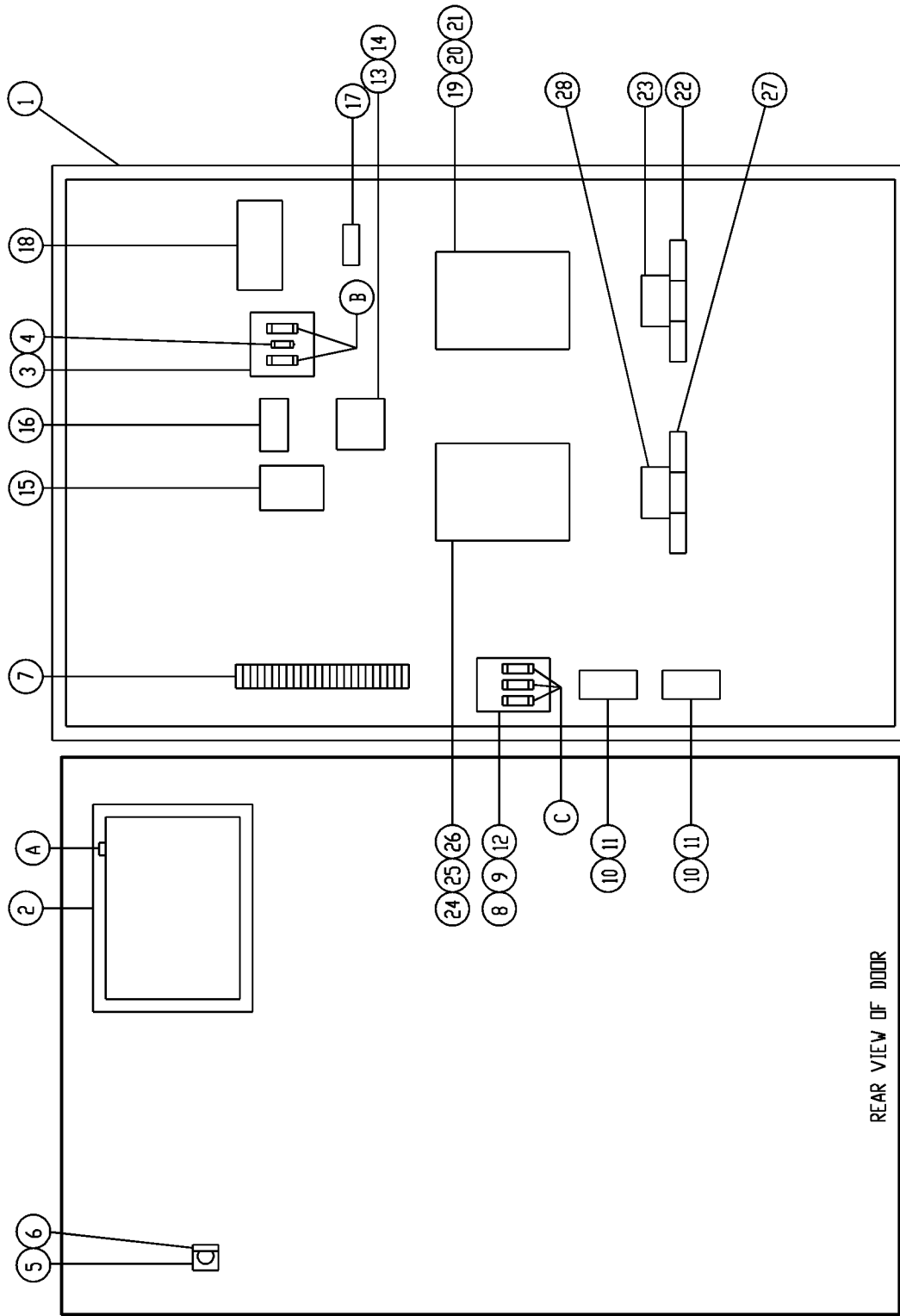
Order by Part Number and Description. Reference Numbers are for your convenience only.



MINIMUM PRESSURE/CHECK VALVE - 201EDM527

Name of Part	Qty.	Part No.
MINIMUM PRESSURE/CHECK VALVE (REPAIR KIT) (Includes next 4 items):....	1	2116855
CHECK VALVE ASSEMBLY	1	
MAIN SPRING	1	
CHECK VALVE SPRING.....	1	
O-RING (VITON)	1	

CONTROLLER ASSEMBLY
200 AND 300 HP FULL VOLTAGE STARTERS WITH CURRENT MONITOR



REAR VIEW OF DOOR

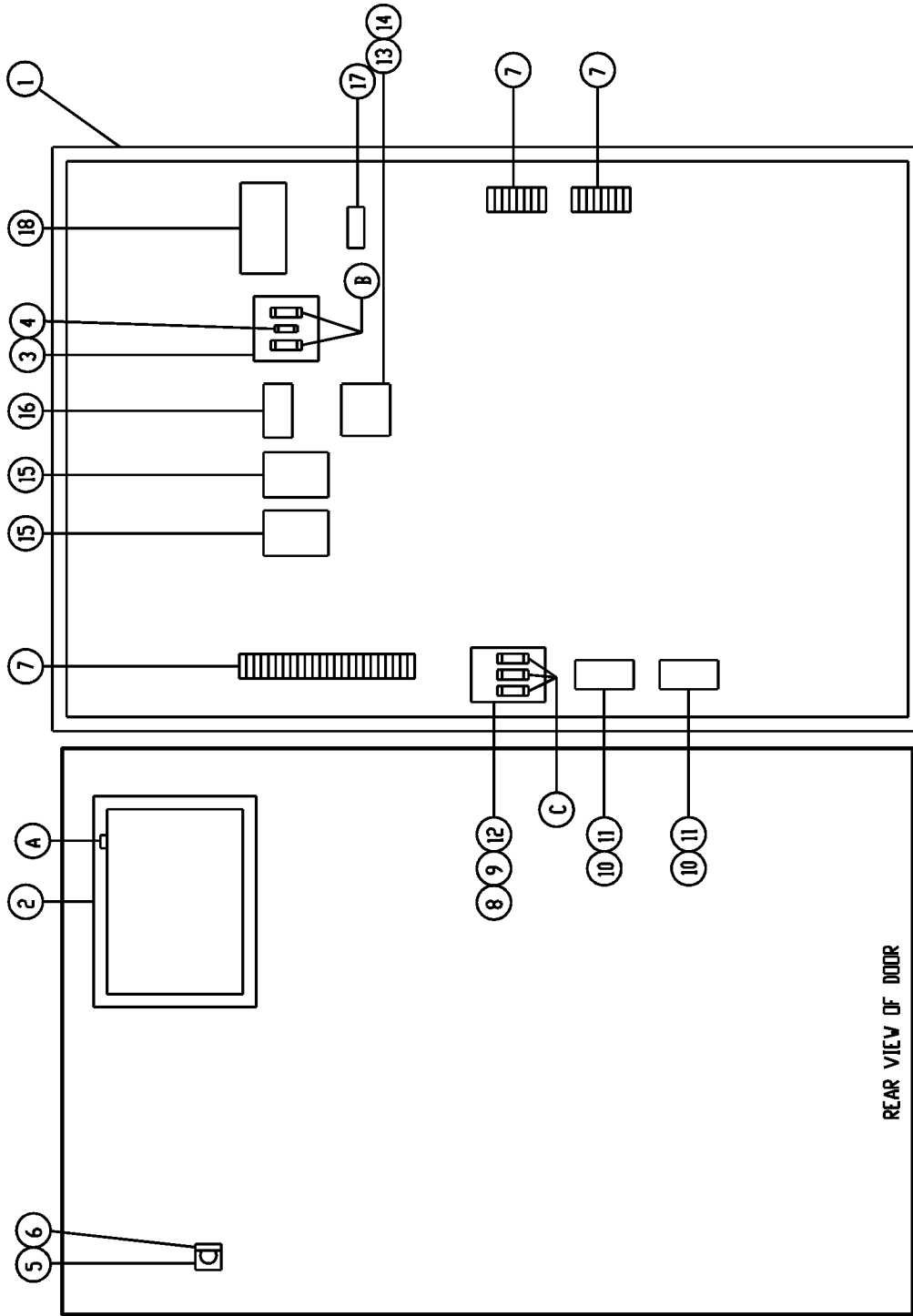
NOTE: A, B, & C REPRESENT FUSES
THAT ARE INSTALLED AT
GARDNER DENVER, INC.

333ETU810-B
(Ref. Drawing)

**CONTROLLER ASSEMBLY
200 HP AND 300 HP FULL VOLTAGE STARTERS WITH CURRENT MONITOR**

	Qty	200 HP 460V	200 HP 575V	300 HP 460V	300 HP 575V
* ASSEMBLED PANEL-ES+: NEMA 12, W/Current Monitor.	1	304ETU466	312ETU466	302ETU466	306ETU466
* ASSEMBLED PANEL-ES+: NEMA 4, W/Current Monitor.	1	305ETU466	313ETU460	303ETU466	307ETU466
A FUSE, CONTROL BOARD (AGC, 250V).....	1	24CA2932 (1A)	24CA2932 (1A)	24CA2932 (1A)	24CA2932(1A)
B FUSE, TRANSFORMER PRIMARY (FNQ-R, 600V).....	1	24CA2783 (3A)	24CA3722 (2.25A)	24CA2783 (3A)	24CA3722(2.25A)
C FUSE, FAN MOTOR (LP-CC, 600V).....	3	24CA4092 (6A)	24CA4091 (4A)	24CA4092 (6A)	24CA4091 (4A)
1 CONTROL BOX.....	1	300ETU179	300ETU179	300ETU179	300ETU179
2 ELECTRONIC CONTROLLER.....	1	200EAU1173	200EAU1173	200EAU1173	200EAU1173
3 CONTROL TRANSFORMER.....	1	2116287	2116288	2116287	2116288
4 FUSE, CONTROL TRANSFORMER, SECONDARY (MDL, 250V).....	1	24CA3729 (6A)	24CA3729(6A)	24CA3729 (6A)	24CA3729(6A)
5 OPERATOR.....	1	24CA2907	24CA2907	24CA2907	24CA2907
6 CONTACT BLOCK.....	1	24CA2908	24CA2908	24CA2908	24CA2908
7 TERMINAL BLOCK.....	6	24CA2633	24CA2633	24CA2633	24CA2633
8 STARTER, FAN MOTOR.....	1	24CA2609	24CA2609	24CA2609	24CA2609
9 COIL.....	1	2116923	2116923	2116923	2116923
10 ADAPTOR.....	2	24CA4726	24CA4726	24CA4726	24CA4726
11 OVERLOAD RELAY.....	2	24CA4086	24CA4086	24CA4086	24CA4086
12 HOLDER.....	1	24CA4098	24CA4098	24CA4098	24CA4098
13 RELAY.....	1	24CA4624	24CA4624	24CA4624	24CA4624
14 SOCKET.....	1	24CA4625	24CA4625	24CA4625	24CA4625
15 RELAY.....	1	24CA4711	24CA4711	24CA4711	24CA4711
16 TRANSDUCER.....	1	24CA4241	24CA4241	24CA4241	24CA4241
17 CURRENT TRANSFORMER.....	1	24CA4242	24CA4242	24CA4242	24CA4242
18 TERMINAL BLOCK.....	1	24CA4728	24CA4728	24CA4728	24CA4728
19 STARTER.....	1	24CA4158	24CA4158	24CA4159	24CA4159
20 COIL.....	1	2116920	2116920	2116920	2116920
21 CONTACT KIT.....	1	2116915	2116915	2116916	2116916
22 CURRENT TRANSFORMER.....	1	24CA4100	24CA4100	24CA4100	24CA4100
23 OVERLOAD RELAY.....	1	24CA4086	24CA4086	24CA4086	24CA4086
24 STARTER.....	1	24CA4158	24CA3259	24CA4158	24CA4158
25 COIL.....	1	2116920	2116555	2116920	2116920
26 CONTACT KIT.....	1	2116915	2116915	2116915	2116915
27 CURRENT TRANSFORMER.....	1	24CA4100	24CA4100	24CA4100	24CA4100
28 OVERLOAD RELAY.....	1	24CA4086	24CA4086	24CA4086	24CA4086

CONTROLLER ASSEMBLY
LESS MAIN MOTOR STARTERS WITH CURRENT MONITOR



NOTE: A, B, & C REPRESENT FUSES
THAT ARE INSTALLED AT
GARDNER DENVER, INC.

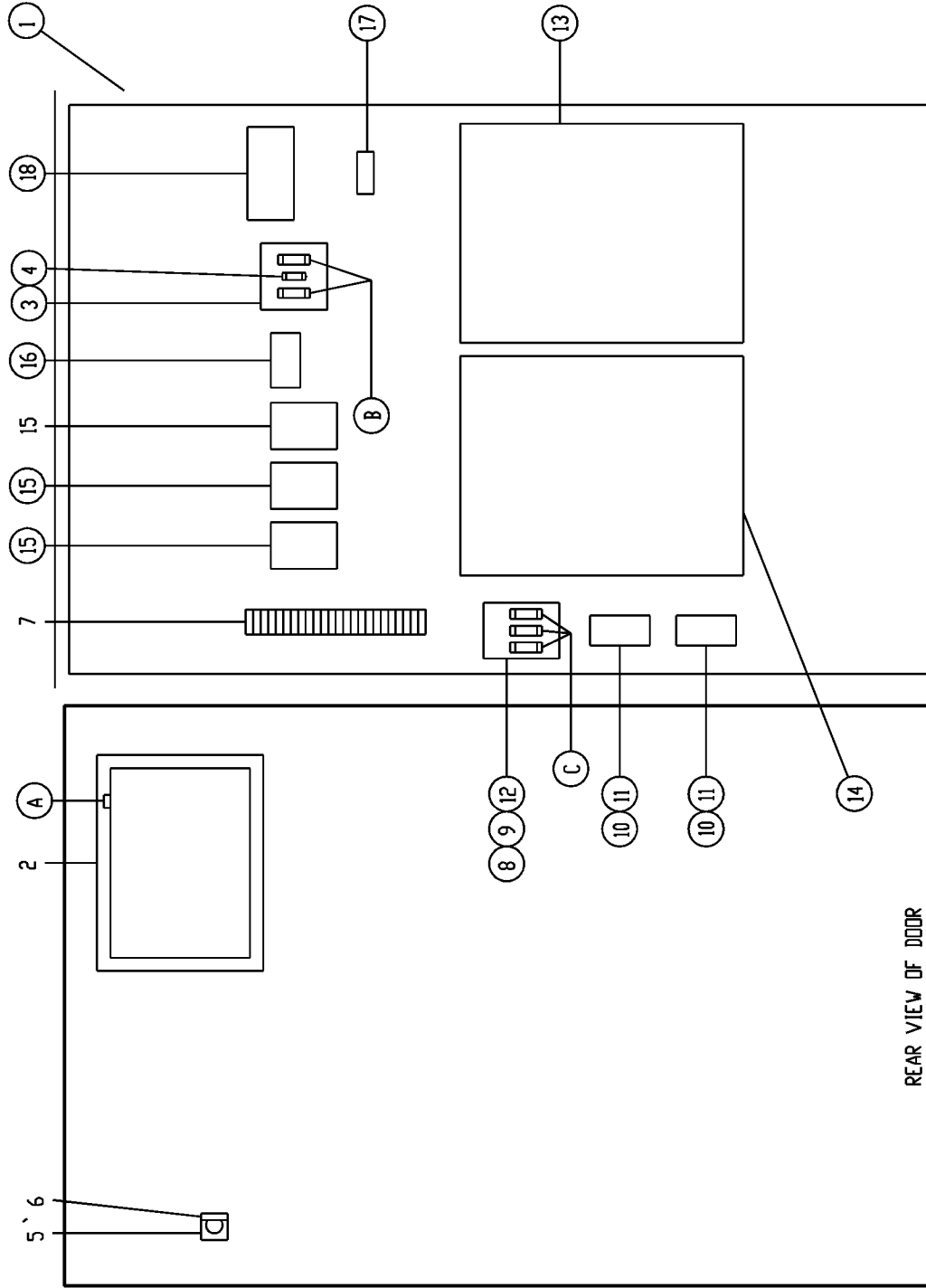
334ETU810-B
(Ref. Drawing)

CONTROLLER ASSEMBLY
LESS MAIN MOTOR STARTERS WITH CURRENT MONITOR
(Refer to drawing on page 5)

	Qty.	200V	230V	460V	575V
* ASSEMBLED PANEL - ES+ : NEMA 12, With Current Monitor	1	318ETU466	320ETU466	324ETU466	326ETU466
* ASSEMBLED PANEL - ES+ : NEMA 4, With Current Monitor	1	319ETU466	321ETU466	325ETU466	327ETU466
A FUSE, CONTROL BOARD (AGC, 250V)	1	24CA2932 (1A)	24CA2932 (1A)	24CA2932 (1A)	24CA2932 (1A)
B FUSE, TRANSFORMER PRIMARY (FNQ-R, 600V) ..	1	24CA4093 (7A)	24CA2786 (6A)	24CA2783 (3A)	24CA2783 (3A)
C FUSE, FAN MOTOR (LP-CC, 600V)	3	24CA4095 (10A)	24CA4095 (10A)	24CA4092 (6A)	24CA4092 (6A)
1 CONTROL BOX	1	300ETU179	300ETU179	300ETU179	300ETU179
2 ELECTRONIC CONTROLLER	1	200EAU1173	200EAU1173	200EAU1173	200EAU1173
3 CONTROL TRANSFORMER	1	2116286	2116287	2116287	2116288
4 FUSE, CONTROL TRANSFORMER, SECONDARY (MDL, 250V)	1	24CA3729 (6A)	24CA3729 (6A)	24CA3729 (6A)	24CA3729 (6A)
5 OPERATOR	1	24CA2907	24CA2907	24CA2907	24CA2907
6 CONTACT BLOCK	1	24CA2908	24CA2908	24CA2908	24CA2908
7 TERMINAL BLOCK	10	24CA2633	24CA2633	24CA2633	24CA2633
8 STARTER, FAN MOTOR	1	24CA3258	24CA3258	24CA2609	24CA2609
9 COIL	1	2116124	2116124	2116923	2116923
10 ADAPTOR	2	24CA2612	24CA2612	24CA4726	24CA4726
11 OVERLOAD RELAY	2	24CA4087	24CA4087	24CA4086	24CA4086
12 HOLDER	1	24CA4164	24CA4164	24CA4098	24CA4098
13 RELAY	1	24CA4624	24CA4624	24CA4624	24CA4624
14 SOCKET	1	24CA4625	24CA4625	24CA4625	24CA4625
15 RELAY	2	24CA4711	24CA4711	24CA4711	24CA4711
16 TRANSDUCER	1	24CA4241	24CA4241	24CA4241	24CA4241
17 * CURRENT TRANSFORMER	1	24CA4242	24CA4242	24CA4242	24CA4242
18 TERMINAL BLOCK	1	24CA2633	24CA2633	24CA2633	24CA2633

* This item is removed during installation and re-installed in the Main Starter Box.

**CONTROLLER ASSEMBLY
200 AND 300 HP SOLID STATE STARTERS WITH CURRENT MONITOR**



NOTE: A, B, & C REPRESENT FUSES
THAT ARE INSTALLED AT
GARDNER DENVER, INC.

Refer to parts list on pages 54 and 55

335ETU810-B
(Ref. Drawing)

CONTROLLER ASSEMBLY
200 HP SOLID STATE STARTERS WITH CURRENT MONITOR
(Refer to drawing on page 53)

	Qty.	460V	575V
* ASSEMBLED PANEL - ES+: NEMA 12, With Current Monitor.....	1	330ETU466	334ETU466
* ASSEMBLED PANEL - ES+: NEMA 4, With Current Monitor.....	1	331ETU466	335ETU466
A FUSE, CONTROL BOARD (AGC, 250V).....	1	24CA2932 (1A)	24CA2932 (1A)
B FUSE, TRANSFORMER PRIMARY (FNQ-R, 600V).....	1	24CA2783 (3A)	24CA3722 (2.25A)
C FUSE, FAN MOTOR (LP-CC, 600V).....	3	24CA4092 (6A)	24CA4091 (4A)
1 CONTROL BOX.....	1	300ETU179	300ETU179
2 ELECTRONIC CONTROLLER.....	1	200EAU1173	200EAU1173
3 CONTROL TRANSFORMER.....	1	2116287	2116288
4 FUSE, CONTROL TRANSFORMER, SECONDARY (MDL, 250V).....	1	24CA3729 (6A)	24CA3729 (6A)
5 OPERATOR.....	1	24CA2907	24CA2907
6 CONTACT BLOCK.....	1	24CA2908	24CA2908
7 TERMINAL BLOCK.....	6	24CA2633	24CA2633
8 STARTER, FAN MOTOR.....	1	24CA2609	24CA2609
9 COIL.....	1	2116923	2116923
10 ADAPTOR.....	2	24CA4726	24CA4726
11 OVERLOAD RELAY.....	2	24CA4086	24CA4086
12 HOLDER.....	1	24CA4098	24CA4098
13 STARTER.....	1	300EAQ661	300EAQ661
14 STARTER.....	1	300ETU611	300ETU611
15 RELAY.....	1	24CA4711	24CA4711
16 TRANSDUCER.....	1	24CA4241	24CA4241
17 CURRENT TRANSFORMER.....	1	24CA4242	24CA4242
18 TERMINAL BLOCK.....	1	24CA4728	24CA4728

CONTROLLER ASSEMBLY
300 HP FULL SOLID STATE WITH CURRENT MONITOR
(Refer to drawing on page 53)

	Qty.	460V	575V	
* ASSEMBLED PANEL - ES+: NEMA 12, With Current Monitor.....	1		328ETU466	334ETU466
* ASSEMBLED PANEL - ES+: NEMA 4, With Current Monitor.....	1		329ETU466	335ETU466
A FUSE, CONTROL BOARD (AGC, 250V)	1		24CA2932 (1A)	24CA2932 (1A)
B FUSE, TRANSFORMER PRIMARY (FNQ-R, 600V)	1		24CA2783 (3A)	24CA3722 (2.25A)
C FUSE, FAN MOTOR (LP-CC, 600V)	3		24CA4092 (6A)	24CA4091 (4A)
1 CONTROL BOX.....	1		300ETU179	300ETU179
2 ELECTRONIC CONTROLLER.....	1		200EAU1173	200EAU1173
3 CONTROL TRANSFORMER	1		2116287	2116288
4 FUSE, CONTROL TRANSFORMER, SECONDARY (MDL, 250V)	1		24CA3729 (6A)	24CA3729 (6A)
5 OPERATOR	1		24CA2907	24CA2907
6 CONTACT BLOCK.....	1		24CA2908	24CA2908
7 TERMINAL BLOCK	6		24CA2633	24CA2633
8 STARTER, FAN MOTOR	1		24CA2609	24CA2609
9 COIL	1		2116923	2116923
10 ADAPTOR	2		24CA4726	24CA4726
11 OVERLOAD RELAY.....	2		24CA4086	24CA4086
12 HOLDER	1		24CA4098	24CA4098
13 STARTER	1		300EAQ661	300EAQ661
14 STARTER	1		301EAQ611	300ETU661
15 RELAY	1		24CA4711	24CA4711
16 TRANSDUCER.....	1		24CA4241	24CA4241
17 CURRENT TRANSFORMER	1		24CA4242	24CA4242
18 TERMINAL BLOCK	1		24CA4728	24CA4728

IDENTIFICATION AND INSTRUCTION GROUP

Name of Part	Qty.	Part No.
DECAL - OPERATION AND MAINTENANCE INSTRUCTIONS.....	1	217ECM077
DECAL- WARNING.....	1	227EAQ077
DECAL - QUALITY WITHOUT QUESTION.....	1	251EAQ077
DECAL - MADE IN USA.....	1	69F64
DECAL - CAUTION.....	1	203ESF077
DECAL - DANGER AIR & OIL UNDER PRESSURE.....	1	212EAQ077
DECAL - WARNING-INSPECT RESERVOIR	1	217EAQ077
DECAL - NOTICE USE GD PARTS.....	2	214EAQ077
DECAL - DRAIN MOISTURE DAILY	1	205ESO077
DECAL - DANGER DO NOT BREATH DISCHARGE AIR	1	206EAQ077
TAG-INSTRUCTION	2	203EAQ304
DECAL - WARNING ROTATING MACHINERY	1	211EAQ077
DECAL - CAUTION DO NOT LIFT	2	208EAQ077
RIVET.....	4	70E13
PLATE-NAME	1	208EAQ496
DECAL - IN HEAT EXCHANGER.....	2	200ESP077
DECAL - OUT HEAT EXCHANGER.....	2	201ESP077
PLATE-DATA.....	1	200ESG454
DECAL - GARDNER DENVER.....	2	300ETY077
DECAL - ELECTRA SAVER TS.....	1	302ETY077
DECAL - INSIDE CONTROL BOX.....	1	314EAQ077
POCKET.....	1	200EAQ1304
DECAL - PARTS LIST & OPERATION/SERVICE.....	1	204EDE077
TAG-INSTRUCTION.....	1	300EAQ304
TAG-INSTRUCTION.....	1	301EAQ304

REPAIR KITS

Name of Part	Qty.	Part No.
ROUTINE MAINTENANCE KIT (Heavy Duty Air Filter) (Incl. next 3 items)		301EAU6013
ELEMENT, AIR FILTER	4	2117151
ELEMENT, OIL FILTER	3	201EDM369
ELEMENT, OIL FILTER	3	2116128
PERIODIC MAINTENANCE KIT (Inlet Valve) (Includes next 6 items) (SSU)		201SSU6003
RING GASKET	1	25BC160
GASKET	1	25C2683N
GASKET	1	203SSU715N
SPRING	1	78A366
VALVE DISC	1	200SSW067
RING-PISTON	2	65A319
PIN-COTTER	1	62E30
SEPARATOR KIT (Includes next 3 items)		202EAU6013
OIL SEPARATOR	1	300EAU035
GASKET ELIMINATOR	1	25BC632
LUBRICANT (OIL SEAL GREASE)	1	2116755
PERIODIC OVERHAUL KIT (Includes next 8 items) (SSU)		300SSU6013
GASKET KIT	1	301SSU6013
OIL SEAL KIT	1	302SSU6013
ROLLER BEARING	1	12BA52
ROLLER BEARING	1	12W34
ROLLER BEARING	1	12BA79
ROLLER BEARING	1	12BA78
WAVE SPRING	1	78W54
ROLLER BEARING	2	12C60
ROLLER BEARING	2	12BA51
GASKET KIT (Includes next 9 items) (SSU)		301SSU6013
PERIODIC MAINTENANCE KIT (INLET VALVE)	1	201EAU6003
GASKET	1	208SSU715N
SHIM SET (SHAFT)	1	77H55
SHIM SET	1	77H50
GASKET	2	209SSU715N
PACKING RING	4	60AM46
FASTENER SEAL	2	60DD65
GASKET	4	25BC138N
GASKET ELIMINATOR	1	25BC222
BUMPER	2	32E15
PLUG	2	66D15
RETAINING RING	2	74D49

REPAIR KITS (Continued)

Name of Part	Qty.	Part No.
OIL SEAL KIT (Includes next 10 items) (SSU)		302SSU6013
WEAR SLEEVE	1	80M28
OIL SEAL	1	60DD571
OIL SEAL	1	60DD689
O-RING	1	25BC205
O-RING	1	25BC431
SHIM	12	204SSY732
SHIM	12	205SSY732
SHIM	6	207SSY732
SHIM	6	208SSY732
CHECK VALVE	1	90AR923
PERIODIC OVERHAUL KIT (SSM AIR END) (Includes next 7 items)		318SSM6013
GASKET KIT (SEE BELOW)	1	317SSM6013
OIL SEAL KIT (SEE BELOW)	1	323SSH6013
ROLLER BEARING.....	1	12BA92
ROLLER BEARING.....	1	12BA94
ROLLER BEARING.....	1	12W34
ROLLER BEARING.....	1	12BA93
SPRING.....	1	78W53
GASKET KIT (SSM AIR END) (Includes next 4 items).....		317SSM6013
SHIM SET (SHAFT)	1	77H56
SHIM SET	1	77H57
GASKET (AIR END TO DISCHARGE MANIFOLD)	1	25C1230N
GASKET ELIMINATOR.....	1	25BC222
PERIODIC OVERHAUL KIT (SSH AIR END) (Includes next 7 items)		325SSH6013
GASKET KIT (SEE BELOW)	1	324SSH6013
OIL SEAL KIT (SEE BELOW)	1	323SSH6013
ROLLER BEARING.....	1	12BA91
ROLLER BEARING.....	1	12BA90
ROLLER BEARING.....	1	12BA130
ROLLER BEARING.....	1	12BA136
SPRING.....	1	78W48
GASKET KIT (SSH AIR END) (Includes next 4 items)		324SSH6013
SHIM SET (SHAFT)	1	77H54
SHIM SET	1	77H53
GASKET (AIR END TO DISCHARGE MANIFOLD)	1	25C1230N
GASKET ELIMINATOR.....	1	25BC222

REPAIR KITS (Continued)

Name of Part	Qty.	Part No.
OIL SEAL KIT (SSH AND SSM AIR ENDS) (Includes next 5 items).....		323SSH6013
OIL SEAL	1	60DD599
O-RING	1	25BC157
O-RING	1	8501627
GASKET ELIMINATOR.....	1	25BC222
CHECK VALVE	1	90AR923
WEAR SLEEVE INSTALLATION / REMOVAL KIT (SSU)		200SSU4017
(Includes next 7 items)		
PULLER	1	200SSQ219
PLATE PULLER.....	1	200SSQ340
SCREW	1	655EE030
SCREW	1	655ED120
SCREW	2	75D178
GUIDE	1	200SSU450
TOOL	1	200SSQ074
PERIODIC MAINTENANCE KIT (Package) (Includes next 2 items).....		201EAU6013
ELEMENT (MIXING VALVE - 150_ F.).....	1	2109365
KIT (MINIMUM PRESSURE VALVE)	1	2116855
PNEUMATIC CONTROLS AND GAUGES (Includes next 4 items)		203EAU6013
CHECK VALVE	2	90AR261
CONTROL VALVE	2	90AR1034
AIR CONTROL VALVE	1	90AR1083
PRESSURE REGULATOR.....	1	88H139
ELECTRICAL CONTROL KIT		206EAP6013
SOLENOID VALVE	1	91B70
SOLENOID VALVE	1	91B80
SOLENOID VALVE	1	91B81
THERMISTOR PROBE.....	2	21D264
TRANSDUCER	2	88H242
VACUUM SWITCH	1	88H195
TURNVALVE ACTUATOR O-RING KIT		307EAQ6013
O-RING (TOP OF STEM)	2	25BC738
O-RING (BODY TO MANIFOLD, LARGE).....	2	25BC37
O-RING (BODY TO MANIFOLD, SMALL)	2	25BC35
O-RING (TUBE)	2	2009224

REPAIR KITS (Continued)

Name of Part	Qty.	Part No.
DRIVE COUPLING KIT (51L61 & 51L29) (Includes next item)	1	ECK77781
CUSHIONS (Includes 6)		2109116
DRIVE COUPLING KIT (51L31) (Includes next item).....	1	EAU77790
CUSHIONS (Includes 6)		2109117
LUBRICANT (AEON 9000 SP)		
5 GALLON PAIL.....		28H109
55 GALLON DRUM.....		28H110
TOUCH-UP PAINT		
5 GALLON PAIL.....		28H76
1 GALLON CAN.....		28H84
1 QUART CAN.....		28H83
WATER TEMPERATURE REGULATOR (Optional).....		90AR152
MAGNETIC WATER SHUTOFF VALVE - NEMA 1 (Optional).....		EAQ77013
MAGNETIC WATER SHUTOFF VALVE - NEMA 4 (Optional).....		EAQ77014

Gardner

Denver

For additional information contact your local representative or
Gardner Denver, Customer Service Department,

1800 Gardner Expressway, Quincy, Illinois 62301

Telephone: (800) 682-9868 FAX: (217) 224-7814



Sales and Service in all major cities.

For parts information, contact Gardner Denver,
Master Distribution Center, Memphis, Tennessee
Telephone: (800) 245-4946 FAX: (901) 542-6159

Specifications subject to change without notice.

Copyright 1999 Gardner Denver, Inc.

Litho in U.S.A.

<http://www.gardnerdenver.com>

mktg@gardnerdenver.com