

---

---

**CHAMPION®**

13-11-512  
Version: 04  
June 12, 2003

**ROTORCHAMP<sup>®</sup>**  
**OIL-FREE ROTARY SCREW**  
**COMPRESSOR**

**MODELS**

**RCOF (EWD99F)**  
**40, 50, 60 & 75 HP**

**PARTS LIST**



**MAINTAIN COMPRESSOR RELIABILITY AND PERFORMANCE WITH  
GENUINE CHAMPION® COMPRESSOR  
PARTS AND SUPPORT SERVICES**

Champion® Compressor genuine parts, manufactured to design tolerances, are developed for optimum dependability – specifically for Champion compressor systems. Design and material innovations are the result of years of experience with hundreds of different compressor applications. Reliability in materials and quality assurance is incorporated in our genuine replacement parts.

Your authorized Champion Compressor distributor offers all the backup you'll need. A worldwide network of authorized distributors provides the finest product support in the air compressor industry. Your local authorized distributor maintains a large inventory of genuine parts and he is backed up for emergency parts by direct access to the Master Distribution Center (MDC) in Memphis, Tennessee.

Your authorized distributor can support your Champion air compressor with these services:

1. Trained parts specialists to assist you in selecting the correct replacement parts.
2. Factory warranted new and remanufactured rotary screw airends. Most popular model remanufactured airends are maintained in stock at the Remanufacturing Center in Indianapolis, IN., for purchase on an exchange basis with liberal core credit available for the replacement unit.
3. A full line of factory tested RotorLub™ compressor lubricants specifically formulated for use in Champion compressors.
4. Repair and maintenance kits designed with the necessary parts to simplify servicing your compressor.

Authorized distributor service technicians are factory trained and skilled in compressor maintenance and repair. They are ready to respond and assist you by providing fast, expert maintenance and repair services.

**For the location of your local authorized Champion Air Compressor distributor, refer to the yellow pages of your phone directory or contact:**

**Factory:**  
Champion  
1301 N. Euclid Ave.  
Princeton, IL. 61356  
Phone: (815) 875-3321  
Fax: (815) 872-0421

**INSTRUCTIONS FOR ORDERING REPAIR PARTS**

When ordering parts, specify Compressor MODEL, Method of Cooling, HORSEPOWER and SERIAL NUMBER (see nameplate on unit). The Serial Number is also stamped on top of the discharge bearing carrier casting.

All orders for Parts should be placed with the nearest authorized distributor.

Where NOT specified, quantity of parts required per compressor or unit is one (1); where more than one is required per unit, quantity is indicated in parenthesis. SPECIFY EXACTLY THE NUMBER OF PARTS REQUIRED.

DO NOT ORDER BY SETS OR GROUPS.

To determine the Right-Hand and Left-Hand side of a compressor, stand at the motor end and look toward the compressor. Right-Hand and Left-Hand are indicated in parenthesis following the part name, i.e. (RH) and (LH), when appropriate.

**TOTAL PRODUCT SUPPORT – CHAMPION'S  
CONTINUING COMMITMENT  
TO YOUR AIR COMPRESSOR PERFORMANCE**

Commitment to total product support continues long after the purchase of your quality Champion rotary screw compressor.

Champion original parts incorporate years of experience and improvements in design, materials and quality assurance. Maintaining your compressor investment with Champion parts will insure protection for the air compressor unit and long, dependable service life.

Your authorized Champion compressor distributor maintains a complete stock of all common maintenance parts, factory approved Rotorlub lubricants, and Champion factory warranted exchange airends. In addition, authorized distributor technicians are factory trained, and can provide complete diagnostic, compressor maintenance and repair services.

This manual is designed to assist you in maintaining high performance and receiving many years of dependable service you expect from your Champion compressor.

**REMANUFACTURED AIRENDS**

Whenever an airend requires replacement or repair, Champion offers an industry unique, factory remanufactured airend exchange program. From its modern Remanufacturing Center in Indianapolis, IN., Champion is committed to supplying you with the highest quality, factory remanufactured airends that are guaranteed to save you time, aggravation and money.

**Immediately Available**

Repair downtime costs you money, which is why there are over 200 remanufactured units in inventory at all times, ready for immediate delivery.

**Skilled Craftsmen**

Our Remanufacturing assembly technicians average over 20 years experience with air compression products.

**Precision Remanufacturing**

All potentially usable parts are thoroughly cleaned, inspected and analyzed. Only those parts that can be brought back to original factory specifications are remanufactured. Every remanufactured airend receives a new overhaul kit: bearings, gears, seals, sleeves and gaskets.

**Extensive Testing**

Champion performs testing that repair houses just don't do. Magnaflux and ultrasonic inspection spot cracked or stressed castings, monochromatic light analysis exposes oil leaks, and coordinate measurement machine inspects to +/- .0001", insuring that all remanufactured airends meet factory performance specifications.

**Warranty**

Champion backs up every remanufactured airend with a new warranty...18 months from purchase, 12 months from service.

Champion remanufactured airends deliver *quality without question...year in and year out.*

Call Champion for information on the airend exchange program and the name of your authorized distributor.

Phone Number: 815-875-3321 or  
Fax: 815-872-0421

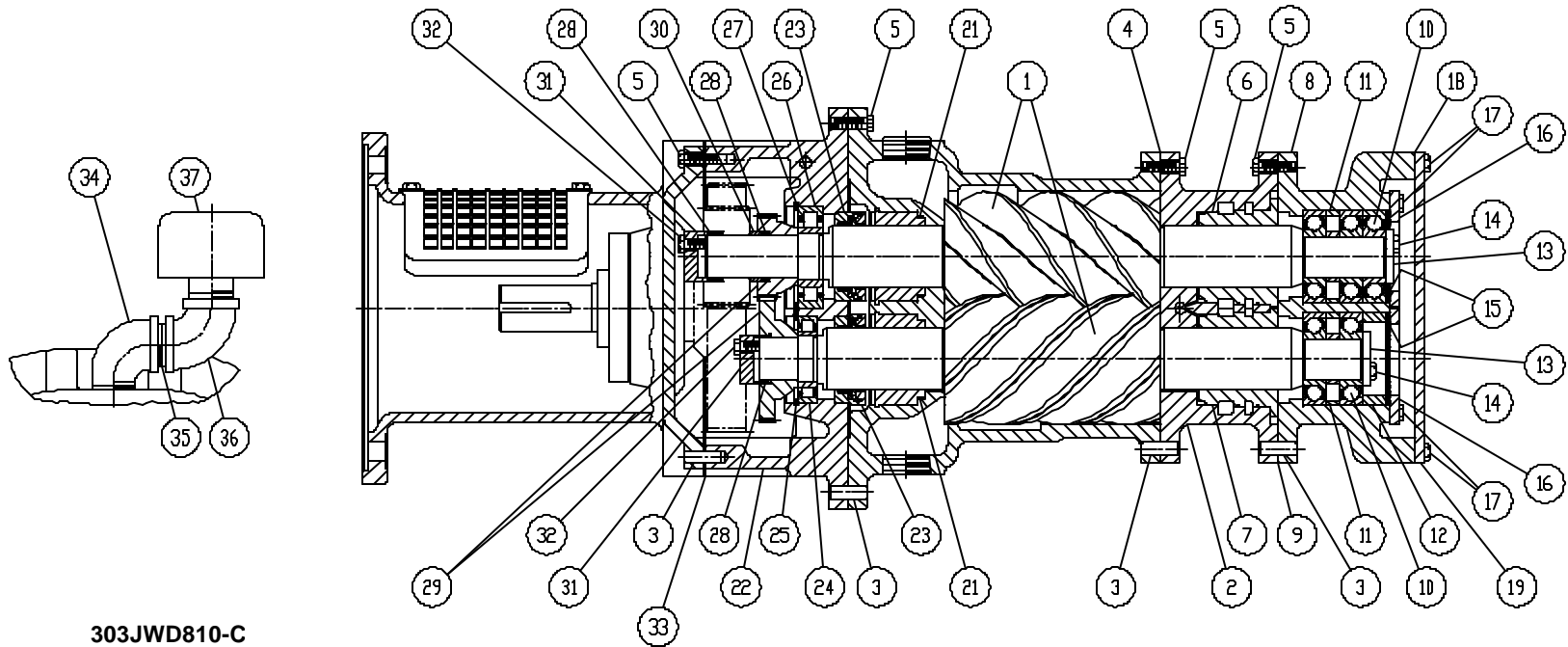
## TABLE OF CONTENTS

Maintain Compressor Reliability And Performance With Genuine Champion Compressor Parts And Support Services .....	i
Instructions For Ordering Repair Parts .....	i
Total Product Support – Champion’s Continuing Commitment To Your Air Compressor Performance .....	ii
Remanufactured Airends .....	ii
Bare Compressor – Rotor/Cylinder Details .....	1
Bare Compressor – Gear Box Details .....	2
Bare Compressor – Input Shaft/Adaptor Details .....	4
Airend Replacements .....	5
Inlet Valve Group.....	6
Air Filter Mounting.....	7
Base And Mounting.....	8
Compressor Mounting.....	9
Compressor Discharge .....	10
Oil Level Gauge And Fittings .....	11
Oil Piping .....	12
Separator Mounting .....	13
System Water Filter To Compressor.....	14
Final Discharge Piping .....	15
Oil Pump To/From Compressor.....	16, 17
Seal Purge Air And Buffering Water.....	18, 19
Control Group - Blowdown .....	20, 21
Control Piping .....	22, 23
Water Filter Fittings .....	24, 25
Main Separator Piping.....	26, 27
Controller Assembly - 40, 50, 60 & 75 HP - Full Voltage Starters .....	28
Controller Assembly - 40 HP - Full Voltage Starters.....	29
Controller Assembly - 50 HP - Full Voltage Starters.....	30
Controller Assembly - 60 & 75 HP - Full Voltage Starters .....	31
Controller Assembly - 40, 50, 60 & 75 HP - Wye Delta Starters .....	32
Controller Assembly - 40, 50 & 60 HP - Wye Delta Starters .....	33
Controller Assembly - 75 HP - Wye Delta Starters .....	34
Controller Assembly.....	35
Controller Assembly - Less Main Starter.....	36, 37
Electrical Connections .....	38, 39
Air Cooled Units With Aftercooler .....	40, 41
Water Cooled Units With Aftercooler .....	42, 43
Optional Water Valves (Temperature Regulator And Solenoid) .....	44
Enclosure Vent Fan Assembly (Water Cooled Units Only) .....	45
Enclosure Group – Common Parts – Air/Water Cooled .....	46
Skirting – Air Cooled Units .....	47
Skirting – Water Cooled Units .....	48
Enclosure Group – Water Cooled .....	49
Enclosure Group – Air Cooled .....	50
Decals .....	51, 52
Overload Relay Heater Conversion Listing .....	53
Identification And Instruction Group.....	54, 55
Motor Mounting Group .....	56
RO Mounting .....	57
Motor Groups .....	58, 59
Motor Groups .....	59
Repair Kits.....	61

**For Operating and Service Manual, see:**

**SERVICE MANUAL 13-11-610**

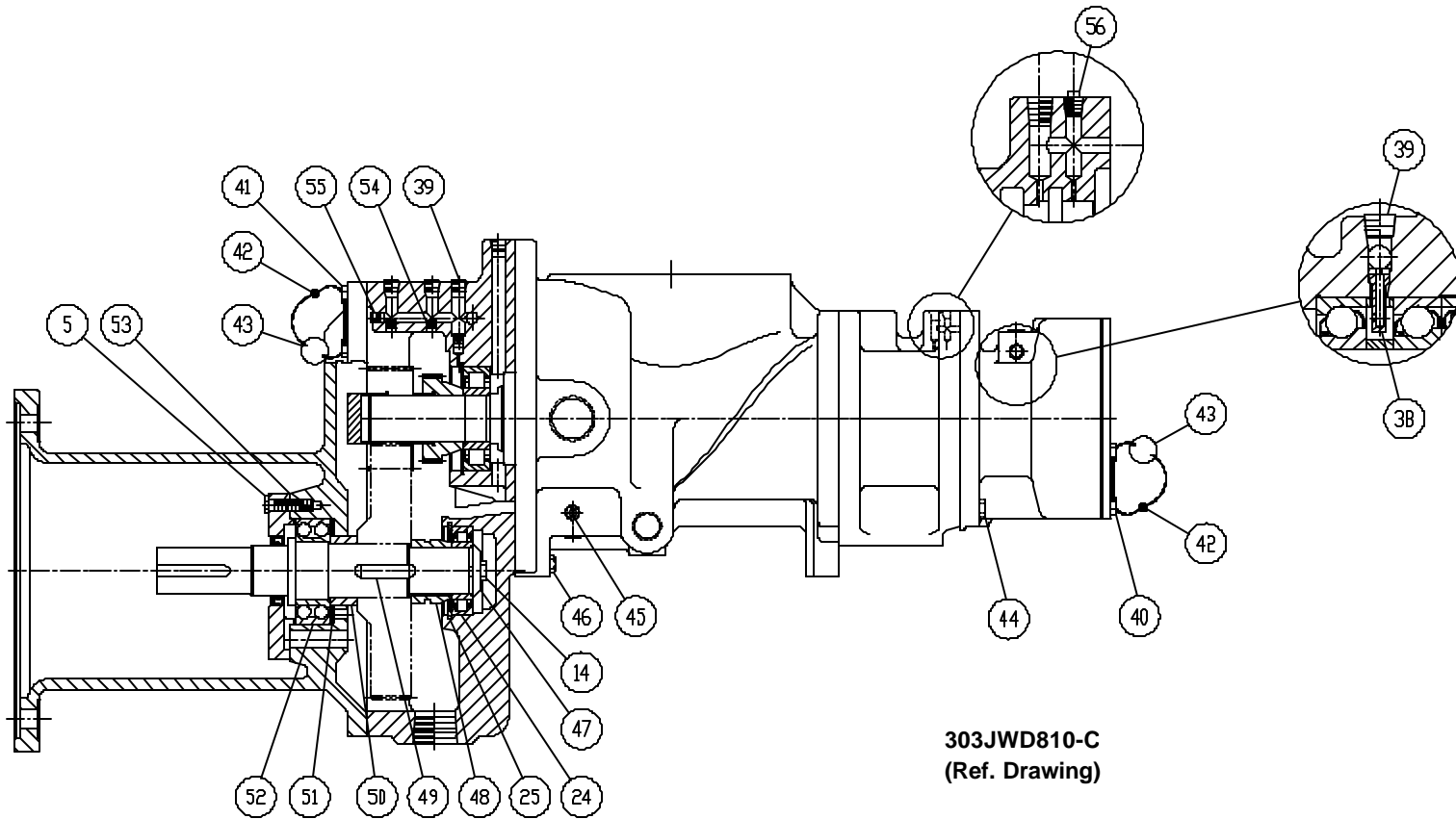
# BARE COMPRESSOR – ROTOR/CYLINDER DETAILS



303JWD810-C  
(Ref. Drawing)

ITEM 57 NOT SHOWN

BARE COMPRESSOR – GEAR BOX DETAILS



303JWD810-C  
(Ref. Drawing)

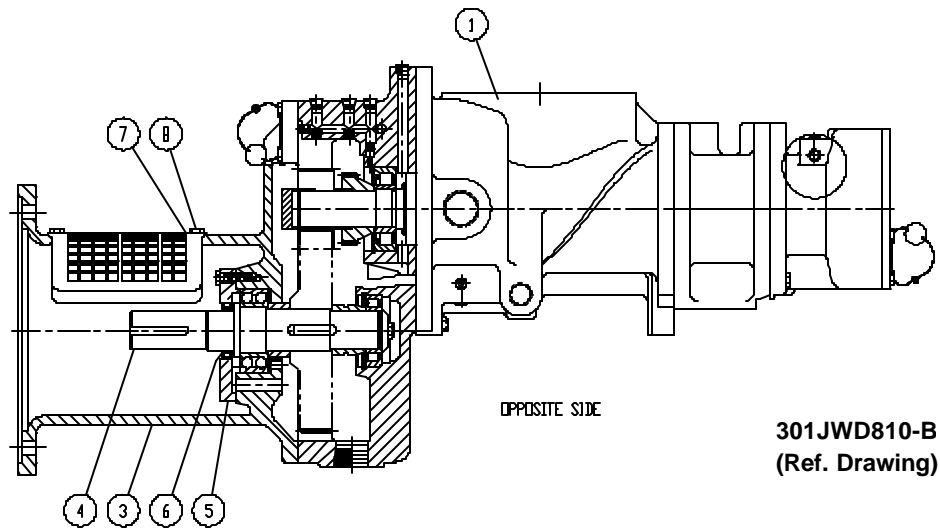
Order by Part Number and Description. Reference Numbers are for your convenience only.

BARE COMPRESSOR

B/M: 303JWD4049

Ref. No.	Name of Part	Qty.	Part No.	Ref. No.	Name of Part	Qty.	Part No.
1	GROUP-ROTOR.....	1		30	SPACER.....	1	
2	HOUSING-DISCHARGE.....	1		31	FLANGE .....	2	
3	PIN-DOWEL.....	8		32	SCREW .....	6	
4	GASKET.....	1		33	GASKET .....	1	
5	SCREW.....	52		34	ELBOW .....	1	
6	SEAL .....	1		35	NIPPLE.....	1	
7	SEAL .....	1		36	ELBOW .....	1	
8	HOUSING-BEARING .....	1		37	BREATHER.....	1	
9	GASKET-ELIMINATOR.....	1		38	INJECTOR OIL.....	2	
10	BEARING .....	5		39	PLUG.....	17	
11	SPACER .....	2		40	SCREW .....	2	
12	SPACER .....	1		41	SCREW .....	2	
13	RETAINER .....	2		42	SEAL-LEAD .....	2	
14	SCREW.....	5		43	TAG-INSTRUCTION.....	2	
15	SPRING .....	2		44	SCREW .....	1	
16	RETAINER .....	2		45	PLUG.....	6	
17	SCREW.....	18		46	SCREW .....	2	
18	GASKET.....	1		47	RETAINER.....	1	
19	COVER .....	1		48	SPACER.....	1	
21	KIT-SEAL .....	2		49	KEY.....	1	
22	HOUSING GEAR.....	1		50	SPACER.....	1	
23	SEAL .....	2		51	SPRING.....	1	
24	BEARING .....	2		52	BEARING.....	1	
25	RING-RETAINING.....	2		53	GASKET .....	1	
26	BEARING .....	1		54	ORIFICE PLUG .....	7	
27	RING-SNAP.....	1		55	PLUG.....	3	
28	RING-RETAINING .....	4		56	PLUG.....	2	
29	KIT-GEAR .....	1					

Order by Part Number and Description. Reference Numbers are for your convenience only.



**BARE COMPRESSOR – INPUT SHAFT/ADAPTOR DETAILS**

**B/M: 301JWD4049**

Ref. No.	Name of Part	Qty.	Part No.
1	CYLINDER.....	1	200JWD002
3	ADAPTOR.....	1	200JWD170
4	SHAFT.....	1	200JWD050
5	HOUSING-SEAL.....	1	300JWD362
6	SEAL.....	1	60DD690
7	GUARD COUPLING.....	1	200SSM339
8	SCREW.....	4	75LM150

## AIREND REPLACEMENTS

HP	PSI	NEW AIREND	REMANUFACTURED AIREND
40	100	JWDEBE15	JWDEBE15X
40	125	JWDEBE16	JWDEBE16X
50	100	JWDEBE12	JWDEBE12X
50	125	JWDEBE14	JWDEBE14X
60	100	JWDEBE09	JWDEBE09X
60	125	JWDEBE12	JWDEBE12X
75	100	JWDEBE07	JWDEBE07X
75	125	JWDEBE09	JWDEBE09X

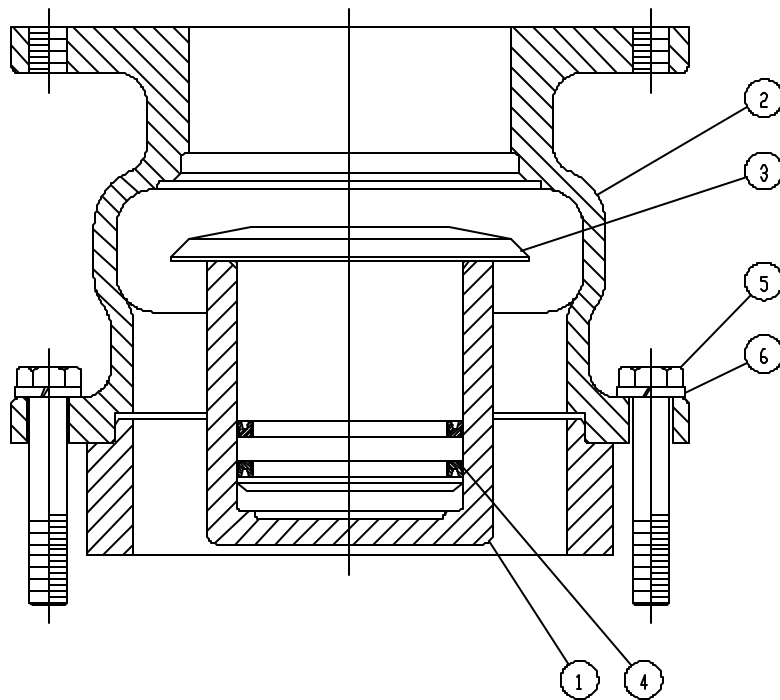
## PRESSURE RELIEF VALVES

HP	PSI	PART NUMBER
All	100	90AR1001
All	100	90AR1002

### NOTICE

Contact your Champion Distributor for availability of New and Remanufactured airends

Order by Part Number and Description. Reference Numbers are for your convenience only.



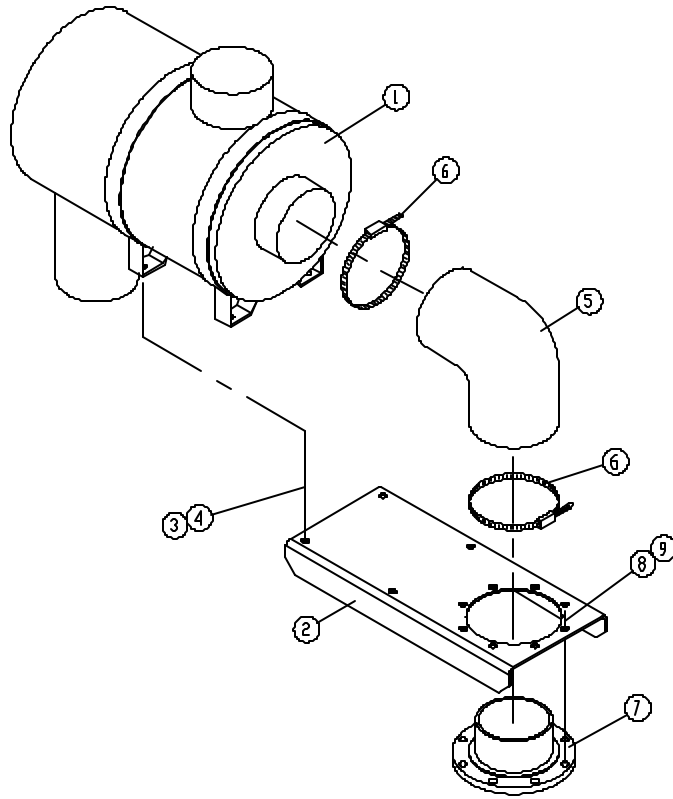
201JWD810  
(Ref. Drawing)

**INLET VALVE GROUP**

**B/M: 301JWD4030**

Ref. No.	Name of Part	Qty.	Part No.
1	HOUSING-INLET.....	1	201JWD041
2	SEAT .....	1	300JWD256
3	PISTON-INLET VALVE .....	1	200SSM043
4	PACKING-RING.....	2	60DD21
5	SCREW.....	8	655EE110
6	LOCKWASHER.....	8	95B5

Order by Part Number and Description. Reference Numbers are for your convenience only.



289ECM810  
(Ref. Drawing)

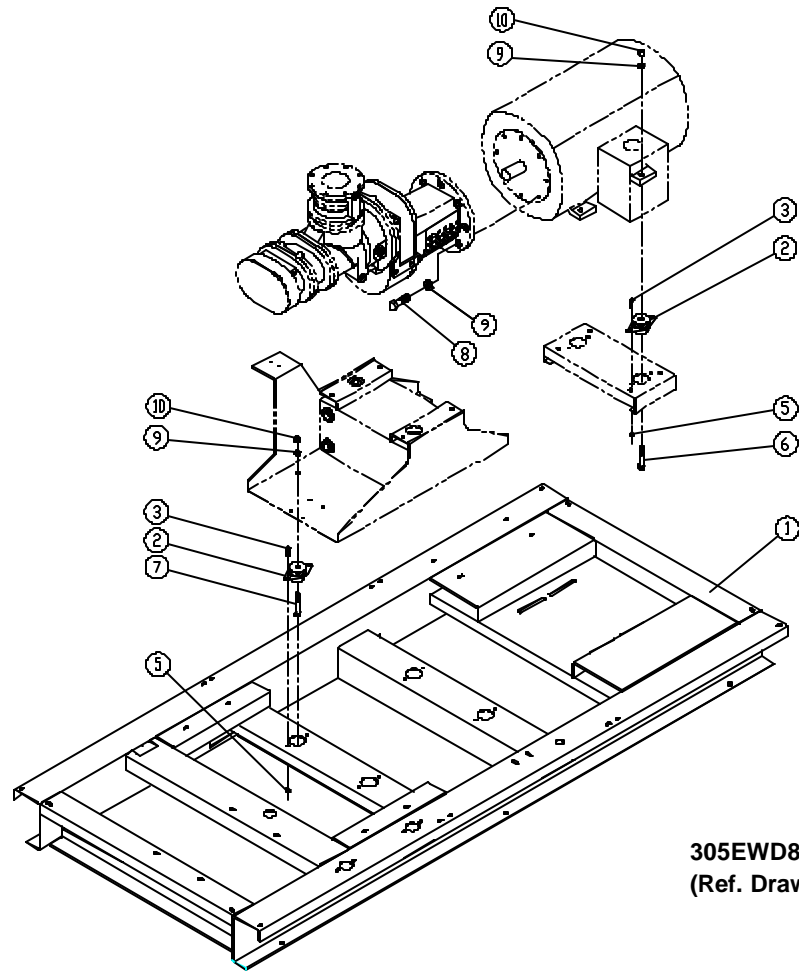
**AIR FILTER MOUNTING**

B/M: 201EWD4017

Ref. No.	Name of Part	Qty.	Part No.
* 1	FILTER-AIR .....	1	5L263
2	BRACKET-FILTER .....	1	202ECM389
3	SCREW .....	4	75LM51
4	NUT.....	4	50AW5
5	HOSE .....	1	2009503
6	CLAMP .....	2	2009644
7	ADAPTOR-FILTER.....	1	200EWD070
8	SCREW .....	8	655EE060
9	LOCKWASHER.....	8	95B5
10	GASKET-ELIMINATOR.....	1	25BC222

\* For Repair, order Element Part Number 2118180.

Order by Part Number and Description. Reference Numbers are for your convenience only.



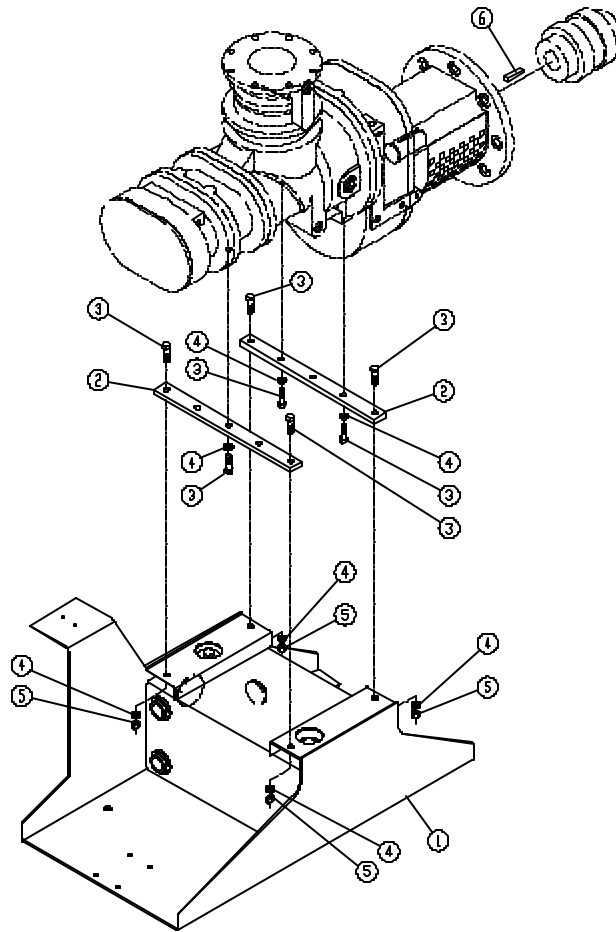
305EWD810-A  
(Ref. Drawing)

**BASE AND MOUNTING**

B/M: 202EWD4017

Ref. No.	Name of Part	Qty.	Part No.
1	BASE .....	1	201EWD285
2	ISOLATOR-VIBRATION.....	6	49C47
3	SCREW .....	12	75K48
5	NUT.....	12	50AW5
6	SCREW .....	2	655EF180
7	SCREW .....	4	655EF160
8	SCREW .....	8	655EF070
9	LOCKWASHER.....	14	95B7
10	NUT.....	6	50B7

Order by Part Number and Description. Reference Numbers are for your convenience only.



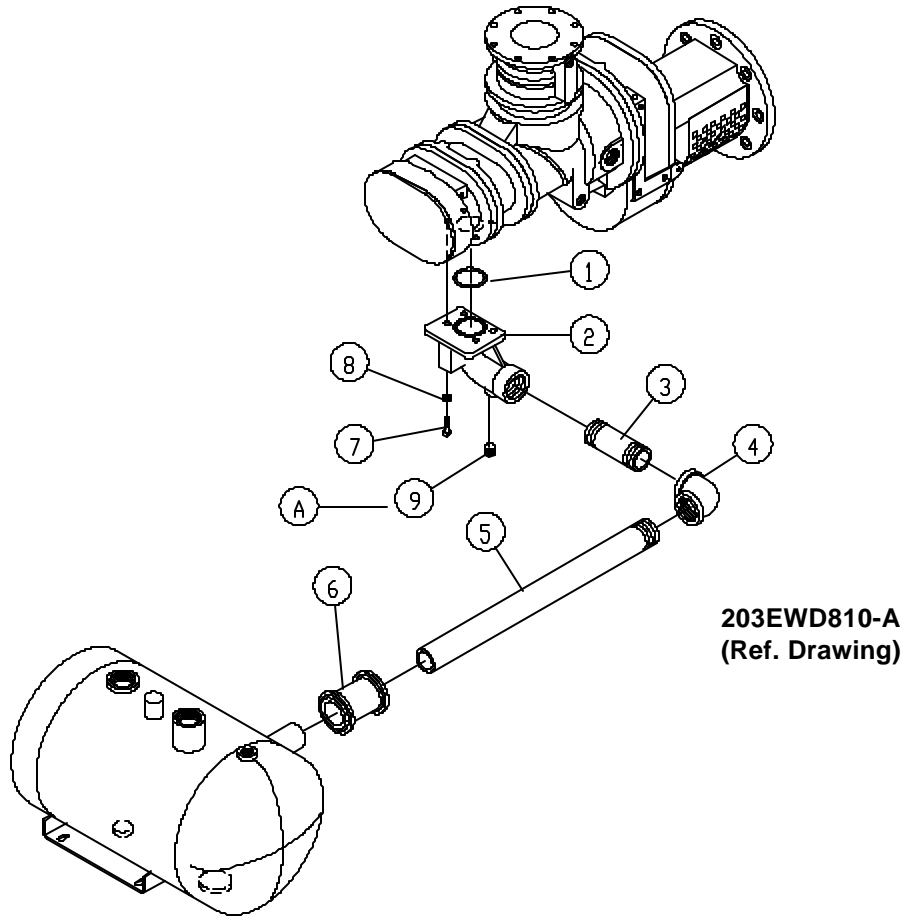
306EWD810-A  
(Ref. Drawing)

**COMPRESSOR MOUNTING**

**B/M: 307EWD4017**

Ref. No.	Name of Part	Qty.	Part No.
1	SUPPORT.....	1	300EWD165
2	SPACER.....	2	200EWD144
3	SCREW.....	7	655EE060
4	LOCKWASHER.....	7	95B5
5	NUT.....	4	50B5
6	KEY.....	1	35L35

Order by Part Number and Description. Reference Numbers are for your convenience only.



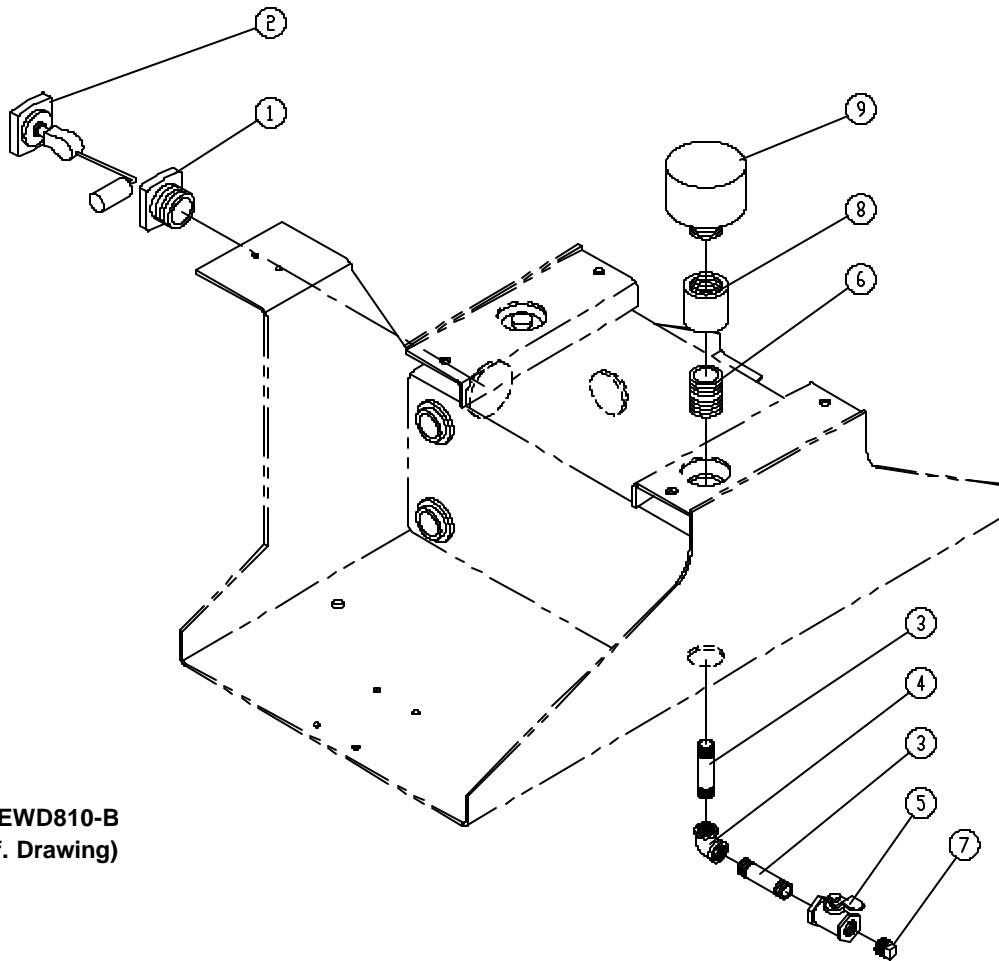
**COMPRESSOR DISCHARGE**

**B/M: 200EWD4019**

Ref. No.	Name of Part	Qty.	Part No.
1	O-RING.....	1	00907864 0232
2	ELBOW-DISCHARGE.....	1	01663814 0007
3	NIPPLE.....	1	64EB576
4	ELBOW .....	1	64EB255
5	NIPPLE.....	1	64EB520
* 6	COUPLING-FLEXIBLE .....	1	64EB533
7	SCREW.....	4	655EE060
8	LOCKWASHER.....	4	95B5
9	PLUG.....	1	64AJ4

\* For Repair, order (2) Gaskets, Part Number 2010363.

Order by Part Number and Description. Reference Numbers are for your convenience only.



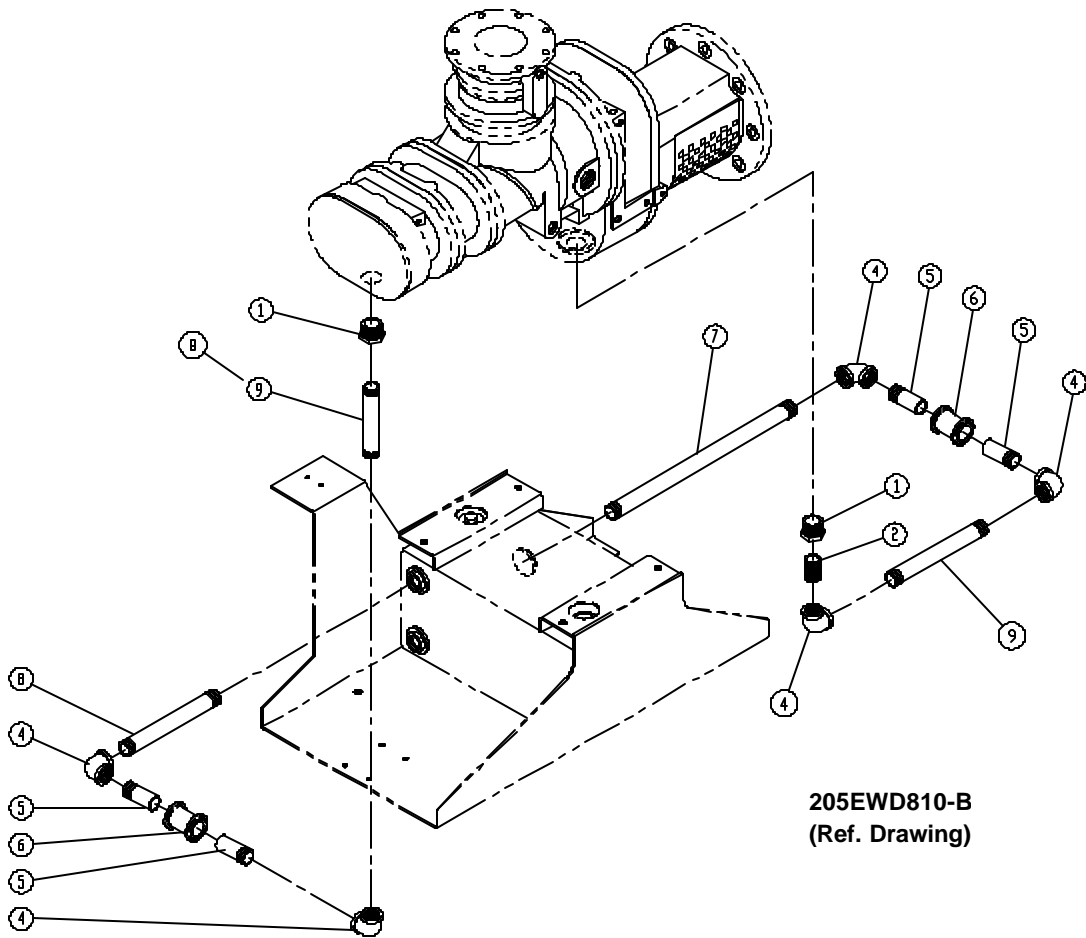
307EWD810-B  
(Ref. Drawing)

**OIL LEVEL GAUGE AND FITTINGS**

**B/M: 300EWD4049**

Ref. No.	Name of Part	Qty.	Part No.
1	ADAPTOR-GAUGE .....	1	200EDE058
2	GAUGE-FLOAT.....	1	200EDE303
3	NIPPLE.....	2	63F3G
4	ELBOW .....	1	64C4G
5	VALVE-BALL.....	1	90AR241
6	PLUG.....	1	63J15G
7	PLUG.....	1	64AA7
8	COUPLING.....	1	64BK7
9	BREATHER.....	1	00526160

Order by Part Number and Description. Reference Numbers are for your convenience only.



**OIL PIPING**

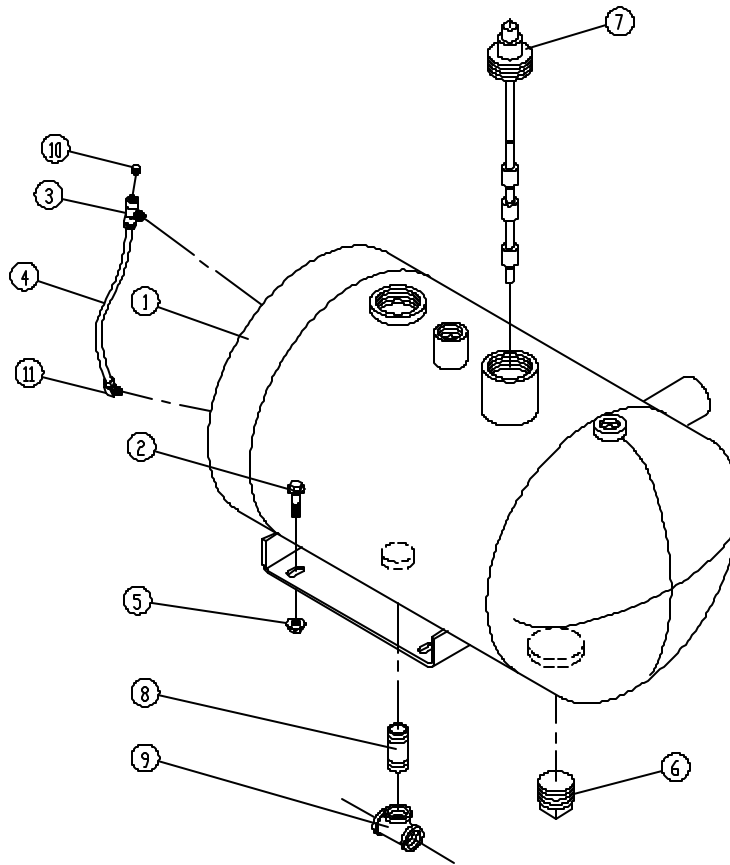
**205EWD810-B  
(Ref. Drawing)**

**B/M: 201EWD4019**

Ref. No.	Name of Part	Qty.	Part No.
1	BUSHING-PIPE.....	2	64E97
2	NIPPLE.....	1	63H1G
4	ELBOW .....	5	64C6G
5	NIPPLE.....	4	63AJ16X30G
* 6	COUPLING-FLEXIBLE .....	2	64EB41
7	NIPPLE.....	1	63H36G
8	NIPPLE.....	1	63H11G
9	NIPPLE.....	2	63H6G

\* For Repair, order (2) Gaskets, Part Number 2010493.

Order by Part Number and Description. Reference Numbers are for your convenience only.



206EWD810-B  
(Ref. Drawing)

**SEPARATOR MOUNTING**

**B/M: 201EWD4049**

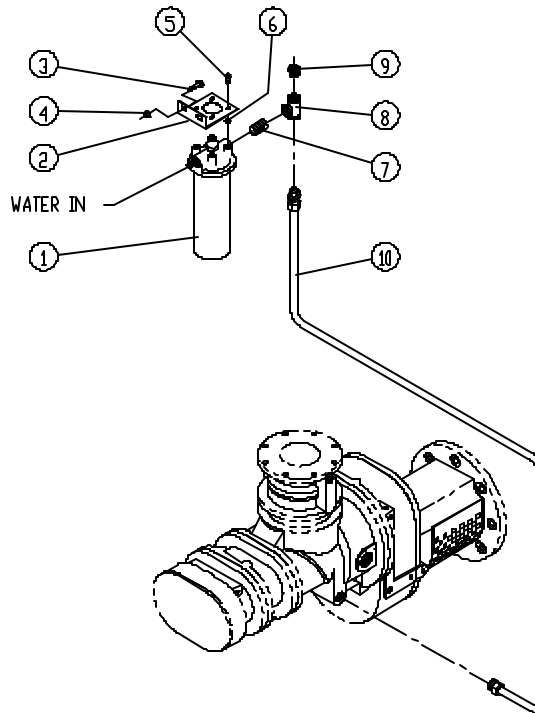
Ref. No.	Name of Part	Qty.	Part No.
1	SEPARATOR-MOIST .....	1	201EWD1443
2	SCREW .....	4	75LM135
3	TEE .....	1	86E119
4	TUBE (IN FEET) .....	1	85G3
5	NUT.....	4	50AW35
6	PLUG.....	1	64AJ8
7	SWITCH .....	1	202EWD375
8	NIPPLE.....	1	64EB651
9	TEE .....	1	64EB530
10	PLUG.....	2	86N142
11	ELBOW .....	1	86E60

NOTE: For Repair, order Relief Valve (not shown)

100# PSI Part Number 90AR381.

125# PSI Part Number 90AR382.

Order by Part Number and Description. Reference Numbers are for your convenience only.



308EWD810-A  
(Ref. Drawing)

**SYSTEM WATER FILTER TO COMPRESSOR**

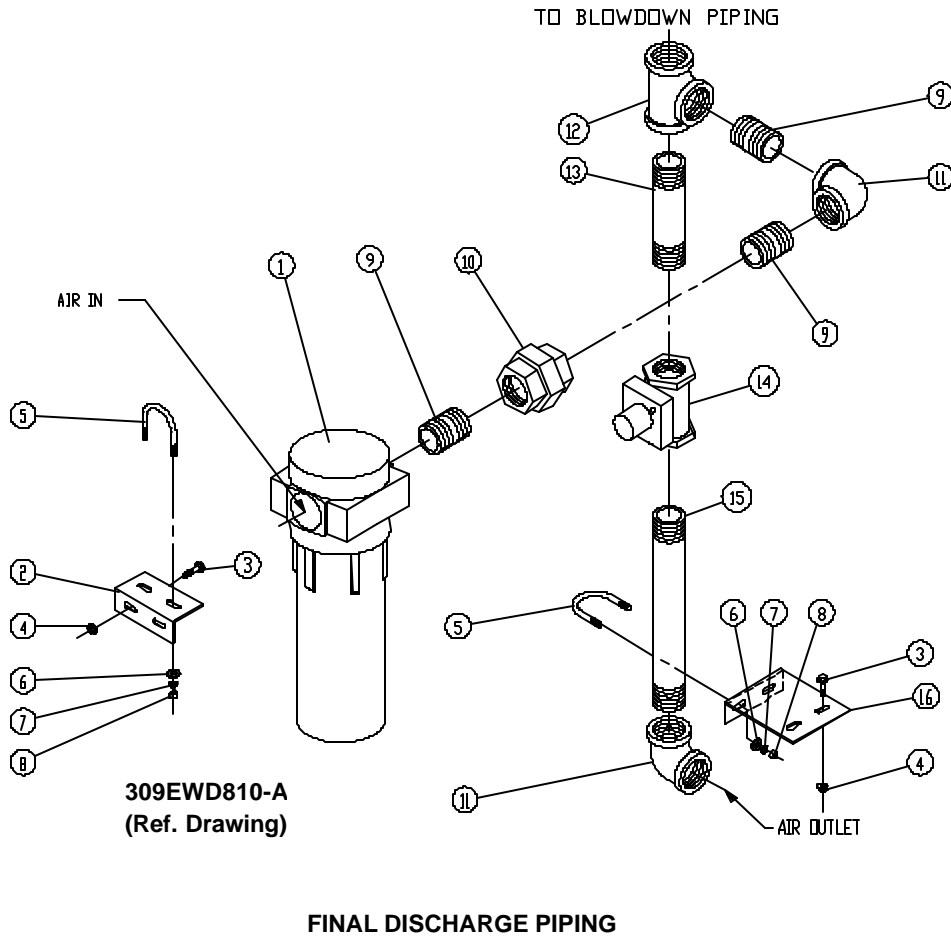
**B/M: 204EWD4017**

Ref. No.	Name of Part	Qty.	Part No.
* 1	FILTER (Water) .....	1	26C34
2	BRACKET (FORMED) .....	1	201EWD142
3	SCREW .....	2	75LM51
4	NUT.....	2	50AW5
5	SCREW .....	4	75LM47
6	LOCKWASHER.....	4	95A1
7	NIPPLE.....	1	64EB52
8	TEE .....	1	64EB530
9	BUSHING-PIPE.....	1	64E71
10	HOSE .....	1	29Z376
13	ELEMENT (not shown).....	1	2117902

\* For Repair, order:

Element.....	2117902
O-Ring (Shell).....	2116644
O-Ring (Drain and Cover Nut).....	2116645
O-Ring (Gasket).....	2116646

Order by Part Number and Description. Reference Numbers are for your convenience only.



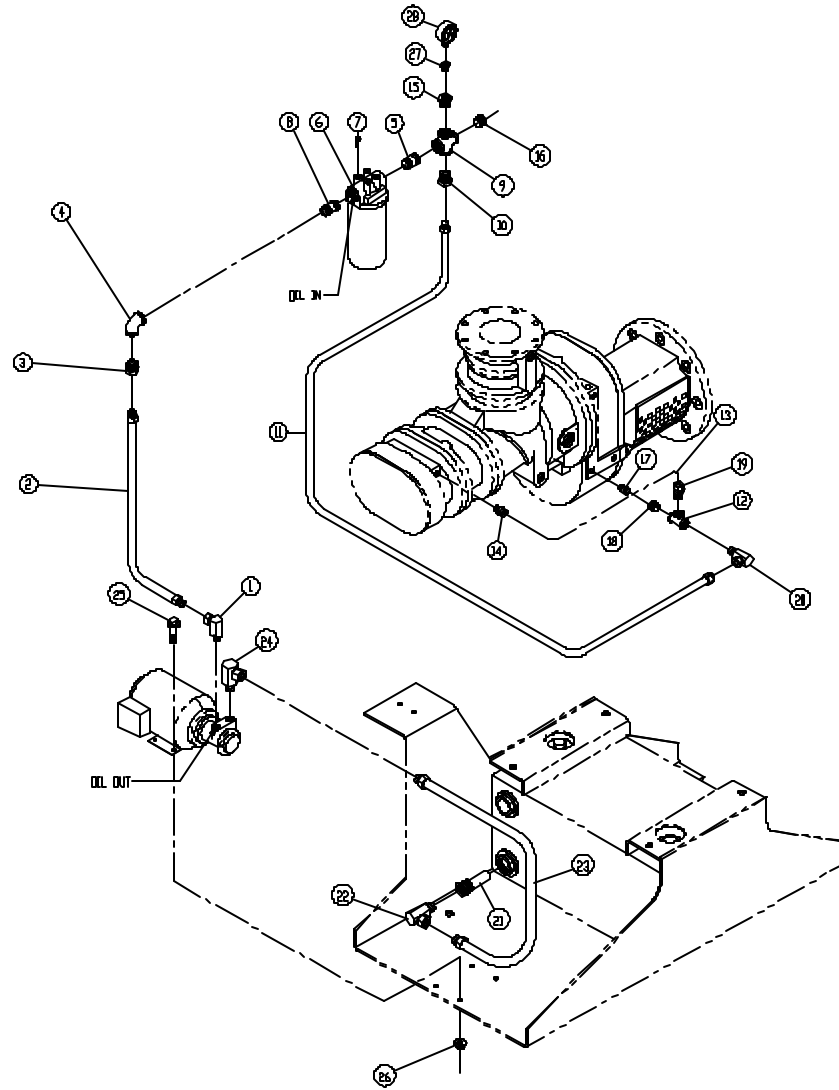
**B/M: 301EWD4019**

Ref. No.	Name of Part	Qty.	Part No.
1	SEPARATOR-LIQUID .....	1	7000359
2	BRACKET (FORMED) .....	1	202EWD142
3	SCREW .....	4	75LM51
4	NUT.....	4	50AW5
5	U-BOLT.....	2	15U18
6	WASHER.....	4	95A3
7	LOCKWASHER.....	4	95B3
8	NUT.....	4	50B3
9	NIPPLE.....	3	64EB100
10	UNION .....	1	64EB259
11	ELBOW.....	2	64EB255
12	TEE .....	1	64EB256
13	NIPPLE.....	1	64EB317
* 14	VALVE .....	1	90AR853
15	NIPPLE.....	1	64EB668
16	BRACKET (FORMED) .....	1	203EWD142

\* For Repair, order:

O-Ring.....	2116641
O-Ring.....	2116642
Seat .....	2116643

# OIL PUMP TO/FROM COMPRESSOR



317EWD810-B  
(Ref. Drawing)

Order by Part Number and Description. Reference Numbers are for your convenience only.

\* OIL PUMP TO/FROM COMPRESSOR

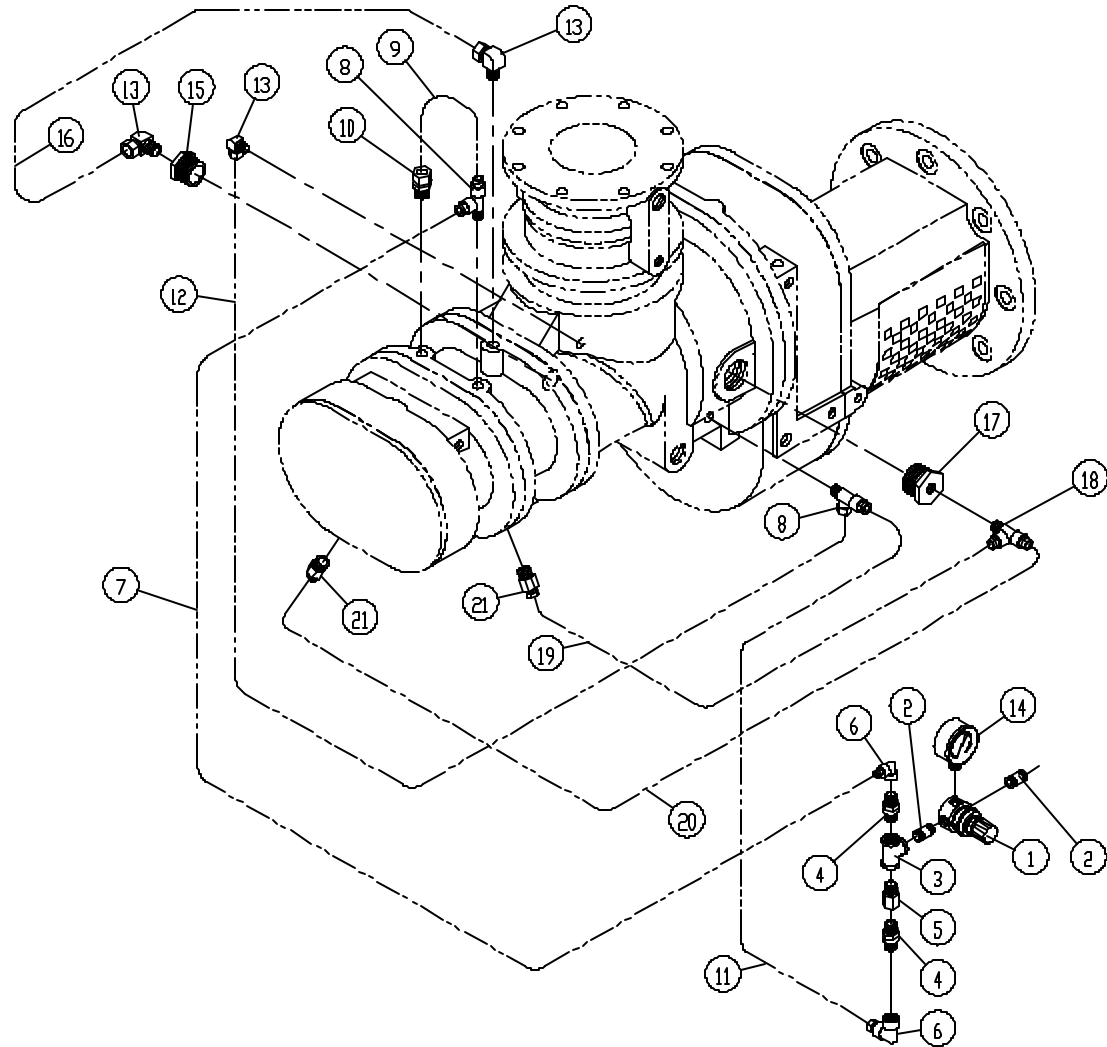
B/M: 305EWD4019

Ref. No.	Name of Part	Qty.	Part No.	Ref. No.	Name of Part	Qty.	Part No.
1	ADAPTOR .....	1	29Q26	15	BUSHING-PIPE.....	1	64E10
2	HOSE.....	1	29Z314X360	16	BUSHING-PIPE.....	1	64E3
3	BUSHING-PIPE .....	1	64E5G	17	NIPPLE.....	1	63E1G
4	ELBOW .....	1	64C5G	18	BUSHING-PIPE.....	1	2009296
5	NIPPLE .....	1	63G1G	19	CONNECTOR-TUBE .....	1	86E18
**6	FILTER-OIL.....	1	26C27	20	ADAPTOR.....	1	29Q26
7	SCREW.....	2	75LM54	21	STRAINER-OIL .....	1	00543298 0011
8	NIPPLE .....	1	63G1G	22	ADAPTOR.....	1	29Q26
9	CROSS .....	1	64K8G	23	HOSE .....	1	29Z314X360
10	BUSHING-PIPE .....	1	64E5G	24	ADAPTOR.....	1	29Q26
11	HOSE.....	1	29Z314X480	25	SCREW .....	4	75LM50
12	TEE.....	1	64G6G	26	NUT.....	4	50AW4
13	TUBE (IN FEET) .....	3	85D8B	27	BUSHING-PIPE.....	1	64E30
14	CONNECTOR-TUBE.....	1	86E16	28	GAUGE PRESSURE .....	1	27P384

\* For Oil Pump part numbers, see page 59.

\*\* For repair, order Oil Filter Element Part Number 2127899.

# SEAL PURGE AIR AND BUFFERING WATER



310EWD810-A  
(Ref. Drawing)

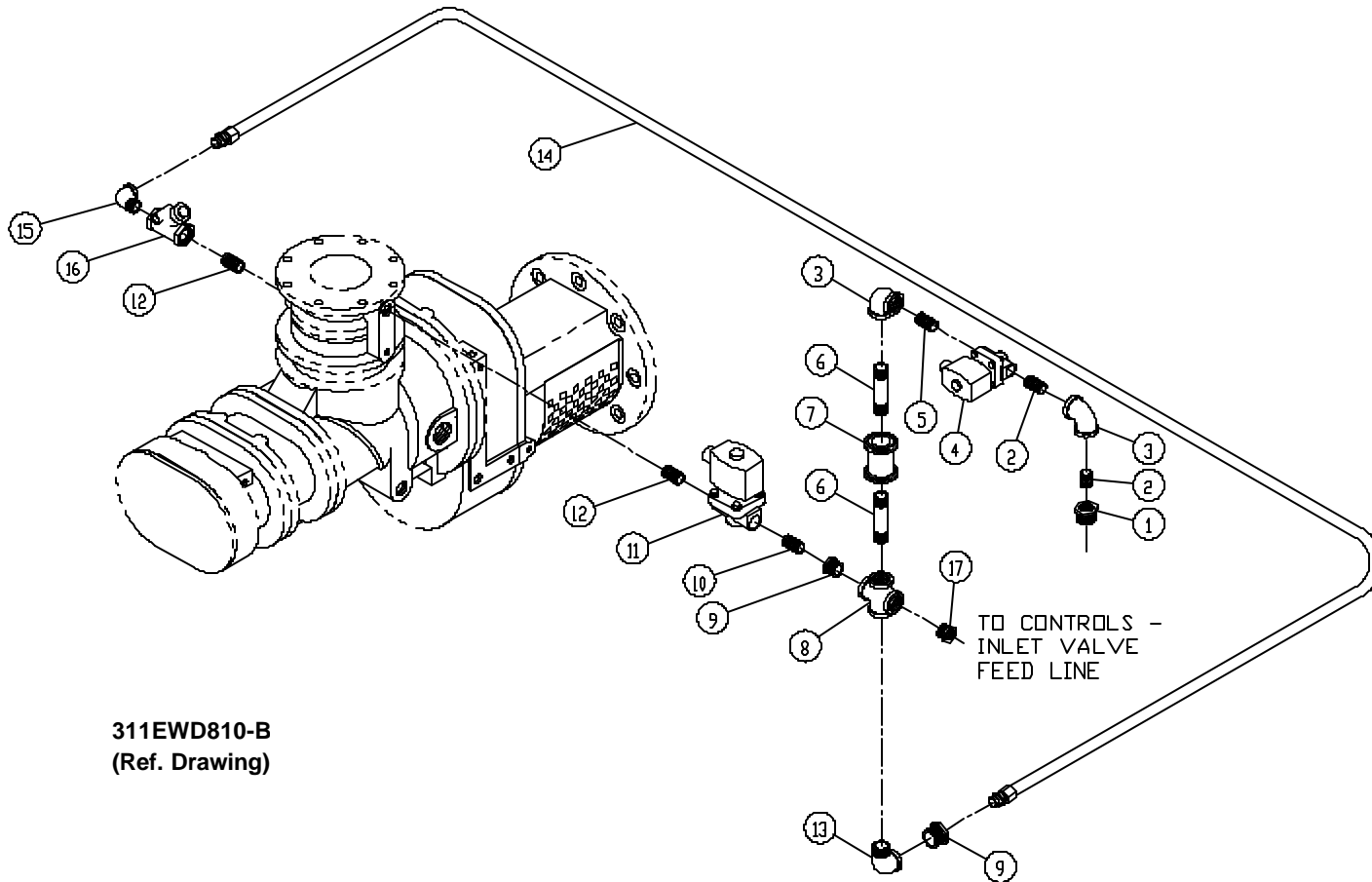
Order by Part Number and Description. Reference Numbers are for your convenience only.

SEAL PURGE AIR AND BUFFERING WATER

B/M: 302EWD4019

Ref. No.	Name of Part	Qty.	Part No.	Ref. No.	Name of Part	Qty.	Part No.
1	REGULATOR .....	1	88H318	12	TUBE (IN FEET) .....	3	85G3
2	NIPPLE .....	2	64EB525	13	ELBOW-TUBE .....	3	86E60
3	TEE .....	1	64G15	14	PRESSURE GAUGE .....	1	27P356
4	VALVE-CHECK .....	2	90AR261	15	BUSHING-PIPE .....	1	64E71
5	ORIFICE .....	1	2011768	16	TUBE (IN FEET) .....	1	85G3
6	ELBOW-TUBE .....	2	86E193	17	BUSHING-PIPE .....	1	64EB811
7	TUBE (IN FEET) .....	3	85G3	18	TEE .....	1	86E136
8	TEE .....	2	2009284	19	TUBE (IN FEET) .....	2	85K5
9	TUBE (IN FEET) .....	1	85G3	20	TUBE (IN FEET) .....	4	85K5
10	CONNECTOR-TUBE .....	1	86E4	21	CONNECTOR-TUBE .....	2	86E9
11	TUBE (IN FEET) .....	3	85G3				

# CONTROL GROUP - BLOWDOWN



311EWD810-B  
(Ref. Drawing)

Order by Part Number and Description. Reference Numbers are for your convenience only.

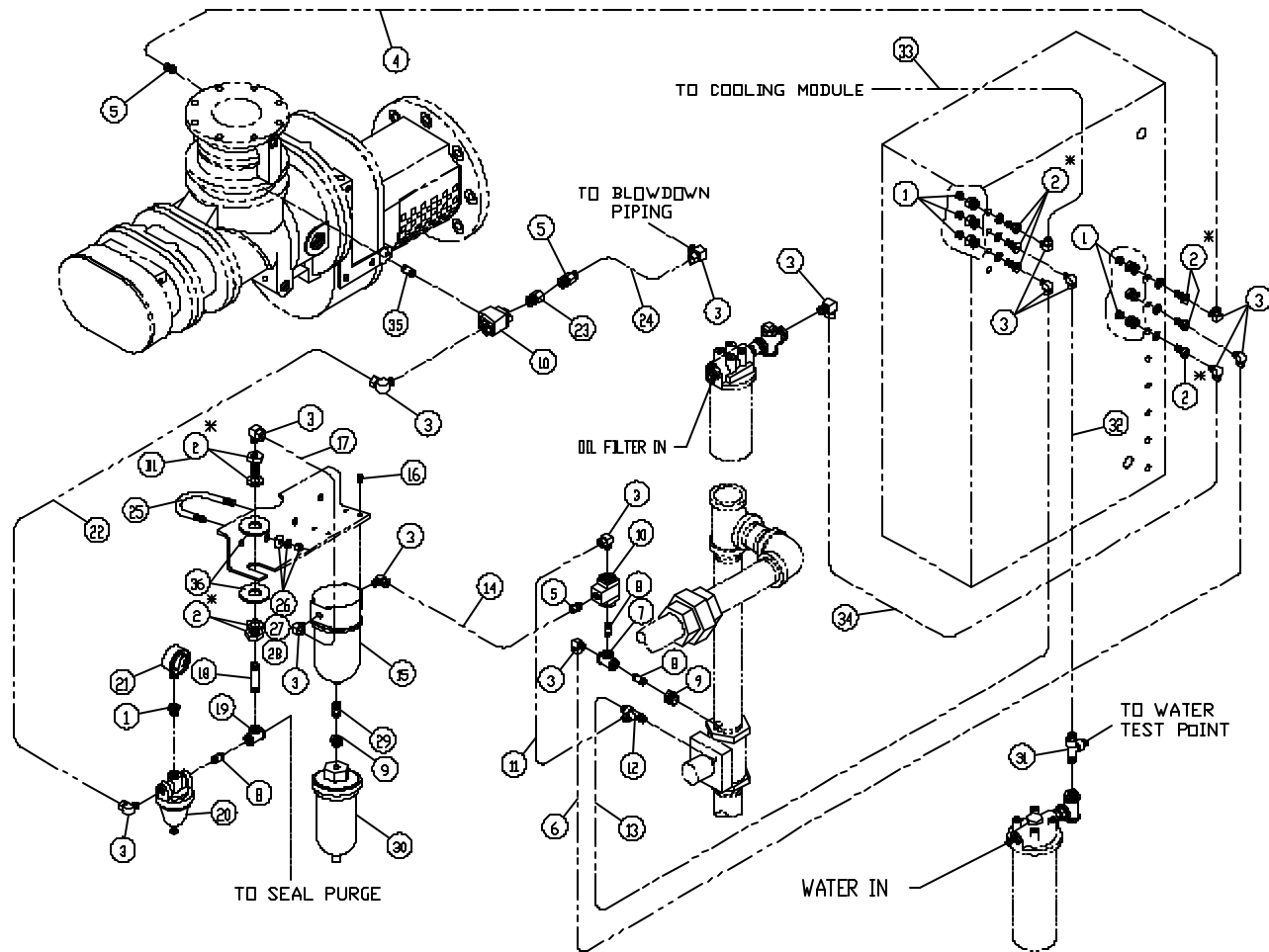
CONTROL GROUP - BLOWDOWN

B/M: 300EWD4002

Ref. No.	Name of Part	Qty.	Part No.	Ref. No.	Name of Part	Qty.	Part No.
1	BUSHING-PIPE .....	1	64EB779	10	NIPPLE .....	1	64EB651
2	NIPPLE .....	2	64EB514	11	VALVE-SOLENOID.....	1	91B95
3	ELBOW .....	2	64EB526	12	NIPPLE .....	2	64EB52
4	VALVE-SOLENOID .....	1	91B127	13	ELBOW.....	1	64EB554
5	NIPPLE .....	1	63Z47	14	HOSE .....	1	29Z373
6	NIPPLE .....	2	64EB667	15	ELBOW.....	1	64EB55
* 7	COUPLING-FLEXIBLE .....	1	64EB707	16	VALVE-CHECK .....	1	90J117
8	CROSS.....	1	64EB758	17	BUSHING-PIPE.....	1	64EB778
9	BUSHING-PIPE .....	2	64EB54				

\* For Repair, order (2) Gaskets, Part Number 2010493.

# CONTROL PIPING



312EWD810-D  
(Ref. Drawing)

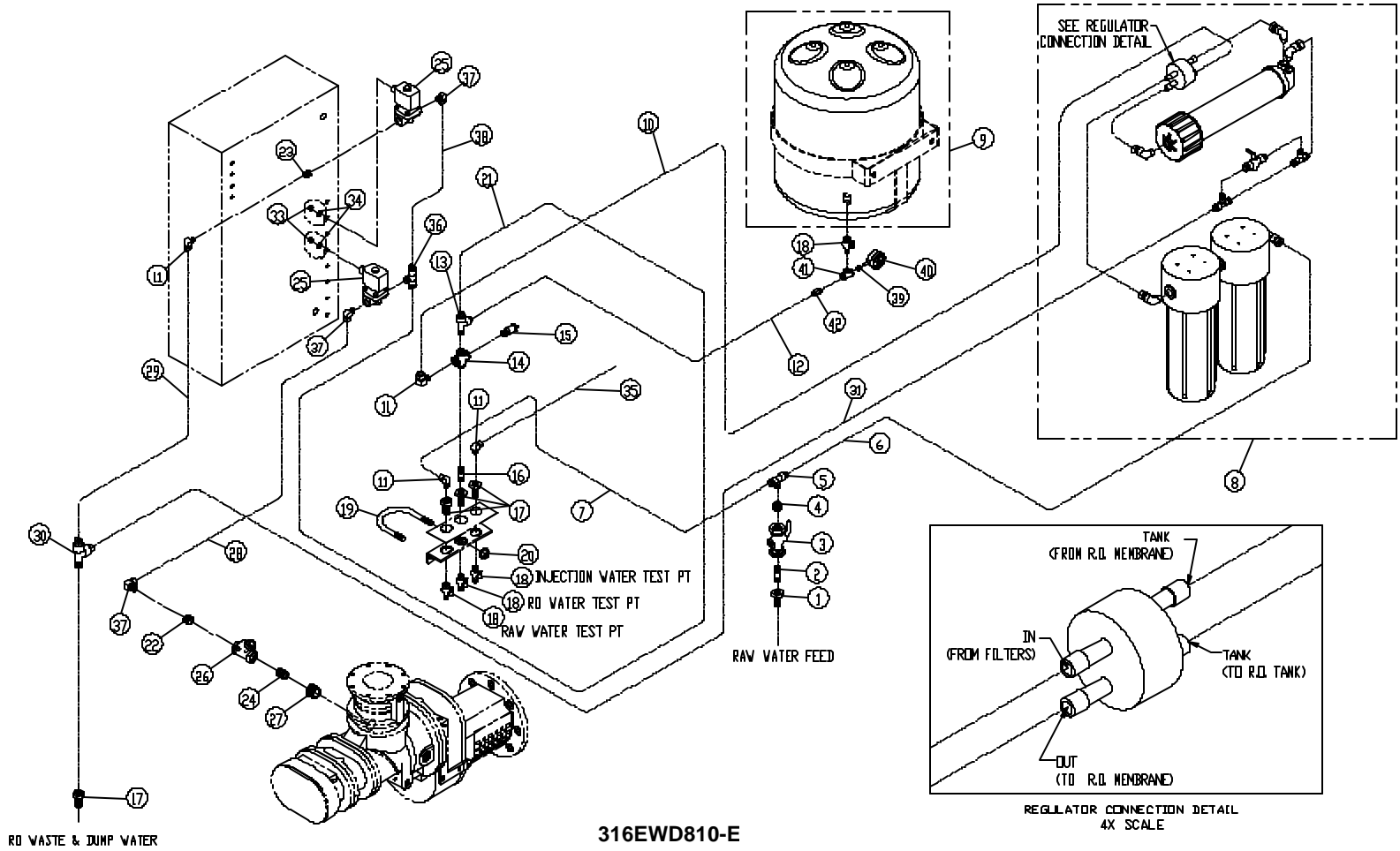
Order by Part Number and Description. Reference Numbers are for your convenience only.

CONTROL PIPING

B/M: 301EWD4002

Ref. No.	Name of Part	Qty.	Part No.	Ref. No.	Name of Part	Qty.	Part No.
1	BUSHING-PIPE .....	6	64E28	19	TEE .....	1	64G15
2	COUPLING-PIPE .....	7	64EB368	20	VALVE-SUBTRACTIVE/PILOT .....	1	88B46
3	ELBOW-TUBE .....	15	86E60	21	PRESSURE GAUGE .....	1	27P356
4	TUBE (IN FEET) .....	4	85G3	22	TUBE (IN FEET) .....	2	85G3
5	CONNECTOR-TUBE .....	2	86E4	23	ORIFICE .....	1	300EWF814
6	TUBE (IN FEET) .....	6	85G3	24	TUBE (IN FEET) .....	3	85G3
7	TEE .....	1	64G15	25	U-BOLT .....	1	15U18
8	NIPPLE .....	3	63Z15	26	NUT .....	2	50B3
9	BUSHING-PIPE .....	2	64E62	27	WASHER .....	2	95A3
10	VALVE-CONTROL .....	2	90AR1006	28	LOCKWASHER .....	2	95B3
11	TUBE (IN FEET) .....	1	85K3	29	NIPPLE .....	1	64EB525
12	TEE-TUBE .....	1	2009284	30	AUTO DRAIN VALVE .....	1	7000364
13	TUBE (IN FEET) .....	6	85G3	31	TEE .....	1	2009284
14	TUBE (IN FEET) .....	2	85G3	32	TUBE (IN FEET) .....	6	85G3
15	FILTER-LINE .....	1	5L340	33	TUBE (IN FEET) .....	8	85G3
16	SCREW .....	4	75LM215	34	TUBE (IN FEET) .....	6	85G3
17	TUBE (IN FEET) .....	1	85K3	35	NIPPLE .....	1	63Z14
18	NIPPLE .....	1	63Z23	36	WASHER .....	2	95F8C

# WATER FILTER FITTINGS



RO WASTE & DUMP WATER

**316EWD810-E**  
(Ref. Drawing)

Order by Part Number and Description. Reference Numbers are for your convenience only.

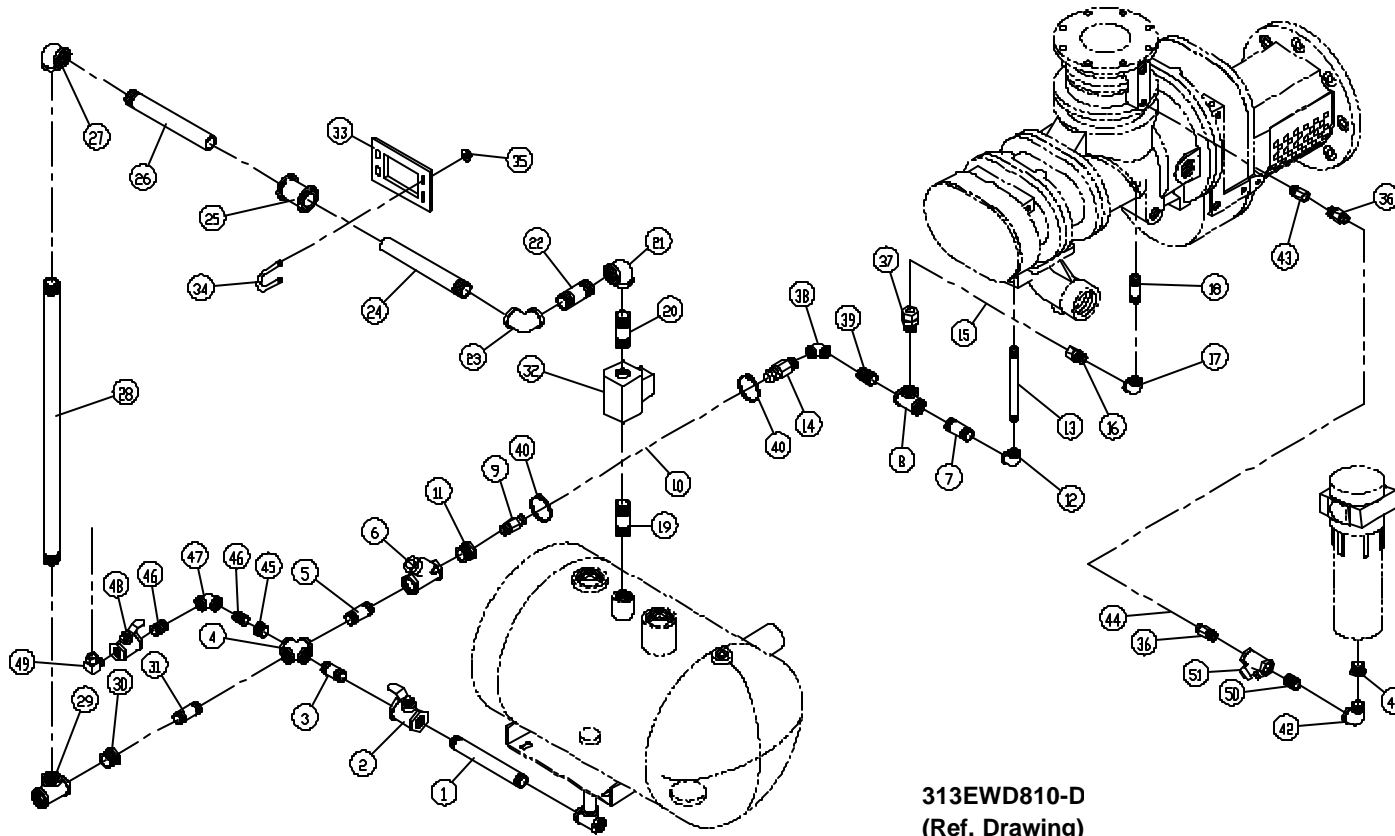
WATER FILTER FITTINGS

B/M: 304EWD4019

Ref. No.	Name of Part	Qty.	Part No.	Ref. No.	Name of Part	Qty.	Part No.
1	COUPLING-PIPE .....	1	64EB613	22	BUSHING-PIPE .....	1	64EB469
2	NIPPLE .....	1	63AP35	23	BUSHING-PIPE .....	1	64E50
3	VALVE-BALL .....	1	90AR241	24	NIPPLE .....	1	63AP51
4	BUSHING-PIPE .....	1	64E62	25	VALVE-SOLENOID .....	2	91B226
5	TEE.....	1	86E119	26	VALVE-CHECK .....	1	90J129
6	TUBE (IN FEET) .....	6	85G3	27	BUSHING-PIPE .....	1	64EB522
7	TUBE (IN FEET) .....	4	85G3	28	TUBE (IN FEET).....	4	85G5
* 8	FILTER (Water).....	1	26C52	29	TUBE (IN FEET).....	4	85G3
9	FILTER (Tank).....	1	26C45	30	TEE.....	1	2009284
10	TUBE (IN FEET) .....	5	85G3	31	TUBE (IN FEET).....	4	85G3
11	ELBOW-TUBE .....	4	86E60	33	NIPPLE .....	2	24CA4641
12	TUBE (IN FEET) .....	6	85G5	34	SEALING RING.....	2	24A383
13	TEE.....	1	86E136	35	TUBE (IN FEET).....	8	85G3
14	CROSS .....	1	64K13	36	TEE.....	1	86N167
15	VALVE-PRESSURE RELIEF .....	1	90AR1107	37	ELBOW .....	3	86E65
16	NIPPLE .....	1	63Z14	38	TUBE (IN FEET).....	1	85G5
17	COUPLING-PIPE .....	4	64EB368	39	BUSHING-PIPE .....	1	64E28
18	COCK .....	4	90A19	40	PRESSURE GAUGE .....	1	27P384
19	U-BOLT.....	1	15U18	41	TEE.....	1	64G15
20	NUT.....	2	50B3	42	CONNECTOR-TUBE.....	1	86E9
21	TUBE (IN FEET) .....	5	85G5				

\* For Repair, order: Sediment Filter Element..... 2118141  
 Carbon Block..... 2118142  
 100 GDP Membrane..... 2118143

# MAIN SEPARATOR PIPING



313EWD810-D  
(Ref. Drawing)

Order by Part Number and Description. Reference Numbers are for your convenience only.

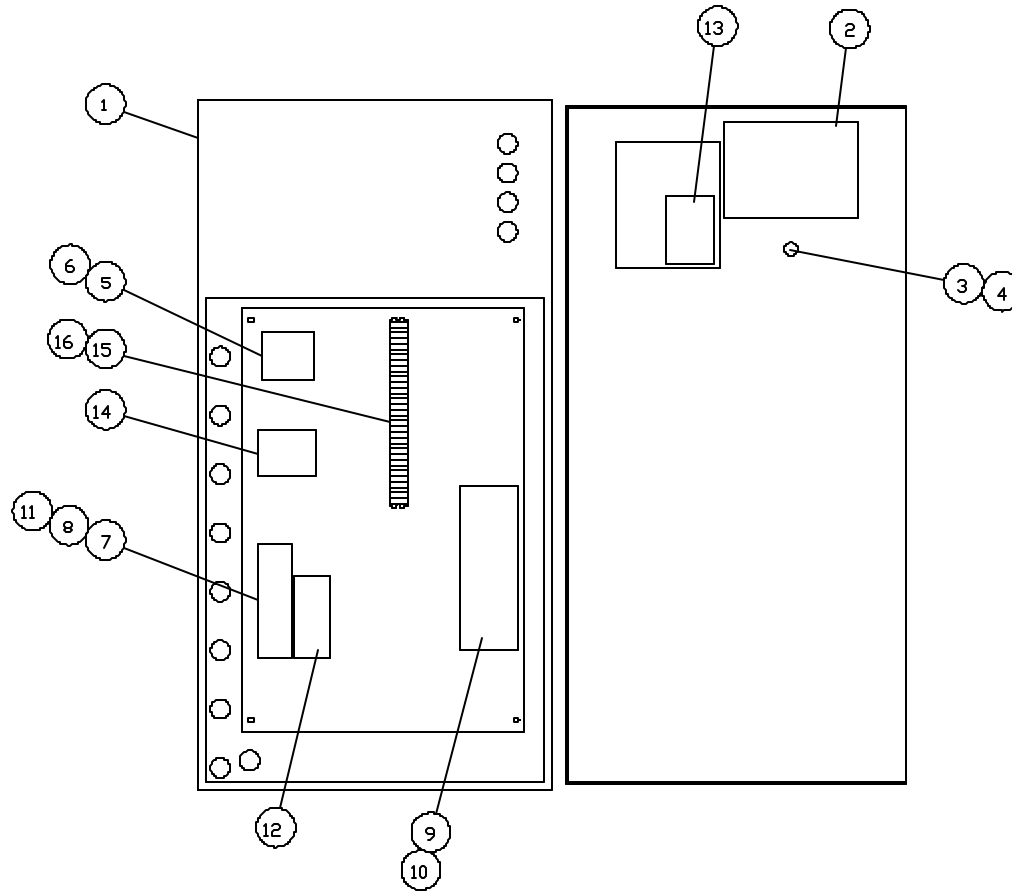
MAIN SEPARATOR PIPING

B/M: 303EWD4019

Ref. No.	Name of Part	Qty.	Part No.	Ref. No.	Name of Part	Qty.	Part No.
1	NIPPLE .....	1	64EB138	27	ELBOW .....	1	64EB526
2	VALVE-BALL .....	1	90AR60	28	NIPPLE .....	1	64EB669
3	NIPPLE .....	1	64EB175	29	TEE .....	1	64EB529
4	CROSS .....	1	64EB666	30	BUSHING-PIPE .....	1	64EB54
5	NIPPLE .....	1	64EB52	31	NIPPLE .....	1	64EB175
6	VALVE-CHECK .....	1	90J117	32	VALVE-SOLENOID .....	1	91B109
7	NIPPLE .....	1	63Z20	33	BRACKET-PIPE .....	1	202EWD108
8	TEE .....	1	64EB429	34	U-BOLT .....	2	15U40
9	NIPPLE .....	1	29C26	35	NUT .....	4	50AW5
10	HOSE (IN FEET) .....	3	R14E	36	CONNECTOR-TUBE .....	2	86E4
11	BUSHING-PIPE .....	1	64EB524	37	CONNECTOR-TUBE .....	1	86E18
12	ELBOW .....	1	64EB428	38	ELBOW .....	1	64EB428
13	NIPPLE .....	1	63AP51	39	NIPPLE .....	1	63AP35
14	NIPPLE .....	1	29C26	40	CLAMP .....	2	29B35
15	TUBE (IN FEET) .....	4	85D8B	41	BUSHING-PIPE .....	1	64EB778
16	CONNECTOR-TUBE .....	1	86E18	42	ELBOW .....	1	64D32
17	ELBOW .....	1	64EB428	43	ORIFICE .....	1	300EWF814
18	NIPPLE .....	1	63AP50	44	TUBE (IN FEET) .....	2	85G3
19	NIPPLE .....	1	63Z47	45	BUSHING-PIPE .....	1	64EB524
20	NIPPLE .....	1	64EB514	46	NIPPLE .....	2	63AP36
21	ELBOW .....	1	64EB526	47	ELBOW .....	1	64EB428
22	NIPPLE .....	1	64EB515	48	VALVE-BALL .....	1	90AR241
23	ELBOW .....	1	64EB526	49	ELBOW-TUBE .....	1	86E199
24	NIPPLE .....	1	64EB667	50	NIPPLE .....	1	64EB525
* 25	COUPLING-FLEXIBLE .....	1	64EB667	51	STRAINER .....	1	82E46
26	NIPPLE .....	1	64EB667				

\* For Repair, order (2) Gaskets, Part Number 2010493.

CONTROLLER ASSEMBLY - 40, 50, 60 & 75 HP - FULL VOLTAGE STARTERS



321EWD810-A  
(Ref. Drawing)

Order by Part Number and Description. Reference Numbers are for your convenience only.

**CONTROLLER ASSEMBLY - 40 HP - FULL VOLTAGE STARTERS**

Ref. No.		QTY	200V	230V	460V	575V
	CONTROL BOX: NEMA 12.....		300EWD466	306EWD466	304EWD466	310EWD466
	CONTROL BOX: NEMA 4.....		301EWD466	307EWD466	305EWD466	311EWD466
1	CONTROL/STARTER BOX (NEMA 12).....	1	300EWD179	300EWD179	300EWD179	300EWD179
	CONTROL/STARTER BOX (NEMA 4).....	1	301EWD179	301EWD179	301EWD179	301EWD179
2	CONTROLLER ASSEMBLY .....	(See Page 35)				
3	OPERATOR.....	1	24CA2907	24CA2907	24CA2907	24CA2907
4	CONTACT BLOCK .....	1	24CA2908	24CA2908	24CA2908	24CA2908
5	TRANSFORMER.....	1	24CA5588	24CA5587	24CA5587	24CA5589
6	FUSE.....	1	24CA3725	24CA3725	24CA3725	24CA3725
7	STARTER.....	1	24CA4134	24CA4134	24CA4134	24CA4134
8	COIL-STARTER.....	1	2115950	2115950	2115950	2115950
9	STARTER.....	1	24CA3255	24CA3255	24CA4142	24CA4142
10	COIL.....	1	2116555	2116555	2116124	2116124
11	HOLDER-FUSE.....	1	24CA4098	24CA4098	24CA4098	24CA4098
12	RELAY-OVERLOAD .....	1	24CA4086	24CA4086	24CA4086	24CA4086
13	CONTROLLER.....	1	301EWC1173	301EWC1173	301EWC1173	301EWC1173
14	CONTROLLER.....	1	302EWC1173	302EWC1173	302EWC1173	302EWC1173
15	BLOCK-TERMINAL.....	11	24CA2551	24CA2551	24CA2551	24CA2551
16	BLOCK-TERMINAL (End Piece).....	1	24CA2552	24CA2552	24CA2552	24CA2552

To reference drawing, refer to page 28.

Order by Part Number and Description. Reference Numbers are for your convenience only.

**CONTROLLER ASSEMBLY - 50 HP - FULL VOLTAGE STARTERS**

Ref. No.		QTY	200V	230V	460V	575V
	CONTROL BOX: NEMA 12.....		302EWD466	308EWD466	306EWD466	310EWD466
	CONTROL BOX: NEMA 4.....		303EWD466	309EWD466	307EWD466	311EWD466
1	CONTROL/STARTER BOX (NEMA 12).....	1	300EWD179	300EWD179	300EWD179	300EWD179
	CONTROL/STARTER BOX (NEMA 4).....	1	301EWD179	301EWD179	301EWD179	301EWD179
2	CONTROLLER ASSEMBLY .....	(See Page 35)				
3	OPERATOR.....	1	24CA2907	24CA2907	24CA2907	24CA2907
4	CONTACT BLOCK .....	1	24CA2908	24CA2908	24CA2908	24CA2908
5	TRANSFORMER.....	1	24CA5588	24CA5587	24CA5587	24CA5589
6	FUSE.....	1	24CA3725	24CA3725	24CA3725	24CA3725
7	STARTER.....	1	24CA4134	24CA4134	24CA4134	24CA4134
8	COIL-STARTER.....	1	2115950	2115950	2115950	2115950
9	STARTER.....	1	24CA3490	24CA4159	24CA3255	24CA4142
10	COIL.....	1	2115952	2116920	2116555	2116124
11	HOLDER-FUSE.....	1	24CA4098	24CA4098	24CA4098	24CA4098
12	RELAY-OVERLOAD .....	1	24CA4086	24CA4086	24CA4086	24CA4086
13	CONTROLLER.....	1	301EWC1173	301EWC1173	301EWC1173	301EWC1173
14	CONTROLLER.....	1	302EWC1173	302EWC1173	302EWC1173	302EWC1173
15	BLOCK-TERMINAL.....	11	24CA2551	24CA2551	24CA2551	24CA2551
16	BLOCK-TERMINAL (End Piece) .....	1	24CA2552	24CA2552	24CA2552	24CA2552

To reference drawing, refer to page 28.

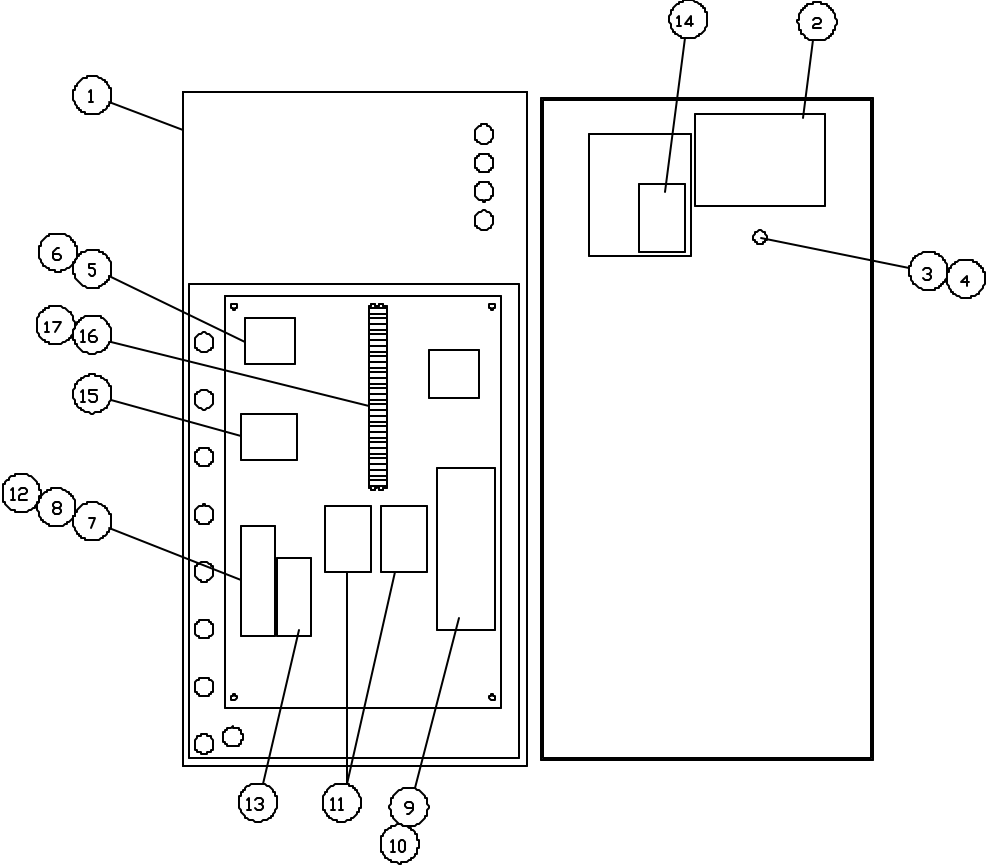
Order by Part Number and Description. Reference Numbers are for your convenience only.

**CONTROLLER ASSEMBLY - 60 & 75 HP - FULL VOLTAGE STARTERS**

Ref. No.		QTY	200V	230V	460V	575V
	CONTROL BOX: NEMA 12.....		302EWD466	308EWD466	306EWD466	312EWD466
	CONTROL BOX: NEMA 4.....		303EWD466	309EWD466	307EWD466	313EWD466
1	CONTROL/STARTER BOX (NEMA 12).....	1	300EWD179	300EWD179	300EWD179	300EWD179
	CONTROL/STARTER BOX (NEMA 4).....	1	301EWD179	301EWD179	301EWD179	301EWD179
2	CONTROLLER ASSEMBLY .....	(See Page 35)				
3	OPERATOR.....	1	24CA2907	24CA2907	24CA2907	24CA2907
4	CONTACT BLOCK .....	1	24CA2908	24CA2908	24CA2908	24CA2908
5	TRANSFORMER.....	1	24CA5588	24CA5587	24CA5587	24CA5589
6	FUSE.....	1	24CA3725	24CA3725	24CA3725	24CA3725
7	STARTER.....	1	24CA4134	24CA4134	24CA4134	24CA4134
8	COIL-STARTER.....	1	2115950	2115950	2115950	2115950
9	STARTER.....	1	24CA3490	24CA4159	24CA3255	24CA3255
10	COIL.....	1	2115952	2116920	2116555	2116555
11	HOLDER-FUSE.....	1	24CA4098	24CA4098	24CA4098	24CA4098
12	RELAY-OVERLOAD .....	1	24CA4086	24CA4086	24CA4086	24CA4086
13	CONTROLLER.....	1	301EWC1173	301EWC1173	301EWC1173	301EWC1173
14	CONTROLLER.....	1	302EWC1173	302EWC1173	302EWC1173	302EWC1173
15	BLOCK-TERMINAL.....	11	24CA2551	24CA2551	24CA2551	24CA2551
16	BLOCK-TERMINAL (End Piece) .....	1	24CA2552	24CA2552	24CA2552	24CA2552

To reference drawing, refer to page 28.

CONTROLLER ASSEMBLY - 40, 50, 60 & 75 HP - WYE DELTA STARTERS



322EWD810-A  
(Ref. Drawing)

Order by Part Number and Description. Reference Numbers are for your convenience only.

**CONTROLLER ASSEMBLY - 40, 50 & 60 HP - WYE DELTA STARTERS**

Ref. No.		QTY	200V	230V	460V	575V
	CONTROL BOX: NEMA 12.....		314EWD466	318EWD466	316EWD466	320EWD466
	CONTROL BOX: NEMA 4.....		315EWD466	319EWD466	317EWD466	321EWD466
1	CONTROL/STARTER BOX (NEMA 12).....	1	300EWD179	300EWD179	300EWD179	300EWD179
	CONTROL/STARTER BOX (NEMA 4).....	1	301EWD179	301EWD179	301EWD179	301EWD179
2	CONTROLLER ASSEMBLY .....	(See Page 35)				
3	OPERATOR.....	1	24CA2907	24CA2907	24CA2907	24CA2907
4	CONTACT BLOCK .....	1	24CA2908	24CA2908	24CA2908	24CA2908
5	TRANSFORMER.....	1	24CA5588	24CA5587	24CA5587	24CA5589
6	FUSE.....	1	24CA3725	24CA3725	24CA3725	24CA3725
7	STARTER.....	1	24CA4134	24CA4134	24CA4134	24CA4134
8	COIL-STARTER.....	1	2115950	2115950	2115950	2115950
9	STARTER.....	1	24CA3255	24CA3255	24CA4142	24CA4142
10	COIL.....	3	2116555	2116555	2116124	2116124
11	CONTRACTOR.....	2	24CA3259	24CA3259	24CA3258	24CA3258
12	HOLDER-FUSE.....	1	24CA4098	24CA4098	24CA4098	24CA4098
13	RELAY-OVERLOAD .....	1	24CA4086	24CA4086	24CA4086	24CA4086
14	CONTROLLER.....	1	301EWC1173	301EWC1173	301EWC1173	301EWC1173
15	CONTROLLER.....	1	302EWC1173	302EWC1173	302EWC1173	302EWC1173
16	BLOCK-TERMINAL.....	11	24CA2551	24CA2551	24CA2551	24CA2551
17	BLOCK-TERMINAL (End Piece) .....	1	24CA2552	24CA2552	24CA2552	24CA2552

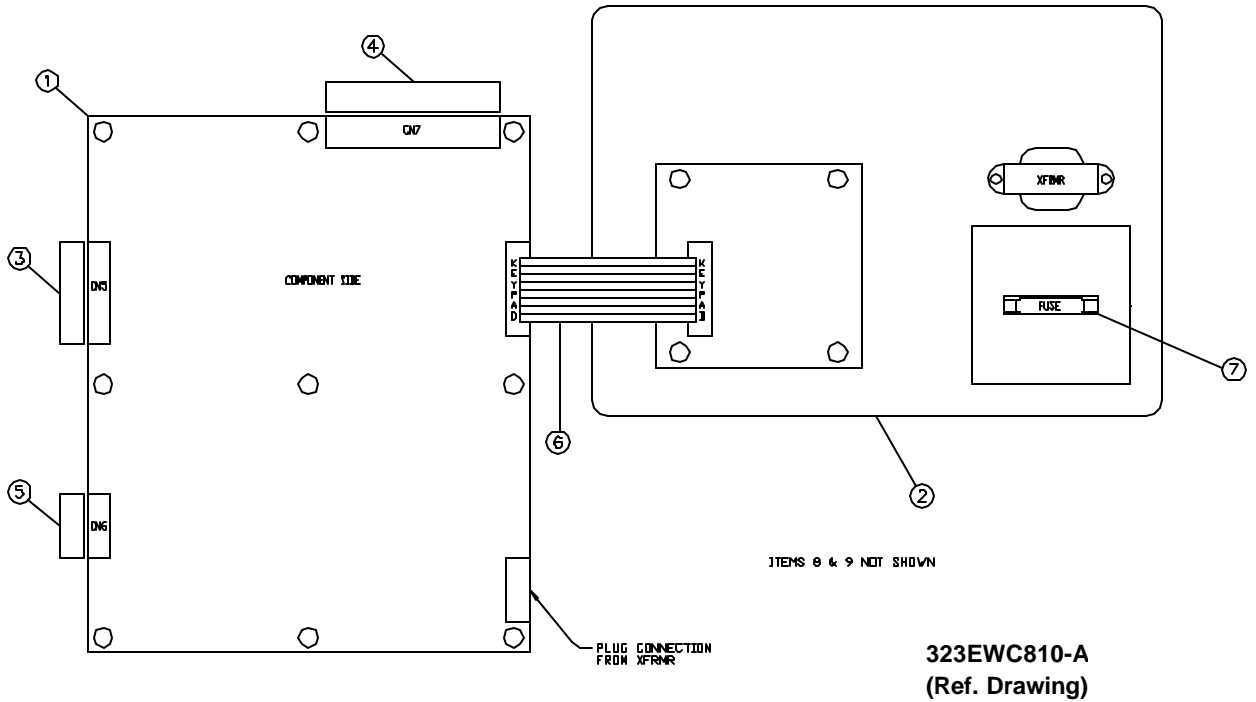
To reference drawing, refer to page 32.

**CONTROLLER ASSEMBLY - 75 HP - WYE DELTA STARTERS**

Ref. No.		QTY	200V	230V	460V	575V
	CONTROL BOX: NEMA 12.....		NA	318EWD466	316EWD466	320EWD466
	CONTROL BOX: NEMA 4.....		NA	319EWD466	317EWD466	321EWD466
1	CONTROL/STARTER BOX (NEMA 12).....	1	300EWD179	300EWD179	300EWD179	300EWD179
	CONTROL/STARTER BOX (NEMA 4).....	1	301EWD179	301EWD179	301EWD179	301EWD179
2	CONTROLLER ASSEMBLY .....	(See Page 35)				
3	OPERATOR.....	1	NA	24CA2907	24CA2907	24CA2907
4	CONTACT BLOCK .....	1	NA	24CA2908	24CA2908	24CA2908
5	TRANSFORMER.....	1	NA	24CA5587	24CA5587	24CA5589
6	FUSE.....	1	NA	24CA3725	24CA3725	24CA3725
7	STARTER .....	1	NA	24CA4134	24CA4134	24CA4134
8	COIL-STARTER.....	1	NA	2115950	2115950	2115950
9	STARTER .....	1	NA	24CA3255	24CA4142	24CA4142
10	COIL.....	3	NA	2116555	2116124	2116124
11	CONTRACTOR .....	2	NA	24CA3259	24CA3258	24CA3258
12	HOLDER-FUSE.....	1	NA	24CA4098	24CA4098	24CA4098
13	RELAY-OVERLOAD .....	1	NA	24CA4086	24CA4086	24CA4086
14	CONTROLLER.....	1	NA	301EWC1173	301EWC1173	301EWC1173
15	CONTROLLER.....	1	NA	302EWC1173	302EWC1173	302EWC1173
16	BLOCK-TERMINAL.....	11	NA	24CA2551	24CA2551	24CA2551
17	BLOCK-TERMINAL (End Piece) .....	1	NA	24CA2552	24CA2552	24CA2552

To reference drawing, refer to page 32.

Order by Part Number and Description. Reference Numbers are for your convenience only.

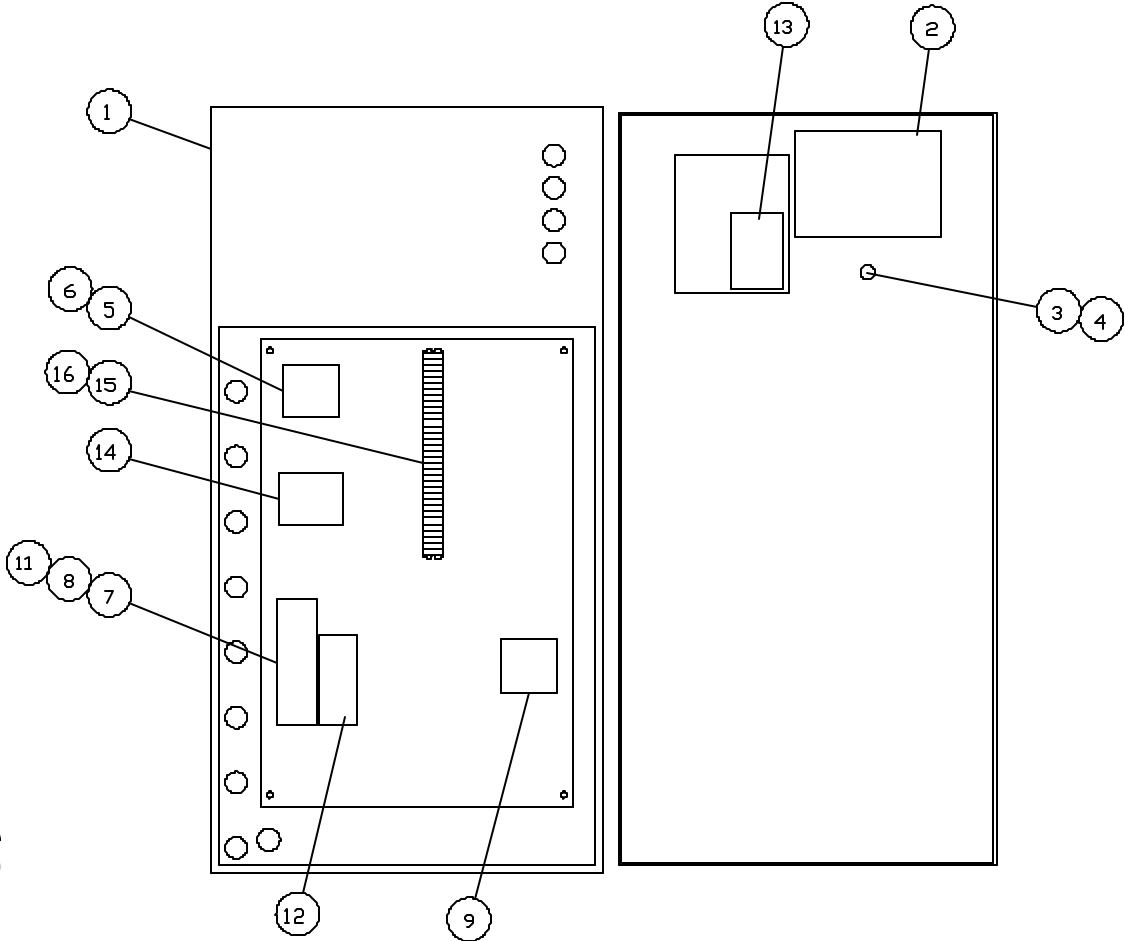


**CONTROLLER ASSEMBLY**

**B/M: 300EWC2006**

Ref. No.	Name of Part	Qty.	Part No.
1	CONTROLLER.....	1	300EWC1173
2	SWITCH .....	1	301EWC375
3	PLUG-CONNECTOR.....	1	24CA3400
4	PLUG.....	1	24CA3913
5	PLUG.....	1	24CA3914
6	HARNESS-WIRING.....	1	24CA4501
7	FUSE.....	1	24CA2932
8	CONTROL-GENERAL (not shown).....	1	300EWC556
9	CONTROL (DISPLAY) (not shown).....	1	301EWC556

CONTROLLER ASSEMBLY - LESS MAIN STARTER



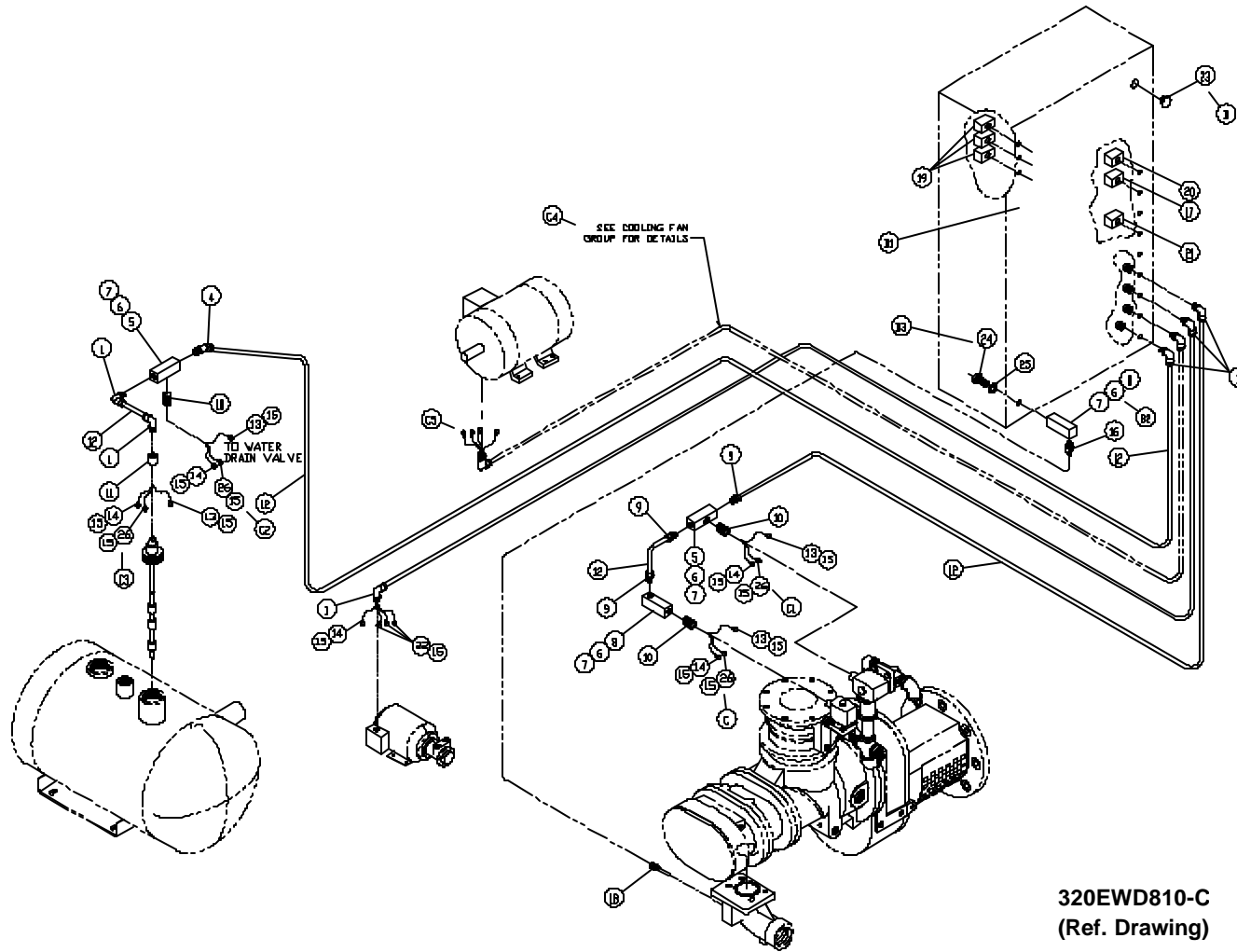
323EWD810-A  
(Ref. Drawing)

Order by Part Number and Description. Reference Numbers are for your convenience only.

**CONTROLLER ASSEMBLY – LESS MAIN STARTER**

Ref. No.		QTY	200V	230V	460V	575V
	CONTROL BOX: NEMA 12.....		322EWD466	324EWD466	324EWD466	326EWD466
	CONTROL BOX: NEMA 4.....		323EWD466	325EWD466	325EWD466	327EWD466
1	CONTROL/STARTER BOX (NEMA 12).....	1	300EWD179	300EWD179	300EWD179	300EWD179
	CONTROL/STARTER BOX (NEMA 4).....	1	301EWD179	301EWD179	301EWD179	301EWD179
2	CONTROLLER ASSEMBLY .....	(See Page 35)				
3	OPERATOR.....	1	24CA2907	24CA2907	24CA2907	24CA2907
4	CONTACT BLOCK .....	1	24CA2908	24CA2908	24CA2908	24CA2908
5	TRANSFORMER.....	1	24CA5588	24CA5587	24CA5587	24CA5589
6	FUSE.....	1	24CA3725	24CA3725	24CA3725	24CA3725
7	STARTER.....	1	24CA4134	24CA4134	24CA4134	24CA4134
8	COIL-STARTER.....	1	2115950	2115950	2115950	2115950
9	CONTROL-RELAY .....	1	24CA3896	24CA3896	24CA3896	24CA3896
11	HOLDER-FUSE.....	1	24CA4098	24CA4098	24CA4098	24CA4098
12	RELAY-OVERLOAD .....	1	24CA4086	24CA4086	24CA4086	24CA4086
13	CONTROLLER.....	1	301EWC1173	301EWC1173	301EWC1173	301EWC1173
14	CONTROLLER.....	1	302EWC1173	302EWC1173	302EWC1173	302EWC1173
15	BLOCK-TERMINAL.....	13	24CA2551	24CA2551	24CA2551	24CA2551
16	BLOCK-TERMINAL (End Piece) .....	1	24CA2552	24CA2552	24CA2552	24CA2552

# ELECTRICAL CONNECTIONS



320EWD810-C  
(Ref. Drawing)

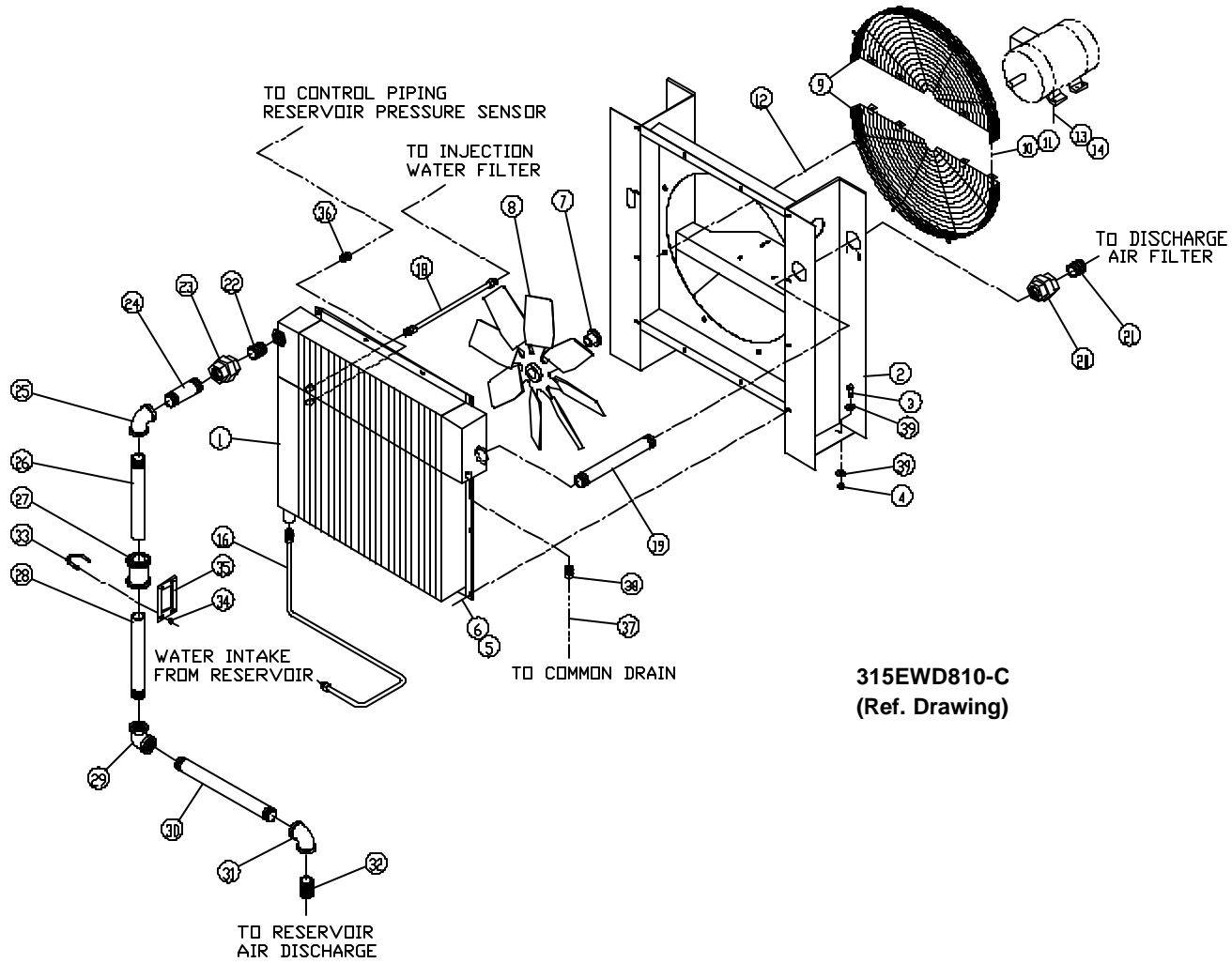
Order by Part Number and Description. Reference Numbers are for your convenience only.

ELECTRICAL CONNECTIONS

B/M: 302EWD4002

Ref. No.	Name of Part	Qty.	Part No.	Ref. No.	Name of Part	Qty.	Part No.
1	FITTING-CONDUIT.....	6	24A380	15	CONNECTOR-NYLON .....	18	24CA2068
4	FITTING-CONDUIT.....	1	24A379	16	FITTING-ELECTRICAL.....	1	24CA2865
5	FITTING-CONDUIT.....	2	24A341	17	SWITCH-VACUUM .....	1	88H195
6	GASKET.....	4	24A342	18	PROBE-ELECTRICAL.....	1	21D264
7	COVER .....	4	24A343	19	TRANSDUCER-PRESSURE ....	3	88H359
8	FITTING-CONDUIT.....	2	24A340	20	SWITCH-PRESSURE .....	1	88H346
9	FITTING-CONDUIT.....	3	24A378	21	SWITCH-PRESSURE .....	1	88A301
10	NIPPLE-CONDUIT.....	3	24A503	23	PLUG .....	1	24CA2598
11	COUPLING-CONDUIT .....	1	24CA709	24	NIPPLE .....	1	24CA4641
12	CONDUIT.....	23	24A402	25	SEALING RING .....	1	24A383
13	WIRE (IN FEET).....	40	97H2R	26	WIRE (IN FEET).....	28	97H2W
14	WIRE (IN FEET).....	18	97H2G				

# AIR COOLED UNITS WITH AFTERCOOLER



Order by Part Number and Description. Reference Numbers are for your convenience only.

AIR COOLED UNITS WITH AFTERCOOLER

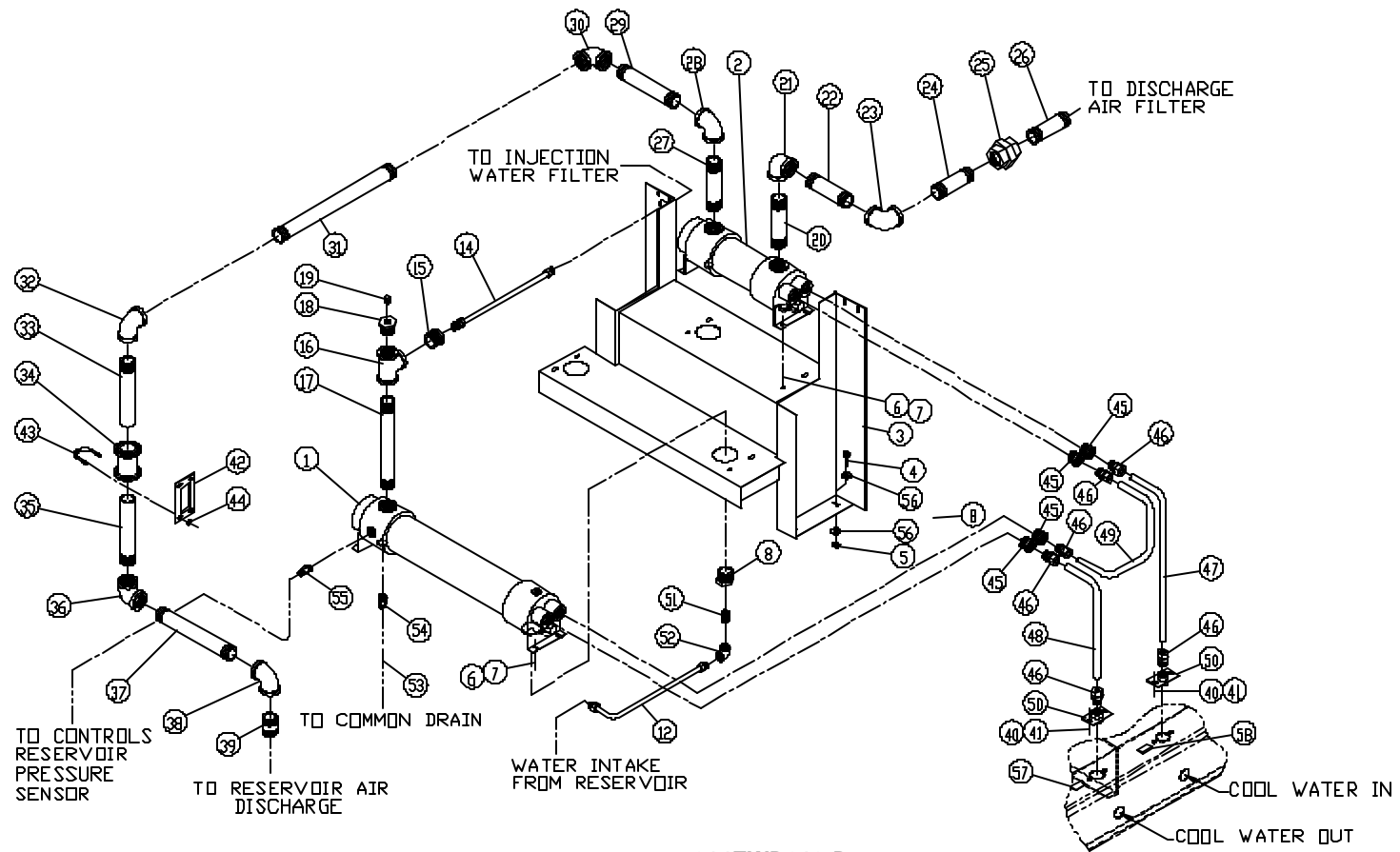
B/M: 303EWD4003

Ref. No.	Name of Part	Qty.	Part No.	Ref. No.	Name of Part	Qty.	Part No.
1	COOLER-WATER.....	1	203EWD257	22	NIPPLE .....	1	64EB100
2	SUPPORT.....	1	205EWD165	23	UNION.....	1	64EB259
3	SCREW.....	4	75K48	24	NIPPLE .....	1	64EB656
4	NUT.....	4	50AW5	25	ELBOW .....	1	64EB255
5	SCREW.....	12	75LM51	26	NIPPLE .....	1	64EB664
6	NUT.....	12	50AW5	* 27	COUPLING-FLEXIBLE .....	1	64EB533
7	BUSHING-HUB.....	1	22G2	28	NIPPLE .....	1	64EB664
8	FAN.....	1	201ECM701	29	ELBOW .....	1	64EB255
9	GUARD-FAN.....	1	200ESM393	30	NIPPLE .....	1	64EB657
10	SCREW.....	4	75LM50	31	ELBOW .....	1	64EB255
11	NUT.....	4	50AW4	32	NIPPLE .....	1	64EB654
12	SCREW.....	8	75LM51	33	U-BOLT.....	2	15U18
13	SCREW.....	4	75LM78	34	NUT.....	4	50AW5
14	NUT.....	4	50AW5	35	BRACKET-PIPE.....	1	201ESO108
16	HOSE.....	1	29Z376	36	CONNECTOR-TUBE.....	1	86E4
18	HOSE.....	1	29Z378	37	TUBE (IN FEET).....	4	85G5
19	NIPPLE .....	1	64EB939	38	CONNECTOR-TUBE.....	1	86E9
20	UNION.....	1	64EB259	39	WASHER.....	8	95A3
21	NIPPLE .....	1	64EB100				

\* For Repair, order (2) Gaskets, Part Number 2010363.

NOTE: For Motor Part Numbers, see Page 59.

# WATER COOLED UNITS WITH AFTERCOOLER



314EWD810-D  
(Ref. Drawing)

Order by Part Number and Description. Reference Numbers are for your convenience only.

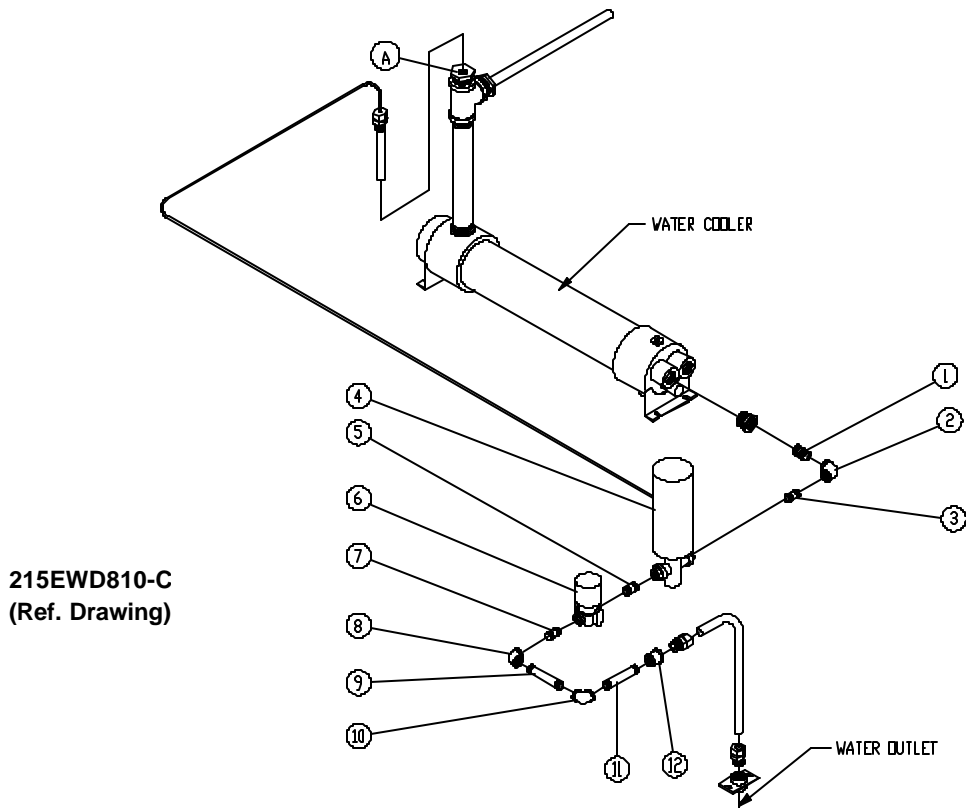
WATER COOLED UNITS WITH AFTERCOOLER

B/M: 302EWD4003

Ref. No.	Name of Part	Qty.	Part No.	Ref. No.	Name of Part	Qty.	Part No.
1	EXCHANGER-HEAT.....	1	200EWD349	32	ELBOW.....	1	64EB255
2	AFTERCOOLER.....	1	200EWD292	33	NIPPLE.....	1	64EB665
3	SUPPORT.....	1	206EWD165	* 34	COUPLING-FLEXIBLE.....	1	64EB533
4	SCREW.....	4	75K48	35	NIPPLE.....	1	64EB665
5	NUT.....	4	50AW5	36	ELBOW.....	1	64EB255
6	SCREW.....	8	75LM51	37	NIPPLE.....	1	64EB663
7	NUT.....	8	50AW5	38	ELBOW.....	1	64EB255
8	BUSHING PIPE.....	1	64EB521	39	NIPPLE.....	1	64EB654
12	HOSE.....	1	29Z380	40	SCREW.....	4	75LM51
14	HOSE.....	1	29Z379	41	NUT.....	4	50AW5
15	BUSHING-PIPE.....	1	64EB521	42	BRACKET-PIPE.....	1	201ESO108
16	TEE.....	1	64EB256	43	U-BOLT.....	2	15U18
17	NIPPLE.....	1	64EB658	44	NUT.....	4	50AW5
18	BUSHING-PIPE.....	1	64EB521	45	BUSHING-PIPE.....	4	64EB303
19	PLUG.....	1	64AJ16	46	CONNECTOR-TUBE.....	6	86N120
20	NIPPLE.....	1	64EB659	47	TUBE-FORMED.....	1	200EWD857
21	ELBOW.....	1	64EB255	48	TUBE-FORMED.....	1	201EWD857
22	NIPPLE.....	1	64EB660	49	TUBE-FORMED.....	1	202EWD857
23	ELBOW.....	1	64EB255	50	MANIFOLD-WATER.....	2	200ECM072
24	NIPPLE.....	1	64EB656	51	NIPPLE.....	1	64EB651
25	UNION.....	1	64EB259	52	ELBOW.....	1	64EB137
26	NIPPLE.....	1	64EB280	53	TUBE (IN FEET).....	4	85G5
27	NIPPLE.....	1	64EB659	54	CONNECTOR-TUBE.....	1	86E10
28	ELBOW.....	1	64EB255	55	CONNECTOR-TUBE.....	1	86E5
29	NIPPLE.....	1	64EB661	56	WASHER.....	8	95A3
30	ELBOW.....	1	64EB255	57	PLATE-DATA, COOL WATER OUT.....	1	202EWD454
31	NIPPLE.....	1	64EB662	58	PLATE-DATA, COOL WATER IN.....	1	203EWD454

\* For Repair, order (2) Gaskets, Part Number 2010363.

Order by Part Number and Description. Reference Numbers are for your convenience only.



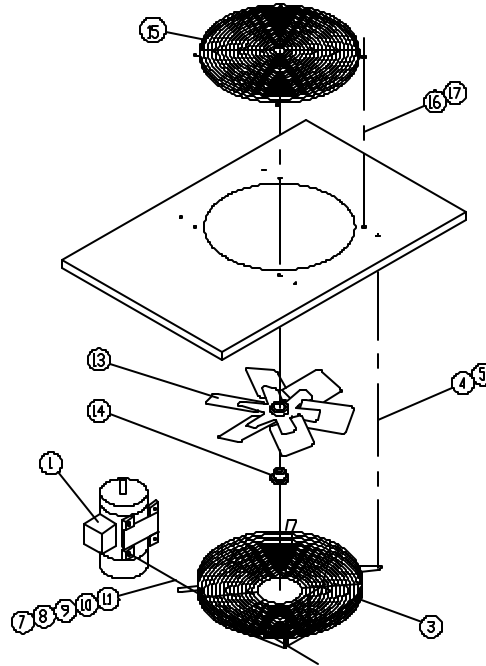
215EWD810-C  
(Ref. Drawing)

OPTIONAL WATER VALVES (TEMPERATURE REGULATOR AND SOLENOID)

B/M: 206EWD4019

Ref. No.	Name of Part	Qty.	Part No.
1	NIPPLE.....	1	63H1G
2	ELBOW .....	1	64S5G
3	NIPPLE.....	1	63G1G
4	REGULATOR.....	1	90AR96
5	NIPPLE.....	1	63G1G
6	VALVE-SOLENOID.....	1	91B167
7	NIPPLE.....	1	63G1G
8	ELBOW .....	1	64C5G
9	NIPPLE.....	1	63G33G
10	ELBOW .....	1	64C5G
11	NIPPLE.....	1	63G33G
12	REDUCER-PIPE .....	1	64N3G
60	VALVE-SOLENOID.....	1	91B167

Order by Part Number and Description. Reference Numbers are for your convenience only.



285ECM810  
(Ref. Drawing)

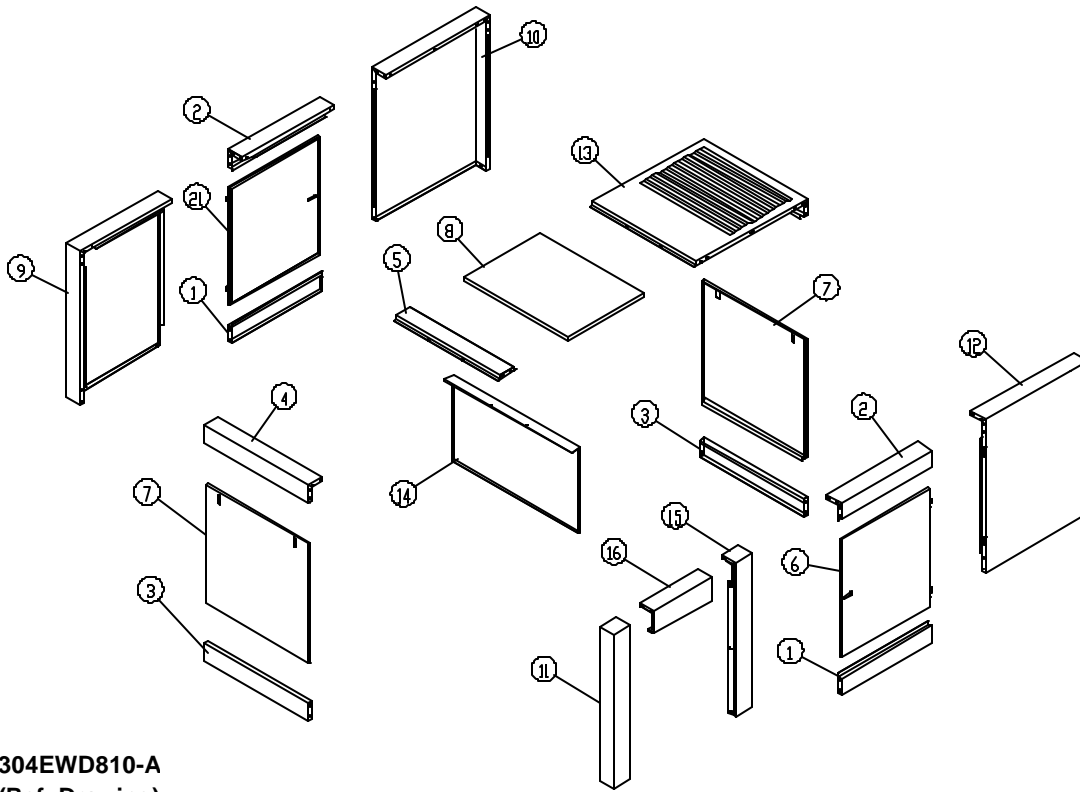
ENCLOSURE VENT FAN ASSEMBLY (WATER COOLED UNITS ONLY)

B/M: ECM80231-233

Ref. No.	Name of Part	Qty.	Part No.
1	MOTOR .....	1	See Page 59
3	GUARD-FAN .....	1	202ECM393
4	SCREW .....	4	75K48
5	WASHER.....	4	95A5
7	SCREW .....	4	75A35
8	RETAINER.....	4	2014731
9	WASHER.....	4	95A2
10	LOCKWASHER.....	4	95B2
11	NUT.....	4	50B2
13	FAN .....	1	202ECM701
14	BUSHING-SHEAVE .....	1	22G27
15	GUARD-FAN .....	1	200ECM393
16	SCREW .....	4	75LM51
17	NUT.....	4	50AW5
* 18	CONDUIT.....	5	24A402
* 20	FITTING-CONDUIT .....	1	24A378
* 21	FITTING-CONDUIT .....	1	24A380
* 22	WIRE (IN FEET).....	21	97H2A
* 23	WIRE (IN FEET).....	8	97H2G
* 24	LUG-TERMINAL .....	12	24CA806
* 25	WASHER.....	2	24CA75
* 26	LUG-TERMINAL .....	1	24CA806
* 27	SEALING RING.....	2	24A383
* 28	ELECTRICAL GROUP.....	1	AUX68369

\* Not shown

Order by Part Number and Description. Reference Numbers are for your convenience only.

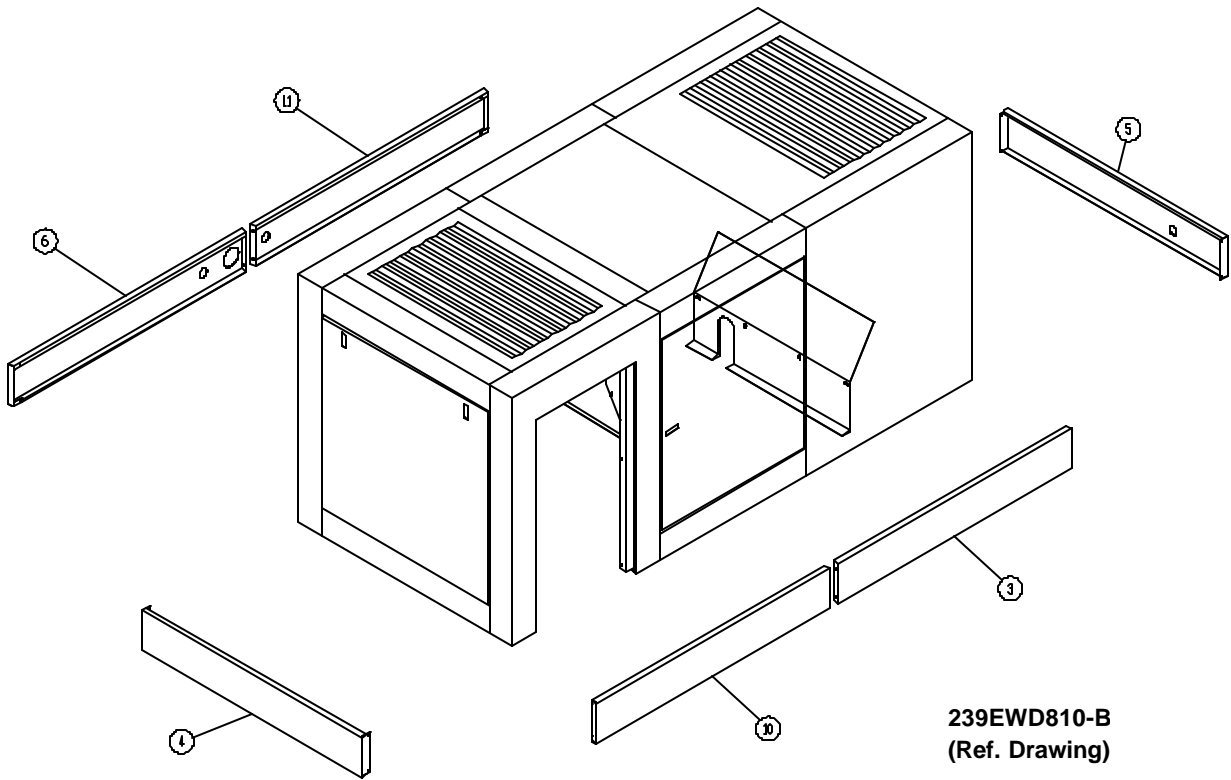


ENCLOSURE GROUP – COMMON PARTS – AIR/WATER COOLED

B/M: 305EWD4017

Ref. No.	Name of Part	Qty.	Part No.
1	FRAME.....	2	203EWD314
2	FRAME.....	2	204EWD314
3	FRAME.....	2	205EWD314
4	FRAME.....	1	206EWD314
5	FRAME.....	1	207EWD314
6	DOOR.....	1	201EWD334
7	PANEL.....	2	214EWD216
8	PANEL.....	1	215EWD216
9	PANEL.....	1	216EWD216
10	PANEL.....	1	217EWD216
11	FRAME.....	1	300EWD314
12	PANEL.....	1	219EWD216
13	PANEL.....	1	220EWD216
14	BAFFLE.....	1	200EWD840
15	FRAME.....	1	301EWD314
16	FRAME.....	1	302EWD314
21	DOOR.....	1	202EWD334

Order by Part Number and Description. Reference Numbers are for your convenience only.



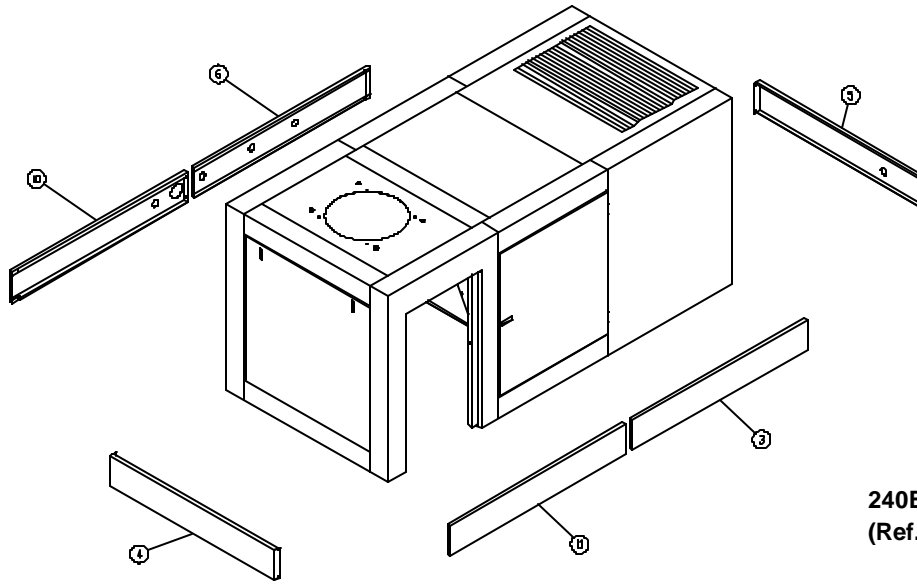
**SKIRTING – AIR COOLED UNITS**

**B/M: 301EWD4017**

Ref. No.	Name of Part	Qty.	Part No.
* 1	SUPPORT.....	6	207EWD165
3	PANEL.....	1	223EWD216
4	PANEL.....	1	224EWD216
5	PANEL.....	1	225EWD216
6	PANEL.....	1	226EWD216
10	PANEL.....	1	228EWD216
11	PANEL.....	1	229EWD216

\* Not shown

Order by Part Number and Description. Reference Numbers are for your convenience only.



240EWD810-B  
(Ref. Drawing)

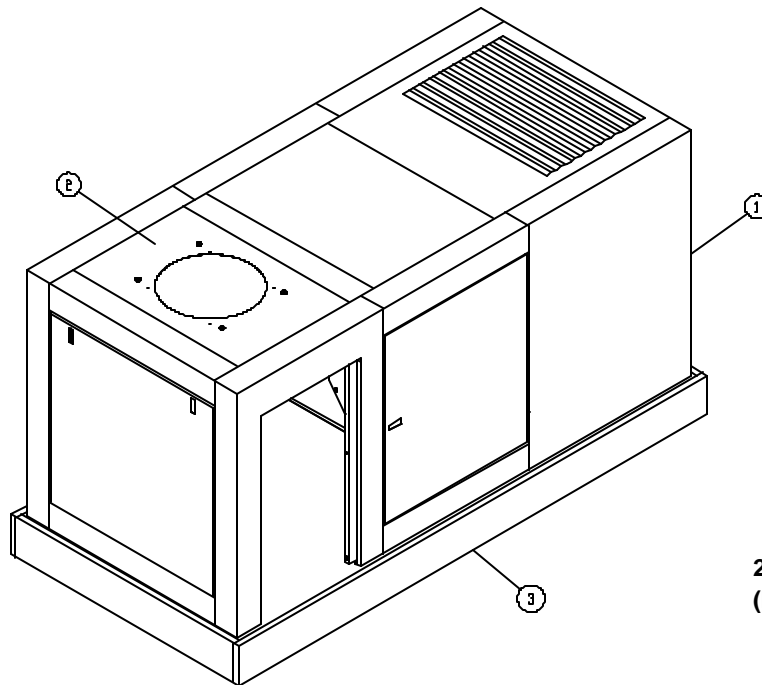
**SKIRTING – WATER COOLED UNITS**

**B/M: 302EWD4017**

Ref. No.	Name of Part	Qty.	Part No.
* 1	SUPPORT.....	6	207EWD165
3	PANEL.....	1	223EWD216
4	PANEL.....	1	224EWD216
5	PANEL.....	1	225EWD216
6	PANEL.....	1	227EWD216
10	PANEL.....	1	226EWD216
11	PANEL.....	1	228EWD216

\* Not shown

Order by Part Number and Description. Reference Numbers are for your convenience only.



241EWD810-A  
(Ref. Drawing)

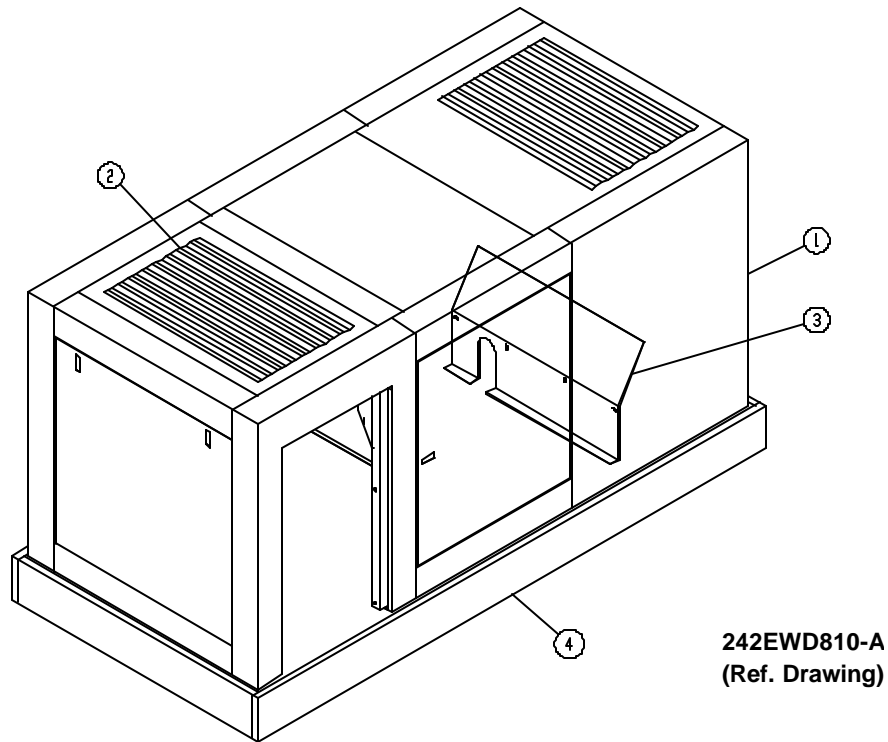
**ENCLOSURE GROUP – WATER COOLED**

**B/M: 310EWD4017**

Ref. No.	Name of Part	Qty.	Part No.
1	MOUNTING GROUP (Common Parts Air/Water).....	1	305EWD4017
2	PANE .....	1	221EWD216
3	MOUNTING GROUP (Skirt Enclosure).....	1	302EWD4017
* 4	LATCH.....	6	31D51
* 5	SEAL.....	90	32E12
* 6	SCREW .....	84	75LM51
* 7	NUT.....	84	50AW5

\* Not shown

Order by Part Number and Description. Reference Numbers are for your convenience only.

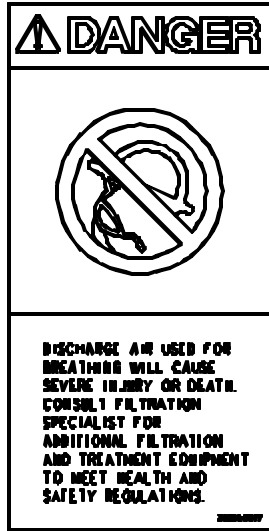


**ENCLOSURE GROUP – AIR COOLED**

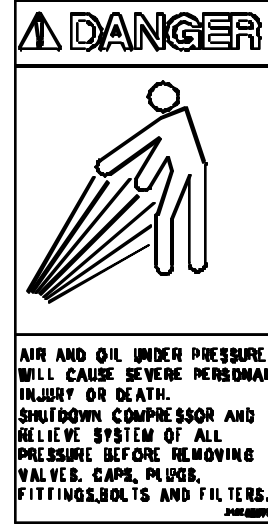
**B/M: 309EWD4017**

Ref. No.	Name of Part	Qty.	Part No.
1	MOUNTING GROUP (Common Parts Air/Water) .....	1	305EWD4017
2	PANEL.....	1	222EWD216
3	BAFFLE.....	1	201EWD840
4	MOUNTING GROUP (Skirt Enclosure).....	1	301EWD4017
* 5	SEAL.....	90	32E12
* 6	SCREW.....	84	75LM51
* 7	NUT.....	84	50AW5
* 8	LATCH.....	6	31D51

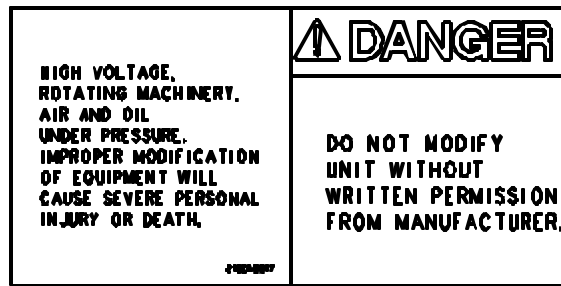
DECALS



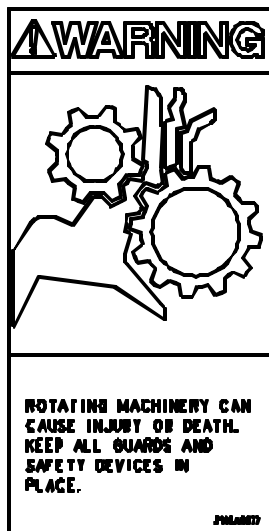
206EAQ077



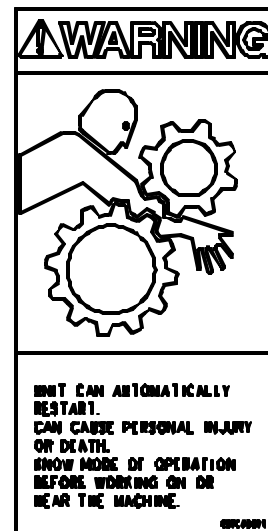
212EAQ077



218EAQ077

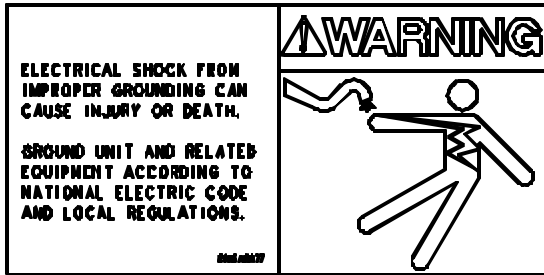


211EAQ077

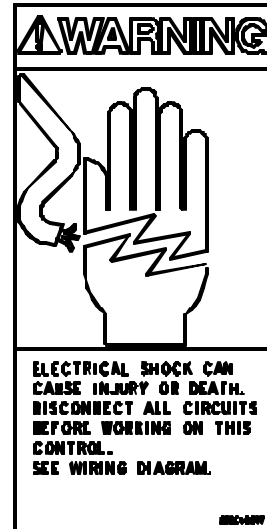


207EAQ077

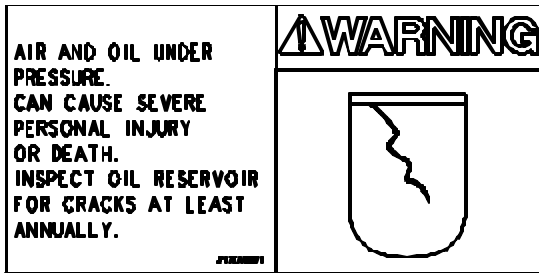
## DECALS



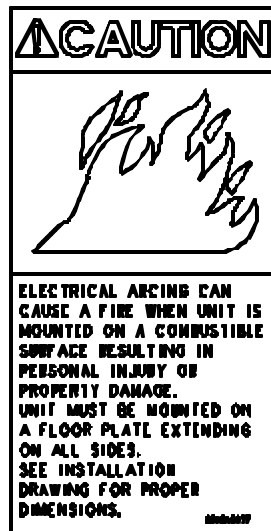
216EAQ077



222EAQ077



217EAQ077



221EAQ077



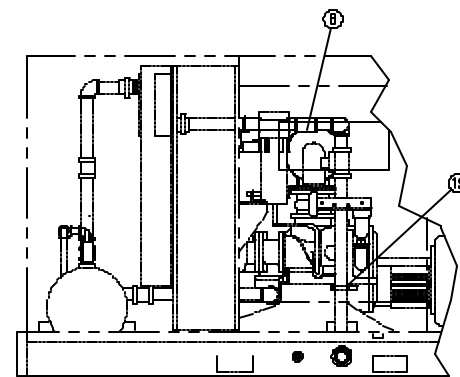
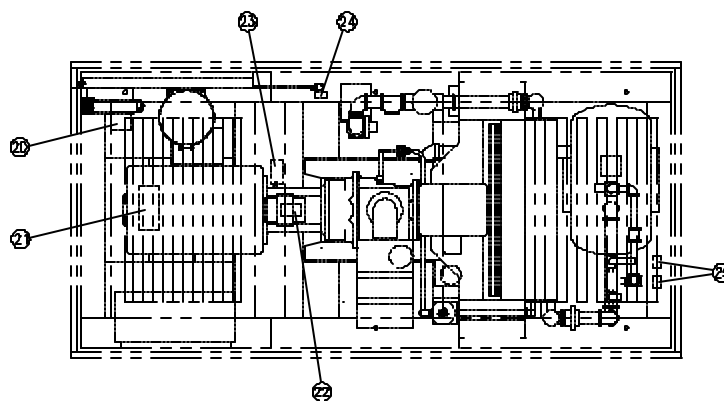
208EAQ077

## OVERLOAD RELAY HEATER CONVERSION LISTING

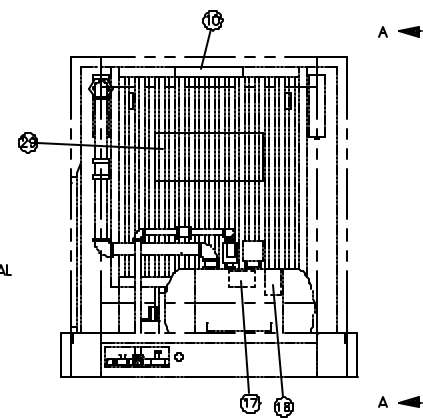
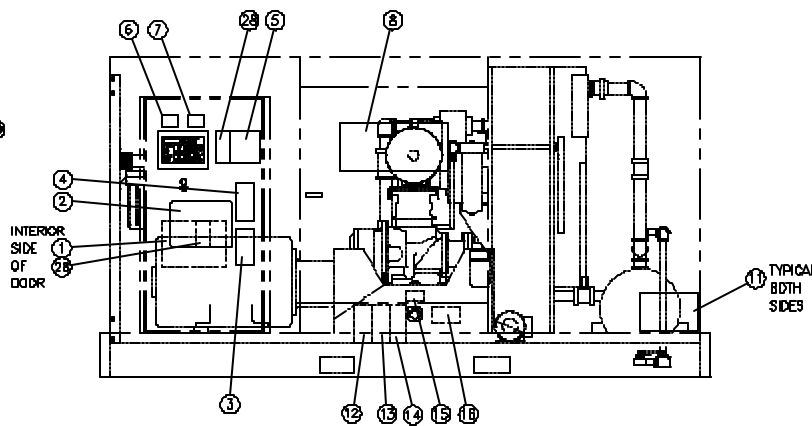
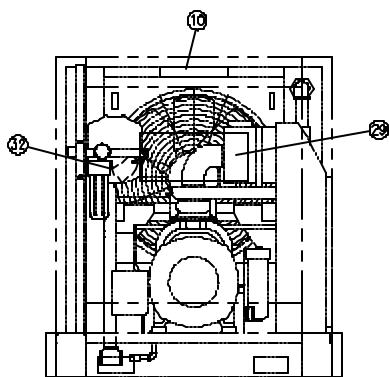
**Refer to Motor Nameplate “Amperage” and Decal in Control Panel for Selection of Overload Relay Heater Packs**

<b>CUTLER-HAMMER PART NUMBER</b>	<b>GARDNER DENVER PART NUMBER</b>
H2002B	24CA4101
H2003B	24CA4102
H2004B	24CA4103
H2005B	24CA4104
H2006B	24CA4105
H2007B	24CA4106
H2008B	24CA4107
H2009B	24CA4108
H2010B	24CA4109
H2011B	24CA4110
H2012B	24CA4111
H2013B	24CA4112
H2014B	24CA4113
H2015B	24CA4114
H2016B	24CA4115
H2017B	24CA4116
H2018	24CA2924
H2019	24CA2925
H2020	24CA2926
H2021	24CA2927
H2022	24CA2893
H2023	24CA2894
H2024	24CA2928

IDENTIFICATION AND INSTRUCTION GROUP



VIEW A-A



319EWD810-B  
(Ref. Drawing)

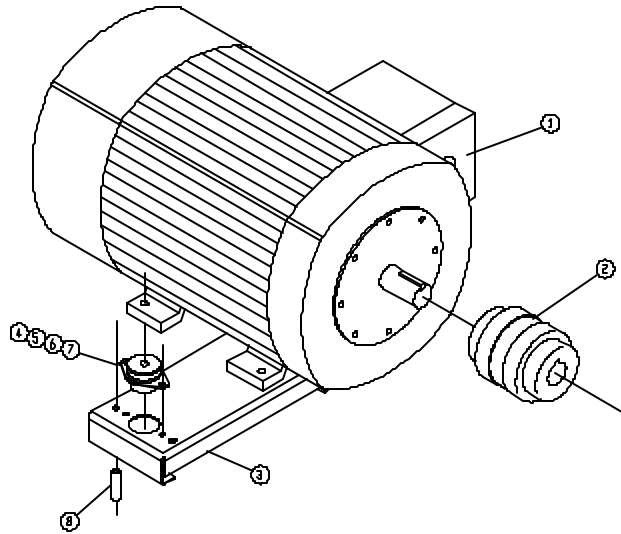
Order by Part Number and Description. Reference Numbers are for your convenience only.

**IDENTIFICATION AND INSTRUCTION GROUP**

**B/M: 301EWD4011**

<b>Ref. No.</b>	<b>Name of Part</b>	<b>Qty.</b>	<b>Part No.</b>
1	DECAL-WARNING (ELECTRICAL SHOCK & FIRE) .....	1	314EAQ077
2	DECAL OPERATION & MAINTENANCE (CHAMPION).....	1	306EWC077
3	DECAL-DANGER (DO NOT BREATHE DISCHARGE. AIR) .....	1	206EAQ077
4	DECAL-WARNING.....	1	323EAQ077
5	DECAL-WARNING.....	1	227EAQ077
8	DECAL (CHAMPION) LARGE .....	1	308EBA077
10	DECAL (CHAMPION).....	2	309EWC077
12	DECAL-NOTICE (USE GENUINE CHAMPION PARTS).....	1	308EWC077
13	DECAL NOTICE (ROTORLUB 800 LUBRICANT) .....	1	307EWC077
14	DECAL-DANGER (AIR/OIL UNDER PRESSURE) .....	1	212EAQ077
15	DECAL-CAUTION (DO NOT REMOVE PLUG) .....	1	203ESF077
16	DECAL-WARNING.....	1	240EAQ077
17	DECAL-WATER SEPARATOR.....	1	206EWD077
18	DECAL-WARNING (UNIT CAN AUTO START).....	1	207EAQ077
21	DECAL-CAUTION (DO NOT LIFT).....	1	208EAQ077
22	DECAL-WARNING (ROTATING MACHINERY).....	1	211EAQ077
23	TAG-INSTRUCTION.....	1	203EAQ304
27	SEALANT.....	2	25BC448
28	DECAL WARNING-READ OPERATOR MANUAL.....	2	305EWC077
29	DECAL (CHAMPION) ROTORCHAMP.....	2	310EBA077
30	DECAL (CHAMPION) LARGE .....	2	308EBA077
31	LUBRICANT.....	5	28G20
32	TAG-INSTRUCTION (WARNING).....	1	303EWC304

Order by Part Number and Description. Reference Numbers are for your convenience only.



202EAP810-C  
(Ref. Drawing)

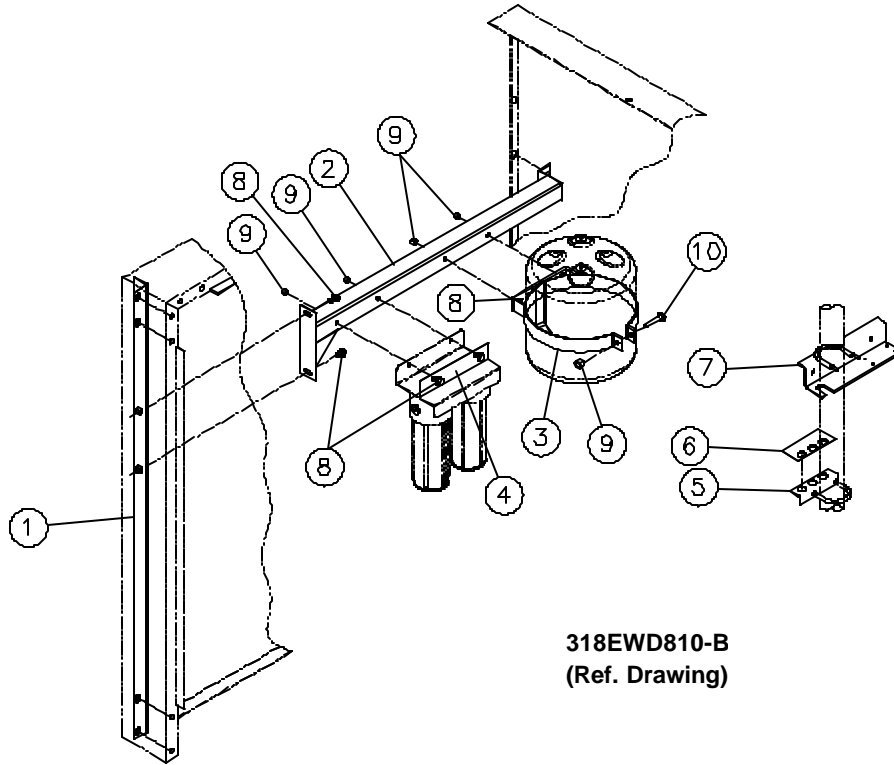
**MOTOR MOUNTING GROUP**

Ref. No.	Name of Part	Qty.	ODP/TEFC 40-50 HP Part No.	ODP/TEFC 60-75 HP Part No.
1	MOTOR.....	1	*	*
2	FLEXIBLE COUPLING.....	1	51L167 **	51L167 **
3	MOTOR SUPPORT.....	1	202EDF620	201EDF620
4	SCREW.....	4	655EF240	655EF160
5	WASHER.....	4	95A7	95A7
6	LOCKWASHER.....	4	95B7	95B7
7	NUT.....	4	50B7	50B7
8	NIPPLE.....	4	63AM12X36G	63AM12X26G

\* For Motor Part Numbers, see Page 58.

\*\* For Drive Coupling Kit Number, see Page 61.

Order by Part Number and Description. Reference Numbers are for your convenience only.



318EWD810-B  
(Ref. Drawing)

**RO MOUNTING**

Ref. No.	Name of Part	Qty.	B/M: 308EWD4017 301EWD4049
1	SUPPORT.....	1	301EWD165
2	SUPPORT, RO MOUNTING .....	1	302EWD165
3	SUPPORT, RO TANK.....	1	305EWC165
4	BRACE .....	1	300EWC326
5	SUPPORT.....	1	308EWC165
6	PLATE .....	1	300EWD247
7	SUPPORT, CONTROL HARDWARE.....	1	307EWC165
8	SCREW.....	6	75LM51
9	NUT.....	5	50AW5
10	SCREW.....	1	75LM271

**MOTOR GROUPS  
MAIN DRIVE MOTORS  
FULL VOLTAGE/WYE DELTA**

Name of Part	40 HP Part No.	50 HP Part No.	60 HP Part No.	75 HP Part No.
<b>OPEN DRIP PROOF (60 HZ – ODP)</b>				
MOTOR, 200V	24CA3060	24CA3065	24CA2952	24CA2956
MOTOR, 230V	24CA3061	24CA3066	24CA3013	24CA3014
MOTOR, 460V	24CA3061	24CA3066	24CA3013	24CA3014
MOTOR, 575V	24CA3064	24CA3069	24CA2955	24CA2959
<b>OPEN DRIP PROOF (60 HZ – ODP – HIGH EFFICIENCY)</b>				
MOTOR, 200V	24CA3070	24CA3075	24CA2968	24CA2972
MOTOR, 230V	24CA3071	24CA3076	24CA3017	24CA3018
MOTOR, 460V	24CA3071	24CA3076	24CA3017	24CA3018
MOTOR, 575V	24CA3074	24CA3079	24CA2971	24CA2975
<b>TOTALLY ENCLOSED FAN COOLED (60 HZ – TEFC)</b>				
MOTOR, 200V	24CA3080	24CA3085	24CA2984	24CA2988
MOTOR, 230V	24CA3081	24CA3086	24CA3021	24CA3022
MOTOR, 460V	24CA3081	24CA3086	24CA3021	24CA3022
MOTOR, 575V	24CA3084	24CA3089	24CA2987	24CA2991
<b>TOTALLY ENCLOSED FAN COOLED (60 HZ – TEFC – HIGH EFFICIENCY)</b>				
MOTOR, 200V	24CA3090	24CA3095	24CA2996	24CA3000
MOTOR, 230V	24CA3091	24CA3096	24CA3024	24CA3025
MOTOR, 460V	24CA3091	24CA3096	24CA3024	24CA3025
MOTOR, 575V	24CA3094	24CA3099	24CA2999	24CA3003

**MOTOR GROUPS (Continued)**

**VENT FAN MOTORS  
(ENCLOSED)**

<b>VOLTAGE</b>	<b>HP</b>	<b>FAN MOTOR</b>	<b>GROUP</b>
200	1/4	24CA4177	ECM80231
230/460	1/4	24CA2464	ECM80232
575	1/4	24CA4178	ECM80233

**OIL PUMP & FAN MOTORS  
(AIR COOLED UNITS)**

<b>VOLTAGE</b>	<b>HP</b>	<b>OIL PUMP</b>	<b>FAN MOTOR</b>
200	3	200EWD188	24CA4259
230	3	200EWD188	24CA4260
460	3	200EWD188	24CA4260
575	3	201EWD188	24CA4261



## REPAIR KITS

Your Champion rotary screw compressor is designed and manufactured for many years of reliable operation. All components are engineered to exacting specifications, which will function together as a system to provide maximum efficiency. To insure the continuing integrity of compressor operation, use only original quality genuine Champion replacement parts and accessories.

Name of Part	Qty.	Part No.
ROUTINE MAINTENANCE KIT (4000 Hours) .....		307EWD6013
ELEMENT, AIR FILTER.....	2	2118180
ELEMENT, OIL FILTER.....	1	2117899
ELEMENT, RECIRCULATING WATER FILTER.....	1	2117902
ELEMENT, RO SEDIMENT FILTER.....	4	2118141
ELEMENT, RO CARBON BLOCK .....	4	2118142
ELEMENT, RO 100 GDP MEMBRANE .....	1	2118143
ELECTRICAL CONTROL KIT .....		306EWD6013
VALVE-SOLENOID .....	1	91B95
VALVE-SOLENOID .....	1	91B127
VALVE-SOLENOID .....	2	91B226
VALVE-SOLENOID .....	1	91B109
SWITCH LEVEL .....	1	202EWD375
VACUUM SWITCH.....	1	88H195
PROBE-ELECTRICAL.....	1	21D264
TRANSDUCER-PRESSURE.....	3	88H359
PRESSURE SWITCH.....	1	88A301
PRESSURE SWITCH.....	1	88H346
VALVE-SUBTRACTIVE/PILOT.....	1	88B46
MISCELLANEOUS REPAIR ITEMS		
RECIRCULATING WATER FILTER HOUSING .....	1	26C34
O-RING, SHELL (for 26C34).....	1	2116644
O-RING, COVER NUT (for 26C34).....	1	2116645
O-RING, GASKET SEAL (for 26C34).....	1	2116646
CONTROL AIR LINE FILTER.....	1	5L340
CONTROL AIR WATER DRAIN .....	1	7000364
GASKET, 2" FLEXIBLE COUPLING.....	2	2010363
GASKET, 1" FLEXIBLE COUPLING.....	2	2010493
O-RING (for 90AR853).....	1	2116641
O-RING (for 90AR853).....	1	2116642
SEAT (for 90AR853).....	1	2116643
DRIVE COUPLING (51L167) .....	1	2118052
TOUCH-UP PAINT.....		200EWD6003
1 QUART CAN.....	1	28H8
LUBRICANT		
5 GALLON PAIL (RotorLub 800).....	1	28H188



©2000 Gardner Denver, Inc.  
Litho in U.S.A.

Specifications subject to change without notice.

Copyright © 1999 Gardner Denver, Inc.

Litho in U.S.A.

<http://www.gardnerdenver.com> [mktg@gardnerdenver.com](mailto:mktg@gardnerdenver.com)

[www.championpneumatic.com](http://www.championpneumatic.com)

Champion  
1301 North Euclid Avenue  
Princeton, Illinois 63156 USA  
Phone: (815) 875-3321  
Fax: 815-872-0421



E-mail: [champion@championpneumatic.com](mailto:champion@championpneumatic.com)

Plants in Princeton IL, and Manteca, CA

Due to Champion's continuing product development program, specification and materials are subject to change without notice.