



13-10-521
Version: 09
August 29, 2013



ELECTRA-SAVER[®]
STATIONARY BASE-MOUNTED
COMPRESSOR

AUTO SENTRY[®] -- ES+ CONTROLS

INTERNATIONAL MODEL

EAQ99R – 100, 125, 150 HP
(75, 93, 112 kW)

(50 HZ)

PARTS LIST

**MAINTAIN COMPRESSOR RELIABILITY AND PERFORMANCE WITH
GENUINE GARDNER DENVER® COMPRESSOR PARTS AND SUPPORT SERVICES**

Gardner Denver® Compressor genuine parts, manufactured to design tolerances, are developed for optimum dependability – specifically for Gardner Denver compressor systems. Design and material innovations are the result of years of experience with hundreds of different compressor applications. Reliability in materials and quality assurance is incorporated in our genuine replacement parts.

Your authorized Gardner Denver Compressor distributor offers all the backup you'll need. A worldwide network of authorized distributors provides the finest product support in the air compressor industry.

Your authorized distributor can support your Gardner Denver air compressor with these services:

1. Trained parts specialists to assist you in selecting the correct replacement parts.
2. Factory warranted new and remanufactured rotary screw airends. Most popular model remanufactured airends are maintained in stock at the factory, for purchase on an exchange basis with liberal core credit available for the replacement unit.
3. A full line of factory tested AEON™ compressor lubricants specifically formulated for use in Gardner Denver compressors.
4. Repair and maintenance kits designed with the necessary parts to simplify servicing your compressor.

Authorized distributor service technicians are factory trained and skilled in compressor maintenance and repair. They are ready to respond and assist you by providing fast, expert maintenance and repair services.

To Contact Gardner Denver or locate your local distributor:

visit: www.contactgd.com/compressors

or

call: (217)222-5400

INSTRUCTIONS FOR ORDERING REPAIR PARTS

When ordering parts, specify Compressor MODEL, Method of Cooling, HORSEPOWER and SERIAL NUMBER (see nameplate on unit). The Airend Serial Number is also stamped on top of the discharge bearing carrier casting.

All orders for Parts should be placed with the nearest authorized distributor.

Where NOT specified, quantity of parts required per compressor or unit is one (1); where more than one is required per unit, quantity is indicated in parenthesis. SPECIFY EXACTLY THE NUMBER OF PARTS REQUIRED.

DO NOT ORDER BY SETS OR GROUPS.

To determine the Right-Hand and Left-Hand side of a compressor, stand at the motor end and look toward the compressor. Right-Hand and Left- Hand are indicated in parenthesis following the part name, i.e. (RH) and (LH), when appropriate.

TOTAL PRODUCT SUPPORT – GARDNER DENVER’S CONTINUING COMMITMENT TO YOUR AIR COMPRESSOR PERFORMANCE

Commitment to total product support continues long after the purchase of your quality Gardner Denver rotary screw compressor.

Gardner Denver original parts incorporate years of experience and improvements in design, materials and quality assurance. Maintaining your compressor investment with Gardner Denver parts will insure protection for the air compressor unit and long, dependable service life.

Your authorized Gardner Denver compressor distributor maintains a complete stock of all common maintenance parts, factory approved AEON lubricants, and Gardner Denver factory warranted exchange airends. In addition, authorized distributor technicians are factory trained, and can provide complete diagnostic, compressor maintenance and repair services.

This manual is designed to assist you in maintaining high performance and receiving many years of dependable service you expect from your Gardner Denver compressor.

REMANUFACTURED AIRENDS

Whenever an airend requires replacement or repair, Gardner Denver offers an industry unique, factory remanufactured airend exchange program. From its modern factory, Gardner Denver is committed to supplying you with the highest quality, factory remanufactured airends that are guaranteed to save you time and money.

Immediately Available

Repair downtime costs you money, which is why the most popular models are in inventory at all times.

Skilled Craftsmen

Our Remanufacturing assembly technicians average over 20 years experience with air compression products.

Precision Remanufacturing

All potentially usable parts are thoroughly cleaned, inspected and analyzed. Only those parts that can be brought back to original factory specifications are remanufactured. Every remanufactured airend receives a new overhaul kit: bearings, gears, seals, sleeves and gaskets.

Extensive Testing

Gardner Denver performs testing that repair houses just don't do. Magnaflux and ultrasonic inspection spot cracked or stressed castings, monochromatic light analysis exposes oil leaks, and coordinate measurement machine inspects to +/- .0001", insuring that all remanufactured airends meet factory performance specifications.

Warranty

Gardner Denver backs up every remanufactured airend with a warranty...27 months from purchase.

Gardner Denver remanufactured airends deliver *quality without question...year in and year out.*

Call Gardner Denver for information on the airend exchange program and the name of your authorized distributor.

Phone Number: 217-222-5400 or
Fax: 217-224-7814

TABLE OF CONTENTS

Maintain Compressor Reliability And Performance With	
Genuine Gardner Denver Compressor Parts And Support Services.....	1
Instructions For Ordering Repair Parts.....	1
Total Product Support – Gardner Denver’s Continuing Commitment	
To Your Air Compressor Performance	2
Remanufactured Airends	2
Airend Selection And Repair Kits	4
Bare Compressor - SSQ	5
Discharge Bearing.....	6
Bearing Plate Cover.....	7
Mounting Group	8
Turn Valve & Part – SSQ	9
Oil Seal Detail – SSQ.....	10
Bare Compressor – SSP.....	11
Turn Valve – SSP.....	12
Oil Seal Detail – SSP	13
Inlet Valve - SSQ.....	14
Inlet Valve – SSP Only	15
Air Filter & Mounting.....	16
Oil Reservoir Group	17
Separator Housing	18
Separator Group	19
Oil Return Line	20
Minimum Pressure/Check Valve	21
Oil Filter & Mixing Valve Assembly.....	22
Cooling Group – Air Cooled – 100, 125 & 150 HP	23, 24
Water Cooled Heat Exchanger – With Aftercooler – 100, 125 & 150 HP	25, 26
Water Cooled Heat Exchanger – Without Aftercooler – 100, 125 & 150 HP	27, 28
Control Schematic.....	29, 30
Oil Injection Line(SSP)	31
Turn Valve Actuator (SSQ)	32
Turn Valve Solenoid Valve – SSP.....	33
Compressor Base Group – SSP	34
Compressor Base Group – SSQ	35
Enclosure Vent Fan Assembly	36
Enclosure - Basic	37
Enclosure - Hardware	38
Enclosure – Air Cooled Panels.....	39
Enclosure – Water Cooled Panels	40
Enclosure – Basic	41
Air Cooled Baffle	42
Air Cooled Baffle - Hardware.....	43
Enclosure – Water Cooled	44
Main Motor Group	45
Motor Group.....	46
Overload Relay Heater Conversion Listing	47
Miscellaneous Electrical Parts.....	48
Identification And Instruction Group	49, 50
Controller Assembly - Wye Delta Starters.....	51, 52
Controller Assembly - Less Starter.....	53, 54
Controller Assembly.....	55
Repair Kits	56-60

For Operating and Service Instructions, see:	
SERVICE MANUAL	13-9-666
CONTROLLER MANUAL	13-9-653

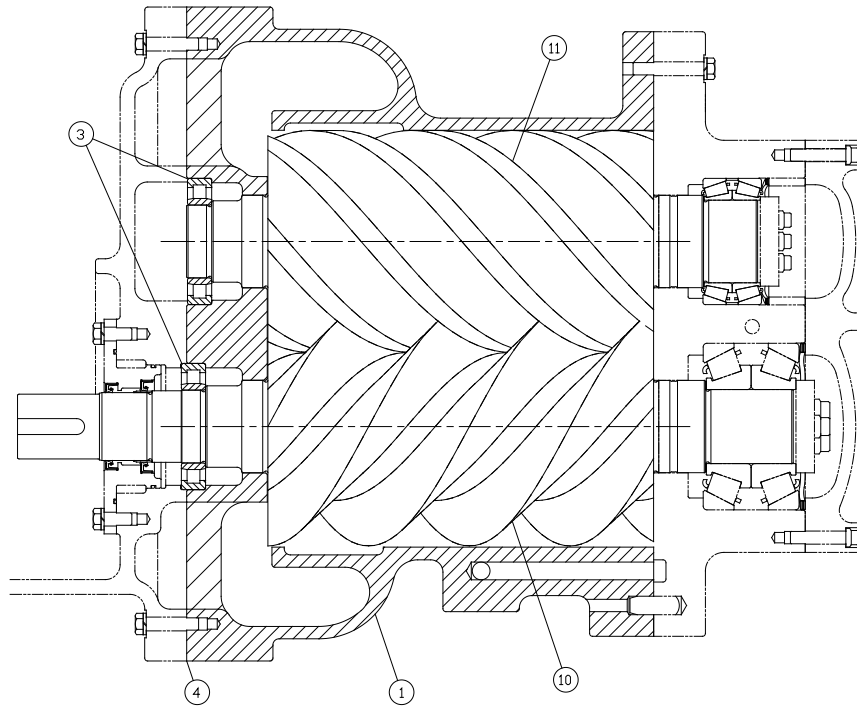
AIREND SELECTION AND REPAIR KITS

Model	HP	PSI	Airend w/Inlet Valve	Reman Airend w/Inlet Valve	Bearing Kit *	Gasket Kit	Inlet Valve Kit	TurnValve Kit	Drive Shaft Seal Kit	Drive Shaft Wear Sleeve Removal & Installation Kit
EAQ	100	100	SSQAVAAM01S	SSQAVAAM01X	314SSQ6013	315SSQ6013	301EAQ6013	325SSP6013	200SSQ6007	200SSQ4017
		125	SSQAVAAM04S	SSQAVAAM04X	314SSQ6013	315SSQ6013	301EAQ6013	325SSP6013	200SSQ6007	200SSQ4017
		150	SSQAVAAM04S	SSQAVAAM04X	314SSQ6013	315SSQ6013	301EAQ6013	325SSP6013	300SSP6013	200SSP4017
	125	100	SSQAVAAM02S	SSQAVAAM02X	314SSQ6013	315SSQ6013	301EAQ6013	325SSP6013	200SSQ6007	200SSQ4017
		125	SSQAVAAM01S	SSQAVAAM01X	314SSQ6013	315SSQ6013	301EAQ6013	325SSP6013	200SSQ6007	200SSQ4017
		150	SSQAVAAM04S	SSQAVAAM04X	314SSQ6013	315SSQ6013	301EAQ6013	325SSP6013	200SSQ6007	200SSQ4017
	150	100	SSPABL01	SSPABM01X	323SSP6013	324SSP6013	301EAQ6013	325SSP6013	300SSP6013	200SSP4017
		125	SSQAVAAM02S	SSQAVAAM02X	314SSQ6013	315SSQ6013	301EAQ6013	325SSP6013	200SSQ6007	200SSQ4017
		150	SSQAVAAM01S	SSQAVAAM01X	314SSQ6013	315SSQ6013	301EAQ6013	325SSP6013	200SSQ6007	200SSQ4017

* When ordering Bearing Kits, also order Gasket Kit and Drive Shaft Seal Kit.

For listing of Repair Parts included in Kit numbers above, see Repair Kit Section, pages 55-58.

Order by Part Number and Description. Reference Numbers are for your convenience only.



328SSQ810-D
(Ref. Drawing)

BARE COMPRESSOR - SSQ

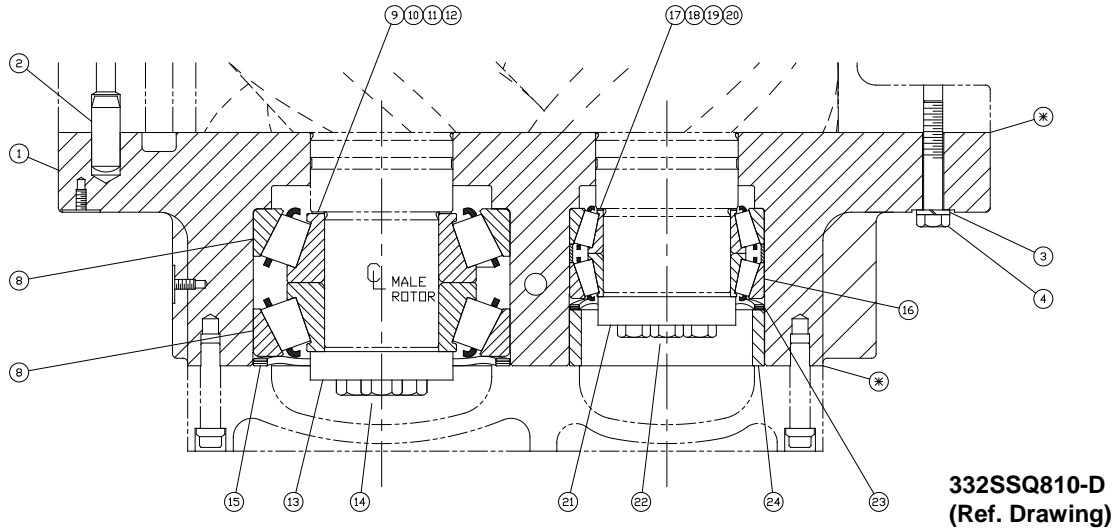
B/M: 300SSQ4042 B/M: 301SSQ4042 B/M: 302SSQ4042
307SSQ4028 308SSQ4028 309SSQ4028

Ref. No.	Name of Part	Qty.	Part No.	Part No.	Part No.
1	CYLINDER-AIR	1	304SSQ002	305SSQ002	306SSQ002
2	SPACER TURN VALVE (not shown)..	1	200SSQ392	200SSQ392	----
* 3	ROLLER BEARING	2	12BA126	12BA126	12BA126
**4	GASKET ELIMINATOR	1	25BC222	25BC222	25BC222
5	PLUG (not shown)	3	64AA5	64AA5	64AA5
6	PLUG (not shown)	3	64AA7	64AA7	64AA7
7	PLUG (not shown)	1	64B3	64B3	64B3
8	PLUG (not shown)	1	64B7	64B7	64B7
9	SPACER (not shown)	1	----	----	200SSQ200
10	MAIN ROTOR	1	305SSQ010	306SSQ010	307SSQ010
11	GATE ROTOR	1	308SSQ010	309SSQ010	310SSQ010

* Parts included in Periodic Overhaul Kit 314SSQ6013. Refer to page 58.

** Parts included in Gasket Kit 315SSQ6013. Refer to page 58.

Order by Part Number and Description. Reference Numbers are for your convenience only.



(*) DESIGNATES JOINTS REQUIRING GASKET ELIMINATOR - 25BC222

DISCHARGE BEARING

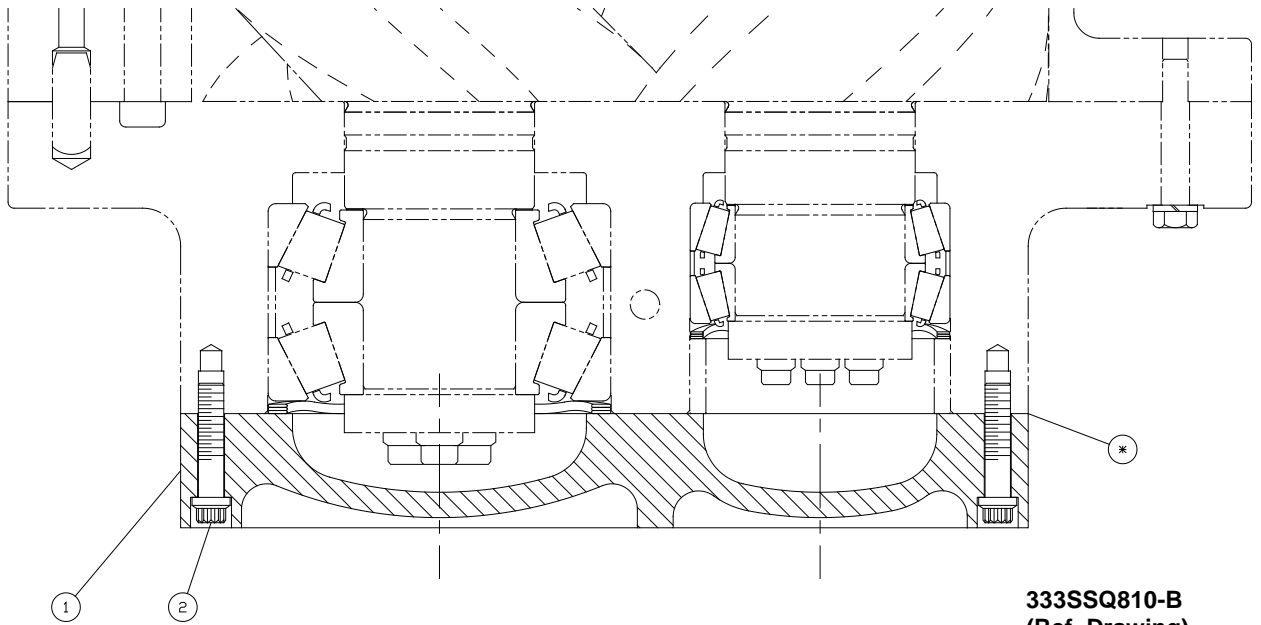
B/M: 308SSQ4044

Ref. No.	Name of Part	Qty.	Part No.
1	HOUSING-BEARING.....	1	311SSQ006
2	PIN-DOWEL.....	1	62M112
3	LOCKWASHER.....	25	95B5
4	SCREW.....	18	655EE120
5	SCREW.....	4	655EE140
6	SCREW.....	3	655EE080
7	SCREW.....	2	75P93
** 8	BEARING.....	1	12BA251
*** 9	SHIM.....	3	77H107002
*** 10	SHIM.....	3	77H107003
*** 11	SHIM.....	3	77H107005
*** 12	SHIM.....	2	77H107015
13	PLATE-BEARING RETAINER.....	1	301SSQ253
14	SCREW.....	3	655EF06N
** 15	SPRING.....	1	78W109
** 16	BEARING.....	1	12BA192
*** 17	SHIM.....	3	77H50002
*** 18	SHIM.....	3	77H50003
*** 19	SHIM.....	3	77H50005
*** 20	SHIM.....	3	77H50015
21	PLATE-BEARING RETAINER.....	1	201SSU253
22	SCREW.....	3	655EE06N
** 23	SPRING.....	1	78W89
24	SPACER.....	1	301SSQ392
25	PLUG.....	5	64AA5
26	PLUG.....	1	64AA7
27	PLUG.....	1	64AA9
28	PIN.....	1	62M172

** Parts included in Periodic Overhaul Kit 314SSQ6013. Refer to page 58.

*** Parts included in Gasket Kit 315SSQ6013. Refer to page 58.

Order by Part Number and Description. Reference Numbers are for your convenience only.



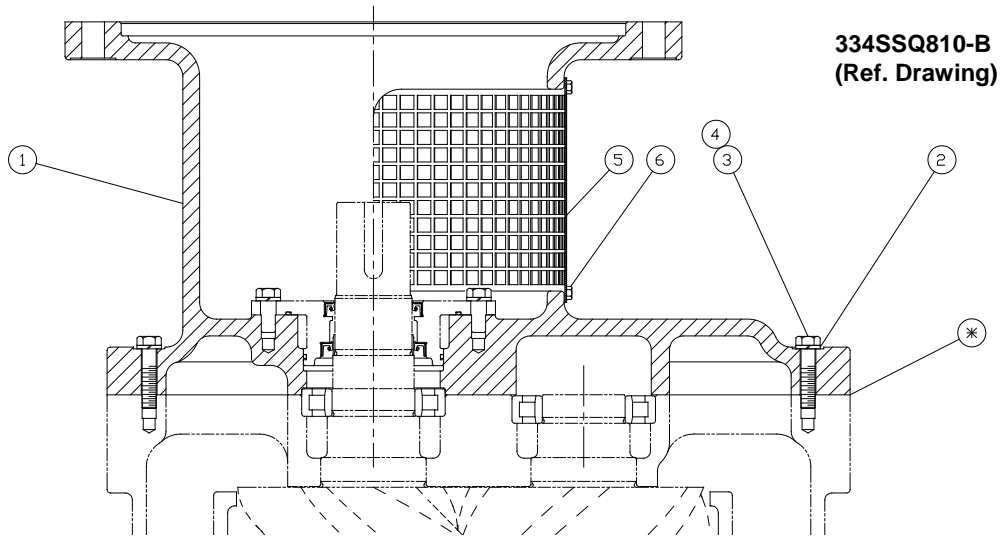
* DESIGNATES JOINTS REQUIRING GASKET ELIMINATOR - 25BC222

BEARING PLATE COVER

B/M: 300SSQ4037

Ref. No.	Name of Part	Qty.	Part No.
1	PLATE-BEARING COVER	1	304SSQ315
2	SCREW-CAP	22	75P78

Order by Part Number and Description. Reference Numbers are for your convenience only.



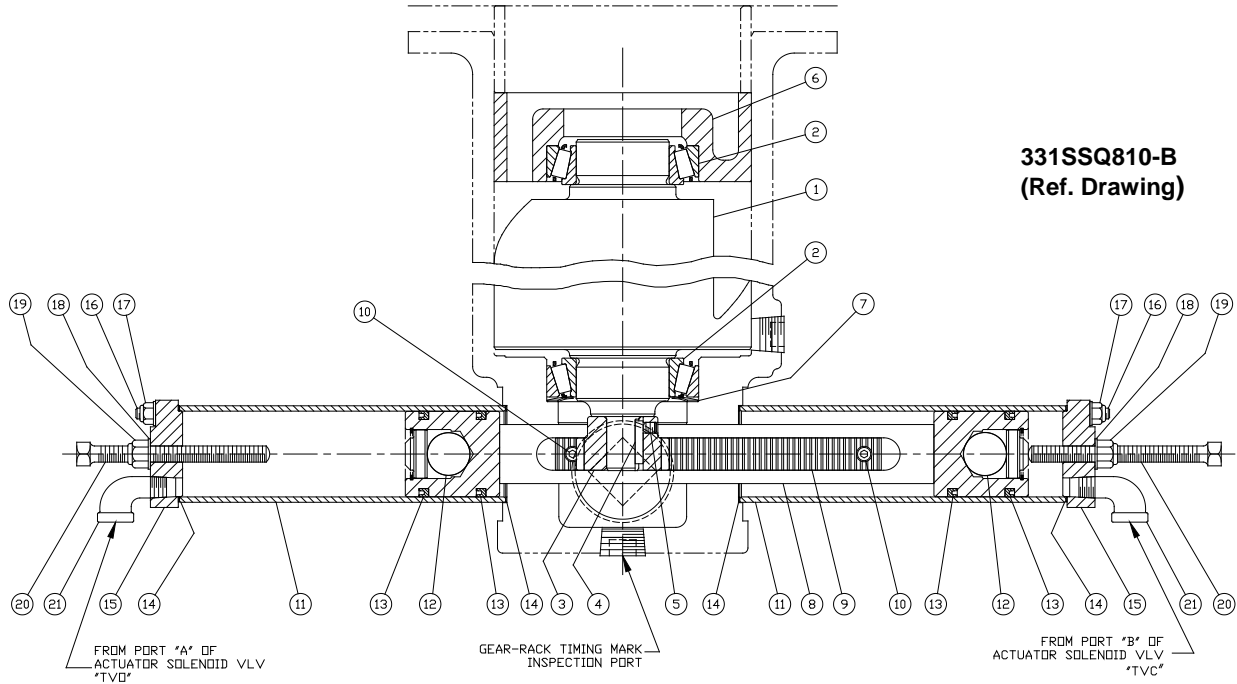
(*) DESIGNATES JOINTS REQUIRING GASKET ELIMINATOR - 25BC222

MOUNTING GROUP

B/M: 300SSQ4017

Ref. No.	Name of Part	Qty.	Part No.
1	ADAPTOR	1	204SSQ170
2	LOCKWASHER.....	22	95B5
3	SCREW	21	655EE100
4	SCREW	1	655EE140
5	GUARD-COUPLING	1	200SSQ339
6	SCREW	4	75LM150

Order by Part Number and Description. Reference Numbers are for your convenience only.



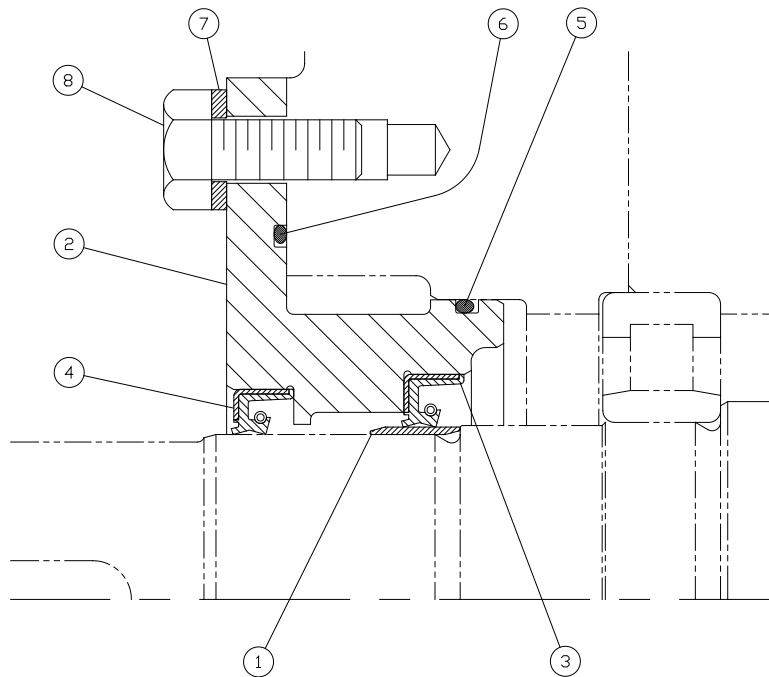
TURN VALVE & PART – SSQ

B/M: 300SSQ4052

Ref. No.	Name of Part	Qty.	Part No.
1	VALVE.....	1	301SSQ238
*	2 ROLLER BEARING.....	2	12BA51
	3 GEAR-AUXILLARY.....	1	200SSU031
*	4 KEY.....	1	35C114
	5 SCREW.....	1	76G21P
	6 HOUSING-BEARING.....	1	215SSQ006
*	7 SPRING.....	1	78W50
	8 SHAFT-CONTROL.....	1	200SSU081
	9 RACK.....	1	200SSU360
	10 SCREW.....	2	75P11N
	11 CYLINDER-CONTROL.....	2	200SSU082
	12 GROUP-PISTON.....	2	300SSU4056
	PISTON CONTROL.....	1	201SSU084
	* BUMPER.....	1	32E15
	* PLATE-RETAINER.....	1	300SSU168
	* RETAINING RING.....	1	74D49
*	13 PACKING-RING.....	4	60AM46
*	14 GASKET.....	4	25BC138N
	15 HEAD-CONTROL CYLINDER.....	2	302SSY083
	16 STUD.....	8	79AL5
	17 NUT.....	8	50AW24
*	18 SEAL.....	2	60DD801
	19 LOCKNUT.....	2	50AW38
	20 SCREW.....	2	76D49
	21 ELBOW.....	2	64D2G

* Parts included in Turn Valve Repair Kit Part Number 325SSP6013. Refer to page 59 .

Order by Part Number and Description. Reference Numbers are for your convenience only.



335SSQ810-B
(Ref. Drawing)

OIL SEAL DETAIL – SSQ

B/M: 300SSQ6029

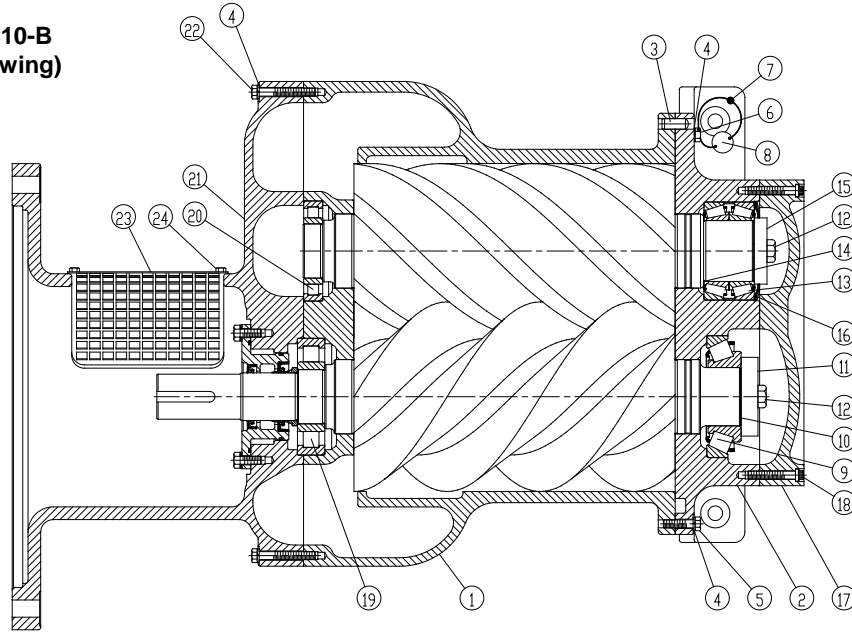
Ref. No.	Name of Part	Qty.	Part No.
* 1	SLEEVE-WEAR.....	1	80M28
2	HOUSING-SEAL	1	207SSQ362
* 3	SEAL-OIL.....	1	60DD571
* 4	SEAL-OIL.....	1	60DD689
* 5	O-RING.....	1	25BC157
* 6	O-RING.....	1	25BC431
7	LOCKWASHER	8	95B5
8	SCREW	8	655EE050
9	PLUG (not shown)	1	64AC1
10	PLUG (not shown)	1	64AC2
* 11	CHECK VALVE (not shown).....	1	90AR923

* Parts included in Oil Seal Kit Part Number 200SSQ6007. Refer to page 59.

For Wear Sleeve Installation/Removal Kit, order Part Number 200SSQ4017. Refer to page 59.

Order by Part Number and Description. Reference Numbers are for your convenience only.

217SSP810-B
(Ref. Drawing)



BARE COMPRESSOR – SSP

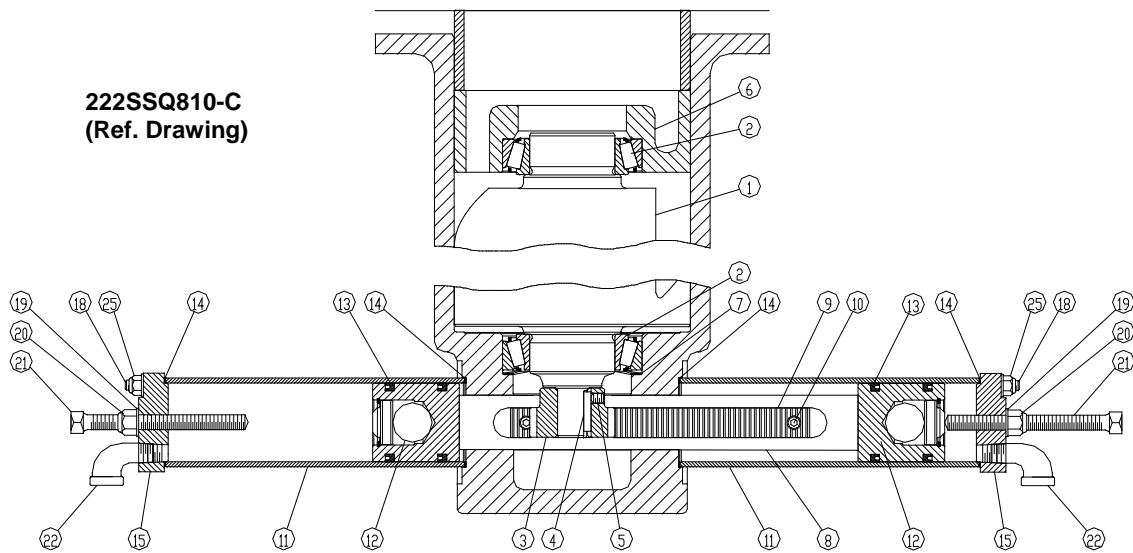
B/M: 211SSP4000

Ref. No.	Name of Part	Qty.	Part No.
1	CYLINDER	1	203SSP002
2	HOUSING-BEARING	1	205SSP006
3	PIN-DOWEL	2	62M83
4	LOCKWASHER	36	95B3
5	SCREW	14	655ED060
6	SCREW	2	655ED06D
7	SEAL-LEAD	1	01228421 0025
8	TAG-INSTRUCTION	1	202EAQ304
* 9	ROLLER BEARING	1	12BA105
** 10	SHIM SET	1	77H63
11	PLATE-BEARING RETAINER	1	201SSP253
12	SCREW	2	655EF06N
* 13	ROLLER BEARING	1	12BA198
** 14	SHIM SET	1	77H62
15	PLATE-BEARING RETAINER	1	200SSP253
* 16	SPRING	1	78W98
17	PLATE-BEARING COVER	1	203SSP315
18	SCREW	18	75P60
* 19	ROLLER BEARING	1	12BA104
* 20	ROLLER BEARING	1	12BA103
21	ADAPTOR	1	205SSP170
22	SCREW	19	655ED100
23	GUARD-COUPLING	1	201SSM339
24	SCREW	4	75LM150

* Parts included in Bearing Kit Part Number 323SSP6013. Refer to page 58.

** Parts included in Gasket Kit Part Number 324SSP6013. Refer to page 46.

Order by Part Number and Description. Reference Numbers are for your convenience only.



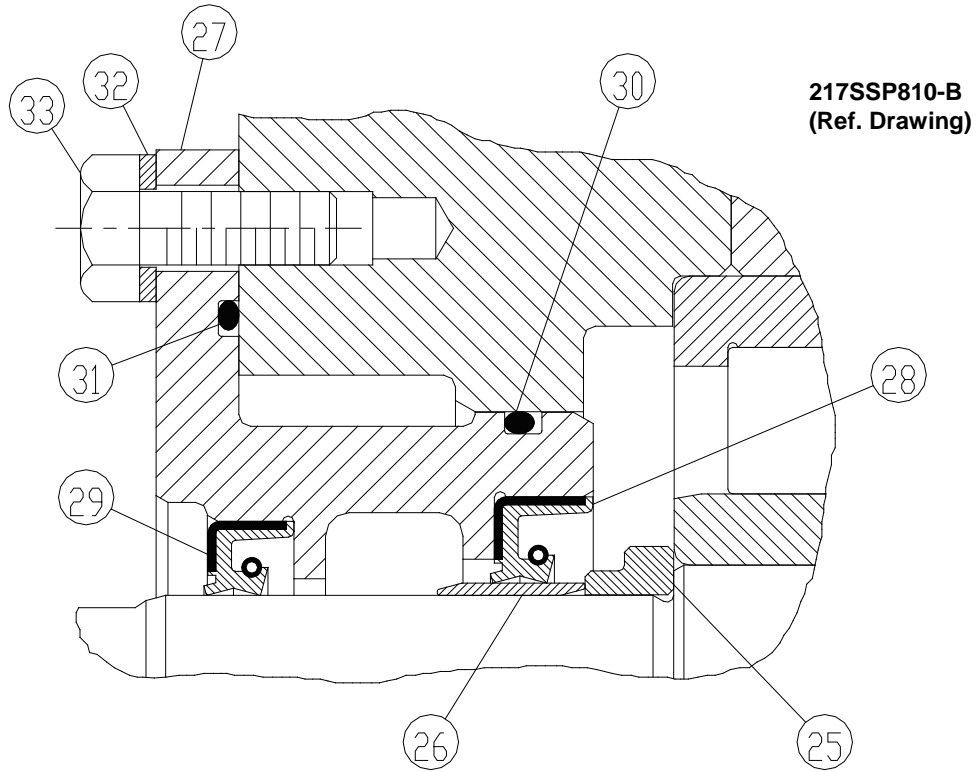
TURN VALVE – SSP

B/M: 200SSQ4049

Ref. No.	Name of Part	Qty.	Part No.
1	VALVE	1	301SSQ238
* 2	ROLLER BEARING	2	12BA51
3	GEAR-AUXILIARY	1	200SSU031
* 4	KEY	1	35C114
5	SCREW	1	76G21P
6	HOUSING-BEARING	1	215SSQ006
* 7	SPRING	1	78W50
8	SHAFT-CONTROL	1	200SSU081
9	RACK	1	200SSU360
10	SCREW	2	75P11P
11	CYLINDER-CONTROL	2	200SSU082
12	PISTON GROUP	2	300SSU4056
	PISTON-CONTROL	1	201SSU084
*	BUMPER	1	32E15
*	PLATE-RETAINER	1	300SSU168
*	RING-RETAINING	1	74D49
* 13	PACKING-RING	4	60AM46
* 14	GASKET	4	25BC138N
15	HEAD-CONTROL CYLINDER	2	302SSY083
18	STUD	8	79AL5
* 19	SEAL	2	60DD801
20	LOCKNUT	2	50AW38
21	SCREW	2	76D49
22	ELBOW	2	64D2G
25	NUT	8	50AW24

* Parts included in Turn Valve Kit Part Number 325SSP6013. Refer to page 59.

Order by Part Number and Description. Reference Numbers are for your convenience only.



OIL SEAL DETAIL – SSP

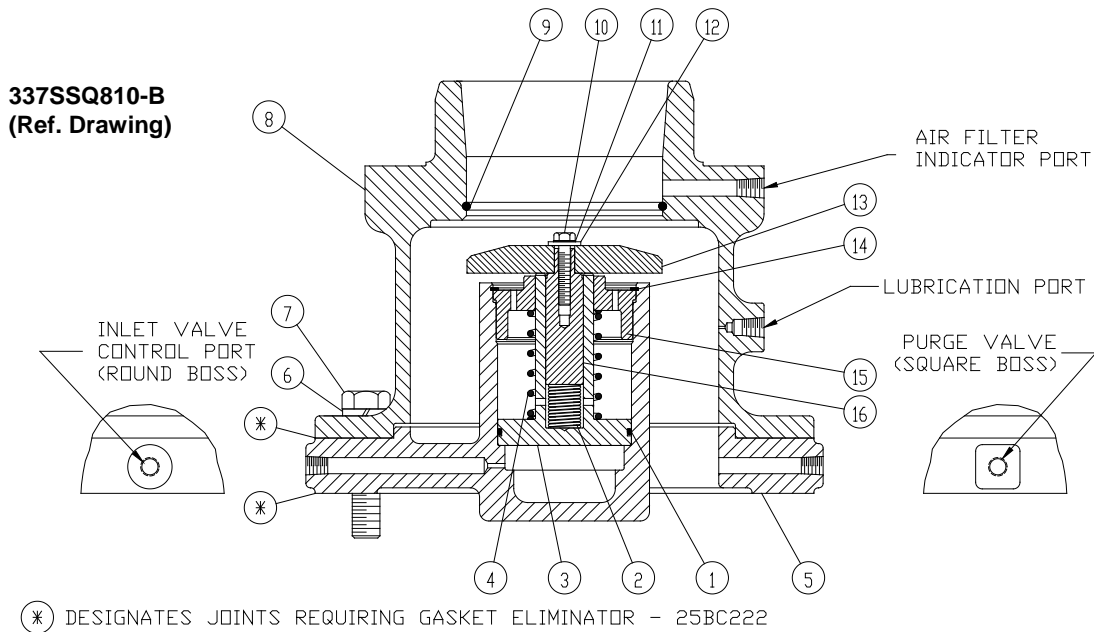
B/M: 211SSP4000

Ref. No.	Name of Part	Qty.	Part No.
25	SPACER-SHAFT	1	200SSP600
* 26	SLEEVE-WEAR.....	1	80M40
27	HOUSING-SEAL	1	204SSP362
* 28	SEAL-OIL.....	1	60DD693
* 29	SEAL-OIL.....	1	60DD692
* 30	O-RING.....	1	25BC380
* 31	O-RING.....	1	8502140
32	LOCKWASHER	8	95B5
33	SCREW	8	655EE050
*	VALVE-CHECK (NOT SHOWN)	1	90AR923

* Parts included in Drive Shaft Seal Kit part Number 300SSP6013. Refer to page 59.

Note: For Wear Sleeve Installation/Removal Kit, see Part Number 200SSP4017. Refer to page 59 .

Order by Part Number and Description. Reference Numbers are for your convenience only.



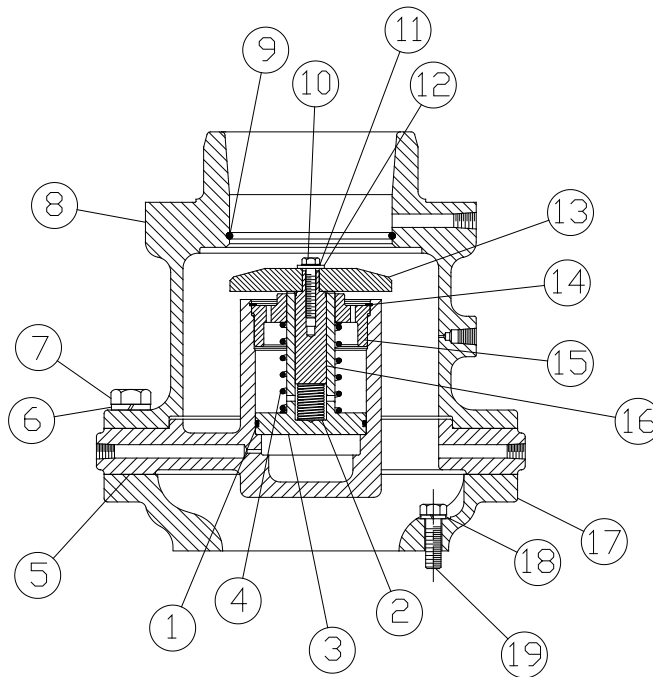
INLET VALVE - SSQ

B/M: 201SSQ4030

Ref. No.	Name of Part	Qty.	Part No.
** 1	O-RING.....	1	25BC298
** 2	SPRING.....	1	78W62
3	PISTON-INLET VALVE.....	1	201SSQ043
** 4	SPRING.....	1	78W61
5	HOUSING-INLET.....	1	204SSQ041
6	LOCKWASHER.....	8	95B8
7	SCREW.....	8	655EG120
8	SEAT.....	1	202SSQ256
** 9	O-RING.....	1	25AM30
10	SCREW.....	1	75A102
11	LOCKWASHER.....	1	95H57
12	WASHER.....	1	95A2
13	VALVE-INLET.....	1	201SSQ044
** 14	RING-RETAINING.....	1	74D89
15	RETAINER.....	1	200SSQ205
16	GUIDE-VALVE.....	1	201SSQ483

** Included in Periodic Maintenance Kit 301EAQ6013. Refer to page 58.

Order by Part Number and Description. Reference Numbers are for your convenience only.



300SSQ810
(Ref. Drawing)

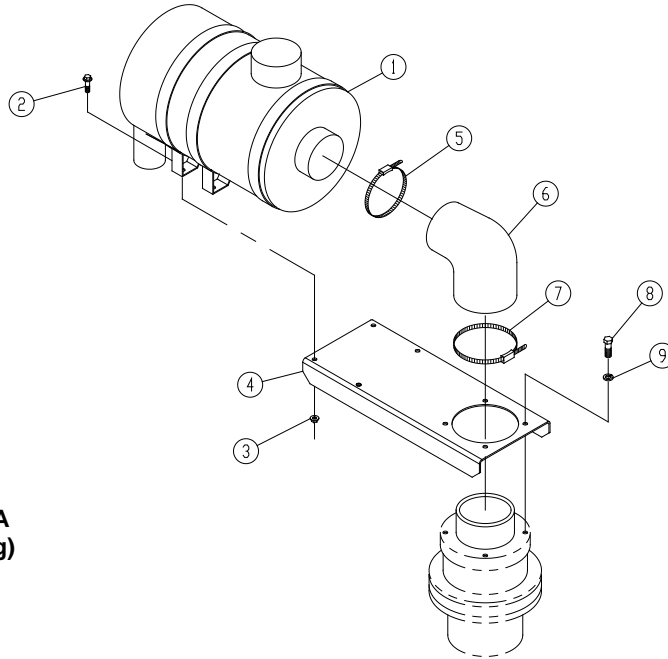
INLET VALVE – SSP ONLY

B/M: 300SSQ4030

Ref. No.	Name of Part	Qty.	Part No.
* 1	O-RING.....	1	25BC298
* 2	SPRING.....	1	78W62
3	PISTON-INLET VALVE.....	1	201SSQ043
* 4	SPRING.....	1	78W61
5	HOUSING-INLET.....	1	204SSQ041
6	LOCKWASHER.....	8	95B8
7	SCREW.....	8	655EG120
8	SEAT.....	1	202SSQ256
* 9	O-RING.....	1	25AM30
10	SCREW.....	1	75A102
11	LOCKWASHER.....	1	95H57
12	WASHER.....	1	95A2
13	VALVE-INLET.....	1	201SSQ044
* 14	RING-RETAINING.....	1	74D89
15	RETAINER.....	1	200SSQ205
16	GUIDE-VALVE.....	1	201SSQ483
17	ADAPTOR.....	1	200SSM170
18	LOCKWASHER.....	8	95B5
19	SCREW.....	8	655EE070

* Included in Periodic Maintenance Kit Part Number 301EAQ6013. Refer to page 58

Order by Part Number and Description. Reference Numbers are for your convenience only.



315EAQ810-A
(Ref. Drawing)

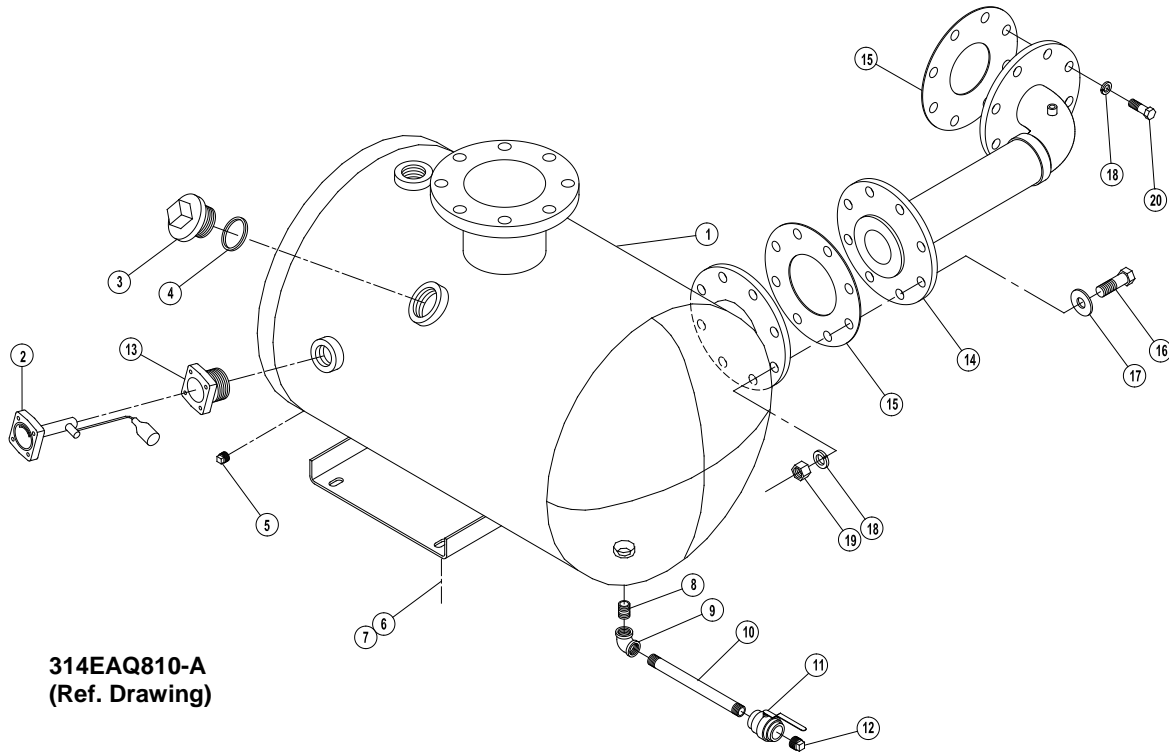
AIR FILTER & MOUNTING

B/M: 300EAQ4054

Ref. No.	Name of Part	Qty.	Part No.
1	FILTER-AIR	1	5L353
2	SCREW	4	75LM51
3	NUT	4	50AW5
4	BRACKET-FILTER	1	301EAQ389
5	CLAMP	1	29B46
6	HOSE.....	1	29Z96
7	CLAMP	1	2009499
8	SCREW	4	655EE040
9	LOCKWASHER	4	95B5
*	ELEMENT (AIR FILTER) FOR REPAIR.....	1	2118349

* Not shown.

Order by Part Number and Description. Reference Numbers are for your convenience only.



314EAQ810-A
(Ref. Drawing)

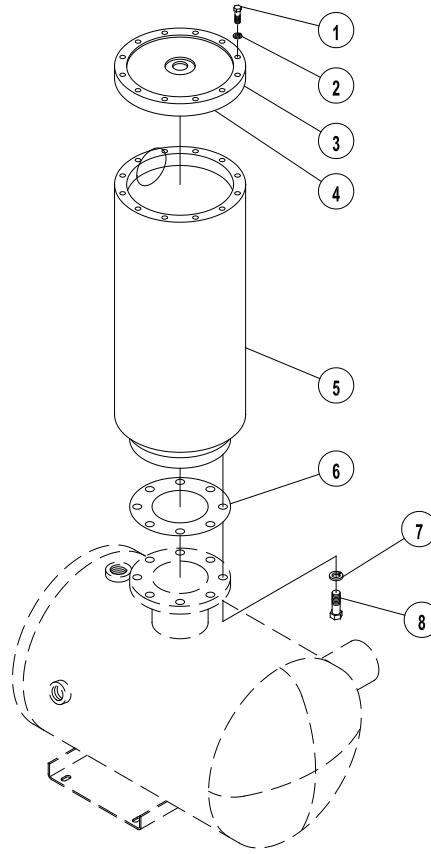
OIL RESERVOIR GROUP

B/M: 302EAQ4018

Ref. No.	Name of Part	Qty.	Part No.
1	RESERVOIR-OIL	1	303EAQ037
* 2	GAUGE-FLOAT	1	300EBM303
3	COVER-FILLER	1	200SPF156
4	O-RING	1	25BC900
5	PLUG	1	64AA5
6	SCREW	4	75LM135
7	NUT	4	50AW35
8	NIPPLE	1	63F1G
9	ELBOW	1	64C4G
10	NIPPLE	1	63F15G
11	VALVE-BALL	1	90AR360
12	PLUG	1	64AA7
13	ADAPTOR-GAUGE	1	200EDE058
14	MANIFOLD-DISCHARGE	1	300EAQ071
15	GASKET	2	25C121N
16	SCREW	8	655EF120
17	WASHER	8	95A7
18	LOCKWASHER	16	95B7
19	NUT	8	50B7
20	SCREW	8	655EF070

* For Repair, order Float Gauge Gasket Part Number 54C204.

Order by Part Number and Description. Reference Numbers are for your convenience only.



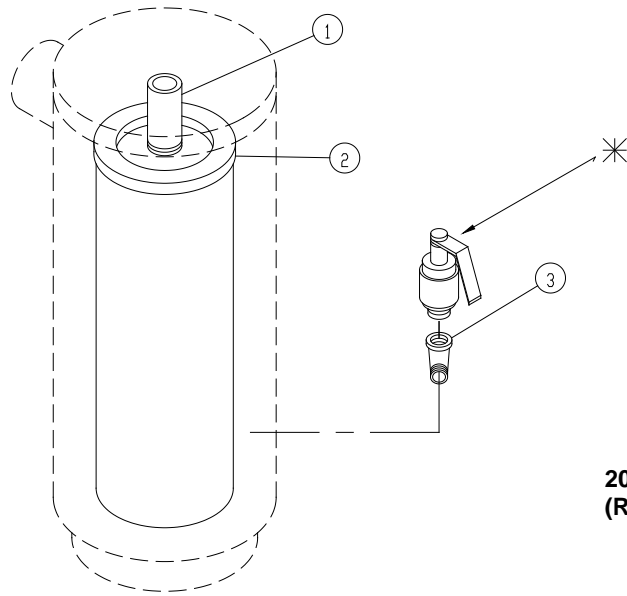
209EDM810-A
(Ref. Drawing)

SEPARATOR HOUSING

B/M: 201EDM4018

Ref. No.	Name of Part	Qty.	Part No.
1	SCREW.....	12	655EE090
2	LOCKWASHER	12	95B5
3	COVER	1	200EDM225
4	GASKET ELIMINATOR	1	25BC222
5	HOUSING	1	200EDM405
6	GASKET	1	25C2719N
7	LOCKWASHER	8	95B8
8	SCREW.....	8	655EG080

Order by Part Number and Description. Reference Numbers are for your convenience only.



203EDM810-A
(Ref. Drawing)

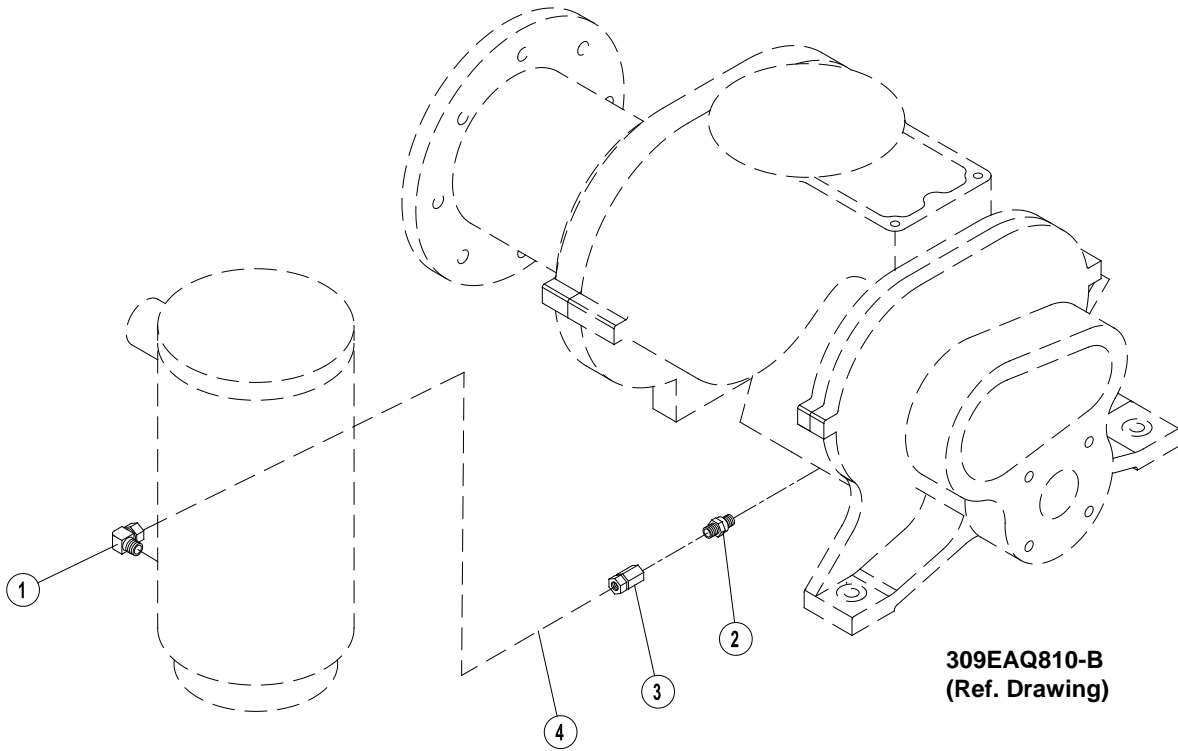
SEPARATOR GROUP

B/M: 200EDP4013

Ref. No.	Name of Part	Qty.	Part No.
1	SPACER	1	201EDM392
** 2	OIL SEPARATOR	1	VP1040693
3	ELBOW	1	64D8G
*	RELIEF VALVE.....		
	100 PSI		90AR510
	125 PSI		90AR532
	150 PSI		90AR976

** For Separator Repair Kit, order Part Number 305EBQ6013. Refer to page 56.

Order by Part Number and Description. Reference Numbers are for your convenience only.



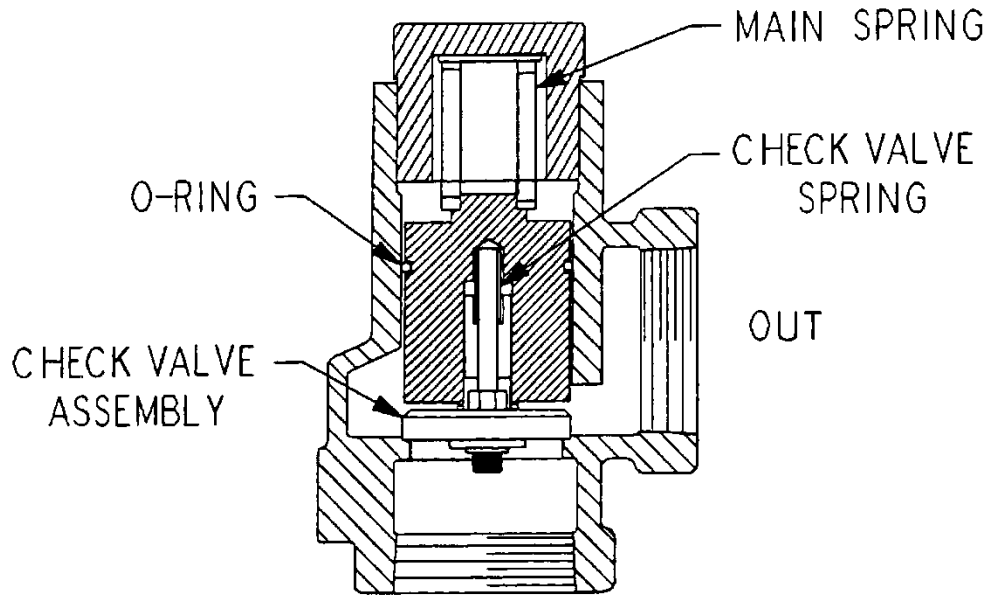
OIL RETURN LINE

B/M: 308EAQ4017

Ref. No.	Name of Part	Qty.	Part No.
1	TUBE FITTING	1	86E220
* 2	VALVE-CHECK	1	90AR261
3	TUBE FITTING	1	86E218
4	TUBE (IN FEET).....	3	85K3

* Part included in Pneumatic Control Kit Part Number 302EAQ6013. Refer to page 59.

Order by Part Number and Description. Reference Numbers are for your convenience only.

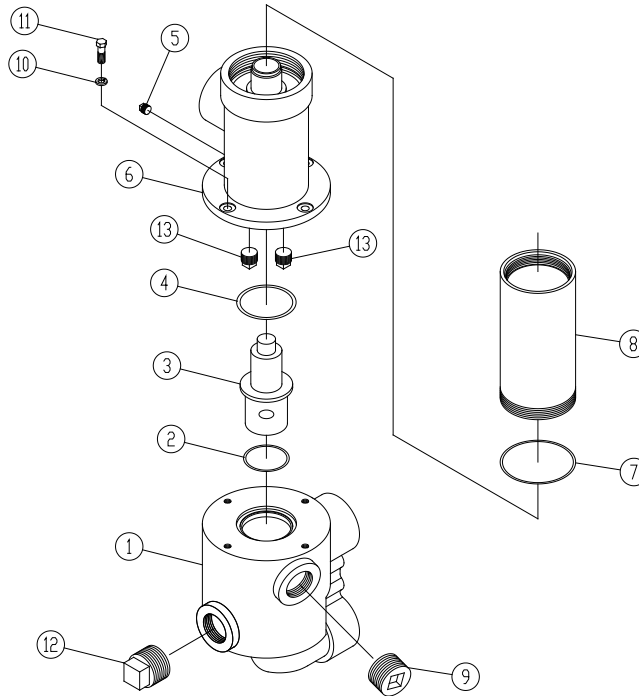


MINIMUM PRESSURE/CHECK VALVE

Name of Part	Qty.	Part No.
MINIMUM PRESSURE VALVE ASSEMBLY	1	301EBM527
REPAIR KIT:	1	2118775
O-RING	1	
SPRING, CHECK VALVE	1	
CHECK VALVE ASSEMBLY	1	
SPRING, MAIN	1	

Order by Part Number and Description. Reference Numbers are for your convenience only.

333EAU810-B
(Ref. Drawing)



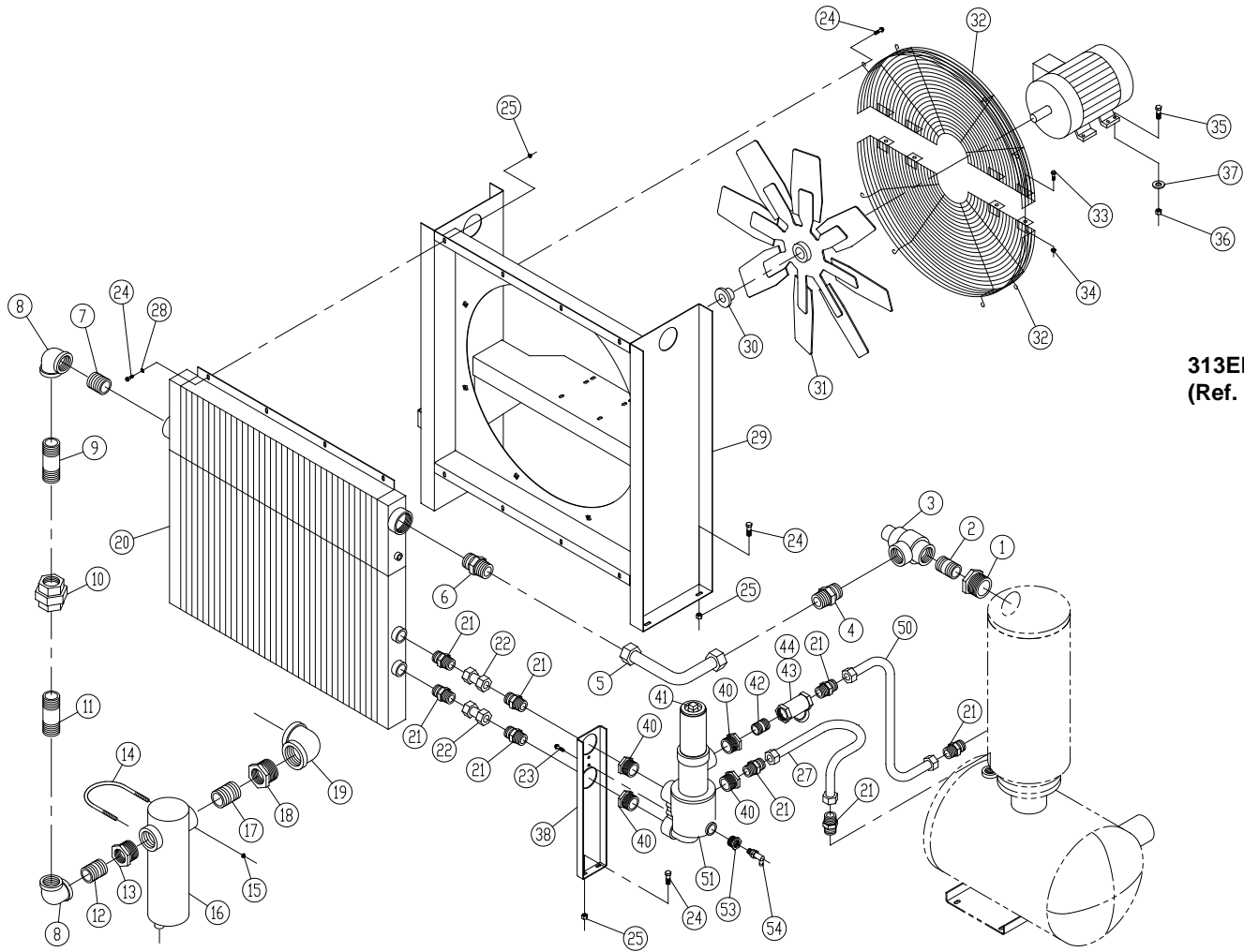
**OIL FILTER & MIXING VALVE ASSEMBLY
(WITH 150°F ELEMENT – STANDARD)**

B/M: 303EAQ2045
304EAQ2045

Ref. No.	Name of Part	Qty.	Part No.
1	MANIFOLD-OIL	1	200EAU116
2	O-RING	1	25BC127
3	ELEMENT	1	
	150°F (Standard)	1	2117382
	140°F (Optional).....	1	2117381
	160°F (Optional).....	1	2117383
	180°F (Optional).....	1	2117384
4	O-RING	1	25BC175
5	PLUG	1	64AC2
6	MANIFOLD-OIL	1	201EAU116
7	O-RING	1	25BC380
* 8	BODY-OIL FILTER	1	200EDM032
9	PLUG	1	64B7
10	LOCKWASHER	4	95B3
11	SCREW.....	4	655ED050
12	PLUG	1	64AA2
13	PLUG	2	2118347

* For Repair or Filter Element, order Part Number 2118342.

COOLING GROUP – AIR COOLED – 100, 125 & 150 HP



**313EBQ810-B
(Ref. Drawing)**

Order by Part Number and Description. Reference Numbers are for your convenience only.

COOLING GROUP – AIR COOLED – 100, 125 & 150 HP

B/M: 319EBQ4003; 320EBQ4003
 305EAQ4013; 300EDP4013
 308EAQ4013; 309EAQ4013

Ref. No.	Name of Part	Qty.	Part No.	Ref. No.	Name of Part	Qty.	Part No.
1	BUSHING-PIPE	1	64E41	24	SCREW	22	75LM51
2	NIPPLE	1	63L25G	25	NUT	14	50AW5
3	VALVE-MINIMUM PRESSURE.....	1	301EBM527	27	TUBE WITH FITTINGS	1	310EAQ863
4	CONNECTOR TUBE	1	86H142	28	WASHER.....	8	95A3
5	TUBE WITH FITTINGS	1	306EAQ863	29	SUPPORT	1	200EDM165
6	CONNECTOR TUBE	1	86H142	30	BUSHING-HUB	1	22G2
7	NIPPLE	1	63L2G	31	FAN	1	200EAQ701
8	ELBOW	2	64C9G	32	GUARD-FAN	1	200EDM393
9	NIPPLE	1	63L26G	33	SCREW	4	75LM50
10	UNION	1	64Z2	34	NUT	4	50AW4
11	NIPPLE	1	63L26G	35	SCREW	4	75LM78
12	NIPPLE	1	63L16G	36	NUT	4	50AW5
13	BUSHING-PIPE	1	64E25	37	WASHER.....	4	95W15
14	U-BOLT	1	15U75	38	BRACKET (FORMED).....	1	300EAQ142
15	NUT.....	2	50AW35	40	BUSHING-PIPE.....	4	64EB304
* 16	SEPARATOR-MOISTURE	1	83C92	▽ 41	OIL FILTER	1	300EAQ369
17	NIPPLE	1	63M3G	42	NIPPLE-	1	63K20G
18	BUSHING-PIPE	1	64E33	** 43	STRAINER	1	82E49
19	ELBOW	1	64C10G	44	PLUG.....	1	64AA3
20	COOLER-OIL	1	300EAQ201	50	TUBE WITH FITTINGS (SSQ)	1	313EAQ863
	COOLER-OIL (Seacoast).....	1	301EAQ201		TUBE WITH FITTINGS (SSP).....	1	See Page 31
21	CONNECTOR-TUBE	8	86H141	51	FILTER ASSEMBLY (150°) See Page 22	1	303EAQ2045
22	TUBE WITH FITTINGS	2	311EAQ863		FILTER ASSEMBLY (180°) See Page 22	1	304EAQ2045
23	SCREW.....	2	75LM51	53	BUSHING-PIPE.....	1	64E61
				54	OIL SAMPLING VALVE.....	1	86N345

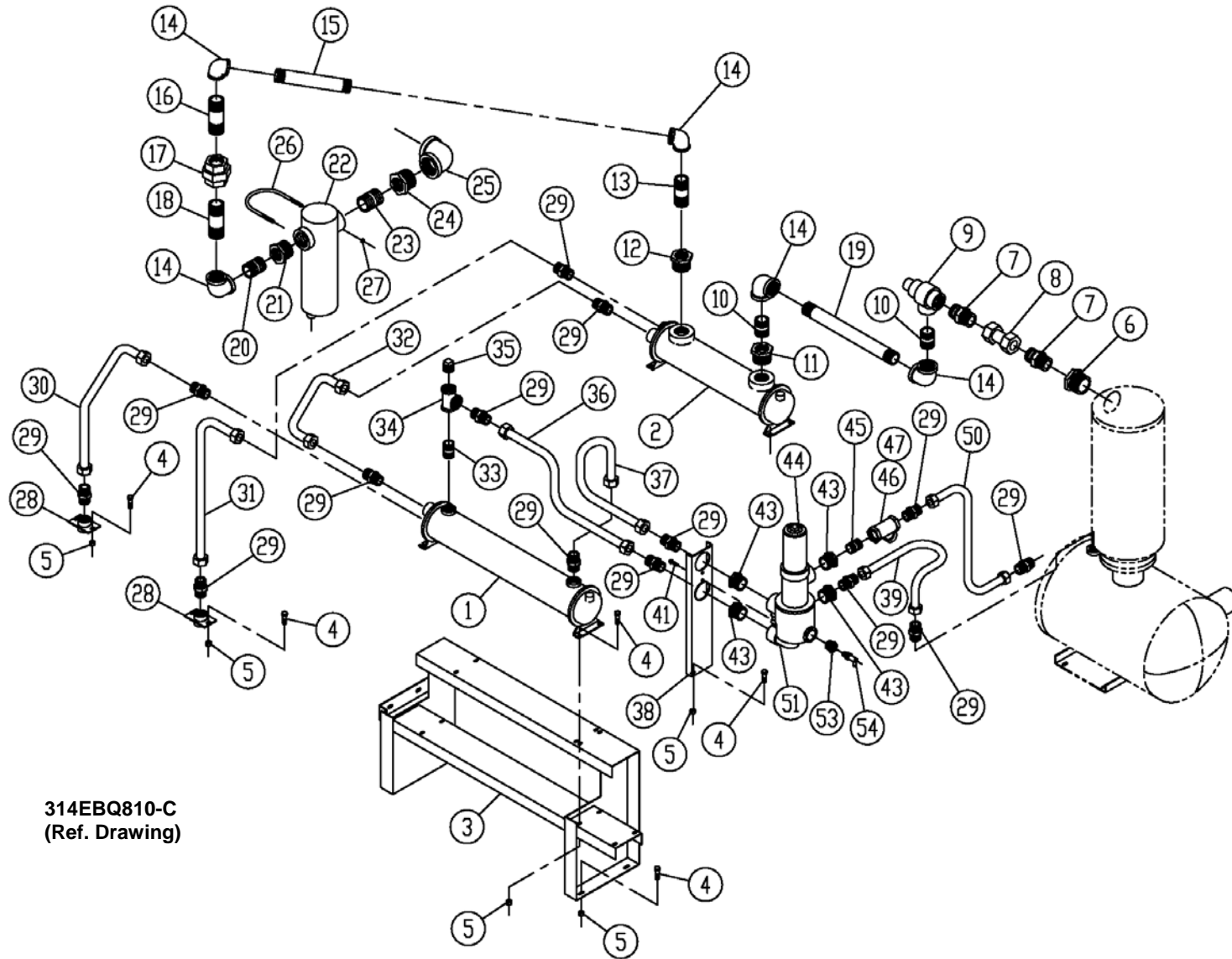
* Repair Parts Kit for Moisture Separator: 2117587 – Valve & Seat Assembly; 2117588 – Cover Gasket; 2117589 – Float & Spindle.

** Repair Parts for Strainer (100 Mesh Screen): 2118378; Blow-Off Bushing: 2118381

For Fan Motor Part Numbers, see page 46.

▽ Repair Element Part Number 2118342.

WATER COOLED HEAT EXCHANGER – WITH AFTERCOOLER – 100, 125 & 150 HP



314EBQ810-C
(Ref. Drawing)

Order by Part Number and Description. Reference Numbers are for your convenience only.

WATER COOLED HEAT EXCHANGER – WITH AFTERCOOLER – 100, 125 & 150 HP

B/M: 323EBQ4003; 324EBQ4003; 305EAQ4013;
300EDP4013; 308EAQ4013; 309EAQ4013

Ref. No.	Name of Part	Qty.	Part No.	Ref. No.	Name of Part	Qty.	Part No.
1	HEAT EXCHANGER.....	1	200EDM349	17	UNION.....	1	64Z2
	GASKET-RETURN.....	1	2117180	18	NIPPLE.....	1	63L26G
	GASKET-IN/OUT.....	1	2109064	19	NIPPLE.....	1	63N32X186G
	BONNET-RETURN.....	1	2117179	20	NIPPLE.....	1	63L17G
	BONNET-IN/OUT.....	1	2117178	21	BUSHING-PIPE.....	1	64E25
	HEAT EXCHANGER (Salt Water) (Optional).	1	201EDM349	*	22 SEPARATOR-MOISTURE.....	1	83C92
	GASKET-RETURN.....	1	2117180	23	NIPPLE.....	1	63M3G
	GASKET-IN/OUT.....	1	2109064	24	BUSHING-PIPE.....	1	64E33
	BONNET-RETURN.....	1	2117184	25	ELBOW.....	1	64C10G
	BONNET-IN/OUT.....	1	2117183	26	U-BOLT.....	1	15U75
2	AFTERCOOLER.....	1	200EDM292	27	NUT.....	2	50AW35
	GASKET-RETURN.....	1	2109064	28	MANIFOLD-WATER.....	2	200EDM072
	GASKET-IN/OUT.....	1	2109063	29	CONNECTOR-TUBE.....	14	86H141
	BONNET-RETURN.....	1	2117182	30	TUBE WITH FITTINGS.....	1	303EAQ863
	BONNET-IN/OUT.....	1	2109065	31	TUBE WITH FITTINGS.....	1	304EAQ863
	AFTERCOOLER (Salt Water) (Optional).....	1	201EDM292	32	TUBE WITH FITTINGS.....	1	301EAQ863
	GASKET-RETURN.....	1	2109064	33	NIPPLE.....	1	63K6G
	GASKET-IN/OUT.....	1	2109063	34	TEE.....	1	64G11G
	BONNET-RETURN.....	1	2109076	***	35 PLUG.....	1	64A8
	BONNET-IN/OUT.....	1	2109077	36	TUBE WITH FITTINGS.....	1	308EAQ863
3	SUPPORT.....	1	300EAQ165	37	TUBE WITH FITTINGS.....	1	309EAQ863
4	SCREW.....	18	75LM51	38	BRACKET (FORMED).....	1	300EAQ142
5	NUT.....	18	50AW5	39	TUBE WITH FITTINGS.....	1	310EAQ863
6	BUSHING-PIPE.....	1	64E41	41	SCREW.....	2	75LM51
7	CONNECTOR-TUBE.....	2	86H142	43	BUSHING-PIPE.....	4	64EB304
8	TUBE WITH FITTINGS.....	1	314EAQ863	∇	44 OIL FILTER.....	1	300EAQ369
9	VALVE-MINIMUM PRESSURE.....	1	301EBM527	45	NIPPLE.....	1	63K20G
10	NIPPLE.....	2	63L20G	**	46 STRAINER.....	1	82E49
11	BUSHING-PIPE.....	1	64E41	47	PLUG.....	1	64AA3
12	BUSHING-PIPE.....	1	64E41	50	TUBE WITH FITTINGS (SSQ).....	1	313EAQ863
13	NIPPLE.....	1	63L7G		TUBE WITH FITTINGS (SSP).....	1	See Page 31
14	ELBOW.....	5	64C9G	51	FILTER ASSEMBLY (150°) See Page 22..	1	303EAQ2045
15	NIPPLE.....	1	63N32X216G		FILTER ASSEMBLY (180°) See Page 22 .	1	304EAQ2045
16	NIPPLE.....	1	63L27G	53	BUSHING-PIPE.....	1	64E61
				54	OIL SAMPLING VALVE.....	1	86N345

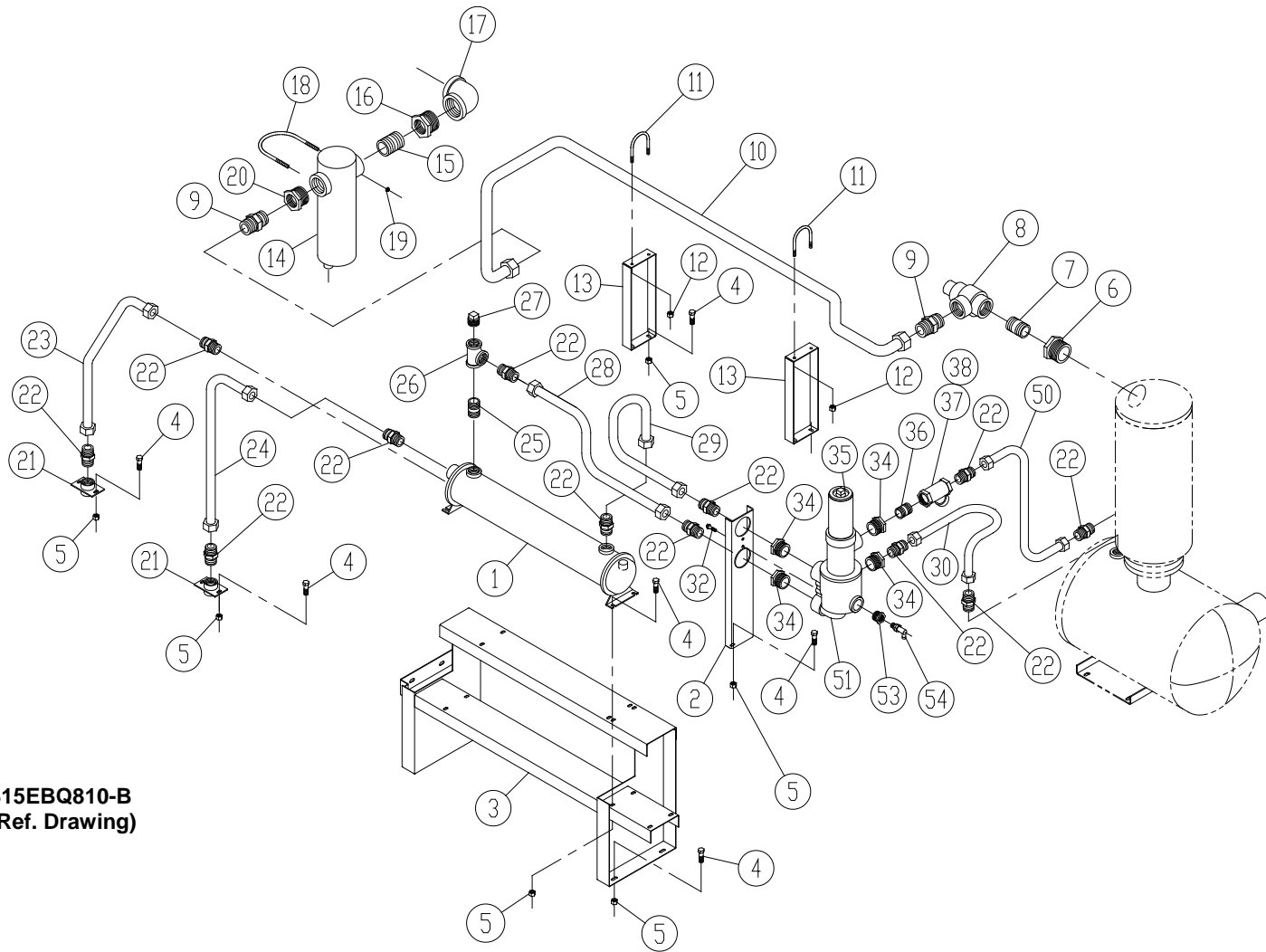
* Repair Parts Kits for Moisture Separator: 2117587 – Valve & Seat Assembly; 2117588 – Cover Gasket; 2117589 – Float & Spindle.

** Repair Parts for Strainer (100 Mesh Screen): 2118378; Blow-Off Bushing: 2118381.

*** Note: Remove this plug when Optional Water Temperature Regulator is used. This is where the temperature pick-up goes.

∇ Repair Element Part Number 2118342.

WATER COOLED HEAT EXCHANGER – WITHOUT AFTERCOOLER – 100, 125 & 150 HP



315EBQ810-B
(Ref. Drawing)

Order by Part Number and Description. Reference Numbers are for your convenience only.

WATER COOLED HEAT EXCHANGER – WITHOUT AFTERCOOLER – 100, 125 & 150 HP

B/M: 327EBQ4003; 328EBQ4003
305EAQ4013; 300EDP4013
308EAQ4013; 309EAQ4013

Ref. No.	Name of Part	Qty.	Part No.	Ref. No.	Name of Part	Qty.	Part No.
1	HEAT EXCHANGER	1	200EDM349	17	ELBOW	1	64C10G
	GASKET-RETURN	1	2117180	18	U-BOLT	1	15U75
	GASKET-IN/OUT	1	2109064	19	NUT	2	50AW35
	BONNET-RETURN	1	2117179	20	BUSHING-PIPE	1	64E25
	BONNET-IN/OUT	1	2117178	21	MANIFOLD-WATER	2	200EDM072
	HEAT EXCHANGER (Salt Water) (Optional)	1	201EDM349	22	CONNECTOR-TUBE	12	86H141
	GASKET-RETURN	1	2117180	23	TUBE WITH FITTINGS	1	303EAQ863
	GASKET-IN/OUT	1	2109064	24	TUBE WITH FITTINGS	1	302EAQ863
	BONNET-RETURN	1	2117184	25	NIPPLE	1	63K6G
	BONNET-IN/OUT	1	2117183	26	TEE	1	64G11G
2	BRACKET (FORMED)	1	300EAQ142	*** 27	PLUG	1	64A8
3	SUPPORT	1	300EAQ165	28	TUBE WITH FITTINGS	1	308EAQ863
4	SCREW	18	75LM51	29	TUBE WITH FITTINGS	1	309EAQ863
5	NUT	18	50AW5	30	TUBE WITH FITTINGS	1	310EAQ863
6	BUSHING-PIPE	1	64E41	32	SCREW	2	75LM51
7	NIPPLE	1	63L9G	34	BUSHING-PIPE	4	64EB304
8	VALVE-MINIMUM PRESSURE	1	301EBM527	∇ 35	FILTER – OIL	1	300EAQ369
9	CONNECTOR-TUBE	2	86H142	36	NIPPLE	1	63K20G
10	TUBE WITH FITTINGS	1	305EAQ863	** 37	STRAINER	1	82E49
11	U-BOLT	2	15U18	38	PLUG	1	64AA3
12	NUT	4	50AW5	50	TUBE WITH FITTINGS (SSQ)	1	313EAQ863
13	BRACKET-PIPE	2	300EAQ108		TUBE WITH FITTINGS (SSP)	1	See Page 31
* 14	SEPARATOR-MOISTURE	1	83C92	51	FILTER ASSEMBLY (150°) See Page 22 ...	1	303EAQ2045
15	NIPPLE	1	63M3G		FILTER ASSEMBLY (180°) See Page 22 ...	1	304EAQ2045
16	BUSHING-PIPE	1	64E33	53	BUSHING-PIPE	1	64E61
				54	OIL SAMPLING VALVE	1	86N345

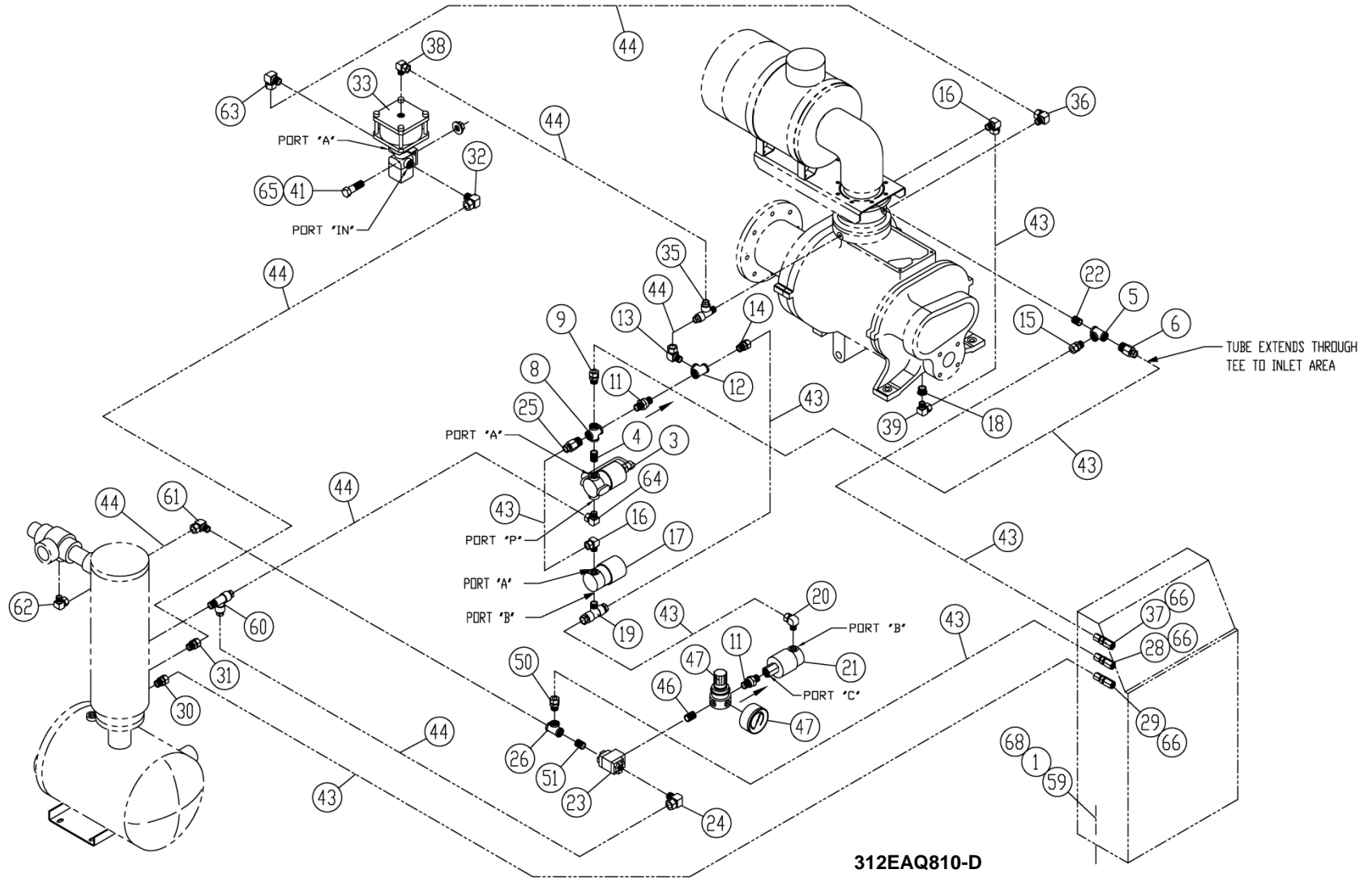
* Repair Parts Kits for Moisture Separator: 2117587 – Valve & Seat Assembly; 2117588 – Cover Gasket; 2117589 – Float & Spindle.

** Repair Parts for Strainer (100 Mesh Screen): 2118378; Blow-Off Bushing: 2118381.

*** Note: Remove this plug when Optional Water Temperature Regulator is used. This is where the temperature pick-up goes.

∇ Repair Element Part Number 2118342.

CONTROL SCHEMATIC



312EAQ810-D
(Ref. Drawing)

Order by Part Number and Description. Reference Numbers are for your convenience only.

CONTROL SCHEMATIC

B/M: 300EAQ4052;
300, 301EBQ4052

Ref. No.	Name of Part	Qty.	Part No.	Ref. No.	Name of Part	Qty.	Part No.
1	SCREW	4	75LM51	30	TUBE FITTING	1	86E210
3 *+	VALVE-SOLENOID	1	91B70	31	TUBE FITTING	1	86E212
4	NIPPLE	1	63D1G	32	TUBE FITTING	1	86E212
5	TEE	1	64G3G	33 ** ++	CONTROL VALVE.....	1	90AR1082
6	TUBE FITTING	1	86E242	35	TUBE FITTING	1	86E237
8	CROSS	1	64K1G	36	TUBE FITTING	1	86E222
9	TUBE FITTING	1	86E220	37	CONNECTOR-TUBE	1	86N287
11 ++	VALVE-CHECK	2	90AR261	38	TUBE FITTING	1	86E222
12	TEE	1	64G3G	39	TUBE FITTING	1	86E220
13	TUBE FITTING	1	86E222	41	NUT	2	50AW3
14	ORIFICE	1	86N289	43	TUBE (IN FEET)	27	85K3
15	TUBE FITTING	2	86E210	44	TUBE (IN FEET)	31	85K5
16	TUBE FITTING	1	86E220	46	NIPPLE.....	1	63D1G
17 +	VALVE-SOLENOID	1	91B144	47 + +Δ	REGULATOR-PRESSURE W/GAUGE ...	1	88H367
18	BUSHING-PIPE	1	64E2G	50	TUBE FITTING	1	86E210
19	TUBE FITTING	1	86E239	51	NIPPLE.....	1	63D1G
20	TUBE FITTING	1	86E220	59	NUT	4	50AW5
21 +	VALVE-SOLENOID	1	91B143	60	TUBE FITTING	1	86E237
22	NIPPLE	1	63D1G	61	TUBE FITTING	1	86E222
23 ++	VALVE-CONTROL	1	90AR1034	62	TUBE FITTING	1	86E222
24	TUBE FITTING	1	86E222	63	TUBE FITTING	1	86E222
25	TUBE FITTING	1	86E210	64	TUBE FITTING	1	86E222
26	TEE	1	64G3G	65	SCREW	2	75LM48
28	CONNECTOR-TUBE	1	86N287	66	O-RING.....	3	165011
29	CONNECTOR-TUBE	1	86N287	67	TIE-CABLE (not shown)	30	24CA127
				68	WASHER.....	4	95A3Z

* For Repair Kit (includes Springs, Seals, Piston Assembly, Plunger Assembly, Nut & O-Ring, order Part Number 2116077 or for Coil, order Part Number 2116078.

+ Parts included in Electrical Control Kit, Part Number 306EAQ6013. Refer to page 56.

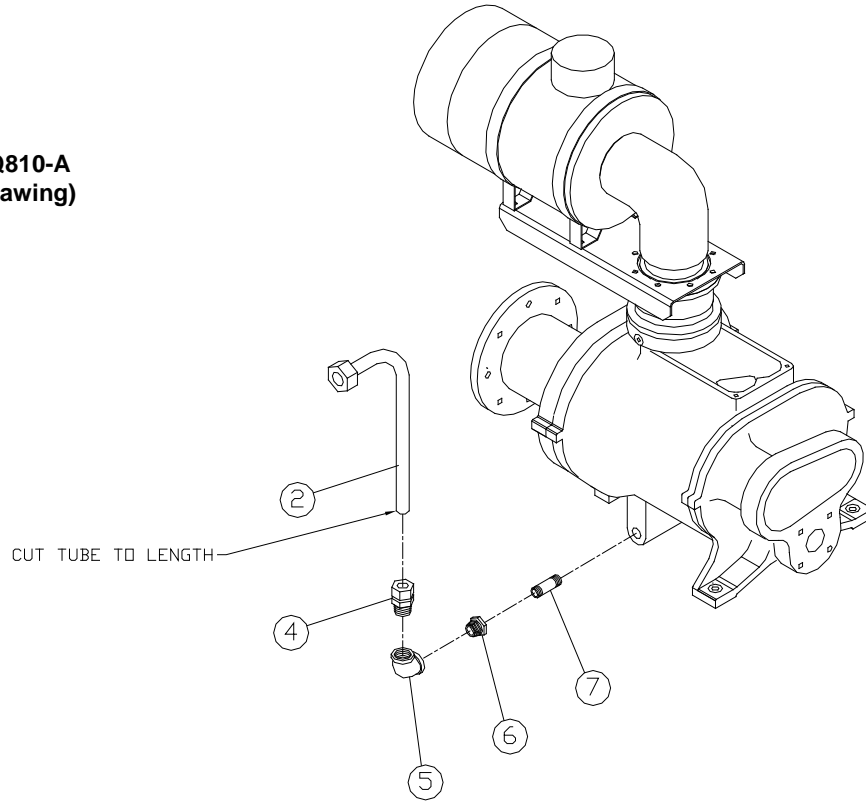
** For Repair of U-Cup (Piston Seal), order Part Number 2117904; For O-Ring (Top Plate), order Part Number 2117905.

++ Parts included in Pneumatic Control Kit, Part Number 302EAQ6013. Refer to page 56.

Δ For Replacement Gauge, order Part Number 2116732.

Order by Part Number and Description. Reference Numbers are for your convenience only.

310EAQ810-A
(Ref. Drawing)

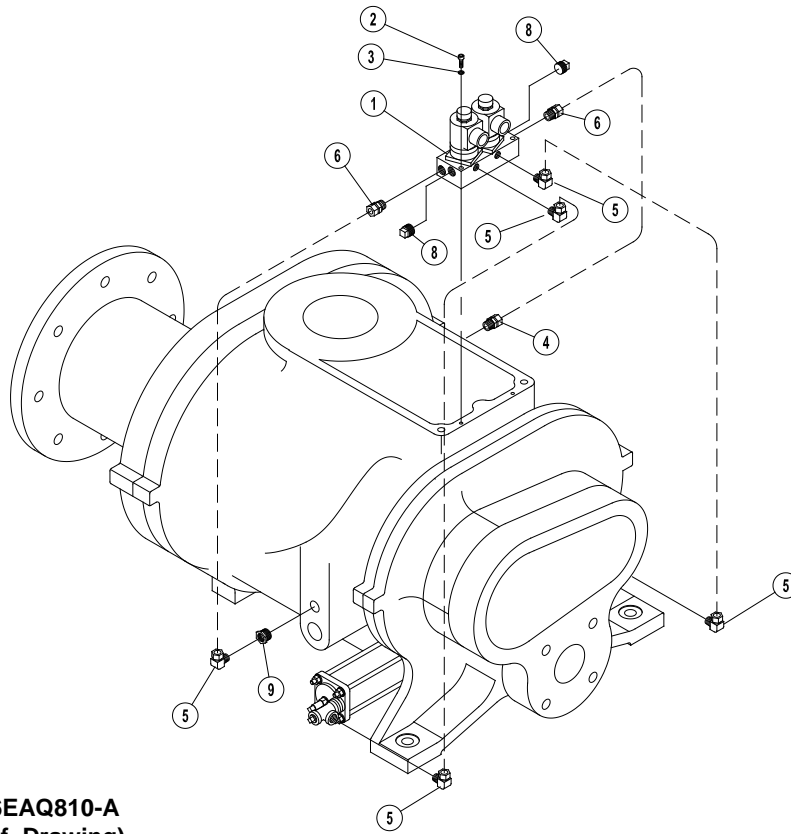


OIL INJECTION LINE (SSP)

B/M: 313EAQ4017

Ref. No.	Name of Part	Qty.	Part No.
2	TUBE WITH FITTING	1	305EDP863
4	TUBE CONNECTOR	1	86N105
5	ELBOW	1	64C8G
6	PIPE BUSHING	1	64EB303
7	NIPPLE	1	63H11G

Order by Part Number and Description. Reference Numbers are for your convenience only.



276EAQ810-A
(Ref. Drawing)

TURN VALVE ACTUATOR (SSQ)

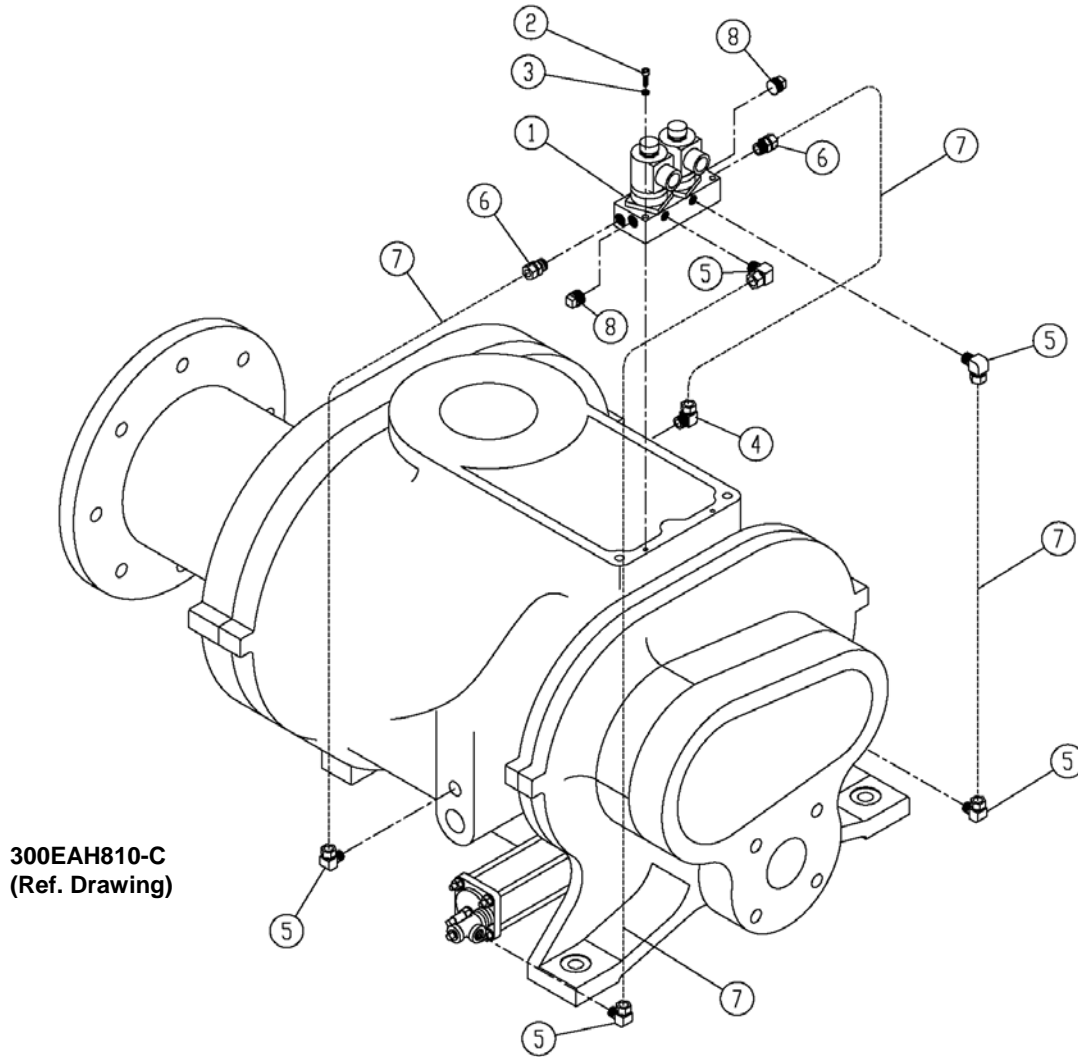
B/M: 208EAQ4013

Ref. No.	Name of Part	Qty.	Part No.
** 1	VALVE-SOLENOID	1	301EAQ861
2	SCREW.....	2	75P26
3	LOCKWASHER	2	95B1
4	TUBE FITTING	1	86E210
5	TUBE FITTING	5	86E220
6	TUBE FITTING	2	86E211
* 7	TUBE (IN FEET)	10	85K3
8	PLUG	2	64AC3
9	BUSHING-PIPE	1	64E2G

* Not Shown

** For O-Ring Repair Kit, order Part Number 307EAQ6013. Refer to page **Error! Bookmark not defined.**

Order by Part Number and Description. Reference Numbers are for your convenience only.



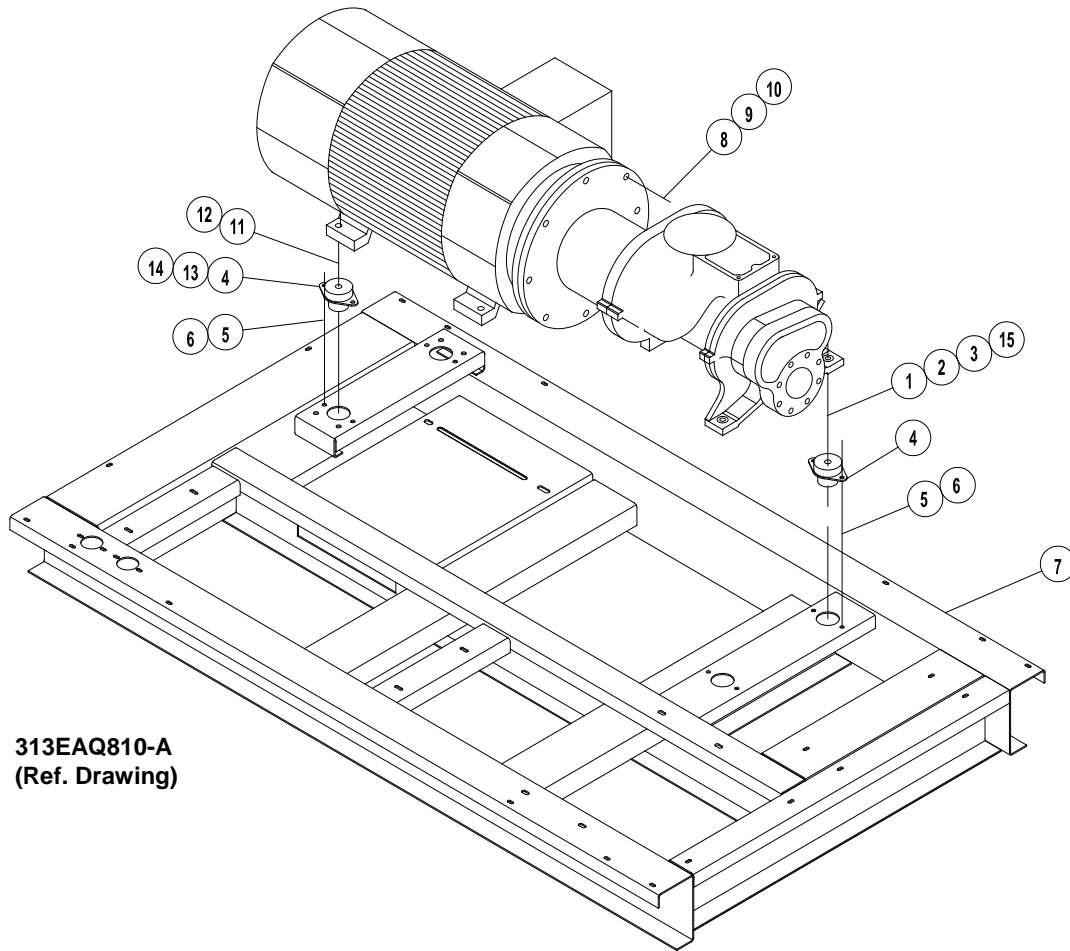
TURN VALVE SOLENOID VALVE – (SSP)

B/M: 300EAH4013

Ref. No.	Name of Part	Qty.	Part No.
* 1	VALVE-SOLENOID.....	1	301EAQ861
2	SCREW.....	2	75P26
3	LOCKWASHER.....	2	95B1
4	TUBE FITTING.....	1	86E220
5	TUBE FITTING.....	5	86E220
6	TUBE FITTING.....	2	86E211
7	TUBE (IN FEET)	10	85K3
8	PLUG	2	64AC3

* For O-Ring Repair Kit, order Part Number 307EAQ6013. Refer to Page **Error! Bookmark not defined.**

Order by Part Number and Description. Reference Numbers are for your convenience only.



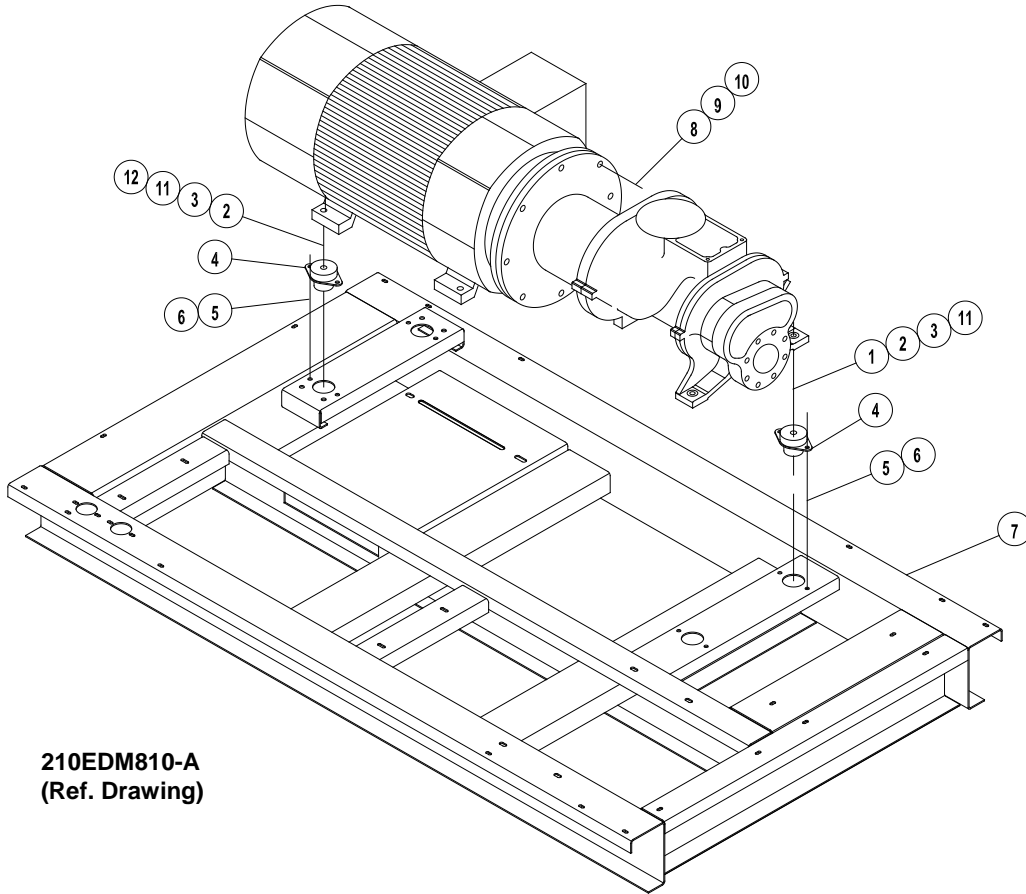
313EAQ810-A
(Ref. Drawing)

COMPRESSOR BASE GROUP – (SSP)

B/M: 301ERM4017

Ref. No.	Name of Part	Qty.	Part No.
1	SCREW	2	655EF200
2	LOCKWASHER	2	95B7
3	NUT	2	50B7
4	ISOLATOR-VIBRATION.....	4	49C48
5	SCREW	8	75LM135
6	NUT	8	50AW35
7	BASE	1	300ERM285
8	NUT	8	50B8
9	LOCKWASHER	8	95B8
10	SCREW	8	655EG140
11	SCREW	2	655EG240
12	WASHER.....	2	95A8
13	LOCKWASHER	2	95B8
14	NUT	2	50B8
15	WASHER.....	2	95A7
	KEY-SQUARE (not shown).....	1	8500082

Order by Part Number and Description. Reference Numbers are for your convenience only.



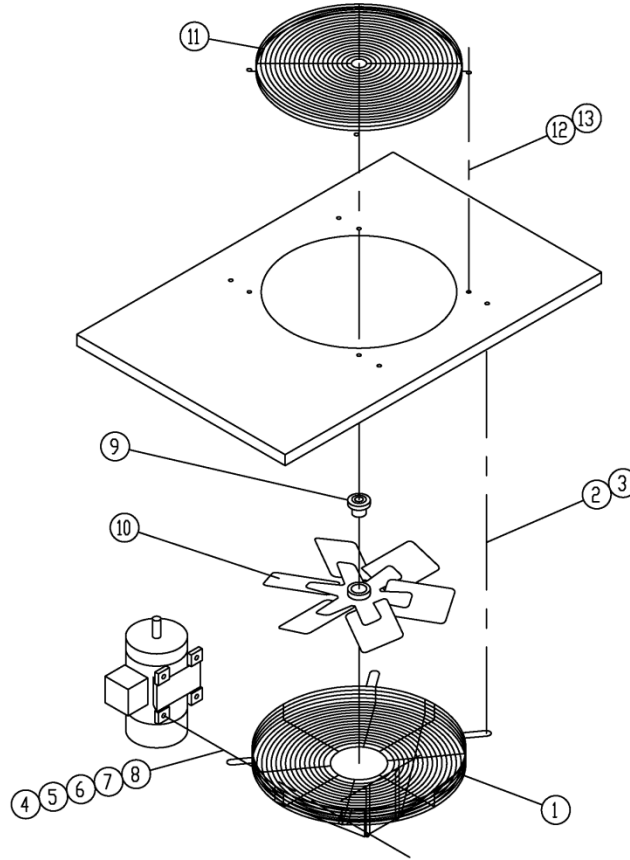
210EDM810-A
(Ref. Drawing)

COMPRESSOR BASE GROUP – (SSQ)

B/M: 311EAQ4017

Ref. No.	Name of Part	Qty.	Part No.
1	SCREW	2	655EG220
2	LOCKWASHER	4	95B8
3	NUT	4	50B8
4	ISOLATOR-VIBRATION.....	4	49C48
5	SCREW	8	75LM135
6	NUT	8	50AW35
7	BASE	1	300EAQ285
8	NUT	8	50B8
9	LOCKWASHER	8	95B8
10	SCREW	8	655EG140
11	WASHER.....	4	95A8
12	SCREW	2	655EG240
	KEY-SQUARE (not shown).....	1	35B243

Order by Part Number and Description. Reference Numbers are for your convenience only.



262EAU810-A
(Ref. Drawing)

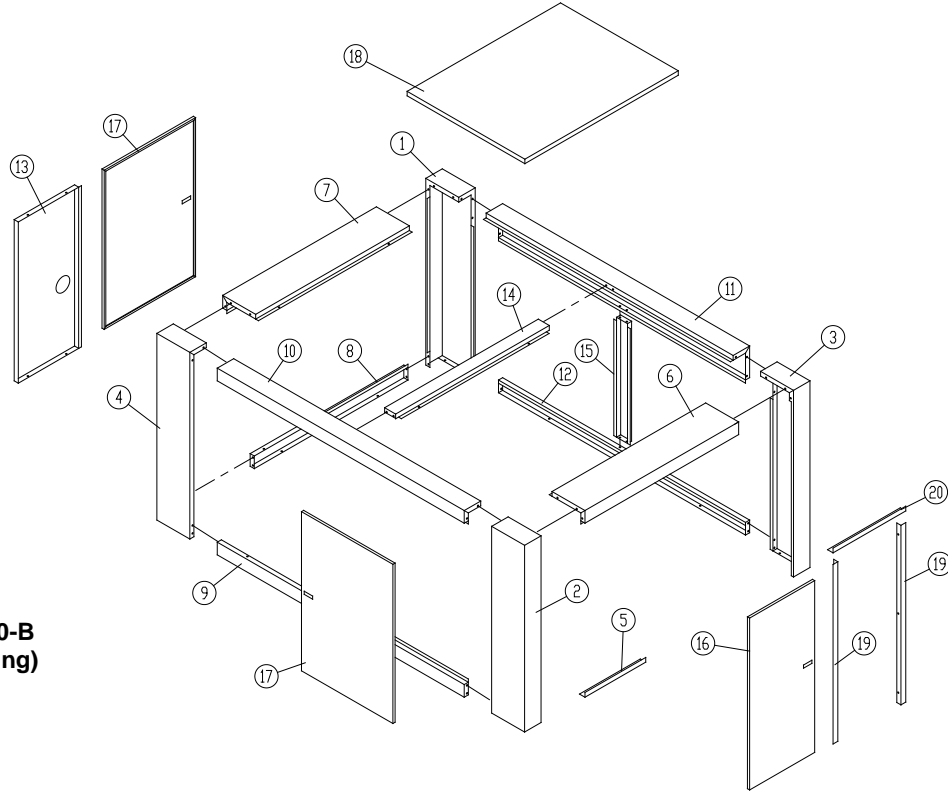
**ENCLOSURE VENT FAN ASSEMBLY
(WATER COOLED ONLY)**

B/M: 300EBQ4017

Ref. No.	Name of Part	Qty.	Part No.
1	GUARD-FAN	1	202ECM393
2	SCREW	4	75K48
3	WASHER	4	95A5
4	SCREW	4	75A35
5	RETAINER.....	4	2014731
6	WASHER	4	95A2
7	LOCKWASHER	4	95B2
8	NUT	4	50B2
9	BUSHING-SHEAVE	1	22G27
10	FAN.....	1	202ECM701
11	GUARD-FAN	1	200ECM393
12	SCREW	4	75LM51
13	NUT	4	50AW5

For Fan Motor part numbers, see Page 46.

Order by Part Number and Description. Reference Numbers are for your convenience only.



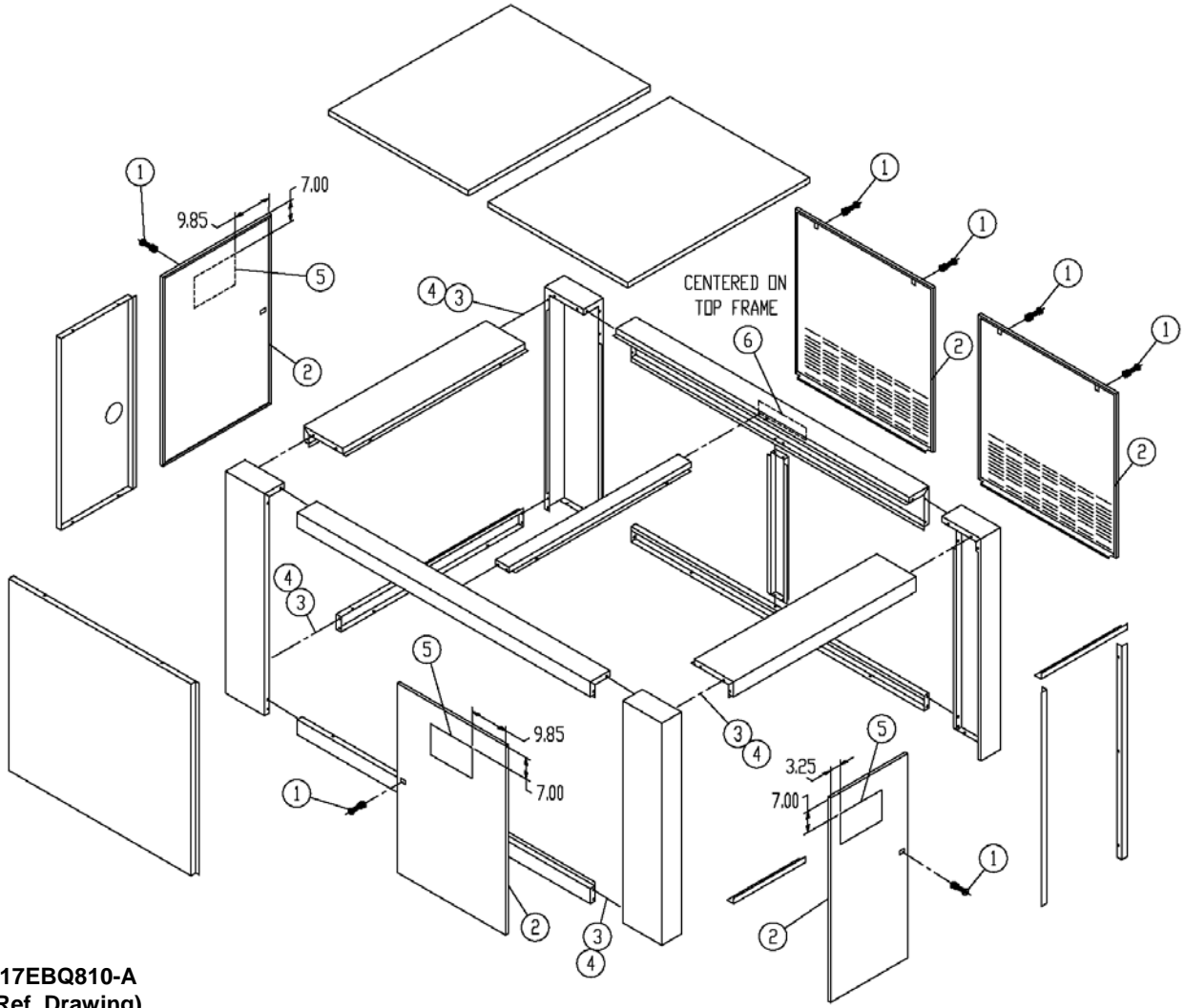
200EDM810-B
(Ref. Drawing)

**ENCLOSURE – BASIC
(STANDARD)**

B/M: 300EBQ4023

Ref. No.	Name of Part	Qty.	Part No.
1	POST	1	CC1046854
2	POST	1	CC1046856
3	POST	1	CC1046857
4	POST	1	CC1046858
5	FRAME	1	200EDM314
6	FRAME	1	201EDM314
7	FRAME	1	202EDM314
8	FRAME	1	203EDM314
9	FRAME	1	204EDM314
10	FRAME	1	205EDM314
11	FRAME	1	206EDM314
12	FRAME	1	207EDM314
13	BRACE.....	1	CC1046862
14	BRACE.....	1	201EDM326
15	BRACE.....	1	202EDM326
16	DOOR – CANOPY	1	CC1046859
17	DOOR – CANOPY	2	CC1046860
18	PANEL	1	203EDM216
19	BRACKET	2	201EDM142
20	BRACKET	1	202EDM142

Order by Part Number and Description. Reference Numbers are for your convenience only.



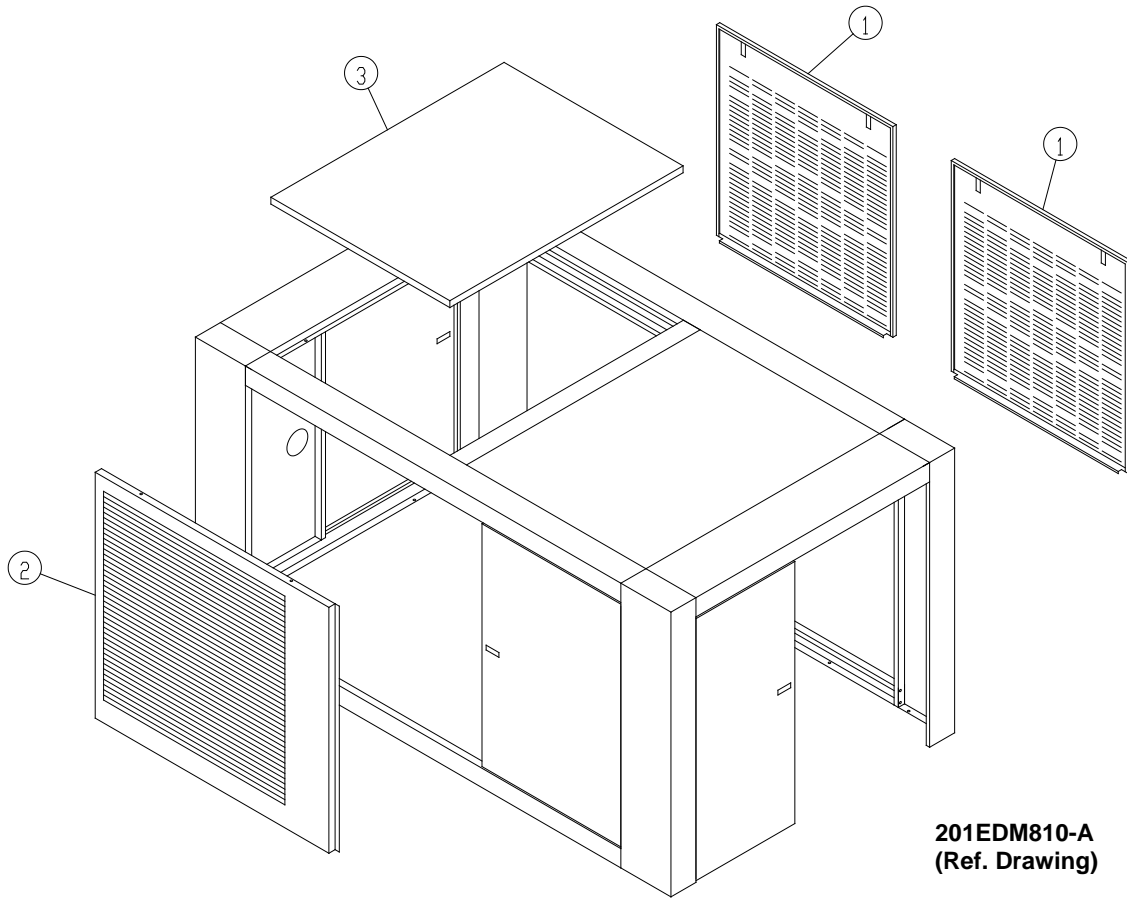
317EBQ810-A
(Ref. Drawing)

**ENCLOSURE – HARDWARE
(STANDARD & QUIET)**

B/M: 307EBQ4017

Ref. No.	Name of Part	Qty.	Part No.
1	LATCH.....	7	31D68
2	SEAL (IN FEET)	75	32E12
3	SCREW-FLANGED	90	75LM51
4	NUT	82	50AW5
5	DECAL.....	3	VP1042952
6	DECAL - "GARDNER DENVER".....	1	VP1044830
7	KEY (NOT SHOWN).....	2	VP1049035

Order by Part Number and Description. Reference Numbers are for your convenience only.



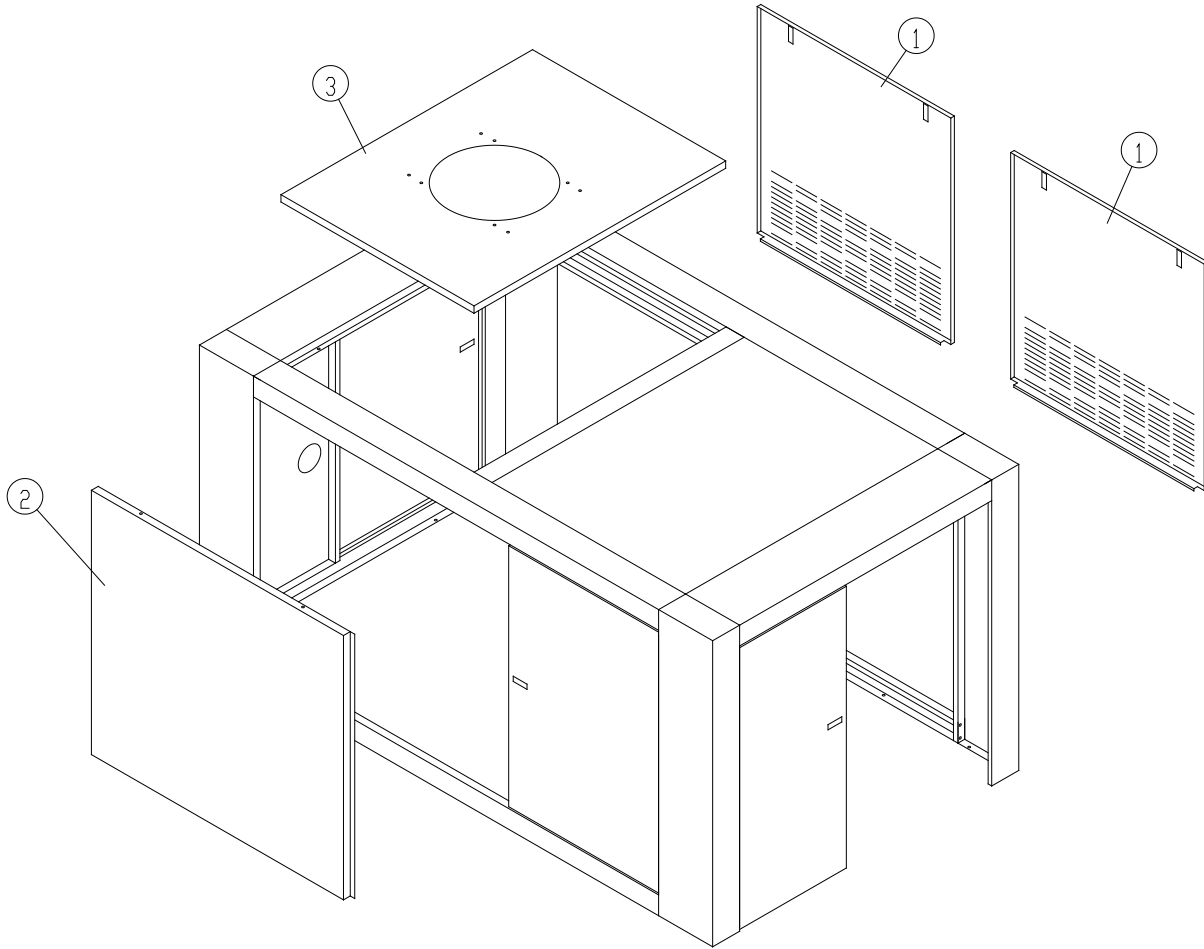
201EDM810-A
(Ref. Drawing)

**ENCLOSURE – AIR COOLED PANELS
(STANDARD)**

B/M: 201EDM4023

Ref. No.	Name of Part	Qty.	Part No.
1	PANEL.....	2	CC1018159
2	PANEL.....	1	202EDM216
3	PANEL.....	1	203EDM216

Order by Part Number and Description. Reference Numbers are for your convenience only.



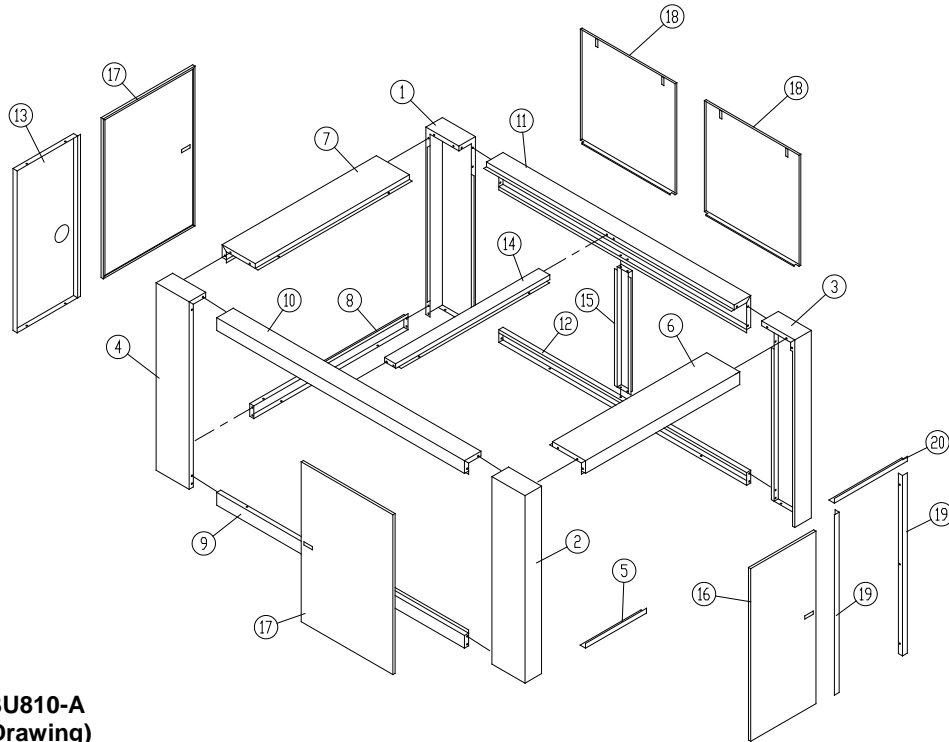
202EDM810
(Ref. Drawing)

**ENCLOSURE – WATER COOLED PANELS
(STANDARD)**

B/M: 202EDM4023

Ref. No.	Name of Part	Qty.	Part No.
1	PANEL	2	CC1018160
2	PANEL	1	204EDM216
3	PANEL	1	205EDM216

Order by Part Number and Description. Reference Numbers are for your convenience only.



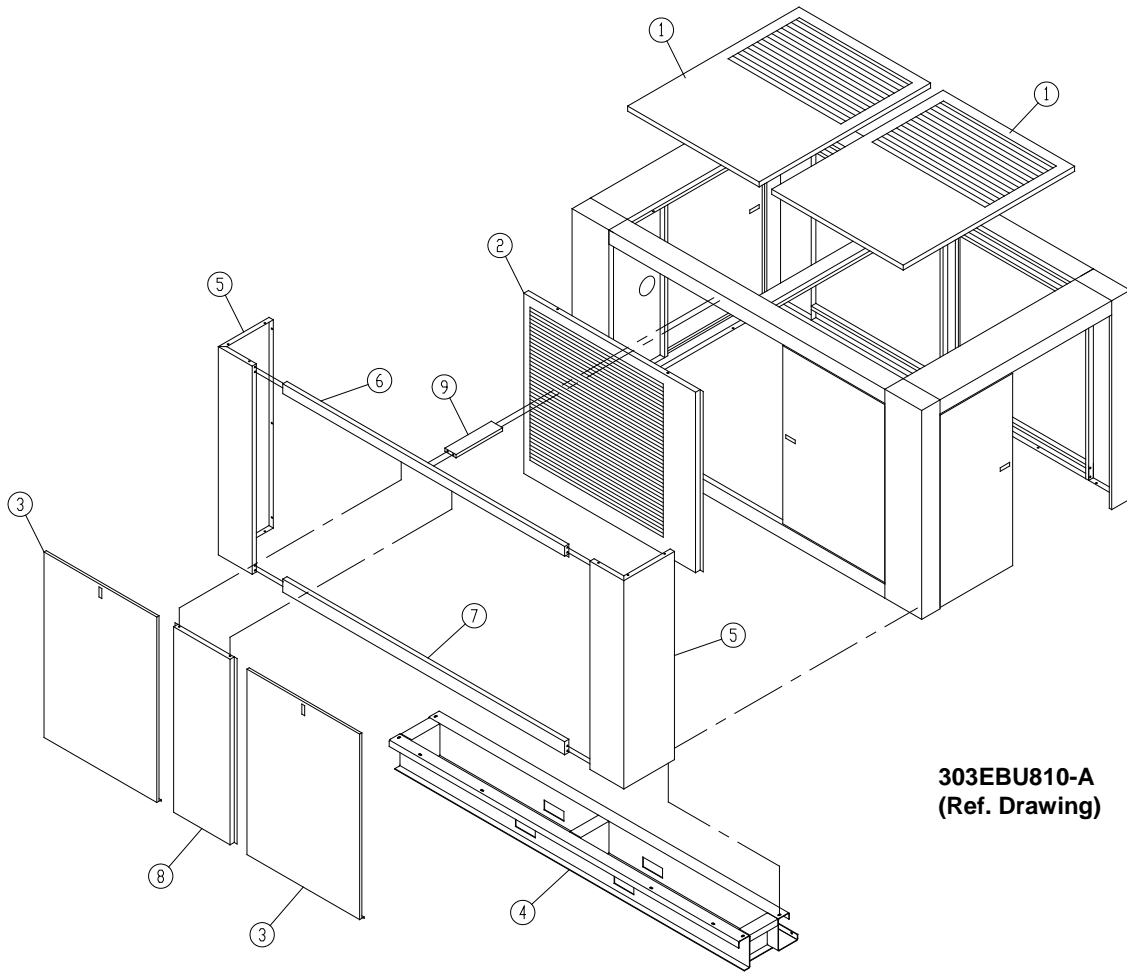
305EBU810-A
(Ref. Drawing)

**ENCLOSURE – BASIC
(QUIET)**

B/M: 301EBQ4023

Ref. No.	Name of Part	Qty.	Part No.
1	POST.....	1	CC1046854
2	POST.....	1	CC1046856
3	POST.....	1	CC1046857
4	POST.....	1	CC1046858
5	FRAME.....	1	200EDM314
6	FRAME.....	1	201EDM314
7	FRAME.....	1	202EDM314
8	FRAME.....	1	203EDM314
9	FRAME.....	1	204EDM314
10	FRAME.....	1	205EDM314
11	FRAME.....	1	206EDM314
12	FRAME.....	1	207EDM314
13	BRACE.....	1	CC1046864
14	BRACE.....	1	201EDM326
15	BRACE.....	1	202EDM326
16	DOOR.....	1	CC1046866
17	DOOR.....	2	CC1046865
18	PANEL.....	2	CC1018163
19	BRACKET.....	2	201EDM142
20	BRACKET.....	1	202EDM142

Order by Part Number and Description. Reference Numbers are for your convenience only.



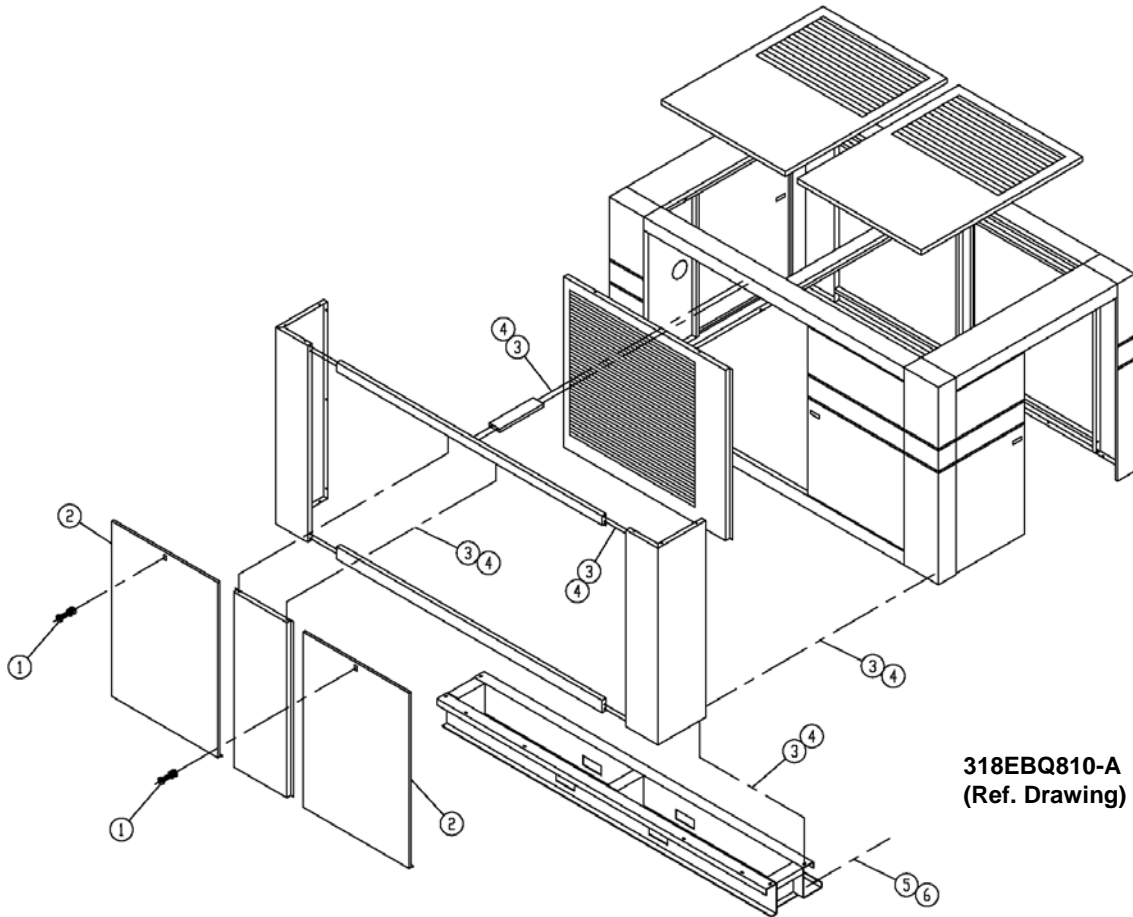
**303EBU810-A
(Ref. Drawing)**

**AIR COOLED BAFFLE
(QUIET)**

B/M: 302EBQ4023

Ref. No.	Name of Part	Qty.	Part No.
1	PANEL.....	2	300EBU216
2	PANEL.....	1	202EDM216
3	PANEL.....	2	CC1018164
4	BASE.....	1	300EBU285
5	POST.....	2	CC1046863
6	FRAME.....	1	300EBU314
7	FRAME.....	1	301EBU314
8	BRACE.....	1	301EBU326
9	BRACE.....	1	205EAU326

Order by Part Number and Description. Reference Numbers are for your convenience only.

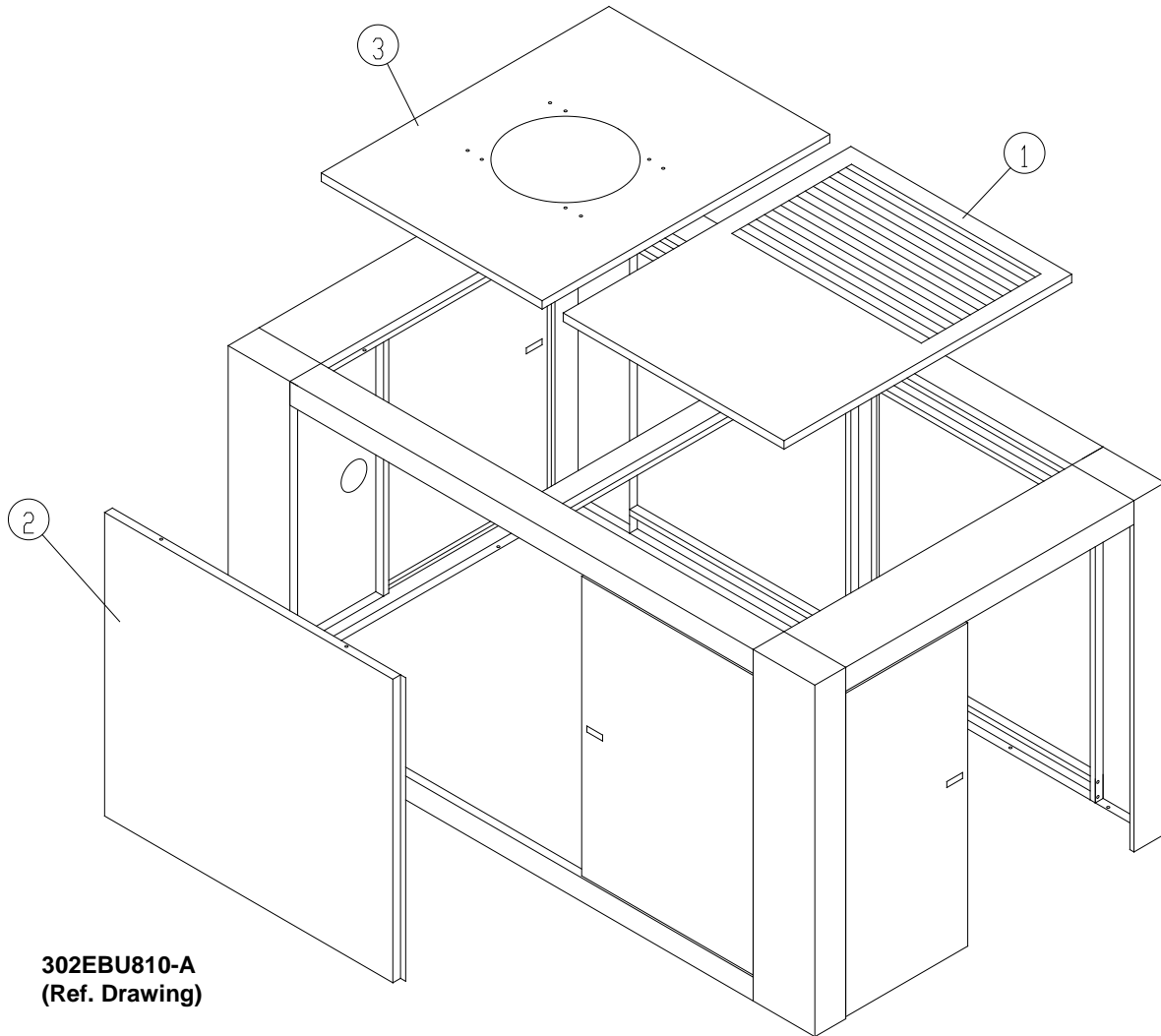


**AIR COOLED BAFFLE - HARDWARE
(QUIET)**

B/M: 308EBQ4017

Ref. No.	Name of Part	Qty.	Part No.
1	LATCH	2	31D68
2	SEAL (IN FEET)	25	32E12
3	SCREW.....	30	75LM51
4	NUT.....	30	50AW5
5	SCREW.....	4	75LM135
6	NUT.....	4	50AW35

Order by Part Number and Description. Reference Numbers are for your convenience only.



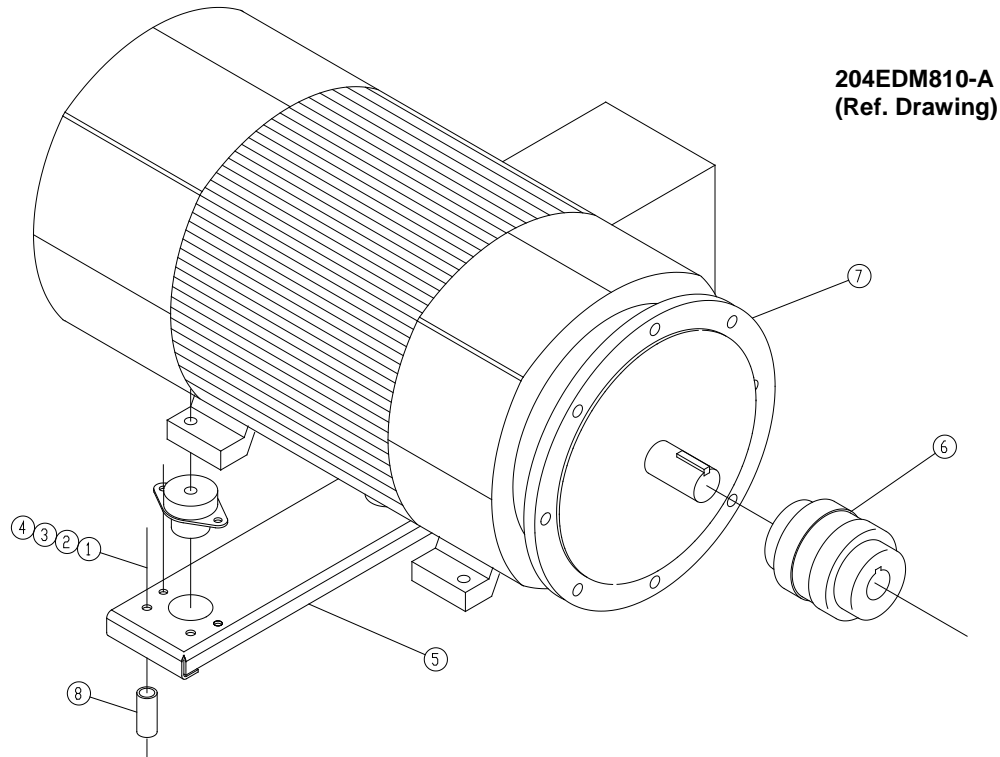
302EBU810-A
(Ref. Drawing)

**ENCLOSURE – WATER COOLED
(QUIET)**

B/M: 300EBU4023

Ref. No.	Name of Part	Qty.	Part No.
1	PANEL.....	1	300EBU216
2	PANEL.....	1	302EBU216
3	PANEL.....	1	301EBU216

Order by Part Number and Description. Reference Numbers are for your convenience only.



MAIN MOTOR GROUP

Ref. No.	Name of Part	Qty.	100 HP – ODP & TEFC	125 HP – TEFC	150 HP – ODP & TEFC	150 HP – ODP & TEFC
			125 HP – ODP	100, 125 & 150 PSI	100, 125 & 150 PSI	100 & 125 PSI
			Part No.	Part No.	Part No.	Part No.
	AIREND		SSQ	SSQ	SSQ	SSP
	MOTOR FRAME		404 & 405	444 & 449	444 – 449	444 - 449
1	WASHER	4	95A7	95A7	95A7	95A7
2	LOCKWASHER.....	4	95B7	95B7	95B7	95B7
3	NUT.....	4	50B7	50B7	50B7	50B7
4	SCREW.....	4	655EF180	655EF160	655EF160	655EF220
5	SUPPORT-MOTOR.....	1	201EDM620	200EDM620	200EDM620	300EBQ620
6	COUPLING FLEXIBLE	1	51L220	51L221	51L221	51L223
7	MOTOR.....	1	See Page 46	See Page 46	See Page 46	See Page 46
8	NIPPLE	4	63AM12X32G	63AM12X22G	63AM12X22G	63AM12X42G

NOTE: Drive Coupling Repair Spider Part Number 2118273.

51L220 Coupling (2-1/8 Motor Shaft Diameter – 2-5/8 Airend Shaft Diameter.)
 51L221 Coupling (2-3/8 Motor Shaft Diameter – 2-5/8 Airend Shaft Diameter.)
 51L223 Coupling (2-1/8 Motor Shaft Diameter – 2-1/8 Airend Shaft Diameter.)

**MOTOR GROUP (MAIN DRIVE MOTORS)
(WYE DELTA)**

Name of Part	75 KW (100 HP)	93 KW (125 HP)	112 KW (150 HP)	112 KW (150 HP)
	1500 RPM Part No.	1500 RPM Part No.	3000 RPM 100 PSI Part No.	1500 RPM 125 & 150 PSI Part No.
OPEN DRIP PROOF (50 HZ – ODP)				
MOTOR, 220V	24CA3571	24CA3577	24CA3589	24CA3583
MOTOR, 380V	24CA3572	24CA3578	24CA3590	24CA3584
MOTOR, 400V	24CA3573	24CA3579	24CA3591	24CA3585
MOTOR, 415V	24CA3574	24CA3580	24CA3592	24CA3586
MOTOR, 440V	24CA3575	24CA3581	24CA3593	24CA3587
MOTOR, 550V	24CA3576	24CA3582	24CA3594	24CA3588

TOTALLY ENCLOSED FAN COOLED (50 HZ – TEFC)				
MOTOR, 220V	24CA3595	24CA3601	24CA3613	24CA3607
MOTOR, 380V	24CA3596	24CA3602	24CA3614	24CA3608
MOTOR, 400V	24CA3597	24CA3603	24CA3615	24CA3609
MOTOR, 415V	24CA3598	24CA3604	24CA3616	24CA3610
MOTOR, 440V	24CA3599	24CA3605	24CA3617	24CA3611
MOTOR, 550V	24CA3600	24CA3606	24CA3618	24CA3612

**MOTOR GROUP (FAN MOTORS)
AIR COOLED FAN MOTOR (COOLING MODULE)
(2.2 KW, 3 HP, TEFC, 1000 RPM, 50 HZ, 1.0 SF)**

VOLTAGE	PART NO.
MOTOR, 220V	24CA2630
MOTOR, 380V	24CA463
MOTOR, 400V	24CA2474
MOTOR, 415V	24CA662
MOTOR, 440V	24CA2630
MOTOR, 550V	24CA1480

**WATER COOLED FAN MOTOR (ENCLOSURE VENT FAN)
(.4 KW, ½ HP, TEFC, 1500 RPM, 50 HZ, 1.0 SF)**

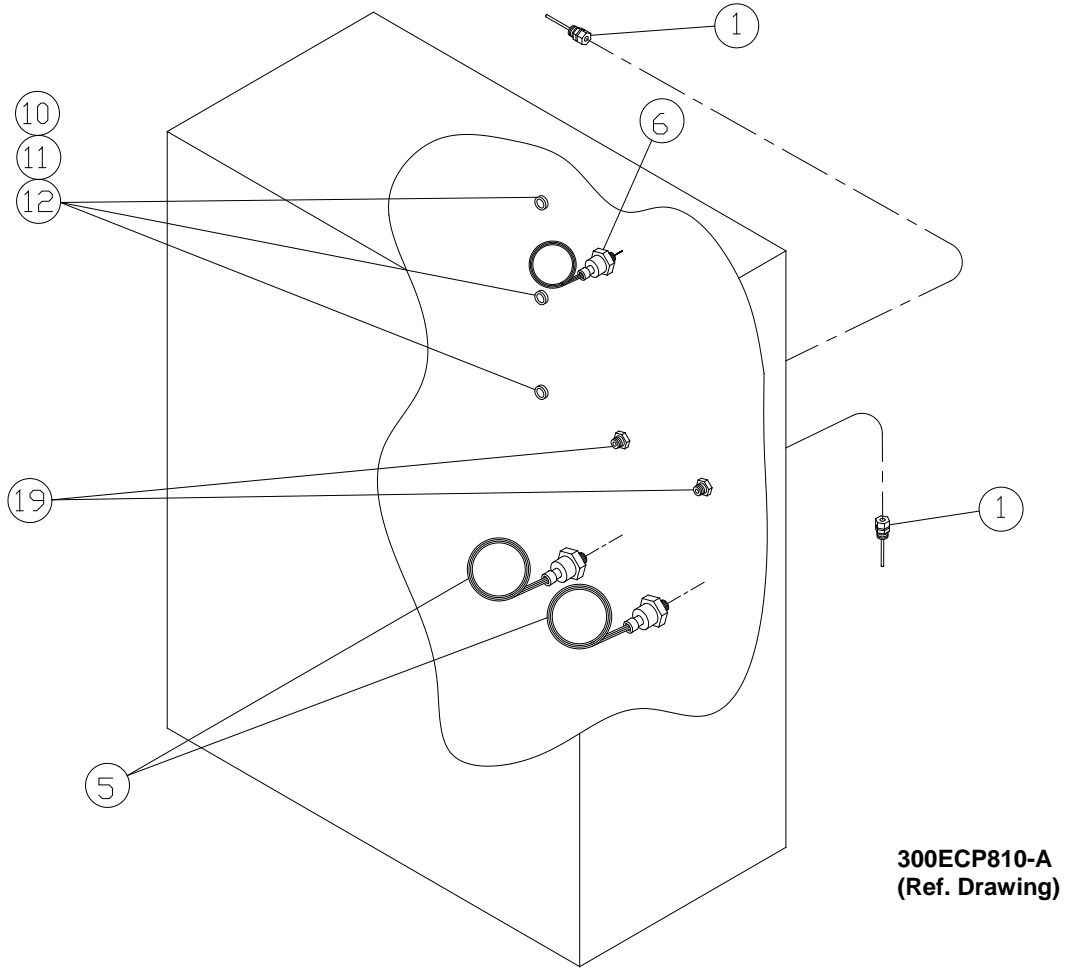
VOLTAGE	PART NO.
MOTOR, 220V	24CA522
MOTOR, 380V	24CA522
MOTOR, 400V	24CA2645
MOTOR, 415V	24CA523
MOTOR, 440V	24CA778
MOTOR, 550V	24CA524

OVERLOAD RELAY HEATER CONVERSION LISTING

Refer to Motor Nameplate “Amperage” and Decal in Control Panel for Selection of Overload Relay Heater Packs

CUTLER-HAMMER PART NUMBER	GARDNER DENVER PART NUMBER
H2002B	24CA4101
H2003B	24CA4102
H2004B	24CA4103
H2005B	24CA4104
H2006B	24CA4105
H2007B	24CA4106
H2008B	24CA4107
H2009B	24CA4108
H2010B	24CA4109
H2011B	24CA4110
H2012B	24CA4111
H2013B	24CA4112
H2014B	24CA4113
H2015B	24CA4114
H2016B	24CA4115
H2017B	24CA4116
H2018	24CA2924
H2019	24CA2925
H2020	24CA2926
H2021	24CA2927
H2022	24CA2893
H2023	24CA2894
H2024	24CA2928

Order by Part Number and Description. Reference Numbers are for your convenience only.



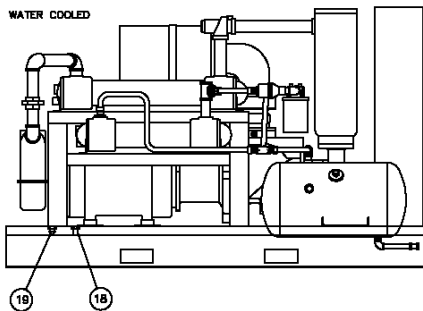
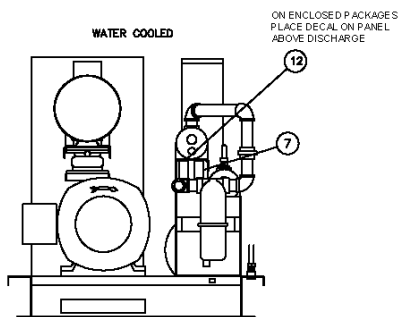
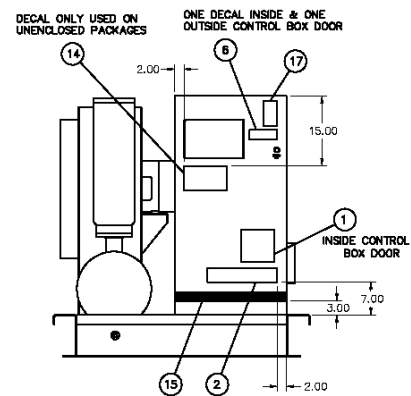
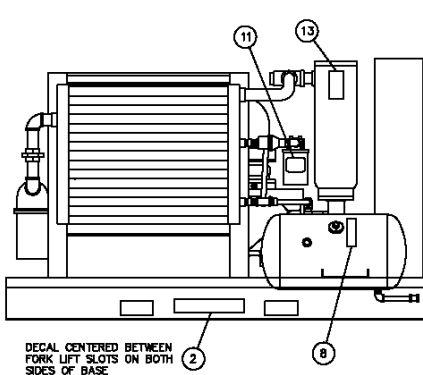
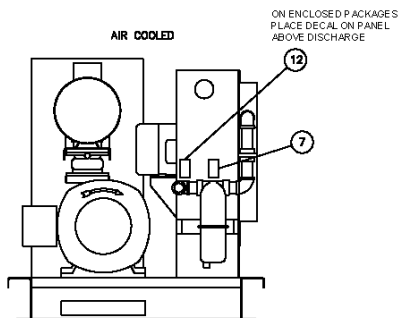
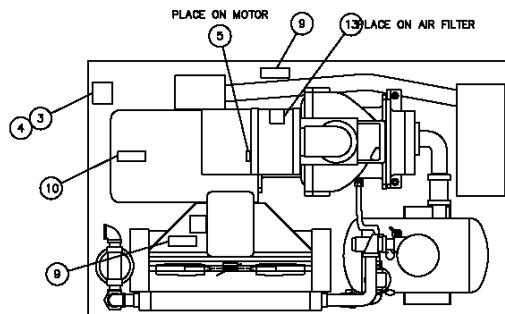
MISCELLANEOUS ELECTRICAL PARTS

B/M: 200ECP4007

Ref. No.	Name of Part	Qty.	Part No.
* 1	PROBE-ELECTRICAL.....	2	21D264
* 5	TRANSDUCER-PRESSURE.....	2	88H359
* 6	SWITCH-VACUUM.....	1	88H195
10	NIPPLE	3	24CA4641
11	O-RING.....	3	24A383
12	LOCKNUT-CONDUIT	3	24A77
19	FITTING-ELECTRICAL	2	24CA2865

* Parts included in Electrical Control Kit Part Number 306EAQ6013. Refer to page 56.

IDENTIFICATION AND INSTRUCTION GROUP



NOTE: DETAIL 16 ONE DECAL FRONT & BACK, BOTTOM EDGE
OF ENCLOSURE TOP FRAME & TOP EDGE OF DOOR.
(ENCLOSED PACKAGES ONLY)

316EBQ810 A
(Ref. Drawing)

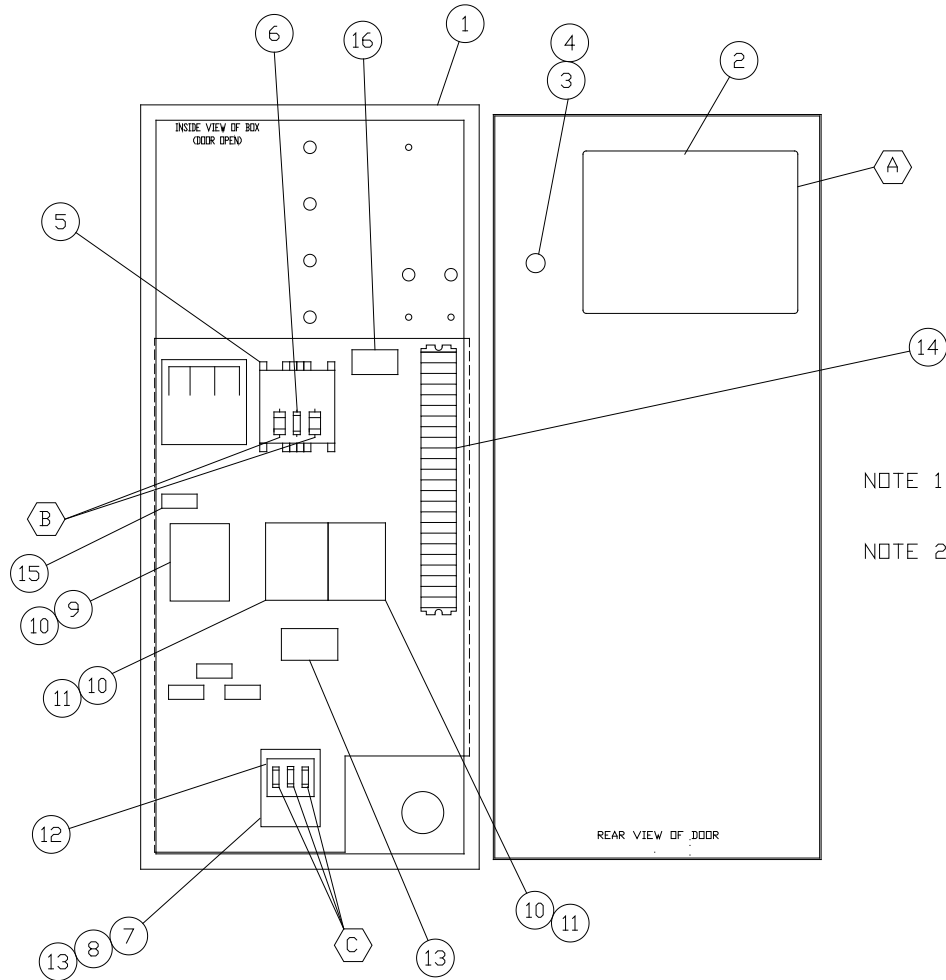
IDENTIFICATION AND INSTRUCTION GROUP

**B/M: 301, 302EBQ4011;
303, 304EBQ4011**

Ref. No.	Name of Part	Qty.	Part No.
2	DECAL, ELECTRA SAVER II (LARGE)	3	VP1051551
* 5	DECAL, ROTATION ARROW	1	304EFC077
* 6	DECAL, ISO WARNING –CONTROL BOX.....	2	VP1009371
* 7	DECAL, ISO WARNING – MOISTURE TRAP	1	VP1009380
* 8	DECAL, ISO WARNING – SEPARATOR TANK.....	1	VP1009376
* 9	DECAL, ISO WARNING – FAN/COOLER HOUSING.....	2	VP1009582
* 10	DECAL, ISO WARNING – MOTOR.....	1	VP1009374
11	DECAL, OIL FILL ELEMENT INSTALL.....	1	326EAQ077
* 12	DECAL, ISO WARNING – PACKAGE DISCHARGE AIR.....	1	VP1009623
* 13	DECAL, NOTICE (USE GENUINE GD PARTS)	2	CC1009474
14	DECAL, GARDNER DENVER LOGO (SMALL).....	1	VP1051555
15	DECAL, STRIPE (LARGE).....	1	VP1051552
* 16	DECAL, ISO WARNING (SIDES ABOVE DOORS).....	2	VP1009372
17	DECAL, CAGI PERFORMANCE	1	CC1031484
18	DECAL, HEAT EXCHANGE “IN”	1	200ESP077
19	DECAL, HEAT EXCHANGE “OUT”.....	1	201ESP077

* For Replacement Decals Order Part Number CC1010403 Decal Group Sheet.

**CONTROLLER ASSEMBLY
(125/150 HP WYE DELTA STARTERS)**



**302EAQ797-A
(Ref. Drawing)**

NOTE 1 - ITEMS 15 & 16 ARE USED ONLY ON PANELS WITH ES + AND CURRENT MONITORING.

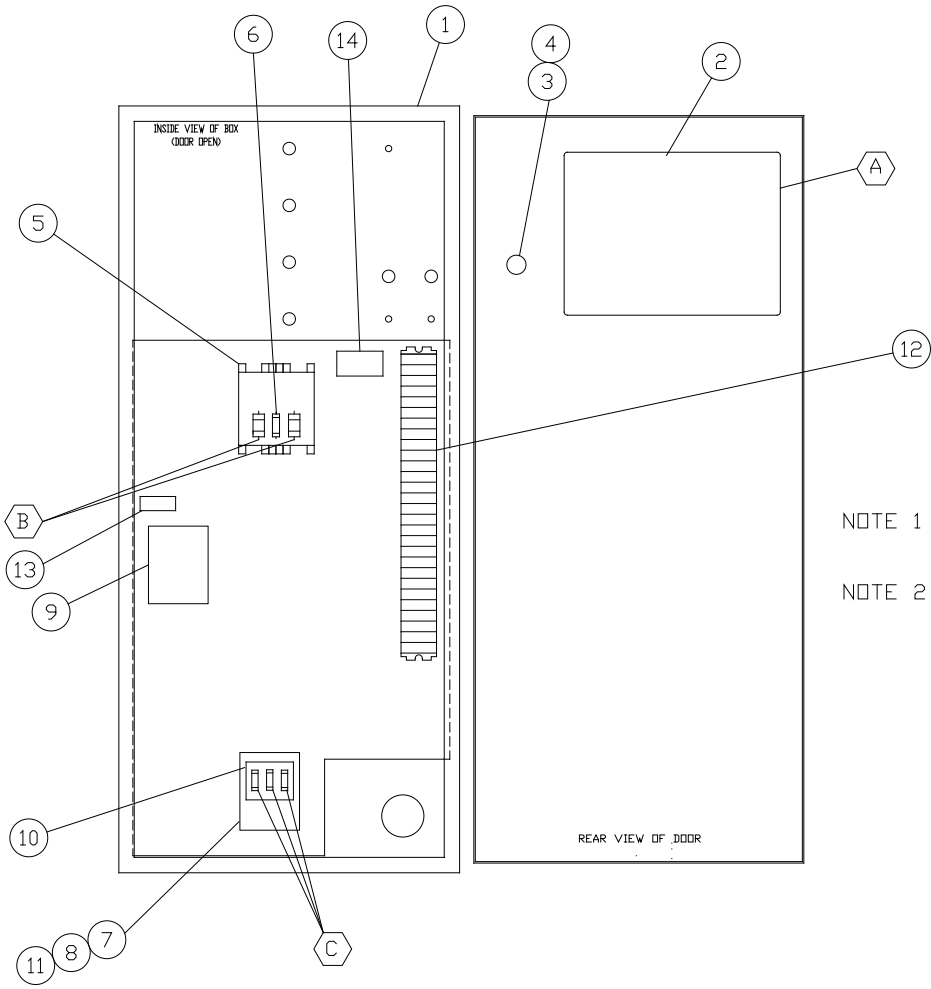
NOTE 2 - ITEM 10 IS INCLUDED IN 9 & 11, ITEM 8 & 13 ARE INCLUDED IN 7.

**CONTROLLER ASSEMBLY
(100, 125 & 150 HP WYE DELTA STARTERS)**

	QTY.	220V	380/400/415V	440V	550V
ASSEMBLED PANEL – ES+ : NEMA 12, With Current Monitor.....	1	227EAQ466	231EAQ466	226EAQ466	229EAQ466
ASSEMBLED PANEL – ES+ : NEMA 4, With Current Monitor.....	1	234EAQ466	238EAQ466	233EAQ466	236EAQ466
A FUSE, CONTROL BOARD (1A, AGC).....	1	24CA2932	24CA2932	24CA2932	24CA2932
B FUSE, TRANSFORMER PRIMARY (-A, FNQ-R).....	2	24CA2785 (5A)	24CA3723 (3.5A)	24CA3723 (3.5A)	24CA3723 (3.5A)
C FUSE FAN MOTOR					
AIR COOLED (-A, LP-CC)	3	24CA4097 (25A)	24CA4096 (15A)	24CA4096 (15A)	24CA4096 (15A)
WATER COOLED (-A, LP-CC)	3	24CA4093 (7A)	24CA4092 (6A)	24CA4090 (3A)	24CA4090 (3A)
1 CONTROL BOX					
NEMA 12	1	200EDM179	200EDM179	200EDM179	200EDM179
NEMA 4	1	201EDM179	201EDM179	201EDM179	201EDM179
* 2 ES+ CONTROLLER	1	302EAU2006	302EAU2006	302EAU2006	302EAU2006
3 OPERATOR	1	24CA2907	24CA2907	24CA2907	24CA2907
4 CONTACT BLOCK.....	1	24CA2908	24CA2908	24CA2908	24CA2908
5 TRANSFORMER.....	1	2118244	2116865	2116287	2116288
6 FUSE.....	1	24CA3729	24CA3726	24CA3729	24CA3729
7 STARTER	1	24CA4134	24CA4134	24CA4134	24CA4134
8 COIL-STARTER	1	2115950	2115950	2115950	2115950
9 STARTER-MAIN MOTOR	1	24CA3490	24CA3255	24CA3255	24CA3255
10 COIL.....	3	2115952	2116555	2116555	2116555
11 CONTACTOR	2	24CA3696	24CA3259	24CA3259	24CA3259
12 FUSE HOLDER.....	1	24CA4098	24CA4098	24CA4098	24CA4098
13 OVERLOAD RELAY.....	1	24CA4086	24CA4086	24CA4086	24CA4086
14 TERMINAL BLOCK	6	24CA2633	24CA2633	24CA2633	24CA2633
15 TRANSFORMER (With Current Monitor Only).....	1	24CA4242	24CA4242	24CA4242	24CA4242
16 TRANSDUCER (With Current Monitor Only).....	1	24CA4241	24CA4241	24CA4241	24CA4241

* Refer to page 55 for controller part numbers.

**CONTROLLER ASSEMBLY
(LESS MAIN MOTOR STARTER)**



**303EAQ797-A
(Ref. Drawing)**

NOTE 1 - ITEMS 13 & 14 ARE USED ONLY ON PANELS WITH ES + AND CURRENT MONITORING.

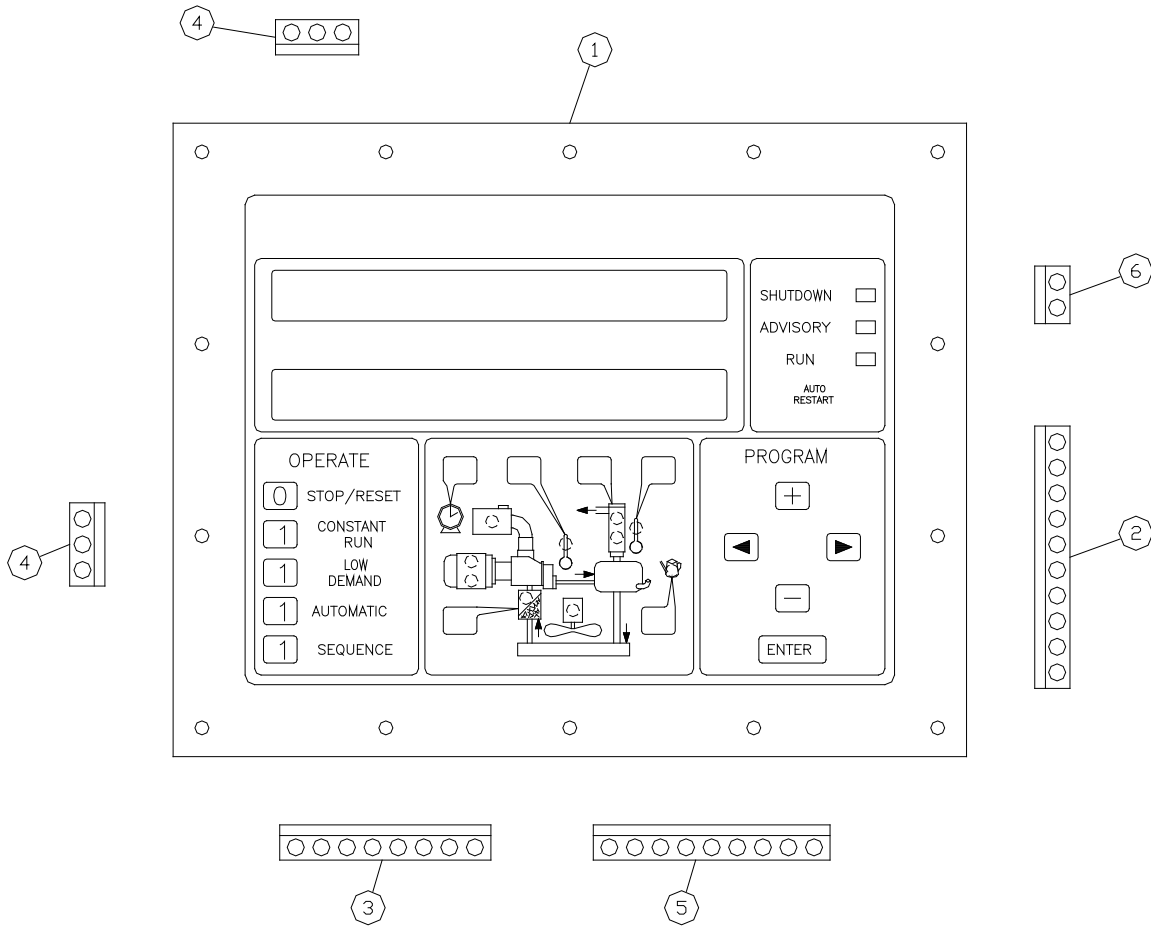
NOTE 2 - ITEMS 8 & 11 ARE INCLUDED IN 7.

**CONTROLLER ASSEMBLY
(LESS MAIN MOTOR STARTER)**

	QTY.	220V	380/400/415V	440V	550V
ASSEMBLED PANEL – ES+ : NEMA 12, With Current Monitor.....	1	244EAQ466	247EAQ466	244EAQ466	246EAQ466
ASSEMBLED PANEL – ES+ : NEMA 4, With Current Monitor.....	1	248EAQ466	251EAQ466	248EAQ466	250EAQ466
A FUSE, CONTROL BOARD (1A, AGC).....	1	24CA2932	24CA2932	24CA2932	24CA2932
B FUSE, TRANSFORMER PRIMARY (-A, FNQ-R)	2	24CA42785 (5A)	24CA3723 (3.5A)	24CA3723 (3.5A)	24CA2783 (3A)
C FUSE FAN MOTOR					
AIR COOLED (-A, LP-CC)	3	24CA4097 (25A)	24CA4096 (15A)	24CA4096 (15A)	24CA4096 (15A)
WATER COOLED (-A, LP-CC)	3	24CA4093 (7A)	24CA4092 (6A)	24CA4090 (3A)	24CA4090 (3A)
1 CONTROL BOX					
NEMA 12	1	200EDM179	200EDM179	200EDM179	200EDM179
NEMA 4	1	201EDM179	201EDM179	201EDM179	201EDM179
* 2 ES+ CONTROLLER	1	302EAU2006	302EAU2006	302EAU2006	302EAU2006
3 OPERATOR	1	24CA2907	24CA2907	24CA2907	24CA2907
4 CONTACT BLOCK.....	1	24CA2908	24CA2908	24CA2908	24CA2908
5 TRANSFORMER.....	1	2116287	2116865	2116287	2116288
6 FUSE.....	1	24CA3729	24CA3726	24CA3729	24CA3729
7 STARTER	1	24CA4134	24CA4134	24CA4134	24CA4134
8 COIL-STARTER	1	2115950	2115950	2115950	2115950
9 CONTROL RELAY	1	24CA3896	24CA3896	24CA3896	24CA3896
10 FUSE HOLDER.....	1	24CA4098	24CA4098	24CA4098	24CA4098
11 OVERLOAD RELAY.....	1	24CA4086	24CA4086	24CA4086	24CA4086
12 TERMINAL BLOCK	7	24CA2633	24CA2633	24CA2633	24CA2633
13 TRANSFORMER (With Current Monitor Only).....	1	24CA4242	24CA4242	24CA4242	24CA4242
14 TRANSDUCER (With Current Monitor Only).....	1	24CA4241	24CA4241	24CA4241	24CA4241

* Refer to Page 55 for controller part numbers.

Order by Part Number and Description. Reference Numbers are for your convenience only.



327EAU810-B
(Ref. Drawing)

CONTROLLER ASSEMBLY

B/M: 302EAU2006

Ref. No.	Name of Part	Qty.	Part No.
1	CONTROLLER, AUTO SENTRY ES+.....	1	302EAU1173
2	PLUG-CONNECTOR 10 PIN TERMINAL	1	24CA3306
3	PLUG-CONNECTOR 8 PIN TERMINAL	1	24CA3400
4	PLUG-CONNECTOR 3 PIN TERMINAL	2	24CA3401
5	PLUG-CONNECTOR 9 PIN TERMINAL	1	24CA3402
6	PLUG-CONNECTOR 2 PIN TERMINAL	1	24CA4240

REPAIR KITS

Your Gardner Denver rotary screw compressor is designed and manufactured for many years of reliable operation. All components are engineered to exacting specifications, which will function together as a system to provide maximum efficiency. To insure the continuing integrity of compressor operation, use only original quality genuine Gardner Denver replacement parts and accessories.

Name of Part	Qty.	Part No.
ROUTINE MAINTENANCE KIT (Heavy Duty Air Filter)		303EBQ6013
ELEMENT, AIR FILTER.....	2	2118349
ELEMENT, OIL FILTER.....	3	2118342
OIL SEPARATOR KIT.....		305EBQ6013
OIL SEPARATOR.....	1	VP1040693
GASKET ELIMINATOR	1	25BC222
LUBRICANT (Oil Seal Grease).....	1	2116755
PNEUMATIC CONTROLS AND GAUGES.....		302EAQ6013
CHECK VALVE.....	3	90AR261
CONTROL VALVE.....	1	90AR1034
CONTROL VALVE.....	1	90AR1082
PRESSURE REGULATOR.....	1	88H367
PRESSURE GAUGE	1	2118767
ELECTRICAL CONTROL GROUP		306EAQ6013
SOLENOID VALVE.....	1	91B70
SOLENOID VALVE.....	1	91B143
SOLENOID VALVE.....	1	91B144
ELECTRICAL PROBE	2	21D264
TRANSDUCER	2	88H359
VACUUM SWITCH	1	88H195
TURN VALVE ACTUATOR O-RING KIT		307EAQ6013
O-RING (Top to Stem).....	2	25BC738
O-RING (Body to Manifold, Large)	2	25BC37
O-RING (Body to Manifold, Small).....	2	25BC35
O-RING (Tube)	2	2009224
WATER TEMPERATURE REGULATOR (Optional).....		90AR151
MAGNETIC WATER SHUTOFF VALVE – NEMA 4 (Optional)		91B173

REPAIR KITS (Continued)

Name of Part	Qty.	Part No.
TOUCH-UP PAINT.....		
5 GALLON PAIL.....	1	28H76
1 GALLON CAN.....	1	28H84
1 QUART CAN.....	1	28H83
 LUBRICANT (AEON 2000)		
5-GALLON PAIL	1	28G36
55-GALLON DRUM	1	28G37
 LUBRICANT (AEON 4000) (STANDARD).....		
5-GALLON PAIL	1	28H57
55-GALLON DRUM	1	28H36
 LUBRICANT (AEON 9000SP) – STANDARD		
5-GALLON PAIL	1	28H109
55-GALLON DRUM.....	1	28H103
 LUBRICANT (AEON 9000TH)		
5-GALLON PAIL.....	1	28H286
55-GALLON DRUM.....	1	28H270
 LUBRICANT (AEON 6000FG)		
5-GALLON PAIL.....	1	28H99
55-GALLON DRUM.....	1	28H100
 LUBRICANT (AEON 6000FG-68).....		
5-GALLON PAIL.....	1	28H314
55-GALLON DRUM.....	1	28H315
 LUBRICANT (AEON BIO).....		
5-GALLON PAIL.....	1	28H102
55-GALLON DRUM.....	1	28H103

REPAIR KITS (Continued)

Name of Part	Qty.	Part No.
AIREND REPAIR KITS (REFER TO PAGE 1 FOR SELECTION)		
PERIODIC MAINTENANCE KIT (Inlet Valve).....		301EAQ6013
O-RING	1	25BC298
SPRING	1	78W62
SPRING	1	78W61
O-RING	1	25AM30
RETAINING RING	1	74D89
GASKET ELIMINATOR	1	25BC222
BEARING KIT.....		323SSP6013
ROLLER BEARING	1	12BA105
ROLLER BEARING	1	12BA198
ROLLER BEARING	1	12BA104
ROLLER BEARING	1	12BA103
SPRING	1	78W98
BEARING KIT.....		314SSQ6013
ROLLER BEARING	2	12BA126
BEARING	2	12BA251
BEARING	1	12BA192
SPRING	1	78W89
SPRING	1	78W109
GASKET KIT		315SSQ6013
GASKET ELIMINATOR	1	25BC222
SHIM SET	1	77H50
SHIM SET	1	77H107
GASKET KIT		324SSP6013
SHIM SET	1	77H63
SHIM SET	1	77H62
GASKET ELIMINATOR	1	25BC222
OIL SEAL KIT.....		200SSQ6007
WEAR SLEEVE	1	80M28
OIL SEAL	1	60DD571
OIL SEAL	1	60DD689
O-RING	1	25BC157
O-RING	1	25BC431
GASKET ELIMINATOR	1	25BC222
CHECK VALVE.....	1	90AR923

REPAIR KITS (Continued)

Name of Part	Qty.	Part No.
OIL SEAL KIT		300SSP6013
O-RING	1	8502140
O-RING	1	25BC380
OIL SEAL	1	60DD692
OIL SEAL	1	60DD693
WEAR SLEEVE	1	80M40
GASKET ELIMINATOR	1	25BC222
CHECK VALVE	1	90AR923
WEAR SLEEVE INSTALLATION/REMOVAL KIT		200SSQ4017
PULLER	1	200SSQ219
PULLER PLATE	1	300SSU340
SCREW	1	655EE030
SCREW	1	655EE120A
SCREW	2	75D176
GUIDE	1	200SSQ450
TOOL	1	200SSQ074
WEAR SLEEVE INSTALLATION/REMOVAL KIT		200SSP4017
PULLER	1	200SSP219
PULLER PLATE	1	200SSP340
SCREW	1	75LM192
SCREW	1	655ED120A
SCREW	2	75D177
GUIDE	1	200SSP450
TOOL	1	200SSP074
TURN VALVE REPAIR KIT		325SSP6013
ROLLER BEARING	2	12BA51
KEY	1	35C114
SPRING	1	78W50
PACKING RING	4	60AM46
GASKET	4	25BC138N
SEAL-FASTENER	2	60DD801
BUMPER	2	32E15
PLATE-RETAINER	2	300SSU168
RETAINING RING	2	74D49
SEAL-FASTENER	2	60DD65

Gardner Denver®

For additional information, contact your local representative or visit:
www.contactgd.com/compressors

©2013 Gardner Denver, Inc. Printed in U.S.A.

