
GARDNER DENVER®

13-10-517
Version: 02
August 12, 2003

ELECTRA-SAVER®
STATIONARY BASE-MOUNTED
COMPRESSOR

AUTO SENTRY® - ES+ CONTROLS

MODELS

EAU99M - 200, 250 & 300 HP

PARTS LIST

Gardner

Denver

**MAINTAIN COMPRESSOR RELIABILITY AND PERFORMANCE WITH
GENUINE GARDNER DENVER® COMPRESSOR PARTS AND SUPPORT SERVICES**

Gardner Denver® Compressor genuine parts, manufactured to design tolerances, are developed for optimum dependability – specifically for Gardner Denver compressor systems. Design and material innovations are the result of years of experience with hundreds of different compressor applications. Reliability in materials and quality assurance is incorporated in our genuine replacement parts.

Your authorized Gardner Denver Compressor distributor offers all the backup you'll need. A worldwide network of authorized distributors provides the finest product support in the air compressor industry. Your local authorized distributor maintains a large inventory of genuine parts and he is backed up for emergency parts by direct access to the Master Distribution Center (MDC) in Memphis, Tennessee.

Your authorized distributor can support your Gardner Denver air compressor with these services:

1. Trained parts specialists to assist you in selecting the correct replacement parts.
2. Factory warranted new and remanufactured rotary screw airends. Most popular model remanufactured airends are maintained in stock at the Remanufacturing Center in Indianapolis, IN., for purchase on an exchange basis with liberal core credit available for the replacement unit.
3. A full line of factory tested AEON™ compressor lubricants specifically formulated for use in Gardner Denver compressors.
4. Repair and maintenance kits designed with the necessary parts to simplify servicing your compressor.

Authorized distributor service technicians are factory trained and skilled in compressor maintenance and repair. They are ready to respond and assist you by providing fast, expert maintenance and repair services.

For the location of your local authorized Gardner Denver Air Compressor distributor, refer to the yellow pages of your phone directory or contact:

Distribution Center:

Gardner Denver
Master Distribution Center
5585 East Shelby Drive
Memphis, TN 38141

Phone: (901) 542-6100
(800) 245-4946

Fax: (901) 542-6159

Factory:

Gardner Denver
1800 Gardner Expressway
Quincy, IL 62301

Phone: (217) 222-5400

Fax: (217) 224-7814

INSTRUCTIONS FOR ORDERING REPAIR PARTS

When ordering parts, specify Compressor MODEL, Method of Cooling, HORSEPOWER and SERIAL NUMBER (see nameplate on unit). The Serial Number is also stamped on top of the discharge bearing carrier casting.

All orders for Parts should be placed with the nearest authorized distributor.

Where NOT specified, quantity of parts required per compressor or unit is one (1); where more than one is required per unit, quantity is indicated in parenthesis. SPECIFY EXACTLY THE NUMBER OF PARTS REQUIRED.

DO NOT ORDER BY SETS OR GROUPS.

To determine the Right-Hand and Left-Hand side of a compressor, stand at the motor end and look toward the compressor. Right-Hand and Left- Hand are indicated in parenthesis following the part name, i.e. (RH) and (LH), when appropriate.

TOTAL PRODUCT SUPPORT – GARDNER DENVER’S CONTINUING COMMITMENT TO YOUR AIR COMPRESSOR PERFORMANCE

Commitment to total product support continues long after the purchase of your quality Gardner Denver rotary screw compressor.

Gardner Denver original parts incorporate years of experience and improvements in design, materials and quality assurance. Maintaining your compressor investment with Gardner Denver parts will insure protection for the air compressor unit and long, dependable service life.

Your authorized Gardner Denver compressor distributor maintains a complete stock of all common maintenance parts, factory approved AEON lubricants, and Gardner Denver factory warranted exchange airends. In addition, authorized distributor technicians are factory trained, and can provide complete diagnostic, compressor maintenance and repair services.

This manual is designed to assist you in maintaining high performance and receiving many years of dependable service you expect from your Gardner Denver compressor.

REMANUFACTURED AIRENDS

Whenever an airend requires replacement or repair, Gardner Denver offers an industry unique, factory remanufactured airend exchange program. From its modern Remanufacturing Center in Indianapolis, IN., Gardner Denver is committed to supplying you with the highest quality, factory remanufactured airends that are guaranteed to save you time, aggravation and money.

Immediately Available

Repair downtime costs you money, which is why there are over 200 remanufactured units in inventory at all times, ready for immediate delivery.

Skilled Craftsmen

Our Remanufacturing assembly technicians average over 20 years experience with air compression products.

Precision Remanufacturing

All potentially usable parts are thoroughly cleaned, inspected and analyzed. Only those parts that can be brought back to original factory specifications are remanufactured. Every remanufactured airend receives a new overhaul kit: bearings, gears, seals, sleeves and gaskets.

Extensive Testing

Gardner Denver performs testing that repair houses just don't do. Magnaflux and ultrasonic inspection spot cracked or stressed castings, monochromatic light analysis exposes oil leaks, and coordinate measurement machine inspects to +/- .0001", insuring that all remanufactured airends meet factory performance specifications.

Warranty

Gardner Denver backs up every remanufactured airend with a new warranty...18 months from purchase, 12 months from service.

Gardner Denver remanufactured airends deliver quality without question...year in and year out.

Call Gardner Denver for information on the airend exchange program and the name of your authorized distributor.

Phone Number: 800-245-4946 or
Fax: 901-542-6159

TABLE OF CONTENTS

Maintain Compressor Reliability And Performance With Genuine Gardner Denver Compressor Parts And Support Services	i
Instructions For Ordering Repair Parts	i
Total Product Support – Gardner Denver’s Continuing Commitment To Your Air Compressor Performance.....	ii
Remanufactured Airends	ii
Airend Selection And Repair Kits	1
Cylinder Group (Turn Valve)	2
Cylinder, Turn Valve Group	3
Discharge Housing Group	4, 5
Mounting Group	6
Drive Group, Gear Driven	7
Seal Kit, Lip, Gear Driven	8
Group-Control, Auto Turn Valve	9
Miscellaneous Group Parts	10
Group-Mounting Air Filter Air-Maze	11
Compressor Base Group	12, 13
Group-Oil System Air Reservoir	14, 15
Oil Separator Group	16
Mixing Valve And Oil Filter	17
Water Cooled Heat Exchanger – With Aftercooler	18, 19
Water Cooled Heat Exchanger – Without Aftercooler	20, 21
Air Cooled Cooler Group	22, 23
Control Piping	24, 25
Turn Valve Actuator	26
Enclosure Group	27
Enclosure – Air Cooled Panels	28
Enclosure – Water Cooled Panels	29
Enclosure – Hardware (All Units)	30
Enclosure – Hardware (Quiet Baffle - Air Cooled)	31
Enclosure (Quiet Baffle - Air Cooled)	32
Enclosure – Skirt (Air Cooled - Quiet)	33
Enclosure – Skirt (Water Cooled - Quiet)	34
Enclosure – Vent Fan Assembly	35
Overload Relay Heater Conversion Listing	36
Motor Group (Main Drive Motors)	37
Miscellaneous Electrical Parts	38
Identification And Instruction Group	39
Control Box Assembly – 200/250/300 HP	40
Control Box Assembly – 200 HP	41
Control Box Assembly 250 HP	42
Control Box Assembly – 300 HP	43
Control Box Assembly – Less Main Motor Starters	44, 45
Controller Assembly	46
Repair Kits	47-49

For Operating and Service Instructions, see:

SERVICE MANUAL:	13-10-614
CONTROLLER MANUAL:	13-9-653

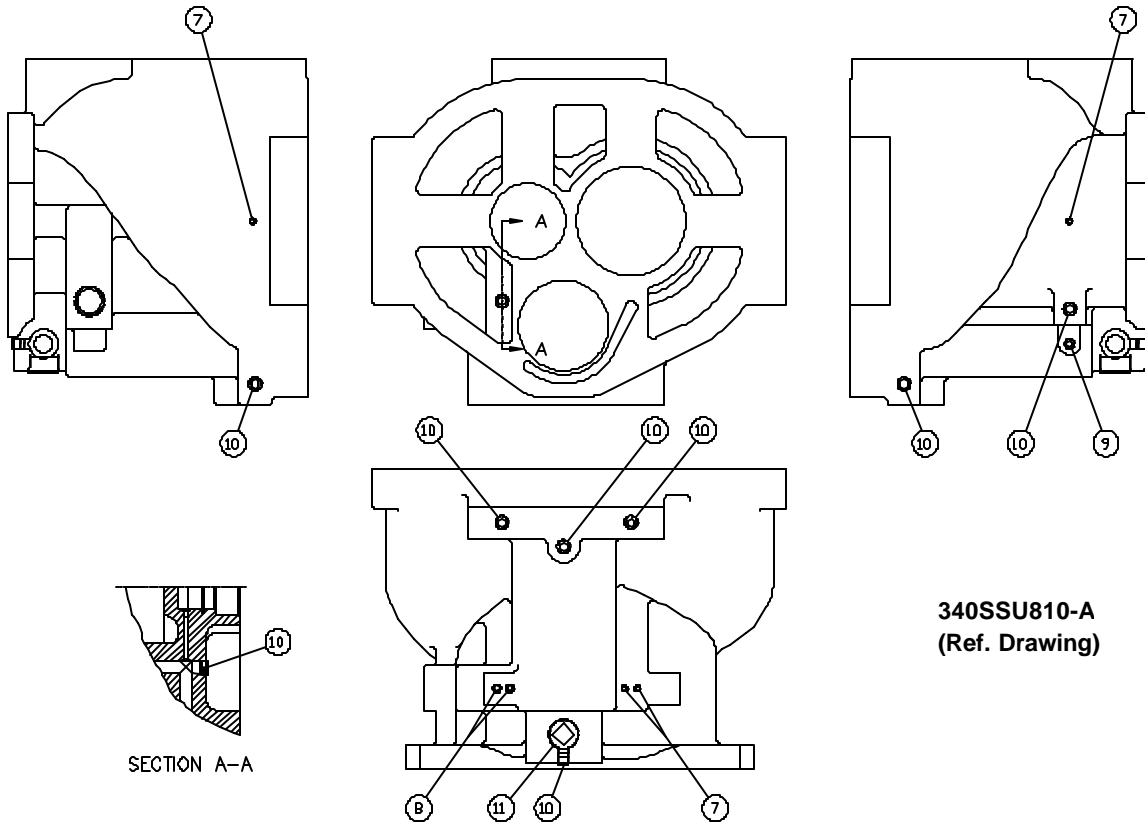
AIREND SELECTION AND REPAIR KITS

Model	HP	PSI	Airend w/Inlet Valve	Reman Airend w/Inlet Valve	Bearing Kit *	Gasket Kit	Inlet Valve Kit	Turn Valve Kit	Drive Shaft Seal Kit	Drive Shaft Wear Sleeve Removal & Installation Kit
EAU	200	100	SSUAHAAAM0IS	SSUAHAAM0IX	332SSU6013	333SSU6013	201SSU6003	315SSU6013	302SSU6013	200SSU4017
		125	SSUAHAAAM04S	SSUAHAAM04X	332SSU6013	333SSU6013	201SSU6003	315SSU6013	302SSU6013	200SSU4017
		150	SSUAHAAAM04S	SSUAHAAM04X	332SSU6013	333SSU6013	201SSU6003	315SSU6013	302SSU6013	200SSU4017
EAU	250	100	SSUAHAAAM02S	SSUAHAAM02X	332SSU6013	333SSU6013	201SSU6003	315SSU6013	302SSU6013	200SSU4017
		125	SSUAHAAAM05S	SSUAHAAM05X	332SSU6013	333SSU6013	201SSU6003	315SSU6013	302SSU6013	200SSU4017
		150	SSUAHAAAM0IS	SSUAHAAM01X	332SSU6013	333SSU6013	201SSU6003	315SSU6013	302SSU6013	200SSU4017
EAU	300	100	SSUAHAAAM03S	SSUAHAAM03X	332SSU6013	333SSU6013	201SSU6003	315SSU6013	302SSU6013	200SSU4017
		125	SSUAHAAAM02S	SSUAHAAM02X	332SSU6013	333SSU6013	201SSU6003	315SSU6013	302SSU6013	200SSU4017
		150	SSUAHAAAM05S	SSUAHAAM05X	332SSU6013	333SSU6013	201SSU6003	315SSU6013	302SSU6013	200SSU4017

* When ordering Bearing Kits, also order Gasket Kit and Drive Shaft Seal Kit.

For listing of Repair Parts included in Kit numbers above, see Repair Kit Section page 48

Order by Part Number and Description. Reference Numbers are for your convenience only.

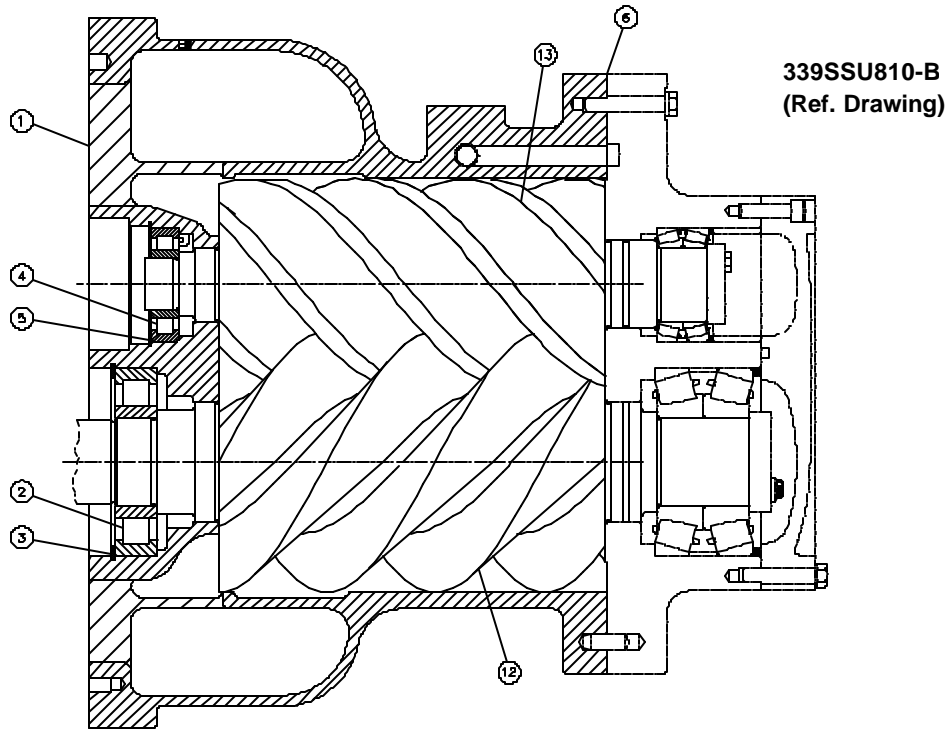


CYLINDER GROUP (TURN VALVE)

B/M: 300SSU4042

Ref. No.	Name of Part	Qty.	Part No.
7	PLUG	4	64AA5
8	PLUG	2	64AA4
9	PLUG	1	64AA7
10	PLUG	8	64AA3
11	PLUG	1	64AA9

Order by Part Number and Description. Reference Numbers are for your convenience only.



CYLINDER, TURN VALVE GROUP

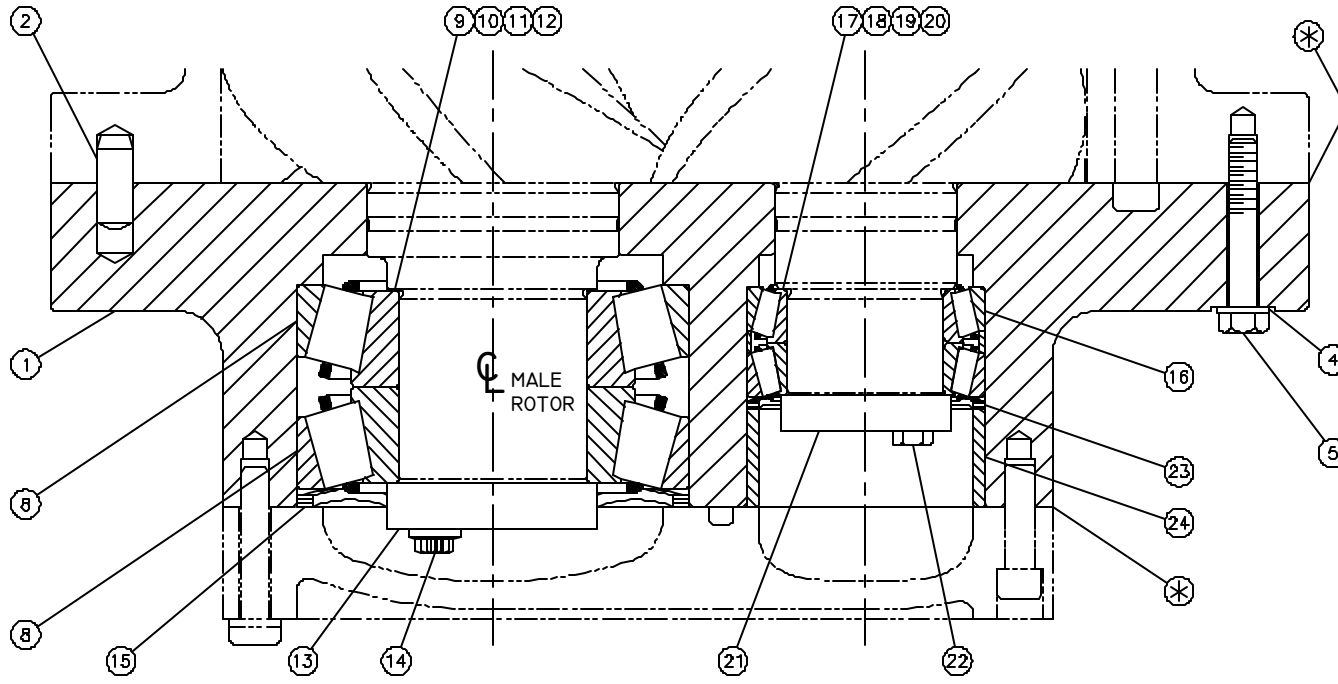
**B/M: 300SSU4042
301SSU4042**

Ref. No.	Name of Part	Qty.	Part No.
1	CYLINDER-AIR, TURN VALVE.....	1	**
* 2	ROLLER BEARING	1	12BA52
3	RING-RETAINER.....	1	65W61
* 4	BEARING-ROLLER.....	1	12W34
5	RING-RETAINING.....	1	65W14
6	GASKET-ELIMINATOR.....	1	25BC222

* Parts included in Periodic Overhaul Kit Part Number 332SSU6013. Refer to page 48.

** For Reference Only

DISCHARGE HOUSING GROUP



ITEM NO. 3 NOT SHOWN, FOR INSTALLATION INSTRUCTIONS REFER TO ILLUSTRATION DRAWING.

⊗ DESIGNATES JOINTS REQUIRING GASKET ELIMINATOR REFER TO RELATED BILLS OF MATERIAL FOR PART NUMBER

342SSU810-B
(Ref. Drawing)

Order by Part Number and Description. Reference Numbers are for your convenience only.

DISCHARGE HOUSING GROUP

B/M: 310SSU4044

Ref. No.	Name of Part	Qty.	Part No.
1	HOUSING-BEARING	1	**
2	PIN	1	**
3	PIN (not shown).....	1	**
4	LOCKWASHER.....	24	**
5	SCREW.....	22	**
6	SCREW.....	2	**
7	SCREW.....	2	**
*** 8	BEARING	2	12BA79
+ 9	SHIM.....	3	77H108002
+ 10	SHIM.....	3	77H108003
+ 11	SHIM.....	3	77H108005
+ 12	SHIM.....	2	77H108015
13	PLATE-BEARING RETAINER.....	1	**
14	SCREW.....	3	**
*** 15	SPRING.....	1	78W110
*** 16	BEARING	1	12BA192
+ 17	SHIM.....	3	77H50002
+ 18	SHIM.....	3	77H50003
+ 19	SHIM.....	3	77H50005
+ 20	SHIM.....	2	77H50015
21	PLATE-BEARING RETAINER.....	1	**
22	SCREW.....	3	**
*** 23	SPRING.....	1	78W90
24	SPACER.....	1	**
25	PLUG (not shown).....	5	**
26	PLUG (not shown).....	1	**
* 27	GASKET ELIMINATOR	1	25BC222

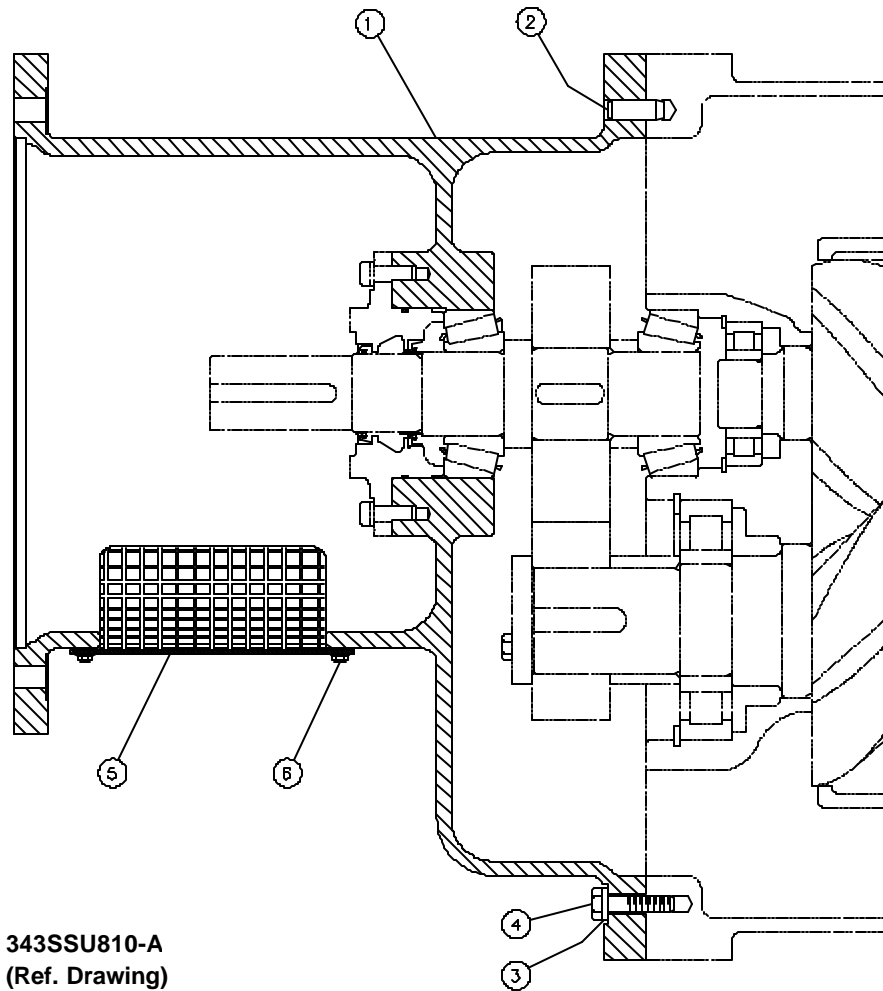
* Gasket Eliminator, see drawing.

** Shown for Reference Only/

*** Parts included in Periodic Overhaul Kit Part Number 332SSU6013. Refer to page 48.

+ Parts included in Gasket Kit Part Number 333SSU6013. Refer to page 48.

Order by Part Number and Description. Reference Numbers are for your convenience only.



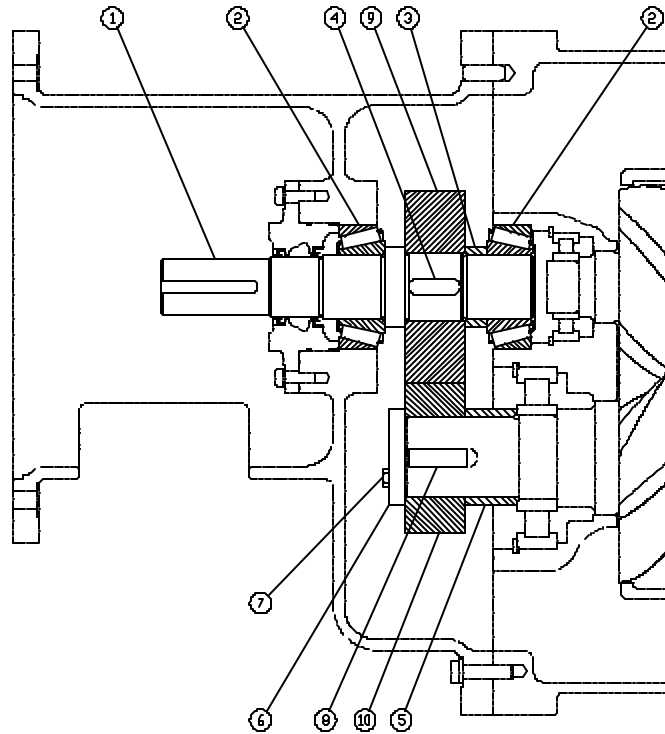
343SSU810-A
(Ref. Drawing)

MOUNTING GROUP

B/M: 300SSU4017

Ref. No.	Name of Part	Qty.	Part No.
1	HOUSING-GEAR.....	1	201SSU151
2	PIN.....	2	62M112
3	LOCKWASHER.....	20	95B7
4	SCREW.....	20	655EF100
5	GUARD-COUPLING.....	1	200SSU339
6	SCREW.....	4	75LM51
7	PLUG (not shown).....	2	64AA5

Order by Part Number and Description. Reference Numbers are for your convenience only.



345SSU810-B
(Ref. Drawing)

DRIVE GROUP, GEAR DRIVEN

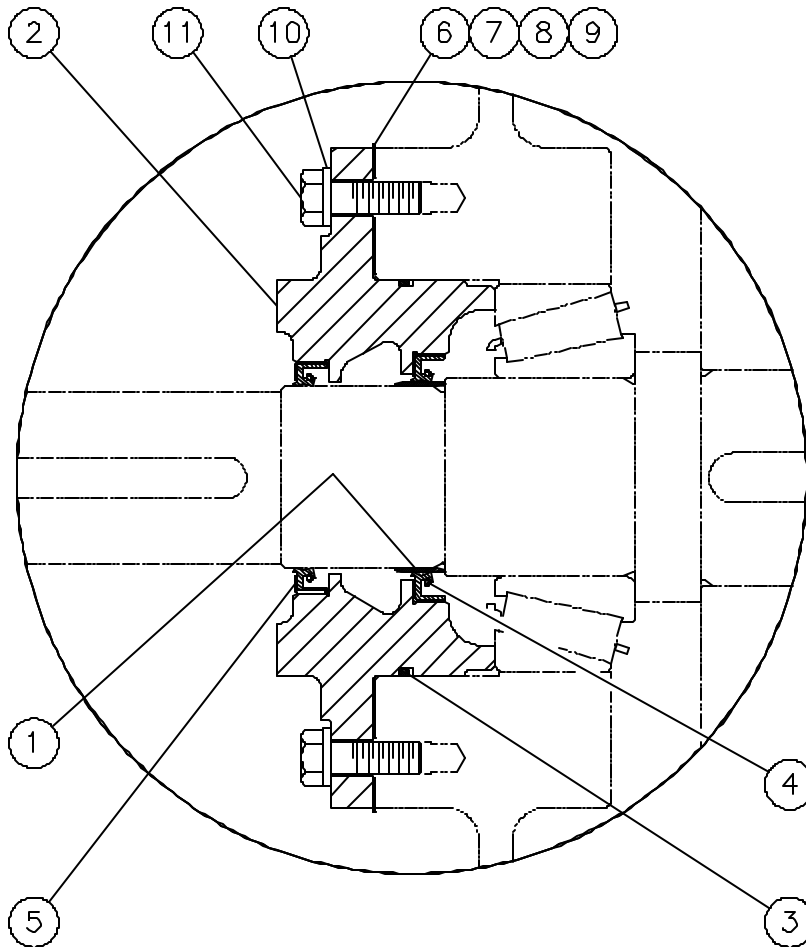
B/M: 300SSU4004

Ref. No.	Name of Part	Qty.	Part No.
1	SHAFT	1	200SSU050
* 2	BEARING	2	12C60
3	SHAFT SPACER	1	201SSU600
4	KEY	1	35L3
5	SHAFT SPACER	1	200SSU600
6	PLATE-BEARING RETAINER.....	1	2012387
7	SCREW	3	655EE06N
8	KEY	1	35L16

* Parts included in Periodic Overhaul Kit Part Number 332SSU6013. Refer to page 48.

Airend	Ref. No.	Name of Part	Part No.	Qty	Ref. No.	Name of Part	Part No.	Qty
01	9	Gear-Drive	200SSU181	1	10	Gear-Driven	200SSU280	1
02	9	Gear-Drive	201SSU181	1	10	Gear-Driven	201SSU280	1
03	9	Gear-Drive	202SSU181	1	10	Gear-Driven	202SSU280	1
04	9	Gear-Drive	203SSU181	1	10	Gear-Driven	203SSU280	1
05	9	Gear-Drive	204SSU181	1	10	Gear-Driven	204SSU280	1

Order by Part Number and Description. Reference Numbers are for your convenience only.



347SSU810-A
(Ref. Drawing)

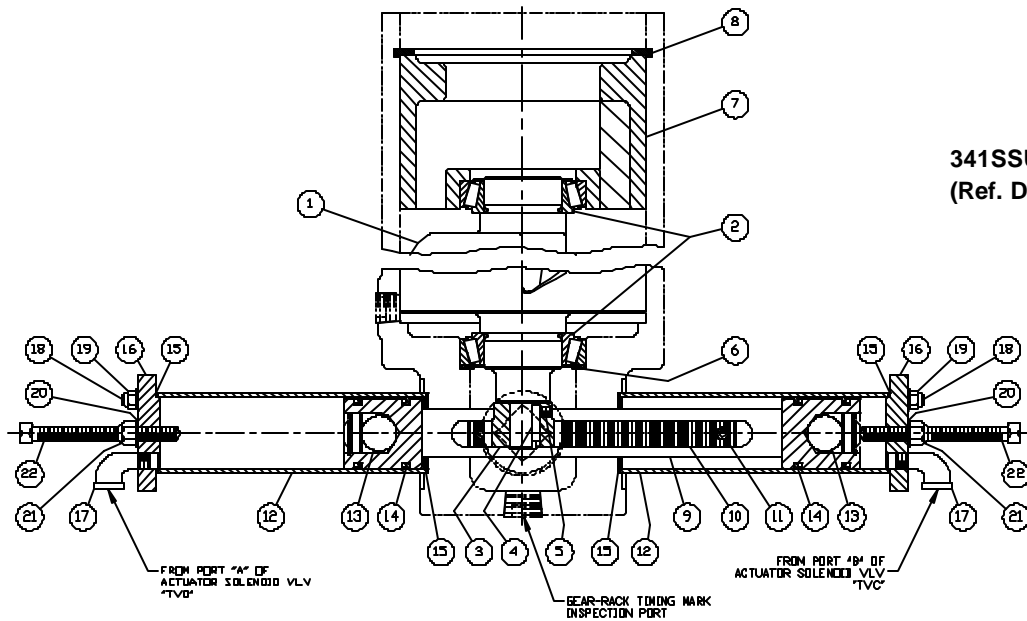
SEAL KIT, LIP, GEAR DRIVEN

B/M: 301SSU6029

Ref. No.	Name of Part	Qty.	Part No.
* 1	SLEEVE-WEAR.....	1	80M28
2	HOUSING-SEAL.....	1	203SSU362
* 3	O-RING	1	25BC205
* 4	SEAL-OIL	1	60DD571
* 5	SEAL-OIL	1	60DD689
* 6	SHIM	12	204SSY732
* 7	SHIM	12	205SSY732
* 8	SHIM	6	207SSY732
* 9	SHIM	6	208SSY732
10	LOCKWASHER.....	6	95B5
11	SCREW.....	6	655EE060
* 12	VALVE-CHECK (not shown).....	1	90AR923

* Parts included in Oil Seal Kit Part Number 302SSU6013, refer to page 48.

Order by Part Number and Description. Reference Numbers are for your convenience only.



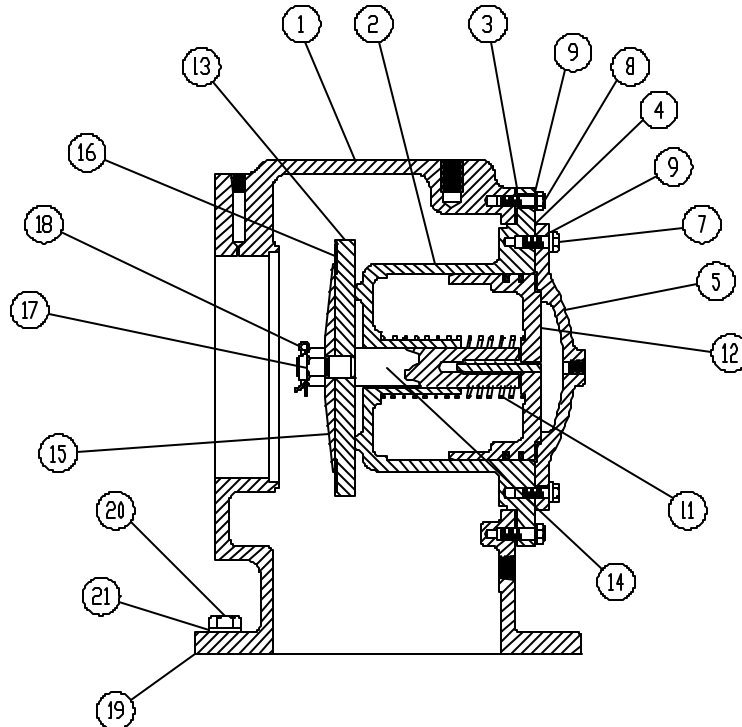
341SSU810-A
(Ref. Drawing)

GROUP-CONTROL, AUTO TURN VALVE

B/M: 300SSU4052

Ref. No.	Name of Part	Qty.	Part No.
1	TURN VALVE	1	203SSU238
* 2	ROLLER BEARING	2	12BA51
3	GEAR-AUXILIARY PINION.....	1	200SSU031
* 4	KEY	1	35C114
5	SCREW	1	76G21N
* 6	SPRING	1	78W50
7	RETAINER	1	207SSU205
8	RING-RETAINING	1	100522
9	SHAFT-CONTROL	1	200SSU081
10	RACK	1	200SSU360
11	SCREW	2	75P11N
12	CYLINDER.....	2	200SSU082
13	PISTON GROUP (Includes next four items)	2	300SSU4056
	PISTON CONTROL.....	1	201SSU084
*	BUMPER.....	1	32E15
*	PLATE RETAINER.....	1	300SSU168
*	RING RETAINING	1	74D49
* 14	PACKING-RING.....	4	60AM46
* 15	GASKET.....	4	25BC138N
16	HEAD-CONTROL CYLINDER.....	2	301SSY083
17	ELBOW	2	64D2G
18	STUD	8	79AL5
19	NUT	8	50AW24
* 20	SEAL-FASTENER	2	60DD801
21	LOCKNUT	2	50AW38
22	SCREW-SET	2	76D49
* Parts included in Turn Valve Kit, Part Number 315SSU6013, refer to page 49.			

Order by Part Number and Description. Reference Numbers are for your convenience only.



206SSU810-B
(Ref. Drawing)

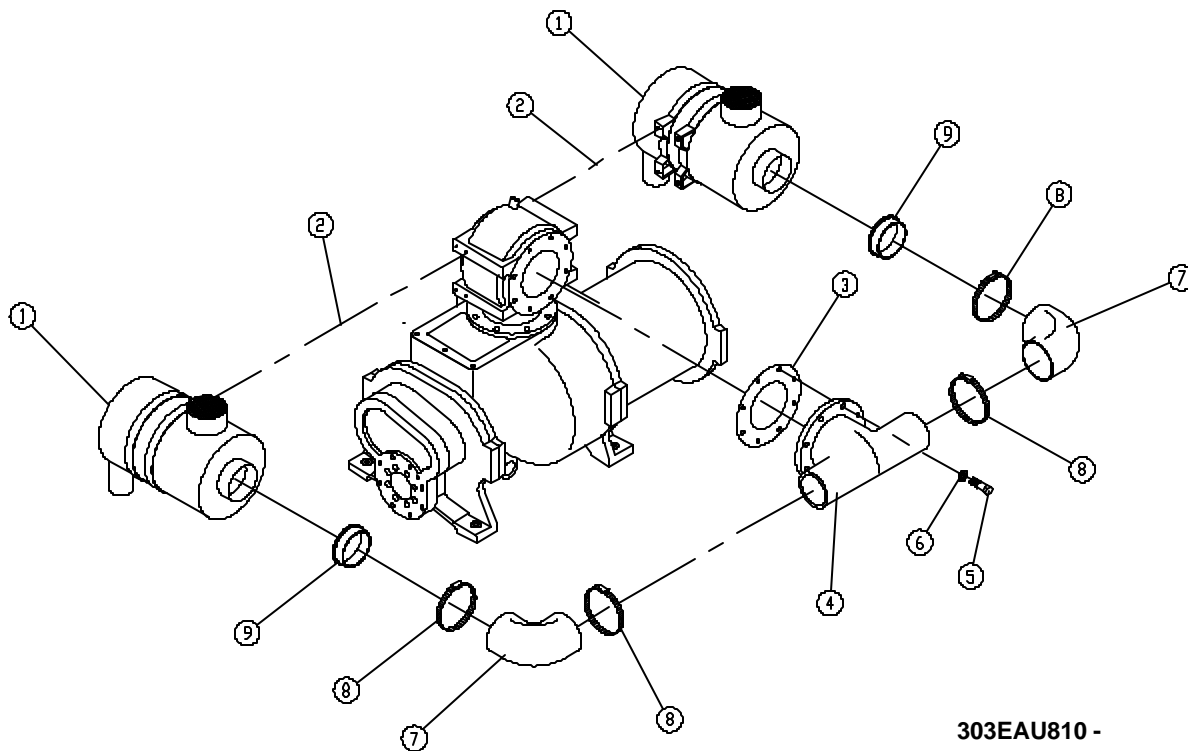
MISCELLANEOUS GROUP PARTS, INLET VALVE, HORIZONTAL

B/M:204SSU4013

Ref. No.	Name of Part	Qty.	Part No.
1	HOUSING-INLET	1	200SSU041
2	CYLINDER-INLET VALVE	1	S11542
* 3	GASKET.....	1	203SSU715N
* 4	GASKET.....	1	25C2683N
5	CAP-CYLINDER.....	1	S115274
6	PIN (not shown).....	1	62R101
7	SCREW.....	6	655ED040
8	SCREW.....	8	655ED050
9	LOCKWASHER.....	14	95B3
* 11	SPRING.....	1	78A366
12	INLET VALVE PISTON ASSEMBLY (Includes next 2 items) ..	1	S11543D
	PISTON-INLET VALVE.....	1	S11543C
* 13	RING-PISTON.....	2	65A319
13	VALVE-INLET.....	1	200SSW044
14	GUIDE-VALVE.....	1	200SSW483
15	CLAMP-DISC.....	1	200SSW338
* 16	DISC-VALVE	1	200SSW067
17	NUT.....	1	50E9
* 18	PIN.....	1	62E30
* 19	GASKET RING.....	1	25BC160
20	SCREW	8	655EG070
21	LOCKWASHER.....	8	95B8

* Parts included in Inlet Valve Kit Part Number 201SSU6003, refer to page 48.

Order by Part Number and Description. Reference Numbers are for your convenience only.



303EAU810 -
(Ref. Drawing)

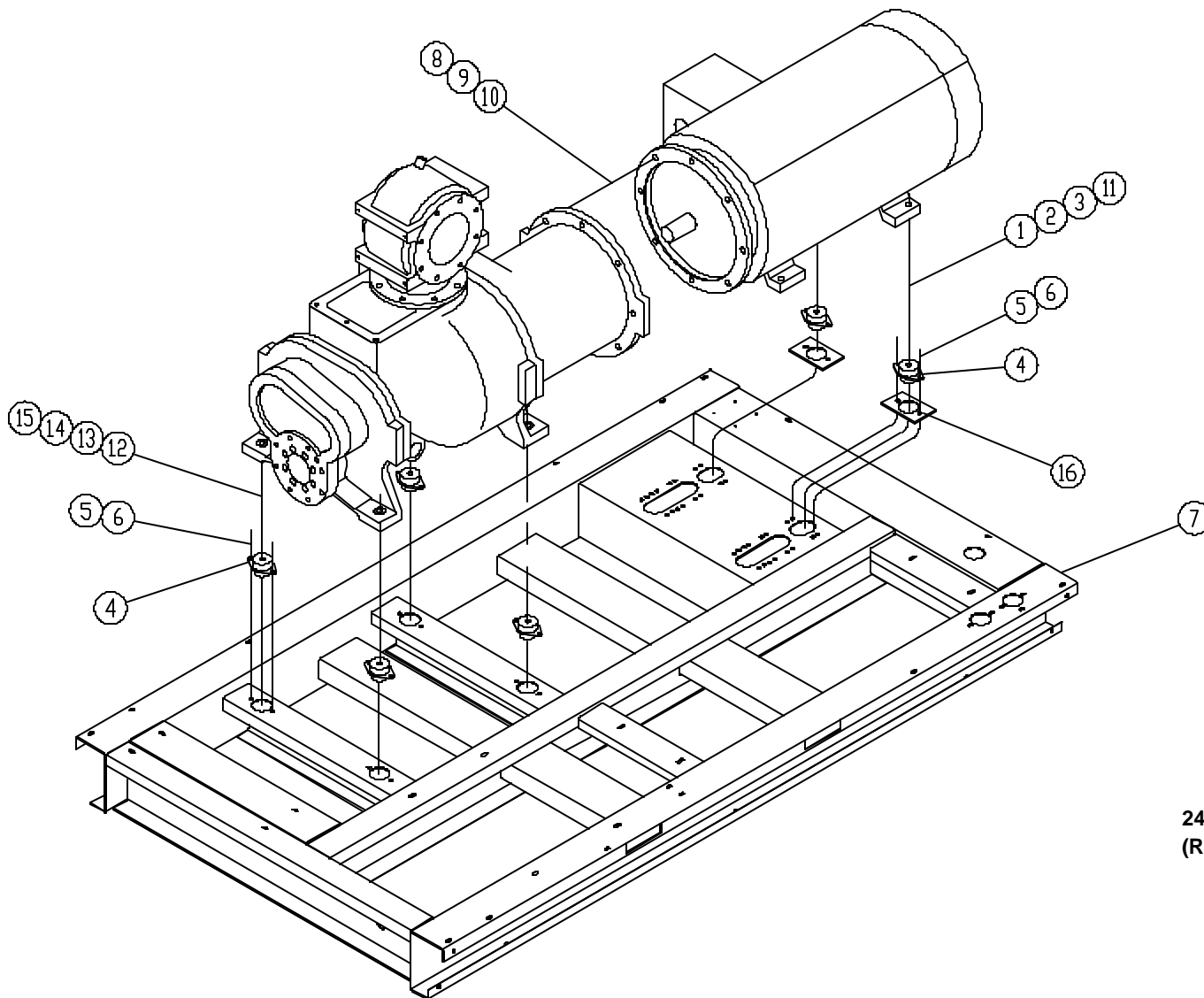
GROUP-MOUNTING AIR FILTER AIR-MAZE

B/M:300EAU4017

Ref. No.	Name of Part	Qty.	Part No.
1	FILTER-AIR.....	2	5L300
2	SCREW.....	8	75K48
3	GASKET RING.....	1	25C2721N
4	MANIFOLD-INLET.....	1	203EAU690
5	SCREW.....	8	655EG080
6	LOCKWASHER.....	8	95B8
7	HOSE.....	2	2009734
8	CLAMP.....	4	29B46
9	REDUCER.....	2	300EAQ1323
*	ELEMENT, AIR FILTER.....	2	2117151

* For Repair - Not Shown.

COMPRESSOR BASE GROUP



246EAU810-B
(Ref. Drawing)

Order by Part Number and Description. Reference Numbers are for your convenience only.

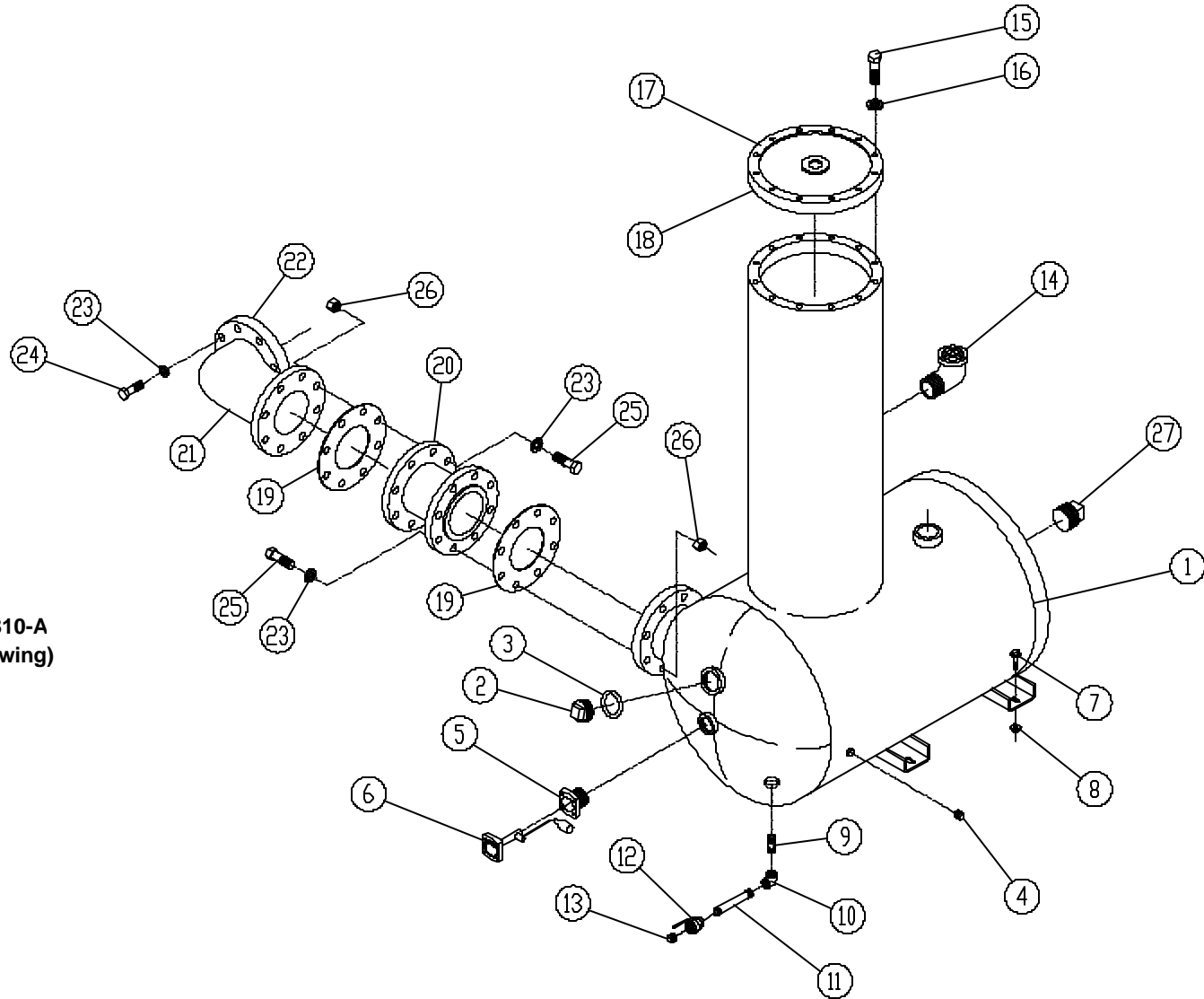
COMPRESSOR BASE GROUP

B/M:310EAU4017

Ref. No.	Name of Part	Qty.	Part No.
1	SCREW	2	655EG240
2	WASHER-	2	95A8
3	LOCKWASHER.....	2	95B8
4	ISOLATOR-VIBRATION.....	6	49C48
5	SCREW	12	75LM135
6	NUT.....	12	50AW35
7	BASE.....	1	302EAU285
8	NUT.....	8	50B8
9	WASHER.....	8	95B8
10	SCREW.....	8	655EG140
11	NUT.....	2	50B8
12	WASHER.....	4	95A8
13	LOCKWASHER.....	4	95B8
14	NUT.....	4	50B8
15	SCREW	4	655EG240
16	SUPPORT.....	2	300EAU165
*	FLEX DRIVE COUPLINGS (not shown).....	1	51L224
	KEY (not shown).....	1	35L27

* For Repair, order Drive Coupling Spider Part Number 2118274.

GROUP-OIL SYSTEM AIR RESERVOIR



328EAU810-A
(Ref. Drawing)

Order by Part Number and Description. Reference Numbers are for your convenience only.

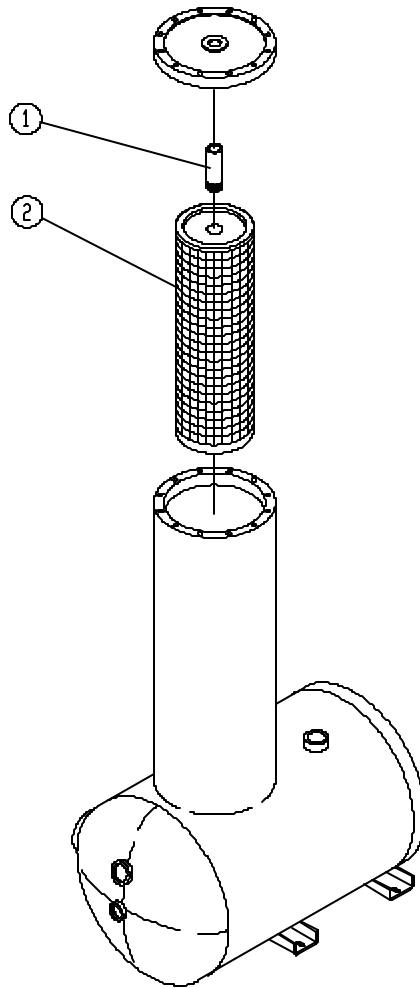
GROUP-OIL SYSTEM AIR RESERVOIR

B/M:300EAU4018

Ref. No.	Name of Part	Qty.	Part No.
1	RESERVOIR-OIL	1	304EAU037
2	COVER-FILLER FREE FIT	1	200SPF156
3	O-RING	1	54C214
4	PLUG	1	64AA5
5	ADAPTOR-GAUGE	1	200EDE058
* 6	GAUGE-FLOAT	1	200EAU303
7	SCREW.....	4	75LM135
8	NUT	4	50AW35
9	NIPPLE	1	63F2G
10	ELBOW	1	64C4G
11	NIPPLE	1	63F10G
12	VALVE-BALL	1	90AR360
13	PLUG	1	64AA7
14	ELBOW	1	64D9G
15	SCREW.....	12	655EE090
16	LOCKWASHER.....	12	95B5
17	COVER.....	1	202EAU225
18	GASKET.....	1	200EAU715N
19	GASKET.....	2	25C807N
20	EXPANSION-JOINT	1	300EAU535
21	DISCHARGE MANIFOLD	1	300EAU286
22	GASKET-ELIMINATOR	1	25BC222
23	LOCKWASHER.....	24	95B8
24	SCREW	8	655EG100
25	SCREW	16	655EG120
26	NUT	16	50B8
27	PLUG	1	64AA9

* For Repair: Float Gauge Gasket – Order Part Number 54C204.

Order by Part Number and Description. Reference Numbers are for your convenience only.



247EAU810
(Ref. Drawing)

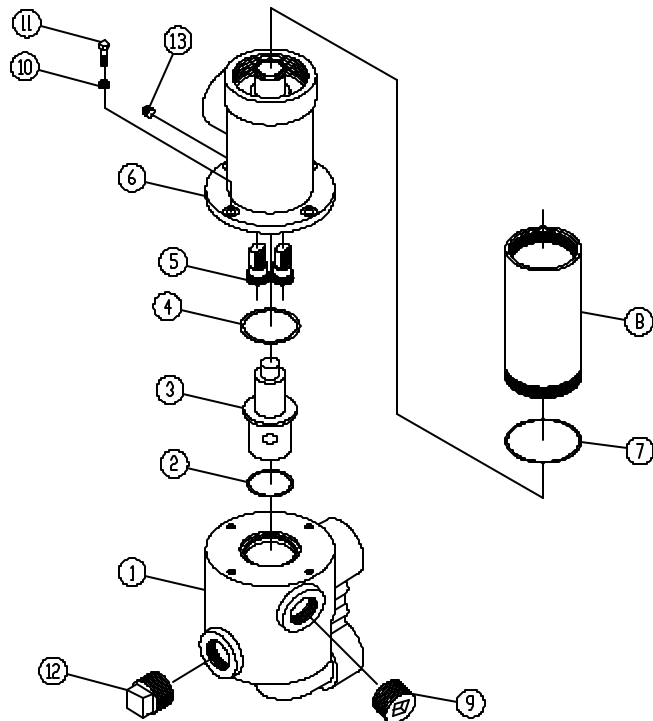
OIL SEPARATOR GROUP

B/M: 201EAU4013

Ref. No.	Name of Part	Qty.	Part No.
1	NIPPLE	1	63AM24X70G
* 2	SEPARATOR-AIR/OIL.....	1	200EAU035

For Separator Repair Kit order Part Number 202EAU6013. Refer to page 47.

Order by Part Number and Description. Reference Numbers are for your convenience only.



261EAU810 B
(Ref. Drawing)

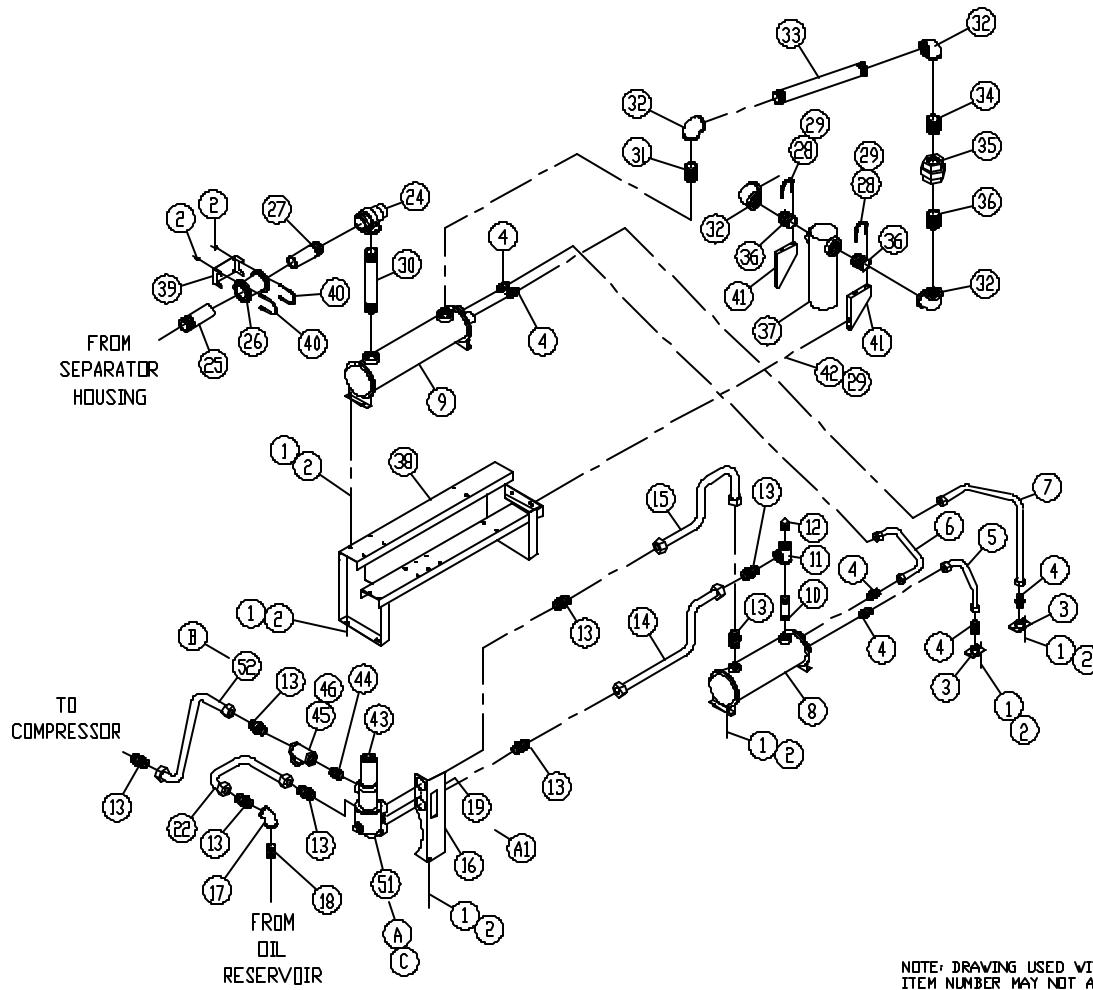
**MIXING VALVE AND OIL FILTER
(With 150° Element)**

250 – 300 HP
B/M: 200EAU2045
300EAU2045

200 HP
B/M: 300EAQ2045
301EAQ2045

Ref. No.	Name of Part	Qty.	Part No.	Part No.
1	MANIFOLD-OIL.....	1	200EAU116	200EAU116
2	O-RING.....	1	25BC127	25BC127
3	ELEMENT			
	ELEMENT (140° - OPTIONAL).....	1	2109365	2117381
	ELEMENT (150° -STANDARD)	1	2109365	2117382
	ELEMENT (160° -OPTIONAL)	1	2109366	2117383
	ELEMENT (180° -OPTIONAL)	1	2109084	2117384
4	O-RING	1	25BC175	25BC175
5	CARTRIDGE-FILTER	2	2116640	2116640
6	MANIFOLD-OIL	1	201EAU116	201EAU116
7	O-RING	1	25BC380	25BC380
8	BODY-OIL FILTER	1	200EDM032	200EDM032
9	PLUG	1	64B7	64B7
10	LOCKWASHER.....	4	95B3	95B3
11	SCREW	4	655ED050	655ED050
12	PLUG.....	1	64AA2	64AA2
13	PLUG.....	1	64AC2	64AC2

WATER COOLED HEAT EXCHANGER – WITH AFTERCOOLER



312EAU810-C
(Ref. Drawing)

Order by Part Number and Description. Reference Numbers are for your convenience only.

WATER COOLED HEAT EXCHANGER – WITH AFTERCOOLER

B/M:300-305EAU4003; 300-301EAU4013;
301EAU4019; 306-307EAQ4013

Ref. No.	Name of Part	Qty	Part No.	Ref. No.	Name of Part	Qty.	Part No.
1	SCREW-FLANGED.....	18	75LM51	25	NIPPLE.....	1	63AJ48X150G
2	NUT-FLANGED.....	22	50AW5	* 26	COUPLING-FLEXIBLE.....	1	64EB803
3	MANIFOLD-WATER.....	2	200EDM072	27	NIPPLE		
4	CONNECTOR-TUBE.....	6	86H141		200 HP.....	1	63AJ48X270G
5	TUBE WITH FITTINGS.....	1	306EAU863		250 HP.....	1	63AJ48X220G
6	TUBE WITH FITTINGS.....	1	307EAU863		300 HP.....	1	63AJ48X180G
7	TUBE WITH FITTINGS.....	1	308EAU863	28	U-BOLT.....	2	15U87
8	EXCHANGER-HEAT			29	NUT-FLANGED.....	8	50AW35
	** Standard – 200 HP.....	1	200EAU349	30	NIPPLE.....	1	63N45X174G
	*** Salt Water – 200 HP.....	1	203EAU349	31	NIPPLE.....	1	63P5G
	** Standard – 250 HP.....	1	201EAU349	32	ELBOW.....	4	64C10G
	*** Salt-Water – 250 HP.....	1	204EAU349	33	NIPPLE.....	1	63N48X276G
	** Standard – 300 HP.....	1	202EAU349	34	NIPPLE.....	1	63P17G
	*** Salt-Water – 300 HP.....	1	205EAU349	35	UNION.....	1	64Z21
9	AFTERCOOLER			36	NIPPLE.....	3	63P2G
	** Standard – 200 HP.....	1	204EAU292	37	TRAF.....	1	83C103
	*** Salt Water – 200 HP.....	1	206EAU292	38	SUPPORT.....	1	208EAU165
	** Standard – 250 HP.....	1	203EAU292	39	BRACKET-PIPE.....	1	200EAQ108
	*** Salt-Water – 250 HP.....	1	207EAU292	40	U-BOLT.....	2	15U108
	** Standard – 300 HP.....	1	200EAU292	41	BRACKET (FORMED).....	2	205EAU142
	*** Salt-Water – 300 HP.....	1	208EAU292	42	SCREW-FLANGED.....	4	75LM135
10	NIPPLE.....	1	63L24G	43	FILTER-OIL.....	1	201EDM369
11	TEE.....	1	64G1G	44	NIPPLE.....	1	63L2G
+ 12	PLUG.....	1	64B7	45	STRAINER.....	1	82E50
13	CONNECTOR-TUBE.....	8	86H142	46	PLUG.....	1	64A8
14	TUBE WITH FITTINGS.....	1	302EAU863	51	ASSEMBLY FILTER		
15	TUBE WITH FITTINGS				250-300 HP (150°).....	1	200EAU2045
	200 HP.....	1	303EAU863		250-300 HP (180°).....	1	300EAU2045
	250 HP.....	1	304EAU863		200 HP (150°).....	1	300EAQ2045
	300 HP.....	1	305EAU863		200 HP (180°).....	1	301EAQ2045
16	BRACKET (FORMED).....	1	300EAU142	52	TUBE WITH FITTINGS.....	1	319EAU863
17	ELBOW-PIPE.....	1	64C9G				
18	NIPPLE.....	1	63L9G		WATER VALVES		
19	SCREW.....	2	75LM51		WATER SOLENOID – N4.....		91B24
22	TUBE WITH FITTINGS.....	1	300EAU863		WATER-TEMPERATURE. REGULATOR.....		90AR152
24	VALVE-MINIMUM PRESSURE.....	1	201EDM527				

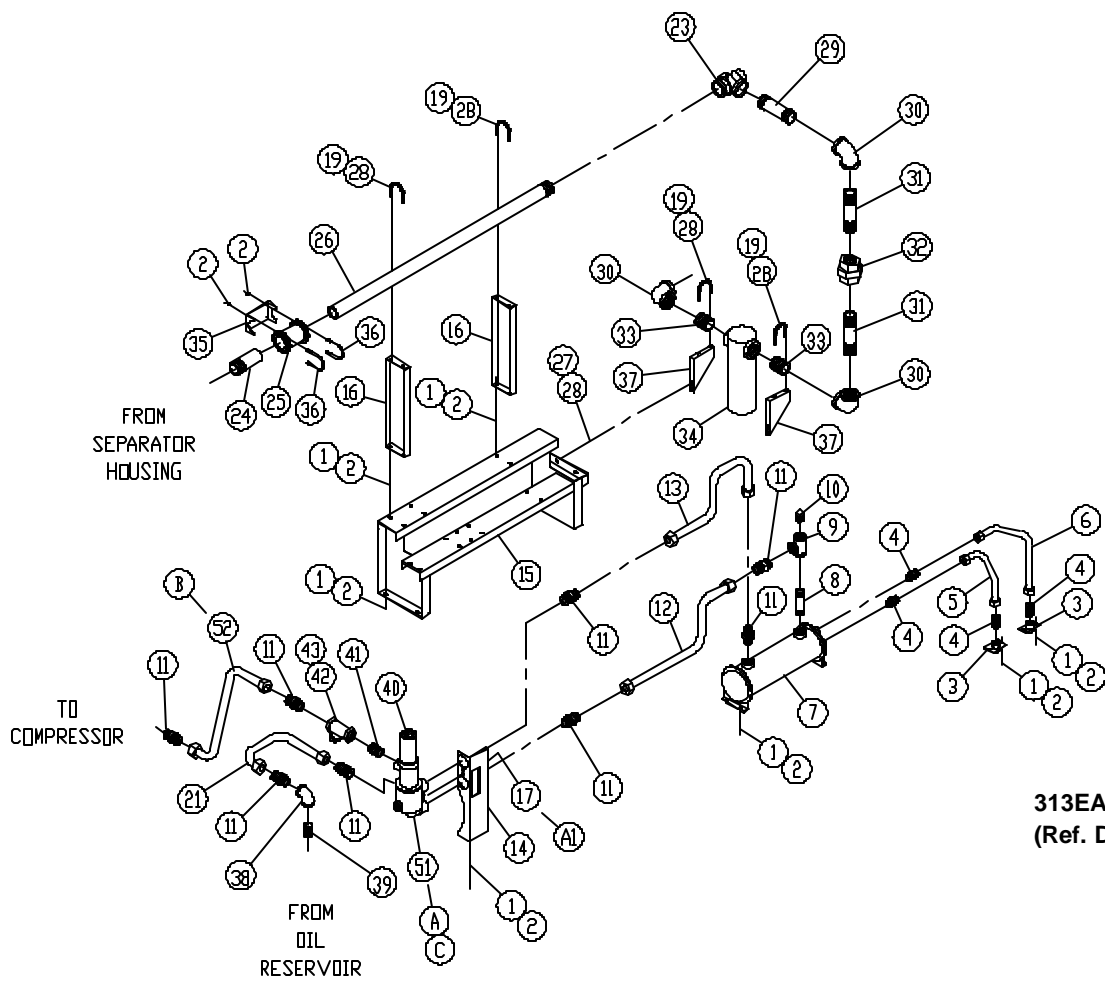
* For Repair: (2) Gaskets - 2109775

** For Repair: Bonnet (In & Out) – 2117102, Bonnet (Return) – 2117103, Gasket (In & Out) – 2117104, Gasket (Return) - 2117105

*** For Repair: Bonnet (In & Out) – 2117757, Bonnet (Return) – 2117758, Gasket (In & Out) – 2117104, Gasket (Return) – 2117105

+ Remove this plug & install temperature probe when water temperature regulator option is used.

WATER COOLED HEAT EXCHANGER – WITHOUT AFTERCOOLER



NOTE: DRAWING USED WITH MULTIPLE BILLS
ITEM NUMBER MAY NOT APPEAR ON SOME BILLS

Order by Part Number and Description. Reference Numbers are for your convenience only.

WATER COOLED HEAT EXCHANGER – WITHOUT AFTERCOOLER

B/M:306-311EAU4003; 300-301EAU4013; 306-307EAQ4013; 301EAU4019

Ref. No.	Name of Part	Qty	Part No.	Ref. No.	Name of Part	Qty.	Part No.
1	SCREW-FLANGED.....	18	75LM51	27	SCREW.....	4	75LM135
2	NUT.....	22	50AW5	28	NUT.....	12	50AW35
3	MANIFOLD-WATER.....	2	200EDM072	29	NIPPLE.....	1	63P19G
4	CONNECTOR-TUBE.....	4	86H141	30	ELBOW.....	3	64C10G
5	TUBE WITH FITTINGS.....	1	306EAU863	31	NIPPLE.....	2	63P22G
6	TUBE WITH FITTINGS.....	1	307EAU863	32	UNION.....	1	64Z21
7	EXCHANGER-HEAT			33	NIPPLE.....	2	63P2G
8	** Standard – 200 HP.....	1	200EAU349	34	TRAF.....	1	83C103
	*** Salt Water – 200 HP.....	1	203EAU349	35	BRACKET-PIPE.....	1	200EAQ108
	** Standard – 250 HP.....	1	201EAU349	36	U-BOLT.....	2	15U108
	*** Salt-Water – 250 HP.....	1	204EAU349	37	BRACKET (FORMED).....	2	205EAU142
	** Standard – 300 HP.....	1	202EAU349	38	ELBOW-PIPE.....	1	64C9G
	*** Salt-Water – 300 HP.....	1	205EAU349	39	NIPPLE.....	1	93L9G
8	NIPPLE.....	1	63L24G	40	FILTER-OIL.....	1	201EDM369
9	TEE.....	1	64G1G	41	NIPPLE.....	1	63L2G
+ 10	PLUG.....	1	64B7	42	STRAINER.....	1	82E50
11	CONNECTOR-TUBE.....	8	86H142	43	PLUG.....	1	64A8
12	TUBE WITH FITTINGS.....	1	302EAU863	51	ASSEMBLY FILTER		
13	TUBE WITH FITTINGS.....				250-300 HP (150°).....	1	200EAU2045
	200 HP.....	1	303EAU863		250-300 HP (180°).....	1	300EAU2045
	250 HP.....		304EAU863		200 HP (150°).....	1	300EAQ2045
	300 HP.....		305EAU863		200 HP (180°).....	1	301EAQ2045
14	BRACKET (FORMED).....	1	300EAU142	52	TUBE WITH FITTINGS.....	1	319EAU863
15	SUPPORT.....	1	208EAU165		WATER VALVES		
16	BRACKET – PIPE.....	1	201EAU108		WATER SOLENOID – N4.....		91B24
17	SCREW.....	2	75LM51		WATER TEMP. REG.....		90AR152
19	U-BOLT.....	4	15U87				
23	VALVE-MINIMUM PRESSURE.....	1	201EDM527				
24	NIPPLE.....	1	63AJ48X150G				
25	COUPLING-FLEXIBLE.....	1	64EB803				
26	NIPPLE.....	1	63AJ48X724G				

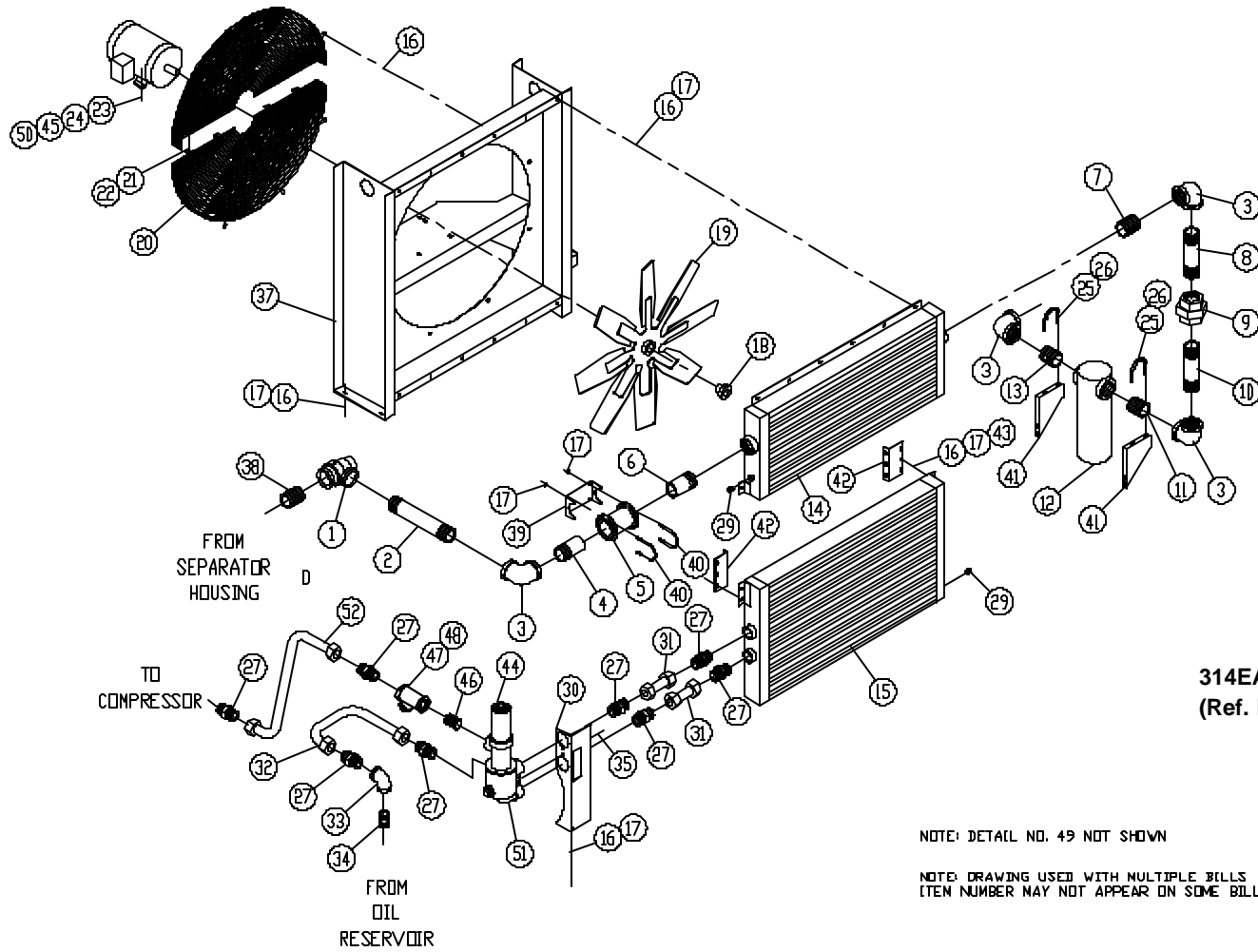
* For Repair: (2) Gaskets - 2109775

** For Repair: Bonnet (In & Out) – 2117102, Bonnet (Return) – 2117103, Gasket (In & Out) – 2117104, Gasket (Return) - 2117105

*** For Repair: Bonnet (In & Out) – 2117757, Bonnet (Return) – 2117758, Gasket (In & Out) – 2117104, Gasket (Return) – 2117105

+ Remove this plug & install temperature probe when water temperature regulator option is used.

AIR COOLED COOLER GROUP



314EAU810-E
(Ref. Drawing)

Order by Part Number and Description. Reference Numbers are for your convenience only.

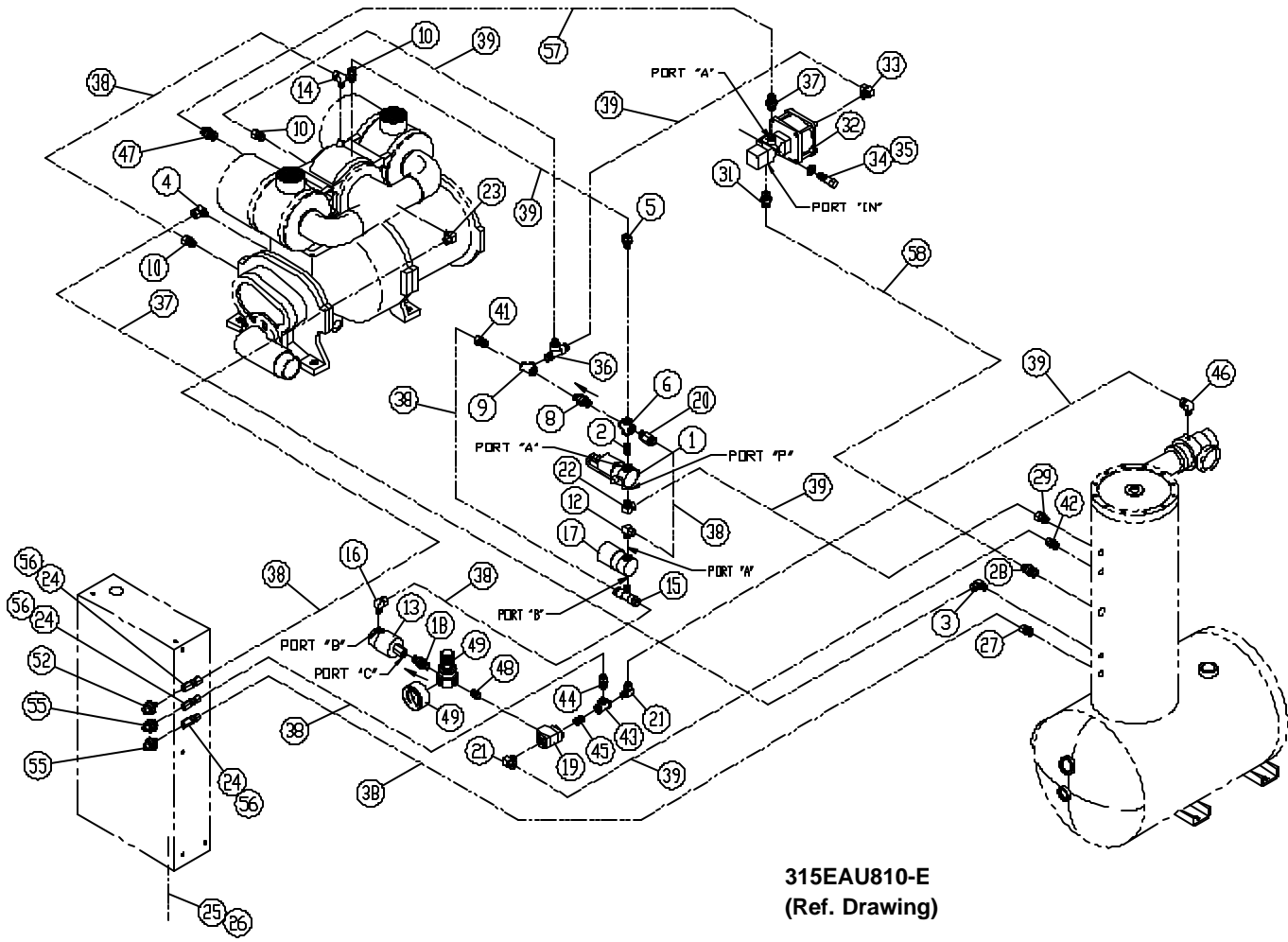
AIR COOLED COOLER GROUP

B/M:312-314EAU4003;
300-301EAU4013;
301EAU4019

Ref. No.	Name of Part	Qty	Part No.	Ref. No.	Name of Part	Qty.	Part No.
1	VALVE-MINIMUM PRESSURE.....	1	201EDM527	27	CONNECTOR-TUBE.....	8	86H142
2	NIPPLE.....	1	63P22G	29	PLUG.....	2	64AC4
3	ELBOW.....	4	64C10G	30	BRACKET (FORMED).....	1	300EAU142
4	NIPPLE.....	1	63AJ48X84G	31	TUBE WITH FITTINGS.....	2	314EU863
* 5	COUPLING-FLEXIBLE.....	1	64EB803	32	TUBE WITH FITTINGS.....	1	300EAU863
6	NIPPLE.....	1	63AJ48X84G	33	ELBOW-PIPE.....	1	64C9G
7	NIPPLE.....	1	63P11G	34	NIPPLE.....	1	63L9G
8	NIPPLE.....	1	63P5G	35	SCREW.....	2	655ED040
9	UNION.....	1	64Z21	37	SUPPORT.....	1	207EAU165
10	NIPPLE.....	1	63P2G	38	NIPPLE.....	1	63P1G
11	NIPPLE.....	1	63P2G	39	BRACKET-PIPE.....	1	200EAQ108
12	TRAP.....	1	83C103	40	U-BOLT.....	2	15U108
13	NIPPLE.....	1	63P2G	41	BRACKET (FORMED).....	2	205EAU142
14	AFTERCOOLER.....	1	202EAU292	42	BRACKET (FORMED).....	2	206EAU142
	SEACOAST (OPTIONAL).....	1	205EAU292	43	WASHER.....	6	95A3
15	COOLER-OIL.....	1	201EAU201	44	FILTER-OIL.....	1	201EDM369
	SEACOAST (OPTIONAL).....	1	301EAU201	45	WASHER.....	4	95W15
16	SCREW.....	38	75LM51	46	NIPPLE.....	1	63L2G
17	NUT.....	28	50AW5	47	STRAINER.....	1	82E50
18	BUSHING-SHEAVE.....	1	2009277	48	PLUG.....	1	64A8
19	FAN			49	CLAMP (not shown).....	1	98H3
	200 HP.....	1	202EAU701	50	NUT.....	4	50B5
	250 & 300 HP.....		204EAU701	51	ASSEMBLY FILTER		
20	GUARD-FAN.....	1	201EAU393		250-300 HP (150°).....	1	200EAU2045
21	NUT.....	4	50AW4		250-300 HP (180°).....	1	300EAU2045
22	SCREW.....	4	75LM50		200 HP (150°).....	1	300EAQ2045
23	SCREW.....	4	655EE090		200 HP (180°).....	1	301EAQ2045
24	LOCKWASHER.....	4	95B5	52	TUBE WITH FITTINGS.....	1	319EAU863
25	U-BOLT.....	2	15U87				
26	NUT.....	4	50AW35				

* For Repair: (2) Gaskets - 2109775

CONTROL PIPING



315EAU810-E
(Ref. Drawing)

Order by Part Number and Description. Reference Numbers are for your convenience only.

CONTROL PIPING

B/M:303EAU4002

Ref. No.	Name of Part	Qty	Part No.	Ref. No.	Name of Part	Qty.	Part No.
* + 1	VALVE-SOLENOID - BDV	1	91B70	31	CONNECTOR-TUBE.....	1	86H144
2	NIPPLE.....	1	63D1G	++ ** 32	VALVE-AIR CONTROL	1	90AR1083
3	CONNECTOR-TUBE.....	1	86E64	33	ELBOW	1	86E64
4	ELBOW.....	1	86E64	34	LOCKWASHER.....	2	95B2
5	ELBOW.....	1	86E9	35	SCREW	2	75P189
6	CROSS.....	1	64K1G	36	TEE	1	86E136
++ 8	VALVE-CHECK	1	90AR261	37	CONNECTOR-TUBE.....	1	86H144
9	TEE-PIPE	1	64G3G	38	TUBE (IN FEET).....	30	85K3
10	CONNECTOR-TUBE.....	3	86E9	39	TUBE (IN FEET).....	35	85K5
12	ELBOW-TUBE.....	1	86E60	41	CONNECTOR-TUBE.....	1	86E4
+ 13	VALVE-SOLENOID.....	1	91B80	42	CONNECTOR-TUBE.....	1	86E9
14	ELBOW-TUBE.....	1	86E60	43	TEE-PIPE.....	1	64G3G
15	TEE-TUBE.....	2	86E119	44	CONNECTOR-TUBE.....	1	86E4
16	ELBOW-TUBE.....	1	86E60	45	NIPPLE.....	1	63D1G
+ 17	VALVE-SOLENOID.....	1	91B81	46	ELBOW.....	1	86E64
++ 18	VALVE-CHECK	1	90AR261	47	CONNECTOR-TUBE.....	1	86H144
++ 19	VALVE-CONTROL.....	1	90AR1034	48	NIPPLE.....	1	63D1G
20	CONNECTOR-TUBE.....	1	86E4	++ Δ 49	REGULATOR-PRESS W/GAUGE.....	1	88H139
21	ELBOW	2	86E64	50	SEALING RING (not shown).....	1	24A383
22	ELBOW.....	1	86E64	51	LOCKNUT-CONDUIT (not shown).....	1	24A77
23	ELBOW-TUBE.....	1	86E60	+ 52	SWITCH-VACUUM.....	1	88H195
24	CONNECTOR-TUBE.....	1	86N287	53	WIRE (IN FEET) (not shown).....	8	97H2R
25	SCREW-FLANGED.....	4	75LM51	54	TERMINAL LUG (not shown).....	2	24A476
26	NUT	4	50AW5	+ 55	TRANSDUCER-PRESSURE.....	2	88H242
27	CONNECTOR-TUBE.....	1	86E4	56	O-RING	3	165011
28	CONNECTOR-TUBE.....	1	86H144	57	TUBE WITH FITTINGS.....	1	310EAU863
29	CONNECTOR-TUBE.....	1	86E9	58	TUBE WITH FITTINGS.....	1	320EAU863

* For Repair Kit (includes Springs, Seals, Piston Assembly, Plunger Assembly, Nut & O-Ring, order Part Number 2116077 or for Coil, order Part Number 2116078.

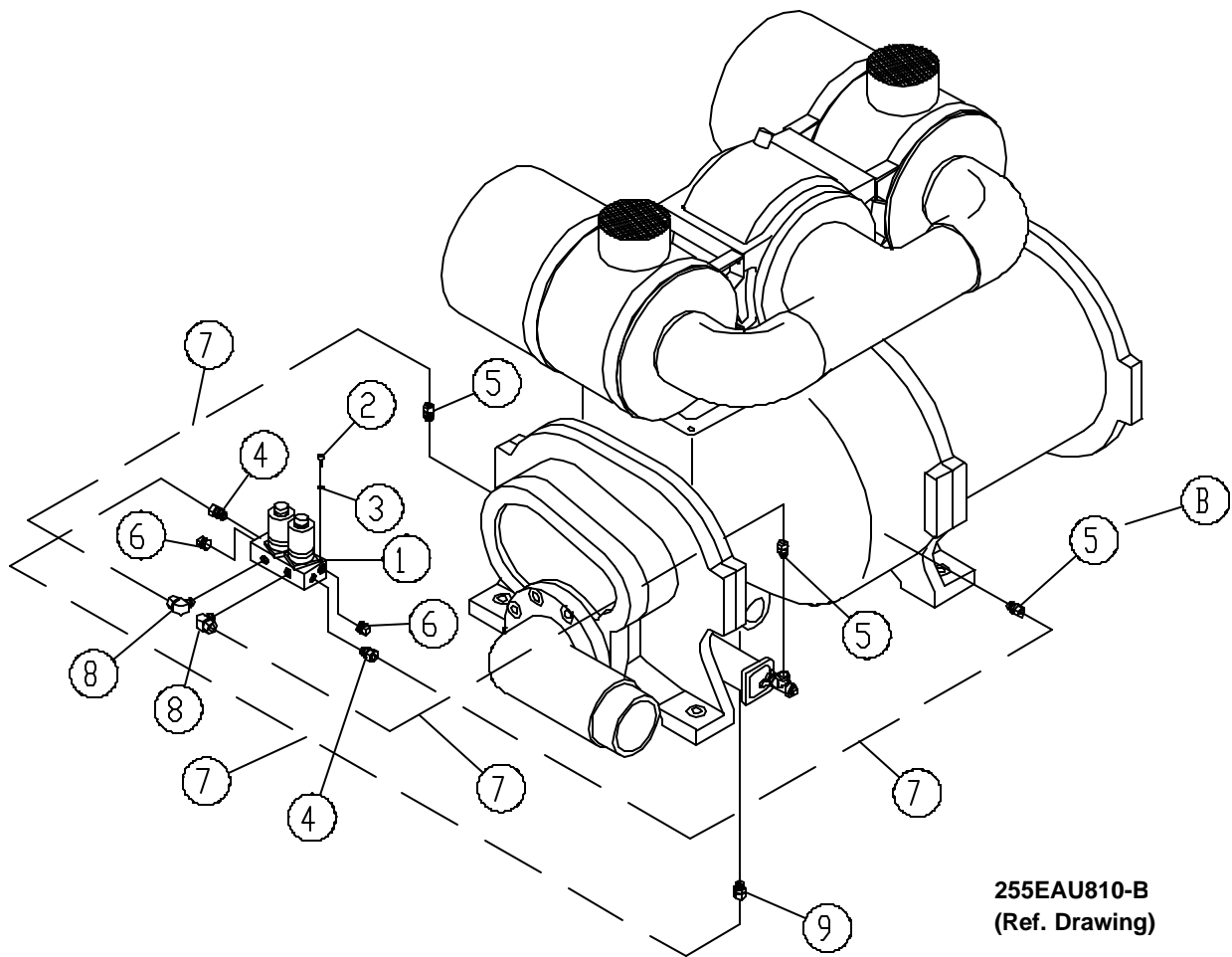
** For Repair of U-Cup (Piston Seal), order Part Number 2117904; For O-Ring (Top Plate), order Part Number 2117905.

Δ For replacement Gauge, order Part Number 2116732.

+ Parts included in Electrical Control Kit Part Number 206EAP6013. Refer to Page 47

++ Parts included in Pneumatic Control Kit Part Number 203EAU6013. Refer to page 47 .

Order by Part Number and Description. Reference Numbers are for your convenience only.



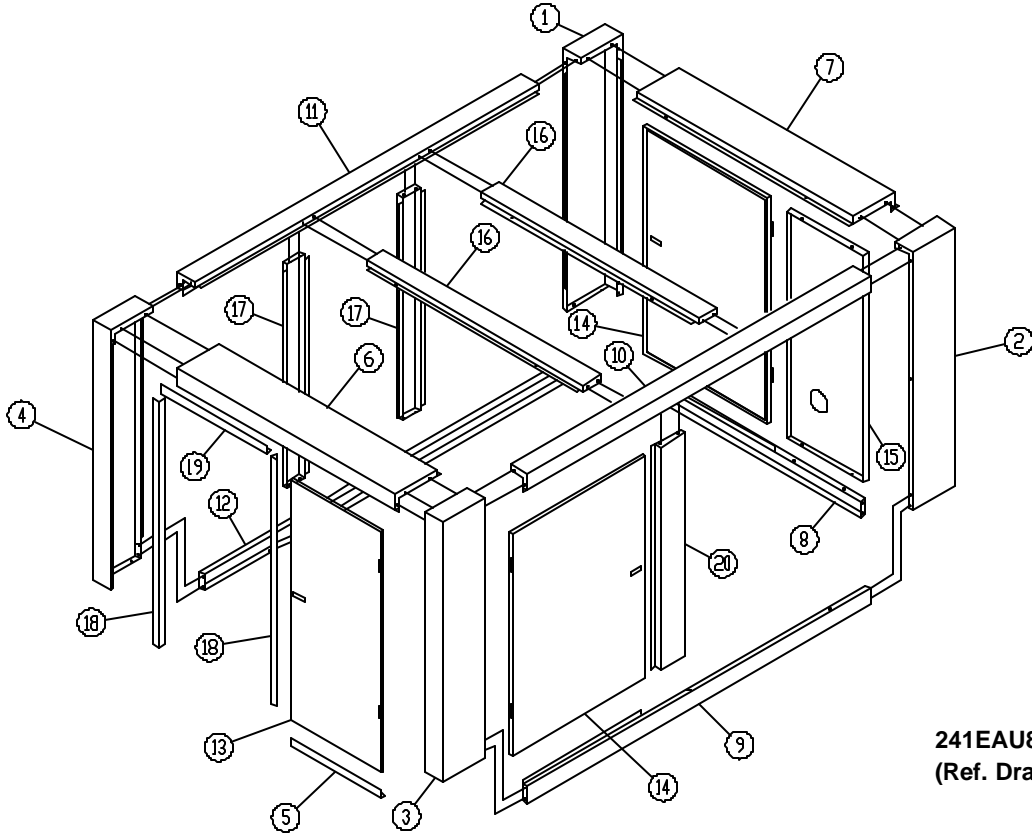
TURN VALVE ACTUATOR

B/M: 203EAU4013

Ref. No.	Name of Part	Qty.	Part No.
* 1	VALVE-SOLENOID	1	301EAQ861
2	SCREW.....	2	75P26
3	LOCKWASHER.....	2	95B1
4	CONNECTOR-TUBE.....	2	86E5
5	CONNECTOR TUBE	3	86E4
6	PLUG	2	64AC3
7	TUBE (IN FEET).....	20	85K3
8	ELBOW-TUBE	2	86E60
9	CONNECTOR-TUBE.....	1	86E5

* For O-Ring Repair Kit, Order Part Number 307EAQ6013, refer to page 47.

Order by Part Number and Description. Reference Numbers are for your convenience only.

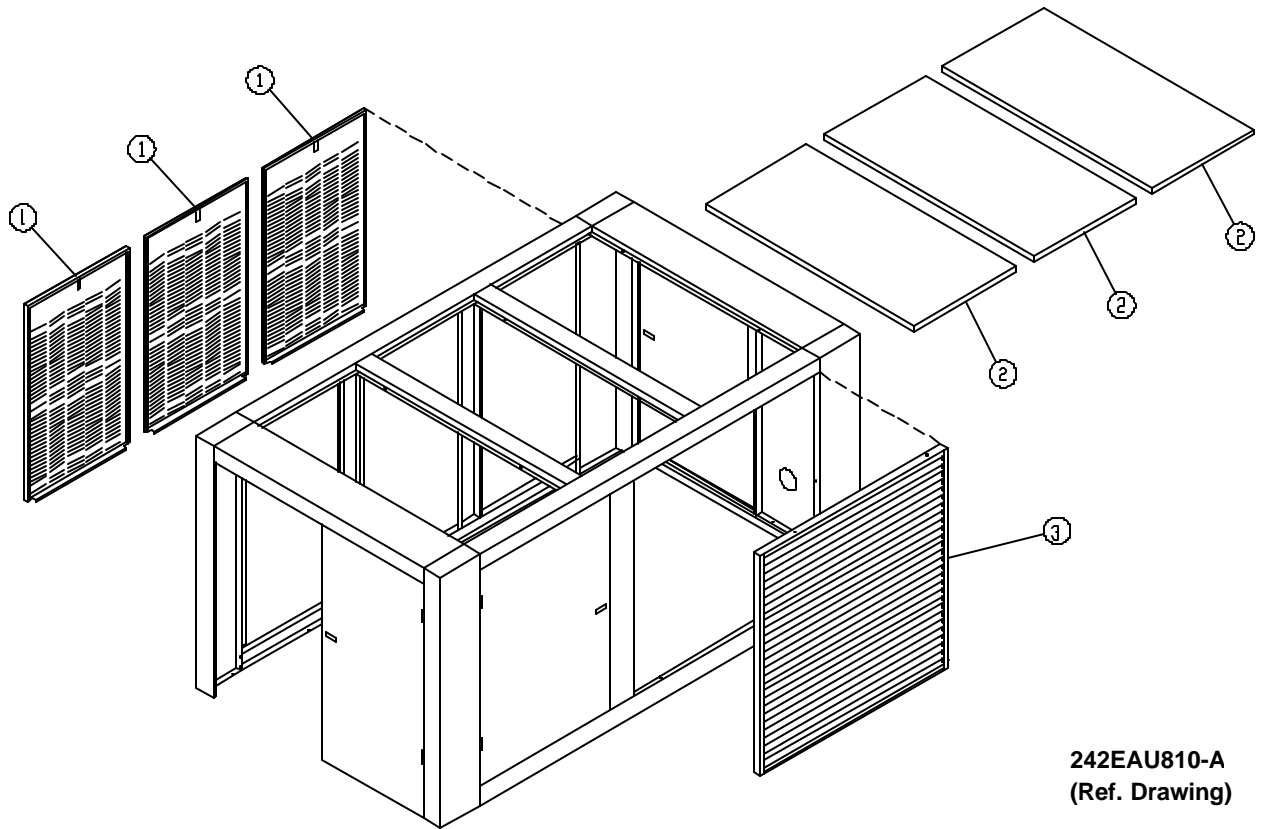


241EAU810-A
(Ref. Drawing)

ENCLOSURE GROUP

Ref. No.	Name of Part	Qty.	B/M: 200EAU4023	B/M: 206EAU4023	B/M: 309EAU4023	B/M: 310EAU4023
			ODP Standard Part No.	TEFC Standard Part No.	ODP Quiet Part No.	TEFC Quiet Part No.
1	POST	1	203EAU313	210EAU313	306EAU313	308EAU313
2	POST	1	204EAU313	211EAU313	307EAU313	309EAU313
3	POST	1	205EAU313	212EAU313	205EAU313	212EAU313
4	POST	1	206EAU313	213EAU313	206EAU313	213EAU313
5	FRAME.....	1	211EAU314	211EAU314	211EAU314	211EAU314
6	FRAME.....	1	212EAU314	223EAU314	212EAU314	223EAU314
7	FRAME.....	1	213EAU314	224EAU314	306EAU314	308EAU314
8	FRAME.....	1	214EAU314	225EAU314	307EAU314	309EAU314
9	FRAME.....	1	215EAU314	226EAU314	215EAU314	226EAU314
10	FRAME.....	1	216EAU314	227EAU314	216EAU314	227EAU314
11	FRAME.....	1	217EAU314	228EAU314	217EAU314	228EAU314
12	FRAME.....	1	218EAU314	229EAU314	218EAU314	229EAU314
13	DOOR	1	204EAU334	206EAU334	204EAU334	206EAU334
14	DOOR	2	205EAU334	207EAU334	205EAU334	207EAU326
15	BRACE	1	200EAU326	205EAU326	200EAU326	206EAU326
16	BRACE	2	201EAU326	207EAU326	201EAU326	207EAU326
17	BRACE	2	202EAU326	208EAU326	202EAU326	208EAU326
18	BRACKET.....	2	201EAU142	201EAU142	201EAU142	201EAU142
19	BRACKET.....	1	202EAU142	202EAU142	202EAU142	202EAU142
20	BRACE	1	203EAU326	209EAU326	203EAU326	209EAU326

Order by Part Number and Description. Reference Numbers are for your convenience only.

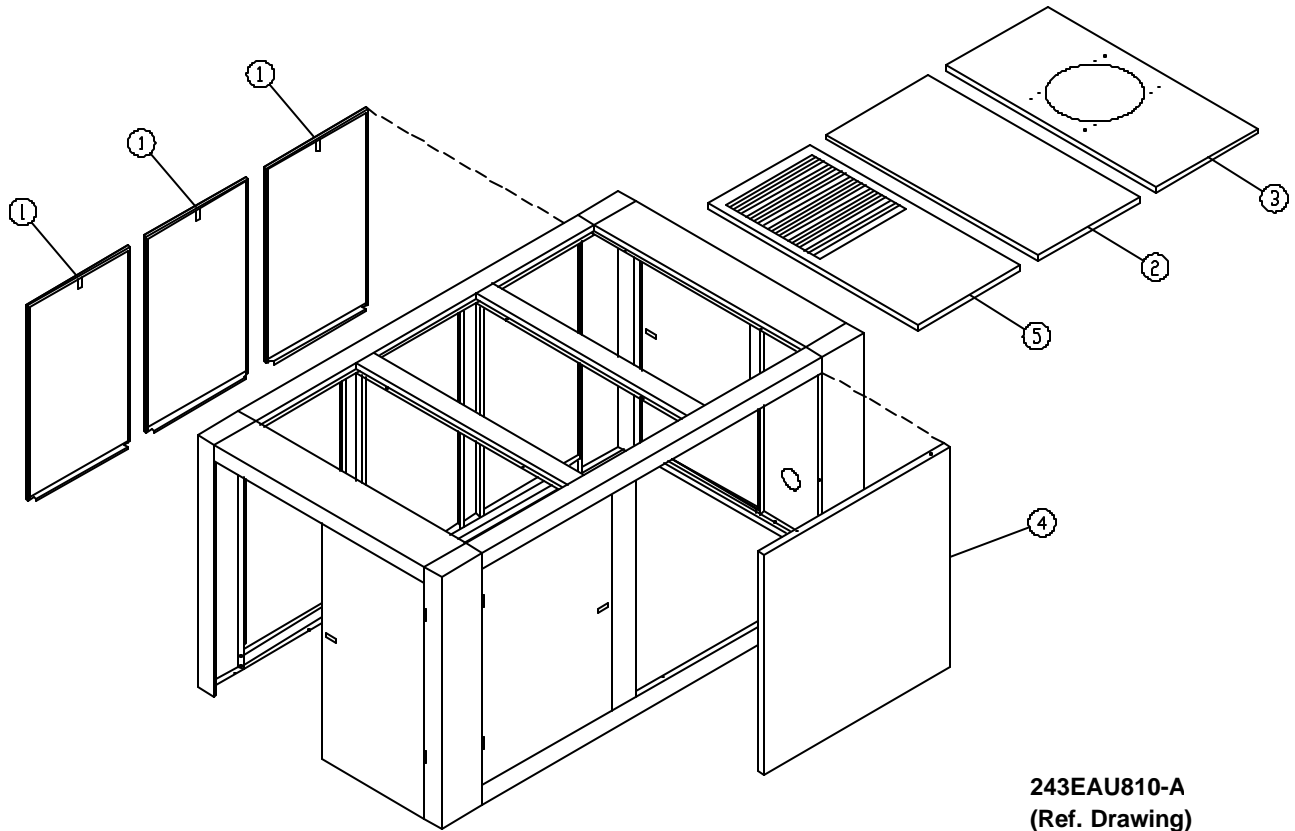


**ENCLOSURE – AIR COOLED PANELS
STANDARD UNITS**

Ref. No.	Name of Part	Qty.	B/M: 201EAU4023 Standard Part No.
1	PANEL	3	207EAU216
2	PANEL	3	209EAU216
3	PANEL	1	212EAU216

Refer to page 27 for Enclosure Part Numbers.

Order by Part Number and Description. Reference Numbers are for your convenience only.



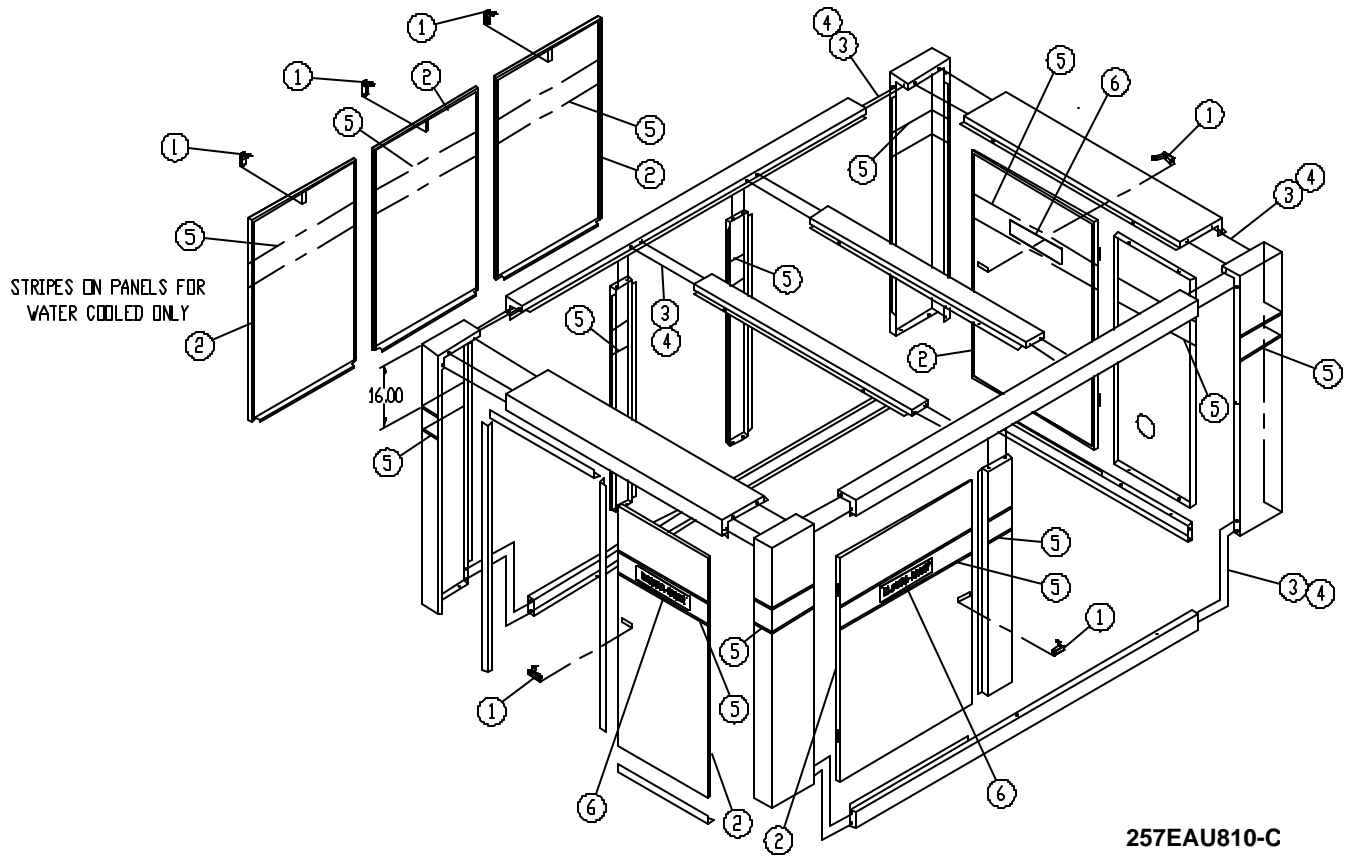
243EAU810-A
(Ref. Drawing)

**ENCLOSURE – WATER COOLED PANELS
STANDARD AND QUIET UNITS**

Ref. No.	Name of Part	Qty.	B/M: 202EAU4023	B/M: 207EAU4023
			Standard Part No.	Quiet Part No.
1	PANEL	3	208EAU216	218EAU216
2	PANEL	1	209EAU216	217EAU216
3	PANEL	1	211EAU216	215EAU216
4	PANEL	1	210EAU216	216EAU216
5	PANEL	1	219EAU216	214EAU216

* Refer to page 27 for Enclosure Part Numbers.

Order by Part Number and Description. Reference Numbers are for your convenience only.



257EAU810-C
(Ref. Drawing)

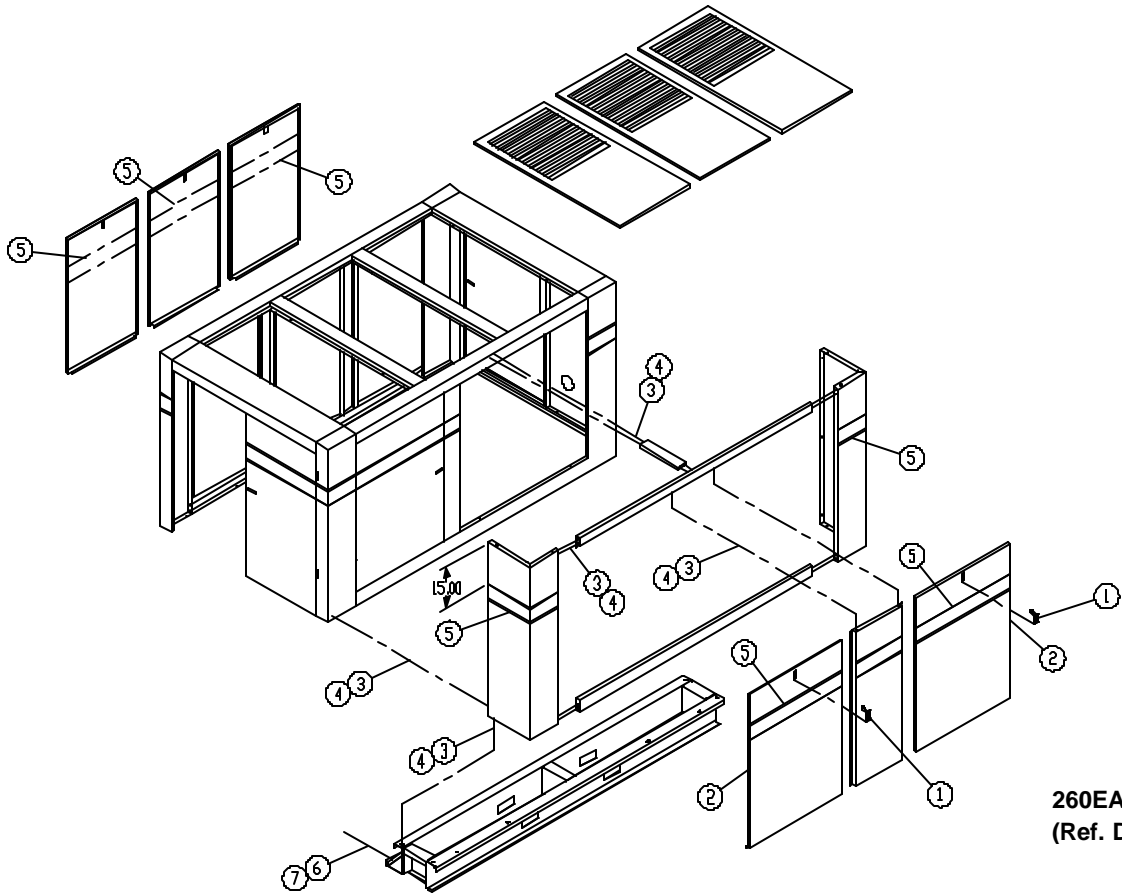
**ENCLOSURE – HARDWARE
ALL UNITS**

B/M: 204EAU4023

Ref. No.	Name of Part	Qty.	Part No.
1	LATCH.....	6	31D51
2	SEAL (not shown).....	84	32E12
3	SCREW.....	104	75LM51
4	NUT.....	92	50AW5
5	DECAL.....	6	203ESO077
6	DECAL.....	3	201EAP077

Refer to page 27 for Enclosure Part Numbers.

Order by Part Number and Description. Reference Numbers are for your convenience only.



260EAU810-A
(Ref. Drawing)

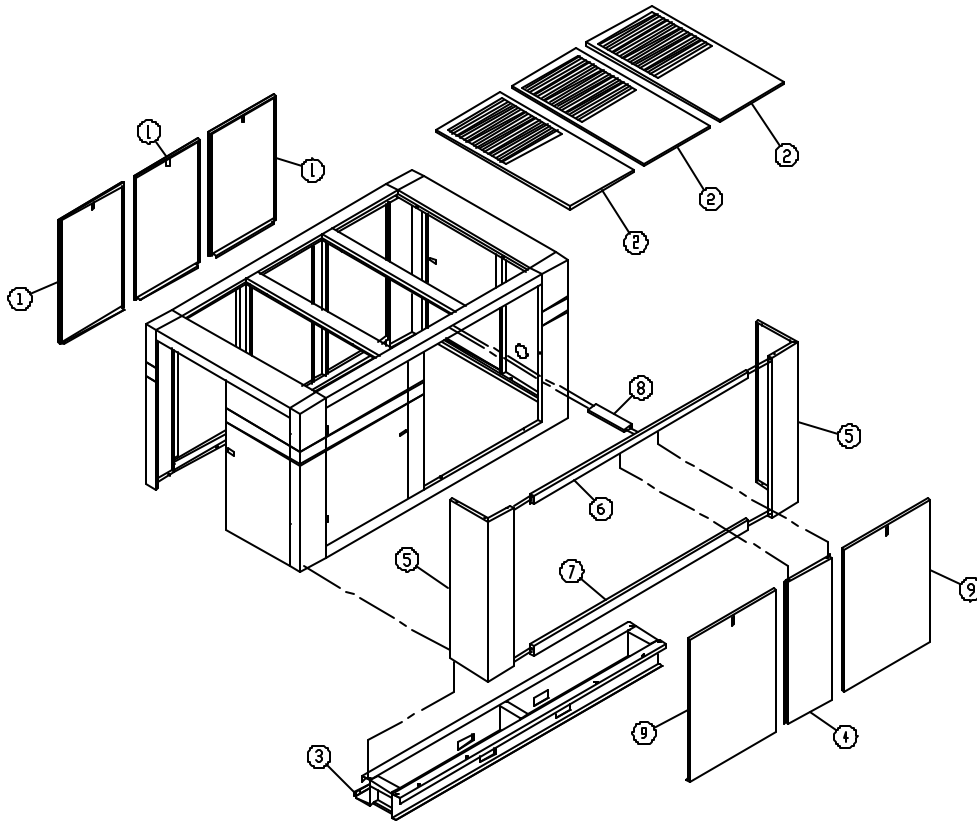
**ENCLOSURE – HARDWARE
QUIET BAFFLE UNITS – AIR COOLED**

B/M: 205EAU4023

Ref. No.	Name of Part	Qty.	Part No.
1	LATCH.....	2	31D51
2	SEAL.....	27 Ft	32E12
3	SCREW.....	30	75LM51
4	NUT.....	30	50AW5
5	DECAL.....	6	203ESO077
6	SCREW.....	4	75LM135
7	NUT.....	4	50AW35

Refer to page 27 for Enclosure Part Numbers.

Order by Part Number and Description. Reference Numbers are for your convenience only.



256EAU810-A
(Ref. Drawing)

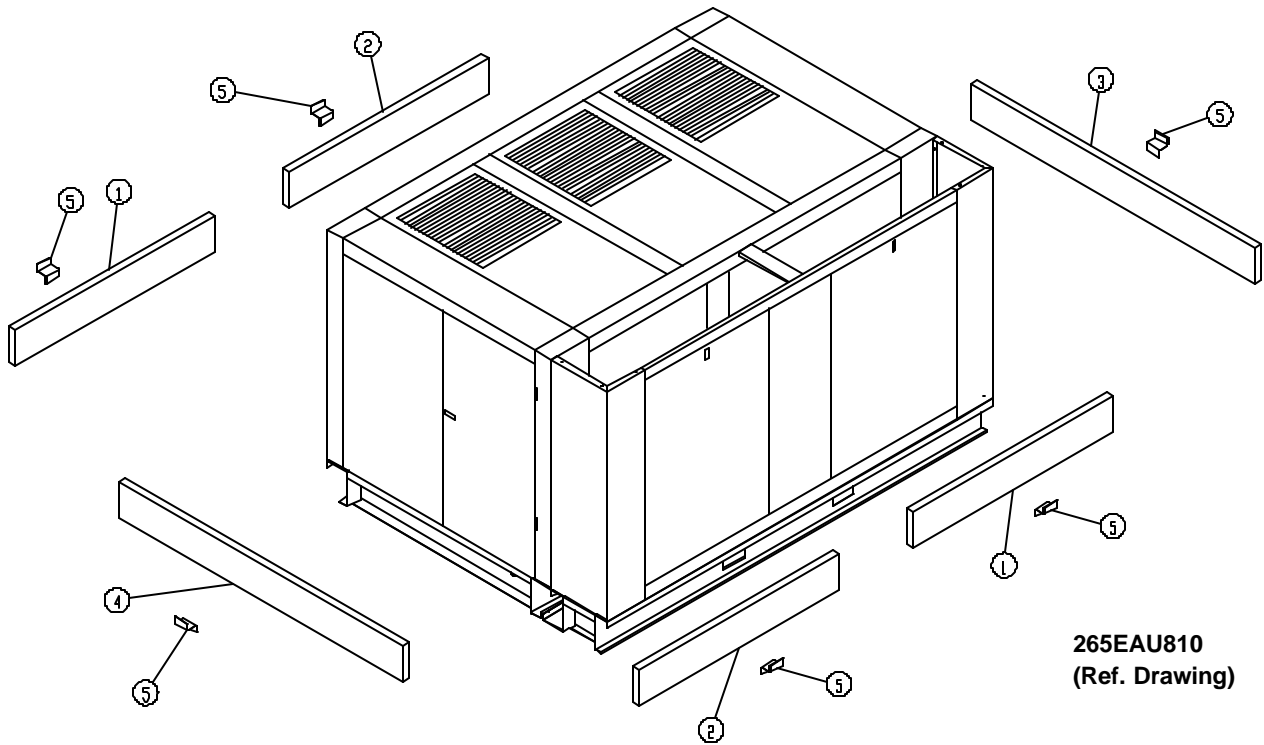
**ENCLOSURE
QUIET Baffle – AIR COOLED**

B/M: 203EAU4023

Ref. No.	Name of Part	Qty.	Part No.
1	PANEL	3	218EAU216
2	PANEL	3	214EAU216
3	BASE	1	215EAU285
4	BRACE	1	204EAU326
5	POST	2	209EAU313
6	FRAME.....	1	222EAU314
7	FRAME.....	1	221EAU314
8	BRACE	1	205EAU326
9	PANEL	2	213EAU216

Refer to page 27 for Enclosure Part Numbers.

Order by Part Number and Description. Reference Numbers are for your convenience only.



265EAU810
(Ref. Drawing)

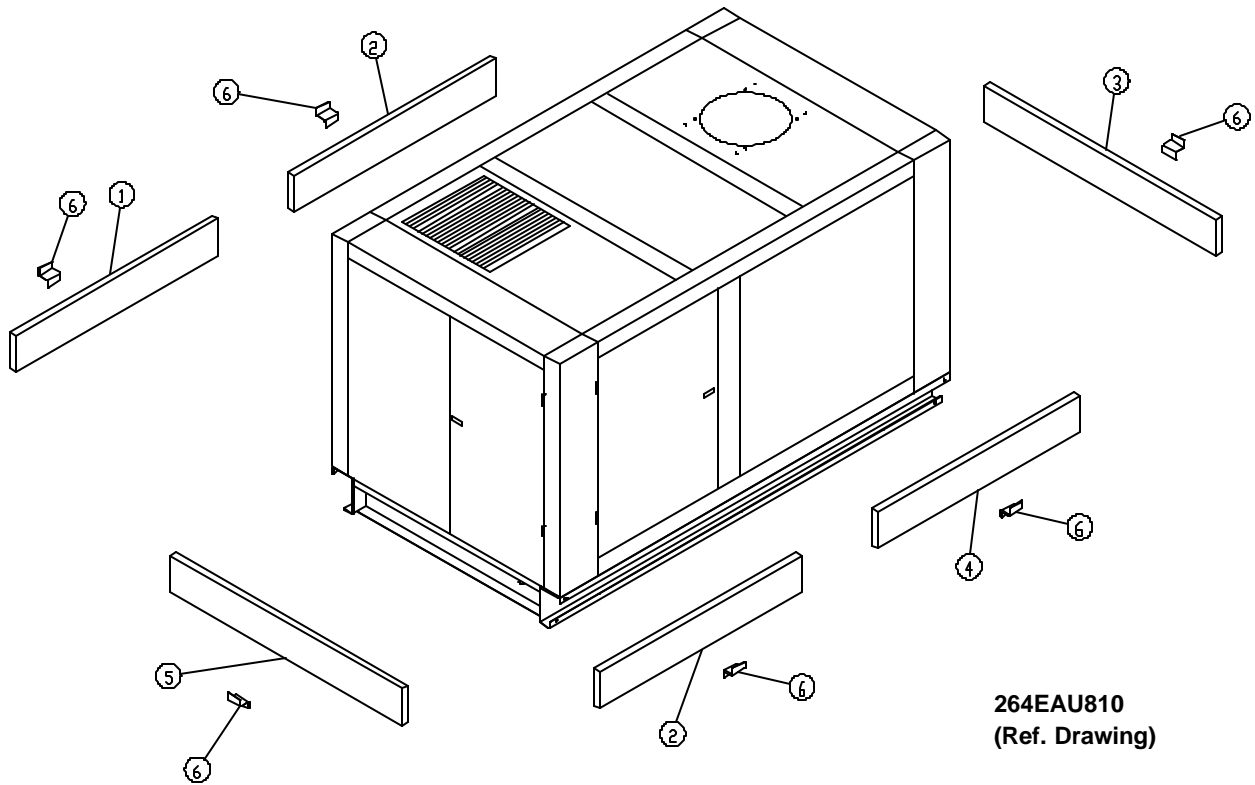
**ENCLOSURE – SKIRT
AIR COOLED – QUIET**

B/M: 209EAU4023

Ref. No.	Name of Part	Qty.	Part No.
1	SKIRT.....	2	200EAU1367
2	SKIRT.....	2	201EAU1367
3	SKIRT.....	1	205EAU1367
4	SKIRT.....	1	206EAU1367
5	HANGER.....	6	200EAU380

Refer to page 27 for Enclosure Part Numbers.

Order by Part Number and Description. Reference Numbers are for your convenience only.



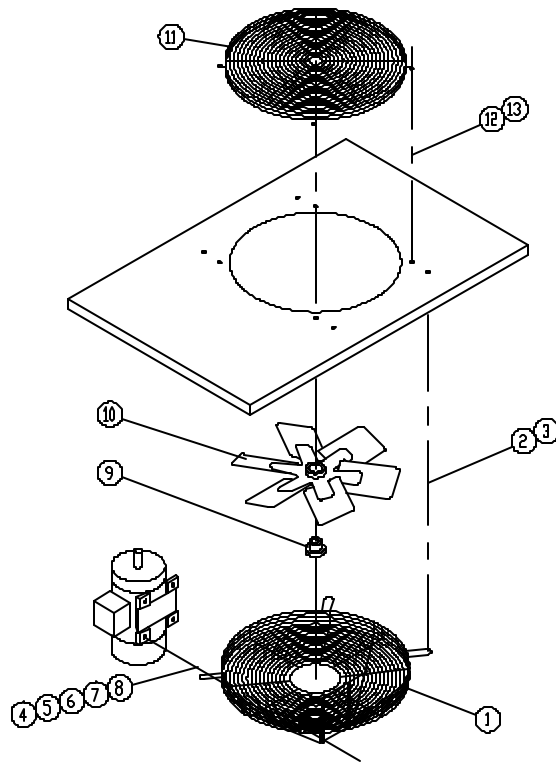
**ENCLOSURE – SKIRT
WATER COOLED – QUIET**

B/M: 208EAU4023

Ref. No.	Name of Part	Qty.	Part No.
1	SKIRT.....	1	200EAU1367
2	SKIRT.....	2	201EAU1367
3	SKIRT.....	1	203EAU1367
4	SKIRT.....	1	202EAU1367
5	SKIRT.....	1	204EAU1367
6	HANGER.....	6	200EAU380

Refer to page 27 for Enclosure Part Numbers.

Order by Part Number and Description. Reference Numbers are for your convenience only.



262EAU810
(Ref. Drawing)

**ENCLOSURE – VENT FAN ASSEMBLY
(WATER COOLED UNITS ONLY)**

B/M: 220EAU4017

Ref. No.	Name of Part	Qty.	Part No.
1	GUARD-FAN.....	1	200EBB393
2	SCREW.....	4	75K48
3	WASHER.....	4	95A5
4	SCREW.....	4	75A35
5	RETAINER.....	4	2014731
6	WASHER.....	4	95A2
7	LOCKWASHER.....	4	95B2
8	NUT.....	4	50B2
9	BUSHING-SHEAVE	1	22G27
10	FAN.....	1	200EBB701
11	GUARD-FAN.....	1	200ECM393
12	SCREW.....	4	75LM51
13	NUT.....	4	50AW5

Refer to page 27 for Vent Fan Panel Part Numbers.

OVERLOAD RELAY HEATER CONVERSION LISTING

Refer to Motor Nameplate “Amperage” and Decal in Control Panel for Selection of Overload Relay Heater Packs

CUTLER-HAMMER PART NUMBER	CHAMPION PART NUMBER
H2002B	24CA4101
H2003B	24CA4102
H2004B	24CA4103
H2005B	24CA4104
H2006B	24CA4105
H2007B	24CA4106
H2008B	24CA4107
H2009B	24CA4108
H2010B	24CA4109
H2011B	24CA4110
H2012B	24CA4111
H2013B	24CA4112
H2014B	24CA4113
H2015B	24CA4114
H2016B	24CA4115
H2017B	24CA4116
H2018	24CA2924
H2019	24CA2925
H2020	24CA2926
H2021	24CA2927
H2022	24CA2893
H2023	24CA2894
H2024	24CA2928

**MOTOR GROUP (MAIN DRIVE MOTORS)
WYE DELTA – 60 HZ**

Name of Part	200 HP Part No.	250 HP Part No.	300 HP Part No.
---------------------	----------------------------	----------------------------	----------------------------

OPEN DRIP PROOF – (ODP)

MOTOR, 200V	24CA4268	24CA4270	24CA4272
MOTOR, 230V	24CA4269	24CA4271	24CA4273
MOTOR, 460V	24CA2111	24CA2112	24CA2113
MOTOR, 575V	24CA2117	24CA2118	24CA2119

OPEN DRIP PROOF – (ODP) – HIGH EFFICIENCY

MOTOR, 200V	24CA4276	24CA4280	24CA4274
MOTOR, 230V	24CA4277	24CA4281	24CA4285
MOTOR, 460V	24CA4278	24CA4282	24CA4286
MOTOR, 575V	24CA4279	24CA4283	24CA4287

TOTALLY ENCLOSED FAN COOLED (TEFC)

MOTOR, 200V	24CA4291	24CA4295	24CA4299
MOTOR, 230V	24CA4292	24CA4296	24CA4300
MOTOR, 460V	24CA4293	24CA4297	24CA4301
MOTOR, 575V	24CA4294	24CA4298	24CA4302

TOTALLY ENCLOSED FAN COOLED (TEFC) – HIGH EFFICIENCY

MOTOR, 200V	24CA4306	24CA4310	24CA4314
MOTOR, 230V	24CA4307	24CA4311	24CA4315
MOTOR, 460V	24CA4308	24CA4312	24CA4316
MOTOR, 575V	24CA4309	24CA4313	24CA4317

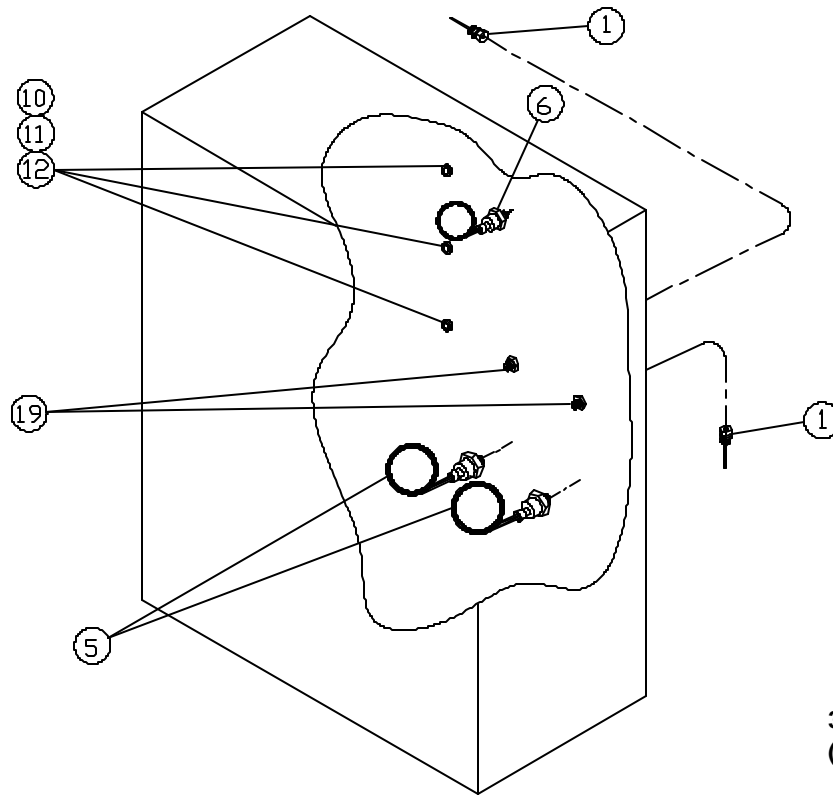
**MOTOR GROUP (FAN MOTORS)
AIR COOLED FAN MOTOR (COOLING MODULE)
(T.E.A.O., 10 HP, 900 RPM, 60 HZ 1.40 S.F.)**

VOLTAGE	PART NO.
MOTOR, 200V	24CA358
MOTOR, 230V	24CA193
MOTOR, 460V	24CA193
MOTOR, 575V	24CA359

**WATER COOLED FAN MOTOR (ENCLOSURE VENT FAN)
(TEFC, 1/2 HP, 1800 RPM, 60 HZ, 1.0 S.F.)**

VOLTAGE	PART NO.
MOTOR, 200V	24CA2180
MOTOR, 230V	24CA2182
MOTOR, 460V	24CA2182
MOTOR, 575V	24CA2184

Order by Part Number and Description. Reference Numbers are for your convenience only.



300ECP810-A
(Ref. Drawing)

MISCELLANEOUS ELECTRICAL PARTS

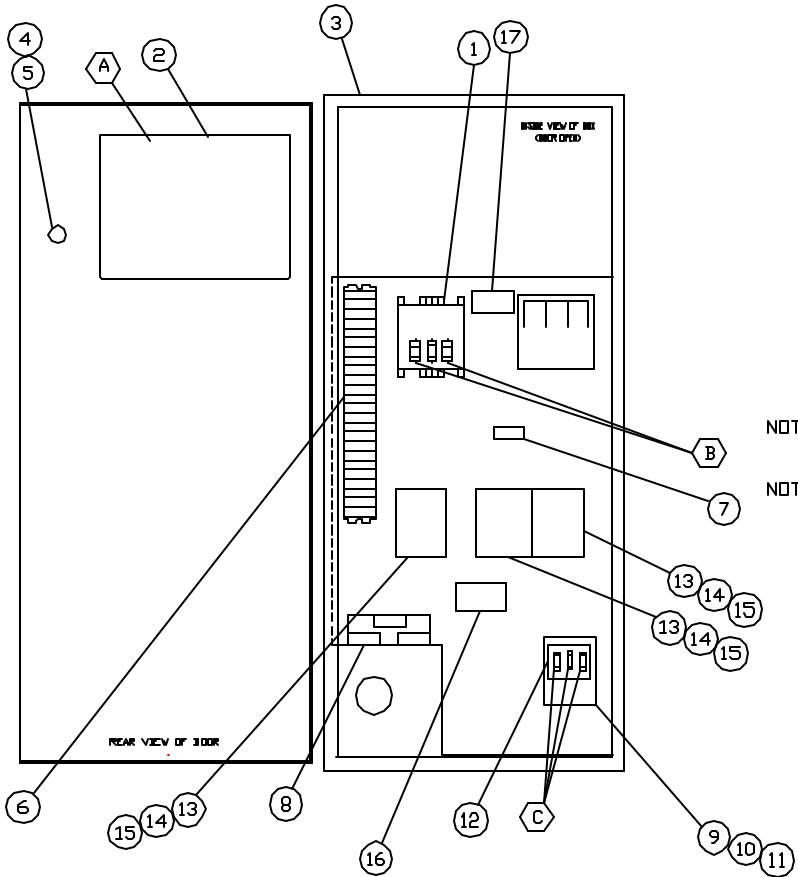
B/M: 200ECP4007

Ref. No.	Name of Part	Qty.	Part No.
1	PROBE-ELECTRICAL.....	2	21D264
5	TRANSDUCER-PRESSURE.....	2	88H359
6	SWITCH-VACUUM.....	1	88H195
10	NIPPLE-CHASE.....	3	24CA4641
11	O-RING	3	24A383
12	LOCKNUT-CONDUIT.....	3	24A77
19	FITTING-ELECTRICAL.....	2	24CA2865

IDENTIFICATION AND INSTRUCTION GROUP

Ref. No.	Name of Part	Qty.	B/M: 200EAU4011	B/M: 201EAU4011
			Air Cooled	Water Cooled
			Part No.	Part No.
1	DECAL, OPERATION & MAINTENANCE	1	217ECM077	217ECM077
2	DECAL-WARNING	1	227EAQ077	227EAQ077
3	DECAL-QUALITY WITHOUT QUESTION	1	251EAQ077	251EAQ077
4	DECAL-MADE IN USA	1	69F64	69F64
5	DECAL-WARNING	1	240EAQ077	240EAQ077
7	DECAL-CAUTION (DO NOT REMOVE PLUG).....	1	203ESF077	203ESF077
8	DECAL-DANGER (AIR/OIL UNDER PRESSURE).....	1	212EAQ077	212EAQ077
9	DECAL, WARNING - INSPECT OIL RESERVOIR.....	1	217EAQ077	217EAQ077
10	DECAL, GARDNER DENVER.....	2	69F18	69F18
11	DECAL-NOTICE (USE GENUINE GD PARTS).....	2	214EAQ077	214EAQ077
12	DECAL DRAIN MOISTURE DAILY	1	205ESO077	205ESO077
13	DECAL-DANGER (DO NOT BREATHE).....	1	206EAQ077	206EAQ077
15	DECAL-WARNING (ROTATING MACHINERY).....	1	211EAQ077	211EAQ077
16	DECAL-CAUTION (DO NOT LIFT)	1	208EAQ077	208EAQ077
19	DECAL SAVER.....	1	202EAP077	202EAP077
20	DECAL-WARNING (ELECTRICAL SHOCK & FIRE)....	1	314EAQ077	314EAQ077
26	POCKET, INSTRUCTION TAGS.....	1	200EAQ1304	200EAQ1304
27	DECAL, PARTS LIST & SERVICE MANUAL.....	1	204EDE077	204EDE077
28	TAG-INSTRUCTION – ES+ SPEEDY REFERENCE	1	300EAQ304	300EAQ304
29	TAG-INSTRUCTION – ES+ SPEEDY REFERENCE	1	301EAQ304	301EAQ304
30	DECAL, HEAT EXCHANGE "IN"	1	-----	200ESP077
31	DECAL, HEAT EXCHANGE "OUT"	1	-----	201ESP077

**CONTROL BOX ASSEMBLY
200/250/300 HP – WYE DELTA STARTERS**



NOTE 1 - ITEMS 7 & 17 ARE USED ONLY ON PANELS WITH ES + AND CURRENT MONITORING.

NOTE 2 - ITEMS 10 & 11 ARE INCLUDED IN 9. ITEMS 14 & 15 ARE INCLUDED IN 13.

**303EAU797-A
(Ref. Drawing)**

Order by Part Number and Description. Reference Numbers are for your convenience only.

CONTROL BOX ASSEMBLY 200 HP – WYE DELTA STARTERS

	Qty	230V	460V	575V
		276EAU466	272EAU466	280EAU466
		277EAU466	273EAU466	281EAU466
A	1	24CA1267	24CA1267	24CA1267
B	2	24CA2786	24CA2783	24CA3722
	1	265AUX077	262AUX077	294AUX077
	1	24CA3729	24CA3729	24CA3729
	1	301AUX077	301AUX077	301AUX077
C	3	24CA4323	24CA4321	24CA4097
	3	24CA4092	24CA4090	24CA4320
	1	324AUX077	322AUX077	315AUX077
	1	310AUX077	308AUX077	321AUX077
1	1	2118244	2118244	2118245
* 2	1	302EAU2006	302EAU2006	302EAU2006
3				
	1	200EAU179	200EAU179	200EAU179
	1	201EAU179	201EAU179	201EAU179
4	1	24CA2907	24CA2907	24CA2907
5	1	24CA2908	24CA2908	24CA2908
6	6	24CA2633	24CA2633	24CA2633
7	1	24CA4242	24CA4242	24CA4242
8	1	24CA4727	24CA4981	24CA4981
9	1	24CA4142	24CA4137	24CA4137
10	1	2116124	2116923	2116923
11	1	24CA4086	24CA4086	24CA4086
12	1	24CA4164	24CA4098	24CA4098
13	3	24CA4160	24CA4158	24CA4158
14	3	2116921	2116920	2116920
15	3	2116917	2116915	2116915
16	1	24CA4086	24CA4086	24CA4086
17	1	24CA4241	24CA4241	24CA4241

* Refer to page 46, for Controller Part Numbers.

Order by Part Number and Description. Reference Numbers are for your convenience only.

CONTROL BOX ASSEMBLY 250 HP – WYE DELTA STARTERS

	Qty	230V	460V	575V
* ASSEMBLED PANEL – ES+: NEMA 12,	1	276EAU466	274EAU466	280EAU466
* ASSEMBLED PANEL – ES+: NEMA 4,	1	277EAU466	275EAU466	281EAU466
A FUSE, CONTROL ALARM RELAY	1	24CA1267	24CA1267	24CA1267
B FUSE, TRANSFORMER PRIMARY	2	24CA2786	24CA2783	24CA3722
DECAL, PRIMARY FUSE.....	1	265AUX077	262AUX077	294AUX077
FUSE, CONTROL TRANSFORMER, SECONDARY	1	24CA3729	24CA3729	24CA3729
DECAL, SECONDARY FUSE.....	1	301AUX077	301AUX077	301AUX077
C FUSE,, FAN MOTOR, AIR COOLED.....	3	24CA4323	24CA4321	24CA4097
FUSE, FAN MOTOR WATER COOLED.....	3	24CA4092	24CA4090	24CA4320
DECAL,, FAN MOTOR FUSE, AIR COOLED.....	1	324AUX077	322AUX077	315AUX077
DECAL, FAN MOTOR FUSE WATER COOLED.....	1	310AUX077	308AUX077	321AUX077
1 TRANSFORMER.....	1	2118244	2118244	2118245
* 2 ELECTRONIC CONTROL – ES+	1	302EAU2006	302EAU2006	302EAU2006
3 ELECTRONIC CONTROL ENCLOSURE				
NEMA 12.....	1	200EAU179	200EAU179	200EAU179
NEMA 4.....	1	201EAU179	201EAU179	201EAU179
4 OPERATOR	1	24CA2907	24CA2907	24CA2907
5 CONTACT BLOCK	1	24CA2908	24CA2908	24CA2908
6 BLOCK	6	24CA2633	24CA2633	24CA2633
7 CURRENT TRANSFORMER.....	1	24CA4242	24CA4242	24CA4242
8 CURRENT TRANSFORMER.....	1	24CA4727	24CA4981	24CA4981
9 STARTER, FAN MOTOR.....	1	24CA4142	24CA4137	24CA4137
10 REPLACEMENT COIL FOR ITEM 9.....	1	2116124	2116923	2116923
11 OVERLOAD RELAY FOR ITEM 9.....	1	24CA4086	24CA4086	24CA4086
12 FUSE-HOLDER	1	24CA4164	24CA4098	24CA4098
13 CONTACTOR MAIN MOTOR.....	3	24CA4160	24CA4159	24CA4158
14 COIL FOR ITEM 13.....	3	2116921	2116920	2116920
15 CONTACT KIT FOR ITEM 13.....	3	2116917	2116916	2116915
16 OVERLOAD RELAY MAIN MOTOR.....	1	24CA4086	24CA4086	24CA4086
17 CURRENT TRANSDUCER.....	1	24CA4241	24CA4241	24CA4241

* Refer to page 46, for Controller Part Numbers.
Refer to drawing on page 40.

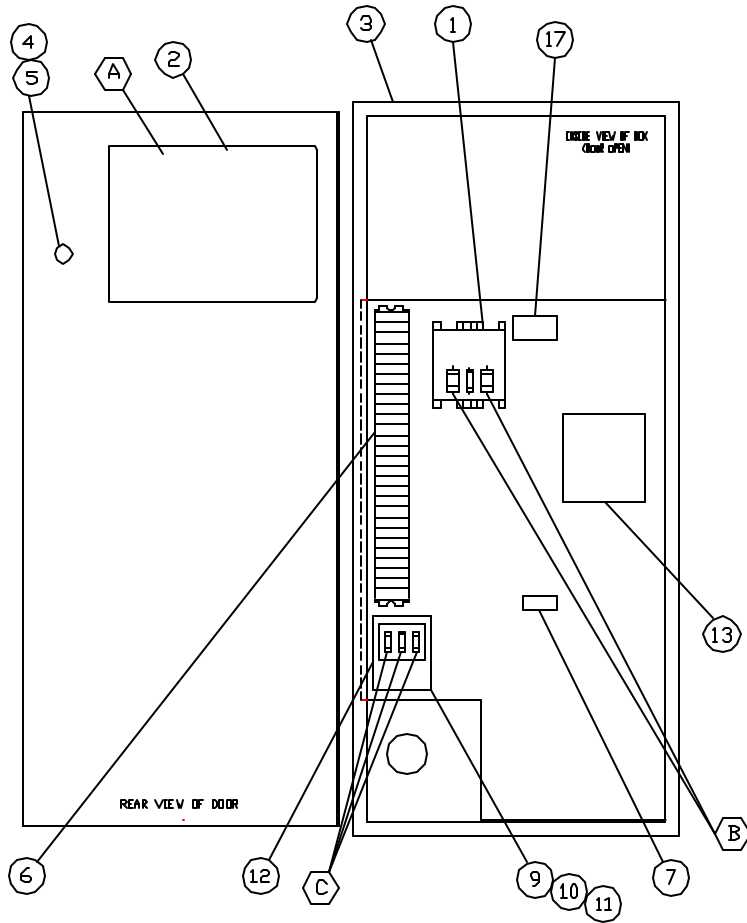
Order by Part Number and Description. Reference Numbers are for your convenience only.

CONTROL BOX ASSEMBLY 300 HP – WYE DELTA STARTERS

	Qty	460V	575V
* ASSEMBLED PANEL – ES+: NEMA 12,	1	274EAU466	282EAU466
* ASSEMBLED PANEL – ES+: NEMA 4,	1	275EAU466	283EAU466
A FUSE, CONTROL ALARM RELAY	1	24CA1267	24CA1267
B FUSE, TRANSFORMER PRIMARY	2	24CA2783	24CA2786
DECAL, PRIMARY FUSE.....	1	262AUX077	294AUX077
FUSE, CONTROL TRANSFORMER, SECONDARY	1	24CA3729	24CA3729
DECAL, SECONDARY FUSE.....	1	301AUX077	301AUX077
C FUSE,, FAN MOTOR, AIR COOLED.....	3	24CA4321	24CA4097
FUSE, FAN MOTOR WATER COOLED.....	3	24CA4098	24CA4320
DECAL,, FAN MOTOR FUSE, AIR COOLED.....	1	322AUX077	315AUX077
DECAL, FAN MOTOR FUSE WATER COOLED.....	1	24CA4090	321AUX077
1 TRANSFORMER	1	2118244	2118245
* 2 ELECTRONIC CONTROL – ES+.....	1	302EAU2006	302EAU2006
3 ELECTRONIC CONTROL ENCLOSURE			
NEMA 12.....	1	200EAU179	200EAU179
NEMA 4.....	1	201EAU179	201EAU179
4 OPERATOR	1	24CA2907	24CA2907
5 CONTACT BLOCK	1	24CA2908	24CA2908
6 BLOCK.....	6	24CA2633	24CA2633
7 CURRENT TRANSFORMER.....	1	24CA4242	24CA4242
8 CURRENT TRANSFORMER.....	1	24CA4981	24CA4981
9 STARTER, FAN MOTOR.....	1	24CA4137	24CA4137
10 REPLACEMENT COIL FOR ITEM 9.....	1	2116923	2116923
11 OVERLOAD RELAY FOR ITEM 9	1	24CA4086	24CA4086
12 FUSE-HOLDER	1	24CA4098	24CA4098
13 CONTACTOR MAIN MOTOR.....	3	24CA4159	24CA4159
14 COIL FOR ITEM 13	3	2116920	2116920
15 CONTACT KIT FOR ITEM 13.....	3	2116916	2116916
16 OVERLOAD RELAY MAIN MOTOR.....	1	24CA4086	24CA4086
17 CURRENT TRANSDUCER.....	1	24CA4241	24CA4241

* Refer to page 46, for Controller Part Numbers.
Refer to drawing on page 40.

**CONTROL BOX ASSEMBLY
200/250/300 HP – LESS MAIN MOTOR STARTERS**



NOTE 1 - ITEMS 7 & 17 ARE USED ONLY ON PANELS WITH ES + AND CURRENT MONITORING.

NOTE 2 - ITEMS 10 & 11 ARE INCLUDED IN 9.

**304EAU797-A
(Ref. Drawing)**

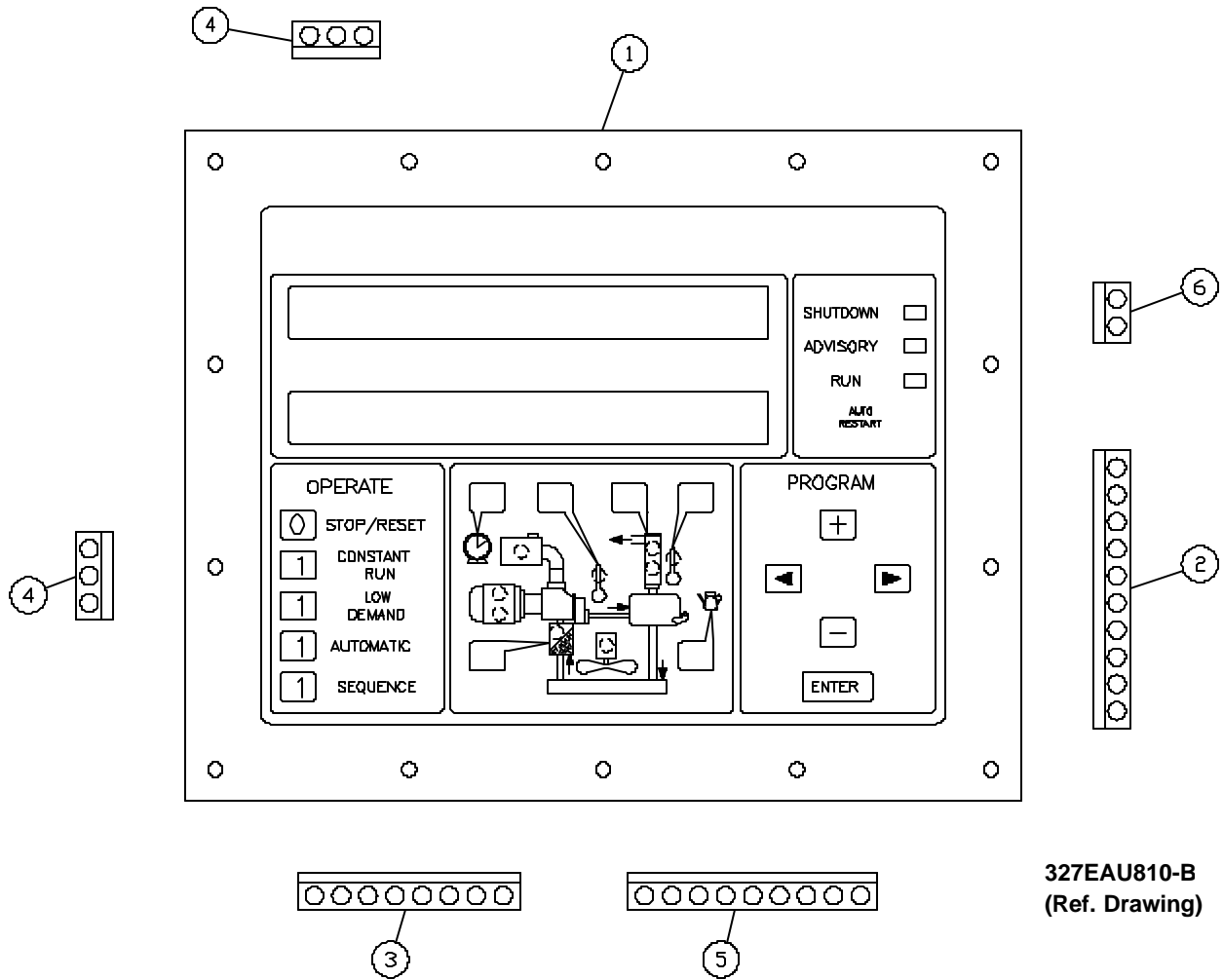
Order by Part Number and Description. Reference Numbers are for your convenience only.

CONTROL BOX ASSEMBLY – LESS STARTERS

		Qty	200V	230V	460V	575V
*	ASSEMBLED PANEL – ES+: NEMA 12,	1	298EAU466	292EAU466	290EAU466	294EAU466
*	ASSEMBLED PANEL – ES+: NEMA 4,	1	299EAU466	293EAU466	291EAU466	295EAU466
A	FUSE, CONTROL ALARM RELAY.....	1	24CA1267	24CA1267	24CA1267	24CA1267
B	FUSE, TRANSFORMER PRIMARY	2	24CA4093	24CA2786	24CA2783	24CA3722
	DECAL, PRIMARY FUSE.....	1	311AUX077	265AUX077	262AUX077	294AUX077
	FUSE, CONTROL TRANSFORMER, SECONDARY.	1	24CA3729	24CA3729	24CA3729	24CA3729
	DECAL, SECONDARY FUSE.....	1	301AUX077	301AUX077	301AUX077	301AUX077
C	FUSE,, FAN MOTOR, AIR COOLED	3	24CA4323	24CA4323	24CA4321	24CA4097
	FUSE, FAN MOTOR WATER COOLED.....	3	24CA4093	24CA4092	24CA4090	24CA4320
	DECAL,, FAN MOTOR FUSE, AIR COOLED.....	1	324AUX077	324AUX077	322AUX077	315AUX077
	DECAL, FAN MOTOR FUSE WATER COOLED	1	311AUX077	310AUX077	308AUX077	321AUX077
1	TRANSFORMER CONTROL	1	2116286	2118244	2118244	2118245
*	2 ELECTRONIC CONTROLLER – ES+.....	1	302EAU2006	302EAU2006	302EAU2006	302EAU2006
3	ELECTRONIC CONTROLLER ENCLOSURE					
	NEMA 12.....	1	200EAU179	200EAU179	200EAU179	200EAU179
	NEMA 4.....	1	201EAU179	201EAU179	201EAU179	201EAU179
4	OPERATOR EMERGENCY STOP	1	24CA2907	24CA2907	24CA2907	24CA2907
5	CONTACT BLOCK	1	24CA2908	24CA2908	24CA2908	24CA2908
6	TERMINAL BLOCK SECTION	7	24CA2633	24CA2633	24CA2633	24CA2633
7	TRANSFORMER	1	24CA4242	24CA4242	24CA4242	24CA4242
9	STARTER FAN MOTOR	1	24CA4142	24CA4142	24CA4137	24CA4137
10	REPLACEMENT COIL FOR ITEM 9	1	2116124	2116124	2116923	2116923
11	OVERLOAD RELAY FOR ITEM 9	1	24CA4087	24CA4086	24CA4086	24CA4086
12	FUSE-HOLDER.....	1	24CA4164	24CA4164	24CA4098	24CA4098
13	CONTROL RELAY.....	1	24CA3896	24CA3896	24CA3896	24CA3896
17	CURRENT TRANSDUCER	1	24CA4241	24CA4241	24CA4241	24CA4241

* Refer to page 46, for Controller Part Numbers.

Order by Part Number and Description. Reference Numbers are for your convenience only.



327EAU810-B
(Ref. Drawing)

CONTROLLER ASSEMBLY

B/M: 302EAU2006

Ref. No.	Name of Part	Qty.	Part No.
1	CONTROLLER(AUTO SENTRY ES+	1	302EAU1173
2	PLUG-CONNECTOR 10 PIN TERMINAL.....	1	24CA3306
3	PLUG-CONNECTOR 8 PIN TERMINAL.....	1	24CA3400
4	PLUG-CONNECTOR 3 PIN TERMINAL.....	2	24CA3401
5	PLUG-CONNECTOR 9 PIN TERMINAL.....	1	24CA3402
6	PLUG PHOENIX 2 PIN TERMINAL.....	1	24CA4240

REPAIR KITS

Your Gardner Denver rotary screw compressor is designed and manufactured for many years of reliable operation. All components are engineered to exacting specifications, which will function together as a system to provide maximum efficiency. To insure the continuing integrity of compressor operation, use only original quality genuine Gardner Denver replacement parts and accessories .

Name of Part	Qty.	Part No.
ROUTINE MAINTENANCE KIT (Heavy Duty Air Filter)		300EAU6013
ELEMENT, AIR FILTER.....	4	2117151
ELEMENT, OIL FILTER.....	3	201EDM369
SEPARATOR KIT		202EAU6013
OIL SEPARATOR.....	1	200EAU035
GASKET.....	1	25BC632
LUBRICANT (O-RING GREASE).....	1	2116755
PERIODIC MAINTENANCE KIT (Package)		201EAU6013
ELEMENT (MIXING VALVE – 150°F.).....	1	2109365
KIT (MINIMUM PRESSURE VALVE).....	1	2116855
PNEUMATIC CONTROLS AND GAUGES		203EAU6013
CHECK VALVE.....	2	90AR261
CONTROL VALVE.....	1	90AR1034
AIR CONTROL VALVE.....	1	90AR1083
PRESSURE REGULATOR.....	1	88H139
ELECTRICAL CONTROL KIT		206EAP6013
SOLENOID VALVE.....	1	91B70
SOLENOID VALVE.....	1	91B80
SOLENOID VALVE.....	1	91B81
THERMISTOR PROBE.....	2	21D264
TRANSDUCER.....	2	88H359
VACUUM SWITCH.....	1	88H195
TURN VALVE CONTROL VALVE REPAIR KIT		307EAQ6013
O-RING.....	2	25BC738
O-RING.....	2	25BC37
O-RING.....	2	25BC35
O-RING.....	2	2009224
LUBRICANT (AEON 9000 SP)		
5 GALLON PAIL.....		28H109
55 GALLON DRUM.....		28H110
TOUCH-UP PAINT		
5 GALLON PAIL.....		28H76
1 GALLON CAN.....		28H84
1 QUART CAN.....		28H83
WATER TEMPERATURE REGULATOR (Optional).....		90AR152

REPAIR KITS (CONTINUED)

Name of Part	Qty.	Part No.
<u>AIR END REPAIR KITS (Refer to Page 1 for Selection)</u>		
PERIODIC MAINTENANCE KIT (Inlet Valve)		201SSU6003
RING GASKET.....	1	25BC160
GASKET.....	1	25C2683N
GASKET.....	1	203SSU715N
SPRING.....	1	78A366
VALVE DISC.....	1	200SSW067
RING-PISTON.....	2	65A319
PIN-COTTER.....	1	62E30
 PERIODIC OVERHAUL KIT		332SSU6013
BEARING-ROLLER.....	1	12BA52
BEARING-ROLLER.....	1	12W34
BEARING-ROLLER.....	2	12BA79
BEARING-ROLLER.....	1	12BA192
BEARING-ROLLER.....	2	12C60
SPRING-WAVE	1	78W90
SPRING-WAVE	1	78W110
RETAINING RING.....	1	65W61
RETAINING RING.....	1	65W14
KEY	1	35L3
KEY	1	35L16
 OIL SEAL KIT		302SSU6013
WEAR SLEEVE	1	80M28
OIL SEAL	1	60DD571
OIL SEAL	1	60DD689
O-RING	1	25BC205
SHIM	12	204SSY732
SHIM	12	205SSY732
SHIM	6	207SSY732
SHIM	6	208SSY732
CHECK-VALVE.....	1	90AR923
 GASKET KIT		333SSU6013
SHIM-SET.....	1	77H108
SHIM-SET.....	1	77H50
GASKET ELIMINATOR.....	1	25BC222

REPAIR KITS (CONTINUED)

Name of Part	Qty.	Part No.
PERIODIC OVERHAUL KIT (TURN VALVE)		315SSU6013
BEARING-ROLLER.....	2	12BA51
SPRING.....	1	78W50
KEY	1	35C114
PACKING-RING.....	2	60AM46
SEAL-FASTENER.....	2	60DD801
GASKET.....	4	25BC138N
BUMPER.....	1	32E15
PLATE-RETAINER.....	1	300SSU168
RING-RETAINING.....	1	74D49
SEAL-FASTENER.....	2	60DD65
MOUNTING GROUP		200SSU4017
PULLER WEAR SLEEVE	1	200SSQ219
PLATE-PULLER WEAR SLEEVE.....	1	200SSQ340
SCREW.....	1	655EE030
SCREW.....	1	655ED120
SCREW.....	2	75D178
GUIDE	1	200SSU450
TOOL	1	200SSQ074

Gardner --- **Denver**

Specifications subject to change without notice.

Copyright © 2002 Gardner Denver, Inc.

Litho in U.S.A.

<http://www.gardnerdenver.com> mktg@gardnerdenver.com

For additional information contact your local representative or



Gardner Denver Compressor and Pump Division,
1800 Gardner Expressway, Quincy, Illinois 62301
Customer Service Department Telephone:
(800) 682-9868 FAX: (217) 224-7814

Sales and Service in all major cities.

For parts information, contact Gardner Denver,
Master Distribution Center, Memphis, TN

Telephone: (800) 245-4946 FAX: (901) 542-6159