



GARDNER-DENVER®

13-10-506
2nd Edition

**ELECTRA-SAVER®
STATIONARY
BASE-MOUNTED
COMPRESSOR**

MODELS

EAQQN, EAQSN - 125 HP
EAQQO, EAQSO - 150 HP

Parts List

INDUSTRIAL MACHINERY

TABLE OF CONTENTS

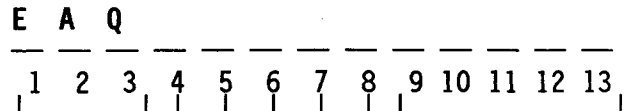
Models
EAQ_N
EAQ_O
125 & 150 HP

GROUP NAME

Thirteen Character Model Designations.....	Pages 2-4
Ordering Instructions.....	Page 5
Introduction.....	Page 6
Repair Kits, Bare Compressor (Selective).....	Page 7
Gears, Gasket Kit, Field Repair Unit	
Bare Compressor.....	Page 8
Parts List.....	Pages 9-10
Turn Valve & Parts.....	Page 11
Coupling Guard.....	Page 12
Air Filter Group.....	Page 13
Oil Reservoir Group.....	Pages 14 & 15
Piping Group.....	Page 16 & 17
Thermal Mixing Valve Component Parts.....	Page 18
Oil Filter Component Parts.....	Page 18
Asm Minimum Pressure Valve.....	Page 19
Oil Reservoir Group --	
Selective Items.....	Page 20
Oil Separator Group.....	Page 20
Oil Filter	
Thermal Mixing Valve Selective.....	Page 20
Base Mounting Group.....	Page 21
Subtractive Pilot (Component Parts).....	Page 22
Heat Exchanger, Air Cooled.....	Page 23
Cooler Group, Water Cooled.....	Page 24
Parts List.....	Page 25
Water Cooled Units, Selective.....	Page 26
Remote Mounted Oil Cooler Fittings.....	Page 27
Manifold Group.....	Page 28
Motor Mounting Group.....	Page 29
Motor Group.....	Pages 30 & 31
Instrument Panel.....	Page 32
Unloaded Start Control.....	Page 33
Low Torque Control.....	Page 34
Oil Return Line.....	Page 35
Control Panel Asm.....	Page 36
Control Group.....	Page 37
Control Group, Selectra Con Control.....	Page 38 & 39
Blowdown Piping, Constant Speed.....	Page 40
Blowdown Piping, PC Control.....	Page 41
Purge Valve Group.....	Page 42
Oil Reservoir Pressure Switch.....	Page 43
Constant Speed Control Intensive Injection.....	Page 44
PC Control Intensive Injection.....	Page 45
Enclosure.....	Page 46
Common Parts.....	Page 47
Enclosure Baffle.....	Page 48
Air Cooled Enclosure.....	Page 49
Water Cooled Enclosure.....	Page 50
Decal Location.....	Pages 51 & 52
Motor Starter, Air Cooled and Water Cooled.....	Page 53

**MODELS EAQ N 125 HP & EAQ O 150 HP Air or Water-Cooled Base-Mounted
Electra-Saver® Compressors -- Thirteen Character Model Designations**

Notice to Customer -- Fill in the Balance of letters or numbers from your unit nameplate.
Column Number:



Find applicable alpha-numeric identifier for each column in the chart below to determine individual compressor construction. The number "9" in any column space indicates "NOT APPLICABLE", the number "8" in any column space indicates special design -- Refer to Factory Order Ticket.

See pages 3 and 4 for these columns.

- COLUMNS 1, 2 & 3 - ELECTRA-SAVER® Family
- COLUMN 4 - CONSTRUCTION
 - Q - Air-Cooled, Base Mounted (Std)
 - S - Water-Cooled, Base Mounted (Std)
- COLUMN 5 - HORSEPOWER
 - N - 125 HP
 - O - 150 HP
- COLUMN 6 - ENGINEERING SPECIFICATION
- COLUMN 7 - PRESSURE
 - D. 100 PSIG - 60 HZ
 - F. 125 PSIG - 60 HZ
 - H. 150 PSIG - 60 HZ

 - N. 100 PSIG - 50 HZ (125 H.P. ONLY)
 - P. 125 PSIG - 50 HZ (125 H.P. ONLY)
 - R. 150 PSIG - 50 HZ (125 H.P. ONLY)
- COLUMN 8 - CONTROL

<u>COL.1</u>	<u>COL.2</u>	<u>COL.3</u>	<u>COL.4</u>	DESCRIPTION
A	G	M	S	A/C - Comp/Cooling Mod. Starter
B	H	N	T	W/C - Comp/Vent Fan Starter
C	I	O	U	A/C - Cooling Mod. Fan Str Only
D	J	P	V	W/C - Vent Fan Starter Only
E	K	Q	W	W/C - Compr Starter Only
F	L	R	X	W/C - Relay Only - W/O Encl & Str

- Col. 1 = Constant Speed - Pilot Only
- Col. 2 = Constant Speed - Pilot Only - Low Start Torque Control
- Col. 3 = PC Control
- Col. 4 = PC Control - Low Start Torque Control

COLUMN 9 - CONTROL BOX STARTER - FULL VOLTAGE

NEMA 3 (STD)		NEMA 4	
A	- 125 HP - 200V - 60 HZ	M	- 125 HP - 200V - 60 HZ
B	- 125 HP - 230V - 60 HZ	N	- 125 HP - 230V - 60 HZ
C	- 125 HP - 460V - 60 HZ	O	- 125 HP - 460V - 60 HZ
D	- 125 HP - 575V - 60 HZ	P	- 125 HP - 575V - 60 HZ
E	- 125 HP - 380V - 50 HZ	Q	- 125 HP - 380V - 50 HZ
F	- 125 HP - 415V - 50 HZ	R	- 125 HP - 415V - 50 HZ
G	- 150 HP - 200V - 60 HZ	S	- 150 HP - 200V - 60 HZ
H	- 150 HP - 230V - 60 HZ	T	- 150 HP - 230V - 60 HZ
I	- 150 HP - 460V - 60 HZ	U	- 150 HP - 460V - 60 HZ
J	- 150 HP - 575V - 60 HZ	V	- 150 HP - 575V - 60 HZ
K	- 150 HP - 380V - 50 HZ	W	- 150 HP - 380V - 50 HZ
L	- 150 HP - 415V - 50 HZ	X	- 150 HP - 415V - 50 HZ

COLUMN 10 - ENCLOSURE

A	- NO ENCLOSURE - AIR/WATER	H	- A/C - W/ENCL - W/REM CLR W/VENT FAN - 380V-50 HZ
B	- A/C - W/ENCLOSURE	I	- A/C - W/ENCL - W/REM CLR W/VENT FAN - 415V-50 HZ
C	- A/C - W/ENCL - W/BAFFLES	J	- W/C - W/ENCL & VENT FAN-200 V-60HZ
D	- A/C - W/ENCL - W/REM CLR W/VENT FAN - 200V - 60 HZ	K	- W/C - W/ENCL & VENT FAN-230 V-60HZ
E	- A/C - W/ENCL - W/REM. CLR W/VENT FAN - 230V - 60 HZ	L	- W/C - W/ENCL & VENT FAN-460 V-60HZ
F	- A/C - W/ENCL - W/REM. CLR W/VENT FAN - 460V - 60 HZ	M	- W/C - W/ENCL & VENT FAN-575 V-60HZ
G	- A/C - W/ENCL - W/REM. CLR W/VENT FAN - 575V - 60 HZ	N	- W/C - W/ENCL & VENT FAN-380 V-50HZ
		O	- W/C - W/ENCL & VENT FAN-415 V-50HZ

COLUMN 11 - OIL COOLER-AIR/WATER COOLED - WITH/WITHOUT AFTERCOOLERS

AIR COOLED UNITS			
A	WITH AFTERCOOLER	- 60 HZ	
C	WITH AFTERCOOLER	- 50 HZ	
E	WITH AFTERCOOLER	- 60 HZ	- REMOTE MTD.
G	WITH AFTERCOOLER	- 50 HZ	- REMOTE MTD.
I	WITH AFTERCOOLER	- 60 HZ	- REMOTE MTD. ELEVATED
WATER COOLED UNITS			
N	WITH AFTERCOOLER	- FRESH WATER	
P	WITH AFTERCOOLER & TEMP. REGULATOR	- FRESH WATER	
R	WITH AFTERCOOLER	- SALT WATER	
T	WITH AFTERCOOLER & TEMP. REGULATOR	- SALT WATER	

COLUMN 12 - COOLER ELECTRICAL

AIR COOLED			
A	200V - 60 HZ	D	575V - 60 HZ
B	230V - 60 HZ	E	380V - 50 HZ
C	460V - 60 HZ	F	415V - 50 HZ

COLUMN 12 - COOLER ELECTRICAL (CONTINUED)

AIR COOLED - REMOTE MOUNTED

G	200V - 60 HZ	K	380V - 60 HZ
H	230V - 60 HZ	L	415V - 50 HZ
I	460V - 60 HZ	M	LESS FAN MOTOR/STARTER
J	575V - 60 HZ		

WATER COOLED - FRESH WATER (ONLY)

T	NEMA 1 VALVE	X	NO WATER SHUTOFF VALVE
U	NEMA 4 VALVE		

COLUMN 13 - COMPRESSOR DRIVE MOTOR

OPEN DRIP PROOF

A	200V - 60 HZ	D	575V - 60 HZ
B	230V - 60 HZ	E	380V - 50 HZ
C	460V - 60 HZ	F	415V - 50 HZ

OPEN DRIP PROOF - HI EFFICIENCY

G	200V - 60 HZ	J	575V - 60 HZ
H	230V - 60 HZ	K	380V - 50 HZ
I	460V - 60 HZ	L	415V - 50 HZ

TOTALLY ENCLOSED - FAN COOLED

M	200V - 60 HZ	P	575V - 60 HZ
N	230V - 60 HZ	Q	380V - 50 HZ
O	460V - 60 HZ	R	415V - 50 HZ

T.E.F.C. - HI EFFICIENCY

S	200V - 60 HZ	V	575V - 60 HZ
T	230V - 60 HZ	W	380V - 50 HZ
U	460V - 60 HZ	X	415V - 50 HZ

Y - Z LESS MOTOR

INSTRUCTIONS FOR ORDERING REPAIR PARTS

When ordering parts, specify Compressor **MODEL**, Method of Cooling, **HORSEPOWER** and **SERIAL NUMBER** (see nameplate on unit). Serial Number is also stamped on top of the cylinder flange to the right of the inlet housing.

All orders for Parts should be placed with the nearest Sales and Service Office.

Where NOT specified, quantity of parts required per compressor or unit is one (1); where more than one is required per unit, quantity is indicated in parenthesis. **SPECIFY EXACTLY THE NUMBER OF PARTS REQUIRED.**

DO NOT ORDER BY SETS OR GROUPS.

To determine the Right Hand and Left Hand side of an Electra-Screw® compressor, stand at the motor end and look toward the compressor. Right Hand and Left Hand are indicated in parenthesis following part name, i.e. (RH) & (LH).

PARTS RETURNED

All claims must be made within five days after receipt of goods. If order has been filled correctly, we cannot allow the return of the goods without our consent and then only on a basis of a charge for service and rehandling plus transportation charges.

Transportation charges must be prepaid. If it is necessary to return a part to the factory for duplication or inspection, do not fail to do the following:

1. Write the nearest Sales and Service Office a letter advising what material you wish to return and why.
2. After receiving permission to return the item or items, obtain from the Sales and Service Office the correct forms filled out by that office for the proper return of material.
3. Place a tag in the package showing your name and address.
4. Tag each article in the box or package stating what and how many are returned.
5. Always give the serial number of the machine from which the parts were removed or the invoice number on which the parts were originally shipped.

All parts returned for credit should be handled in the same manner as that for duplication or inspection.

INTRODUCTION

CONTENTS: This Parts List Manual contains repair parts for all models in the Electra-Saver® Stationary Screw Compressor line shown on the cover.

Following is a list of comments to guide you in the selection of pages that are applicable to your particular unit.

MODEL DESIGNATIONS - The new thirteen digit Model Designations will reflect the optional or selective types of construction available on these units, however, if an "8" appears in any column, the original order and subsequent machine ticket must always be referred to when ordering repair parts for that option (see Ordering Instruction Page).

Early model designations DO NOT reflect the optional or selective types of construction available on these units. The original order and subsequent machine ticket must always be referred to when ordering repair parts (see Ordering Instruction Page).

The following are offered as a guide in showing the various types of construction:

Air Cooled (With Radiator Module) vs. Water Cooled (With Heat Exchanger).

With or without Aftercooler for both Air-Cooled and Water-Cooled Units.

Pressure ratings (100, 125 or 150 PSIG) - these differences are reflected in the selection offered for Gear Kits and Pressure Relief Valves.

"Fresh Water" or "Salt Water" Service with Water-Cooled Units.

"Steel" or "Aluminum" Radiator Modules with the Air-Cooled Units.

Standard Control is referred to as "Constant Speed With Low-Demand Mode Switch". Other controls, such as "Automatic Start-Timed Stop" are also available. These cover both 60 Hz (Domestic) and 50 Hz (International) and NEMA I or NEMA IV Enclosures.

Above items are covered in this Parts List Manual. Additional items NOT covered are as follows:

Motors, Motor Starters, Overload Heaters, and various electrical components. There is a wide selection of these items available in all of the constructions listed above. All repair orders for these items must be referred to the factory.

QUALITY OF PARTS: Numerous mounting components, such as piping, tubing, fasteners, minor electrical parts and wiring, etc., may be purchased from your local supply source. However, it is emphasized that **IT IS THE RESPONSIBILITY OF THE CUSTOMER** when purchasing repair parts locally to use only parts that are of **EQUAL** or better quality than those used in the original construction.

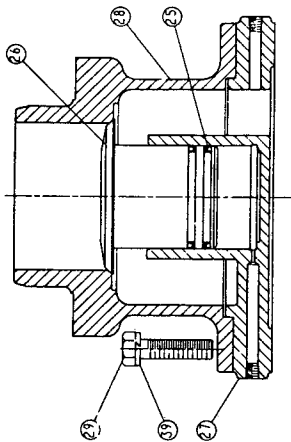
BARE COMPRESSOR REPAIR KITS
125 & 150 HP

HP	PSI	Model	Bare Compressor Field Replacement		*Gasket Kit Part No.
			60 Hz	50 Hz	
125	100	EAQ_N	EAQ 81238	EAQ 81239	SSQ 81159
	125	EAQ_N	81240	81238	SSQ 81159
	150	EAQ_N	81240	81240	SSQ 81159
150	100	EAQ_O	EAQ 81239	N/A	SSQ 81159
	125	EAQ_O	81238	N/A	SSQ 81159
	150	EAQ_O	81240	N/A	SSQ 81159

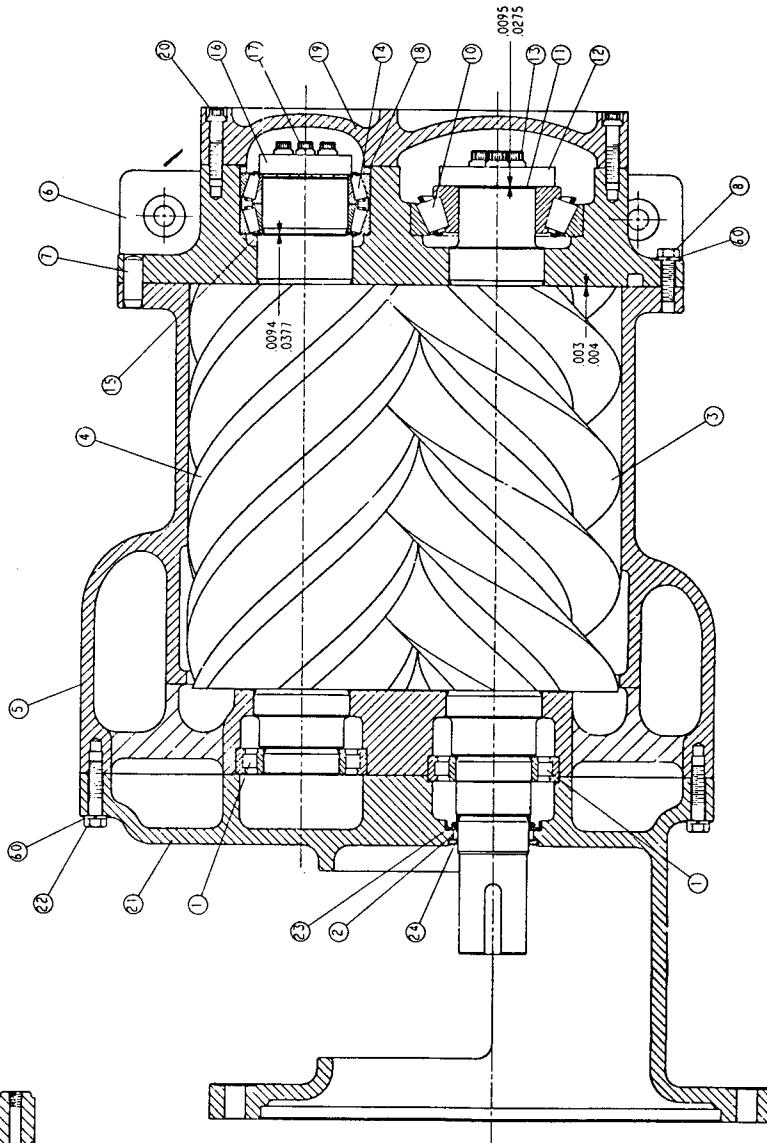
+ Gear Kit includes both gears with keys and gear housing gasket and seal housing O-ring.

* Gasket Kit is for complete unit, less motor.

BARE COMPRESSOR



INLET VALVE



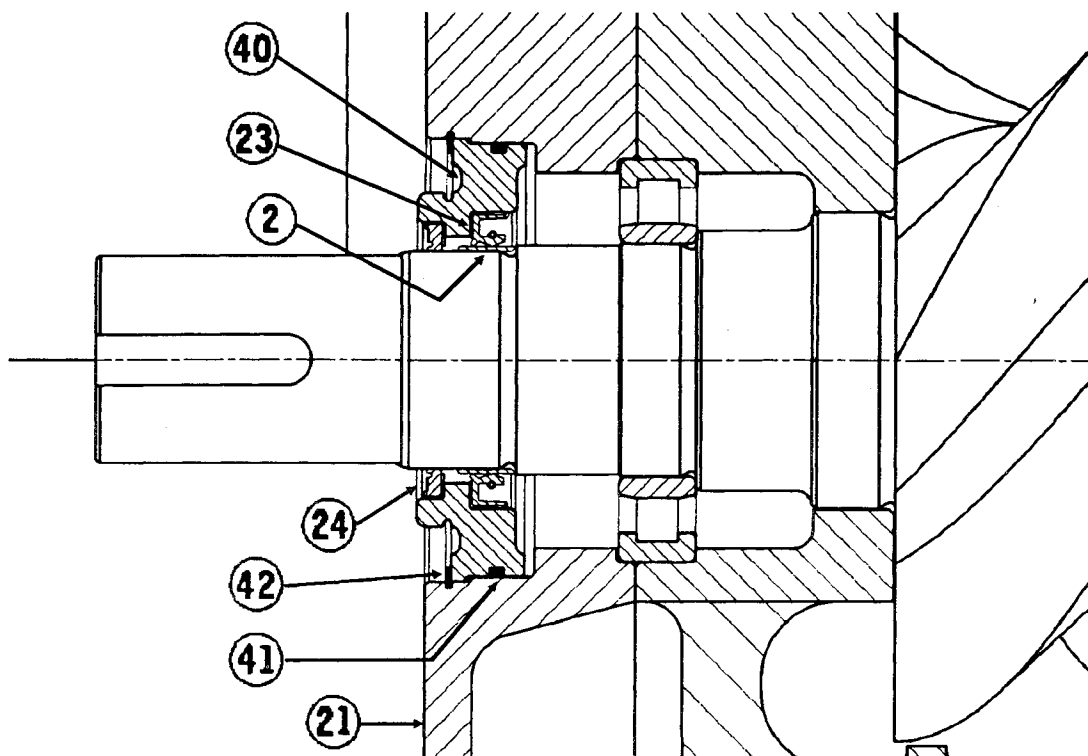
216SS0810

Order by Part Number and Description. Reference Numbers are for your convenience only.

Ref. No.	Name of Part	Qty. Req. Per Comp.	125 HP-7D* 125 HP-7P*	125 HP-7N*	125 HP-7R 125 HP-7H-7F*
	BARE COMPRESSOR		Part No. SSQABE01	Part No. SSQABE02	Part No. SSQABE04
1	BEARING-ROLLER.....	2	12BA126	12BA126	12BA126
2*	SLEEVE-WEAR.....	1	80L9	80L9	80L9
3	ROTOR.....	1	212SSQ010	210SSQ010	214SSQ010
4	ROTOR.....	1	213SSQ010	211SSQ010	215SSQ010
5	CYLINDER.....	1	208SSQ002	207SSQ002	209SSQ002
6	HOUSING-BEARING.....	1	214SSQ006	214SSQ006	214SSQ006
7	PIN-DOWELL.....	2	62M112	62M112	62M112
8	SCREW-HEX CAP.....	22	75A39	75A39	75A39
9	GASKET-ELIMINATOR.....	.1000	25BC256	25BC256	25BC256
10	BEARING-ROLLER.....	1	12BA138	12BA138	12BA138
11	SHIM SET-SHAFT.....	1	77C36	77C36	77C36
12	PLATE-BEARING RETAINER.....	1	202SSQ253	202SSQ253	202SSQ253
13	SCREW-12 PT CAP.....	3	75LM125N	75LM125N	75LM125N
14	BEARING-ROLLER.....	1	12BA78	12BA78	12BA78
15	SHIM-SET.....	1	77H50	77H50	77H50
16	PLATE-BEARING RETAINER.....	1	201SSU253	201SSU253	201SSU253
17	SCREW 12 PT CAP.....	3	2009630N	2009630N	2009630N
18	SPRING-WAVE.....	1	78W49	78W49	78W49
19	PLATE-BEARING COVER.....	1	208SSQ315	208SSQ315	208SSQ315
20	SCREW 12 PT CAP.....	22	75LM194	75LM194	75LM194
21*	ADAPTOR.....	1	202SSQ170	202SSQ170	202SSQ170
22	SCREW-HEX CAP.....	22	75A42	75A42	75A42
23*	SEAL-OIL.....	1	60DD563	60DD563	60DD563
24*	SEAL-OIL.....	1	60DD562	60DD562	60DD562
25	PACKING-RING.....	2	60DD561	60DD561	60DD561
26	PISTON-INLET VALVE.....	1	200SSQ043	200SSQ043	200SSQ043
27	HOUSING-INLET.....	1	202SSQ041	202SSQ041	202SSQ041
28	SEAT.....	1	201SSQ256	201SSQ256	201SSQ256
29	SCREW-HEX CAP.....	8	75A174	75A174	75A174
60	WASHER-LOCK.....	44	95B5	95B5	95B5
61	HOUSING-SEAL.....	1	206SSQ362	206SSQ362	206SSQ362
62	O-RING.....	1	25AH30	25AH30	25AH30
63	RING-RETAINER.....	1	74D55	74D55	74D55

* See page 10 for Serial Numbers after M45632.

Order by Part Number and Description. Reference Numbers are for your convenience only.

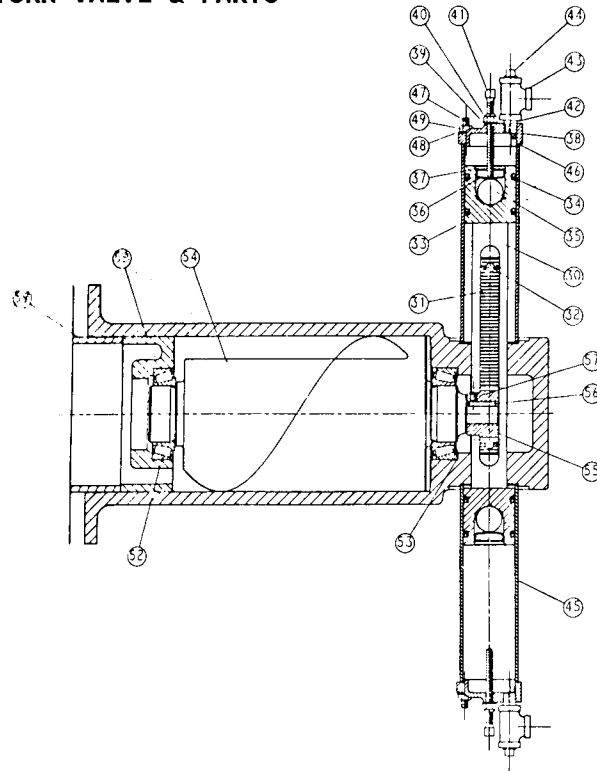


After Serial Number M45632

Ref. No.	Name of Part	Qt Req. Per Comp.	Part No.
			SSQMBB01 02 & 04
2*	SLEEVE-WEAR.....	1	80M28
21*	ADAPTOR.....	1	203SSQ170
23*	SEAL-OIL.....	1	60DD571
24	SEAL-OIL.....	1	60DD562
40	HOUSING-SEAL.....	1	206SSQ362
41	O-RING.....	1	25AH30
42	RING-RETAINER.....	1	74D55

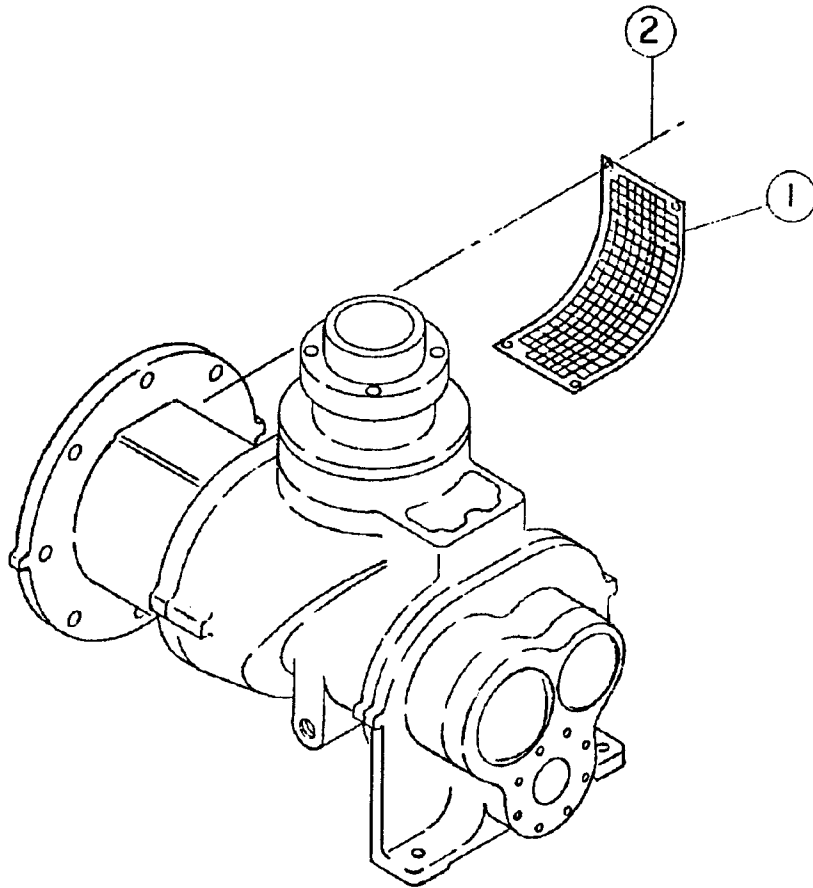
* See pages 8 & 9 for Serial Numbers before M45632.

TURN VALVE & PARTS



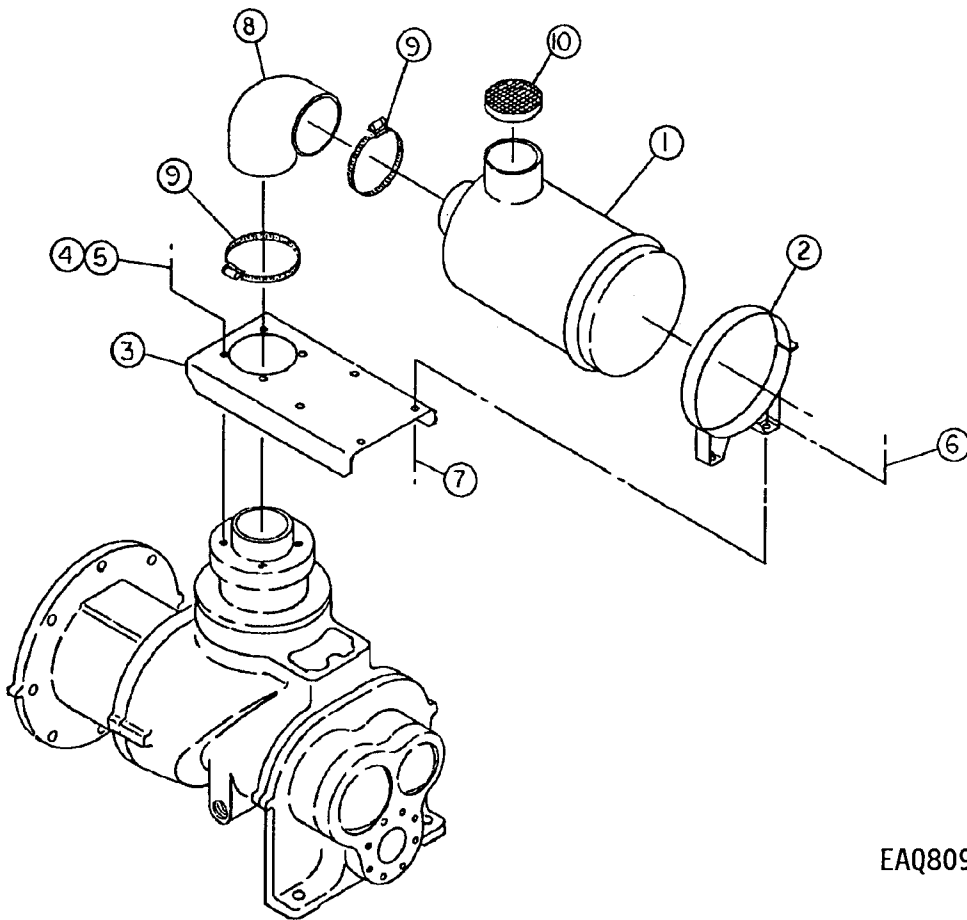
216SSQ810

DET. NO.	NAME OF PART	QTY.	PART NO.
30	SHAFT-CONTROL.....	1	200SSU081
31	RACK.....	1	200SSU360
32	SCREW SOHD CAP.....	2	75P11N
33	PISTON-CONTROL.....	2	201SSU084
34	PACKING-RING.....	4	60AM46
35	BUMPER.....	2	32E15
36	PLUG-EXPANSION.....	2	66D15
37	RING-RETAINING.....	2	74D49
38	HEAD-CONT CYL.....	2	200RPA083
39	SEAL-FASTENER.....	2	60DD65
40	LOCKNUT.....	2	50AW24
41	SET SCREW-SQHD.....	2	76D67
42	NIPPLE-PIPE.....	2	63D1G
43	TEE-PIPE.....	2	64G3G
44	PLUG-SQHD PIPE.....	2	64AA5
45	CYLINDER-CONT.....	2	200SSU082
46	GASKET RING.....	4	25BC138N
47	STUD.....	8	79AL5
48	WASHER-LOCK.....	8	95B1
49	NUT-HEX.....	8	50B1
	PLUG-SQHD PIPE.....	2	64AA7
	PLUG-SQHD PIPE.....	1	64AA9
52	BEARING-ROLLER.....	2	12BA51
53	SPRING-WAVE.....	1	78W50
54	VALVE.....	1	202SSQ238
55	GEAR-AUX.....	1	200SSU031
56	KEY-SQUARE.....	1	35C114
57	SETScrew-SO HD.....	1	76G21N
58	HOUSING-BRG.....	1	215SSQ006
59	SPACER.....	1	200SSQ392



SSQ81150

Det. No.	Description	Qty. Req.	Part No.
1	GUARD-COUPLING.....	1	200SSQ339
2	SCREW-FLANGED.....	4	75LM150

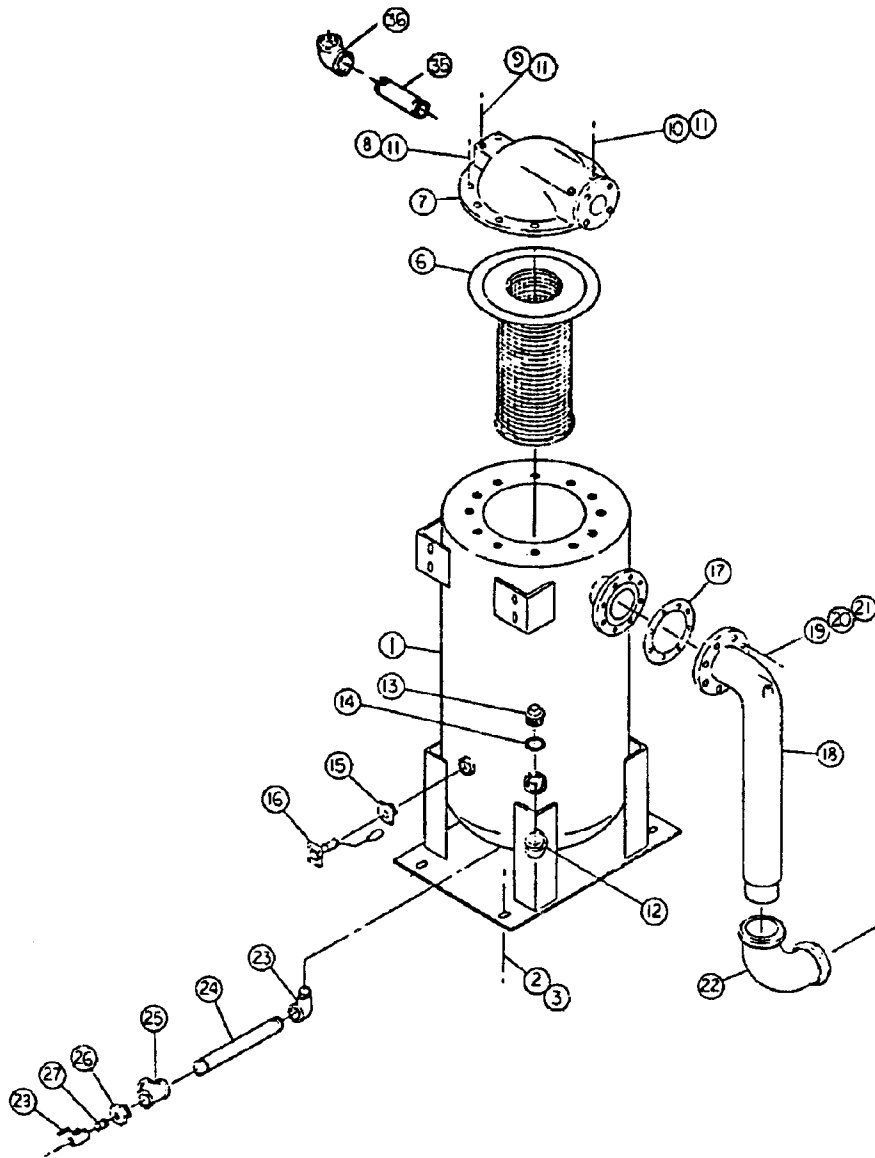


EAQ80944

AIR FILTER

Det. No.	Description	Qty. Req.	Part No.
1	FILTER-AIR.....	1	5L8
2	BAND-MOUNTING.....	2	2010066
3	BRACKET-FILTER.....	1	203EAQ389
4	SCREW-HEX CAP.....	4	75A4
5	WASHER-LOCK.....	4	95B5
6	SCREW-FLANGED.....	4	75K48
7	NUT-FLANGED.....	4	50AW5
8	HOSE-MOLDED.....	1	29Z96
9	CLAMP-HOSE.....	2	2009499
10	CAP-SCREEN ASM.....	1	5L9
*	INDICATOR-FILTER.....	1	92B7
*	SCREW-FLANGED.....	2	75LM48
*	NUT-FLANGED.....	2	50AW3
*	COUPLING-PIPE.....	1	64BK2
*	CONNECTOR-TUBE.....	1	86E4
*	TUBE.....	1	85K3
*	CONNECTOR-TUBE.....	1	86E3

* NOT SHOWN ON DETAIL.



See Page 28
for Compressor
Disch. Manifold

EAQ80959

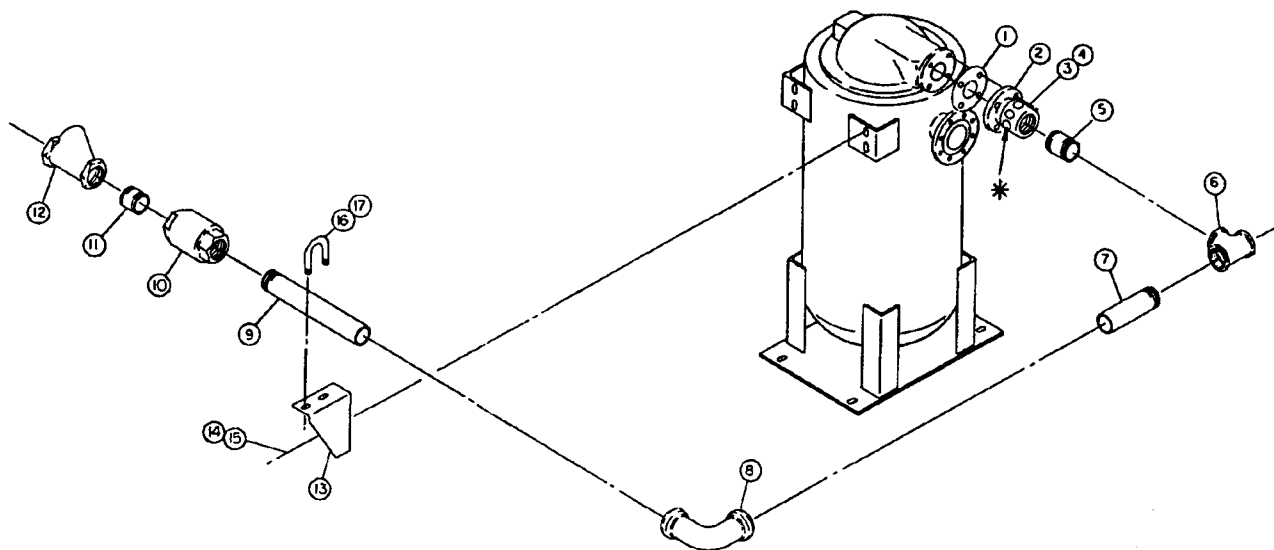
OIL RESERVOIR GROUP

Repair Components:

Flexible Coupling (4") - Det. # 22 (2) 2109950 Gaskets
Part Number: 64EB487

Det. No.	Description	Qty. Req.	Part No.
1	RESERVOIR-OIL.....	1	203EAQ037
2	SCREW-HEX CAP.....	4	75LM135
3	WASHER-PLAIN.....	4	50AW35
6	SEPARATOR-OIL.....	1	55B37
7	COVER.....	1	200EAQ225
8	SCREW-HEX CAP.....	8	75A57
9	SCREW-HEX CAP.....	2	75A111
10	SCREW-HEX CAP.....	2	123900
11	WASHER-LOCK.....	12	95B8
12	ELBOW.....	1	200LSF262
13	COVER-FILLER.....	1	200SPF156
14	O-RING.....	1	25AH5
15	ADAPTOR-GAUGE.....	1	200EDE058
16	GAUGE-FLOAT.....	1	200EAQ303
17	GASKET RING.....	1	25C121N
18	MANIFOLD.....	1	201EAQ286
19	SCREW-HEX CAP.....	8	75A40
20	WASHER-LOCK.....	8	95B7
21	NUT-HEX.....	8	50B7
22	COUPLING-FLEX.....	1	64EB487
23	ELBOW-PIPE ST.....	1	64D8G
24	NIPPLE-PIPE.....	1	63N24X154G
25	TEE-PIPE.....	1	64G11G
26	BUSHING-PIPE.....	1	64E20
27	NIPPLE-PIPE.....	1	63F21G
28	VALVE-BALL.....	1	90AR360
29	TUBE.....	9	85K3
30	CONNECTOR.....	1	86N15
31	ELBOW-TUBE.....	1	86E193
32	VALVE-CHECK.....	1	90AR261
33	CONNECTOR-TUBE.....	1	86E28
34	CONNECTOR-TUBE.....	1	86E3
35	NIPPLE-PIPE.....	1	63K15G
36	ELBOW-PIPE ST.....	1	64C8G

PIPING GROUP



EAQ80965

Part No.	Description	Qty. Req.	Part No.
2	ADAPTOR.....	1	200EAQ170
3	SCREW-HEX CAP.....	4	75A17
4	WASHER-LOCK.....	4	95B7
5	NIPPLE-PIPE.....	1	63P2G
6	TEE-PIPE.....	1	64G23G
7	NIPPLE-PIPE.....	1	63AJ48X104G
8	COUPLING-FLEX.....	1	64EB486
9	NIPPLE-PIPE.....	1	63AJ48X220G
10	ASM M/PRESS VALVE.....	1	201ECM527
11	NIPPLE-PIPE.....	1	63P1G
12	VALVE-CHECK.....	1	90J114
13	BRACKET-FORMED.....	1	200EAQ142
14	SCREW-FLANGED.....	2	75LM51
15	NUT-FLANGED.....	2	50AW5
16	U-BOLT.....	1	143742
17	NUT-FLANGED.....	2	50AW5

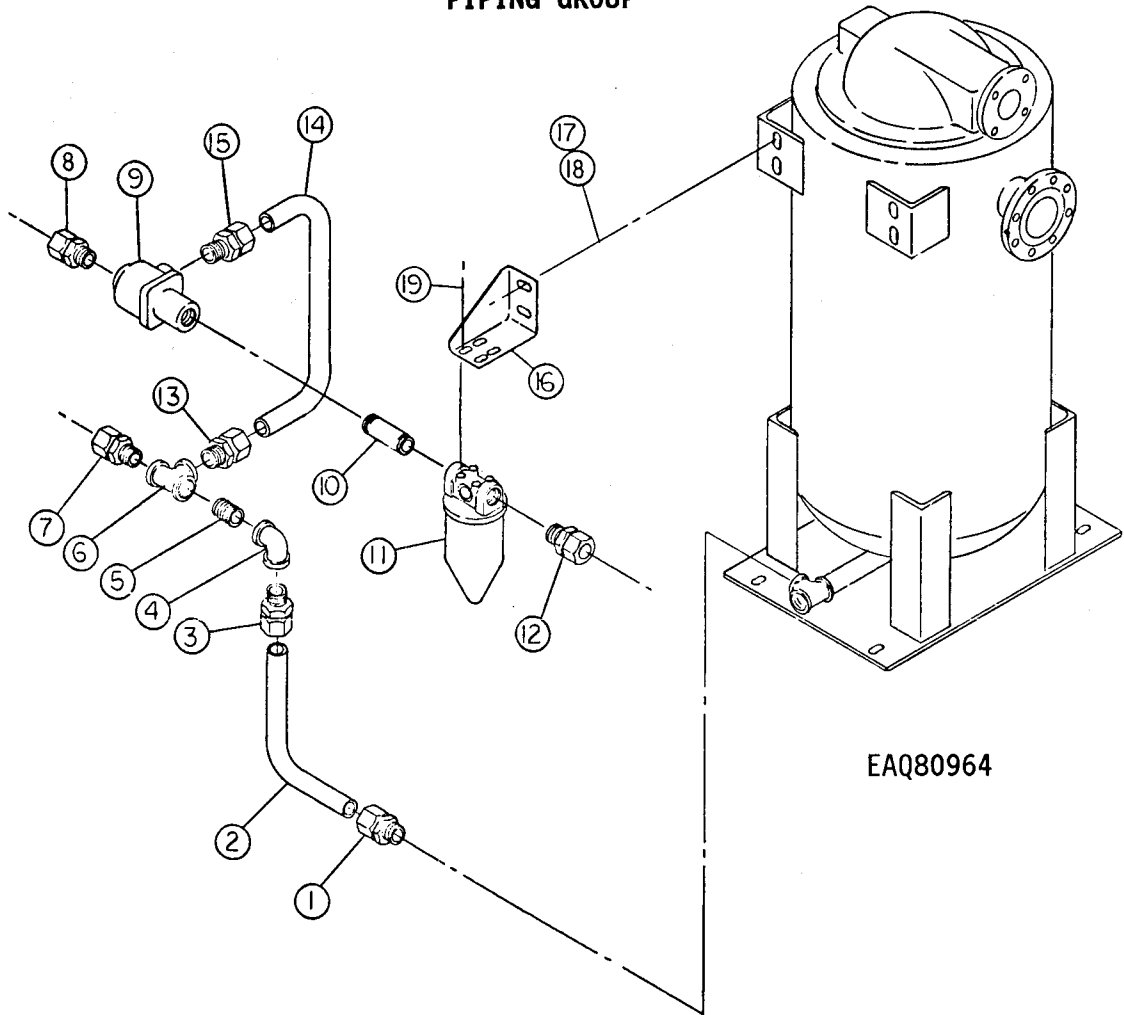
REPAIR COMPONENTS:

FLEXIBLE COUPLING (3") (2) 2109949 GASKETS (EDPM)
(P/N 64EB486)

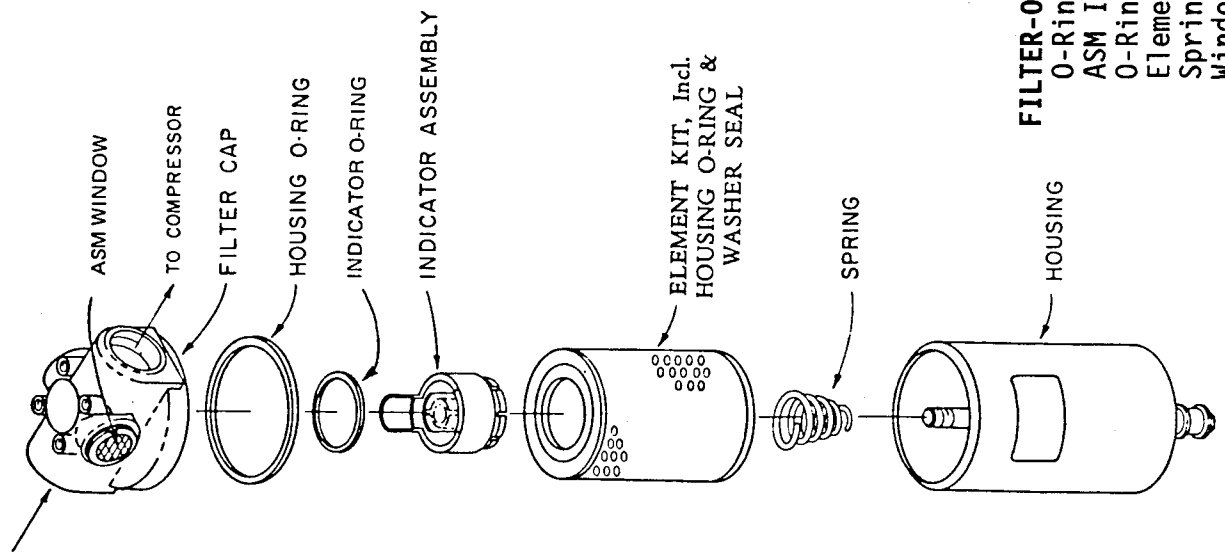
ASM. MIN. PRESSURE VALVE
(P/N 200ESP527A)

* NOT SHOWN - 21D81 TEMPERATURE PROBE -- FOR REPAIR OF PROBE FURNISH
KIT EAQ78540

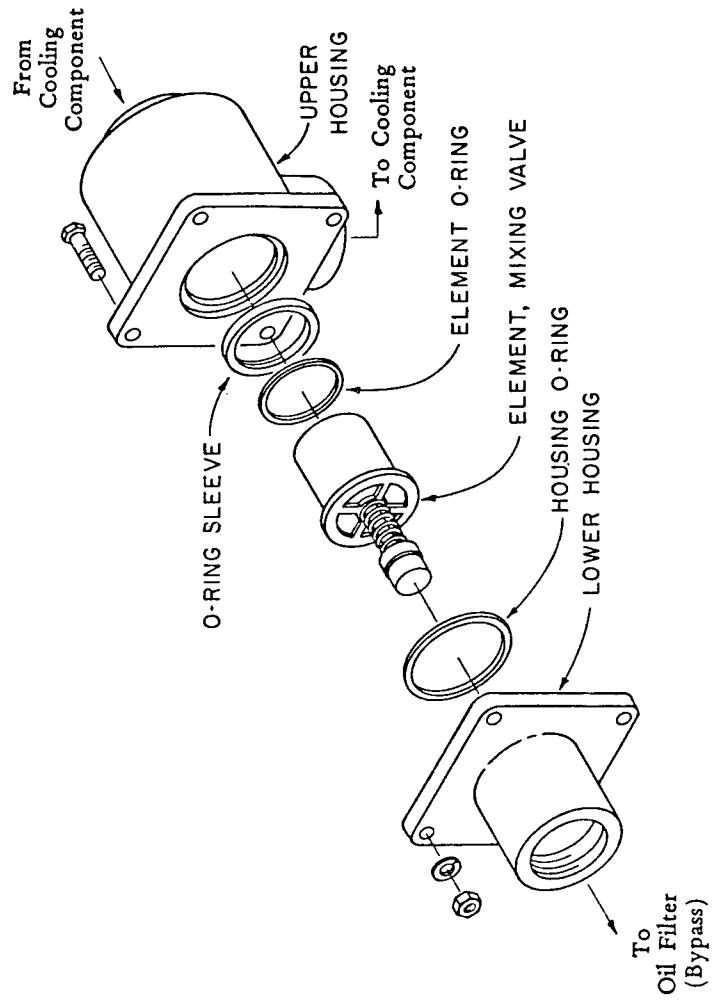
PIPING GROUP



Det. No.	Description	Qty. Req.	Part No.
1	CONNECTOR-TUBE.....	1	86N105
2	TUBE-FORMED.....	1	207EAQ857
3	CONNECTOR-TUBE.....	1	86N105
4	ELBOW-PIPE.....	1	64C8G
5	NIPPLE-PIPE.....	1	63K2G
6	TEE-PIPE.....	1	64G11G
7	CONNECTOR-TUBE.....	1	86N105
8	CONNECTOR-TUBE.....	1	86N105
9	VALVE-THERM.....	1	90AR226
10	NIPPLE-PIPE.....	1	63K18G
11	FILTER-OIL.....	1	26C5
12	CONNECTOR-TUBE.....	1	86N105
13	CONNECTOR-TUBE.....	1	86N105
14	TUBE-FORMED.....	1	205EAQ857
15	CONNECTOR-TUBE.....	1	86N105
16	BRACKET-FILTER.....	1	202EAQ389
17	SCREW-FLANGED.....	2	75LM51
18	NUT-FLANGED.....	2	50AW5



OIL FILTER

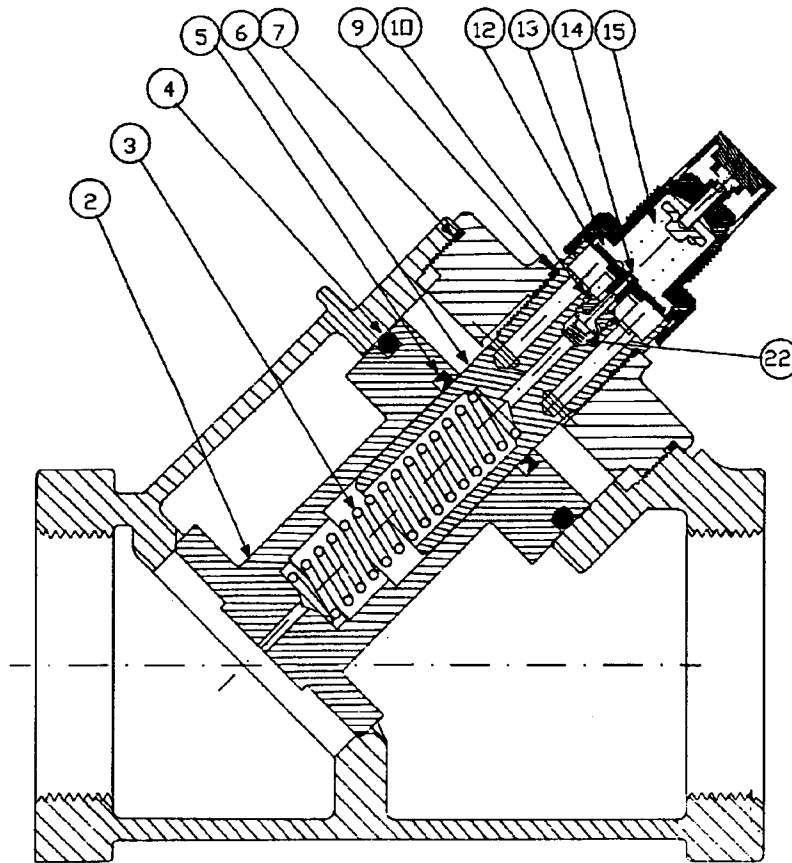


VALVE-THERMAL MIXING, Includes:

Sleeve, O-Ring.....	90AR226
O-Ring, Element.....	2008161
Element (150°F.) (W/Internal By-Pass) Standard...	25BC164
Element (150°F.) (No Internal By-Pass).....	2109365
O-Ring, Housing.....	2109468
	25BC175

FILTER-OIL, Includes:

O-Ring, Housing (Head Gasket).....	26C5
ASM Indicator (Includes O-Ring).....	25BC202
O-Ring, Indicator.....	2109125
Element Kit, Oil Filter.....	54C214
Spring.....	2109093
Window Assembly -- Oil Flow (Includes Window, O-Ring & Marking Ring)...	2109126
Marking Ring (Restriction Indicator).....	2109463
	2109493



MINIMUM PRESSURE VALVE - 201ECM527

Det. No.	Description	Qty.	G-D Vendor Repair No.
2	VALVE.....	1	201ECM527
3	MAIN SPRING.....	1	2116607
4	O-RING.....	1	2116608
5	U-CUP 1-3/8 x 1-3/4 x 3/16	1	2116609
6	REGULATOR HOUSING.....	1	2116610
7	O-RING.....	1	2116611
9	O-RING.....	1	2116612
10	O-RING.....	1	2116613
12, 13 & 14	DIAPHRAGM-ASSY..... INCLUDES (1) EACH DIAPHRAGM, SUPPORT & RETAINER	1	2116614
15	MAIN SPRING.....	1	2116615
22	VALVE SPRING.....	1	2116616

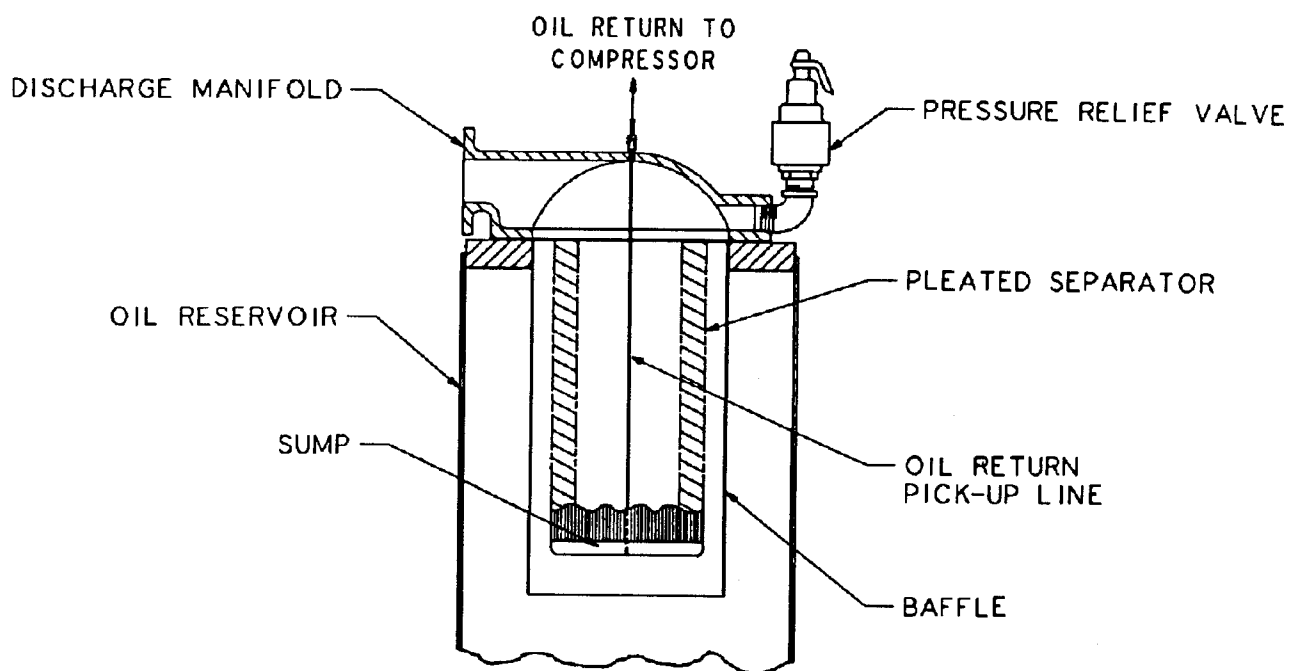
**OIL RESERVOIR GROUP
(Selective Items)**

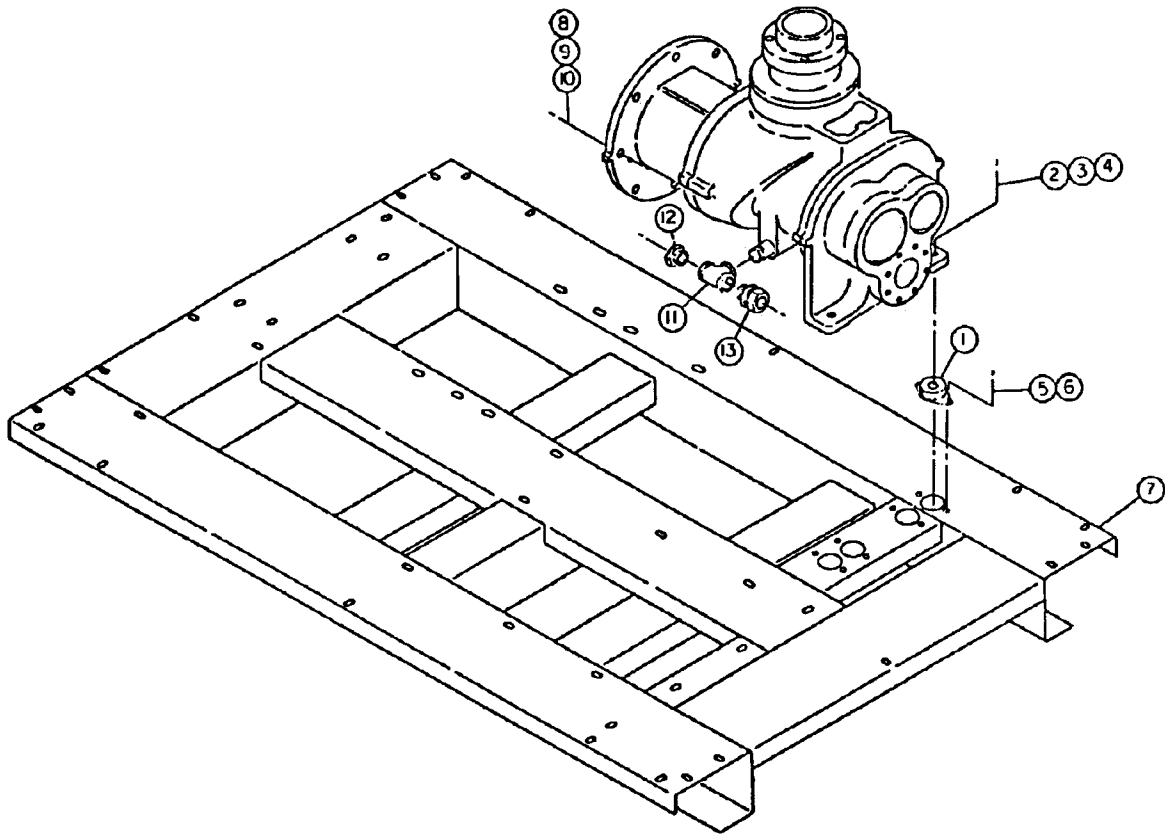
Part Name and Description	125 & 150 HP
VALVE-PRESSURE RELIEF (Set 125 PSIG).....	90AR510
VALVE-PRESSURE RELIEF (Set 150 PSIG).....	90AR532
VALVE-PRESSURE RELIEF (Set 165 PSIG).....	90AR649

**OIL SEPARATOR GROUP
(Pleated Separator)**

Repair Kit (With Separator 55B37).....	EQ81149
--	---------

NOTE: Repair Kit includes Separator, Oil Return Pick-up Tube, Tube Fittings and Gasket Eliminator.



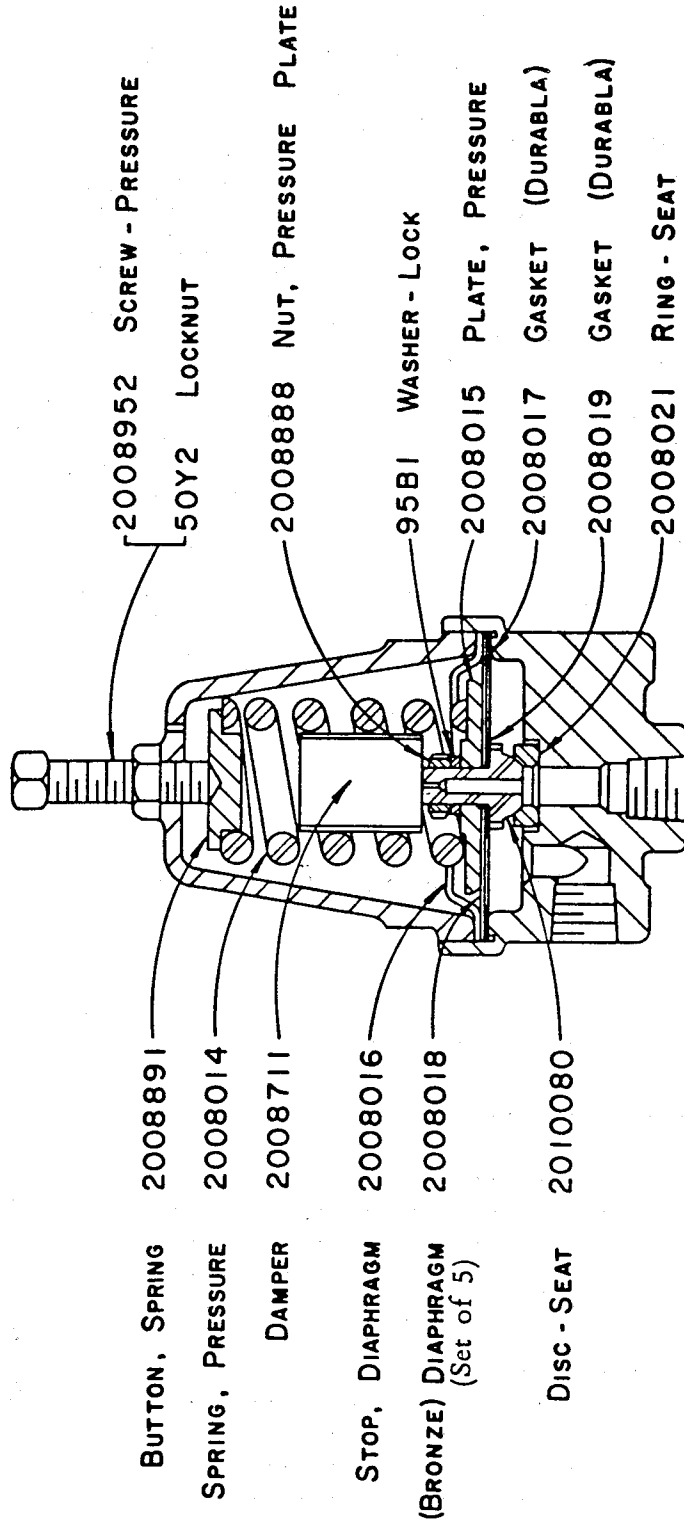


EAQ80960

BASE MOUNTING GROUP

Det. No.	Description	Qty. Req.	Part No.
1	ISOLATOR-VIB.....	2	49C48
2	SCREW-HEX CAP.....	2	75A233
3	WASHER-LOCK.....	2	95B8
4	NUT-HEX.....	2	50B8
5	SCREW-FLANGED.....	4	75LM135
6	NUT-FLANGED.....	4	50AW25
7	BASE.....	1	205EAQ285
8	SCREW-HEX CAP.....	8	75A216
9	WASHER-LOCK.....	8	95B8
10	NUT-HEX.....	8	50B8
11	TEE-PIPE.....	1	64G11G
12	BUSHING-PIPE.....	1	64E61
13	CONNECTOR-TUBE.....	1	86N105

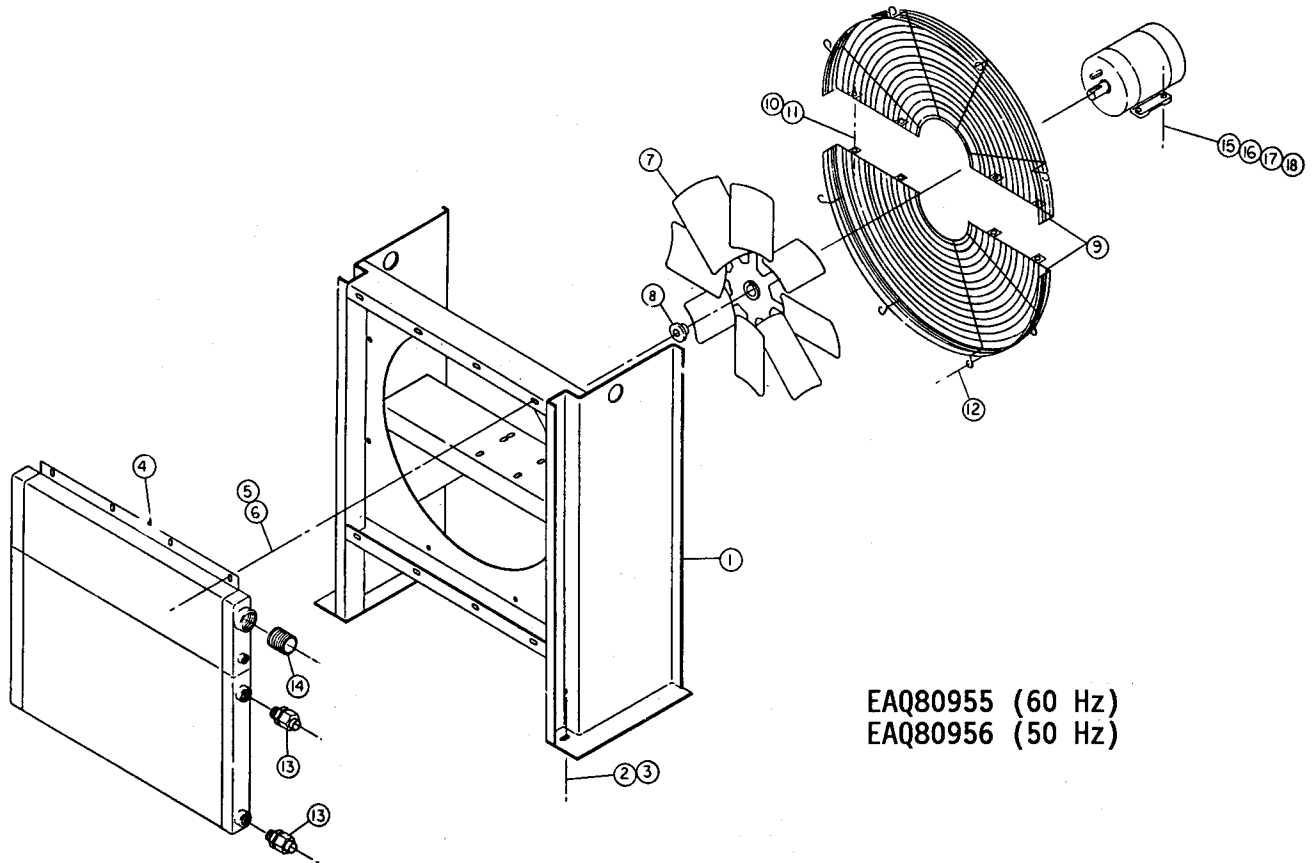
SUBTRACTIVE PILOT VALVE - 2009398
 (See Footnote)



B74408X

NOTE: IT IS NECESSARY TO REPLACE SOME PARTS IN GROUPS TO INSURE SATISFACTORY REPAIR. WHEN REPLACING DIAPHRAGM ALSO REPLACE BOTH DIAPHRAGM & SEAT GASKETS. WHEN REPLACING SEAT DISC OR SEAT RING REPLACE ALSO THE MATING SEAT RING OR DISC AND THE SEAT DISC GASKET.

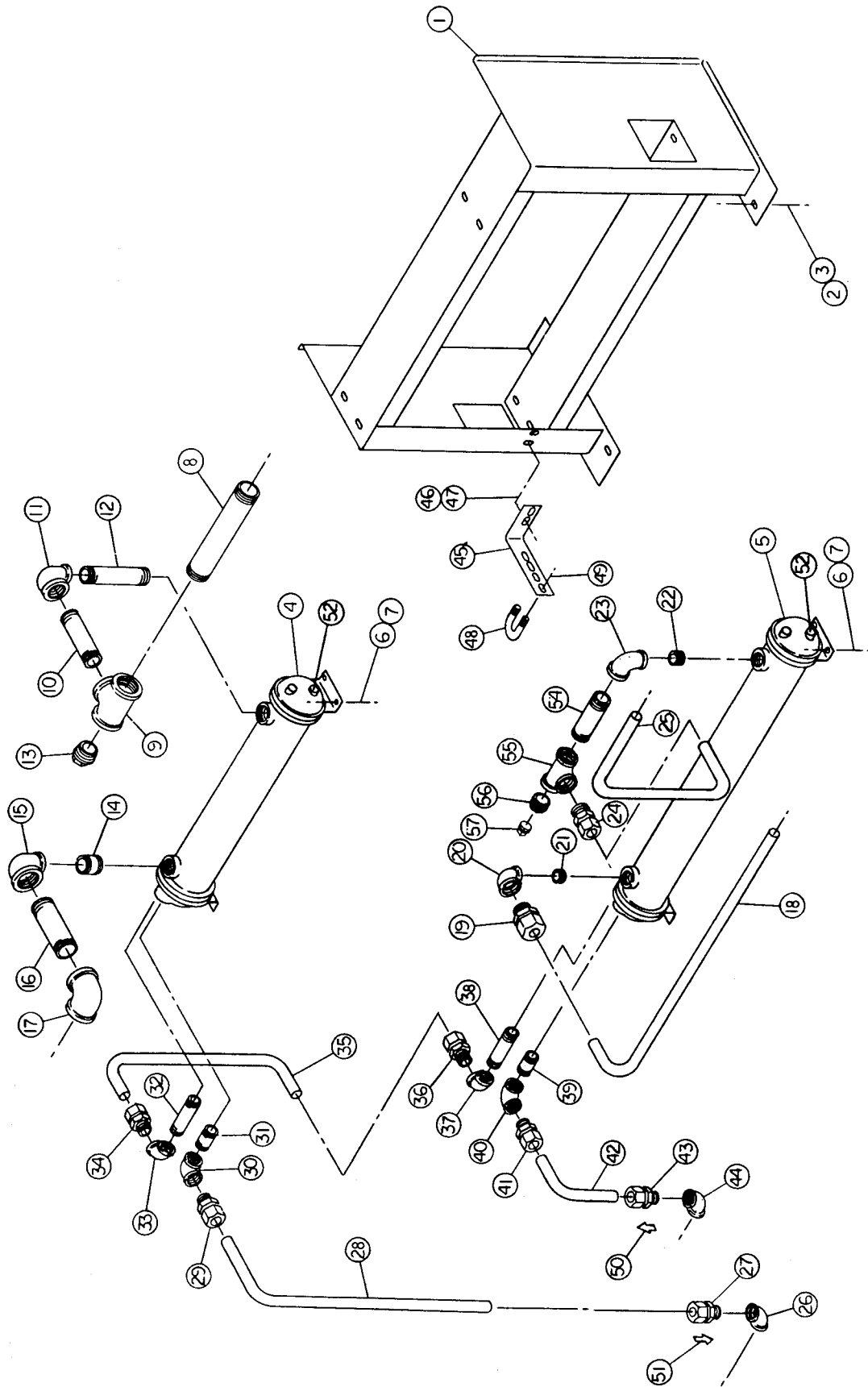
HEAT EXCHANGER GROUP



EAQ80955 (60 Hz)
EAQ80956 (50 Hz)

NOTE: 2009050 SEPARATOR & 83C41 TRAP to be shipped loose with unit.

Det. No.	Description	Qty. Req.	60 Hz Part No.	50 Hz Part No.
1	SUPPORT.....	1	208EAQ165	208EAQ165
2	SCREW-FLANGED.....	4	75K48	75K48
3	NUT-FLANGED.....	4	50AW5	50AW5
4	COOLER-OIL.....	1	200EAQ201	200EAQ201
5	SCREW-FLANGED.....	8	75LM51	75LM51
6	NUT-FLANGED.....	8	50AW5	50AW5
7	FAN.....	1	200EAQ701	201EAQ701
8	BUSHING-HUB.....	1	22G2	22G2
9	GUARD-FAN.....	1	200EAQ393	200EAQ393
10	SCREW-FLANGED.....	4	75LM50	75LM50
11	NUT-FLANGED.....	4	50AW4	50AW4
12	SCREW-FLANGED.....	8	75LM51	75LM51
13	ADAPTOR-TUBE.....	2	86N217	86N217
14	NIPPLE-PIPE.....	1	63P1G	63P1G
15	SCREW-HEX CAP.....	4	75A7	75A7
16	WASHER-PLAIN.....	4	95A3	95A3
17	WASHER-LOCK.....	4	95B3	95B3
18	NUT-HEX.....	4	50B3	50B3



262EAQ810

COOLER GROUP
WATER COOLED

Det. No.	Description	Qty. Req.	Part No.
1	SUPPORT.....	1	209EAQ165
2	SCREW-FLANGED.....	4	75K48
3	NUT-FLANGED.....	4	50AW5
4	HEAT EXCHANGER (Aftercooler).....	1	200EAQ349
5	HEAT EXCHANGER (Oil Cooler).....	1	201EAQ349
6	SCREW-FLANGED.....	8	75K48
7	NUT-FLANGED.....	8	50AW5
8	NIPPLE-PIPE.....	1	63N48X190G
9	TEE-PIPE.....	1	64G23G
10	NIPPLE-PIPE.....	1	63P19G
11	ELBOW-TUBE.....	1	64S22G
12	NIPPLE-PIPE.....	1	63L30G
13	BUSHING-PIPE.....	1	64E105
14	NIPPLE-PIPE.....	1	63L9G
15	ELBOW-PIPE.....	1	64S22G
16	NIPPLE-PIPE.....	1	63P19G
17	ELBOW-PIPE.....	1	64C10G
18	TUBE-FORMED.....	1	208EAQ857
19	CONNECTOR-TUBE.....	1	86N105
20	ELBOW-PIPE.....	1	64S30G
21	NIPPLE-PIPE.....	1	63L1G
22	NIPPLE-PIPE.....	1	63L1G
23	ELBOW-PIPE.....	1	64S30G
24	CONNECTOR-TUBE.....	1	86N105
25	TUBE-FORMED.....	1	209EAQ857
26	ELBOW-PIPE.....	1	64C8G
27	CONNECTOR.....	1	86N105
28	TUBE-FORMED.....	1	210EAQ857
29	CONNECTOR-TUBE.....	1	86N105
30	ELBOW-PIPE.....	1	64C8G
31	NIPPLE-PIPE.....	1	63K3G
32	NIPPLE-PIPE.....	1	63K5G
33	ELBOW-PIPE.....	1	64C8G
34	CONNECTOR.....	1	86N105
35	TUBE-FORMED.....	1	212EAQ857
36	CONNECTOR-TUBE.....	1	86N105
37	ELBOW-PIPE.....	1	64C8G
38	NIPPLE-PIPE.....	1	63K5G
39	NIPPLE-PIPE.....	1	63K3G
40	ELBOW-TUBE.....	1	64C8G
41	CONNECTOR-TUBE.....	1	86N105
42	TUBE-FORMED.....	1	211EAQ857
43	CONNECTOR-TUBE.....	1	86N105
44	ELBOW-PIPE.....	1	64C8G
45	BRACKET-FORMED.....	1	202EAQ142
46	SCREW-FLANGED.....	2	75LM51
47	NUT-FLANGED.....	2	50AW5
48	U-BOLT.....	2	123685
49	NUT-FLANGED.....	4	50AW5
50	DECAL.....	1	203ECM077
51	DECAL.....	1	204ECM077
52	ZINC ANODE.....	4	2116272
53	DECAL.....	1	203EAQ077
54	NIPPLE-PIPE.....	1	63K6G
55	TEE-PIPE.....	1	64G11G
56	BUSHING-PIPE.....	1	64E8
57	PLUG-SqHd PIPE.....	1	64AA3
58	CONNECTOR-TUBE.....	2	86N105

**WATER COOLED UNITS
(FRESH/SALT WATER SERVICE)
(125/150 H.P.)**

HEAT EXCHANGER-FRESH WATER.....	201EAQ349
AFTERCOOLER-FRESH WATER.....	200EAQ349
BONNET, INLET-OUTLET (CAST IRON).....	2116265
GASKET, INLET-OUTLET (NON-ASBESTOS).....	2116266
BONNET, REVERSING (CAST IRON).....	2116267
GASKET, REVERSING BONNET(NON-ASBESTOS).....	2116268
BRACKET, MOUNTING (2) (STEEL).....	2116269
ANODE, ZINC (4) (2 PER COOLER).....	2116272

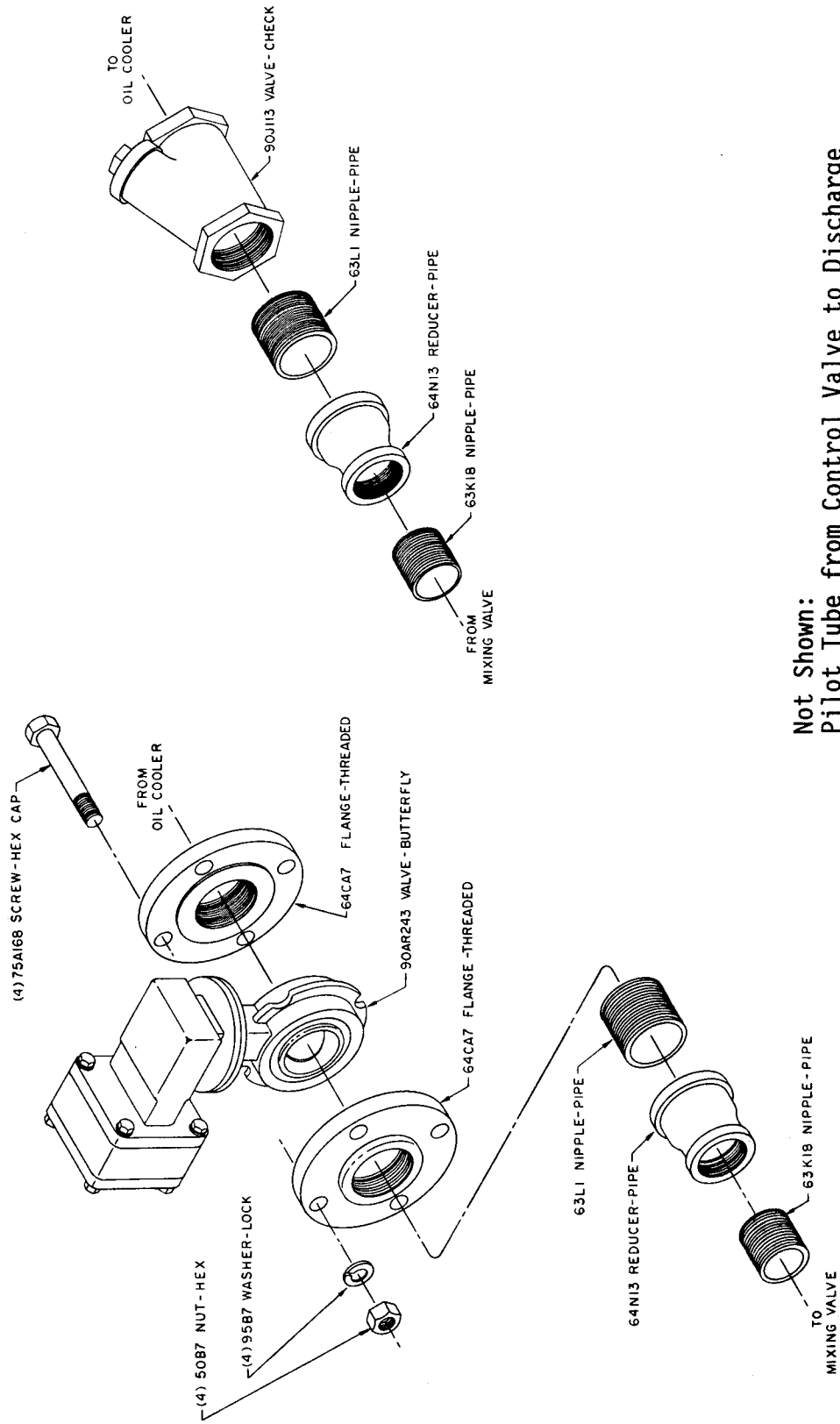
HEAT EXCHANGER-SALT WATER.....	203EAQ349
AFTERCOOLER-SALT WATER.....	202EAQ349
BONNET, INLET-OUTLET (CAST BRONZE).....	2116270
GASKET, INLET-OUTLET (NON-ASBESTOS).....	2116266
BONNET, REVERSING (CAST IRON).....	2116271
GASKET, REVERSING BONNET (NON-ASBESTOS).....	2116268
BRACKET, MOUNTING (2) (STEEL).....	2116269
ANODE, ZINC (4) (2 PER COOLER).....	2116272

WATER TEMPERATURE REGULATOR & WATER SOLENOID VALVE

Regulator-Temperature.....	90AR151
** ASM Stem Packing (TRERICE).....	2010803
** Thermal System Kit (TRERICE).....	2109498
Regulator-Temperature.....	90AR151
** ASM Stem Packing (POWERS).....	2109051
** Thermal System Kit (POWERS).....	2109490
Valve-Solenoid, Water (NEMA 1).....	91B3
Valve-Solenoid, Water (NEMA 4).....	91B24

** Furnish as required for repair of complete Temperature Regulator (Kit consists of Remote Bulb, Capillary Tube and Bellows). Make selection of ASM Stem Packing or Thermal System Kit according to manufacturer of regulator.

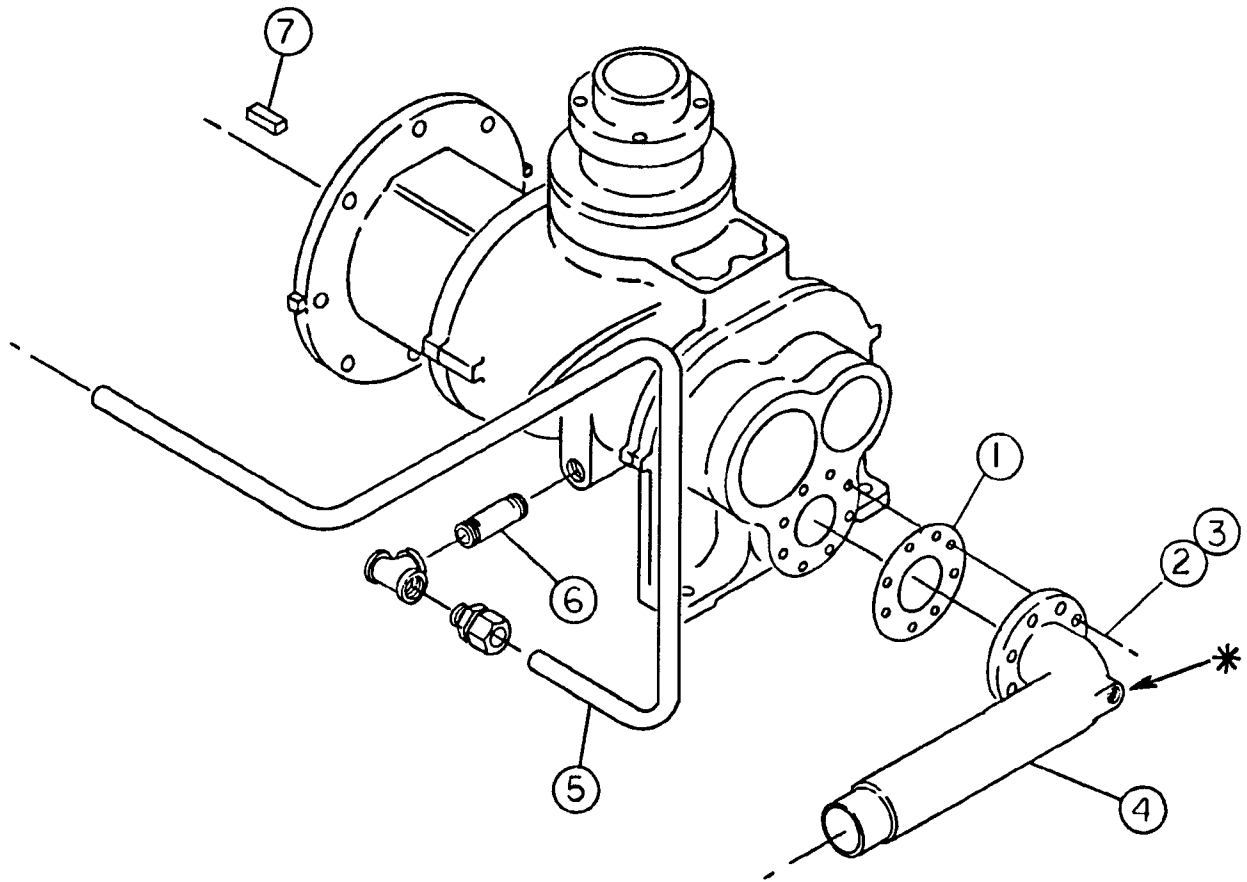
REMOTE MOUNTED OIL COOLER FITTINGS



Not Shown:
 Pilot Tube from Control Valve to Discharge
 Manifold:
 86E60 (2) ELBOW-TUBE
 85G3 (110 Inches) TUBE, Nylon

D76824

* NOT SHOWN: 21D81 TEMP PROBE.
 PROBE REPAIR KIT: EAQ78540



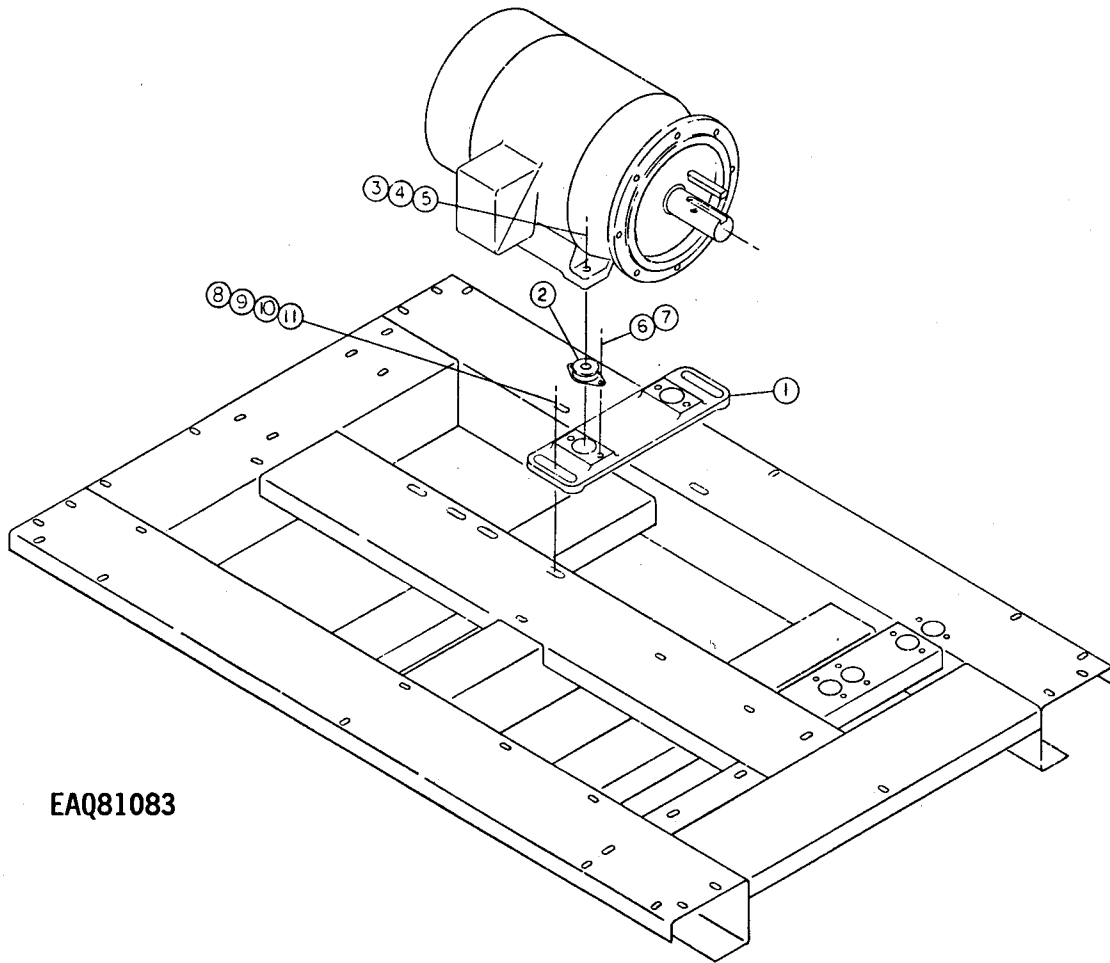
263EAQ810

See Page 14 for
 Oil Reservoir Manifold
 & Flex. Cplg. (Elbow)

MANIFOLD GROUP
 (60 HZ ONLY)

DET. NO.	NAME OF PART	QTY	PART NO.
1	GASKET RING.....	1	25C121N
2	SCREW-HEX CAP.....	8	75A43
3	WASHER-LOCK.....	8	95B7
4	MANIFOLD.....	1	200EAQ286
5	TUBE-FORMED.....	1	206EAQ857
6	NIPPLE-PIPE.....	1	63K7G
7	KEY-SQUARE.....	1	35B243

MOTOR MOUNTING GROUP



EAQ81083

Det. No.	Description	Qty. Req.	125 HP Part No.	150 HP Part No.
1	ADAPTOR.....	2	201EAQ170	202EAQ170
2	ISOLATOR-VIB.....	4	49C48	49C48
3	SCREW-HEX CAP.....	4	75LL10	75LL10
4	WASHER-LOCK.....	4	95B8	95B8
5	NUT-HEX.....	4	50B8	50B8
6	SCREW-HEX CAP.....	8	75A4	75A4
7	WASHER-LOCK.....	8	95B5	95B5
8	SCREW-HEX CAP.....	4	75A101	75A101
9	WASHER-PLAIN.....	8	95A8	95A8
10	WASHER-LOCK.....	4	95B8	95B8
11	NUT-HEX.....	4	50B8	50B8

**MOTOR GROUP
(MAIN DRIVE MOTOR)**

Column Code	Name of Part	125 HP	150 HP
ODP (OPEN DRIP PROOF) 60 HZ			
13A	MOTOR, 200V.....	24CA2002	24CA893
	MARKER-VOLTAGE, 200V.....	69F1	69F1
13B	MOTOR, 230V.....	24CA741	24CA742
	MARKER-VOLTAGE, 230V.....	69F2	69F2
13C	MOTOR, 460V.....	24CA746	24CA747
	MARKER-VOLTAGE, 460V.....	69F3	69F3
13D	MOTOR, 575V.....	24CA751	24CA752
	MARKER-VOLTAGE, 575V.....	69F28	69F28
ODP (OPEN DRIP PROOF) HIGH EFFICIENCY 60 HZ			
13G	MOTOR, 200V.....	24CA1595	24CA1596
	MARKER-VOLTAGE, 200V.....	69F1	69F1
13H	MOTOR, 230V.....	24CA1598	24CA1599
	MARKER-VOLTAGE, 230V.....	69F2	69F2
13I	MOTOR, 460V.....	24CA1603	24CA1604
	MARKER-VOLTAGE, 460V.....	69F3	69F3
13J	MOTOR, 575V.....	24CA1609	24CA1610
	MARKER-VOLTAGE, 575V.....	69F28	69F28
TEFC (TOTALLY ENCLOSED FAN COOLED) 60 HZ			
13M	MOTOR, 200V.....	*	24CA894
	MARKER-VOLTAGE, 200V.....	69F1	69F1
13N	MOTOR, 230V.....	24CA756	24CA757
	MARKER-VOLTAGE, 230V.....	69F2	69F2
13O	MOTOR, 460V.....	24CA761	24CA762
	MARKER-VOLTAGE, 460V.....	69F3	69F3
13P	MOTOR, 575V.....	24CA766	24CA767
	MARKER-VOLTAGE, 575V.....	69F28	69F28
TEFC (TOTALLY ENCLOSED FAN COOLED) HIGH EFFICIENCY 60 HZ			
13S	MOTOR, 200V.....	*	*
	MARKER-VOLTAGE, 200V.....	*	*
13T	MOTOR, 230V.....	*	*
	MARKER-VOLTAGE, 230V.....	*	*
13U	MOTOR, 460V.....	24CA1879	24CA1880
	MARKER-VOLTAGE, 460V.....	69F3	69F3
13V	MOTOR, 575V.....	24CA1885	24CA1886
	MARKER-VOLTAGE, 575V.....	69F28	69F28

* CONSULT FACTORY FOR THIS SELECTION.

MOTOR GROUP
(VENT FAN & AIR COOLED OIL COOLER MODULES)

VENT FAN
 1200 RPM - 60 HZ

VOLTAGE	MOTOR PART NO.	H.P.
200	24CA2463	1/2
230/460	24CA2464	1/4
575	24CA2465	1/2

AIR COOLED OIL COOLER/AFT MODULE
 3 HP, TEAO, 1200 RPM, 1.33 S.F.

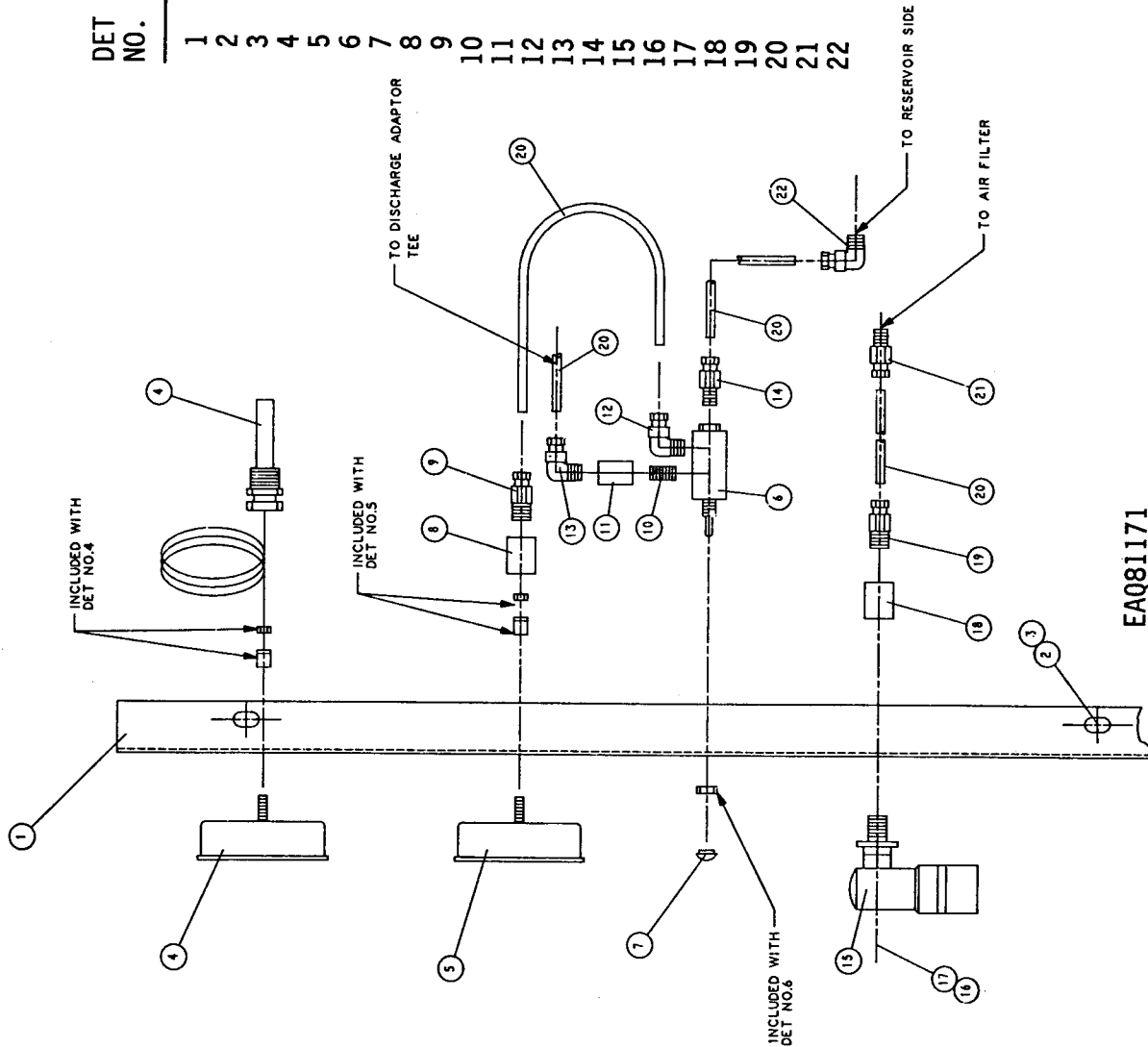
VOLTAGE	MOTOR PART NO.
200	24CA189
230/460	24CA190
575	24CA191

FLEXIBLE COUPLING
(MAIN MOTOR)

PART NO.	FRAME SIZE	CUSHION PART NUMBER (6)
51L29	404-405TSD	2109116
51L30	444-449TSD	2109116

INSTRUMENT PANEL

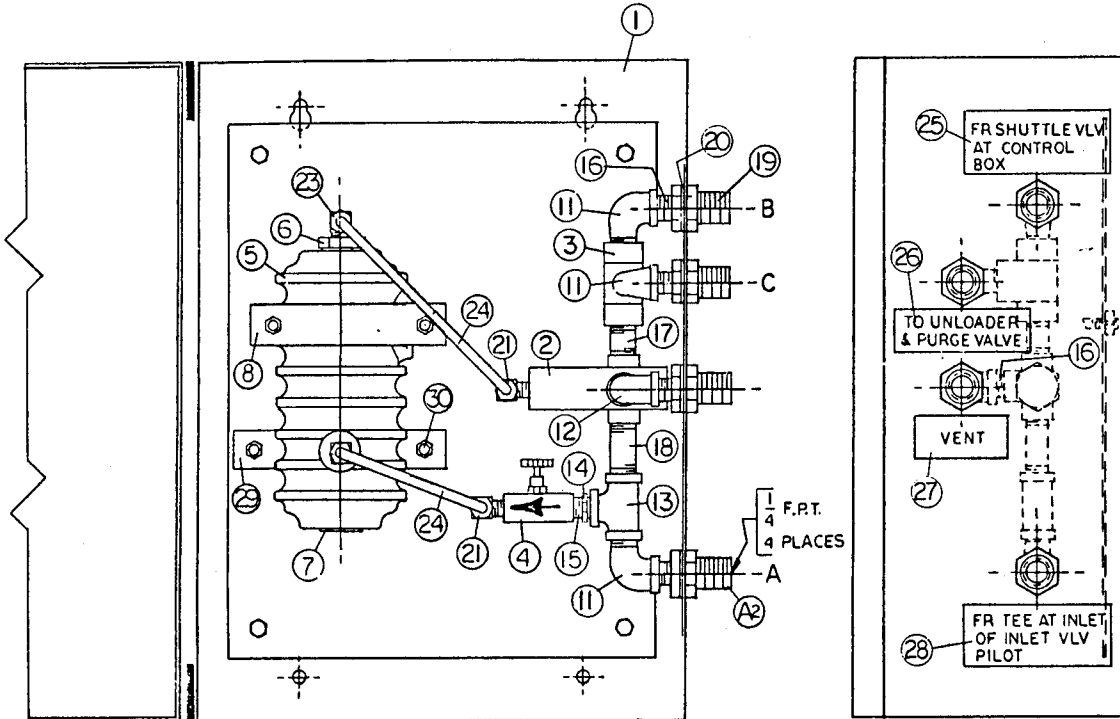
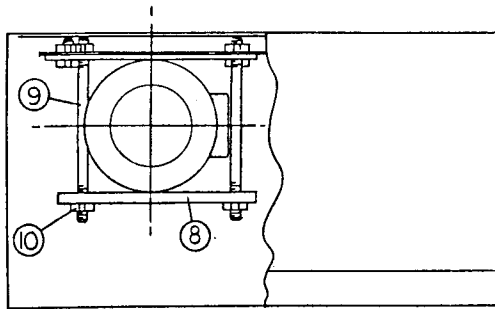
DET NO.	DESCRIPTION	QTY	PART NO.
1	PANEL - INST.....	1	200ECM386
2	SCREW-FLANGED.....	4	75LM51
3	NUT-FLANGED.....	4	50AW5
4	THERMOMETER.....	1	93F2
5	GAUGE.....	1	2009562
6	VALVE-AIR CONT.....	1	90AR399
7	KNOB.....	1	90AR400
8	COUPLING-PIPE.....	1	64BK2
9	CONNECTOR-TUBE.....	1	86E4
10	NIPPLE-PIPE.....	1	63CIG
11	COUPLING-PIPE.....	1	64BK1
12	ELBOW-TUBE.....	1	86E59
13	ELBOW-TUBE.....	1	86E59
14	CONNECTOR-TUBE.....	1	86E3
15	INDICATOR-FLTR.....	1	92B7
16	SCREW-FLANGED.....	2	75LM48
17	NUT-FLANGED.....	2	50AW3
18	COUPLING-PIPE.....	1	64BK2
19	CONNECTOR-TUBE.....	1	86E4
20	TUBE.....	10	85K3
21	CONNECTOR-TUBE.....	1	86E3
22	ELBOW-TUBE.....	1	86E60



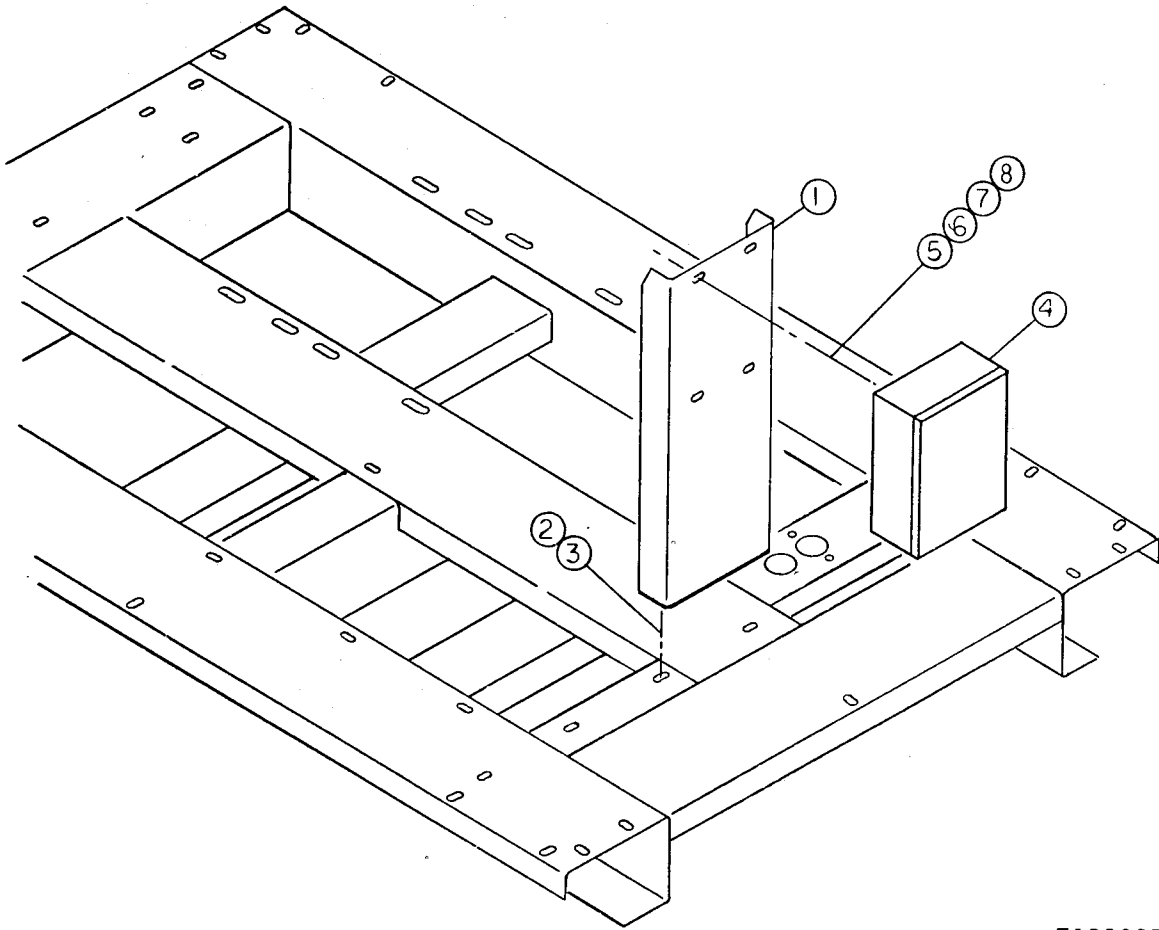
EAQ81171

UNLOADED START CONTROL

DET.	QTY.	PART NO.	DESCRIPTION
1	1	201EAQ179	BOX-CONTROL
2	1	90AR127	VALVE-AIR CONTROL
3	1	90AR107	VALVE (SHUTTLE)
4	1	90J110	VALVE (FLOW CONTROL)
5	1	4ACAB8G	CHAMBER-SURGE
6	1	64E71	BUSHING-PIPE (3/4 TO 1/4)
7	1	64AC5	PLUG-90 HD PIPE (3/4)
8	1	20000000	STRAP
9	2	79A367	STUD (1/4-20 x 4-3/4 LG)
10	6	50B1	NUT-HEX (1/4)
11	3	64D2G	ELBOW-PIPE ST (1/4-90°)
12	1	64C2G	ELBOW-PIPE (1/4-90°)
13	1	64C3G	TEE-PIPE (1/4)
14	1	64E44	BUSHING-PIPE (1/4 TO 1/8)
15	1	63C1G	NIPPLE-PIPE (1/8 x 3/4)
16	5	63D21G	NIPPLE-PIPE (1/4 x 1")
17	1	63D3G	NIPPLE-PIPE (1/4 x 1-1/2)
18	1	63D5G	NIPPLE-PIPE (1/4 x 2")
19	4	64EB368	COUPLING-PIPE (BULKHEAD-1/4)
20	4	95F8	WASHER-PLAIN (3/4)
21	2	86A25	ELBOW-TUBE (1/4T x 1/8PT)
22	1	86A23	CONNECTOR-TUBE (1/4T x 1/4PT)
23	1	86A40	ELBOW-TUBE (1/4T x 1/4PT)
24	1	85D4A200	TUBE (COPPER-1/4 O.D. x 20" LG)
25	1	466AUX454	PLATE-DATA
26	1	364AUX454	PLATE-DATA
27	1	365AUX454	PLATE-DATA
28	1	467AUX454	PLATE-DATA
29	1	201EAQ295	SCRAP
30	2	75A32	SCREW-HEX (1/4 x 1/2)



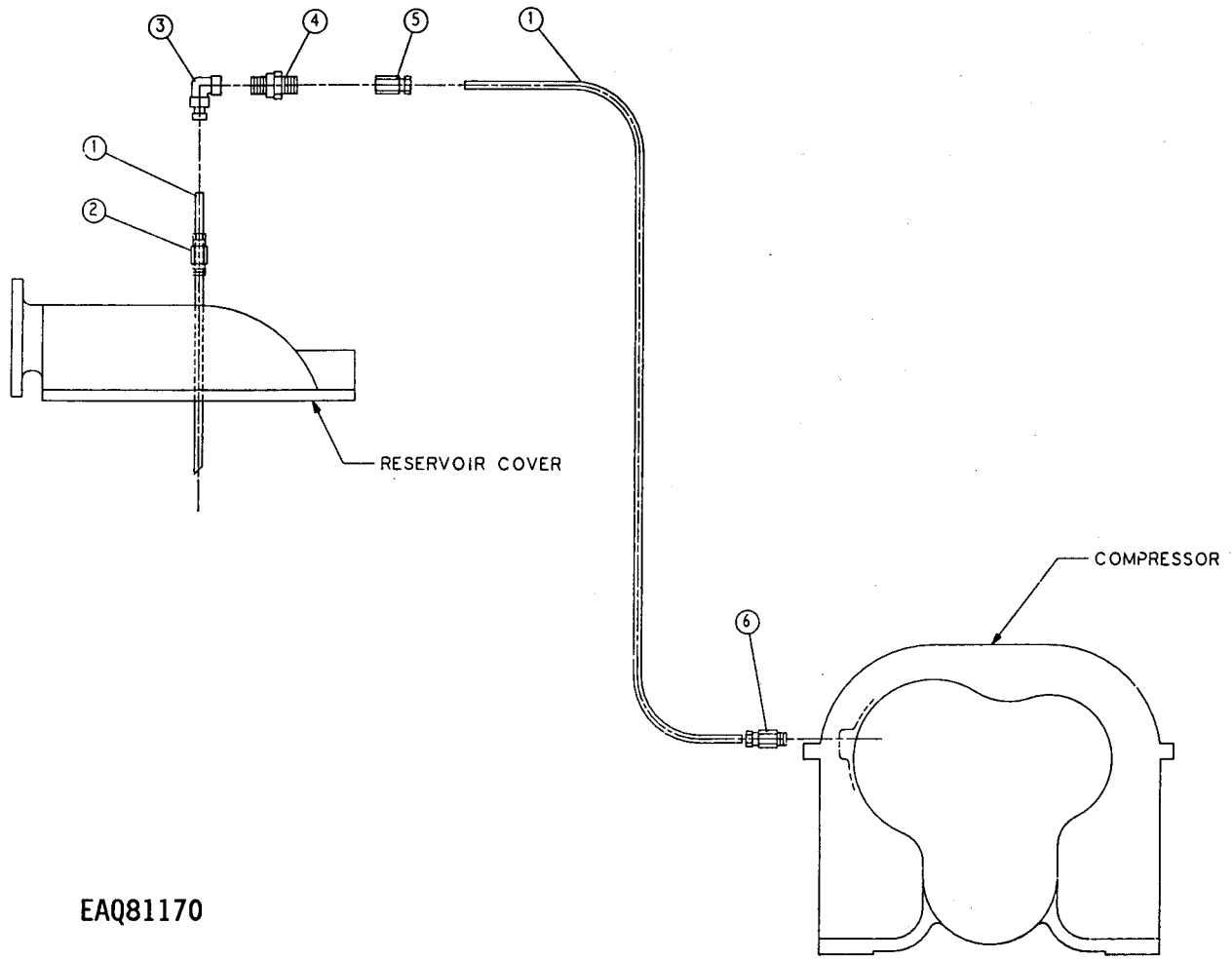
224EAQ810



EAQ80954

LOW TORQUE CONTROL

Det. No.	Description	Qty. Req.	Part No.
1	BRACKET-FORMED.....	1	201EAQ142
2	SCREW-FLANGED.....	2	75LM51
3	NUT-FLANGED.....	2	50AW5
4	ASM CONTROL.....	1	202EAQ564
5	SCREW-HEX CAP.....	4	75A26
6	WASHER-PLAIN.....	4	95A1
7	WASHER-LOCK.....	4	95B1
8	NUT-HEX.....	4	50B1
9	CONNECTOR-TUBE.....	4	86E9
10	TUBE.....	5 FT.	85K5
11	ELBOW-TUBE.....	1	86E64

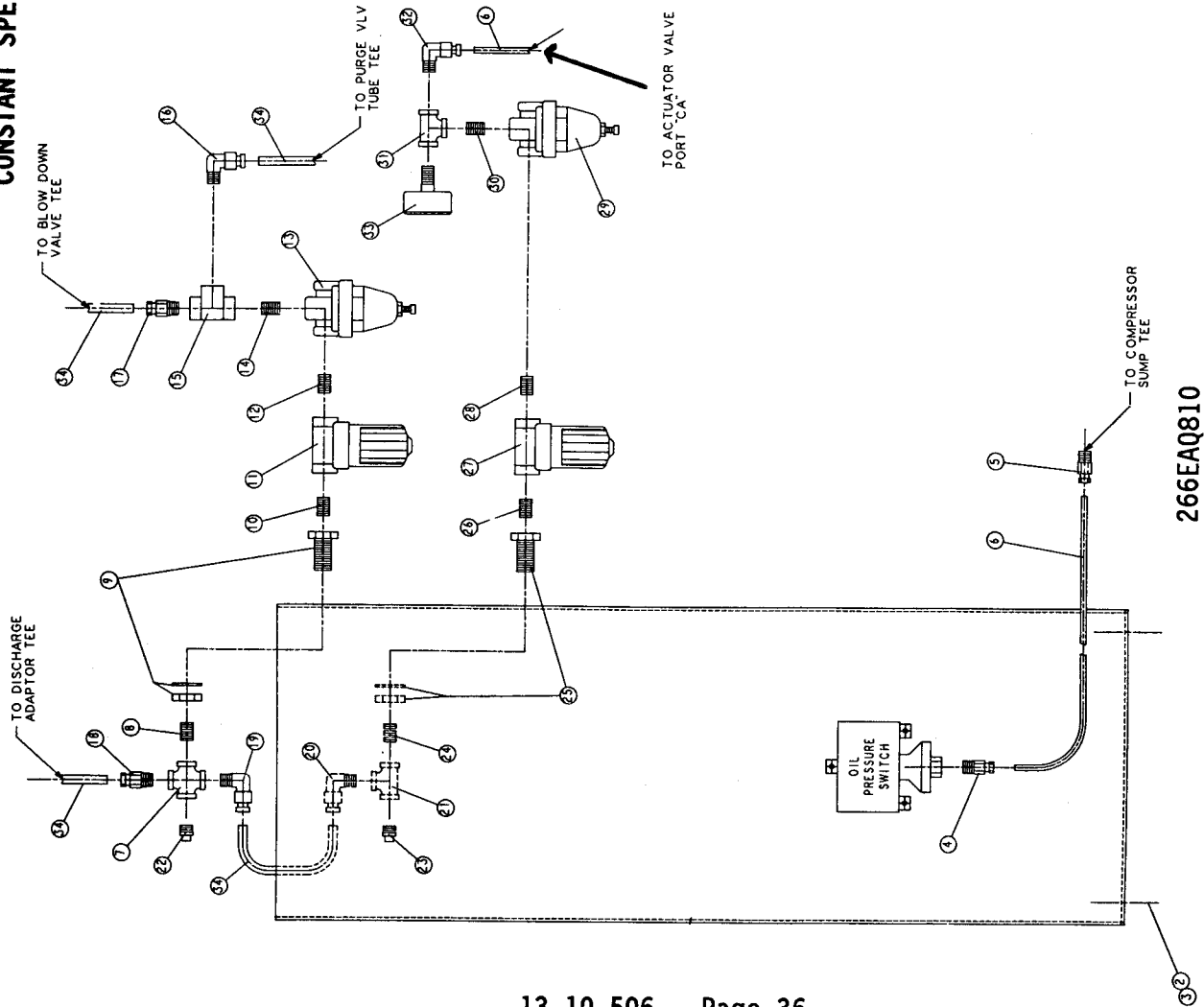


EAQ81170

OIL RETURN LINE

Det. No.	Description	Qty. Req.	Part No.
1	TUBE.....	10	85K3
2	CONNECTOR.....	1	86N15
3	ELBOW-TUBE.....	1	86E193
4	VALVE-CHECK.....	1	90AR261
5	CONNECTOR-TUBE.....	1	86E28
6	CONNECTOR-TUBE.....	1	86E3

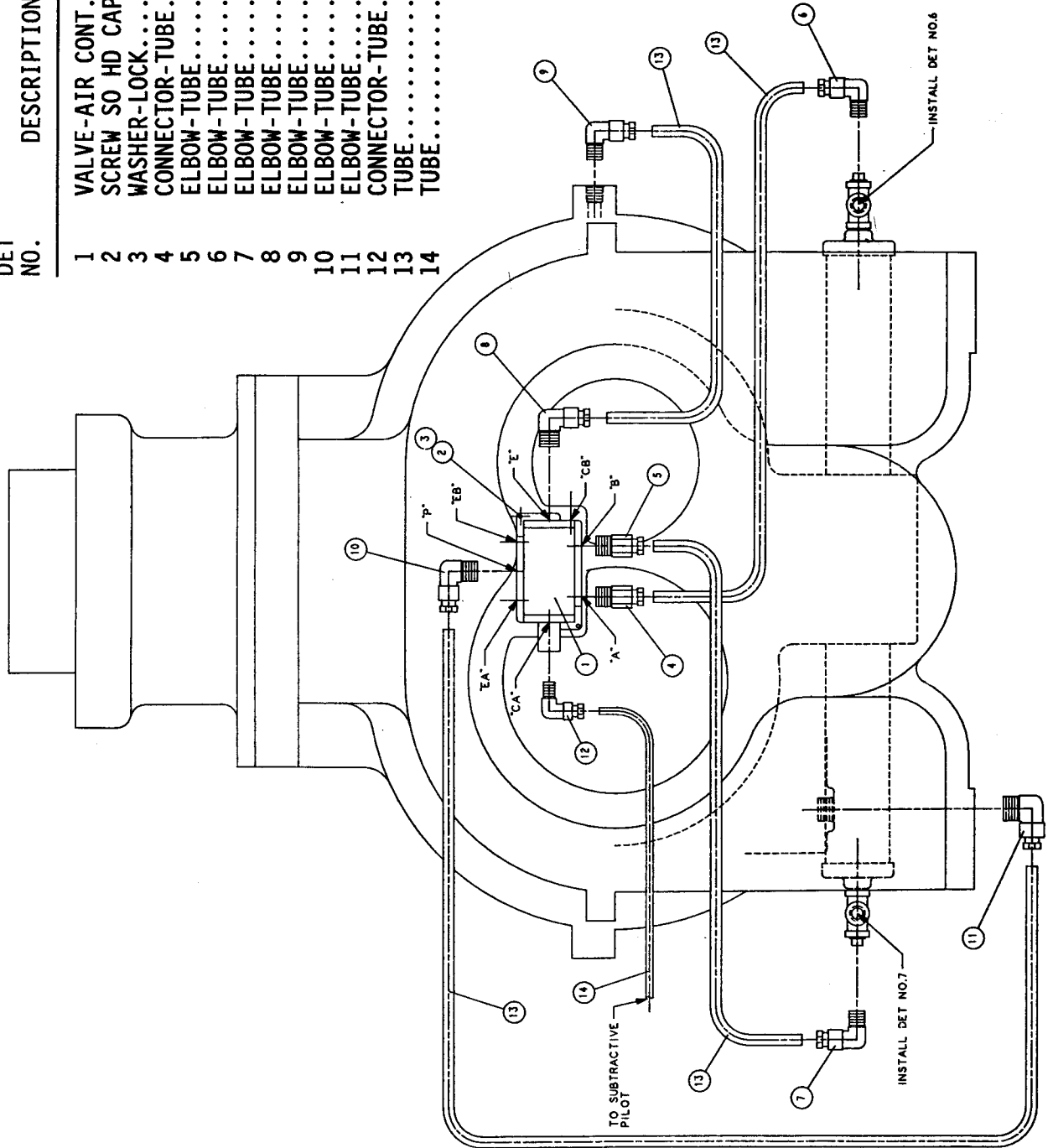
**CONTROL PANEL ASM.
CONSTANT SPEED**



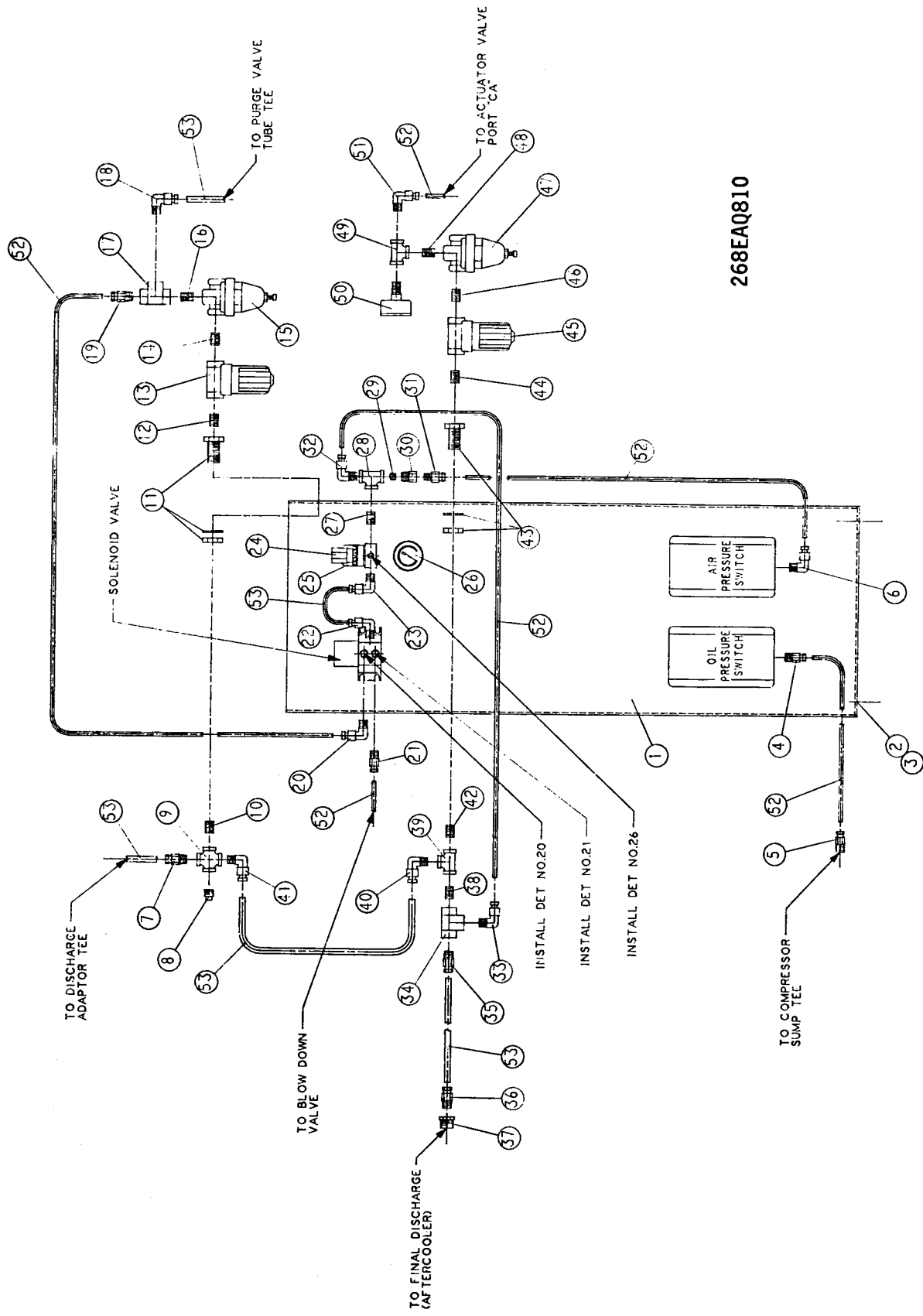
DET NO.	DESCRIPTION	QTY	PART NO.
2	SCREW-FLANGED.....	2	75LM51
3	NUT-FLANGED.....	2	50AW5
4	CONNECTOR-TUBE.....	1	86E4
5	CONNECTOR-TUBE.....	1	86E4
6	TUBE.....	10	85K3
7	CROSS-PIPE.....	1	64K1G
8	NIPPLE-PIPE.....	1	63D1G
9	COUPLING-PIPE.....	1	64EB368
10	NIPPLE-PIPE.....	1	63D1G
11	FILTER-LINE.....	1	5L110
12	NIPPLE-PIPE.....	1	63D1G
13	VALVE-SUB/PILOT.....	1	2009398
14	NIPPLE-PIPE.....	1	63D1G
15	VALVE.....	1	90AR107
16	ELBOW-TUBE.....	1	86E64
17	CONNECTOR-TUBE.....	1	86E9
18	CONNECTOR-TUBE.....	1	86E9
19	ELBOW-TUBE.....	1	86E64
20	ELBOW-TUBE.....	1	86E64
21	TEE-PIPE.....	1	64G3G
22	PLUG-SQHD PIPE.....	1	64AA5
23	PLUG-SQHD PIPE.....	1	64AA5
24	NIPPLE-PIPE.....	1	63D1G
25	COUPLING-PIPE.....	1	64EB368
26	NIPPLE-PIPE.....	1	63D1G
27	FILTER-LINE.....	1	5L110
28	NIPPLE-PIPE.....	1	63D1G
29	VALVE-SUB/PILOT.....	1	2009398
30	NIPPLE-PIPE.....	1	63D1G
31	TEE-PIPE.....	1	64G3G
32	ELBOW-TUBE.....	1	86E60
33	GAUGE.....	1	27P109
34	TUBE.....	20	85K5

CONTROL GROUP

DET NO.	DESCRIPTION	QTY	PART NO.
1	VALVE-AIR CONT.....	1	90AR427
2	SCREW SO HD CAP.....	2	75PI3
3	WASHER-LOCK.....	2	95BI3
4	CONNECTOR-TUBE.....	1	86E10
5	ELBOW-TUBE.....	1	86E65
6	ELBOW-TUBE.....	1	86E64
7	ELBOW-TUBE.....	1	86E64
8	ELBOW-TUBE.....	1	86E65
9	ELBOW-TUBE.....	1	86E64
10	ELBOW-TUBE.....	1	86E65
11	ELBOW-TUBE.....	1	86E199
12	CONNECTOR-TUBE.....	1	86E3
13	TUBE.....	10	85K5
14	TUBE.....	10	85K3



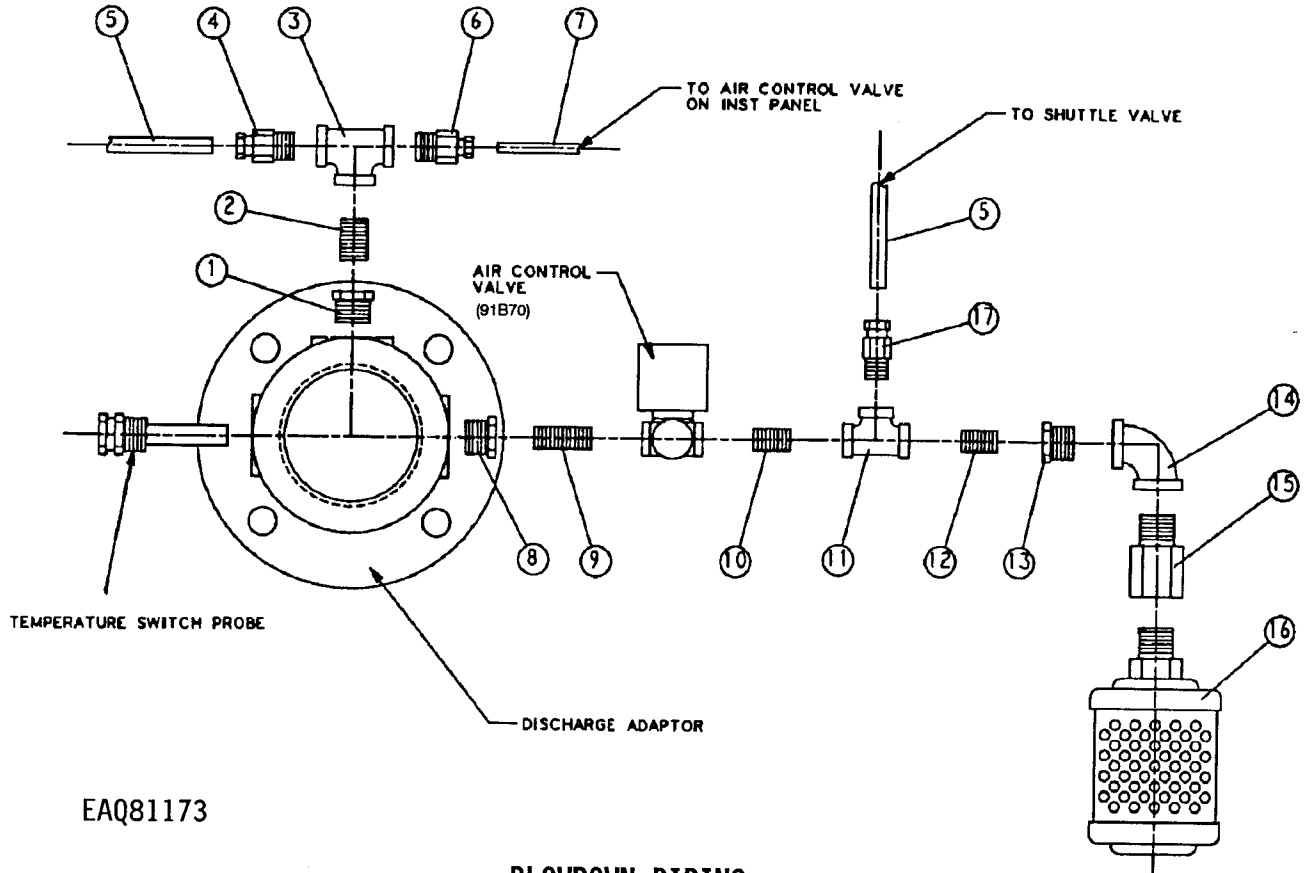
EAQ81175



**CONTROL GROUP
SELECTRA CON CONTROL**

Det. No.	Description	Qty. Req.	Part No.
1	PANEL, CONTROL.....	1	208ECM216
2	SCREW-FLANGED.....	2	75LM51
3	NUT-FLANGED.....	2	50AW5
4	CONNECTOR-TUBE.....	1	86E4
5	CONNECTOR-TUBE.....	1	86E4
6	ELBOW-TUBE.....	1	86E60
7	CONNECTOR-TUBE.....	1	86E9
8	PLUG-SQHD PIPE.....	1	64AA5
9	CROSS-PIPE.....	1	64K1G
10	NIPPLE-PIPE.....	1	63D1G
11	COUPLING-PIPE.....	1	64EB368
12	NIPPLE-PIPE.....	1	63D1G
13	FILTER-LINE.....	1	5L110
14	NIPPLE-PIPE.....	1	63D1G
15	VALVE-SUB/PILOT.....	1	2009398
16	NIPPLE-PIPE.....	1	63D1G
17	VALVE.....	1	90AR107
18	ELBOW-TUBE.....	1	86E64
19	CONNECTOR-TUBE.....	1	86E4
20	ELBOW-TUBE.....	1	86E60
21	CONNECTOR-TUBE.....	1	86E4
22	ELBOW-TUBE.....	1	86E60
23	ELBOW-TUBE.....	1	86E60
24	REGULATOR-PRESSURE.....	1	88H139
25	BRACKET.....	1	88H140
26	GAUGE.....	1	27P109
27	NIPPLE-PIPE.....	1	63G1G
28	TEE-PIPE.....	1	64G3G
29	ORIFICE.....	1	2AUX354
30	ORIFICE-BODY.....	1	1AUX354
31	CONNECTOR-TUBE.....	1	86E3
32	ELBOW-TUBE.....	1	86E60
33	ELBOW-TUBE.....	1	86E60
34	VALVE.....	1	90AR107
35	CONNECTOR-TUBE.....	1	86E9
38	NIPPLE-PIPE.....	1	63D1G
39	TEE-PIPE.....	1	64G3G
40	ELBOW-TUBE.....	1	86E64
41	ELBOW-TUBE.....	1	86E64
42	NIPPLE-PIPE.....	1	63D1G
43	COUPLING-PIPE.....	1	64EB368
44	NIPPLE-PIPE.....	1	63D1G
45	FILTER-LINE.....	1	5L110
46	NIPPLE-PIPE.....	1	63D1G
47	VALVE-SUB/PILOT.....	1	2009398
48	NIPPLE-PIPE.....	1	63D1G
49	TEE-PIPE.....	1	64G3G
50	GAUGE.....	1	27P109
51	ELBOW-TUBE.....	1	86E60
52	TUBE.....	20	85K3
53	TUBE.....	10	85K5

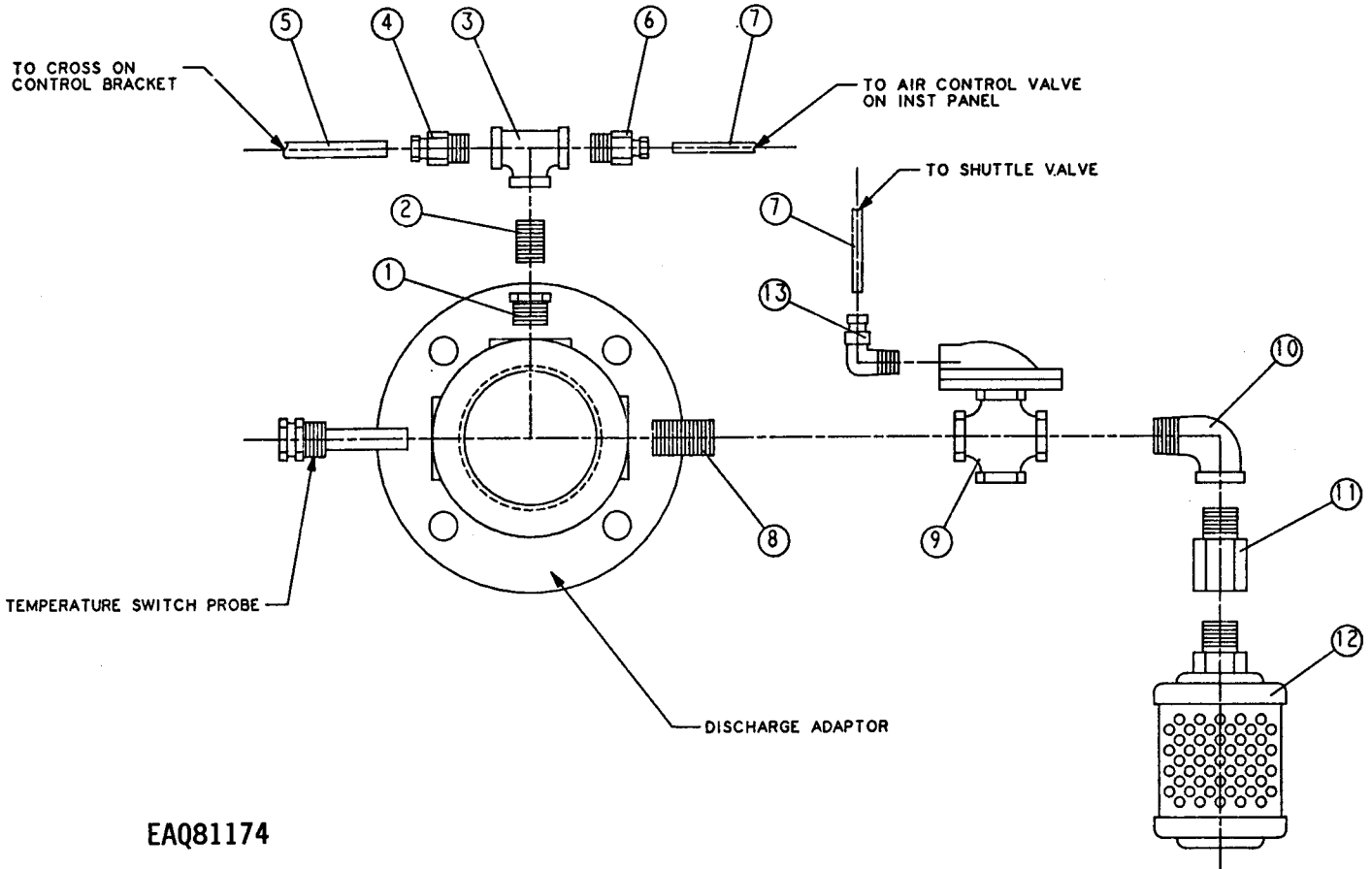
TO CROSS ON
CONTROL BRACKET



EAQ81173

**BLOWDOWN PIPING
CONSTANT SPEED**

DET. NO.	DESCRIPTION	QTY	PART NO.
1	BUSHING-PIPE.....	1	2009296
2	NIPPLE-PIPE.....	1	63E1G
3	TEE-PIPE.....	1	64G5G
4	CONNECTOR-TUBE.....	1	86E10
5	TUBE.....	10	85K5
6	CONNECTOR-TUBE.....	1	86E5
7	TUBE.....	10	85K3
8	BUSHING-PIPE.....	1	64E43
9	NIPPLE-PIPE.....	1	63D3G
10	NIPPLE-PIPE.....	1	63D1G
11	TEE-PIPE.....	1	64G3G
12	NIPPLE-PIPE.....	1	63D1G
13	BUSHING-PIPE.....	1	64E2
14	ELBOW-PIPE.....	1	64C4G
15	ORIFICE.....	1	2011762
16	MUFFLER.....	1	43E6
17	CONNECTOR-TUBE.....	1	86E9



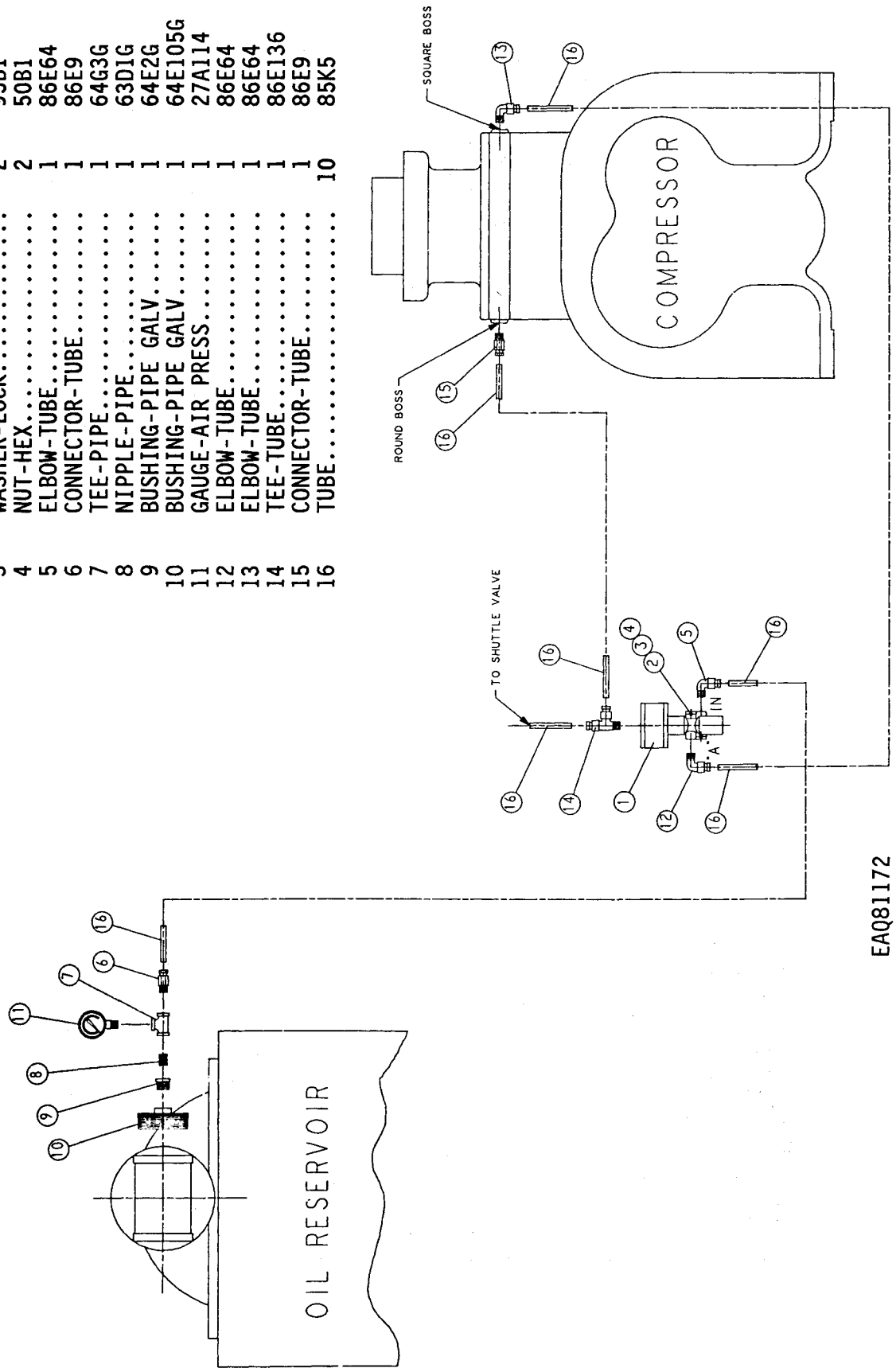
EAQ81174

**BLOWDOWN PIPING
PC CONTROL**

DET. NO.	DESCRIPTION	QTY	PART NO.
1	BUSHING-PIPE.....	1	2009296
2	NIPPLE-PIPE.....	1	63E1G
3	TEE-PIPE.....	1	64G5G
4	CONNECTOR-TUBE.....	1	86E10
5	TUBE.....	10	85K5
6	CONNECTOR-TUBE.....	1	86E5
7	TUBE.....	10	85K3
8	NIPPLE-PIPE.....	1	63F1G
9	VALVE-AIR CONT.....	1	90AR324
10	ELBOW-PIPE ST.....	1	64D5G
11	ORIFICE.....	1	200ECM814
12	MUFFLER.....	1	43E6
13	ELBOW-TUBE.....	1	86E60

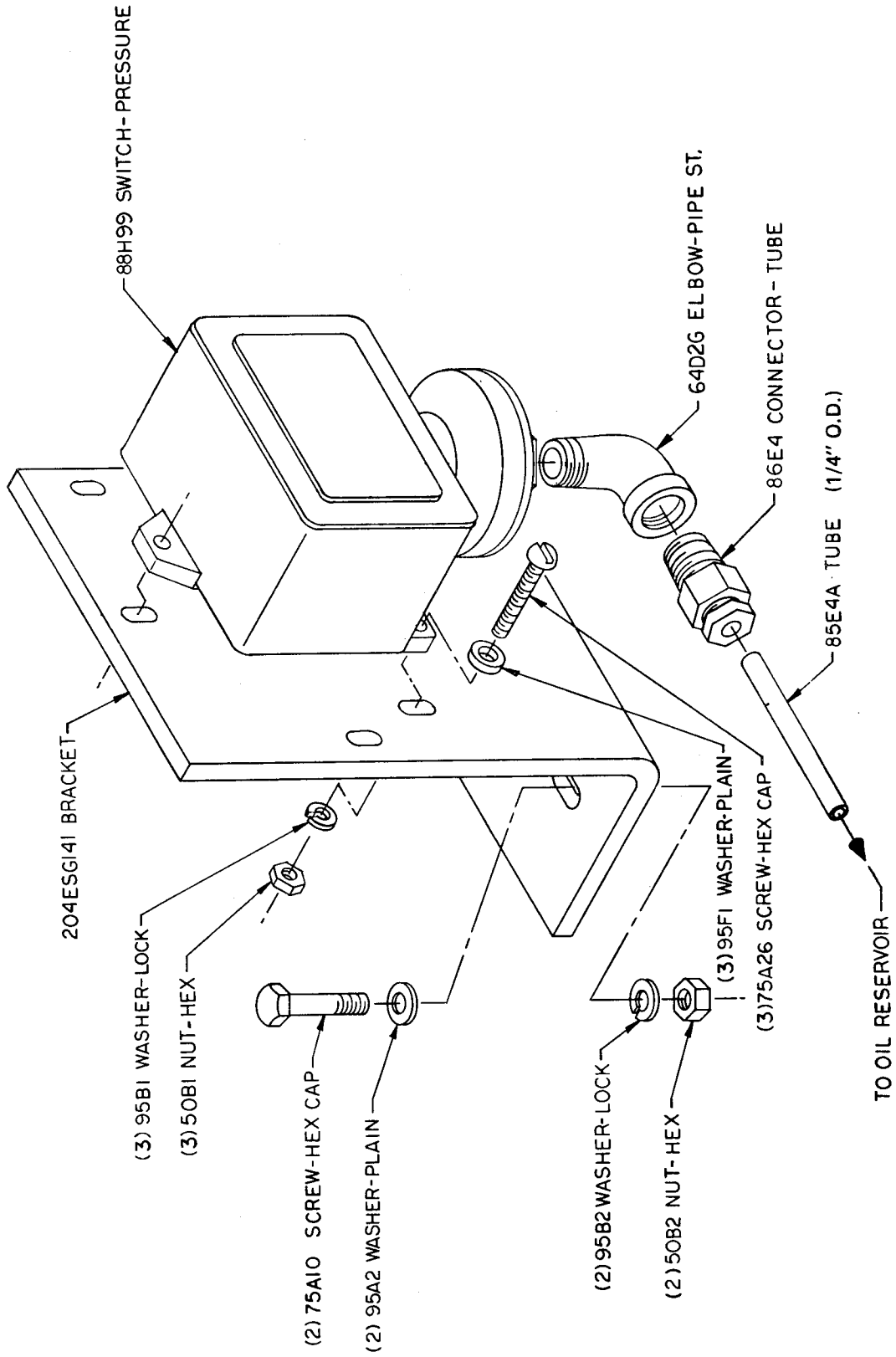
PURGE VALVE GROUP

DET. NO.	DESCRIPTION	QTY	PART NO.
1	VALVE-AIR CONT.....	1	90AR35
2	SCREW-HEX CAP.....	2	75A1
3	WASHER-LOCK.....	2	95B1
4	NUT-HEX.....	2	50B1
5	ELBOW-TUBE.....	1	86E64
6	CONNECTOR-TUBE.....	1	86E9
7	TEE-PIPE.....	1	64G3G
8	NIPPLE-PIPE.....	1	63D1G
9	BUSHING-PIPE GALV.....	1	64E2G
10	BUSHING-PIPE GALV.....	1	64E105G
11	GAUGE-AIR PRESS.....	1	27A114
12	ELBOW-TUBE.....	1	86E64
13	ELBOW-TUBE.....	1	86E64
14	TEE-TUBE.....	1	86E136
15	CONNECTOR-TUBE.....	1	86E9
16	TUBE.....	10	85K5

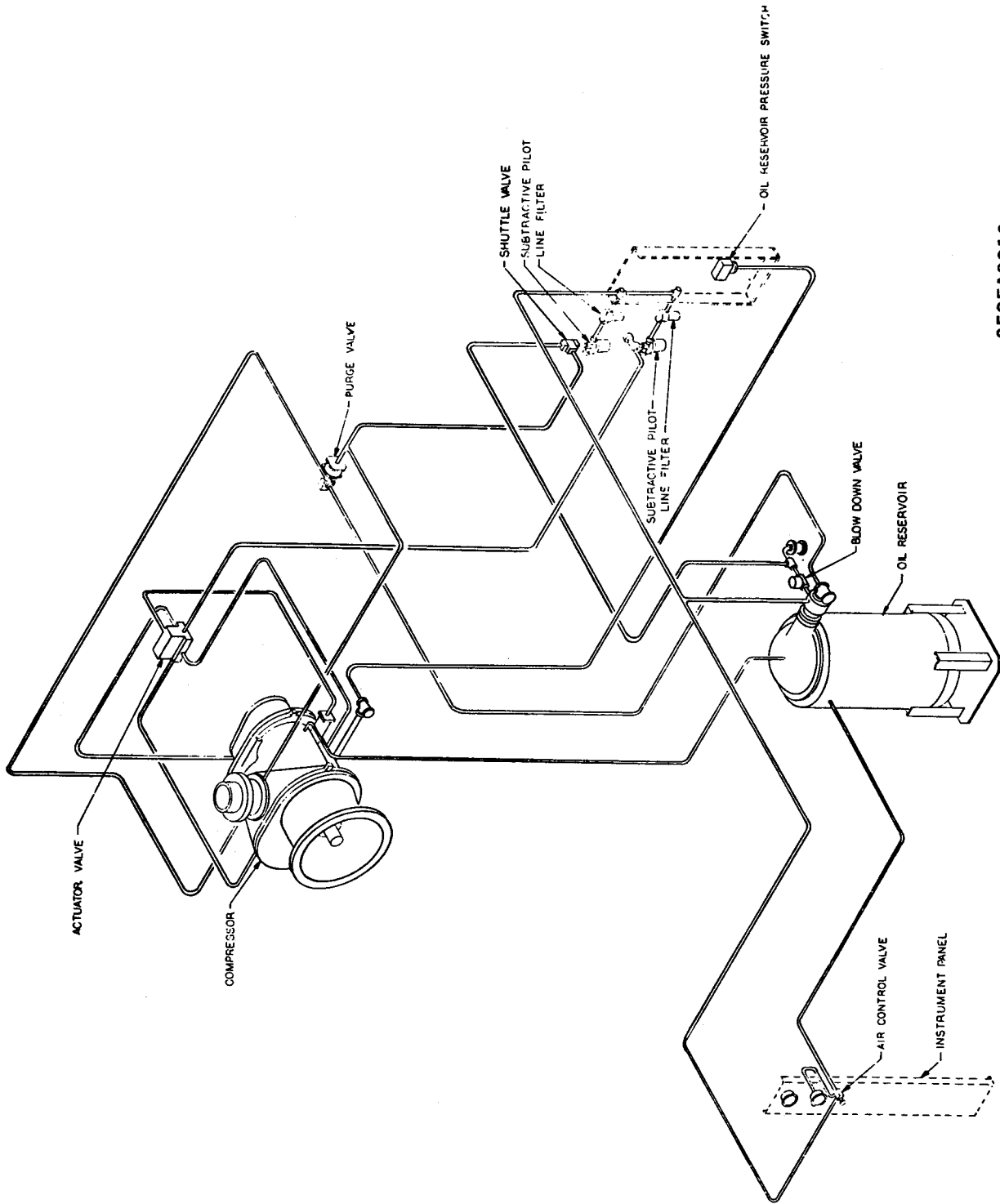


EAQ81172

OIL RESERVOIR PRESSURE SWITCH

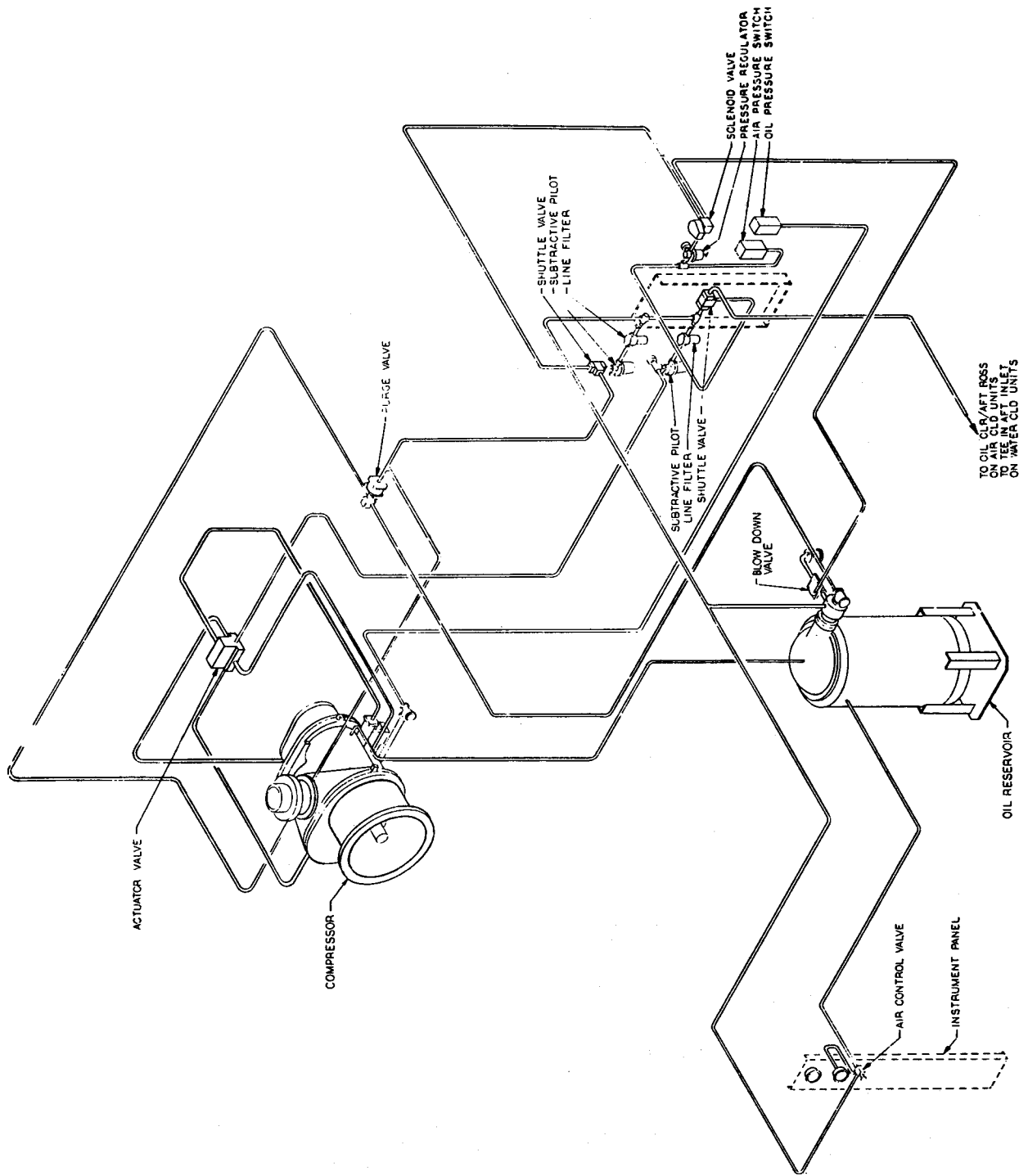


C76960



258EA0810

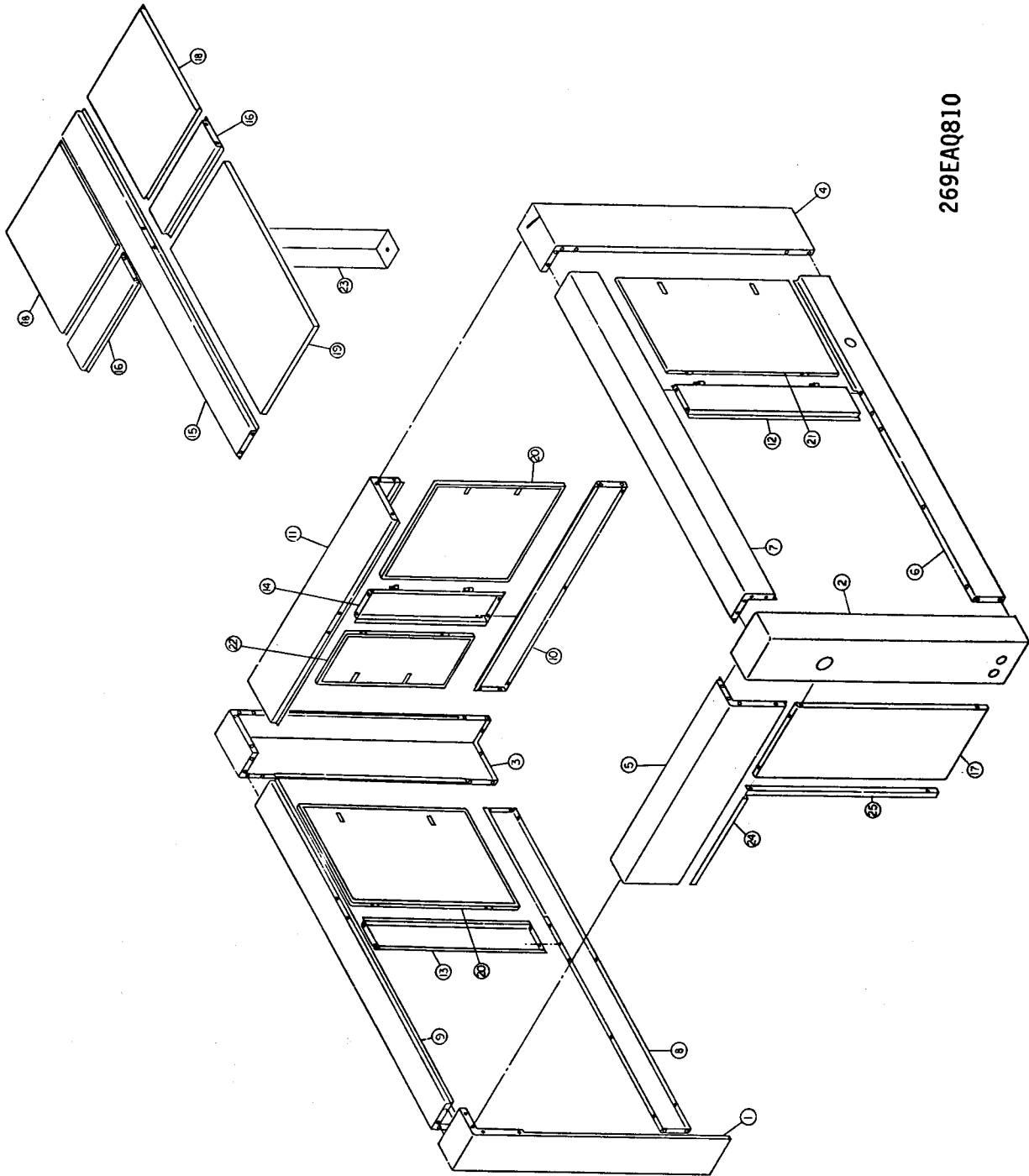
CONSTANT SPEED CONTROL - TURN VALVE COMPRESSOR



260EA0810

P.C. CONTROL - TURN VALVE COMPRESSOR

ENCLOSURE



269EAQ810

**ENCLOSURE
(COMMON PARTS)**

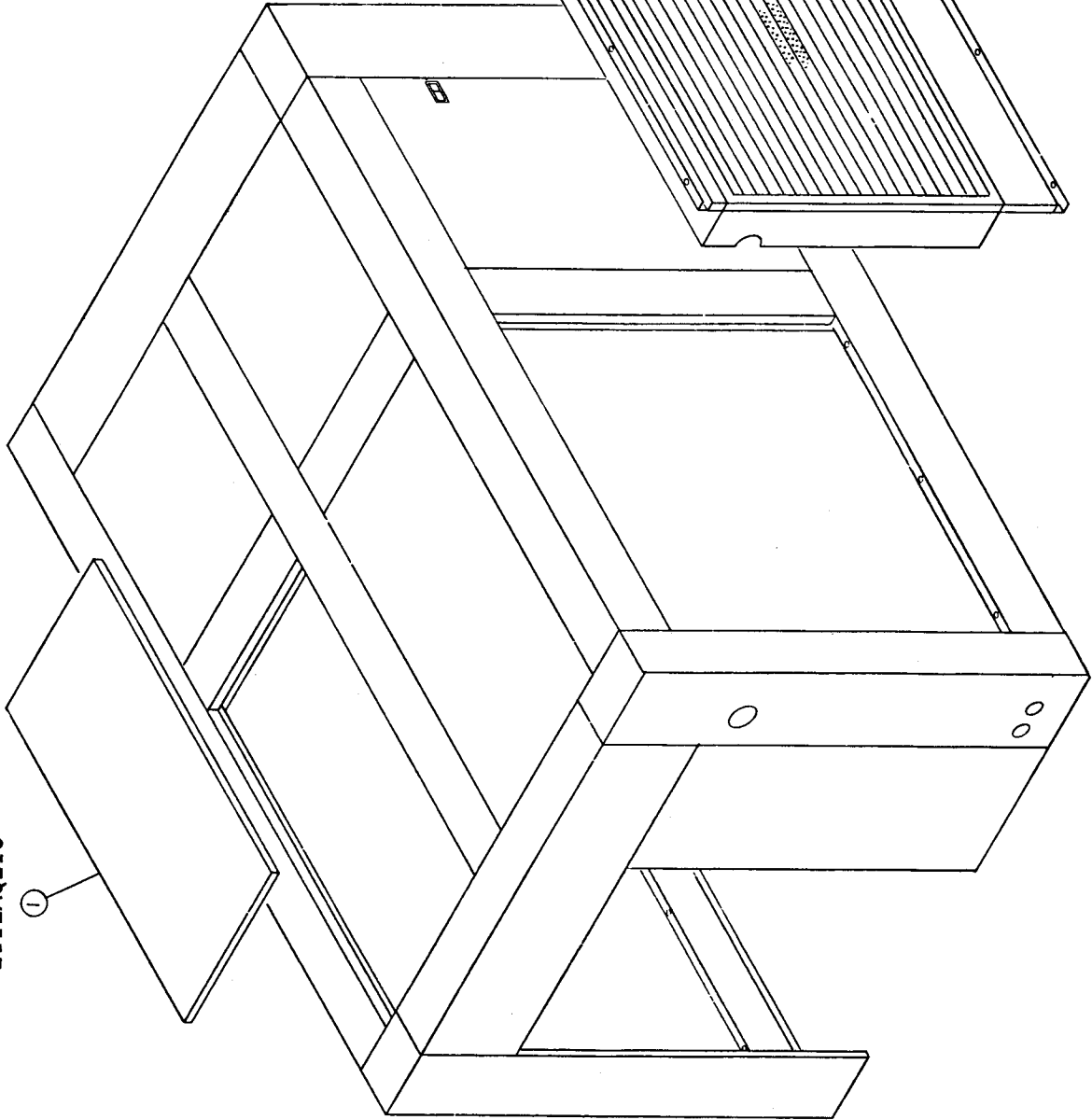
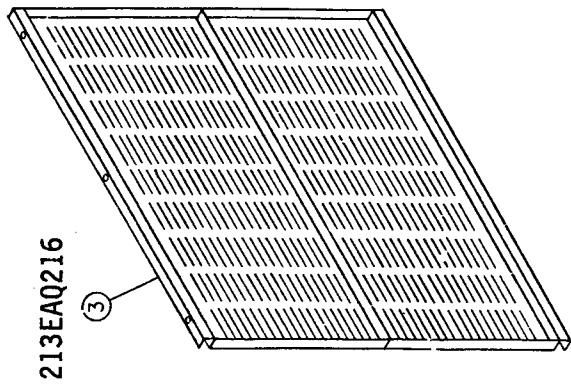
Det. No.	Description	Qty. Req.	Part No.
1	POST-CORNER (INST. PANEL SIDE).....	1	201EAQ313
2	POST-CORNER (COOLER SIDE).....	1	202EAQ313
3	POST-CORNER (COMP. SIDE).....	1	203EAQ313
4	POST-CORNER (RES'VR SIDE).....	1	204EAQ313
5	FRAME-TOP.....	1	208EAQ314
6	FRAME-BOTTOM.....	1	209EAQ314
7	FRAME-TOP.....	1	210EAQ314
8	FRAME-BOTTOM.....	1	211EAQ314
9	FRAME-TOP.....	1	212EAQ314
10	FRAME-BOTTOM.....	1	213EAQ314
11	FRAME-TOP.....	1	214EAQ314
12	BRACE-(COOLER SIDE).....	1	202EAQ326
13	BRACE-(COMPRESSOR SIDE).....	1	203EAQ326
14	BRACE-(COMPRESSOR END).....	1	204EAQ326
15	BRACE-TOP (LONG).....	1	205EAQ326
16	BRACE-TOP (SHORT).....	2	206EAQ326
17	PANEL-FILLER (CONTROL BOX END).....	1	209EAQ216
18	PANEL-TOP.....	2	210EAQ216
19	PANEL-TOP.....	1	211EAQ216
20	DOOR-(COMPRESSOR SIDE & RESERVOIR END).....	2	203EAQ334
21	DOOR-(RESERVOIR SIDE).....	1	204EAQ334
22	DOOR-(COMPRESSOR END).....	1	205EAQ334
23	SUPPORT (ENCLOSURE ROOF).....	1	210EAQ165
24	BRACKET (CONTROL BOX-TOP).....	1	213ECM142
25	BRACKET (CONTROL BOX-SIDE).....	1	212ECM142
*	LATCH-PAWL (DOOR-2 REQ.).....	8	31D51
*	TRIM SEAL.....	60 FT	32E12
*	SCREW-FLANGED.....	96	75LM51
*	NUT-FLANGED.....	90	50AW5

* NOT SHOWN ON DETAIL

AIR COOLED ENCLOSURE

211EAQ216

①

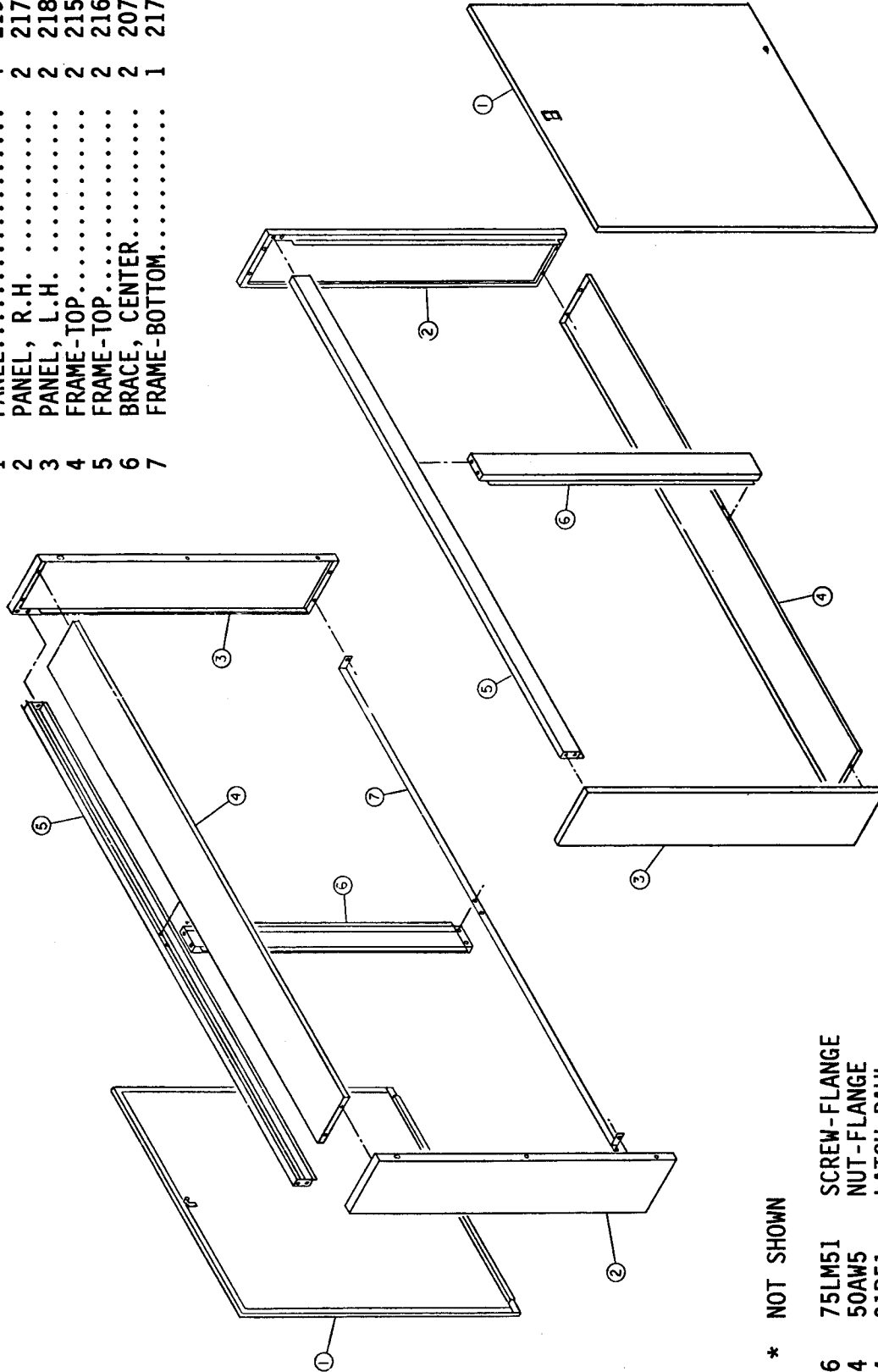


270EAQ810

+ NOT SHOWN
(2) 66D17 PLUG-BUTTON

ENCLOSURE BAFFLES

DET NO.	DESCRIPTION	QTY	PART NO.
1	PANEL.....	4	219EAQ216
2	PANEL, R.H.	2	217EAQ216
3	PANEL, L.H.	2	218EAQ216
4	FRAME-TOP.....	2	215EAQ314
5	FRAME-TOP.....	2	216EAQ314
6	BRACE, CENTER.....	2	207EAQ326
7	FRAME-BOTTOM.....	1	217EAQ314

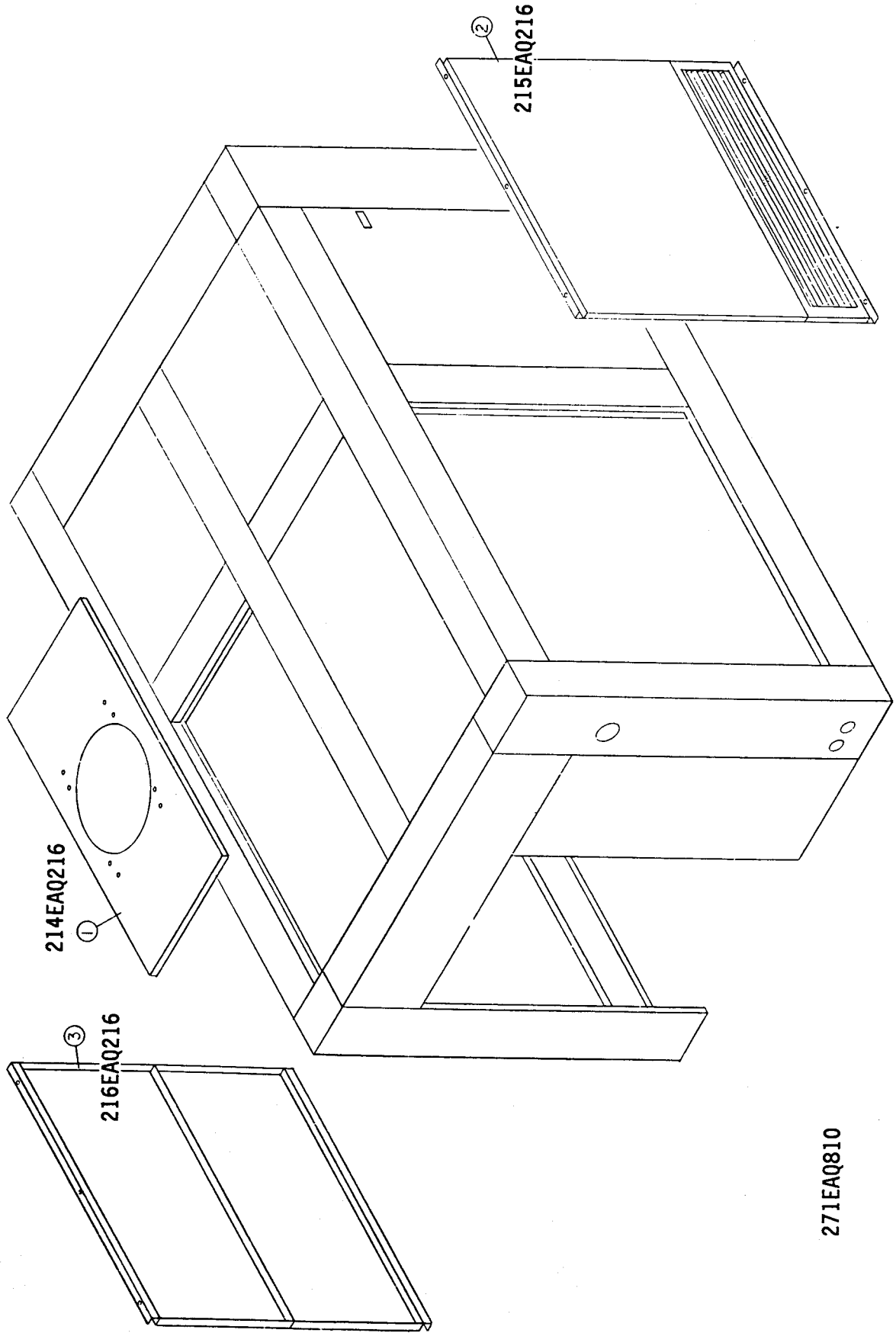


272EAQ810

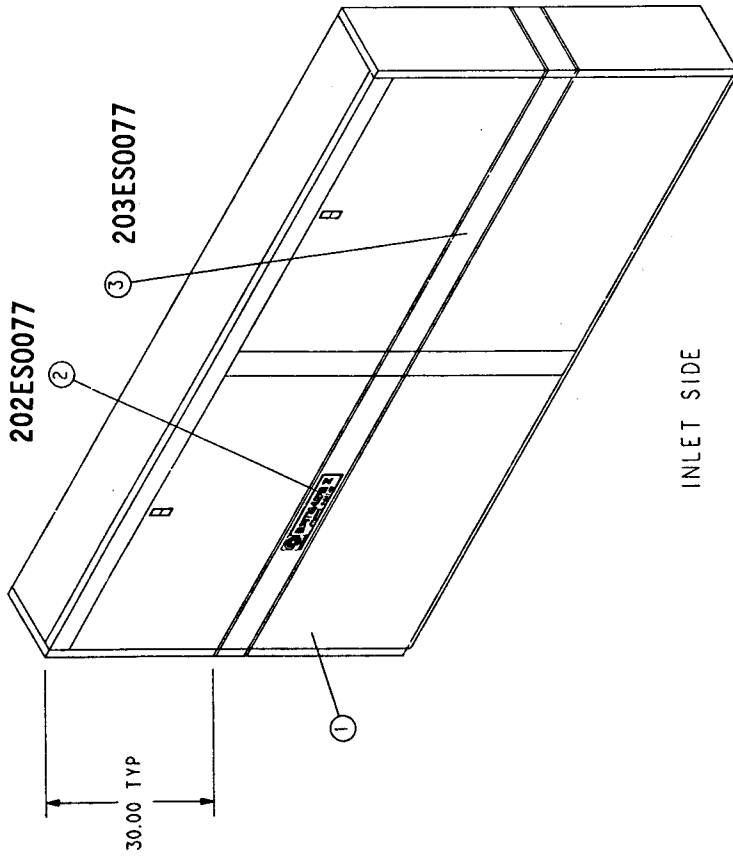
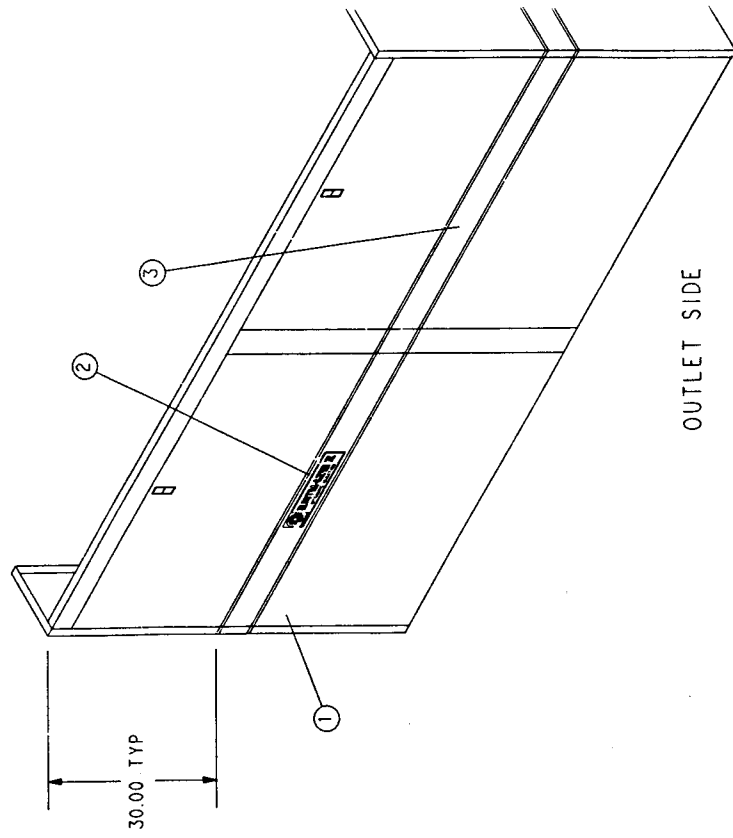
* NOT SHOWN

- 36 75LM51 SCREW-FLANGE
- 24 50AW5 NUT-FLANGE
- 4 31D51 LATCH-PAWL

WATER COOLED ENCLOSURE



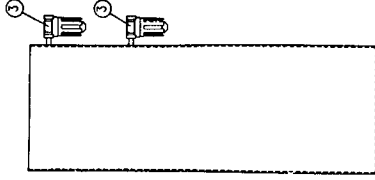
DECAL LOCATION



EAQ81081

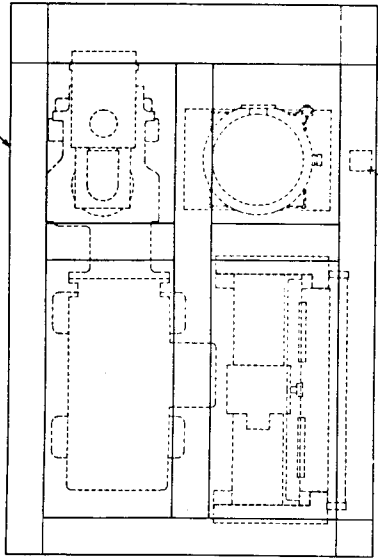
DECAL LOCATIONS

205ES0077



CONTROL BRACKET
1/5 SCALE

AFFIX DET NC
COMPRESSOR SIDE DOOR

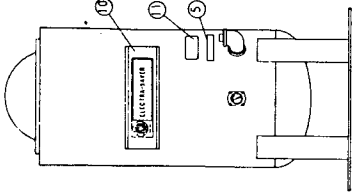


70E13 RIVIT (4)

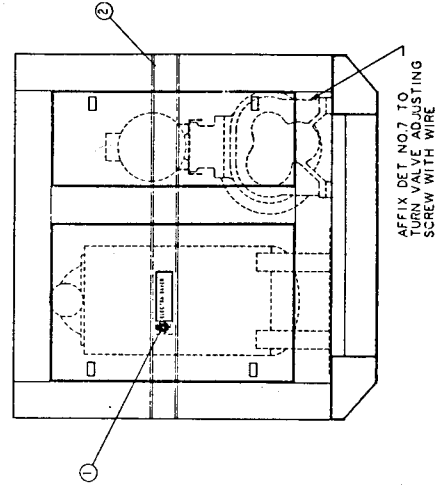
200EAP077

203ESF077

200EBE077

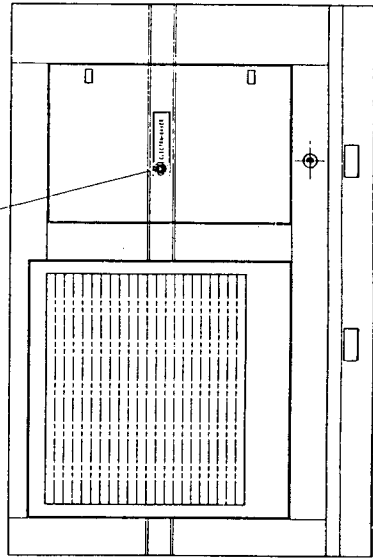


OIL RESERVOIR
1/8 SCALE

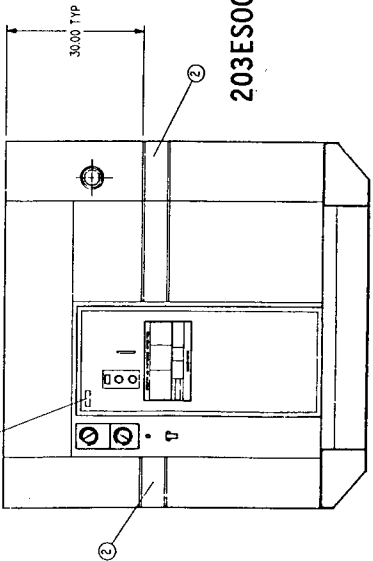


AFFIX DET NO.7 TO
TURN VALVE ADJUSTING
SCREW WITH WIRE

202ES0077



204EDE077



203ES0077

125-150 HP (EAQ/ECQ)

Voltage	CS Control		PC Control	
	NEMA 3	NEMA 4	NEMA 3	NEMA 4
AIR COOLED WITH COMPRESSOR & FAN MOTOR STARTER - CLG MOD				
200	*	*	*	*
230	*	*	*	*
460	222ECM466	268ECM466	223ECM466	269ECM466
575	226ECM466	272ECM466	227ECM466	273ECM466
WATER COOLED WITH COMPRESSOR & FAN MOTOR STARTER - VENT FAN (W/ENCL)				
200	*	*	*	*
230	*	*	*	*
460	222ECM466	268ECM466	223ECM466	269ECM466
575	226ECM466	272ECM466	227ECM466	273ECM466
AIR COOLED - FAN MOTOR STARTER (COOLING MODULE) <u>ONLY</u> - WITHOUT COMPRESSOR STARTER				
200	212ECM466	258ECM466	213ECM466	259ECM466
230	210ECM466	256ECM466	211ECM466	257ECM466
460	210ECM466	256ECM466	211ECM466	257ECM466
575	214ECM466	260ECM466	215ECM466	261ECM466
WATER COOLED - FAN MOTOR STARTER (VENT FAN) <u>ONLY</u> - W/ENCL - WITHOUT COMPRESSOR STARTER				
200	212ECM466	258ECM466	213ECM466	259ECM466
230	210ECM466	256ECM466	211ECM466	257ECM466
460	210ECM466	256ECM466	211ECM466	257ECM466
575	214ECM466	260ECM466	215ECM466	261ECM466
AIR/WATER COOLED - COMPRESSOR MOTOR STARTER <u>ONLY</u> - WITHOUT ENCLOSURE				
200	*	*	*	*
230	*	*	*	*
460	228ECM466	274ECM466	229ECM466	275ECM466
575	232ECM466	278ECM466	233ECM466	279ECM466
WATER COOLED - RELAY ONLY - WITHOUT ENCLOSURE OR COMPRESSOR MOTOR STARTER				
200	218ECM466	264ECM466	219ECM466	265ECM466
230	216ECM466	262ECM466	217ECM466	263ECM466
460	216ECM466	262ECM466	217ECM466	263ECM466
575	220ECM466	266ECM466	221ECM466	267ECM466

* H.P. REQUIRES 5YD SIZE STARTERS - SEE ENG.



INDUSTRIAL MACHINERY

1800 GARDNER EXPRESSWAY • QUINCY, ILLINOIS 62305-4024 • (217) 222-5400

Specifications subject to change without notice.