

T100250 ECN 47023



PARTS LIST GROUPS AND COMPONENTS

Group No. 1
Air End

REF	PART DESCRIPTION	QTY	PART NUMBERS		
			STANDARD		
			A219-152-3		
1	CYLINDER	1	1-854-9		
2	CAPSCREW	3	O2-854		
3	CAPSCREW	6	O2-860		
4	CAPSCREW	8	O2-890		
5	CAPSCREW	31	O2-891		
6	CAPSCREW	15	O2-894		
7	CAPSCREW	4	O2-950		
8	CAPSCREW	8	O2-1011		
9	LOCKWASHER	1	20-920		
10	WASHER	3	O6-6		
11	PISTON	1	8-845		
12	PLUG	1	O11-103		
13	COVER	1	14-1800-2		
14	COVER	1	14-1802		
15	VALVE	1	15-1781-2		
16	GASKET	1	16-2068		
17	GASKET	1	16-2112		
18	PIN, DOWELL	3	17-1106-1		
19	PIN, ROLL	3	17-1280-1		
20	WASHER	6	20-920-1		
21	SPACER	1	22-1238		
22	SPACER	1	22-1208		
23	SPACER	1	22-1296		
24	SPRING	1	24-795		
25	SPRING	1	24-796		
26	JACKSHAFT	1	27-1849-1		
27	SHAFT, INTAKE	1	27-1850-1		
28	RETAINER	2	31-972		
29	RETAINER	1	31-984-2		
30	RETAINER	1	31-985-1		
31	RETAINER	1	31-986		
32	CAPSCREW	6	34-1364-13		
33	CAPSCREW	4	34-1364-24		
34	CAPSCREW	1	34-1364-31		
35	GEAR HOUSING	1	37-308-4		
36	FLANGE	1	54-866-1		
37	SLEEVE	1	63-470		
38	CLAMP, GEAR RETAINER	1	63-648-1		
39	KEY	2	91-221		
40	ROTOR, MALE	1	101-197-2		
41	ROTOR, FEMALE	1	101-198-2		
42	O-RING	1	125-955-5		
43	O-RING	2	125-955-6		
44	SHAFT, SEAL	1	125-927		
45	SEAL, CUP	2	125-928-29		
46	SEAL	1	125-950-2		
47	O-RING	1	125-955-4		
48	O-RING	1	125-955-10		
49	O-RING	1	125-955-29		

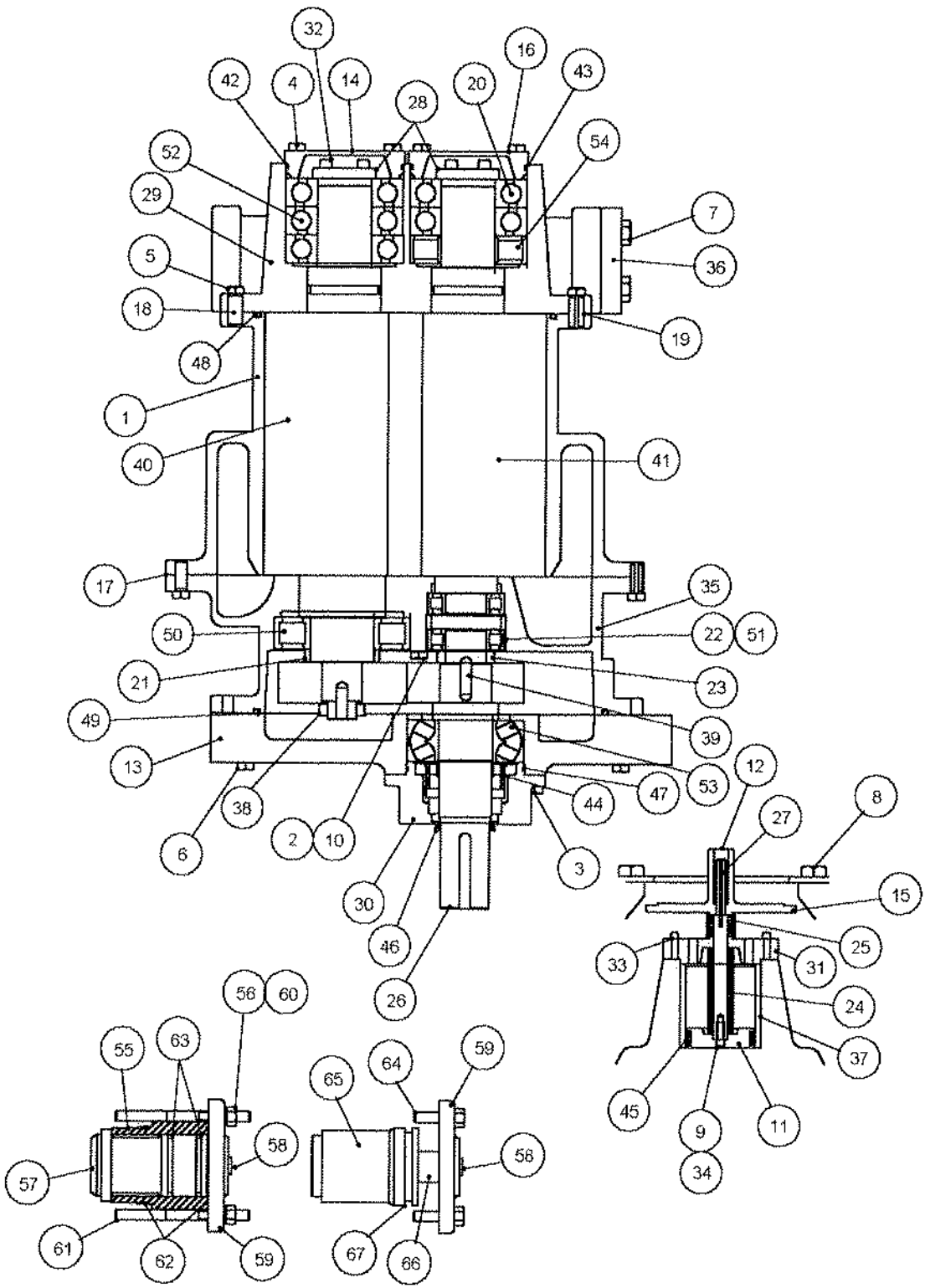
THIS PAGE INTENTIONALLY LEFT BLANK



PARTS LIST GROUPS AND COMPONENTS

Group No. 1
Air End cont'd.

REF	PART DESCRIPTION	QTY	PART NUMBERS		
			STANDARD		
			A219-152-3		
50	BEARING, ROLLER	1	181-390		
51	BEARING, ROLLER	2	181-583		
52	BEARING, ANGULAR CONTACT	5	181-588		
53	BEARING, SPHERICAL ROLLER	1	181-589-1		
54	BEARING, CYLINDRICAL	1	181-623		
55	CYLINDER, BYPASS VALVE	4	1-874		
56	WASHER, LOCK	8	05-49		
57	PISTON, BYPASS VALVE	4	8-455		
58	PLUG, PIPE	4	O11-101		
59	COVER	4	14-1789-2		
60	NUT	8	53-757-3		
61	STUD	8	105-632		
62	O-RING	8	125-955-67		
63	SEALS, PISTON	8	125-928-18		
64	CAPSCREW	8	O2-778		
65	PLUG, BYPASS PORT	4	19-365		
66	SPRING	4	24-798		
67	O-RING	4	125-955-41		
	REBUILD KIT		A204-1811		



WITH ECONOTROL

WITHOUT ECONOTROL

T100251 ECN 47023



PARTS LIST GROUPS AND COMPONENTS

**Group No. 1A
Air End**

REF	PART DESCRIPTION	QTY	PART NUMBERS		
			WMH75SS II		
			1A219-141-1		
1	CYLINDER	1	1-861-3		
2	CAPSCREW	3	O2-854		
3	CAPSCREW	6	O2-860		
4	CAPSCREW	8	O2-890		
5	CAPSCREW	31	O2-891		
6	CAPSCREW	15	O2-894		
7	CAPSCREW	2	O2-897		
8	CAPSCREW	8	O2-946		
9	LOCKWASHER	1	20-920		
10	WASHER	3	O6-6		
11	PISTON	1	8-845		
12	PLUG	1	O11-103		
13	COVER	1	14-1800-2		
14	COVER	1	14-1713-3		
15	VALVE, INTAKE	1	15-1781-3		
16	COVER, DISCHARGE	1	14-1712-3		
17	GASKET	1	16-2112		
18	PIN, DOWELL	3	17-1106-9		
19	PIN, ROLL	3	17-1280-1		
20	BEARING	2	181-446		
21	SPACER	1	22-1238		
22	SPACER	1	22-1208		
23	SPACER	1	22-1296		
24	SPRING	1	24-795		
25	SPRING	1	24-796		
26	JACKSHAFT	1	27-1849-1		
27	SHAFT	1	27-1850-1		
28	RETAINER, BEARING	2	31-972		
29	RETAINER, DISCHARGE BRG.	1	31-984		
30	RETAINER	1	31-985-1		
31	RETAINER, SPRING	1	31-986-1		
32	CAPSCREW	6	34-1364-13		
33	CAPSCREW	4	34-1364-24		
34	CAPSCREW	1	34-1364-31		
35	HOUSING, GEAR	1	37-308-3		
36	FLANGE	1	54-880		
37	CYLINDER	1	1-862		
38	CLAMP, GEAR RETAINER	1	63-648-1		
39	KEY	2	91-221		
40	ROTOR, MALE	1	101-213		
41	ROTOR, FEMALE	1	101-214		
42	O-RING	1	125-955-2		
43	O-RING	1	125-955-1		
44	SHAFT, SEAL	1	125-927		
45	SEAL CUP	2	125-928-29		
46	SEAL	1	125-950-2		
47	O-RING	1	125-955-4		
48	O-RING	1	125-955-10		
49	O-RING	1	125-955-29		

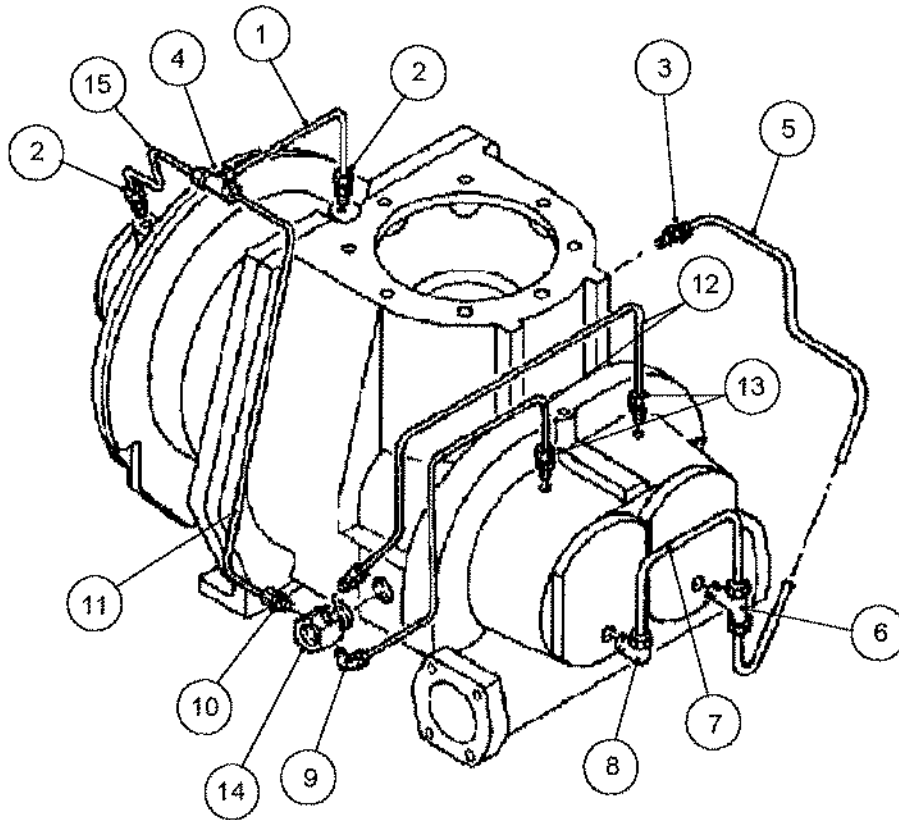
THIS PAGE INTENTIONALLY LEFT BLANK.



PARTS LIST GROUPS AND COMPONENTS

Group No. 1A
Air End Cont.

REF	PART DESCRIPTION	QTY	PART NUMBERS		
			WMH75SSII		
			1A219-141-1		
50	BEARING, ROLLER	1	181-390		
51	BEARING, ROLLER	2	181-583		
52	BEARING, ANGULAR CONTACT	3	181-407		
53	BEARING, SPHERICAL ROLLER	1	181-589-1		
54	BEARING, CYLINDRICAL	1	181-382		
55	CYLINDER, BYPASS VALVE	4	1-874		
56	WASHER, LOCK	8	05-49		
57	PISTON, BYPASS VALVE	4	8-455		
58	PLUG, PIPE	4	011-101		
59	COVER	4	14-1789-2		
60	NUT	8	53-757-3		
61	STUD	8	105-632		
62	O-RING	8	125-955-67		
63	SEALS, PISTON	8	125-928-18		
64	CAPSCREW	8	02-778		
65	PLUG, BYPASS PORT	4	19-365		
66	SPRING	4	24-798		
67	O-RING	4	125-955-41		
	REBUILD KIT		A204-1811		



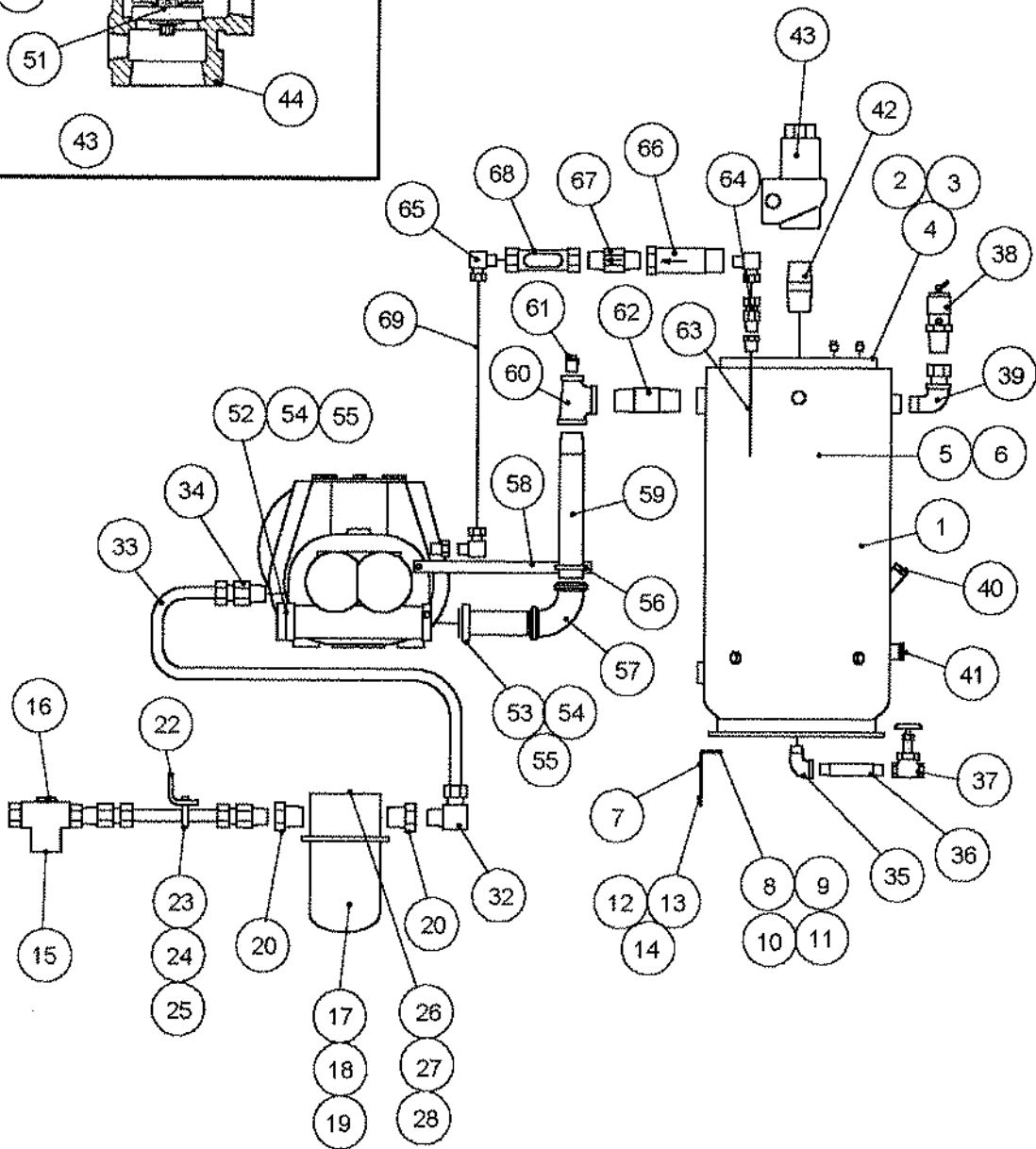
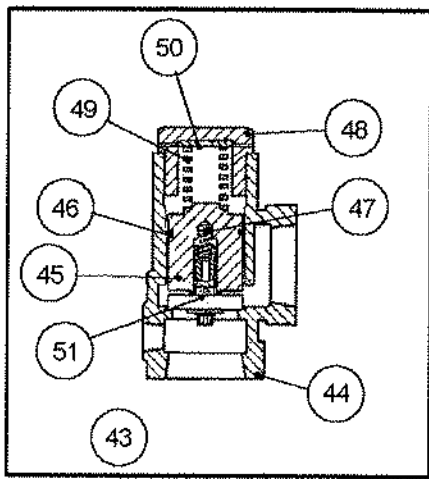
T100252 ECN 47023



PARTS LIST GROUPS AND COMPONENTS

Group No. 1B
Air End Piping

REF	PART DESCRIPTION	QTY	PART NUMBERS		
			STANDARD		
1	TUBING	1	55-29-48		
2	FITTING	2	182-228		
3	FITTING	1	H182-390		
4	FITTING	1	182-235		
5	TUBING	1	55-38-15		
6	FITTING	1	182-979		
7	TUBING	1	55-38-46		
8	FITTING	1	182-401		
9	FITTING	2	182-210		
10	FITTING	1	182-208		
11	TUBING	1	55-29-7		
12	TUBING	2	55-29-63		
13	FITTING	2	182-228		
14	ORIFICE	1	38-1304-1		
15	TUBING	1	55-29-48		
16	CHECK VALVE	1	15-1703-2		
17	FITTING	1	182-901		
18	TUBING	1	55-29-48		
19	FITTING	1	182-208		
20	BREATHER	1	49-94		



T100253 ECN 47023



PARTS LIST GROUPS AND COMPONENTS

**Group No. 2
Receiver / Piping Group**

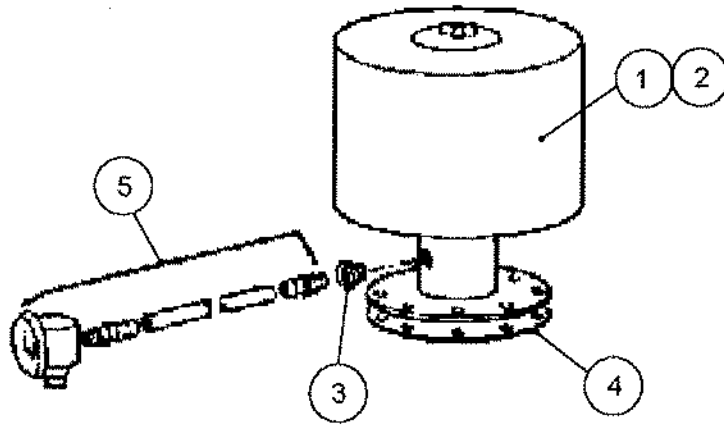
REF	PART DESCRIPTION	QTY	PART NUMBERS	
			STANDARD	W / HEATER
			G69-900 35G116-387-3	1G69-900 35G116-387-3
1	AIR RECEIVER/OIL RESERVOIR	1	A69-900 Inc. A to B	"
2	COVER	1	14-1578-4-A	"
3	SCREW, CAP	8	34-1220-1	"
4	WASHER	8	20-917-1-B	"
5	ELEMENT, SEPARATOR	1	43-1042 Inc. C	"
6	GASKET	2	16-1862-C	"
7	SUPPORT, RECEIVER	2	39-6723	"
8	SCREW, CAP	4	O2-37	"
9	WASHER, LOCK	4	O5-51-1	"
10	NUT	4	O4-103	"
11	WASHER, FLAT	8	O6-4	"
12	SCREW, CAP	4	O2-70	"
13	NUT	3	O4-105	"
14	WASHER, FLAT	6	O6-6	"
15	BODY, THERMAL BYPASS	1	116-387-3	"
16	VALVE, THERMAL BYPASS	1	116-448	"
17	FILTER, OIL	1	43-1017 Inc. D	"
18	KIT, ELEMENT OIL FILTER	1	43-1017-1-D	"
19	SEAL HOUSING	1	125-897	"
20	BUSHING	2	O13-1084	"
22	BRACKET	1	39-6757	"
23	BOLT, U	1	34-1495	"
24	NUT	2	O4-101	"
25	WASHER, LOCK	2	O5-49	"
26	VALVE, DRAIN	1	15-338	"
27	FITTING	1	182-725	"
28	FITTING	1	182-182	"
32	FITTING, PIPE	1	182-435-4	"
33	TUBE	1	55-1951-1	"
34	FITTING	1	182-436-5	"
35	ELBOW, PIPE	1	O13-503	"
36	NIPPLE, PIPE	1	O13-98	"
37	VALVE, DRAIN	1	H15-1387-1	"
38	VALVE PRESSURE RELIEF	1	15-1270-17	"
39	ELBOW, PIPE	1	O13-506	"
40	CAP, FILLER	1	182-750-14	"
41	GAUGE, OIL LEVEL SIGHT	1	60-516	"
42	NIPPLE, PIPE	1	O13-212	"
43	VALVE, MINIMUM PRESS CHECK	1	15-1622 Inc. E-F	"
44	BODY	1	220-187-1-E	"
45	PISTON, LARGE	1	220-187-2	"



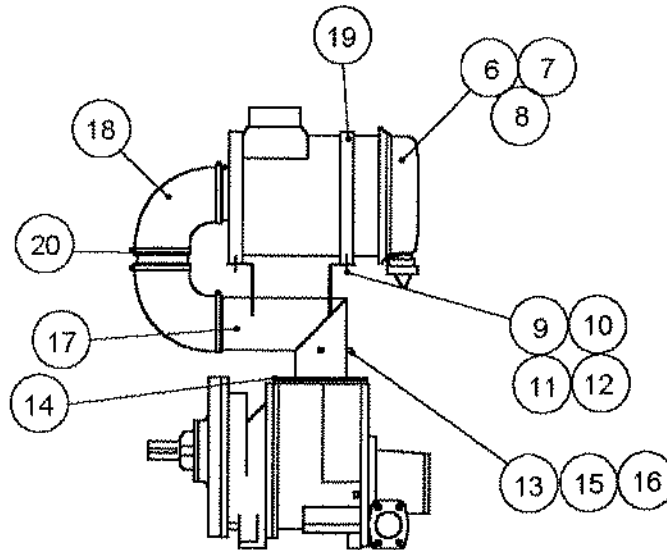
PARTS LIST GROUPS AND COMPONENTS

Group No. 2
Receiver / Piping Group

REF	PART DESCRIPTION	QTY	PART NUMBERS	
			STANDARD	
			G69-900 35G116-387-3	1G69-900 35G116-387-3
46	SEAL, O-RING	1	220-187-3	
47	SPRING, SMALL	1	220-187-4	
48	CAP	1	220-187-5	
49	SPRING, LARGE	1	220-187-6	
50	WASHER, FLAT (SHIM)	1	O6-6-1	
51	PISTON ASSEMBLY, SMALL	1	220-187-8-F	
52	COVER	1	54-866-1	
53	FLANGE, DISCHARGE	1	A54-866-7	
54	GASKET	2	16-2068	
55	SCREW, CAP	8	O2-949	
56	CLAMP	1	C83-140	
57	COUPLING	1	28-483-19	
58	BRACKET, SUPPORT	1	39-6963	
59	PIPE	1	33-86-125	
60	TEE, REDUCER	1	O13-1702	
61	PLUG, PIPE	1	O11-204	
62	NIPPLE, PIPE	1	O13-29	
63	TUBE	1	55-1632-9	
64	FITTING	1	H182-382-1	
65	FITTING	3	H182-383	
66	FILTER	1	43-721	
67	VALVE, CHECK	1	15-1703	
68	GAGE, SIGHT	1	60-453	
69	TUBE	1	55-29-76	
	ITEMS NOT SHOWN			
70	HEATER, RESERVOIR	1		82-77-1
71	FITTING, CONDUIT	1		188-128-1
72	BUSHING, PIPE	1		O13-1069
73	FITTING, CONDUIT	1		182-928-2
74	CONDUIT	AR		55-2447-2
75	FITTING, CONDUIT	1		182-928-9
76	SEAL, WASHER	4		127-715
77	NUT, WIRE	4		121-170
78	SWITCH, TEMPERATURE	1		76-940-1
79	FITTING, CONDUIT	1		188-128



STANDARD FILTER



SEVERE DUTY FILTER

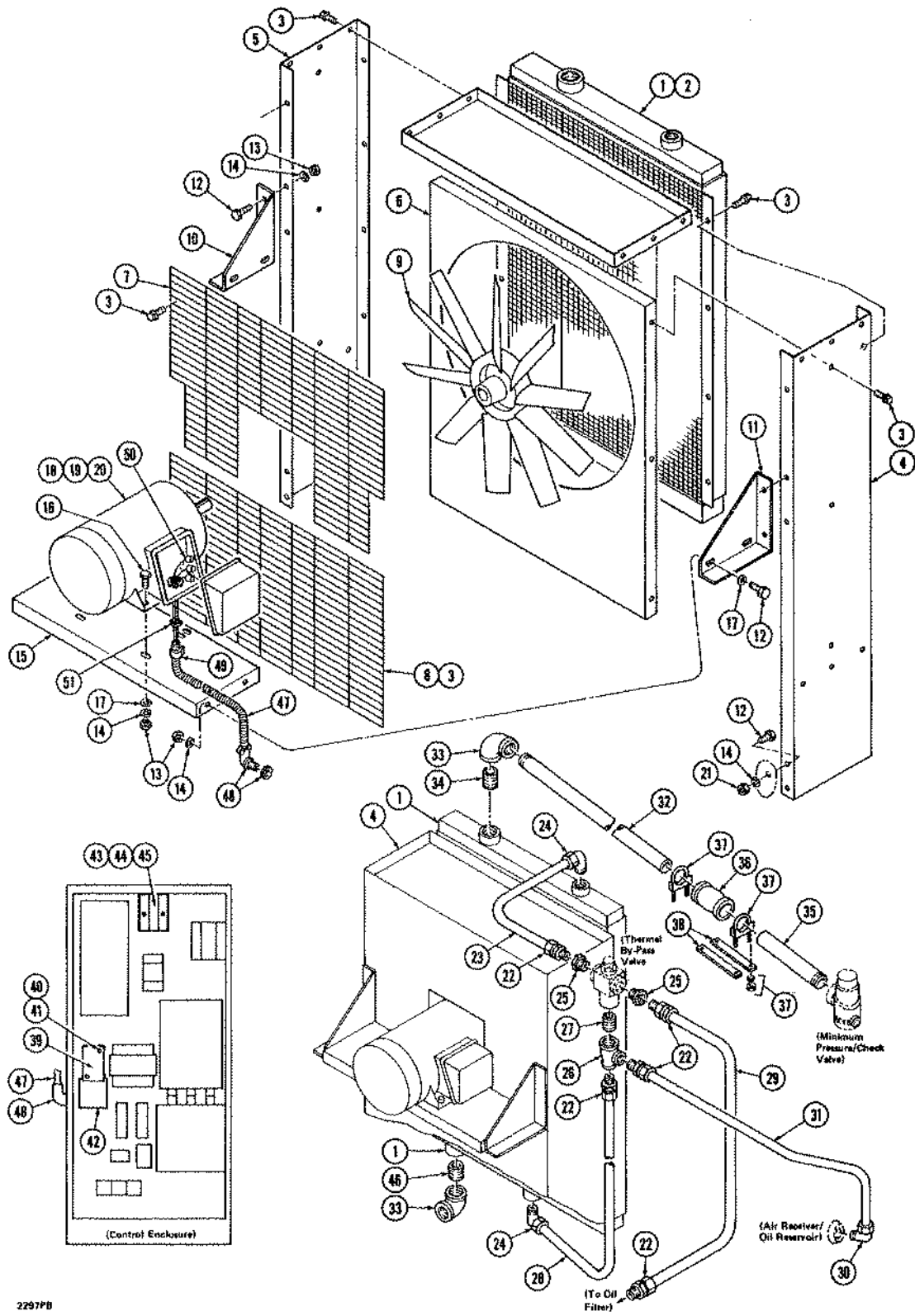
TI00254 ECN 47023



PARTS LIST GROUPS AND COMPONENTS

Group No. 3
Air Filter

REF	PART DESCRIPTION	QTY	PART NUMBERS	
			STANDARD	OPTIONAL
			G43-831-2	2G43-944
1	AIR CLEANER	1	43-831-2	
2	ELEMENT, AIR FILTER	1	43-831-1	
3	BUSHING	1	O13-1061	
4	GASKET	1	16-2062-5	
5	INDICATOR, RESTRICTION	1	60-560	
6	AIR CLEANER	1		43-944
7	ELEMENT, AIR FILTER PRIMARY	1		43-944-1
8	ELEMENT, AIR FILTER SAFETY	1		43-944-2
9	CAPSCREW	4		O2-36
10	NUT	4		O4-103
11	WASHER, LOCK	4		O5-51-1
12	WASHER, FLAT	4		O6-4
13	COUPLING	1		O13-701
14	GASKET	1		16-2062-5
15	TUBING	1		55-1641
16	INDICATOR, RESTRICTION	1		60-560
17	INTAKE, CONNECTION	1		A65-2495
18	ELBOW	2		73-714
19	CLAMP, FILTER	2		83-209
20	CLAMP, HOSE	4		83-621-11



2297PB



PARTS LIST GROUPS AND COMPONENTS

**Group No. 4
Cooler Group Air Cooled**

REF	PART DESCRIPTION	QTY	PART NUMBERS	
			STANDARD	4454X
			10G71-1062	G71-1110
1	COOLER, OIL/AFTERCOOL ASSY	1	11A71-1062	A71-1110
			INC. A-B	INC. A-B
2	COOLER, OIL/AFTERCOOLER	1	71-1062--A	71-1110--A
3	SCREW, SPECIAL	38	34-1512	34-1512-2
4	SUPPORT, COOLER RIGHT	1	39-6727	39-7621
5	SUPPORT, COOLER, LEFT	1	39-6727-1	39-7621-1
6	SHROUD	1	201-331	201-412
7	GUARD	1	156-840	"
8	GUARD	1	156-841	"
9	FAN	1	42-326	42-389
10	BRACKET	1	39-6699	"
11	BRACKET	1	39-6726	"
12	CAPSCREW	8	O2-36-1	"
13	NUT	4	O4-103-1	"
14	WASHER	12	O5-51-1	"
15	SUPPORT	1	39-6702	39-7623
16	CAPSCREW	4	O2-38-1	"
17	WASHER	4	O6-4-1	"
	INNER GUARD	1	156-937	156-885
	INNER GUARD	1	156-937-1--B	156-885-1--B
18	MOTOR 200 VOLT	1	H107-698-9	H107-698-12
19	MOTOR 230/460 VOLT	1	H107-698-10	H107-698-13
20	MOTOR 575 VOLT	1	H107-698-11	H107-698-14
21	NUT	4	O4-21	"
22	FITTING	5	182-436-5	"
23	TUBING	1	55-1951	55-2680
24	FITTING	2	182-435-9	"
25	BUSHING	2	O13-1084	"
26	TEE, REDUCING	1	O13-1659	"
27	NIPPLE	1	O13-8	"
28	TUBING	1	55-1951-3	55-2679
29	TUBING	1	55-1952	55-2677
30	FITTING	1	182-435-4	"
31	TUBE	1	55-1951-2	55-2678
32	NIPPLE	1	33-86-118	33-86-128
33	ELBOW	1	O13-409	"
34	NIPPLE	1	O13-212	O13-211
35	NIPPLE	1	33-86-112	O13-86-112
36	COUPLING	1	28-483-6	"
37	CLAMP	2	C83-140	"
38	SUPPORT	2	39-6030	"
39	STARTER ASSY 200V	1	76-1440-10	76-1440-13
39	STARTER ASSY 230V	1	76-1440-9	76-1440-12
39	STARTER ASSY 460V	1	76-1440-7	76-1440-8
39	STARTER ASSY 575V	1	76-1440-5	76-1440-6
40	SCREW, SPECIAL	2	34-1201-1	"
41	WASHER	2	O6-64-1	"
43	FUSE BLOCK	1	139-267	139-278

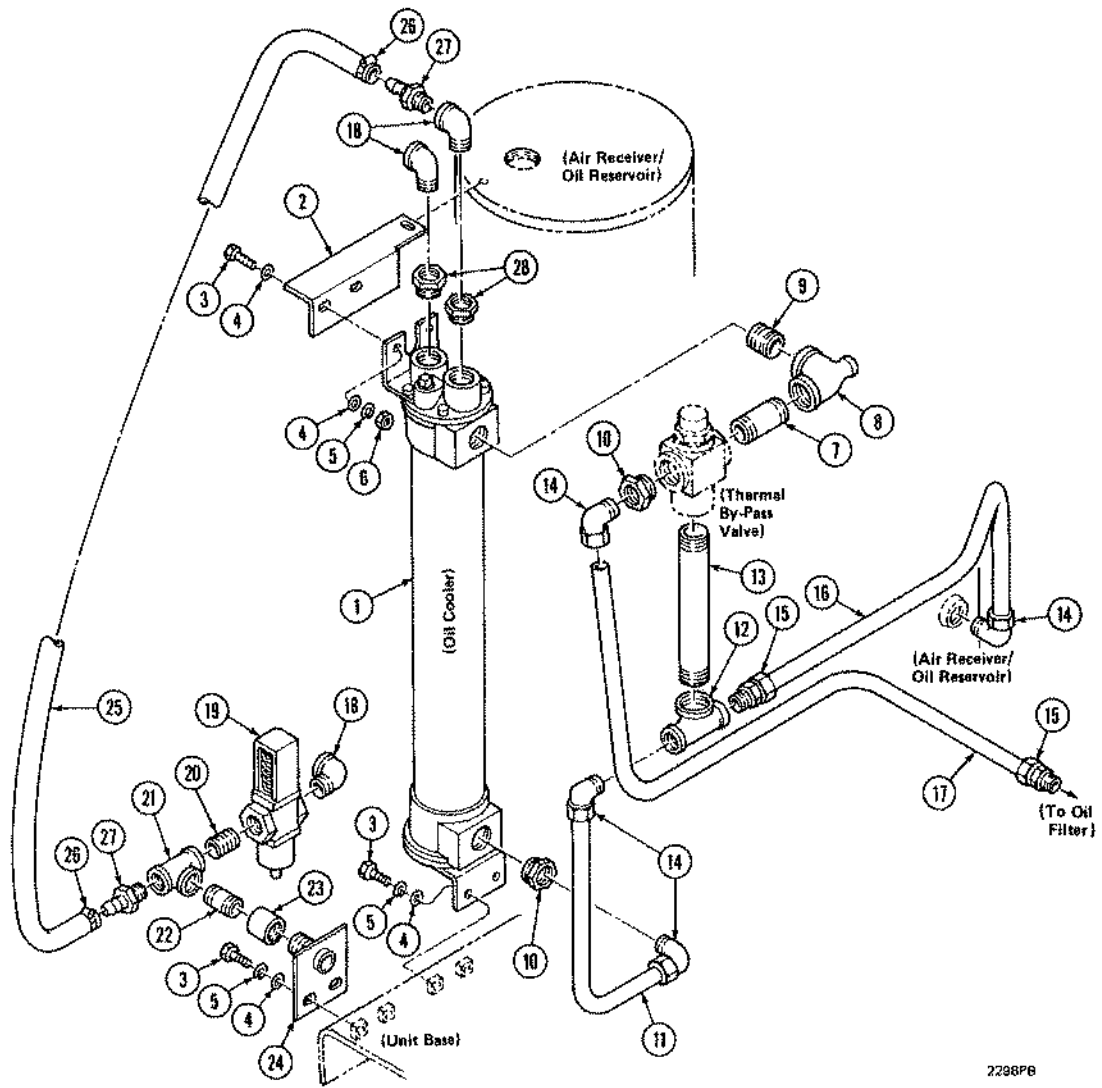
THIS PAGE INTENTIONALLY LEFT BLANK.



PARTS LIST GROUPS AND COMPONENTS

**Group No. 4
Cooler Group Air Cooled**

REF	PART DESCRIPTION	QTY	PART NUMBERS	
			STANDARD	4454X
			10G71-1062	G71-1110
44	SCREW SPECIAL	2	34-1201	"
45	FUSE 200V	3	139-280-33	139-277-26
	FUSE 230V	3	139-280-31	139-280-33
	FUSE 460 VOLT	3	139-280-29	"
	FUSE 575 VOLT	3	139-280-23	139-280-29
46	PIPE NIPPLE	1	O13-9	"
47	CONDUIT	6	55-2447-2	"
48	FITTING, CONDUIT	1	182-928-9	"
49	FITTING, CONDUIT	1	182-929-9	"
50	WIRE CONNECTOR	6	121-170	"
51	WIRE	AR	61-888-3	"
	MOISTURE SEPARATOR (LOOSE)			
	STANDARD	1	43-1050-2	"
	STANDARD, W/HEATER	1	A43-1050-2	"
	LOW PROFILE	1	43-854-1	"
	LOW PROFILE W/HEATER	1	A43-854-1	"



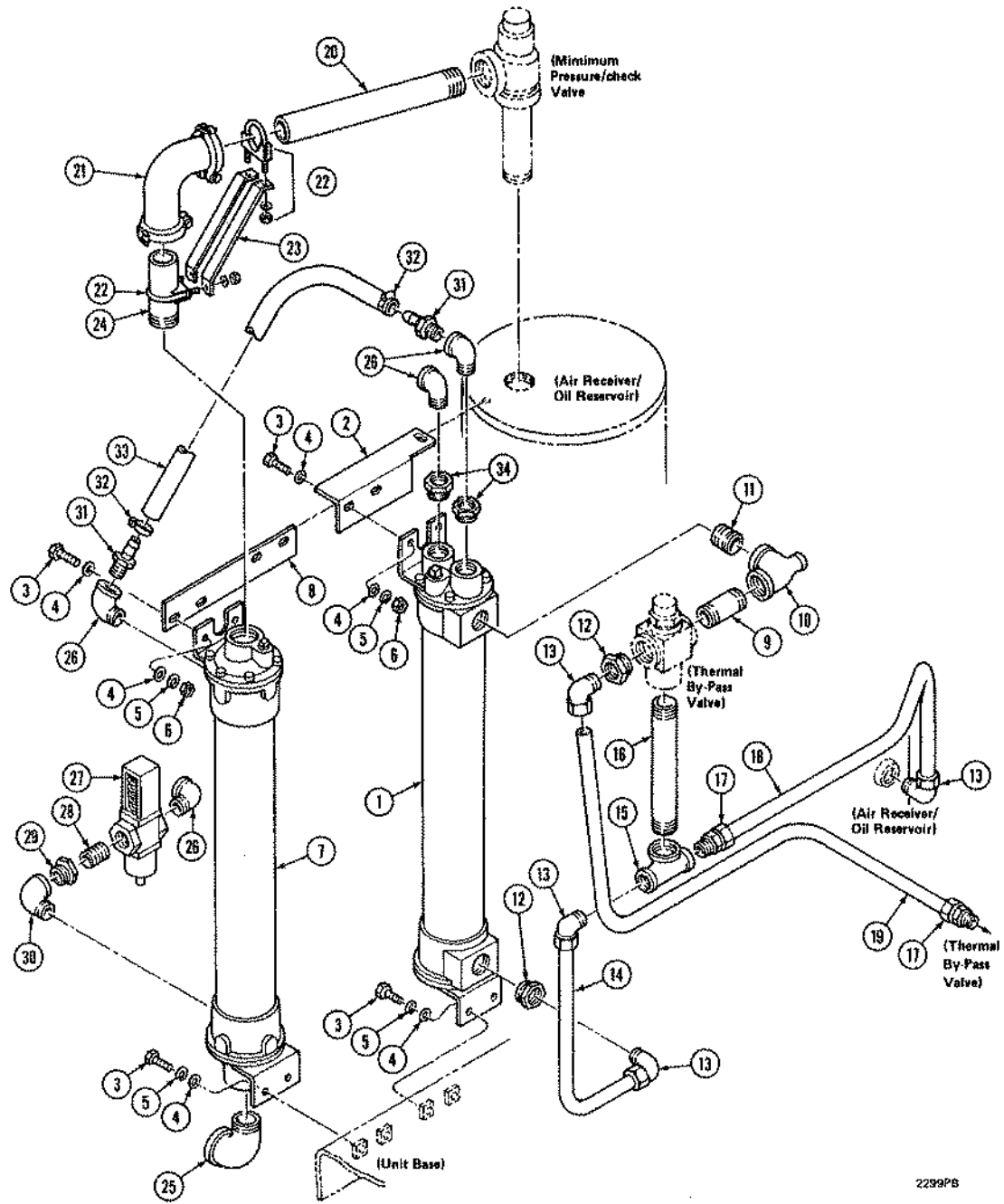
2298PB



PARTS LIST GROUPS AND COMPONENTS

Group No. 5
Cooler Group Water Cooled W/O Aftercooler

REF	PART DESCRIPTION	QTY	PART NUMBERS		
			STANDARD		
			4G71-957		
1	COOLER, OIL	1	71-957		
2	SUPPORT, COOLER	1	39-7430		
3	CAPSCREW	6	O2-37		
4	WASHER	8	O6-4		
5	WASHER, LOCK	6	O5-51-1		
6	NUT	6	O4-103		
7	NIPPLE, PIPE	1	O13-193		
8	TEE, PIPE	1	O13-1886		
9	NIPPLE, PIPE	1	O13-8C		
10	BUSHING, PIPE	2	O13-1084		
11	TUBE	1	55-1951-4		
12	TEE, PIPE	1	O13-1673		
13	NIPPLE, PIPE	1	O13-202		
14	FITTING	3	182-435-4		
15	FITTING	2	182-436-5		
16	TUBE	1	55-1955		
17	TUBE	1	55-1954		
18	ELBOW	1	O13-406-3		
19	VALVE, FLOW CONTROL	1	15-1224-3		
20	NIPPLE, PIPE	1	O13-152-3		
21	TEE, PIPE	1	O13-606		
22	NIPPLE, PIPE	1	O13-157-3		
23	COUPLING, PIPE	1	O13-706-3		
24	SUPPORT	1	A39-6396		
25	HOSE	1	71-51-22		
26	CLAMP, HOSE	2	83-621-1		
27	FITTING	2	33-1187		
28	BUSHING, PIPE	2	O13-1073-3		
	OPTIONAL				
	SOLENOID, WATER SHUT-OFF	1	15-1809-1		
	THERMOMETER	1	60-464		
	THERMOWELL	1	60-464-1		



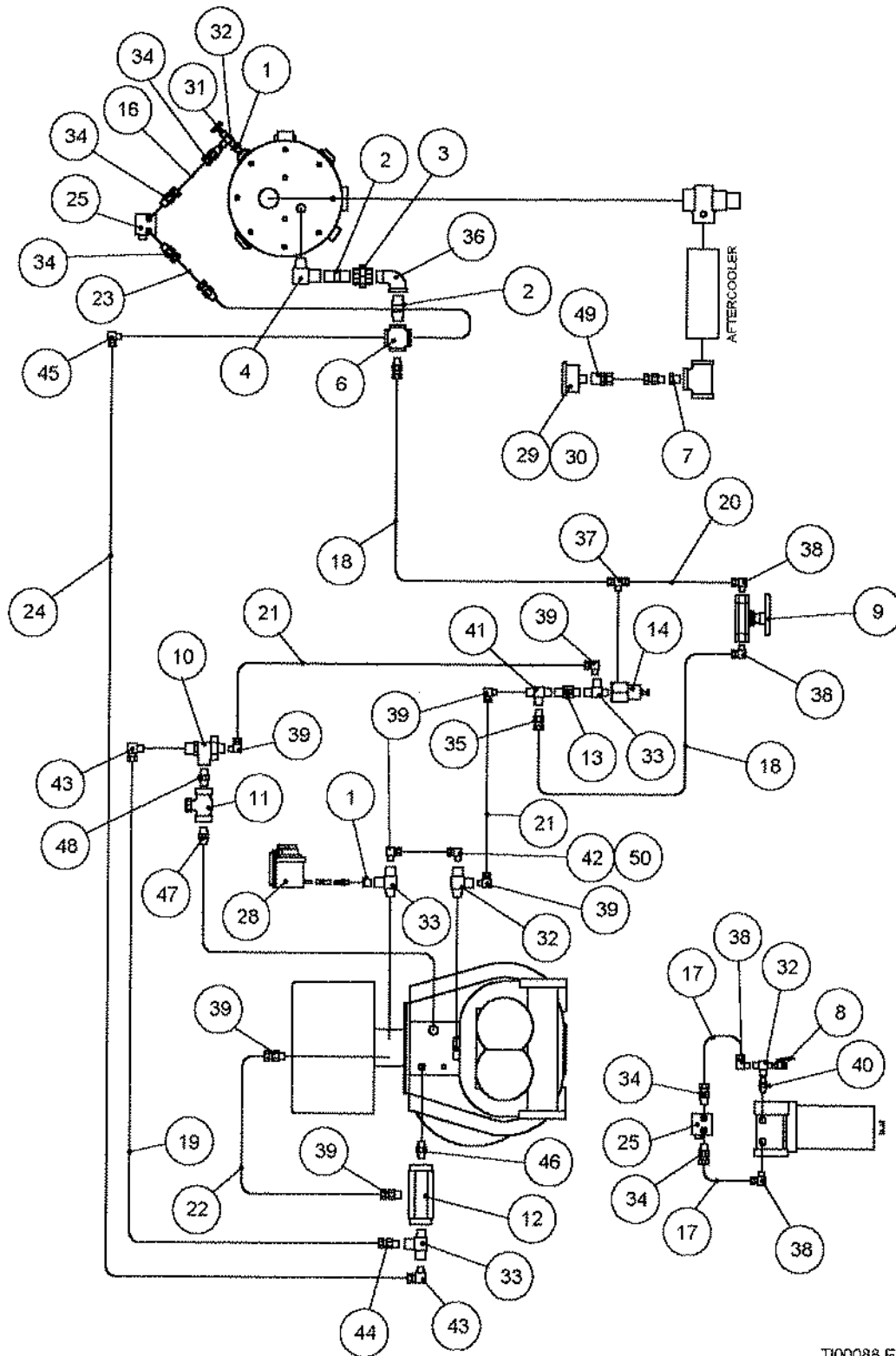
2239PB



PARTS LIST GROUPS AND COMPONENTS

Group No. 5A
Cooler Group Water Cooled W/Aftercooler

REF	PART DESCRIPTION	QTY	PART NUMBERS		
			STANDARD		
			5G71-957		
1	COOLER, OIL	1	71-957		
2	SUPPORT, COOLER	1	39-7430		
3	CAPSCREW	10	O2-37		
4	WASHER	14	O6-4		
5	WASHER	10	O5-51-1		
6	NUT	8	O4-103		
7	AFTERCOOLER	1	71-958		
8	SUPPORT, COOLER	1	39-6395		
9	NIPPLE, PIPE	1	O13-193		
10	TEE, PIPE	1	O13-1886		
11	NIPPLE, PIPE	1	O13-8C		
12	BUSHING, PIPE	1	O13-1084		
13	FITTING	2	182-435-4		
14	TUBE	1	55-1951-4		
15	TEE, PIPE	1	O13-1673		
16	NIPPLE, PIPE	1	O13-202		
17	FITTING	1	182-436-5		
18	TUBE	1	55-1955		
19	TUBE	1	55-1954		
20	NIPPLE, PIPE	1	33-86-20		
21	COUPLING	1	28-483-19		
22	CLAMP	2	C83-140		
23	STRAP	2	39-5195		
24	NIPPLE, PIPE	1	33-86-111		
25	ELBOW	1	O13-509-3		
26	ELBOW	2	O13-406-3		
27	VALVE, FLOW CONTROL	1	15-1224-3		
28	NIPPLE, PIPE	1	O13-151-3		
29	BUSHING, PIPE	2	O13-1084-3		
30	ELBOW	1	O13-508-3		
31	NIPPLE, PIPE	2	33-1187		
32	CLAMP	2	83-621-1		
33	HOSE	1	73-51-29		
34	BUSHING, PIPE	2	O10-1073-3		
	OPTIONAL				
	SEPARATOR, MOISTURE	1	43-815-1		
	SOLENOID, WATER SHUT OFF	1	15-1809-1		
	THERMOMETER	1	60-464		
	THERMOWELL	1	60-464-1		



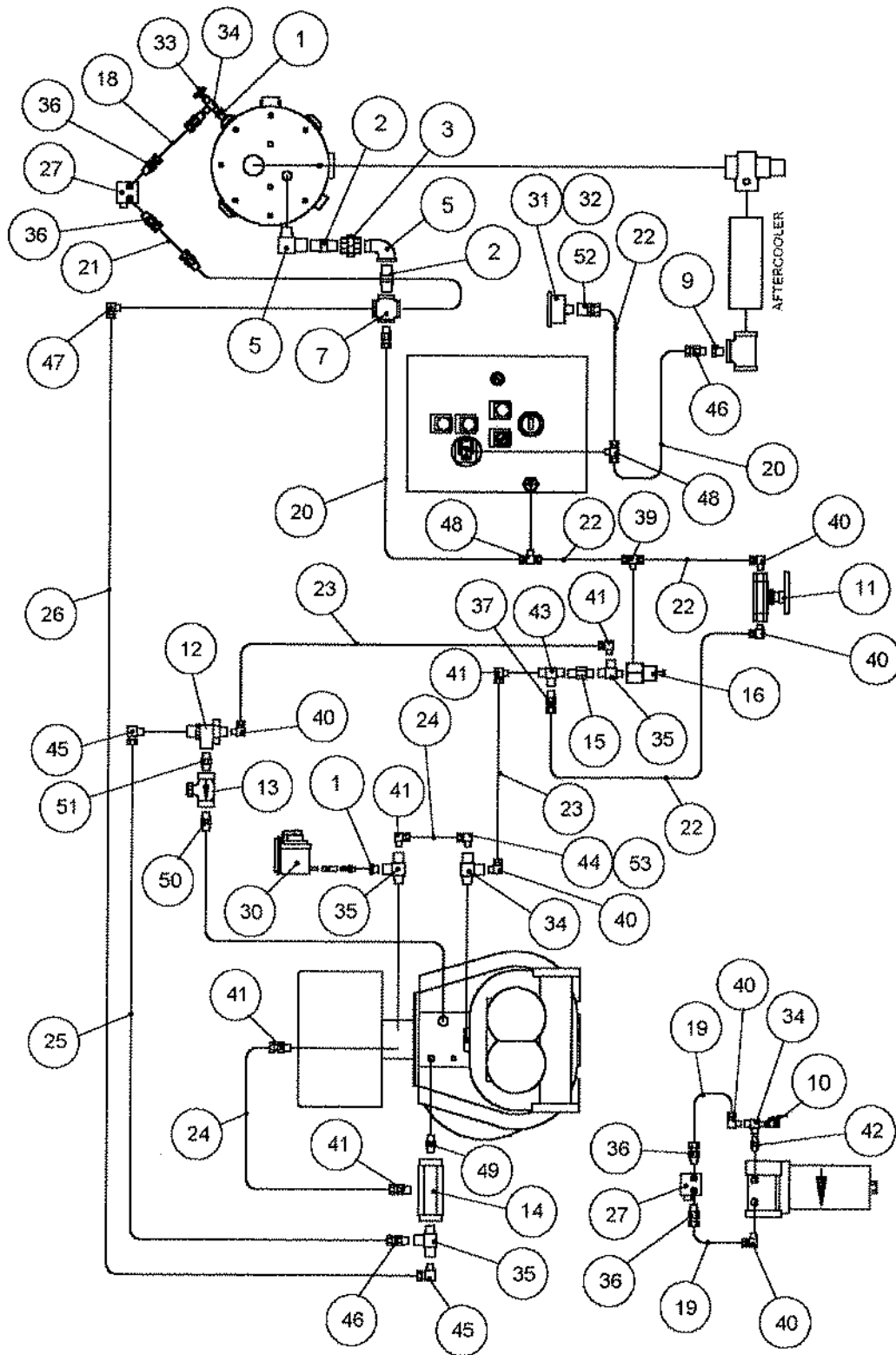
T100088 ECN 45989



PARTS LIST GROUPS AND COMPONENTS

**Group No. 6
Control Piping Basic Modulation**

REF	PART DESCRIPTION	QTY	PART NUMBERS		
			STANDARD		
			G33-1323		
1	BUSHING	2	O13-1061		
2	NIPPLE	2	O13-116-3		
3	UNION	1	O13-904-3		
4	ELBOW	1	182-431-3		
5	BUSHING	1	O13-1065-3		
6	CROSS	1	O13-634-3		
7	BUSHING	1	O13-1087		
8	VALVE, BALL	1	15-338		
9	VALVE, BALL	1	15-1917		
10	VALVE, 2-WAY AIR OPERATED	1	15-1933		
11	VALVE, CHECK	1	15-1646		
12	VALVE, BLOW DOWN	1	15-1717		
13	VALVE, CHECK	1	15-1703		
14	REGULATOR, CONTROL PRES	1	15-1580		
15	PIPE	1	33-554		
16	TUBING	1	55-29-35		
17	TUBING	2	55-29-1		
18	TUBE	2	55-1654-6		
19	TUBE	1	55-1654-4		
20	TUBE	2	55-1654-8		
21	TUBE	2	55-1654-15		
22	TUBE	2	55-1654-7		
23	TUBE	1	55-2493-4		
24	TUBE	1	55-2493-5		
25	INDICATOR, DIFF. PRESSURE	2	60-471		
26	CAPSCREW	4	O3-128		
27	WASHER	4	O5-103		
28	INDICATOR, DIFF. PRESSURE	1	60-560		
29	GAUGE	1	60-560		
30	GAUGE	1	60-559		
31	GAUGE	1	60-559-1		
32	TEE	2	182-182		
33	TEE	3	182-849		
34	FITTING	5	H182-358		
35	FITTING	3	H182-382		
36	ELBOW	1	182-431-3		
37	TEE	1	182-817		
38	ELBOW	5	H182-393		
39	FITTING	5	H182-383		
40	NIPPLE	2	182-906-2		
41	TEE	1	182-907		
42	FITTING	1	182-208		
43	FITTING	2	H182-356		
44	FITTING	2	H182-381		
45	FITTING	1	H182-401		
46	NIPPLE	1	182-775-1		
47	FITTING	1	182-950		
48	NIPPLE	1	182-906		
49	FITTING	1	182-611-1		
50	ORIFICE	1	206-8		



T100089 ECN 45989



PARTS LIST GROUPS AND COMPONENTS

Group No. 6A
Control Piping Auto Dual

REF	PART DESCRIPTION	QTY	PART NUMBERS		
			STANDARD		
			1G33-1323		
1	BUSHING	2	O13-1061-3		
2	NIPPLE	2	O13-116-3		
3	UNION	1	O13-904-3		
4	UNION	1	O13-904-3		
5	ELBOW	2	182-431-3		
6	BUSHING	1	O13-1065-3		
7	CROSS	1	O13-634-3		
8	CROSS	1	O13-634-3		
9	BUSHING	1	O13-1087		
10	VALVE, BALL	1	15-338		
11	VALVE, BALL	1	15-1917		
12	VALVE, 2-WAY AIR OPERATED	1	15-1933		
13	VALVE, CHECK	1	15-1646		
14	VALVE, BLOW DOWN	1	15-1717		
15	VALVE, CHECK	1	15-1703		
16	REGULATOR, CONTROL PRES	1	15-1580		
17	PIPE	1	33-554		
18	TUBING	1	55-29-35		
19	TUBING	2	55-29-1		
20	TUBE	2	55-1654-6		
21	TUBE	1	55-1654-4		
22	TUBE	4	55-1654-8		
23	TUBING	2	55-1654-15		
24	TUBING	2	55-1654-7		
25	TUBING	1	55-2493-4		
26	TUBING	1	55-2493-5		
27	INDICATOR, RESTRICTION	2	60-471		
28	CAPSCREW	4	O3-128		
29	WASHER	4	O5-103		
30	INDICATOR, RESTRICTION	1	60-560		
31	GAUGE	1	60-559		
32	GAUGE	1	60-559-3		
33	GAUGE	1	60-619		
34	TEE	3	182-182		
35	TEE	3	182-849		
36	FITTING	5	H182-358		
37	FITTING	1	H182-382		
38	ELBOW	1	182-431-3		
39	TEE	1	182-817		
40	ELBOW	6	H182-393		
41	FITTING	5	H182-383		
42	NIPPLE	1	182-906-2		
43	TEE	1	182-907		
44	FITTING	1	182-208		
45	FITTING	2	H182-356		
46	FITTING	2	H182-381		
47	FITTING	1	H182-401		
48	TEE	2	H182-360		
49	NIPPLE	1	182-775-1		

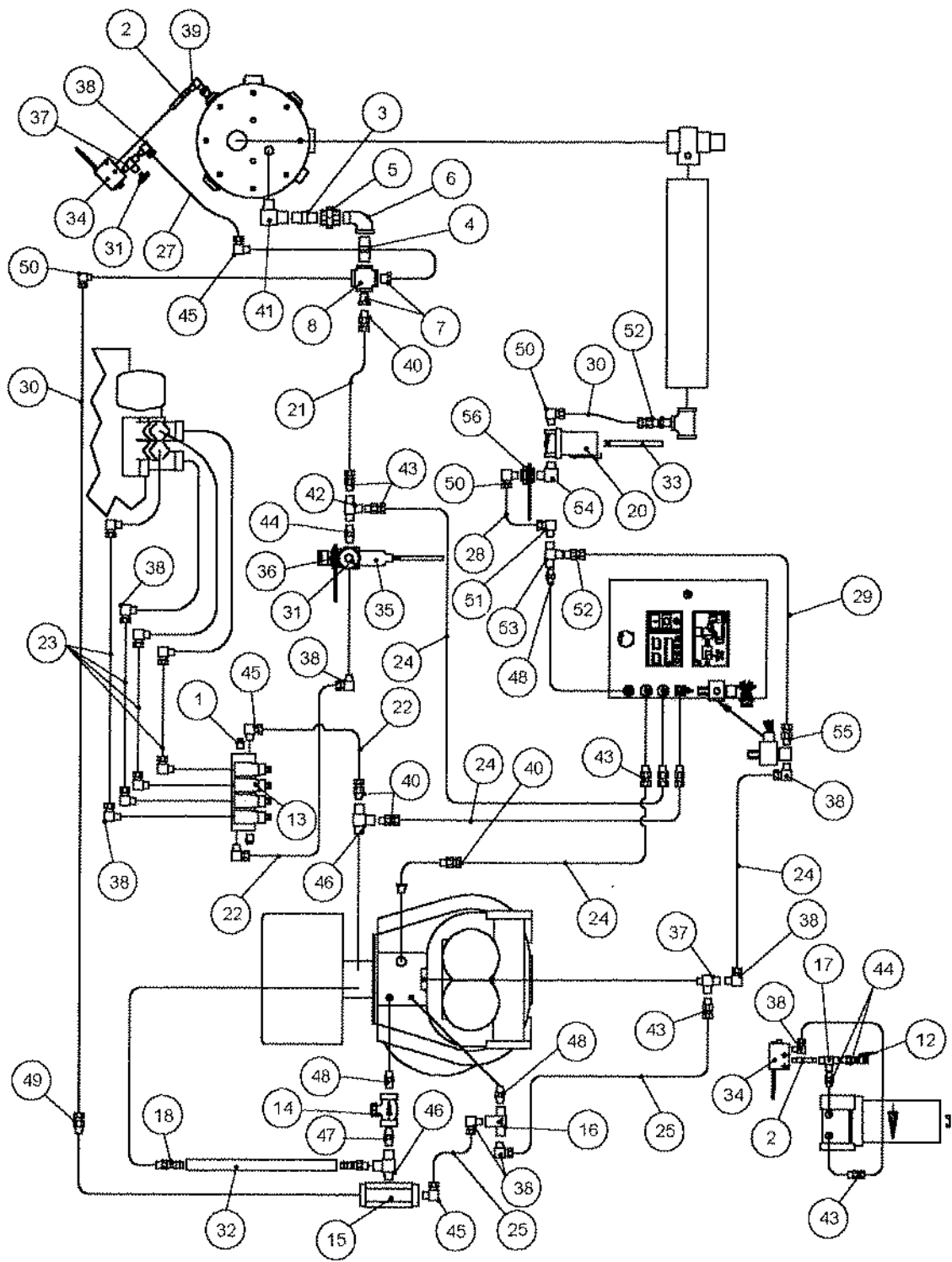
THIS PAGE INTENTIONALLY LEFT BLANK.



PARTS LIST GROUPS AND COMPONENTS

Group No. 6A
Control Piping Auto Dual

REF	PART DESCRIPTION	QTY	PART NUMBERS		
			STANDARD		
50	FITTING	1	1G33-1323		
51	NIPPLE	1	182-950		
52	FITTING	1	182-906		
53	ORIFICE	1	182-611-1		
			206-8		



T100077 ECN 45989



PARTS LIST GROUPS AND COMPONENTS

Group No. 6B
Control Piping MP W/Econotrol

REF	PART DESCRIPTION	QTY	PART NUMBERS		
			STANDARD		
			G33-1322		
1	PLUG, PIPE	2	O11-2-1		
2	NIPPLE, PIPE	2	O13-52-3		
3	NIPPLE, PIPE	1	O13-115-3		
4	NIPPLE, PIPE	2	O13-116-3		
5	UNION	1	O13-904-3		
6	ELBOW	1	182-431-3		
7	BUSHING	2	O13-1065-3		
8	CROSS	1	O13-634-3		
9	BUSHING	2	O13-1063-3		
10	WASHER	2	O5-49-1		
11	NUT	2	O4-101-1		
12	VALVE, BALL	1	15-338		
13	VALVE, MANIFOLD SOLENOID	1	15-1957		
14	VALVE, LIFT CHECK	1	15-1646		
15	VALVE, BLOW DOWN	1	15-1717		
16	VALVE, SHUTTLE	1	15-1179		
17	PIPE	1	33-554		
18	NIPPLE, HOSE	2	33-1175		
19	CAPSCREW	2	34-716		
20	FILTER, SEPARATOR	1	43-1065		
21	TUBING	1	55-1654-15		
22	TUBE	2	55-1654-16		
23	TUBE	5	55-1654-4		
24	TUBE	4	55-1654-22		
25	TUBING	2	55-1654-19		
26	TUBING	1	55-29-2		
27	TUBE	1	55-1654-8		
28	TUBING	1	55-2493-6		
29	TUBING	1	55-2493-4		
30	TUBING	2	55-2493-7		
31	GAUGE	2	60-619		
32	HOSE	1	73-833-3		
33	HOSE	1	73-853-3		
34	SWITCH RESTRICTION	2	76-1354		
35	REGULATOR	1	116-425		
36	NUT, MOUNTING	1	116-425-1		
37	TEE	2	182-182		
38	ELBOW	11	H182-393		
39	ELBOW	1	182-908-1		
40	FITTING	3	H182-382		
41	ELBOW	1	182-431-3		
42	PIPE	1	33-554		
43	FITTING	7	H182-358		
44	NIPPLE	4	182-906-2		
45	FITTING	8	H182-383		
46	TEE	2	182-849		
47	NIPPLE	1	182-906		
48	NIPPLE	2	182-775-1		
49	UNION	1	H182-381		

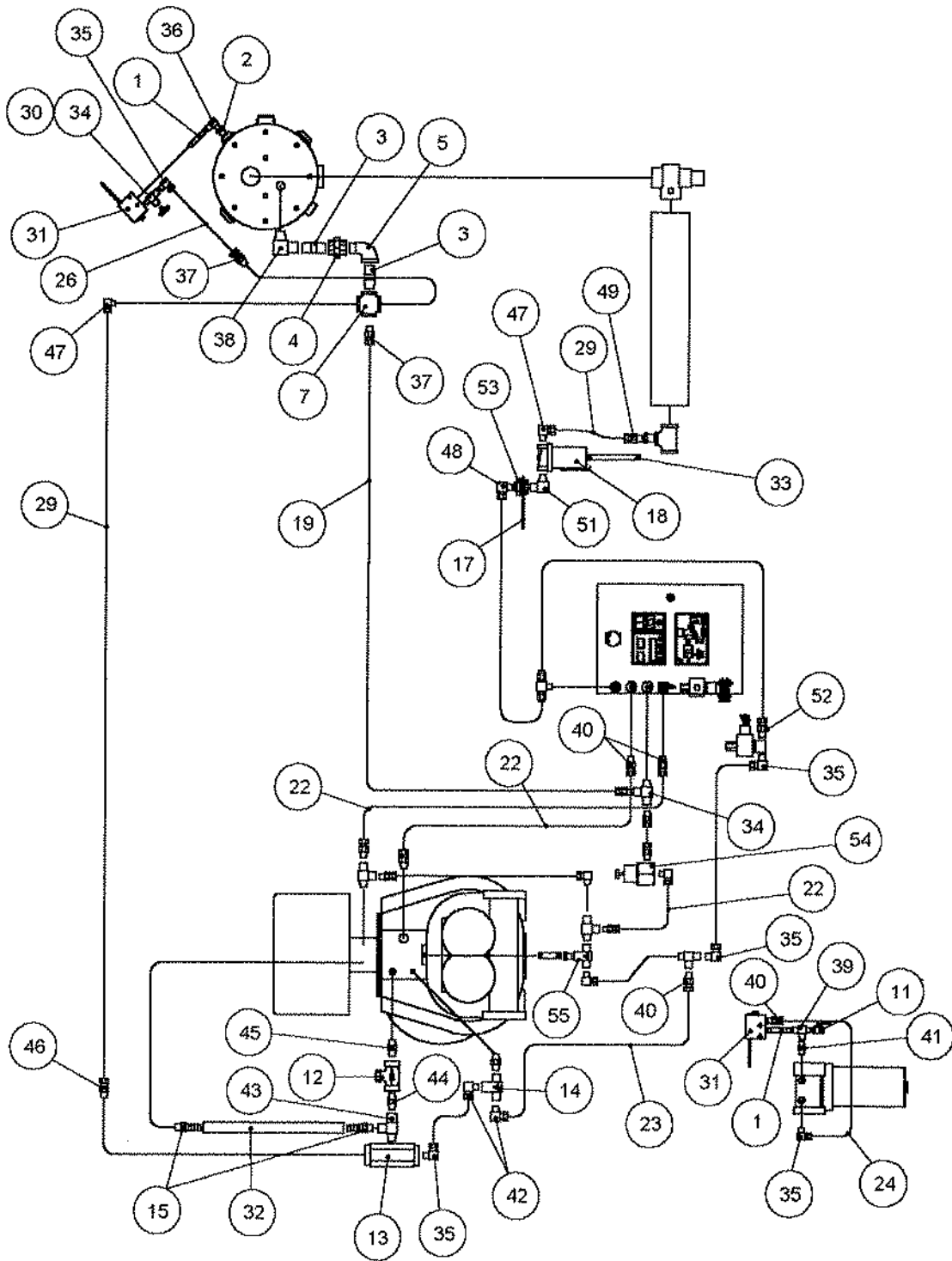
THIS PAGE INTENTIONALLY LEFT BLANK.



PARTS LIST GROUPS AND COMPONENTS

Group No. 6B
Control Piping MP W/Econotrol

REF	PART DESCRIPTION	QTY	PART NUMBERS		
			STANDARD		
			G33-1322		
50	FITTING	2	H182-357		
51	FITTING	2	H182-356		
52	FITTING	2	H182-355		
53	FITTING	1	182-907-1		
54	ADAPTOR	1	182-467		
55	FITTING	1	H182-245		
56	BULKHEAD	1	182-818-1		



T100076 ECN 45989



PARTS LIST GROUPS AND COMPONENTS

Group No. 6C
Control Piping MP W/O Econotrol

REF	PART DESCRIPTION	QTY	PART NUMBERS		
			STANDARD		
			1G33-1322		
1	NIPPLE, PIPE	3	O13-52-3		
2	BUSHING	2	O13-1061-3		
3	NIPPLE, PIPE	2	O13-116-3		
4	UNION	1	O13-904-3		
5	ELBOW	1	182-431-3		
6	BUSHING	2	O13-1065-3		
7	CROSS	1	O13-634-3		
8	BUSHING	2	O13-1063-3		
9	WASHER	2	O5-49-1		
10	NUT	2	O4-101-1		
11	VALVE, BALL	1	15-338		
12	VALVE, LIFT CHECK	1	15-1646		
13	VALVE, BLOW DOWN	1	15-1717		
14	VALVE, SHUTTLE	1	15-1179		
15	NIPPLE, HOSE	2	33-1175		
16	CAPSCREW	2	34-716		
17	SUPPORT	1	39-7534		
18	FILTER, SEPARATOR	1	43-1065		
19	TUBING	1	55-1654-15		
20	TUBING	1	55-1654-16		
21	TUBE	4	55-1654-4		
22	TUBING	5	55-1654-22		
23	TUBING	2	55-1654-19		
24	TUBING	1	55-29-2		
25	TUBE	2	55-1654-1		
26	TUBE	1	55-1654-8		
27	TUBING	1	55-2493-6		
28	TUBING	1	55-2493-4		
29	TUBING	2	55-2493-7		
30	GAUGE	1	60-619		
31	SWITCH, RESTRICTION	2	76-1354		
32	HOSE	1	73-833-3		
33	HOSE	1	73-853-3		
34	TEE	5	182-182		
35	ELBOW	9	H182-393		
36	ELBOW	1	182-908-1		
37	FITTING	2	H182-382		
38	ELBOW	1	182-431-3		
39	PIPE	1	33-554		
40	FITTING	9	H182-358		
41	NIPPLE	3	182-906-2		
42	FITTING	2	H182-383		
43	TEE	3	182-849		
44	NIPPLE	1	182-906		
45	NIPPLE	2	182-775-1		
46	UNION	1	H182-381		
47	FITTING, ELBOW	2	H182-357		
48	FITTING, ELBOW	2	H182-356		
49	FITTING, HALF UNION	2	H182-355		

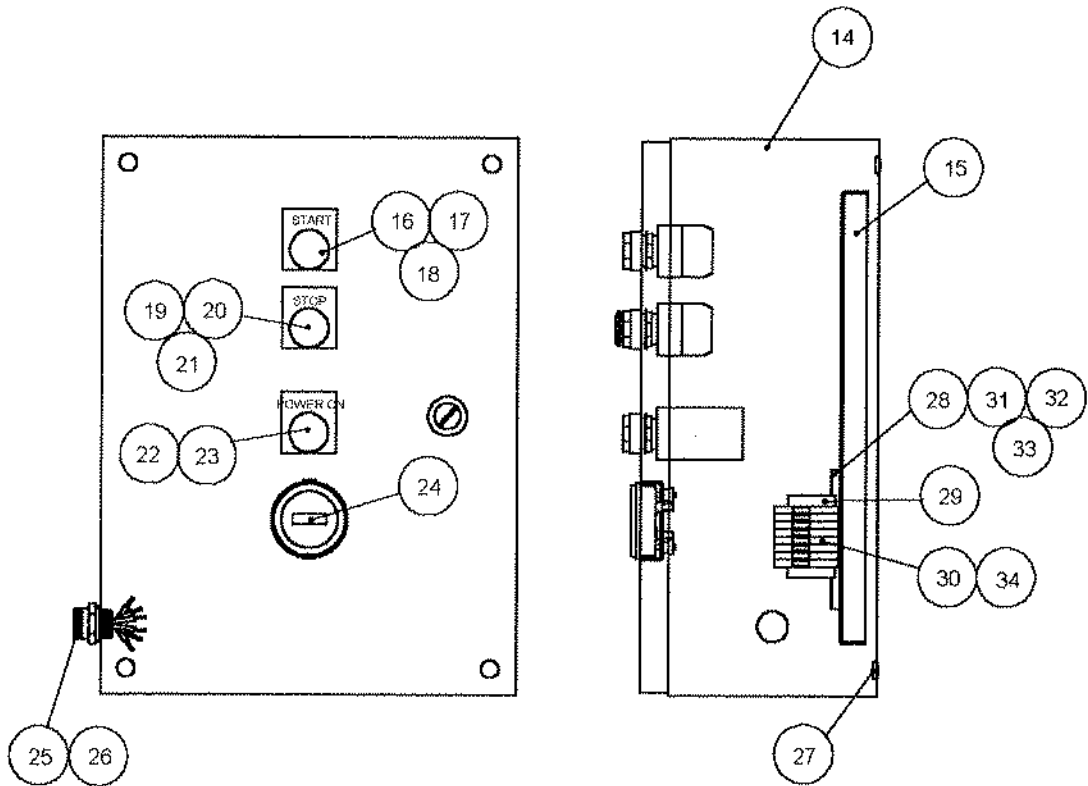
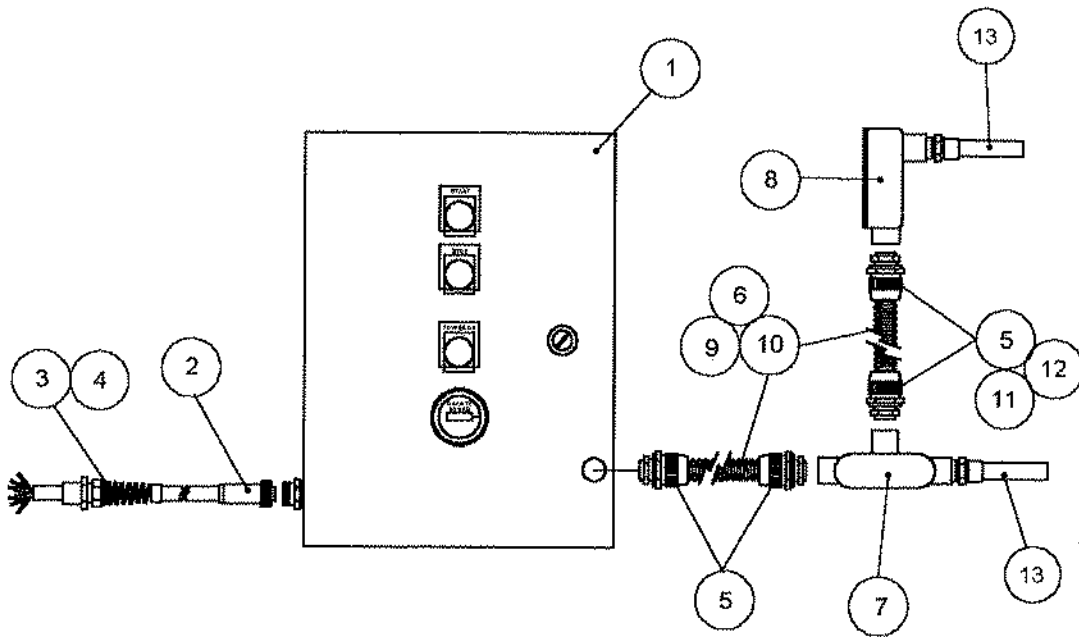
THIS PAGE INTENTIONALLY LEFT BLANK.



PARTS LIST GROUPS AND COMPONENTS

Group No. 6C
Control Piping MP W/O Econotrol

REF	PART DESCRIPTION	QTY	PART NUMBERS		
			STANDARD		
50	FITTING	1	1G33-1322		
51	ADAPTOR	1	182-907-1		
52	FITTING	2	182-467		
53	FITTING	2	H182-245		
53	BULKHEAD	1	182-818-1		
54	VALVE, CONTROL PRES REG	1	15-1580		
55	VALVE, SHUTTLE	1	15-1658		



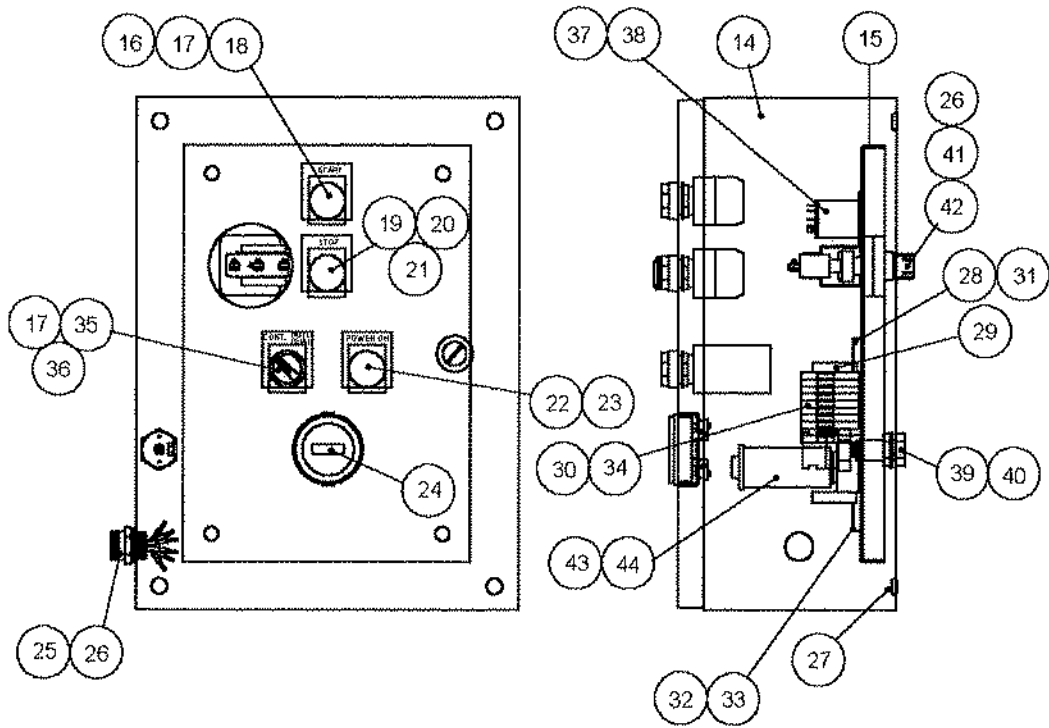
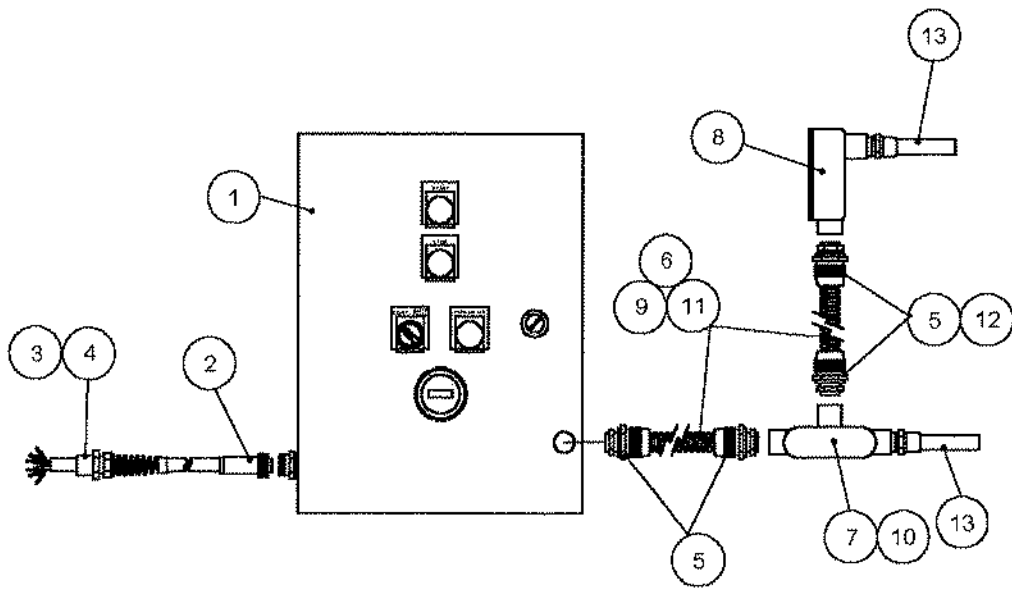
TI00256 ECN 47023



PARTS LIST GROUPS AND COMPONENTS

Group No. 7
Control Panel Basic Modulation

REF	PART DESCRIPTION	QTY	PART NUMBERS		
			STANDARD		
1	CONTROL PANEL ASSEMBLY	1	G76-1371		
			A76-1371		
			INC. A-B		
2	CONNECTOR	1	188-174		
3	STRAIN RELIEF	1	188-144-3		
4	CONDUIT OUTLET	1	188-130-2		
5	CONDUIT FITTING	4	182-928-2		
6	CONDUIT	15	55-2447-2		
7	TYPE T CONDUIT	1	121-204		
8	CONDUIT OUTLET	1	188-128		
9	WIRE	40	61-888-22		
10	CONNECTOR	4	121-121-1		
11	CONDUIT CLAMP	3	83-807-1		
12	CAPSCREW	3	34-1407-6		
13	TEMPERATURE SWITCH	2	76-940		
14	ENCLOSURE	1	68-2605--A		
15	SUB-PANEL	1	68-2170-3		
16	PUSHBUTTON	1	76-1099-1		
17	CONTACT BLOCK	1	76-1173-1		
18	LEGEND	1	62-1141-15		
19	PUSHBUTTON	1	76-1099-2		
20	CONTACT BLOCK	1	76-1173		
21	LEGEND	1	62-1141-16		
22	LIGHT	1	160-91		
23	LEGEND	1	62-1141		
24	HOURMETER	1	60-480		
25	CONNECTOR	1	188-175		
26	SEAL WASHER	1	125-715		
27	PLUG	4	19-641-10		
28	DIN RAIL	4	121-271-1		
29	END STOP	2	121-271-2		
30	TERMINAL BLOCK	8	121-271		
31	SCREW	2	O3-130		
32	WASHER	2	O6-65		
33	LOCKWASHER	2	O5-103		
34	TERMINAL MARKER	16	121-271-5--B		



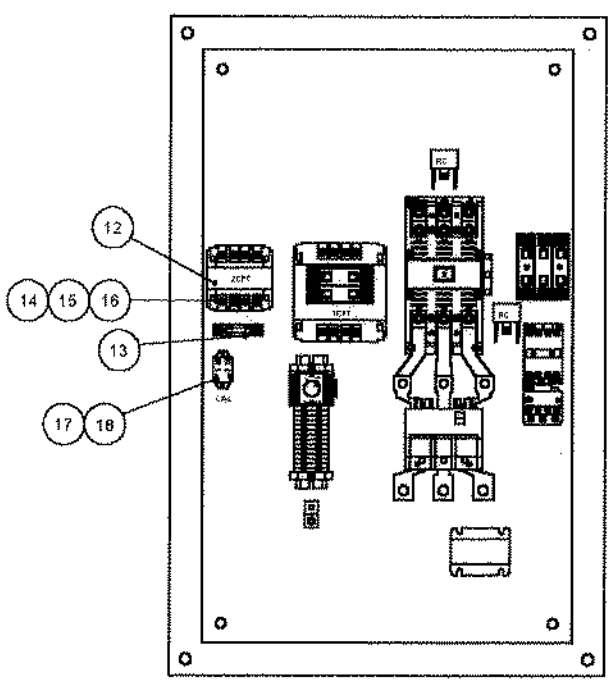
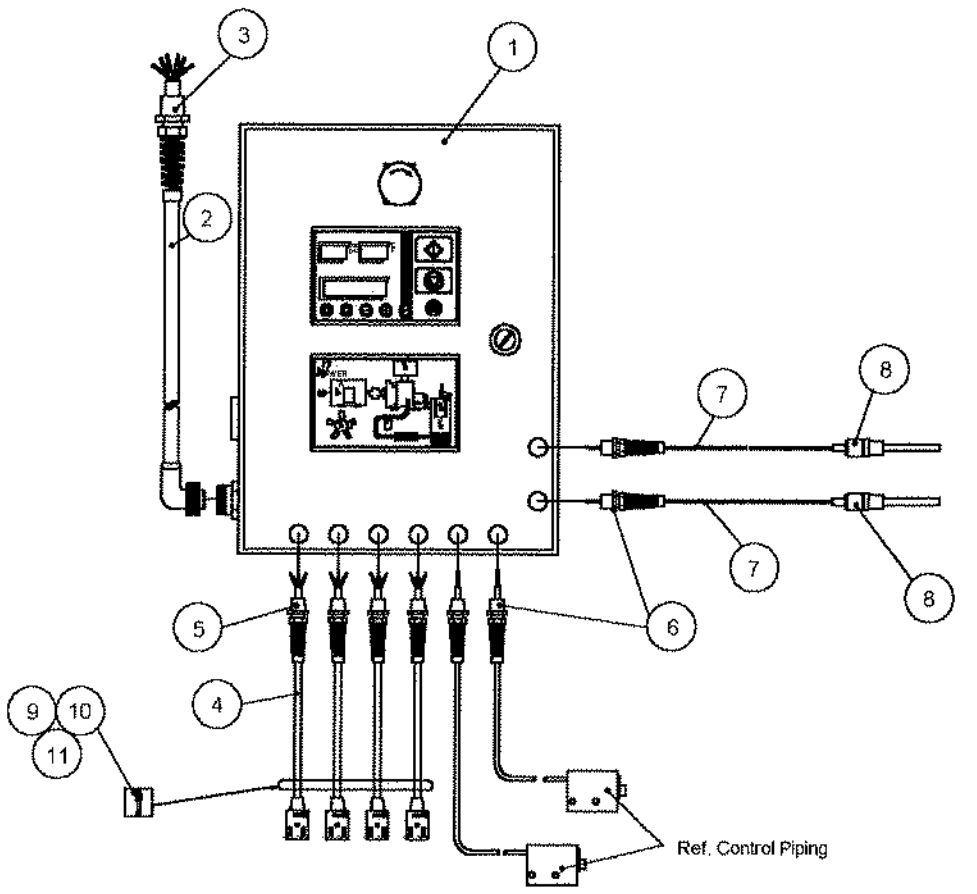
T100257 ECN 47023



PARTS LIST GROUPS AND COMPONENTS

**Group No. 7A
Control Panel Auto Dual**

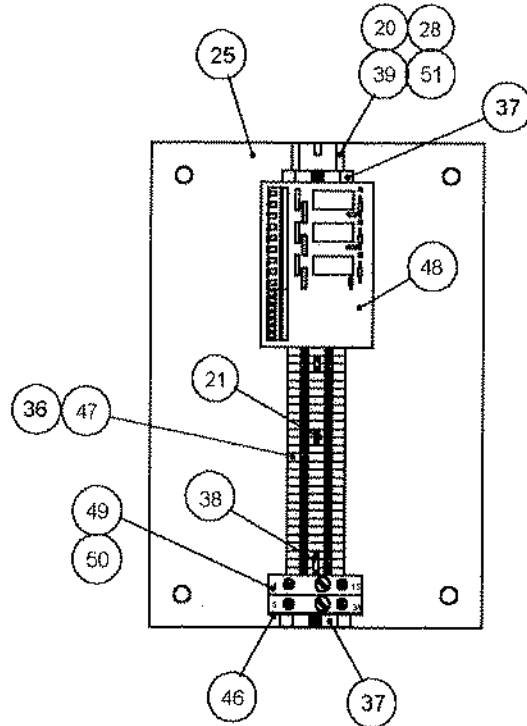
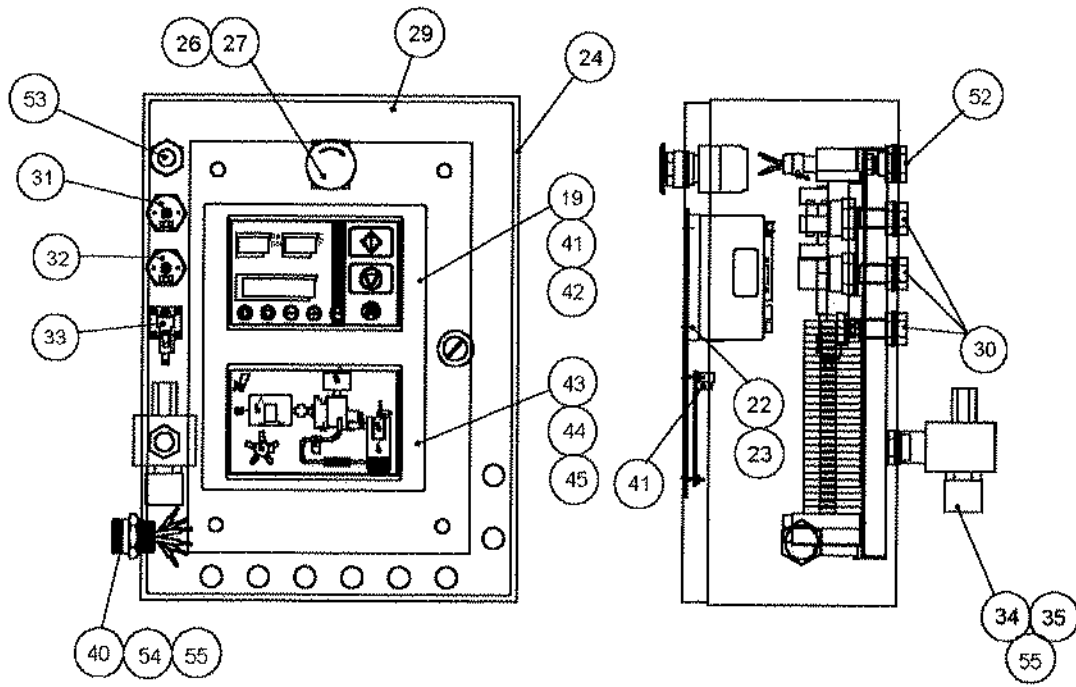
REF	PART DESCRIPTION	QTY	PART NUMBERS		
			STANDARD		
			G76-1373		
1	CONTROL PANEL ASSEMBLY	1	A76-1373		
2	CONNECTOR	1	188-178		
3	STRAIN RELIEF	1	188-144-3		
4	CONDUIT OUTLET	1	188-130-2		
5	FITTING, CONDUIT	4	182-928-2		
6	CONDUIT, PVC	15	55-2447-2		
7	CONDUIT	1	121-204		
8	CONDUIT OUTLET	1	188-128		
9	WIRE	40	61-888-22		
10	CONNECTOR	4	121-121-1		
11	CONDUIT CLAMP	3	83-807-1		
12	CAPSCREW	3	34-1407-6		
13	SWITCH, TEMPERATURE	2	76-940		
14	ENCLOSURE	1	68-2605-2--A		
15	SUB-PANEL	1	68-2605-1		
16	PUSHBUTTON	1	76-1099-1		
17	CONTACT BLOCK	2	76-1173-1		
18	LEGEND	1	62-1141-15		
19	PUSHBUTTON	1	76-1099-2		
20	CONTACT BLOCK	1	76-1099-2		
21	LEGEND	1	62-1141-16		
22	LIGHT	1	160-91		
23	LEGEND	1	62-1141		
24	HOURMETER	1	60-480		
25	CONNECTOR	1	188-179		
26	SEAL WASHER	2	125-715		
27	PLUG	4	19-641-10		
28	DIN RAIL	6	121-271-1		
29	END STOP	2	121-271-2		
30	TERMINAL BLOCK	10	121-271		
31	SCREW	2	O3-130		
32	WASHER	2	O6-65		
33	LOCKWASHER	2	O5-103		
34	TERMINAL MARKER	16	121-271-5		
35	SELECTOR SWITCH	1	76-1374		
36	LEGEND	1	62-1141-18		
37	RELAY	1	76-1375		
38	SCREW	2	O3-56		
39	PRESSURE SWITCH	1	76-1358		
40	COUPLING ANCHOR	1	182-818-2		
41	PRESSURE SWITCH	1	76-1263		
42	LOCKNUT	1	53-261-1		
43	TIMER	1	76-1180		
44	SOCKET	1	76-1180-1--B		



TYPICAL STARTER ENCLOSURE

T100259 ECN 47023

THIS PAGE INTENTIONALLY LEFT BLANK.



SUB - PANEL ASSEMBLY

T100258 ECN 47023



PARTS LIST GROUPS AND COMPONENTS

**Group No. 7B
Control Panel MP Econotrol**

REF	PART DESCRIPTION	QTY	PART NUMBERS	
			STANDARD	NEMA 4
			G76-1244	G76-1425
1	CONTROL PANEL MICROPROC	1	A76-1244 INC. A-B	A76-1425 INC. A-B
2	CONNECTOR	1	188-177	"
3	STRAIN RELIEF	1	188-144-3	"
4	CONNECTOR	4	188-173	"
5	STRAIN RELIEF	4	188-144	"
6	STRAIN RELIEF	4	188-144-2	"
7	SENSOR, TEMPERATURE	2	76-1356	"
8	ADAPTOR, MOUNTING	2	182-1101	"
9	CABLE TIE BASE	1	83-659-3	"
10	CABLE TIES	1	83-642	"
11	CAPSCREW	2	34-1407-8	"
12	TRANSFORMER	1	185-29	"
13	FUSE	1	139-275-20	"
14	CAPSCREW	4	O3-130	"
15	WASHER	4	O5-103	"
16	WASHER	4	O6-65	"
17	RELAY	1	76-1351	"
18	CAPSCREW	2	O3-56	"
19	CONTROLLER	1	76-1244--A	76-1244--A
20	WASHER	2	O6-65	"
21	CROSS	2	121-271-6	"
22	LOCKWASHER	8	O5-102	"
23	NUT	8	O4-11	"
24	ENCLOSURE	1	68-2596	"
25	SUB-PANEL	1	68-2170-3	"
26	PUSHBUTTON	1	76-1350	"
27	CONTACT BLOCK	1	76-1173	"
28	LOCKWASHER	2	O5-103	"
29	OVERLAY	1	62-468	"
30	COUPLING, ANCHOR	3	182-818-2	"
31	SWITCH, ANTI ROTATION	1	76-1358	"
32	SWITCH, OVERPRESSURE	1	76-1359	"
33	DIFFERENTIAL SWITCH	1	76-1352	"
34	SOLENOID VALVE	1	15-1955	"
35	NIPPLE, CONDUIT	1	188-129-1	"
36	TERMINAL BLOCK	28	121-271	"
37	END ANCHOR	2	121-271-2	"
38	CROSS	1	121-271-7	"
39	DINRAIL	13	121-271-1	"
40	CONNECTOR	1	188-175	"
41	PLUG, 2 POS	2	121-268	"
42	PLUG, 4 POS	1	121-268-1	"
43	PLUG, 6 POS	1	121-268-2	"
44	PLUG, 9 POS	1	121-268-3	"
45	PLUG, 10 POS	1	121-268-4	"
46	END PLATE	1	121-271-4	"
47	TERM MARK STRIP	56	121-271-5	"
48	RELAY CARD	1	76-1357	"

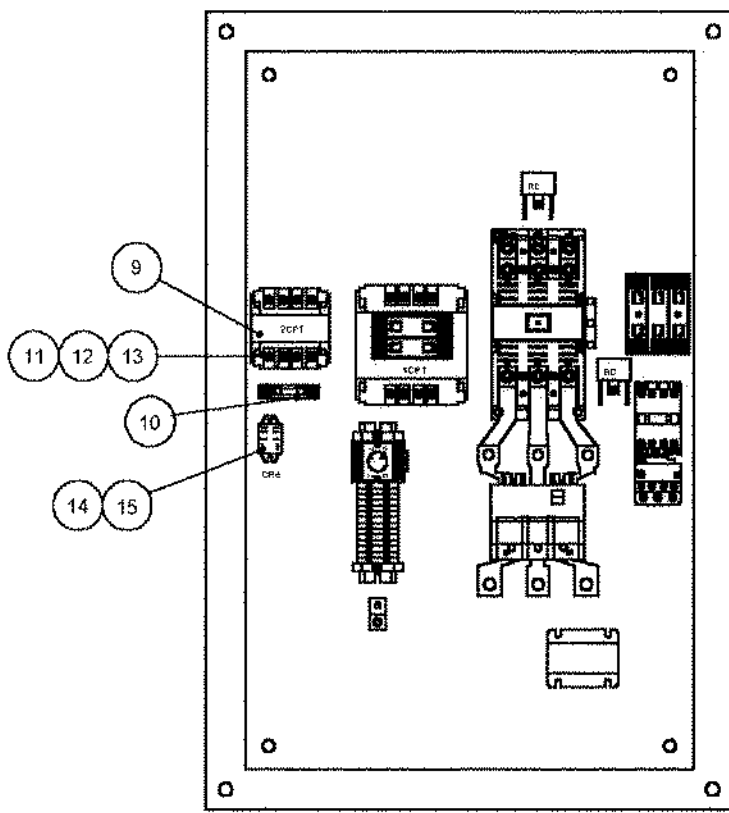
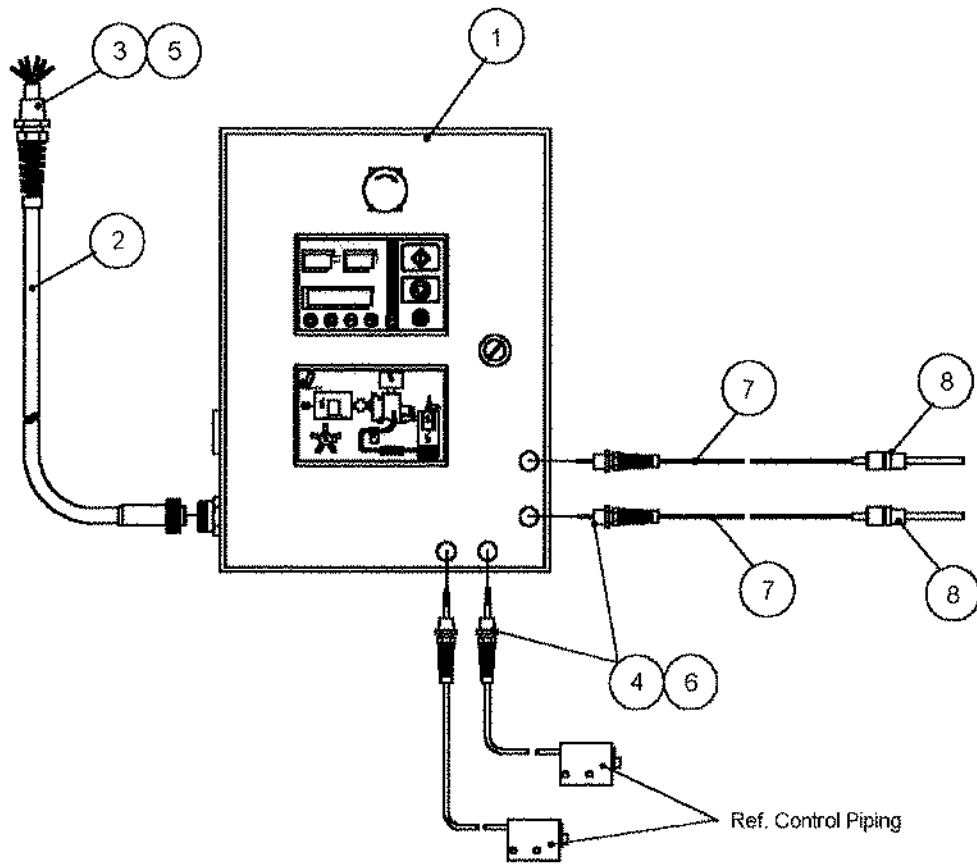
THIS PAGE INTENTIONALLY LEFT BLANK.



PARTS LIST GROUPS AND COMPONENTS

Group No. 7B
Control Panel MP Econotrol

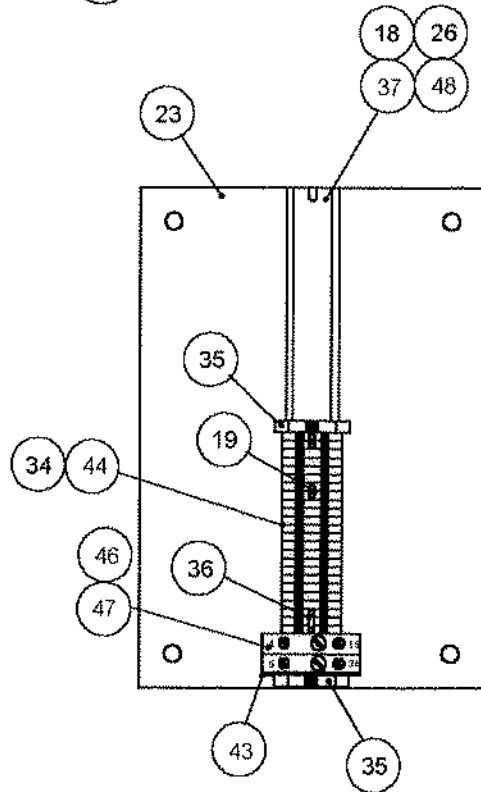
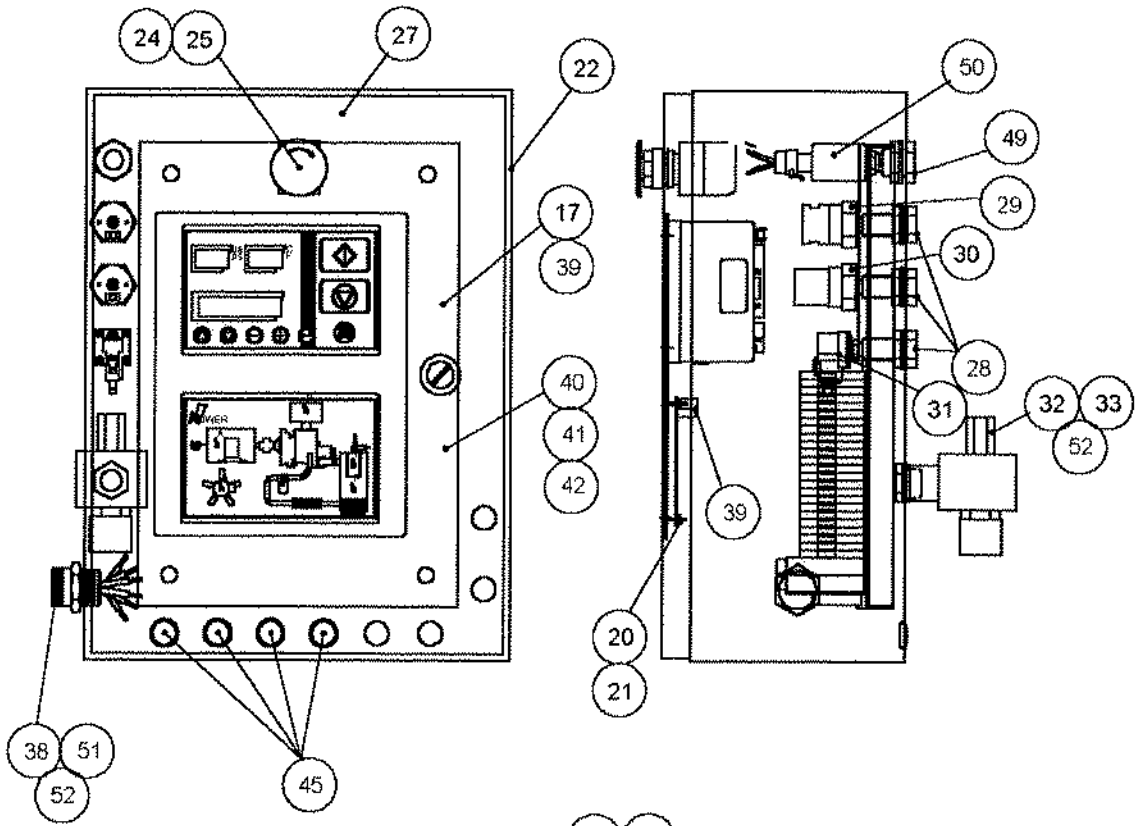
REF	PART DESCRIPTION	QTY	PART NUMBERS	
			STANDARD	NEMA 4
			G76-1244	A76-1425
49	FUSE HOLDER	2	121-271-3	"
50	FUSE	2	139-261-2	"
51	SCREW	2	O3-130	"
52	COUPLING, ANCHOR	1	182-818	"
53	PRESSURE TRANSDUCER	1	76-1306	"
54	LOCKNUT	1	53-261-1	"
55	SEAL WASHER	2	125-715--B	"
	WINDOW KIT	1		14-1815-1
	STANDOFF	4		22-1295-1
	STANDOFF	2		22-1253
	HINGE	2		22-1252—B



TYPICAL STARTER ENCLOSURE

T100260 ECN 47023

THIS PAGE INTENTIONALLY LEFT BLANK.



SUB - PANEL ASSEMBLY

T100261 ECN 47023



PARTS LIST GROUPS AND COMPONENTS

**Group No. 7C
Control Panel MP W/O Econotrol**

REF	PART DESCRIPTION	QTY	PART NUMBERS	
			STANDARD	NEMA 4
			1G76-1244	G76-1456
1	CONTROL PANEL MICROPROC.	1	1A76-1244	A76-1456
			INC. A-B	INC. A-B
2	CONNECTOR	1	188-174	"
3	STRAIN RELIEF	1	188-144-3	"
4	STRAIN RELIEF	4	188-144-2	"
5	CONDUIT OUTLET	1	188-130-2	"
6	CONDUIT NUT	4	53-261	"
7	SENSOR, TEMPERATURE	2	76-1356	"
8	ADAPTOR MOUNTING	2	182-1101	"
9	TRANSFORMER	1	185-29	"
10	FUSE	1	139-275-20	"
11	CAPSCREW	4	O3-130	"
12	WASHER, LOCK	4	O5-103	"
13	WASHER	4	O6-65	"
14	RELAY	1	76-1351	"
15	CAPSCREW	2	O3-56	"
17	CONTROLLER	1	76-1244--A	76-1244--A
18	WASHER	2	O6-65	"
19	CROSS	2	121-271-6	"
20	LOCKWASHER	8	O5-102	"
21	NUT	8	O4-11	"
22	ENCLOSURE	1	68-2596	"
23	SUB-PANEL	1	68-2170-3	"
24	PUSHBUTTON	1	76-1350	"
25	CONTACT BLOCK	1	76-1173	"
26	LOCKWASHER	2	O5-103	"
27	OVERLAY	1	62-468	"
28	COUPLING, ANCHOR	3	182-818-2	"
29	SWITCH, REVERSE ROTATION	1	76-1358	"
30	SWITCH, OVERPRESSURE	1	76-1359	"
31	SWITCH, DIFFERETIAL	1	76-1352	"
32	VALVE, SOLENOID	1	15-1955	"
33	NIPPLE, CONDUIT	1	188-129-1	"
34	TERMINAL BLOCK	24	121-271	"
35	END ANCHOR	2	121-271-2	"
36	CROSS	1	121-271-7	"
37	DINRAIL	13	121-271-1	"
38	CONNECTOR	1	188-175	"
39	PLUG, 2 POS	2	121-268	"
40	PLUG, 6 POS	1	121-268-2	"
41	PLUG, 9 POS	1	121-268-3	"
42	PLUG, 10 POS	1	121-268-4	"
43	END PLATE	1	121-271-4	"
44	TERMINAL, MARKER	48	121-271-5	"
45	PLUG	4	19-641	"
46	FUSE HOLDER	2	121-271-3	"

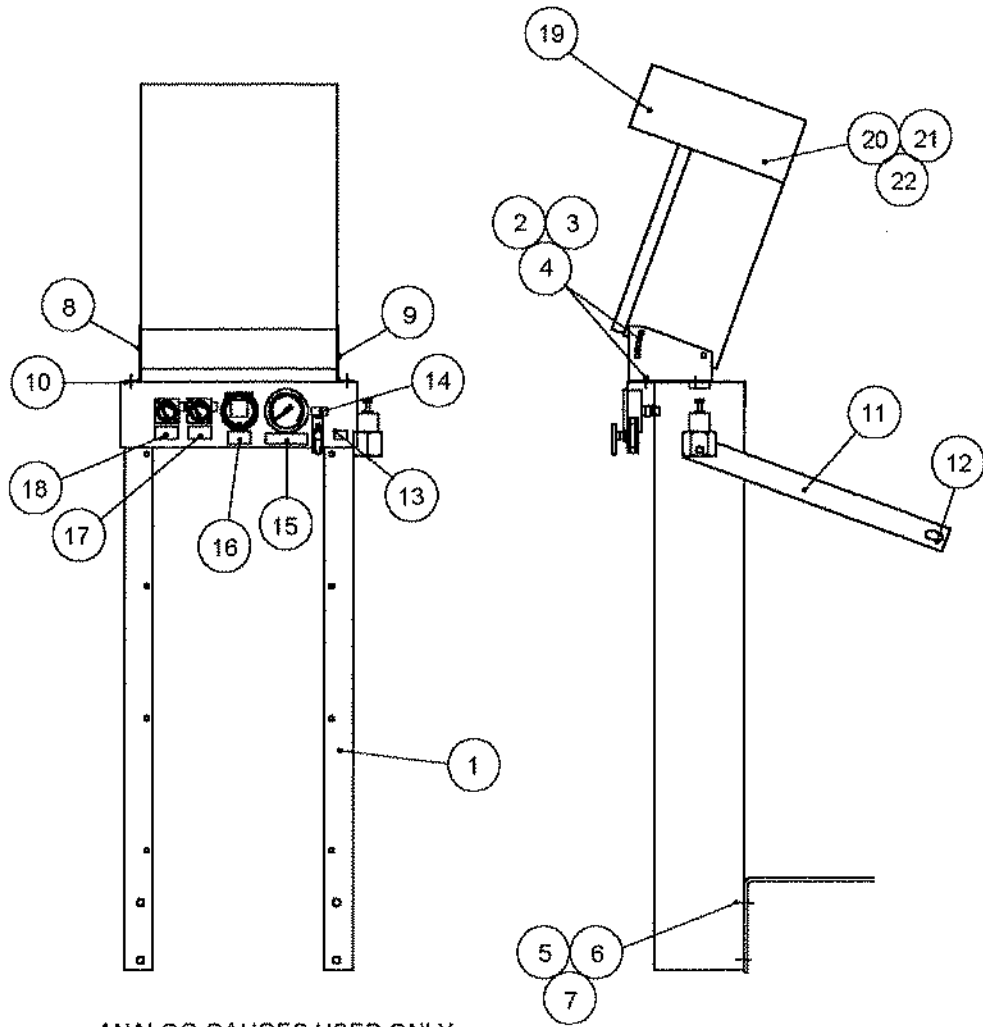
THIS PAGE INTENTIONALLY LEFT BLANK.



PARTS LIST GROUPS AND COMPONENTS

Group No. 7C
Control Panel MP W/O Econotrol

REF	PART DESCRIPTION	QTY	PART NUMBERS		
			STANDARD	NEMA 4	
			1G76-1244	G76-1456	
47	FUSE	2	139-261-2	"	
48	CAPSCREW	2	O3-130	"	
49	COUPLING, ANCHOR	1	182-818	"	
50	TRNSDUCER, PRESSURE	1	76-1306	"	
51	LOCKNUT	1	53-261-1	"	
52	SEAL WASHER	2	125-715-B	"	
	WINDOW KIT	1		14-1815-1	
	STANDOFF	4		22-1295-1	
	STANDOFF	2		22-1253	
	HINGE	2		22-1252-B	



ANALOG GAUGES USED ONLY
USED ON "CUB" MACHINES

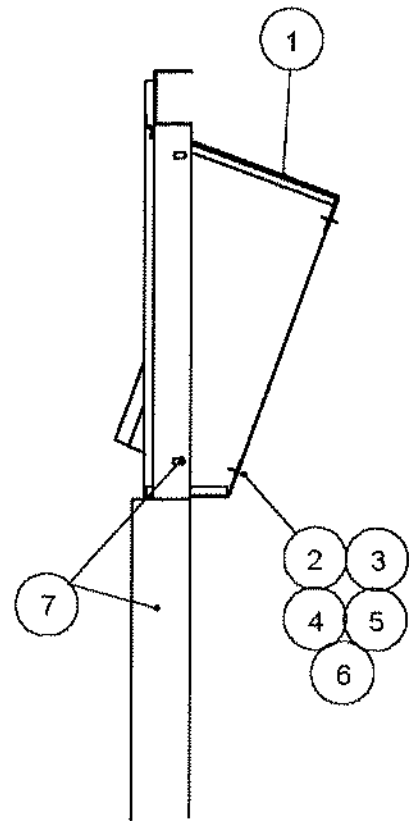
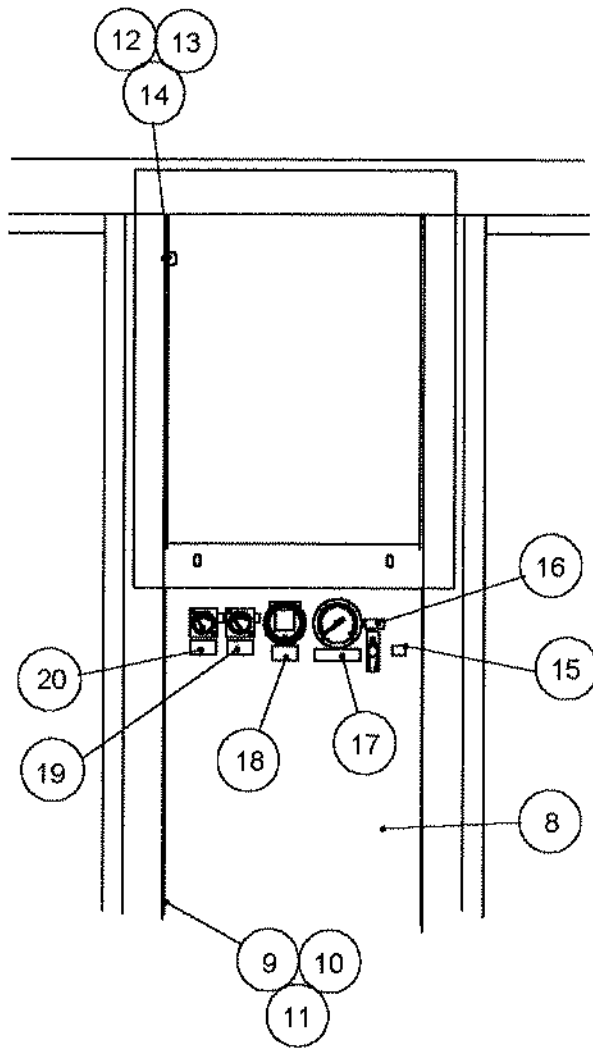
TI00262 ECN 47023



PARTS LIST GROUPS AND COMPONENTS

Group No. 8
Control Panel Mounting Unhoused

REF	PART DESCRIPTION	QTY	PART NUMBERS	
			SS	CUB
			G39-7545	1G39-7545
1	SUPPORT, CONTROL PANEL	1	1A39-7545	A39-7545
2	CAPSCREW	8	O2-4-1	"
3	WASHER	8	O5-49-1	"
4	NUT	8	O4-101-1	"
5	CAPSCREW	4	O2-34-1	"
6	WASHER	4	O5-51-1	"
7	NUT	4	O4-103-1	"
8	SUPPORT, CONTROL PANEL	1	39-7528	"
9	SUPPORT, CONTROL PANEL	1	39-7528-1	"
10	SEAL	4	M125-842-6	"
11	BRACE	1	39-7617	"
12	CAPSCREW	1	O2-896	"
13	DECAL, LOAD	1		62-1291-5
14	DECAL, UNLOAD	1		62-1291-6
15	DECAL, PRESSURE	1		62-1291-3
16	LABEL	1		62-1291-32
17	LABEL	1		62-1291-33
18	LABEL	1		62-1291-34
19	SUNSHIELD	1	201-416	"
20	CAPSCREW	3	O3-91	"
21	SEAL, WASHER	3	M125-842-4	"
22	NUT	3	O4-27	"



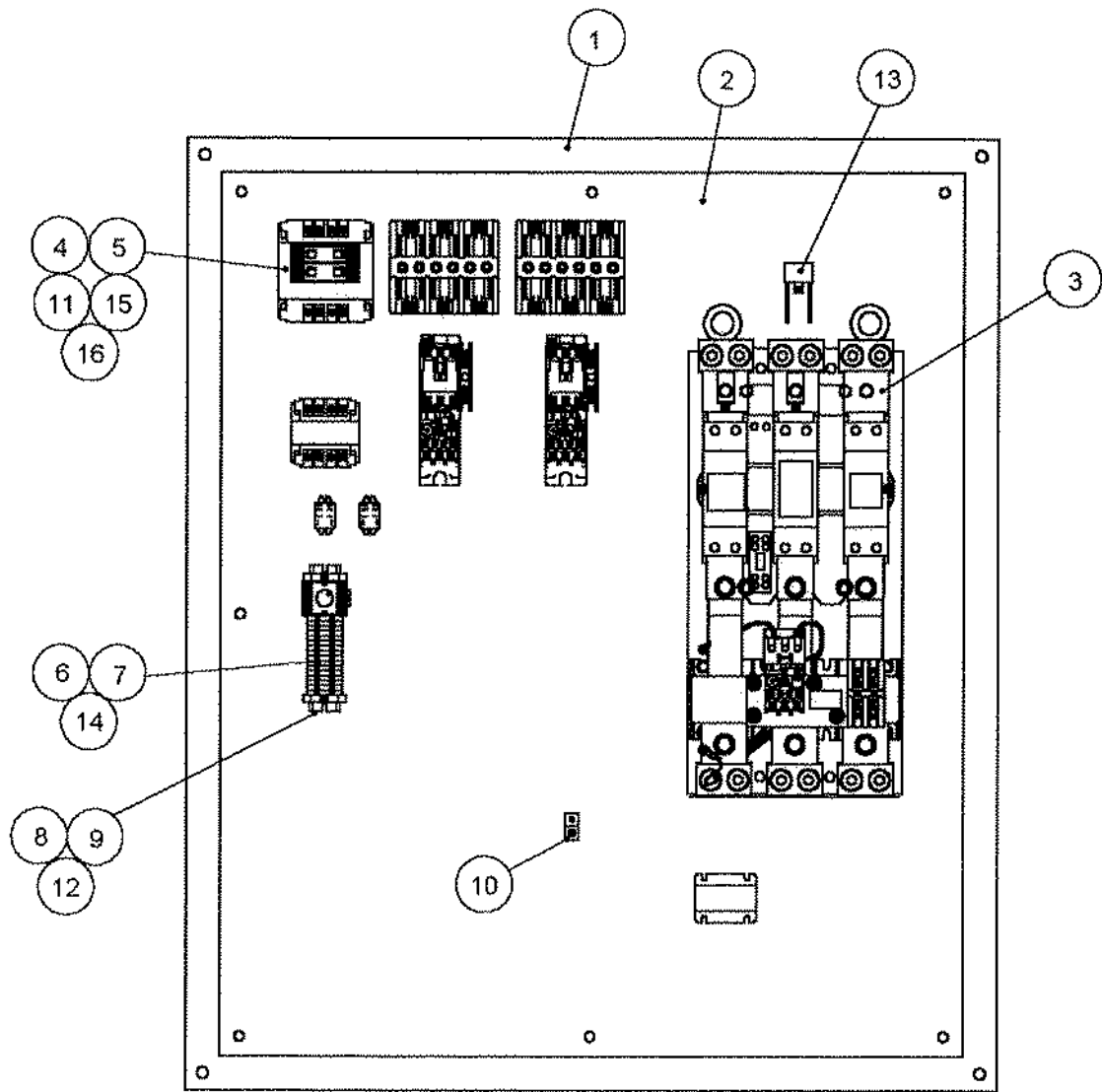
TI00263 ECN 47023



PARTS LIST GROUPS AND COMPONENTS

Group No. 8A
Control Panel Mounting Housed

REF	PART DESCRIPTION	QTY	PART NUMBERS		
			SS	CUB	
			G68-2603	1G68-2603	
1	PANEL, HOUSING	1	A68-2603	"	
2	CAPSCREW	4	O2-4-1	"	
3	WASHER	4	O6-2-1	"	
4	WASHER	4	O5-49-1	"	
5	SEAL	4	M125-842-6	"	
6	NUT	4	O4-101-1	"	
7	SCREW	4	H34-579-2	"	
8	PANEL, FILLER	1	68-2604	68-2604-1	
9	GROMMET	1	150-77	"	
10	CABLE TIE	2	83-659-3	"	
11	CABLE TIES	2	83-642	"	
12	BUMPER	1	192-108	"	
13	WASHER, LOCK	1	O5-102	"	
14	NUT	1	O4-11	"	
15	DECAL, LOAD	1		62-1291-5	
16	DECAL, UNLOAD	1		62-1291-6	
17	DECAL, PRESSURE	1		62-1291-3	
18	LABEL	1		62-1291-32	
19	LABEL	1		62-1291-33	
20	LABEL	1		62-1291-34	



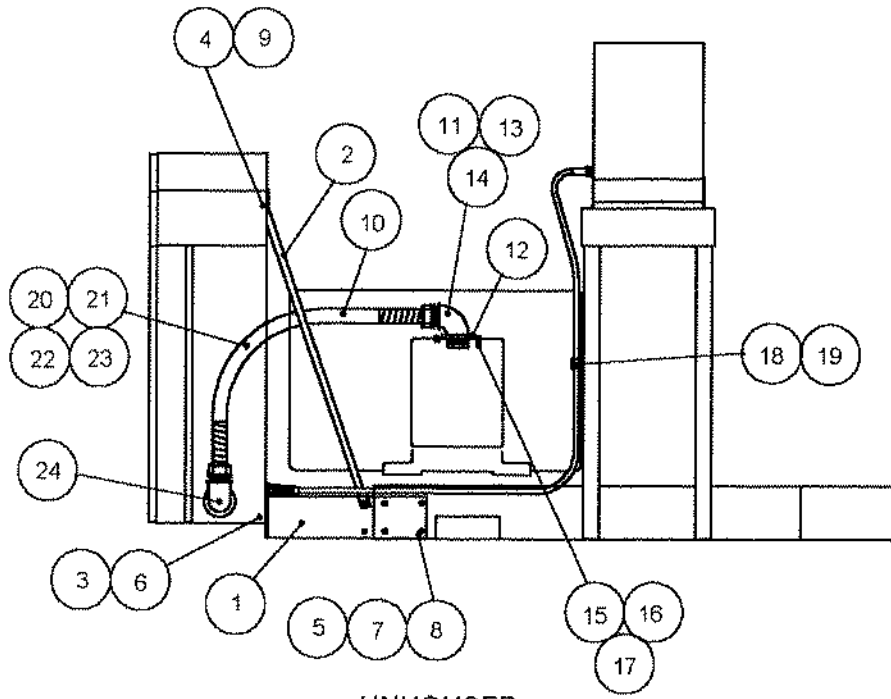
TI00264 ECN 47023



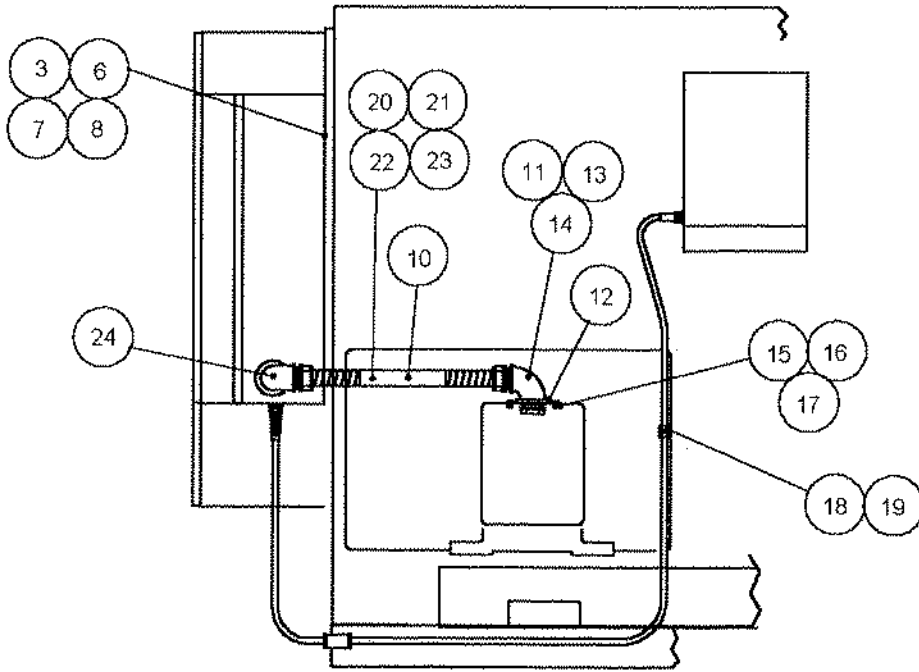
PARTS LIST GROUPS AND COMPONENTS

**Group No. 9
Starter ACROSS-THE-LINE**

REF	PART DESCRIPTION	QTY	PART NUMBERS		
			60 HP	75 HP	100 HP
			A76-1435 A76-1393 A76-1394 A76-1483	A76-1380 A76-1381 A76-1407	A76-1453 A76-1376 A76-1447 A76-1416
1	ENCLOSURE 200V	1	68-2170-58	N/A	68-2170-46
1	ENCLOSURE 230V	1	68-2170-58	"	"
1	ENCLOSURE 460V	1	68-2170-62	"	68-2170-58
1	ENCLOSURE 575V	1	68-2170-62	"	"
2	SUB-PANEL 200V	1	68-2609	N/A	68-3219
2	SUB-PANEL 230V	1	68-2609	"	"
2	SUB-PANEL 460V	1	68-2612	"	68-2609
2	SUB-PANEL 575V	1	68-2612	"	"
3	STARTER 200V	1	76-1443-4	N/A	76-1444
3	STARTER 230V	1	76-1443-2	76-1443-4	76-1443-3
3	STARTER 460V	1	76-1442	76-1442-2	76-1443-1
3	STARTER 575V	1	76-1442-1	76-1442	76-1442-4
4	TRANSFORMER 200V	1	185-30-27	N/A	185-30-27
4	TRANSFORMER 230V	1	185-30-7	"	"
4	TRANSFORMER 460V	1	185-30-4	"	185-30-7
4	TRANSFORMER 575V	1	185-30-14	185-30-4	185-30-17
5	FUSE SECONDARY	1	139-275-9	"	"
6	TERMINAL BLOCKS	16	121-271	"	"
7	MARKING TAG	28	121-271-5	"	"
8	DIN RAIL	6	121-271-5	"	121-271-1
9	END STOP	2	121-275-2	"	"
10	GROUNDING LUG	1	121-270-1	"	"
11	FUSE BLOCK	1	139-284	"	"
12	PLUG	4	N/A	N/A	19-641-8
13	RC NETWORK	1	167-58	"	"
14	GROUND TERMINAL BLOCK	1	121-271-9	121-271-9	121-271-9
15	MOV	1	167-57	"	"
16	FUSE PRIMARY 200V	2	139-275-11	N/A	139-275-11
16	FUSE PRIMARY 230V	2	139-275-11	"	"
16	FUSE PRIMARY 460V	2	139-275-5	"	139-275-8
16	FUSE PRIMARY 575V	2	139-275-3	139-275-5	139-275-7
	AMMETER 200V	OPT	60-478-1	60-478-2	60-478-3
	AMMETER 230V	OPT	60-478-1	60-478-2	60-478-2
	AMMETER 460V	OPT	60-478	60-478-1	60-478-1
	AMMETER 575V	OPT	60-478	60-478-1	60-478-1
	TRANSFORMER 200V	OPT	185-19-1	185-19	185-19-2
	TRANSFORMER 230V	OPT	185-19-1	185-19	185-19
	TRANSFORMER 460V	OPT	185-19-3	185-19-1	185-19-1
	TRANSFORMER 575V	OPT	185-19-3	185-19-1	185-19-1
	PHASE MONITOR 190/240V	OPT	76-1102	"	"
	PHASE MONITOR 430/480V	OPT	76-1102-1	"	"



UNHOUSED



HOUSED

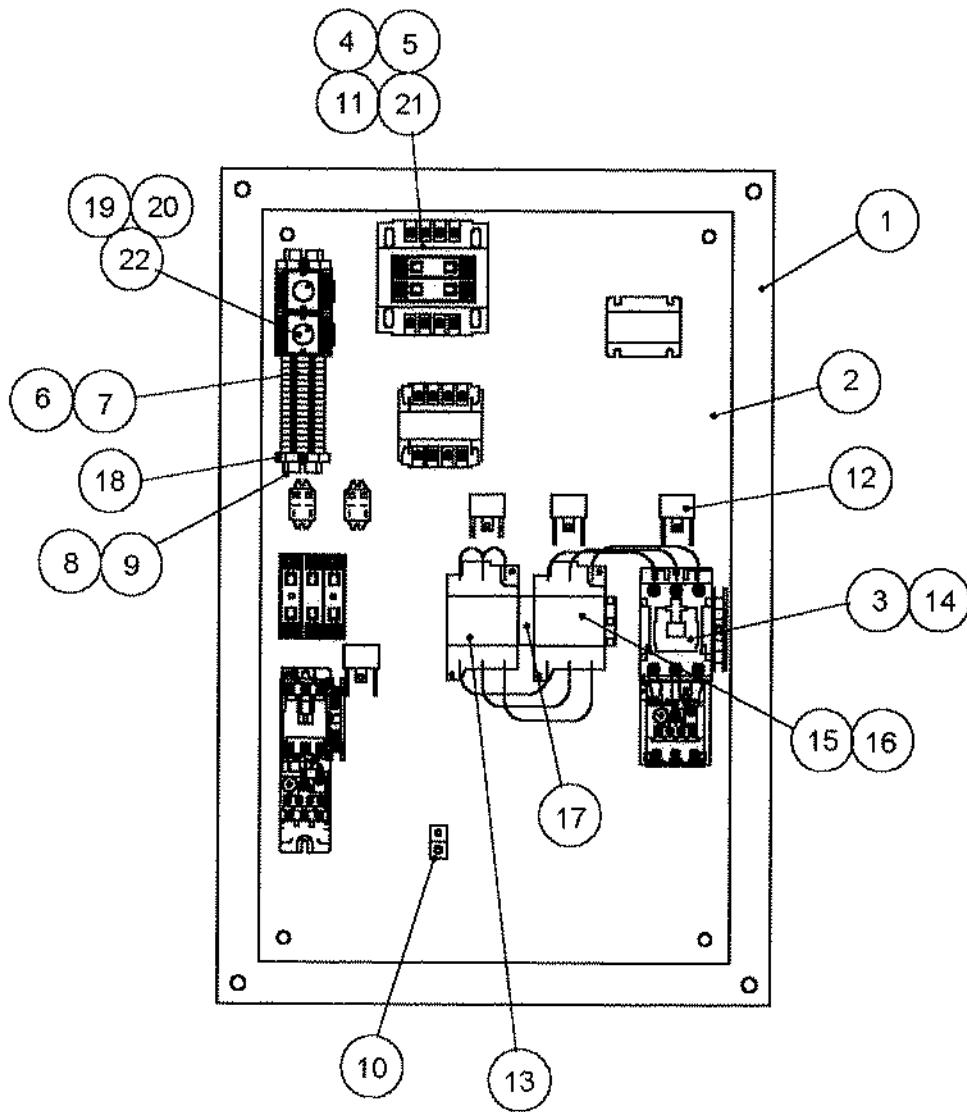
TI00266 ECN 47023



PARTS LIST GROUPS AND COMPONENTS

Group No. 9A
Starter Mounting ACROSS-THE-LINE

REF	PART DESCRIPTION	QTY	PART NUMBERS		
			60 HP	75 HP	100 HP
1	SUPPORT, STARTER, 200V	2	39-7549	N/A	39-7616
1	SUPPORT, STARTER, 230V	2	39-7549	"	"
1	SUPPORT, STARTER, 460V/575V	2	39-7549	"	"
2	BRACE, STARTER, 200V	2	39-7553	N/A	39-7618
2	BRACE, STARTER, 230V	2	39-7553	"	39-7578
2	BRACE, STARTER, 460V/575V	2	39-7553	"	"
3	CAPSCREW	4	O2-35-1	"	"
4	CAPSCREW	2	O2-36-1	"	"
5	SCREW	8	O2-37-1	"	"
6	SEAL	4	M125-842-2	"	"
7	WASHER	14	O5-51-1	"	"
8	NUT	14	O4-103-1	"	"
9	WASHER	6	O6-4-1	"	"
10	CONDUIT, 200V	60	55-2688	N/A	55-2688-1
10	CONDUIT, 230V	36	55-2688	"	"
10	CONDUIT, 460V	5	55-2447-5	"	55-2447-6
10	CONDUIT, 575V	5	55-2447-5	"	"
11	CONDUIT BODY, LB, 200V	2	188-189	N/A	188-189-1
11	CONDUIT BODY, LB, 230V	2	188-189	"	"
11	CONDUIT BODY, LB, 460V	2	182-928-12	"	182-928-13
11	CONDUIT BODY, LB, 575V	2	182-928-12	"	"
12	REDUCER, CONDUIT, 200V	1	188-180-1	N/A	188-180-2
12	REDUCER, CONDUIT, 230V	1	188-180-1	"	"
12	REDUCER, CONDUIT, 460V	1	188-180-4	"	188-180
12	REDUCER, CONDUIT, 575V	1	188-180-4	"	"
13	LOCKNUT, 200V	2	188-130-6	N/A	188-130-7
13	LOCKNUT, 230V	2	188-130-6	"	"
14	BUSHING, PLASTIC, 200V	2	188-188	N/A	188-74-2
14	BUSHING, PLASTIC, 230V	2	188-188	"	"
15	CAPSCREW	4	O2-16-1	"	"
16	WASHER	4	O5-49-1	"	"
17	NUT	4	O4-101-1	"	"
18	BASE, CABLE TIE	2	83-659-3	"	"
19	CABLE TIES	2	83-642	"	"
20	CONDUCTOR, 200V	36	61-1032-14	N/A	61-888-13
20	CONDUCTOR, 230V	18	61-1032-14	"	61-888-12
20	CONDUCTOR, 460V	18	61-888-10	"	61-888-12
20	CONDUCTOR, 575V	18	61-888-10	"	"
21	CONDUCTOR, GREEN, 200V, 230V	6	61-888-51	"	61-888-53
21	CONDUCTOR, GREEN, 460V	6	61-888-47	"	61-888-7
21	CONDUCTOR, GREEN, 575V	6	61-888-47	"	"
22	TERMINAL, 200V	6	121-208-34	N/A	121-208-26
22	TERMINAL, 230V	6	121-208-34	"	121-208-22
22	TERMINAL, 460V	6	121-208-14	"	121-208-7
22	TERMINAL, 575V	6	121-208-14	"	121-208-13
23	LUG	1	121-208-18	"	121-208-23
24	SEAL GUM	1	125-888	"	"

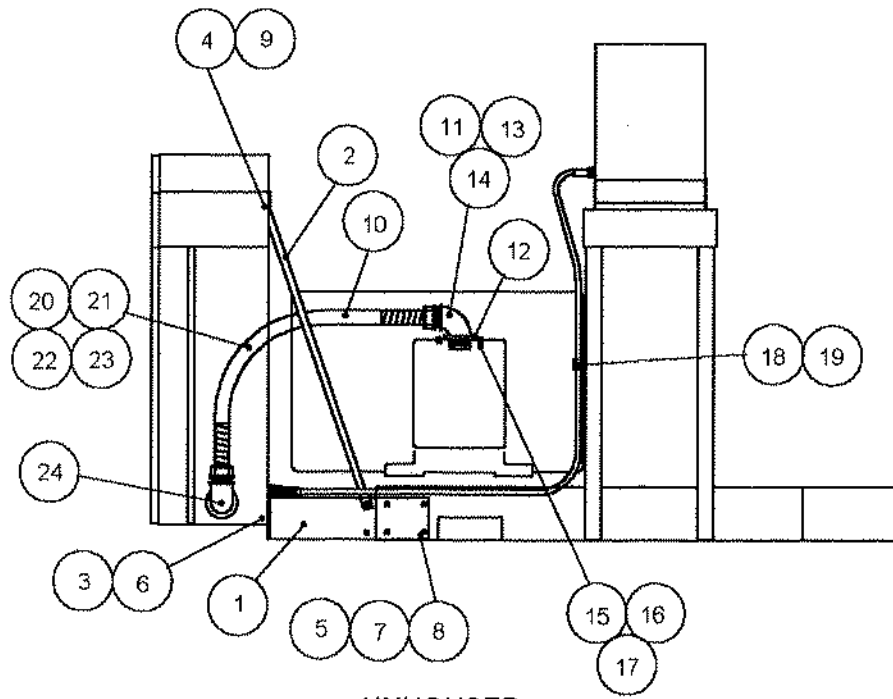


T100265 ECN 47023

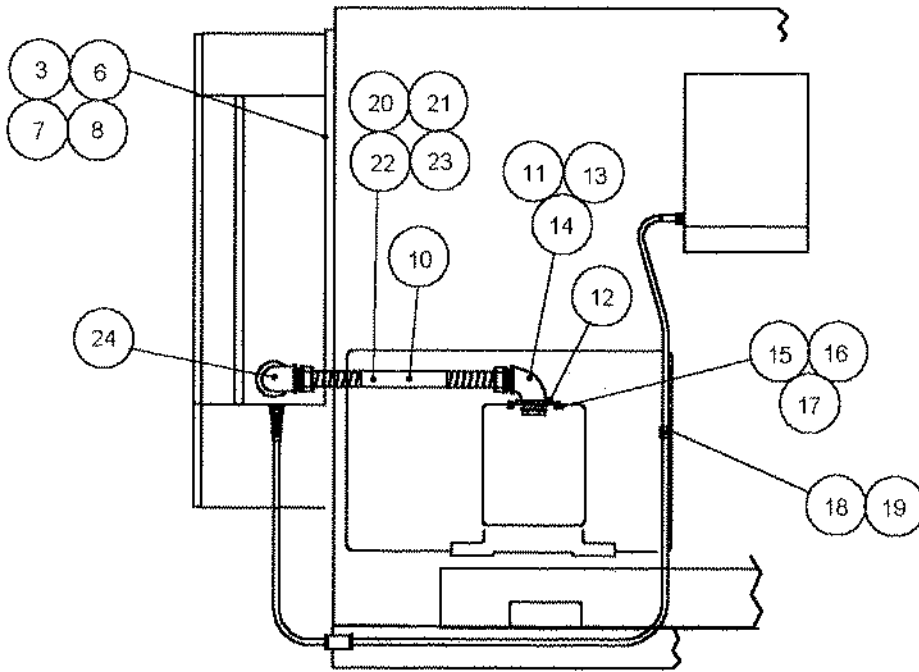
PARTS LIST GROUPS AND COMPONENTS

**Group No. 10
Starter WYE-DELTA**

REF	PART DESCRIPTION	QTY	PART NUMBERS		
			60 HP	75 HP	100 HP
			A76-1395 A76-1396	A76-1382 A76-1384 A76-1437	A76-1427 A76-1378 A76-1379 A76-1451
1	ENCLOSURE 200V	1	N/A	N/A	68-2170-46
1	ENCLOSURE 230V	1	68-2170-62	68-2170-42	68-2170-46
1	ENCLOSURE 460V	1	68-2170-62	"	"
1	ENCLOSURE 575V	1	N/A	68-2170-62	"
2	SUB-PANEL 200V	1	N/A	N/A	68-2623
2	SUB-PANEL 230V	1	68-2614	68-2613	68-2623
2	SUB-PANEL 460V	1	68-2617	"	68-2614
2	SUB-PANEL 575V	1	N/A	68-2617	68-2614
3	STARTER 200V	1	N/A	N/A	76-1443-4
3	STARTER 230V	1	76-1442-2	76-1443	76-1443-2
3	STARTER 460V	1	76-1441-1	76-1442-1	76-1442-1
3	STARTER 575V	1	N/A	76-1441-1	76-1442-1
4	TRANSFORMER 200V	1	N/A	N/A	185-275-19
4	TRANSFORMER 230V	1	185-30-7	185-30-8	185-30-9
4	TRANSFORMER 460V	1	185-30-4	"	185-30-7
4	TRANSFORMER 575V	1	N/A	185-30-14	185-30-17
5	FUSE SECONDARY 200/230V	1	139-275-9	139-275-10	139-275-19
5	FUSE SECONDARY 460/575V	1	139-275-6	"	139-275-9
6	TERMINAL BLOCKS	16	121-271	"	"
7	MARKING TAG	28	121-271-5	"	"
8	DIN RAIL	6	121-271-5	"	"
9	END STOP	2	121-275-2	"	"
10	GROUNDING LUG	1	121-270-1	"	"
11	FUSE BLOCK	1	139-284	"	"
12	RC NETWORK	3	167-58	"	"
13	MOV	1	167-57	"	"
14	CONTACT AUX 200V	1	N/A	N/A	76-1387-6
14	CONTACT AUX 230V	1	76-1367-6	"	76-1387-6
14	CONTACT AUX 460V	1	76-1367-3	"	76-1367-6
14	CONTACT AUX 575V	1	N/A	76-1367-3	76-1367-10
15	CONTACT AUX 200V	2	N/A	N/A	76-1367-12
15	CONTACT AUX 230V	2	76-1367-10	"	76-1367-12
15	CONTACT AUX 460V	1-2	76-1367-2	76-1367-4	76-1367-10
15	CONTACT AUX 575V	2	N/A	76-1367-4	76-1367-3
16	CONTACTOR 200V	2	N/A	N/A	76-1325-14
16	CONTACTOR 230V	2	76-1325-3	76-1325-5/6	76-1325-15
16	CONTACTOR 460V	2	76-1367-13	76-1325-3	"
16	CONTACTOR 575V	2	N/A	76-1325-13	76-1325-2
17	MECHANICAL INTERLOCK 200V	1	N/A	N/A	76-1368-1
17	MECHANICAL INTERLOCK 230V	1	76-1368	76-1368-2	76-1368-1
17	MECHANICAL INTERLOCK 460V	1	76-1368-3	"	76-1368
17	MECHANICAL INTERLOCK 575V	1	N/A	76-1368-3	"
18	GROUND TERMINAL BLOCK	1	121-271-9	"	"
19	TIMER	1	76-1180	"	"
20	SOCKET	1	76-1180-1	"	"
21	FUSE PRIMARY 200V	2	N/A	N/A	139-275-19
21	FUSE PRIMARY 230V	2	139-275-11	"	139-275-10
21	FUSE PRIMARY 460V	2	139-275-5	"	139-275-9
21	FUSE PRIMARY 575V	2	N/A	139-275-24	139-275-7
22	STACKED LUG	6	N/A	N/A	121-233-3



UNHOUSED



HOUSED

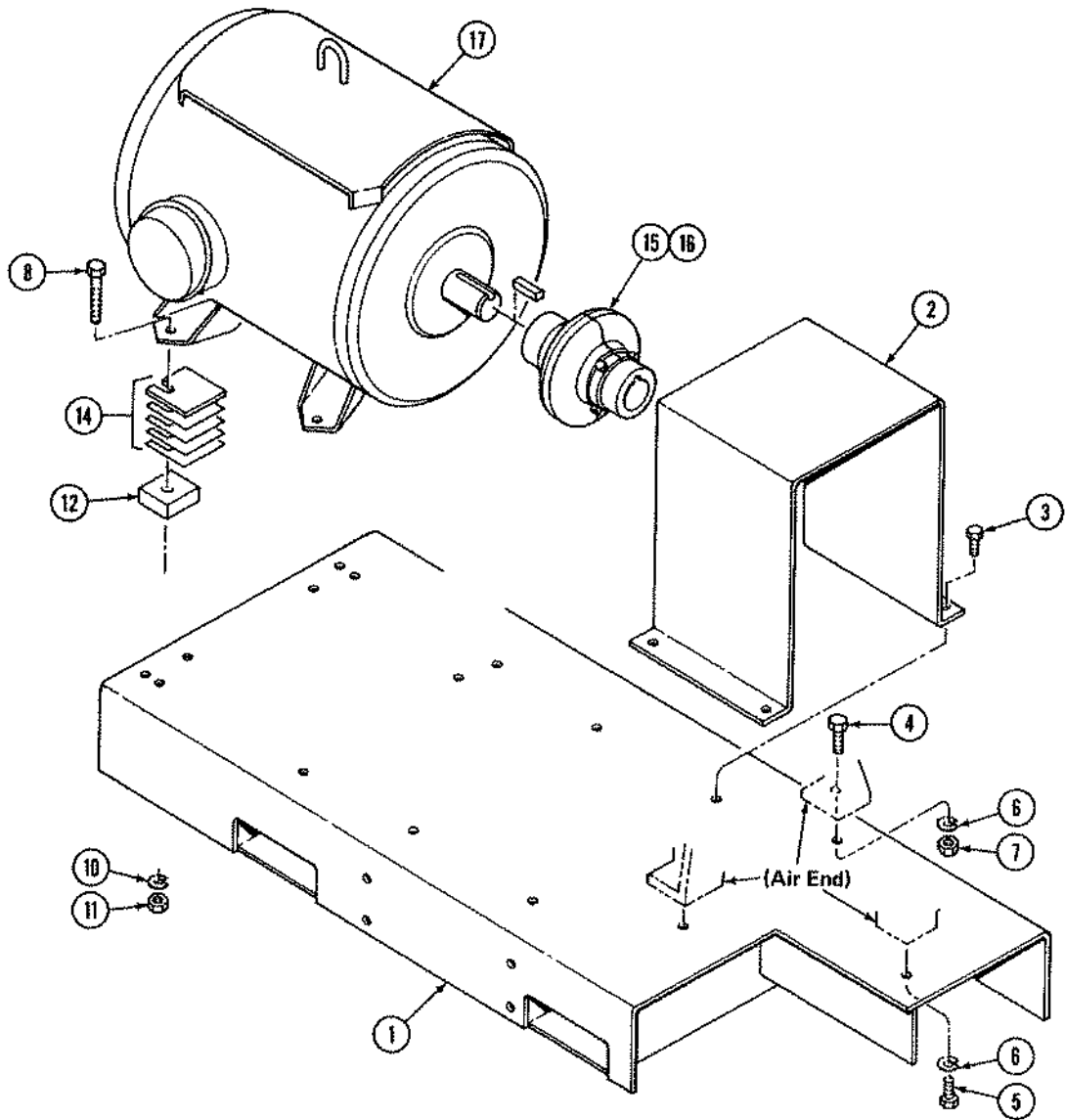
TI00266 ECN 47023



PARTS LIST GROUPS AND COMPONENTS

Group No. 10A
Starter Mounting WYE-DELTA

REF	PART DESCRIPTION	QTY	PART NUMBERS		
			60 HP	75 HP	100 HP
1	SUPPORT, STARTER, 230V	2	39-7549	"	39-7616
1	SUPPORT, STARTER, 460V	2	39-7549	"	"
2	BRACE, STARTER, 230V	2	39-7550	"	39-7618
2	BRACE, STARTER, 460V	2	39-7550	"	39-7553
3	CAPSCREW	4	O2-35-1	"	"
4	CAPSCREW	2	O2-36-1	"	"
5	SCREW	8	O2-37-1	"	"
6	SEAL	4	M125-842-2	"	"
7	WASHER	14	O5-51-1	"	"
8	NUT	14	O4-103-1	"	"
9	WASHER	6	O6-4-1	"	"
10	CONDUIT, 230V	5	55-2447-6	55-2688 (36)	55-2688-1 (60)
10	CONDUIT, 460V	5	55-2447-4	"	55-2447-6
11	CONDUIT BODY, LB, 230V	2	188-189	"	188-189-1
11	CONDUIT BODY, LB, 460V	2	182-928-11	"	182-928-13
12	REDUCER, CONDUIT, 230V	1	188-180	188-180-1	188-180-2
12	REDUCER, CONDUIT, 460V	1	188-180-3	"	188-180
13	NIPPLE	2	188-129-7	"	"
14	O-RING	2	125-715-3	"	"
15	CAPSCREW	4	O2-16-1	"	"
16	WASHER	4	O5-49-1	"	"
17	NUT	4	O4-101-1	"	"
18	BASE, CABLE TIE	2	83-659-3	"	"
19	CABLE TIES	2	83-642	"	"
20	CONDUCTOR, 230V	30	61-888-10	61-888-11	61-888-13
20	CONDUCTOR, 460V	30	61-888-7	"	61-888-9
21	CONDUCTOR, GREEN, 230V	6	61-888-49	61-888-51	61-888-53
21	CONDUCTOR, GREEN, 460V	6	61-888-47	"	61-888-48
22	TERMINAL, 230V	6	121-208-14	121-208-16	121-208-26
22	TERMINAL, 460V	6	121-208-5	"	121-208-13
23	LUG, 230V	1	121-208-9	121-208-13	121-208-23
23	LUG, 460V	1	121-208-1	"	121-208-5
24	SEAL GUM	1	125-888	"	"

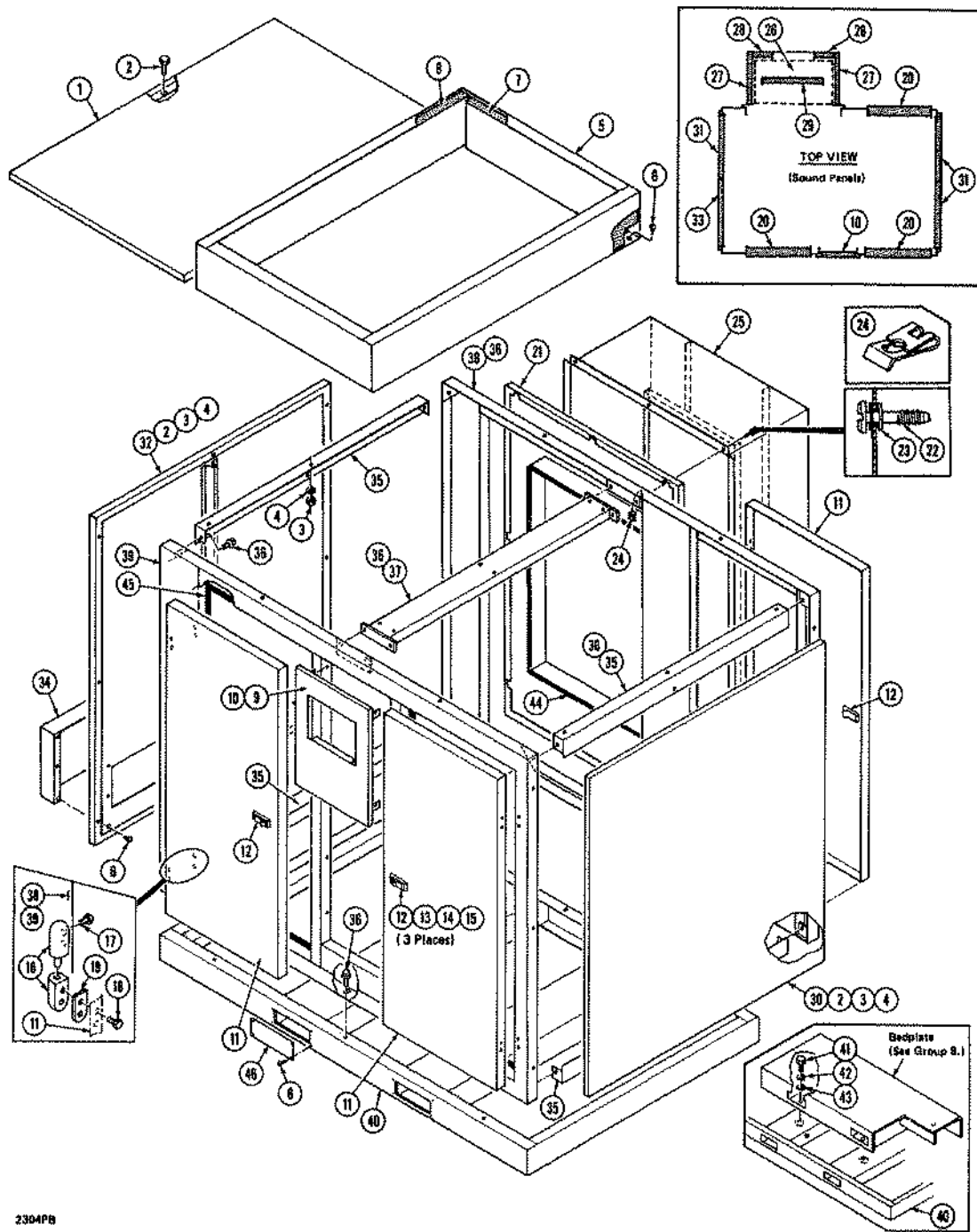




PARTS LIST GROUPS AND COMPONENTS

Group No. 11
Unit Base – Drive - Motor

REF	PART DESCRIPTION	QTY	PART NUMBERS		
			60 HP	75 HP	100 HP
			1G118-1180	1G118-1180	G118-1180
1	BEDPLATE ASSEMBLY	1	A118-1180	"	"
2	GUARD COUPLING	1	156-818-1	"	156-818
3	CAPSCREW	4	H34-1255	"	"
4	CAPSCREW	1	O2-1013	"	"
5	CAPSCREW	2	O2-117	"	"
6	WASHER, LOCK	3	O5-57	"	"
7	NUT	3	O4-109	"	"
8	CAPSCREW	4	O2-111	"	O2-117
9	CAPSCREW	4	N/A	N/A	O2-37-1
10	WASHER, LOCK	4	O5-55	"	N/A
11	NUT	4	O4-108-1	"	N/A
12	SPACER	4	22-789	"	"
14	SHIM .005 BLUE	AR	22-782	"	"
14	SHIM .0075 TRANSMATTE	AR	22-782-1	"	"
14	SHIM .020 YELLOW	AR	22-782-2	"	"
14	SHIM .059 STEEL	AR	22-782-3	"	"
14	SHIM .1345 STEEL	AR	22-782-4	"	"
15	COUPLING, 60 Hz	1	28-629-3	"	28-629-4
15	COUPLING, 50 Hz	1	28-589-4	"	28-423-7
			INC. A		INC. A
16	MEMBER, FLEXIBLE, 60 Hz	1	28-629-5--A	"	28-629-5--A
16	MEMBER, FLEXIBLE 50 Hz	1	28-589-1--A	"	28-423-7--A
	200 VOLT 60 Hz				
17	MOTOR, ODP	1	107-865-12	107-865-56	107-865-60
17	MOTOR, TEFC	1	107-870-12	107-870-44	107-870-48
17	MOTOR, HI EFF ODP	1	107-876-45	107-876-74	107-876-78
17	MOTOR, HI EFF TEFC	1	107-917-45	107-917-53	107-917-65
	230/460 VOLT 60 Hz				
17	MOTOR, ODP	1	107-865-211	107-865-65	107-865-69
17	MOTOR, TEFC	1	107-870-14	107-870-45	107-870-49
17	MOTOR, HI EFF ODP	1	107-876-47	N/A	107-876-108
17	MOTOR, HI EFF TEFC	1	N/A	N/A	
17	MOTOR, Y-DELTA ODP	1	107-865-211	107-865-65	107-865-69
	MOTOR, Y-DELTA TEFC	1	N/A	N/A	107-870-82
	575 VOLT 60 Hz				
17	MOTOR, ODP	1	107-865-15	N/A	107-865-63
17	MOTOR, TEFC	1	107-870-15	107-870-47	107-870-51
17	MOTOR, HI EFF ODP	1	107-876-48	107-876-77	107-876-81
17	MOTOR, HI EFF TEFC	1	107-917-48	107-917-56	107-917-68
17	MOTOR, Y-DELTA ODP	1	N/A	N/A	107-865-71
17	MOTOR, Y-DELTA TEFC	1	N/A	N/A	107-870-84



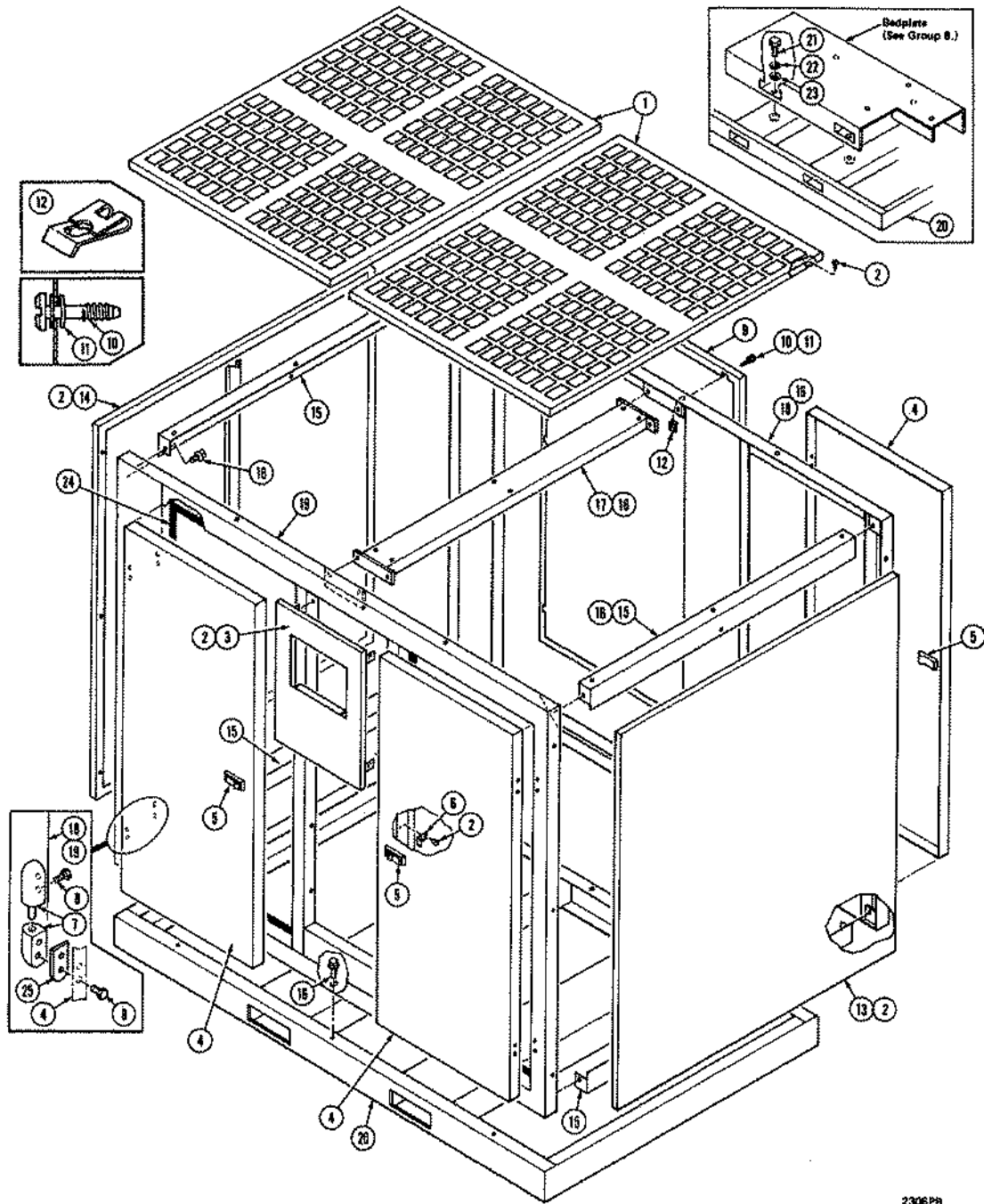
2304PB



PARTS LIST GROUPS AND COMPONENTS

Group No. 12
Housing, Air Cooled

REF	PART DESCRIPTION	QTY	PART NUMBERS		
			STANDARD	OUTDOOR	FOAM
			G68-2630	1G68-2630	G124-115
1	PANEL, TOP	2	68-2131	"	
2	CAPSCREW	8	O2-3	"	
3	NUT	8	O4-101	"	
4	WASHER	8	O5-49	"	
5	DUCT TOP	1	A68-2130	A68-2174	
6	CAPSCREW	26	H34-579-2	"	
7	PANEL, SOUND ABSORPTION	2			124-115-15
8	PANEL, SOUND ABSORPTION	2			124-115-16
10	PANEL, SOUND ABSORPTION	1			124-115-23
11	PANEL, DOOR	3	68-3148	"	
12	LATCH	3	178-158-1	"	
13	CAPSCREW	3	O3-137	"	
14	NUT	6	O4-27	"	
15	WASHER	3	20-1075	"	
16	HINGE	6	17-1309	"	
17	CAPSCREW	12	O2-777	"	
18	CAPSCREW	12	O2-775	"	
19	SPACER, HINGE	6	22-1220	"	
20	PANEL, SOUND ABSORPTION	3			124-115-17
21	PANEL, REAR	1	A68-2630	A69-3149	
22	CAPSCREW	7	34-1530	"	
23	WASHER	7	20-907	"	
24	NUT	7	53-586	"	
25	DUCT DISCHARGE	1	1A68-3162	"	
26	PANEL, SOUND ABSORPTION	2			124-115-19
27	PANEL, SOUND ABSORPTION	2			124-115-20
28	PANEL, SOUND ABSORPTION	2			124-115-21
29	PANEL, SOUND ABSORPTION	1			124-115-22
30	PANEL, END STANDARD FILTER	1	A68-2134	"	
30	PANEL, END, SEVERE DUTY	1	A68-2134-1	"	
31	PANEL, SOUND ABSORPTION	2			124-115-17
32	PANEL, END	1	A68-3150-1	"	
33	PANEL, SOUND ABSORPTION	1			124-115-18
34	PANEL, DUCT	1	68-3106-1	"	
35	SUPPORT, END	3	A39-6703	"	
36	CAPSCREW	20	34-1512	"	
37	SUPPORT, CENTER	1	A39-6720	"	
38	SUPPORT, HOUSING	1	A39-6716	"	
39	SUPPORT, HOUSING	1	A39-6719	"	
40	FRAME, HOUSING	1	A118-1182	"	
41	CAPSCREW	4	O2-100	"	
42	WASHER, LOCK	4	O5-55	"	
43	WASHER, FLAT	4	O6-8	"	
44	SEAL, COOLER	AR			
45	SEAL, DOOR	AR	125-923	"	
46	COVER	4			14-1816
47	CROSSMEMBER	1	A39-6703-1	"	
48	CONNECTOR, CORD	2	188-136-2	"	
49	DUCT, OUTDOOR	1	N/A	A68-2175	



2306P8



PARTS LIST GROUPS AND COMPONENTS

Group No. 12A
Housing, Water Cooled

REF	PART DESCRIPTION	QTY	PART NUMBERS	
			STANDARD	SEV DUTY FILT
			G68-2611	G68-1224
1	PANEL, TOP	2	A68-2132	"
2	CAPSCREW	26	H34-579-2	"
4	PANEL, DOOR	3	68-3148	"
5	LATCH	3	178-158-1	"
6	DUCT TOP	1	A68-2130	"
7	HINGE	6	17-1309	"
8	CAPSCREW	25	O2-775	"
9	PANEL, REAR	1	68-2149	"
10	CAPSCREW	7	34-1530	"
11	WASHER	7	20-907	"
12	NUT	7	53-586	"
13	PANEL, END STANDARD FILTER	1	68-2134	A68-2134-1
14	PANEL, END	1	A68-3150	"
15	SUPPORT, END	4	A39-6703	"
16	CAPSCREW	20	34-1512	"
17	SUPPORT, CENTER	1	A39-6720	"
18	SUPPORT, HOUSING	1	A39-6716	"
19	SUPPORT, HOUSING	1	A39-6719	"
20	FRAME, HOUSING	1	A118-1182	"
21	CAPSCREW	4	O2-100	"
22	WASHER, LOCK	4	O5-55	"
23	WASHER, FLAT	4	O6-8	"
24	SEAL, DOOR	AR	125-923	"
25	SPACER, HINGE	6	22-1220	"
	PANEL, COVER AIR CLEANER	1		68-1224
	SCREW, SPECIAL	4		34-1530
	WASHER, SPECIAL	4		20-907
	NUT, SPECIAL	4		53-586
	PANEL, TOP W/VENT FAN	1	2A68-2131	
	VENT FAN KIT	1	A204-2093	



PARTS LIST GROUPS AND COMPONENTS

Group No. 13
Decals

REF	PART DESCRIPTION	QTY	PART NUMBERS		
			STANDARD		
			G62-1401		
	DECAL, "OPERATING INST"	1	62-1180		
	DECAL, "DRAIN DAILY"	1	62-341		
	DECAL, "200 VOLT"	1	H62-628		
	DECAL, "230 VOLT"	1	H62-628-1		
	DECAL, "460 VOLT"	1	H62-628-2		
	DECAL, "575 VOLT"	1	H62-628-3		
	DECAL, "HIGH VOLTAGE"	1	62-1371		
	DECAL, "ROTATION"	1	62-1201		
	DECAL, "ADD OIL"	1	62-1108		
	DECAL, "OIL FILL FITTNG"	1	62-1109		
	DECAL, "CompAir"	2	62-1359		
	DECAL, WATER PIPING	1	62-1036		
	DECAL, "ECONOTROL"	1	62-1142		
	DECAL, "MADE IN USA"	1	62-1219		
	DECAL, "LUBE TYPE"	1	62-1342		
	DECAL, "REPLACEMENT PARTS"	1	62-1364		
	DECAL, "GENUINE LUBRICANTS"	1	62-1365		
	DECAL, "WARNING FUSES"	1	62-1368		
	DECAL, "BREATHING AIR"	1	62-1372		
	DECAL, "HOT OIL, PRESSURE"	1	62-1370		
	DECAL, "READ MANUAL"	1	62-1374		
	DECAL, "DISCONNECT POWER"	1	62-1375		
	DECAL, "AUTO RESTART"	1	62-1376		
	DECAL, "AIR CLEANER"	1	62-469		
	DECAL, ISO 9001	1	62-1413		
	DECAL, CAUTION PWP	1	62-1411		
	DECAL, "WM60SSII"	1	62-1360-28		
	DECAL, "WM75SSII"	1	62-1360-29		
	DECAL, "WMH75SSII"	1	62-1360-45		
	DECAL, "WM100SSII"	1	62-1360-30		