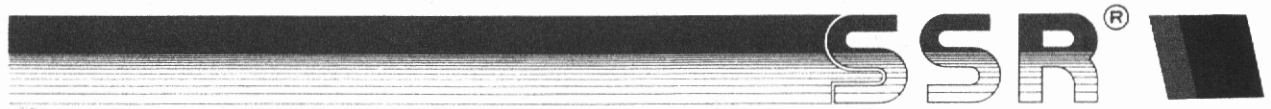


INGERSOLL-RAND®

AIR COMPRESSORS



**SSR 50-100
HORSEPOWER**

**PARTS LIST
RECOMMENDED SPARES**

APDD 334D-93

June 1993

**AIR COMPRESSOR GROUP
BONDED WARRANTY & REGISTERED START UP**

Warranty

The Company warrants that the equipment manufactured by it and delivered hereunder will be free of defects in material and workmanship for a period of twelve months (see extended a/rend warranty) from the date of placing the Equipment in operation or eighteen months (see extended a/rend warranty) from the date of shipment from Davidson, NC, whichever shall first occur. The Purchaser shall be obligated to promptly report any failure to conform to this warranty, in writing to the Company in said period, whereupon the Company shall, at its option, correct such nonconformity, by suitable repair to such equipment or, furnish a replacement part F. O. B. point of shipment, provided the Purchaser has stored, installed, maintained and operated such Equipment in accordance with good industry practices and has complied with specific recommendations of the Company. Accessories or equipment furnished by the Company, but manufactured by others, shall carry whatever warranty the manufacturers have conveyed to the Company and which can be passed on to the Purchaser. The Company shall not be liable for any repairs, replacements, or adjustments to the Equipment or any costs of labor performed by the Purchaser or others without the Company's prior written approval.

The effects of corrosion, erosion and normal wear and tear are specifically excluded. Performance warranties are limited to those specifically stated within the Company's proposal. Unless responsibility for meeting such performance warranties are limited to specified tests, the Company's obligation shall be to correct in the manner and for the period of time provided above.

THE COMPANY MAKES NO OTHER WARRANTY OR REPRESENTATION OF ANY KIND WHATSOEVER, EXPRESSED OR IMPLIED, EXCEPT THAT OF TITLE, AND ALL IMPLIED WARRANTIES OF MERCHANTABILITY AND FITNESS FOR A PARTICULAR PURPOSE, ARE HEREBY DISCLAIMED.

Correction by the Company of nonconformities whether patent or latent, in the manner and for the period of time provided above, shall constitute fulfillment of all liabilities of the Company for such nonconformities whether based on contract, warranty, negligence, indemnity, strict liability or otherwise with respect to or arising out of such Equipment.

The Purchaser shall not operate Equipment which is considered to be defective, without first notifying the Company in writing of its intention to do so. Any such use of Equipment will be at Purchaser's sole risk and liability.

Limitation of Liability

The remedies of the Purchaser set forth herein are exclusive, and the total liability of the Company with respect to this contract or the Equipment and services furnished hereunder, in connection with the performance or breach thereof, or from the manufacture, sale, delivery, installation, repair or technical direction covered by or furnished under this contract, whether passed on contract, warranty, negligence, indemnity, strict liability or otherwise, shall not exceed the purchase price of the unit of Equipment upon which such liability is based.

The Company and its suppliers shall in no event be liable to the Purchaser, any successors in interest or any beneficiary or assignee of this contract for any consequential, incidental, indirect, special or punitive damages arising out of this contract or any breach thereof, or any defect in, or failure of, or malfunction of the Equipment hereunder, whether based upon loss of use, lost profits or revenue, interest, lost goodwill, work stoppage, impairment of other goods, loss by reason of shutdown or non-operation, increased expenses of operation, cost of purchase of replacement power or claims of Purchaser or customers of Purchaser for service interruption whether or not such loss or damage is based on contract, warranty, negligence, indemnity, strict liability or otherwise.

EXTENDED DRIVETRAIN WARRANTY

**Intellisys Compressors
50 - 450 HP**

The Ingersoll-Rand Company Rotary Screw Air Compressor that has been filled prior to its original shipment from Ingersoll-Rand Company with ULTRA COOLANT and which has been operated solely on ULTRA COOLANT thereafter shall have its DRIVETRAIN warranted for twenty-four (24) months from the date of placing the COMPRESSOR in operation or thirty (30) months from the date of shipment, whichever occurs first.

Except for the above warranty period, the standard warranty provisions shall apply and the conditions outlined herein are understood to be a supplement to the standard Ingersoll-Rand Company warranty.

This EXTENDED DRIVETRAIN WARRANTY applies only to 50-450 HP Intellisys COMPRESSORS operating on ULTRA COOLANT after February 1, 1990.

TABLE OF CONTENTS

Safety and Warnings.....	2
Introduction.....	3
Intellisys Display.....	4-5
Intellisys Connections.....	6-7
Electrical Conduit.....	8-9
Starter Assembly Size 2 Star-Delta.....	10-11
Starter Assembly Size 3 Star-Delta.....	12-13
Starter Assembly Size 4 Star-Delta.....	14-15
Starter Assembly Size 5 Star-Delta.....	16-17
Starter Assembly Size 3 Across-The-Line.....	18-19
Starter Assembly Size 4 Across-The-Line.....	20-21
Major Components XF 50, EP50, HP50.....	22-23
Major Components XFE50, EPE50, HPE50.....	24-25
Major Components 60 HP.....	26-27
Major Components 75-100 HP.....	28-29
Motor, Gearcase, Gear Set XF50, EP50, HP50...	30-31
Motor, Gearcase, Gear Set 60 HP XFE50,EPE50,HPE50.....	32-33
Motor, Gearcase, Gear Set 75-100 HP.....	34-35
Airend Piping XF50, EP50, HP50.....	36-37
Airend Piping XFE50,EPE50, HPE50.....	38-39
Airend Piping 60 HP.....	40-41
Airend Piping 75-100 HP.....	42-43
Inlet Assembly 50-100 HP.....	44-45
Separator Tank 50 HP.....	46-47
Separator Tank 60 HP.....	48-49
Separator Tank 75-100 HP.....	50-51
Cooling Air Cooled Enclosed 50-60 HP.....	52-53
Cooling Air Cooled Enclosed 75-100 HP.....	54-55
Cooling Air Cooled Open 50-60 HP.....	56-57
Cooling Air Cooled Open 75-100 HP.....	58-59
Cooling Water Cooled Enclosed 50-60 HP Series Water Piping (90°).....	60-61
Cooling Water Cooled Enclosed 75-100 HP Series Water Piping (90°).....	62-63
Cooling Water Cooled Open 50-60 HP Series Water Piping (90°).....	64-65
Cooling Water Cooled Open 75-100 HP Series Water Piping (90°).....	66-67
Water Piping Parallel (115°) 50-60 HP Enclosed & Open.....	68-69
Water Piping Parallel (115°) 75-100 HP Enclosed & Open.....	70-71
Enclosure 50-60 HP.....	72-73
Enclosure 75-100 HP.....	74-75
O-Rings.....	76
Recommended Spare Parts List.....	77-83

ROTARY SCREW AIR COMPRESSOR

This unit was purchased from

Ingersoll-Rand Company reserves the right to make changes or add improvements without notice and without incurring any obligation to make such changes or add such improvements to products sold previously.

No. of units on order: _____

Customer Order No.: _____

Ingersoll-Rand Co. Order No.: _____

For ready reference:

Record the serial number and model number of your unit here.

Serial Number: _____

Model Number: _____

NOTE: HP is horsepower.

WARNING

Failure to adhere to these recommendations can result in mechanical failure, property damage and serious injury or death.

“All air and water inlet, and air and water discharge pipework to and from the inlet and discharge port connections must take into account vibration, pulsations, temperature, maximum pressure applied, corrosion and chemical resistance. In addition, it should be noted that lubricated compressors will discharge some oil into the air stream; therefore, compatibility between discharge piping, system accessories and software must be assured.”

“For the foregoing reasons, the use of plastic piping, soldered copper fittings and rubber hose as discharge piping is not recommended. In addition, flexible joints and/or flex lines can only be considered for such purposes if their specifications fit the operating parameters of the system.”

“It is the responsibility of the installer and owner to provide the appropriate service pipework to and from the machine.”

WARNING

STATEMENT CONCERNING THE USE OF THIS EQUIPMENT FOR BREATHING AIR AND/OR AQUA LUNG SERVICE

If the model number on this air compressor contains the letters “BAP”, the compressor is suitable for use in breathing air services. In the absence of such a designation, the compressor is NOT considered as capable of producing air of breathing quality. For a compressor to be capable of use in breathing air services it must be fitted with additional specialized equipment to properly filter and/or purify the air to meet all applicable federal, state and local laws, rules, regulations and codes, such as, but not limited to, OSHA 29 CFR 1910.134, Compressed Gas Association Commodity Specification G-7, 1-1966, Grade D Breathing Air and/or Canadian Standards Association. Should the Purchaser and/or User fail to add such specialized equipment and proceeds to use the compressor for breathing air service, the Purchaser/User assumes all liability resulting therefrom without any responsibility or liability being assumed by Ingersoll-Rand Company.

The Purchaser is urged to include the above provision in any agreement for any resale of this compressor.

WARNING

STATEMENT CONCERNING THE INADVERTENT BREATHING OF COMPRESSED AIR EXHAUST

“The purchaser/user shall insure that adequate ventilation and make up air are provided if a non BAP designated compressor supplies air in a confined area to air consuming devices such as air motors, air tools, solenoids, air cylinders, air guns, nozzles, etc. The compressed air discharge stream contains residual coolants/lubricants and condensable hydrocarbons which may be hazardous to health with prolonged inhalation.”

PARTS LIST

INTRODUCTION

GENERAL

This manual, which contains an illustrated parts breakdown, has been prepared as an aid in identifying and ordering parts in the SSR compressor. All of the compressor parts, listed in the parts breakdown, are manufactured with the same precision as the original equipment.

Ingersoll-Rand Company service facilities and parts are available worldwide. There are Ingersoll-Rand company Branch Offices and authorized distributors located in the principle cities of the United States. In Canada, our customers are serviced by the Canadian Ingersoll-Rand Company, Limited. There are also Ingersoll-Rand Company subsidiaries and authorized distributors located in the principle cities throughout the world.

DESCRIPTION

The illustrated parts breakdown illustrates the various assemblies, sub-assemblies and detailed parts which make up this particular

SSR compressor. A series of illustrations show each part clearly and in its correct location relative to the other parts in the illustration. Each part on an illustration is referenced with a number. The number, description and quantity needed per assembly is listed in numerical order on the following pages.

Items with a description of NSS are not sold separately and must be purchased as an assembly. Items with a description of Ref. indicate that the item is located elsewhere in the parts list.

OPTIONAL EQUIPMENT

Several optional accessories/items are available for convenience or special application. These accessories have been selected as being particularly suitable for use on the SSR compressor.

For complete details on Optional Equipment, contact your Sales Representative.

HOW TO USE THIS PARTS MANUAL

1. Turn to the Parts Section to locate the desired illustrations.
2. Locate the part on the illustration by visual identification and the reference number.
3. Find the referenced number on the Tabulated page, along with the Part Number and Description.

SERIAL NUMBER BREAK

When a part is changed and it doesn't supersede the previous part this change must be documented by a serial number break. By using the last six (6) digits of the serial number, as outlined below, this change is recorded in the parts list.

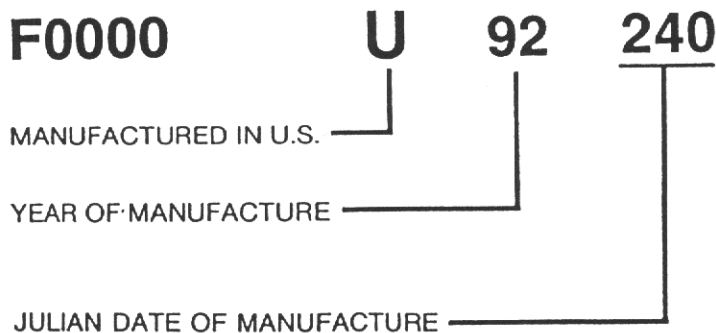
→U92240 indicates part is used on units up to and including serial number ending in U92240.

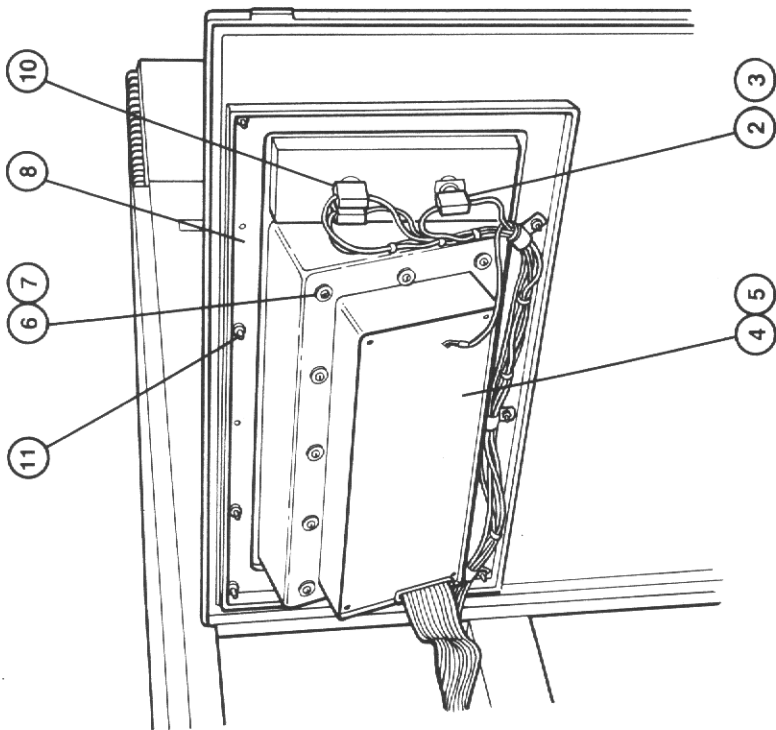
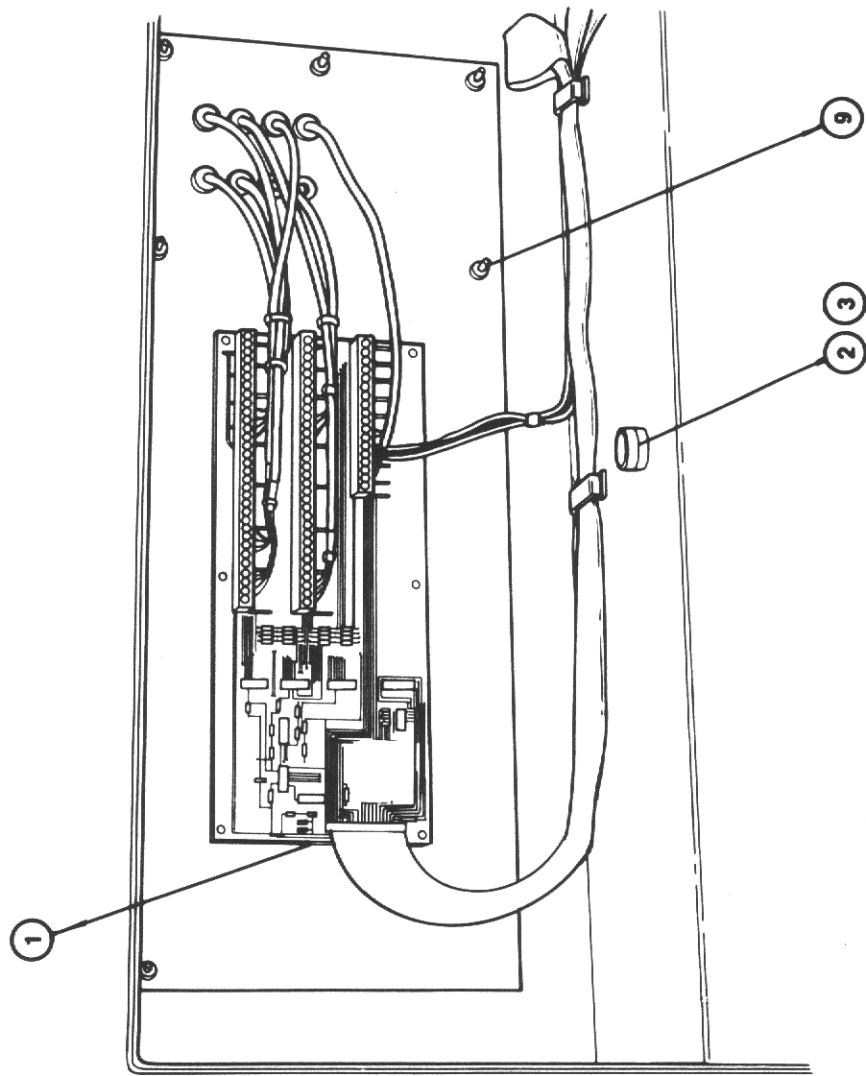
U92241→ indicates part is used on units with serial number ending in U92241 or higher.

HOW TO ORDER PARTS

In order that all avoidable errors be eliminated when ordering parts, please specify the following:

1. The model number of the unit as shown on the Compressor Data Plate.
2. The serial number of the unit as shown on the Compressor Data Plate.
3. The form number of this manual.
4. The reference number, part number, description and quantity needed exactly as listed.
5. The motor data code shown on the motor data plate.

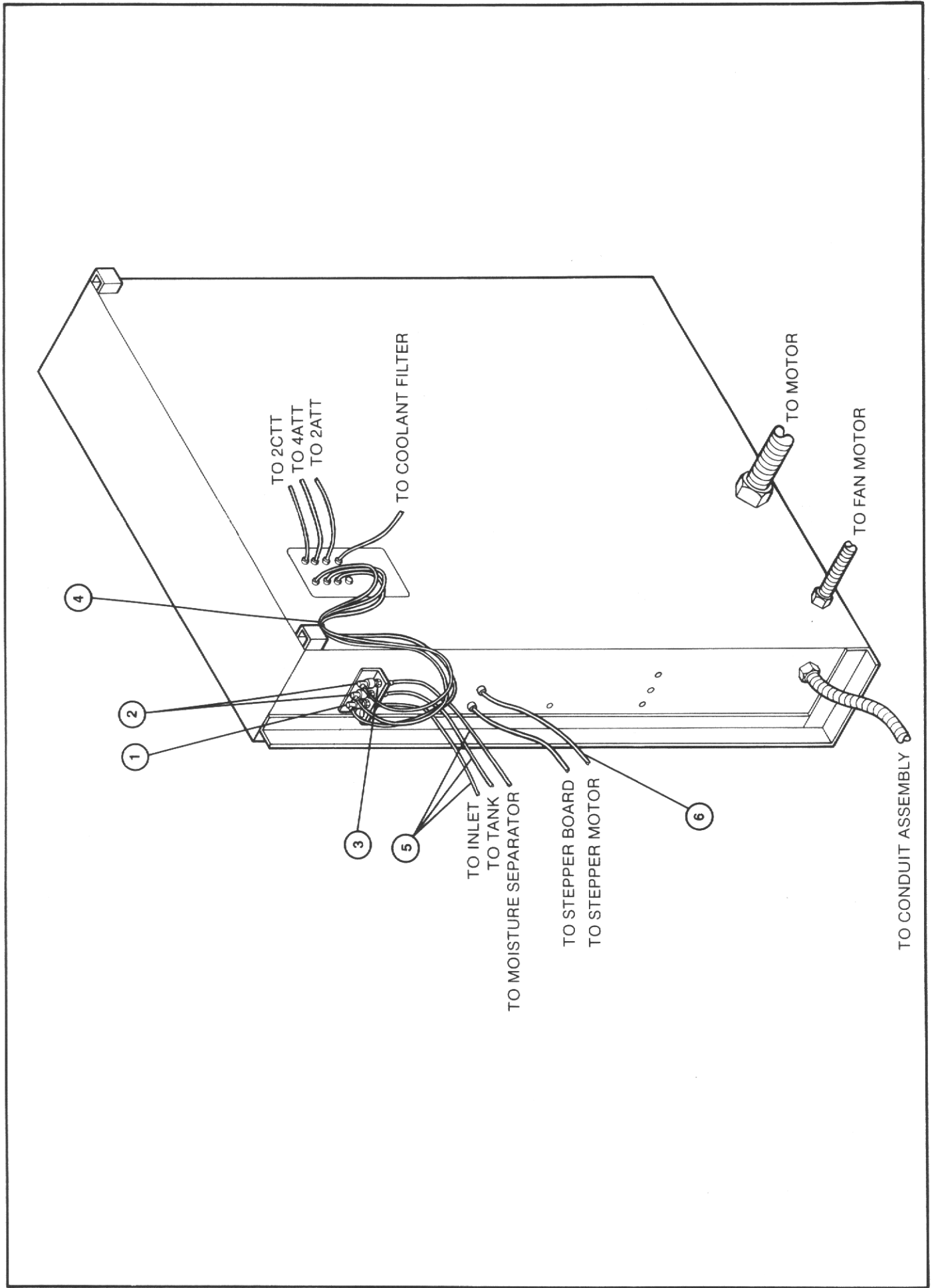




Intellisys Display

Ref. No.	Part Number	Qty.	Intellisys Display Description
1.	39798517	1	Analog Terminal Board
2.	39485032	2	Light, Amber Complete
3.	39485024	2	Bulb, 24V
4.	39797428	1	Intellisys Controller
5.	39474994	1	Gasket, Display Assembly (Not Shown)
6.	39178769	12	Screw
7.	39178660	12	Washer
8.	39792239	1	Frame, Display
9.	39128541	8	Nut
10.	39549167	1	Switch, Emergency Stop
*	39176169	1	Gasket Set, NEMA-4
11.	39128533	16	Nut

*Not Illustrated

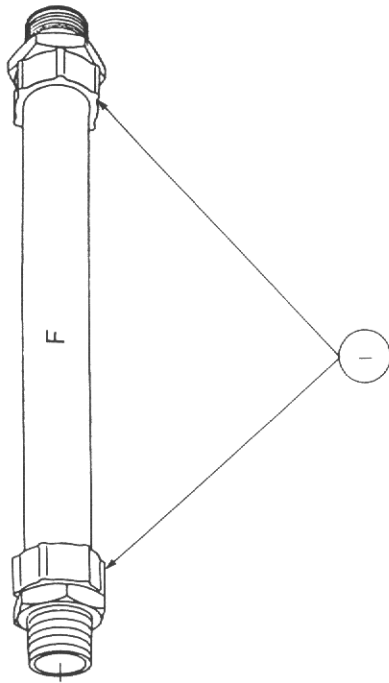


Intellisys Connections

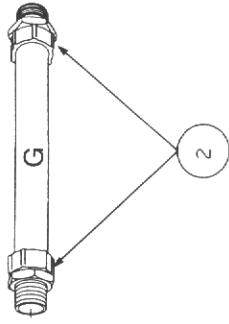
Ref. No.	Part Number	Qty.	Intellisys Connections Description
1.	39541693	1	Transducer, 0-15 PSIG
2.	39538061	2	Transducer, 0-200 PSIG
3.	39461868	3	Bulkhead Connector
4.	39542261	3	Cable, Analog Board to Transducer
5.	39124813	*	Nylon Tube
6.	39476221	1	Cable, Stepper Motor

*ORDER PER NUMBER OF INCHES REQUIRED.

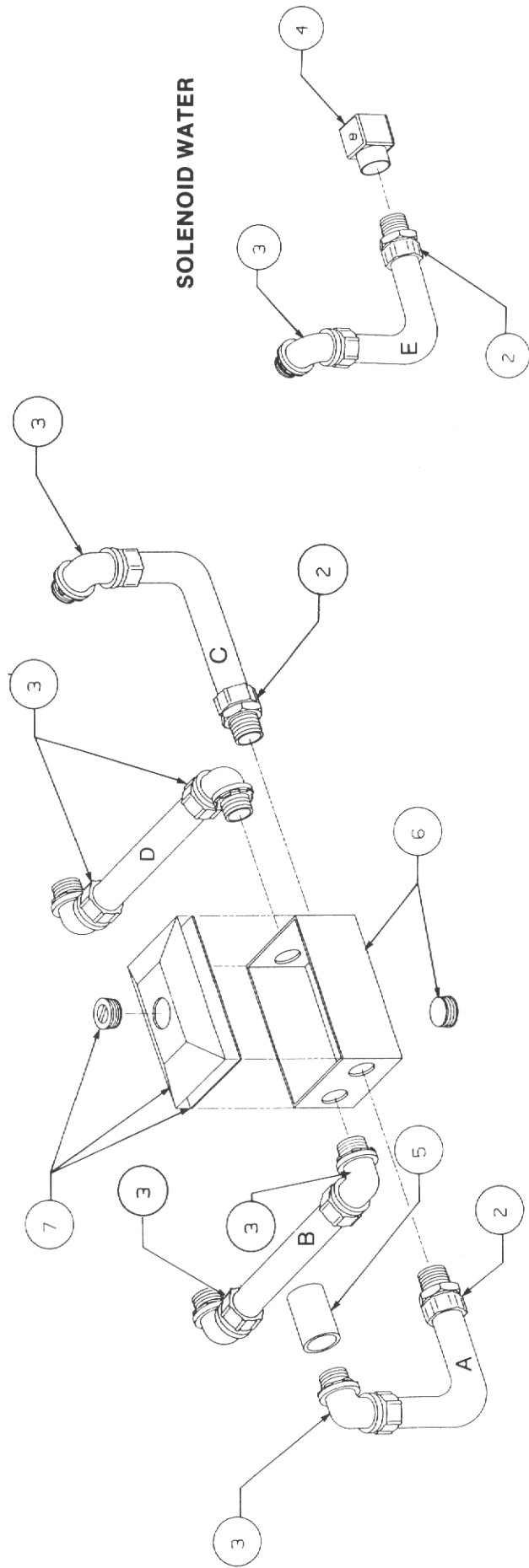
MAIN MOTOR CONDUIT



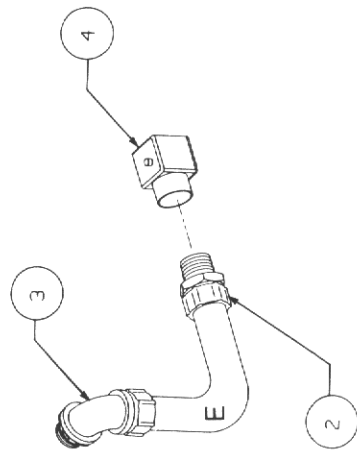
FAN MOTOR CONDUIT



JUNCTION BOX ASSEMBLY



SOLENOID WATER



Electrical Conduit NEMA-4

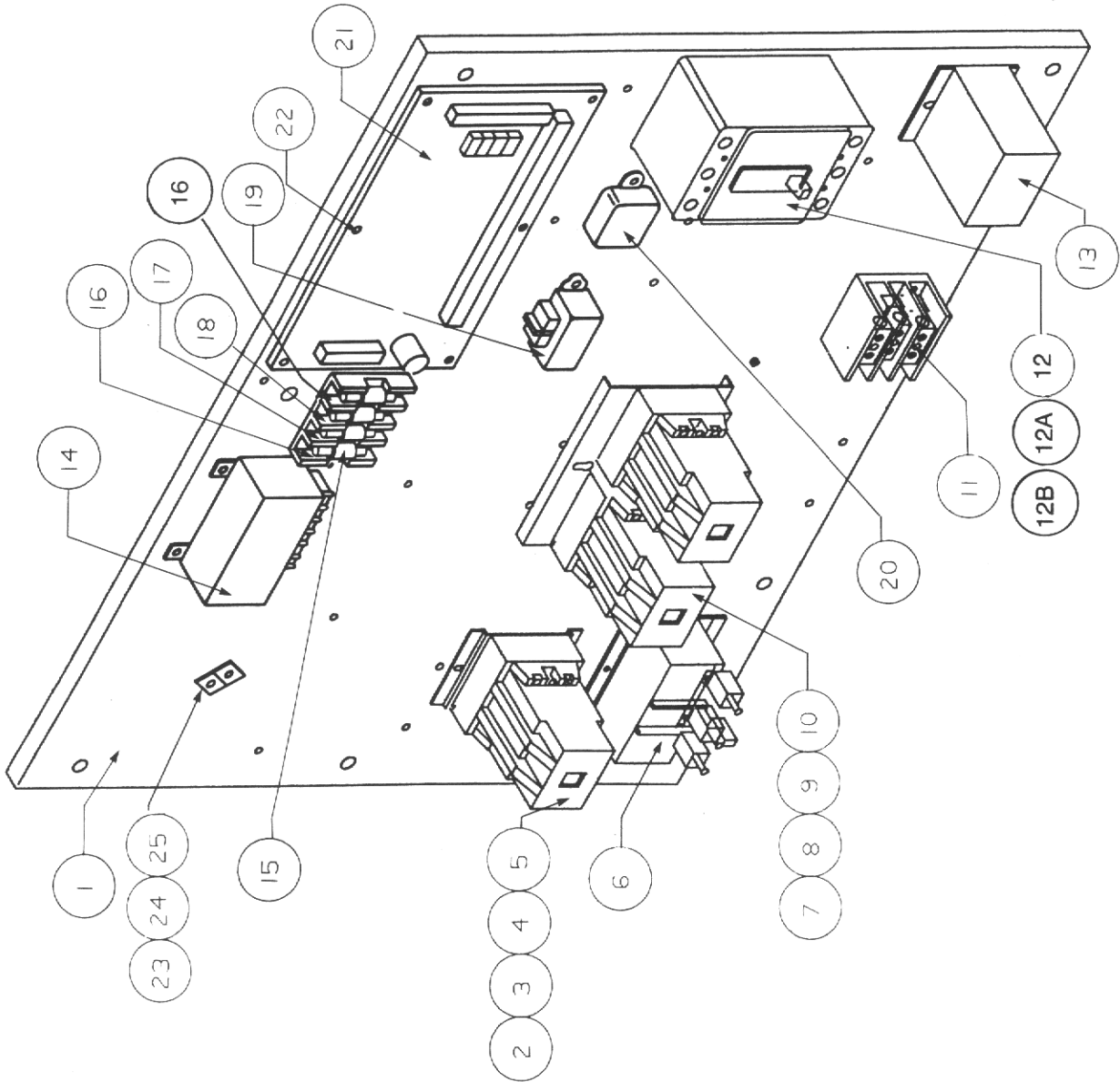
Ref. No.	Part Number	Qty.	Major Components Description
1.	95383014	2	Elbow, 2" Conduit
2.	95245221	5	Connector, .50" Conduit
3.	95361390	7	Elbow, .50" Conduit
4.	39479555	1	Connector, DIN
5.	39153382	1	Coupling
6.	39146683	1	Box, Junction
7.	39146691	1	Cover and Gasket

Electrical Conduit NEMA-1

Ref. No.	Part Number	Qty.	Major Components Description
1.	39479464	2	Connector, 2" Conduit
2.	39479431	5	Connector, .50" Conduit
3.	39479472	7	Elbow, .50" Conduit
4.	39479555	1	Connector, DIN
5.	39153382	1	Coupling
6.	39146683	1	Box, Junction
7.	39146691	1	Cover and Gasket

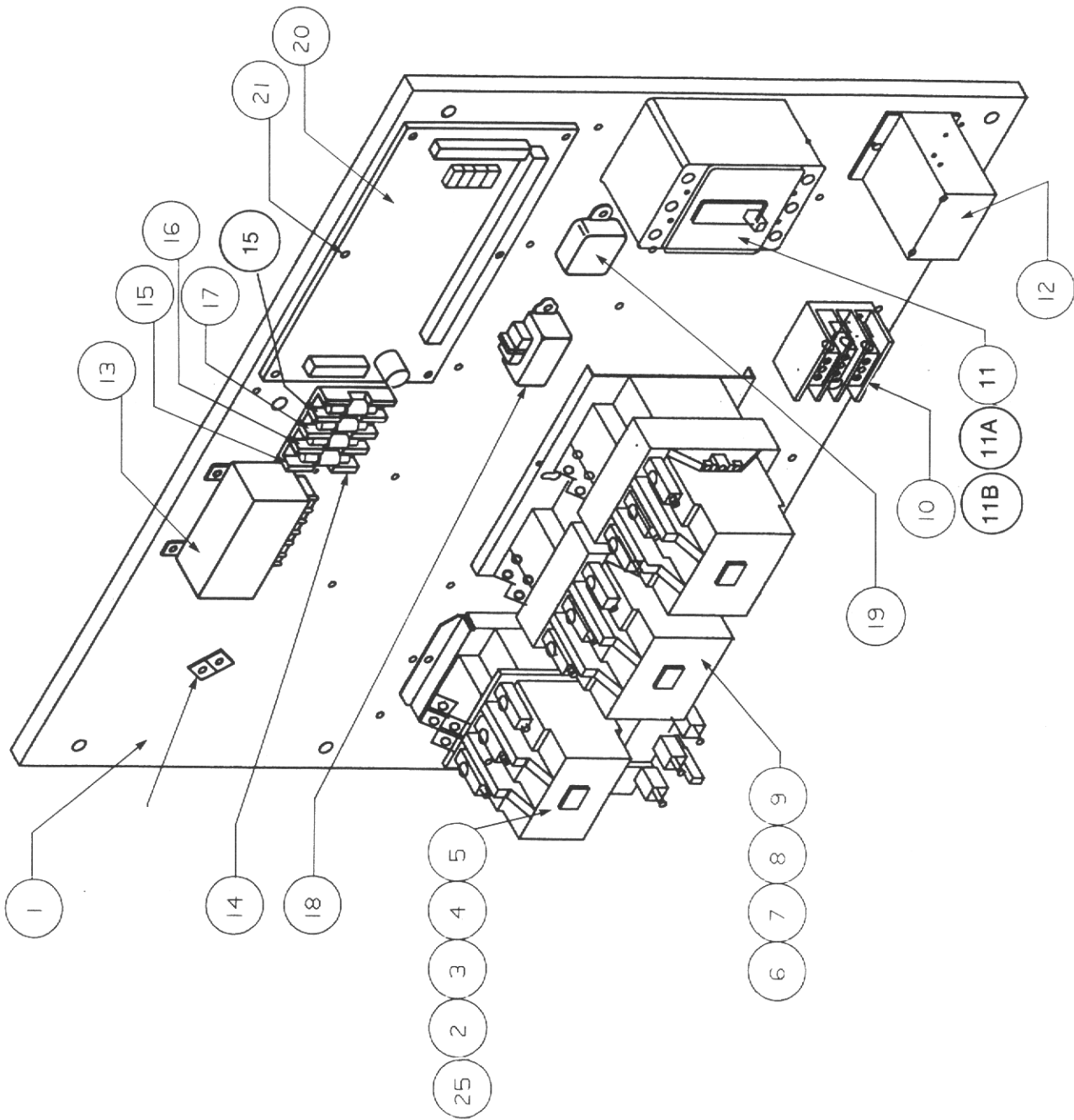
	Conduit Runs		Part Number	Length	
	50-60 HP	75-100 HP		50-60 HP	75-100 HP
A.	High Air Temp Switch	20"	39132261	20"	20"
B.	Coolant Stop Valve	48"	39132261	48"	48"
C.	Blowdown Valve	60"	39132261	60"	60"
D.	Intellisys	38"	39132261	38"	38"
E.	Solenoid Water Valve	52"	39132261	52"	56"
F.	Main Motor	22"	39132311	13"	15"
G.	Fan Motor	47"	39132261	47"	47"

	Conduit Runs		Part Number	Length	
	50-60 HP	75-100 HP		50-60 HP	75-100 HP
A.	High Air Temp Switch	20"	39139332	20"	20"
B.	Coolant Stop Valve	48"	39139332	48"	48"
C.	Blowdown Valve	60"	39139332	60"	60"
D.	Intellisys	38"	39139332	38"	38"
E.	Solenoid Water Valve	52"	39139332	52"	56"
F.	Main Motor	22"	39127194	22"	22"
G.	Fan Motor	47"	39139332	47"	47"



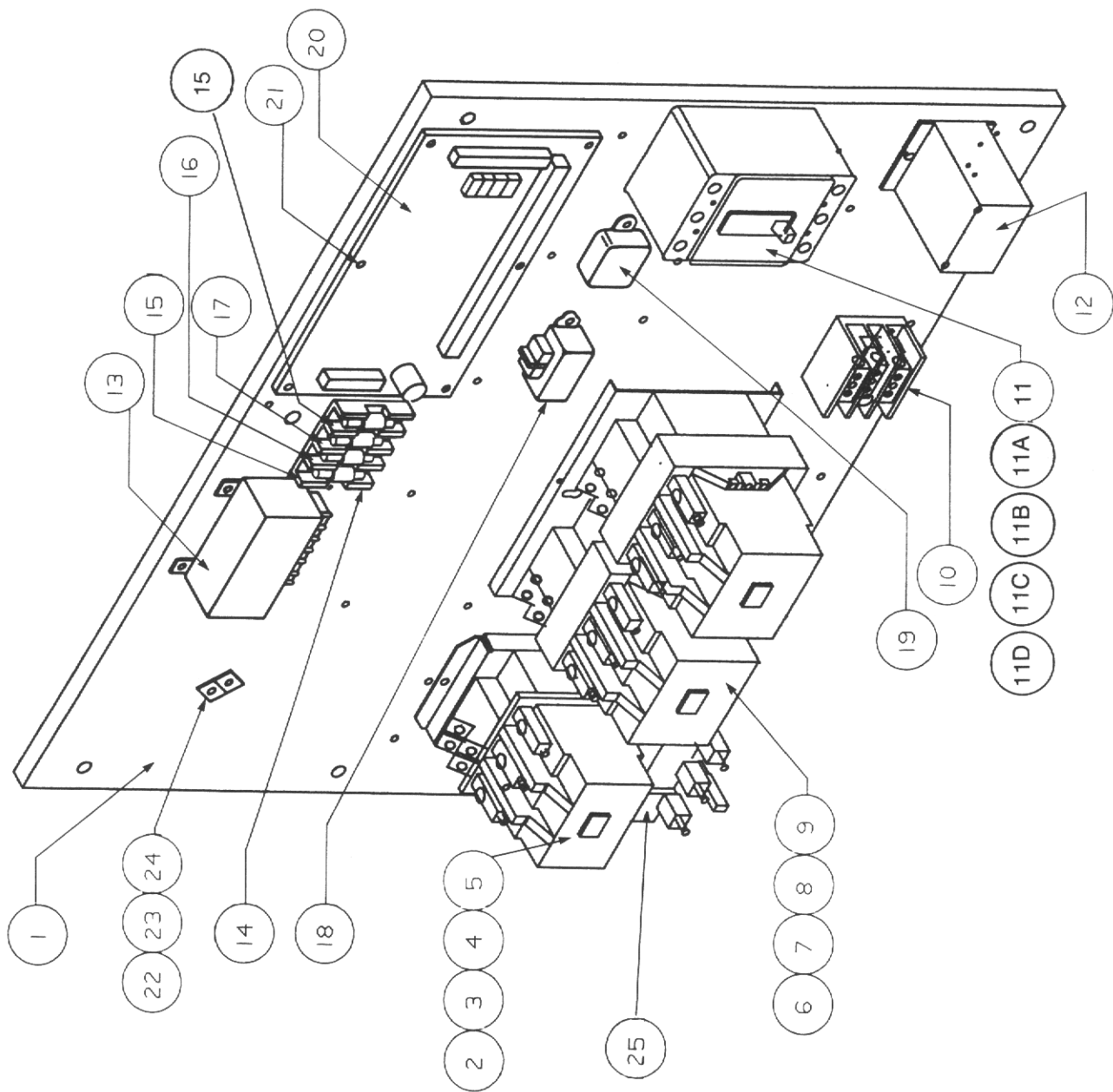
Starter Assembly Size 2 Star-Delta

Ref. No.	Part Number	Qty.	Starter Assembly Size 2 Star-Delta Description
1.	39791983	1	Back Panel
2.	39162110	1	1M Contactor Assy.
3.	39162144	1	Coil 60 Hz
4.	39114541	1	Contacts - 3 Pole
5.	39109244	1	Interlock Switch (Normally open - Normally closed)
6.	39165626	1	Overload Relay (1OL)
7.	39179247	1	2M/1S Contactor Assy.
8.	39162144	2	Coil 60 Hz
9.	39114541	2	Contacts - 3 Pole
10.	39109244	2	Interlock Switch (Normally open - Normally closed)
11.	39164520	1	Terminal Block
12.	39119052	1	HMCP Instantaneous Trip Circuit Breaker (1CB)15 Amp
12A.	39110167	1	HMCP Instantaneous Trip Circuit Breaker (1CB) 3 Amp
12B.	39188396	1	FDB Thermal - Magnetic Circuit Breaker (1CB) 15 Amp
13.	39123419	1	Overload Relay (2OL)
14.	39475967	1	Control Transformer
15.	39475983	1	Fuse Block
16.	39178710	2	Primary Fuse 115V
17.	39113535	1	Secondary Fuse 115V
18.	39118484	1	Secondary Fuse 24V
19.	39542337	1	Transformer
20.	39171723	1	Power Filter
21.	39795406	1	Starter Interface Board
22.	39173810	6	Standoff
23.	39119599	1	Ground Lug
24.	39128434	1	Bolt, Ground Lug
25.	39128541	1	Nut, Ground Lug



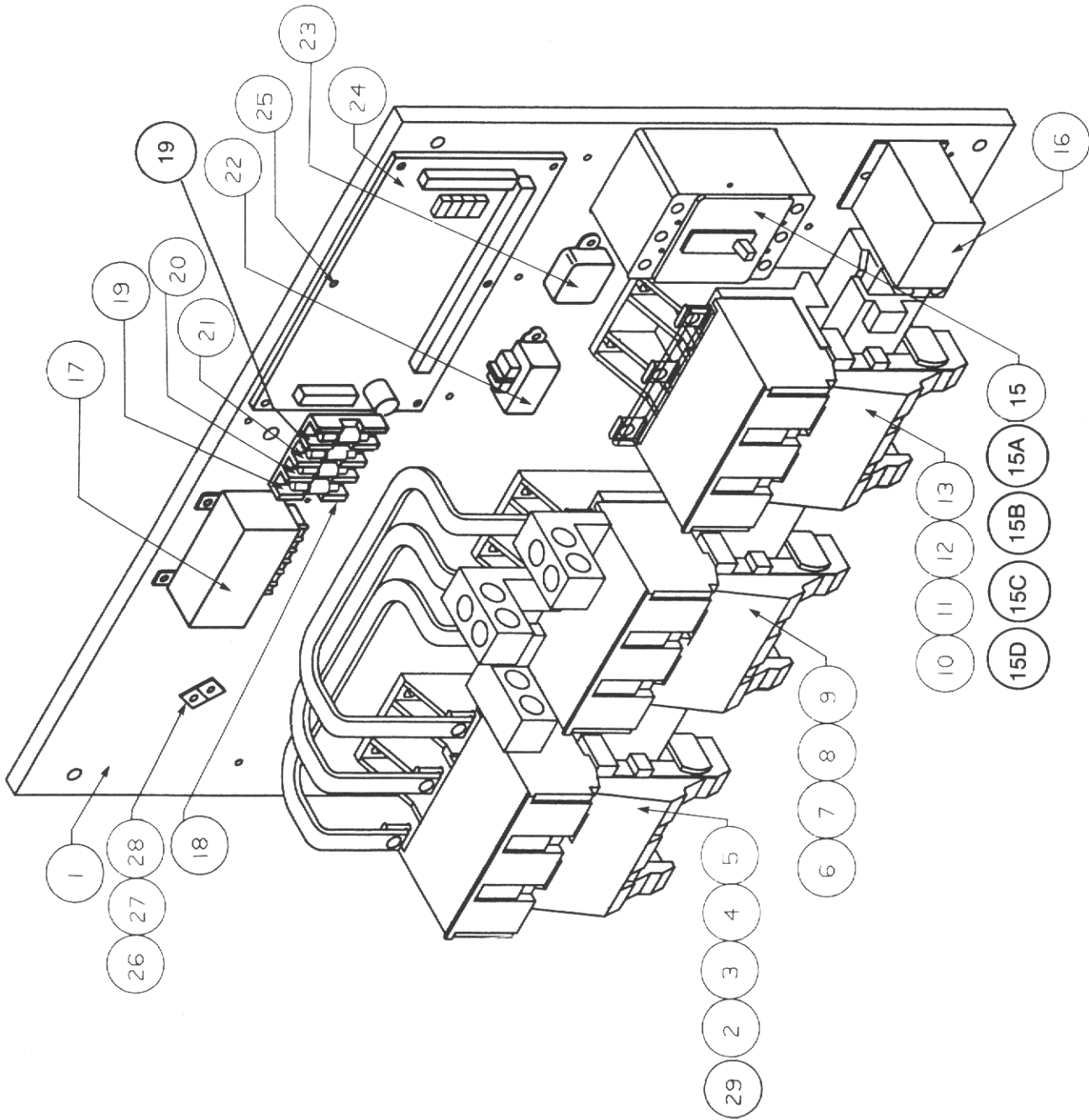
Starter Assembly Size 3 Star-Delta

Ref. No.	Part Number	Qty.	Starter Assembly Size 3 Star-Delta Description
1.	39791983	1	Back Panel
2.	39162128	1	1M Starter Assy.
3.	39162151	1	Coil 60 Hz
4.	39114558	1	Contacts - 3 Pole
5.	39109244	1	Interlock Switch (Normally open - Normally closed)
6.	39179254	1	2M/1S Contactor Assy.
7.	39162151	2	Coil 60 Hz
8.	39114558	2	Contacts - 3 Pole
9.	39109244	2	Interlock Switch (Normally open - Normally closed)
10.	39164520	1	Terminal Block
11.	39119052	1	HMCP Instantaneous Trip Circuit Breaker (1CB) 15 Amp
11A.	39119045	1	HMCP Instantaneous Trip Circuit Breaker (1CB) 7 Amp
11B.	39188396	1	FDB Thermal - Magnetic Circuit Breaker (1CB) 15 Amp
12.	39123419	1	Overload Relay (2OL)
13.	39475975	1	Control Transformer, 380VA
14.	39479035	1	Fuse Block
15.	39178728	2	Primary Fuse 115V
16.	39113527	1	Secondary Fuse 115V
17.	39118484	1	Secondary Fuse 24V
18.	39542337	1	Transformer
19.	39171723	1	Power Filter
20.	39795406	1	Starter Interface Board
21.	39173810	6	Standoff
22.	39119599	1	Ground Lug
23.	39133152	1	Bolt, Ground Lug
24.	39128541	1	Nut, Ground Lug
25.	39164363	1	Overload Relay (1OL)



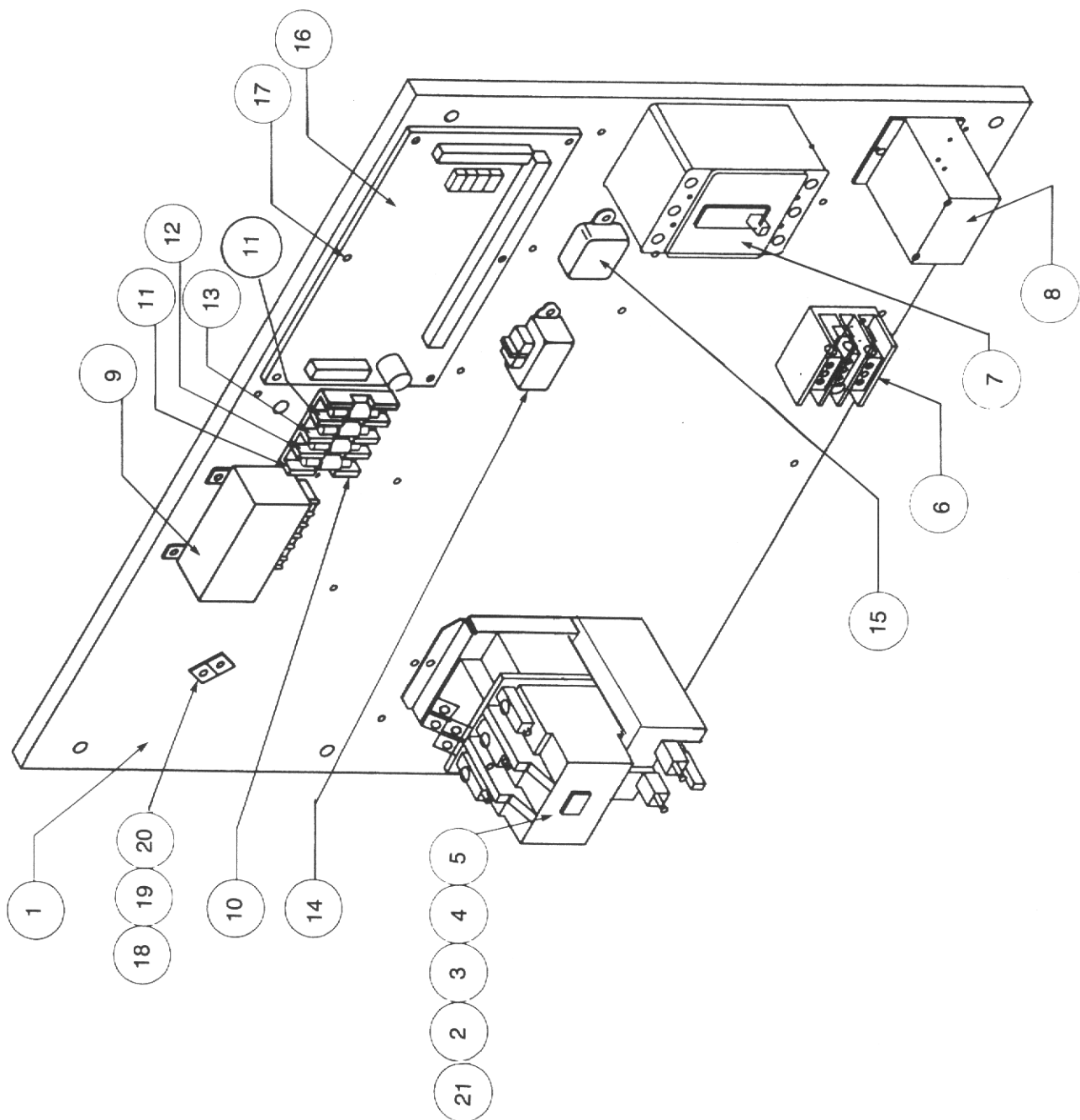
Starter Assembly Size 4 Star-Delta

Ref. No.	Part Number	Qty.	Starter Assembly Size 4 Star-Delta Description
1.	39791983	1	Back Panel
2.	39164397	1	1M Starter Assy.
3.	39161096	1	Coil 60 Hz
4.	39161104	1	Contacts - 3 Pole
5.	39109244	1	Interlock Switch (Normally open - Normally closed)
6.	39179262	1	2M/1S Contactor Assy.
7.	39161096	2	Coil 60 Hz
8.	39161104	2	Contacts - 3 Pole
9.	39109244	2	Interlock Switch (Normally open - Normally closed)
10.	39164520	1	Terminal Block
11.	39124235	1	HMCP Instantaneous Trip Circuit Breaker (1CB) 30 Amp
11A.	39119052	1	HMCP Instantaneous Trip Circuit Breaker (1CB) 15 Amp
11B.	39119045	1	HMCP Instantaneous Trip Circuit Breaker (1CB) 7 Amp
11C.	39188388	1	FDB Thermal - Magnetic Circuit Breaker (1CB) 45 Amp
11D.	39188396	1	FDB Thermal - Magnetic Circuit Breaker (1CB) 15 Amp
12.	39123419	1	Overload Relay (2OL)
13.	39475975	1	Control Transformer, 380VA
14.	39479035	1	Fuse Block
15.	39178728	2	Primary Fuse 115V, 2.5 Amp
15A.	39113527	1	Primary Fuse 115V, 3.2 Amp
16.	39113527	1	Secondary Fuse 115V, 3.2 Amp
17.	39118484	1	Secondary Fuse 24V, 5 Amp
18.	39542337	1	Transformer
19.	39171723	1	Power Filter
20.	39795406	1	Starter Interface Board
21.	39173810	6	Standoff
22.	39119599	1	Ground Lug
23.	39128434	1	Bolt, Ground Lug
24.	39128541	1	Nut, Ground Lug
25.	39164371	1	Overload Relay (1OL)



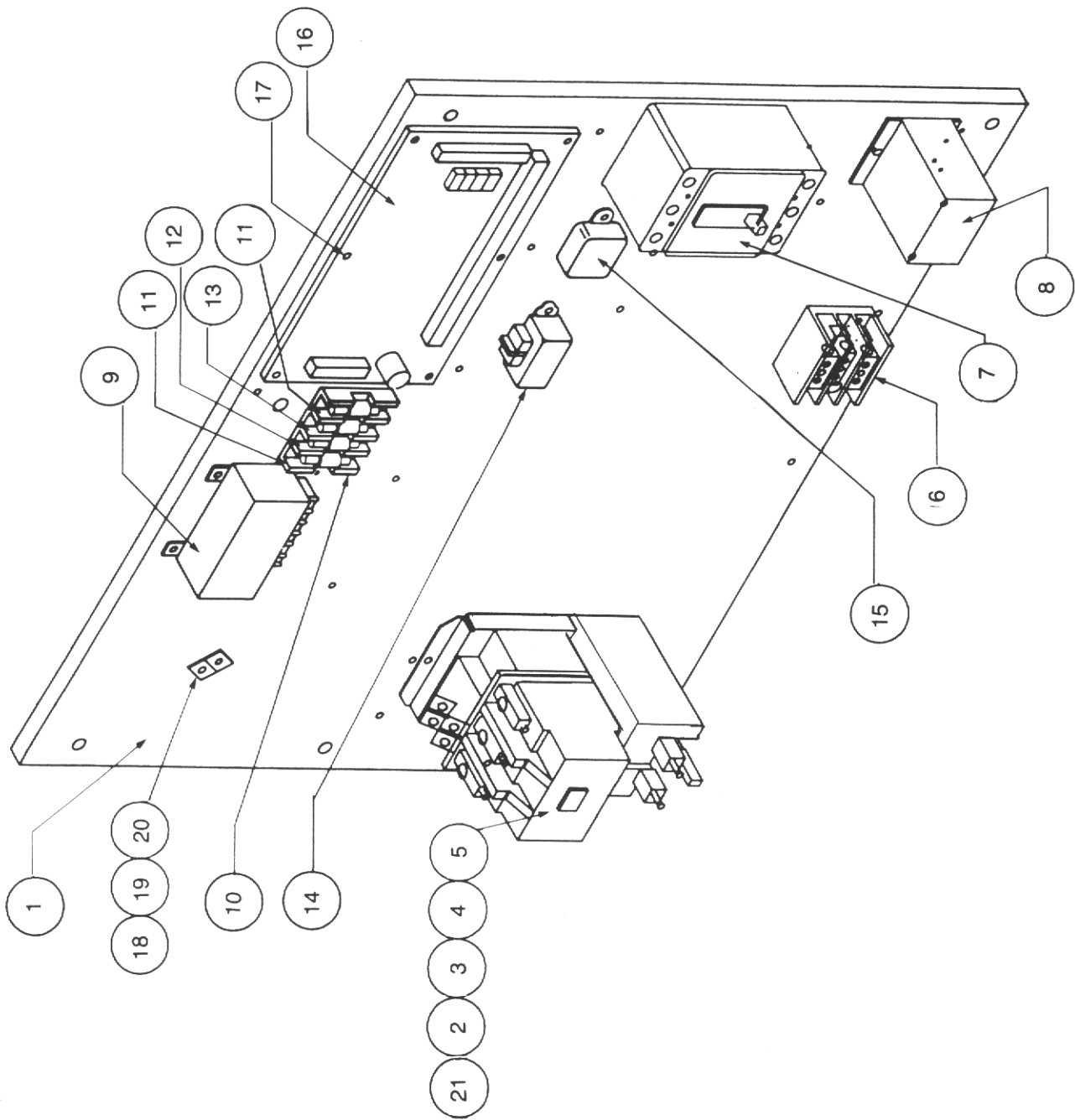
Starter Assembly Size 5 Star-Delta

Ref. No.	Part Number	Qty.	Starter Assembly Size 5 Star-Delta Description
1.	39791983	1	Back Panel
2.	39164389	1	1M Starter Assy.
3.	39109269	1	Coil 60 Hz
4.	39109236	3	Contacts - 3 Pole
5.	39109244	1	Interlock Switch (Normally open - Normally closed)
6.	39179270	1	2M Contactor Assy.
7.	39109269	1	Coil 60 Hz
8.	39109236	3	Contacts - 3 Pole
9.	39109244	1	Interlock Switch (Normally open - Normally closed)
10.	39179288	1	1S Contactor Assy.
11.	39109269	1	Coil 60 Hz
12.	39109236	3	Contacts - 3 Pole
13.	39109244	1	Interlock Switch (Normally open - Normally closed)
14.	39164520	1	Terminal Block (Not Shown)
15.	39118195	1	HMCP Instantaneous Trip Circuit Breaker (1CB) 50 Amp
15A.	39124235	1	HMCP Instantaneous Trip Circuit Breaker (1CB) 30 Amp
15B.	39119045	1	HMCP Instantaneous Trip Circuit Breaker (1CB) 7 Amp
15C.	39188388	1	FDB Thermal - Magnetic Circuit Breaker (1CB) 45 Amp
15D.	39188396	1	FDB Thermal - Magnetic Circuit Breaker (1CB) 15 Amp
16.	39123419	1	Overload Relay (2OL)
17.	39475983	1	Control Transformer, 580VA
18.	39479035	1	Fuse Block
19.	39178736	2	Primary Fuse 115V
20.	39118484	1	Secondary Fuse 115V
21.	39118484	1	Secondary Fuse 24V
22.	39542337	1	Transformer
23.	39171723	1	Power Filter
24.	39795406	1	Starter Interface Board
25.	39173810	6	Standoff
26.	39119722	1	Ground Lug
27.	39116330	1	Bolt, Ground Lug
28.	39116348	1	Nut, Ground Lug
29.	39123419	1	Overload Relay (1OL)



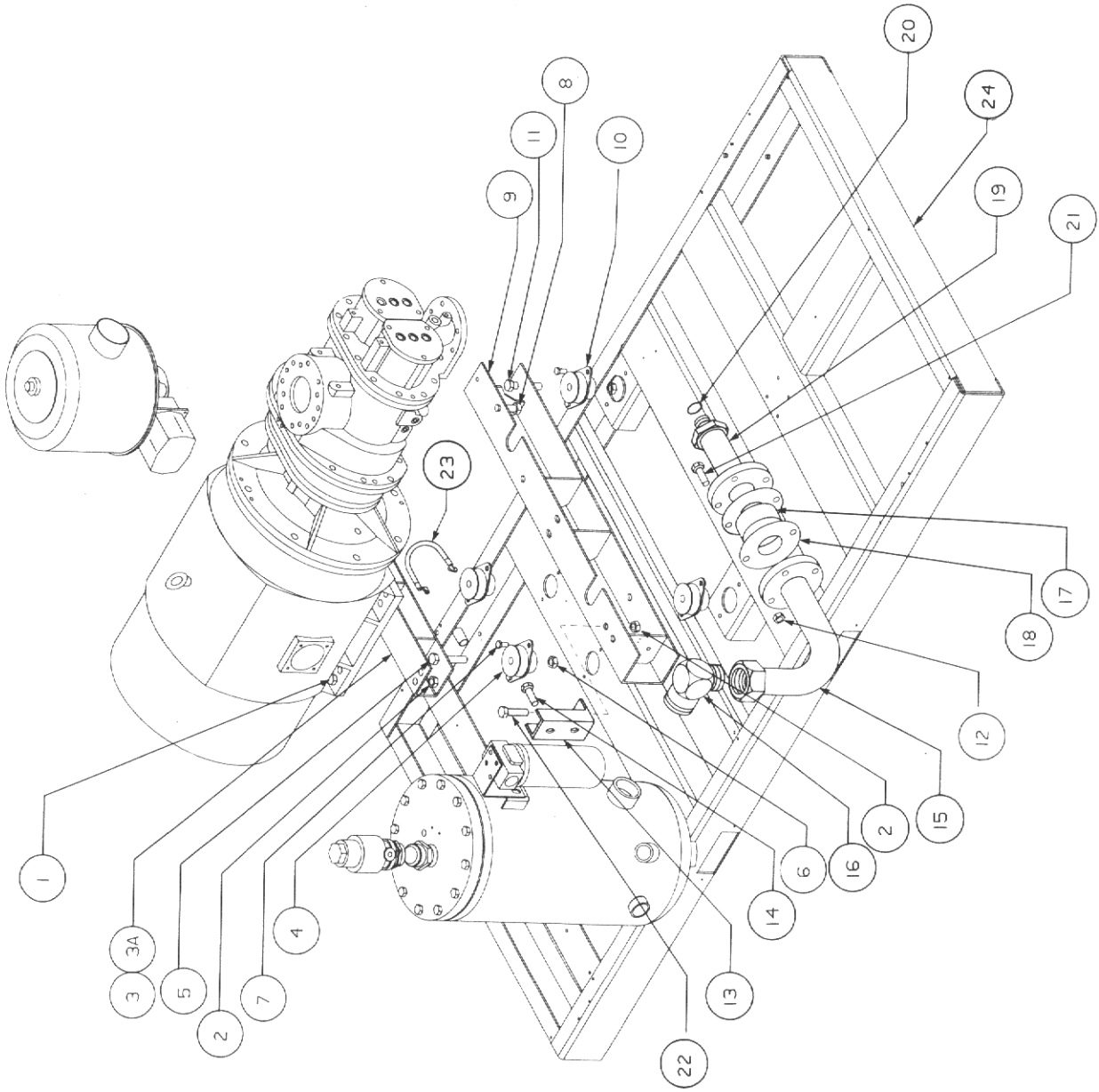
Starter Assembly Size 3 Across-The-Line

Ref. No.	Part Number	Qty.	Starter Assembly Size 3 AAL Description
1.	39791983	1	Back Panel
2.	39162128	1	1M Starter Assy.
3.	39162151	1	Coil 60 Hz
4.	39114558	1	Contacts - 3 Pole
5.	39109244	1	Interlock Switch (Normally open - Normally closed)
6.	39164520	1	Terminal Block
7.	39188396	1	FDB Thermal-Magnetic Circuit Breaker (1CB) 15 Amp
8.	39123419	1	Overload Relay (2OL)
9.	39475975	1	Control Transformer, 380VA
10.	39479035	1	Fuse Block
11.	39178728	2	Primary Fuse 115V
12.	39113527	1	Secondary Fuse 115V
13.	39118484	1	Secondary Fuse 24V
14.	39542337	1	Transformer
15.	39171723	1	Power Filter
16.	39795406	1	Starter Interface Board
17.	39173810	6	Standoff
18.	39119599	1	Ground Lug
19.	39133152	1	Bolt, Ground Lug
20.	39128541	1	Nut, Ground Lug
21.	39164363	1	Overload Relay (1OL)



Starter Assembly Size 4 Across-The-Line

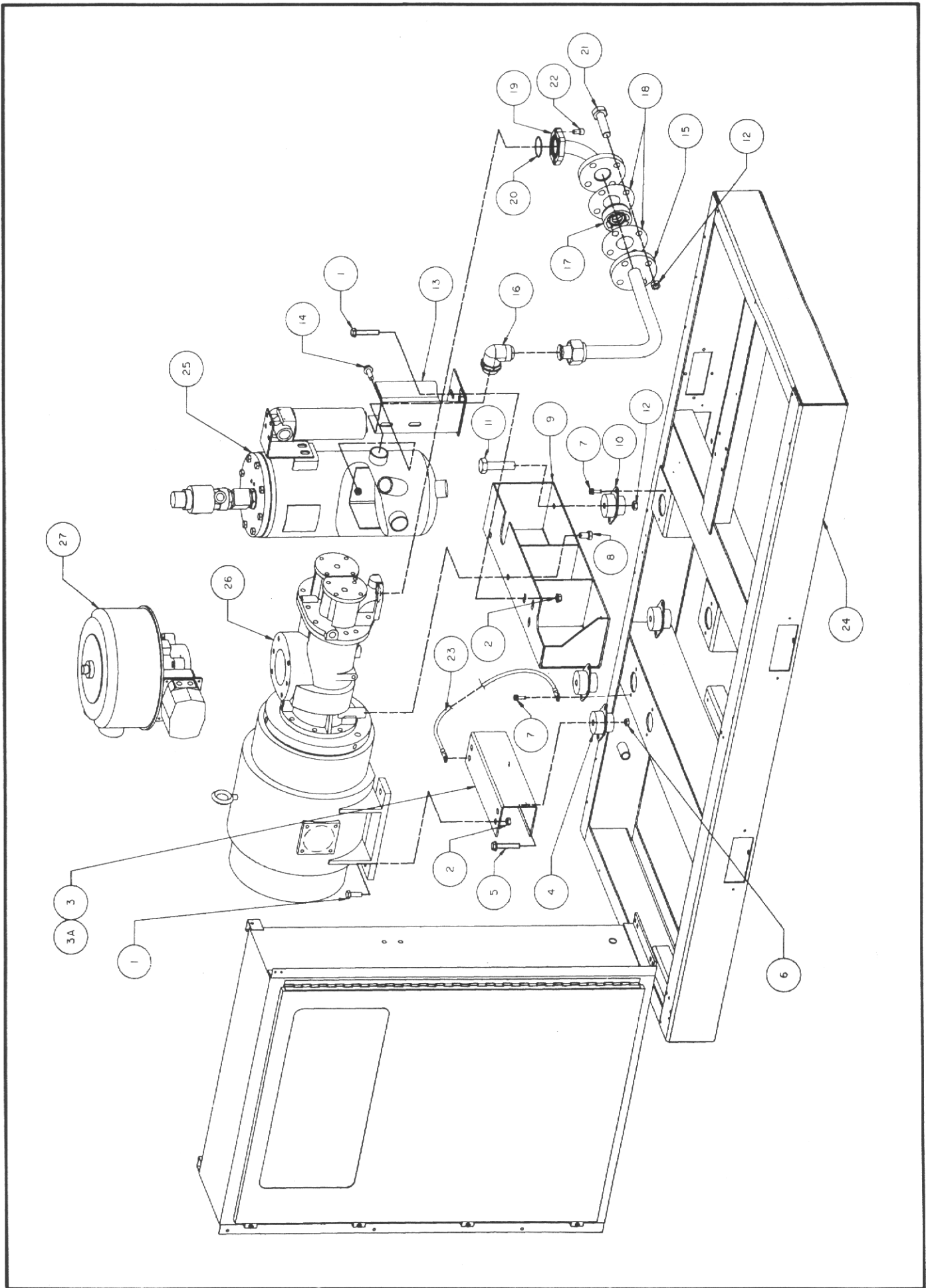
Ref. No.	Part Number	Qty.	Starter Assembly
			Size 4 AAL Description
1.	39791983	1	Back Panel
2.	39164397	1	1M Starter Assy.
3.	39161096	1	Coil 60 Hz
4.	39161104	1	Contacts - 3 Pole
5.	39109244	1	Interlock Switch (Normally open - Normally closed)
6.	39164520	1	Terminal Block
7.	39188396	1	FDB Thermal-Magnetic Circuit Breaker (1CB) 15 Amp
8.	39123419	1	Overload Relay (2OL)
9.	39475975	1	Control Transformer, 380VA
10.	39479035	1	Fuse Block
11.	39178728	2	Primary Fuse 115V
12.	39113527	1	Secondary Fuse 115V
13.	39118484	1	Secondary Fuse 24V
14.	39542337	1	Transformer
15.	39171723	1	Power Filter
16.	39795406	1	Starter Interface Board
17.	39173810	6	Standoff
18.	39119599	1	Ground Lug
19.	39133152	1	Bolt, Ground Lug
20.	39128541	1	Nut, Ground Lug
21.	39164363	1	Overload Relay (1OL)



Major Components XF50, EP50, & HP50

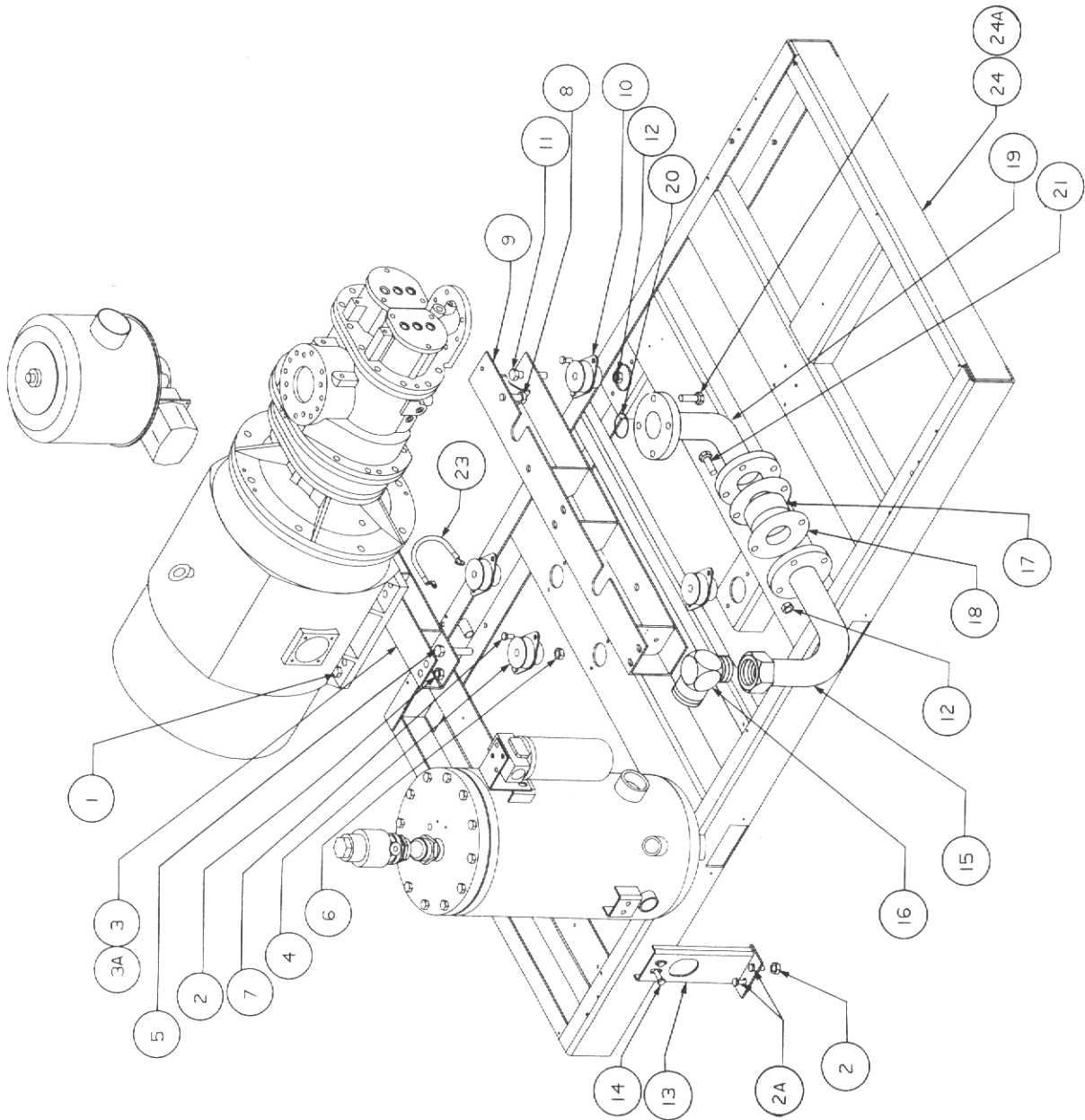
Ref. No.	Part Number	Qty.	Major Components Description
1.	39160478	2	Bolt
2.	39116348	4	Nut
3.	39795380	1	Motor Support, 230/460 & 575V ODP
3A.	39794797	1	Motor Support, 200V ODP & All TEFC
4.	39476866	2	Isolation Mount
5.	95929113	2	Bolt
6.	95923348	2	Nut
7.	39178678	8	Bolt
8.	39177167	2	Bolt
8A.	39183538	2	Lockwasher
9.	39794771	1	Airend Support
10.	39476874	2	Isolation Mount
11.	95929121	2	Bolt
12.	95923355	6	Nut
13.	39795877	1	Leg, Tank
14.	39128509	2	Bolt
*15.	39802665	1	Discharge Pipe
16.	39128673	1	Elbow
*17.	39476726	1	Discharge Check Valve
18.	39479928	2	Gasket, 3 3/8" OD
18A.	39180963	2	Gasket, 2 9/16" OD
*19.	39802673	1	Check Valve
20.	39406996	1	Discharge Pipe Adapter
21.	95929147	4	O-Ring
21A.	95929147	4	Bolt, 3 3/8" OD
22.	39128517	2	Check Valve
22A.	95923348	4	Nut, 2 9/16" OD
23.	39479860	1	Motor Ground Strap
24.	39792742	1	Base, Enclosed
24A.	39797196	1	Base, Unenclosed

* **NOTE:** When ordering item 15, 17, or 19, measure outside diameter of discharge check valve (item 17). If outside diameter is 2 9/16", order discharge kit P/N 39180955. Kit includes items 15, 17, 18, 19, 20, 21 & 22. If outside diameter is 3 3/8", order by part numbers as illustrated.



Major Components XFE50, EPE50, & HPE50

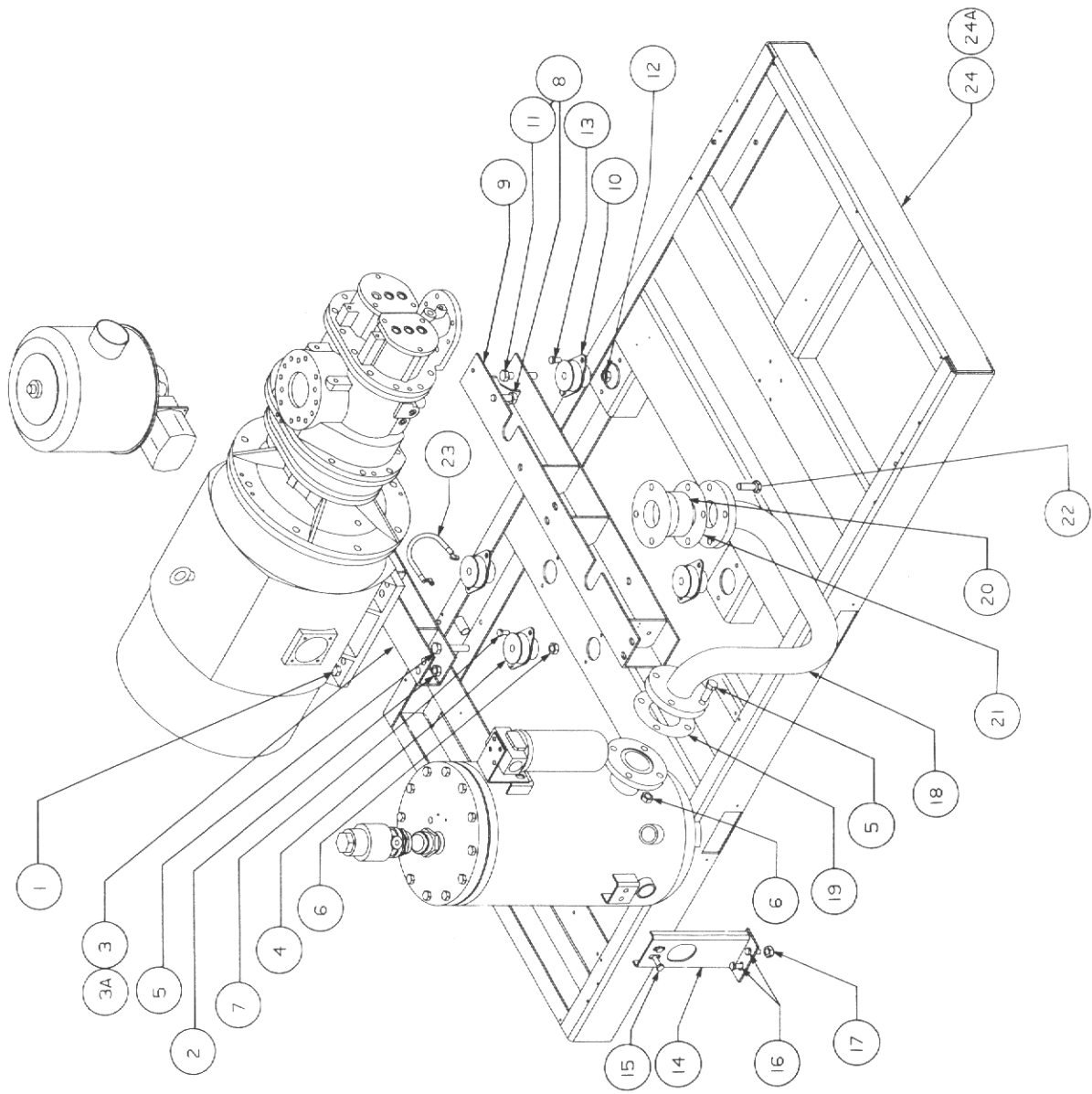
Ref. No.	Part Number	Qty.	Major Components Description
1.	39160478	2	Bolt
2.	39128517	3	Bolt
2A.	39116348	5	Nut
3.	39795380	1	Motor Support, 230/460 & 575V ODP
3A.	39794797	1	Motor Support, 200V ODP & All TEFC
4.	39476866	2	Isolation Mount
5.	95929113	2	Bolt
6.	95923348	2	Nut
7.	39178678	8	Bolt
8.	39177886	2	Bolt
8A.	39183546	2	Lockwasher
9.	39817929	1	Airend Support
10.	39476874	2	Isolation Mount
11.	95929121	2	Bolt
12.	95923355	6	Nut
13.	39795877	1	Leg, Tank
14.	39128509	2	Bolt
15.	39817937	1	Discharge Pipe
16.	39128673	1	Elbow
17.	39476726	1	Discharge Check Valve
18.	39479928	2	Gasket, 5/2" OD Flange
19.	39799770	1	Discharge Pipe Adapter
20.	35022281	1	O-Ring
21.	95929147	4	Bolt
22.	39178603	4	Bolt
23.	39479860	1	Motor Ground Strap
24.	39792742	1	Base, Enclosed



Major Components 60 HP

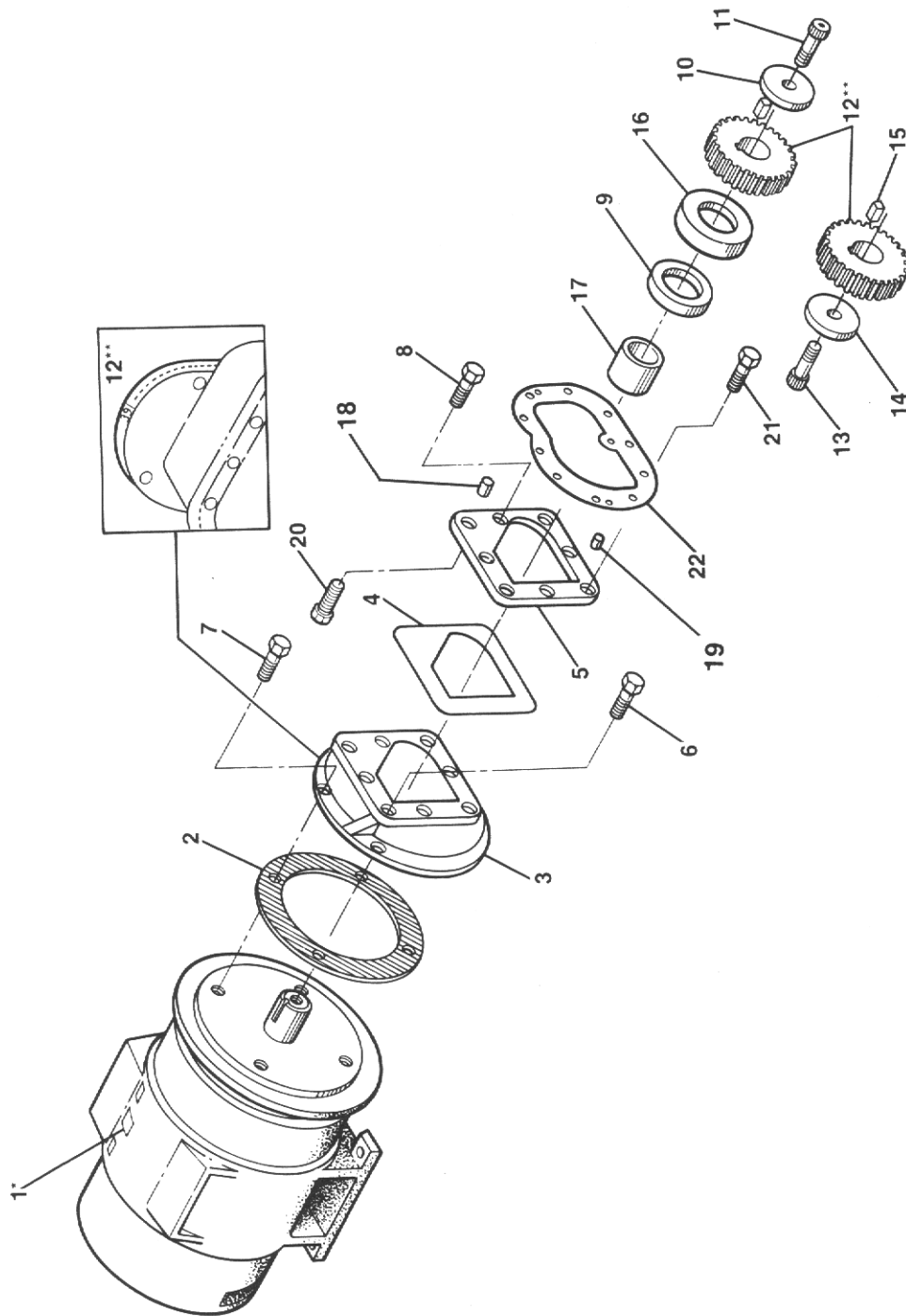
Ref. No.	Part Number	Qty.	Major Components Description
1.	39160478	2	Bolt
2.	39116348	6	Nut
2A.	39128517	4	Bolt
3.	39795380	1	Motor Support, 230/460 & 575V ODP
3A.	39794797	1	Motor Support, 200V ODP & All TEFC
4.	39476866	2	Isolation Mount
5.	95929113	2	Bolt
6.	95923348	2	Nut
7.	39178678	8	Bolt
8.	39177886	2	Bolt
8A.	39183546	2	Lockwasher
9.	39794789	1	Airend Support
10.	39476874	2	Isolation Mount
11.	95929121	2	Bolt
12.	95923355	6	Nut
13.	39793997	1	Leg, Tank
13A.	39796305	1	Leg, Tank
14.	39128509	4	Bolt
15.	39795497	1	Discharge Pipe
16.	39140512	1	Elbow
17.	39476726	1	Discharge Check Valve
18.	39479928	2	Gasket, 5 1/2" OD Flange
18A.	39476552	2	Gasket, 6" OD Flange
19.	39799770	1	Discharge Pipe Adapter
20.	35022281	1	O-Ring
21.	95929147	4	Bolt
22.	39178603	4	Bolt
23.	39479860	1	Motor Ground Strap
24.	39792742	1	Base, Enclosed
24A.	39797196	1	Base, Unenclosed

* **NOTE:** When ordering item 15 or 19, measure outside diameter of flange on item 15 and 19. If outside diameter is 6", order kit P/N 39180971. Kit includes items 15, 18 and 19. If outside diameter is 5 1/2", order by part numbers as illustrated.



Major Components 75-100 HP

Ref. No.	Part Number	Qty.	Major Components Description
1.	95930723	2	Bolt, 365 Fr. Motor
1A.	95929196	2	Bolt, 405 Fr. Motor
2.	95923355	2	Nut, 365 Fr. Motor
2A.	95922928	2	Nut, 405 Fr. Motor
3.	39794524	1	Motor Support, ODP
3A.	39794987	1	Motor Support, TEFC
4.	39476874	2	Isolation Mount
5.	95929121	6	Bolt
6.	95923355	6	Nut
7.	39178678	4	Bolt
8.	39177886	2	Bolt
8A.	39183546	2	Lockwasher
9.	39800560	1	Airend Support
10.	39476882	2	Isolation Mount
11.	95929139	2	Bolt
12.	95923363	2	Nut
13.	39178686	4	Bolt
14.	39179734	2	Leg, Tank
15.	39128509	4	Bolt
16.	39128517	4	Bolt
17.	39116348	4	Nut
18.	39800198	1	Discharge Pipe
19.	39454525	1	Gasket
20.	39477674	1	Discharge Check Valve
21.	39454533	2	Gasket
22.	39177159	4	Bolt
23.	39479860	1	Motor Ground Strap
24.	39805148	1	Base, Enclosed
24A.	39805155	1	Base, Unenclosed

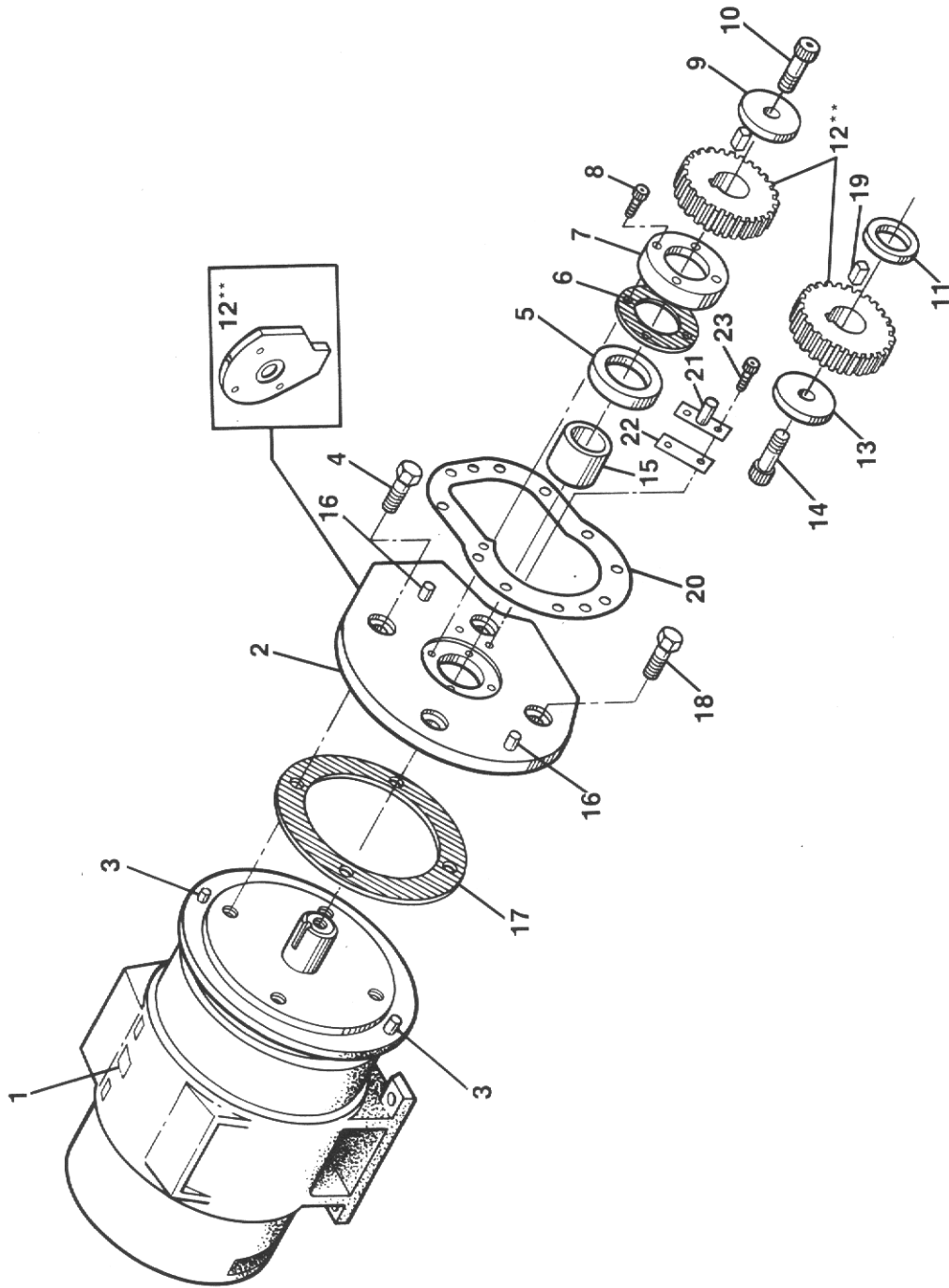


Motor, Gearcase, Gear Set XF50, EP50, HP50

Ref. No.	Part Number	Qty.	Motor, Gearcase, Gear Set Description
1.	*	1	Motor Data Plate
2.	39457411	1	Gasket
3.	39791736	1	Gear Case
4.	39774526	1	Gasket
5.	39741566	1	Adapter Plate
6.	39139365	1	Screw, Soc. Hd.
7.	39185426	3	Bolt, Soc. Hd.
8.	35291020	8	Screw, Hex Hd.
9.	39403092	1	Shaft Seal
10.	39431036	1	Retainer
11.	95929089	1	Screw, Hex Hd.
12.	**	1	Gear Set
13.	39139266	1	Screw
14.	39431010	1	Retainer
15.	39419569	1	Key
16.	39430848	1	Spacer, Pinion
17.	39437082	1	Sleeve, Shaft
18.	35364983	1	Pin
19.	35324656	1	Pin
20.	39138110	5	Screw
21.	39138128	5	Screw
22.	39774542	1	Gasket, Motor

* Furnish Motor Part No. (Item 1) when ordering replacement.

** For Gear Set Part Number contact your local Ingersoll-Rand Distributor or IR Air Center.

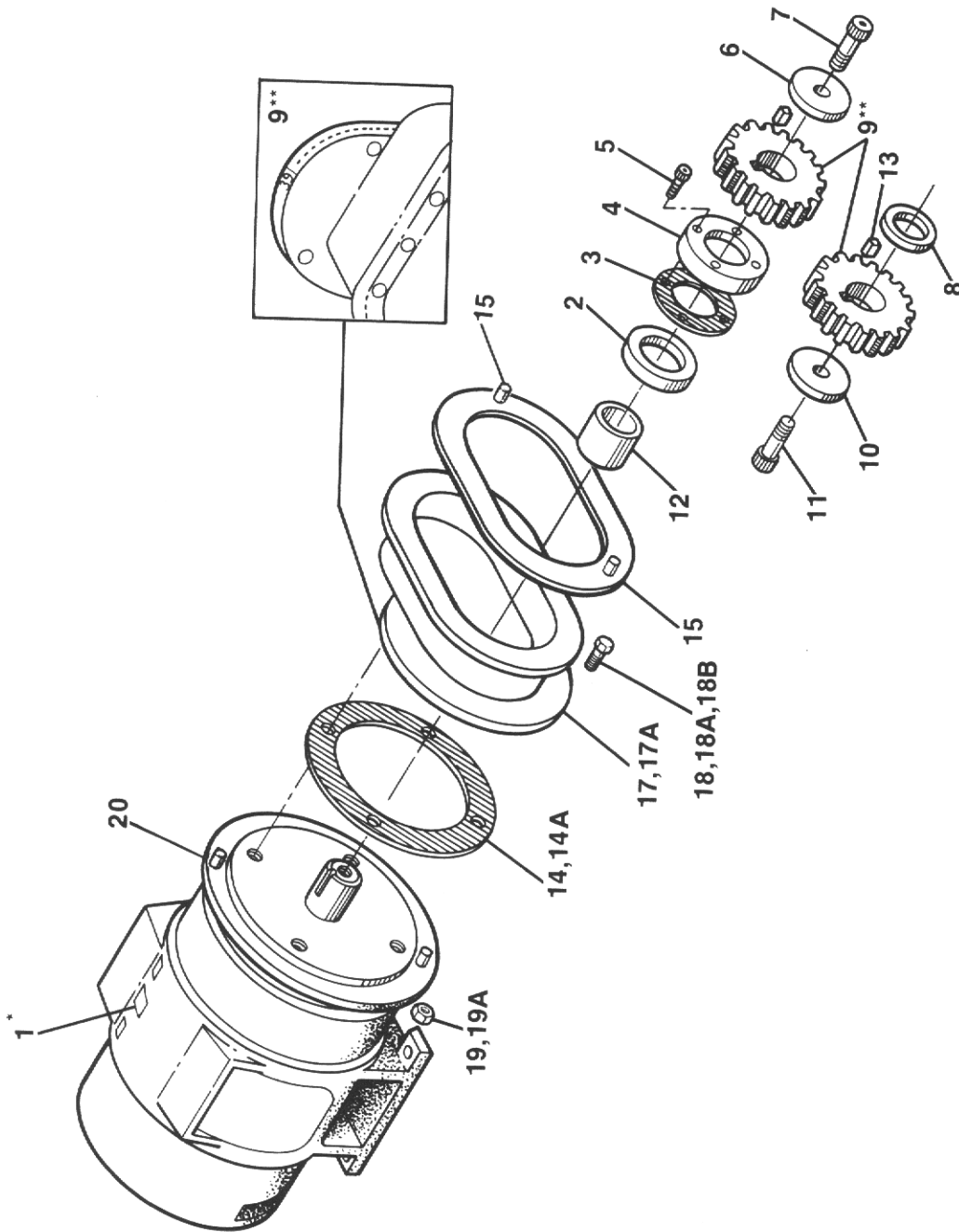


Motor, Gearcase, Gear Set 60 HP, XFE50, EPE50, & HPE50

Ref. No.	Part Number	Qty.	Motor, Gearcase, Gear Set Description
1.	*	1	Motor Data Plate
2.	39728449	1	Gearcase Wall
3.	35323617	2	Dowel Pin
4.	39185442	2	Bolt
5.	39403092	1	Shaft Seal
6.	39403332	1	Seal Gasket
7.	39403266	1	Seal Housing
8.	35275007	4	Screw
9.	39403340	1	Clamp Plate
10.	95929089	1	Screw
11.	39433842	1	Gear Spacer
12.	**	1	Gear Set
13.	W109490	1	Retainer Plate
14.	35291020	1	Screw
15.	39402235	1	Shaft Sleeve
16.	35323617	2	Dowel Pin
17.	39457411	1	Gasket
18.	39185434	2	Screw
19.	95340428	1	Key
20.	35849066	1	Gasket, Gear Case
21.	39424007	1	Gear Oiler
22.	39433891	1	Gasket, Gear Oiler
23.	39129796	2	Screw

* Furnish Motor Part No. (Item 1) when ordering replacement.

** For Gear Set Part Number contact your local Ingersoll-Rand Distributor or IR Air Center.

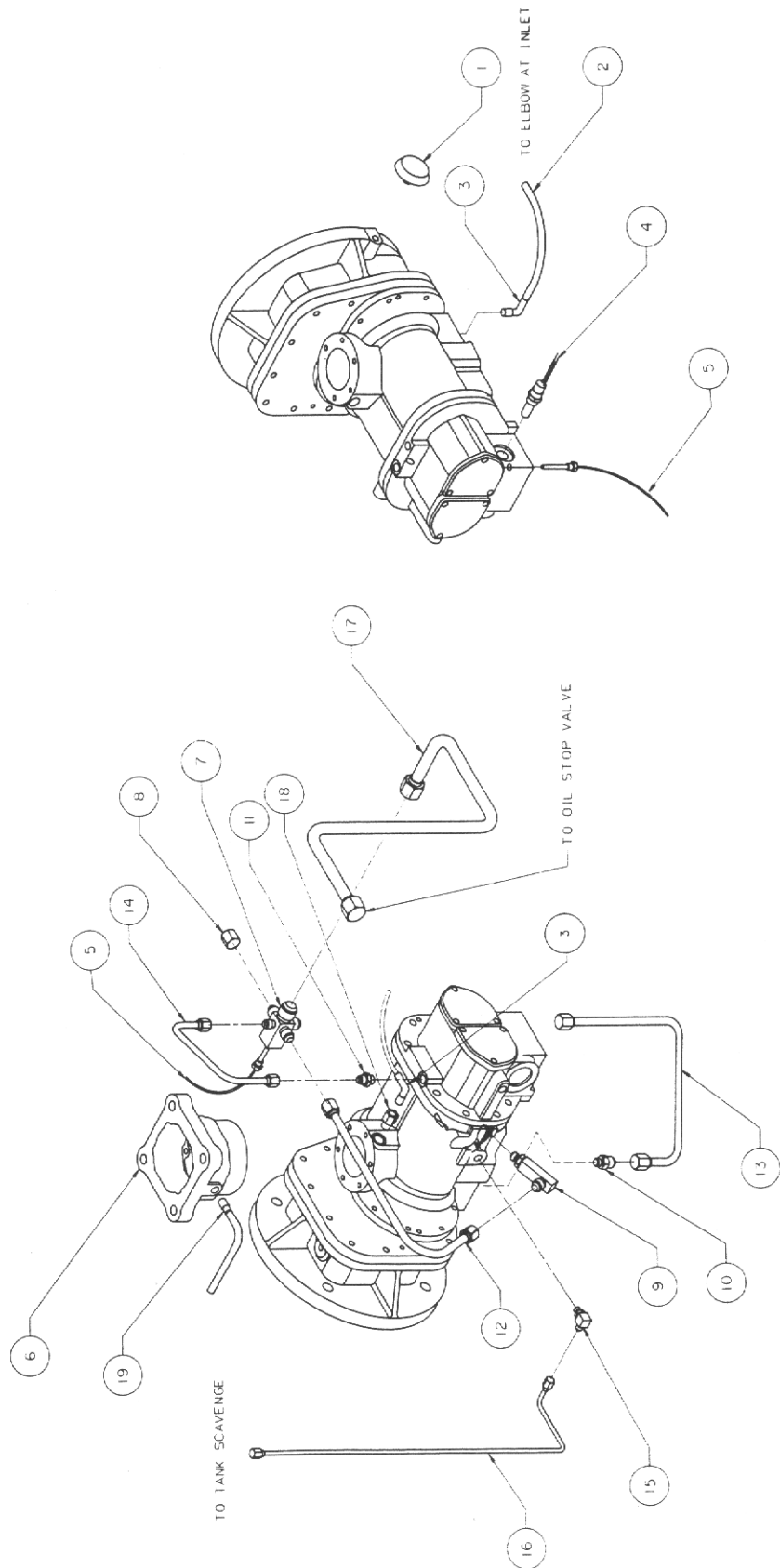


Motor, Gearcase, Gear Set 75-100 HP

Ref. No.	Part Number	Qty.	Motor, Gearcase, Gear Set Description
1.	*	1	Motor Data Plate
2.	39402938	1	Shaft Seal
3.	39404066	1	Seal Gasket
4.	39403787	1	Seal Housing
5.	95929154	4	Screw
6.	39109129	1	Clamp Plate
7.	95929170	1	Screw
8.	35262716	1	Gear Spacer
9.	**	1	Gear Set
10.	35255827	1	Retainer Plate
11.	95929162	1	Screw
12.	39402292	1	Shaft Sleeve
13.	95381109	1	Key
14.	35258573	1	Gasket, ODP Motor
14A.	39454558	1	Gasket, TEFC Motor
15.	95034492	2	Taper Pin
16.	39437637	1	Gasket
17.	39791744	1	Gear Case, ODP Motor
17A.	39791751	1	Gear Case, TEFC Motor
18.	95929097	4	Screw, Motor to Gear Case ODP
18A.	95929097	7	Screw, Motor to Gear Case TEFC
18B.	95929105	1	Screw, Motor to Gear Case TEFC
19.	95922928	4	Nut, Motor to Gear Case ODP
19A.	95922928	8	Nut, Motor to Gear Case TEFC
20.	95239919	2	Dowel Pin

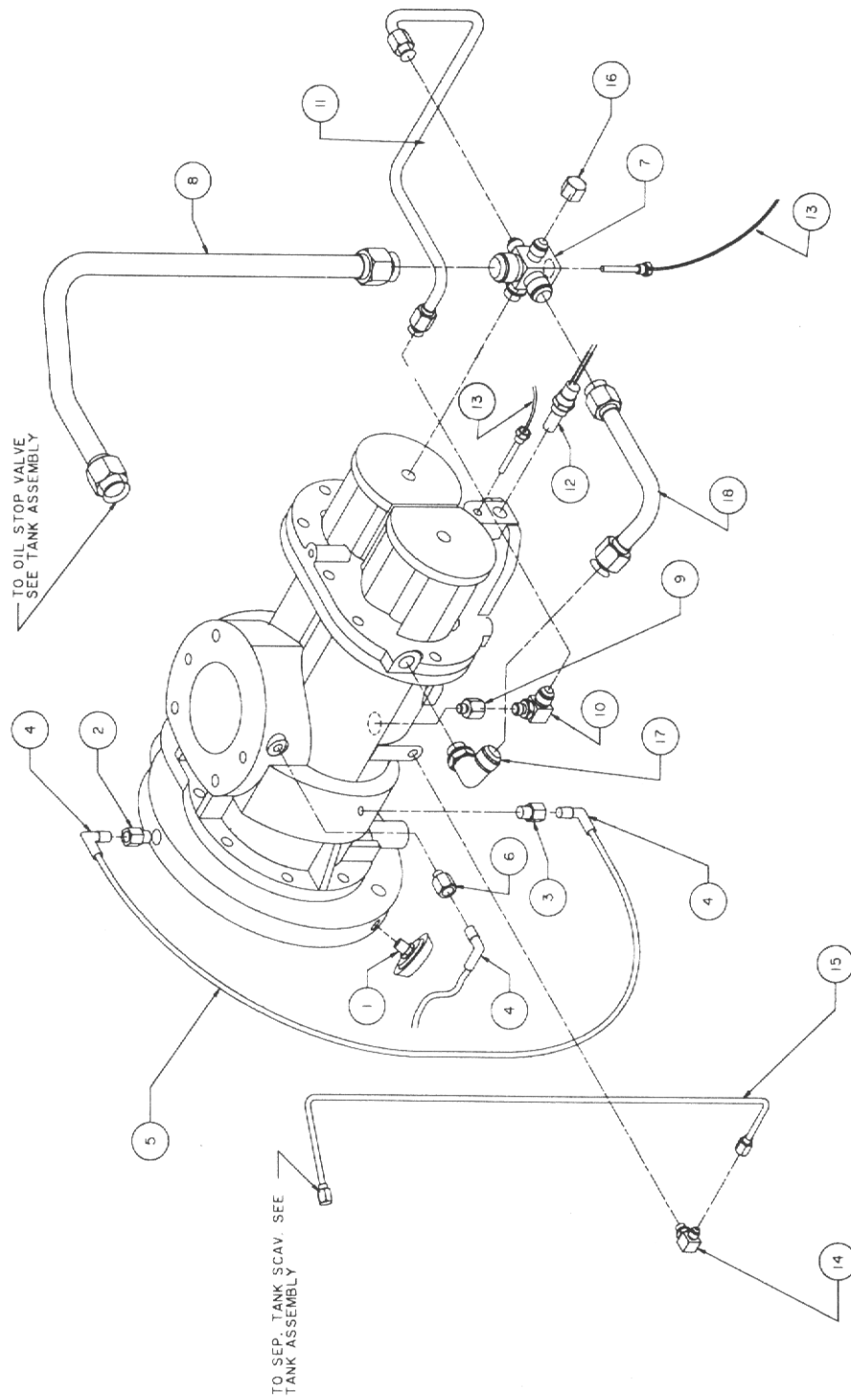
* Furnish Motor Part No. (Item 1) when ordering replacement.

** For Gear Set Part Number contact your local Ingersoll-Rand Distributor or IR Air Center.



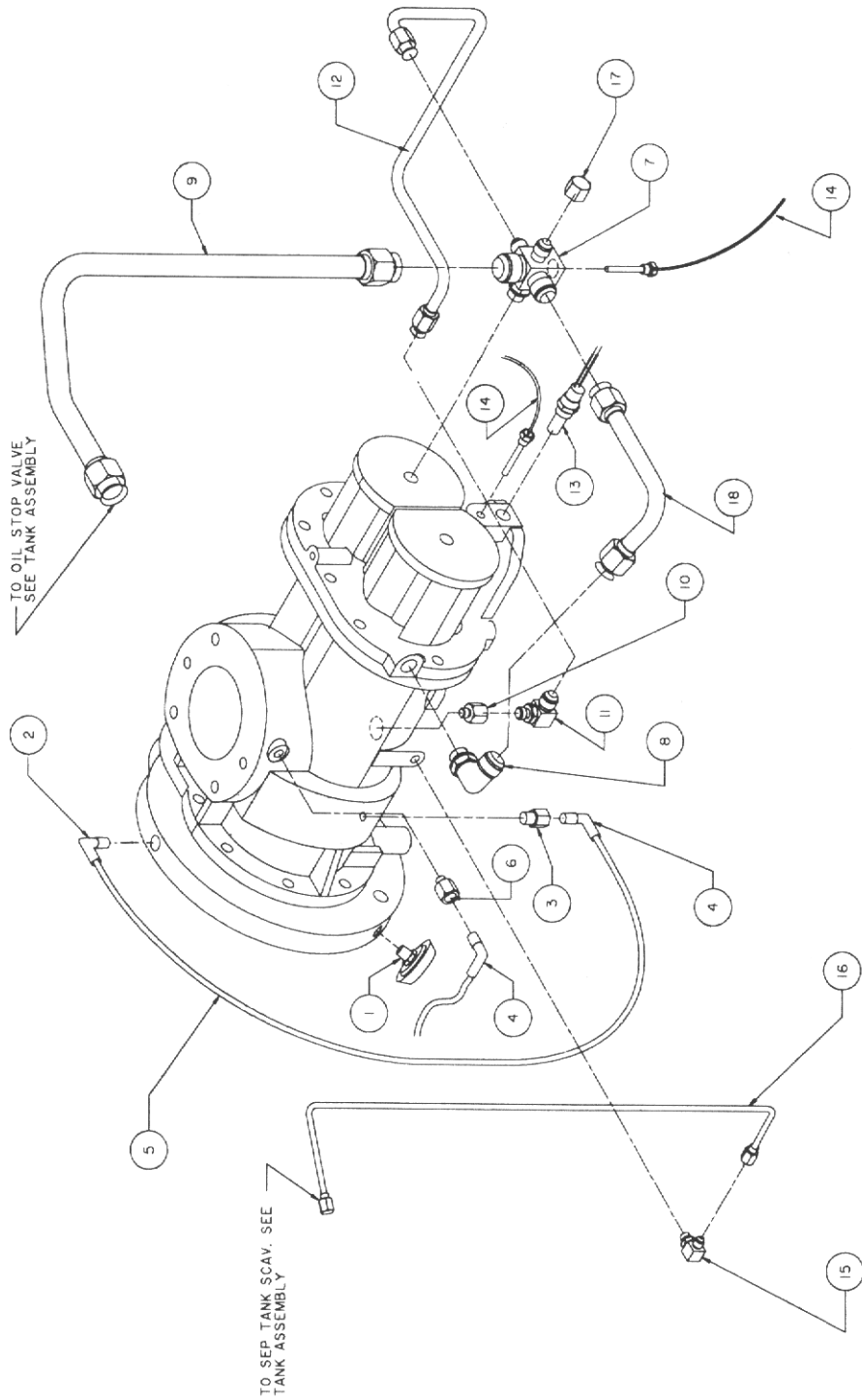
Airend Piping XF50, EP50, HP50

Ref. No.	Part Number	Qty.	Airend Piping Description
1.	39111893	1	Breather
2.	39124813	24"	Nylon Tube
3.	39155478	2	Elbow
4.	39419668	1	High Air Temperature Switch
4A.	39404165	1	O-Ring, Hats
5.	39560628	2	Temperature Sensor
5A.	39404157	2	O-Ring, Temperature Sensor
6.	39794573	1	Inlet Adapter
6A.	39476304	1	Gasket, Inlet Adapter
6B.	39178629	4	Screw
7.	39476817	1	Manifold, Oil Feed
8.	39180872	1	Cap
9.	39476924	1	Long Elbow, 90°
10.	39114210	1	Connector
11.	39477005	1	Connector
12.	39796479	1	Tube Female Injection
13.	39796487	1	Tube, Front Bearing Feed
14.	39796453	1	Tube, Rear Bearing Feed
15.	39111703	1	Elbow, 90°
16.	39796610	1	Tube, Tank Scavenge
17.	39821632	1	Tube, Coolant Feed
18.	39115522	1	Adapter
19.	39156435	1	Connector



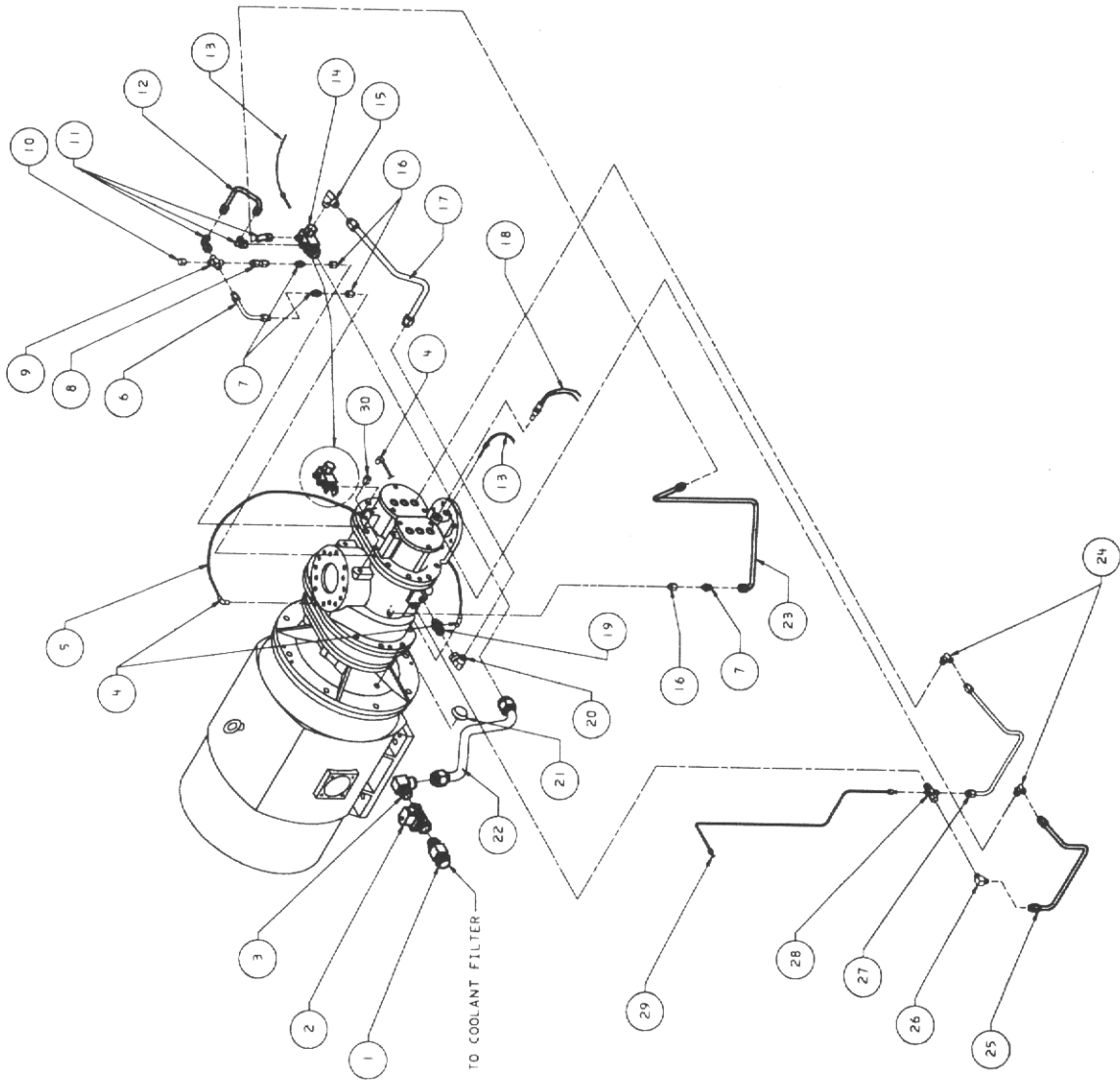
Airend Piping XFE50, EPE50, & HPE50

Ref. No.	Part Number	Qty.	Airend Piping Description
1.	39111893	1	Breather
2.	95038147	1	Bushing
3.	39115522	1	Adapter
4.	39155478	3	Elbow
5.	39124813	24"	Nylon Tube
6.	39106240	1	Adapter
7.	39492947	1	Manifold
8.	39821798	1	Tube, Oil Feed
9.	39108402	1	Expander Fitting
10.	39113022	1	Elbow
11.	39821475	1	Tube, Front Bearing Feed
12.	39419668	1	High Air Temperature Switch
12A.	39404165	1	O-Ring
13.	39560628	2	Temperature Sensor
13A.	39404157	2	O-Ring
14.	39111703	1	Elbow
15.	39817911	1	Tube, Tank Scavenge
16.	39180872	1	Cap
17.	39478748	1	Elbow
18.	39821483	1	Tube, Injection



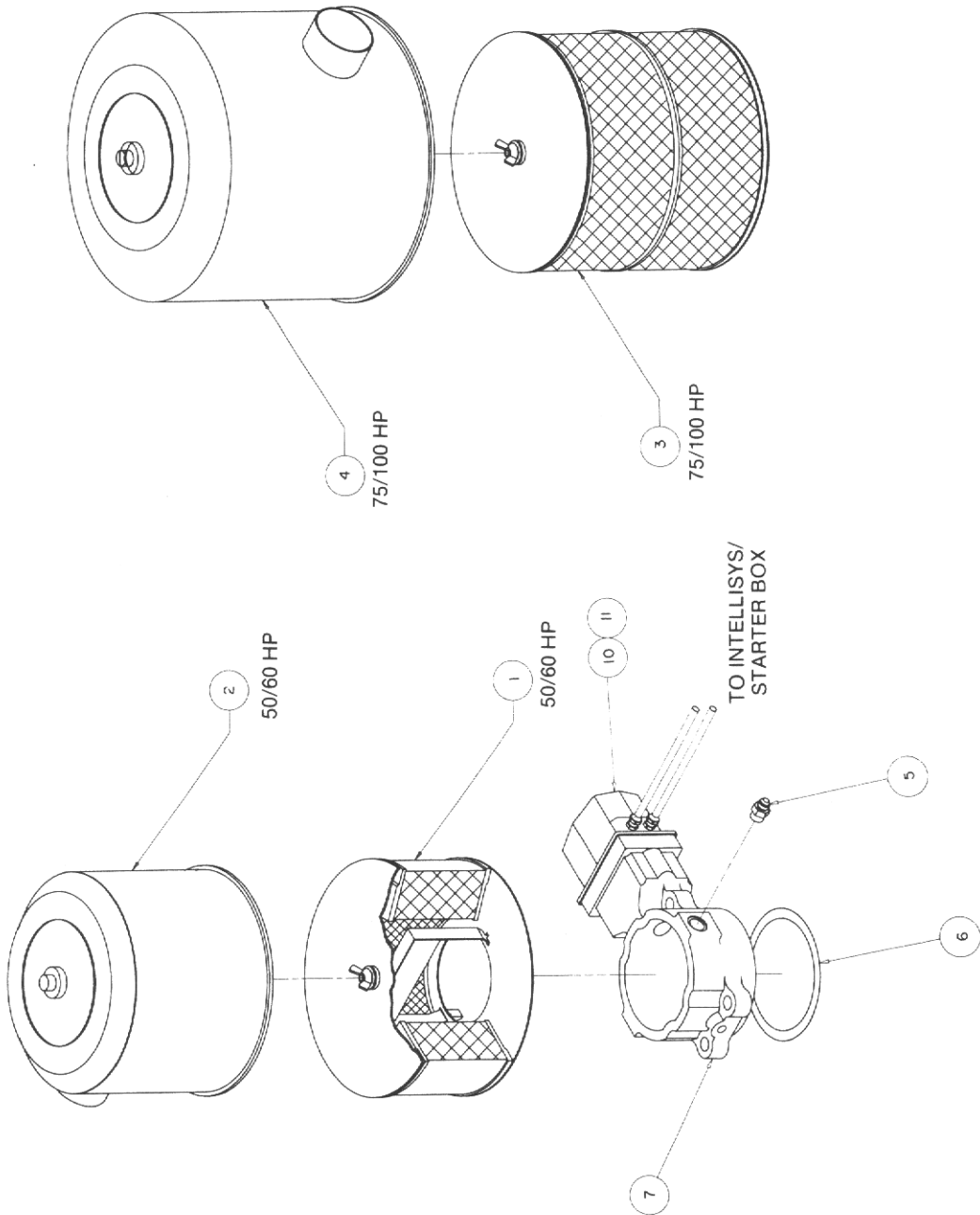
Airend Piping 60 HP

Ref. No.	Part Number	Qty.	Airend Piping Description
1.	39111893	1	Breather
2.	39194055	1	Elbow
3.	39115522	1	Adapter
4.	39155478	2	Elbow
5.	39124813	24"	Nylon Tube
6.	39106240	1	Adapter
7.	39492947	1	Manifold
8.	39478748	1	Elbow
9.	39821467	1	Tube, Oil Feed
10.	39108402	1	Expander Fitting
11.	39113022	1	Elbow
12.	39821475	1	Tube, Front Bearing Feed
13.	39419668	1	High Air Temperature Switch
13A.	39404165	1	O-Ring
14.	39560628	2	Temperature Sensor
14A.	39404157	2	O-Ring
15.	39111703	1	Elbow
16.	39796602	1	Tube, Tank Scavenge
17.	39180872	1	Cap
18.	39821483	1	Tube, Injection



Airend Piping 75-100 HP

Ref. No.	Part Number	Qty.	Airend Piping Description
1.	39476858	1	Connector, Straight
2.	39476569	1	Coolant Stop Valve NEMA 1
2A.	39479548	1	Coolant Stop Valve NEMA 4
3.	39476973	1	Elbow
4.	39155478	3	Elbow
5.	39124813	30"	1/4" Nylon Tube
6.	39476650	1	Tube
7.	39114210	3	Tube Fitting
8.	39476668	1	Tube
9.	95256558	1	Tee
10.	39180872	1	Cap
11.	95302121	3	Elbow, Swivel
12.	39482690	1	Tube, Rear Bearing Feed
13.	39560628	2	Temperature Sensor
13A.	39404157	2	O-Ring, Temperature Sensor
14.	39482682	1	Manifold, Coolant Feed
14A.	39184221	1	Bolt, Manifold To Airend
15.	95254116	1	Elbow
16.	39108402	3	Adapter
17.	39822770	1	Tube, Injection
18.	39419668	1	High Air Temperature Switch
18A.	39404165	1	O-Ring, HATS
19.	39477344	1	75HP Orifice Fitting .219
19A.	39477351	1	100HP Orifice Fitting .313
20.	95302147	1	Elbow, Swivel
21.	39112362	1	Breather
22.	39822564	1	Tube, Coolant Feed
23.	39804505	1	Tube, Front Bearing Feed
24.	39128640	2	Elbow
25.	39805692	1	Tube, Bearing Scavenge
26.	95901872	1	Elbow
27.	39796255	1	Tube, Bearing Scavenge
28.	39475694	1	Scavenge Manifold
29.	39796289	1	Tube, Tank Scavenge
30.	39106240	1	Adapter

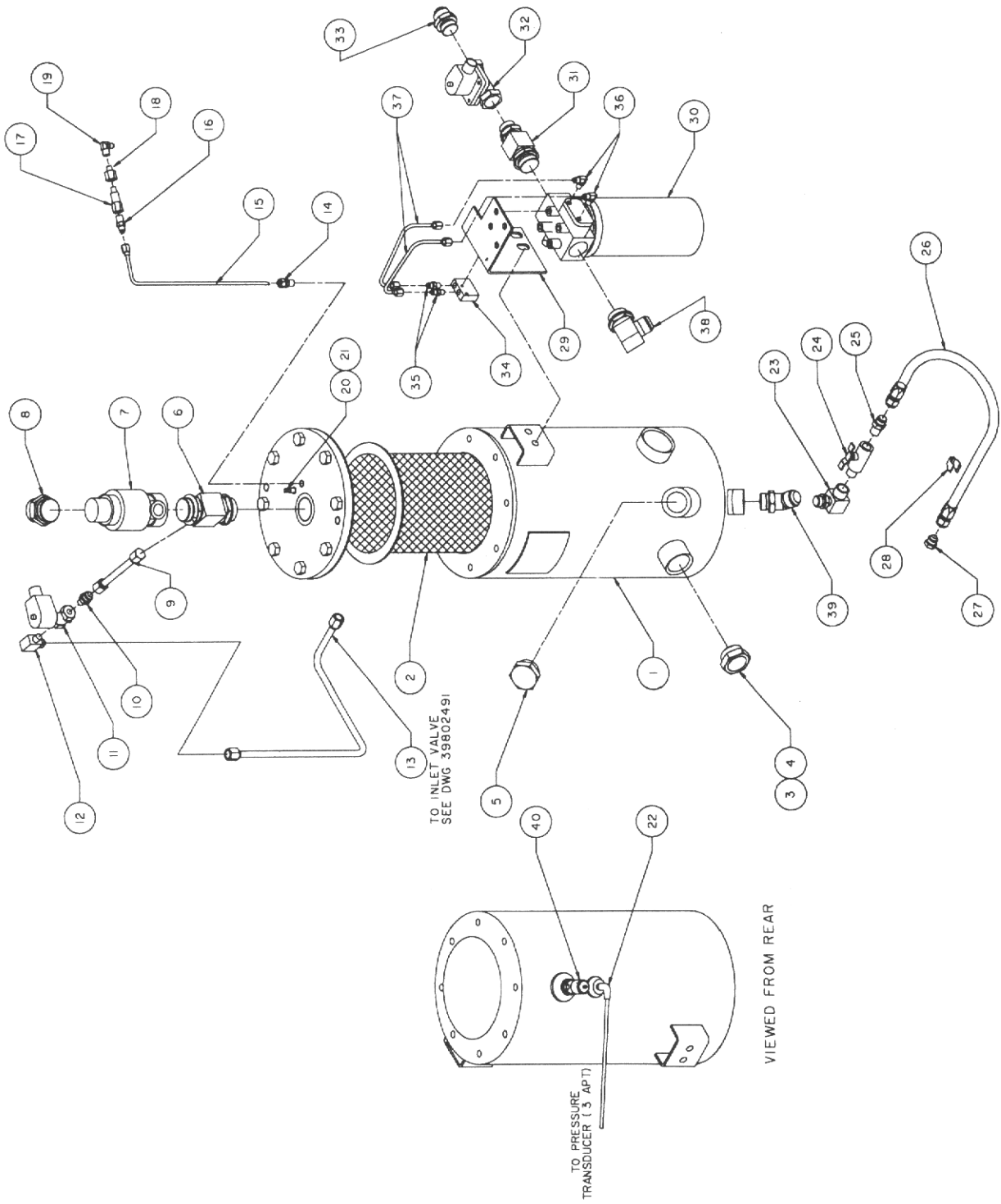


Inlet Assembly 50-100 HP

Ref. No.	Part Number	Qty.	Inlet Assembly Description
4.	39796123	1	Hooded Filter Assembly Optional (Includes all Components in Item 1 Plus Hood)
5.	39128582	1	Adapter
6.	39476304	1	Gasket, Inlet Valve
7.	39675855	1	Assembly, Inlet Valve
7A.	INCLUDED IN COMPLETE ASSEMBLY	1	Gasket, Stepper Plate
7B.	COMPLETE ASSEMBLY	1	Coupling, Inlet Valve
7C.	39119300	1	Gasket, Stepper Plate
8.	39119300	1	Plug (Not Shown)
9.	39178637	4	Bolt, Inlet Valve (Not Shown)
10.	39675871	1	Assembly, Stepper Motor
10A.	39543368	1	Board, Stepper Motor (Not Shown)
10B.	↑	1	Coupling, Stepper Motor
10C.	↑	2	Screw
10D.	↑	2	Nut
10E.	INCLUDED IN COMPLETE ASSEMBLY	1	Gasket, Stepper Plate
10F.	↑	4	Screw
10G.	COMPLETE ASSEMBLY	1	Plate, Stepper
10H.	↑	8	Screw
10J.	↑	4	Nut
10K.	↑	4	Gland, Wire
10L.	↑	4	Nut
10M.	↑	1	Cover, Stepper Motor
10N.	↑	2	Gasket, Cover
10P.	↑	1	Spacer, Cover
10R.	↑	4	Screw, Cover Housing
10S.	↑	1	Cable, Stepper Motor
10T.	↑	1	Gasket, Inlet Valve
11.	39181219	1	Coupling Set

Inlet Assembly 50-100 HP

Ref. No.	Part Number	Qty.	Inlet Assembly Description
50 & 60 HP			
1.	39795620	1	Assembly, Air Filter
1A.	39708466	1	Filter Element (Included in Complete Assembly)
1B.	↑	1	Gasket, Bottom Plate
1C.	INCLUDED IN COMPLETE ASSEMBLY	1	Nut, Wing
1D.	↑	1	Washer
1E.	↑	1	Seal, Washer
1F.	↑	1	Plate, Top
1G.	↑	1	Bracket, Filter
1H.	↑	1	Plate, Bottom
2.	39796115	1	Hooded Filter Assembly Optional (Includes all Components in Item 1 Plus Hood)
75 & 100 HP			
3.	39795752	1	Assembly, Air Filter
3A.	39708466	2	Filter Element (Included in Complete Assembly)
3B.	↑	1	Gasket, Bottom Plate
3C.	↑	1	Nut, Wing
3D.	INCLUDED IN COMPLETE ASSEMBLY	1	Washer
3E.	↑	1	Seal, Washer
3F.	↑	1	Plate, Top
3G.	↑	1	Bracket, Filter
3H.	↑	1	Plate, Bottom

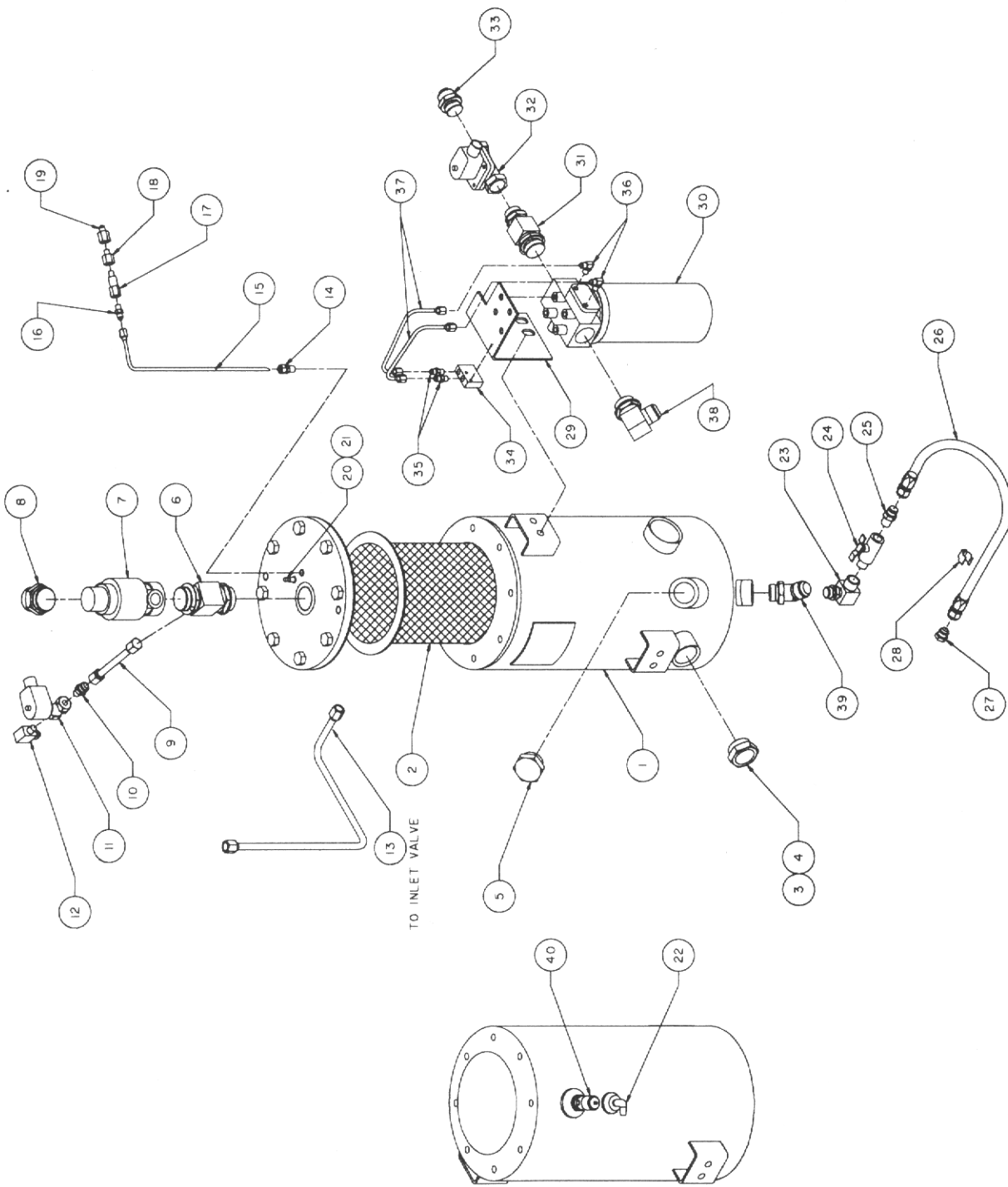


Separator Tank 50 HP

Ref. No.	Part Number	Qty.	Separator Tank Description
1.	39794847	1	Tank
2.	39751391	1	Separator Element
3.	39476916	1	Sight Glass
4.	39406996	1	O-Ring
5.	39478953	1	Plug, Coolant Fill
6.	39477542	1	Connector
7.	39475637	1	Minimum Pressure Valve
8.	39128624	1	Connector
9.	39477534	1	Tube, MPV to Blowdown
10.	95338372	1	Connector
11.	39136932	1	Blowdown Valve NEMA 1
11A.	39479563	1	Blowdown Valve NEMA 4
12.	95338406	1	Elbow, 90°
13.	39796628	1	Tube, Blowdown to Inlet XF50, EP50, HP50
13A.	39817903	1	Tube, Blowdown to Inlet XF50, EPE50, HPE50
14.	39417118	1	Adapter
15.	39796594	1	Tube, Scavenge - Inlet Tank
16.	95263380	1	Adapter
17.	39120563	1	Screen Assembly
18.	35271865	1	Orifice
19.	95293353	1	Elbow
20.	39156435	1	Connector
21.	39155353	1	1/4" Plug
22.	39155478	1	Elbow, 90°
23.	39477526	1	Elbow, 90°
24.	39105739	1	Drain Valve
25.	95219721	1	Connector
26.	39109699	1	Hose
27.	95382206	1	Plug
28.	39156732	1	Clip
28A.	39129994	2	Screw

Separator Tank 50 HP

Ref. No.	Part Number	Qty.	Separator Tank Description
29.	39492939	1	Bracket, Coolant Filter XF50, EP50, HP50
29A.	39476254	1	Bracket, Coolant Filter XFE50, EPE50, HPE50
29B.	39128509	2	Bolt
30.	39796925	1	Coolant Filter Assembly
30A.	39796974	1	Coolant Filter Element
30B.	39128467	2	Screw
31.	39476841	1	Connector
32.	39476825	1	Coolant Stop Valve, NEMA 1
32A.	39479530	1	Coolant Stop Valve, NEMA 4
32B.	39479555	1	Connector, DIN NEMA-4
33.	39128608	1	Connector XF50, EP50, HP50
33A.	39491261	1	Connector XFE50, EPE50, HPE50
34.	39158233	1	Switch ΔP
35.	95287629	2	Connector
36.	95209086	2	Elbow, 90°
37.	39477740	2	Tube, Coolant Filter ΔP
38.	39476981	1	Elbow, 90°
39.	39477021	1	Elbow, 45°
40.	39111356	1	Relief Valve, XF
40A.	35254952	1	Relief Valve, EP
40B.	39121256	1	Relief Valve, HP

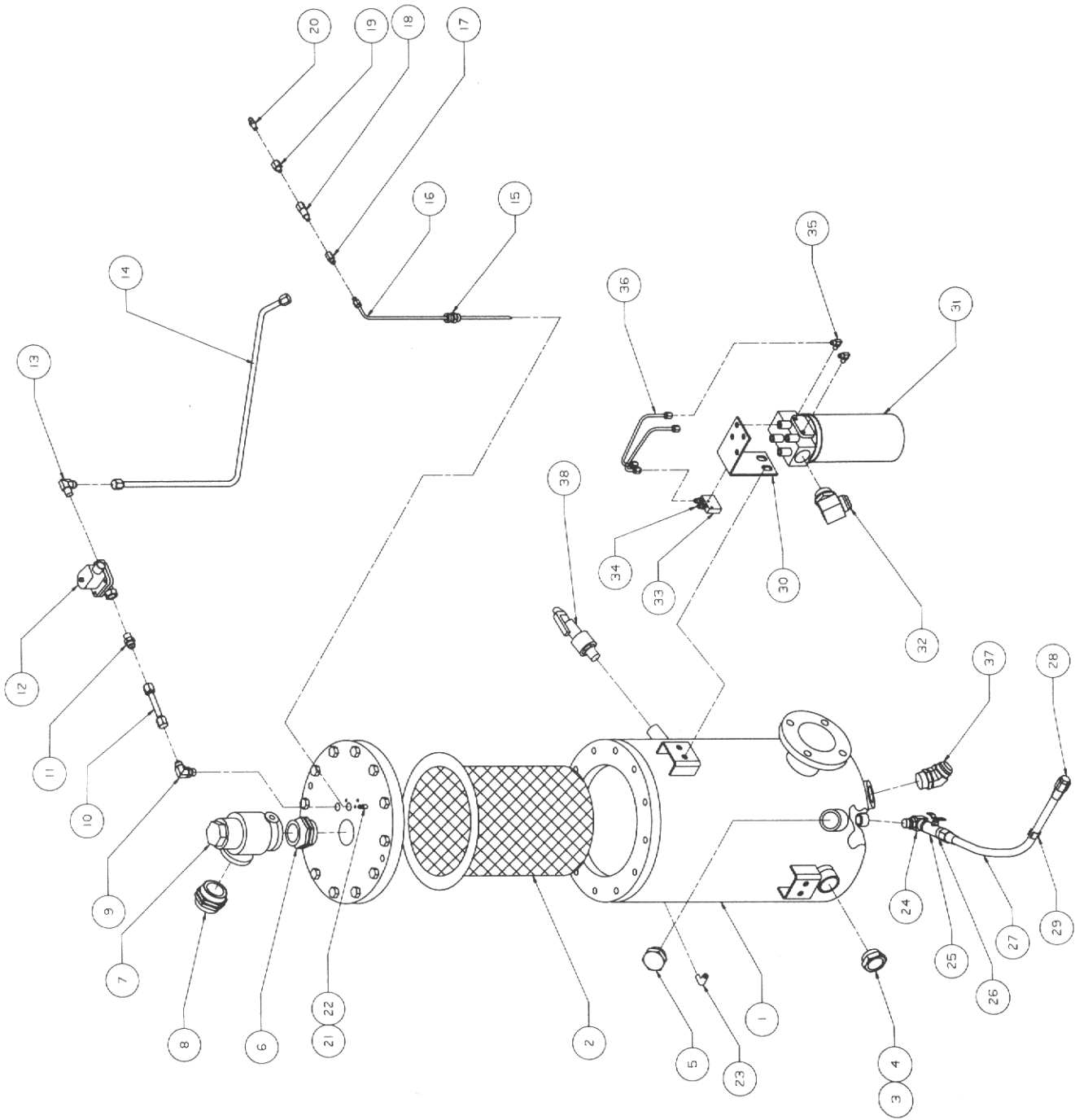


Separator Tank 60 HP

Ref. No.	Part Number	Qty.	Separator Tank Description
23.	39477526	1	Elbow
24.	39105739	1	Drain Valve
25.	95219721	1	Adapter
26.	39109707	1	Hose
27.	95382206	1	Plug
28.	39156732	1	Clip
28A.	39129994	2	Screw
29.	39492939	1	Bracket, Coolant Filter
29A.	39128509	2	Bolt
30.	39796933	1	Coolant Filter Assembly
30A.	39796982	1	Coolant Filter Element
30B.	39128467	2	Screw
31.	39476858	1	Connector
32.	39476569	1	Coolant Stop Valve, NEMA 1
32A.	39479548	1	Coolant Stop Valve, NEMA 4
32B.	39479555	1	Connector, DIN, NEMA-4
33.	39111752	1	Adapter
34.	39158233	1	Indicator
35.	95287629	2	Adapter
36.	95209086	2	Elbow
37.	39477732	2	Tube Assembly
38.	39476981	1	Elbow
39.	39477021	1	45° Elbow
40.	39111539	1	Relief Valve, XF
40A.	35254952	1	Relief Valve, EP
40B.	39121256	1	Relief Valve, HP

Separator Tank 60 HP

Ref. No.	Part Number	Qty.	Separator Tank Description
1.	39794854	1	Tank
2.	39734892	1	Separator Element
3.	39476916	1	Sight Glass
4.	39406996	1	O-Ring
5.	39478953	1	Plug, Coolant Fill
6.	39477542	1	Adapter, Minimum Pressure Valve
7.	39475637	1	Minimum Pressure Valve
8.	39128624	1	Adapter
9.	39477534	1	Tube Assembly
10.	95338372	1	Adapter
11.	39136932	1	Blowdown Valve NEMA 1
11A.	39479563	1	Blowdown Valve NEMA 4
12.	95338406	1	Elbow
13.	39799374	1	Tube Assembly
14.	39417118	1	Adapter
15.	39796594	1	Scavenge Tube Assembly
16.	95263380	1	Adapter
17.	39120563	1	Screen Assembly
18.	35271865	1	Orifice
19.	95293296	1	Adapter
20.	39156435	1	Connector
21.	39155353	1	1/4" Plug
22.	39155478	1	Elbow, Nylon Tube

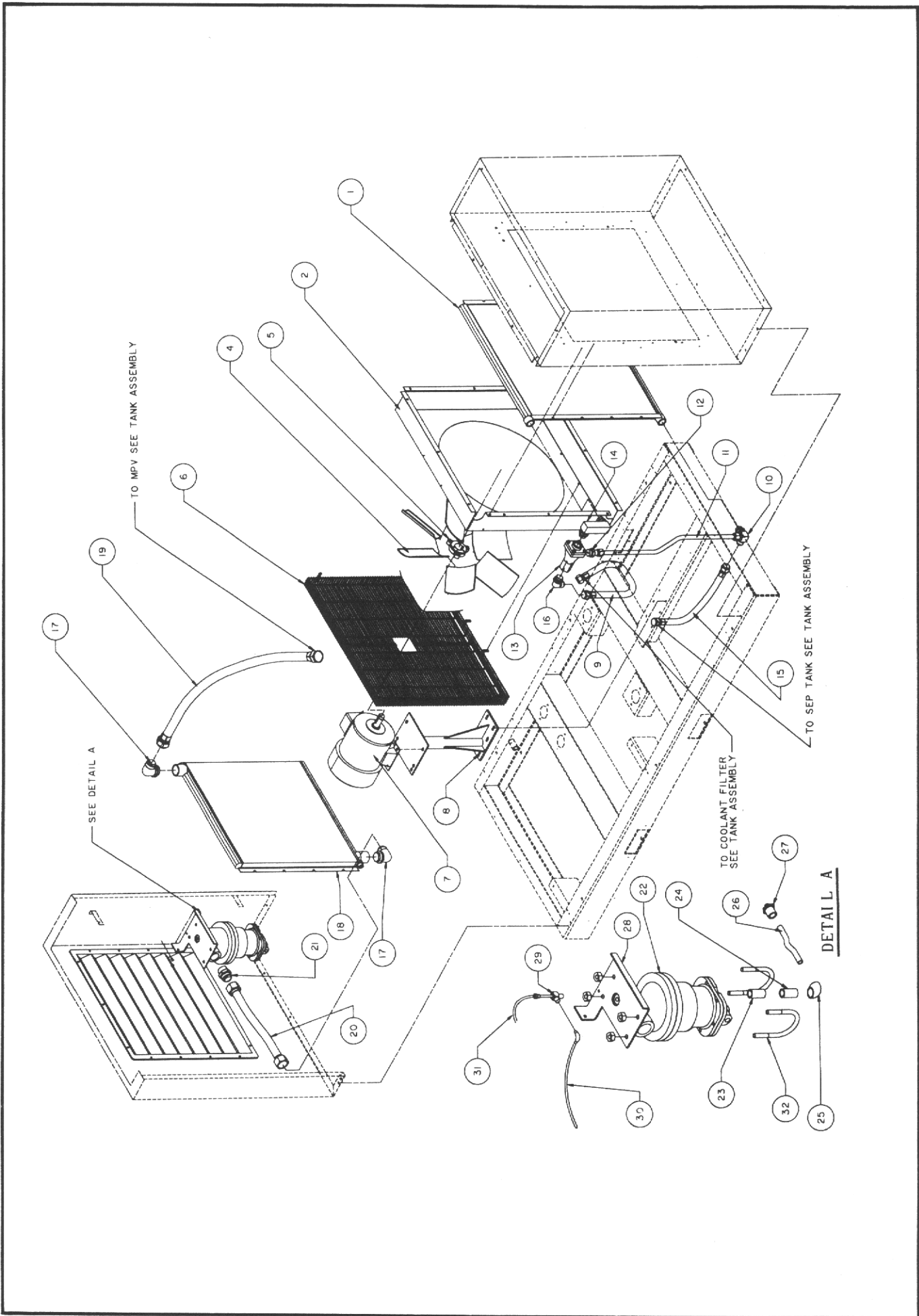


Separator Tank 75-100 HP

Ref. No.	Part Number	Qty.	Separator Tank Description
22.	39155353	1	1/4" Plug
23.	39155478	1	Elbow
24.	39477526	1	Elbow
25.	39105739	1	Drain Valve
26.	95219721	1	Adapter
27.	39109707	1	Hose
28.	95382206	1	Plug
29.	39156732	1	Clip
29A.	39129994	2	Screw
30.	39476254	1	Bracket, Coolant Filter
30A.	39128509	2	Bolt
31.	39796933	1	Coolant Filter Assembly
31A.	39796982	1	Coolant Filter Element
31B.	39128467	2	Screw
32.	39114012	1	Elbow
33.	39158233	1	Indicator
34.	95287629	2	Adapter
35.	95209086	2	Elbow
36.	39177732	2	Tube Assembly
37.	39477013	1	45° Elbow
38.	39112784	1	Relief Valve, XF
38A.	39112404	1	Relief Valve, EP
38B.	39114145	1	Relief Valve, HP
38C.	39157904	1	Relief Valve, XP

Separator Tank 75-100 HP

Ref. No.	Part Number	Qty.	Separator Tank Description
1.	39794862	1	Tank
2.	39738265	1	Separator Element
3.	39476916	1	Sight Glass
4.	39406996	1	O-Ring
5.	39478953	1	Plug, Coolant Fill
6.	39477039	1	Adapter, Minimum Pressure Valve
7.	39475645	1	Minimum Pressure Valve
8.	39128632	1	Adapter
9.	39128640	1	Elbow
10.	39476585	1	Tube Assembly
11.	95219721	1	Adapter
12.	39120472	1	Blowdown Valve NEMA 1
12A.	39479571	1	Blowdown Valve NEMA 4
12B.	39479555	1	Connector, DIN, NEMA-4
13.	95279535	1	Elbow
14.	39796222	1	Tube Assembly
15.	39417118	1	Adapter
16.	39796297	1	Scavenge Tube Assembly
17.	95293296	1	Adapter
18.	39120563	1	Screen Assembly
19.	39404298	1	Orifice
20.	95263380	1	Adapter
21.	39156435	1	Connector



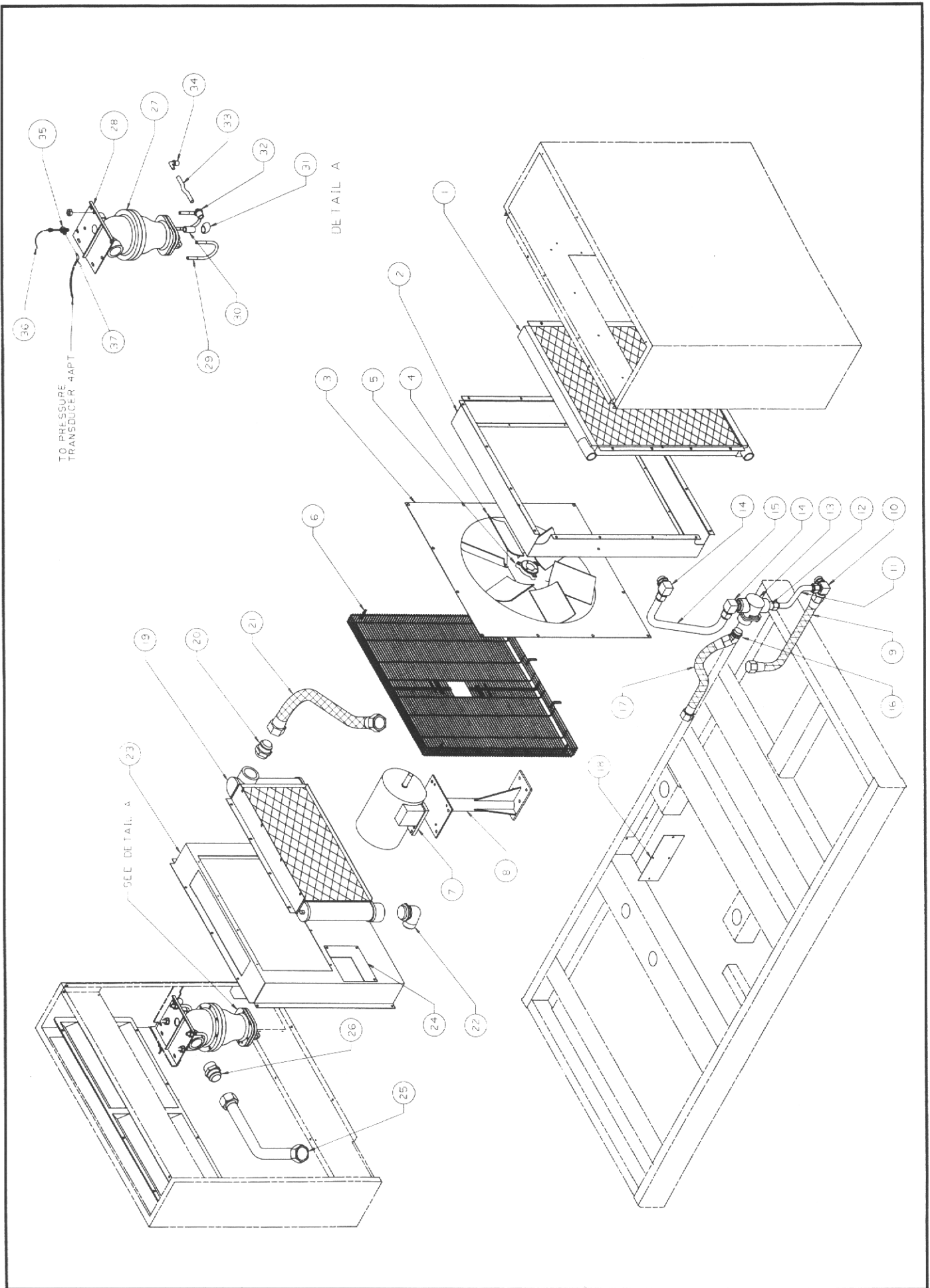
Cooling Air Cooled Enclosed 50-60 HP

Ref. No.	Part Number	Qty.	Air Cooled Enclosed Description
15.	35227909	1	Hose
16.	39476981	1	Elbow
17.	39128673	2	Elbow
18.	39792841	1	Aftercooler
18A.	39128541	8	Nut
19.	35130848	1	Hose
20.	39796586	1	Tube
21.	95208682	1	Adapter
22.	39796578	1	Moisture Separator
23.	95785218	1	Nipple
24.	95607545	1	Coupling
25.	39137534	1	Barbed Elbow
26.	39137518	18"	1/2" Nylon Tube
27.	39137542	1	Barbed Connector
28.	39795109	1	Moisture Separator Bracket
28A.	39128541	2	Nut
29.	39479761	1	Tee
30.	39155577	1	Elbow
31.	39560628	1	Temperature Sensor
31A.	39404157	1	O-Ring
32.	39478201	2	U-Bolt
32A.	39128566	4	Nut

Cooling Air Cooled Enclosed 50-60 HP

Ref. No.	Part Number	Qty.	Air Cooled Enclosed Description
1.	39798608	1	Coolant Cooler
1A.	39133145	8	Screw
2.	39819776	1	Cooler Shroud
2A.	39133145	12	Screw
4.	39143078	1	Fan
5.	39115027	1	Bushing
6.	39796107	2	Fan Guard
6A.	39133145	6	Screw
7.	*	1	Fan Motor
7A.	39130828	4	Screw
7B.	39128558	4	Nut
8.	39821509	1	Fan Motor Support
8A.	39178678	4	Screw
9.	39172440	1	Hose
10.	39475660	1	Tee, Cooler Inlet
11.	39796503	1	Cooler By-Pass Tube
12.	39476932	1	Orifice Adapter
13.	39476890	1	Thermostatic Control Valve
13A.	39412788	1	Thermostatic Control Valve Element
14.	39477591	1	Elbow

* Refer to motor data plate for motor part number when ordering.



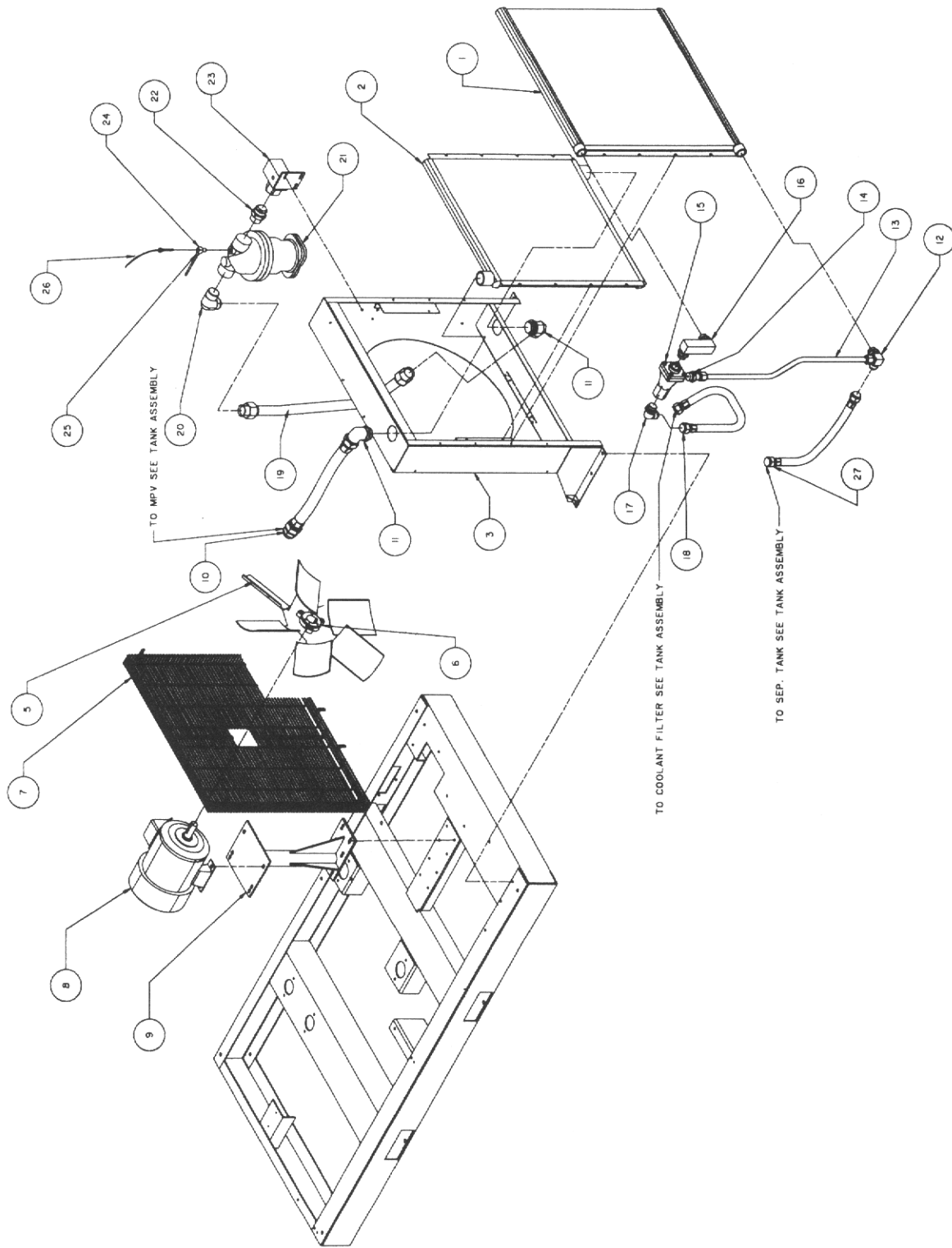
Cooling Air Cooled Enclosed 75-100 HP

Ref. No.	Part Number	Qty.	Air Cooled Enclosed Description
20.	39128632	1	Adapter
21.	35144427	1	Hose
22.	39140512	1	Elbow
23.	39795315	1	Aftercooler, Support, XF, EP, HP
23A.	39798574	1	Aftercooler, Support, XP
23B.	39133145	10	Screw
24.	39479837	1	Plate, Aftercooler, Support XF, EP, HP
24A.	39133145	4	Screw
25.	39796206	1	Tube, XF, EP, HP
25A.	35256122	1	Hose, XP
26.	95279352	1	Adapter, XF, EP, HP
26A.	95286910	1	Elbow, XP
27.	39797717	1	Moisture Separator
28.	39795109	1	Moisture Separator Support
29.	39177183	2	U-Bolt
29A.	39128566	4	Nut
30.	95785218	1	Nipple
31.	95482873	1	Elbow
32.	39137526	1	Barbed Connector
33.	39137518	18"	1/2" Nylon Tube
34.	39137534	1	Barbed Elbow
35.	39479761	1	Tee
36.	39560628	1	Temperature Sensor
36A.	39404157	1	O-Ring
37.	39156435	1	Connector

Cooling Air Cooled Enclosed 75-100 HP

Ref. No.	Part Number	Qty.	Air Cooled Enclosed Description
1.	39792817	1	Coolant Cooler, XF, EP, HP
1A.	39792833	1	Coolant Cooler, XP
2.	39795034	1	Cooler Shroud
2A.	39133145	16	Screw
3.	39797154	1	Fan Orifice Plate
3A.	39133145	12	Screw
4.	39482674	1	Fan
5.	39183199	1	Bushing
6.	39795067	2	Fan Guard
6A.	39133145	8	Screw
7.	*	1	Fan Motor
7A.	39110309	4	Screw
7B.	39128566	4	Nut
8.	39805114	1	Fan Motor Support
8A.	39178678	4	Screw
9.	W90434	1	Hose
10.	39475678	1	Tee, Cooler Inlet
11.	39476627	1	Cooler By-Pass Tube
12.	39476940	1	Orifice Adapter
13.	39476684	1	Thermostatic Control Valve
13A.	39437645	1	Thermostatic Control Valve Element
14.	39114012	2	Elbow
15.	39796214	1	Tube, Cooler Outlet
16.	39477013	1	Elbow
17.	35130046	1	Hose
18.	39479746	1	Cover
18A.	39133152	4	Screw
19.	39792809	1	Aftercooler, XF, EP, HP
19A.	39792825	1	Aftercooler, XP
19B.	39133145	8	Screw

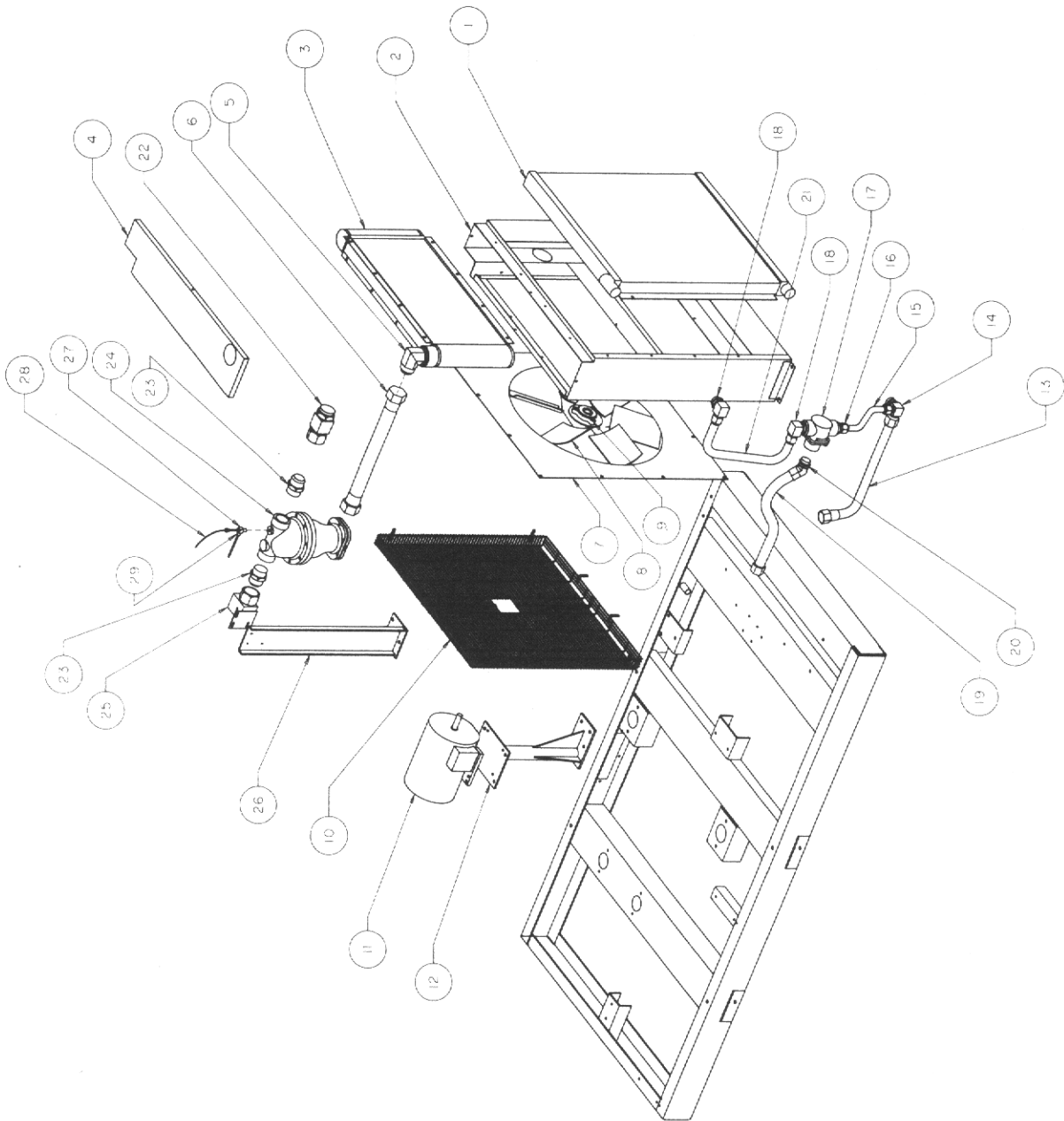
* Refer to motor data plate for motor part number when ordering.



Cooling, Air Cooled Open 50-60 HP

Ref. No.	Part Number	Qty.	Air Cooled Open Description
1.	39798608	1	Coolant Cooler
1A.	39133145	8	Screw
2.	39792841	1	Aftercooler
2A.	39133145	4	Screw
3.	39819487	1	Cooler Box
3A.	39178678	4	Screw
5.	39143078	1	Fan
6.	39115027	1	Bushing
7.	39796107	2	Fan Guard
7A.	39133145	8	Screw
8.	39130828	1	Fan Motor
8A.	39130828	4	Screw
8B.	39128558	4	Nut
9.	39821509	1	Fan Motor Support
9A.	39178678	4	Screw
10.	35142066	1	Hose
11.	39128673	2	Elbow
12.	39475660	1	Tee, Cooler Inlet
13.	39796503	1	Cooler By-Pass Tube
14.	39476932	1	Orifice Adapter
15.	39476890	1	Thermostatic Control Valve
16.	39477591	1	Elbow, Cooler Outlet
17.	39476981	1	Elbow
18.	35115948	1	Hose
19.	39821491	1	Tube, Aftercooler Outlet
20.	95279477	1	Elbow
21.	39796578	1	Moisture Separator
22.	95208682	1	Adapter
23.	39479662	1	Discharge Manifold
23A.	39133145	3	Screw
24.	39479761	1	Tee
25.	39156435	1	Fitting, Nylon Tube
26.	39560628	1	Temperature Sensor
26A.	39404157	1	O-Ring
27.	35115948	1	Hose, 50 HP
27A.	39172440	1	Hose, 60 HP

* Refer to motor data plate for motor part number when ordering.



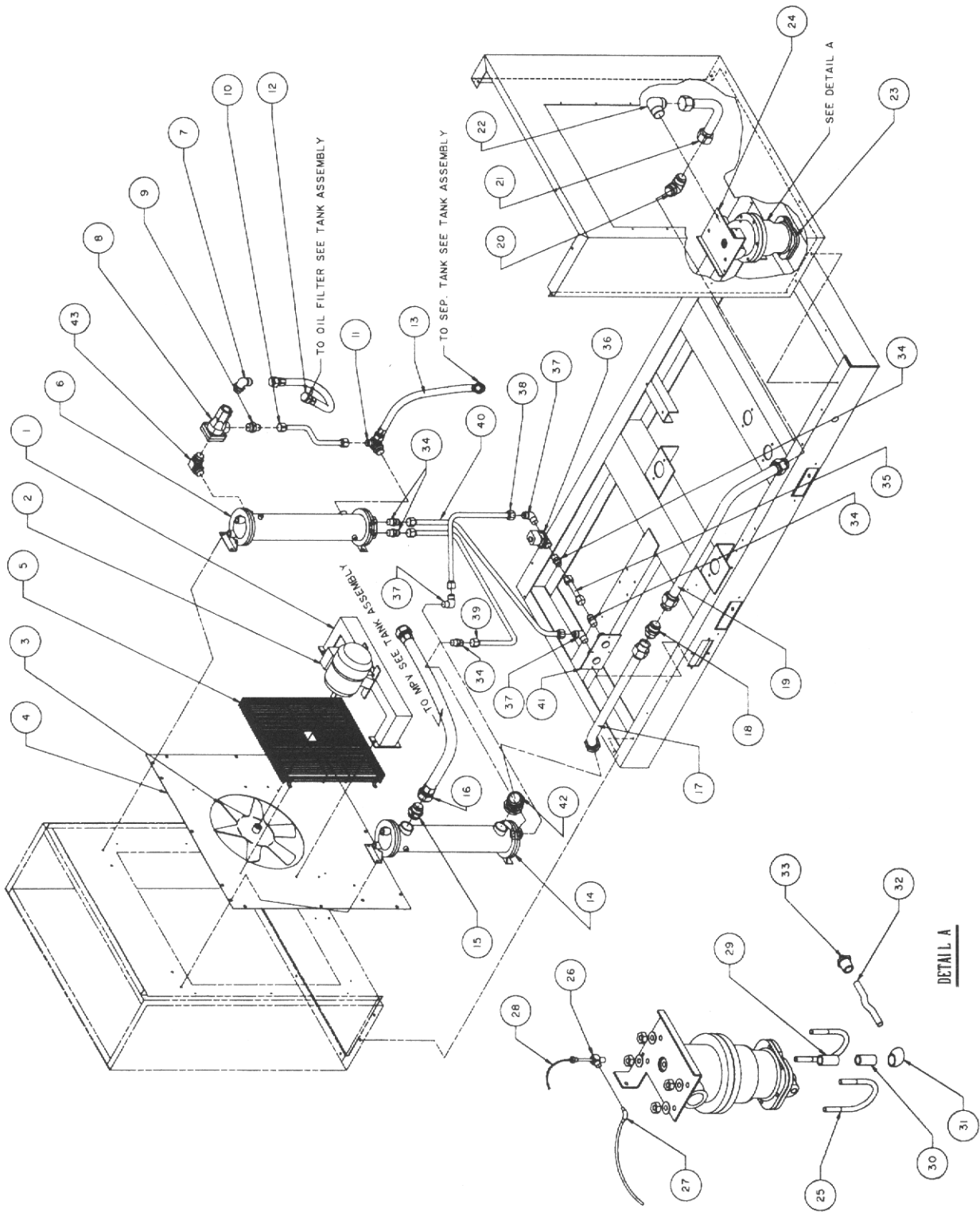
Cooling, Air Cooled Open 75-100 HP

Ref. No.	Part Number	Qty.	Air Cooled Open Description
12.	39805114	1	Fan Motor Support
12A.	39178678	6	Screw, Fan Motor Support to Base
13.	39149505	1	Hose
14.	39475678	1	Tee, Cooler Inlet
15.	39476627	1	Cooler By-Pass Tube
16.	39476940	1	Orifice Adapter
17.	39476684	1	Thermostatic Control Valve
18.	39114012	2	Elbow
19.	W90418	1	Hose
20.	39477013	1	Elbow
21.	39796214	1	Tube, Cooler Outlet
22.	39479688	1	Swivel Adapter
23.	95279352	2	Adapter
24.	39797717	1	Moisture Separator
25.	39479670	1	Manifold
25A.	39133145	3	Screw, Discharge Manifold to Support
26.	39799085	1	Moisture Separator Support
27.	39479761	1	Tee
28.	39560628	1	Temperature Sensor
29.	39155478	1	Elbow

Cooling, Air Cooled Open 75-100 HP

Ref. No.	Part Number	Qty.	Air Cooled Open Description
1.	39792817	1	Coolant Cooler
1A.	39133145	8	Screw, Coolant Cooler to Cooler Box
2.	39799077	1	Cooler Box
2A.	39178678	4	Screw, Cooler Box to Base
3.	39792809	1	Aftercooler
3A.	39133145	8	Screw, Aftercooler to Cooler Box
4.	39799093	1	Aftercooler Panel
4A.	39133145	4	Screw, Panel to Cooler Box
5.	39140512	1	Elbow
6.	39126859	1	Hose
7.	39797154	1	Fan Orifice Plate
7A.	39133145	12	Screw, Fan Orifice to Cooler Box
8.	39482674	1	Fan
9.	39183199	1	Bushing
10.	39795067	2	Fan Guard
10A.	39133145	6	Screw, Fan Guard to Cooler Box
11.	*	1	Fan Motor
11A.	39128483	4	Screw, Fan Motor to Support
11B.	39128566	4	Nut, Fan Motor to Support

* Refer to motor data plate for motor part number when ordering.



**Cooling Water Cooled Enclosed 50-60 HP
Series Water Piping (90°)**

Ref. No.	Part Number	Qty.	Water Cooled Enclosed Description
1.	39796958	1	Fan Motor Support
1A.	39178678	4	Screw, Fan Motor Support
2.	*	1	Fan Motor
2A.	39130828	4	Screw, Fan Motor to Support
2B.	39128558	4	Nut, Fan Motor to Support
3.	39119912	1	Fan Orifice Plate
4.	39796941	1	Fan Guard
4A.	39133145	12	Screw
5.	39797147	1	Fan Guard
5A.	39133145	4	Screw, Fan Guard
6.	39796651	1	Coolant Cooler
6A.	39178678	4	Screw, Cooler to Support
7.	39476981	1	Elbow
8.	39476890	1	Thermostatic Control Valve
9.	39476932	1	Orifice Adapter
10.	39797055	1	Tube, Coolant Cooler
11.	39475660	1	Tee, Cooler Inlet
12.	35227909	1	Hose
13.	39172440	1	Hose
14.	39796644	1	W/C Aftercooler
14A.	39178678	4	Screw, Aftercooler
15.	39128624	1	Adapter
16.	35142066	1	Hose
17.	39821863	1	Tube, Aftercooler
18.	95494035	1	Union
19.	39821871	1	Tube, Moisture Separator
20.	39119391	1	Union Elbow
21.	39799424	1	Tube, Moisture Separator
22.	95279477	1	Elbow

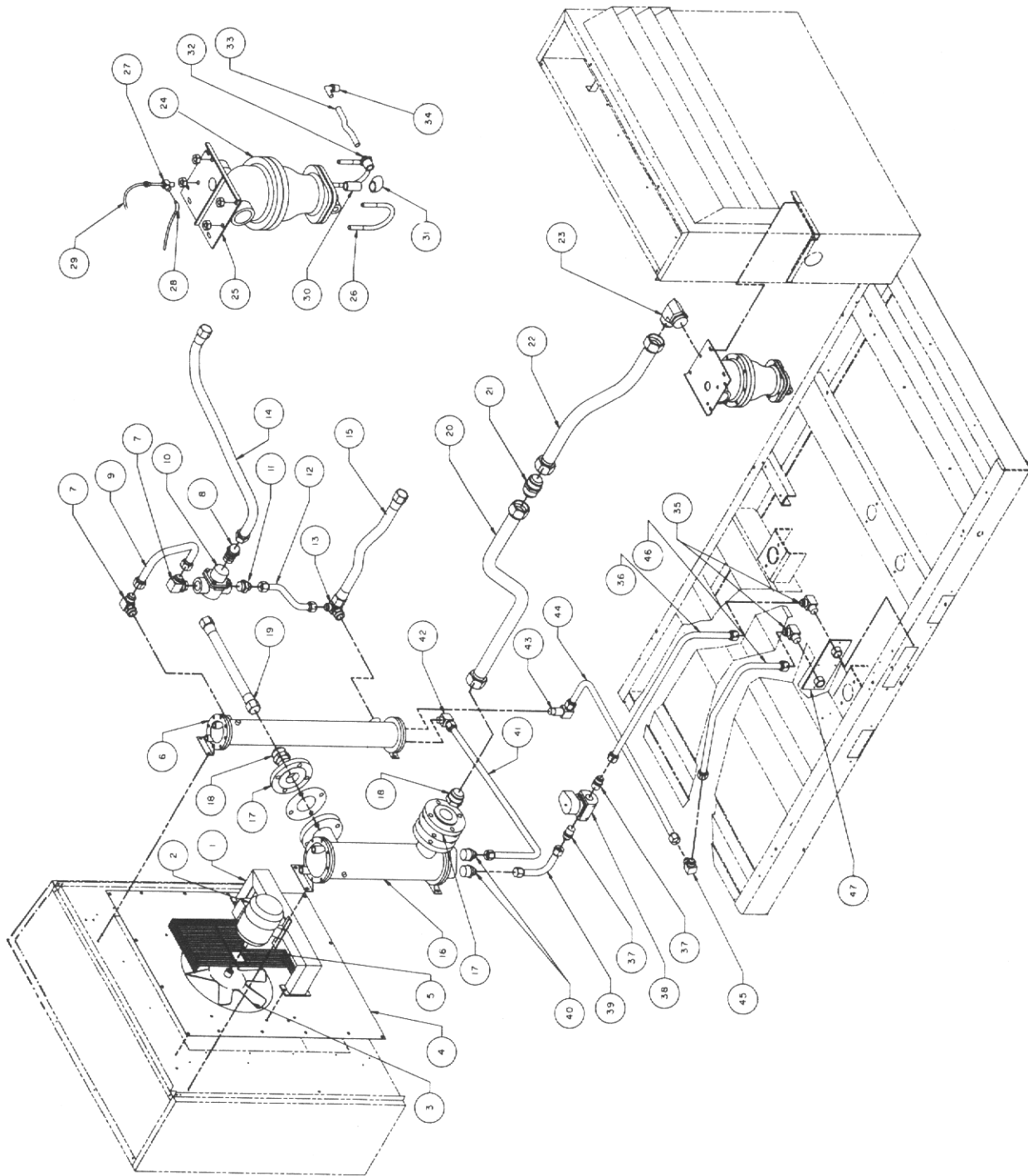
**Cooling Water Cooled Enclosed 50-60 HP
Series Water Piping (90°)**

Ref. No.	Part Number	Qty.	Water Cooled Enclosed Description
23.	39796578	1	Moisture Separator
24.	39796065	1	Bracket, Moisture Separator
24A.	39128566	2	Nut, Moisture Separator Bracket
25.	39478201	2	U-Bolt
25A.	39128566	4	Nut
26.	39479761	1	Tee
27.	39155577	1	Elbow, Nylon Tube
28.	39560628	1	Temperature Sensor
28A.	39404157	1	O-Ring
29.	95785218	1	Nipple
30.	95607545	1	Coupling
31.	39137534	1	Barbed Elbow
32.	39137518	18"	1/2" Nylon Tube
33.	39137542	1	Barbed Connector
42.	39139563	1	Elbow
43.	39477567	1	Elbow

90 DEGREE WATER PIPING:

34.	95219747	5	Adapter
35.	39477641	1	Tube, Water-In to Solenoid Valve
36.	39479795	1	Water Shut-Off Solenoid Valve
37.	95279402	3	Elbow
38.	39796529	1	Tube, Solenoid Valve to Aftercooler
39.	39796511	1	Tube, Coolant Cooler to Aftercooler
40.	39796545	1	Tube, Coolant Cooler to Base
41.	39479712	1	Water-Cooled Base Plate
41A.	39133152	4	Screw, Base Plate

* Refer to motor data plate for motor part number when ordering.



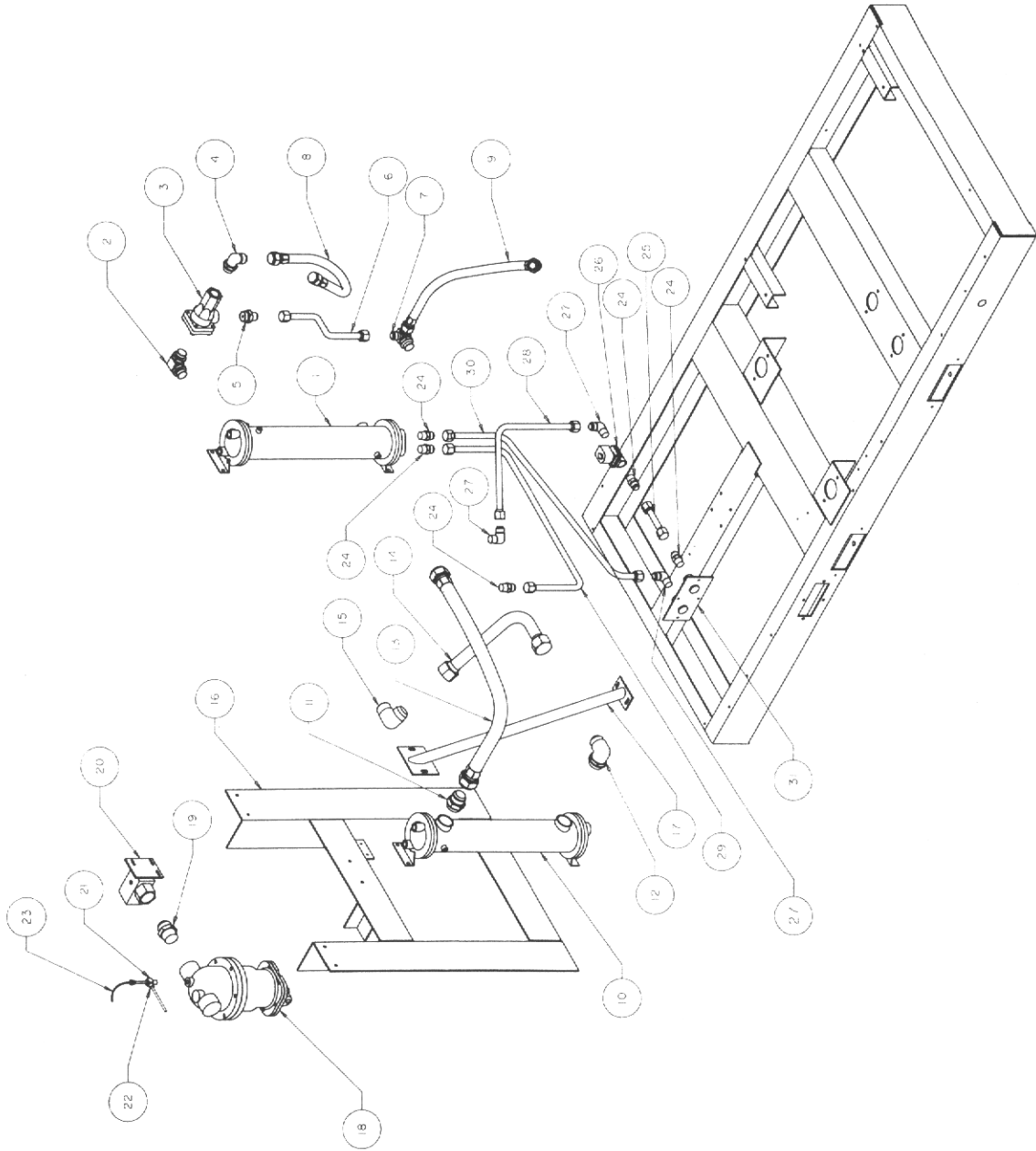
**Cooling Water Cooled Enclosed 75-100 HP
Series Water Piping (90°)**

Ref. No.	Part Number	Qty.	Water Cooled Enclosed Description
1.	39796958	1	Fan Motor Support
1A.	39178678	4	Screw, Fan Motor Support
2.	39128483	1	Fan Motor
2A.	39128566	4	Screw, Fan Motor To Support
2B.	39119912	4	Nut, Fan Motor To Support
3.	39796941	1	Fan
4.	39133145	1	Fan Orifice Plate
4A.	39797147	14	Screw
5.	39133145	1	Fan Guard
5A.	39796677	4	Screw, Fan Guard
6.	39796636	1	Coolant Cooler, 90 Deg.
6A.	39178678	1	Coolant Cooler, 115 Deg.
6B.	39114012	4	Screw, Cooler To Support
7.	39477013	2	Elbow
8.	39799382	1	45 Deg. Elbow
9.	39799382	1	Tube, Coolant Cooler To Thermostatic Valve
10.	39476684	1	Thermostatic Control Valve
11.	39476940	1	Orifice Adapter
12.	39476627	1	Tube, Coolant Cooler
13.	39475678	1	Tee, Cooler Inlet
14.	39149521	1	Hose
15.	W90434	1	Hose
15A.	W90376	1	Hose, 115 Deg.
16.	39808589	1	W/C Aftercooler
16A.	39178678	4	Screw, Aftercooler
17.	39479845	2	Flange
17A.	39454525	2	Gasket, Flange
17B.	95929121	8	Bolt, Flange
17C.	95923355	8	Locknut
18.	95279352	2	Adapter
19.	39147103	1	Hose, Tank To Aftercooler
20.	39797105	1	Tube, Aftercooler
21.	95494019	1	Union
22.	39797113	1	Tube, Moisture Separator
23.	95286910	1	Elbow
24.	39797717	1	Moisture Separator
25.	39795109	1	Bracket, Moisture Separator
25A.	39128541	2	Nut, Moisture Separator Bracket

**Cooling Water Cooled Enclosed 75-100 HP
Series Water Piping (90°)**

Ref. No.	Part Number	Qty.	Water Cooled Enclosed Description
26.	39177183	2	U-Bolt
26A.	39128566	4	Nut
27.	39479761	1	Tee
28.	39155577	1	Elbow, Nylon Tube
29.	39560628	1	Temperature Sensor
29A.	39404157	1	O-Ring
30.	95785218	1	Nipple
31.	95482873	1	Elbow
32.	39137526	1	Barbed Connector
33.	39137518	18"	1/2" Nylon Tube
34.	39137534	1	Barbed Elbow
90 DEGREE WATER PIPING:			
35.	95219853	2	Elbow
36.	39796396	1	Tube, Water-In To Solenoid Valve
37.	95217622	2	Adapter
38.	39479803	1	Water Shut-Off Solenoid Valve
39.	39476742	1	Tube, Solenoid Valve To Aftercooler
40.	95465027	2	Adapter
41.	39796438	1	Tube, Coolant Cooler To Aftercooler
42.	95286902	1	Elbow
43.	95316923	1	Elbow
44.	39796420	1	Tube, Coolant Cooler To Base
45.	39118070	1	Union Elbow
46.	39796404	1	Tube, Water Out
47.	39479738	1	Water-Cooled Base Plate
47A.	39133152	4	Screw, Base Plate

*Furnish motor part no. when ordering replacement.



**Cooling Water Cooled Open 50-60 HP
Series Water Piping (90°)**

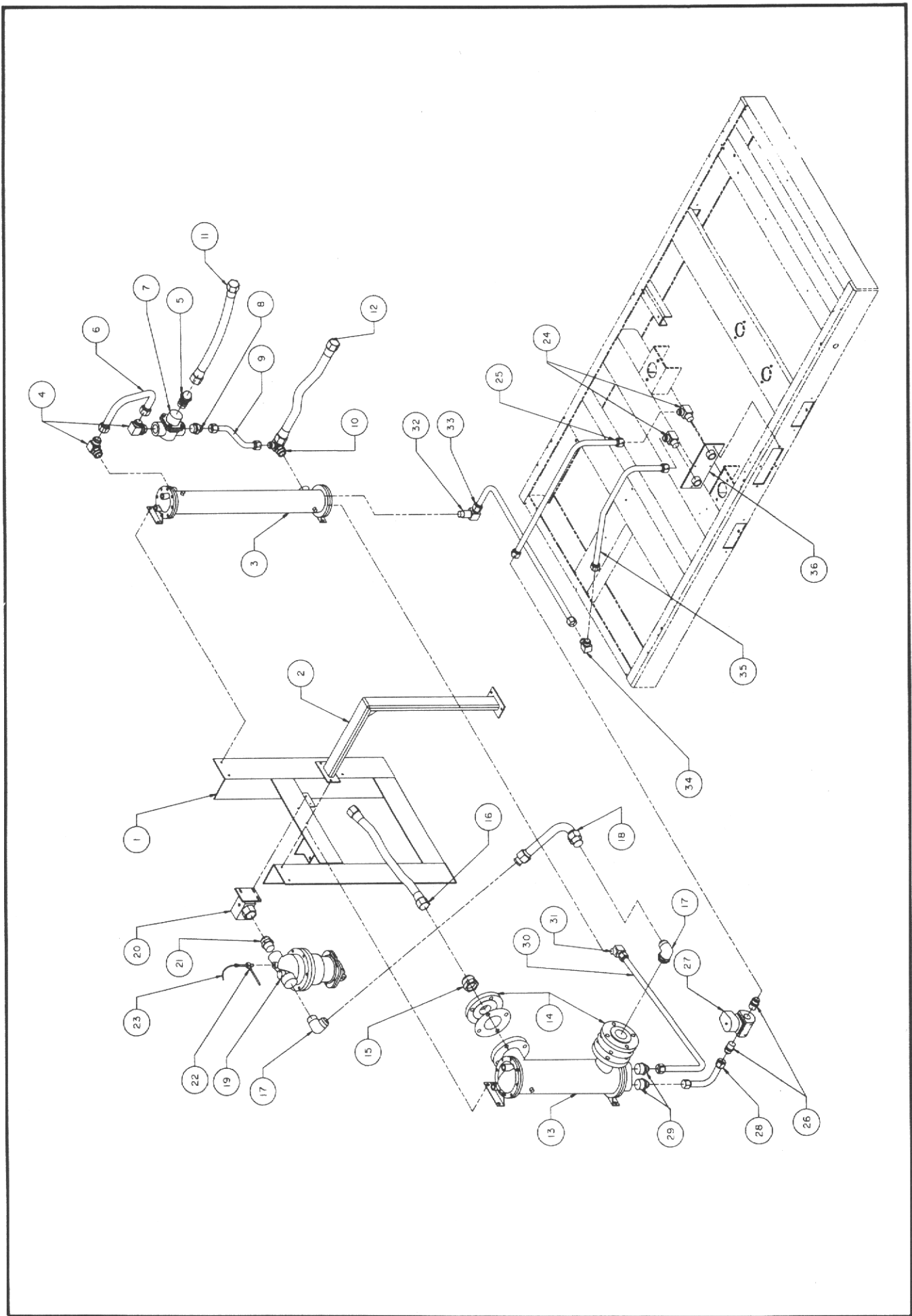
Ref. No.	Part Number	Qty.	Water Cooled Open Description
1.	39796651	1	Coolant Cooler
1A.	39178678	4	Screw, Cooler to Support
2.	39476981	1	Elbow
3.	39476890	1	Thermostatic Control Valve
4.	39476981	1	Elbow
5.	39476932	1	Orifice Adapter
6.	39797055	1	Tube, Coolant Cooler
7.	39475660	1	Tee, Cooler Inlet
8.	35227909	1	Hose
9.	39172440	1	Hose
10.	39796644	1	W/C Aftercooler
10A.	39128483	4	Screw, Aftercooler
10B.	39128566	4	Nut, Aftercooler
11.	39128624	1	Adapter
12.	39128673	1	Elbow
13.	35142066	1	Hose
14.	39799580	1	Tube, Aftercooler to Moisture Separator
15.	95279477	1	Elbow
16.	39799598	1	Cooler Support
16A.	39133152	4	Screw
17.	39799499	1	Support Brace
17A.	39133152	4	Screw

**Cooling Water Cooled Open 50-60 HP
Series Water Piping (90°)**

Ref. No.	Part Number	Qty.	Water Cooled Open Description
18.	39796578	1	Moisture Separator
19.	95208682	1	Adapter
20.	39479662	1	Discharge Manifold
20A.	39133145	3	Screw
21.	39479761	1	Tee
22.	39156435	1	Fitting, Nylon Tube
23.	39560628	1	Temperature Sensor
23A.	39404157	1	O-Ring

90 DEGREE WATER PIPING:

24.	95219747	5	Adapter
25.	39477641	1	Tube, Water-In to Solenoid Valve
26.	39479795	1	Water Shut-Off Solenoid Valve
27.	95279402	3	Elbow
28.	39796529	1	Tube, Solenoid Valve to Aftercooler
29.	39796511	1	Tube, Coolant Cooler to Aftercooler
30.	39796545	1	Tube, Coolant Cooler to Base
31.	39479712	1	Water-Cooled Base Plate
31A.	39133152	4	Screw, Base Plate

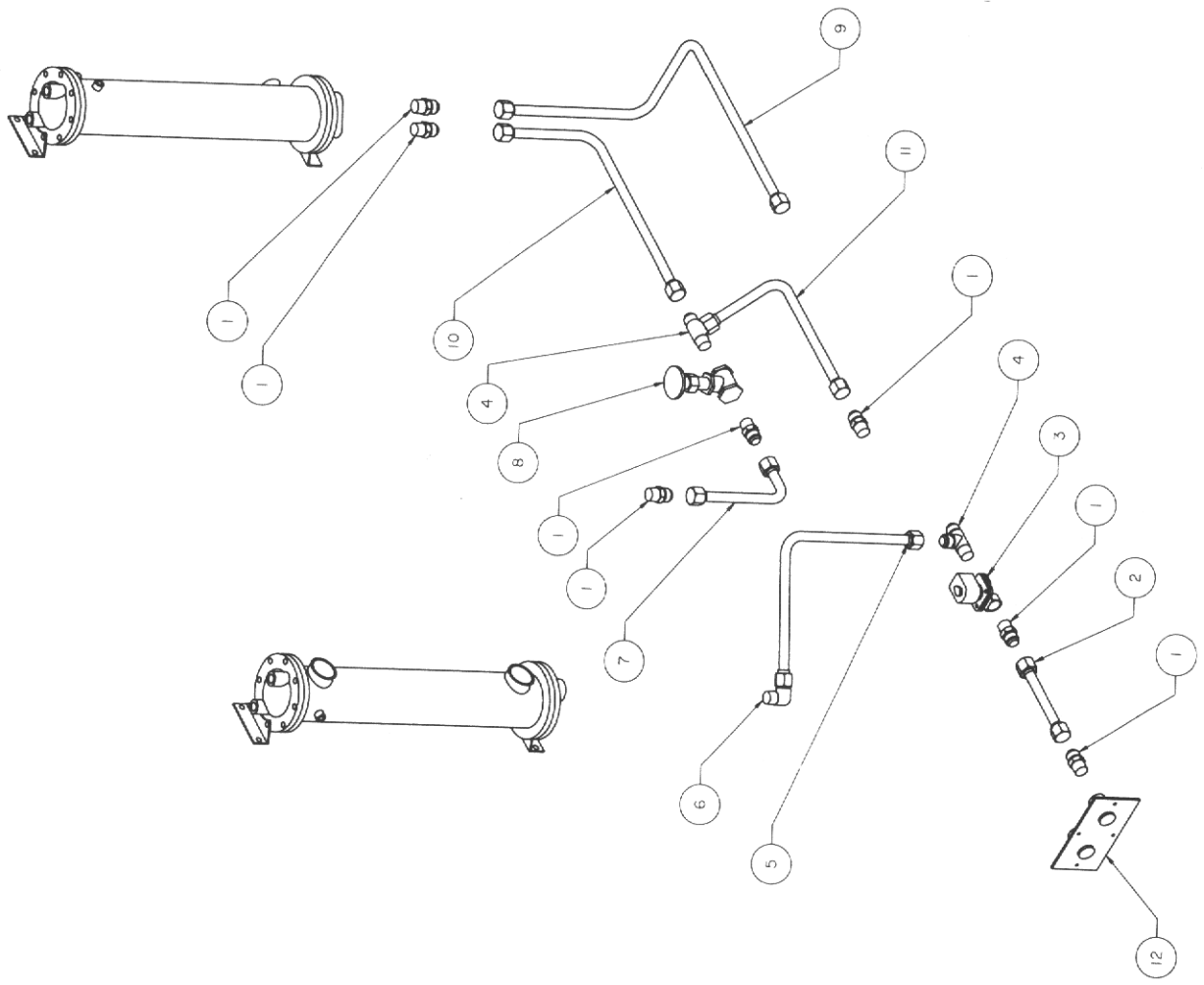


**Cooling Water Cooled Open 75-100 HP
Series Water Piping (90°)**

Ref. No.	Part Number	Qty.	Water Cooled Open Description
1.	39785456	1	Cooler Support
1A.	39128483	4	Screw
1B.	39128566	4	Nut
2.	39799473	1	Support Brace
2A.	39178678	4	Screw
3.	39796677	1	Coolant Cooler, 90 Deg.
3A.	39796636	1	Coolant Cooler, 115 Deg.
3B.	39178678	4	Screw, Cooler To Support
4.	39114012	2	Elbow
5.	39477013	1	45 Deg. Elbow
6.	39799382	1	Tube, Coolant Cooler To Thermostatic Control Valve
7.	39476684	1	Thermostatic Control Valve
8.	39476940	1	Orifice Adapter
9.	39476627	1	Tube, Coolant Cooler
10.	39475678	1	Tee, Cooler Inlet
11.	39149521	1	Hose
11A.	35130046	1	Hose, 115 Deg.
12.	W90434	1	Hose
12A.	39183256	1	Hose, 115 Deg.
13.	39808589	1	W/C Aftercooler
13A.	39178678	4	Screw, Aftercooler
14.	39479845	2	Flange
14A.	39454525	2	Gasket, Flange
14B.	95929121	8	Bolt, Flange
14C.	95923355	8	Locknut
15.	95279352	2	Adapter
16.	35144427	1	Hose, Tank To Aftercooler
17.	95286910	2	Elbow
18.	39783998	1	Tube, Moisture Separator
19.	39797717	1	Moisture Separator
20.	39479670	1	Discharge Manifold

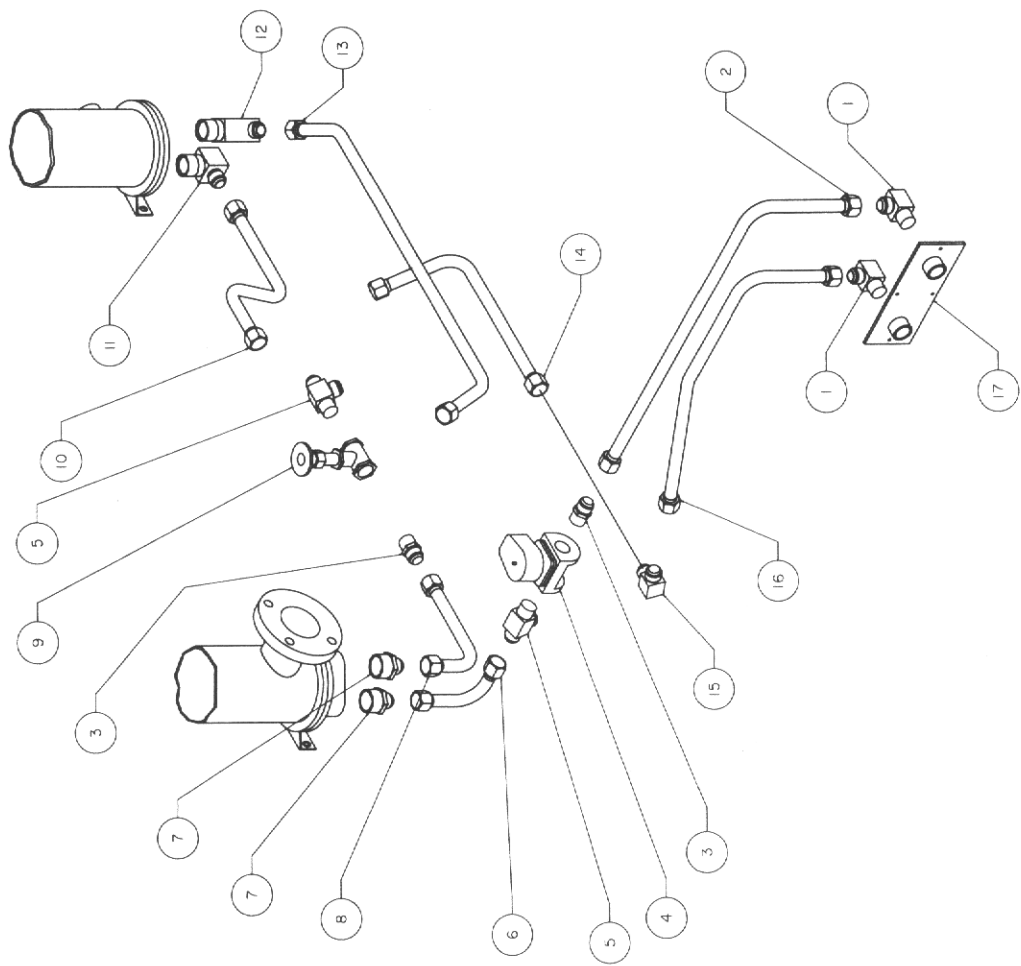
**Cooling Water Cooled Open 75-100 HP
Series Water Piping (90°)**

Ref. No.	Part Number	Qty.	Water Cooled Open Description
20A.	39133145	3	Screw
21.	39479761	1	Tee
22.	39156435	1	Fitting, Nylon Tube
23.	39560628	1	Temperature Sensor
23A.	39404157	1	O-Ring
90 DEGREE WATER PIPING:			
24.	95219853	2	Elbow
25.	39796396	1	Tube, Water-In To Solenoid Valve
26.	95217622	2	Adapter
27.	39479803	1	Water Shut-Off Solenoid Valve
28.	39476742	1	Tube, Solenoid Valve To Aftercooler
29.	95465027	2	Adapter
30.	39796438	1	Tube, Coolant Cooler To Aftercooler
31.	95286902	1	Elbow
32.	95316923	1	Elbow
33.	39796420	1	Tube, Coolant Cooler To Base
34.	39118070	1	Union Elbow
35.	39796404	1	Tube, Water Out
36.	39479738	1	Water-Cooled Base Plate
36A.	39133152	4	Screw, Base Plate



**Water Piping Parallel (115°) 50-60 HP
Enclosed & Open**

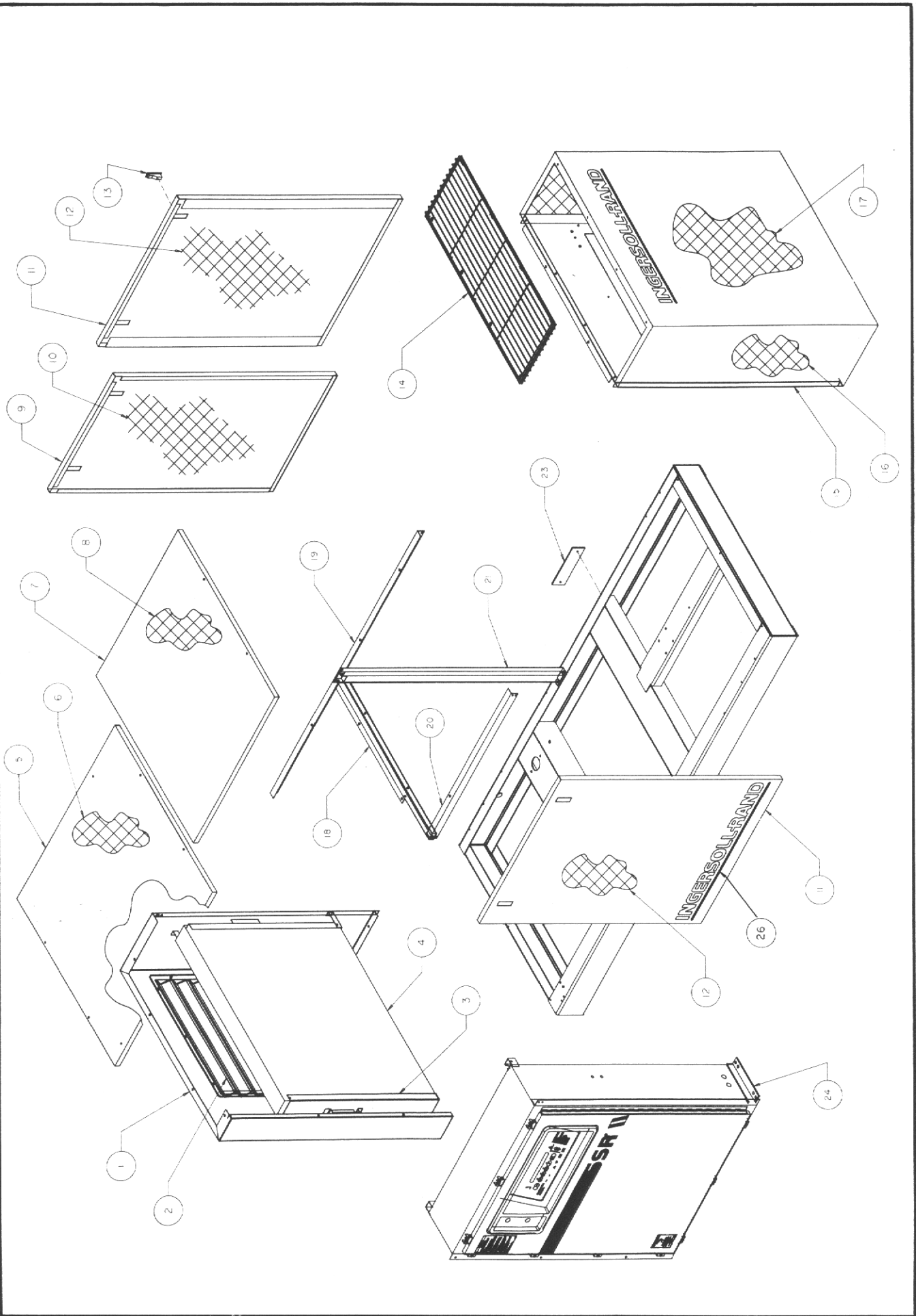
Ref. No.	Part Number	Qty.	Water Piping Enclosed & Open Description
115 DEGREE WATER PIPING:			
1.	95219747	7	Adapter
2.	39477641	1	Tube, Water-In to Solenoid Valve
3.	39479795	1	Water Shut-Off Solenoid Valve
4.	95403309	2	Tee
5.	39796529	1	Tube, Solenoid Valve to Aftercooler
6.	95279402	1	Elbow
7.	39796990	1	Tube, Aftercooler to Gate Valve
8.	95066627	1	Gate Valve
9.	39477006	1	Tube, Coolant Cooler to Solenoid Valve
10.	39797022	1	Tube, Coolant Cooler to Gate Valve
11.	39797014	1	Tube, Gate Valve to Base
12.	39479712	1	Water-Cooled Base Plate
12A.	39133152	4	Screw, Base Plate



**Water Piping Parallel (115°) 75-100 HP
Enclosed & Open**

Ref. No.	Part Number	Qty.	Water Piping Enclosed & Open Description
1.	95219853	2	Elbow
2.	39796396	1	Tube, Water-In to Solenoid Valve
3.	95219762	2	Adapter
4.	39479803	1	Water Shut-Off Solenoid Valve
5.	39116116	2	Tee
6.	39476759	1	Tube, Solenoid Valve to Aftercooler
7.	95465027	2	Adapter
8.	39476767	1	Tube, Aftercooler to Gate Valve
9.	95066601	1	Gate Valve
10.	39796537	1	Tube, Coolant Cooler to Gate Valve
11.	39477708	1	Elbow
12.	39477716	1	Manifold
13.	39796412	1	Tube, Coolant Cooler to Solenoid Valve
14.	39796560	1	Tube, Gate Valve to Water Out
15.	39118070	1	Tube Union Elbow
16.	39796404	1	Tube, Water Out
17.	39479738	1	Water-Cooled Base Plate
17A.	39133152	4	Screw, Base Plate

115 DEGREE WATER PIPING:



Enclosure 50-60 HP

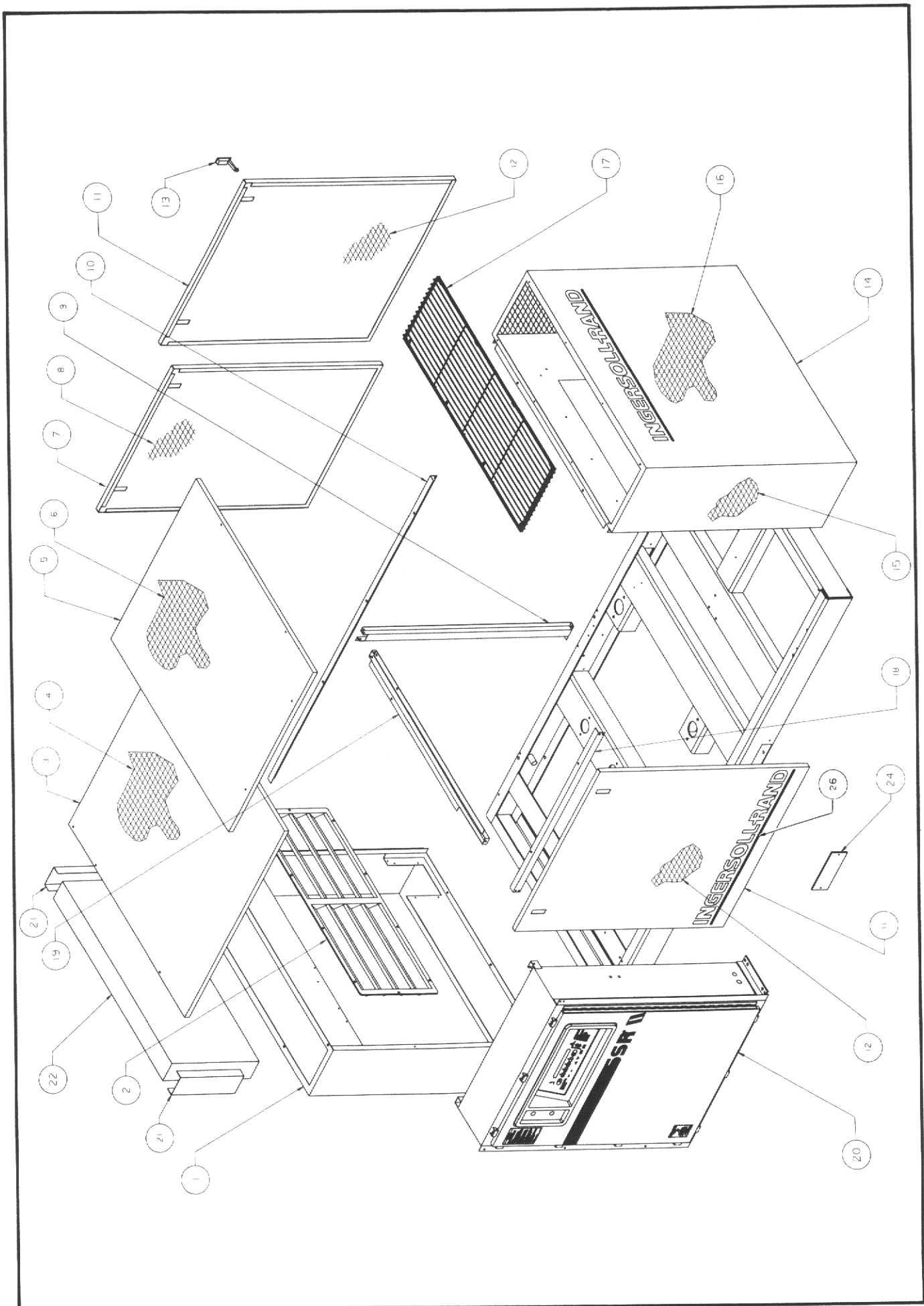
Ref. No.	Part Number	Qty.	Enclosure Description
15.	39795901	1	Exhaust Cap
15A.	39133145	4	Screw
16.	39796024	1	Foam, Exhaust Cap
17.	39796032	1	Exhaust Batt
18.	39795984	1	Top Support
18A.	39133145	3	Screw
19.	39795943	1	Rear Angle
19A.	39133145	6	Screw
20.	39795935	1	Front Angle
20A.	39133145	4	Screw
21.	39795257	1	Rear Column
21A.	39133145	2	Screw
22.	39138490	12	Locator Pin (Not Shown)
23.	39470604	4	Forklift Hole Cover
24.	39794888	1	Starter/Intellisys Box, NEMA 1
24A.	39794110	1	Starter/Intellisys Box, NEMA 4
24B.	39178678	4	Screw
25.	39117312	*	Rubber Strip
**	39797386	1	Decal, Ingersoll-Rand
26.	39797378	3	Decal, Ingersoll-Rand

Enclosure 50-60 HP

Ref. No.	Part Number	Qty.	Enclosure Description
1.	39795919	1	Intake Cap
1A.	39133145	4	Screw
2.	39797808	1	Louver
2A.	39125539	8	Screw
3.	39798657	2	Batt Support
3A.	39133145	6	Screw
4.	39796040	1	Intake Batt
5.	39795950	1	Panel, Top Left
5A.	39142690	7	Screw
5B.	35256452	7	Receptacle
6.	39796149	1	Foam, Top Left Panel
7.	39795927	1	Panel, Top Right
7A.	39142690	7	Screw
7B.	35256452	7	Receptacle
8.	39796131	1	Foam, Top Right Panel
9.	39795976	1	Panel, Left Rear
10.	39796164	1	Foam, Left Rear Panel
11.	39795968	2	Panel, Front & Rear
12.	39796156	2	Foam, Front & Rear Panel
13.	39133954	6	Latch
14.	39795893	1	Exhaust Grill
14A.	39133145	8	Screw

* Order per number of inches required.

** Item not illustrated.



Enclosure 75-100 HP

Ref. No.	Part Number	Qty.	Enclosure Description
1.	39795299	1	Intake Cap
1A.	39133145	4	Screw
2.	39797816	1	Louver
2A.	39125539	10	Screw
3.	39795232	1	Panel, Top Left
3A.	39142690	7	Screw
3B.	35256452	7	Receptacle
4.	39795356	1	Foam, Top Left Panel
5.	39795224	1	Panel, Top Right
5A.	39142690	8	Screw
5B.	35256452	8	Receptacle
6.	35795349	1	Foam, Top Right Panel
7.	39795091	1	Panel, Left Rear
8.	39795331	1	Foam, Left Rear Panel
9.	39795257	1	Column
9A.	39133145	2	Screw
10.	39795273	1	Angle, Rear
10A.	39133145	6	Screw
11.	39795083	2	Panel
12.	39795323	2	Foam
13.	39133954	6	Latch
14.	39795281	1	Exhaust Cap
14A.	39133145	6	Screw

Enclosure 75-100 HP

Ref. No.	Part Number	Qty.	Enclosure Description
15.	39795117	2	Foam, Exhaust Cap
16.	39795364	1	Batt, Exhaust
17.	39795075	1	Exhaust Grill
17A.	39133145	8	Screw
18.	39795265	1	Angle, Front
18A.	39133145	4	Screw
19.	39795240	1	Top Support
19A.	39133145	3	Screw
20.	39794888	1	Starter/Intellisys Box NEMA 1
20A.	39794110	1	Starter/Intellisys Box NEMA 4
20B.	39178678	4	Screw
21.	39475934	2	Batt Support
21A.	39133145	4	Screw
21B.	39128541	2	Nut
22.	39795372	1	Intake Batt
23.	39138490	12	Locator Pin (Not Shown)
24.	39470604	4	Forklift Hole Cover
24A.	39133145	8	Screw
25.	39117312	*	Weatherstrip
26.	39790480	4	Decal, Ingersoll-Rand

* Order per number of inches required.

O-Rings

Part No.	Size/ Thread	ID	Width	Tube Size
39404157	7/16-20	0.351	0.072	1/4
39404132	9/16-18	0.468	0.078	3/8
39404165	3/4-16	0.644	0.087	1/2
39437074	7/8-14	0.755	0.097	5/8
39407531	1 1/16-12	0.924	0.116	3/4
39404173	1 5/16-12	1.171	0.116	1
39404140	1 5/8-12	1.475	0.118	1 1/4
39406996	1 7/8-12	1.72	0.118	1 1/2
39410279	2 1/2-12	2.337	0.118	2

RECOMMENDED SPARE PARTS LIST

HOW TO SELECT RECOMMENDED SPARES

These sheets list spare parts by class:

CLASS I — Recommended where downtime is acceptable.

CLASS II — Recommended where limited downtime is acceptable.

CLASS III — Recommended where any downtime is highly undesirable.

HOW TO ORDER PARTS

In order that all avoidable errors be eliminated when ordering parts, please specify the following:

1. The model number of the unit as shown on the Compressor Data Plate.
2. The serial number of the unit as shown on the Compressor Data Plate.
3. The form number of this manual.
4. The reference number, part number, description and quantity needed exactly as listed.
5. The motor data code shown on the motor data plate.

F0000

U 92 240

MANUFACTURED IN U.S.

YEAR OF MANUFACTURE

JULIAN DATE OF MANUFACTURE

SPECIAL NOTE

THE INGERSOLL-RAND AIREND MODULE IS ENGINEERED AND MANUFACTURED TO THE HIGHEST QUALITY STANDARDS. WITH REGULAR MAINTENANCE YOUR AIR COMPRESSOR SYSTEM WILL PROVIDE MANY YEARS OF TROUBLE FREE CONTINUOUS SERVICE.

THE INGERSOLL-RAND AIREND IS BACKED BY A FACTORY WARRANTED AIREND REBUILD-EXCHANGE PROGRAM.

CONTACT YOUR NEAREST INGERSOLL-RAND REPRESENTATIVE FOR DETAILED INFORMATION.

SSR 50 H.P. SPARE PARTS

COMPRESSOR PART	PART NO.	QTY. PER UNIT	LOCATION OR USE	RECOMMENDED QUANTITY KEPT ON HAND AT INSTALLATION		
				CLASS 1	CLASS 2	CLASS 3
Maintenance Kit	39669411	0	Maintenance Kit with Ultra Coolant	1	1	1
Ultra Coolant, (5 Gal. Container)	39433735	1	Fill 4 Gallon	1	1	2
Air Filter Element	39708466	1	At Airend Inlet	2	3	4
Coolant Filter Element	39796974	1	On Coolant Filter	4	4	5
Separator Element	39751391	1	In Separator Tank	0	1	1
Thermostatic Control Valve Element	39412788	1	In Thermostatic Control Valve	0	1	1
Thermostatic Control Valve	39476890	1	Between Cooler & Filter	0	0	1
Blowdown Solenoid Valve (NEMA 1)	39136932	1	On Top of Tank (3SV) (NEMA 1 Only)	0	1	2
Blowdown Solenoid Valve (NEMA 4)	39479563	1	On Top of Tank (3SV) (NEMA 4 Only)	0	1	2
Coolant Solenoid Valve (NEMA 1)	39476825	1	In Coolant Filter Line (5SV) NEMA 1)	0	1	1
Coolant Solenoid Valve (NEMA 4)	39479530	1	In Coolant Filter Line (5SV) NEMA 4)	0	1	1
Coolant Filter ΔP Switch	39158233	1	On Coolant Filter Mtg. Brkt. (1DPS)	0	0	1
High Air Temperature Switch	39419668	1	In Airend (1ATS)	1	1	2
O-Ring	39404165	1	On HATS	1	1	2
Inlet Valve Assembly	39675855	1	Under Air Filter	0	0	1
Minimum Pressure Valve	39475637	1	Tank Discharge Line	0	0	1
Breather Filter	39111893	1	On Gearcase Wall	0	0	1
Shaft Seal	39403092	1	On Motor Shaft	1	1	2
Gasket, Motor	39457411	1	Between Motor and Gearcase	1	1	2
Discharge Check Valve	*	1	Airend Discharge to Sep. Tank	0	0	1
Gasket, Discharge Check Valve	*	2	On Each Side of Discharge Valve	0	0	1
XF50, EP50, HP50 Only:						
Dowel Pin	35364983	1	Gearcase Wall to Gearcase	0	0	1
Dowel Pin	35324656	1	Gearcase Wall to Gearcase	0	0	1
Shaft Sleeve	39437082	1	On Motor Shaft	0	0	1
Gasket, Gearcase	39774526	1	Between Gearcase and Adapter Plate	0	0	1
Gasket, Adapter Plate	39774542	1	Between Adapter Plate and Airend	1	1	2
O-Ring, Discharge	39406996	1	On Discharge Adapter	0	0	1
XFE50, XPE50, HPE50 Only:						
Dowel Pin	35233617	2	Gearcase Wall to Gearcase	0	0	1
Shaft Sleeve	39402235	1	On Motor Shaft	0	0	1
Gasket, Gearcase	35849066	1	Between Gearcase and Airend	1	1	2
Gasket, Seal Housing	39403332	1	On Motor Shaft Seal Housing	1	1	2
Gasket, Gear Oiler	39433891	1	On Gear Oiler	0	1	1
O-Ring, Discharge	95022281	1	On Discharge Elbow	0	0	1
Safety Valve: XF 50 & XFE 50	39111356	1	On Separator Tank	0	0	1
EP 50 & EPE 50	35254952	1	On Separator Tank	0	0	1
HP 50 & HPE 50	39121256	1	On Separator Tank	0	0	1
Transformer Fuse (1.8 A)	39178710	1	In Starter Box Size #2	1	1	2
Transformer Fuse (2.0 A)	39113535	1	In Starter Box Size #2	1	1	2
Transformer Fuse (2.5 A)	39178728	1	In Starter Box Size #3 & 4	1	1	2
Transformer Fuse (3.2 A)	39113527	1	In Starter Box Size #3 & 4	1	1	2
Transformer Fuse (5.0 A)	39118484	1	In Starter Box	1	1	2
Coil	39162144	3	In Size #2 Contactor	0	1	3
Contact Kit (3 Poles)	39114541	3	In Size #2 Contactor	0	1	3
Coil	39162151	** 3	In Size #3 Contactor	0	1	3
Contact Kit (3 Poles)	39114558	** 3	In Size #3 Contactor	0	1	3
Coil	39161096	** 3	In Size #4 Contactor	0	1	3
Contact Kit (3 Poles)	39161104	** 3	In Size #4 Contactor	0	1	3
Panel Locator Pins	39138490	12	On Base	0	0	3
Power On Light	39485032	1	On Intellisys Panel	0	1	1
Power On Light Bulb (24V)	39485024	1	In Intellisys	1	1	1
Emergency Stop Switch	39549167	1	On Intellisys Panel	0	0	1

* Refer to Major Components Section.

** Quantity (1) For AAL Starters

SSR 50 H.P. SPARE PARTS (Continued)

COMPRESSOR PART	PART NO.	QTY. PER UNIT	LOCATION OR USE	RECOMMENDED QUANTITY KEPT ON HAND AT INSTALLATION		
				CLASS 1	CLASS 2	CLASS 3
Pressure Sensor (0-200)	39538061	2	On Starter Box (3APT, 4APT)	0	0	1
Pressure Sensor (0-15)	39541693	1	On Starter Box (1AVPT)	0	0	1
Temperature Sensor	39560628	3	In Airend (2ATT), Aftercooler (4ATT), and Coolant Piping (2CTT)	0	0	1
Hose	39109699	1	Separator Tank Drain	0	1	1
A.C. Line Filter	39171723	1	In Starter Box	0	1	1
Cable, Pressure Sensor	39542261	3	On Pressure Sensors	0	0	1
Starter Interface Board	39795406	1	In Starter Box	0	0	0
Intellisys	39797428	1	In Starter Box Door	0	0	0
Decal Kit	39797543	1	All Units			
Stepper Motor Assembly	39675871	1	On Inlet Valve	0	0	0
Coupling, Stepper Motor	39181219	1	Stepper Motor to Inlet Valve	0	0	0
Analog Terminal Board Assembly	39798517	1	In Top of Starter Box	0	0	0
Gasket, Inlet Valve	39476304	1	Under Inlet Valve	0	0	1
Gasket, Inlet Adapter	39476296	1	Between A/E and Inlet Valve Adapter	0	0	1
Air-Cooled Only:						
Fan, 26"	39143078	1	On Fan Motor, All A/C	0	0	1
Bushing, Fan	39115035	1	On Fan Motor Shaft, All A/C	0	0	1
50 HP A/C Enclosed with Aftercooler						
Hose	39172440	1	Thermostatic Valve to Filter	0	1	1
Hose	35227909	1	Separator Tank to Cooler	0	1	1
Hose	35130848	1	Min Press Valve to Aftercooler	0	1	1
50 HP A/C Enclosed without Aftercooler						
Hose	39172440	1	Thermostatic Valve to Filter	0	1	1
Hose	35227909	1	Separator Tank to Cooler	0	1	1
Hose	35130848	1	Min Press Valve to Discharge	0	1	1
50 HP A/C Open with Aftercooler						
Hose	35115948	1	Thermostatic Valve to Filter	0	1	1
Hose	35115948	1	Separator Tank to Cooler	0	1	1
Hose	35142066	1	Min Press Valve to Aftercooler	0	1	1
50 HP A/C Open without Aftercooler						
Hose	35115948	1	Thermostatic Valve to Filter	0	1	1
Hose	35115948	1	Separator Tank to Cooler	0	1	1
Hose	35142066	1	Min Press Valve to Discharge	0	1	1
Water-Cooled Only:						
Fan, 16"	39119912	1	On Fan Motor, All W/C	0	0	1
Valve, Water Shut Off	39479795	1	On Fan Motor Shaft, All W/C	0	0	1
Connector, DIN	39479555	1	On Water Shut-Off Valve	0	0	1
50 HP W/C Enclosed with Aftercooler						
Hose	35227909	1	Thermostatic Valve to Filter	0	1	1
Hose	39172440	1	Separator Tank to Cooler	0	1	1
Hose	35142066	1	Min Press Valve to Aftercooler	0	1	1
50 HP W/C Enclosed without Aftercooler						
Hose	35227909	1	Thermostatic Valve to Filter	0	1	1
Hose	39172440	1	Separator Tank to Cooler	0	1	1
Hose	35130848	1	Min Press Valve to Discharge	0	1	1
50 HP W/C Open with Aftercooler						
Hose	35227909	1	Thermostatic Valve to Filter	0	1	1
Hose	39172440	1	Separator Tank to Cooler	0	1	1
Hose	35142066	1	Min Press Valve to Aftercooler	0	1	1
50 HP W/C Open without Aftercooler						
Hose	35227909	1	Thermostatic Valve to Filter	0	1	1
Hose	39172440	1	Separator Tank to Cooler	0	1	1
Hose	35142066	1	Min Press Valve to Discharge	0	1	1

SSR 60 H.P. SPARE PARTS

COMPRESSOR PART	PART NO.	QTY. PER UNIT	LOCATION OR USE	RECOMMENDED QUANTITY KEPT ON HAND AT INSTALLATION		
				CLASS 1	CLASS 2	CLASS 3
Maintenance Kit	39669429	0	Maintenance Kit with Ultra Coolant	1	1	1
Ultra Coolant, (5 Gal. Container)	39433735	1	Fill 5 Gallon	1	1	2
Air Filter Element	39708466	1	At Airend Inlet	2	3	4
Coolant Filter Element	39796982	1	On Coolant Filter	4	4	5
Separator Element	39734892	1	In Separator Tank	0	1	1
Thermostatic Control Valve Element	39412788	1	In Thermostatic Control Valve	0	1	1
Thermostatic Control Valve	39476890	1	Between Cooler & Filter	0	0	1
Blowdown Solenoid Valve (NEMA 1)	39136932	1	On Top of Tank (3SV)	0	1	1
Blowdown Solenoid Valve (NEMA 4)	39479563	1	On Top of Tank (3SV)	0	1	1
Coolant Solenoid Valve (NEMA 1)	39476569	1	In Coolant Filter Line (5SV)	0	1	1
Coolant Solenoid Valve (NEMA 4)	39479548	1	In Coolant Filter Line (5SV)	0	1	1
Coolant Filter ΔP Switch	39158233	1	On Coolant Filter Mtg. Brkt. (1DPS)	0	0	1
High Air Temperature Switch	39419668	1	In Airend (1ATS)	1	1	2
O-Ring	39404165	1	On HATS	1	1	2
Inlet Valve Assembly	39675855	1	Under Air Filter	0	0	1
Minimum Pressure Valve	39475637	1	Tank Discharge Line	0	0	1
Breather Filter	39111893	1	On Gearcase Wall	0	0	1
Dowel Pin	35323617	2	Gearcase Wall to Gearcase	0	0	1
Shaft Seal	39403092	1	On Motor Shaft	1	1	2
Shaft Sleeve	39402235	1	On Motor Shaft	0	0	1
Gasket, Motor	39457411	1	Between Gearcase and Motor	1	1	2
Gasket, Gearcase	35849066	1	Between Gearcase and A/E	1	1	2
Gasket, Seal Housing	39403332	1	On Motor Shaft Seal Housing	1	1	2
Gasket, Gear Oiler	39433891	1	On Gear Oiler	0	1	1
Discharge Check Valve	*	1	Airend Discharge to Separator Tank	0	0	1
O-Ring, Discharge	95022281	1	On Discharge Elbow	0	0	1
Gasket, Discharge Check Valve	*	2	On Each Side of Discharge Valve	0	0	2
Safety Valve: XF 60	39111539	1	On Separator Tank	0	0	1
EP 60	35254952	1	On Separator Tank	0	0	1
HP 60	39121256	1	On Separator Tank	0	0	1
Transformer Fuse (1.8 A)	39178710	1	In Starter Box Size #2	1	1	2
Transformer Fuse (2.0 A)	39113535	1	In Starter Box Size #2	1	1	2
Transformer Fuse (2.5 A)	39178728	1	In Starter Box Size #4 & #3	1	1	2
Transformer Fuse (3.2 A)	39113527	1	In Starter Box Size #4 & #3	1	1	2
Coil	39162144	3	In Size #2 Contactor	0	1	3
Contact Kit (3 Poles)	39114541	3	In Size #2 Contactor	0	1	3
Coil	39162151	3	In Size #3 Contactor	0	1	3
Contact Kit (3 Poles)	39114558	3	In Size #3 Contactor	0	1	3
Coil	39161096	1	In Size #4 Contactor	0	1	3
Contact Kit (3 Poles)	39161104	3	In Size #4 Contactor	0	1	3
Panel Locator Pins	39138490	10	On Base	0	0	3
Power On Light	39485032	1	On Intellisys Panel	0	1	1
Power On Light Bulb (24V)	39485024	1	In Intellisys	1	1	1
Emergency Stop Switch	39549167	1	On Intellisys Panel	0	0	1
Pressure Sensor (0-200)	39538061	2	On Starter Box (3APT, 4APT)	0	0	1
Pressure Sensor (0-15)	39541693	1	On Starter Box (1AVPT)	0	0	1
Temperature Sensor	39560628	3	In Airend (2ATT), Moisture Separator (4ATT), and Coolant Piping (2CTT)	0	0	1

* Refer to Major Components Section.

SSR 60 H.P. SPARE PARTS (Continued)

COMPRESSOR PART	PART NO.	QTY. PER UNIT	LOCATION OR USE	RECOMMENDED QUANTITY KEPT ON HAND AT INSTALLATION		
				CLASS 1	CLASS 2	CLASS 3
Hose	39109707	1	Separator Tank Drain	0	1	1
A.C. Line Filter	39171723	1	In Starter Box	0	1	1
Cable, Pressure Sensor	39542261	3	On Pressure Sensors	0	0	1
Starter Interface Board	39795406	1	In Starter Box	0	0	0
Intellisys	39797428	1	In Starter Box Door	0	1	0
Decal Kit	39797543	1	All Units			
Stepper Motor Assembly	39675871	1	On Inlet Valve	0	0	0
Coupling, Stepper Motor	39181219	1	Stepper Motor to Inlet Valve	0	0	0
Analog Terminal Board Assembly	39798517	1	In Top of Starter Box	0	0	0
Gasket, Inlet	39476304	1	Under Inlet Valve	0	0	1
Air-Cooled Only:						
Fan, 26"	39143078	1	On Fan Motor, All A/C	0	0	1
Bushing, Fan	39115035	1	On Fan Motor Shaft, All A/C	0	0	1
60 HP A/C Enclosed with Aftercooler						
Hose	39172440	1	Thermostatic Valve to Filter	0	1	1
Hose	35227909	1	Separator Tank to Cooler	0	1	1
Hose	35130848	1	Min Press Valve to Aftercooler	0	1	1
60 HP A/C Enclosed without Aftercooler						
Hose	39172440	1	Thermostatic Valve to Filter	0	1	1
Hose	35227909	1	Separator Tank to Cooler	0	1	1
Hose	35130848	1	Min Press Valve to Discharge	0	1	1
60 HP A/C Open with Aftercooler						
Hose	35115948	1	Thermostatic Valve to Filter	0	1	1
Hose	39172440	1	Separator Tank to Cooler	0	1	1
Hose	35142066	1	Min Press Valve to Aftercooler	0	1	1
60 HP A/C Open without Aftercooler						
Hose	35115948	1	Thermostatic Valve to Filter	0	1	1
Hose	39172440	1	Separator Tank to Cooler	0	1	1
Hose	35142066	1	Min Press Valve to Discharge	0	1	1
Water-Cooled Only:						
Fan, 16"	39119912	1	On Fan Motor, All W/C	0	0	1
Valve, Water Shut Off	39479795	1	On Fan Motor Shaft, All W/C	0	0	1
Connector, DIN	39479555	1	On Water Shut-Off Valve	0	0	1
60 HP W/C Enclosed with Aftercooler						
Hose	35115948	1	Thermostatic Valve to Filter	0	0	1
Hose	39172440	1	Separator Tank to Cooler	0	0	1
Hose	35142066	1	Min Press Valve to Aftercooler	0	0	1
60 HP W/C Enclosed without Aftercooler						
Hose	35227909	1	Thermostatic Valve to Filter	0	1	1
Hose	39172440	1	Separator Tank to Cooler	0	1	1
Hose	35130848	1	Min Press Valve to Discharge	0	1	1
60 HP W/C Open with Aftercooler						
Hose	35227909	1	Thermostatic Valve to Filter	0	1	1
Hose	39172440	1	Separator Tank to Cooler	0	1	1
Hose	35142066	1	Min Press Valve to Aftercooler	0	1	1
60 HP W/C Open without Aftercooler						
Hose	35227909	1	Thermostatic Valve to Filter	0	1	1
Hose	39172440	1	Separator Tank to Cooler	0	1	1
Hose	35142066	1	Min Press Valve to Discharge	0	1	1

SSR 75/100 H.P. SPARE PARTS

COMPRESSOR PART	PART NO.	QTY. PER UNIT	LOCATION OR USE	RECOMMENDED QUANTITY KEPT ON HAND AT INSTALLATION		
				CLASS 1	CLASS 2	CLASS 3
Maintenance Kit	39669437	0	Maintenance Kit with Ultra Coolant	1	2	2
Ultra Coolant - (5 Gal. Container)	39433735	2	Fill 9 Gallon (100 H.P.) Fill 8 Gallon (75 H.P.)	2	2	4
Air Filter Element	39708466	2	At Airend Inlet	2	3	4
Coolant Filter Element	39796982	1	On Coolant Filter	4	4	5
Separator Element	39738265	1	In Separator Tank	0	1	1
Thermostatic Control Valve Element	39437645	1	In Thermostatic Control Valve	0	1	1
Thermostatic Control Valve	39476684	1	Between Cooler & Filter	0	0	1
Blowdown Solenoid Valve (NEMA 1)	39120472	1	On Top of Tank (3SV)	0	1	1
Blowdown Solenoid Valve (NEMA 4)	39479571	1	On Top of Tank (3SV)	0	1	1
Coolant Solenoid Valve (NEMA 1)	39476569	1	In Coolant Filter Line (5SV)	0	1	1
Coolant Solenoid Valve (NEMA 4)	39479548	1	In Coolant Filter Line (5SV)	0	1	1
High Air Temperature Switch	39419668	1	In Airend (1ATS)	1	1	1
O-Ring	39404165	1	On HATS	1	1	2
Coolant Filter ΔP Switch	39158233	1	On Coolant Filter Mtg. Brkt. (1DPS)	1	1	1
Inlet Valve Assembly	39675855	1	Under Air Filter	0	0	1
Minimum Pressure Valve	39475645	1	Tank Discharge Line	0	0	1
Breather Filter	39112362	1	On Gearcase Wall	0	0	1
Dowel Pin	95034492	2	Gearcase Wall to Gearcase	0	0	2
Dowel Pin	95239919	2	Gearcase to A/E	0	0	2
Shaft Seal	39402938	1	On Motor Shaft	1	1	2
Shaft Sleeve	39402292	1	On Motor Shaft	0	0	1
Gasket, ODP Motor	35258573	1	Between ODP Motor and Gearcase	1	1	2
Gasket, TEFC Motor	39454558	1	Between TEFC Motor and Gearcase	1	1	2
Gasket, Gearcase	39437637	1	Between Gearcase and A/E	1	1	2
Gasket, Seal Housing	39404066	1	On Motor Shaft Seal Housing	1	1	2
Discharge Check Valve	39477674	1	Airend Discharge to Separator Tank	0	0	1
Gasket, Discharge Check Valve	39454533	2	On Each Side of Discharge Valve	0	0	2
Gasket, Discharge Pipe	39454525	1	At Separator Tank Inlet	0	0	1
Safety Valve: XF 75/100	39112784	1	On Separator Tank	0	0	1
EP 75/100	39112404	1	On Separator Tank	0	0	1
HP 75/100	39114145	1	On Separator Tank	0	0	1
XP 75/100	39157904	1	On Separator Tank	0	0	1
Transformer Fuse (1.8 A)	39178710	1	In Starter Box Size #2	1	1	2
Transformer Fuse (2.0 A)	39113535	1	In Starter Box Size #2	1	1	2
Transformer Fuse (2.5 A)	39178728	1	In Starter Box Size #3 & 4	1	1	2
Transformer Fuse (3.2 A)	39113527	1	In Starter Box Size #3 & 4	1	1	2
Transformer Fuse (3.5 A)	39178736	1	In Starter Box Size #5	1	1	2
Transformer Fuse (5.0 A)	39118484	1	In Starter Box Size #5	1	1	2
Coil	39162144	1	In Size #2 Contactor	0	1	3
Contact Kit	39114541	3	In Size #2 Contactor	0	1	3
Coil	39162151	3	In Size #3 Contactor	0	1	3
Contact Kit (3 Poles)	39114558	3	In Size #3 Contactor	0	1	3
Coil	39161096	3	In Size #4 Contactor	0	1	3
Contact Kit (3 Poles)	39161104	3	In Size #4 Contactor	0	1	3
Contact Kit (3 Poles)	39109236	9	In Size #5 Contactor	0	1	3
Coil	39109269	3	In Size #5 Contactor	0	1	3
Panel Locator Pins	39138490	12	On Base	0	0	3
Power On Light	39485032	1	On Intellisys Panel	0	1	1
Power On Light Bulb (24V)	39485024	1	In Intellisys	1	1	1
Emergency Stop Switch	39549167	1	On Intellisys Panel	0	0	1
Pressure Sensor (0-200)	39538061	2	On Starter Box (3APT, 4APT)	0	0	1
Pressure Sensor (0-15)	39541693	1	On Starter Box (1AVPT)	0	0	1
Temperature Sensor	39560628	3	In Airend (2ATT), Aftercooler (4ATT), and Coolant Piping (2CTT)	0	0	1

SSR 75/100 H.P. SPARE PARTS (Continued)

COMPRESSOR PART	PART NO.	QTY. PER UNIT	LOCATION OR USE	RECOMMENDED QUANTITY KEPT ON HAND AT INSTALLATION		
				CLASS 1	CLASS 2	CLASS 3
Hose	39109707	1	Separator Tank Drain	0	1	1
A.C. Line Filter	39171723	1	In Starter Box	0	1	1
Cable, Pressure Sensor	39542261	3	On Pressure Sensors	0	0	1
Starter Interface Board	39795406	1	In Starter Box	0	0	0
Intellisys	39797428	1	In Starter Box Door	0	0	0
Decal Kit	39797543	1	All Units			
Stepper Motor Assembly	39675871	1	On Inlet Valve	0	0	0
Coupling, Stepper Motor	39181219	1	Stepper Motor to Inlet Valve	0	0	0
Analog Terminal Board Assembly	39798517	1	In Top of Starter Box	0	0	0
Gasket, Inlet Valve	39476304	1	Under Inlet Valve	0	0	1
Air-Cooled Only:						
Fan, 26"	39482674	1	On Fan Motor, All A/C	0	0	1
Bushing, Fan	39183199	1	On Fan Motor Shaft, All A/C	0	0	1
75/100 HP A/C Enclosed with Aftercooler						
Hose	W90434	1	Thermostatic Valve to Filter	0	1	1
Hose	35130046	1	Separator Tank to Cooler	0	1	1
Hose	35144427	1	Min Press Valve to Aftercooler	0	1	1
75/100 HP A/C Enclosed without Aftercooler						
Hose	W90434	1	Thermostatic Valve to Filter	0	1	1
Hose	35130046	1	Separator Tank to Cooler	0	1	1
Hose	35144427	1	Min Press Valve to Discharge	0	1	1
75/100 HP A/C Open with Aftercooler						
Hose	W90418	1	Thermostatic Valve to Filter	0	1	1
Hose	39149505	1	Separator Tank to Cooler	0	1	1
Hose	39126859	1	Min Press Valve to Aftercooler	0	1	1
75/100 HP A/C Open without Aftercooler						
Hose	W90418	1	Thermostatic Valve to Filter	0	1	1
Hose	39149505	1	Separator Tank to Cooler	0	1	1
Hose	39147103	1	Min Press Valve to Discharge	0	1	1
Water-Cooled Only:						
Fan, 16"	39119912	1	On Fan Motor, All W/C	0	0	1
Valve, Water Shut Off	39479803	1	On Fan Motor Shaft, All W/C	0	0	1
Connector, DIN	39479555	1	On Water Shut-Off Valve	0	0	1
75/100 HP W/C Enclosed with Aftercooler						
Hose	39149521	1	Thermostatic Valve to Filter	0	1	1
Hose, 90° Water	W90434	1	Separator Tank to Cooler	0	1	1
Hose, 115° Water	W90376	1	Separator Tank to Cooler	0	1	1
Hose	39147103	1	Min Press Valve to Aftercooler	0	1	1
75/100 HP W/C Enclosed without Aftercooler						
Hose	39149521	1	Thermostatic Valve to Filter	0	1	1
Hose, 90° Water	W90434	1	Separator Tank to Cooler	0	1	1
Hose, 115° Water	W90376	1	Separator Tank to Cooler	0	1	1
Hose	35144427	1	Min Press Valve to Discharge	0	1	1
75/100 HP W/C Open with Aftercooler						
Hose	39149521	1	Thermostatic Valve to Filter	0	1	1
Hose, 90° Water	W90434	1	Separator Tank to Cooler	0	1	1
Hose, 115° Water	39183256	1	Separator Tank to Cooler	0	1	1
Hose	35144427	1	Min Press Valve to Aftercooler	0	1	1
75/100 HP W/C Open without Aftercooler						
Hose	39149521	1	Thermostatic Valve to Filter	0	1	1
Hose, 90° Water	W90434	1	Separator Tank to Cooler	0	1	1
Hose, 115° Water	39183256	1	Separator Tank to Cooler	0	1	1
Hose	35256122	1	Min Press Valve to Discharge	0	1	1

