



**SSR 250-450
HORSEPOWER**

**PARTS LIST
RECOMMENDED SPARES**



**This manual contains
important safety information
and must be made available to
personnel who operate and
maintain this machine.**

**C.C.N. : 80440183
REV : E
DATE : JUNE 2007**

WARRANTY

AIR COMPRESSOR GROUP BONDED WARRANTY & REGISTERED START UP

Warranty

The Company warrants that the equipment manufactured by it and delivered hereunder will be free of defects in material and workmanship for a period of twelve months from the date of placing the Equipment in operation or eighteen months from the date of shipment from Davidson, NC, whichever shall first occur. The Purchaser shall be obligated to promptly report any failure to conform to this warranty, in writing to the Company in said period, whereupon the Company shall, at its option, correct such nonconformity, by suitable repair to such equipment or, furnish a replacement part F.O.B. point of shipment, provided the Purchaser has stored, installed maintained and operated such Equipment in accordance with good industry practices and has complied with specific recommendations of the Company. Accessories or equipment furnished by the Company, but manufactured by others, shall carry whatever warranty the manufacturers have conveyed to the Company and which can be passed on to the Purchaser. The Company shall not be liable for any repairs, replacements, or adjustments to the Equipment or any costs of labor performed by the Purchaser or others without Company's prior written approval.

The effects of corrosion, erosion and normal wear and tear are specifically excluded. Performance warranties are limited to those specifically stated within the Company's proposal. Unless responsibility for meeting such performance warranties are limited to specified tests, the Company's obligation shall be to correct in the manner and for the period of time provided above.

THE COMPANY MAKES NO OTHER WARRANTY OR REPRESENTATION OF ANY KIND WHATSOEVER, EXPRESSED OR IMPLIED, EXCEPT THAT OF TITLE, AND ALL IMPLIED WARRANTIES OF MERCHANTABILITY AND FITNESS FOR A PARTICULAR PURPOSE, ARE HEREBY DISCLAIMED.

Correction by the Company of nonconformities whether patent or latent, in the manner and for the period of time provided above, shall constitute fulfillment of all liabilities of the Company for such nonconformities whether based on contract, warranty negligence, indemnity, strict liability or otherwise with respect to or arising out of such Equipment.

The purchaser shall not operate Equipment which is considered to be defective, without first notifying the Company in writing of its intention to do so. Any such Equipment will be at Purchaser's sole risk and liability.

Limitation or Liability

The remedies of the Purchaser set forth herein are exclusive, and the total liability of the Company with respect to this contract or the Equipment and services furnished hereunder, in connection with the performance or breach thereof, or from the manufacture, sale, delivery, installation, repair or technical direction covered by or furnished under this contract, whether passed on contract, warranty negligence, indemnity, strict liability or otherwise, shall not exceed the purchase price of the unit of Equipment upon which such liability is based.

The Company and its suppliers shall in no event be liable to the Purchaser, any successors in interest or any beneficiary or assignee of this contract for any consequential, incidental, indirect, special or punitive damages arising out of this contract or any breach thereof, or any defect in, or failure of, or malfunction of the Equipment hereunder, whether based upon loss of use, lost profits or revenue, interest, lost goodwill, work stoppage, impairment of other goods, loss by reason of shutdown or non-operation, increased expenses of operation, cost of purchase of replacement power or claims of Purchaser or customers of Purchaser for service interruption whether or not such loss or damage is based on contract, warranty, negligence, indemnity, strict liability or otherwise.

1 CONTENTS
 2 SAFETY & WARNINGS
 3 INTRODUCTION
 4 INTELLISYS CONTROLLER AND STARTER BOX ASSEMBLY
 5 STARTER ASSEMBLY D180-D180 STAR DELTA
 6 STARTER ASSEMBLY D250-180 STAR DELTA
 7 STARTER ASSEMBLY D300-180 STAR DELTA
 8 STARTER ASSEMBLY D300-250 STAR DELTA
 9 MAJOR COMPONENTS 250/300 HP
 11 MAJOR COMPONENTS EP300 HP
 13 MAJOR COMPONENTS 300E HP - WITH OIL PUMP
 14 MAJOR COMPONENTS 300E HP - NO OIL PUMP
 15 MAJOR COMPONENTS 350-450 HP - WITH OIL PUMP
 16 MAJOR COMPONENTS 350-450 HP - NO OIL PUMP
 17 MAJOR COMPONENTS 250-300 HP EXTENDED PKG
 18 DRIVE TRAIN 250/300 HP
 19 DRIVE TRAIN 300E-450 HP
 20 AIREND PIPING 250/300 HP
 21 AIREND PIPING 300E HP - WITH OIL PUMP
 22 AIREND PIPING 300E HP - NO OIL PUMP
 23 AIREND PIPING 350-450 HP - WITH OIL PUMP
 24 AIREND PIPING 350-450 HP - NO OIL PUMP
 25 6" INLET VALVE WITH AIR FILTER - 250/300 HP
 27 8" INLET VALVE WITH AIR FILTER - 300E & 350-450 HP
 29 8" INLET VALVE STEPPER MOTOR 300E & 350-450 HP
 30 SEPARATOR TANK 250/300 HP
 32 SEPARATOR TANK 350-450 HP
 34 AIRCOOLED COOLER 250/300 HP
 37 AIR DISCH. ASSEMBLY 250/300 HP - NO AFTERCOOLER (SINGLE STAGE)
 38 AIR DISCH. ASSEMBLY 250/300 HP - NO AFTERCOOLER (TWO STAGE)
 39 AIRCOOLED COOLER 350-450 HP
 41 WATERCOOLED ASSEMBLY 250/300 HP - 90° WATER (SERIES FLOW) NO CONTROL VALVE
 44 WATERCOOLED ASSEMBLY 250/300 HP - 90° WATER (SERIES FLOW) WITH CONTROL VALVE
 45 WATERCOOLED ASSEMBLY 250/300 HP - NO AFTERCOOLER
 46 WATERCOOLED ASSEMBLY 250/300 HP - 115° (PARALLEL) WITH CONTROL VALVE
 47 WATERCOOLED ASSEMBLY 250/300 HP - 115° (PARALLEL) NO CONTROL VALVE
 48 WATERCOOLED ASSEMBLY 350-450 HP - 90° WATER (SERIES FLOW)
 51 WATERCOOLED ASSEMBLY 350-450 HP - 90° WATER (SERIES FLOW) WITH CONTROL VALVE
 52 WATERCOOLED ASSEMBLY 350-450 HP - NO AFTERCOOLER
 53 WATERCOOLED ASSEMBLY 350-450 HP - 115° WATER (PARALLEL FLOW)
 56 WATERCOOLED ASSEMBLY 350-450 HP - 115° WATER (PARALLEL FLOW) WITH CONTROL VALVE
 57 WATERCOOLED ASSEMBLY 350-450 HP - 115° WATER (PARALLEL FLOW) NO AFTERCOOLER
 58 AIRCOOLED INTAKE 250/300 HP
 59 AIRCOOLED INTAKE 350-450 HP
 60 WATERCOOLED INTAKE 250-300 HP
 61 WATERCOOLED INTAKE 350-450 HP
 62 ENCLOSURE 250/300 HP
 65 ENCLOSURE 350/450 HP
 68 EXTENDED PACKAGE ENCLOSURE 250/300 HP (SINGLE STAGE)
 71 EXTENDED PACKAGE ENCLOSURE 250/300 HP (TWO STAGE)
 73 EXTENDED PACKAGE ENCLOSURE 350/450 HP
 76 OUTDOOR MODIFICATION ENCLOSURE 250/300 HP
 78 OUTDOOR MODIFICATION ENCLOSURE 350-450 HP
 81 O-RINGS
 82 RECOMMENDED SPARE PARTS LIST

ROTARY SCREW AIR COMPRESSOR

This unit was purchased from:

.....

Ingersoll Rand Company reserves the right to make changes or add improvements without notice and without incurring any obligation to make such changes or add such improvements to products sold previously.

Model:
 No:
 Customer Order No:
 Ingersoll Rand Co. Order No:

For ready reference:

Record the serial number and model number of your unit here.

Serial Number:

 WARNING

There is a high discharge air temperature shutdown function built into each compressor. It is factory preset at 109°C (228°F). This function should be checked at regular intervals for proper operation, once a month is recommended. Refer to maintenance section.

Failure to adhere to these recommendations can result in mechanical failure, property damage and serious injury or death.

- All air and water inlet, and air and water discharge pipework to and from the inlet and discharge port connections must take into account vibration, pulsations, temperature, maximum pressure applied, corrosion and chemical resistance. In addition, it should be noted that lubricated compressors will discharge some oil into the air stream; therefore, compatibility between discharge piping, system accessories and software must be assured.
- For the foregoing reasons, the use of plastic piping, soldered copper fittings and rubber hose as discharge piping is not recommended. In addition, flexible joints and/or flex lines can only be considered for such purposes if their specifications fit the operating parameters of the system.
- It is the responsibility of the installer and owner to provide the appropriate service pipework to and from the machine.

 WARNING**STATEMENT CONCERNING THE USE OF THIS EQUIPMENT FOR BREATHING AIR AND/OR AQUA LUNG SERVICE**

- If the model number on this air compressor contains the letters “BAP”, the compressor is suitable for use in breathing air services. In the absence of such a designation, the compressor is NOT considered as capable of producing air of breathing quality. For a compressor to be capable of use in breathing air services it must be fitted with additional specialized equipment to properly filter and/or purify the air to meet all applicable federal, state and local laws, rules, regulations and codes, such as, but not limited to, OSHA 29 CFR 1910.134, Compressed Gas Association Commodity Specification G-7, 1-1966, Grade D Breathing Air and/or Canadian Standards Association. Should the Purchaser and/or User fail to add such specialized equipment and proceeds to use the compressor for breathing air service, the Purchaser/User assumes all liability resulting therefrom without any responsibility or liability being assumed by Ingersoll-Rand Company.
- The Purchaser is urged to include the above provision in any agreement for any resale of this compressor.

PARTS LIST

INTRODUCTION

GENERAL

This manual, which contains an illustrated parts breakdown, has been prepared as an aid in identifying and ordering parts in the SSR compressor. All of the compressor parts listed in the parts breakdown are manufactured with the same precision as the original equipment.

Ingersoll Rand Company service facilities and parts are available worldwide. There are **Ingersoll Rand** company Branch Offices and authorized distributors located in the principle cities of the United States. In Canada, our customers are serviced by the Canadian **Ingersoll Rand** Company, Limited. There are also **Ingersoll Rand** Company subsidiaries and authorized distributors located in the principle cities throughout the world.

DESCRIPTION

The illustrated parts breakdown illustrates the various assemblies, sub-assemblies and detailed parts which make up this particular SSR compressor. A series of illustrations show each part clearly and in it's correct location relative to the other parts in the illustration. Each part on an illustration is referenced with a number. The number, description and quantity needed per assembly is listed in numerical order on the following pages.

OPTIONAL EQUIPMENT

Several optional accessories/items are available for convenience or special application. These accessories have been selected as being particularly suitable for use on the SSR compressor.

For complete details on Optional Equipment, contact your Sales Representative.

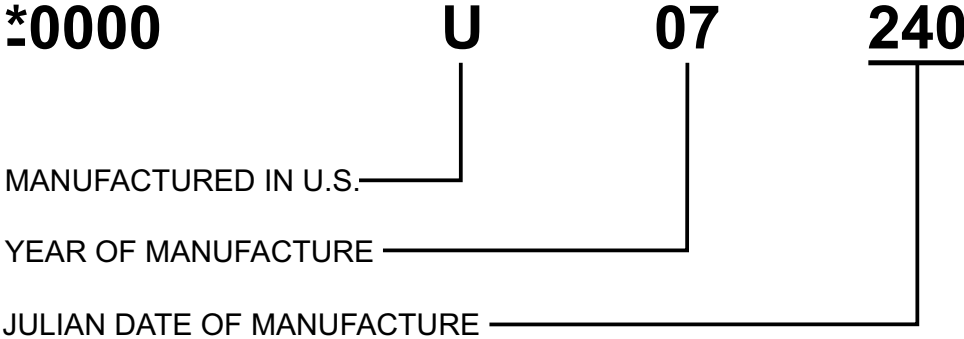
HOW TO USE THIS PARTS MANUAL

1. Turn to the Parts Section to locate the desired illustrations.
2. Locate the part on the illustration by visual identification and the reference number.
3. Find the referenced number on the Tabulated page, along with the Part Number and Description.

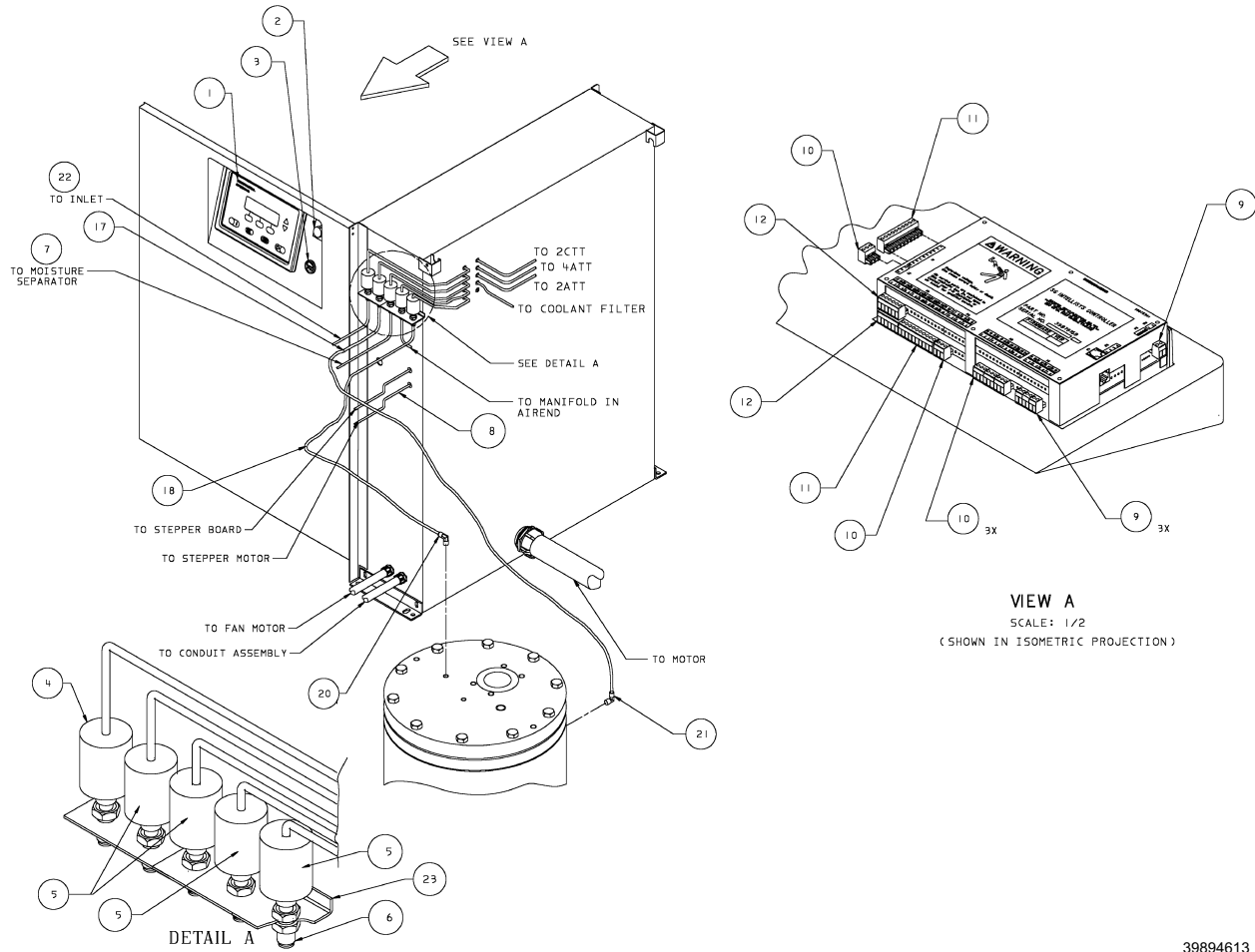
HOW TO ORDER PARTS

In order that all avoidable errors be eliminated when ordering parts, please specify the following:

1. The model number of the unit as shown on the Compressor Data Plate.
2. The serial number of the unit as shown on the Compressor Data Plate.
3. The form number of this manual (shown on front cover).
4. The reference number, part number, description and quantity needed exactly as listed.
5. The motor data code shown on the motor data plate.

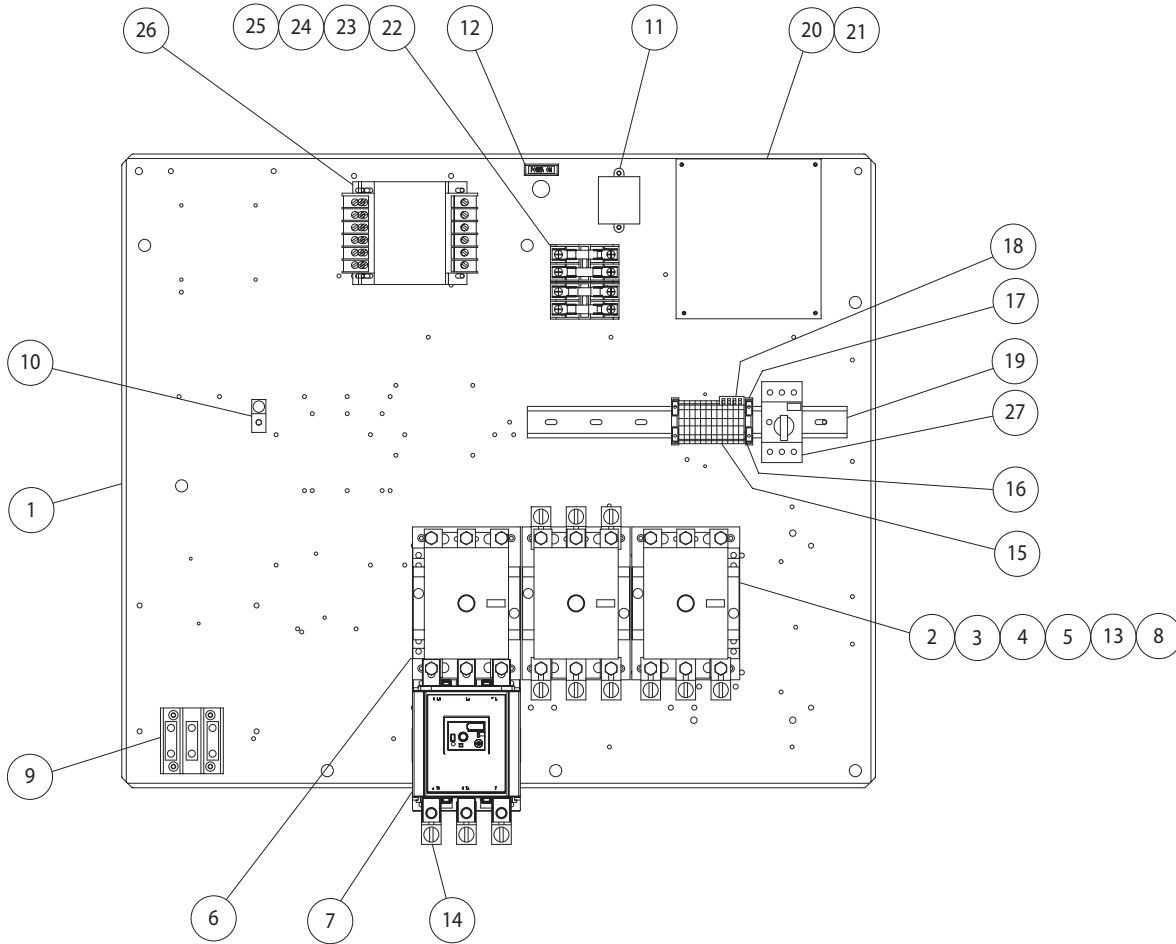


*E OR F DEPENDING ON SIZE OF UNIT



39894613
REV 03

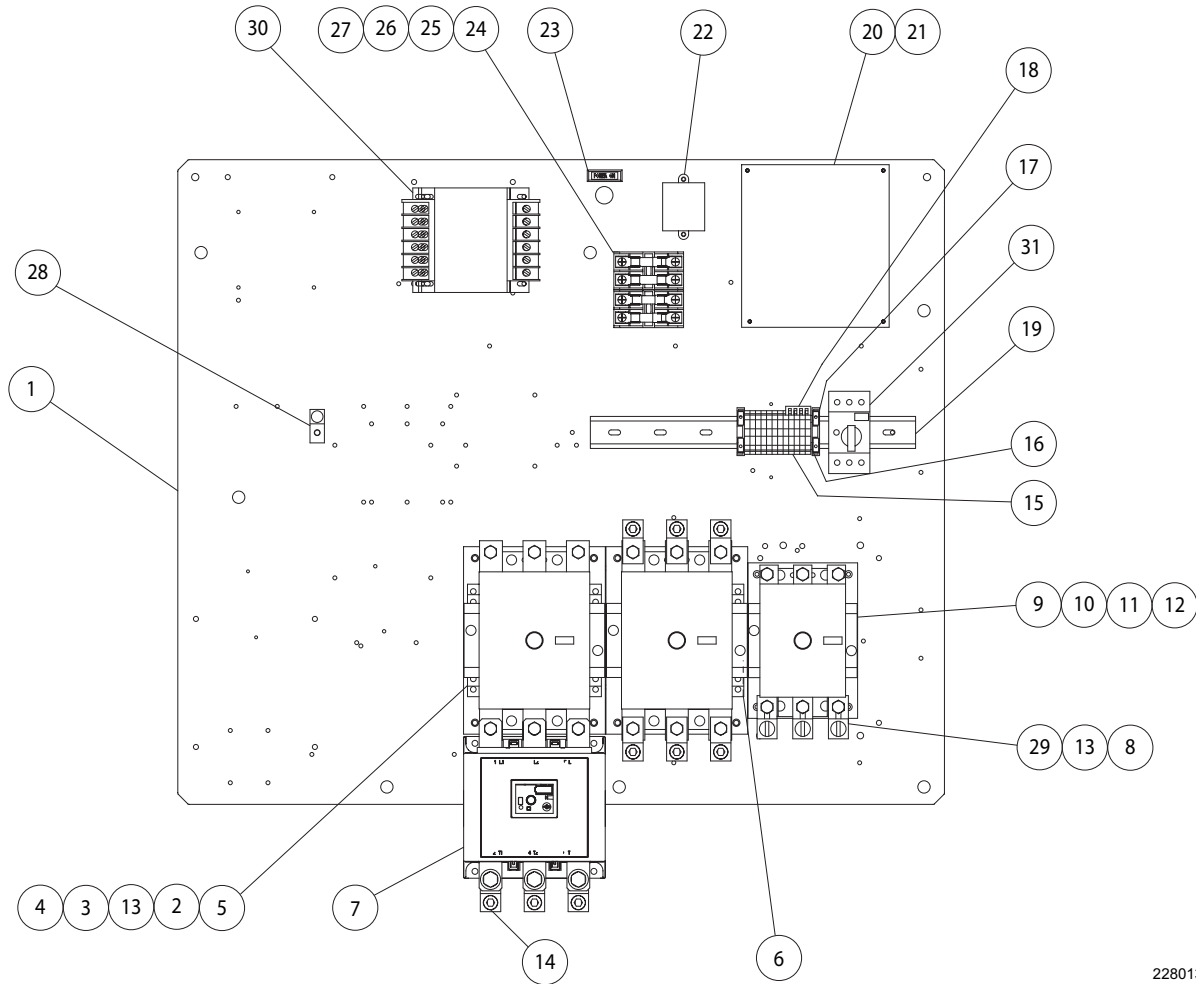
Item	ccn	Qty.	Description	Item	ccn	Qty.	Description
1	39875158	1	ASSY. INTELLISYS. CONTROLLER	9	39242367	4	PLUG, 2 POSITION
1A	39874375	1	GASKET	10	39204441	5	PLUG, 3 POSITION
1B	39128988	6	BOLT, .25 X .500 TAPTITE	11	39242375	2	PLUG, 10 POSITION
1C	95379392	6	WASHER, STAR	12	39186093	2	PLUG, 6 POSITION
2	39485032	1	LIGHT, AMBER COMPLETE	17	39124813	X	TUBING, NYLON NEMA 1 AND 4
2A	39485024	1	BULB, 24V		39497847	X	TUBING, FLEXIBLE TEFLON LOW AMBIENT
3	39549167	1	SWITCH, EMERGENCY STOP	18	39124813	X	TUBING, NYLON NEMA 1 AND 4
4	39877618	1	TRANSDUCER, 0-15 PSIG		39497847	X	TUBING, FLEXIBLE TEFLON LOW AMBIENT
4A	39875570	1	CABLE, TRANSDUCER	20	39155478	1	ELBOW, 90° NEMA 1 AND 4
5	39875539	4	TRANSDUCER, 0-225 PSIG (TWO STAGE)	21	39155478	1	ELBOW, 90° NEMA 1 AND 4
5A	39875539	3	TRANSDUCER, 0-255 PSIG (SINGLE STAGE)	22	39124813	1	TUBING, NYLON NEMA 1 AND 4
5B	39875570	4	CABLE, TRANSDUCER (TWO STAGE)		39497847	X	TUBING, FLEXIBLE TEFLON LOW AMBIENT
5C	39875570	3	CABLE, TRANSDUCER (SINGLE STAGE)	23	54428537	1	BRACKET, TRANSDUCER, WHITE
6	39461868	5	BULKHEAD CONNECTOR (FOR MTG TRANSDUCER) (TWO STAGE)		85543312	1	BRACKET, TRANSDUCER, BEIGE
6A	39461868	4	BULKHEAD CONNECTOR (FOR MTG TRANSDUCER) (SINGLE STAGE)	NOTES:			
6B	95922761	5	WASHER, STAR (TWO STAGE)	1.	X ORDER PER NUMBER OR INCHES REQUIRED		
6C	95922761	4	WASHER, STAR (SINGLE STAGE)	2.	STANDARD FASTENINGS SUCH AS NUTS, BOLTS AND SCREWS ARE LISTED AS SUB-ITEMS (EXAMPLE:2A)		
7	39124813	X	NYLON, TUBE	3.	ALL CONTROL TUBING FOR LOW AMBIENT UNITS TO BE TEFLON FLEXIBLE TUBING, STAINLESS STEEL TUBING OR METAL FLEX. ALL CONTROL TUBING TO BE HEAT TRACED		
	39497847	X	TUBING, FLEXIBLE TEFLON LOW AMBIENT				
8	39476221	1	CABLE, STEPPER MOTOR				



22801351
REV A

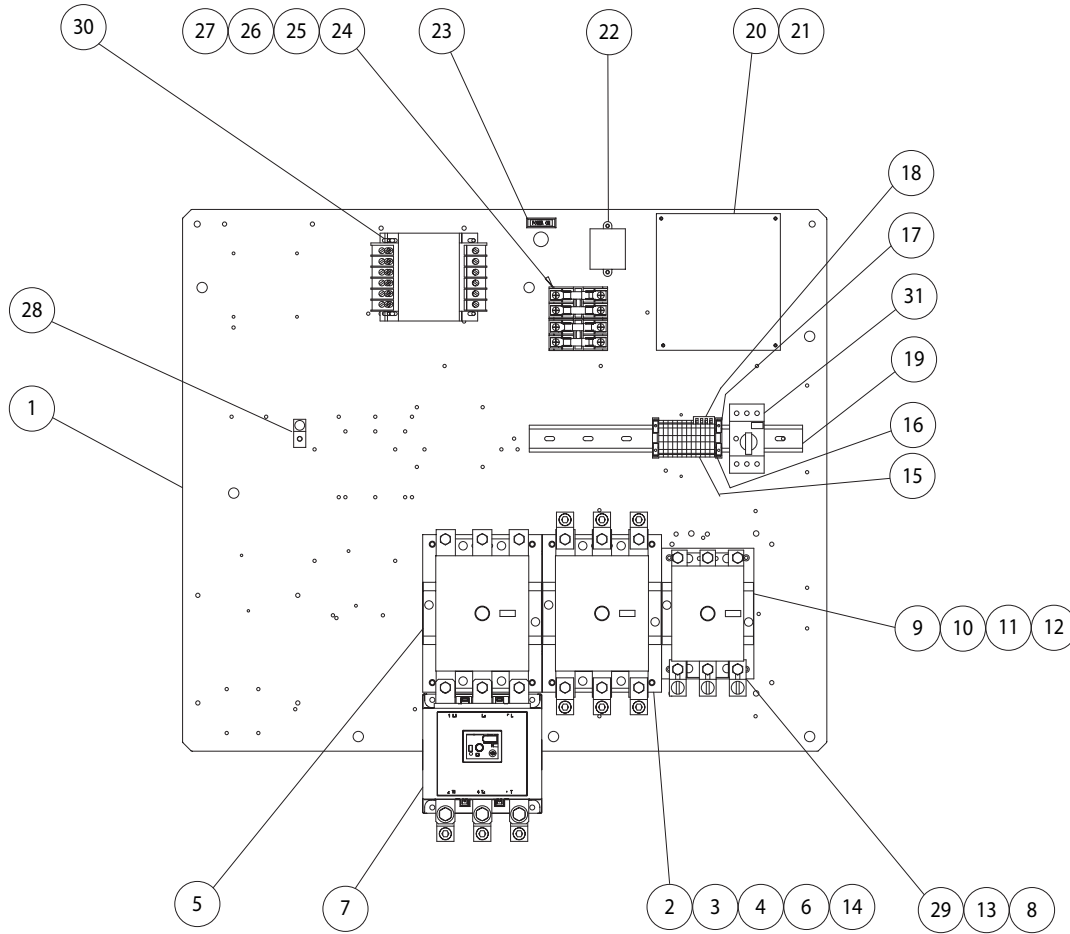
Item	ccn	Qty.	Description	Item	ccn	Qty.	Description
1	22669998	1	STARTER BACK PANEL	17	39252937	2	BLOCK, END STOP
2	22264899	3	CONTACTOR, 180 AMP W/I NO & NC AUX CONTACT	18	39252945	1	JUMPER, 5-POLE
3	22630784	3	COIL, CONTATOR (NOT SHOWN)	19	39259791	1	RAIL, DIN 14.00 LONG
4	22630768	3	KIT, CONTACT (NOT SHOWN)	20	39874425	1	ASSEMBLY, POWER SUPPLY
5	22264857	1	CONTACT, AUX. (2 NO)	21	39173810	4	STANDOFF, HEX #6 X .500 LONG ALUMINUM
6	22665830	1	CONTACT, AUX. (I NO & I NC)	22	39480504	2	HOLDER, FUSE 2 POLE 600V. 30A. 2 POLE
7	22630974	1	RELAY, OVERLOAD	23	39178736	2	FUSE. 600 VOLTS 3.5 AMPS
8	22665855	1	INTERLOCK, ELECT / MECH W/ 2 NC AUX CONTACTS	24	39118484	1	FUSE, 250V 5 AMPS
9	39164520	1	BLOCK, TERMINAL 150 AMP	25	39242458	1	FUSE, 600 VOLTS 5.0 AMPS
10	39190939	1	LUG, GROUND	26	39318118	1	TRANSFORMER, 380/415/550V 50HZ
11	39201918	1	RE I POWER LINE FILTER		39475983	1	TRANSFORMER, 200/230/460/575V 60HZ
12	39196225	1	LIGHT, POWER ON		39485800	1	TRANSFORMER, 380V, 60HZ. 220V 50HZ
13	22630776	2	ARC SUPPRESSOR	27	22395800	1	STARTER, 4.00-6.30
14	22930727	4	KIT, TERMINAL LUG (SET OF 3)		22664353	1	STARTER, 25-32A
15	39252903	12	BLOCK, TERMINAL				
16	39252929	1	BARRIER, END				

6 STARTER ASSEMBLY D250-D180 STAR DELTA



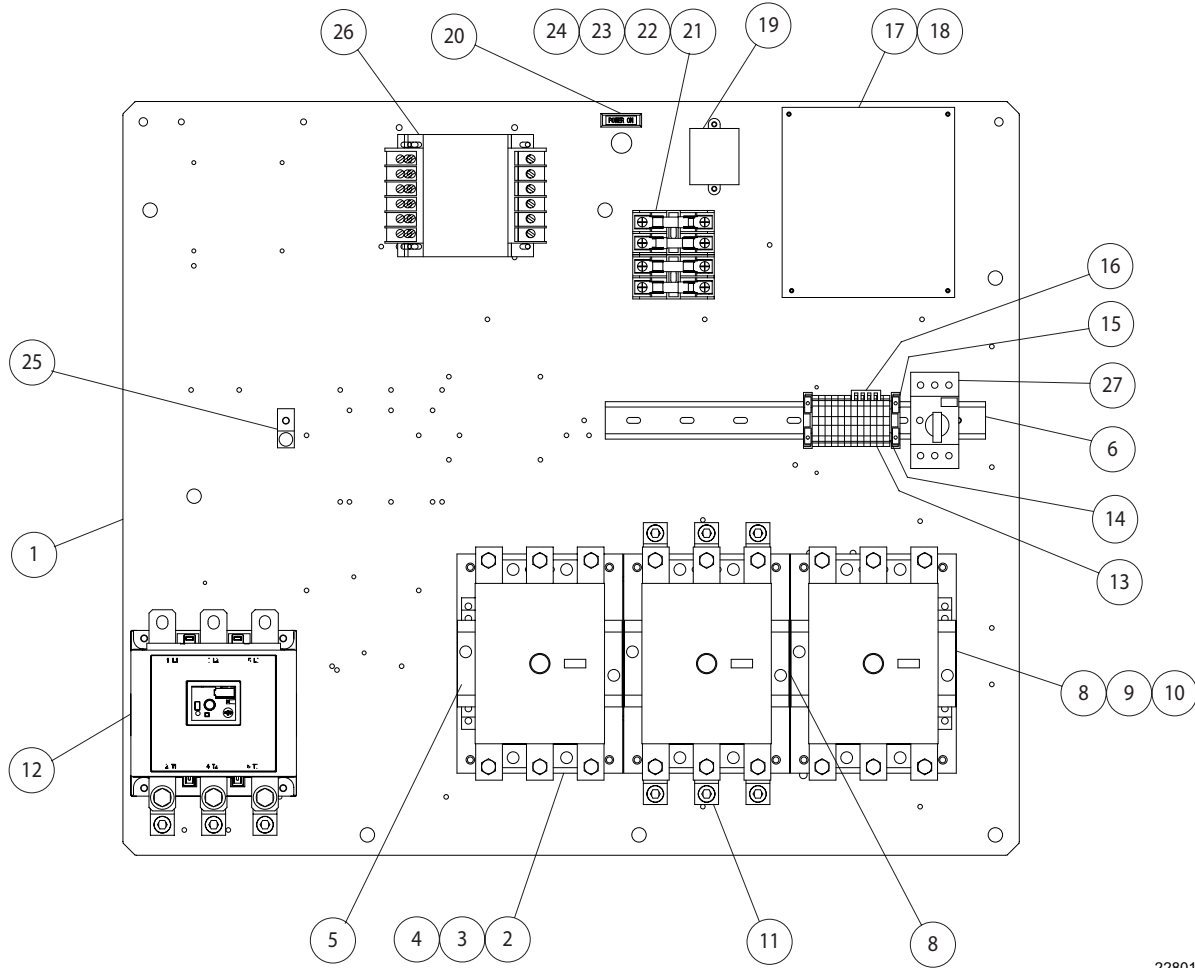
22801369
REV A

Item	ccn	Qty.	Description	Item	ccn	Qty.	Description
1	22669998	1	STARTER BACK PANEL	18	39252945	1	JUMPER, 5-POLE
2	22630867	2	CONTACTOR, 250 AMP W/I NO & NC AUX CONTACT	19	39259791	1	RAIL, DIN 14.00 LONG
3	22707137	2	COIL, CONTATOR (NOT SHOWN)	20	39874425	1	ASSEMBLY, POWER SUPPLY
4	22630834	2	KIT, CONTACT (NOT SHOWN)	21	39173810	4	STANDOFF, HEX #6 X .500 LONG ALUMINUM
5	22264857	1	CONTACT, AUX. (2 NO)	22	39201918	1	RF 1 POWER LINE FILTER
6	22665830	1	CONTACT, AUX. (I NO & I NC)	23	39196225	1	LIGHT, POWER ON
7	22630982	1	RELAY, OVERLOAD	24	39480504	2	HOLDER, FUSE 2 POLE 600V. 30A. 2 POLE
8	22665855	1	INTERLOCK, ELECT / MECH W/ 2 NC AUX CONTACTS	25	39178736	2	FUSE, 600 VOLTS 3.5 AMPS
9	22264899	1	CONTACTOR, 180 AMP W/ I NO & I NC AUX CONTACT	26	39118484	1	FUSE, 250V 5 AMPS
10	22630784	1	COIL, CONTACTOR (NOT SHOWN)	27	39242458	1	FUSE, 600 VOLTS 5.0 AMPS
11	22630768	1	KIT, CONTACTOR (NOT SHOWN)	28	39190939	1	LUG, GROUND
12	22665830	1	CONTACT, AUX. (I-NO & I-NC)	29	22630727	1	KIT, TERMINAL LUG (SET OF 3)
13	22630776	2	ARC SUPPRESSOR	30	39318118	1	TRANSFORMER, 380/415/550V 50HZ
14	22630792	3	KIT, TERMINAL LUG (SET OF 3)	39475983	1	TRANSFORMER, 200/230/460/575V 60HZ	
15	39252903	12	BLOCK, TERMINAL	39485800	1	TRANSFORMER, 380V, 60HZ. 220V 50HZ	
16	39252929	1	BARRIER, END	31	22395800	1	STARTER, 4.00-6.30
17	39252937	2	BLOCK, END STOP	22664353	1	STARTER, 25-32A	



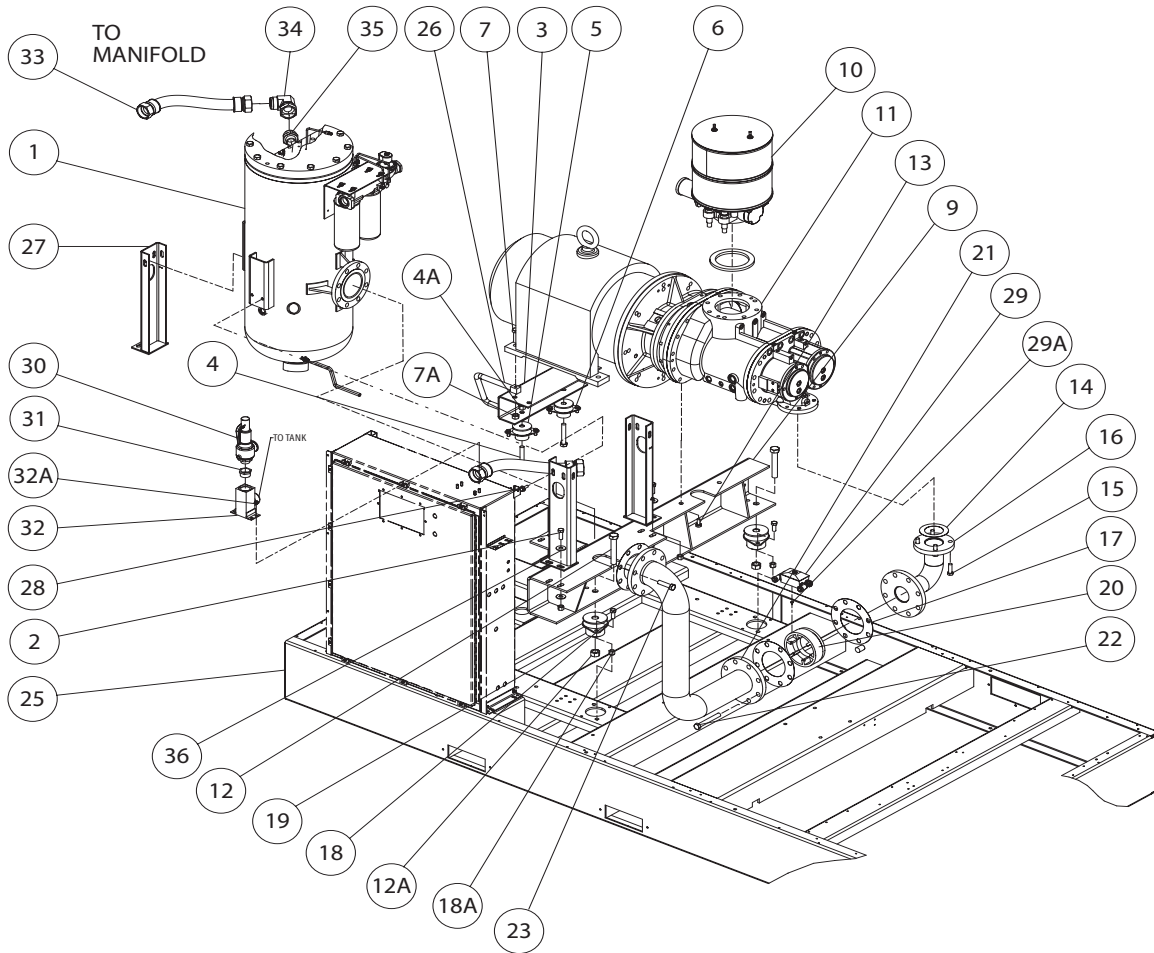
22801377
REV. A

Item	ccn	Qty.	Description	Item	ccn	Qty.	Description
1	22669998	1	STARTER BACK PANEL	19	39259791	1	RAIL, DIN 14.00 LONG
2	22630891	2	CONTACTOR, D300 W/I NO & INC	20	39874425	1	ASSEMBLY, POWER SUPPLY
3	22707137	2	COIL, CONTATOR (NOT SHOWN)	21	39173810	4	STANDOFF. HEX #6 X .500 LONG ALUMINUM
4	22707087	2	KIT, CONTACT	22	39201918	1	RF I POWER LINE FILTER
5	22665848	1	CONTACT, AUX. (2 NO)	23	39196225	1	LIGHT, POWER ON
6	22665830	1	CONTACT, AUX. (I NO & I NC)	24	39480504	2	HOLDER, FUSE 2 POLE 600V. 30A. 2 POLE
7	22630982	1	RELAY, OVERLOAD	25	39178736	2	FUSE, 600 VOLTS 3.5 AMPS
8	22665855	1	INTERLOCK, ELECT / MECH W/ 2 NC AUX CONTACTS	26	39118484	1	FUSE, 250V 5 AMPS
9	22264899	1	CONTACTOR, 180 AMP W/ I NO & I NC AUX CONTACT	27	39242458	1	FUSE, 600 VOLTS 5.0 AMPS
10	22630784	1	COIL, CONTACTOR (NOT SHOWN)	28	39190939	1	LUG, GROUND
11	22630768	1	KIT, CONTACTOR (NOT SHOWN)	29	22630727	1	KIT, TERMINAL LUG (SET OF 3)
12	22665830	1	CONTACT, AUX. (I-NO & I-NC)	30	39318118	1	TRANSFORMER, 380/415/550V 50HZ
13	22630776	2	ARC SUPPRESSOR	39475983	1	TRANSFORMER, 200/230/460/575V 60HZ	
14	22630792	3	KIT, TERMINAL LUG (SET OF 3)	39485800	1	TRANSFORMER, 380V, 60HZ. 220V 50HZ	
15	39252903	12	BLOCK, TERMINAL	31	22395800	1	STARTER, 4.00-6.30
16	39252929	1	BARRIER, END	22664353	1	STARTER, 25-32A	
17	39252937	2	BLOCK, END STOP				
18	39252945	1	JUMPER, 5-POLE				



22801385
REV. A

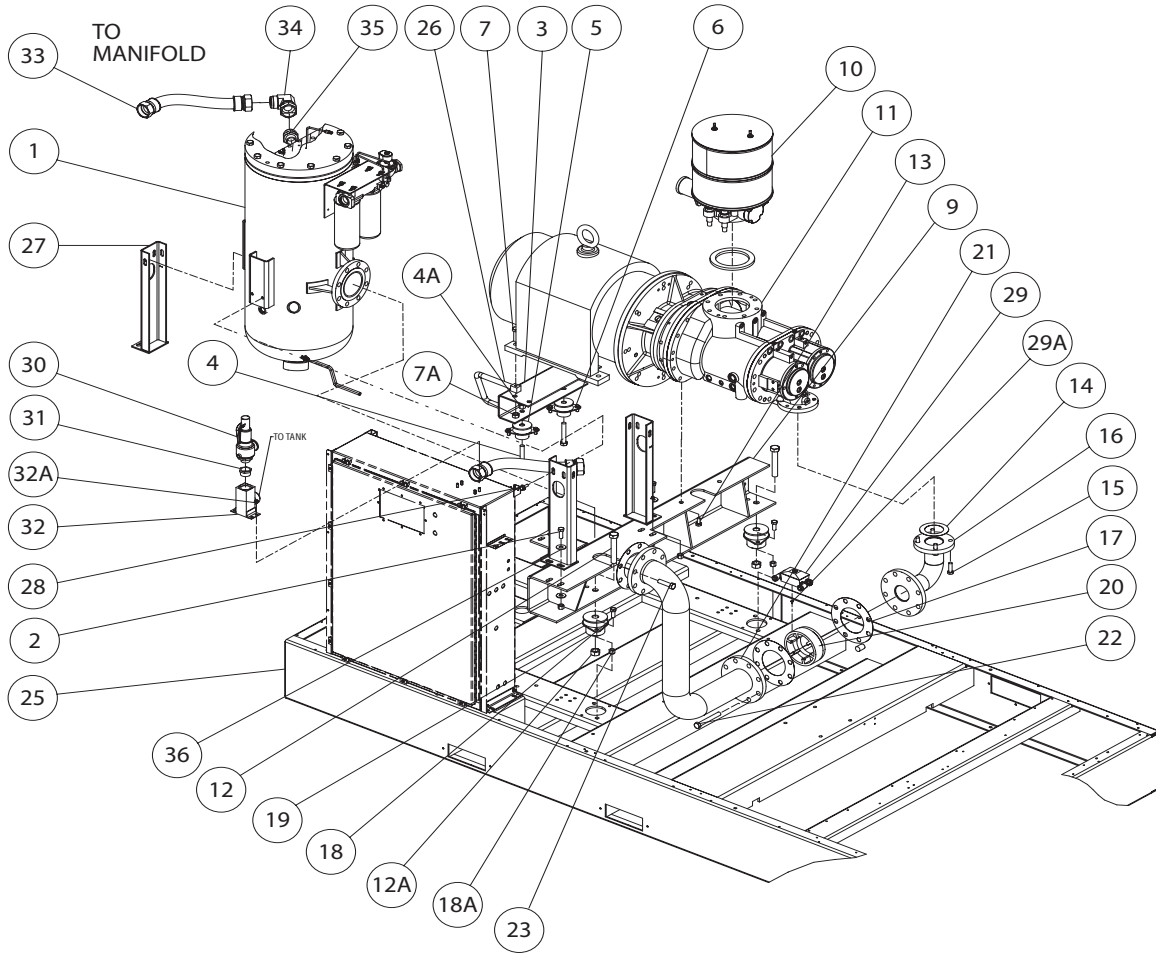
Item	ccn	Qty.	Description	Item	ccn	Qty.	Description
1	22669998	1	STARTER BACK PANEL	16	39252945	1	JUMPER, 5-POLE
2	22630891	2	CONTACTOR, D300 W/ I NO & I NC	17	39874425	1	ASSEMBLY, POWER SUPPLY
3	22707137	3	COIL, CONTACTOR (NOT SHOWN)	18	39173810	4	STANDOFF, HEX #6 X .500 LONG ALUMINUM
4	22707087	2	KIT, CONTACT (NOT SHOWN)	19	39201918	1	RF I POWER LINE FILTER
	22665830	1	COIL, CONTACTOR (NOT SHOWN)	20	39196225	1	LIGHT, POWER ON
5	22264840	1	CONTACT, AUX. (I-NO & I-NC)	21	39480504	2	HOLDER, FUSE 2 POLE 600V. 30A. 2 POLE
6	39259791	1	RAIL, DIN 14.00 LONG	22	39178736	2	FUSE, 600 VOLTS 3.5 AMPS
7	22665855	1	INTERLOCK, ELECT / MECH W/ 2 NC AUX CONTACTS	23	39118484	1	FUSE, 250V 3.5 AMPS
8	22630867	1	CONTACTOR, 250 AMP W/ I NO & I NC AUX CONTACT	24	39242458	1	FUSE, 600 VOLTS 5.0 AMPS
	22707137	1	COIL, CONTACTOR (NOT SHOWN)	25	39190939	1	LUG, GROUND
9	22630834	1	KIT, CONACT (NOT SHOWN)	26	39318118	1	TRANSFORMER, 380/415/550V 50HZ
10	22630776	2	ARC SUPPRESSOR		39475983	1	TRANSFORMER, 200/230/460/575V 60HZ
11	22630792	3	KIT, TERMINAL LUG (SET OF 3)		39485800	1	TRANSFORMER, 380V, 60HZ. 220V 50HZ
12	22630982	1	RELAY, OVERLOAD	27	22395800	1	STARTER, 4.00-6.30
13	39252903	12	BLOCK, TERMINAL		22664353	1	STARTER, 25-32A
14	39252929	1	BARRIER, END				
15	39252937	2	BLOCK, END STOP				



39806427
REV 06

Item	ccn	Qty.	Description	Item	ccn	Qty.	Description
1	XXXXXXXX	1	TANK ASSEMBLY	15	39179072	4	BOLT, M16 X 50 A/E TO PIPE
2	95694287	6	BOLT, .63-11 X 1.75 LEG TO BASE	16	39823059	1	PIPE, AIREND TO CHECK VALVE
2A	95947651	12	WASHER, .75	17	39487426	2	GASKET
2B	95923355	6	NUT, .63-11	18	95860748	4	BOLT, .63-11 X 1.50, MOUNT TO BASE
X3	39802210	1	SUPPORT, MOTOR, WHITE	18A	95923355	4	NUT, .63-11
	85544328	1	SUPPORT, MOTOR, BLACK	19	39477096	2	MOUNT, ISOLATION A/E
4	95929139	2	BOLT, .75-10 X 4.50, SUPPORT TO MOUNT	20	39481155	1	VALVE, DISCHARGE CHECK
4A	95923363	2	NUT, .75-10	21	39801238	1	TUBE, CHECK VALVE TO TANK
5	39476882	2	MOUNT, ISOLATION MOTOR	22	95912044	8	BOLT, .75-10 X 6.00, A/E PIPE TO TANK PIPE
6	39178686	4	BOLT, .50-13 X 1.00, MOUNT TO BASE	22A	95923363	8	NUT, .75-10
7	95929105	2	BOLT, .75-10 X 2.50, MOTOR TO SUPPORT	23	95935201	8	BOLT, .75-10 X 3.00
7A	95922928	2	NUT, .75-10	23A	95923363	8	NUT, .75-10
8	XXXXXXXX	1	DRIVE ASSEMBLY	24	39487426	1	GASKET, PIPE TO TANK
9	39802228	1	SUPPORT, AIREND, WHITE	25	39847884	1	BASE
	85549483	1	SUPPORT, AIREND, BLACK	26	39479860	1	GROUND STRAP
10	XXXXXXXX	1	INLET ASSEMBLY	27	39802236	3	LEG, TANK, WHITE
11	XXXXXXXX	1	AIREND ASSEMBLY		85543429	3	LEG, TANK, BEIGE
12	95861449	2	BOLT, 1.00-10 X 6.00, SUPPORT TO MOUNT	28	39128509	6	BOLT, .50-13 X 1.25 LEG TO TANK
12A	95317707	2	NUT, 1.00-10	29	XXXXXXXX	1	CONDUIT/JUNCTION BOX ASSEMBLY NEMA 1
13	39179080	2	BOLT, M16 X 30 A/E TO SUPPORT		XXXXXXXX	1	CONDUIT/JUNCTION BOX ASSEMBLY NEMA 4
14	39454533	1	GASKET, A/E TO PIPE	29A	35252279	2	SCREW, #10-32 X .50 JUNCTION BOX

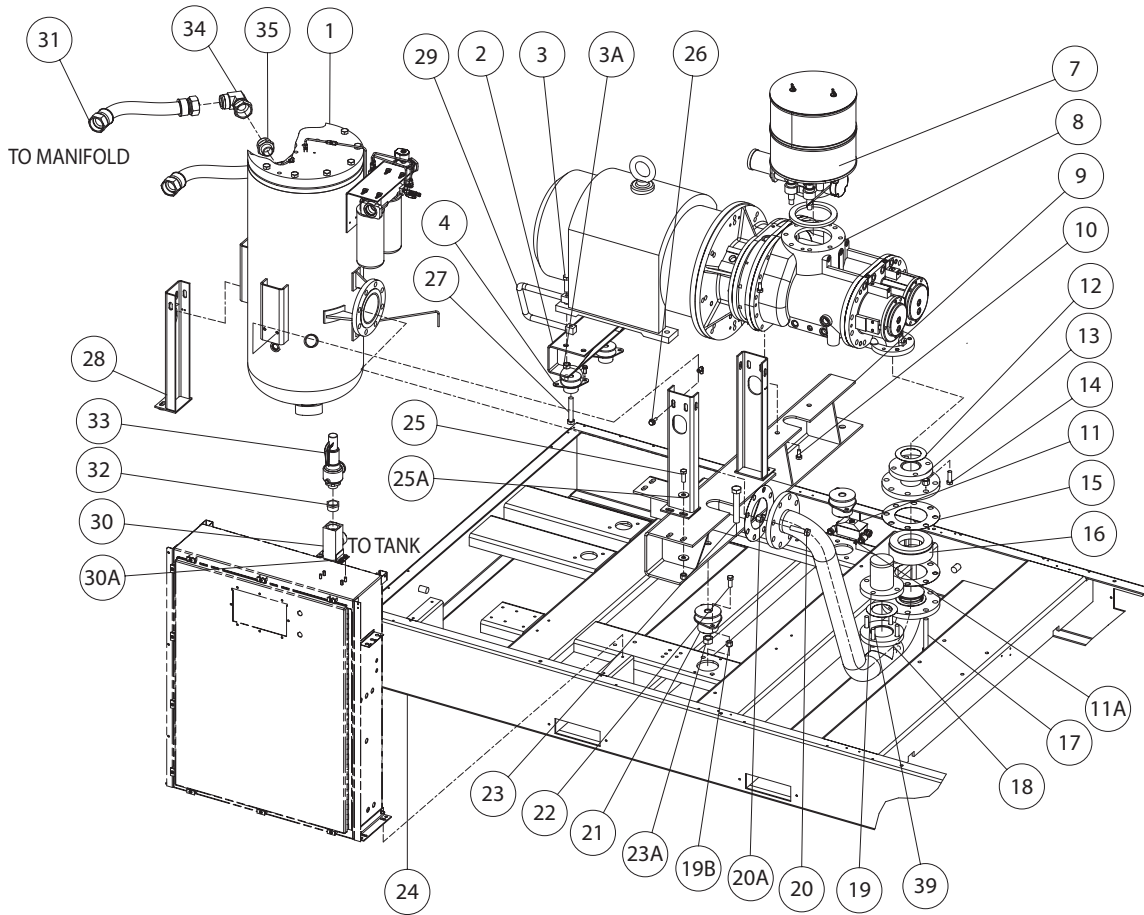
10 MAJOR COMPONENTS 250/300 HP



39806427
REV 06

Item	ccn	Qty.	Description	Item	ccn	Qty.	Description
30	39225511	1	VALVE, SAFETY 200 PSI	34	39485248	1	ELBOW, 90° 2.00TM SWIVEL (STANDARD UNIT ONLY)
31	95950341	1	BUSHING, 1.50-1.25	35	95956249	1	STRAIGHT, 2.00TM X 1.5PM
32	39879044	1	MANIFOLD, 2.00TM X 1.50PF				
32A	39128506	4	NUT, .38 UNC				
33	39571997	1	HOSE, 2.00 X 24.50				
	22063622	1	HOSE, 2.00 X 48.00 (EXTENDED UNIT ONLY)				

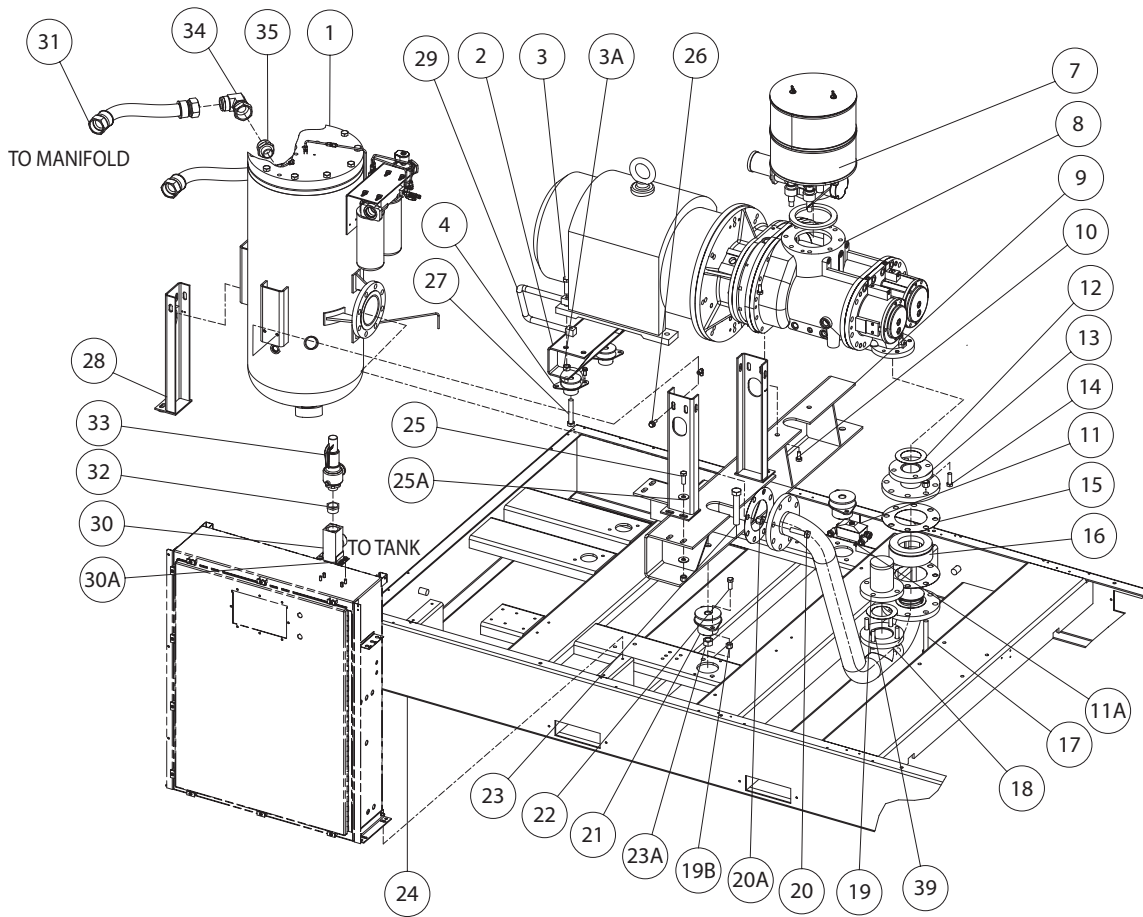
NOTES: STANDARD FASTENERS SUCH AS NUTS, BOLTS AND SCREWS ARE LISTED AS SUB-ITEMS (EXAMPLE: 22A).
X - ROTATE 180 DEGREES WHEN USING 449 FRAME MOTORS.



39883236
REV 03

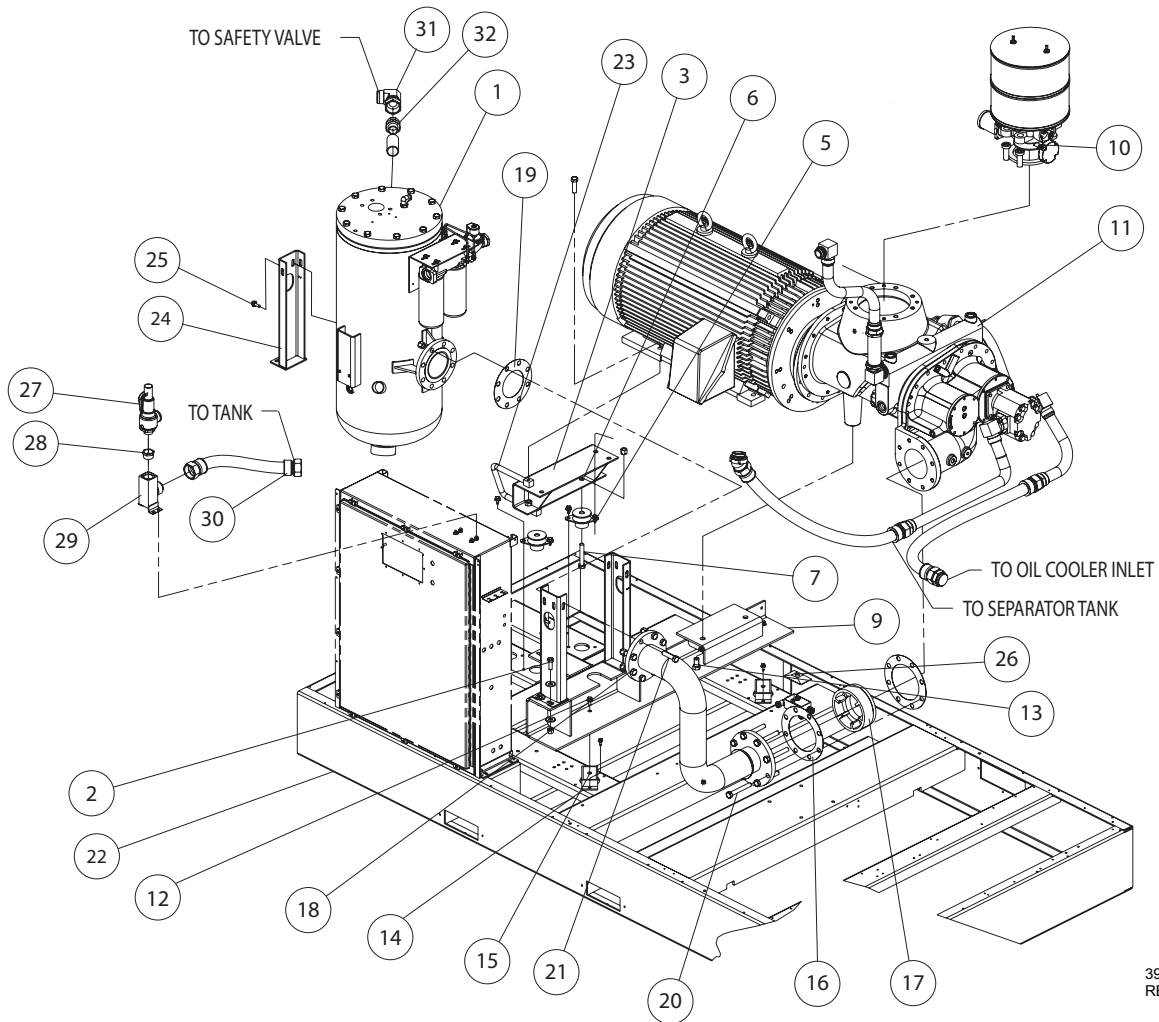
Item	ccn	Qty.	Description	Item	ccn	Qty.	Description
1	XXXXXXX	1	TANK ASSEMBLY	17A	95923363	8	NUT
X2	39802210	1	SUPPORT, MOTOR, WHITE	18	39828157	1	TUBE, CHECK VALVE TO TANK
	85544328	1	SUPPORT, MOTOR, BLACK	19	39828165	1	TUBE, RESONATOR
3	95929105	2	BOLT, MOTOR TO SUPPORT	19A	95171823	4	BOLT, PLATED
3A	95922928	2	NUT	19B	95923355	4	NUT
4	39476882	2	MOUNT, ISOLATION MOTOR	20	95935201	8	BOLT
5	XXXXXXX	1	DRIVE ASSEMBLY	20A	95923363	8	NUT
6	39178686	4	BOLT, MOUNT TO BASE	21	39477096	2	MOUNT, ISOLATION A/E
7	XXXXXXX	1	INLET ASSEMBLY	22	95860748	4	BOLT, MOUNT TO BASE
8	XXXXXXX	1	AIREND ASSEMBLY	22A	95923355	4	NUT
9	39802228	1	SUPPORT, AIREND, WHITE	23	95861449	2	BOLT, SUPPORT TO MOUNT
	85549483	1	SUPPORT, AIREND, BLACK	23A	95317707	2	NUT
10	39179080	2	BOLT, A/E TO SUPPORT	24	39847884	1	BASE
11	XXXXXXX	1	CONDUIT/JUNCTION BOX ASSEMBLY NEMA 1	25	95694287	6	BOLT, LEG TO BASE
	XXXXXXX	1	CONDUIT/JUNCTION BOX ASSEMBLY NEMA 4	25A	95947651	12	WASHER
11A	35252279	2	SCREW, JUNCTION BOX	25B	95923355	6	NUT
12	39454533	2	GASKET, A/E TO PIPE	26	39128509	6	BOLT, LEG TO TANK
13	39824313	1	PIPE, A/E TO CHECK VALVE	27	95929139	2	BOLT, SUPPORT TO MOUNT
14	39179072	4	BOLT, A/E TO PIPE	27A	95923363	2	NUT
15	39487426	3	GASKET	28	39802236	3	LEG, TANK, WHITE
16	39481155	1	VALVE, DISCHARGE CHECK		85643429	3	LEG, TANK, BEIGE
17	95912044	8	BOLT, A/E PIPE TO TANK PIPE	29	39479860	1	GROUND STRAP
				30	39879044	1	MANIFOLD
				30A	39128566	4	NUT

12 MAJOR COMPONENTS EP300 HP



39883236
REV 03

Item	ccn	Qty.	Description	Item	ccn	Qty.	Description
31	39571997	1	HOSE	35	95956249	1	STRAIGHT
	2206322	1	HOSE, (EXTENDED UNIT ONLY)				
32	95950341	1	BUSHING				NOTE: STANDARD FASTENERS SUCH AS NUTS, BOLTS AND SCREWS ARE LISTED AS SUB-ITEMS (EXAMPLE: 22A).
33	39225511	1	VALVE, SAFETY				X- ROTATE 180° WHEN USING 449 FRAME MOTORS
34	39485248	1	ELBOW, 90° SWIVEL (STANDARD UNIT ONLY)				

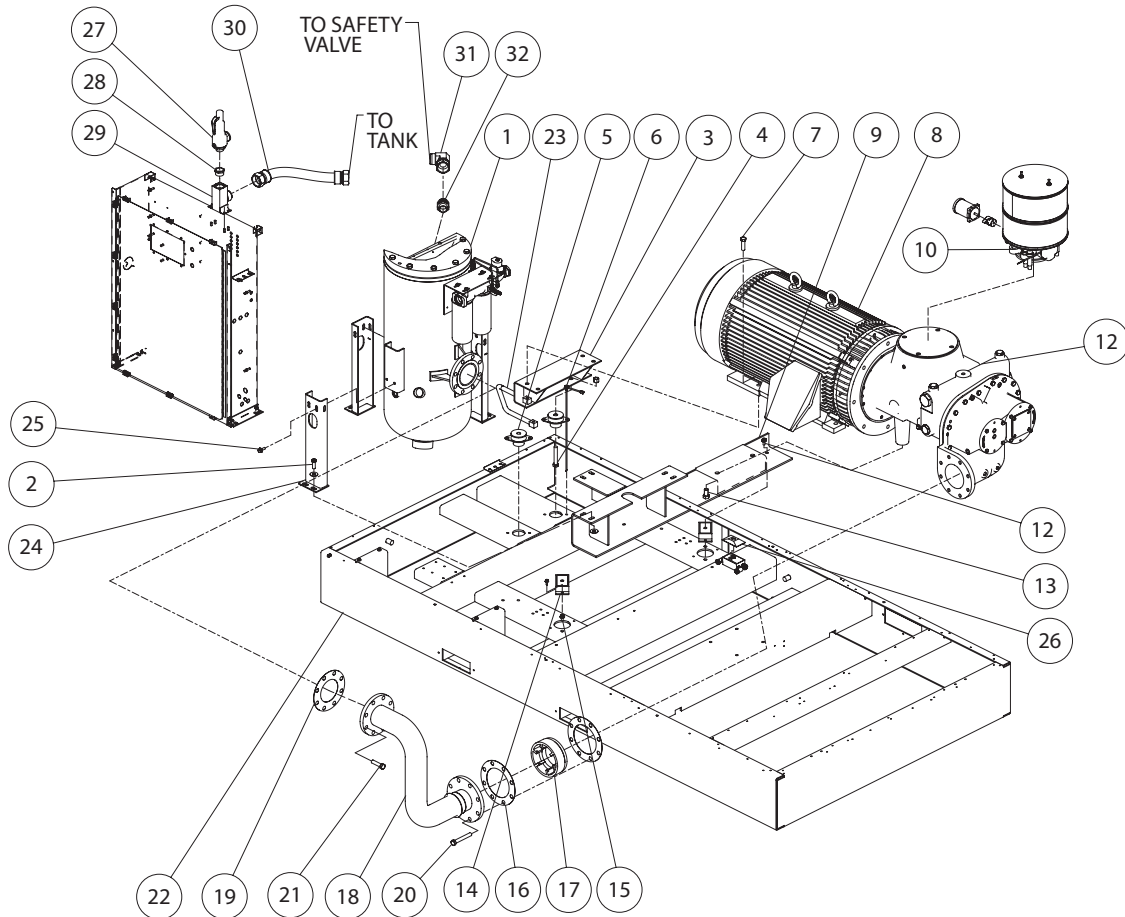


39819032
REV 08

Item	ccn	Qty.	Description	Item	ccn	Qty.	Description
1	XXXXXXXX	1	TANK ASSEMBLY	17	39481361	1	VALVE, DISCHARGE CHECK
2	95694287	6	BOLT, LEG TO BASE	18	39828991	1	TUBE, CHECK VALVE TO TANK
2A	95947651	12	WASHER	19	39487426	1	GASKET, FLANGE
2B	95923355	6	NUT	20	95936233	8	BOLT, DISCHARGE, PIPE TO A/E
X3	39802210	1	SUPPORT, MOTOR, WHITE	21	95935201	8	BOLT, DISCHARGE, PIPE TO TANK
	85544328	1	SUPPORT, MOTOR, BLACK	21A	95923363	8	NUT
4	95929139	2	BOLT, SUPPORT TO MOUNT	22	39847884	1	BASE
4A	95923363	2	NUT	23	39479860	1	GROUND STRAP
5	39476882	2	MOUNT, ISOLATION MOTOR	24	39802236	3	LEG, TANK, WHITE
6	39178686	4	BOLT, MOUNT TO BASE		85543429	3	LEG, TANK, BEIGE
7	95929105	2	BOLT, MOTOR TO SUPPORT	25	39128509	6	BOLT, LEG TO TANK
7A	95922928	2	NUT	26	XXXXXXXX	1	JUNCTION BOX, CONDUIT ASSEMBLY
8	XXXXXXXX	1	DRIVE ASSEMBLY	26A	35252279	2	SCREW, JUNCTION BOX
9	39806351	1	SUPPORT, A/E, WHITE	27	39225511	1	VALVE, SAFETY
	85549475	1	SUPPORT, A/E, BLACK	28	95950341	1	BUSHING
10	XXXXXXXX	1	INLET ASSEMBLY	29	39879044	1	MANIFOLD
11	XXXXXXXX	1	A/E ASSEMBLY	29A	39128566	4	NUT
12	39116330	2	BOLT, SUPPORT TO MOUNT	30	39571997	1	HOSE
13	39182001	2	BOLT, A/E TO SUPPORT		22063622	1	HOSE (EXTENDED UNIT ONLY)
13A	95751590	2	WASHER, LOCK - AIREND TO SUPPORT	31	39485248	1	ELBOW, 90° SWIVEL
14	39481452	2	MOUNT, ISOLATION A/E	32	95956249	1	STRAIGHT
15	39178678	4	BOLT, MOUNT TO BASE				
16	39452354	2	GASKET, A/E TO PIPE				

NOTE: 1. STANDARD FASTENERS SUCH AS NUTS, BOLTS AND SCREWS ARE LISTED AS SUB-ITEMS (EXAMPLE: 21A)

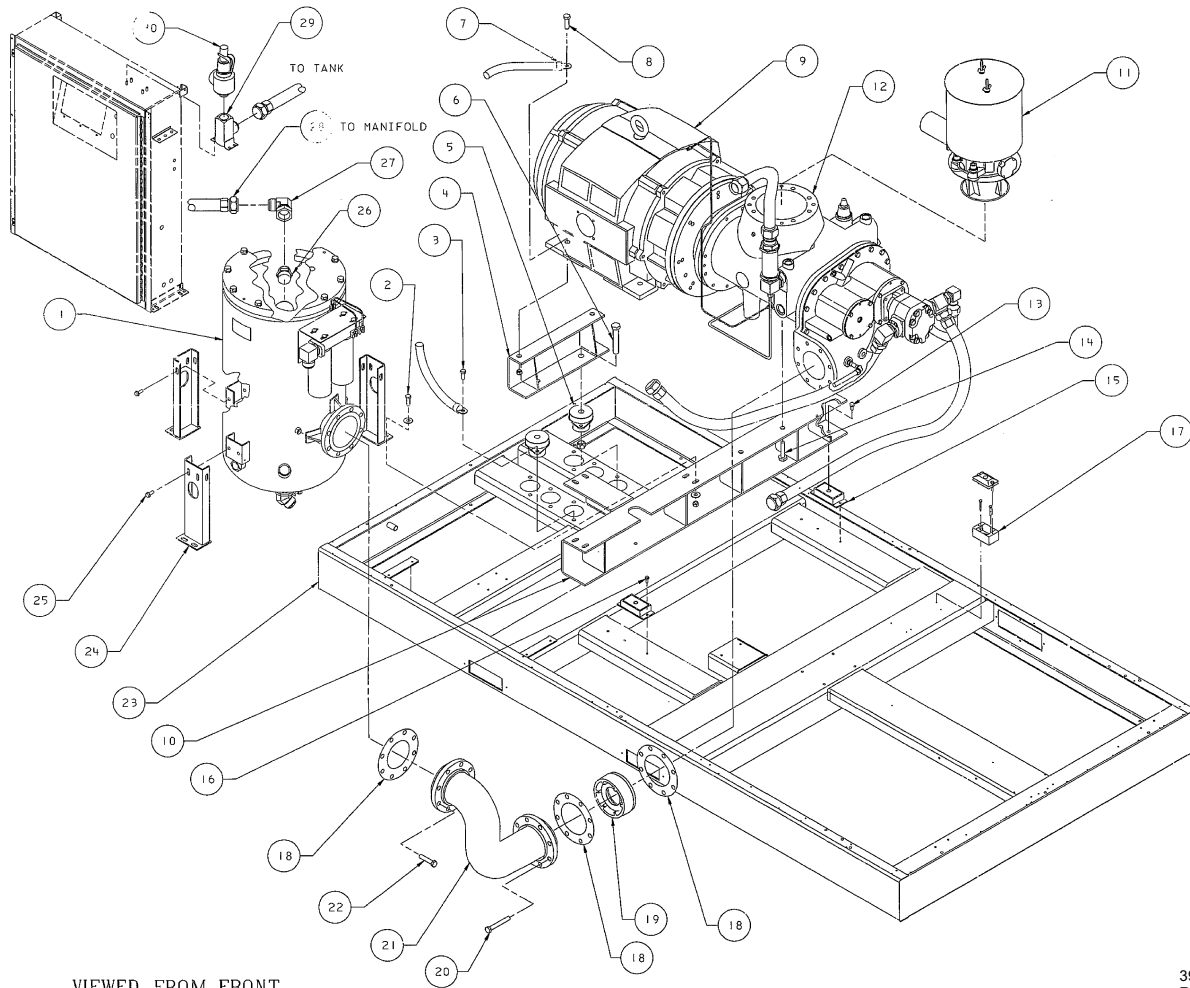
X - ROTATE SUPP 180° WHEN USING 449 FRAME MOTOR



39823398
REV 07

Item	ccn	Qty.	Description	Item	ccn	Qty.	Description
1	XXXXXXXX	1	TANK ASSEMBLY	19	39487426	1	GASKET, FLANGE
2	95694287	6	BOLT, LEG TO BASE	20	95936233	8	BOLT, DISCHARGE PIPE TO A/E
2A	95947651	12	WASHER	21	95935201	8	BOLT
2B	95923355	6	NUT	21A	95923363	8	NUT
X3	39802210	1	SUPPORT, MOTOR, WHITE	22	39847884	1	BASE
	85544328	1	SUPPORT, MOTOR, BLACK	23	39479860	1	GROUND STRAP
4	95929139	2	BOLT, SUPPORT TO MOUNT	24	39802236	3	LEG, TANK, WHITE
4A	95923363	2	NUT		85543429	3	LEG, TANK, BEIGE
5	39476882	2	MOUNT, ISOLATION MOTOR	25	39128509	6	BOLT, LEG TO TANK
6	39178686	4	BOLT, MOUNT TO BASE	26	XXXXXXXX	1	JUNCTION BOX, CONDUIT ASSEMBLY (NEMA 1)
7	95791513	2	BOLT, MOTOR TO SUPPORT		XXXXXXXX	1	JUNCTION BOX, CONDUIT ASSEMBLY (NEMA 4)
7A	95922928	2	NUT	26A	35252279	2	SCREW, JUNCTION BOX
8	XXXXXXXX	1	DRIVE ASSEMBLY	27	39225511	1	VALVE, SAFETY
9	39806351	1	SUPPORT, A/E, WHITE	28	95950341	1	BUSHING
	85549475	1	SUPPORT, A/E, BLACK	29	39879044	1	MANIFOLD
10	XXXXXXXX	1	INLET ASSEMBLY	29A	39128566	4	NUT
11	XXXXXXXX	1	A/E ASSEMBLY	30	39571997	1	HOSE
12	39116330	2	BOLT, SUPPORT TO MOUNT	31	39485248	1	ELBOW, 90° SWIVEL
13	39182001	2	BOLT, A/E TO SUPPORT	32	95956249	1	STRAIGHT
13A	95751590	2	WASHER, LOCK A/E TO SUPPORT				
14	39481452	2	MOUNT, ISOLATION A/E				
15	39178678	4	BOLT, MOUNT TO BASE				
16	39452354	2	GASKET, A/E TO PIPE				
17	39481361	1	VALVE, DISCHARGE CHECK				
18	39828991	1	TUBE, CHECK VALVE TO TANK				

NOTE: 1. STANDARD FASTENERS SUCH AS NUTS, BOLTS AND SCREWS ARE LISTED AS SUB-ITEMS (EXAMPLE: 21A)
X - ROTATE SUPPORT 180° WHEN USING 449 FRAME MOTOR

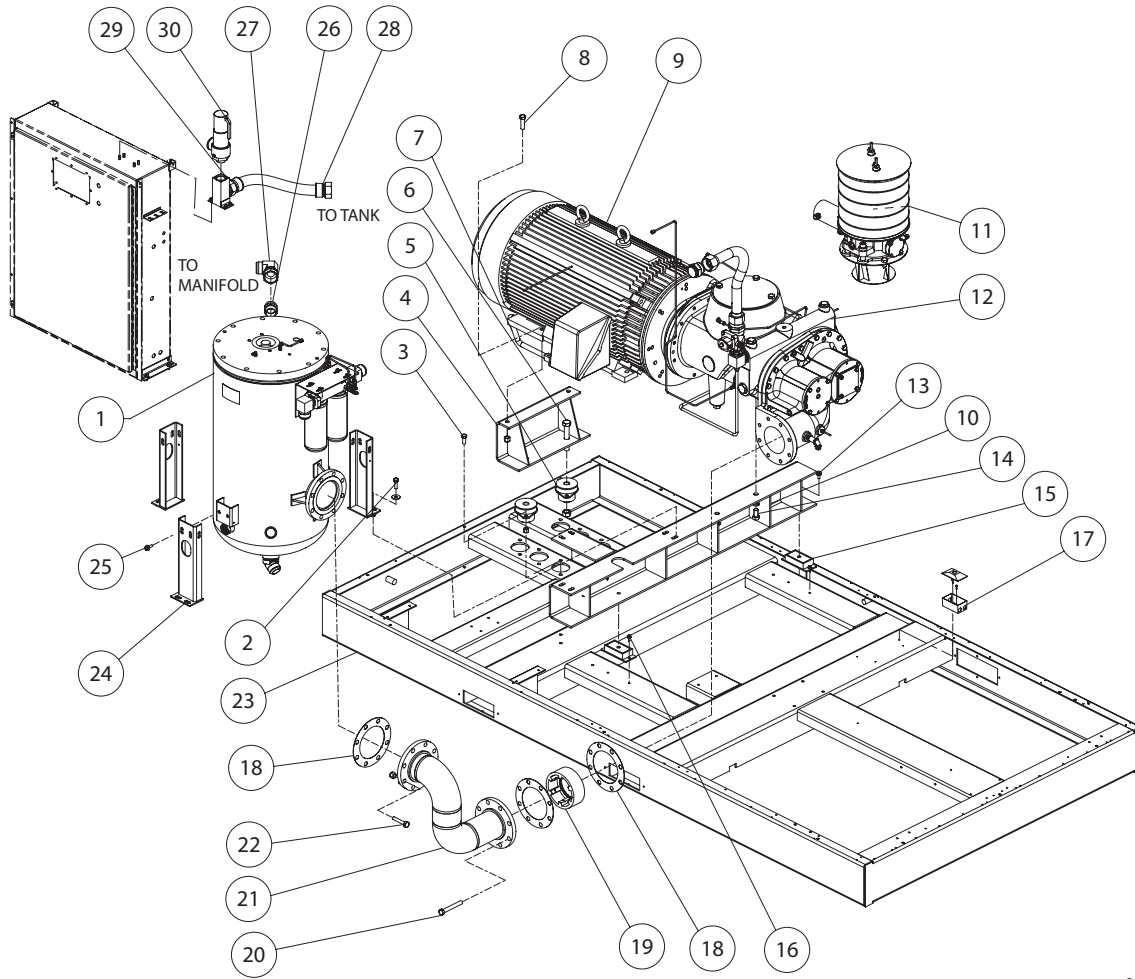


VIEWED FROM FRONT

39818976
REV 06

Item	ccn	Qty.	Description	Item	ccn	Qty.	Description
1	XXXXXXXX	1	TANK ASSEMBLY	14	39182001	2	BOLT, A/E TO SUPPORT
2	95694287	6	BOLT, LEG TO A/E SUPPORT	14A	95751590	2	WASHER, LOCK
2A	95947651	12	WASHER	15	39481452	2	MOUNT, ISOLATION A/E
2B	95923355	6	NUT	16	39178678	4	BOLT, MOUNT TO BASE
3	95860748	4	BOLT, MOUNT TO BASE	17	XXXXXXXX	1	JUNCTION BOX, CONDUIT ASSEMBLY
3A	95923355	4	NUT	17A	39206271	2	SCREW, JUNCTION BOX
4	39801394	1	SUPPORT, MOTOR 449 FRAME, WHITE	18	39452354	3	GASKET
	85547305	1	SUPPORT, MOTOR 449 FRAME, BLACK	19	39481361	1	VALVE, DISCHARGE CHECK
	39801519	1	SUPPORT, MOTOR 5000 FRAME, WHITE	20	95947644	8	BOLT, PIPE TO VALVE
	85547313	1	SUPPORT, MOTOR 5000 FRAME, BLACK	21	39801261	1	PIPE, DISCHARGE (VALVE TO TANK)
5	39477096	2	MOUNT, ISOLATION MOTOR	22	95934790	8	BOLT, DISCHARGE TO TANK
6	95861449	2	BOLT, SUPPORT TO MOUNT	22A	95923363	8	NUT
6A	95317707	2	NUT	23	39839980	1	BASE
7	39479860	1	GROUND STRAP	24	39801329	3	LEG, TANK, WHITE
8	95929105	2	BOLT, MOTOR TO SUPPORT		85549509	3	LEG, TANK, BEIGE
8A	95923363	2	NUT, MOTOR TO SUPPORT	25	39128509	6	BOLT, LEG TO TANK
9	XXXXXXXX	1	DRIVE ASSEMBLY	26	95937561	1	STRAIGHT
10	39801311	1	SUPPORT, AIREND, WHITE	27	39485248	1	ELBOW, 90° SWIVEL
	85547297	1	SUPPORT, AIREND, BLACK	28	39590211	1	HOSE
11	XXXXXXXX	1	INLET ASSEMBLY	29	39879044	1	MANIFOLD
12	XXXXXXXX	1	A/E ASSEMBLY	29A	39128566	4	NUT
13	39116330	2	BOLT, SUPPORT TO MOUNT	30	39225263	1	VALVE, SAFETY

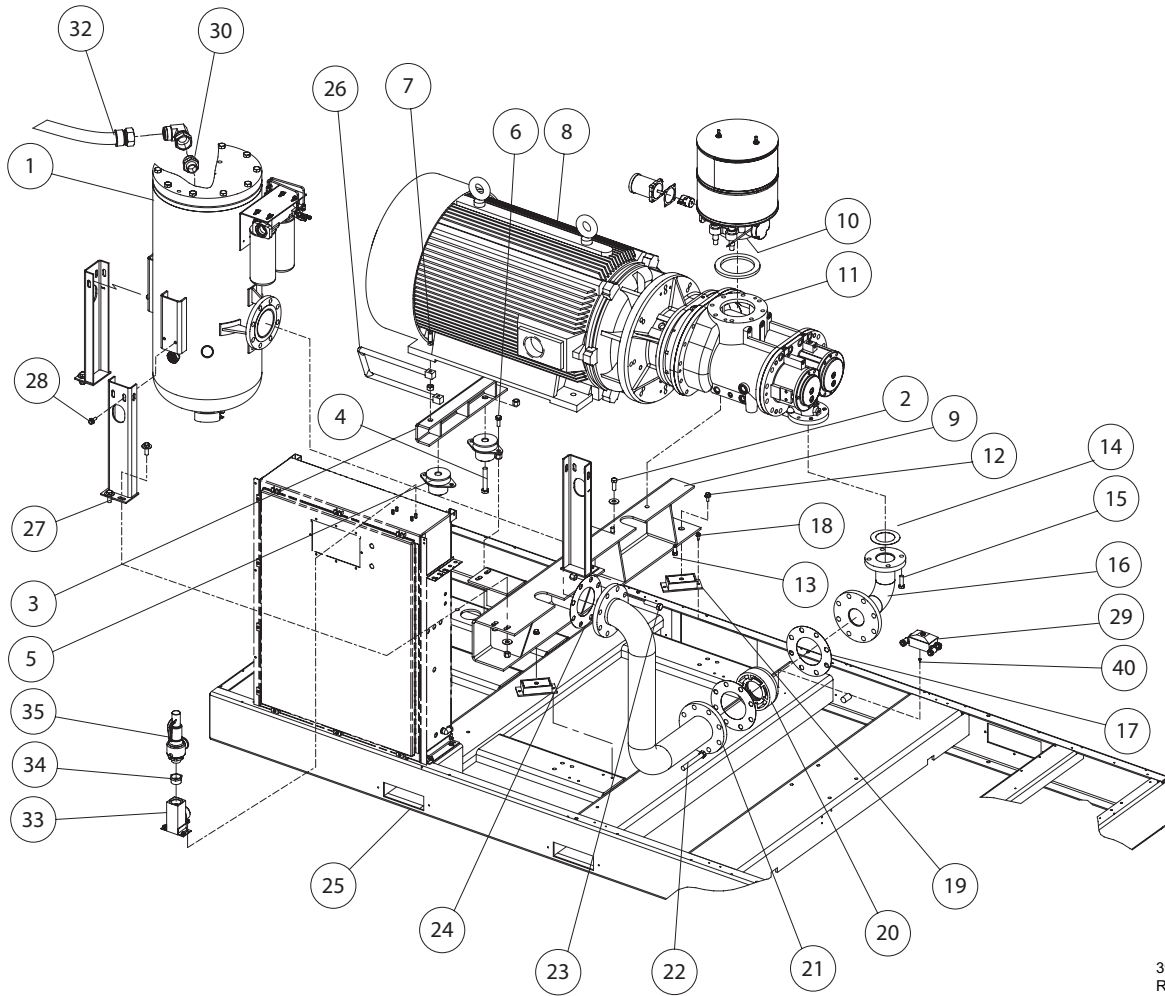
NOTE: STANDARD FASTENERS SUCH AS NUTS, BOLTS AND SCREWS ARE LISTED AS SUB-ITEMS (EXAMPLE: 22A).



39823406
REV 06

Item	ccn	Qty.	Description	Item	ccn	Qty.	Description
1	XXXXXXXX	1	TANK ASSEMBLY	14	39182001	2	BOLT, A/E TO SUPPORT
2	95694287	6	BOLT, LEG TO SUPPORT	14A	95751590	2	WASHER, LOCK - SUPPORT TO A/E
2A	95947651	12	WASHER	15	39481452	2	MOUNT, ISOLATION A/E
2B	95923355	6	NUT	16	39178678	4	BOLT, MOUNT TO BASE
3	95860748	4	BOLT, MOUNT TO BASE	17	XXXXXXXX	1	JUNCTION BOX, CONDUIT ASSEMBLY
3A	95923355	4	NUT	17A	39206271	2	SCREW, JUNCTION BOX
4	39801394	1	SUPPORT, MOTOR 449 FRAME, WHITE	18	39452354	3	GASKET
	85547305	1	SUPPORT, MOTOR 449 FRAME, BLACK	19	39481361	1	VALVE, DISCHARGE CHECK
	39801519	1	SUPPORT, MOTOR 5000 FRAME, WHITE	20	95947644	8	BOLT, DISCHARGE TO VALVE
	85547313	1	SUPPORT, MOTOR 5000 FRAME, BLACK	21	39801261	1	PIPE, DISCHARGE (VALVE TO TANK)
5	39477096	2	MOUNT, ISOLATION MOTOR	22	95934790	8	BOLT, DISCHARGE TO TANK
6	95861449	2	BOLT, SUPPORT TO MOUNT	22A	95923363	8	NUT
6A	95317707	2	NUT	23	39839980	1	BASE
7	39479860	1	GROUND STRAP	24	39801329	3	LEG, TANK, WHITE
8	95929105	2	BOLT, MOTOR TO SUPPORT		85549509	3	LEG, TANK, BEIGE
8A	95923363	2	NUT	25	39128509	6	BOLT, LEG TO TANK
9	XXXXXXXX	1	DRIVE ASSEMBLY	26	95937561	1	STRAIGHT
10	39801311	1	SUPPORT, A/E, WHITE	27	39485248	1	ELBOW, 90° SWIVEL
	85547297	1	SUPPORT, A/E, BLACK	28	39590211	1	HOSE
11	XXXXXXXX	1	INLET ASSEMBLY		22063648	1	HOSE (EXTENDED UNIT ONLY)
12	XXXXXXXX	1	A/E ASSEMBLY	29	39879044	1	MANIFOLD
13	39116330	2	BOLT, SUPPORT TO MOUNT	29A	39128566	4	NUT
				30	39225263	1	VALVE, SAFETY

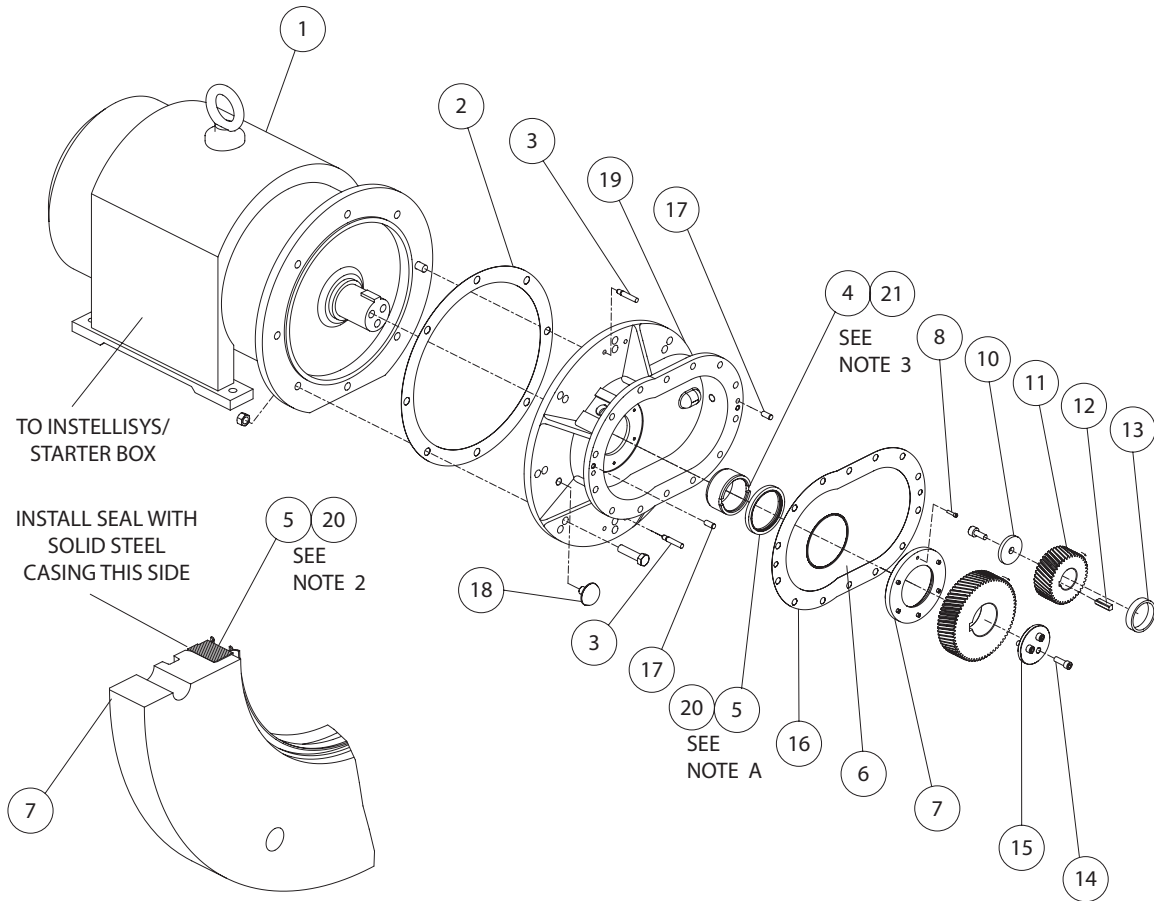
NOTE: 1. STANDARD FASTENERS SUCH AS NUTS, BOLTS AND SCREWS ARE LISTED AS SUB-ITEMS (EXAMPLE: 22A).



39816350
REV 07

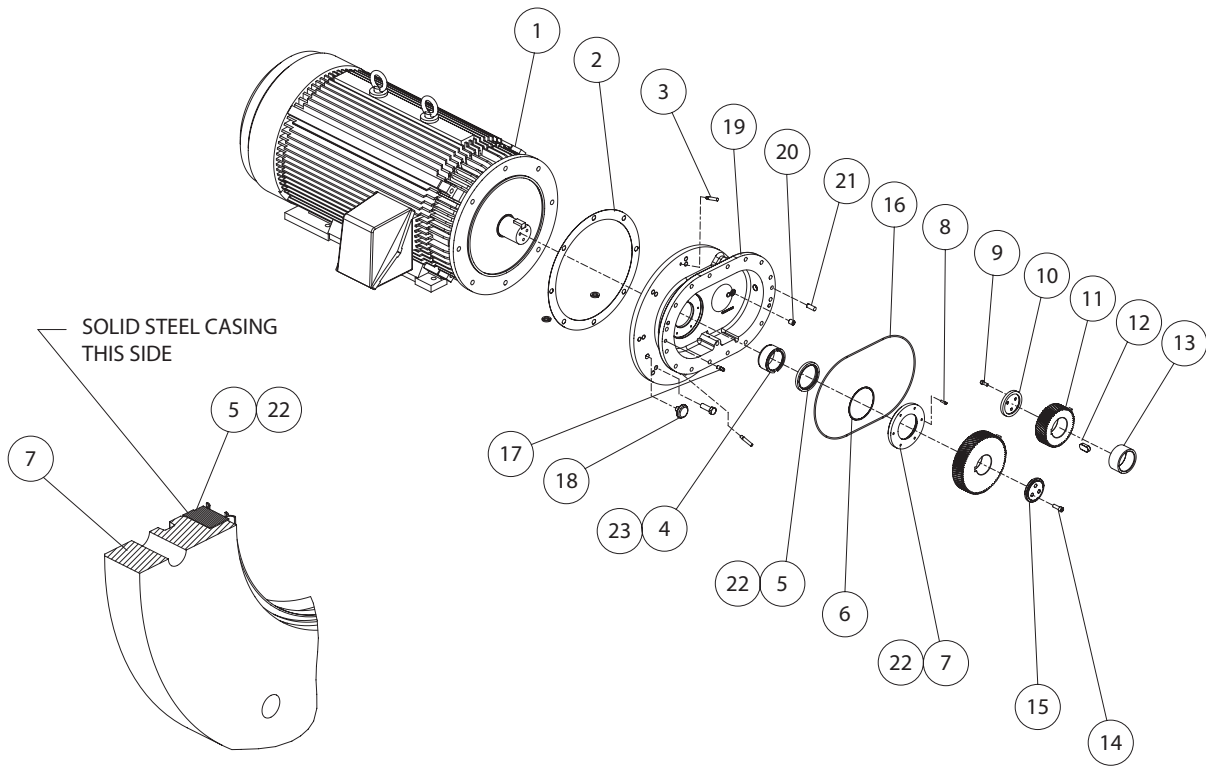
Item	ccn	Qty.	Description	Item	ccn	Qty.	Description
1	XXXXXXXX	1	TANK ASSEMBLY	20	39481155	1	VALVE, DISCHARGE CHECK
2	95694287	6	BOLT, LEG TO BASE	21	39801238	1	TUBE, CHECK VALVE TO TANK
2A	95947651	12	WASHER	22	95912044	8	BOLT, A/E PIPE TO TANK PIPE
2B	95923355	6	NUT	22A	95923363	8	NUT
3	39810452	1	SUPPORT, MOTOR, WHITE	23	95935201	8	BOLT
	85543817	1	SUPPORT, MOTOR, BLACK	23A	95923363	8	NUT
4	95929139	2	BOLT, SUPPORT TO MOUNT	24	39487426	1	GASKET, PIPE TO TANK
4A	95923363	2	NUT, LOCK	25	39842273	1	BASE
5	39477096	2	MOUNT, ISOLATION MOTOR	26	39479860	1	GROUND STRAP
6	95860748	4	BOLT, MOUNT TO BASE	27	39802236	3	LEG, TANK, WHITE
6A	95923355	4	NUT, MOUNT TO BASE		85543429	3	LEG, TANK, BEIGE
7	95929196	2	BOLT, MOTOR TO SUPPORT	28	39128509	6	BOLT, LEG TO TANK
7A	95922928	2	NUT	29	XXXXXXXX	1	CONDUIT/JUNCTION BOX ASSEMBLY (NEMA1)
8	XXXXXXXX	1	DRIVE ASSEMBLY		XXXXXXXX	1	CONDUIT/JUNCTION BOX ASSEMBLY (NEMA4)
9	39802228	1	SUPPORT, AIREND, WHITE	29A	39177357	2	SCREW, JUNCTION BOX
	85549483	1	SUPPORT, AIREND, BEIGE	30	95956249	1	STRAIGHT
10	XXXXXXXX	1	INLET ASSEMBLY	32	22063622	1	HOSE
11	XXXXXXXX	1	AIREND ASSEMBLY	33	39879044	1	MANIFOLD
12	39116330	2	BOLT, SUPPORT TO MOUNT	33A	39128566	4	NUT
13	35321520	2	BOLT, A/E TO SUPPORT	34	95950341	1	BUSHING
14	39454533	2	GASKET, A/E TO PIPE	35	39225511	1	VALVE, SAFETY
15	39179072	4	BOLT, A/E TO PIPE				
16	39823059	1	TUBE, A/E TO CHECK VALVE				
17	39487426	2	GASKET				
18	39178678	4	SCREW, TAPTITE				
19	39481452	2	MOUNT, ISOLATION A/E				

NOTE: 1. STANDARD FASTENERS SUCH AS NUTS, BOLTS AND SCREWS ARE LISTED AS SUB-ITEMS (EXAMPLE: 22A).



39807516
REV 04

Item	ccn	Qty.	Description	Item	ccn	Qty.	Description
1	X	1	MOTOR	15	39101597	1	RETAINER PLATE, MOTOR
1A	95935201	7	BOLT, GEARCASE TO MOTOR	16	39482138	1	GASKET, GEARCASE TO A/E FRONT BEARING HOUSING
1B	95934378	1	BOLT, GEARCASE TO MOTOR	17	95239919	2	PIN, GEARCASE TO FRONT BEARING HOUSING
1C	95922928	7	NUT	18	39112362	1	BREATHER, SEAL SCAVENGE
2	39454558	1	GASKET, MOTOR TO GEARCASE	19	39801840	1	GEARCASE
3	39194915	2	TAPER PIN, GEARCASE TO MOTOR	20	39117734	A/R	LOCTITE 242
4	39405287	1	SLEEVE, SHAFT	21	39136304	A/R	LOCTITE RC/609
5	89292445	1	SEAL, SHAFT				
6	95023388	1	O-RING	X			FURNISH MOTOR PART NO. (STAMPED ON MOTOR NAMEPLATE) WHEN ORDERING REPLACEMENT.
7	89292452	1	HOUSING, SEAL	XX			GEAR SET PART NUMBER LOCATED ON GEARCASE (ITEM 9)
8	95929154	6	SCREW	NOTE:			1. STANDARD FASTENERS SUCH AS NUTS, BOLTS AND SCREWS ARE LISTED AS SUB-ITEMS (EXAMPLE: 1A).
9	39191283	1	SCREW, MALE ROTOR				2. APPLY ITEM 20 PER I-R PROCEDURE 35-3
10	35255819	1	RETAINER PLATE, MALE ROTOR				3. APPLY ITEM 21 PER I-R PROCEDURE 35-3
11	XX	1	GEAR SET				
12	39167150	1	KEY, MALE ROTOR TO GEAR				
13	39485982	1	SPACER, GEAR MALE ROTOR				
14	95929162	3	SCREW, MOTOR				

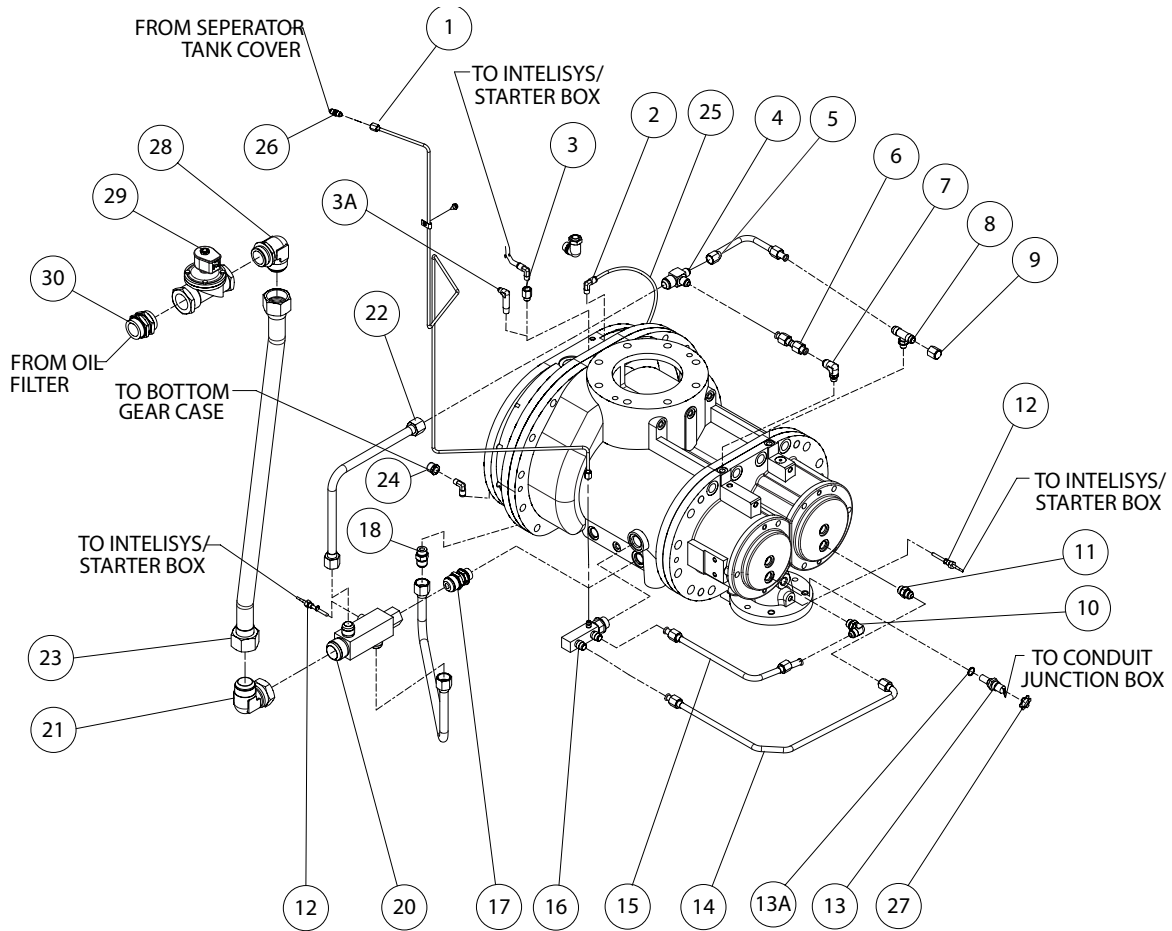


39822101
REV 08

Item	ccn	Qty.	Description	Item	ccn	Qty.	Description
1	X	1	MOTOR	17	35332915	1	PIN, GEARCASE TO FRONT BEARING HOUSING
1A	95934386	8	BOLT	18	39112362	1	BREATHER, SEAL SCAVENGE
1B	95934378	8	BOLT	19	39804349	1	GEARCASE
2	39454558	1	GASKET, MOTOR TO GEAR CASE	20	95104592	1	SCREW, CAP
	35782531	1	GASKET, MOTOR TO GEAR CASE	20A	39261839	1	WASHER, COPPER SEALING
3	39194915	2	TAPER PIN, GEAR CASE TO MOTOR	21	35295336	1	PIN, GEARCASE TO FRONT BEARING HOUSING
4	39405287	1	SLEEVE, SHAFT	22	39117734	A/R	LOCTITE 242
5	89292445	1	SEAL, SHAFT	23	39136304	A/R	LOCTITE R/C 609
6	95023388	1	O-RING				
7	89292452	1	HOUSING, SEAL				
8	95929154	6	SCREW				
9	39133178	1	SCREW, MALE ROTOR				
10	39495791	1	RETAINER PLATE, MALE ROTOR				
11	XX	1	GEAR SET				
12	39183595	1	KEY, MALE ROTOR TO GEAR				
13	39495783	1	SPACER, GEAR MALE ROTOR				
14	95929162	3	SCREW, MOTOR				
15	39101597	1	RETAINER PLATE, MOTOR				
16	39181490	1	O-RING				

NOTE: 1. STANDARD FASTENERS SUCH AS NUTS, BOLTS AND SCREWS ARE LISTED AS SUB-ITEMS (EXAMPLE: 1A)
 2. APPLY ITEM 20 PER I-R PROCEDURE 35-3
 3. APPLY ITEM 21 PER I-R PROCEDURE 35-3.

X FURNISH MOTOR PART NO. (STAMPED ON MOTOR NAMEPLATE) WHEN ORDERING REPLACEMENT.
 XX FOR GEAR SET PART NUMBER CONTACT YOUR LOCAL **INGERSOLL RAND** DISTRIBUTOR OR CUSTOMER CENTER

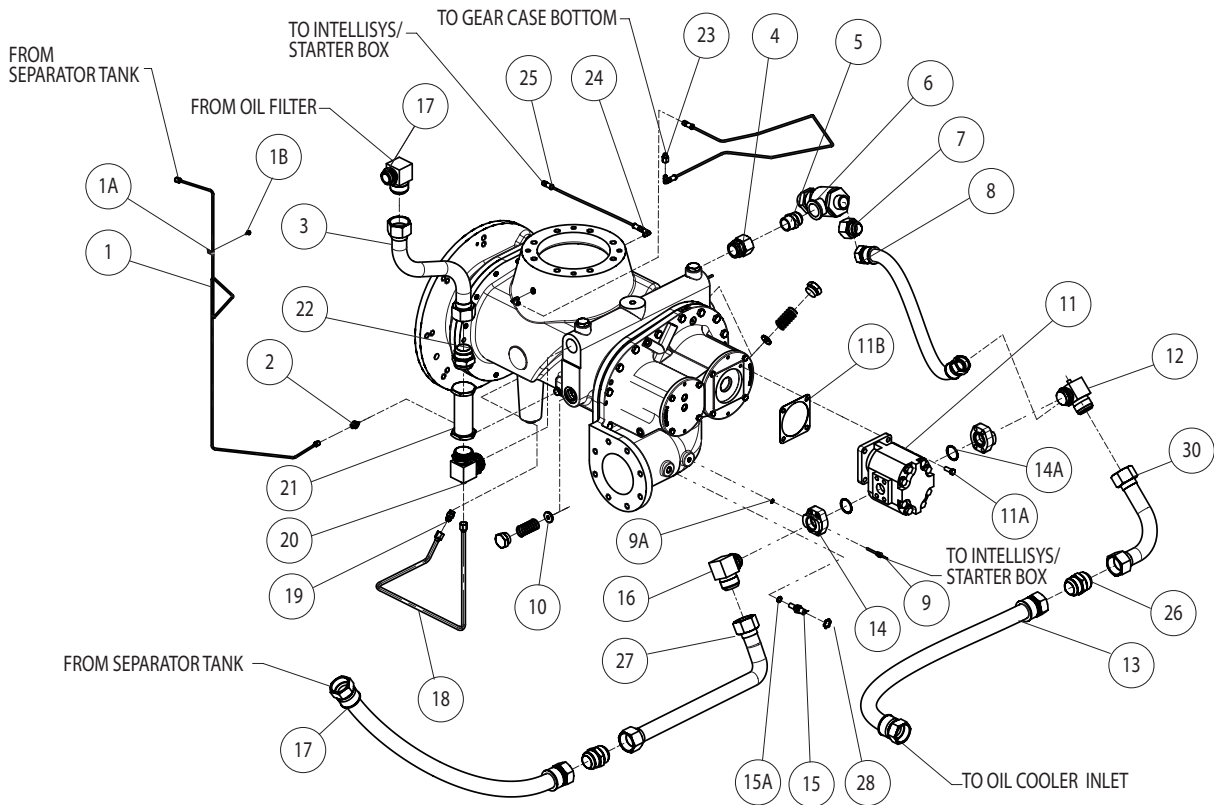


39805072
REV 08

Item	ccn	Qty.	Description	Item	ccn	Qty.	Description
1	39841432	1	TUBE, SCAVENGE	16	39475918	1	MANIFOLD, SCAVENGE
1A	39195078	2	CLAMP, .25 TUBE	17	39482104	1	ORIFICE, INJECTION
1B	39133145	2	SCREW, TAPTITE	18	39479894	1	CONNECTOR
2	39155478	3	ELBOW	19	39802830	1	TUBE, FRONT BEARING FEED
3	39106240	1	ADAPTER	20	39543996	1	MANIFOLD, OIL FEED
3A	95946984	1	ELBOW (USE ON LOW AMBIENT ONLY)	21	95938064	1	ELBOW
4	39474523	1	TEE	22	39542667	1	TUBE, BEARING FEED
5	39476338	1	TUBE, MALE BEARING FEED	23	39802848	1	TUBE, MAIN OIL FEED
6	39476320	1	TUBE, FEMALE BEARING FEED	24	39155767	1	BUSHING
7	39113022	1	ELBOW	25	39124813	X	TUBING, NYLON
8	39480306	1	TEE	26	39303292	1	ORIFICE, SCAVENGE
9	39180872	1	CAP	27	39114079	1	LOCKNUT
10	39128640	1	ELBOW	28	39128673	1	ELBOW
11	95938122	1	CONNECTOR	29	22173629	1	VALVE, OIL STOP (NEMA 1)
12	39585146	2	SENSOR, TEMPERATURE		22173629	1	VALVE, OIL STOP (NEMA 4)
12A	39404157	2	O-RING, TEMPERATURE SENSOR	30	39479944	1	ADAPTER
13	39419668	1	SWITCH, AIR TEMPERATURE				
13A	39404165	1	O-RING				
14	39549951	1	TUBE, MALE BEARING SCAVENGE				
15	39549969	1	TUBE, FEMALE BEARING SCAVENGE				

NOTE: 1. STANDARD O-RING USED ON FITTINGS ARE LISTED AS SUB-ITEMS (EXAMPLE: 13A).

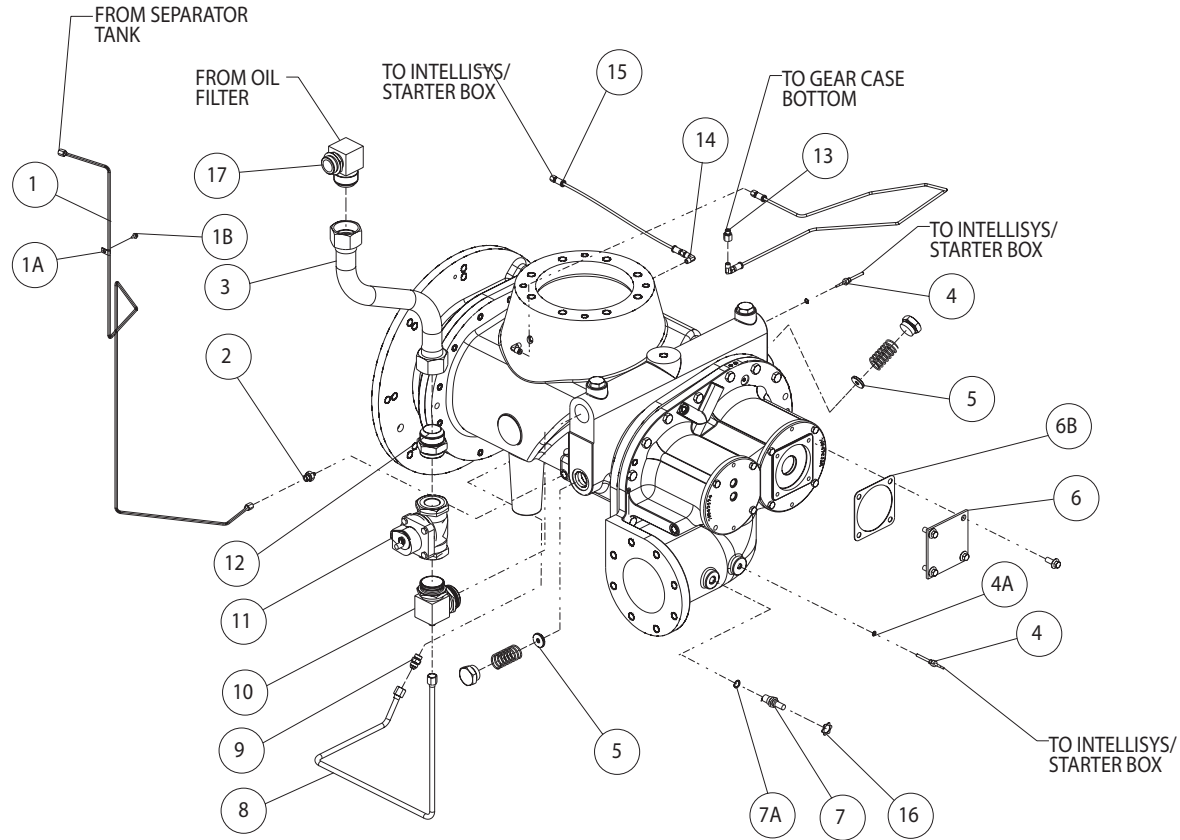
X - ORDER PER NUMBER OF INCHES REQUIRED.



39819024
REV 10

Item	ccn	Qty.	Description	Item	ccn	Qty.	Description
1	39846746	1	TUBE, SCAVENGE	16	39481460	1	ELBOW
1A	39190078	2	CLAMP, .25 TUBE	17	39573084	1	HOSE
1B	39133145	2	SCREW, TAPTITE	18	39811419	1	TUBE, FRONT BEARING FEED
2	39477054	1	STRAIGHT	19	95938122	1	STRAIGHT
3	39811385	1	TUBE, OIL FILTER TO CHECK VALVE	20	39486949	1	MANIFOLD, OIL INJECTION
4	39481577	1	UNION	21	39182696	1	VALVE, CHECK
5	95937553	1	STRAIGHT	22	39128632	1	STRAIGHT
6	39116512	1	VALVE, PUMP RELIEF	23	37081528	1	ORIFICE
7	95944435	1	STRAIGHT	24	39155478	3	ELBOW
8	39572383	1	HOSE	25	39124813	X	TUBING, NYLON
9	39585146	2	SENSOR, TEMPERATURE	26	95494019	2	STRAIGHT
9A	39404157	2	O-RING	27	39480330	1	TUBE
10	39496310	2	ORIFICE	28	39114079	1	LOCKNUT
11	39143854	1	PUMP, OIL	29	39481460	1	ELBOW
11A	96702311	4	BOLT	30	39836515	1	TUBE
11B	35516947	1	GASKET, OIL PUMP				
12	39309919	1	MANIFOLD, PUMP-VALVE				
13	22063630	1	HOSE				
14	39481536	2	FLANGE, OIL PUMP				
14A	95022265	2	O-RING				
14B	95891024	8	BOLT				
14C	39117734	XX	LOCTITE, 242				
15	39419668	1	SWITCH, AIR TEMPERATURE				
15A	39404165	1	O-RING				

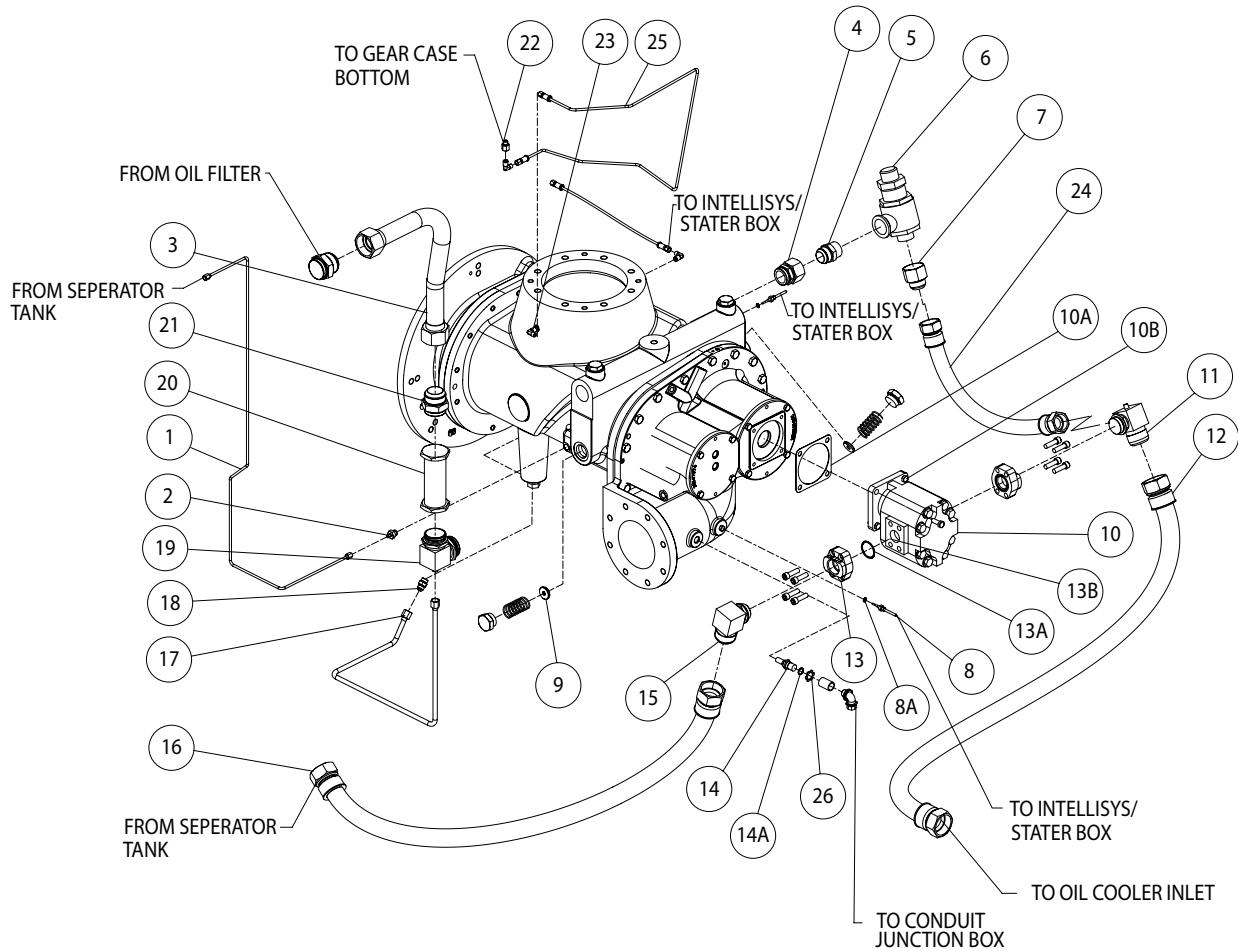
NOTE: 1. STANDARD FASTENERS SUCH AS NUTS, BOLTS AND SCREWS ARE LISTED AS SUB-ITEMS (EXAMPLE: 1A)
2. APPLY LOCTITE 242 PER PROCEDURE 35-3.10 AND TIGHTEN PER PROCEDURE 35-3.03
3. TIGHTEN PER PROCEDURE 35-3.05
X - ORDER PER NUMBER OF INCHES REQUIRED
XX - ORDER AS REQUIRED



39822846
REV 06

Item	ccn	Qty.	Description	Item	ccn	Qty.	Description
1	39846746	1	TUBE, SCAVENGE	9	95938122	1	CONNECTOR
1A	39195078	2	CLAMP	10	39486949	1	MANIFOLD, OIL INJECTION
1B	35133145	2	SCREW, TAPTITE	11	22226682	1	VALVE, OIL STOP (NEMA 1)
2	39477054	1	CONNECTOR, SEAL SCAVENGE		22226682	1	VALVE, OIL STOP (NEMA 4)
3	39823067	1	TUBE, OIL FEED	12	39128632	1	CONNECTOR
4	39585146	2	SENSOR, TEMPERATURE	13	37081528	1	ORIFICE
4A	39404157	2	O-RING	14	39155478	3	ELBOW
5	39496310	2	ORIFICE	15	39124813	X	TUBING, NYLON
6	35293018	1	PLATE, COVER	16	39114079	1	LOCKNUT
6A	35271147	4	BOLT	17	39481460	1	ELBOW
6B	35516947	1	GASKET				
7	39419668	1	SWITCH, AIR TEMPERATURE				
7A	39404165	1	O-RING				
8	39811419	1	TUBE, FRONT BEARING FEED				

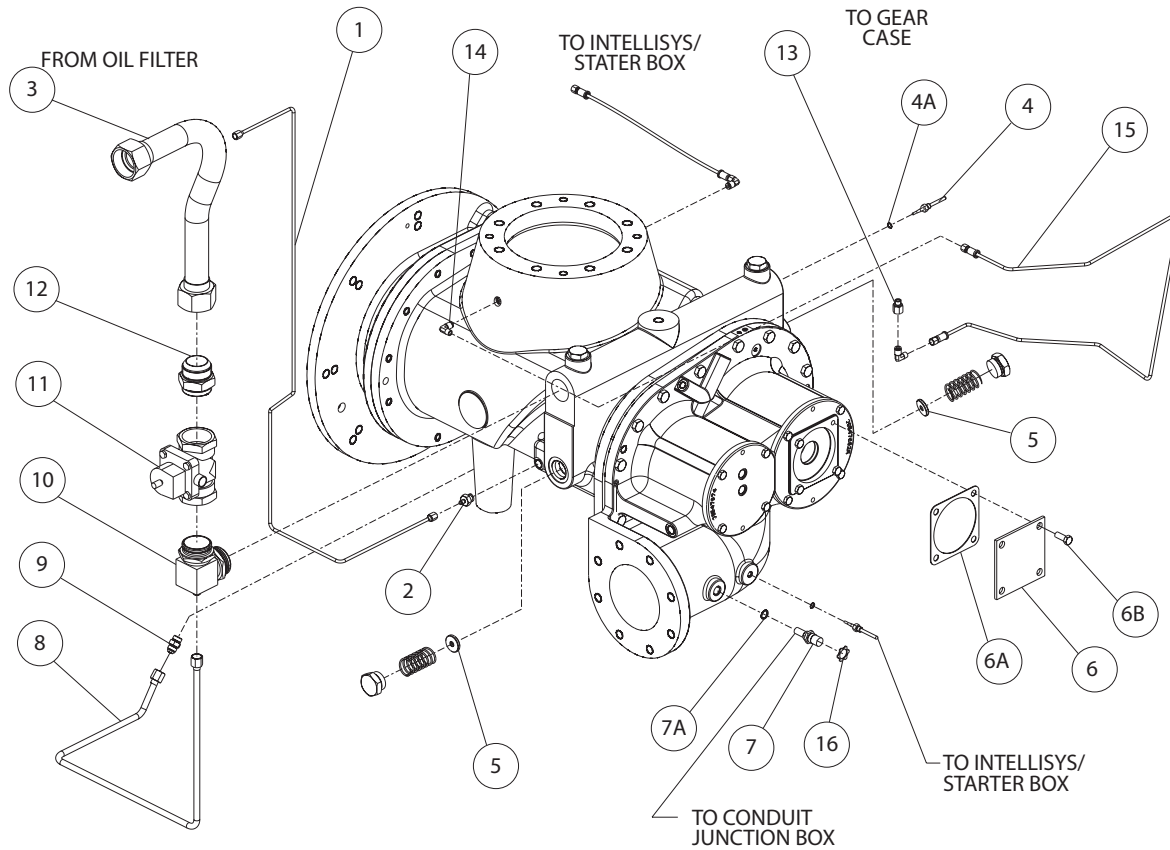
NOTE: 1. STANDARD FASTENERS SUCH AS NUTS, BOLTS AND SCREWS ARE LISTED AS SUB-ITEMS (EXAMPLE: 6A).
X - ORDER PER NUMBER OF INCHES REQUIRED.



39818984
REV 08

Item	ccn	Qty.	Description	Item	ccn	Qty.	Description
1	39841515	1	TUBE, SCAVENGE	14A	39404165	1	O-RING
2	39477054	1	STRAIGHT CONNECTOR	15	39481460	1	ELBOW, 90°
3	39484910	1	TUBE, MAIN OIL FEED	16	39573092	1	HOSE
4	39481577	1	UNION	17	39811419	1	TUBE, FRONT BEARING FEED
5	95937553	1	STRAIGHT CONNECTOR	18	95938122	1	STRAIGHT CONNECTOR
6	39116512	1	VALVE, PUMP RELIEF	19	39486949	1	MANIFOLD, OIL INJECTION
7	95944435	1	STRAIGHT CONNECTOR	20	39182696	1	VALVE, CHECK
8	39585146	2	SENSOR, TEMPERATURE	21	39128632	1	STRAIGHT CONNECTOR
8A	39404157	2	O-RING	22	37081528	1	ORIFICE
9	39496310	2	ORIFICE	23	39155478	3	ELBOW
	39484456	2	ORIFICE	24	39572383	1	HOSE
	39482906	2	ORIFICE, WATERCOOLED	25	39124813	X	TUBING, NYLON
10	39143854	1	PUMP, OIL	26	39114079	1	LOCKNUT
10A	35516947	1	GASKET, PUMP				
10B	96702311	4	BOLT				
11	39309919	1	MANIFOLD, PUMP-VALVE				
12	39572490	1	HOSE				
13	39481536	2	FLANGE, OIL PUMP				
13A	95022265	2	O-RING				
13B	95937363	8	BOLT				
13C	39117734	XX	LOCTITE, 242				
14	39419668	1	SWITCH, AIR TEMPERATURE				

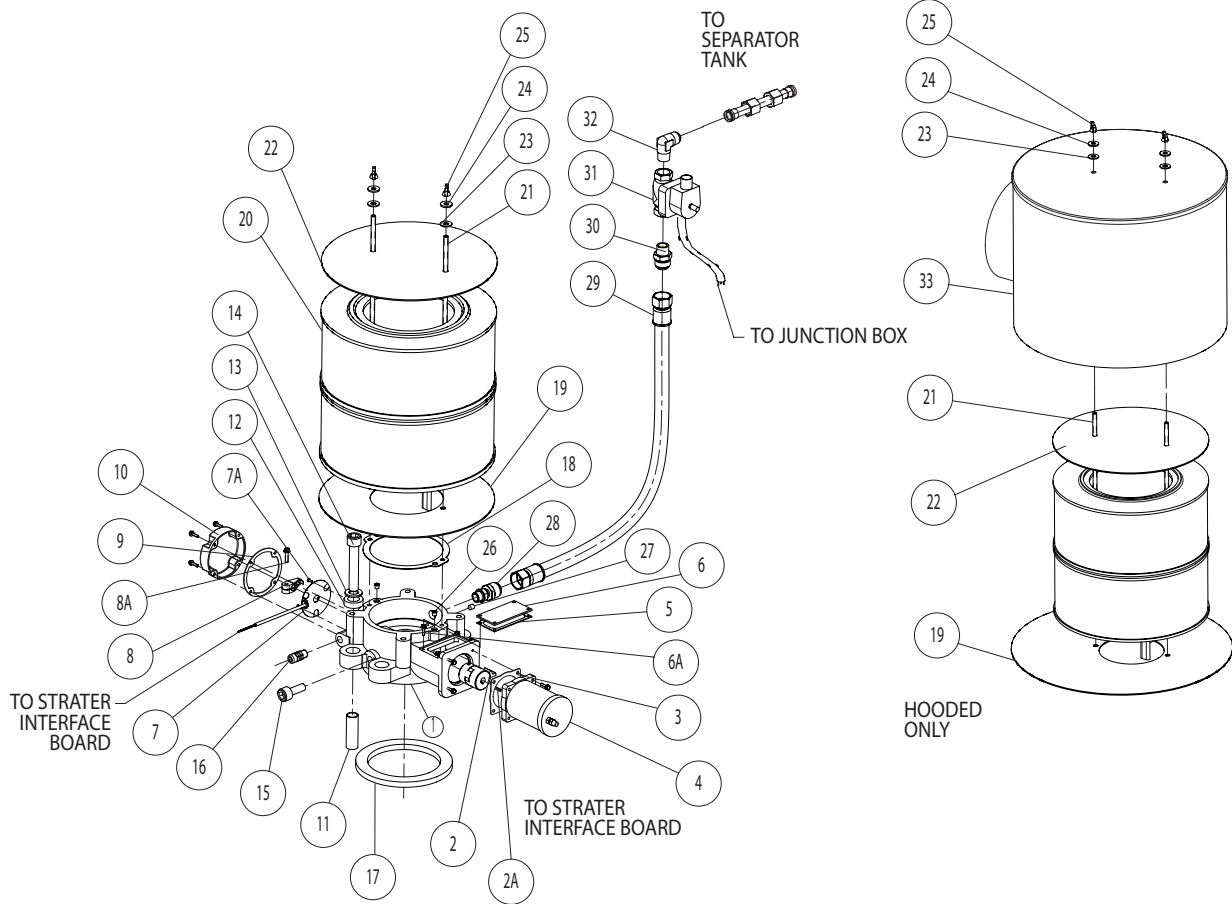
NOTE: 1. STANDARD FASTENERS SUCH AS NUTS, BOLTS AND SCREWS ARE LISTED AS SUB-ITEMS (EXAMPLE: 13A)
 2. APPLY LOCTITE 242 PER PROCEDURE 35-3.10 AND TIGHTEN PER PROCEDURE 35-3-03.
 3. TIGHTEN PER PROCEDURE 35-3.05.
 X - ORDER PER NUMBER OF INCHES REQUIRED.
 XX - ORDER AS REQUIRED



39823414
REV 05

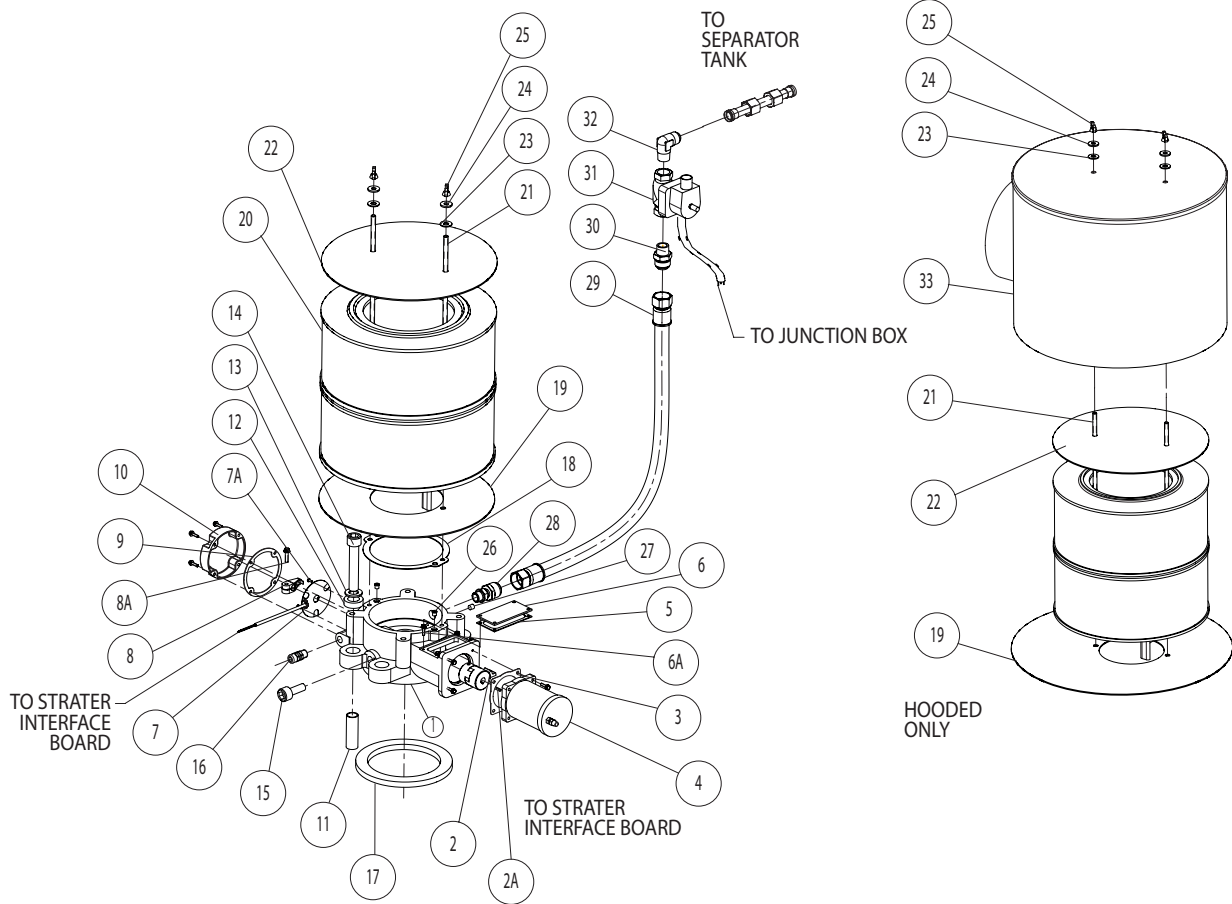
Item	ccn	Qty.	Description	Item	ccn	Qty.	Description
1	39841515	1	TUBE, SCAVENGE	8	39811419	1	TUBE, FRONT BEARING FEED
2	39477054	1	CONNECTOR, .75 JIC-.25 TUBE	9	95938122	1	CONNECTOR, .75 JIC-.50 TUBE
3	39494240	1	TUBE, MAIN OILFEED	10	39486949	1	MANIFOLD, OIL INJECTION
4	39585146	2	SENSOR, TEMPERATURE	11	22226682	1	VALVE, 2.50-12 SAE OIL STOP NEMA 1
4A	39404157	2	O-RING	22226682	1	VALVE, 2.50-12 SAE OIL STOP NEMA 4	
5	39496310	2	ORIFICE 10MM (350 HP)	12	39128632	1	CONNECTOR, 2.50 JIC-2.00 TUBE
	39484456	2	ORIFICE 16MM (400 HP & 450 HP A/C)	13	37081528	1	ORIFICE, .063
	39482906	2	ORIFICE 12.7MM (400 HP & 450 HP W/ C)	14	39155478	3	ELBOW, .25 NPT-.25 NYLON TUBE
6	35293018	1	PLATE, COVER	15	39124813	X	TUBING, NYLON
6A	35516947	1	GASKET	16	39114079	1	LOCKNUT, 50 CONDUIT
6B	96702311	4	BOLT, M12 X 30MM				
7	39419668	1	SWITCH, AIR TEMPERATURE				
7A	39404165	1	O-RING				

NOTE: 1. STANDARD FASTENERS SUCH AS NUTS, BOLTS AND SCREWS ARE LISTED AS SUB-ITEMS (EXAMPLE: 13A).
X - ORDER PER NUMBER OF INCHES REQUIRED.



39843305
REV 07

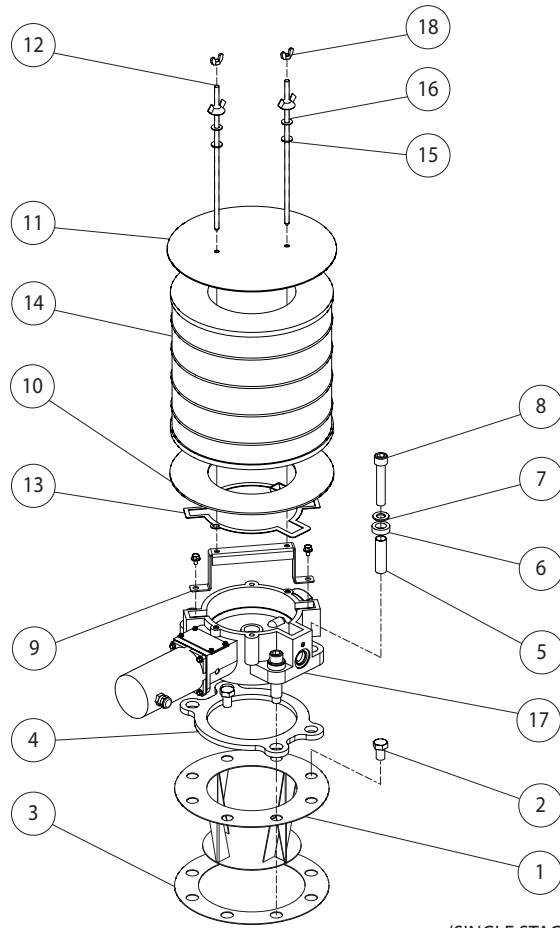
Item	ccn	Qty.	Description	Item	ccn	Qty.	Description
1	42379040	1	VALVE, INLET 6", WHITE	12	39483169	4	GASKET, BOLT ISOLATION
	42530931	1	VALVE, INLET 6", BEIGE	13	95081618	4	WASHER, FLAT
2	39495189	1	COUPLING, INLET VALVE	14	96715594	4	SCREW, M20 X 100 SOCKET HEAD
2A	95229555	2	KEY, .13 X .13 X .75	15	95946158	1	SCREW, .75-10 X 1.75 SOCKET HEAD
3	39494844	1	GASKET, STEPPER MOTOR	16	39495395	1	GLAND, WIRE
4	85542652	1	MOTOR, STEPPER	17	39483144	1	GASKET, INLET VALVE ISOLATION
4A	39198809	4	SCREW, #10-24 X .75 WHIZ-LOCK	18	39494885	1	GASKET, AIR FILTER
5	39494869	1	GASKET, COUPLING COVER	19	39569439	1	PLATE, AIR FILTER BOTTOM, WHITE
6	39494877	1	COVER, COUPLING, WHITE		85542157	1	PLATE, AIR FILTER BOTTOM, BEIGE
	85542090	1	COVER, COUPLING, BEIGE		39569447	1	PLATE, AIRFILTER BOTTOM (HOODED OPTION ONLY), WHITE
6A	39198809	4	SCREW, #10-24 X .75 WHIZ-LOCK		85542165	1	PLATE, AIRFILTER BOTTOM (HOODED OPTION ONLY) BEIGE
7	39564364	1	BOARD, PRINTED CIRCUIT	20	39903281	2	ELEMENT, AIR FILTER
7A	95073946	3	SCREW, #8-32 X .375 ROUND HEAD SLOTTED	21	39494901	2	ROD, TWO ELEMENT
8	39494851	1	ARM, INDICATOR		39494919	2	ROD, HOOD (HOODED OPTION ONLY)
8A	39128434	1	SCREW, .25-20 X 1.00 WHIZ-LOCK	22	39558713	1	PLATE, AIR FILTER TOP, WHITE
8B	39128541	1	NUT, .25-20 WHIZ-LOCK		85542140	1	PLATE, AIR FILTER TOP, BEIGE
9	39494836	1	GASKET, CAP PCB	23	39195151	2	WASHER, RUBBER
10	39823943	1	CAP, PRINTED CIRCUIT BOARD WHITE		39195151	4	WASHER, RUBBER (HOODED OPTION ONLY)
	85542645	1	CAP, PRINTED CIRCUIT BOARD BEIGE	24	95933313	2	WASHER, FLAT
10A	39198809	4	SCREW, #10-24 X .75 WHIZ-LOCK		95933313	4	WASHER, FLAT (HOODED VERSION ONLY)
11	39483151	4	SPACER, INLET VALVE BOL T	25	95938775	2	NUT, WING



39843305
REV 07

Item	ccn	Qty.	Description	Item	ccn	Qty.	Description
	95938775	4	NUT, WING (HOODED VERSION ONLY)	31	22516025	1	VALVE, BLOWDOWN .75 NEMA 1
26	39160999	2	FITTING, HYDRAULIC .13 NPT	31A	22516025	1	VALVE, BLOWDOWN .75 NEMA 4
27	95049359	1	PLUG, .13 NPT SOCKET	32	95937637	1	ELBOW, 90° .75 JIC-.75 NPT
28	39499710	1	ORIFICE, BLOWDOWN (.62)	33	39842695	1	HOOD, AIRFILTER (HOODED OPTION ONLY) WHITE
29	39572433	1	HOSE, 1.0 X 38" LONG		85542686	1	HOOD, AIRFILTER (HOODED OPTION ONLY) BEIGE
30	95937538	1	CONNECTOR, .75 NPTM X 1.0 T				

STANDARD INLET

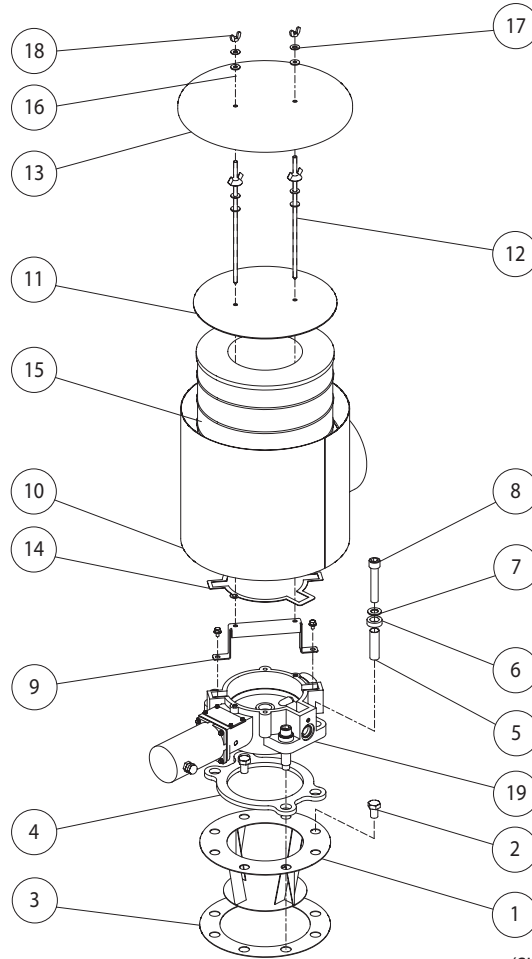


(SINGLE STAGE SHOWN)

39863469
REV 04

Item	ccn	Qty.	Description	Item	ccn	Qty.	Description
1	39320312	1	PLATE, INLET SPLASH (SINGLE STAGE, 304MM AIR END)	11	39575345	1	PLATE, TOP AIR FILTER, WHITE
	39320783	1	PLATE, INLET (TWO STAGE 297/ 250MM AIR END)		85545416	1	PLATE, TOP AIR FILTER, BEIGE
2	96726880	4	BOLT, HEX HEAD	12	39854237	2	SCREW, RETAINER
3	39320791	1	GASKET, INLET VALVE		39311295	2	SCREW, RETAINER (HEAVY DUTY OPTION)
4	39486956	1	GASKET, INLET VALVE	13	39305891	1	GASKET, AIR FILTER
5	39495965	4	SPACER, ISOLATION	13A	39169594	1	SEALANT, GASKET ADHESIVE
6	39483169	4	GASKET, ISOLATION	14	39903265	1	ELEMENT, AIR FILTER
7	95081618	4	WASHER		39873120	1	ELEMENT, AIR FILTER (HEAVY DUTY OPTION)
8	96715594	4	BOLT, SOCKET HEAD	15	39195151	2	SEALING WASHER, RUBBER
9	39854153	1	BRACKET, AIR FILTER, WHITE	16	95933313	2	WASHER, STEEL
	85544146	1	BRACKET, AIR FILTER, BEIGE	17	42412155	1	ASSEMBLY INLET VALVE, WHITE
9A	39128467	2	SCREW, WHIZ		42533836	1	ASSEMBLY INLET VALVE, BEIGE
10	39584990	1	PLATE, TOP AIR FILTER, WHITE	18	95938775	2	NUT, WING (HEAVY DUTY OPTION)
	85545424	1	PLATE, TOP AIR FILTER, BEIGE				

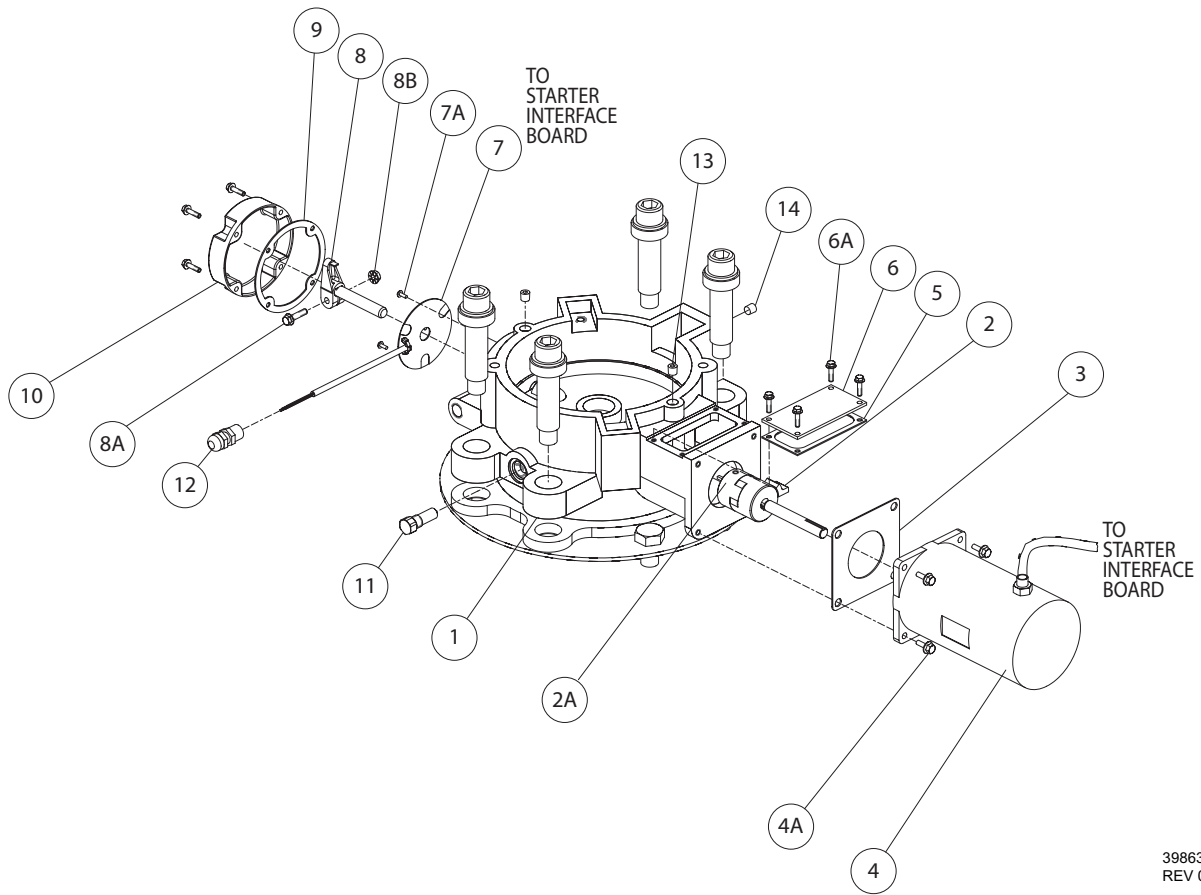
HOODED REMOTE INLET (OPTIONAL)



(SINGLE STAGE SHOWN)

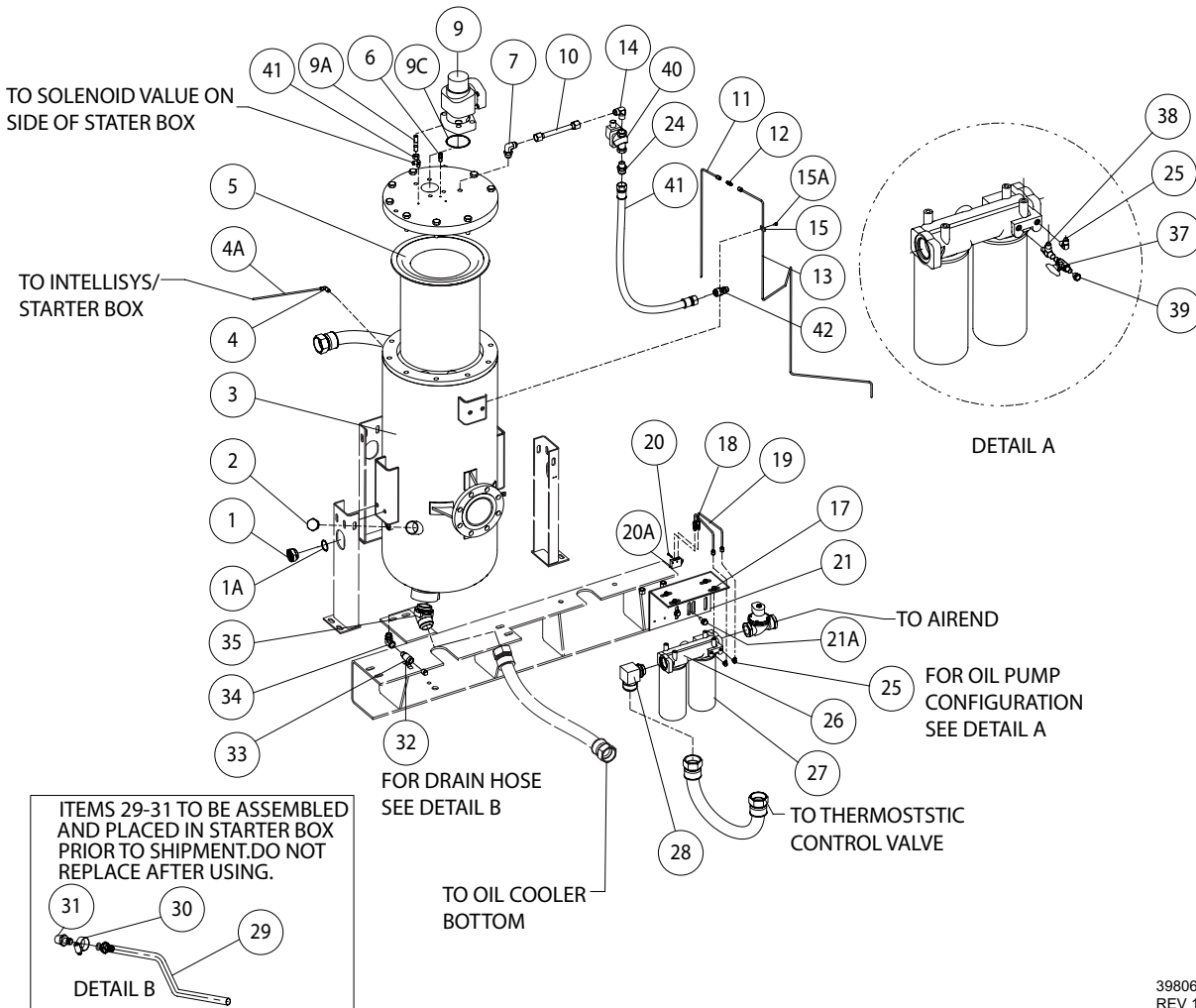
39863469
REV 04

Item	ccn	Qty.	Description	Item	ccn	Qty.	Description
1	39320312	1	PLATE, INLET SPLASH (SINGLE STAGE, 304MM AIR END)	85544161	1	HOOD, AIR FILTER, BEIGE	
	39320783	1	PLATE, INLET (TWO STAGE 297/250MM AIR END)	39575345	1	PLATE TOP AIR FILTER, WHITE	
2	96726880	4	BOLT, HEX HEAD	11	85545416	1	PLATE, TOP AIR FILTER, BEIGE
3	39320791	1	GASKET, INLET VALVE	12	39854237	2	SCREW, RETAINER
4	39486956	1	GASKET, INLET VALVE		39854310	1	PLATE, HOOD COVER, WHITE
5	39495965	4	SPACER, ISOLATION	13	85545465	1	PLATE, HOOD COVER, BEIGE
6	39483169	4	GASKET, ISOLATION	14	39305891	1	GASKET, AIR FILTER
7	95081618	4	WASHER	14A	39169594	1	SEALANT, GASKET ADHESIVE
8	96715594	1	BOLT, SOCKET HEAD	15	39903265	1	ELEMENT, AIR FILTER
9	39854153	1	BRACKET, AIR FILTER, WHITE	16	39195151	4	SEALING WASHER, RUBBER
	85544146	1	BRACKET, AIR FILTER, BEIGE	17	95933313	4	WASHER, STEEL
9A	39128467	2	SCREW, WHIZ	18	95938775	2	NUT, WING
10	39863451	1	HOOD, AIR FILTER, WHITE		42412155	1	ASSEMBLY, INLET VALVE, WHITE
				19	42533836	1	ASSEMBLY, INLET VALVE, BEIGE



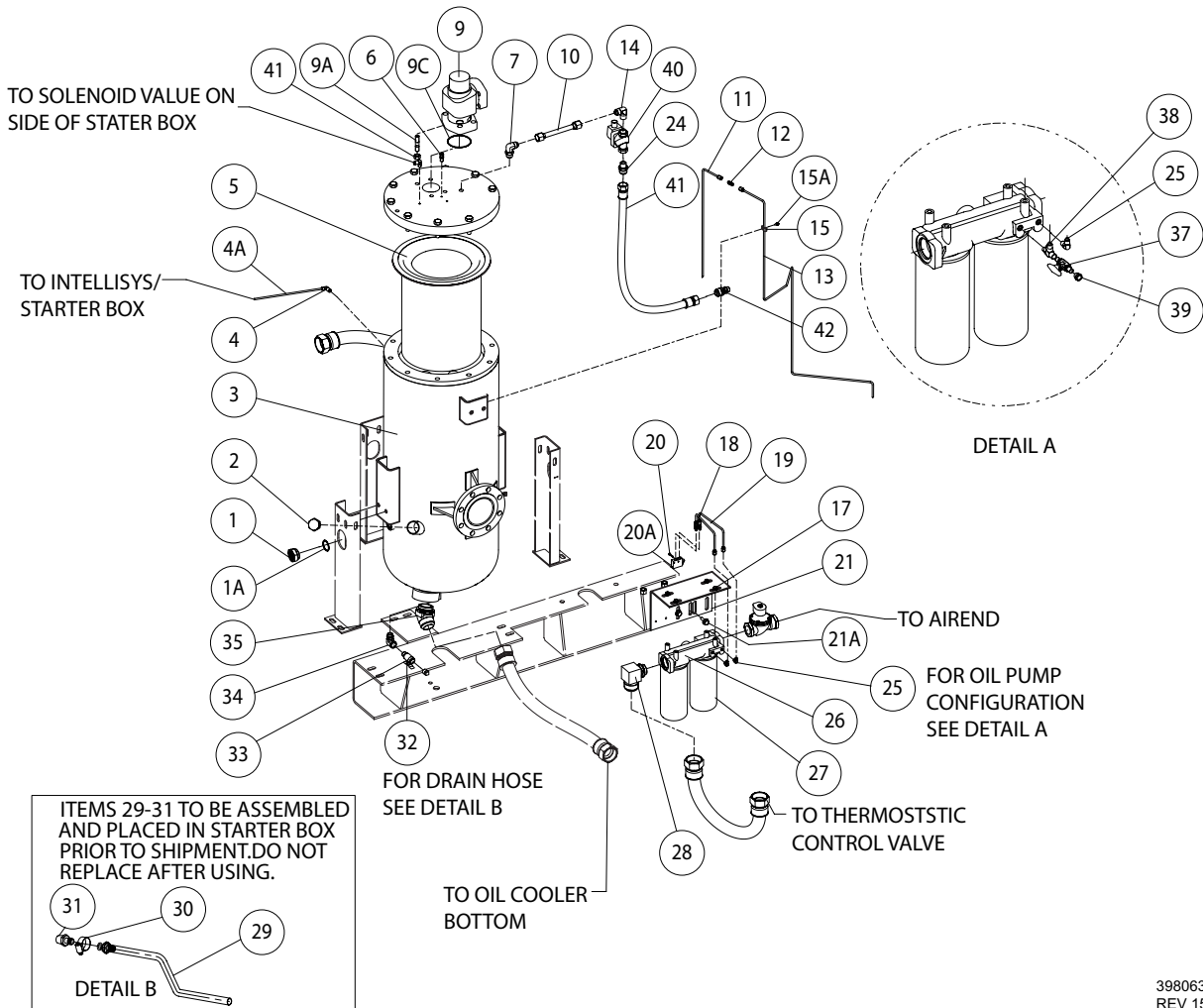
39863444
REV 04

Item	ccn	Qty.	Description	Item	ccn	Qty.	Description
1	42412148	1	VALVE, INLET, WHITE	8	39494851	1	ARM, INDICATOR
	42533828	1	VALVE, INLET, BEIGE	8A	39128434	1	SCREW
2	39495189	1	COUPLING, INLET VALVE	8B	39128541	1	NUT
2A	95229555	2	KEY	9	39494836	1	GASKET, COVER-PRINTED CIRCUIT BOARD
3	39306006	1	GASKET, STEPPER MOTOR	10	39823943	1	COVER, PRINTED CIRCUIT BOARD, WHITE
4	39566013	1	MOTOR, STEPPER, WHITE		85542645	1	COVER, PRINTED CIRCUIT BOARD, BEIGE
	85547271	1	MOTOR, STEPPER, BEIGE	10A	39198809	4	SCREW
4A	39128426	4	SCREW, WHIZ	11	39300777	1	STOP, INLET VALVE
5	39494869	1	GASKET, COUPLING COVER	11A	39404132	1	O-RING, VITON
6	39494877	1	COVER, COUPLING, WHITE	12	39495395	1	GLAND, WIRE
	85542090	1	COVER, COUPLING, BEIGE	13	95837233	2	PLUG, SOCKET
6A	39198809	4	SCREW	14	95928214	1	PLUG, SOCKET
7	39564364	1	BOARD, PRINTED CIRCUIT				
7A	95073946	3	SCREW				



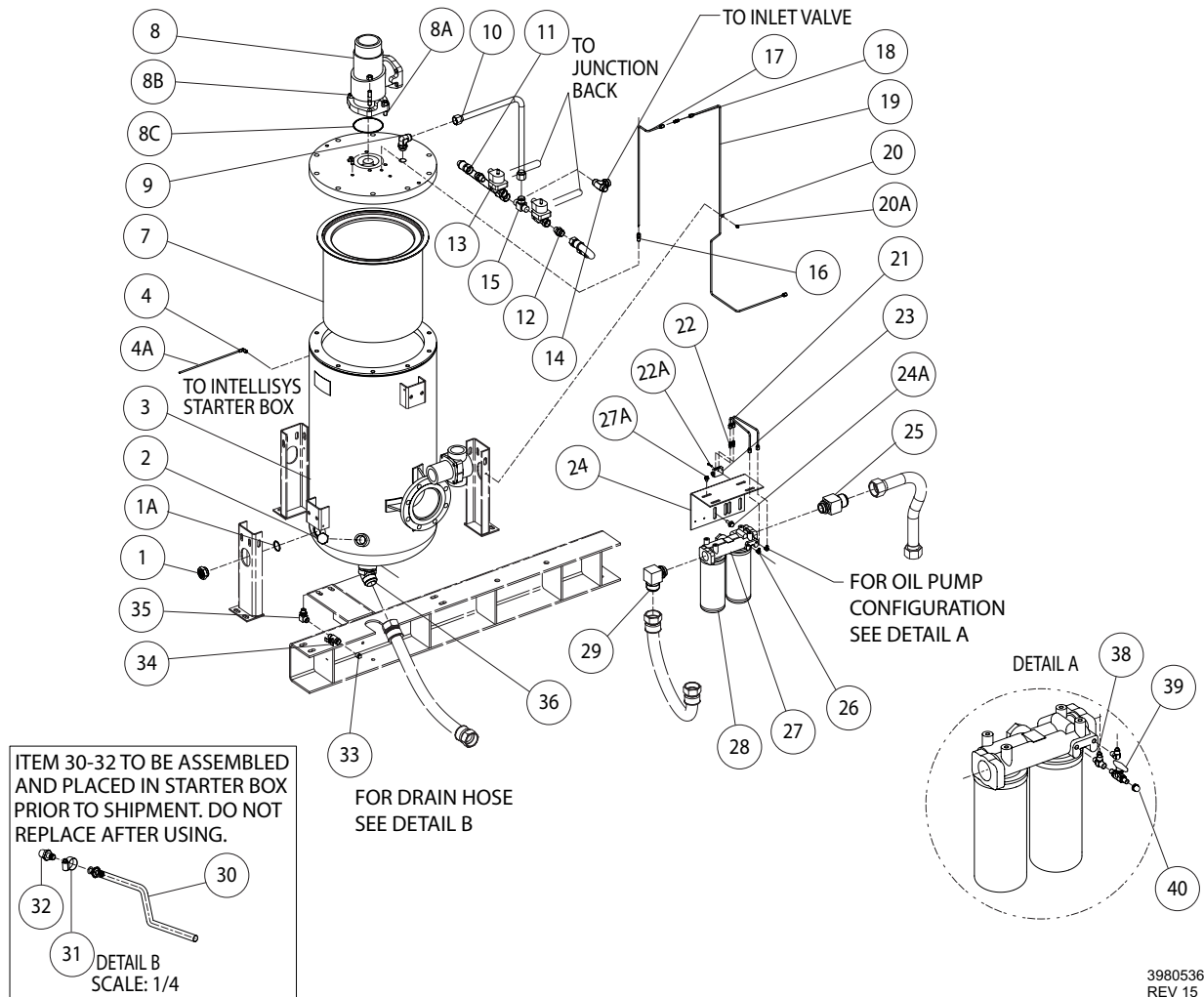
39806302
REV 15

Item	ccn	Qty.	Description	Item	ccn	Qty.	Description
1	39476916	1	SIGHT GLASS	13	39841432	1	TUBE, SCAVENGE (250-300HP ONLY)
1A	39406996	1	O-RING, SIGHT GLASS		39846746	1	TUBE, SCAVENGE (300E ONLY)
2	39478953	1	PLUG, OIL FILL	14	95937637	1	ELBOW, 90°
3	39881966	1	TANK, SEPARATOR (ASME/ CANADIAN)	15	39195078	2	CLIP, TUBE
	42373381	1	TANK, SEPARATOR (ASME/ CANADIAN X SERVICE ONLY)	15A	39133145	4	SCREW, TAPTITE
	39248307	1	TANK, SEPARATOR (AUSTRALIAN)	18	95937579	2	ADAPTER
	42406017	1	TANK, SEPARATOR (AUSTRALIAN X SERVICE ONLY)	19	39545942	2	TUBE, OIL DELTA P
4	39155478	1	ELBOW, 90°	20	39246012	1	SWITCH, OIL DELTA P
4A	39124813	x	TUBING, NYLON	20A	39178827	1	SCREW
5	22219174	1	ELEMENT, SEPARATOR	21	39798004	1	SUPPORT, OIL FILTER, WHITE
6	39417118	1	ADAPTER, SCAVENGE TUBE		85542199	1	SUPPORT, OIL FILTER, BEIGE
7	39152368	1	ELBOW, 90°	21A	39128509	2	SCREW, WHIZ
9	39477369	1	VALVE, MINIMUM PRESSURE CHECK, WHITE	24	95937538	1	ADAPTER
	85542058	1	VALVE, MINIMUM PRESSURE CHECK, BEIGE	25	95937686	2	ELBOW, 90°
9A	39179403	4	STUD	26	39259676	1	OIL FILTER ASSEMBLY
9B	95922910	4	NUT	26A	39128467	4	SCREW, WHIZ
9C	95022372	1	O-RING	27	39911631	2	OIL FILTER ELEMENT (REF)
10	39802814	1	TUBE, BLOWDOWN	28	39481460	1	ELBOW, 90°
11	22514715	1	TUBE, TANK SCAVENGE	29	39137518	1	HOSE, SYN FLEX
12	39322748	1	ORIFICE, SCAVENGE	30	95220844	1	CLAMP, HOSE
				31	39137542	1	CONNECTOR, BARBED
				32	95387361	1	PLUG
				33	39105739	1	VALVE, BALL TANK DRAIN
				34	39477526	1	ELBOW, 90°

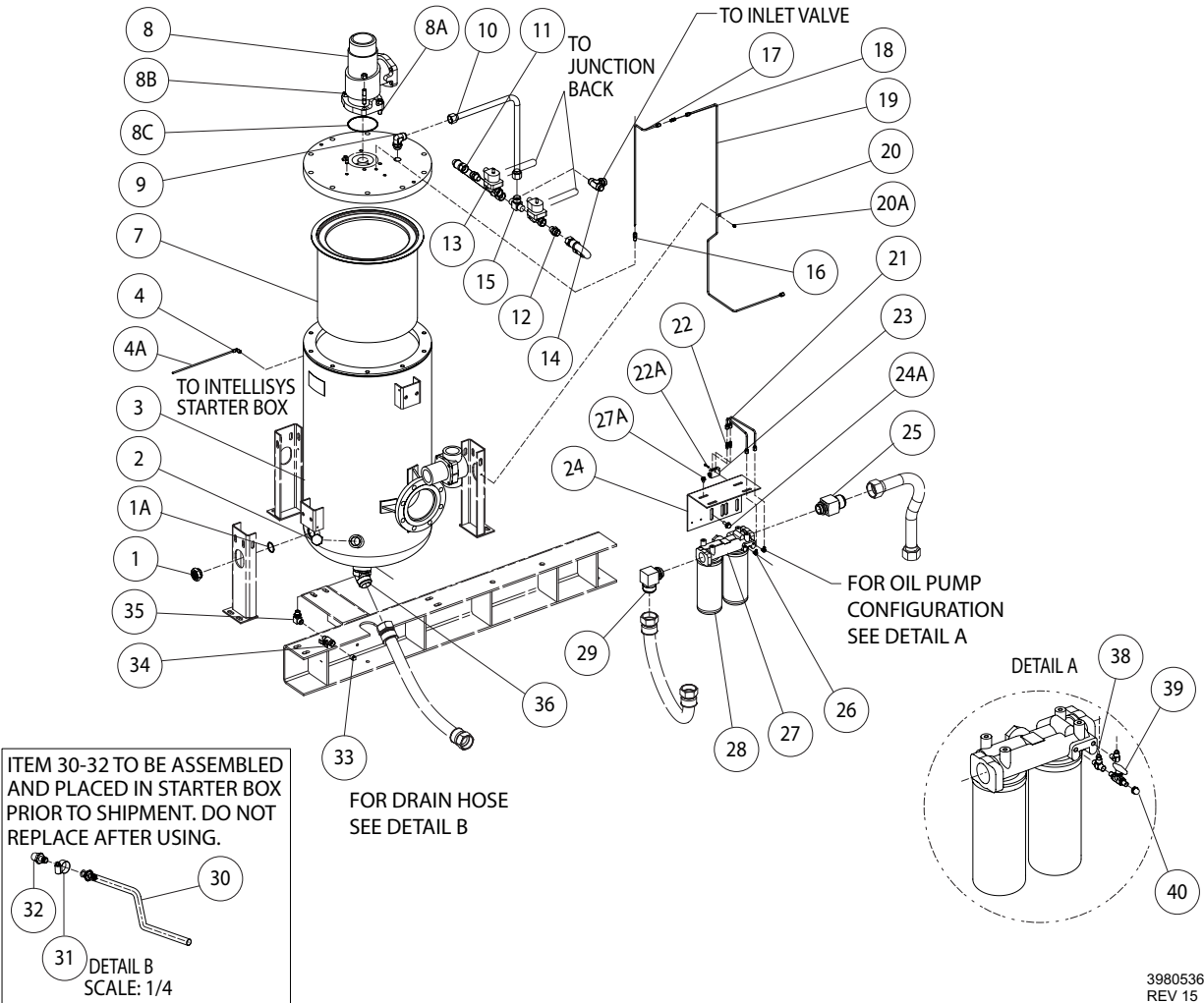


39806302
REV 15

Item	ccn	Qty.	Description	Item	ccn	Qty.	Description
35	39176128	1	ELBOW, 45°	41	39572433	1	HOSE
36	39155478	1	ELBOW, 90°	42	39499710	1	ADAPTER, (250-300HP ONLY)
37	39302039	1	VALVE, BALL		39111752	1	ADAPTER, TUBE (300E ONLY)
38	95939971	1	TEE	NOTE: STANDARD FASTENERS SUCH AS NUTS, BOLTS, AND SCREWS ARE LISTED AS SUB-ITEMS (EXAMPLE: 26A) X - ORDER PER NUMBER OF INCHES REQUIRED			
39	95947230	1	CAP				
40	22516025	1	VALVE, BLOWDOWN (NEMA 1)				
	22516025	1	VALVE, BLOWDOWN (NEMA 4)				

39805361
REV 15

Item	ccn	Qty.	Description	Item	ccn	Qty.	Description
1	39476916	1	SIGHT GLASS	22516025	2	VALVE, BLOWDOWN (NEMA 4)	
1A	39406996	1	O-RING, SIGHT GLASS	14	95947636	1	TEE
2	39478953	1	PLUG, OIL FILL	15	39499744	1	TEE
3	39897616	1	TANK, SEPARATOR (ASME/ CANADIAN)	16	39417118	1	ADAPTER (STRAIGHT), SCAVENGE TUBE
	42373399	1	TANK, SEPARATOR (ASME/ CANADIAN X SERVICE ONLY)	17	54537071	1	TUBE, TANK SCAVENGE
	39253315	1	TANK, SEPARATOR (AUSTRALIAN)	18	39322748	1	ORIFICE, SCAVENGE
	42406058	1	TANK, SEPARATOR (AUSTRALIAN X SERVICE ONLY)	19	39841515	1	TUBE, SCAVENGE
4	39155478	1	ELBOW, 90°, SUMP PRESSURE	20	39195078	1	CLIP, TUBE
4A	39124813	x	TUBING, NYLON	20A	39133145	1	SCREW
7	54509435	1	ELEMENT, SEPARATOR	21	39545942	2	TUBE, OIL DELTA P
8	39801253	1	VALVE, MINIMUM PRESSURE CHECK, WHITE	22	95937579	2	CONNECTOR
	85547289	1	VALVE, MINIMUM PRESSURE CHECK, BEIGE	23	39246012	1	SWITCH, OIL DELTA P
8A	39179403	4	STUD	23A	39178827	2	SCREW
8B	95423687	4	NUT	24	39798004	1	SUPPORT, OIL FILTER, WHITE
8C	95060745	1	O-RING		85542199	1	SUPPORT, OIL FILTER, BEIGE
9	39476981	1	ELBOW, 90°, TANK TO BLOWDOWN	24A	39128509	2	SCREW, SUPPORT TO TANK
10	39801550	1	TUBE, BLOWDOWN	25	39481486	1	CONNECTOR, OIL FILTER OUT
11	39572243	2	HOSE	26	95937686	2	ELBOW, 90°, FILTER DELTA P
12	95937538	2	CONNECTOR	27	39797220	1	FILTER, OIL
13	22516025	2	VALVE, BLOWDOWN (NEMA I)	27A	39128467	4	SCREW, FILTER TO BRACKET
				28	39796982	2	OIL FILTER CARTRIDGE
				29	39481460	1	ELBOW, 90°, OIL FILTER IN
				30	39137518	1	HOSE, SYN FLEX

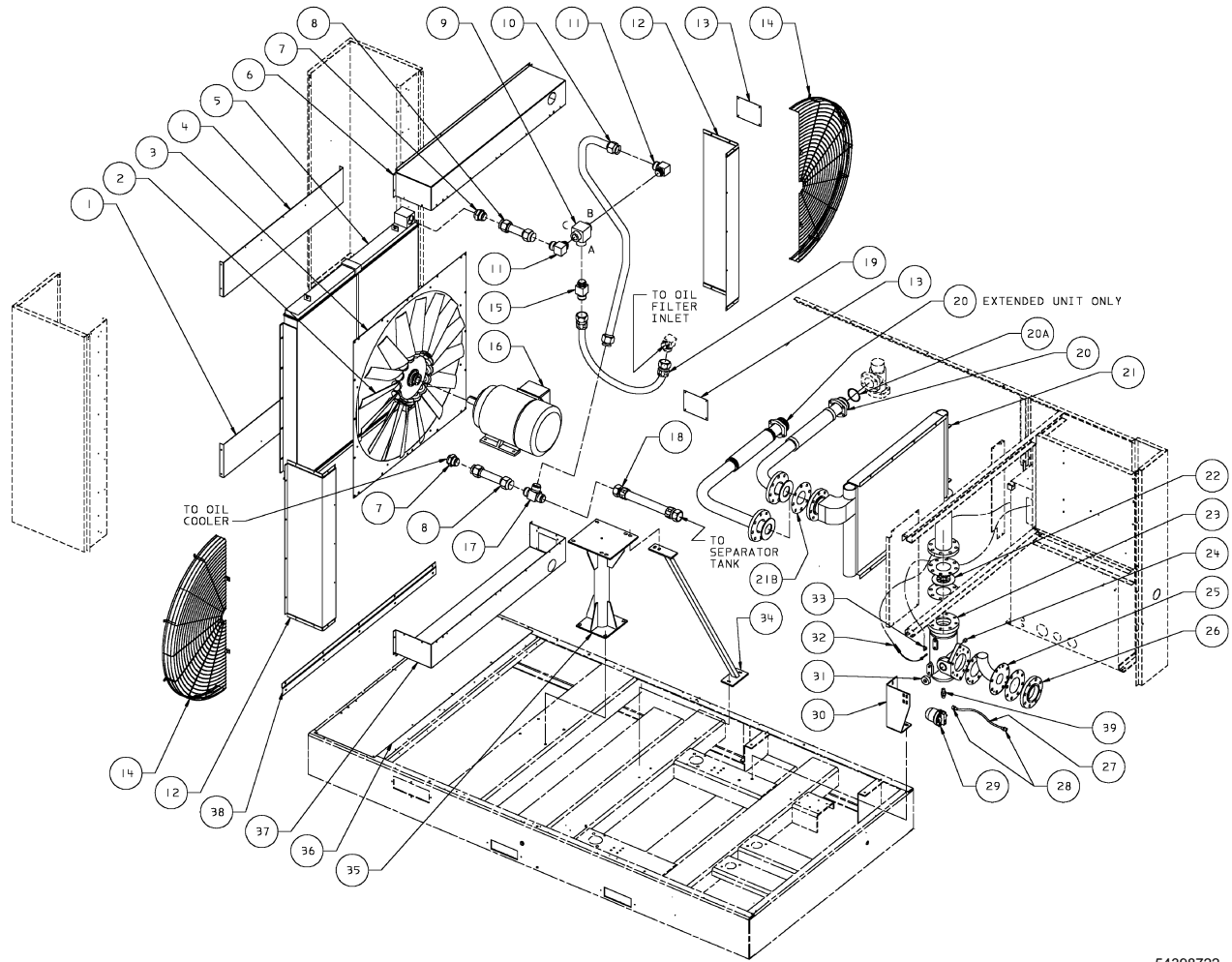


39805361
REV 15

Item	ccn	Qty.	Description	Item	ccn	Qty.	Description
31	95220844	1	CLAMP, HOSE	38	95939971	1	TEE
32	39137542	1	BARBED, CONNECTOR	39	39302039	1	VALVE, BALL
33	95387361	1	PLUG	40	95947230	1	CAP
34	39105739	1	VALVE, BALL (TANK DRAIN)				
35	39477526	1	ELBOW, 90° (TANK DRAIN)				
36	39176128	1	ELBOW, 45° (SUMP TANK OUT)				
37	39155478	1	ELBOW, 90°				

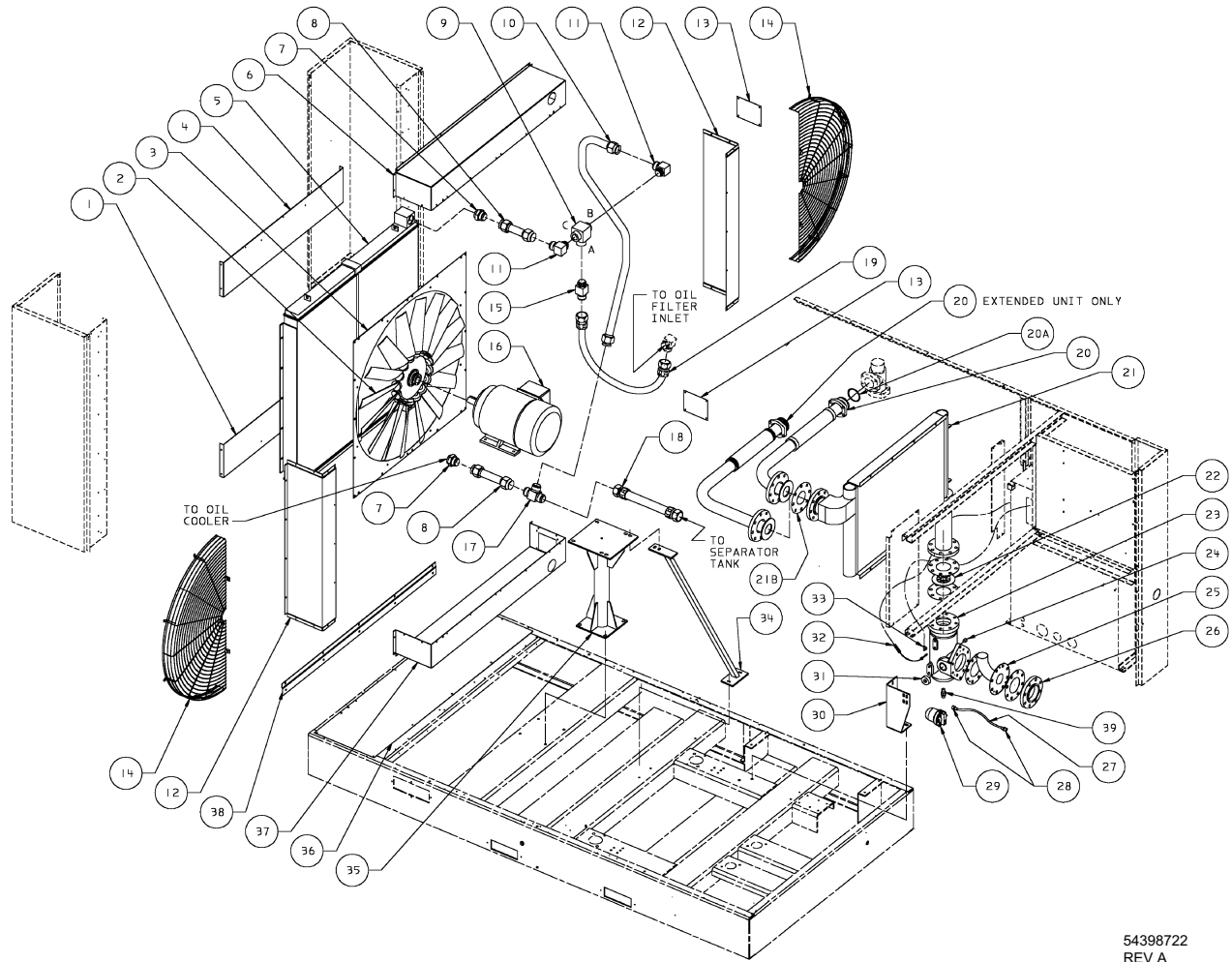
NOTE: STANDARD FASTENERS SUCH AS NUTS, BOLTS, AND SCREWS AND AUXILIARY COMPONENTS ARE LISTED AS SUB-ITEMS (EXAMPLE: 27A).

X - ORDER PER NUMBER OF INCHES REQUIRED.



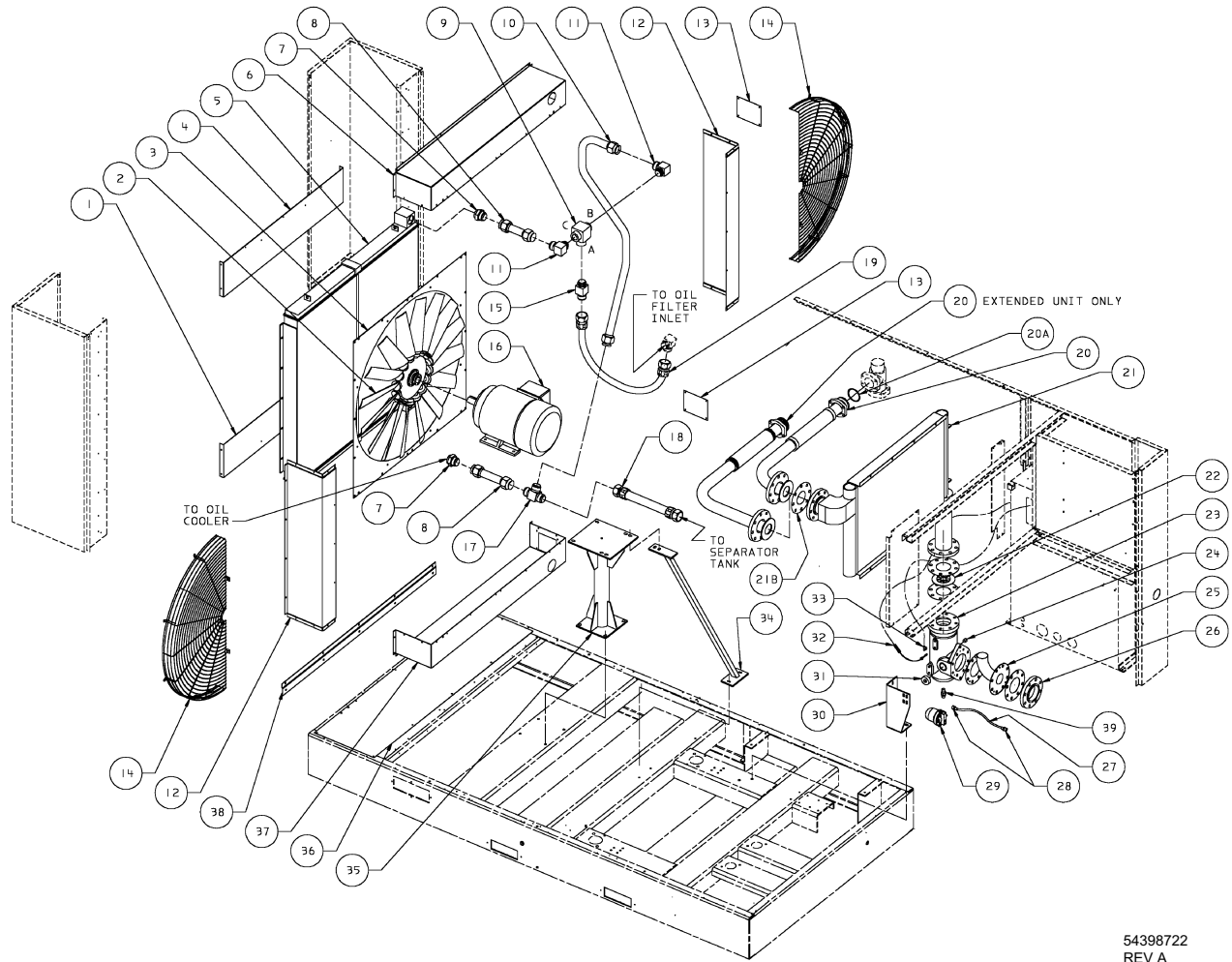
54398722
REV A

Item	ccn	Qty.	Description	Item	ccn	Qty.	Description
1	39803291	1	SUPPORT, RIGHT END BOTTOM, WHITE	39481429	1	1	VALVE, THERMOSTATIC CONTROL
	85543536	1	SUPPORT, RIGHT END BOTTOM, BEIGE	9A	39437645	1	ELEMENT, THERMOSTATIC CONTROL
1A	39133145	16	SCREW, TAPTITE		39437652	1	ELEMENT, THERMOSTATIC CONTROL
2	39850268	1	FAN, 48"	9B	39412127	1	O-RING, BODY
	39308572	1	FAN, 42"	9C	95022257	1	O-RING, ELEMENT
3	54402441	1	PLATE, ORIFICE (60HZ), WHITE	10	39848783	1	TUBE, THERMO VALVE TO TEE
	85544310	1	PLATE, ORIFICE (60HZ), BEIGE	11	39481460	2	ELBOW, 90°
	54371935	1	PLATE, ORIFICE (50HZ), WHITE	12	39803317	2	SUPPORT, OILCOOLER SIDE, WHITE
	85544294	1	PLATE, ORIFICE (50HZ), BEIGE		85543544	2	SUPPORT, OILCOOLER SIDE, BEIGE
3A	39133145	16	SCREW, TAPTITE	12A	39133145	4	SCREW, TAPTITE
4	39803283	1	SUPPORT, RIGHT END TOP, WHITE	13	39482369	2	COVER, OILCOOLER SUPPORT, WHITE
	85543628	1	SUPPORT, RIGHT END TOP, BEIGE		85545408	2	COVER, OILCOOLER SUPPORT, BEIGE
4A	39133145	2	SCREW, TAPTITE	13A	39133145	8	SCREW, TAPTITE
5	39801725	1	OILCOOLER	14	54397757	2	GUARD, FAN
5A	39133152	10	SCREW, TAPTITE		54367370	2	GUARD, FAN
6	39822721	1	SUPPORT, OILCOOLER TOP, WHITE	14A	39133145	18	SCREW, TAPTITE
	85543932	1	SUPPORT, OILCOOLER TOP, BEIGE	14B	95929071	18	WASHER
6A	39133145	4	SCREW, TAPTITE	15	39481486	1	CONNECTOR
7	39128632	2	CONNECTOR	16	XXXXXXX	1	MOTOR, FAN
8	39481502	2	TUBE, OILCOOLER TO THERMOSTATIC VALVE	16A	95928958	4	BOLT, WHIZ
9	39478193	1	VALVE, THERMOSTATIC CONTROL	16B	95234498	4	WASHER, FLAT



54398722
REV A

Item	ccn	Qty.	Description	Item	ccn	Qty.	Description
16C	39116348	4	NUT, WHIZ	25B	95823365	3	SCREW
17	39119227	1	TEE	26	39852257	1	FLANGE, SCREWED
18	22063630	1	HOSE, TANK TO TEE	26A	39452362	1	GASKET
19	22063648	1	HOSE, THERMO VALVE TO OILFILTER	26B	95934519	8	BOLT
20	39802772	1	PIPE, DISCHARGE	26C	95929188	8	LOCKWASHER
	39810502	1	PIPE, DISCHARGE	27	39137518	X	TUBING
20A	95022349	1	O-RING	28	39137542	2	STRAIGHT, BARBED
20B	95930723	4	BOLT	29	54421698	1	TRAP, MOISTURE SEPARATOR
20C	95929188	4	WASHER	30	39928577	1	SUPPORT, MOISTURE SEPARATOR
21	39928544	1	AFTERCOOLER	30A	95079612	2	SCREW
	39928718	1	AFTERCOOLER	30B	35108372	1	BOLT
21A	39452362	2	GASKET	31	95928255	1	PLUG
21B	39133152	8	SCREW, TAPTITE	32	39560628	1	SENSOR, TEMPERATURE
21C	95934154	16	BOLT	32A	39404157	1	O-RING
21D	95923355	16	NUT	33	39155478	1	ELBOW, 90°
22	39891171	1	ELEMENT, MOISTURE SEPARATOR	34	39850862	1	BRACE, FAN SUPPORT, WHITE (60HZ)
22A	39487434	2	GASKET, INTERSTAGE		85544120	1	BRACE, FAN SUPPORT, BLACK (60HZ)
22B	95934519	8	BOLT		39844238	1	BRACE FAN SUPPORT, WHITE (50HZ)
22C	95929188	8	LOCKWASHER		85544096	1	BRACE, FAN SUPPORT, BLACK (50HZ)
23	39928007	1	SHELL, MOISTURE SEPARATOR	34A	39178678	2	SCREW, TAPTITE
24	95941811	1	PLUG	35	39850854	1	SUPPORT, FAN MOTOR (60HZ), WHITE
25	54393996	1	TUBE, SEPARATOR OUTLET		85544112	1	SUPPORT, FAN MOTOR (60HZ), BLACK
25A	39925532	1	GASKET				



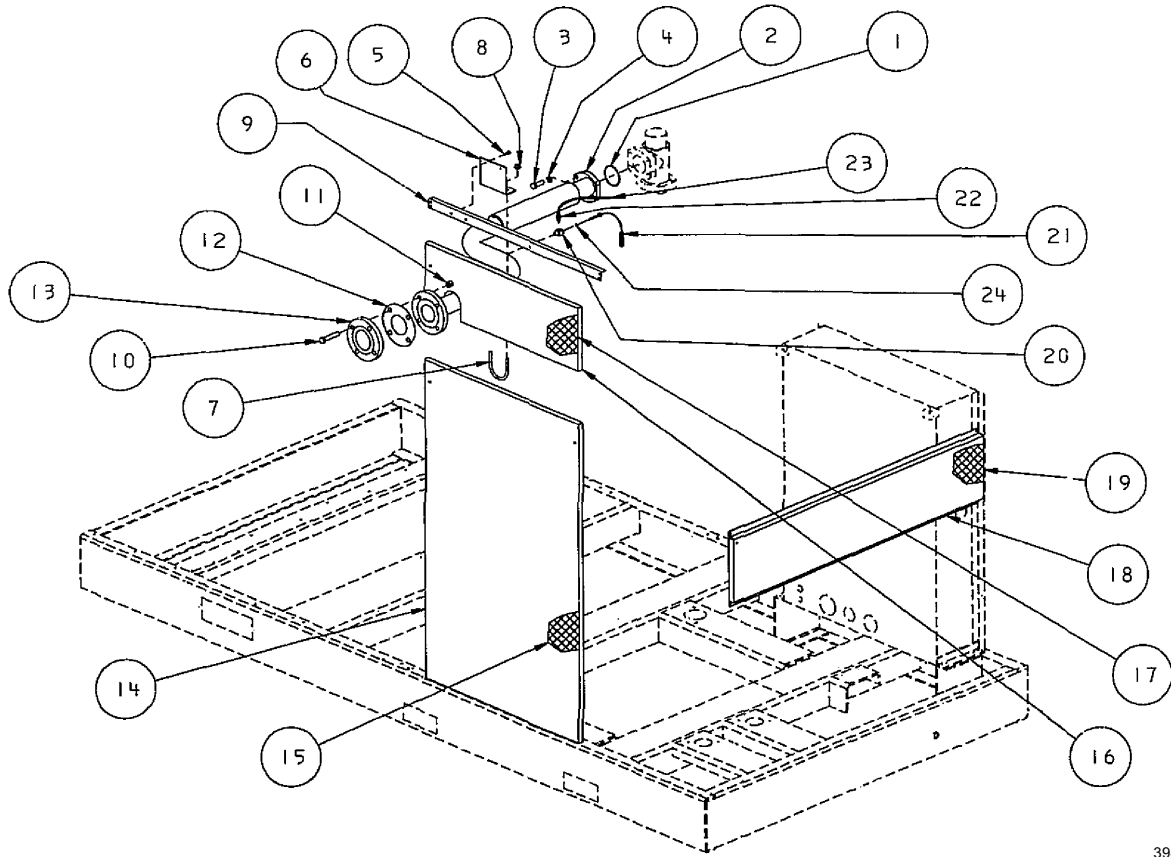
54398722
REV A

Item	ccn	Qty.	Description	Item	ccn	Qty.	Description
	39850557	1	SUPPORT, FAN MOTOR (50HZ), WHITE		85543924	1	SUPPORT, OIL COOLER BOTTOM, BEIGE
	85544104	1	SUPPORT, FAN MOTOR (50HZ), BEIGE	37A	39133145	16	SCREW, TAPTITE
35A	39178686	4	SCREW, TAPTITE	38	39823968	1	ANGLE, SUPPORT, WHITE
36	39803333	1	PLATE, EXHAUST BOTTOM, WHITE		85543940	1	ANGLE, SUPPORT, BEIGE
	85545440	1	PLATE, EXHAUST BOTTOM, BEIGE	38A	39133145	10	SCREW, TAPTITE
36A	59133145	16	SCREW, TAPTITE	39	54423280	1	ADAPTER, VENT
37	39822713	1	SUPPORT, OIL COOLER BOTTOM, WHITE				

NOTE: STANDARD FASTENERS SUCH AS NUTS, BOLTS, AND SCREWS ARE LISTED AS SUB-ITEMS (EXAMPLE: 1A)

X - ORDER PER NUMBER OF INCHES REQUIRED.

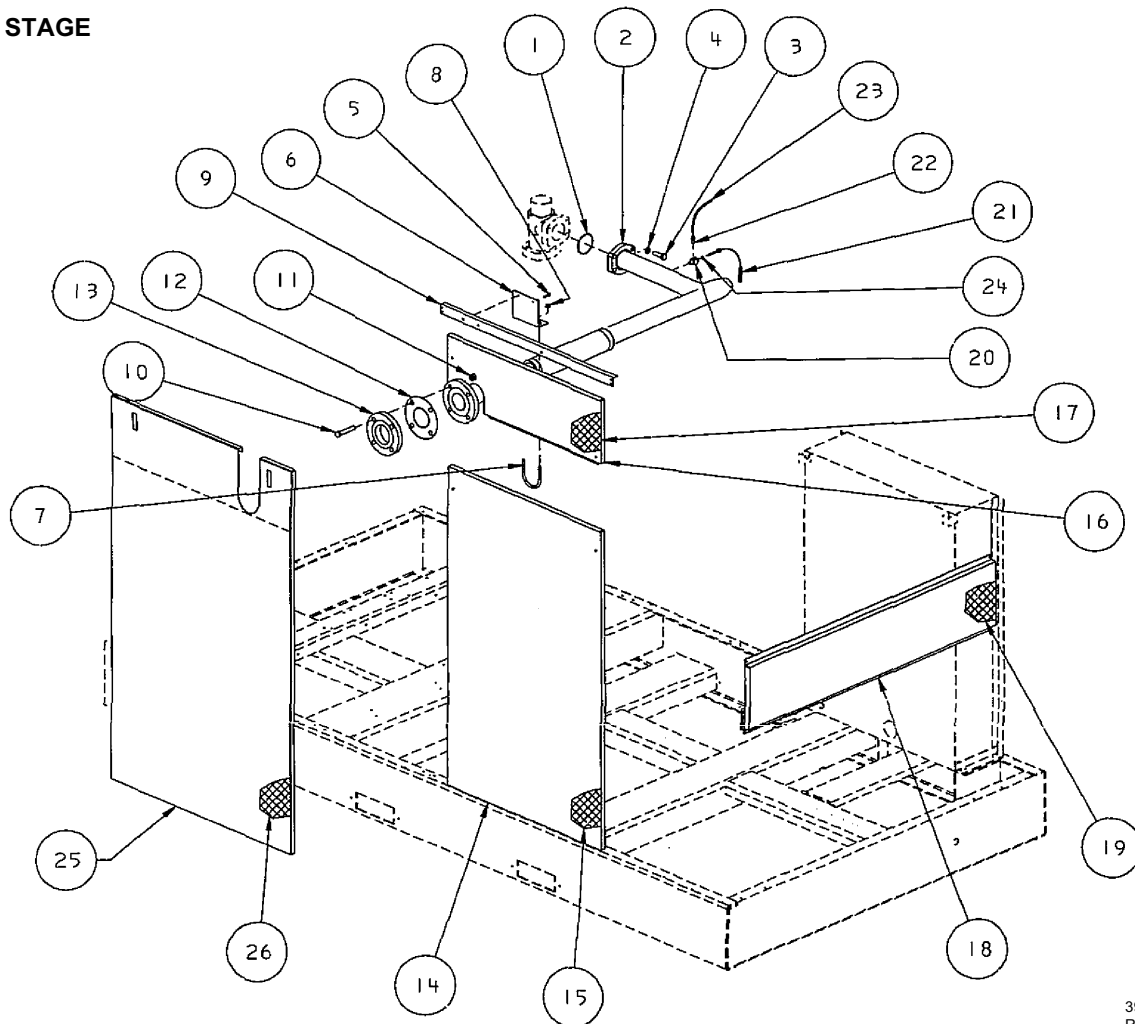
SINGLE STAGE



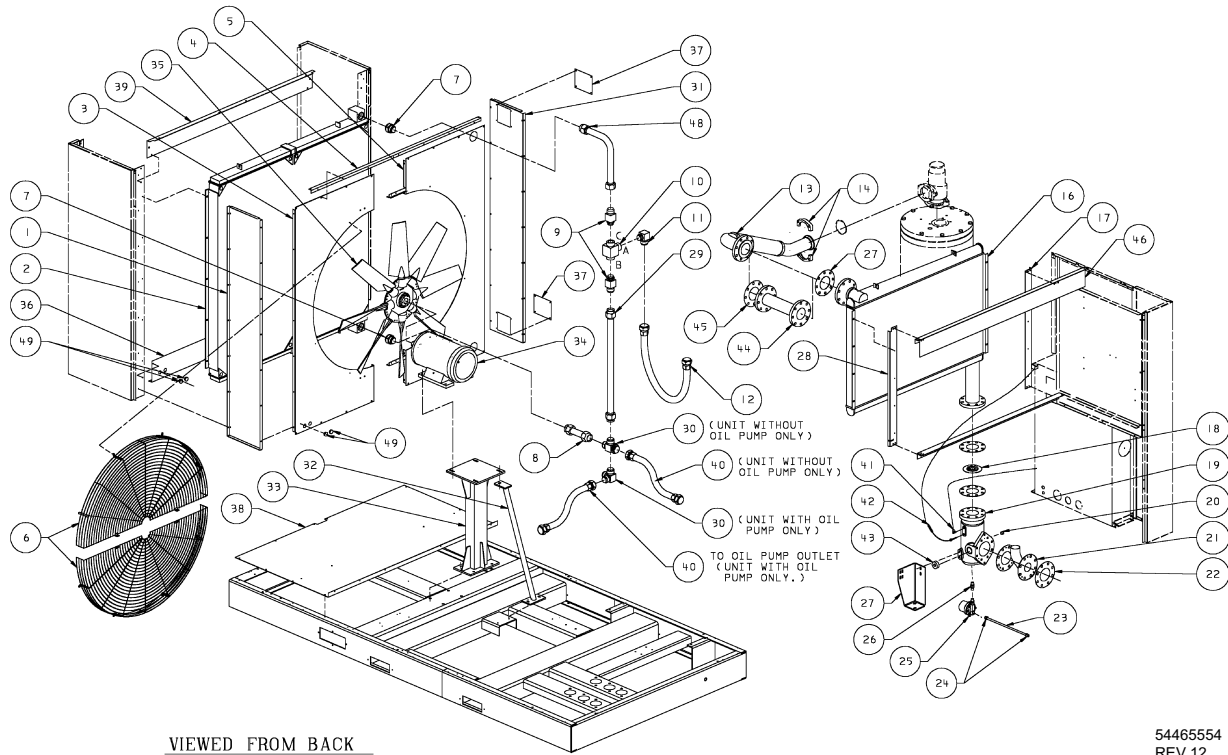
39874532
REV 02

Item	ccn	Qty.	Description	Item	ccn	Qty.	Description
1	95060018	1	O-RING, MPCV	14	39807375	1	PANEL, REAR DISCHARGE, WHITE
2	39807342	1	PIPE, DISCHARGE		85543734	1	PANEL, REAR DISCHARGE, BEIGE
3	95930723	4	BOLT	15	39807466	1	FOAM, PANEL REAR DISCHARGE
4	95929188	4	WASHER	16	39807383	1	PANEL, REAR DISCHARGE, WHITE
5	39133152	2	SCREW		85543742	1	PANEL, REAR DISCHARGE, BEIGE
6	39484431	1	BRACKET, PIPE SUPPORT, WHITE	17	39807482	1	FOAM, REAR DISCHARGE PANEL
	85543387	1	BRACKET, PIPE SUPPORT, BEIGE	18	39807367	1	PANEL, LEFT END NO AFTERCOOLER, WHITE
7	39177183	1	U-BOLT		85543726	1	PANEL, LEFT END NO AFTERCOOLER, BEIGE
8	39128566	2	NUT	19	39807474	1	FOAM, LEFT END NO AFTERCOOLER
9	39803804	1	ANGLE, SUPPORT BATT, WHITE	20	39479761	1	TEE
	85543692	1	ANGLE, SUPPORT BATT, BEIGE	21	39560628	1	SENSOR, CABLE
10	95929121	4	SCREW	22	39156393	1	ADAPTER
11	95923355	4	LOCKNUT	23	39124813	X	TUBING, NYLON
12	39454525	1	GASKET, FLANGE	24	39404157	1	O-RING
13	39483250	1	FLANGE, PLATED				

TWO STAGE

39874532
REV 02

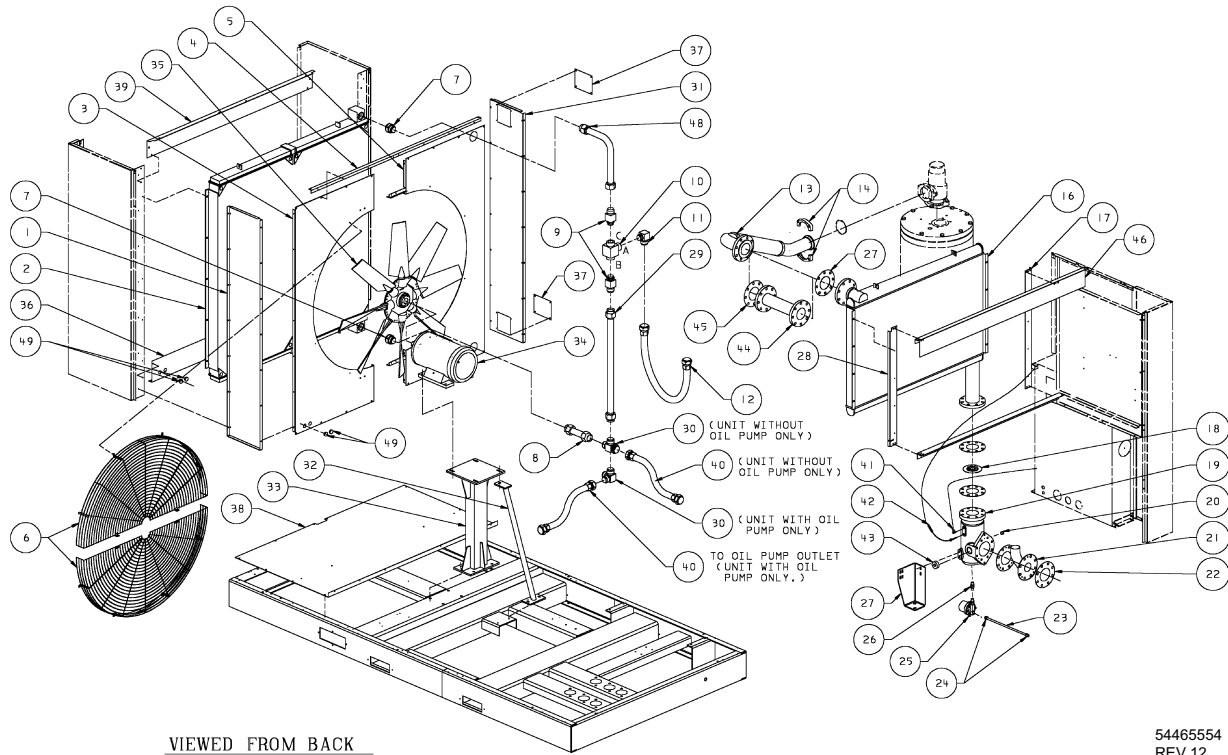
Item	ccn	Qty.	Description	Item	ccn	Qty.	Description
1	95060018	1	O-RING, MPCV	16	39807383	1	PANEL, REAR DISCHARGE, WHITE
2	39826193	1	PIPE, DISCHARGE		85543742	1	PANEL, REAR DISCHARGE, BEIGE
3	95930723	4	BOLT	17	39807482	1	FOAM, REAR DISCHARGE PANEL
4	95929188	4	WASHER	18	39807367	1	PANEL, LEFT END NO AFTERCOOLER, WHITE
5	39133152	2	SCREW		85543726	1	PANEL, LEFT END NO AFTERCOOLER, BEIGE
6	39484431	1	BRACKET, PIPE SUPPORT, WHITE	19	39807474	1	FOAM, LEFT END NO AFTERCOOLER PANEL
7	39177183	1	U-BOLT	20	39479761	1	TEE
8	39128566	2	NUT	21	39560628	1	SENSOR, CABLE
9	39803804	1	ANGLE, SUPPORT BATT, WHITE	22	39156393	1	ADAPTER
	85543692	1	ANGLE, SUPPORT BATT, BEIGE	23	39124813	1	TUBING, NYLON
10	95929121	4	SCREW	24	39404157	1	O-RING
11	95923355	4	LOCKNUT	25	39852876	1	PANEL, REAR DISCHARGE (EXTENDED UNIT ONLY) WHITE
12	39454525	1	GASKET, FLANGE				
13	39483250	1	FLANGE, PLATED	26	39863998	1	FOAM, REAR DISCHARGE PANEL (EXTENDED UNIT ONLY)
14	39807375	1	PANEL, REAR DISCHARGE, WHITE				
	85543734	1	PANEL, REAR DISCHARGE, BEIGE				
15	39807466	1	FOAM, PANEL REAR DISCHARGE				



VIEWED FROM BACK

54465554
REV 12

Item	ccn	Qty.	Description	Item	ccn	Qty.	Description
1	39804034	1	SIDES, COOLER BOX REAR, WHITE	13B	95923355	8	LOCKNUT
	85548261	1	SIDES, COOLER BOX REAR, BEIGE	14	39481593	2	FLANGE, SPLIT
1A	39133145	12	SCREW, TAPTITE	14A	39185442	4	BOLT
2	39801287	1	COOLER, OIL	14B	95929188	4	WASHER, LOCK
2A	39178678	10	SCREW, TAPTITE	14C	95060018	1	O-RING
3	54402458	1	PLATE, LH ORIFICE, WHITE	16	39928692	1	AFTERCOOLER
	85548378	1	PLATE, LH ORIFICE, BEIGE		39928726	1	AFTERCOOLER
3A	39133145	10	SCREW, TAPTITE	16A	39133152	8	SCREW, TAPTITE
4	39804018	1	ANGLE, UPPER ORIFICE, WHITE	16B	95929071	8	WASHER
	85547446	1	ANGLE, UPPER ORIFICE, BEIGE	16C	39452362	1	GASKET
4A	39133145	10	SCREW, TAPTITE	17	39850326	1	ANGLE, BYPASS, WHITE
5	54402466	1	PLATE, RH ORIFICE, WHITE		85548105	1	ANGLE, BYPASS, BEIGE
	85548386	1	PLATE, RH ORIFICE, BEIGE	17A	39133145	4	SCREW, TAPTITE
5A	39133145	10	SCREW, TAPTITE	18	39891171	1	ELEMENT, MOISTURE SEPARATOR
6	54390307	2	GUARD, FAN	18A	39487434	2	GASKET
6A	39133152	16	SCREW, TAPTITE	18B	95934519	8	BOLT
6B	95929071	18	WASHER, FLAT	18C	95929188	8	WASHER
7	39128632	2	CONNECTOR	19	39928007	1	SHELL, MOISTURE SEPARATOR
8	39481502	1	TUBE, OILCOOLER OUT - THERMO VALVE		95079612	2	SCREW
9	39481486	2	CONNECTOR	20	95928255	1	PLUG
	39128632	2	CONNECTOR	21	54393996	1	TUBE, SEPARATOR OUTLET
10	39481429	1	VALVE, THERMO	21A	95823365	3	SCREW
	39634684	1	VALVE THERMO	21B	39452362	1	GASKET
10A	39437652	1	ELEMENT	22	39925532	1	GASKET, MOISTURE SEPARATOR
	39207402	1	ELEMENT	23	39137518	X	HOSE, MOISTURE SEPARATOR, DRAIN
11	39481460	1	ELBOW, 90°	24	39137542	2	CONNECTOR, BARBED, MALE
	39140512	1	ELBOW, 90°	25	54421698	1	TRAP, MOISTURE SEPARATOR
12	39572466	1	HOSE	26	54423280	1	ADAPTER, MOISTURE SEPARATOR TO TRAP
13	39859947	1	PIPE, DISCHARGE, MPV-AC AFTERCOOLER	27	39928577	1	SUPPORT, MOISTURE SEPARATOR
13A	95934154	8	BOLT	27A	35108372	2	BOLT



VIEWED FROM BACK

54465554
REV 12

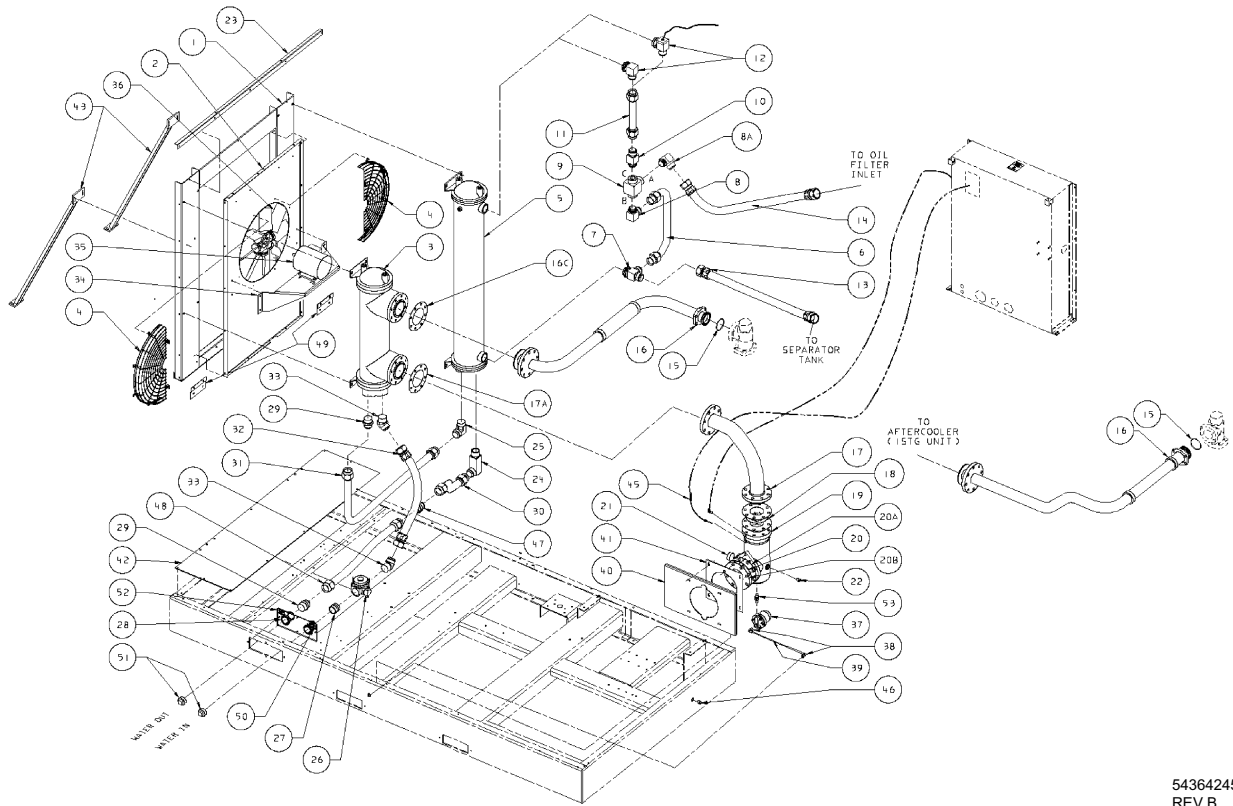
Item	ccn	Qty.	Description	Item	ccn	Qty.	Description
28	39850318	1	ANGLE, BYPASS, WHITE	85541438	1	PLATE, BOTTOM EXHAUST, BEIGE	
	85548097	1	ANGLE, BYPASS, BEIGE	38A	39133145	4	SCREW, TAPTITE
28A	39133145	4	SCREW, TAPTITE	39	39804026	1	ANGLE, UPPER COOLER, WHITE
29	39481494	1	TUBE	85547453	1	ANGLE, UPPER COOLER, BEIGE	
	39878483	1	TUBE	39A	39133145	10	SCREW, TAPTITE
30	39461478	1	TEE, (WITH OIL PUMP)	40	22063671	1	HOSE
	39119227	1	TEE	41	39155478	1	ELBOW, 90°
31	39816210	1	SIDE, COOLER BOX FRONT	41A	39404157	1	O-RING
31A	39133145	12	SCREW, TAPTITE	42	39560628	1	SENSOR, TEMPERATURE
32	39805478	1	BRACE, FAN SUPPORT, WHITE	43	95941811	1	PLUG
	85547594	1	BRACE, FAN SUPPORT, BEIGE	44	39817051	1	TUBE, AFTERCOOLER (EXTENDED PKG.)
32A	39178678	2	SCREW, TAPTITE	44A	95929121	8	BOLT (EXTENDED PACKAGE)
33	39851225	1	SUPPORT, FAN MOTOR, WHITE	44B	95923355	8	LOCKNUT (EXTENDED PACKAGE)
	85548139	1	SUPPORT, FAN MOTOR, BEIGE	45	39452362	1	GASKET (EXTENDED PACKAGE)
33A	39128517	4	BOLT, WHIZ	46	39850300	1	ANGLE, BYPASS TOP, WHITE
34	XXXXXXX	1	MOTOR, FAN	85548089	1	ANGLE, BYPASS TOP, BEIGE	
34A	95928958	4	SCREW	46A	39133145	4	SCREW, TAPTITE
34B	39116348	4	NUT	47	39850334	4	ANGLE, BYPASS BOTTOM, WHITE
34C	95234498	4	WASHER, FLAT	85548113	4	ANGLE, BYPASS BOTTOM, BEIGE	
35	39918297	1	FAN, 56.00 60HZ	47A	39133145	4	SCREW, TAPTITE
	39858865	1	FAN, 56.00 50HZ	48	39801543	1	TUBE
36	39812573	1	ANGLE, LOWER COOLER, WHITE	49	39319728	4	PLUG, NYLON, BLACK
	85547842	1	ANGLE, LOWER COOLER, BEIGE				
36A	39133145	4	SCREW, TAPTITE				
37	39482369	2	COVER, OILCOOLER SUPPORT, WHITE				
	85545408	2	COVER, OILCOOLER SUPPORT, BEIGE				
37A	39133145	8	SCREW, TAPTITE				
38	39804000	1	PLATE, BOTTOM EXHAUST, WHITE				

NOTE: STANDARD FASTENERS SUCH AS NUTS, BOLTS AND SCREWS ARE LISTED AS SUB-ITEMS (EXAMPLE: 1A)

*X - ORDER PER NUMBER OF INCHES REQUIRED

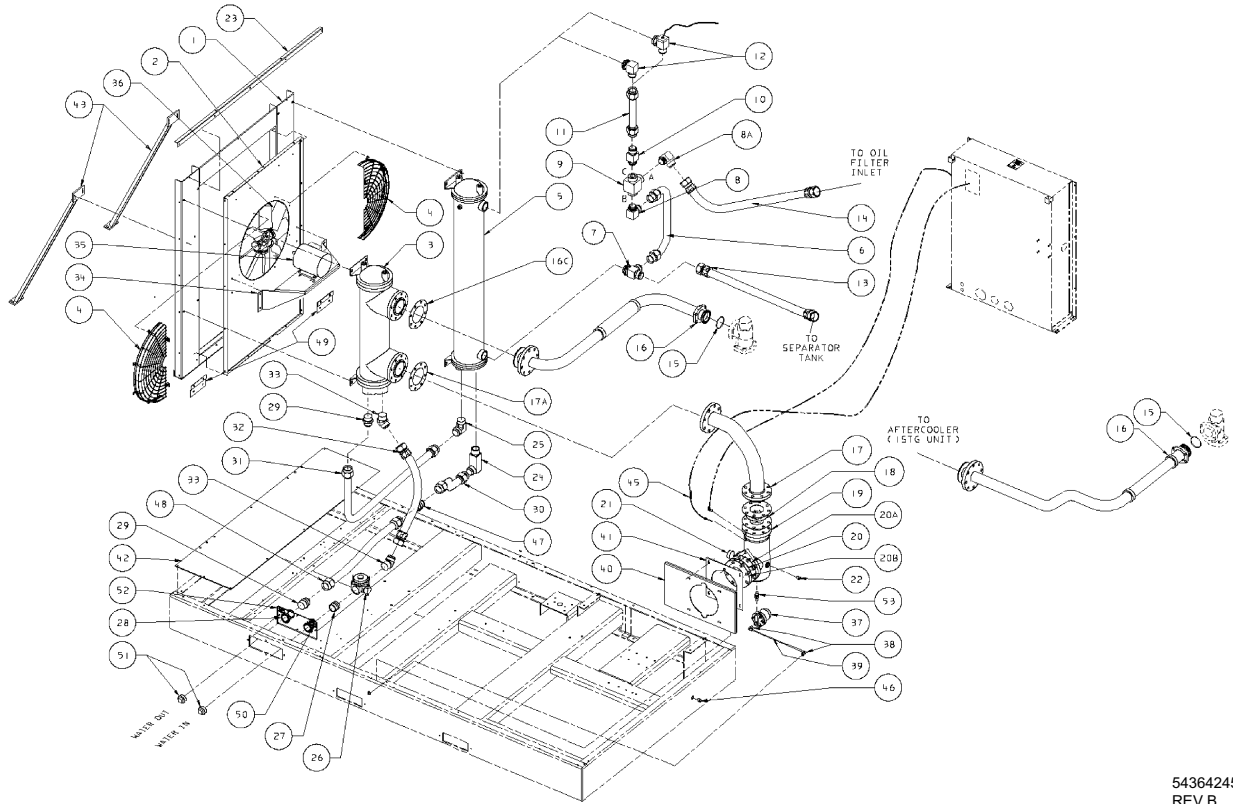
- FOR NO AFTERCOOLER OPTION SEE DRAWING 39832407

XXXXXXX - FURNISH MOTOR PART NO. (STAMPED ON MOTOR NAMEPLATE) WHEN ORDERING REPLACEMENT



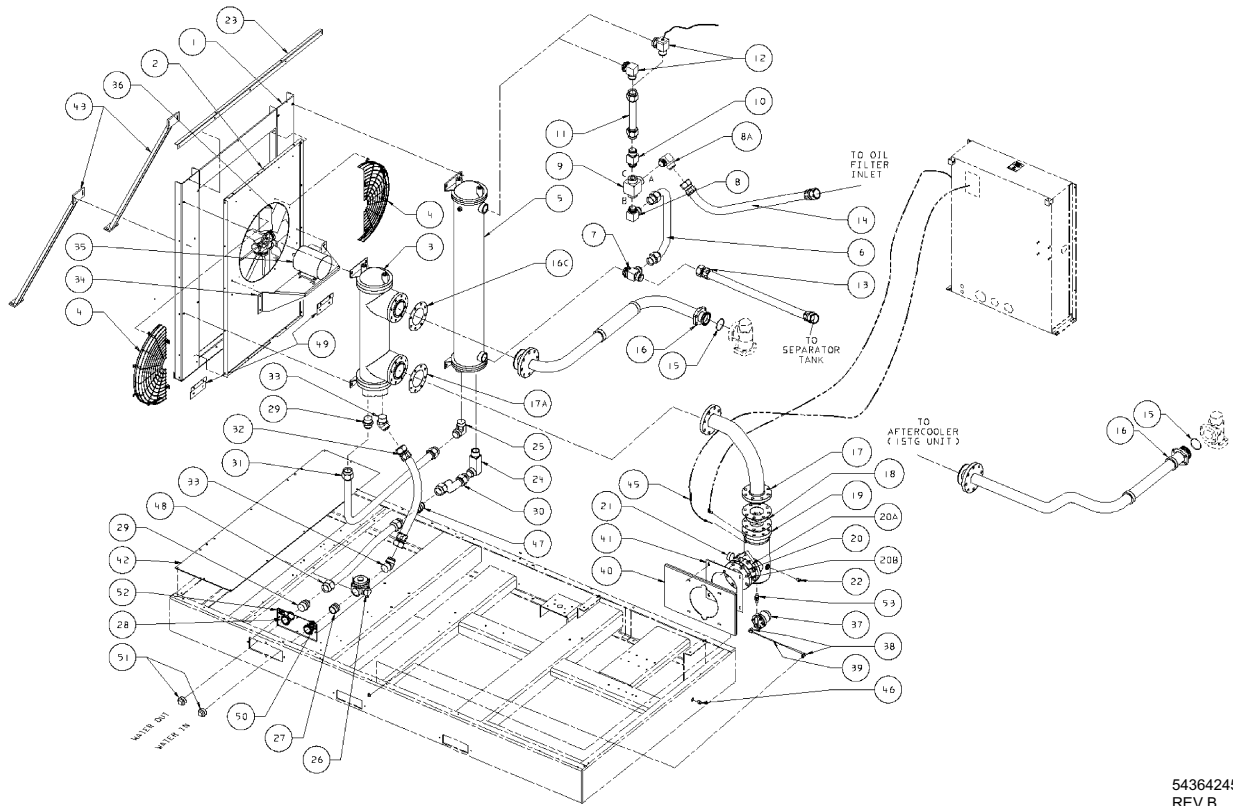
54364245
REV B

Item	ccn	Qty.	Description	Item	ccn	Qty.	Description
1	39804539	1	SUPPORT, WATERCOOLER, WHITE	9C	95022257	1	O-RING, ELEMENT
	85543700	1	SUPPORT, WATERCOOLER, BEIGE	10	39481486	2	CONNECTOR
1A	39178678	4	SCREW, TAPTITE	11	39804943	1	TUBE, OILCOOLER TO THERMO VALVE
2	54380308	1	SUPPORT, ORIFICE, WHITE	12	39140512	1	ELBOW 90°
	85543270	1	SUPPORT, ORIFICE, BEIGE		39483086	1	ELBOW 90° (UNIT WITH CONTROL VALVE ONLY)
2A	39133145	15	SCREW, TAPTITE	13	22063648	1	HOSE (SINGLE STAGE)
3	39803861	1	AFTERCOOLER		22063630	1	HOSE
3A	39128509	4	SCREW, WHIZ		22063622	1	HOSE (TWO STAGE)
3B	39116348	4	NUT, WHIZ	14	22063630	1	HOSE
4	54376678	2	GUARD, FAN		22063655	1	HOSE
4A	39133152	8	SCREW, TAPTITE	15	95022349	1	O-RING
4B	95929071	8	WASHER	16	39874268	1	PIPE, MPCV TO AFTERCOOLER (1 STAGE)
5	39803853	1	OILCOOLER		39825732	1	PIPE, MPCV TO AFTERCOOLER (2 STAGE)
5A	39128509	4	SCREW, WHIZ	16A	95930723	4	BOLT
5B	39116348	4	NUT, WHIZ	16B	95929188	4	LOCKWASHER
6	39805015	1	TUBE, THERMO VALVE TO OILCOOLER	16C	39452362	1	GASKET (PIPE TO AFTERCOOLER)
7	39482476	1	TEE (SINGLE STAGE)	16D	95930723	8	BOLT
	95943023	1	TEE (TWO STAGE)	17	39929666	1	TUBE, AFTERCOOLER TO MOISTURE SEPARATOR
8	39481460	1	ELBOW, 90°	17A	39452362	1	GASKET
8A	39481460	1	ELBOW 90° (60Hz 300E SINGLE STAGE, 50Hz 300e AND 226E SINGLE STAGE)	17B	95930723	8	BOLT
8B	39481486	1	CONNECTOR (60Hz 226E SINGLE STAGE, 50Hz 300e AND 60Hz TWO STAGE)	18	39891171	1	ELEMEN, MOISTURE SEPARATOR
9	39481429	1	VALVE, THERMOSTATIC CONTROL	18A	39487434	2	GASKET
9A	39437652	1	ELEMENT, THERMOSTATIC CONTROL	18B	95934519	8	BOLT
9B	95022034	1	O-RING, BODY	18C	95929188	8	LOCKWASHER
				19	39928007	1	SHELL, MOISTURE SEPARATOR



54364245
REV B

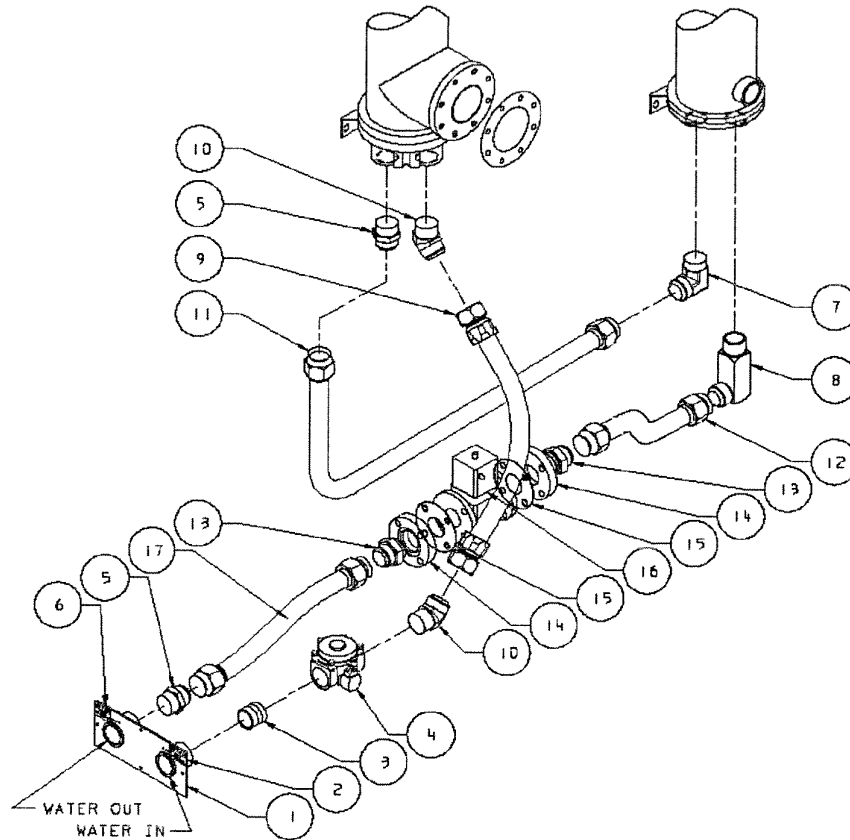
Item	ccn	Qty.	Description	Item	ccn	Qty.	Description
20	54393996	1	TUBE, SEPARATOR OUTLET	38	39137534	2	ELBOW, BARBED
20A	39925532	1	GASKET	39	39137518	X	TUBING
20B	95823365	3	SCREW	40	39929567	1	SUPPORT, MOISTURE SEPARATOR, WHITE
21	95941811	1	PLUG	85544245	1	SUPPORT, MOISTURE SEPARATOR, BEIGE	
22	95928255	1	PLUG	39930243	1	SUPPORT, MOISTURE SEPARATOR (EXTENDED ONLY), WHITE	
23	39803275	1	SUPPORT, TOP R.T. END, WHITE	85544286	1	SUPPORT, MOISTURE SEPARATOR (EXTENDED ONLY), BEIGE	
	85543510	1	SUPPORT, TOP R.T. END, BEIGE	40A	39133152	2	SCREW
23A	39178678	3	SCREW, TAPTITE	40B	95929071	2	WASHER, FLAT
24	95919114	1	ELBOW	41	39929559	1	PLATE, MOISTURE SEPARATOR, WHITE
25	95937678	1	ELBOW 90°	85548295	1	PLATE, MOISTURE SEPARATOR, BEIGE	
26	39482757	1	VALVE, WATER SHUTOFF SOLENOID	41A	39128483	4	SCREW
27	95946174	1	NIPPLE	41B	39128566	4	NUT
28	39482872	1	PLATE, COUPLING	41C	95916771	2	SCREW
28A	39133152	4	SCREW, TAPTITE	42	39803333	1	PLATE, EXHAUST BOTTOM, WHITE
29	95937561	2	CONNECTOR	85545440	1	PLATE, EXHAUST BOTTOM, BEIGE	
30	39824628	1	TUBE, OILCOOLER WATEROUT	43	39818265	1	BRACE, SUPPORT COOLERS, WHITE
31	39804851	1	TUBE, AFTERCOOLER OILCOOLER	85543890	2	BRACE, SUPPORT COOLERS, BEIGE	
32	39572029	1	HOSE, WATERIN AFTERCOOLER	43A	39178678	8	SCREW, TAPTITE
33	95946190	2	ELBOW, 45°	44	39155478	1	ELBOW 90°
34	54376660	1	SUPPORT, FAN MOTOR, WHITE	45	39560628	1	SENSOR, TEMPERATURE
	85543262	1	SUPPORT, FAN MOTOR, BEIGE	45A	39404157	1	O-RING
34A	39178678	4	SCREW, TAPTITE	46	95928255	1	PLUG
35	XX	1	MOTOR, FAN	47	95494019	1	UNION
35A	39130828	4	BOLT	48	39824685	1	TUBE, WATER-OUT
35B	39128558	4	NUT				
36	39197835	1	FAN, (60 HZ)				
	39262811	1	FAN, (50 HZ)				
37	54421698	1	TRAP, MOISTURE SEPARATOR				



54364245
REV B

Item	ccn	Qty.	Description	Item	ccn	Qty.	Description
49	39558548	1	ANGLE, SUPPORT, WHITE	NOTE: 1. STANDARD FASTENERS SUCH AS NUTS, BOLTS AND SCREWS ARE LISTED AS SUB-ITEMS (EXAMPLE: 35A)			
	85543411	2	ANGLE, SUPPORT, BEIGE				
49A	39133145	8	SCREW, TAPTITE	2. ITEMS 6 (TUBE) 8 (ELBOW QTY 2) AND THE AMOT VALVE MAY BE ROTATED 180° ABOUT THE VERTICAL AXIS TO ACCOMMODATE ITEMS 13 (HOSE) AND 14 (HOSE)			
50	39451339	1	DECAL, WATER-IN				
51	95033627	2	PLUG	X ORDER PER NUMBER OF INCHES REQUIRED			
52	39541321	1	DECAL, WATER-OUT				
53	54423280	1	ADAPTER, MOISTURE SEPARATOR TO TRAP	XX FURNISH MOTOR PART NO. (STAMPED ON MOTOR NAMEPLATE) WHEN ORDERING REPLACEMENT			

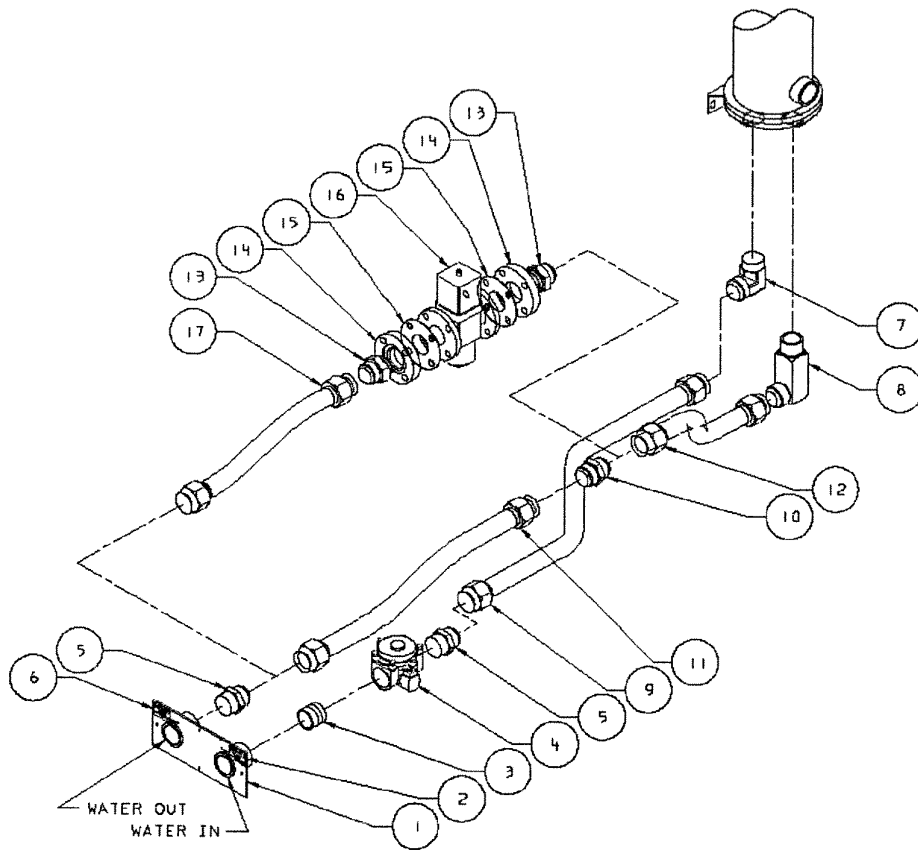
WATERCOOLED 90° WITH CONTROL VALVE

54364245
REV B

Item	ccn	Qty.	Description	Item	ccn	Qty.	Description
1	39482872	1	PLATE, COUPLING	12	39824834	1	TUBE, OILCOOLER TO WATER CONTROL VALVE
2	39541339	1	DECAL, WATER IN	13	39128632	2	CONNECTOR
3	95946174	1	NIPPLE	14	39493242	2	FLANGE
4	39482757	1	VALVE, WATER SHUTOFF	14A	95934519	8	BOLT
5	95937561	2	CONNECTOR	14B	95922910	8	LOCKNUT
6	39541321	1	DECAL, WATER OUT	14C	95929188	8	LOCKWASHER
7	95937678	1	ELBOW 90°	15	39476452	2	GASKET, FLANGE
8	95919114	1	ELBOW 90°	16	39185053	1	VALVE, WATER CONTROL
9	39572029	1	HOSE, WATER IN TO AFTERCOOLER	17	39824628	1	TUBE, CONTROL VALVE TO WATER OUT
10	95946910	2	ELBOW 45°				
11	39804851	1	TUBE, AFTERCOOLER TO OIL COOLER				

WATERCOOLED NO AFTERCOOLER

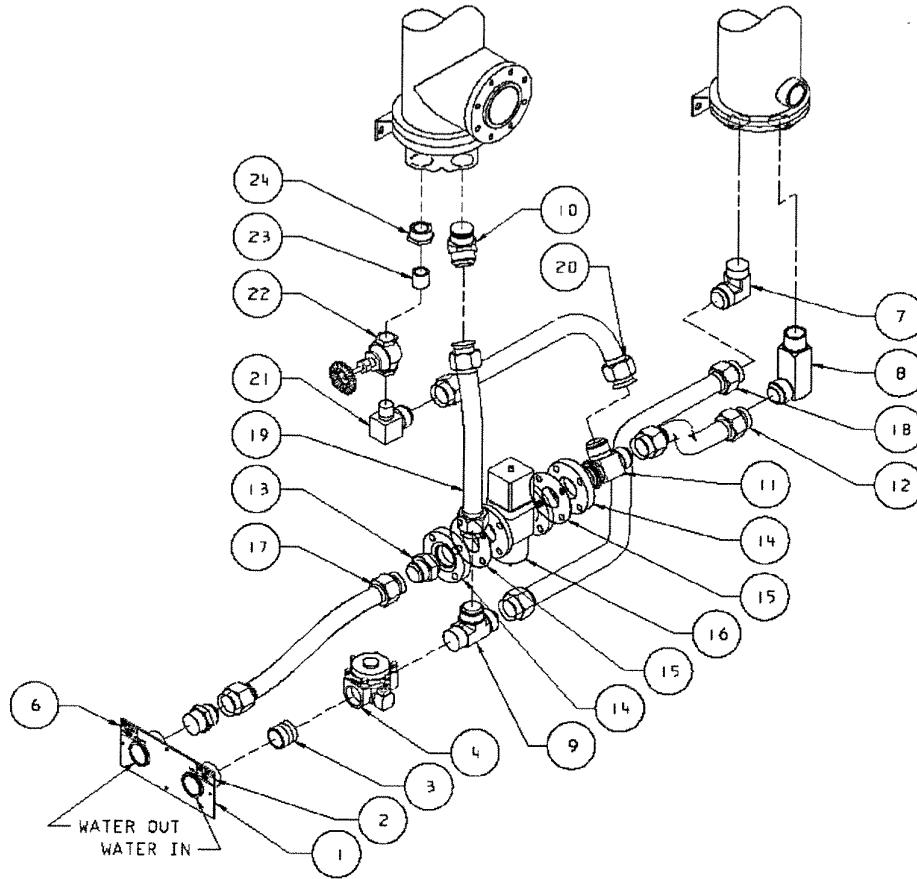
WATERCOOLED NO AFTERCOOLER WITH CONTROL VALVE



54364245
REV B

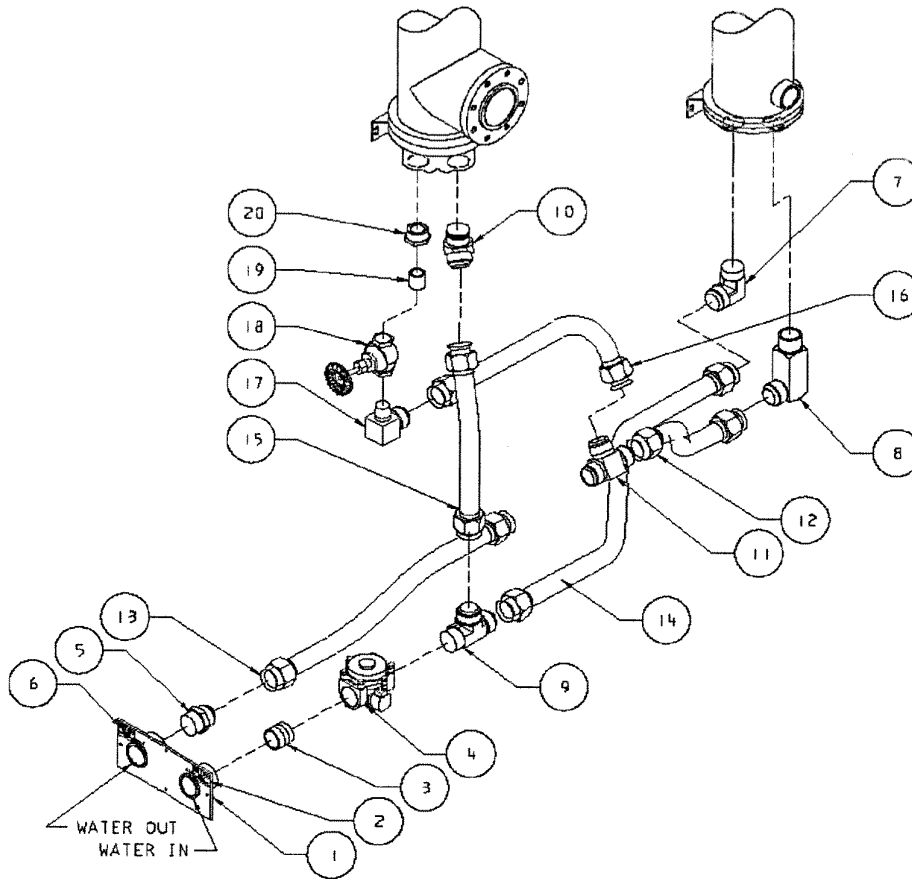
Item	ccn	Qty.	Description	Item	ccn	Qty.	Description
WATER COOLED NO AFTERCOOLER				WATER COOLED NO AFTERCOOLER WITH CONTROL VALVE			
1	39482872	1	PLATE, COUPLING	13	39128632	2	CONNECTOR
2	39541339	1	DECAL, WATER IN	14	39493242	2	FLANGE
3	39181177	1	NIPPLE	14A	95934519	8	BOLT
4	39482757	1	VALVE, WATER SHUTOFF	14B	95922910	8	LOCKNUT
5	95937561	2	CONNECTOR	14C	95929188	8	LOCKWASHER
6	39541321	1	DECAL, WATER OUT	15	39476452	2	GASKET, FLANGE
7	95937678	1	ELBOW, 90°	16	39185053	1	VALVE, WATER CONTROL
8	95919114	1	ELBOW, 90°	17	39824628	1	TUBE, CONTROL VALVE TO WATEROUT
9	39807334	1	TUBE, WATER IN TO OILCOOLER				
10	95494019	2	UNION				
11	39824685	1	TUBE, OILCOOLER TO WATEROUT				
12	39824628	1	TUBE, OILCOOLER TO CONTROL VALVE				

WATERCOOLED 115° WITH CONTROL VALVE

54364245
REV B

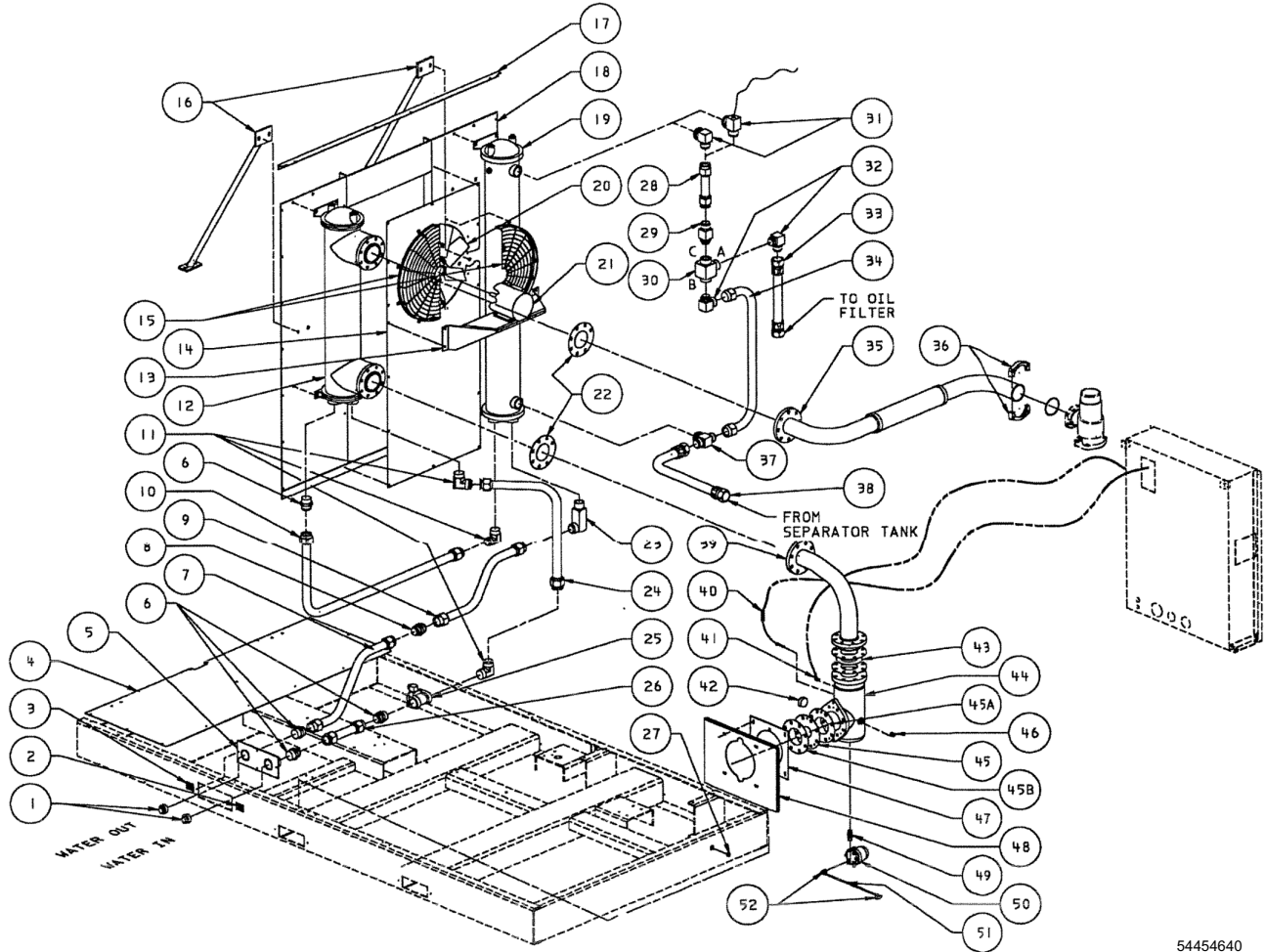
Item	ccn	Qty.	Description	Item	ccn	Qty.	Description
1	39482872	1	PLATE, COUPLING	14A	95934519	8	BOLT
2	39541339	1	DECAL, WATER IN	14B	95922910	8	LOCKNUT
3	39181177	1	NIPPLE	14C	95929188	8	LOCKWASHER
4	39482757	1	VALVE, WATER SHUTOFF	15	39476452	2	GASKET, FLANGE
5	95937561	1	CONNECTOR	16	39185053	1	VALVE, WATER CONTROL
6	99541321	1	DECAL, WATER OUT	17	39824628	1	TUBE, CONTROL VALVE TO WATEROUT
7	95937678	1	ELBOW 90°	18	39804901	1	TUBE, WATER IN TO OILCOOLER
8	95919114	1	ELBOW 90°	19	39804877	1	TUBE, WATER IN TO AFTERCOOLER
9	95645123	1	TEE	20	39824701	1	TUBE, AFTERCOOLER TO TEE
10	95946190	1	ELBOW 45°	21	39495403	1	ELBOW 90°
11	39482476	1	TEE	22	95067203	1	VALVE, GLOBE
12	39824628	1	TUBE	23	39181185	1	NIPPLE
13	39128632	1	CONNECTOR	24	39181193	1	BUSHING
14	39493242	2	FLANGE				

WATERCOOLED 115° WITHOUT CONTROL VALVE



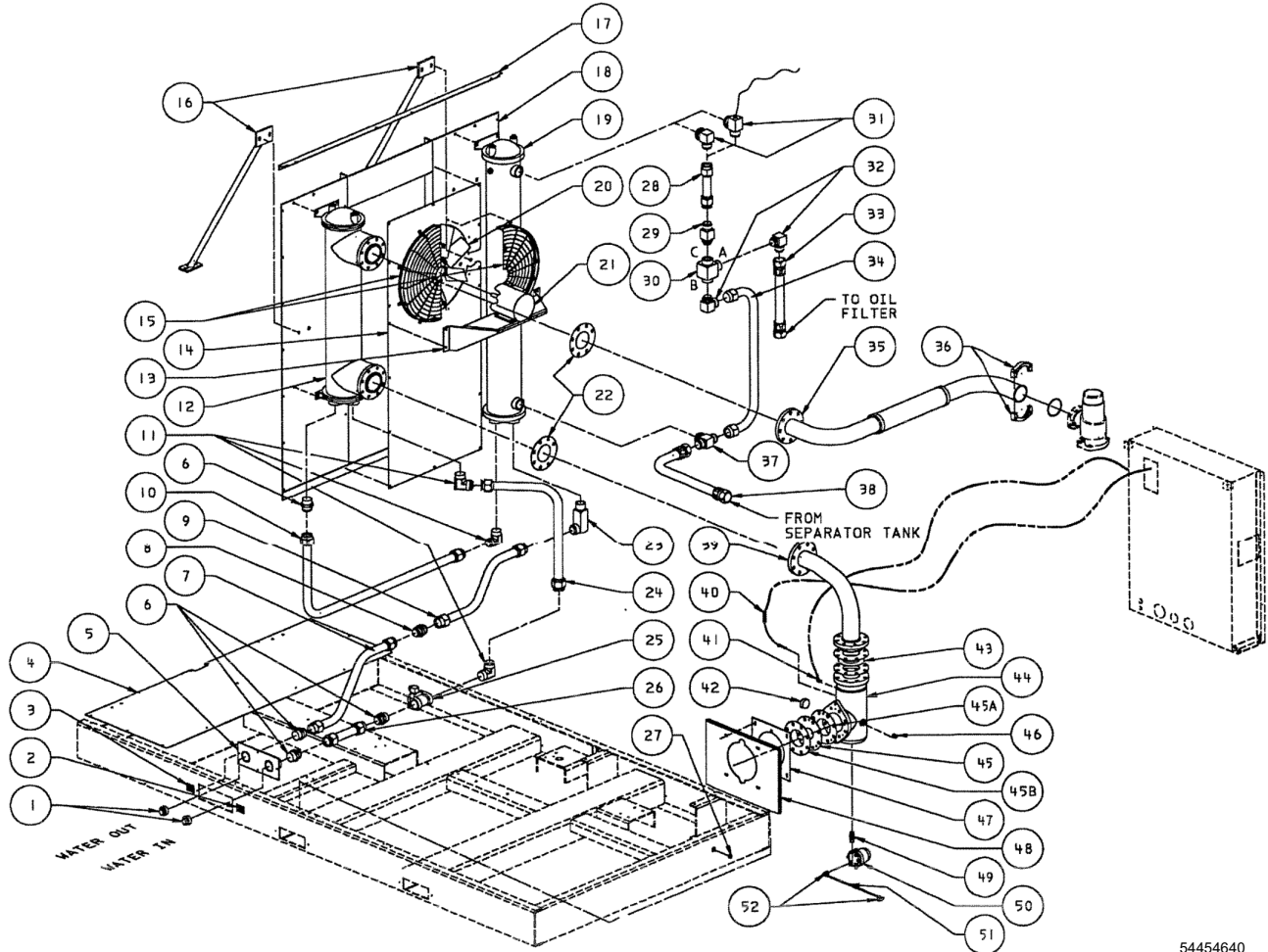
54364245
REV B

Item	ccn	Qty.	Description	Item	ccn	Qty.	Description
1	39482872	1	PLATE, COUPLING	12	39824628	1	TUBE, OILCOOLER TO CONTROL VALVE
2	39541339	1	DECAL, WATER IN	13	39824693	1	TUBE, CONTROL VALVE TO WATEROUT
3	39181177	1	NIPPLE	14	39804901	1	TUBE, WATER IN TO OILCOOLER
4	39482757	1	VALVE, WATER SHUTOFF	15	39804877	1	TUBE, WATER IN TO AFTERCOOLER
5	95937561	1	CONNECTOR	16	39824701	1	TUBE, AFTERCOOLER TO TEE OUT
6	39541321	1	DECAL, WATER OUT	17	39455403	1	ELBOW 90°
7	95937678	1	ELBOW 90°	18	95067203	1	VALVE, GLOBE
8	95919114	1	ELBOW 90°	19	39181185	1	NIPPLE
9	95645123	1	TEE	20	39181193	1	BUSHING
10	95946190	2	ELBOW 45°				
11	39119227	1	TEE				



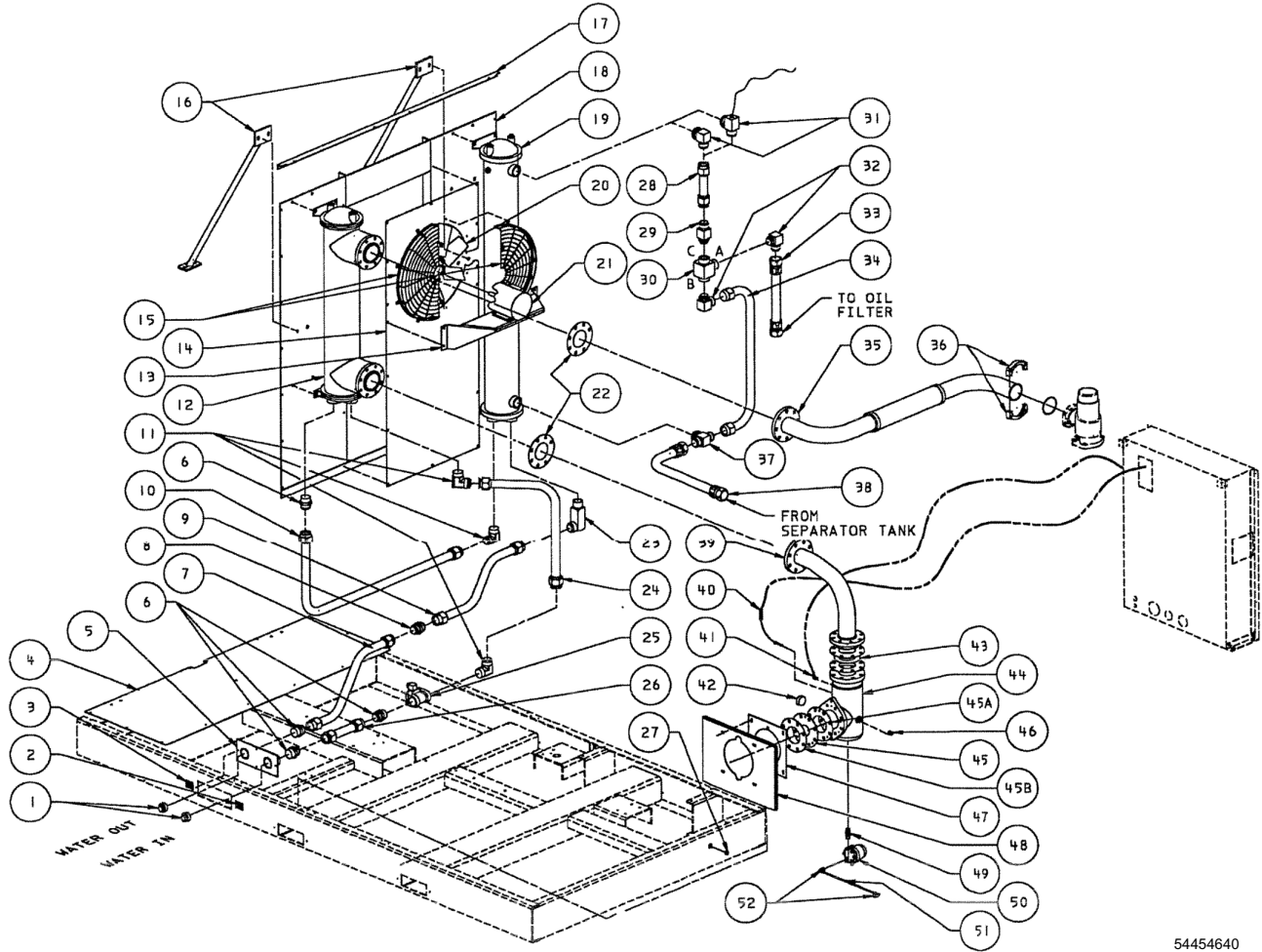
54454640
REV A

Item	ccn	Qty.	Description	Item	ccn	Qty.	Description
1	95033627	2	PLUG.	12B	39116348	4	NUT
2	39541339	1	DECAL. WATER IN	13	85543262	1	SUPPORT, FAN MOTOR
	39569058	1	DECAL. WATER IN SPANISH	13A	39178678	4	SCREW
	39854898	1	DECAL. WATER IN PORTUGUESE	14	85548352	1	SUPPORT, ORIFICE
3	39541321	1	DECAL. WATER OUT	14A	39133145	15	SCREW
	39569066	1	DECAL. WATER OUT SPANISH	15	54376678	2	GUARD, FAN
	39854914	1	DECAL. WATER OUT PORTUGUESE	15A	39133152	10	SCREW, TAPTITE
4	85547552	1	PLATE, BOTTOM EXAHUST	15B	95929071	10	WASHER
4A	39804778	1	SCREW,	16	85547958	2	BRACE, WATER COOLER SUPPORT
5	39482872	1	PLATE, COUPLING	16A	39116330	8	BOLT, .50-13X1.00 WHIZLOCK
5A	39133152	4	SCREW, .25-20X 1.00 TAPTITE	16B	39116348	8	NUT
6	95937561	4	CONNECTOR	17	85547560	1	ANGLE, UPPER
7	39836457	1	TUBE, DCLR OUTLET TO CONNECTOR	18	85547545	1	SUPPORT, WATERCOOLERS
8	95494019	1	UNION,	18A	39178678	4	SCREW
9	39836432	1	TUBE, CONNECTOR TO BASE OUT	19	39804745	1	COOLER, OIL
10	39805338	1	TUBE, AFTCLR OUT TO OCLR INLET	19A	39128509	4	SCREW
11	95937678	3	ELBOW	19B	39116348	4	NUT
12	39801584	1	AFTERCOOLER	20	39197835	1	FAN, 24 INCH. 8 BLADE (60HZ)
12A	39128509	4	SCREW		39262811	1	FAN, 24 INCH. 10 BLADE (50HZ)



54454640
REV A

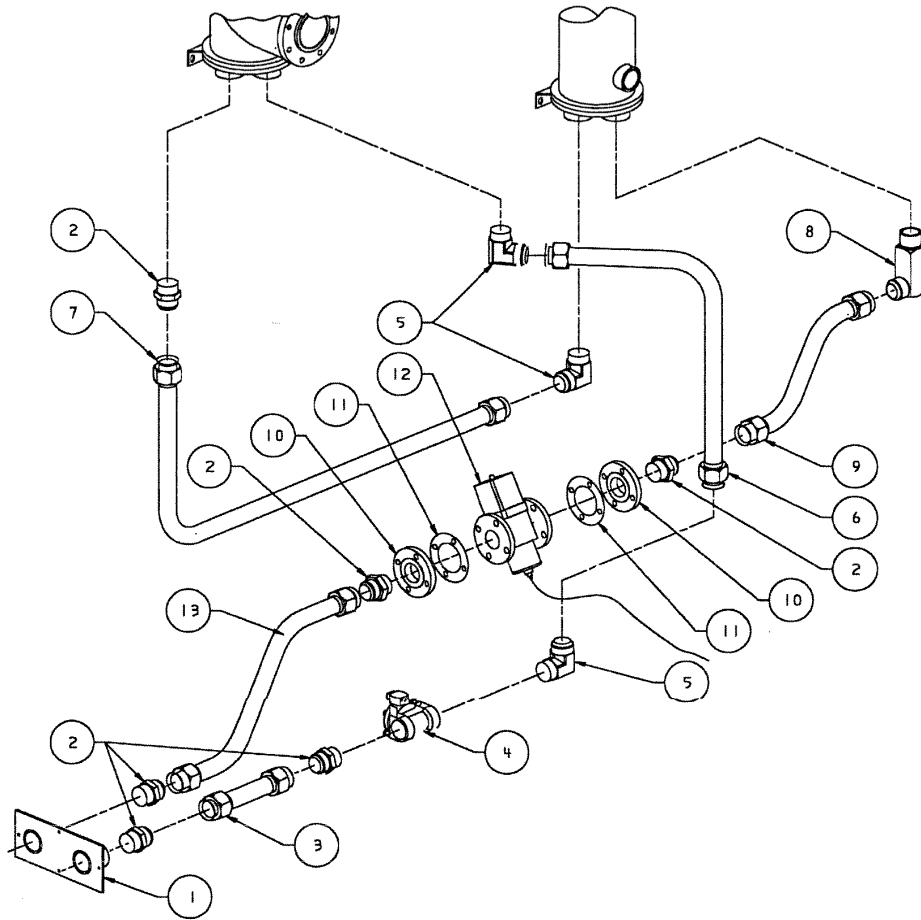
Item	ccn	Qty.	Description	Item	ccn	Qty.	Description
21	XXXXXXX	1	MOTOR, FAN	39207402	1	ELEMENT, AMOT (400-450HP UNITS)	
21A	39130828	4	SCREW	31	39140512	1	ELBOW (W/O-RING)
21B	39128558	4	NUT	39483086	1	ELBOW (UNIT WITH CNTL. VA)	
22	39452362	2	GASKET	32	39481460	2	ELBOW (350HP UNITS)
23	95919114	1	ELBOW	39140512	2	ELBOW (450-450HP UNITS)	
24	39805346	1	TUBE, WATER VALVE TO AFTCLR INLET	33	22063622	1	HOSE (PORT "A" TO OIL FILTER)
25	39482757	1	VALVE, WATER SHUTOFF SOLENOID	34	39805494	1	TUBE (350HP UNITS)
25A	39479555	1	CONNECTOR	39878467	1	TUBE (400-450HP UNITS)	
26	39483060	1	TUBE, BASE IN TO WATER VALVE INLET	35	39929666	1	PIPE. MPCV TO AFTERCOOLER
27	95928255	1	PLUG	36	39481593	2	FLANGE, 4-BOLT SPLIT
28	39483201	1	TUBE, OCLR TO THERMO, VALVE PORT C	36A	95060018	1	O-RING
29	39481486	1	CONNECTOR (350HP UNITS)	36B	39185442	4	BOLT (-62 X 2.25)
	39128632	1	CONNECTOR (400-450HP UNITS)	36C	95929188	4	WASHER
30	39481429	1	VALVE, AMOT 1.88 - 150°F- 350HP UNITS	37	95943023	1	TEE
	39437652	1	ELEMENT, AMOT 150°F- 350HP UNITS	38	22063648	1	HOSE (TANK TO COOLER MANIFOLD)
	95022034	1	O-RING, BODY (350HP UNITS)	39	39929666	1	TUBE, AFTERCOOLER TO MOIST, SEP.
	95022257	1	O-RING, ELEMENT (350HP UNITS)	39A	95930723	8	BOLT
30	39834684	1	VALVE AMOT (400-450HP UNITS)	40	39560628	1	SENSOR, TEMPERATURE
				40A	39155478	1	O-RING



54454640
REV A

Item	ccn	Qty.	Description	Item	ccn	Qty.	Description
41	39155478	1	ELBOW	47C	95916771	2	SCREW
42	95941811	1	PLUGE	48	85548287	1	SUPPORT, MOISTURE SEPARATOR
43	39891171	1	ELEMENT, MOISTER SEPARATOR	48A	39133152	2	SCREW
43A	39487434	2	GASKET, 3.50 INTERSTAGE	48B	95929071	2	WASHER
43B	95823365	8	BOLT	49	54423280	1	ADAPTER, M.S. TO TRAP
43C	95929188	8	LOCKWASHER	50	54421698	1	TRAP, MOISTURE SEPARATOR
44	39928007	1	SHELL, MOISTURE SEPARATOR	51	39137518	X	TUBING
45	54393996	1	TUBE, SEPARATOR OUTLET	52	39137534	2	ELBOW
45A	39925532	1	GASKET	NOTE: 1 - STANDARD FASTENERS SUCH AS NUTS, BOLTS, AND SCREWS ARE LISTED AS SUB-ITEMS (EXAMPLE: 35A).			
45B	95823365	3	SCREW	2 - x - ORDER PER NUMBER OF INCHES REQUIRED.			
46	95387361	1	PLAUG	3 - XXXXXXXX FURNISH MOTOR PART NO. (STAMPED ON MOTOR NAMEPLATE) WHEN ORDERING REPLACEMENT.			
47	39929559	1	PLATE, MOISTURE SEPARATOR				
47A	39128483	4	SCREW				
47B	39128566	4	NUT				

WATERCOOLED WITH CONTROL VALVE

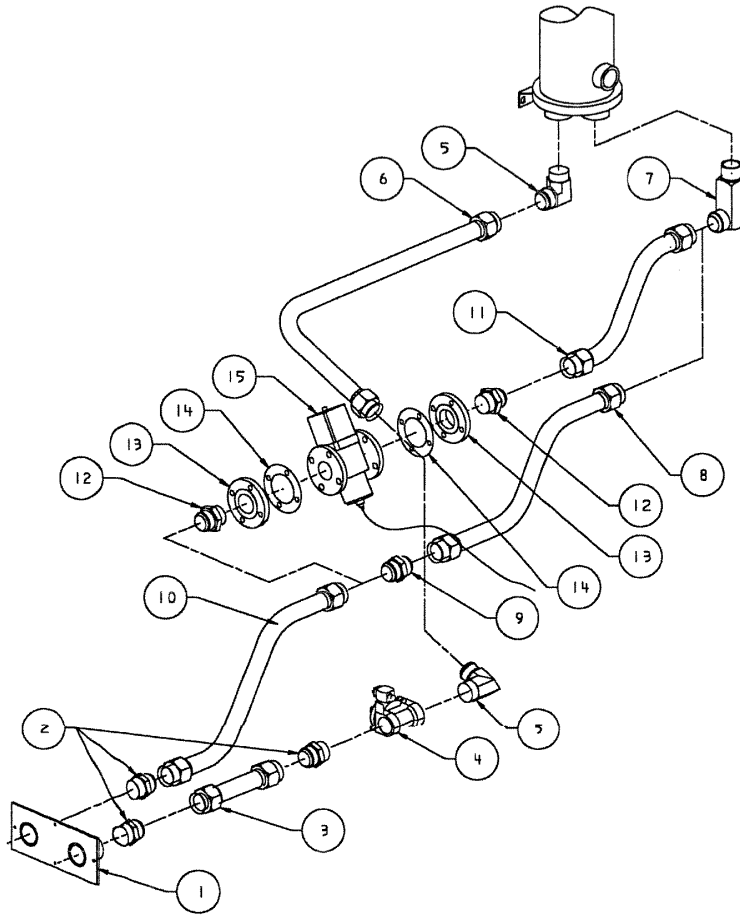


54454640
REV A

Item	ccn	Qty.	Description	Item	ccn	Qty.	Description
1	39482872	1	PLATE, COUPLING	9	39836440	1	TUBE
2	95937561	6	CONNECTOR	10	39483011	2	FLANGE
3	39483060	1	TUBE, BASE IN TO WATER VALVE INLET	10A	95171864	8	BOLT
4	39482757	1	VALVE, WATER SHUTOFF SOLENOID	10B	95923355	8	NUT
4A	39479555	1	CONNECTOR, ELECTRICAL	11	95083556	2	GASKET, FLANGE
5	95937678	1	ELBOW, 90°	12	39185053	1	VALVE, PENN 2.00 NPT FLANGE
6	39805346	1	TUBE	13	39836432	1	CONNECTOR
7	39805338	1	TUBE				
8	95919114	1	ELBOW, 90°				

WATERCOOLED NO AFTERCOOLER

WATERCOOLED NO AFTERCOOLER WITH CONTROL VALVE



54454640
REV A

Item	ccn	Qty.	Description	Item	ccn	Qty.	Description
------	-----	------	-------------	------	-----	------	-------------

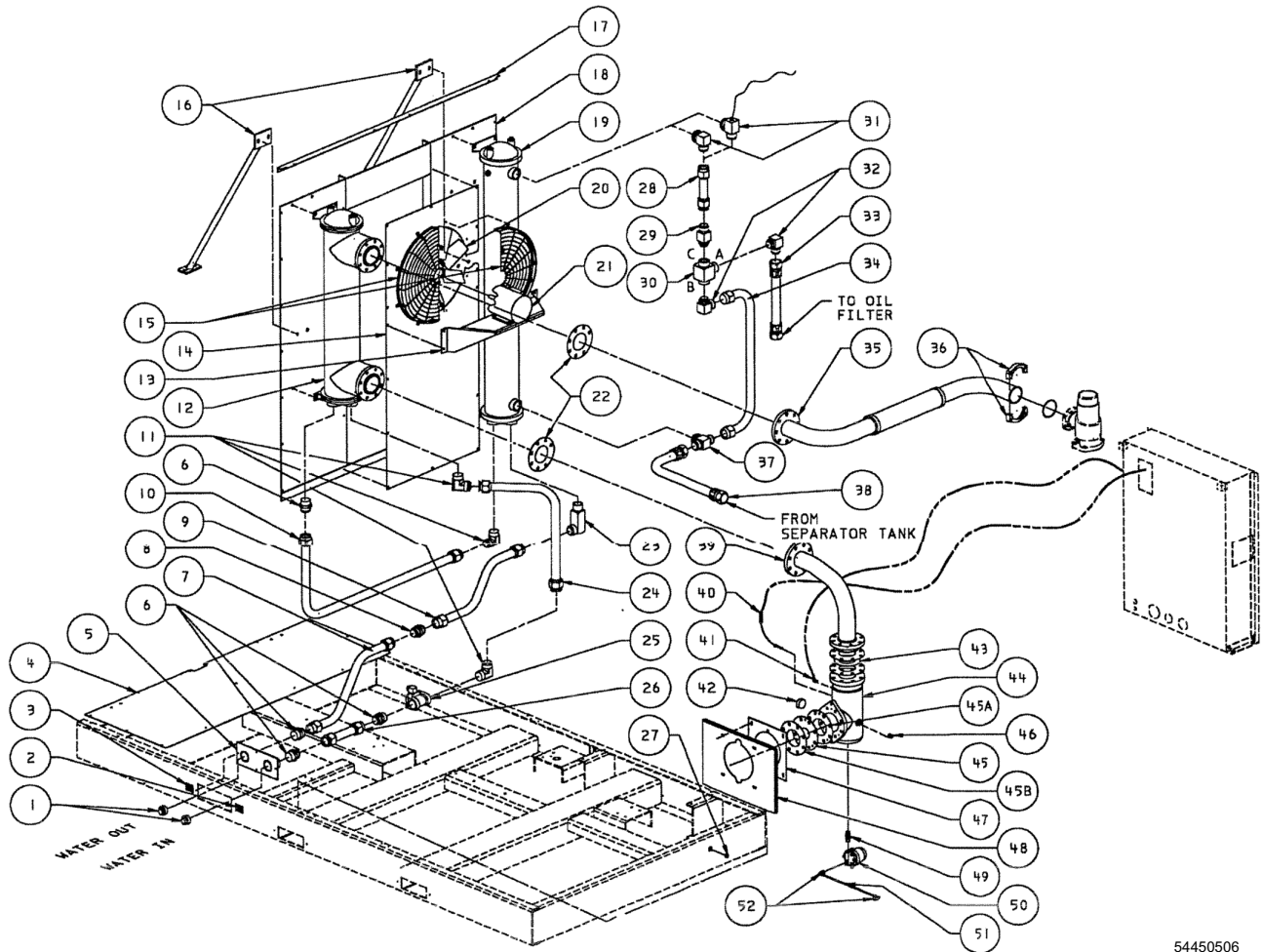
WATER COOLED NO AFTERCOOLER

WATER COOLED NO AFTERCOOLER WITH CONTROL VALVE

1	39482872	1	PLATE, COUPLING
2	95937561	6	CONNECTOR
3	39483060	1	TUBE, BASE IN TO WATER VALVE INLET
4	39482757	1	VALVE, WATER SHUTOFF SOLENOID
4A	39479555	1	CONNECTOR, ELECTRICAL
5	95937678	1	ELBOW, 90°
6	39810296	1	TUBE
7	95919114	1	ELBOW, 90°
8.	39836457	1	TUBE
9	95494019	1	UNION
10	39836432	2	TUBE, CONNECTOR TO BASE OUT

11	39836440	1	TUBE
12	95937561	2	CONNECTOR
13	39483011	2	FLANGE
13A	95171864	8	BOLT
13B	95923355	8	NUT
14	95083556	2	GASKET, FLANGE
15	39185053	1	VALVE, PENN 2.00 NPT FLANGE

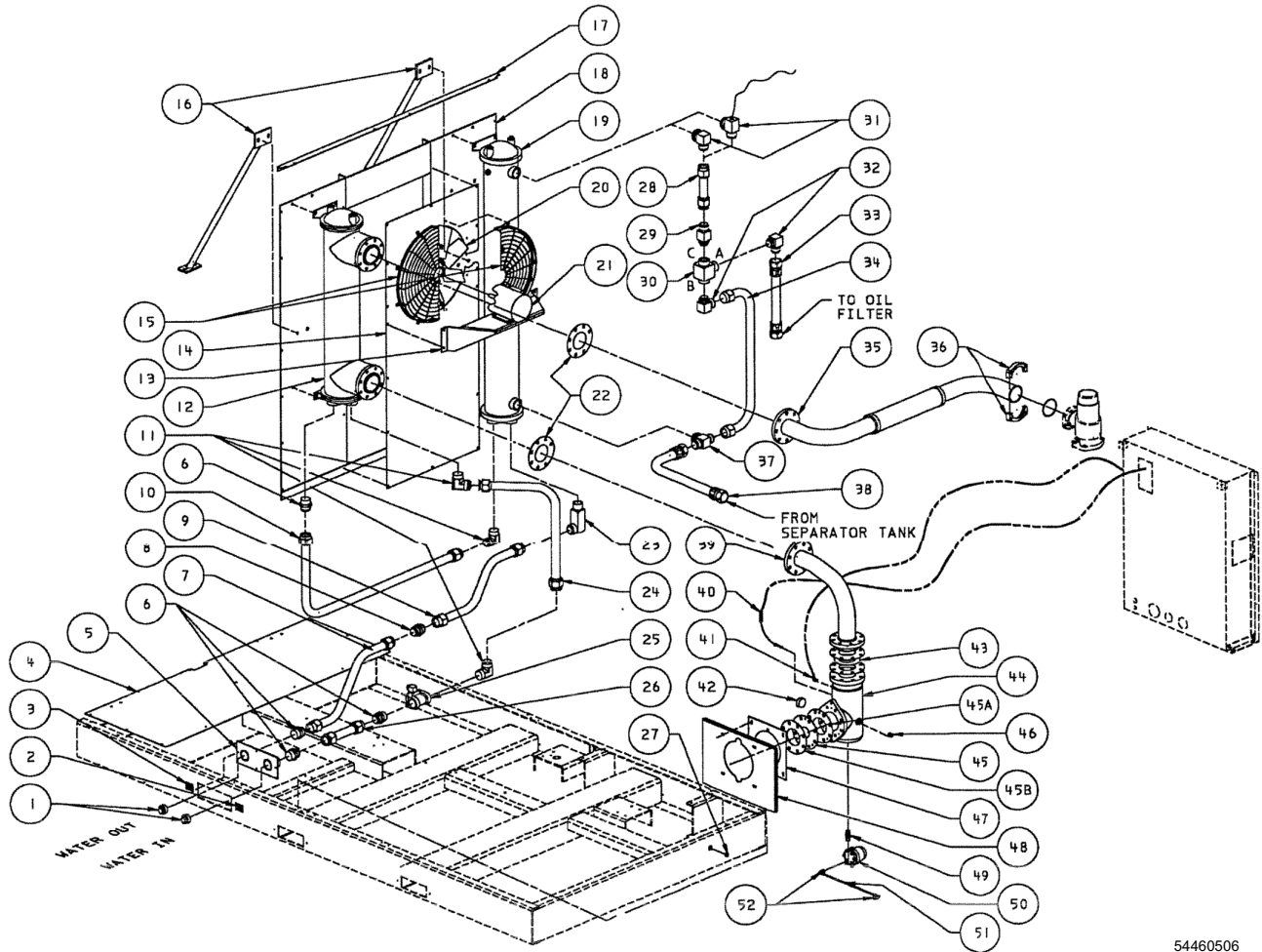
WATERCOOLED ASSEMBLY 350-450 HP-115° WATER (PARALLEL FLOW) 53



54450506
REV A

Item	ccn	Qty.	Description	Item	ccn	Qty.	Description
1	95033627	2	PLUG.	14	39812946	2	BRACE, WATERCOOLER SUPPORT
2	39541339	1	DECAL. WATER IN	14A	39116330	8	BOLT
	39569058	1	DECAL. WATER IN SPANISH	14B	39116348	8	NUT
	39854898	1	DECAL. WATER IN PORTUGUESE	15	54380316	1	SUPPORT, ORIFICE
3	39541321	1	DECAL. WATER OUT	15A	39133145	15	SCREW
	39569066	1	DECAL. WATER OUT SPANISH	16	39804752	1	SUPPORT, WATERCOOLER
	39854914	1	DECAL. WATER OUT PORTUGUESE	16A	39178678	4	SCREW, TAPTITE
4	39804778	1	PLATE, EXAHUST	17	39804786	1	ANGLE, UPPER
4A	39133145	15	SCREW	18	54376678	2	GUARD, FAN
5	39482872	1	PLATE, COUPLING	18A	39133152	10	SCREW
5A	39133152	4	SCREW	19	39197835	1	FAN, 24 INCH. 8 BLADE (60HZ)
6	95937678	3	ELBOW		39262811	1	FAN, 24 INCH. 10 BLADE (50HZ)
7	95956249	1	STRAIGHT	20	XXXXXXX	1	MOTOR, FAN
8	95067211	1	VALVE,	20A	39130828	4	SCREW
9	39805379	1	TUBE, AFTCLR OUTLET TO GLOBE VALVE	20B	39128558	4	NUT
10	95937961	2	STRAIGHT	21	54376660	1	SUPPORT, FAN MOTOR
11	39482997	1	TEE	21A	39178678	4	SCREW
12	39572367	1	HOSE	22	39801576	1	COOLER, OIL
13	39836531	1	TUBE	22A	39128509	4	SCREW
				22B	39116348	4	NUT

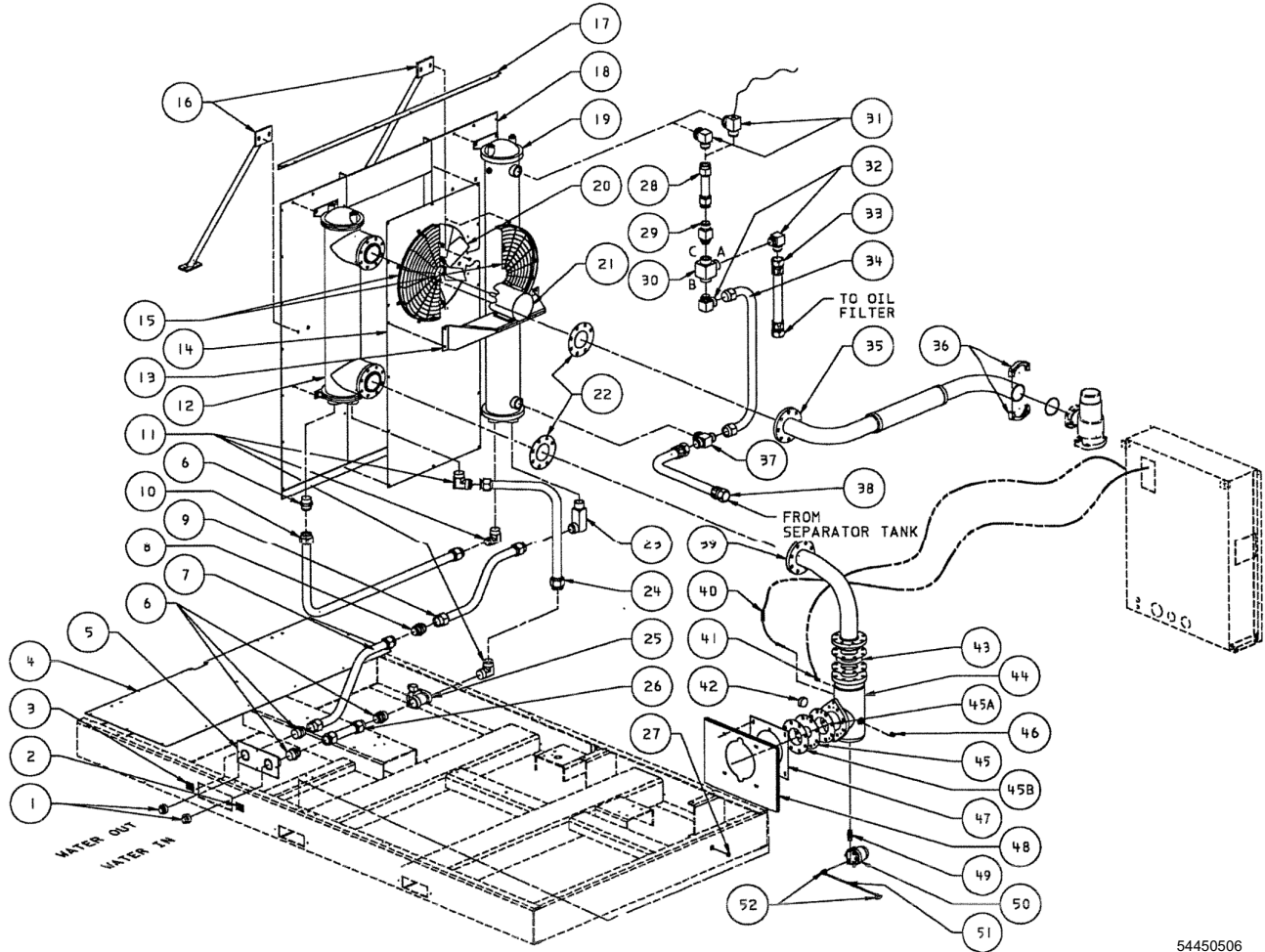
54 WATERCOOLED ASSEMBLY 350-450 HP-115° WATER (PARALLEL FLOW)



54460506
REV A

Item	ccn	Qty.	Description	Item	ccn	Qty.	Description
23	39801584	1	AFTERCOOLER	95022034	1	O-RING, BODY - 350HP UNITS	
23A	39128509	1	SCREW	95022257	1	O-RING, ELEMENT - 350HP UNITS	
23B	39116348	4	NUT	33	39834684	1	VALVE, AMOT (400-450HP UNITS)
24	95919114	1	ELBOW	39207402	1	ELEMENT, (400-450HP UNITS)	
25	95946190	1	ELBOW	34	39805486	1	TUBE (350HP UNITS)
26	39805460	1	TUBE, OCLR OUT TO TEE	39878475	1	TUBE (400-450HP UNITS)	
25A	39479555	1	CONNECTOR	35	95943023	1	TEE
26	39483060	1	TUBE, BASE IN TO WATER VALVE INLET	36	39140512	1	ELBOW
27	39836549	1	TUBE, TEE TO OCLR INLET	39483086	1	ELBOW	
28	95645123	1	TEE	37	39481460	2	ELBOW (350HP UNITS)
29	39482757	1	VALVE, WATER SHUTOFF SOLENOID	39140512	2	ELBOW (400-450HP UNITS)	
29A	39479555	1	CONNECTOR DIN	38	39572334	1	HOSE PORT "A" TO OIL FILTER
30	39836515	1	TUBE, BASE IN TO WATER VALVE INLET	39	39572367	1	HOSE (TANK TO COOLER MANIFOLD)
31	39483201	1	TUBE, OCLR OUTLET TO THERMO. VALVE PORT C	40	39825666	1	PIPE, MPCV TO AFTERCOOLER
32	39481486	1	ADAPTER, (350HP UNITS)	40A	95171864	16	SCREW
	39128632	1	ADAPTER, (400-450HP UNITS)	40B	95929188	16	WASHER
33	39481429	1	VALVE, (350HP UNITS)	40C	39452362	5	GASKET
	394337652	1	ELEMENT, AMOT 150° (350HP UNITS)	41	39481593	2	FLANGE
				41A	95060018	1	O-RING
				41B	39185442	4	BOLT
				41C	95959188	4	WASHER, LOCK

WATERCOOLED ASSEMBLY 350-450 HP-115° WATER (PARALLEL FLOW) 55



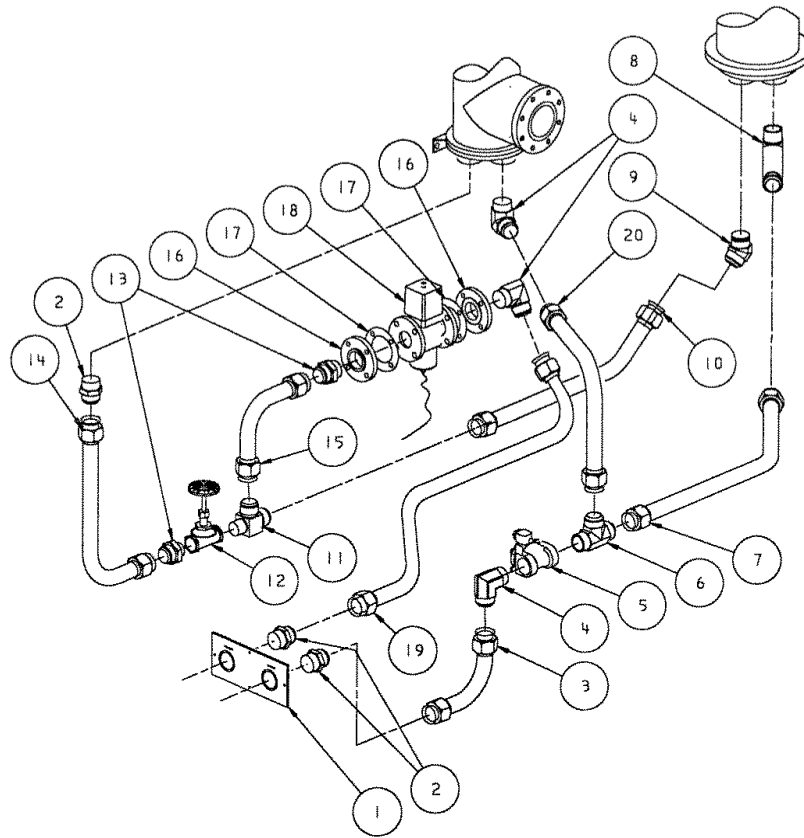
54450506
REV A

Item	ccn	Qty.	Description	Item	ccn	Qty.	Description
42	39929666	1	TUBE, ATFTERCOOLER TO MOIST.	50	95387361	1	PLUG
42A	95930723	8	BOLT	51	39929559	1	PLATE, MOISTURE SEPARATOR
42B	39452362	1	GASKET	51A	39128483	4	SCREW
43	39560628	1	SENSOR, TEMPERATURE	51B	39128566	4	NUT
43A	39404157	1	O-RING	51C	95916771	2	SCREW
44	39155478	1	ELBOW	52	54423280	1	ADAPTER
45	95941811	1	PLUG	53	54421698	1	TRAP, MOISTURE SEPARATOR
46	39929278	1	SUPPORT, MOISTURE SEPARATOR	54	39137518	X	TUBING
46A	39133152	2	SCREW	55	39137534	2	ELBOW
46B	95929071	2	WASHER	56	95928255	1	PLUG
47	39891171	1	ELEMENT, MOISTURE SEPARATOR				
47A	39487434	2	GASKET				
47B	95934519	8	BOLT				
47C	95929188	8	LOCKWASHER				
48	39928007	1	SHELL, MOISTURE SEPARATOR				
49	54393996	1	TUBE, SEPARATOR OUTLET				
49A	39925532	1	GASKET				
49B	95823365	3	SCREW				

NOTE: 1 - STANDARD FASTENERS SUCH AS NUTS, BOLTS, AND SCREWS ARE LISTED AS SUB-ITEMS (EXAMPLE: 43A).
2 - x - ORDER PER NUMBER OF INCHES REQUIRED.
3 - XXXXXXXX FURNISH MOTOR PART NO. (STAMPED ON MOTOR NAMEPLATE) WHEN ORDERING REPLACEMENT.

56 WATERCOOLED ASSEMBLY 350-450 HP-115° WATER (PARALLEL FLOW)

WATERCOOLED WITH CONTROL VALVE



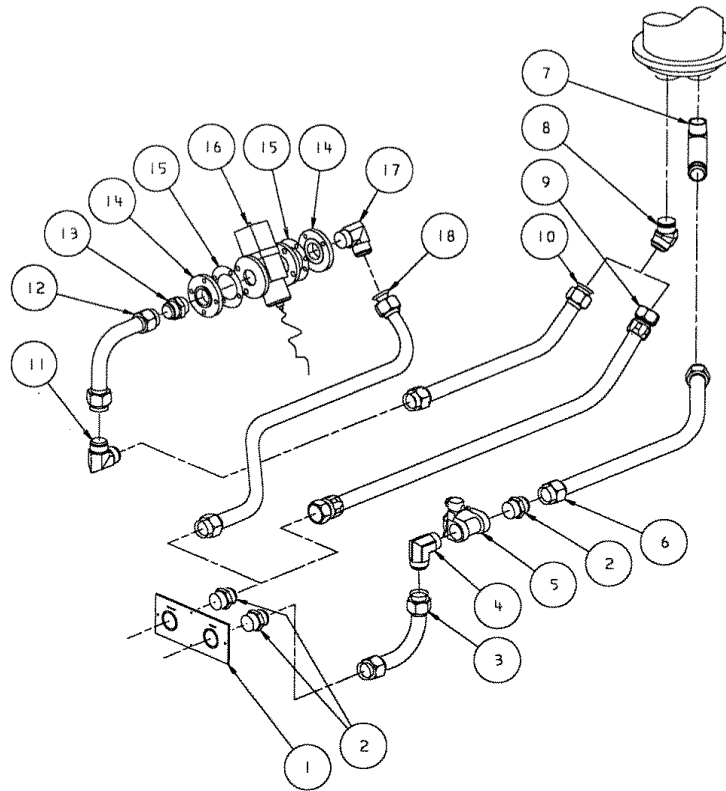
54460506
REV A

Item	ccn	Qty.	Description	Item	ccn	Qty.	Description
1	39482872	1	PLATE, COUPLING	13	95357737	2	STRAIGHT
1A	39133152	4	SCREW	14	39805379	1	TUBE, WATEROUT-AFTCL
2	95937561	3	STRAIGHT	15	39805429	1	TUBE, GLOBE VALVE
3	39836515	1	TUBE, SOLENOID VALVE INLET	16	39483011	2	FLANGE
4	95937678	3	ELBOW	17	95083556	2	GASKET
5	39482757	1	VALVE, WATER SHUTOFF SOLENOID	18	39185053	1	VALVE, 2.00 NPT FLANGE
6	95645123	1	TEE	19	39836598	1	TUBE, WATEROUT
7	39836549	1	TUBE, OILCOOLER - WATEROUT	20	39836531	1	TUBE, WATERIN-AFTERCOOLER
8	95919114	1	ELBOW, 90°				
9	95946190	1	ELBOW, 45°				
10	39805460	1	TUBE, OILCOOLER - WATEROUT				
11	39482997	1	TEE				
12	95067211	1	VALVE, GLOBE				

WATERCOOLED ASSEMBLY 350-450 HP-115°WATER (PARALLEL FLOW) 57

WATERCOOLED 115° NO AFTERCOOLER

WATERCOOLED 115° NO AFTERCOOLER WITH CONTROL VALVE



54460506
REV A

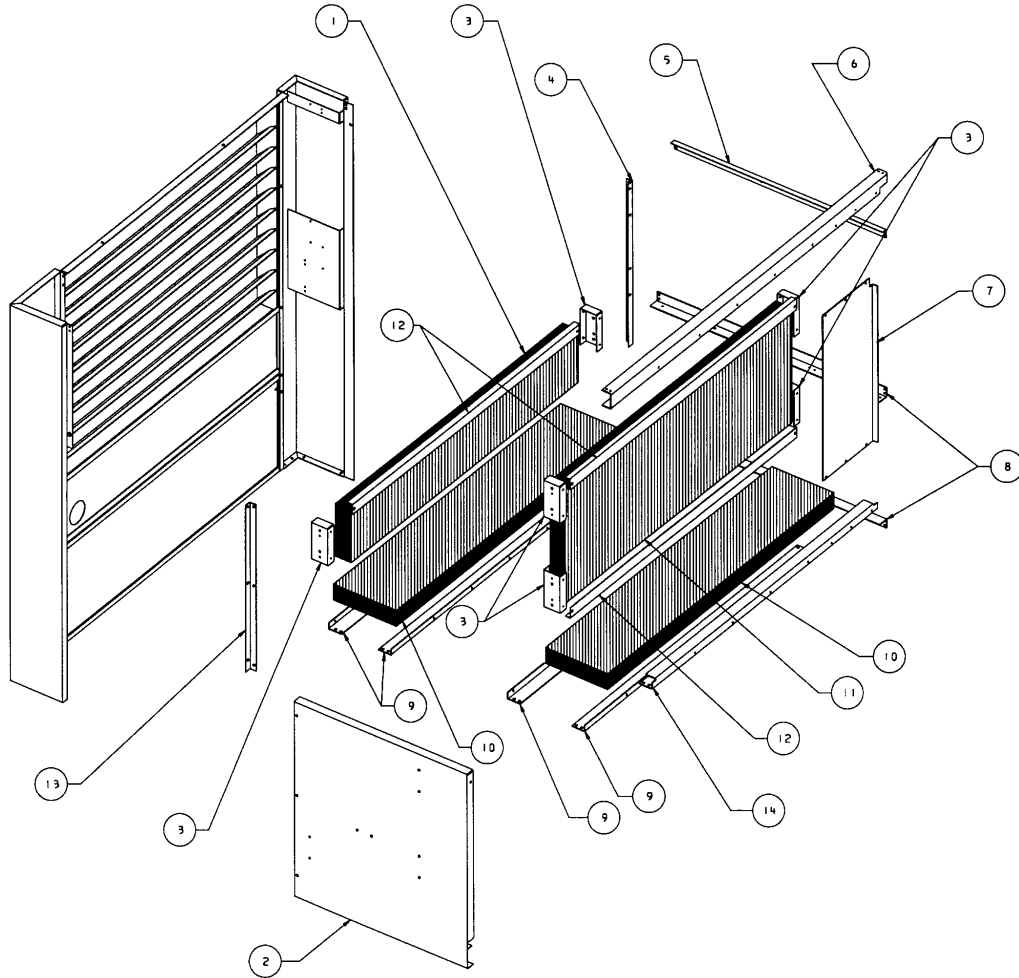
Item	ccn	Qty.	Description	Item	ccn	Qty.	Description
------	-----	------	-------------	------	-----	------	-------------

WATER COOLED 115° NO AFTERCOOLER

1	39482872	1	PLATE, COUPLING
1A	39133152	4	SCREW
2	95937561	3	STRAIGHT
3	39836515	1	TUBE, SOLENOID VALVE INLET
4	95937678	3	ELBOW
5	39482757	1	VALVE, WATER SHUTOFF SOLENOID
6	39836523	1	TUBE, OILCOOLER - WATERIN
7	95919114	1	ELBOW, 90°
8	95946190	1	ELBOW, 45°
9	39572466	1	HOSE

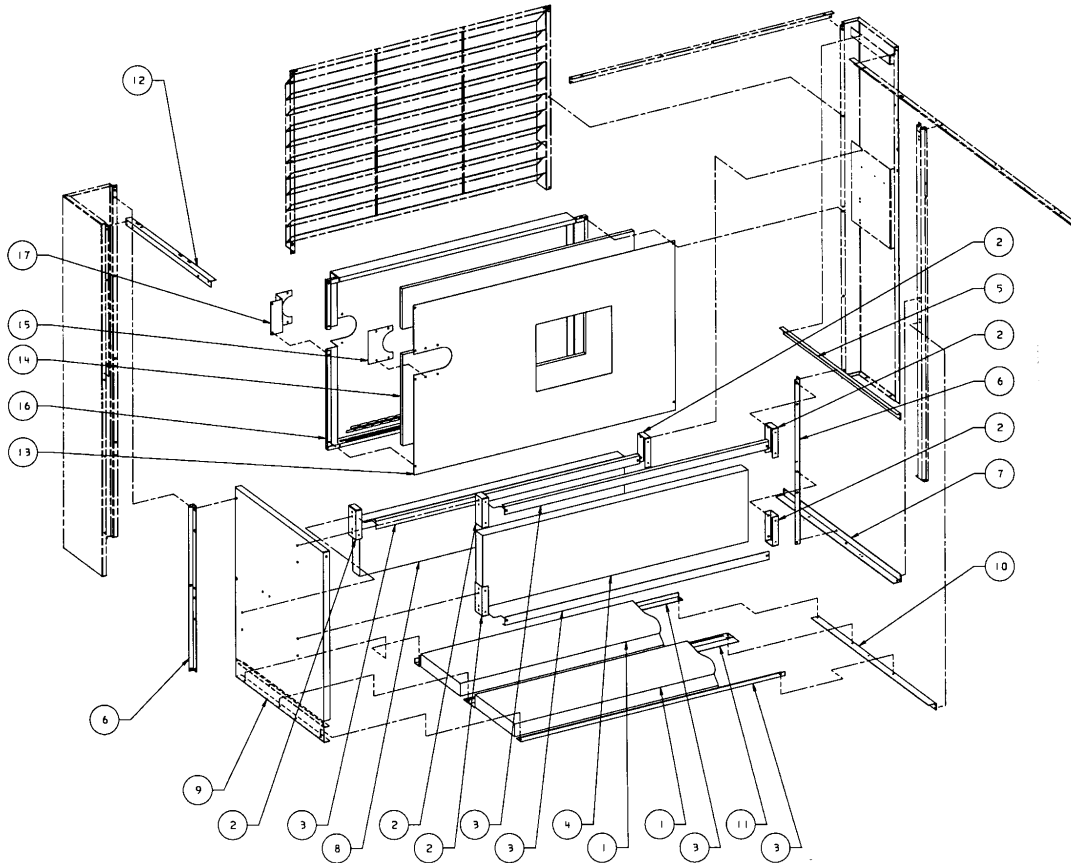
WATER COOLED 115° NO AFTERCOOLER WITH CONTROL VALVE

10	39805460	1	TUBE, OILCOOLER OUT
11	39119219	1	ELBOW, 90°
12	39805429	1	TUBE, GLOBE VALVE
13	95357737	2	FLANGE
14	39483011	2	FLANGE
15	95083556	2	GASKET, FLANGE
16	39185053	1	VALVE, 2.00 WTR CONTROL
17	95937678	1	ELBOW, 90°
18	39836598	1	TUBE, WATEROUT

54454574
REV A

Item	ccn	Qty.	Description	Item	ccn	Qty.	Description
1	39804471	1	BATT, INTAKE FRONT	85544195	2	ANGLE, AFTERCOOLER SUPPORT REAR BEIGE	
2	39803390	1	WALL, SILENCER WHITE	8A	39133145	8	SCREW
	85543114	1	WALL, SILENCER BEIGE	9	39803655	4	ANGLE, AFTERCOOLER BOTTOM WHITE
2A	39133145	3	SCREW	85543619	4	ANGLE, AFTERCOOLER BOTTOM BEIGE	
3	39798616	6	RETAINER, BATT WHITE	9A	39133145	11	SCREW
	85542256	6	RETAINER, BATT BEIGE	10	39804463	2	BATT, INTAKE BOTTOM
3A	39133145	12	SCREW	11	39803762	1	BATT, LARGE INTAKE
4	39803796	1	ANGLE, SUPPORT BATT WHITE	12	39803754	3	BRACE, BATT WHITE
	85543684	1	ANGLE, SUPPORT BATT BEIGE	85543676	3	BRACE, BATT BEIGE	
4A	39133145	2	SCREW	12A	39133145	6	SCREW
5	39803804	1	SUPPORT, ANGLE BATT WHITE	13	39803697	1	SUPPORT, BATT WHITE
	85543692	1	SUPPORT, ANGLE BATT BEIGE	85543635	1	SUPPORT, BATT BEIGE	
5A	39133145	2	SCREW	13A	39133145	2	SCREW
6	39865449	1	ANGLE, AFTERCOOLER UPPER WHITE	14	39865456	1	ANGLE, AFTERCOOLER LOWER WHITE
	85544179	1	ANGLE, AFTERCOOLER UPPER BEIGE	85544187	1	ANGLE, AFTERCOOLER LOWER BEIGE	
6A	39133145	4	SCREW	14A	39133145	4	SCREW
7	39865472	1	PLATE, AFTERCOOLER BYPASS WHITE				
	85545473	1	PLATE, AFTERCOOLER BYPASS BEIGE				
7A	39133145	4	SCREW				
8	39865464	2	ANGLE, AFTERCOOLER SUPPORT REAR WHITE				

NOTE: STANDARD FASTENERS SUCH AS NUTS, BOLTS, AND SCREWS ARE LISTED AS SUB-ITEMS (EXAMPLE: 7A).)

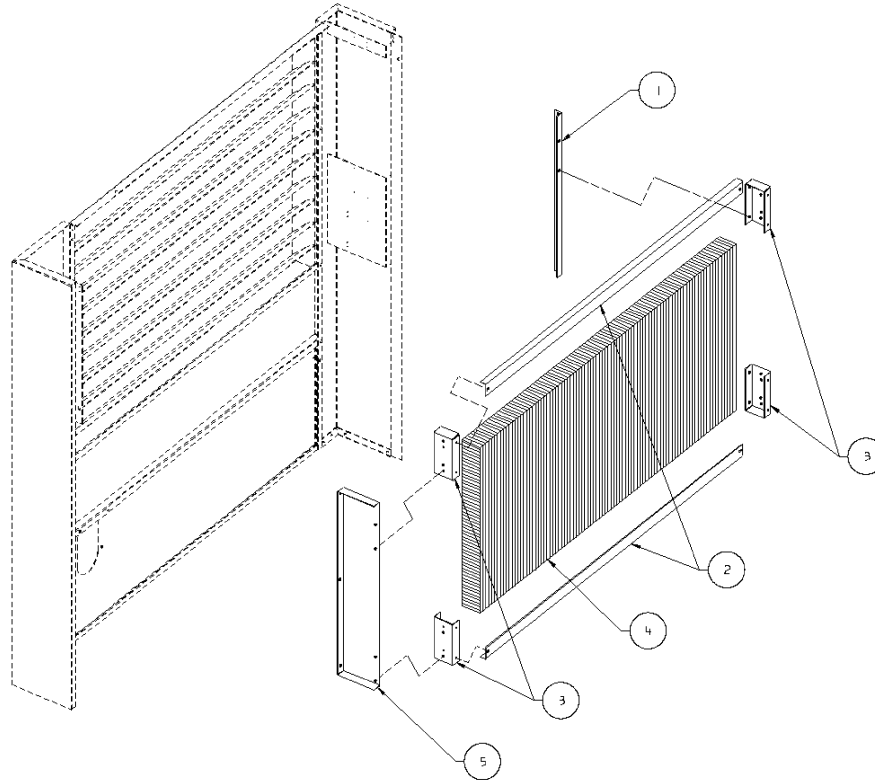


VIEWED FROM FRONT

54363460
REV A

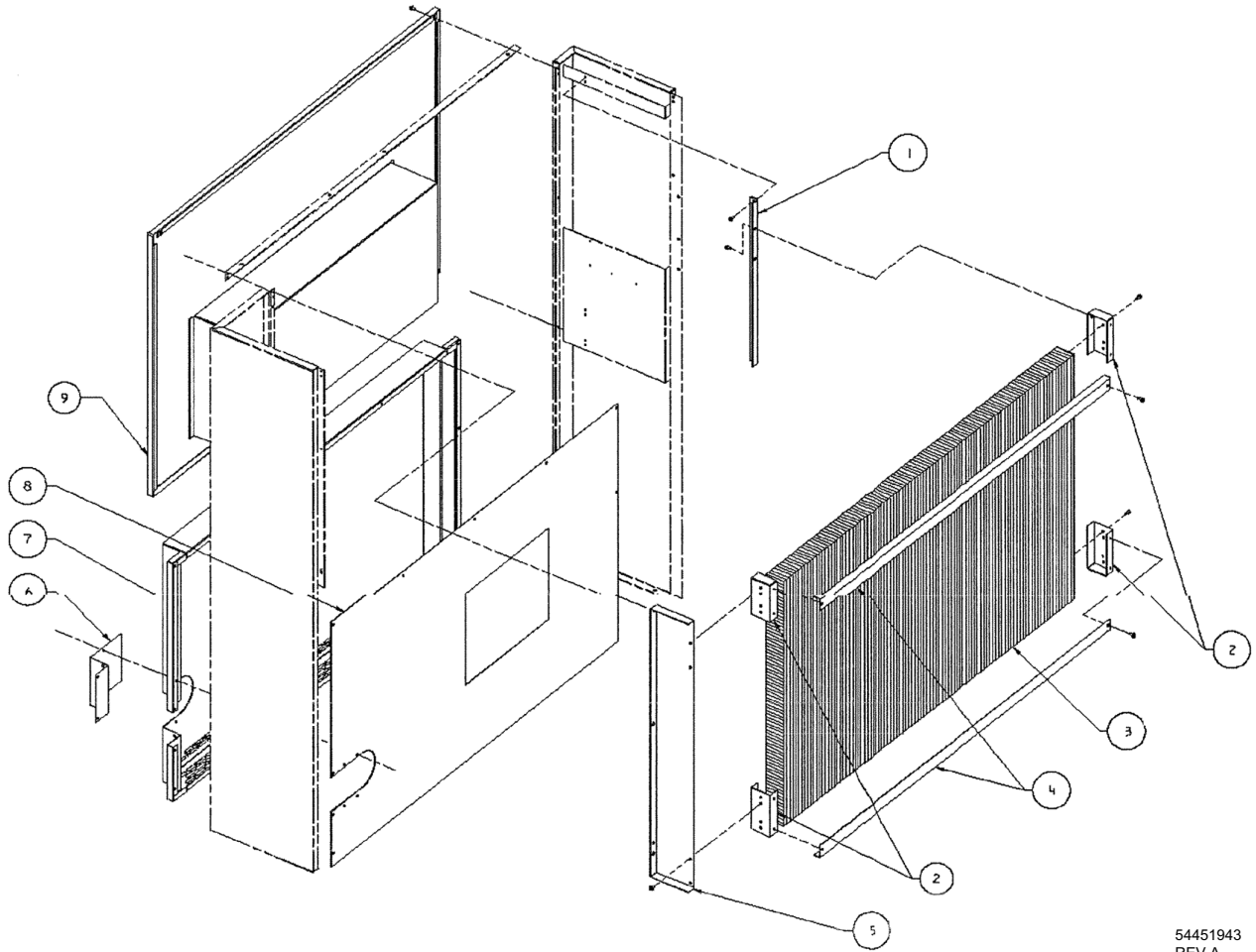
Item	ccn	Qty.	Description	Item	ccn	Qty.	Description
1	39804729	2	BATT, SMALL	10A	39133145	4	SCREW
2	39798616	6	RETAINER, BATT WHITE	11	39859103	1	SUPPORT, ANGLE BATT WHITE
	85542256	6	RETAINER, BATT BEIGE		85548254	1	SUPPORT, ANGLE BATT BEIGE
2A	39133145	12	SCREW	12	39812821	1	ANGLE, FRONT WHITE
3	39801659	5	BRACE, ANGLE BATT WHITE		85547917	1	ANGLE, FRONT BEIGE
	85547321	5	BRACE, ANGLE BATT BEIGE	13	39859012	1	PLATE, INTAKE WHITE
3A	39133145	12	SCREW		85548311	1	PLATE, INTAKE BEIGE
4	39804711	1	BATT, LARGE	13A	39133145	3	SCREW
5	39804067	1	SUPPORT, UPPER ANGLE WHITE	14	39860333	1	FOAM, INTAKE
	85547461	1	SUPPORT, UPPER ANGLE BEIGE	15	39859087	1	COVER, INTAKE PLATE WHITE
5A	39133145	5	SCREW		85548188	1	COVER, INTAKE PLATE BEIGE
6	39801675	2	SUPPORT, ANGLE BATT WHITE	15A	39133145	4	SCREW
	85547339	2	SUPPORT, ANGLE BATT BEIGE	16	39858881	1	PANEL, INTAKE WHITE
6A	39133145	4	SCREW		85548303	1	PANEL, INTAKE BEIGE
7	39801709	1	SUPPORT, ANGLE REAR WHITE	16A	39133145	6	SCREW
	85547347	1	SUPPORT, ANGLE REAR BEIGE	17	39859095	1	COVER, INTAKE PANEL WHITE
7A	39133145	4	SCREW		85548196	1	COVER, INTAKE PANEL BEIGE
8	39804737	1	BATT	17A	39133145	6	SCREW
9	39801717	1	WALL, SILENCER WHITE	18	39860036	1	COVER, INTAKE PANEL AIR COOLED WITH AFT-CLR WHITE
	85547354	1	WALL, SILENCER BEIGE		85548212	1	COVER, INTAKE PANEL AIR COOLED WITH AFT-CLR BEIGE
9A	39133145	3	SCREW				
10	39812698	1	SUPPORT, AFTERCOOLER REAR BOTTOM WHITE	18A	39133145	6	SCREW
	85547859	1	SUPPORT, AFTERCOOLER REAR BOTTOM BEIGE				

NOTE: STANDARD FASTENERS SUCH AS NUTS, BOLTS, AND SCREWS ARE LISTED AS SUB-ITEMS (EXAMPLE: 9A).)



54454152
REV A

Item	ccn	Qty.	Description	Item	ccn	Qty.	Description
1	39804984	1	SUPPORT, WATERCOOLED BATT, WHITE	85542256	4	RETAINER, BATT, BEIGE	
	85543718	1	SUPPORT, WATERCOOLED BATT, BEIGE	3A	39133145	8	SCREW, TAPTITE
1A	39133145	2	SCREW, TAPTITE	4	39804992	1	BATT
2	39803754	2	BRACE, BATT, WHITE	5	39547856	1	SUPPORT, BATT FRONT, WHITE
	85543676	2	BRACE, BATT, BEIGE		85543395	1	SUPPORT, BATT FRONT, BEIGE
2A	39133145	4	SCREW, TAPTITE	5A	39133145	2	SCREW, TAPTITE
3	39798616	4	RETAINER, BATT, WHITE	NOTE: STANDARD FASTENERS SUCH AS NUTS, BOLTS, AND SCREWS ARE LISTED AS SUB-ITEMS (EXAMPLE: 3A).)			

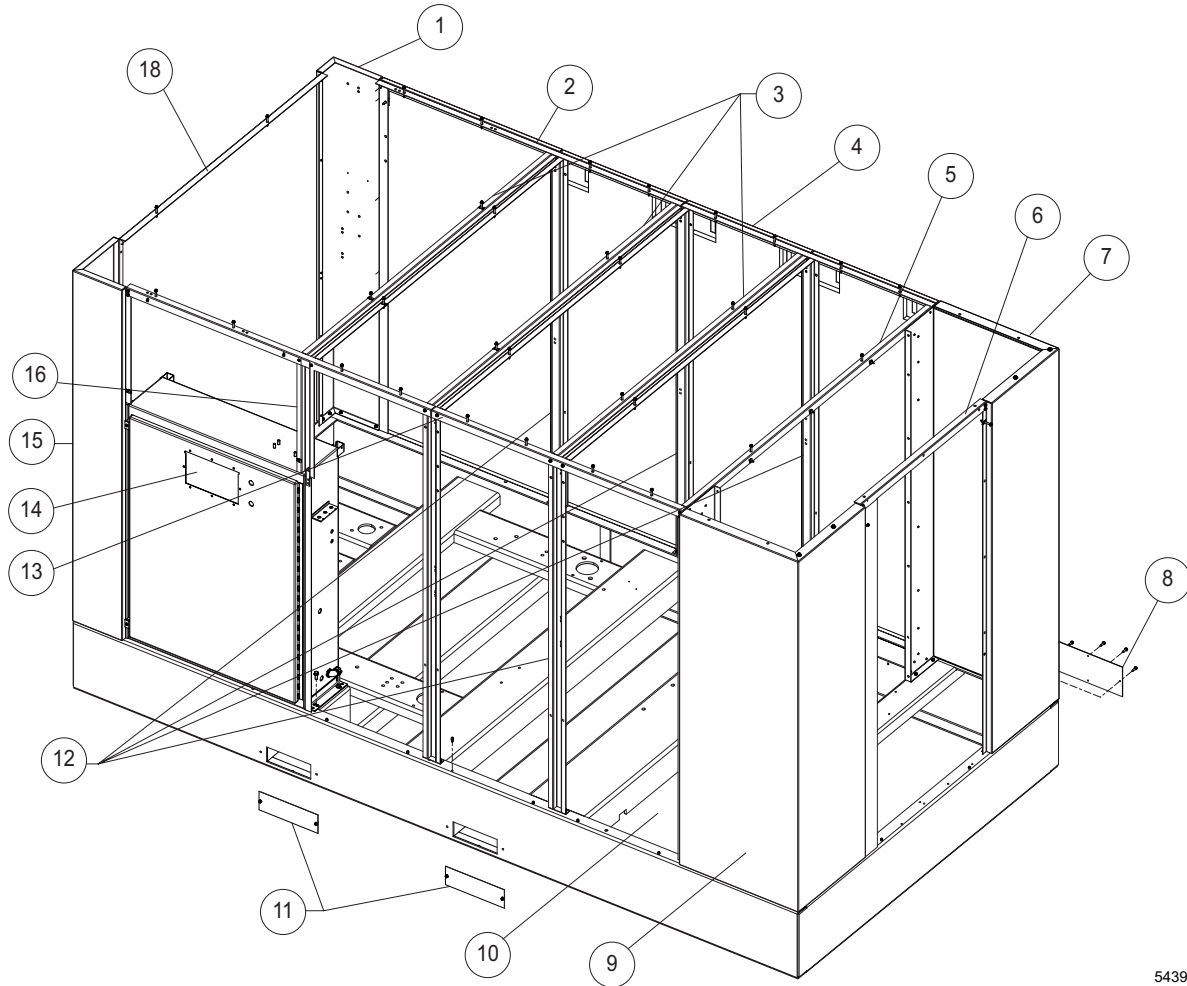


54451943
REV A

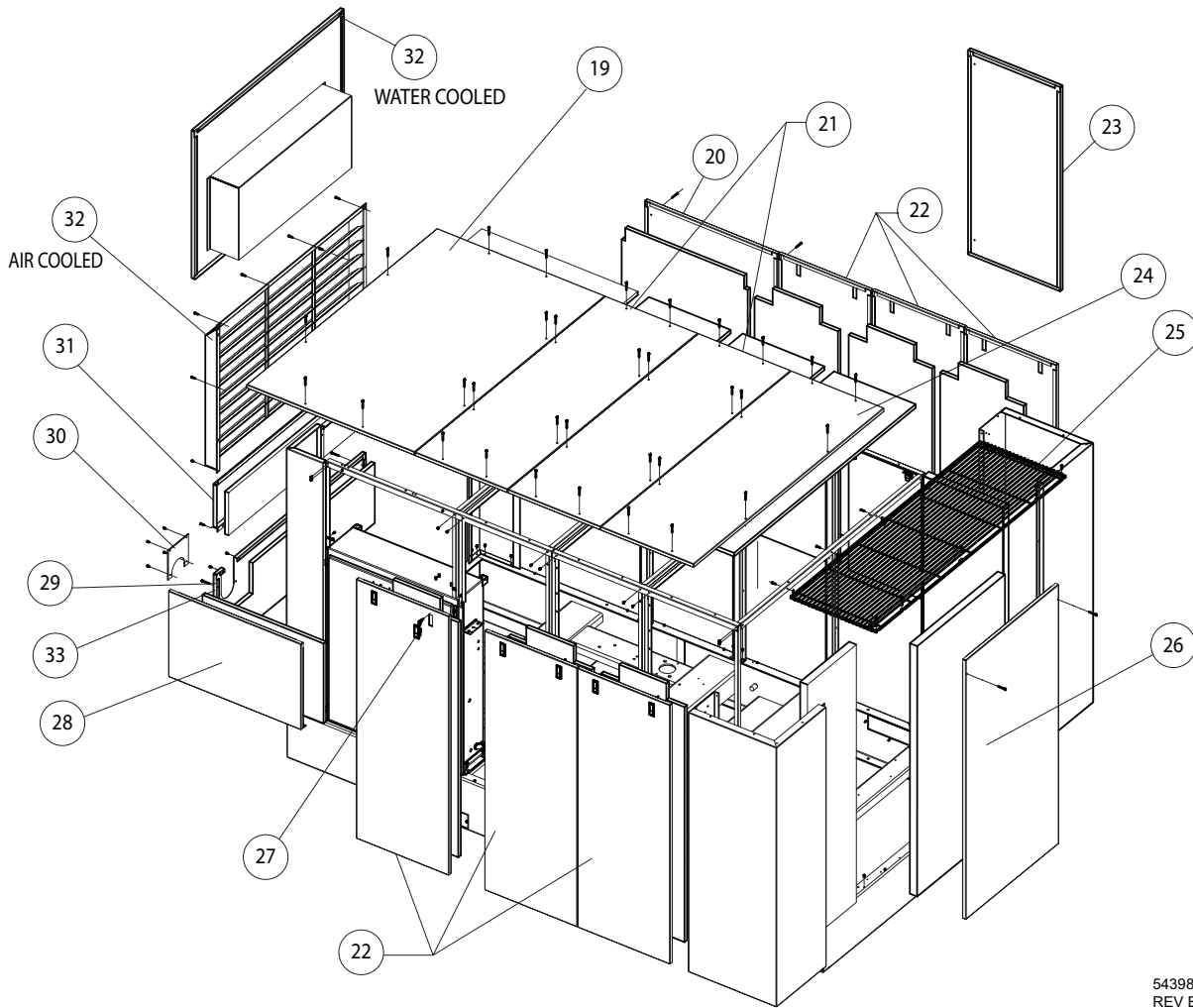
Item	ccn	Qty.	Description	Item	ccn	Qty.	Description
1	39804810	1	SUPPORT, WATERCOOLED BATT WHITE	85548212	1	COVER, INTAKE BEIGE	
	85547586	1	SUPPORT, WATERCOOLED BATT BEIGE	6A	39133145	6	SCREW
1A	39133145	2	SCREW	7	39930615	1	PANEL, INTAKE WHITE
2	39801659	2	BRACE, BATT WHITE	85548303	1	PANEL, INTAKE BEIGE	
	85542256	2	BRACE, BATT BEIGE	7A	39930631	1	FOAM, LEFT END
2A	39133145	4	SCREW	7B	39133145	6	SCREW
3	39798616	4	RETAINER, BATT WHITE	8	39930623	1	PLATE, INTAKE WHITE
	85547321	4	RETAINER, BATT BEIGE	85548311	1	PLATE, INTAKE BEIGE	
3A	39133145	8	SCREW	8A	39133145	6	SCREW
4	39804828	1	BATT, WATERCOOLED	9	54399704	1	PANEL, WATER COOLED INTAKE WHITE
5	39804802	1	SUPPORT, BATT FRONT WHITE	85548360	1	PANEL, WATER COOLED INTAKE BEIGE	
	85547578	1	SUPPORT, BATT FRONT BEIGE				
5A	39133145	2	SCREW				
6	39930631	1	COVER, INTAKE WHITE				

NOTE: 1.STANDARD FASTENERS SUCH AS NUTS, BOLTS, AND SCREWS ARE LISTED AS SUB-ITEMS (EXAMPLE: 4A).

2.ALL PARTS ARE THE SAME FOR STANDARD AND OUTDOOR MOD. UNITS.

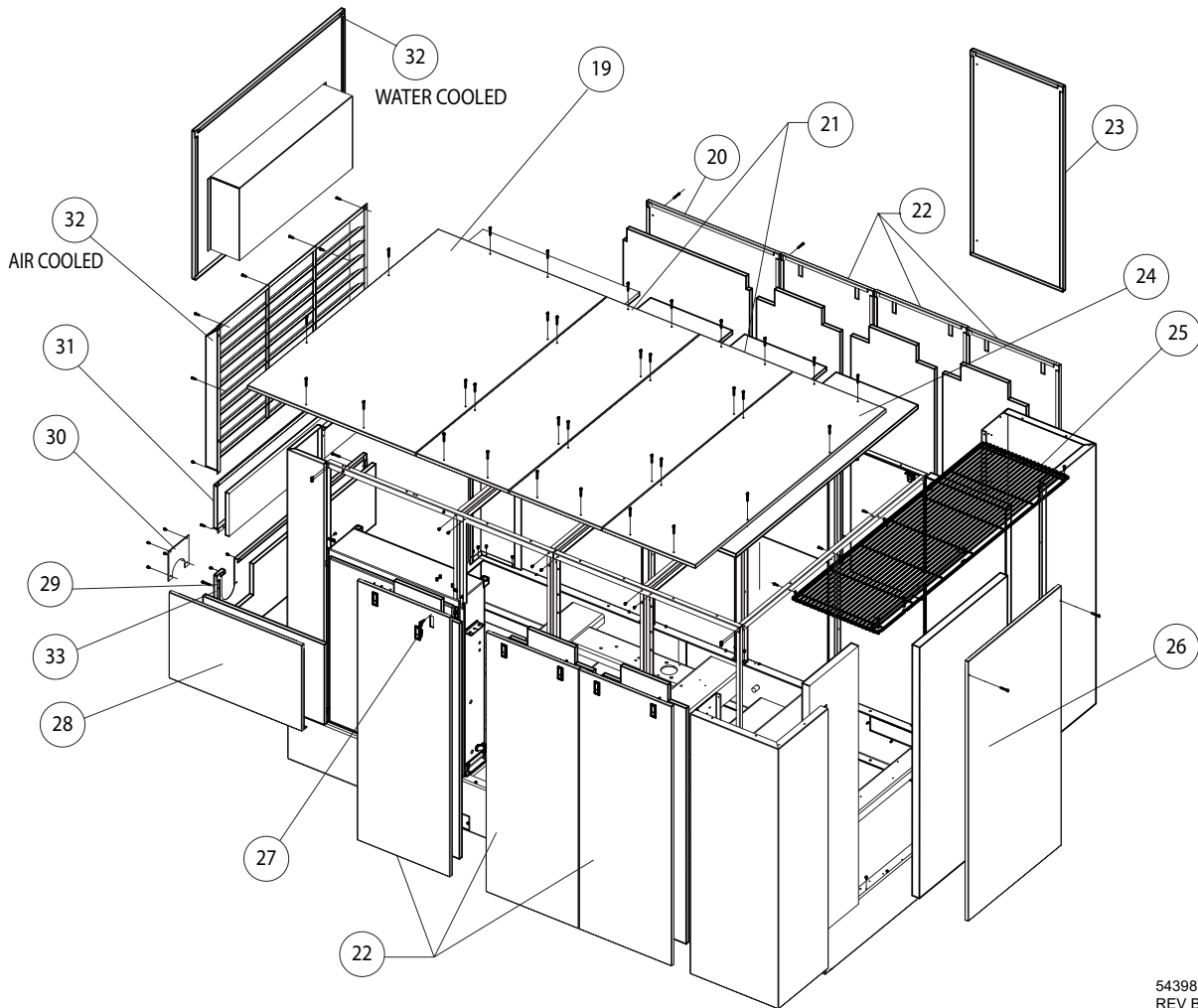
54398714
REV B

Item	ccn	Qty.	Description	Item	ccn	Qty.	Description
1	39803382	1	CORNER, LEFT REAR	10	39138490	18	PIN LOCATOR
1A	39133145	4	SCREW	11	39495981	4	COVER, FORKLIFT
2	39821541	1	ANGLE, REAR	11A	39133145	8	SCREW
2A	39133145	8	SCREW	12	39803341	5	SUPPORT, VERTICAL
3	39803721	3	SUPPORT, TOP	12A	39133145	10	SCREW
3A	39133145	12	SCREW	13	39814439	1	ANGLE, FRONT
4	39814447	1	ANGLE, REAR	14	39928676	1	STARTER / INTELLISYS ENCLOSURE (NEMA 1)
5	39803275	1	SUPPORT, TOP RIGHT END		39928684	1	STARTER / INTELLISYS ENCLOSURE (NEMA 4)
6	39803267	1	ANGLE, RIGHT END	14A	39178678	4	SCREW
7	39803259	1	CORNER, RIGHT END REAR	15	39803374	1	CORNER
7A	39803846	1	FOAM. (AIR COOLED ONLY)	15A	39133145	5	SCREW
7B	39803838	1	FOAM. (AIR COOLED ONLY)	16	39803358	1	SUPPORT, SHORT
7C	39133145	4	SCREW	16A	39133145	2	SCREW
8	39482864	1	PLATE, COVER (AIRCOOLED ONLY) BLACK	17	39821558	1	ANGLE, FRONT
8A	39133152	4	SCREW	17A	39133145	8	SCREW
9	39803168	1	CORNER, RIGHT END FRONT	18	39803671	1	ANGLE, LEFT END
9A	39803846	1	FOAM	18A	39133145	4	SCREW
9B	39803838	1	FOAM				
9C	39133145	4	SCREW				



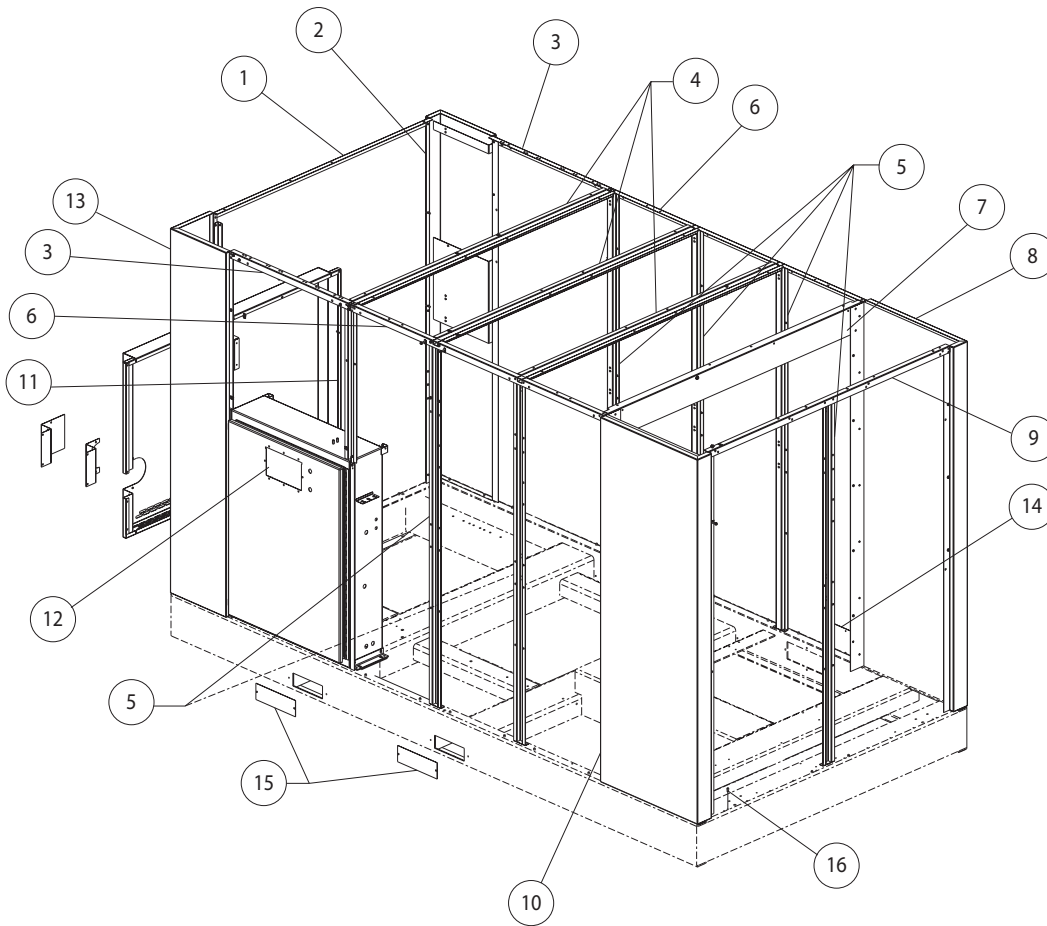
54398714
REV B

Item	ccn	Qty.	Description	Item	ccn	Qty.	Description
19	39802913	1	PANEL, TOP LEFT	24C	35256452	8	RECEPTACLE, CLIP ON
19A	39804406	1	FOAM, PANEL - TOP LEFT	25	39803192	1	GRILLE, EXHAUST
19B	39142690	8	SCREW	25A	39133152	8	SCREW
19C	3526452	8	RECEPTACLE, CLIP ON	25B	95929071	8	WASHER
20	39803366	1	PANEL, LEFT REAR	26	39803226	1	PANEL, RIGHT END
20A	39804356	1	FOAM	26A	39803788	1	FOAM
20B	39142690	2	SCREW	26B	39142690	2	SCREW
20C	35256452	2	RECEPTACLE, CLIP ON	26C	35256452	2	RECEPTACLE, CLIP ON
21	39802707	2	PANEL, TOP CENTER	27	39133954	12	LATCH, DOOR
21A	39804398	2	FOAM	28	39803739	1	PANEL, UPPER FRONT
21B	39142690	16	SCREW	28A	39804364	1	FOAM
21C	35256452	16	RECEPTACLE, CLIP ON	28B	39133145	4	SCREW
22	39802871	6	PANEL, COMMON	28C	35256452	2	RECEPTACLE, CLIP ON
22A	39803770	6	FOAM	29	39929971	1	PANEL, AIR DISCHARGE, LOWER
23	39929815	1	PANEL, REAR (WATER COOLED ONLY)	29A	39930151	1	FOAM (AIR COOLED ONLY)
23A	39930169	1	FORM, REAR PANEL (WATER COOLED ONLY)	29B	39142690	2	SCREW
24	39802905	1	PANEL, TOP RIGHT	29C	35256452	2	RECEPTACLE, CLIP ON
24A	39804398	1	FOAM	30	39930045	1	PLATE, AIR DISCHARGE PANEL
24B	39142690	8	SCREW	30A	39133145	4	SCREW



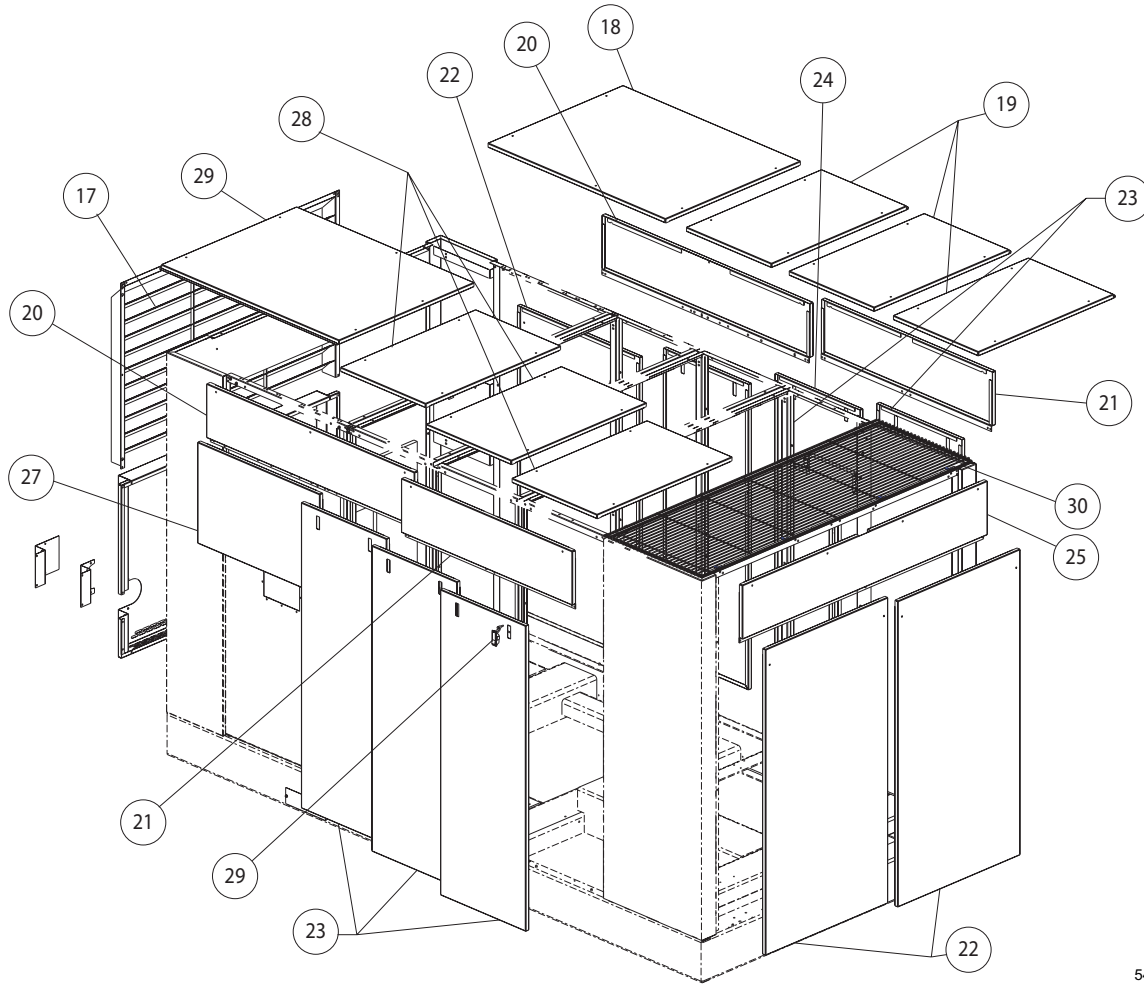
54398714
REV B

Item	ccn	Qty.	Description	Item	ccn	Qty.	Description
31	39807367	1	PANEL, LEFT END, UPPER	33	39803747	1	PANEL, LEFT END LOWER
31A	39807474	1	FOAM	33A	39804372	1	FOAM, LEFT END PANEL
31B	39133145	4	SCREW				
31C	35256452	2	RECEPTACLE, CLIP ON				
32	39803234	1	LOUVER (AIR COOLED)				
	54400296	1	PANEL, WATERCOOLED INTAKE				
32A	39133152	8	SCREW				
				NOTE:			FOAM AND STANDARD FASTENERS SUCH AS NUTS BOLTS AND SCREWS ARE LISTED AS SUB-ITEMS (EXAMPLE : 1A)



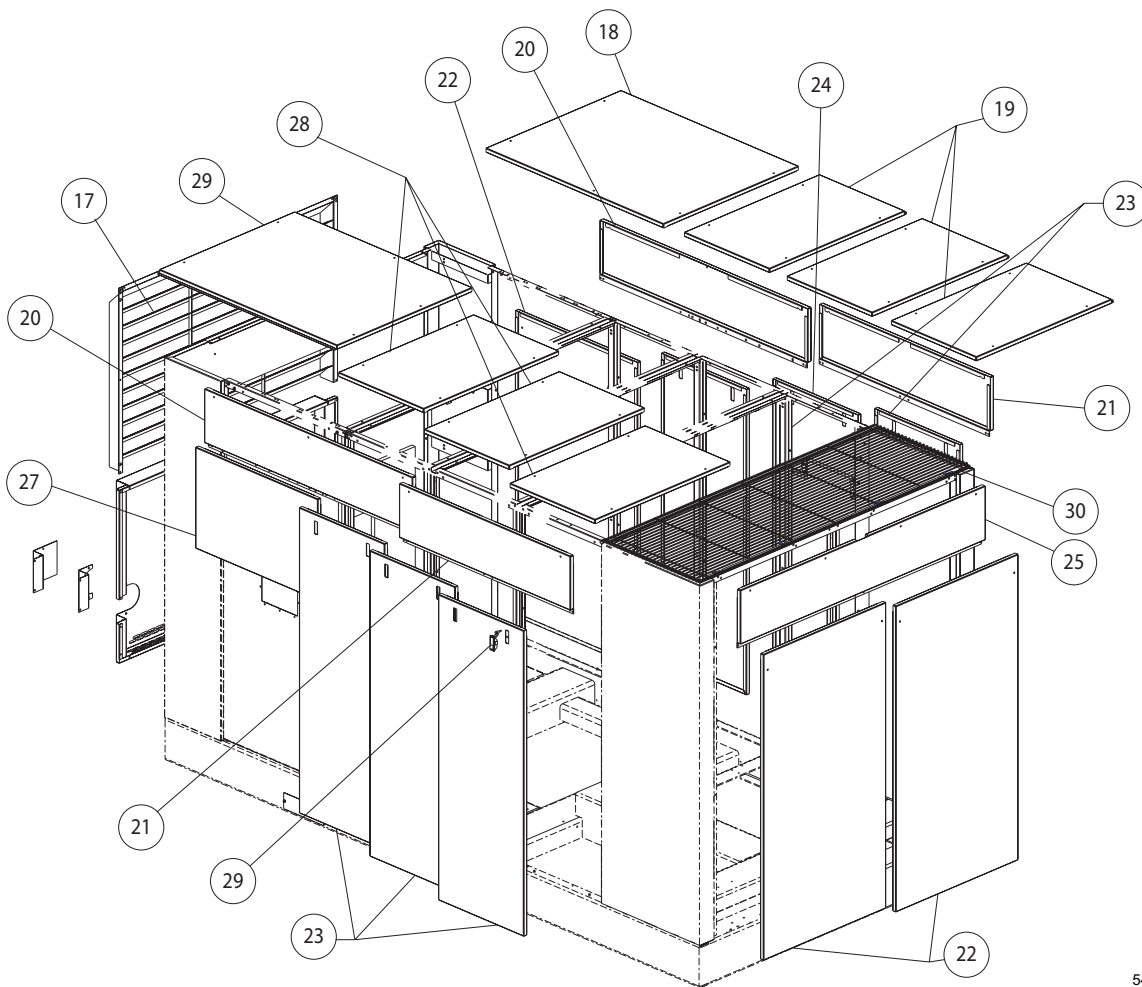
544454129
REV B

Item	ccn	Qty.	Description	Item	ccn	Qty.	Description
1	39803387	1	ANGLE, LEFT END	9A	39133145	6	SCREW
1A	39133145	4	SCREW	10	39803978	1	CORNER, RIGHT FRONT
2	39803937	1	CORNER, LEFT REAR	10A	39133145	8	SCREW
2A	39133145	4	SCREW	10B	39804661	1	FOAM (AIR COOLED ONLY)
3	39812821	2	ANGLE, LEFT FRONT, RIGHT REAR	11	39804091	1	SUPPORT, SHORT
3A	39133145	16	SCREW	11A	39133145	2	SCREW
4	39804620	3	SUPPORT, TOP	12	39882196	1	STARTER/INTELLISYS ENCLOSURE (NEMA 1)
4A	39133145	14	SCREW		39882204	1	STARTER/INTELLISYS ENCLOSURE (NEMA 4)
5	39803945	6	SUPPORT, VERTICAL	12A	39178678	4	SCREW
5A	39133145	12	SCREW	13	39803929	1	CORNER, LEFT FRONT
6	39810593	2	ANGLE, RIGHT FRONT, LEFT REAR	13A	39133145	2	SCREW
6A	39133145	8	SCREW	14	39482864	1	COVER, (AIR COOLED ONLY)
7	39804026	1	ANGLE, UPPER O/L	14A	39833152	4	SCREW
7A	39133145	6	SCREW	15	39495981	4	COVER, FORKLIFT
8	39803986	1	CORNER RIGHT REAR	15A	39133145	16	SCREW
8A	39133145	8	SCREW	16	39138490	28	PIN, LOCATOR
8B	39804661	1	FOAM				
9	39803994	1	ANGLE, RIGHT END (EXHAUST)				



54454129
REV B

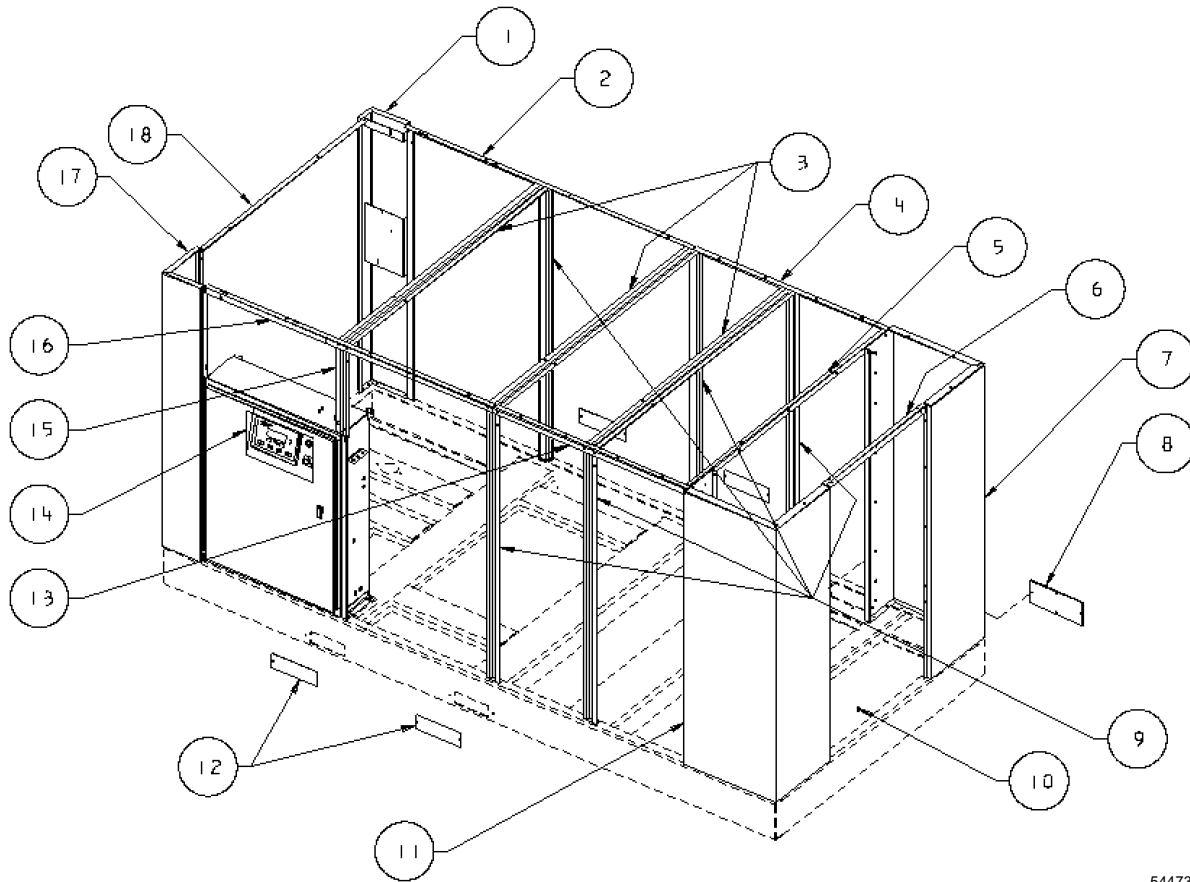
Item	ccn	Qty.	Description	Item	ccn	Qty.	Description
17	39803895	1	LOUVER, AIR COOLED INTAKE	21D	39810908	2	FOAM, STRIP FRONT/RIGHT
	54399704	1	PANEL, WATER COOLED INTAKE	22	39803366	3	PANEL, REAR/RIGHT END
17A	39133152	8	SCREW	22A	39142690	6	SCREW
18	39804646	1	PANEL, TOP LEFT REAR	22B	35256452	6	RECEPTACLE, CLIP ON
18A	39142690	5	SCREW	22C	39804356	3	FOAM, REAR PANEL
18B	35256452	5	RECEPTACLE, CLIP ON	23	39802871	5	PANEL, COMMON
18C	39808209	2	FOAM, TOP LEFT	23A	39142690	10	SCREW
19	39804109	3	PANEL, TOP REAR	23B	35256452	10	RECEPTACLE, CLIP ON
19A	39142690	12	SCREW	23C	39803770	5	FOAM, COMMON
19A	39142690	12	SCREW	24	39802871	1	PANEL, COMMON (AIR COOLED ONLY)
19B	35256452	12	RECEPTACLE, CLIP ON	24A	39803770	1	FOAM, COMMON
19C	39808191	3	FOAM, TOP FRONT/REAR	24	39929260	1	PANEL, REAR (WATER COOLED ONLY)
20	39810817	2	PANEL, STRIP FRONT/LEFT	24A	3930185	1	FOAM, REAR PANEL
20A	39133145	8	SCREW	24B	39142690	2	SCREW
20B	39142690	6	SCREW	24C	35256452	2	RECEPTACLE, CLIP ON
20C	35256452	6	RECEPTACLE, CLIP ON	25	39804612	1	PANEL, STRIP RIGHT END
20D	39810916	2	FOAM, STRIP FRONT/LEFT	25A	39142690	4	SCREW
21	39810445	2	PANEL, STRIP FRONT/RIGHT	25B	35256452	4	RECEPTACLE, CLIP ON
21A	39133145	8	SCREW	25C	39804695	1	FOAM, RIGHT END STRIP PANEL
21B	39142690	4	SCREW				
21C	35256452	4	RECEPTACLE, CLIP ON				



54154129
REV B

Item	ccn	Qty.	Description	Item	ccn	Qty.	Description
26	39804638	1	PANEL, TOP LEFT FRONT	28C	39804364	1	FOAM, UPPER FRONT
26A	3914290	5	SCREW	29	39133954	12	LATCH, DOOR
26B	35256452	5	RECEPTACLE, CLIP ON	30	39801634	1	GRILLE, EXHAUST
26C	39808209	1	FOAM, TOP LEFT	30A	39133152	8	SCREW
27	39803739	1	PANEL, UPPER FRONT	30B	95929071	8	WASHER
27A	39133145	4	SCREW				
27B	39804364	3	FOAM, UPPER FRONT				
28	39804117	3	PANEL, TOP FRONT				
28A	39142690	12	SCREW				
28B	35256452	12	RECEPTACLE, CLIP ON				

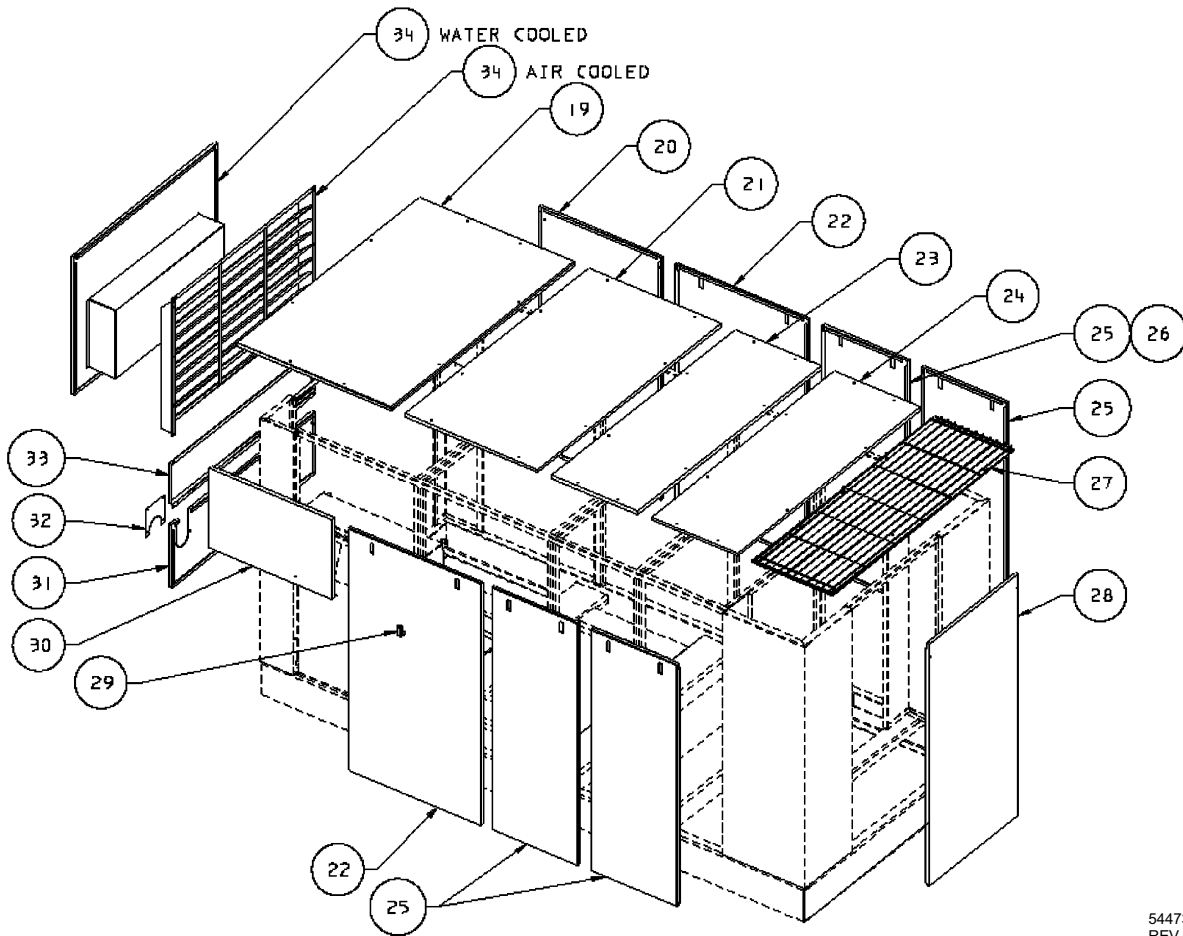
NOTE: FOAM AND STANDARD FASTENERS SUCH AS NUTS BOLTS AND SCREWS ARE LISTED AS SUB-ITEMS (EXAMPLE : 1A)

54473483
REV B

Item	ccn	Qty.	Description	Item	ccn	Qty.	Description
1	39803382	1	CORNER, LEFT REAR, WHITE	11B	39803846	1	FOAM (AIR COOLED ONLY)
	85543593	1	CORNER, LEFT REAR, BEIGE	11C	39133145	4	SCREW, TAPTITE
1A	39133145	4	SCREW, TAPTITE	12	39495981	4	COVER, FORKLIFT
2	39810528	1	ANGLE, REAR, WHITE	12A	39133145	8	SCREW, TAPTITE
	85543858	1	ANGLE, REAR, BEIGE	13	39814439	1	ANGLE, FRONT, WHITE
2A	39133145	4	SCREW, TAPTITE		85543866	1	ANGLE, FRONT, BEIGE
3	39803721	3	SUPPORT, TOP, WHITE	14	39928676	1	STARTER/INTELLISYS ENCLOSURE (NEMA1)
3A	39133145	12	SCREW, TAPTITE		39928684	1	STARTER/INTELLISYS ENCLOSURE (NEMA4) WHITE
4	39814447	1	ANGLE, REAR, WHITE		85542470	1	STARTER/INTELLISYS ENCLOSURE (NEMA4) BEIGE
	85543874	1	ANGLE, REAR, BEIGE	14A	39178678	4	SCREW, TAPTITE
5	39803275	1	SUPPORT, TOP RIGHT, END	15	39803358	1	SUPPORT, SHORT, WHITE
6	39803267	1	ANGLE, RIGHT END, WHITE		85543569	1	SUPPORT, SHORT, BEIGE
	85543502	1	ANGLE, RIGHT END, BEIGE	15A	39133145	2	SCREW TAPTITE
7	39803259	1	CORNER, RIGHT END, REAR, WHITE	16	39810510	1	ANGLE, FRONT, WHITE
	85543499	1	CORNER, RIGHT END, REAR, BEIGE		85543841	1	ANGLE, FRONT, BEIGE
7A	39803838	1	FOAM (AIR COOLED ONLY)	17	38803374	1	CORNER, LEFT FRONT, WHITE
7B	39803846	1	FOAM (AIR COOLED ONLY)		85543583	1	CORNER, LEFT FRONT, BEIGE
7C	39133145	4	SCREW, TAPTITE	17A	39133145	5	SCREW, TAPTITE
8	39930045	1	PLATE, COVER (AIRCOOLED ONLY)	18	39803671	1	ANGLE, LEFT END, WHITE
8A	39133152	4	SCREW, TAPTITE		85543627	1	ANGLE, LEFT END, BEIGE
9	39803341	5	SUPPORT, VERTICAL, WHITE	18A	39133145	4	SCREW, TAPTITE
	85543551	5	SUPPORT, VERTICAL, BEIGE				
9A	39133145	10	SCREW, TAPTITE				
10	39138490	18	PIN, LOCATOR				
11	39803168	1	CORNER, RIGHT END FRONT, WHITE				
	85543478	1	CORNER, RIGHT END FRONT, BEIGE				
11A	39803838	1	FOAM (AIR COOLED ONLY)				

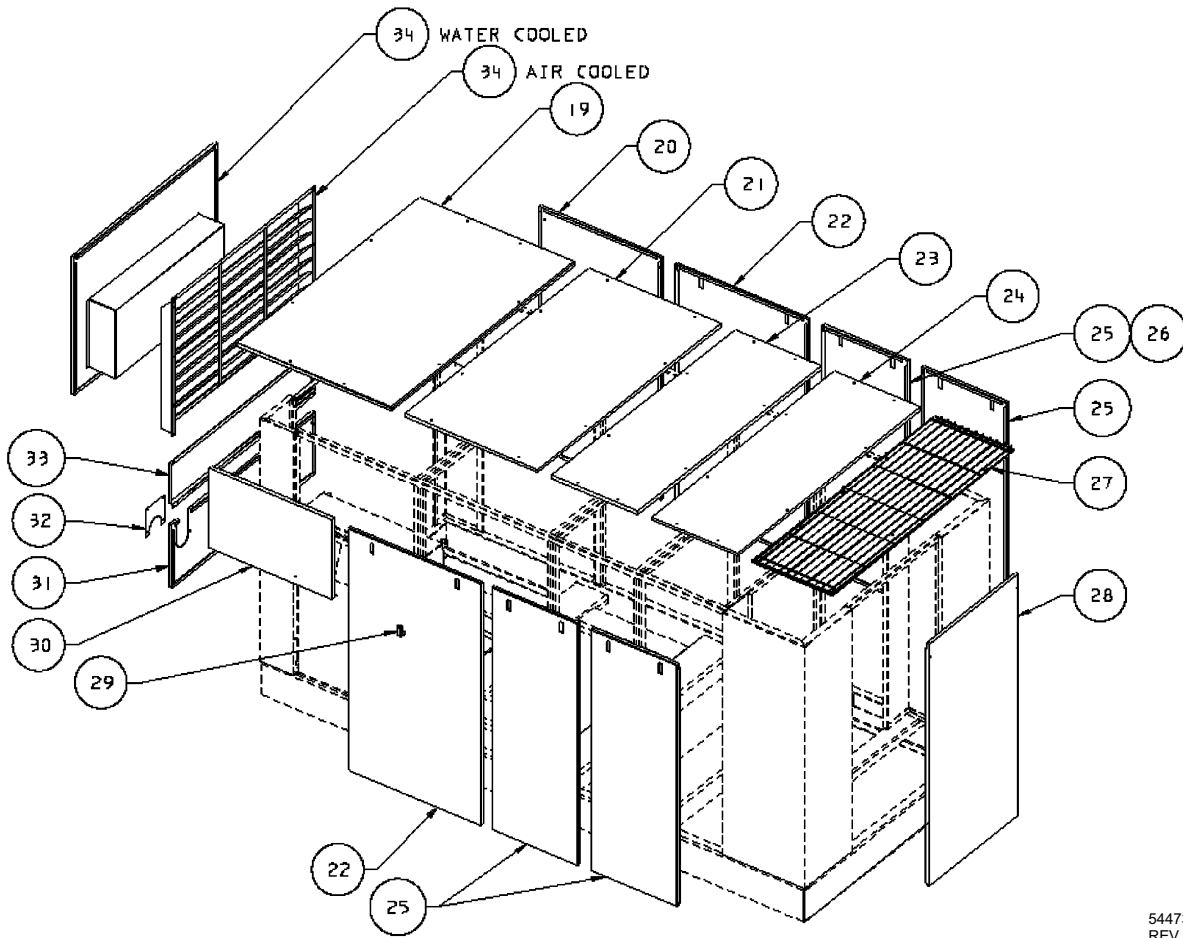
NOTE: 1. STANDARD FASTENERS SUCH AS NUTS, BOLTS AND SCREWS ARE LISTED AS SUB-ITEMS (EXAMPLE: 1A)

EXTENDED PACKAGE ENCLOSURE 250/300 HP(SINGLE STAGE) 69



54473483
REV B

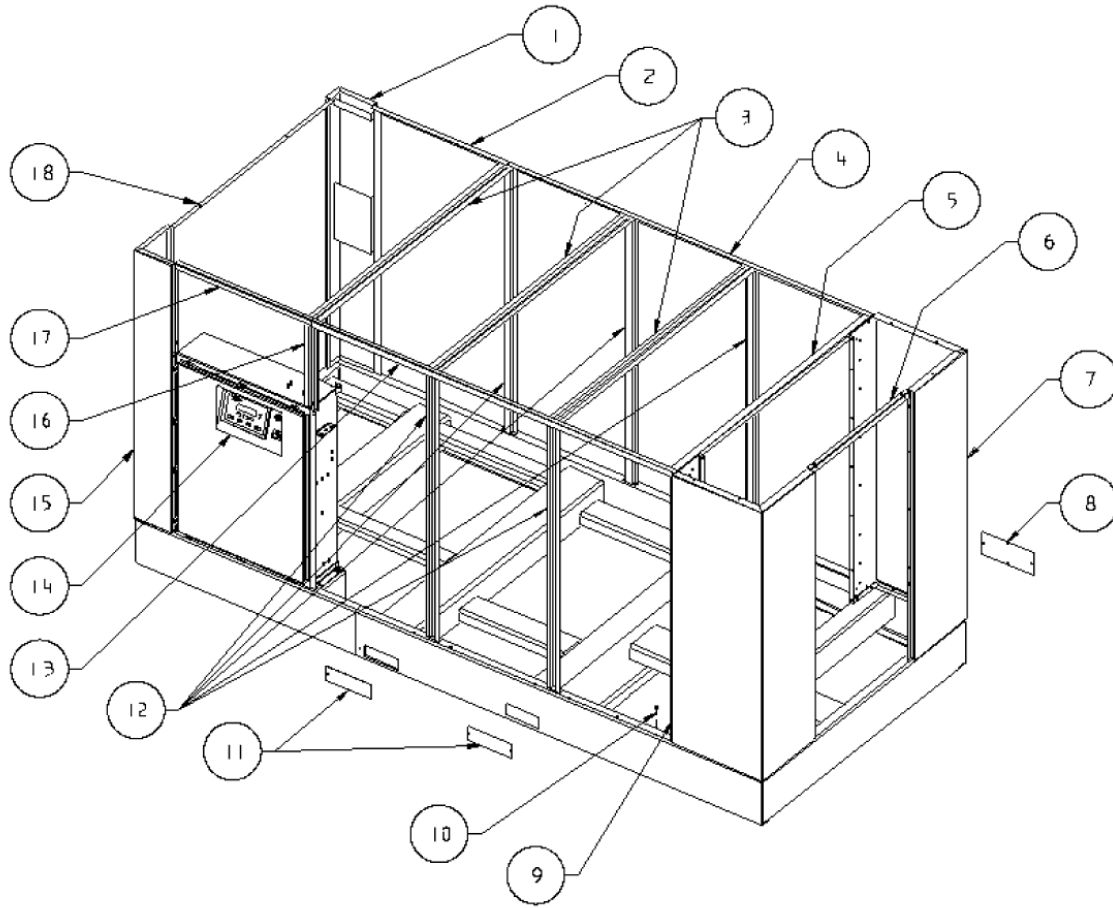
Item	ccn	Qty.	Description	Item	ccn	Qty.	Description
19	39802913	1	PANEL, TOP LEFT, WHITE	24B	39142690	8	SCREW
	85543460	1	PANEL, TOP LEFT, BEIGE	24C	35256452	8	RECEPTACLE, CLIP ON
19A	39804406	1	FOAM	25	39802871	4	PANEL, COMMON, WHITE (3 REQUIRED ON WATER COOLED)
19B	39142690	8	SCREW		85543445	4	PANEL, COMMON, BEIGE (3 REQUIRED ON WATER COOLED)
19C	35236452	8	RECEPTACLE, CLIP ON	25A	39803770	4	RECEPTACLE, CLIP ON
20	39803366	1	PANEL, LEFT REAR, WHITE	26	39929815	1	PANEL, REAR (WATER COOLED) WHITE
	85543577	1	PANEL, LEFT REAR, BEIGE		85544252	1	PANEL, REAR (WATER COOLED) BEIGE
20A	39804356	1	FOAM	26A	39930169	1	FOAM, REAR PANEL (WATER COOLED)
20B	39142690	2	SCREW	27	39803192	1	GRILLE, EXHAUST
20C	35256452	2	RECEPTACLE, CLIP ON	27A	39133152	8	SCREW, TAPTITE (3 REQUIRED ON WATER COOLED)
21	39810494	1	PANEL, TOP, WHITE	27B	95929071	8	WASHER
	85543833	1	PANEL, TOP, BEIGE	28	39803226	1	PANEL, RIGHT END, WHITE
21A	39810544	1	FOAM		85543486	1	PANEL, RIGHT END, BEIGE
21B	39142690	8	SCREW	28A	39803788	1	FOAM
21C	39256452	2	RECEPTACLE, CLIP ON	28B	39142690	2	SCREW
22	39810486	2	PANEL, WHITE	28C	35256452	2	RECEPTACLE, CLIP ON
	85543828	2	PANEL, BEIGE	29	39133954	12	LATCH, DOOR
22A	39810536	2	FOAM	30	39803739	1	PANEL, UPPER FRONT, WHITE
23	39302707	1	PANEL, TOP CENTRE, WHITE		85543650	1	PANEL, UPPER FRONT, BEIGE
	85543437	1	PANEL, TOP CENTRE, BEIGE	30A	39804364	1	FOAM
23A	39804398	1	FOAM	30B	39133145	4	SCREW, TAPTITE
23B	39142690	8	SCREW				
23C	35256452	8	RECEPTACLE, CLIP ON				
24	39802905	1	PANEL, TOP RIGHT, WHITE				
	85543452	1	PANEL, TOP RIGHT, BEIGE				
24A	39804398	1	FOAM				



54473483
REV B

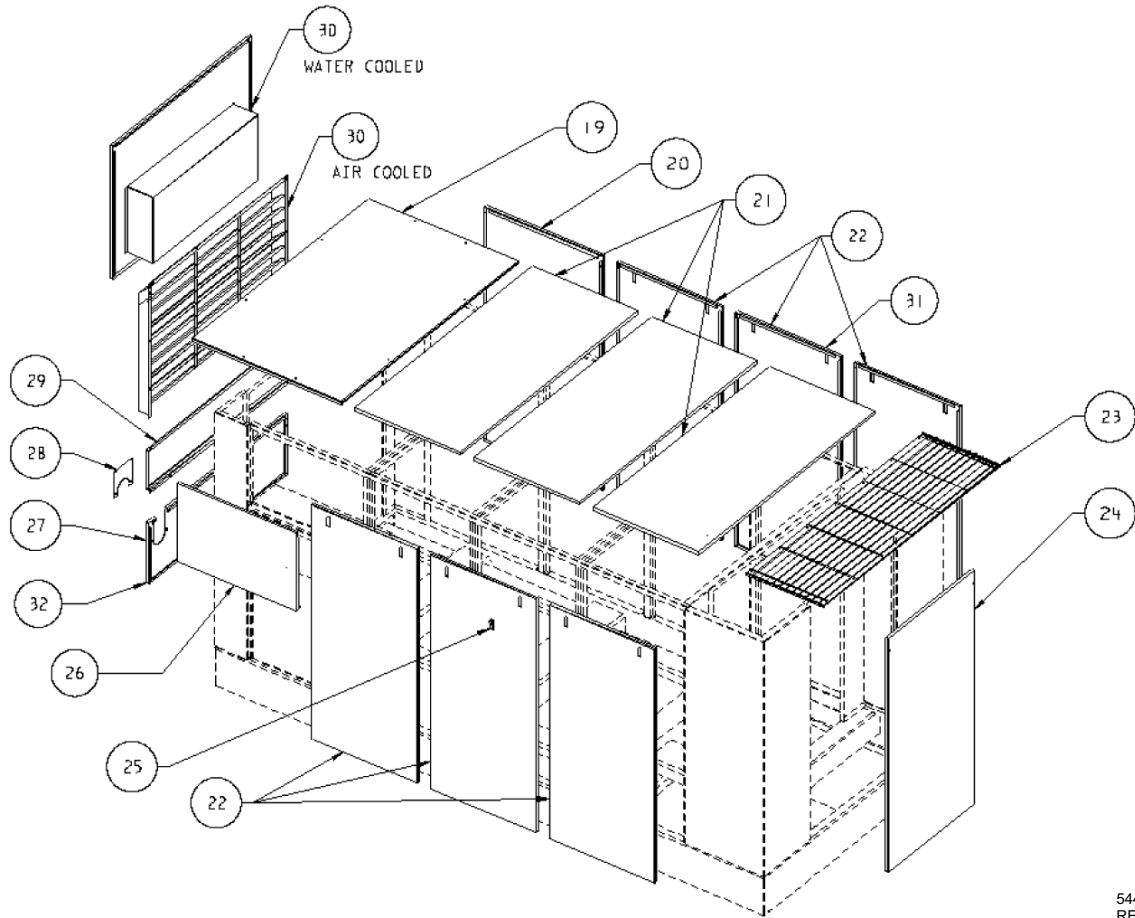
Item	ccn	Qty.	Description	Item	ccn	Qty.	Description
31	39929971	1	PANEL, AIR DISCHARGE, LOWER (AIR COOLED ONLY) WHITE	32A	39133152	4	SCREW, TAPTITE
	85544260	1	PANEL, AIR DISCHARGE, LOWER (AIR COOLED ONLY) BEIGE	33	39807367	1	PANEL, LEFT END, WHITE
31A	39930151	1	FOAM, LEFT END (AIR COOLED)		85543726	1	PANEL, LEFT END, BEIGE
31	39803747	1	PANEL, LEFT END, LOWER (WATER COOLED ONLY) WHITE	33A	39807474	1	FOAM
	85543668	1	PANEL, LEFT END, LOWER (WATER COOLED ONLY) BEIGE	33B	39133145	4	SCREW, TAPTITE
31A	39804372	1	FOAM, LEFT END (WATER COOLED)	34	39803234	1	LOUVER, AIR COOLED
31B	39142690	2	SCREW	34	54400296	1	LOUVER (WATER COOLED) WHITE
31C	35256452	2	RECEPTACLE, CLIP ON		85544302	1	LOUVER (WATER COOLED) BEIGE
32	39930045	1	PLATE, AIR DISCHARGE PANEL (AIR COOLED ONLY)	34A	39133152	8	SCREW, TAPTITE

NOTE: 1. STANDARD FASTENERS SUCH AS NUTS, BOLTS AND SCREWS ARE LISTED AS SUB-ITEMS (EXAMPLE: 1A)



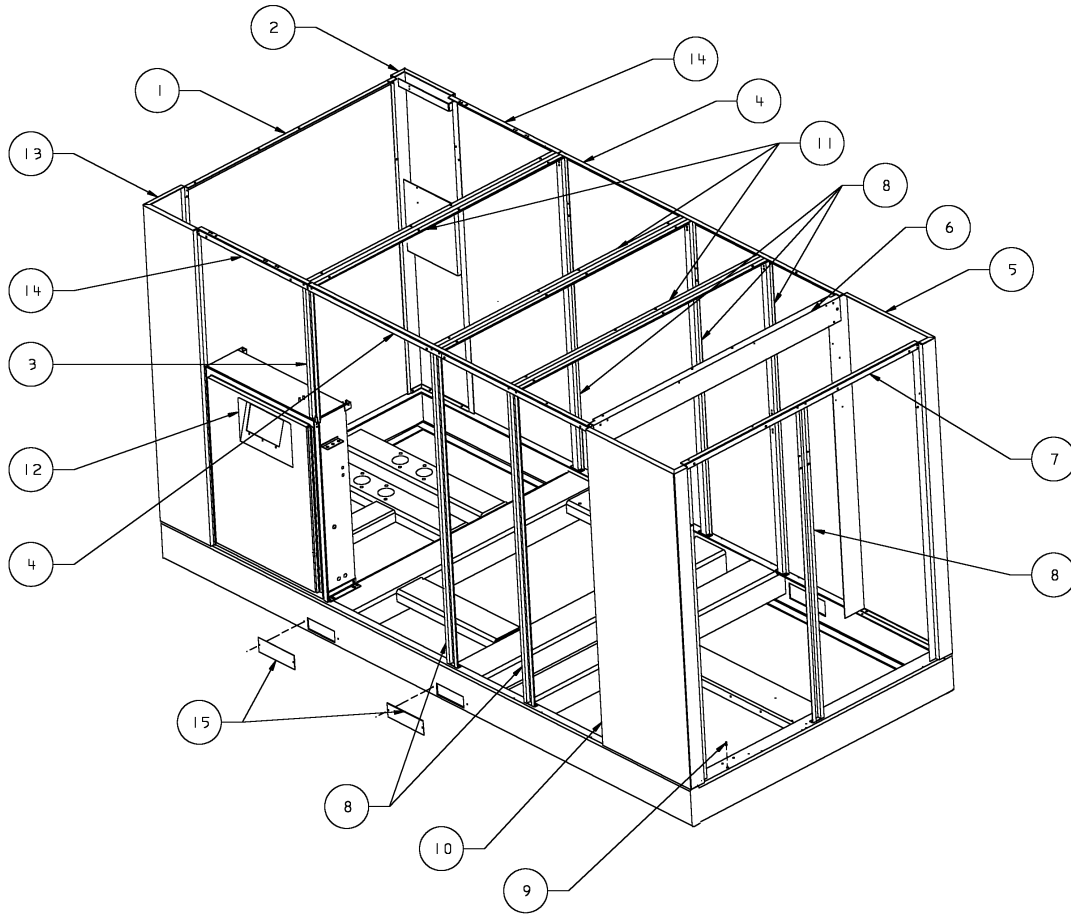
54440037
REV B

Item	ccn	Qty.	Description	Item	ccn	Qty.	Description
1	39803382	1	CORNER, LEFT REAR,	10	39138490	18	PIN, LOCATOR
1A	39133145	4	SCREW	11	39495981	4	COVER, FORKLIFT
2	39825955	1	ANGLE, REAR, LEFT	11A	39133145	8	SCREW
2A	39133145	4	SCREW	12	39803341	5	COVER, FORKLIFT
3	39803721	3	SUPPORT, TOP	12A	39133145	10	SCREW
3A	39133145	12	SCREW	13	39825948	1	ANGLE, FRONT, RIGHT
4	39825963	1	ANGLE, REAR	14	39928676	1	STARTER/INTELLISYS ENCLOSURE (NEMA1)
5	39826102	1	SUPPORT, TOP RIGHT, END		39928684	1	STARTER/INTELLISYS ENCLOSURE (NEMA4) 855424701STARTER/ INTELLISYS ENCLOSURE (NEMA4) BEIGE
6	39803267	1	ANGLE, RIGHT END	14A	39178678	4	SCREW
7	39807680	1	CORNER, RIGHT REAR	15	39803374	1	CORNER, LEFT FRONT
7A	39803838	1	FOAM (AIR COOLED ONLY)	15A	39133145	5	SCREW
7B	39803846	1	FOAM (AIR COOLED ONLY)	16	39803358	1	SUPPORT, SHORT
7C	39133145	4	SCREW	16A	39133145	2	SCREW
8	39482864	1	PLATE, COVER (AIRCOOLED ONLY)	17	39825930	1	ANGLE, FRONT LEFT
8A	39133152	4	SCREW,	18	39803671	1	ANGLE, LEFT END
9	39807672	1	CORNER, RIGHT FRONT	18A	39133145	4	SCREW
9A	39803838	1	FOAM, (AIR COOLED ONLY)				
9B	39803846	1	FOAM, (AIR COOLED ONLY)				
9C	39133145	18	SCREW				

54440037
REV B

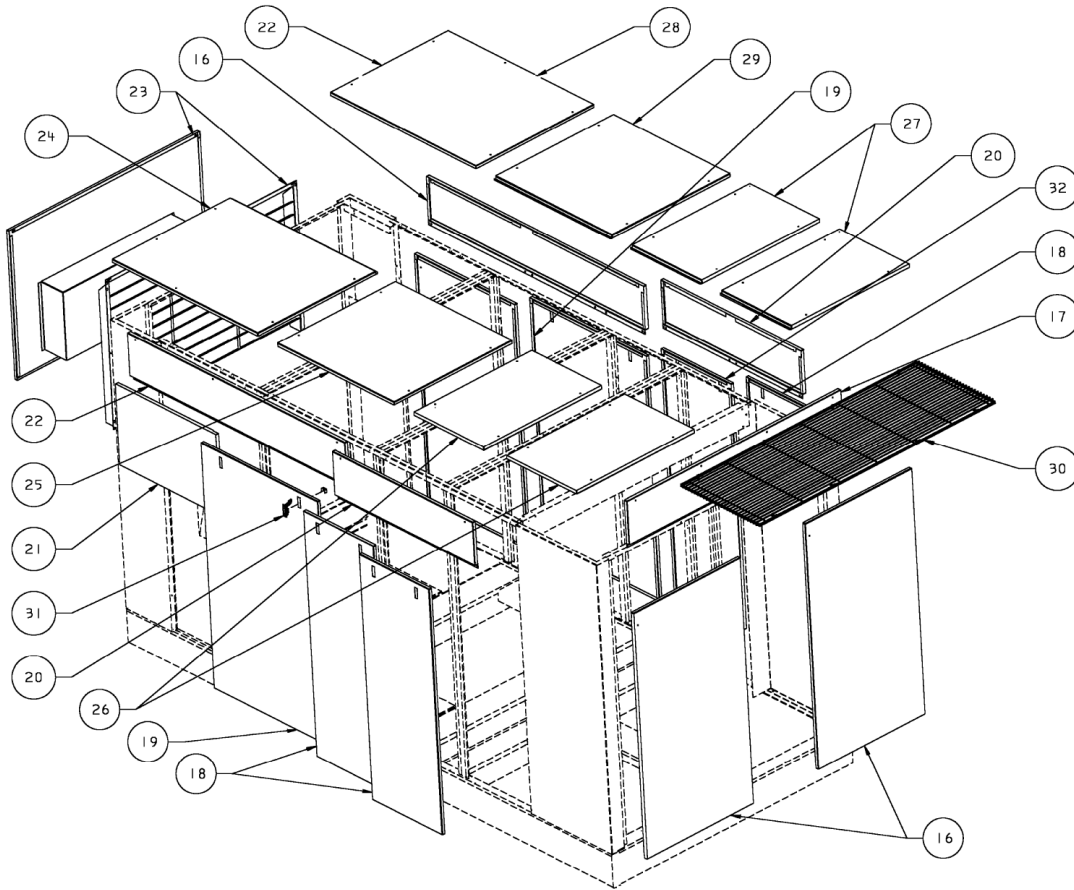
Item	ccn	Qty.	Description	Item	ccn	Qty.	Description
19	39807763	1	PANEL, TOP LEFT	26B	39133145	4	SCREW
19A	39804406	1	FOAM, PANEL - TOP LEFT	27	39929971	1	PANEL, AIR DISCHARGE (AIR COOLED)
19B	39142690	8	SCREW	27A	39804372	1	FOAM
19C	35236452	8	RECEPTACLE, CLIP ON	27B	39142690	2	SCREW
20	39807755	1	PANEL, LEFT REAR,	27C	35256452	2	RECEPTACLE, CLIP ON
20A	39804356	1	FOAM	28	39930045	1	PLATE, AIR DISCHARGE PANEL
20B	39142690	2	SCREW	28A	39133145	4	SCREW
20C	35256452	2	RECEPTACLE, CLIP ON	29	39807367	1	PANEL, AIR DISCHARGE, UPPER
21	39825922	3	PANEL, TOP	29A	39804360	1	FOAM
21A	39826144	3	FOAM	29B	39133145	4	SCREW
21B	39142690	24	SCREW	30	39803234	1	LOUVER, AIR COOLED
21C	39256452	24	RECEPTACLE, CLIP ON		54400296	1	PANEL, LEFT END WATER COOLED
22	39825914	6	PANEL, EXTENDED	30A	39133152	8	SCREW
22A	39826151	6	FOAM, EXTENDED PANEL	31	39930277	1	PANEL, REAR EXTENDED -WATER COOLED
23	39803192	1	GRILLE, EXHUST	31A	39804356	1	FOAM, REAR EXT PANEL
23A	39133152	8	SCREW	32	39803747	1	PANEL, LEFT END-WATER COOLED
23B	95929071	8	WASHER	32A	39804372	1	FOAM, LEFT END PANEL
24	39803226	1	PANEL, LEFT END				
24A	39804356	1	FOAM				
25	39807722	12	LATCH, DOOR				
26	39807722	1	PANEL, UPPER FRONT				
26A	39804364	1	FOAM				

NOTE: 1. STANDARD FASTENERS SUCH AS NUTS, BOLTS AND SCREWS ARE LISTED AS SUB-ITEMS (EXAMPLE: 1A)

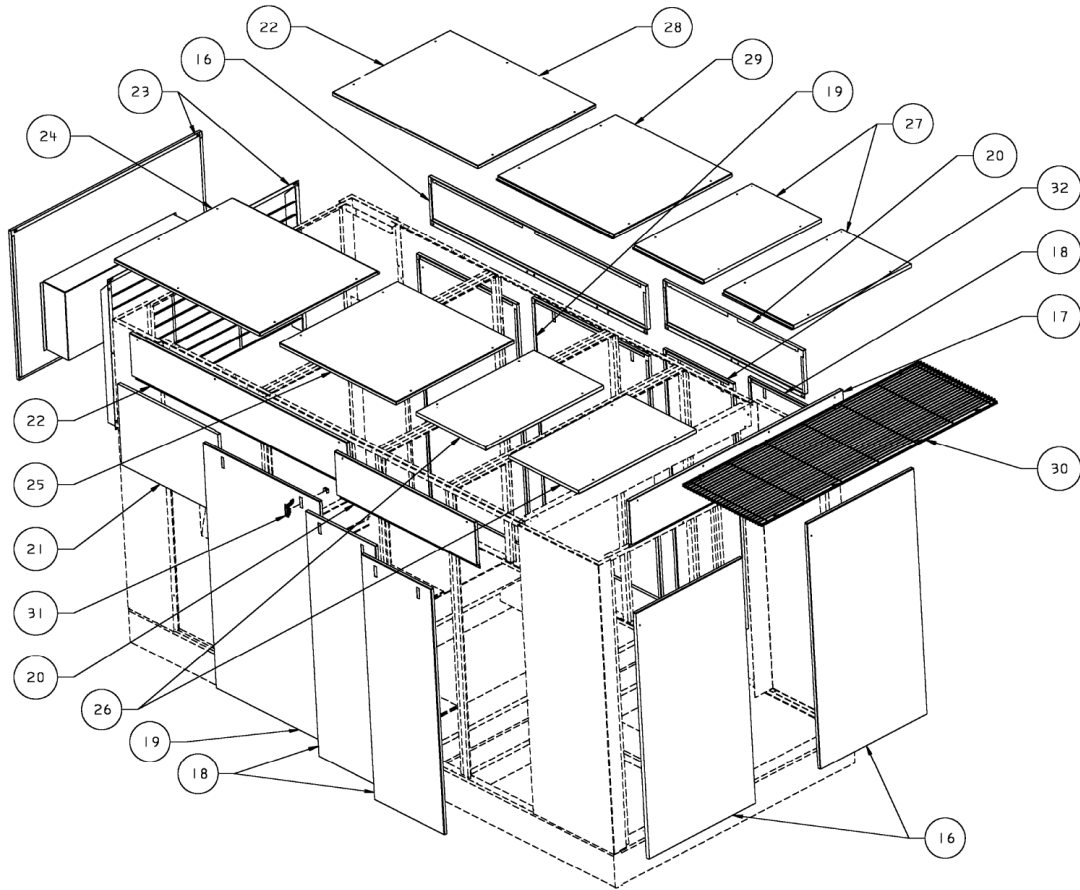


39887393
REV B

Item	ccn	Qty.	Description	Item	ccn	Qty.	Description
1	39803887	1	ANGLE, LEFT END	8A	39133145	12	SCREW
1A	39133145	4	SCREW	9	39138490	28	PIN, LOCATOR
2	39803937	1	CORNER, LEFT REAR	10	39803978	1	CORNER, RIGHT FRONT
2A	39133145	4	SCREW	10A	39133145	8	SCREW
3	39804091	3	SUPPORT, SHORT	10B	39804661	1	FOAM (AIR COOLED ONLY)
3A	39133145	2	SCREW	11	39804620	3	SUPPORT, TOP
4	39812912	2	ANGLE, FRONT - REAR	11A	39133145	12	SCREW
4A	39133145	12	SCREW	12	39882196	1	STARTER/INTELLISYS ENCLOSURE (NEMA1)
5	39803986	1	CORNER, RIGHT REAR	12A	39178678	4	SCREW
5A	39133145	8	SCREW		398802204	1	STARTER/INTELLISYS ENCLOSURE (NEMA4)
5B	39804661	1	FOAM (AIRCOOLED ONLY)	13	39803929	1	CORNER, LEFT FRONT
6	39804026	1	ANGLE, UPPER O/L	13A	39133145	4	SCREW
6A	39133145	6	SCREW	14	39812821	2	ANGLE, FRONT - REAR
7	39803994	1	ANGLE, RIGHT END	15	39495981	4	COVER, FORK LIFT COVER
7A	39133145	4	SCREW				
8	39803945	6	SUPPORT, VERTICAL				

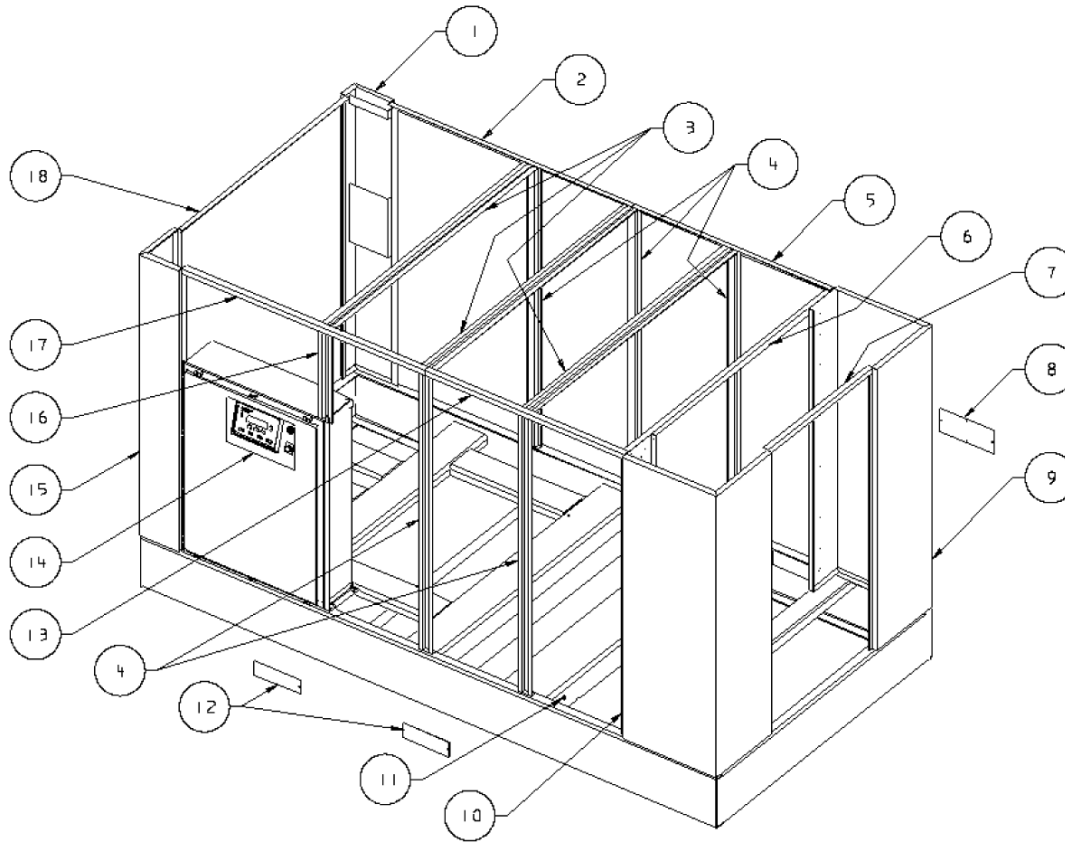
39887393
REV B

Item	ccn	Qty.	Description	Item	ccn	Qty.	Description
16	39803366	3	PANEL, RIGHT END	22B	39142690	14	SCREW
16A	39142690	8	SCREW	22C	35256452	14	RECEPTACLE, CLIP ON
16B	35256452	8	RECEPTACLE, CLIP ON	22D	39812896	2	FOAM, STRIP FRONT / REAR UPPER LEFT
16C	39804612	3	FORM, RIGHT END / REAR LEFT PANEL	23	39803895	1	LOUVER, INTAKE (AIR COOLED)
17	39804612	1	PANEL, STRIP RIGHT END	23	54399704	1	INTAKE (WATER COOLED)
17A	39142690	4	SCREW	23A	39133152	8	SCREW
17B	35256452	4	RECEPTACLE, CLIP ON	24	39804638	1	PANEL, TOP LEFT FRONT CORNER
17C	39804695	1	FOAM, RIGHT END STRIP	24A	39142690	5	SCREW
18	39802871	3	PANEL, COMMON FRONT / REAR	24B	35256452	5	RECEPTACLE, CLIP ON
18A	39803770	3	FOAM, COMMON FRONT / REAR	24C	39808209	1	FOAM, TOP LEFT
19	39812789	2	PANEL, EXTENDED FRONT / REAR	25	39812797	1	PANEL, TOP FRONT LEFT
19A	39812888	2	FOAM, EXTENDED FRONT / REAR	25A	39142690	8	SCREW
20	39810445	2	PANEL, STRIP FRONT / RIGHT	25B	35256452	8	RECEPTACLE, CLIP ON
20A	39133145	8	SCREW	25C	39812904	1	FOAM, TOP FRONT LEFT
20B	39142690	4	SCREW	26	39804117	2	PANEL, TOP FRONT
20C	35256452	4	RECEPTACLE, CLIP ON	26A	39142690	10	SCREW
20D	39810908	2	FOAM, STRIP FRONT / RIGHT	26B	35256452	10	RECEPTACLE, CLIP ON
21	39803739	1	PANEL, UPPER FRONT	26C	39808191	2	FOAM, TOP FRONT /REAR
21A	39133145	4	SCREW	27	39804109	2	PANEL, TOP FRONT RIGHT CORNER
21B	39804364	2	FOAM, UPPER FRONT	27A	39142690	10	SCREW
22	39812813	2	PANEL, STRIP FRONT / REAR UPPER LEFT	27B	35256452	10	RECEPTACLE, CLIP ON
22A	39133145	12	SCREW	27C	39808191	2	FOAM, REIGHT TOP PANEL



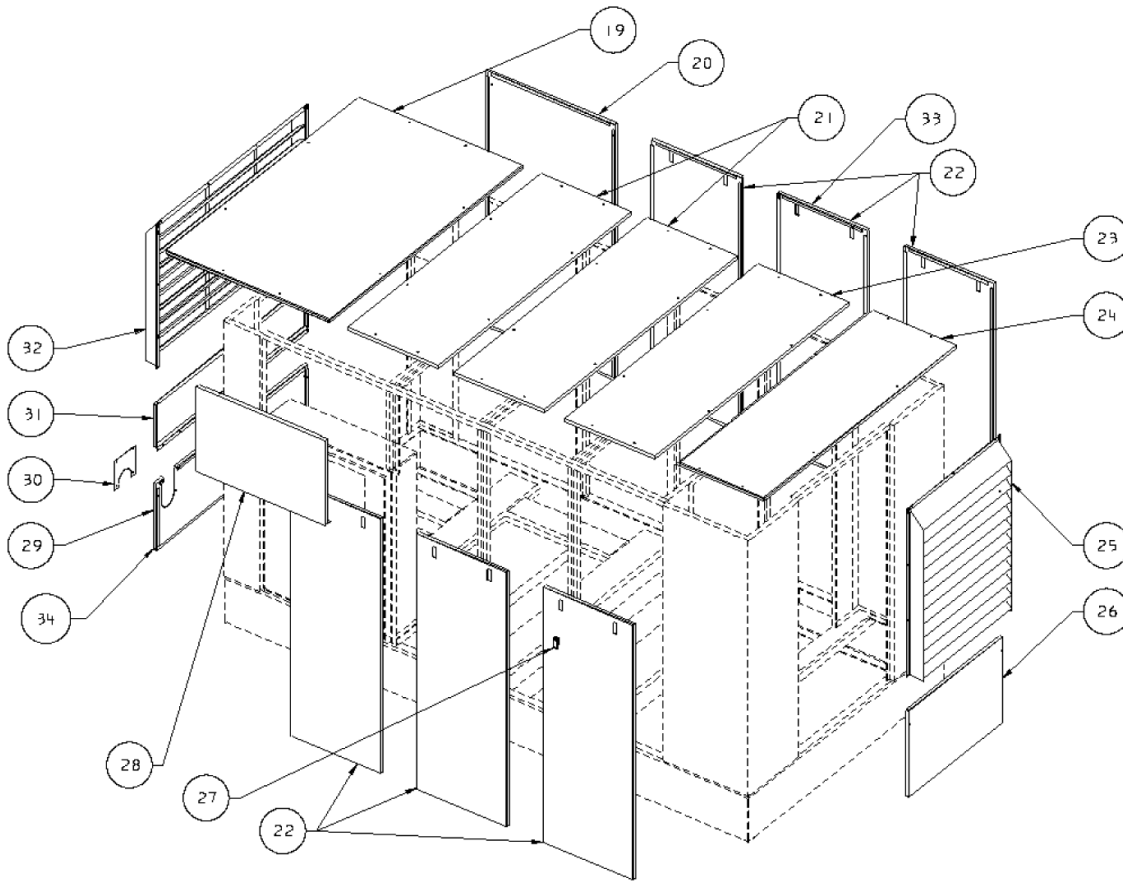
39887393
REV B

Item	ccn	Qty.	Description	Item	ccn	Qty.	Description
28	39804646	1	PANEL, TOP LEFT REAR	30A	39133152	8	SCREW
28A	39142690	5	SCREW	30B	95929071	12	LATCH, DOOR
28B	35256452	5	RECEPTACLE, CLIP ON	31	39133954	12	LATCH, DOOR
28C	39808209	1	FOAM, TOP LEFT	32	39802871	1	PANEL, COMMON FRONT / REAR (AIR COOLED)
29	39812805	1	PANEL, TOP REAR LEF	32A	39803770	1	FOAM, COMMON FRONT / REAR (AIR COOLED)
29B	35256452	8	RECEPTACLE, CLIP ON	32	39929815	1	PANEL, REAR (WATER COOLED)
30	39812904	1	FOAM, TOP REAR LEFT	32A	29930169	1	FOAM, REAR (WATER COOLED)
30A	39801634	1	LOUVER, EXHAUST				



54430541
REV B

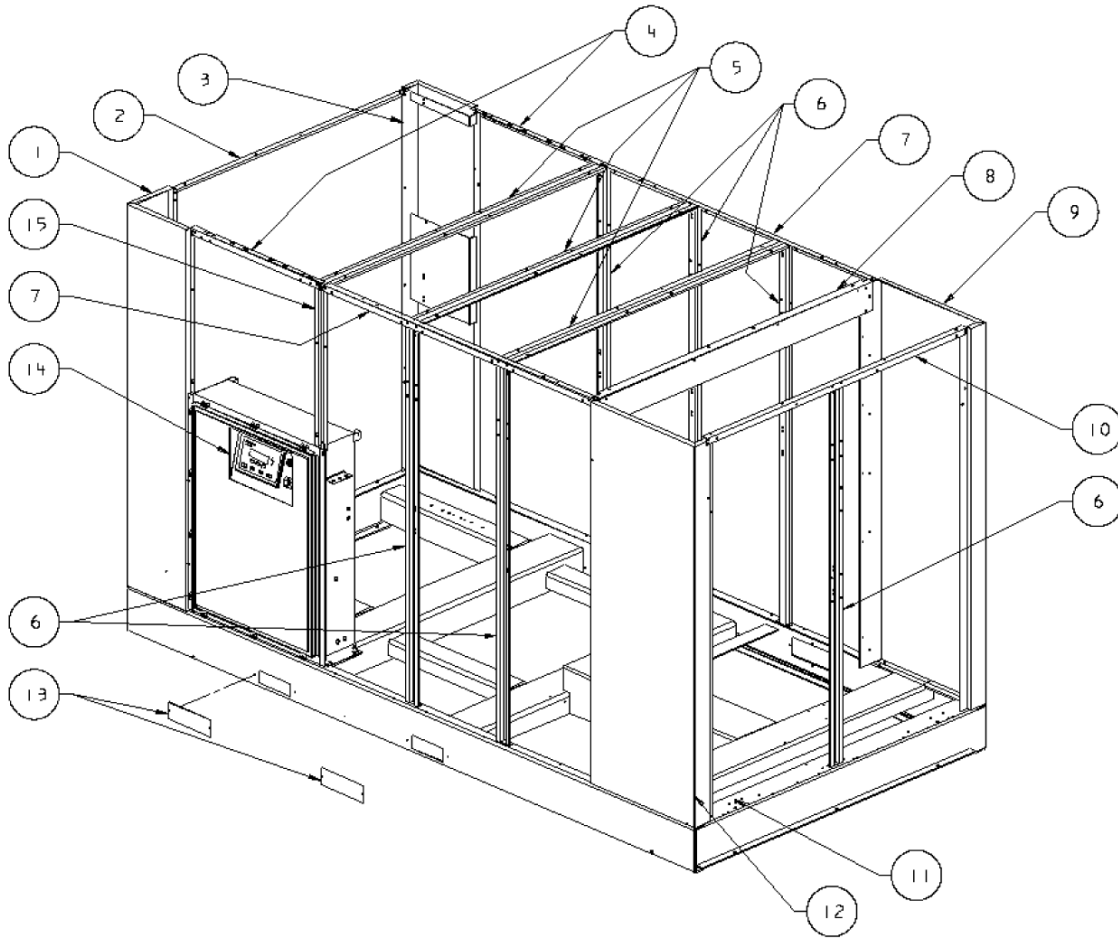
Item	ccn	Qty.	Description	Item	ccn	Qty.	Description
1	39803382	1	CORNER, LEFT REAR	10A	39803846	1	FOAM (AIR COOLED ONLY)
1A	39133145	4	SCREW, TAPTITE	10B	39803838	1	FOAM (AIR COOLED ONLY)
2	39821541	1	ANGLE, REAR	10C	39133145	4	SCREW, TAPTITE
2A	39133145	8	SCREW, TAPTITE	11	39138490	18	PIN, LOCATOR
3	39803721	3	SUPPORT, TOP	12	39495981	4	COVER, FORKLIFT
3A	39133145	12	SCREW, TAPTITE	12A	39133145	8	SCREW, TAPTITE
4	39803341	5	SUPPORT, VERTICAL	13	39814439	1	ANGLE, FRONT
4A	39133145	10	SCREW, TAPTITE	14	39928684	1	STARTER/INTELLISYS ENCLOSURE (NEMA4)
5	39814447	1	ANGLE, REAR	14A	39178678	4	SCREW, TAPTITE
6	39803267	1	ANGLE, RIGHT END	15	39803374	1	CORNER, LEFT FRONT
7	39803275	1	SUPPORT, TOP RIGHT END	15A	39133145	5	SCREW, TAPTITE
8	39482864	1	PLATE, COVER (AIR COOLED)	16	39803358	1	SUPPORT, SHORT
8A	39133152	4	SCREW, TAPTITE	16A	39133145	2	SCREW, TAPTITE
9	39803259	1	CORNER, RIGHT END REAR	17	39821558	1	ANGLE, FRONT
9A	39803846	1	FOAM (AIR COOLED ONLY)	17A	39133145	8	SCREW, TAPTITE
9B	39803838	1	FOAM (AIR COOLED ONLY)	18	39803671	1	ANGLE, LEFT END
9C	39133145	4	SCREW, TAPTITE	18A	39133145	4	SCREW, TAPTITE
10	39803168	1	CORNER, RIGHT END FRONT				



54430541
REV 01

Item	ccn	Qty.	Description	Item	ccn	Qty.	Description
19	39807763	1	PANEL, TOP LEFT	28	39807722	1	PANEL, UPPER FRONT
19A	39804406	1	FOAM, PANEL - TOP LEFT	28A	39804364	1	FOAM
19B	39142690	8	SCREW	28B	39133145	4	SCREW, TAPTITE
20	39807755	1	PANEL, LEFT REAR	29	39929971	1	PANEL, AIR DISCHARGE, LOWER (AIR COOLED ONLY)
20A	39804356	1	FOAM	29A	39930151	1	FOAM, PANEL (AIR COOLED ONLY)
20B	39142690	2	SCREW	29B	39142690	2	SCREW
21	39807771	2	PANEL, TOP CENTER	30	39930045	1	PLATE, AIR DISCHARGE PANEL
21A	39804398	2	FOAM	30A	39133145	4	SCREW
21B	39142690	16	SCREW	31	39807367	1	PANEL, DISCHARGE, UPPER
22	39807714	6	PANEL, COMMON (5 REQUIRED ON WATER COOLED)	31A	39807474	1	FOAM
22A	39803770	6	FOAM, COMMON (5 REQUIRED ON WATER COOLED)	31B	39133145	4	SCREW
23	39807789	1	PANEL, TOP RIGHT	32	39803234	1	LOUVER, AIR COOLED
23A	39804398	1	FOAM	32A	39133152	8	SCREW, TAPTITE
23B	39142690	8	SCREW	33	39929815	1	PANEL, REAR WATER COOLED
24	39807409	1	PANEL, TOP RIGHT	33A	39930169	1	FOAM, WATER COOLED REAR PANEL
24A	39133152	8	SCREW, TAPTITE	34	39803747	1	PANEL, LEFT END (WATER COOLED)
25	39807417	1	LOUVER, EXHAUST	34A	39804372	1	FOAM, LEFT END PANEL (WATER COOLED)
26	39807391	1	PANEL, RIGHT END				
26A	39807490	1	FOAM				
26B	39142690	2	SCREW				
27	39133954	12	LATCH, DOOR				

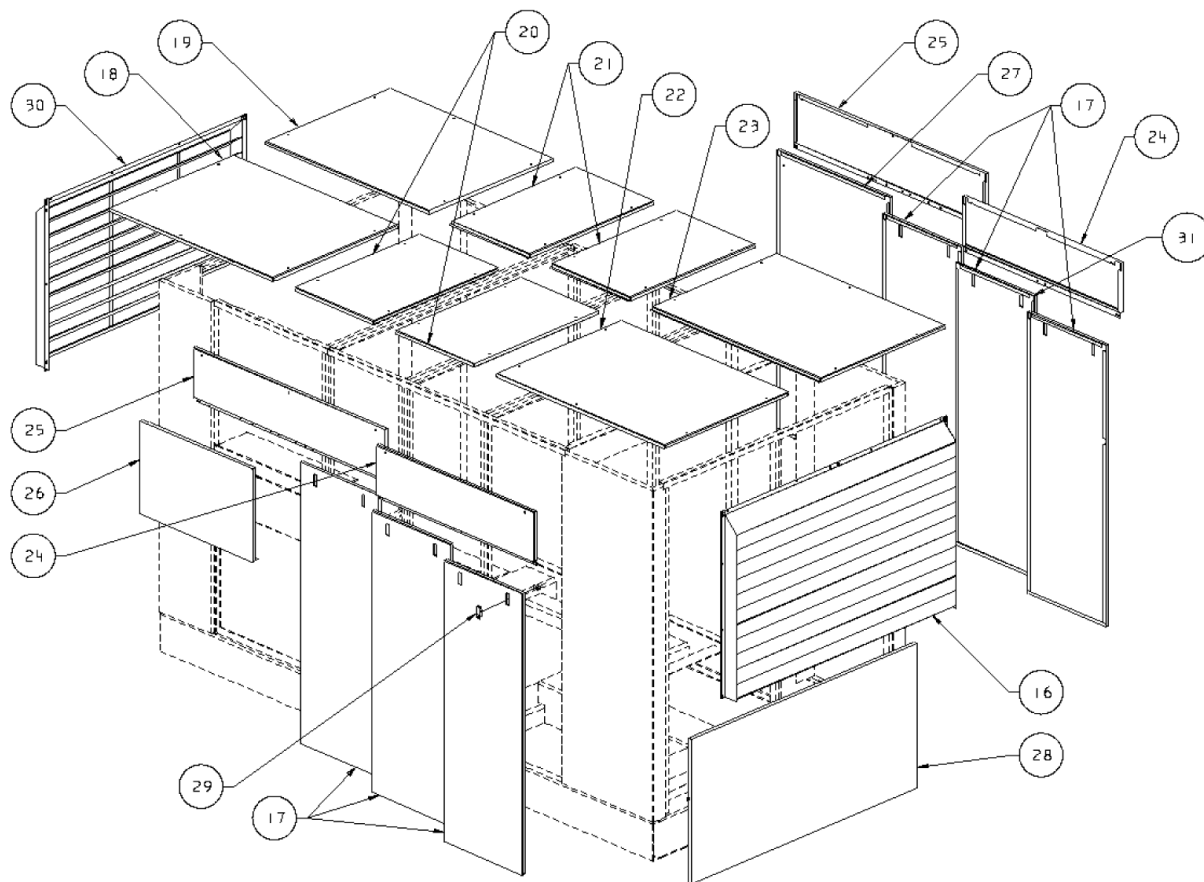
NOTE: FOAM AND STANDARD FASTENERS SUCH AS NUTS, BOLTS AND SCREWS ARE LISTED AS SUB-ITEMS (EXAMPLE 1A)



54454095
REV B

Item	ccn	Qty.	Description	Item	ccn	Qty.	Description
1	39803929	1	CORNER, LEFT FRONT WHITE	85547412	1	CORNER, RIGHT REAR BEIGE	
	85547370	1	CORNER, LEFT FRONT BEIGE	9A	39804661	1	FOAM (AIR COOLED ONLY)
1A	39133145	4	SCREW	9B	39133145	8	SCREW
2	39803887	1	ANGLE, LEFT END WHITE	10	39803994	1	ANGLE, RIGHT END (EXHAUST) WHITE
	85547362	1	ANGLE, LEFT END BEIGE	85547420	1	ANGLE, RIGHT END (EXHAUST) BEIGE	
2A	39133145	4	SCREW	10A	39133145	6	SCREW
3	39803937	1	CORNER, LEFT REAR WHITE	11	39138490	28	PIN, LOCATOR
	85547388	1	CORNER, LEFT REAR BEIGE	12	39803978	1	CORNER, RIGHT FRONT WHITE
3A	39133145	4	SCREW	85547404	1	CORNER, RIGHT FRONT BEIGE	
4	39812821	2	ANGLE, FRONT/REAR WHITE	12A	39804661	1	FOAM (AIR COOLED ONLY)
	85547917	1	ANGLE, FRONT/REAR BEIGE	12B	39133145	8	SCREW
4A	39133145	8	SCREW	13	39495981	4	COVER, FORKLIFT HOLE
5	39804620	3	SUPPORT, TOP WHITE	13A	39133145	8	SCREW
	85547511	1	SUPPORT, TOP BEIGE	14	39133145	1	STARTER/INTELLISYS WHITE
5A	39133145	12	SCREW	85542470	1	STARTER/INTELLISYS BEIGE	
6	39803945	6	SUPPORT, VERTICAL WHITE	14A	39178678	4	SCREW
	85547396	1	SUPPORT, VERTICAL BEIGE	15	39804091	1	SUPPORT, SHORT WHITE
6A	39133145	12	SCREW	85547479	1	SUPPORT, SHORT BEIGH	
7	39810593	2	ANGLE, FRONT/REAR WHITE	15A	39133145	3	SCREW
	85547768	1	ANGLE, FRONT/REAR BEGE				
8	39804026	1	ANGLE, UPPER O/L WHITE				
	85547453	1	ANGLE, UPPER O/L BEIGE				
8A	39133145	6	SCREW				
9	39803986	1	CORNER, RIGHT REAR WHITE				

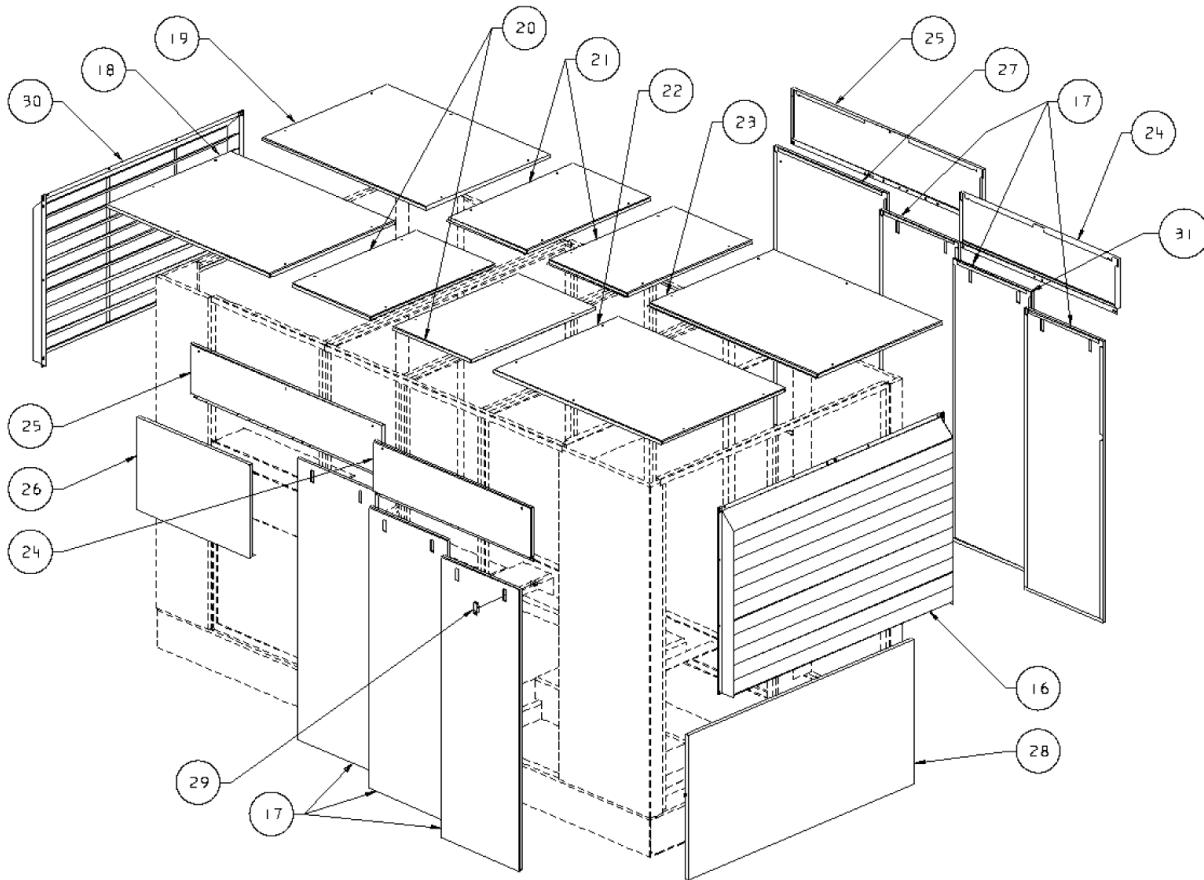
NOTE : FOAM AND STANDARD FASTENERS SUCH AS NUTS, BOLTS, AND SCREWS: ARE LISTED AS SUB-ITEMS (EXAMPLE: 1A).



54454095
REV B

Item	ccn	Qty.	Description	Item	ccn	Qty.	Description
16	39807201	1	LOUVER, EXHAUST	21A	39142690	8	SCREW
16A	39133152	8	SCREW	21B	35256452	8	RECEPITACLE, CLIP ON
17	39807714	6	PANEL, COMMON FRONT / REAR (5 REQ.D ON WTR CLD) WHITE	21C	39808191	2	FOAM, TOP FRONT / REAR
	85547636	6	PANEL, COMMON FRONT / REAR (5 REQ.D ON WTR CLD) BEIGE	22	39807151	1	PANEL, RIGHT FRONT TOP WHITE
17A	39803770	6	FOAM, COMMON FRONT / REAR (5 REQ.D ON WTR CLD)		85547602	1	PANEL, RIGHT FRONT TOP BEIGE
18	39809728	1	PANEL, TOP LEFT FRONT WHITE)	22A	39142690	5	SCREW
	85547693	1	PANEL, TOP LEFT FRONT BEIGE	22B	35256452	5	RECEPTACLE, CLIP ON
18A	39142690	5	SCREW	22C	39809751	1	FOAM, RIGHT TOP PANEL
18C	35256452	5	RECEPTACLE, CLIP ON	23	39807185	1	PANEL, RIGHT REAR TOP WHITE
19	39809710	1	PANEL, TOP LEFT REAR WHITE		85547610	1	PANEL, RIGHT FRONT TOP BEIGE
	85547685	1	PANEL, TOP LEFT REAR BEIGE00	23A	39142690	5	SCREW
19A	39142690	5	SCREW	23B	35256452	5	RECEPTACLE, CLIP ON
19B	35256452	5	RECEPTACLE, CLIP ON	23C	39809751	1	FOAM, RIGHT TOP PANEL
19C	39808209	1	FOAM, TOP LEFT	24	39810809	2	PANEL, STRIP FRONT / RIGHT WHITE
20	39809736	2	PANEL, TOP FRONT WHITE		85547776	2	PANEL, STRIP FRONT / RIGHT BEIGE
	85547701	2	PANEL, TOP FRONT BEIGE	24A	39133145	8	SCREW
20A	39142690	8	SCREW	24B	39142690	4	SCREW
20B	35256452	8	RECEPTACLE, CLIP ON	24C	35256452	4	RECEPTACLE, CLIP ON
20C	39808191	2	FOAM, TOP FRONT / REAR	24D	39810825	2	FOAM, STRIP FRONT / RIGHT
21	39809744	2	PANEL, TOP REAR WHITE				
	85547719	2	PANEL, TOP REAR BEIGE				

NOTE: STANDARD FASTENERS SUCH AS NUTS, BOLTS, AND SCREWS: AND AUXILIARY COMPONENTS ARE LISTED AS SUB-ITEMS (EXAMPLE: 1A).



54454095
REV B

Item	ccn	Qty.	Description	Item	ccn	Qty.	Description
25	39810825	2	PANEL,STRIP FRONT / LEFT WHITE	85547628	1	PANEL, RIGHT END BEIGE	
	85547792	2	PANEL,STRIP FRONT / LEFT BEIGE	28A	39133145	4	SCREW
25A	39133145	B	SCREW	29	39133954	12	LATCH, DOOR
25B	39142690	6	SCREW	30	39803895	1	LOUVER, AIR COOLED INTAKE (NOT SHOWN) WHITE
25C	35256452	6	RECEPTACLE, CLIP ON		85548360	1	LOUVER, AIR COOLED INTAKE (NOT SHOWN) BEIGE
25D	39810916	2	FOAM, STRIP FRONT/LEFT	30A	39133152	8	SCREW
26	39807722	1	PANEL, UPPER FRONT WHITE	31	39929260	1	PANEL, REAR-WATER COOLED ONLY WHITE
	85547644	1	PANEL, UPPER FRONT BEIGE		85548279	1	PANEL, REAR-WATER COOLED ONLY BEIGE
26A	39133145	4	SCREW	31A	39930185	1	FOAM, REAR-WATER COOLED ONLY
26B	39804364	1	FOAM				
27	39804364	1	PANEL, REAR WHITE				
	85547651	1	PANEL, REAR BEIGE				
27A	39142690	2	SCREW				
27B	35256452	2	RECEPTACLE, CLIP ON				
27C	39804356	1	FOAM, REAR PANEL				
28	39807193	1	PANEL, RIGHT END WHITE				

NOTE: STANDARD FASTENERS SUCH AS NUTS, BOLTS, AND SCREWS ARE LISTED AS SUB-ITEMS (EXAMPLE: 1A)

O-RINGS FOR SAE FITTINGS				
IPart No.	Size/Thread	ID	Width	Tube Size
39404157	7/16-20	0.351	0.072	1/4
39404132	9/16-18	0.468	0.078	3/8
39404165	3/4-16	0.644	0.087	1/2
39437074	7/8-14	0.755	0.097	5/8
39407531	1- 1/16-12	0.924	0.116	3/4
39404173	1- 5/16-12	1.171	0.116	1
39404140	1- 5/8-12	1.475	0.118	1-1/4
39406996	1- 7/8-12	1.72	0.118	1-1/2
39410279	2- 1/2-12	2.337	0.118	2

SSR 250/300 HP SPARE PARTS

COMPRESSOR PART	PART NO.	QTY. PER UNIT	LOCATION OR USE
Maintenance Kit 250-300 HP	39676192	0	Maintenance Kit with Ultra Coolant
Ultra Coolant - (5 Gal. Container)	39433735	6	Fill (35 Gallon)
Air Filter Element (250-300 HP)	39903265	2	At Airend Inlet
Coolant Filter Element	39911431	2	On Coolant Filter
Separator Element	22219174	1	In Separator Tank
Thermostatic Control Valve Element (250 HP)	39437645	1	In Thermostatic Control Valve
Thermostatic Control Valve Element (300 HP)	39437652	1	In Thermostatic Control Valve
Thermostatic Control Valve (250 HP)	39478193	1	Between Cooler & Oil Filter
Thermostatic Control Valve (300 HP)	39481429	1	Between Cooler & Oil Filter
Hose	39572367	1	Separator Tank to Oil Cooler (Watercooled)
Hose	39572219	1	Separator Tank to Oil Cooler (Aircooled)
Hose	39572367	1	Thermostatic Valve to Oil Filter (Aircooled)
Hose	39572219	1	Thermostatic Valve to Oil Filter (Watercooled)
Hose	39116207	1	Blowdown Sol. Valve to Inlet Valve
Blowdown Solenoid Valve NEMA 1	22516025	1	On Inlet Valve (3SV)
Blowdown Solenoid Valve NEMA 4	22516025	1	On Inlet Valve (3SV)
Oil Stop Solenoid Valve NEMA 1	22226682	1	In Oil Filter Line (5SV)
Oil Stop Solenoid Valve NEMA 4	22226682	1	In Oil Filter Line (5SV)
Water Shutoff Solenoid Valve	39482757	1	Water In Piping (Watercooled)
High Air Temperature Switch	39419668	1	In Airend (1ATS)
O-Ring	39404165	1	On HATS
Coolant Filter .P Switch	39246012	1	On Coolant Filter Mtg. Brkt. (1DPS)
Inlet Valve Assembly	42530931	1	Under Air Filter
Gasket	39486956	1	Under Inlet Valve
Gasket Isolation	39483169	4	Inlet Valve Mtg. Bolts
Minimum Pressure Valve	39477369	1	Tank Discharge Line
O-Ring	95022372	1	Under Minimum Pressure Valve
Breather Filter	39112362	1	On Gearcase Wall
Dowel Pin	95239919	2	Gearcase to Airend
Dowel Pin	39194915	2	Gearcase to Motor
Shaft Seal	39311519	1	On Motor Shaft
Gasket	39405279	1	Under Seal Housing
Shaft Sleeve	39405287	1	On Motor Shaft
Gasket	39454558	1	Motor to Gearcase (440 Frame)
Gasket	35782531	1	Motor To Gearcase (5000 Frame)
Gasket	39482138	1	Gearcase to Airend
Discharge Check Valve	39481155	1	Airend Discharge to Separator Tank
Gaskets	39487426	2	Both Sides of Check Valve
Fan, 48" (Aircooled Only 60 Hz)	39850268	1	On Fan Motor Shaft
Fan, 42" (Aircooled Only 50 Hz)	39308572	1	On Fan Motor Shaft
Fan, 42" (Aircooled Only 50 Hz-Altitude)	39308580	1	On Fan Motor Shaft
Fan, 24" (Watercooled Only 60 Hz)	39119920	1	On Fan Motor Shaft
Fan, 24" (Watercooled Only 50 Hz)	39199641	1	On Fan Motor Shaft
Pressure Relief Valve	39225511	1	Manifold on STR box
Transformer Fuse (3.5 A)	39178736	2	In Starter Box (1FU)
Transformer Fuse (5.0 A)	39118484	1	In Starter Box (2FU)
Transformer Fuse (5.0 A)	39242458	1	In Starter Box (3FU)
Contact Kit (3 Pole)	22630768	3	In D180-180 Starter
Coil	22630784	3	In D180-180 Starter
Contact Kit (3 Pole)	22630834	2	In D250-180 Starter
Contact Kit (3 Pole)	22630768	1	In D250-180 Starter
Coil	22707137	2	In D250-180 Starter
Coil	22630784	1	In D250-180 Starter

SSR 250/300 HP SPARE PARTS (continued)

COMPRESSOR PART	PART NO.	QTY. PER UNIT	LOCATION OR USE
Contact Kit (3 Pole)	22707087	2	In D300-180 Starter
Contact Kit (3 Pole)	22630768	1	In D300-180 Starter
Coil	22707137	2	In D300-180 Starter
Coil	22630784	1	In D300-180 Starter
Interlock Switch (N.C.-N.C.)	22665855	1	On D300-180 / D250-180 / D180-180 Starter
Aux Contact (N.O.-N.O.)	22264857	1	On D300-180 / D250-180 / D180-180 Starter
Aux Contact (N.O.-N.C.)	22665830	1	On D300-180 / D250-180 / D180-180 Starter
Panel Location Pins	39138490	12	On Base
Power On Light	39196225	1	On Starter Back Panel
Power On Light	39485032	1	On Intellisys Panel
Power On Light Bulb (24V)	39485024	1	In Intellisys
Emergency Stop Switch	39549167	1	On Intellisys Panel
Pressure Sensor (0-225 Psi)	39875539	2	On Starter Box (3APT, 4APT)
Pressure Sensor (0-15 Psi)	39877418	1	On Starter Box (1AVPT)
Temperature Sensor	39560628	3	In Airend (2ATT)
Temperature Sensor	39585146	2	Aftercooler (4ATT), and Oil Piping (2CTT)
Temperature Sensor O-Ring	39404157	3	On Sensor
A. C. Line Filter	39201918	1	In Starter Box
Power Supply Board	39874425	1	In Starter Box
Intellisys	39875158	1	In Starter Box Door
Decal Kit	39244355	1	All Units
Stepper Motor	85542652	1	On Inlet Valve
Coupling Set, Stepper Motor	39181219	1	Stepper Motor to Inlet Valve
Nylon Tube, .25"	39124813	*	Control Tubing

*Order per number of inches required

SSR 300E HP SPARE PARTS

COMPRESSOR PART	PART NO.	QTY. PER UNIT	LOCATION OR USE
Maintenance Kit 250-300 HP	39679287	0	Maintenance Kit with Ultra Coolant
Ultra Coolant - (5 Gal. Container)	39433735	7	Fill (35 Gallon)
Air Filter Element (300E HP)	39903265	1	At Airend Inlet
Coolant Filter Element	39311631	2	On Coolant Filter
Separator Element	22219174	1	In Separator Tank
Thermostatic Control Valve Element	39437652	1	In Thermostatic Control Valve
Thermostatic Control Valve	39481429	1	Between Cooler & Oil Filter
Hose	39572219	1	Thermostatic Valve to Oil Filter (W/C)
Hose	39572367	1	Separator Tank To Oilcooler (W/C)
Hose	39572367	1	Thermostatic Valve to Oil Filter (A/C)
Hose	39572219	1	Separator Tank To Oilcooler (A/C)
Hose (with pump)	39573084	1	Separator Tank to Pump
Hose (with pump)	39572466	1	Pump to Oil Cooler
Blowdown Solenoid Valve NEMA 1	22514025	1	On Inlet Valve (3SV)
Blowdown Solenoid Valve NEMA 4	22514025	1	On Inlet Valve (3SV)
Oil Stop Solenoid Valve NEMA 1	22226682	1	In Oil Filter Line (5SV)
Oil Stop Solenoid Valve NEMA 4	22226682	1	In Oil Filter Line (5SV)
Valve, Spring Check	39182696	1	In Oil Filter Line (Units W/Pump)
High Air Temperature Switch	39419668	1	In Airend (1ATS)
O-Ring	39404165	1	On HATS
Coolant Filter .P Switch	39246012	1	On Coolant Filter Mtg. Brkt. (1DPS)
Inlet Valve Assembly	42412155	1	Under Air Filter
Gasket	39486956	1	Under Inlet Valve
Minimum Pressure Valve	39477369	1	Tank Discharge Line
O-Ring	95022372	1	Under Minimum Pressure Valve
Breather Filter	39112362	1	On Gearcase Wall
Dowel Pin	35295336	2	Gearcase to Airend
Dowel Pin	39194915	2	Gearcase to Motor
Shaft Seal	39311519	1	On Motor Shaft
Gasket	39405279	1	Under Seal Housing
Gasket	39454558	1	Motor to Gearcase (440 Frame)
Gasket	35782531	1	Motor to Gearcase (5000 Frame)
O-Ring	39181490	1	Gearcase to Airend
Discharge Check Valve	39481361	1	Airend Discharge to Separator Tank
Gasket	39452354	2	Both Sides of Check Valve
Fan, 48" (Aircooled Only 60 Hz)	39850268	1	On Fan Motor Shaft
Fan, 42" (Aircooled Only 50 Hz)	39308572	1	On Fan Motor Shaft
Fan, 24" (Watercooled Only 60 Hz)	391199201	On	Fan Motor Shaft
Fan, 24" (Watercooled Only 50 Hz)	39199641	1	On Fan Motor Shaft
Pressure Relief Valve	39225511	1	On Separator Tank
Transformer Fuse (2.0 A)	39113535	1	In Control Box (Remote Starter)(4FU)
Transformer Fuse (3.5 A)	39178736	2	In Starter Box (1FU)
Transformer Fuse (5.0 A)	39118484	1	In Starter Box (2FU)
Transformer Fuse (6.0 A)	39245188	1	In Starter Box (3FU) & Remote (5FU)
Contact Kit (3 Pole)	22630768	3	In D180-180 Starter
Coil	22630784	3	In D180-180 Starter
Contact Kit (3 Pole)	22630834	2	In D250-180 Starter
Contact Kit (3 Pole)	22630768	1	In D250-180 Starter
Coil	22707137	2	In D250-180 Starter
Coil	22630784	1	In D250-180 Starter
Contact Kit (3 Pole)	22707087	2	In D300-180 Starter
Contact Kit (3 Pole)	22630768	1	In D300-180 Starter
Coil	22707137	2	In D300-180 Starter

SSR 300 HP SPARE PARTS (continued)

COMPRESSOR PART	PART NO.	QTY. PER UNIT	LOCATION OR USE
Coil	22630784	1	In D300-180 Starter
Interlock Switch (N.C.-N.C.)	22665855	1	On D300-180 / D250-180 / D180-180 Starter
Aux Contact (N.O.-N.O.)	22264857	1	On D300-180 / D250-180 / D180-180 Starter
Aux Contact (N.O.-N.C.)	22665830	1	On D300-180 / D250-180 / D180-180 Starter
Panel Location Pins	39138490	12	On Base
Power On Light	39196225	1	On Starter Back Panel
Power On Light	39485032	1	On Intellisys Panel
Power On Light Bulb (24V)	39485024	1	In Intellisys
Emergency Stop Switch	39549167	1	On Intellisys Panel
Pressure Sensor (0-225 Psi)	39875539	2	On Starter Box (3APT, 4APT)
Pressure Sensor (0-15 Psi)	39877618	1	On Starter Box (1AVPT)
Temperature Sensor	39560628	3	In Airend (2ATT)
Temperature Sensor	39585146	2	Aftercooler (4ATT), and Oil Piping (2CTT)
Temperature Sensor O-Ring	39404157	3	On Sensor
A. C. Line Filter	39201918	1	In Starter Box
Power Supply Board	39874425	1	In Starter Box
Intellisys	39875158	1	In Starter Box Door
Decal Kit	39244355	1	All Units
Stepper Motor	85547271	1	On Inlet Valve
Coupling Set, Stepper Motor	39181219	1	Stepper Motor to Inlet Valve
Nylon Tube, .25"	39124813	*	Control Tubing
Hose	39116207	1	Blowdown Valve to Inlet Valve
Water Shutoff Solenoid Valve	39482757	1	Water Inlet Piping

*Order per number of inches required.

SSR 350-450 HP SPARE PARTS

COMPRESSOR PART	PART NO.	QTY. PER UNIT	LOCATION OR USE
Maintenance Kit 350-450 HP	39679287	0	Maintenance Kit with Ultra Coolant
Ultra Coolant - (5 Gal. Container)	39433735	9	Fill (45 Gallon)
Air Filter Element (350-450 HP)	39903265	1	At Airend Inlet
Coolant Filter Element	39911631	2	On Coolant Filter
Separator Element	54509435	1	In Separator Tank
Thermostatic Control Valve Element	39437652	1	In Thermostatic Control Valve
Thermostatic Control Valve	39481429	1	Between Cooler & Oil Filter
Hose (With Pump Only)	39573092	1	Separator Tank to Oil Pump
Hose (With Pump Only)	39572490	2	Oil Pump to Thermo Valve
Hose	39572219	1	Thermo Valve to Oil Filter (W/C)
Hose	39572466	1	Thermo Valve to Oil Filter (A/C)
Hose (No-Pump) (W/C)	39572334	1	Separator Tank to Thermo Valve
Hose (No-Pump) (A/C)	39572276	1	Separator Tank to Thermo Valve
Blowdown Solenoid Valve NEMA 1	22516025	2	On Inlet Valve (3SV)
Blowdown Solenoid Valve NEMA 4	22516025	2	On Inlet Valve (3SV)
Valve, Spring Check	39182696	1	In Oil Filter Out Line
Oil Stop Solenoid Valve NEMA 1	22226682	1	In Oil Filter Line (5SV)
Oil Stop Solenoid Valve NEMA 4	22226682	1	In Oil Filter Line (5SV)
High Air Temperature Switch	39419668	1	In Airend (1ATS)
O-Ring	39404165	1	On HATS
Coolant Filter .P Switch	39246012	1	On Coolant Filter Mtg. Brkt. (1DPS)
Inlet Valve Assembly	42412155	1	Under Air Filter
Gasket	39486956	1	Under Inlet Valve
Minimum Pressure Valve	39801253	1	Tank Discharge Line
O-Ring	95080745	1	Under Minimum Pressure Valve
Breather Filter	39112362	1	On Gearcase Wall
Dowel Pin	95239919	2	Gearcase to Airend
Dowel Pin	39194915	2	Gearcase to Motor
Shaft Seal	39311519	1	On Motor Shaft
Gasket	39405279	1	Under Seal Housing
Gasket	39454558	1	Motor to Gearcase (440 Frame)
Gasket	35782531	1	Motor to Gearcase (5000 Frame)
O-Ring	39181490	1	Gearcase to Airend
Discharge Check Valve	39481361	1	Airend Discharge to Separator Tank
Gaskets	39452354	2	Both Sides of Check Valve
Fan, 56" (Aircooled Only 60 Hz)	39850276	1	On Fan Motor Shaft
Fan, 56" (Aircooled Only 50 Hz)	39858865	1	On Fan Motor Shaft
Fan, 24" (Watercooled Only 60 Hz)	39119920	1	On Fan Motor Shaft
Fan, 24" (Watercooled Only 50 Hz)	39199641	1	On Fan Motor Shaft
Pressure Relief Valve	39225263	1	Manifold on STR box
Transformer Fuse (2.0 A)	39113535	1	In Control Box (Remote Starter) (4FU)
Transformer Fuse (3.5 A)	39178736	2	In Starter Box Size 5 (1FU)
Transformer Fuse (5.0 A)	39118484	1	In Starter Box Size 5 (2FU)
Transformer Fuse (6.0 A)	39245188	1	In Starter Box Size 5 (3FU) & Remote (5FU)
Contact Kit (3 Pole)	22630834	2	In D250-180 Starter
Contact Kit (3 Pole)	22630768	1	In D250-180 Starter
Coil	22707137	2	In D250-180 Starter
Coil	22630784	1	In D250-180 Starter
Contact Kit (3 Pole)	22707087	2	In D300-180 Starter
Contact Kit (3 Pole)	22630768	1	In D300-180 Starter
Coil	22707137	2	In D300-180 Starter
Coil	22630784	1	In D300-180 Starter
Contact Kit (3 Pole)	22707087	2	In D300-250 Starter

SSR 350-450 HP SPARE PARTS (continued)

COMPRESSOR PART	PART NO.	QTY. PER UNIT	LOCATION OR USE
Contact Kit (3 Pole)	22630768	1	In D300-250 Starter
Coil	22707137	3	In D300-250 Starter
Interlock Switch (N.C.-N.C.)	22665855	1	On D300-250 / D300-180 / D250-180 Starter
Aux Contact (N.O.-N.O.)	22264857	1	On D300-250 / D300-180 / D250-180 Starter
Aux Contact (N.O.-N.C.)	22665830	1	On D300-250 / D300-180 / D250-180 Starter
Panel Location Pins	39138490	12	On Base
Power On Light	39196225	2	On Starter Back Panel
Power On Light	39485032	1	On Intellisys Panel
Power On Light Bulb (24V)	39485024	1	In Intellisys
Emergency Stop Switch	39549167	1	On Intellisys Panel
Pressure Sensor (0-225 Psi)	39875539	2	On Starter Box (3APT, 4APT)
Pressure Sensor (0-15 Psi)	39877618	1	On Starter Box (1AVPT)
Temperature Sensor	39560628	3	In Airend (2ATT)
Temperature Sensor	39585146	2	Aftercooler (4ATT) and Oil Piping (2CTT)
Temperature Sensor O-Ring	39404157	3	On Sensor
A. C. Line Filter	39201918	1	In Starter Box
Power Supply Board	39874425	1	In Starter Box
Intellisys	39875158	1	In Starter Box Door
Decal Kit	39244355	1	All Units
Stepper Motor	85547271	1	On Inlet Valve
Coupling Set, Stepper Motor	39181219	1	Stepper Motor to Inlet Valve
Nylon Tube, .25"	39124813	*	Control Tubing
Hose	39143888	2	Blowdown Valve to Inlet Valve
Water Shutoff Solenoid Valve	39482757	1	Water Inlet Piping

*Order per number of inches required.