

*Parts Manual for
Helical Screw Compressor Units*

**QST/QSB Models
15, 20, 25, 30, 40 & 50 HP**

50 & 60 Hz.

Aircooled Version "N"
Watercooled Version "N"

50052-111

JUNE 1994

Q
u
i
n
c
y

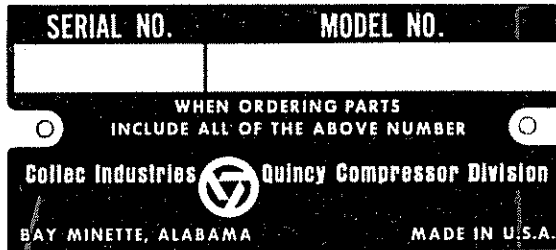


Alphabetical Index

Air Filter Groups:	
Standard.....	10
Standard (Wye-Delta).....	12
Heavy Duty.....	11
Air Piping Groups:	
Aircooled	28-29
Watercooled.....	30-31
Basic Compressor Groups.....	4-5
Canopy Groups:	
Aircooled:	
Standard	56-57
Low Sound.....	58-59
Control Piping Groups:	
Auto Dual, ACL.....	50-51
Auto Dual, Wye Delta	54-55
Continous Run, ACL.....	48-49
Continous Run, Wye Delta	52-53
Cooler Groups:	
Aircooled.....	16-17
Watercooled.....	18-19
Watercooled w/Canopy.....	20-21
Decal Group.....	71
Discharge Piping Group.....	13
Drive Groups:	
Aircooled	32-37
Watercooled.....	38-43
Full Voltage Starting	60-61
Inlet Valve Groups:	
Standard.....	6-7
Wye Delta.....	8-9
Lubrication Specifications	3
Lubricant Piping Groups:	
Aircooled	22-25
Watercooled	26-27
Receiver Groups:	
Aircooled	44-45
Watercooled.....	46-47
Recommended Spare Parts.....	68-69
Reservoir Group.....	14-15
Separator Indicator Group	70
Schematics:	
Control Piping.....	64-65
Wiring.....	66-67
Serial Number Identification	2
Wye Delta Starting.....	62-63

Serial Number Identification

The serial number tag is located on the top flange of the unit frame just left of the control panel and in the upper right corner of the electrical control panel.



Ordering Replacement Parts

Prompt service can be rendered on replacement part orders if the following information is given.

1. The serial number must be given when ordering replacement parts.
2. State the exact part number needed. **Do not order by index numbers**, as index numbers are repeated throughout this manual and if used for ordering parts will necessitate time consuming correspondence.
3. State the exact quantity needed.
4. State the preferred type of transportation.

All replacement parts are to be ordered through an authorized distributor. Insist on Genuine Quincy Parts only! Failure to do so may void your warranty.

WARNING ! Guards must be fastened in place before starting the machine and never removed before disconnecting and locking out the main power supply.

DANGER ! Air from this compressor will cause severe injury or death if used for breathing or food processing. Air used for these processes must meet OSHA 29 CFR 1910 or FDA 21 CFR 178.3570 Regulations..

Helical Screw Lubrication Oils

- **Recommendations**

We recommend that all Quincy Rotary Screw Compressors be filled with lubricants that meets one of the following specifications:

Synthetic Lubricants
Quin-Syn
Quin-Syn F (Food Grade)

Synthetic lubricants other than Quin-Syn may not be compatible with components used in a Quincy helical screw compressor. If it is deemed necessary to convert any unit to a synthetic other than Quin-Syn, please contact an authorized Quincy Compressor distributor. The following information will be required by the distributor:

Model _____
Serial No. _____
Lubricant Originally Used _____
Lubricant Now Used (if changed) _____
Lubricant To Be Used _____

- **Additional Information**

Additional information can be found in the QSB/T Rotary Screw Instruction Manual.

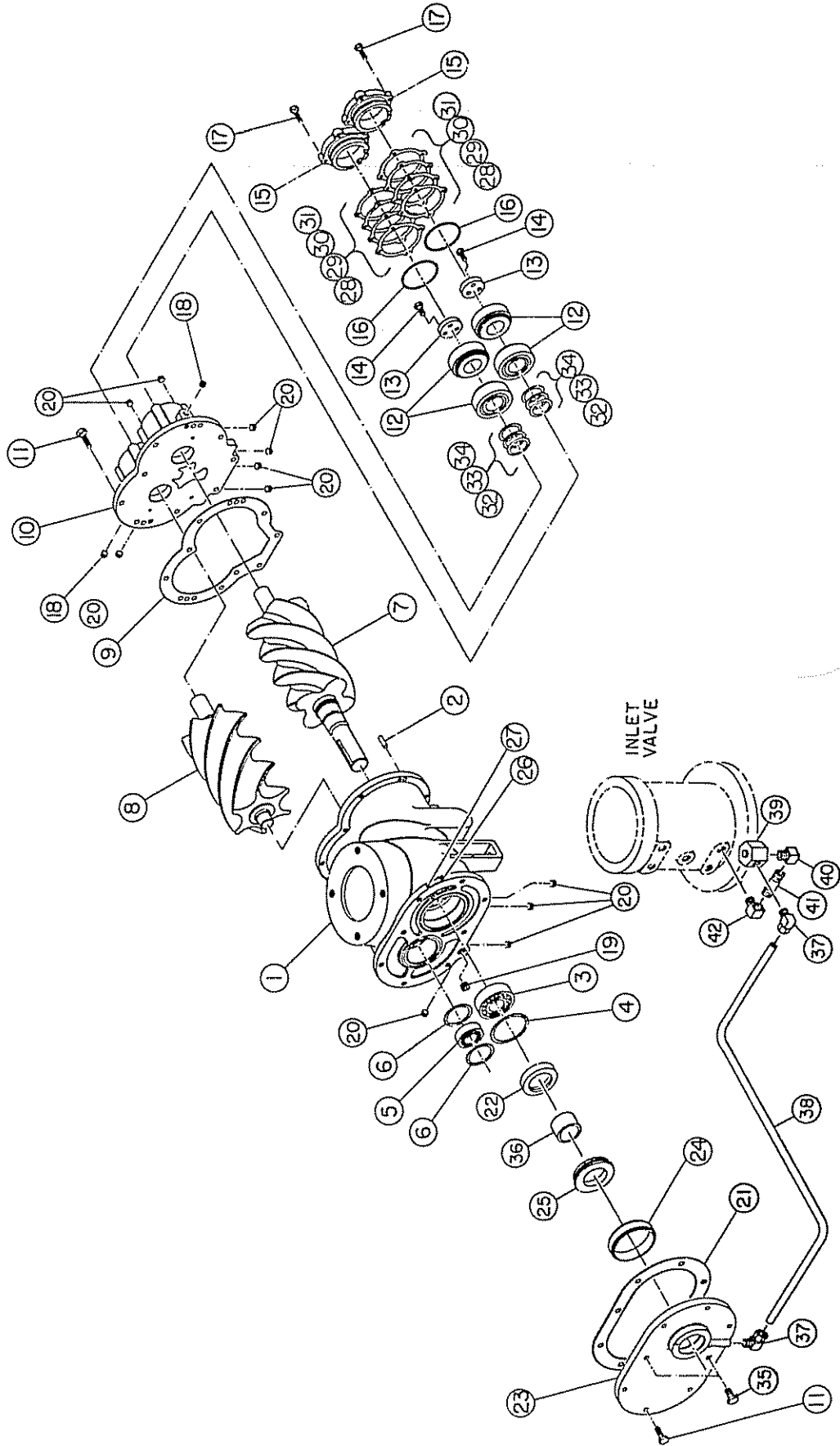
- **Sub-freezing Temperatures**

If a compressor is going to be subjected to sub-freezing temperatures, contact an authorized Quincy Compressor Distributor for instructions on how to prepare the compressor for cold temperatures.

- **Oil Analysis Kit**

Quincy Compressor now offers an Oil Analysis Kit to provide early detection of excessive parts wear, oil breakdown, or a contaminated oil system. Order the Oil Analysis Kit (part no. 128515) from your local authorized Quincy Compressor distributor.

BASIC COMPRESSOR GROUP

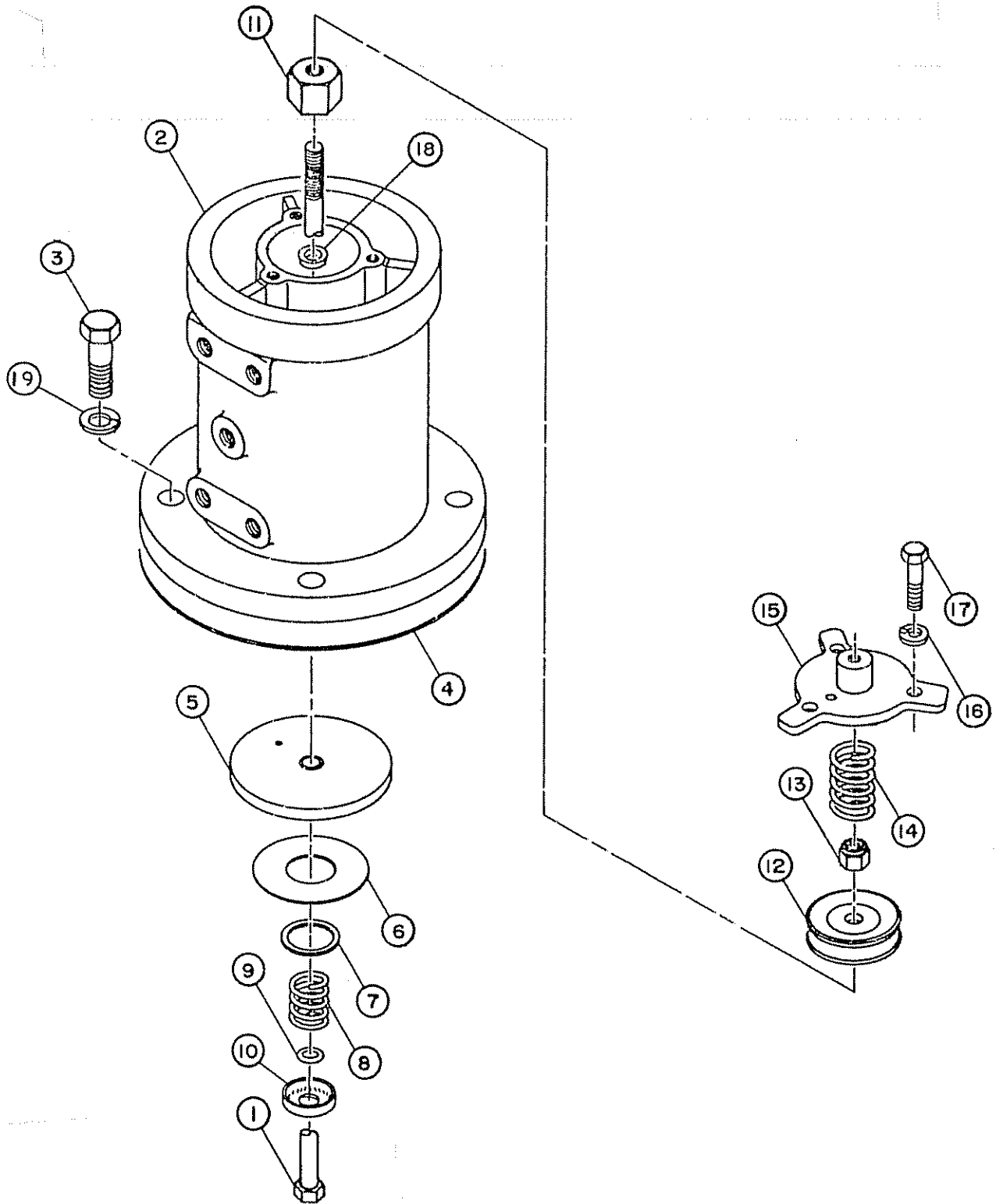


BASIC COMPRESSOR GROUP 140353-001

INDEX NUMBER	QTY	PART NUMBER	DESCRIPTION
1	1	140235	HOUSING-ROTOR
2	2	124145-004	PIN-DOWEL
3	1	124232-002	BEARING-MALE ROTOR, SUCTION END
4	1	125581	RING-RETAINER, BEARING
5	1	124232-003	BEARING-FEMALE ROTOR
6	2	125688	RING-RETAINER, BEARING
7	1	129611	ROTOR-MALE
8	1	125558	ROTOR-FEMALE
9	1	125577-001	GASKET-DISCHARGE PLATE
10	1	129889	PLATE-DISCHARGE END
11	15	123478-L14	SCREW-HEX., 3/8-16 UNC X 1.25, GRADE 5 (@ 23 Ft. Lbs.)
12	4	125580-001	BEARING-DISCHARGE END
13	2	125572	RETAINER-BEARING, DISCHARGE END
14	6	123478-K12	SCREW-HEX., 5/16-18 UNC X 1.00, GRADE 5 (@17 Ft. Lbs.)
15	2	125567	CAP-DISCHARGE END
16	2	22749-151	O RING-3/32 WIDE X 3.19 O.D.
17	8	123478-J12	SCREW-HEX., 1/4-20 UNC X 1.00, GRADE 5 (@ 6 Ft. Lbs.)
18	2	121160	PLUG-PIPE, 1/8 NPT
19	1	2719	PLUG-PIPE, 1/4 NPT
20	10	128883-038	PLUG-PIPE, 3/8 O RING
21	1	125689	GASKET-PLATE, SUCTION END
22	1	129612	SEAL-SHAFT
23	1	129609	PLATE-SUCTION END
24	1	125571	RING-PILOT
25	1	129613	SEAL-DYNA LIP
26	1	120189	PLATE-PATENT
27	2	4029	PIN-NAMEPLATE
28	4	125576-002	SHIM-BEARING, .002
29	2	125576-005	SHIM-BEARING, .005
30	2	125576-010	SHIM-BEARING, .010
31	2	125576-030	SHIM-BEARING, .030
32	4	125575-002	SHIM-BEARING, .002
33	2	125575-005	SHIM-BEARING, .005
34	2	125575-010	SHIM-BEARING, .010
35	2	123478-L12	SCREW-HEX., 3/8-16 UNC X 1.00, GRADE 5 (@ 23 Ft. Lbs.)
36	1	129610	SEAL-WEAR RING
37	2	124349-004	FITTING-TUBE, 90 MALE ELBOW 1/4 TUBE X 1/8 NPT
38	2	124435-003	TUBING-NYLON, 1/4 O.D.
39	1	122056	VALVE-CAPACITY GAUGE
40	1	122636	ELBOW-PIPE, 1/4 NPT, BRASS
41	1	121032-4	NIPPLE-PIPE, 1/4 NPT X 1-1/2, BRASS
42	1	122212	ELBOW-PIPE, 1/8 NPT X 1/4, BRASS

@ indicates torque value in foot pounds (lubricated threads)

INLET VALVE GROUP

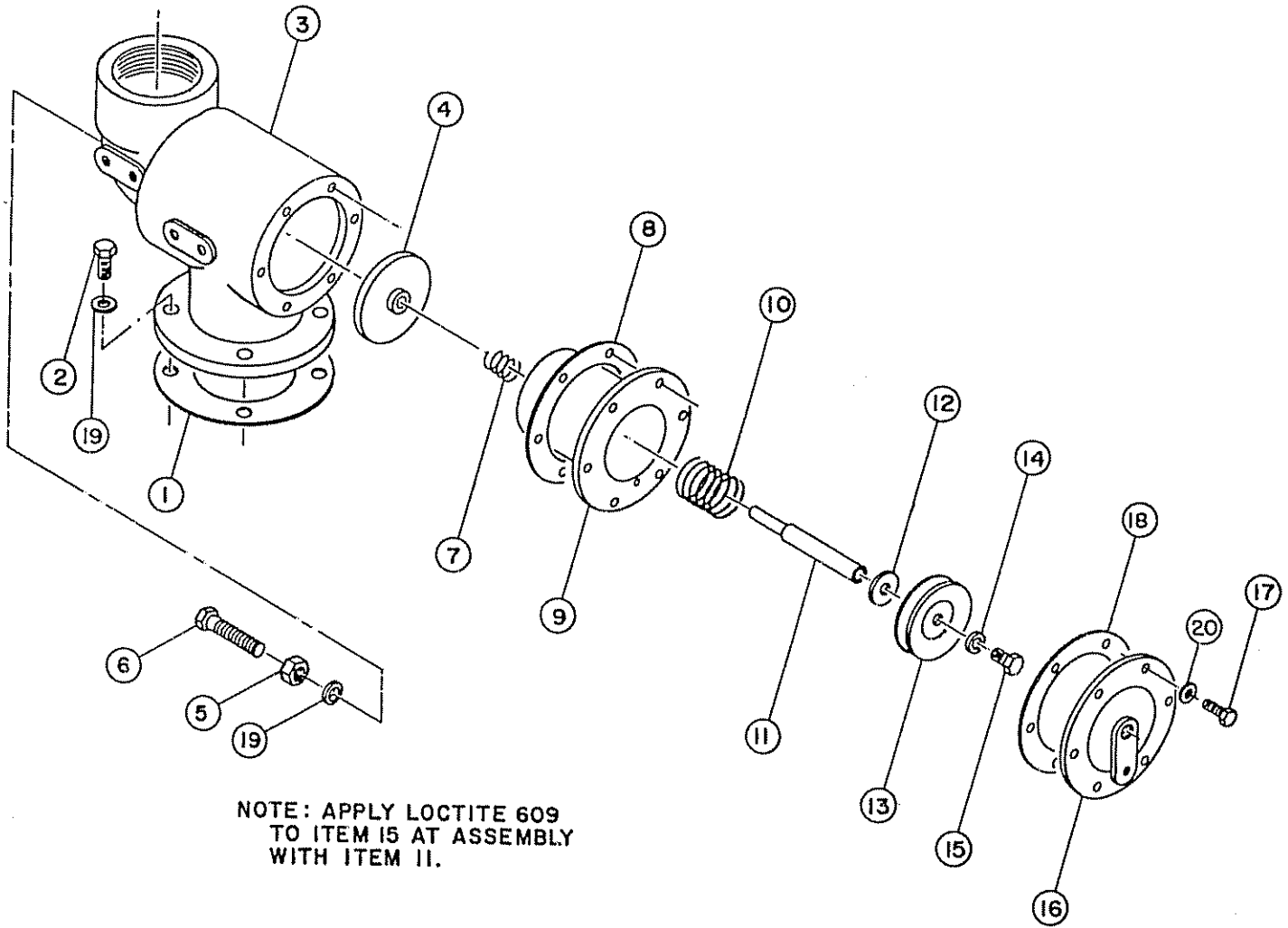


**INLET VALVE GROUP 126468
(STANDARD)**

INDEX NUMBER	QTY	PART NUMBER	DESCRIPTION
1	1	127202	SHAFT-INLET VALVE
2	1	126357	ASSEMBLY-INLET VALVE HOUSING
3	4	123478-N15	SCREW-HEX., 1/2-13 UNC X 1.50, GRADE 5 (@ 55 Ft. Lbs.)
4	1	127641	GASKET-INLET VALVE
5	1	126457	ASSEMBLY-INLET VALVE PLATE
6	1	125912	DISC-INLET VALVE
7	1	2134	GASKET-VALVE
8	1	123092	SPRING
9	1	123157-012	O' RING-1/16 WIDE X .50 O.D. BEARING CARRIER
10	1	127203	RETAINER-PLATE, INLET VALVE
11	1	127201	SPACER-INLET VALVE
12	1	126460-200	CUP-PISTON
13	1	124370-L02	LOCKNUT-3/8-16 UNC
14	1	126461	SPRING
15	1	126358	CAP-CYLINDER
16	3	123115-04C	LOCKWASHER-1/4
17	3	123478-J09	SCREW-HEX., 1/4-20 UNC X .62, GRADE 5 (@ 6 Ft. Lbs.)
18	1	126796	SEAL-SHAFT
19	4	123115-08C	LOCKWASHER-1/2

@ indicates torque value in foot pounds (lubricated threads)

INLET VALVE GROUP



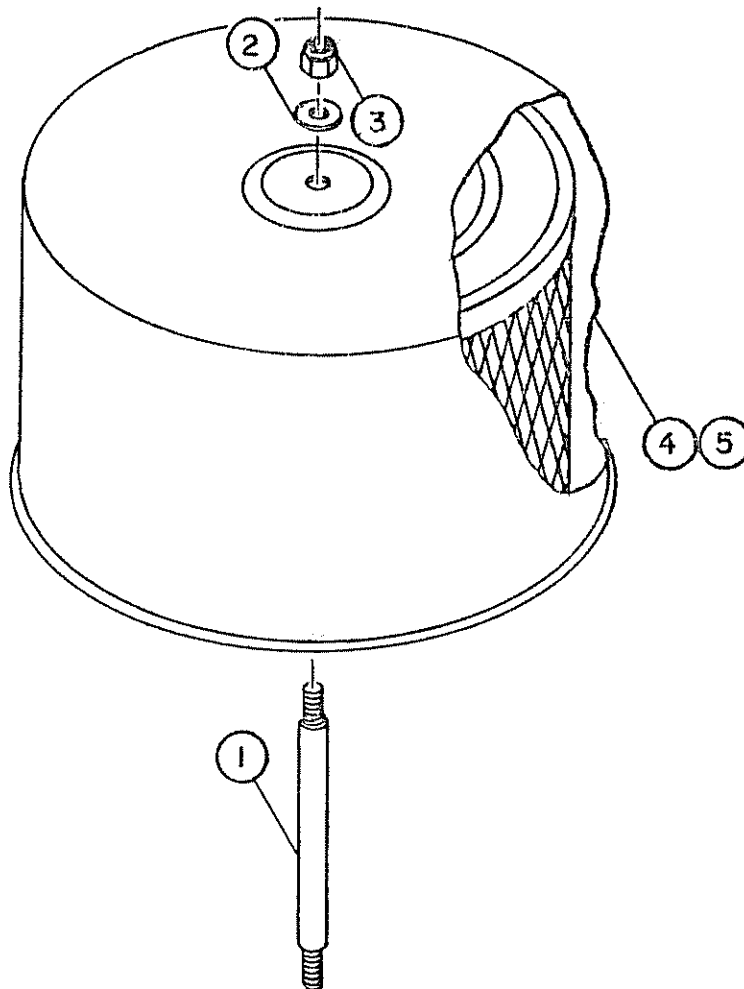
INLET VALVE GROUP 126650
(WYE DELTA)

INDEX NUMBER	QTY	PART NUMBER	DESCRIPTION
1	1	127641	GASKET-INLET VALVE
2	4	123478-N15	SCREW-HEX., 1/2-13 UNC X 1.50, GRADE 5 (@ 55 Ft. Lbs.)
3	1	126646	HOUSING-INLET VALVE
4	1	122995	PLATE-INLET VALVE
5	1	124368-N02	JAMNUT-1/2-13 UNC
6	1	128720-001	SCREW-HEX., 1/2-13 UNC X 5.00
7	1	123092	SPRING
8	1	123549-003	GASKET
9	1	126644	CYLINDER-INLET VALVE
10	1	126649	SPRING-INLET VALVE
11	1	126648	SHAFT-INLET VALVE
12	1	126647	FLATWASHER-1/2
13	1	126460-350	CUP-PISTON
14	1	1478-1	FLATWASHER
15	1	123478-N12	SCREW-HEX., 1/2-13 UNC X 1.00, GRADE 5 (@ 55 Ft. Lbs.)
16	1	126645	PLATE-COVER
17	6	123478-L15	SCREW-HEX., 3/8-16 UNC X 1.50, GRADE 5 (@ 23 Ft. Lbs.)
18	1	126847	GASKET
19	5	123115-08C	LOCKWASHER-1/2
20	6	123115-06C	LOCKWASHER-3/8

@ indicates torque value in foot pounds (lubricated threads)

AIR FILTER GROUP 126679
(STANDARD)

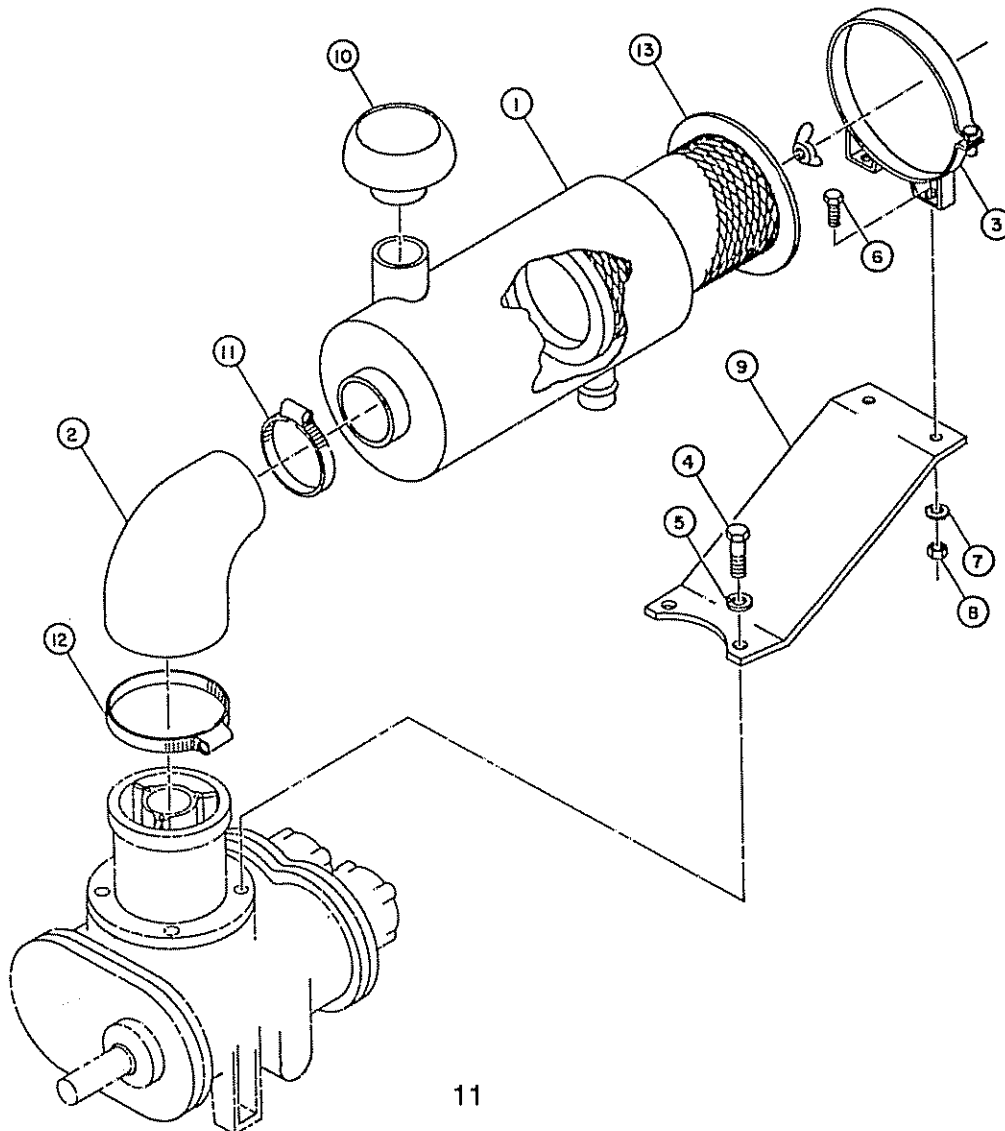
INDEX NUMBER	QTY	PART NUMBER	DESCRIPTION
1	1	126462	STUD-FILTER
2	1	110428N025	FLATWASHER-1/4
3	1	124370-J02	LOCKNUT-1/4-20 UNC
4	1	126467H450	FILTER-AIR (HOODED)
			<u>MAINTENANCE PARTS</u>
5	1	126467E450	ELEMENT-FILTER



AIR FILTER GROUP 126680 (HEAVY DUTY)

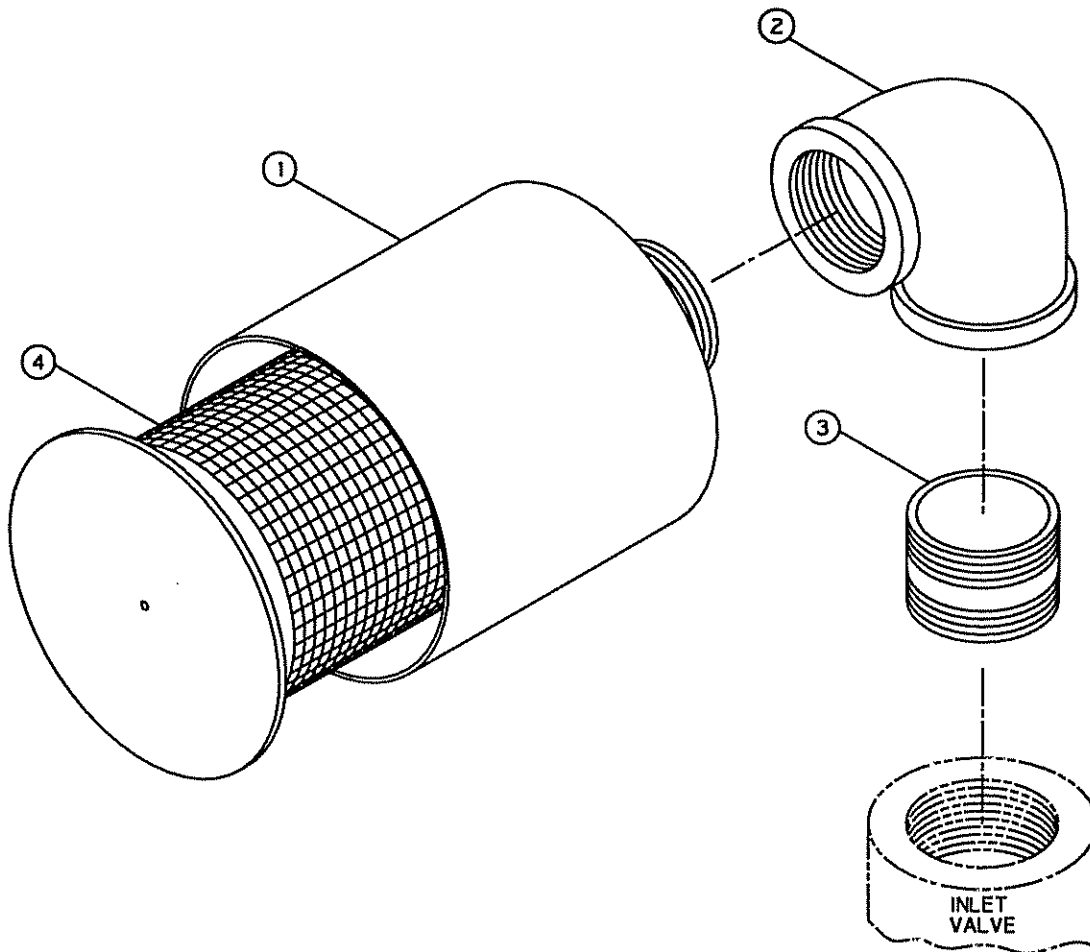
INDEX NUMBER	QTY	PART NUMBER	DESCRIPTION
1	1	22864-8	FILTER-AIR
2	1	122934-04	FITTING-ELBOW, 5.50 X 3.00 X 90
3	1	120293	BAND-AIR FILTER
4	2	123478-N15	SCREW-HEX., 1/2-13 UNC X 1.50, GRADE 5 (@ 55 FT. LBS.)
5	2	123115-08C	LOCKWASHER-5/16
6	2	123478-K12	SCREW-HEX., 5/16-18 UNC X 1.00, GRADE 5 (@ 17 FT. LBS.)
7	2	123115-05C	LOCKWASHER-5/16
8	2	124364-K02	NUT-HEX., 5/16-18 UNC
9	1	126681	BRACKET-AIR FILTER
10	1	22275	HOOD-AIR FILTER
11	1	110423-064	CLAMP-HOSE
12	1	110423-096	CLAMP-HOSE
			<u>MAINTENANCE PARTS</u>
13	1	23458-1	ELEMENT-FILTER

@ indicates torque value in foot pounds (lubricated threads)



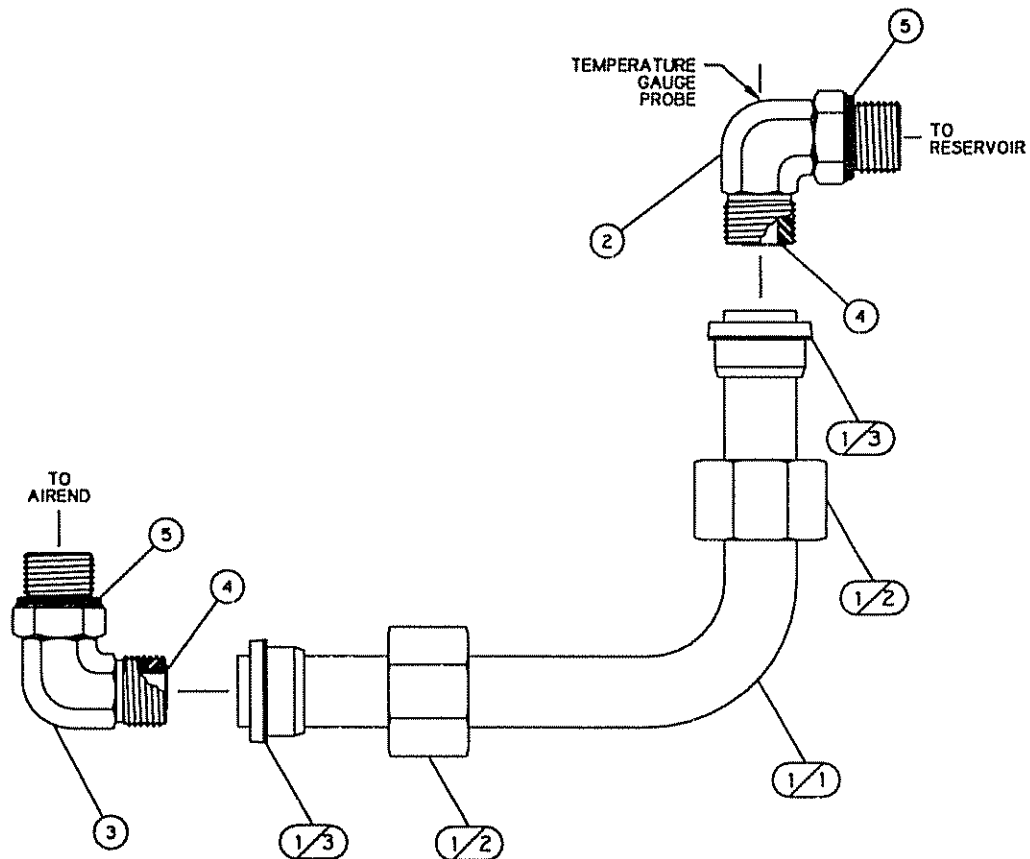
AIR FILTER GROUP 140335-001
(STANDARD, Y-DELTA)

INDEX NUMBER	QTY	PART NUMBER	DESCRIPTION
1	1	125420H350	FILTER-AIR (HOODED)
2	1	23895	ELBOW-PIPE, 3-1/2 NPT
3	1	125943-001	NIPPLE-PIPE, 3-1/2 NPT X CLOSE
			<u>MAINTENANCE PARTS</u>
4	1	125420E300	ELEMENT-FILTER



DISCHARGE PIPING GROUP

INDEX NUMBER	QTY	PART NUMBER	DESCRIPTION
			140720-001
1	1	140719-001	TUBE-ASSEMBLY
1/1	1	121918-131	TUBE-FORMED, 1-1/2 O. D.
1/2	2	140679-009	FITTING-NUT, 1-1/2
1/3	2	140680-008	FITTING-SLEEVE, 1-1/2
2	1	140699	FITTING-ELBOW, 1-1/2 SAE
3	1	140676-024	FITTING-ELBOW, 1-1/2 SAE
			<u>MAINTENANCE PARTS</u>
4	2	22749-029	O-RING
5	2	140406-924	O-RING

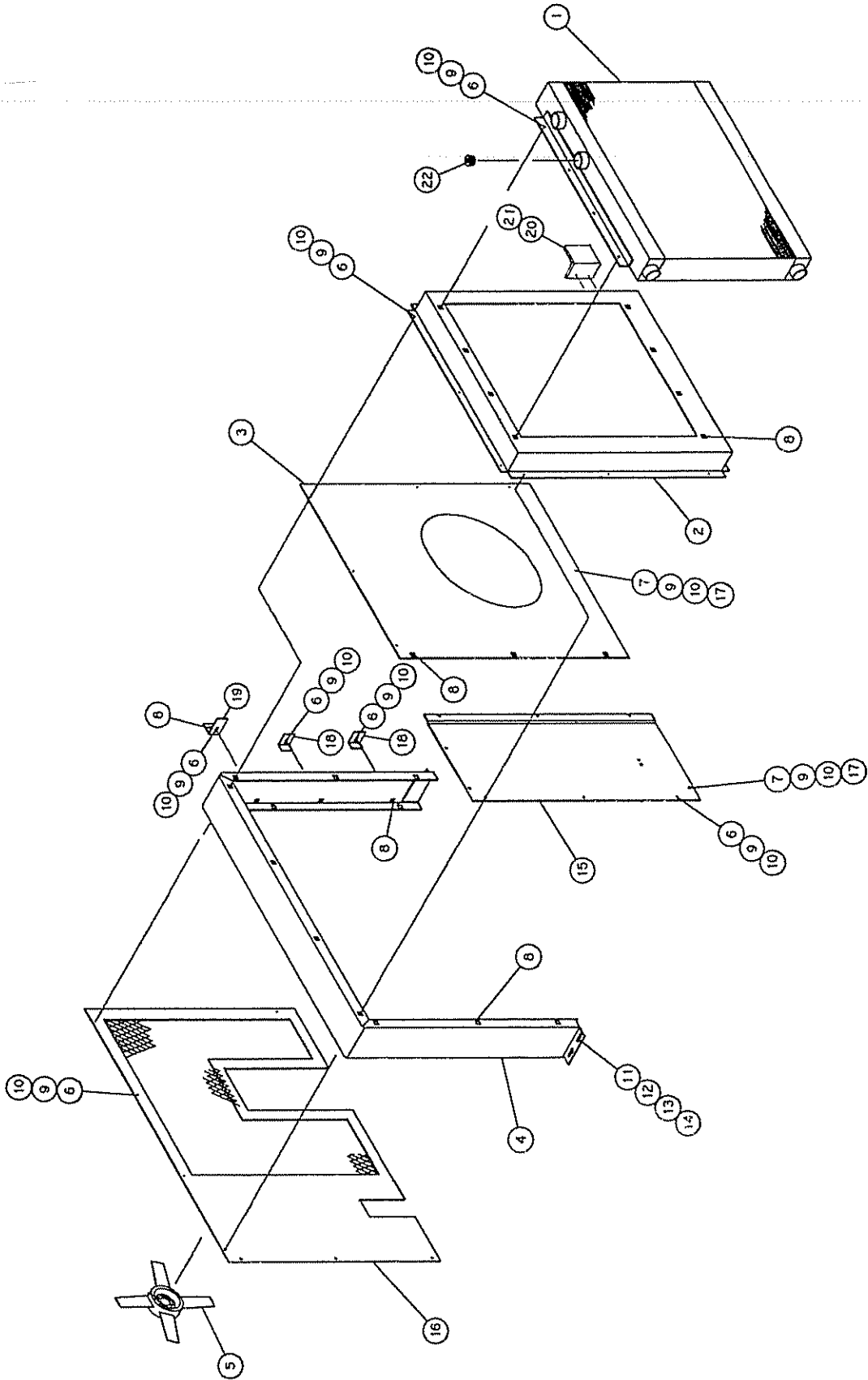


RESERVOIR GROUPS

INDEX NUMBER	QTY	PART NUMBER	QTY	PART NUMBER	DESCRIPTION
		129505-001		129505-002	AIRCOOLED
		129505-004		129505-005	WATERCOOLED
		15-30HP		40 & 50HP	
1	1	129651-1	1	129651	RESERVOIR-AIR/LUBRICANT
2	1	127138-001	1	127138-001	SEPARATOR-AIR, 1 STAGE
3	13	123115-04C	13	123115-04C	LOCKWASHER-1/4
4	10	123478-J11	10	123478-J11	SCREW-HEX., 1/4-20 UNC X .88 GRADE 5 (@ 6 Ft. Lbs.)
5	1	127139-001	1	129893	SEPARATOR-AIR/OIL, 2 STAGE
6	1	123157-373	1	123157-373	O' RING-0.19 WIDE X 9.00
7	1	129915	1	129918	CAP-RESERVOIR
8	8	90386-N16	8	90386-N16	SCREW-C'BORE, 1/2-13 UNC X 1.75 GRADE 8
9	1	128813	1	128813-1	VALVE-MINIMUM PRESSURE CHECK
10	1	140113	1	140114	RETAINER-MINIMUM PRESSURE VALVE
11	3	123478-J10	3	123478-J10	SCREW-HEX., 1/4-20 UNC X .75 GRADE (@ 6 Ft. Lbs.)
12	1	129515	1	129515	STUD-FILTER
13	1	128381-050	1	128381-050	ELEMENT-LUBRICANT FILTER
14	1	129575-052	1	129575-052	INDICATOR-VISUAL
15	1	22749-151	1	22749-151	O' RING- .09 WIDE X 3.00
16	1	128883-044	1	128883-044	PLUG-PIPE, 7/16 O' RING
17	1	128883-106	1	128883-106	FITTING-PLUG
18	1	140147	1	140147	VALVE-CARTRIDGE (AIRCOOLED ONLY)
18	1	140649	1	140649	PLUG-VALVE (WATERCOOLED ONLY)
19	1	129251-025	1	129251-025	VALVE-PLUG
20	1	129843-188	1	129843-188	SIGHTGLASS-1-7/8-12 UNC
21	1	129770-188	1	129770-188	PLUG-O' RING, 1-7/8-12 UNC
22	1	129844-106	1	129844-106	PLUG-O' RING, 1-1/16-12 UNC
23	4	123478-N16	4	123478-N16	SCREW-HEX., 1/2-13 UNC X 1.75 GRADE (@ 55 Ft. Lbs.)
24	12	123115-08C	12	123115-08C	LOCKWASHER-1/2
25	4	124364-N02	4	124364-N02	NUT-HEX., 1/2-13 UNC
26	4	110428W050	4	110428W050	FLATWASHER-1/2
27	1	140406-924	1	140406-924	O' RING-0.11 WIDE X 1.72
28	1	122636	1	4460	ELBOW-PIPE, 1/4 NPT
				125567	ELBOW-PIPE, 1/2 NPT
29	1	125567	1	125567	CAP-DISCHARGE END
30	1	2721	1	2719	PLUG-PIPE, 1/2 NPT
				125935-010	PLUG-PIPE, 1/4 NPT
31		NOT USED	1	125935-010	NIPPLE-PIPE, 1/2 NPT X 2.00
32	1	2574	1	2574	PLUG-PIPE, 1/4 NPT
MAINTENANCE PARTS					
33	2	22749-033	2	22749-033	O-RING
34	2	140406-912	2	140406-912	O-RING
35	1	140406-924	1	140406-924	O-RING
36	1	22749-123	1	22749-123	O-RING

@ indicates torque value in foot pounds (lubricated threads)

COOLER GROUPS

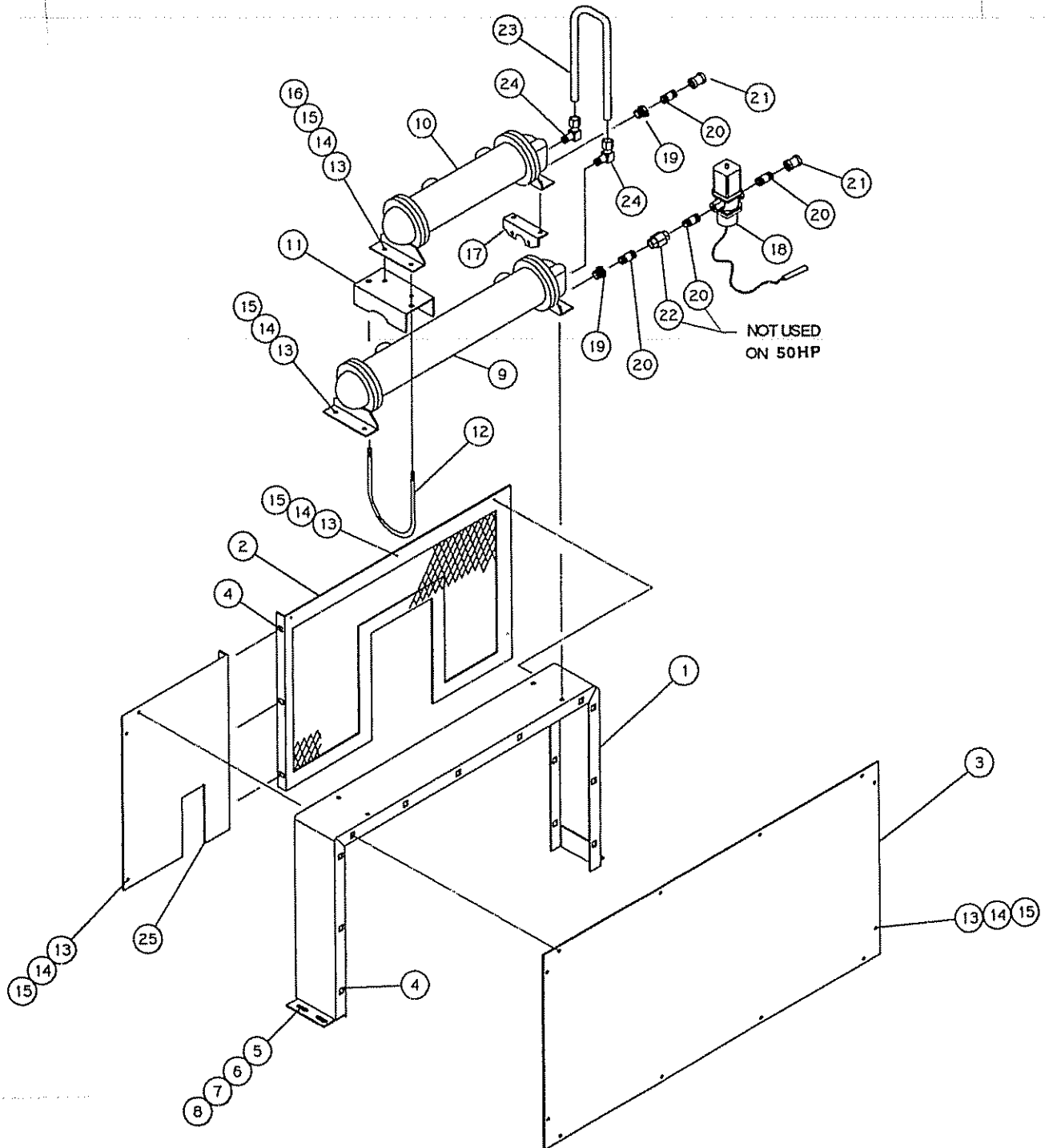


COOLER GROUPS (AIRCOOLED)

INDEX NUMBER	QTY	PART NUMBER	QTY	PART NUMBER	QTY	PART NUMBER	DESCRIPTION
		140304-001 15-25HP		140304-002 30 & 40HP		140304-003 50HP	
1	1	128790	1	128785	1	129067-1	COOLER-LUBRICANT /AFTER
2	1	128789-1	1	128789	1	129333-1	FRAME-COOLER
3	1	140115-1	1	140115-2	1	140115-3	PANEL-ORIFICE
4	1	128775-1	1	128775-1	1	128775-1	GUARD-FAN/BELT
5	1	125211	1	128779-003	1	125092	FAN
6	28	123478-K10	30	123478-K10	30	123478-K10	SCREW-HEX, 5/16-18 UNC X 75
7	4	124364-K02	4	124364-K02	4	124364-K02	NUT-HEX., 5/16-18 UNC
8	28	120686	30	120686	34	120686	NUT-SPEED, 5/16-18 UNC
9	32	110428W025	34	110428W025	38	110428W025	FLATWASHER-1/4
10	34	123115-05C	34	123115-05C	38	123115-05C	LOCKWASHER-5/16
11	4	123478-L12	4	123478-L12	4	123478-L12	SCREW-HEX., 3/8-16 UNC X 1 GRADE 5 (@23 FT. LBS.)
12	4	123115-06C	4	123115-06C	4	123115-06C	LOCKWASHER-3/8
13	4	124364-L02	4	124364-L02	4	124364-L02	NUT-HEX., 3/8-16 UNC
14	4	110428W038	4	110428W038	4	110428W038	FLATWASHER-3/8
15	1	129023	1	129023	1	129023-1	PANEL-ACCESS
16	1	129017-1	1	129017-1	1	129017-1	GUARD-SCREEN
17	7	123478-K12	7	123478-K12	11	123478-K12	SCREW-HEX., 5/16-8 UNC X 1 GRADE 5 (@17 FT. LBS.)
18	2	129347	2	129347	2	129347	CLIP-BELT GUARD
19	1	129346	1	129346	1	129346	CLIP-STARTER ENCLOSURE
20		NOT USED		NOT USED	4	127984-J12	SCREW-5/16 UNC X 1.00
21		NOT USED		NOT USED	1	129349	BRACKET-AIR PIPING
22		NOT USED		NOT USED	1	128883-131	PLUG-O' RING

@ indicates torque value in foot pounds (lubricated threads)

COOLER GROUPS

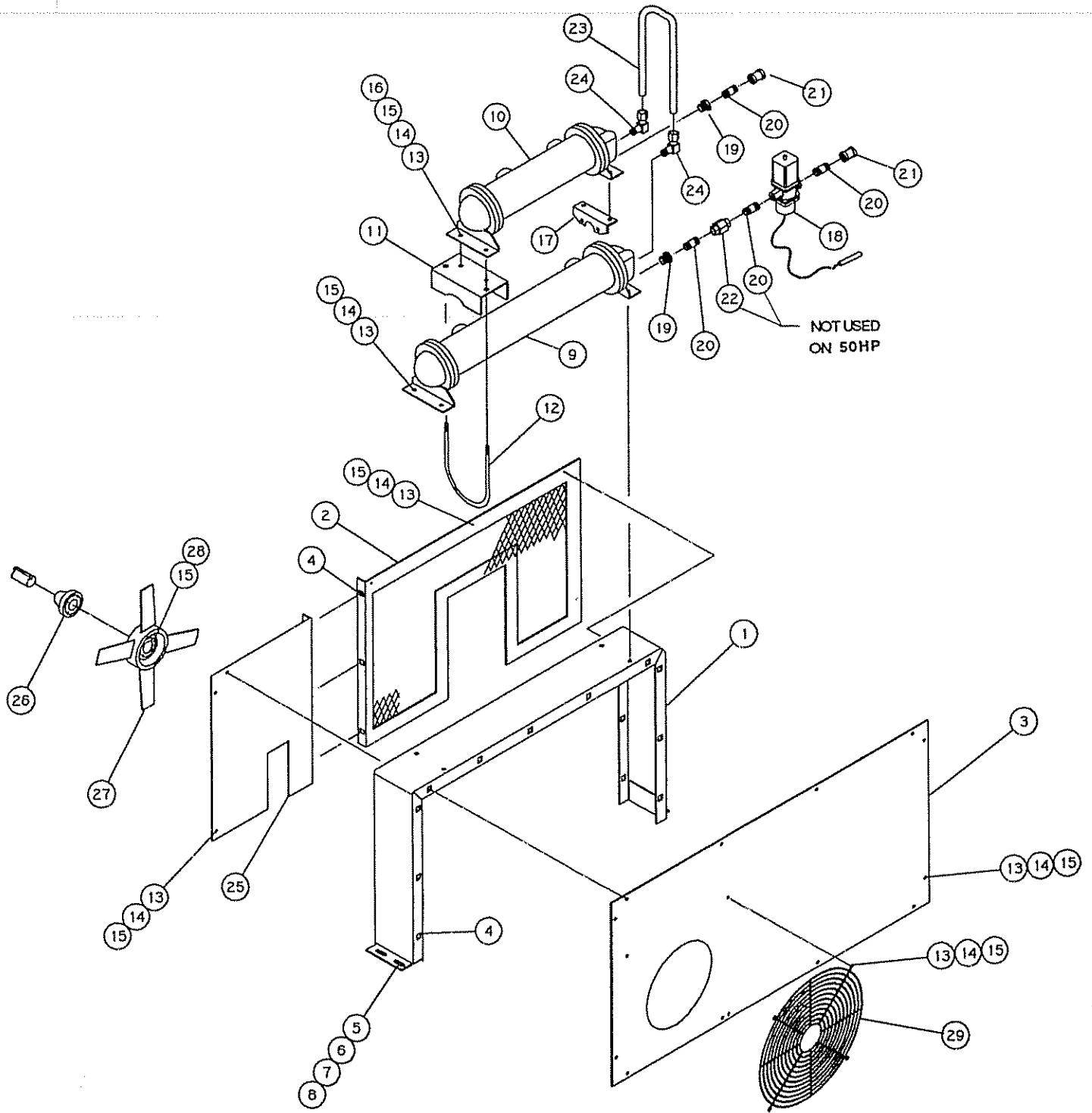


COOLER GROUPS (WATERCOOLED)

INDEX NUMBER	QTY	PART NUMBER	QTY	PART NUMBER	QTY	PART NUMBER	DESCRIPTION
		140224-001		140224-002		140224-003	
		15-25HP		30 & 40HP		50HP	
1	1	140220	1	140220	1	140220	GUARD-FAN/BELT
2	1	140221	1	140221	1	140221	GUARD-SCREEN
3	1	129096	1	129096	1	129096	PANEL-COVER
4	23	8452	23	8452	23	8452	NUT-SPEED, 5/16-18 UNC
5	4	123478-L12	4	123478-L12	4	123478-L12	SCREW-HEX., 3/8-16 UNC X 1 GRADE 5 (@ 13 Ft. Lbs)
6	4	110428W038	4	110428W038	4	110428W038	FLATWASHER-3/8
7	4	123115-06C	4	123115-06C	4	123115-06C	LOCKWASHER-3/8
8	4	124364-L02	4	124364-L02	4	124364-L02	NUT-HEX., 3/8-16 UNC
9	1	22708-12	1	22708-1	1	22708-2	COOLER-LUBRICANT
10	1	120454	1	22709-1	1	22709-2	AFTERCOOLER
11	1	129127	1	129127	1	129127	BRACKET-COOLER
12	1	23256	1	23256	1	23731	U BOLT-1/2-13 UNC
13	31	123478-K10	31	123478-K10	31	123478-K10	SCREW-HEX., 5/16-18 UNC X 75 GRADE 5 (@ 13 Ft. Lbs)
14	31	123115-05C	31	123115-05C	31	123115-05C	LOCKWASHER-5/16
15	31	110428W031	31	110428W031	31	110428W031	FLATWASHER-5/16
16	8	124364-K02	8	124364-K02	8	124364-K02	NUT-HEX., 5/16-18 UNC
17	1	129136	1	129136	1	140219	CRADLE
18	1	7651	1	7651	1	7651	VALVE-THERMOSTATIC
19	2	125868-007	2	125868-007			BUSHING-PIPE, 3/4 NPT X 1/2 NPT
					2	125868-012	BUSHING-PIPE, 1 NPT X 1/2 NPT
20	4	126018-001	4	126018-001	3	126018-001	NIPPLE-PIPE, 1/2 NPT X CLOSE
21	2	23976	2	23976	2	23976	COUPLING-PIPE, 1/2 NPT
22	1	127289-016	1	127289-016		NOT USED	FITTING-TUBE, 1/2 NPT X 1/2
23	1	125891-002	1	125891-002	1	125891-002	TUBE
24	1	110419-017	2	110419-017	2	110419-017	FITTING-TUBE, 3/4 TUBE X 3/4 NPT
25	1	129098-2	1	129098-2	1	129098-2	GUARD-SCREEN
MAINTENANCE PARTS							
26			1	22708-117	1	22708-217	GASKET-COOLER, IN/OUT
27			1	22708-115	1	22708-215	BONNET-COOLER, IN/OUT
28			1	22708-118	1	22708-218	GASKET-COOLER, RETURN
29			1	22708-116	1	22708-216	BONNET-COOLER, RETURN
30	1	22709-117	1	22709-117	1	22709-217	GASKET-COOLER, IN/OUT
31	1	22709-115	1	22709-115	1	22709-215	BONNET-COOLER, IN/OUT
32	1	22709-118	1	22709-118	1	22709-218	GASKET-COOLER, RETURN
33	1	22709-116	1	22709-116	1	22709-216	BONNET-COOLER, RETURN

@ idicates torque value in foot pounds (lubricated threads)

COOLER GROUPS

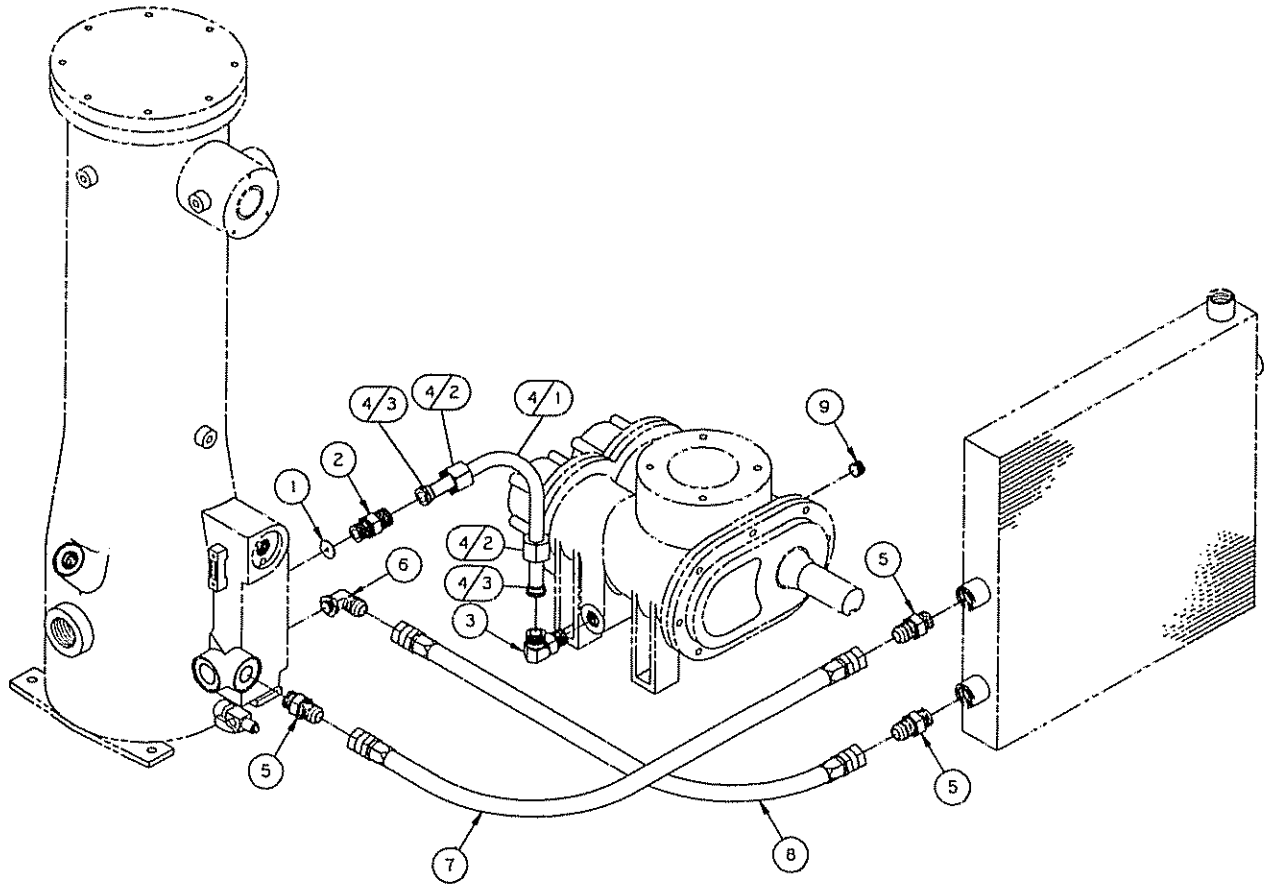


COOLER GROUPS
(WATERCOOLED W/CANOPY)

INDEX NUMBER	QTY	PART NUMBER	QTY	PART NUMBER	QTY	PART NUMBER	DESCRIPTION
		140223-001		140223-002		140223-003	
		15-25HP		30 & 40HP		50HP	
1	1	140220	1	140220	1	140220	GUARD-FAN/BELT
2	1	140221	1	140221	1	140221	GUARD-SCREEN
3	1	129096-1	1	129096-1	1	129096-1	PANEL-COVER
4	23	8452	23	8452	23	8452	NUT-SPEED, 5/16-18 UNC
5	4	123478-L12	4	123478-L12	4	123478-L12	SCREW-HEX, 3/8-16 UNC X 1.00
6	4	110428W038	4	110428W038	4	110428W038	FLATWASHER-3/8
7	4	123115-06C	4	123115-06C	4	123115-06C	LOCKWASHER-3/8
8	4	124364-L02	4	124364-L02	4	124364-L02	NUT-HEX, 3/8-16 UNC
9	1	22708-12	1	22708-1	1	22708-2	COOLER-LUBRICANT
10	1	120454	1	22709-1	1	22709-2	AFTERCOOLER
11	1	129127	1	129127	1	140218	BRACKET-COOLER
12	1	23256	1	23256	1	23731	U BOLT-1/2-13 UNC
13	34	123478-K10	34	123478-K10	34	123478-K10	SCREW-HEX, 5/16-18 UNC X .75 GRADE 5 (@ 13 Ft Lbs)
14	34	123115-05C	34	123115-05C	34	123115-05C	LOCKWASHER-5/16
15	38	110428W031	38	110428W031	38	110428W031	FLATWASHER-5/16
16	12	124364-K02	12	124364-K02	12	124364-K02	NUT-HEX, 5/16-18 UNC
17	1	129136	1	129136	1	140219	CRADLE
18	1	7651	1	7651	1	7651	VALVE-THERMOSTATIC
19	2	125868-007	2	125868-007			BUSHING-PIPE, 3/4 NPT X 1/2 NPT
					2	125868-012	BUSHING-PIPE. 1 NPT X 1/2 NPT
20	4	126018-001	4	126018-001	3	126018-001	NIPPLE-PIPE.1/2 NPT XCLOSE
21	2	23976	2	23976	2	23976	COUPLING-PIPE, 1/2 NPT
22	1	127289-016	1	127289-016		NOT USED	FITTING-PIPE, 1/2 NPT X 1/2
23	1	125891-002	1	125891-002	1	125891-002	TUBE
24	2	110419-017	2	110419-017	2	110419-017	FITTING-TUBE, 3/4 TUBE X 3/4 NPT
25	1	129098-2	1	129098-2	1	129098-2	GUARD-SCREEN
26	1	129182	1	129182	1	129182	HUB-FAN
27	1	129183-001	1	129183-001	1	129183-001	FAN
28	4	127984-J12	4	127984-J12	4	127984-J12	SCREW-3/8 UNC X 1.00
29	1	128828	1	128828	1	128828	GUARD-FAN
<u>MAINTENANCE PARTS</u>							
30			1	22708-117	1	22708-217	GASKET-COOLER, IN/OUT
31			1	22708-115	1	22708-215	BONNET-COOLER, IN/OUT
32			1	22708-118	1	22708-218	GASKET-COOLER, RETURN
33			1	22708-116	1	22708-216	BONNET-COOLER, RETURN
34	1	22709-117	1	22709-117	1	22709-217	GASKET-COOLER, IN/OUT
35	1	22709-115	1	22709-115	1	22709-215	BONNET-COOLER, IN/OUT
36	1	22709-118	1	22709-118	1	22709-218	GASKET-COOLER, RETURN
37	1	22709-116	1	22709-116	1	22709-216	BONNET-COOLER, RETURN

@ idicates torque value in foot pounds (lubricated threads)

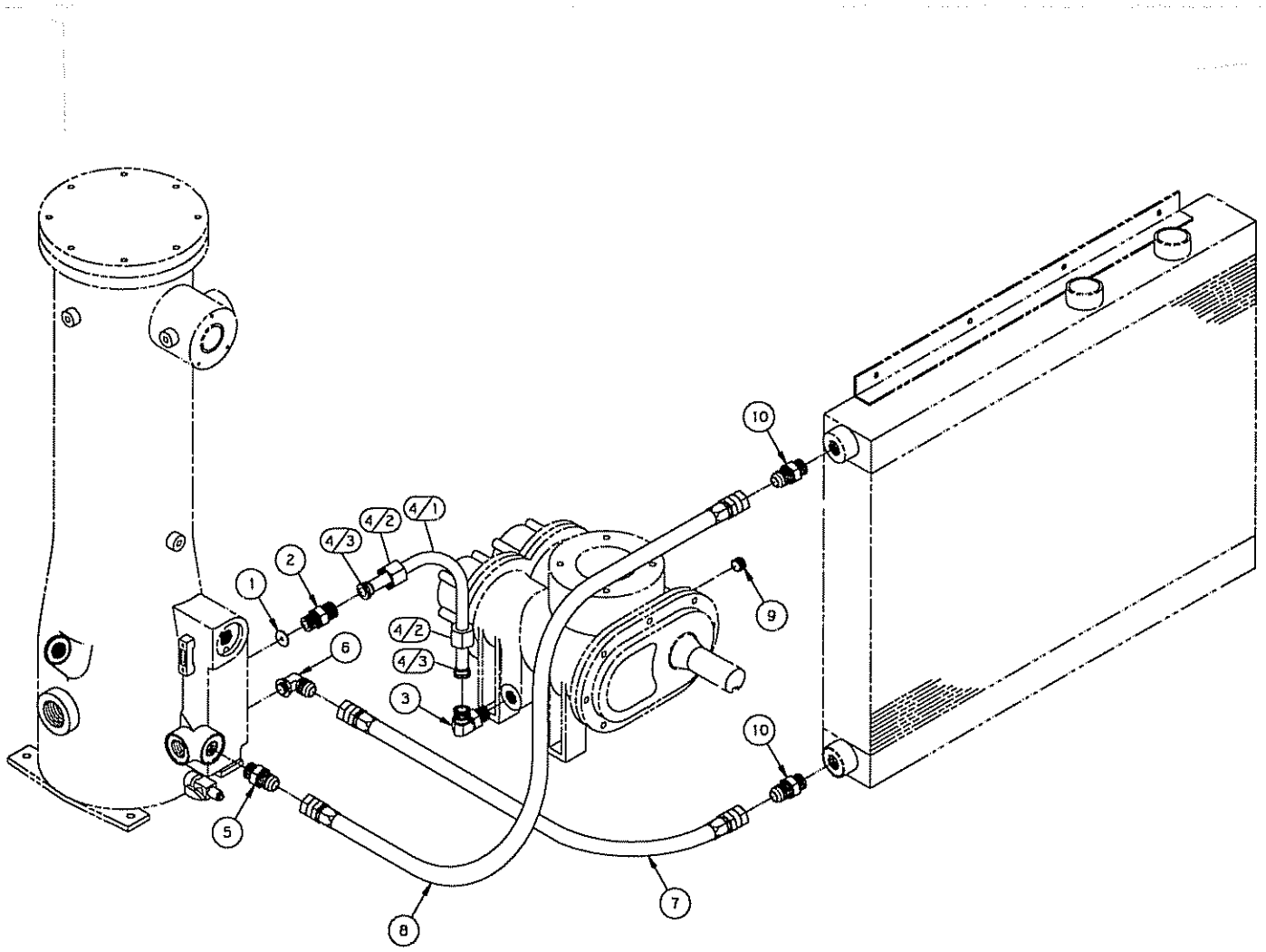
LUBRICANT PIPING GROUP



LUBRICANT PIPING GROUPS (AIRCOOLED)

INDEX NUMBER	QTY	PART NUMBER	DESCRIPTION
PIPING GROUP 140726-001 (15-20HP)			
1	1	140109-250	DISC-ORIFICE, .250 DIA
2	1	140682-016	FITTING-CONNECTOR
3	1	140676-014	FITTING-ELBOW
4	1	140784-001	ASSEMBLY-INJECTION TUBE
4/1	1	121918-076	TUBE
4/2	2	140679-005	FITTING-NUT
4/3	2	140680-005	FITTING-SLEEVE
5	3	129048-015	FITTING-ADAPTER
6	1	129010-015	FITTING-ELBOW
7	1	128188-013	HOSE
8	1	128188-007	HOSE
9	1	128883-106	FITTING-PLUG
PIPING GROUP 140726-002 (25HP)			
1	1	140109-312	DISC-ORIFICE, .312 DIA
2	1	140682-016	FITTING-CONNECTOR
3	1	140676-014	FITTING-ELBOW
4	1	140784-001	ASSEMBLY-INJECTION TUBE
4/1	1	121918-076	TUBE
4/2	2	140679-005	FITTING-NUT
4/3	2	140680-005	FITTING-SLEEVE
5	3	129048-015	FITTING-ADAPTER
6	1	129010-015	FITTING-ELBOW
7	1	128188-013	HOSE
8	1	128188-007	HOSE
9	1	128883-106	FITTING-PLUG
PIPING GROUP 140726-003 (30HP)			
1	1	140109-312	DISC-ORIFICE, .312 DIA
2	1	140682-016	FITTING-CONNECTOR
3	1	140676-014	FITTING-ELBOW
4	1	140784-001	ASSEMBLY-INJECTION TUBE
4/1	1	121918-076	TUBE
4/2	2	140679-005	FITTING-NUT
4/3	2	140680-005	FITTING-SLEEVE
5	3	129048-015	FITTING-ADAPTER
6	1	129010-015	FITTING-ELBOW
7	1	128188-014	HOSE
8	1	128188-015	HOSE
9	1	128883-106	FITTING-PLUG
PIPING GROUP 140726-004 (40HP)			
1	1	140109-250	DISC-ORIFICE, .250 DIA
2	1	140682-016	FITTING-CONNECTOR
3	1	140676-014	FITTING-ELBOW
4	1	140784-001	ASSEMBLY-INJECTION TUBE
4/1	1	121918-076	TUBE
4/2	2	140679-005	FITTING-NUT
4/3	2	140680-001	FITTING-SLEEVE
5	3	129048-015	FITTING-ADAPTER
6	1	129010-015	FITTING-ELBOW
7	1	128188-014	HOSE
8	1	128188-015	HOSE
9	1	128883-106	FITTING-PLUG

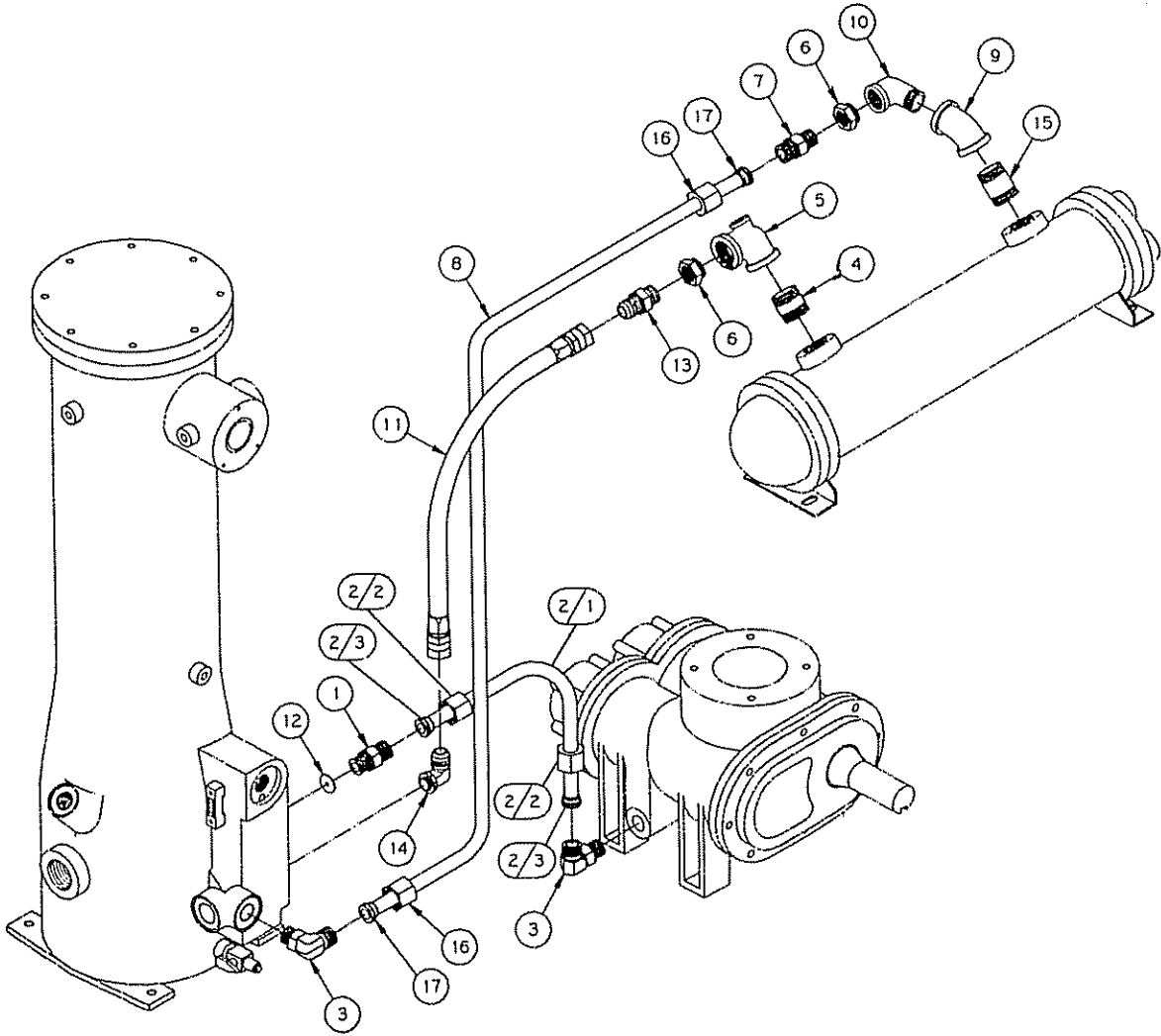
LUBRICANT PIPING GROUP



LUBRICANT PIPING GROUP 140727-001
(AIRCOOLED)

INDEX NUMBER	QTY	PART NUMBER	DESCRIPTION
PIPING GROUP (50 HP)			
1	1	140109-312	DISC-ORIFICE, .312 DIA.
2	1	140682-016	FITTING-CONNECTOR
3	1	140676-014	FITTING-ELBOW
4	1	140784-001	ASSEMBLY-INJECTION TUBE
4/1	1	121918-076	TUBE
4/2	2	140679-005	FITTING-NUT
4/3	2	140680-005	FITTING-SLEEVE
5	1	129048-015	FITTING-ADAPTER
6	1	129010-015	FITTING-ELBOW
7	1	128188-011	HOSE
8	1	128188-012	HOSE
9	1	128883-106	FITTING-PLUG
10	2	129048-016	FITTING-ADAPTER

LUBRICANT PIPING GROUP

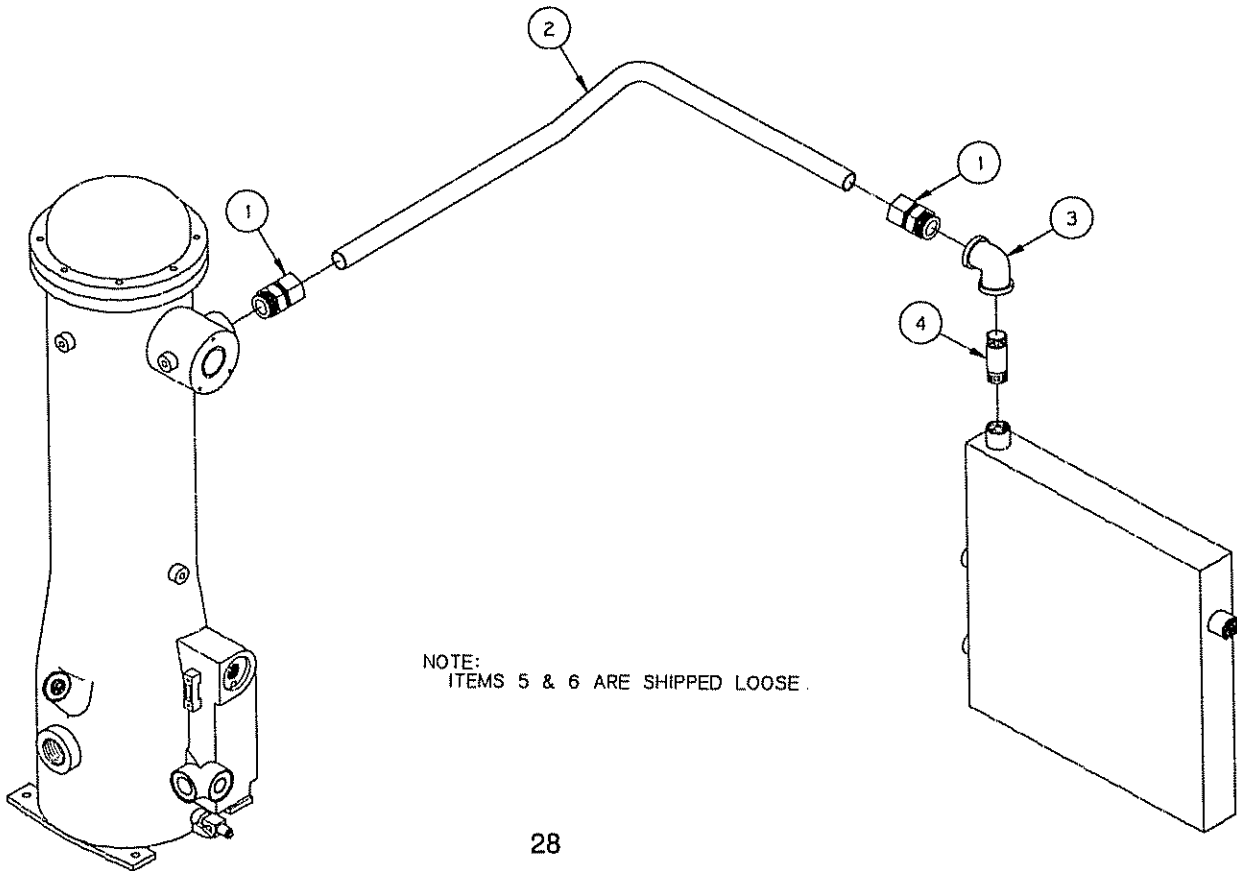


**LUBRICANT PIPING GROUPS
(WATERCOOLED)**

INDEX NUMBER	QTY	PART NUMBER	DESCRIPTION
PIPING GROUP 140725-001 (15, 20 & 40HP)			
1	1	140682-016	FITTING-CONNECTOR
2	1	140784-001	ASSEMBLY-INJECTION TUBE
2/1	1	121918-076	TUBE
2/2	2	140679-005	FITTING-NUT
2/3	2	140680-005	FITTING-SLEEVE
3	2	140676-014	FITTING-ELBOW
4	1	125939-001	NIPPLE-PIPE, 1-1/2 NPT X CLOSE
5	1	124420-001	TEE-PIPE, 1-1/2 NPT X 1/2 NPT X 1-1/2 NPT
6	2	4806	BUSHING-PIPE, 1-1/2 NPT X 3/4 NPT
7	1	140681-012	FITTING-CONNECTOR
8	1	140216	TUBE
9	1	21214	ELBOW-PIPE, 1-1/2 NPT
10	1	4512	ELBOW-PIPE, 1-1/2 NPT, STREET
11	1	128188-016	TUBE
12	1	140109-250	DISC-ORIFICE
13	1	123116-21	FITTING-TUBE, MALE CONNECTOR 3/4 TUBE X 3/4 NPT
14	1	129010-015	FITTING-ELBOW
15	1	125939-010	NIPPLE-PIPE, 1-1/2 NPT X 2 00
16	2	140679-005	FITTING-NUT
17	2	140680-005	FITTING-SLEEVE
PIPING GROUP 140725-002 (25 & 30HP)			
1	1	140682-016	FITTING-CONNECTOR
2	1	140784-001	ASSEMBLY-INJECTION TUBE
2/1	1	121918-076	TUBE
2/2	2	140679-005	FITTING-NUT
2/3	2	140680-005	FITTING-SLEEVE
3	2	140676-014	FITTING-ELBOW
4	1	125939-001	NIPPLE-PIPE, 1-1/2 NPT X CLOSE
5	1	124420-001	TEE-PIPE, 1-1/2 NPT X 1/2 NPT X 1-1/2 NPT
6	2	4806	BUSHING-PIPE, 1-1/2 NPT X 3/4 NPT
7	1	140681-012	FITTING-CONNECTOR
8	1	140216	TUBE
9	1	21214	ELBOW-PIPE, 1-1/2 NPT
10	1	4512	ELBOW-PIPE, 1-1/2 NPT X,STREET
11	1	128188-016	HOSE
12	1	140109-312	DISC-ORIFICE
13	1	123166-21	FITTING-TUBE, MALE CONNECTOR 3/4 TUBE X 3/4 NPT
14	1	129010-015	FITTING-ELBOW
15	1	125939-010	NIPPLE-PIPE, 1-1/2 NPT X 2.00
16	2	140679-005	FITTING-NUT
17	2	140680	FITTING-SLEEVE
PIPING GROUP 140725-003 (50HP)			
1	1	140682-016	FITTING-CONNECTOR
2	1	140784-001	ASSEMBLY-INJECTION TUBE
2/1	1	121918-076	TUBE
2/2	2	140679-005	FITTING-NUT
2/3	2	140680-005	FITTING-SLEEVE
3	2	140676-014	FITTING-ELBOW
4	2	125939-001	NIPPLE-PIPE, 1-1/2 NPT X CLOSE
5	1	124420-001	TEE-PIPE, 1-1/2 NPT X 1/2 NPT X 1-1/2 NPT
6	2	4806	BUSHING-PIPE, 1-1/2 NPT X 3/4 NPT
7	1	140681-012	FITTING-CONNECTOR
8	1	140216	TUBE
9	1	21214	ELBOW-PIPE, 1-1/2 NPT
10	1	4512	ELBOW-PIPE, 1-1/2 NPT,STREET
11	1	128188-016	HOSE
12	1	140109-250	DISC-ORIFICE
13	1	123166-21	FITTING-TUBE, MALE CONNECTOR 3/4 TUBE X 3/4 NPT
14	1	129010-015	FITTING-ELBOW
15	1	125939-010	NIPPLE-PIPE, 1-1/2 NPT X 2 00
16	2	140679-005	FITTING-NUT
17	2	140680-005	FITTING-SLEEVE

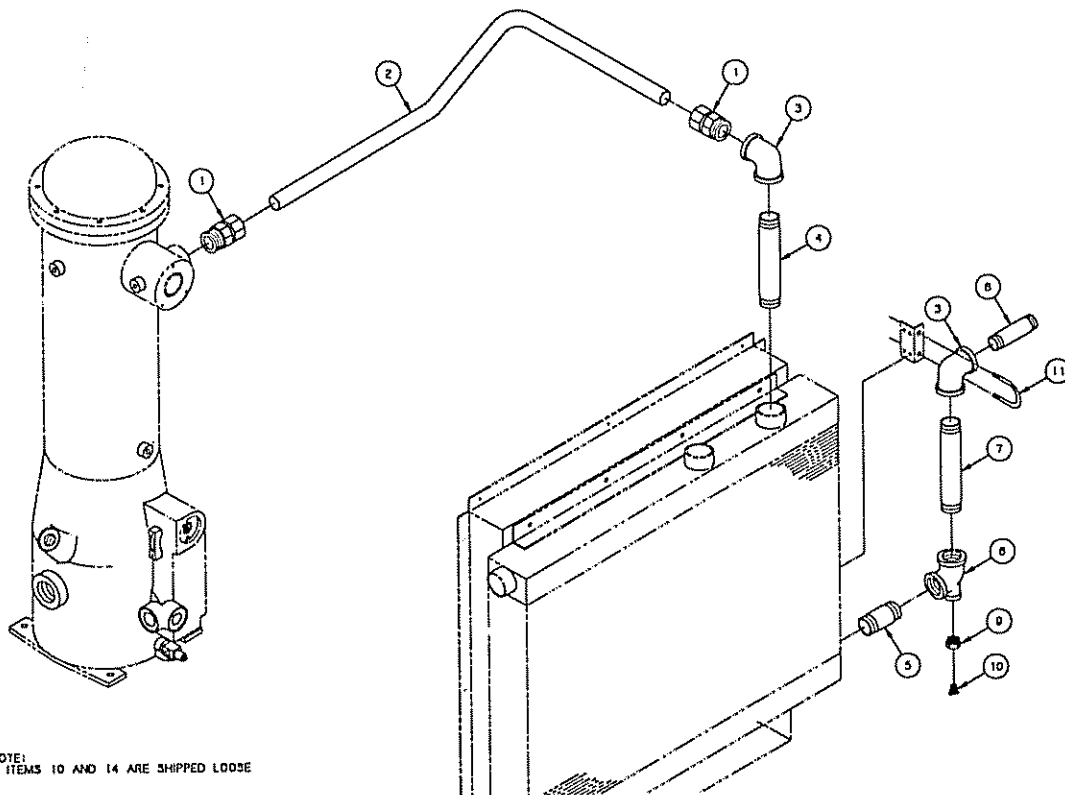
AIR PIPING GROUPS (AIRCOOLED)

INDEX NUMBER	QTY	PART NUMBER	DESCRIPTION
AIR PIPING GROUP 129510-001 (15, 20 & 25HP)			
1	2	23225	FITTING-TUBE, MALE CONNECTOR 1-1/4 TUBE X 1-1/4 NPT
2	1	140132	TUBE
3	1	4715	ELBOW-PIPE, 1-1/4 NPT
4	1	125938-064	NIPPLE-PIPE, 1-1/4 NPT X 8.75
5	1	110382D125	SEPARATOR-MOISTURE
6	1	2713	DRAINCOCK-1/4 NPT
AIR PIPING GROUP 129510-002 (30 & 40HP)			
1	2	23255	FITTING-TUBE, MALE CONNECTOR 1-1/4 TUBE X 1-1/4 NPT
2	1	140132	TUBE
3	1	4715	ELBOW-PIPE, 1-1/4 NPT
4	1	125938-042	NIPPLE-PIPE, 1-1/4 NPT X 6.00
5	1	110382D125	SEPARATOR-MOISTURE
6	1	2713	DRAINCOCK-1/4 NPT
<u>MAINTNEANCE PARTS</u>			
7	1	7792	KIT-REPAIR, MOISTURE SEPARATOR <i>(includes)</i> GASKET, SEAL & DISC., PIN & LEVER, COVER ASSY., VLAVE PIN
8	1	7581	FLOAT-MOISTURE SEPARATOR & FLOAT COTTEN



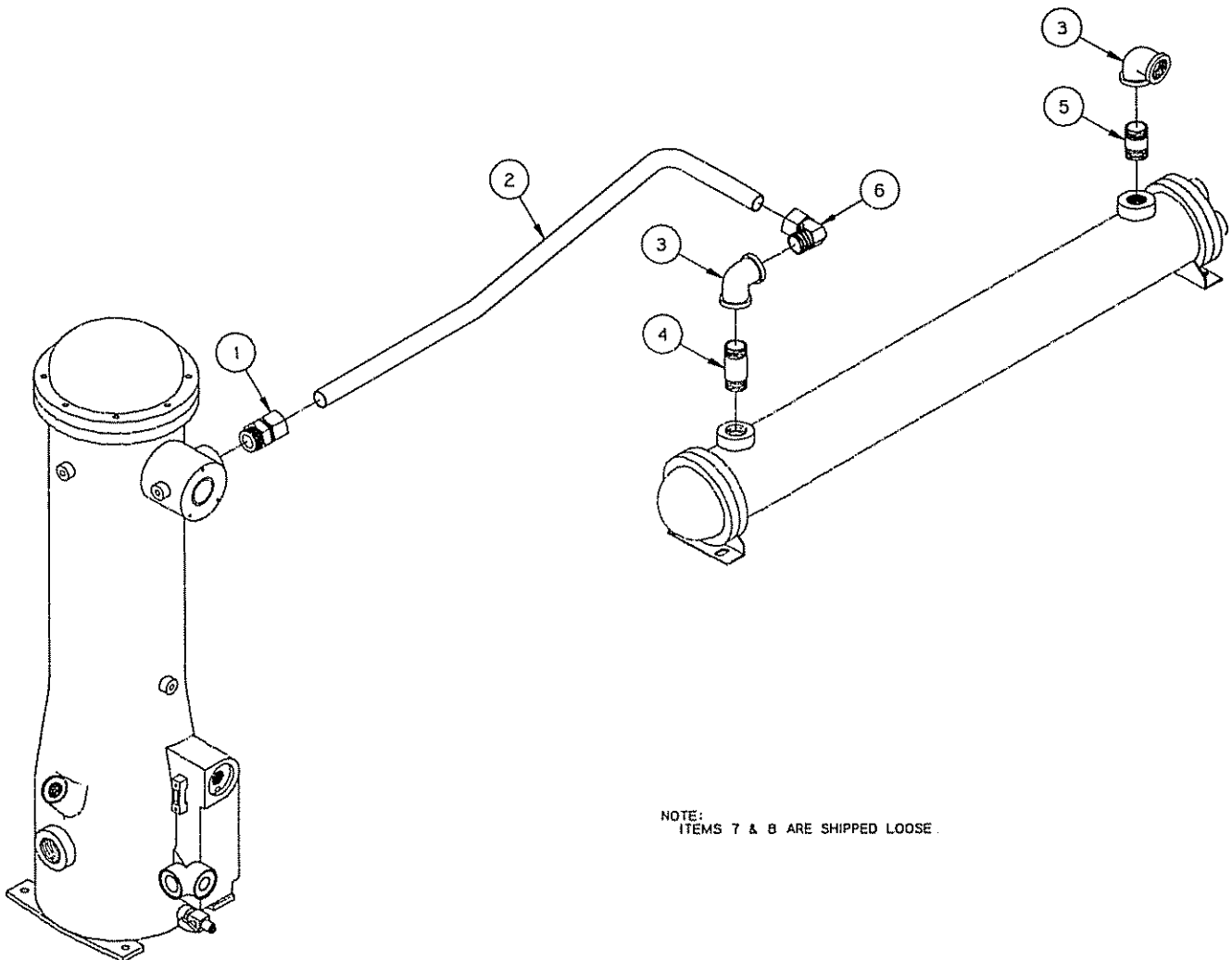
AIR PIPING GROUP (AIRCOOLED)

INDEX NUMBER	QTY	PART NUMBER	DESCRIPTION
AIR PIPING GROUP 129510-003 (50HP)			
1	2	23225	FITTING-TUBE, MALE CONNECTOR 1-1/4 TUBE X 1-1/4 NPT
2	1	129902	TUBE
3	2	6181	ELBOW-PIPE, 1-1/2 NPT X 1-1/4 NPT
4	1	125939-010	NIPPLE-PIPE, 1-1/2 NPT X 2.00
5	1	125939-013	NIPPLE-PIPE, 1-1/2 NPT X 2.38
6	1	124420-001	TEE-PIPE, 1-1/2 NPT X 1/2 NPT X 1-1/2 NPT
7	1	125939-038	NIPPLE-PIPE, 1-1/2 NPT X 5.50
8	1	6184	NIPPLE-PIPE, 1-1/4 NPT X 3.00
9	1	2951	BUSHING-PIPE, 1/2 NPT X 1/4 NPT
10	2	2713	DRAINCOCK-1/4 NPT
11	1	120806	U BOLT-5/16-18 UNC
12	2	110428W031	FLATWASHER-5/16
13	2	123115-05C	LOCKWASHER-5/16
14	1	110382D125	SEPARATOR-MOISTURE
<u>MAINTNEANCE PARTS</u>			
15	1	7792	KIT-REPAIR, MOISTURE SEPARATOR <i>(includes)</i> GASKET, SEAL & DISC., PIN & LEVER, COVER ASSY., VLAVE PIN
16	1	7581	FLOAT-MOISTURE SEPARATOR & FLOAT COTTEN



AIR PIPING GROUP (WATERCOOLED)

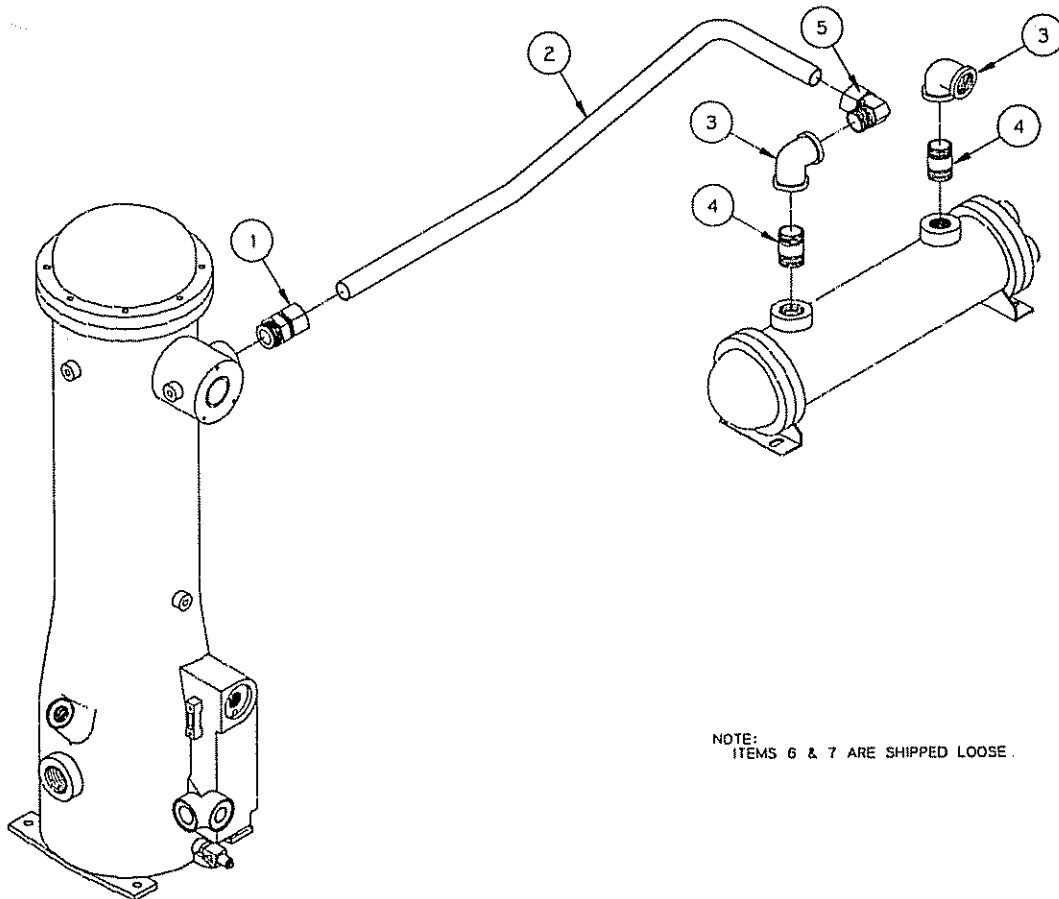
INDEX NUMBER	QTY	PART NUMBER	DESCRIPTION
			AIR PIPING GROUP 140225-001 (15-40HP)
1	1	23225	FITTING-TUBE, MALE CONNECTOR 1-1/4 TUBE X 1-1/4 NPT
2	1	140212	TUBE
3	2	6182	ELBOW-PIPE, 1-1/4 NPT X 1 NPT
4	1	125937-038	NIPPLE-PIPE, 1 NPT X 5.50
5	1	6101	NIPPLE-PIPE, 1 NPT X CLOSE
6	1	110419-023	FITTING-TUBE, 90 MALE ELBOW 1-1/2 TUBE X 1-1/2 NPT
7	1	110382D125	SEPARATOR-MOISTURE
8	1	2713	DRAINCOCK-1/4 NPT
			<u>MAINTENANCE PARTS</u>
9	1	7792	REPAIR KIT-MOISTURE TRAP <i>(includes)</i> GASKET, SEAL & DISC, FULCRUM PIN & LEVER, COVER ASSY., VALVE PIN
10	1	7581	FLOAT-MOISTURE TRAP & FLOAT COTTEN



NOTE:
ITEMS 7 & 8 ARE SHIPPED LOOSE.

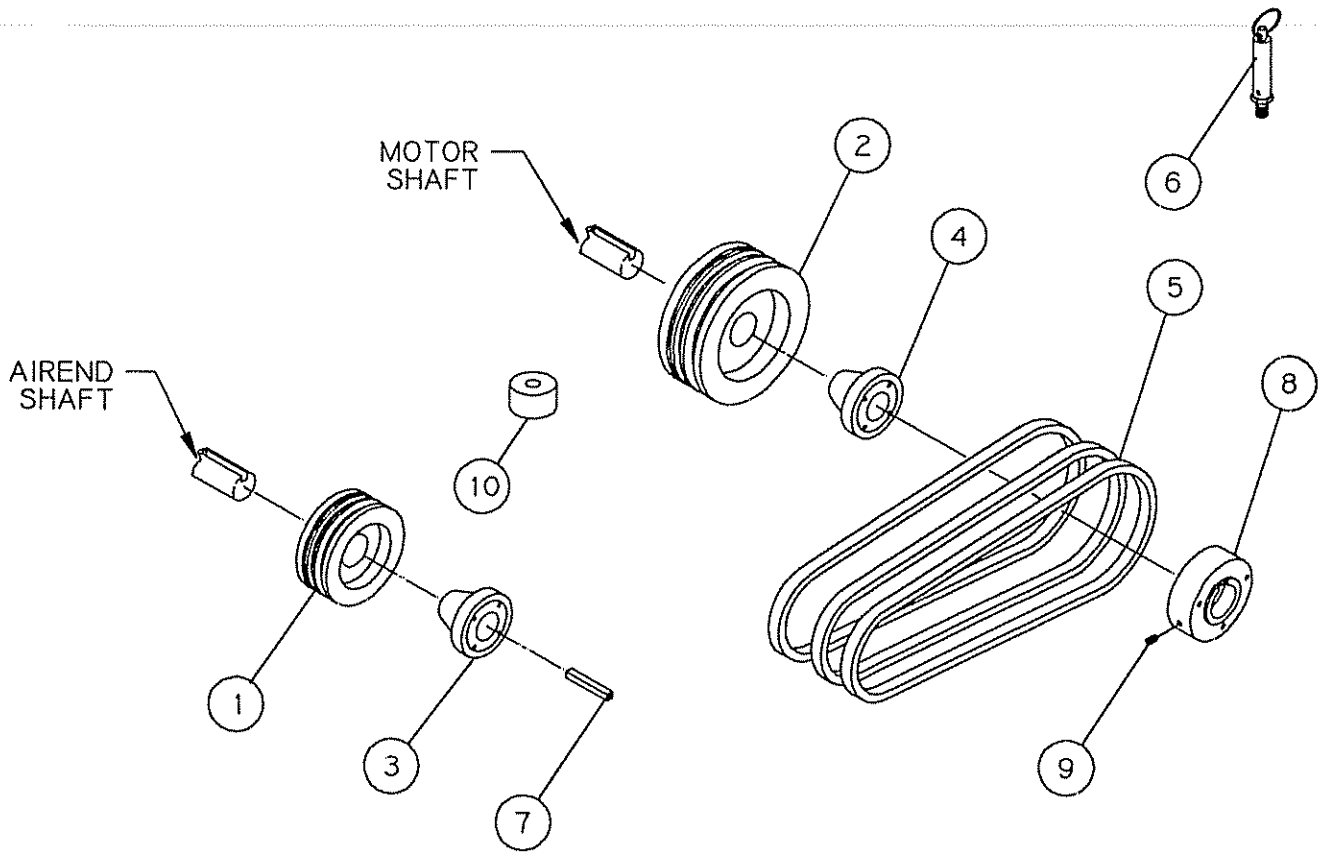
AIR PIPING GROUP (WATERCOOLED)

INDEX NUMBER	QTY	PART NUMBER	DESCRIPTION
AIR PIPING GROUP 140225-002 (50HP)			
1	1	23225	FITTING-TUBE, MALE CONNECTOR 1-1/4 TUBE X 1-1/4 NPT
2	1	140213	TUBE
3	2	6181	ELBOW-PIPE, 1-1/2 NPT X 1-1/4 NPT
4	2	125939-001	NIPPLE-PIPE, 1-1/2 NPT X CLOSE
5	1	110419-023	FITTING-TUBE, 90 MALE ELBOW 1-1/2 TUBE X 1-1/2 NPT
6	1	110382D125	SEPARATOR-MOISTURE
7	1	2713	DRAINCOCK-1/4 NPT
<u>MAINTENANCE PARTS</u>			
8	1	7792	REPAIR KIT-MOISTURE TRAP <i>(includes)</i> GASKET, SEAL & DISC, FULCRUM PIN & LEVER, COVER ASSY., VALVE PIN
9	1	7581	FLOAT-MOISTURE TRAP & FLOAT COTTEN



NOTE:
ITEMS 6 & 7 ARE SHIPPED LOOSE.

DRIVE GROUP

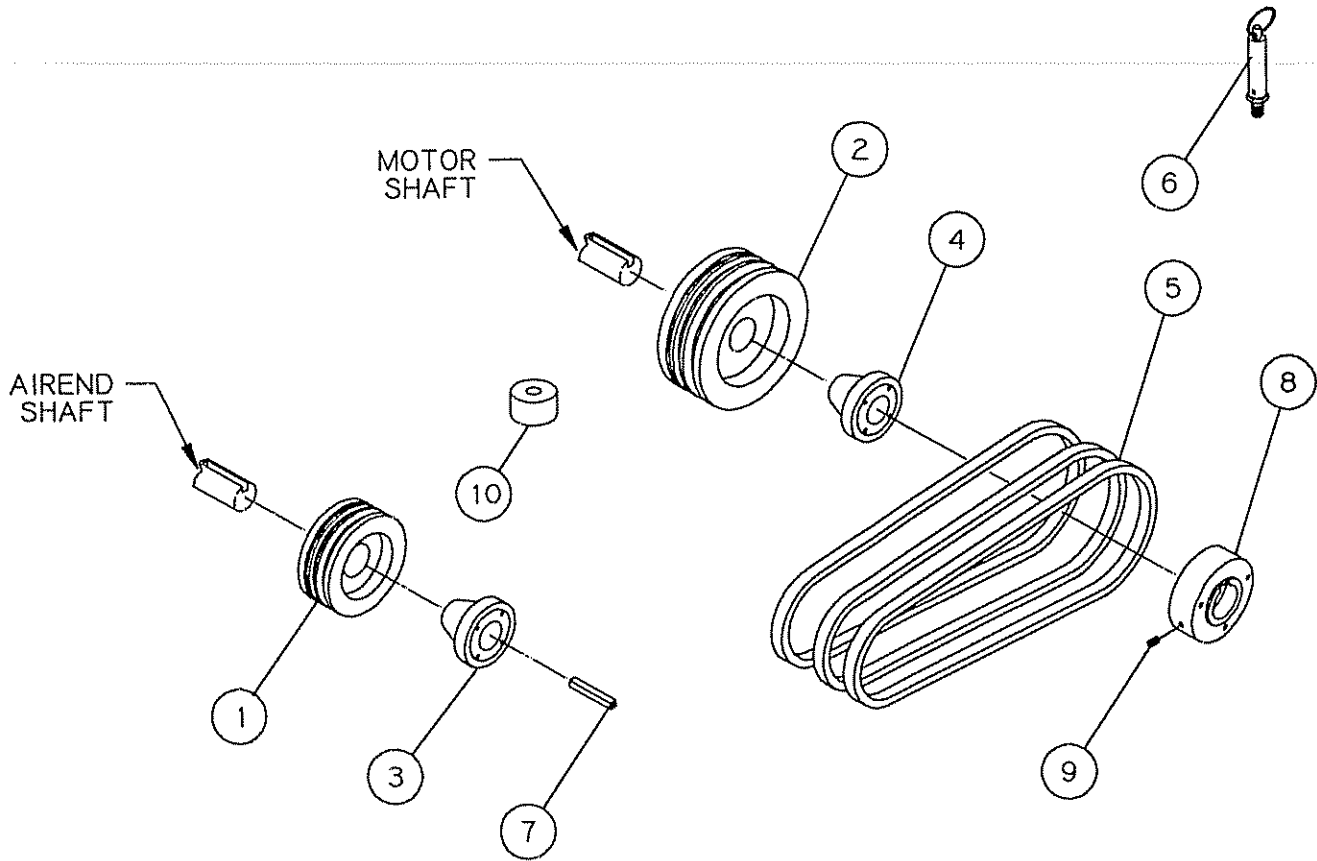


NOTE:
ITEMS 8 & 9 ARE NOT USED ON WATERCOOLED UNITS
ITEM 10 IS NOT USED IN ALL APPLICATIONS, SEE B/M.

DRIVE GROUPS
(AIRCOOLED)
100 PSIG 60 HZ

INDEX NUMBER	QTY	PART NUMBER	QTY	PART NUMBER	QTY	PART NUMBER	DESCRIPTION
		140117-151			140117-201		
		15HP			20HP		
1	1	125149	1	121582	1	125149	PULLEY-3V SECTION
2	1	125147	1	125148	1	122588	PULLEY-3V SECTION
3	1	121175	1	121175	1	121178	BUSHING-SHEAVE
4	1	125150	1	125150	1	121175	BUSHING-PULLEY
5	1	128085-456	1	128085-460	1	128085-463	BELTS
6	1	110513-165	1	110513-165	1	110513-165	VALVE-SAFETY
7	1	20109	1	20109	1	20109	KEY-SQUARE
8	1	125301	1	125301	1	125301-3	HUB-FAN
9	2	2598	2	2598	2	2598	SCREW-3/8-16 UNC X .38
		140117-301			140117-401		
		30HP			40HP		
1	1	125326	1	125326	1	125879	PULLEY-3V SECTION
2	1	121171	1	125327	1	125886	PULLEY-5V SECTION
3	1	121175	1	121175	1	124714	PULLEY-5V SECTION
4	1	121178	1	121172	1	9212	BUSHING-SHEAVE
5	1	128085-560	1	128085-563	1	128770-371	BUSHING-PULLEY
6	1	127325-165	1	125873-165	1	125873-165	BELT
7	1	20109	1	20109	1	20109	VALVE-SAFETY
8	1	128778-2	1	128778-1	1	125302	KEY-SQUARE
9	2	2598	2	2598	2	2598	SPACER-FAN
10	4	129059-3		NOT USED		NOT USED	SCREW-3/8-16 UNC X .38
							SPACER-MOTOR
<u>125 PSIG 60 HZ</u>							
		140117-152			140117-202		
		15HP			20HP		
1	1	122588	1	121583	1	121583	PULLEY-3V SECTION
2	1	125147	1	125148	1	122588	PULLEY-3V SECTION
3	1	121175	1	121175	1	121175	BUSHING-SHEAVE, 1.69 BOF
4	1	125150	1	125150	1	121178	BUSHING-PULLEY
5	1	128085-460	1	128085-460	1	128085-463	BELT
6	1	110513-165	1	110513-165	1	110513-165	VALVE-SAFETY
7	1	20109	1	20109	1	20109	KEY-SQUARE
8	1	125301	1	125301	1	125301-3	HUB-FAN
9	2	2598	2	2598	2	2598	SCREW-3/8-16 UNC X .38
		140117-302			140117-402		
		30HP			40HP		
1	1	121174	1	140266-004	1	125879	PULLEY
2	1	121171	1	140266-010	1	125884	PULLEY
3	1	121175	1	124714	1	124714	BUSHING-SHEAVE
4	1	121178	1	9952	1	9952	BUSHING-PULLEY
5	1	128085-560	1	128770-363	1	128770-367	BELT
6	1	127325-165	1	125873-165	1	125873-165	VALVE-SAFETY
7	1	20109	1	20109	1	20109	KEY-SQUARE
8	1	128778-2	1	128778-1	1	125302	SPACER-FAN
9	2	2598	2	2598	2	2598	SCREW-3/8-16 UNC X .38
10	4	129095-3		NOT USED		NOT USED	SPACER-MOTOR

DRIVE GROUP

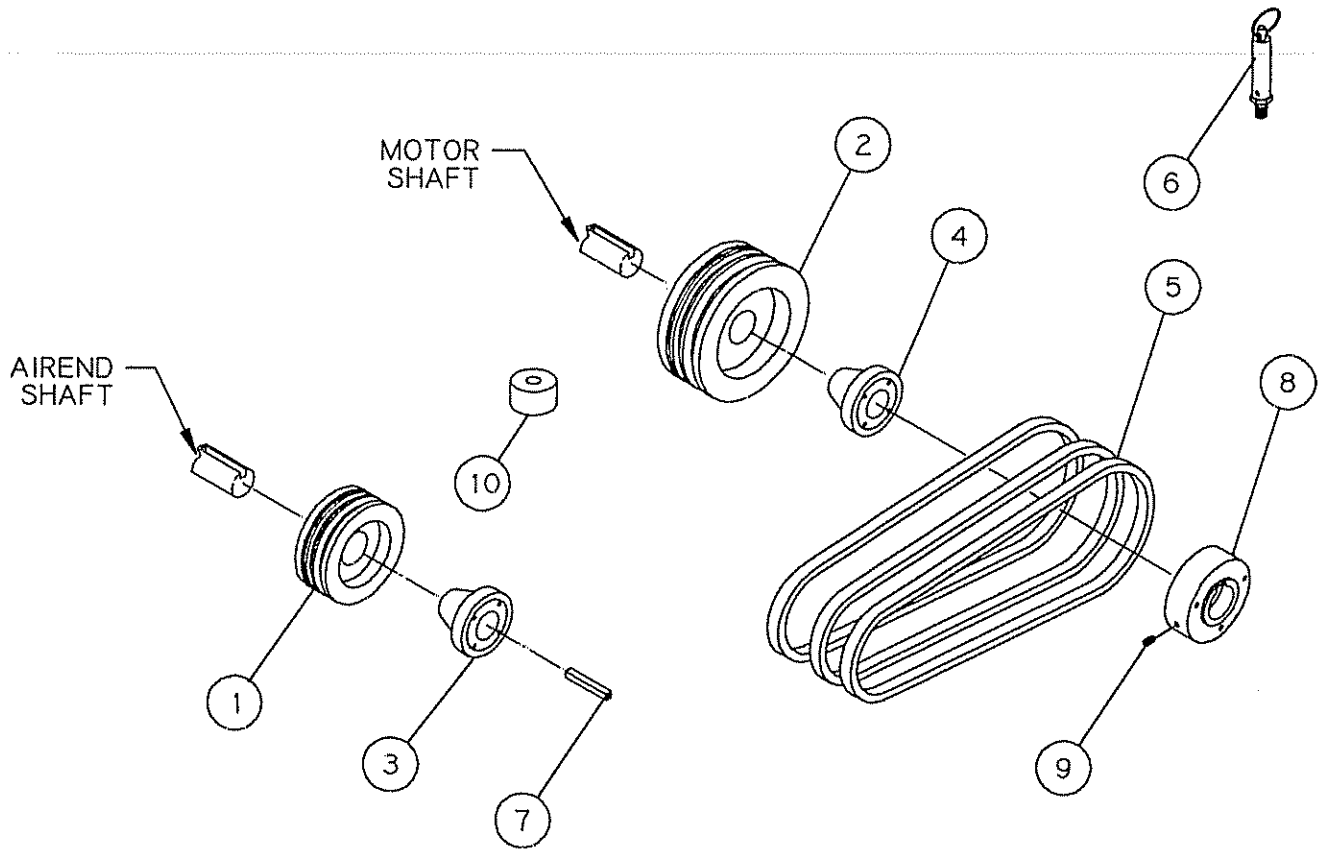


NOTE:
ITEMS 8 & 9 ARE NOT USED ON WATERCOOLED UNITS
ITEM 10 IS NOT USED IN ALL APPLICATIONS, SEE B/M.

DRIVE GROUPS
(AIRCOOLED)
150 PSIG 60 HZ

INDEX NUMBER	QTY	PART NUMBER	QTY	PART NUMBER	QTY	PART NUMBER	DESCRIPTION
		140117-153			140117-203		
		15HP			20HP		
1	1	122588	1	122588	1	122588	PULLEY-3V SECTION
2	1	125147	1	125148	1	122588	PULLEY-3V SECTION
3	1	121175	1	121175	1	121175	BUSHING-PULLEY
4	1	125150	1	125150	1	121178	BUSHING-PULLEY
5	1	128085-460	1	128085-460	1	128085-463	BELT
6	1	110513-175	1	110513-175	1	110513-175	VALVE-SAFETY
7	1	20109	1	20109	1	20109	KEY-SQUARE
8	1	125301	1	125301	1	125301-3	HUB-FAN
9	2	2598	2	2598	2	2598	SCREW-3/8-16 UNC X .38
		140117-303			140117-403		
		30HP			40HP		
1	1	121179	1	121179	1	128695	PULLEY
2	1	121171	1	125327	1	125886	PULLEY
3	1	121175	1	121175	1	121175	BUSHING-PULLEY
4	1	121178	1	121172	1	9212	BUSHING-PULLEY
5	1	128085-560	1	128085-567	1	128770-371	BELT
6	1	127325-175	1	125873-175	1	125873-175	VALVE-SAFETY
7	1	20109	1	20109	1	20109	KEY-SQUARE
8	1	128778-2	1	128778-1	1	125302	SPACER-FAN
9	2	2598	2	2598	2	2598	SCREW-3/8-16 UNC X .38
10	4	129059-3		NOT USED		NOT USED	SPACER-MOTOR

DRIVE GROUP

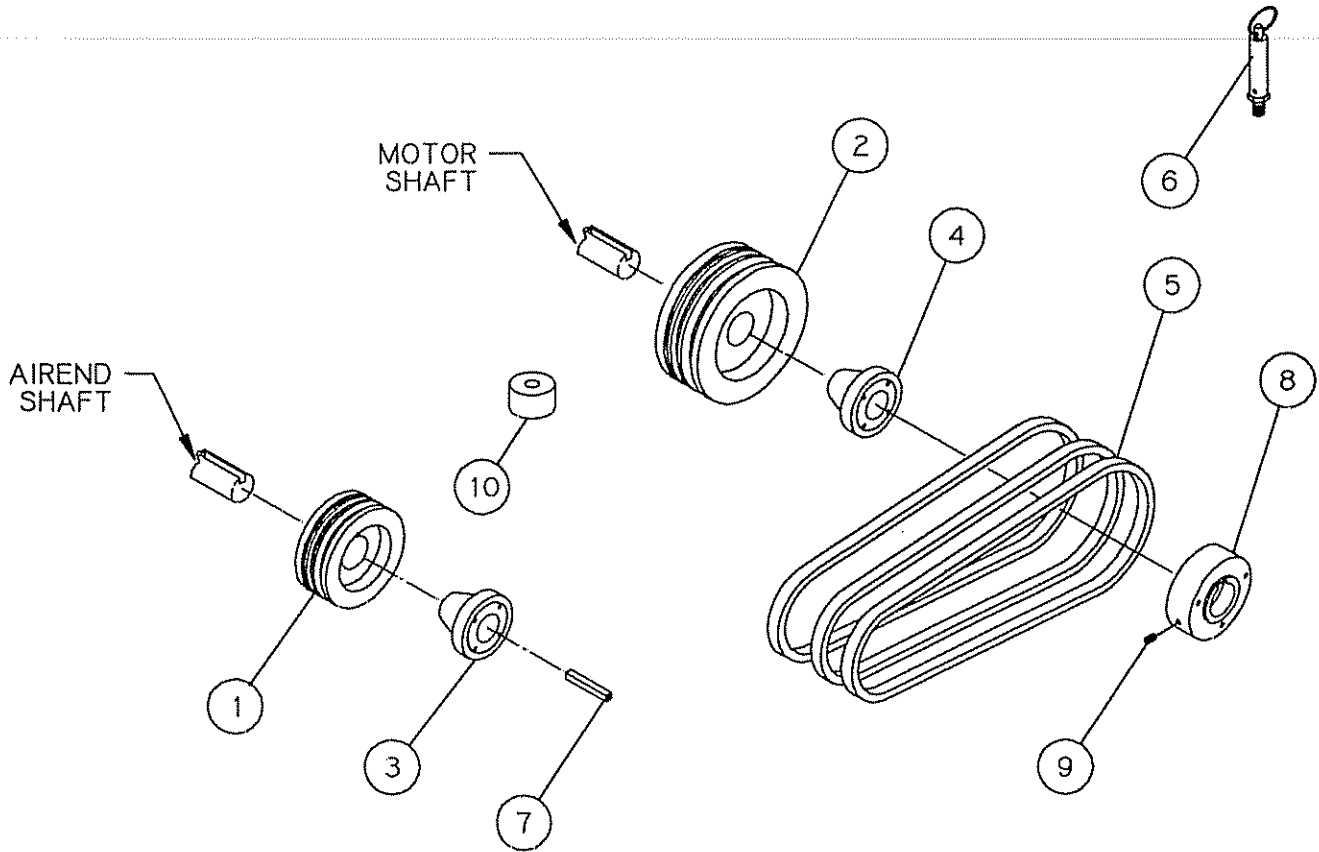


NOTE:
ITEMS 8 & 9 ARE NOT USED ON WATERCOOLED UNITS
ITEM 10 IS NOT USED IN ALL APPLICATIONS, SEE B/M.

DRIVE GROUPS
(AIRCOOLED)
110 PSIG 50 HZ

INDEX NUMBER	QTY	PART NUMBER	QTY	PART NUMBER	DESCRIPTION
		140117-259			
		25HP			
1	1	121582	1	610098-3	PULLEY-3V SECTION
2	1	122588	1	121171	PULLEY-3V SECTION
3	1	121175	1	124714	BUSHING-PULLEY
4	1	121178	1	121178	BUSHING-PULLEY
5	1	128085-463	1	128085-560	BELT
6	1	110513-165	1	127325-165	VALVE-SAFETY
7	1	20109	1	20109	KEY-SQUARE
8	1	128778-2	1	128778-2	SPACER-FAN
9	2	2598	2	2598	SCREW-3/8-16 UNC X .38
10	4	129059-3	4	129059-3	SPACER-MOTOR
		140117-409			
		40HP			
1	1	610098-3	1	140266-002	PULLEY
2	1	125327	1	125884	PULLEY
3	1	124714	1	124714	BUSHING-PULLEY
4	1	121172	1	9952	BUSHING-PULLEY
5	1	128085-567	1	128770-367	BELT
6	1	125873-165	1	125873-165	VALVE-SAFETY
7	1	20109	1	20109	KEY-SQUARE
8	1	128778-1	1	125302	SPACER-FAN
9	2	2598	2	2598	SCREW-3/8-16 UNC X .38
<u>145 PSIG 50 HZ</u>					
		140117-250			
		25HP			
1	1	125149	1	129401	PULLEY-3V SECTION
2	1	122588	1	121171	PULLEY-3V SECTION
3	1	124714	1	121175	BUSHING-PULLEY
4	1	121178	1	121178	BUSHING-PULLEY
5	1	128085-463	1	128085-560	BELT
6	1	110513-175	1	127325-175	VALVE-SAFETY
7	1	20109	1	20109	KEY-SQUARE
8	1	128778-2	1	128778-2	SPACER-FAN
9	2	2598	2	2598	SCREW-3/8-16 UNC X .38
10	4	129059-3	4	129059-3	SPACER-MOTOR
		140117-410			
		40HP			
1	1	129401	1	125880	PULLEY
2	1	125327	1	125886	PULLEY
3	1	121175	1	121175	BUSHING-PULLEY
4	1	121172	1	9212	BUSHING-PULLEY
5	1	128085-563	1	128770-371	BELT
6	1	125873-175	1	125873-175	VALVE-SAFETY
7	1	20109	1	20109	KEY-SQUARE
8	1	128778-1	1	125302	SPACER-FAN
9	2	2598	2	2598	SCREW-3/8-16 UNC X .38

DRIVE GROUP

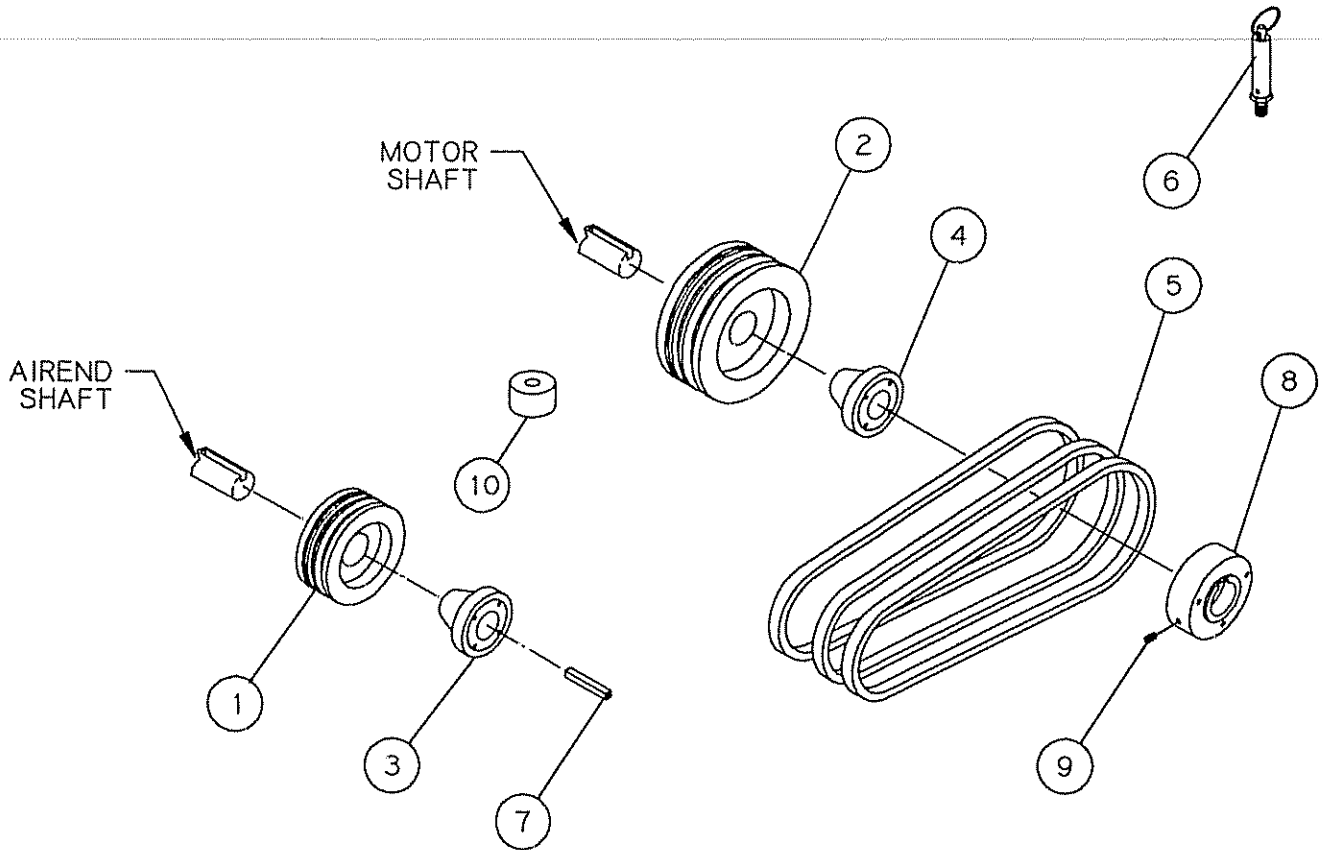


NOTE:
ITEMS 8 & 9 ARE NOT USED ON WATERCOOLED UNITS
ITEM 10 IS NOT USED IN ALL APPLICATIONS, SEE B/M.

**DRIVE GROUPS
(WATERCOOLED)
100 PSIG 60 HZ**

INDEX NUMBER	QTY	PART NUMBER	QTY	PART NUMBER	QTY	PART NUMBER	DESCRIPTION
		140117-154			140117-204		
		15HP			20HP		
1	1	125149	1	121582	1	125419	PULLEY-3V SECTION
2	1	125147	1	125148	1	122588	PULLEY-3V SECTION
3	1	121175	1	121175	1	121178	BUSHING-PULLEY
4	1	125150	1	125150	1	121175	BUSHING-PULLEY
5	1	128085-456	1	128085-456	1	128085-463	BELT
6	1	110513-165	1	110513-165	1	110513-165	VALVE-SAFETY
7	1	20109	1	20109	1	20109	KEY-SQUARE
		140117-304			140117-404		
		30HP			40HP		
1	1	125326	1	125326	1	125879	PULLEY
2	1	121171	1	125327	1	125886	PULLEY
3	1	121175	1	121175	1	124714	BUSHING-PULLEY
4	1	121178	1	121172	1	9212	BUSHING-PULLEY
5	1	128085-560	1	128085-563	1	128770-371	BELT
6	1	127325-165	1	125873-165	1	125873-165	VALVE-SAFETY
7	1	20109	1	20109	1	20109	KEY-SQUARE
8		NOT USED		NOT USED		NOT USED	HUB-FAN
9		NOT USED		NOT USED		NOT USED	SCREW-3/8-16 UNC X .38
10	4	129059-3		NOT USED		NOT USED	SPACER-MOTOR
125 PSIG 60 HZ							
		140117-555			140117-205		
		15HP			20HP		
1	1	122588	1	121583	1	121583	PULLEY-3V SECTION
2	1	125147	1	125148	1	122588	PULLEY-3V SECTION
3	1	121175	1	121175	1	121175	BUSHING-PULLEY
4	1	125150	1	125150	1	121178	BUSHING-PULLEY
5	1	1280852-450	1	128085-460	1	128085-463	BELT
6	1	110513-165	1	110513-165	1	110513-165	VALVE-SAFETY
7	1	20109	1	20109	1	20109	KEY-SQUARE
		140117-307			140117-407		
		30HP			40HP		
1	1	121174	1	140266-004	1	125879	PULLEY
2	1	121171	1	140266-010	1	125884	PULLEY
3	1	121175	1	124714	1	124714	BUSHING-PULLEY
4	1	121178	1	9952	1	9952	BUSHING-PULLEY
5	1	128085-560	1	128770-363	1	128770-367	BELT
6	1	127325-165	1	125873-165	1	125873-165	VALVE-SAFETY
7	1	20109	1	20109	1	20109	KEY-SQUARE
8		NOT USED		NOT USED		NOT USED	HUB-FAN
9		NOT USED		NOT USED		NOT USED	SCREW-3/8-16 UNC X .38
10	1	129059-3		NOT USED		NOT USED	SPACER-MOTOR

DRIVE GROUP

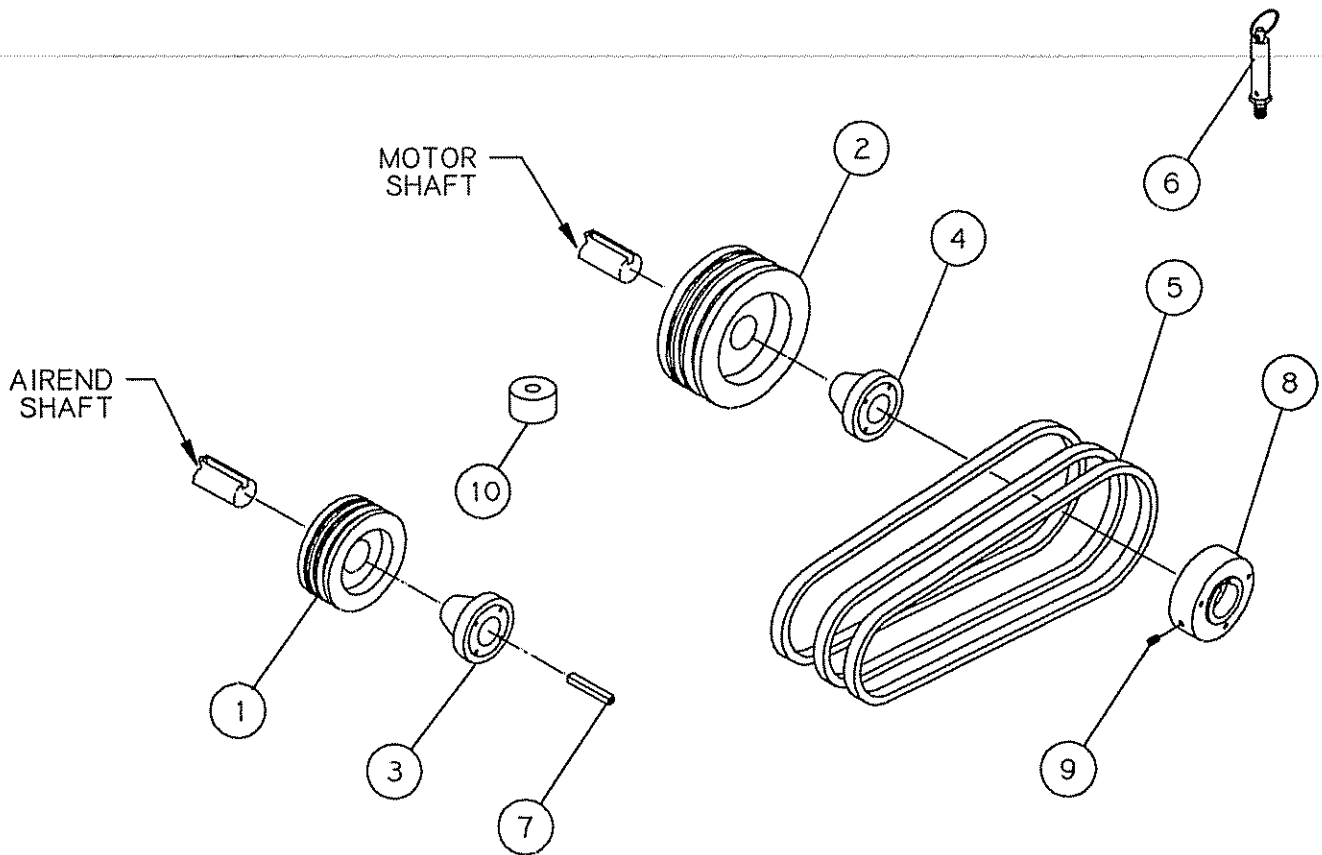


NOTE:
ITEMS 8 & 9 ARE NOT USED ON WATERCOOLED UNITS
ITEM 10 IS NOT USED IN ALL APPLICATIONS, SEE B/M.

DRIVE GROUPS
(WATERCOOLED)
150 PSIG 60 HZ

INDEX NUMBER	QTY	PART NUMBER	QTY	PART NUMBER	QTY	PART NUMBER	DESCRIPTION
		140117-156		140117-206		140117-258	
		15HP		20HP		25HP	
1	1	122588	1	122588	1	122588	PULLEY-3V SECTION
2	1	125147	1	125148	1	122588	PULLEY-3V SECTION
3	1	121175	1	121175	1	121175	BUSHING-PULLEY
4	1	125150	1	125150	1	121178	BUSHING-PULLEY
5	1	128085-460	1	128085-460	1	128085-463	BELT
6	1	110513-175	1	110513-165	1	110513-165	VALVE-SAFETY
7	1	20109	1	20109	1	20109	KEY-SQUARE
		140117-308		140117-408		140117-508	
		30HP		40HP		50HP	
1	1	121179	1	121179	1	125875	PULLEY
2	1	121171	1	125327	1	125886	PULLEY
3	1	121175	1	121175	1	124715	BUSHING-PULLEY
4	1	121178	1	121172	1	9952	BUSHING-PULLEY
5	1	128085-560	1	128085-567	1	128770-371	BELT
6	1	127325-175	1	125873-175	1	125873-165	VALVE-SAFETY
7	1	20109	1	20109	1	20109	KEY-SQUARE
8		NOT USED		NOT USED		NOT USED	HUB-FAN
9		NOT USED		NOT USED		NOT USED	SCREW-3/8-16 UNC X .38
10	4	129095-3		NOT USED		NOT USED	SPACER-MOTOR

DRIVE GROUP

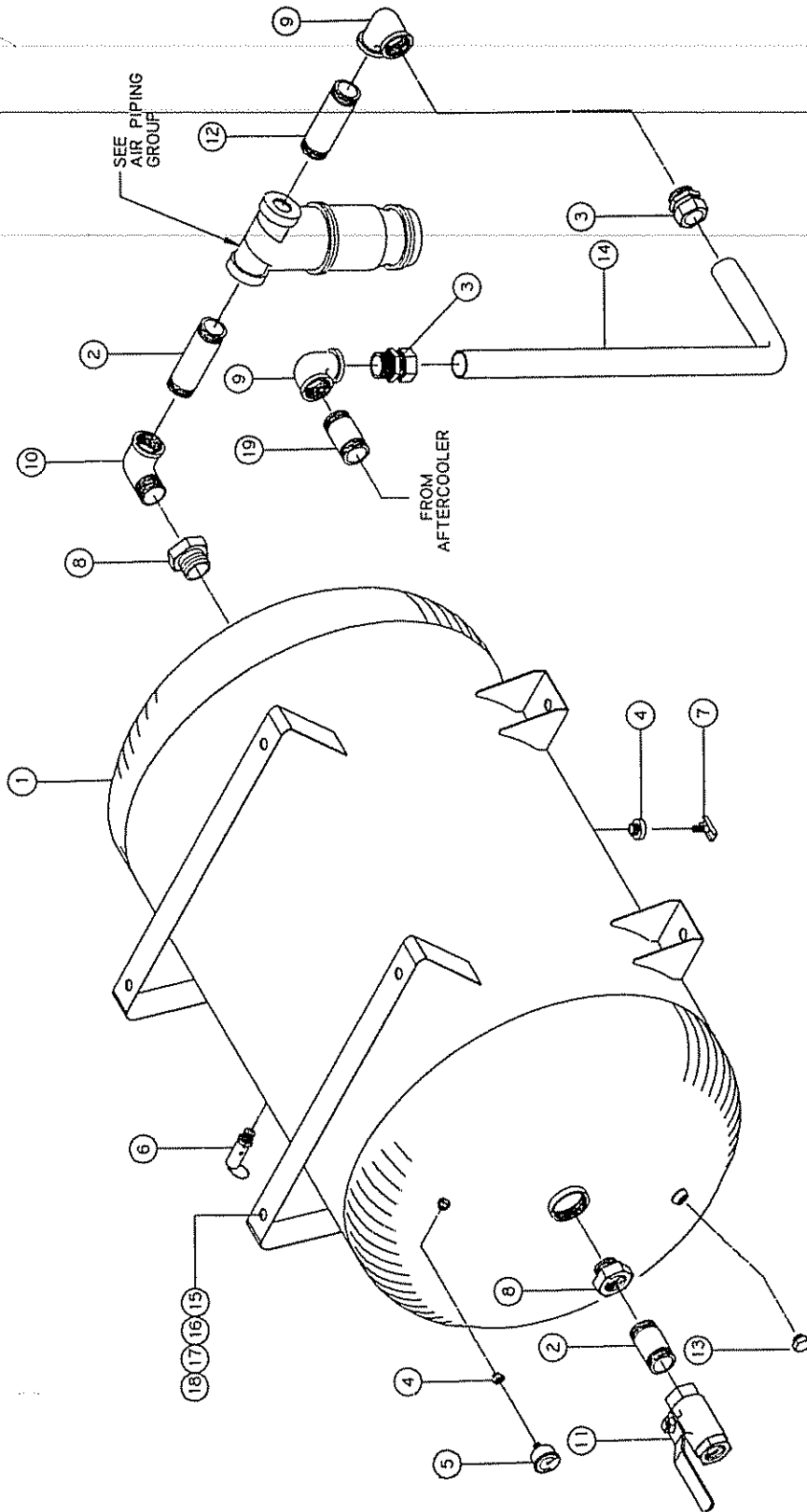


NOTE:
ITEMS 8 & 9 ARE NOT USED ON WATERCOOLED UNITS
ITEM 10 IS NOT USED IN ALL APPLICATIONS, SEE B/M.

DRIVE GROUPS
(WATERCOOLED)
110 PSIG 50 HZ

INDEX NUMBER	QTY	PART NUMBER	QTY	PART NUMBER	DESCRIPTION
		140117-255			
		25HP			
1	1	121582	1	610098-3	PULLEY-3V SECTION
2	1	122588	1	121171	PULLEY-3V SECTION
3	1	121175	1	124714	BUSHING-PULLEY
4	1	121178	1	121178	BUSHING-PULLEY
5	1	128085-463	1	128085-560	BELT
6	1	110513-165	1	127325-165	VALVE-SAFETY
7	1	20109	1	20109	KEY-SQUARE
8		NOT USED		NOT USED	HUB-FAN
9		NOT USED		NOT USED	SCREW-3/8-16 UNC X .38
10	4	129059-3	4	129059-3	SPACER-MOTOR
		140117-405			
		40HP			
1	1	610098-3	1	140266-002	PULLEY
2	1	125327	1	125884	PULLEY
3	1	124714	1	124714	BUSHING-PULLEY
4	1	121172	1	9952	BUSHING-PULLEY
5	1	128085-563	1	128770-367	BELT
6	1	125873-165	1	125873-165	VALVE-SAFETY
7	1	20109	1	20109	KEY-SQUARE
		<u>145 PSIG 50 HZ</u>			
		140117-256			
		25HP			
1	1	125149	1	129401	PULLEY-3V SECTION
2	1	122588	1	121171	PULLEY-3V SECTION
3	1	121175	1	121175	BUSHING-PULLEY
4	1	121178	1	121178	BUSHING-PULLEY
5	1	128085-463	1	128085-560	BELT
6	1	110513-175	1	127325-175	VALVE-SAFETY
7	1	20109	1	20109	KEY-SQUARE
8		NOT USED		NOT USED	HUB-FAN
9		NOT USED		NOT USED	SCREW-3/8-16 UNC X .38
10	4	129059-3	4	129059-3	SPACER-MOTOR
		140117-406			
		40HP			
1	1	129401	1	125880	PULLEY
2	1	125327	1	125886	PULLEY
3	1	121175	1	121175	BUSHING-PULLEY
4	1	121172	1	9952	BUSHING-PULLEY
5	1	128085-567	1	128770-371	BELT
6	1	125873-175	1	125873-175	VALVE-SAFETY
7	1	20109	1	20109	KEY-SQUARE

RECEIVER GROUPS 129051-001 AND 129051-002

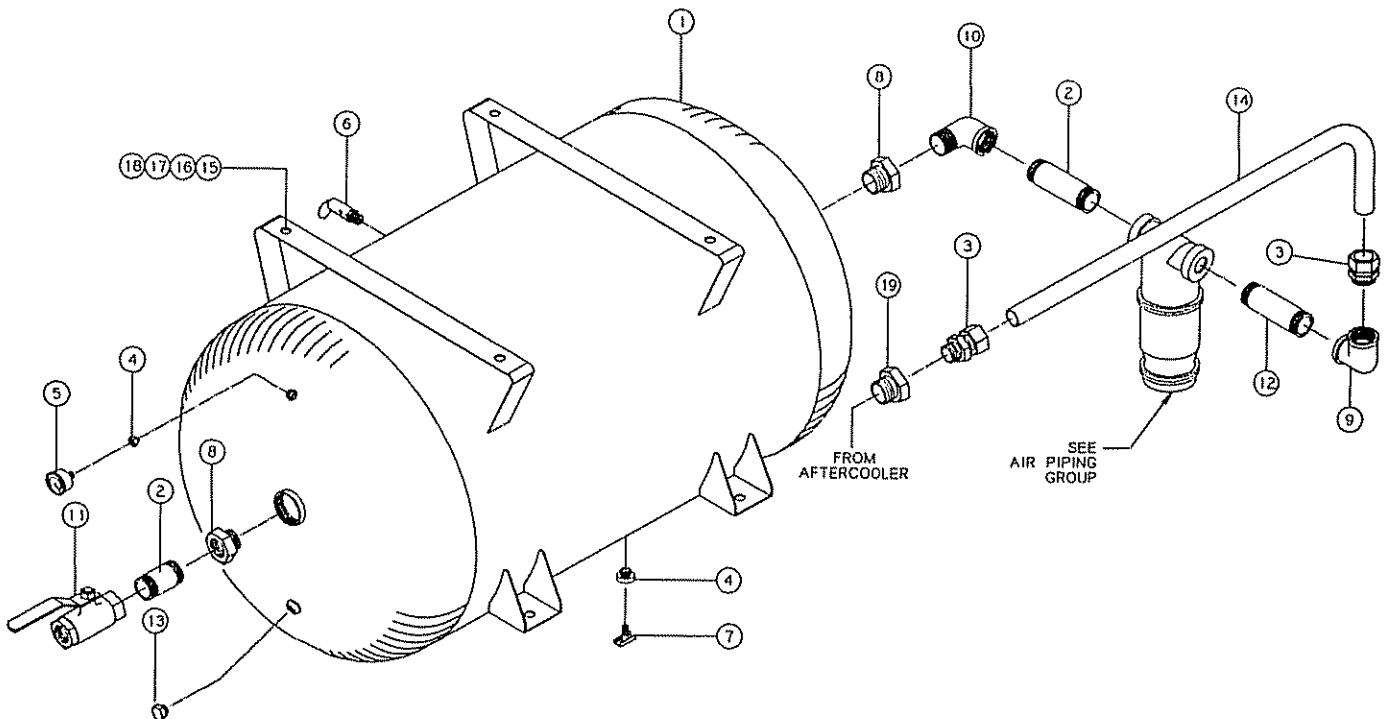


RECEIVER GROUP (AIRCOOLED)

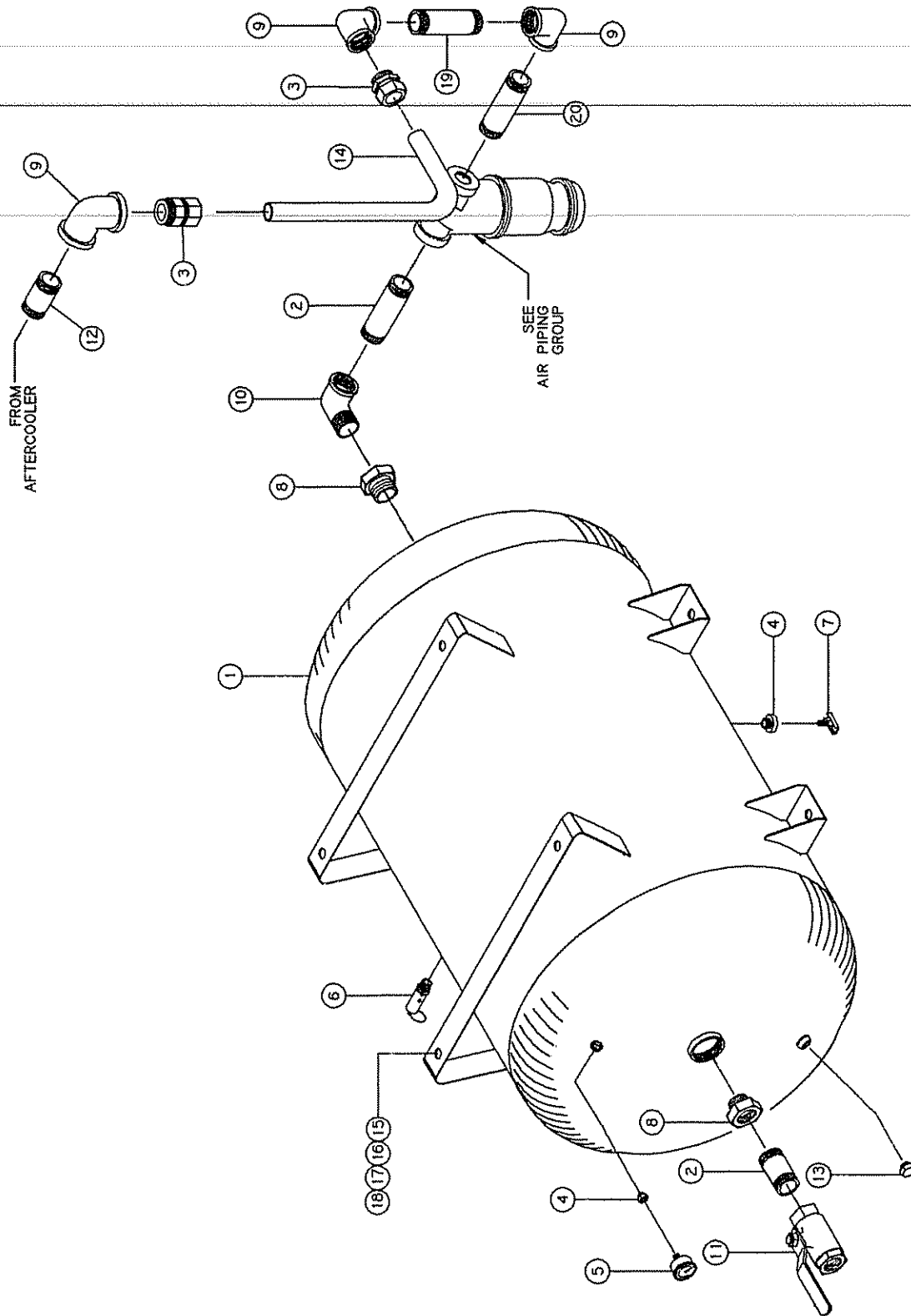
INDEX NUMBER	QTY	PART NUMBER	QTY	PART NUMBER	QTY	PART NUMBER	DESCRIPTION
		129051-001		129051-002		129051-006	
		15-25HP		30-40HP		50HP	
1	1	128848-200	1	128848-200	1	128848-200	RECEIVER
2	2	125938-001	2	125938-001	2	125938-001	NIPPLE-PIPE
3	2	23225	2	23225	2	23225	FITTING-TUBE
4	2	2951	2	2951	2	2951	BUSHING-PIPE
5	1	110514-300	1	110514-300	1	110514-300	GAUGE-PRESSURE
6	1	3022-200	1	3022-200	1	3022-200	VALVE-SAFETY
7	1	2713	1	2713	1	2713	DRAINCOCK-1/4 NPT
8	2	6639	2	6639	2	6639	BUSHING-PIPE
9	2	4715	1	4715	1	4715	ELBOW-PIPE, 1-1/4 NPT
10	1	5760	2	5760	1	5760	ELBOW-PIPE, 1-1/4 NPT
11	1	110425-125	1	110425-125	1	110425-125	VALVE-BALL, 1-1/4 NPT
12	1	125938-066	1	125938-066	1	125938-076	NIPPLE-PIPE
13	1	2970	1	2970	1	2970	PLUG-PIPE, 2 NPT
14	1	121918-030	1	121918-030	1	121918-030	TUBE-FORMED, 1-1/4
15	4	123478-N15	4	123478-N15	4	123478-N15	SCREW-HEX., 1/2-13
16	4	124364-N02	4	123464-N02	4	124364-N02	NUT-HEX., 1/2-13 UNC
17	4	123115-08C	4	123115-08C	4	123115-08C	LOCKWASHER-1/2
18	4	110428W050	4	110428W050	4	110428W050	FLATWASHER-1/2
19	1	125938-066		NOT USED			NIPPLE-PIPE
					1	4665	BUSHING-PIPE, 1-1/2

Ⓢ indicates torque value in foot pounds (lubricated threads)

129051-006



RECEIVER GROUPS

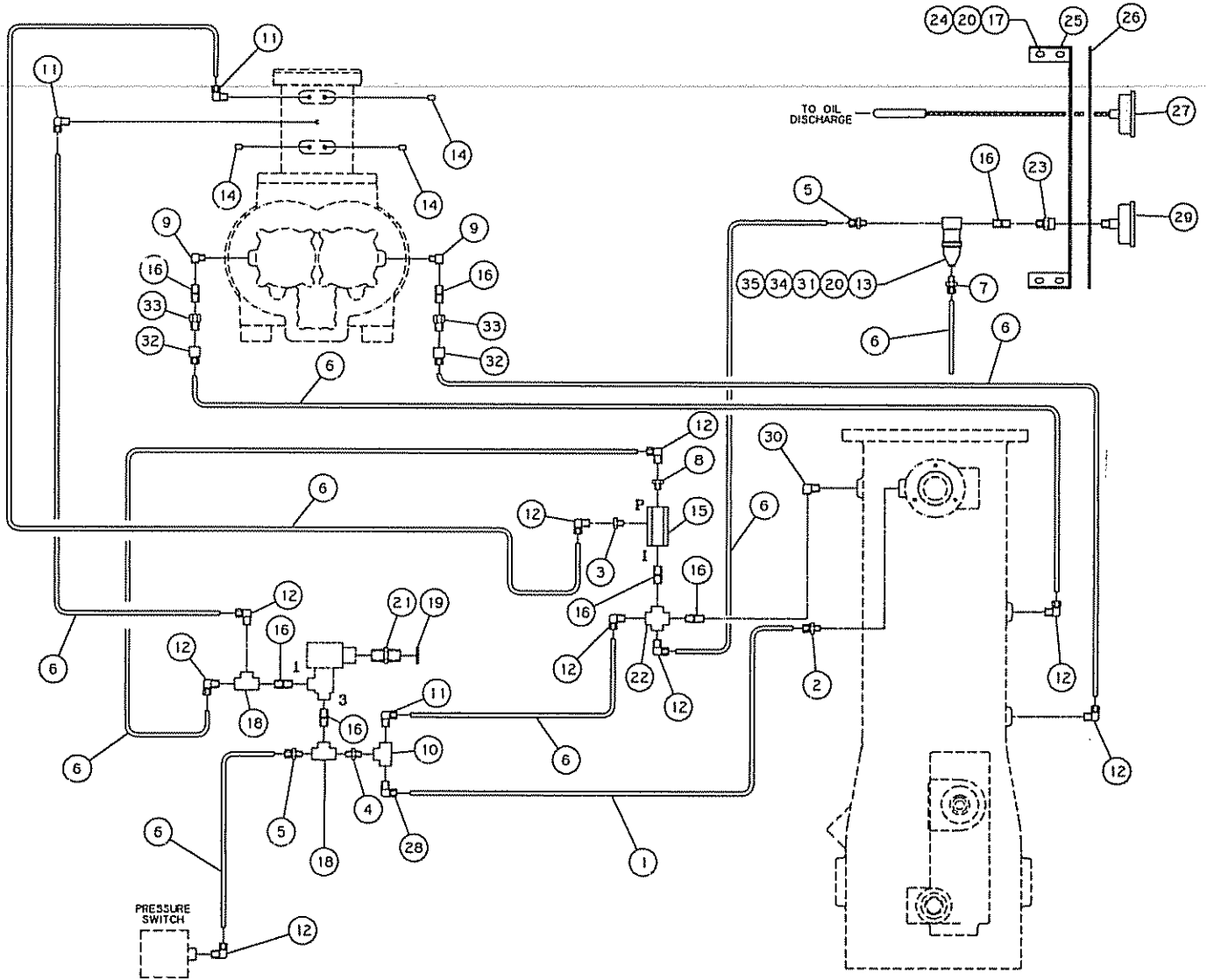


RECEIVER GROUP 129137-001
(WATERCOOLED)

INDEX NUMBER	QTY	PART NUMBER	DESCRIPTION
1	1	128848-200	RECEIVER
2	2	125938-001	NIPPLE-PIPE, 1-1/4 NPT X CLOSE
3	2	23225	FITTING-TUBE, 1-1/4 TUBE X 1-1/4 NPT
4	2	2951	BUSHING-PIPE, 1/2 NPT X 1/4 NPT
5	1	110514-300	GAUGE-PRESSURE
6	1	3022-200	VALVE-SAFETY
7	1	2713	DRAINCOCK-1/4 NPT
8	2	6639	BUSHING-PIPE, 2 NPT X 1-1/4 NPT
9	3	4715	ELBOW-PIPE, 1-1/4 NPT
10	1	5760	ELBOW-PIPE, 1-1/4 NPT
11	1	110425-125	VALVE-BALL, 1-1/4 NPT
12	1	125938-042	NIPPLE-PIPE, 2 NPT
13	4	2970	PLUG-PIPE, 2 NPT
14	1	121918-030	TUBE-FORMED, 1-1/4 O. D.
15	4	123478-N15	SCREW-HEX., 1/2-13
16	4	124364-N02	NUT-HEX., 1/2-13 UNC
17	4	123115-08C	LOCKWASHER-1/2
18	4	110428W050	FLATWASHER-1/2
19	1	125938-022	NIPPLE-PIPE, 1-1/4 NPT X 3.50
20	1	125938-056	NIPPLE-PIPE, 1-1/4 NPT X 7.75

@ indicates torque value in foot pounds (lubricated threads)

CONTROL PIPING GROUP

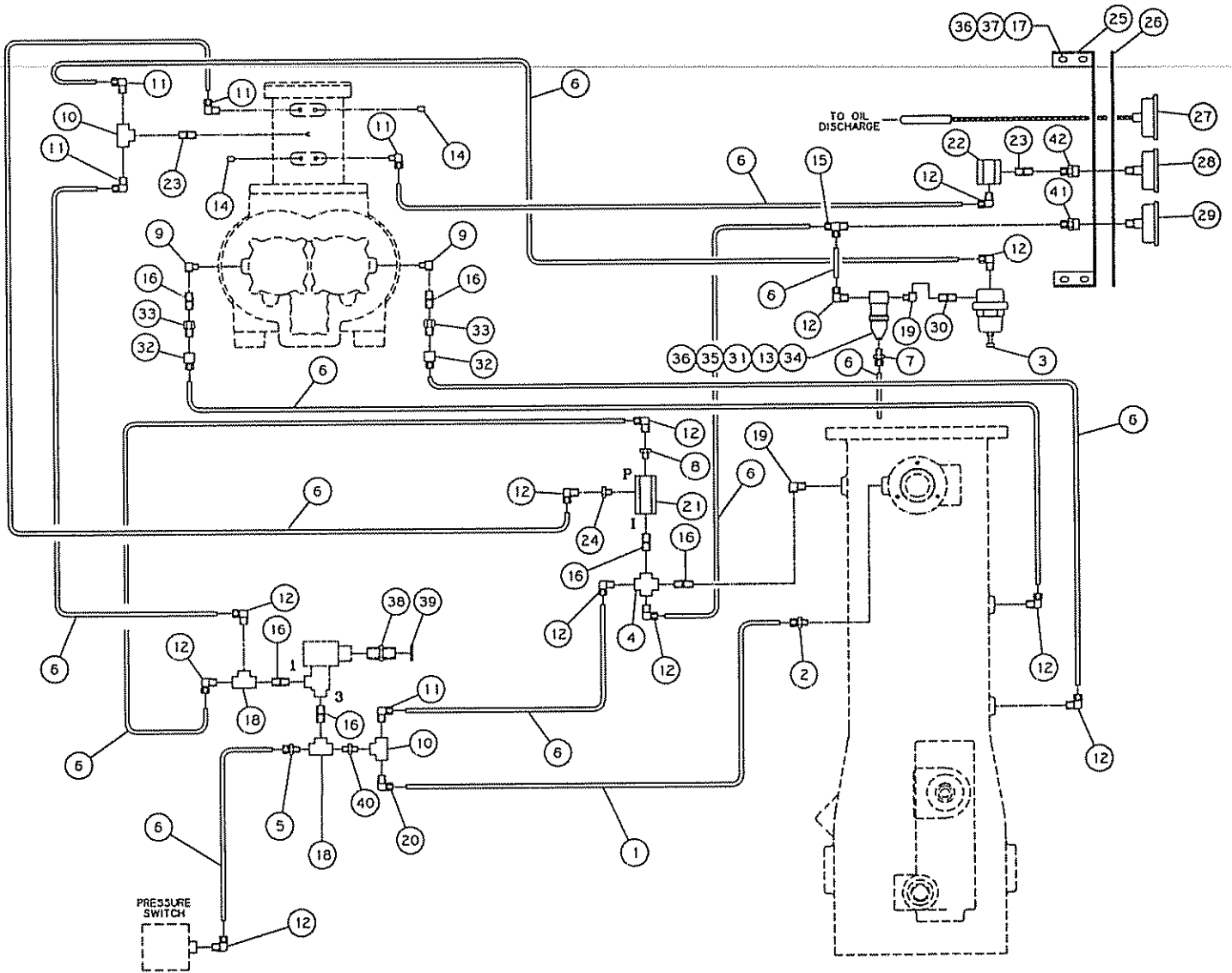


CONTROL PIPING GROUP 129506-001
(CONTINUOUS RUN,ACROSS THE LINE)

INDEX NUMBER	QTY	PART NUMBER	DESCRIPTION
1	4	124435-004	TUBING-NYLON, 3/8 O.D.
2	1	124393-012	FITTING-MALE CONNECTOR, 3/8 TUBE X 1/4 NPT
3	1	125025-001	FILTER-LINE (.140) DIA DRILL
4	1	111098-002	NIPPLE-1/8 NPT X 1/4 NPT, CLOSE, BRASS TUBE
5	2	124393-005	FITTING-TUBE, MALE CONNECTOR 1/4 TUBE X 1/4 NPT
6	17	124435-003	TUBING-NYLON, 1/4 O.D.
7	1	124393-004	FITTING-TUBE, MALE CONNECTOR 1/4 TUBE X 1/8 NPT
8	1	125025-007	FILTER-LINE (.060) DIA DRILL
9	2	122212	ELBOW-PIPE, 1/8 NPT X 1/4, BRASS
10	1	90084	VALVE-SHUTTLE
11	3	124349-004	FITTING-TUBE, 90 MALE ELBOW 1/4 TUBE X 1/8 NPT
12	9	124349-005	FITTING-TUBE, 90 MALE ELBOW 1/4 TUBE X 1/4 NPT
13	1	122417	BRACKET-LINE FILTER HANGER
14	3	121160	PLUG-PIPE, 1/8 NPT
15	1	128826	VALVE-BLOWDOWN, 1/4 NPT
16	7	121032-3	NIPPLE-PIPE, 1/4 NPT X CLOSE, BRASS
17	4	124364-J02	NUT-HEX., 1/4-20 UNC
18	2	121034-2	TEE-PIPE, 1/4 NPT, BRASS
19	1	8052	LOCKNUT-CONDUIT, 1/2
20	5	123478-K10	SCREW-HEX., 5/16-18 UNC X .75, GRADE 5 (@ 13 Ft. Lbs.)
21	1	22455	CONNECTOR-ELECTRICAL, 1/2
22	1	6150	FITTING-
23	1	125260-001	REDUCER-PIPE, 1/4 NPT X 1/8 NPT, BRASS
24	8	110428W025	FLATWASHER-1/4
25	1	140148	PANEL-GAUGE
26	1	140149-1	DECAL-PANEL GAUGE
27	1	128664	GAUGE-THERMAL
28	1	124349-009	FITTING-ELBOW, 3/8 TUBE X 1/8 NPT
29	1	128662	GAUGE-PRESSURE 0-300 P.S.I.
30	1	122636	ELBOW-PIPE, 1/4 NPT, BRASS
31	1	124364-K02	NUT-HEX., 5/16-18 UNC
32	2	124347-004	FITTING-TUBE, FEMALE CONNECTOR 1/4 TUBE X 1/4 NPT
33	2	125025	FILTER-ORIFICE INLINE, 1/4 NPT
34	1	129731	FILTER-LINE, AUTOMATIC DRAIN
35	1	123115-05C	LOCKWASHER-5/16
			<u>MAINTENANCE PARTS</u>
36	1	129731-050	FILTER-ELEMENT

@ indicates torque value in foot pounds (lubricated threads)

CONTROL PIPING GROUP

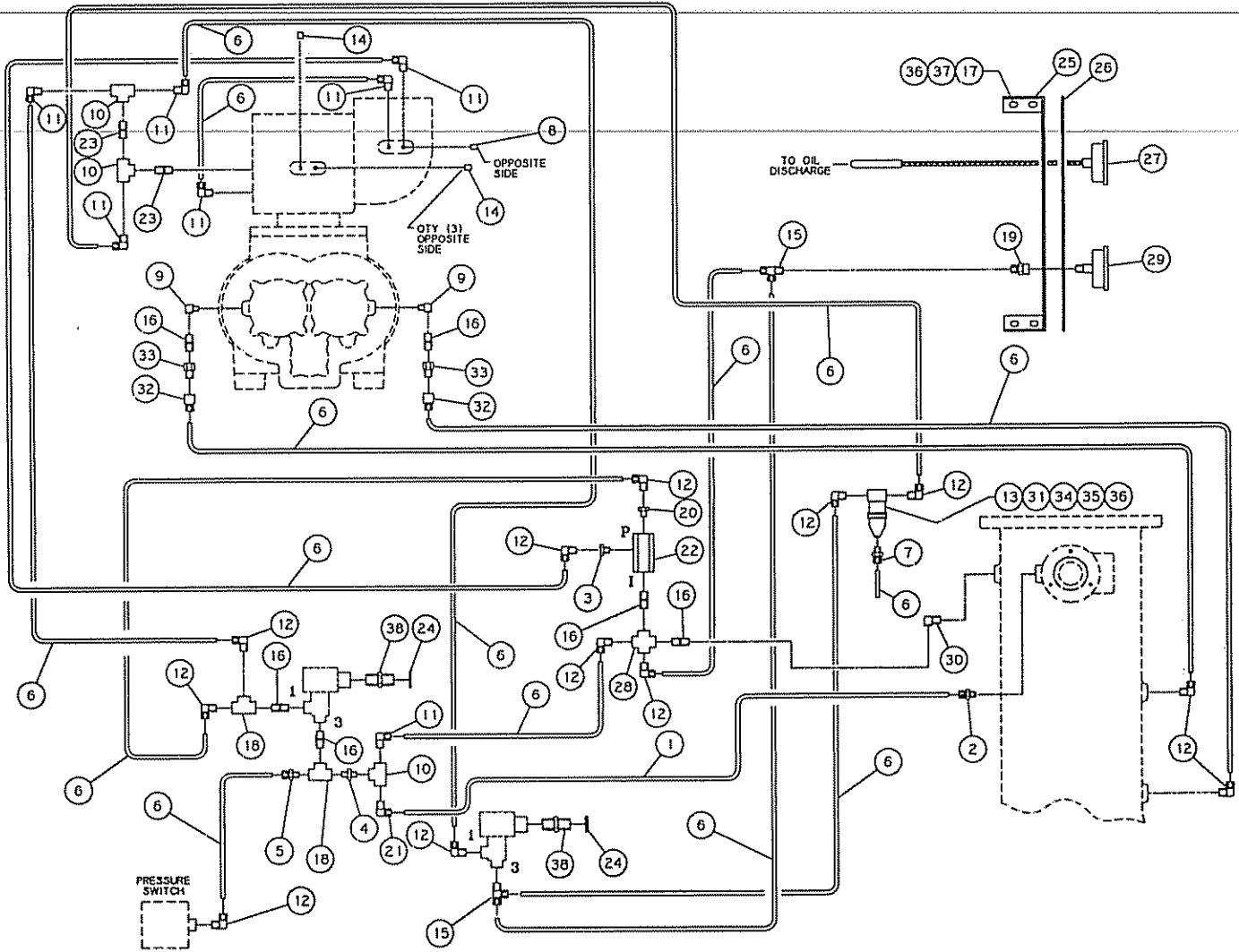


CONTROL PIPING GROUP 129506-003
(AUTO DUAL, ACROSS THE LINE)

INDEX NUMBER	QTY	PART NUMBER	DESCRIPTION
1	4	124435-004	TUBING-NYLON, 3/8 O.D.
2	1	124393-012	FITTING-MALE CONNECTOR, 3/8 TUBE X 1/4 NPT
3	1	21969	VALVE-DIFFERENTIAL PILOT
4	1	6150	FITTING BRASS
5	2	124393-005	FITTING-TUBE, MALE CONNECTOR 1/4 TUBE X 1/4 NPT
6	15	124435-003	TUBING-NYLON, 1/4 O.D.
7	1	124393-004	FITTING-TUBE, MALE CONNECTOR 1/4 TUBE X 1/8 NPT
8	1	125025-007	FILTER-LINE (.060) DIA DRILL
9	2	122212	ELBOW-PIPE, 1/8 NPT X 1/4, BRASS
10	1	90084	VALVE-SHUTTLE
11	3	124349-004	FITTING-TUBE, 90 MALE ELBOW 1/4 TUBE X 1/8 NPT
12	9	124349-005	FITTING-TUBE, 90 MALE ELBOW 1/4 TUBE X 1/4 NPT
13	1	122417	BRACKET-LINE FILTER HANGER
14	3	121160	PLUG-PIPE, 1/8 NPT
15	1	124348-003	FITTING-TUBE, MALE RUN TEE 1/4 TUBE X 1/4 NPT
16	6	121032-3	NIPPLE-PIPE, 1/4 NPT X CLOSE, BRASS
17	4	124364-J02	NUT-HEX., 1/4-20 UNC
18	2	121034-2	TEE-PIPE, 1/4 NPT, BRASS
19	2	122636	ELBOW-PIPE, 1/4 NPT, BRASS
20	1	12439-009	FITTING-ELBOW, 3/8 TUBE X NPT
21	1	128826	VALVE-BLOWDOWN 1/4 NPT
22	1	122056	VALVE-CAPACITY GAUGE
23	2	121032-1	NIPPLE-PIPE, 1/8 NPT X CLOSE, BRASS
24	1	125025-001	FILTER-LINE (.140)
25	1	140148	PANEL-GAUGE
26	1	140149-5	DECAL-PANEL GAUGE
27	1	128664	GAUGE-THERMAL
28	1	128663	GAUGE-PERCENT CAPACITY
29	1	128662	GAUGE-PRESSURE 0-300 P.S.I.
30	1	121032-14	NIPPLE-PIPE, 1/4 NPT X 1.25, BRASS
31	1	124364-K02	NUT-HEX., 5/16-18 UNC
32	2	124347-004	FITTING-TUBE, FEMALE CONNECTOR 1/4 TUBE X 1/4 NPT
33	2	125025	FILTER-ORIFICE INLINE, 1/4 NPT
34	1	129731	FILTER-LINE, AUTOMATIC DRAIN
35	1	123115-05C	LOCKWASHER-5/16
36	5	123478-K10	SCREW-HEX., 5/16 UNC X .75 GRADE 5 (@13 Ft. Lbs.)
37	8	110428W025	FLATWASHER-1/4
38	1	22455	CONNECTOR-ELECTRICAL, 1/2
39	1	8052	LOCKNUT-CONDUIT, 1/2
40	1	111098-002	NIPPLE-1/8 NPT X 1/4 NPT, CLOSE, BRASS TUBE
41	1	125259-002	FITTING-COUPLING, BRASS
42	1	125260-001	REDUCER-PIPE, 1/4 NPT X 1/8 NPT, BRASS
			<u>MAINTENANCE PARTS</u>
43	1	129731-050	FILTER-ELEMENT

@ indicates torque value in foot pounds (lubricated threads)

CONTROL PIPING GROUP

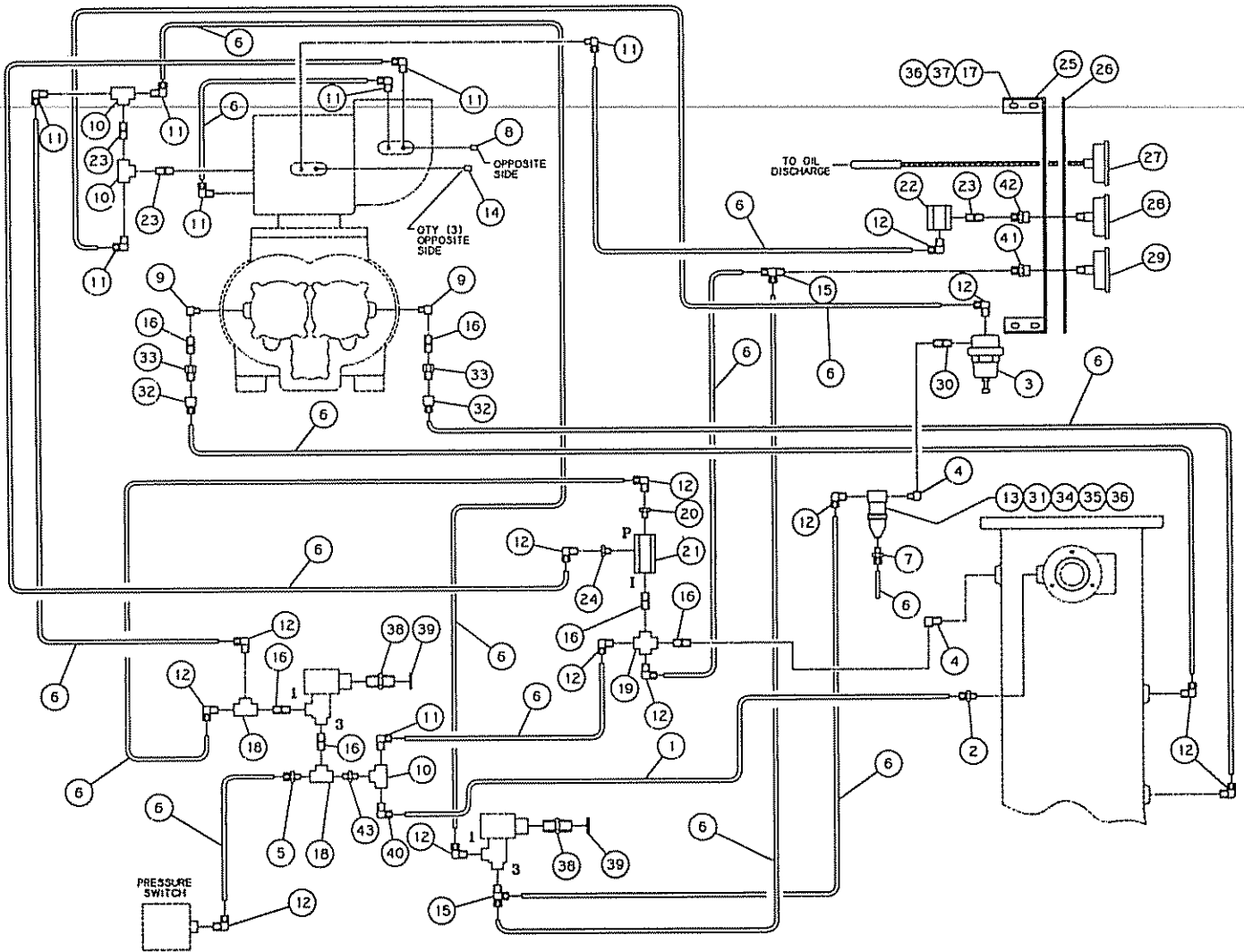


CONTROL PIPING GROUP 140256-001
(CONTINUOUS RUN, WYE DELTA)

INDEX NUMBER	QTY	PART NUMBER	DESCRIPTION
1	4	124435-004	TUBING-NYLON, 3/8 O.D.
2	1	124393-012	FITTING-MALE CONNECTOR, 3/8 TUBE X 1/4 NPT
3	1	125025-001	FILTER-LINE (.140) DIA DRILL
4	1	111098-002	NIPPLE-1/8 NPT, CLOSE, BRASS TUBE
5	1	124393-005	FITTING-TUBE, MALE CONNECTOR 1/4 TUBE X 1/4 NPT
6	17	124435-003	TUBING-NYLON, 1/4 O.D.
7	1	124393-004	FITTING-TUBE, MALE CONNECTOR 1/4 TUBE X 1/8 NPT
8	1	4729	PLUG-PIPE, 3/8 NPT
9	2	122212	ELBOW-PIPE, 1/8 NPT X 1/4, BRASS
10	3	90084	VALVE-SHUTTLE
11	7	124349-004	FITTING-TUBE, 90 MALE ELBOW 1/4 TUBE X 1/8 NPT
12	12	124349-005	FITTING-TUBE, 90 MALE ELBOW 1/4 TUBE X 1/4 NPT
13	1	122417	BRACKET-LINE FILTER HANGER
14	5	121160	PLUG-PIPE, 1/8 NPT
15	2	124348-003	FITTING-TUBE, MALE RUN TEE 1/4 TUBE X 1/4 NPT
16	6	121032-3	NIPPLE-PIPE, 1/4 NPT X CLOSE, BRASS
17	4	124364-J02	NUT-HEX., 1/4-20 UNC
18	2	121034-2	TEE-PIPE, 1/4 NPT, BRASS
19	1	125259-002	FITTING-TUBE, 1/4 TUBE X 1/4 NPT
20	1	125025-007	FILTER-LINE (.060) DIA DRILL
21	1	124349-009	FITTING-ELBOW, 3/8 TUBE X 1/8 NPT
22	1	128826	VALVE-BLOWDOWN, 1/4 NPT
23	2	121032-1	NIPPLE-PIPE, 1/8 NPT X CLOSE, BRASS
24	2	8052	LOCKNUT-CONDUIT, 1/2
25	1	140148	PANEL-GAUGE
26	1	140149-1	DECAL-PANEL, GAUGE
27	1	128664	GAUGE-THERMAL
28	1	6150	FITTING-CROSS, BRASS
29	1	128662	GAUGE-PRESSURE 0-300 P.S.I.
30	1	122636	ELBOW-PIPE, 1/4 NPT, BRASS
31	1	124364-K02	NUT-HEX., 5/16-18 UNC
32	2	124347-004	FITTING-TUBE, FEMALE CONNECTOR 1/4 TUBE X 1/4 NPT
33	2	125025	FILTER-ORIFICE INLINE, 1/4 NPT
34	1	129731	FILTER-LINE, AUTOMATIC DRAIN
35	1	123115-05C	LOCKWASHER-5/16
36	5	123478-K10	SCREW-HEX., 5/16-18 UNC X .75, GRADE 5 (@13 FT. LBS.)
37	8	110428W025	FLATWASHER-1/4
38	2	22455	CONNECTOR-ELECTRICAL, 1/2
			<u>MAINTENANCE PARTS</u>
39	1	129731-050	FILTER-ELEMENT

@ indicates torque value in foot pounds (lubricated threads)

CONTROL PIPING GROUP

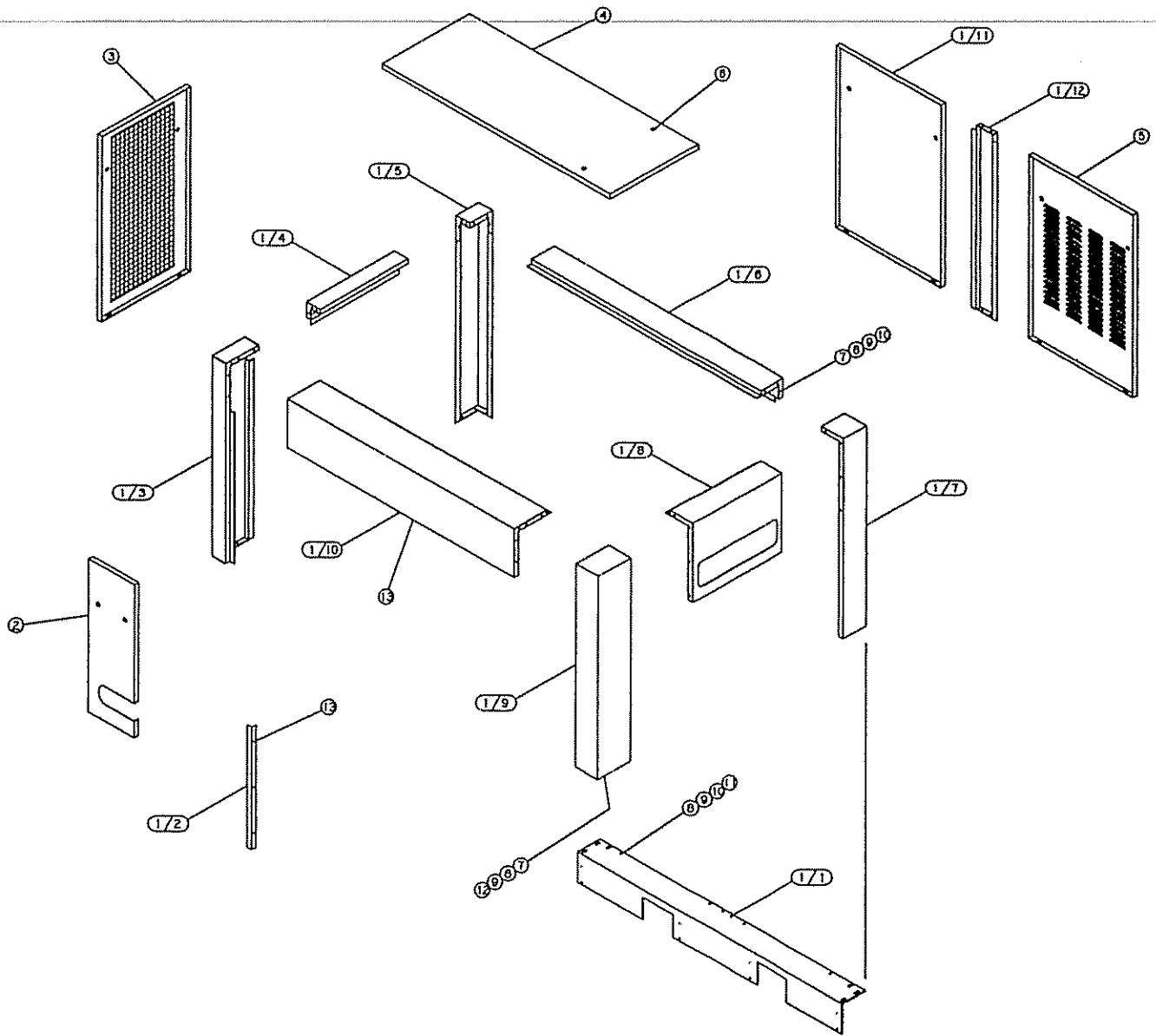


CONTROL PIPING GROUP 140256-003
(AUTO DUAL,WYE DELTA)

INDEX NUMBER	QTY	PART NUMBER	DESCRIPTION
1	4	124435-004	TUBING-NYLON, 3/8 O.D.
2	1	124393-012	FITTING-MALE CONNECTOR, 3/8 TUBE X 1/4 NPT
3	1	21969-2	VALVE-DIFFERENTIAL PILOT
4	2	122636	ELBOW-PIPE, 1/4 NPT,BRASS
5	1	124393-005	FITTING-TUBE, MALE CONNECTOR 1/4 TUBE X 1/4 NPT
6	15	124435-003	TUBING-NYLON, 1/4 O.D.
7	1	124393-004	FITTING-TUBE, MALE CONNECTOR 1/4 TUBE X 1/8 NPT
8	1	4729	PLUG-PIPE, 3/8 NPT
9	2	122212	ELBOW-PIPE, 1/8 NPT X 1/4, BRASS
10	3	90084	VALVE-SHUTTLE
11	8	124349-004	FITTING-TUBE, 90 MALE ELBOW 1/4 TUBE X 1/8 NPT
12	13	124349-005	FITTING-TUBE, 90 MALE ELBOW 1/4 TUBE X 1/4 NPT
13	1	122417	BRACKET-LINE FILTER HANGER
14	4	121160	PLUG-PIPE, 1/8 NPT
15	2	124348-003	FITTING-TUBE, MALE RUN TEE 1/4 TUBE X 1/4 NPT
16	6	121032-3	NIPPLE-PIPE, 1/4 NPT X CLOSE, BRASS
17	4	124364-J02	NUT-HEX., 1/4-20 UNC
18	2	121034-2	TEE-PIPE, 1/4 NPT, BRASS
19	1	6150	FITTING
20	1	125025-007	FILTER-LINE (.060) DIA DRILL
21	1	128826	VALVE-BLOWDOWN, 1/4 NPT
22	1	122056	VALVE-CAPACITY GAUGE
23	3	121032-1	NIPPLE-PIPE, 1/8 NPT X CLOSE, BRASS
24	1	125025-001	FILTER-LINE (.140) DIA DRILL
25	1	140148	PANEL-GAUGE
26	1	140149-5	DECAL-PANEL, GAUGE
27	1	128664	GAUGE-THERMAL
28	1	128663	GAUGE-PERCENT CAPACITY
29	1	128662	GAUGE-PRESSURE 0-300 P.S.I.
30	1	121032-14	NIPPLE-PIPE, 1/4 NPT X 1.25, BRASS
31	1	124364-K02	NUT-HEX., 5/16-18 UNC
32	2	124347-004	FITTING-TUBE, FEMALE CONNECTOR 1/4 TUBE X 1/4 NPT
33	2	125025	FILTER-ORIFICE INLINE, 1/4 NPT
34	1	129731	FILTER-LINE, AUTOMATIC DRAIN
35	1	123115-05C	LOCKWASHER-5/16
36	5	123478-K10	SCREW-HEX., 5/16-18 UNC X .75, GRADE 5 (@ 13 Ft. Lbs.)
37	8	110428W025	FLATWASHER-1/4
38	2	22455	CONNECTOR-ELECTRICAL, 1/2
39	2	8052	LOCKNUT-CONDUIT, 1/2
40	1	124349-009	FITTING-ELBOW, 3/8 TUBE X 1/8 NPT
41	1	125259-002	FITTING-TUBE, 1/4 TUBE X 1/4 NPT
42	1	125260-001	REDUCER-PIPE, 1 /4 NPT X 1/8 NPT, BRASS
43	1	111098-002	NIPPLE-1/8 NPT X1/4 NPT, CLOSE, BRASS TUBE
			<u>MAINTENANCE PARTS</u>
44	1	129731-050	FILTER-ELEMENT

@ indicates torque valve in foot pounds (lubricated threads)

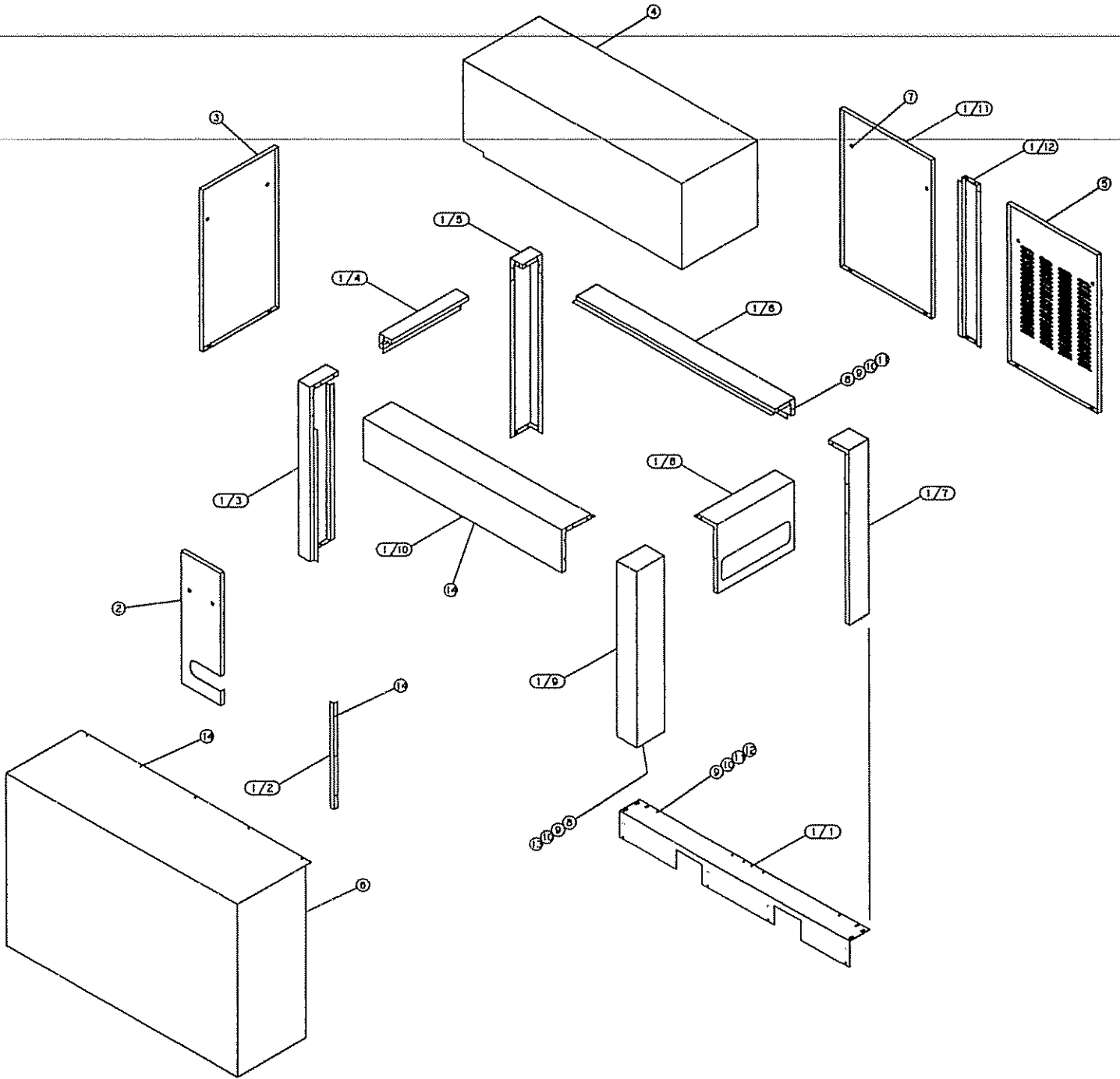
CANOPY GROUP



CANOPY GROUP 140190-001
(STANDARD AIRCOOLED)

INDEX NUMBER	QTY	PART NUMBER	DESCRIPTION
1	1	140331	CABINET-STANDARD
1/1	1	128797	SUPPORT-ANGLE
1/2	1	129024	ANGLE-DOOR
1/3	1	128796-17	PANEL-CORNER
1/4	1	128796-14	PANEL-REAR CROSS
1/5	1	128796-16	PANEL-CORNER
1/6	1	128796-11	PANEL-SUPPORT
1/7	1	128796-15	PANEL-CORNER
1/8	1	128796-13	PANEL-INSTRUMENT
1/9	1	128796-18	PANEL-CORNER
1/10	1	128796-19	PANEL-SUPPORT
1/11	1	128796-22	PANEL-CANOPY DOOR
1/12	1	128796-21	PANEL-POST DOOR
2	1	140327	PANEL-DOOR OIL
3	1	128796-12	PANEL-OIL FILTER DOOR
4	1	128796-20	PANEL-DOOR TOP
5	1	128796-23	PANEL-DOOR
6	10	127623	LATCH-DOOR, 1/4 TURN
7	42	123478-K12	SCREW-HEX., 5/16-18 UNC X 1.00
8	50	110428W031	FLATWASHER-5/16
9	50	123115-05C	LOCKWASHER-5/16
10	48	124364-K02	NUT-HEX., 5/16-18 UNC
11	8	127984-K12	SCREW-HEX SOCKET HEAD, 5/16-18 UNC X 1.00
12	2	8452	NUT-HEX, 5/16-18 UNC
13	5	128705-110	SCREW-HEX., 0.14 X 3/4
14	36	122544-02	INSULATION-FOAM

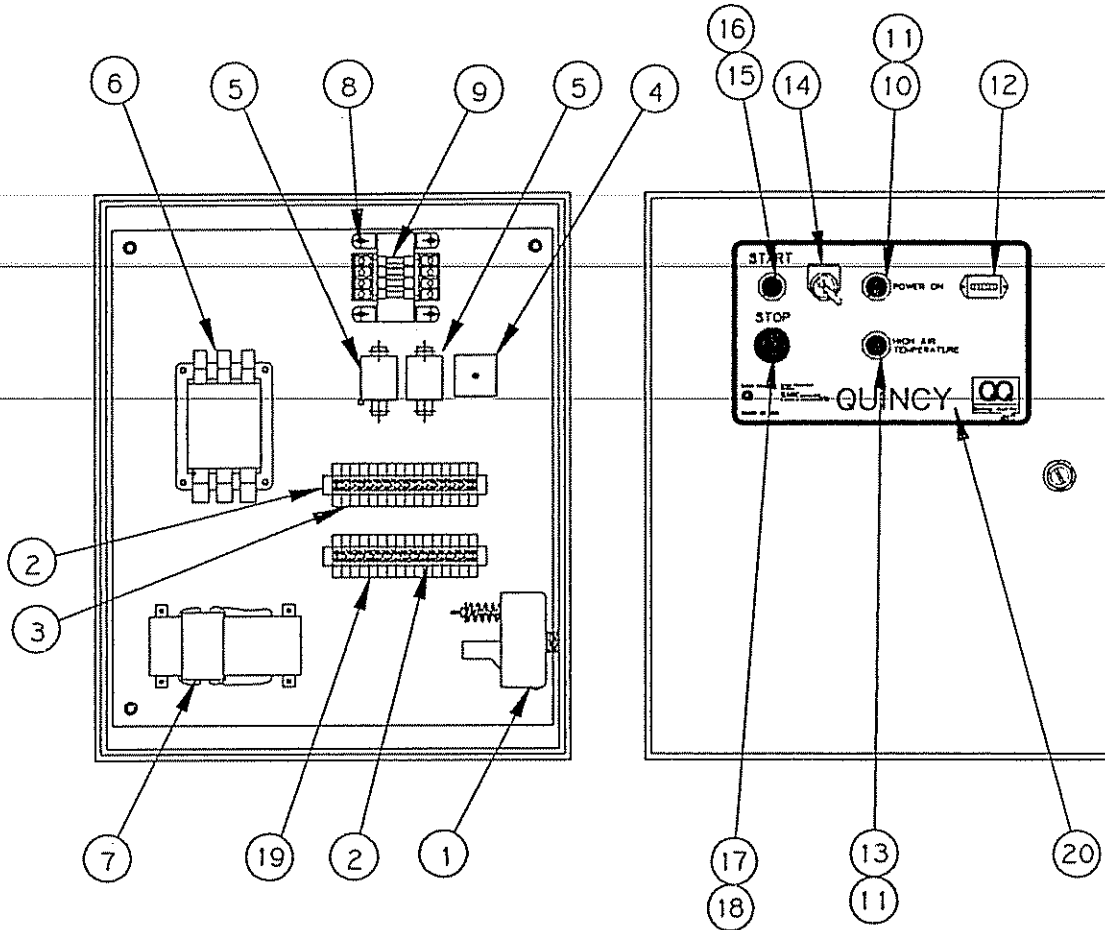
CANOPY GROUP



CANOPY GROUP 140203-001
(LOW SOUND AIRCOOLED)

INDEX NUMBER	QTY	PART NUMBER	DESCRIPTION
1	1	140331	CAB-STANDARD
1/1	1	128797	ANGLE-DOOR
1/2	1	129024	ANGLE-DOOR
1/3	1	128796-17	PANEL-CORNER
1/4	1	128796-14	PANEL-REAR CROSS
1/5	1	128796-16	PANEL-CORNER
1/6	1	128796-11	PANEL-SUPPORT
1/7	1	128796-15	PANEL-CORNER
1/8	1	128796-13	PANEL-INSTRUMENT
1/9	1	128796-18	PANEL-CORNER
1/10	1	128796-19	PANEL-SUPPORT
1/11	1	128796-22	PANEL-DOOR CANOPY
1/12	1	128796-21	PANEL-POST DOOR
2	1	140327	PANEL-DOOR OIL
3	1	128796-27	PANEL-DOOR
4	1	129064	DUCT-AIR IN
5	1	128796-23	PANEL-DOOR
6	1	129063	DUCT-AIR OUT
7	8	127623	LATCH-DOOR, 1/4 TURN
8	42	123478-K12	SCREW-HEX., 5/16-18 UNC X 1.00
9	50	110428W031	FLATWASHER-5/16
10	50	123115-05C	LOCKWASHER-5/16
11	48	124364-K02	NUT-HEX., 5/16-18 UNC
12	8	127984-K12	SCREW-HEX., 5/16-18 UNC X 1.00
13	2	8452	NUT-SPEED, 5/16-18 UNC
14	20	128705-110	SCREW
15	53	122544-02	INSULATION-FOAM

FULL VOLTAGE STARTING



INDEX NUMBER	QTY	PART NUMBER	DESCRIPTION
1	1	22454-1	SWITCH-PRESSURE (100, 125 PSI, 7.5 BAR)
	1	22454-3	SWITCH-PRESSURE (150 PSI, 10 BAR)
2	2	123153-014	STRIP-TERMINAL
3	1	125786-019	STRIP-DECAL, TERMINAL
4	1	122862-900	TIMER
5	2	125706-005	RELAY-CONTROL
6	1	(see page 61)	CONTACTOR
7	1	(see page 61)	RELAY-OVERLOAD
8	1	(see page 61)	TRANSFORMER
9	(*)	(see page 61)	FUSES
10	1	129495	LAMP-INCANDESCENT
11	2	129092	BASE-INDICATOR LIGHT
12	1	110871-120	HOURMETER
13	1	129088	SWITCH-SELECTOR
14	1	129083	SWITCH-H.O.A. (AUTO DUAL CONTROL ONLY)
15	1	129081	BUTTON-START
16	1	129090	BLOCK-CONTACTOR, N. CLOSED
17	1	129082	BUTTON-STOP
18	1	129089	BLOCK-CONTACTOR, N. CLOSED
19	1	125786-020	DECAL-TERMINAL STRIP
20	1	129077	DECAL-PANEL

* quantities of fuses shown in parentheses following part numbers listed on tabulation page 61

FULL VOLTAGE STARTING

CONTACTORS

ITEM 6 (1)

	15HP	20HP	25HP	30HP	40HP	50HP
200 VOLT	140593-08	140593-09	140593-10	140593-11	140593-12	140593-13
230 VOLT	140593-07	140593-08	140593-09	140593-10	140593-11	140593-12
380 VOLT	N/A	N/A	140593-06	140593-07	140593-08	140593-09
50 HZ						
415 VOLT	N/A	N/A	140593-06	140593-07	140593-08	140593-09
50-HZ						
460 VOLT	140593-04	140593-05	140593-06	140593-07	140593-08	140593-09
575 VOLT	140593-03	140593-04	140593-05	140593-06	140593-07	140593-09

OVERLOAD RELAYS

ITEM 7 (1)

	15HP	20HP	25HP	30HP	40HP	50HP
200 VOLT	113103-020	113103-021	113103-023	113103-024	113103-025	113103-029
230 VOLT	113103-020	113103-021	113103-022	113103-023	113103-024	113103-025
380 VOLT	N/A	N/A	113103-020	113103-020	113103-021	113103-022
50 HZ						
415 VOLT	N/A	N/A	13103-019	113103-020	113103-021	113103-022
50 HZ						
460 VOLT	113103-015	113103-016	113103-019	113103-019	113103-021	113103-022
575 VOLT	113103-014	113103-015	113103-016	113103-019	113103-019	113103-021

TRANSFORMERS

ITEM 8 (1)

	15HP	20HP	25HP	30HP	40HP	50HP
200 VOLT	128413-151	128413-151	128413-151	128413-151	128413-151	128413-251
230 VOLT	128413-153	128413-153	128413-153	128413-153	128413-153	128413-253
380 VOLT	N/A	N/A	128413-156	128413-156	128413-156	128413-256
50 HZ						
415 VOLT	N/A	N/A	128413-154	128413-154	128413-154	128413-254
50 HZ						
460 VOLT	128413-153	128413-153	128413-153	128413-153	128413-153	128413-256
575 VOLT	128413-155	128413-155	128413-155	128413-155	128413-155	128413-255

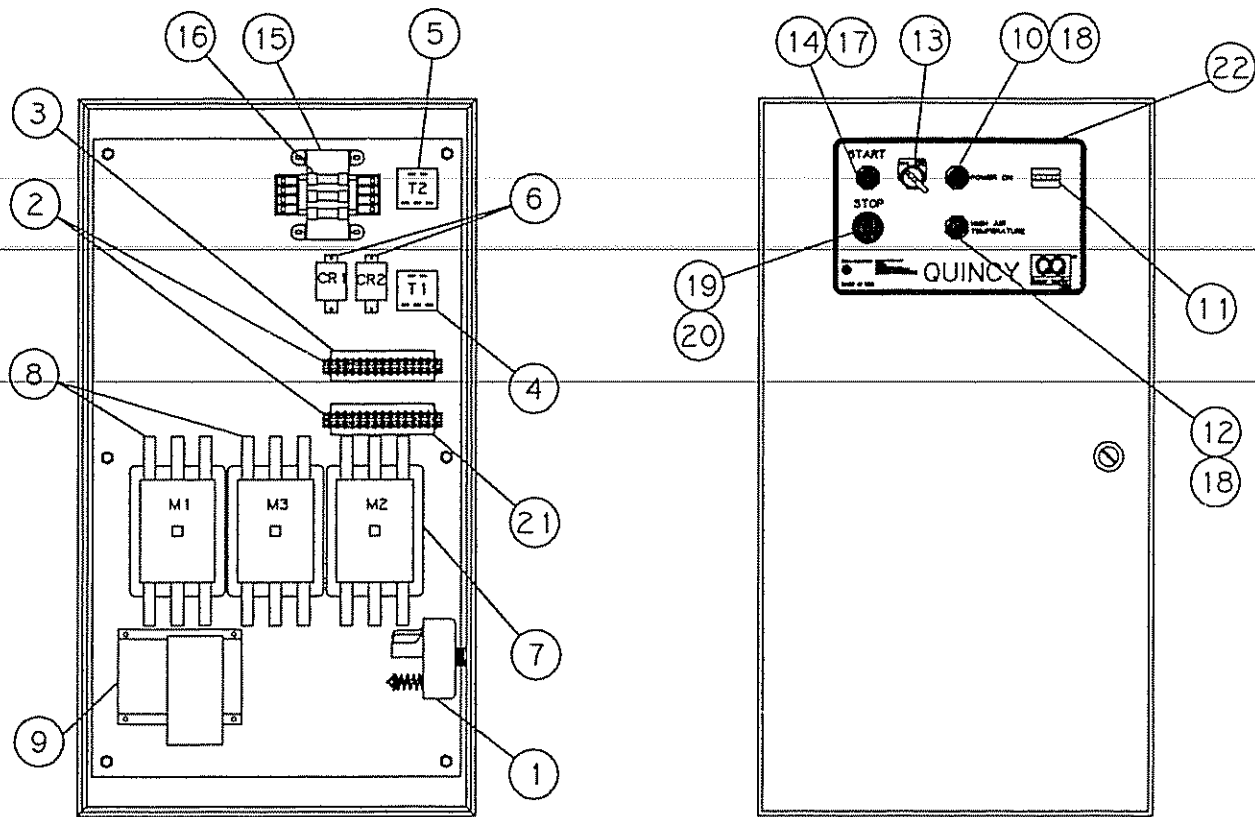
FUSES

ITEM 9

	15HP	20HP	25HP	30HP	40HP	50HP
200 VOLT	128857-004(2)	128857-004(2)	128857-004(2)	128857-004(2)	128857-004(2)	128857-006(2)
	128622-160(1)	128622-160(1)	128622-160(1)	128622-160(1)	128622-160(1)	128622-250(1)
230 VOLT	128858-010(2)	128858-010(2)	128858-010(2)	128858-010(2)	128858-010(2)	128857-006(2)
	128622-160(1)	128622-160(1)	128622-160(1)	128622-160(1)	128622-160(1)	128622-250(1)
380 VOLT	N/A	N/A	128857-003(2)	128857-003(2)	128857-003(2)	128857-004(2)
50 HZ			128622-160(1)	128622-160(1)	128622-160(1)	22209(1)
415 VOLT	N/A	N/A	128858-008(2)	128858-008(2)	128858-008(2)	
50 HZ			128622-160(1)	128622-160(1)	128622-160(1)	
460 VOLT	128857-003(2)	128857-003(2)	128857-003(2)	128857-003(2)	128857-003(2)	128857-004(2)
	128622-160(1)	128622-160(1)	128622-160(1)	128622-160(1)	128622-160(1)	128622-250(1)
575 VOLT	128857-002(2)	128857-002(2)	128857-002(2)	128857-002(2)	128857-002(2)	128857-003(2)
	128622-160(1)	128622-160(1)	128622-160(1)	128622-160(1)	128622-160(1)	128622-250(1)

QSB/T

WYE-DELTA STARTING



INDEX NUMBER	QTY	PART NUMBER	DESCRIPTION
1	1	22454-1	SWITCH-PRESSURE (100, 125 PSI, 7.5 BAR)
	1	22454-3	SWITCH-PRESSURE (150 PSE, 10 BAR)
2	2	123153-014	STRIP-TERMINAL
3	1	125786-019	STRIP-DECAL, TERMINAL
4	1	122862-900	TIMER (TR1)
5	1	122861-10	TIMER (TR2)
6	2	125706-005	RELAY-CONTROL
7	1	(see page 63)	CONTACTOR M2
8	2	(see page 63)	CONTACTORS M1 & M3
9	1	(see page 63)	RELAY-OVERLOAD
10	1	129495	LAMP-INCANDESCENT
11	1	110871-120	HOURMETER
12	1	129088	LIGHT (FAULT HAT)
13	1	129083	SWITCH (AUTO DUAL CONTROL ONLY)
14	1	129081	BUTTON-START
15	1	(see page 63)	TRANSFORMER
16	(*)	(see page 63)	FUSES
17	1	129090	BLOCK-CONTACTOR, N. OPEN
18	2	129092	BASE-INDICATOR LIGHT
19	1	129082	BUTTON-STOP
20	1	129089	BLOCK-CONTACTOR, N. CLOSED
21	1	125786-020	DECAL-TERMINAL STRIP
22	1	129077	DECAL-PANEL

* quantities of fuses shown in parentheses following part numbers listed on tabulation page 63

WYE-DELTA STARTING

CONTACTORS (M1, M2 & M3) ITEM 7 & 8 (3)

	15HP	20HP	25HP	30HP	40HP	50HP
200 VOLT	140593-05	140593-06	140593-08	140593-08	140593-09	140593-11
230 VOLT	140593-05	140593-05	140593-07	140593-08	140593-08	140593-10
460 VOLT	140593-03	140593-03	140593-04	140593-04	140593-05	140593-06
575 VOLT	140593-02	140593-03	140593-03	140593-04	140593-04	140593-05
380 VOLT 50-Hz.	N/A	N/A	140593-04	140593-05	140593-06	140593-08
415 VOLT 50 Hz.	N/A	N/A	140593-04	140593-05	140593-06	140593-07

OVERLOAD RELAYS ITEM 9 (1)

	15HP	20HP	25HP	30HP	40HP	50HP
200 VOLT	113103-016	113103-019	113103-020	113103-021	113103-022	113103-023
230 VOLT	113103-015	113103-016	113103-019	113103-020	113103-021	113103-023
460 VOLT	113103-013	113103-014	113103-014	113103-015	113103-016	113103-019
575 VOLT	113103-012	113103-013	113103-014	113103-014	113103-015	113103-016
380 VOLT 50 Hz.	N/A	N/A	113103-015	113103-016	113103-019	113103-020
415 VOLT 50 Hz.	N/A	N/A	113103-015	113103-015	113103-018	113103-019

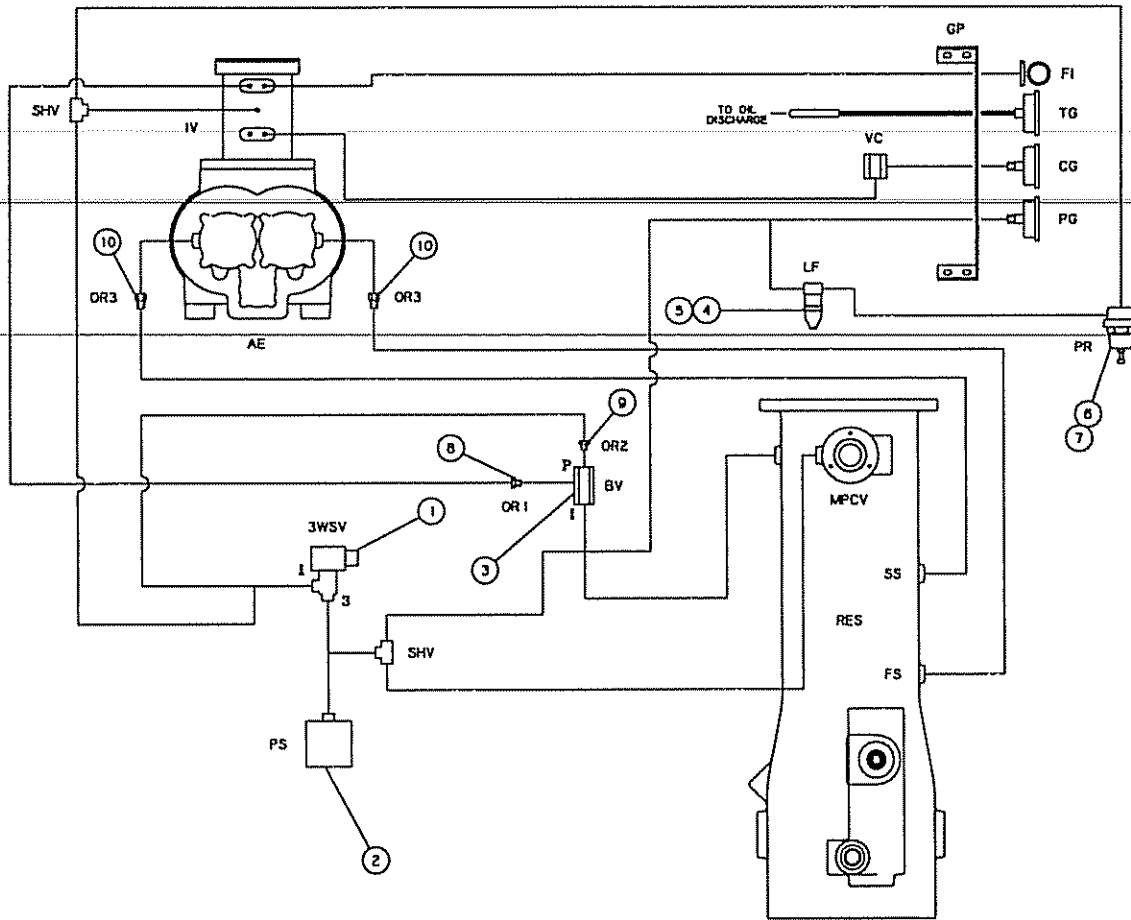
TRANSFORMERS ITEM 15 (1)

	15HP	20HP	25HP	30HP	40HP	50HP
200 VOLT	128413-151	128413-151	128413-151	128413-151	128413-151	128413-251
230 VOLT	128413-153	128413-153	128413-153	128413-153	128413-153	128413-253
380 VOLT 50 HZ	N/A	N/A	128413-156	128413-156	128413-156	128413-256
415 VOLT 50 HZ	N/A	N/A	128413-154	128413-154	128413-154	
460 VOLT	128413-153	128413-153	128413-153	128413-153	128413-153	128413-253
575 VOLT	128413-155	128413-155	128413-155	128413-155	128413-155	128413-255

FUSES ITEM 16

	15HP	20HP	25HP	30HP	40HP	50HP
200 VOLT	128857-004(2)	128857-004(2)	128857-004(2)	128857-004(2)	128857-004(2)	128857-006(2)
	128622-160(1)	128622-160(1)	128622-160(1)	128622-160(1)	128622-160(1)	128622-250(1)
230 VOLT	128858-010(2)	128858-010(2)	128858-010(2)	128858-010(2)	128858-010(2)	128857-006(2)
	128622-160(1)	128622-160(1)	128622-160(1)	128622-160(1)	128622-160(1)	128622-250(1)
380 VOLT 50 HZ	N/A	N/A	128857-003(2)	128857-003(2)	128857-003(2)	128857-004(2)
			128622-160(1)	128622-160(1)	128622-160(1)	22209(1)
415 VOLT 50 HZ	N/A	N/A	128858-008(2)	128858-008(2)	128858-008(2)	
			128622-160(1)	128622-160(1)	128622-160(1)	
460 VOLT	128857-003(2)	128857-003(2)	128857-003(2)	128857-003(2)	128857-003(2)	128857-004(2)
	128622-160(1)	128622-160(1)	128622-160(1)	128622-160(1)	128622-160(1)	128622-250(1)
575 VOLT	128857-002(2)	128857-002(2)	128857-002(2)	128857-002(2)	128857-002(2)	128857-003(2)
	128622-160(1)	128622-160(1)	128622-160(1)	128622-160(1)	128622-160(1)	128622-250(1)

Control Piping (full voltage start w/modulation)

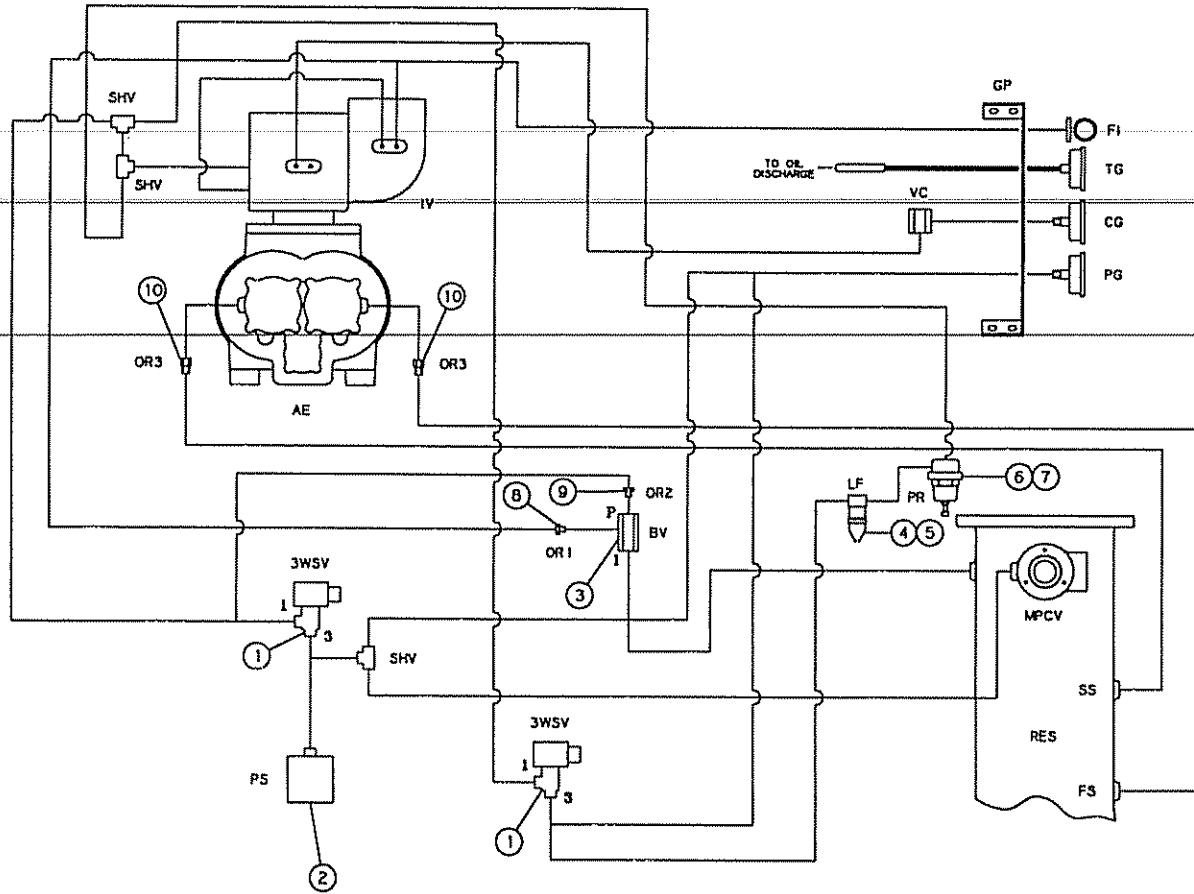


- | | | |
|--------------------------|------------------------|----------------------------|
| AE: Airend | IV: Inlet Valve | RES: Reservoir |
| BV: Blowdown Valve | LF: Line Filter | SHV: Shuttle Valve |
| CG: Capacity Gauge | MPCV: Min. Press Valve | SS: Low Pressure |
| FI: Air Filter Indicator | PG: Pressure Gauge | TG: Temperature Gauge |
| FS: High Pressure | PR: Pressure Regulator | VC: Valve Capacity |
| GP: Gauge Panel | PS: Pressure Switch | 3WSV: 3-Way Solenoid Valve |

Item #	Qty.	Part #	Description
1	1	120496-5	Control Solenoid Valve
2	1	22454-1	Pressure Switch
3	1	128826-1	Blowdown Valve
4	1	127732-050	Line Filter Element
5	1	127732	Control Line Filter Assembly
6	1	21969-1	Differential Pressure Regulator
7	1	20775	Differential Pressure Regulator Repair Kit
8	1	125025-001	Filter-Line (.140) orifice
9	1	125025-007	Filter-Line (.060) orifice
10	2	125025	Filter-Line (.040) orifice

* **CAUTION!** Reference QST/QSB Instruction Manual when servicing any of these parts. Whenever removing fittings or tubing be sure to tag them to ensure proper location during re-installation.

Control Piping (wye-delta w/modulation)

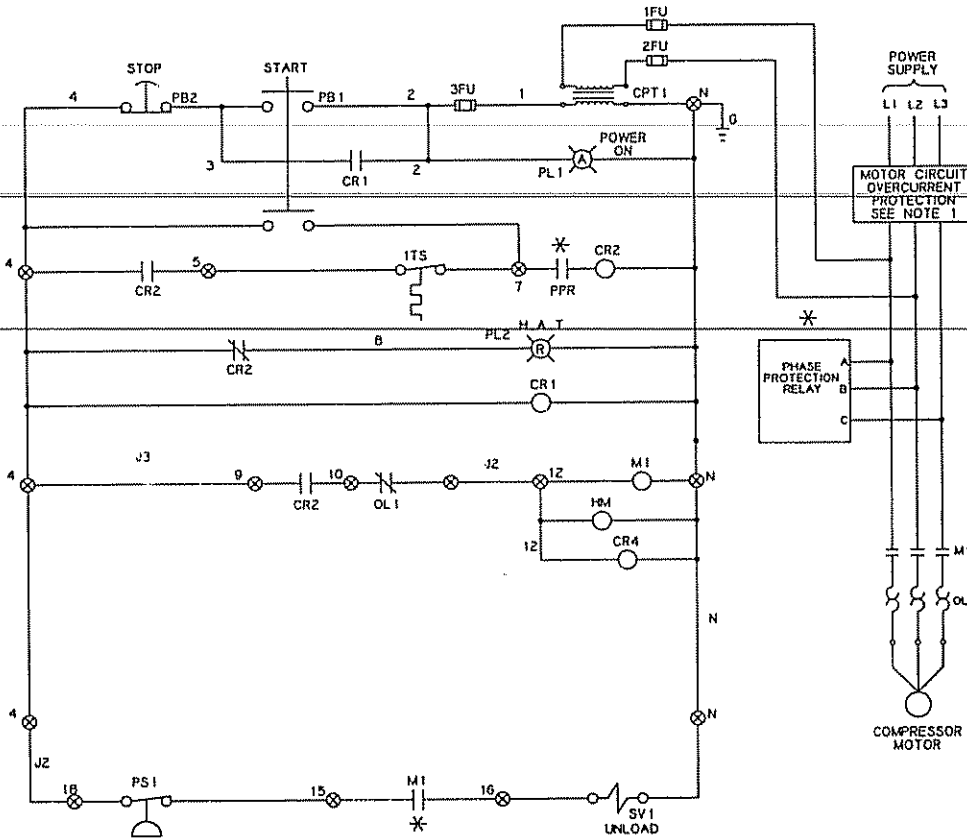


AE: Airend	IV: Inlet Valve	RES: Reservoir
BV: Blowdown Valve	LF: Line Filter	SHV: Shuttle Valve
CG: Capacity Gauge	MPCV: Min. Press Valve	SS: Low Pressure
FI: Air Filter Indicator	PG: Pressure Gauge	TG: Temperature Gauge
FS: High Pressure	PR: Pressure Regulator	VC: Valve Capacity
GP: Gauge Panel	PS: Pressure Switch	3WSV: 3-Way Solenoid Valve

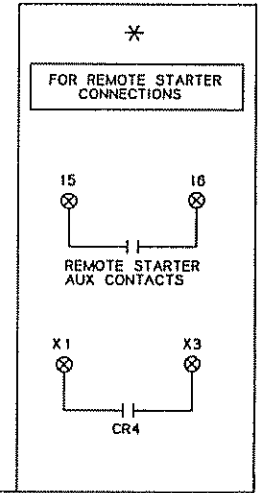
Item #	Qty.	Part #	Description
1	2	120496-5	Control Solenoid Valve
2	1	22454-1	Pressure Switch
3	1	128826-1	Blowdown Valve
4	1	127732-050	Line Filter Element
5	1	127732	Control Line Filter Assembly
6	1	21969-1	Differential Pressure Regulator
7	1	20775	Differential Pressure Regulator Repair Kit
8	1	125025-001	Filter-Line (.140) orifice
9	1	125025-007	Filter-Line (.060) orifice
10	2	125025	Filter-Line (.040) orifice

*** CAUTION!** Reference QST/QSB Instruction Manual when servicing any of these parts. Whenever removing fittings or tubing be sure to tag them to ensure proper location during re-installation.

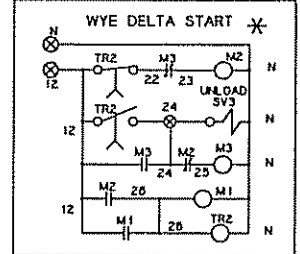
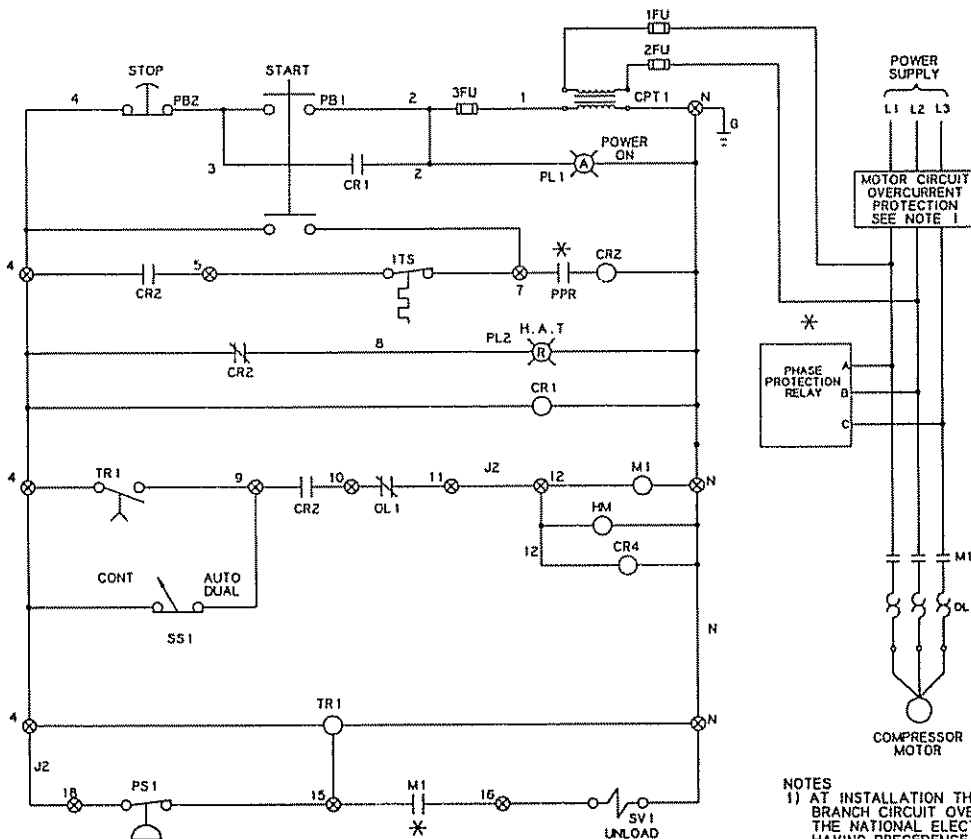
Wiring Schematic WP1792B (Continuous Run)



NOMENCLATURE	
FU	FUSE
PB	PUSH BUTTON
SS	SELECTOR SWITCH
CR	CONTROL RELAY
CPT	CONTROL POWER TRANS
TS	TEMP SWITCH
HAT	HIGH AIR TEMP
PL	PANEL LIGHT
TR	TIMING RELAY
OL	OVERLOAD RELAY
M	CONTACTOR
SV	SOLENOID VALVE
PS	PRESSURE SWITCH
⊗	SCREW TERMINAL
⊙	OCTAL SOCKET NUMBER
*	OPTIONALS
HM	HOOR METER
J	JUMPERS



Wiring Schematic WP1792A (Auto Dual)



- NOTES
- 1) AT INSTALLATION THE CUSTOMER IS TO PROVIDE DISCONNECT AND BRANCH CIRCUIT OVERCURRENT PROTECTION IN ACCORDANCE WITH THE NATIONAL ELECTRICAL CODE AND/OR ANY LOCAL CODES HAVING PRECEDENCE.
 - 2) UNLESS OTHERWISE SPECIFIED ALL WIRES ARE RED EXCEPT "N" WIRES ARE WHITE AND "G" WIRE IS GREEN.

Rotary Screw Maintenance Kits

<u>Qty.</u>	<u>Part #</u>	<u>Description</u>
15-30 H.P.	127667-S67	Rotary Screw Maintenance Kit (ACL; Standard Filter) includes:
3	128381-050	Lubricant Filter
2	126467E450	Air Filter Element
1	127138-001	Air/Lubricant Separator Element, 1st Stage
1	127139-001	Air/Lubricant Separator Element, 2nd Stage
1	127462-005	Quin-Syn Lubricant (5 gal. pail)
1	123157-373	O'Ring-Reservoir Top Plate

<u>Qty.</u>	<u>Part #</u>	<u>Description</u>
40 & 50 H.P.	127667-S68	Rotary Screw Maintenance Kit (ACL; Standard Filter) includes:
3	128381-050	Lubricant Filter
2	126467E450	Air Filter Element
1	127138-001	Air/Lubricant Separator Element, 1st Stage
1	129893	Air/Lubricant Separator Element, 2nd Stage
1	127462-005	Quin-Syn Lubricant (5 gal. pail)
1	123157-373	O'Ring-Reservoir Top Plate

<u>Qty.</u>	<u>Part #</u>	<u>Description</u>
15-30 H.P.	127667-S69	Rotary Screw Maintenance Kit (Y-D; Standard Filter) includes:
3	128381-050	Lubricant Filter
2	125420E300	Air Filter Element
1	127138-001	Air/Lubricant Separator Element, 1st Stage
1	127139-001	Air/Lubricant Separator Element, 2nd Stage
1	127462-005	Quin-Syn Lubricant (5 gal. pail)
1	123157-373	O'Ring-Reservoir Top Plate

<u>Qty.</u>	<u>Part #</u>	<u>Description</u>
40 & 50 H.P.	127667-S70	Rotary Screw Maintenance Kit (Y-D; Standard Filter) includes:
3	128381-050	Lubricant Filter
2	125420E300	Air Filter Element
1	127138-001	Air/Lubricant Separator Element, 1st Stage
1	129893	Air/Lubricant Separator Element, 2nd Stage
1	127462-005	Quin-Syn Lubricant (5 gal. pail)
1	123157-373	O'Ring-Reservoir Top Plate

<u>Qty.</u>	<u>Part #</u>	<u>Description</u>
15-30 H.P.	127667-S71	Rotary Screw Maintenance Kit (ACL; Heavy Duty Filter) includes:
3	128381-050	Lubricant Filter
2	23458-1	Heavy Duty Filter Element
1	127138-001	Air/Lubricant Separator Element, 1st Stage
1	127139-001	Air/Lubricant Separator Element, 2nd Stage
1	127462-005	Quin-Syn Lubricant (5 gal. pail)
1	123157-373	O'Ring-Reservoir Top Plate

Rotary Screw Maintenance Kits (continued)

Qty.	Part #	Description
40 & 50 H.P.	127667-S72	Rotary Screw Maintenance Kit (ACL; Heavy Duty Filter)
		includes:
3	128381-050	Lubricant Filter
2	23458-1	Heavy Duty Filter Element
1	127138-001	Air/Lubricant Separator Element, 1st Stage
1	129893	Air/Lubricant Separator Element, 2nd Stage
1	127462-005	Quin-Syn Lubricant (5 gal. pail)
1	123157-373	O'Ring-Reservoir Top Plate

Recommended Spare Parts

Qty.	Part #	Description
* 1	128381-050	Lubricant Filter Element
* 1	126467E450	Air Filter Element (Standard Filter)
1	129731-050	Line Filter Element
* 1	127138-001	Air/Lubricant Separator Element, 1st Stage
* 1	127139-001	Air/Lubricant Separator Element, 2nd Stage (15-30 H.P.)
* 1	129893	Air/Lubricant Separator Element, 2nd Stage (40- 50 H.P.)
* 1	123157-373	O'Ring-Reservoir Top Plate
1	122880-222	High Air Temperature Switch
1	125706-001	Control Relay
1	140147	Thermostatic Valve
1	140209	Compressor Shaft Seal Kit

For overloads & fuses see pages 69, 63 & 64

** Note: These items are included in maintenance kits above.*

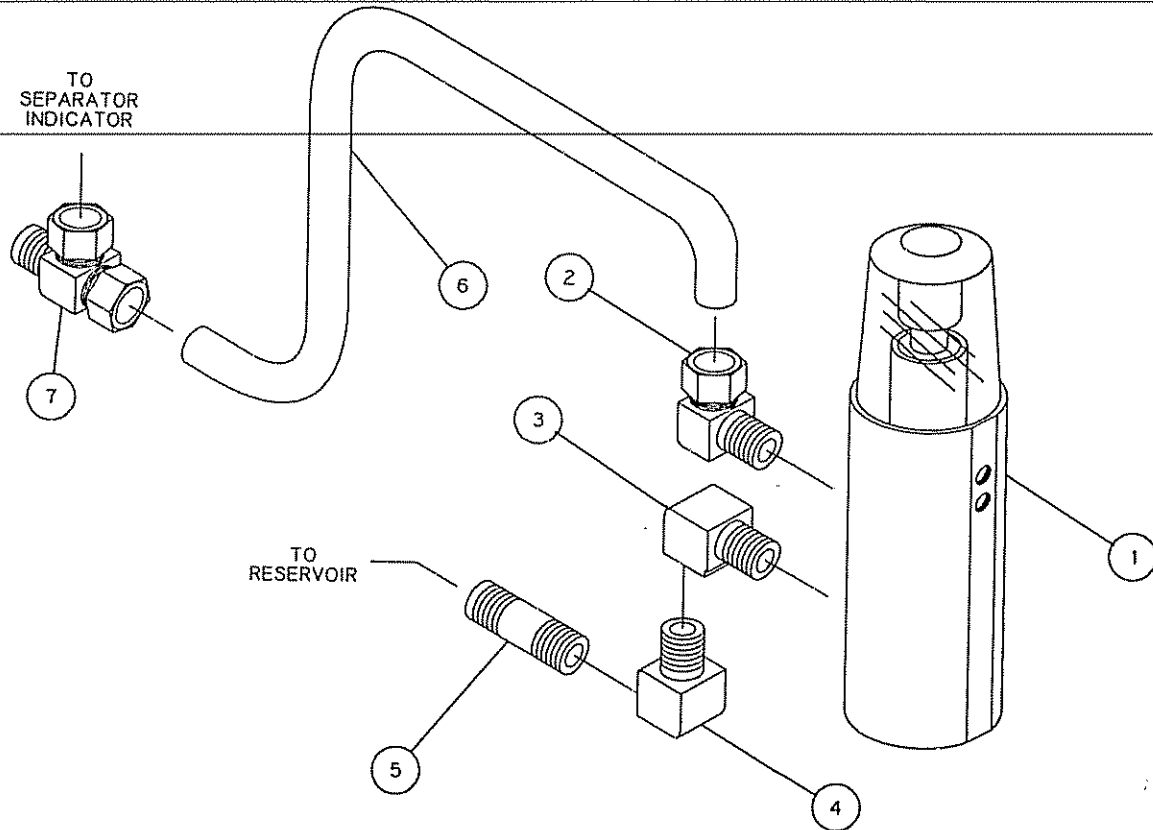
For compressors with heavy duty air filter options order air filter element 23458-1.

Replacement Drive Belt Matched Sets Horse Power

Pressure	15 H.P.	20 H.P.	25 H.P.	30 H.P.	40 H.P.	50 H.P.
60 Hz						
100 PSI	128085-456(4)	128085-460(4)	128085-463(4)	128085-560(5)	128085-567(5)	128770-371(3)
125 PSI	128085-460(4)	128085-460(4)	128085-463(4)	128085-560(5)	128770-363(3)	128770-367(3)
150 PSI	128085-460(4)	128085-460(4)	128085-463(4)	128085-560(5)	128085-567(5)	128770-371(3)
50 Hz						
7.5 PSI	N/A	N/A	128085-463(4)	128085-560(5)	128085-567(5)	128770-367(3)
10 BAR	N/A	N/A	128085-463(4)	128085-560(5)	128085-567(5)	128770-371(3)

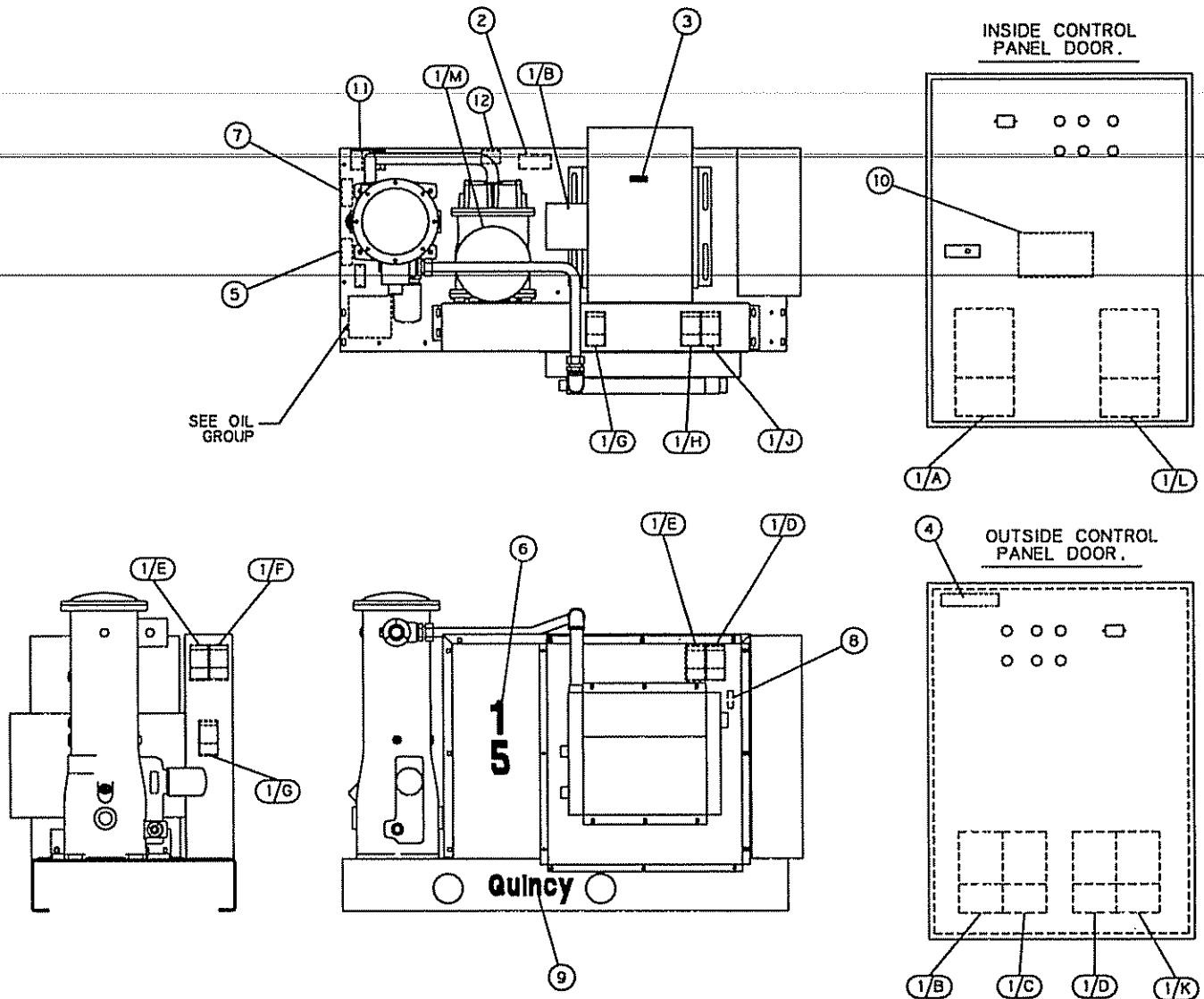
() Indicates number of belts in each matched set.

SEPARATOR INDICATOR GROUP 128180-001



INDEX NUMBER	QTY	PART NUMBER	DESCRIPTION
1	1	23779-1	INDICATOR-DIFFERENTIAL PRESSURE SEPARATOR
2	1	124349-004	FITTING-TUBE, 90 MALE ELBOW 1/4 TUBE X 1/8 NPT
3	1	122212	ELBOW-PIPE, 1/8 NPT X 1/4, BRASS
4	1	122636	ELBOW-PIPE, 1/4 NPT, BRASS
5	1	125933-010	NIPPLE-PIPE, 1/4 NPT X 2.00
6	1	124435-003	TUBING-NYLON, 1/4 O.D.
7	1	124348-003	FITTING-TUBE, MALE RUN TEE 1/4 TUBE X 1/4 NPT

DECAL GROUP 129014-0** (AIRCOOLED)



INDEX NUMBER	QTY	PART NUMBER	DESCRIPTION
1A thru 1M	1	128004	SHEET-SAFETY DECALS
2	1	127726	DECAL-CAUTION, BELT TENSION
3	1	7459	LABEL-ARROW
4	1	128189	DECAL-AMERICAN MADE
5	1	127711	DECAL-WARNING, 200 PSI MAXIMUM
6	1	126004-0**	DECAL-**
7	1	128065	DECAL-DANGER...HOT OIL UNDER PRESSURE...
8	1	128280	DECAL-OUTLET IDENTIFICATION
9	1	125324-002	DECAL-QUINCY
10	1	128198	LABEL-GENUINE QUINCY COMPONENTS
11	1	140322	DECAL-CAUTION...OIL FILL...
12	1	140402	DECAL-SAFETY CAUTION

** part numbers change depending on horsepower (15, 20, 25, 30, 40 and 50)

NOTES

NATIONWIDE SALES/SERVICE

Quincy Service is always near. There are Authorized Quincy Distributors located throughout the United States and Canada. They stock genuine Quincy replacement parts and accessories for a wide range of Quincy products. Service specialists are factory trained and experienced. Quincy service will help keep you in business. Call for Authorized Quincy Service.

Quincy
Compressor Division

Coltec Industries



\$3.00