



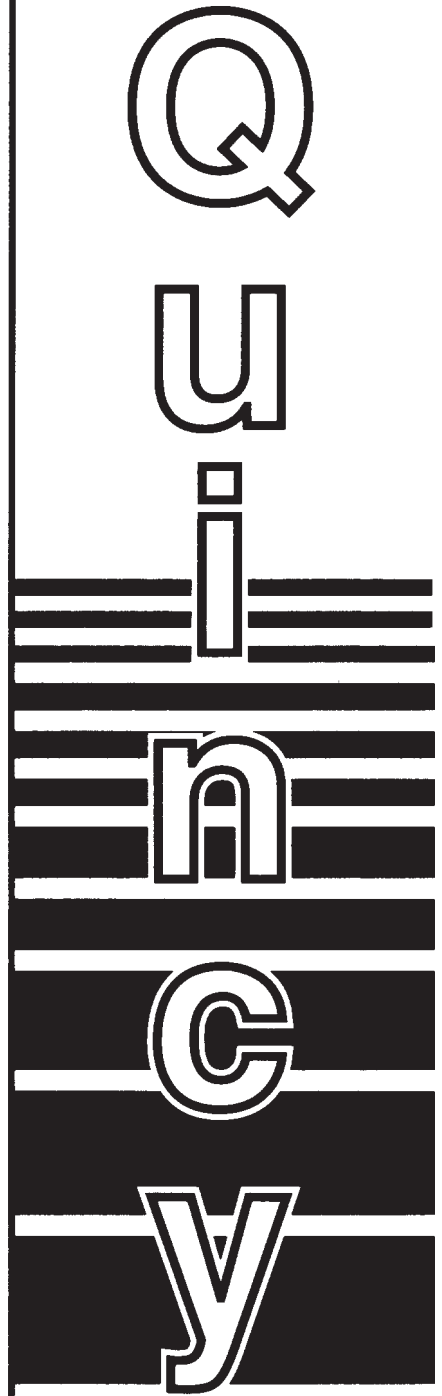
*Parts Manual for  
Rotary Screw Compressor*

# **Model QSI 245 High Pressure**

Air-cooled "C" Version  
Water-cooled "C" Version

50254-CA

March 1997



**Quincy Quality**

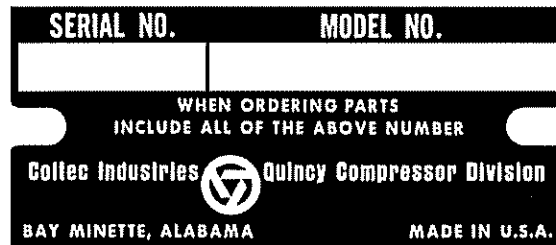


## ALPHABETICAL INDEX

Air Filter Group .....	30
Air Piping Groups:	
Aircooled .....	42-43
Watercooled .....	44-45
Annunciator Panel & Electrical Parts .....	6-7
Basic Compressor Group .....	4-5
Cabinet Groups:	
Aircooled .....	46-47
Watercooled .....	48-49
Control Piping Groups:	
Across the Line .....	20-23
Wye-Delta .....	24-27
Control Schematics:	
Across the Line .....	50
Wye-Delta .....	51
Cooler Group: .....	32-33
Coupling Group .....	35
Decal Group:	
Aircooled .....	54-55
Watercooled .....	56-57
Discharge Piping Group .....	29
Electrical Control Diagrams:	
Auto Dual (across the line) .....	52
Auto Dual (wye-delta) .....	53
Fluid Piping:	
Aircooled .....	38-39
Watercooled .....	40-41
Fluid Specifications .....	3
Inlet Valve Group .....	34
Recommended Spare Parts .....	58
Separator/Reservoir Group: .....	36-37
Serial Number Identification .....	2
Shaft Seal Kit .....	28
Starting Groups:	
Full Voltage .....	8-13
Wye-Delta .....	14-19
Water Piping Group (with aftercooler) .....	31

## SERIAL NUMBER IDENTIFICATION

The serial number tag is located on the top flange of the unit frame just left of the control panel and in the upper right corner of the electrical control panel.



## ORDERING REPLACEMENT PARTS

Prompt service can be rendered on replacement part orders if the following information is given.

1. The serial number must be given when ordering replacement parts.
2. State the exact part number needed. **Do not order by index numbers**, as index numbers are repeated throughout this manual and if used for ordering parts will necessitate time consuming correspondence.
3. State the exact quantity needed.
4. State the preferred type of transportation.

All replacement parts are to be ordered through an authorized distributor. Insist on Genuine Quincy Parts only! Failure to do so may void your warranty.

**WARNING !** Guards must be fastened in place before starting the machine and never removed before disconnecting and locking out the main power supply.

**DANGER !** Air from this compressor will cause severe injury or death if used for breathing or food processing. Air used for these processes must meet OSHA 29 CFR 1910 or FDA 21 CFR 178.3570 Regulations.

## HELICAL SCREW COMPRESSOR FLUIDS

- **Recommendations**

We recommend that all Quincy Rotary Screw Compressors be filled with fluids that meet one of the following specifications:

### Synthetic Fluids

QUINSYN HP (High Pressure)

Synthetic fluids other than QUINSYN may not be compatible with components used in a Quincy helical screw compressor. If it is deemed necessary to convert any unit to a synthetic other than QUINSYN, please contact an authorized Quincy Compressor distributor. The following information will be required by the distributor:

MODEL \_\_\_\_\_

SERIAL NO. \_\_\_\_\_

FLUID ORIGINALLY USED \_\_\_\_\_

FLUID NOW USED (IF CHANGED) \_\_\_\_\_

FLUID TO BE USED \_\_\_\_\_

- **Additional Information**

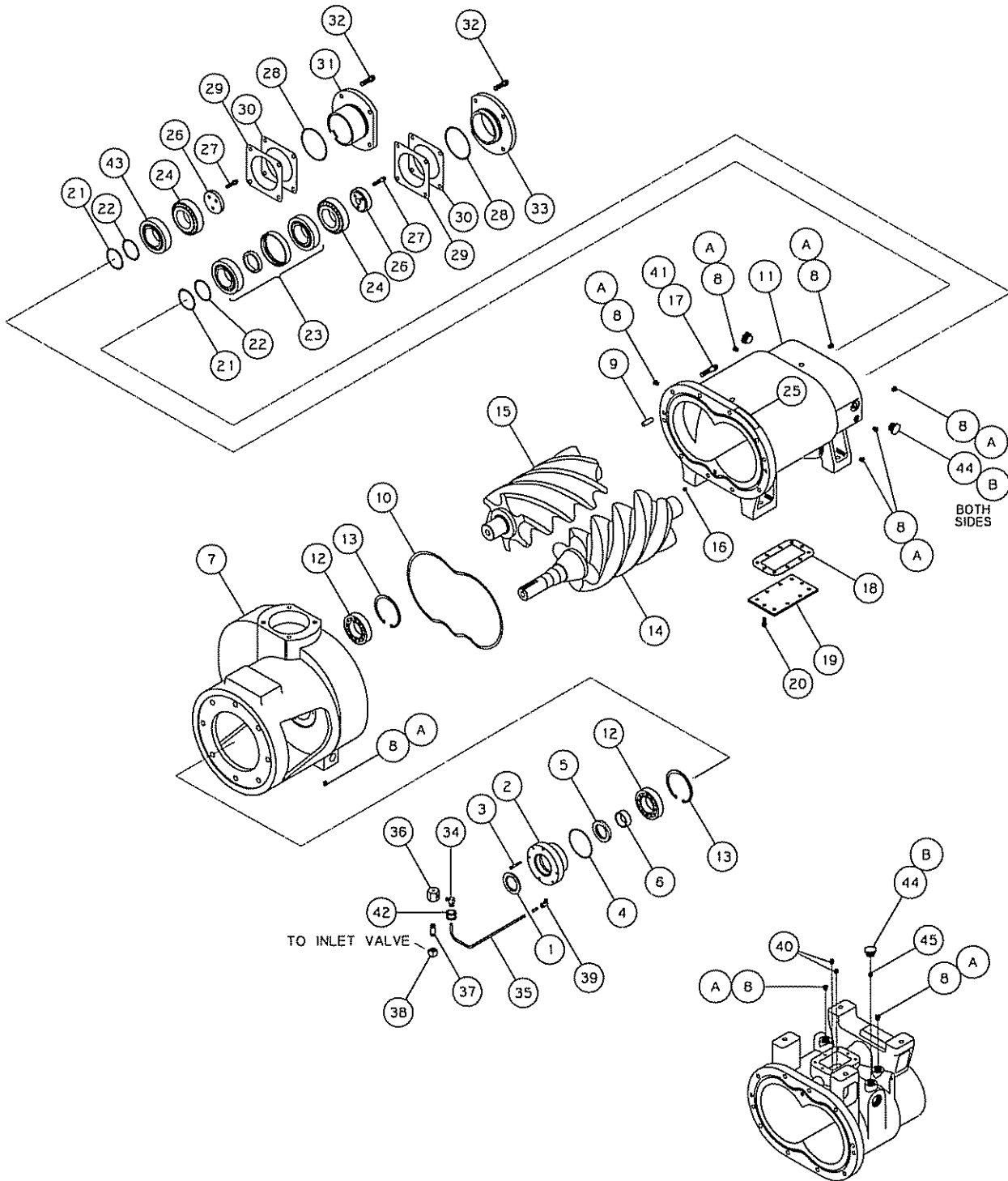
Additional information can be found in the QSI Rotary Screw Instruction Manual.

- **Fluid Analysis Kit**

Quincy Compressor now offers a Fluid Analysis Kit to provide early detection of excessive parts wear, fluid breakdown, or a contaminated fluid system. Order the Fluid Analysis Kit (part no. 128515) from your local authorized Quincy Compressor distributor.

# BASIC COMPRESSOR GROUP

## 129786-HP2



## BASIC COMPRESSOR GROUP 129786-HP2

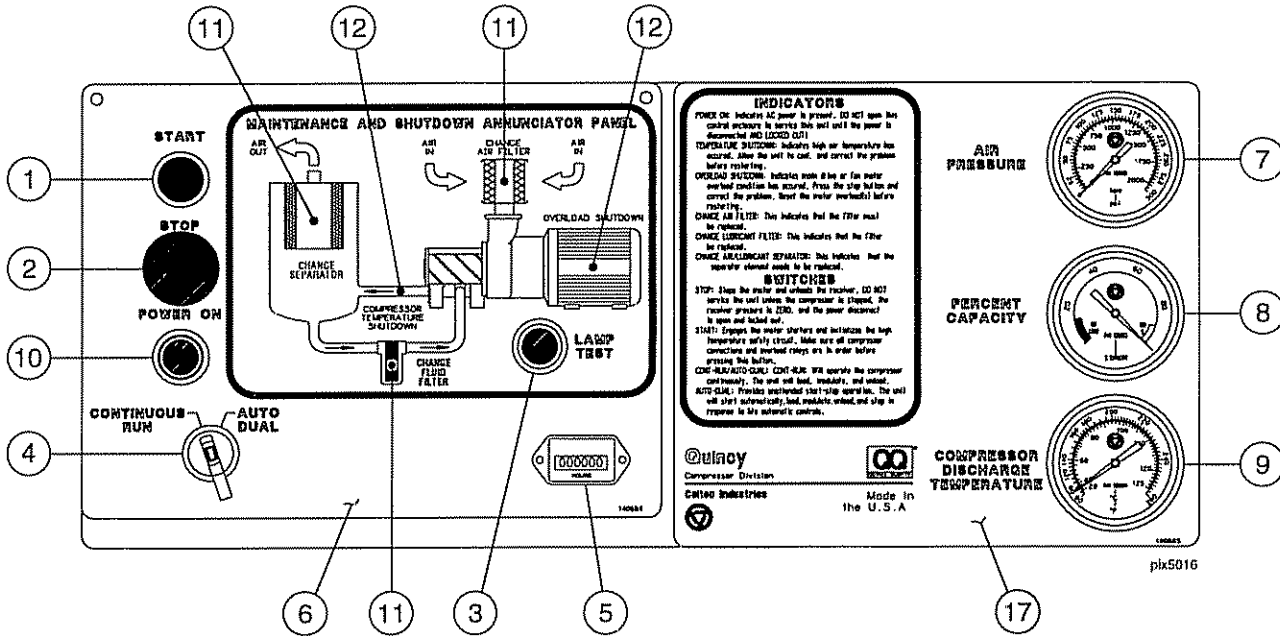
ITEM NUMBER	QTY.	PART NUMBER	DESCRIPTION
1	1	129613	SEAL-DYNA LIP
2	1	129466	ADAPTER-SEAL
3	4	90386-J15	SCREW-COUNTERBORE, 1/4-20 UNC X 1.50, GRADE 8 (@ 9 FT.-LBS.)
4	1	22749-154	O-RING, VITON
5	1	129612	SEAL-SHAFT
6	1	129610	SEAL-WEAR RING
7	1	129646	CASING-INLET
8	11	128883-044	PLUG-PIPE, 7/16-20 SAE O-RING
9	2	124145-005	PIN-DOWEL
10	1	22749-457	O-RING, VITON
11	1	129655-2	HOUSING-ROTOR
12	*		BEARING-ROTOR, SUCTION END
13	2	128203-393	RING-RETAINER
14	*		ROTOR-MALE
15	*		ROTOR-FEMALE
16	1	23207	ORIFICE-PLUG, 1/8 NPT
17	9	90386-N17	SCREW-COUNTERBORE, 1/2-13 UNC X 2.00, GRADE 8 (@ 80 FT.-LBS.)
18	1	22530	GASKET-PLATE, FLUID GALLERY
19	1	22528	PLATE-COVER, FLUID GALLERY
20	10	90386-L10	SCREW-COUNTERBORE, 3/8-16 UNC X 0.75, GRADE 8 (@ 35 FT.-LBS.)
21		129467-005	SHIM-BEARING, 0.005
22		129467-010	SHIM-BEARING, 0.010
23	*		BEARING-ROTOR, DISCHARGE END
24	*		BEARING-ROTOR, DISCHARGE END
25	1	120189	PLATE-PATENT
26	2	126701	RETAINER-BEARING
27	6	90386-L14	SCREW-COUNTERBORE, 3/8-16 UNC X 1.25, GRADE 8 (@ 35 FT.-LBS.)
28	2	22749-243	O-RING, VITON
29		129468-050	SHIM-BEARING, 0.050
30		129468-005	SHIM-BEARING, 0.005
31	1	129665	CAP-DISCHARGE
32	8	90386-N15	SCREW-COUNTERBORE, 1/2-13 UNC X 1.50, GRADE 8 (@ 80 FT.-LBS.)
33	1	129463	CAP-DISCHARGE
34	1	124349-004	FITTING-TUBE, 90 MALE ELBOW 1/4 TUBE X 1/8 NPT
35	3.0 FT	124435-003	TUBING-NYLON, 1/4 O.D.
36	1	122056	VALVE-CAPACITY GAUGE
37	1	121032-4	NIPPLE-PIPE, 1/4 NPT X 1.50, BRASS
38	1	122212	ELBOW-PIPE, 1/8 NPT X 1/4, BRASS
39	1	128967-001	FITTING-TUBE, 45 MALE ELBOW 1/4 TUBE X 1/8 NPT
40	2	126621-005	PLUG-PIPE, 1/8 NPT
41	1	123478-N16	SCREW-HEX., 1/2-13 UNC X 1.75, GRADE 5 (@ 55 FT.-LBS.)
42	1	140317	GROMMET-RUBBER
43	*		BEARING-ROTOR, DISCHARGE END
44	3	128883-075	PLUG-PIPE, 3/4-16 SAE O-RING
45	1	126621-004	PLUG-PIPE, 1/4 NPT

### MAINTENANCE PARTS

A	11	140406-904	O-RING, VITON
B	3	140406-908	O-RING, VITON

\* Items not sold separately; must be ordered as a complete aircend  
@ indicates torque value in foot pounds. (*lubricated threads*)

# ANNUNCIATOR PANEL & ELECTRICAL PARTS



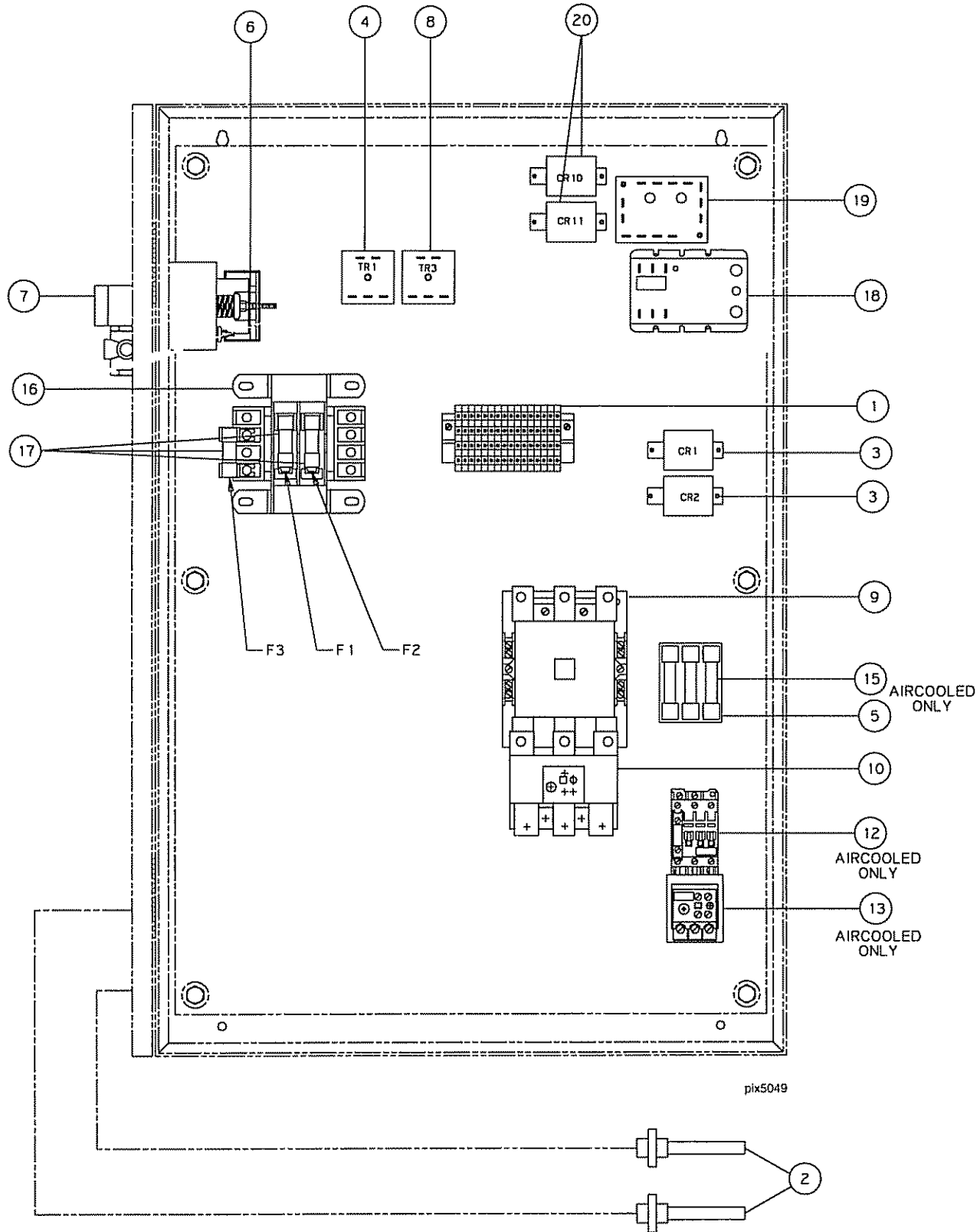
NOTE: 1) ITEMS 13 THRU 17 ARE NOT SHOWN. THESE ITEMS ARE INSIDE THE ENCLOSURE OR BEHIND THE PANEL.  
2) ITEM 18 NOT SHOWN. USED ONLY ON UNITS WITH LEAD/LAG OPTION.

## ANNUNCIATOR PANEL & ELECTRICAL PARTS

ITEM NUMBER	QTY.	PART NUMBER	DESCRIPTION
1	1		SWITCH-START
<i>Consisting of:</i>	(4)	129864-01	BLOCK-CONTACT, N.OPEN
	(1)	129863-02	BUTTON
2	1		SWITCH-STOP
<i>Consisting of:</i>	(1)	129864-02	BLOCK-CONTACT, N.CLOSED
	(1)	129863-01	BUTTON
3	1		SWITCH-PUSH TO TEST
<i>Consisting of:</i>	(5)	129864-01	BLOCK-CONTACT, N.OPEN
	(1)	129863-03	BUTTON
4	1		SWITCH-MODE
<i>Consisting of:</i>	(1)	129864-02	BLOCK-CONTACT, N.CLOSED
	(1)	129865	KNOB-OPERATOR
5	1	110871-120	HOURLMETER
6	1	140684	DECAL-PANEL
7	1	128662	GAUGE-PRESSURE
8	1	128663	GAUGE-CAPACITY
9	1	128664	GAUGE-TEMPERATURE
10	1		LIGHT-POWER ON
<i>Consisting of:</i>	(1)	129866	LENS CAP
	(1)	140123	HOLDER-LAMP
	(1)	129495	BULB
11	3*	129568-002	ANNUNCIATOR LIGHT-YELLOW
12	2*	129568-001	ANNUNCIATOR LIGHT-RED
13	1	129596-002	SWITCH-FLUID FILTER
14	1	129597-001	SWITCH-AIR FILTER
15	1	129596-001	SWITCH-SEPARATOR
16	1	122056	VALVE-CHECK, CAPACITY GAUGE
17	1	140685	DECAL-PANEL
18	1	129103-6	PLATE-LEGEND (LEAD/LAG ONLY)

*\*for replacement bulbs order 140122*

# FULL VOLTAGE STARTING (across the line)



NOTE: 1) ITEM A IS NOT SHOWN.  
2) ITEMS 11 AND 14 NOT SHOWN.

## FULL VOLTAGE STARTING *(across the line)*

ITEM NUMBER	QTY.	PART NUMBER	DESCRIPTION
1	1	142182-01	TERMINAL BLOCK ASSEMBLY
2	2	122880-252	TEMPERATURE SWITCH
3	2	125706-005	RELAY
4	1	122862-900	TIMER, 15 MINUTES
5	1	126263-003	FUSE BLOCK
6**	1	160129-001	PRESSURE SWITCH <i>(see note below)</i>
7	1	120496-4	VALVE-SOLENOID
8	1	125705-016	TIMER-FAN
9	*		DRIVE MOTOR CONTACTOR <b>(SEE PAGE 10)</b>
10	*		DRIVE MOTOR OVERLOAD RELAY <b>(SEE PAGE 10)</b>
11	*		DRIVE MOTOR HEATER ELEMENT <b>(SEE PAGE 10)</b>
12	*		FAN MOTOR CONTACTOR <i>(AIRCOOLED ONLY)</i> <b>(SEE PAGE 11)</b>
13	*		FAN MOTOR OVERLOAD RELAY <i>(AIRCOOLED ONLY)</i> <b>(SEE PAGE 11)</b>
14	*		FAN MOTOR HEATER ELEMENT <b>(SEE PAGE 11)</b>
15	*		FAN MOTOR FUSES <i>(AIRCOOLED ONLY)</i> <b>(SEE PAGE 12)</b>
16	*		TRANSFORMER <b>(SEE PAGE 12)</b>
17	*		TRANSFORMER FUSES <b>(SEE PAGE 13)</b>
<b>OPTIONAL PARTS</b>			
18	*		PHASE MONITOR <b>(SEE PAGE 13)</b>
19	1	125705-014	TIMER-AUTO RESTART
20	2	125706-005	RELAY
<b>MAINTENANCE PARTS</b>			
A	1	141784-001	LATCH-ENCLOSURE, NEMA 1
	1	141784-002	LATCH-ENCLOSURE, NEMA 4

\* *NOTE: Quantities and part numbers are listed in tabulations on the following pages*

\*\* *NOTE: Requires quantity of (2) on units with lead-lag option.*

## FULL VOLTAGE STARTING *(across the line)*

ITEM 9		DRIVE MOTOR CONTACTOR			
		60 HP		75 HP	
	QTY	STD EFF	PREM EFF	STD EFF	PREM EFF
200V	1	141590-14	141590-14	141590-15	141590-15
230V	1	141590-14	141590-14	141590-14	141590-14
380V	1	141590-11	141590-11	141590-12	141590-12
415V	1	141590-10	141590-10	141590-11	141590-11
460V	1	141590-10	141590-10	141590-11	141590-11
575V	1	141590-09	141590-09	141590-10	141590-10

*\* NOTE: REMOTE STARTER REQUIRED FOR THESE VOLTAGES*

ITEM 10		DRIVE MOTOR OVERLOAD			
		60 HP		75 HP	
	QTY	STD EFF	PREM EFF	STD EFF	PREM EFF
200V	1	141591-083	141592-006	141591-086	141592-007
230V	1	141591-082	141592-006	141591-085	141592-006
380V	1	141591-067	141592-004	141591-073	141592-005
415V	1	141591-064	141592-004	141591-068	141592-005
460V	1	141591-063	141592-004	141591-067	141592-005
575V	1	141591-061	141592-004	141591-063	141592-004

*NOTE: STANDARD EFFICIENCY OVERLOADS ARE CLASS 10.  
PREMIUM EFFICIENCY OVERLOADS ARE CLASS 20.*

ITEM 11		DRIVE MOTOR HEATER ELEMENT (CLASS 20)			
		60 HP		75 HP	
	QTY	STD EFF	PREM EFF	STD EFF	PREM EFF
200V	3	N/A	141607-083	N/A	141607-085
230V	3	N/A	141607-081	N/A	141607-084
380V	3	N/A	141607-071	N/A	141607-075
415V	3	N/A	141607-071	N/A	141607-074
460V	3	N/A	141607-070	N/A	141607-073
575V	3	N/A	141607-067	N/A	141607-070

*(HEATER ELEMENT USED ONLY WITH PREMIUM EFF OVERLOADS)*

## FULL VOLTAGE STARTING *(across the line)*

ITEM 12		FAN MOTOR CONTACTOR			
		60 HP		75 HP	
	QTY	STD EFF	PREM EFF	STD EFF	PREM EFF
200V	1	141590-01	141590-01	141590-02	141590-02
230V	1	141590-01	141590-01	141590-02	141590-02
380V	1	141590-01	141590-01	141590-01	141590-01
415V	1	141590-01	141590-01	141590-01	141590-01
460V	1	141590-01	141590-01	141590-01	141590-01
575V	1	141590-01	141590-01	141590-01	141590-01

ITEM 13		FAN MOTOR OVERLOAD			
		60 HP		75 HP	
	QTY	STD EFF	PREM EFF	STD EFF	PREM EFF
200V	1	141591-013	141592-001	141591-014	141592-001
230V	1	141591-012	141592-001	141591-013	141592-001
380V	1	141591-010	141592-001	141591-011	141592-001
415V	1	141591-009	141592-001	141591-011	141592-001
460V	1	141591-009	141592-001	141591-010	141592-001
575V	1	141591-008	141592-001	141591-009	141592-001

**NOTE: STANDARD EFFICIENCY OVERLOADS ARE CLASS 10.  
PREMIUM EFFICIENCY OVERLOADS ARE CLASS 20.**

ITEM 14		FAN MOTOR HEATER ELEMENT (CLASS 20)			
		60 HP		75 HP	
	QTY	STD EFF	PREM EFF	STD EFF	PREM EFF
200V	1	N/A	141607-036	N/A	141607-040
230V	1	N/A	141607-035	N/A	141607-038
380V	1	N/A	141607-030	N/A	141607-033
415V	1	N/A	141607-029	N/A	141607-032
460V	1	N/A	141607-027	N/A	141607-031
575V	1	N/A	141607-025	N/A	141607-029

***(HEATER ELEMENT USED ONLY WITH PREMIUM EFF OVERLOADS)***

**FULL VOLTAGE STARTING (*across the line*)**

ITEM 15		FAN MOTOR FUSES			
		60 HP		75 HP	
	QTY	STD EFF	PREM EFF	STD EFF	PREM EFF
200V	3	120253	120253	9532-530	9532-530
230V	3	120639	120639	9532-520	9532-520
380V	3	120675	120675	9532-529	9532-529
415V	3	110059	110059	9532-529	9532-529
460V	3	120688	120688	9532-528	9532-528
575V	3	120681	120681	9532-609	9532-609

ITEM 16		TRANSFORMER			
		AIRCOOLED		WATERCOOLED	
	QTY	STD EFF	PREM EFF	STD EFF	PREM EFF
200V	1	128413-351	128413-351	128413-501	128413-501
230V	1	128413-353	128413-353	128413-503	128413-503
380V	1	128413-356	128413-356	128413-506	128413-506
415V	1	128413-354	128413-354	128413-504	128413-504
460V	1	128413-353	128413-353	128413-503	128413-503
575V	1	128413-355	128413-355	128413-505	128413-505

**FULL VOLTAGE STARTING (*across the line*)**

---

**ITEM 17** **TRANSFORMER FUSES**

---

**AIRCOOLED**

	<i>QTY</i>	<i>PRIMARY</i>	<i>QTY</i>	<i>SECONDARY</i>
200V	2	128857-006	1	128622-400
230V	2	128857-005	1	128622-400
380V	2	128857-004	1	128622-400
415V	2	128857-004	1	128622-400
460V	2	128857-014	1	128622-400
575V	2	128857-011	1	128622-400

**WATERCOOLED**

	<i>QTY</i>	<i>PRIMARY</i>	<i>QTY</i>	<i>SECONDARY</i>
200V	2	128857-017	1	128622-500
230V	2	128857-007	1	128622-500
380V	2	128857-005	1	128622-500
415V	2	128857-012	1	128622-500
460V	2	128857-015	1	128622-500
575V	2	128857-004	1	128622-500

---

**ITEM 18** **PHASE MONITOR**

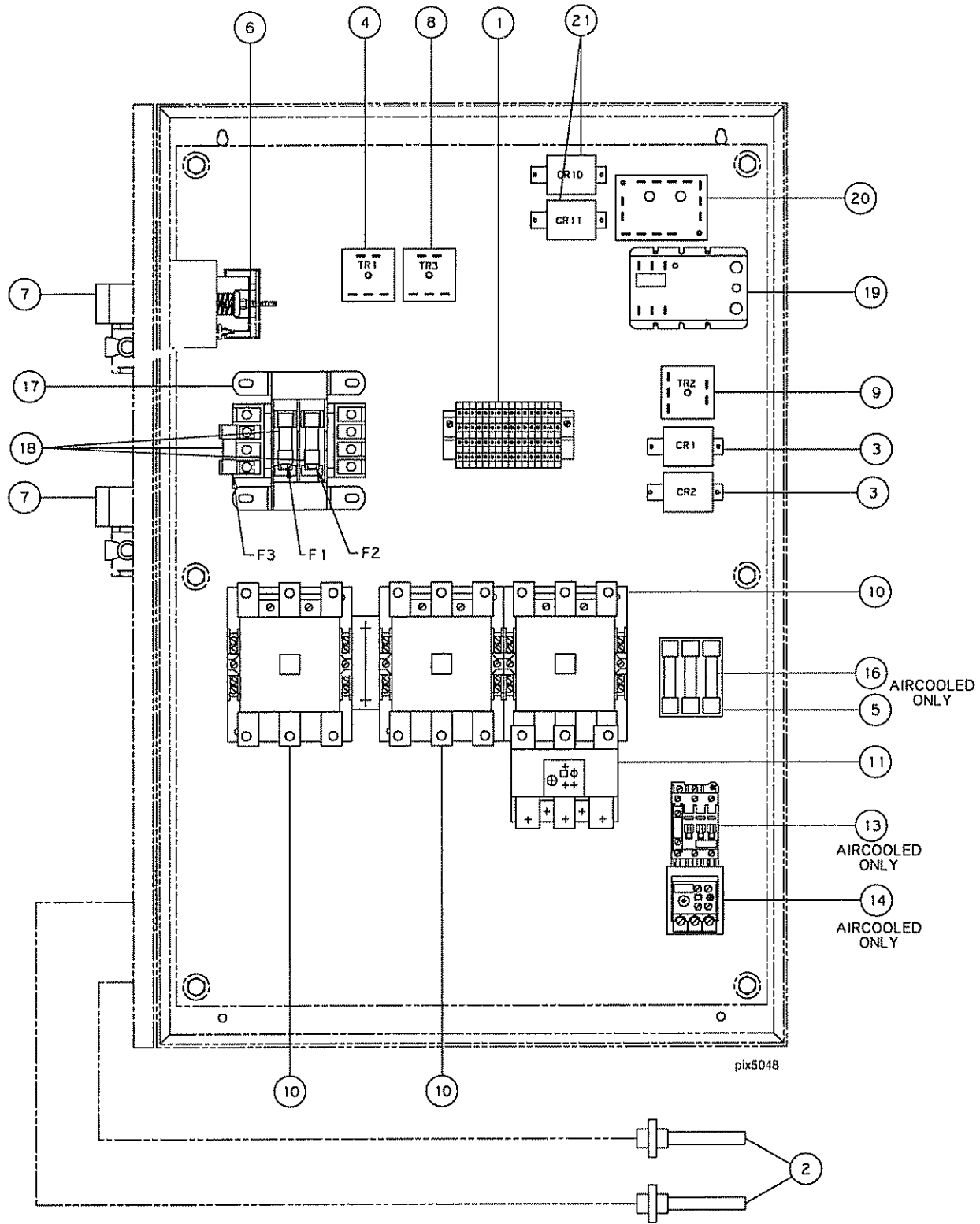
---

**AIRCOOLED**

**WATERCOOLED**

	<i>QTY</i>	<i>STD EFF</i>	<i>PREM EFF</i>	<i>STD EFF</i>	<i>PREM EFF</i>
200V	1	129200-001	129200-001	129200-001	129200-001
230V	1	129200-001	129200-001	129200-001	129200-001
380V	1	129200-003	129200-003	129200-003	129200-003
415V	1	129200-003	129200-003	129200-003	129200-003
460V	1	129200-002	129200-002	129200-002	129200-002
575V	1	128422-003	128422-003	128422-003	128422-003

# FULL VOLTAGE STARTING (wye-delta)



NOTES: 1) ITEM A NOT SHOWN.  
 2) ITEMS 12 AND 15 NOT SHOWN

## FULL VOLTAGE STARTING *(wye-delta)*

ITEM NUMBER	QTY.	PART NUMBER	DESCRIPTION
1	1	142182-01	TERMINAL BLOCK ASSEMBLY
2	2	122880-252	TEMPERATURE SWITCH
3	2	125706-005	RELAY
4	1	122862-900	TIMER, 15 MINUTES
5	1	126263-003	FUSE BLOCK
6**	1	160129-001	PRESSURE SWITCH <i>(see note below)</i>
7	2	120496-4	VALVE-SOLENOID
8	1	125705-016	TIMER-FAN
9	1	122862-15	TIMER-WYE DELTA
10	*		DRIVE MOTOR CONTACTOR <b>(SEE PAGE 16)</b>
11	*		DRIVE MOTOR OVERLOAD RELAY <b>(SEE PAGE 16)</b>
12	*		DRIVE MOTOR HEATER ELEMENT <b>(SEE PAGE 16)</b>
13	*		FAN MOTOR CONTACTOR <i>(AIRCOOLED ONLY)</i> <b>(SEE PAGE 17)</b>
14	*		FAN MOTOR OVERLOAD RELAY <i>(AIRCOOLED ONLY)</i> <b>(SEE PAGE 17)</b>
15	*		FAN MOTOR HEATER ELEMENT <b>(SEE PAGE 17)</b>
16	*		FAN MOTOR FUSES <i>(AIRCOOLED ONLY)</i> <b>(SEE PAGE 18)</b>
17	*		TRANSFORMER <b>(SEE PAGE 18)</b>
18	*		TRANSFORMER FUSES <b>(SEE PAGE 19)</b>
<b>OPTIONAL PARTS</b>			
19	*		PHASE MONITOR <b>(SEE PAGE 19)</b>
20	1	125705-014	TIMER-AUTO RESTART
21	2	125706-005	RELAY
<b>MAINTENANCE PARTS</b>			
A	1	141784-001	LATCH-ENCLOSURE, NEMA 1
	1	141784-002	LATCH-ENCLOSURE, NEMA 4

\* *NOTE: Quantities and part numbers are listed in tabulations on the following pages.*

\*\* *NOTE: Requires quantity of (2) on units with lead-lag option*

## FULL VOLTAGE STARTING (*wye-delta*)

ITEM 10		DRIVE MOTOR CONTACTOR				
		60 HP			75 HP	
	QTY	STD EFF	PREM EFF	QTY	STD EFF	PREM EFF
200V	2	141590-12	141590-12	2	141590-12	141590-12
	1	141590-08	141590-08	1	141590-11	141590-11
230V	2	141590-12	141590-12	2	141590-12	141590-12
	1	141590-08	141590-08	1	141590-09	141590-09
380V	2	141590-08	141590-08	2	141590-08	141590-08
	1	141590-07	141590-07	1	141590-07	141590-07
415V	2	141590-08	141590-08	2	141590-08	141590-08
	1	141590-07	141590-07	1	141590-07	141590-07
460V	2	141590-08	141590-08	2	141590-08	141590-08
	1	141590-07	141590-07	1	141590-07	141590-07
575V	3	141590-07	141590-07	2	141590-08	141590-08
				1	141590-07	141590-07

**\* NOTE: REMOTE STARTER REQUIRED FOR THESE VOLTAGES**

ITEM 11		DRIVE MOTOR OVERLOAD			
		60 HP		75 HP	
	QTY	STD EFF	PREM EFF	STD EFF	PREM EFF
200V	1	141591-073	141592-005	141591-074	141592-005
230V	1	141591-071	141592-005	141591-073	141592-005
380V	1	141591-059	141592-004	141591-061	141592-004
415V	1	141591-059	141592-004	141591-060	141592-004
460V	1	141591-059	141592-004	141591-060	141592-004
575V	1	141591-058	141592-003	141591-059	141592-004

**NOTE: STANDARD EFFICIENCY OVERLOADS ARE CLASS 10.  
PREMIUM EFFICIENCY OVERLOADS ARE CLASS 20.**

ITEM 12		DRIVE MOTOR HEATER ELEMENT (CLASS 20)			
		60 HP		75 HP	
	QTY	STD EFF	PREM EFF	STD EFF	PREM EFF
200V	3	N/A	141607-073	N/A	141607-076
230V	3	N/A	141607-072	N/A	141607-074
380V	3	N/A	141607-065	N/A	141607-067
415V	3	N/A	141607-064	N/A	141607-066
460V	3	N/A	141607-064	N/A	141607-066
575V	3	N/A	141607-062	N/A	141607-064

**(HEATER ELEMENT USED ONLY WITH PREMIUM EFF OVERLOADS)**

## FULL VOLTAGE STARTING (*wye-delta*)

ITEM 13		FAN MOTOR CONTACTOR			
		60 HP		75 HP	
	QTY	STD EFF	PREM EFF	STD EFF	PREM EFF
200V	1	141590-01	141590-01	141590-02	141590-02
230V	1	141590-01	141590-01	141590-02	141590-02
380V	1	141590-01	141590-01	141590-01	141590-01
415V	1	141590-01	141590-01	141590-01	141590-01
460V	1	141590-01	141590-01	141590-01	141590-01
575V	1	141590-01	141590-01	141590-01	141590-01

ITEM 14		FAN MOTOR OVERLOAD			
		60 HP		75 HP	
	QTY	STD EFF	PREM EFF	STD EFF	PREM EFF
200V	1	141591-013	141592-001	141591-014	141592-001
230V	1	141591-012	141592-001	141591-013	141592-001
380V	1	141591-010	141592-001	141591-011	141592-001
415V	1	141591-009	141592-001	141591-011	141592-001
460V	1	141591-009	141592-001	141591-010	141592-001
575V	1	141591-008	141592-001	141591-009	141592-001

**NOTE: STANDARD EFFICIENCY OVERLOADS ARE CLASS 10.  
PREMIUM EFFICIENCY OVERLOADS ARE CLASS 20.**

ITEM 15		FAN MOTOR HEATER ELEMENT (CLASS 20)			
		60 HP		75 HP	
	QTY	STD EFF	PREM EFF	STD EFF	PREM EFF
200V	1	N/A	141607-036	N/A	141607-040
230V	1	N/A	141607-035	N/A	141607-038
380V	1	N/A	141607-030	N/A	141607-033
415V	1	N/A	141607-029	N/A	141607-032
460V	1	N/A	141607-027	N/A	141607-031
575V	1	N/A	141607-025	N/A	141607-029

**(HEATER ELEMENT USED ONLY WITH PREMIUM EFF OVERLOADS)**

## FULL VOLTAGE STARTING (*wye-delta*)

ITEM 16		FAN MOTOR FUSES			
		60 HP		75 HP	
	<i>QTY</i>	<i>STD EFF</i>	<i>PREM EFF</i>	<i>STD EFF</i>	<i>PREM EFF</i>
200V	3	120253	120253	9532-530	9532-530
230V	3	120639	120639	9532-520	9532-520
380V	3	120675	120675	9532-529	9532-529
415V	3	110059	110059	9532-529	9532-529
460V	3	120688	120688	9532-528	9532-528
575V	3	120681	120681	9532-609	9532-609

ITEM 17		TRANSFORMER			
		AIRCOOLED		WATERCOOLED	
	<i>QTY</i>	<i>STD EFF</i>	<i>PREM EFF</i>	<i>STD EFF</i>	<i>PREM EFF</i>
200V	1	128413-351	128413-351	128413-501	128413-501
230V	1	128413-353	128413-353	128413-503	128413-503
380V	1	128413-356	128413-356	128413-506	128413-506
415V	1	128413-354	128413-354	128413-504	128413-504
460V	1	128413-353	128413-353	128413-503	128413-503
575V	1	128413-355	128413-355	128413-505	128413-505

## FULL VOLTAGE STARTING (*wye-delta*)

---

<b>ITEM 18</b>	<b>TRANSFORMER FUSES</b>
----------------	--------------------------

---

### AIRCOOLED

	<i>QTY</i>	<i>PRIMARY</i>	<i>QTY</i>	<i>SECONDARY</i>
200V	2	128857-006	1	128622-400
230V	2	128857-005	1	128622-400
380V	2	128857-004	1	128622-400
415V	2	128857-004	1	128622-400
460V	2	128857-014	1	128622-400
575V	2	128857-011	1	128622-400

### WATERCOOLED

	<i>QTY</i>	<i>PRIMARY</i>	<i>QTY</i>	<i>SECONDARY</i>
200V	2	128857-017	1	128622-500
230V	2	128857-007	1	128622-500
380V	2	128857-005	1	128622-500
415V	2	128857-012	1	128622-500
460V	2	128857-015	1	128622-500
575V	2	128857-004	1	128622-500

---

<b>ITEM 19</b>	<b>PHASE MONITOR</b>
----------------	----------------------

---

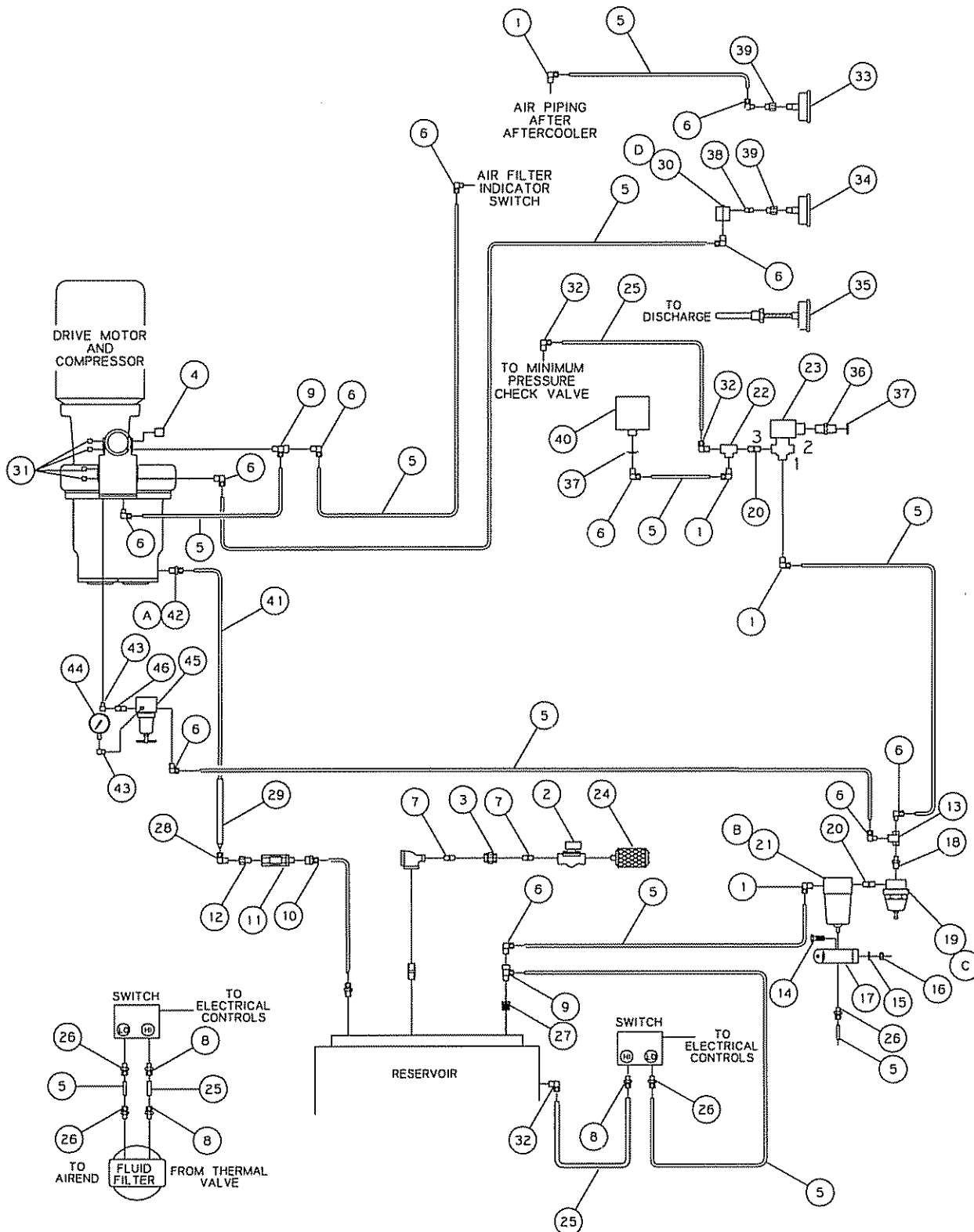
### AIRCOOLED

### WATERCOOLED

	<i>QTY</i>	<i>STD EFF</i>	<i>PREM EFF</i>	<i>STD EFF</i>	<i>PREM EFF</i>
200V	1	129200-001	129200-001	129200-001	129200-001
230V	1	129200-001	129200-001	129200-001	129200-001
380V	1	129200-003	129200-003	129200-003	129200-003
415V	1	129200-003	129200-003	129200-003	129200-003
460V	1	129200-002	129200-002	129200-002	129200-002
575V	1	128422-003	128422-003	128422-003	128422-003

# CONTROL PIPING GROUP (across the line)

142269-001



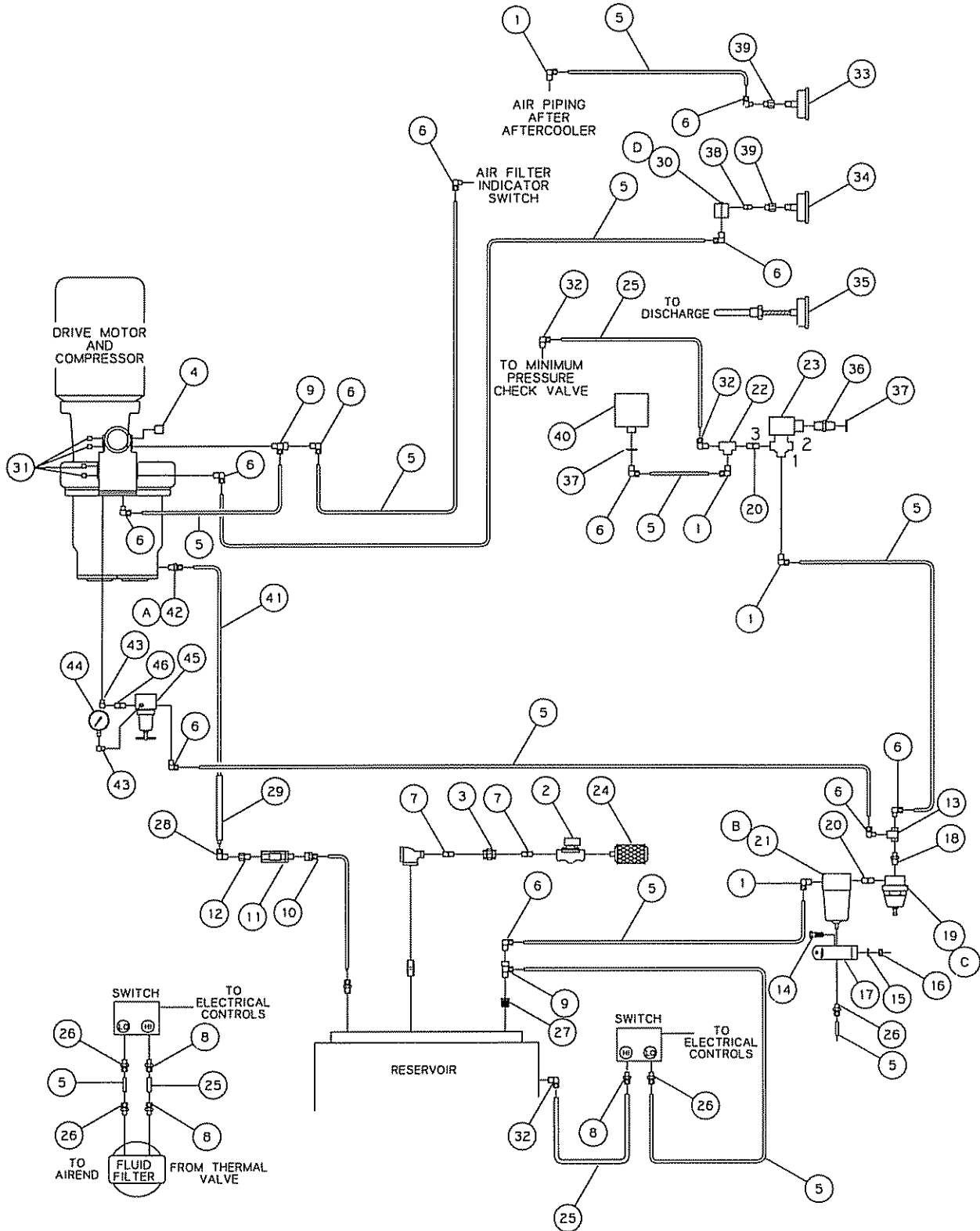
**CONTROL PIPING GROUP (across the line)****142269-001**

<b>ITEM NUMBER</b>	<b>QTY.</b>	<b>PART NUMBER</b>	<b>DESCRIPTION</b>
1	4	124349-005	FITTING-TUBE, 90 MALE ELBOW 1/4 TUBE X 1/4 NPT
2	1	7773-560	VALVE-SOLENOID
3	1	127289-005	UNION-PIPE, 3/4 NPT
4	1	2721	PIPE PLUG, 1/2 NPT
5	47.0 FT	124435-003	TUBING-NYLON, 1/4 O.D.
6	11	124349-004	FITTING-TUBE, 90 MALE ELBOW 1/4 TUBE X 1/8 NPT
7	2	125936-001	NIPPLE-PIPE, 3/4 NPT X CLOSE
8	3	124393-010	FITTING-TUBE, MALE CONNECTOR 3/8 TUBE X 1/8 NPT
9	2	20201	FITTING-TEE, 1/4 TUBE X 1/8 NPT X 1/8 NPT
10	1	126354-005	FITTING-TUBE, FEMALE CONNECTOR 1/4 TUBE X 1/4 NPT
11	1	140508	GAUGE-SIGHT FLOW
12	1	125025	ORIFICE-LINE FILTER (0.040)
13	1	90084	VALVE-SHUTTLE
14	1	123478-L12	SCREW-HEX., 3/8-16 UNC X 1.00, GRADE 5 (@ 23 FT.-LBS.)
15	1	123115-06C	LOCKWASHER, 3/8
16	1	124364-L02	NUT-HEX., 3/8-16 UNC
17	1	122417-002	BRACKET-LINE FILTER HANGER
18	1	111098-002	NIPPLE-1/8 NPT X 1/4 NPT, CLOSE, BRASS TBE
19	1	21969-8	VALVE-DIFFERENTIAL PILOT
20	2	142125-2	NIPPLE-1/4 NPT X 1-1/4, EXTRA STRONG
21	1	129731	FILTER-LINE, AUTOMATIC
22	1	121034-2	TEE-PIPE, 1/4 NPT, BRASS
23	1	120496-4	VALVE-SOLENOID, 3-WAY
24	1	21615	MUFFLER-EXHAUST
25	10.5FT	124435-004	TUBING-NYLON, 3/8 O.D.
26	4	124393-004	FITTING-TUBE, MALE CONNECTOR 1/4 TUBE X 1/8 NPT
27	1	121033-1	BUSHING-PIPE, 1/4 NPT X 1/8 NPT, BRASS
28	1	110419-005	FITTING-TUBE, 90 MALE ELBOW, 1/4 TUBE X 1/4 NPT
29	0.25 FT	140326-04	TUBING-FUEL
30	1	122056	VALVE-CAPACITY GAUGE

**NOTE: FOR ITEMS 31 THRU 46, AND MAINTENANCE PARTS SEE PAGES 22 AND 23.**

# CONTROL PIPING GROUP (across the line)

142269-001



## CONTROL PIPING GROUP *(across the line)*

142269-001

ITEM NUMBER	QTY.	PART NUMBER	DESCRIPTION
31	4	121160	PLUG-PIPE, 1/8 NPT
32	3	124349-010	FITTING-TUBE, ELBOW 3/8 TUBE X 1/4 NPT
33	1	128662	GAUGE-PRESSURE (0-300 P.S.I.)
34	1	128663	GAUGE-PERCENT CAPACITY
35	1	128664	GAUGE-THERMAL
36	1	22455	CONNECTOR-ELECTRICAL, 1/2
37	2	8052	LOCKNUT-CONDUIT, 1/2
38	1	142125-13	NIPPLE-1/8 NPT X CLOSE, EXTRA STRONG
39	2	125260-001	REDUCER-PIPE, 1/4 NPT X 1/8 NPT, BRASS
40	1	160129-001	SWITCH-PRESSURE
41	5.0 FT	140333	TUBE-FORMED, 1/4 O.D.
42	1	128885-003	FITTING-TUBE, MALE CONNECTOR 1/4 TUBE X 7/16-20 SAE O-RING
43	2	122636	ELBOW-PIPE, 1/4 NPT, BRASS
44	1	140718	GAUGE-PRESSURE
45	1	23543	REGULATOR-PRESSURE
46	1	142125-1	NIPPLE-1/4 NPT X CLOSE, EXTRA STRONG

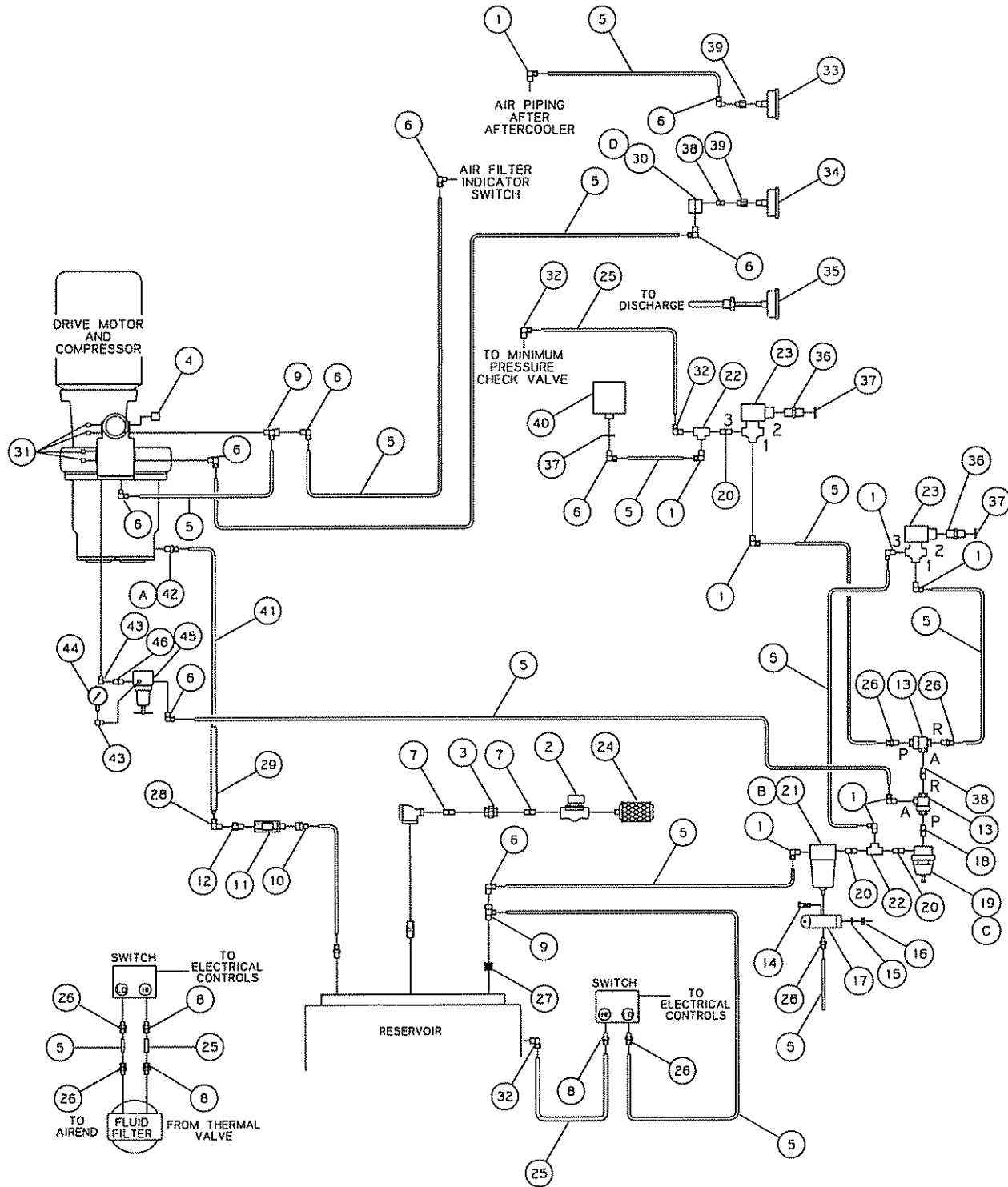
### MAINTENANCE PARTS

A	1	140406-904	O-RING
B	1	129731-050	KIT-LINE FILTER <i>(includes bowl seal, filter element, and gasket)</i>
C	1	20775	KIT-DIFFERENTIAL PILOT VALVE <i>(includes diaphragm, diaphragm gaskets, seat gasket, seat disk, and seat ring)</i>
D	1	123157-008	O-RING

@ indicates torque value in foot pounds. ***(lubricated threads)***

# CONTROL PIPING GROUP (wye-delta)

## 142270-001



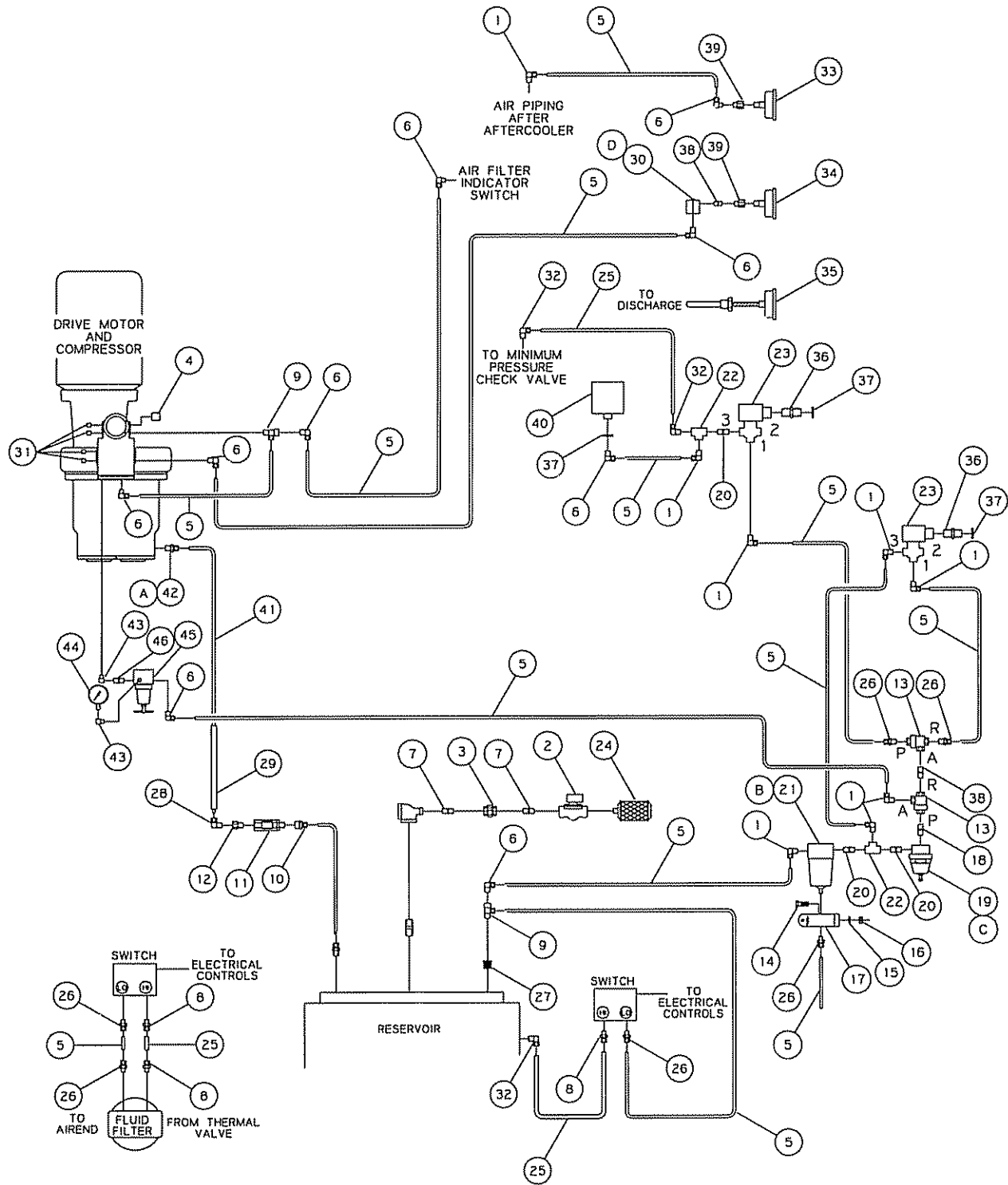
**CONTROL PIPING GROUP (wye-delta)**  
**142270-001**

ITEM NUMBER	QTY.	PART NUMBER	DESCRIPTION
1	8	124349-005	FITTING-TUBE, 90 MALE ELBOW 1/4 TUBE X 1/4 NPT
2	1	7773-560	VALVE-SOLENOID
3	1	127289-005	UNION-PIPE, 3/4 NPT
4	1	2721	PIPE PLUG, 1/2 NPT
5	50.0 FT	124435-003	TUBING-NYLON, 1/4 O.D.
6	9	124349-004	FITTING-TUBE, 90 MALE ELBOW 1/4 TUBE X 1/8 NPT
7	2	128885-003	FITTING-TUBE, MALE CONNECTOR 1/4 TUBE X 7/16-20 NPT
8	3	124393-010	FITTING-TUBE, MALE CONNECTOR 3/8 TUBE X 1/8 NPT
9	2	20201	FITTING-TEE, 1/4 TUBE X 1/8 NPT X 1/8 NPT
10	1	126354-005	FITTING-TUBE, FEMALE CONNECTOR 1/4 TUBE X 1/4 NPT
11	1	140508	GAUGE-SIGHT FLOW
12	1	125025	ORIFICE-LINE FILTER (0.040)
13	2	90084	VALVE-SHUTTLE
14	1	123478-L12	SCREW-HEX., 3/8-16 UNC X 1.00, GRADE 5 (@ 23 FT.-LBS.)
15	1	123115-06C	LOCKWASHER, 3/8
16	1	124364-L02	NUT-HEX., 3/8-16 UNC
17	1	122417-002	BRACKET-LINE FILTER HANGER
18	1	111098-002	NIPPLE-1/8 NPT X 1/4 NPT, CLOSE, BRASS TBE
19	1	21969-8	VALVE-DIFFERENTIAL PILOT
20	4	142125-2	NIPPLE-1/4 NPT X 1-1/4, EXTRA STRONG
21	1	129731	FILTER-LINE, AUTOMATIC
22	3	121034-2	TEE-PIPE, 1/4 NPT, BRASS
23	2	120496-4	VALVE-SOLENOID, 3-WAY
24	1	21615	MUFFLER-EXHAUST
25	10.5 FT	124435-004	TUBING-NYLON, 3/8 O.D.
26	6	124393-004	FITTING-TUBE, MALE CONNECTOR 1/4 TUBE X 1/8 NPT
27	1	121033-1	BUSHING-PIPE, 1/4 NPT X 1/8 NPT, BRASS
28	1	110419-005	FITTING-TUBE, 90 MALE ELBOW, 1/4 TUBE X 1/4 NPT
29	0.25 FT	140326-04	TUBING-FUEL
30	1	122056	VALVE-CAPACITY GAUGE

**NOTE: FOR ITEMS 31 THRU 46, AND MAINTENANCE PARTS SEE PAGES 26 AND 27.**

# CONTROL PIPING GROUP (wye-delta)

## 142270-001



**CONTROL PIPING GROUP (wye-delta)**  
**142270-001**

ITEM NUMBER	QTY.	PART NUMBER	DESCRIPTION
31	4	121160	PLUG-PIPE, 1/8 NPT
32	3	124349-010	FITTING-TUBE, ELBOW 3/8 TUBE X 1/4 NPT
33	1	128662	GAUGE-PRESSURE (0-300 P.S.I.)
34	1	128663	GAUGE-PERCENT CAPACITY
35	1	128664	GAUGE-THERMAL
36	2	22455	CONNECTOR-ELECTRICAL, 1/2
37	3	8052	LOCKNUT-CONDUIT, 1/2
38	2	142125-13	NIPPLE-1/8 NPT X CLOSE, EXTRA STRONG
39	2	125260-001	REDUCER-PIPE, 1/4 NPT X 1/8 NPT, BRASS
40	1	160129-001	SWITCH-PRESSURE
41	5.0 FT	140333	TUBE-FORMED, 1/4 O.D.
42	1	128885-003	FITTING-TUBE, MALE CONNECTOR 1/4 TUBE X 7/16-20 SAE O-RING
43	2	122636	ELBOW-PIPE, 1/4 NPT, BRASS
44	1	140718	GAUGE-PRESSURE
45	1	23543	REGULATOR-PRESSURE
46	1	142125-1	NIPPLE-1/4 NPT X CLOSE, EXTRA STRONG

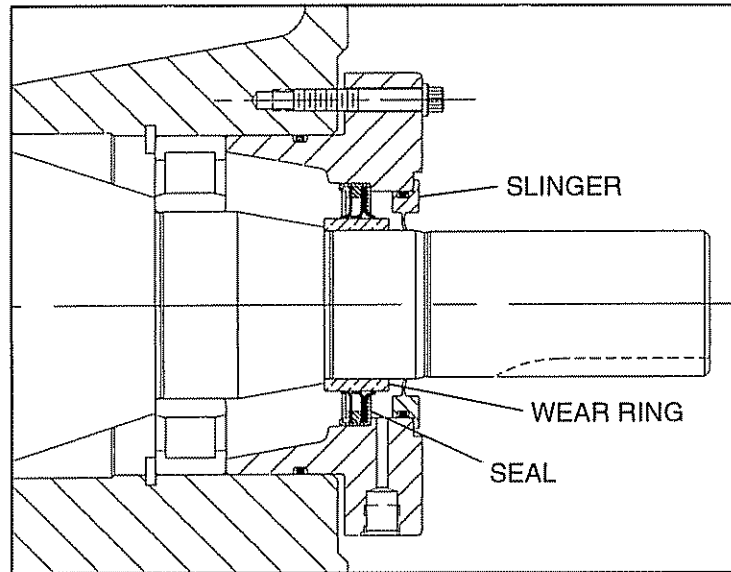
**MAINTENANCE PARTS**

A	1	140406-904	O-RING
B	1	129731-050	KIT-LINE FILTER <i>(includes bowl seal, filter element, and gasket)</i>
C	1	20775	KIT-DIFFERENTIAL PILOT VALVE <i>(includes diaphragm, diaphragm gaskets, seat gasket, seat disk, and seat ring)</i>
D	1	123157-008	O-RING

@ indicates torque value in foot pounds. (***lubricated threads***)

# SHAFT SEAL KIT

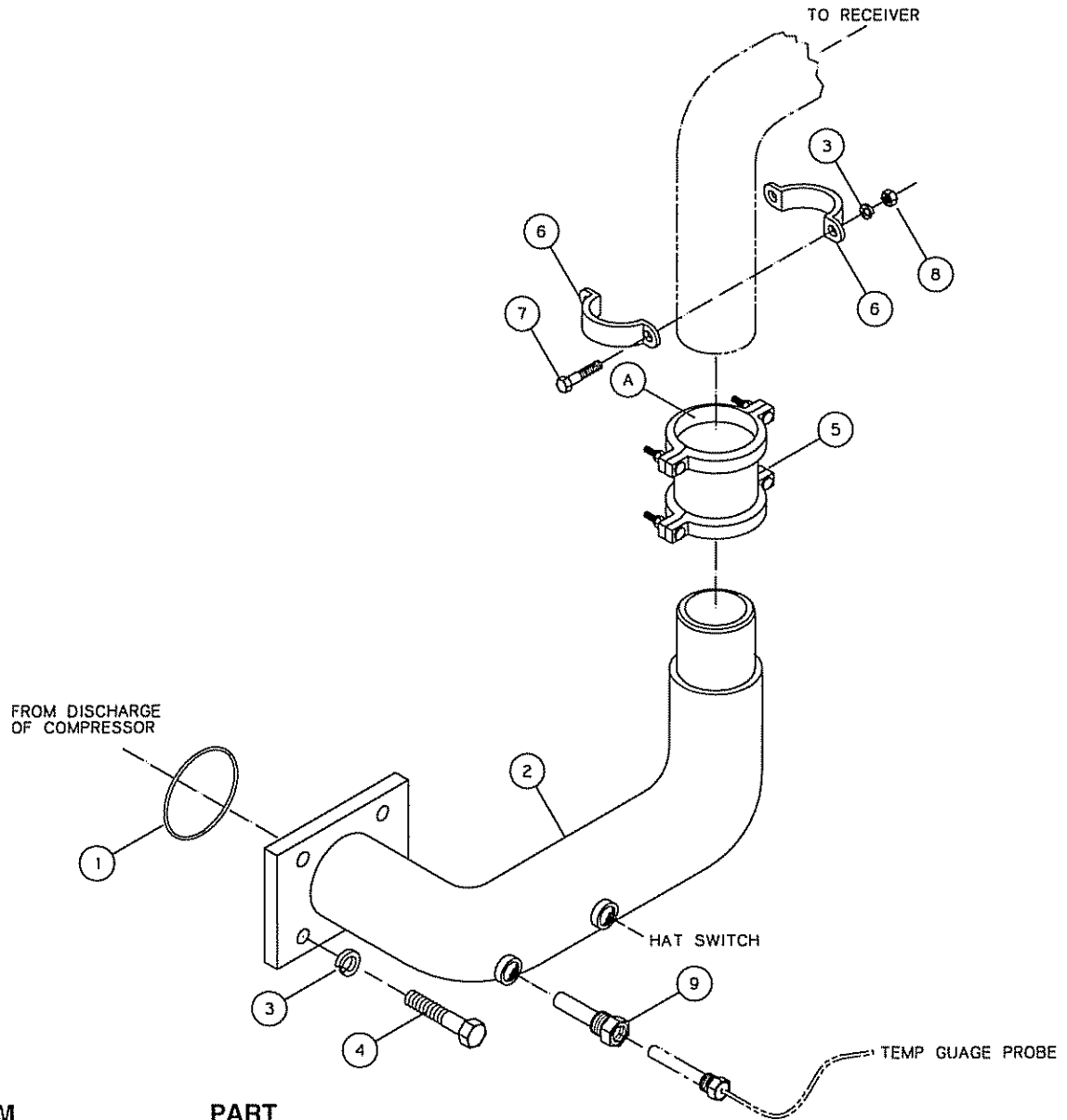
---



ITEM NUMBER	QTY.	PART NUMBER	DESCRIPTION
1	1	140209	KIT-SHAFT SEAL (includes items 2, 3, & 4)
2	1		SLINGER
3	1		SEAL-SHAFT
4	1		RING-WEAR

**\* NOTICE !** Reference QSI Instruction Manual to install compressor shaft seal. Tool Kit 140284 for QSI shaft seal and wear ring installation or removal can be purchased from Quincy Compressor.

# DISCHARGE PIPING GROUP 142272-001

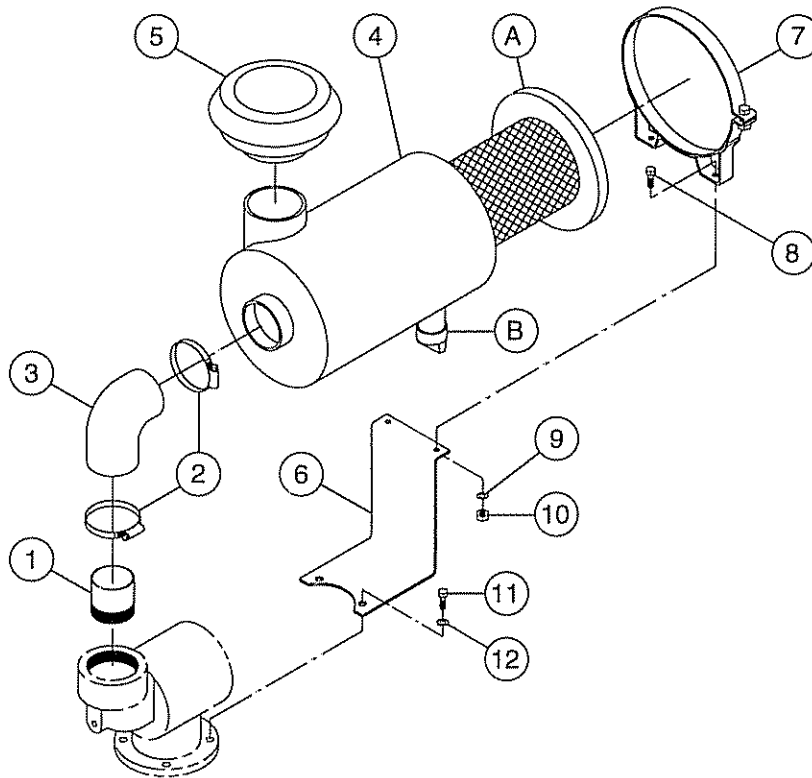


ITEM NUMBER	QTY.	PART NUMBER	DESCRIPTION
1	1	22749-333	O-RING, VITON
2	1	129582	MANIFOLD-DISCHARGE
3	6	123115-08C	LOCKWASHER, 1/2
4	4	123478-N15	SCREW-HEX., 1/2-13 UNC X 1.50, GRADE 5 (@ 55 FT.-LBS.)
5	1	140394-020	ASSEMBLY-COUPLING
6	1	124450-001	CLAMP-PIPE, 2.00
7	2	123478-N14	SCREW-HEX., 1/2-13 UNC X 1.25, GRADE 5 (@ 55 FT.-LBS.)
8	2	124364-N02	NUT-HEX., 1/2-13 UNC
9	1	141637-1	FITTING-PROBE SUPPORT
<b>MAINTENANCE PARTS</b>			
A	2	140394-F20	SEAL-COUPLING

@ indicates torque value in foot pounds. (lubricated threads)

# AIR FILTER GROUP

## 126867



ITEM NUMBER	QTY.	PART NUMBER	DESCRIPTION
1	1	126039-017	NIPPLE-PIPE, 3-1/2 NPT X 3.00
2	2	110423-072	CLAMP-HOSE
3	1	20418	ELBOW-RUBBER, 4.00 I.D.
4	1	22864-4	FILTER-AIR
5	1	20187	HOOD-AIR FILTER
6	1	126859	BRACKET-AIR FILTER
7	1	120045	BAND-AIR FILTER
8	2	123478-L12	SCREW-HEX., 3/8-16 UNC X 1.00, GRADE 5 (@ 23 FT.-LBS.)
9	2	123115-06C	LOCKWASHER, 3/8
10	2	124364-L02	NUT-HEX., 3/8-16 UNC
11	2	123478-N15	SCREW-HEX., 1/2-13 UNC X 1.50, GRADE 5 (@ 55 FT.-LBS.)
12	2	123115-08C	LOCKWASHER, 1/2

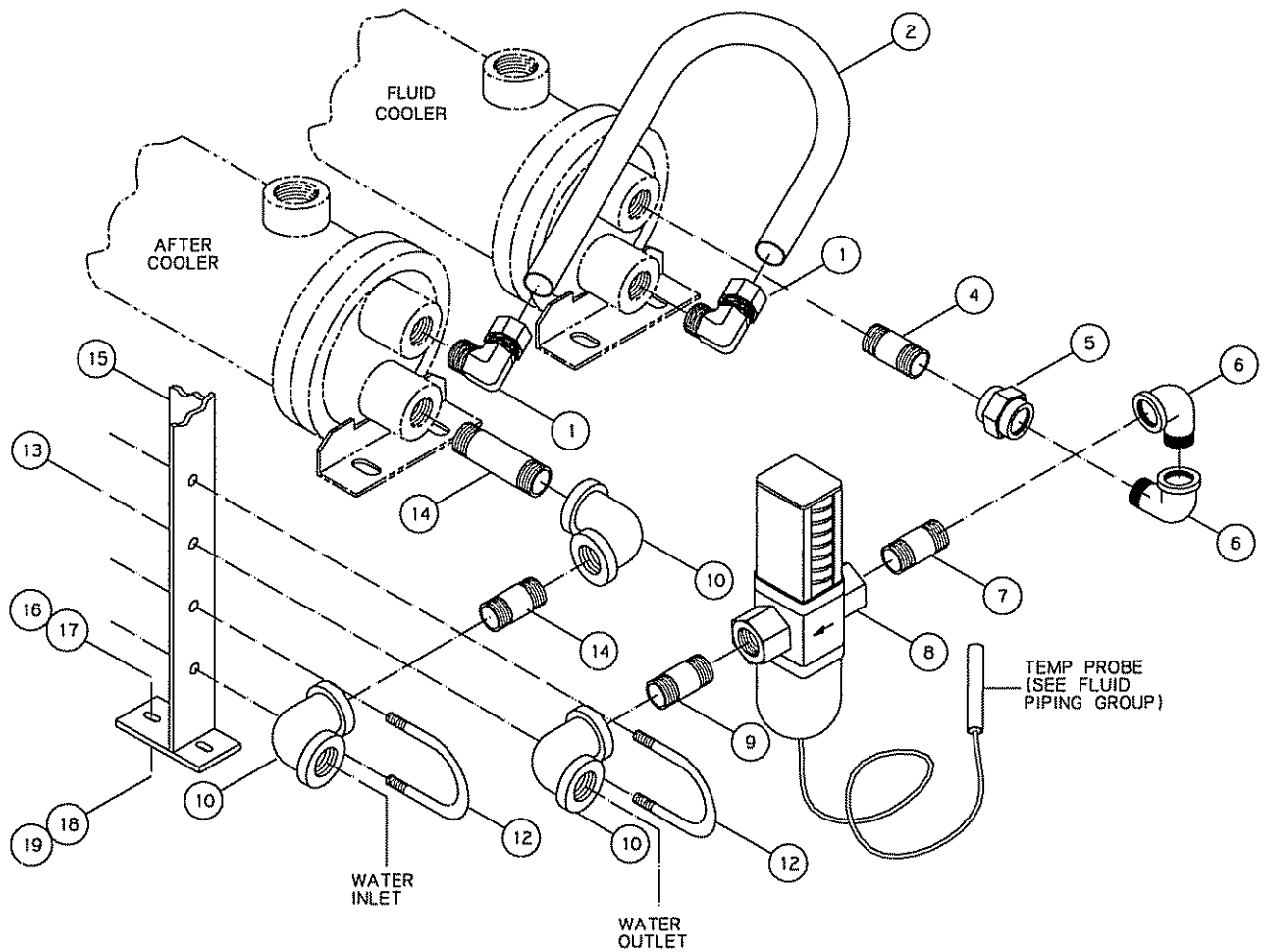
### MAINTENANCE PARTS

A	1	23458-4	ELEMENT-AIR FILTER
B	1	121291	COVER-DUST

@ indicates torque value in foot pounds. (*lubricated threads*)

## WATER PIPING GROUP *(with aftercooler)*

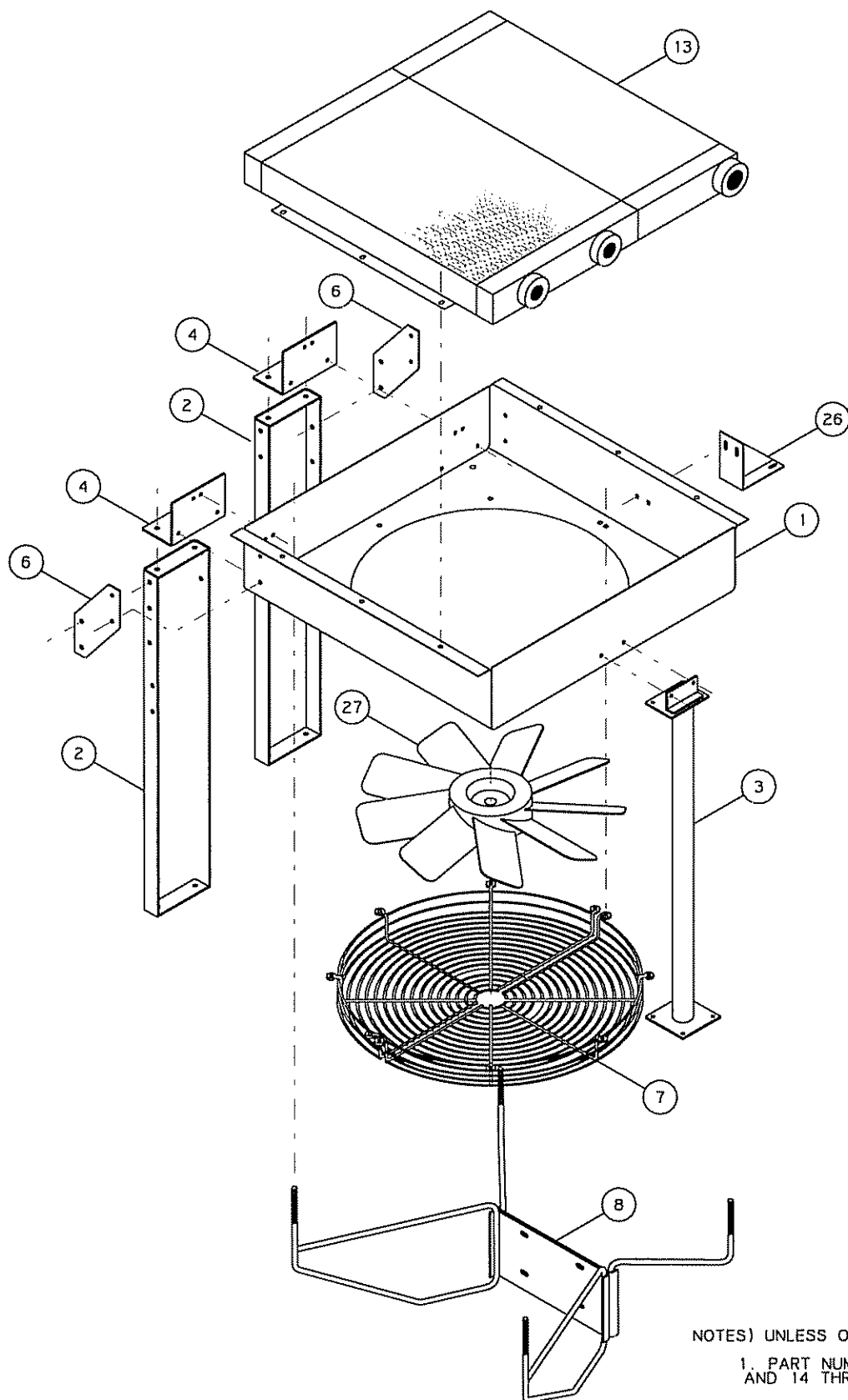
### 129708-001



ITEM NUMBER	QTY.	PART NUMBER	DESCRIPTION
1	2	110419-020	FITTING-TUBE, 90 MALE ELBOW, 1.00 TUBE X 1.00 NPT
2	1	125654-001	TUBE-FORMED, 1.00 O.D.
3	2	125868-022	BUSHING-PIPE, 1-1/2 NPT X 1.00 NPT
4	1	126020-001	NIPPLE-PIPE, 1.00 NPT X CLOSE
5	1	127289-019	UNION-PIPE, 1.00 NPT
6	2	21730	ELBOW-PIPE, 1.00 NPT
7	1	126020-010	NIPPLE-PIPE, 1.00 NPT X 2.00
8	1	23219-1	VALVE-WATER TEMPERATURE REGULATING
9	1	126020-042	NIPPLE-PIPE, 1.00 NPT X 6.00
10	3	21731	ELBOW-PIPE, 1.00 NPT
11	2	21740	COUPLING-PIPE, 1.00 NPT
12	4	120317	U BOLT-5/16-18 UNC
13	8	123115-04C	LOCKWASHER, 1/4
14	2	126020-030	NIPPLE-PIPE, 1.00 NPT X 4.50
15	1	140012-1	BRACKET-SUPPORT
16	2	123478-K14	SCREW-HEX., 5/16-18 UNC X 1.25, GRADE 5 (@ 13 FT.-LBS.)
17	2	110428W031	FLATWASHER, 5/16
18	2	123114-05C	LOCKWASHER, 5/16
19	2	124364-K02	NUT-HEX., 5/16-18 UNC

**COOLER GROUP (aircooled)**  
**142273-001**

---



NOTES) UNLESS OTHERWISE SPECIFIED:  
1. PART NUMBERS 5, 9 THRU 12,  
AND 14 THRU 25 ARE NOT SHOWN

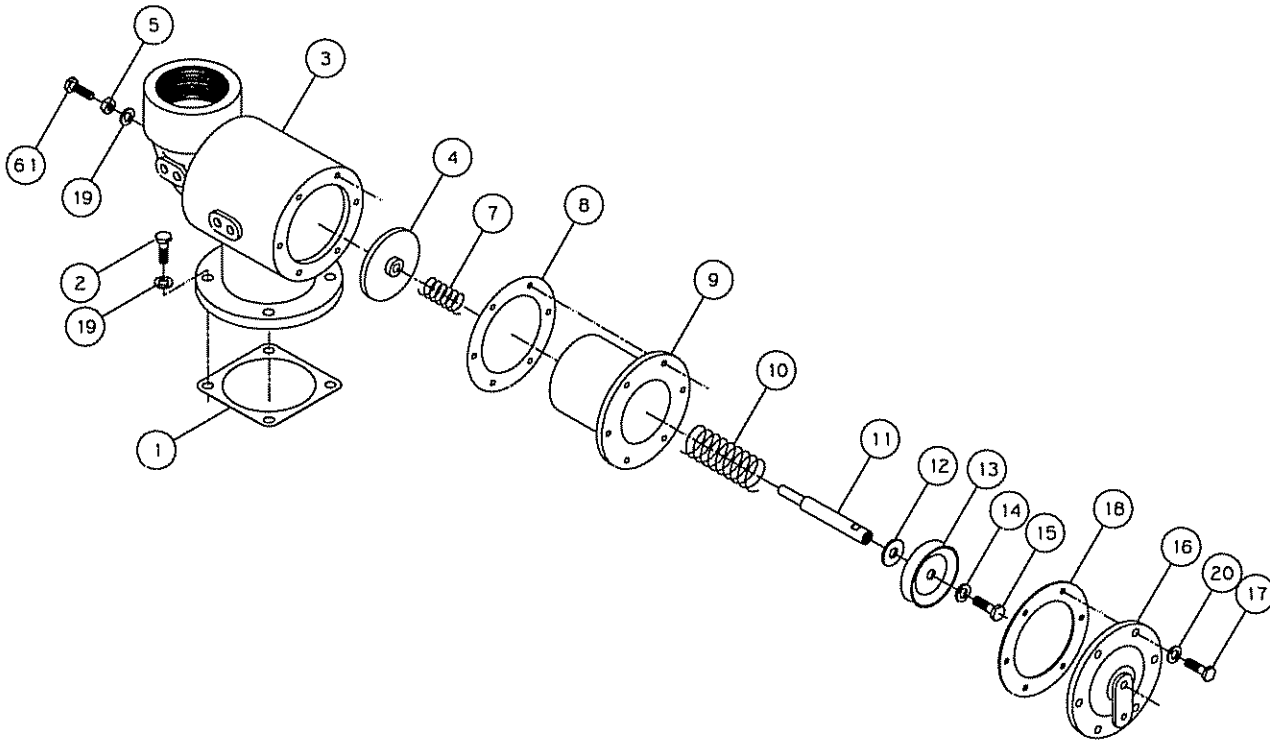
**COOLER GROUP (aircooled)**  
**142273-001**

ITEM NUMBER	QTY.	PART NUMBER	DESCRIPTION
1	1	129150-1	SHROUD-COOLER
2	2	129574	BRACKET-SUPPORT
3	1	129569-1	BRACKET-SUPPORT
4	2	140160	BRACKET
5	2	128705-I10	SCREW-SELF-DRILLING, #14 X 0.75
6	2	129595	GUSSET
7	2	129187	GUARD-FAN
8	1	129162	MOTOR-MOUNT, FAN ASSEMBLY
9	20	123478-K10	SCREW-HEX., 5/16-18 UNC X .75, GRADE 5 (@ 13 FT.-LBS.)
10	20	110428W031	FLATWASHER, 5/16
11	20	123115-05C	LOCKWASHER, 5/16
12	8	124364-M02	NUT-HEX., 7/16-14 UNC
13	1	129135-250	COOLER-COMBINATION AIR/FLUID
14	6	123478-L10	SCREW-HEX., 3/8-16 UNC X .75, GRADE 5 (@ 23 FT.-LBS.)
15	14	110428W038	FLATWASHER, 3/8
16	14	123115-06C	LOCKWASHER, 3/8
17	14	124364-L02	NUT-HEX., 3/8-16 UNC
18	8	123478-J12	SCREW-HEX., 1/4-20 UNC X 1.00, GRADE 5 (@ 6 FT.-LBS.)
19	8	123115-04C	LOCKWASHER, 1/4
20	8	110428W025	FLATWASHER, 1/4
21	8	124364-N02	NUT-HEX., 1/2-13 UNC
22	4	123115-08C	LOCKWASHER, 1/2
23	8	123478-L12	SCREW-HEX., 3/8-16 UNC X 1.00, GRADE 5 (@ 23 FT.-LBS.)
24	8	22456	NUT-GRIP, 1/4-20 UNC
25	12	120686	NUT-SPEED, 5/16-18 UNC
26	1	129552	BRACKET-ENCLOSURE
27	1	126511-029	FAN

@ indicates torque value in foot pounds. (*lubricated threads*)

# INLET VALVE GROUP

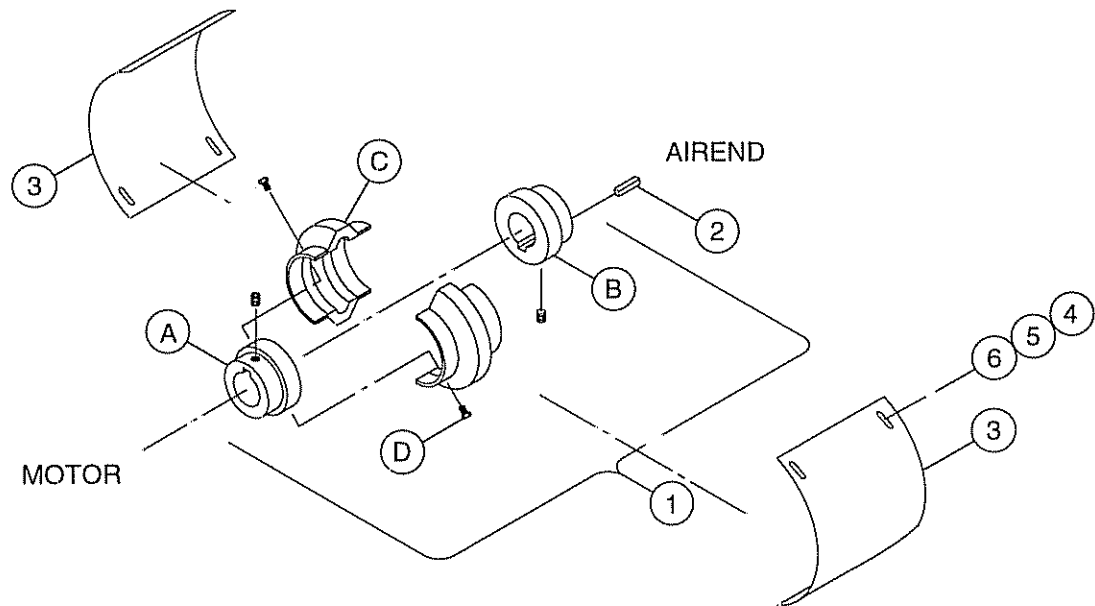
## 126650



ITEM NUMBER	QTY.	PART NUMBER	DESCRIPTION
1	1	141608	GASKET-INLET VALVE
2	4	123478-N15	SCREW-HEX., 1/2-13 UNC X 1.50, GRADE 5 (@ 55 FT.-LBS.)
3	1	126646	HOUSING-INLET VALVE
4	1	122995	ASSEMBLY-INLET VALVE PLATE
5	1	124368-N02	JAMNUT-1/2-13 UNC
6	1	128720-001	SCREW-HEX., 1/2-13 UNC X 5.00
7	1	123092	SPRING
8	1	123549-003	GASKET
9	1	126644	CYLINDER-INLET VALVE
10	1	126649	SPRING-INLET VALVE
11	1	126648	SHAFT-INLET VALVE
12	1	126647	FLATWASHER, 1/2, SPECIAL
13	1	126460-350	CUP-PISTON
14	1	1478-1	FLATWASHER-SPECIAL
15	1	123478-N12	SCREW-HEX., 1/2-13 UNC X 1.00, GRADE 5 (@ 55 FT.-LBS.)
16	1	126645	PLATE-COVER
17	6	123478-L15	SCREW-HEX., 3/8-16 UNC X 1.50, GRADE 5 (@ 30 FT.-LBS.)
18	1	141258	GASKET-INLET VALVE
19	5	123115-08C	LOCKWASHER, 1/2
20	6	123115-06C	LOCKWASHER, 3/8

@ indicates torque value in foot pounds. (lubricated threads)

**COUPLING GROUP**  
**129779-004**



NOTE: COUPLING HUBS MUST BE INSTALLED WITH KEYWAYS OFFSET 180 DEGREES (1/2 TURN) TO MAINTAIN COUPLING BALANCE.

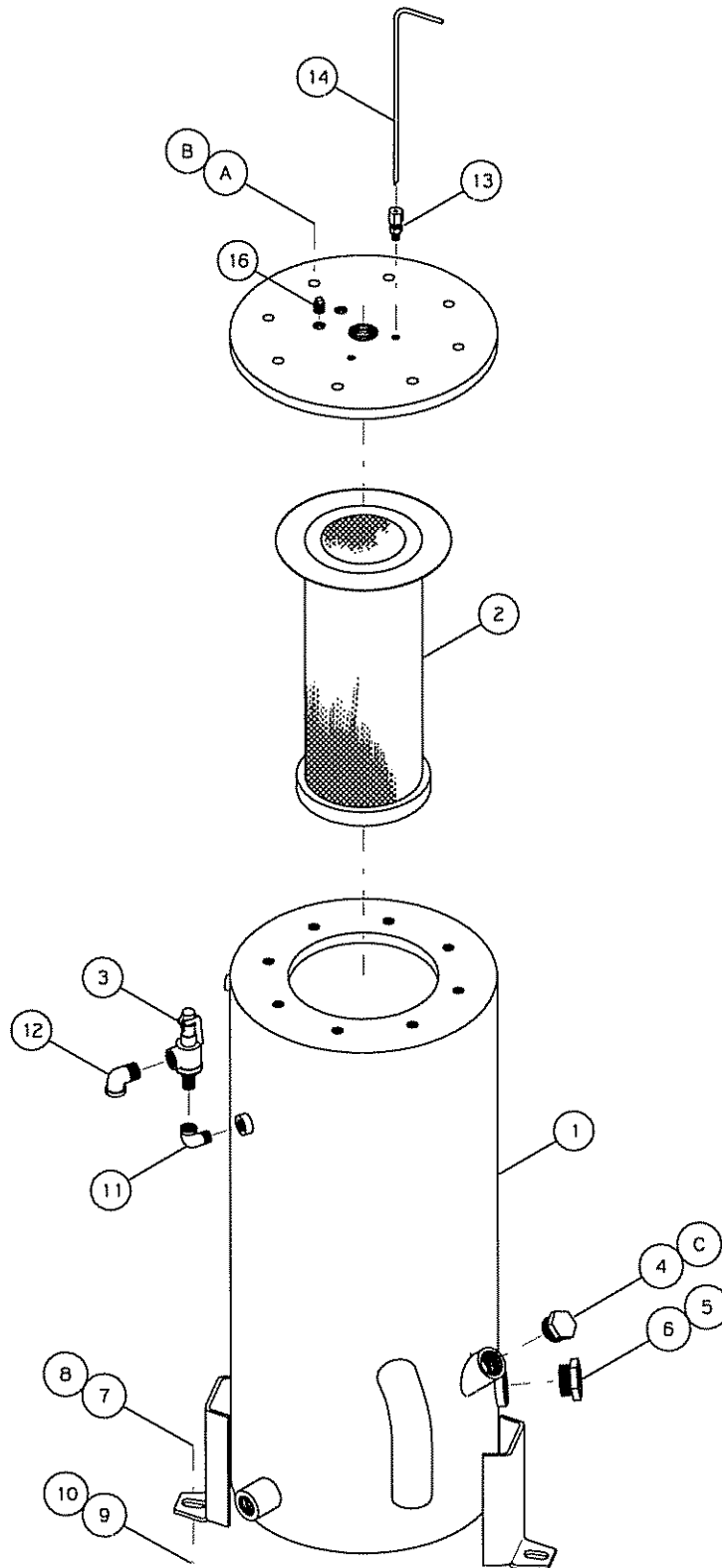
ITEM NUMBER	QTY.	PART NUMBER	DESCRIPTION
1	1	128387-105	COUPLING-DRIVE
2	1	20109	KEY-SQUARE
3	2	129673	GUARD-COUPLING
4	8	123478-K10	SCREW-HEX., 5/16-18 UNC X 0.75, GRADE 5 (@ 17 FT.-LBS.)
5	8	110428N031	FLATWASHER, 5/16
6	8	123115-05C	LOCKWASHER, 5/16

**MAINTENANCE PARTS**

A	1	128387-204	HUB-COUPLING, MOTOR SIDE <i>(includes set screws)</i>
B	1	128387-302	HUB-COUPLING, COMPRESSOR SIDE <i>(includes set screws)</i>
C	1	128387-404	ELEMENT-COUPLING <i>(1 pr. of halves sold as a matched set only)</i>
D	1	128387-502	BOLT KIT-DRIVE COUPLING (@ 30 FT.-LBS)

@ indicates torque value in foot pounds (**DRY THREADS**)

# SEPARATOR/RESERVOIR GROUP 142275-001



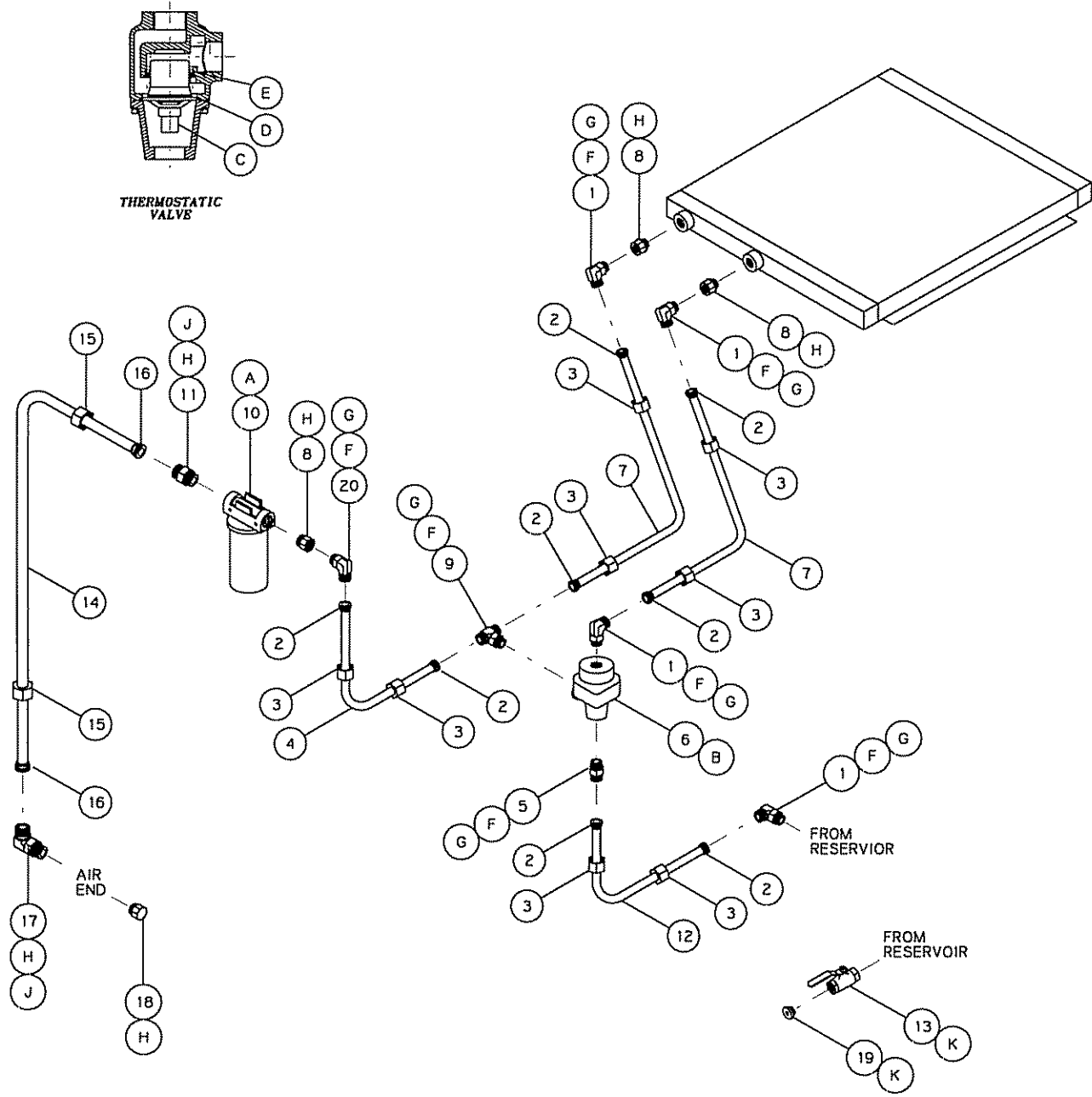
NOTE:  
1 ITEM 15 IS SHIPPED LOOSE.  
2 ITEMS A THRU C ARE MAINTENANCE PARTS

**SEPARATOR/RESERVOIR GROUP**  
**142275-001**

ITEM NUMBER	QTY.	PART NUMBER	DESCRIPTION
1	1	129558-250	RESERVOIR
2	1	124487-019	SEPARATOR
3	1	23268-29	VALVE-SAFETY
4	1	129844-162	CAP-FILLER, SAE O-RING
5	1	129843-188	SIGHT GLASS
6	1	140406-924	O-RING, VITON
7	3	123478-N15	SCREW-HEX., 1/2-13 UNC X 1.50, GRADE 5 (@ 55 FT.-LBS.)
8	6	110428W050	FLATWASHER, 1/2
9	3	123115-08C	LOCKWASHER, 1/2
10	3	124370-N02	LOCKNUT, 1/2-13 UNC (@ 85 IN.-LBS.)
11	1	3092	ELBOW-PIPE, 3/4 NPT
12	1	3004	ELBOW-PIPE, 1.00 NPT
13	1	126353-006	FITTING-TUBE, MALE CONNECTOR 1/4 TUBE X 1/4 NPT
14	1	140323-1	TUBE-STEEL, 1/4 O.D.
15	1	140407-001	ASSEMBLY-FLUID DRAIN
16	1	124876-005	PLUG-PIPE, 1/2 NPT
<b><u>MAINTENANCE PARTS</u></b>			
A	8	123115-12C	LOCKWASHER, 3/4
B	8	123478-R18	SCREW-HEX., 3/4-10 UNC X 2.25 GRADE 5 (@ 200 FT.-LBS.)
C	1	140406-920	O-RING

@ indicates torque value in foot pounds. (*lubricated threads*)

**FLUID PIPING GROUP (aircooled)**  
**142276-001**



**FLUID PIPING GROUP (aircooled)**  
**142276-001**

ITEM NUMBER	QTY.	PART NUMBER	DESCRIPTION
1	4	140676-018	FITTING-ELBOW, 1.00 TUBE X 1-5/16-12 SAE
2	8	140680-006	FITTING-SLEEVE, 1.00 O.D. TUBE
3	8	140679-007	FITTING-NUT, 1.00 O.D. TUBE
4	1	121918-130	TUBE-FORMED, 1.00 O.D.
5	1	140682-020	FITTING-UNION, 1.00 TUBE X 1-5/16-12 SAE O-RING
6	1	124973-011	VALVE-THERMAL, 180 DEG.
7	2	121918-129	TUBE-FORMED, 1.00 O.D.
8	3	129208-021	FITTING-ADAPTER, 1-5/16-12 X 1-5/8-12 SAE O-RING
9	1	140672-006	FITTING-TEE, 1.00 TUBE X 1-5/16-12 SAE
10	1	128382-5	ASSEMBLY-FLUID FILTER
11	1	140682-024	FITTING-UNION, 1-1/4 TUBE X 1-5/8-12 SAE O-RING
12	1	121918-128	TUBE-FORMED, 1.00 O.D.
13	1	129730-050	VALVE-QUARTER TURN, SAE O-RING
14	1	121918-116	TUBE-FORMED, 1.25 O.D.
15	2	140679-008	FITTING-NUT, 1-1/4 O.D. TUBE
16	2	140680-007	FITTING-SLEEVE, 1-1/4 O.D. TUBE
17	1	140676-021	FITTING-ELBOW, 1-1/4 TUBE X 1-5/8-12 SAE
18	1	128883-162	PLUG-PIPE, 1-5/8-12 SAE O-RING
19	1	128883-075	PLUG-PIPE, 3/4-16 SAE O-RING
20	1	141021-006	FITTING-TUBE,ORIFICE, 90 MALE ELBOW, 1.00 TUBE X 1-5/16-12 SAE

**MAINTENANCE PARTS**

A	1	128382-050	ELEMENT-FLUID FILTER
B	1	124973-056	KIT-THERMOSTATIC VALVE <i>(includes items c, d, &amp; e)</i>
C	1	124973-052	ELEMENT-SEAL
D	1	124973-051	GASKET, O-RING
E	1	124973-057	ELEMENT
F	8	140675-006	O-RING-FACE SEAL
G	7	140406-916	O-RING, VITON
H	5	140406-920	O-RING, VITON
J	2	140675-007	O-RING-FACE SEAL
K	7	140406-908	O-RING, VITON

@ indicates torque value in foot pounds. *(lubricated thread)*



**FLUID PIPING GROUP (watercooled)**  
**142277-001**

ITEM NUMBER	QTY.	PART NUMBER	DESCRIPTION
1	1	128883-162	PLUG-PIPE, 1-5/8-12 SAE O-RING
2	1	140682-024	FITTING-UNION, 1-1/4 TUBE X 1-5/8-12 SAE O-RING
3	1	129730-050	VALVE-QUARTER TURN, SAE O-RING
4	1	140676-021	FITTING-ELBOW, 1-1/4 TUBE X 1-5/8-12 SAE
5	1	140681-017	FITTING-UNION, 1-1/4 TUBE X 1-1/4 NPTF
6	1	21741	TEE-PIPE, 1-1/4 NPT X 1/2 NPT X 1-1/4 NPT
7	1	128382-5	ASSEMBLY-FLUID FILTER
8	1	22708-23	HEAT EXCHANGER-FLUID COOLER
9	2	140676-018	FITTING-ELBOW, 1.00 TUBE X 1-5/16-12 SAE
10	1	141021-006	FITTING-TUBE,ORIFICE, 90 MALE ELBOW, 1.00 TUBE X 1-5/16-12 SAE
11	1	140719-007	ASSEMBLY-TUBE, FLANGED, 1-1/4 O.D.
12	1	121918-030	TUBE-FORMED, 1-1/4, O.D.
13	1	141479	TUBE-FORMED, 1.00 O.D.
14	1	125938-062	NIPPLE-PIPE, 1-1/4 NPT X 8.50
15	4	123478-L14	SCREW-HEX., 3/8-16 UNC X 1.25, GRADE 5 (@ 23 FT.-LBS.)
16	4	110428W038	FLATWASHER, 3/8
17	4	123115-06C	LOCKWASHER, 3/8
18	4	124364-L02	NUT-HEX., 3/8-16 UNC
19	1	128883-075	PLUG-PIPE, 3/4-16 SAE O-RING
20	1	129710-1	BRACKET-COOLER
21	1	140120-2	BRACKET-ENCLOSURE
22	1	123478-K12	SCREW-HEX., 5/16-18 UNC X 1.00, GRADE 5 (@ 13 FT.-LBS.)
23	1	110428W031	FLATWASHER, 5/16
24	1	124370-K02	LOCKNUT, 5/16-18 UNC
25	2	140680-006	FITTING-SLEEVE, 1.00 O.D. TUBE
26	2	140679-007	FITTING-NUT, 1.00 O.D. TUBE
27	2	140680-007	FITTING-SLEEVE, 1-1/4 O.D. TUBE
28	2	140679-008	FITTING-NUT, 1-1/4 O.D. TUBE

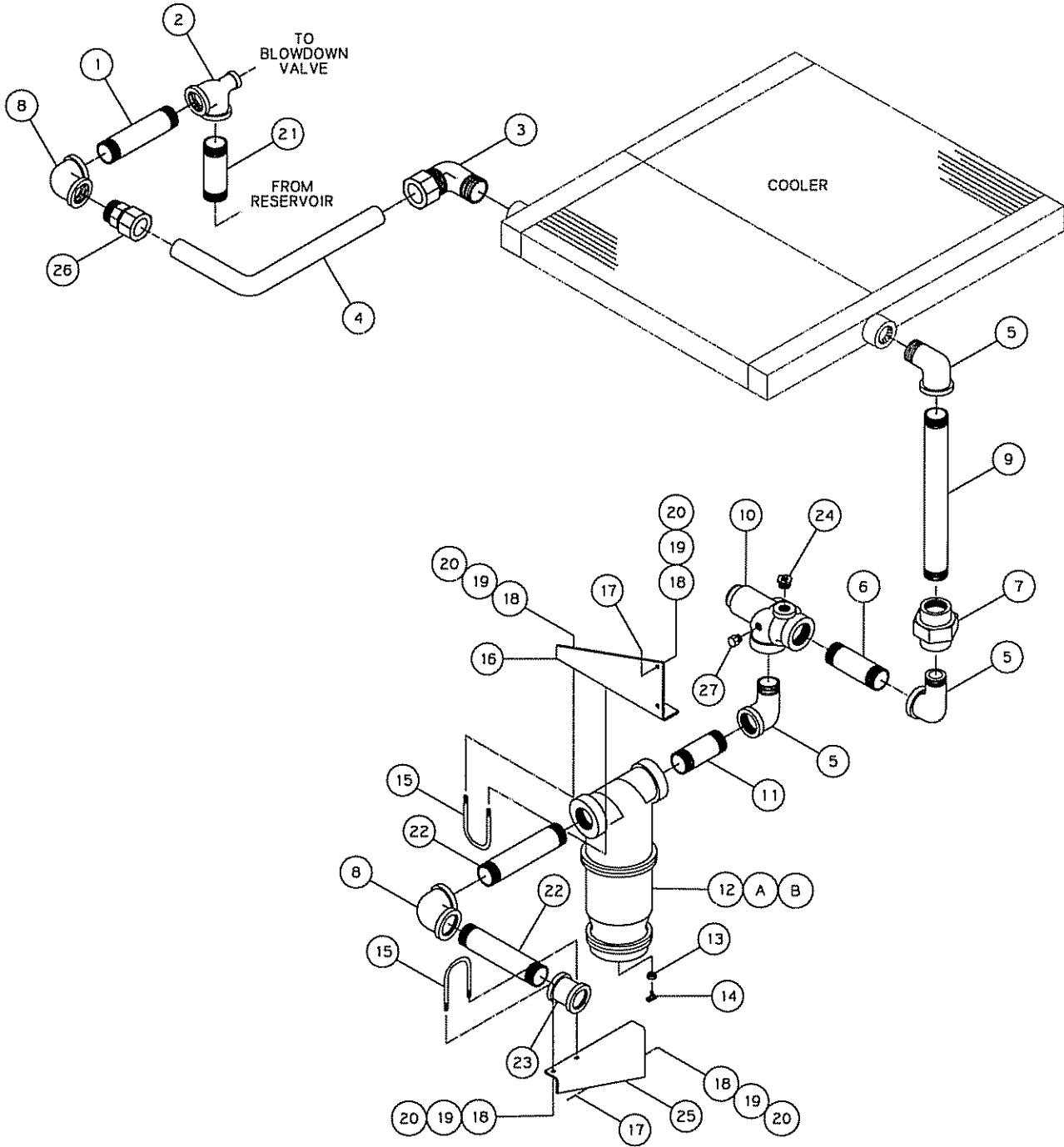
**MAINTENANCE PARTS**

A	1	128382-050	ELEMENT-FLUID FILTER
B	1	22708-727	GASKET-COOLER, IN/OUT END
C	1	22708-725	BONNET-COOLER, IN/OUT END
D	1	22708-728	GASKET-COOLER, RETURN END
E	1	22708-726	BONNET-COOLER, RETURN END
F	5	140406-920	O-RING, VITON
G	4	140675-007	O-RING-FACE SEAL
H	2	140406-006	O-RING-FACE SEAL
J	2	140675-916	O-RING, VITON
K	2	140406-908	O-RING, VITON

@ indicates torque value in foot pounds. *(lubricated thread)*

# AIR PIPING GROUP (aircooled)

129779-001



**AIR PIPING GROUP (aircooled)**  
**129779-001**

ITEM NUMBER	QTY.	PART NUMBER	DESCRIPTION
1	1	125940-042	NIPPLE-PIPE, 2.00 NPT X 6.00
2	1	21929	TEE-PIPE, 2.00 NPT X 1/2 NPT X 2.00 NPT
3	1	110419-024	FITTING-TUBE, 90 MALE ELBOW 2.00 TUBE X 2.00 NPT
4	1	121918-071	TUBE-FORMED, 2.00 O.D.
5	3	4462	ELBOW-PIPE, 2.00 NPT
6	1	125940-026	NIPPLE-PIPE, 2.00 NPT X 4.00
7	1	127289-010	UNION-PIPE, 2.00 NPT
8	2	4463	ELBOW-PIPE, 2.00 NPT
9	1	125940-058	NIPPLE-PIPE, 2.00 NPT X 8.00
10	1	128691-004	VALVE-CHECK, MINIMUM PRESSURE
11	1	125940-014	NIPPLE-PIPE, 2.00 NPT X 2.50
12	1	124827-200	SEPARATOR-MOISTURE
13	1	3535	BUSHING-PIPE, 3/8 NPT X 1/4 NPT
14	1	2713	DRAINCOCK-1/4 NPT
15	2	23732	U BOLT-3/8-16 UNC
16	1	140158	BRACKET-SUPPORT
17	3	123478-L12	SCREW-HEX., 3/8-16 UNC X 1.00, GRADE 5 (@ 23 FT.-LBS.)
18	7	110428W038	FLATWASHER, 3/8
19	7	123115-06C	LOCKWASHER, 3/8
20	7	124364-L02	NUT-HEX., 3/8-16 UNC
21	1	125940-038	NIPPLE-PIPE, 2.00 NPT X 5.50
22	2	125940-054	NIPPLE-PIPE, 2.00 NPT X 7.50
23	1	6366	COUPLING-PIPE, 2.00 NPT
24	1	3673	BUSHING-PIPE, 1-1/4 NPT X 1.00 NPT
25	1	140172	BRACKET-SUPPORT
26	1	23991	FITTING-TUBE, MALE CONNECTOR 2.00 TUBE X 2.00 NPT
27	1	2574	PLUG-PIPE, 1/4 NPT

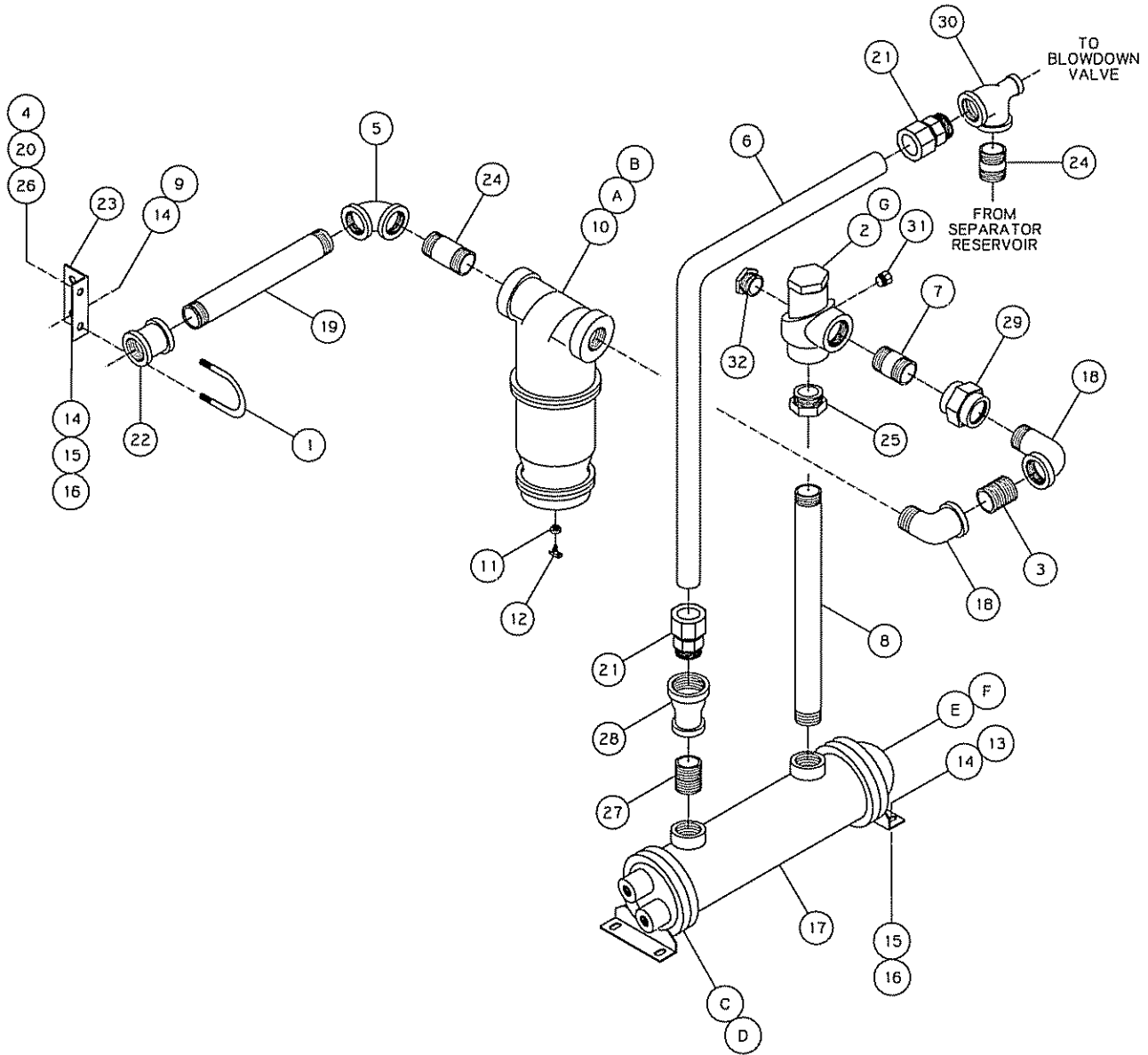
**MAINTENANCE PARTS**

A	1	124827-052	KIT-MOISTURE SEPARATOR ( <i>includes item B</i> )
B	1	124827-051	GASKET

@ indicates torque value in foot pounds. (*lubricated threads*)

**AIR PIPING GROUP (watercooled)**  
**129767-001**

---



**AIR PIPING GROUP (watercooled)**  
**129767-001**

ITEM NUMBER	QTY.	PART NUMBER	DESCRIPTION
1	1	122761	U BOLT-3/8-16 UNC
2	1	128691-004	VALVE-CHECK, MINIMUM PRESSURE
3	1	125939-018	NIPPLE-PIPE, 1-1/2 NPT X 3.00
3	1	125940-001	NIPPLE-PIPE, 2.00 NPT X CLOSE
4	2	124364-L02	NUT-HEX., 3/8-16 UNC
5	1	4463	ELBOW-PIPE, 2.00 NPT
6	1	120906	TUBE-FORMED, 2.00 O.D.
7	1	125940-014	NIPPLE-PIPE, 2.00 NPT X 2.50
8	1	125939-102	NIPPLE-PIPE, 1-1/2 NPT X 12.50
9	2	123478-K12	SCREW-HEX., 5/16-18 UNC X 1.00, GRADE 5 (@ 13 FT.-LBS.)
10	1	124827-200	SEPARATOR-MOISTURE
11	1	3535	BUSHING-PIPE, 3/8 NPT X 1/4 NPT
12	1	2713	DRAINCOCK-1/4 NPT
13	4	123478-K14	SCREW-HEX., 5/16-18 UNC X 1.25, GRADE 5 (@ 13 FT.-LBS.)
14	8	110428W031	FLATWASHER, 5/16
15	6	123115-05C	LOCKWASHER, 5/16
16	6	124364-K02	NUT-HEX., 5/16-18 UNC
17	1	22709-15	HEAT EXCHANGER-AFTERCOOLER
18	2	4462	ELBOW-PIPE, 2.00 NPT
19	1	125940-118	NIPPLE-PIPE, 2.00 NPT X 15.50
20	2	123115-06C	LOCKWASHER, 3/8
21	2	23991	FITTING-TUBE, MALE CONNECTOR 2.00 TUBE X 2.00 NPT
22	1	6366	COUPLING-PIPE, 2.00 NPT
23	1	140133	BRACKET-SUPPORT
24	2	125940-026	NIPPLE-PIPE, 2.00 NPT X 4.00
25	1	6064	BUSHING-PIPE, 2.00 NPT X 1-1/2 NPT
26	2	110428W038	FLATWASHER, 3/8
27	1	125939-001	NIPPLE-PIPE, 1-1/2 NPT X CLOSE
28	1	23708	COUPLING-PIPE, REDUCING 2.00 NPT X 1-1/2 NPT
29	1	127289-010	UNION-PIPE, 2.00 NPT
30	1	21929	TEE-PIPE, 2.00 NPT X 1/2 NPT X 2.00 NPT
31	1	2574	PLUG-PIPE, 1/4 NPT
32	1	3673	BUSHING-PIPE, 1-1/4 NPT X 1.00 NPT

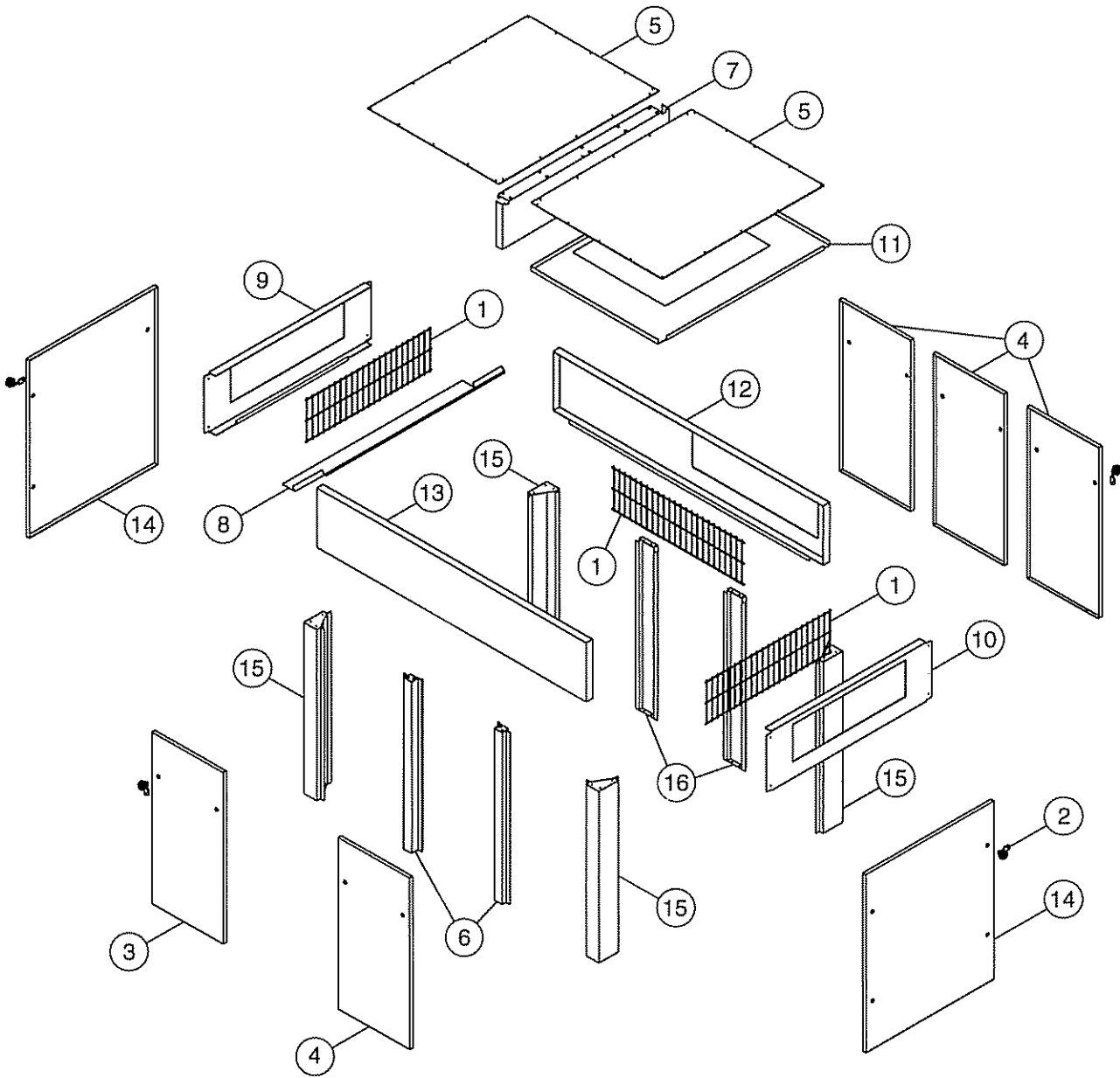
**MAINTENANCE PARTS**

A	1	124827-052	KIT-MOISTURE SEPARATOR ( <i>includes item B</i> )
B	1	124827-051	GASKET
C	1	22709-727	GASKET-COOLER, IN/OUT END
D	1	22709-725	BONNET-COOLER, IN/OUT END
E	1	22709-728	GASKET-COOLER, RETURN END
F	1	22709-726	BONNET-COOLER, RETURN END

@ indicates torque value in foot pounds. (*lubricated threads*)

# CABINET GROUP (aircooled)

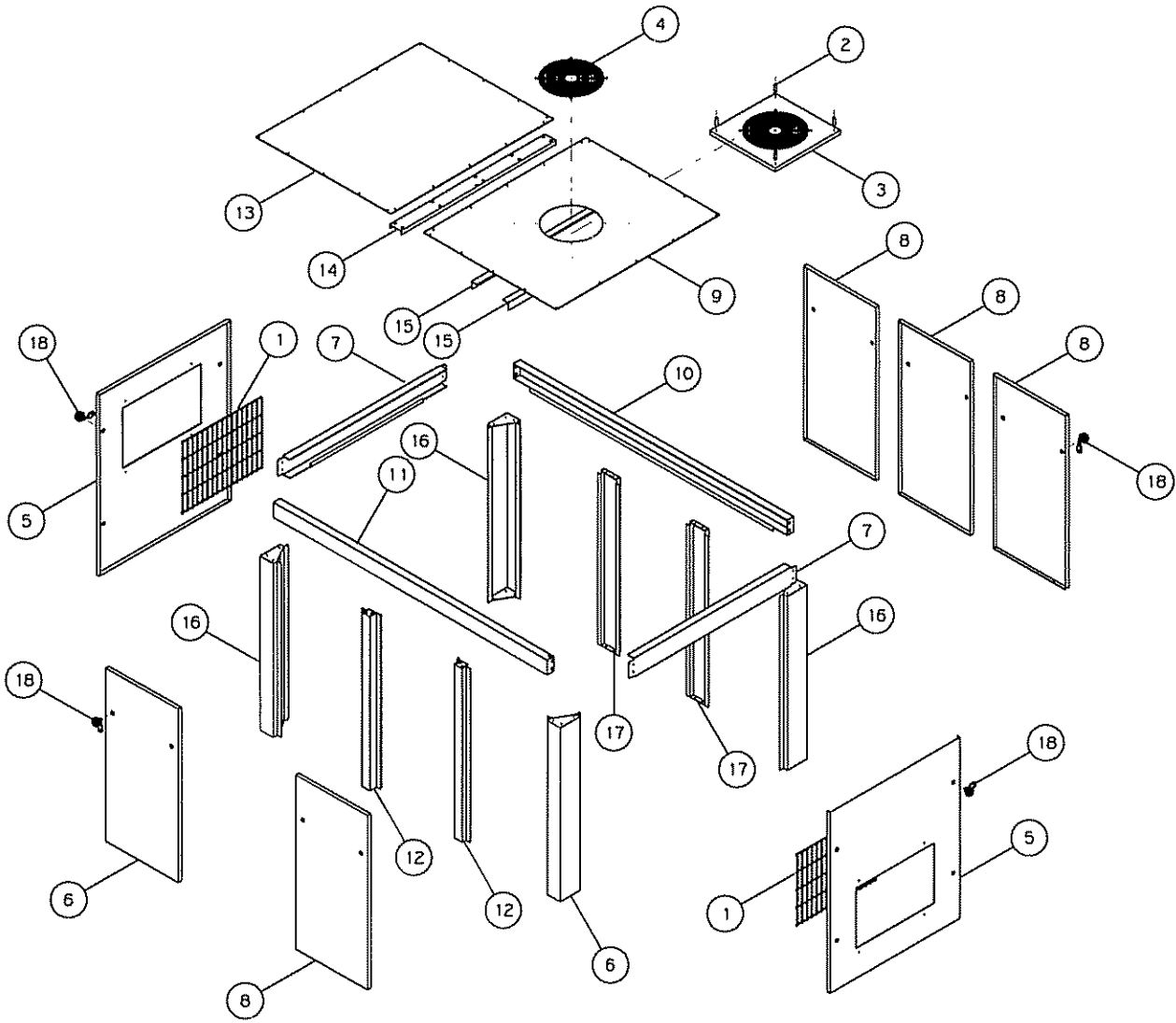
---



## CABINET GROUP (*aircooled*)

ITEM NUMBER	QTY.	PART NUMBER	DESCRIPTION
1	3	129691	SCREEN-CABINET
2	18	127623	LATCH-DOOR, QUARTER TURN
3	1	129371-11	PANEL-DOOR, AIR RECEIVER CANOPY
4	4	129371-13	PANEL-DOOR
5	2	129371-15	PANEL-ROOF
6	2	129371-18	PANEL-DOOR POST, FRONT
7	1	129371-21	PANEL-SUPPORT
8	1	129371-22	PANEL-BAFFLE
9	1	129371-23	PANEL-ROOF SUPPORT
10	1	129371-24	PANEL-ROOF SUPPORT
11	1	129371-25	PANEL-COOLER
12	1	129371-26	PANEL-ROOF SUPPORT, UPPER REAR
13	1	129371-27	PANEL-ROOF SUPPORT, UPPER FRONT
14	2	129371-28	PANEL-DOOR
15	4	129557-10	PANEL-CORNER POST
16	2	129557-14	PANEL-DOOR POST, REAR

# CABINET GROUP (watercooled)



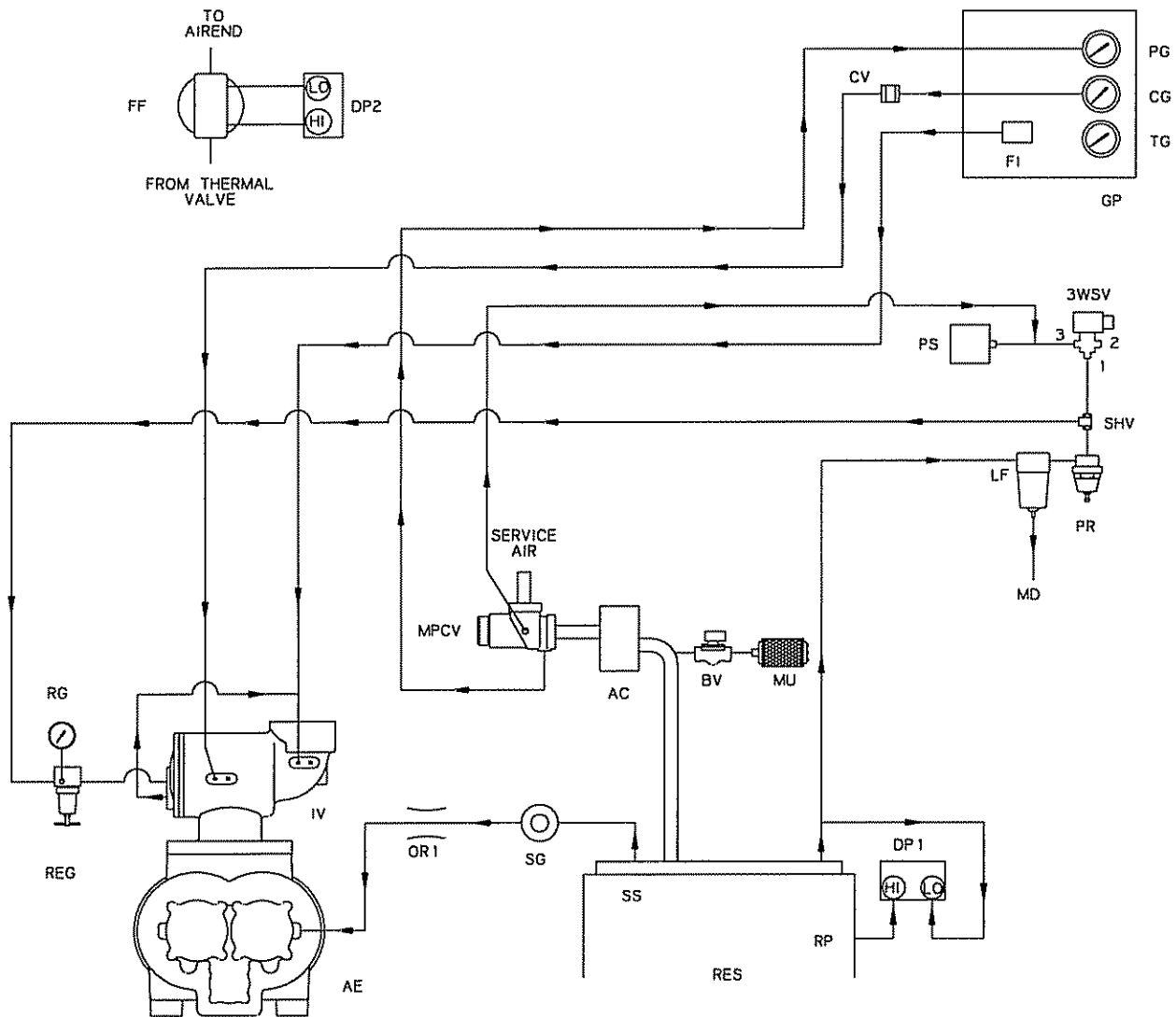
## CABINET GROUP *(watercooled)*

---

ITEM NUMBER	QTY.	PART NUMBER	DESCRIPTION
1	2	129714	SCREEN-CABINET
2	4	140010	SPACER-FAN
3	1	127402-016	FAN-VENT
4	1	128828	GUARD-FAN
5	2	129371-10	PANEL-END
6	1	129371-11	PANEL-DOOR
7	2	129371-12	PANEL-ROOF SUPPORT
8	4	129371-13	PANEL-DOOR
9	1	129371-15	PANEL-ROOF
10	1	129371-16	PANEL-ROOF SUPPORT
11	1	129371-17	PANEL-ROOF SUPPORT
12	2	129371-18	PANEL-DOOR POST
13	1	129371-20	PANEL-ROOF
14	1	129371-29	PANEL-SUPPORT
15	2	129371-30	PANEL-SUPPORT
16	4	129557-10	PANEL-CORNER POST
17	2	129557-14	PANEL-DOOR POST
18	18	127623	LATCH-DOOR, QUARTER TURN

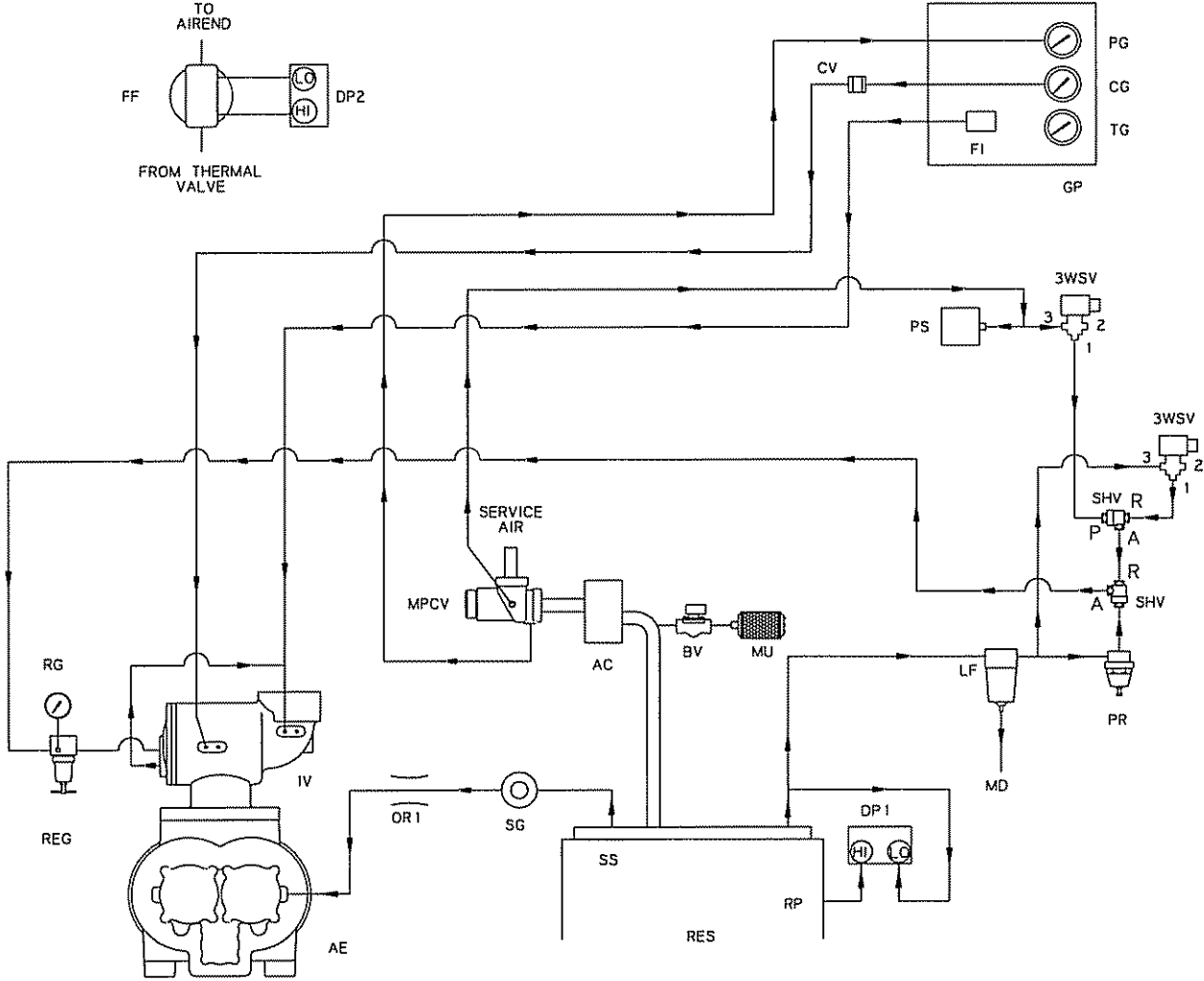
---

# CONTROL SCHEMATIC (across the line)



- |       |   |       |                            |
|-------|---|-------|----------------------------|
| AC:   | AFTERCOOLER                               | PG:   | PRESSURE GAUGE             |
| AE:   | AIREND                                    | PR:   | PRESSURE REGULATOR         |
| BV:   | NORMALLY CLOSED BLOWDOWN VALVE            | PS:   | PRESSURE SWITCH            |
| CG:   | CAPACITY GAUGE                            | REG:  | REGULATOR                  |
| DP1:  | DIFFERENTIAL PRESSURE SWITCH SEPARATOR    | RG:   | REGULATOR GAUGE            |
| DP2:  | DIFFERENTIAL PRESSURE SWITCH FLUID FILTER | RP:   | RESERVOIR PRESSURE         |
| FF:   | FLUID FILTER                              | RES:  | RESERVOIR                  |
| FI:   | AIR FILTER INDICATOR SWITCH               | SF:   | SCAVENGE FILTER            |
| GP:   | GAUGE PANEL                               | SG:   | SCAVENGE SIGHTGLASS        |
| IV:   | INLET VALVE                               | SHV:  | SHUTTLE VALVE              |
| LF:   | LINE FILTER                               | SN:   | SONIC NOZZLE               |
| MD:   | MOISTURE DRAIN                            | SS1:  | PRIMARY SEPARATOR SCAVENGE |
| MPCV: | MINIMUM PRESSURE CHECK VALVE              | TG:   | TEMPERATURE GAUGE          |
| MU:   | MUFFLER                                   | CV:   | CAPACITY VALVE             |
| OR1:  | SCAVENGE ORIFICE 078                      | 3WSV: | 3-WAY SOLENOID VALVE       |

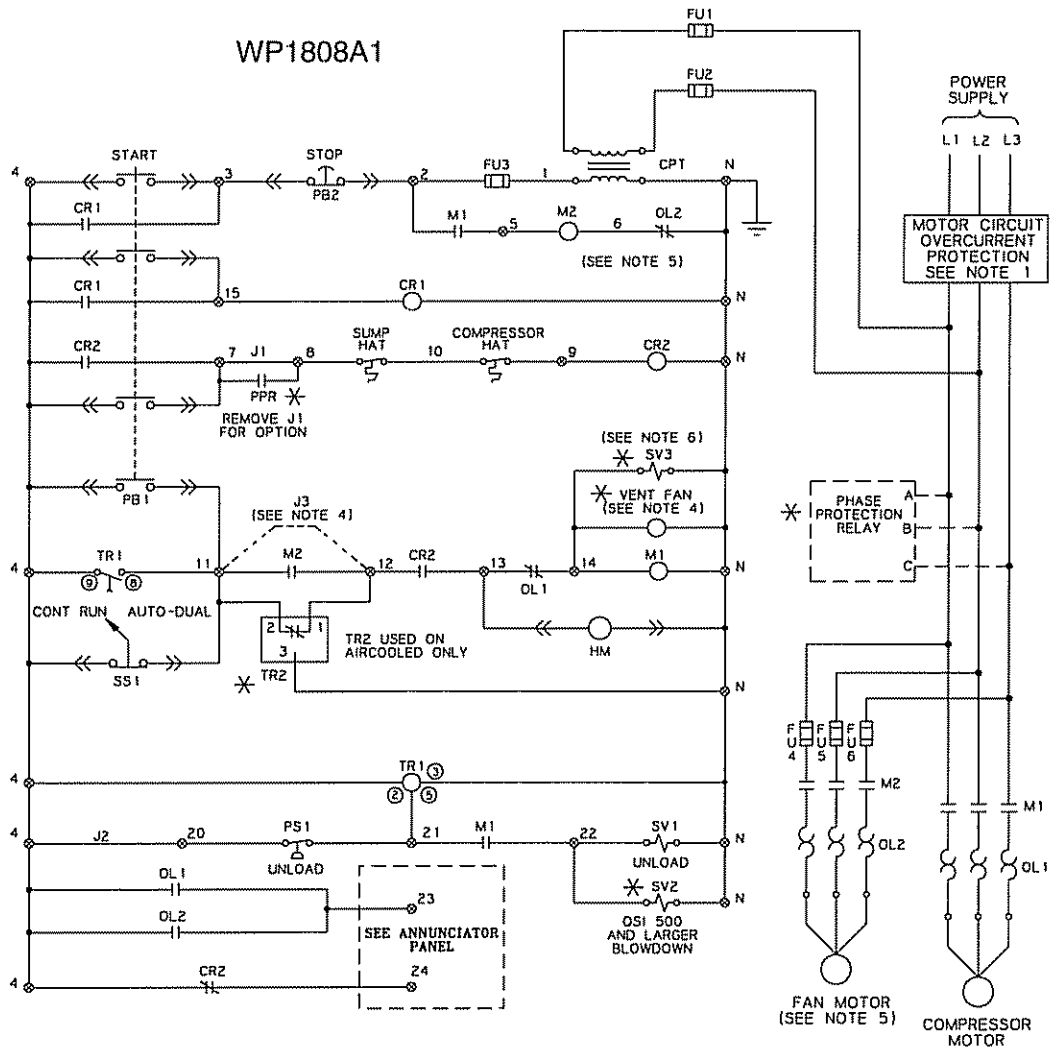
# CONTROL SCHEMATIC (wye-delta)



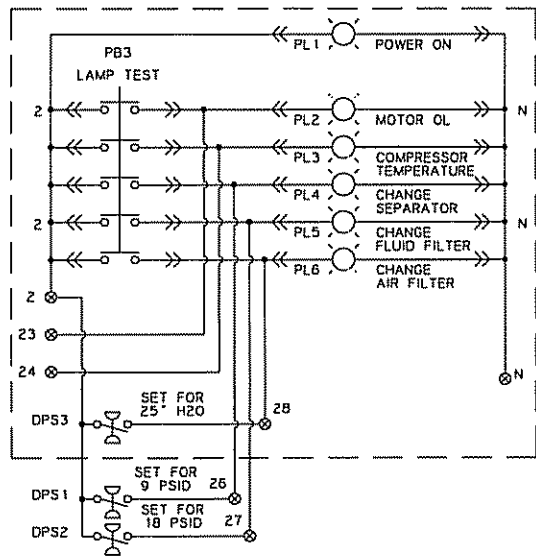
- |  |                                 |
|--|---------------------------------|
| AC: AFTERCOOLER                                | PG: PRESSURE GAUGE              |
| AE: AIREND                                     | PR: PRESSURE REGULATOR          |
| BV: NORMALLY CLOSED BLOWDOWN VALVE             | PS: PRESSURE SWITCH             |
| CG: CAPACITY GAUGE                             | REG: REGULATOR                  |
| DP1: DIFFERENTIAL PRESSURE SWITCH SEPARATOR    | RG: REGULATOR GAUGE             |
| DP2: DIFFERENTIAL PRESSURE SWITCH FLUID FILTER | RP: RESERVOIR PRESSURE          |
| FF: FLUID FILTER                               | RES: RESERVOIR                  |
| FI: AIR FILTER INDICATOR SWITCH                | SF: SCAVENGE FILTER             |
| GP: GAUGE PANEL                                | SG: SCAVENGE SIGHTGLASS         |
| IV: INLET VALVE                                | SHV: SHUTTLE VALVE              |
| LF: LINE FILTER                                | SN: SONIC NOZZLE                |
| MD: MOISTURE DRAIN                             | SS1: PRIMARY SEPARATOR SCAVENGE |
| MPCV: MINIMUM PRESSURE CHECK VALVE             | TG: TEMPERATURE GAUGE           |
| MU: MUFFLER                                    | CV: CAPACITY VALVE              |
| OR1: SCAVENGE ORIFICE 078                      | 3WSV: 3-WAY SOLENOID VALVE      |

# ELECTRICAL CONTROL DIAGRAM

## AUTO DUAL (across the line)



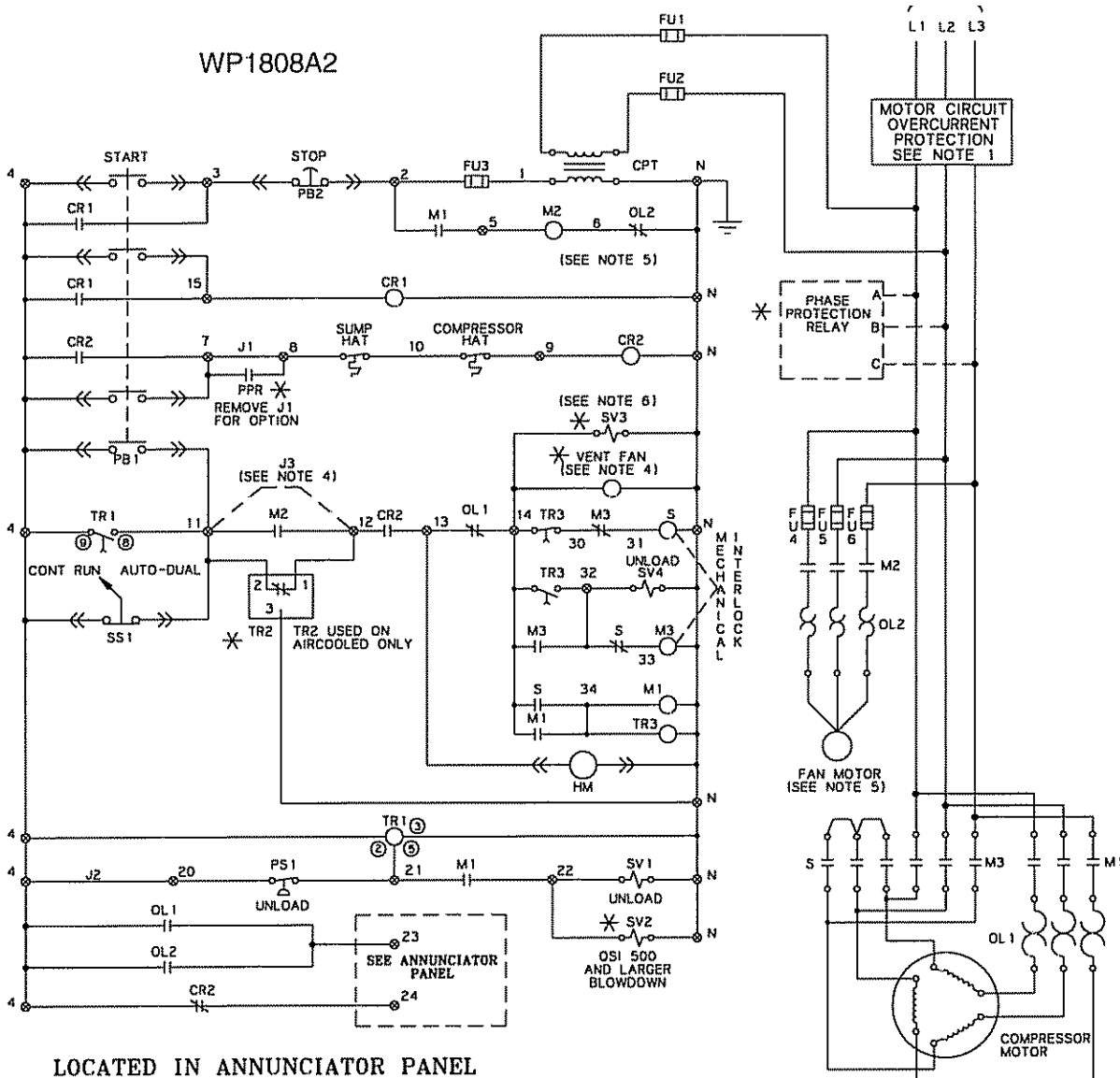
### LOCATED IN ANNUNCIATOR PANEL



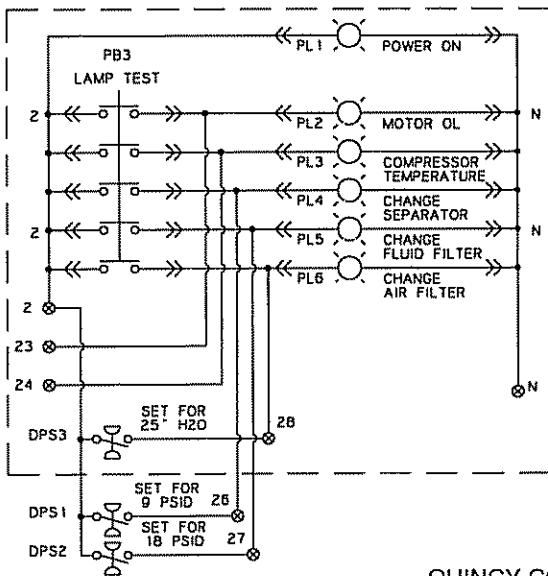
### NOMENCLATURE

- |     |                     |      |                     |
|-----|---------------------|------|---------------------|
| FU  | FUSE                | M    | CONTACTOR           |
| PB  | PUSH BUTTON         | SV   | SOLENOID VALVE      |
| SS  | SELECTOR SWITCH     | PS   | PRESSURE SWITCH     |
| CR  | CONTROL RELAY       | ⊗    | SCREW TERMINAL      |
| CPT | CONTROL POWER TRANS | ⓪    | OCTAL SOCKET NUMBER |
| TS  | TEMP SWITCH         | *    | OPTIONALS           |
| HAT | HIGH AIR TEMP       | HM   | HOUR METER          |
| PL  | PANEL LIGHT         | J    | JUMPERS             |
| TR  | TIMING RELAY        | <<>> | QUICK CONNECTS LUGS |
| OL  | OVERLOAD RELAY      |      |                     |
- NOTES
- 1) AT INSTALLATION THE CUSTOMER IS TO PROVIDE DISCONNECT AND BRANCH CIRCUIT OVERCURRENT PROTECTION IN ACCORDANCE WITH THE NATIONAL ELECTRICAL CODE AND/OR ANY LOCAL CODES HAVING PRECEDENCE.
  - 2) UNLESS OTHERWISE SPECIFIED ALL WIRES ARE RED EXCEPT "N" WIRES ARE WHITE AND "G" WIRE IS GREEN.
  - 3) ALL PUSH BUTTONS, SELECTOR SWITCHES, HOURMETER, AND INDICATOR LIGHTS ARE LOCATED IN THE ANNUNCIATOR PANEL.
  - 4) 115V VENT FAN USED ON WATERCOOLED CANOPY FOR QSI 245/370 AND 500. JUMPER TO BE PLACED BETWEEN TERMINALS 11 AND 12 FOR THESE MODELS ONLY.
  - 5) FAN MOTOR USED FOR STANDARD AIRCOOLED ON ALL UNITS AND ALSO WATERCOOLED CANOPY VENT FAN FOR QSI 750, 1000 1250 AND 1500
  - 6) WATER SHUTOFF SOLENOID VALVE FOR WATERCOOLED OPTION

# ELECTRICAL CONTROL DIAGRAM AUTO DUAL (wye-delta)



### LOCATED IN ANNUNCIATOR PANEL



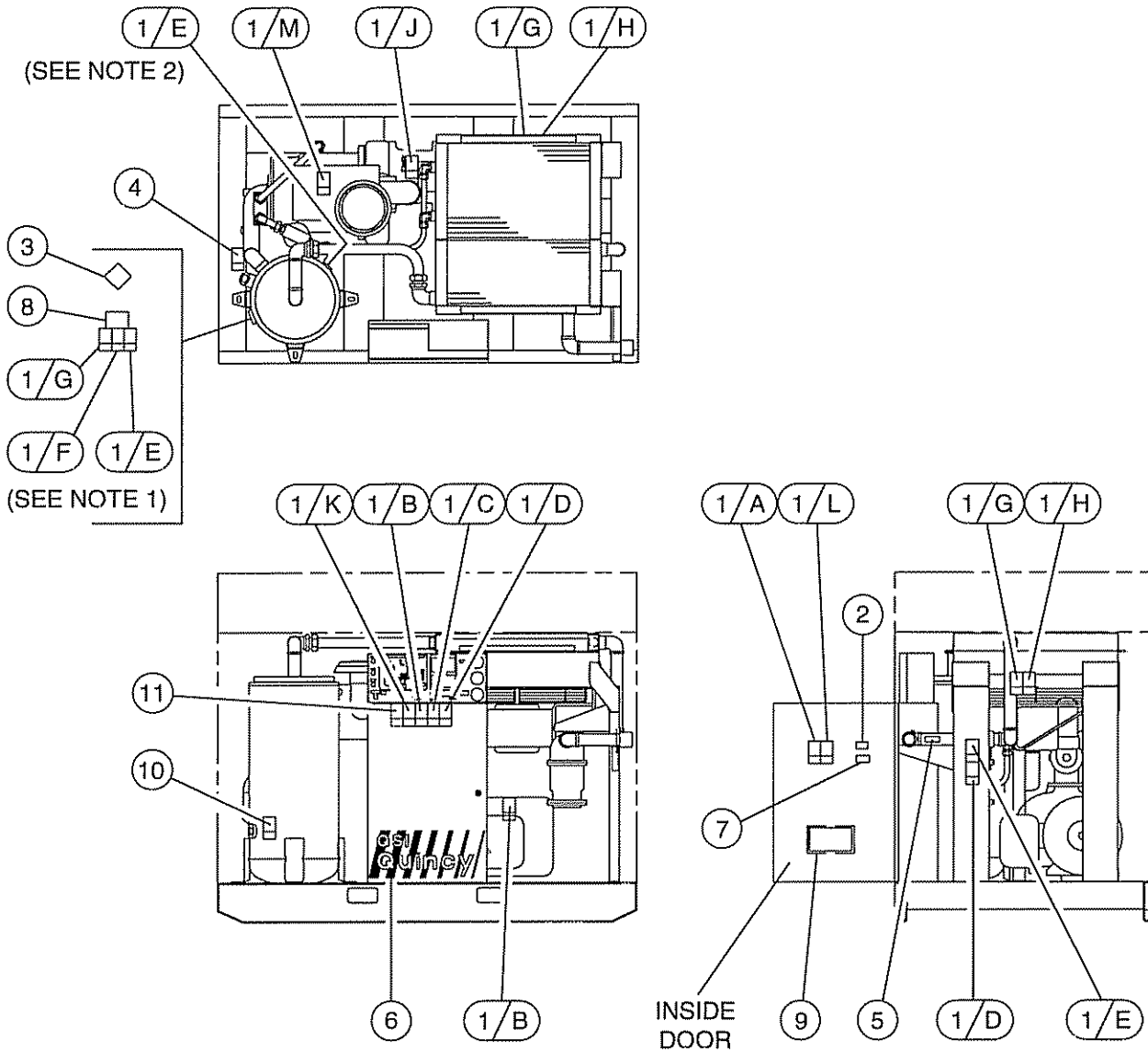
### NOMENCLATURE

FU	FUSE	M	CONTACTOR
PB	PUSH BUTTON	SV	SOLENOID VALVE
SS	SELECTOR SWITCH	PS	PRESSURE SWITCH
CR	CONTROL RELAY	⊗	SCREW TERMINAL
CPT	CONTROL POWER TRANS	Ⓢ	DIGITAL SOCKET NUMBER
TS	TEMP SWITCH	HM	OPTIONALS
HAT	HIGH AIR TEMP	J	JUMPERS
PL	PANEL LIGHT	<<>>	QUICK CONNECTS LUGS
TR	TIMING RELAY		
OL	OVERLOAD RELAY		

### NOTES

- 1) AT INSTALLATION THE CUSTOMER IS TO PROVIDE DISCONNECT AND BRANCH CIRCUIT OVERCURRENT PROTECTION IN ACCORDANCE WITH THE NATIONAL ELECTRICAL CODE AND/OR ANY LOCAL CODES HAVING PRECEDENCE
- 2) UNLESS OTHERWISE SPECIFIED ALL WIRES ARE RED EXCEPT "N" WIRES ARE WHITE AND "G" WIRE IS GREEN
- 3) ALL PUSH BUTTONS, SELECTOR SWITCHES, HOURMETER, AND INDICATOR LIGHTS ARE LOCATED IN THE ANNUNCIATOR PANEL
- 4) 115V VENT FAN USED ON WATERCOOLED CANOPY FOR QSI 245/370 AND 500, JUMPER TO BE PLACED BETWEEN TERMINALS 11 AND 12 FOR THESE MODELS ONLY
- 5) FAN MOTOR USED FOR STANDARD AIRCOOLED ON ALL UNITS AND ALSO WATERCOOLED CANOPY VENT FAN FOR QSI 750, 1000, 1250 AND 1500
- 6) WATER SHUTOFF SOLENOID VALVE FOR WATERCOOLED OPTION

# DECAL GROUP (aircooled)

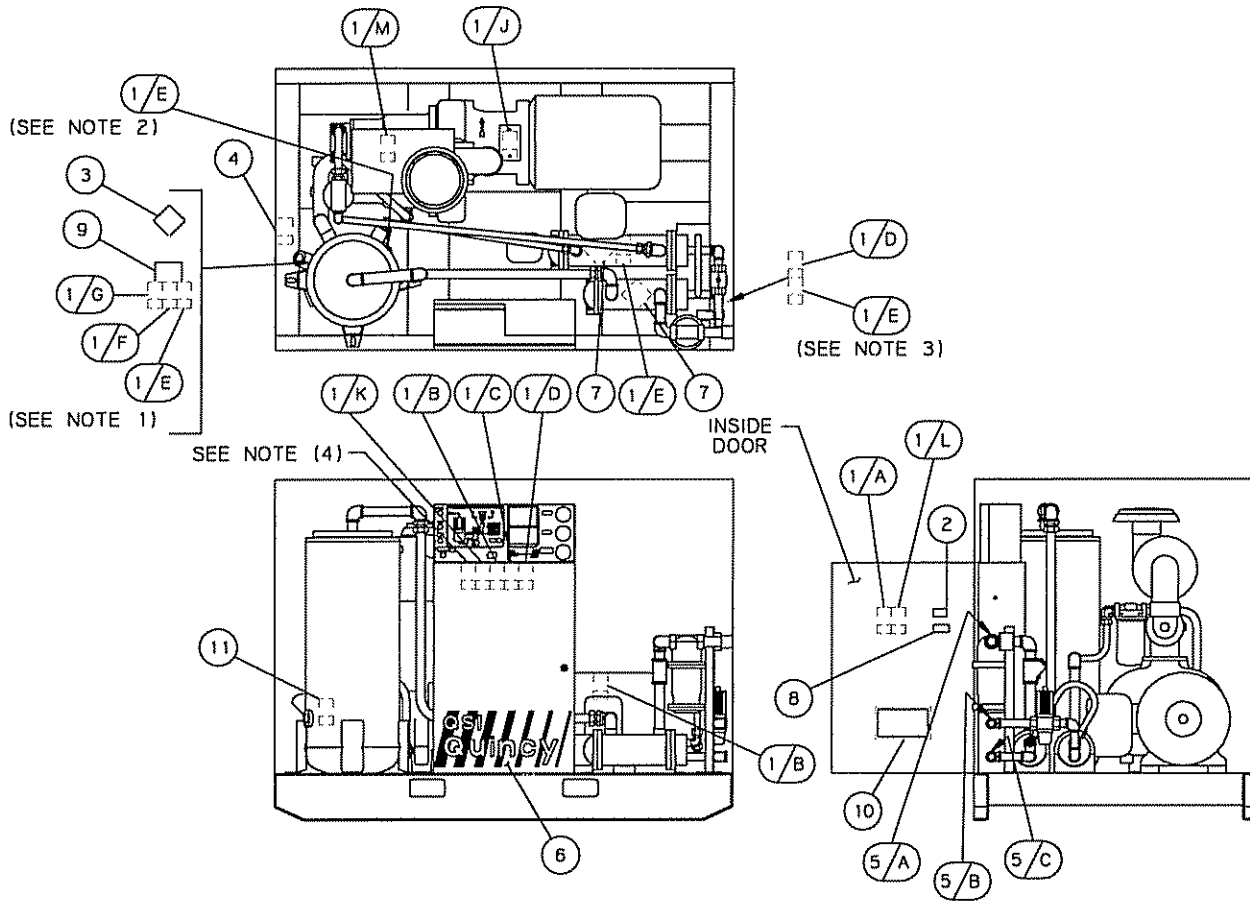


- NOTES-UNLESS OTHERWISE SPECIFIED:
- 1) THESE ITEMS ARE TO BE PLACED ABOVE THE SIGHTGLASS.
  - 2) THIS ITEM TO BE PLACED ABOVE THE SAFETY VALVE.

## DECAL GROUP (aircooled)

ITEM NUMBER	QTY.	PART NUMBER	DESCRIPTION
1/A thru 1/M	1	128004	SHEET-SAFETY DECALS
2	1	128198	LABEL-GENUINE QUINCY COMPONENTS
3	1	124839	DECAL-WARNING, DO NOT REMOVE STAPLES...
4	1	128065	DECAL-DANGER...HOT FLUID UNDER PRESSURE...
5	1	128280	DECAL-OUTLET IDENTIFICATION
6	1	129785-245	DECAL-QSI QUINCY
7	1	110835	DECAL-COMPRESSOR CONTROL PANEL PART NO
8	1	128425	DECAL-THIS MACHINE IS PROTECTED WITH QUINSYN...
9	1	110690-001	ENVELOPE-PLASTIC
10	1	140322	DECAL-CAUTION...FLUID FILL...
11	1	140364	DECAL-SAFETY...WARNING AUTO START...(OPTIONAL)

# DECAL GROUP (watercooled)



- NOTES-UNLESS OTHERWISE SPECIFIED:
- 1) THESE ITEMS ARE TO BE PLACED ABOVE SIGHTGLASS.
  - 2) THIS ITEM TO BE PLACED ABOVE SAFTEY VALVE.
  - 3) THESE ITEMS TO BE PLACED ON BASE BELOW SERVICE CONNECTION
  - 4) OPTIONAL AUTO-RESTART DECAL

## DECAL GROUP (watercooled)

ITEM NUMBER	QTY.	PART NUMBER	DESCRIPTION
1/A thru 1/M	1	128004	SHEET-SAFETY DECALS
2	1	128198	LABEL-GENUINE QUINCY COMPONENTS
3	1	124839	DECAL-WARNING, DO NOT REMOVE STAPLES...
4	1	128065	DECAL-DANGER...HOT FLUID UNDER PRESSURE...
5	1	128280	DECAL-OUTLET IDENTIFICATION
6	1	129785-245	DECAL-QSI QUINCY
7	2	22012	DECAL-WARNING, PROTECT FROM FREZZING...
8	1	110835	DECAL-COMPRESSOR CONTROL PANEL PART NO
9	1	128425	DECAL-THIS MACHINE IS PROTECTED WITH QUINSYN...
10	1	110690-001	ENVELOPE-PLASTIC
11	1	140322	DECAL-CAUTION...FLUID FILL...
12	1	140364	DECAL-SAFETY...WARNING AUTO START...( <i>OPTIONAL</i> )

## RECOMMENDED SPARE PARTS

QTY.	PART NUMBER	DESCRIPTION
1	129731-050	KIT-LINE FILTER
1	125657-060	KIT-THERMOSTATIC VALVE
1	122862-900	TIMER-15 MINUTE, DELAY ON BREAK
4	125706-005	RELAY
2	122880-252	TEMPERATURE SWITCH
* 1	124487-019	SEPARATOR-AIR/FLUID
* 1	23458-4	ELEMENT-AIR FILTER
* 1	128382-050	ELEMENT-FLUID FILTER
* 1	140506-055	QUINSYN FLUID, HIGH PRESSURE (55 GAL. CONTAINER)

\* **NOTE:** THE ITEMS MARKED ARE INCLUDED IN THE MAINTENANCE KIT BELOW.

### ROTARY SCREW MAINTENANCE KIT

#### STANDARD

1	127667HS48	ROTARY SCREW MAINTENANCE KIT <i>includes:</i>
1	124487-019	SEPARATOR-AIR/FLUID
3	140506-005	QUINSYN FLUID, HIGH PRESSURE (55 GAL. CONTAINER)
2	23458-4	ELEMENT-AIR FILTER
3	128382-050	ELEMENT-FLUID FILTER

### COMPRESSOR FLUID ANALYSIS KIT 128515

Provides Early Detection of Excessive Parts Wear, Fluid Breakdown, or a Contaminated Fluid System.



# NATIONWIDE SALES & SERVICE

Quincy Service is always near.  
There are Authorized Quincy Distributors located  
throughout the United States & Canada that stock  
genuine Quincy parts & accessories for a wide  
range of Quincy products.

Quincy Service specialists are factory trained and  
will help you in business. Call for Authorized  
Quincy Service.

For reciprocating  
and natural gas engine driven  
rotary screw products:  
*call 1-217-222-7700*  
*or fax requests to 1-800-219-9126*

For all other rotary screw products:  
*call 1-334-937-5900*  
*or fax requests to 1-800-219-9131*



**Quincy**  
Compressor

---