

*Parts Manual for
Helical Screw Compressor Units*

**QMB/T Models
10, 15, 20, 25 & 30 HP**

Aircooled 50 & 60 Hz. Version "B"

50033-102

November 1993

Q

u

i

n

c

y

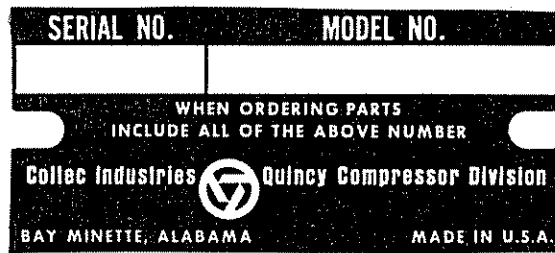


Alphabetical Index

Air/Oil Reservoir Group.....	10-11
Air Filter Group.....	37
Basic Compressor Group.....	4-5
Canopy Groups.....	16-21
Low Sound Group.....	38
Control Piping Groups:	
Continuous Run.....	22-23
Modulation.....	24-25
Continuous Run (Wye-Delta).....	26-27
Modulation (Wye-Delta).....	28-29
Cooler Groups.....	12-15
Decal Group:	
Base Unit.....	46-47
Tank Unit.....	48-49
Drive Groups.....	30-36
Electrical Control Group.....	39
Full Voltage Starting.....	40-41
Wye Delta Starting.....	42-43
Inlet Valve Group.....	8-9
Lubrication Specifications.....	3
Motor Mounting Groups.....	6-7
Receiver Group.....	44-45
Recommended Spare Parts.....	53
Schematics:	
Wiring.....	50-52
Serial Number Identification.....	2

Serial Number Identification

The serial number tag is located on the top flange of the unit frame just left of the control panel.



Ordering Replacement Parts

Prompt service can be rendered on replacement part orders if the following information is given.

1. The serial number must be given when ordering replacement parts.
2. State the exact part number needed. **Do not order by index numbers**, as index numbers are repeated throughout this manual and if used for ordering parts will necessitate time consuming correspondence.
3. State the exact quantity needed.
4. State the preferred type of transportation.

All replacement parts are to be ordered through an authorized distributor. Insist on Genuine Quincy Parts only! Failure to do so may void your warranty.

WARNING ! Guards must be fastened in place before starting the machine and never removed before disconnecting and locking out the main power supply.

DANGER ! Air from this compressor will cause severe injury or death if used for breathing or food processing. Air used for these processes must meet OSHA 29 CFR 1910 or FDA 21 CFR 178.3570 Regulations..

Helical Screw Lubrication Oils

- **Recommendations**

We recommend that all Quincy Rotary Screw Compressors be filled with lubricants that meets one of the following specifications:

Synthetic Lubricants
Quin-Syn
Quin-Syn F (Food Grade)

Synthetic lubricants other than Quin-Syn may not be compatible with components used in a Quincy helical screw compressor. If it is deemed necessary to convert any unit to a synthetic other than Quin-Syn, please contact an authorized Quincy Compressor distributor. The following information will be required by the distributor:

Model _____
Serial No. _____
Lubricant Originally Used _____
Lubricant Now Used (if changed) _____
Lubricant To Be Used _____

- **Additional Information**

Additional information can be found in the QMB/T Rotary Screw Instruction Manual.

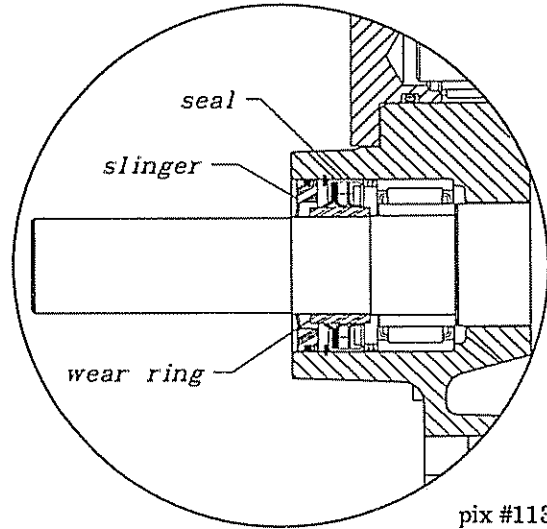
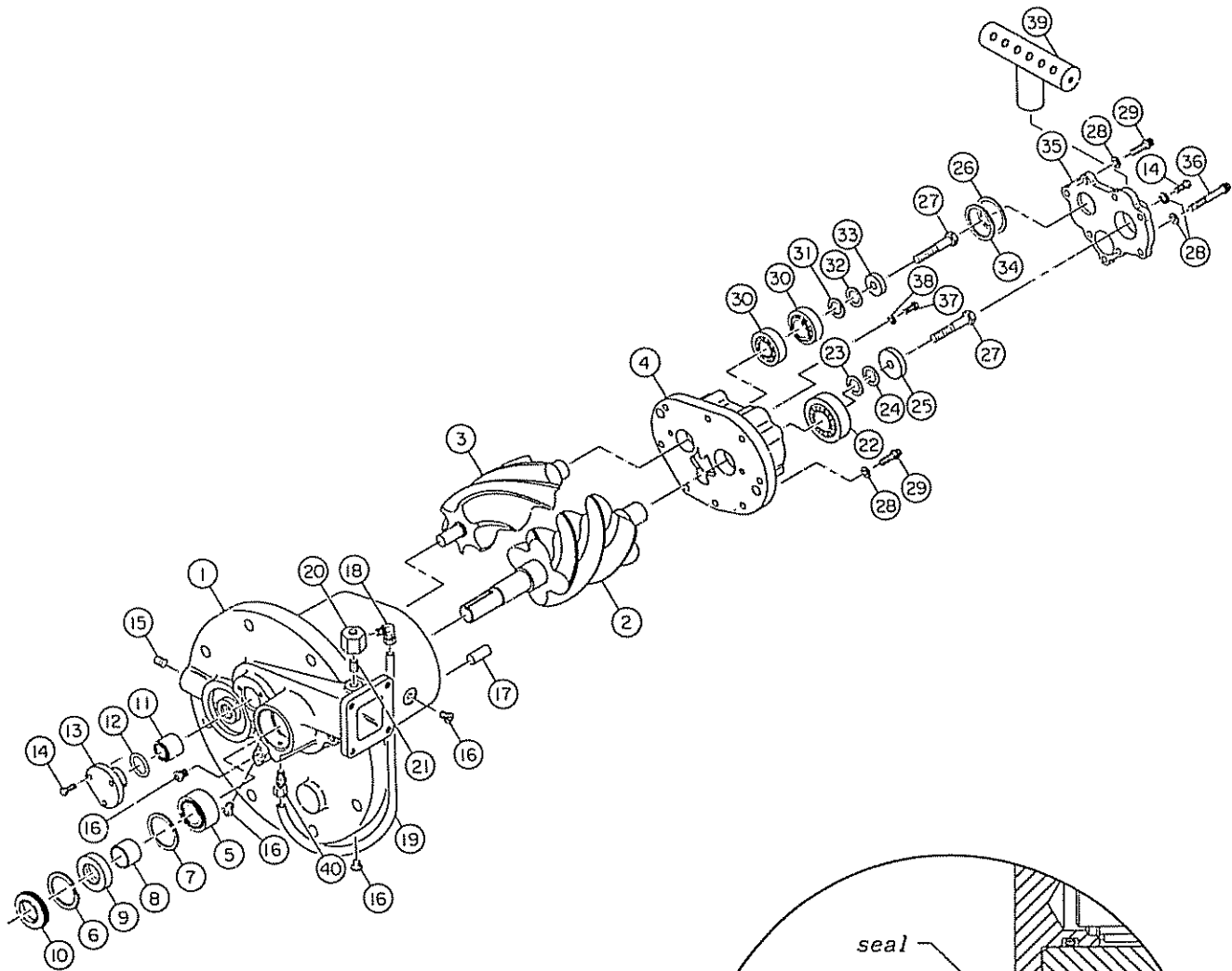
- **Sub-freezing Temperatures**

If a compressor is going to be subjected to sub-freezing temperatures, contact an authorized Quincy Compressor Distributor for instructions on how to prepare the compressor for cold temperatures.

- **Oil Analysis Kit**

Quincy Compressor now offers an Oil Analysis Kit to provide early detection of excessive parts wear, oil breakdown, or a contaminated oil system. Order the Oil Analysis Kit (part no. 128515) from your local authorized Quincy Compressor distributor.

BASIC COMPRESSOR GROUP



pix #1132

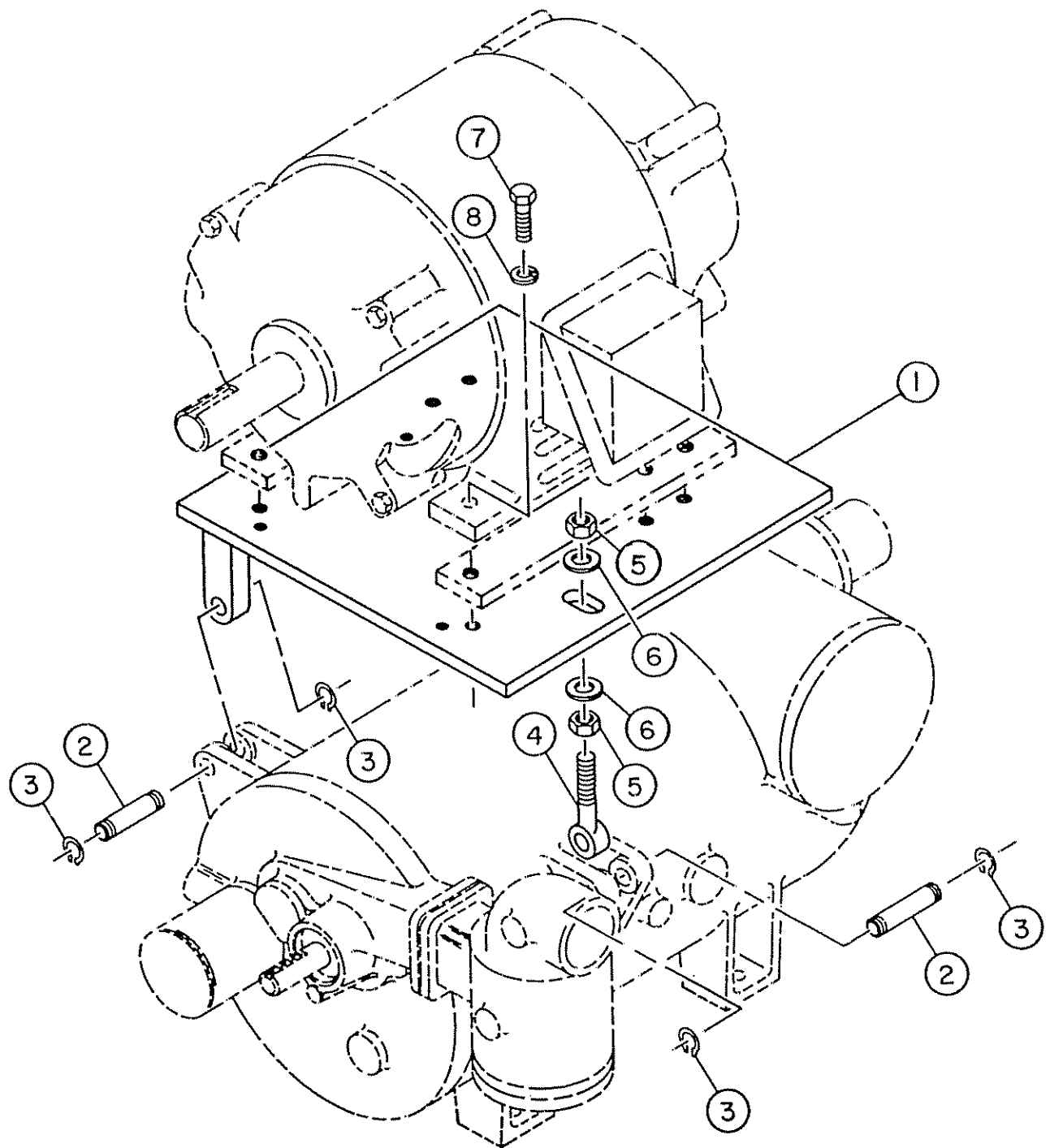
**Compressor Shaft Seal Kit
(Item 40)**

BASIC COMPRESSOR GROUP 128891-001

INDEX NUMBER	QTY	PART NUMBER	DESCRIPTION
1	1	128617	HOUSING-ROTOR
2	1	129601	ROTOR-MALE
3	1	128808	ROTOR-FEMALE
4	1	128578	PLATE-DISCHARGE END
5	1	128864	BEARING
6	1	128875	RING-RETAINING INTERNAL
7	1	1939-020	RING-OIL
8	1	128993	RING-SEAL WEAR
9	1	128866	SEAL-SHAFT
10	1	128867	SLINGER-OIL
11	1	128865	BEARING
12	1	123157-212	O' RING-1/8 WIDE X 1-1/8 O.D.
13	1	128815	CAP-SUCTION END
14	4	8088	SCREW
15	1	2755S	PLUG-PIPE, 1/8 NPT
16	4	128883-031	PLUG-PIPE, 5/16, O' RING
17	2	124145-004	PIN-DOWEL
18	1	124349-004	FITTING-TUBE, 90 MALE ELBOW 1/4 TUBE X 1/8 NPT
19	2	124435-003	TUBING-NYLON, 1/4 O.D.
20	1	122056	VALVE-CAPACITY GAUGE
21	1	121032-3	NIPPLE-PIPE, 1/4 NPT X CLOSE,BRASS
22	1	125580-004	BEARING
23	1	128926-030	SHIM-BEARING ADJUST, .030
24	1	128926-002	SHIM-BEARING ADJUST, .002
25	1	128870-001	RETAINER-BEARING
26	1	1297-020	RING
27	2	128928	SCREW-HEX CAP,1/2 UNF X 1.25 LG.
28	16	123115-04C	LOCKWASHER-1/4
29	13	90386-J12	SCREW-12 PT CAP,1/4 UNC X 1.00 LG.
30	2	125580-005	BEARING
31	1	128927-040	SHIM-BEARING ADJUST, .040
32	1	128927-005	SHIM-BEARING ADJUST, .005
33	1	128870-002	RETAINER-BEARING
34	1	128904-030	SHIM-BEARING ADJUST, .030
35	1	128579	CAP-DISCHARGE END
36	3	90386-J18	SCREW-CAP,1/4 UNC X 2.25 LG.
37	1	123478-J09	SCREW-HEX., 1/4-20 X .62
38	1	110428-010	FLATWASHER-#10
39	1	128999	SILENCER-DISCHARGE
40	1	124393-004	FITTING-CONNECTOR 1/4 TUBE X 1/8 NPT
<u>MAINTENANCE PARTS</u>			
41	1	129216	KIT-SHAFT SEAL (includes items 8, 9, and 10)

** CAUTION! Reference QMB/T Instruction Manual to install compressor shaft seal .
Tool Kit 129414 for QMB/T shaft seal and wear ring removal and installation can be
purchased from Quinicy Compressor.*

MOTOR MOUNTING GROUPS

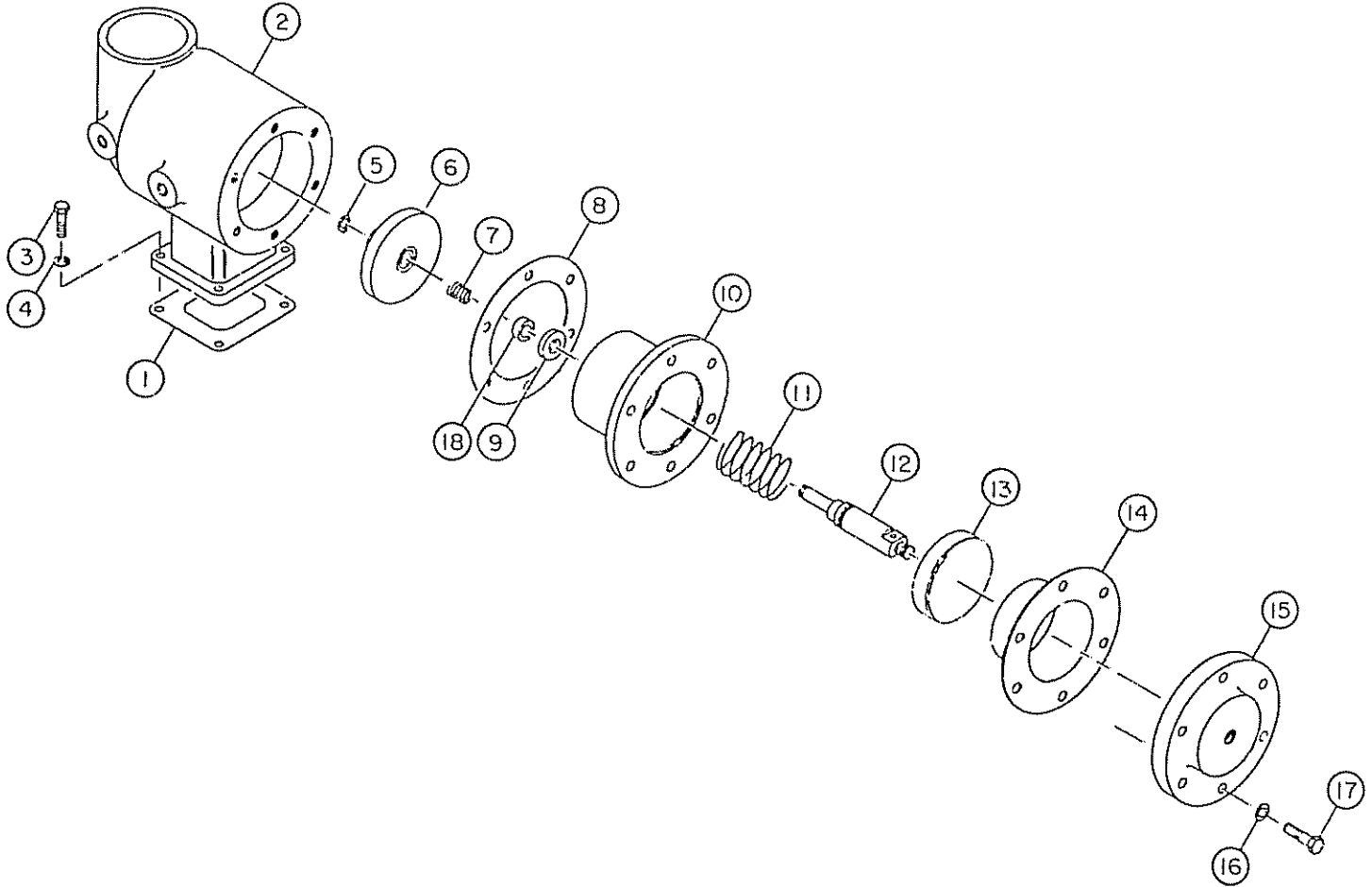


MOTOR MOUNTING GROUPS

INDEX NUMBER	QTY	PART NUMBER	DESCRIPTION
MOTOR MOUNTING GROUP 128947-002			
10HP TEFC/ODP, 15HP ODP			
1	1	128821	BASE-MOTOR
2	3	128830	PIN-PIVOT
3	6	124098-022	RING-RETAINING,EXTERNAL
4	1	128204-003	BOLT-SWING,5/8-11 UNC X 7.00 LONG
5	2	124364-Q02	NUT-HEX.,5/8-11 UNC
6	2	110428W062	FLATWASHER-5/8
7	4	123478-L15	SCREW-HEX.,3/8-16 UNC X 1.50, GRADE 5 (@ 55 Ft. Lbs.)
8	4	123115-06C	LOCKWASHER-3/8
MOTOR MOUNTING GROUP 128947-001			
15HP TEFC, 20HP ODP/TEFC, 25HP ODP			
1	1	128821	BASE-MOTOR
2	3	128830	PIN-PIVOT
3	6	124098-022	RING-RETAINING,EXTERNAL
4	1	128204-003	BOLT-SWING,5/8-11 UNC X 7.00 LONG
5	2	124364-Q02	NUT-HEX.,5/8-11 UNC
6	2	110428W062	FLATWASHER-5/8
7	4	123478-N15	SCREW-HEX.,1/2-13 UNC X 1.50, GRADE 5 (@ 55 Ft. Lbs.)
8	4	123115-08C	LOCKWASHER-1/2
MOTOR MOUNTING GROUP 128947-003			
25HP TEFC, 30HP ODP			
1	1	128822	BASE-MOTOR
2	3	128830	PIN-PIVOT
3	6	124098-022	RING-RETAINING,EXTERNAL
4	1	128204-003	BOLT-SWING,5/8-11 UNC X 7.00 LONG
5	2	124364-Q02	NUT-HEX.,5/8-11 UNC
6	2	110428W062	FLATWASHER-5/8
7	4	123478-N16	SCREW-HEX.,1/2-13 UNC X 1.75, GRADE 5 (@ 55 Ft. Lbs.)
8	4	123115-08C	LOCKWASHER-1/2

@ indicates torque value in foot pounds (lubricated threads)

INLET VALVE GROUP



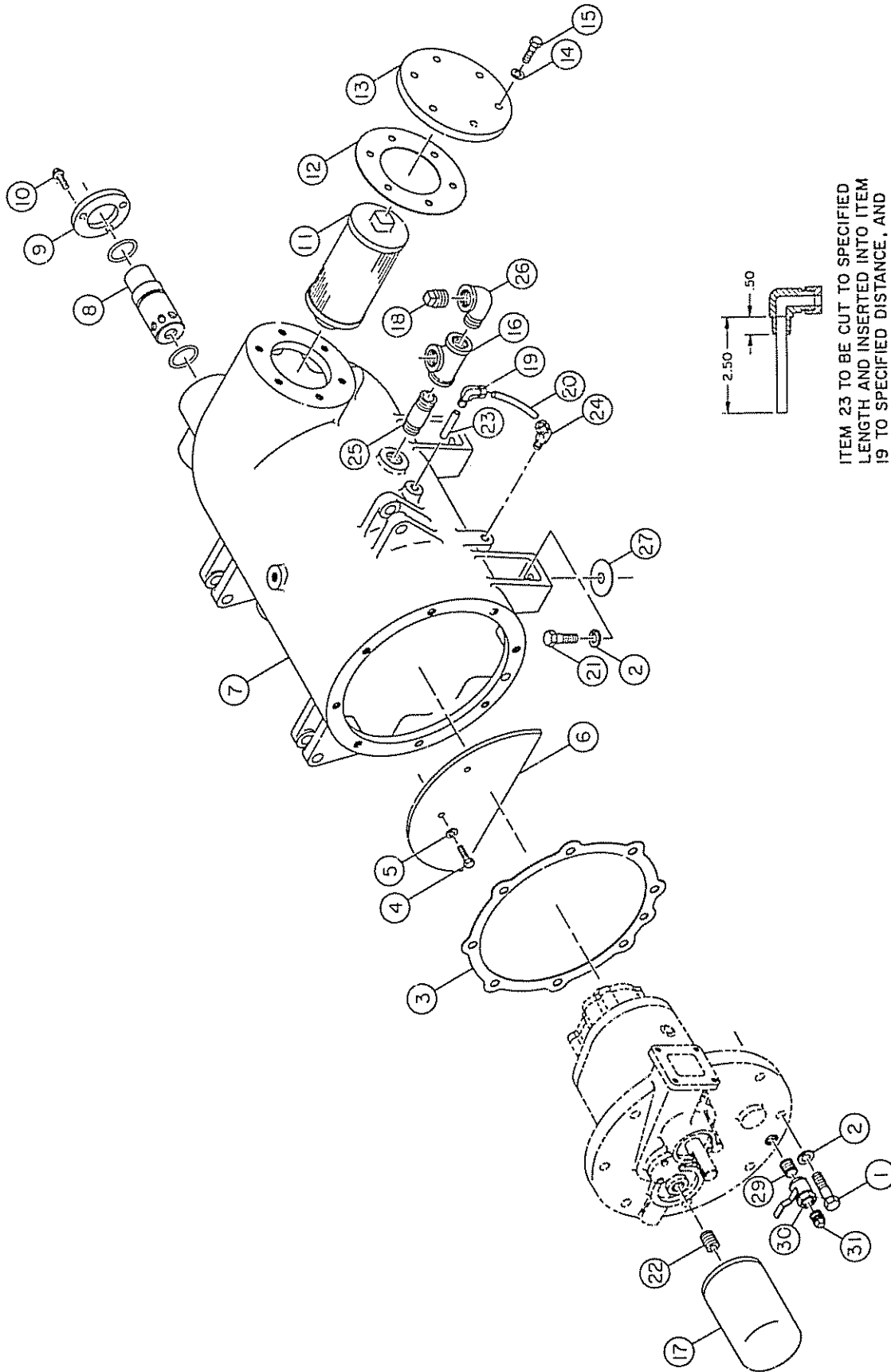
INLET VALVE GROUP 128900-003

INDEX NUMBER	QTY	PART NUMBER	DESCRIPTION
1	1	128861	GASKET-INLET VALVE
2	1	128805	HOUSING-INLET VALVE
3	4	123478-J12	SCREW-HEX.,1/4-20 UNC X 1.00,GRADE 5 (@ 6 Ft. Lbs.)
4	4	123115-04C	LOCKWASHER-1/4
5	1	124098-013	RING-RETAINING,EXTERNAL
6	1	128853	PLATE-INLET VALVE
7	1	128963	SPRING-COMPRESSION
8	1	123549-006	GASKET
9	1	128560	SEAL-SHAFT
10	1	128806	CYLINDER-INLET VALVE
11	1	128994	SPRING-COMPRESSION
12	1	128852	SHAFT-INLET VALVE
13	1	128854	PISTON-INLET VALVE
14	1	128810	DIAPHRAGM
15	1	128807	CAP-INLET VALVE
16	6	123115-05C	LOCKWASHER-5/16
17	6	123478-K15	SCREW-HEX.,5/16-18 UNC X 1.50,GRADE 5 (@ 13 Ft. Lbs.)
*18	1	128995	SPACER-INLET VALVE SHAFT

** not included on 25 & 30 HP*

@ indicates torque value in foot pounds (lubricated threads)

AIR/OIL RESERVOIR GROUP



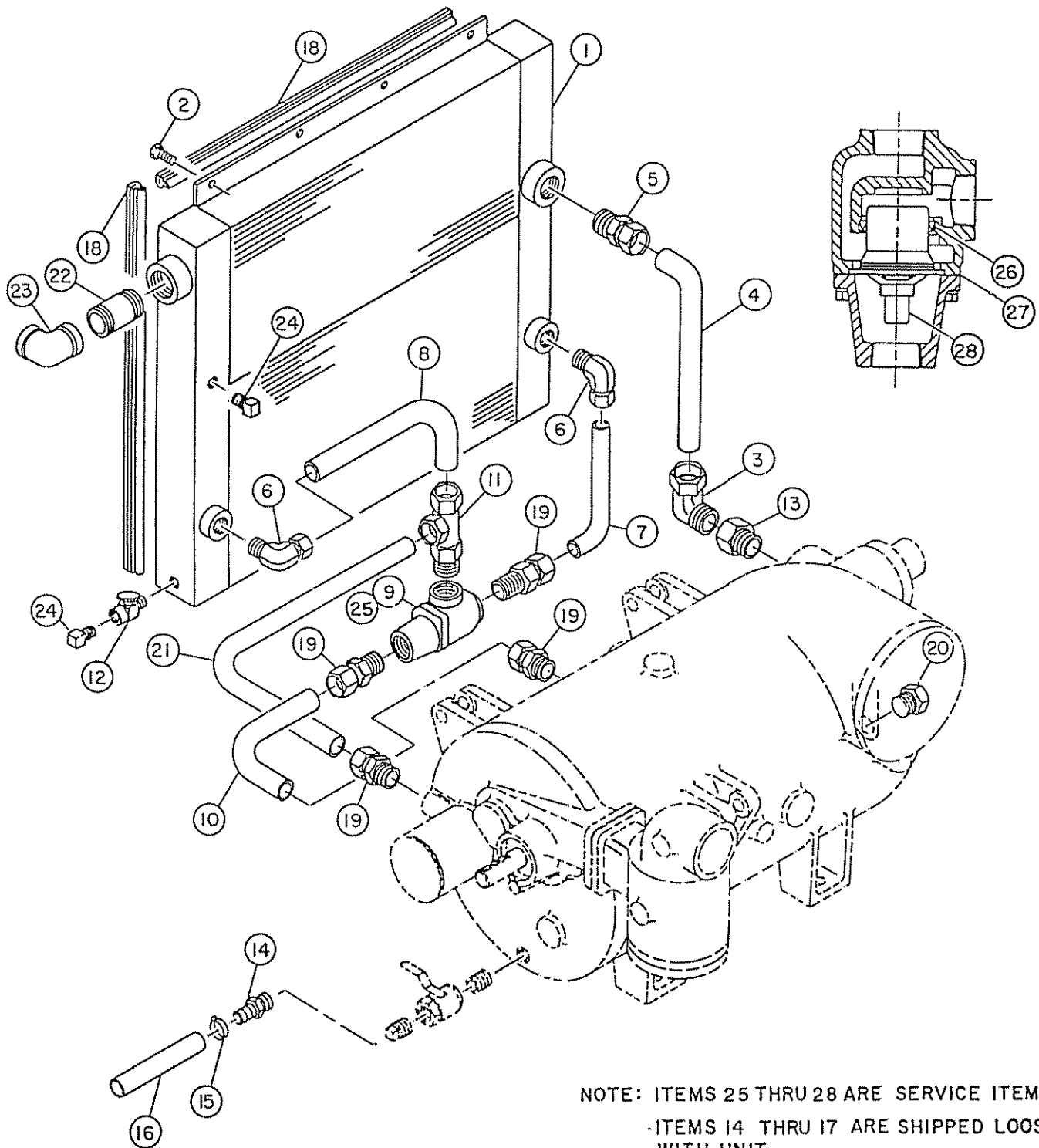
ITEM 23 TO BE CUT TO SPECIFIED LENGTH AND INSERTED INTO ITEM 19 TO SPECIFIED DISTANCE, AND HELD IN PLACE WITH LOCKTITE 601.

AIR/LUBRICANT RESERVOIR GROUP 129899-001

INDEX NUMBER	QTY	PART NUMBER	DESCRIPTION
1	8	123478-N17	SCREW-HEX.,1/2-13 UNC X 2.00,GRADE 5 (@ 55 FT. LBS)
2	12	123115-08C	LOCKWASHER-1/2
3	1	128825	GASKET-RESERVOIR
4	2	123478-J10	SCREW-HEX.,1/4-20 UNC X .75,GRADE 5 (@ 6 FT. LBS)
5	2	123115-04C	LOCKWASHER-1/4
6	1	128877	BAFFLE-RESERVOIR
7	1	129894	RESERVOIR-AIR/LUBRICANT (ALL MODELS)
8	1	128813	VALVE-MINIMUM PRESSURE CHECK
9	1	128916	RETAINER-MINIMUM PRESSURE VALVE
10	3	122151	SCREW-HEX.,1/4-20 UNC X .62,GRADE 5 (@ 6 FT. LBS)
11	1	129881	SEPARATOR-AIR/LUBRICANT (ALL MODELS)
12	1	129907	GASKET-SEPARATOR COVER (ALL MODELS)
13	1	128823	COVER-RESERVOIR SEPARATOR
14	6	123115-06C	LOCKWASHER-3/8
15	6	123478-L14	SCREW-HEX.,3/8-16 UNC X 1.25,GRADE 5 (@ 23 FT. LBS)
16	1	7589	TEE-PIPE,3/4 NPT X 3/4 NPT X 3/4 NPT
17	1	128598	ELEMENT-LUBRICANT FILTER
18	1	2058	PLUG-PIPE, 3/4 NPT
19	1	124349-010	FITTING-TUBE,ELBOW 3/8 TUBE X 1/4 NPT
20	1	129390-002	TUBE-NYLON,3/8
21	4	123478-N14	SCREW-HEX.,1/2-13 UNC X 1.25, GRADE 5 (@ 55 FT. LBS)
22	1	128599	STUD-LUBRICANT FILTER
23	1	110515-031	TUBE-COPPER,5/16 O.D.
24	1	128967-004	FITTING-ELBOW,1/4 TUBE X 3/8 NPT
25	1	125936-016	NIPPLE-PIPE,3/4 NPT X 2.75
26	1	3092	ELBOW-PIPE,3/4 NPT
27	4	129201	ISOLATOR-RESERVOIR
28	2.5 GAL	127462-001	QUIN-SYN SYNTHETIC / 1 GAL. CONTAINER
29	1	125934-001	NIPPLE-PIPE,3/8 NPT X CLOSE
30	1	110425-038	VALVE-BALL
31	1	1301	PLUG-PIPE,3/8 NPT

@ indicates torque value in foot pounds (lubricated threads)

COOLER GROUP

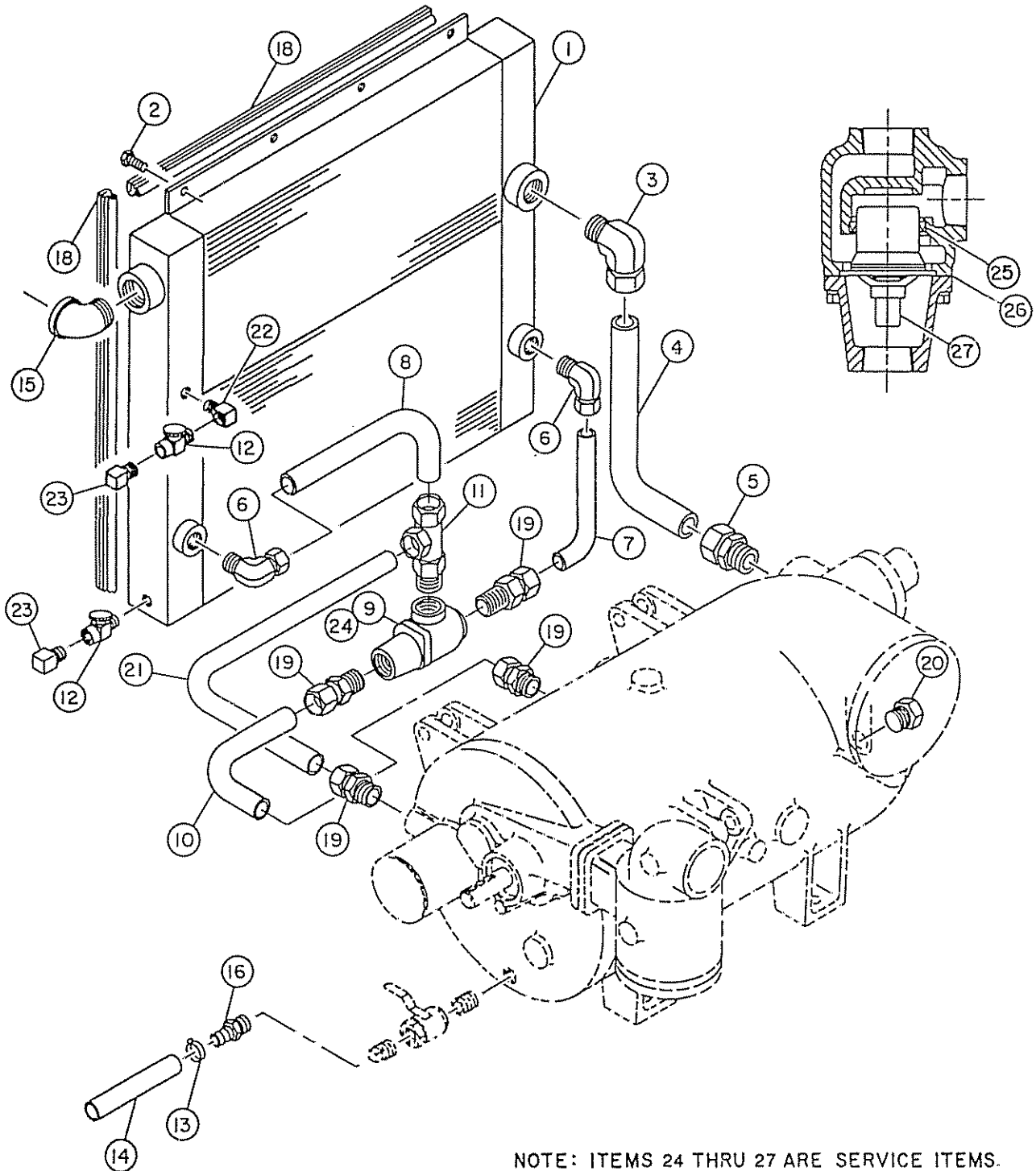


NOTE: ITEMS 25 THRU 28 ARE SERVICE ITEMS.
 ITEMS 14 THRU 17 ARE SHIPPED LOOSE
 WITH UNIT.
 ITEM 17 NOT SHOWN.

COOLER 140501-001
(10 & 15 HP ODP/TEFC)

ITEM NUMBER	QTY	PART NUMBER	DESCRIPTION
1	1	129205	FLUID COOLER
2	6	110511-J07	HEX HEAD SCREW-ZINC, 1/4-20 UNC X 0.50
3	1	128886-008	FITTING-ELBOW, 0.75 TUBE X 1-1/16-12 (O-RING)
4	1	121918-114	FORMED STEEL TUBE-0.75 O.D.
5	1	128885-014	FITTING-MALE CONNECTOR, 0.75 TUBE X 1-1/16-12 (O-RING)
6	2	128886-006	FITTING-ELBOW, 0.50 TUBE X 3/4-16 (O-RING)
7	1	121918-107	FORMED STEEL TUBE-0.50 O.D.
8	1	121918-109	FORMED STEEL TUBE-0.50 O.D.
9	1	124973-008	THERMOSTATIC VALVE, 180°F
10	1	121918-108	FORMED STEEL TUBE-0.50 O.D.
11	1	129758-006	FITTING-TEE, 0.50 TUBE X 3/4-16 (O-RING)
12	1	129251-025	VALVE-PLUG
13	1	129208-020	FITTING-ADAPTER, 1-1/16-12 X 1-5/8-12 (O-RING)
14	1	128968-010	FITTING-HOSE, BARBED, 0.50 HOSE X 0.38 NPT
15	1	128176-015	CLAMP-HOSE
16	2	129164-500	TUBING-CLEAR VINYL, 0.50 I.D.
17	1	128193-1	LABEL-FLUID DRAIN
18	6	20579	DAMPENER-VIBRATION
19	4	128885-009	FITTING-MALE CONNECTOR, 0.50 TUBE X 3/4-20 (O-RING)
20	1	129770-075	PLUG-PIPE, 3/4-16 (O-RING)
21	1	140462	FORMED TUBE-0.50 O.D.
22	1	125937-044	NIPPLE-PIPE, 1.00 NPT X 6025
23	1	4464	ELBOW-PIPE, 1.00 NPT
24	1	2574	PLUG-PIPE, 0.25 NPT
			<u>MAINTENANCE PARTS</u>
25	1	124973-056	KIT-THERMOSTATIC VALVE <i>(includes items 26, 27, & 28)</i>
26	1		SEAL
27	1		GASKET-O-RING
28	1		ELEMENT
29	8	140406-908	O-RING, VITON, 0.64 I.D.
30	2	140406-912	O-RING, VITON, 0.92 I.D.
31	1	140406-920	O-RING, VITON, 1.48 I.D.

COOLER GROUPS

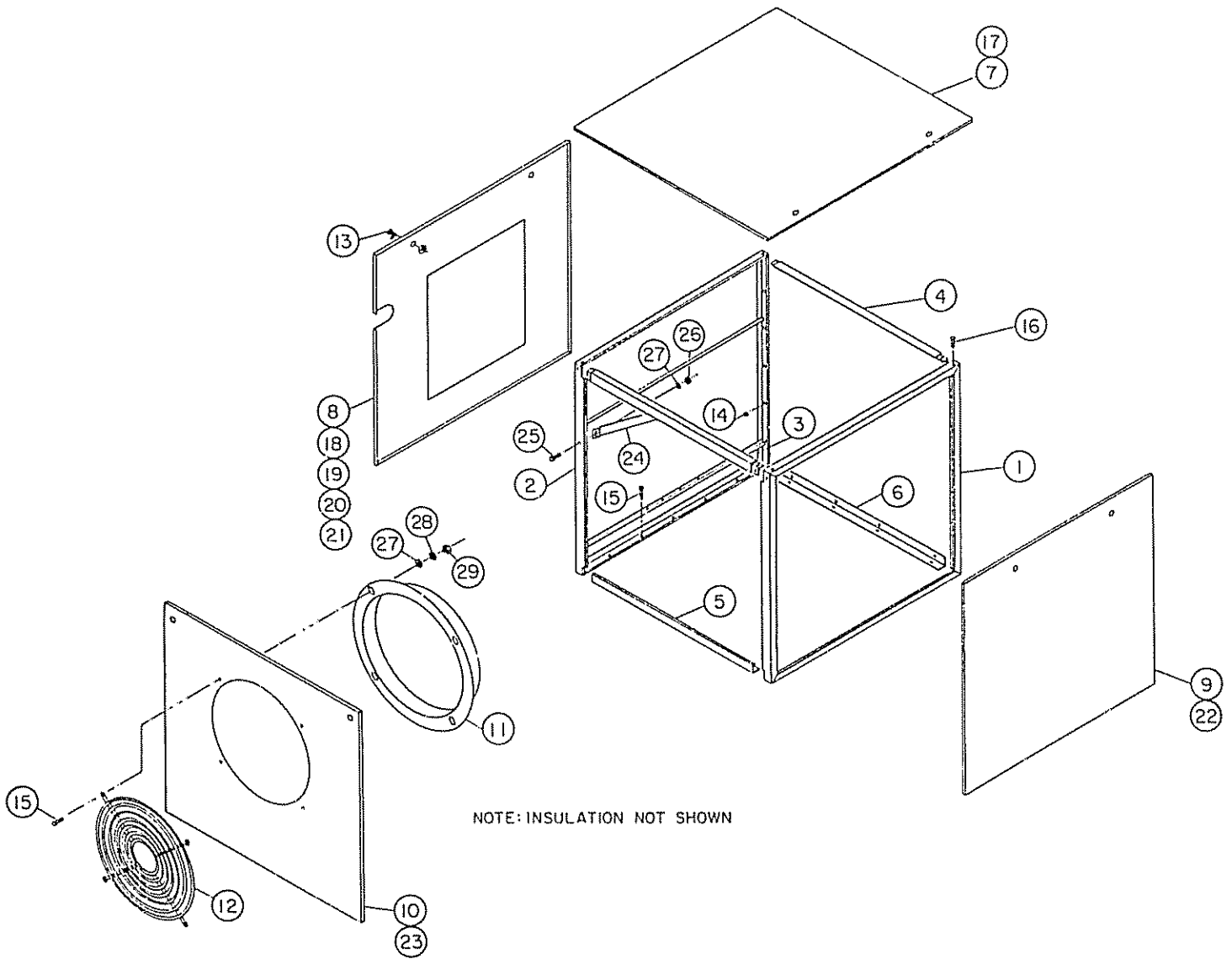


NOTE: ITEMS 24 THRU 27 ARE SERVICE ITEMS.
 ITEMS 13, 14 & 16, 17 ARE SHIPPED LOOSE
 WITH UNIT.
 ITEM 17 NOT SHOWN.

COOLER GROUPS

INDEX NUMBER	QTY	PART NUMBER	QTY	PART NUMBER	DESCRIPTION
		140502-001		140504-001	
		20HP ODP/TEFC		30HP ODP	
		25HP ODP/TEFC			
1	1	128819-1	1	129880	HEATXCHANGER-OIL COOLER
2	8	110511-J07	8	110511-J07	SCREW-TAPTITE,1/4-20 UNC X .50
3	1	128886-011	2	128886-011	ELBOW-PIPE, O' RING
4	1	121918-106	2	121918-106	TUBE-FORMED,3/4 O.D.
5	1	128885-021	1	128885-021	FITTING-STRAIGHT,3/4 TUBE X 1-1/16 SAE
6	2	128886-006	2	128886-006	FITTING-ELBOW,1/2 TUBE X 3/4 SAE
7	1	121918-107	1	121918-107	TUBE-FORMED,1/2 O.D.
8	1	121918-109	1	121918-109	TUBE-FORMED,1/2 O.D.
9	1	124973-008	1	124973-008	VALVE-THERMAL (180 DEG.)
10	1	121918-108	1	121918-108	TUBE-FORMED,1/2 O.D.
11	1	129758-006	1	129758-006	FITTING-TEE 1/2 TUBE X 3/4 SAE
12	2	129251-025	2	129251-025	VALVE-TURN
13	1	128176-015	1	128176-015	CLAMP-HOSE
14	2	129164-500	2	129164-500	TUBE-CLEAR, 1/2 O.D. CLEAR
15	1	5760	1	5760	ELBOW-PIPE, 1-1/1 NPT
16	1	128968-010	1	128968-010	FITTING-REUSABLE, BARBED
17	1	128193-1	1	128193-1	LABEL-OIL DRAIN
18	6.5	20579	7.5	20579	DAMPENER-VIBRATION
19	4	128885-009	4	128885-009	FITTING-STRAIGHT,1/2 TUBE X 3/4 SAE
20	1	129770-075	1	129770-075	PLUG-O' RING,3/4 SAE
21	1	140462	1	140462	TUBE-FORMED,1/2 O.D.
22	2	2574	2	2574	FITTING-PIPE PLUG, 1/4 NPT
23	1	122636	1	122636	FITTING-ELBOW, 1/4 NPT
					<u>MAINTENANCE PARTS</u>
24	1	124973-056	1	124973-056	REPAIR KIT-THERMOSTATIC VALVE <i>(includes items 25, 26 and 27)</i>
25	1		1		SEAL
26	1		1		GASKET-O' RING
27	1		1		ELEMENT

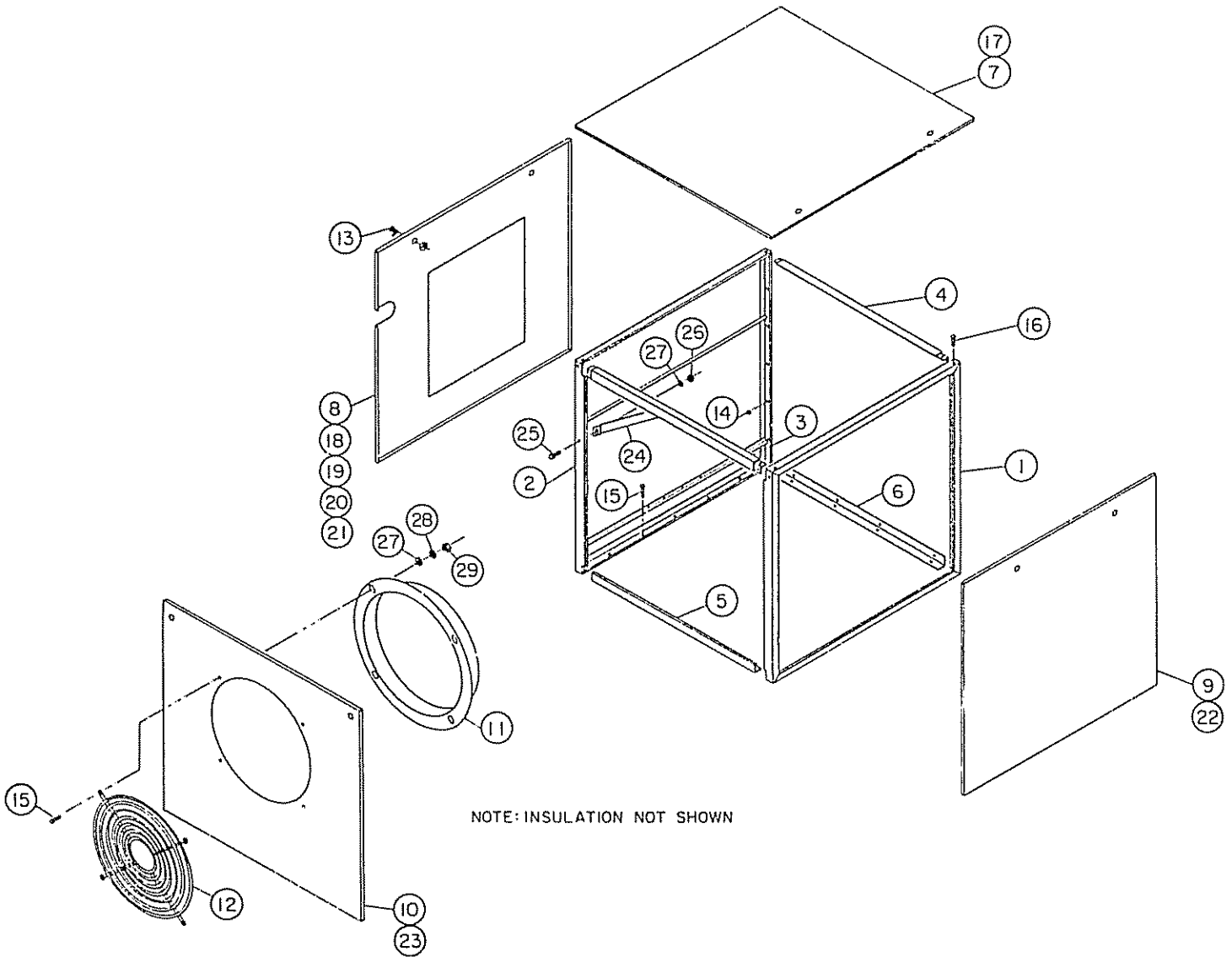
CANOPY GROUPS



CANOPY GROUPS

INDEX NUMBER	QTY	PART NUMBER	QTY	PART NUMBER	DESCRIPTION
		128906-004		128906-002	
		10HP ODP/TEFC		15HP TEFC	
		15HP ODP			
1	1	128841	1	128841	FRAME-CABINET SIDE
2	1	129206	1	129206	FRAME-CABINET SIDE
3	1	128840	1	128840	BRACE-CABINET TOP
4	1	128839	1	128839	BRACE-CABINET TOP
5	1	128838	1	128838	BRACE-CABINET BOTTOM
6	1	128837	1	128837	BRACE-CABINET BOTTOM
7	1	128834	1	128834	PANEL-CABINET TOP
8	1	129207	1	129207	PANEL-CABINET SIDE
9	1	128833	1	128833	PANEL-CABINET SIDE
10	1	128862	1	128835	PANEL-CABINET END
11	1	128827	1	128827	VENTURI-FAN
12	1	128828	1	128828	GUARD-FAN
13	9	128954	9	128954	LATCH,1/4 TURN
14	16	22456	16	22456	NUT-GRIP,1/4-20 UNC
15	22	122151	22	122151	SCREW-HEX.,1/4-20 UNC X .62,GRADE 5
16	8	128997	8	128997	SCREW-BUTTON HEAD,1/4 UNC X .62 LG.
17	1	128523-26D	1	128523-26D	INSULATION
18	1	128523-29D	1	128523-29D	INSULATION
19	1	128523-40D	1	128529-40D	INSULATION
20	1	128523-41D	1	128523-41D	INSULATION
21	1	128523-42D	1	128523-42D	INSULATION
22	1	128523-27D	1	128523-27D	INSULATION
23	1	128523-28D	1	128523-28D	INSULATION
24	2	129280	2	129280	BRACE-SUPPORT
25	4	123478-J09	4	123478-J09	SCREW-HEX.,1/4-20 UNC X .62,GRADE 5
26	4	124370-J02	4	124370-J02	LOCKNUT-1/4-20 UNC
27	4	110428N031	4	110428N031	FLATWASHER-5/16
28	4	123115-04C	4	123115-04C	LOCKWASHER-1/4
29	4	124364-J02	4	124364-J02	NUT-HEX.,1/4-20 UNC

CANOPY GROUPS

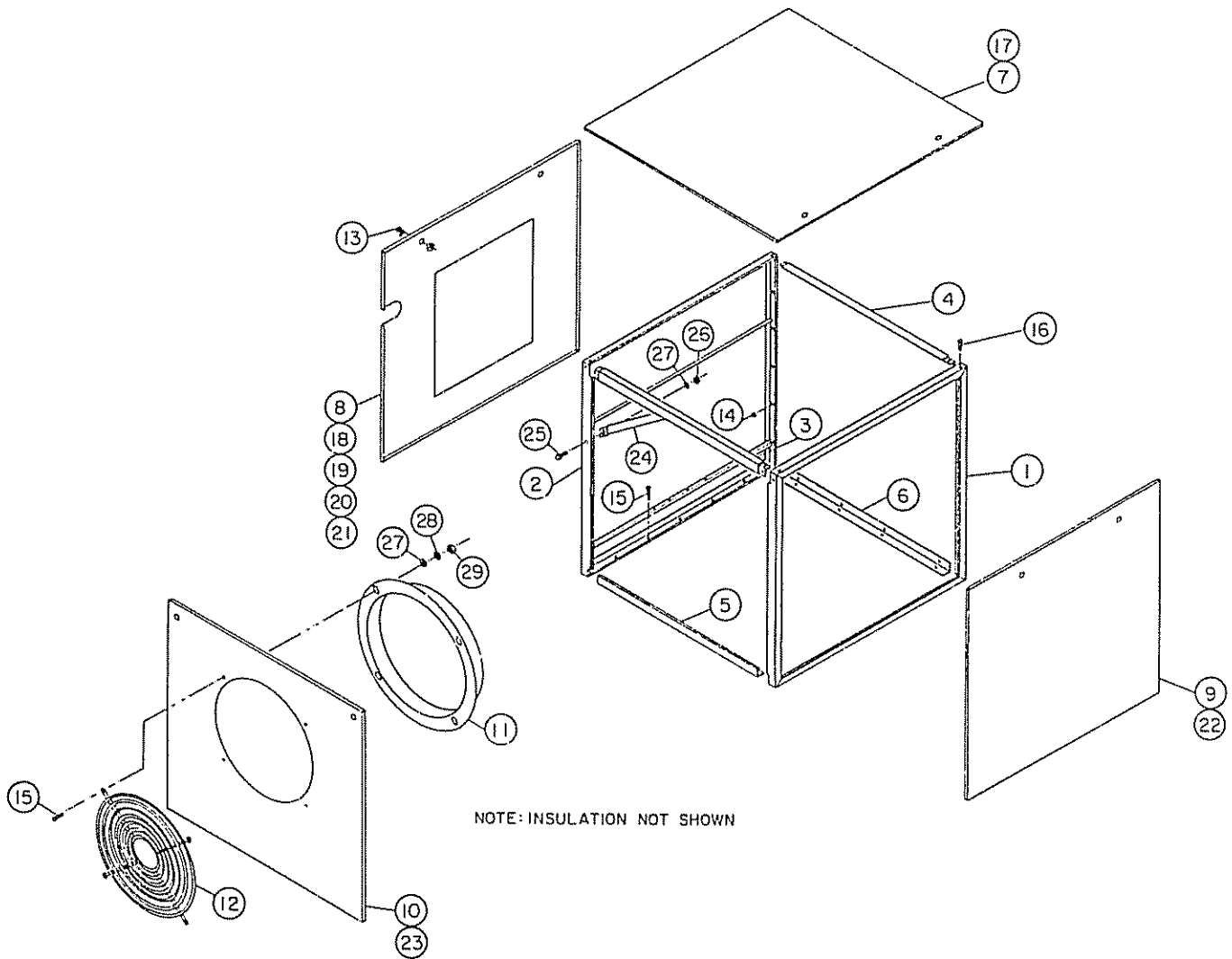


NOTE: INSULATION NOT SHOWN

CANOPY GROUPS

INDEX NUMBER	QTY	PART NUMBER	QTY	PART NUMBER	DESCRIPTION
		128906-001		128906-003	
		20HP ODP/TEFC		25HP TEFC	
		25HP ODP			
1	1	128841	1	128841	FRAME-CABINET SIDE
2	1	128842	1	128842	FRAME-CABINET SIDE
3	1	128840	1	128840	BRACE-CABINET TOP
4	1	128839	1	128839	BRACE-CABINET TOP
5	1	128838	1	128838	BRACE-CABINET BOTTOM
6	1	128837	1	128837	BRACE-CABINET BOTTOM
7	1	128834	1	128834	PANEL-CABINET TOP
8	1	128836-1	1	128836-1	PANEL-CABINET SIDE
9	1	128833	1	128833	PANEL-CABINET SIDE
10	1	128835	1	128863	PANEL-CABINET END
11	1	128827	1	128827	VENTURI-FAN
12	1	128828	1	128828	GUARD-FAN
13	9	128954	9	128954	LATCH-1/4 TURN
14	16	22456	16	22456	NUT-GRIP,1/4-20 UNC
15	22	122151	22	122151	SCREW-HEX.,1/4-20 UNC X .62,GRADE 5
16	8	128997	8	128997	SCREW-BUTTON HEAD,1/4 UNC X .62 LG
17	1	128523-26D	1	128523-26D	INSULATION
18	1	128523-29D	1	128523-29D	INSULATION
19	1	128523-30D	1	128523-30D	INSULATION
20	1	128523-31D	1	128523-31D	INSULATION
21	1	128523-32D	1	128523-32D	INSULATION
22	1	128523-27D	1	128523-27D	INSULATION
23	1	128523-28D	1	128523-28D	INSULATION
24	2	129280	2	129280	BRACE-SUPPORT
25	4	123478-J09	4	123478-J09	SCREW-HEX.,1/4-20 UNC X.62,GRADE 5
26	4	124370-J02	4	124370-J02	LOCKNUT-1/4-20 UNC
27	4	110428N031	4	110428N031	FLATWASHER-5/16
28	4	123115-04C	4	123115-04C	LOCKWASHER-1/4
29	4	124364-J02	4	124364-J02	NUT-HEX.,1/4-20 UNC

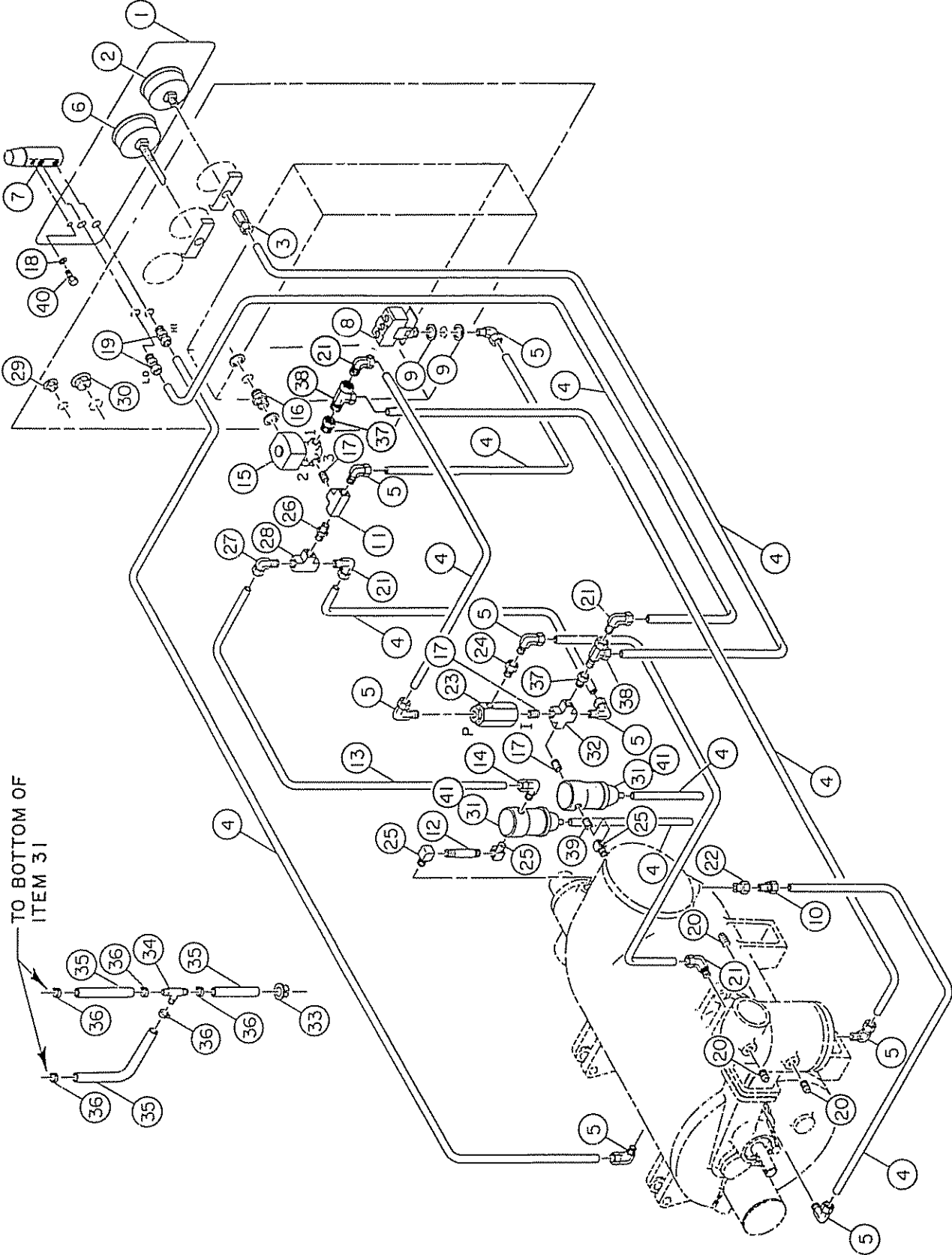
CANOPY GROUP



CANOPY GROUP 129900-001
(30HP ODP)

INDEX NUMBER	QTY	PART NUMBER	DESCRIPTION
1	1	128841	FRAME-CABINET SIDE
2	1	129895	FRAME-CABINET SIDE
3	1	128840	BRACE-CABINET TOP
4	1	128839	BRACE-CABINET TOP
5	1	128838	BRACE-CABINET BOTTOM
6	1	128837	BRACE-CABINET BOTTOM
7	1	128834	PANEL-CABINET TOP
8	1	129896	PANEL-CABINET SIDE
9	1	128833	PANEL-CABINET SIDE
10	1	128863	PANEL-CABINET END
11	1	128827	VENTURI-FAN
12	1	128828	GUARD-FAN
13	9	128954	LATCH-1/4 TURN
14	16	22456	NUT-GRIP,1/4-20 UNC
15	22	122151	SCREW-HEX.,1/4-20 UNC X .62,GRADE 5
16	8	128997	SCREW-BUTTON HEAD,1/4 UNC X .62 LG.
17	1	128523-26D	INSULATION
18	1	128523-29D	INSULATION
19	1	128523-30D	INSULATION
20	1	128523-31D	INSULATION
21	1	128523-68D	INSULATION
22	1	128523-27D	INSULATION
23	1	128523-28D	INSULATION
24	2	129280	BRACE-SUPPORT
25	4	123478-J09	SCREW-HEX.,1/4-20 UNC X .62,GRADE 5
26	4	124370-J02	LOCKNUT-1/4-20 UNC
27	4	110428N031	FLATWASHER-5/16
28	4	123115-04C	LOCKWASHER-1/4
29	4	124364-J02	NUT-HEX.,1/4-20 UNC

CONTROL PIPING GROUP

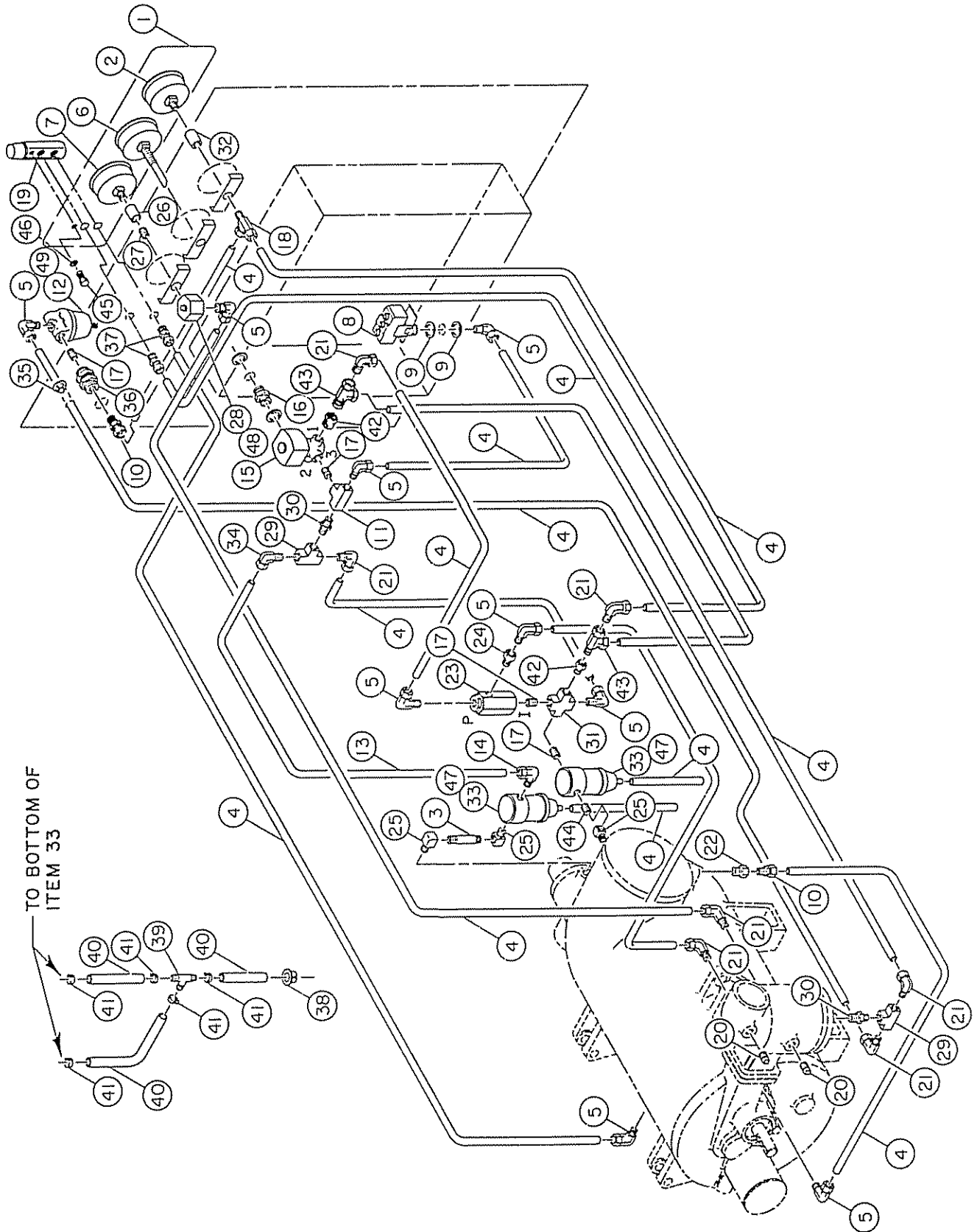


CONTROL PIPING GROUP 128901-001
CONTINUOUS RUN

INDEX NUMBER	QTY	PART NUMBER	DESCRIPTION
1	1	140529	DECAL-GAUGE PANEL,CONT. RUN
2	1	128662	GAUGE-PRESSURE
3	1	124347-004	FITTING-TUBE,FEMALE CONNECTOR 1/4 TUBE X 1/4 NPT
4	37	124435-003	TUBING-NYLON,1/4 O.D.
5	7	124349-005	FITTING-TUBE,90 MALE ELBOW 1/4 TUBE X 1/4 NPT
6	1	128664	GAUGE-THERMAL
7	1	23779-1	INDICATOR-DIFFERENTIAL PRESSURE,15 PSI SEPARATOR
8	1	22454-3	SWITCH-PRESSURE
9	2	8052	LOCKNUT-CONDUIT,1/2
10	2	124393-005	FITTING-TUBE,MALE CONNECTOR 1/4 TUBE X 1/4 NPT
11	1	121034-2	TEE-PIPE,1/4 NPT,BRASS
12	1	121032-15	NIPPLE-PIPE,1/4 NPT X 2-3/4,BRASS
13	2	124435-004	TUBING-NYLON,3/8 O.D.
14	1	124349-010	FITTING-TUBE,ELBOW 3/8 TUBE X 1/4 NPT
15	1	120496-4	VALVE-SOLENOID,3-WAY
16	1	22455	CONNECTOR-ELECTRICAL, 1/2
17	3	121032-3	NIPPLE-PIPE,1/4 NPT X CLOSE,BRASS
18	2	124393-004	FITTING-STRAIGHT,1/4 TUBE X 1/8 NPT
19	3	2140	PLUG-PIPE,1/8 NPT
20	4	124349-004	FITTING-TUBE,90 MALE ELBOW 1/4 TUBE X 1/8 NPT
21	1	125025-006	FILTER-LINE, .032 ORIFICE
22	1	128826	VALVE-BLOWDOWN
23	1	125025-001	FILTER-LINE, .140 ORIFICE
24	3	122636	ELBOW-PIPE, 1/4 NPT, BRASS
25	1	111098-002	NIPPLE-1/8 NPT X 1/4 NPT,CLOSE,BRASS
26	1	124349-009	FITTING-ELBOW,3/8 TUBE X 1/8 NPT
27	1	90084	VALVE-SHUTTLE
28	1	125284-005	PLUG-NYLON HOLE
29	1	125284-010	PLUG-NYLON HOLE
30	2	129732	FILTER-LINE,AUTO DRAIN
31	1	6150	CROSS-PIPE,1/4 NPT, BRASS
32	1	128481-017	BUSHING-NYLON
33	1	129239-004	TEE-BARB FITTING
34	2	129238-014	TUBE-5/16 I.D.
35	5	128176-010	CLAMP-HOSE
36	2	121033-1	BUSHING-PIPE,1/4 NPT X 1/8 NPT,BRASS
37	2	20201	FITTING-TEE,1/4 TUBE X 1/8 NPT X 1/8 NPT
38	1	121032-4	NIPPLE-PIPE,1/4 NPT X 1-1/2,BRASS
39	1	123478-J07	SCREW-HEX, 1/4 INC X .50
40	1	123114-04C	WASHER-LOCK, 1/4
			<u>MAINTENANCE PARTS</u>
41	2	129732-050	ELEMENT-LINE FILTER

** CAUTION! Reference QMB/T Instruction Manual when servicing any of these parts. Whenever removing fittings or tubing be sure to tag them to ensure proper location during re-installation.*

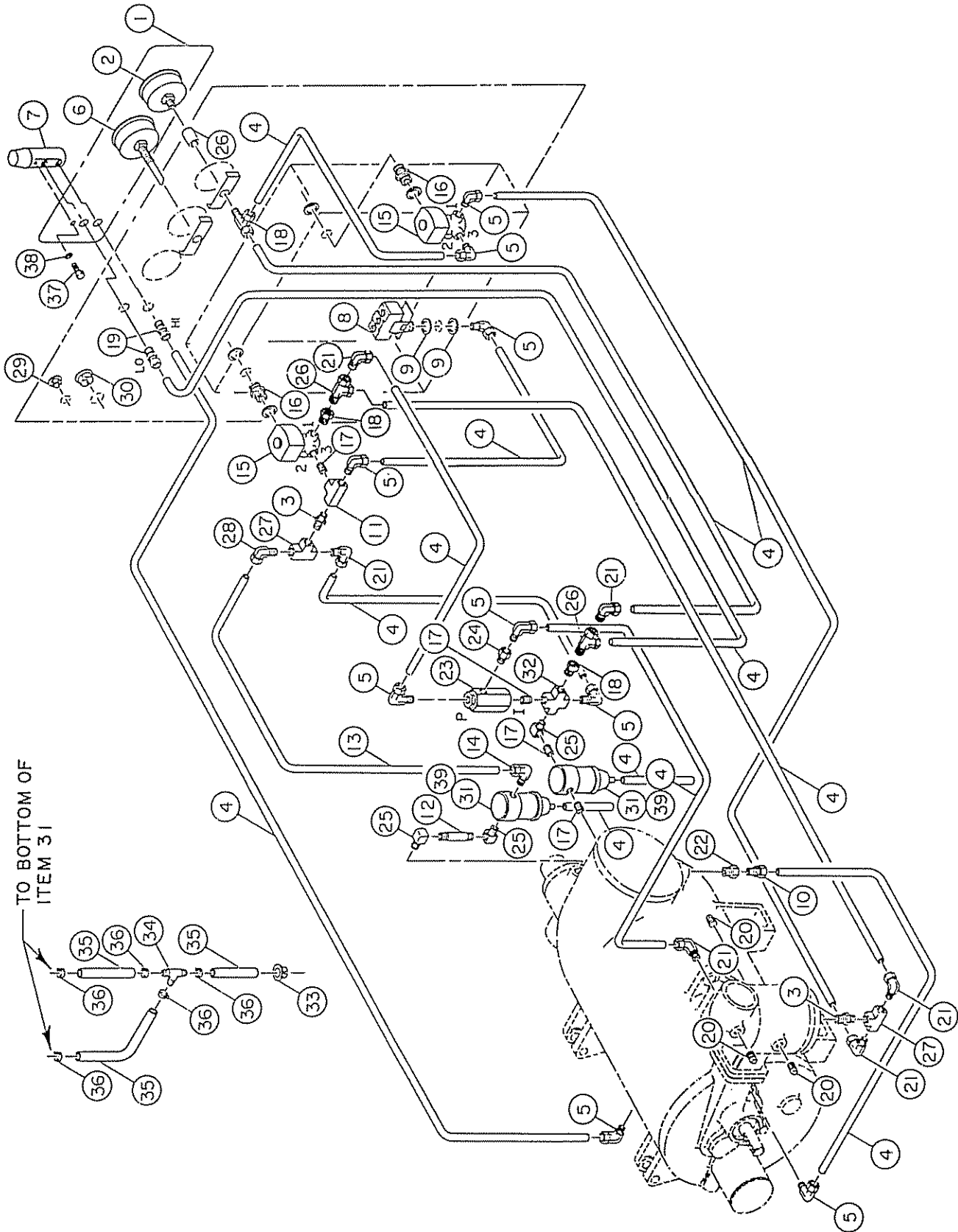
CONTROL PIPING GROUP



CONTROL PIPING GROUP 128902-001
MODULATION

INDEX NUMBER	QTY	PART NUMBER	DESCRIPTION
1	1	140530	DECAL-GAUGE PANEL, W/CAP GAUGE
2	1	128662	GAUGE-PRESSURE
3	1	121032-15	NIPPLE-PIPE, 1/4 NPT X 2-3/4, BRASS
4	40	124435-003	TUBING-NYLON, 1/4 O.D.
5	9	124349-005	FITTING-TUBE, 90 MALE ELBOW 1/4 TUBE X 1/4 NPT
6	1	128664	GAUGE-THERMAL
7	1	128663	GAUGE-PERCENT CAPACITY
8	1	22454-3	SWITCH-PRESSURE
9	2	8052	LOCKNUT-CONDUIT, 1/2
10	2	124393-005	FITTING-TUBE, MALE CONNECTOR 1/4 TUBE X 1/4 NPT
11	1	121034-2	TEE-PIPE, 1/4 NPT, BRASS
12	1	21969-8	VALVE-PRESSURE REGULATING
13	2	124435-004	TUBING-NYLON, 3/8 O.D.
14	1	124349-010	FITTING-TUBE, ELBOW 3/8 TUBE X 1/4 NPT
15	1	120496-4	VALVE-SOLENOID, 3 WAY
16	1	22455	CONNECTOR-ELECTRICAL, 1/2
17	4	121032-3	NIPPLE-PIPE, 1/4 NPT X CLOSE, BRASS
18	1	124348-003	FITTING-TUBE, MALE RUN TEE 1/4 TUBE X 1/4 NPT
19	1	23779-1	INDICATOR-DIFFERENTIAL PRESSURE, 15 PSI SEPARATOR
20	2	2140	PLUG-PIPE, 1/8 NPT
21	6	124349-004	FITTING-TUBE, 90 MALE ELBOW 1/4 TUBE X 1/8 NPT
22	1	125025-006	FILTER-LINE, .032 ORIFICE
23	1	128826	VALVE-BLOWDOWN, 1/4 NPT
24	1	125025-001	FILTER-LINE, .140 ORIFICE
25	3	122636	ELBOW-PIPE, 1/4 NPT, BRASS
26	1	125259-001	COUPLING-PIPE, 1/8 NPT, BRASS
27	1	121032-1	NIPPLE-PIPE, 1/8 NPT, BRASS
28	1	122056	VALVE-CAPACITY GAUGE
29	2	90084	VALVE-SHUTTLE
30	2	111098-002	NIPPLE-1/8 NPT X 1/4 NPT, CLOSE, BRASS
31	1	6150	CROSS-PIPE, 1/4 NPT BRASS
32	1	125259-002	COUPLING-PIPE, 1/4 NPT BRASS
33	2	129732	FILTER-LINE, AUTO DRAIN
34	1	124349-009	FITTING-ELBOW, 3/8 TUBE X 1/8 NPT
35	1	128481-008	BUSHING-NYLON TUBE, 1/2 X 1/4
36	1	129203-003	FITTING-STRAIGHT 1/4 NPT BULKHEAD
37	2	124393-004	FITTING-STRAIGHT, 1/4 TUBE X 1/8 NPT
38	1	128481-017	BUSHING-NYLON
39	1	129239-004	TEE-BARB FITTING
40	2	129238-014	TUBE-VINYL
41	5	128176-010	CLAMP-HOSE
42	2	121033-1	BUSHING-PIPE, 1/4 NPT X 1/8 NPT, BRASS
43	2	20201	FITTING-TEE, 1/4 TUBE X 1/8 NPT X 1/8 NPT
44	1	121032-4	NIPPLE-PIPE, 1/4 NPT X 1-1/2, BRASS
45	1	123478-J07	SCREW-HEX, 1/4 UNC X .50
46	1	123114-04C	LOCK WASHER-1/4
			<u>MAINTENANCE PARTS</u>
47	2	129732-050	ELEMENT-LINE FILTER
48	1	20775	REPAIR KIT-DIFFERENTIAL PILOT VALVE
49	2	123157-008	O' RING-1/16 X .30 O.D.

CONTROL PIPING GROUP

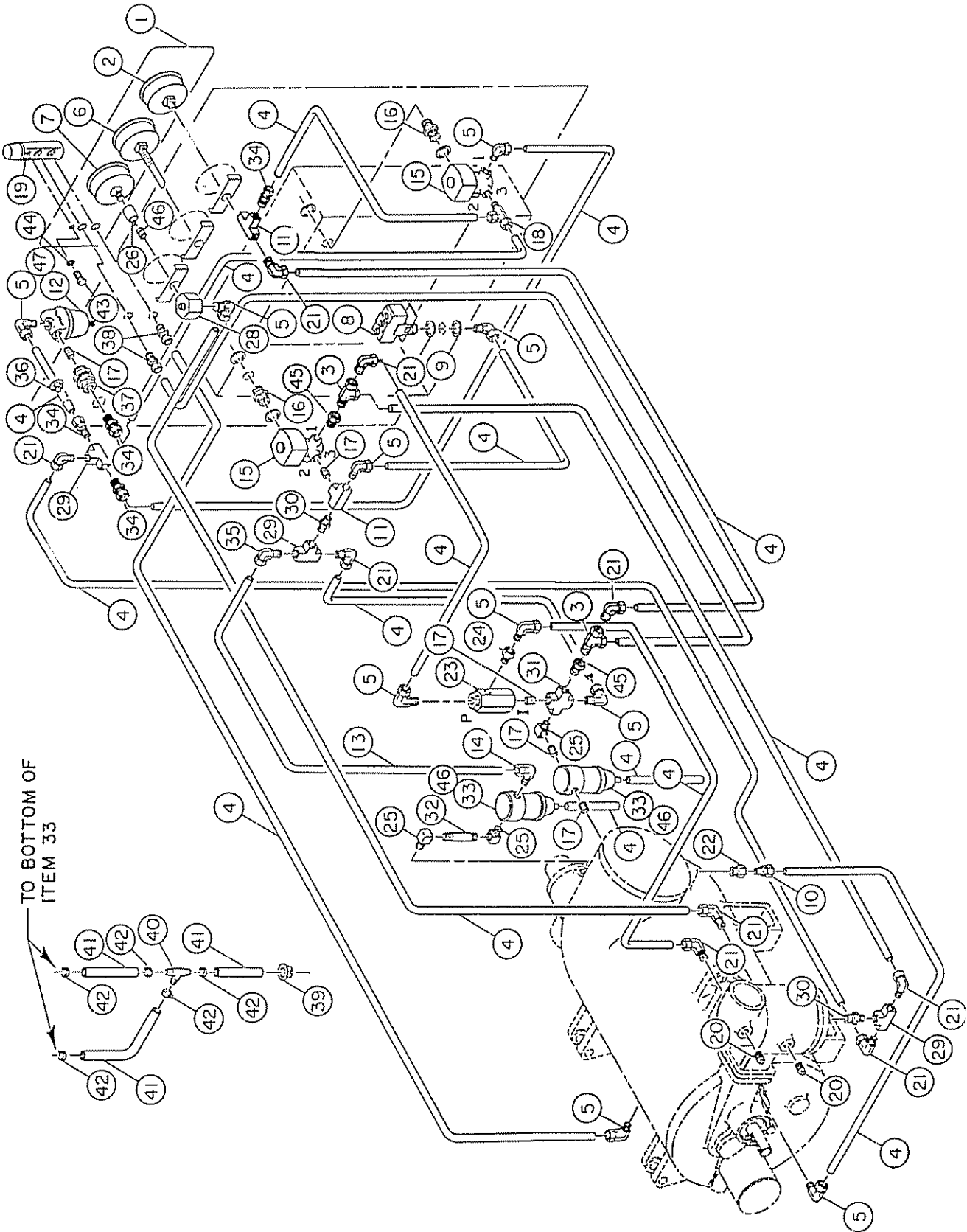


CONTROL PIPING GROUP 128948-001
CONTINUOUS RUN (WYE-DELTA)

INDEX NUMBER	QTY	PART NUMBER	DESCRIPTION
1	1	140529	DECAL-GAUGE PANEL, CONT. RUN
2	1	128662	GAUGE-PRESSURE
3	2	111098-002	NIPPLE-1/8 NPT X 1/4 NPT, CLOSE, BRASS
4	40	124435-003	TUBING-NYLON, 1/4 O.D.
5	9	124349-005	FITTING-TUBE, 90 MALE ELBOW 1/4 TUBE X 1/4 NPT
6	1	128664	GAUGE-THERMAL
7	1	23779-1	INDICATOR-DIFFERENTIAL PRESSURE, 15 PSI SEPARATOR
8	1	22454-3	SWITCH-PRESSURE
9	2	8052	LOCKNUT-CONDUIT, 1/2
10	1	124393-005	FITTING-TUBE, MALE CONNECTOR 1/4 TUBE X 1/4 NPT
11	2	121034-2	TEE-PIPE, 1/4 NPT, BRASS
12	1	121032-15	NIPPLE-PIPE, 1/4 NPT X 2-3/4, BRASS
13	2	124435-004	TUBING-NYLON, 3/8 O.D.
14	1	124349-010	FITTING-TUBE, ELBOW 3/8 TUBE X 1/4 NPT
15	2	120496-4	VALVE-SOLENOID, 3-WAY
16	2	22455	CONNECTOR-ELECTRICAL, 1/2
17	4	121032-3	NIPPLE-PIPE, 1/4 NPT X CLOSE, BRASS
18	2	121033-1	FITTING-REDUCING BUSHING 1/4 X 1/8
19	2	124393-004	FITTING-STRAIGHT, 1/4 TUBE X 1/8 NPT
20	3	2140	PLUG-PIPE, 1/8 NPT
21	7	124349-004	FITTING-TUBE, 90 MALE ELBOW 1/4 TUBE X 1/8 NPT
22	1	125025-006	FILTER-LINE, .032 ORIFICE
23	1	128826	VALVE-BLOWDOWN, 1/4 NPT
24	1	125025-001	FILTER-LINE, .140 ORIFICE
25	3	122636	ELBOW-PIPE, 1/4 NPT, BRASS
26	2	20201	FITTING-TEE
27	2	90084	VALVE-SHUTTLE
28	1	124349-009	FITTING-ELBOW, 3/8 TUBE X 1/8 NPT
29	1	125284-005	PLUG-NYLON
30	1	125284-010	PLUG-NYLON
31	2	129732	FILTER-LINE, AUTO DRAIN
32	1	6150	CROSS-PIPE, 1/4 NPT BRASS
33	1	128481-017	BUSHING-NYLON, 5/8 X 1/2
34	1	129239-004	TEE-BARB FITTING
35	2	129238-014	TUBE-VINYL
36	5	128176-010	CLAMP-HOSE
37	1	123478-J07	SREW-HEX, 1/4 UNC X .50
38	1	123114-04C	LOCK WASHER
			<u>MAINTENANCE PARTS</u>
39	2	129732-050	ELEMENT-LINE FILTER

*** CAUTION!** Reference QMB/T Instruction Manual when servicing any of these parts.
 Whenever removing fittings or tubing be sure to tag them to ensure proper location during re-installation.

CONTROL PIPING

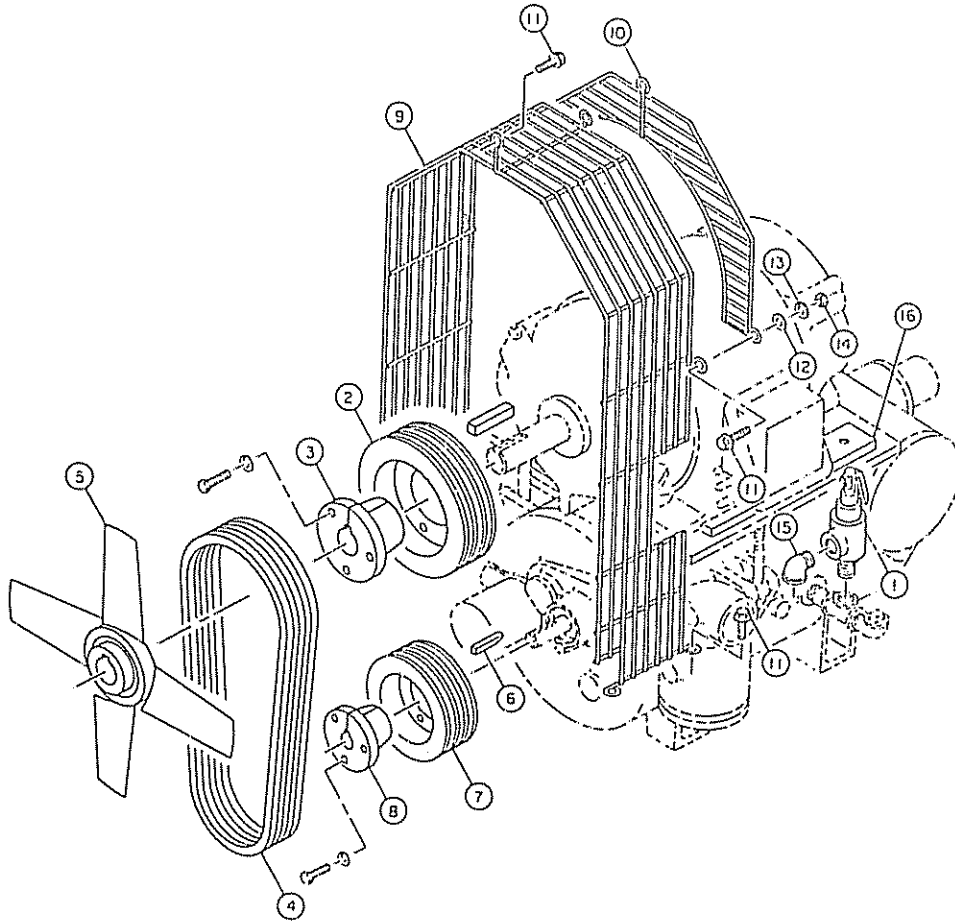


TO BOTTOM OF
ITEM 33

CONTROL PIPING 128949-001
MODULATION (WYE-DELTA)

INDEX NUMBER	QTY	PART NUMBER	DESCRIPTION
1	1	140530	DECAL-GAUGE PANEL W/CAP GAUGE
2	1	128662	GAUGE-PRESSURE
3	2	20201	FITTING-TEE
4	40	124435-003	TUBING-NYLON,1/4 O.D.
5	10	124349-005	FITTING-TUBE,90 MALE ELBOW 1/4 TUBE X 1/4 NPT
6	1	128664	GAUGE-THERMAL
7	1	128663	GAUGE-PERCENT CAPACITY
8	1	22454-3	SWITCH-PRESSURE
9	2	8052	LOCKNUT-CONDUIT,1/2
10	1	124393-005	FITTING-TUBE,MALE CONNECTOR 1/4 TUBE X 1/4 NPT
11	2	121034-2	TEE-PIPE,1/4 NPT,BRASS
12	1	21969-8	VALVE-PRESSURE
13	2	124435-004	TUBING-NYLON,3/8 O.D.
14	1	124349-010	FITTING-TUBE,ELBOW 3/8 TUBE X 1/4 NPT
15	2	120496-4	VALVE-SOLENOID,3-WAY
16	2	22455	CONNECTOR-ELECTRICAL,1/2
17	5	121032-3	NIPPLE-PIPE,1/4 NPT X CLOSE,BRASS
18	1	124348-003	FITTING-TUBE, MALE RUN TEE 1/4 TUBE X 1/4 NPT
19	1	23779-1	INDICATOR-DIFFERENTIAL PRESSURE,15 PSI SEPARATOR
20	2	2140	PLUG-PIPE,1/8 NPT
21	9	124349-004	FITTING-TUBE,90 MALE ELBOW 1/4 TUBE X 1/8 NPT
22	1	125025-006	FILTER-LINE, .032 DIA DRILL
23	1	128826	VALVE-BLOWDOWN, 1/4 NPT
24	1	125025-001	FILTER-LINE, .140 DIA DRILL
25	3	122636	ELBOW-PIPE,1/4 NPT,BRASS
26	1	125259-001	COUPLING-PIPE,1/8 NPT,BRASS
27	1	121032-1	NIPPLE-PIPE,1/8 NPT X CLOSE,BRASS
28	1	122056	VALVE-CAPACITY GAUGE
29	3	90084	VALVE-SHUTTLE
30	2	111098-002	NIPPLE-1/8 NPT X 1/4 NPT,CLOSE,BRASS TUBE
31	1	6150	CROSS-PIPE,1/4 NPT BRASS
32	1	121032-15	NIPPLE-PIPE,1/4 NPT X 2-3/4,BRASS
33	2	129732	FILTER-LINE, AUTO DRAIN
34	4	124393-004	FITTING-TUBE,MALE CONNECTOR 1/4 TUBE X 1/8 NPT
35	1	124349-009	FITTING-ELBOW,3/8 TUBE X 1/8 NPT
36	1	128481-008	BUSHING-NYLON TUBE,1/2 X 1/4
37	1	129203-003	COUPLING-PIPE,1/4 NPT BRASS
38	2	124393-004	FITTING-STRAIGHT,1/4 TUBE X 1/8 NPT
39	1	128481-017	BUSHING-NYLON
40	1	129239-004	TEE-BARB FITTING
41	2	129238-014	TUBE-VINYL
42	5	128176-010	CLAMP-HOSE
43	1	123478-J07	SCREW-HEX, 1/4 UNC X .50
44	1	123114-04C	LOCKWASHER
45	2	121033-1	BUSHING
			<u>MAINTENANCE PARTS</u>
46	2	129732-050	ELEMENT-LINE FILTER
47	1	20775	REPAIR KIT-DIFFERENTIAL PILOT VALVE
48	2	123157-008	O' RING-1/16 X .30 O.D.

DRIVE GROUPS



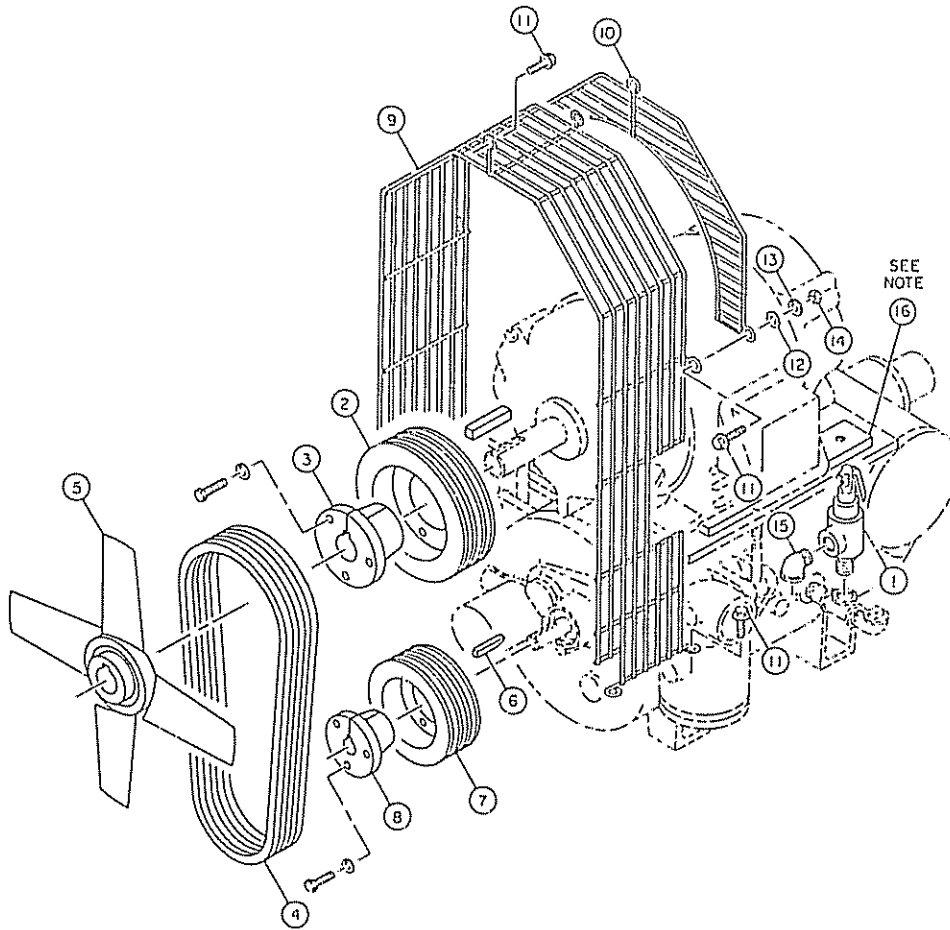
DRIVE GROUPS (10 HP)

INDEX NUMBER	QTY	PART NUMBER	QTY	PART NUMBER	QTY	PART NUMBER	DESCRIPTION
		128903-C1		128903-C5Z		128903-C2	
		100PSI ODP/TEFC		110PSI ODP/TEFC 50Z		125PSI ODP/TEFC	
1	1	23268-35	1	23268-35	1	23268-36	VALVE-SAFETY
2	1	127458-008	1	127458-008	1	127458-007	SHEAVE
3	1	125442	1	125442	1	125442	BUSHING
4	1	128085-242	1	128085-242	1	128085-240	BELT-MATCHED SET
5	1	127356-013	1	127356-014	1	127356-013	FAN
6	1	160075-005	1	160075-005	1	160075-005	KEY-SQUARE, 1/4
7	1	127458-021	1	127458-021	1	127458-021	SHEAVE
8	1	127454	1	127454	1	127454	BUSHING
9	1	128843	1	128843	1	128843	GUARD-BELT
10	1	128855	1	128855	1	128855	GUARD-REAR BELT
11	8	122151	8	122151	8	122151	SCREW-HEX., 1/4-20
12	3	110428W025	3	110428W025	3	110428W025	FLATWASHER-1/4
13	3	123115-04C	3	123115-04C	3	123115-04C	LOCKWASHER-1/4
14	3	124364-J02	3	124364-J02	3	124364-J02	NUT-HEX., 1/4-20 UNC
15	1	3092	1	3092	1	3092	ELBOW-PIPE, 3/4 NPT

DRIVE GROUPS
(15 HP)

INDEX NUMBER	QTY	PART NUMBER	QTY	PART NUMBER	QTY	PART NUMBER	DESCRIPTION
		128903-D1		128903-D1T		128903-D5Z	
		100PSI ODP		100PSI TEFC		110PSI ODP 50Z	
1	1	23268-35	1	23268-35	1	23268-35	VALVE-SAFETY
2	1	127458-019	1	127458-019	1	127458-019	SHEAVE
3	1	125442	1	125150	1	125442	BUSHING
4	1	128085-240	1	128085-242	1	128085-240	BELT-MATCHED SET
5	1	128887-008	1	128887-007	1	128887-005	FAN
6	1	160075-005	1	160075-005	1	160075-005	KEY-SQUARE,1/4
7	1	127458-004	1	127458-004	1	127458-004	SHEAVE
8	1	127454	1	127454	1	127454	BUSHING
9	1	128843	1	128843	1	128843	GUARD-BELT
10	1	128855	1	128961	1	128855	GUARD-REAR BELT
11	8	122151	8	122151	8	122151	SCREW-HEX.,1/4-20
12	3	110428W025	3	110428W025	3	110428W025	FLATWASHER-1/4
13	3	123115-04C	3	123115-04C	3	123115-04C	LOCKWASHER-1/4
14	3	124364-J02	3	124364-J02	3	124364-J02	NUT-HEX.,1/4-20 UNC
15	1	3092	1	3092	1	3092	ELBOW-PIPE,3/4 NPT
		128903-D5ZT		128903-D2		128903-D2T	
		110PSI TEFC 50Z		125PSI ODP		125PSI TEFC	
1	1	23268-35	1	23268-36	1	23268-36	VALVE-SAFETY
2	1	127458-019	1	127458-011	1	127458-011	SHEAVE
3	1	125150	1	127456	1	128319	BUSHING
4	1	128085-242	1	128085-240	1	128085-242	BELT-MATCHED SET
5	1	128887-005	1	128887-008	1	128887-007	FAN
6	1	160075-005	1	160075-005	1	160075-005	KEY-SQUARE,1/4
7	1	127458-004	1	127458-009	1	127458-009	SHEAVE
8	1	127454	1	127454	1	127454	BUSHING
9	1	128843	1	128843	1	128843	GUARD-BELT
10	1	128855	1	128855	1	128961	GUARD-REAR BELT
11	8	122151	8	122151	8	122151	SCREW-HEX.,1/4-20
12	3	110428W025	3	110428W025	3	110428W025	FLATWASHER-1/4
13	3	123115-04C	3	123115-04C	3	123115-04C	LOCKWASHER-1/4
14	3	124364-J02	3	124364-J02	3	124634-J02	NUT-HEX.,1/4-20 UNC
15	1	3092	1	3092	1	3092	ELBOW-PIPE,3/4 NPT
16		NOT USED		NOT USED	2	129497-002	SPACER-BAR
		128903-D3		128903-D3T		128903-D6Z	
		150PSI ODP		150PSI TEFC		150PSI ODP 50Z	
1	1	23268-37	1	23268-37	1	23268-37	VALVE-SAFETY
2	1	127458-018	1	127458-018	1	127458-016	SHEAVE
3	1	127456	1	128319	1	127456	BUSHING
4	1	128085-240	1	128085-242	1	128085-240	BELT-MATCHED SET
5	1	128887-008	1	128887-007	1	128887-005	FAN
6	1	160075-005	1	160075-005	1	160075-005	KEY-SQUARE,1/4
7	1	127458-014	1	127458-014	1	127458-014	SHEAVE
8	1	127454	1	127454	1	127454	BUSHING
9	1	128843	1	128843	1	128843	GUARD-BELT
10	1	128855	1	128961	1	128855	GUARD-REAR BELT
11	8	122151	8	122151	8	122151	SCREW-HEX.,1/4-20 UNC
12	3	110428W025	3	110428W025	3	110428W025	FLATWASHER-1/4
13	3	123115-04C	3	123115-04C	3	123115-04C	LOCKWASHER-1/4
14	3	124364-J02	3	124364-J02	3	124364-J02	NUT-HEX.,1/4-20 UNC
15	1	3092	1	3092	1	3092	ELBOW-PIPE,3/4 NPT

DRIVE GROUPS



DRIVE GROUPS
(15 HP)

INDEX NUMBER	QTY	PART NUMBER	QTY	PART NUMBER	QTY	PART NUMBER	DESCRIPTION
		128903-D6ZT		128903-D4		128903-D4T	
		150PSI TEFC 50Z		175PSI ODP		175 PSI TEFC	
1	1	23268-37	1	23268-38	1	23268-38	VALVE-SAFETY
2	1	127458-016	1	127458-017	1	127458-017	SHEAVE
3	1	128319	1	127456	1	128319	BUSHING
4	1	128085-242	1	128085-240	1	128085-242	BELT-MATCHED SET
5	1	128887-005	1	128887-008	1	128887-007	FAN
6	1	160075-005	1	160075-005	1	160075-005	KEY-SQUARE, 1/4
7	1	127458-014	1	127458-005	1	127458-005	SHEAVE
8	1	127454	1	127454	1	127454	BUSHING
9	1	128843	1	128843	1	128843	GUARD-BELT
10	1	128855	1	128855	1	128961	GUARD-REAR BELT
11	8	122151	8	122151	8	122151	SCREW-HEX., 1/4-20 UNC
12	3	110428W025	3	110428W025	3	110428W025	FLATWASHER-1/4
13	3	123115-04C	3	123115-04C	3	123115-04C	LOCKWASHER-1/4
14	3	124364-J02	3	124364-J02	3	124364-J02	NUT-HEX., 1/4-20 UNC
15	1	3092	1	3092	1	3092	ELBOW-PIPE, 3/4 NPT

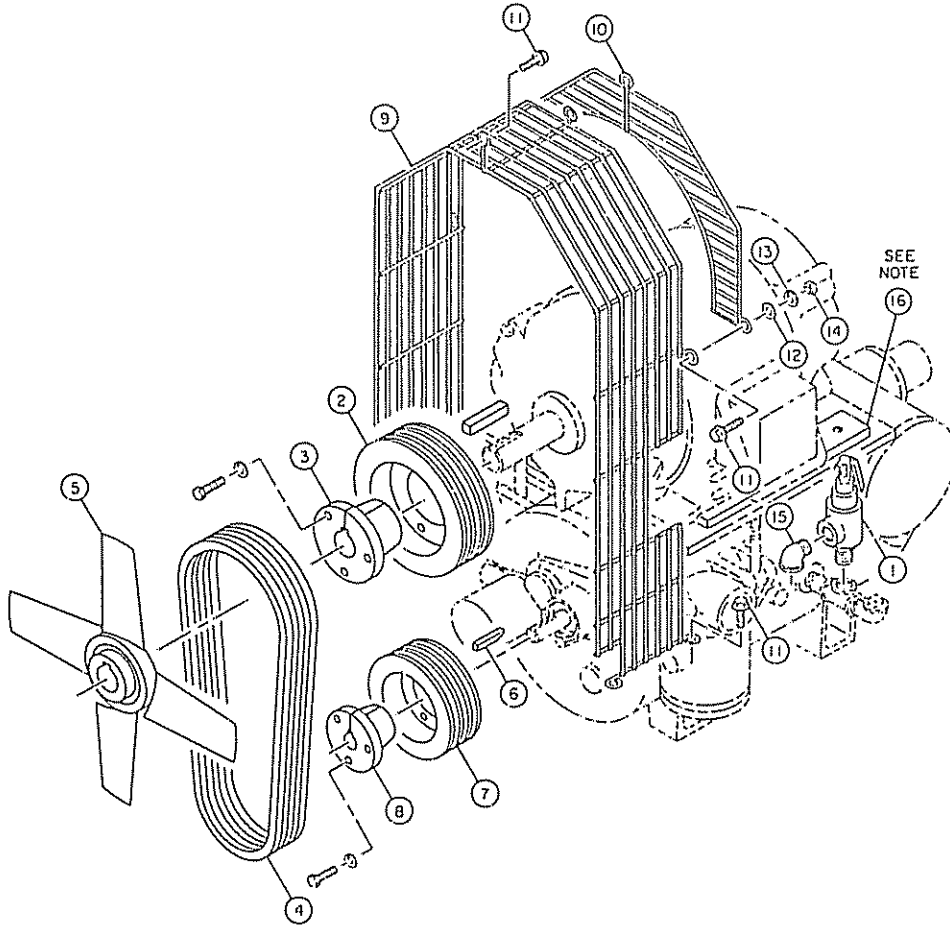
DRIVE GROUPS
(20 HP)

INDEX NUMBER	QTY	PART NUMBER	QTY	PART NUMBER	QTY	PART NUMBER	DESCRIPTION
		128903-E1		128903-E5Z		128903-E2	
		100 PSI ODP/TEFC		110PSI ODP/TEFC 50Z		125PSI ODP/TEFC	
1	1	23268-35	1	23268-35	1	23268-36	VALVE-SAFETY
2	1	127457	1	128077-004	1	128077-004	SHEAVE
3	1	122474	1	122474	1	122474	BUSHING-PULLEY
4	1	128085-347	1	128085-345	1	128085-345	BELT-MATCHED SET
5	1	128887-002	1	128887-003	1	128887-002	FAN
6	1	160075-005	1	160075-005	1	160075-005	KEY-SQUARE,1/4
7	1	128077-007	1	128077-016	1	128077-007	SHEAVE
8	1	128962	1	127454	1	128962	BUSHING
9	1	128843	1	128843	1	128843	GUARD-BELT
10	1	128961	1	128961	1	128961	GUARD-REAR BELT
11	8	122151	8	122151	8	122151	SCREW-HEX.,1/4-20
12	3	110428W025	3	110428W025	3	110428W025	FLATWASHER-1/4
13	3	123115-04C	3	123115-04C	3	123115-04C	LOCKWASHER-1/4
14	3	124364-J02	3	124364-J02	3	124364-J02	NUT-HEX.,1/4-20 UNC
15	1	3092	1	3092	1	3092	ELBOW-PIPE,3/4 NPT
16	2	129497-002		NOT USED		NOT USED	SPACER-BAR
		128903-E3		128903-E6Z		128903-E4	
		150PSI ODP/TEFC		150PSI ODP/TEFC 50Z		175PSI ODP/TEFC	
1	1	23268-37	1	23268-37	1	23268-38	VALVE-SAFETY
2	1	128077-013	1	128077-003	1	128077-010	SHEAVE
3	1	122474	1	125150	1	125150	BUSHING-PULLEY
4	1	128085-345	1	128085-342	1	128085-342	BELT-MATCHED SET
5	1	128887-002	1	128887-003	1	128887-002	FAN
6	1	160075-005	1	160075-005	1	160075-005	KEY-SQUARE,1/4
7	1	128077-007	1	128077-016	1	128077-007	SHEAVE
8	1	128962	1	127454	1	128962	BUSHING
9	1	128843	1	128843	1	128843	GUARD-BELT
10	1	128961	1	128961	1	128961	GUARD-REAR BELT
11	8	122151	8	122151	8	122151	SCREW-HEX.,1/4-20UNC
12	3	110428W025	3	110428W025	3	110428W025	FLATWASHER-1/4
13	3	123115-04C	3	123115-04C	3	123115-04C	LOCKWASHER-1/4
14	3	124364-J02	3	124364-J02	3	124364-J02	NUT-HEX.,1/4-20 UNC
15	1	3092	1	3092	1	3092	ELBOW-PIPE,3/4 NPT

DRIVE GROUPS
(25 HP)

		128903-F1		128903-F1T		128903-F5Z	
		100PSI ODP		100PSI TEFC		110PSI ODP 50Z	
1	1	23268-35	1	23268-35	1	23268-35	VALVE-SAFETY
2	1	127730	1	127457	1	127730	SHEAVE
3	1	122474	1	122474	1	122474	BUSHING-PULLEY
4	1	128085-347	1	128085-347	1	128085-347	BELT-MATCHED SET
5	1	128887-002	1	128887-002	1	128887-003	FAN
6	1	160075-005	1	160075-005	1	160075-005	KEY-SQUARE,1/4
7	1	128077-011	1	128077-015	1	128077-018	SHEAVE
8	1	127454	1	127454	1	127454	BUSHING
9	1	128843	1	128843	1	128843	GUARD-BELT
10	1	128961	1	129271	1	128961	GUARD-REAR BELT
11	8	122151	8	122151	8	122151	SCREW-HEX.,1/4-20 UNC
12	3	110428W025	3	110428W025	3	110428W025	FLATWASHER-1/4
13	3	123115-04C	3	123115-04C	3	123115-04C	LOCKWASHER-1/4
14	3	124364-J02	3	124364-J02	3	124364-J02	NUT-HEX.,1/4-20 UNC
15	1	3092	1	3092	1	3092	ELBOW-PIPE,3/4 NPT
16		NOT USED	2	129497-001		NOT USED	SPACER-BAR

DRIVE GROUPS



DRIVE GROUPS (25 HP)

INDEX NUMBER	QTY	PART NUMBER	QTY	PART NUMBER	QTY	PART NUMBER	DESCRIPTION
		128903-F5ZT		128903-F2		128903-F2T	
		110PSI TEFC 50Z		125PSI ODP		125PSI TEFC	
1	1	23268-35	1	23268-36	1	23268-36	VALVE-SAFETY
2	1	127457	1	127730	1	127730	SHEAVE
3	1	122474	1	122474	1	122474	BUSHING-PULLEY
4	1	128085-347	1	128085-347	1	128085-350	BELT-MATCHED SET
5	1	128887-003	1	128887-002	1	128887-002	FAN
6	1	160075-005	1	160075-005	1	160075-005	KEY-SQUARE, 1/4
7	1	128077-047	1	128077-009	1	128077-009	SHEAVE
8	1	127454	1	128962	1	128962	BUSHING
9	1	128843	1	128843	1	128843	GUARD-BELT
10	1	129271	1	128961	1	129271	GUARD-REAR BELT
11	8	122151	8	122151	8	122151	SCREW-HEX., 1/4-20
12	3	110428W025	3	110428W025	3	110428W025	FLATWASHER-1/4
13	3	123115-04C	3	123115-04C	3	123115-04C	LOCKWASHER-1/4
14	3	124364-J02	3	124364-J02	3	124364-J02	NUT-HEX., 1/4-20 UNC
15	1	3092	1	3092	1	3092	ELBOW-PIPE, 3/4 NPT
16		NOT USED		NOT USED	2	129497-001	SPACER-BAR

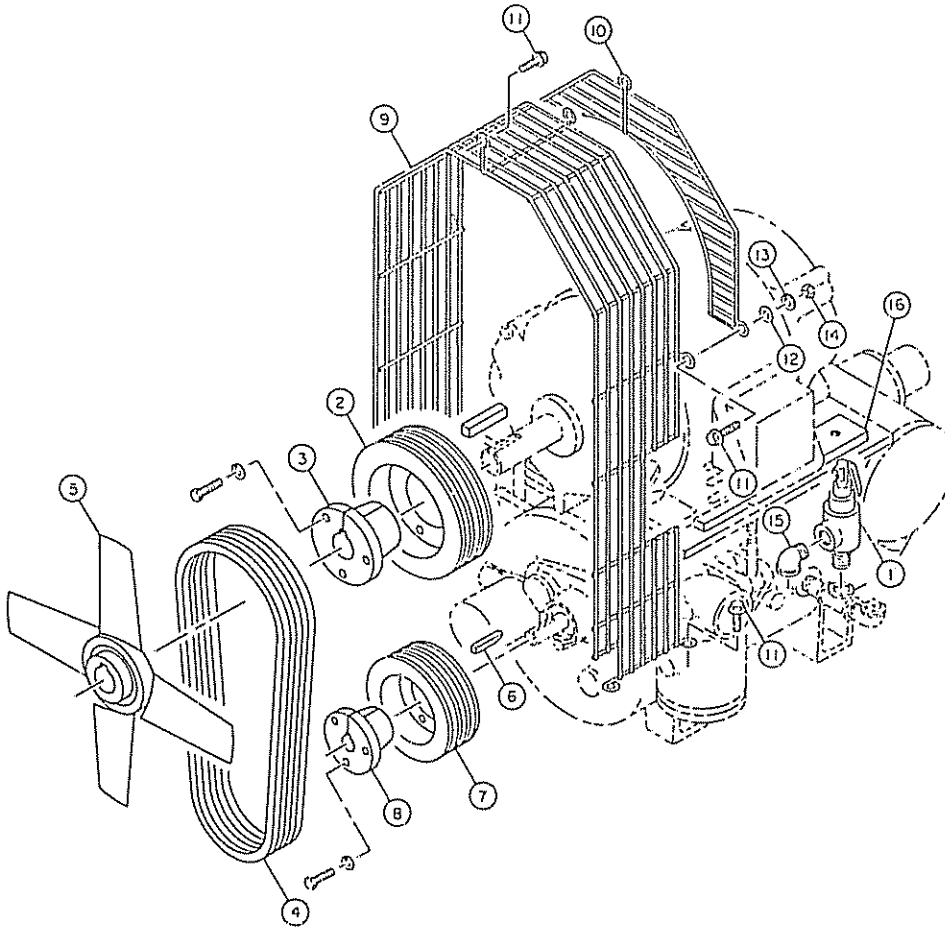
DRIVE GROUPS
(25 HP)

INDEX NUMBER	QTY	PART NUMBER	QTY	PART NUMBER	QTY	PART NUMBER	DESCRIPTION
		128903-F3		128903-F3T		128903-F6Z	
		150PSI ODP		150PSI TEFC		150PSI ODP 50Z	
1	1	23268-37	1	23268-37	1	23268-37	VALVE-SAFETY
2	1	127457	1	127730	1	127730	SHEAVE
3	1	122474	1	122474	1	122474	BUSHING-PULLEY
4	1	128085-347	1	128085-350	1	128085-347	BELT-MATCHED SET
5	1	128887-002	1	128887-002	1	128887-003	FAN
6	1	160075-005	1	160075-005	1	160075-005	KEY-SQUARE,1/4
7	1	128077-012	1	128077-019	1	128077-012	SHEAVE
8	1	128962	1	128962	1	128962	BUSHING
9	1	128843	1	128843	1	128843	GUARD-BELT
10	1	128961	1	129271	1	128961	GUARD-REAR BELT
11	8	122151	8	122151	8	122151	SCREW-HEX.,1/4-20 UNC
12	3	110428W025	3	110428W025	3	110428W025	FLATWASHER-1/4
13	3	123115-04C	3	123115-04C	3	123115-04C	LOCKWASHER-1/4
14	3	124364-J02	3	124364-J02	3	124364-J02	NUT-HEX.,1/4-20 UNC
15	1	3092	1	3092	1	3092	ELBOW-PIPE,3/4 NPT
16	2	129497-002		NOT USED		NOT USED	SPACER-BAR
		128903-F6ZT		128903-F4		128903-F4T	
		150PSI TEFC 50Z		175PSI ODP		175PSI TEFC	
1	1	23268-37	1	23268-38	1	23268-38	VALVE-SAFETY
2	1	127730	1	127457	1	127457	SHEAVE
3	1	122474	1	122474	1	122474	BUSHING-PULLEY
4	1	128085-350	1	128085-347	1	128085-350	BELT-MATCHED SET
5	1	128887-003	1	128887-002	1	128887-002	FAN
6	1	160075-005	1	160075-005	1	160075-005	KEY-SQUARE,1/4
7	1	128077-012	1	128077-008	1	128077-008	SHEAVE
8	1	128962	1	128962	1	128962	BUSHING
9	1	128843	1	128843	1	128843	GUARD-BELT
10	1	129271	1	128961	1	129271	GUARD-REAR BELT
11	8	122151	8	122151	8	122151	SCREW-HEX.,1/4-20 UNC
12	3	110428W025	3	110428W025	3	110428W025	FLATWASHER-1/4
13	3	123115-04C	3	123115-04C	3	123115-04C	LOCKWASHER-1/4
14	3	124364-J02	3	124364-J02	3	124364-J02	NUT-HEX.,1/4-20 UNC
15	1	3092	1	3092	1	3092	ELBOW-PIPE,3/4 NPT
16		NOT USED		NOT USED	2	129497-001	SPACER-BAR

DRIVE GROUPS (30 HP)

		128903-G1		128903-G5Z		128903-G2	
		100PSI ODP		110PSI ODP 50Z		125PSI ODP	
1	1	23268-35	1	23268-35	1	23268-36	VALVE-SAFETY
2	1	129901-006	1	129901-006	1	129901-005	SHEAVE
3	1	122474	1	122474	1	122474	BUSHING-PULLEY
4	1	128085-447	1	128085-447	1	128085-445	BELT-MATCHED SET
5	1	128887-002	1	128887-003	1	128887-002	FAN
6	1	160075-005	1	160075-005	1	160075-005	KEY-SQUARE,1/4
7	1	129901-003	1	129934	1	129934	SHEAVE
8	1	127454	1	129933	1	129933	BUSHING
9	1	128843	1	128843	1	128843	GUARD-BELT
10	1	129271	1	129271	1	129271	GUARD-REAR BELT
11	8	122151	8	122151	8	122151	SCREW-HEX.,1/4-20 UNC
12	3	110428W025	3	110428W025	3	110428W025	FLATWASHER-1/4
13	3	123115-04C	3	123115-04C	3	123115-04C	LOCKWASHER-1/4
14	3	124364-J02	3	124364-J02	3	124364-J02	NUT-HEX.,1/4-20 UNC
15	1	3092	1	3092	1	3092	ELBOW-PIPE,3/4 NPT

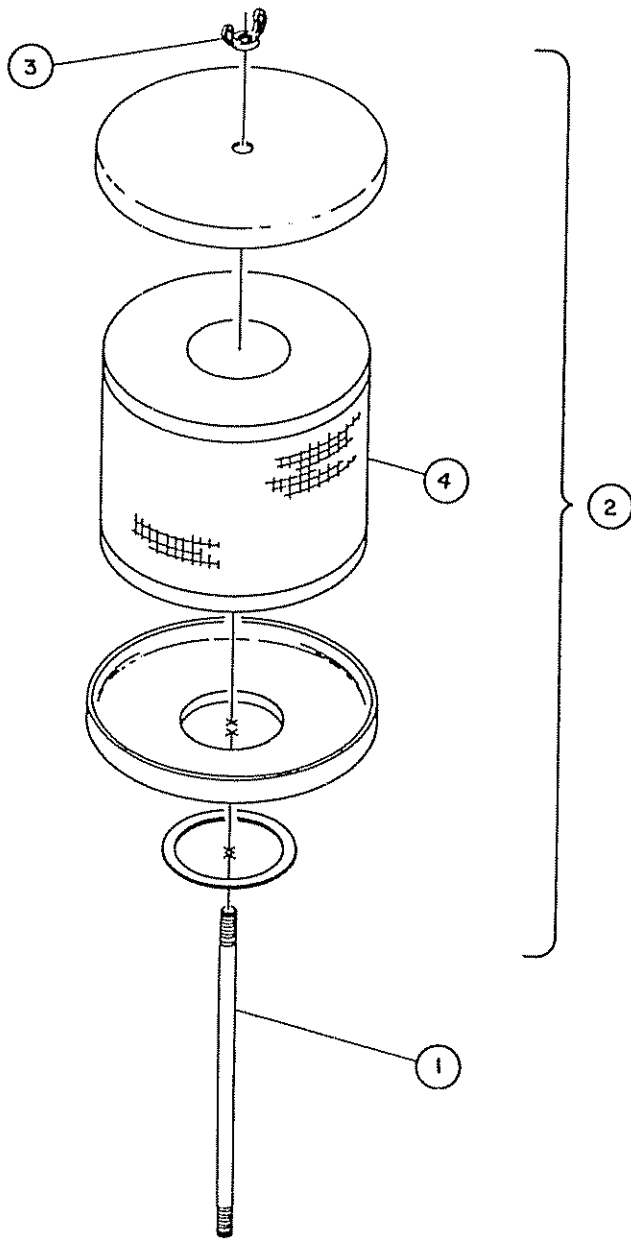
DRIVE GROUPS



DRIVE GROUPS (30 HP)

INDEX NUMBER	QTY	PART NUMBER	QTY	PART NUMBER	QTY	PART NUMBER	DESCRIPTION
		128903-G3		128903-G6Z		128903-G4	
		150PSI ODP		150PSI ODP 50Z		175PSI ODP	
1	1	23268-37	1	23268-37	1	23268-38	VALVE-SAFETY
2	1	129901-005	1	129901-005	1	125149	SHEAVE
3	1	122474	1	122474	1	122474	BUSHING-PULLEY
4	1	128085-445	1	128085-445	1	128085-442	BELT-MATCHED SET
5	1	128887-002	1	128887-003	1	128887-002	FAN
6	1	160075-005	1	160075-005	1	160075-005	KEY-SQUARE, 1/4
7	1	129901-004	1	129934	1	129901-002	SHEAVE
8	1	127454	1	129933	1	127454	BUSHING
9	1	128843	1	128843	1	128843	GUARD-BELT
10	1	129271	1	129271	1	129271	GUARD-REAR BELT
11	8	122151	8	122151	8	122151	SCREW-HEX, 1/4-20 UNC
12	3	110428W025	3	110428W025	3	110428W025	FLATWASHER-1/4
13	3	123115-04C	3	123115-04C	3	123115-04C	LOCKWASHER-1/4
14	3	124364-J02	3	124364-J02	3	124364-J02	NUT-HEX, 1/4-20 UNC
15	1	3092	1	3092	1	3092	ELBOW-PIPE, 3/4 NPT

AIR FILTER GROUP

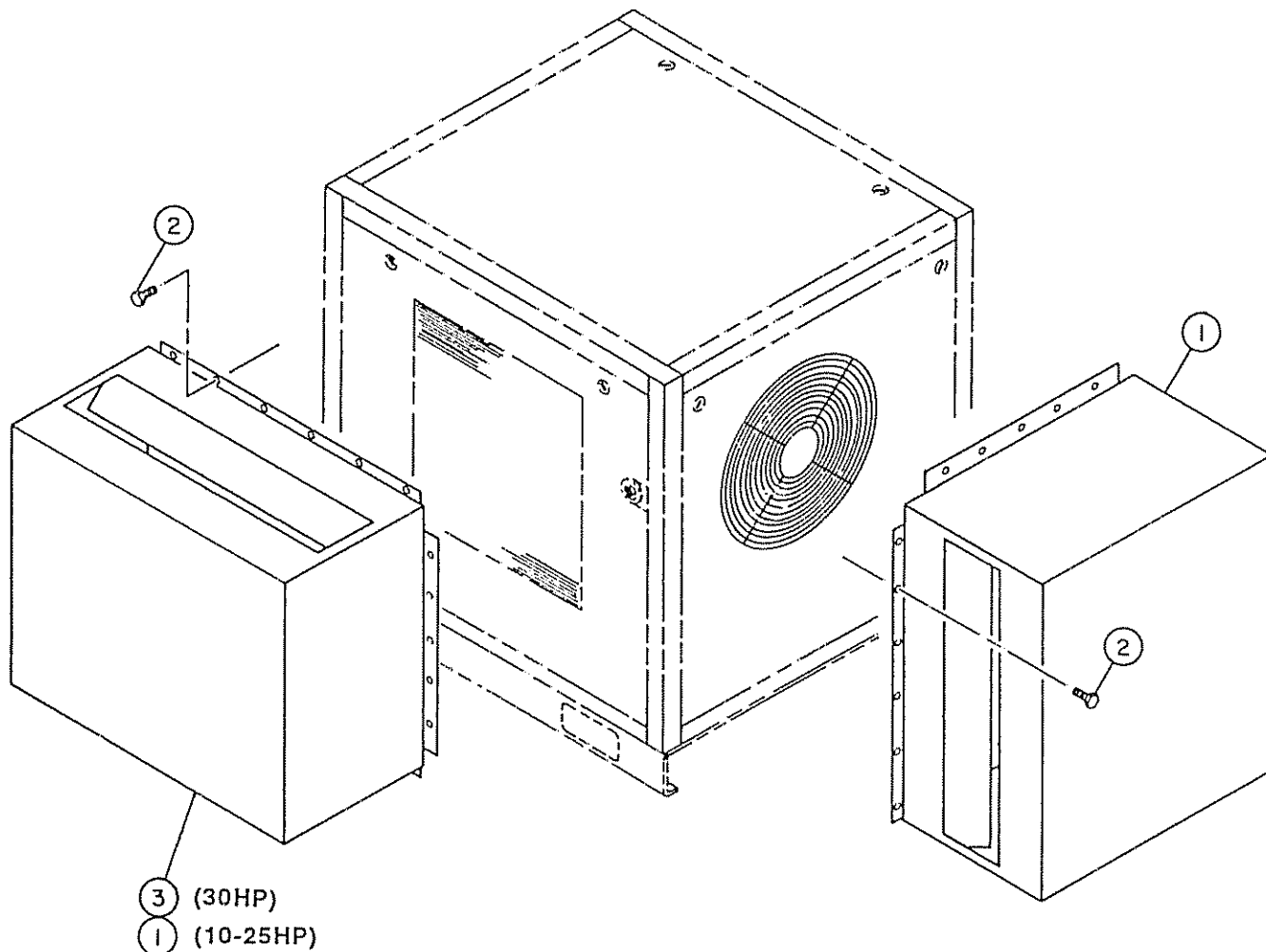


AIR FILTER GROUP 128909-001

INDEX NUMBER	QTY	PART NUMBER	DESCRIPTION
1	1	126462-002	STUD-AIR FILTER
2	1	128849F362	ASSEMBLY-AIR FILTER
3	1	128882	NUT-WING, 1/4-20 UNC
			<u>MAINTENANCE PARTS</u>
4	1	128849E362	ELEMENT-AIR FILTER

LOW SOUND GROUPS

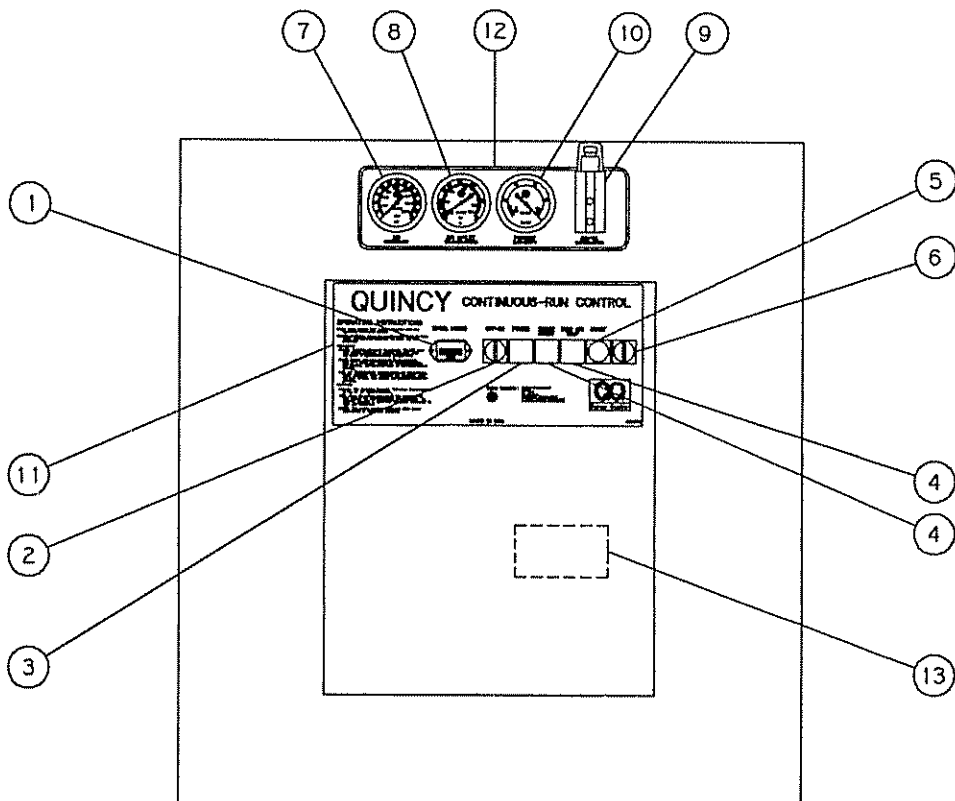
INDEX NUMBER	QTY	PART NUMBER	DESCRIPTION
			LOW SOUND GROUP 129232-001 (10-25HP)
1	2	128878-1	DUCT-INTAKE/EXHAUST
2	1	110511-J07	SCREW-TAPTITE,1/4-20 UNC X .50
			LOW SOUND GROUP 129232-002 (30HP)
1	1	128878-1	DUCT-INTAKE/EXHAUST
2	17	110511-J07	SCREW-TAPTITE,1/4-20 UNC X .50
3	1	129928	ASSEMBLY-CABINET PANEL/DUCT (LOW SOUND)



ELECTRICAL CONTROL GROUP

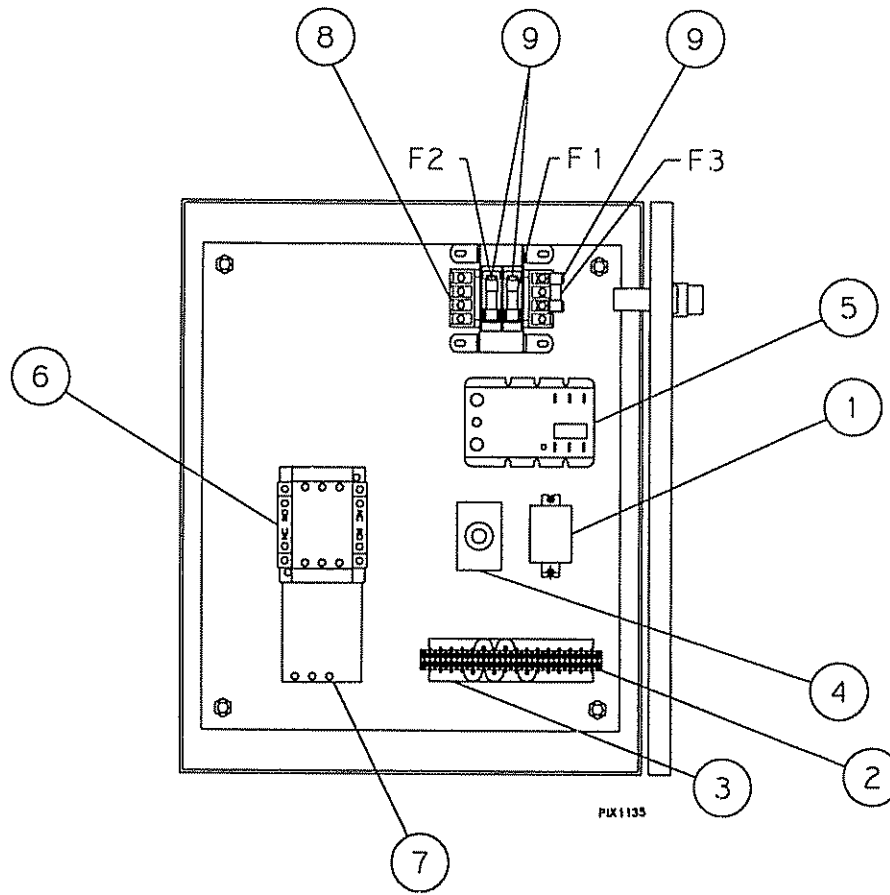
INDEX NUMBER	QTY	PART NUMBER	DESCRIPTION
1	1	110871-120	HOURMETER (60 Hz.)
	1	110871-125	HOURMETER (50 Hz.)
2	1	129210	KIT-ON/OFF SWITCH <i>includes handle, bezel, mounting clip, & contact block</i>
3	1	129920	KIT-AMBER PILOT LIGHT <i>includes mounting clip, lamp, bezel, & lamp holder</i>
4	2	129219	KIT-RED PILOT LIGHT <i>includes mounting clip, lamp, bezel, & lamp holder</i>
5	1	129211	KIT-START PUSHBUTTON <i>includes mounting clip, contact block, & pushbutton</i>
6	1	129222	* KIT-CONTINUOUS RUN/AUTO DUAL SWITCH <i>includes handle, bezel, mounting clip, & contact block</i>
7	1	128662	GAUGE-PRESSURE
8	1	128664	GAUGE-TEMPERATURE
9	1	23779-1	INDICATOR-SEPARATOR ELEMENT
10	1	128663	* GAUGE-PERCENT CAPACITY
11	1	128973	CONTROL DECAL/OPERATING INSTRUCTIONS (CONTINUOUS RUN)
	1	128971	CONTROL DECAL/OPERATING INSTRUCTIONS (AUTO DUAL)
	1	128972	CONTROL DECAL/OPERATING INSTRUCTIONS (AUTO DEMAND)
12	1	140529	DECAL-LESS CAPACITY GAUGE
	1	140530	* DECAL-WITH CAPACITY GAUGE
13	1	110835	DECAL-CONTROL PANEL INFORMATION

**offered as optional equipment on units*



PIX 1135

FULL VOLTAGE STARTING



INDEX NUMBER	QTY	PART NUMBER	DESCRIPTION
1	1	125706-001	RELAY-CONTROL (CR1)
2	1	123153-015	STRIP-TERMINAL
3	1	125786-014	DECAL-TERMINAL STRIP
4	1	122862-600	* TIMER (TR1)
5	1	129200-001	RELAY-PHASE PROTECTION (200/230 VOLT)
	1	129200-003	RELAY-PHASE PROTECTION (380/415 VOLT)
	1	129200-002	RELAY-PHASE PROTECTION (460 VOLT)
	1	128422-003	RELAY-PHASE PROTECTION (575 VOLT)

**offered as optional equipment on units*

FULL VOLTAGE STARTING

CONTACTORS ITEM 6 (1)

	10HP	15HP	20HP	25HP	30HP
200 VOLT	126981B015	126981B017	126981B019	126981B020	126981B021
230 VOLT	126981B015	126981B017	126981B019	126981B020	126981B021
460 VOLT	126981B009	126981B017	126981B015	126981B017	126981B017
575 VOLT	126981B009	126981B015	126981B015	126981B015	126981B017
380 VOLT	126981B012	126981B015	126981B017	126981B019	126981B019
415 VOLT	126981B009	126981B015	126981B017	126981B017	126981B019

OVERLOAD RELAYS ITEM 7 (1)

	10HP	15HP	20HP	25HP	30HP
200 VOLT	126983-023	126983-024	126983-026	126983-026	126983-027
230 VOLT	126983-022	126983-023	126983-025	126983-026	126983-027
460 VOLT	126983-016	126983-021	126983-022	126983-023	126983-023
575 VOLT	126983-015	126983-020	126983-021	126983-022	126983-023
380 VOLT	126983-017	126983-022	126983-023	126983-025	126983-025
415 VOLT	126983-016	126983-021	126983-022	126983-023	126983-025

TRANSFORMERS ITEM 8 (1)

	10HP	15HP	20HP	25HP	30HP
200 VOLT	128413-101	128413-101	128413-151	128413-151	128413-151
230 VOLT	128413-103	128413-103	128413-153	128413-153	128413-153
460 VOLT	128413-103	128413-103	128413-153	128413-153	128413-153
575 VOLT	128413-105	128413-105	128413-105	128413-155	128413-155
380 VOLT	128413-106	128413-106	128413-106	128413-156	128413-156
415 VOLT	128413-104	128413-104	128413-104	108413-154	128413-154

FUSES ITEM 9

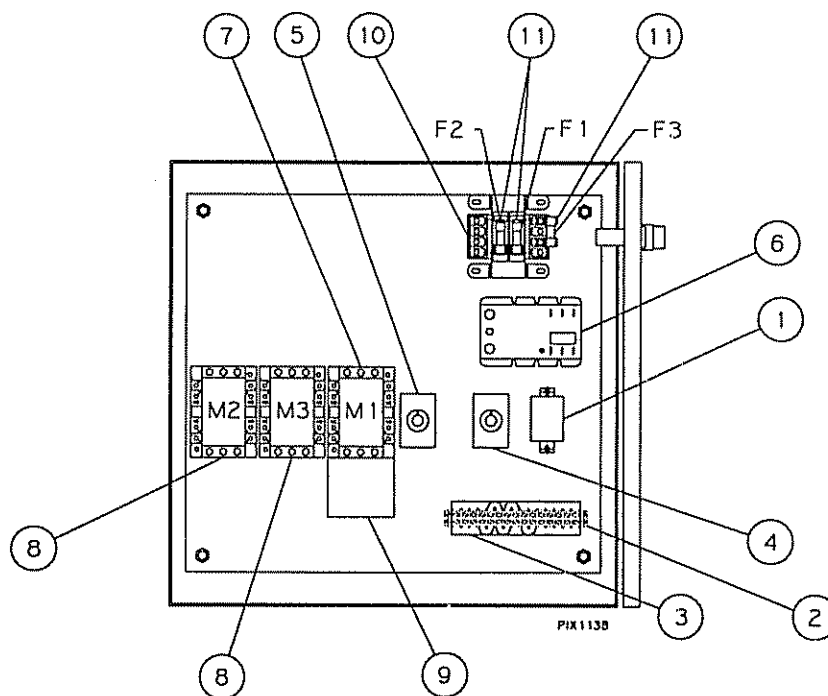
	10HP	15HP	20HP	25HP	30HP
200 VOLT	128857-004(2)	128857-004(2)	128857-004(2)	128857-004(2)	128857-004(2)
	128622-100(1)	128622-100(1)	128622-160(1)	128622-160(1)	128622-160(1)
230 VOLT	128857-003(2)	128857-003(2)	128858-010(2)	128858-010(2)	128858-010(2)
	128622-100(1)	128622-100(1)	128622-160(1)	128622-160(1)	128622-160(1)
460 VOLT	128857-002(2)	128857-002(2)	128857-003(2)	128857-003(2)	128857-003(2)
	128622-100(1)	128622-100(1)	128622-160(1)	128622-160(1)	128622-160(1)
575 VOLT	128857-002(2)	128857-002(2)	128857-002(2)	128857-002(2)	128857-002(2)
	128622-100(1)	128622-100(1)	128622-100(1)	128622-100(1)	128622-100(1)
380 VOLT	128857-003(2)	128857-003(2)	128857-003(2)	128857-003(2)	128857-003(2)
	128622-100(1)	128622-100(1)	128622-100(1)	128622-160(1)	128622-160(1)
415 VOLT	128858-007(2)	128858-007(2)	128858-007(2)	128858-007(2)	128858-008(2)
	128622-100(1)	128622-100(1)	128622-100(1)	128622-100(1)	128622-160(1)

() quantity per unit

fuses with quantities of (1) are F3 fuses

fuses with quantities of (2) are F1 & F2 fuses

WYE-DELTA STARTING



INDEX NUMBER	QTY	PART NUMBER	DESCRIPTION
1	1	125706-001	RELAY-CONTROL (CR1)
2	1	123153-015	STRIP-TERMINAL
3	1	125786-014	DECAL-TERMINAL STRIP
4	1	122862-600	TIMER (TR1)
5	1	129230-001	TIMER (TR2)
6	1	129200-001	RELAY-PHASE PROTECTION (200/230 VOLT)
	1	129200-003	RELAY-PHASE PROTECTION (380/415 VOLT)
	1	129200-002	RELAY-PHASE PROTECTION (460 VOLT)
	1	128422-003	RELAY-PHASE PROTECTION (575 VOLT)

CONTACTORS (M2) ITEM 7 (1)

	10HP	15HP	20HP	25HP	30HP
200 VOLT	126981B009	126981B015	126981B015	126981B015	126981B019
230 VOLT	126981B009	126981B015	126981B015	126981B015	126981B019
460 VOLT	126981B009	126981B009	126981B009	126981B009	126981B015
575 VOLT	126981B009	126981B009	126981B009	126981B009	126981B009
380 VOLT/50Hz.	126981B009	126981B009	126981B009	126981B015	126981B015
415 VOLT/50Hz.	126981B009	126981B009	126981B009	126981B015	126981B015

CONTACTORS (M1 & M3) ITEM 8 (2)

	10HP	15HP	20HP	25HP	30HP
200 VOLT	126981B013	126981B015	126981B017	126981B017	126981B019
230 VOLT	126981B013	126981B015	126981B017	126981B017	126981B019
460 VOLT	126981B010	126981B010	126981B010	126981B013	126981B015
575 VOLT	126981B010	126981B010	126981B010	126981B013	126981B015
380 VOLT/50Hz.	126981B010	126981B010	126981B013	126981B015	126981B015
415 VOLT/50Hz.	126981B010	126981B010	126981B013	126981B015	126981B015

WYE-DELTA STARTING

OVERLOAD RELAYS ITEM 9 (1)

	10HP	15HP	20HP	25HP	30HP
200 VOLT	126983-017	126983-022	126983-023	126983-024	126983-025
230 VOLT	126983-016	126983-022	126983-023	126983-023	126983-025
460 VOLT	126983-014	126983-016	126983-016	126983-017	126983-021
575 VOLT	126983-014	126983-015	126983-016	126983-017	126983-017
380 VOLT/50Hz.	126983-015	126983-015	126983-017	126983-021	126983-022
415 VOLT/50Hz.	126983-015	126983-016	126983-017	126983-021	126983-022

TRANSFORMERS ITEM 10 (1)

	10HP	15HP	20HP	25HP	30HP
200 VOLT	128413-101	128413-151	128413-151	128413-151	128413-151
230 VOLT	128413-103	128413-153	128413-153	128413-153	128413-153
460 VOLT	128413-103	128413-153	128413-153	128413-153	128413-153
575 VOLT	128413-105	128413-105	128413-105	128413-105	128413-105
380 VOLT/50Hz.	128413-106	128413-106	128413-106	128413-156	128413-156
415 VOLT/50Hz.	128413-104	128413-104	128413-104	128413-154	128413-154

FUSES ITEM 11

	10HP	15HP	20HP	25HP	30HP
200 VOLT	128857-004(2)	128857-004(2)	128857-004(2)	128857-004(2)	128857-004(2)
	128622-100(1)	128622-160(1)	128622-160(1)	128622-160(1)	128622-160(1)
230 VOLT	128857-003(2)	128858-010(2)	128858-010(2)	128858-010(2)	128858-010(2)
	128622-100(1)	128622-100(1)	128622-160(2)	128622-160(1)	128622-160(1)
460 VOLT	128857-002(2)	128857-003(2)	128857-003(2)	128857-003(2)	128857-003(2)
	128622-100(1)	128622-160(1)	128622-160(1)	128622-160(1)	128622-160(1)
575 VOLT	128857-002(2)	128857-002(2)	128857-002(1)	128857-002(2)	128857-003(2)
	128622-100(1)	128622-100(1)	128622-100(1)	128622-100(1)	128622-100(1)
380 VOLT/50Hz.	128857-003(2)	128857-003(2)	128857-003(2)	128857-003(2)	128857-003(2)
	128622-100(1)	128622-100(1)	128622-100(1)	128622-160(1)	128622-160(1)
415 VOLT/50Hz.	128858-007(2)	128858-007(2)	128858-007(2)	128858-008(2)	128858-008(2)
	128622-100(1)	128622-100(1)	128622-100(1)	128622-160(1)	128622-160(1)

() quantity per unit

fuses with quantities of (1) are F3 fuses

fuses with quantities of (2) are F1 & F2 fuses

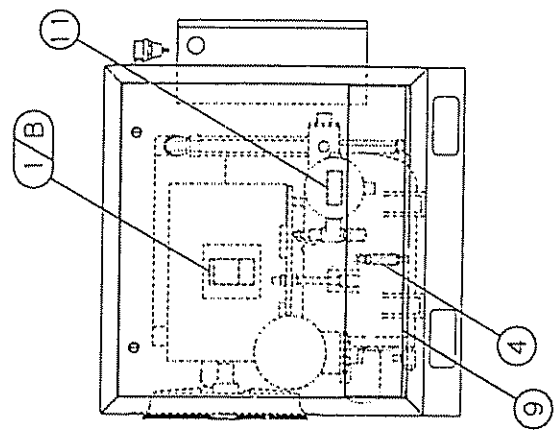
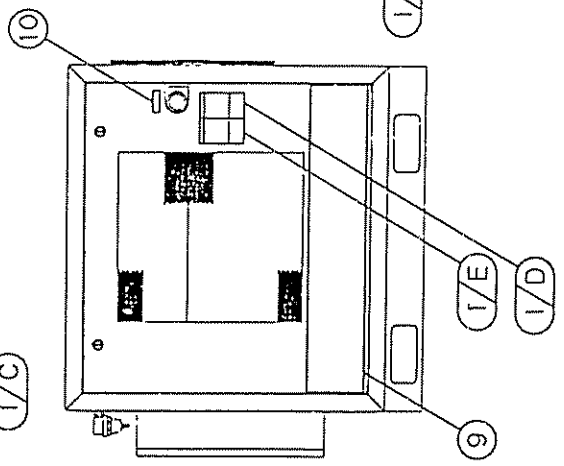
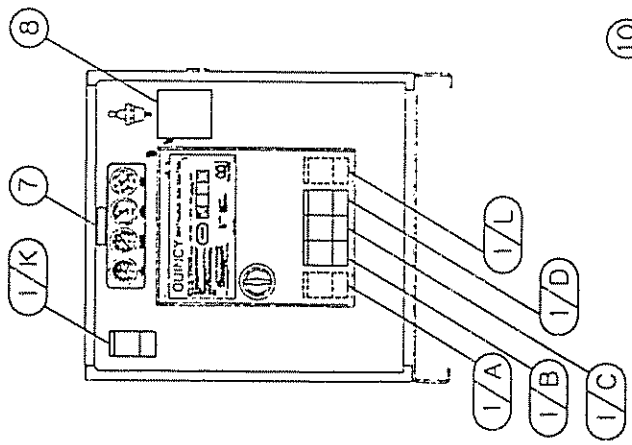
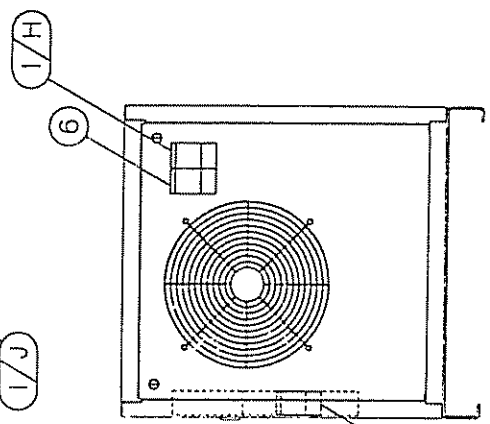
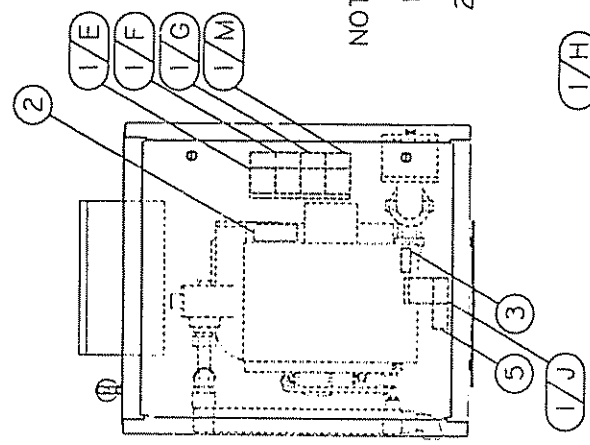
RECEIVER GROUPS

INDEX NUMBER	QTY	PART NUMBER	QTY	PART NUMBER	DESCRIPTION
		128910-001		128910-002	
		20, 25 & 30 HP		20, 25 & 30 HP	
		120 GAL.		200 GAL.	
1	1	128848-200	1	128899-200	RECEIVER
2	2	6639	2	6639	BUSHING-PIPE,2 NPT X 1-1/4 NPT
3	2	125938-001	2	125938-001	NIPPLE-PIPE,1-1/4 NPT X CLOSE
4	1	5760	1	5760	ELBOW-PIPE,1-1/4 NPT
5	1	110382D125	1	110382D125	SEPARATOR-MOISTURE,W/TRAP
6	4	123115-06C	4	123115-06C	LOCKWASHER-3/8
7	4	124364-L02	4	124364-L02	NUT-HEX.,3/8-16 UNC
8	1	23225	1	23225	FITTING-TUBE,1-1/4 TUBE X 1-1/4 NPT
9	1	128965	1	121918-121	TUBE
10	1	110419-022	1	110419-022	FITTING-TUBE,1-1/4 TUBE X 1-1/4 NPT
11	1	110425-125	1	110425-125	VALVE-BALL,1-1/4 NPT
12	8	110428W038	8	110428W025	FLATWASHER
13	1	3022-200	1	3022-200	VALVE-SAFETY
14	2	2951	2	2951	BUSHING-PIPE,1/2 NPT X 1/4 NPT
15	1	110514-300	1	110514-300	GAUGE-PRESSURE
16	2	2713	2	2713	DRAINCOCK-1/4 NPT
17	4	123478-L15	4	123478-L15	SCREW-HEX.,3/8-16 UNC X 1.50,GRADE 5
		128910-003		128910-004	
		10 & 15 HP		10 & 15 HP	
		120 GAL.		200 GAL.	
1	1	128848-200	1	128899-200	RECEIVER
2	2	20882	2	20882	BUSHING-PIPE,2 NPT X 1 NPT
3	2	125937-001	2	125937-001	NIPPLE-PIPE,1 NPT X CLOSE
4	1	3004	1	3004	ELBOW-PIPE,1 NPT
5	1	110382D100	1	110382D100	SEPARATOR-MOISTURE,W/ TRAP, 1.00NPT
6	4	123115-06C	4	123115-06C	LOCKWASHER-3/8
7	4	124364-L02	4	124364-L02	NUT-HEX.,3/8-16 UNC
8	1	23358	1	23358	FITTING-TUBE,1 TUBE X 1 NPT
9	1	129217	1	129218	TUBE
10	1	110419-020	1	110419-020	FITTING-ELBOW 1 TUBE X 1 NPT
11	1	110425-100	1	110425-100	VALVE-BALL,1 NPT
12	8	110428W038	8	110428W025	FLATWASHER
13	1	3022-200	1	3022-200	VALVE-SAFETY
14	2	2951	2	2951	BUSHING-PIPE,1/2 NPT X 1/4 NPT
15	1	110514-300	1	110514-300	GAUGE-PRESSURE
16	2	2713	2	2713	DRAINCOCK-1/4 NPT
17	4	123478-L15	4	123478-L15	SCREW-HEX.,3/8-16 UNC X 1.50,GRADE 5
				<u>MAINTENANCE PARTS (ALL HP'S)</u>	
18	1	7581		FLOAT-MOISTURE SEPARATOR	
19	1	7792		KIT, REPAIR-MOISTURE TRAP	
				<i>(includes cover gasket, cover and valve assembly)</i>	

DECAL GROUP

NOTE:

- 1) DECALS SHOWN HIDDEN ARE LOCATED INSIDE CABINET.
- 2) DECALS 1/A AND 1/L ARE LOCATED INSIDE ELECTRICAL PANEL DOOR.

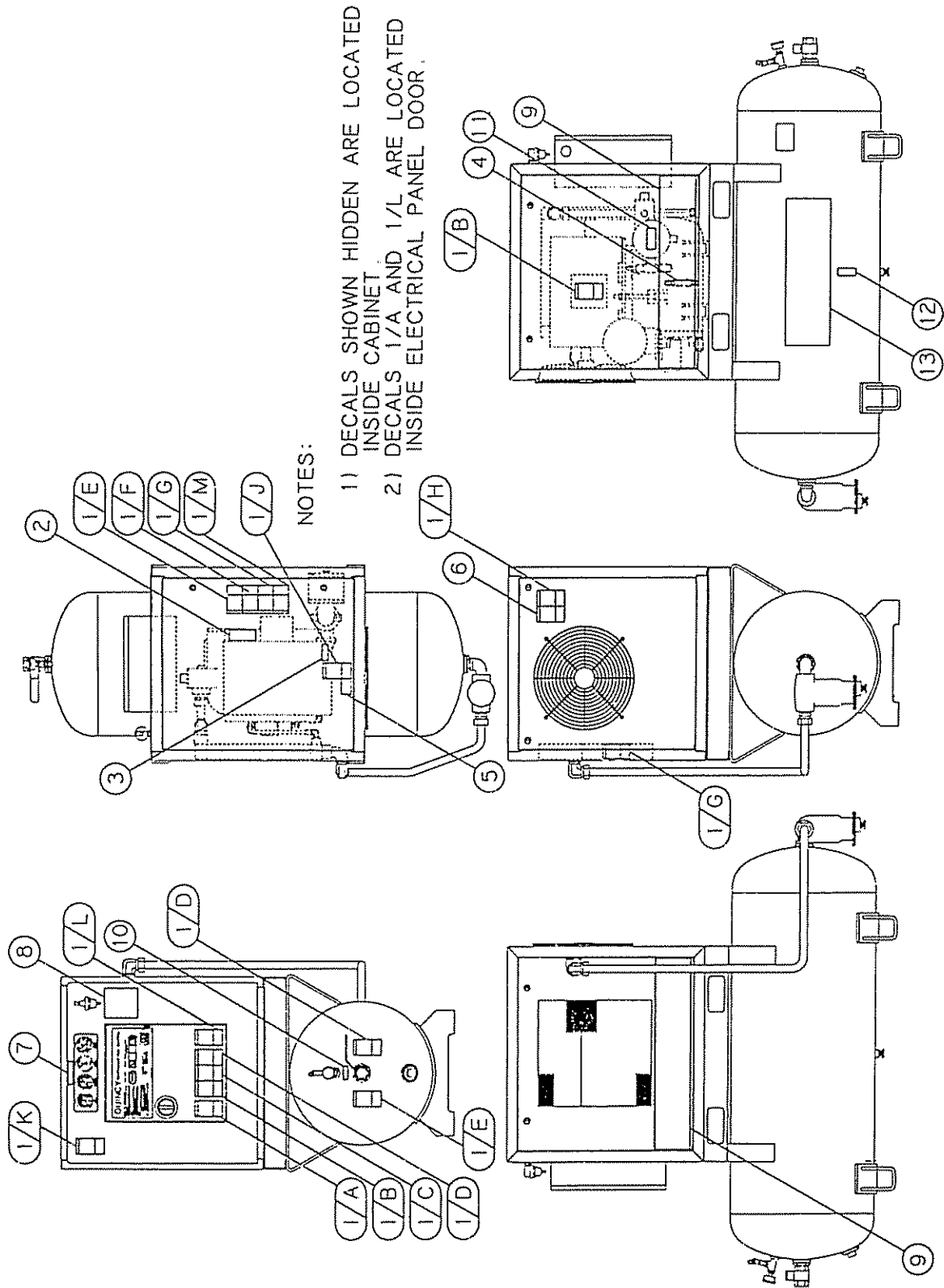


DECAL GROUP 128983-B**

INDEX NUMBER	QTY	PART NUMBER	DESCRIPTION
1/A thru 1/M	1	128004	SHEET-SAFETY DECALS
2	1	127726	DECAL-CAUTION,BELT TENSION
3	1	7459	LABEL-ARROW
4	1	128991	DECAL-LEVEL,OIL
5	1	128065	DECAL-DANGER...HOT OIL UNDER PRESSURE...
6	1	128990	DECAL-WARNING
7	1	128189	DECAL-AMERICAN MADE
8	1	128425	DECAL-THIS MACHINE IS PROTECTED WITH QUIN-SYN...
9	2	128969-0**	DECAL-QUINCY **HP
10	1	128280	DECAL-OUTLET IDENTIFICATION
11	1	127711	DECAL-WARNING, 200 PSI MAXIMUM

*** part numbers change depending on horsepower (10, 15, 20, 25, and 30)*

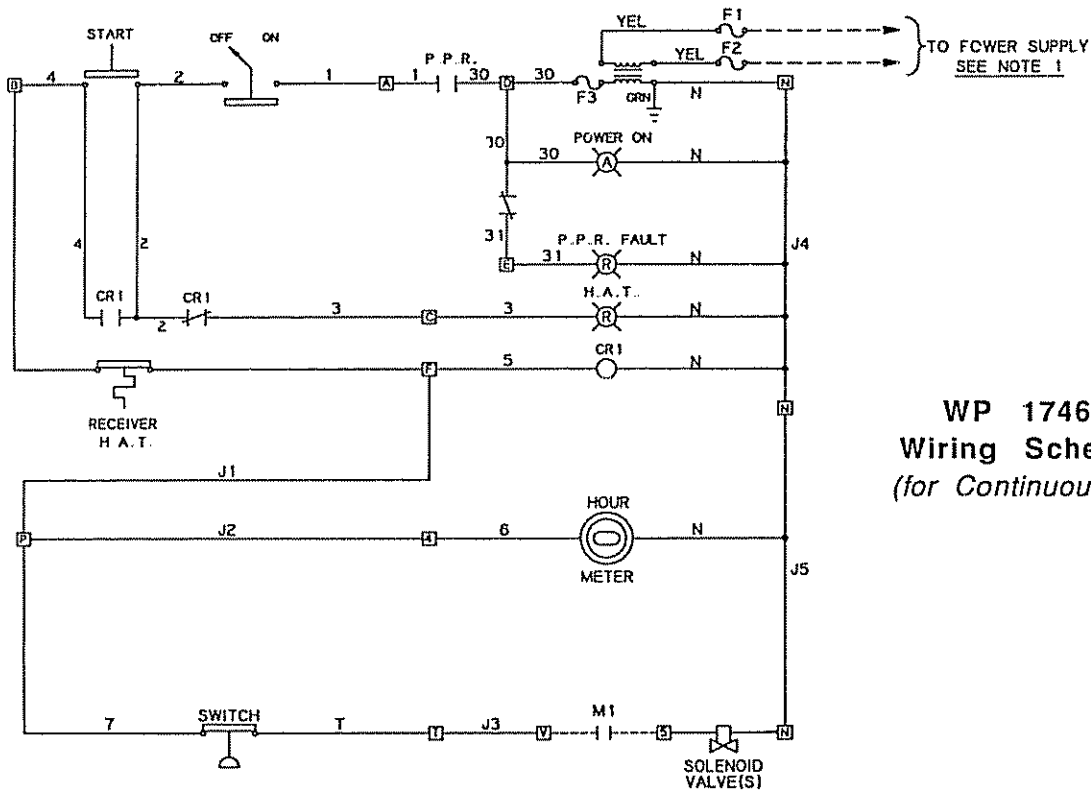
DECAL GROUP



DECAL GROUP 128983-T**

INDEX NUMBER	QTY	PART NUMBER	DESCRIPTION
1/A thru 1/M	1	128004	SHEET-SAFETY DECALS
2	1	127726	DECAL-CAUTION, BELT TENSION
3	1	7459	LABEL-ARROW
4	1	128991	DECAL-LEVEL,OIL ADD/NORM/EXCESS
5	1	128065	DECAL-DANGER...HOT OIL UNDER PRESSURE...
6	1	128990	DECAL-WARNING
7	1	128189	DECAL-AMERICAN MADE
8	1	128425	DECAL-THIS MACHINE IS PROTECTED WITH QUIN-SYN...
9	2	128969-0**	DECAL-QUINCY **HP
10	1	128280	DECAL-OUTLET IDENTIFICATION
11	1	127711	DECAL-WARNING, 200 PSI MAXIMUM
12	1	5042	DECAL-TANK...
13	1	125324-001	DECAL-QUINCY

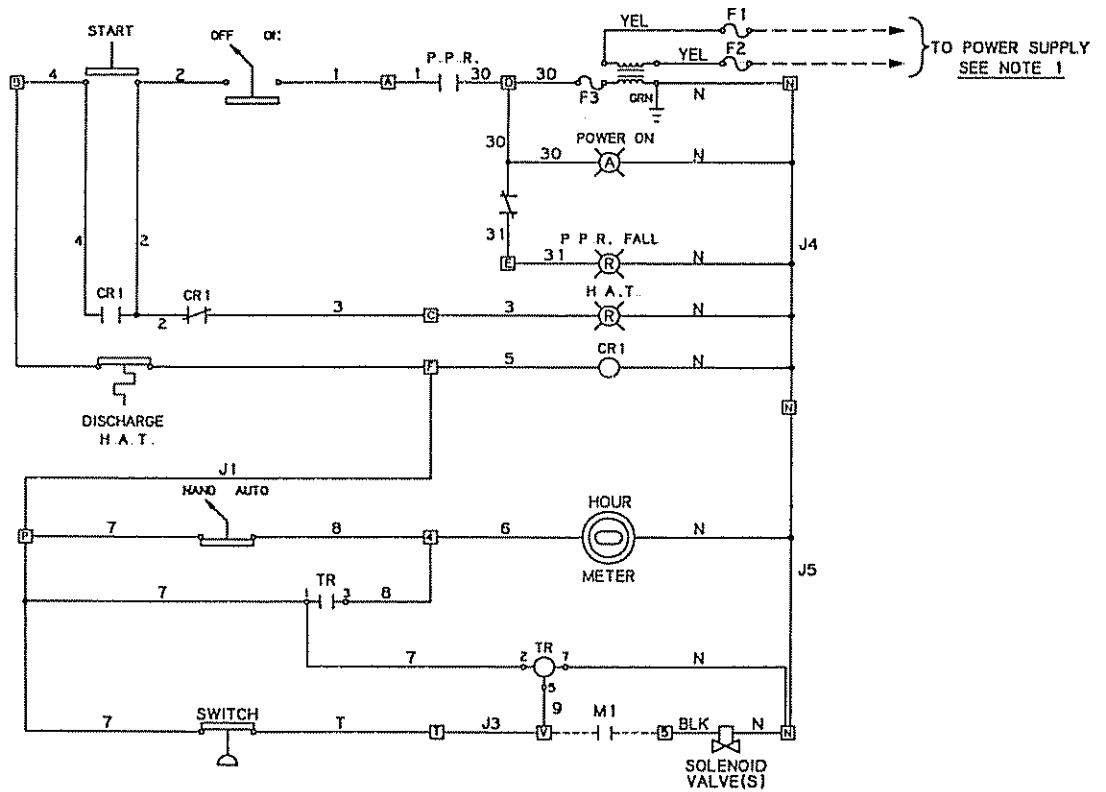
*** part numbers change depending on horsepower (10, 15, 20, 25, and 30)*



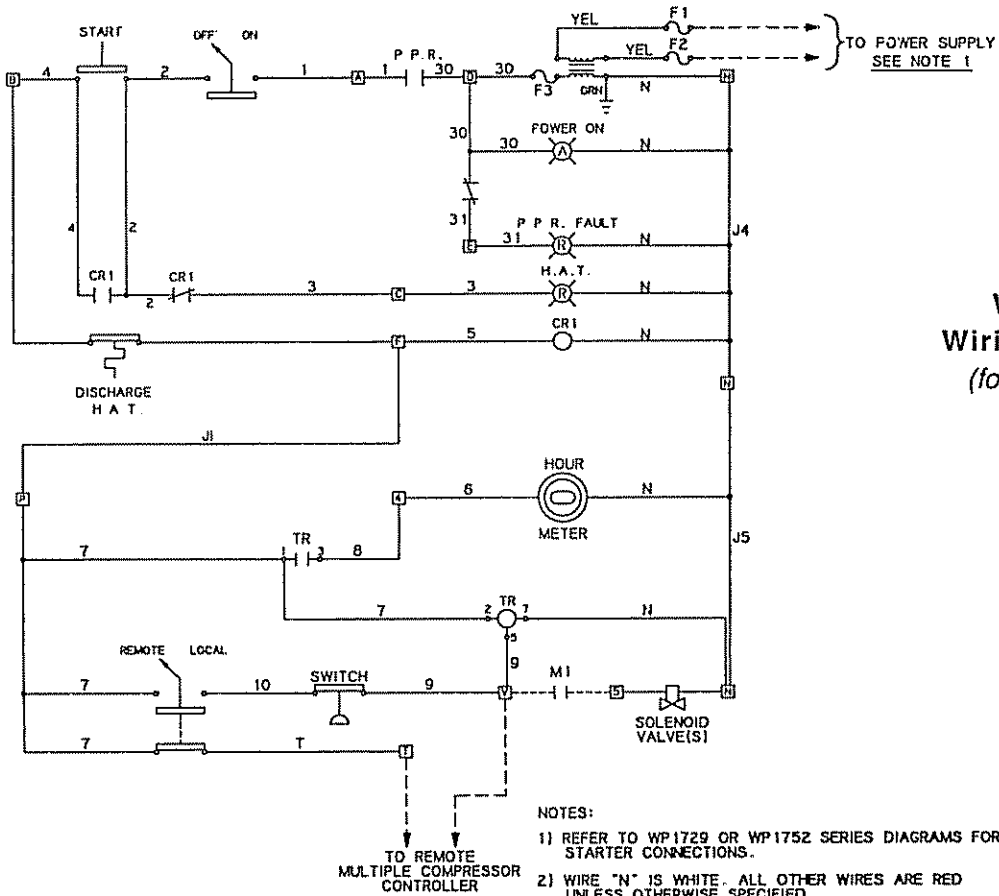
WP 1746C
Wiring Schematic
(for Continuous Run)

- NOTES:**
 1) REFER TO WP1729 OR WP1752 SERIES DIAGRAMS FOR STARTER CONNECTIONS.
 2) WIRE "N" IS WHITE. ALL OTHER WIRES ARE RED UNLESS OTHERWISE SPECIFIED.

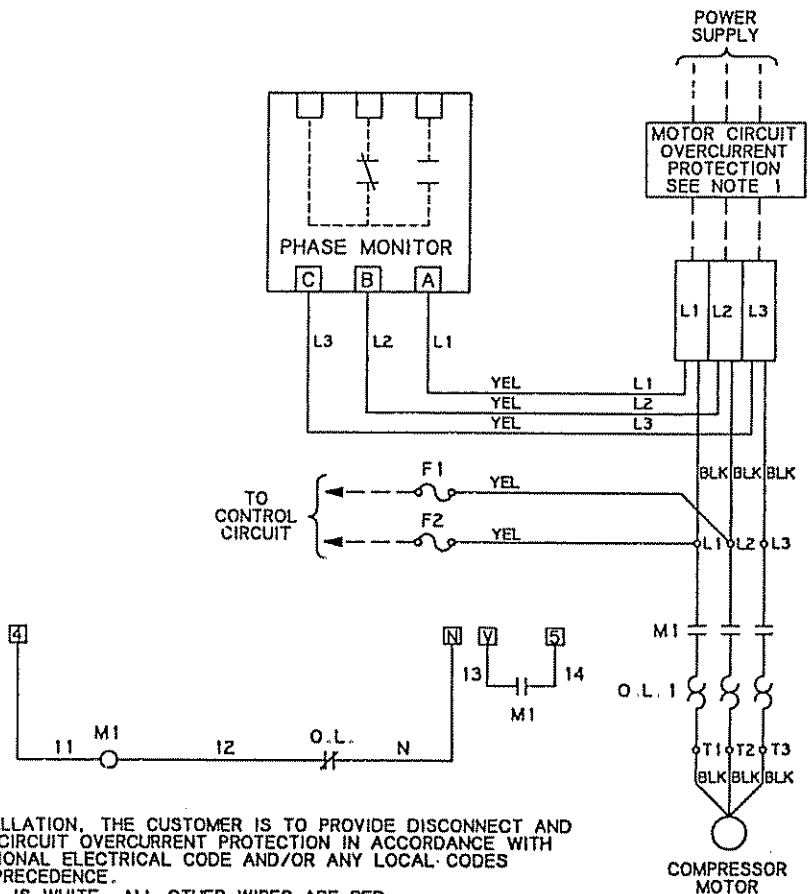
WP1746A
Wiring Schematic
(for Auto Dual)



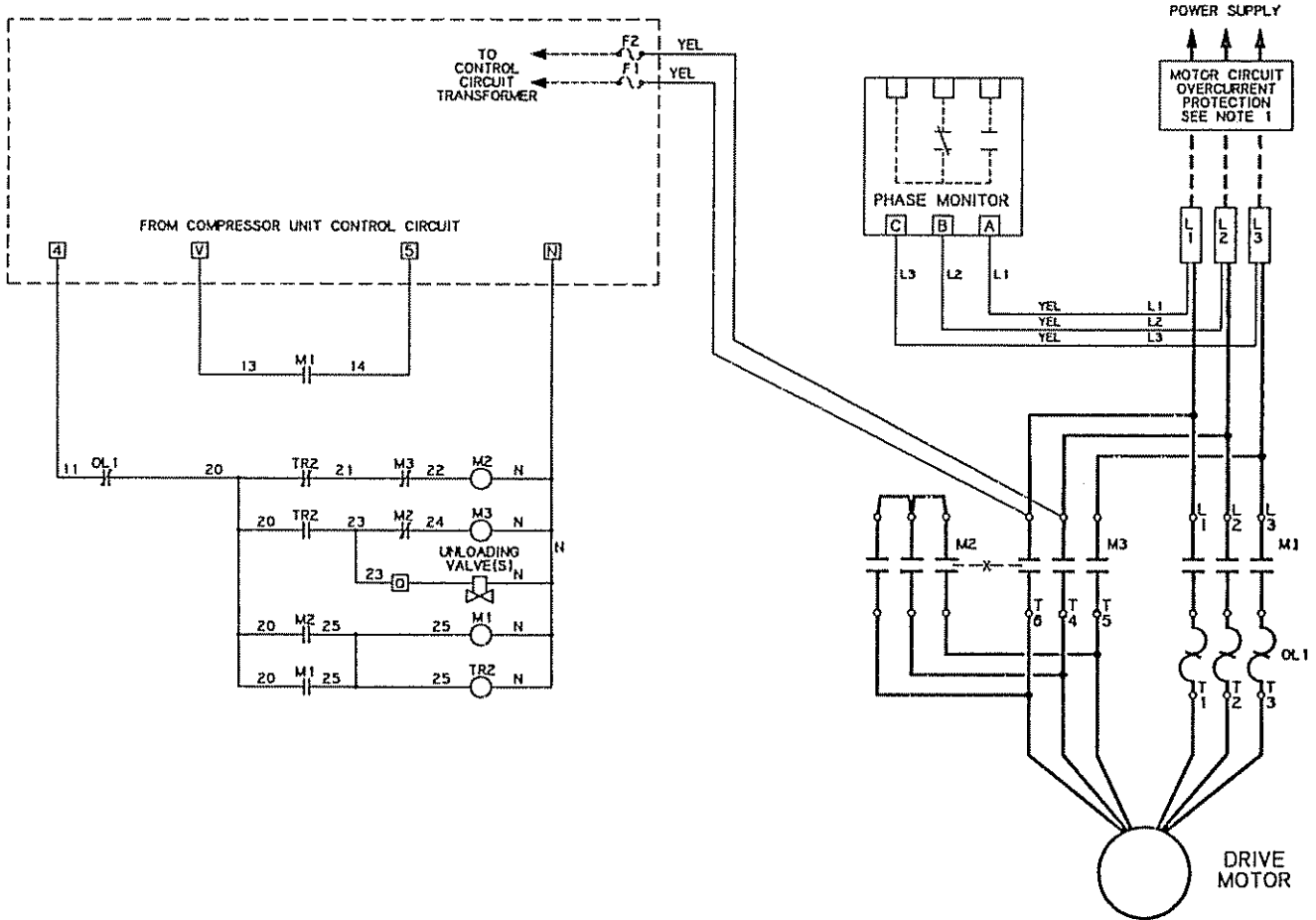
- NOTES:**
 1) REFER TO WP1729 OR WP1752 SERIES DIAGRAMS FOR STARTER CONNECTIONS.
 2) WIRE "N" IS WHITE. ALL OTHER WIRES ARE RED UNLESS OTHERWISE SPECIFIED.



**WP1729C-04
Wiring Schematic
(for Full Voltage Motor/Starter)**



Wiring Schematic WP1752 (for Wye-Delta Motor/Starter)



NOTES:

- 1) AT INSTALLATION, THE CUSTOMER IS TO PROVIDE DISCONNECT AND BRANCH CIRCUIT OVERCURRENT PROTECTION IN ACCORDANCE WITH THE NATIONAL ELECTRICAL CODE AND/OR ANY LOCAL CODES HAVING PRECEDENCE.
- 2) WIRE "N" IS WHITE. ALL OTHER WIRES ARE RED UNLESS OTHERWISE SPECIFIED.
- 3) SEE EDA1387 FOR SERVICE AND TROUBLESHOOTING INFORMATION.

RECOMMENED SPARE PARTS

<u>QTY.</u>	<u>PART #</u>	<u>DESCRIPTION</u>
1	128598	FILTER-LUBRICANT
1	128849E362	ELEMENT-AIR FILTER
2	129732-050	ELEMENT-LINE FILTER
1	129908	ELEMENT KIT-AIR/LUBRICANT SEPARATOR
1	129213	KIT-INLET VALVE DIAPHRAGM
1	122880-222	SWITCH-HIGH AIR TEMPERATURE
1	125706-001	RELAY-CONTROL
1	124973-056	REPAIR KIT-THERMOSTATIC VALVE
1	129216	KIT-COMPRESSOR SHAFT SEAL (<i>see note on page 5</i>)

for overloads & fuses see pages 41 and 43

ROTARY SCREW MAINTENANCE KIT

<u>QTY.</u>	<u>PART #</u>	<u>DESCRIPTION</u>
	127667-S46	ROTARY SCREW MAINTENANCE KIT (<i>includes:</i>)
3	128598	FILTER-LUBRICANT
2	128849E362	ELEMENT-AIR FILTER
1	129908	KIT-AIR/LUBRICANT SEPARATOR ELEMENT
1	127462-005	LUBRICANT-QUIN SYN (5 GAL. PAIL)

NATIONWIDE SALES/SERVICE

Quincy Service is always near. There are Authorized Quincy Distributors located throughout the United States and Canada. They stock genuine Quincy replacement parts and accessories for a wide range of Quincy products. Service specialists are factory trained and experienced. Quincy service will help keep you in business. Call for Authorized Quincy Service.

Quincy
Compressor Division

Coltec Industries



\$3.00