

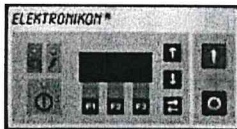
Parts list  
Onderdelenlijst  
Reservdelsförteckning  
Teilliste  
Liste de pièces  
Lista de las partes

Listino parti di ricambio  
Reservedelsliste  
Lista de peças  
Deleliste  
Osaluettelo

## **GA11 - 15 - 18 - 22 Pack**

## **GA11 - 15 - 18 - 22 Full-Feature**

## **GA11 - 15 - 18 - 22 Standard Pack**



F1042



F051

**Registration code**

Collection: APC G11-22  
Tab: 39  
Sequence: 0994

**Replaces**

No. 2930 1249 00

No. 2930 1249 01

1997-12

From following serial No. onwards:

AII-229 653

Some compressors may still be equipped with a dryer of the previous type (recognizable by the charge of refrigerant marked on the data plate of the dryer: 1.5 kg for GA11/15 and 2.2 kg for GA18/22).

**Important**

This book applies exclusively:

1. To GA11 - GA15 - GA18 - GA22 equipped with an electronic regulator as shown on the left above.
2. To GA11 - GA15 - GA18 - GA22 with an electro-pneumatic regulator as shown on the left below.

*"Copyright 1997, Atlas Copco Airpower n.v., Antwerp, Belgium.*

*Any unauthorized use or copying of the contents or any part of this book is prohibited.*

*This applies in particular to trademarks, model denominations, part numbers and drawings."*

**Atlas Copco**

Industrial Air Division - B-2610 Wilrijk - Belgium



Contents  
 Inhoud  
 Innehåll  
 Inhaltsverzeichnis  
 Table des matières  
 Indice

Indice  
 Innholdsfortegnelse  
 Índice  
 Indholdsfortegnelse  
 Sisällysluettelo

Unloading valve Ontlastventiel Avlastningsventil Entlastungsventil Soupape de décharge Válvula de descarga Valvola di messa a vuoto Aflastningsventil Válvula de descarga Avlastningsventil Kevennysventiili .....	1	Regulating system Regelsysteem Reglersystem Regelsystem Système de régulation Sistema de regulación Sistema di regolazione Reguleringssystem Sistema de regulação Reguleringssystem Säätöjärjestelmä .....	6	<b>Full-Feature</b>
Air inlet Luchtinlaat Luftintag Lufteinlaß Admission d'air Entrada de aire Presa d'aria Luftindsug Admissão de ar Luftinnløp Tuloilma .....	2	Regulating system Regelsysteem Reglersystem Regelsystem Système de régulation Sistema de regulación Sistema di regolazione Reguleringssystem Sistema de regulação Reguleringssystem Säätöjärjestelmä .....	7	<b>Standard Pack</b>
Drive arrangement Aandrijfuitvoering Drivarrangemang Antriebsanordnung Dispositif d'entraînement Disposición de accionamiento Disposizione di azionamento Arrangement Disposição de accionamento Drivarrangement Rakenne .....	3	Air dryer Luchtdroger Lufttorkare Lufttrockner Sécheur d'air Secador de aire Essiccatore d'aria Lufttørrer Secador de ar Lufttørker Kuivain .....	8	<b>ID40-60</b>
Air receiver Luchtketel Luftbehållare Luftbehälter Réservoir d'air Depósito de aire Serbatoio dell'aria Luftbeholder Reservatório de ar Luftbeholder Ilmasäiliö .....	4	Start cubicle - star/delta Startkast - ster/driehoek Startskåp - stjärn/triangel Anlaßschrank - Stern/Dreieck Armoire de démarrage - étoile/triangle Cubículo de arranque - estrella/triángulo Armadio apparecch. di avviamento - stella/triangolo Starterskab - stjerne/trekant Cubículo-arranque estrela/triângulo Startskap - stjerne-trekant Käynnistinkotelo - Y/D .....	9	<b>Pack / Full-Feature</b>
Regulating system Regelsysteem Reglersystem Regelsystem Système de régulation Sistema de regulación Sistema di regolazione Reguleringssystem Sistema de regulação Reguleringssystem Säätöjärjestelmä .....	5	Start cubicle - star/delta Startkast - ster/driehoek Startskåp - stjärn/triangel Anlaßschrank - Stern/Dreieck Armoire de démarrage - étoile/triangle Cubículo de arranque - estrella/triángulo Armadio apparecch. di avviamento - stella/triangolo Starterskab - stjerne/trekant Cubículo-arranque estrela/triângulo Startskap - stjerne-trekant Käynnistinkotelo - Y/D .....	10	<b>Standard Pack</b>

Contents  
Inhoud  
Innehåll  
Inhaltsverzeichnis  
Table des matières  
Indice

Indice  
Innehållsförteckning  
Indice  
Innehållsförteckning  
Sisällysluettelo

Start cubicle - star/deltaPack **Saudi Arabia / High ambient**  
Startkast - ster/driehoek  
Startskåp - stjärn/triangel  
Anlaßschrank - Stern/Dreieck  
Armoire de démarrage - étoile/triangle  
Cubículo de arranque - estrella/triángulo  
Armadio apparecch. di avviamento - stella/triangolo  
Starterskab - stjerne/trekant  
Cubículo-arranque estrela/triângulo  
Startskap - stjerne-trekant  
Käynnistinkotelo - Y/D ..... 11

Start cubicle - star/delta **Standard Pack**  
Startkast - ster/driehoek **Saudi Arabia / High ambient**  
Startskåp - stjärn/triangel  
Anlaßschrank - Stern/Dreieck  
Armoire de démarrage - étoile/triangle  
Cubículo de arranque - estrella/triángulo  
Armadio apparecch. di avviamento - stella/triangolo  
Starterskab - stjerne/trekant  
Cubículo-arranque estrela/triângulo  
Startskap - stjerne-trekant  
Käynnistinkotelo - Y/D ..... 12

Start cubicle - DOL **Pack / Full-Feature 60Hz C, U**  
Startkast - direkte starter  
Startskåp - direkt startutrustning  
Anlaßschrank - Direktschaltung  
Armoire de démarrage - démarreur direct  
Cubículo de arranque - arrancador directo  
Armadio apparecch. di avviamento - DOL (= diretto in linea)  
Starterskab-DOL (direkte start)  
Cubículo-Arranque directo  
Startskap - direkte start  
Käynnistinkotelo - suora käynnistys ..... 13

Start cubicle - DOL **Standard Pack 60Hz C, U**  
Startkast - direkte starter  
Startskåp - direkt startutrustning  
Anlaßschrank - Direktschaltung  
Armoire de démarrage - démarreur direct  
Cubículo de arranque - arrancador directo  
Armadio apparecch. di avviamento - DOL (= diretto in linea)  
Starterskab-DOL (direkte start)  
Cubículo-Arranque directo  
Startskap - direkte start  
Käynnistinkotelo - suora käynnistys ..... 14

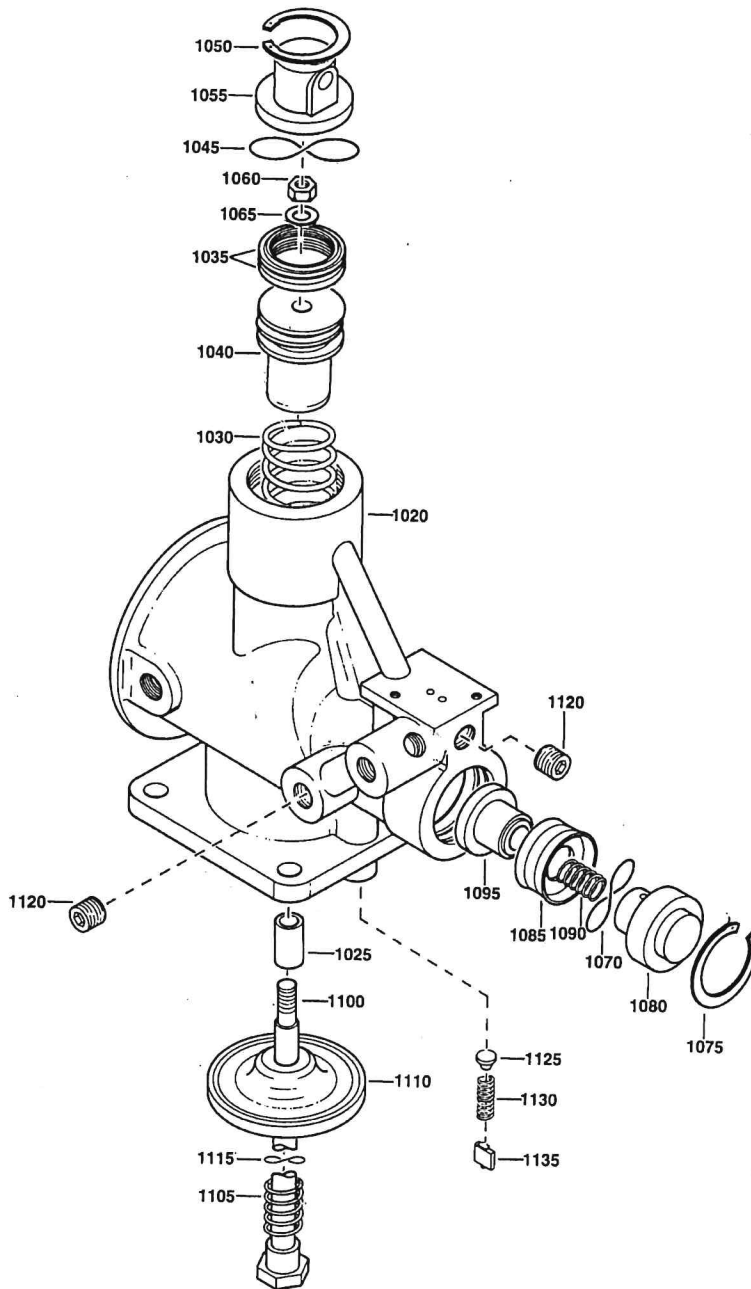
Bodywork  
Carrosserie  
Karosseri  
Karosserie  
Capotage  
Carrocería  
Cappottatura  
Karosseri  
Carroceria  
Kabinett  
Kotelo ..... 15  
Heat recovery system (Optional)

Warmterecuperatiesysteem (Optie)  
Värmeåtervinningssystem (Valfri)  
Wärmerückgewinnungssystem (Wahlfrei)  
Système de récupération de chaleur (Option)  
Sistema de recuperación de calor (Opcional)  
Sistema di recupero del calore (Opzionale)  
Varmegenvindingssystem (Valgfri)  
Sistema de recuperação de energia (Opcional)  
Varmegjenvinningssystem (Valgfri)  
Lämmön talteenottojärjestelmä (Valinnainen) ..... 16

Modulating control  
Modulatiecontrole  
Moduleringskontrol  
Modulationskontrolle  
Contrôle de la modulation  
Control de modulación  
Controllo continuo  
Modulationsstyring  
Controlo de modulação  
Modulaçõesregulering  
Modulointisäätö ..... 17

Service kits  
Service kits  
Service kits  
Service Kits  
Service kits  
Service kits  
Kit per la manutenzione  
Service kits  
Conjuntos de reparação  
Servicesett  
Huoltotarvikesarjat ..... 18

1



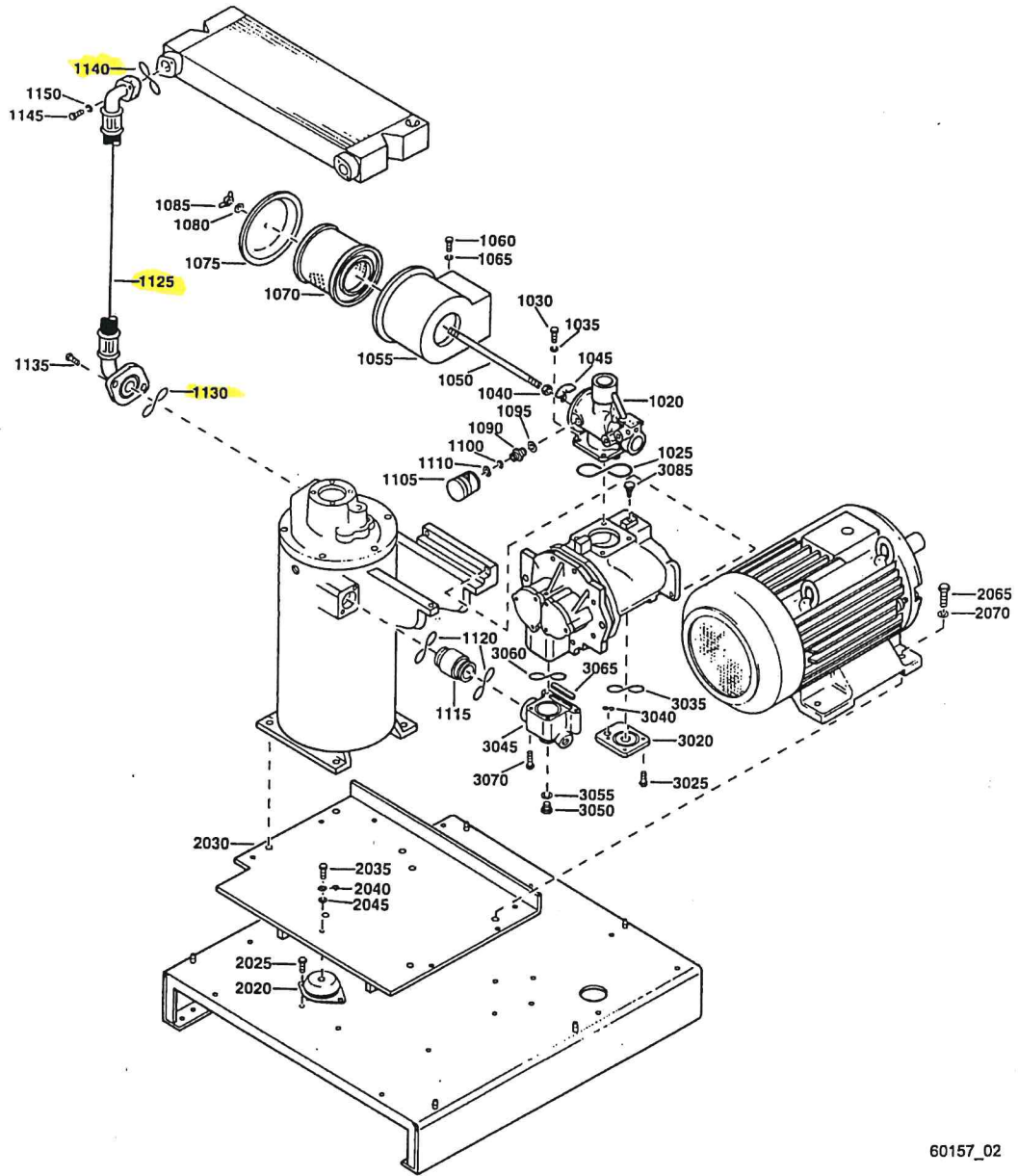
Unloading valve  
 Ontlastventiel  
 Avlastningsventil  
 Entlastungsventil  
 Soupape de décharge  
 Válvula de descarga

Valvola di messa a vuoto  
 Aflastningsventil  
 Válvula de descarga  
 Avlastningsventil  
 Kevennyventtiili

1

Ref.	Part number	Qty	Name	Remarks	Ref.	Part number	Qty	Name	Remarks
		1	<b>Unloading valve</b>		1080	1613 6794 00	• 1	Cover	
	1613 7568 85		<b>Modulating control</b>		1085	1613 6783 00	• 1	Piston	
	1613 7568 84		<b>Others</b>		1090	1513 0011 00	• 1	Spring	
1020		• 1	Valve housing		1095		• 1	Valve seat	
1025		• 1	Plain bearing		1100	1613 7032 01	• 1	Piston rod	
1030	1613 6800 00	• 1	Spring		1105	1613 6802 00	• 1	Spring	
1035	1613 6969 00	• 2	Piston ring		1110		• 1	Valve	
1040	1613 7031 00	• 1	Piston			1613 7687 81		Modulating control	
1045	0663 2105 46	• 1	O-ring			1613 7699 01		Others	
1050	0335 2140 00	• 1	Circlip		1115	0663 2101 85	• 1	O-ring	
1055		• 1	Cover		1120		• 1	Plug	
	1613 6966 01		Modulating control			0686 6128 00	3	Modulating control	
	1613 6966 00		Others			0686 6128 00	4	Others	
1060	0291 1110 00	• 1	Locknut		1125		• 1	Plug	
1065	0653 1033 00	• 1	Flat gasket		1130		• 1	Spring	
1070	0663 7132 00	• 1	O-ring		1135		• 1	Plug	
1075	0335 2136 00	• 1	Circlip						

# 2



60157\_02

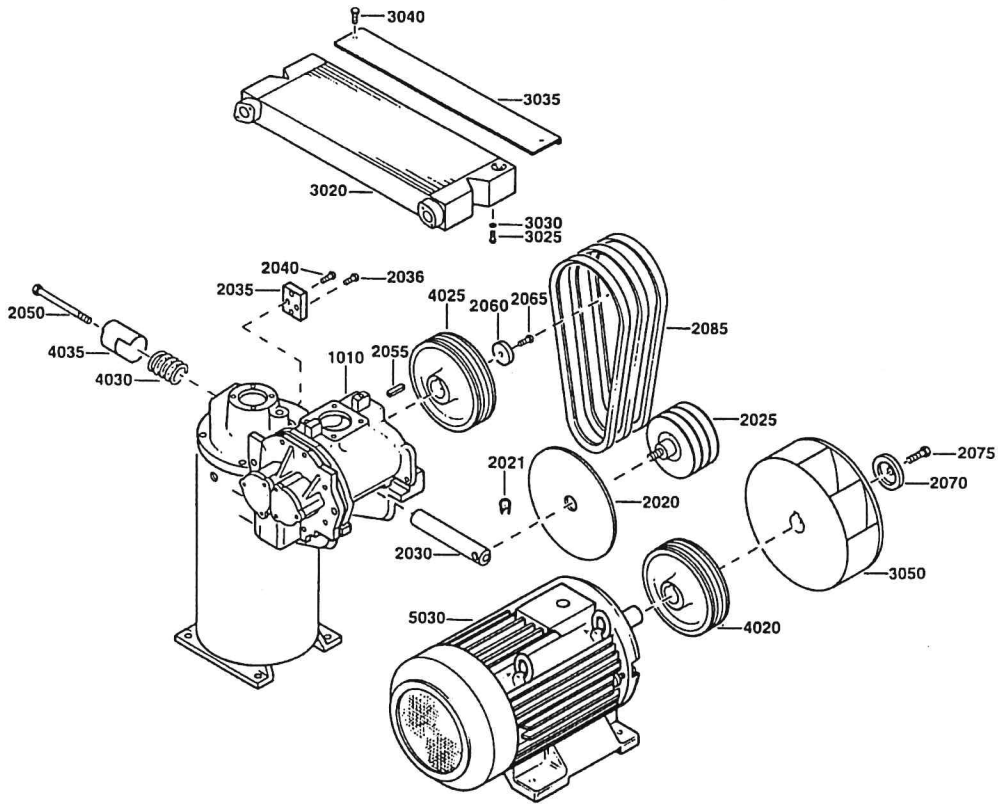
Air inlet  
Luchtinlaat  
Luftintag  
Lufteinlaß  
Admission d'air  
Entrada de aire

Presă d'aria  
Luftindsug  
Admissão de ar  
Luftinnløp  
Tuloilma

2

Ref.	Part number	Qty	Name	Remarks	Ref.	Part number	Qty	Name	Remarks
1020	<<< >>>	1	Unloading valve		1135	0147 1325 03	2	Hexagon bolt	
1025	0663 7142 00	1	O-ring		1140	0663 3129 00	1	O-ring	
1030	0147 1325 03	4	Hexagon bolt		1145	0211 1325 03	2	Cap screw	
1035	0301 2335 00	4	Washer		1150	0300 0274 34	2	Spacer	
1040	0266 2110 00	1	Nut		2020	1613 6752 01	3	Antivibration pad	
1045	1613 7310 00	1	Plate		2025	1619 2766 00	6	Bolt	
1050	1613 6804 00	1	Stud		2030	1613 7541 00	1	Frame	
1055	1613 7542 00	1	Housing (air filter)		2035	0147 1362 03	3	Hexagon bolt	
1060	0147 1321 03	1	Hexagon bolt		2040	0333 3232 00	3	Lockwasher	
1065	0300 0274 34	1	Spacer		2045	0301 2344 00	3	Washer	
1070	1619 1269 00	1	Air filter element		2065	0147 1404 03	4	Hexagon bolt	
1075	1613 7543 00	1	Cover (air filter)		2070	1088 0019 03	4	Contact washer	
1080	0301 2335 00	1	Washer		3020	1613 7506 01	1	Flange	
1085	0296 1110 02	1	Wing nut		3025	0147 1325 03	4	Hexagon bolt	
1090	1079 6034 11	1	Nipple		3035	0663 7135 00	1	O-ring	
1095	0653 1062 00	1	Flat gasket		3040	0663 3120 00	1	O-ring	
1100	1619 5819 00	1	Sintered disk		3045	1613 7504 00	1	Valve housing	
1105	1613 7912 01	1	Indicator		3050	0686 4204 00	1	Hexagon plug	
1110	0657 5742 00	1	Flat gasket		3055	0661 1000 27	1	Seal washer	
1115	1613 7553 00	1	Connection		3060	0663 7134 00	1	O-ring	
1120	0663 3133 00	2	O-ring		3065	1616 6056 00	1	O-ring	
1125	1613 7554 00	1	Hose assembly		3070	0147 1333 03	4	Hexagon bolt	
1130	0663 3129 00	1	O-ring		3085	1619 6032 00	2	Nipple	

# 3



Drive arrangement  
 Aandrijfuitvoering  
 Drivarrangemang  
 Antriebsanordnung  
 Dispositif d'entraînement  
 Disposición de accionamiento

Disposizione di azionamento  
 Arrangement  
 Disposição de accionamento  
 Drivarrangement  
 Rakenne

3

Ref.	Part number	Qty	Name	Remarks	Ref.	Part number	Qty	Name	Remarks
1010	2989 0154 01	1	Service stage		3025	0147 1322 03	2	Hexagon bolt	
	1613 7513 80	1	Plate		3030	0301 2335 00	2	Washer	
2020	1613 7513 00	• 1	Plate		3035		1	Baffle assembly	
2021	1503 1056 00	• AR	Seal			1613 7536 80		GA11/50-60Hz, GA15/50-60Hz	
2025	2901 0342 00	1	Tensioning pulley kit		3040	1619 2766 00	2	Bolt	
	1613 7507 00	• 1	Pulley		3050		1	Fan	
2030	1613 7640 00	1	Shaft			1613 7747 00		GA11/50-60Hz, GA15/50-60Hz, GA18/60Hz, GA22/60Hz	
2035	1613 7748 00	1	Flange			1613 7746 00		GA18/50Hz, GA22/50Hz	
2036	0216 1957 48	2	Screw		4020	<<< >>>	1	Pulley V-belt	1)
2040	0147 1323 03	2	Hexagon bolt		4025	<<< >>>	1	Pulley V-belt	1)
2050	0147 1961 67	1	Hexagon bolt		4030	<<< >>>	1	Spring	1)
2055	0337 6064 00	1	Parallel key		4035	1613 7971 01	1	Bushing	
2060	1513 0036 03	1	Washer		5030	<<< >>>	1	Motor	1)
2065	0147 1368 03	1	Hexagon bolt						
2070	1613 7745 00	1	Washer						
2075	0147 1477 03	1	Hexagon bolt						
2085	1613 7638 01	3	V-belt						
3020		1	Combi-cooler						
	1613 7517 00		GA11/50-60Hz						
	1613 7516 00		GA15/50-60Hz						
	1613 7515 00		GA18/50-60Hz, GA22/50-60Hz						

1) See motor list / Zie motorlijst / Se motorlista / Siehe Motorliste / Voir liste de moteurs / Véase lista de motores / Vedere elenco motori / Se motorliste / Ver lista do motor / Se motorskjema / Katso moottoriluetteloa

Motor list  
 Motorlijst  
 Motorlista  
 Motorliste  
 Liste de moteurs  
 Lista de motores

Elenco motori  
 Motorliste  
 Lista do motor  
 Motorskjema  
 Moottoriluetteloa

Compressor Type	Motor Ref. 5030	Designation	Pulley (motor) Ref. 4020	Pulley (elem.) Ref. 4025	Spring Ref. 4030
<b>GA11</b>		<b>SIEMENS 1 LA5 169 - 2CA</b>			
GA11-7.5 HAV	1080 2904 02	400V/50Hz	1613 7570 04	1613 7569 09	1613 7511 00
GA11-7.5	1080 2904 01	230V/50Hz	1613 7570 04	1613 7569 09	1613 7511 00
GA11-7.5	1080 2904 02	400V/50Hz	1613 7570 04	1613 7569 09	1613 7511 00
GA11-7.5	1080 2904 04	500V/50Hz	1613 7570 04	1613 7569 09	1613 7511 00
GA11-8	1080 2904 02	400V/50Hz	1613 7570 12	1613 7569 09	1613 7511 00
GA11-10	1080 2904 01	230V/50Hz	1613 7570 12	1613 7569 11	1613 7511 00
GA11-10	1080 2904 02	400V/50Hz	1613 7570 12	1613 7569 11	1613 7511 00
GA11-10	1080 2904 04	500V/50Hz	1613 7570 12	1613 7569 11	1613 7511 00
GA11-13	1080 2904 01	230V/50Hz	1613 7570 01	1613 7569 11	1613 7511 00
GA11-13	1080 2904 02	400V/50Hz	1613 7570 01	1613 7569 11	1613 7511 00
GA11-100	1080 2904 47	230V/60Hz	1613 7570 03	1613 7569 10	1613 7511 00
GA11-100	1080 2904 47	460V/60Hz	1613 7570 03	1613 7569 10	1613 7511 00
GA11-100	1080 2904 10	575V/60Hz	1613 7570 03	1613 7569 10	1613 7511 00
GA11-125 SAA	1080 2904 08	380V/60Hz	1613 7570 01	1613 7569 11	1613 7511 00
GA11-125	1080 2904 47	230V/60Hz	1613 7570 02	1613 7569 11	1613 7511 00
GA11-125	1080 2904 08	380V/60Hz	1613 7570 02	1613 7569 11	1613 7511 00
GA11-125	1080 2904 47	460V/60Hz	1613 7570 02	1613 7569 11	1613 7511 00
GA11-125	1080 2904 10	575V/60Hz	1613 7570 02	1613 7569 11	1613 7511 00
GA11-150 SAA	1080 2904 08	380V/60Hz	1613 7570 01	1613 7569 14	1613 7511 00
GA11-150	1080 2904 47	230V/60Hz	1613 7570 01	1613 7569 11	1613 7511 00
GA11-150	1080 2904 47	460V/60Hz	1613 7570 01	1613 7569 11	1613 7511 00
GA11-150	1080 2904 10	575V/60Hz	1613 7570 01	1613 7569 11	1613 7511 00
GA11-175	1080 2904 47	230V/60Hz	1613 7570 01	1613 7569 14	1613 7511 00
GA11-175	1080 2904 08	380V/60Hz	1613 7570 01	1613 7569 14	1613 7511 00
GA11-175	1080 2904 47	460V/60Hz	1613 7570 01	1613 7569 14	1613 7511 00
GA11-175	1080 2904 10	575V/60Hz	1613 7570 01	1613 7569 14	1613 7511 00
<b>GA15</b>		<b>SIEMENS 1 LA5 169 - 2CA</b>			
GA15-7.5	1080 2904 11	230V/50Hz	1613 7570 08	1613 7569 05	1613 7511 00
GA15-7.5	1080 2904 12	400V/50Hz	1613 7570 08	1613 7569 05	1613 7511 00
GA15-7.5	1080 2904 14	500V/50Hz	1613 7570 08	1613 7569 05	1613 7511 00
GA15-8	1080 2904 12	400V/50Hz	1613 7570 08	1613 7569 06	1613 7511 00
GA15-10 SP HAV	1080 2904 12	400V/50Hz	1613 7570 06	1613 7569 07	1613 7511 00
GA15-10 P HAV	1080 2904 12	400V/50Hz	1613 7570 04	1613 7569 07	1613 7511 00
GA15-10	1080 2904 11	230V/50Hz	1613 7570 06	1613 7569 07	1613 7511 00
GA15-10	1080 2904 12	400V/50Hz	1613 7570 06	1613 7569 07	1613 7511 00
GA15-10	1080 2904 14	500V/50Hz	1613 7570 06	1613 7569 07	1613 7511 00
GA15-13	1080 2904 11	230V/50Hz	1613 7570 04	1613 7569 08	1613 7511 00
GA15-13	1080 2904 12	400V/50Hz	1613 7570 04	1613 7569 08	1613 7511 00
GA15-13	1080 2904 14	500V/50Hz	1613 7570 04	1613 7569 08	1613 7511 00
GA15-100	1080 2904 57	230V/60Hz	1613 7570 06	1613 7569 07	1613 7511 00
GA15-100	1080 2904 18	380V/60Hz	1613 7570 06	1613 7569 07	1613 7511 00
GA15-100	1080 2904 57	460V/60Hz	1613 7570 06	1613 7569 07	1613 7511 00
GA15-100	1080 2904 20	575V/60Hz	1613 7570 06	1613 7569 07	1613 7511 00
GA15-125 SAA	1080 2904 18	380V/60Hz	1613 7570 04	1613 7569 09	1613 7511 00
GA15-125	1080 2904 57	230V/60Hz	1613 7570 06	1613 7569 08	1613 7511 00
GA15-125	1080 2904 57	460V/60Hz	1613 7570 06	1613 7569 08	1613 7511 00
GA15-125	1080 2904 20	575V/60Hz	1613 7570 06	1613 7569 08	1613 7511 00
GA15-150 SAA	1080 2904 18	380V/60Hz	1613 7570 03	1613 7569 09	1613 7511 00
GA15-150 HAV	1080 2904 20	575V/60Hz	1613 7570 03	1613 7569 09	1613 7511 00
GA15-150	1080 2904 57	230V/60Hz	1613 7570 04	1613 7569 09	1613 7511 00
GA15-150	1080 2904 18	380V/60Hz	1613 7570 04	1613 7569 09	1613 7511 00

Compressor Type	Motor Ref. 5030	Designation	Pulley (motor) Ref. 4020	Pulley (elem.) Ref. 4025	Spring Ref. 4030
GA15-150	1080 2904 57	460V/60Hz	1613 7570 04	1613 7569 09	1613 7511 00
GA15-150	1080 2904 20	575V/60Hz	1613 7570 04	1613 7569 09	1613 7511 00
GA15-175	1080 2904 57	230V/60Hz	1613 7570 03	1613 7569 09	1613 7511 00
GA15-175	1080 2904 57	460V/60Hz	1613 7570 03	1613 7569 09	1613 7511 00
GA15-175	1080 2904 20	575V/60Hz	1613 7570 03	1613 7569 09	1613 7511 00
<b>GA18</b>		<b>SIEMENS 1 LA5 169 - 2CA</b>			
GA18-7.5	1080 2904 21	230V/50Hz	1613 7570 09	1613 7569 02	1613 7511 00
GA18-7.5	1080 2904 22	400V/50Hz	1613 7570 09	1613 7569 02	1613 7511 00
GA18-7.5	1080 2904 24	500V/50Hz	1613 7570 09	1613 7569 02	1613 7511 00
GA18-8	1080 2904 22	400V/50Hz	1613 7570 09	1613 7569 03	1613 7511 00
GA18-10 HAV	1080 2904 22	400V/50Hz	1613 7570 06	1613 7569 03	1613 7511 00
GA18-10	1080 2904 21	230V/50Hz	1613 7570 08	1613 7569 03	1613 7511 00
GA18-10	1080 2904 22	400V/50Hz	1613 7570 08	1613 7569 03	1613 7511 00
GA18-13	1080 2904 21	230V/50Hz	1613 7570 08	1613 7569 07	1613 7511 00
GA18-13	1080 2904 22	400V/50Hz	1613 7570 08	1613 7569 07	1613 7511 00
GA18-13	1080 2904 24	500V/50Hz	1613 7570 08	1613 7569 07	1613 7511 00
GA18-100	1080 2904 67	230V/60Hz	1613 7570 08	1613 7569 05	1613 7511 01
GA18-100	1080 2904 67	460V/60Hz	1613 7570 08	1613 7569 05	1613 7511 01
GA18-100	1080 2904 30	575V/60Hz	1613 7570 08	1613 7569 05	1613 7511 01
GA18-125 SAA	1080 2904 28	380V/60Hz	1613 7570 07	1613 7569 07	1613 7511 01
GA18-125	1080 2904 67	230V/60Hz	1613 7570 08	1613 7569 06	1613 7511 01
GA18-125	1080 2904 67	460V/60Hz	1613 7570 08	1613 7569 06	1613 7511 01
GA18-125	1080 2904 30	575V/60Hz	1613 7570 08	1613 7569 06	1613 7511 01
GA18-150 SAA	1080 2904 28	380V/60Hz	1613 7570 05	1613 7569 07	1613 7511 01
GA18-150	1080 2904 67	230V/60Hz	1613 7570 07	1613 7569 07	1613 7511 01
GA18-150	1080 2904 67	460V/60Hz	1613 7570 07	1613 7569 07	1613 7511 01
GA18-150	1080 2904 30	575V/60Hz	1613 7570 07	1613 7569 07	1613 7511 01
GA18-175	1080 2904 67	230V/60Hz	1613 7570 05	1613 7569 07	1613 7511 01
GA18-175	1080 2904 67	460V/60Hz	1613 7570 05	1613 7569 07	1613 7511 01
GA18-175	1080 2904 30	575V/60Hz	1613 7570 05	1613 7569 07	1613 7511 01
<b>GA22</b>		<b>SIEMENS 1 LA5 169 - 2CA</b>			
GA22-7.5	1080 2904 31	230V/50Hz	1613 7570 11	1613 7569 01	1613 7511 00
GA22-7.5	1080 2904 32	400V/50Hz	1613 7570 11	1613 7569 01	1613 7511 00
GA22-7.5	1080 2904 34	500V/50Hz	1613 7570 11	1613 7569 01	1613 7511 00
GA22-8	1080 2904 32	400V/50Hz	1613 7570 10	1613 7569 01	1613 7511 00
GA22-10 HAV	1080 2904 32	400V/50Hz	1613 7570 09	1613 7569 02	1613 7511 00
GA22-10	1080 2904 31	230V/50Hz	1613 7570 10	1613 7569 02	1613 7511 00
GA22-10	1080 2904 32	400V/50Hz	1613 7570 10	1613 7569 02	1613 7511 00
GA22-10	1080 2904 34	500V/50Hz	1613 7570 10	1613 7569 02	1613 7511 00
GA22-13	1080 2904 31	230V/50Hz	1613 7570 09	1613 7569 04	1613 7511 00
GA22-13	1080 2904 32	400V/50Hz	1613 7570 09	1613 7569 04	1613 7511 00
GA22-100	1080 2904 37	230V/60Hz	1613 7570 09	1613 7569 02	1613 7511 01
GA22-100	1080 2904 38	380V/60Hz	1613 7570 09	1613 7569 02	1613 7511 01
GA22-100	1080 2904 37	460V/60Hz	1613 7570 09	1613 7569 02	1613 7511 01
GA22-100	1080 2904 40	575V/60Hz	1613 7570 09	1613 7569 02	1613 7511 01
GA22-125 SAA	1080 2904 38	380V/60Hz	1613 7570 09	1613 7569 06	1613 7511 01
GA22-125 HAV	1080 2904 37	230V/60Hz	1613 7570 09	1613 7569 06	1613 7511 01
GA22-125	1080 2904 36	200V/60Hz	1613 7570 09	1613 7569 03	1613 7511 01
GA22-125	1080 2904 37	230V/60Hz	1613 7570 09	1613 7569 03	1613 7511 01
GA22-125	1080 2904 37	460V/60Hz	1613 7570 09	1613 7569 03	1613 7511 01
GA22-125	1080 2904 40	575V/60Hz	1613 7570 09	1613 7569 03	1613 7511 01
GA22-150 SAA	1080 2904 38	380V/60Hz	1613 7570 08	1613 7569 06	1613 7511 01
GA22-150	1080 2904 37	230V/60Hz	1613 7570 09	1613 7569 06	1613 7511 01
GA22-150	1080 2904 38	380V/60Hz	1613 7570 09	1613 7569 06	1613 7511 01
GA22-150	1080 2904 37	460V/60Hz	1613 7570 09	1613 7569 06	1613 7511 01
GA22-150	1080 2904 40	575V/60Hz	1613 7570 09	1613 7569 06	1613 7511 01
GA22-175	1080 2904 37	230V/60Hz	1613 7570 08	1613 7569 06	1613 7511 01
GA22-175	1080 2904 37	460V/60Hz	1613 7570 08	1613 7569 06	1613 7511 01
GA22-175	1080 2904 40	575V/60Hz	1613 7570 08	1613 7569 06	1613 7511 01

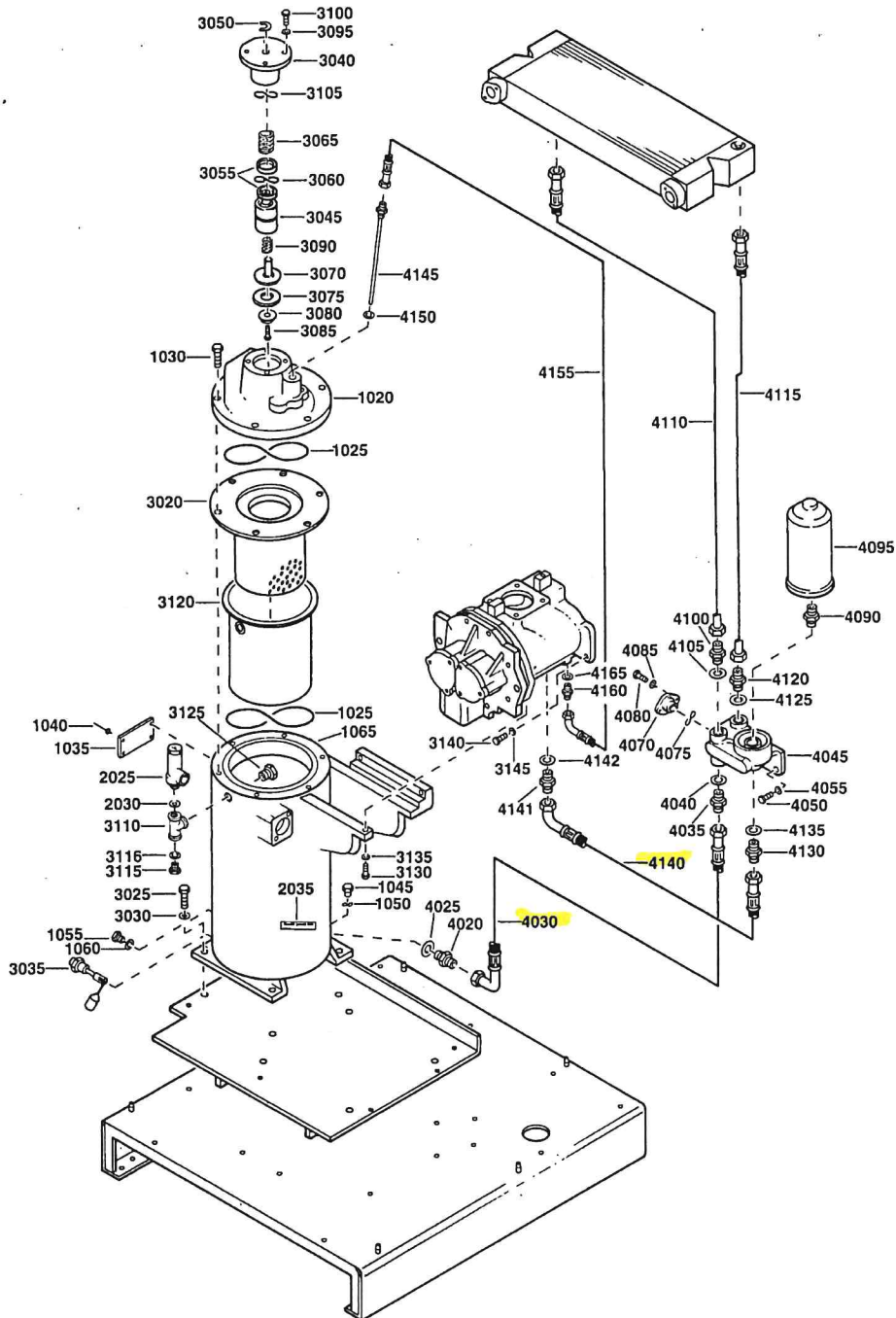
SAA: Saudi Arabia

HAV: High Ambient Version

SP: Standard Pack

P: Pack

4



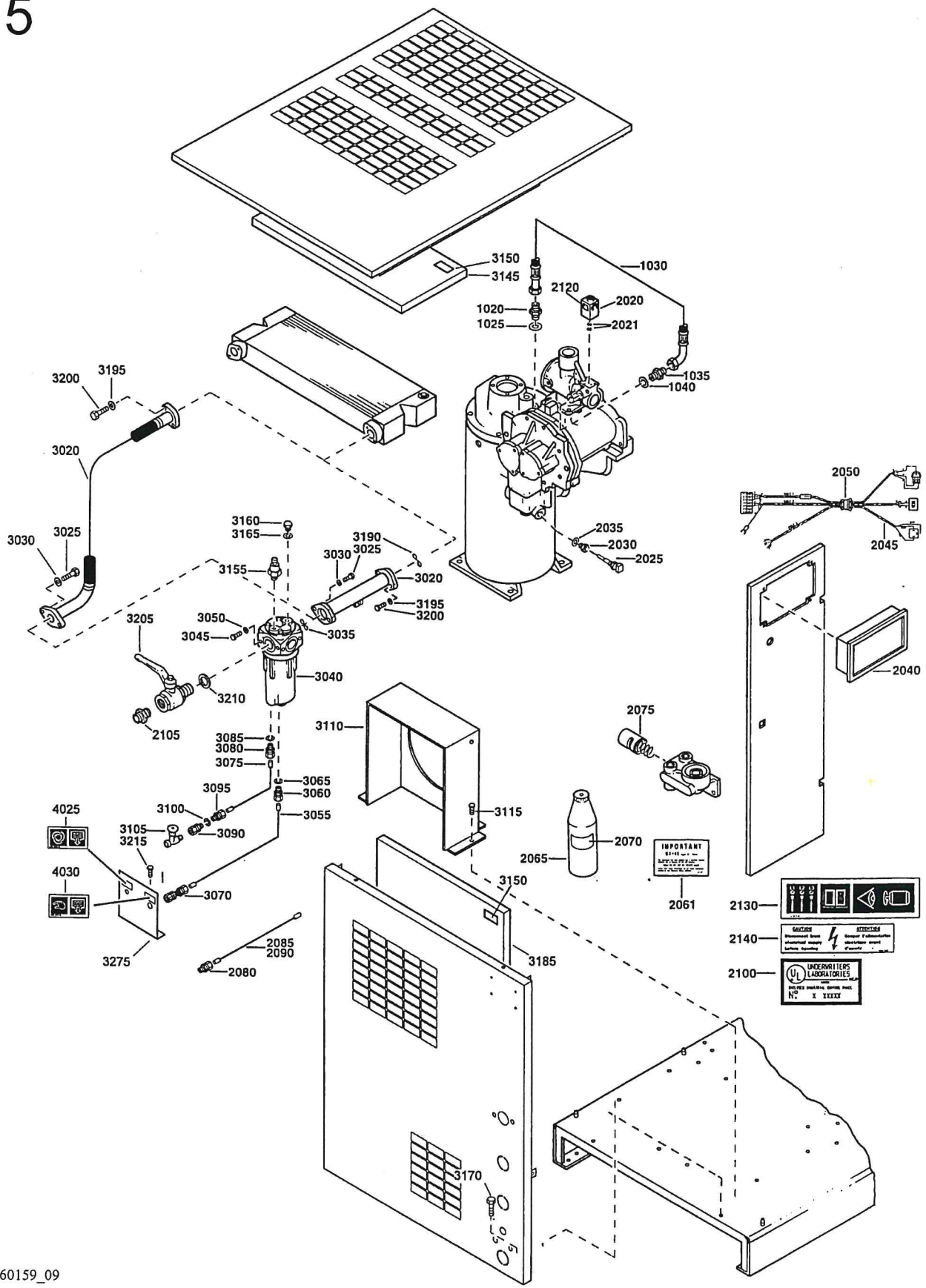
Air receiver  
Luchtketel  
Luftbehållare  
Luftbehälter  
Réservoir d'air  
Depósito de aire

Serbatoio dell'aria  
Luftbeholder  
Reservatório de ar  
Luftbeholder  
Ilmasäiliö

4

Ref.	Part number	Qty	Name	Remarks	Ref.	Part number	Qty	Name	Remarks
		1	Vessel		3090	1612 4049 00	1	Compression spring	
	1613 7500 82		L,D,As		3095	0301 2344 00	4	Washer	
	1613 7500 83		T		3100	0147 1362 03	4	Hexagon bolt	
	1613 7500 84		Ta		3105	0663 7136 00	1	O-ring	
	1613 7500 89		S,Sa		3110	0564 0000 60	1	Tee	
1020		• 1	Cover		3115	0686 3716 01	1	Hexagon plug	
	1613 7501 01		(L,D,As,T,S,Sa)		3116	0653 1124 00	1	Flat gasket	
	1613 7501 07		(Ta)		3120	1613 7503 00	1	Shield	
1025	0663 7162 00	• 2	O-ring		3125	0605 8814 06	1	Bushing	
1030	0147 1960 68	• 6	Hexagon bolt	T	3130	0147 1363 03	1	Hexagon bolt	
1035		• 1	Data plate		3135	0301 2344 00	1	Washer	
	9825 9000 14		(L,D,As)		3140	0147 1365 03	2	Hexagon bolt	
	9825 9000 11		(T,Ta)		3145	0301 2344 00	2	Washer	
	9825 9000 79		(S,Sa)		4020	1079 5840 27	1	Hex.nipple	
1040	0244 4184 00	• 4	Drive screw		4025	0661 1000 29	1	Seal washer	
1045	1202 8992 00	• 1	Plug		4030	0574 9911 14	1	Hose assembly	
1050	0663 2102 15	• 1	O-ring		4035	1079 5840 27	1	Hex.nipple	
1055	0686 3716 01	• 1	Hexagon plug		4040	0661 1000 29	1	Seal washer	
1060	0661 1000 25	• 1	Seal washer		4045	1613 6883 02	1	Valve housing	
1065		• 1	Vessel		4050	1619 5337 01	2	Bolt	
2025		1	Safety valve		4055	0300 8019 00	2	Washer	
	0832 1000 77		9.3 bar(e)	T	4070	1614 6118 00	1	Flange	
	0832 1000 78		11.5 bar(e)	T	4075	0663 2101 95	1	O-ring	
	0832 1000 79		14.5 bar(e)	T	4080	0147 1246 03	2	Hexagon bolt	
	0830 1005 18		160 psig	As	4085	0301 2321 00	2	Washer	
	0830 1007 65		175 psig	As	4090	1619 3770 00	1	Nipple	
	0830 1007 77		215 psig	As	4095	1613 6105 00	1	Oil filter	
2030	0661 1000 27	1	Seal washer	(As)	4100	1079 5840 27	1	Hex. nipple	
2035	1079 9911 68	1	Label	(Ta)	4105	0661 1000 29	1	Seal washer	
3020	1613 7502 00	1	Oil separator element		4110	1613 7632 00	1	Hose assembly	
3025	0147 1402 03	4	Hexagon bolt		4115	1613 7631 00	1	Hose assembly	
3030	1088 0019 03	4	Contact washer		4120	1079 5840 27	1	Hex.nipple	
3035	1616 5108 00	1	Level gauge		4125	0661 1000 29	1	Seal washer	
3040	1202 9747 00	1	Cover		4130	1079 5840 27	1	Hex.nipple	
3045	1613 3220 01	1	Piston		4135	0661 1000 29	1	Seal washer	
3050	0335 3111 00	1	Retaining ring		4140	0574 9911 13	1	Hose assembly	
3055	1614 4662 00	2	Piston ring		4141	1079 5840 27	1	Hex.nipple	
3060	0663 3133 00	1	O-ring		4142	0661 1000 29	1	Seal washer	
3065	1612 4048 00	1	Compression spring		4145	1613 7630 00	1	Scavenge line	
3070	1613 3221 00	1	Piston valve		4150	0653 1100 00	1	Flat gasket	
3075	1613 3223 01	1	Washer		4155	0574 9911 11	1	Hose assembly	
3080	1613 3222 00	1	Washer		4160	1079 5840 01	1	Nipple	
3085	0147 1244 03	1	Hexagon bolt		4165	0661 1000 24	1	Seal washer	

# 5



Regulating system  
Regelsystem  
Reglersystem  
Regelsystem  
Système de régulation  
Sistema de regulación

Sistema di regolazione  
Reguleringsystem  
Sistema de regulação  
Reguleringsystem  
Säätöjärjestelmä

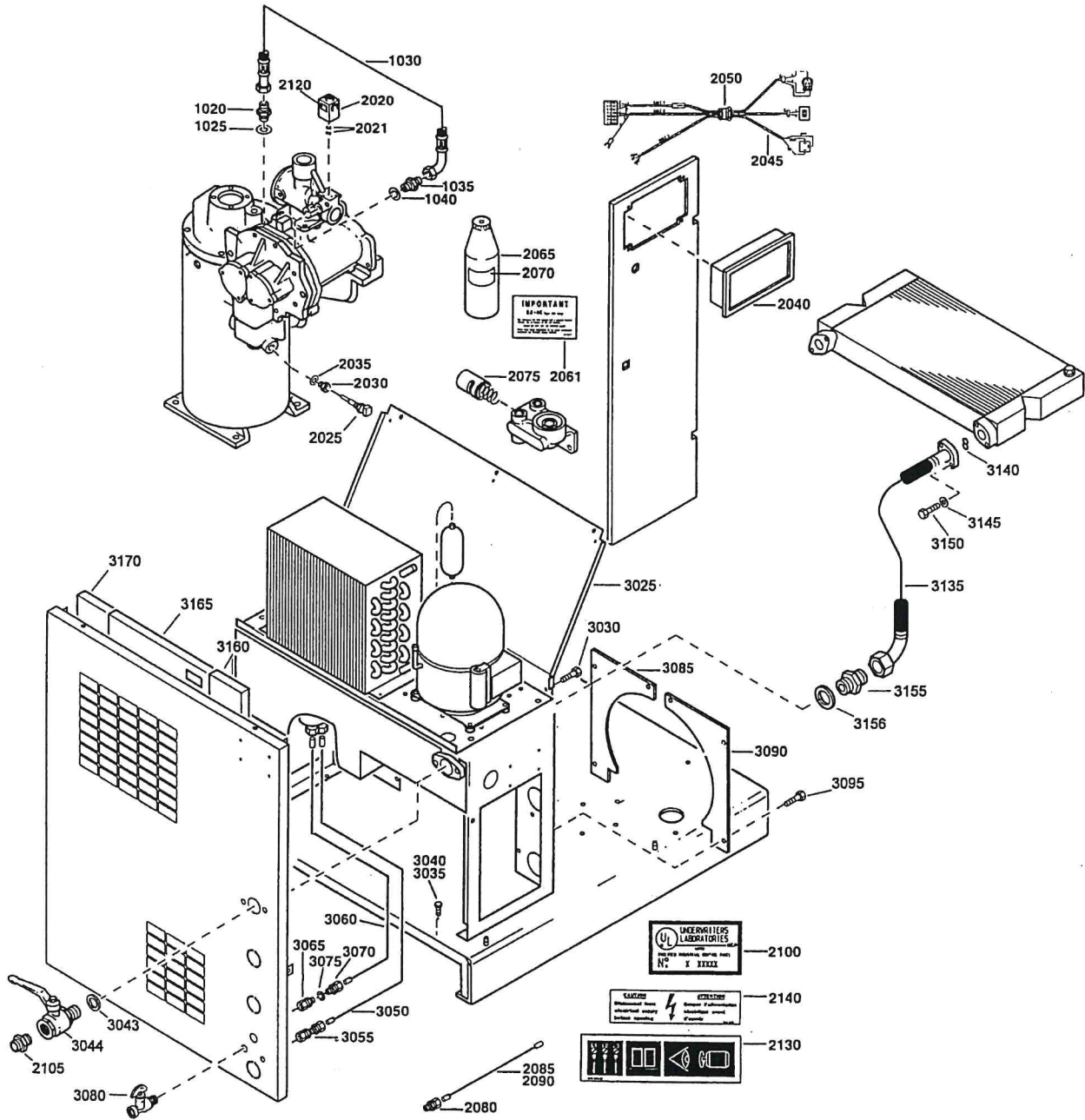
5

## Pack / Open unit

Ref.	Part number	Qty	Name	Remarks	Ref.	Part number	Qty	Name	Remarks	
1020	1079 5840	14	Nipple		3065		1	Seal washer / Flat gasket		
1025	0661 1000	26	Seal washer			0661 1000	25	Seal washer	2)	
1030	0574 9911	12	Hose assembly			0653 1062	00	Flat gasket	3)	
1035	1079 5840	02	Nipple		3070	0581 0000	55	1	Pipe coupling	
1040	0661 1000	25	Seal washer		3075	0070 6002	04	AR	Plastic tube	
2020		1	<b>Solenoid valve</b>		3080	0581 0000	34	1	Coupling	
	<b>1089 0428 21</b>		<b>220V/50Hz</b>		3085		1	Seal washer / Flat gasket		
	<b>1089 0428 19</b>		<b>220V/60Hz</b>			0661 1000	25	Seal washer	2)	
	<b>1089 0428 25</b>		<b>115V/60Hz</b>	C, U		0653 1062	00	Flat gasket	3)	
2021	0663 2104	83	O-ring		3090	0581 0000	43	1	Coupling	
2025	1089 0574	04	Temperature sensor		3095	0581 0000	33	1	Coupling	
2030	0605 8995	02	Bushing		3100	0653 1046	00	1	Flat gasket	
2035	0661 1000	27	Seal washer		3105	1619 7336	00	1	Cock	
2040	1900 0700	05	Regulator		<b>3110 1613 7577 80</b>		1	<b>Baffle assembly</b>	2)	
2045		1	Cable		3115	1619 2766	00	2	Bolt	2)
	1613 7769	00	220V/50-60Hz		3145	0395 1000	93	1	Silencing foam	2)
	1613 7769	01	115V/60Hz	C, U	3150	1513 0239	00	AR	Fixing strip	2)
2050		1	Nut		3155	1089 0575	11	1	Pressure transducer	
	1088 0302	06	220V/50-60Hz		3160	0686 3716	01	1	Hexagon plug	
	0697 9806	00	115V/60Hz	(C, U)	3165	0653 1062	00	1	Flat gasket	
2061	1310 3109	47	Label	C, U	3170	1619 2766	00	2	Bolt	
2065	1613 6532	01	Oil can		3185	0395 1000	94	1	Silencing foam	2)
2070		1	Label		3190	0663 3129	00	1	O-ring	
	1613 6535	00	220V/50-60Hz		3195	0301 2335	00	2	Washer	
	1613 6535	01	115V/60Hz	(C, U)	3200	0211 1325	03	2	Cap screw	
2075		1	Thermostat valve		3205	0852 0010	15	1	Ball valve	1)
	1619 7333	00	7.5-10bar, 100-125-150psi		3210	0661 1000	30	1	Seal washer	1)
	1613 7064	01	13bar, 175psi		3215	1619 2766	00	1	Bolt	3)
2080	0581 0000	33	Coupling	1)	<b>3275 1613 7659 80</b>		1	<b>Bracket</b>	3)	
2085	0070 6002	04	AR	Plastic tube	1)		1	Bracket		
2090	0070 6002	05	AR	Plastic tube	1)	4025	1079 9915	89	1	Label
2100	1613 5330	00	1	Listing mark	(C, U)	4030	1079 9915	98	1	Label
2105	0603 4100	25	1	Adaptor	1)3)4)					
2120	1088 1001	01	1	Warning mark	(C, U)					
2130	1079 9901	68	1	Warning label	(C, U)					
2140	1613 3431	00	1	Label	(C, U)					
3020		1	Pipe / Flex. hose							
	1613 7653	00	Pipe	3)						
	1613 7967	00	Flex. hose	2)						
3025	0147 1325	03	2	Hexagon bolt						
3030	0301 2335	00	2	Washer						
3035	0663 3133	00	1	O-ring						
3040	<b>1613 7558 00</b>		1	<b>Waterseparator</b>						
	0663 2100	39	1	O-ring						
3045	0147 1320	03	2	Hexagon bolt						
3050	0301 2335	00	2	Washer						
3055	0070 6002	05	AR	Plastic tube						
3060	0581 0000	35	1	Coupling						

- 1) Supplied loose / Los geleverd / Levereras separat / Lose mitgeliefert / Livré séparément / Suministrado suelto / Fornito separatamente / Leveres separat / Fornecido separatamente / Leveres separat / Toimitetaan irrallisena
- 2) Pack version / Pack versie / Pack utförande / Pack Ausführung / Version Pack / Versión Pack / Versione Pack / Pack version / Versão compacta (Pack) / Pack-versjon / Pack-malli
- 3) Open unit (E version) / Open groep (E versie) / Öppet aggregat (E utförande) / Offene Gruppe (E Ausführung) / Groupe ouvert (Version E) / Unidad abierta (versión E) / Unità aperta (versione E) / Åben model (E-version) / Unidade aberta (versão E) / Åpen enhet (E-versjon) / Avoin yksikkö (E-malli)
- 4) USA, Canada

# 6



Regulating system  
 Regelsysteem  
 Reglersystem  
 Regelsystem  
 Système de régulation  
 Sistema de regulación

Sistema di regolazione  
 Reguleringssystem  
 Sistema de regulação  
 Reguleringssystem  
 Säätöjärjestelmä

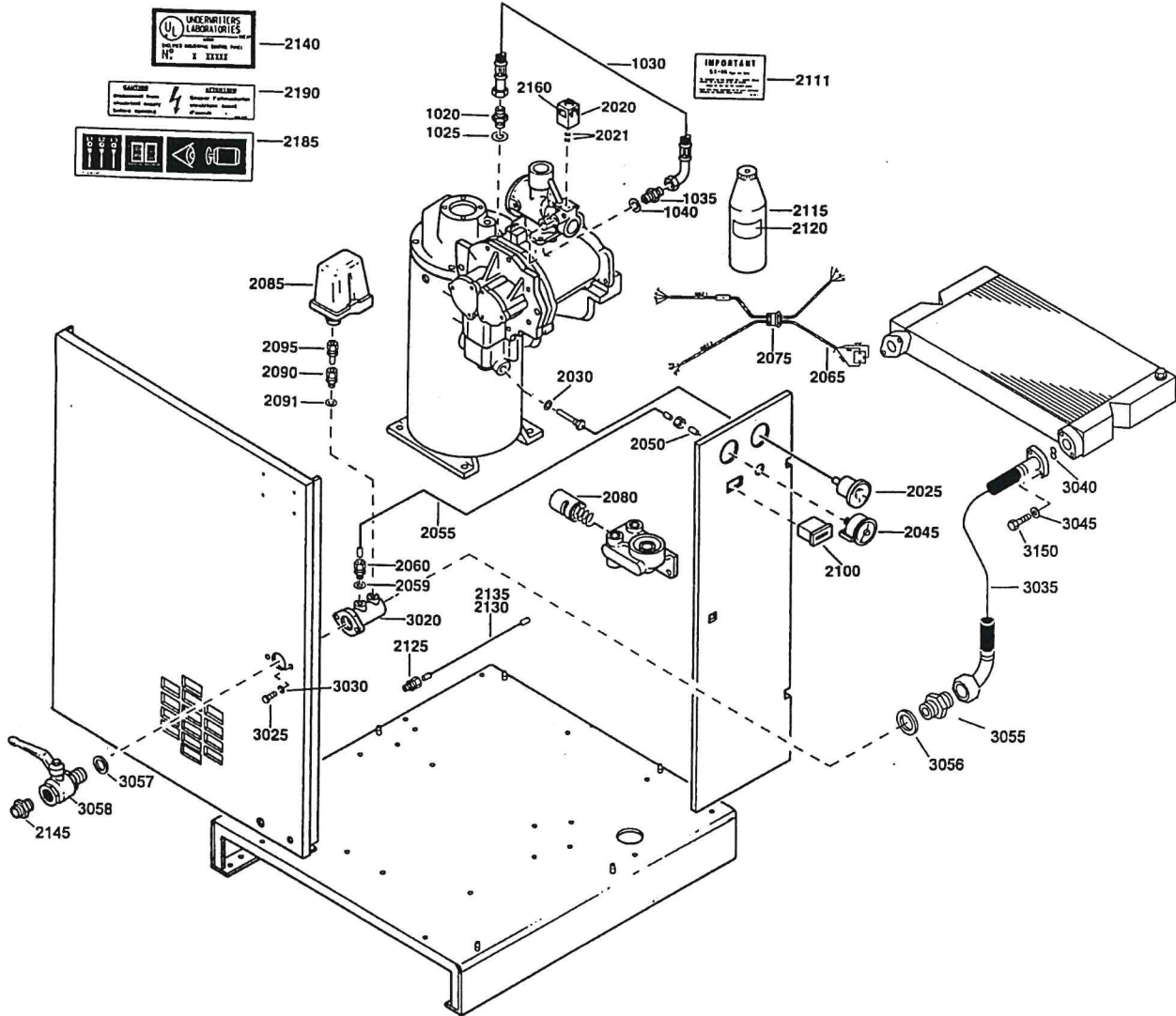
6

## Full-Feature

Ref.	Part number	Qty	Name	Remarks	Ref.	Part number	Qty	Name	Remarks
1020	1079 5840 14	1	Nipple		2140	1613 3431 00	1	Label	(C, U)
1025	0661 1000 26	1	Seal washer		<b>3020</b>	<<<< >>>>	<b>1</b>	<b>Dryer</b>	
1030	0574 9911 12	1	Hose assembly		3025	1613 7535 00	1	Baffle	
1035	1079 5840 02	1	Nipple		3030	1619 2766 00	5	Bolt	
1040	0661 1000 25	1	Seal washer		3035	1619 2766 00	2	Bolt	
<b>2020</b>		<b>1</b>	<b>Solenoid valve</b>		3040	1619 2766 00	2	Bolt	
	<b>1089 0428 21</b>		<b>220V/50Hz</b>		3041	0147 1320 03	2	Hexagon bolt	
	<b>1089 0428 19</b>		<b>220V/60Hz</b>		3042	0300 0274 34	2	Spacer	
	<b>1089 0428 25</b>		<b>115V/60Hz</b>	C, U	3043	0661 1000 30	1	Seal washer	1)
2021	0663 2104 83	2	O-ring		3044	0852 0010 15	1	Ball valve	1)
2025	1089 0574 04	1	Temperature sensor		3050	0070 6002 05	AR	Plastic tube	
2030	0605 8995 02	1	Bushing		3055	0581 0000 55	1	Pipe coupling	
2035	0661 1000 27	1	Seal washer		3060	0070 6002 04	AR	Plastic tube	
2040	1900 0700 05	1	Regulator		3065	0581 0000 43	1	Coupling	
2045		1	Cable		3070	0581 0000 33	1	Coupling	
	1613 7769 00		220V/50-60Hz		3075	0653 1046 00	1	Flat gasket	
	1613 7769 01		115V/60Hz	C, U	3080	1619 7336 00	1	Cock	
2050		1	Nut		3085	1613 7580 80	1	Baffle assembly	
	1088 0302 06		220V/50-60Hz		<b>3090</b>	<b>1613 7580 81</b>	<b>1</b>	<b>Baffle assembly</b>	
	0697 9806 00		115V/60Hz	(C, U)	3095	1619 2766 00	6	Bolt	
2061	1310 3109 47	1	Label	C, U	3135	1613 7555 00	1	Hose assembly	
2065	1613 6532 01	1	Oil can		3140	0663 3129 00	1	O-ring	
2070		1	Label		3145	0301 2335 00	2	Washer	
	1613 6535 00		220V/50-60Hz		3150	0211 1326 03	2	Cap screw	
	1613 6535 01		115V/60Hz	(C, U)	3155	2250 4983 00	1	Nipple	
2075		1	Thermostat valve		3156	0661 1000 30	1	Seal washer	
	1619 7333 00		7.5-10bar, 100-125-150psi		3160	0395 1002 55	1	Silencing foam	
	1613 7064 01		13bar, 175psi		3165	0395 1002 56	2	Silencing foam	
2080	0581 0000 33	1	Coupling	1)	3170	1513 0239 00	AR	Fixing strip	
2085	0070 6002 04	AR	Plastic tube	1)					
2090	0070 6002 05	AR	Plastic tube	1)					
2100	1613 5330 00	1	Listing mark	(C, U)					
2105	0603 4100 25	1	Adaptor	1)2)					
2120	1088 1001 01	1	Warning mark	(C, U)					
2130	1079 9901 68	1	Warning label	(C, U)					

1) Supplied loose / Los geleverd / Levereras separat / Lose mitgeliefert / Livré séparément / Suministrado suelto / Fornito separatamente / Leveres separat / Fornecido separadamente / Leveres separat / Toimitetaan irrallisena  
 2) USA, Canada

# 7



Regulating system  
 Regelsysteem  
 Reglersystem  
 Regelsystem  
 Système de régulation  
 Sistema de regulación

Sistema di regolazione  
 Reguleringssystem  
 Sistema de regulação  
 Reguleringssystem  
 Säätöjärjestelmä

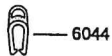
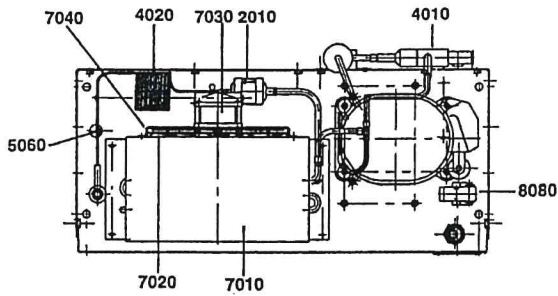
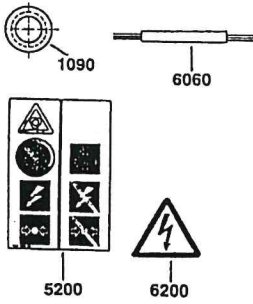
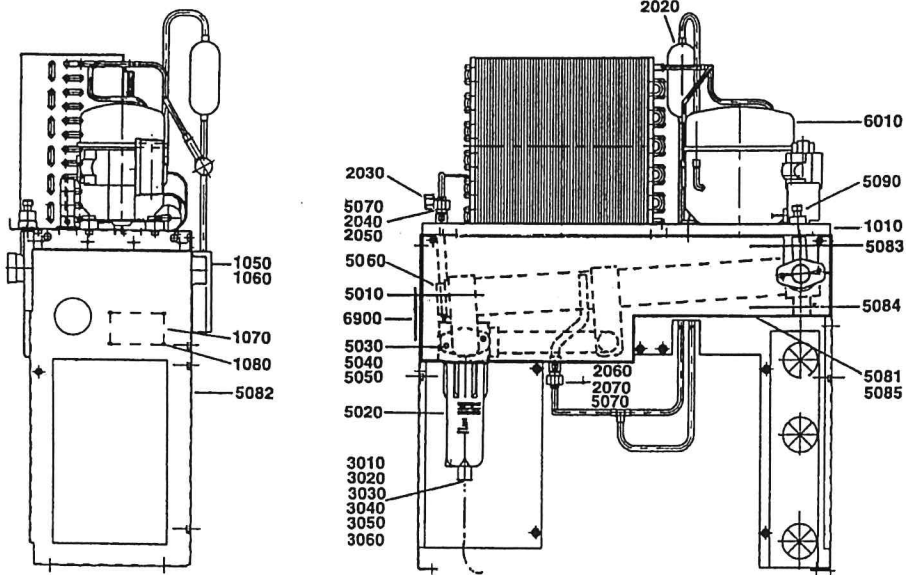
7

## Standard Pack

Ref.	Part number	Qty	Name	Remarks	Ref.	Part number	Qty	Name	Remarks
1020	1079 5840 14	1	Nipple		2100		1	Hourmeter	
1025	0661 1000 26	1	Seal washer			1089 9202 13		50Hz	
1030	0574 9911 12	1	Hose assembly			1089 9202 12		60Hz	
1035	1079 5840 02	1	Nipple			1089 9202 14		60Hz	C, U
1040	0661 1000 25	1	Seal washer		2111	1310 3109 47	1	Label	C, U
2020		1	<b>Solenoid valve</b>		2115	1613 6532 01	1	Oil can	
	1089 0428 21		220V/50Hz		2120		1	Label	
	1089 0428 19		220V/60Hz			1613 6535 00		220V/50-60Hz	
	1089 0428 25		115V/60Hz	C		1613 6535 01		115V/60Hz	C, U
2021	0663 2104 83	2	O-ring		2125	0581 0000 33	1	Coupling	1)
2025	1089 0376 46	1	Temperature switch		2130	0070 6002 04	AR	Plastic tube	1)
2030	0661 1000 27	1	Seal washer		2135	0070 6002 05	AR	Plastic tube	1)
2045	1615 7264 00	1	Pressure gauge		2140	1613 5330 00	1	Listing mark	(C, U)
2050	0584 9904 00	1	Sleeve		2145	0603 4100 25	1	Adaptor	1)2)
2055	0070 6002 04	AR	Plastic tube		2160	1088 1001 01	1	Warning mark	(C, U)
2059	0661 1000 25	1	Flat gasket		2185	1079 9901 68	1	Warning label	(C, U)
2060	0581 0000 34	1	Coupling		2190	1613 3431 00	1	Label	(C, U)
2065		1	Cable		3020	1613 7574 01	1	Pipe	
	1613 7768 00		220V/50-60Hz		3025	0147 1320 03	2	Hexagon bolt	
	1613 7768 01		115V/60Hz	C	3030	0300 0274 34	2	Spacer	
2075		1	Nut		3035	1613 7555 00	1	Hose assembly	
	1088 0302 06		220V/50-60Hz		3040	0663 3129 00	1	O-ring	
	0697 9806 00		115V/60Hz	(C, U)	3045	0301 2335 00	2	Washer	
2080		1	Thermostat valve		3050	0211 1326 03	2	Cap screw	
	1619 7333 00		7.5-10bar, 100-125-150psi		3055	2250 4983 00	1	Nipple	
	1613 7064 01		13bar, 175psi		3057	0661 1000 30	1	Seal washer	1)
2085		1	Pressure switch		3058	0852 0010 15	1	Ball valve	1)
	1089 0397 42		7.5-10bar, 100-125-150psi						
	1089 0397 43		13bar, 175psi						
2090	0581 0060 01	1	Pipe coupling						
2091	0661 1000 25	1	Flat gasket						
2095	0581 0000 36	1	Male adaptor						

- 1) Supplied loose / Los geleverd / Levereras separat / Lose mitgeliefert / Livré séparément / Suministrado suelto / Fornito separatamente / Leveres separat / Fornecido separadamente / Leveres separat / Toimitetaan irrallisena  
 2) USA, Canada

8



Air dryer  
Luchtdroger  
Lufttorkare  
Lufttrockner  
Sécheur d'air  
Secador de aire

Essiccatore d'aria  
Lufttørrer  
Secador de ar  
Lufttørker  
Kuivain

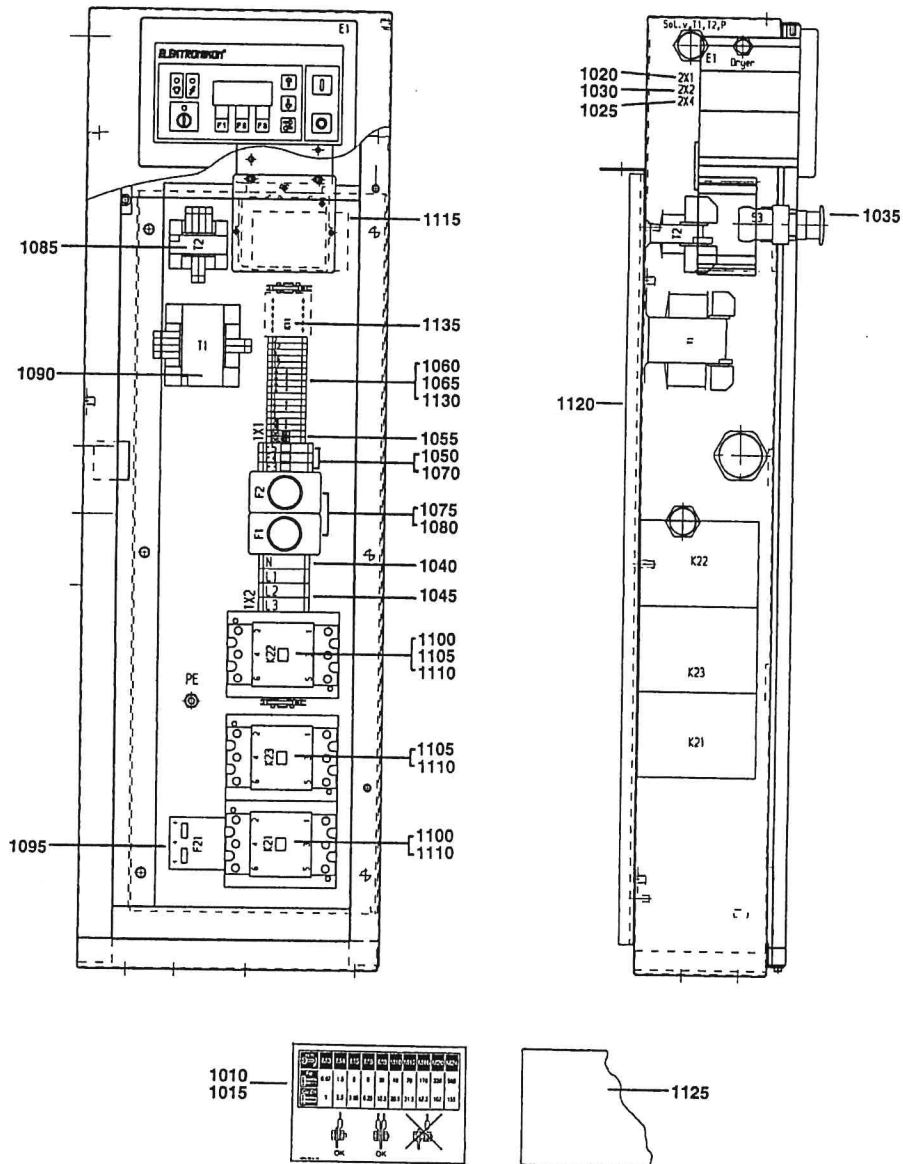
8

## ID40-60

Ref.	Part number	Qty	Name	Remarks	Ref.	Part number	Qty	Name	Remarks
			<b>Air dryer</b>		5083	1617 1579 00	•• 1	Insulation top	
	8092 2416 55	1	ID40 220V/60Hz C, U		5084	1617 1578 00	•• 1	Insulation bottom	
	8092 2416 14	1	ID40 230V/50Hz		5085		• 1	Insulation plate	
	8092 2416 71	1	ID60 220V/60Hz C, U			1617 1580 00		ID40	
	8092 2416 63	1	ID60 230V/60Hz		5090	1089 0575 11	• 1	Pressure sensor	
	8092 2416 30	1	ID60 230V/50Hz		5200	1079 9901 09	• 1	Decal	
1010	1617 1552 00	• 1	Cover		6010		• 1	Compressor	
1050	1617 1554 00	• 1	Plate			1617 1483 03		ID40 220V/60Hz C, U	
1060	0129 3270 20	• 4	Rivet			1617 1494 03		ID60 220V/60Hz C, U	
1070	1617 0745 00	• 1	Data plate			1617 1494 01		ID60 230V/50Hz	
1080	0129 3103 00	• 4	Blind rivet			1617 1483 01		ID40 230V/50Hz	
1090	1088 0801 22	• 1	Grommet		6044	1619 2795 00	• AR	Rubber strip	
2010	1617 1322 02	• 1	Filter-drier		6060		• 1	Wiring	
2020	1617 1505 02	• 1	Accumulator			1617 1596 80		ID40 C, U	
2030	1619 5563 02	• 1	Schräder valve			1617 1598 80		ID60 C, U	
2040	1617 0139 00	• 1	Sleeve			1617 1595 80		ID40	
2050	1617 0092 01	• 1	Nut			1617 1597 80		ID60	
2060	1617 0674 00	• 1	Sleeve		6200	1088 1001 01	• 1	Warning mark	
2070	1617 0092 01	• 1	Nut		6900		• 1	Service diagram	
3010	0653 1062 00	• 1	Flat gasket			9827 0208 05		ID40	
3020	0581 0000 35	• 1	Drain connection			9827 0208 07		ID60	
3030	0070 6002 05	• AR	Hose				1	<b>Condensor/fan assembly</b>	
3040	0661 1020 00	• 1	Sealing washer			1617 1313 88		ID40 230V/50Hz	
3050	0581 0000 34	• 1	Drain connection			1617 1313 90		ID60 230V/50Hz	
3060	0070 6002 04	• AR	Tube			1617 1313 92		ID40 220V/60Hz C, U	
4010	1617 1524 01	• 1	Hot gas bypass regulator			1617 1313 93		ID60 220V/60Hz C, U	
4020		• 1	Capillary tube		7010		•• 1	Condensor	
	1617 1415 82		ID40			1617 1476 00		ID60	
	1617 1415 83		ID60			1617 1475 00		ID40	
	1617 0578 00	• AR	Refrigerant gas R134a		7020	1617 1314 02	•• 1	Fan	
5010		• 1	Heat exchanger		7030		•• 1	Fanmotor	
	1617 1593 00		ID40			1617 1315 06		220V/60Hz C, U	
	1617 1594 00		ID60			1617 1315 04		230V/50Hz	
5020	1617 0784 00	• 1	<b>Water separator</b>		7040	1617 1316 02	•• 1	Fan grating	
	0663 2100 39	•• 1	O-ring		8080	1603 1007 11	• 1	Pressure switch	
5030	0663 9191 00	• 2	O-ring						
5040	0147 1326 03	• 4	Hexagon bolt						
5050	0301 2335 00	• 4	Washer						
5060	1089 0574 03	• 1	Temperature sensor						
5070	1617 0092 03	• 2	Ring						
	1603 1669 80	• 1	<b>Box-support-insulation assy</b>						
5081	1617 1670 00	•• 1	Box heat exchanger 1)						
5082	1617 1669 00	•• 1	Support						

1) To be lined with / Te beklede med / Skall beklädes med / Auskleiden mit / A garnir avec / Revestir de / Rivestire con / Skal beklædes / Forrar com / Skal fôres med / Vuorataan :  
Foam : 1079 0003 31 (AR) 25 x 2000 x 1500 : self adhesive

9



Start cubicle - star/delta  
 Startkast - ster/driehoek  
 Startskap - stjärn/triangel  
 Anlaßschrank - Stern/Dreieck  
 Armoire de démarrage - étoile/triangle  
 Cubículo de arranque - estrella/triángulo

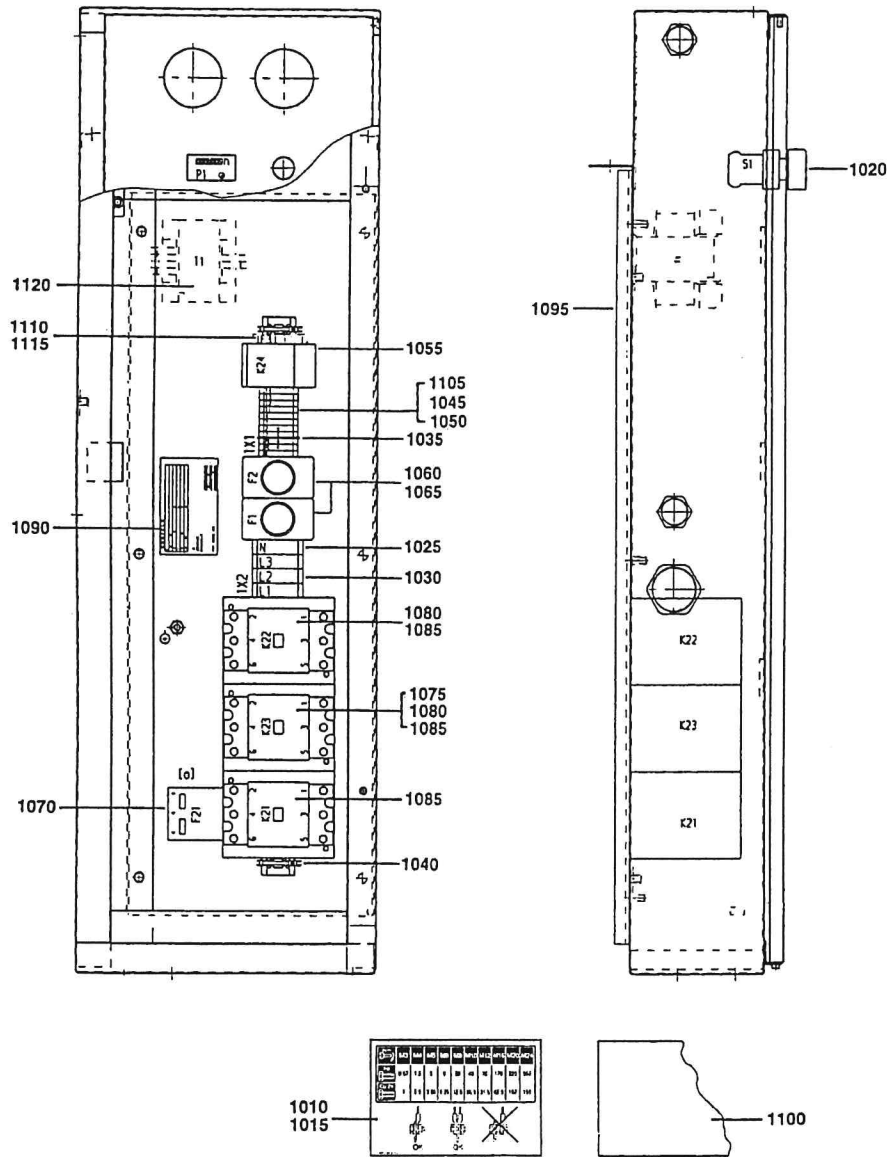
Armadio apparecch. di avviamento - stella/  
 triangolo  
 Starterskab - stjerne/trekant  
 Cubículo-arranque estrella/triángulo  
 Startskap - stjerne-trekant  
 Käynnistinkotelo - Y/D

9

## Pack / Full-Feature

Ref.	Part number	Qty	Name	Remarks	Ref.	Part number	Qty	Name	Remarks
		<b>1</b>	<b>Cubicle</b>		1095		<b>1</b>	Overload relay	F21
	1900 0525 01		GA11 500V/50Hz			1089 9169 31		1)8)	
	1900 0525 02		GA11 400V/50Hz,			1089 9169 32		2)9)	
			GA11 380V/60Hz			1089 9169 60		3)10)	
	1900 0525 03		GA15 400V/50Hz,			1089 9169 61		4)	
			GA15 380V/60Hz			1089 9169 65		5)	
	1900 0525 04		GA11 230V/50Hz,			1089 9169 55		6)	
			GA11 230V/60Hz,			1089 9169 11		7)	
			GA18 400V/50Hz,		1100		<b>•</b>	Contact block	
			GA22 400V/50Hz,			1089 9319 01	<b>3</b>	1)2)3)4)5)7)	
			GA22 380V/60Hz					8)9)10)	K21,K22
	1900 0525 05		GA15 230V/50Hz,			1089 9319 01	<b>1</b>	6)	K22
			GA15 230V/60Hz		1105		<b>•</b>	Contact block	
	1900 0525 06		GA18 230V/60Hz			1089 9319 02	<b>3</b>	1)2)3)4)5)7)	
	1900 0525 08		GA18 230V/50Hz,			1089 9319 02	<b>1</b>	6)	K22,K23
			GA22 230V/50Hz,					8)9)10)	K22
			GA22 230V/60Hz		1110		<b>•</b>	Contact block	
	1900 0525 09		GA11 460V/60Hz,			1089 9319 51	<b>3</b>	1)2)8)	K21,K22,
			GA15 500V/50Hz						K23
	1900 0525 10		GA11 460V/60Hz,			1089 9319 51	<b>1</b>	3)4)10)	K22
			GA18 460V/60Hz,			1089 9319 53	<b>2</b>	3)4)10)	K21,K23
			GA18 500V/60Hz,			1089 9319 53	<b>3</b>	5)	K21,K22,
			GA22 500V/50Hz						K23
	1900 0525 11		GA22 460V/50Hz			1089 9221 28	<b>2</b>	6)	K21,K23
1010	1079 9905 11	<b>• 1</b>	Label	8)9)10)		1089 9319 53	<b>1</b>	6)	K22
1015	1079 9906 09	<b>• 1</b>	Label	1)2)3)4)5)		1089 9319 86	<b>3</b>	7)	K21,K22,
				6)7)					K23
1020	1088 0014 04	<b>• 1</b>	Connector	2x1	1115	1613 6639 00	<b>• 1</b>	Data plate	
1025	1088 0014 10	<b>• 1</b>	Connector	2x4	1120	1613 7539 00	<b>• 1</b>	Plate	
1030	1088 0014 15	<b>• 1</b>	Connector	2x2	1125	9820 2233 01	<b>• 1</b>	Service diagram	11)
1035	1089 0362 16	<b>• 1</b>	Push button	S3	1130		<b>• 1</b>	Terminal	1x1
1040		<b>• 1</b>	Terminal	1x2		1089 0506 60		3)4)5)6)10)	(1x6mm <sup>2</sup> )
	1089 0506 06			1)2)7)8)9)		1089 9319 87	<b>1</b>	Contact block	12)
	1089 0506 03			3)4)5)6)10)					
1045		<b>• 1</b>	Terminal	1x2	1)	GA11 400V/50Hz, GA11 175 380V/60Hz			
	1089 0506 07			1)2)7)8)9)	2)	GA15 400V/50Hz, GA15 150 380V/60Hz			
	1089 0506 04			3)4)5)6)10)	3)	GA11 230V/50Hz, GA11 230V/60Hz, GA18 400V/50Hz,			
1050	1089 0506 16	<b>• 3</b>	Fuse terminal	F3,F4,F5	4)	GA22 400V/50Hz, GA22 380V/60Hz			
1055	1089 0506 52	<b>• 2</b>	Terminal switch	1x1	5)	GA15 230V/50Hz, GA15 230V/60Hz			
1060		<b>•</b>	Terminal	1x1	6)	GA18 230V/60Hz			
	1089 0506 62	<b>2</b>		1)2)7)8)9)	7)	GA18 230V/50Hz, GA22 230V/50Hz, GA22 230V/60Hz			
	1089 0506 62	<b>4</b>		3)4)5)6)10)	8)	GA11 500V/50Hz			
1065		<b>•</b>	Terminal	1x1	9)	GA11 460V/60Hz, GA15 500V/50Hz			
	1089 0506 63	<b>4</b>		1)2)7)8)9)	10)	GA11 460V/60Hz, GA18 460V/60Hz, GA18 500V/60Hz,			
	1089 0506 63	<b>3</b>		3)4)5)6)10)	11)	GA22 500V/50Hz			
1070	1089 9037 09	<b>• 3</b>	Fuse	F3,F4,F5	12)	GA22 460V/60Hz			
			(1A)						
1075	1089 9083 14	<b>• 2</b>	Fuse holder	F1,F2 (10A)					
1080	1089 9092 02	<b>• 2</b>	Fuse link	F1,F2 (10A)					
1085		<b>• 1</b>	Transformer	T2					
	1089 9136 92			1)2)3)4)5)6)7)8)9)10)					
1090		<b>• 1</b>	Transformer	T1					
	1089 9436 01			7)8)9)10)					
	1089 9436 94			1)2)3)4)5)6)					

# 10



Start cubicle - star/delta  
 Startkast - ster/driehoek  
 Startskåp - stjärn/triangel  
 Anlaßschrank - Stern/Dreieck  
 Armoire de démarrage - étoile/triangle  
 Cubículo de arranque - estrella/triángulo

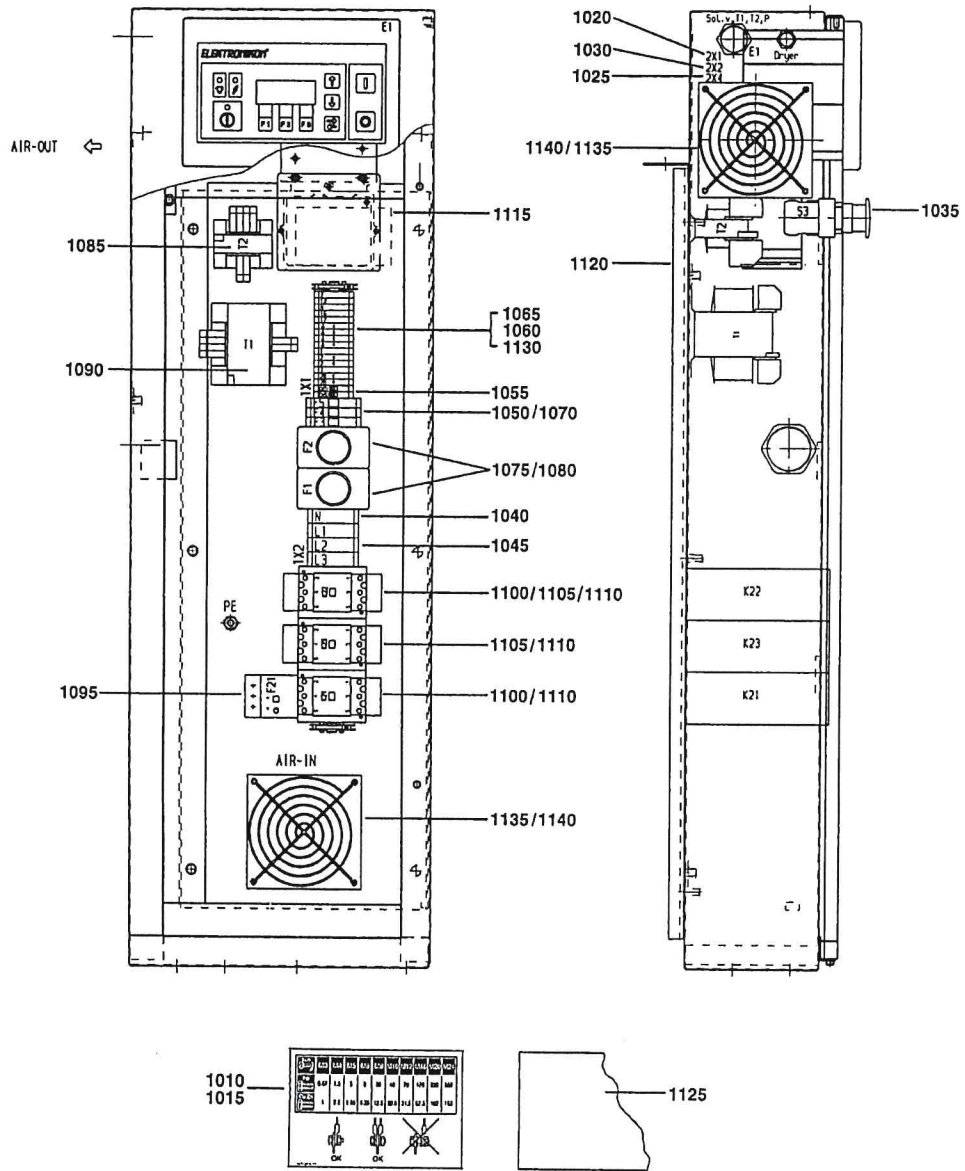
Armadio apparecch. di avviamento - stella/  
 triangolo  
 Starterskab - stjerne/trekant  
 Cubículo-arranque estrella/triángulo  
 Startskap - stjerne-trekant  
 Käynnistinkotelo - Y/D

10

## Standard Pack

Ref.	Part number	Qty	Name	Remarks	Ref.	Part number	Qty	Name	Remarks
		1	<b>Cubicle</b>						
	1900 0525 51		GA11 500V/50Hz 12)			1089 9169 55	6)		
	1900 0525 52		GA11 400V/50Hz, GA11 460V/60Hz		1075	1089 9169 11	7)		
	1900 0525 53		GA15 400V/50Hz					Contact block	
	1900 0525 54		GA11 230V/50Hz, GA11 230V/60Hz, GA18 400V/50Hz, GA22 400V/50Hz, GA22 460V/60Hz		1080	1089 9319 01	1	1)2)3)4)5)7) 8)9)10)	K23
	1900 0525 55		GA15 230V/50Hz, GA15 230V/60Hz					Contact block	
	1900 0525 56		GA18 230V/60Hz		1085	1089 9319 02	2	1)2)3)4)5)7) 8)9)10)	K22,K23
	1900 0525 58		GA18 230V/50Hz, GA22 230V/50Hz, GA22 230V/60Hz			1089 9319 02	1	6)	K22
	1900 0525 60		GA11 460V/60Hz, GA11 380V/60Hz, GA11 400V/50Hz, GA15 500V/50Hz 12)					Contactactor	
	1900 0525 61		GA15 460V/60Hz, GA18 460V/60Hz, GA15 380V/60Hz, GA15 400V/50Hz, GA22 500V/50Hz 12)		1085	1089 9319 51	3	1)2)8)9)	K21,K22, K23
	1900 0525 62		GA22 460V/60Hz, GA22 380V/60Hz, GA18 400V/50Hz, GA22-400V/50Hz 12)			1089 9319 51	1	3)4)10)	K22
			not used			1089 9319 53	2	3)4)10)	K21,K23
1010						1089 9319 53	3	5)	K21,K22, K23
1015	1079 9906 09	• 1	Label	11)		1089 9221 28	2	6)	K21,K23
1020	1089 0362 37	• 1	Selector switch	S1		1089 9319 53	1	6)	K22
1025		• 1	Terminal	1x2		1089 9319 86	3	7)	K21,K22, K23
	1089 0506 06		1)2)	(1x16mm <sup>2</sup> )	1090	1613 6639 00	• 1	Data plate	
	1089 0506 03		3)4)5)6)	(1x35mm <sup>2</sup> )	1095	1613 7539 00	• 1	Plate	
1030		• 1	Terminal	1x2	1100		• 1	Service diagram	11)
	1089 0506 07		1)2)7)8)9)	(3x16mm <sup>2</sup> )		9820 2233 06		1)2)3)4)5)6) 7)8)9)10)	
	1089 0506 04		3)4)5)6)10)	(3x35mm <sup>2</sup> )		9820 2233 08			
1035	1089 0506 23	• 1	Barrier		1105		• 1	Terminal	1x1 (1x6mm <sup>2</sup> )
1040	1089 0506 30	• 2	End bracket			1089 0506 60		3)4)5)6)	
1045		•	Terminal	1x1	1110	1089 0506 16		7)8)9)10)	F3
	1089 0506 62	2	1)2)7)8)9)10)	(1x2.5mm <sup>2</sup> )	1115	1089 9037 09		7)8)9)10)	F3
	1089 0506 62	4	3)4)5)6)	(1x2.5mm <sup>2</sup> )	1120		• 1	Transformer	T1
1050		•	Terminal	1x1		1089 9436 01		7)8)9)10)	
	1089 0506 63	3	1)2)7)8)9)10)	(3x2.5mm <sup>2</sup> )	1)	GA11 400V/50Hz, GA11 460V/60Hz			
	1089 0506 63	2	3)4)5)6)	(3x2.5mm <sup>2</sup> )	2)	GA15 400V/50Hz			
1055	1089 0588 01	• 1	Time relay	K24	3)	GA11 230V/50Hz, GA11 230V/60Hz, GA18 400V/50Hz, GA22 400V/50Hz, GA22 460V/60Hz			
1060		• 2	Fuse holder		4)	GA15 230V/50Hz, GA15 230V/50Hz			
	1089 9083 11		1)2)3)4)5)6)	F1,F2 (2A)	5)	GA18 230V/60Hz			
	1089 9083 12		7)8)9)10)	F1,F2 (4A)	6)	GA18 230V/50Hz, GA22 230V/50Hz, GA22 230V/60Hz			
1065		• 2	Fuse link		7)	GA11 500V/50Hz (with transfo)			
	1089 9092 06		1)2)3)4)5)6)	F1,F2 (2A)	8)	GA11 460V/60Hz, GA11 380V/60Hz, GA11 400V/50Hz, GA15 500V/50Hz (with transfo)			
	1089 9092 07		7)8)9)10)	F1,F2 (4A)	9)	GA15 460V/60Hz, GA18 460V/60Hz, GA15 380V/60Hz, GA15 400V/50Hz, GA22 500V/50Hz (with transfo)			
1070		• 1	Overload relay	F21	10)	GA22 460V/60Hz, GA22 380V/60Hz, GA18 400V/50Hz, GA22-400V/50Hz (with transfo)			
	1089 9169 31		1)8)		11)	Supplied loose / Los geleverd / Levereras separat / Lose mitgeliefert / Livré séparément / Sumministrado suelto / Fornito separatamente / Leveres separat / Fornecido separadamente / Leveres separat / Toimitetaan irrallisena			
	1089 9169 32		2)9)		12)	With transfo / Met transformator / Med transformator / Mit Transformator / Avec transformateur / Con transformador / Con trasformatore / Med transfo / Com transformador / Med transformator / Muuntajalla			
	1089 9169 60		3)10)						
	1089 9169 61		4)						
	1089 9169 65		5)						

# 11



Start cubicle - star/delta  
 Startkast - ster/driehoek  
 Startskåp - stjärn/triangel  
 Anlaßschrank - Stern/Dreieck  
 Armoire de démarrage - étoile/triangle  
 Cubículo de arranque - estrella/triángulo

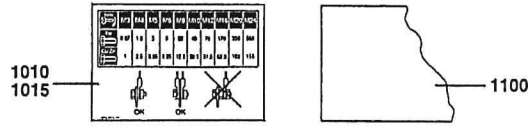
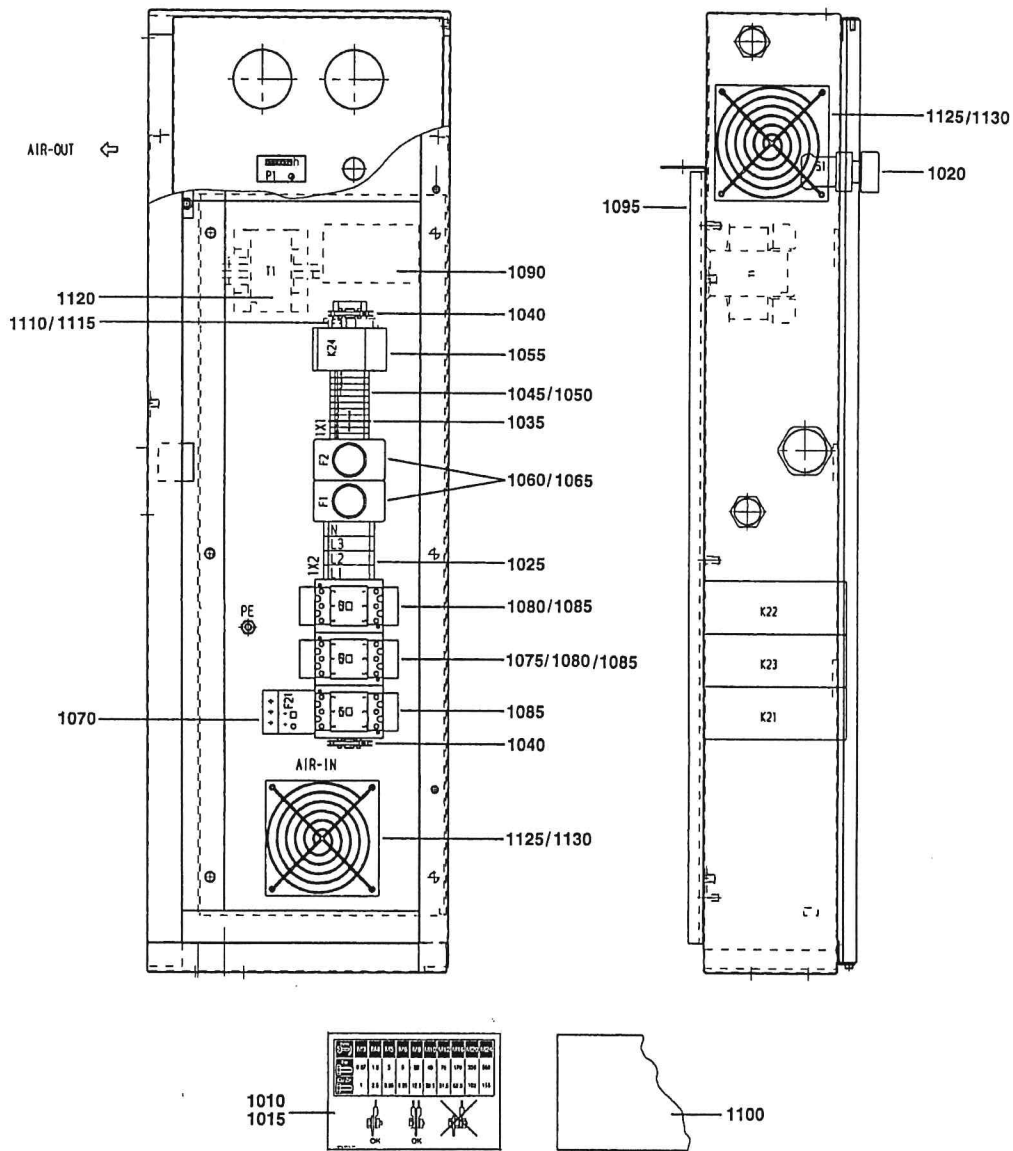
Armadio apparecch. di avviamento - stella/triangolo  
 Starterskab - stjerne/trekant  
 Cubículo-arranque estrela/triángulo  
 Startskap - stjerne-trekant  
 Käynnistinkotelo - Y/D

11

**Pack Saudi Arabia / High ambient**

Ref.	Part number	Qty	Name	Remarks	Ref.	Part number	Qty	Name	Remarks
	<b>1900 0525 16</b>	<b>1</b>	<b>Cubicle</b> GA11 380V/60Hz Saudi Arabia		1085	1089 9136 92	• 1	Transformer	T2
	<b>1900 0525 17</b>		GA15 380V/60Hz Saudi Arabia, GA15 400V/50Hz High ambient		1090	1089 9436 01	• 1	Transformer	T1
	<b>1900 0525 18</b>		GA18 380V/60Hz Saudi Arabia, GA18 400V/50Hz High ambient GA22 380V/60Hz Saudi Arabia, GA22 400V/50Hz High ambient		1095		• 1	Overload relay	F21
	<b>1900 0525 19</b>		GA22 230V/60Hz High ambient			1089 9169 31		1)	
1010	1079 9905 11	• 1	Label	5)		1089 9169 32		2)	
1015	1079 9906 09	• 1	Label	5)		1089 9169 60		3)	
1020	1088 0014 04	• 1	Connector	2x1		1089 9169 55		4)	
1025	1088 0014 10	• 1	Connector	2x4	1100		•	Contact block	
1030	1088 0014 15	• 1	Connector	2x2		1089 9319 01	3	1)2)3)	K21,K22
1035	1089 0362 16	• 1	Push button	S3		1089 9319 01	1	4)	K22
1040		• 1	Terminal	1x2	1105		•	Contact block	
	1089 0506 06		1)2)	(1x16mm <sup>2</sup> )		1089 9319 02	3	1)2)3)	K22,K23
	1089 0506 03		3)4)	(1x35mm <sup>2</sup> )		1089 9319 02	1	4)	K22
1045		• 1	Terminal	1x2	1110		•	Contact block	
	1089 0506 07		1)2)	(3x16mm <sup>2</sup> )		1089 9319 51	3	1)2)	K21,K22, K23
	1089 0506 04		3)4)	(3x35mm <sup>2</sup> )		1089 9319 51	1	3)	K22
1050	1089 0506 16	• 3	Fuse terminal	F3,F4,F5		1089 9319 53	2	3)	K21,K23
1055	1089 0506 52	• 2	Terminal switch	1x1		1089 9221 28	2	4)	K21,K23
1060		•	Terminal	1x1		1089 9319 53	1	4)	K22
	1089 0506 62	2	1)2)	(1x2.5mm <sup>2</sup> )	1115	1613 6639 00	• 1	Data plate	
	1089 0506 62	4	3)4)	(1x2.5mm <sup>2</sup> )	1120	1613 7692 00	• 1	Plate	
1065		•	Terminal	1x1	1125	9820 2233 01	• 1	Service diagram	5)
	1089 0506 63	4	1)2)	(3x2.5mm <sup>2</sup> )	1130		• 1	Terminal	1x1
	1089 0506 63	3	3)4)	(3x2.5mm <sup>2</sup> )		1089 0506 60		3)4)	(1x6mm <sup>2</sup> )
1070	1089 9037 09	• 3	Fuse	F3,F4,F5 (1A)	1135	1089 0388 31	• 2	Filter	
					1140	1089 0388 33	• 2	Gasket	
1075	1089 9083 14	• 2	Fuse holder	F1,F2 (10A)					
1080	1089 9092 02	• 2	Fuse link	F1,F2 (10A)					

# 12



Start cubicle - star/delta  
 Startkast - ster/driehoek  
 Startskåp - stjärn/triangel  
 Anlaßschrank - Stern/Dreieck  
 Armoire de démarrage - étoile/triangle  
 Cubículo de arranque - estrella/triángulo

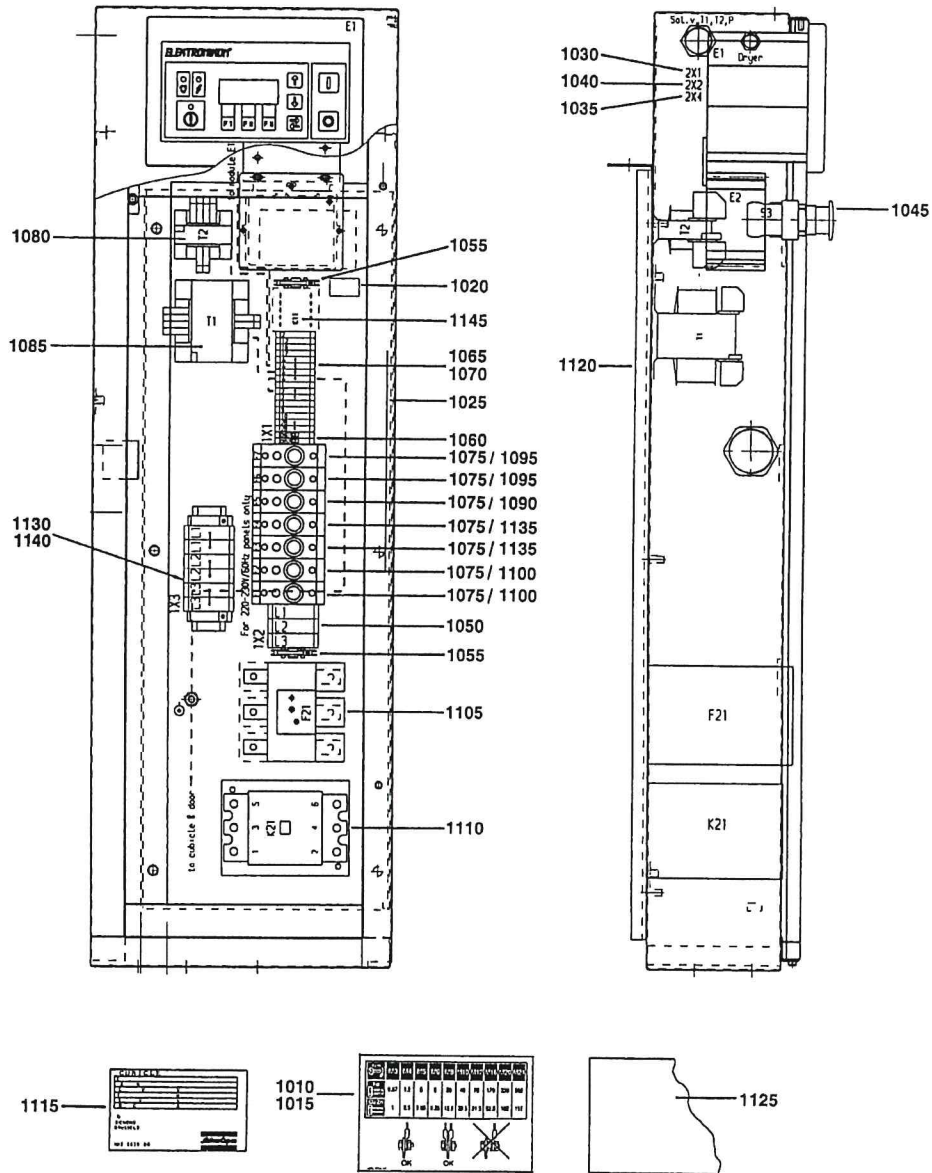
Armadio apparecch. di avviamento - stella/triangolo  
 Starterskab - stjerne/trekant  
 Cubículo-arranque estrela/triángulo  
 Startskap - stjerne-trekant  
 Käynnistinkotelo - Y/D

12

**Standard Pack Saudi Arabia / High ambient**

Ref.	Part number	Qty	Name	Remarks	Ref.	Part number	Qty	Name	Remarks
	<b>1900 0525 81</b>	<b>1</b>	<b>Cubicle</b>		1075	1089 9319 01 •	1	Contact block	K23
			GA11 380V/60Hz Saudi Arabia		1080	1089 9319 02 •	2	Contact block	K22,K23
			GA11 400V/50Hz High ambient		1085	•		Contact	
	<b>1900 0525 82</b>		GA15 380V/60Hz Saudi Arabia			1089 9319 51	3	1)2)	K21,K22, K23
	<b>1900 0525 83</b>		GA18 380V/60Hz Saudi Arabia			1089 9319 51	1	3)	K22
			GA22 380V/60Hz Saudi Arabia			1089 9319 53	2	3)	K21,K23
			GA22 400V/50Hz High ambient		1090	1613 6639 00 •	1	Data plate	
			Not used		1095	1613 7692 00 •	1	Plate	
1010					1100	9820 2233 08 •	1	Service diagram	4)
1015	1079 9906 09 •	1	Label	4)	1110	1089 0506 16 •	1	Fuse terminal	F3
1020	1089 0362 37 •	1	Selector switch	S1	1115	1089 9037 09 •	1	Fuse link	F3
1025	•	1	Terminal	1x2	1120	1089 9436 01 •	1	Transformer	T1
	1089 0506 07		1)2)	(3x16mm <sup>2</sup> )	1125	1089 0388 31 •	2	Filter	
	1089 0506 04		3)	(3x35mm <sup>2</sup> )	1130	1089 0388 33 •	2	Gasket	
1035	1089 0506 23 •	1	Barrier		1) GA11 380V/60Hz Saudi Arabia, GA11 400V/50Hz High ambient				
1040	1089 0506 30 •	2	End bracket		2) GA15 380V/60Hz Saudi Arabia				
1045	1089 0506 62 •	2	Terminal	(1x2.5mm <sup>2</sup> )	3) GA18 380V/60Hz Saudi Arabia, GA22 380V/60Hz Saudi Arabia, GA22 400V/50Hz High ambient				
1050	1089 0506 63 •	3	Terminal	(3x2.5mm <sup>2</sup> )	4) Supplied loose / Los geleverd / Levereras separat / Lose mitgeliefert / Livré séparément / Sumministrado suelto / Fornito separatamente / Leveres separat / Fornecido separadamente / Leveres separat / Toimitetaan irrallisena				
1055	1089 0588 01 •	1	Time relay	K24					
1060	1089 9083 12 •	2	Fuse holder	F1,F2 (4A)					
1065	1089 9092 07 •	2	Fuse link	F1,F2 (4A)					
1070	•	1	Overload relay	F21					
	1089 9169 31		1)						
	1089 9169 32		2)						
	1089 9169 60		3)						

# 13



Start cubicle - DOL  
 Startkast - direkte starter  
 Startskåp - direkt startutrustning  
 Anlaßschrank - Direktschaltung  
 Armoire de démarrage - démarreur direct  
 Cubículo de arranque - arrancador directo

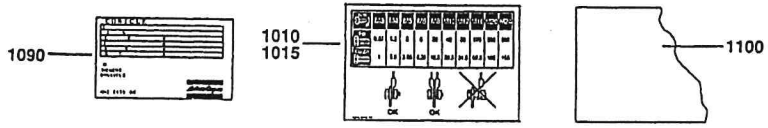
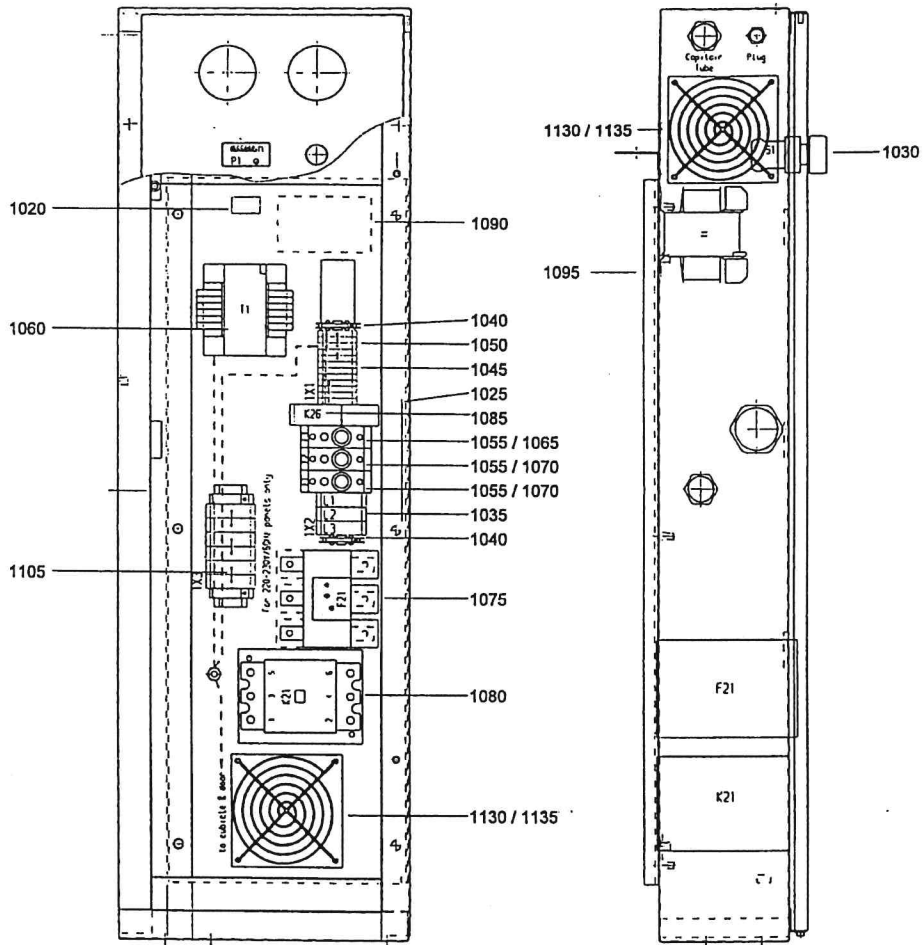
Armadio apparecch. di avviamento - DOL (= diretto in linea)  
 Starterskab-DOL (direkte start)  
 Cubículo-Arranque directo  
 Startskap - direkte start  
 Käynnistinkotelo - suora käynnisty

13

**Pack / Full-Feature 60Hz C, U**

Ref.	Part number	Qty	Name	Remarks	Ref.	Part number	Qty	Name	Remarks
		<b>1</b>	<b>Cubicle</b>	<b>C, U</b>	1110		<b>• 1</b>	<b>Contactor</b>	<b>K21</b>
	1900 0533 01		GA11 460V			1089 9319 39		1)10)	
	1900 0533 02		GA11 575V			1089 9221 89		2)	
	1900 0533 03		GA15 460V,			1089 9221 45		3)4)5)	
			GA18 575V,			1089 9221 47		6)	
			GA22 575V,			1089 9221 44		7)8)	
	1900 0533 04		GA18 460V,			1089 9221 48		9)	
			GA22 460V		1115	1613 3046 00	<b>• 1</b>	<b>Data plate</b>	<b>11)</b>
	1900 0533 05		GA11 230V		1120	1613 7539 00	<b>• 1</b>	<b>Plate</b>	
	1900 0533 06		GA15 230V		1125	9820 2233 02	<b>• 1</b>	<b>Service diagram</b>	<b>11)</b>
	1900 0533 07		GA18 230V		1130		<b>•</b>	<b>Terminal</b>	<b>1x3</b>
	1900 0533 08		GA22 230V			1089 0506 61	<b>1</b>	<b>1)3)4)</b>	<b>(3x6mm<sup>2</sup>)</b>
	1900 0533 09		GA22 200V			1089 0506 07	<b>2</b>	<b>5)</b>	<b>(3x16mm<sup>2</sup>)</b>
	1900 0533 11		GA11 575V			1089 0506 03	<b>6</b>	<b>6)</b>	<b>(1x35mm<sup>2</sup>)</b>
1010	1079 9905 11	<b>• 1</b>	<b>Label</b>	<b>11)</b>		1089 0506 04	<b>2</b>	<b>7)8)</b>	<b>(3x35mm<sup>2</sup>)</b>
1015	1079 9906 09	<b>• 1</b>	<b>Label</b>	<b>11)</b>	1135		<b>• 2</b>	<b>Fuse link</b>	<b>F3,F4 (12A)</b>
1020	1079 9911 01	<b>• 1</b>	<b>Label</b>			1089 9168 56		<b>5)6)7)8)</b>	
1025	1079 9916 78	<b>• 1</b>	<b>Label</b>	<b>11)</b>	1140		<b>• 2</b>	<b>Barrier</b>	
1030	1088 0014 04	<b>• 1</b>	<b>Connector</b>	<b>2x1</b>		1089 0506 22		<b>6)</b>	<b>(35mm<sup>2</sup>)</b>
1035	1088 0014 10	<b>• 1</b>	<b>Connector</b>	<b>2x4</b>	1145	1089 9319 92	<b>1</b>	<b>Contactor</b>	<b>12)</b>
1040	1088 0014 15	<b>• 1</b>	<b>Connector</b>	<b>2x2</b>					
1045	1089 0362 16	<b>• 1</b>	<b>Push button</b>	<b>S3</b>		1) GA11 460V			
1050		<b>•</b>	<b>Terminal</b>	<b>1x2</b>		2) GA15 575V			
	1089 0506 07	<b>1</b>	<b>1)2)3)10)</b>	<b>(3x16mm<sup>2</sup>)</b>		3) GA15 460V, GA18 575V, GA22 575V			
	1089 0506 04	<b>1</b>	<b>4)5)6)</b>	<b>(3x35mm<sup>2</sup>)</b>		4) GA18 460V, GA22 460V			
	1089 0506 05	<b>3</b>	<b>7)8)9)</b>	<b>(1x70mm<sup>2</sup>)</b>		5) GA11 230V			
1055	1089 0506 30	<b>• 2</b>	<b>End bracket</b>			6) GA15 230V			
1060	1089 0506 52	<b>• 2</b>	<b>Terminal switch</b>			7) GA18 230V			
1065	1089 0506 62	<b>• 3</b>	<b>Terminal</b>	<b>(1x2.5mm<sup>2</sup>)</b>		8) GA22 230V			
1070	1089 0506 63	<b>• 4</b>	<b>Terminal</b>	<b>(3x2.5mm<sup>2</sup>)</b>		9) GA22 200V			
1075	1089 9049 04	<b>• 7</b>	<b>Fuse holder</b>	<b>F1-&gt;F7</b>		10) GA11 575V			
1080	1089 9136 92	<b>• 1</b>	<b>Transformer</b>	<b>T2</b>		11) Supplied loose / Los geleverd / Levereras separat / Lose mitgeliefert / Livré séparément / Suministrado suelto / Fornito separatamente / Leveres separat / Fornecido separadamente / Leveres separat / Toimitetaan irrallisena / Endast för aggregat med torkare / Nur für Maschinen mit Trockner / Uniquement pour groupes avec sécheur / Unicamente para unidades con secador / Solo per unità dotate di essiccatore / Kun for modeller med tørrer / Só para unidades com secador / Kun for enheter med tørkeanlegg / Vain kuivaimella varustetuille yksiköille			
1085	1089 9436 02	<b>• 1</b>	<b>Transformer</b>	<b>T1</b>					
1090	1089 9168 07	<b>• 1</b>	<b>Fuse link</b>	<b>F5 (2A)</b>					
1095	1089 9168 09	<b>• 2</b>	<b>Fuse link</b>	<b>F6,F7 (0.8A)</b>					
1100	1089 9168 26	<b>• 2</b>	<b>Fuse link</b>	<b>F1,F2 (4A)</b>					
1105		<b>• 1</b>	<b>Overload relay</b>	<b>F21</b>					
	1089 9169 60		<b>1)2)</b>						
	1089 9169 53		<b>3)</b>						
	1089 9169 54		<b>4)</b>						
	1089 9169 55		<b>5)</b>						
	1089 9169 57		<b>6)</b>						
	1089 9169 49		<b>7)</b>						
	1089 9205 13		<b>8)9)</b>						
	1089 9169 62		<b>10)</b>						

# 14



60162\_12

Start cubicle - DOL  
 Startkast - direkte starter  
 Startskåp - direkt startutrustning  
 Anlaßschrank - Direktschaltung  
 Armoire de démarrage - démarreur direct  
 Cubículo de arranque - arrancador directo

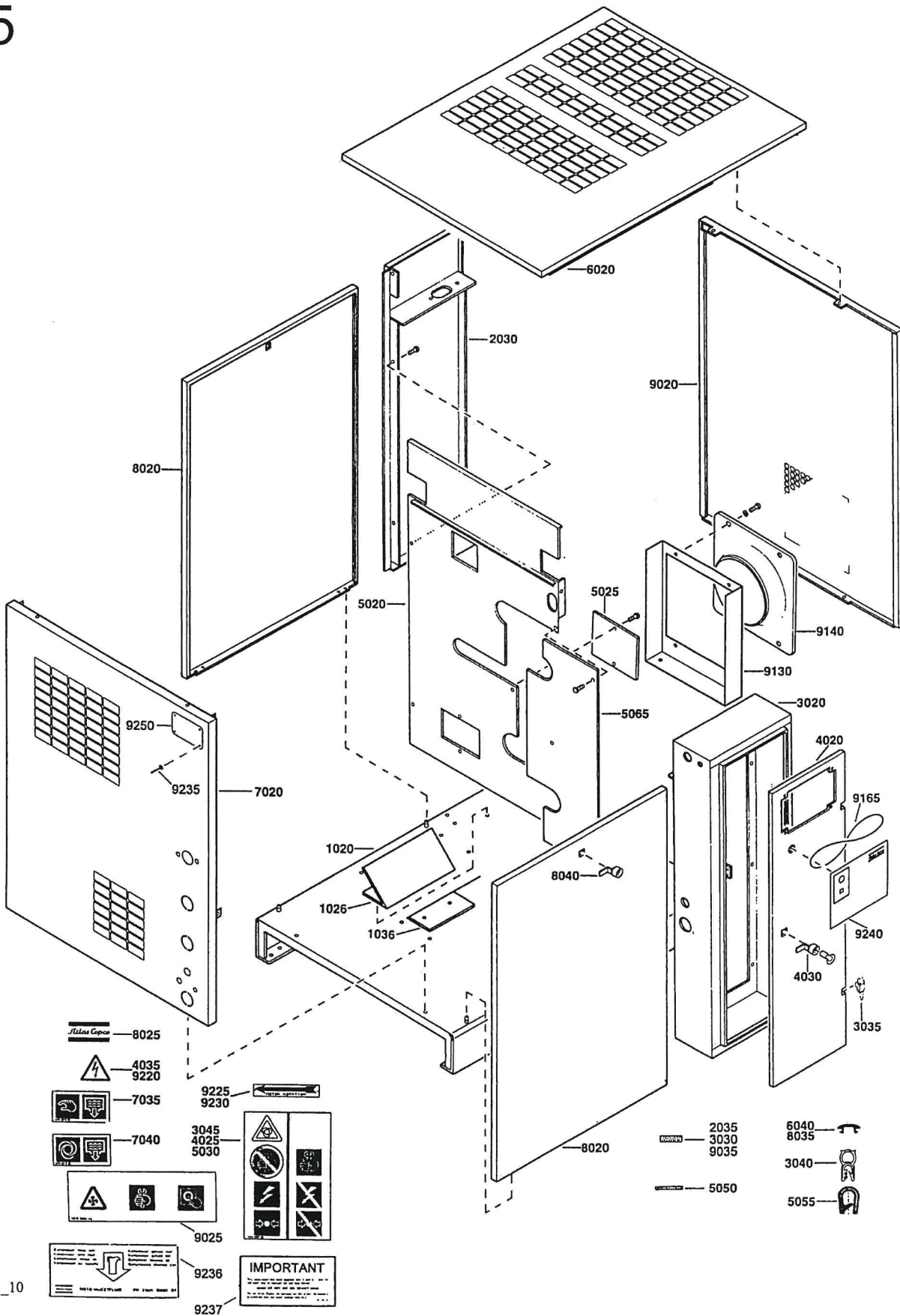
Armadio apparecch. di avviamento - DOL (= diretto  
 in linea)  
 Starterskab-DOL (direkte start)  
 Cubículo-Arranque directo  
 Startskap - direkte start  
 Käynnistinkotelo - suora käynnistys

14

**Standard Pack 60Hz C, U**

Ref.	Part number	Qty	Name	Remarks	Ref.	Part number	Qty	Name	Remarks
		1	<b>Cubicle</b>	<b>C, U</b>					
	1900 0533 51		GA11 460V			1089 9169 49		7)	
	1900 0533 52		GA15 575V			1089 9205 13		8)	
	1900 0533 53		GA15 460V,		1080	1089 9169 62	• 1	9) Contactor	K21
			GA18 575V,			1089 9319 39		1)9)	
	1900 0533 54		GA22 575V			1089 9221 89		2)10)	
			GA18 460V,			1089 9221 45		3)4)5)	
			GA22 460V			1089 9221 47		6)	
	1900 0533 55		GA11 230V			1089 9221 44		7)8)	
	1900 0533 56		GA15 230V		1085	1089 9277 01	• 1	Time relay	K26
	1900 0533 57		GA18 230V		1090	1613 3046 00	• 1	Data plate	11)
	1900 0533 58		GA22 230V		1095	1613 7539 00	• 1	Plate	
	1900 0533 61		GA11 575V		1100	9820 2233 05	• 1	Service diagram	11)
	1900 0533 81		GA15 575V High ambient		1105		•	Terminal	1x3
1010	1079 9905 11	• 1	Label	11)		1089 0506 61	1	1)3)4)	(3x6mm <sup>2</sup> )
1015	1079 9906 09	• 1	Label	11)		1089 0506 07	2	5)	(3x16mm <sup>2</sup> )
1020	1079 9911 01	• 1	Label			1089 0506 04	2	6)7)8)	(3x35mm <sup>2</sup> )
1025	1079 9917 68	• 1	Label	11)	1130		• 2	Filter	
1030	1089 0362 37	• 1	Selector switch	S1		1089 0388 31		10)	
1035		•	Terminal	1x2	1135		• 2	Gasket	10)
	1089 0506 07	1	1)2)3)9)	(3x16mm <sup>2</sup> )		1089 0388 33		10)	
	1089 0506 04	1	4)5)6)	(3x35mm <sup>2</sup> )					
	1089 0506 05	3	7)8)	(1x70mm <sup>2</sup> )	1)	GA11 460V			
1040	1089 0506 30	• 2	End bracket		2)	GA15 575V			
1045	1089 0506 62	• 3	Terminal	(1x2.5mm <sup>2</sup> )	3)	GA15 460V, GA18 575V, GA22 575V			
1050	1089 0506 63	• 3	Terminal	(3x2.5mm <sup>2</sup> )	4)	GA18 460V, GA22 460V			
1055	1089 9049 04	• 3	Fuse holder	F1,F2,F3	5)	GA11 230V			
1060	1089 9436 02	• 1	Transformer	T1	6)	GA15 230V			
1065	1089 9168 07	• 1	Fuse link	F3 (2A)	7)	GA18 230V			
1070	1089 9168 26	• 2	Fuse link	F1,F2 (4A)	8)	GA22 230V			
1075		• 1	Overload relay	F21	9)	GA11 575V			
	1089 9169 60		1)2)10)		10)	GA15 575V High ambient			
	1089 9169 53		3)		11)	Supplied loose / Los geleverd / Levereras separat / Lose mitgeliefert / Livré séparément / Sumministrado suelto / Fornito separatamente / Leveres separat / Fornecido separadamente / Leveres separat / Toimitetaan irrallisena			
	1089 9169 54		4)						
	1089 9169 55		5)						
	1089 9169 57		6)						

# 15



Bodywork  
Carrosserie  
Karosseri  
Karosserie  
Capotage  
Carroceria

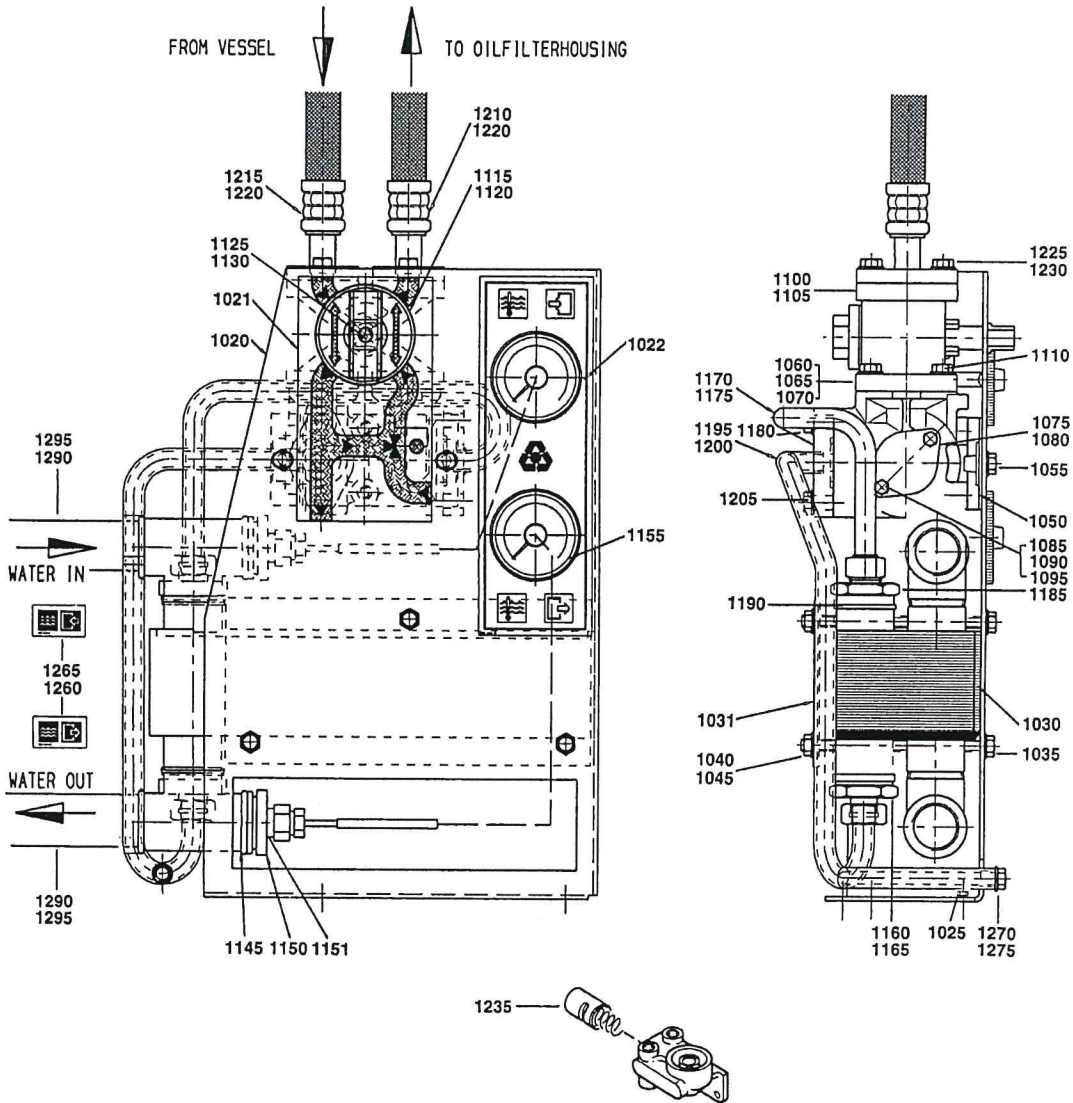
Cappottatura  
Karosseri  
Carroceria  
Kabinett  
Kotelo

15

Ref.	Part number	Qty	Name	Remarks	Ref.	Part number	Qty	Name	Remarks
1020		1	Frame		8025	0690 1116 01	• 1	House mark	
	1613 7734 01		Pack, Full Feature		8035	1616 2987 00	• 2	Plug	
	1613 7520 01		Standard Pack		8040	1619 6989 00	• 1	Door lock	
1026	1613 7893 00	1	Baffle		<b>9020</b>	<b>1613 7526 82</b>	<b>1</b>	<b>Panel assembly</b>	
1036	1613 7894 00	1	Baffle				• 1	Panel	1)
<b>2030</b>	<b>1613 7735 80</b>	<b>1</b>	<b>Panel assembly</b>		9025	1079 9901 18	• 1	Warning label	
		• 1	Panel	1)	9035	1619 3843 00	• AR	Seal	
2035	1619 3843 00	• AR	Seal		9130	1613 7537 00	1	Bracket	
<b>3020</b>		<b>1</b>	<b>Cubicle assembly</b>		9140	1613 7544 00	1	Plate	3)
	<b>1613 7786 80</b>		Pack, Full-Feature		9165		AR	Seal cord	
	<b>1613 7786 82</b>		Standard Pack			1503 2467 00		Pack, Full Feature	
	<b>1613 7786 84</b>		Pack - High ambient					Standard Pack	(Not used)
	<b>1613 7786 85</b>		Standard Pack - High ambient		9220	1088 1001 01	1	Warning mark	
		• 1	Cubicle		9225	1503 0786 00	1	Rotation arrow	
3030	1619 3843 00	• AR	Seal		9230	1503 0786 00	1	Rotation arrow	
3035	1202 6400 00	• 2	Hinge		9235	0129 3103 00	4	Blind rivet	
3040	1202 6584 00	• AR	Seal		9236	1613 6535 00	1	Label	
3045	1079 9901 09	• 1	Label		9237	1613 7976 00	1	Label	
<b>4020</b>		<b>1</b>	<b>Cubicle door assembly</b>		9240		1	Decal	
	<b>1613 7741 80</b>		Pack, Full-Feature			1613 6895 09		Pack, Full Feature	GA11
	<b>1613 7742 80</b>		Standard Pack			1613 7518 01		Standard Pack	GA11
		• 1	Cubicle door			1613 6895 10		Pack, Full Feature	GA15
4025	1079 9901 09	• 1	Label			1613 7518 02		Standard Pack	GA15
4030	1619 7705 00	• 1	Lock			1613 6895 11		Pack, Full Feature	GA18
4035	1088 1001 03	• 1	Warning mark			1613 7518 03		Standard Pack	GA18
<b>5020</b>	<b>1613 7743 80</b>	<b>1</b>	<b>Baffle assembly</b>			1613 6895 12		Pack, Full Feature	GA22
		• 1	Baffle	1)2)		1613 7518 04		Standard Pack	GA22
5025	1613 7534 00	• 1	Plate		9250		1	Data plate	
5030	1079 9901 09	• 1	Label			1613 7394 00		(50Hz)	CE
5050	1619 5188 00	• AR	Seal			1614 4691 00		(60Hz Saudi Arabia)	
5055	1503 1056 00	• AR	Seal			1614 5933 00		(60Hz)	
5065	1613 7744 00	1	Baffle				AR	Bolt	
<b>6020</b>		<b>1</b>	<b>Roof assembly</b>			0147 1205 03		M5 x 12 - 8.8	
	<b>1613 7738 80</b>		Pack, Full-Feature			0147 1245 03		M6 x 14	
	<b>1613 7525 80</b>		Standard Pack			0147 1322 03		M8 x 16	
	<b>1613 7652 00</b>		Open unit (E) (USA)			1619 2766 00		M8 x 20	
		• 1	Roof panel	1)			AR	Cap screw	
6040	1616 2987 00	• 4	Plug			0211 1322 03		M8 x 16 - 8.8	
	1613 7524 01	• 2	Bracket	Open unit (E)			AR	Washer	
			(USA)			0301 2318 00		Ø5.3 x 10 x 1	
<b>7020</b>		<b>1</b>	<b>Panel assembly</b>			0301 2335 00		Ø8.4 x 16 x 1.6	
	<b>1613 7965 80</b>		Pack, Full-Feature			0300 0274 34		Ø8.4 x 21 x 1.5	
	<b>1613 7528 80</b>		Standard Pack						
		• 1	Panel	1)					
7035	1079 9915 98	• 1	Label						
7040	1079 9915 89	• 1	Label						
<b>8020</b>		<b>2</b>	<b>Door panel assembly</b>						
	<b>1613 7736 80</b>		Pack, Full-Feature						
	<b>1613 7737 80</b>		Standard Pack						
		• 1	Door panel	1)					

1-3) To be lined with / Te bekläden med / Skall bekläs med / Auskleiden mit / A garnir avec / Revestir de / Rivestire con / Skal beklædes / Forrar com / Skal fôres med / Vuorataan :  
1)Foam: 1079 0003 31 (AR) 25 x 2000 x 1500  
2)Foam: 1079 0006 34 (AR) 20 x 2000 x 1500  
3)Foam: 1079 0003 32 (AR) 30 x 2000 x 1500

# 16



Heat recovery system (Optional)  
 Warmterecuperatiesysteem (Optie)  
 Värmeåtervinningssystem (Valfri)  
 Wärmerückgewinnungssystem (Wahlfrei)  
 Système de récupération de chaleur (Option)  
 Sistema de recuperación de calor (Opcional)

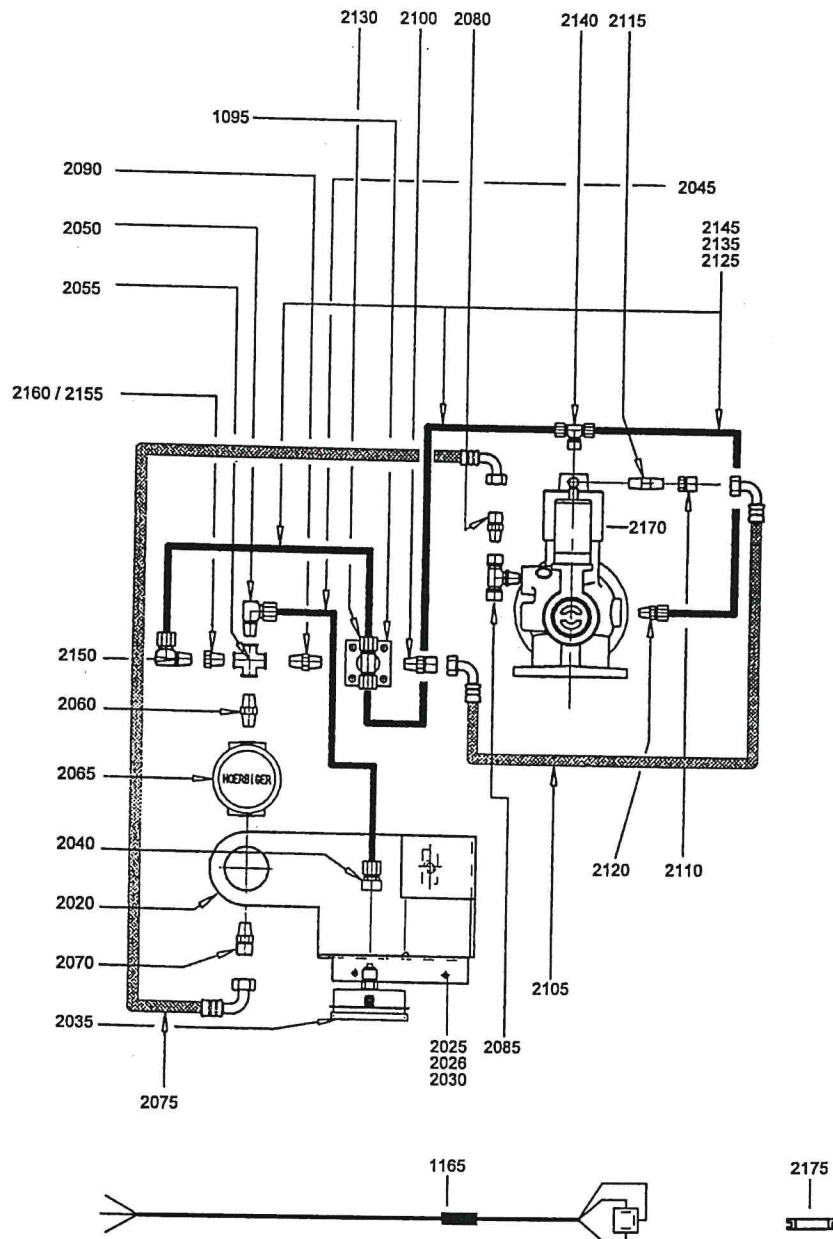
Sistema di recupero del calore (Opzionale)  
 Varmegenvindingssystem (Valgfri)  
 Sistema de recuperação de energia (Opcional)  
 Varmegjenvinningssystem (Valgfri)  
 Lämmön talteenottojärjestelmä (Valinnainen)

16

Ref.	Part number	Qty	Name	Remarks	Ref.	Part number	Qty	Name	Remarks
	<b>8092 2418 87</b>	<b>1</b>	<b>Heat recovery system</b>		1151	0661 1000 30 •	2	Seal washer	
	<b>1613 7798 80</b>	<b>1</b>	<b>Support ass'y</b>		1155	1619 2841 00 •	2	Thermometer	
1020	1613 7798 00 ••	1	Support		1160	0571 0035 11 •	1	Hose connection	
1021	1202 7682 00 ••	1	Label		1165	0661 1000 30 •	1	Seal washer	
1022	1079 9918 38 ••	1	Label		1170	1613 7796 00 •	1	Pipe	
1025	1619 2766 00 •	4	Bolt		1175	0663 3129 00 •	1	O-ring	
1030	1613 7805 00 •	1	Heat exchanger		1180	0147 1325 03 •	2	Hexagon bolt	
1031	1613 7799 00 •	1	Plate		1185	0571 0035 11 •	1	Hose connection	
1035	0147 1344 03 •	3	Hexagon bolt		1190	0661 1000 30 •	1	Seal washer	
1040	0301 2335 00 •	6	Washer		1195	1613 7916 00 •	1	Pipe	
1045	0266 2110 00 •	3	Nut		1200	0663 3129 00 •	1	O-ring	
1050	1613 7061 00 •	1	Bracket		1205	0147 1325 03 •	2	Hexagon bolt	
1055	1619 2766 00 •	2	Bolt		1210	1613 7806 01 •	1	Hose assembly	
1060	1202 7521 00 •	1	Therm.housing		1215	1613 7807 00 •	1	Hose assembly	
1065	0147 1321 03 •	2	Hexagon bolt		1220	0663 3129 00 •	2	O-ring	
1070	0301 2335 00 •	2	Washer		1225	0147 1327 03 •	4	Hexagon bolt	
1075	1614 6118 00 •	1	Flange		1230	0266 2110 00 •	4	Nut	
1080	0663 2101 95 •	1	O-ring		1235		•	1	Thermostatic valve 1)
1085	0147 1246 03 •	2	Hexagon bolt			1613 7064 02			87°-102°C
1090	0301 2321 00 •	2	Washer			1619 7596 00			65°-80°C
1095	1619 7333 00 •	1	Thermostat			1619 7595 00			70°-85°C
1100	1202 7522 00 •	1	4-way valve			1619 7493 00			75°-90°C
	<b>2901 0100 00</b>	<b>1</b>	<b>4-way valve kit</b>			1619 7614 00			80°-95°C
	0663 2106 02 ••	1	O-ring		1260	1079 9913 69 •	1	Inform.label	
	0663 2106 03 ••	1	O-ring		1265	1079 9913 79 •	1	Inform.label	
1105	0663 2102 64 •	2	O-ring		1270	0686 4201 00 •	1	Hexagon plug	
1110	0147 1325 03 •	4	Hexagon bolt		1275	0653 1046 00 •	1	Flat gasket	
1115	1202 7689 00 •	1	Handle		1290	1613 7808 00 •	2	Pipe	
1120	1202 7683 00 •	2	Label		1295	0295 3109 00 •	4	Nut	
1122	1079 9902 89 •	1	Warning label						
1125	0147 1321 03 •	1	Hexagon bolt						
1130	0301 2335 00 •	1	Washer						
1145	0564 0000 64 •	2	Tee						
1150	0605 8700 51 •	2	Bushing						

1) Supplied loose / Los geleverd / Levereras separat / Lose mitgeliefert / Livré séparément / Suministrado suelto / Fornito separatamente / Levers separat / Fornecido separadamente / Levers separat / Toimitetaan irrallisena

# 17



60164\_11

Modulating control  
 Modulatiecontrole  
 Moduleringskontroll  
 Modulationskontrolle  
 Contrôle de la modulation  
 Control de modulación

Controllo continuo  
 Modulationsstyring  
 Controlo de modulação  
 Modulasjonsregulering  
 Modulointisäätö

17

Ref.	Part number	Qty	Name	Remarks	Ref.	Part number	Qty	Name	Remarks
		<b>1</b>	<b>Modulating control</b>		2070	1079 5840 26 •	1	Hexagon nipple	
	<b>8092 2417 05</b>		60Hz C, U		2075	0575 0792 25 •	1	Hose assembly	
	<b>8092 2416 97</b>		60Hz		2080	1079 5840 26 •	1	Hexagon nipple	
	<b>8092 2416 89</b>		50Hz		2085	1503 2566 21 •	1	Tee	
1095		1	Solenoid valve		2090	1503 2564 01 •	1	Nipple	
	1089 0392 25		50Hz		2100	1079 5840 25 •	1	Hexagon nipple	
	1089 0392 27		60Hz		2105	0575 0401 18 •	1	Hose assembly	
	1089 0392 26		60Hz	C	2110	1079 5840 09 •	1	Hexagon nipple	
1165	1613 7769 02	1	Cable		2115	0551 0001 62 •	1	Threaded pipe	
2020	1613 7686 00 •	1	Bracket		2120	0581 0000 78 •	1	Coupling	
2025	1619 2766 00 •	1	Bolt		2125	0070 6002 05 •	AR	Plastic tube	
2026	1613 3672 00 •	1	Cap		2130	0581 2000 27 •	1	Pipe coupling	
2030	0129 3115 00 •	2	Blind rivet		2135	0070 6002 05 •	AR	Plastic tube	
2035	1513 0480 00 •	1	Pressure gauge		2140	0581 2000 27 •	1	Pipe coupling	
2040	0580 8402 00 •	1	Pipe coupling		2145	0070 6002 05 •	AR	Plastic tube	
2045	0070 6002 04 •	AR	Plastic tube		2150	0581 1200 26 •	1	Elbow coupling	
2050	0581 1200 16 •	1	Coupling(elbow)		2155	1613 6968 04 •	1	Nozzle	
2055	0560 4400 85 •	1	Cross		2160	1613 6968 03 •	1	Nozzle	
2060	1503 2564 10 •	1	Nipple		<b>2170</b>	<<< >>>	1	<b>Unloading valve</b>	
2065	1613 6961 00 •	1	Regulator		2175	1619 7703 01 •	1	Grommet	