

INGERSOLL-RAND®

AIR COMPRESSORS



EP/HP/HXP 30 SE
EP/HP/HXP 40 SE

PARTS LIST
RECOMMENDED SPARES

RETAIN THIS MANUAL WITH UNIT.
This Technical manual contains **IMPORTANT SAFETY DATA** and should be kept with the air compressor at all times.

APDD 631-95

July 1995

**AIR COMPRESSOR GROUP
BONDED WARRANTY & REGISTERED START UP**

Warranty

The Company warrants that the equipment manufactured by it and delivered hereunder will be free of defects in material and workmanship for a period of twelve months (see extended airend warranty) from the date of placing the Equipment in operation or eighteen months (see extended airend warranty) from the date of shipment from Davidson, NC, whichever shall first occur. The Purchaser shall be obligated to promptly report any failure to conform to this warranty, in writing to the Company in said period, whereupon the Company shall, at its option, correct such nonconformity, by suitable repair to such equipment or, furnish a replacement part F.O.B. point of shipment, provided the Purchaser has stored, installed, maintained and operated such Equipment in accordance with good industry practices and has complied with specific recommendations of the Company. Accessories or equipment furnished by the Company, but manufactured by others, shall carry whatever warranty the manufacturers have conveyed to the Company and which can be passed on to the Purchaser. The Company shall not be liable for any repairs, replacements, or adjustments to the Equipment or any costs of labor performed by the Purchaser or others without the Company's prior written approval.

The effects of corrosion, erosion and normal wear and tear are specifically excluded. Performance warranties are limited to those specifically stated within the Company's proposal. Unless responsibility for meeting such performance warranties are limited to specified tests, the Company's obligation shall be to correct in the manner and for the period of time provided above.

THE COMPANY MAKES NO OTHER WARRANTY OR REPRESENTATION OF ANY KIND WHATSOEVER, EXPRESSED OR IMPLIED, EXCEPT THAT OF TITLE, AND ALL IMPLIED WARRANTIES OF MERCHANTABILITY AND FITNESS FOR A PARTICULAR PURPOSE, ARE HEREBY DISCLAIMED.

Correction by the Company of nonconformities whether patent or latent, in the manner and for the period of time provided above, shall constitute fulfillment of all liabilities of the Company for such nonconformities whether based on contract, warranty negligence, indemnity, strict liability or otherwise with respect to or arising out of such Equipment.

The Purchaser shall not operate Equipment which is considered to be defective, without first notifying the Company in writing of its intention to do so. Any such use of Equipment will be at Purchaser's sole risk and liability.

Limitation of Liability

The remedies of the Purchaser set forth herein are exclusive, and the total liability of the Company with respect to this contract or the Equipment and services furnished hereunder, in connection with the performance or breach thereof, or from the manufacture, sale, delivery, installation, repair or technical direction covered by or furnished under this contract, whether passed on contract, warranty negligence, indemnity, strict liability or otherwise, shall not exceed the purchase price of the unit of Equipment upon which such liability is based.

The Company and its suppliers shall in no event be liable to the Purchaser, any successors in interest or any beneficiary or assignee of this contract for any consequential, incidental, indirect, special or punitive damages arising out of this contract or any breach thereof, or any defect in, or failure of, or malfunction of the Equipment hereunder, whether based upon loss of use, lost profits or revenue, interest, lost goodwill, work stoppage, impairment of other goods, loss by reason of shutdown or non-operation, increased expenses of operation, cost of purchase of replacement power or claims of Purchaser or customers of Purchaser for service interruption whether or not such loss or damage is based on contract, warranty, negligence, indemnity, strict liability or otherwise.

EXTENDED AIREND WARRANTY

The Ingersoll-Rand Company Rotary Screw Air Compressor that has been filled prior to its original shipment from Ingersoll-Rand Company with ULTRA COOLANT and which has been operated solely on ULTRA COOLANT thereafter shall have its AIREND warranted for twenty-four (24) months from the date of placing the COMPRESSOR in operation or thirty (30) months from the date of shipment, whichever occurs first.

Except for the above warranty period, the standard warranty provisions shall apply and the conditions outlined herein are understood to be a supplement to the standard Ingersoll-Rand Company warranty.

This EXTENDED AIREND WARRANTY applies to all COMPRESSORS operating on ULTRA COOLANT after February 1, 1987.

TABLE OF CONTENTS

Safety and Warnings.....	2
Introduction.....	3
Intellisys/Starter Box/Control Piping (Full Voltage).....	4,5
Intellisys/Starter Box/Control Piping (Star-Delta).....	6,7
Starter Assembly Size 2 Full Voltage.....	8,9
Starter Assembly Size 3 Full Voltage.....	10,11
Starter Assembly Size 4 Full Voltage.....	12,13
Starter Assembly Size 2 Star-Delta.....	14,15
Starter Assembly Size 2 Star-Delta, Size 3 Overload.....	16,17
Starter Assembly Size 3 Star-Delta.....	18-19
Major Components.....	20-22
Inlet Valve/Filter Assembly (Options).....	23
Airend Piping.....	24,25
Separator Tank Assembly.....	26,27
Cooler Assembly (Options).....	28,29
Enclosure Assembly.....	30,31
Table - O-Rings.....	32
Recommended Spare Parts List.....	33,34

ROTARY SCREW AIR COMPRESSOR

This unit was purchased from

Ingersoll-Rand Company reserves the right to make changes or add improvements without notice and without incurring any obligation to make such changes or add such improvements to products sold previously.

No. of units on order: _____

Customer Order No.: _____

Ingersoll-Rand Co. Order No.: _____

For ready reference:

Record the serial number and model number of your unit here.

Serial Number: _____

Model Number: _____

SAFETY AND WARNINGS

Before you install this air compressor you should take the time to carefully read all the instructions contained in the operators manual form APDD-556. Operators manuals may be obtained from your local Ingersoll-Rand Distributor or Air Center.

Electricity and compressed air have the potential to cause severe personal injury or property damage.

Before installing, wiring, starting, operating or making any adjustments, identify the components of the air compressor using the operators manual as a guide.

The operator should use common sense and good working practices while operating and maintaining this unit. Follow all codes, pipe adequately, understand the starting and stopping sequence. Check the safety devices following the procedure contained in the operators manual.

Maintenance should be done by qualified personnel, adequately equipped with proper tools. Follow the maintenance schedules as outlined in the operators manual to ensure problem free operation after start up.

Safety instructions in the operators manual are bold-faced for emphasis. The signal words **DANGER**, **WARNING** and **CAUTION** are used to indicate hazard seriousness levels as follows:

⚠ DANGER	Danger is used to indicate the presence of a hazard which <i>will cause severe</i> personal injury, death, or substantial property damage if the warning is ignored.
⚠ WARNING	Warning is used to indicate the presence of a hazard which <i>can cause severe</i> personal injury, death, or substantial property damage if the warning is ignored.
⚠ CAUTION	Caution is used to indicate the presence of a hazard which <i>will or can cause minor</i> personal injury or property damage if the warning is ignored.
NOTICE	Notice is used to notify people of installation, operation, or maintenance information which is important but not hazard-related.

SAFETY PRECAUTIONS

BEFORE PROCEEDING, READ CAREFULLY BEFORE INSTALLING THE COMPRESSOR OR PERFORMING ANY MAINTENANCE

WARNING

COMPRESSED AIR AND ELECTRICITY ARE DANGEROUS.

BEFORE DOING ANY WORK ON THIS UNIT, BE SURE THE ELECTRICAL SUPPLY HAS BEEN CUT OFF—LOCKED & TAGGED AND THE ENTIRE COMPRESSOR SYSTEM HAS BEEN VENTED OF ALL PRESSURE.

1. Do not remove the covers, loosen or remove any fittings, connections or devices when this unit is in operation. Hot liquid and air under pressure that are contained within this unit can cause severe injury or death.

2. The compressor has high and dangerous voltage in the motor starter and control box. All installations must be in accordance with recognized electrical codes. Before working on the electrical system, be sure to remove voltage from the system by use of a manual-disconnect-switch. A circuit breaker or fuse safety switch must be provided in the electrical supply line leading to the compressor.

Those responsible for installation of this equipment must provide suitable grounds, maintenance clearance and lightning arrestors for all electrical components as stipulated in O.S.H.A. 1910.308 through 1910.329.

3. Do not operate the compressor at higher discharge pressure than those specified on the Compressor Nameplate or motor overload will occur. This condition will result in motor compressor shutdown.

4. Use only safety solvent for cleaning the compressor and auxiliary equipment.

5. Install a manual shut off valve (isolation type) in the discharge line. A safety valve, with sufficient capacity to relieve full compressor capacity, must be installed between the compressor and the isolation valve.

6. Whenever pressure is released through the safety valve, it is due to excessive pressure in the system. The cause for the excessive pressure should be investigated immediately.

7. Before doing any mechanical work on the compressor:

- a.) Shut the unit down.
- b.) Electrically isolate the compressor by use of the manual disconnect switch in the power line to the unit. Lock and tag the switch so that it cannot be operated.
- c.) Blow down the compressor and isolate the unit from any other source of air.

8. Air line separators, properly selected and installed, will minimize any liquid carryover.

The use of plastic bowls on line filters without metal guards can be hazardous. From a safety standpoint, metal bowls should be used on any pressurized system. Review of your plant air line system is recommended.

9. When a receiver is installed, it is recommended that occupational safety and health standards as covered in the Federal Register, Volume 36, number 105, part 11, paragraph 1910.169 be adhered to in the installation and maintenance of this receiver.

10. Before starting the compressor, its maintenance instructions should be thoroughly read and understood.

11. After maintenance functions are completed, covers and guards must be replaced.

PARTS LIST

INTRODUCTION

GENERAL

This manual, which contains an illustrated parts breakdown, has been prepared as an aid in identifying and ordering parts in the SSR compressor. All of the compressor parts, listed in the parts breakdown, are manufactured with the same precision as the original equipment.

Ingersoll-Rand Company service facilities and parts are available worldwide. There are Ingersoll-Rand company Branch Offices and authorized distributors located in the principle cities of the United States. In Canada, our customers are serviced by the Canadian Ingersoll-Rand Company, Limited. There are also Ingersoll-Rand Company subsidiaries and authorized distributors located in the principle cities throughout the world.

DESCRIPTION

The illustrated parts breakdown illustrates the various assemblies, sub-assemblies and detailed parts which make up this particular

SSR compressor. A series of illustrations show each part clearly and in its correct location relative to the other parts in the illustration. Each part on an illustration is referenced with a number. The number, description and quantity needed per assembly is listed in numerical order on the following pages.

OPTIONAL EQUIPMENT

Several optional accessories items are available for convenience or special application. These accessories have been selected as being particularly suitable for use on the SSR compressor.

For complete details on Optional Equipment, contact your Sales Representative.

HOW TO USE THIS PARTS MANUAL

1. Turn to the Parts Section to locate the desired illustrations.
2. Locate the part on the illustration by visual identification and the reference number.

3. Find the referenced number on the Tabulated page, along with the Part Number and Description

SERIAL NUMBER BREAK

When a part is changed and it doesn't supersede the previous part this change must be documented by a serial number break. By using the last six (6) of the serial number, as outlined below, this change is recorded in the parts list.

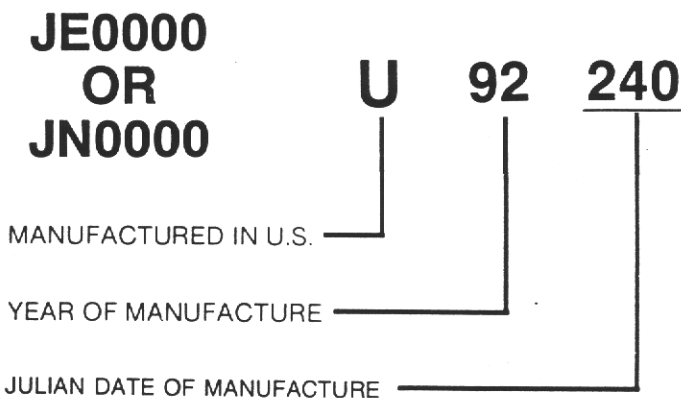
→ U92240 indicates part is used on units up to and including serial number ending in U92240.

U92241 → indicates part is used on units with serial number ending in U92241 or higher.

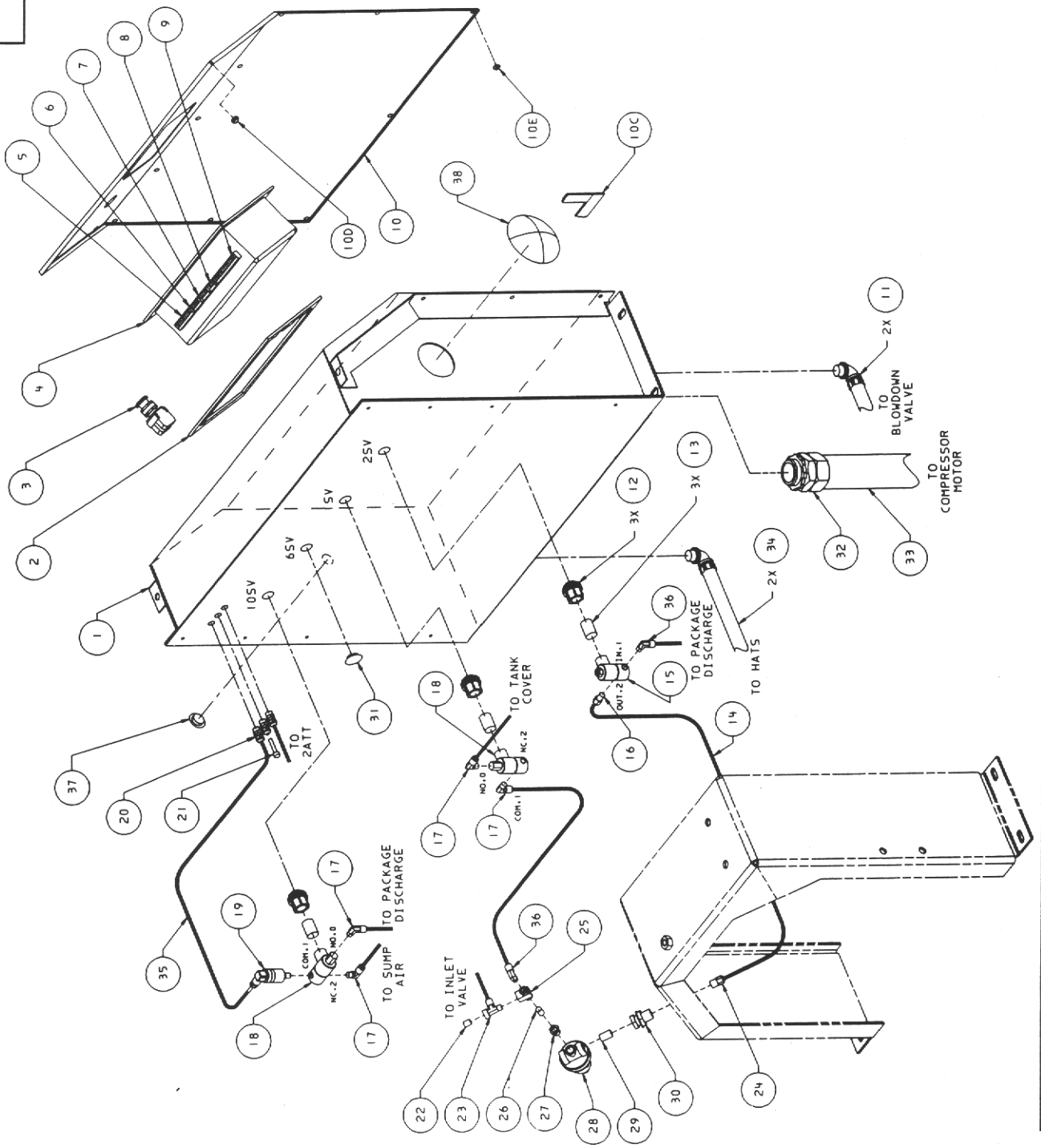
HOW TO ORDER PARTS

In order that all avoidable errors be eliminated when ordering parts, please specify the following:

1. The model number of the unit as shown on the Compressor Data Plate.
2. The serial number of the unit as shown on the Compressor Data Plate.
3. The form number of this manual.
4. The reference number, part number, description and quantity needed exactly as listed.
5. The motor data code shown on the motor data plate.



39840111
REV 04



Assembly, Intellisys/Starter Box/Control Piping (Full Voltage)

Ref. No.	Part Number	Qty.	Description	Ref. No.	Part Number	Qty.	Description
1.	39836424	1	Box, Intellisys/Starter (NEMA 1)	18.	39539251	2	Valve, Solenoid 3-Way (NEMA 1)
	39834411	1	Box, Intellisys/Starter (NEMA 4)		39497672	2	Valve, Solenoid 3-Way (NEMA 4)
2.	39565973	1	Gasket, Intellisys/Starter (NEMA 1)	19.	39539061	1	Transducer, Pressure
	39565965	1	Gasket, Intellisys/Starter (NEMA 4)	19A.	39153861	1	Bushing, (NEMA 4)
3.	92823541	1	Switch, Emergency Stop	20.	39173927	3	Gland, Wire
4.	39817655	1	Controller, Intellisys	20A.	39173935	3	Locknut, Wire Gland
5.	39191648	1	Plug, 11 Position	21.	39155353	1	Plug, .25 Tubing
6.	39186093	1	Plug, 6 Position	22.	95837233	1	Plug, .13 NPT
7.	39191630	1	Plug, 5 Position	23.	39156468	1	Tee, Adapter
8.	39186101	1	Plug, 4 Position	24.	39156435	1	Connector
9.	39191655	1	Plug, 16 Position	25.	39127261	1	Valve, Shuttle
10.	39836648	1	Door, Starter (NEMA 1)	26.	95343679	1	Nipple
	39836655	1	Door, Starter (NEMA 4)	27.	39153861	1	Bushing
10A.	39133152	7	Screw (NEMA 1)	28.	39152442	1	Valve, Regulator (EP, HP)
10B.	39133152	17	Screw (NEMA 4)	29.	39197595	1	Valve, Regulator (HXP)
10C.	39191986	82"	Gasket (NEMA 4)	30.	95047908	1	Nipple
10D.	39190251	7	Grommet (NEMA 4)	31.	39128012	1	Connector, Bulkhead
10E.	39192000	10	Grommet (NEMA 4)		39130000	1	Plug, (NEMA 1)
11.	39479472	2	Elbow, (NEMA 1)		39140785	1	Plug, (NEMA 4)
	95361390	2	Elbow, (NEMA 4)	32.	39801973	1	Connector, (NEMA 1)
x12.	35275494	3	Connector		95333266	1	Connector, (NEMA 4)
13.	39108592	3	Nipple	33.	39147186	xxx	Conduit, (NEMA 1)
14.	39124813	xxx	Tubing, .25 Synflex (EP, HP)		39132303	xxx	Conduit, (NEMA 4)
	39497847	xxx	Tubing, .25 Teflon (HXP)	34.	39139332	xxx	Conduit, (NEMA 1)
15.	39530852	1	Solenoid 2-Way (2SV) (NEMA 1)		39132261	xxx	Conduit, (NEMA 4)
16.	39497680	1	Solenoid 2-Way (2SV) (NEMA 4)	35.	39560024	1	Cable, Transducer
	39156393	1	Connector, (NEMA 1)	36.	39155577	2	Elbow
	39156435	1	Connector, (NEMA 4)	37.	39140785	1	Plug
17.	39155577	5	Elbow, (NEMA 1)	38.	39178900	1	Plug
	39155478	5	Elbow, (NEMA 4)				

NOTE:

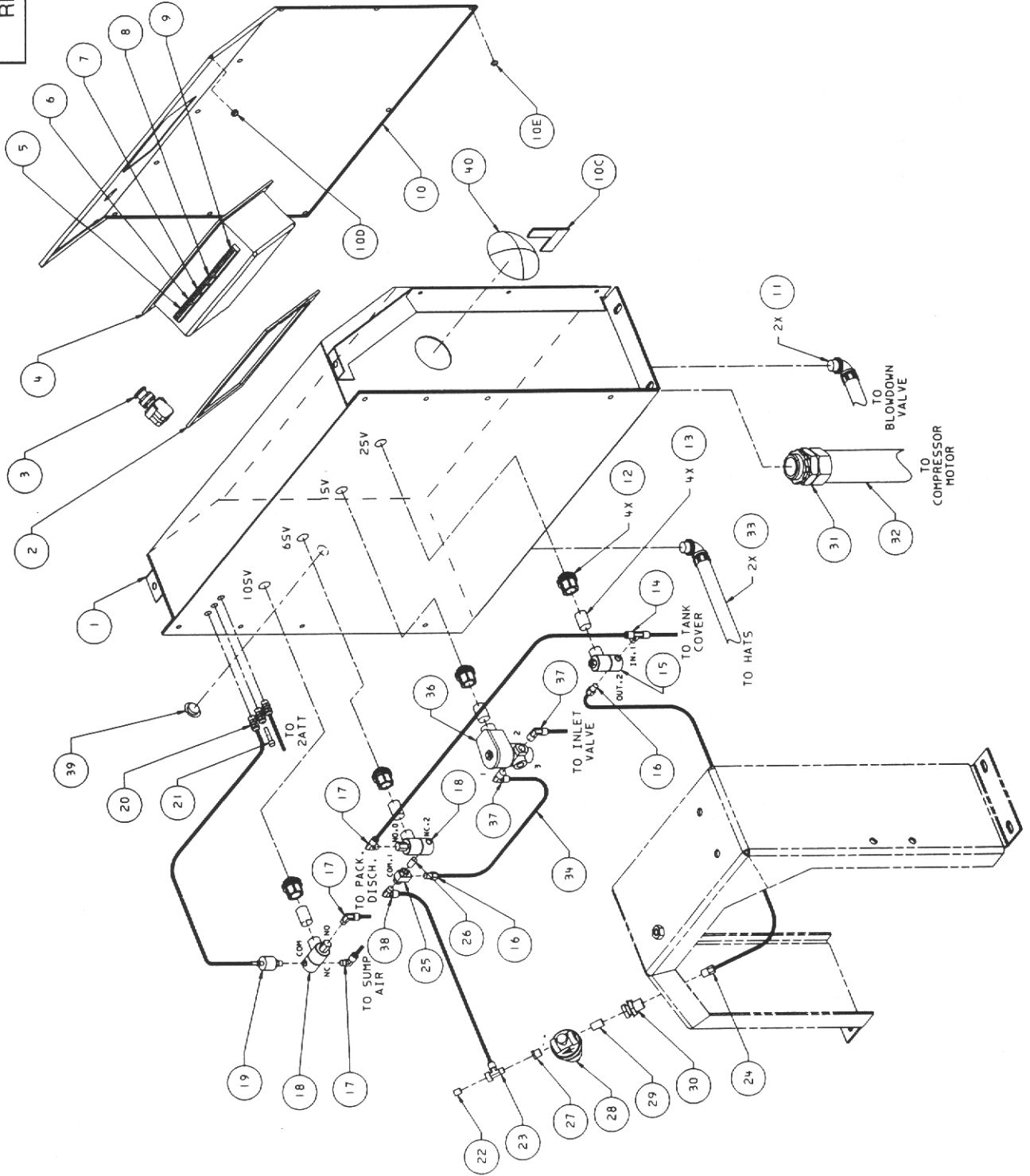
x - REMOVE AND DISCARD O-RING ON NEMA 1 UNITS.

1. STANDARD FASTENERS SUCH AS NUTS, BOLTS, AND SCREWS ARE LISTED AS SUB-ITEMS (EXAMPLE: 10B.).

2. xxx ORDER PER NUMBER OF INCHES REQUIRED.

39840137

REV 06



Assembly, Intellisys/Starter Box/Control Piping (Star Delta)

Ref. No.	Part Number	Qty.	Description	Ref. No.	Part Number	Qty.	Description
1.	39836424	1	Box, Intellisys/Starter (NEMA 1)	19.	39853791	1	Transducer, Pressure
	39834411	1	Box, Intellisys/Starter (NEMA 4)	19A.	39153861	1	Bushing, (NEMA 4)
2.	39565973	1	Gasket, Intellisys/Starter (NEMA 1)	20.	39173927	3	Gland, Wire
	39565965	1	Gasket, Intellisys/Starter (NEMA 4)	20A.	39173935	3	Locknut, Wire Gland
3.	92823541	1	Switch, Emergency Stop	21.	39155353	1	Plug, .25 Tubing
4.	39817655	1	Controller, Intellisys	22.	95837233	1	Plug, .13 NPT
5.	39191648	1	Plug, 11 Position	23.	39156468	1	Tee, Adapter
6.	39186093	1	Plug, 6 Position	24.	39156435	1	Connector
7.	39191630	1	Plug, 5 Position	25.	39127261	1	Valve, Shuttle
8.	39186101	1	Plug, 4 Position	26.	95343679	1	Nipple
9.	39191655	1	Plug, 16 Position	26A.	39153861	1	Bushing, (NEMA 4)
10.	39836648	1	Door, Starter (NEMA 1)	27.	39153861	1	Bushing
	39836655	1	Door, Starter (NEMA 4)	28.	39199476	1	Valve, Regulator (EP, HP)
10A.	39133152	7	Screw (NEMA 1)		39199484	1	Valve, Regulator (HXP)
10B.	39133152	17	Screw (NEMA 4)	29.	95047908	1	Nipple
10C.	39191986	82"	Gasket (NEMA 4)	30.	39128012	1	Connector, Bulkhead
10D.	39190251	7	Grommet (NEMA 4)	31.	39801973	1	Connector, (NEMA 1)
10E.	39192000	10	Grommet (NEMA 4)		95333266	1	Connector, (NEMA 4)
11.	39479472	2	Elbow (NEMA 1)	32.	39147186	xxx	Conduit, (NEMA 1)
	95361390	2	Elbow (NEMA 4)		39132303	xxx	Conduit, (NEMA 4)
x12.	35275494	4	Connector	33.	39139332	xxx	Conduit, (NEMA 1)
13.	39108592	4	Nipple		39132261	xxx	Conduit, (NEMA 4)
14.	39156385	1	Tee	34.	39124813	xxx	Tubing, .25 Synflex (EP, HP)
15.	39530852	1	Valve, Solenoid 2-Way (2SV) (NEMA 1)		39497847	xxx	Tubing, .25 Teflon (HXP)
	39497680	1	Valve, Solenoid 2-Way (2SV) (NEMA 4)	36.	39418926	1	Valve, Solenoid, (1SV) (NEMA 1)
16.	39156393	1	Connector		39146741	1	Valve, Solenoid, (1SV) (NEMA 4)
17.	39155577	3	Elbow, (NEMA 1)	37.	39155478	2	Elbow
	39155478	3	Elbow, (NEMA 4)	38.	39155577	1	Elbow
18.	39538251	2	Valve, Solenoid 3-Way (NEMA 1)	39.	39140785	1	Plug
	39497672	2	Valve, Solenoid 3-Way (NEMA 4)	40.	39178900	1	Plug

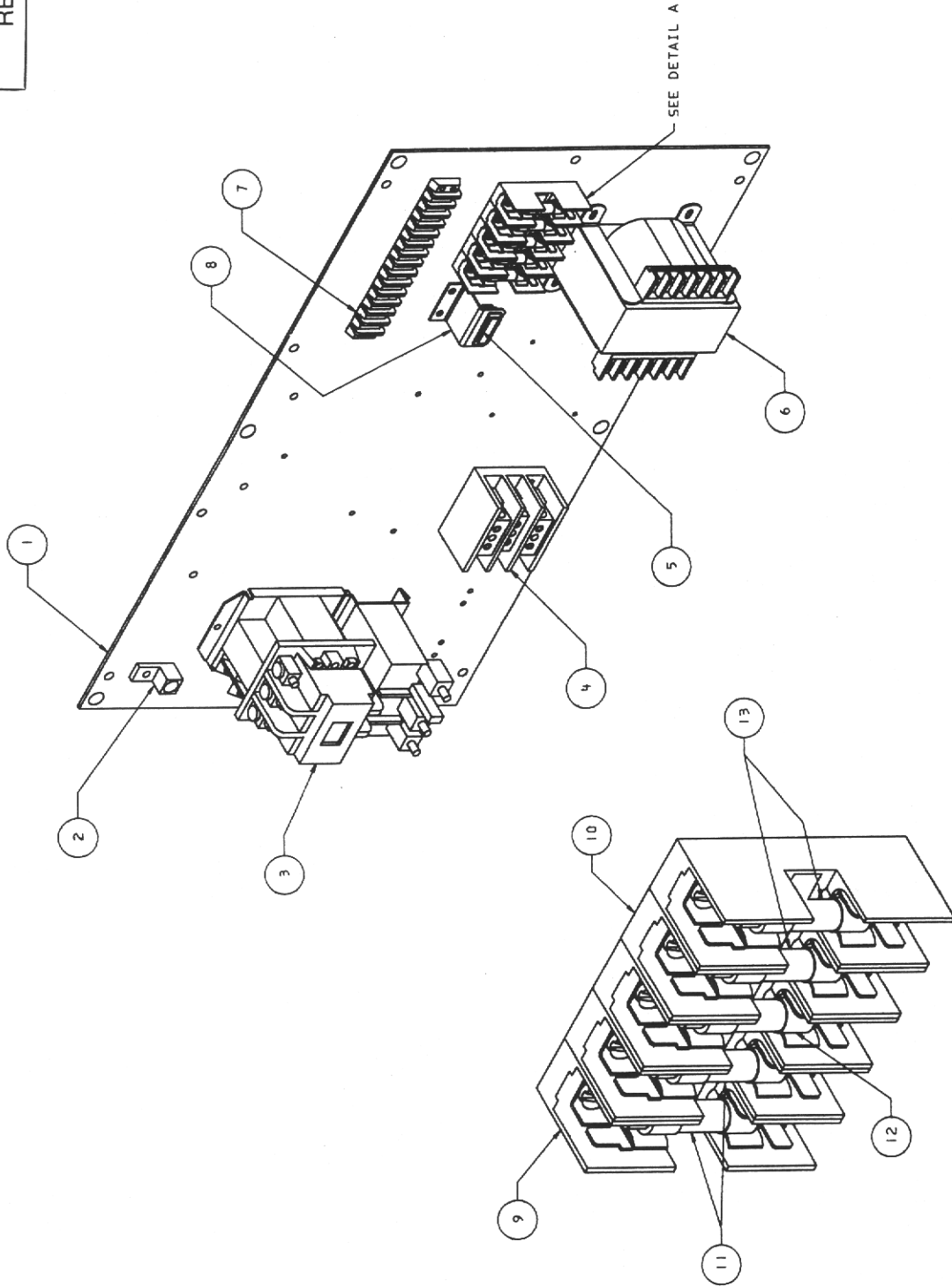
NOTE:

x - REMOVE AND DISCARD O-RING ON NEMA 1 UNITS.

1. STANDARD FASTENERS SUCH AS NUTS, BOLTS, AND SCREWS ARE LISTED AS SUB-ITEMS (EXAMPLE: 10B.).

2. xxx ORDER PER NUMBER OF INCHES REQUIRED.

39840228
REV 03

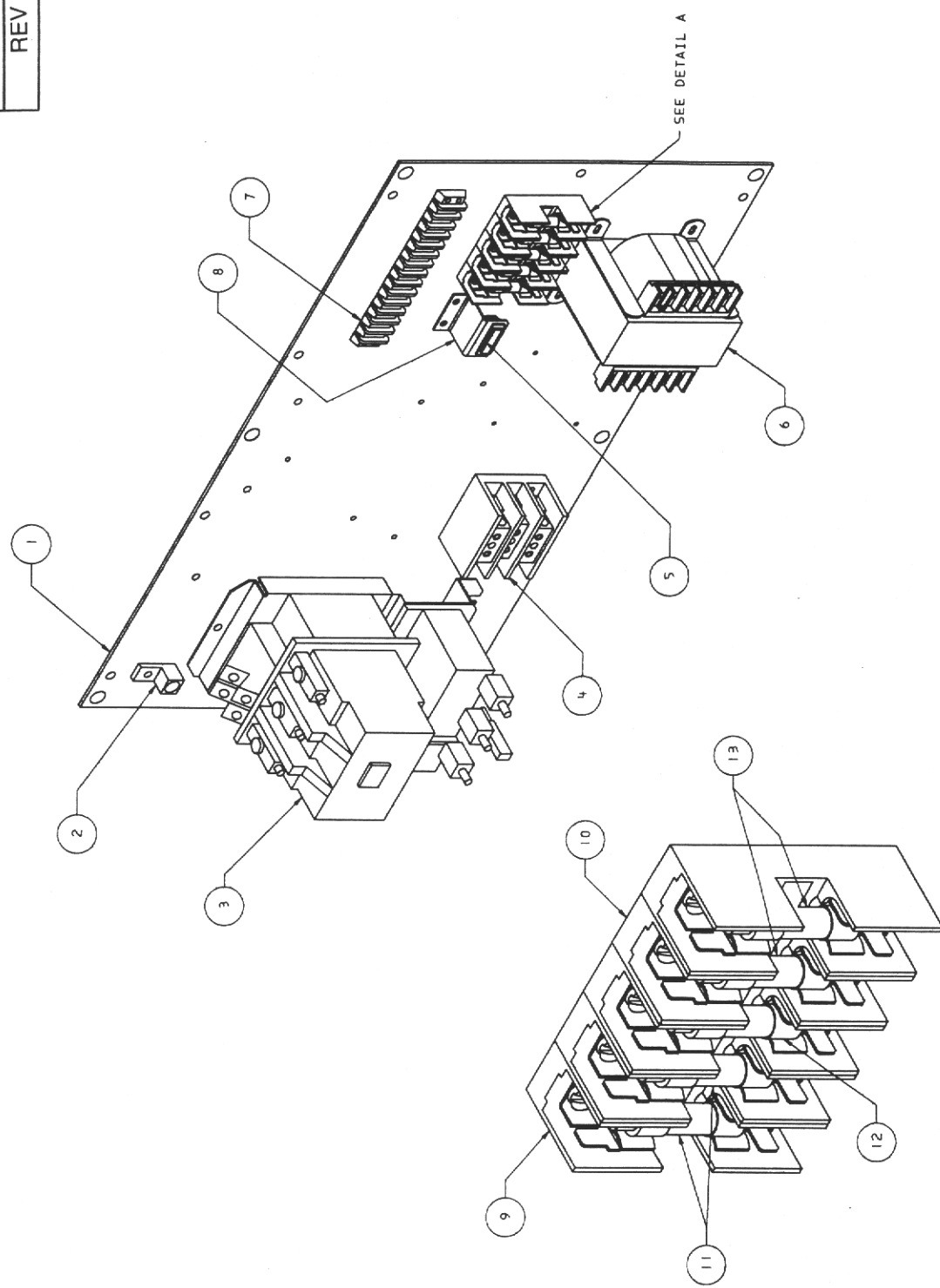


DETAIL A

Assembly, Starter Size 2 Full Voltage

Ref. No.	Part Number	Qty.	Description
1.	39834213	1	Panel, Starter
2.	39190939	1	Lug, Ground
2A.	39141809	1	Screw
2B.	39128541	1	Nut
3.	39162136	1	Assembly, 1M Starter
3A.	39162144	1	Coil, 50/60 Hz
3B.	39114541	1	Contacts, 3 Pole
3C.	39109277	1	Switch, Interlock (N.O.- N.O.)
4.	39164520	1	Block, Terminal
5.	39196225	1	Light, Power-On
6.	39301981	1	Transformer, Control 230VA (200/230/460/575V) - 60 Hz
	39306014	1	Transformer, Control 230VA (200/220/400/440V) - 50/60 Hz
6A.	39306022	1	Transformer, Control 230VA (380/415V) - 50/60 Hz
7.	35252279	4	Screw
7A.	35267202	1	Block, 14-Terminal
	35249721	4	Screw
8.	39302146	1	Bracket, Power-On Light
8A.	35249721	2	Screw
9.	39479035	1	Fuseholder, 3 Pole
9A.	35249721	2	Screw
10.	39480504	1	Fuseholder, 2 Pole
10A.	35249721	1	Screw
11.	39178710	2	Fuse, 1.8A (1FU/2FU)
12.	39113535	1	Fuse, 2.0A (3FU)
13.	39113535	2	Fuse, 2.0A (4FU/5FU)

39840244
REV 03



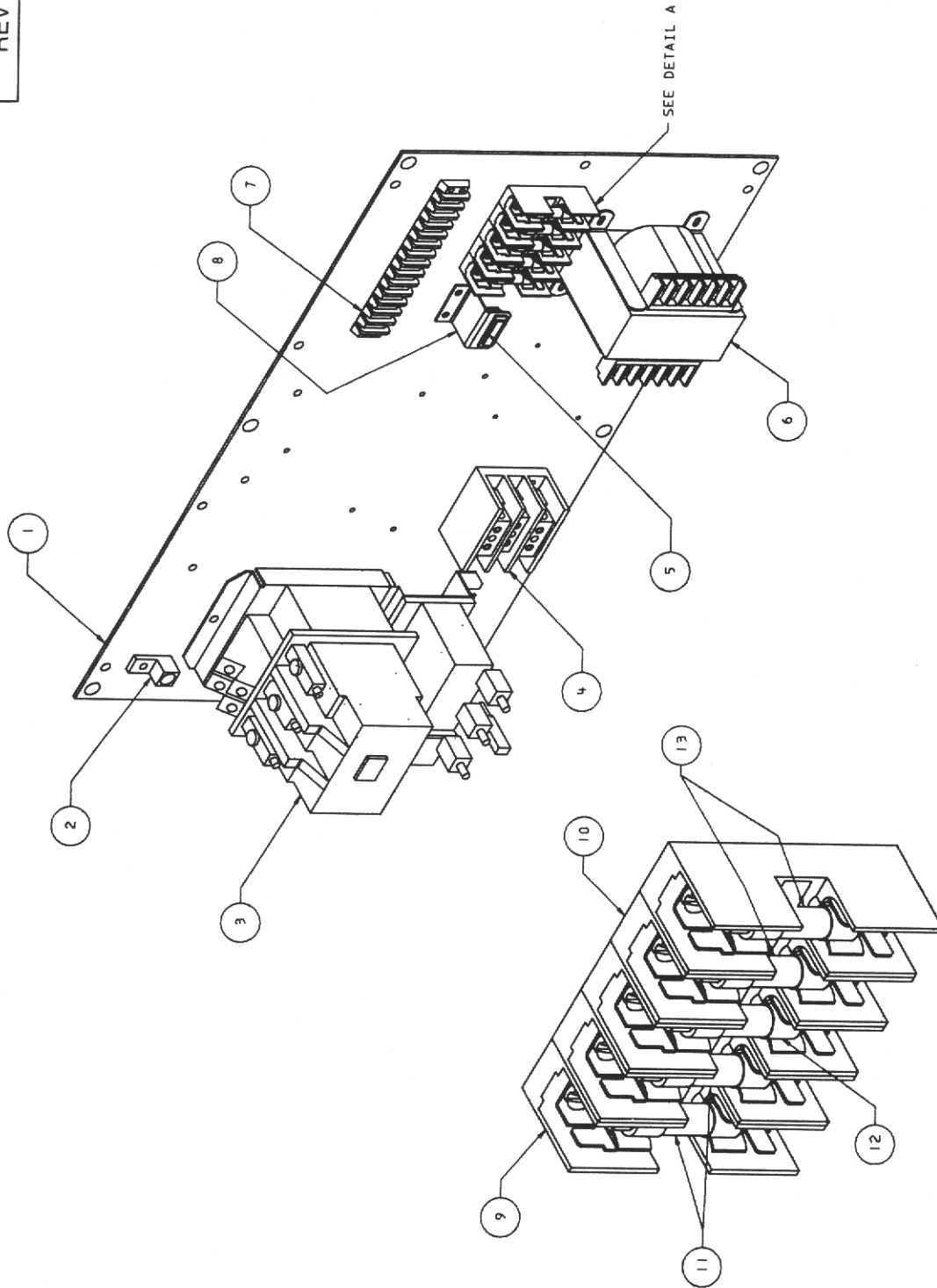
DETAIL A

Assembly, Starter Size 3 Full Voltage

Ref. No.	Part Number	Qty.	Description
1.	39834213	1	Panel, Starter
2.	39190939	1	Lug, Ground
2A.	39141809	1	Screw
2B.	39128541	1	Nut
3.	39162128	1	Assembly, 1M Starter
3A.	39162151	1	Coil, 50/60 Hz
3B.	39114558	1	Contacts, 3 Pole
3C.	39109277	1	Switch, Interlock (N.O.-N.O.)
4.	39164520	1	Block, Terminal
5.	39196225	1	Light, Power-On
6.	39301981	1	Transformer, Control, 230VA (200/230/460/575V) - 60 Hz
	39306014	1	Transformer, Control, 230VA (200/220/400/440V) - 50/60 Hz
	39306022	1	Transformer, Control, 230VA (380/415V) - 50/60 Hz
6A.	35252279	4	Screw
7.	35267202	1	Block, 14-Terminal
7A.	35249721	4	Screw
8.	39302146	1	Bracket, Power-On Light
8A.	35249721	2	Screw
9.	39479035	1	Fuseholder, 3 Pole
9A.	35249721	2	Screw
10.	39480504	1	Fuseholder, 2 Pole
10A.	35249721	1	Screw
11.	39178710	2	Fuse, 1.8A (1FU/2FU)
12.	39113535	1	Fuse, 2.0A (3FU)
13.	39113535	2	Fuse, 2.0A (4FU/5FU)

39840269

REV 03



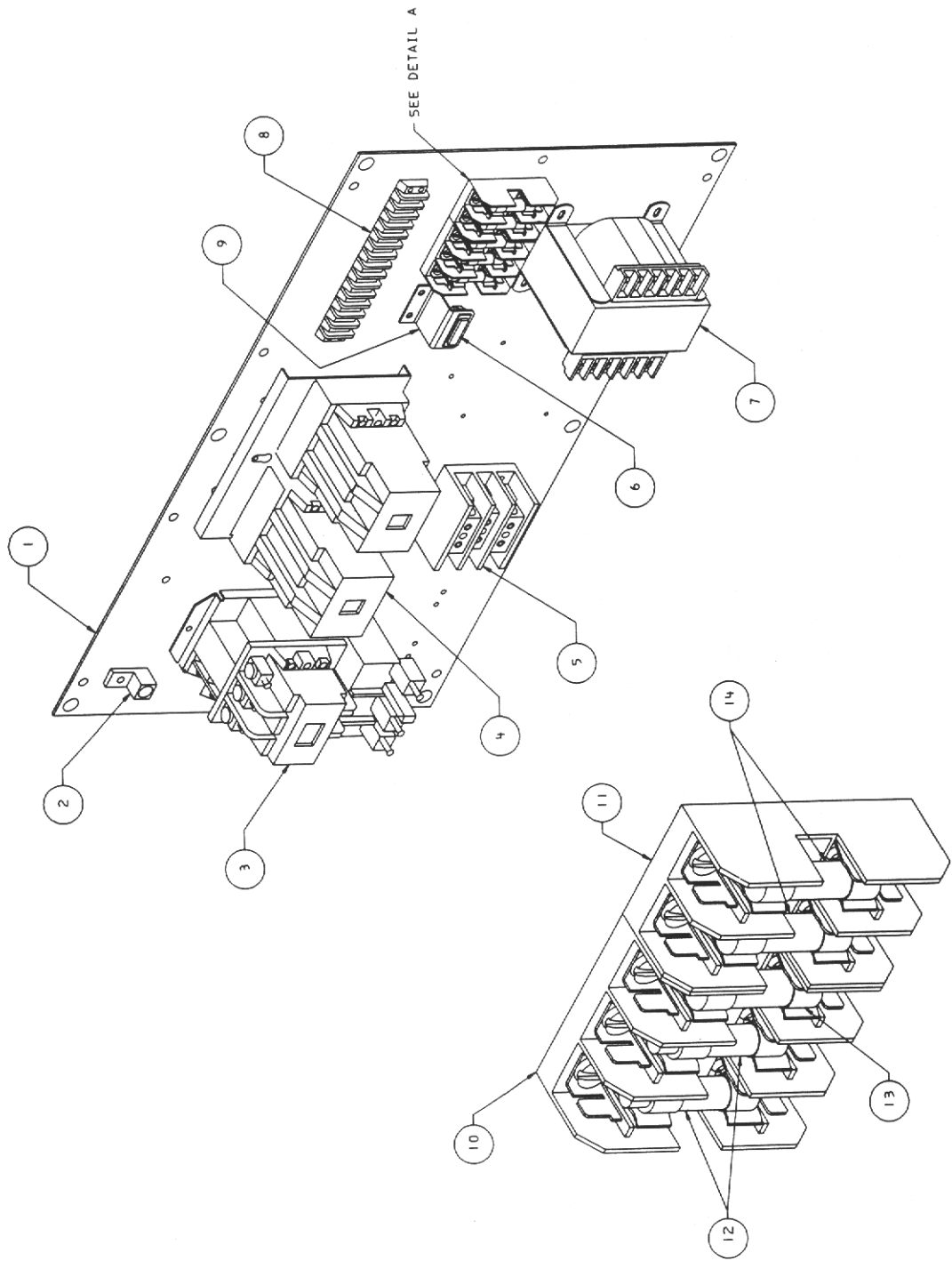
DETAIL A

Assembly, Starter Size 4 Full Voltage

Ref. No.	Part Number	Qty.	Description
1.	39834213	1	Panel, Starter
2.	39190939	1	Lug, Ground
2A.	39141809	1	Screw
2B.	39128541	1	Nut
3.	39164397	1	Assembly, 1M Starter
3A.	39161096	1	Coil 50/60 Hz
3B.	39161104	1	Contacts, 3 Pole
3C.	39109277	1	Switch, Interlock (N.O.- N.O.)
4.	39164520	1	Block, Terminal
5.	39196225	1	Light, Power-On
6.	39301981	1	Transformer, Control, 230VA (200/230/460/575V) - 60 Hz
	39306014	1	Transformer, Control, 230VA (200/220/400/440V) - 50/60 Hz
	39306022	1	Transformer, Control, 230VA (380/415V) - 50/60 Hz
6A.	35252279	4	Screw
7.	35267202	1	Block, 14-Terminal
7A.	35249721	4	Screw
8.	39302146	1	Bracket, Power-On Light
8A.	35249721	2	Screw
9.	39479035	1	Fuseholder, 3 Pole
9A.	35249721	2	Screw
10.	39480504	1	Fuseholder, 2 Pole
10A.	35249721	1	Screw
11.	39178710	2	Fuse, 1.8A (1FU/2FU)
12.	39113535	1	Fuse, 2.0A (3FU)
13.	39113535	2	Fuse, 2.0A (4FU/5FU)

39851951

REV 02



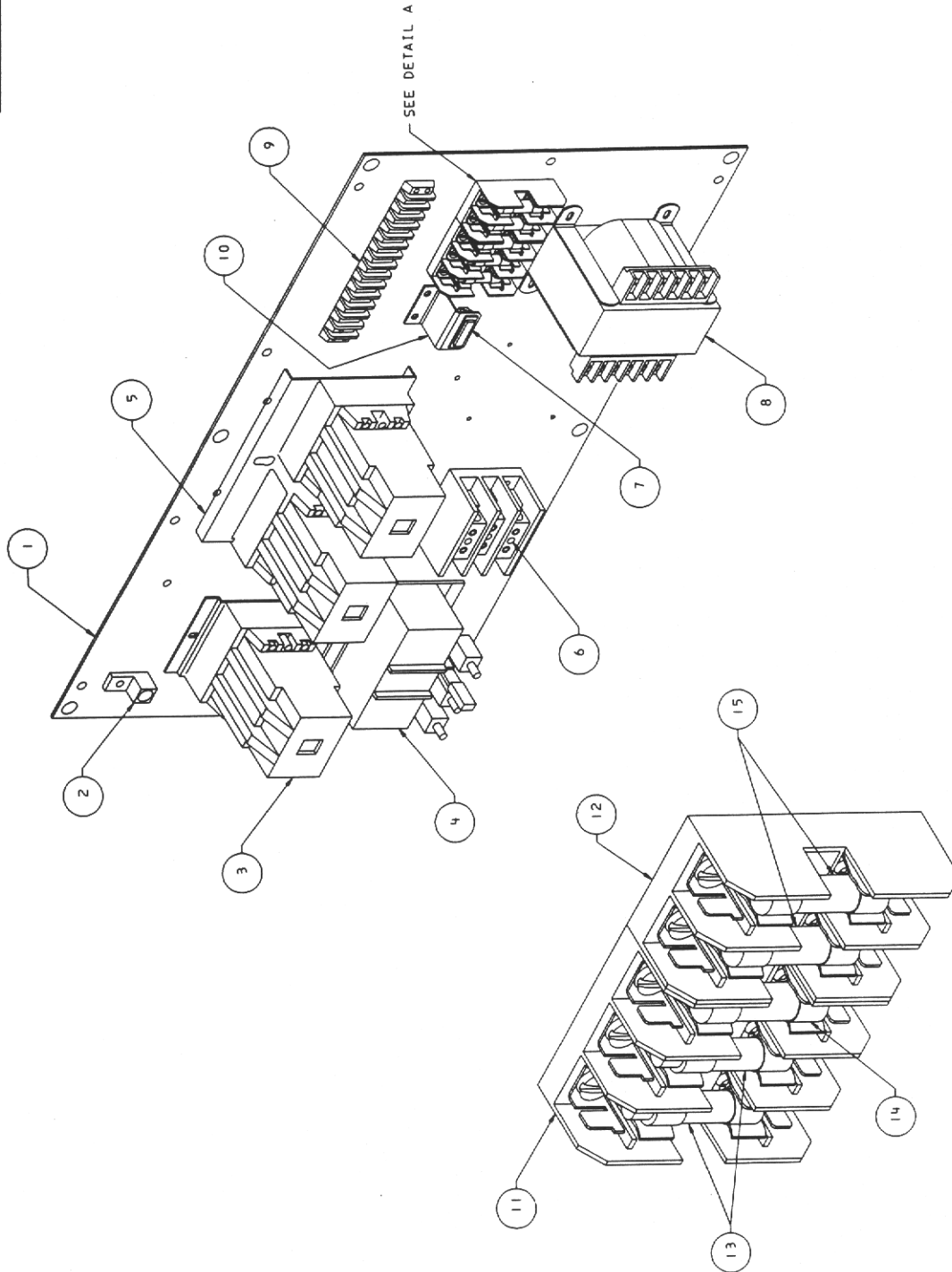
DETAIL A

Assembly, Starter Size 2 Star Delta

Ref. No.	Part Number	Qty.	Description
1	39834213	1	Panel, Starter
2	39190939	1	Lug, Ground
2A	39141809	1	Screw
2B	39128541	1	Nut
3	39215157	1	Assembly, 1M Starter
3A	39162144	1	Coil, 50/60 Hz
3B	39114541	1	Contacts, 3 Pole
3C	39109244	1	Switch, Interlock (N.O.- N.C.)
3D	39109277	1	Switch, Interlock (N.O.- N.O.)
4	39207592	1	Assembly, 2M/1S Contactor
4A	39162144	2	Coil, 50/60 Hz
4B	39114541	2	Contacts, 3 Pole
4C	39109244	3	Switch Interlock (N.O.- N.C.)
4D	39203443	2	Suppressor, Arc
5	39164520	1	Block, Terminal
6	39196225	1	Light, Power On
7	39301981	1	Transformer, Control, 230VA (200/230/460/575V) - 60 Hz
	39306014	1	Transformer, Control, 230VA (200/220/400/440V) - 50/60 Hz
	39313168	1	Transformer, Control, 230VA (220/380/415/550V) - 50/60 Hz
7A	35252279	4	Screw
8	35267202	1	Block, 14-Terminal
8A	35249721	4	Screw
9	39302146	1	Bracket, PWR-LT
9A	35249721	2	Screw
10	39479035	1	Fuseholder, 3 Pole
10A	35249721	2	Screw
11	39480504	1	Fuseholder, 2 Pole
11A	35249721	1	Screw
12	39178710	2	Fuse, 1.8A (1FU/2FU)
13	39113535	1	Fuse, 2.0A (3FU)
14	39113535	2	Fuse, 2.0A (4FU/5FU)

39851969

REV 02



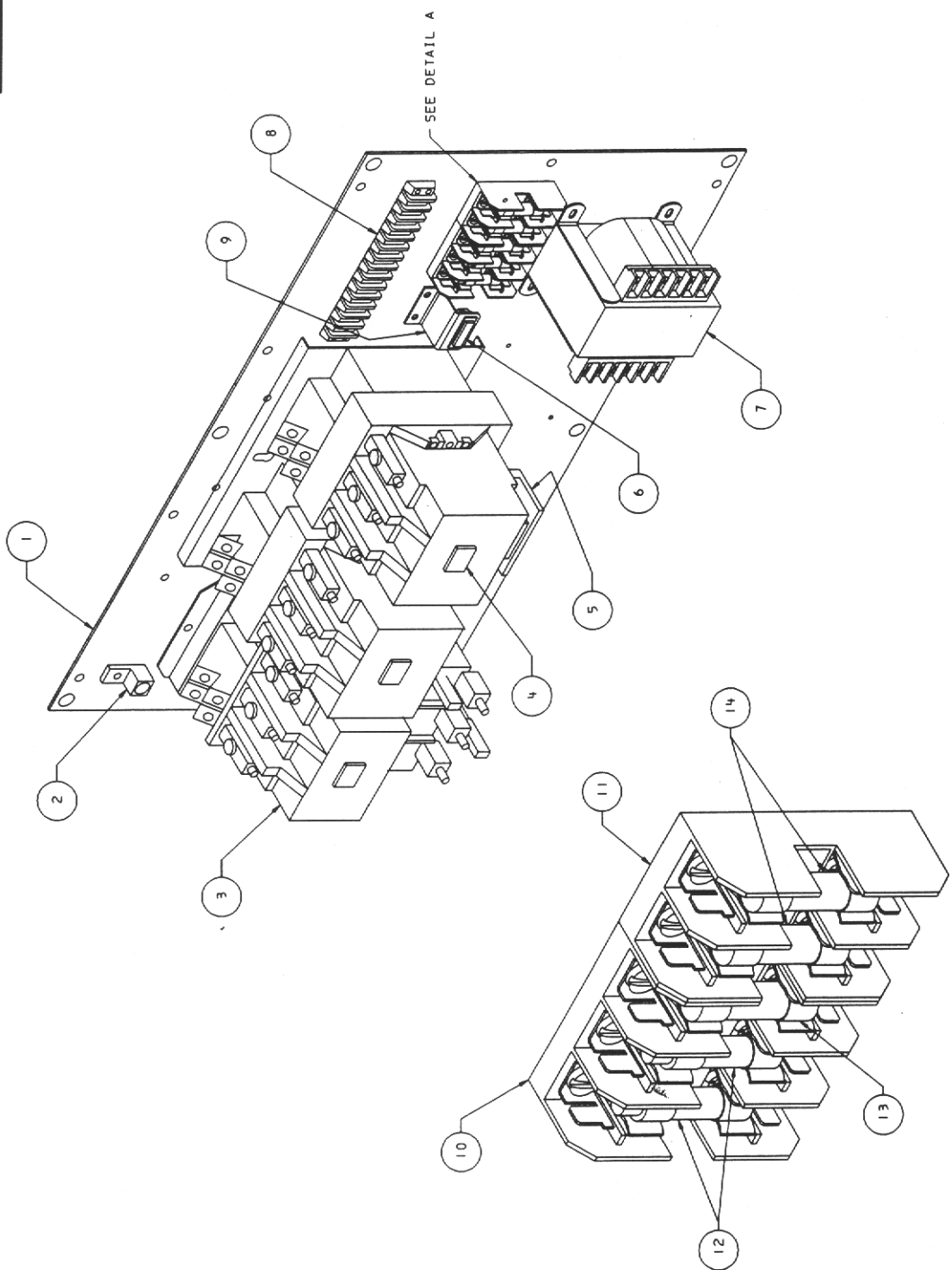
DETAIL A

Assembly, Starter Size 2 Star Delta, Size 3 Overload

Ref. No.	Part Number	Qty.	Description
1	39834213	1	Panel, Starter
2	39190939	1	Lug, Ground
2A	39141809	1	Screw
2B	39128541	1	Nut
3	39213681	1	Assembly, 1M Contactor
3A	39162144	1	Coil 50/60 Hz
3B	39114541	1	Contacts, 3 Pole
3C	39109244	1	Switch, Interlock (N.O. - N.C.)
3D	39109277	1	Switch, Interlock (N.O. - N.O.)
4	39165626	1	Relay, Overload (10L)
5	39207592	1	Assembly, 2M/1S Contactor
5A	39162144	2	Coil 50/60 Hz
5B	39114551	2	Contacts, 3 Pole
5C	39109244	3	Switch Interlock (N.O. - N.C.)
5D	39203443	2	Suppressor, Arc
6	39164520	1	Block, Terminal
7	39196225	1	Light, Power On
8	39301981	1	Transformer, Control, 230VA (200/230/460/575V) - 60 Hz
	39306014	1	Transformer, Control, 230VA (200/220/400/440V) - 50/60 Hz
	39313168	1	Transformer, Control, 230VA (220/380/415/550V) - 50/60 Hz
8A	35252279	4	Screw
9	35267202	1	Block, 14-Terminal
9A	35249721	4	Screw
10	39302146	1	Bracket, PWR-LT
10A	35249721	2	Screw
11	39479035	1	Fuseholder, 3 Pole
11A	35249721	2	Screw
12	39480504	1	Fuseholder, 2 Pole
12A	35249721	1	Screw
13	39178710	2	Fuse, 1.8A (1FU/2FU)
14	39113535	1	Fuse, 2.0A (3FU)
15	39113535	2	Fuse, 2.0A (4FU/5FU)

39851977

REV 02



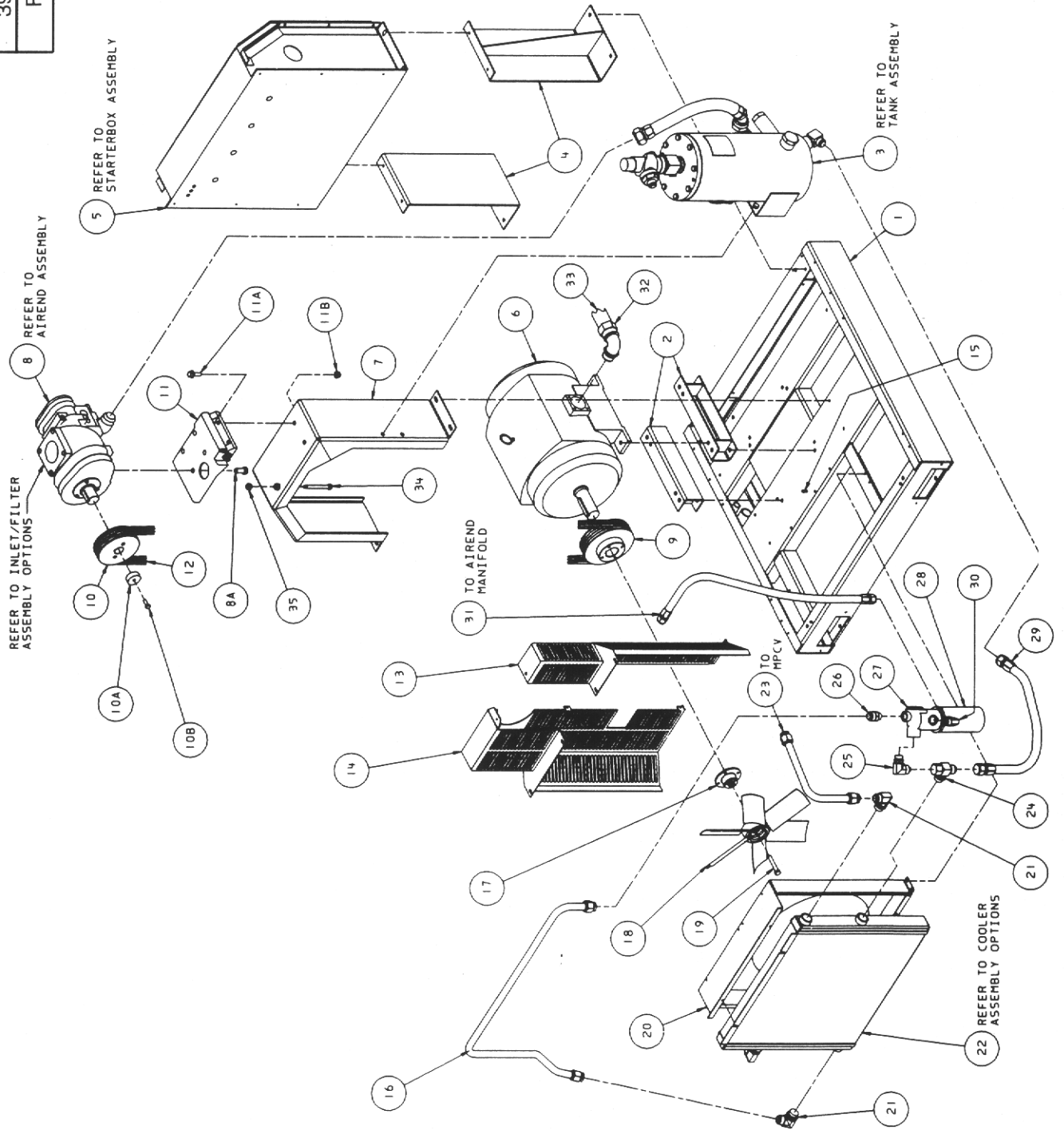
DETAIL A

Assembly, Starter Size 3 Star Delta

Ref. No.	Part Number	Qty.	Description
1	39834213	1	Panel, Starter
2	39190939	1	Lug, Ground
2A	39141809	1	Screw
2B	39128541	1	Nut
3	39213699	1	Assembly, 1M Starter
3A	39162151	1	Coil, 50/60 Hz
3B	39114558	1	Contacts, 3 Pole
3C	39109244	1	Switch, Interlock (N.O. - N.C.)
3D	39109277	1	Switch, Interlock (N.O. - N.O.)
4	39207600	1	Assembly, 2M/1S Contactor
4A	39162151	2	Coil, 50/60 Hz
4B	39164558	2	Contacts, 3 Pole
4C	39109244	3	Switch, Interlock (N.O. - N.C.)
4D	39203443	2	Suppressor, Arc
5	39164520	1	Block, Terminal
6	39196225	1	Light, Power On
7	39491519	1	Transformer, Control, 330VA (200/230/460/575V) - 60 Hz
	39499306	1	Transformer, Control, 330VA (200/220/400/440V) - 50/60 Hz
	39313143	1	Transformer, Control, 330VA (220/380/415/550V) - 50/60 Hz
7A	35252279	4	Screw
8	35267202	1	Block, 14-Terminal
8A	35249721	4	Screw
9	39302146	1	Bracket, PWR-LT
9A	35249721	2	Screw
10	39479035	1	Fuseholder, 3 Pole
10A	35249721	2	Screw
11	39480504	1	Fuseholder, 2 Pole
11A	35249721	1	Screw
12	39178728	2	Fuse, 2.5A (1FU/2FU)
13	39113527	1	Fuse, 3.2A (3FU)
14	39113535	2	Fuse, 2.0A (4FU/5FU)

39865761

REV 01



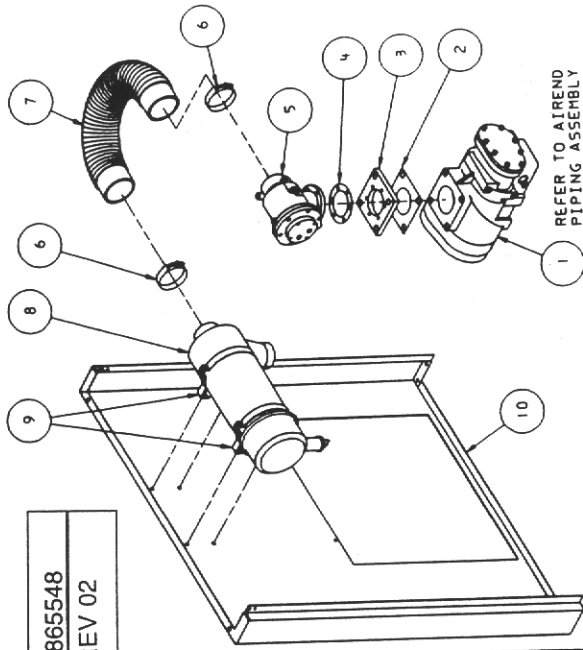
Assembly, Major Components

Ref. No.	Part Number	Qty.	Description	Ref. No.	Part Number	Qty.	Description
1	39862768	1	Base	18	39836069	1	Fan, 18.00 Dia. (For 60 Hz)
2	39839402	2	Support, Motor 286 Frame		39853973	1	Fan, 18.00 Dia. (For 50 Hz)
	39836887	2	Support, Motor 284 Frame	18A	95928917	3	Screw
	39836879	2	Support, Motor 256 Frame	19	95929113	1	Screw
	39839410	2	Support, Motor 324 Frame	20	39862776	1	Box, Cooler 18.00 (For 60 Hz)
2A	39116330	4	Screw	20A	39133145	4	Screw
3	xxxxxxx	1	Assembly, Separator Tank	21	39114350	3	Elbow
3A	39116330	2	Screw	22	39843735	1	Cooler, Combination Oil/After
4	39836507	2	Support, Starter	22A	39133152	4	Screw
4A	39178678	4	Screw	22B	95929071	2	Washer
5	xxxxxxx	1	Assembly, Intellisys/Starter	22C	39128541	2	Nut
5A	39178678	4	Screw	23	39834981	1	Tube, MPCV To Aftercooler
6	xxxxxxx	1	Motor	24	39301957	1	Manifold, Oil
6A	39160478	4	Screw (30HP)	25	95368890	1	Elbow
6B	39128517	4	Screw (40HP)	26	39117296	1	Connector
6C	39116348	4	Nut	27	39566237	1	Housing, Thermal Valve/Oil Filter
6D	95930723	4	Screw (40HP TEFC)	27	39441944	1	Element, Thermal (For 30/40 HP)
6E	95423687	4	Nut (40HP TEFC)	28	92740950	1	Filter, Oil
6F	95929188	4	Lockwasher (40HP TEFC)	29	39572292	1	Hose
7	39836499	1	Support, Airend	30	39152368	1	Elbow
7A	39178678	4	Screw	31	39572847	1	Hose
8	xxxxxxx	1	Airend	32	39301965	1	Elbow (For NEMA 1)
8A	39177886	4	Screw		95333373	1	Elbow (For NEMA 4)
9	SEE TABLE ON PAGE 22			33	39147186	18.00	Conduit (NEMA 1)
10	SEE TABLE ON PAGE 22				39132303	18.00	Conduit (NEMA 4)
11	39856208	1	Assembly, Cradle	34	39191515	1	Screw, Adjusting
11A	39128517	2	Screw	35	95423687	4	Nut
11B	39116348	2	Nut				
12	39158324	3	V-Belt, 60.00 (For 30 HP)				
	39158324	4	V-Belt, 60.00 (For 40 HP)				
13	39862750	1	Guard, Fan Left				
13A	39133145	6	Screw				
14	39862743	1	Guard, Fan Right				
14A	39133145	3	Screw				
15	39138490	1	Pin, Locator				
16	39834999	1	Tube, Oilcooler To Thermal Valve				
17	39834494	1	Hub, Fan 1.875 Shaft (For 40 HP)				
	39834486	1	Hub, Fan 1.625 Shaft (For 30 HP)				
17A	95929006	4	Screw				

NOTE: STANDARD FASTENERS SUCH AS NUTS, BOLTS, AND SCREWS ARE LISTED AS SUB-ITEMS (EXAMPLE: 2A)

Table For Items 9 And 10

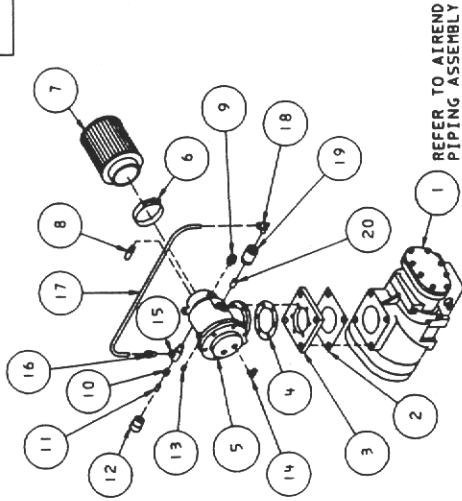
Ref. No.	Part Number	Qty.	Description
For 30 HP-60 Hz Units			
9	39835913	1	Sheave, Driver (For All 30 SE)
10	39856075	1	Sheave, Driver (For EP 30 SE)
	39856083	1	Sheave, Driver (For HP 30 SE)
	39856091	1	Sheave, Driver (For HXP 30 SE)
10A	39309992	1	Retainer, Sheave
10B	39177175	1	Screw
10C	39310321	1	Key
For 30 HP-50 Hz Units			
9	39835913	1	Sheave, Driver (For All 30 SE)
10	39856174	1	Sheave, Driver (For EP 30 SE)
	39856117	1	Sheave, Driver (For HP 30 SE)
	39856125	1	Sheave, Driver (For HXP 30 SE)
10A	39309992	1	Retainer, Sheave
10B	39177175	1	Screw
10C	39310321	1	Key
For 40 HP-60 Hz Units			
9	39835871	1	Sheave, Driver (For All 40 SE)
10	39853676	1	Sheave, Driver (For EP 40 SE)
	39855960	1	Sheave, Driver (For HP 40 SE)
	39855978	1	Sheave, Driver (For HXP 40 SE)
10A	39309984	1	Retainer, Sheave
10B	39177175	1	Screw
10C	96719943	1	Key
For 40 HP-50 Hz Units			
9	39835871	1	Sheave, Driver (For All 40 SE)
10	39855986	1	Sheave, Driver (For EP 40 SE)
	39855994	1	Sheave, Driver (For HP 40 SE)
	39856000	1	Sheave, Driver (For HXP 40 SE)
10A	39309984	1	Retainer, Sheave
10B	39177175	1	Screw
10C	96719943	1	Key



Heavy Duty Filter Assembly
(For Full Voltage & Star Delta Inlet Valves)

Ref. No.	Part Number	Qty.	Description
1	xxxxxxx	1	Airend
2	39494794	1	Gasket (Shown as Ref.)
3	39571005	1	Plate, Inlet Adapter (Shown as Ref.)
3A	39177175	4	Screw
4	39496591	1	Gasket
5	92896547	1	Valve, Full Voltage Inlet (Shown as Ref.)
	39840418	1	Valve, Star Delta Inlet (Not Shown)
5A	35273416	6	Screw
6	39304332	2	Clamp
7	39852223	1	Hose (For Full Voltage Inlet Valve)
	39852215	1	Hose (For Star Delta Inlet Valve)
8	39844410	1	Filter, Heavy Duty Air
9	39306030	2	Band, Mounting
9A	39128467	4	Screw
9B	39128566	4	Nut
10	39224399	1	Endcap, Rear (With Foam)
10A	39133145	4	Screw (To Base)
10B	39141809	2	Screw (To Cooler & Shroud)

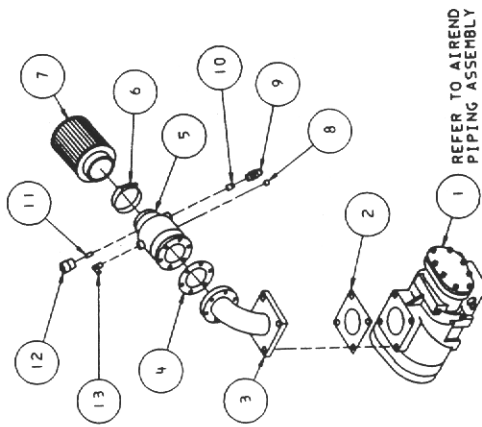
39865548
REV 02



Full Voltage Valve & Filter Assembly

Ref. No.	Part Number	Qty.	Description
1	xxxxxxx	1	Airend
2	39494794	1	Gasket
3	39571005	1	Plate, Inlet Adapter
3A	39177175	4	Screw
4	39496591	1	Gasket
5	92896547	1	Valve, Full Voltage Inlet
5A	35273416	6	Screw
6	39304332	1	Clamp
7	92889534	1	Filter, Air
x8	39314711	1	Silencer, Blowdown
9	39202965	1	Connector
10	39153861	1	Bushing, Reducing
11	95343679	1	Nipple
12	39124722	1	Indicator, Air Filter
13	95837233	1	Plug
14	39155577	1	Elbow
15	95952495	1	Tee
16	39156649	1	Adapter
17	39124821	***	Tubing
18	39155650	1	Elbow
19	39234083	1	Valve, Check
20	95047908	1	Nipple

*** ORDER BY THE NUMBER OF INCHES REQUIRED.



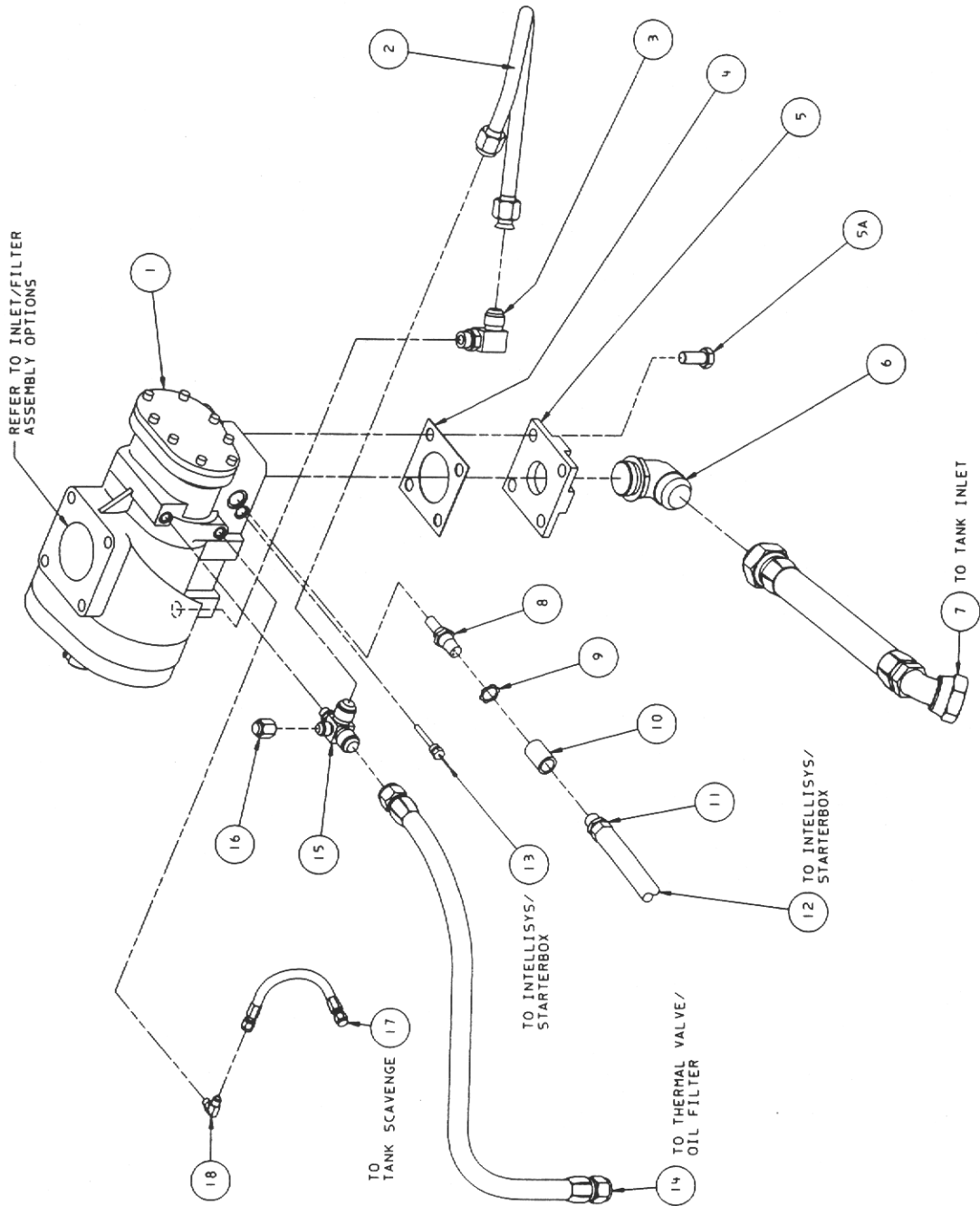
Star Delta Valve & Filter Assembly

Ref. No.	Part Number	Qty.	Description
1	xxxxxxx	1	Airend
2	39494794	1	Gasket
3	39853700	1	Tube, Intake Star Delta
3A	39177175	4	Screw
4	39496591	1	Gasket
5	39844485	1	Valve, Star Delta Inlet
5A	35273416	6	Screw
6	39304332	1	Clamp
7	92889534	1	Filter, Air
8	39184510	1	Plug
9	39306485	1	Connector
10	39306063	1	Silencer
11	95343679	1	Nipple
12	39124722	1	Indicator, Air Filter
13	39155478	1	Elbow

NOTES:
1. X INSTALL USING LOCTITE 271 (35259282)
2. STANDARD FASTENERS SUCH AS NUTS, BOLTS, AND SCREWS ARE LISTED AS SUB-ITEMS (EXAMPLE: 5A)

39865779

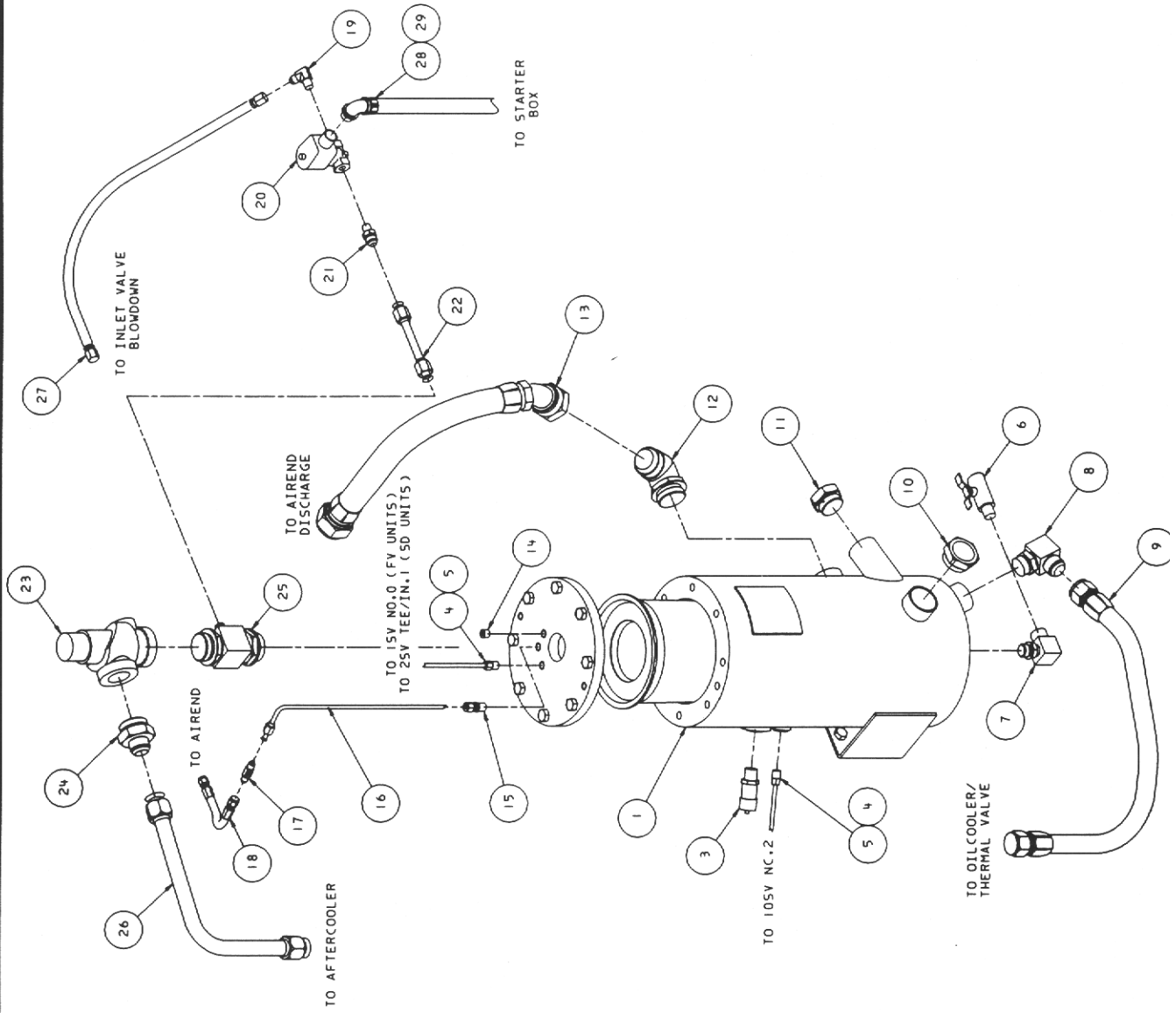
REV 01



Assembly, Airend Piping

Ref. No.	Part Number	Qty.	Description
1	xxxxxxx	1	Airend
2	39857446	1	Tube, Oil Feed (Front Bearing)
3	39571195	1	Elbow (Front Bearing Feed)
4	39570999	1	Gasket, Discharge Adapter
5	39570916	1	Plate, Discharge Adapter
5A	39310271	4	Screw
6	39128673	1	Elbow (Airend Discharge)
7	39573670	1	Hose, (Airend Discharge)
8	39419668	1	Switch, High Air Temperature
8A	39404165	1	O-Ring
9	39114079	1	Locknut
10	39153382	1	Coupling
11	39479431	1	Connector (NEMA 1)
	95245221	1	Connector (NEMA 4)
12	39139332	18"	Conduit (NEMA 1)
	39132261	18"	Conduit (NEMA 4)
13	39538079	1	Sensor, Temperature
13A	39404157	1	O-Ring
14	39572847	1	Hose
15	39571187	1	Manifold, Oil Feed
16	39180872	1	Cap
17	39572409	1	Hose, Scavenge
18	39311618	1	Elbow

39840186
REV 05

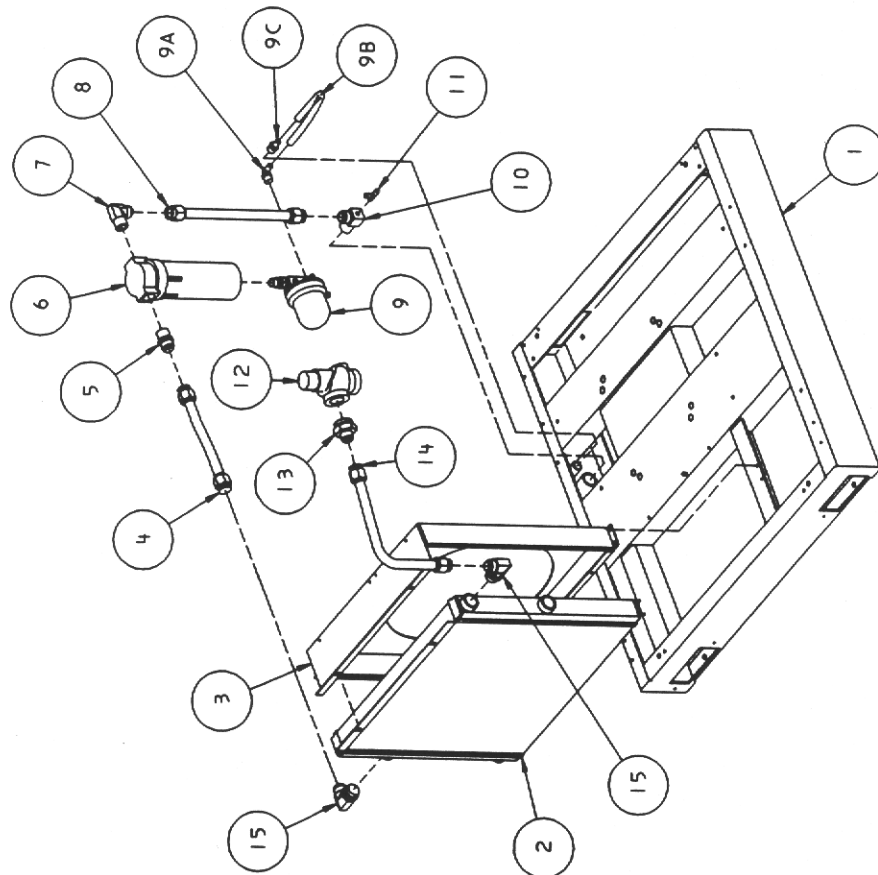
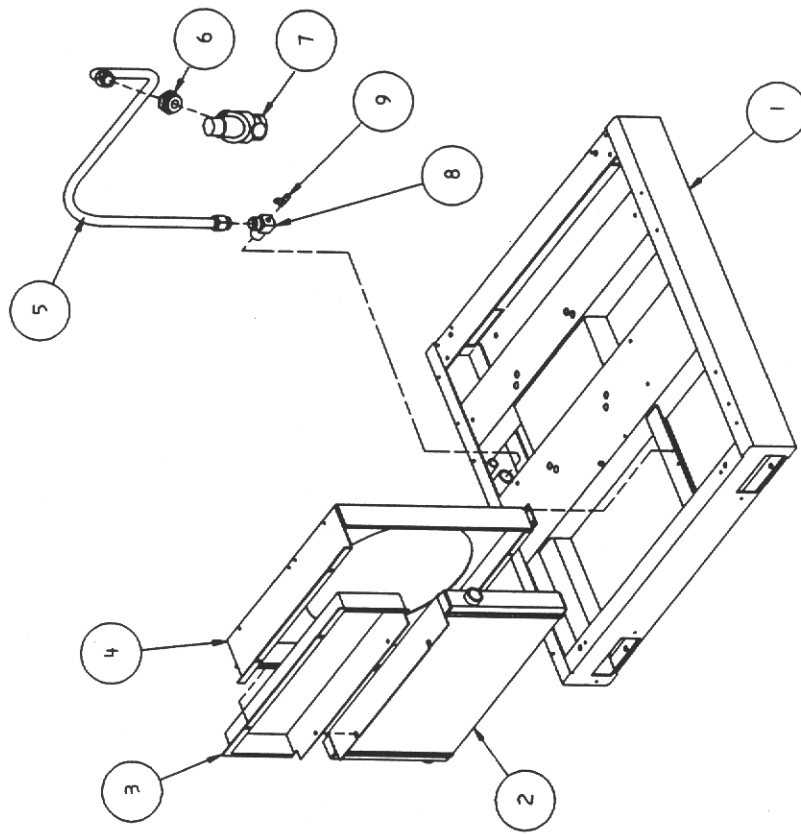


Assembly, Separator Tank

Ref. No.	Part Number	Qty.	Description
1	42373332	1	Tank, Separator - ASME & Canadian (Service Only)
	42405886	1	Tank, Separator -Australian (Service Only)
2	39831888	1	Element, Separator
3	35254952	1	Valve, Relief (EP Units)
	39121256	1	Valve, Relief (HP Units)
	39193339	1	Valve, Relief (HXP Units)
4	39156435	2	Connector
5	39124813	xxx	Tubing, .25 Synflex (EP, HP Units)
	39497847	xxx	Tubing, .25 Teflon (HXP Units)
6	39105739	1	Valve, Drain
7	39477526	1	Elbow
8	39476981	1	Elbow
9	39572292	1	Hose, Oil Filter To Manifold
10	39476916	1	Sight Glass
10A	39406996	1	O-Ring
11	39478953	1	Plug, Oil Fill
12	39128673	1	Elbow, Tank Inlet
13	39573670	1	Hose, Airtend Discharge
14	39184510	1	Plug
15	39417118	1	Adapter
16	39796594	1	Tube, Scavenge
17	39303219	1	Fitting, Scavenge/Orifice Check Valve
18	39572409	1	Hose, Tank Scavenge
19	95338406	1	Elbow
20	39136932	1	Valve, Blowdown NEMA 1
	39479563	1	Valve, Blowdown NEMA 4
20A	39479555	1	Connector, Din - NEMA 4
21	95338372	1	Connector
22	39476668	1	Tube, Blowdown
23	39475637	1	Valve, Minimum Pressure Check
24	39302088	1	Connector
25	39477542	1	Connector, MPV To Tank
26	39834981	1	Tube, Tank To Aftercooler
27	39572318	1	Hose, Blowdown
28	39479472	1	Elbow - NEMA 1
	95361390	1	Elbow - NEMA 4
29	39139332	18"	Conduit, - NEMA 1
	39132261	18"	Conduit, - NEMA 4

xxx ORDER BY THE NUMBER OF INCHES REQUIRED

39866587
REV 01



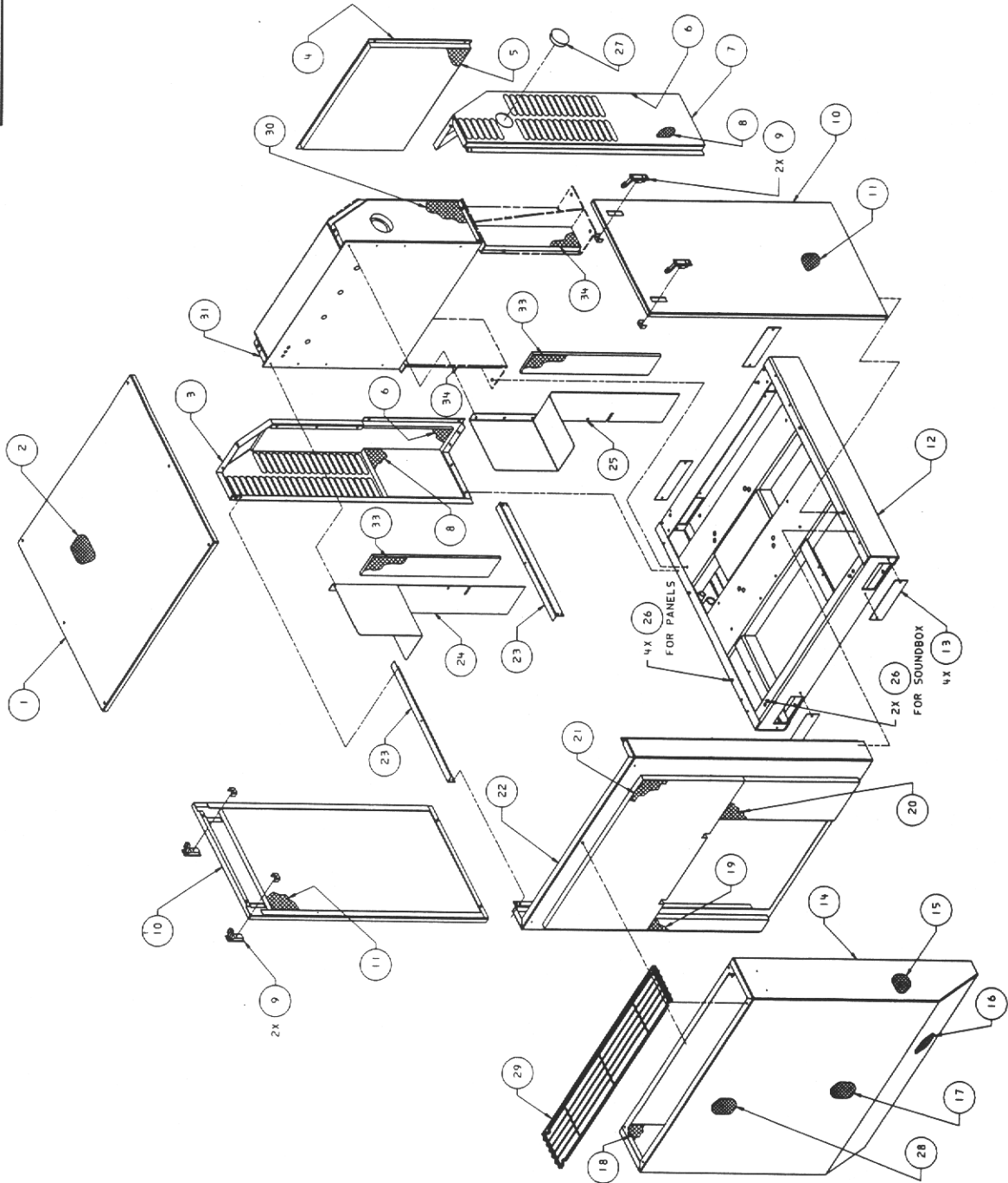
**Standard:
Combined Cooler**

Ref. No.	Part Number	Qty.	Description
1	39862768	1	Base
2	39843735	1	Cooler, Combination Oil/After
2A	39133152	4	Screw
2B	39128541	2	Nut
2C	95929071	2	Washer, Plated
3	39862776	1	Box, Cooler 18"
3A	39133145	6	Screw
4	39835004	1	Tube, Aftercooler To Moisture Separator
5	95219762	1	Connector
6	39835582	1	Separator, Moisture
7	95937645	1	Elbow
8	39835251	1	Tube, Moisture Separator To Base
9	39561808	1	Trap, Auto Drain
9A	39137534	1	Elbow, Barbed Male
9B	39137518	12"	Tubing, Synflex
9C	39137542	1	Connector, Barbed Male
10	39302187	1	Elbow, Air-Discharge
11	39156351	1	Tee, Male Run (Full Voltage Units)
	39155577	1	Elbow (Star Delta Units)
12	39475637	1	Valve, Minimum Pressure Check
13	39302088	1	Connector
14	39834981	1	Tube, Tank To Aftercooler
15	39114350	2	Elbow

**Option:
No Aftercooler**

Ref. No.	Part Number	Qty.	Description
1	39862768	1	Base
2	39836663	1	Cooler, Oil
2A	39133152	4	Screw
2B	39128541	2	Nut
2C	95929071	2	Washer, Plated
3	39838420	1	Panel, No-Aftercooler
3A	39133145	2	Screw
3B	95929071	2	Washer, Plated
4	39862776	1	Box, Cooler 18"
4A	39133145	4	Screw
5	39838438	1	Tube, Tank To Base
6	39302088	1	Connector
7	39475637	1	Valve, Minimum Pressure Check
8	39302187	1	Elbow, Air-Discharge
9	39156351	1	Tee, Male Run (Full Voltage Units)
	39155577	1	Elbow, (Star Delta Units)

39840210
REV 04



Assembly, Sheet Metal Standard Enclosure

Ref No.	Part Number	Qty.	Description
1	39843818	1	Panel, Top
1A	39125539	6	Screw
2	39843826	1	Foam, Panel-Top
3	39836473	1	Corner, Right
3A	39133145	7	Screw
4	39834957	1	Panel, Front
4A	39133152	4	Screw
5	39836945	1	Foam, Panel-Front
6	39837018	2	Foam, Corner-Front
7	39836465	1	Corner, Left
7A	39133145	7	Screw
8	39837026	2	Foam, Corner-Slide
9	39133954	4	Latch, Door
10	39834338	2	Panel, Common
11	39836952	2	Foam, Panel Common
12	39862768	1	Base
13	39480421	4	Cover, Fork-Lift
13A	39133145	8	Screw
14	39845821	1	Soundbox
14A	39133145	3	Screw
15	39843859	1	Foam, Sbox-Side-Left
16	39837042	1	Batt, Rear-Lower
17	39837034	1	Batt, Rear-Upper
18	39843867	1	Foam, Sbox-Side-Right
19	39836994	1	Foam, Sbox-Plen-Right
20	39836986	1	Foam, Sbox-Plen-Left
21	39836978	1	Foam, Sbox-Plen-Upper
22	39845813	1	Panel, Plenum-Rear
22A	39133145	4	Screw
23	39836622	2	Angle, Side
23A	39133145	8	Screw
24	39843974	1	Baffle, Sound-Right
	39844246	1	Baffle, Sound-Right-W/H.I.D. Filter
24A	39133145	4	Screw
25	39843966	1	Baffle, Sound-Left
	39844352	1	Baffle, Sound-Left-W/No Aftercooler
25A	39133145	4	Screw
26	39138490	6	Pin, Locator
27	39485818	1	Plug, Plastic
28	39843842	1	Foam, Sbox-Rear
29	39843800	1	Grilli, Exhaust
29A	39133145	4	Screw
30	39841440	1	Foam, Starter Left
31	39841457	1	Foam, Starter Right
32	39117312	438"	Gasket, Strip
33	39849310	2	Foam, Baffle
34	39849286	2	Foam, Starter Support

NOTE: 1. STANDARD FASTENERS SUCH AS NUTS, BOLTS, AND SCREWS ARE LISTED AS SUB-ITEMS (EXAMPLE: 1A)

O-Rings

Part No.	Size/ Thread	ID	Width	Tube Size
39404157	7/16-20	0.351	0.072	1/4
39404132	9/16-18	0.468	0.078	3/8
39404165	3/4-16	0.644	0.087	1/2
39437074	7/8-14	0.755	0.097	5/8
39407531	1 1/16-12	0.924	0.116	3/4
39404173	1 5/16-12	1.171	0.116	1
39404140	1 5/8-12	1.475	0.118	1 1/4
39406996	1 7/8-12	1.72	0.118	1 1/2
39410279	2 1/2-12	2.337	0.118	2

RECOMMENDED SPARE PARTS LIST

HOW TO SELECT RECOMMENDED SPARES

These sheets list spare parts by class:

CLASS I — Recommended where downtime is acceptable.

CLASS II — Recommended where limited downtime is acceptable.

CLASS III — Recommended where any downtime is highly undesirable.

HOW TO ORDER PARTS

In order that all avoidable errors be eliminated when ordering parts, please specify the following:

1. The model number of the unit as shown on the Compressor Data Plate.
2. The serial number of the unit as shown on the Compressor Data Plate.
3. The form number of this manual.
4. The reference number, part number, description and quantity needed exactly as listed.
5. The motor data code shown on the motor data plate.

**JE0000
OR
JN0000**

U 92 240

MANUFACTURED IN U.S. —

YEAR OF MANUFACTURE —

JULIAN DATE OF MANUFACTURE —

SPECIAL NOTE

THE INGERSOLL-RAND AIREND MODULE IS ENGINEERED AND MANUFACTURED TO THE HIGHEST QUALITY STANDARDS. WITH REGULAR MAINTENANCE YOUR AIR COMPRESSOR SYSTEM WILL PROVIDE MANY YEARS OF TROUBLE FREE CONTINUOUS SERVICE.

THE INGERSOLL-RAND AIREND IS BACKED BY A FACTORY WARRANTED AIREND REBUILD-EXCHANGE PROGRAM.

CONTACT YOUR NEAREST INGERSOLL-RAND REPRESENTATIVE FOR DETAILED INFORMATION.

RECOMMENDED SPARE PARTS

Compressor Part	Part No.	Qty. Per Unit	Location or Use	RECOMMENDED QUANT KEPT ON HAND AT INSTALLATION		
				Class 1	Class 2	Class 3
Maintenance Kit	*	0	Maintenance Kit with Ultra Coolant	1	1	1
Ultra Coolant (5 Gal Container)	39433735	1	Fill 3.2 Gallon	1	1	2
Air Filter	92889534	1	Inlet Valve	2	3	4
Coolant Filter Element	92740950	1	On Thermo Valve/Oil Filter Housing	4	4	5
Separator Element	39831888	1	In Separator Tank	0	1	1
Thermostatic Control Valve Element, 170 ° F	39441944	1	In Thermostatic Control Valve Housing (30-40HP)	0	1	1
Blowdown Solenoid Valve (NEMA 1)	39136932	1	On Top of Tank (3SV)	0	1	2
Blowdown Solenoid Valve (NEMA 4)	39479563	1	On Top of Tank (3SV)	0	1	2
High Air Temperature Switch	39419668	1	In Airend (1ATS)	1	1	2
O-Ring	39404165	1	On HATS	1	1	2
Inlet Valve (Full Voltage Units)	92896547	1	On Airend	0	0	1
Inlet Valve (Star-Delta Units)	39840418	1	On Inlet Valve Tube	0	0	1
Minimum Pressure Check Valve	39475637	1	Tank Discharge Line	0	0	1
Relief Valve: (EP)	35254952	1	On Separator Tank	0	0	1
(HP)	39121256	1	On Separator Tank	0	0	1
(HXP)	39193339	1	On Separator Tank	0	0	1
Fuse (1.8A)	39178710	2	In Starter Box, Size #2,3,4 FV, Size 2 SD	2	2	4
Fuse (2.0A)	39113535	1	In Starter Box, Size #2,3,4 FV, Size 2 SD	1	1	2
Fuse (2.5A)	39178728	2	In Starter Box, Size 3 SD	2	2	4
Fuse (3.2A)	39113527	1	In Starter Box, Size 3 SD	1	1	2
Fuse (2.0A)	39113535	2	In Starter Box, (4FU/5FU)	2	2	4
Coil	39162144	**	In Size #2 Contactor	0	1	3
Contact Kit (3 Pole)	39114541	**	In Size #2 Contactor	0	1	3
Coil	39162151	**	In Size #3 Contactor	0	1	3
Contact Kit (3 Poles)	39114558	**	In Size #3 Contactor	0	1	3
Coil	39161096	**	In Size #4 Contactor	0	1	3
Contact Kit (3 Poles)	39161104	**	In Size #4 Contactor	0	1	3
Panel Locator Pins	39138490	6	On Base	0	0	2
Power On Light	39196225	1	In Starter Cabinet	0	1	1
Emergency Stop Switch	92823541	1	On Intellisys Panel	0	0	1
Pressure Sensor (0-200)	39538061	1	In Line/Sump Solenoid Valve (3APT)	0	0	1
Temperature Sensor	39538079	1	In Airend (2ATT)	0	0	1
Cable, Pressure Sensor	39560024	1	On Pressure Sensor	0	0	1
Intellisys Controller (English)	39817655	1	Starter Box (English)	0	0	0
Intellisys Controller (Spanish)	39830906	1	Starter Box (Spanish)	0	0	0
Decal Kit (English)	39825500	1	All Units (English)	0	0	0
Decal Kit (Spanish)	39830880	1	All Units (Spanish)	0	0	0
Gasket, Inlet Valve	39496591	1	Under Inlet Valve	0	0	1
Gasket	39494794	1	Under Inlet Adapter Plate or Intake Tube	0	0	1
Shaft Seal Kit	39699418	1	In Airend	0	1	2
Belt, 60"	39158324	3	30 HP	0	3	6
Belt, 60"	39158324	4	40 HP	0	4	8
Unload Solenoid Valve (NEMA 1)	39538521	1	On Starter Box (1SV- Full Voltage Only)	0	0	1
Unload Solenoid Valve (NEMA 4)	39497672	1	On Starter Box (1SV- Full Voltage Only)	0	0	1
Unload Solenoid Valve (NEMA 1)	39418926	1	On Starter Box (1SV-Star Delta Only)	0	0	1
Unload Solenoid Valve (NEMA 4)	39146741	1	On Starter Box (1SV-Star Delta Only)	0	0	1
Modulate Solenoid Valve (NEMA 1)	39530852	1	On Starter Box (2SV)	0	0	1
Modulate Solenoid Valve (NEMA 4)	39497680	1	On Starter Box (2SV)	0	0	1
Modulate Solenoid Valve (NEMA 1)	39538251	1	On Starter Box (6SV-Star Delta Only)	0	0	1
Modulate Solenoid Valve (NEMA 4)	39497672	1	On Starter Box (6SV-Star Delta Only)	0	0	1
Line/Sump Solenoid Valve (NEMA 1)	39538251	1	On Starter Box (10SV)	0	0	1
Line/Sump Solenoid Valve (NEMA 4)	39497672	1	On Starter Box (10SV)	0	0	1
Shuttle Valve	39127261	1	Regulator Valve or 6SV	0	0	1
Regulation Valve	39152442	1	EP/ HP Units (Full Voltage)	0	0	1
Regulation Valve	39197595	1	HXP Units (Full Voltage)	0	0	1
Regulation Valve	39199476	1	EP/HP Units (Star Delta)	0	0	1
Regulation Valve	39199484	1	HXP Units (Star Delta)	0	0	1
Tester, Belt Tension	39199138	1		0	0	1
Hose	39573670	1	Airend To Tank	0	1	2
Hose	39572847	1	Oil Filter To Manifold	0	1	2
Hose	39572292	1	Tank To Thermo Valve	0	1	2
Hose	39572409	1	Separator Scavenge	0	1	2
Hose	39572318	1	Blowdown Valve To Inlet Valve	0	0	1
Fan, 18"	39836069	1	60 Hz Units	0	0	1
Fan, 18"	39853973	1	50 Hz Units	0	0	1

* Contact Your I-R Distributor or Air Center
 **Quantity (1) For AAL Starters

