
GARDNER DENVER®

13-10-615
Version: 01
November 13, 2003

**ELECTRA-SAVER
STATIONARY BASE-MOUNTED
COMPRESSOR**

AUTO SENTRY[®] -- ES+ CONTROLS

**DOMESTIC MODELS
EAU99P – 200, 250 & 300 HP**

**INTERNATIONAL MODELS
EAU99R& S – 150, 186 & 225 KW**

**OPERATING AND
SERVICE MANUAL**

**Gardner
Denver**

**MAINTAIN COMPRESSOR RELIABILITY AND PERFORMANCE WITH
GENUINE GARDNER DENVER® COMPRESSOR PARTS AND SUPPORT SERVICES**

Gardner Denver® Compressor genuine parts, manufactured to design tolerances, are developed for optimum dependability – specifically for Gardner Denver compressor systems. Design and material innovations are the result of years of experience with hundreds of different compressor applications. Reliability in materials and quality assurance is incorporated in our genuine replacement parts.

Your authorized Gardner Denver Compressor distributor offers all the backup you'll need. A worldwide network of authorized distributors provides the finest product support in the air compressor industry. Your local authorized distributor maintains a large inventory of genuine parts and he is backed up for emergency parts by direct access to the Master Distribution Center (MDC) in Memphis, Tennessee.

Your authorized distributor can support your Gardner Denver air compressor with these services:

1. Trained parts specialists to assist you in selecting the correct replacement parts.
2. Factory warranted new and remanufactured rotary screw airends. Most popular model remanufactured airends are maintained in stock at the Remanufacturing Center in Indianapolis, IN., for purchase on an exchange basis with liberal core credit available for the replacement unit.
3. A full line of factory tested AEON™ compressor lubricants specifically formulated for use in Gardner Denver compressors.
4. Repair and maintenance kits designed with the necessary parts to simplify servicing your compressor.

Authorized distributor service technicians are factory trained and skilled in compressor maintenance and repair. They are ready to respond and assist you by providing fast, expert maintenance and repair services.

For the location of your local authorized Gardner Denver Air Compressor distributor, refer to the yellow pages of your phone directory or contact:

Distribution Center:

Gardner Denver
Master Distribution Center
5585 East Shelby Drive
Memphis, TN 38141

Phone: (901) 542-6100
(800) 245-4946

Fax: (901) 542-6159

Factory:

Gardner Denver
1800 Gardner Expressway
Quincy, IL 62301

Phone: (217) 222-5400

Fax: (217) 224-7814

INSTRUCTIONS FOR ORDERING REPAIR PARTS

When ordering parts, specify Compressor MODEL, Method of Cooling, HORSEPOWER and SERIAL NUMBER (see nameplate on unit). The Serial Number is also stamped on top of the discharge bearing carrier casting.

All orders for Parts should be placed with the nearest authorized distributor.

Where NOT specified, quantity of parts required per compressor or unit is one (1); where more than one is required per unit, quantity is indicated in parenthesis. SPECIFY EXACTLY THE NUMBER OF PARTS REQUIRED.

DO NOT ORDER BY SETS OR GROUPS.

To determine the Right-Hand and Left-Hand side of a compressor, stand at the motor end and look toward the compressor. Right-Hand and Left- Hand are indicated in parenthesis following the part name, i.e. (RH) and (LH), when appropriate.

FOREWORD

Gardner Denver Rotary Screw compressors are the result of advanced engineering and skilled manufacturing. To be assured of receiving maximum service from this machine the owner must exercise care in its operation and maintenance. This book is written to give the operator and maintenance department essential information for day-to-day operation, maintenance and adjustment. Careful adherence to these instructions will result in economical operation and minimum downtime.



DANGER

Danger is used to indicate the presence of a hazard which will cause severe personal injury, death, or substantial property damage if the warning is ignored.



WARNING

Warning is used to indicate the presence of a hazard which can cause severe personal injury, death, or substantial property damage if the warning is ignored.



CAUTION

Caution is used to indicate the presence of a hazard which will or can cause minor personal injury or property damage if the warning is ignored.

NOTICE

Notice is used to notify people of installation, operation or maintenance information which is important but not hazard-related.

This book covers the following models:

HP	PSIG	Model	Parts List	Controller Manual
200, 250, 300	100, 125, 150	EAU99P	13-10-519	13-9-653

HP (Kw)	PSIG (bar)	Model	Parts List	Controller Manual
200, 250, 300 (150, 186, 225)	100, 125, 150 (6.9, 8.6, 10.3)	EAU99R	13-10-519 SPL CE MARK	13-9-653
		EAU99S	13-10-522	13-9-653

TABLE OF CONTENTS

Maintain Compressor Reliability And Performance With Genuine

Gardner Denver Compressor Parts And Support Services	ii
Instructions For Ordering Repair Parts	ii
Foreword.....	iii
Index.....	v
List Of Illustrations	vii
Section 1, General Information.....	1
Section 2, Installation.....	8
Section 3, Starting & Operating Procedures.....	19
Section 4, Controls & Instrumentation.....	22
Section 5, Lubrication - Oil Cooler, Oil Filter & Separator	35
Section 6, Air Filter.....	55
Section 7, Coupling.....	57
Section 8, Maintenance Schedule.....	60
Section 9, Troubleshooting.....	62

INDEX

Addition Of Oil Between Changes	42	Lubrication	
Air Filter Element Life.....	56	Motor	17
Air Filter, Section 6.....	55	Lubrication, Cooling And Sealing	2
Air Flow In The Compressor System	1	Lubrication, Section 5.....	35
Air-Cooled Units, Location	9	Maintenance Schedule, Section 8.....	60
Autosentry Operation	22	Moisture Separator/Trap.....	12
Auxiliary Air Receiver.....	12	Motor Lubrication	17
Cold Ambient Operation	42	Oil Change Interval	44
Cold Weather Installation.....	11	Oil Cooler	
Cold Weather Operation.....	11	Compressor	48
Compression Principle.....	1	Oil Level Gauge.....	44
Compressor Capacity Control	28	Oil Reservoir.....	51
Compressor Oil Cooler - Water-Cooled Heat		Oil Reservoir Drain.....	10
Exchanger.....	49	Oil Separator	
Compressor Oil System Check	53	Compressor (GD Eliminator).....	51
Control Devices	22	Inspection	52
Control Piping.....	12	Oil Carryover.....	51
Controls & Instrumentation, Section 4.....	22	Removal For Inspection Or Replacement	53
Cooling, Sealing And Lubrication	2	Oil Specifications	35
Coupling.....	57	Oil System	
Coupling, Section 7.....	57	Compressor	35
Daily Check.....	21	Draining And Cleaning	45
Decals.....	7	Filling Oil Reservoir.....	46
Decals.....	6	Oil System Check	53
Discharge Service Line.....	13	Air And Oil Discharge Temperature.....	53
Electrical Wiring.....	17	Compressor Oil Inlet Temperature.....	53
Element Life, Air Filter	56	Oil Cooler Oil Pressure Differential.....	53
Enclosure	10	Oil Cooler Oil Pressure Differential (Air-	
Filter		Cooled Radiator).....	53
Compressor Oil	47	Oil Cooler Temperature Differential.....	53
Filter Element	55	Oil Cooler Temperature Differential (Air-	
Filter, Heavy Duty Air (Standard).....	55	Cooled Radiator).....	53
Foundation.....	10	Oil Cooler Water Pressure Differential.....	54
General Information, Section 1.....	1	Oil Inlet Pressure	53
Grounding	17	Operation	
High Temperature Operation	36	Cold Ambient.....	42
High Temperature Operation	36	High Temperature.....	36
Inlet Line	13	Piping	
Inlet Tube	56	Aftercooler	41
Installation For Cold Cold Weather Operation .	11	Blowdown Valve	15
Installation, Section 2.....	8	Control.....	12
Lifting Unit.....	8	Heat Exchanger (Oil)	41
Location	8	Parallel	17
Air-Cooled Units	9	Series	15
Water-Cooled Units	9	Water.....	15
Lubricant		Pressure Differential Gauging.....	52
Recommended	35	Prestart-Up Instructions	19
Lubricant Change Procedure.....	43	Remote Mounted Elevated Cooler Assembly	
		Procedure.....	40
		Safety Precautions	5
		Sealing, Lubrication And Cleaning.....	2

Service Check List.....	60
Every 1000 Hours Operation	60
Every 125 Hours Operation.....	60
Every 8 Hours Operation.....	60
Every 8000 Hours Operation	60
Every Year	61
Motor Lubrication.....	60
Oil Separator.....	60
Service Check List	
Air Filter	60
Starting & Operating Procedures, Section 3.....	19

Starting The Unit.....	21
Unit Cold.....	21
Unit Hot.....	21
Stopping The Unit.....	21
Thermal Control (Thermostatic Mixing) Valve..	49
Troubleshooting, Section 9.....	62
Turn Valve.....	2
Water Flow Control Valve For Heat Exchanger	
.....	50
Water Piping.....	15
Water Shutoff Valve - Water-Cooled Heat	
Exchanger.....	51
Water-Cooled Units, Location	9

LIST OF ILLUSTRATIONS

Figure 1-1 – Compression Cycle.....	1
Figure 1-2 - Starter Box.....	2
Figure 1-3 – Package – Controller & Starters.....	2
Figure 1-4 – Package – Drive Motor & Air Filter.....	3
Figure 1-5 – Package – Oil Filter, Oil Level Gauge, Mixing Valve.....	3
Figure 1-6 – Package – Air/Oil Flow Diagram.....	4
Figure 2-1 – Typical Compressor Room.....	9
Figure 2-2 – Air Flow Chart.....	9
Figure 2-3 – Cold Weather Installation.....	11
Figure 2-4 – Inlet Line Lengths.....	12
Figure 2-5 – Heat Exchanger Approximate Water Flow.....	14
Figure 2-6 – Aftercooler Approximate Water Flow.....	14
Figure 2-7 – Series Piping.....	15
Figure 2-8 – Parallel Piping.....	16
Figure 4-1 – Schematic Tubing Diagram.....	23
Figure 4-2 – Blowdown Valve.....	24
Figure 4-3 – Minimum Discharge Pressure/Check Valve.....	25
Figure 4-4 – Inlet Valve.....	25
Figure 4-5 – Shuttle Valve.....	26
Figure 4-6 – Turn Valve Actuator (Sectioned).....	26
Figure 4-7 – Control Schematic – Compressor At Full Load.....	29
Figure 4-8 – Control Schematic – Compressor Fully Unloaded – Low Demand Mode Switch Off.....	30
Figure 4-9 – Control Schematic – Compressor Fully Unloaded – Low Demand Mode Switch On.....	31
Figure 4-10 – Wiring Diagram – (Wye Delta, Es+ Controller, Air-Cooled).....	32
Figure 4-11 – Wiring Diagram – Wye Delta Es+ Controller – Water Cooled.....	33
Figure 5-1 – Dew Point Chart °F.....	37
Figure 5-2 – Dew Point Chart °C.....	37
Figure 5-3 – Flow Diagram.....	38
Figure 5-4 – Oil Flow Diagram – Remote Overhead Mounted.....	39
Figure 5-5 – Cooler Drain Detail.....	40
Figure 5-6 – Oil Level Gauge.....	44
Figure 5-7 – Oil Change Interval.....	44
Figure 5-8 – Approximate Oil System Capacities.....	46
Figure 5-9 – Thermostatic Mixing Valve Element.....	48
Figure 5-10 – Water Control Valve.....	50
Figure 5-11 – Oil Separator.....	51
Figure 6-1 – Heavy Duty Air Filter (Standard).....	55
Figure 7-1 – Installation Of Coupling Cushions.....	57

SECTION 1 GENERAL INFORMATION

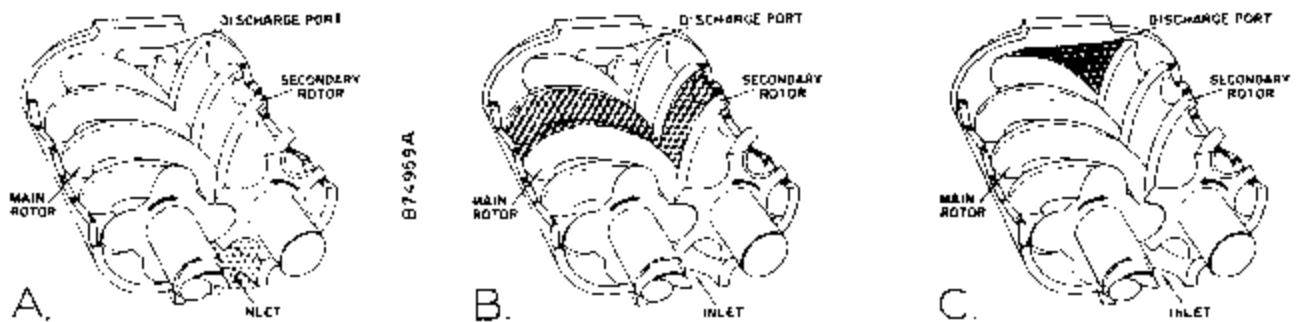


Figure 1-1 – COMPRESSION CYCLE

COMPRESSOR - The Gardner Denver Rotary Screw compressor is a single stage, positive displacement rotary machine using meshing helical rotors to effect compression. Both rotors are supported between high capacity roller bearings located outside the compression chamber. Single width cylindrical roller bearings are used at the inlet end of the rotors to carry part of the radial loads. Tapered roller bearings at the discharge end locate each rotor axially and carry all thrust loads and the remainder of the radial loads.

COMPRESSION PRINCIPLE (Figure 1-1) - Compression is accomplished by the main and secondary rotors synchronously meshing in a one-piece cylinder. The main rotor has four (4) helical lobes 90° apart. The secondary rotor has five (5) matching helical grooves 72° apart to allow meshing with main rotor lobes.

The air inlet port is located on top of the compressor cylinder near the drive shaft end. The discharge port is near the bottom at the opposite end of the compressor cylinder. *Figure 1-1, is an inverted view to show inlet and discharge ports.* The compression cycle begins as rotors unmesh at the inlet port and air is drawn into the cavity between the main rotor lobes and secondary rotor grooves (A). When the rotors pass the inlet port cutoff, air is trapped in the interlobe cavity and flows axially with the meshing rotors (B). As meshing continues, more of the main rotor lobe enters the secondary rotor groove, normal volume is reduced and pressure increases.

Oil is injected into the cylinder to remove the heat of compression and seal internal clearances. Volume reduction and pressure increase continues until the air/oil mixture trapped in the interlobe cavity by the rotors passes the discharge port and is released to the oil reservoir (C). Each rotor cavity follows the same "fill-compress-discharge" cycle in rapid succession to produce a discharge air flow that is continuous, smooth and shock free.

AIR FLOW IN THE COMPRESSOR SYSTEM (Figure 5-3, page 38) - Air enters the air filter and passes through the inlet unloader valve to the compressor. After compression, the air/oil mixture passes into the oil reservoir where most of the entrained oil is removed by velocity change and impingement and drops back into the reservoir. The air and remaining oil passes into the separator and separator housing where the oil is separated and passes through tubing connecting the separator housing and compressor. The air passes through the minimum pressure valve, discharge check valve and cooler, then to the plant air lines.

LUBRICATION, COOLING AND SEALING - Oil is forced by air pressure from the oil reservoir through the oil cooler, thermostatic mixing valve, and oil filter and discharges into the compressor main oil gallery. A portion of the oil is directed through internal passages to the bearings, gears and shaft oil seal. The balance of the oil is injected directly into the compression chamber to remove heat of compression, seal internal clearances and lubricate the rotors.

TURN VALVE - The turn valve is a rotary helical valve located on the discharge side of the cylinder toward the inlet end. The valve opens and closes ports in the cylinder which communicates with the inlet passage. This varies the compressor rotor volume to match the demand for air, thus reducing the part-load power requirement.

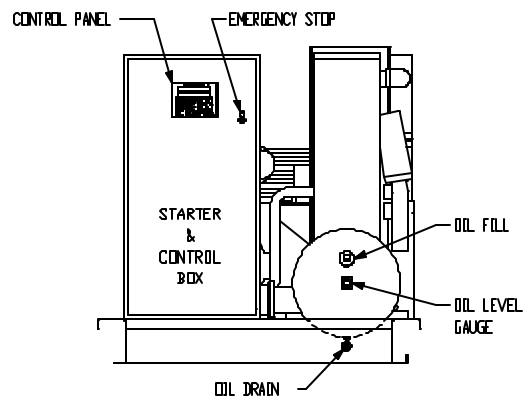


Figure 1-2 - STARTER BOX

201EAU797
(Ref. Drawing)

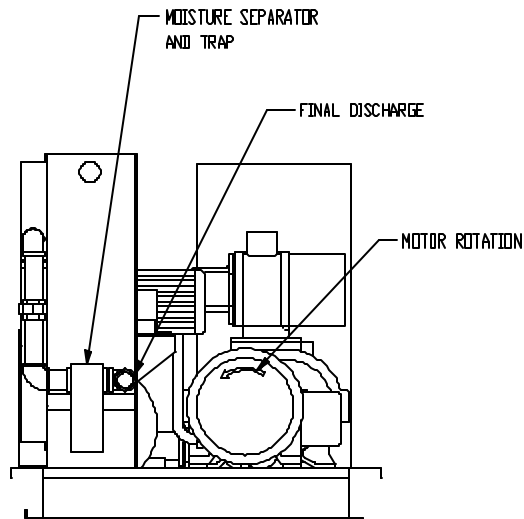


Figure 1-3 – PACKAGE – CONTROLLER & STARTERS

201EAU797
(Ref. Drawing)

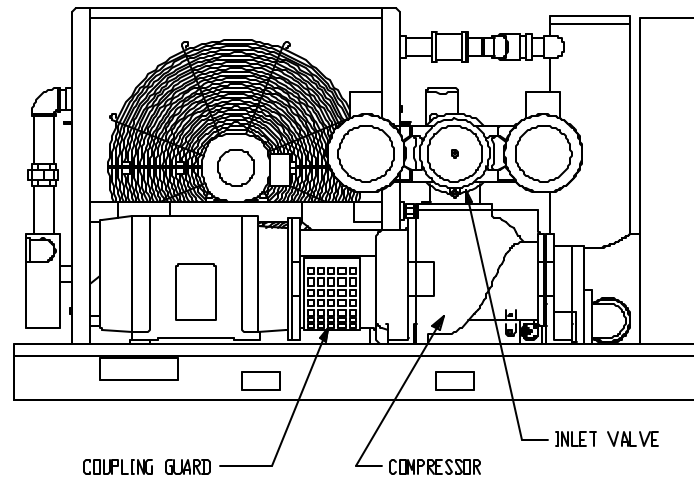


Figure 1-4 – PACKAGE – DRIVE MOTOR & AIR FILTER

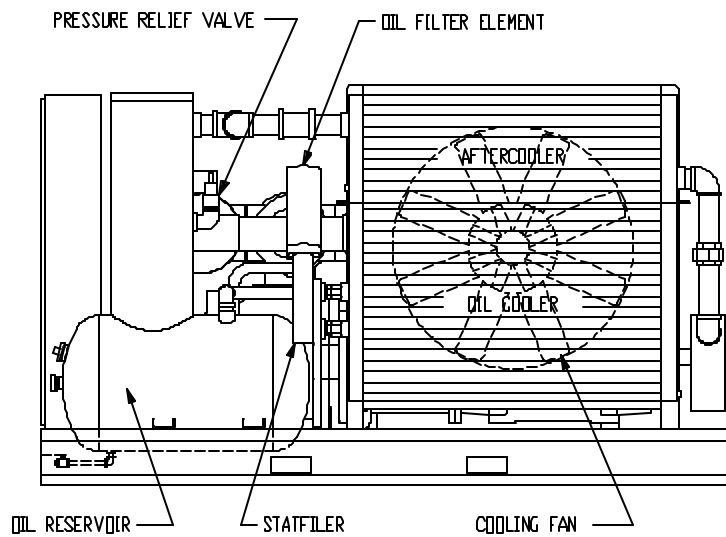
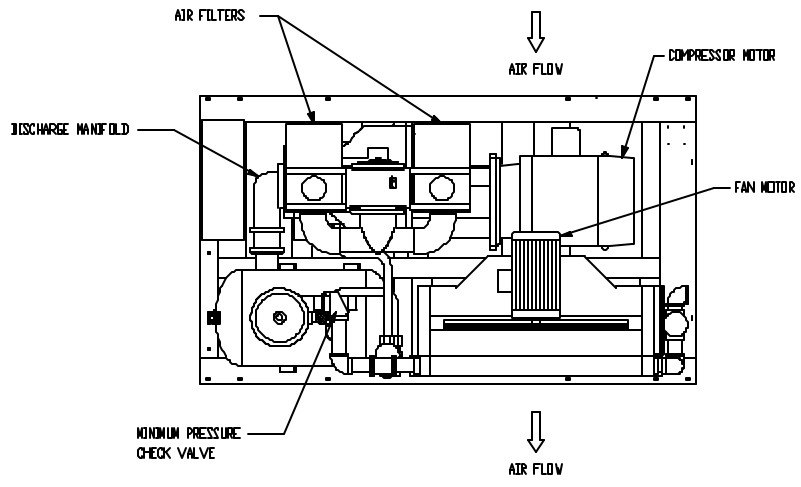


Figure 1-5 – PACKAGE – OIL FILTER, OIL LEVEL GAUGE, MIXING VALVE
MINIMUM PRESSURE VALVE & CHECK VALVE

201EAU797
(Ref. Drawing)



201EAU797
(Ref. Drawing)

Figure 1-6 – PACKAGE – AIR/OIL FLOW DIAGRAM

SAFETY PRECAUTIONS

Safety is everybody's business and is based on your use of good common sense. All situations or circumstances cannot always be predicted and covered by established rules. Therefore, use your past experience, watch out for safety hazards and be cautious. Some general safety precautions are given below:



DANGER

Failure to observe these notices could result in injury to or death of personnel.

- **Keep fingers and clothing away** from revolving fan, drive coupling, etc.
- **Do not use the air discharge** from this unit for breathing – not suitable for human consumption.
- **Do not loosen or remove the oil filler plug, drain plugs, covers the thermostatic mixing valve or break any connections, etc.,** in the compressor air or oil system until the unit is shut down and the air pressure has been relieved.
- **Electrical shock** can and may be fatal.
- **Perform all wiring** in accordance with the National Electrical Code (NFPA-70) and any applicable local electrical codes. Wiring and electrical service must be performed only by qualified electricians.
- **Open main disconnect switch,** tag and lockout before working on the control.
- **Disconnect the compressor unit** from its power source, tag and lockout before working on the unit – this machine is automatically controlled and may start at any time.

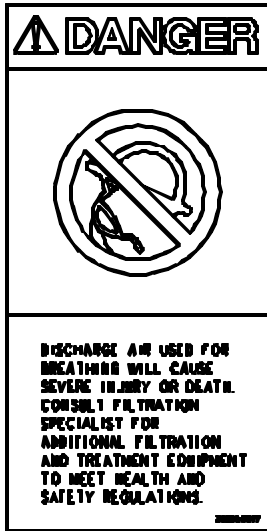


WARNING

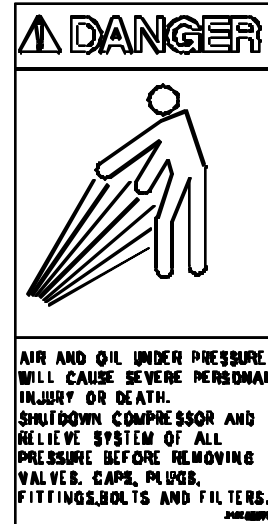
Failure to observe these notices could result in damage to equipment.

- **Stop the unit** if any repairs or adjustments on or around the compressor are required.
- **Disconnect the compressor unit** from its power source, tag and lockout before working on the unit – this machine is automatically controlled and may start at any time.
- **An Excess Flow Valve** should be on all compressed air supply hoses exceeding 1/2 inch inside diameter (OSHA Regulation, Section 1926.302).
- **Do not exceed** the rated maximum pressure values shown on the nameplate.
- **Do not operate unit** if safety devices are not operating properly. Check periodically. Never bypass safety devices.

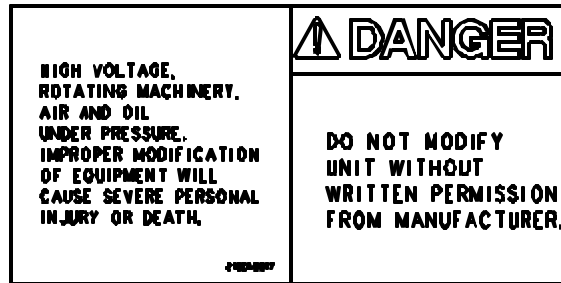
DECALS



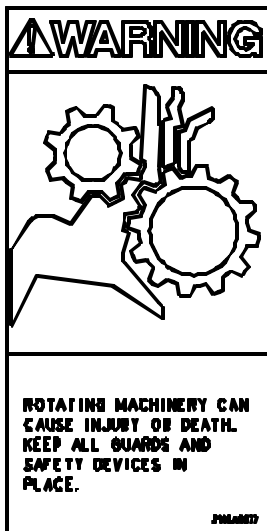
206EAQ077



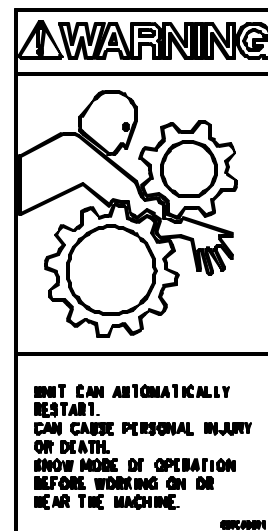
212EAQ077



218EAQ077

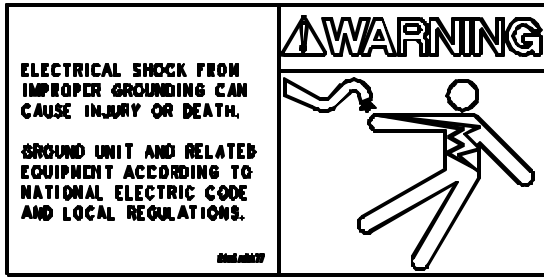


211EAQ077

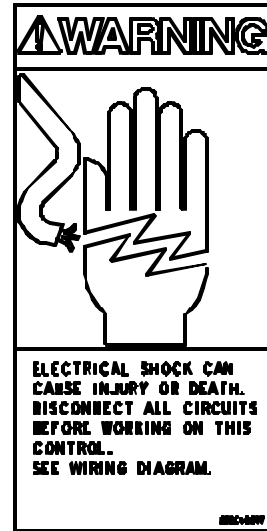


207EAQ077

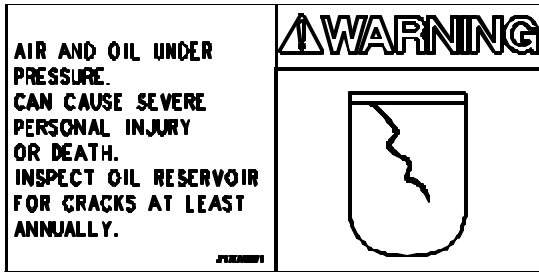
DECALS



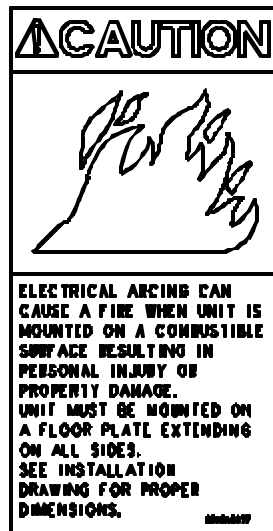
216EAQ077



222EAQ077



217EAQ077



221EAQ077



208EAQ077

SECTION 2 INSTALLATION

GENERAL - On receipt of the unit, check for any damage that may have been incurred during transit. Report any damage or missing parts as soon as possible.



CAUTION

Do not electric weld on the compressor or base; bearings can be damaged by passage of current.

LIFTING UNIT - Proper lifting and/or transporting methods must be used to prevent damage. Lifting slots are provided in the base for tow motor use. The unit may also be moved into location by rolling on bars.



CAUTION

Lift compressor unit by base only. Do not use other places such as motor, compressor or discharge manifold piping as lifting points.



DANGER

The eyebolts or lugs provided on the motor are for lifting the motor only and should not be used to lift any additional weight. All eyebolts must be securely tightened. When lifting the motor, the lifting angle must not exceed 15 degrees. Failure to observe this warning may result in damage to equipment or personal injury.



DANGER

Compressor, air/oil reservoir, separator chamber and all piping and tubing may be at high temperature during and after operation.

LOCATION - The compressor should be installed, whenever possible, in a clean, well-lighted, well-ventilated area with ample space all around for maintenance. Select a location that provides a cool, clean, dry source of air. In some cases it may be necessary to install the air filter at some distance from the compressor to obtain proper air supply.

Both the air-cooled and water-cooled units require cooling air as well as air to the compressor inlet. Proper ventilation **MUST** be provided; hot air must be exhausted from the compressor operating area. Ducting air in and/or out will be required when using the quiet enclosure. A typical inlet-outlet air flow arrangement is shown in Figure 2-1, page 9.

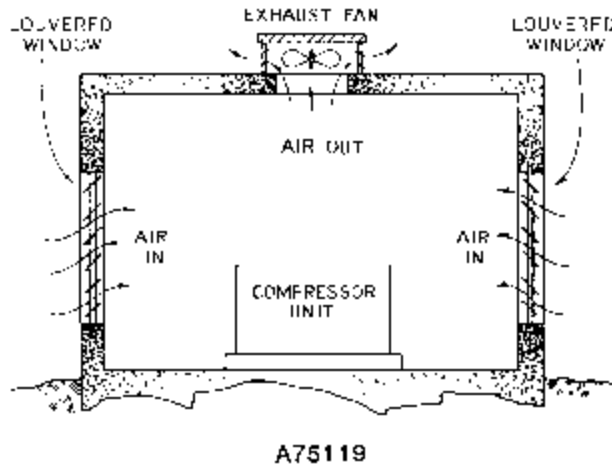


Figure 2-1 – TYPICAL COMPRESSOR ROOM

Minimum Air Flow * for Compression and Cooling – CFM (M ³ /MIN)			
HP (Kw)	Air-Cooled Package	Air-Cooled Module	Water-Cooled Package
200 (150)	28,500 (808)	20,500 (580)	8,000 (226)
250 (186)	35,900 (1016)	26,000 (736)	9,900 (280)
300 (225)	37,900 (1073)	26,000 (736)	11,000 (311)

* 80° F (27° C) Inlet Air

Figure 2-2 – AIR FLOW CHART

Air-Cooled Units - A combination oil/aftercooler is supplied as standard equipment on all air-cooled units. The air-cooled unit with the standard enclosure requires sufficient flow, Figure 2-2, for the compressor oil/aftercooling system and for electric motor cooling. Air is drawn into the unit at the motor side of the enclosure and is exhausted at the oil cooler side. Do not block the air flow to and from the unit. Allow three and one-half (3-1/2) feet (1.1 m) to the nearest obstruction on the starter end and control box end of the unit. Allow three (3) feet (.9 m) to the nearest obstruction above and on other sides of unit. For continuous efficiency, oil cooler cores must be periodically cleaned with either vacuum or compressed air. If wet cleaning is required, shield motor and spray on a mild soap solution and flush with clean water.

Water-Cooled Units - The water-cooled unit with the standard enclosure requires sufficient air flow, Figure 2-2, for electric motor cooling. Air is drawn into the unit at the top of the enclosure and is exhausted at the motor side. Do not block air flow to and from unit. Allow three and one-half (3-1/2) feet (1.1 m) to the nearest obstruction on the starter end and control box side of the unit. Allow three (3) feet (.9 m) to the nearest obstruction above and on other sides of the unit.



WARNING

These compressors have aluminum oil coolers; do not use any cleaning solution that is not compatible with aluminum. Use of improper solution may result in damage to the cooler.

FOUNDATION - The Gardner Denver Rotary Screw compressor requires no special foundation, but should be mounted on a smooth, solid surface. Whenever possible install the unit near level. Temporary installation may be made at a maximum 10° angle lengthwise or 10° sidewise.

Mounting bolts are not normally required. However, installation conditions such as piping rigidity, angle of tilt, or danger of shifting from outside vibration or moving vehicles may require the use of mounting bolts and shims to provide uniform support for the base.

OIL RESERVOIR DRAIN - The oil drain is piped from the bottom of the reservoir to the side of the frame. This drain is approximately 4.50 inches (115 mm) above the floor level. If this is not sufficient to conveniently drain the oil some other methods of providing drain are:

1. Elevate the compressor unit on a suitable structure to obtain the desired drain height.



CAUTION

If the compressor unit base is raised above floor level, the space between the floor and the base bottom must be closed with solid material all around to prevent recirculation of hot air from the oil cooler end and over temperature operation.

2. Construct an oil sump or trough below the floor level and pump or bail the drained oil.
3. Pump oil from the reservoir filler opening or drain to a container.

ENCLOSURE - The compressor, electric motor, oil cooler and aftercooler are mounted inside the enclosure. Service doors are provided for maintenance access. Be sure to allow enough space around the unit for the doors to open completely.

Any of the enclosure doors may be removed by opening the door and lifting it up slightly to disengage the hinges.



WARNING

Ducting will be required on air-cooled quiet enclosure machines.



DANGER

Do not operate the compressor with the fan and coupling guard removed. Exposed fan and couplings may cause injury to personnel.

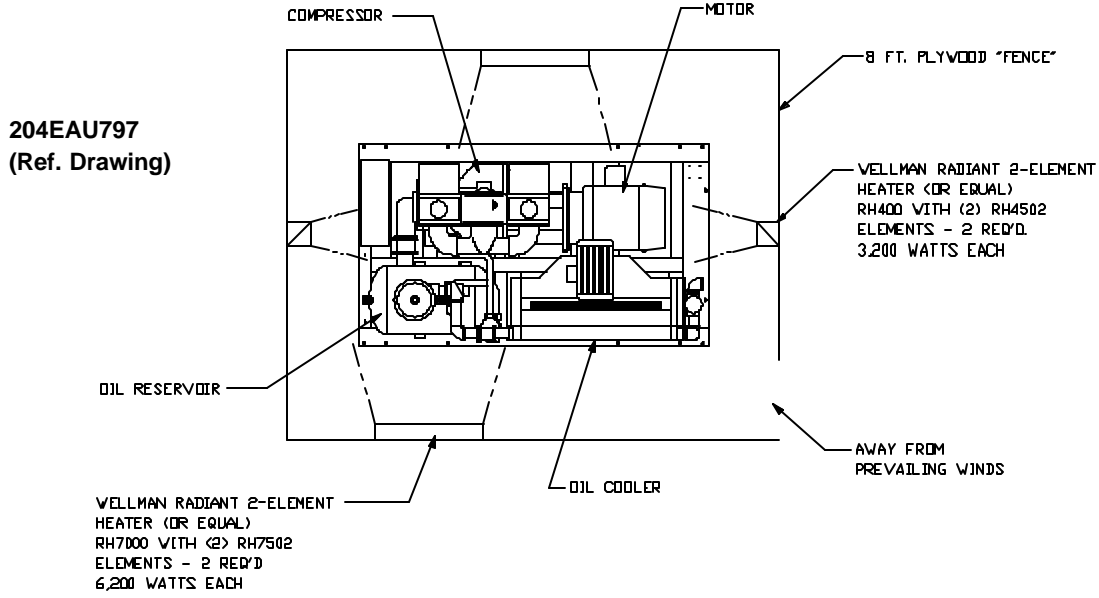


Figure 2-3 – COLD WEATHER INSTALLATION

INSTALLATION FOR COLD WEATHER OPERATION (Figure 2-3) - It is recommended that the unit be installed inside a shelter that will be heated to temperatures above freezing (32° F, 0° C). This will eliminate many of the problems associated with operating units in cold climates where freezing rain, drifting snow, freezing condensate and bitter cold temperatures are encountered.

Refer to Engineering Data Sheet 13-9-411 for the advantages of using the heat recovered from rotary compressors. This heat recovery could easily pay for an adequate shelter for the unit.

When an outside installation must be made, the precautions required will depend on the severity of the environment. The following are general guidelines for outside installations:

Cold Weather (Down To +10° F, -12° C)

1. Be sure all drains, traps, and control lines, including pressure transducer lines are heated to avoid freezing of condensate. Heat tape with thermostat control is generally satisfactory for this purpose and can be obtained at various local plumbing or hardware outlets at nominal cost.
2. If an air-cooled aftercooler is to be used, provisions to bypass the aftercooler must be made. Since cold air contains very little moisture, successful operation can be achieved without the aftercooler.
3. Provide at least some simple shelter such as a plywood windbreak to protect against drifting snow.
4. Use only Gardner Denver AEON 9000SP lubricant.
5. Monitor the unit carefully during start-up and operation to be sure it is functioning normally.
6. Specify NEMA 4 enclosure for electrical devices.

Extreme Cold Weather Operation (Down To -10° F, -23° C)

In addition to the above, the following should be provided:

1. It will be necessary to provide shutters or to block off part of the cooler in some manner since the cooler is greatly oversized for operation in these low temperatures. Since shutters are not provided as a factory option, blocking off a portion of the cooler with plywood should be satisfactory.
2. Auto operation should not be used in extreme environments.
3. Some means of providing heat during shutdown should be provided. There are various methods to accomplish this, but since openings are not provided for sump heaters, the use of radiant heaters is recommended. The heaters should be sized to provide at least a +10° F (-12° C) environment for coolers, motor and sump. Figure 2-3, page 11, shows how these might be located in a typical installation and sizes required.

Remember unsheltered (outside) installations should be avoided where possible. Installation next to a heated building where enough heat can be used to keep the compressor room above freezing will save many complications in the operation and installation of the unit.

Refer to Engineering Data Sheet 13-9-411, available from an authorized Gardner Denver distributor, for the advantages of using the heat recovered from rotary compressors. This heat recovery could easily pay for an adequate shelter for the unit.

AUXILIARY AIR RECEIVER - An auxiliary air receiver is not required if the piping system is large and provides sufficient storage capacity to prevent rapid cycling. When used, an air receiver should be of adequate size, provided with a relief valve of proper setting, a pressure gauge and a means of draining condensate.

MOISTURE SEPARATOR/TRAP - Since the unit is equipped with a built-in aftercooler, a combination moisture separator and trap is furnished with the unit. A means of draining condensate will be needed.

CONTROL PIPING - Control piping is not necessary since the Electra-Saver unit is factory wired and piped for the control system specified.


Length of Inlet Line	Diameter of Pipe Size
0 to 10 Feet (0 to 3 Meters)	Same as Compressor Inlet Opening
10 to 17 Feet (3 to 5 Meters)	One Size Larger Than Inlet Opening
17 to 38 Feet (5 to 11.5 Meters)	Two Sizes Larger Than Inlet Opening

Figure 2-4 – INLET LINE LENGTHS

INLET LINE - Where an inlet line is used between the air filter and the compressor, it must be thoroughly cleaned on the inside to prevent dirt or scale from entering the compressor. If welded construction is used, the line must be shot blasted and cleaned to remove welding scale. In either case, the inlet line must be coated internally by galvanizing or painting with a moisture and oil-proof sealing lacquer. Up to ten (10) feet (3 meters) in length, the inlet line should be the full size of the inlet opening on the compressor. If an extra-long line is necessary, the pipe size should be increased according to Inlet Line Length Chart Figure 2-4, page 12.

Accessibility for inlet air filter servicing must be considered when relocating the filters from the unit to a remote location.

DISCHARGE SERVICE LINE - The discharge service line connection on both water-cooled and air-cooled units is made at the right hand corner of the unit, viewed from the opposite end from control panel side. When connecting two or more GD rotary screw units on a common manifold, each unit is isolated by the check valve in the unit discharge line. If a Gardner Denver rotary screw unit is connected to another compressor on a common manifold, be sure the other compressor has a check valve in the line between the machine and the manifold. If a rotary screw and a reciprocating compressor are connected together on a common manifold, an air receiver must be located between the two units.

 <b style="font-size: 1.2em; margin-left: 10px;">DANGER
<p>Discharge air used for breathing will cause severe injury or death.</p> <p>Consult filtration specialists for additional filtration and treatment equipment to meet health and safety standards.</p>

HEAT EXCHANGER (DOMESTIC)							
		Water Temperature to Heat Exchanger (gpm)				Maximum Water Flow (gpm) *	Approximate Water Pressure Drop @ 90° F Water Temperature (psi)
HP	Model	60° F	70° F	80° F	90° F		
200	EAU99P	18.8	23.5	31.3	47.0	110	1.1
250	EAU99P	23.9	29.9	39.8	59.8	110	1.6
300	EAU99P	29.1	36.3	48.5	72.7	110	2.1

* Flows exceeding "Maximum Water Flow" will cause severe erosion and will void unit warranty.

HEAT EXCHANGER (INTERNATIONAL)							
		Water Temperature to Heat Exchanger (ls)				Maximum Water Flow (ls) *	Approximate Water Pressure Drop @ 32° C Water Temperature (bar)
KW	Model	16° C	21° C	27° C	32° C		
150	EAU99R & S	1.2	1.5	2.0	3.0	7.0	Less than .15 bar for any flow rate shown in the table
186	EAU99R & S	1.5	1.9	2.5	3.8	7.0	
225	EAU99R & S	1.8	2.3	3.1	4.6	7.0	

* Flows exceeding "Maximum Water Flow" will cause severe erosion and will void unit warranty.

Figure 2-5 – HEAT EXCHANGER APPROXIMATE WATER FLOW

AFTERCOOLER (DOMESTIC)							
		Water Temperature to Heat Exchanger (gpm)				Maximum Water Flow (gpm) *	Approximate Water Pressure Drop @ 90° F Water Temperature (psi)
HP	Model	60° F	70° F	80° F	90° F		
200	EAU99P	3.0	3.7	5.0	7.5	110	Less than 1 psi for any flow rate shown in the table
250	EAU99P	3.8	4.8	6.4	9.5	110	
300	EAU99P	4.6	5.8	7.7	11.6	110	

* Flows exceeding "Maximum Water Flow" will cause severe erosion and will void unit warranty.


AFTERCOOLER (INTERNATIONAL)							
		Water Temperature to Heat Exchanger (ls)				Maximum Water Flow (ls) *	Approximate Water Pressure Drop @ 32° C Water Temperature (bar)
kw	Model	16° C	21° C	27° C	32° C		
150	EAU99R & S	0.2	0.2	0.3	0.5	7.0	Less than .1 bar for any flow rate shown in the table
186	EAU99R & S	0.2	0.3	0.4	0.6	7.0	
225	EAU99R & S	0.3	0.4	0.5	0.7	7.0	

* Flows exceeding "Maximum Water Flow" will cause severe erosion and will void unit warranty.

Figure 2-6 – AFTERCOOLER APPROXIMATE WATER FLOW

BLOWDOWN VALVE PIPING - The blowdown valve is piped back into the airend between the inlet valve and air filter.

WATER PIPING (Water-Cooled Heat Exchanger Models Only) - On machines equipped with water-cooled heat exchangers, the water inlet and outlet connections are located in the unit base flange.

 WARNING
It is mandatory that any water cooled unit be installed in a shelter heated to temperatures above freezing (32° F., 0° C).

The water source should be capable of supplying up to the maximum flow shown in Figure 2-5, page 14, and Figure 2-6, page 14, at a minimum pressure of 40 psig (2.8 bar); maximum allowable water pressure is 150 psig (10.3 bar). The water flow rates shown are approximate and a guide to sizing piping, cooling tower and other water system equipment.

The heat exchanger system is designed to operate with water inlet temperatures from 60° F to 90° F (16° C to 32° C) and a water outlet temperature not to exceed 110° F (43° C). If water cooler than 60° F is used, high water outlet temperatures (over 110° F, 43° C) will be experienced along with shortened heat exchanger life caused by tube fouling and corrosion. If water warmer than 90° F (32° C) is used, higher compressor oil inlet temperatures and high water usage will result.

Most water systems will require control of impurities: filtration, softening or other treatment. See "Compressor Oil Cooler - Water-Cooled Heat Exchanger", page 49 for more information on the water system.

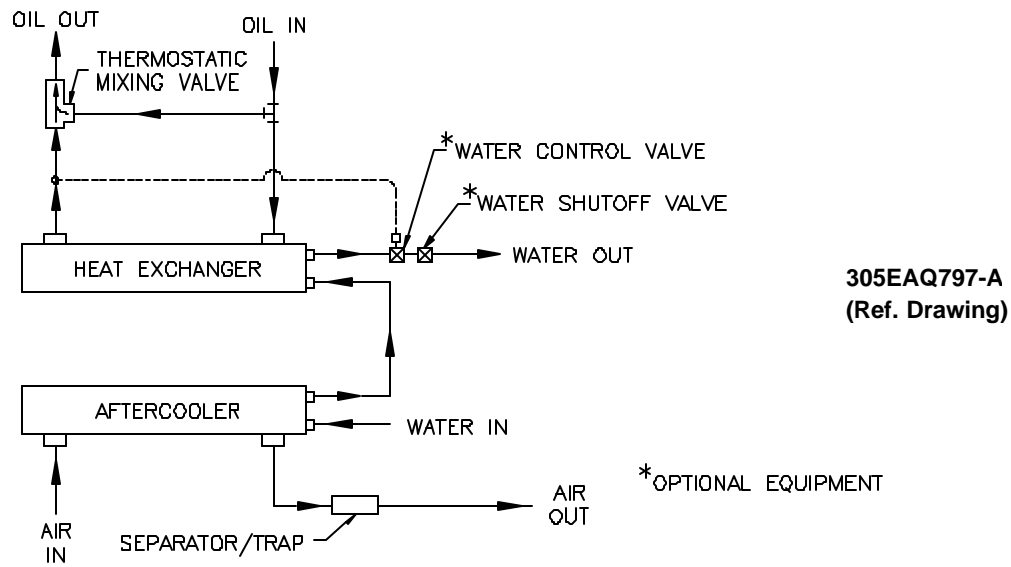
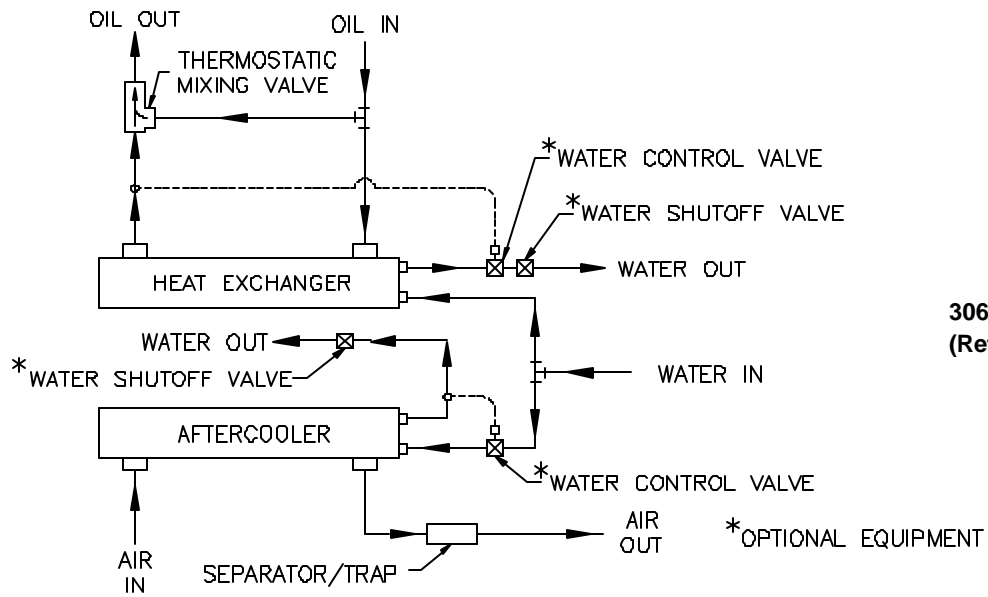


Figure 2-7 – SERIES PIPING

SERIES PIPING (Figure 2-7, page 15) - Water flow must be through aftercooler first for effective cooling of discharge air and is so piped on the standard water-cooled unit.



306EAQ797-A
(Ref. Drawing)

Figure 2-8 – PARALLEL PIPING

* (OPTIONAL) WATER CONTROL VALVE AND WATER SHUTOFF VALVE MUST BE ORDERED SEPARATELY

PARALLEL PIPING (Figure 2-8, page 16) - A separate water control valve is required to control the discharge air temperature. If a remote (externally mounted) water-cooled aftercooler is piped in parallel with the heat exchanger, provide a separate water control valve for the aftercooler and pipe separate inlet water lines to both the aftercooler and heat exchanger.

The water control valve is to be adjusted to maintain oil out of the heat exchanger within the 140° F to 150° F (60° C to 66° C) range regardless of inlet water flow or temperature as long as a minimum flow for a given temperature is met (Figure 2-5, page 14 and Figure 2-6, page 14). See Section 5, for adjustment instructions and maximum allowable lubricant temperature.

ELECTRICAL WIRING - Standard Units - The Electra-Saver compressor is factory wired for all starter to motor and control connections for the voltage specified on the order. It is necessary only to connect the unit starter to the correct power supply. The standard unit is supplied with an open drip-proof motor, a NEMA 12 starter and control enclosure. See "Location" paragraph, page 8, for distance to the nearest obstruction on starter and control box sides of the unit.

Lower operating voltages (200/208) require that the unit starter be remote mounted since the starter is too large to be mounted within the control enclosure. If not supplied with the compressor unit, the starter must be a Size 6 full voltage non-reversing type in NEMA (CEMA) enclosure suitable for the environment, with two (2) rejection type control circuit fuses (size according to motor starter manufacturer's standard), a 200 (208) volt coil, and three (3) overload heaters for 200 (208) volt 100 HP (75 kW), 1.15 service factor motor. The overload heaters are to be selected according to starter manufacturer's tables based on motor nameplate full load amperage.



WARNING

Electrical shock can cause injury or death. Open main disconnect switch, lockout and tagout before working on control box.

GROUNDING - Equipment must be grounded in accordance with Table 250-95 of the National Electrical Code.



WARNING

Failure to properly ground the compressor package could result in injury or death. Install ground wiring in accordance with the National Electrical Code and any applicable local codes.

MOTOR LUBRICATION - Long time satisfactory operation of an electric motor depends in large measure on proper lubrication of the bearings. The following charts show recommended grease qualities and regreasing intervals for ball bearing motors. For additional information refer to the motor manufacturer's instructions. The following procedure should be used in regreasing:

1. Stop the unit.
2. Disconnect, lockout and tagout the unit from the power supply.
3. Remove the relief plug and free hole of hardened grease.
4. Wipe lubrication fitting clean and add grease with a hand-operated grease gun. Only enough grease should be added to replace the grease used by the bearing. Too much grease can be as harmful as insufficient grease. The grease capacity should be about ½ full.

5. Leave the relief plug temporarily off. Reconnect the unit and run for about 20 minutes to expel the excess grease.
6. Stop the unit. Replace the relief plug.
7. Restart the unit.

⚠	WARNING
Rotating machinery can cause injury or death. Open main disconnect, lockout and tagout power supply to starter before working on the electric motor.	

ELECTRIC MOTOR GREASE RECOMMENDATIONS (-30° C to 50° C)

MANUFACTURER	TRADE NAME
CHEVRON	SRI #2
SHELL	DOLIUM R
EXXON	UNIREX #2
EXXON	POLYREX

ELECTRIC MOTOR REGREASING INTERVAL

Type of Service	Typical	Rating	Relubrication Interval
Standard	One or Two Shift Operation	Up to 150 HP (112 kW)	18 Months
		Above 150 HP (112 kW)	12 Months
Severe	Continuous Operation	Up to 150 HP (112 kW)	9 Months
		Above 150 HP (112 kW)	6 Months
Very Severe	Dirty Locations, High Ambient Temperature	Up to 150 HP (112 kW)	4 Months
		Above 150 HP (112 kW)	2 Months

SECTION 3

STARTING & OPERATING PROCEDURES

PRESTART-UP INSTRUCTIONS - A new unit as received from the factory has been tested and then prepared for shipping only. Do not attempt to operate the unit until checked and serviced as follows:

1. **Compressor Oil** - Check the oil level in the reservoir. Add oil only if the oil level gauge reads in the red "ADD OIL" range. Do not mix different type oils. The unit is shipped filled with Gardner Denver AEON™ 9000SP Lubricating Coolant which is suitable for the first 8000 hours under normal operating conditions.

REPLACE OIL FILTER EVERY 1000 HOURS.

Initial fill, or filling after a complete draining of the system, may show the oil level in the yellow "EXCESS OIL" range. After start-up, the oil will fall into the green operating range as system components are filled. If necessary, add oil to bring the level to the top of the green range as read when the unit is operating at full load and normal pressure. See Figure 5-6, page 44.

NOTICE

Regular maintenance and replacement at required intervals of the oil filter, air filter and air/oil separator is necessary to achieve maximum service and extended drain intervals of AEON 9000SP synthetic lubricant. Use only genuine Gardner Denver filters designed and specified for this compressor.



DANGER

Before removing the oil filler plug, always stop the unit and release air pressure, lockout and tagout the power supply to the starter. Failure to release pressure or properly disconnect the power may result in personal injury or death.

During unloaded operation and after shutdown, the system will partially drain back into the oil reservoir and the oil level may read higher than when operating on load. DO NOT DRAIN OIL TO CORRECT; on the next loaded cycle or start, oil will again fill the system and the gauge will indicate the operating level.

2. **Air Filter** - Inspect the air filter to be sure it is clean and tightly assembled. Refer to Section 6, "Air Filter," for complete servicing instructions. Be sure the inlet line, if used, is tight and clean.
3. **Coupling** - Check all bolts and cap screws for tightness. See Section 7.
4. **Piping** - Refer to Section 2, "Installation," and make sure piping meets all recommendations.
5. **Electrical** - Check the wiring diagrams furnished with the unit to be sure it is properly wired. See FIGURE 4-10 thru Figure 4-11, pages 32 thru 33, for general wiring diagrams and Section 2, for installation instructions.
6. **Grounding** - Equipment must be properly grounded according to Table 250-95 of the National Electrical Code.



WARNING

Failure to properly ground the compressor package could result in controller malfunction.

7. **Rotation** - Check for correct motor rotation using "JOG MODE." Compressor drive shaft rotation must be counterclockwise standing facing the compressor coupling. Check the rotation on the fan motors. Vent fan motors should blow into the package. Air cooled cooling fan should blow through the cooler.



WARNING

Operation with incorrect motor rotation can damage equipment and cause oil eruption from the compressor inlet. When checking motor rotation, induce minimum rotation (less than one revolution if possible). Never allow motor to reach full speed.



WARNING

The compressor unit's direction of rotation must be checked every time the compressor is reconnected to the power supply.

8. **System Pressure** - Set the controls to the desired load pressure. **DO NOT EXCEED THE MAXIMUM OPERATING PRESSURE ON THE COMPRESSOR NAMEPLATE.** See Controller Manual 13-9-653 for procedure.



WARNING

Operation at excessive discharge air pressure can cause personal injury or damage to equipment. Do not adjust the full discharge air pressure above the maximum stamped on the unit nameplate.

9. **Operating Mode** - Refer to Section 4 for detailed information on the control system.
10. **Enclosure** - Check for damaged panels or doors. Check all screws and latches for tightness. Be sure doors are closed and latched.



DANGER

The compressor starts and stops automatically. Automatic restarting can cause injury or death. Open, lockout and tagout main disconnect and any other circuits before servicing the unit.

STARTING THE UNIT - Observe the following starting procedures.

Unit Cold - If the unit is a water-cooled heat exchanger model, open any manual water inlet valves wide open. Start the unit by pushing either the "CONSTANT RUN" button or one of the "AUTO" buttons. Since the unit is equipped with a minimum (65 psig, 4.5 bar) pressure discharge valve, no special procedure to maintain unit reservoir pressure is required.

Unit Hot - No warm-up period is required. If the unit is a water-cooled heat exchanger model, open any manual water inlet valves wide open. Start the unit by pushing either the "CONSTANT RUN" button or one of the "AUTO" buttons.

DAILY CHECK - Refer to Section 8, "Maintenance Schedule.

STOPPING THE UNIT - Press "STOP-RESET" button. The oil reservoir will automatically blow down as the motor stops. If the unit is a water-cooled heat exchanger type, close any manual water inlet valves.

SECTION 4 CONTROLS & INSTRUMENTATION

GENERAL DESCRIPTION - The Gardner Denver rotary screw compressor is prewired with all controls, motor, and starter for the voltage and horsepower at the time of ordering. It is necessary only to connect the compressor unit to the correct power supply and to the shop air line (and to the appropriate water supply if water cooled). A standard compressor unit consists of the compressor, oil reservoir, oil cooling system and filter, motor type as specified, NEMA 12 starter / control box, and control components as described below.

AUTOSENTRY OPERATION

Operation of the "AutoSentry" is dependent on selection of an operating mode from the controller keypad. Prior to starting, the [STOP/RESET] key must be pressed to place the controller into its "READY" state (as indicated on the display). Compressor operation may then be started by pressing an operating mode key.

AUTOMATIC is the most commonly selected mode of operation, as it will operate the compressor unit automatically in the most efficient manner for the demand of the air system.

Once operating, the mode may be changed at any time by pressing a key, and the selected mode will be displayed in the lower right corner of the message window. Press the [STOP/RESET] key at any time to stop the compressor under normal conditions.

Detailed instructions for the controller are found in the manual 13-9-653.



WARNING

Automatic restarting or electrical shock can cause injury or death. Disconnect, lockout and tagout the unit from the power supply and any other circuits before servicing unit.

CONTROL DEVICES

Controller - This compressor unit features the "AutoSentry" controller, which integrates all the control functions under microprocessor control. Its functions include safety and shutdown, compressor regulation, operator control, and advisory/maintenance indicators. The keypad and display provide the operator with a logical and easily operated control of the compressor and indication of its condition. The controller is factory adjusted for the compressor package, but allows tuning for specific applications.

Relief Valve - A pressure relief valve(s) is (are) installed in the final discharge line and set to approximately 120-125% of the unit's full load operating pressure for protection against overpressure. Periodic checks should be made to ensure its (their) operation.

The relief valve should be tested for proper operation at least once every year. To test the relief valve, raise the system operating pressure to 75% of the relief valve set pressure and manually open the valve with the hand lever. Hold the valve open for a few seconds and allow it to snap shut.



WARNING

When the relief valve opens, a stream of high velocity air is released, resulting in a high noise level and possible discharge of accumulated dirt or other debris. Always wear eye and ear protection and stand clear of the discharge port when testing the relief valve to prevent injury.



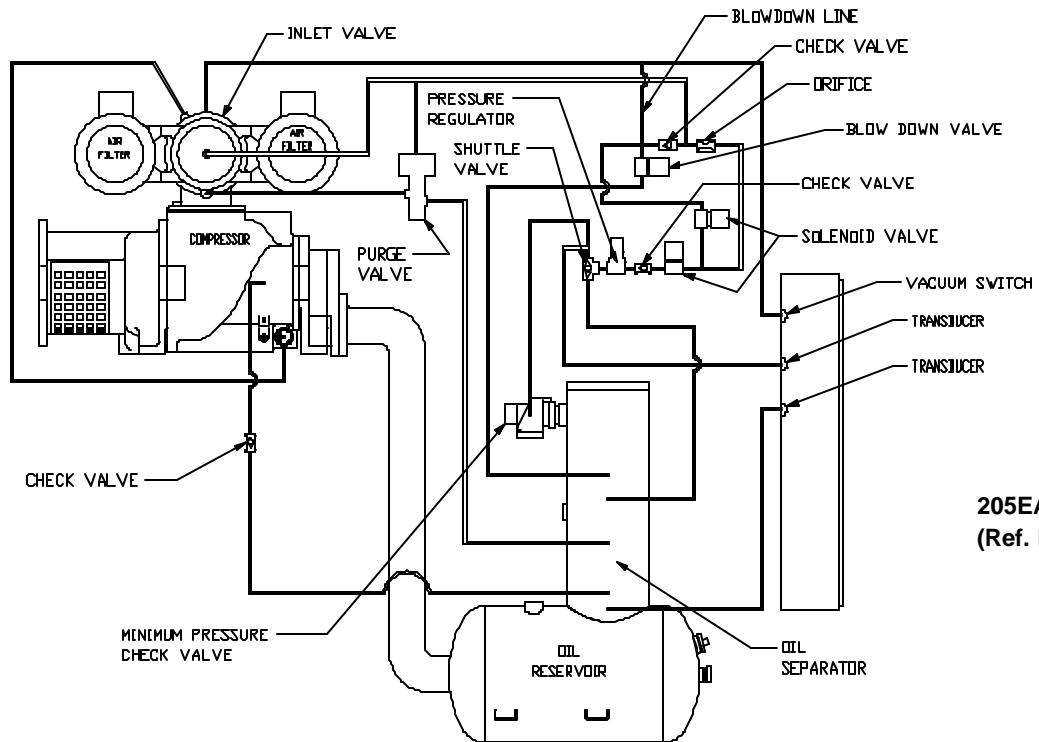
CAUTION

Never paint, lubricate or alter a relief valve. Do not plug vent or restrict discharge.



WARNING

Operation of the unit with improper relief valve setting can result in severe personal injury or machine damage. Ensure properly set valves are installed and maintained.



205EAU797-A
(Ref. Drawing)

Figure 4-1 – SCHEMATIC TUBING DIAGRAM

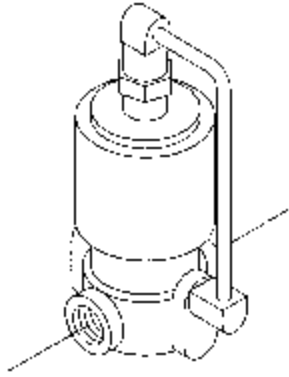


Figure 4-2 – BLOWDOWN VALVE

Blowdown Valve (Figure 4-2) - The blowdown valve is a two-way solenoid valve which is piped into the air/oil reservoir outlet ahead of the minimum pressure valve. When the solenoid is de-energized, the valve opens and the coolant system is blown down. When the solenoid is energized, the valve closes to allow the coolant system to pressurize. A control air check valve is provided to ensure that the inlet valve is closed during blowdown.

Oil Level Gauge (Figure 1-2, page 2 and Figure 5-6, page 44) - This gauge is located on the oil reservoir and indicates the oil level.

Minimum Discharge Pressure/Check Valve (Figure 4-3) - An internal spring-loaded minimum pressure valve is used in the final discharge line to provide a positive pressure on the coolant system of the compressor even if the air service valve is fully open to atmospheric pressure. This valve also functions as a check valve to prevent back flow of air from the shop air line when the unit stops, unloads, or is shut down.

The valve incorporates a spring-loaded piston which maintains approximately 65 psig in the oil reservoir. When the air pressure on the upstream (reservoir) side of the valve rises above 65 psig, the spring is overridden and the valve opens to full porting.

The valve does not require maintenance or adjustment. If the valve fails to function, check the valve stem O-ring for sealing, valve orifices for restriction, or valve and valve seat for burrs and dirt.

To service the valve make sure all pressure is relieved, disconnect the unit from the power supply, lockout and tagout, then unscrew the valve cap from the body. The internal parts will come out after the cap has been removed. Repair kits are available from your local authorized Gardner Denver distributor.

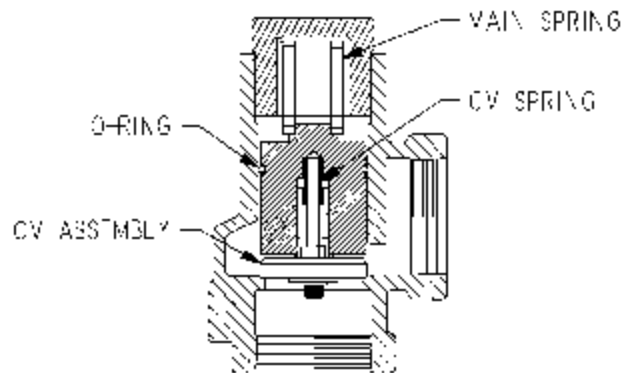


Figure 4-3 – MINIMUM DISCHARGE PRESSURE/CHECK VALVE

Inlet Valve (Figure 1-4, page 2, and Figure 4-4, page 25) - The Inlet valve restricts the inlet to control delivery and closes to unload the compressor. At shutdown, the inlet valve closes to prevent the back flow of air.

The inlet valve position is controlled by air pressure in its piston cylinder, which is controlled by the “AutoSentry” Controller through solenoid valves IVC and IVO. As pressure to the piston is increased, the valve closes to restrict air flow and compressor delivery.

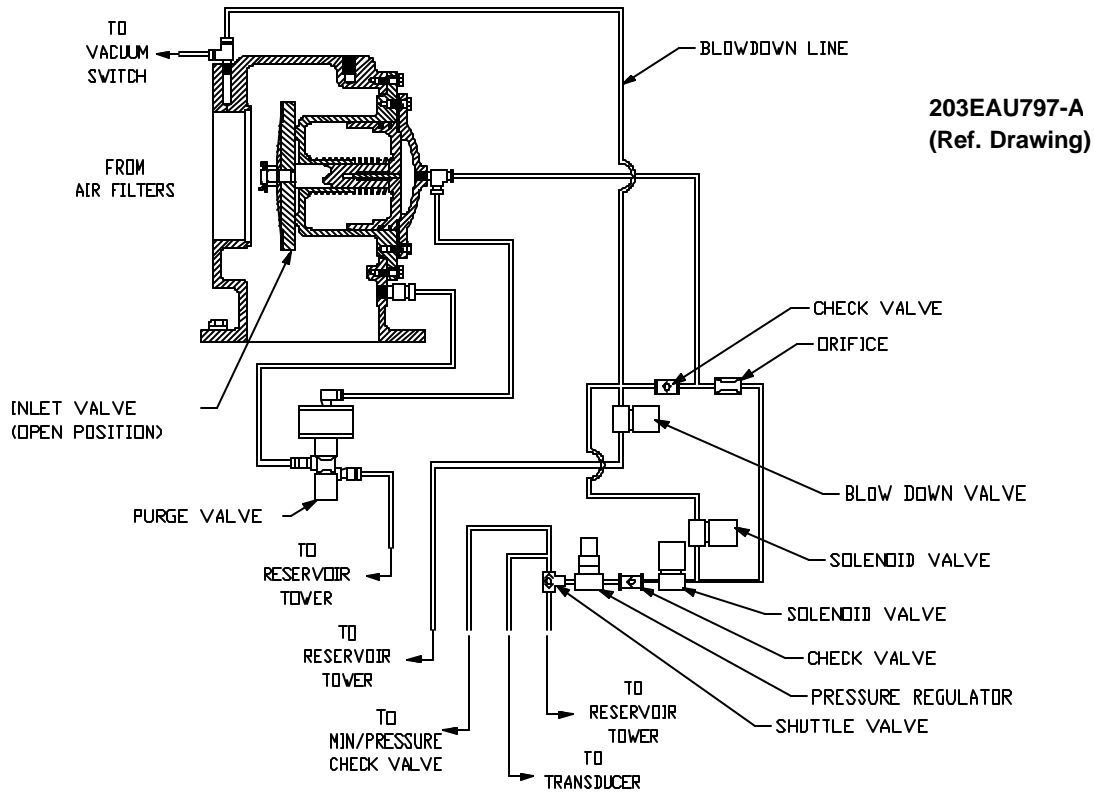


Figure 4-4 – INLET VALVE

Solenoid Valves IVC and IVO - These valves control position of the inlet valve in response to signals from the “AutoSentry”. With both valves de-energized, the normally open IVC valve allows control pressure to the inlet piston to close the valve. If IVC only is energized, the inlet valve is held in its current position. If both valves are energized, control pressure is relieved from the inlet piston to allow the valve to open.

Pressure Regulator - The pressure regulator is used to supply a constant and low control pressure to prevent damage to the inlet valve from “slamming.” The regulator should be set for 25-30 psig.

Shuttle Valve (Figure 4-5) - Also known as a double check valve, the shuttle valve is a device which will take two (2) supply signals and allow the one with the highest pressure to pass through. The shuttle valve is used to provide control air pressure from either the reservoir or plant air system, as required during different operating conditions.

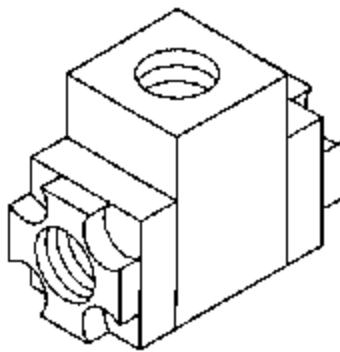
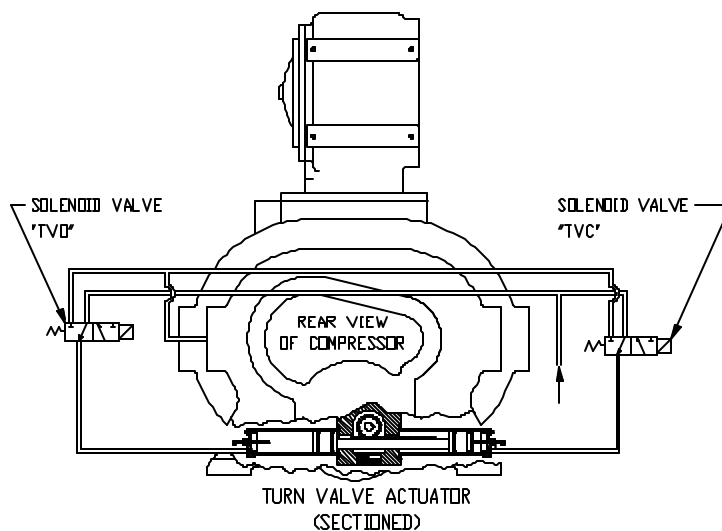


Figure 4-5 – SHUTTLE VALVE

Purge Air Valve - The purge valve is a normally closed two-way air actuated valve that admits purge air from the final discharge manifold to the compressor to counteract the oil knock that occurs in oil-flooded rotary screw compressors when they are completely unloaded with pressure in the oil reservoir. This valve is controlled by the same control pressure which controls the inlet valve.

Turn Valve - The turn valve is a helical valve which, when rotated, opens and closes a series of ports cast into the compressor cylinder. When these ports are open, they direct some of the air which would otherwise be compressed back to the inlet, reducing both capacity and power consumption.

Turn Valve Actuator (Figure 4-6, page 26) - The turn valve actuator is a rotary rack and pinion device which positions the turn valve according to system demand. Filtered oil from the reservoir is directed to the outboard ends of the two actuating cylinders to move the rack and rotate the valve. Located on the end of the cylinders are adjusting screws which limit the travel of the actuator. When looking at the rear of the compressor, the adjusting screw on the right on the compressor adjusts the fully closed (full load) position of the valve. The full load position of the actuator may be checked by removing the adjusting screw at the unloaded end of the actuator (left side of the compressor) and using a rod to push the pistons to the full load position. The rod must be clean and free of burrs and scale. Take care not to scrape the cylinder walls when moving the pistons.



209EAU797
(Ref. Drawing)

Figure 4-6 – TURN VALVE ACTUATOR (SECTIONED)

Solenoid Valves TVC and TVO - These valves control position of the turn valve in response to signals from the “AutoSentry” controller. With both valves de-energized, equal pressure is supplied to both sides of the actuator to hold it in its current position. If TVC only is energized, the right side of the turn valve actuator is exhausted to the compressor inlet cavity, causing the turn valve to move towards the full load position. If TVO only is energized, the left side of the turn valve actuator is exhausted to the compressor inlet cavity, causing the turn valve to move towards the unload position.

System Pressure Transducer - This transducer is connected after the minimum pressure valve. It converts the pressure in the plant air system into an electrical signal for use by the “AutoSentry” controller for modulation and control.

Reservoir Pressure Transducer - This transducer is connected to the coolant system. Its signal is used to prevent loaded starts, monitor oil pressure, and monitor the condition of the separator.

Air Filter Vacuum Switch - This switch is used to monitor air filter condition and alert the user if the filter requires service or replacement.

Discharge Thermistor - This sensor is located directly in the compressor discharge. Its signal is used to monitor compressor temperature and shut down the compressor if a coolant problem is detected.

Reservoir Thermistor - This sensor is located in the reservoir / separator housing and is used to monitor temperature and shutdown the compressor if temperature problems occur at the separator.

Emergency Stop Pushbutton - This is a maintained pushbutton, and removes power from the controller outputs regardless of controller status. It is located on the upper section of the panel, next to the keypad. This should be used for emergency purposes only - use the keypad [STOP/RESET] for normal controlled stopping.



WARNING

Automatic restarting or electrical shock can cause injury or death. Open, lockout and tagout main disconnect and any other circuits before servicing unit.

Control Transformer - This changes the incoming power voltage to 110-120 volts for use by all unit control devices. Two primary fuses and one secondary fuse are provided. Refer to adjacent labeling for replacement information.

Terminal Strip - This provides connections for all 110-120 volt devices not contained within the enclosure.

Fan Starter - The starter is used to provide control and overload protection for the fan. Overload heaters should be selected and adjusted based on the motor nameplate amps and the instructions located inside the cover of the electrical enclosure. The starter must be present even for packages without a local fan.

Main Starter - This starter is used to provide control and overload protection for the main drive motor. Full voltage starters employ a single contactor; overload heaters should be selected and adjusted based on the motor nameplate amps and the instructions located inside the cover of the enclosure. Wye-delta starters employ three contactors which are controlled sequentially to provide low current starting. For Wye-delta starters, the motor nameplate amps must be first multiplied by 0.577 before using the heater table.

COMPRESSOR CAPACITY CONTROL

The capacity of the compressor is controlled by the action of the Turn Valve and the Compressor Inlet Valve.

The turn valve controls compressor delivery to match demands of 40% to 100% of the compressor's maximum capacity. The inlet valve throttles to control compressor delivery to match demands of 0% to 40% of the compressors maximum capacity.

Example with normal setting of 100 PSIG:

Compressor Delivery	Inlet Valve Position	Turn Valve Position	Discharge Manifold Pressure (psi)
Full Capacity	Open	Closed	100
70% Capacity	Open	50% Open	100
40% Capacity	Open	Full Open	100
30% Capacity	Closing	Full Open	103
20% Capacity	Closing	Full Open	103
0% Capacity	Closed	Full Open	103

206EAU797-A
(Ref. Drawing)

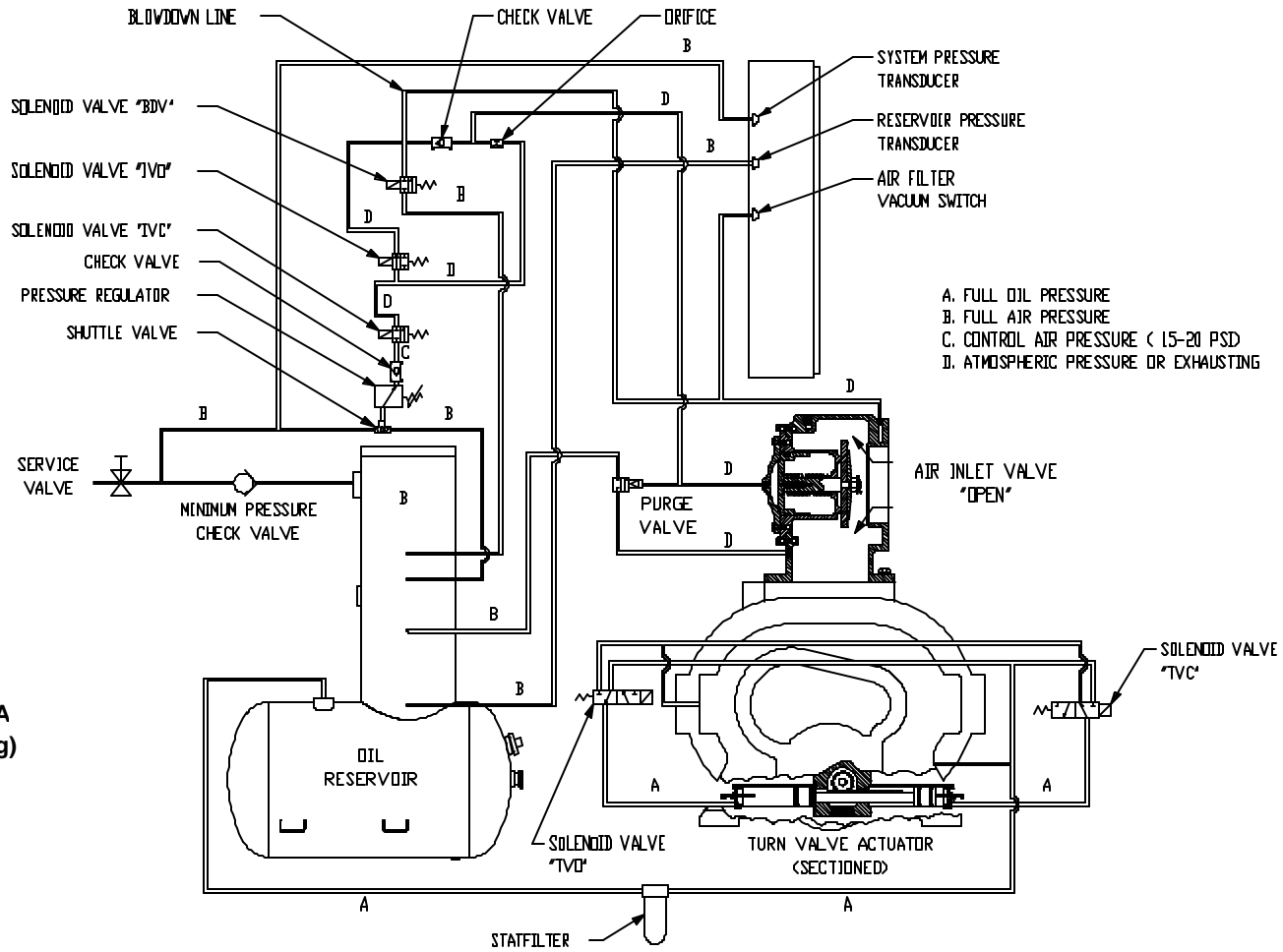


Figure 4-7 – CONTROL SCHEMATIC – COMPRESSOR AT FULL LOAD

207EAU797-A
(Ref. Drawing)

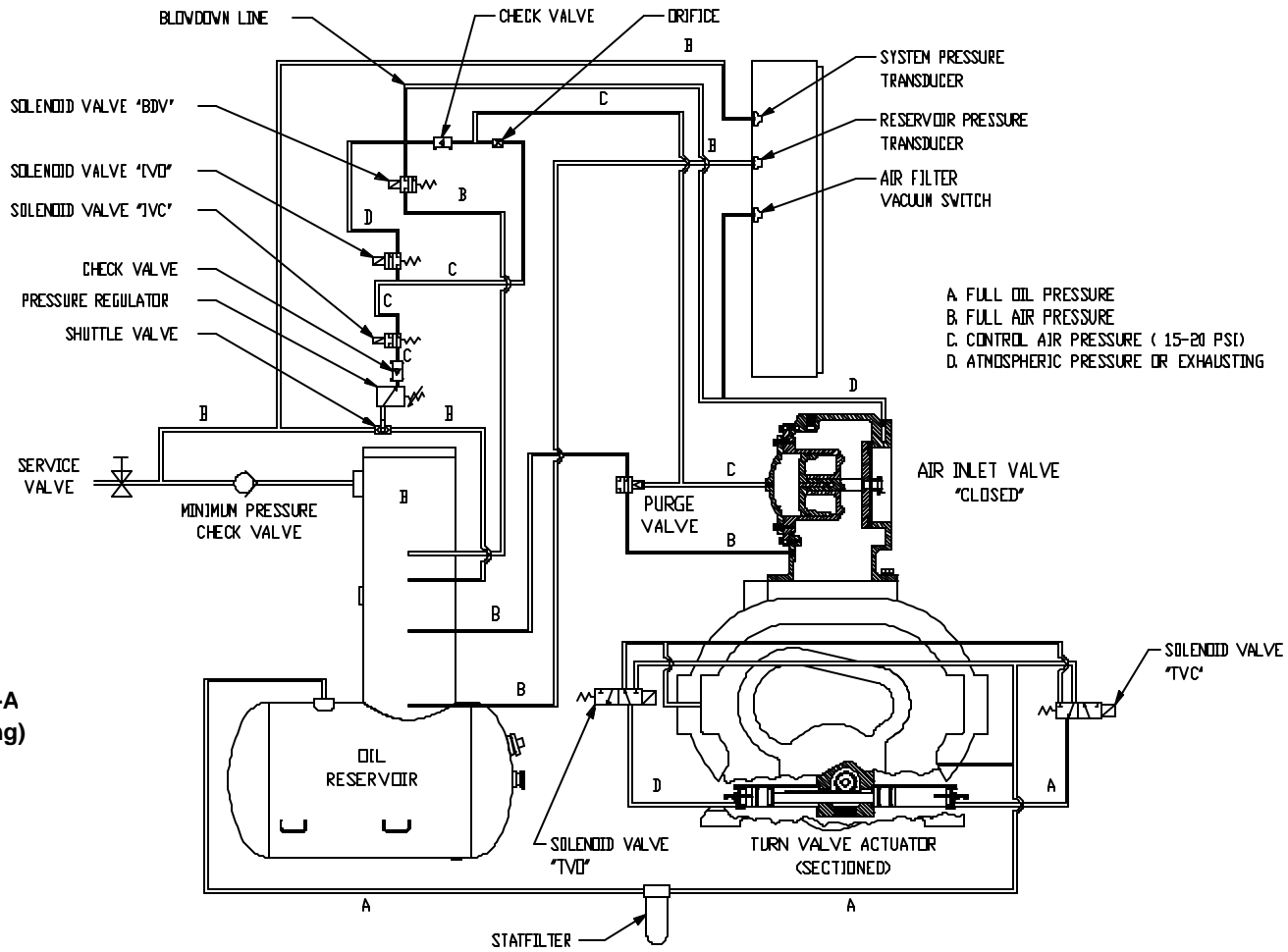


Figure 4-8 – CONTROL SCHEMATIC – COMPRESSOR FULLY UNLOADED – LOW DEMAND MODE SWITCH OFF

208EAU797-A
(Ref. Drawing)

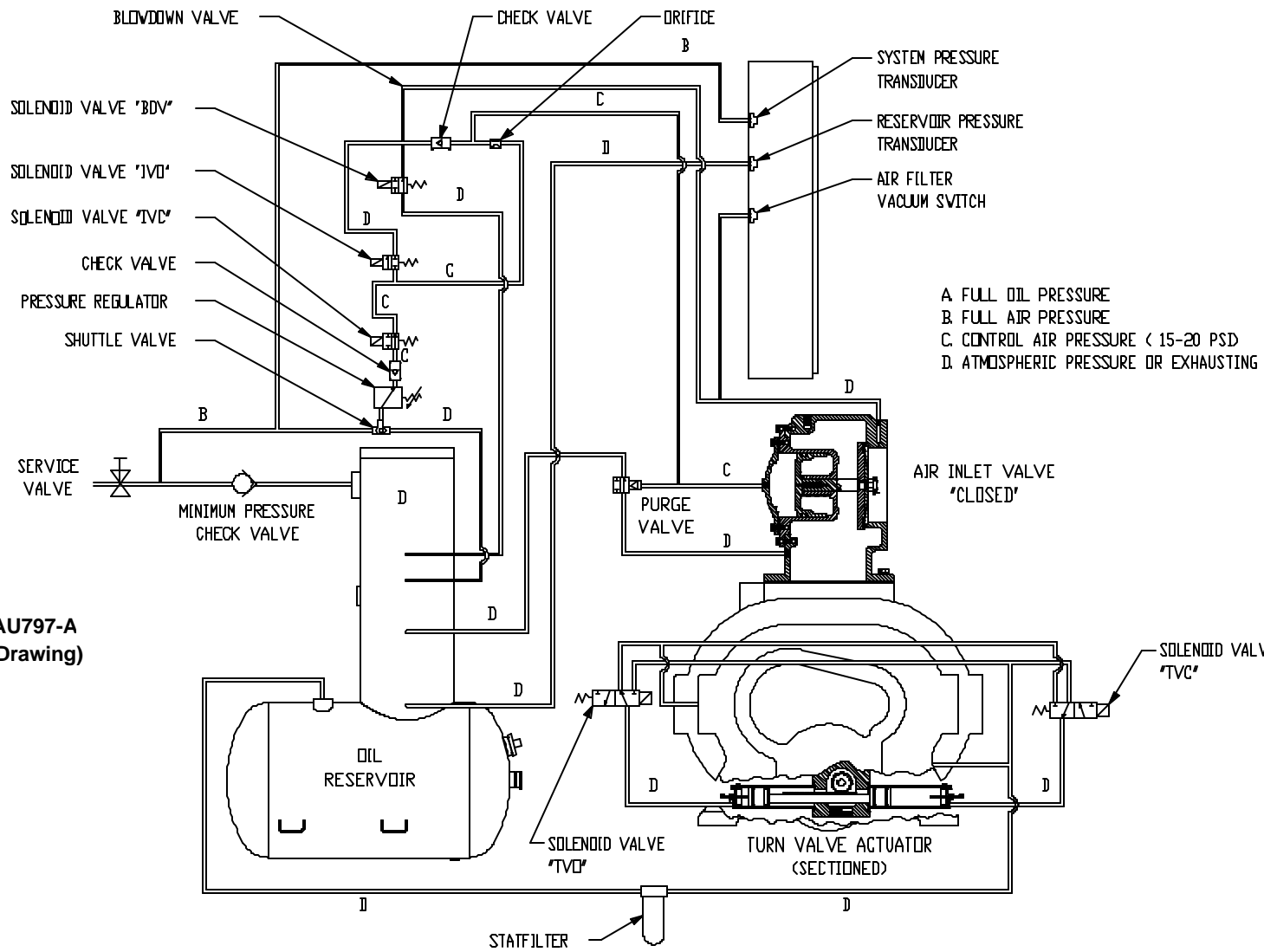
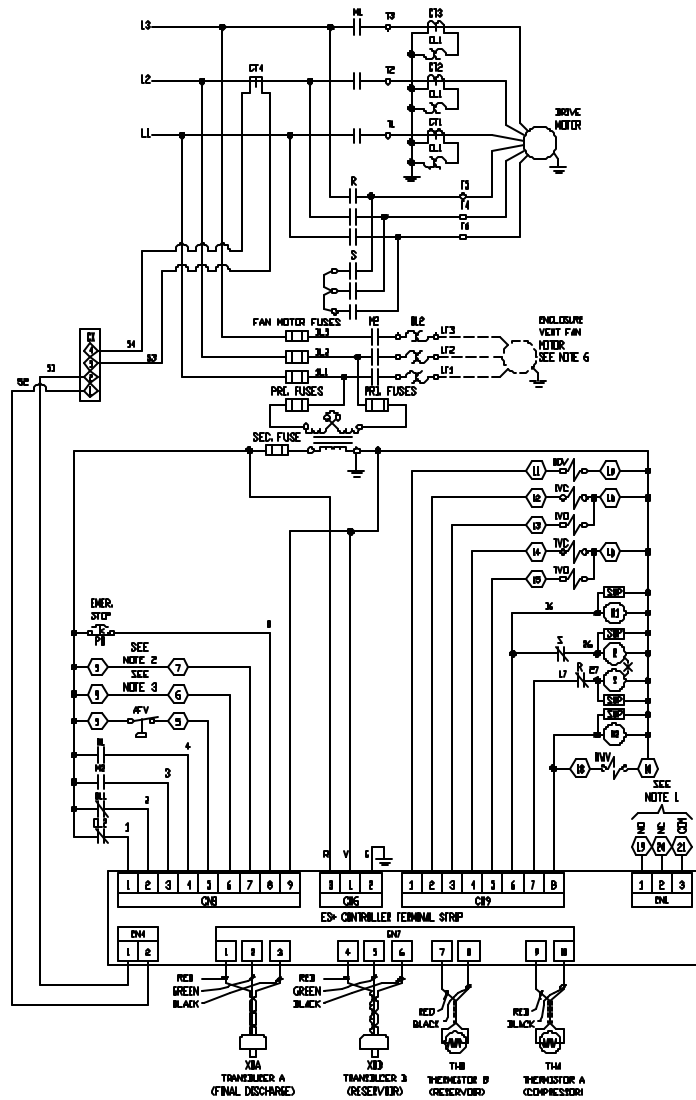


Figure 4-9 – CONTROL SCHEMATIC – COMPRESSOR FULLY UNLOADED – LOW DEMAND MODE SWITCH ON



NOTE 1: FROM C CONTACT FOR USE BY OFFICE. CONTACT OPERATES FOLLOWING COMPRESSOR START/STOP RATING: 10/24VAC 2 AMP.
 NOTE 2: FOR USE WITH OPTIONAL SHUTDOWN SWITCH, REMOVE JUMPER BETWEEN TERMINALS 7 & 8. CONNECT NC SWITCH CONTACT TO TERMINALS 7 & 8.
 NOTE 3: FOR CONTROL BY REMOTE CONTACT, REMOVE JUMPER BETWEEN TERMINALS 8 & 9. CONNECT CONTACT TO TERMINALS 8 & 9.
 NOTE 4: 25A & 250 AMP FOR USE OF OPTIONAL COMMUNICATOR CABLE.
 NOTE 5: ADJUST CONTROLLER FOR "WATERCOOLED" FAN MODE.
 NOTE 6: FAN MOTOR IS NOT USED ON WATERCOOLED UNITS WITHOUT ENCLOSURE. UNITS WITHOUT FAN HAVE NO CONNECTION TO J1, J2 & J3.
 NOTE 7: WHEN A MAGNETIC WATER VALVE IS USED, CONNECT TO TERMINALS 20 & 21. VALVE CIRC. IS 200 VOLTS. LOAD NOT TO EXCEED 50VA.

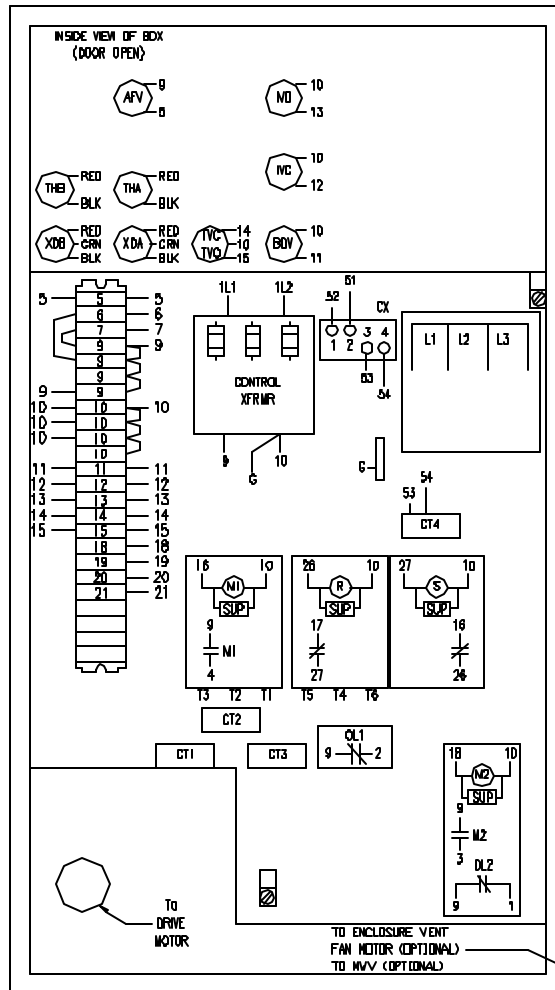
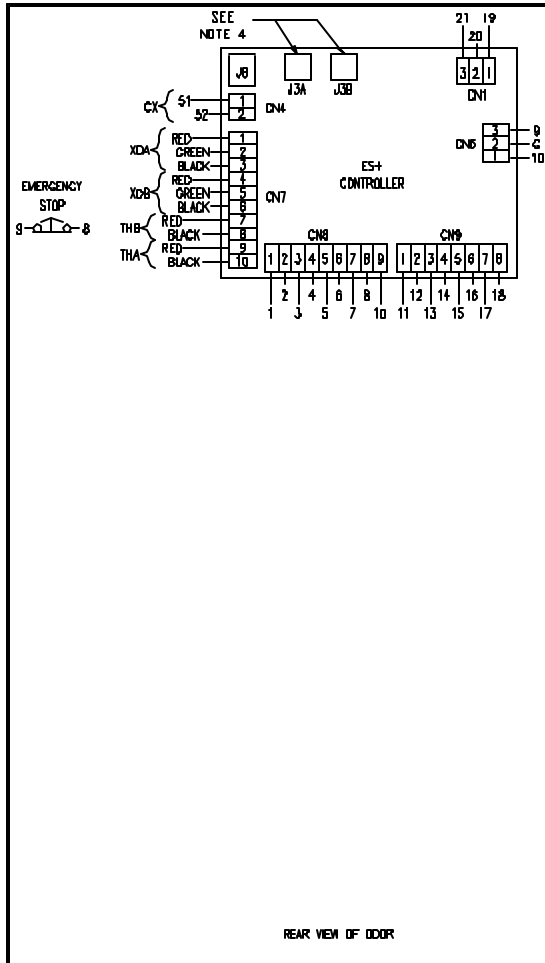
LEGEND:
 CT-1 - INVERTER RELAY CURRENT TRANSFORMER
 AFV - AIR FILTER VALVUM SWITCH
 30V - 300V/30V SOLENOID VALVE
 JVC - JET VALVE CLOSE SOLENOID VALVE
 JVO - JET VALVE OPEN SOLENOID VALVE
 TVC - TIRN VALVE CLOSE SOLENOID VALVE
 TVO - TIRN VALVE OPEN SOLENOID VALVE
 THA - THERMISTOR A (COMPRESSOR)
 THB - THERMISTOR B (RESERVOIR)
 XDA - TRANSDUCER A (FINAL DISCHARGE)
 XDB - TRANSDUCER B (RESERVOIR)
 CTM - MONITOR CURRENT TRANSFORMER
 MVV - MAGNETIC WATER VALVE
 CX - CURRENT TRANSFORMER

NOTE 1:
 □ - CONNECTION TO CONTROL BOARD
 ○ - PANEL TERMINAL BLOCK
 ◇ - CURRENT TRANSFORMER TERMINAL

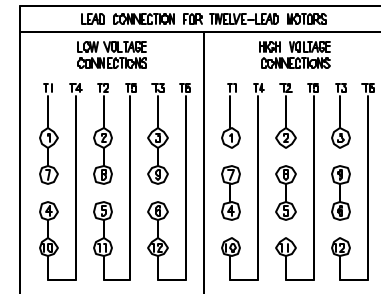
MAIN METER	↳ STARTER
FAN MOTOR	V/F/ER COILED
CONTROLLER	ESP
ACCESSORY	CURRENT MONITOR

205EAU546-D
 (Ref. Drawing)
 Page 1 of 2

Figure 4-11 – WIRING DIAGRAM – WYE DELTA ES+ CONTROLLER – WATER COOLED



205EAU546-D
 (Ref. Drawing)
 Page 2 of 2



CONNECTIONS SHOWN ARE FOR A TYPICAL 12 LEAD, DUAL-VOLTAGE MOTOR. CONNECTIONS FOR LARGE MOTORS AND SINGLE-VOLTAGE MOTORS DIFFER. REFER TO MOTOR NAMEPLATE TO VERIFY ACTUAL CONNECTION.

SEE NOTES 2

SECTION 5

LUBRICATION

OIL COOLER, OIL FILTER & SEPARATOR

COMPRESSOR OIL SYSTEM (Figure 5-3, page 38) cools the compressor, lubricates moving parts and seals internal clearances in the compression chamber.

The oil inlet line is connected at the bottom of the oil reservoir. Air pressure in the oil reservoir forces oil through the oil cooler, thermostatic mixing valve, oil filter and into the compressor main oil gallery.

The oil passes through internal passages for lubrication, cooling and sealing. The air-oil mixture is then discharged to the oil reservoir where a large part of the entrained oil drops out of the air stream; the air then passes through the final oil separator where most of the remaining oil is removed. The separated oil is returned to the compressor and the air passes to the final discharge line.

RECOMMENDED LUBRICANT - Gardner Denver compressors are factory filled with AEON lubricants. These lubricants are formulated to the highest quality standards and are factory authorized, tested and approved for use in rotary screw compressors. AEON lubricants are available through your authorized Gardner Denver compressor distributor.

OIL SPECIFICATIONS: EAU (Domestic and International) - The factory fill compressor lubricant is Gardner Denver AEON 9000SP lubricating coolant which can be used for year-round operation. AEON 9000SP is a synthetic, extended life lubricant which can extend lubricant change intervals up to 4 times that of a petroleum based lubricant.

A lubricant analysis program for a periodic check of lubricant quality and remaining life can maximize the change interval. An oil sampling valve has been installed in a blank line piped to an opening in the filter stat. Use this valve to get lubricant to send in for analysis.



CAUTION

Use of improper lubricants will cause damage to equipment. Do not mix different types of lubricants or use inferior lubricants.



CAUTION

Improper equipment maintenance with use of synthetic lubricants will damage equipment. For oil filter and oil separator change intervals remain the same as for AEON 4000, see Maintenance Schedule, page 61.

HIGH TEMPERATURE OPERATION - Gardner Denver AEON 9000SP lubricating coolant will operate at a sustained discharge temperature up to 210° F (99° C). When unusually high ambient air temperature is encountered, lubricant life will be shortened, see Figure 5-7, page 44.



DANGER

Air/oil under pressure will cause severe personal injury or death. Shut down compressor, relieve system of all pressure, disconnect, lockout and tagout power supply to the starter before removing valves, caps, plugs, fittings, bolts and filters.



WARNING

High temperature operation can cause damage to equipment or personal injury. Do not repeatedly restart the unit after high temperature stops operation. Find and correct the malfunction before resuming operation.



WARNING

All materials used in Gardner Denver compressor units are compatible with AEON 9000SP Lubricating Coolant. Use caution when selecting downstream components such as air line lubricating bowls, gaskets and valve trim.

AEON 9000SP Synthetic Lubricant is not compatible with low nitrile Buna N or acrylic paints. AEON 9000SP is compatible with most air system downstream components.

Material Safety Data Sheets (MSDS) are available for all AEON lubricants from your authorized Gardner Denver distributor or by calling 217-222-5400.

MOISTURE IN THE OIL SYSTEM – In environments with normal operating temperatures and pressures and low relative humidity, the thermal mixing valve controls the oil temperature and prevents moisture accumulation in the oil. Unusual cooling of the oil reservoir, light duty cycles, high humidity, gross compressor over-sizing or malfunctions of the thermal mixing valve may result in moisture accumulation which is detrimental to compressor lubrication and may cause excessive oil carryover in the lubricant or compressor failure. Please note that the airoend discharge temperature must be maintained a minimum of 10° F above the pressure dew point temperature in Figure 5-1, page 37. Failure to maintain the discharge temperature will cause moisture formation and compressor damage. The compressor must be observed to ensure that it is operating properly. The best method for detecting moisture is a disciplined lubricant sampling analysis program every 2,000 hours of operation. If moisture is observed in the oil reservoir, drain the moisture and correct the operating conditions to reduce moisture. See “Thermal Control (Thermostatic Mixing) Valve, page 49, “Water Shutoff Valve”, page 51 and “Compressor Oil System Check”, page 53, for additional system considerations. If moisture accumulation is observed in the lubricant, the best option is a higher temperature mixing valve, AEON 9000TH lubricating fluid and setting the high discharge temperature shutdown to 240° F (new controller software may be required), to prevent water from forming in the oil. Please contact Technical Services in MDC for part numbers, availability and controller software version verification (S/N required).

Dew-Point Temperature vs. Ambient Temperature
(100% Relative Humidity)

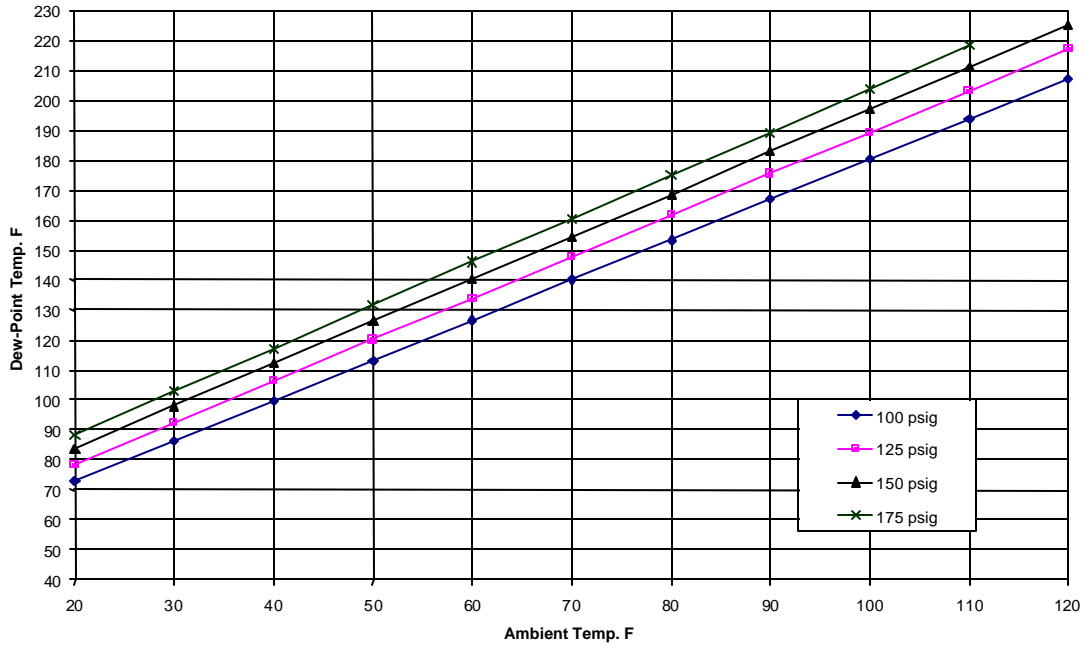


Figure 5-1 – DEW POINT CHART °F

Dew-Point Temperature vs. Ambient Temperature
(100% Relative Humidity)

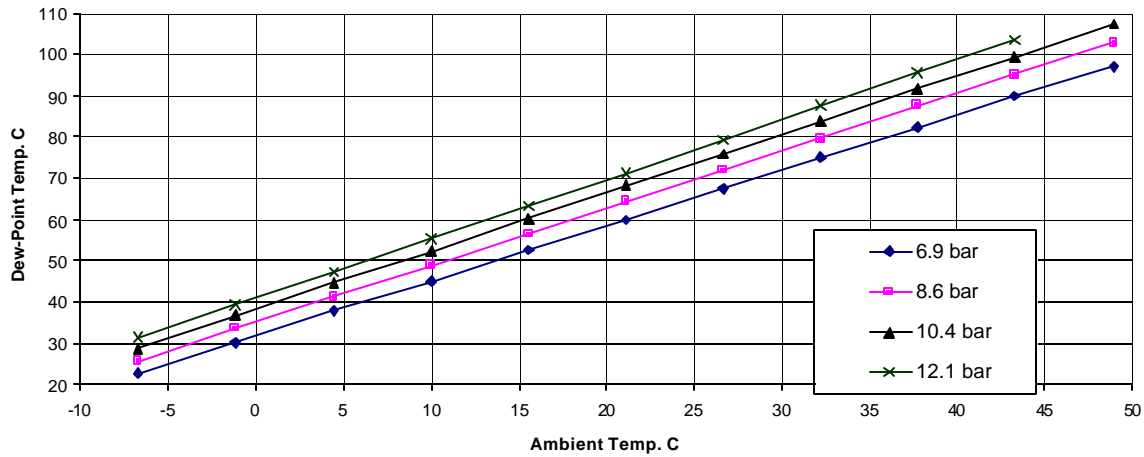


Figure 5-2 – DEW POINT CHART °C

These charts are easily used by reading the ambient temperature along the bottom axis of the chart and then reading the appropriate pressure curve to determine the corresponding dew-point temperature on the left axis of the chart.

- A - MOTOR
- B - COMPRESSOR
- C - AIR FILTER
- D - OIL RESERVOIR
- E - AIR/OIL SEPARATOR
- F - MINIMUM DISCHARGE PRESSURE CHECK VALVE
- G - AFTERCOOLER
- H - OIL COOLER
- J - STATFILTER
- K - OIL FILTER ELEMENT
- L - SEPARATOR TO CYLINDER OIL RETURN LINE
- M - CHECK VALVE
- N - PRESSURE RELIEF VALVE
- P - PURGE AIR VALVE
- Q - PNEUMATIC BLOWDOWN VALVE
- T - SHUTTLE VALVE
- U - PRESSURE REGULATOR
- V - SOLENOID VALVE "IVC"
- W - SOLENOID VALVE "IVD"
- X - FAN AND MOTOR
- Y - WATER FLOW CONTROL VALVE
- Z - MAGNETIC WATER SHUTOFF VALVE
- AA - AIR FILTER VACUUM SWITCH
- BB - SYSTEM PRESSURE TRANSDUCER
- CC - DISCHARGE PRESSURE TRANSDUCER
- DD - TURN VALVE ACTUATOR
- EE - SOLENOID VALVE "TVB"
- FF - SOLENOID VALVE "TVC"
- GG - BLOWDOWN LINE

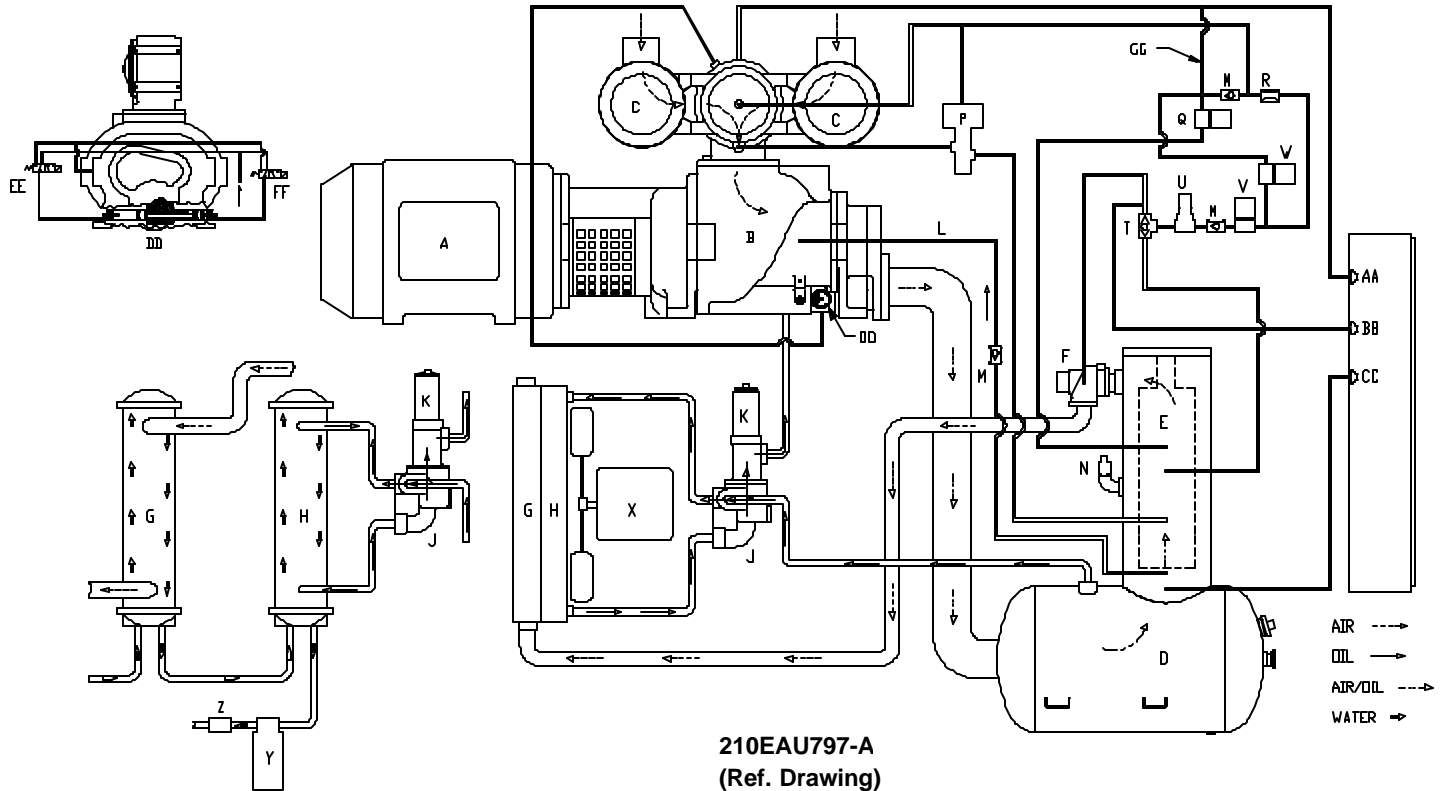
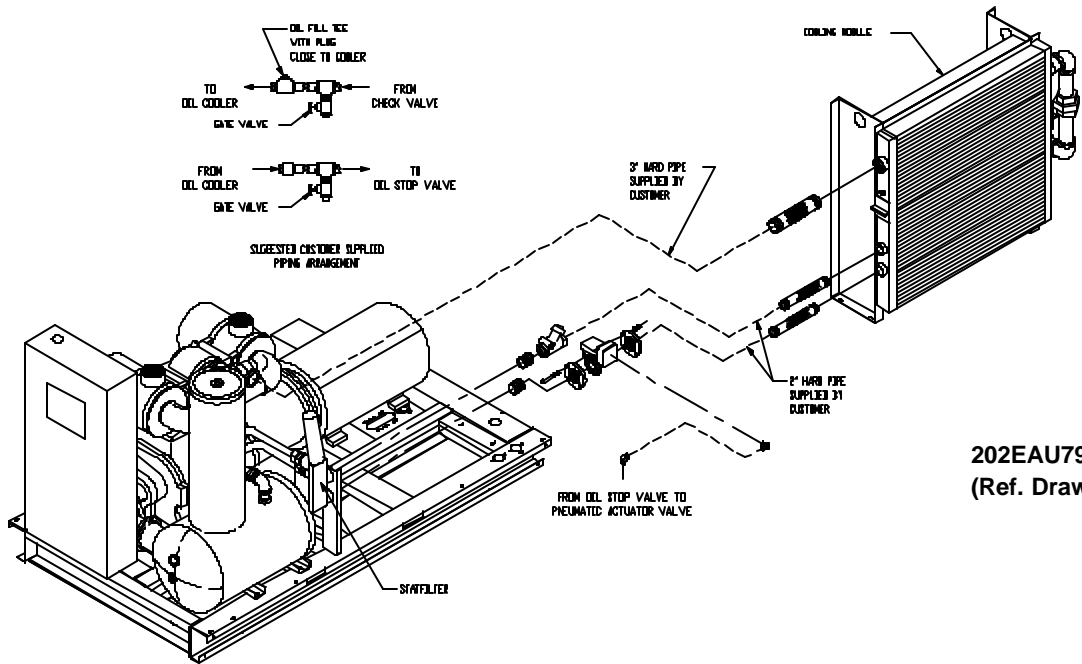
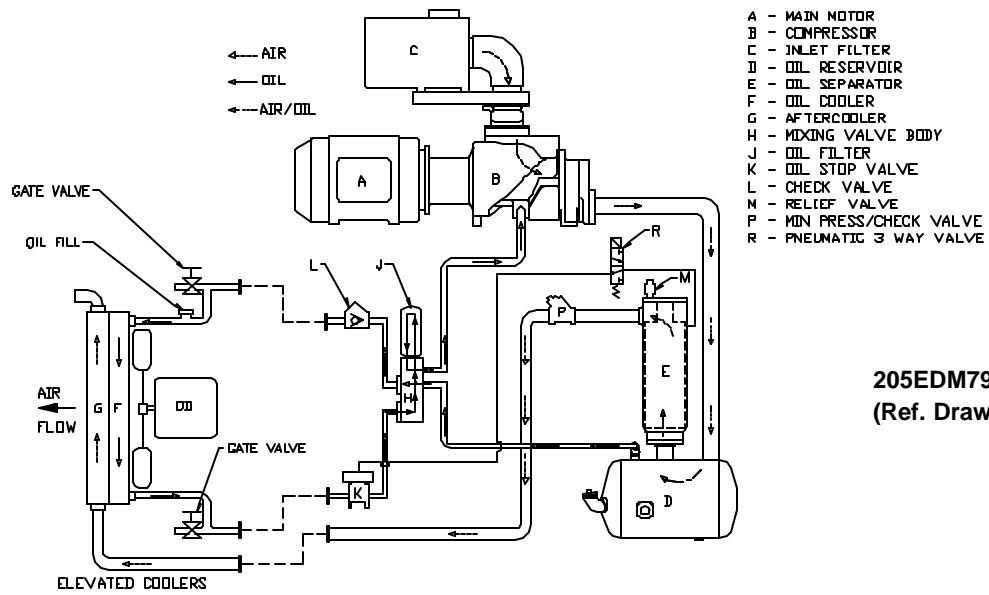


Figure 5-3 – FLOW DIAGRAM



202EAU797
(Ref. Drawing)



- A - MAIN MOTOR
- B - COMPRESSOR
- C - INLET FILTER
- D - OIL RESERVOIR
- E - OIL SEPARATOR
- F - OIL COOLER
- G - AFTERCOOLER
- H - MIXING VALVE BODY
- J - OIL FILTER
- K - OIL STOP VALVE
- L - CHECK VALVE
- M - RELIEF VALVE
- P - MIN PRESS/CHECK VALVE
- R - PNEUMATIC 3 WAY VALVE

205EDM797
(Ref. Drawing)

Figure 5-4 – OIL FLOW DIAGRAM – REMOTE OVERHEAD MOUNTED

REMOTE MOUNTED ELEVATED COOLER ASSEMBLY PROCEDURE - The Compressor package will be built and tested with the coolers mounted on the package. On enclosed units, the fan motor will be disconnected after test and the vent fan motor connected in its place. The vent fan will be mounted in the enclosure. A contactor (starter) will be shipped loose and remote mounted with the cooler by others upon start-up at the job site. The control box will be wired for remote elevated coolers at the factory.

NOTICE

All requirements of local codes should be followed.

When connecting pipe fittings to the cooler, support the threaded coupling with a pipe wrench when tightening the connection. Use silicone sealant on all steel to aluminum threaded connections. All piping should be firmly supported to avoid strain on the cooler manifold and connections. Flexible connections should be installed in all interconnecting piping, adjacent to the cooler, to avoid transmitting piping weight or vibrations to the cooler elements. Before beginning installations, check to be sure that no debris or foreign matter remains in the couplings or cooler bodies. Be certain interconnecting piping is clean to avoid clogging the cooler passages.

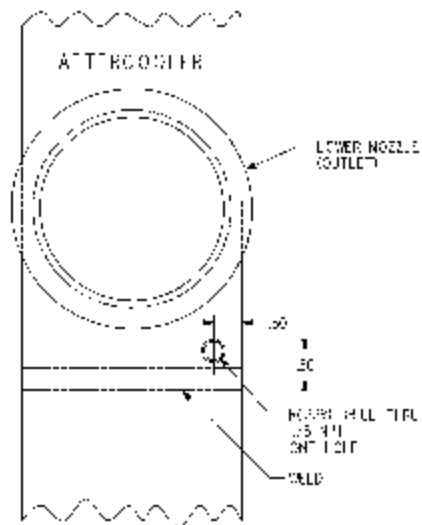


Figure 5-5 – COOLER DRAIN DETAIL

AFTERCOOLER PIPING - At shutdown of the system, all units should be drained completely of condensate if there is any possibility of freezing or corrosion damage. To help remove the condensate, the cooler may be tapped per Figure 5-5, page 40, and a drain cock installed. After opening the drain cock, blow air into the cooler from a connection on the opposite side of the cooler. At the same time the connection on the drain side of the cooler should be plugged. The drain cock should be left open until the machines are ready for start-up.



WARNING

Failure to remove condensate from an idle cooler in freezing temperatures will cause permanent cooler damage. Drain condensate after system shutdown. It is the owner/operator's responsibility to ensure that condensate has been drained and cooler dried out to prevent cooler damage.

NOTICE

When removing the cooling module from the package for remote operation, do not use the flexible coupling (when supplied) between the air/oil separator housing and the minimum pressure/check valve. The discharge piping from the air/oil separator housing should be piped into the minimum pressure/check valve, then into piping to the cooler, with a flexible connection between the minimum pressure/check valve and aftercooler to keep the weight of the piping off of the cooler.

HEAT EXCHANGER (OIL) PIPING - All remote elevated cooler applications must be sent through Engineering for approval and for recommending pipe size. When the cooling module is removed from the package, the thermal mixing valve (H) remains on the package. Control group part number 200ECM4002 will be mounted on package at the factory. This group controls the oil stop valve as well as not allowing machine to run blowdown. See Figure 5-4, page 39.

NOTICE

Remote mounted elevated coolers have a maximum pipe length of 30 feet (9 m) (each way) and a maximum height of 20 feet (6 m) with a minimum of fittings. A remote elevated cooler form, J214, is required to be filled out. Customer Service will review all forms while in the quote stage. Customer Service will include the filled out J214 form on any special orders sent to Engineering.

NOTICE

When removing the cooling module from the package for remote operation, the oil stop valve and the check valve that are shipped loose should be mounted as close to the compressor package as possible. Flexible connections should be used to keep the weight of the piping off of the cooler.

Kit number 205EAU4013 including the oil stop valve, check valve and flanges must be installed on all remote elevated coolers per Figure 5-4, page 39, and the following instructions:

1. Mount the check valve (90J113) as shown.
2. Mount the drain valves in the lowest section of the pipe on each side of the cooler connections.
3. Mount the oil stop valve (90AR243) in the line after the thermal mixing valve as shown.

Modifications to the control lines will be made at the factory per 263EAU810 schematic. Air to the oil stop valve must come from the upper fitting in the separator housing, then pass through the 3-way pneumatic valve. Control air to the valve must be from the line between the tee and the orifice in the blowdown muffler line per Figure 5-4, page 39. When the machine blows down, it will activate the pneumatic valve and it will shut off the air and vent the line between the pneumatic control valve and the oil stop valve to atmosphere. This will shut the oil stop valve and prevent excessive oil from running into the reservoir.

Failure to install these parts or installations with pipe lengths and/or vertical runs outside the recommended limits could result in high oil carryover and cause the machine to shutdown on high discharge temperature.

COLD AMBIENT OPERATION - See "Installation for Cold Weather Operation," page 11.

ADDITION OF OIL BETWEEN CHANGES must be made when the oil level is in the red range on the gauge as read while the unit is on. To add oil, follow these steps:

1. Be sure the unit is completely off and that no air pressure is in the oil reservoir.
2. Disconnect, tag and lockout the power supply to the starter.
3. Wipe away all dirt around the oil filler plug.
4. Remove the oil filler plug and add oil as required to return the oil level to the center of the green range on the gauge.
5. Install the oil filler plug, restore power, run and check for leaks.

DO NOT OVERFILL. The quantity required to raise the oil level from the red range center of the green range is shown in Figure 5-6, page 44. Repeated addition of oil between oil changes may indicate excessive oil carry-over and should be investigated.



DANGER

Air/oil under pressure will cause severe personal injury or death. Shut down compressor, relieve system of all pressure, disconnect, lockout and tagout power supply to the starter before removing valves, caps, plugs, fittings, bolts and filters.



DANGER

Compressor, air/oil reservoir, separation chamber and all piping and tubing may be at high temperature during and after operation.



CAUTION

Excessive oil carry-over can damage equipment. Never fill oil reservoir above the "FULL" marker.

LUBRICANT CHANGE PROCEDURE - Upgrading to a longer life lubricant is essentially a very worthwhile practice. Following are the primary steps to be completed when upgrading or changing the type of lubricant.

1. Thoroughly drain system:
 - Drain oil from air end and cooler while hot.
 - Break low point connections and drain oil from pipe runs.
 - Dump oil from the filter and reinstall used filter.
2. Fill the system with a 50 percent charge of the new lubricant:
 - Start the machine and stay there to observe.
 - Allow the machine to run about five minutes at temperature, or until temperature stabilizes, then shut down.
3. Thoroughly drain the machine.
4. Change to a new filter and separator.
5. Fill the system with a full charge of the new lubricant, then reinstall drain plug.
6. Machine should then be run normally, however, total run time after the initial changeout should be 50 percent of normal anticipated service life of the new lubricant.
 - Drain all lubricant from the system, change the filter and separator, and replace with a full charge of the new lubricant.
7. Subsequent lubricant changeouts should be at normal intervals. (See "Oil Change Interval" Figure 5-7, page 44.)

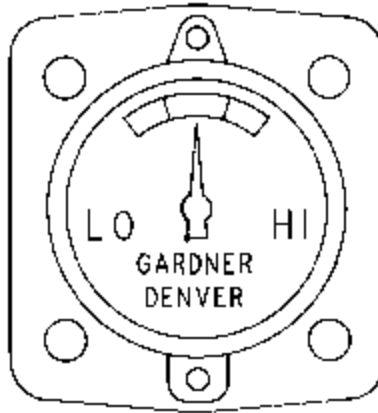


Figure 5-6 – OIL LEVEL GAUGE

OIL LEVEL GAUGE (Figure 1-2, page 2 and Figure 5-6) indicates the amount of oil in the oil reservoir. Read oil level only when unit is on. In operation the oil level will fluctuate as the compressor loads and unloads. Add oil only when the oil is at the bottom of the red range on the gauge as read when the compressor is on. Drain oil only when the oil level is above the center of the green range on the gauge as read when the compressor is on.

OIL CHANGE INTERVAL - Recommended oil change intervals are based on oil temperature. Figure 5-7, shows how the change interval is affected by temperature.

When operating conditions are severe (very dusty, high humidity, etc.), it will be necessary to change the oil more frequently. Operating conditions and the appearance of the drained oil must be surveyed and the oil change intervals planned accordingly by the user. Gardner Denver offers a free oil analysis program with AEON lubricants. The first sample from a new unit should be sent in after 100 hours.

Discharge Temperature	AEON 4000 Change Interval	AEON 9000SP Change Interval
Up to 180° F (82° C)	4000 hrs.	8000 hrs.
180° F to 190° F (82° C to 88° C)	3000 hrs.	6000 hrs.
190° F to 200° F (88° C to 93° C)	2000 hrs.	4000 hrs.
200° F+ (93° C)	1000 hrs.	2000 hrs.

Figure 5-7 – OIL CHANGE INTERVAL

DRAINING AND CLEANING OIL SYSTEM



DANGER

Air/oil under pressure will cause severe personal injury or death. Shut down compressor, relieve system of all pressure, disconnect, lockout and tagout power supply to the starter before removing valves, caps, plugs, fittings, bolts and filters.



DANGER


Compressor, air/oil reservoir, separation chamber and all piping and tubing may be at high temperature during and after operation.

Always drain the complete system. Draining when the oil is hot will help to prevent varnish deposits and carry away impurities.

To drain the system, use one of the following methods:

1. If the unit is not elevated high enough to use the oil reservoir drain line to drain oil, a small hand, electric or air operated pump should be used to drain reservoir through the oil filler opening or from the drain valve.
2. If the unit is elevated so that the oil reservoir drain can be used, empty the oil reservoir through the drain valve to a suitable container or sump.
3. If the drained oil and/or the oil filter element are contaminated with dirt, flush the entire system: reservoir, oil cooler, mixing valve and lines. Inspect the oil separator elements for dirt accumulation; replace if necessary. If a varnish deposit exists, contact the factory for recommendations for removal of the deposit and prevention of varnish.

FILLING OIL RESERVOIR

 DANGER
<p>Air/oil under pressure will cause severe personal injury or death. Shut down compressor, relieve system of all pressure, disconnect, lockout and tagout power supply to the starter before removing valves, caps, plugs, fittings, bolts and filters.</p>

1. Be sure the unit is completely off and that no air pressure is in the oil reservoir.
2. Disconnect, tag and lockout the power supply to the starter.
3. Wipe away all dirt around the oil filler plug.
4. Remove the oil filler plug and add oil as required to return the oil level to the center of the green range on the gauge.
5. Install the oil filler plug and operate the unit for about a minute allowing oil to fill all areas of the system. Check for leaks.
6. Shut down unit, allowing the oil to settle, and be certain all pressure is relieved.
7. Add oil, if necessary, to bring level to the center of the green range on the gauge.

On unloaded operation and after shutdown some oil will drain back into the oil reservoir and the oil level gauge will read "FULL." DO NOT DRAIN OIL TO CORRECT. On the next start, oil will again fill the system and the gauge will indicate operating at the proper level. DO NOT OVERFILL as oil carryover will result. The quantity of oil required to raise the oil level from "ADD" to "FULL" is shown in Figure 5-8. Repeated addition of oil between changes may indicate excessive oil carryover and should be investigated.

Use only CLEAN containers and funnels so no dirt enters the reservoir. Provide for clean storage of oils. Changing the oil will be of little benefit if done in a careless manner.

 CAUTION
<p>Excessive oil carry-over can damage equipment. Never fill oil reservoir above the "FULL" marker.</p>

	200, 250 & 300 HP (150, 186 & 225 kW)
Refill Capacity for Normal Oil Change Red to Yellow Range	35.0 U.S. Gallons (132.5 Liters) 5 U.S. Gallons (19.0 Liters)

Figure 5-8 – APPROXIMATE OIL SYSTEM CAPACITIES

COMPRESSOR OIL FILTER (Figure 5-3, page 38) - This patented design screw-i oil filter is a vital part in maintaining a trouble-free compressor, since it removes dirt and abrasives from the circulated oil. The oil filter relief valve is integrated into the replaceable oil filter element.



DANGER

Air/oil under pressure will cause severe personal injury or death. Shut down compressor, relieve system of all pressure, disconnect, lockout and tagout power supply to the starter before removing valves, caps, plugs, fittings, bolts and filters.



DANGER

Compressor, air/oil reservoir, separation chamber and all piping and tubing may be at high temperature during and after operation.



CAUTION

Improper oil filter maintenance will cause damage to equipment. Replace filter element every 1000 hours of operation. More frequent replacement could be required depending on operating conditions. A filter element left in service too long may damage equipment.

Use the following procedure to replace the filter. Do not disturb the piping:



DANGER

Air/oil under pressure will cause severe personal injury or death. Shut down compressor, relieve system of all pressure, disconnect, lockout and tagout power supply to the starter before removing valves, caps, plugs, fittings, bolts and filters.

1. To remove the oil filter, using a 1" socket unthread the oil filter from the housing.
2. Rotate the filter head (aluminum assembly) to align the channel in the head with the tabs on the oil filter element..
3. Lift the threaded part of the filter head until it is seated against the top of the filter head.
4. With the channel aligned and the threaded portion of the filter head against the top of the filter head, disassemble the filter element from the filter head.
5. To install a new oil filter, rotate the threaded portion of the filter head to align the channel.
6. Align the tabs on the filter element with the channels in the filter head and snap the element into the filter head.
7. Press the filter assembly into the filterstat assembly. Using a 1" socket tighten down the oil filter, until the o-ring seals. Do not overtighten.
8. Run the unit and check for leaks.

COMPRESSOR OIL COOLER - RADIATOR TYPE (Figure 1-5, page 3 and Figure 1-6, page 4) - The oil cooler motor and fan is mounted on the oil cooler module; air is exhausted through the oil cooler and away from the unit. Do not obstruct air flow to and from the oil cooler. Allow a minimum of three (3) feet clearance around the cooler. Keep both faces of cooler core clean for efficient cooling of compressor oil.

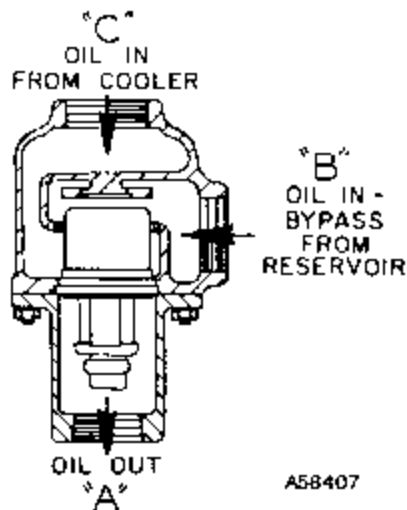


Figure 5-9 – THERMOSTATIC MIXING VALVE ELEMENT


WARNING
 Ducting will be required on air cooled quiet enclosed machines.

THERMAL CONTROL (THERMOSTATIC MIXING) VALVE is installed in system as shown in Figure 5-3, page 38. This valve is used to control temperature of the oil in both air-cooled radiator and water-cooled heat exchanger type oil cooler systems. On start-up with unit cold, element is open to bypass, allowing oil to pass directly from the reservoir to compressor during warm-up. As oil warms, element gradually closes to the bypass allowing more of the oil from the cooler to mix with oil from the bypass.

After the unit is warmed up, the mixing valve maintains oil injection temperature into the compressor at a minimum of 150° F (66° C). This system provides proper compressor warm-up and helps prevent moisture contamination of oil.

To check the element, heat in oil -- it should be fully extended at 150° F (66° C). If the unit shuts down due to high air discharge temperature, it may be that one or both thermostatic mixing valve elements (Figure 5-3, page 38) are stuck open. Remove the mixing valve and clean all parts thoroughly when flushing the oil system.



DANGER

Air/oil under pressure will cause severe personal injury or death. Shut down compressor, relieve system of all pressure, disconnect, lockout and tagout power supply to the starter before removing valves, caps, plugs, fittings, bolts and filters.



DANGER

Compressor, air/oil reservoir, separation chamber and all piping and tubing may be at high temperature during and after operation.



WARNING

It is mandatory that any water cooled unit be installed in a shelter heated to temperatures above freezing (32° F, 0° C).

COMPRESSOR OIL COOLER - WATER-COOLED HEAT EXCHANGER (Figure 5-3, page 38) - The heat exchanger oil cooler is a multiple pass type, with water in the tubes and oil in the shell. The oil temperature is controlled by the thermal (thermostatic mixing) valve. The optional water control valve may be used to conserve water.

Oil cooler malfunction may be traced by checking pressure at oil inlet and outlet. At normal operating air service pressure 65 psig to 150 psig, (4.5 bar to 10.3 bar) with the unit warm, a pressure drop of 3 psi to 15 psi (.2 to 1 bar) can be expected between the oil inlet and the oil outlet.

Water pressure drop from water inlet to outlet will vary with the inlet pressure and amount of water flowing. A normal pressure drop may range from 5 psi to 10 psi (.3 bar to .7 bar). Any change in the pressure drop from that normally held may indicate tube leakage or fouling and should be investigated.

In many instances, the cooling water supply for the heat exchanger will contain impurities in solution and/or suspension. These substances can cause scale formation, corrosion and plugging of any water-cooled heat exchanger equipment. Disregarding the possibility that one or more of these conditions exist may result in increased maintenance and operation expense, reduced equipment life and emergency shutdown. It is strongly recommended that a reputable, local water treatment concern be engaged to establish the corrosion, scale forming and fouling tendency of the cooling water and take steps necessary

to remedy the situation if a problem does exist. The need for water treatment may involve only filtration (screening) to remove debris, sand and/or salt in the cooling water supply. However, chemical treatment methods may be necessary in certain instances to inhibit corrosion and/or remove dissolved solids, to alter the water's tendency to form scale deposits, or prevent the growth of microorganisms. The normal maintenance program for the unit should also include periodic cleaning of the tubes (water side) of the heat exchanger to remove deposits which enhance fouling and corrosion.

Hex head zinc anodes are used in the return bonnet (opposite end to the water pipe connections) of heat exchangers to provide internal water system corrosion protection. These anodes should be inspected periodically and replaced when the zinc has been reduced to about 1/2 inch (13mm) in length.

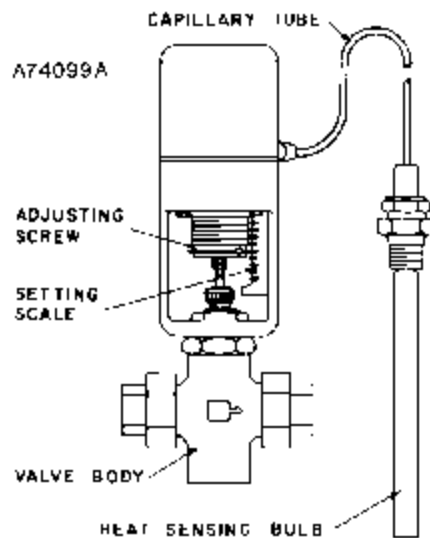


Figure 5-10 – WATER CONTROL VALVE

WATER FLOW CONTROL VALVE FOR HEAT EXCHANGER (Optional Equipment) (Figure 5-10) -

The water flow control valve is adjustable to compensate for varying water inlet temperatures and pressures and is to be mounted in the water outlet line after the oil cooler (Figure 5-3, page 38). Use the compressor discharge air temperature gauge on the instrument panel in setting the flow control valve. The compressor discharge temperature must be maintained a minimum of 10° F (5° C) above the dew point temperature at the maximum anticipated ambient; refer to Figure 5-1 and Figure 5-2, page 37, for the dew point temperature at the operating pressure and ambient temperature of the application.

To decrease water flow (increase compressor discharge air temperature) turn the adjusting screw from left to right, increasing spring tension. **To increase water flow** (decrease compressor discharge air temperature) turn the adjusting screw in the opposite direction. The groove at the lower edge of the adjusting screw is an index line for use with the index scale 0 to 8 in obtaining a desired setting.


These valves must be handled with care and proper tools and techniques must be used when working on the valve.

Care must be used when handling the capillary tube; a kink or break in the tubing or connections will make the valve inoperative. Never attempt to change capillary length. Excess capillary tube should be carefully coiled and placed so that damage will not occur in normal maintenance or traffic past the unit.

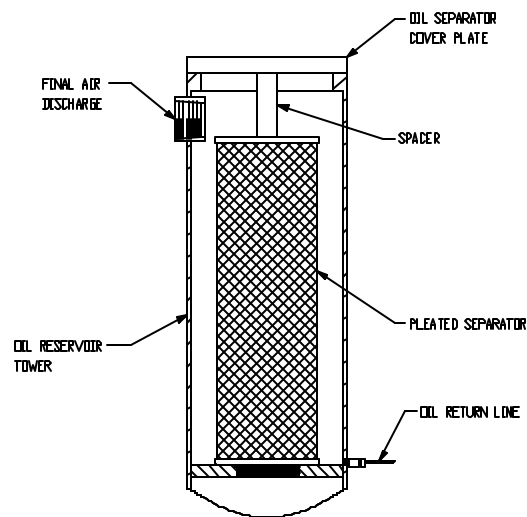
If the leak develops through the packing, tighten the packing gland nut firmly with a wrench to reseal the packing around the valve stem, then back off the nut until loose, and finally retighten the nut finger tight. Tightening the packing nut too tight may cause erratic operation. An occasional drop of oil on the valve stem at the packing nut will prolong packing life.

If valve malfunctions, check for bent or binding, paint or corrosion on valve stem, foreign material in valve, erosion, or thermal system (capillary) failure. If foreign material or scale is likely, the use of a strainer in the inlet water line is recommended.

WATER SHUTOFF VALVE - WATER-COOLED HEAT EXCHANGER (Optional Equipment) (Figure 5-3, page 38) - A magnetic solenoid-operated water shutoff valve rated at 150 psig (10.3 bar) water pressure should be mounted in the water outlet line after the oil cooler. The valve should be wired into the compressor control circuit so that the valve opens to allow water to flow any time the compressor is running. When compressor stops under automatic control, or is shut off manually, the valve should close, stopping water flow through the system. See Wiring Diagrams, pages 32 thru 35.

 DANGER
Compressor, air/oil reservoir, separation chamber and all piping and tubing may be at high temperature during and after operation.

OIL RESERVOIR - The oil reservoir-separator combines multiple functions into one vessel. The lower half is the oil reservoir, providing oil storage capacity for the system and the top portion, a primary oil separation means. The reservoir also provides limited air storage for control and gauge actuation.



211EAU797
(Ref. Drawing)

Figure 5-11 – OIL SEPARATOR

COMPRESSOR (GD ELIMINATOR) OIL SEPARATOR located in a separate housing, consists of a renewable cartridge-type separator element and provides the final removal of oil from the air stream (Figure 5-11).

Oil impinging on the inside of the separator element drains directly back into the oil reservoir by gravity. Oil collected outside the element is returned through tubing to the compressor cylinder.

Oil carryover through the service lines may be caused by a faulty oil separator, faulty minimum pressure valve, over-filling of the oil reservoir, oil that foams, oil return line malfunction or water condensate in the oil. If oil carryover occurs, inspect the separator only after it is determined that the oil level is not too high, the oil is not foaming excessively, the oil return line from the separator housing to the compressor cylinder is not clogged or pinched off, the check valve in the oil return line is functioning properly, and there is not water or an oil/water emulsion in the oil.

Oil carryover malfunctions of the oil separator are usually due to using elements too long, heavy dirt or varnish deposits caused by inadequate air filter service, use of improper oil or using oil too long for existing conditions. A ruptured or collapsed separator element is usually due to heavy dirt or varnish buildup in the filtering material. Excessive tilt angle of the unit will also hamper separation and cause oil carryover.

Oil separator element life cannot be predicted; it will vary greatly depending on the conditions of operation, the quality of the oil used and the maintenance of the oil and air filters. The condition of the separator can be determined by pressure differential gauging or by inspection.

Pressure Differential Gauging - The "CHANGE SEPARATOR" advisory will flash when the pressure differential across the oil separator reaches approximately 8 psid (.55 bar). Replace the oil separator element at this time. If ignored, the unit will shut down and the advisory will illuminate steadily when the pressure differential reaches 15 psid (1 bar).



CAUTION

Using an oil separator element at excessive pressure differential can cause damage to equipment. Replace the separator when the "Change Separator" advisory appears.

NOTICE

A sudden drop of zero pressure differential or sudden heavy oil carryover may indicate a ruptured element.



DANGER

Air/oil under pressure will cause severe personal injury or death. Shut down compressor, relieve system of all pressure, disconnect, lockout and tagout power supply to the starter before removing valves, caps, plugs, fittings, bolts and filters.

Inspection - After removal of separator element, shine a light inside the element to reveal areas of heavy dirt or varnish deposits or breaks (ruptures) in the element media.

Removal Of Oil Separator For Inspection Or Replacement:

1. Be certain unit is completely off and that no air pressure is in the oil reservoir.
2. Disconnect, tag and lockout power supply to the starter.
3. Remove screws holding the top plate to the separator housing. Lift the top plate from the separator housing.
4. Lift the separator from the separator housing.
5. Inspect and/or replace the separator as necessary. Be sure the o-ring is not damaged. Before installing (or reinstalling) any separator apply grease to the o-ring. Oil will be wiped off by the chamfer and the o-ring could be damaged.
6. Remove any gasket material adhering to top plate or separator housing, and install new gasket.
7. Lower the separator into the housing and center the separator on the chamfer. Press separator down into the housing. Do not use excessive force as separator damage can occur.
8. Place the spacer on the indent in the separator. Seat the top plate to the separator, spacer and separator housing. Install and tighten all cap screws.
9. Run the unit and check for leaks.

COMPRESSOR OIL SYSTEM CHECK - The following readings are based on ambient temperature of 80° F (27° C) for air-cooled oil cooler and 80° F inlet water on water-cooled oil cooler, with the system in good condition. Compressor should be at operating temperature at the time of checks. One-half hour of loaded operation is usually sufficient to reach level-out operating temperatures.

Air and Oil Discharge Temperature - 165° F to 195° F (74° C to 91° C) -- Read at gauge on the instrument panel or check with a thermometer at the discharge housing.

Compressor Oil Inlet Temperature - 150° F to 160° F (66° C to 71° C) -- Install a tee at the oil filter outlet and check with a thermometer.

Oil Inlet Pressure - Check at the fitting in the line near the compressor oil inlet. With air receiver pressure at 100 psi (6.9 bar), oil inlet pressure should be 55 to 60 psig (3.8 to 4.1 bar).

Oil Cooler Oil Pressure Differential (Air-Cooled Radiator) - Check differential across oil system by measuring oil inlet pressure as described above.

Oil Cooler Oil Pressure Differential (Water-Cooled Heat Exchanger) - 2 to 25 psid (.1 to 1.7 bar) (65 to 150 psig, 4.5 to 10.3 bar Receiver Pressure) - Check that oil inlet pressure is correct or measure the differential between drains on the oil cooler shell.

Oil Cooler Temperature Differential (Air-Cooled Radiator) - The oil temperature differential depends on the temperature of the air at the oil cooler fan and cleanliness of core faces. As ambient temperatures and core restrictions increase, the oil cooler outlet temperature will increase. The oil inlet temperature is approximately the same as air discharge temperature - see the gauge on the instrument panel. The outlet oil temperature may be checked by installing a tee at the oil filter outlet.

Oil Cooler Temperature Differential (Water-Cooled Heat Exchanger) - The oil temperature differential depends on the inlet water temperature and the water flow rate permitted by the water flow control valve setting. The oil inlet temperature is approximately the same as the air discharge temperature - see the gauge on the instrument panel. The oil outlet temperature may be checked by installing a tee at the oil filter outlet.

Oil Cooler Water Pressure Differential (Water-Cooled Heat Exchanger) - The water pressure differential through the heat exchanger will depend on the supply pressure, flow rate, cooler tube cleanliness and outlet pressure. The inlet and outlet water pressure may be checked at the pipe fittings supplied by the customer.

SECTION 6 AIR FILTER

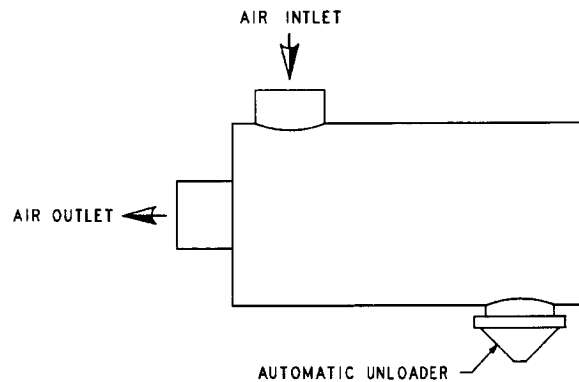


Figure 6-1 – HEAVY DUTY AIR FILTER (STANDARD)

HEAVY-DUTY AIR FILTER (Figure 6-1) furnished as standard equipment on units with an enclosure is a heavy-duty washable element dry type air filter. The air filter must receive proper maintenance if maximum service is to be obtained from the unit. Establishing adequate and timely filter service is MOST IMPORTANT. An improperly maintained air filter can cause a loss of compressor air delivery.

Filter Element - Service the air filter element when the "CHANGE AIR FILTER" LED is illuminated. Clean every 50 to 150 operating hours depending on dust conditions.

NOTICE

Use only genuine Gardner Denver air filter elements on Gardner Denver compressor units. Genuine parts are available through your authorized Gardner Denver distributor.

To service:

1. Unfasten the clips and pull out the filter element.
2. Visually inspect the element. If cleaning is not necessary, reinstall the filter element. If the element requires cleaning, follow steps 3, 4 and 5.
3. Wash the element by soaking about 15 minutes in warm water with a mild non-sudsing detergent. Rinse the element thoroughly with clean water; a hose may be used if the water pressure does not exceed 40 psig (2.8 bar).
4. Inspect the element for ruptures or cracks in the pleated media; replace the element if any are found. Inspect the gasket on the bottom (outlet end) of the element; replace the entire element if the gasket is damaged. A spare element will keep down time to a minimum.
5. Allow the element to air dry COMPLETELY. Do not expose the element to heat over 150° F (66° C). Install the element in the filter body and fasten securely with the clips.



WARNING

Do not oil this element. Do not wash in inflammable cleaning fluids. Do not use solvents other than water. Improper cleaning may damage the element.

NOTICE

Never operate the unit without the element. Never use elements that are damaged, ruptured or wet. Never use gaskets that won't seal. Keep spare elements and gaskets on hand to reduce downtime. Store elements in a protected area free from damage, dirt and moisture. Handle all parts with care.

Filter Element Life - The element should be replaced after six (6) cleanings or if:

1. Visual inspection indicates a rupture, crack or pin hole in the pleated media. Inspection should be done by placing a bright light inside the element.
2. Pressure drop through a filter with a freshly cleaned element below three (3) inches (76 mm) of water with the compressor running at full load would indicate a rupture or crack.

Inlet Tube - Inspect the inlet screen and tube for dirt accumulation each time the filter is serviced. Clean the tube when required by ramming a clean dry cloth through the tube. Wipe the inside of the filter body to remove any dirt falling from the inlet tube before reinstalling the element.

Causes of short element life include: severe dust conditions, infrequent servicing, improper cleaning, or contamination by oil or chemical fumes.

SECTION 7 COUPLING

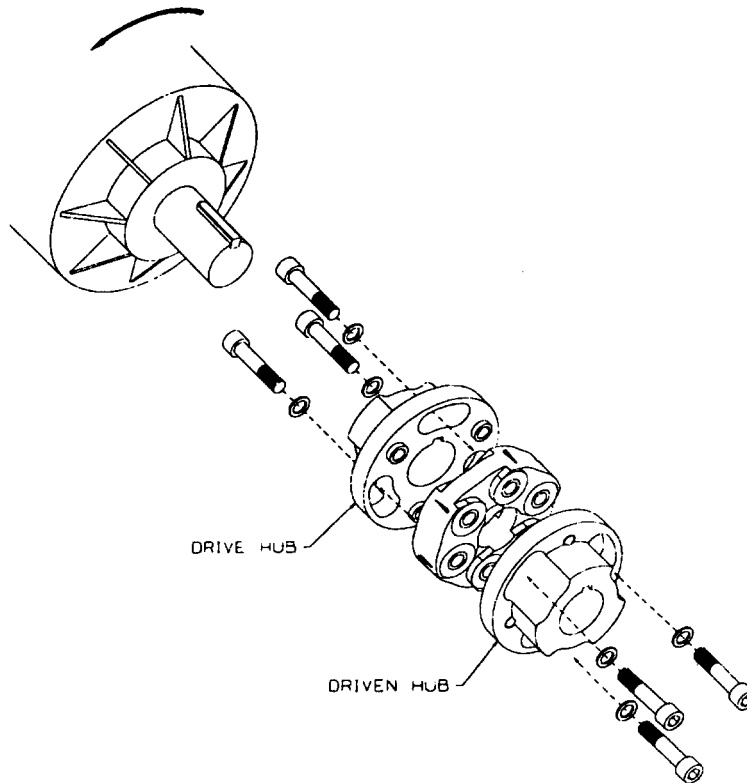


Figure 7-1 – INSTALLATION OF COUPLING CUSHIONS



DANGER

Rotating machinery can cause personal injury or death. Turn the unit completely off, open the main disconnect, lockout and tagout before servicing the coupling.

COUPLING - The motor and compressor are direct connected by a resilient type flexible coupling with a single element cushion. The coupling does not require lubrication.

If maintenance on mating parts is required, reassemble coupling as follows:

ASSEMBLY OF COUPLING ONTO THE AIREND AND MOTOR (see Figure 7-1).

NOTICE

Elements with non-uniform cross sections must be mounted with the rotation arrow on the coupling the same direction as the rotation arrow on the airend. Incorrect rotation will greatly decrease the torque carrying capacity of the coupling.

1. Slide coupling halves over shaft extensions. Lock compressor half (half with element pre-bolted to it) down with set screw.
2. Assemble the motor to the compressor.
3. Working through the coupling guard opening, slide motor half into compressor half.
4. Place the supplied hardened washers under the cap screw heads and torque the screws down to the given specification. Keep the surfaces between the steel bushing in the elastomeric element, the hardened washer and the cap screw head free from dirt and apply a light oil or grease film to both sides of the hardened washer. This is very important since it will significantly reduce the rubber stresses around the metal bushings when torquing down the cap screws.
5. Check to see if element is centered between shaft ends. If element is centered, using the loctite supplied with the coupling, lock all set screws to 50 ft-lbs. If element is not centered, unlock set screws and slide coupling to center element between shaft ends and then, using the loctite supplied with the coupling, lock all set screws to 50 ft-lbs.



DANGER

Rotating machinery can cause personal injury or death. Do not operate unit with either the coupling guard or the collar removed. All bolts and screws must be properly tightened.

ALIGNMENT - The coupling is permanently aligned by the flanges on the compressor and motor.

Replacing Element:

NOTICE

Elements with non-uniform cross sections must be mounted with the rotation arrow on the coupling the same direction as the rotation arrow on the airend. Incorrect rotation will greatly decrease the torque carrying capacity of the coupling.

1. Remove cap screws and washers.
2. Remove the element between the hubs.
3. Apply a light oil or grease film to both sides of the hardened steel washer. This is very important, since it will significantly reduce the rubber stresses around the metal bushings when torquing down

the cap screws. Place the supplied hardened washers under the cap screw heads and torque the screws down to the torque rating in the assembly instructions supplied with the coupling. Keep the surfaces between the steel bushing in the elastomeric element, the hardened washer and the cap screw head free from dirt.

4. Check to see if element is centered between shaft ends. If element is centered, using the loctite supplied with the coupling, lock all set screws (must have loctite, supplied with the coupling, applied to set screws) to 50 ft-lbs. If element is not centered, unlock the set screws and slide coupling to center element between shaft ends and then, using the loctite supplied with the coupling, lock all set screws to 50 ft-lbs.



DANGER

Rotating machinery can cause personal injury or death. Do not operate unit with either the coupling guard or the collar removed. All bolts and screws must be properly tightened.

SECTION 8 MAINTENANCE SCHEDULE

SERVICE CHECK LIST

Air Filter - Operating conditions determine frequency of service. If the "CHANGE AIR FILTER" message is displayed, air filter requires servicing or changing. See "Air Filter", Section 6.

Oil Separator - Operating conditions determine frequency of service. If the "CHANGE SEPARATOR" message is displayed, the oil separator element requires changing. See "Compressor Oil Separator" in Section 5, for further details.

Motor Lubrication - Refer to Section 2, and Maintenance Schedule Chart, page 61.

Every 8 Hours Operation

1. Check the reservoir oil level - add oil if required. See Section 5. If oil consumption is high, refer to "Excessive Oil Consumption", page 63. **DO NOT MIX LUBRICANTS.**
2. Observe if the unit loads and unloads properly.
3. Check discharge pressure and temperature.
4. Check Panel LED's for advisories.

Every 125 Hours Operation

1. Check for dirt accumulation on oil/aftercooler core faces and the cooling fan. If cleaning is required, clean the exterior fin surfaces of the cores by blowing compressed air carrying a nonflammable safety solvent in a direction opposite that of the cooling fan air flow. This cleaning operation will keep the exterior cooling surfaces clean and ensure effective heat dissipation.

Every 1000 Hours Operation

1. Change the oil filter element.

Every 8000 Hours Operation

1. Change the compressor lubricant. **UNDER ADVERSE CONDITIONS, CHANGE MORE FREQUENTLY** (refer to "Oil Change Interval", Figure 5-7, page 44). Flush system if required.

Every Year

1. Check the relief valve for proper operation. See Section 4.
2. Check shutdowns for proper operation.

MAINTENANCE SCHEDULE

Maintenance Action						
	As Indicated by AutoSentry Controller	Every 8 Hours	Every 125 Hours	Every 1000 Hours	Every 8000 * Hours	Every Year
Change Air Filter	•					
Change Oil Separator	•					
Check Reservoir Oil Level		•				
Check for Proper Load/Unload		•				
Check Discharge Pressure/Temp		•				
Check Dirt Accumulation on Cooler.....			•			
Change Oil Filter Element.....	•			•		
Change Compressor Lubricant (AEON 9000SP) *	•				•	
Check Relief Valve.....						•

* See Oil Change Interval Chart, Figure 5-7, page 44, for specific lubricant life.

SECTION 9 TROUBLESHOOTING

SYMPTOM	POSSIBLE CAUSE	REMEDY
Compressor fails to start	1. Wrong lead connections.	1. Change leads.
	2. Blown fuses in control box.	2. Replace fuse.
	3. Motor starter overload heaters tripped .	3. Reset and investigate cause of overload.
	4. Pressure in reservoir.	4. Inspect blowdown valve and muffler.
	5. Read error message on control panel	5. Take appropriate action. See Manual 13-9-653.
	6. Remote Contact is open (terminals 6 & 9).	6. Replace switch or jumper.
Compressor starts but stops after a short time	1. High discharge temperature.	1. See "High Discharge Air Temperature," this section.
	2. High discharge temperature switch malfunction.	2. Replace switch
	3. Blown fuse in starter/control box.	3. Replace fuse (investigate if fuses continue to blow).
	4. Motor starter overload heaters trip.	4. Reset and investigate cause of overload.
Compressor does not unload (or load)	1. Improperly adjusted control.	1. Refer to Manual 13-9-653 and adjust control.
	2. Air leak in control lines.	2. Determine source of leak and correct.
	3. Restricted control line.	3. Clean control lines.
	4. Blowdown valve malfunction.	4. Repair, clean or replace valve.
Compressor cycles from load to unload excessively	1. Insufficient receiver capacity.	1. Increase receiver size.
	2. Restriction in service piping	2. Inspect and clean service piping.
	3. Restriction in control tubing.	3. Inspect and clean control tubing.
	4. Plugged aftercooler.	4. Inspect and clean aftercooler.

SYMPTOM	POSSIBLE CAUSE	REMEDY
Compressor starts too slowly	1. Wye Delta switch time set too long.	1. Contact your Gardner Denver distributor.
	2. Minimum Pressure/Check Valve is faulty.	2. Repair or replace.
	3. Supply voltage is too low.	3. Check the supply voltage.
Compressor is low on delivery and pressure	1. Restricted air filter.	1. Clean or replace filter.
	2. Sticking inlet valve.	2. Inspect and clean inlet valve.
	3. Minimum pressure valve stuck closed.	3. Replace valve.
	4. Leaks in the compressed air system.	4. Check for leaks, fix any leaks found.
	5. Aftercooler is frozen	5. Thaw out. This machine cannot operate in temperatures below 32° F (0° C).
	6. Unload pressure adjusted too low.	6. Adjust the unload pressure. See Manual 13-9-653.
Excessive oil consumption	1. Oil carryover through lines.	1. See "Oil Carryover", in this section.
	2. Oil leaks at all fittings and gaskets.	2. Tighten or replace fittings or gaskets.
	3. Shaft seal leaking.	3. Replace shaft seal.
High discharge air temperature	1. Thermostatic mixing valve stuck open.	1. Repair or replace valve.
	2. Dirty or clogged cooler face.	2. Clean cooler.
	3. Insufficient cooling air flow	3. Provide unrestricted supply of cooling air.
	4. Clogged oil filter or cooler (interior)	4. Replace filter or clear cooler.
	5. Low compressor oil.	5. Add oil to proper level.

SYMPTOM		POSSIBLE CAUSE		REMEDY
Oil carryover	1.	Overfilling the reservoir.	1.	Drain excess oil from system.
	2.	Clogged, broken or loose oil return lines.	2.	Tighten or replace faulty lines.
	3.	Ruptured oil separator element.	3.	Replace element.
	4.	Loose assembly.	4.	Tighten all fittings and gaskets.
	5.	Foam caused by use of incorrect oil.	5.	Use Gardner Denver AEON 2000, 4000 or 9000SP lubricating coolant.
	6.	Inoperative minimum pressure valve.	6.	Clean out or replace valve.
	7.	Operation at elevated discharge temperatures.	7.	Reduce temperature. See "High Discharge Air Temperature", this section.
	8.	Scavenge line check valve failure.	8.	Replace check valve.
	9.	Water condensate in oil	9.	Check oil reservoir temperature, and if low, change thermal mixing valve element to higher temperature.

NOTICE

Gardner Denver factory remanufactured replacement compressor airend units are available from your authorized distributor, on an exchange basis, for all rotary screw compressor units.

GENERAL PROVISIONS AND LIMITATIONS

Gardner Denver (the "Company") warrants to each original retail purchaser ("Purchaser") of its new products from the Company or its authorized distributor that such products are, at the time of delivery to the Purchaser, made with good material and workmanship. No warranty is made with respect to:

1. Any product which has been repaired or altered in such a way, in the Company's judgment, as to affect the product adversely.
2. Any product which has, in the Company's judgment been subject to negligence, accident, improper storage, or improper installation or application.
3. Any product which has not been operated or maintained in accordance with the recommendations of the Company.
4. Components or accessories manufactured, warranted and/or serviced by others.
5. Any reconditioned or prior owned product.

Claims for items described in (4) above should be submitted directly to the manufacturer.

WARRANTY PERIOD

The Company's obligation under this warranty is limited to repairing or, at its option, replacing, during normal business hours at an authorized service facility of the Company, and part which in its judgment proved not to be as warranted within the applicable Warranty Period as follows.

AIRENDS

Airends, consisting of all parts within and including the cylinder and gear housing, are warranted for 24 months from date of initial use or 27 months from date of shipment to the purchaser, whichever occurs first.

Any disassembly or partial disassembly of the airend, or failure to return the "unopened" airend per Company instructions, will be cause for denial of warranty.

MAJOR PACKAGE COMPONENTS

Air or water cooled coolers and the AutoSentry Controllers are warranted for 24 months from date of initial use or 27 months from date of shipment to the first purchaser, whichever occurs first, as provided in, and subject to the terms of the original component manufacturer's warranty.

DRIVE AND FAN MOTOR

The drive and fan motor (if applicable) are warranted for 60 months from start-up or 63 months from shipment, whichever occurs first. The warranty is applicable only to Toshiba low voltage motors (600 Volts or less). High voltage motors and other manufacturer motors furnished due to customer request or special requirements carry the motor manufacturer's warranty.

OTHER COMPONENTS

All other components are warranted for 12 months from date of initial use or 15 months from date of shipment to first purchaser, whichever occurs first.

LABOR TRANSPORTATION AND INSPECTION

The Company will provide labor, by Company representative or authorized service personnel, for repair or replacement of any product or part thereof which in the Company's judgment is proved not to be as warranted. Labor shall be limited to the amount specified in the Company's labor rate schedule.

Labor costs in excess of the Company rate schedule amounts or labor provided by unauthorized service personnel is not provided for by this warranty.

All costs of transportation of product, labor or parts claimed not to be as warranted and, of repaired or replacement parts to or from such service facilities shall be borne by the Purchaser. The Company may require the return of any part claimed not to be as warranted to one of its facilities as designated by Company, transportation prepaid by Purchaser, to establish a claim under this warranty.

Replacement parts provided under the terms of the warranty are warranted for the remainder of the Warranty Period of the product upon which installed to the same extent as if such parts were original components.

DISCLAIMER

THE FOREGOING WARRANTY IS EXCLUSIVE AND IT IS EXPRESSLY AGREED THAT, EXCEPT AS TO TITLE, THE COMPANY MAKES NO OTHER WARRANTIES AND HEREBY EXPRESSLY DISCLAIMS ALL OTHER WARRANTIES, INCLUDING WITHOUT LIMITATION, EXPRESSED, IMPLIED OR STATUTORY WARRANTIES, INCLUDING ANY IMPLIED WARRANTY OF MERCHANTABILITY OR FITNESS FOR A PARTICULAR USE.

THE REMEDY PROVIDED UNDER THIS WARRANTY SHALL BE THE SOLE, EXCLUSIVE AND ONLY REMEDY AVAILABLE TO PURCHASER AND IN NO CASE SHALL THE COMPANY BE SUBJECT TO ANY OTHER OBLIGATIONS OR LIABILITIES. UNDER NO CIRCUMSTANCES SHALL THE COMPANY BE LIABLE FOR SPECIAL, INDIRECT, INCIDENTAL OR CONSEQUENTIAL DAMAGES, EXPENSES, LOSSES OR DELAYS HOWSOEVER CAUSED.

NO STATEMENT, REPRESENTATION, AGREEMENT, OR UNDERSTANDING, ORAL OR WRITTEN, MADE BY ANY AGENT, DISTRIBUTOR, REPRESENTATIVE, OR EMPLOYEE OF THE COMPANY WHICH IS NOT CONTAINED IN THIS WARRANTY WILL BE BINDING UPON THE COMPANY UNLESS MADE IN WRITING AND EXECUTED BY AN OFFICER OF THE COMPANY.

THIS WARRANTY SHALL NOT BE EFFECTIVE AS TO ANY CLAIM WHICH IS NOT PRESENTED WITHIN 30 DAYS AFTER THE DATE UPON WHICH THE PRODUCT IS CLAIMED NOT TO HAVE BEEN AS WARRANTED. ANY ACTION FOR BREACH OF THIS WARRANTY MUST BE COMMENCED WITHIN ONE YEAR AFTER THE DATE UPON WHICH THE CAUSE OF ACTION OCCURRED.

ANY ADJUSTMENT MADE PURSUANT TO THIS WARRANTY SHALL NOT BE CONSTRUED AS AN ADMISSION BY THE COMPANY THAT ANY PRODUCT WAS NOT AS WARRANTED.

Gardner --- **Denver**

Specifications subject to change without notice.

Copyright © 1999 Gardner Denver, Inc.

Litho in U.S.A.

<http://www.gardnerdenver.com> mktg@gardnerdenver.com

For additional information contact your local representative or



Gardner Denver Compressor and Pump Division,
1800 Gardner Expressway, Quincy, Illinois 62301
Customer Service Department Telephone:
(800) 682-9868 FAX: (217) 224-7814

Sales and Service in all major cities.

For parts information, contact Gardner Denver,
Master Distribution Center, Memphis, TN

Telephone: (800) 245-4946 FAX: (901) 542-6159