
GARDNER DENVER®

13-8-533
Version: 02
September 22, 2005

INTEGRA™
BASE-MOUNTED
COMPRESSOR

MODELS -- EFC99F

20, 25 & 30 HP

PARTS LIST



**MAINTAIN COMPRESSOR RELIABILITY AND PERFORMANCE WITH
GENUINE GARDNER DENVER® COMPRESSOR
PARTS AND SUPPORT SERVICES**

Gardner Denver® Compressor genuine parts, manufactured to design tolerances, are developed for optimum dependability – specifically for Gardner Denver compressor systems. Design and material innovations are the result of years of experience with hundreds of different compressor applications. Reliability in materials and quality assurance are incorporated in our genuine replacement parts.

Your authorized Gardner Denver Compressor distributor offers all the backup you'll need. A worldwide network of authorized distributors provides the finest product support in the air compressor industry. Your local authorized distributor maintains a large inventory of genuine parts and he is backed up for emergency parts by direct access to the Gardner Denver Master Distribution Center (MDC) in Memphis, Tennessee.

Your authorized distributor can support your Gardner Denver air compressor with these services:

1. Trained parts specialists to assist you in selecting the correct replacement parts.
2. Factory warranted new and remanufactured rotary screw airends. Most popular model remanufactured airends are maintained in stock at MDC for purchase on an exchange basis with liberal core credit available for the replacement unit.
3. A full line of factory tested AEON™ compressor lubricants specifically formulated for use in Gardner Denver compressors.
4. Repair and maintenance kits designed with the necessary parts to simplify servicing your compressor.

Authorized distributor service technicians are factory trained and skilled in compressor maintenance and repair. They are ready to respond and assist you by providing fast, expert maintenance and repair services.

For the location of your local authorized Gardner Denver Air Compressor distributor, refer to the yellow pages of your phone directory or contact:

Distribution Center:

Gardner Denver
Master Distribution Center
5585 East Shelby Drive
Memphis, TN 38141

Phone: (901) 542-6100
(800) 245-4946

Fax: (901) 542-6159

Factory:

Gardner Denver
1800 Gardner Expressway
Quincy, IL 62301

Phone: (217) 222-5400

Fax: (217) 224-7814

INSTRUCTIONS FOR ORDERING REPAIR PARTS

When ordering parts, specify Compressor MODEL, Method of Cooling, POWER and SERIAL NUMBER (see nameplate on unit). The Airend Serial Number is also stamped on top of the discharge bearing carrier castings.

All orders for Parts should be placed with the nearest authorized distributor.

Where NOT specified, quantity of parts required per compressor or unit is one (1); where more than one is required per unit, quantity is indicated in parenthesis. SPECIFY EXACTLY THE NUMBER OF PARTS REQUIRED.

DO NOT ORDER BY SETS OR GROUPS.

To determine the Right Hand and Left Hand side of a compressor, stand at the motor end and look toward the compressor. Right Hand and Left Hand are indicated in parenthesis following the part name, i.e. (RH) and (LH), when appropriate.

**TOTAL PRODUCT SUPPORT – GARDNER DENVER’S
CONTINUING COMMITMENT
TO YOUR AIR COMPRESSOR PERFORMANCE**

Commitment to total product support continues long after the purchase of your quality Gardner Denver rotary screw compressor.

Gardner Denver original parts incorporate years of experience and improvements in design, materials and quality assurance. Maintaining your compressor investment with Gardner Denver parts will insure protection for the air compressor unit and long, dependable service life.

Your authorized Gardner Denver compressor distributor maintains a complete stock of all common maintenance parts, factory approved AEON lubricants, and Gardner Denver factory warranted exchange airends. In addition, authorized distributor technicians are factory trained, and can provide complete diagnostic, compressor maintenance and repair services.

This manual is designed to assist you in maintaining high performance and receiving many years of dependable service you expect from your Gardner Denver compressor.

REMANUFACTURED AIRENDS

Whenever an airend requires replacement or repair, Gardner Denver offers an industry unique, factory remanufactured airend exchange program. From its modern Remanufacturing Center in Indianapolis, IN., Gardner Denver is committed to supplying you with the highest quality, factory remanufactured airends that are guaranteed to save you time and money.

Immediately Available

Repair downtime costs you money, which is why the most popular models are in inventory at all times

Skilled Craftsmen

Our Remanufacturing assembly technicians average over 20 years experience with air compression products.

Precision Remanufacturing

All potentially usable parts are thoroughly cleaned, inspected and analyzed. Only those parts that can be brought back to original factory specifications are remanufactured. Every remanufactured airend receives a new overhaul kit: bearings, gears, seals, sleeves and gaskets.

Extensive Testing

Gardner Denver performs testing that repair houses just don't do. Magnaflux and ultrasonic inspection spot cracked or stressed castings, monochromatic light analysis exposes oil leaks, and coordinate measurement machine inspects to +/- .0001", insuring that all remanufactured airends meet factory performance specifications.

Warranty

Gardner Denver backs up every remanufactured airend with a new warranty...27months from purchase, 24 months from service.

Gardner Denver remanufactured airends deliver *quality without question...year in and year out.*

Call Gardner Denver for information on the airend exchange program and the name of your authorized distributor.

Phone Number: 800-245-4946 or
Fax: 901-542-6159

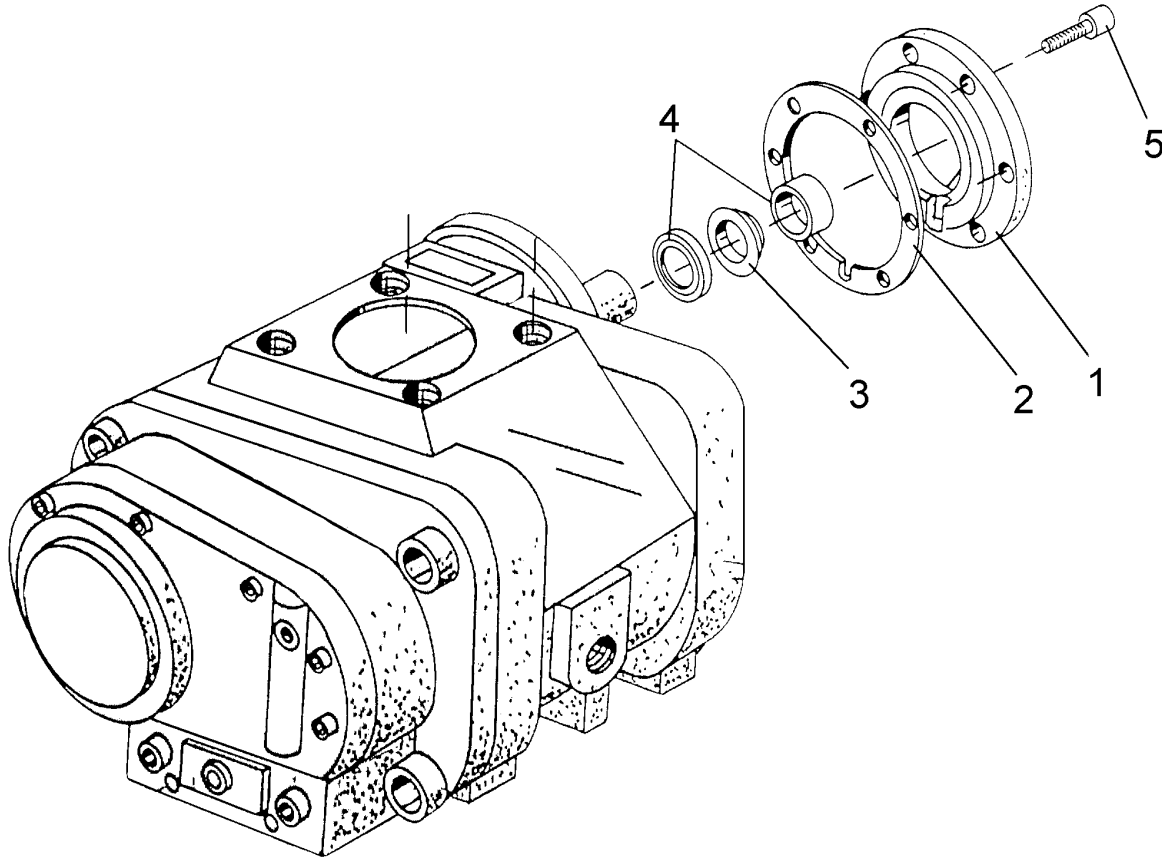
TABLE OF CONTENTS

Maintain Compressor Reliability And Performance With Genuine Gardner Denver Compressor Parts And Support Services	1
Instructions For Ordering Repair Parts.....	1
Total Product Support – Gardner Denver’s Continuing Commitment To Your Air Compressor Performance	2
Remanufactured Airends	2
Airend Group.....	4
Bare Compressor	5
Encapsulated Compressor Parts.....	6, 7
Inlet Valve Repair Parts	8, 9
Minimum Pressure/Check Valve	10, 11
Air Filter Mounting Group	12
Piping Group	13
Base And Mounting Group.....	14, 15
Enclosure Group	16, 17
Drive Groups – 20 HP	18, 19
Drive Groups – 25 HP – 256T ODP	20, 21
Drive Groups – 25 & 30 HP – 284T TEFC	22, 23
Control Piping.....	24, 25
Quiet Baffle	26
Moisture Separator.....	27
Discharge Piping Group	28
Decal & Fuse Group.....	29
Controller Assembly – Full Voltage Starter – 20 HP, 25 HP And 30 HP	30
Controller Assembly – Full Voltage Starter – 20 HP.....	31
Controller Assembly – Full Voltage Starter – 25 HP.....	32
Controller Assembly – Full Voltage Starter – 30 HP.....	33
Controller Assembly – Wye Delta Starter – 20 HP, 25 HP And 30 HP	34
Controller Assembly – Wye Delta Starter – 20 HP	35
Controller Assembly – Wye Delta Starter – 25 HP	36
Controller Assembly – Wye Delta Starter – 30 HP	37
Controller Assembly – Less Main Motor Starter	38, 39
Controller Assembly	40
Controller Assembly - Board	41
Base & Air Receiver	42
Dryer Assembly Less Cold Coalescer Less Afterfilter	44
Dryer Less Cold Coalescer, Less Afterfilter	45
Dryer Assembly Less Cold Coalescer Less Afterfilter	46
Dryer With Cold Coalescer Less Afterfilter	47
Dryer Assembly With Cold Coalescer With Afterfilter	48
Dryer With Cold Coalescer With Afterfilter	49
Moisture Drain With Two Connections	50
Moisture Drain With Three Connections	51
Air Receiver Automatic Drain Assembly.....	52
Air Discharge With Ball Valve	53
Application Chart For Dryers	54
Main Motor (Full Voltage).....	55
Main Motor (Wye Delta)	56
Overload Relay Heater Conversion Listing	57
Decals - Package	58
Decals – Tank & Dryer	58
Repair Kits	59-61

For Operating and Service Instructions, See:

SERVICE MANUAL 13-8-621
AUTO SENTRY CONTROL 13-8-623

Order by Part Number and Description. Reference Numbers are for your convenience only.

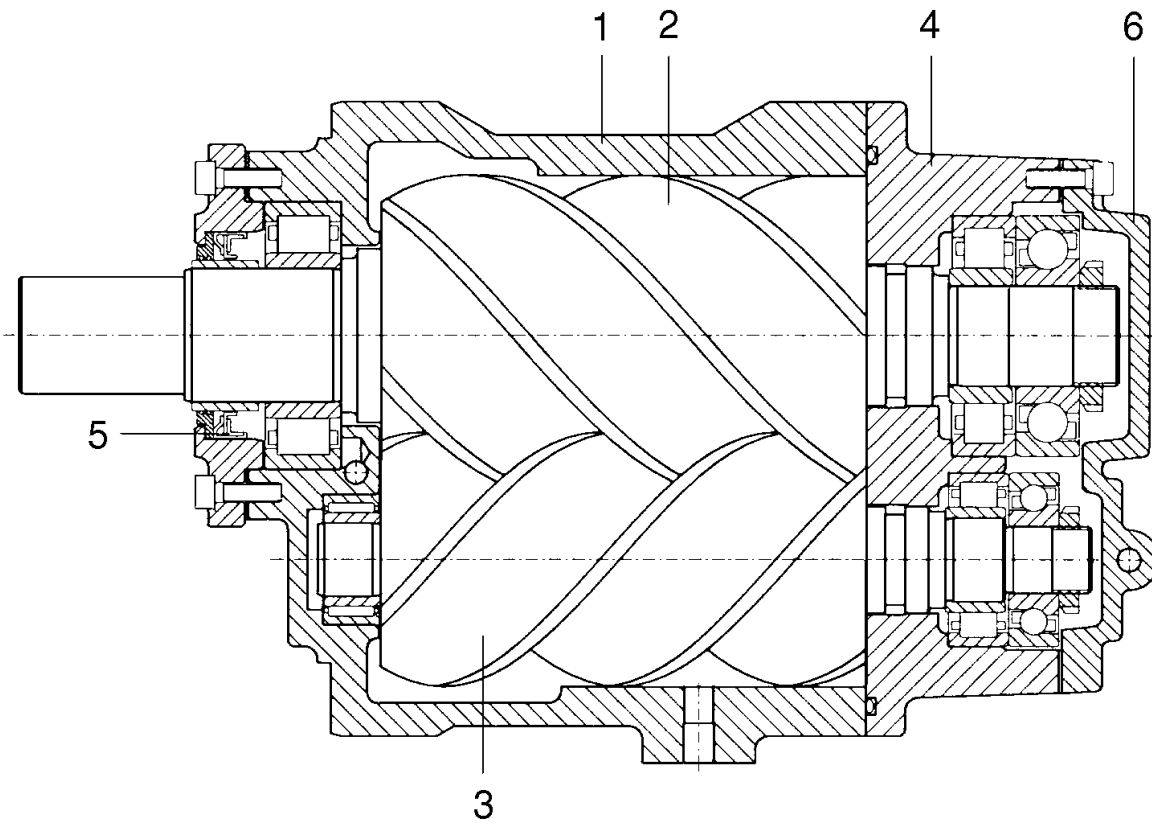


AIREND GROUP

B/M: EFC04022374

Ref. No.	Name of Part	Qty.	Part No.
1	SEAL HOUSING.....	1	EFC03791828
* 2	GASKET	1	EFC30809658
* 3	SPACER.....	1	EFC30806218
* 4	SHAFT SEAL REPAIR KIT	1	EFC30834020
5	SCREW	6	EFC44577460

* Parts included in Seal Repair Kit Part Number 300EFC6029. Refer to Page 59.



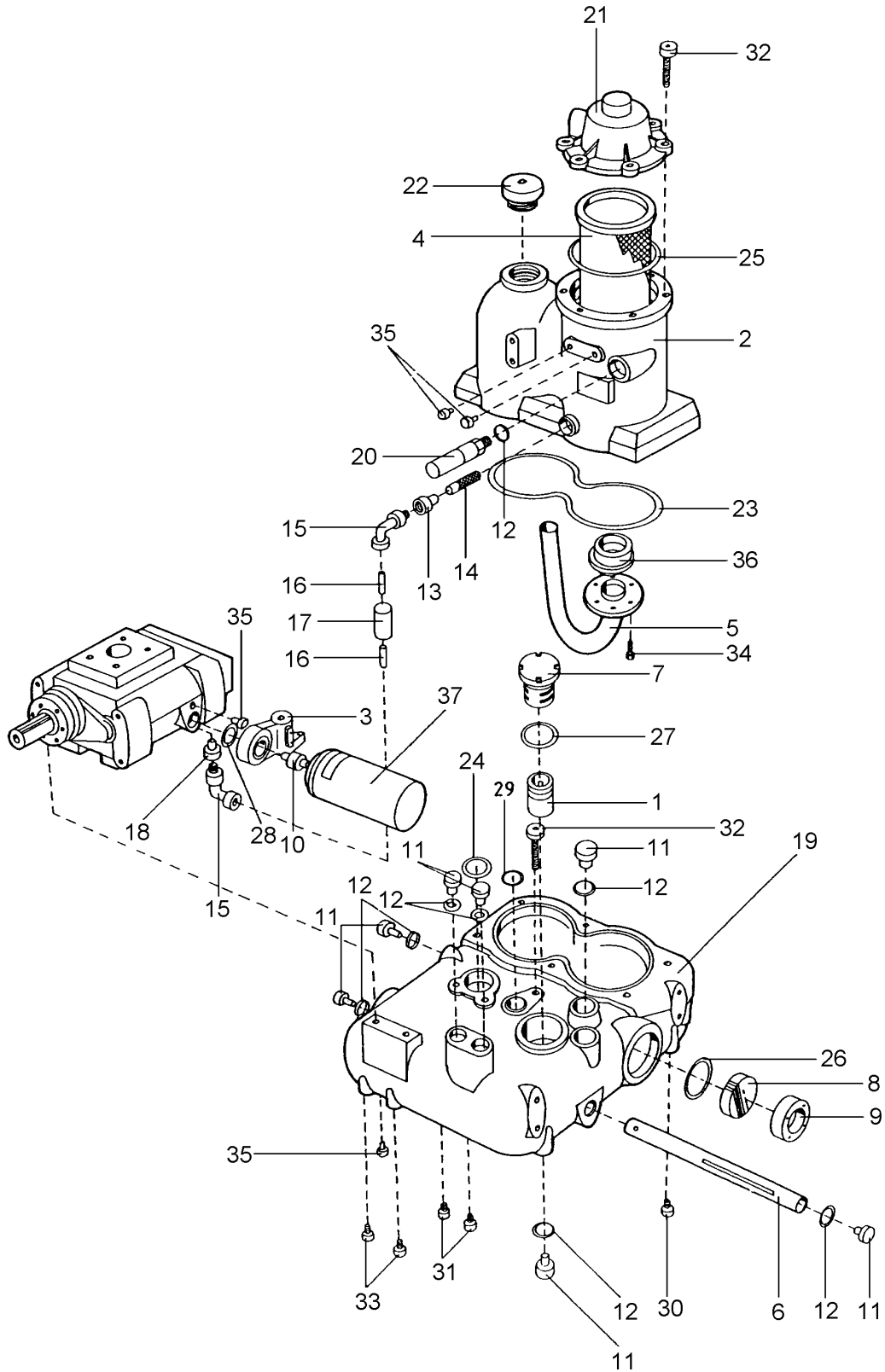
BARE COMPRESSOR

Ref. No.	Name of Part
1	CYLINDER
2	MAIN ROTOR
3	SECONDARY ROTOR
4	DISCHARGE BEARING HOUSING
5	DRIVE SHAFT SEAL
6	DISCHARGE END PLATE

For Replacement Bare Airend Repair Kit, order Part Number 306EFC6013. See Page 60.

For Periodic Overhaul Kit, order Part Number 307EFC6013. See Page 60.

ENCAPSULATED COMPRESSOR PARTS



Order by Part Number and Description. Reference Numbers are for your convenience only.

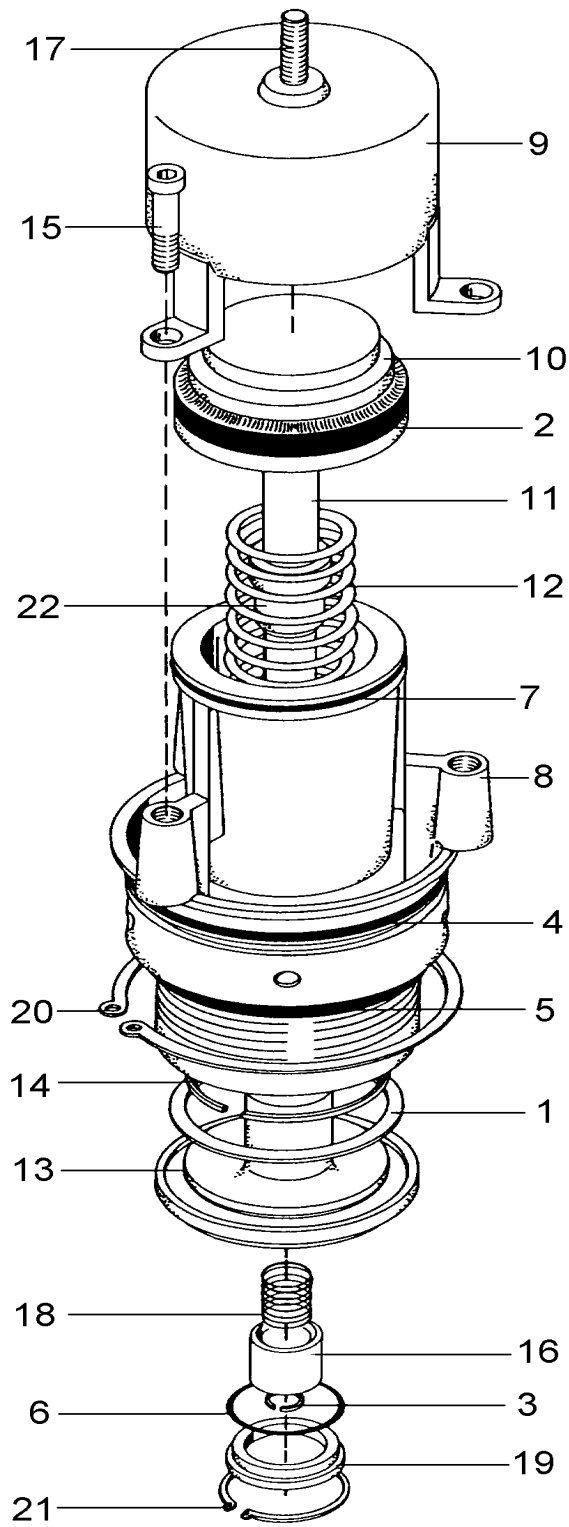
ENCAPSULATED COMPRESSOR PARTS

B/M:
SEFC03981121

Ref. No.	Name of Part	Qty.	Part No.	Ref. No.	Name of Part	Qty.	Part No.
1	THERMOSTAT ELEMENT.....			+ ***25	O-RING.....	1	EFC85387979
++	150° Std.....	1	EFC89560169	26	O-RING.....	1	EFC89573939
∇	180° Optional.....	1	EFC89626099	∇ ++27	O-RING.....	1	EFC85646299
2	SEPARATOR HOUSING	1	SEFC04028458	28	O-RING.....	1	EFC89594469
3	OIL FILTER MANIFOLD.....	1	SEFC03981258	29	O-RING.....	1	EFC89534789
* 4	OIL SEPARATOR ELEMENT	1	EFC03498328	30	SCREW	6	655SMCA161400
5	AIR SEPARATION SHOTGUN	1	SEFC37622338	31	SCREW	2	655SMCA121300
6	TUBE.....	1	SEFC37641008	32	SCREW	7	655SMCA10030Z
7	THERMOSTAT HOUSING.....	1	SEFC37622208	33	SCREW	2	655SMCA101200
8	OIL SITE GLASS.....	1	EFC30899578	34	SCREW	6	665HMCA06016Z
9	RETAINER	1	EFC30915118	35	PLUG.....	7	EFC80704779
10	DOUBLE NIPPLE.....	1	SEFC30932308	36	ADAPTOR	1	SEFC30934298
11	PLUG.....	6	SEFC03381178	** 37	OIL FILTER	1	EFC89675429
12	GASKET.....	7	EFC80034799	39	SCREW	2	EFC45533290
13	SCREEN, HOUSING.....	1	SEFC30941448	40	GASKET.....	1	EFC30809658
* 14	OIL SCAVENGE LINE SCREEN...	1	EFC85588619	41	PLUG.....	1	64AA49
15	ELBOW	1	EFC85267219	42	AIR INLET VALVE.....	1	EFC03602068
16	ORIFICE.....	2	SEFC30895408	43	FLANGE	1	EFC22337908
17	PLASTIC TUBE (IN FEET).....	1	EFC85200299	44	FILTER HOUSING	1	EFC37708348
* 18	CHECK VALVE	1	EFC89597779	45	AIR FILTER	1	EFC81166609
19	OIL SUMP/BASE.....	1	SEFC04028328	46	SCREW	4	EFC80046049
20	PRESSURE RELIEF VALVE	1	EFC89728559	47	O-RING.....	1	EFC89552979
21	MIN PRESS/CHECK VLV ASM	1	EFC03603078	48	WING NUT	1	EFC80220059
22	PLUG.....	2	EFC85328079	49	ELBOW.....	1	EFC81744279
23	O-RING	1	EFC89594619	50	PLUG.....	1	64AA48
24	O-RING	1	EFC89594599				

- + Parts included in Oil Separator Kit Part Number 301EFC6013. Refer to page 59.
- ++ Parts included in Mixing Valve Repair Kit Part Number 304EFC6013. Refer to 59.
- ∇ Parts included in Mixing Valve Repair Kit Part Number 302EFB6013. Refer to 59.
- * Parts included in Pneumatic Control Kit Part Number 314EFC6013. Refer to Page 60.
- ** Parts included in Routine Maintenance Kit Part Number 300EFC6013. Refer to page 59.
- *** Parts included in Min/Press Maintenance Kit Part Number 303EFC6013. Refer to page 59.

INLET VALVE REPAIR PARTS



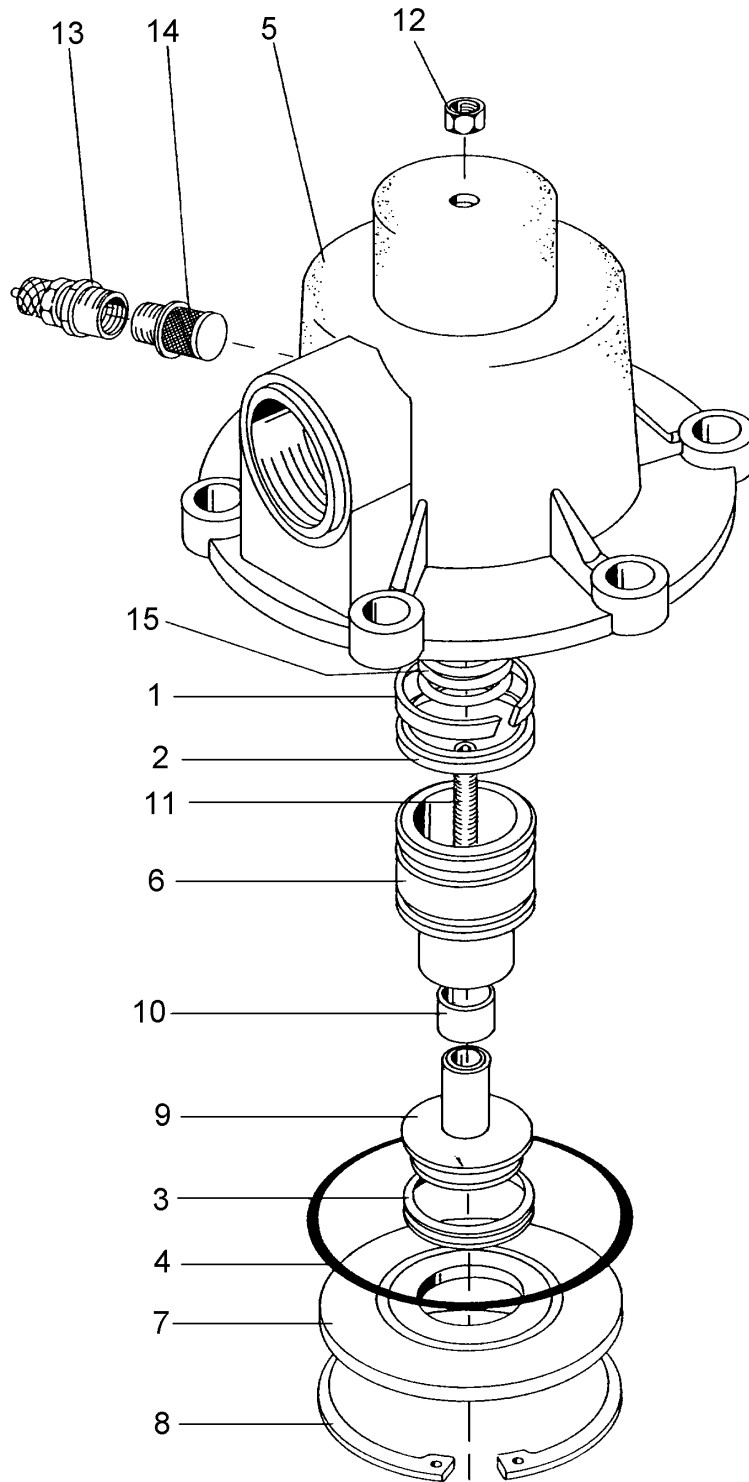
Order by Part Number and Description. Reference Numbers are for your convenience only.

INLET VALVE REPAIR PARTS

Ref. No.	Name of Part	Part No.
	INLET VALVE ASSEMBLY	EFC03602068
	INLET VALVE SEAL KIT (Includes Reference Numbers 1, 2, 4-7).....	EFC03387538
*	INLET VALVE REPAIR KIT (Includes Reference Numbers 1-7, 9, 12, 16, 18, 22)	EFC89555209
1	GASKET	
2	GASKET	
3	LOCK RING	
4	O-RING	
5	O-RING	
6	O-RING	
7	O-RING	
8	HOUSING	
9	COVER	
10	PISTON.....	
11	PISTON ROD.....	
12	SPRING	
13	PLATE.....	
14	STOP RING	
15	SCREW.....	
16	BEARING BUSHING	
17	SCREW.....	
18	SPRING	
19	PLUG	
20	LOCK RING	
21	STOP RING	
22	BEARING.....	

Parts included in Inlet Valve Repair Kit Part Number 302EFC6013. Refer to Page 59.

MINIMUM PRESSURE/CHECK VALVE



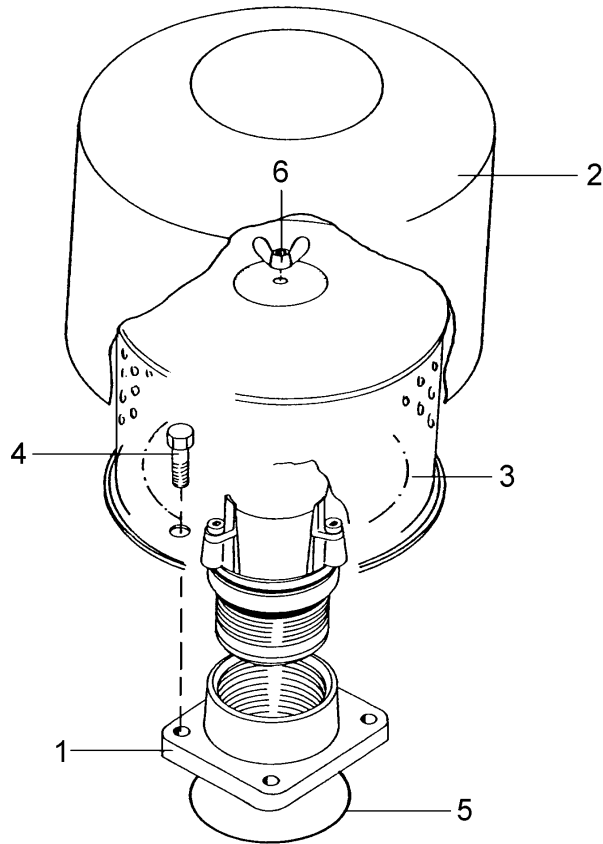
Order by Part Number and Description. Reference Numbers are for your convenience only.

MINIMUM PRESSURE/CHECK VALVE

Ref. No.	Name of Part	Part No.
	MINIMUM PRESSURE/CHECK VALVE ASSEMBLY	EFC03603078
	MINIMUM PRESSURE/CHECK VALVE SEAL KIT (Includes Reference Numbers 1-4).....	EFC03389270
	* MINIMUM PRESSURE/CHECK VALVE ASSEMBLY KIT (Includes Reference Numbers 1-4, 10, 15)	EFC89555599
1	RING	
2	PISTON GASKET	
3	GASKET	
4	O-RING	
5	FRAME	
6	PISTON.....	
7	PLATE.....	
8	LOCK RING	
9	PLATE.....	
10	BEARING.....	
11	SCREW.....	
12	NUT.....	
13	CONNECTOR.....	
14	FILTER.....	
15	SPRING	

* Parts included in Min/Press Maintenance Kit Part Number 303EFC6013. Refer to page 59.

Order by Part Number and Description. Reference Numbers are for your convenience only.



AIR FILTER MOUNTING GROUP

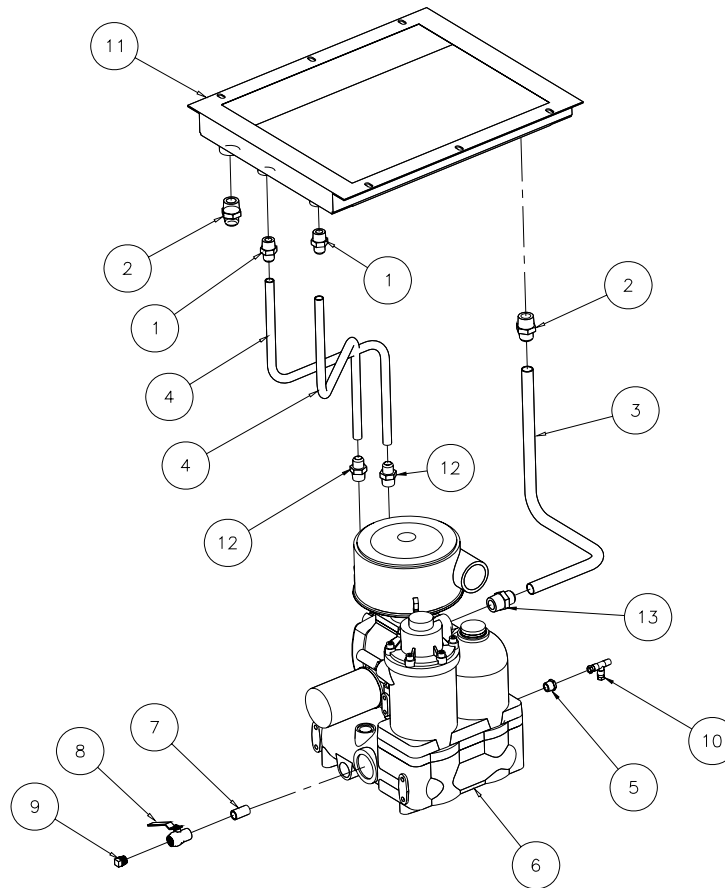
B/M: 300EFC4017

Ref. No.	Name of Part	Qty.	Part No.
1	FLANGE, INLET FILTER.....	1	EFC22337908
2	FILTER HOUSING.....	1	EFC37708348
** 3	AIR FILTER ELEMENT.....	1	EFC81166609
4	SCREW.....	4	EFC80046049
* 5	O-RING.....	1	EFC89552979
6	WING NUT.....	1	EFC80220059

* Part included in Inlet Valve Repair Kit Part Number 302EFC6013. Refer to page 59.

** Parts included in Routine Maintenance Kit Part Number 300EFC6013. Refer to page 59.

Order by Part Number and Description. Reference Numbers are for your convenience only.\



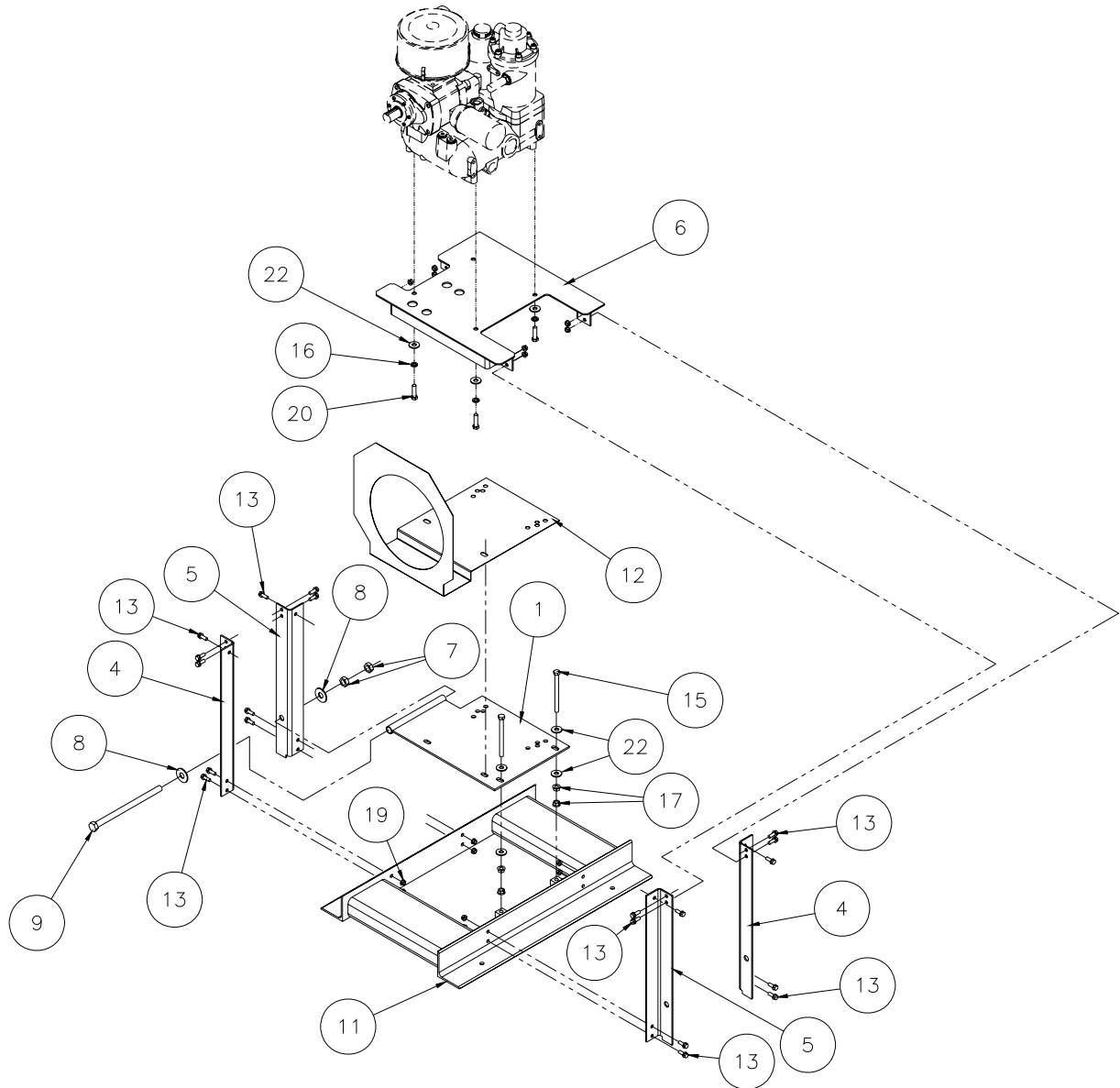
302EFC810-E
(Ref. Drawing)

PIPING GROUP

B/M: 302EFC4019

Ref. No.	Name of Part	Qty.	Part No.
1	TUBE CONNECTOR.....	2	86H137
2	TUBE CONNECTOR.....	2	86H138
3	HOSE.....	1	304EFC127
4	HOSE.....	2	302EFC127
5	ADAPTOR BUSHING.....	1	86H155
6	AIREND.....	1	301EFC1095
7	NIPPLE.....	1	86H154
8	BALL VALVE.....	1	90AR360
9	PLUG.....	1	64AA7
10	OIL SAMPLING VALVE.....	1	86N345
11	COOLER-OIL/AIR-RADIATOR.....	1	300EFC201
12	TUBE CONNECTOR.....	2	86H149
13	TUBE CONNECTOR.....	1	86H150

BASE AND MOUNTING GROUP



300EFC810-C
(Ref. Drawing)

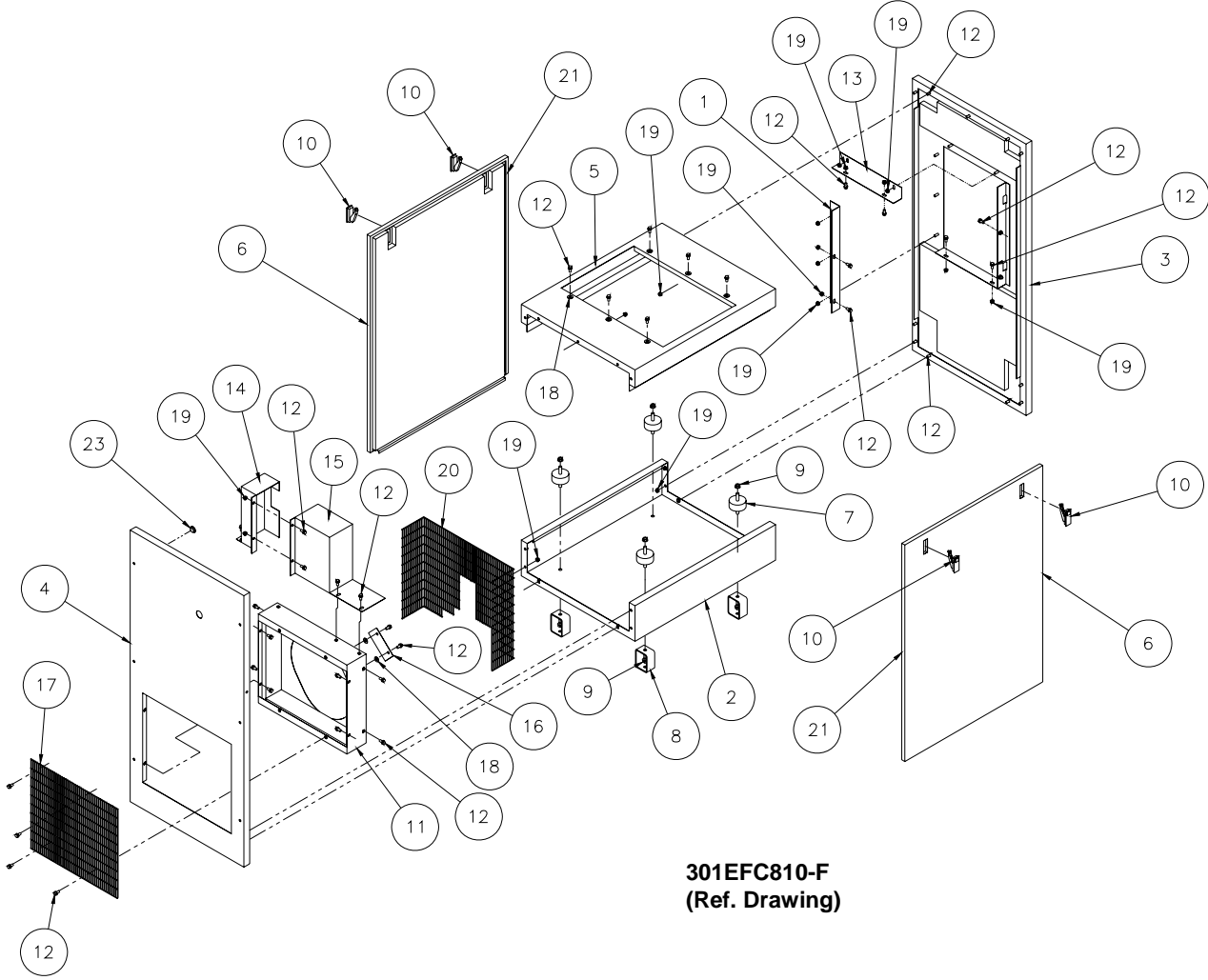
Order by Part Number and Description. Reference Numbers are for your convenience only.

BASE AND MOUNTING GROUP

**B/M: 300EFC4013
301EFC4017**

Ref. No.	Name of Part	Qty.	Part No.
1	SUPPORT.....	1	301EFC165
4	LEG.....	2	302EFC1263
5	LEG.....	2	303EFC1263
6	PEDESTAL.....	1	301EFC1296
7	NUT.....	2	50B8
8	WASHER.....	2	95A8
9	SCREW.....	1	655EG480
11	BASE.....	1	301EFC285
12	ORIFICE.....	1	301EFC814
13	SCREW.....	20	75K48
15	SCREW.....	2	75AA101
16	LOCKWASHER.....	4	95B5
17	NUT.....	4	50AW35
19	NUT.....	20	50AW5
20	SCREW (METRIC).....	4	665HMCA120300
22	WASHER.....	8	95A5

ENCLOSURE GROUP



301EFC810-F
(Ref. Drawing)

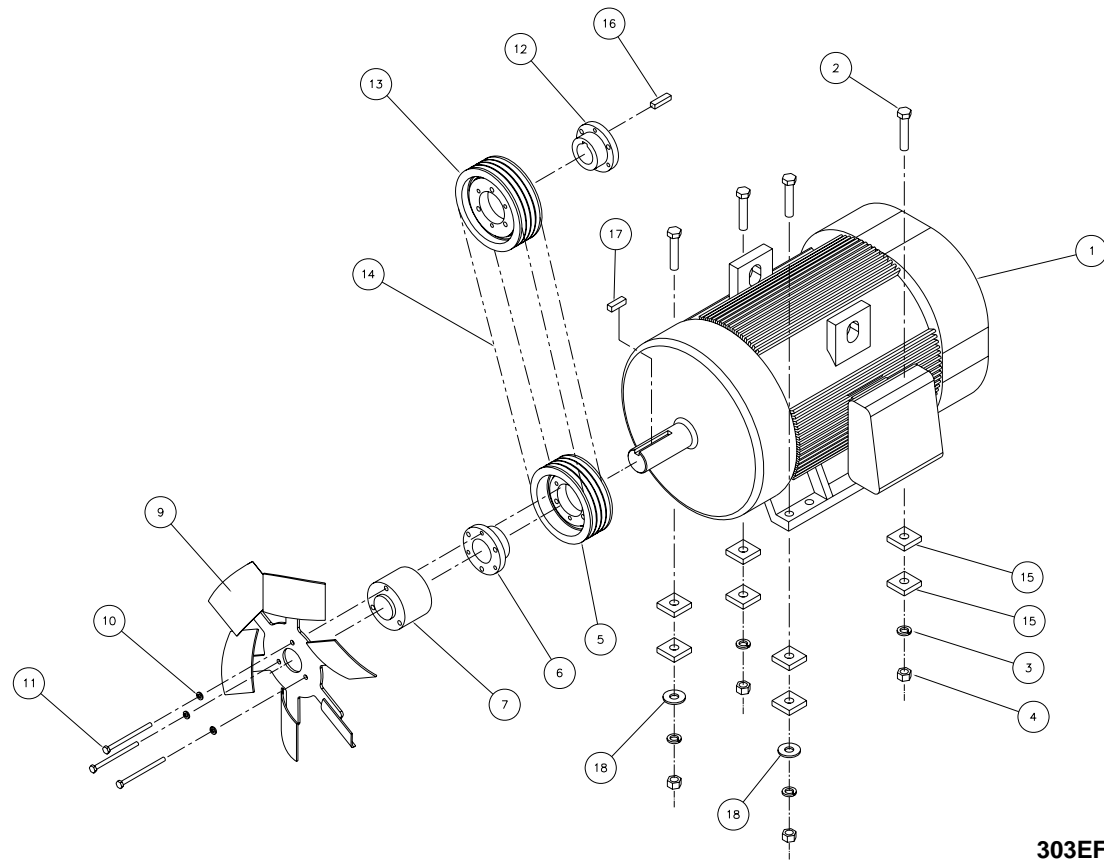
Order by Part Number and Description. Reference Numbers are for your convenience only.

ENCLOSURE GROUP

B/M: 300EFC4023
301EFC4013

Ref. No.	Name of Part	Qty.	Part No.	Ref. No.	Name of Part	Qty.	Part No.
1	BRACKET	1	303EFC142	13	BRACKET	1	304EFC142
2	FRAME (BASE).....	1	300EFC314	14	COVER	1	300EFC225
3	FRAME	1	305EFC314	15	COVER	1	301EFC225
4	FRAME	1	302EFC314	16	BRACKET (FORMED).....	1	308EVE142
5	FRAME	1	303EFC314	17	GUARD-AUXILIARY	1	300EFC240
6	PANEL.....	2	300EFC216	18	WASHER	8	95A3
7	VIBRATION ISOLATOR.....	4	49C104	19	NUT.....	31	50AW5
8	FOOT (SING & PLUR)	4	300EVE166	20	GUARD FAN.....	1	300EFC393
9	NUT	8	50AW35	21	SEAL	24	32E12
10	LATCH.....	4	31D51	22	PLUG (not shown)	2	24A415
11	BAFFLE	1	300EFC840	23	PLUG	6	24A60
12	SCREW	55	75LM51				

DRIVE GROUPS – 20 HP



303EFC810-C
(Ref. Drawing)

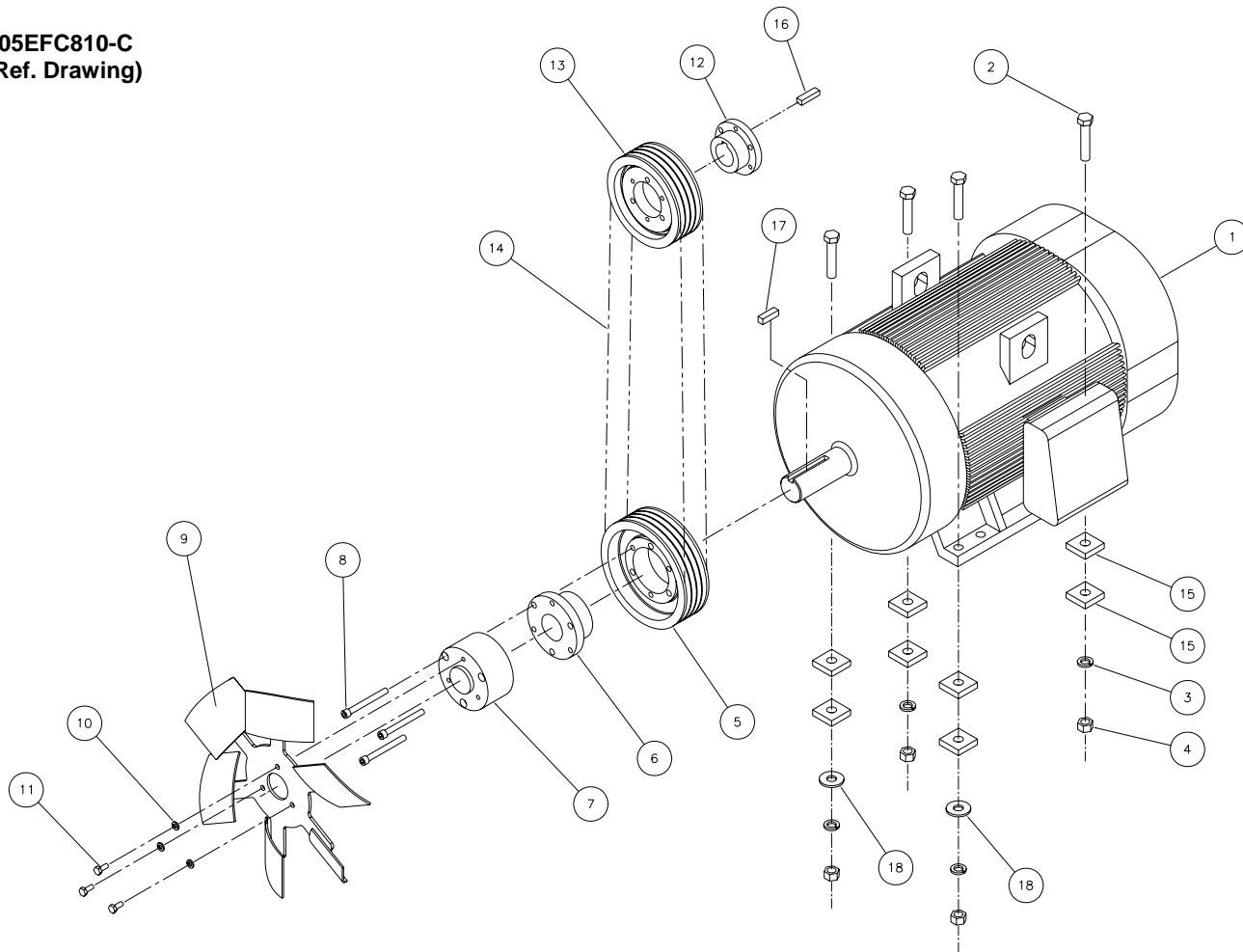
Order by Part Number and Description. Reference Numbers are for your convenience only.

DRIVE GROUPS – 20HP

Ref. No.	Name of Part	Qty.	100 PSIG 321EFC4004 Part No.	125 PSIG 322EFC4004 Part No.	150 PSIG 323EFC4004 Part No.	175 PSIG 324EFC4004 Part No.
1	MOTOR	1	SELECTIVE – SEE PAGES 55 & 56			
2	SCREW	4	655EE100	655EE100	655EE100	655EE100
3	LOCKWASHER	4	95B5	95B5	95B5	95B5
4	NUT	4	50B5	50B5	50B5	50B5
5	SHEAVE	1	73M43V52	73M43V52	73M43V52	73M43V52
6	BUSHING-SHEAVE	1	22F26SDS	22F26SDS	22F26SDS	22F26SDS
7	SPACER	1	300EFC144	300EFC144	300EFC144	300EFC144
9	FAN 20-30 HP	1	300EFC701	300EFC701	300EFC701	300EFC701
10	LOCKWASHER	3	95B1	95B1	95B1	95B1
11	SCREW	3	655EC150	655EC150	655EC150	655EC150
12	BUSHING-HUB	1	22J4	22J6	22J6	22J6
13	SHEAVE	1	73M43V41	73M43V45	73M43V50	73M43V56
14	BELT SET 4 PC.....	1	13W5604	13W5604	13W5604	13W5604
15	SPACER	8	302EFC144	302EFC144	302EFC144	302EFC144
16	KEY.....	1	35L74	35L74	35L74	35L74
17	KEY.....	1	35C179	35C179	35C179	35C179
18	WASHER.....	2	95A5	95A5	95A5	95A5

DRIVE GROUPS – 25 HP – 256T ODP

305EFC810-C
(Ref. Drawing)



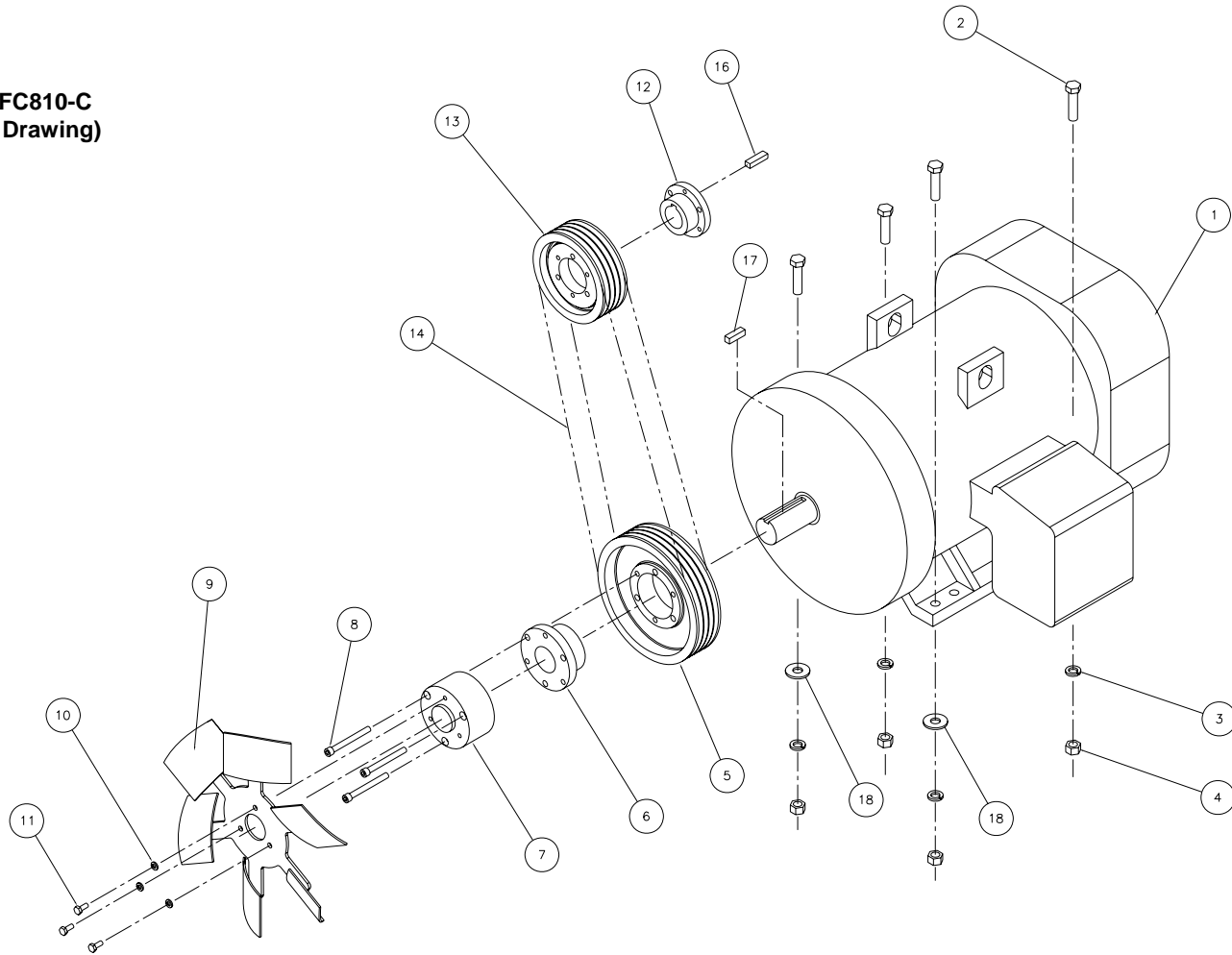
Order by Part Number and Description. Reference Numbers are for your convenience only.

DRIVE GROUPS – 25 HP – 256T ODP

Ref. No.	Name of Part	Qty.	100 PSIG 329EFC4004 Part No.	125 PSIG 330EFC4004 Part No.	150 PSIG 331EFC4004 Part No.	175 PSIG 332EFC4004 Part No.
1	MOTOR	1	SELECTIVE – SEE PAGES 55 & 56			
2	SCREW	4	655EE100	655EE100	655EE100	655EE100
3	LOCKWASHER	4	95B5	95B5	95B5	95B5
4	NUT	4	50B5	50B5	50B5	50B5
5	SHEAVE	1	73M43V66	73M43V66	73M43V66	73M43V66
6	BUSHING-SHEAVE	1	22F26SK	22F26SK	22F26SK	22F26SK
7	SPACER	1	301EFC144	301EFC144	301EFC144	301EFC144
8	SCREW	3	75P48	75P48	75P48	75P48
9	FAN 20-30 HP	1	300EFC701	300EFC701	300EFC701	300EFC701
10	LOCKWASHER	3	95B1	95B1	95B1	95B1
11	SCREW	3	75A185	75A185	75A185	75A185
12	BUSHING-HUB	1	22J4	22J6	22J6	22J6
13	SHEAVE	1	73M43V41	73M43V45	73M43V50	73M43V56
14	BELT SET 4 PC.....	1	13W5604	13W5604	13W5604	13W6004
15	SPACER	8	302EFC144	302EFC144	302EFC144	302EFC144
16	KEY.....	1	35L74	35L74	35L74	35L74
17	KEY.....	1	35C179	35C179	35C179	35C179
18	WASHER.....	2	95A5	95A5	95A5	95A5

DRIVE GROUPS – 25 & 30 HP – 284T TEFC

304EFC810-C
(Ref. Drawing)



Order by Part Number and Description. Reference Numbers are for your convenience only.

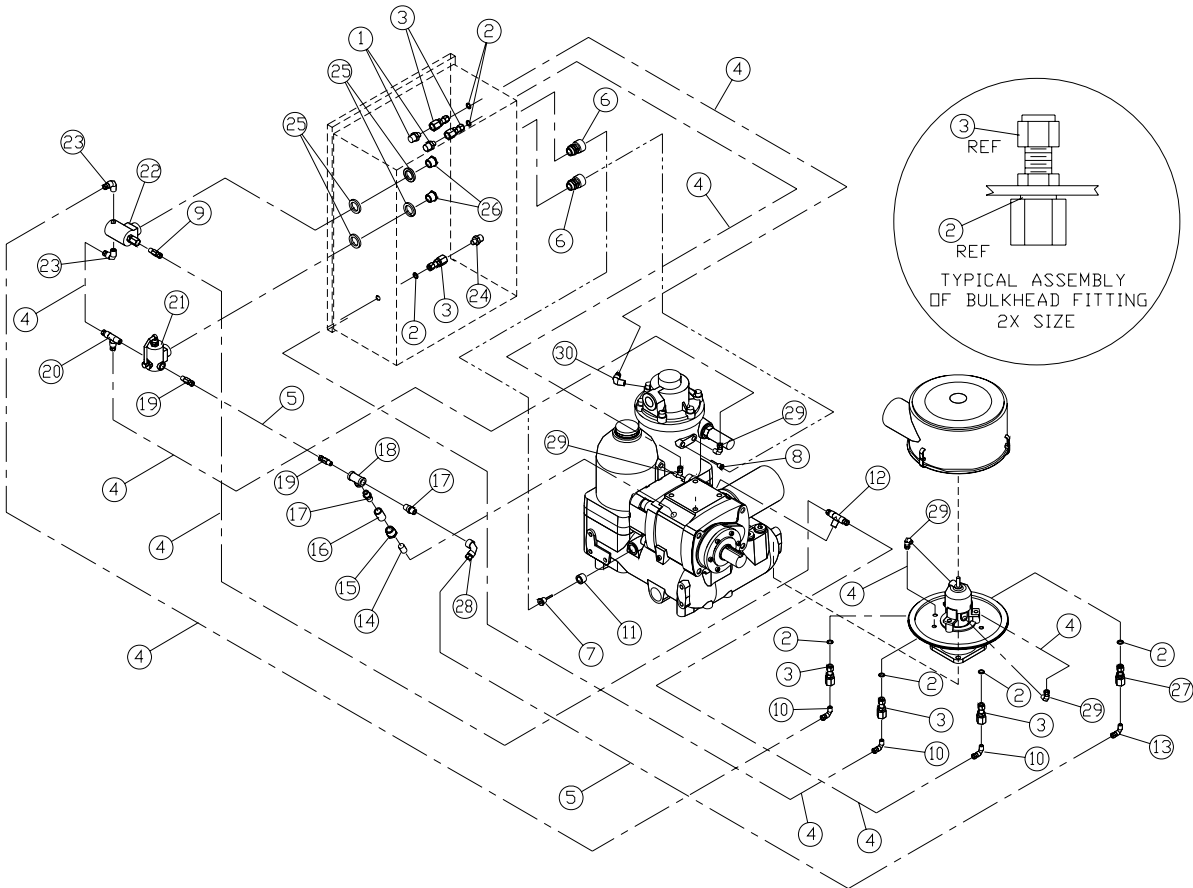
DRIVE GROUPS – 25 HP – 284T TEFC

Ref. No.	Name of Part	Qty.	100 PSIG 325EFC4004 Part No.	125 PSIG 326EFC4004 Part No.	150 PSIG 327EFC4004 Part No.	175 PSIG 328EFC4004 Part No.
1	MOTOR	1	SELECTIVE – SEE PAGES 55 & 56			
2	SCREW	4	655EE080	655EE080	655EE080	655EE080
3	LOCKWASHER	4	95B5	95B5	95B5	95B5
4	NUT	4	50B5	50B5	50B5	50B5
5	SHEAVE	1	73M43V66	73M43V66	73M43V66	73M43V66
6	BUSHING-SHEAVE	1	22F26SK	22F26SK	22F26SK	22F26SK
7	SPACER	1	301EFC144	301EFC144	301EFC144	301EFC144
8	SCREW	3	75P48	75P48	75P48	75P48
9	FAN 20-30 HP	1	300EFC701	300EFC701	300EFC701	300EFC701
10	LOCKWASHER	3	95B1	95B1	95B1	95B1
11	SCREW	3	75A185	75A185	75A185	75A185
12	BUSHING-HUB	1	22J4	22J6	22J6	22J6
13	SHEAVE	1	73M43V41	73M43V45	73M43V50	73M43V56
14	BELT SET 4 PC	1	13W5604	13W5604	13W6004	13W6004
16	KEY	1	35L74	35L74	35L74	35L74
17	KEY	1	35C179	35C179	35C179	35C179
18	WASHER	2	95A5	95A5	95A5	95A5

DRIVE GROUPS – 30 HP

Ref. No.	Name of Part	Qty.	100 PSIG 333EFC4004 Part No.	125 PSIG 334EFC4004 Part No.	150 PSIG 335EFC4004 Part No.	175 PSIG 336EFC4004 Part No.
1	MOTOR	1	SELECTIVE – SEE PAGES 55 & 56			
2	SCREW	4	655EE080	655EE080	655EE080	655EE080
3	LOCKWASHER	4	95B5	95B5	95B5	95B5
4	NUT	4	50B5	50B5	50B5	50B5
5	SHEAVE	1	73M43V69	73M43V69	73M43V69	73M43V69
6	BUSHING-SHEAVE	1	22F26SK	22F26SK	22F26SK	22F26SK
7	SPACER	1	301EFC144	301EFC144	301EFC144	301EFC144
8	SCREW	3	75P48	75P48	75P48	75P48
9	FAN 20-30 HP	1	300EFC701	300EFC701	300EFC701	300EFC701
10	LOCKWASHER	3	95B1	95B1	95B1	95B1
11	SCREW	3	75A185	75A185	75A185	75A185
12	BUSHING-HUB	1	22J4	22J4	22J6	22J6
13	SHEAVE	1	73M43V36	73M43V41	73M43V45	73M43V47
14	BELT SET 4 PC	1	13W5604	13W5604	13W6004	13W6004
16	KEY	1	35L74	35L74	35L74	35L74
17	KEY	1	35L92	35L92	35L92	35L92
18	WASHER	2	95A5	95A5	95A5	95A5

CONTROL PIPING



318EFC810-E
(Ref. Drawing)

Order by Part Number and Description. Reference Numbers are for your convenience only.

CONTROL PIPING

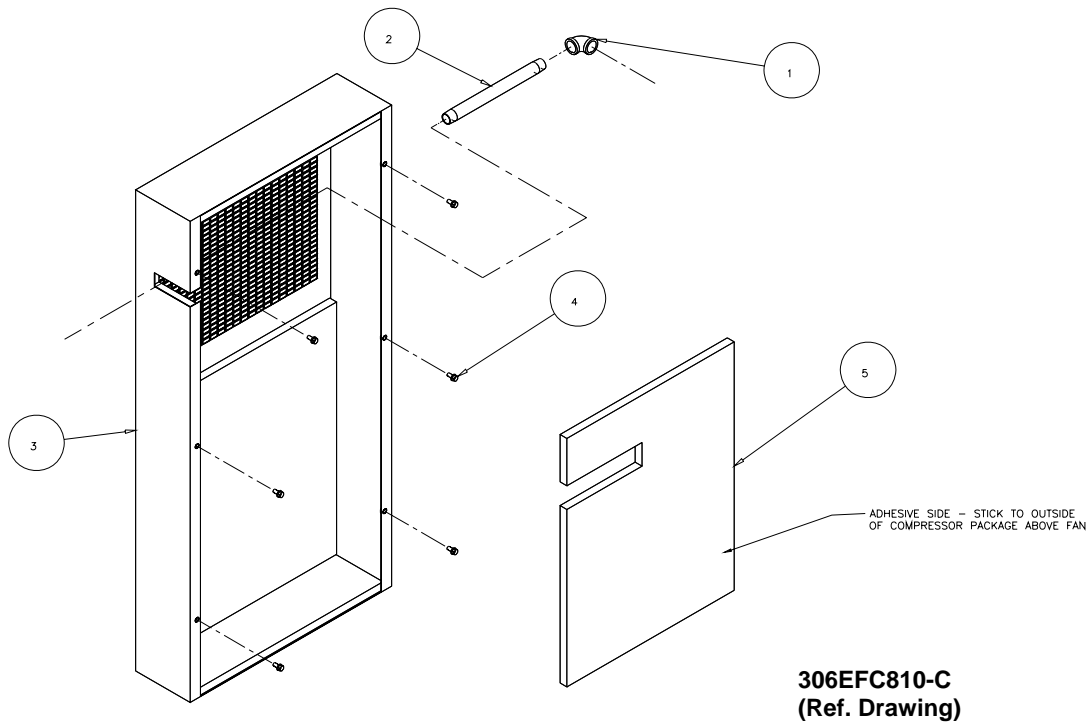
B/M: 302EFC4002

Ref. No.	Name of Part	Qty.	Part No.	Ref. No.	Name of Part	Qty.	Part No.
* 1	PRESSURE TRANSDUCER....	2	88H359	16	COUPLING	1	64BK2G
2	O-RING.....	7	165011	** 17	CHECK VALVE	2	90AR261
3	TUBE CONNECTOR.....	6	86N287	18	PIPE TEE.....	1	64G3G
4	TUBE (IN FEET).....	15	85G3	19	TUBE CONNECTOR.....	2	86E9
5	TUBE (IN FEET).....	3	85G5	20	TEE	1	2009284
6	ELECTRICAL FITTING	2	24CA2865	* 21	SOLENOID VALVE.....	1	91B70
* 7	THERMISTOR PROBE	1	21D347	* 22	SOLENOID VALVE.....	1	91B223
* 8	THERMISTOR PROBE	1	21D346	23	ELBOW	2	86E60
9	CONNECTOR	1	86E4	* 24	VACUUM SWITCH	1	88H195
10	ELBOW.....	3	86E59	25	O-RING	4	24A383
11	ADAPTOR BUSHING.....	1	86H155	26	NIPPLE	2	24CA4641
12	TUBE WITH FITTINGS	1	86H165	27	CONNECTOR.....	1	86N316
13	ELBOW.....	1	86E64	28	ELBOW	1	86E82
14	NIPPLE.....	1	63C1G	29	TUBE WITH FITTINGS.....	4	86H163
15	PIPE BUSHING	1	64E44	30	TUBE WITH FITTINGS.....	1	86H167

* Parts included in Electrical Control Kit Part Number 315EFC6013. Refer to page 60.

** Parts included in Pneumatic Control Kit Part Number 314EFC6013. Refer to page 60.

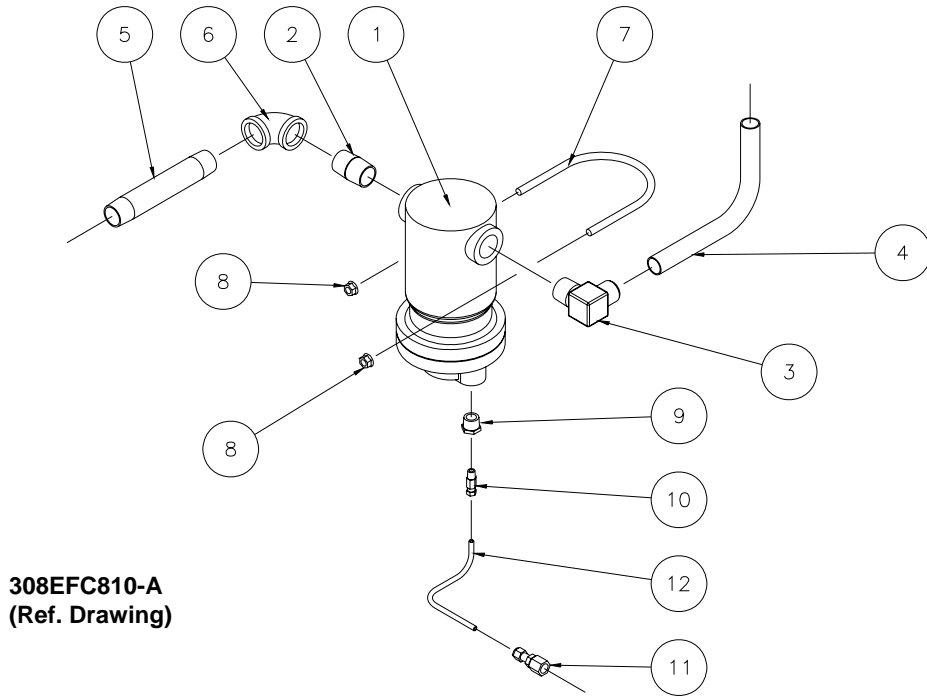
Order by Part Number and Description. Reference Numbers are for your convenience only.



QUIET BAFFLE

Ref. No.	Name of Part	Qty.	B/M: 301EFC4023 Part No.
1	ELBOW.....	1	64C6
2	NIPPLE.....	1	63N16X140G
3	BAFFLE.....	1	302EFC840
4	SCREW.....	6	75LM51
5	INSULATION.....	1	300EFC470

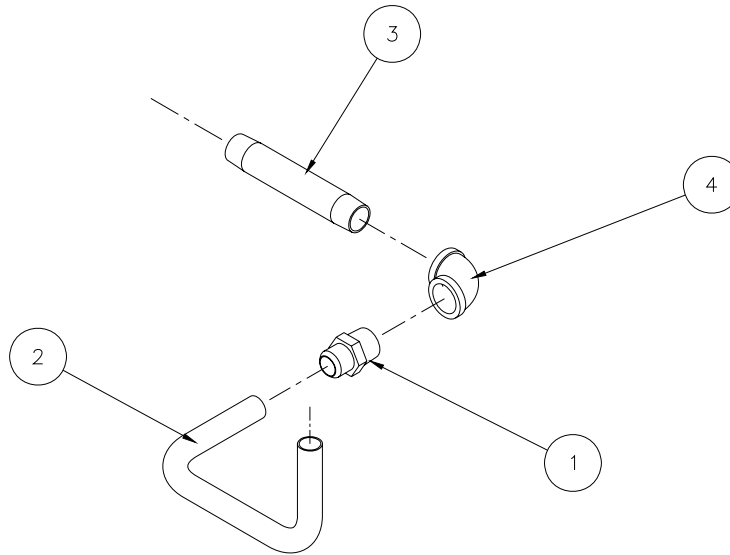
Order by Part Number and Description. Reference Numbers are for your convenience only.



MOISTURE SEPARATOR

Ref. No.	Name of Part	Qty.	B/M: 302EFC4023 Part No.
1	TRAP	1	83C78
2	NIPPLE	1	63H2G
3	ADAPTOR	1	29Z244
4	TUBE WITH FITTINGS	1	303EFC863
5	NIPPLE	1	63H6G
6	ELBOW.....	1	64C6
7	U-BOLT.....	1	15U83
8	NUT	2	50AW5
9	BUSHING-PIPE	1	64E2G
10	CONNECTOR.....	1	86E4
11	CONNECTOR-FEMALE	1	86N343
12	TUBE (IN FEET).....	1	85G3

Order by Part Number and Description. Reference Numbers are for your convenience only.

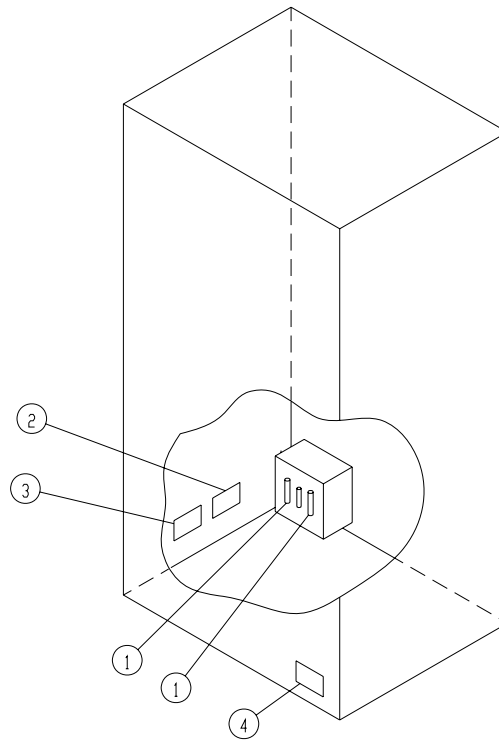


307EFC810-A
(Ref. Drawing)

DISCHARGE PIPING GROUP

Ref. No.	Name of Part	Qty.	B/M: 303EFC4019 Part No.
1	CONNECTOR-TUBE.....	1	86H138
2	TUBE WITH FITTINGS	1	304EFC863
3	NIPPLE	1	63H6G
4	ELBOW.....	1	64C6

Order by Part Number and Description. Reference Numbers are for your convenience only.



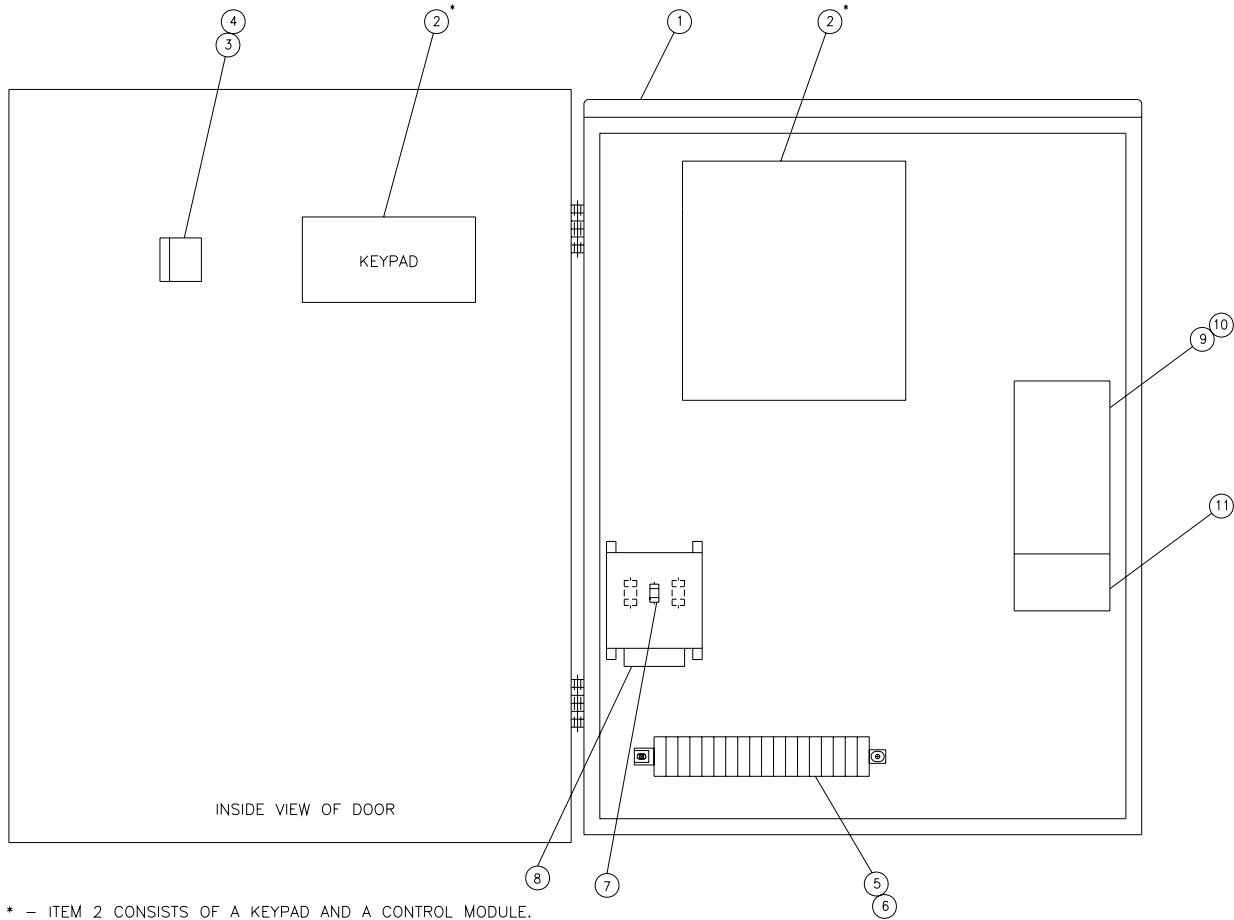
315EFC810-A
(Ref. Drawing)

DECAL & FUSE GROUP

Ref. No.	Name of Part	Qty.	B/M: 318EFC4007	B/M: 319EFC4007	B/M: 320EFC4007	B/M: 321EFC4007
			200V	230V	460V	575V
1	FUSE	2	24CA2786	24CA2785	24CA2782	24CA2781
2	DECAL	1	265AUX077	264AUX077	261AUX077	260AUX077
3	DECAL	1	297AUX077	297AUX077	297AUX077	297AUX077
4	MARKER-VOLTAGE ...	1	69F50	69F51	69F52	69F60

Order by Part Number and Description. Reference Numbers are for your convenience only.

CONTROLLER ASSEMBLY – FULL VOLTAGE STARTER – 20 HP, 25 HP AND 30 HP



CONTROLLER ASSEMBLY – FULL VOLTAGE STARTER – 20 HP

		QTY.	200V	230V	460V	575V
	NEMA 12 CONTROL BOX (RS2000)		303EFC466	309EFC466	307EFC466	313EFC466
	NEMA 4 CONTROL BOX (RS2000)		304EFC466	310EFC466	308EFC466	314EFC466
	NEMA 12 CONTROL BOX (AIRPILOT+)		331EFC466	337EFC466	335EFC466	341EFC466
	NEMA 4 CONTROL BOX (AIRPILOT+)		332EFC466	338EFC466	336EFC466	342EFC466
1	CONTROL/STARTER BOX (NEMA 12).....	1	302EFC179	302EFC179	302EFC179	302EFC179
	CONTROL/STARTER BOX (NEMA 4).....	1	303EFC179	303EFC179	303EFC179	303EFC179
2	CONTROLLER ASSEMBLY (RS2000)	(See Pages 40 & 41)				
	CONTROLLER ASSEMBLY (AIRPILOT+).....	(See Pages 40 & 41)				
3	OPERATOR.....	1	24CA2907	24CA2907	24CA2907	24CA2907
4	CONTACT BLOCK.....	1	24CA2908	24CA2908	24CA2908	24CA2908
5	BLOCK-TERMINAL CONTACT.....	6	24CA2551	24CA2551	24CA2551	24CA2551
6	BLOCK-TERMINAL END	1	24CA2552	24CA2552	24CA2552	24CA2552
7	FUSE	1	24CA3725	24CA3725	24CA3725	24CA3725
8	TRANSFORMER	1	24CA5182	24CA5181	24CA5181	24CA5183
9	CONTACTOR	1	24CA3258	24CA3258	24CA2609	24CA2609
10	COIL	1	2116124	2116124	2116923	2116923
11	RELAY	1	24CA4087	24CA4087	24CA4086	24CA4086

CONTROLLER ASSEMBLY – FULL VOLTAGE STARTER – 25 HP

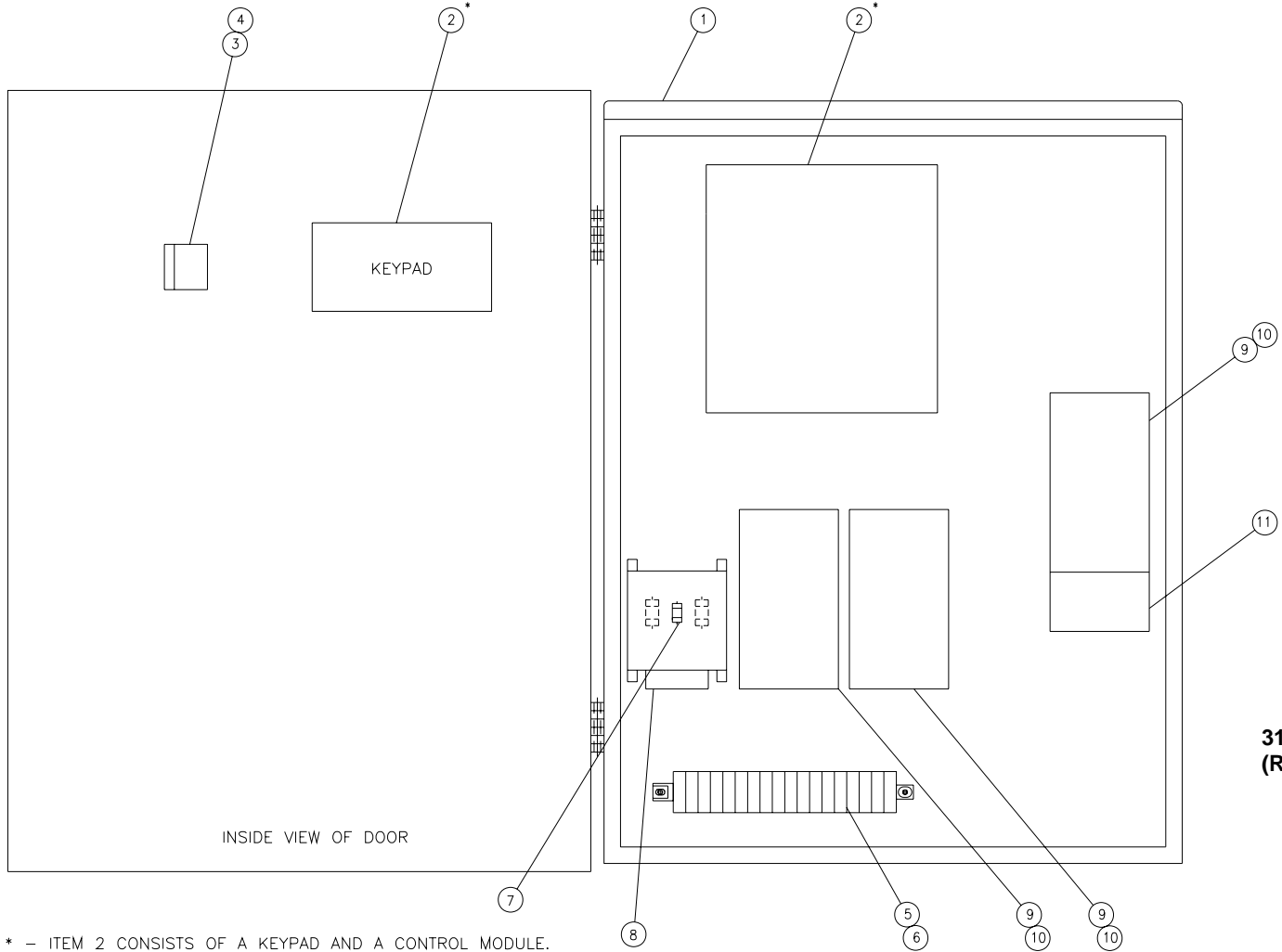
		QTY.	200V	230V	460V	575V
	NEMA 12 CONTROL BOX (RS2000)		305EFC466	309EFC466	309EFC466	313EFC466
	NEMA 4 CONTROL BOX (RS2000)		306EFC466	310EFC466	310EFC466	314EFC466
	NEMA 12 CONTROL BOX (AIRPILOT+)		333EFC466	337EFC466	337EFC466	341EFC466
	NEMA 4 CONTROL BOX (AIRPILOT+)		334EFC466	338EFC466	338EFC466	342EFC466
1	CONTROL/STARTER BOX (NEMA 12).....	1	302EFC179	302EFC179	302EFC179	302EFC179
	CONTROL/STARTER BOX (NEMA 4).....	1	303EFC179	303EFC179	303EFC179	303EFC179
2	CONTROLLER ASSEMBLY (RS2000).....	(See Pages 40 & 41)				
	CONTROLLER ASSEMBLY (AIRPILOT+).....	(See Pages 40 & 41)				
3	OPERATOR.....	1	24CA2907	24CA2907	24CA2907	24CA2907
4	CONTACT BLOCK.....	1	24CA2908	24CA2908	24CA2908	24CA2908
5	BLOCK-TERMINAL CONTACT.....	6	24CA2551	24CA2551	24CA2551	24CA2551
6	BLOCK-TERMINAL END	1	24CA2552	24CA2552	24CA2552	24CA2552
7	FUSE	1	24CA3725	24CA3725	24CA3725	24CA3725
8	TRANSFORMER.....	1	24CA5182	24CA5181	24CA5181	24CA5183
9	CONTACTOR	1	24CA3259	24CA3258	24CA3258	24CA2609
10	COIL	1	2116555	2116124	2116124	2116923
11	RELAY	1	24CA2905	24CA4087	24CA4087	24CA4086

CONTROLLER ASSEMBLY – FULL VOLTAGE STARTER – 30 HP

		QTY.	200V	230V	460V	575V
	NEMA 12 CONTROL BOX (RS2000)		305EFC466	311EFC466	309EFC466	315EFC466
	NEMA 4 CONTROL BOX (RS2000)		306EFC466	312EFC466	310EFC466	316EFC466
	NEMA 12 CONTROL BOX (AIRPILOT+)		333EFC466	339EFC466	337EFC466	343EFC466
	NEMA 4 CONTROL BOX (AIRPILOT+)		334EFC466	340EFC466	338EFC466	344EFC466
1	CONTROL/STARTER BOX (NEMA 12).....	1	302EFC179	302EFC179	302EFC179	302EFC179
	CONTROL/STARTER BOX (NEMA 4).....	1	303EFC179	303EFC179	303EFC179	303EFC179
2	CONTROLLER ASSEMBLY (RS2000)	(See Pages 40 & 41)				
	CONTROLLER ASSEMBLY (AIRPILOT+).....	(See Pages 40 & 41)				
3	OPERATOR.....	1	24CA2907	24CA2907	24CA2907	24CA2907
4	CONTACT BLOCK.....	1	24CA2908	24CA2908	24CA2908	24CA2908
5	BLOCK-TERMINAL CONTACT.....	6	24CA2551	24CA2551	24CA2551	24CA2551
6	BLOCK-TERMINAL END	1	24CA2552	24CA2552	24CA2552	24CA2552
7	FUSE	1	24CA3725	24CA3725	24CA3725	24CA3725
8	TRANSFORMER	1	24CA5182	24CA5181	24CA5181	24CA5183
9	CONTACTOR	1	24CA3259	24CA3259	24CA3258	24CA3258
10	COIL	1	2116555	2116555	2116124	2116124
11	RELAY	1	24CA2905	24CA2905	24CA4087	24CA4087

Order by Part Number and Description. Reference Numbers are for your convenience only.

CONTROLLER ASSEMBLY – WYE DELTA STARTER – 20 HP, 25 HP AND 30 HP



CONTROLLER ASSEMBLY – WYE DELTA STARTER – 20 HP

		QTY.	200V	230V	460V	575V
	NEMA 12 CONTROL BOX (RS2000)		317EFC466	321EFC466	319EFC466	323EFC466
	NEMA 4 CONTROL BOX (RS2000)		318EFC466	322EFC466	320EFC466	324EFC466
	NEMA 12 CONTROL BOX (AIRPILOT+)		345EFC466	349EFC466	347EFC466	351EFC466
	NEMA 4 CONTROL BOX (AIRPILOT+)		346EFC466	350EFC466	348EFC466	352EFC466
1	CONTROL/STARTER BOX (NEMA 12).....	1	302EFC179	302EFC179	302EFC179	302EFC179
	CONTROL/STARTER BOX (NEMA 4).....	1	303EFC179	303EFC179	303EFC179	303EFC179
2	CONTROLLER ASSEMBLY (RS2000)	(See Pages 40 & 41)				
	CONTROLLER ASSEMBLY (AIRPILOT+).....	(See Pages 40 & 41)				
3	OPERATOR.....	1	24CA2907	24CA2907	24CA2907	24CA2907
4	CONTACT BLOCK.....	1	24CA2908	24CA2908	24CA2908	24CA2908
5	BLOCK-TERMINAL CONTACT.....	6	24CA2551	24CA2551	24CA2551	24CA2551
6	BLOCK-TERMINAL END	1	24CA2552	24CA2552	24CA2552	24CA2552
7	FUSE	1	24CA3725	24CA3725	24CA3725	24CA3725
8	TRANSFORMER	1	24CA5182	24CA5181	24CA5181	24CA5183
9	CONTACTOR	3	24CA3258	24CA3258	24CA2609	24CA2609
10	COIL	3	2116124	2116124	2116923	2116923
11	RELAY	1	24CA4087	24CA4087	24CA4086	24CA4086

CONTROLLER ASSEMBLY – WYE DELTA STARTER – 25 HP

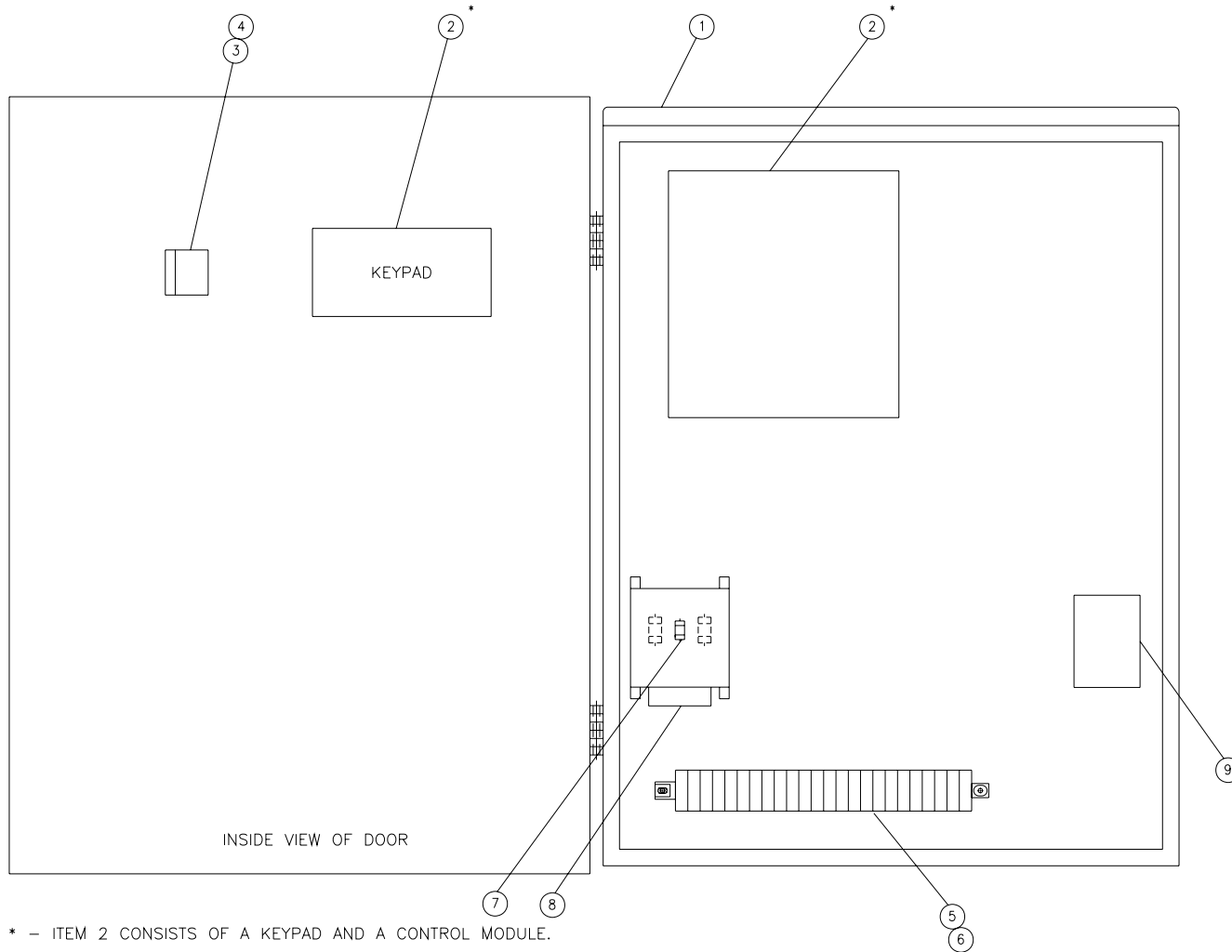
		QTY.	200V	230V	460V	575V
	NEMA 12 CONTROL BOX (RS2000)		317EFC466	321EFC466	319EFC466	323EFC466
	NEMA 4 CONTROL BOX (RS2000)		318EFC466	322EFC466	320EFC466	324EFC466
	NEMA 12 CONTROL BOX (AIRPILOT+)		345EFC466	349EFC466	347EFC466	351EFC466
	NEMA 4 CONTROL BOX (AIRPILOT+)		346EFC466	350EFC466	348EFC466	352EFC466
1	CONTROL/STARTER BOX (NEMA 12).....	1	302EFC179	302EFC179	302EFC179	302EFC179
	CONTROL/STARTER BOX (NEMA 4).....	1	303EFC179	303EFC179	303EFC179	303EFC179
2	CONTROLLER ASSEMBLY (RS2000)	(See Pages 40 & 41)				
	CONTROLLER ASSEMBLY (AIRPILOT+).....	(See Pages 40 & 41)				
3	OPERATOR.....	1	24CA2907	24CA2907	24CA2907	24CA2907
4	CONTACT BLOCK.....	1	24CA2908	24CA2908	24CA2908	24CA2908
5	BLOCK-TERMINAL CONTACT.....	6	24CA2551	24CA2551	24CA2551	24CA2551
6	BLOCK-TERMINAL END	1	24CA2552	24CA2552	24CA2552	24CA2552
7	FUSE	1	24CA3725	24CA3725	24CA3725	24CA3725
8	TRANSFORMER	1	24CA5182	24CA5181	24CA5181	24CA5183
9	CONTACTOR	3	24CA3258	24CA3258	24CA2609	24CA2609
10	COIL	3	2116124	2116124	2116923	2116923
11	RELAY	1	24CA4087	24CA4087	24CA4086	24CA4086

CONTROLLER ASSEMBLY – WYE DELTA STARTER – 30 HP

	QTY.	200V	230V	460V	575V
NEMA 12 CONTROL BOX (RS2000)		317EFC466	321EFC466	319EFC466	323EFC466
NEMA 4 CONTROL BOX (RS2000)		318EFC466	322EFC466	320EFC466	324EFC466
NEMA 12 CONTROL BOX (AIRPILOT+)		345EFC466	349EFC466	347EFC466	351EFC466
NEMA 4 CONTROL BOX (AIRPILOT+)		346EFC466	350EFC466	348EFC466	352EFC466
1 CONTROL/STARTER BOX (NEMA 12).....	1	302EFC179	302EFC179	302EFC179	302EFC179
CONTROL/STARTER BOX (NEMA 4).....	1	303EFC179	303EFC179	303EFC179	303EFC179
2 CONTROLLER ASSEMBLY (RS2000)	(See Pages 40 & 41)				
CONTROLLER ASSEMBLY (AIRPILOT+).....	(See Pages 40 & 41)				
3 OPERATOR.....	1	24CA2907	24CA2907	24CA2907	24CA2907
4 CONTACT BLOCK.....	1	24CA2908	24CA2908	24CA2908	24CA2908
5 BLOCK-TERMINAL CONTACT.....	6	24CA2551	24CA2551	24CA2551	24CA2551
6 BLOCK-TERMINAL END	1	24CA2552	24CA2552	24CA2552	24CA2552
7 FUSE	1	24CA3725	24CA3725	24CA3725	24CA3725
8 TRANSFORMER	1	24CA5182	24CA5181	24CA5181	24CA5183
9 CONTACTOR	3	24CA3258	24CA3258	24CA2609	24CA2609
10 COIL	3	2116124	2116124	2116923	2116923
11 RELAY	1	24CA4087	24CA4087	24CA4086	24CA4086

Order by Part Number and Description. Reference Numbers are for your convenience only.

CONTROLLER ASSEMBLY – LESS MAIN MOTOR STARTER

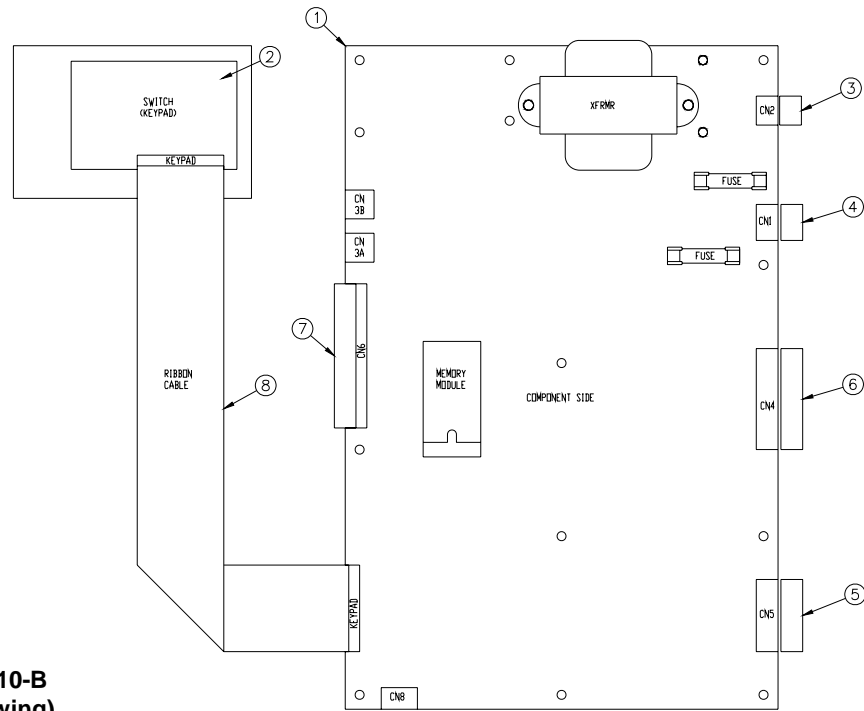


**311EFC810-B
(Ref. Drawing)**

CONTROLLER ASSEMBLY – LESS MAIN MOTOR STARTER

	QTY.	200V	230V	460V	575V
NEMA 12 CONTROL BOX (RS2000)		325EFC466	327EFC466	327EFC466	329EFC466
NEMA 4 CONTROL BOX (RS2000)		326EFC466	328EFC466	328EFC466	330EFC466
NEMA 12 CONTROL BOX (AIRPILOT+)		353EFC466	355EFC466	355EFC466	357EFC466
NEMA 4 CONTROL BOX (AIRPILOT+)		354EFC466	356EFC466	356EFC466	358EFC466
1 CONTROL/STARTER BOX (NEMA 12).....	1	302EFC179	302EFC179	302EFC179	302EFC179
CONTROL/STARTER BOX (NEMA 4).....	1	303EFC179	303EFC179	303EFC179	303EFC179
2 CONTROLLER ASSEMBLY (RS2000)	(See Pages 40 & 41)				
CONTROLLER ASSEMBLY (AIRPILOT+).....	(See Pages 40 & 41)				
3 OPERATOR.....	1	24CA2907	24CA2907	24CA2907	24CA2907
4 CONTACT BLOCK	1	24CA2908	24CA2908	24CA2908	24CA2908
5 BLOCK-TERMINAL CONTACT.....	8	24CA2551	24CA2551	24CA2551	24CA2551
6 BLOCK-TERMINAL END	1	24CA2552	24CA2552	24CA2552	24CA2552
7 FUSE	1	24CA3725	24CA3725	24CA3725	24CA3725
8 TRANSFORMER	1	24CA5182	24CA5181	24CA5181	24CA5183
9 RELAY	1	24CA4711	24CA4711	24CA4711	24CA4711

Order by Part Number and Description. Reference Numbers are for your convenience only.

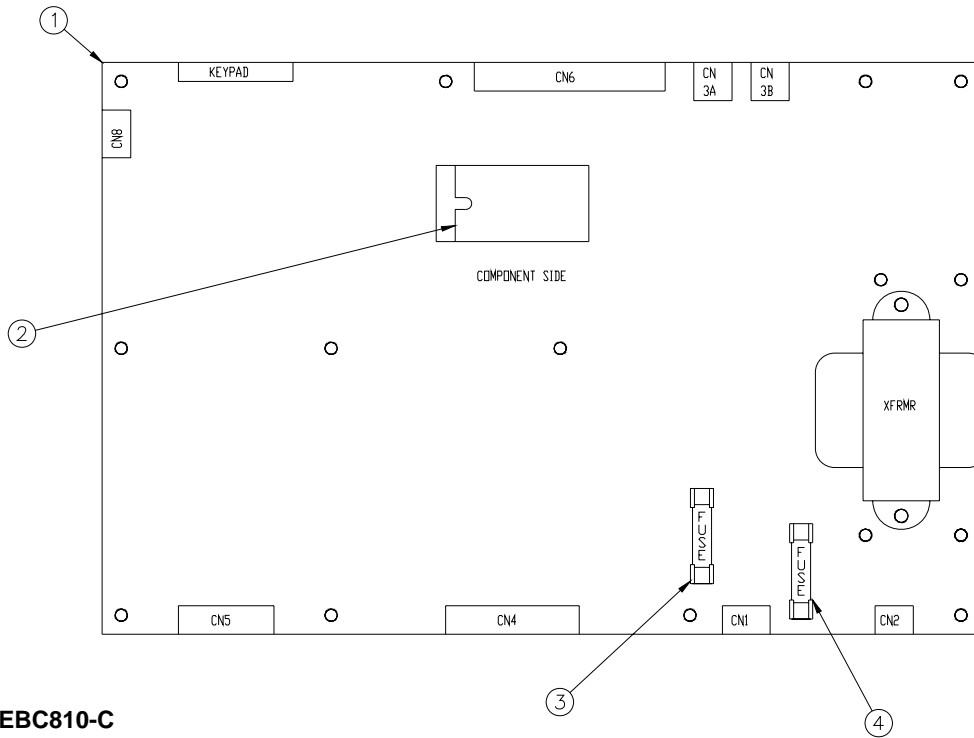


300EBC810-B
(Ref. Drawing)

CONTROLLER ASSEMBLY

Ref. No.	Name of Part	Qty.	RS2000		AIRPILOT+	
			Part No.	Part No.	B/M: 300EBC2006	B/M: 300EFD2006
1	CONTROLLER ASSEMBLY – BOARD	1	300EBC560	300EFD560		
2	SWITCH (KEYPAD)	1	300EVE375	300EVE375		
3	PLUG-CONNECTOR	1	24CA4240	24CA4240		
4	PLUG-CONNECTOR	1	24CA3401	24CA3401		
5	PLUG-TERMINAL	1	24CA4823	24CA4823		
6	PLUG-TERMINAL	1	24CA4999	24CA4999		
7	PLUG-CONNECTOR	1	24CA3306	24CA3306		
8	CABLE	1	24CA5178	24CA5178		

Order by Part Number and Description. Reference Numbers are for your convenience only.



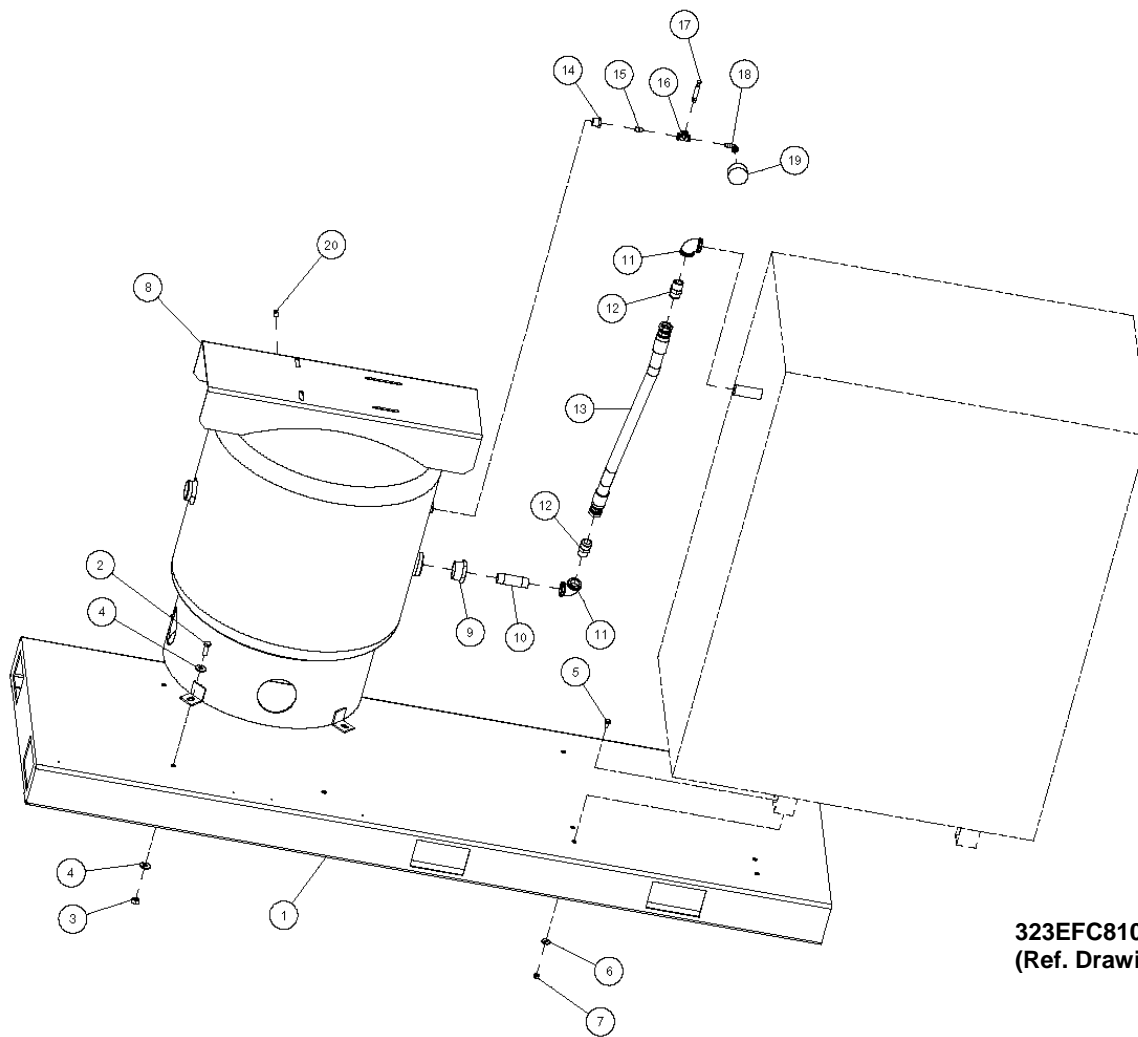
301EBC810-C
(Ref. Drawing)

CONTROLLER ASSEMBLY - BOARD

Ref. No.	Name of Part	Qty.	RS2000 B/M: 300EBC560 Part No.	AIRPILOT+ B/M: 300EFD560 Part No.
1	CONTROLLER	1	*	*
2	MEMORY MODULE	1	300EBC566	300EFD566
3	FUSE	1	24CA2932	24CA2932
4	FUSE	1	24CA2932	24CA2932

* Part Number not available for Repair.

BASE & AIR RECEIVER



323EFC810-B
(Ref. Drawing)

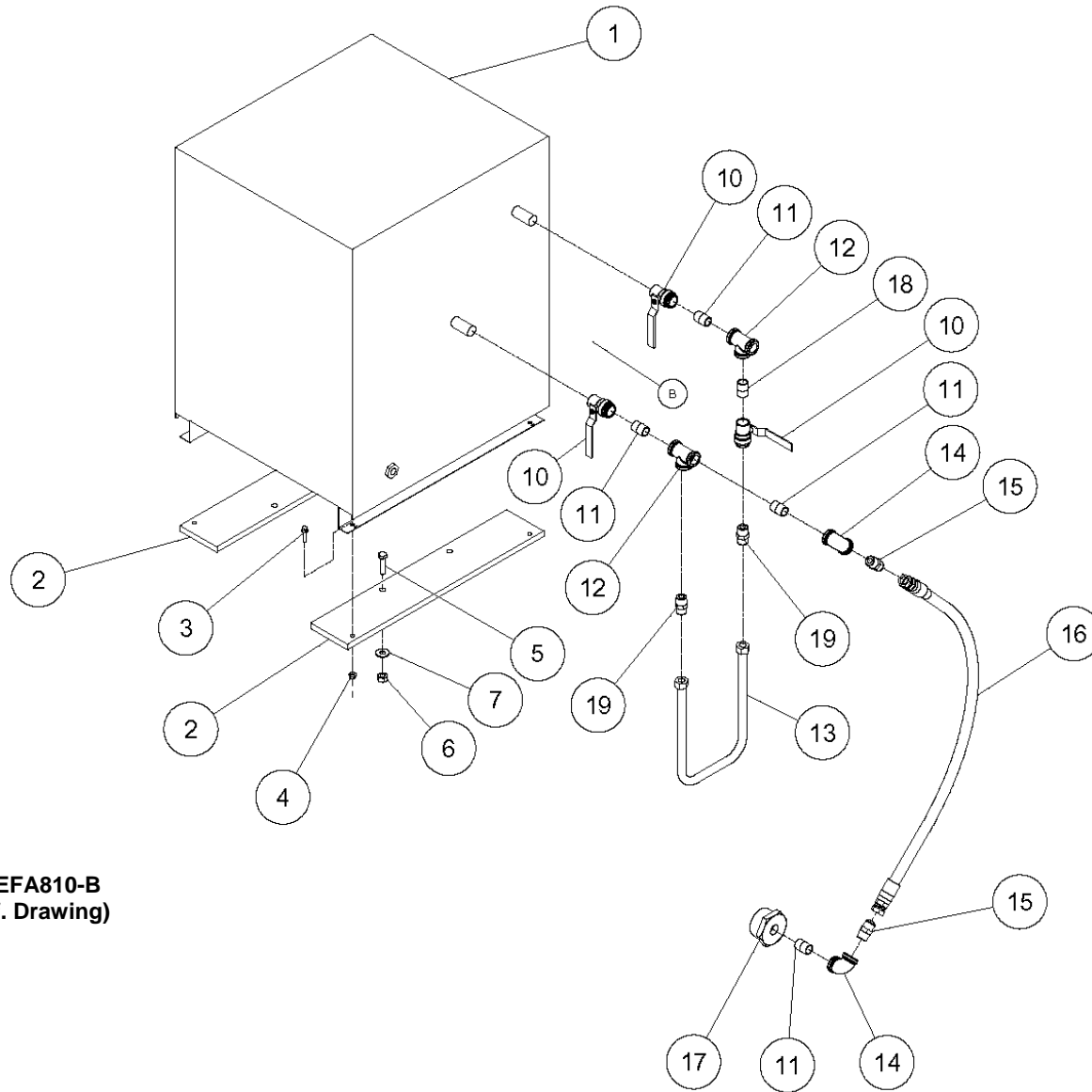
Order by Part Number and Description. Reference Numbers are for your convenience only

BASE & AIR RECEIVER

B/M: 303EFC4017

Ref. No.	Name of Part	Qty.	Part No.
1	BASE.....	1	302EFC285
2	SCRE	4	655EE060
3	NUT.....	4	50B5
4	WASHER	4	95A5
5	SCREW.....	4	655EE060
6	WASHER	4	95A5
7	NUT.....	4	50B5
8	AIR RECEIVER.....	1	300EFA645
9	PIPE BUSHING.....	1	64E11
10	NIPPLE	1	63H7G
11	ELBOW	2	64C6G
12	TUBE CONNECTOR	2	86H138
13	HOSE	1	305EFC127
14	PIPE BUSHING.....	1	64E3
15	NIPPLE	1	63D1G
16	TEE	1	64G3G
17	PRESSURE RELIEF VALVE	1	90AR657
18	ELBOW	1	64D2G
19	AIR PRESSURE GAUGE	1	27P196
20	PLUG	1	64AA5

DRYER ASSEMBLY LESS COLD COALESCER LESS AFTERFILTER



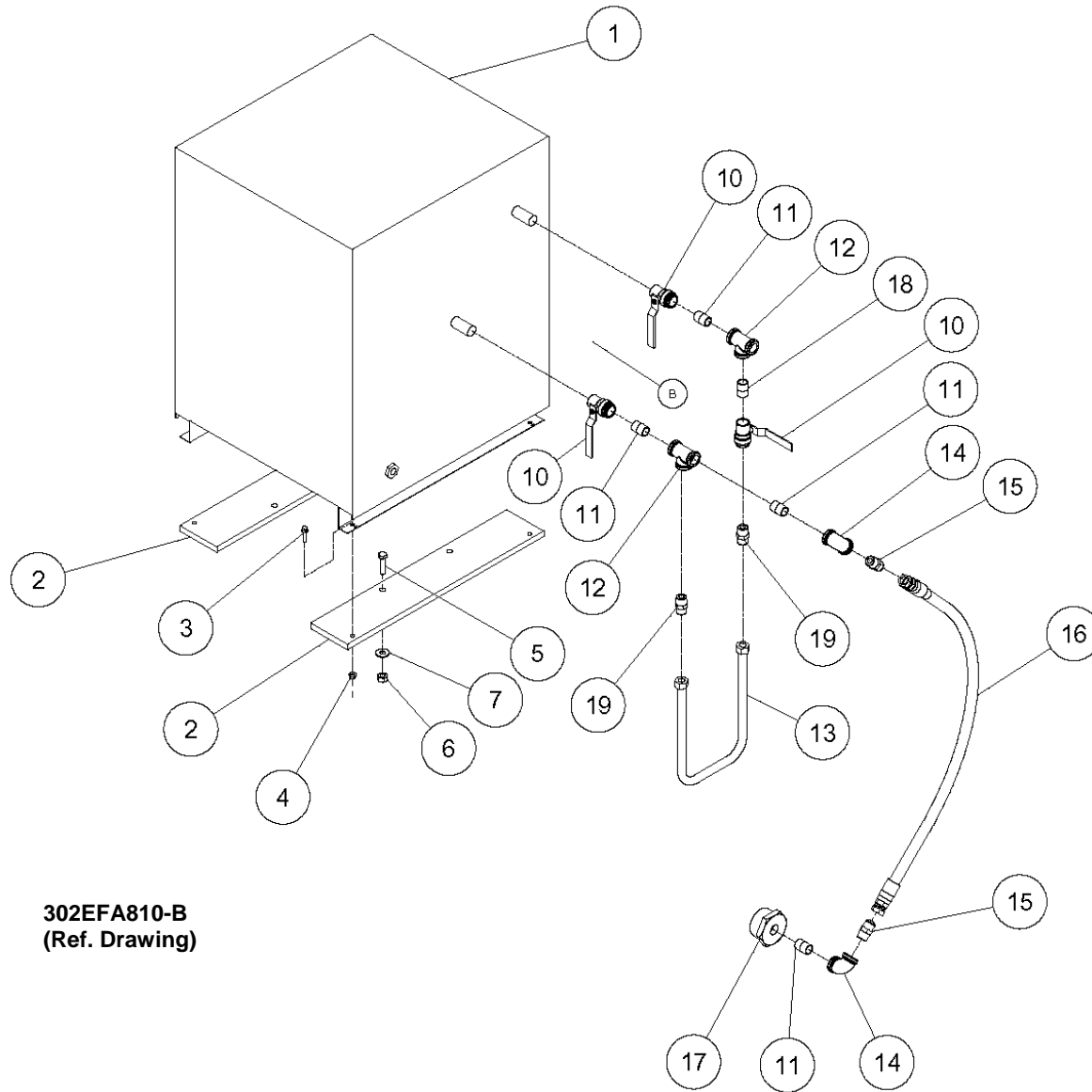
302EFA810-B
(Ref. Drawing)

Order by Part Number and Description. Reference Numbers are for your convenience only

DRYER LESS COLD COALESCER, LESS AFTERFILTER

Ref. No.	Name of Part	Qty.	75 Dryer B/M: 304EFC4019	100 Dryer B/M: 307EFC4019	125 Dryer B/M: 310EFC4019	150 Dryer B/M: 313EFC4019
1	AIR DRYER.....	1	300EFC463	302EFC463	304EFC463	306EFC463
2	BRACKET.....	2	305EFC142	305EFC142	305EFC142	305EFC142
3	SCREW.....	4	75LM53	75LM53	75LM53	75LM53
4	NUT.....	4	50AW3	50AW3	50AW3	50AW3
5	SCREW.....	4	655ED060	655ED060	655ED060	655ED060
6	NUT.....	4	50B3	50B3	50B3	50B3
7	WASHER.....	4	95A3	95A3	95A3	95A3
10	BALL VALVE.....	3	90AR361	90AR361	90AR362	90AR362
11	NIPPLE.....	4	63G1G	63G1G	63H1G	63H1G
12	TEE.....	2	64G7G	64G7G	64G8G	64G8G
13	TUBE WITH FITTING.....	1	305EFB863	305EFB863	306EFC863	306EFC863
14	ELBOW.....	2	64C5G	64C5G	64C6G	64C6G
15	TUBE CONNECTOR.....	2	86H137	86H137	86H138	86H138
16	HOSE.....	1	306EFC127	306EFC127	307EFC127	307EFC127
17	PIPE BUSHING.....	1	64E9	64E9	64E11	64E11
18	NIPPLE.....	1	63G1G	63G1G	63H3G	63H3G
19	TUBE CONNECTOR.....	2	86H137	86H137	86H138	86H138

DRYER ASSEMBLY LESS COLD COALESCER LESS AFTERFILTER



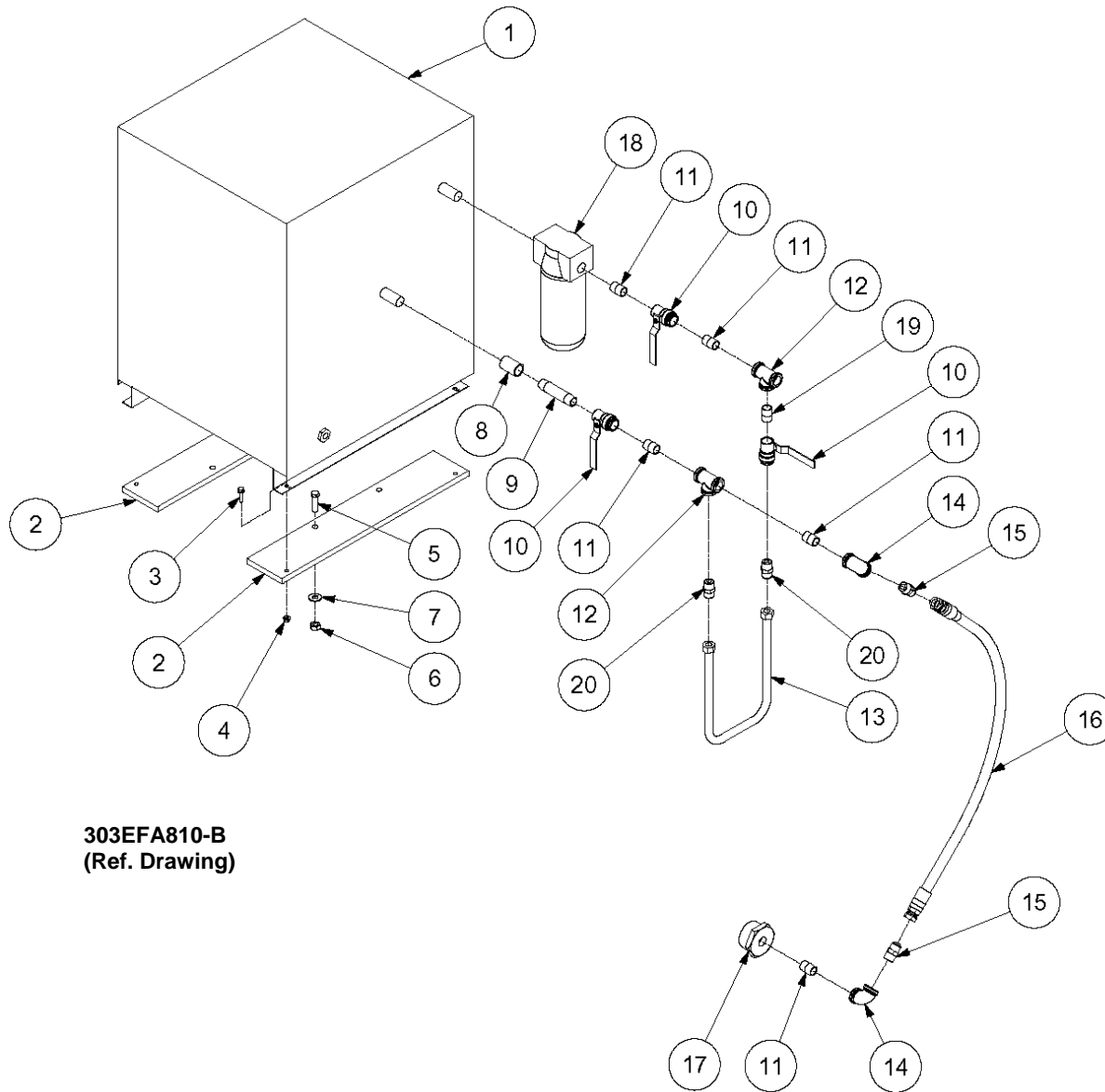
302EFA810-B
(Ref. Drawing)

Order by Part Number and Description. Reference Numbers are for your convenience only

DRYER WITH COLD COALESCER LESS AFTERFILTER

Ref. No.	Name of Part	Qty.	75 Dryer B/M: 305EFC4019	100 Dryer B/M: 308EFC4019	125 Dryer B/M: 311EFC4019	150 Dryer B/M: 314EFC4019
1	AIR DRYER.....	1	301EFC463	303EFC463	305EFC463	307EFC463
2	BRACKET.....	2	305EFC142	305EFC142	305EFC142	305EFC142
3	SCREW.....	4	75LM53	75LM53	75LM53	75LM53
4	NUT.....	4	50AW3	50AW3	50AW3	50AW3
5	SCREW.....	4	655ED060	655ED060	655ED060	655ED060
6	NUT.....	4	50B3	50B3	50B3	50B3
7	WASHER.....	4	95A3	95A3	95A3	95A1
10	BALL VALVE.....	3	90AR361	90AR361	90AR362	90AR362
11	NIPPLE.....	4	63G1G	63G1G	63H1G	63H1G
12	TEE.....	2	64G7G	64G7G	64G8G	64G8G
13	TUBE WITH FITTING.....	1	305EFB863	305EFB863	306EFC863	306EFC863
14	ELBOW.....	2	64C5G	64C5G	64C6G	64C6G
15	TUBE CONNECTOR.....	2	86H137	86H137	86H138	86H138
16	HOSE.....	1	306EFC127	306EFC127	307EFC127	307EFC127
17	PIPE BUSHING.....	1	64E9	64E9	64E11	64E11
18	NIPPLE.....	1	63G1G	63G1G	63H3G	63H3G
19	TUBE CONNECTOR.....	2	86H137	86H137	86H138	86H138

DRYER ASSEMBLY WITH COLD COALESCER WITH AFTERFILTER



303EFA810-B
(Ref. Drawing)

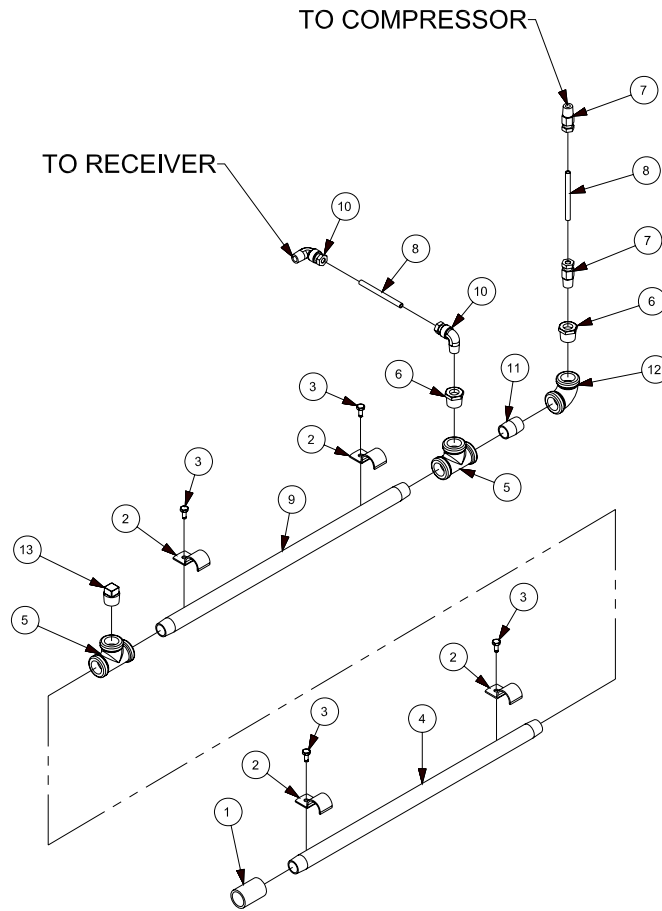
Order by Part Number and Description. Reference Numbers are for your convenience only

DRYER WITH COLD COALESCER WITH AFTERFILTER

Ref. No.	Name of Part	Qty.	75 Dryer B/M: 306EFC4019	100 Dryer B/M: 309EFC4019	125 Dryer B/M: 312EFC4019	150 Dryer B/M: 315EFC4019
1	AIR DRYER.....	1	301EFC463	303EFC463	305EFC463	307EFC463
2	BRACKET.....	2	305EFC142	305EFC142	305EFC142	305EFC142
3	SCREW.....	4	75LM53	75LM53	75LM53	75LM53
4	NUT.....	4	50AW3	50AW3	50AW3	50AW3
5	SCREW.....	4	655ED060	655ED060	655ED060	655ED060
6	NUT.....	4	50B3	50B3	50B3	50B3
7	WASHER.....	4	95A3	95A3	95A3	95A3
8	COUPLING.....	1	64AB18	64AB16	64AB16	64AB16
9	NIPPLE.....	1	63G15G	63G15G	63H30G	63H30G
10	BALL VALVE.....	3	90AR361	90AR361	90AR362	90AR362
11	NIPPLE.....	5	63G1G	63G1G	63H1G	63H1G
12	TEE.....	2	64G7G	64G7G	64G8G	64G8G
13	TUBE WITH FITTING.....	1	305EFB863	305EFB863	306EFC863	306EFC863
14	ELBOW.....	2	64C5G	64C5G	64C6G	64C6G
15	TUBE CONNECTOR.....	2	86H137	86H137	86H138	86H138
16	HOSE.....	1	306EFC127	306EFC127	307EFC127	307EFC127
17	PIPE BUSHING.....	1	64E9	64E9	64E11	64E11
18	AFTERFILTER.....	1	300EFC784	300EFC784	301EFC784	301EFC784
19	NIPPLE.....	1	63G1G	63G1G	63H3G	63H3G
20	TUBE CONNECTOR.....	1	86H137	86H137	86H138	86H138

Order by Part Number and Description. Reference Numbers are for your convenience only

306EFA810-A
(Ref. Drawing)

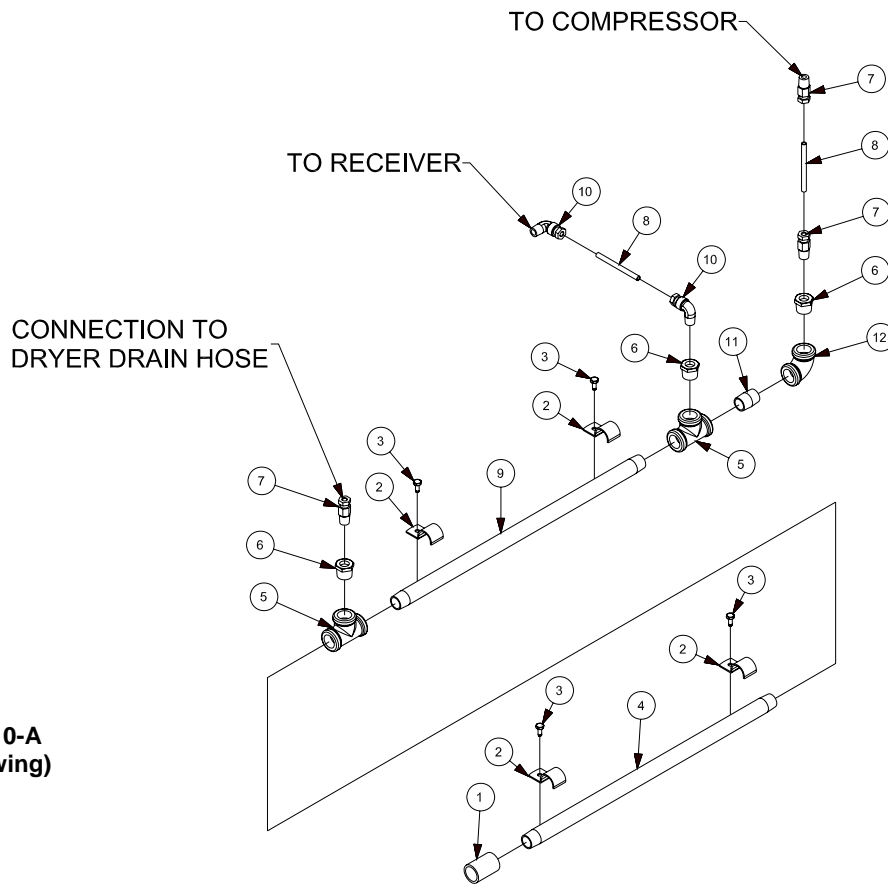


MOISTURE DRAIN WITH TWO CONNECTIONS

B/M: 318EFC4019

Ref. No.	Name of Part	Qty.	Part No.
1	COUPLING	1	64AB17
2	CLAMP	4	98H3
3	SCREW	4	75LM215
4	NIPPLE.....	1	63N8X270G
5	TEE	2	64G6G
6	PIPE BUSHING.....	3	64E2G
7	TUBE CONNECTOR	4	86E4
8	TUBE (IN FEET)	8	85G3
9	NIPPLE.....	1	63N8X160G
10	ELBOW	2	86E60
11	NIPPLE.....	1	63F21G
12	ELBOW	1	64C4G
13	PLUG.....	1	64AA7

Order by Part Number and Description. Reference Numbers are for your convenience only



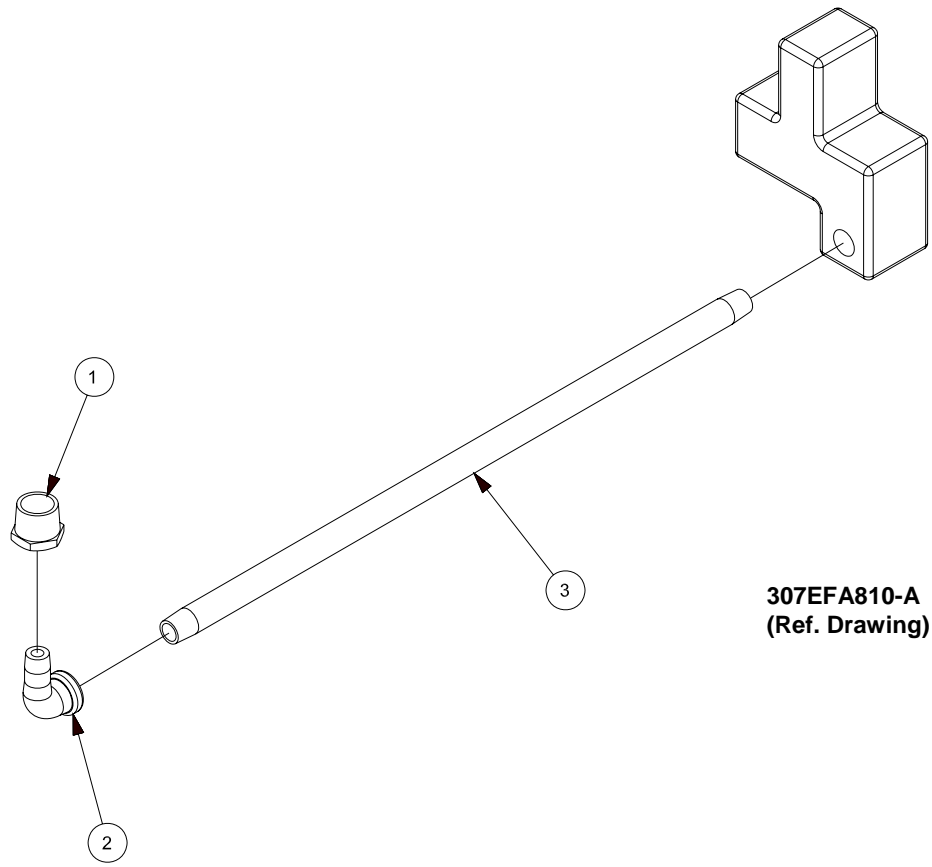
304EFA810-A
(Ref. Drawing)

MOISTURE DRAIN WITH THREE CONNECTIONS

B/M: 316EFC4019

Ref. No.	Name of Part	Qty.	Part No.
1	COUPLING	1	64AB17
2	CLAMP	4	98H3
3	SCREW	4	75LM215
4	NIPPLE.....	1	63N8X270G
5	TEE	2	64G6G
6	PIPE BUSHING.....	3	64E2G
7	TUBE CONNECTOR	4	86E4
8	TUBE (IN FEET)	12	85G3
9	NIPPLE.....	1	63N8X160G
10	ELBOW	2	86E60
11	NIPPLE.....	1	63F21G
12	ELBOW	1	64C4G

Order by Part Number and Description. Reference Numbers are for your convenience only

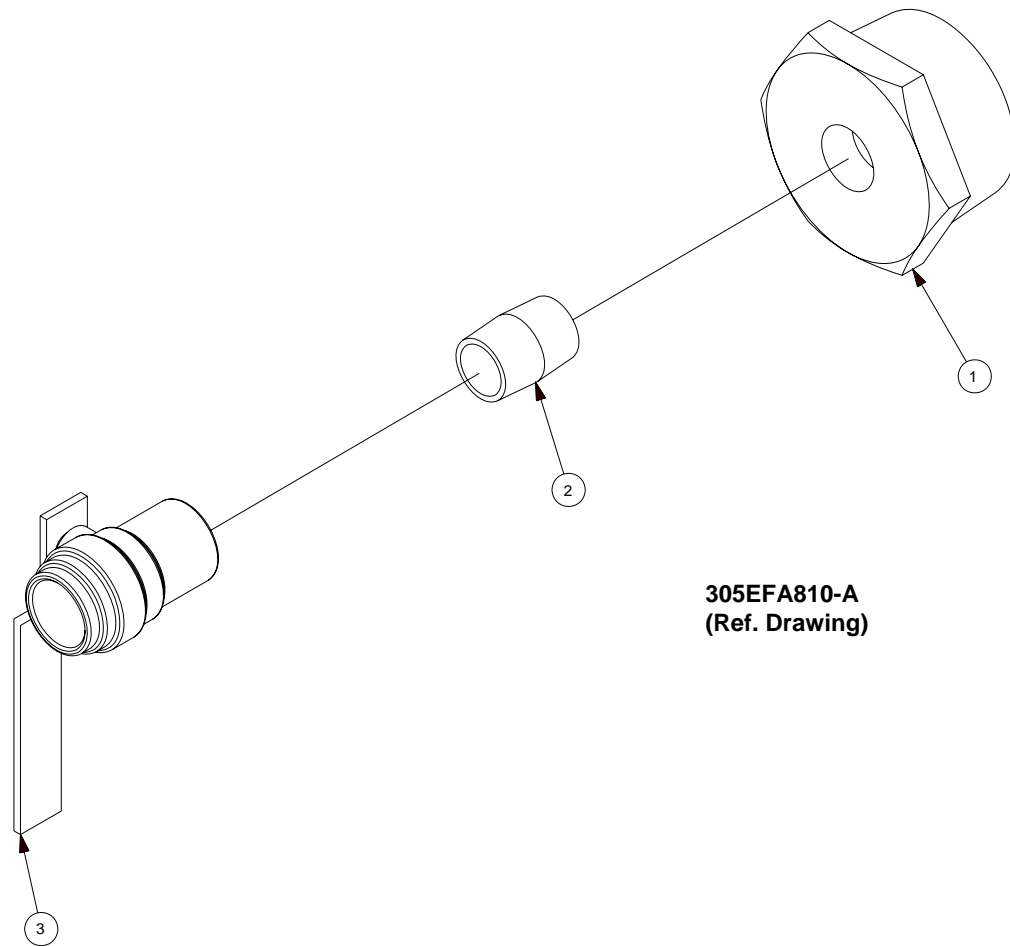


AIR RECEIVER AUTOMATIC DRAIN ASSEMBLY

B/M: 312EFA4019

Ref. No.	Name of Part	Qty.	Part No.
1	PIPE BUSHING.....	1	64E2
2	ELBOW	1	64D2G
3	NIPPLE.....	1	63N4X180G
4	TRAP.....	1	300EFA209

Order by Part Number and Description. Reference Numbers are for your convenience only



305EFA810-A
(Ref. Drawing)

AIR DISCHARGE WITH BALL VALVE

B/M: 317EFC4019

Ref. No.	Name of Part	Qty.	Part No.
1	PIPE BUSHING.....	1	64E11
2	NIPPLE.....	1	63H1G
3	BALL VALVE.....	1	90AR362

APPLICATION CHART FOR DRYERS

HP	PSI	WITH DRYER	WITH HI-TEMP DRYER	WITH DRYER WITH COLD COALESCER	WITH HI-TEMP DRYER WITH COLD COALESCER
20	100	302EFC463	304EFC463	303EFC463	305EFC463
	125	302EFC463	304EFC463	303EFC463	305EFC463
	150	300EFC463	302EFC463	301EFC463	303EFC463
	175	300EFC463	302EFC463	301EFC463	303EFC463
25	100	304EFC463	306EFC463	305EFC463	307EFC463
	125	304EFC463	306EFC463	305EFC463	307EFC463
	150	302EFC463	304EFC463	303EFC463	305EFC463
	175	302EFC463	304EFC463	303EFC463	305EFC463
30	100	304EFC463	306EFC463	305EFC463	307EFC463
	125	304EFC463	306EFC463	305EFC463	307EFC463
	150	304EFC463	306EFC463	305EFC463	307EFC463
	175	304EFC463	306EFC463	305EFC463	307EFC463

**MAIN MOTOR
(FULL VOLTAGE)**

Name of Part	20 HP (3600 RPM) Part No.	25 HP (3600 RPM) Part No.	30 HP (3600 RPM) Part No.
OPEN DRIP PROOF STANDARD EFFICIENCY (60 HZ – ODP)			
MOTOR, 200V	24CA4437	24CA4438	24CA5273
MOTOR, 230V	24CA5316	24CA5319	24CA5322
MOTOR, 460V	24CA5316	24CA5319	24CA5322
MOTOR, 575V	24CA4443	24CA4444	24CA5275
TOTALLY ENCLOSED STANDARD EFFICIENCY (60 HZ – TEFC)			
MOTOR, 200V	24CA4486	24CA5258	24CA5260
MOTOR, 230V	24CA4490	24CA5147	24CA5261
MOTOR, 460V	24CA4490	24CA5147	24CA5261
MOTOR, 575V	24CA4493	24CA5259	24CA5262
OPEN DRIP PROOF HIGH EFFICIENCY (60 HZ – ODP, HI-EFF)			
MOTOR, 200V	24CA4468	24CA4469	24CA5276
MOTOR, 230V	24CA4471	24CA4472	24CA5277
MOTOR, 460V	24CA4471	24CA4472	24CA5277
MOTOR, 575V	24CA4474	24CA4475	24CA5278
TOTALLY ENCLOSED HIGH EFFICIENCY (60 HZ – TEFC, HI-EFF))			
MOTOR, 200V	24CA4477	24CA5279	24CA5282
MOTOR, 230V	24CA4480	24CA5280	24CA5283
MOTOR, 460V	24CA4480	24CA5280	24CA5283
MOTOR, 575V	24CA4483	24CA5281	24CA5284

**MAIN MOTOR
(WYE DELTA)**

Name of Part	20 HP (3600 RPM) Part No.	25 HP (3600 RPM) Part No.	30 HP (3600 RPM) Part No.
OPEN DRIP PROOF STANDARD EFFICIENCY (60 HZ – ODP)			
MOTOR, 200V	24CA5315	24CA5318	24CA5321
MOTOR, 230V	24CA5316	24CA5319	24CA5322
MOTOR, 460V	24CA5316	24CA5319	24CA5322
MOTOR, 575V	24CA5317	24CA5320	24CA5323
TOTALLY ENCLOSED STANDARD EFFICIENCY (60 HZ – TEFC)			
MOTOR, 200V	24CA5336	24CA5339	24CA5342
MOTOR, 230V	24CA5337	24CA5340	24CA5343
MOTOR, 460V	24CA5337	24CA5340	24CA5343
MOTOR, 575V	24CA5338	24CA5341	24CA5344
OPEN DRIP PROOF HIGH EFFICIENCY (60 HZ – ODP, HI-EFF)			
MOTOR, 200V	24CA5324	24CA5327	24CA5330
MOTOR, 230V	24CA5325	24CA5328	24CA5331
MOTOR, 460V	24CA5325	24CA5328	24CA5331
MOTOR, 575V	24CA5326	24CA5329	24CA5332
TOTALLY ENCLOSED HIGH EFFICIENCY (60 HZ – TEFC, HI-EFF))			
MOTOR, 200V	24CA5333	24CA5345	24CA5348
MOTOR, 230V	24CA5334	24CA5346	24CA5349
MOTOR, 460V	24CA5334	24CA5346	24CA5349
MOTOR, 575V	24CA5335	24CA5347	24CA5350

OVERLOAD RELAY HEATER CONVERSION LISTING

Refer to Motor nameplate "Amperage" and Decal in
Control Panel for Selection of Overload Relay Heater

CUTLER-HAMMER PART NUMBER	GARDNER DENVER PART NUMBER5
H2002B	24CA4101
H2003B	24CA4102
H2004B	24CA4103
H2005B	24CA4104
H2006B	24CA4105
H2007B	24CA4106
H2008B	24CA4107
H2009B	24CA4108
H2010B	24CA4109
H2011B	24CA4110
H2012B	24CA4111
H2013B	24CA4112
H2014B	24CA4113
H2015B	24CA4114
H2016B	24CA4115
H2017B	24CA4116
H2018	24CA2924
H2019	24CA2925
H2020	24CA2926
H2021	24CA2927
H2022	24CA2893
H2023	24CA2894
H2024	24CA2928

Order by Part Number and Description. Reference Numbers are for your convenience only.

DECALS - PACKAGE

B/M: 305EFC4011

Ref. No.	Name of Part	Qty.	Part No.
1	DECAL, DANGER (DO NOT BREATHE DISCHARGE AIR).....	1	305EFC077
2	DECAL (OIL FILTER ELEMENT – GARDNER DENVER)	1	300EFC077
3	DECAL, WARNING (ROTATING MACHINERY).....	2	307EFC077
4	DECAL, WARNING (UNIT CAN AUTO RESTART)	1	306EFC077
5	DECAL, DANGER (DO NOT MODIFY W/O PERMISSION)	1	309EFC077
6	DECAL, DANGER (AIR/OIL UNDER PRESSURE).....	1	308EFC077
8	DECAL ROTATION ARROW.....	1	304EFC077
9	DECAL (GD 7" TALL)	1	322EAQA077
10	DECAL OPERATION & MAINTENANCE	1	312EFC077
12	DECAL, WARNING OUTSIDE CONTROL BOX	1	310EFC077
13	DECAL, DANGER INSIDE CONTROL BOX	1	311EFC077
17	DECAL (GD INTEGRA, 16" LONG).....	1	301EFE077

DECALS – TANK & DRYER

B/M: 308EFC4011

Ref. No.	Name of Part	Qty.	Part No.
1	DECAL (GD 7" TALL)	2	322EAQ077
2	DECAL, DANGER (AIR/OIL UNDER PRESSURE).....	3	212EAQ077
3	DECAL, DANGER (DO NOT BREATHE DISCHARGE AIR).....	1	206EAQ077

REPAIR KITS

Your Gardner Denver rotary screw compressor is designed and manufactured for many years of reliable operation. All components are engineered to exacting specifications, which will function together as a system to provide maximum efficiency. To insure the continuing integrity of compressor operation, use only original quality genuine Gardner Denver replacement parts and accessories.

Name of Part	Qty.	Part No.
ROUTINE MAINTENANCE KIT		300EFC6013
ELEMENT, AIR FILTER.....	2	EFC81166609
ELEMENT, OIL FILTER.....	3	EFC89675429
PERIODIC MAINTENANCE KIT (Inlet Valve).....		302EFC6013
INLET VALVE REPAIR KIT (Items 1-7, 9, 12, 16, 18, 22)	1	EFC89555209
O-RING	1	EFC89552979
PERIODIC MAINTENANCE KIT (Minimum Pressure/Check Valve).....		303EFC6013
MINIMUM PRESSURE VALVE ASM KIT (includes 1-4, 10, 15).....	1	EFC89555599
O-RING	1	EFC85387979
OIL SEPARATOR KIT.....		301EFC6013
OIL SEPARATOR	1	EFC03498328
O-RING	1	EFC85387979
LUBRICANT.....	1	2116755
THERMAL MIXING VALVE ELEMENT REPAIR KIT (160°F)		304EFC6013
THERMOSTAT ELEMENT	1	EFC89560169
O-RING	1	EFC85646299
THERMAL MIXING VALVE ELEMENT REPAIR KIT (180°F)		302EFB6013
THERMOSTAT ELEMENT	1	EFC89626099
O-RING	1	EFC85646299
DRIVE SHAFT SEAL KIT.....		300EFC6029
SHAFT SEAL KIT	1	EFC30834020
GASKET (Shaft Seal)	1	EFC30809658
SPACER-RING	1	EFC30806218
DRIVE SHAFT SEAL TOOL KIT.....		305EFC6013
SHAFT SEAL TOOL, (Drift)	1	EFC03416008
SHAFT SEAL TOOL, (Pressing Tool).....	1	EFC03424838
SHAFT SEAL TOOL	1	EFC03424708
WEAR SLEEVE PULLER	1	EFC89587189
INTAKE VALVE TOOL.....	1	EFC37687478
SIGHT GLASS TOOL	1	EFC89747909
THERMOSTAT TOOL	1	EFC30975188

REPAIR KITS (CONTINUED)

Name of Part	Qty.	Part No.
BARE AIREND REPAIR KIT.....		306EFC6013
AIREND, ENDURO 6.....	1	SEFC04022374
O-RING.....	1	EFC89594599
O-RING.....	1	EFC89594469
O-RING.....	1	EFC89534789
O-RING.....	1	EFC89594469
O-RING.....	1	EFC89534789
PERIODIC OVERHAUL KIT, AIREND.....		307EFC6013
OVERHAUL KIT.....	1	EFC50308200
O-RING.....	1	EFC89594599
O-RING.....	1	EFC89594469
O-RING.....	1	EFC89534789
PNEUMATIC CONTROLS.....		314EFC6013
CHECK VALVE.....	2	90AR261
CHECK VALVE.....	1	EFC89597779
STRAINER.....	1	EFC85588619
ELECTRICAL CONTROL GROUP.....		315EFC6013
TRANSDUCER.....	2	88H359
THERMISTOR PROBE.....	1	21D347
THERMISTOR PROBE.....	1	21D346
SOLENOID VALVE.....	1	91B70
SOLENOID VALVE.....	1	91B223
VACUUM SWITCH.....	1	88H195
LUBRICANT (AEON 2000)		
5-GALLON PAIL.....	1	28G36
55-GALLON DRUM.....	1	28G37
LUBRICANT (AEON 4000) - STANDARD		
5-GALLON PAIL.....	1	28H57
55-GALLON DRUM.....	1	28H36
LUBRICANT (AEON 6000FG)		
5-GALLON PAIL.....	1	28H99
55-GALLON DRUM.....	1	28H100
LUBRICANT (AEON 9000SP)		
5-GALLON PAIL.....	1	28H109
55-GALLON DRUM.....	1	28H110

REPAIR KITS (CONTINUED)

Name of Part	Qty.	Part No.
TOUCH-UP PAINT, White		
5-GALLON PAIL	1	28H76
1-GALLON CAN.....	1	28H84
1-QUART CAN.....	1	28H83

Gardner --- **Denver**

Specifications subject to change without notice.

Copyright © 2005 Gardner Denver, Inc.

Litho in U.S.A.

<http://www.gardnerdenver.com> mktg@gardnerdenver.com

For additional information contact your local representative or



Gardner Denver Compressor Division,
1800 Gardner Expressway, Quincy, Illinois 62301
Customer Service Department Telephone:
(800) 682-9868 FAX: (217) 224-7814

Sales and Service in all major cities.

For parts information, contact Gardner Denver,
Master Distribution Center, Memphis, TN
Telephone: (800) 245-4946 FAX: (901) 542-6159