

---

---

**GARDNER DENVER®**

13-9-586  
Version: 08  
January 11, 2006

**ELECTRA-SAVER II®**  
**BASE-MOUNTED COMPRESSOR**  
**AUTO SENTRY® -- ES+ CONTROLS**

**MODELS**

**EBH99G – 40 HP & 50 HP**  
**60 HZ**

**PARTS LIST**



## **MAINTAIN COMPRESSOR RELIABILITY AND PERFORMANCE WITH GENUINE GARDNER DENVER® COMPRESSOR PARTS AND SUPPORT SERVICES**

Gardner Denver® Compressor genuine parts, manufactured to design tolerances, are developed for optimum dependability – specifically for Gardner Denver compressor systems. Design and material innovations are the result of years of experience with hundreds of different compressor applications. Reliability in materials and quality assurance is incorporated in our genuine replacement parts.

Your authorized Gardner Denver Compressor distributor offers all the backup you'll need. A worldwide network of authorized distributors provides the finest product support in the air compressor industry.

Your authorized distributor can support your Gardner Denver air compressor with these services:

1. Trained parts specialists to assist you in selecting the correct replacement parts.
2. Factory warranted new and remanufactured rotary screw airends. Most popular model remanufactured airends are maintained in stock at the Remanufacturing Center in Indianapolis, IN., for purchase on an exchange basis with liberal core credit available for the replacement unit.
3. A full line of factory tested AEON™ compressor lubricants specifically formulated for use in Gardner Denver compressors.
4. Repair and maintenance kits designed with the necessary parts to simplify servicing your compressor.

Authorized distributor service technicians are factory trained and skilled in compressor maintenance and repair. They are ready to respond and assist you by providing fast, expert maintenance and repair services.

**For the location of your local authorized Gardner Denver Air Compressor distributor, refer to the yellow pages of your phone directory, check the Gardner Denver Web Site at [www.gardnerdenver.com](http://www.gardnerdenver.com) or contact:**

**Factory:**

Gardner Denver  
1800 Gardner Expressway  
Quincy, IL 62305  
Phone: (217) 222-5400  
Fax: (217) 224-7814

### **INSTRUCTIONS FOR ORDERING REPAIR PARTS**

When ordering parts, specify Compressor MODEL, Method of Cooling, POWER and SERIAL NUMBER (see nameplate on unit). The Airend Serial Number is also stamped on top of the discharge bearing carrier castings.

All orders for Parts should be placed with the nearest authorized distributor.

Where NOT specified, quantity of parts required per compressor or unit is one (1); where more than one is required per unit, quantity is indicated in parenthesis. **SPECIFY EXACTLY THE NUMBER OF PARTS REQUIRED.**

**DO NOT ORDER BY SETS OR GROUPS.**

To determine the Right-Hand and Left-Hand side of a compressor, stand at the motor end and look toward the compressor. Right-Hand and Left- Hand are indicated in parenthesis following the part name, i.e. (RH) and (LH), when appropriate.

## **TOTAL PRODUCT SUPPORT – GARDNER DENVER’S CONTINUING COMMITMENT TO YOUR AIR COMPRESSOR PERFORMANCE**

Commitment to total product support continues long after the purchase of your quality Gardner Denver rotary screw compressor.

Gardner Denver original parts incorporate years of experience and improvements in design, materials and quality assurance. Maintaining your compressor investment with Gardner Denver parts will insure protection for the air compressor unit and long, dependable service life.

Your authorized Gardner Denver compressor distributor maintains a complete stock of all common maintenance parts, factory approved AEON lubricants, and Gardner Denver factory warranted exchange airends. In addition, authorized distributor technicians are factory trained, and can provide complete diagnostic, compressor maintenance and repair services.

This manual is designed to assist you in maintaining high performance and receiving many years of dependable service you expect from your Gardner Denver compressor.

### **REMANUFACTURED AIRENDS**

Whenever an airend requires replacement or repair, Gardner Denver offers an industry unique, factory remanufactured airend exchange program. From its modern Remanufacturing Center in Indianapolis, IN., Gardner Denver is committed to supplying you with the highest quality, factory remanufactured airends that are guaranteed to save you time, aggravation and money.

#### **Immediately Available**

Repair downtime costs you money, which is why the most popular models are in inventory at all times.

#### **Skilled Craftsmen**

Our Remanufacturing assembly technicians average over 20 years experience with air compression products.

#### **Precision Remanufacturing**

All potentially usable parts are thoroughly cleaned, inspected and analyzed. Only those parts that can be brought back to original factory specifications are remanufactured. Every remanufactured airend receives a new overhaul kit: bearings, gears, seals, sleeves and gaskets.

#### **Extensive Testing**

Gardner Denver performs testing that repair houses just don't do. Magnaflux and ultrasonic inspection spot cracked or stressed castings, monochromatic light analysis exposes oil leaks, and coordinate measurement machine inspects to +/- .0001", insuring that all remanufactured airends meet factory performance specifications.

#### **Warranty**

Gardner Denver backs up every remanufactured airend with a new warranty...27 months from purchase, 24 months from service.

Gardner Denver remanufactured airends deliver *quality without question...year in and year out.*

Call Gardner Denver for information on the airend exchange program and the name of your authorized distributor.

Phone Number: (217) 222-5400 or  
Fax: (217) 224-7814

## TABLE OF CONTENTS

Maintain Compressor Reliability And Performance With Genuine Gardner Denver Compressor Parts And Support Services .....	1
Instructions For Ordering Repair Parts .....	1
Total Product Support – Gardner Denver’s Continuing Commitment To Your Air Compressor Performance .....	2
Remanufactured Airends .....	2
Airend Selection And Repair Kits .....	4
Bare Compressor – SSF .....	5, 6
Oil Seal Detail – SSF .....	7
C – Flange Motor Adaptor - SSF .....	8
Inlet Valve – SSF .....	9, 10
Bare Compressor – SSH.....	11, 12
Oil Seal Detail – SSH .....	13
Air Filter .....	14
Oil Reservoir – 100, 125 & 150 PSI .....	15
Oil Reservoir – 175 & 200 PSI .....	16
Oil Separator Housing – 100, 125 & 150 PSI .....	17
Oil Return Line .....	18
Discharge Manifold – 175 & 200 PSI .....	19
Oil Piping .....	20
Air Cooled Discharge Piping .....	21
Final Discharge Piping .....	22
Water Cooled Heat Exchanger (With Aftercooler) .....	23, 24
Water Cooled Heat Exchanger (Without Aftercooler) .....	25, 26
Oil Filter .....	27
Thermal Valve (Thermostatic Mixing) .....	28
Minimum Pressure Valve .....	29
Base Group .....	30
Control Tubing Schematic.....	31, 32
Controller Assembly – Full Voltage Starters .....	33, 34
Controller Assembly – Wye Delta Starters.....	35, 36
Controller Assembly – Without Starter .....	37, 38
Controller Assembly .....	39
Miscellaneous Electrical Parts .....	40
Motor Group (Main Drive Motors) .....	41
Enclosure Group Common Parts - Air/Water Cooled .....	42
Water Cooled Enclosure Panels .....	43
Air Cooled Enclosure Panels .....	44
Enclosure Hardware.....	45
Overload Relay Heater Conversion Listing.....	46
Vent Fan Group.....	47, 48
Identification And Instruction Group.....	49
Repair Kits.....	50-52

**For Operating and Service Instructions, see:**

<b>SERVICE MANUAL:</b>	<b>13-9-663</b>
<b>CONTROLLER MANUAL:</b>	<b>13-9-653</b>

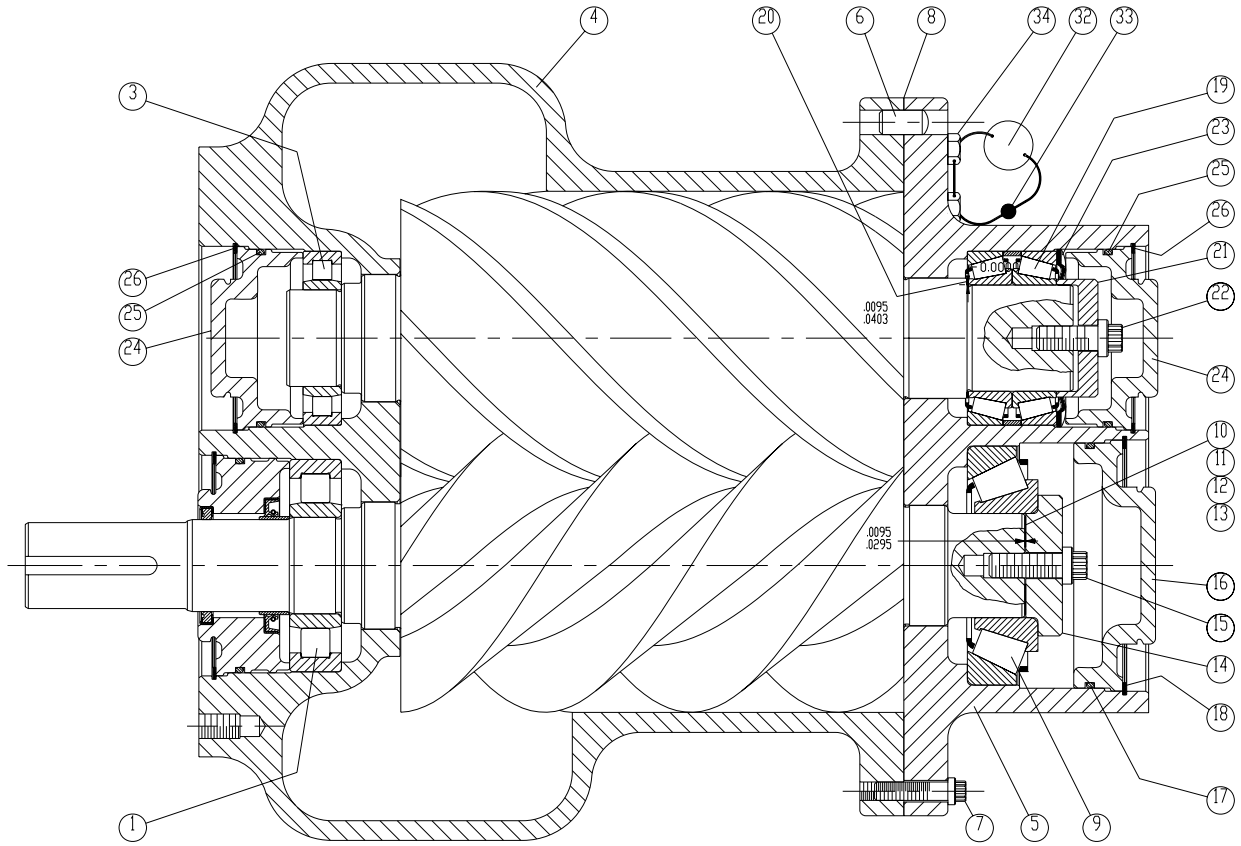
**AIREND SELECTION AND REPAIR KITS**

<b>Model</b>	<b>HP</b>	<b>PSI</b>	<b>Airend w/Inlet Valve</b>	<b>Reman Airend w/Inlet Valve</b>	<b>Bearing Kit *</b>	<b>Gasket Kit</b>	<b>Inlet Valve Kit</b>	<b>Drive Shaft Seal Kit</b>	<b>Drive Shaft Wear Sleeve Removal &amp; Installation Kit</b>
EBH	40	100	SSHCBJ03	SSHCBJ03X	326SSH6013	327SSH6013	302EBE6013	302SSH6013	200SSH4017
		125	SSHCBJ04	SSHCBJ04X	326SSH6013	327SSH6013	302EBE6013	302SSH6013	200SSH4017
		150	SSFCBH02	SSFCBH02X	315SSF6013	303SSF6013	302EBE6013	300SSF6013	200SSH4017
		175	SSFCBH03	SSFCBH03X	315SSF6013	303SSF6013	302EBE6013	300SSF6013	200SSH4017
		200	SSFCBH04	SSFCBH04X	315SSF6013	303SSF6013	302EBE6013	300SSF6013	200SSH4017
EBH	50	100	SSHCBJ01	SSHCBJ01X	326SSH6013	327SSH6013	302EBE6013	302SSH6013	200SSH4017
		125	SSHCBJ02	SSHCBJ02X	326SSH6013	327SSH6013	302EBE6013	302SSH6013	200SSH4017
		150	SSHCBJ03	SSHCBJ03X	326SSH6013	327SSH6013	302EBE6013	302SSH6013	200SSH4017
		175	SSFCBH01	SSFCBH01X	315SSF6013	303SSF6013	302EBE6013	300SSF6013	200SSH4017
		200	SSFCBH02	SSFCBH02X	315SSF6013	303SSF6013	302EBE6013	300SSF6013	200SSH4017

\* When ordering Bearing Kits, also order Gasket Kit and Drive Shaft Seal Kit.

For listing of Repair Parts included in Kit numbers above, see Repair Kit Section page 50-49.

# BARE COMPRESSOR – SSF



**30SSF810**  
**(Ref. Drawing)**

Order by Part Number and Description. Reference Numbers are for your convenience only.

**BARE COMPRESSOR – SSF**

**B/M: 300SSF4049**

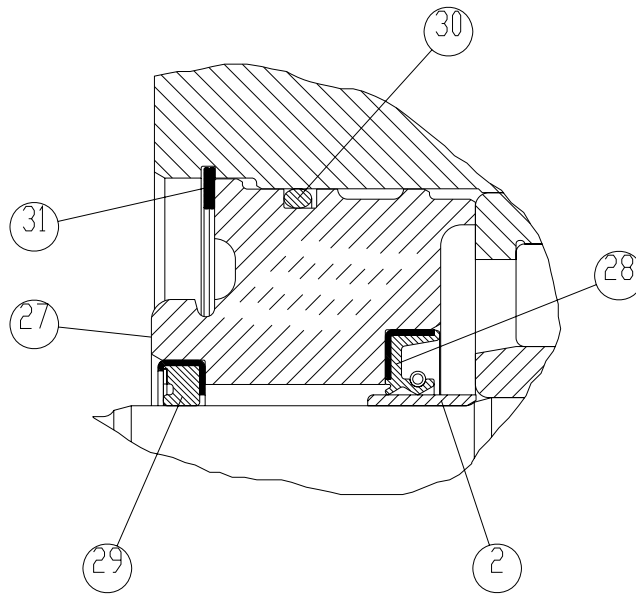
Ref. No.	Name of Part	Qty.	Part No.
* 1	BEARING-ROLLER.....	1	12BA130
* 3	BEARING-ROLLER.....	1	12BA136
4	CYLINDER.....	1	**
5	HOUSING-BEARING.....	1	**
6	PIN-DOWEL.....	2	**
7	SCREW.....	15	**
8	GASKET-ELIMINATOR.....	1	**
* 9	BEARING-ROLLER.....	1	12BA91
+ 10	SHIM.....	2	77H54015
+ 11	SHIM.....	3	77H54005
+ 12	SHIM.....	3	77H54003
+ 13	SHIM.....	3	77H54002
14	PLATE-BEARING RETAINER.....	1	**
15	SCREW.....	1	**
16	COVER.....	1	**
+ 17	O-RING.....	1	25BC157
+ 18	RING-RETAINING.....	1	74D52
* 19	BEARING-ROLLER.....	1	12BA196
+ 20	SHIM.....	1	77H67
21	PLATE-BEARING RETAINER.....	1	**
22	SCREW.....	1	**
* 23	SPRING.....	1	78W99
24	COVER.....	2	**
+ 25	O-RING.....	2	25BC298
+ 26	RING-RETAINING.....	2	74D53
32	TAG-INSTRUCTION.....	1	**
33	SEAL.....	1	**
34	SCREW.....	2	**
36	PLUG (not shown).....	3	**
37	PLUG (not shown).....	1	**
38	PLUG (not shown).....	2	**

\* Parts included in Periodic Overhaul Kit Part Number 315SSF6013. Refer to page 51 .

\*\* Shown for reference only.

+ Parts included in Gasket Kit 303SSF6013. Refer to page 51.

Order by Part Number and Description. Reference Numbers are for your convenience only.



**300SSF810**  
(Ref. Drawing)

**OIL SEAL DETAIL – SSF**

**B/M: 300SSF4049**

Ref. No..	Name of Part	Qty.	Part No.
* 2	SLEEVE-WEAR.....	1	80M12
27	HOUSING-SEAL.....	1	202SSE362
* 28	SEAL-OIL.....	1	60DD679
* 29	SEAL-OIL.....	1	60DD543
* 30	O-RING.....	1	8500958
+* 31	RING-RETAINING.....	1	74D48

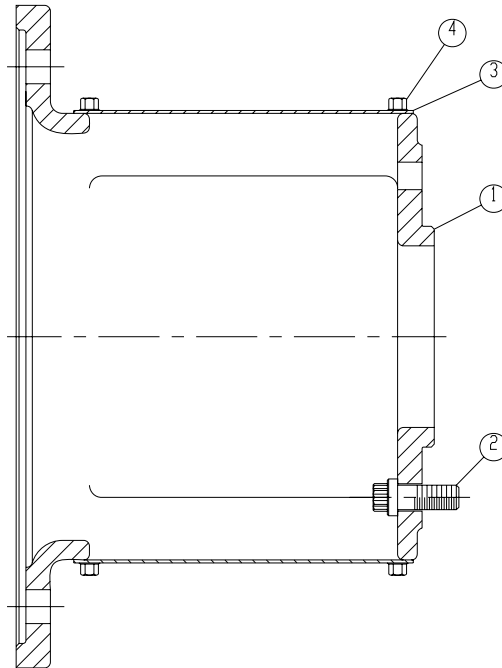
\* Parts included in Oil Seal Kit Part Number 300SSF6013. Refer to page 51.

+ Parts included in Gasket Kit number 303SSF6013. Refer to page 51

Wear Sleeve Installation/Removal Kit Part Number 200SSH4017. Refer to page 51.



Order by Part Number and Description. Reference Numbers are for your convenience only.



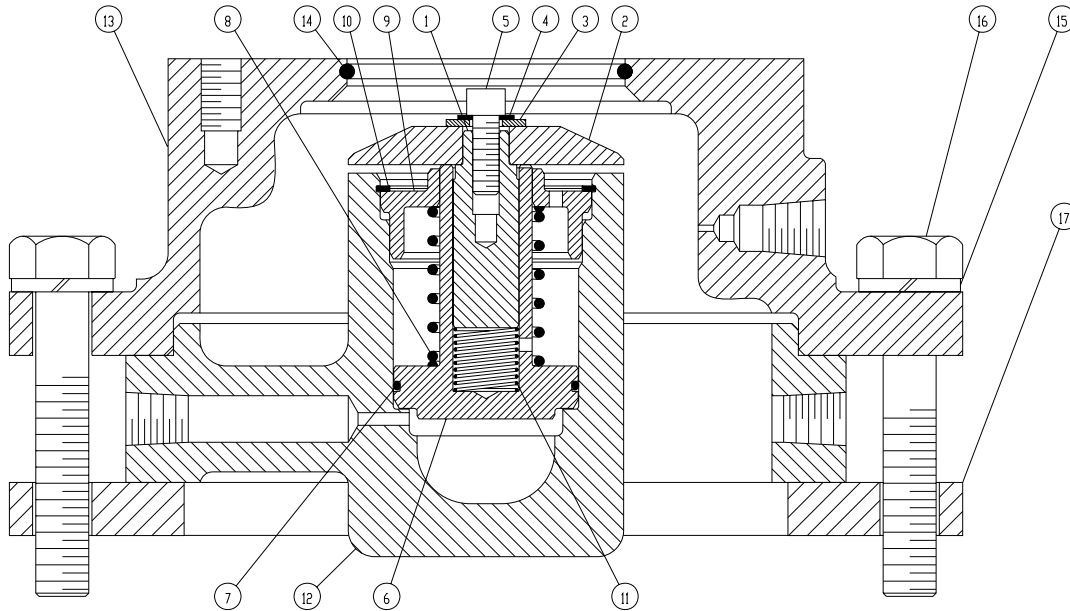
**301SSF810  
(Ref. Drawing)**

**C – FLANGE MOTOR ADAPTOR - SSF**

**B/M: 300SSF4005**

<b>Ref. No.</b>	<b>Name of Part</b>	<b>Qty.</b>	<b>Part No.</b>
1	ADAPTOR .....	1	201SSF170
2	SCREW .....	7	75LM123
3	GUARD-COUPLING.....	1	200SSF339
4	SCREW .....	4	75LM47

Order by Part Number and Description. Reference Numbers are for your convenience only.



**308SSF810-A**  
(Ref. Drawing)

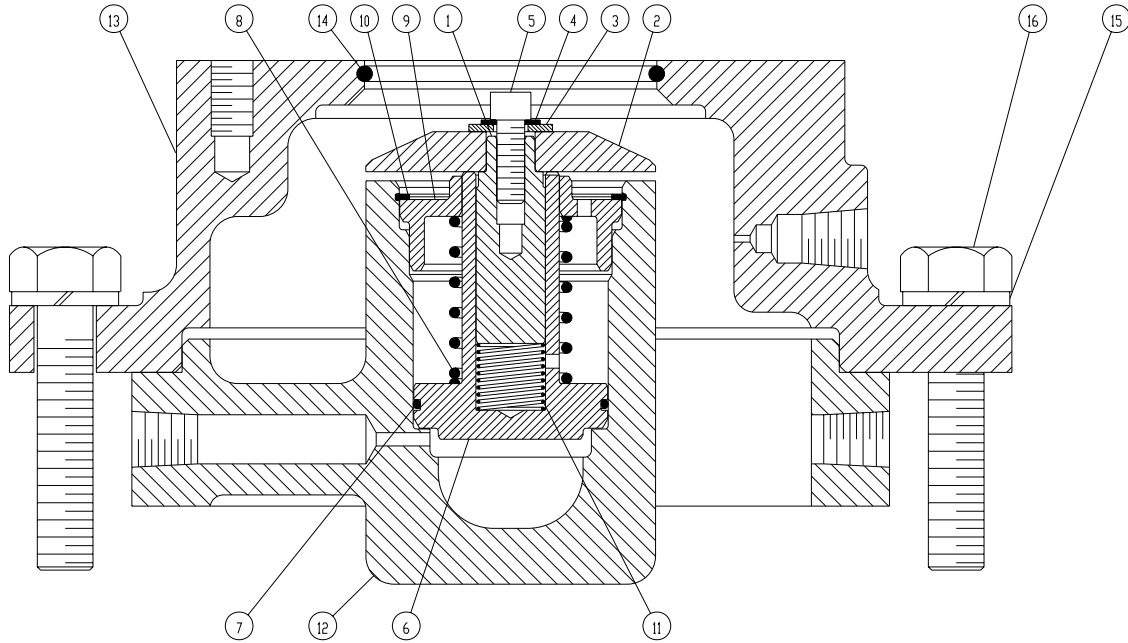
**INLET VALVE – SSF**

**B/M: 302SSF4030**

Ref. No.	Name of Part	Qty.	Part No.
1	GUIDE-VALVE.....	1	201SSE483
2	VALVE-INLET.....	1	202SSE044
3	WASHER.....	1	95A1
4	LOCKWASHER.....	1	95H56
5	SCREW.....	1	655EC03N
6	PISTON-INLET VALVE.....	1	202SSE043
* 7	O-RING.....	1	25BC440
* 8	SPRING.....	1	78H22
9	RETAINER.....	1	200SSE205
* 10	RING-RETAINING.....	1	74D87
* 11	SPRING.....	1	78W59
12	HOUSING-INLET.....	1	205SSE041
13	SEAT.....	1	204SSE256
* 14	O-RING.....	1	25AM15
15	LOCKWASHER.....	8	95B5
16	SCREW.....	8	655EE120
17	PLATE.....	1	201SSF247

\* Parts included in Periodic Maintenance Kit Part Number 302EBE6013. Refer to page 50.

Order by Part Number and Description. Reference Numbers are for your convenience only.



**209SSE810-B**  
(Ref. Drawing)

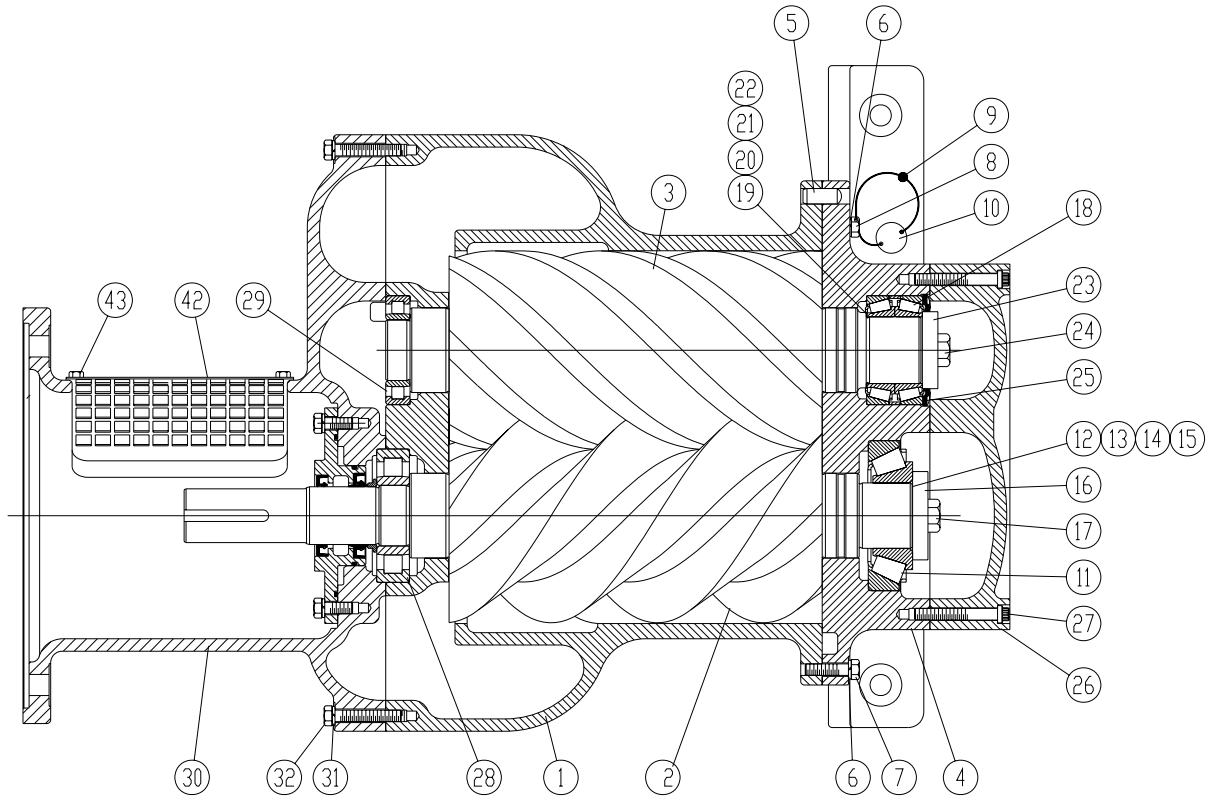
**INLET VALVE – SSH**

**B/M: 200SSE4030**

Ref. No.	Name of Part	Qty.	Part No.
1	GUIDE-VALVE .....	1	201SSE483
2	VALVE-INLET .....	1	202SSE044
3	WASHER.....	1	95A1
4	LOCKWASHER.....	1	95H56
5	SCREW .....	1	655EC03N
6	PISTON-INLET VALVE .....	1	202SSE043
* 7	O-RING .....	1	25BC440
* 8	SPRING.....	1	78H22
9	RETAINER .....	1	200SSE205
* 10	RING-RETAINING.....	1	74D87
* 11	SPRING.....	1	78W59
12	HOUSING-INLET .....	1	205SSE041
13	SEAT .....	1	204SSE256
* 14	O-RING .....	1	25AM15
15	LOCKWASHER.....	8	95B5
16	SCREW .....	8	655EE100

\* Parts included in Periodic Maintenance Part Number 302EBE6013. Refer to page 50.

**BARE COMPRESSOR – SSH**



**207SSH810-C  
(Ref. Drawing)**

Order by Part Number and Description. Reference Numbers are for your convenience only.

**BARE COMPRESSOR – SSH**

B/M: 200SSH4049

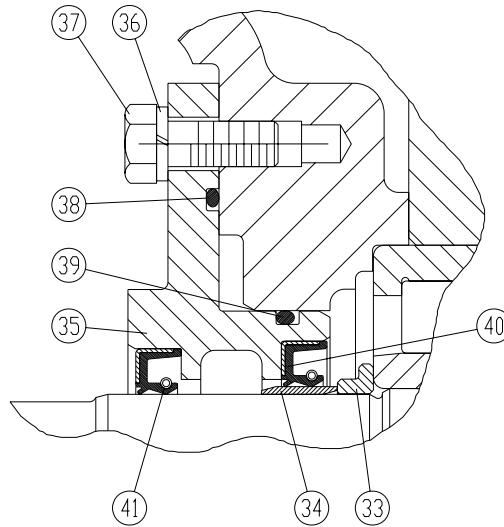
Ref. No.	Name of Part	Qty.	Part No.
1	CYLINDER.....	1	***
2	ROTOR.....	1	***
3	ROTOR.....	1	***
4	HOUSING-BEARING.....	1	***
5	PIN-DOWEL .....	2	***
6	LOCKWASHER .....	14	***
7	SCREW .....	10	***
8	SCREW .....	2	***
9	SEAL.....	1	***
10	TAG-INSTRUCTION.....	1	***
* 11	BEARING-ROLLER .....	1	12BA91
** 12	SHIM.....	2	77H54015
** 13	SHIM.....	3	77H54005
** 14	SHIM.....	3	77H54003
** 15	SHIM.....	3	77H54002
16	PLATE-BEARING RETAINER .....	1	***
17	SCREW .....	1	***
* 18	BEARING-ROLLER .....	1	12BA196
** 19	SHIM.....	2	77H53015
** 20	SHIM.....	3	77H53005
** 21	SHIM.....	3	77H53003
** 22	SHIM.....	3	77H53002
23	PLATE-BEARING RETAINER .....	1	***
24	SCREW .....	1	***
* 25	SPRING .....	1	78W96
26	PLATE-BEARING COVER .....	1	***
27	SCREW .....	18	***
* 28	BEARING-ROLLER .....	1	12BA130
* 29	BEARING-ROLLER .....	1	12BA136
30	ADAPTOR .....	1	***
31	LOCKWASHER .....	16	***
32	SCREW .....	16	***
42	GUARD COUPLING .....	1	***
43	SCREW .....	4	***
44	PLUG (not shown) .....	4	64AA5
45	PLUG (not shown) .....	1	64AA6
46	PLUG (not shown) .....	1	64AC1
47	PLUG (not shown) .....	1	64AC2
** 48	GASKET-ELIMINATOR (not shown).....	1	25BC222
49	SCREW (not shown).....	2	655ED080
50	PLUG (not shown) .....	2	64AA5

\* Parts included in Periodic Overhaul Kit Part Number 326SSH6013. Refer to page 50.

\*\* Parts included in Gasket Kit Part Number 327SSH6013. Refer to page 50.

\*\*\* Shown for reference only.

Order by Part Number and Description. Reference Numbers are for your convenience only.



207SSH810-C  
(Ref. Drawing)

**OIL SEAL DETAIL – SSH**

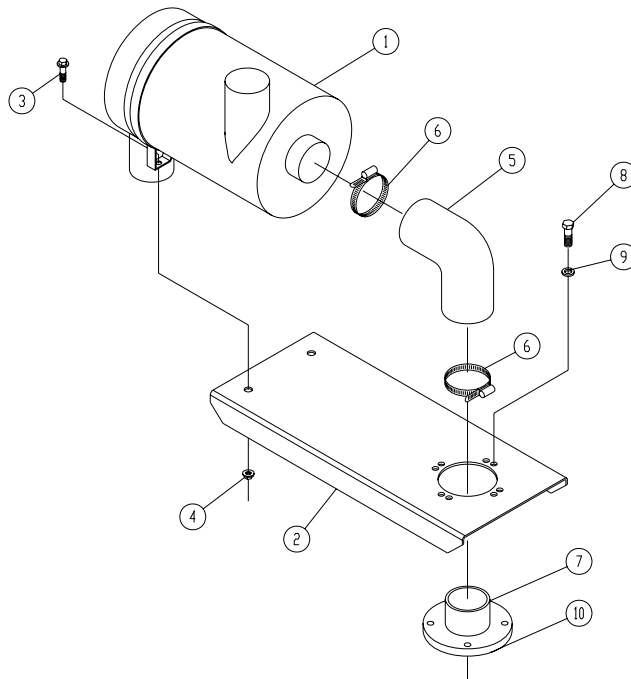
**B/M: 200SSH4049**

Ref. No.	Name of Part	Qty.	Part No.
33	SPACER-SHAFT.....	1	200SSH600
* 34	SLEEVE-WEAR .....	1	80M12
35	HOUSING-SEAL .....	1	202SSH362
36	LOCKWASHER.....	8	95B3
37	SCREW .....	8	655ED050
* 38	O-RING .....	1	8502140
* 39	O-RING .....	1	25BC165
* 40	SEAL-OIL .....	1	60DD679
* 41	SEAL-OIL .....	1	60DD690
*	CHECK VALVE (not shown) .....	1	90AR923

\* Parts included in Oil Seal Kit, Part Number 302SSH6013. Refer to page 51.

Note: For Wear Sleeve Installation/Removal Kit, see Part Number 200SSH4017.  
Refer to page 51.

Order by Part Number and Description. Reference Numbers are for your convenience only.



311EDE810-A  
(Ref. Drawing)

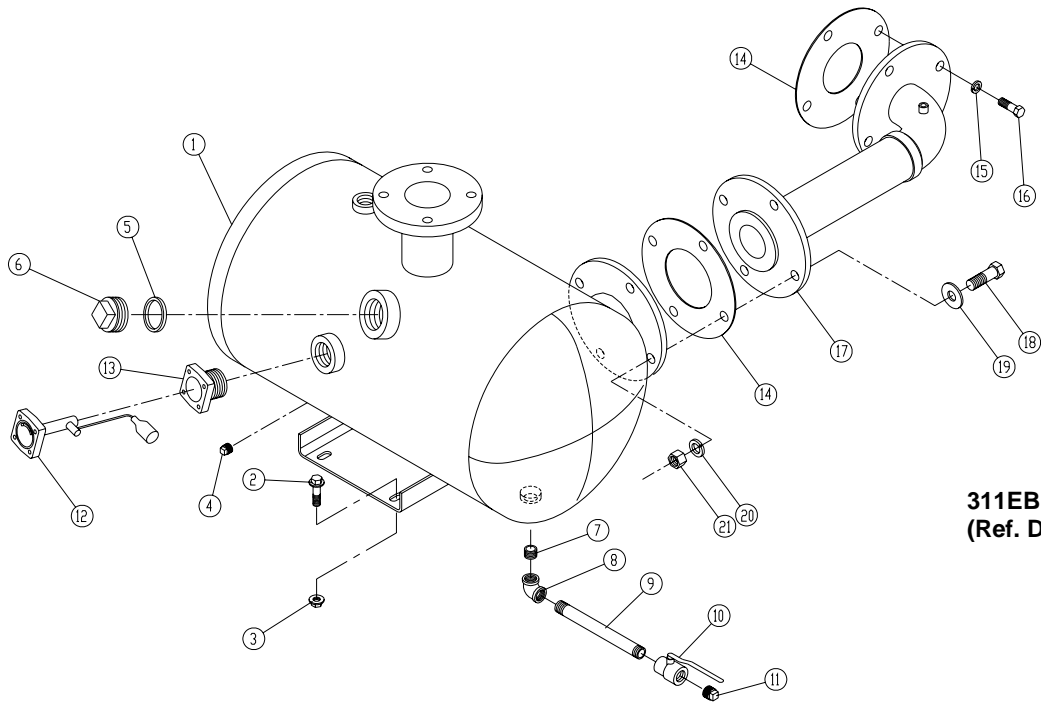
**AIR FILTER**

**B/M: 300EDE4054**

Ref. No.	Name of Part	Qty.	Part No.
1	FILTER-AIR.....	1	5L351
2	BRACKET-FILTER.....	1	300EDE389
3	SCREW.....	2	75LM97
4	NUT.....	2	50AW4
5	HOSE.....	1	29Z469
6	CLAMP.....	2	29B36
7	ADAPTOR-FILTER.....	1	200EDE070
8	SCREW.....	4	655ED080
9	LOCKWASHER.....	4	95B3
10	GASKET-ELIMINATOR.....	1	25BC222
*	ELEMENT-AIR FILTER (For Repair).....	1	2118315

\* Not shown

Order by Part Number and Description. Reference Numbers are for your convenience only.



**311EBH810-A**  
(Ref. Drawing)

**OIL RESERVOIR – 100, 125 & 150 PSI**

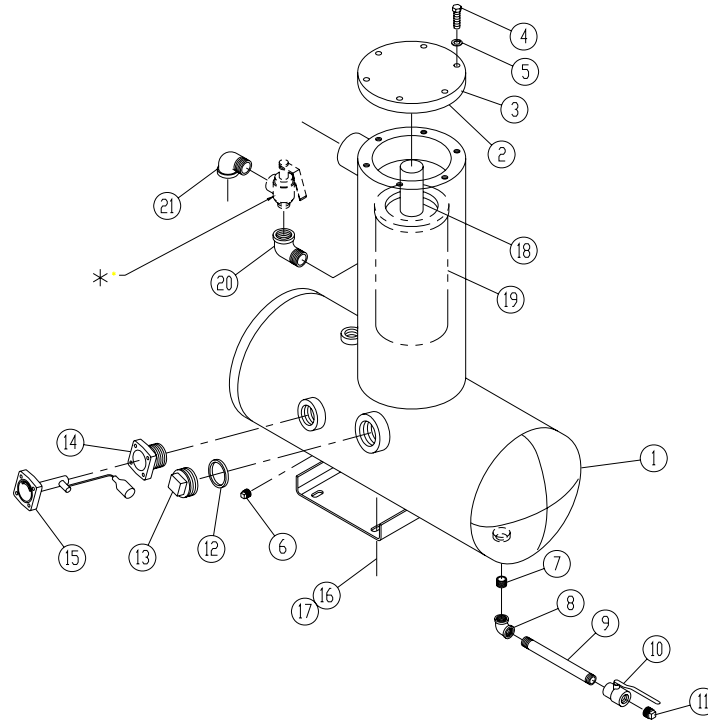
**B/M: 301EBH4018**

Ref. No.	Name of Part	Qty.	Part No.
1	RESERVOIR-OIL .....	1	303EBH037
2	SCREW .....	4	75LM135
3	NUT .....	4	50AW35
4	PLUG.....	1	64AA5
5	O-RING.....	1	54C214
6	COVER-FILLER .....	1	200SPF156
7	NIPPLE.....	1	63F2G
8	ELBOW.....	1	64C4G
9	NIPPLE.....	1	63F16G
10	VALVE-BALL .....	1	90AR360
11	PLUG.....	1	64AA7
* 12	GAUGE-FLOAT .....	1	300EBH303
13	ADAPTOR-GAUGE .....	1	200EDE058
14	GASKET .....	2	25C2722N
15	LOCKWASHER .....	4	95B7
16	SCREW .....	4	655EF070
17	MANIFOLD .....	1	300EAP286
18	SCREW .....	4	655EF120
19	WASHER.....	4	95A7
20	LOCKWASHER .....	4	95B7
21	NUT .....	4	50B7

\* For Repair: Float Gauge Gasket – order Part Number 54C204.



Order by Part Number and Description. Reference Numbers are for your convenience only.



304EBH810-A  
(Ref. Drawing)

OIL RESERVOIR – 175 & 200 PSI

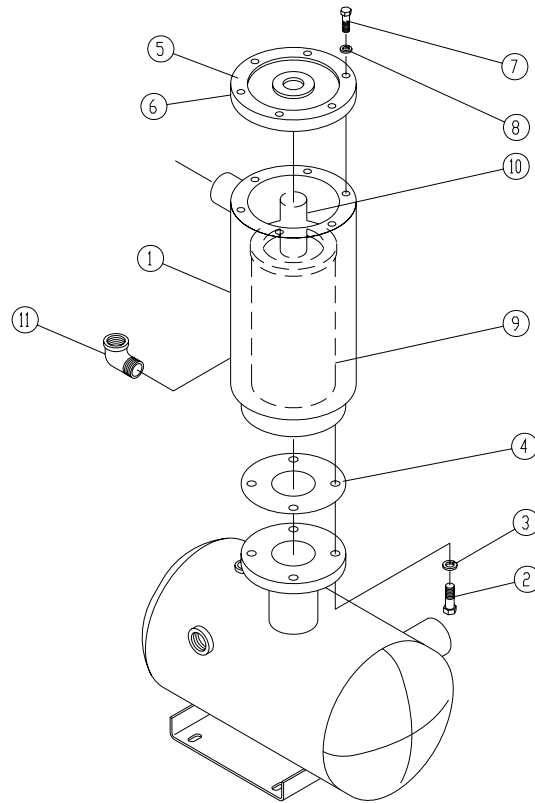
B/M: 300EBH4018

Ref. No.	Name of Part	Qty.	Part No.
1	RESERVOIR-OIL .....	1	302EBH037
2	GASKET-ELIMINATOR.....	1	25BC222
3	COVER .....	1	301EBP225
4	SCREW.....	6	655EE070
5	LOCKWASHER.....	6	95B5
6	PLUG .....	1	64AA5
7	NIPPLE .....	1	63F2G
8	ELBOW .....	1	64C4G
9	NIPPLE .....	1	63F41G
10	VALVE-BALL.....	1	90AR360
11	PLUG .....	1	64AA7
12	O-RING .....	1	54C214
13	COVER .....	1	200SPF156
14	ADAPTOR-GAUGE.....	1	200EDE058
** 15	GAUGE-FLOAT .....	1	300EBM303
16	SCREW.....	4	75LM135
17	NUT.....	4	50AW35
18	SPACER .....	1	300EBH392
19	SEPARATOR-AIR/OIL .....	1	200ECH035
20	ELBOW .....	1	64D6G
21	ELBOW .....	1	64D10G

\* Relief Valves: 175 PSI 90AR171  
200 PSI 90AR197

\*\* For Repair: Float Gauge Gasket – order Part Number 54C204.

Order by Part Number and Description. Reference Numbers are for your convenience only.



246ECH810-C  
(Ref. Drawing)

**OIL SEPARATOR HOUSING – 100, 125 & 150 PSI**

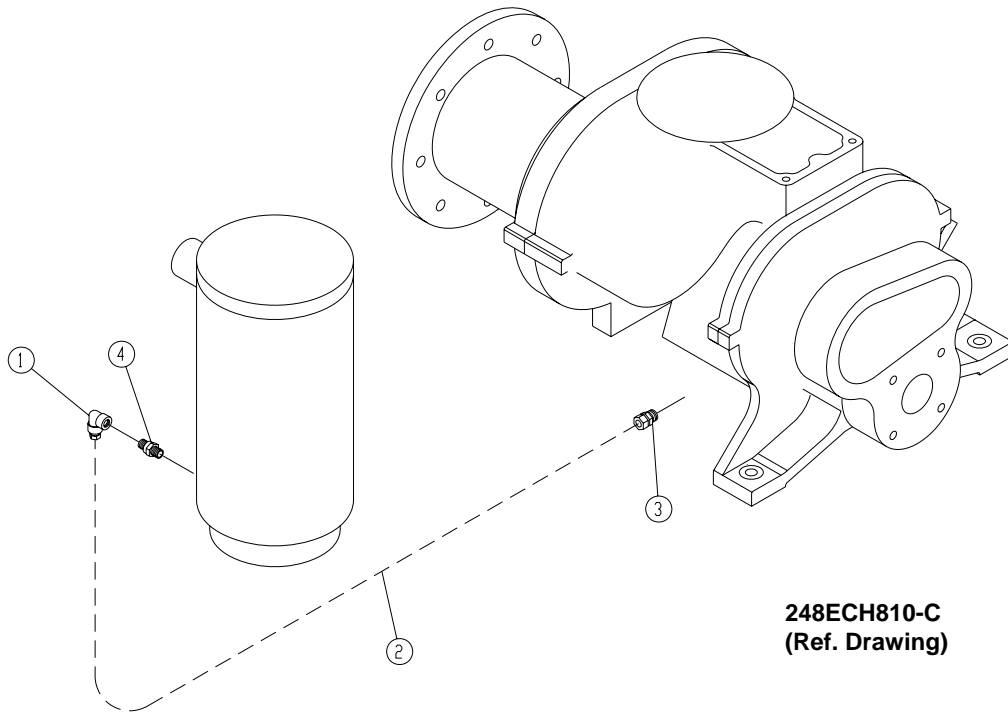
**B/M: ECH81760**

Ref. No.	Name of Part	Qty.	Part No.
1	HOUSING.....	1	200ECH405
2	SCREW .....	4	655EF080
3	LOCKWASHER.....	4	95B7
4	GASKET .....	1	25C802
5	COVER.....	1	203ECM225
6	GASKET-ELIMINATOR.....	1	25BC222
7	SCREW .....	6	655EE070
8	LOCKWASHER.....	6	95B5
* 9	SEPARATOR-AIR/OIL .....	1	200ECH035
10	SPACER.....	1	200ECH392
11	ELBOW .....	1	64D10G

\* For Separator Repair Kit, order Part Number 202ECH6013. Refer to page 52.

Relief Valves (Not shown):	100 PSI	90AR381
	125 PSI	90AR382
	150 PSI	90AR146

Order by Part Number and Description. Reference Numbers are for your convenience only.



**248ECH810-C  
(Ref. Drawing)**

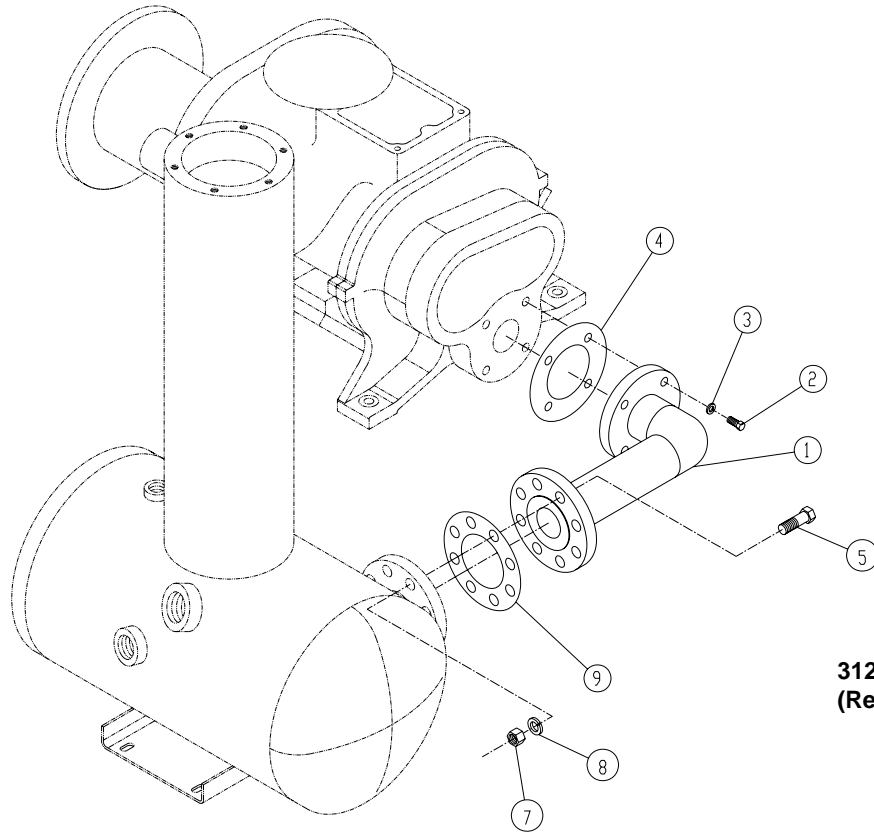
**OIL RETURN LINE**

**B/M: ECH81762**

<b>Ref. No.</b>	<b>Name of Part</b>	<b>Qty.</b>	<b>Part No.</b>
1	ELBOW-TUBE.....	1	86E193
2	TUBE (IN FEET).....	10	85K3
3	CONNECTOR-TUBE .....	1	86E4
* 4	VALVE-CHECK.....	1	90AR261

\* Part included in Pneumatic Control Kit, Part Number 302EAQ6013. Refer to page 52.

Order by Part Number and Description. Reference Numbers are for your convenience only.



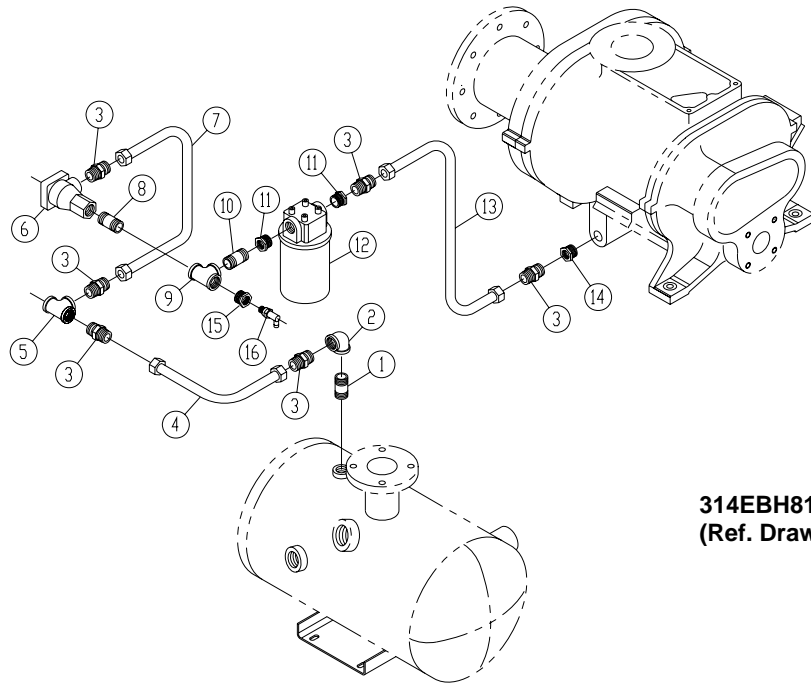
312EBQ810-A  
(Ref. Drawing)

**DISCHARGE MANIFOLD – 175 & 200 PSI**

**B/M: 301EBH4013**

Ref. No.	Name of Part	Qty.	Part No.
1	MANIFOLD.....	1	302EBH286
2	SCREW.....	4	655EF070
3	LOCKWASHER.....	4	95B7
4	GASKET.....	1	25C2722N
5	SCREW.....	8	655EG140
7	NUT.....	8	50B8
8	LOCKWASHER.....	8	95B8
9	GASKET.....	1	25C1064N

Order by Part Number and Description. Reference Numbers are for your convenience only.



**314EBH810-A  
(Ref. Drawing)**

**OIL PIPING**

**B/M: 304EBH4019, 300EBH4054  
301EBH4054, 302EBH4054  
303 & 304EBH4013**

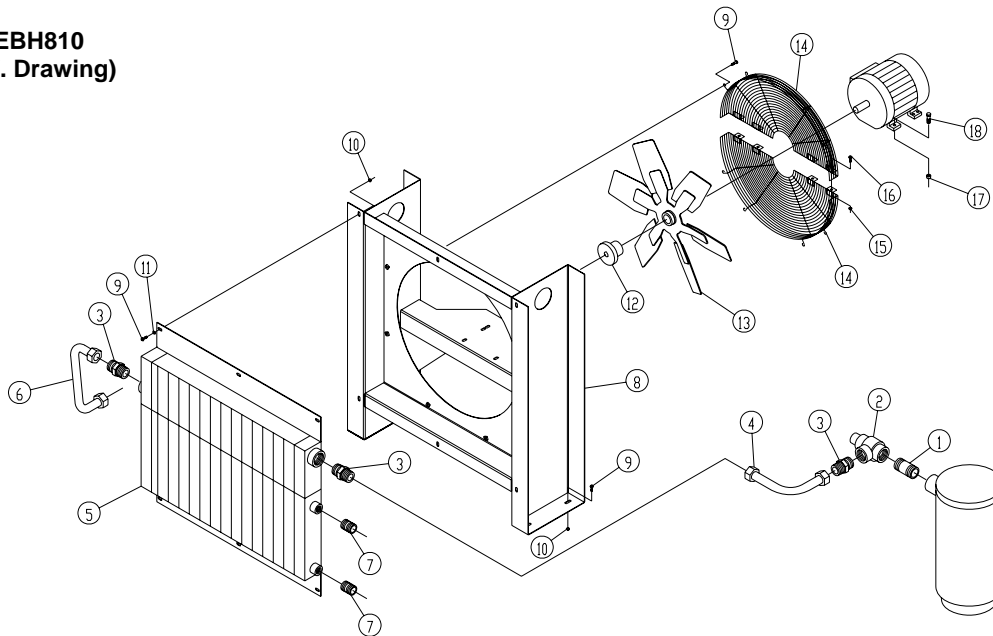
Ref. No.	Name of Part	Qty.	Part No.
1	NIPPLE.....	1	63G2G
2	ELBOW.....	1	64C5G
3	CONNECTOR-TUBE.....	6	86H137
4	TUBE WITH FITTINGS		
	100 – 150 PSIG.....	1	201EBH863
	175 & 200 PSIG.....	1	300EBH863
5	TEE-PIPE.....	1	64G7G
6	VALVE-THERMAL (For Repair Parts, see page 28)		
	160° (STD).....	1	90AR991
	180° (OPT).....	1	90AR242
7	TUBE WITH FITTINGS.....	1	202EBH863
8	NIPPLE.....	1	63G1G
9	TEE.....	1	64G7G
10	NIPPLE		
	100 – 150 PSI.....	1	63G2G
	175 – 200 PSI.....	1	63G11G
11	BUSHING-PIPE.....	2	64E45
12	FILTER-OIL (For Repair Parts, see page 27)		
*	100 – 150 PSI.....	1	301EBM369
**	175 – 200 PSI.....	1	302EBM369
13	TUBE WITH FITTINGS (SSH).....	1	200EBH863
	TUBE WITH FITTINGS (SSF).....	1	301EBH863
14	BUSHING-PIPE.....	1	64E36
15	BUSHING-PIPE.....	1	64E3
16	VALVE-OIL SAMPLING.....	1	86N345

\* For Repair Filter Element for 100 – 150 PSIG, order Part Number 2116110.

\*\* For Repair Filter Element for 175 & 200 PSIG, Order by Part Number 2117146.

Order by Part Number and Description. Reference Numbers are for your convenience only.

207EBH810  
(Ref. Drawing)

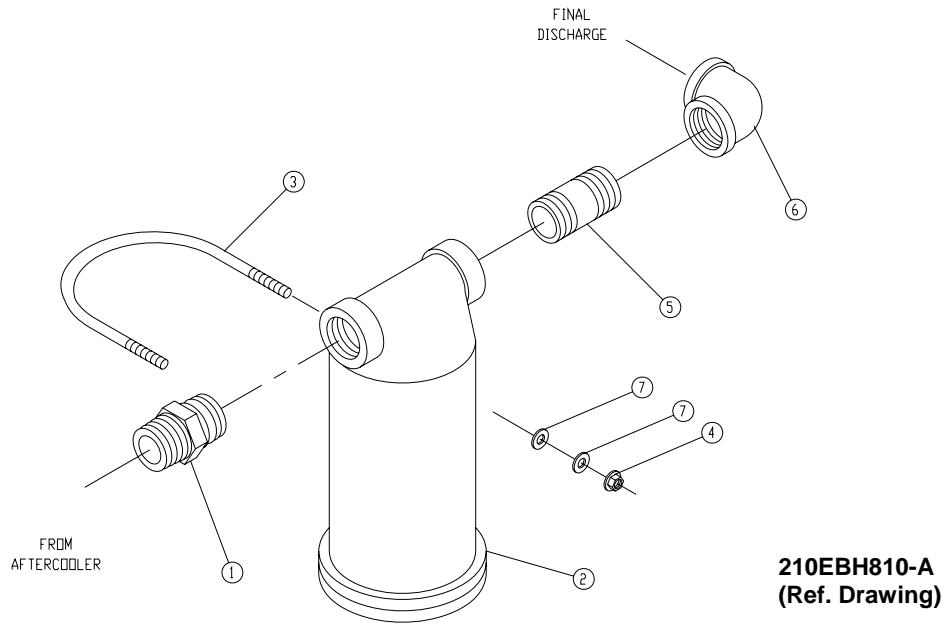


**AIR COOLED DISCHARGE PIPING**

Ref. No.	Name of Part	Qty.	B/M: 203EBH4003	B/M: 306EBH4003
			204EBH4003	307EBH4003
			Part No. 100 – 150 PSI	Part No. 175 – 200 PSI
1	NIPPLE.....	1	63AA13G	63AA13G
2	VALVE-MINIMUM PRESSURE.....	1	200EDE527	300EBH527
3	CONNECTOR-TUBE .....	3	86H140	86H140
4	TUBE WITH FITTINGS .....	1	203EBH863	203EBH863
5	COOLER-OIL/AIR-RADIATOR .....	1	200EBH201	300EBH201
	COOLER-OIL/AIR-RADIATOR – SEACOAST OPTION....	1	201EBH201	301EBH201
6	TUBE WITH FITTINGS .....	1	204EBH863	204EBH863
7	NIPPLE.....	2	63G4G	63G4G
8	SUPPORT .....	1	200ECH165	200ECH165
9	SCREW .....	18	75LM51	75LM51
10	NUT .....	10	50AW4	50AW4
11	WASHER.....	6	95A3	95A3
12	BUSHING-HUB .....	1	22G4	22G4
13	FAN .....	1	200ESJ701	200ESJ701
14	GUARD-FAN .....	1	202ECH393	202ECH393
15	NUT .....	4	50AW4	50AW4
16	SCREW .....	4	75LM50	75LM50
17	NUT .....	4	50AW4	50AW4
18	SCREW .....	4	75LM97	75LM97

Note: For Motor Group part numbers, see page 41.

Order by Part Number and Description. Reference Numbers are for your convenience only.



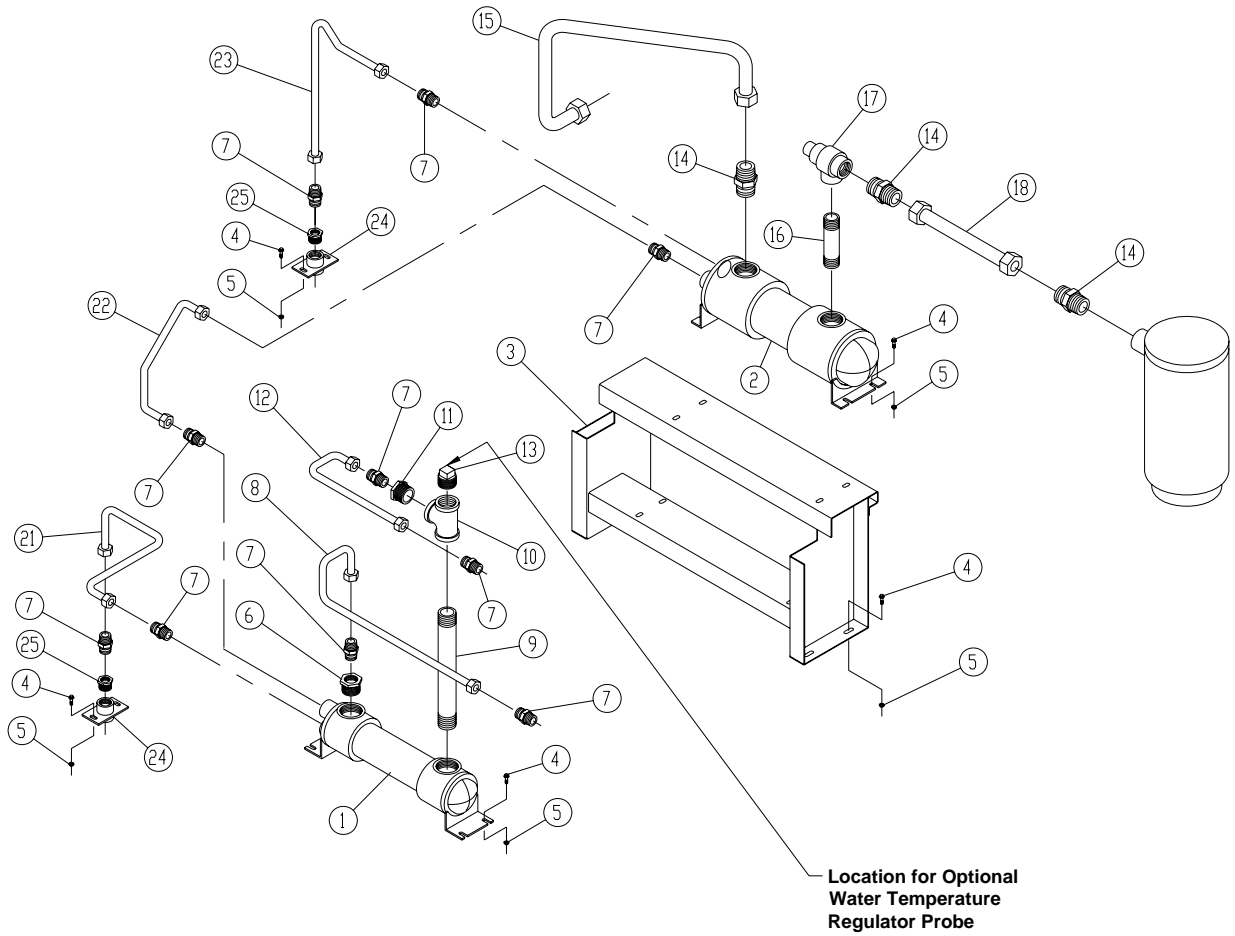
**FINAL DISCHARGE PIPING**

**B/M: 202EBH4019**

Ref. No.	Name of Part	Qty.	Part No.
1	CONNECTOR-TUBE .....	1	86H140
* 2	TRAP .....	1	83C83
3	U-BOLT .....	1	143742
4	NUT .....	2	50AW5
5	NIPPLE.....	1	63J15G
6	ELBOW .....	1	64C7G
7	WASHER.....	4	95A3

\* Repair Part Kits for Moisture Separator:      2117587 – Valve & Seat Assembly  
    2117588 – Cover Gasket  
    2117589 – Float & Spindle

# WATER COOLED HEAT EXCHANGER (WITH AFTERCOOLER)



**208EBH810-A  
(Ref. Drawing)**



Order by Part Number and Description. Reference Numbers are for your convenience only.

**WATER COOLED HEAT EXCHANGER  
(WITH AFTERCOOLER)**

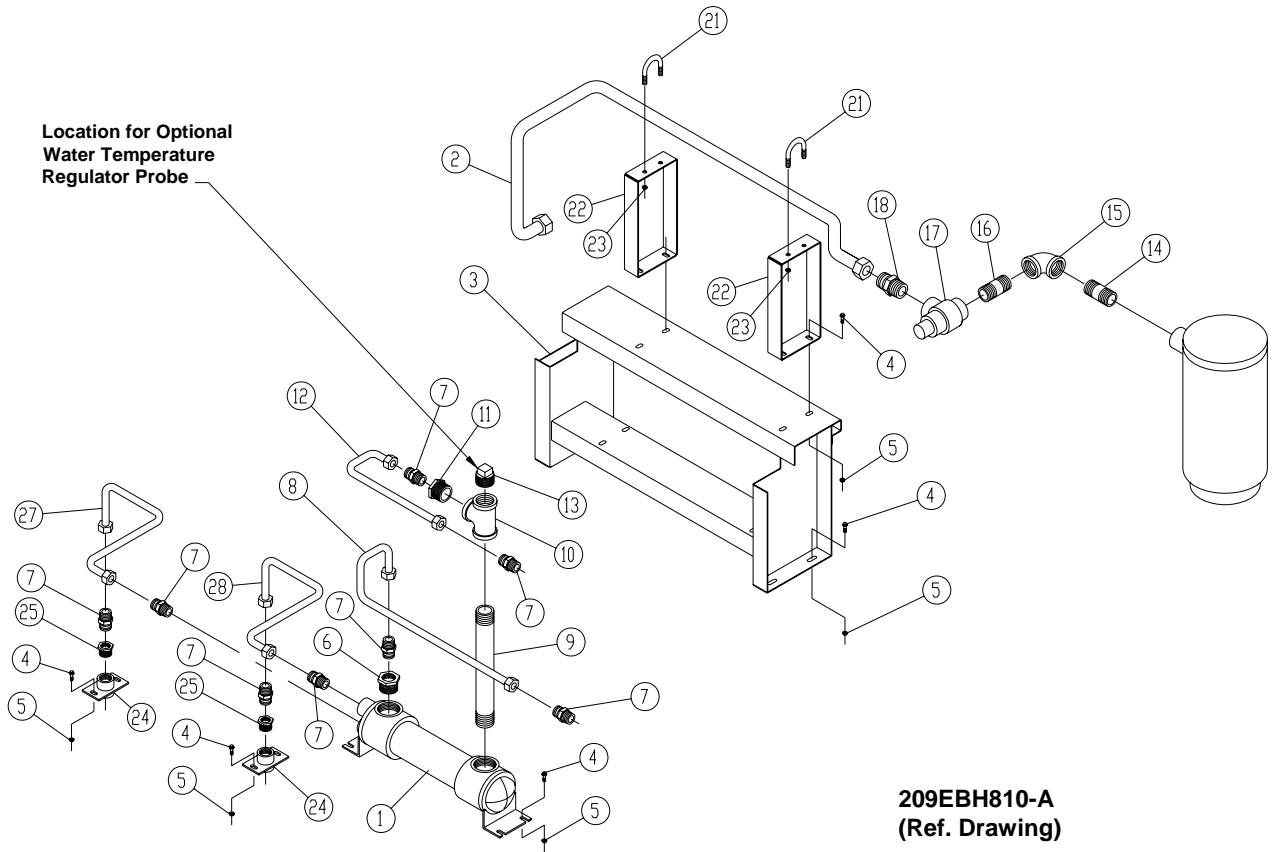
**B/M: 205EBH4003, 206EBH4003  
308EBH4003, 309EBH4003**

Ref. No.	Name of Part	Qty.	Part No.
1	EXCHANGER-HEAT – Fresh Water – Standard .....	1	200EBH349
*	EXCHANGER-HEAT – Seacoast Option .....	1	201EBH349
	BONNET-IN & OUT (For Repair – Fresh Water).....	1	2117753
	BONNET-RETURN (For Repair – Fresh Water) .....	1	2117754
	GASKET-IN & OUT (For Repair – Fresh Water) .....	1	2109059
	GASKET-RETURN (For Repair – Fresh Water).....	1	2117755
2	AFTERCOOLER – Fresh Water – Standard.....	1	200EBH292
*	AFTERCOOLER – Seacoast Option.....	1	201EBH292
	BONNET-IN & OUT (For Repair – Fresh Water).....	1	2117753
	BONNET-RETURN (For Repair – Fresh Water) .....	1	2117754
	GASKET-IN & OUT (For Repair – Fresh Water) .....	1	2109059
	GASKET-RETURN (For Repair – Fresh Water).....	1	2117755
3	SUPPORT .....	1	200EBH165
4	SCREW .....	16	75LM51
5	NUT .....	16	50AW5
6	BUSHING-PIPE.....	1	64E6G
7	CONNECTOR-TUBE .....	10	86H137
8	TUBE WITH FITTINGS .....	1	209EBH863
9	NIPPLE.....	1	63J18G
10	TEE.....	1	64G9G
11	BUSHING-PIPE.....	1	64E6G
12	TUBE WITH FITTINGS .....	1	210EBH863
**	13 PLUG.....	1	64A26
14	CONNECTOR-TUBE .....	3	86H140
15	TUBE WITH FITTINGS .....	1	211EBH863
16	NIPPLE.....	1	63J7G
17	VALVE-MINIMUM PRESSURE		
	100 – 150 PSI.....	1	200EDE527
	175 – 200 PSI.....	1	300EBH527
18	TUBE WITH FITTINGS .....	1	212EBH863
21	TUBE WITH FITTINGS .....	1	208EBH863
22	TUBE WITH FITTINGS .....	1	207EBH863
23	TUBE WITH FITTINGS .....	1	205EBH863
24	MANIFOLD-WATER.....	2	200ECM072
25	BUSHING-PIPE.....	2	64E36
*	WATER TEMPERATURE REGULATOR.....	1	90AR326
*	WATER SOLENOID VALVE (N4) .....	1	91B167

\* Optional items

\*\* Note: Remove this plug when Optional Water Temperature Regulator is used. This is where the temperature pick-up goes.

# WATER COOLED HEAT EXCHANGER (WITHOUT AFTERCOOLER)



**209EBH810-A**  
**(Ref. Drawing)**

Order by Part Number and Description. Reference Numbers are for your convenience only.

**WATER COOLED HEAT EXCHANGER  
(WITHOUT AFTERCOOLER)**

**B/M: 207EBH4003, 208EBH4003  
310EBH4003, 311EBH4003**

Ref. No.	Name of Part	Qty.	Part No.
1	EXCHANGER-HEAT-HEAT – Fresh Water – Standard .....	1	200EBH349
	EXCHANGER-HEAT – Seacoast Option .....	1	201EBH349
	BONNET-IN & OUT (For Repair – Fresh Water).....	1	2117753
	BONNET-RETURN (For Repair – Fresh Water) .....	1	2117754
	GASKET-IN & OUT (For Repair – Fresh Water) .....	1	2109059
	GASKET-RETURN (For Repair – Fresh Water).....	1	2117755
2	TUBE WITH FITTINGS .....	1	213EBH863
3	SUPPORT .....	1	200EBH165
4	SCREW .....	16	75LM51
5	NUT .....	16	50AW5
6	BUSHING-PIPE.....	1	64E6G
7	CONNECTOR-TUBE .....	8	86H137
8	TUBE WITH FITTINGS .....	1	209EBH863
9	NIPPLE.....	1	63J18G
10	TEE.....	1	64G9G
11	BUSHING-PIPE.....	1	64E6G
12	TUBE WITH FITTINGS .....	1	210EBH863
** 13	PLUG.....	1	64A26
14	NIPPLE.....	1	63J35G
15	ELBOW .....	1	64C7G
16	NIPPLE.....	1	63J15G
17	VALVE-MINIMUM PRESSURE		
	100 – 150 PSI.....	1	200EDE527
	175 – 200 PSI.....	1	300EBH527
18	CONNECTOR-TUBE .....	1	86H140
21	U-BOLT .....	2	15U58
22	BRACKET-PIPE .....	2	200ECH108
23	NUT .....	4	50AW5
24	MANIFOLD-WATER.....	2	200ECM072
25	BUSHING-PIPE.....	2	64E36
27	TUBE WITH FITTINGS .....	1	208EBH863
28	TUBE WITH FITTINGS .....	1	206EBH863
*	WATER TEMPERATURE REGULATOR.....	1	90AR326
*	WATER SOLENOID VALVE (N4).....	1	91B167

\* Optional items

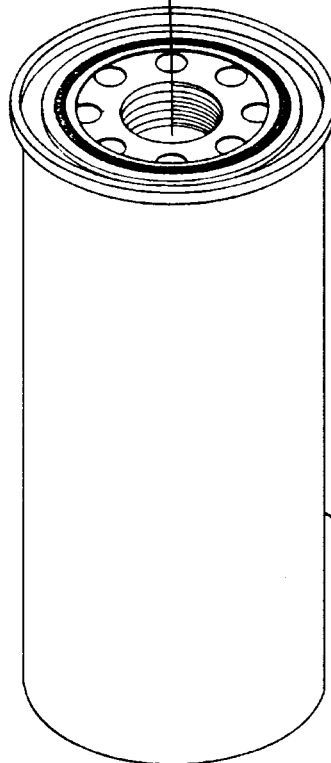
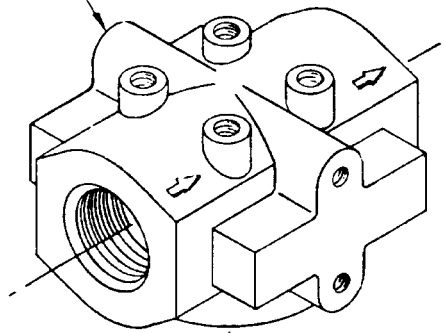
\*\* Note: Remove this plug when Optional Water Temperature Regulator is used. This is where the temperature pick-up goes.

# OIL FILTER

301EBM369 – 100 - 150 PSI  
300EBM369 – 175 - 200 PSI

2117147  
FILTER HEAD

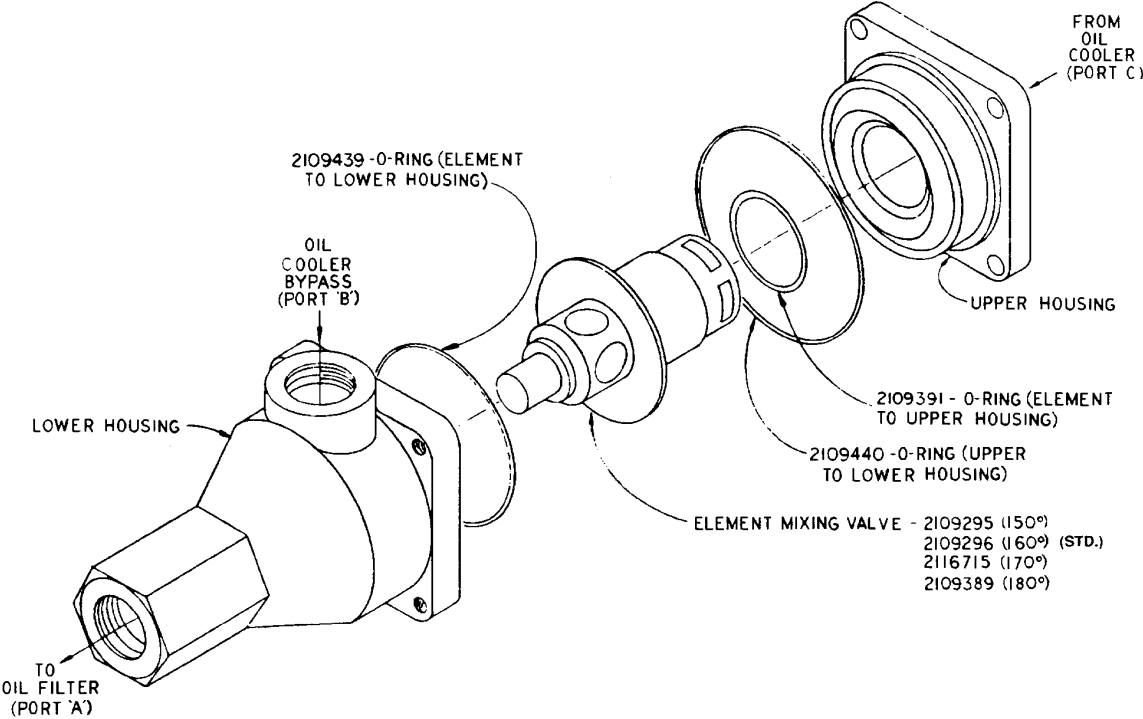
TO  
COMPRESSOR



2116110 ELEMENT (100 - 150 PSI)  
2117146 ELEMENT (175 & 200 PSI)

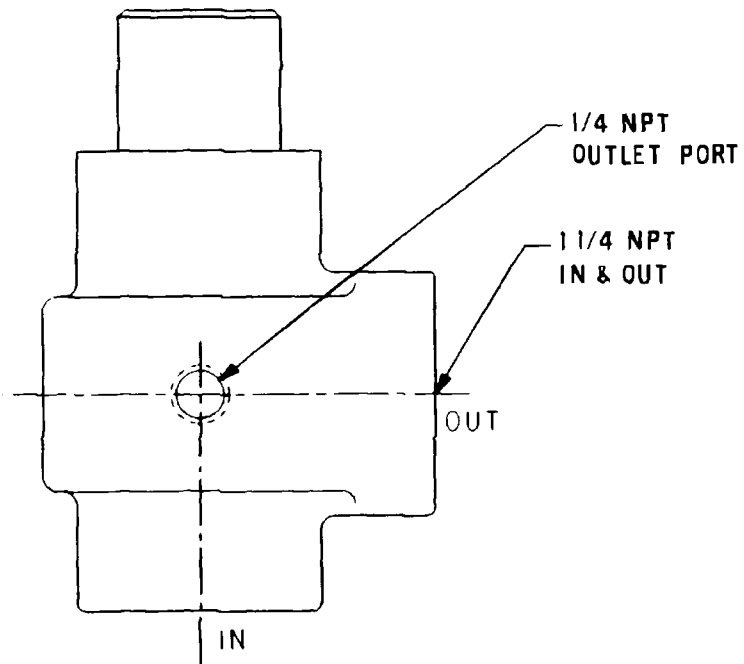
WITH 212ECM077 DECAL AFFIXED TO ELEMENT

**THERMAL VALVE  
(Thermostatic Mixing)**

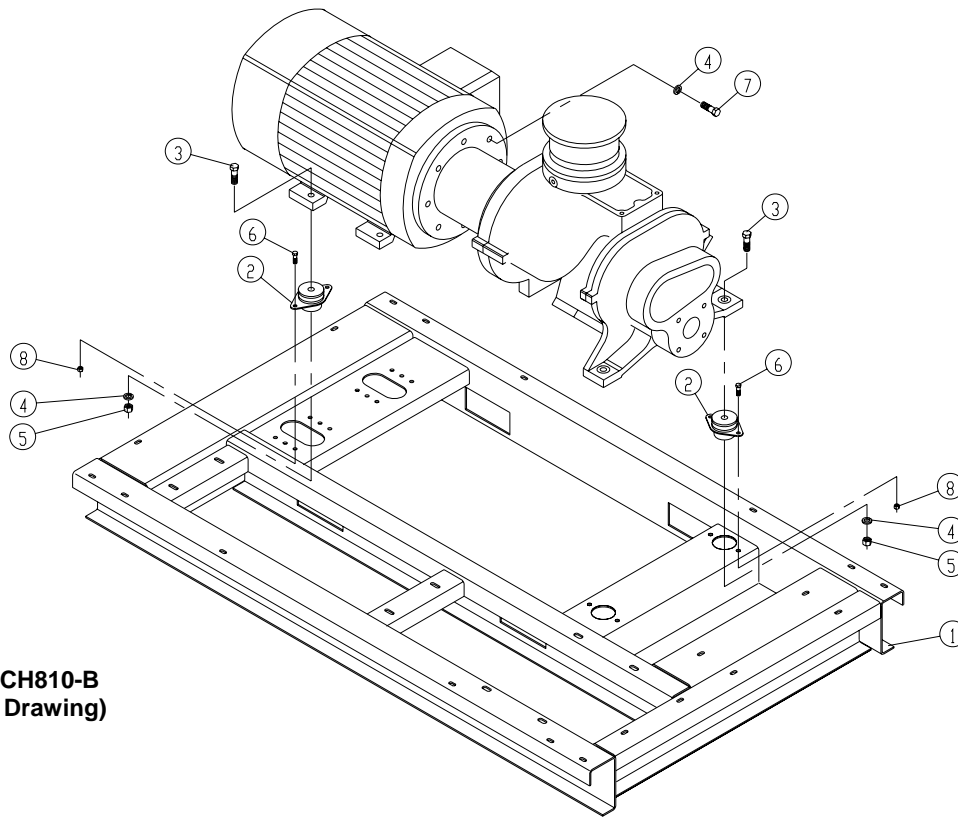


**MINIMUM PRESSURE VALVE**

**200EDE527 – 100 - 150 PSI  
300EBH527 – 175 - 200 PSI**



Order by Part Number and Description. Reference Numbers are for your convenience only.



247ECH810-B  
(Ref. Drawing)

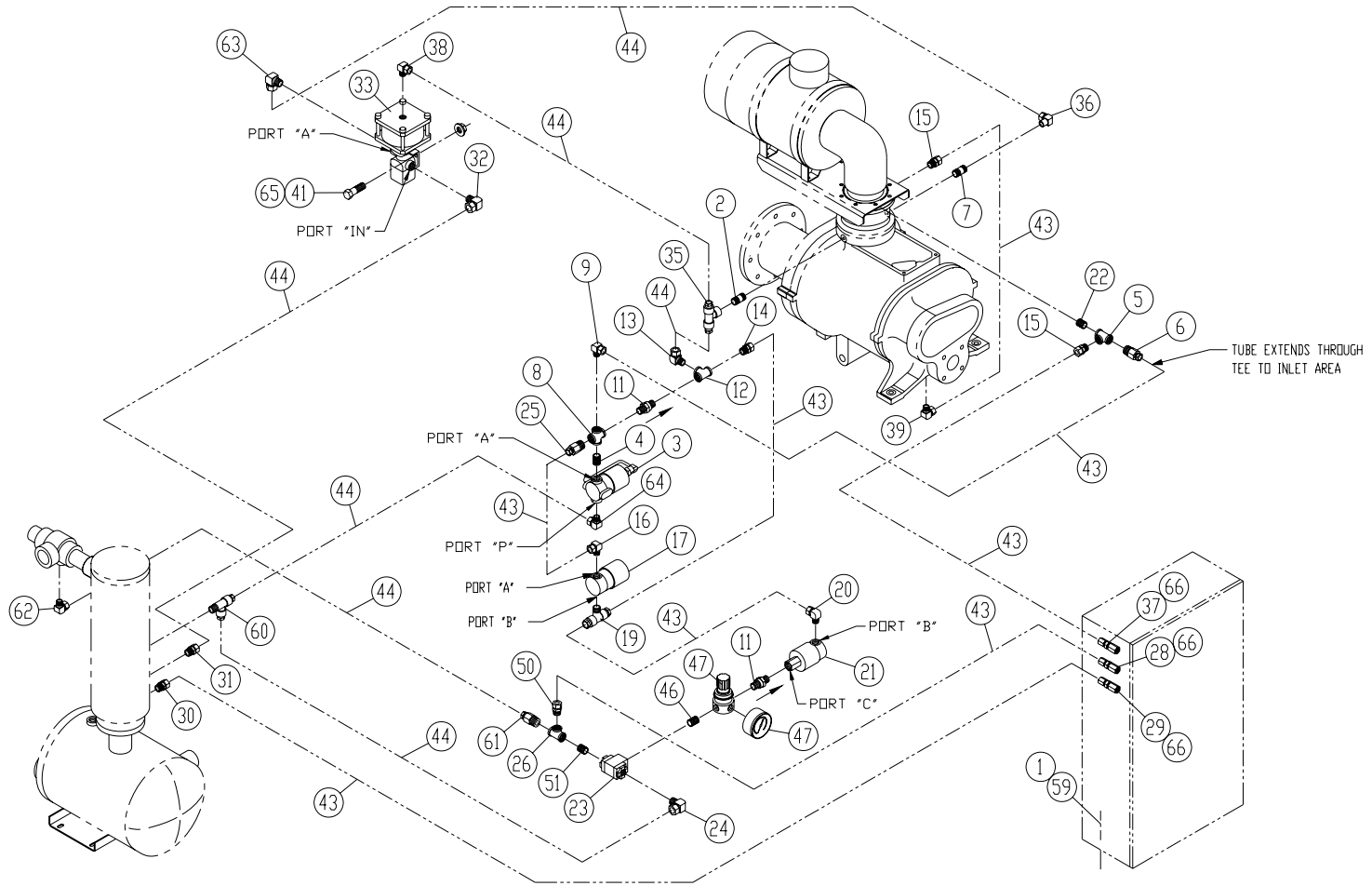
**BASE GROUP**

B/M: 302EBH4017  
303EBH4017

Ref. No.	Name of Part	Qty.	Part No.
1	BASE		
	SSF AIREND .....	1	300EBH285
	SSH AIREND .....	1	302EBH285
2	ISOLATOR-VIBRATOR.....	4	49C46
3	SCREW .....	4	655EF200
4	LOCKWASHER.....	8	95B7
5	NUT .....	4	50B7
6	SCREW .....	8	75LM51
7	SCREW .....	4	655EF070
8	NUT .....	8	50AW5
* 10	COUPLING-FLEXIBLE (not shown).....	1	51L167

\* For repair, use Drive Coupling Spider Part Number 2117297.

# CONTROL TUBING SCHEMATIC



**287ECM810-S  
(Ref. Drawing)**



Order by Part Number and Description. Reference Numbers are for your convenience only.

CONTROL TUBING SCHEMATIC

B/M: 300EBP4035  
301EBP4035  
301EBP4002

Ref. No.	Name of Part	Qty.	Part No.	Ref. No.	Name of Part	Qty.	Part No.
1	SCREW .....	4	75LM51	29	CONNECTOR-TUBE		
2	NIPPLE.....	1	63D5G		100 - 150 PSI .....	1	86N287
* +	3 VALVE-SOLENOID .....	1	91B70		175 & 200 PSI .....	1	86N316
4	NIPPLE.....	1	63D1G	30	CONNECTOR-TUBE .....	1	86E4
5	TEE .....	1	64G3G	31	CONNECTOR-TUBE .....	1	86E9
6	CONNECTOR .....	1	86N272	32	ELBOW.....	1	86E64
7	NIPPLE.....	1	63D5G	** ++	33 CONTROL VALVE.....	1	90AR1082
8	CROSS.....	1	64K1G	35	TEE .....	1	86E147
9	ELBOW-TUBE.....	1	86E60	36	ELBOW-TUBE .....	1	86E82
++	11 VALVE-CHECK.....	2	90AR261	37	CONNECTOR-TUBE .....	1	86N287
12	TEE .....	1	64G3G	38	ELBOW .....	1	86E64
13	ELBOW .....	1	86E64	39	ELBOW-TUBE .....	1	86E60
14	ORIFICE.....	1	86N289	41	NUT.....	2	50AW3
15	CONNECTOR-TUBE .....	2	86E4	43	TUBE (IN FEET) .....	28	85K3
16	ELBOW-TUBE.....	1	86E60	44	TUBE (IN FEET) .....	24	85K5
+	17 VALVE-SOLENOID .....	1	91B81	46	NIPPLE .....	1	63D1G
19	TEE .....	1	86E119	++ Δ	47 REGULATOR-PRESS W/GAUGE.....	1	88H139
20	ELBOW-TUBE.....	1	86E60	50	CONNECTOR-TUBE .....	1	86E4
+	21 VALVE-SOLENOID .....	1	91B143	51	NIPPLE .....	1	63D1G
22	NIPPLE.....	1	63D1G	59	NUT.....	4	50AW5
++	23 VALVE-CONTROL.....	1	90AR1034	60	TEE .....	1	86E136
24	ELBOW .....	1	86E64	61	CONNECTOR-TUBE .....	1	86E9
25	CONNECTOR-TUBE .....	1	86E4	62	ELBOW .....	1	86E64
26	TEE .....	1	64G3G	63	ELBOW .....	1	86E64
28	CONNECTOR-TUBE			64	ELBOW .....	1	86E64
	100 - 150 PSI.....	1	86N287	65	SCREW.....	2	75LM48
	175 & 200 PSI.....	1	86N316	66	O-RING .....	3	165011
				67	TIE CABLE (not shown).....	30	24CA127

\* For Repair Kit (includes Springs, Seals, Piston Assembly, Plunger Assembly, Nut & O-Ring, order Part Number 2116077 or for Coil, order Part Number 2116078.

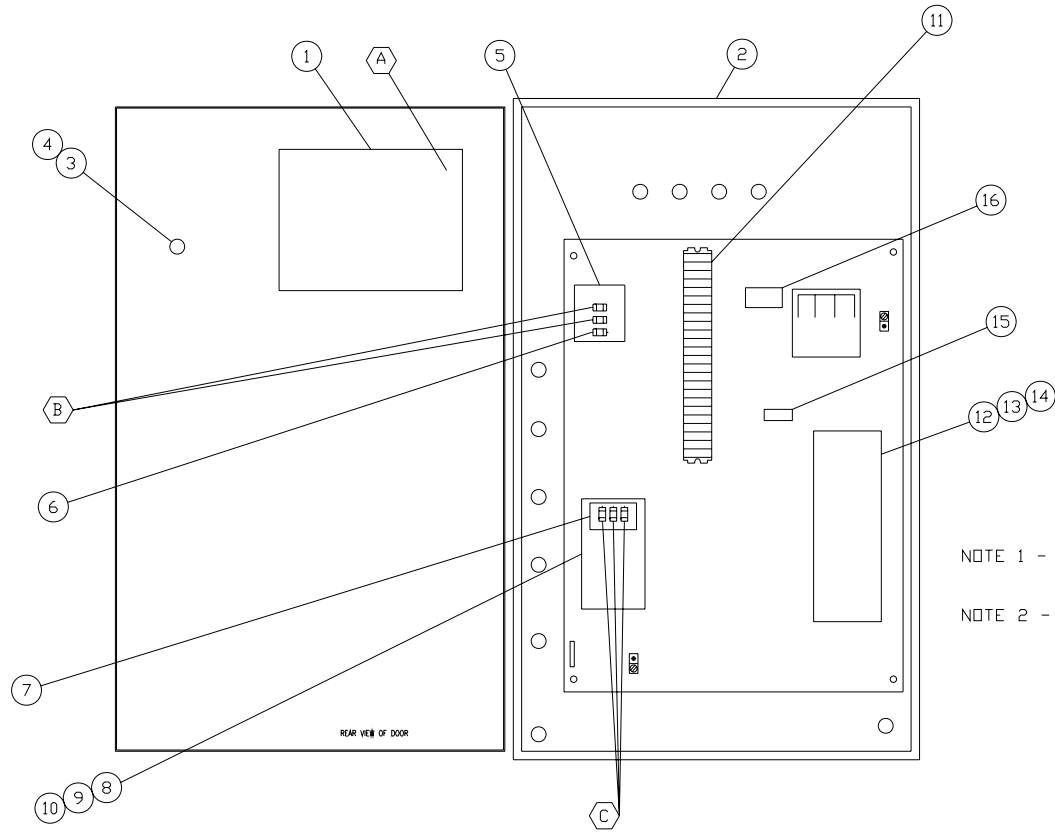
+ Parts included in Electrical Control Kit, Part Number 206EAP6013 & 301EBP6013. Refer to Page 52.

\*\* For Repair of U-Cup (Piston Seal), order Part Number 2117904; For O-Ring (Top Plate), order Part Number 2117905.

++ Parts included in Pneumatic Control Kit, Part Number 302EAQ6013. Refer to Page 52.

Δ For Replacement Gauge, order Part Number 2116732.

# CONTROLLER ASSEMBLY – FULL VOLTAGE STARTERS



NOTE 1 - ITEMS 15 & 16 ARE USED ONLY ON PANELS WITH ES+ AND CURRENT MONITORING.

NOTE 2 - ITEMS 13 & 14 ARE INCLUDED IN 12.

**300EAH797-A**  
**(Ref. Drawing)**

Order by Part Number and Description. Reference Numbers are for your convenience only.

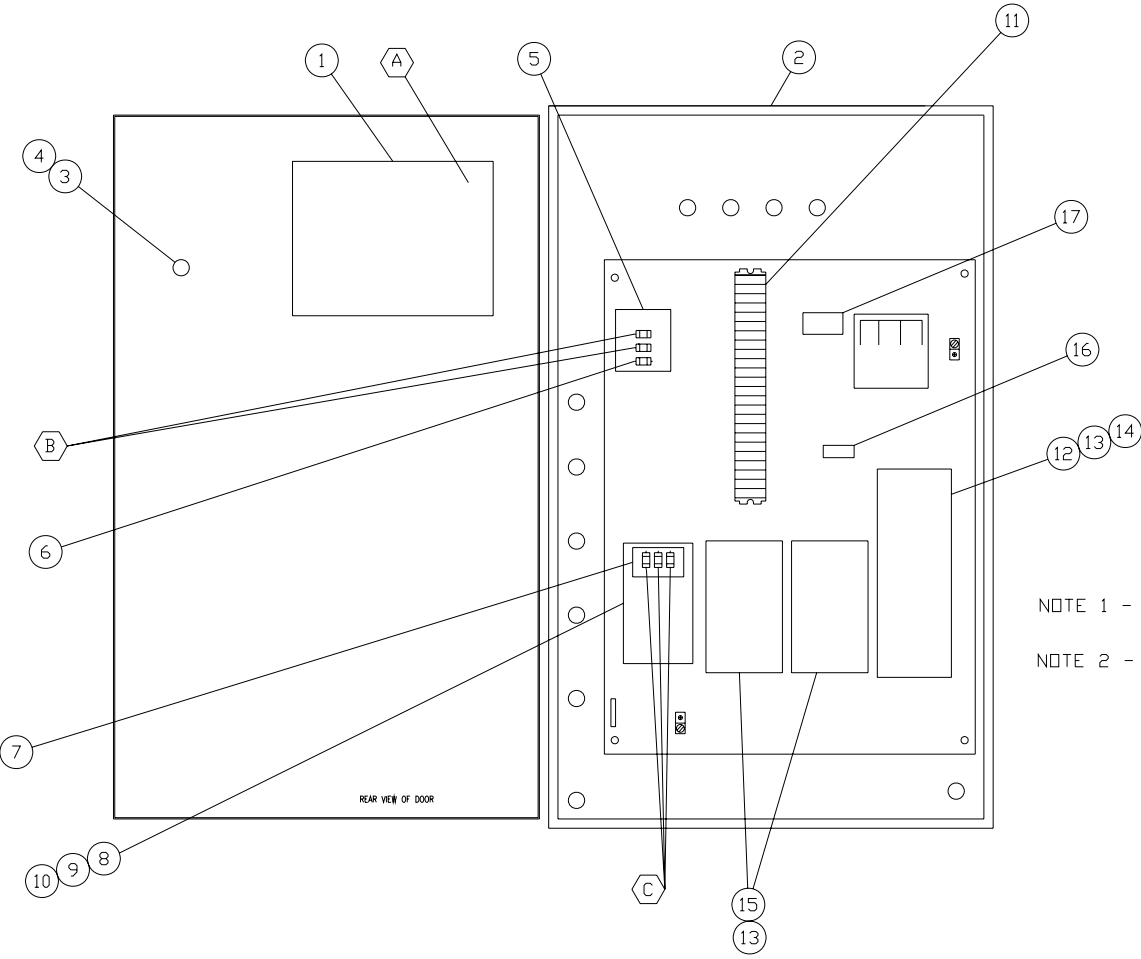
**CONTROLLER ASSEMBLY – FULL VOLTAGE STARTERS**

	Qty.	40 HP 200V	50 HP 200V	40 & 50 HP 230V	40 & 50 HP 460V	40 & 50 HP 575V
ASSEMBLED PANEL – <b>ES+</b> : NEMA 12, Without Current Monitor ..	1	328EAH466	330EAH466	332EAH466	336EAH466	338EAH466
ASSEMBLED PANEL – <b>ES+</b> : NEMA 4, Without Current Monitor ..	1	329EAH466	331EAH466	333EAH466	337EAH466	339EAH466
ASSEMBLED PANEL – <b>ES+</b> : NEMA 12, With Current Monitor .....	1	300EAH466	302EAH466	304EAH466	308EAH466	310EAH466
ASSEMBLED PANEL – <b>ES+</b> : NEMA 4, With Current Monitor .....	1	301EAH466	303EAH466	305EAH466	309EAH466	311EAH466
A FUSE, CONTROL BOARD (1A, AGC) .....	1	24CA2932	24CA2932	24CA2932	24CA2932	24CA2932
B FUSE, TRANSFORMER PRIMARY (-A, FNQ-R) .....	2	24CA2786 (6A)	24CA2786 (6A)	24CA2785 (5A)	24CA2782 (2.5A)	24CA2781 (2A)
C FUSE, FAN MOTOR, AIR COOLED (-A, LP-CC) .....	3	24CA4096 (15A)	24CA4096 (15A)	24CA4096 (15A)	24CA4091 (4A)	24CA4090 (3A)
C FUSE, FAN MOTOR, WATER COOLED (-A, LP-CC) .....	3	24CA4093 (7A)	24CA4093 (7A)	24CA4093 (7A)	24CA4091 (4A)	24CA4090 (3A)
* 1 ELECTRICAL CONTROL ASSEMBLY – <b>ES+ CONTROLLER</b> .....	1	302EAU2006	302EAU2006	302EAU2006	302EAU2006	302EAU2006
2 BOX-CONTROL						
NEMA 12 .....	1	300EBH179	300EBH179	300EBH179	300EBH179	300EBH179
NEMA 4 .....	1	301EBH179	301EBH179	301EBH179	301EBH179	301EBH179
3 OPERATOR .....	1	24CA2907	24CA2907	24CA2907	24CA2907	24CA2907
4 CONTACT BLOCK .....	1	24CA2908	24CA2908	24CA2908	24CA2908	24CA2908
5 TRANSFORMER .....	1	2118237	2118237	2118238	2118238	2118239
6 FUSE (3A, MDL) .....	1	24CA3725	24CA3725	24CA3725	24CA3725	24CA3725
7 FUSE HOLDER .....	1	24CA4098	24CA4098	24CA4098	24CA4098	24CA4098
8 STARTER, FAN MOTOR .....	1	24CA4408	24CA4408	24CA4408	24CA4408	24CA4408
9 COIL-STARTER .....	1	2115950	2115950	2115950	2115950	2115950
10 OVERLOAD RELAY .....	1	24CA4086	24CA4086	24CA4086	24CA4086	24CA4086
11 TERMINAL BLOCK .....	6	24CA2551	24CA2551	24CA2551	24CA2551	24CA2551
12 STARTER, MAIN MOTOR .....	1	24CA5600	24CA4158	24CA5600	24CA3255	24CA3258
13 COIL .....	1	2116920	2116920	2116920	2116555	2116124
14 OVERLOAD RELAY .....	1	24CA4086	24CA4086	24CA4086	24CA4640	24CA4087
15 TRANSFORMER .....	1	24CA4242	24CA4242	24CA4242	24CA4242	24CA4242
16 TRANSDUCER .....	1	24CA4241	24CA4241	24CA4241	24CA4241	24CA4241

NOTE: Items 15 & 16 are used with ES+ with Current Monitoring Units Only.

\* Refer to page 39 for Controller Part Numbers.

**CONTROLLER ASSEMBLY – WYE DELTA STARTERS**



**301EAH797-A  
(Ref. Drawing)**

NOTE 1 - ITEMS 16 & 17 ARE USED ONLY ON PANELS WITH ES+ AND CURRENT MONITORING.

NOTE 2 - ITEMS 13 & 14 ARE INCLUDED IN 12  
ITEM 13 IS INCLUDED IN 15.

Order by Part Number and Description. Reference Numbers are for your convenience only.

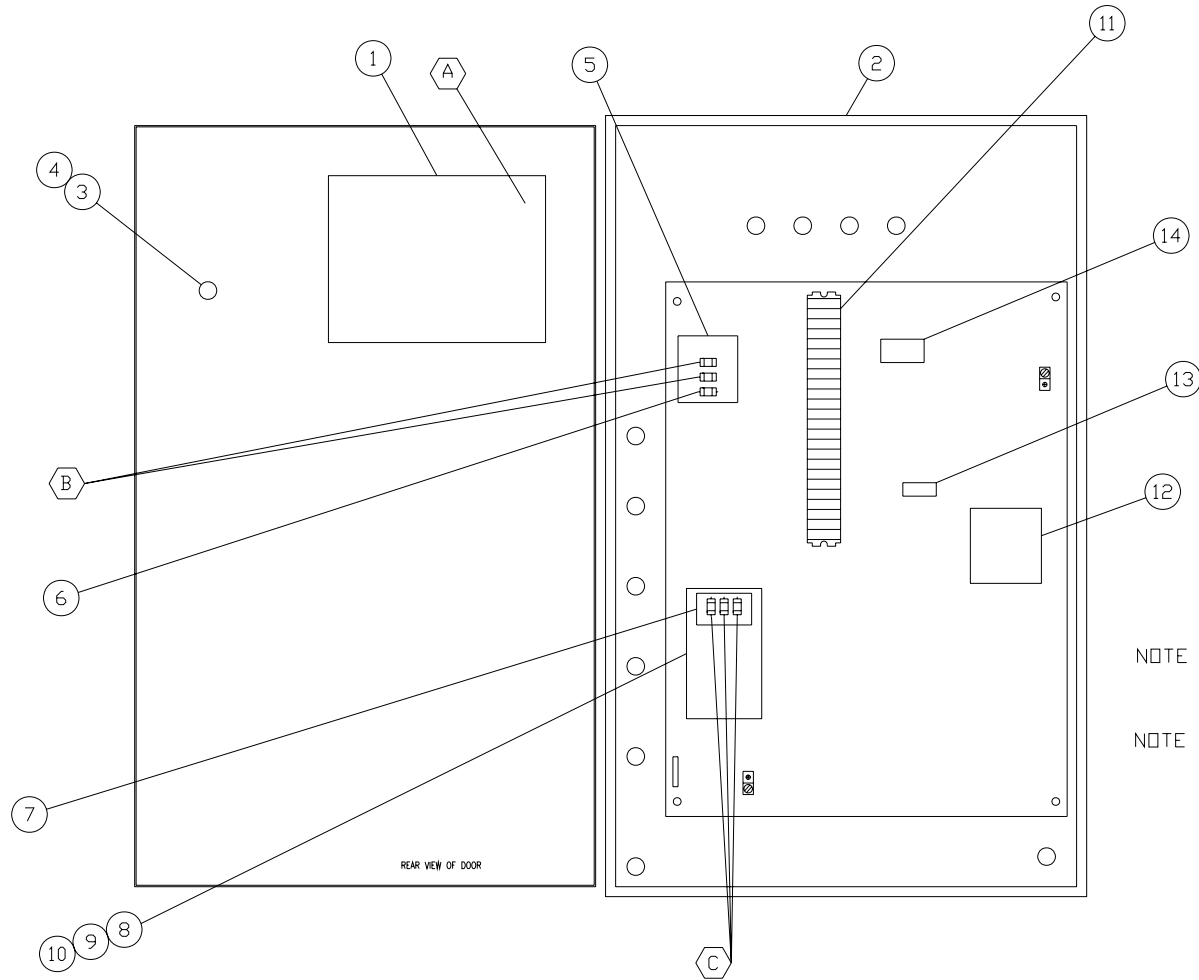
**CONTROLLER ASSEMBLY – WYE DELTA STARTERS**

	Qty.	40 & 50HP 200V	40 & 50 HP 230V	40 & 50 HP 460V	40 HP 575V	50 HP 575V
ASSEMBLED PANEL – <b>ES+</b> : NEMA 12, Without Current Monitor ..	1	340EAH466	342EAH466	344EAH466	346EAH466	348EAH466
ASSEMBLED PANEL – <b>ES+</b> : NEMA 4, Without Current Monitor ..	1	341EAH466	343EAH466	345EAH466	347EAH466	349EAH466
ASSEMBLED PANEL – <b>ES+</b> : NEMA 12, With Current Monitor .....	1	312EAH466	314EAH466	316EAH466	318EAH466	320EAH466
ASSEMBLED PANEL – <b>ES+</b> : NEMA 4, With Current Monitor .....	1	313EAH466	315EAH466	317EAH466	319EAH466	321EAH466
A FUSE, CONTROL BOARD (1A, AGC) .....	1	24CA2932	24CA2932	24CA2932	24CA2932	24CA2932
B FUSE, TRANSFORMER PRIMARY (-A, FNQ-R) .....	2	24CA2786 (6A)	24CA2785 (5A)	24CA2782 (2.25A)	24CA2781 (2A)	24CA2781 (2A)
C FUSE, FAN MOTOR, AIR COOLED (-A, LP-CC) .....	3	24CA4096 (15A)	24CA4096 (15A)	24CA4091 (4A)	24CA4090 (3A)	24CA4090 (3A)
C FUSE, FAN MOTOR, WATER COOLED (-A, LP-CC) .....	3	24CA4093 (7A)	24CA4093 (7A)	24CA4091 (4A)	24CA4090 (3A)	24CA4090 (3A)
* 1 ELECTRICAL CONTROL ASSEMBLY – <b>ES+ CONTROLLER</b> .....	1	302EAU2006	302EAU2006	302EAU2006	302EAU2006	302EAU2006
2 BOX-CONTROL						
NEMA 12 .....	1	300EBH179	300EBH179	300EBH179	300EBH179	300EBH179
NEMA 4 .....	1	301EBH179	301EBH179	301EBH179	301EBH179	301EBH179
3 OPERATOR .....	1	24CA2907	24CA2907	24CA2907	24CA2907	24CA2907
4 CONTACT BLOCK .....	1	24CA2908	24CA2908	24CA2908	24CA2908	24CA2908
5 TRANSFORMER .....	1	2118237	2118238	2118238	2118239	2118239
6 FUSE (3A, MDL) .....	1	24CA3725	24CA3725	24CA3725	24CA3725	24CA3725
7 FUSE HOLDER .....	1	24CA4098	24CA4098	24CA4098	24CA4098	24CA4098
8 STARTER, FAN MOTOR .....	1	24CA4408	24CA4408	24CA4408	24CA4408	24CA4408
9 COIL-STARTER .....	1	2115950	2115950	2115950	2115950	2115950
10 OVERLOAD RELAY .....	1	24CA4086	24CA4086	24CA4086	24CA4086	24CA4086
11 TERMINAL BLOCK .....	6	24CA2551	24CA2551	24CA2551	24CA2551	24CA2551
12 STARTER, MAIN MOTOR .....	1	24CA3255	24CA3255	24CA4142	24CA4137	24CA4142
13 COIL .....	3	2116555	2116555	2116124	2115950	2116124
14 OVERLOAD RELAY .....	1	24CA4086	24CA4086	24CA4087	24CA4086	24CA4087
15 CONTACTOR (WYE DELTA) .....	2	24CA3259	24CA3259	24CA3258	24CA2609	24CA3258
16 TRANSFORMER .....	1	24CA4242	24CA4242	24CA4242	24CA4242	24CA4242
17 TRANSDUCER .....	1	24CA4241	24CA4241	24CA4241	24CA4241	24CA4241

NOTE: Items 16 & 17 are used with ES+ with Current Monitoring Units Only.

\* Refer to page 39 for Controller Part Numbers.

# CONTROLLER ASSEMBLY – WITHOUT STARTER



**302EAH797-A**  
**(Ref. Drawing)**

NOTE 1 - ITEMS 13 & 14 ARE USED ONLY ON PANELS WITH ES+ AND CURRENT MONITORING.

NOTE 2 - ITEMS A, B, C, ARE SHOWN ON OTHER BILLS OF MATERIALS, ADDED DURING ASSEMBLY.

Order by Part Number and Description. Reference Numbers are for your convenience only.

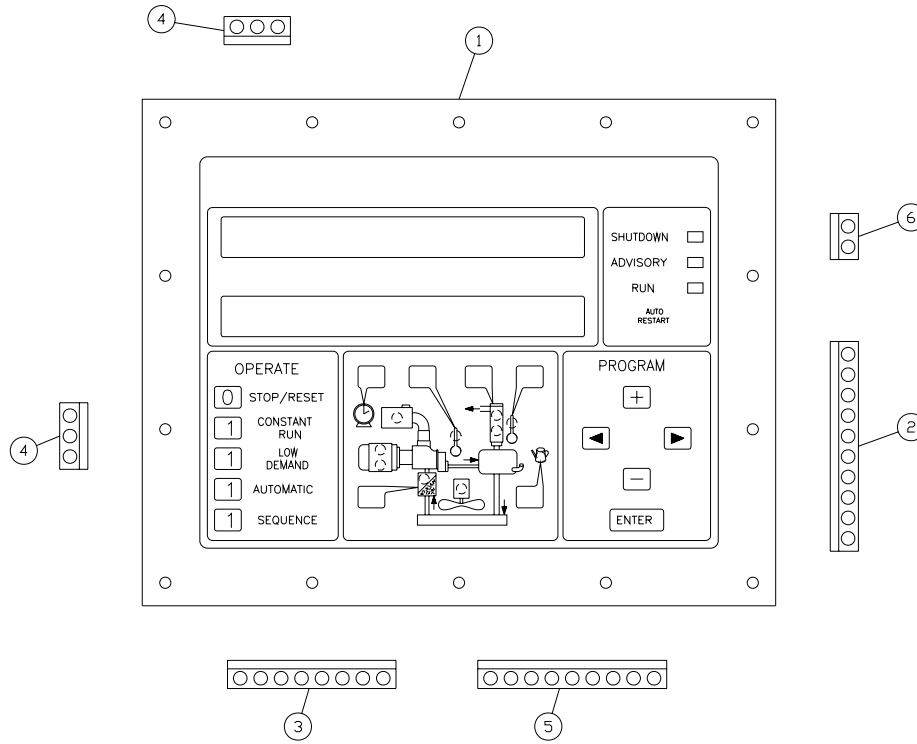
**CONTROLLER ASSEMBLY – WITHOUT STARTER**

	Qty.	40 & 50HP 200V	40 & 50 HP 230V	40 & 50 HP 460V	40 & 50HP 575V
ASSEMBLED PANEL – <b>ES+</b> : NEMA 12, Without Current Monitor .....	1	350EAH466	352EAH466	352EAH466	354EAH466
ASSEMBLED PANEL – <b>ES+</b> : NEMA 4, Without Current Monitor .....	1	351EAH466	353EAH466	353EAH466	355EAH466
ASSEMBLED PANEL – <b>ES+</b> : NEMA 12, With Current Monitor .....	1	322EAH466	324EAH466	324EAH466	326EAH466
ASSEMBLED PANEL – <b>ES+</b> : NEMA 4, With Current Monitor .....	1	323EAH466	325EAH466	325EAH466	327EAH466
A FUSE, CONTROL BOARD (1A, AGC) .....	1	24CA2932	24CA2932	24CA2932	24CA2932
B FUSE, TRANSFORMER PRIMARY (-A, FNQ-R) .....	2	24CA2786 (6A)	24CA2785 (5A)	24CA2782 (2.25A)	24CA2781 (2A)
C FUSE, FAN MOTOR, AIR COOLED (-A, LP-CC) .....	3	24CA4096 (15A)	24CA4096 (15A)	24CA4091 (4A)	24CA4090 (3A)
C FUSE, FAN MOTOR, WATER COOLED (-A, LP-CC) .....	3	24CA4093 (7A)	24CA4093 (7A)	24CA4091 (4A)	24CA4090 (3A)
* 1 ELECTRICAL CONTROL ASSEMBLY – <b>ES+ CONTROLLER</b> .....	1	302EAU2006	302EAU2006	302EAU2006	302EAU2006
2 BOX-CONTROL					
NEMA 12 .....	1	300EBH179	300EBH179	300EBH179	300EBH179
NEMA 4 .....	1	301EBH179	301EBH179	301EBH179	301EBH179
3 OPERATOR .....	1	24CA2907	24CA2907	24CA2907	24CA2907
4 CONTACT BLOCK .....	1	24CA2908	24CA2908	24CA2908	24CA2908
5 TRANSFORMER .....	1	2118237	2118238	2118238	2118239
6 FUSE (3A, MDL) .....	1	24CA3725	24CA3725	24CA3725	24CA3725
7 FUSE HOLDER .....	1	24CA4098	24CA4098	24CA4098	24CA4098
8 STARTER .....	1	24CA4408	24CA4408	24CA4408	24CA4408
9 COIL-STARTER .....	1	2115950	2115950	2115950	2115950
10 OVERLOAD RELAY .....	1	24CA4086	24CA4086	24CA4086	24CA4086
11 TERMINAL BLOCK .....	7	24CA2551	24CA2551	24CA2551	24CA2551
12 CONTROL RELAY .....	1	24CA3896	24CA3896	24CA3896	24CA3896
13 TRANSFORMER .....	1	24CA4242	24CA4242	24CA4242	24CA4242
14 TRANSDUCER .....	1	24CA4241	24CA4241	24CA4241	24CA4241

NOTE: Items 13 & 14 are used with ES+ with current monitoring units only.

\* Refer to page 39 for Controller Part Numbers.

Order by Part Number and Description. Reference Numbers are for your convenience only.



327EAU810-B  
(Ref. Drawing)

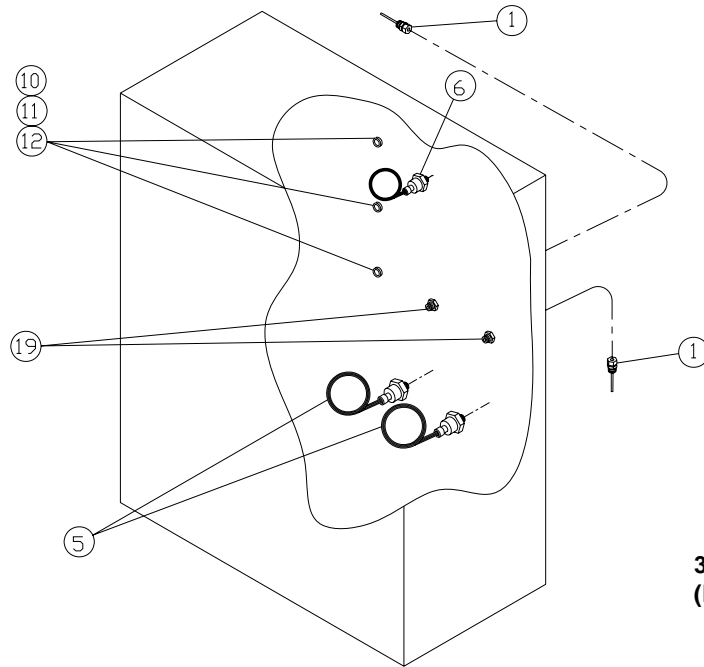
**CONTROLLER ASSEMBLY**

**B/M: 302EAU2006**

Ref. No.	Name of Part	Qty.	Part No.
1	CONTROLLER, AUTOENTRY ES+ .....	1	302EAU1173
2	PLUG-C0NNECTOR 10 PIN TERMINAL.....	1	24CA3306
3	PLUG-C0NNECTOR 8 PIN TERMINAL.....	1	24CA3400
4	PLUG-C0NNECTOR 3 PIN TERMINAL.....	2	24CA3401
5	PLUG-C0NNECTOR 9 PIN TERMINAL.....	1	24CA3402
6	PLUG-C0NNECTOR 2 PIN TERMINAL.....	1	24CA4240



Order by Part Number and Description. Reference Numbers are for your convenience only.



300ECP810-A  
(Ref. Drawing)

**MISCELLANEOUS ELECTRICAL PARTS**

**B/M: 200ECP4007  
300EBP4007**

Ref. No.	Name of Part	Qty.	Part No.
* 1	PROBE-ELECTRICAL .....	2	21D264
* 5	TRANSDUCER-PRESSURE		
	100 – 150 PSI .....	2	88H359
	175 – 200 PSI .....	2	88H360
* 6	SWITCH-VACUUM .....	1	88H195
10	NIPPLE .....	3	24CA4641
11	O-RING .....	3	24A383
12	LOCKNUT .....	3	24A77
19	FITTING-ELECTRICAL .....	2	24CA2865

\* Parts included in Electrical Control Kits, Part Numbers 206EAP6013 & 301EBP6013. Refer to page 52.

**MOTOR GROUP (MAIN DRIVE MOTORS)  
WYE DELTA & FULL VOLTAGE -- 60 HZ**

<b>Name of Part</b>	<b>40 HP Part No.</b>	<b>50 HP Part No.</b>
---------------------	---------------------------	---------------------------

**OPEN DRIP PROOF**

MOTOR, 200V	24CA3060	24CA3065
MOTOR, 230V	24CA3061	24CA3066
MOTOR, 460V	24CA3061	24CA3066
MOTOR, 575V	24CA3064	24CA3069

**OPEN DRIP PROOF -- HIGH EFFICIENCY**

MOTOR, 200V	24CA3070	24CA3075
MOTOR, 230V	24CA3071	24CA3076
MOTOR, 460V	24CA3071	24CA3076
MOTOR, 575V	24CA3074	24CA3079

**TOTALLY ENCLOSED FAN COOLED (TEFC)**

MOTOR, 200V	24CA3080	24CA3085
MOTOR, 230V	24CA3081	24CA3086
MOTOR, 460V	24CA3081	24CA3086
MOTOR, 575V	24CA3084	24CA3089

**TOTALLY ENCLOSED FAN COOLED (TEFC) -- HIGH EFFICIENCY**

MOTOR, 200V	24CA3090	24CA3095
MOTOR, 230V	24CA3091	24CA3096
MOTOR, 460V	24CA3091	24CA3096
MOTOR, 575V	24CA3094	24CA3099

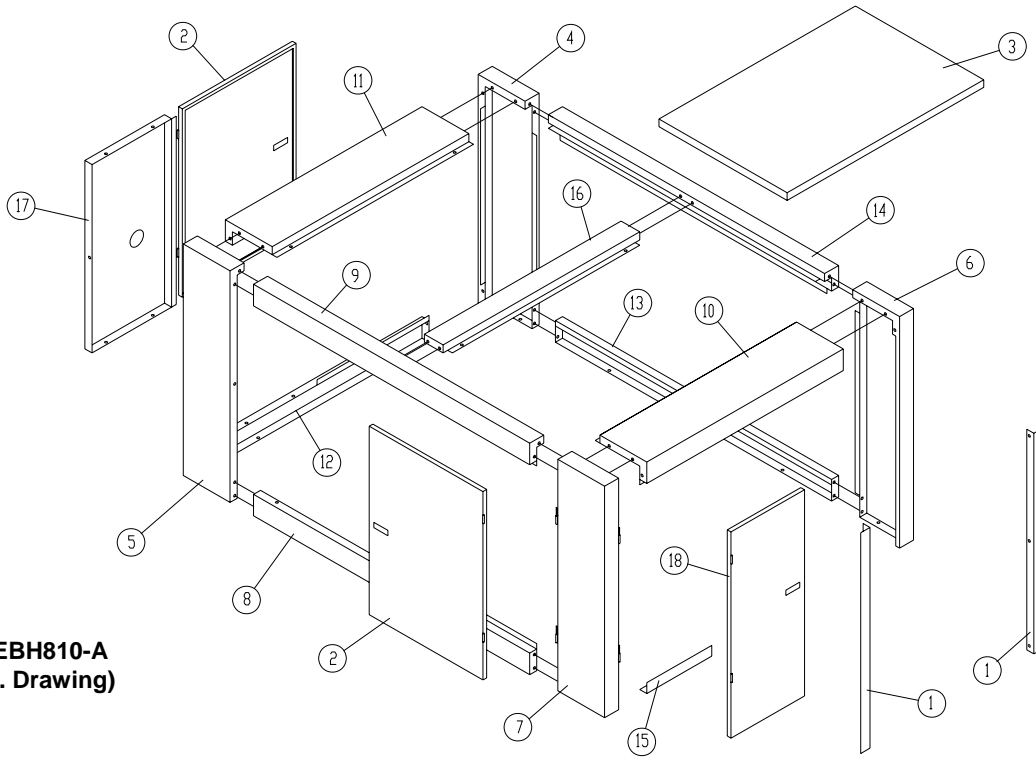
**MOTOR GROUP  
AIR COOLED FAN MOTOR (COOLING MODULE)  
(TEFC, 1 HP, 1.15 S.F., 1200 RPM, 60 HZ)**

<b>VOLTAGE</b>	<b>PART NO.</b>
MOTOR, 200V	24CA3311
MOTOR, 230V	24CA3312
MOTOR, 460V	24CA3312
MOTOR, 575V	24CA3313

**WATER COOLED FAN MOTOR (ENCLOSURE VENT FAN)  
(TEFC, 1.0 S.F., 1200 RPM, 60 HZ)**

<b>VOLTAGE</b>	<b>PART NO.</b>	<b>HP</b>
MOTOR, 200V	24CA4177	1/4
MOTOR, 230V	24CA2464	1/4
MOTOR, 460V	24CA2464	1/4
MOTOR, 575V	24CA4178	1/4

Order by Part Number and Description. Reference Numbers are for your convenience only.



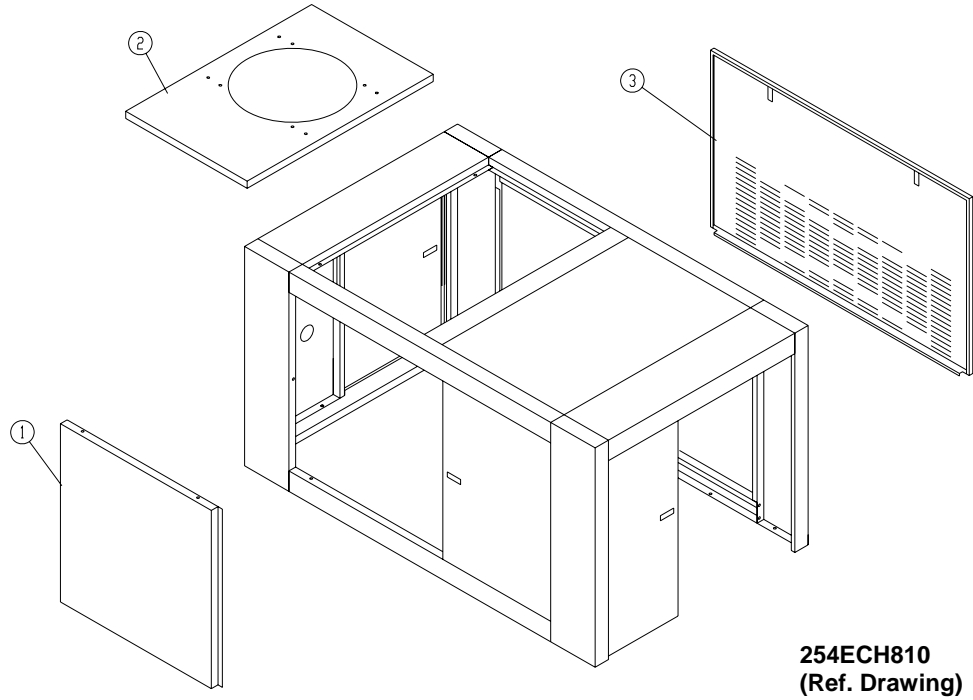
312EBH810-A  
(Ref. Drawing)

**ENCLOSURE GROUP  
COMMON PARTS – AIR/WATER COOLED**

**B/M: 304EBH4017**

Ref. No.	Name of Part	Qty.	Part No.
1	BRACKET .....	2	300EBH142
2	DOOR-CANOPY .....	2	204ECH334
3	PANEL.....	1	209ECH216
4	POST.....	1	209ECH313
5	POST.....	1	208ECH313
6	POST.....	1	207ECH313
7	POST.....	1	206ECH313
8	FRAME .....	1	209ECH314
9	FRAME .....	1	210ECH314
10	FRAME .....	1	304EBH314
11	FRAME .....	1	212ECH314
12	FRAME .....	1	213ECH314
13	FRAME .....	1	214ECH314
14	FRAME .....	1	215ECH314
15	FRAME .....	1	216ECH314
16	BRACE .....	1	202ECH326
17	BRACE .....	1	203ECH326
18	DOOR-CANOPY .....	1	203ECH334

Order by Part Number and Description. Reference Numbers are for your convenience only.



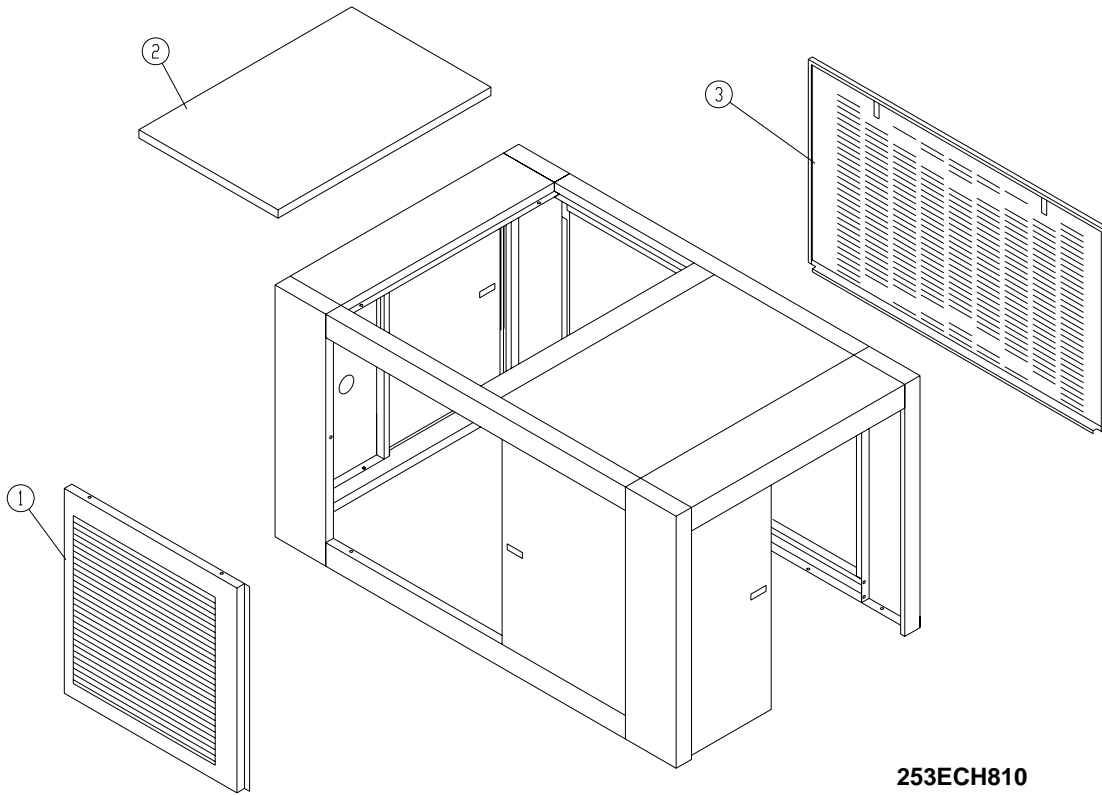
**WATER COOLED ENCLOSURE PANELS**

**B/M: ECH81770**

Ref. No.	Name of Part	Qty.	Part No.
1	PANEL.....	1	213ECH216
* 2	PANEL.....	1	210ECH216
3	PANEL.....	1	212ECH216

\* For Vent Fan Part Numbers, refer to pages 47.

Order by Part Number and Description. Reference Numbers are for your convenience only.



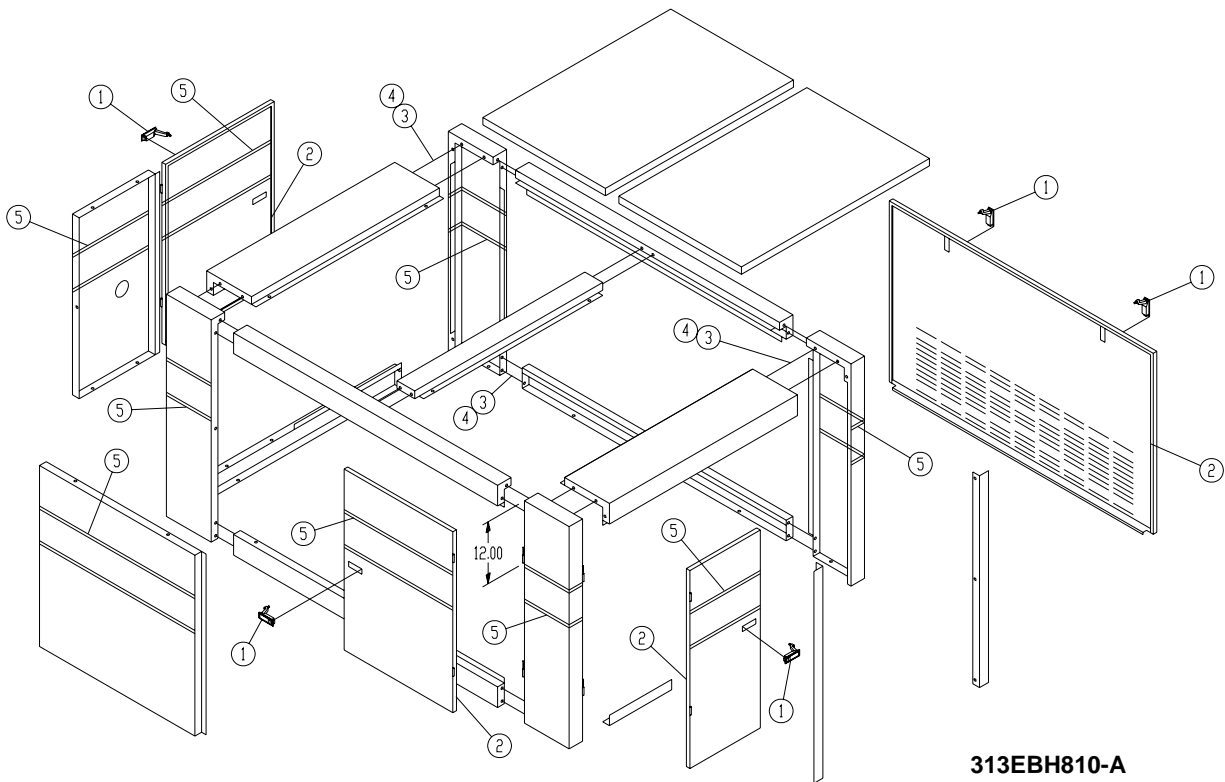
253ECH810  
(Ref. Drawing)

**AIR COOLED ENCLOSURE PANELS**

**B/M: ECH81769**

<b>Ref. No.</b>	<b>Name of Part</b>	<b>Qty.</b>	<b>Part No.</b>
1	PANEL.....	1	214ECH216
2	PANEL.....	1	209ECH216
3	PANEL.....	1	211ECH216

Order by Part Number and Description. Reference Numbers are for your convenience only.



**ENCLOSURE HARDWARE**

**B/M: 305EBH4017**

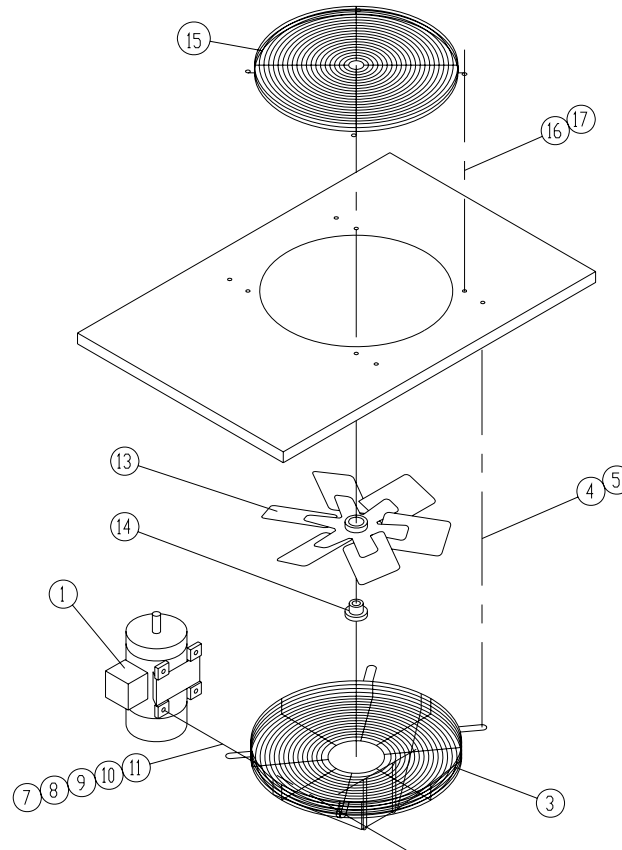
Ref. No.	Name of Part	Qty.	Part No.
1	LATCH.....	5	303EBM6005
2	SEAL .....	51	32E12
3	SCREW .....	84	75LM51
4	NUT .....	76	50AW5
5	DECAL .....	6	203ESO077
6	KEY (not shown) .....	2	VP1014243

## OVERLOAD RELAY HEATER CONVERSION LISTING

**Refer to Motor Nameplate “Amperage” and Decal in Control Panel for Selection of Overload Relay Heater Packs**

<b>CUTLER-HAMMER PART NUMBER</b>	<b>GARDNER DENVER PART NUMBER</b>
H2002B	24CA4101
H2003B	24CA4102
H2004B	24CA4103
H2005B	24CA4104
H2006B	24CA4105
H2007B	24CA4106
H2008B	24CA4107
H2009B	24CA4108
H2010B	24CA4109
H2011B	24CA4110
H2012B	24CA4111
H2013B	24CA4112
H2014B	24CA4113
H2015B	24CA4114
H2016B	24CA4115
H2017B	24CA4116
H2018	24CA2924
H2019	24CA2925
H2020	24CA2926
H2021	24CA2927
H2022	24CA2893
H2023	24CA2894
H2024	24CA2928

**VENT FAN GROUP  
(WATER COOLED ENCLOSED)**



**285ECM810  
(Ref. Drawing)**



Order by Part Number and Description. Reference Numbers are for your convenience only.

VENT FAN GROUP  
(WATER COOLED ENCLOSED)

B/M: 304EBH4007      B/M: 305EBH4007      B/M: 306EBH4007      B/M: 307EBH4007

Ref. No.	Name of Part	Qty.	200V Part No.	230V Part No.	460V Part No.	575V Part No.
1	MOTOR.....	1	24CA4177	24CA2464	24CA2464	24CA4178
3	GUARD-FAN.....	1	202ECM393	202ECM393	202ECM393	202ECM393
4	SCREW.....	4	75K48	75K48	75K48	75K48
5	WASHER.....	4	95A5	95A5	95A5	95A5
7	SCREW.....	4	75A35	75A35	75A35	75A35
8	RETAINER.....	4	2014731	2014731	2014731	2014731
9	WASHER.....	4	95A2	95A2	95A2	95A2
10	LOCKWASHER.....	4	95B2	95B2	95B2	95B2
11	NUT.....	4	50B2	50B2	50B2	50B2
13	FAN.....	1	202ECM701	202ECM701	202ECM701	202ECM701
14	BUSHING-SHEAVE.....	1	22G27	22G27	22G27	22G27
15	GUARD-FAN.....	1	200ECM393	200ECM393	200ECM393	200ECM393
16	SCREW.....	4	75LM51	75LM51	75LM51	75LM51
17	NUT.....	4	50AW5	50AW5	50AW5	50AW5
* 18	CONDUIT.....	6	24A402	24A402	24A402	24A402
* 20	FITTING-CONDUIT.....	1	24A378	24A378	24A378	24A378
* 21	FITTING-CONDUIT.....	1	24A380	24A380	24A380	24A380
* 22	WIRE.....	24	97H2A	97H2A	97H2A	97H2A
* 23	WIRE.....	8	97H2G	97H2G	97H2G	97H2G
* 24	LUG-TERMINAL.....	12	24CA806	24CA806	24CA806	24CA806
* 25	LUG-TERMINAL.....	1	24CA805	24CA805	24CA805	24CA805
* 26	HEATER-OVERLOAD.....	3	**	**	**	**
* 27	FUSE.....	3	24CA4093	24CA4093	24CA4091	24CA4090
* 28	SCREW.....	3	75G23	75G23	75G23	75G23
* 29	DECAL.....	1	311AUX077	311AUX077	309AUX077	308AUX077
* 30	LOCKWASHER.....	3	95W45	95W45	95W45	95W45
* 31	NUT.....	3	50K3	50K3	50K3	50K3

\* Not shown

\*\* See page 46 for Heater Selections.

**IDENTIFICATION AND INSTRUCTION GROUP**

**B/M: 300EBH4011  
307EBH4011**

<b>Name of Part</b>	<b>Qty.</b>	<b>Part No.</b>
DECAL, OPERATION & MAINTENANCE .....	1	217ECM077
DECAL-WARNING.....	1	227EAQ077
DECAL, PARTS LIST & SERVICE MANUAL .....	1	204EDE077
DECAL-WARNING (ELECTRICAL SHOCK & FIRE) .....	1	314EAQ077
DECAL-DANGER (AIR/OIL UNDER PRESSURE).....	1	212EAQ077
DECAL, WARNING (INSPECT OIL RESERVOIR).....	1	217EAQ077
DECAL-NOTICE (USE GENUINE GD PARTS).....	1	214EAQ077
DECAL (100 - 150 PSI).....	1	212ECM077
DECAL (175 - 200 PSI).....	1	321EAQ077
DECAL-CAUTION (DO NOT LIFT).....	2	208EAQ077
DECAL-WARNING (ROTATING MACHINERY).....	1	211EAQ077
DECAL-DANGER (DO NOT BREATHE DISCHARGE AIR) .....	1	206EAQ077
DECAL, GD LOGO - VERTICAL 18-1/2 HIGH .....	1	69F18
DECAL, HEAT EXCHANGE "IN" .....	1	200ESP077
DECAL, HEAT EXCHANGE "OUT" .....	1	201ESP077
DECAL, ELECTRA-SAVER II .....	1	201ECP077
DECAL, ELECTRA-SAVER II .....	3	200ECP077
DECAL-MADE IN USA.....	1	69F64
DECAL-WARNING.....	1	240EAQ077
DECAL-QUALITY WITHOUT QUESTION.....	1	251EAQ077
TAG-INSTRUCTION - ES+ SPEEDY REFERENCE.....	1	300EAQ304
TAG-INSTRUCTION - ES+ SPEEDY REFERENCE.....	1	301EAQ304
POCKET.....	1	200EAQ1304

## REPAIR KITS

Your Gardner Denver rotary screw compressor is designed and manufactured for many years of reliable operation. All components are engineered to exacting specifications, which will function together as a system to provide maximum efficiency. To insure the continuing integrity of compressor operation, use only original quality genuine Gardner Denver replacement parts and accessories.

Name of Part	Qty.	Part No.
ROUTINE MAINTENANCE KIT (Heavy Duty Air Filter) (100, 125 & 150 PSI)		301EBH6013
ELEMENT, AIR FILTER .....	2	2118315
ELEMENT, OIL FILTER .....	3	2116110
ROUTINE MAINTENANCE KIT (Heavy Duty Air Filter) (175 & 200 PSI)		302EBH6103
ELEMENT, AIR FILTER.....	2	2118315
ELEMENT, OIL FILTER.....	3	2117146
<b>AIREND REPAIR KITS (Refer to Page 1 for selection)</b>		
PERIODIC MAINTENANCE KIT (Inlet Valve)		302EBE6013
O-RING .....	1	25BC440
SPRING .....	1	78H22
SPRING .....	1	78W59
O-RING .....	1	25AM15
RING-RETAINING .....	1	74D87
GASKET ELIMINATOR .....	1	25BC222
PERIODIC OVERHAUL KIT		326SSH6013
ROLLER BEARING .....	1	12BA91
ROLLER BEARING .....	1	12BA196
ROLLER BEARING .....	1	12BA130
ROLLER BEARING .....	1	12BA136
SPRING .....	1	78W96
GASKET KIT		327SSH6013
SHIM SET .....	1	77H54
SHIM SET .....	1	77H53
GASKET ELIMINATOR .....	1	25BC222

**REPAIR KITS (CONTINUED)**

Name of Part	Qty.	Part No.
OIL SEAL KIT		302SSH6013
WEAR SLEEVE .....	1	80M12
OIL SEAL .....	1	60DD679
OIL SEAL .....	1	60DD690
O-RING .....	1	8502140
O-RING .....	1	25BC165
GASKET ELIMINATOR .....	1	25BC222
VALVE-CHECK.....	1	90AR923
PERIODIC OVERHAUL KIT		315SSF6013
ROLLER BEARING .....	1	12BA130
ROLLER BEARING .....	1	12BA136
ROLLER BEARING .....	1	12BA91
ROLLER BEARING .....	1	12BA196
SPRING .....	1	78W99
GASKET KIT		303SSF6013
SHIM SET .....	1	77H54
SHIM SET .....	1	77H67
O-RING .....	1	25BC157
O-RING .....	2	25BC298
RING-RETAINING .....	1	74D52
RING-RETAINING .....	2	74D53
RING-RETAINING .....	1	74D48
GASKET ELIMINATOR .....	1	25BC222
OIL SEAL KIT		300SSF6013
WEAR SLEEVE .....	1	80M12
OIL SEAL .....	1	60DD679
OIL SEAL .....	1	60DD543
O-RING .....	1	8500958
RING-RETAINING .....	1	74D48
WEAR SLEEVE INSTALLATION/REMOVAL KIT		200SSH4017
WEAR SLEEVE PULLER .....	1	200SSH219
PLATE-PULLER .....	1	200SSH340
SCREW.....	1	655EE030
SCREW.....	1	75LM192
SCREW.....	1	655ED120A
SCREW.....	2	75D176
GUIDE.....	1	200SSH450
TOOL .....	1	200SSH074

**REPAIR KITS (CONTINUED)**

Name of Part	Qty.	Part No.
SEPARATOR KIT		202ECH6013
OIL SEPARATOR .....	1	200ECH035
GASKET ELIMINATOR .....	1	25BC632
LUBRICANT (Oil Seal Grease).....	1	2116755
PNEUMATIC CONTROLS & GAUGES		302EAQ6013
CHECK VALVE .....	3	90AR261
CONTROL VALVE .....	1	90AR1034
CONTROL VALVE .....	1	90AR1082
PRESSURE REGULATOR.....	1	88H139
PRESSURE GAUGE .....	1	2116732
ELECTRICAL CONTROL KIT (100-150 PSIG)		206EAP6013
SOLENOID VALVE .....	1	91B70
SOLENOID VALVE .....	1	91B143
SOLENOID VALVE .....	1	91B81
THERMISTOR PROBE.....	2	21D264
TRANSDUCER .....	2	88H359
VACUUM SWITCH .....	1	88H195
ELECTRICAL CONTROL KIT (175-200 PSIG)		301EBP6013
SOLENOID VALVE .....	1	91B70
SOLENOID VALVE .....	1	91B143
SOLENOID VALVE .....	1	91B81
ELECTRICAL PROBE .....	2	21D264
TRANSDUCER .....	2	88H360
VACUUM SWITCH .....	1	88H195
LUBRICANT (AEON 9000SP)		
5-GALLON PAIL .....	1	28H109
55-GALLON DRUM .....	1	28H110
TOUCH-UP PAINT (White)		
5-GALLON .....	1	28H76
1-GALLON .....	1	28H84
1-QUART CAN.....	1	28H83
WATER TEMPERATURE REGULATOR (Optional).....	1	90AR326
MAGNETIC WATER SHUTOFF VALVE (Optional).....	1	91B167
FIELD INSTALLED ENCLOSURE KITS		
AIR COOLED .....	1	303EBH4023
WATER COOLED - Consult Factory (No Electrical Parts) .....	1	304EBH4023

# **Gardner** --- **Denver**

Specifications subject to change without notice.  
Copyright © 2005 Gardner Denver, Inc.

Litho in U.S.A.

For additional information contact your local representative or



Gardner Denver Compressor Division,  
1800 Gardner Expressway, Quincy, Illinois 62305  
Customer Service Department Telephone:  
(800) 682-9868 FAX: (217) 224-7814

Visit our Web Site: [www.gardnerdenver.com](http://www.gardnerdenver.com)  
Sales and Service in all major cities.