

Atlas Copco Stationary Air Compressors

ZR315 VSD

Parts list

- Copyright 2001, Atlas Copco Airpower n.v., Antwerp, Belgium.
Any unauthorized use or copying of the contents or any part thereof is prohibited. This applies in particular to trademarks, model denominations, part numbers and drawings.
- **Use only authorized parts.** Any damage or malfunction caused by the use of unauthorized parts is not covered by Warranty or Product Liability.

No. 2930 1299 01

Registration code: APC ZR \geq 160 VSD / 39 / 997

Replaces No. 2930 1299 00

2001-03

www.atlascopco.com



* 2 9 3 0 1 2 9 9 0 1 *

Atlas Copco

Contents
Inhoud
Innehåll
Inhaltsverzeichnis
Table des matières
Indice

Indice
Inneholdsfortegnelse
Indice
Indholdsfortegnelse
Sisällysluettelo

| | | | |
|--|---|--|---|
| Gear casing and drive gear Tandwielkast en aandrijving Växelhus och drivning Getriebegehäuse und Antriebsrad Carter d'engrenages et entraînement Cárter de engranajes y accionamiento Scatola ingranaggi e ingranaggio conduttore Gearkasse og drivhjul Carter de engrenagens e accioanamento Girkasse og drivhjul Vaihteen kotelo ja hihnapyörä | 1 | Coolers Koelers Kylare Kühler Refrroidisseurs Refrigeradores Refrigeratorei Kølere Refrigeradores Kjølere Jäähdyttime | 5 |
| Air inlet Luchtinlaat Luftintag Lufteinlaß Admission d'air Entrada de aire Presa d'aria Luftindsug Admissão de ar Luftinnløp Tuloilma | 2 | Drive arrangement E Aandrijfuitvoering E Drivarrangemang E Antriebsanordnung E Entraînement, disp. E Accionamiento, disp. E Azionamento, disposizione (E) Arrangement E Accionamento, disposição E Drivarrangement E Rakenne E | 6 |
| Air flow Luchtstroming Luftflöde Luftstrom Flux d'air Flujo de aire Flusso d'aria Luftflow Fluxo de ar Luftstrøm Ilman virtaus | 3 | Oil system Oliesysteem Oljesystem Ölsystem Système d'huile Sistema de aceite Sistema dell'olio Oliesystem Sistema de óleo Oljesystem Voitelujärjestelmä | 7 |
| Water system and drain connections Watersysteem en aftapaansluitingen Vattensystem och avtappningsanslutningar Wassersystem und Abfaßanschlüsse Système d'eau et tuyaux de vidange Sistema de agua y conexiones de drenaje Sistema dell'acqua e connessioni degli scarichi Tilslutninger, vandsystem og dræn Sistema de arrefecimento e dreno de condensados Vannsystem og tilkoplinger for avtapping Vesijärjestelmä ja lauhteenpoistoliitännät | 4 | Control module Stuurmodule Kontrollmodul Steuermodul Module de commande Módulo de mando Modulo di controllo Kontrollmodul Kontrolmodul Módulo de comando Ohjainlaite | 8 |

Contents
Inhoud
Innehåll
Inhaltsverzeichnis
Table des matières
Indice

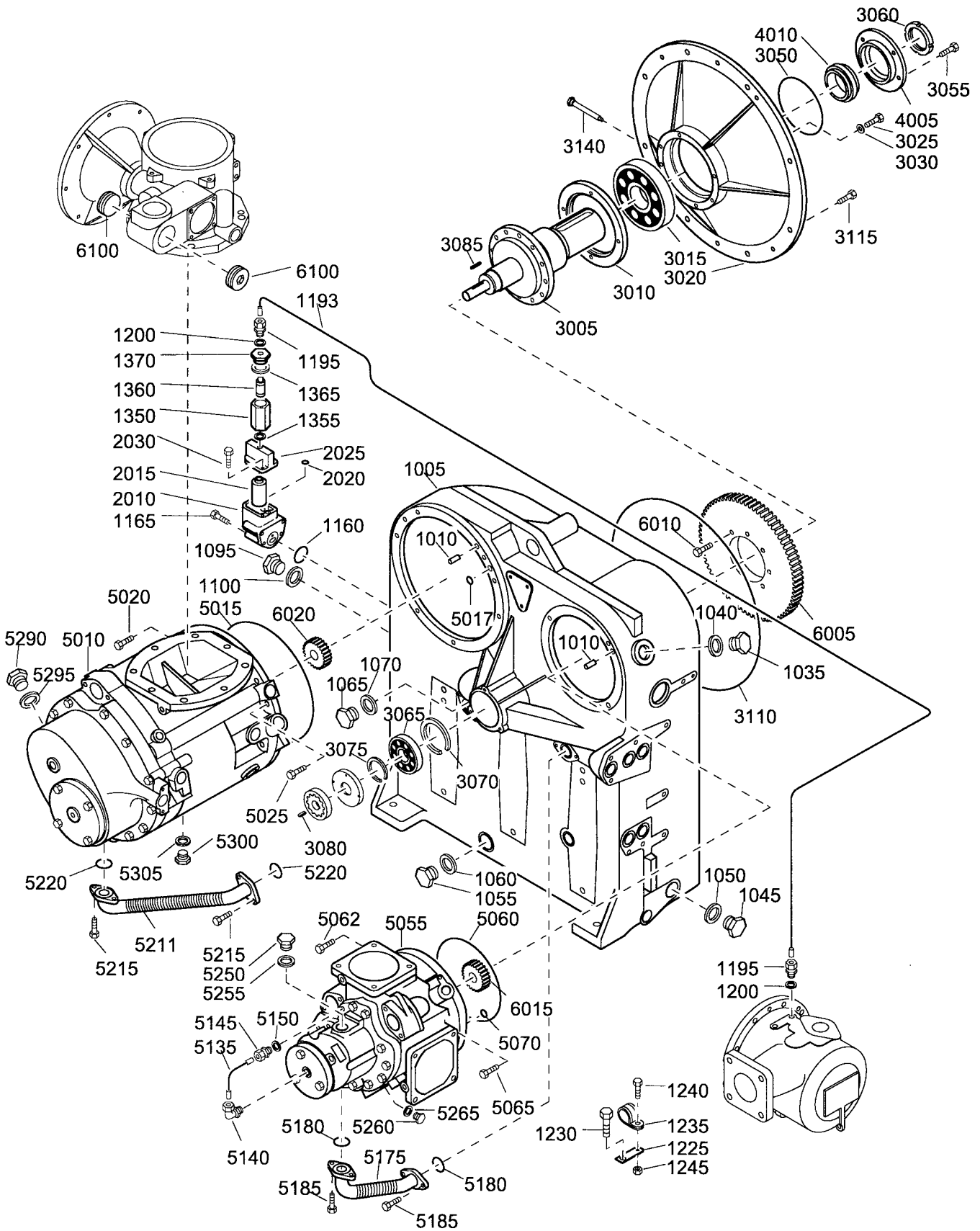
Indice
Innholdsfortegnelse
Indice
Indholdsfortegnelse
Sisällysluettelo

Cubicle(s)
Kast(en)
Skåp
Schaltschrank(en)
Armoire(s)
Armario
Armadio elettrico
Elskab
Quadro
Skap
Kotelo 9

Bodywork
Carrosserie
Karosseri
Karosserie
Capotage
Carrocería
Cappottatura
Karosseri
Carroceria
Kabinett
Kotelo 10

Control panel
Bedieningsbord
Manöverpanel
Schalttafel
Panneau de commande
Panel de control
Pannello di controllo
Kontrolpanel
Painel de controlo
Kontrollpanel
Käyttöpaneeli 11

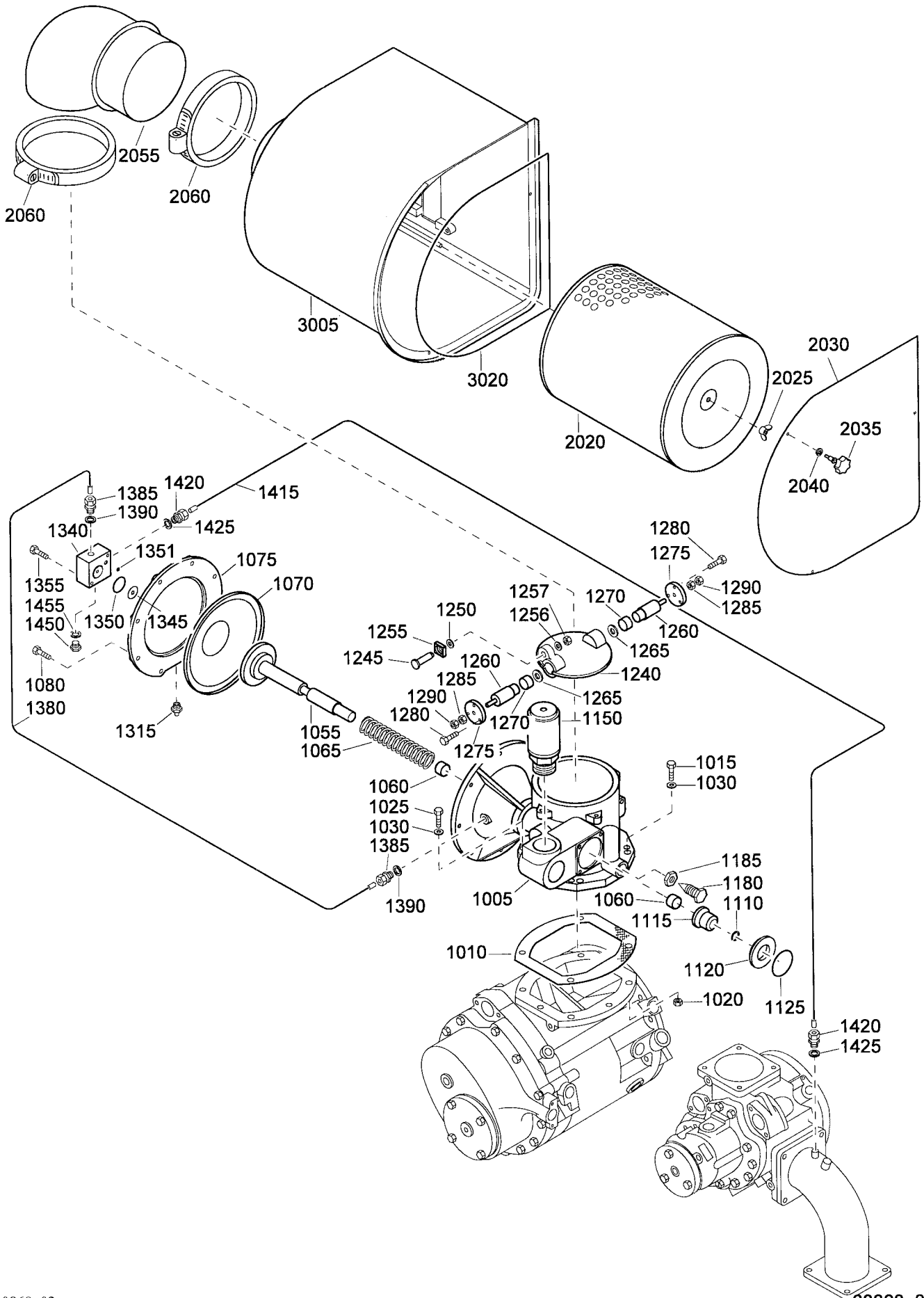
Service kits
Service kits
Service kits
Service Kits
Service kits
Service kits
Kit per la manutenzione
Service kits
Conjuntos de reparação
Servicesett
Huoltotarvikesarjat 12



Gear casing and drive gear

| Ref. | Partnumber | Qty | Name | Remarks | Ref. | Partnumber | Qty | Name | Remarks |
|------|---------------------|----------|-----------------|---------|------|--------------|-----|-----------------|---------|
| 1005 | 1621 6511 00 | 1 | Gear casing | | 4005 | 1616 6203 00 | • 1 | Outer seal ring | |
| 1010 | 0101 1951 50 | 2 | Pin | | 4010 | 1616 6204 00 | • 1 | Inner seal ring | |
| 1035 | 0686 3716 09 | 2 | Plug | | 5010 | 1616 5904 81 | 1 | O.f.s. m-21 | |
| 1040 | 0661 1000 31 | 2 | Seal washer | | 5015 | 0663 2103 24 | 1 | O-ring | |
| 1045 | 0686 3716 09 | 2 | Plug | | 5017 | 0663 2107 89 | 1 | O-ring | |
| 1050 | 0661 1000 31 | 2 | Seal washer | | 5020 | 0147 1402 03 | 3 | Bolt | |
| 1055 | 0686 3716 09 | 1 | Plug | | 5025 | 0147 1962 34 | 4 | Bolt | |
| 1060 | 0661 1000 31 | 1 | Seal washer | | 5055 | 1616 5952 81 | 1 | O.f.s. i-21 | |
| 1065 | 0686 3716 09 | 1 | Plug | | 5060 | 0663 2103 20 | 1 | O-ring | |
| 1070 | 0661 1000 31 | 1 | Seal washer | | 5062 | 0147 1408 03 | 2 | Bolt | |
| 1095 | 0686 4230 07 | 1 | Plug | | 5065 | 0147 1402 03 | 2 | Bolt | |
| 1100 | 9125 6303 00 | 1 | Seal washer | | 5070 | 0663 2107 89 | 1 | O-ring | |
| 1160 | 0663 2107 81 | 1 | O-ring | | 5135 | 1621 3549 00 | 1 | Pipe | |
| 1165 | 0211 1335 03 | 4 | Cap screw | | 5140 | 0580 2404 00 | 1 | Pipe coupling | |
| 1190 | 1621 3957 00 | 1 | Pipe | | 5145 | 0580 0013 32 | 1 | Coupling | |
| 1195 | 0580 0013 32 | 2 | Coupling | | 5150 | 0661 1000 25 | 1 | Seal washer | |
| 1200 | 0661 1000 25 | 2 | Seal washer | | 5175 | 1621 3112 00 | 1 | Hose assembly | |
| 1225 | 1621 3189 00 | 1 | Bracket | | 5180 | 0663 2107 81 | 2 | O-ring | |
| 1230 | 0147 1397 03 | 1 | Bolt | | 5185 | 0147 1323 03 | 4 | Bolt | |
| 1235 | 1613 0801 05 | 1 | Clamp | | 5211 | 1621 6561 00 | 1 | Hose assembly | |
| 1240 | 0147 1244 03 | 1 | Bolt | | 5215 | 0147 1323 03 | 4 | Bolt | |
| 1245 | 0266 2108 00 | 1 | Nut | | 5220 | 0663 2107 81 | 2 | O-ring | |
| 1350 | 1614 8671 00 | 1 | Housing | | 5250 | 0686 3716 07 | 1 | Plug | |
| 1355 | 0661 1000 25 | 1 | Seal washer | | 5255 | 0661 1000 30 | 1 | Seal washer | |
| 1360 | 1614 8673 00 | 1 | Filter element | | 5260 | 0686 3716 01 | 2 | Plug | |
| 1365 | 0661 1000 30 | 1 | Seal washer | | 5265 | 0661 1000 25 | 2 | Seal washer | |
| 1370 | 1614 8672 00 | 1 | Plug | | 5290 | 0686 3716 07 | 1 | Plug | |
| | 1621 1865 80 | 1 | Housing | | 5295 | 0661 1000 30 | 1 | Seal washer | |
| 2010 | 1621 1865 00 | • 1 | Housing | | 5300 | 0686 3716 01 | 2 | Plug | |
| 2015 | 1202 6255 01 | • 1 | Filter element | | 5305 | 0661 1000 25 | 2 | Seal washer | |
| 2020 | 0663 2107 84 | • 1 | O-ring | | 6005 | | 1 | Gear wheel | |
| 2025 | 1614 8222 00 | • 1 | Cover | | | 1616 6206 04 | | 8.6bar | |
| 2030 | 0211 1247 03 | • 2 | Cap screw | | | 1616 6206 14 | | 10bar | |
| 3005 | 1616 6200 00 | 1 | Drive shaft | | 6010 | 0211 1402 00 | 12 | Cap screw | |
| 3010 | 1616 6201 00 | 1 | Retainer | | 6015 | | 1 | Gear wheel | |
| 3015 | 0502 1090 55 | 1 | Ball bearing | | | 1616 6208 04 | | 8.6bar | |
| 3020 | 1616 6427 00 | 1 | Bearing housing | | | 1616 6208 06 | | 10bar | |
| 3025 | 0147 1369 03 | 4 | Bolt | | 6020 | | 1 | Gear wheel | |
| 3030 | 0661 1015 00 | 4 | Sealing washer | | | 1616 6207 20 | | 8.6bar | |
| 3050 | 0663 2107 47 | 1 | O-ring | | | 1616 6207 21 | | 10bar | |
| 3055 | 0147 1962 29 | 2 | Bolt | | 6100 | 0686 3115 46 | 2 | Plug | |
| 3060 | 0295 3120 00 | 1 | Locknut | | | | | | |
| 3065 | 0508 1100 50 | 1 | Roller bearing | | | | | | |
| 3070 | 0335 2169 00 | 1 | Int.circlip | | | | | | |
| 3075 | 0335 1147 00 | 1 | Ext.circlip | | | | | | |
| 3080 | 1616 6295 00 | 1 | Key | | | | | | |
| 3085 | 0337 0009 24 | 1 | Parallel key | | | | | | |
| 3110 | 0663 2107 59 | 1 | O-ring | | | | | | |
| 3115 | 0147 1363 03 | 4 | Bolt | | | | | | |
| 3140 | 1619 6032 01 | 1 | Nipple | 1) | | | | | |
| | 1616 6202 00 | 1 | Seal arr | | | | | | |

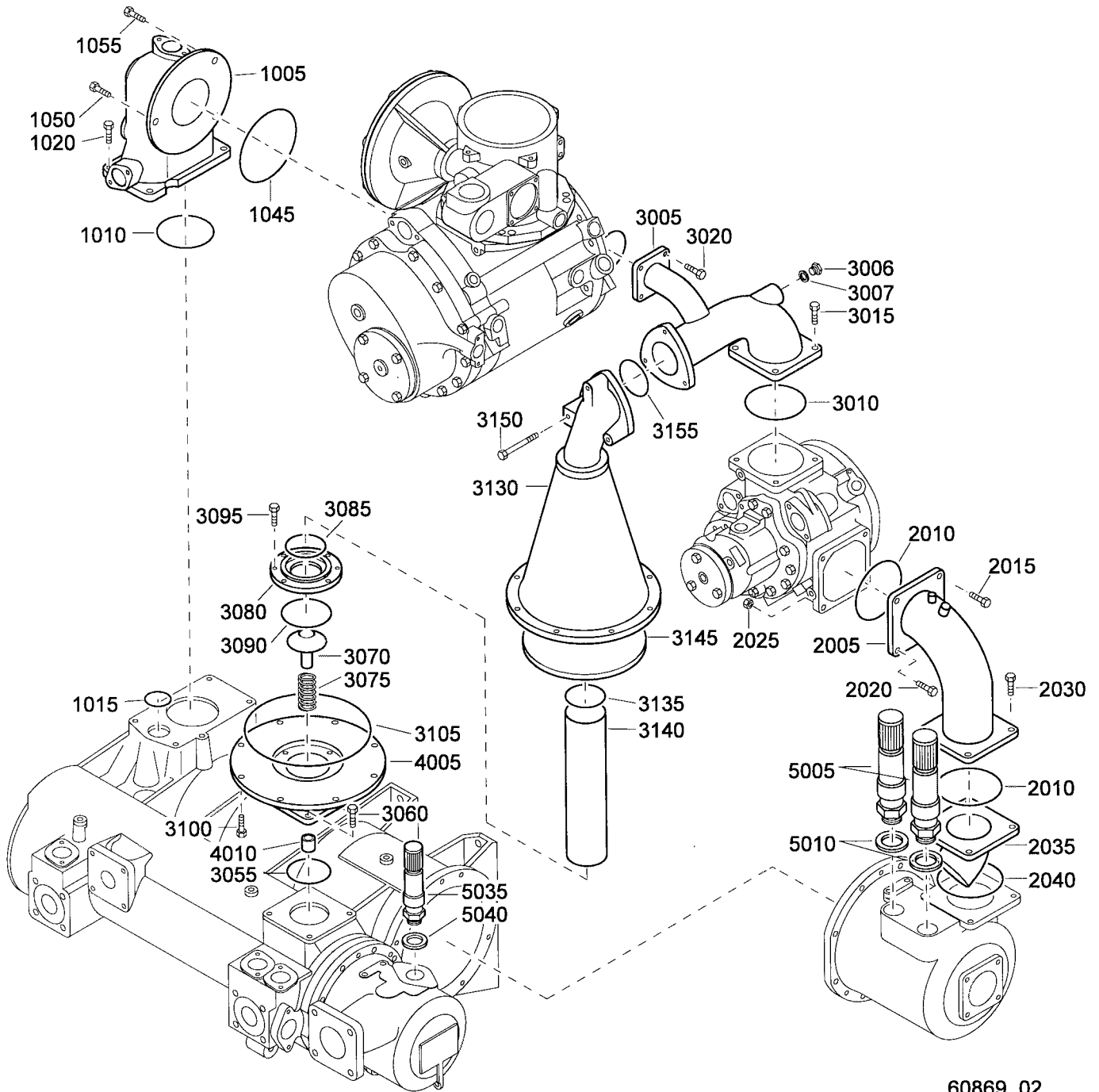
1) Vibration monitoring "Shock Pulse Measurement" / Trillingscontrole "SPM" / Vibrationskontroll "Stötpuls-mätning" / Schwingungsüberwachung "SPM" / Surveillance des vibrations "SPM" / Monitorización de vibraciones "SPM" / Controllo di vibrazione "SPM" / Vibrationsovervågning "SPM" / Controlo de vibrações SPM / Vibrasjonsovervåking "SPM" / SPM-tärinänvalvonta



Air inlet

| Ref. | Partnumber | Qty | Name | Remarks | Ref. | Partnumber | Qty | Name | Remarks |
|------|--------------|-----|-----------------|---------|------|---------------------|----------|--------------------------|---------|
| 1005 | 1621 3305 07 | 1 | Valve housing | | 1290 | 0277 1311 00 | 2 | Cap nut | |
| 1010 | 1621 3639 00 | 1 | Gasket | | 1315 | 1619 2689 00 | 1 | Filter plug | |
| 1015 | 0147 1482 03 | 2 | Bolt | | 1340 | 1621 3751 00 | 1 | Valve base | |
| 1020 | 0266 2114 00 | 2 | Nut | | 1345 | 1613 4036 00 | 1 | Membrane | |
| 1025 | 0147 1962 35 | 2 | Bolt | | 1350 | 0663 2107 90 | 1 | O-ring | |
| 1030 | 0301 2378 00 | 4 | Washer | | 1351 | 0663 2108 63 | 1 | O-ring | |
| 1055 | 1621 0037 00 | 1 | Piston | | 1355 | 0211 1963 78 | 2 | Cap screw | |
| 1060 | 1619 1847 00 | 2 | Bearing | | 1380 | 1621 3753 00 | 1 | Pipe | |
| 1065 | 2102 0067 00 | 1 | Spring | | 1385 | 0580 0014 47 | 2 | Pipe coupling | |
| 1070 | 1621 0032 00 | 1 | Diaphragm | | 1390 | 0661 1000 26 | 2 | Seal washer | |
| 1075 | 1621 3504 00 | 1 | Valve cover | | 1415 | 1621 3752 00 | 1 | Pipe | |
| 1080 | 0147 1364 03 | 8 | Bolt | | 1420 | 0580 0013 32 | 2 | Coupling | |
| 1110 | 0335 1130 00 | 1 | Ext.circlip | | 1425 | 0661 1000 25 | 2 | Seal washer | |
| 1115 | 2250 5578 00 | 1 | Valve-hp inload | | 1450 | 0686 3716 01 | 2 | Plug | |
| 1120 | 1621 3120 00 | 1 | Valve seat | | 1455 | 0661 1000 25 | 2 | Seal washer | |
| 1125 | 0663 2107 12 | 1 | O-ring | | 2020 | 1621 0094 00 | 1 | Air filter | |
| 1150 | 1621 4016 00 | 1 | Muffler | | 2025 | 0296 1111 02 | 1 | Wing nut | |
| 1180 | 1621 3820 00 | 1 | Bolt | | 2030 | 1621 3105 00 | 1 | Filter cover | |
| 1185 | 0261 1099 29 | 1 | Nut | | 2035 | 1621 3064 00 | 3 | Grip | |
| 1240 | 1621 3760 00 | 1 | Valve | | 2040 | 1621 3068 00 | 3 | Lock washer | |
| 1245 | 2255 0022 00 | 1 | Shaft | | 2055 | 1621 3107 80 | 1 | Bent hose | |
| 1250 | 1621 0030 00 | 1 | Ring | | 2060 | 0347 6124 00 | 2 | Hose clip | |
| 1255 | 2254 7041 00 | 1 | Bearing block | | | 1621 3104 80 | 1 | Filter housing 1) | |
| 1256 | 0301 2178 01 | 1 | Washer | | 3005 | 1621 3104 00 • | 1 | Filter housing | |
| 1257 | 2255 0038 00 | 1 | Locknut | | 3020 | 1621 3518 00 • | 2 | Foamholder | |
| 1260 | 1621 0034 00 | 2 | Pivot pin | | | | | | |
| 1265 | 1619 7142 00 | 2 | Washer | | | | | | |
| 1270 | 1619 7087 00 | 2 | Sleeve bearing | | | | | | |
| 1275 | 1621 0039 00 | 2 | Flange | | | | | | |
| 1280 | 0147 1247 03 | 6 | Bolt | | | | | | |
| 1285 | 0266 2111 00 | 2 | Nut | | | | | | |

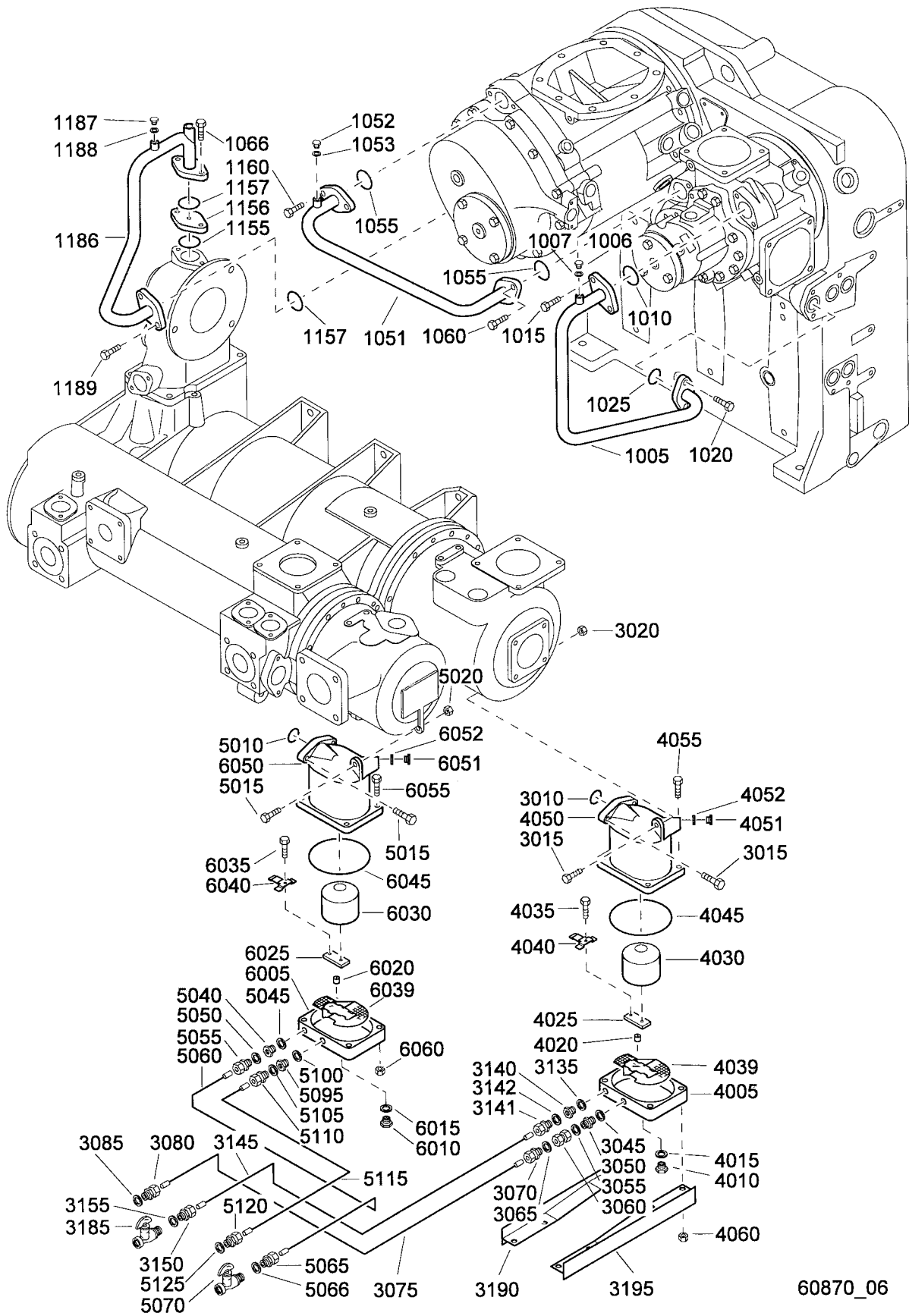
1) Lined with / Bekleed met / Beklädd med / Ausgekleidet mit / Garnir de / Rivestido de / Allineato con / Foret med / Revestido com / Kledd med / Vuorattu :
Foam: 1079 0003 32 (AR) 30 x 2000 x 1500 self-adhesive



60869_02

Air flow

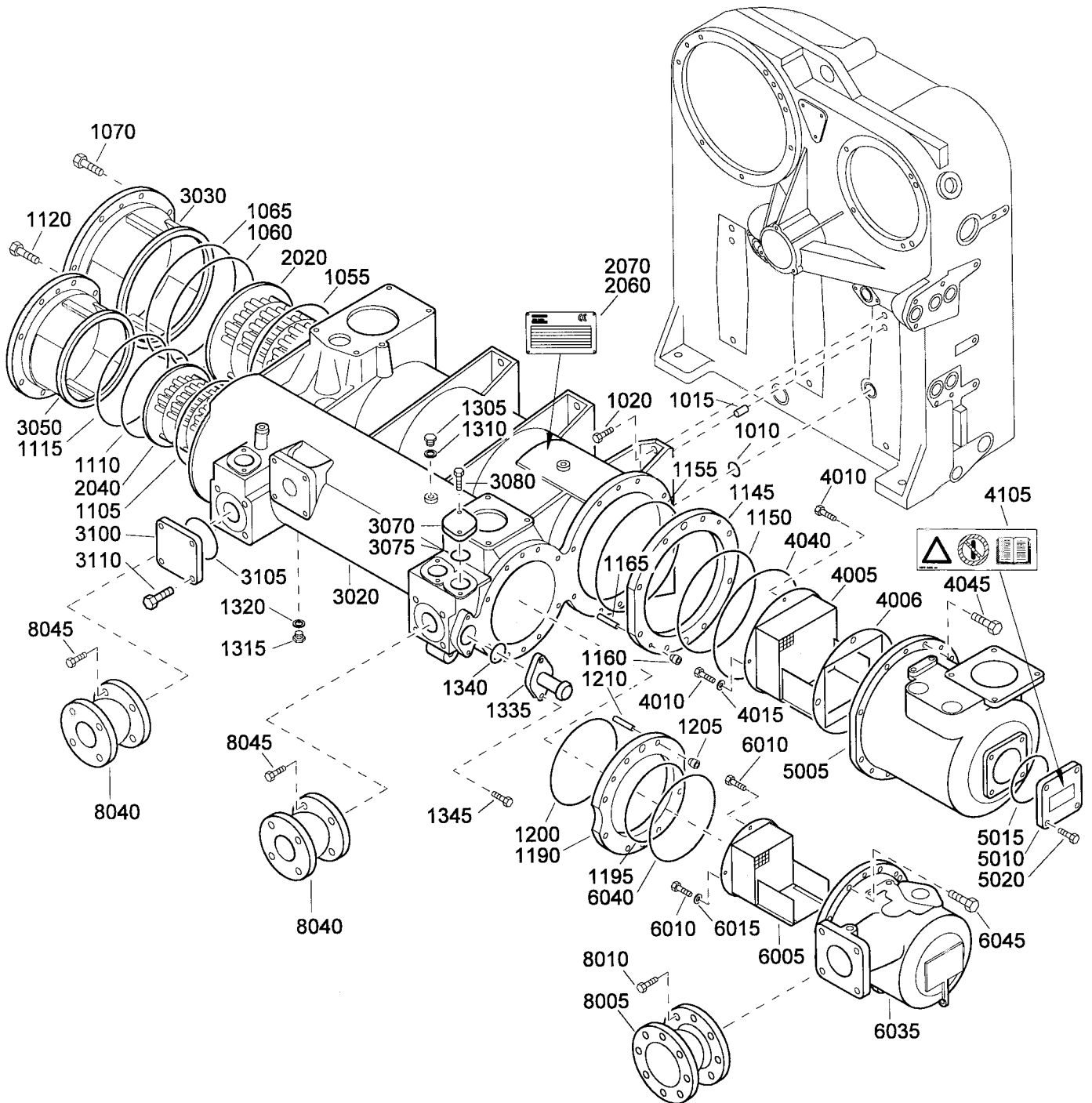
| Ref. | Part number | Qty | Name | Remarks | Ref. | Part number | Qty | Name | Remarks |
|------|--------------|-----|-------------|---------|------|---------------------|----------|--------------------|---------|
| 1005 | 1621 3109 00 | 1 | Connection | | 3070 | 2001 0217 00 | 1 | Valve | |
| 1010 | 0663 2106 20 | 1 | O-ring | | 3075 | 2250 5579 00 | 1 | Spring | |
| 1015 | 0663 2107 77 | 1 | O-ring | | 3080 | 1621 3467 00 | 1 | Valve seat | |
| 1020 | 0147 1962 31 | 4 | Bolt | | 3085 | 0663 2107 50 | 1 | O-ring | |
| 1045 | 0663 2106 26 | 1 | O-ring | | 3090 | 0663 2107 79 | 1 | O-ring | |
| 1050 | 0147 1962 35 | 2 | Bolt | | 3095 | 0147 1363 03 | 4 | Bolt | |
| 1055 | 0147 1497 03 | 1 | Bolt | | 3100 | 0147 1402 03 | 8 | Bolt | |
| 2005 | 1621 3596 00 | 1 | Pipe | | 3105 | 0663 2107 49 | 1 | O-ring | |
| 2010 | 0663 2107 76 | 2 | O-ring | | 3130 | 1621 3198 00 | 1 | Silencer | |
| 2015 | 0147 1402 03 | 2 | Bolt | | 3135 | 0663 2107 50 | 1 | O-ring | |
| 2020 | 0147 1962 32 | 2 | Bolt | | 3140 | 1621 3810 02 | 1 | Silencer insert | |
| 2025 | 0266 2112 00 | 2 | Nut | | 3145 | 1621 3925 00 | 1 | Glass wool | |
| 2030 | 0147 1405 03 | 4 | Bolt | | 3150 | 1621 3013 00 | 3 | Bolt | |
| 2035 | 1621 3558 00 | 1 | Pipe | | 3155 | 0663 2107 50 | 1 | O-ring | |
| 2040 | 0663 2107 76 | 1 | O-ring | | | 1621 3199 80 | 1 | Check valve | |
| 3005 | 1621 3127 00 | 1 | Pipe | | 4005 | 1621 3199 00 | • 1 | Valve housing | |
| 3006 | 0686 3716 01 | 1 | Plug | | 4010 | 2001 0225 00 | • 1 | Bush | |
| 3007 | 0661 1000 25 | 1 | Seal washer | | 5005 | 0830 1008 23 | 2 | Safety valve | |
| 3010 | 0663 2106 58 | 1 | O-ring | | 5010 | 0661 1000 32 | 2 | Seal washer | |
| 3015 | 0147 1402 03 | 4 | Bolt | | 5035 | | 1 | Safety valve | |
| 3020 | 0147 1962 29 | 4 | Bolt | | | 0830 1008 09 | | 8.6bar | |
| 3055 | 0663 2107 80 | 1 | O-ring | | | 0830 1008 14 | | 10bar | |
| 3060 | 0147 1402 03 | 4 | Bolt | | 5040 | 0661 1000 32 | 1 | Seal washer | |



60870_06

Water system and drain connections

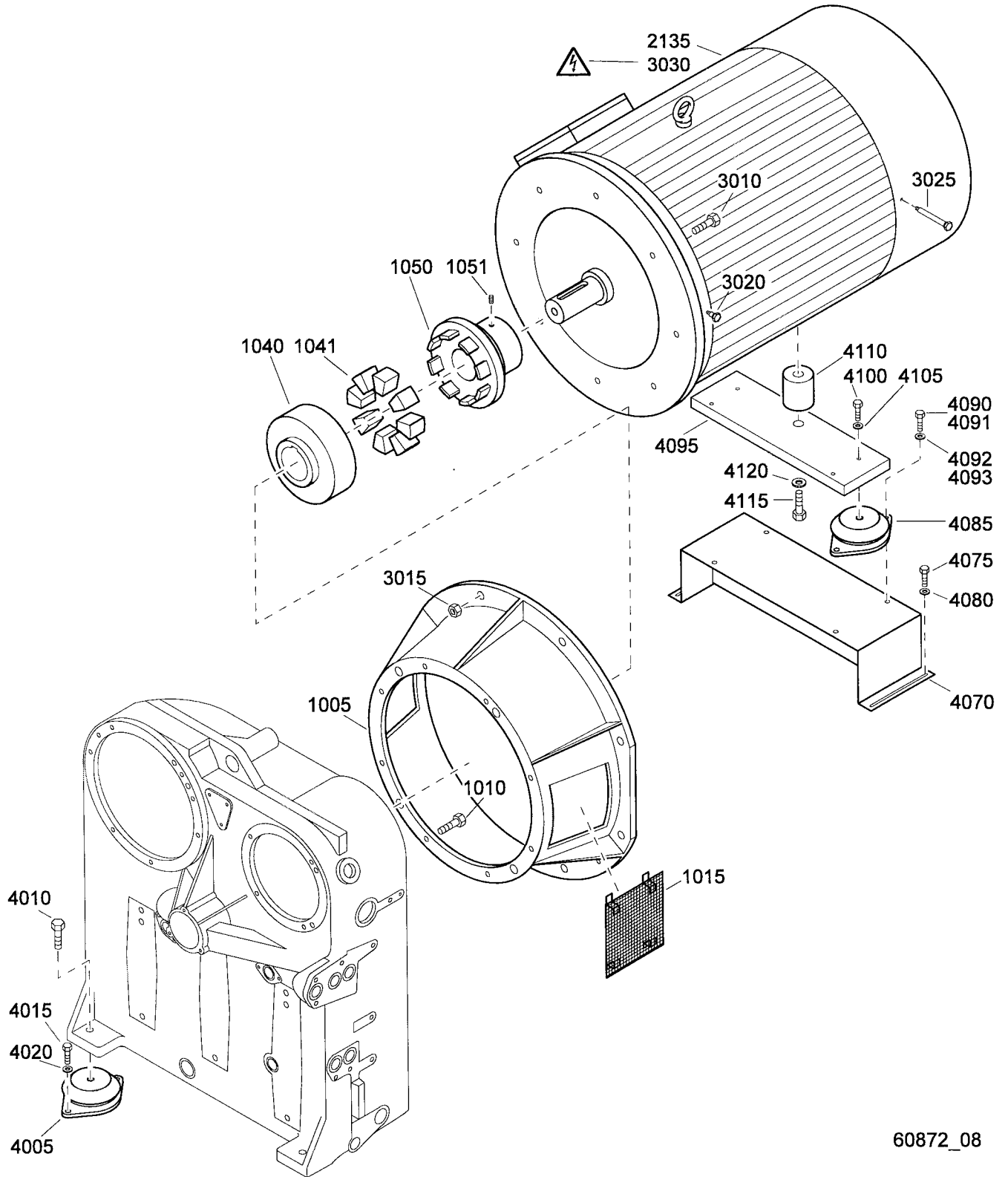
| Ref. | Partnumber | Qty | Name | Remarks | Ref. | Partnumber | Qty | Name | Remarks |
|------|---------------------|----------|--------------------|---------|------|---------------------|----------|--------------------|---------|
| 1005 | 1621 3813 00 | 1 | Pipe | | 4020 | 1202 4818 00 | • 1 | Insert | |
| 1006 | 0686 3716 44 | 1 | Hexagon plug | | 4025 | 1202 3739 00 | • 1 | Membrane | |
| 1007 | 0661 1000 25 | 1 | Seal washer | | 4030 | 1202 3825 00 | • 1 | Float | |
| 1010 | 0663 2107 86 | 1 | O-ring | | 4035 | 0147 1962 65 | • 1 | Bolt | |
| 1015 | 0147 1962 30 | 2 | Bolt | | 4039 | 1621 3746 00 | • 1 | Strainer | |
| 1020 | 0147 1412 03 | 2 | Bolt | | 4040 | 1621 3747 00 | • 1 | Clamp | |
| 1025 | 0663 2107 81 | 1 | O-ring | | 4045 | 0663 2107 85 | • 1 | O-ring | |
| 1051 | 1621 6566 00 | 1 | Pipe | | 4050 | 1621 3177 00 | • 1 | Valve housing | |
| 1052 | 0686 3716 44 | 1 | Hexagon plug | | 4051 | 0686 3716 45 | • 1 | Hexagon plug | |
| 1053 | 0661 1000 25 | 1 | Seal washer | | 4052 | 0661 1000 27 | • 1 | Seal washer | |
| 1055 | 0663 2107 86 | 2 | O-ring | | 4055 | 0147 1371 03 | • 4 | Bolt | |
| 1060 | 0147 1412 03 | 2 | Bolt | | 4060 | 0266 2111 00 | • 4 | Nut | |
| 1066 | 0147 1413 03 | 2 | Bolt | | 5010 | 0663 2107 82 | 1 | O-ring | |
| 1155 | 0663 2107 86 | 1 | O-ring | | 5015 | 0147 1363 03 | 3 | Bolt | |
| 1156 | 1621 3045 00 | 1 | Flange | | 5020 | 0266 2111 00 | 1 | Nut | |
| 1157 | 0663 2107 86 | 2 | O-ring | | 5040 | 0605 8700 39 | 1 | Bushing | |
| 1160 | 0147 1366 03 | 2 | Bolt | | 5045 | 0661 1000 27 | 1 | Seal washer | |
| 1186 | 1621 3815 00 | 1 | Pipe | | 5050 | 0653 1062 00 | 1 | Flat gasket | |
| 1187 | 0686 3716 44 | 1 | Hexagon plug | | 5055 | 0581 0000 35 | 1 | Pipe coupling | |
| 1188 | 0661 1000 25 | 1 | Seal washer | | 5060 | 0070 6002 05 | AR | Plastic tube | |
| 1189 | 0147 1413 03 | 2 | Bolt | | 5065 | 0581 0000 35 | 1 | Pipe coupling | |
| 3010 | 0663 2107 82 | 1 | O-ring | | 5066 | 0653 1062 00 | 1 | Flat gasket | |
| 3015 | 0147 1363 03 | 3 | Bolt | | 5067 | 0661 1000 27 | 1 | Seal washer | |
| 3020 | 0266 2111 00 | 1 | Nut | | 5069 | 0605 8700 39 | 1 | Bushing | |
| 3045 | 0661 1000 27 | 1 | Seal washer | | 5070 | 0852 0010 14 | 1 | Ball valve | |
| 3050 | 0581 0034 01 | 1 | Pipe coupling | | 5095 | 0605 8700 39 | 1 | Bushing | |
| 3055 | 0653 1062 00 | 1 | Flat gasket | | 5100 | 0661 1000 27 | 1 | Seal washer | |
| 3060 | 8204 0940 18 | 1 | Valve | | 5105 | 0653 1062 00 | 1 | Flat gasket | |
| 3065 | 0653 1062 00 | 1 | Flat gasket | | 5110 | 0581 0000 35 | 1 | Pipe coupling | |
| 3070 | 0581 0000 35 | 1 | Pipe coupling | | 5115 | 0070 6002 05 | AR | Plastic tube | |
| 3075 | 0070 6002 05 | AR | Plastic tube | | 5120 | 0581 0000 35 | 1 | Pipe coupling | |
| 3080 | 0581 0000 35 | 1 | Pipe coupling | | 5125 | 0653 1062 00 | 1 | Flat gasket | |
| 3085 | 0653 1062 00 | 1 | Flat gasket | | 5130 | 0661 1000 27 | 1 | Seal washer | |
| 3090 | 0661 1000 27 | 1 | Seal washer | | 5135 | 0605 8700 39 | 1 | Bushing | |
| 3095 | 0605 8700 39 | 1 | Bushing | | | 1621 3177 81 | 1 | Drain valve | |
| 3135 | 0661 1000 27 | 1 | Seal washer | | 6005 | 1621 3097 00 | • 1 | Valve base | |
| 3140 | 0605 8700 39 | 1 | Bushing | | 6010 | 0686 3716 44 | • 1 | Hexagon plug | |
| 3141 | 0581 0000 35 | 1 | Pipe coupling | | 6015 | 0661 1000 25 | • 1 | Seal washer | |
| 3142 | 0653 1062 00 | 1 | Flat gasket | | 6020 | 1614 7735 00 | • 1 | Insert | |
| 3145 | 0070 6002 05 | AR | Plastic tube | | 6025 | 1202 3739 00 | • 1 | Membrane | |
| 3150 | 0581 0000 35 | 1 | Pipe coupling | | 6030 | 1202 3825 00 | • 1 | Float | |
| 3155 | 0653 1062 00 | 1 | Flat gasket | | 6035 | 0147 1962 65 | • 1 | Bolt | |
| 3161 | 0661 1000 27 | 1 | Seal washer | | 6039 | 1621 3746 00 | • 1 | Strainer | |
| 3165 | 0605 8700 39 | 1 | Bushing | | 6040 | 1621 3747 00 | • 1 | Clamp | |
| 3185 | 0852 0010 14 | 1 | Ball valve | | 6045 | 0663 2107 85 | • 1 | O-ring | |
| 3190 | 1621 6567 00 | 1 | Support | | 6050 | 1621 3177 00 | • 1 | Valve housing | |
| 3195 | 1621 6568 00 | 1 | Support | | 6051 | 0686 3716 45 | • 1 | Hexagon plug | |
| | 1621 3177 80 | 1 | Drain valve | | 6052 | 0661 1000 27 | • 1 | Seal washer | |
| 4005 | 1621 3097 00 | • 1 | Valve base | | 6055 | 0147 1371 03 | • 4 | Bolt | |
| 4010 | 0686 3716 44 | • 1 | Hexagon plug | | 6060 | 0266 2111 00 | • 4 | Nut | |
| 4015 | 0661 1000 25 | • 1 | Seal washer | | | | | | |



60871_04

Coolers

| Ref. | Partnumber | Qty | Name | Remarks | Ref. | Partnumber | Qty | Name | Remarks |
|------|---------------------|----------|---------------|---------|------|---------------------|------|---------------------------|---------|
| 1010 | 0663 2107 81 | 1 | O-ring | | | 1621 3154 80 | • 1 | Shell & covers | Sa(CE) |
| 1015 | 0101 1951 52 | 2 | Pin | | 3020 | 1621 3151 08 | •• 1 | Cooler shell | Sa(CE) |
| 1020 | 0147 1477 03 | 6 | Bolt | | 3030 | 1621 3154 08 | •• 1 | Cover | Sa(CE) |
| 1055 | 0663 2107 53 | 1 | O-ring | | 3050 | 1621 3155 08 | •• 1 | Cover | Sa(CE) |
| 1060 | 0663 2107 54 | 1 | O-ring | | 3070 | 1621 3071 00 | •• 3 | Cover | |
| 1065 | 0663 2107 55 | 1 | O-ring | | 3075 | 0663 2107 86 | •• 3 | O-ring | |
| 1070 | 0147 1962 31 | 8 | Bolt | | 3080 | 0147 1962 29 | •• 6 | Bolt | |
| 1105 | 0663 2107 48 | 1 | O-ring | | 3100 | 1621 3059 00 | •• 1 | Cover | Sa(CE) |
| 1110 | 0663 2107 51 | 1 | O-ring | | 3105 | 0663 2107 25 | •• 1 | O-ring | |
| 1115 | 0663 2107 52 | 1 | O-ring | | 3110 | 0147 1402 03 | •• 4 | Bolt | |
| 1120 | 0147 1962 31 | 8 | Bolt | | 4005 | 1621 3607 00 | 1 | Water separator | |
| 1145 | 1621 3156 00 | 1 | Seal ring | | 4006 | 1621 3527 00 | 1 | Gasket | |
| 1150 | 0663 2107 57 | 1 | O-ring | | 4010 | 0147 1960 58 | 4 | Bolt | |
| 1155 | 0663 2107 56 | 1 | O-ring | | 4015 | 0301 2135 01 | 1 | Washer | |
| 1160 | 1621 3063 00 | 2 | Ring | | 4040 | 0663 2107 56 | 1 | O-ring | |
| 1165 | 0101 1951 51 | 2 | Pin | | 4045 | 0147 1962 33 | 8 | Bolt | |
| 1190 | 1621 3157 00 | 1 | Seal ring | | 4105 | 1079 9905 49 | 1 | Label | |
| 1195 | 0663 2107 58 | 1 | O-ring | | | 1621 3102 80 | • 1 | Water separator | Sa(CE) |
| 1200 | 0663 2106 95 | 1 | O-ring | | 5005 | 1621 3102 08 | • 1 | Water separator | Sa(CE) |
| 1205 | 1621 3063 00 | 2 | Ring | | 5010 | 1621 3059 00 | • 1 | Cover | Sa(CE) |
| 1210 | 0101 1951 51 | 2 | Pin | | 5015 | 0663 2107 25 | • 1 | O-ring | |
| 1305 | 0686 3716 01 | 7 | Plug | | 5020 | 0147 1962 31 | • 4 | Bolt | |
| 1310 | 0661 1000 25 | 7 | Seal washer | | 6005 | 1621 3556 00 | 1 | Water separator | |
| 1315 | 0686 3716 01 | 1 | Plug | | 6010 | 0147 1960 58 | 4 | Bolt | |
| 1320 | 0661 1000 25 | 1 | Seal washer | | 6015 | 0301 2135 01 | 1 | Washer | |
| 1335 | 1621 3289 00 | 1 | Cover | | 6035 | 1621 6507 08 | 1 | Water separator | Sa(CE) |
| 1340 | 0663 2108 00 | 1 | O-ring | | 6040 | 0663 2106 95 | 1 | O-ring | |
| 1345 | 0147 1363 03 | 2 | Bolt | | 6045 | 0147 1962 33 | 8 | Bolt | |
| | 1621 3151 80 | 1 | Cooler | Sa(CE) | 8005 | 1621 3098 00 | 1 | Compensator | DIN |
| 2020 | 1621 3152 08 | • 1 | Cooler core | Sa(CE) | 8010 | 0147 1478 03 | 4 | Bolt | |
| 2040 | 1621 3153 08 | • 1 | Cooler core | Sa(CE) | 8040 | 1621 3003 00 | 2 | Compensator | DIN |
| 2060 | 1621 3183 00 | • 1 | Data plate | | 8045 | 0147 1478 03 | 8 | Bolt | |
| 2070 | 0244 4184 00 | • 4 | Drive screw | | | | | | |



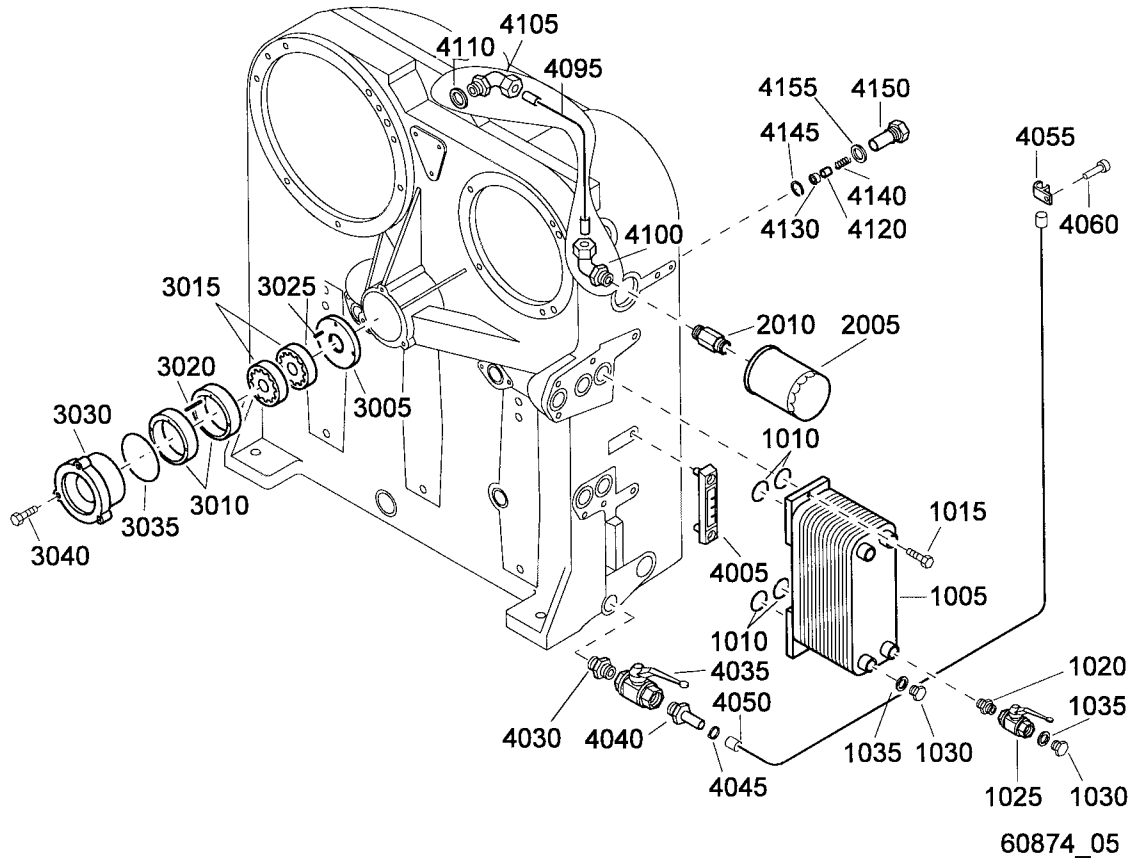
60872_08

Drive arrangement E.

| Ref. | Partnumber | Qty | Name | Remarks | Ref. | Partnumber | Qty | Name | Remarks |
|-------------|---------------------|----------|---------------------|---------|------|---|-----|---------------|---------|
| 1005 | 1621 3729 00 | 1 | Coupl. housing | | 4085 | 1619 5318 01 | 2 | Rubber buffer | |
| 1010 | 0147 1405 03 | 8 | Bolt | | 4090 | 0147 1398 03 | 2 | Bolt | |
| 1015 | 1621 1673 00 | 2 | Guard | | 4091 | 0147 1398 03 | 2 | Bolt | |
| 1040 | 1621 6512 00 | 1 | Coupling hub | | 4092 | 0301 2358 00 | 2 | Washer | |
| 1041 | 1621 6563 00 | • 8 | Coupling element | | 4093 | 0301 2358 00 | 2 | Washer | |
| 1050 | 1621 6513 00 | 1 | Coupling | | 4095 | 1621 3429 02 | 1 | Plate | |
| 1051 | 0196 1356 00 | • 1 | Set screw | | 4100 | 0147 1962 35 | 2 | Bolt | |
| 2135 | 1080 2846 92 | 1 | Motor | | 4105 | 0300 0274 53 | 2 | Washer | |
| 3010 | 0147 1554 03 | 8 | Bolt | | 4110 | 1621 3146 02 | 1 | Spacer | |
| 3015 | 0266 2116 00 | 8 | Nut | | 4115 | 0147 1960 97 | 1 | Bolt | |
| 3020 | 1614 8130 00 | 1 | Nipple | | 4120 | 0301 2434 00 | 1 | Washer | |
| 3025 | 1619 6032 01 | 1 | Nipple | | | | | | |
| 3030 | 1088 1001 04 | 1 | Warning mark | | | | | | |
| 4005 | 1619 5318 01 | 2 | Rubber buffer | | 1) | Vibration monitoring "Shock Pulse Measurement" / Trillingscontrole "SPM" / Vibrationskontroll "Stötpuls-mätning" / Schwingungsüberwachung "SPM" / Surveillance des vibrations "SPM" / Monitorización de vibraciones "SPM" / Controllo di vibrazione "SPM" / Vibrationsovervågning "SPM" / Controllo de vibrações SPM / Vibrasjonsovervåking "SPM" / SPM-tärinänvalvonta | | | |
| 4010 | 0147 1962 35 | 2 | Bolt | | | | | | |
| 4015 | 0147 1400 03 | 4 | Bolt | | | | | | |
| 4020 | 0301 2358 00 | 4 | Washer | | | | | | |
| 4070 | 1621 3148 00 | 1 | Support | | | | | | |
| 4075 | 0147 1962 30 | 4 | Bolt | | | | | | |
| 4080 | 0300 0274 92 | 4 | Washer | | | | | | |

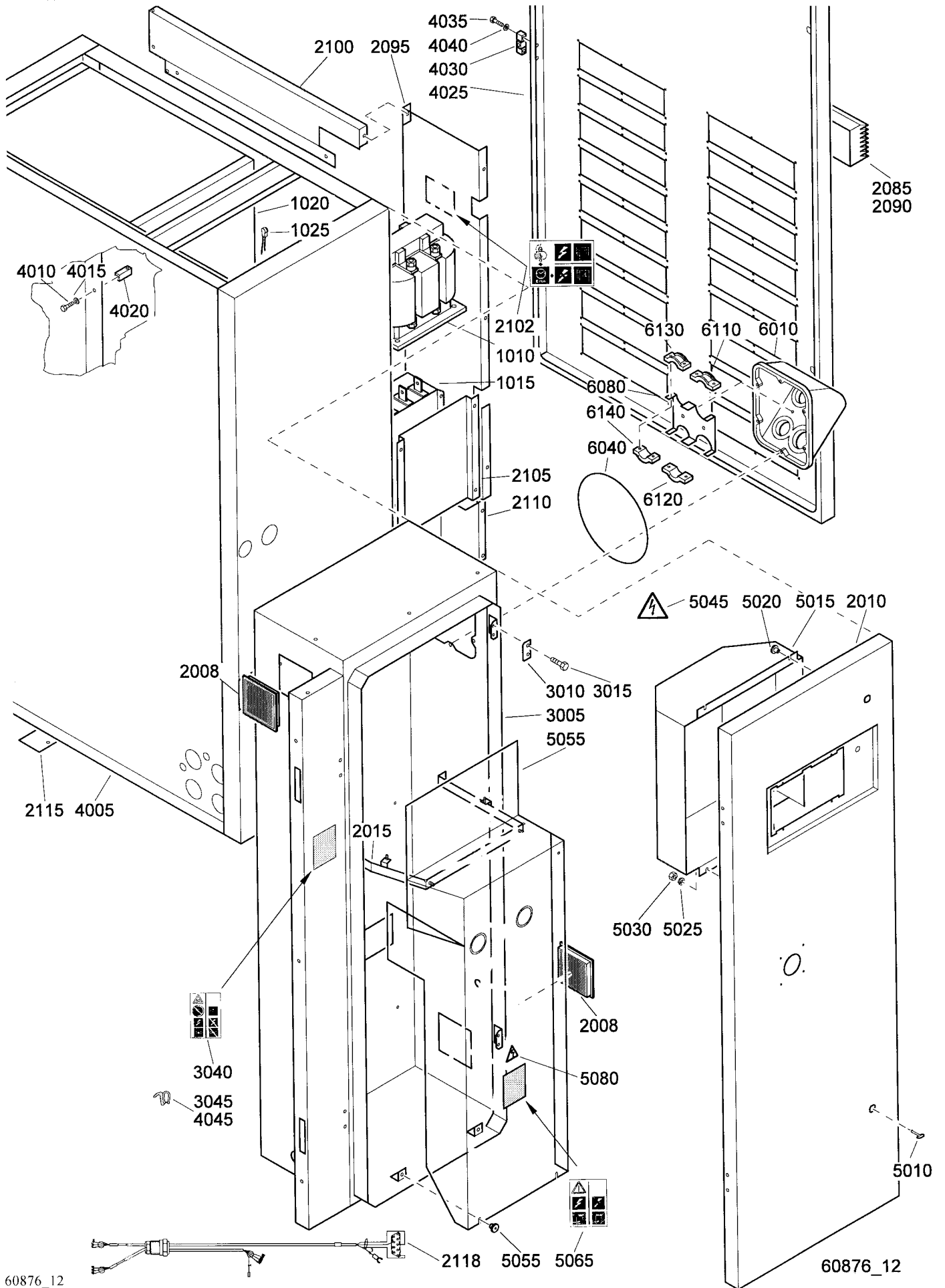
7

Oil system



60874_05

| Ref. | Partnumber | Qty | Name | Remarks | Ref. | Part number | Qty | Name | Remarks |
|------|--------------|-----|-----------------|---------|------|--------------|-----|----------------|---------|
| 1005 | 1621 4014 04 | 1 | Oil cooler | | 4030 | 0603 4106 03 | 1 | Hexagon nipple | |
| 1010 | 0663 2107 81 | 4 | O-ring | | 4035 | 1619 6153 06 | 1 | Ball valve | |
| 1015 | 0147 1323 03 | 3 | Bolt | | 4040 | 0571 0020 31 | 1 | Hose nipple | |
| 1020 | 0603 4102 03 | 1 | Hexagon nipple | | 4045 | 0347 6109 00 | 1 | Hose clip | |
| 1025 | 8202 0310 04 | 1 | Ball valve | | 4050 | 0075 4005 52 | AR | Hose | |
| 1030 | 0686 3716 01 | 4 | Plug | | 4055 | 1079 3461 01 | 1 | Clamp | |
| 1035 | 0661 1000 25 | 4 | Seal washer | | 4060 | 0129 3271 03 | 1 | Blind rivet | |
| 2005 | 1614 8747 00 | 1 | Oil filter | | 4095 | 1621 3116 00 | 1 | Pipe | |
| 2010 | 1621 4024 00 | 1 | Nipple | | 4100 | 0581 2024 34 | 1 | Male coupling | |
| 3005 | 1616 5439 00 | 1 | Distance ring | | 4105 | 0580 2501 42 | 1 | Elbow coupling | |
| 3010 | 1616 6126 00 | 2 | Eccentric ring | | 4110 | 0661 1000 29 | 1 | Seal washer | |
| 3015 | 1616 6127 00 | 2 | Pump element | | 4120 | 1621 6099 00 | 1 | Piston | |
| 3020 | 0101 1951 36 | 1 | Pin | | 4130 | 1621 6101 00 | 1 | Orifice | |
| 3025 | 0102 0244 00 | 1 | Pin | | 4140 | 1202 5180 00 | 1 | Spring | |
| 3030 | 1616 6461 00 | 1 | Pump cover | | 4145 | 0335 2120 00 | 1 | Circlip | |
| 3035 | 0663 2106 16 | 1 | O-ring | | 4150 | 1621 6366 03 | 1 | Plug | |
| 3040 | 0147 1327 03 | 3 | Bolt | | 4155 | 0661 1000 29 | 1 | Seal washer | |
| 4005 | 1616 5537 00 | 1 | Level indicator | | | | | | |

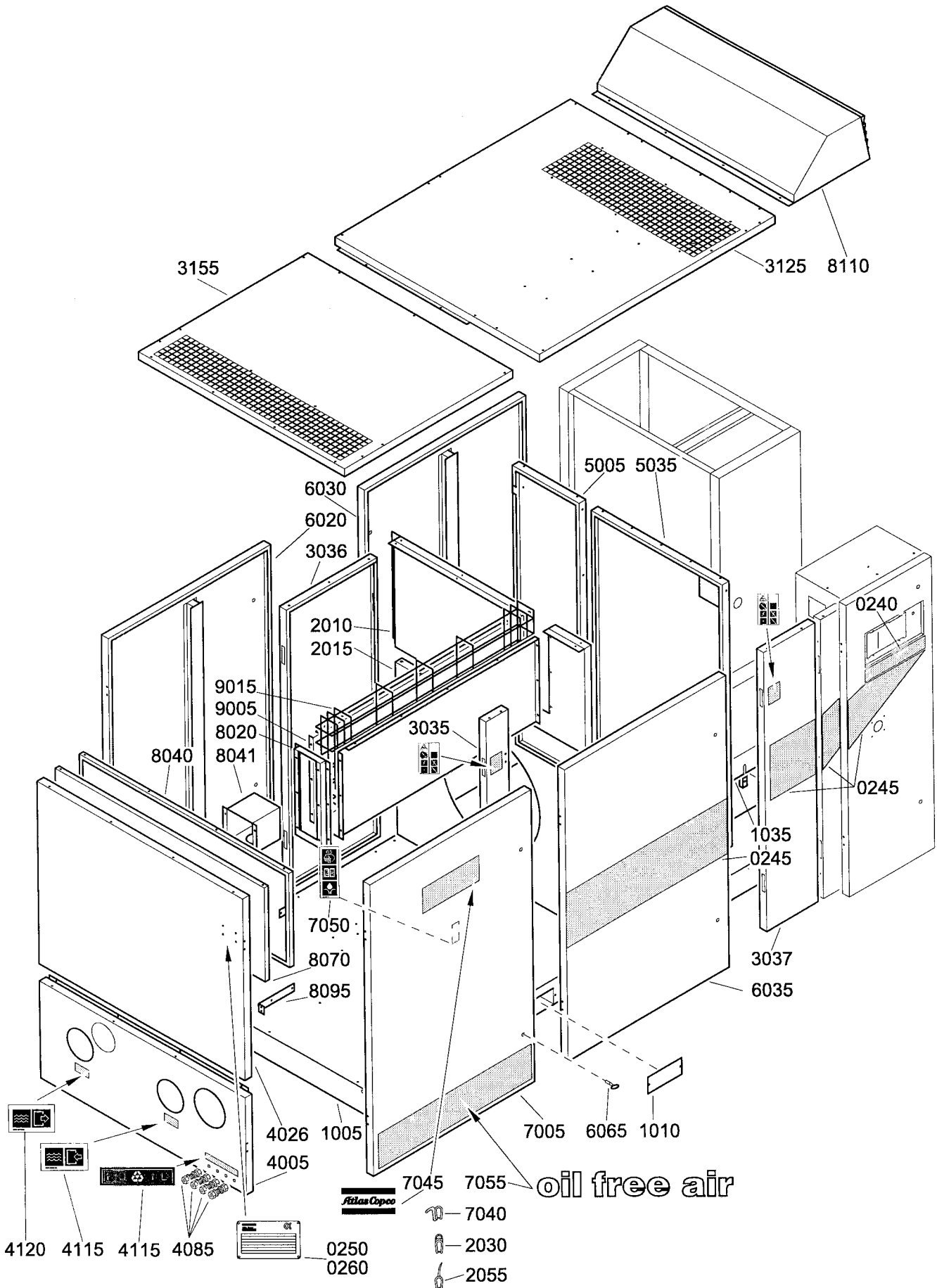


60876_12

60876_12

Cubicle(s)

| Ref. | Partnumber | Qty | Name | Remarks | Ref. | Partnumber | Qty | Name | Remarks |
|-------------|---------------------|----------|---------------------|------------|------|--|----------|------------------------------|---------|
| | 1900 3015 01 | 1 | VSD assembly | | 4025 | 1621 6532 00 • | 1 | Door | |
| 1010 | 1089 9342 06 • | 1 | Line reactor | | 4030 | 1621 6569 00 • | 3 | Hinge | |
| 1015 | 1089 9339 27 • | 1 | RFI filter | | 4045 | 1202 6584 00 • | AR | Seal | |
| 1020 | 1089 9338 56 • | 1 | Convertor | | 5010 | | 2 | Key | 1) |
| 1025 | 1089 9453 01 • | 1 | Bi-metal switch | | 5015 | 1621 6520 00 | 1 | Box | |
| 1030 | | • | 1 | Data plate | 5020 | 1614 6596 00 | 3 | Knurled nut | |
| 2008 | 1089 0598 06 | 2 | Filter | | 5025 | 1088 0019 06 | 1 | Washer | |
| 2010 | 1621 6529 80 | 1 | Door | 1) | 5030 | 0266 2108 00 | 1 | Nut | |
| 2015 | 1621 6518 00 | 1 | Bracket | | 5045 | 1088 1001 04 | 1 | Warning mark | |
| 2085 | 1088 0501 02 | 18 | Air inlet | | 5055 | 1621 6530 00 | 1 | Screen | |
| 2090 | 1088 0501 12 | 18 | Metal wire nett | | 5060 | 1614 6596 00 | 6 | Knurled nut | |
| 2095 | 1621 6545 00 | 1 | Screen | | 5065 | 1079 9901 67 | 1 | Label | |
| 2100 | 1621 6560 00 | 1 | Screen | | 5080 | 1088 1001 04 | 1 | Warning mark | |
| 2102 | 1079 9901 61 | 1 | Label | | | 2000 0011 99 | 1 | Cable box | |
| 2105 | 1621 6559 00 | 1 | Support | | 6010 | 1614 6571 00 • | 1 | Cable box | |
| 2110 | 1621 6544 00 | 1 | Cover | | 6040 | 1614 6567 00 • | 1 | Seal | |
| 2115 | 1621 6508 00 | 1 | Support | | 6080 | 1614 6566 00 • | 1 | Plate | |
| 2118 | 1621 4019 00 | 1 | Wire harness | | 6110 | 1614 6562 00 • | 2 | Clamp | |
| | 1621 6528 80 | 1 | Cubicle | 1) | 6120 | 1614 6563 00 • | 2 | Clamp | |
| 3005 | 1621 6528 00 • | 1 | Cubicle | | 6130 | 1614 6564 00 • | 2 | Clamp | |
| 3010 | 1614 7263 00 • | 2 | Plate | | 6140 | 1614 6565 00 • | 2 | Clamp | |
| 3015 | 1619 5898 02 • | 4 | Bolt | | | | | | |
| 3040 | 1079 9901 09 • | 1 | Label | | 1) | See / Zie / Se / Siehe / Voir / Véase / Vedere / Se / Ver / Se / Katso | | | |
| 3045 | 1202 6584 00 • | AR | Seal | | | Service kits | | | |
| | 1621 6531 80 | 1 | Cubicle | 1) | | 2906 0300 00 | | Hinge replacement kit | |
| 4005 | 1621 6531 00 • | 1 | Cubicle | | | | | | |
| 4020 | 1621 6570 00 • | 3 | Hinge | | | | | | |

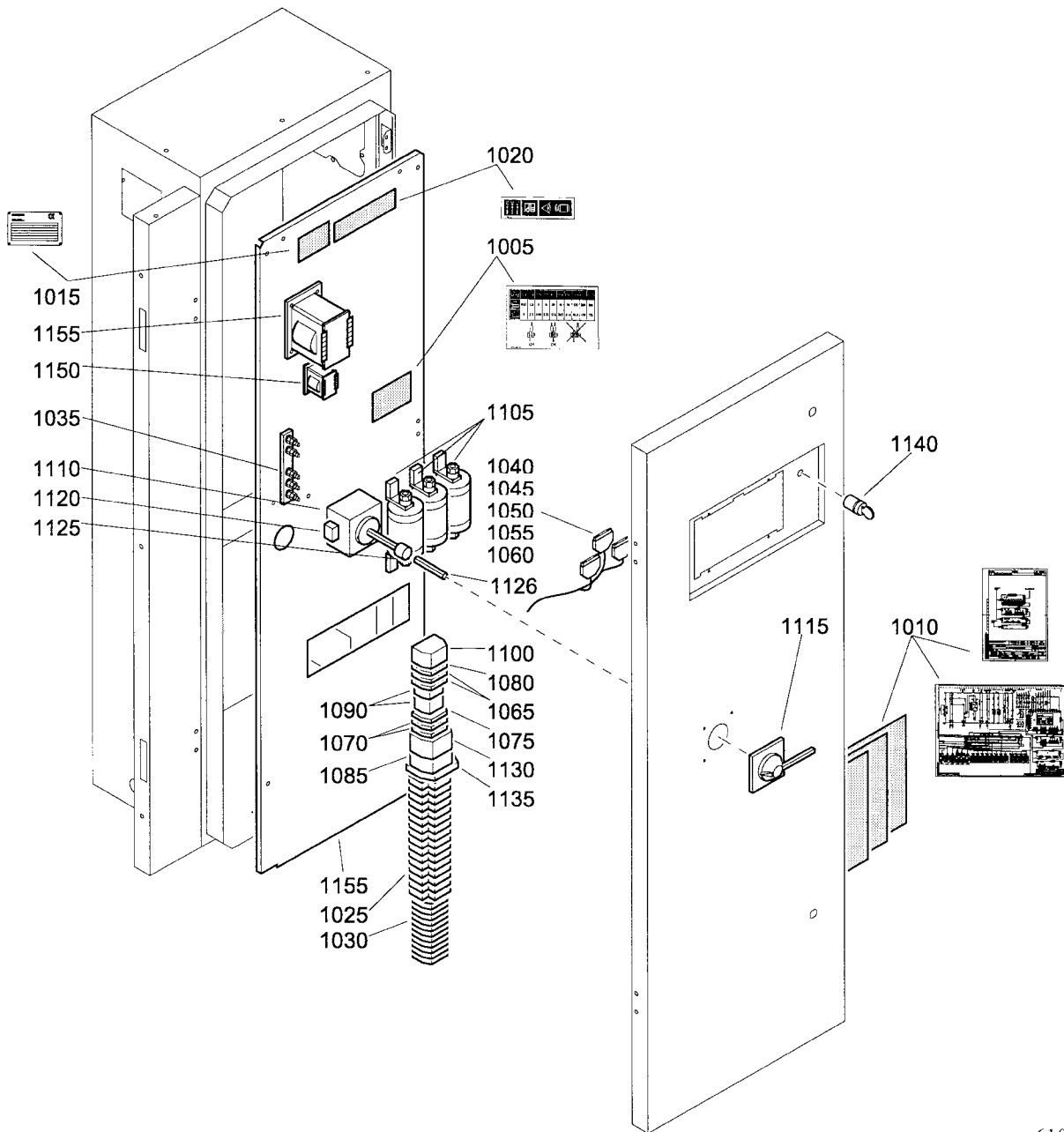


Bodywork

| Ref. | Part number | Qty | Name | Remarks | Ref. | Part number | Qty | Name | Remarks |
|-------------|---------------------|----------|---------------------|---------|-------------|---|----------|------------------------------|---------|
| 0240 | 1079 9920 29 | 1 | Label | | | | | | |
| 0245 | 1079 9920 30 | 1 | Label | | | | | | |
| 0250 | 1614 8057 01 | 1 | Data plate | | | | | | |
| 0260 | 0129 3104 00 | 4 | Blind rivet | | | | | | |
| 1005 | 1621 6525 80 | 1 | Frame | | | | | | |
| 1010 | 1621 3126 80 | 4 | Plate | 1) | | | | | |
| 1035 | 1621 6526 00 | 1 | Support | | | | | | |
| | 1621 6514 80 | 1 | Baffle | 2) | | | | | |
| 2010 | 1621 6514 00 | • 1 | Baffle | 2) | | | | | |
| 2015 | 1621 6515 00 | • 1 | Baffle | 2) | | | | | |
| 2030 | 1619 2795 00 | • AR | Rubber strip | | | | | | |
| | | • 2 | Strip | | | | | | |
| | 1613 1312 04 | | L=1180 | | | | | | |
| 2055 | 1619 2473 00 | • AR | Seal | | | | | | |
| 3035 | 1621 6536 80 | 1 | Side panels | 1) | | | | | |
| | 1079 9901 09 | • 1 | Label | | | | | | |
| 3036 | 1621 6509 80 | 1 | Side panel | 2) | | | | | |
| | 1079 9901 09 | • 1 | Label | | | | | | |
| 3037 | 1621 6510 80 | 1 | Side panel | 2) | | | | | |
| | 1079 9901 09 | • 1 | Label | | | | | | |
| 3125 | 1621 6524 80 | 1 | Roof | 2) | | | | | |
| | | • 1 | Strip | | | | | | |
| | 1613 1312 07 | | L=525 | | | | | | |
| | 1613 1312 25 | | L=720 | | | | | | |
| 3155 | 1621 6539 80 | 1 | Roof | 2) | | | | | |
| | | • 2 | Strip | | | | | | |
| | 1613 1312 09 | | L=750 | | | | | | |
| 3170 | 1079 9920 32 | 1 | Label | | | | | | |
| 4005 | 1621 6534 00 | • 1 | End panel | | | | | | |
| 4009 | | • 2 | Strip | | | | | | |
| | 1613 1312 34 | | L=1140 | | | | | | |
| 4026 | 1621 6523 00 | • 1 | End panel | | | | | | |
| 4085 | 0581 0000 86 | • 4 | Pipe coupling | | | | | | |
| 4110 | 1614 7293 00 | • 1 | Decal | | | | | | |
| 4115 | 1079 9913 79 | • 1 | Inform.label | | | | | | |
| 4120 | 1079 9913 69 | • 1 | Inform.label | | | | | | |
| | 1621 6537 80 | 1 | Front panels | 1)2) | | | | | |
| 5005 | 1621 6537 00 | • 1 | Front panel | | | | | | |
| 5015 | 1621 6547 00 | • 1 | Seal | | | | | | |
| 5035 | 1621 6538 00 | • 1 | Front panel | | | | | | |
| 5045 | 1621 6546 00 | • 1 | Seal | | | | | | |
| 5046 | 1621 6574 00 | • 1 | Seal | | | | | | |
| | | • 2 | Strip | | | | | | |
| | 1613 1312 11 | | L=925 | | | | | | |
| 6020 | 1621 6535 80 | 1 | Door | 1)2) | | | | | |
| | 1619 2665 00 | • AR | Seal | | | | | | |
| | | | | | 6030 | 1621 6535 82 | 1 | Door | 1)2) |
| | | | | | | 1619 2665 00 | • AR | Seal | |
| | | | | | | 0690 1132 01 | • 1 | House mark | |
| | | | | | 6035 | 1621 6535 83 | 1 | Door | 1)2) |
| | | | | | | 1619 2665 00 | • AR | Seal | |
| | | | | | 6065 | | 2 | Key | 1) |
| | | | | | | 1621 6535 81 | 1 | Door | 1)2) |
| | | | | | 7005 | | • 1 | Door | |
| | | | | | 7040 | 1619 2665 00 | • AR | Seal | |
| | | | | | 7045 | 0690 1132 01 | • 1 | House mark | |
| | | | | | 7050 | 1079 9901 29 | • 1 | Label | |
| | | | | | 7055 | 1613 5666 00 | • 1 | Decal | |
| | | | | | 8020 | 1621 6519 00 | 1 | Reducer | |
| | | | | | 8040 | 1621 6541 80 | 1 | Baffle | 2) |
| | | | | | 8041 | 1621 6575 00 | 1 | Cover | |
| | | | | | 8070 | 1621 6540 80 | 1 | Baffle | 2) |
| | | | | | 8095 | 1621 6543 00 | 2 | Bracket | |
| | | | | | 8110 | 1621 6527 80 | 1 | Exhaust duct | 2) |
| | | | | | | 1621 6521 80 | 1 | Air duct | 2) |
| | | | | | 9005 | 1621 6521 00 | • 1 | Air inlet | |
| | | | | | 9015 | 1621 6522 00 | • 1 | Foamholder | |
| | | | | | | | AR | Screw | |
| | | | | | | 0162 4322 00 | | M8 x 16 4.8 Zn. plated. | |
| | | | | | | | AR | Bolt | |
| | | | | | | 0147 1320 03 | | M8 x 12 8.8 Zn. plated. | |
| | | | | | | 0147 1323 03 | | M8 x 20 8.8 Zn. plated. | |
| | | | | | | 0147 1334 03 | | M8 x 70 8.8 Zn. plated. | |
| | | | | | | 1619 2766 00 | | M8 x 20 paint stripping. | |
| | | | | | | 1619 2766 02 | | M8 x 70 paint stripping. | |
| | | | | | | | AR | Washer | |
| | | | | | | 0301 2335 00 | | Ø 8.4 x 16 x 1.6 Zn. plated. | |
| | | | | | 1) | See / Zie / Se / Siehe / Voir / Véase / Vedere / Se / Ver / Se / Katso | | | |
| | | | | | | Service kits | | | |
| | | | | | | 2906 0300 00 | | Hinge replacement kit | |
| | | | | | 2) | Lined with / Bekleed met / Beklädd med / Ausgekleidet mit / Garnir de / Rivestido de / Allineato con / Foret med / Revestido com / Kledd med / Vuorattu : | | | |
| | | | | | | Foam : 1079 0003 32 (AR) 50 x 2000 x 1500 self-adhesive | | | |

11

Control panel



61076_12

61076_12

| Ref. | Partnumber | Qty | Name | Remarks | Ref. | Part number | Qty | Name | Remarks |
|------|---------------------|----------|-----------------------|--------------|------|----------------|-----|-------------------|---------|
| | 1900 3014 01 | 1 | Control panel | | 1080 | 1089 9203 03 • | 1 | Circuit breaker | |
| 1005 | 1079 9906 09 • | 1 | Label | | 1085 | 1089 9438 10 • | 1 | Relay | |
| 1010 | 9823 1897 21 • | 1 | Set "Service diagram" | | 1090 | 1089 9438 04 • | 2 | Relay | |
| 1015 | 1613 6639 00 • | 1 | Data plate | | 1100 | 1089 9277 02 • | 1 | Time relay | |
| 1020 | 1079 9901 68 • | 1 | Label | | 1105 | 1089 9363 33 • | 3 | Fuse | |
| 1025 | 1089 0506 09 • | 67 | Terminal | Grey | 1110 | 1089 9337 09 • | 1 | Switch | |
| 1030 | 1089 0506 27 • | 11 | Terminal | Yellow/green | 1115 | 1089 9337 28 • | 1 | Handle | |
| 1035 | 1900 0003 02 • | 1 | Earth rail | | 1120 | 1089 0362 71 • | 1 | Auxiliary contact | |
| 1040 | 1088 0024 04 • | 1 | Connector | 1 x 4 Green | 1125 | 1089 9337 60 • | 1 | Coupling piece | |
| 1045 | 1088 0024 10 • | 1 | Connector | 1 x 10 Green | 1126 | 1089 9337 29 • | 1 | Extension rod | |
| 1050 | 1088 0024 18 • | 1 | Connector | 1 x 18 Green | 1130 | 1089 9416 25 • | 1 | Circuit breaker | |
| 1055 | 1088 0000 06 • | 7 | Connector | 1 x 6 Green | 1135 | 1089 0609 05 • | 1 | Switch | |
| 1060 | 1088 0024 02 • | 2 | Connector | 1 x 2 Green | 1140 | 1089 9082 24 • | 1 | Key switch | |
| 1065 | 1089 9203 10 • | 2 | Circuit breaker | | 1145 | 1089 9436 08 • | 1 | Transformer | |
| 1070 | 1089 9203 11 • | 1 | Circuit breaker | | 1150 | 1089 9436 12 • | 1 | Transformer | |
| 1075 | 1089 9203 02 • | 2 | Circuit breaker | | 1155 | 1621 6542 00 • | 1 | Mounting plate | |

Service kits

| Ref. | Partnumber | Qty | Name | Remarks | Ref. | Partnumber | Qty | Name | Remarks |
|------|---------------------|----------|---|---------|------|---------------------|-----|--------------------------------|---------|
| | 2906 0300 00 | 1 | Hinge replacement kit | | | 0663 2107 76 • | 3 | O-ring | |
| | 0162 4322 00 • | 16 | Screw | | | 0663 2107 80 • | 1 | O-ring | |
| | 1089 9068 01 • | 1 | Key | | | 0663 2107 81 • | 2 | O-ring | |
| | 1089 9154 02 • | 1 | Key | | | 0663 2107 86 • | 3 | O-ring | |
| | 1202 7125 00 • | 1 | Lock | | | 0663 2107 89 • | 1 | O-ring | |
| | 1614 8166 00 • | 1 | Hinge | | | 0686 3716 01 • | 4 | Plug | |
| | 1614 8167 00 • | 1 | Hinge | | | 9125 6303 00 • | 1 | Seal washer | |
| | 1614 8212 00 • | 1 | Hinge | | | | | | |
| | 1614 8213 00 • | 1 | Hinge | | | 2906 0388 00 | | Gearcasing seal kit | |
| | 1614 8214 00 • | 2 | Hinge | | | 0661 1000 25 • | 1 | Seal washer | |
| | 1614 8215 00 • | 2 | Hinge | | | 0661 1000 31 • | 5 | Seal washer | |
| | 1615 2242 00 • | 8 | Bracket | | | 0663 2104 37 • | 4 | O-ring oilsight glass | |
| | 1619 7704 00 • | 1 | Lock | | | 0663 2107 59 • | 1 | O-ring | |
| | 2255 2059 00 • | 2 | Lock | | | 0663 2107 81 • | 4 | O-ring | |
| | 2255 2478 00 • | 1 | Lock | | | | | | |
| | 2906 0314 00 | | Intercooler drain valve kit | | | 2906 0390 00 | | Check valve kit | |
| | 0661 1000 25 • | 1 | Seal washer | | | 0663 2107 49 • | 1 | O-ring | |
| | 0663 2107 82 • | 1 | O-ring | | | 0663 2107 50 • | 3 | O-ring | |
| | 0663 2107 85 • | 1 | O-ring | | | 0663 2107 79 • | 1 | O-ring | |
| | 1202 3739 00 • | 1 | Diaphragm | | | 0663 2107 80 • | 1 | O-ring | |
| | 1202 4818 00 • | 1 | Insert dia 5 mm | | | 1621 3467 00 • | 1 | Valve seat | |
| | | | | | | 2001 0217 00 • | 1 | Valve | |
| | | | | | | 2001 0225 00 • | 1 | Bushing | |
| | | | | | | 2250 5579 00 • | 1 | Spring | |
| | 2906 0373 00 | | Oilpump kit | | | 2906 0391 00 | | Inlet valve service kit | |
| | 0101 1951 36 • | 1 | Pin | | | 0663 2107 90 • | 1 | O-ring | |
| | 0102 0244 00 • | 1 | Pin | | | 1613 4036 00 • | 1 | Membrane | |
| | 0337 0009 24 • | 1 | Parallel key | | | 1613 5723 00 • | 1 | Gasket | |
| | 0663 2106 16 • | 1 | O-ring | | | 1621 0032 00 • | 1 | Diaphragm | |
| | 1616 5439 00 • | 1 | Ring | | | | | | |
| | 1616 6126 00 • | 1 | Eccentric ring | | | 2906 0393 00 | | Air/oil filter kit | |
| | 1616 6127 00 • | 1 | Pump element | | | 0661 1000 25 • | 1 | Washer | |
| | 1616 6294 00 • | 1 | Key (ZR 110-145) | | | 0661 1000 30 • | 1 | Seal washer | |
| | | | | | | 0661 1000 31 • | 1 | Seal washer | |
| | 2906 0380 00 | | Aftercooler drain valve kit | | | 0663 2107 84 • | 1 | O-ring | |
| | 0661 1000 25 • | 1 | Seal washer | | | 1614 8673 00 • | 1 | Safety filter element | |
| | 0663 2107 82 • | 1 | O-ring | | | 1614 8747 99 • | 1 | Oil filter element | |
| | 0663 2107 85 • | 1 | O-ring | | | 1619 2689 00 • | 1 | Inlet valve filter plug | |
| | 1202 3739 00 • | 1 | Diaphragm | | | 1621 0094 99 • | 1 | Air filter element | |
| | 1614 7735 00 • | 1 | Insert dia 2 mm | | | 2906 6255 01 • | 1 | Gearcase breather filter | |
| | | | | | | | | | |
| | 2906 0386 00 | | LP compressor element exchange kit | | | 2906 0394 00 | | Intercooler service kit | |
| | 0661 1000 25 • | 7 | Gasket | | | 0661 1000 25 • | 2 | Gasket | |
| | 0661 1000 29 • | 1 | Gasket | | | 0663 2107 53 • | 1 | O-ring | |
| | 0661 1000 30 • | 1 | Seal washer | | | 0663 2107 54 • | 1 | O-ring | |
| | 0663 2103 24 • | 1 | O-ring | | | 0663 2107 55 • | 1 | O-ring | |
| | 0663 2106 20 • | 1 | O-ring | | | 0663 2107 56 • | 2 | O-ring | |
| | 0663 2106 26 • | 1 | O-ring | | | 0663 2107 57 • | 1 | O-ring | |
| | 0663 2107 12 • | 1 | O-ring | | | 0663 2107 76 • | 3 | O-ring | |
| | 0663 2107 77 • | 1 | O-ring | | | 0686 3716 01 • | 2 | Drain plug | |
| | 0663 2107 81 • | 2 | O-ring | | | | | | |
| | 0663 2107 86 • | 5 | O-ring | | | 2906 0395 00 | | Aftercooler service kit | |
| | 0663 2107 89 • | 1 | O-ring | | | 0661 1000 25 • | 2 | Gasket | |
| | 0686 3716 01 • | 2 | Plug | | | 0663 2106 95 • | 2 | O-ring | |
| | 1621 3639 00 • | 1 | Gasket | | | 0663 2107 48 • | 1 | O-ring | |
| | 9125 6303 00 • | 1 | Seal washer | | | 0663 2107 51 • | 1 | O-ring | |
| | | | | | | 0663 2107 52 • | 1 | O-ring | |
| | 2906 0387 00 | | HP compressor element exchange kit | | | 0663 2107 56 • | 2 | O-ring | |
| | 0661 1000 25 • | 5 | Washer | | | 0663 2107 57 • | 1 | O-ring | |
| | 0661 1000 32 • | 1 | Washer | | | 0663 2107 58 • | 1 | O-ring | |
| | 0663 2103 20 • | 1 | O-ring | | | 0663 2107 76 • | 3 | O-ring | |
| | 0663 2106 58 • | 1 | O-ring | | | 0686 3716 01 • | 2 | Drain plug | |
| | 0663 2107 12 • | 1 | O-ring | | | | | | |

Service kits

| Ref. | Partnumber | Qty | Name | Remarks | Ref. | Partnumber | Qty | Name | Remarks |
|------|---------------------|-----|--------------------------------------|---------|------|---------------------|------|--|---------|
| | 2906 0396 00 | | Cooler cleaning kit | | | 2906 0432 00 | | Seal washer kit | |
| | 0661 1000 25 | • 6 | Seal washer | | | 0653 1041 00 | • 6 | Gasket | |
| | 0663 2102 89 | • 1 | O-ring | | | 0653 1062 00 | • 8 | Washer | |
| | 0663 2106 20 | • 1 | O-ring | | | 0653 1100 00 | • 3 | Washer | |
| | 0663 2106 26 | • 1 | O-ring | | | 0653 1124 00 | • 6 | Washer | |
| | 0663 2107 25 | • 2 | O-ring | | | 0653 1254 00 | • 4 | Gasket | |
| | 0663 2107 53 | • 1 | O-ring | | | 0653 1293 00 | • 5 | Gasket | |
| | 0663 2107 54 | • 1 | O-ring | | | 0661 1000 24 | • 4 | Seal washer | |
| | 0663 2107 55 | • 1 | O-ring | | | 0661 1000 25 | • 15 | Seal washer | |
| | 0663 2107 77 | • 1 | O-ring | | | 0661 1000 26 | • 8 | Seal washer | |
| | 0663 2107 81 | • 4 | O-ring | | | 0661 1000 27 | • 12 | Seal washer | |
| | 0663 2107 86 | • 6 | O-ring | | | 0661 1000 29 | • 4 | Seal washer | |
| | 0663 2108 00 | • 1 | O-ring | | | 0661 1000 30 | • 5 | Seal washer | |
| | 0686 3716 01 | • 2 | Drain plug | | | 0661 1000 31 | • 5 | Seal washer | |
| | 1621 3527 00 | • 1 | Gasket | | | 0661 1000 32 | • 2 | Seal washer | |
| | 2906 0395 00 | • 1 | Aftercooler service kit | | | 0661 1000 33 | • 3 | Seal washer | |
| | 2906 0499 00 | | Inlet valve bearing block kit | | | 2906 0397 00 | | A-maintenance kit One year | |
| | 0301 2178 01 | • 1 | Washer | | | 0653 1062 00 | • 2 | Gasket | |
| | 1621 0030 00 | • 1 | Ring | | | 2906 0314 00 | • 1 | Intercooler drain valve kit | |
| | 2254 7041 00 | • 1 | Liner | | | 2906 0380 00 | • 1 | Aftercooler drain valve kit | |
| | 2255 0022 00 | • 1 | Shaft | | | 8204 0940 18 | • 1 | Intercooler drain check valve | |
| | 2255 0038 00 | • 1 | Lock nut | | | 2906 0398 00 | | B-maintenance kit 8000h or every 2-years. | |
| | 2906 0510 00 | | Inlet valve overhaul kit | | | 0663 2107 49 | • 1 | O-ring check valve | |
| | 0335 1130 00 | • 1 | Circlip | | | 0663 2107 50 | • 3 | O-ring check valve | |
| | 0661 1000 25 | • 2 | Washer | | | 0663 2107 79 | • 1 | O-ring check valve | |
| | 0661 1000 26 | • 2 | Sealing washer | | | 0663 2107 80 | • 1 | O-ring check valve | |
| | 0663 2107 12 | • 1 | O-ring | | | 2250 5579 00 | • 1 | Spring check valve | |
| | 0663 2108 63 | • 1 | O-ring | | | 2906 0391 00 | • 1 | Inlet valve service kit | |
| | 1619 1847 00 | • 2 | Bearing | | | 2906 0397 00 | • 1 | One year maintenance kit | |
| | 1619 7087 00 | • 2 | Sleeve bearing | | | 2906 0499 00 | • 1 | Inlet valve bearing block kit | |
| | 1619 7142 00 | • 2 | Washer | | | 2906 0579 00 | | C-maintenance kit 16000h or every 4 years | |
| | 1621 0034 00 | • 2 | Pivot pin | | | 1616 5824 00 | • 1 | HP balance piston diaphragm | |
| | 1621 3639 00 | • 1 | Gasket | | | 1621 4016 00 | • 1 | Muffler | |
| | 2102 0067 00 | • 1 | Spring | | | 1621 6563 00 | • 8 | Drive coupling rubber | |
| | 2906 0391 00 | • 1 | Inlet valve service kit | | | 2906 0390 00 | • 1 | Check valve kit | |
| | 2906 0499 00 | • 1 | Inlet valve bearing block kit | | | 2906 0397 00 | • 1 | One year maintenance kit | |
| | 2906 0414 00 | | Drive shaft bearing kit | | | 2906 0510 00 | • 1 | Inlet valve overhaul kit | |
| | 0335 1147 00 | • 1 | Circlip | | | | | | |
| | 0335 2169 00 | • 1 | Circlip | | | | | | |
| | 0502 1090 55 | • 1 | Ball bearing | | | | | | |
| | 0508 1100 50 | • 1 | Roller bearing | | | | | | |
| | 0661 1015 00 | • 4 | Seal washer | | | | | | |
| | 0663 2107 47 | • 1 | O-ring | | | | | | |
| | 2906 0425 00 | | HP discharge silencer kit | | | | | | |
| | 0663 2107 49 | • 1 | O-ring | | | | | | |
| | 0663 2107 50 | • 3 | O-ring | | | | | | |
| | 1621 3810 02 | • 1 | Silencer insert | | | | | | |
| | 1621 3925 00 | • 1 | Glass wool | | | | | | |
| | 2906 0419 00 | | Drive shaft sealring kit | | | | | | |
| | 0661 1015 00 | • 4 | Seal washer | | | | | | |
| | 0663 2107 47 | • 1 | O-ring | | | | | | |
| | 1616 6202 00 | • 1 | Seal arrangement | | | | | | |